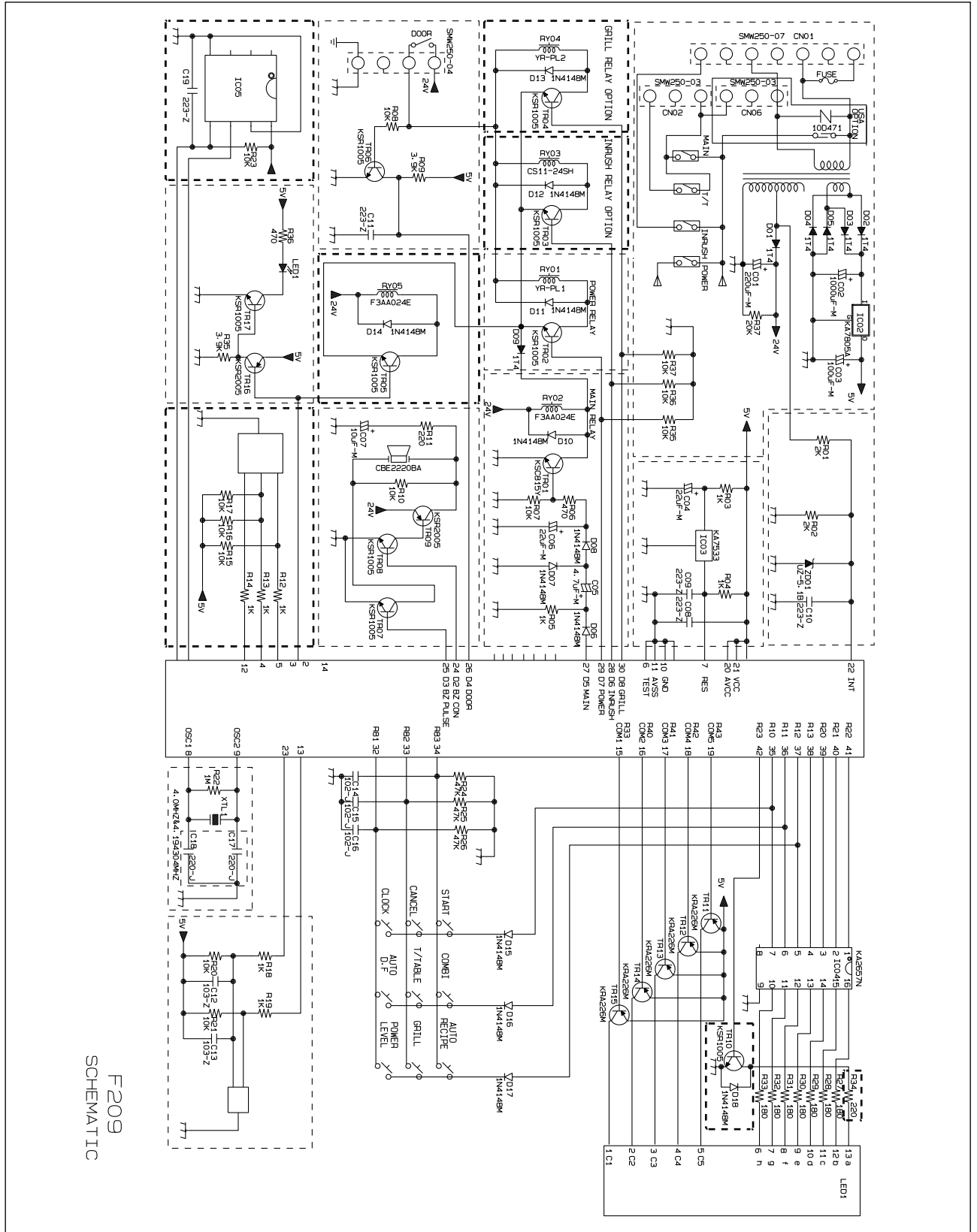


# 8. P.C.B Diagrams

## 8-1 P.C.B Diagrams

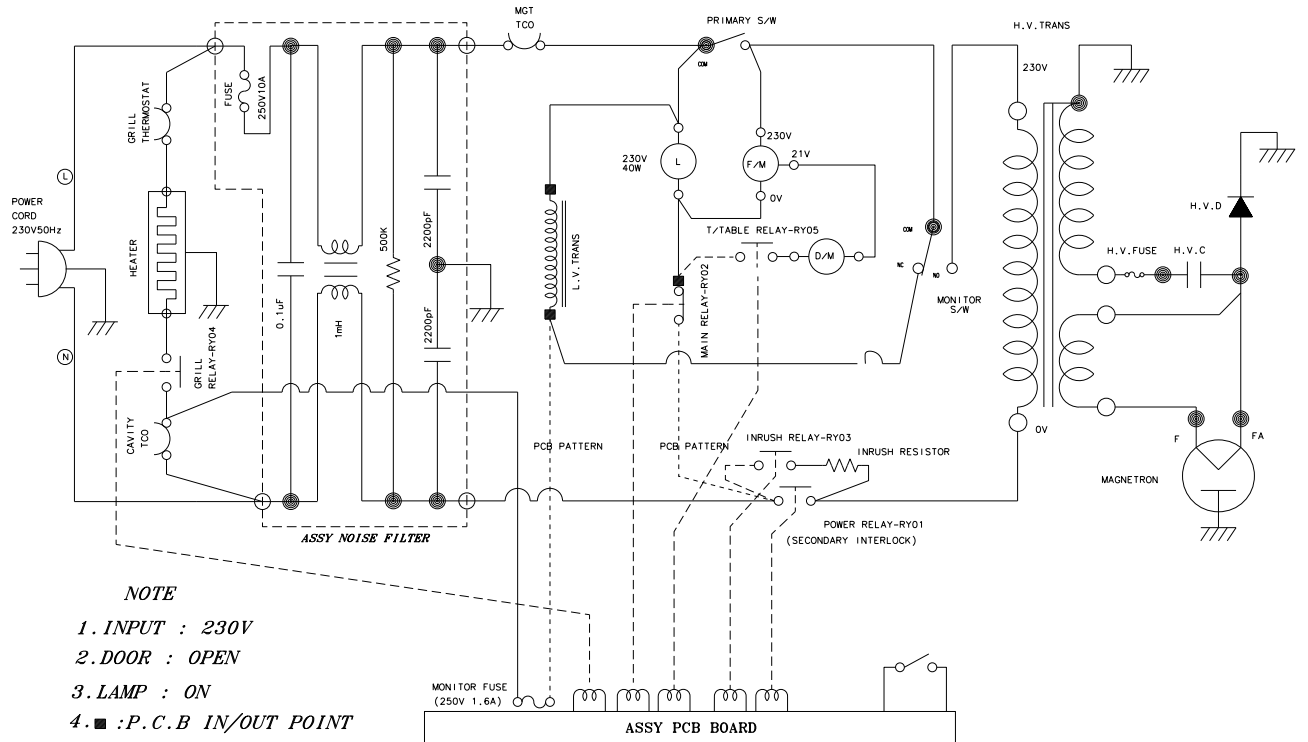


# 9. Schematic Diagrams

## 9-1 Schematic Diagrams

NOTE: CIRCUIT SHOWN WITH DOOR IS OPENED POSITION.  
 NOTE: FOR SERVICE REPLACEMENT USE 16 GA 105°C THERMOPLASTIC COVERED WIRE EXCEPT FOR HIGH VOLTAGE LEADS OR AS NOTED ON SPECIAL LEADS.

**WARNING**  
 POWER MUST BE DISCONNECTED BEFORE SERVICING THIS APPLIANCE



- NOTE**
1. INPUT : 230V
  2. DOOR : OPEN
  3. LAMP : ON
  4. ■ : P.C.B IN/OUT POINT

