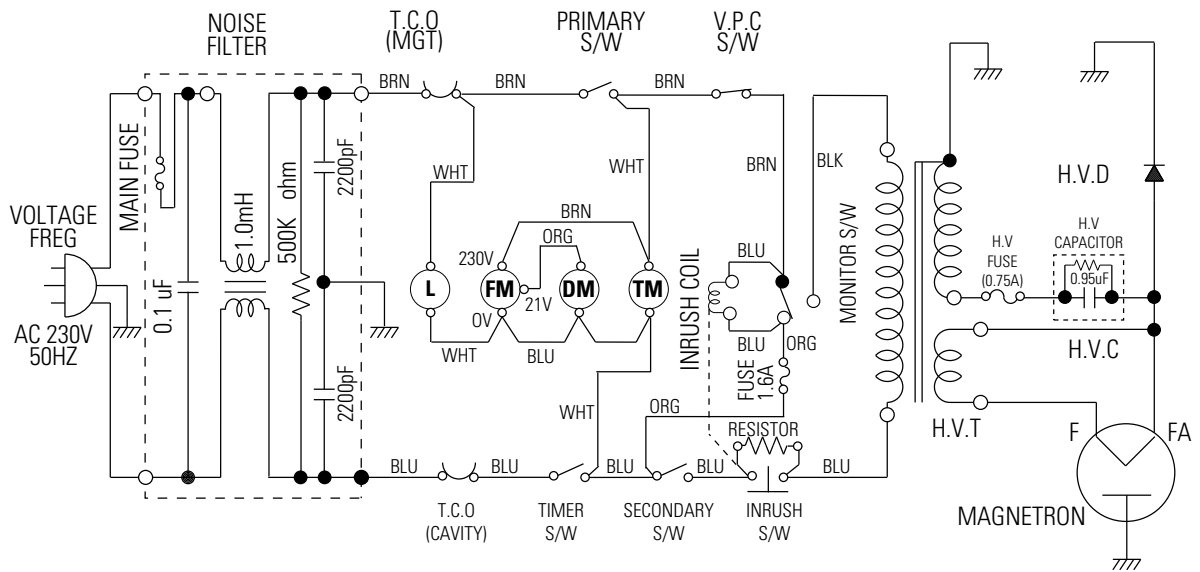


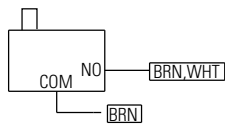
8. Wiring Diagram

Wiring Diagram

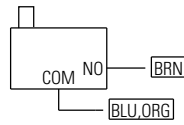


NOTE

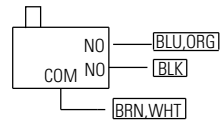
DOOR IS OPENS	
BRN	BROWN
BLU	BLUE
ORG	ORANGE
WHT	WHITE
BLK	BLACK



PRIMARY LATCH S/W

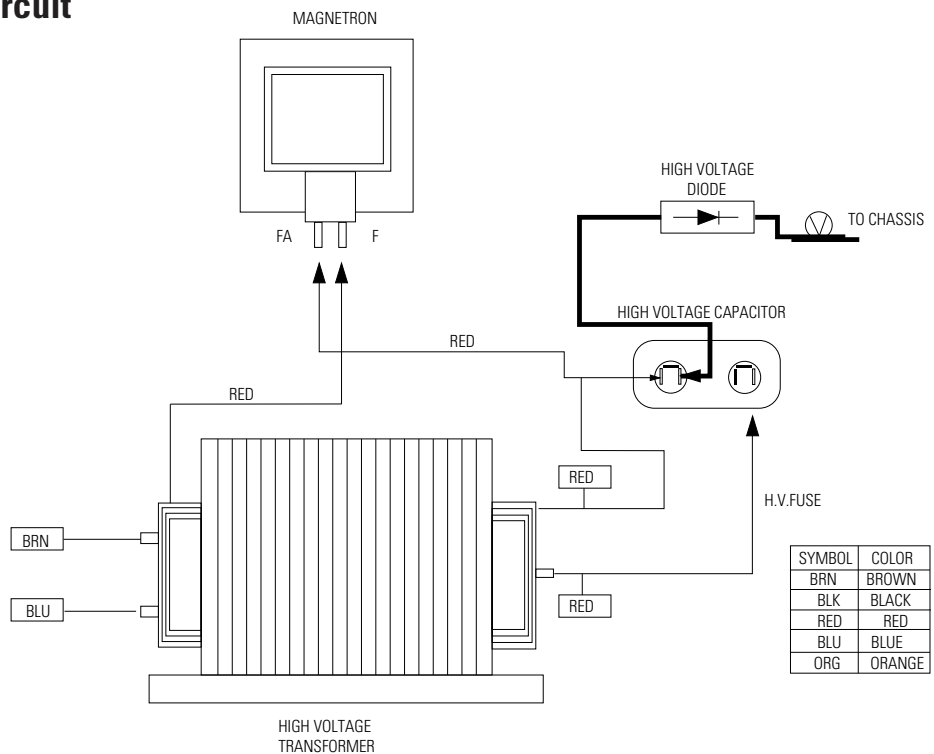


SECONDARY LATCH S/W



MONITOR LATCH S/W

High Voltage Circuit



SYMBOL	COLOR
BRN	BROWN
BLK	BLACK
RED	RED
BLU	BLUE
ORG	ORANGE