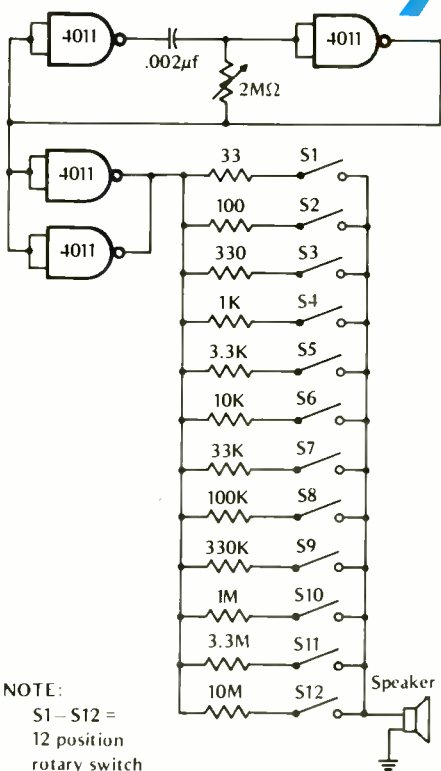


Hearing tester

9



NOTE:

S1 - S12 =
12 position
rotary switch

Is your tv set turned up louder than anyone else's? Do others hear sounds you can't? You can test your hearing with this handy hearing tester. A built-in variable tone generator lets you set the frequency from about 400 Hz to 20 kHz. Then just turn the selector switch through each of 12 positions. Each switch advance reduces the sound by 10 dB. By comparing the switch position at which the sound becomes inaudible to you with the positions for others, you can get a good idea of how your hearing stacks up.

For best results, use a 100-ohm speaker. If you can't obtain a 12-position rotary switch, use 12 SPST switches. A nine-volt battery will power the tester adequately.