

Service Manual

Vela Ventilator Systems

Warranty

THE Vela ventilator systems are warranted to be free from defects in material and workmanship and to meet the published specifications for two (2) years or 8,000 hours, whichever occurs first. The turbine only is warranted to be free from defects in material or workmanship for five (5) years or 40,000 hours whichever occurs first.

The liability of VIASYS Healthcare, Critical Care Division, (referred to as the Company) under this warranty is limited to replacing, repairing or issuing credit, at the discretion of the Company, for parts that become defective or fail to meet published specifications during the warranty period; the Company will not be liable under this warranty unless (A) the Company is promptly notified in writing by Buyer upon discovery of defects or failure to meet published specifications; (B) the defective unit or part is returned to the Company, transportation charges prepaid by Buyer; (C) the defective unit or part is received by the Company for adjustment no later than four weeks following the last day of the warranty period; and (D) the Company's examination of such unit or part shall disclose, to its satisfaction, that such defects or failures have not been caused by misuse, neglect, improper installation, unauthorized repair, alteration or accident.

Any authorization of the Company for repair or alteration by the Buyer must be in writing to prevent voiding the warranty. In no event shall the Company be liable to the Buyer for loss of profits, loss of use, consequential damage or damages of any kind based upon a claim for breach of warranty, other than the purchase price of any defective product covered hereunder.

The Company warranties as herein and above set forth shall not be enlarged, diminished or affected by, and no obligation or liability shall arise or grow out of the rendering of technical advice or service by the Company or its agents in connection with the Buyer's order of the products furnished hereunder.

Limitation of Liabilities

This warranty does not cover normal maintenance such as cleaning, adjustment or lubrication and updating of equipment parts. This warranty shall be void and shall not apply if the equipment is used with accessories or parts not manufactured by the Company or authorized for use in writing by the Company or if the equipment is not maintained in accordance with the prescribed schedule of maintenance.

The warranty stated above shall extend for a period of FIVE (5) years from date of shipment or 40,000 hours of use, whichever occurs first, with the following exceptions:

1. Components for monitoring of physical variables such as temperature, pressure, or flow are warranted for ninety (90) days from date of receipt.
2. Elastomeric components and other parts or components subject to deterioration, over which the Company has no control, are warranted for sixty (60) days from date of receipt.
3. Internal batteries are warranted for ninety (90) days from the date of receipt.

The foregoing is in lieu of any warranty, expressed or implied, including, without limitation, any warranty of merchantability, except as to title, and can be amended only in writing by a duly authorized representative of the Company.

Contents

Revision History	2
<i>Warranty</i>	<i>3</i>
Limitation of Liabilities.....	3
Notices	9
<i>Copyright Notice.....</i>	<i>9</i>
<i>Trademark Notices.....</i>	<i>9</i>
<i>EMC Notice.....</i>	<i>9</i>
<i>MRI Notice</i>	<i>10</i>
<i>Intended Use Notice</i>	<i>10</i>
<i>Regulatory Notice</i>	<i>10</i>
<i>IEC Classification</i>	<i>10</i>
<i>Declaration of Conformity Notice.....</i>	<i>10</i>
Safety Information	11
<i>Terms.....</i>	<i>11</i>
<i>Warnings</i>	<i>11</i>
<i>Cautions</i>	<i>12</i>
Equipment Symbols	13
Chapter 1 Introduction	15
<i>General Instructions.....</i>	<i>15</i>
<i>Recommended Tools & Equipment.....</i>	<i>15</i>
<i>Recommended Maintenance Schedules.....</i>	<i>16</i>
Schedules.....	16
Chapter 2 Theory of Operation.....	17
<i>General Device Description</i>	<i>17</i>
<i>Pneumatic System Overview</i>	<i>17</i>
Flow Delivery System	17
Exhalation System	17
Safety System	18
Inspiratory Hold Valve.....	18
<i>Oxygen Blending System.....</i>	<i>18</i>
<i>Electronic Overview.....</i>	<i>18</i>

User interface module (UIM)	18
Power System	20
Main Controller System	20
The Watchdog Timer and Hardware Fault.....	21
Exhalation System.....	21
Flow Delivery System	21
Oxygen Blending System	22
Chapter 3 Disassembly & Assembly.....	23
General Instructions and Warnings.....	23
Required Tools	24
Disassembly and Reassembly Procedures.....	24
Power Cable	24
Top Cover Part number 15893	25
Battery Tray Part Number 10633.....	26
PCMCIA Cards	28
Left Panel.....	28
Right Panel Containing the Power PCB P/N 15894	29
Front Panel Part number 15869.....	32
Parts List – Front Panel Part Number 15869.....	33
Main PCB (on Front Panel) P/N 52130	34
Flow Sensor PCB assembly P/N 15991	37
Exhalation Valve Assembly P/N 15871	38
Inspiratory Hold Solenoid and Check Valve Assembly P/N 10346.....	39
Manifold Base assembly.....	40
Oxygen Sensor part number 15972	43
Rear Panel part number 15892	44
Turbine and Muffler Assembly	47
Over Pressure Relief Valve assembly	48
Turbine Motor Driver PCB part number 71597.....	49
Muffler/Filter Assemblies part number 10364	50
Removal	50
Blender Assembly Part Number 15895.....	51
Fan Assembly part number 15500	53
Chapter 4 Operational Verification and Calibration	55

Operational Verification Testing.....	55
Lamp Test.....	56
Switch Test.....	56
Alarm Test.....	57
Filter Test.....	57
Leak Test.....	58
Exit.....	58
Extended Functions.....	59
Events.....	60
Transducer Data.....	61
Transducer Tests.....	62
Version Information.....	64
Date & Time.....	65
FiO2 Calibration.....	66
Ventilator Setup.....	66
Low Min Volume Off.....	67
Locks Disabled.....	68
FiO2 Monitor Disabled.....	68
Altitude Adjustment.....	69
Language Selection.....	70
Verification tests.....	71
Vela Ventilator Performance Checklist.....	73
Calibration.....	75
Test Set-up.....	75
Power Up Verification/Service Verification Tests.....	75
Exhalation Pressure Transducer.....	77
Turbine Pressure Transducer.....	78
Exhalation Flow Transducer Calibration.....	80
Oxygen Pressure Transducer Calibration.....	81
Regulator calibration:.....	83
Oxygen Sensor Calibration.....	86
Chapter 5 Maintenance & Troubleshooting.....	89
Routine Maintenance Procedures.....	89
Replacing the software PCMCIA cards.....	89
Replacing the external A/C fuses.....	90

<i>The Annual 5000 hour P.M. Procedure</i>	91
Replacing the ambient air filter	91
Replacing the fan filter	91
Replacing the filter, retaining ring & check valve on the low pres O2 fitting	92
Replacing the filter, retaining ring and check valve on the hi pressure fitting	92
Replacing the muffler and muffler filter assemblies	93
Replacing the left panel w/power PCB	95
<i>Troubleshooting</i>	96
If The Ventilator Does not Turn ON	96
<i>Reviewing the Transducer Waveforms</i>	97
Appendix A Contact & Ordering Information	99
<i>How to Call for Support</i>	99
<i>Ordering Parts</i>	100
Appendix B Diagrams & Schematics	101
Appendix C Specifications	105
<i>Oxygen Supply</i>	105
High Pressure Connector	105
Low Pressure Connector	105
<i>Electrical Supply</i>	105
AC Power Supply	105
DC Power Supply	105
<i>Data Input / Output</i>	106
Analog Inputs	106
Analog Outputs.....	106
Digital Communication.....	107
Printer	107
Remote Nurse Call	107
Video Output	107
<i>Atmospheric & Environmental Specifications</i>	107
Temperature and Humidity	107
Barometric Pressure	108
<i>Physical Dimensions</i>	108
Overall Size	108
Weight	108

Appendix D Service Event Codes 109
Appendix E Error MessagesError! Bookmark not defined.
Glossary 112
Index 114

Notices

Copyright Notice

Copyright © 2001 VIASYS Healthcare, Critical Care Division, California.

This work is protected under Title 17 of the U.S. Code and is the sole property of the Company. No part of this document may be copied or otherwise reproduced, or stored in any electronic information retrieval system, except as specifically permitted under U.S. Copyright law, without the prior written consent of the Company. For more information, contact:

World Headquarters

1100 Bird Center Drive
Palm Springs, CA 92262-8099
U.S.A.
Phone: (760) 778-7200
(800) 328-4139
Fax: (760) 778-7274
www.ViasysCriticalCare.com

European Office

Rembrandtlaan 1b
3723 BG Bilthoven
P.O. Box 299, 3720 AG Bilthoven
The Netherlands
Phone: (31) 30 2289 711
Fax: (31) 30 2286 244

Trademark Notices

Vela[®] is a registered trademark of VIASYS Healthcare, Critical Care Division in the U.S. and some other countries. All other brand names and product names mentioned in this manual are trademarks, registered trademarks, or trade names of their respective holders.

EMC Notice

This equipment generates, uses, and can radiate radio frequency energy. If not installed and used in accordance with the instructions in this manual, electromagnetic interference may result. The equipment has been tested and found to comply with the limits set forth in EN60601-1-2 for Medical Products. These limits provide reasonable protection against electromagnetic interference when operated in the intended use environments described in this manual.

The ventilator has been tested to conform to the following specifications:

MIL-STD-461D:1993, MIL-STD-462D:1993, EN55011:1991, IEC 1000-4-2:1994, IEC 1000-4-3:1994, IEC 1000-4-4:1994, IEC 1000-4-5:1994, QUASI-STATIC:1993

This ventilator is also designed and manufactured to comply with the safety requirements of IEC 601-1, IEC 601-2-12, CAN/CSA-C22.2 No. 601.1-M90, and UL 2601-1.

MRI Notice

This equipment contains electromagnetic components whose operation can be affected by intense electromagnetic fields.

Do not operate the ventilator in a MRI environment or in the vicinity of high-frequency surgical diathermy equipment, defibrillators, or short-wave therapy equipment. Electromagnetic interference could disrupt the operation of the ventilator.

Intended Use Notice

The Vela Ventilators are designed to provide ventilator support for the critical care management of infant, pediatric or adult patients with compromised lung function. They are intended to provide continuous respiratory support in an institutional health care environment. **They should only be operated by properly trained clinical personnel, under the direction of a physician.**

Regulatory Notice

Federal law restricts the sale of this device except by or on order of a physician.

IEC Classification

Type of Equipment: Medical Equipment, Class 1 type B
Adult/Pediatric/Infant Lung Ventilator

Declaration of Conformity Notice

This medical equipment complies with the Medical Device Directive, 93/42/EEC, and the following Technical Standards, to which Conformity is declared:

EN60601-1
EN60601-1-2
ISO 9001, EN 46001

EU Notified Body:

BSI (Reg. No. 0086)

Tradenames:

Vela



If you have a question regarding the Declaration of Conformity for this product, please contact VIASYS Healthcare, Critical Care Division at the number given in Appendix A.

Safety Information

Please review the following safety information prior to operating the ventilator. Attempting to operate the ventilator without fully understanding its features and functions may result in unsafe operating conditions.

Warnings and Cautions which are general to the use of the ventilator under all circumstances are included in this section. Some Warnings and Cautions are also inserted within the manual where they are most meaningful.

Notes are also located throughout the manual to provide additional information related to specific features.

If you have a question regarding the installation, set up, operation, or maintenance of the ventilator, contact VASYS Healthcare Customer Care as shown in Appendix A, Contact & Ordering Information.

Terms

WARNINGS	identify conditions or practices that could result in serious adverse reactions or potential safety hazards.
CAUTIONS	identify conditions or practices that could result in damage to the ventilator or other equipment.
NOTES	identify supplemental information to help you better understand how the ventilator works.

Warnings

Warnings and Cautions appear throughout this manual where they are relevant. The Warnings and Cautions listed here apply generally any time you operate the ventilator.

- The Vela Ventilator is intended for use by a trained practitioner under the direction of a qualified physician.
- When the ventilator is connected to a patient, a trained health care professional should be in attendance at all times to react to an alarm or other indications of a problem.
- Alarm loudness must be set above ambient sound in order to be heard.
- Always have an alternate means of ventilation available whenever the ventilator is in use.
- The operator should not touch the electrical connectors of the ventilator or accessories, and the patient simultaneously.
- Due to possible explosion hazard, the ventilator should not be used in the presence of flammable anesthetics.
- An audible alarm indicates an anomalous condition and should never go unheeded.
- Anti-static or electrically conductive hoses or tubing should not be used within the patient circuit.
- If a mechanical or electrical problem is recognized while running the Operational Verification Tests, or while operating the ventilator, the ventilator must be removed from use and referred to qualified personnel for servicing. Using an inoperative ventilator may result in patient injury.

- When a low gas supply alarm occurs, the oxygen concentration delivered to the patient will differ from that set on the O2 control setting.
- A source gas failure will change the FIO2 and may result in patient injury.
- The functioning of this equipment may be adversely affected by the operation of other equipment nearby, such as high frequency surgical (diathermy) equipment, defibrillators, short-wave therapy equipment, "walkie-talkies," or cellular phones.
- Water in the air supply can cause malfunction of this equipment.
- Do not block or restrict the Oxygen bleed port located on the instrument back panel. Equipment malfunction may result.
- Electric shock hazard - Do not remove any of the ventilator covers or panels. Refer *all* servicing to an authorized VIASYS Healthcare service technician.
- A protective ground connection by way of the grounding conductor in the power cord is essential for safe operation. Upon loss of protective ground, all conductive parts including knobs and controls that may appear to be insulated, can render an electric shock. To avoid electrical shock, plug the power cord into a properly wired receptacle, use only the power cord supplied with the ventilator, and make sure the power cord is in good condition.

Cautions

The following cautions apply any time you work with the ventilator.



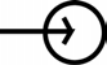












- When replacing fuses, ensure that new fuses are of the same type and value as those being replaced. Incorrect fuses can cause damage to the ventilator.
- A battery that is fully drained (i.e. void of any charge) may cause damage to the ventilator and should be replaced.
- All accessory equipment that is connected to the ventilator must comply with CSA/IEC601/UL2601.
- To avoid damage to the equipment, clean the air filter regularly.

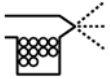


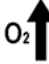


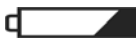
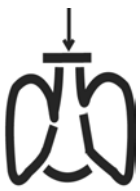


The following cautions apply when cleaning the ventilator or when sterilizing ventilator accessories.

- Do not sterilize the ventilator. The internal components are not compatible with sterilization techniques.
- Do not gas sterilize or steam autoclave tubing adapters or connectors in place. The tubing will, over time, take the shape of the adapter, causing poor connection and possible leaks.
- DO NOT submerge the ventilator or pour cleaning liquids over or into the ventilator.

Equipment Symbols

The following symbols may be referenced on the ventilator or in accompanying documentation

Symbol	Source/Compliance	Meaning
	Symbol #03-02 IEC 60878	Indicates ATTENTION, consult ACCOMPANYING DOCUMENTS
	Symbol #5016 IEC 60417	This symbol indicates a FUSE.
	Symbol #5034 IEC 60417 Symbol #01-36 IEC 60878	This symbol indicates INPUT.
	Symbol #5035 IEC 60417 Symbol #01-37 IEC 60878	This symbol indicates OUTPUT
	Symbol #5019 IEC 60417 Symbol #01-20 IEC 60878	This symbol indicates protective EARTH (ground).
	Symbol #5021 IEC 60417 Symbol # 01-24 IEC 60878	This symbol indicates the EQUIPOTENTIAL connection used to connect various parts of the equipment or of a system to the same potential, not necessarily being the earth (ground) potential (e.g., for local bonding).
	Symbol # 5333 IEC 60417 Symbol #02-03 IEC 60878	This symbol indicates TYPE BH equipment, which indicates equipment that provides a particular degree of protection against electric shock, particularly with regards to allowable leakage current and reliability of the protective earth connection.
	Symbol #5032 IEC 60417 Symbol #01-14 IEC 30878	This symbol indicates the equipment is suitable for alternating current.
	Symbol# 5049 IEC 60417	This Symbol indicates the ON condition for a part of the equipment. When pressed the ventilator will operate from the MAINS voltage (if connected) or internal or external batteries if the battery charge is within operating specifications.
	Symbol #5007 IEC 60417 Symbol #01-01 IEC 60878	Indicates ON (Power)
	Symbol #5008 IEC 60417 Symbol #01-02 IEC 60878	Indicates OFF (Power)
	Symbol #0651 ISO 7000	Horizontal return with line feed. Indicates ACCEPT entered values for a specific field.
	Graphical Symbol in general use internationally for "DO NOT"	This symbol indicates CANCEL. Do not accept entered values. The ventilator continues to operate at previous settings.
	Symbol #5467 IEC 60417	Pressing the button with this symbol will FREEZE the current display.
	Symbol #5569 IEC 60417	This symbol indicates a CONTROL LOCK.

Symbol	Source/Compliance	Meaning
	VIASYS Healthcare symbol	This symbol represents a NEBULIZER.
	Symbol #5319 IEC 60417	This symbol indicates ALARM SILENCE
	Symbol #5307 IEC 60417	This symbol indicates ALARM RESET
	VIASYS Healthcare symbol	Increase OXYGEN
	VIASYS Healthcare symbol	Indicates VARIABLE ORIFICE FLOW SENSOR
	Symbol #5031 IEC 60417	This symbol indicates DIRECT CURRENT (DC)
	Symbol #5546 IEC 60417	This symbol indicates the INTERNAL BATTERY STATUS display
	VIASYS Healthcare symbol	This symbol indicates INSPIRATORY HOLD
	VIASYS Healthcare symbol	This symbol indicates EXPIRATORY HOLD
	VIASYS Healthcare symbol	This symbol indicates MANUAL BREATH

Chapter 1 Introduction

General Instructions

When disassembling or assembling the Vela, refer to the pneumatic schematic, tubing diagram, and the wiring diagram shown in Appendix B and the appropriate schematics and assembly drawings for each assembly. The illustrations shown in this manual are for reference only, current revisions of these diagrams and schematics are available to qualified personnel from VIASYS Healthcare, Critical Care Division, Technical Support.

Always take standard ESD precautions when working on Vela ventilator systems.

Ensure the ventilator is disconnected from the AC power supply before performing and repairs or maintenance. When you remove any of the ventilator covers or panels, immediately disconnect the internal battery “quick release” connector (see figure 3.1) before working on the ventilator.

Recommended Tools & Equipment

Note

Before using any test equipment [electronic or pneumatic] for calibration procedures, the accuracy of the instruments must be verified by a testing laboratory. The laboratory master test instruments must be traceable to the NIST (National Institute of Standards Technology) or equivalent.

When variances exist between the indicated and actual values, the calibration curves [provided for each instrument by the testing laboratory] must be used to establish the actual correct values. This certification procedure should be performed at least once every six months. More frequent certification may be required based on usage.

Long & short Philips screwdrivers	Pressure Manometer (cmH2O and psig)
Flat bladed screwdriver	Adult Test Lung P/N 33754
¼” Nut Driver	Adult Patient Circuit P/N 10684
5/16” Nut Driver	Variable Orifice Flow Sensor assembly P/N 15972
7/8” Nut Driver	Valve Body P/N 20005
11/32” Nut Driver	Tapered nipple P/N 00680
Digital Volt Meter	Hex nut P/N 00822
Tack puller or Needle nosed pliers	Regulator P/N 6754
Diagonal cutters	1/8” ID Tubing tee P/N 00358 D (10pk)
1” and ¾” open ended wrenches	1/8” ID silicone tubing P/N 04029 X (50ft)

Recommended Maintenance Schedules

Schedules

Every 500 hours , the fan and ambient air filters should be cleaned and replaced if necessary.

Every 5000 hours, VIASYS recommends that the following Preventive Maintenance procedure be performed (see chapter 4 for instructions). This procedure includes:

- Replacement of the fan filter, the ambient air filter, the cone filters in the high & low pressure gas inlets and the turbine mufflers/filter.
- Perform verification procedures described in Chapter 4
- Calibration of the transducers & solenoids if necessary.

Every 10,000 hours or every two years, whichever occurs sooner, the internal oxygen sensor should be replaced.

Maintenance on the Vela should only be carried out by a trained and authorized service technician. VIASYS Healthcare will make available to qualified technicians, service manuals and such items as circuit diagrams, component parts lists, calibration instructions and other information to assist in repair of those parts of the ventilator designated by the manufacturer as repairable items.

The drawings, diagrams and schematics included in this manual are for reference only and may be updated separately from this manual after publication. For current revisions of all documentation, contact VIASYS Healthcare Tech Support at the numbers provided in Appendix A.

Chapter 2 Theory of Operation

General Device Description

The Vela Ventilator uses a revolutionary turbine gas delivery system with sophisticated microprocessor control. Its Graphical User Interface provides support for pediatric to adult patients. The Vela can deliver clinically advanced modes of ventilation like Pressure Support and can be powered with an internal battery or AC power for an more extensive patient range.

Pneumatic System Overview

The Vela ventilator pneumatic system is electromechanical and is comprised of four major subsystems, each containing several components. These systems are the flow delivery system, the exhalation system, the safety system and the inspiratory hold valve. Individual subsystems are discussed in detail below.

Flow Delivery System

This electromechanical system controls all inspiratory flow to the patient. The system delivers flow to satisfy criteria for many breath types, including volume controlled, pressure controlled, and pressure supported. The system comprises a turbine, differential pressure transducer, 2 auto-zero valves, and an optical encoder speed transducer. When a breath is initiated, the controller controls the speed of the turbine to achieve the required flow rate.

The speed and differential pressure transducer signals function as control inputs to ensure that the proper flow rate is delivered even when backpressure varies. Periodically, the auto zero valves activate to reference both sides of the differential pressure transducer to ambient pressure. The offset is recorded by the controller, and is used as a correction for future pressure measurements. This compensates for long term and temperature drift. Materials exposed to patient gases include compatible plastics, aluminum, and plated steel.

Exhalation System

The exhalation system controls the flow of gas from the patient's lungs during the exhalation phase of a breath. This electromechanical subsystem is made up of an exhalation valve, a flow transducer, a differential pressure transducer, an airway pressure transducer, and three auto zero solenoid valves. During exhalation, the outflow of gases is regulated by the exhalation valve to achieve the set PEEP. The exhalation valve is comprised of an electromagnetic linear actuator operating against a mechanical poppet/seat. The gas flow travels through the flow transducer. The flow transducer is a variable orifice type and creates a differential pressure proportional to flow. This differential pressure is transmitted to the differential pressure transducer, which converts the pressure signal to an electrical signal. The controller uses this signal for flow triggering and to monitor exhaled tidal volume. The airway pressure transducer reads pressure in the exhalation leg of the patient circuit. This signal is used as a feedback signal for controlling PEEP, pressure control, pressure support, and various pressure monitors. Periodically, the auto zero valves activate to reference the differential and airway pressure transducers to ambient pressure. The offset is recorded by the controller, and is used as an offset for future pressure measurements. This compensates for long term and temperature drift. Materials exposed to patient gases include compatible plastics, aluminum, and stainless steel.

Safety System

The mechanical safety system ensures that the patient can breath spontaneously from room air and that the patient pressure is limited to a maximum preset value in the event of a ventilator malfunction. This mechanical system consists of a pressure relief valve and a sub ambient relief valve. In the event of a ventilator malfunction that results in high pressure, the pressure is limited by a relief valve. The relief valve consists of a user-adjustable, spring-loaded poppet acting against a seat.

In the event the ventilator fails to deliver a breath, the patient may inspire spontaneously by drawing room air through the sub ambient relief valve.

Materials exposed to patient gas are aluminum, compatible rubber, and compatible plastics.

Inspiratory Hold Valve

The inspiratory hold valve is an electromechanical solenoid valve. If activated, the inspiratory hold valve blocks flow between the flow delivery system and the patient. This valve is activate during inspiratory hold and maximum inspiratory pressure maneuvers. Materials exposed to patient gases are aluminum and compatible rubber and plastic.

Oxygen Blending System

The optional oxygen blending system is made up of an O2 Inlet Transducer, five solenoid valves, five flow orifices, an inlet filter, and an accumulator. When a breath is initiated, the turbine draws mixed gas from the accumulator. Filtered air is drawn into the accumulator through the filter. Oxygen is supplied to the accumulator through the solenoids and orifices. The controller opens and closes the valves as required to supply the correct amount of oxygen to satisfy the O2 setting and the flow demand. The signal from the O2 inlet pressure transducer is used to compensated delivered O2 for O2 inlet pressure variations. Surfaces exposed to patient gas are constructed from compatible plastics, plated steel, and aluminum.

There is also an optional oxygen inlet port, which allows for low-flow titration of oxygen into the gas output of this device.

Electronic Overview

The Vela ventilator electronic system is comprised of several subsystems, each containing numerous components. These subsystems are the GUI System, the Power System, the Main Controller System, and the Exhalation and Flow Delivery systems. Individual subsystems are discussed in detail.

User interface module (UIM)

The UIM consists of a 10.4-inch, 800x600 active matrix LCD with an analog resistive touch screen overlay, a back light inverter, a set of membrane key panels, an optical encoder, and a Control PCB. Software and the touch screen provide a set of context sensitive soft keys. The membrane panel provides a set of hard (permanent) keys for dedicated functions. Selecting the function with a soft key and adjusting the setting using the optical encoder changes a parameter. The parameter is accepted or canceled by pressing the appropriate membrane key.

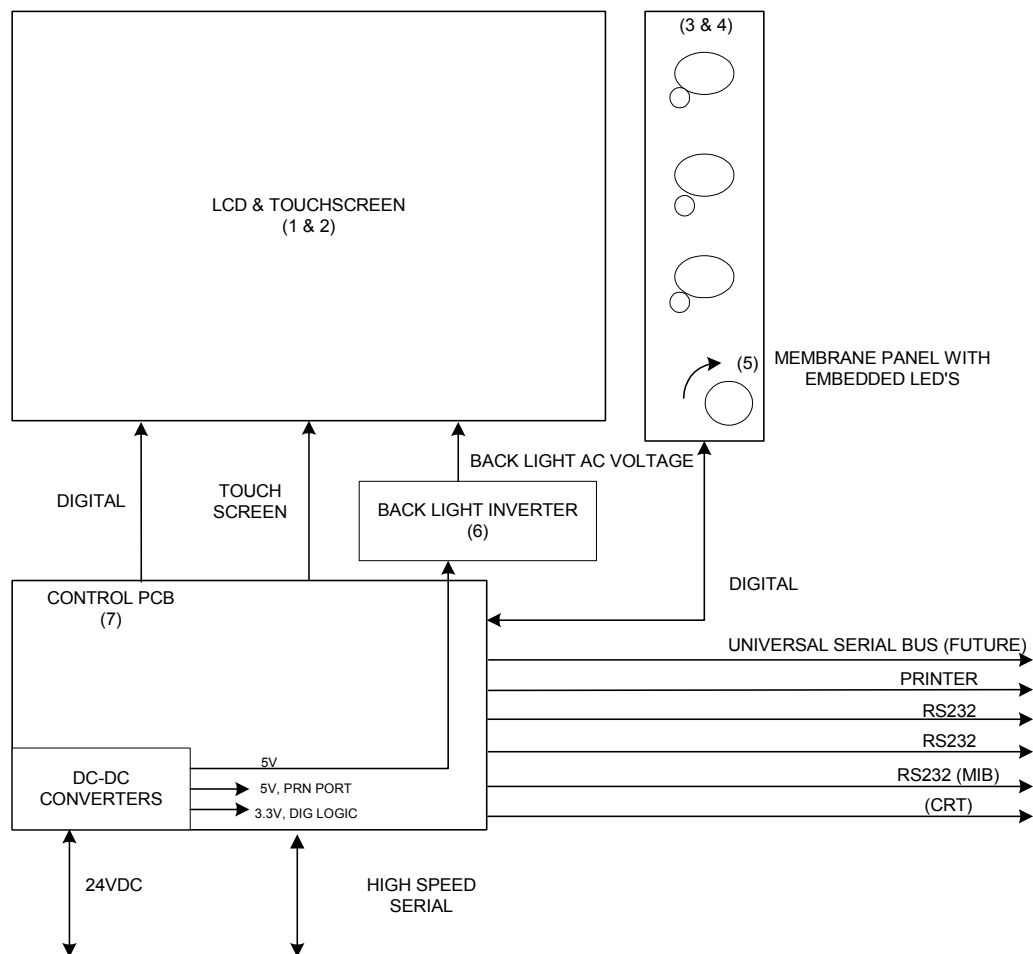


Figure 1 -- User Interface Design Module Block Diagram

The UIM performs all ventilator control functions, gas calculations, monitoring and user interface functions. The UIM uses a Graphical User Interface (GUI) via the active matrix SVGA LCD and resistive touch screen to provide system and patient information to the user and to allow the user to modify ventilator settings. The Monitor MCU handles all user interface requirements, including updating the active matrix liquid crystal display (LCD), monitoring the membrane keypad, analog resistive touch screen, and optical encoder for activity. The Monitor MCU also performs all the input/output functions of the UIM, including RS-232, printer, video output, and IEEE 1073 Medical Information Bus (MIB). Communication between the Control and Monitor MCU's is accomplished via an 8 bit dual port SRAM.

Liquid Crystal Display

The liquid crystal display (LCD) provides graphical and digital feedback to the clinician. The panel is a 10.4" SVGA, 800x600 pixel, active matrix LCD. The LCD is used to implement the graphical user interface (GUI). It provides all of the adjustable controls and alarms, as well as displays waveforms, loops, digital monitors and alarm status in real time.

Touch Screen

The touch screen is a 10.4" analog resistive overlay on a piece of glass, which is placed over an LCD screen. The touch screen and the LCD together provide a set of software configurable soft keys. The software enables the keys to be context sensitive. The touch screen has a resolution of 1024x1024. Physically, the touch screen consists of two opposing transparent resistive layers separated by insulating spacers. Touching the screen brings the two opposing layers into electrical contact. The Y coordinate is determined by applying a voltage from top to bottom on the top resistive layer. This creates a voltage gradient across this layer. The point of contact forms a voltage divider, which is read by the analog-to-digital converter. The X coordinate is determined by applying a voltage from left to right on the bottom resistive layer. Again this creates a voltage gradient and the point of contact forms a divider, which is read with an analog-to-digital converter.

Membrane Panel

The membrane panel provides a set of permanent dedicated keys, which enable control of ventilator functions. The membrane panel also provides visual display using embedded light emitting diodes (LEDs). The membrane panel consists of membrane switches, which are read by the monitor CPU. The switches form a matrix of rows and columns. A key closure causes an interrupt to the monitor CPU, which responds by scanning the key matrix to determine which key has been pressed.

Light Emitting Diodes (Leds)

Some of the membrane keys require LED's to indicate when the key is active. The LED's are embedded into the membrane panels.

Optical Encoder

The optical encoder allows settings to be modified. The setting is selected by pressing a soft key on the LCD and then modified by turning the optical encoder (data dial) to change the value. When the encoder is rotated two pulse streams are generated, phase A and B. When the encoder is turned clockwise, phase A leads B by 90 degrees. When the direction is counter clockwise, phase B leads A by 90 degrees. The electronics uses the phase information to drive an up-down counter, which is read by the monitor CPU. The optical encoder is not interrupt-driven and therefore must be polled by the monitor CPU.

Back Light Inverter

The back light inverter converts 5 VDC into the high frequency AC voltage necessary to power the LCD back light, which is used to illuminate the LCD.

Power System

The Power System conditions and controls electrical energy from the AC line input and the internal battery. When energy is available from the AC line, the ventilator operates from this source, and also recharges the internal battery. When AC line power is not available, the power system draws energy from the internal battery. The power system uses energy efficient DC-to-DC converter technology to convert energy from the AC line or battery to appropriate voltages and currents to supply power to ventilator components and systems.

Main Controller System

The Main Controller System is comprised of three Pressure Transducers, an Analog-to-Digital Converter, two Digital-to-Analog Converters, the Input-Output Processor, Solenoid Valves, and the Watchdog and Hardware Fault Monitors.

One of the pressure transducers measures the patient circuit pressure. This pressure is an input to the controller. A differential pressure transducer measures the pressure across the turbine. This pressure is also an input to the controller. A second differential pressure transducer is used to measure the flow at the outlet of the exhalation valve. This pressure is also an input to the controller.

Analog to digital converters are used to change the analog pressure signals into measured binary numeric values for use by the microprocessor in the controller.

Digital to Analog converters are used to change the binary numeric commands generated by the microprocessor in the controller into analog signals which drive the turbine and exhalation valve.

The Input-Output Processor is a small microcontroller which, under software control, performs several repetitive tasks such as generating the refresh signals for the display system, cycling the A-to-D converters through a pattern of measurements from the multiple signal sources, and scanning the control panel for pressed buttons. Such repetitive tasks are thereby off loaded from the Main Processor.

Solenoid Valves and Valve Drivers (including the Auto Zero valves) are employed on the Circuit Pressure transducer and on the Turbine Differential Pressure Transducer. These valves allow the controller software to compensate for long term drift and temperature induced zero shift in the pressure transducers by periodically rechecking the zero pressure readings. Similar solenoid valves are employed in the Oxygen Blending System. The valve drivers for the Auto Zero and Blender valves are similar.

The Main Processor is a 386-type CPU which controls all ventilator functions. All user settings for alarms, controls, ventilation mode, waveform, and monitored data are stored here and are combined with measured pressure, flow, and speed data to cause the ventilator to function. The algorithms, formulae, and control functions which define ventilator behavior are contained in the software program executed by the CPU.

The Watchdog Timer and Hardware Fault

Monitors shut down the ventilator if a malfunction is detected. The Watchdog Timer consists of two timers and a PAL containing a state machine. The Main Controller CPU must communicate with a state machine at intervals within a time window set by the two timers. The CPU must obtain a key from the PAL and send the correct address and data response back to the state machine at each interval. If the response is incorrect, or comes at an invalid time, the Watchdog shuts down the CPU and forces the ventilator hardware to a safe state. The Hardware Fault Monitors check the status of the power supplies to the ventilator electronics. If any is out of the safe operating range, the ventilator will shut down and cannot be made to operate until the fault is corrected.

Exhalation System

The electrical portion of the exhalation system is comprised of the Exhalation Valve Driver Circuitry. The driver converts the low voltage signal output by a D-to-A converter into a controlled constant current which energizes the linear solenoid positioner in the exhalation valve.

Flow Delivery System

The electrical portion of the flow delivery system is comprised of a 3 Phase Brushless Motor Driver, and an Optical Speed Transducer.

The 3 Phase Brushless DC Motor Driver converts the low voltage signal output by a D-to-A converter into three controlled currents which energize the three motor phases and cause the motor to create a torque, resulting in motor rotation. The torque generated is a function of current, and therefore of the control voltage from the D-to-A converter. The speed of rotation is monitored by the optical Speed Transducer. The transducer outputs a train of pulses with a frequency proportional to the rotational speed of the motor. This pulse train is a control feedback input to the controller.

Oxygen Blending System

The electrical portion of the optional oxygen blending system is made up of a safety solenoid, a pressure regulator set to 40 PSI, an O₂ Inlet Transducer, five Solenoid Valves, one Nebulizer solenoid, and the driver circuitry for the solenoid valves.

The Oxygen Inlet Pressure Transducer measures the incoming gas pressure so that O₂ delivery can be compensated for inlet pressure fluctuations.

The Solenoid Valves are energized and deenergized under software control by the Main controller to supply the correct amount of oxygen to satisfy the current O₂ setting and current gas flow demand.

The driver circuitry translates the binary logic signals presented by the controller to larger voltage and currents suitable for energizing the Solenoid Valves.

Chapter 3 Disassembly & Assembly

General Instructions and Warnings

When performing the procedures in this chapter, refer to the Vela wiring and tubing diagrams. Reference copies of these are located in Appendix B of this manual. Ensure that you follow these safety warnings and precautions:

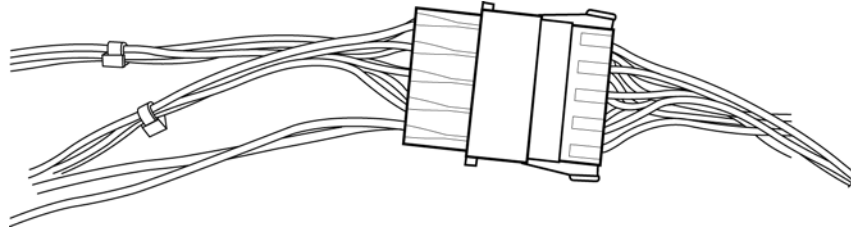


Figure 3.1 Battery Disconnect Molex Connector

WARNING

Always disconnect the main power cable before removing the instrument cover and disconnect the battery once the top cover and battery tray have been removed to prevent injury and/or damage to the VELA Ventilator System (see figure 3.1).

CAUTION

The Vela contains ESD susceptible components. Ensure you are properly grounded before performing any service or maintenance procedures and store ESD susceptible electrical components in an anti-static bag to prevent damage to the component.

Note

When the batteries are disconnected, the system will automatically re-set the battery status memory and will initiate an 18-hour re-charge cycle upon re-connect. During this period, the red DC status light will remain on. If the DC status light remains lit after the initial charging period has expired, contact VIASYS tech support as described in Appendix A for a replacement battery.

Note

Do not cut the main harness tie wraps since the entire harness is regarded as one component.

Note

The terms left and right refer to a view from the front of the unit looking towards the rear.

Required Tools

Long & short Philips screwdrivers	11/32" Nut Driver
Flat bladed screwdriver	Digital Volt Meter
¼" Nut Driver	Tack puller or Needle nosed pliers
5/16" Nut Driver	Diagonal cutters
7/8" Nut Driver	1" and ¾" open ended wrenches

Disassembly and Reassembly Procedures

To perform a complete disassembly of the unit, follow all of the steps in each *removal* section, in the order presented in this chapter. To reassemble the unit, follow all of the steps in each *installation* section, starting with the last component and finishing with the power cable installation instructions.

Power Cable

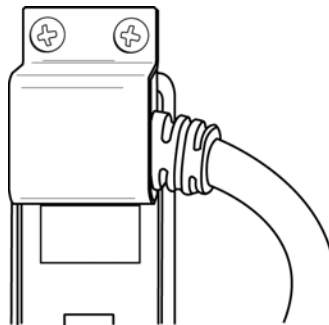


Figure 3.2 Power Cable Connector with Guard

Removal

1. Remove the (2)Phillips pan-head screws in the top portion of the power cable guard at the rear of the unit (see figure 3.2)
2. Remove the guard and unplug the power cable.

Installation

1. Plug the power cable into the rear of the unit.
2. Install the power cable guard with the (2) Phillips pan-head screws in the top portion.

Top Cover Part number 15893

Removal

1. Remove the power cable.
2. Remove the (3) Phillips pan-head screws in the upper rear of the front panel (if present).
3. Remove the (4) Phillips pan-head screws in the back panel.
4. Remove the (3) screws from the bottom of each side of the ventilator (if present).

Note

The configuration of the screws securing the cover will depend on the model of Vela that you are working with.

5. When all screws have been removed, slide the top cover towards the rear of the unit and lift off.

CAUTION

The SVGA output ribbon cable lies directly beneath the top cover assembly running from the front of the Vela to the rear. It can be damaged if care is not taken when removing the cover. Make sure that the cover clears this cable before sliding it back.

Installation

1. Install the top cover by sliding it toward the front of the unit, over the side rails, and snap into place.
2. Install the (4) Phillips pan-head screws in the back panel.
3. **Do not** re-install the (3) Phillips pan-head screws in the upper rear of the front panel if present. They have been removed from later versions of the Vela.
4. Install the power cable.

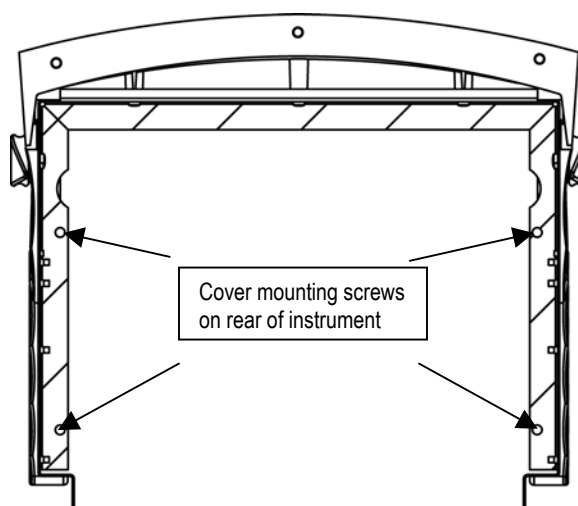


Figure 3.3 Cover Assembly from the rear

Battery Tray Part Number 10633

Removal

1. Remove the power cable and top cover.
2. Remove the (4) Phillips pan-head screws in the battery tray.
3. Lift the battery tray out of the unit.
4. Disconnect the batteries from the white Molex DC power connector (see figure 3.4

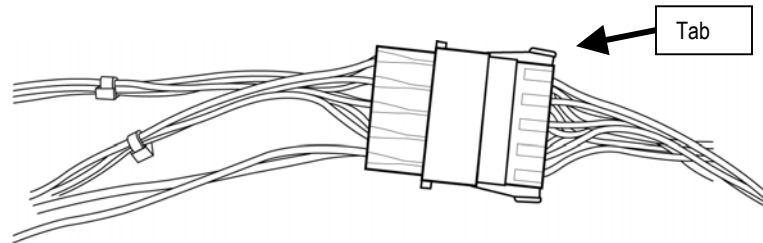


Figure 3.4 Large white Molex battery disconnect

To release connector, push in locking tabs

To attach push until locking tabs engage.

Note

When the batteries are disconnected, the system will automatically re-set the battery status memory and will initiate an 18-hour re-charge cycle upon re-connect. During this period, the red DC status light will remain on. If the DC status light remains lit after the initial charging period has expired, contact VIASYS tech support as described in Appendix A for a replacement battery.

Installation

1. Connect the white Molex DC power connector.
2. Ensure the Molex connector is pushed down into the unit behind the muffler tubes and install the battery tray. The tray is correctly installed when the wires run towards the rear of the unit.
3. Secure the battery tray to the left & right panels with (4) Phillips pan-head screws.
4. Install the top cover and re-connect the power cable and the power cable guard.

Battery Tray Parts List

Item	Part number	Description	Qty	UM
1	21363	Tray, battery	1	Ea
2	52000-00190	Grommet 11/16 id	0	Ea
3	21543	Battery 12v, 2.7 Ahr, ni-mh	4	Ea
4	15719	Cable assy, battery tray	1	Ea
5	20742	Bracket, capacitor	2	Ea
6	21068	Foam pad, capacitor bracket	2	Ea
7	64084	Capacitor elect 0.1f 63vdc	1	Ea
8	04383	Washer, lock int #6	4	Ea
9	07212	Nut, 6-32 x .093 depth	8	Ea
10	05038	Tie, strap	4	Ea
11	08231	Mounting bracket, cable tie	2	Ea
12	07803	Cable tie	2	Ea
14	09349x	Tape, adh-2s,2" x .045"	0	Ft

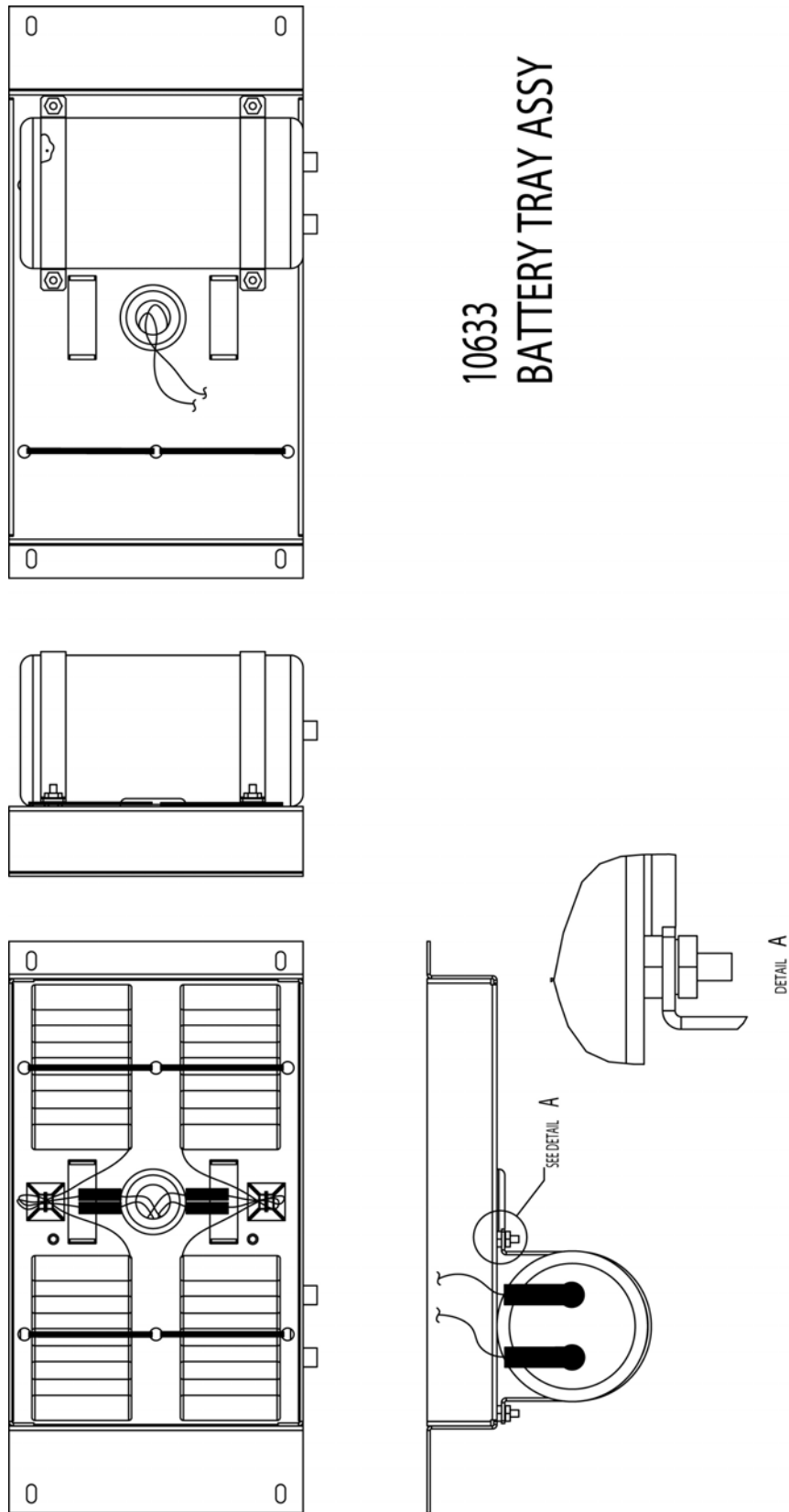


Figure 3.5 Battery Tray and large capacitor assembly

PCMCIA Cards

The PCMCIA card is located inside the unit. It contains the Vela software.

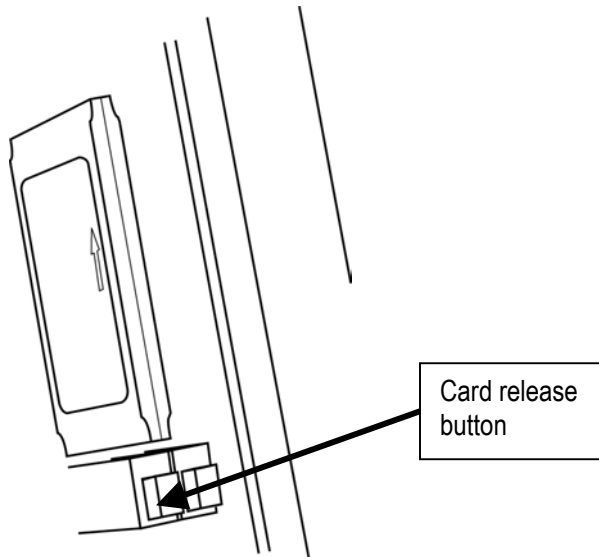


Figure 3.6 PCMCIA Card in place

Removal

1. Remove the power cable, top cover, and battery tray.
2. Push in the button under the card to release. (see figure 3.6)
3. Gently slide the card out of its socket.

Installation

1. Slide the card into the socket in the direction of the arrow printed on the card.
2. Click card into place.
3. Install the battery tray, top cover, and power cable.

Left Panel

The left panel is structural only and has no components attached to it.

Removal

1. Remove the power cable, top cover, and battery tray.
2. Remove the (2) Phillips countersink screws at the rear of the panel.
3. Remove the (1) Phillips countersink screw in the upper front of the panel.
4. Lift out the left panel.

Installation

1. Slide the front of the left panel behind the lip on the front panel and align the back of the panel with the rear panel edge.
2. Install the (2) Phillips countersink screws in the rear of the right panel.
3. Install the (1) Phillips countersink screw in the upper front of the right panel.
4. Install the battery tray, top cover, and power cable.

Right Panel Containing the Power PCB P/N 15894

Note

The internal battery fuse is located on the power PCB. Call Viasys if this fuse needs replacing.

Removal

1. Remove the power cable, top cover, and battery tray.
2. Remove the (2) Phillips countersink screws from the right side of the rear panel.
3. Remove the (1) Phillips countersink screw in the upper front of the right panel.
4. Remove the (1) Phillips pan-head screw in the lower center of the right panel.
5. Gently lift out the panel and the power PCB. Lay the panel flat and make the following disconnections:

Ref on Pwr PCB	Connector Desc	Connection made	Cable Assy P/Number
J1	26-pin ribbon cable	to J2 on main PCB	P/N 15494
J2	3-pin	to fan assembly	
J5	14-pin	to J5 on main PCB (in main harness)	
J6	10-pin	to P2 on turbine motor driver PCB	
J7	small 2-pin	to main power switch	
J300	large 2-pin	to battery DC power (in main harness)	
J400	4-pin quick disconnect	to SVGA PCB	
P1-L/N	AC line in	to power (black-power, white-neutral)	P/N 15890
		to ground lug (ground)	

Note

Do NOT remove the connector from J4 of the power PCB.

Installation

Make the following connections to the Power PCB.

Ref on Pwr PCB	Connector Desc	Connection made	Cable Assy P/Number
J1	26-pin ribbon cable	from J2 on main PCB	P/N 15494
J2	3-pin	from fan assembly	
J5	14-pin	from J5 on main PCB (in main harness)	
J6	10-pin	from P2 on turbine motor driver PCB	
J7	small 2-pin	from main power switch	
J300	large 2-pin	from battery DC power (in main harness)	
J400	4-pin quick disconnect	from SVGA PCB	
P1-L/N	AC line in	to power (black-power, white-neutral)	P/N 15890
		from ground lug (ground)	

WARNING

Ensure that the power cables are correctly connected to prevent injury and/or damage to the unit.

CAUTION

Ensure that J5 is pinned properly since an incorrect connection could damage the power PCB.

6. Slide the right panel into the front panel, ensuring that it rests on the bottom rail.
7. Install the (1) Phillips pan-head screw in the lower center of the panel.
8. Install the (1) Phillips countersink screw in the upper front of the panel.
9. Install the (2) Phillips countersink screws in the side of the rear panel.
10. Install the battery tray, top cover, and power cable.

Note

The Vela right panel assembly with the power board attached is supplied as a single complete assembly part number 15894. Do not attempt to disassemble or to replace individual components.

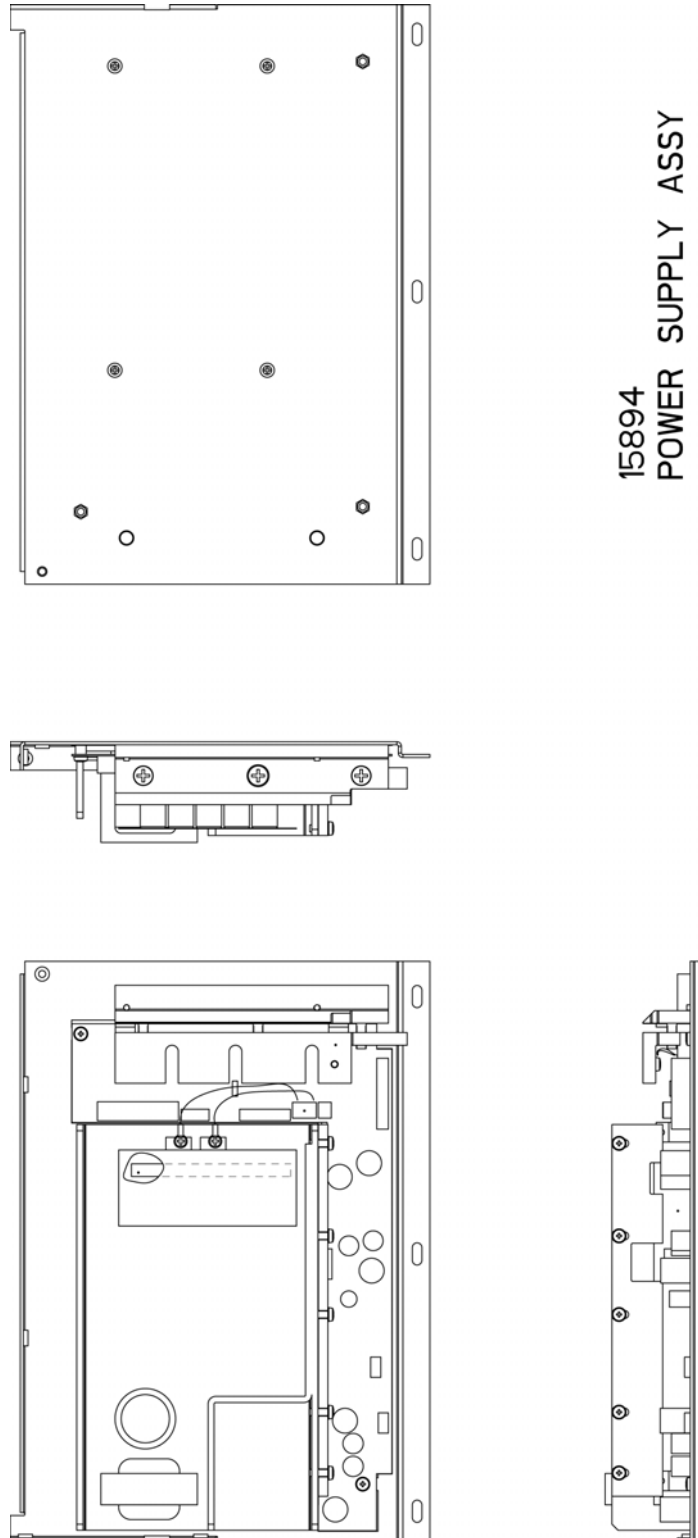


Figure 3.7 Right Panel and Power PCB

Front Panel Part number 15869

Removal

1. Remove the power cable, top cover, battery tray, right panel, and left panel.
2. Disconnect the following from the main PCB:

JP2	40-pin ribbon cable	to JP1 on the SVGA out PCB	
J301	12-pin	to J301 on the blender PCB	P/N 15497

Note

Disconnect the video cable from JP2 on the main PCB rather than from JP1 on the SVGA out PCB.

3. Disconnect the green oxygen nebulizer tube.
4. Remove the (2) Phillips pan-head screws behind the front panel at the lower left and right.
5. Disconnect the 1/8" silicone tube #4 from P2 and #5 from P1 on the exhalation differential transducer, and #1 from the turbine.
6. Disconnect the 1/16" silicone tubes from the common (front) ports of the turbine outlet auto-zero solenoid (to the main tubing harness), the turbine inlet auto-zero solenoid (to the turbine), and the airway pressure auto-zero solenoid (Nafian tube to the exhalation valve receptacle).
7. Disconnect the following from the main PCB:

J4	8-pin	to J1 on the FIO2 monitoring PCB	
J900	2-pin	(alarm loudness) to alarm potentiometer	
J701	5-pin	to turbine optic encoder and thermistor	
J401	4-pin	to exhalation valve	
U719	fiberoptic	to rear panel connector	
J5	14-pin	to J5 on power PCB	
J302	2-pin	to inspiratory hold solenoid on manifold base	
J2	26-pin	to J1 on power PCB	P/N 15494
J905	3-pin	to J2 on remote alarm (nurse call) PCB	
AL901	(hard-wired) 2-prong	to alarm cable connector	

Installation

1. Connect the green oxygen nebulizer tube.
2. Connect the following to the main PCB:

J401	4-pin	from exhalation valve	
J701	5-pin	from turbine optic encoder and thermistor	
U719	fiberoptic	from rear panel connector	
J5	14-pin	from J5 on power PCB	
J2	26-pin	from J1 on power PCB	P/N 15494
J905	3-pin	from J2 on remote alarm (nurse call) PCB	
3. Slide the front panel into place and secure the (2) Phillips panhead screws behind the front panel at the lower left and right.
4. Connect the following to the main PCB:

J302	2-pin	from inspiratory hold solenoid on manifold base	
J4	8-pin	from J1 on the FIO2 monitoring PCB	
J301	12-pin	from J301 on the blender PCB	P/N 15497
AL901	(hard-wired) 2-prong	from alarm cable connector	
J900	2-pin	alarm loudness cable from alarm potentiometer	

5. Connect the 1/16" silicone tubes to the common (front) ports of the turbine outlet auto-zero solenoid (from the main tubing harness), the turbine inlet auto-zero solenoid (from the turbine), and the airway pressure auto-zero solenoid (Nafian tube from the exhalation valve receptacle).
6. Connect the 1/8" silicone tube #4 to P2 and #5 to P1 on the exhalation differential transducer, and #1 to the turbine.
7. Connect the following to the main PCB:
 JP2 40-pin ribbon cable from JP1 on the SVGA out PCB

Note

Ensure that the fiber optic cable runs under the turbine muffler, that the tubing runs over the nebulizer line and is not pinched in between the front and base panels, and that the cable from J701 is securely connected to the turbine.

Parts List – Front Panel Part Number 15869

Item	Part Number	Part Description	Qty	U/M
1	21374	PANEL, FRONT	1	EA
2	52130	PCBA, MAIN	1	EA
3	53002-16206	SCREW, 6-32 X 3/8 STL ZN PLT PPH PNH	12	EA*
4	52000	PCBA, VELA VIDEO (SVGA PCB)	1	EA
5	15532	IC, PAL, PROGRAMMED	1	EA
6	15868	DISPLAY MODULE ASSY	1	EA
11	21368	BEZEL, DISPLAY	1	EA
12	80435	SWITCH, MEMBRANE	1	EA
15	44027	NUT, 4-40, LOCKING, HEX, STEEL	2	EA*
16	71046	NUT, 1/4-28, E-KEPS	1	EA*
21	66100	TOUCHSCREEN, 10.4" RESISTIVE"	1	EA
23	52000-01177	TAPE FOAM .025 THK .31 WIDE TWO SIDED	0	RL*
25	56060-30011	OPTICAL ENCODER	1	EA
26	52000-00475	NUT HEX	1	EA*
27	53027-13802	WASHER, LOCK 3/8	1	EA*
28	20415	CONN, FTG 1/8 TUBE TAPER	1	EA
29	15991	CONN ASSY, FLOW SENSOR BHD, VELA	1	EA
30	15961	CABLE ASSY, FLOW SENSOR - MAIN BOARD	1	EA
31	15962	CABLE ASSY, VIDEO BOARD TO POWER	1	EA
32	15963	CABLE ASSY, VIDEO BOARD TO MAIN BOARD	1	EA
33	21560	KNOB, SPINNER-1.50	1	EA
34	53002-46204	SCR 6-32X1/4 SS PPH PNH	4	EA*
35	10632	TUBING ASSY, 1/8 X 1/16	3	EA

* Commonly found hardware items are not supplied by VIASYS Healthcare.

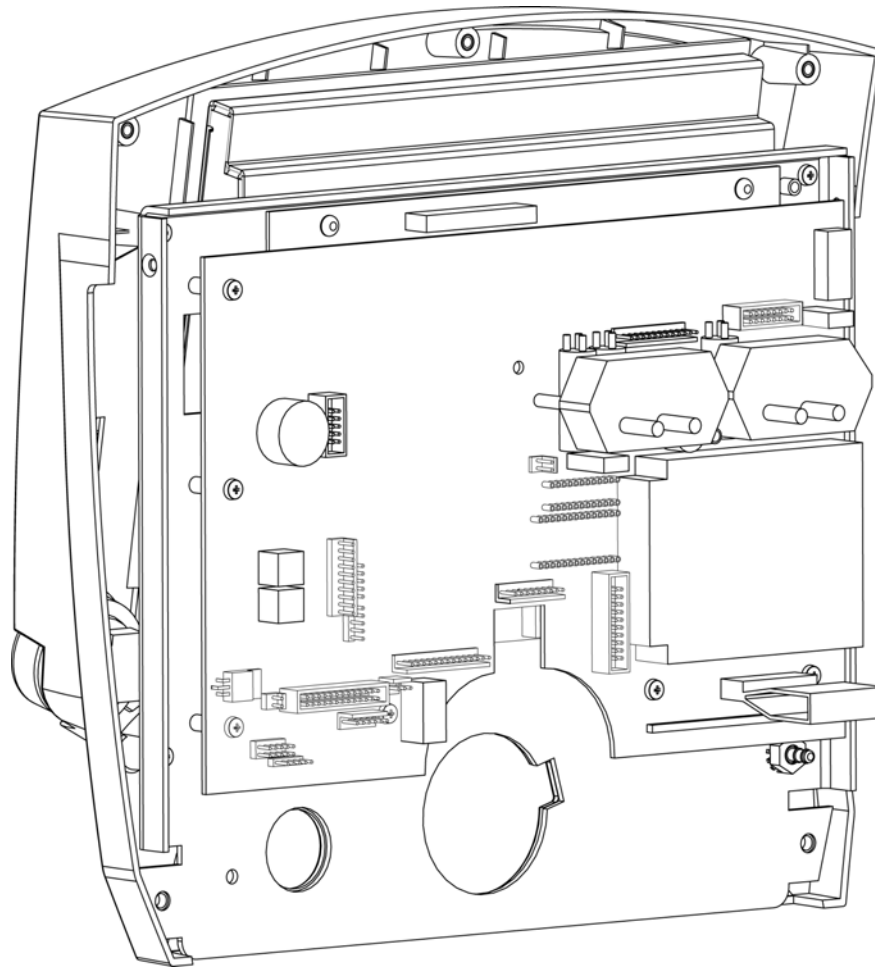


Figure 3.8 Front panel with main PCB

Main PCB (on Front Panel) P/N 52130

Removal

1. Remove the power cable, top cover, battery tray, right panel, left panel, and front panel.
2. Disconnect the following from the main PCB:

J801	20-pin	to J801 on the flow sensor PCB (in harness)
J1210	5-pin (gray top, green)	to the flow sensor PCB (in P/N 15961 harness)
J3	10-pin	to the flow sensor PCB (in P/N 15961 harness)
J1211	5-pin (blue wire-top)	to the SVGA PCB
J1	5-pin (orange wire)	to SVGA PCB (position wire on 2 nd pin from right)
J1	5-pin (gray-left)	to SVGA PCB
J601	5-pin	to SVGA PCB
3. Loosen (7) Phillips pan-head screws on the main PCB.
4. Lift the main PCB out of the front panel.

Installation

1. Position the main PCB onto the standoffs in the front panel.
2. Tighten (7) Phillips pan-head screws on the main PCB.

-
3. Connect the following to the main PCB:
- | | | |
|-------|-------------------------|---|
| J801 | 20-pin | from J801 on the flow sensor PCB (in harness) |
| J1210 | 5-pin (gray top, green) | from the flow sensor PCB (in P/N 15961 harness) |
| J3 | 10-pin | from the flow sensor PCB (in P/N 15961 harness) |
| J1211 | 5-pin (blue wire-top) | from the SVGA PCB |
| J1 | 5-pin (orange wire) | from SVGA PCB (position wire on 2 nd pin from right) |
| J1 | 5-pin (gray-left) | from SVGA PCB |
| J601 | 5-pin | from SVGA PCB |
-

Note

The J1 position on the main PCB is located above the J601 connector and accepts two 5-pin connectors; the connector with one wire above the connector with three wires.

4. Install the front panel, left panel, right panel, battery tray, top cover, and power cable.

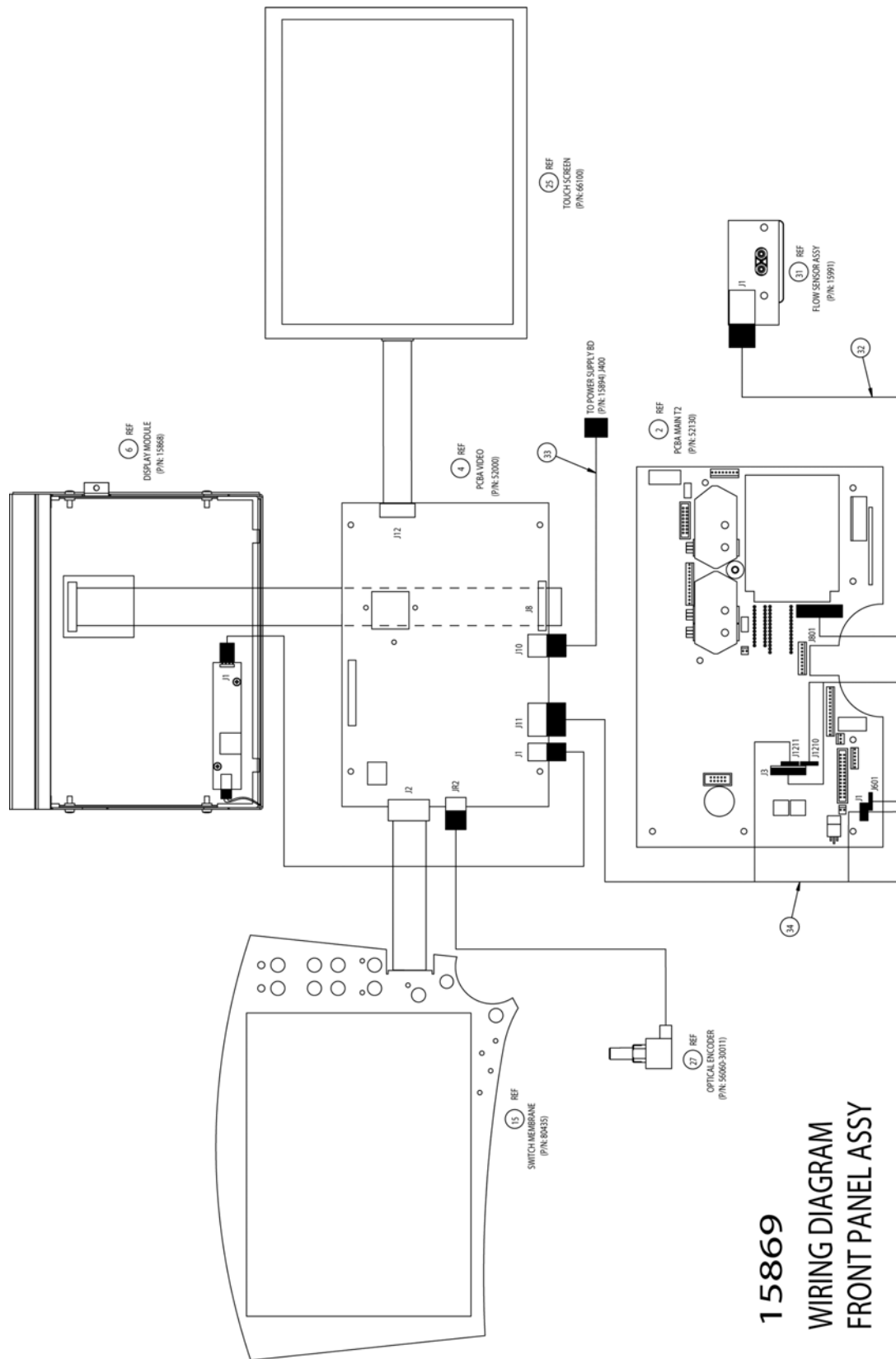


Figure 3.9 Front Panel wiring diagram

Flow Sensor PCB assembly P/N 15991

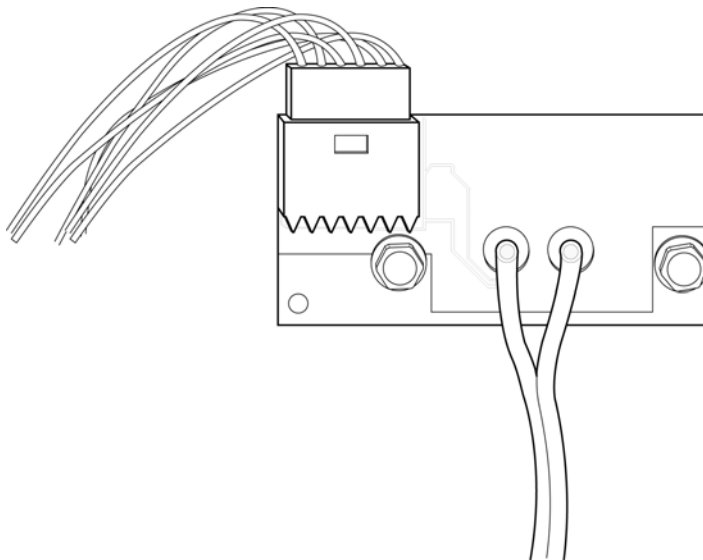


Figure 3.10 Flow Sensor PCB assembly

Removal

1. Remove the power cable, top cover, battery tray, right panel, left panel, front panel, and main PCB.
2. Disconnect the (2) 1/16" ID tubes to the main tubing harness.
3. Disconnect the following from the flow sensor PCB:
 J1 6-pin (grey) to main PCB P/N 15961
4. Remove the (2) 1/4" nuts on the flow sensor PCB.
5. Lift off the flow sensor PCB.

Installation

1. Position the flow sensor PCB onto the two standoffs.
2. Install the (2) 1/4" nuts on the flow sensor PCB.
3. Connect the following to the flow sensor PCB:
 J1 6-pin (grey) from the main PCB P/N 15961
4. Connect the (2) 1/16" ID tubes from the main tubing harness, #2 and #3 (with a black line on it).
5. Install the main PCB, front panel, left panel, right panel, battery tray, top cover, and power cable.

Exhalation Valve Assembly P/N 15871

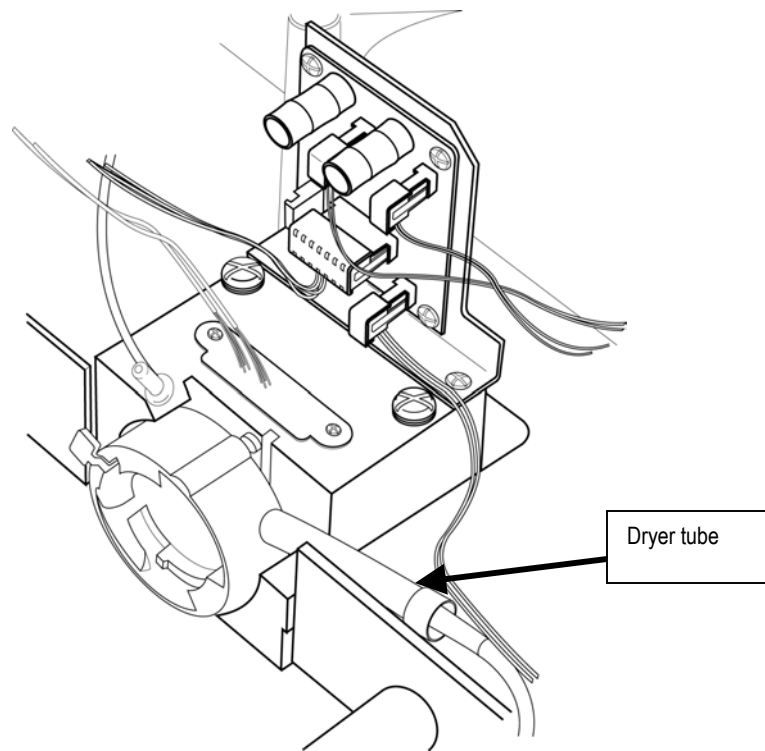


Figure 3.11 Exhalation Valve Assembly

Removal

1. Remove the power cable, top cover, battery tray, right panel, left panel, and front panel.
2. Disconnect the following from the FIO₂ monitoring PCB:

J2	2-pin (clear conn.)	to oxygen sensor
J3	2-pin (blue conn.)	to oxygen inlet solenoid on blender assembly
J4	2-pin (red conn.)	to nebulizer solenoid assembly on upper rear of blender
3. Remove (2 Phillips pan-head screws on the valve cover).
4. Lift out the exhalation valve assembly.

Installation

1. Ensure the dryer tube is securely attached to the nipple on the exhalation valve assembly.
2. Seat the valve onto the standoffs, with the PCB towards the inside of the unit.
3. Install the valve cover using (2) Phillips panhead screws.
4. Connect the following to the FIO₂ monitoring PCB:

J2	2-pin (clear conn.)	from oxygen sensor
J3	2-pin (blue conn.)	from oxygen inlet solenoid on blender assembly
J4	2-pin (red conn.)	from nebulizer solenoid assembly on upper rear of blender
5. Install the front panel, left panel, right panel, battery tray, top cover, and power cable.

Inspiratory Hold Solenoid and Check Valve Assembly P/N 11382

Removal

1. Remove the power cable, top cover, battery tray, and left panel.
2. If the front panel is installed, disconnect the cable from J302 on the main PCB.
3. Remove (2) Phillips pan-head screws and lift out the solenoid.
4. Lift out the spring and check valve assembly.

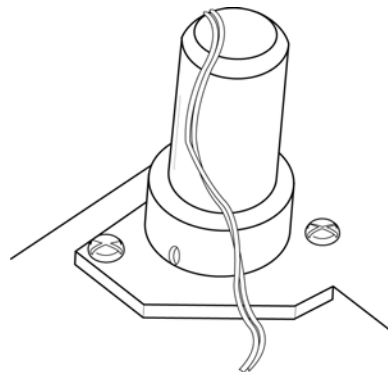


Figure 3.12 Inspiratory Hold Solenoid

Installation

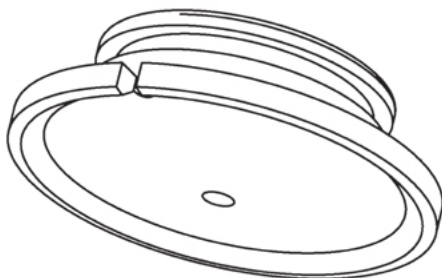


Figure 3.13 Umbrella check valve (P/N 21950)

1. Place the spring (P/N 21971) into the center of the check valve (P/N 21950).
2. Slip the solenoid over the spring using the guide and seat into place.
3. Install (2) Phillips pan-head screws.
4. If the front panel is installed, connect the cable from J302 on the main PCB.
5. Install the left panel, battery tray, top cover, and power cable.

Manifold Base assembly

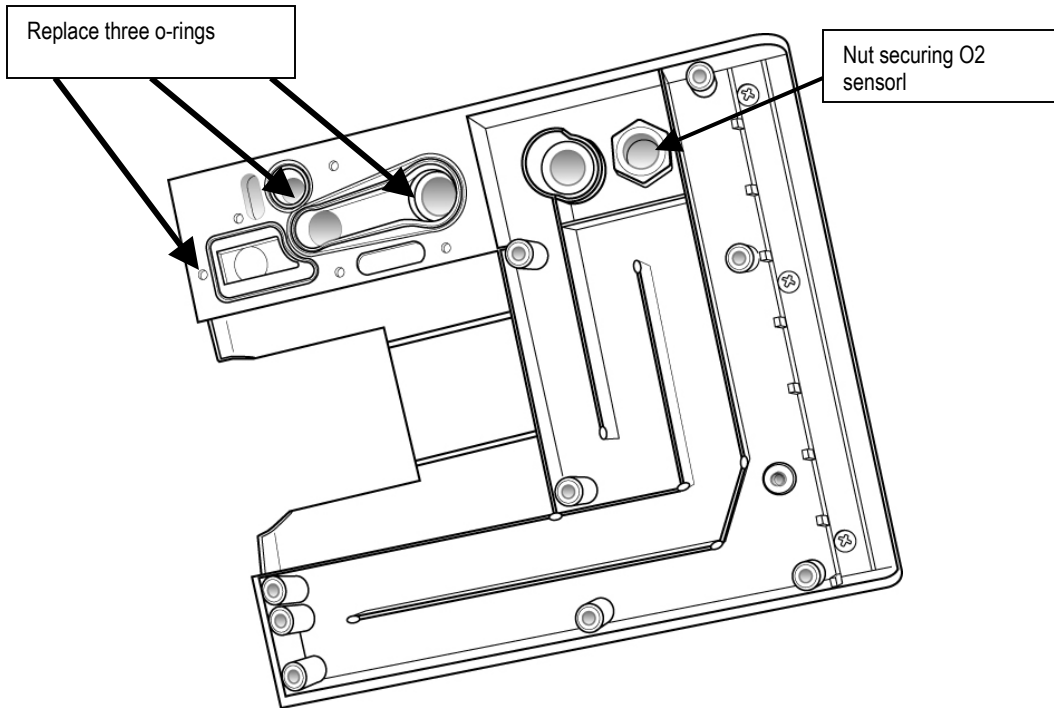


Figure 3.14 Manifold base assembly (early model Vela units only), bottom panel & O2 hose removed

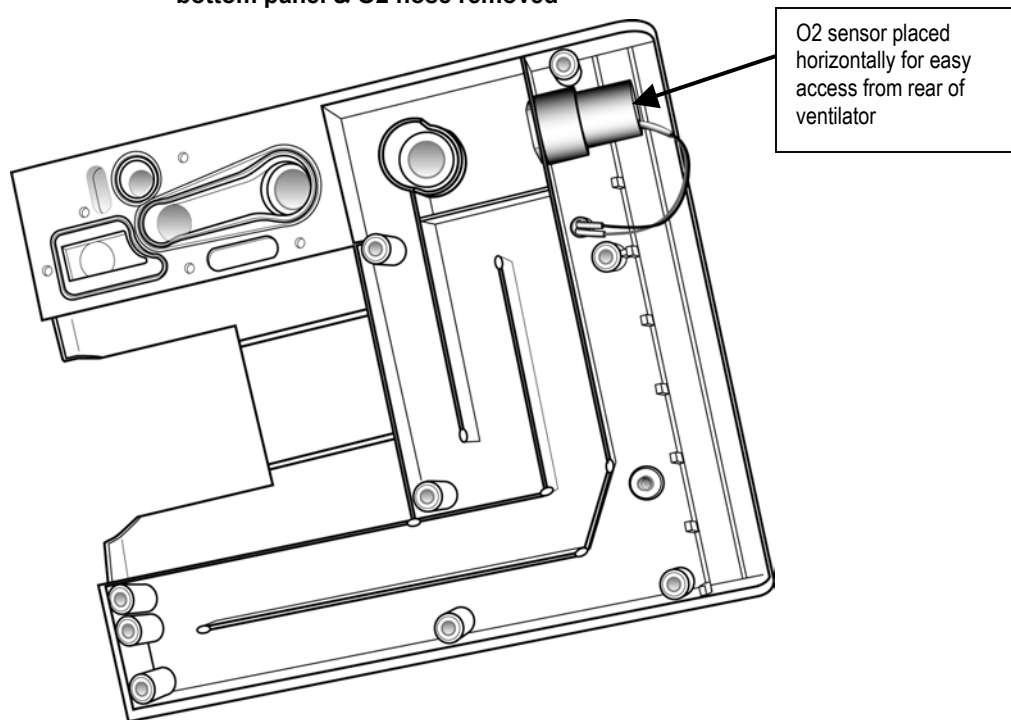


Figure 3.15 Manifold Base assembly showing horizontal O2 cell for easy removal.

Removal

1. Remove the power cable, top cover, and battery tray.
2. Carefully turn the unit onto its side.
3. Remove (2) Phillips countersink screws that hold the safety check valve guard, and remove the guard.
4. Remove (4) rubber feet.
5. If the left panel is installed, remove (3) Phillips pan-head screws on the left side of the bottom panel, and if the front panel is installed, remove (2) Phillips pan-head screws at the front of the bottom panel.

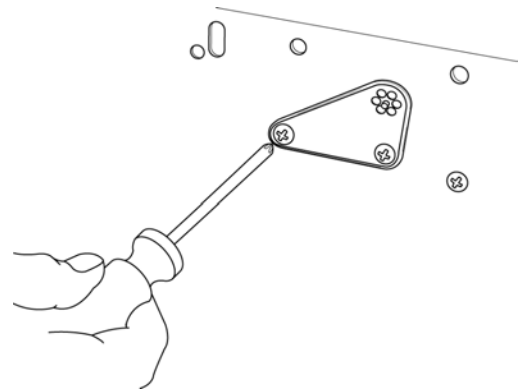


Figure 3.15 Removal of safety check valve guard

6. Remove (7) Phillips pan-head screws on the outside of the bottom panel.
7. Gently remove the bottom panel.
8. Remove the three visible o-rings from the underside of the unit, part number 30018, 30023 and 04358 see figure 3.X.
9. Pull off the oxygen diffuser tube from the nipple and remove it from the channel base, see figure 3.15

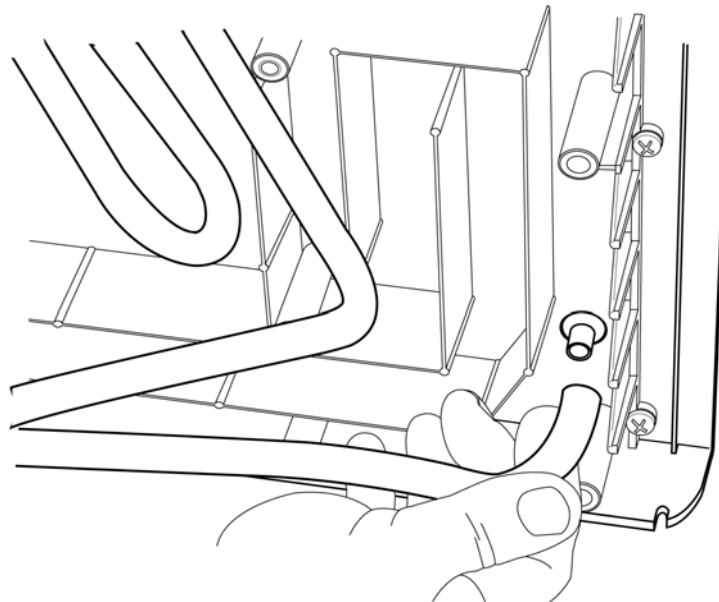


Figure 3.16 Removing the O2 diffuser tube

Installation

1. Carefully turn the unit upside down.
2. Attach the curved portion of the oxygen diffuser tube to the nipple and push into place. Place the remaining portion of the tube inside the channel base in the underside of the unit.
3. Insert the three o-rings- into the underside of the unit, noting that each o-ring has a different shape.
4. Ensure that all three o-rings are in place and position the bottom panel over the three screw holes at the front.

5. Install (7) Phillips panhead screws on the bottom panel.
6. If the left panel is installed, install (3) Phillips pan-head screws on the left side of the bottom panel, and if the front panel is installed, install (2) Phillips pan-head screws at the front of the bottom panel.
7. Install (4) rubber feet.
8. Install the safety check valve guard with (2) Phillips countersink screws.
9. With the unit upright, install the battery tray, top cover, and power cable.

Oxygen Sensor part number 15972

For early model Vela units do the following:

Removal

1. Remove the power cable, top cover, battery tray, left panel, and bottom panel.
2. Turn the unit on its side.
3. Remove the 1" mounting nut from the manifold base (see figure 3.14) and pull the sensor from the manifold.

Note

To remove the O2 sensor only when complete disassembly is not required, simply grasp the sensor in place and unscrew from the retaining nut leaving the nut in place in the base.

Installation

1. Ensure the o-ring is installed into the oxygen sensor.
2. With the unit on its side, place the sensor into the manifold and install the 1" mounting nut.
3. Install the bottom panel, left panel, battery tray, top cover, and power cable.

For later model Vela units (usually 1400 series or later) do the following:

Removal

On the bottom rear of the Vela, unscrew the EMI shield containing the foam ambient air filter and lift out the shield and filter together.

The O2 sensor is visible on the left . Using needle nose pliers, disconnect the O2 filter connector. Pull firmly straight back on the O2 sensor to remove.

Installation

Seat the new O2 filter and re-connect.

Replace the EMI shield containing the foam ambient air filter and re-attach the screws securing it in place.

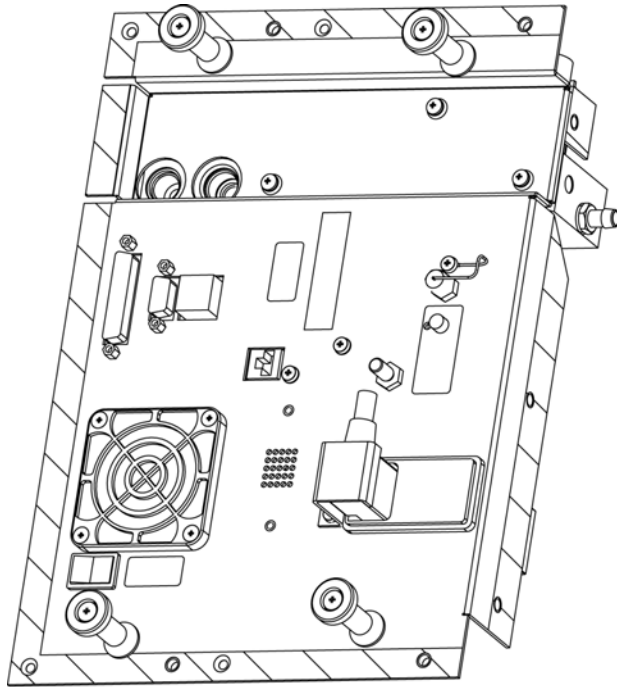
Rear Panel part number 15892

Removal

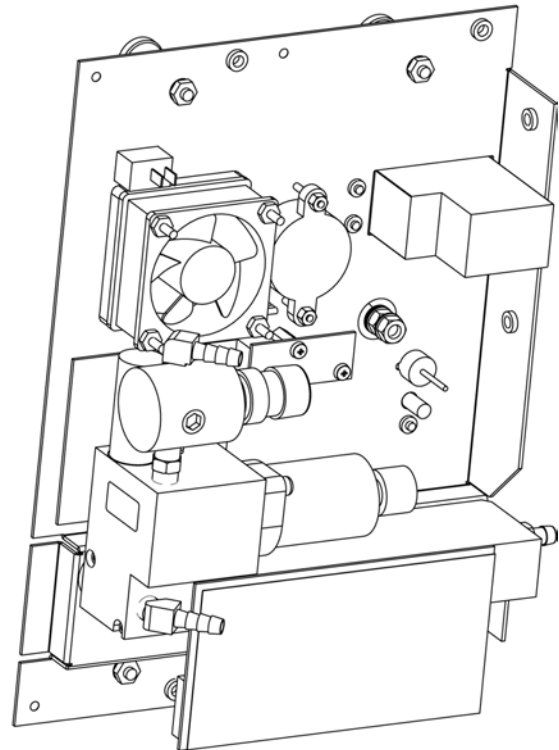
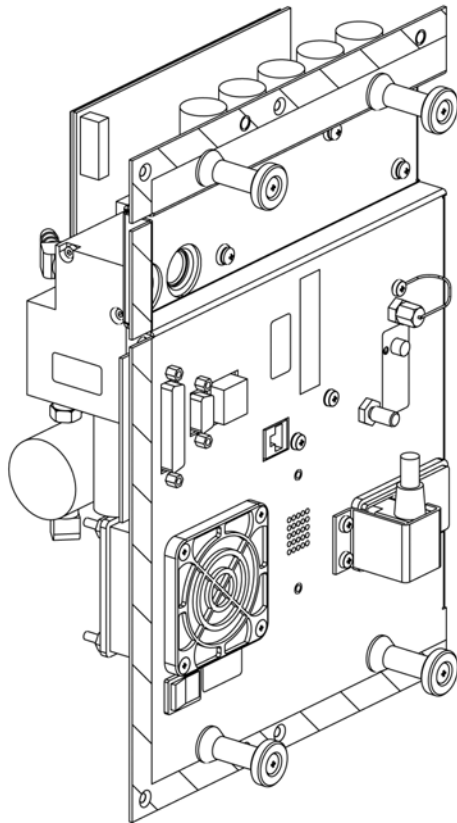
1. Remove the power cable, top cover, battery tray, right panel, and left panel.
2. With the unit upright, disconnect the following from the turbine motor driver PCB:
P2 10-pin to main PCB and power PCB via main harness
3. Cut the two tie wraps that hold the main harness and the tie wrap that holds the blender cable to the turbine.
4. Turn the unit on its side.
5. Remove (3) Phillips pan-head screws on the rear panel.
6. Slide the fiber optic cable from under the turbine muffler assembly.
7. Remove the rear panel from the manifold base.

Installation

1. Carefully place the unit on its side and run the fiber optic cable under the muffler tubes.
2. Direct the blender nipple on the rear panel through the hole in the manifold base.
3. Install (3) Phillips pan-head screws on the rear panel, ensuring that the blender nipple is centered.
4. With the unit upright, install the blender cable tie wrap to the turbine, and install the two tie wraps that hold the main harness onto the tie mounts, noting that the tie wraps are positioned where the wires all run parallel.
5. Connect the following to the turbine motor driver PCB:
P2 10-pin from main PCB and power PCB via main harness
6. Install the left panel, right panel, battery tray, top cover, and power cable.



REAR PANEL ASSY
15892 Rev X4



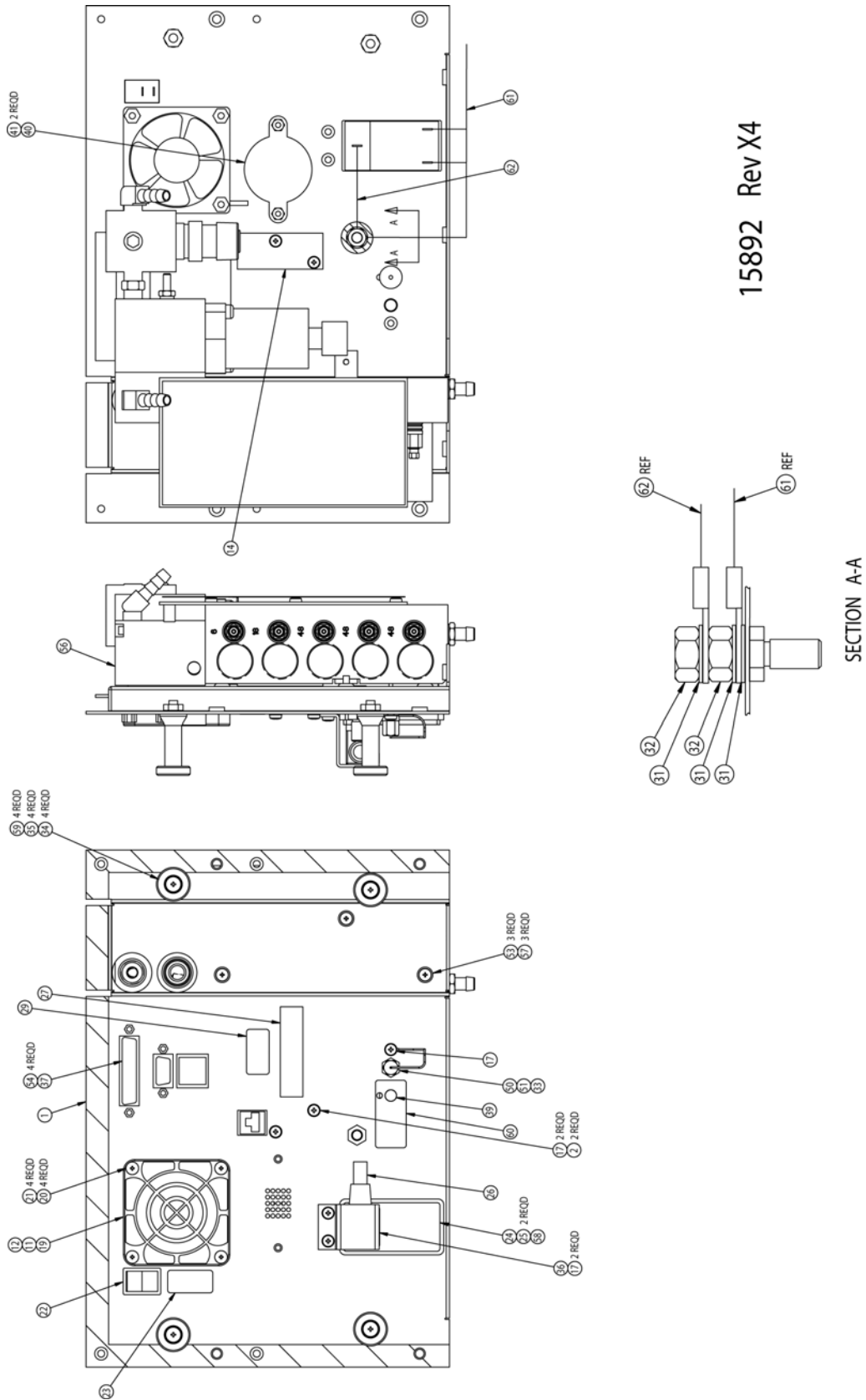


Figure 3.17 Rear Panel views

Turbine and Muffler Assembly

Removal

1. Remove the power cable, top cover, battery tray, right panel, left panel, and blender.
2. If the front panel is installed, disconnect the cable from J701 on the main PCB, disconnect the green oxygen nebulizer tube, and disconnect the blender cable.
3. If installed, use a 3/4" wrench to remove the high and low pressure oxygen fittings from the rear of the unit, noting that the high pressure fitting is located above the low pressure fitting (see figure 3.18).

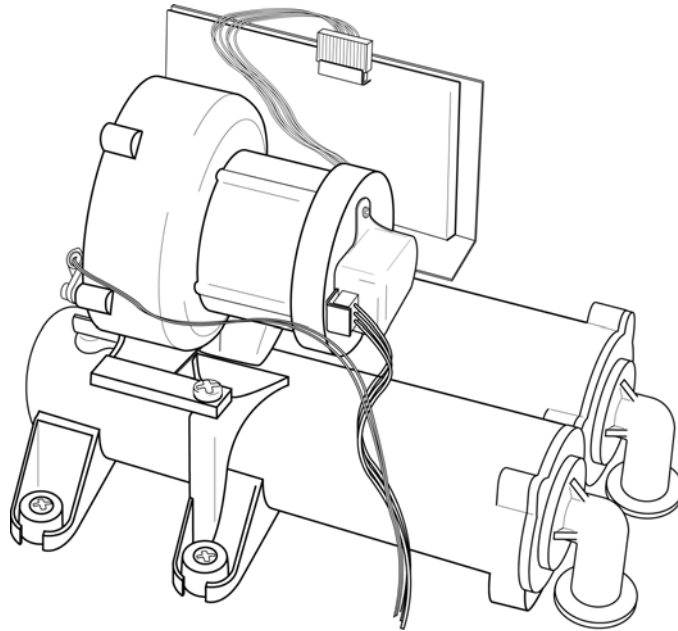


Figure 3.18 Turbine & Muffler assembly

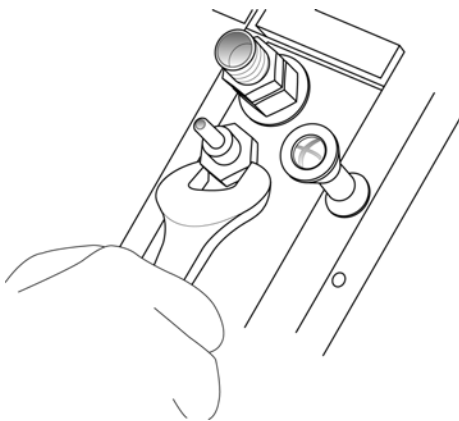


Figure 3.19 High & low pressure O2 fittings on back panel

4. Remove (5) Phillips pan-head screws.
5. Disconnect the gray silicone intake and output elbows by gently pulling them out from the muffler tubes.
6. Lift the assembly off the manifold base.
7. Gently pull up the elbows to remove.

Installation

1. Insert the elbows into the manifold base.
2. Set the turbine and muffler assembly onto the manifold.
3. Install (5) Phillips pan-head screws.

4. If removed during this procedure, use a 3/4" wrench to install the high and low pressure oxygen fittings to the rear of the unit, noting that the high pressure fitting is located above the low pressure fitting.
5. Connect the gray silicone intake and output elbows by inserting them into the muffler tubes. Push once in the center of each elbow to properly seat.
6. If the front panel is installed, connect the cable to J701 on the main PCB, connect the green oxygen nebulizer tube, and connect the blender cable.
7. Install the blender, left panel, right panel, battery tray, top cover, and power cable.

Over Pressure Relief Valve assembly

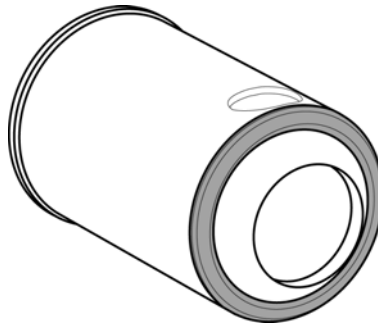


Figure 3.20 Over Pressure Relief Valve assembly with o-ring

Removal

1. Remove the power cable, top cover, battery tray, right panel, left panel, and front panel.
2. Use a flat screwdriver to pry the valve from its location at the front left side of the manifold base.
3. Remove the o-ring (P/N 08963).
4. Using a flat screwdriver in the middle slot, unscrew the adjuster in the middle of the valve and remove the two o-rings (P/N 30005 in the relief valve poppet and P/N 30017 on the brass adjuster).

Installation

1. Install the two o-rings (P/N 30005 in the relief valve poppet and P/N 30017 on the brass adjuster).
2. Slide the housing over the poppet and screw clockwise into the housing, tightening with a flat screwdriver.
3. Slide the valve into place in the manifold base, ensuring that the adjustment screw is in the notch.

CAUTION

Do not adjust the screw in the relief valve, since it must be factory calibrated.

4. Push until the valve is seated into place.
5. Install the front panel, left panel, right panel, battery tray, top cover, and power cable.

Turbine Motor Driver PCB part number 71597

Removal

1. Remove the power cable, top cover, battery tray, right panel.
2. Disconnect the following from the turbine motor driver PCB:

P1	8-pin	to the turbine
P2	10-pin	to J6 on the power PCB
3. Remove the (2) keps screws.
4. Lift off the PCB.

Note

Do not remove the turbine from the turbine muffler assembly. They are supplied complete.

Installation

1. Position the turbine motor driver PCB on the right side of the turbine assembly, on top of the filter holder, with the board toward the turbine.
2. Install (2) keps screws.
3. Connect the following to the turbine motor driver PCB:

P1	8-pin	from the turbine
P2	10-pin	from J6 on the power PCB
4. Install the right panel, battery tray, top cover, and power cable.

Muffler/Filter Assemblies part number 10364

Removal

1. Remove the power cable, top cover, battery tray, and left panel.
2. Remove (6) Phillips pan-head screws on the filter cover.

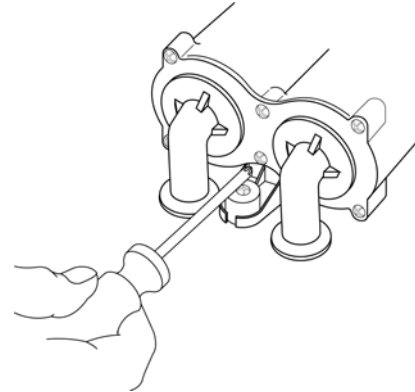


Figure 3.21

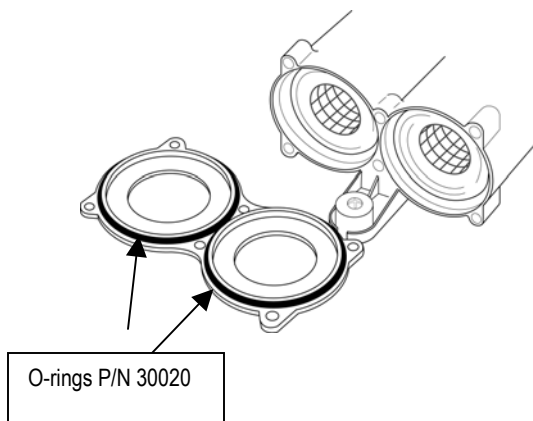


Figure 3.22

4. Use needle-nosed pliers to pull out both the left and right filter assemblies. The right assembly has the filter sock

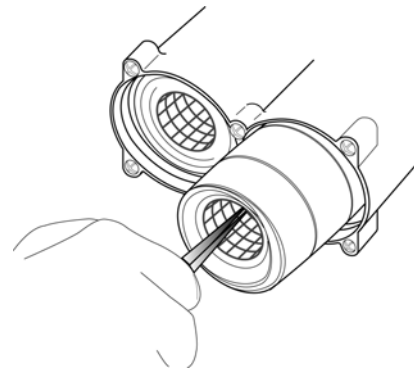


Figure 3.23

Installation

1. Insert the muffler (output) into the left tube (see picture) and the sock filter (input) into the right tube. The right and left muffler/filter assemblies are sold together as part number 10365.
2. Install two o-rings (P/N 30020).
3. Install the cover using (6) Phillips pan-head screws.
4. Install the left panel, battery tray, top cover, and power cable.

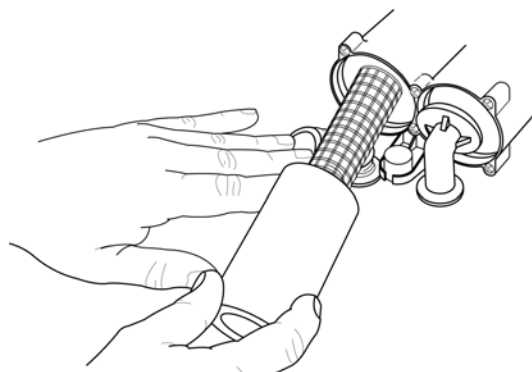


Figure 3.24

Blender Assembly Part Number 15895

Removal

1. Remove the power cable, top cover, battery tray, and right panel.
2. If the rear panel is installed, remove the high and low pressure oxygen fittings from the rear panel using a 3/4" wrench, noting that the high pressure fitting is located above the low pressure fitting.
3. If the rear panel is installed, disconnect the 40-pin ribbon cable from the SVGA out PCB.
4. If the front panel is installed, disconnect the green oxygen nebulizer tube.
5. Disconnect the following from the blender PCB:
 - J301, 12-pin connector to J301 on the main PCB
6. Remove the bottom strip ambient air inlet filter by pinching and pulling it out.

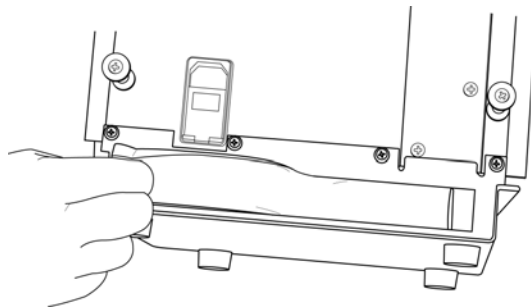


Figure 3.25 Ambient air filter

7. Remove (3) Phillips pan-head screws on the right side of the rear panel.
8. Use needle-nosed pliers to disconnect the oxygen diffuser tube as you remove the blender assembly.
9. If the exhalation valve assembly is installed, disconnect the following from the FIO2 PCB:

J3	2-pin (blue conn.)	to oxygen inlet solenoid on blender assembly
J4	2-pin (red conn.)	to nebulizer solenoid assembly on upper rear of blender

Installation

1. If the exhalation valve assembly is installed, connect the following to the FIO2 PCB:

J3	2-pin (blue conn.)	from oxygen inlet solenoid on blender assembly
J4	2-pin (red conn.)	from nebulizer solenoid assembly on upper rear of blender
2. Position the blender assembly inside the unit.
3. Use needle-nosed pliers to feed the oxygen diffuser tube through the hole in the rear panel and connect it to the blender nipple.
4. Install (3) Phillips pan-head screws on the right side of the rear panel.
5. Install the bottom strip ambient air inlet filter.
6. Connect the following to the blender PCB:

301	12-pin	from J301 on the main PCB
-----	--------	---------------------------
7. If the front panel is installed, connect the green oxygen nebulizer tube.
8. If the rear panel is installed, connect the 40-pin ribbon cable to the SVGA out PCB.
9. If the rear panel is installed, install the high and low pressure oxygen fittings to the rear panel using a 3/4" wrench, noting that the high pressure fitting is located above the low pressure fitting.
10. Install the right panel, battery tray, top cover, and power cable.

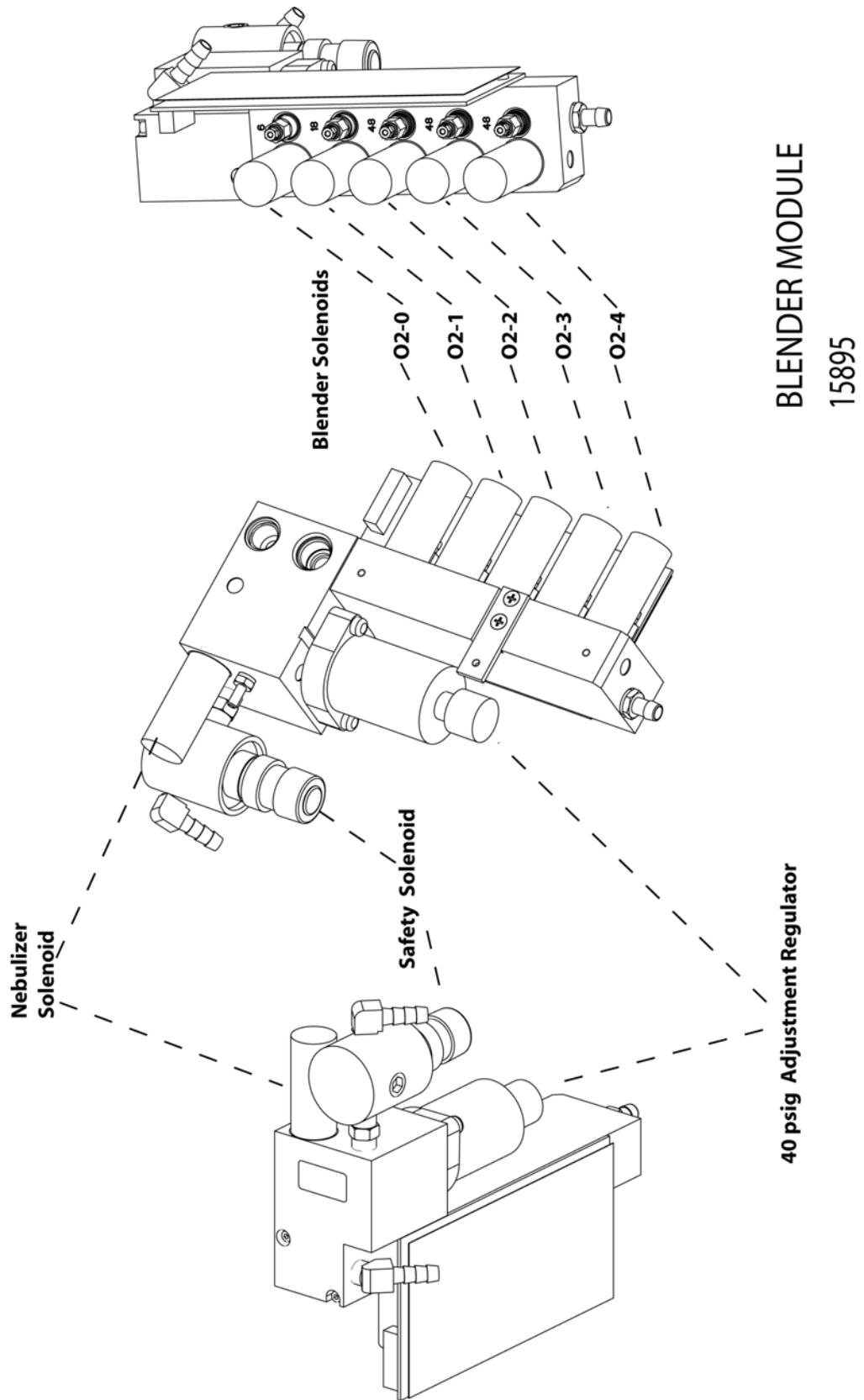


Figure 3.26 Blender Assembly

Fan Assembly part number 15500

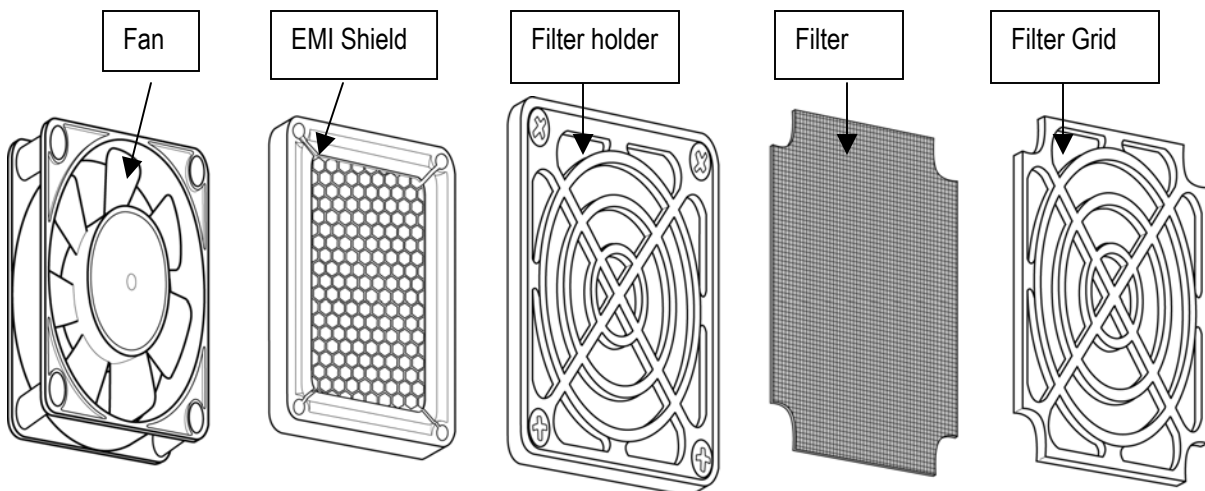


Figure 3.27 Fan Assembly blow out

Removal

1. Remove the power cable, top cover, and battery tray.
2. Use a 5/16" nut driver to remove the inside nuts and a short (#2) Phillips screwdriver to remove the (4) Phillips pan-head outside screws on the fan assembly.
3. Remove the fan and ESD shield from the inside of the unit, and the filter grid from the rear of the unit.
4. Disconnect the fan cable from J2 on the power PCB.

Installation

1. Place the fan filter inside the external fan cover. Align with 4 attachment holes, and hold it against the rear panel.
2. Hold the ESD shield to the inside of the rear panel with the copper contact strips touching the rear panel.
3. Place the fan onto the ESD shield with the label to the inside of the unit and the wire at the bottom.
4. Use a 5/16" nut driver to install the nuts from the inside and a short (#2) Phillips screwdriver to install the (4) Phillips pan-head machine screws onto the fan assembly from the outside.
5. Connect the fan cable to J2 on the power PCB.
6. Install the battery tray, top cover, and power cable.

Chapter 4 Operational Verification and Calibration

Operational Verification Testing

Prior to using the Vela ventilator on a new patient the following checks should be carried out to ensure optimum performance. **Verification testing should always be performed “off patient”.**

WARNING

Disconnect patient from the ventilator before performing verification testing.

Note

All personnel performing preventive maintenance and product repair must be trained and certified by VIASYS Healthcare to service the product

Note

If any portion of the following performance check fails, and you are unable to correct the problem, contact your VIASYS Healthcare Certified Service Technician.

First perform the User Verification Tests (UVTs). To access the UVTs, do the following:

1. After disconnecting the patient, turn the ventilator OFF (i.e., STANDBY).
2. Press and hold the **Accept** button.
3. While holding the **Accept** button, turn the ventilator ON. Continue to hold the button until the ventilator completes the Power On Self Tests (POST).
4. Release the **Accept** button when the UVT menu appears in the screen. The Audible Alarm sounds. Press Alarm Reset button to clear.



Figure 4.1 UVT Startup Screen

5. Press the **Patient Removed** touch screen icon, the UVT test selection screen displays (see figure 4.2).

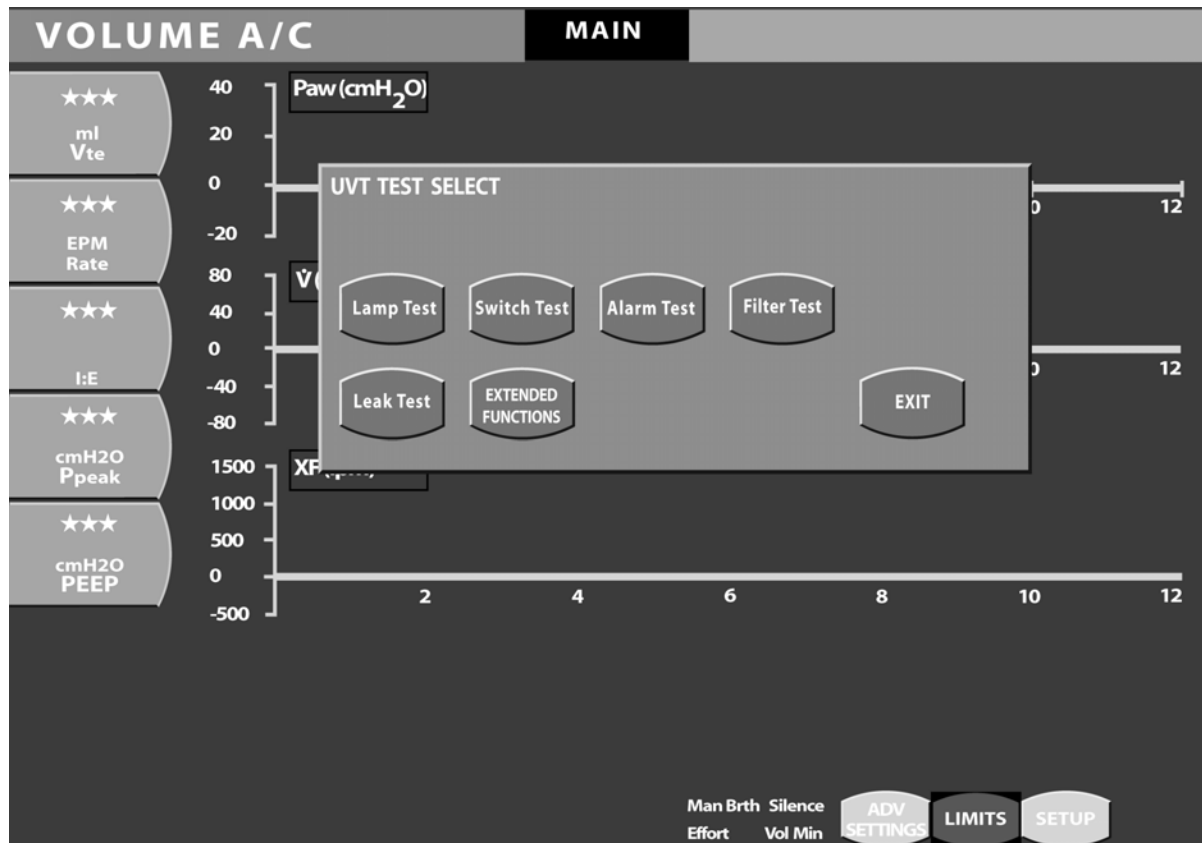


Figure 4 2 The UVT Screen with the Main screen in Service mode

6. Press the appropriate touch screen icon to begin a test.

Lamp Test

Run this test to check the front lamps to make sure they are functioning properly.

1. Press the **LampTest** touch screen icon to start the test. The ventilator illuminates all front panel LEDs.
2. Press the **LampTest** touch screen icon again to turn the LEDs off and exit the test.

Switch Test

Run this test to check the front panel membrane switches to make sure they are working properly.

1. Press the **SWITCH TEST** icon.
2. Press each membrane switch control in turn. Watch for the name of the control to appear in the message bar at the bottom left of the touch screen as follows:

Key Test: SILENCE

Key Test: RESET

Key Test: FREEZE

Key Test: INSP HOLD

Key Test: MAN BREATH

Key Test: EXP HOLD

Key Test: NEBULIZER

Key Test: 100% O2

Key Test: LOCK

Key Test: ACCEPT

Key Test: CANCEL

3. Press the **SWITCH TEST** icon again to exit the test.

Alarm Test

Run this test to check the audible alarm.

1. Press the **Alarm Test** touch screen icon to start the test. The audible alarm sounds.
2. Press the **Alarm Test** touch screen icon again to silence the audible alarm and exit the test.

Filter Test

Run this test to check the differential pressure across the turbine inlet filter. A high differential pressure may indicate a dirty or occluded filter.

1. Press the **Filter Test** touch screen icon. The turbine accelerates flow to 140 lpm and checks the differential pressure to make sure it is within range. At the end of the test, the ventilator displays a pass or fail message. If the test passes, the following message appears:

x.x Passed

where x.x is the average turbine differential pressure and P indicates the test passed.

If the test fails, the following message appears:

x.x Failed

where x.x is the average turbine differential pressure and F indicates the test failed:

2. If the test fails, check the rotation of the turbine inlet filter to make sure that the seam is horizontally oriented and run the test again. If the test fails again, contact a Bird Certified Service Technician.

Leak Test

Note

*This test should be performed with **all circuit accessories installed** (e.g., humidifier, water traps, and so on.)
Make sure all connections are secure and all openings occluded before beginning the test.*

Run this test to make sure the patient breathing circuit is not leaking.

1. Attach a one-liter test lung (P/N 33754) at the patient breathing circuit wye.
2. Press the **Leak Test** touch screen icon to run the test. The test begins by increasing the pressure in the patient breathing circuit to 60 cmH₂O. The ventilator then displays the following messages in sequence:

Leak test requested
Leak test in progress

3. The ventilator then waits 10 seconds and measures the circuit pressure again. If the difference between the starting and ending measurements is less than or equal to 6 cmH₂O, the test passes and the ventilator displays the following message:

xx.x Passed

where xx.x is the ending measurement.

4. Otherwise, if the difference is more than 6 cmH₂O, the test fails and the ventilator displays the following message:

xx.x Failed

5. If the test fails, check all connections to make sure there are no leaks and repeat the test.
6. If the test fails again, refer to Chapter 5, for troubleshooting procedures

Exit

To exit the UVTs press the **EXIT** touch screen icon.

Extended Functions

The Extended Functions menu may be accessed via the UVT Test Select screen as described in the previous section. Press the EXTENDED FUNCTIONS icon from the UVT screen.

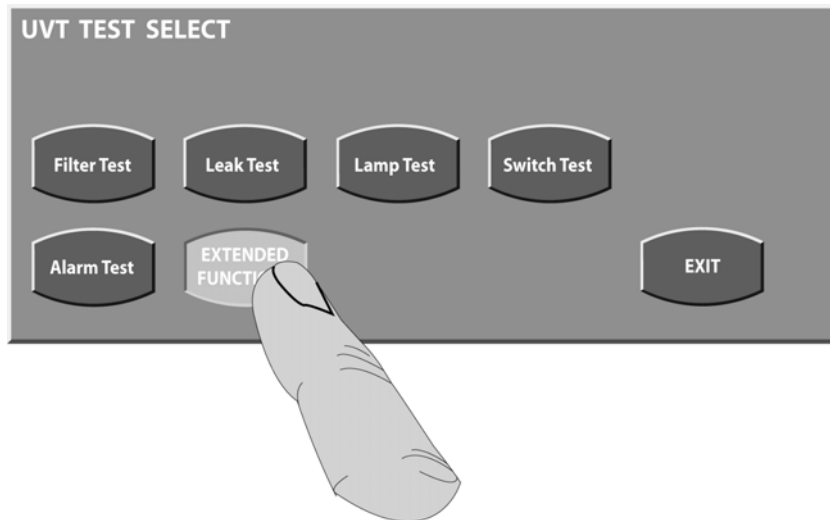


Figure 4.3 Accessing the Extended Functions Screen from the UVT menu

You can also access the extended functions screen via the Screens menu during normal operation. Press the screen display area on the top center of the touch screen to activate Screen Select menu.

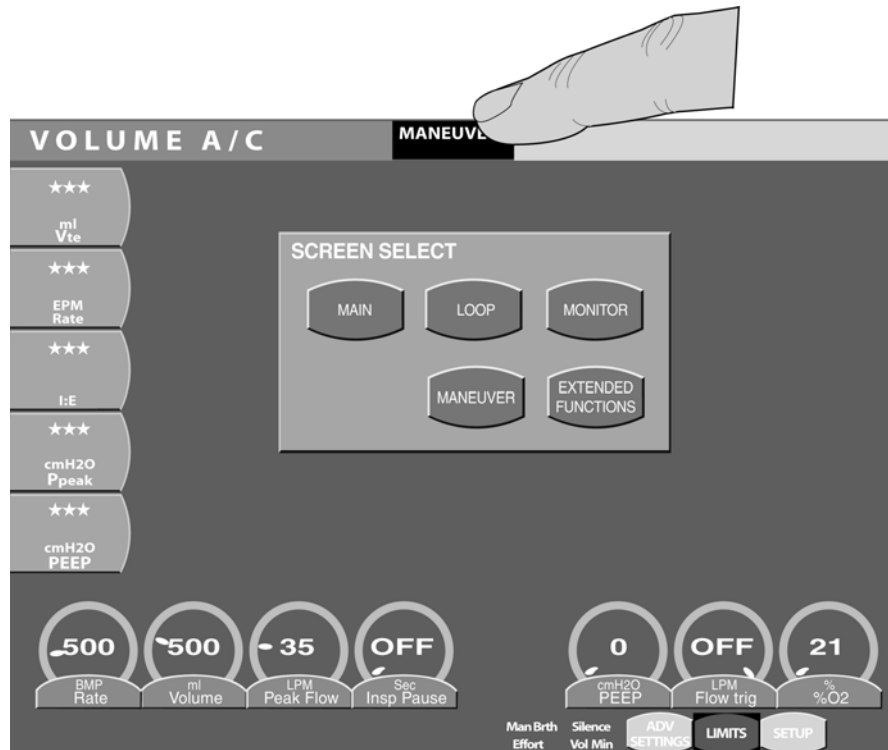


Figure 4.4 Accessing the Extended Functions screen from the Screen Select menu

Press the EXTENDED FUNCTIONS touch screen icon to display the Extended Functions screen.

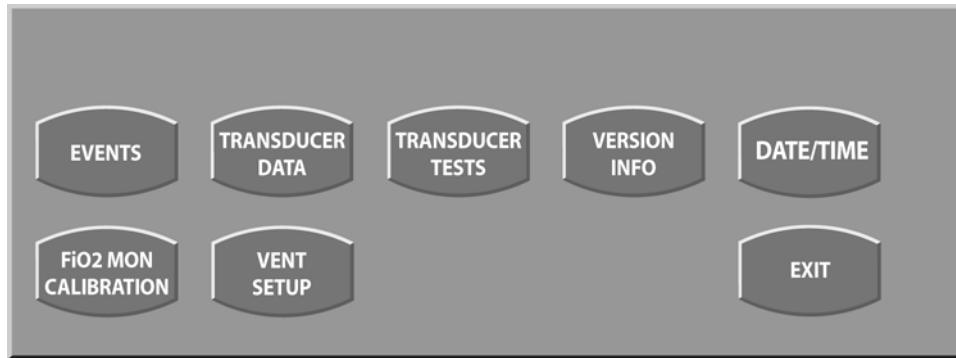


Figure 4.1 Extended Functions screen menu

Events

To access the Events list, press the Events screen icon

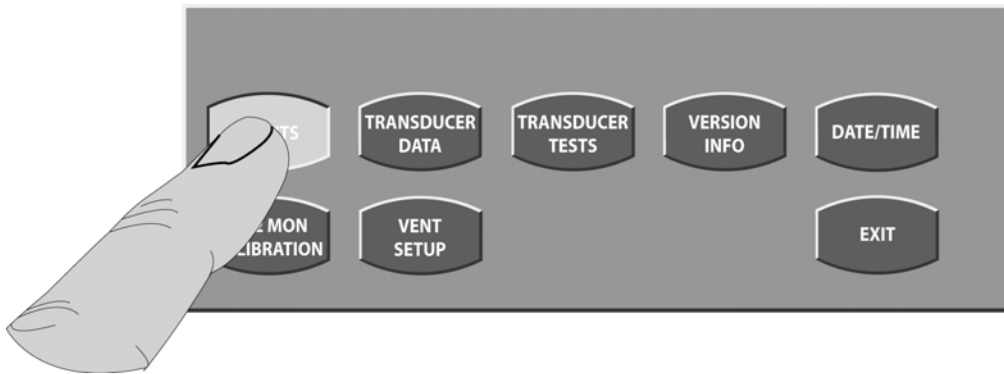


Figure 4.2 Press the Events touch screen icon

A list of chronological events displays with the latest event at the top as shown in figure 4.11

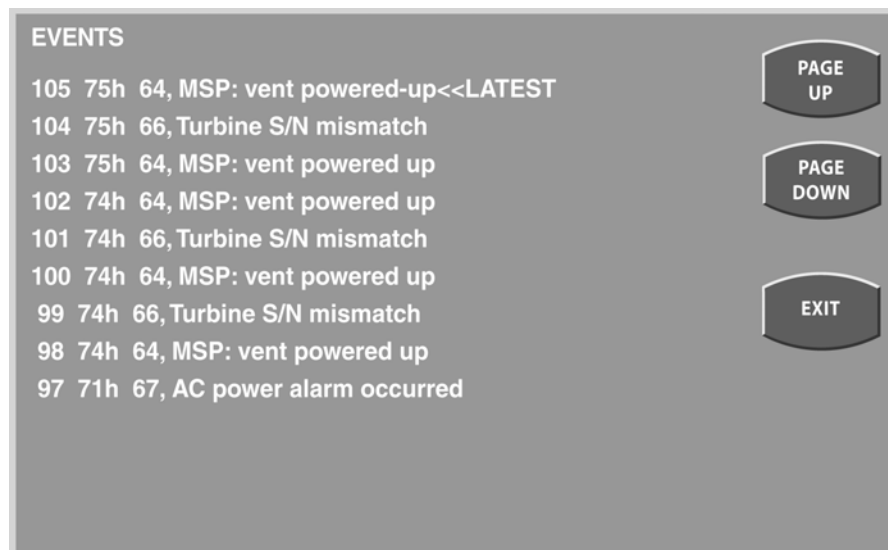


Figure 4.3 The Events screen

Transducer Data

Press the Transducer Data screen icon.

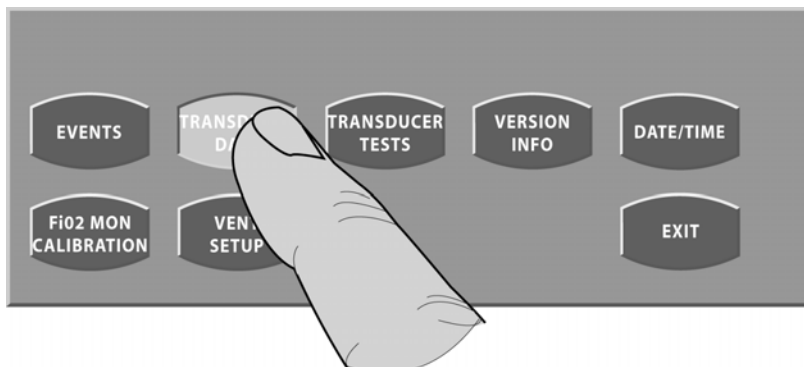


Figure 4.4 Press the Transducer Data screen icon

The Transducer Selection screen displays.

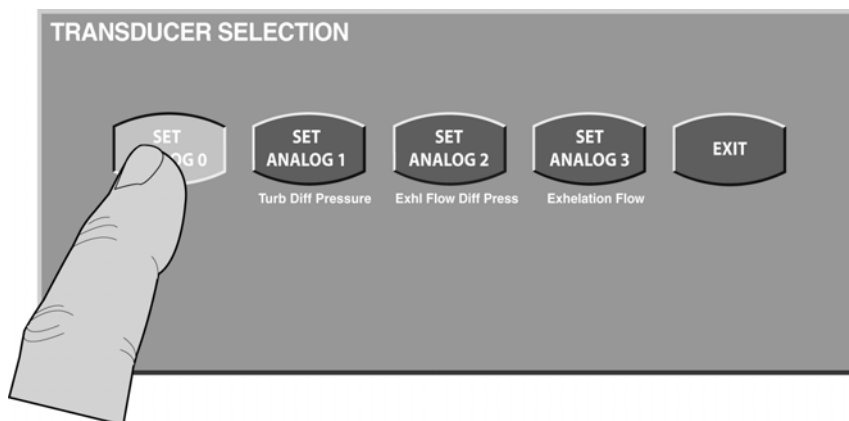


Figure 4.5 Transducer data selection screen

From here you can set the analog data display associated with each transducer. For example, if you press the SET ANALOG 0 screen icon as shown in figure 4.X, the following options display in a drop down menu.

- Exhl Flow Diff Press
- Exhalation Flow
- Turbine Flow
- Turbine Speed

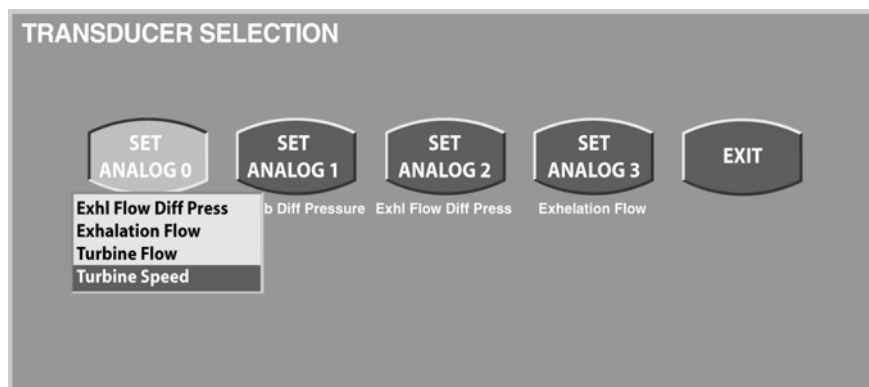


Figure 4.6 Transducer data selection options

In this example, the transducer associated with Analog 0 is set to display Turbine Speed.

Set each analog value to one of the transducers in the drop down menu. Press EXIT to return to the Extended Functions screen.

For instructions on how to view this data as a displayed waveform, see Chapter 5, Maintenance & Troubleshooting.

Transducer Tests

To access the transducer test screen press the Transducer Tests screen icon.

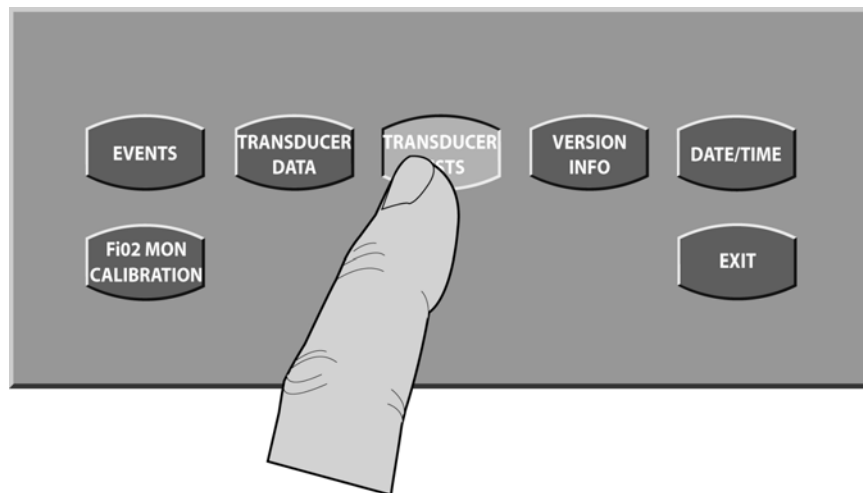


Figure 4.7 Press transducer tests icon

The transducer tests screen appears with icons for the Turbine Differential, Exhalation Differential and Circuit Pressure transducers.

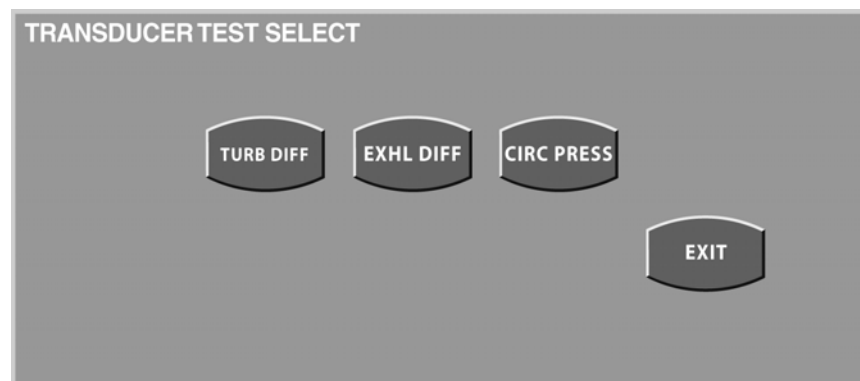


Figure 4.8 Transducer test screen

Press the Turbine Differential (TURB DIFF) screen icon.

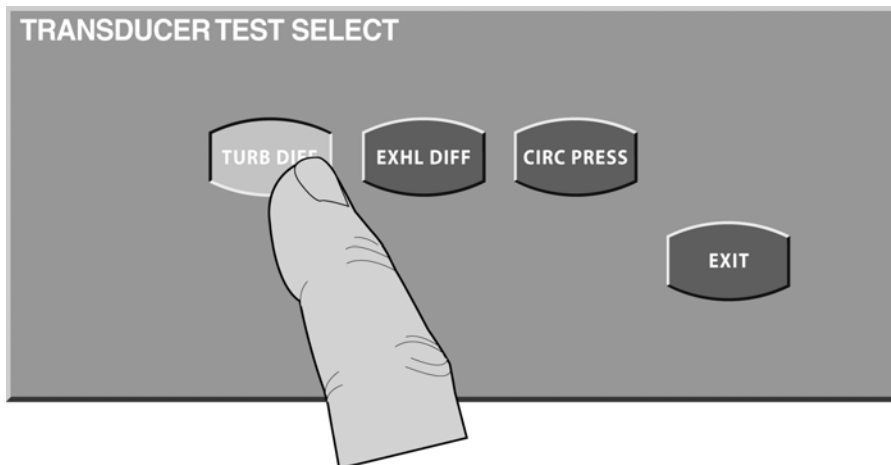


Figure 4 9 Press TURB DIFF icon

The following messages appear in sequence in the message area at the bottom left of the touch screen.

Turb Diff Pressure Xdcr Test – Requested

Turb Diff Pressure Xdcr Test – In Progress

Turb Diff: XXX Passed (where XXX is the transducer reading within range)

Or

Turb Diff: XXX Failed (where XXX is the transducer reading OUT of range)

Press the Exhalation Differential Pressure (EXHL DIFF) screen icon.

The following messages appear in sequence in the message area at the bottom left of the touch screen.

Exhl Diff Pressure Xdcr Test – Requested

Exhl Diff Pressure Xdcr Test – In Progress

Exhl Diff: XXX Passed (where XXX is the transducer reading within range)

Or

Exhl Diff: XXX Failed (where XXX is the transducer reading OUT of range)

Press the Circuit Pressure (CIRC PRESS) screen icon.

The following messages appear in sequence in the message area at the bottom left of the touch screen.

Circ Pressure Xdcr Test – Requested

Circ Pressure Xdcr Test – In Progress

Circ Press: XXX Passed (where XXX is the transducer reading within range)

Or

Circ Press: XXX Failed (where XXX is the transducer reading OUT of range)

Version Information

To access the software version information screen, press the VERSION INFO screen icon.

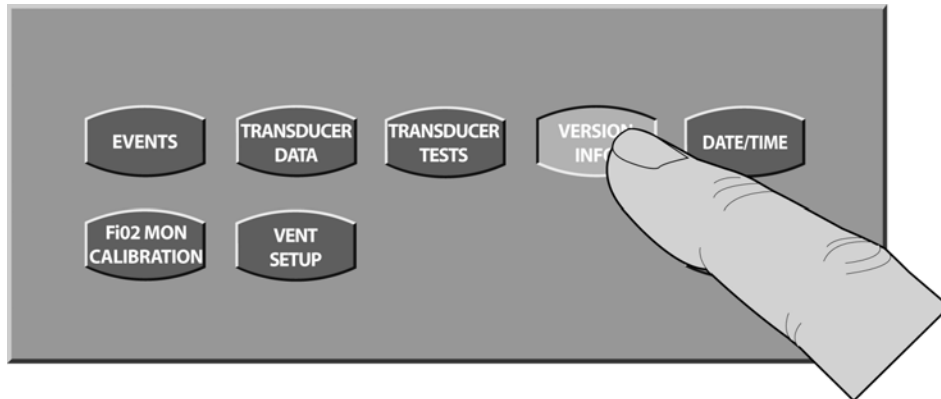


Figure 4.10 Press the Version Info icon

The Versions screen, showing the versions of all software installed on the machine, displays.

Note

The version information shown in figure 4.X is an example only. Your machine will have different versions of software depending on the date of sale and the updates loaded.

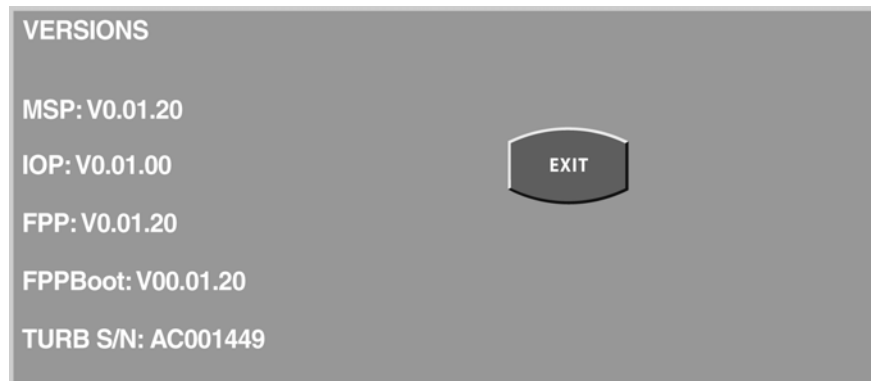


Figure 4.11 Sample Version information screen

Date & Time

The date and time can be set and the ventilator hours of use (Hour Meter) can be viewed by pressing the Date/Time screen icon.

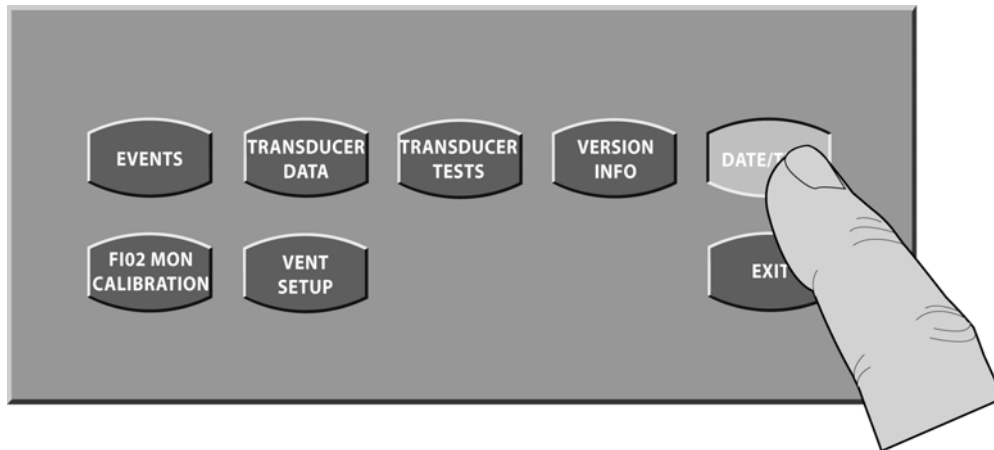


Figure 4.12 Press Date/Time icon

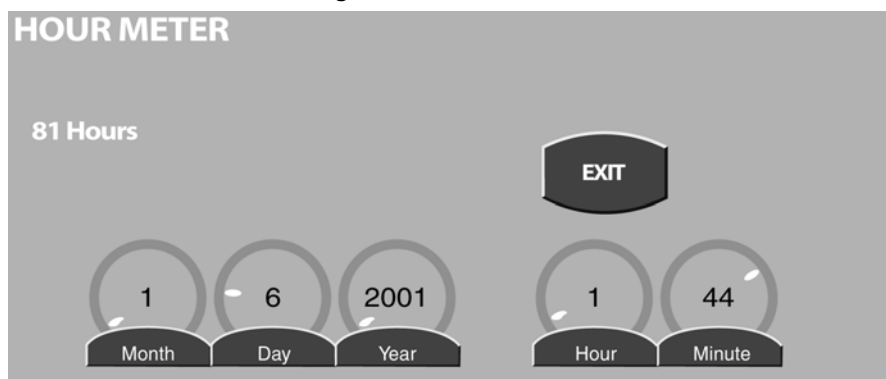


Figure 4.13 Date/Time and Hour Meter screen

To adjust the date and time, select by pressing the touch screen directly over the control to be adjusted (see figure 4.X).

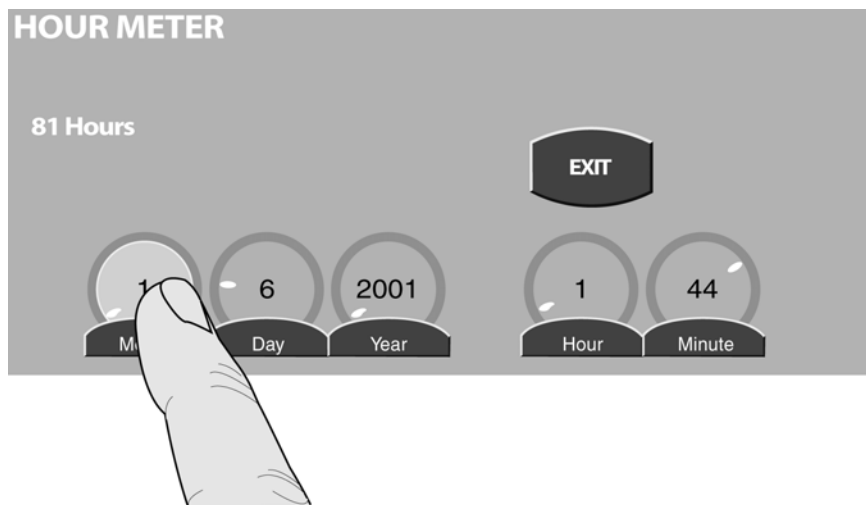


Figure 4.14 Select the month control

Adjust by turning the Data Dial clockwise to increase, or counter clockwise to decrease, the value.

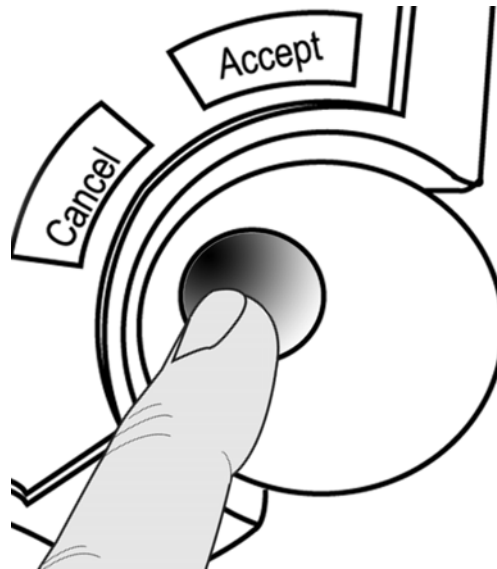


Figure 4.15 Data Dial

FiO2 Calibration

See the Calibration section of this Chapter.

Ventilator Setup

To access the ventilator setup options, press the Vent Setup screen icon.

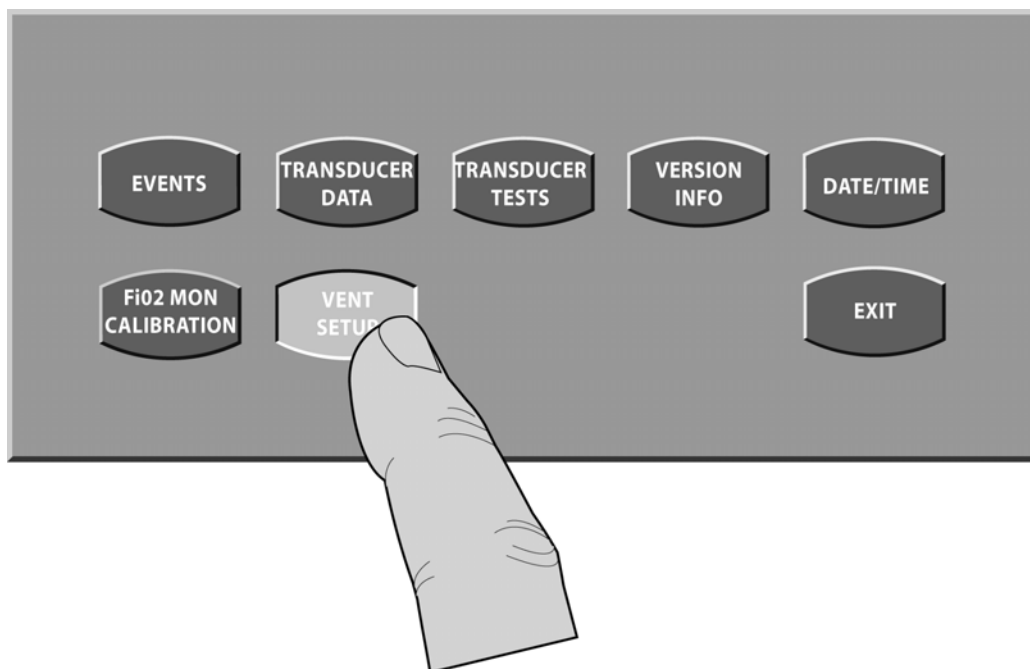


Figure 4.16 Press Vent Setup icon

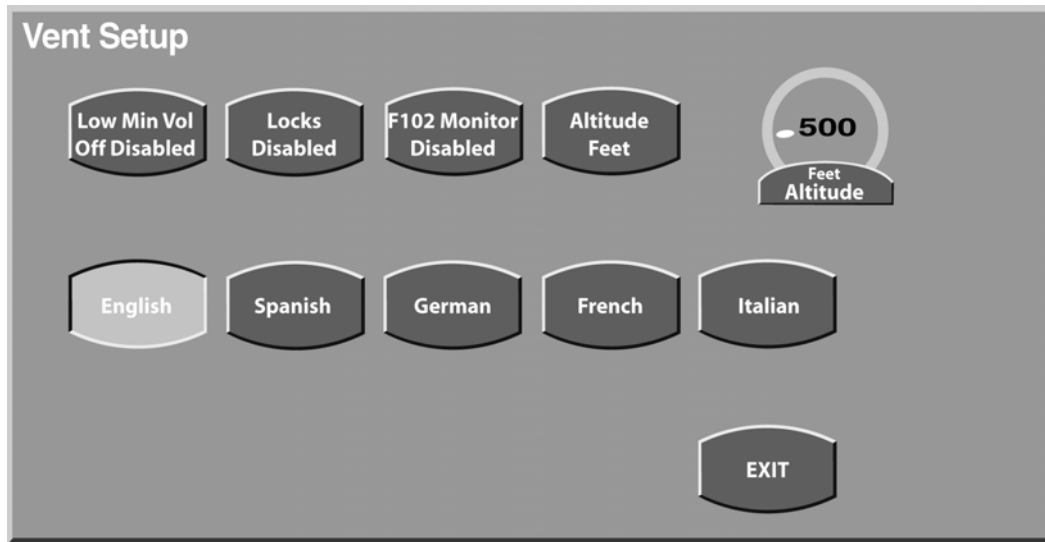


Figure 4.17 Ventilator Setup Screen

Low Min Volume Off

There are two ranges possible for the Low Minute Volume Alarm. They are OFF to 99.9 liters and 0.1 to 99.9 liters. The Low Min Vol Off Disable/Enable screen icon, allows you to toggle between the two ranges.

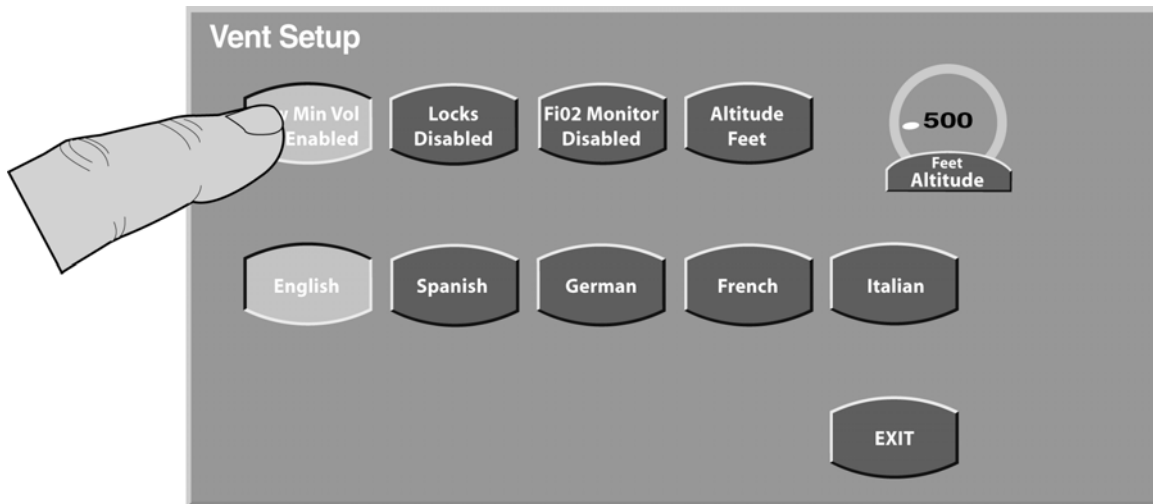


Figure 4.18 Low Min Vol Off Enabled

Locks Disabled

Toggles the control Locks on and off.

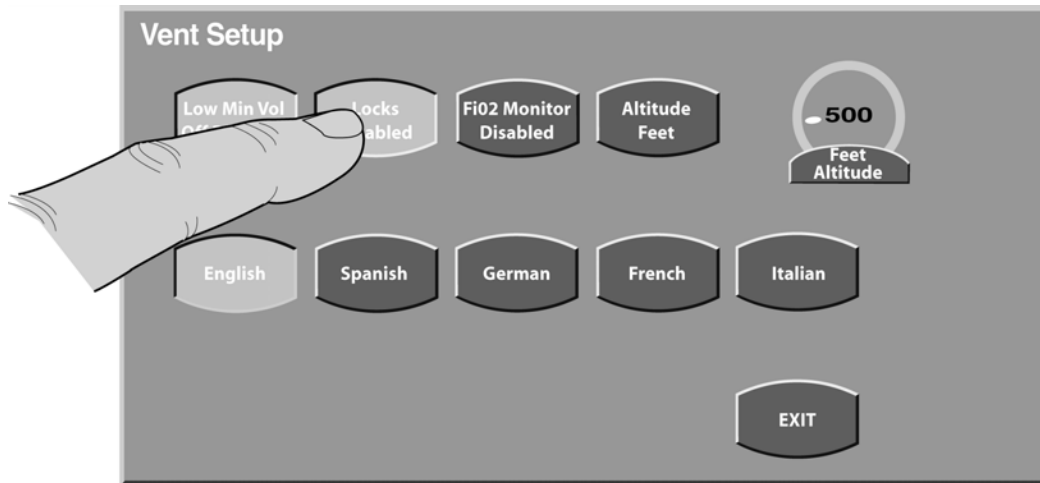


Figure 4.19 Locks Enable/Disable

FiO2 Monitor Disabled

Disables or Enables the FiO2 Monitor Function.

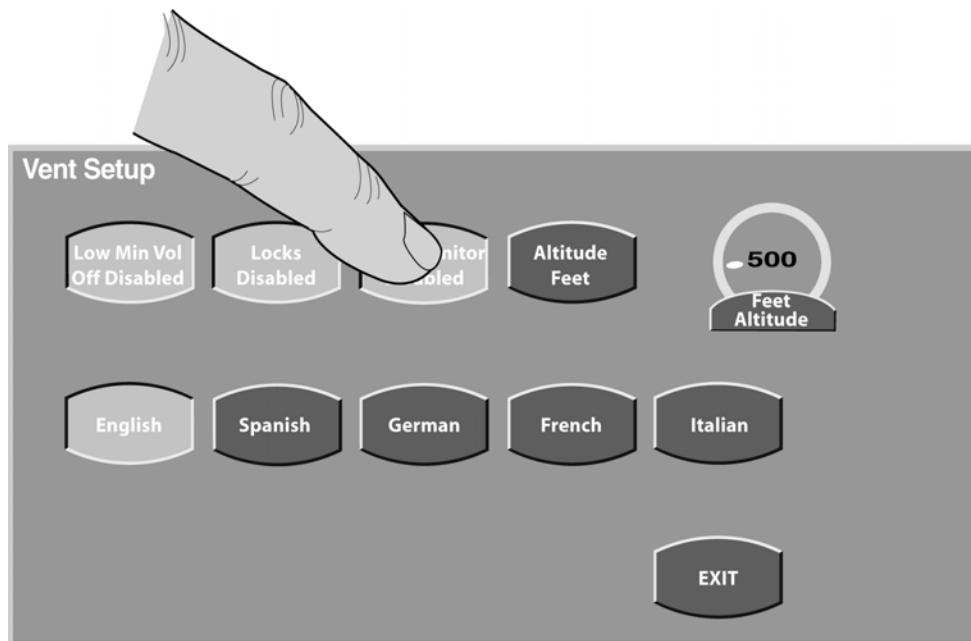


Figure 4.20 Monitor enable/disable

Altitude Adjustment

Allows for adjustment of altitude in feet or meters above sea level.

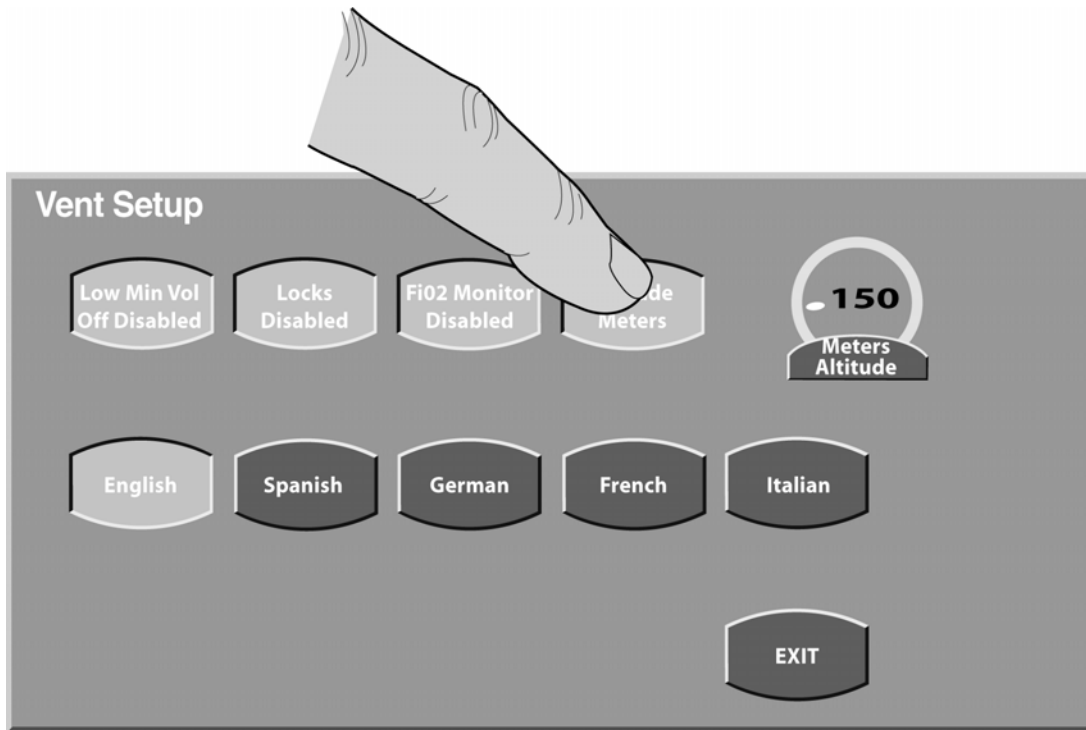


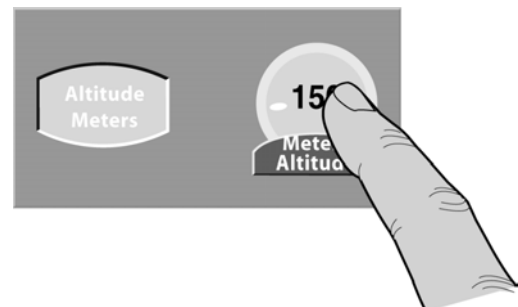
Figure 4.21 Altitude feet/meters



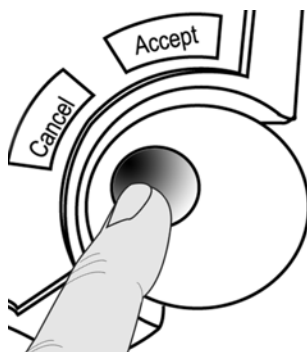
The Altitude screen icon toggles between Feet and Meters and the selection is reflected in the control label (see figure 4.22)

Figure 4.22 Altitude in Meters

To adjust the value, select the control,



then adjust using the data dial.



Language Selection

A choice of 5 languages is available (see figure 4.23). Select a language by pressing the appropriate screen icon. Press EXIT to leave the Ventilator Setup screen and return to the Extended Functions screen

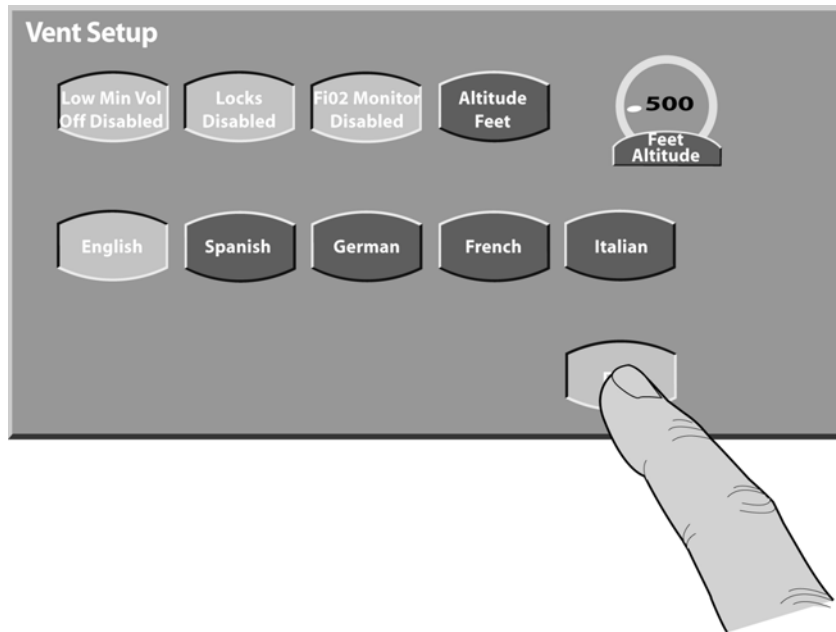


Figure 4.23 Exit Ventilator Setup

Press EXIT again to exit the Special Functions menu

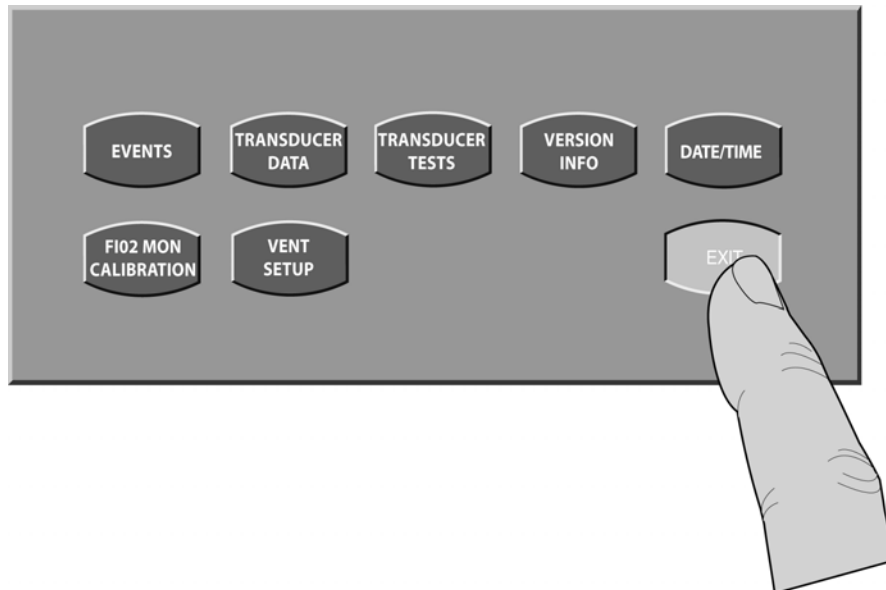


Figure 4.24 Exit Special Functions

The ventilator will begin operation at previously selected settings.

Set up the patient and ventilator operational settings per the instructions your Operator's Manual.

Verification tests

1. Before attaching the Vela to a new patient, perform the following Operational verification checks.
2. Turn on the Vela, choose New Patient and Accept. This will return all settings to the defaults.
3. To check monitor performance, allow the ventilator to operate for two minutes. View the monitored parameters. The values should appear as follows:

Parameter	Value
Minute volume	6 L + 1.2 L
Tidal Volume	500 ml + 100 ml
I:E Ratio	1:6.1 + 10%
Breath Rate	12 bpm + 2 bpm
PIP	Should equal manometer display + 5 cmH ₂ O
MAP	N/A
PEEP	5 cmH ₂ O + 2 cmH ₂ O
Inspiratory Time	0.68 seconds + .05 seconds

3. Check the alarms as follows:
 - a. Power Fail Check
 - i. Remove the power cord from the wall. The ventilator should do the following:
 1. Switch to battery power.
 2. Sound the audible alarm.
 3. Turn the AC Power Source indicator OFF.
 4. Display the BATTERY ON message in the alarm window.
 5. LED for internal battery will light.
 - ii. Press the Alarm Reset button to clear the alarm.
 - iii. Plug the AC power cord back into the wall socket.
 - b. High Pressure Limit Check
 - i. Lower the High Pressure Alarm setting to 5 cmH₂O below the Peak Inspiratory Pressure (PIP). When the ventilator cycles to inspiration and the high pressure limit is violated, the high pressure alarm should occur. When this happens the ventilator should:
 6. Immediately cycle into the expiratory phase.
 7. Sound the audible alarm.

8. Display the HIGH PRES message in the alarm window.
 - ii. Return the High Pressure Alarm setting to 5 cmH₂O above PIP, and press the Alarm Reset button to clear the alarm.

This completes the performance check. The following Ventilator Performance Checklist may be used to document each Performance Check for your records.

Vela Ventilator Performance Checklist

This checklist is for use during the Vela Operational Verification Procedure.

Serial Number _____ Hours _____ Date _____

Verification Steps:

Verification Step	Check & Initial
1. Inspect the ventilator and components for appearance and cleanliness. Confirm the Exhalation valve, diaphragm, and air intake filter and test lungs are correctly installed. Wipe the ventilator clean if needed using a cloth moistened with an approved cleaning solution.	<input type="checkbox"/>
2. Enter the User Verification Test (UVT). Press the Patient Removed touch screen icon.	
3. Test the alarm volume. Adjust as required.	<input type="checkbox"/>
4. Confirm the proper functioning of the front panel lamps and LEDs.	<input type="checkbox"/>
5. Confirm the proper functioning of the membrane switches.	<input type="checkbox"/>
6. Complete the internal filter performance check.	<input type="checkbox"/>
7. Check the patient breathing circuit on the ventilator and conduct a leak test. Make sure all needed components are firmly attached in the circuit.	<input type="checkbox"/>
8. Exit the UVT and conduct performance test.	

Set the parameters to the following recommended settings:

Mode	A/C	Inspiratory Pause	OFF
Tidal Volume	500ml	Sigh	OFF
Peak Flow	60 lpm	Square Waveform	OFF
Breath Rate	12 bpm	Bias Flow	10 lpm
PEEP/CPAP	5 cmH ₂ O	Altitude	Current
Sensitivity	OFF	Inspiratory Time	0.3 sec
Pressure Support	OFF	Termination Sensitivity	25%
Pressure Control	OFF	Variable Time Termination	3.0 sec
% O₂	21	Flow Termination	OFF

Set the variable alarm controls as follows:

Alarm Control	Setting
High Pressure	PIP plus 5 cmH ₂ O
Low Pressure	PIP minus 10 cmH ₂ O
Low Minute Volume	4 Liters
High Breath Rate	16 bpm
Apnea Interval	20 secs

Verification Step

Check & Initial

9. After at least two minutes of operation compare the displayed readings to the following:

Display	Reading
Minute Volume	6L +/- 1.2L
Tidal Volume	500ml +/-100ml
I:E Ratio	1:6.1 +/-10%
Breath Rate	12 bpm +/-2 bpm
PIP	Equal to Manometer +/- 5
MAP	NA
PEEP	5 cmH ₂ O +/-2 cmH ₂ O
Inspiratory Time	0.68 sec +/-0.5 sec

Verification Step

Check & Initial

10. Check alarms

A. Power Fail Check

B. High Pressure Limit Check

Signature: _____

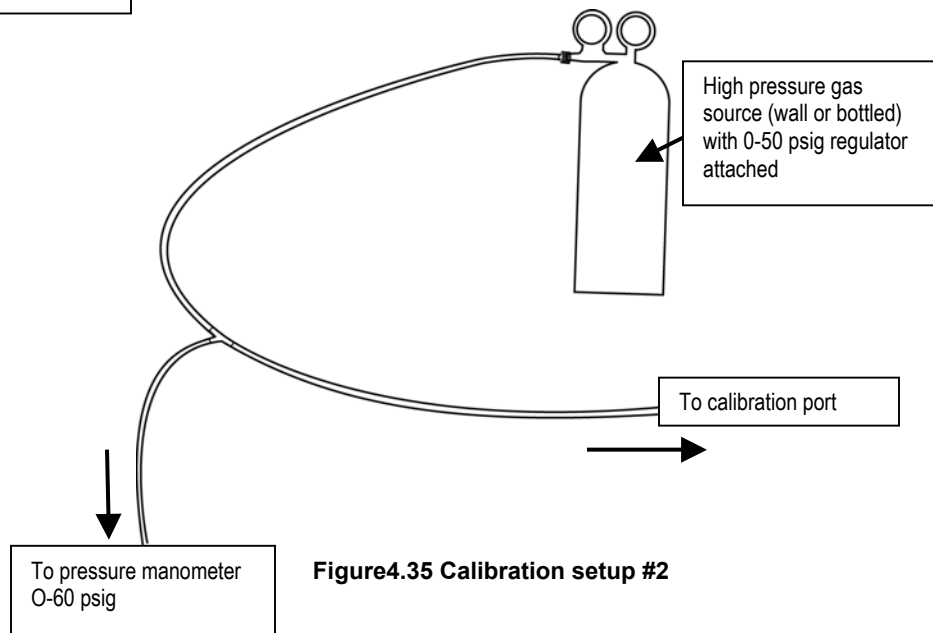
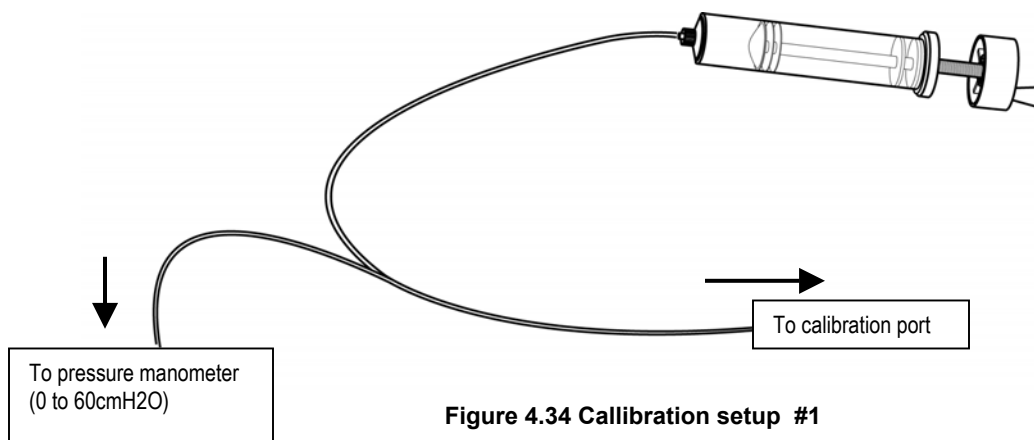
Procedure Complete

Calibration

Note

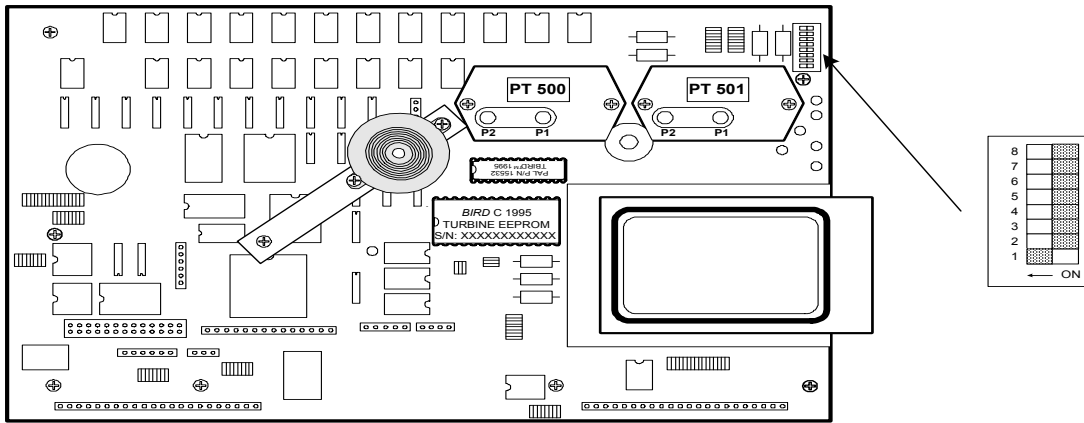
All personnel performing preventive maintenance and product repair must be trained and certified by VIASYS Healthcare to service the product

Test Set-up



Power Up Verification/Service Verification Tests

1. Remove the top cover and battery tray as described in Chapter 3.
2. Locate DIP Switch 1 on the Main PCBA on the rear of the front panel. Place it in the ON position, as shown in figure 3.



3. Connect the Vela to a properly grounded AC source. Turn on power to the unit.

Figure 4.36 Main PCB

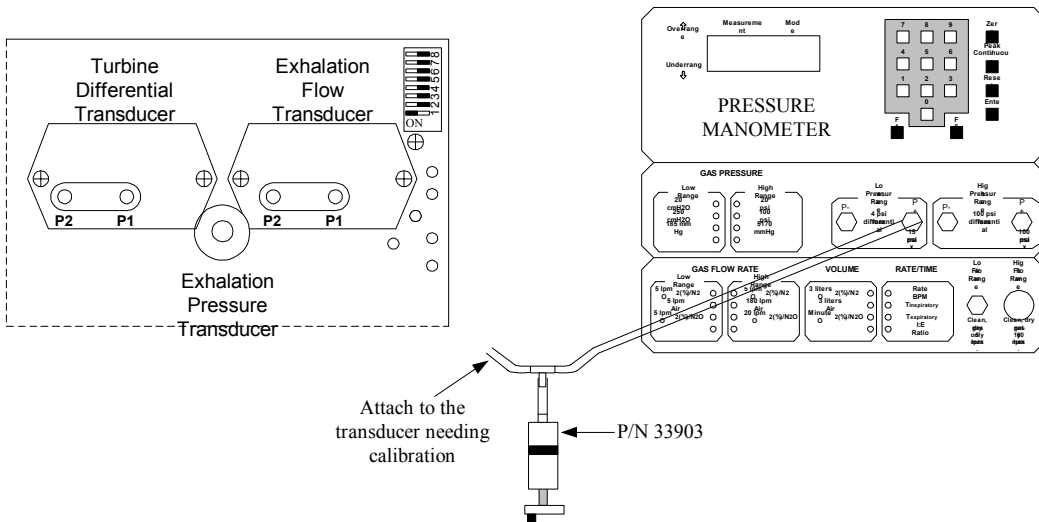


Figure 4.37 Location of transducers

4. The ventilator performs its Power On Self Test. When the self-test is complete, the screen displays “flat” waveforms and the ventilator makes no attempt to deliver a breath. This indicates that you are in a “Service” mode
5. The audible alarm should sound, press the alarm reset button to silence alarm.
6. Press the MAIN icon at the top of the touch screen
7. The SVT TEST SELECT screen displays.
8. Press CALIBRATION to access the transducer calibration screen (see figure 4.7)

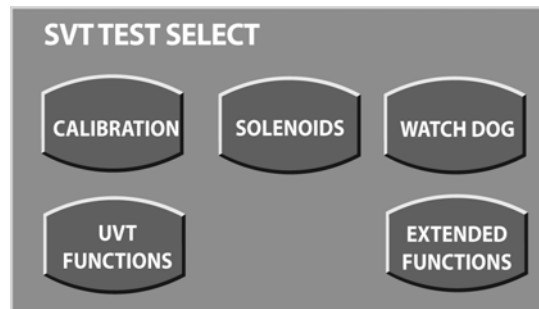


Figure 4.38 SVT Test Select Screen

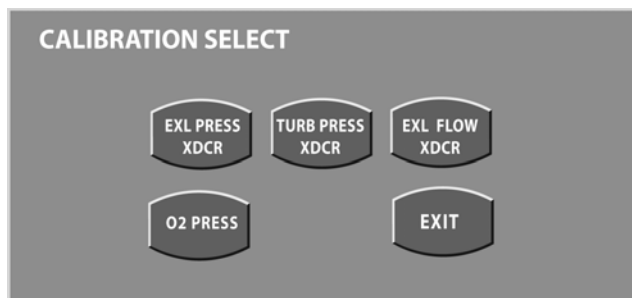


Figure 4.39 Calibration selection screen

Exhalation Pressure Transducer

1. Press the EXH PRESS XDCR touch screen icon from the CALIBRATION SELECT Screen. The EXHL PRESS CALIB screen displays showing both pressures as “Pending” and with the instruction “Apply 0 cmH₂O and press button”.

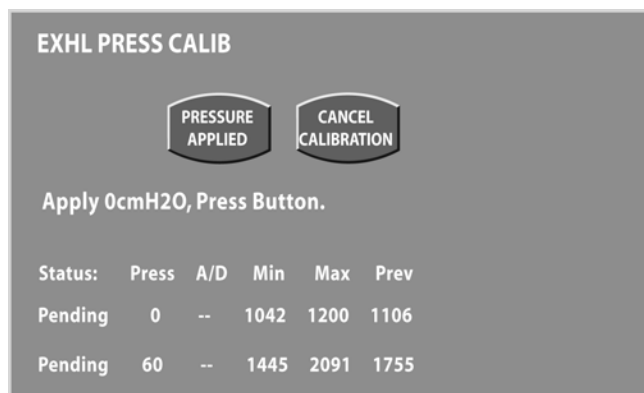


Figure 4.40 Exhalation Pressure Transducer Calibration screen #1

2. Disconnect tubing from the exhalation pressure transducer before continuing with the procedure (see figure 4.6 for location of the transducers).With no tubing attached to the exhalation pressure transducer, press the PRESSURE APPLIED touch screen icon for zero calibration.
3. When the calibration is complete, the screen legend changes to read “Apply 60 cmH₂O, Press Button” and the zero pressure value now says “OK” with an A/D value added.

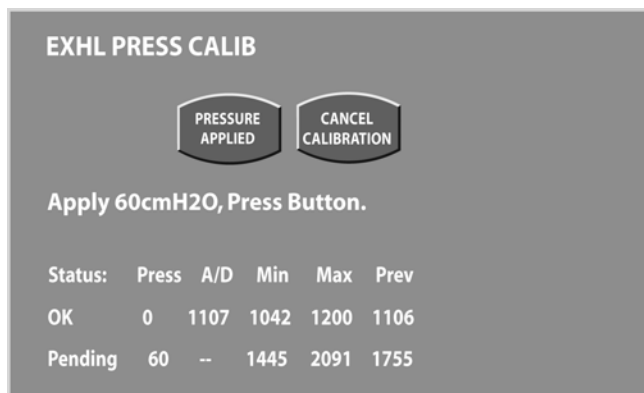


Figure 4.41 Exhalation Pressure Transducer Calibration screen #2

5. Attach the calibration setup shown in figure 1 to the Exhalation Pressure Transducer port (see figure 4 for location).
6. Turn the calibration syringe handle clockwise to generate positive pressure.

- When the pressure manometer reads 60 cmH₂O +/- 0.6 cmH₂O, press the PRESSURE APPLIED touch screen icon.

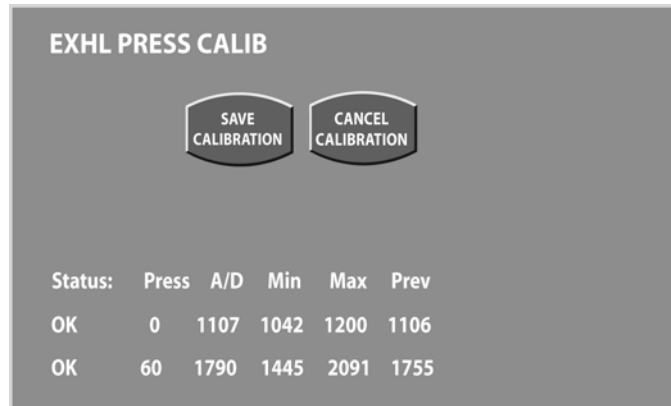


Figure 4.42 Exhalation Pressure Transducer Calibration screen #3

- When the calibration is completed, the screen displays OK for both calibrations. SAVE CALIBRATION and CANCEL CALIBRATION. Press SAVE CALIBRATION to save and return to the transducer calibration selection screen.

CAUTION

Make sure that your pneumatic connection is to the Exhalation Pressure transducer before applying 60 cmH₂O pressure. If the 60.0 cmH₂O pressure is inadvertently applied to the Exhalation Differential (Flow) transducer it **will permanently damage the transducer.**

Turbine Pressure Transducer

- From the CALIBRATION SELECT screen, press TURB PRESS XDCR.
- The first Turbine Pressure calibration screen displays showing both calibration pressures as pending and with the legend "Apply 0 cmH₂O and press button".

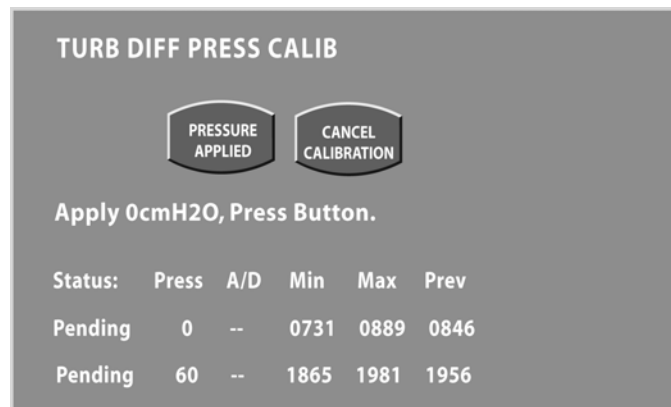


Figure 4.43 Turbine Pressure Zero calibration screen #1

- Disconnect tubing from the transducer before continuing with the procedure. See figure 4.6 for location of the transducers
- With no tubing attached to the turbine pressure transducer, press the PRESSURE APPLIED touch screen icon for zero calibration.
- The screen legend changes to read "Apply 60 cmH₂O, Press Button" and the status of the zero calibration line now reads "OK" with a recorded A/D value.

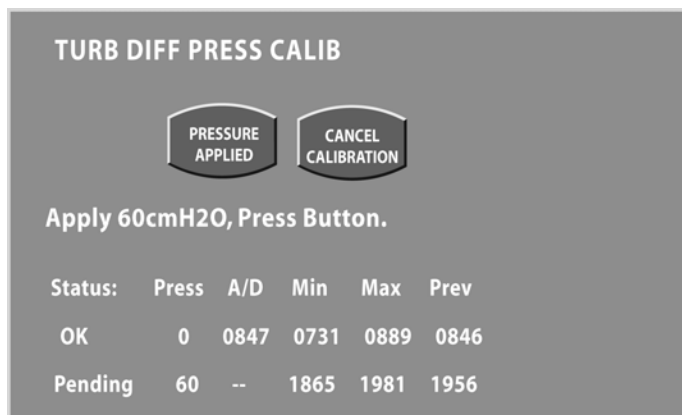


Figure 4.44 Turbine Pressure 60 cmH₂O calibration screen #2

5. Attach the calibration setup shown in figure 1 (available as a kit from VIASYS Healthcare) to the port P2 on the turbine pressure transducer (see figure 4.6 for location).
6. Turn the calibration syringe handle clockwise to generate positive pressure.
7. When the pressure manometer reads 60 cmH₂O +/- 0.6 cm H₂O, press the PRESSURE APPLIED touch screen icon.
8. The screen displays OK for both pressures and SAVE CALIBRATION and CANCEL CALIBRATION. Press SAVE CALIBRATION to save and return to the transducer calibration selection screen.



Figure 4.45 Turbine Pressure 60 cmH₂O calibration screen #3

9. Reconnect tubing to the port after calibration.

CAUTION

Make sure that your pneumatic connection is to the Turbine Differential transducer before applying 60 cmH₂O pressure. If the 60.0 cmH₂O pressure is inadvertently applied to the Exhalation Differential (Flow) Transducer it will be permanently damaged and require replacement.

Exhalation Flow Transducer Calibration

1. From the CALIBRATION SELECT screen, press EXL FLOW XDCR. The first Exhalation Differential Pressure (Flow) calibration screen displays.

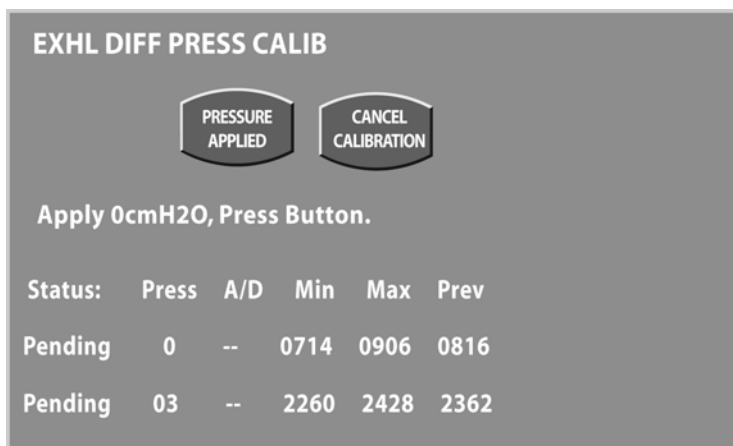


Figure 4.46 Exhalation Differential Pressure (Flow) screen #1

2. Disconnect tubing from the transducer before continuing with the procedure. See figure 4.6 for location of the transducers
3. With no tubing attached to the transducer, press the PRESSURE APPLIED touch screen icon for zero calibration.
4. When the calibration is complete, the status of the zero pressure line reads "OK" and an A/D value is recorded. The screen legend changes to read "Apply 3 cmH2O, Press Button."



Figure 4.47 Exhalation Differential Pressure (Flow) screen #2

5. Attach the calibration setup shown in figure 1 to the Exhalation Differential (Flow) Transducer port P2 (see figure 4.6 for location).
6. Turn the calibration syringe handle clockwise to generate positive pressure.
7. When the pressure manometer reads 3 cmH2O +/- 0.6 cm H2O, press the PRESSURE APPLIED touch screen icon.
8. When the calibration is complete, the status of the zero pressure line reads "OK" and an A/D value is recorded. The screen displays SAVE CALIBRATION and CANCEL CALIBRATION. Press SAVE CALIBRATION to save and return to the transducer calibration selection screen.

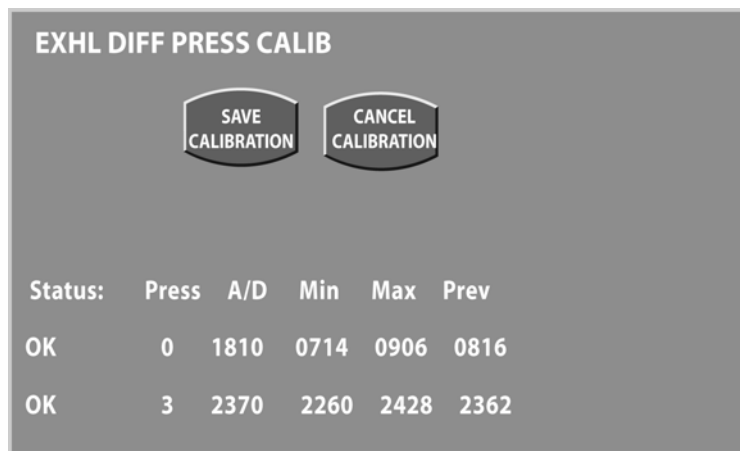


Figure 4.48 Exhalation Differential Pressure (Flow) screen #3

- Remove calibration setup from exhalation differential pressure (flow) transducer port and reconnect tubing before continuing.

Oxygen Pressure Transducer Calibration

- From the CALIBRATION SELECT screen, press O2 PRESS. The Oxygen Pressure Transducer Calibration screen #1 appears.

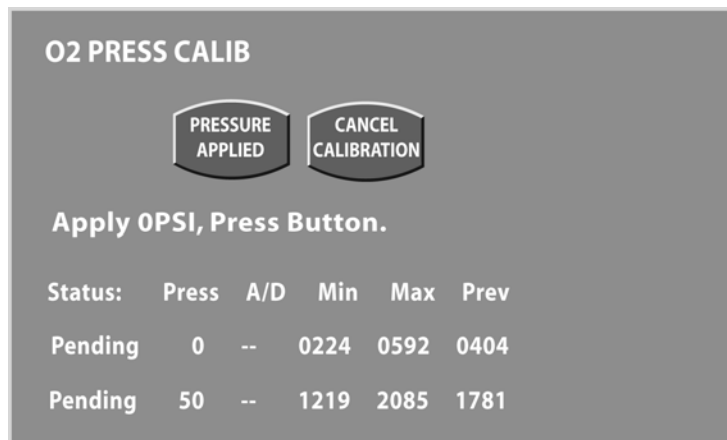


Figure 4.49 O2 Pressure calibration screen #1

- With no tubing attached to the Vela, press the PRESSURE APPLIED touch screen icon for zero calibration.
- When the calibration is complete, the status of the zero pressure line reads "OK" and an A/D value is recorded (see figure 4.19). The screen legend changes to read "Apply 50 cmH₂O, Press Button."

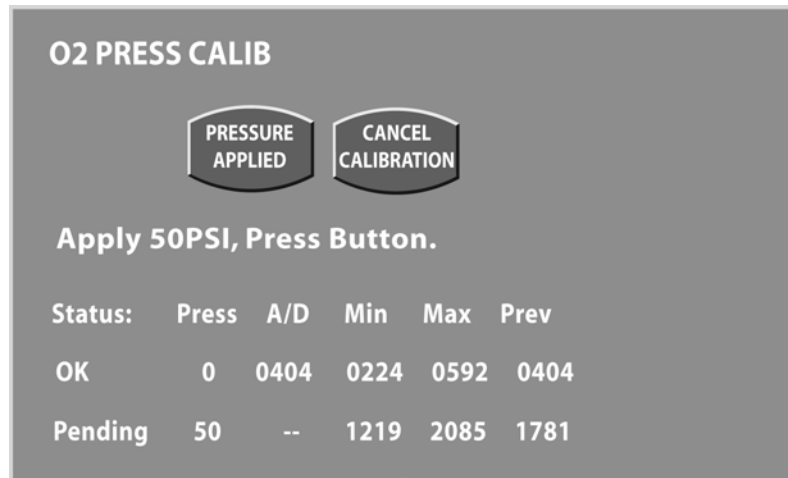


Figure 4.50 O2 Pressure calibration screen #2

5. Attach the calibration setup tube to the nebulizer port on the front of the Vela (see figure 4.20).
6. Press the Nebulizer membrane button on the front panel to open the solenoid.
7. Apply gas from the high pressure gas source at 50 psig pressure.
8. When the pressure manometer reads 50 psig, press the PRESSURE APPLIED touch screen icon.
9. When the calibration is complete, the status of the 50 psig pressure line reads "OK" and an A/D value is recorded (see figure 4.21). The screen displays SAVE CALIBRATION and CANCEL CALIBRATION. Press SAVE CALIBRATION to save and return to the transducer calibration selection screen.

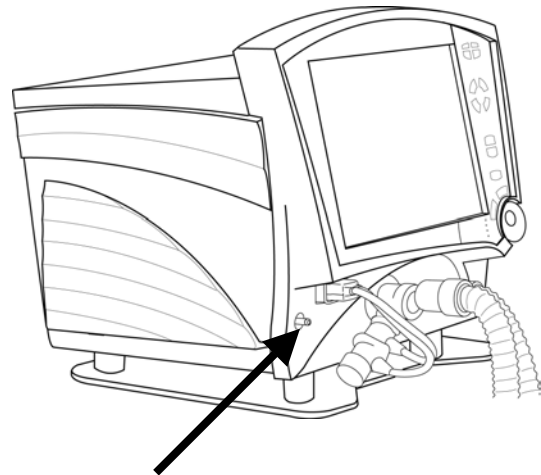


Figure 4.51 Nebulizer port on the Vela

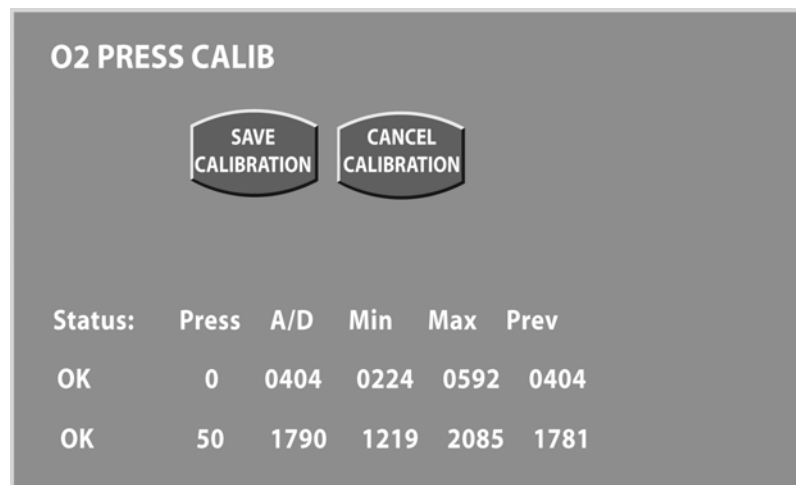
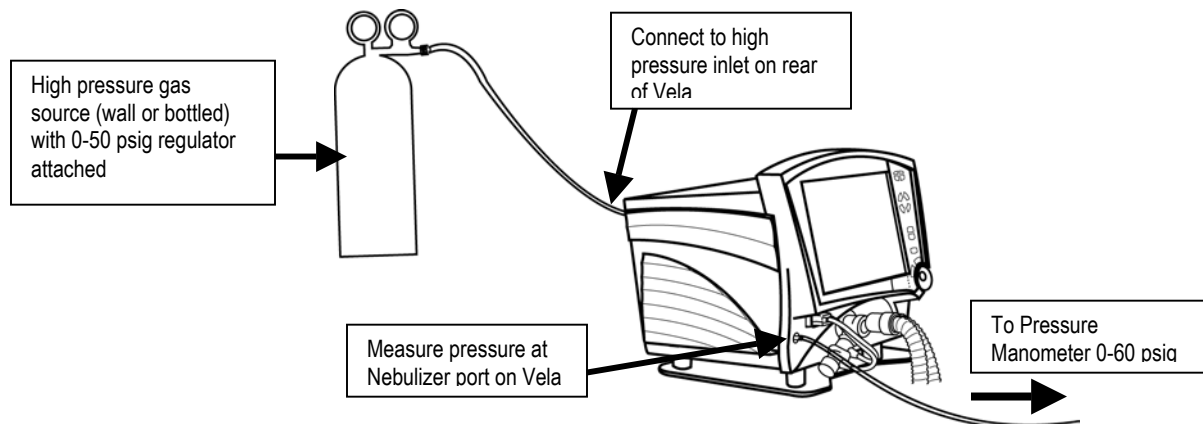
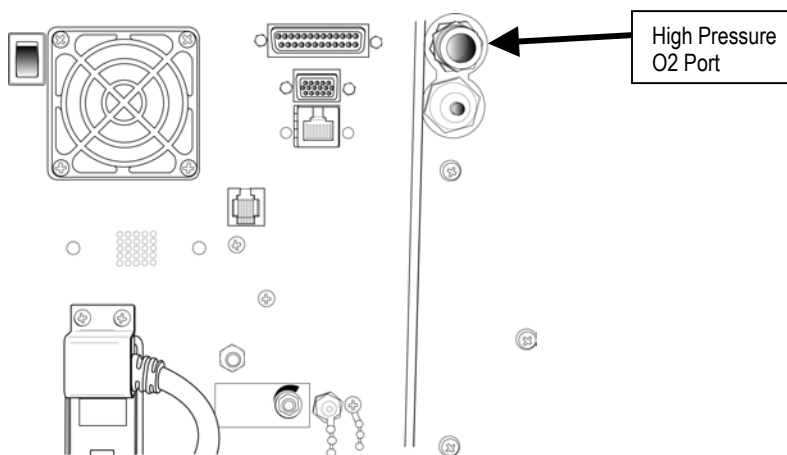


Figure 4.52 O2 Pressure calibration screen #3

Regulator calibration:**Figure 4.53 Calibration setup for Regulator Calibration**

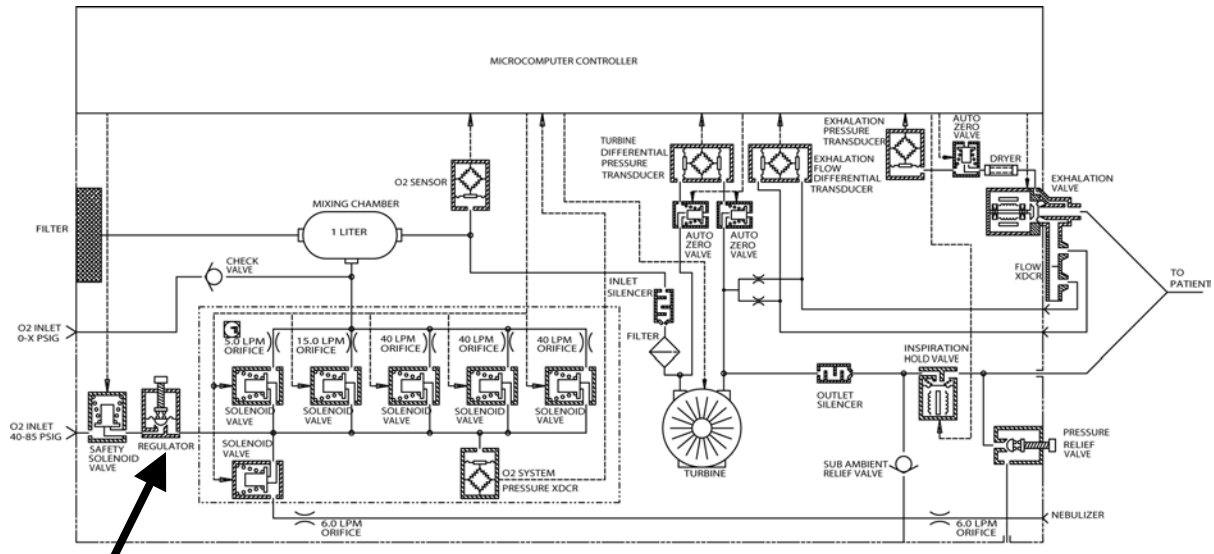
1. Enter the SVT mode as detailed in this procedure then press the MAIN icon. From the CALIBRATION SELECT screen, press the SOLENOID touch screen icon to enter the solenoid mode.
2. Connect gas source to the high-pressure port on the rear panel (see figure 18). Using a 0-50 psig regulator, apply 50 psig gas pressure. In turn, press the O2-0, O2-1, and O2-2 solenoid touch screen icons.
3. Using a calibrated manometer, measure the pressure at the Nebulizer port on the front of the ventilator for each solenoid (see figure 17). It must read 40 psig +/- 1. Adjust the *internal adjustment* regulator to achieve the correct pressure at the Nebulizer port (see figure 4.22)

**Figure 4.54 Vela Rear Panel**

3. Perform the Operational Verification Procedure described in this chapter once the calibration is complete. .

Note

All personnel performing preventive maintenance and product repair must be trained and certified by VIASYS Healthcare to service the product



SCHMATIC,
PNEUMATIC SYSTEM - VELA

NOTE: UNLESS OTHERWISE SPECIFIED.

ALL OXYGEN FLOWS CALIBRATED AT 40 PSIG INLET PRESSURE.

Figure 4.56 Internal adjustment regulator location

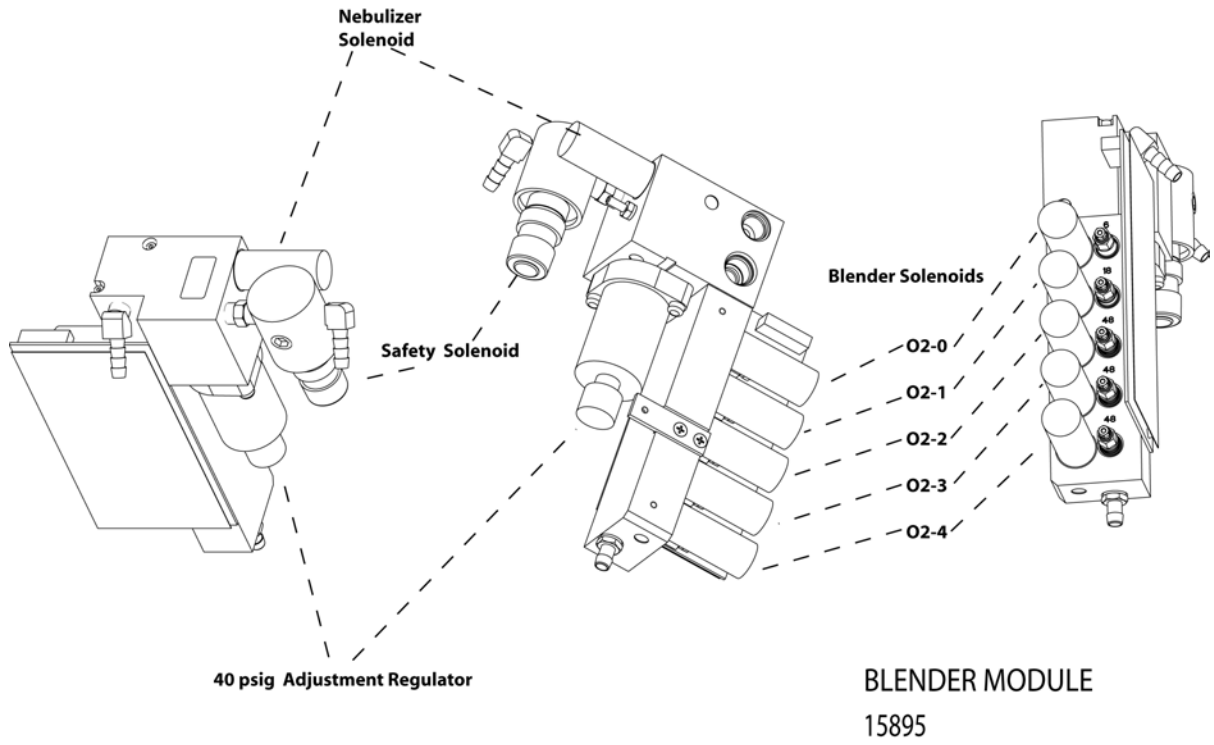


Figure 4.57 Location of O2 Blender solenoids

Oxygen Sensor Calibration

From the Special Functions menu, press the FIO2 MON CALIBRATION touch screen icon

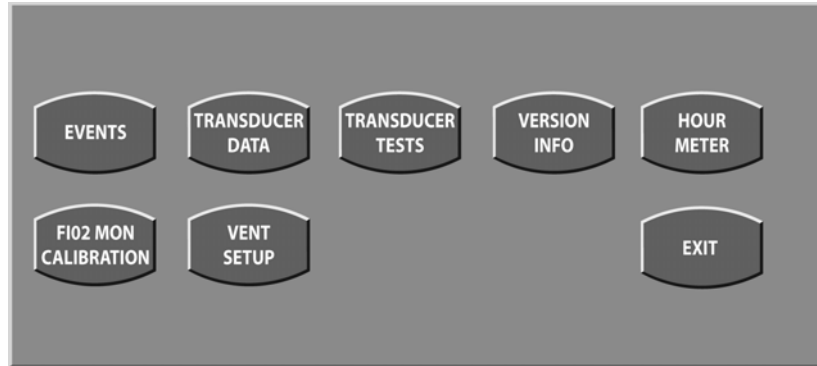


Figure 4.58 Special Functions menu,

The following screen will appear.

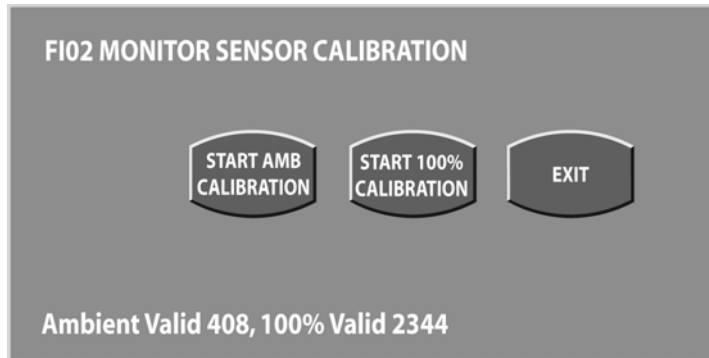


Figure4.59 FiO2 Sensor Calibration Ambient Air

Attach 100% O₂ at 50psig to the high-pressure inlet on the rear of the Vela.

Press the START AMB CALIBRATION touch screen icon. The machine will take 3-5 minutes to perform the calibration and the following screen will appear while the calibration is in progress.

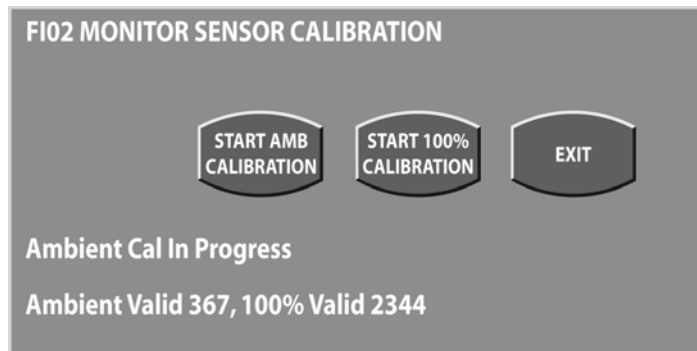


Figure 4.60 Ambient Calibration in progress.

When calibration is complete, the following screen will appear showing the new ambient value.

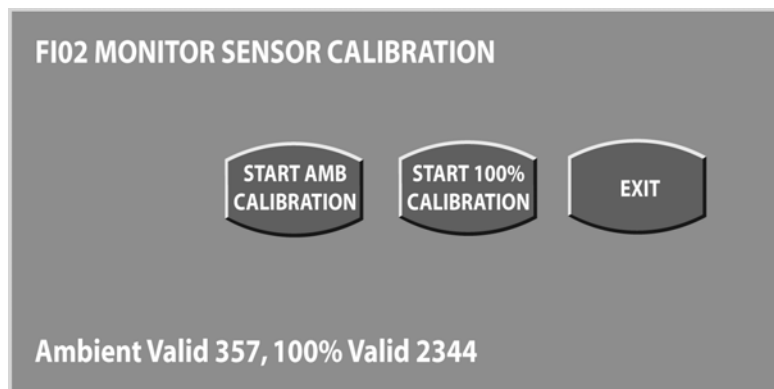


Figure 4.61 Ambient calibration complete showing new value

Press the START 100% CALIBRATION touch screen icon. The calibration will take 3-5 minutes during which time the following screen will appear.

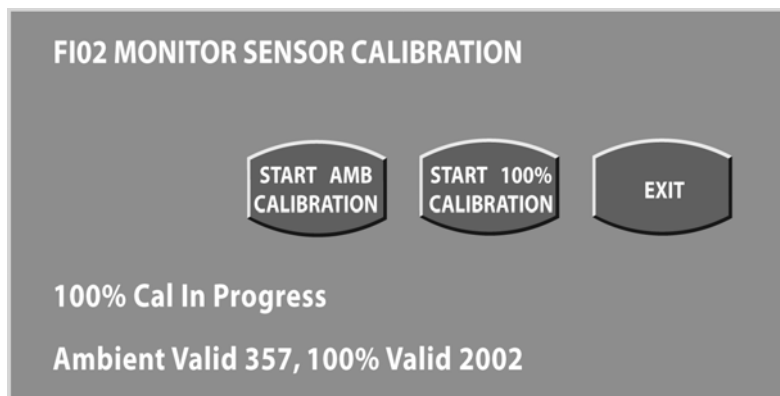


Figure 4.62 100 %FIO2 calibration in progress

When the calibration is complete the following screen will appear.

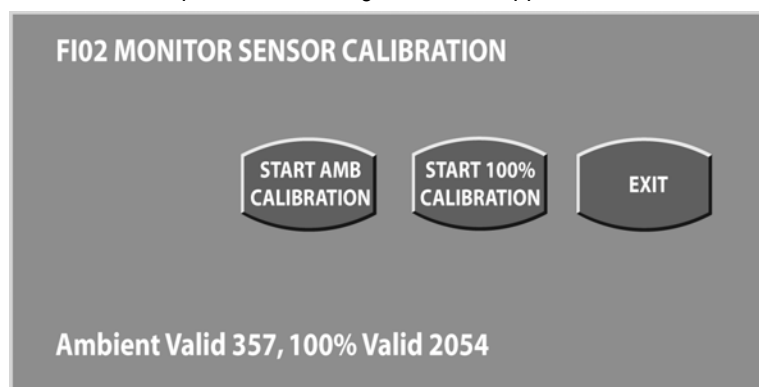


Figure 4.63 FIO2 calibration complete, new values showing.

If the calibration values are acceptable, press EXIT to exit the calibration sequence.

Chapter 5 Maintenance & Troubleshooting

Routine Maintenance Procedures

Replacing the software PCMCIA cards

Occasional software upgrades may require replacement of the internal PCMCIA card that drives the Vela. This is easily access by removing the screws holding the ventilator cover and sliding the cover off towards the rear as shown in figure 5.1.

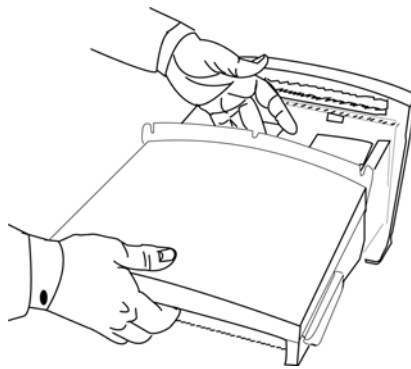


Figure 5.1 Slide cover towards rear

CAUTION

The SVGA Output ribbon cable lies directly beneath the top cover assembly running from the front of the Vela to the rear. It can be damaged if care is not taken when removing the cover. Make sure that the cover clears this cable before sliding it back.

The card is located towards the front of the Vela beneath the right panel. To replace the card, refer to figure 5.2 and do the following:

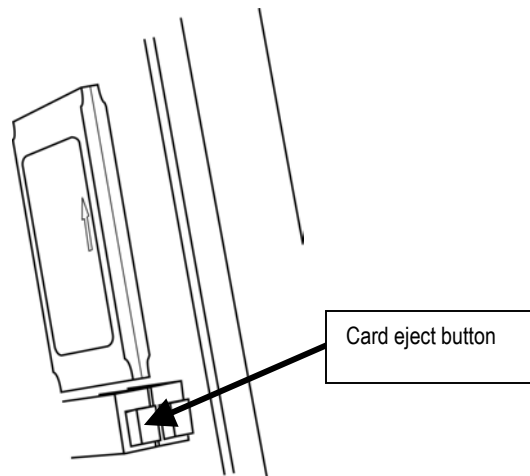


Figure 5.2 PCMCIA cards in place

Note

If a new version of software is installed, it can take up to two minutes for the software to download to the ventilator. During this time the ventilator is inoperative and the audible alarm will sound. The ventilator will resume normal operation once the download is complete.

1. Press the protruding button beneath the card to eject.
2. To install, make sure the arrow on the card is pointing up then push the card into the applicable slot until it clicks into place.

WARNING

It is essential when working inside the ventilator to protect against static discharge, which can damage the ventilator and cause it to become inoperative. ALWAYS take standard ESD precautions before removing the ventilator cover.

Replacing the external A/C fuses.

Remove the power cord protective cover. Unplug the A/C power cord.

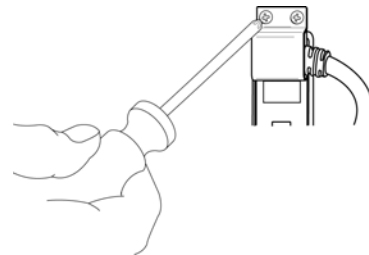


Figure 5.3 Remove the power cord guard

The AC power module is a universal module for A/C voltages from 100-240 volts. Using a flat bladed screwdriver, pry open the cover. Using the same screwdriver, loosen and pull out the red fuse holder as shown in figure 5.4.

Remove the fuses from both sides of the fuse holder and replace with fuses P/N 71612 (available from VIASYS Healthcare customer support).

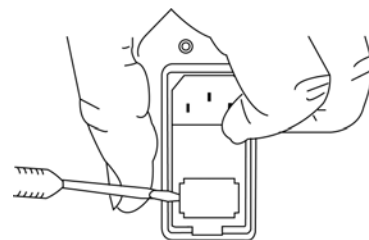


Figure 5.4 Pry out the fuse holder

WARNING

It is important that the fuses are replaced with the same type and value as those removed. Failure to do so can result in ventilator malfunction.

To insert the fuse holder containing the new fuses, make sure the 4 metal tabs are facing up as shown in figure 5.5 and carefully push the fuse holder in to the A/C power module until it seats

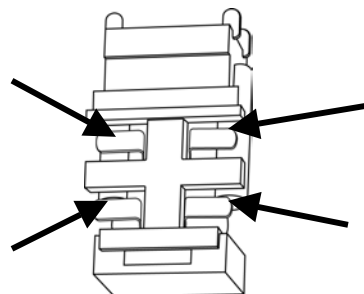


Figure 5.5 Insert fuse holder with metal tabs showing

The Annual 5000 hour P.M. Procedure

Replacing the ambient air filter.

The Ambient Air Filter is located at the rear of the ventilator below the rear panel. It is a high-density foam insert. To remove it, pinch and pull away from the ventilator as shown in figure 5.6. The filter will lift out. Replace with a clean filter. To prevent the entry of dust into the ventilator, press the filter in around the edges to ensure a snug fit.

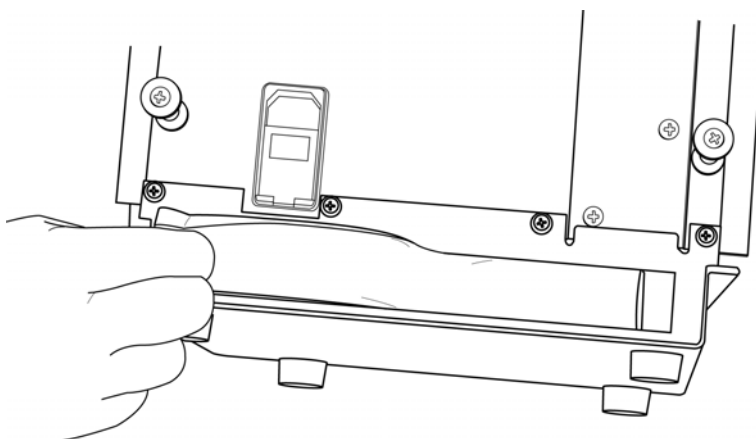


Figure 5.6 Remove high density foam ambient air filter

Replacing the fan filter

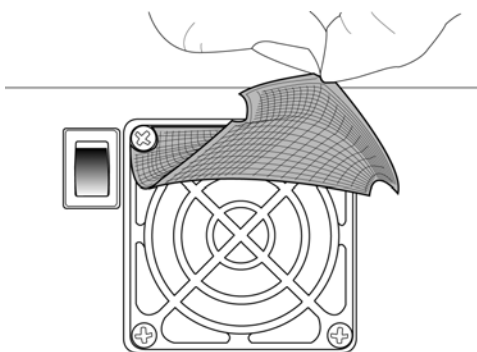


Figure 5.7 Pinch and remove foam fan filter

Pop out the fan filter retaining grid, using screwdriver. Pinch & pull out the foam filter (see figure 5.7)

To install a new filter, carefully place the new filter over the fan housing and place the retaining grid back onto the fan housing. Check to make sure there are no creases or folds in the foam filter as this will reduce its efficiency and could allow contaminants into the ventilator body. Push the retaining grid until all four “tabs” click into place.

Replacing the filter, retaining ring & check valve on the low pres O2 fitting

Using a $\frac{3}{4}$ inch open-ended wrench, unscrew the low-pressure oxygen fitting from the back panel as shown in figure 5.8.

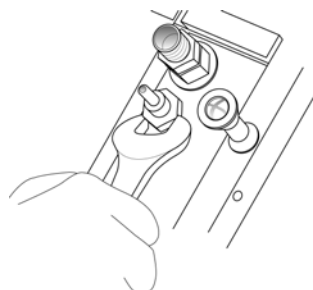
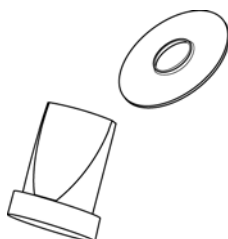


Figure 5.8 Unscrew the low pressure O2 fitting



Remove the white cone filter and dislodge & remove the white Delrin retaining ring (use needle nose pliers if needed).

Using needle nose pliers, the black duck billed check valve should come out easily.

Figure 5.9 White Delrin retaining washer and duck billed check valve

To replace, place the black duck billed check valve and insert it into the fitting. Tap lightly with the end of a screwdriver to make sure it is seated then place the Delrin retaining ring over it with the "lip" facing into the Vela as shown in figure X.X. Place the new cone filter onto the Delrin ring and push gently until you are sure it has seated correctly. Replace the fitting and tighten down with the $\frac{3}{4}$ inch wrench.

Replacing the filter, retaining ring and check valve on the hi pressure fitting

Using a $\frac{3}{4}$ inch open-ended wrench, unscrew the two-piece high-pressure oxygen fitting. Remove the white cone filter, the white Delrin washer & the black duck billed check valve as described above.

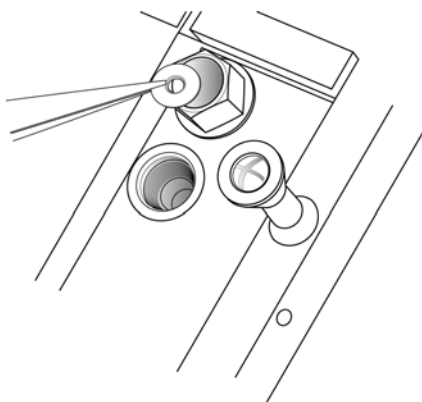


Figure 5.10 Installing the Delrin Washer

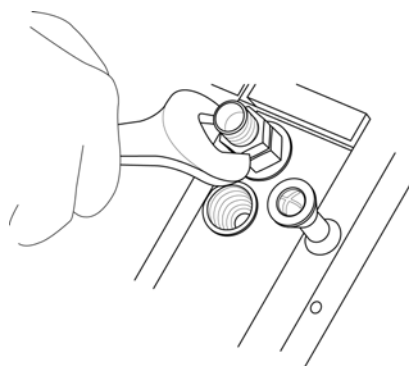


Figure 5.9 Unscrew the high pressure O2 fitting

Install the black check valve and make sure it is seated. Install the white Delrin washer with the lip down as shown in figure 5.10. Place the cone filter on the delrin washer and push gently to seat. Replace and tighten down the fitting with a $\frac{3}{4}$ inch open-ended wrench.

Replacing the muffler and muffler filter assemblies

Note

Always take precautions against static discharge when working with the ventilator. Retain all hardware for re-assembly.

From the back panel, remove the power cord guard by unscrewing the two retaining screws as shown in figure 5.11. Unplug the power cord.

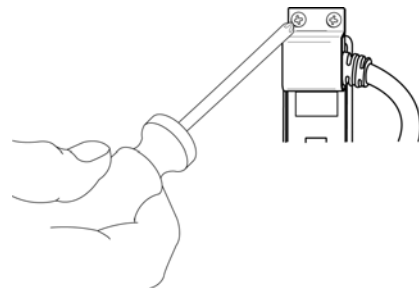


Figure 5.11 Removing the power cord guard

Unscrew the screws holding on the Vela cover. Slide cover towards the rear of the machine and off.

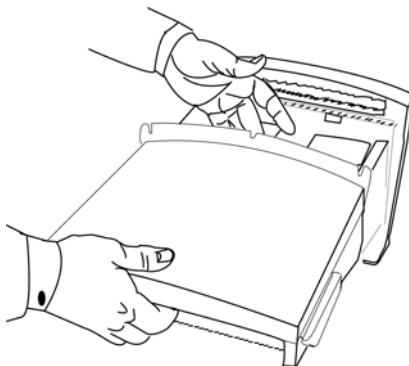


Figure 5.12 Slide cover off towards the rear

Remove the 4 screws securing the battery tray & lift it, and the attached large capacitor assembly out. Lean the battery tray and capacitor assembly against the left side of the Vela while you disconnect the large white Molex DC power connector. Set the complete assembly aside.

Note

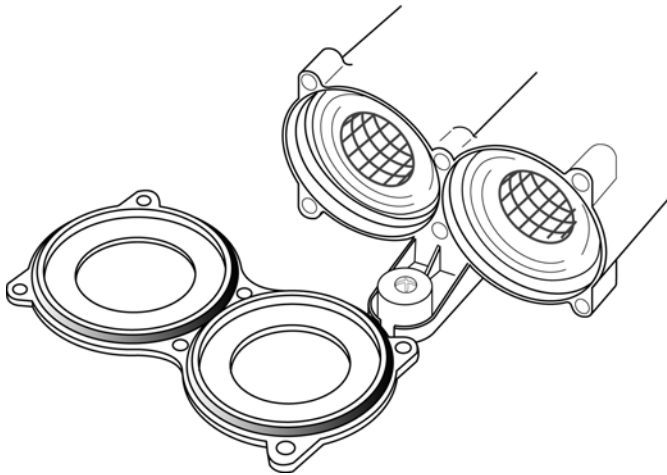
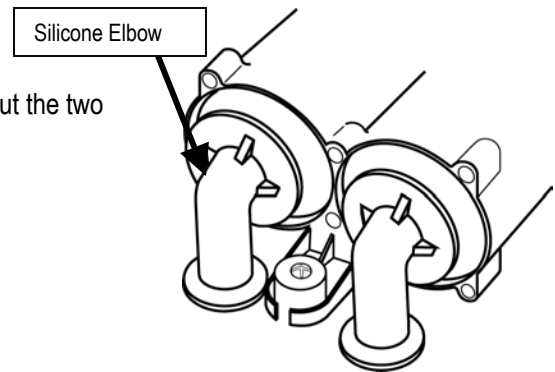
When the batteries are disconnected, the system will automatically re-set the battery status memory and will initiate an 18-hour re-charge cycle upon re-connect. During this period, the red DC status light will remain on. If the DC status light remains lit after the initial charging period has expired, contact VIASYS tech support as described in Appendix A for a replacement battery.

Remove the right panel. There are two screws in the rear of the ventilator, one in the front top and one on the lower left side in the center.

Pull the panel out from the rear first, then ease to the back & tilt out. Lay the assembly flat. The Mufflers are now accessible.

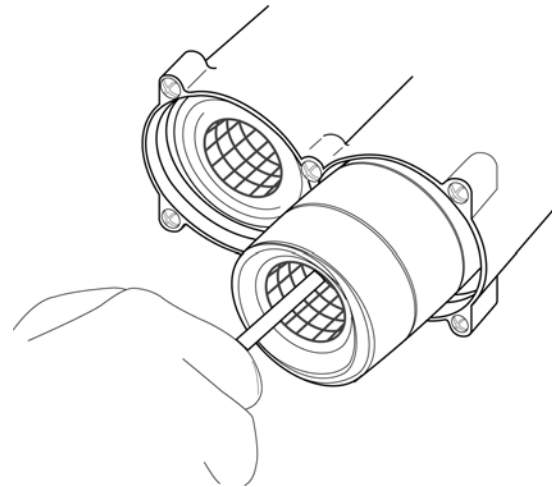
Replacing the muffler/filter assemblies.

To remove & replace the mufflers and filter, first ease out the two silicone elbows from the muffler assembly front panel.

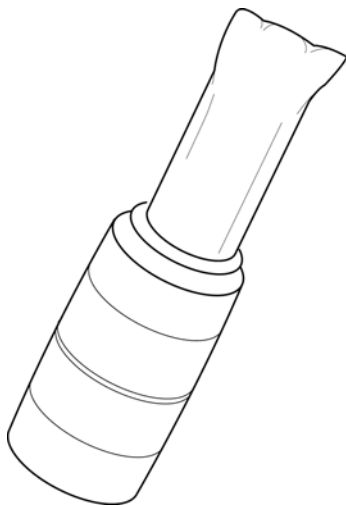


Loosen the 6 screws on the front plate, & remove the front plate. Remove and replace the two black o-rings on the front panel.

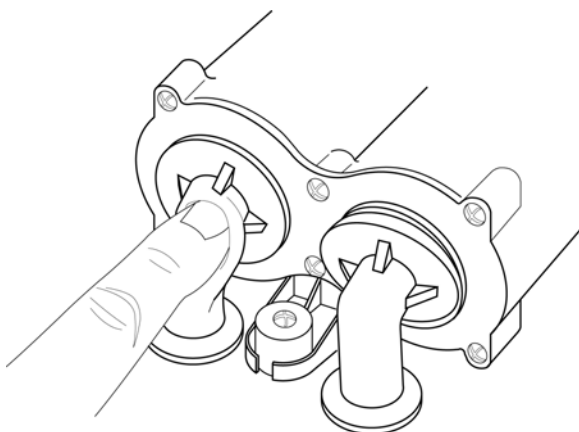
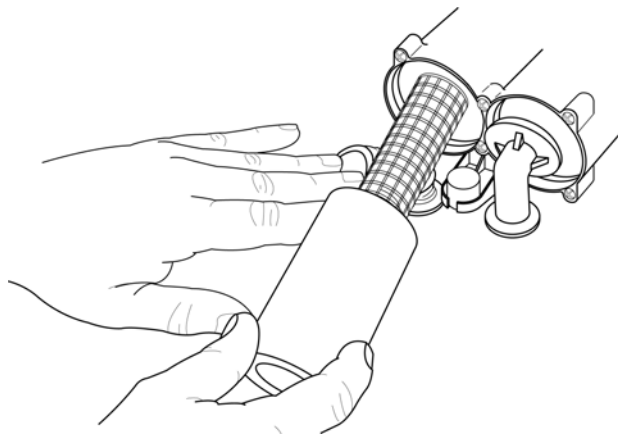
Using needle nose pliers, firmly grasp the metal grid inside the R side muffler/filter assy. Pull firmly towards you and the muffler/filter should slide out. Repeat with the left side muffler.



You will see that only the Right side muffler has a filter attached, the L side has wire muffler only.



To install the new filter/muffler assemblies, push the left side muffler (with no filter) firmly in and make sure it is pushed all the way into the housing. Insert the right side muffler with the filter, ensure that the seam on the filter lays horizontally and press home. Replace the front cover with the new O-rings and reattach with six screws.



Install the two silicone elbows into the muffler cover and push in the center to make sure they are seated.

Replacing the left panel w/power PCB.

1. Lean the right panel up to the Vela, slide in the front then push in the rear. Reattach the screws on the rear (2), front (1) and at the lower edge of the right side (1).
2. To install the battery tray, re-attach the large white Molex connector and make sure it lays between the muffler elbows as you replace the battery tray onto the Vela. This will ensure that there is enough space for the large capacitor attached to the Battery tray. Re-attach the 4 screws holding the battery tray in place. Reconnect the ribbon cable.
3. Slide the cover in place from the rear and push the top front edge home under the lip. Attach the screws.
4. Reattach the power cord and re-attach the power cord guard with the two screws.

Troubleshooting

If The Ventilator Does not Turn ON

If you turn the power switch ON and the ON indicator does not illuminate, perform the troubleshooting procedures given in Table 5.1.

Table 5.1
Troubleshooting Power-Up Problems

PROBLEM	POSSIBLE CAUSE	ACTION
Ventilator plugged into an AC source but does not power up.	No power at AC outlet, or the AC/DC select switch is in the ALT PWR SOURCE position, or the AC Line Voltage switch is set to the wrong voltage.	Try connecting to a known good AC power source. Make sure the AC/DC switch is in the AC position. Make sure, the voltage setting of the ventilator matches the voltage of your power source. Check the fuse assembly if the ventilator still does not power up, Contact your Bird Products Certified Service Technician. Check the DC voltage output supply from transformer at J9. Check DC voltage at J3. Black is ground. Red is 5 volts DC and Yellow is 14.7 to 20 DC. If voltage is not present, replace Power Supply PCB.
Ventilator attached to alternate external DC power source but does not power up.	If the external source is a battery, the battery may not be charged, or the AC/DC select switch may be in the AC position.	Plug the ventilator into a known good AC source, or to a known good battery and see if it powers up. If using a 12VDC power source, set the AC/DC select switch to the ALT PWR SOURCE position. Check the fuse assembly. If the ventilator still does not power up, contact your Bird Products Certified Service Technician. Check DC voltage at J3. Black is ground. Red is 5 volts DC and Yellow is 14.7 to 20 DC. If voltage is not present, replace Power Supply PCB.

Reviewing the Transducer Waveforms

To review the transducer waveforms set in Chapter 4, in normal operational mode press the touch screen immediately over the waveform heading display on the MAIN screen.

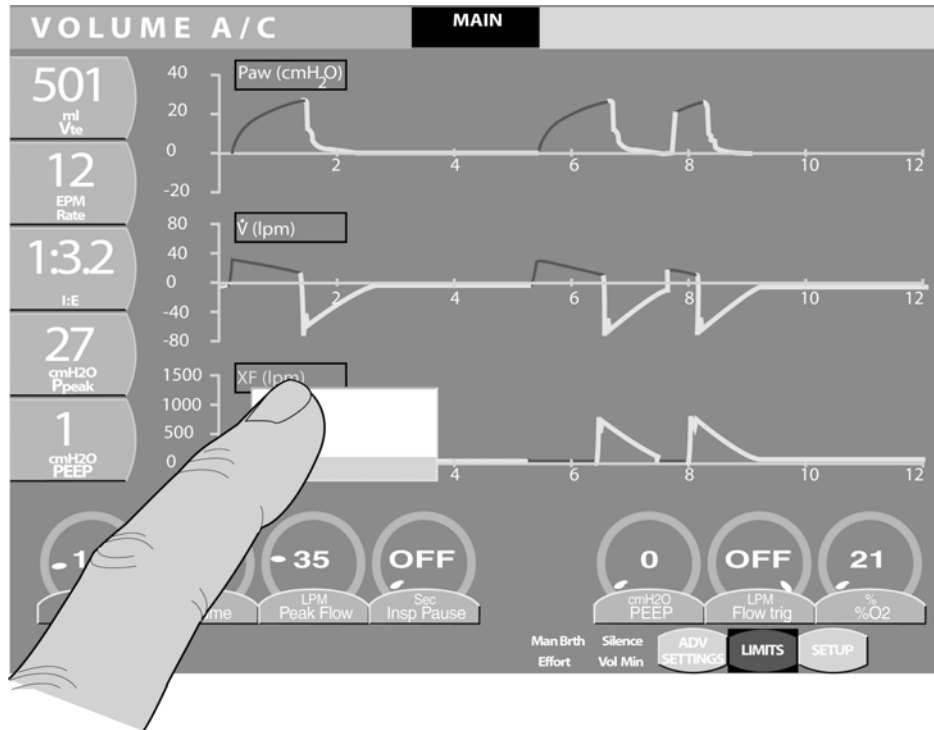


Figure 5.13 Select waveform displayed

A scrolling drop down menu displays all the possible waveform choices. To scroll through the choices use the Data Dial.

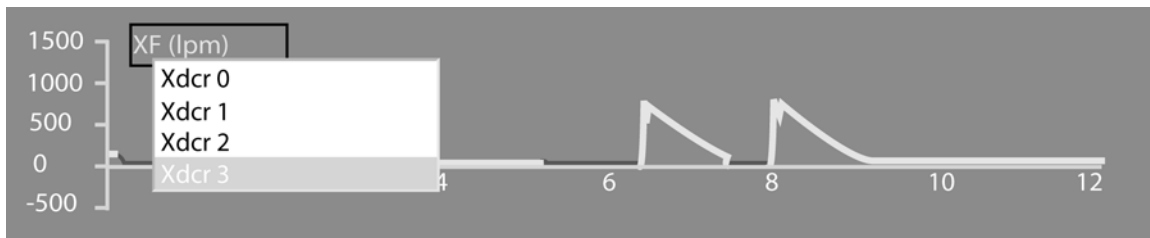


Figure 5.14 Drop down menu

From the choices displayed, select the transducer you wish to review (in this case, transducer 0) and press the Accept membrane button.

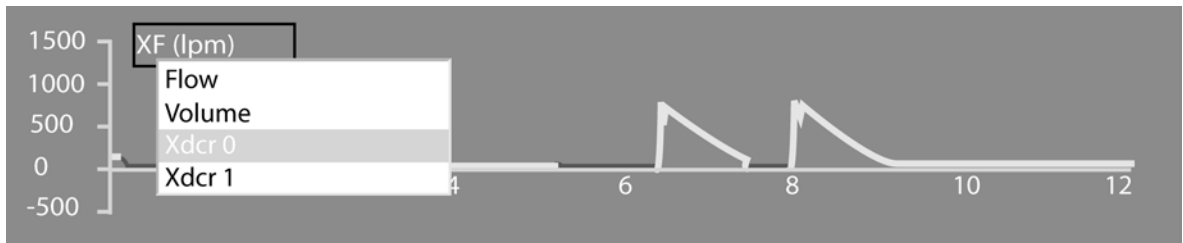


Figure 5.15 Selecting Xdcr

The waveform immediately changes to display the signal associated with the selected transducer (in this case it is Turbine Speed).

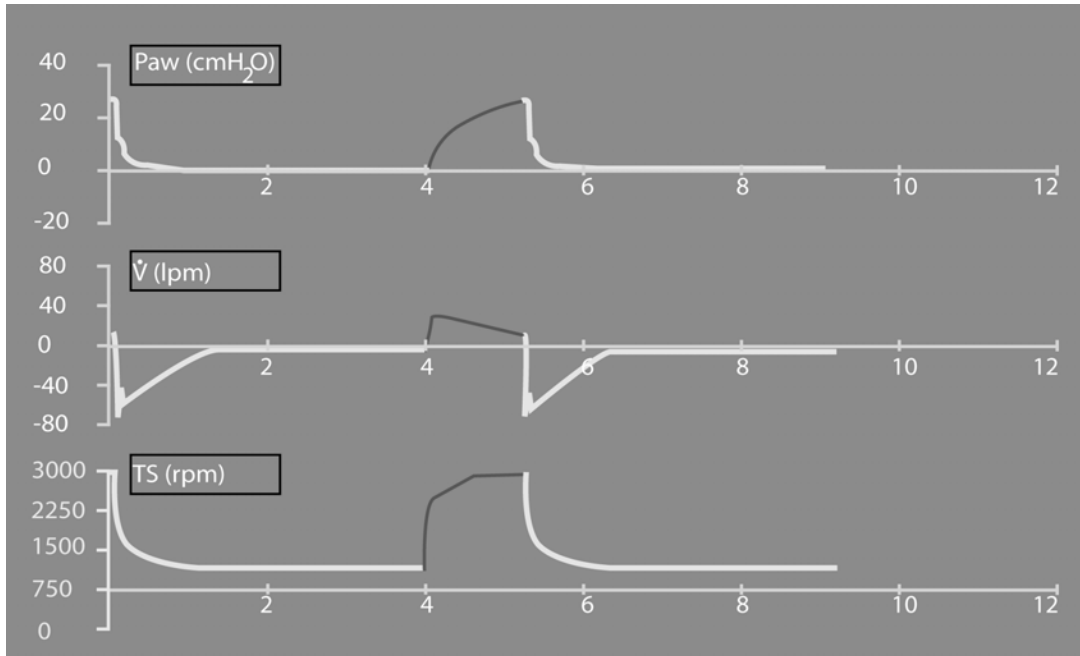


Figure 5.16 Turbine Speed waveform displayed

Appendix A Contact & Ordering Information

How to Call for Support

To get help on performing any of the preventive maintenance routines, or to request service on your ventilator, contact VIASYS Healthcare Customer Care:

Technical Support

Hours: 7:00 AM to 3:30 PM (PST) Monday through Friday

Phone: (760) 778-7200

Fax: (760) 778-7377

VIASYS Healthcare Customer Care Helpline

Hours: 24 hours, seven days a week

Phone: (800) 934-2473 (From within the US)

Fax: (760) 778-7377

VIASYS Healthcare Critical Care
1100 Bird Center Drive
Palm Springs, CA 92262-8099
U.S.A.

Phone: (760) 778-7200

(800) 328-4139

Fax: (760) 778-7274

Ordering Parts

To obtain Vela ventilator parts contact customer service at:

Customer Service:

Hours: 7:00 Am to 3:30 PM (PST)

Monday through Friday

Phone: (800) 328-4139

(760) 778-7200

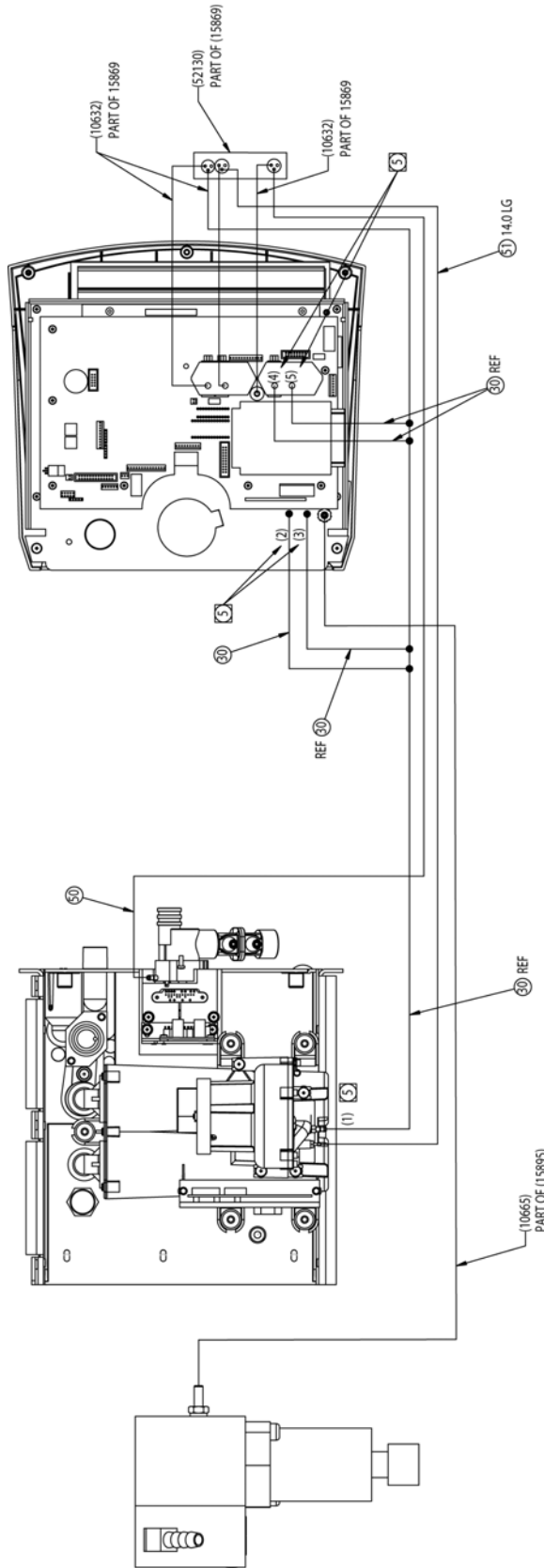
Fax: (760) 778-7274

Appendix B Diagrams & Schematics

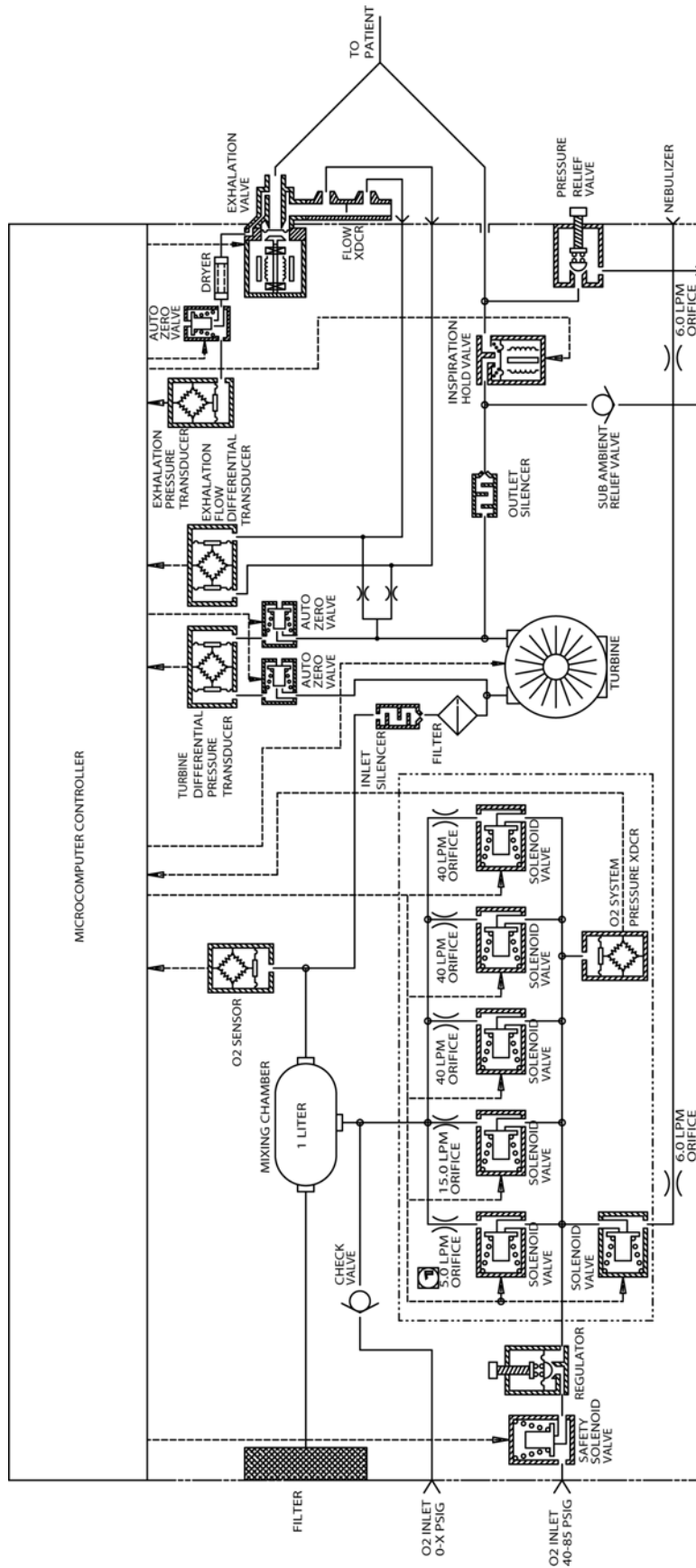
Wiring Diagram

Tubing Diagram

Pneumatic Schematic



15867E
PNEUMATIC DIAGRAM



SCHEMATIC,
PNEUMATIC SYSTEM - VELA

NOTE: UNLESS OTHERWISE SPECIFIED.

ALL OXYGEN FLOWS CALIBRATED AT 40 PSIG
INLET PRESSURE.

Appendix C Specifications

Oxygen Supply

High Pressure Connector

Pressure Range:	40 to 85 psig	(Supply Oxygen)
Temperature:	10 to 40 °C (50 to 104 °F)	
Humidity:	Dew Point of gas should be 1.7 °C (3 °F) below the ambient temperature (minimum)	
Minimum Flow:	80 LPM at 20 psig	
Inlet Fitting:	CGA DISS-type body, No. 1240	

Low Pressure Connector

Pressure Range:	0 to 0.5 psig	(Supply Oxygen)
Maximum Flow:	80 LPM	
Inlet Fitting:	¼ inch tapered	

Electrical Supply

AC Power Supply

The ventilator operates within specification when connected to the following AC power supplies:

Nominal	Voltage Range	Frequency Range
100 VAC	(85 to 110 VAC)	47 to 65 Hz
120 VAC	(102 to 132 VAC)	55 to 65 Hz
230 VAC	(196 TO 253 VAC)	47 to 65 Hz
240 VAC	(204 TO 264 VAC)	47 to 65 Hz

DC Power Supply

The ventilator can also operate from a 48 VDC power source (internal battery).

Internal Battery:

The ventilator operates within specification for approximately 3 hours with a fresh, fully charged battery under moderate load. Maximum charge time for a full charge is 8 to 12 hours.

Data Input / Output

Analog Inputs

The ventilator provides up to 8 programmable channels for analog signal inputs. Each channel shall be scalable for the input ranges specified.

Ranges:	0 to 1 VDC
	0 to 5 VDC
	0 to 10 VDC
Resolution:	0.25 mV (for 0 to 1 VDC)
	1.37 mV (for 0 to 5 VDC)
	2.5 mV (for 0 to 10 VDC)

Analog Outputs

The ventilator provides 4 signals at the analog output connector:

1. Airway Pressure, P_{AW} :

Range:	-60 to 140 cmH ₂ O
Scale:	1 cmH ₂ O/25 mV
Accuracy:	± 50 mV or ± 5% of reading, whichever is greater
Zero Offset:	1.5 VDC at 0 cmH ₂ O

2. Flow

Inspiratory/Expiratory:

When selected, the ventilator provides a continuous analog voltage representative of inspiratory flow minus expiratory flow.

Range:	-300 to 200 LPM (Adult)
Scale Factor:	1 LPM / 10 mV (Adult)
	1 LPM / 25 mV (Pediatric)
	1 LPM / 50 mV (Neonate)
Accuracy:	± 10% of reading or ± 30 mV, whichever is greater
Zero Offset:	3.0 VDC at 0 LPM

Machine:

When selected the ventilator provides a continuous analog voltage representative of machine delivered flow.

Range:	0 to 200 LPM (Adult)
Scale Factor:	1 LPM / 25 mV (Adult)
	1 LPM / 50 mV (Pediatric)
	1 LPM / 100 mV (Neonate)
Accuracy:	± 10% of reading or ± 30 mV, whichever is greater
Zero Offset:	None

3. Volume:

Range:	-1.00 to 4.00 L	(Adult)
Scale Factor:	1 L / V	(Adult)
	1 mL / 5 mV	(Pediatric)
	1 mL / 10 mV	(Neonate)
Accuracy:	± 10% of reading or ± 30 mV, whichever is greater	
Zero Offset:	1.000 VDC	

4. Breath Phase

The ventilator provides a continuous analog voltage representative of breath phase (Inspiration = 5 VDC, Expiration = 0 VDC).

Digital Communication

The ventilator is constructed with one RS-232 port for bi-directional communication of data.

CAUTION

This is a non-operational port. Do not make connection.

Printer

The ventilator is constructed with a standard 25-pin female Centronics parallel printer port.

CAUTION

This is a non-operational port. Do not make connection.

Remote Nurse Call

The ventilator has a modular jack configured to interface with external systems that are either wired for normally open (N.O., close on alarm) or normally closed (N.C., open on alarm) signals.

Video Output

The ventilator is constructed with a video output connector.

CAUTION

This is a non-operational port. Do not make connection.

Atmospheric & Environmental Specifications

Temperature and Humidity

Storage

Temperature:	-20 to 60 °C (-4 to 140 °F)
Humidity:	10 to 95% RH non-condensing

Operating

Temperature	5 to 40 °C (41 to 104 °F)
Humidity	15 to 95% RH non-condensing

Barometric Pressure

760 to 545 mmHg

Physical Dimensions**Overall Size**

13" W x 14.5" D x 12" H

Weight

≤ 38 lbs.

Appendix D Service Event Codes

CODE	DESCRIPTION
1	MSP got an unrecognized packet from IOP
2	IOP did not remove the high priority packet last sent to it
3	IOP did not send the event packet in time
4	MSP detected a checksum error in a high priority packet
5	MSP detected too many checksum errors in lo priority communications
6	MSP unknown breath phase
7	MSP unknown mode
8	MSP unknown breath type
9	An msp task didn't run. Detected by the backgnd task.
10	userint task got an invalid enumeration for a switch or an alarm
11	Servos detected an invalid servo type
12	TEEPROM detected checksum error in turbine eeprom
13	All required queues were not active on power up
14	A queued "pass around" message did not get back
15	A queued "pass around" message was responded by the wrong task
16	The queue of IOP messages was full
17	Turbine out of control, flow parameter
18	Turbine out of control, speed parameter
19	Turbine out of control, exhl pressure parameter
20	Turbine out of control, turb pressure parameter
21	Indicates a problem with the speed encoder
22	Indicates a problem with the turbine differential pressure transducer
23	The turbine is running in reverse
24	The O2 sensor is disconnected
25	Ambient air reading is too low
26	The 100% cal A/D reading is too low
27	The A/D readings never stabilized during a calibration
28-39	UNUSED
40	MSP code ran away, hit runaway trap, CPU can't recover
41	MSP addressed a nonresponsive memory/device or a nonexistant memory/device
42	IOP did not interrupt MSP within 2.1ms
43	MSP undefined interrupt error
44	MSP invalid opcode error
45	MSP spurious interrupt error
46	MSP divide by zero interrupt
47	MSP parity error
48	UNUSED
49	MSP watchdog pal error
50	MSP BACKGND task found a ROM checksum error
51	MSP INTO instruction executed, overflow flag was set
52	MSP GP fault
53	MSP Stack fault
54	MSP Bound error
55	MSP task MSG tried to enqueue a message, but the message queue was full
56	MSP configuration key was removed or changed
57-59	UNUSED
60	MSP discovered that there was no cal data
61	Transducer fault occurred
62	User svt calibration failed
63	User interface could not use settings from non-volatile ram
64	Vent powered-up
65	Self reset occurred
66	Turbine S/N in eeprom doesn't match teprom
67	AC power alarm occurred
68	External battery alarm occurred
69	Internal battery medium alarm occurred

70-199	UNUSED
200	MSP POST: CPU command failure
201	MSP POST: CPU timer failure
202	MSP POST: Internal RAM failure
203	MSP POST: External DPRAM failure
204	MSP POST: Program Memory Checksum calculation failure
205	IOP executed unused code space
206	IOP Background checksum test failed
207	IOP checksum
208	IOP checksum
209	IOP external 32k sram failure
210	Three consecutive exhalation pressure mismatches
211	Three consecutive exhalation flow mismatches
212	Three consecutive turbine pressure mismatches
213	Three consecutive internal battery charge mismatches
214	Three consecutive external battery charge mismatches
215	Three consecutive oxygen pres mismatches
216	Three consecutive temperature mismatches
217	Three consecutive exhalation valve DAC mismatches
218	Three consecutive turbine DAC mismatches
219	Three consecutive 48 volt supply mismatches
220	Three consecutive O2 monitor voltage mismatches
221	Three consecutive internal reference voltage mismatches
222-229	UNUSED
230	IOCOMM: No servo data for the DACs written to memory
231	IOCOMM: A/D data not retrieved from memory
232	IOCOMM: Incorrect checksum
233	IOCOMM: Illegal command
234	IOCOMM: Incorrect packet size
235	IOCOMM: Incorrect command handler called
236	IOCOMM: Parameter was out of range
237	IOCOMM: IOP did not receive an MSP packet for over 100 ms
238	No MSP sync within 2sec of IOP post finished
239-247	UNUSED
248	IOP discovered a fan failure
249	IOP discovered a fan failure condition has ended
250	Three consecutive IOP discovered DAC loop-back failure
251	IOP discovered power supply over-temp
252	IOP discovered DAC loop-back is ok
253	IOP discovered power supply is ok

Glossary

Breath Interval	Elapsed time from the start of one breath to the start of the next.
Preset	An operator set ventilator parameter.
Trigger	Value at which the ventilator initiates delivery of a breath as a result of measured patient effort.
BTPS	Body Temperature at Ambient Pressure, Saturated.
ATPD	Ambient Temperature, Ambient Pressure, Dry.
Demand Flow	The flow generated by the ventilator to meet the patient's flow demand in order to maintain PEEP at the preset level.
PEEP	Positive End Expiratory Pressure.
AC	Alternating Current (mains electricity).
Bias Flow	A continuous flow through the patient breathing circuit.
Bpm	Breaths per minute.
Breath Period	The length of time between machine-initiated breaths. Depends on the Breath Rate setting.
Breath Rate	The number of breaths delivered in a minute.
BTPD	Body Temperature at Ambient Pressure, Dry
Button	A push button switch used to toggle a function on or off.
cmH2O	Centimeters of water pressure.
Controls	Any button, touch screen icon, switch, or knob that allows you to modify the ventilator's behavior.
Event	An anomalous condition that occurs during ventilator operation.
Flow	The rate at which gas is delivered. Measured in liters per minute (lpm).
Indicators	A visual element showing operational status.
L	Liters. A unit of volume.
LED	Light Emitting Diode
L/min	Liters per minute. A unit of flow.
Mode	An operating state of the ventilator that determines the allowable breath types.
Monitored Parameter	A measured value displayed in the screen.
O2	Oxygen
Patient Breathing Circuit	The tubing that provides the ventilatory interface between the patient and ventilator.
Paw	Airway Pressure. Measured in cmH2O at the exhalation valve.

PEEP	See Positive End Expiratory Pressure.
PIP	Peak Inspiratory Pressure . Shows the highest circuit pressure to occur during inspiration as measured at the exhalation valve. The display is updated at the end of inspiration. PIP is not updated for spontaneous breaths.
Pplat	Plateau Pressure. Measured during an Inspiratory Hold maneuver. Used to calculate Static Compliance. (Cst).
PSIG	Pounds per square inch gauge. 1 PSIG = .07bar
Sigh Breath	A Volume Controlled machine breath having a tidal volume equal to one-and-a-half times (150% of) the current tidal volume setting.
User Verification Tests (UVT)	A group of tests to check ventilator performance prior to connecting the ventilator to a patient.
WOB	Patient Work of Breathing i.e. a measure of Patient Effort.

Index

A

AC power · 71
active matrix LCD · 18
alarm window · 71, 72
alarms check · 71

B

back light inverter · 18, 20
battery status · 23
battery tray · 26
breath rate · 71
breathing circuit · 58

C

calibration curves · 15
complete disassembly of the unit · 24
customer service · 100

D

dampener gasket · 39
DC power connector · 26
DC voltage · 96
differential pressure · 17
disconnect the battery · 23
display · 71
drawings, diagrams and schematics · 16

E

electronic · 18
ESD susceptible electrical components · 23
exhalation system · 17, 21
exhalation valve assembly · 38
external battery · 71

F

filter check · 57
filters · 16
flow delivery system · 21
Flow Delivery System · 17
flow sensor PCB · 37

G

green oxygen nebulizer tube · 32

H

high and low pressure oxygen fittings · 47
high pressure · 71
high pressure limit · 71

I

inspiratory hold solenoid · 39
inspiratory hold valve · 18
inspiratory time · 71
intake and output elbows · 47

J

J1 position on the main PCB · 35

L

leak test · 58
left panel · 28
light emitting diodes · 20
liquid crystal display · 19

M

main controller system · 20
maintenance schedules · 16
manifold base assembly · 40

manometer · 71
MAP · 71
membrane key panels · 18
membrane panel · 20
monitor performance · 71
monitored parameters · 71
muffler (output) · 50

N

NIST · 15

O

O₂ sensor · 43
optical encoder · 18, 20
over pressure relief valve assembly · 48
oxygen blending system · 18, 22
oxygen diffuser tube · 41

P

PCMCIA card · 28
peak inspiratory pressure · 71
PEEP · 71
performance checklist · 73
PIP · 71, 72
pneumatic system · 17
power cable guard · 24
power fail check · 71
power PCB · 29
power system · 20
power-on problems · 96

R

rear panel · 44
resistive touch screen overlay · 18
right and left muffler/filter assemblies · 50

S

safety check valve guard · 42
safety system · 18
service calls · 99
sock filter (input) · 50
SVGA output ribbon cable · 25
switch check · 56

T

the main PCB · 34
three o-rings · 41
three visible o-rings · 41
tidal volume · 71
tools & equipment · 15
touch screen · 20
transformer · 96
turbine & muffler assembly · 47
turbine gas delivery system · 17
turbine motor driver PCB: · 49

U

UIM · 18, 19
umbrella valve · 39

W

watchdog timer · 21