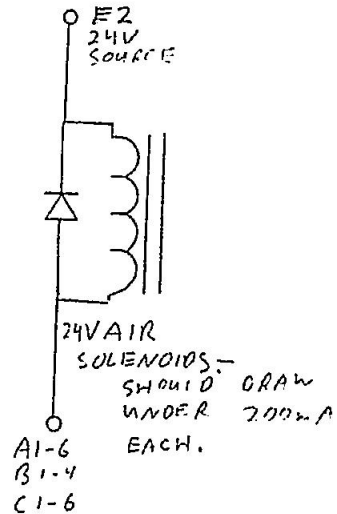
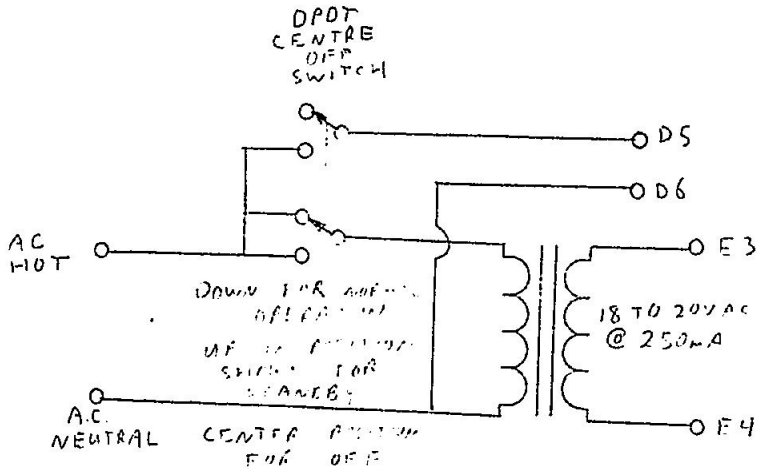




# FRASER ELECTRONICS

P.O. BOX 778 - EDMONTON, ALBERTA T5J 2L4 - (403) 454-5412



D1 + D2 = 4M7 POT FOR RATE

D3 + D4 = 470K POT FOR ON TIME

E1 = SYSTEM GROUND

E2 = +24V (APPROX) SOURCE

E5 - E6 = 4M7 POT FOR ON TIME ON 24HR TIMER

F - PULL DOWN FOR 24V TIMER. USE WITH RELAY OR SOLENOID WITH SNUBBER DIODE - IF GAIN IS NOT SUFFICIENT PROVIDE 10K BASE RESISTOR AS 555 HAS 200mA DRIVE CAPACITY

TIMER CHIPS (IC3 AND IC5) CONSIST OF AN OSCILLATOR AND  $\div 2^{14}$  OR  $\div 16384$  DIVIDER CHAIN. TIME THEREFORE EQUALS 16384 TIMES PERIOD AS MEASURED BY AN OSCILLOSCOPE OR COUNTER ON PIN 9 OR 1 OF EACH TIMER, MEASURING ON PIN 11 WILL STOP OSCILLATOR OR ALTER FREQUENCY OF OSCILLATION.

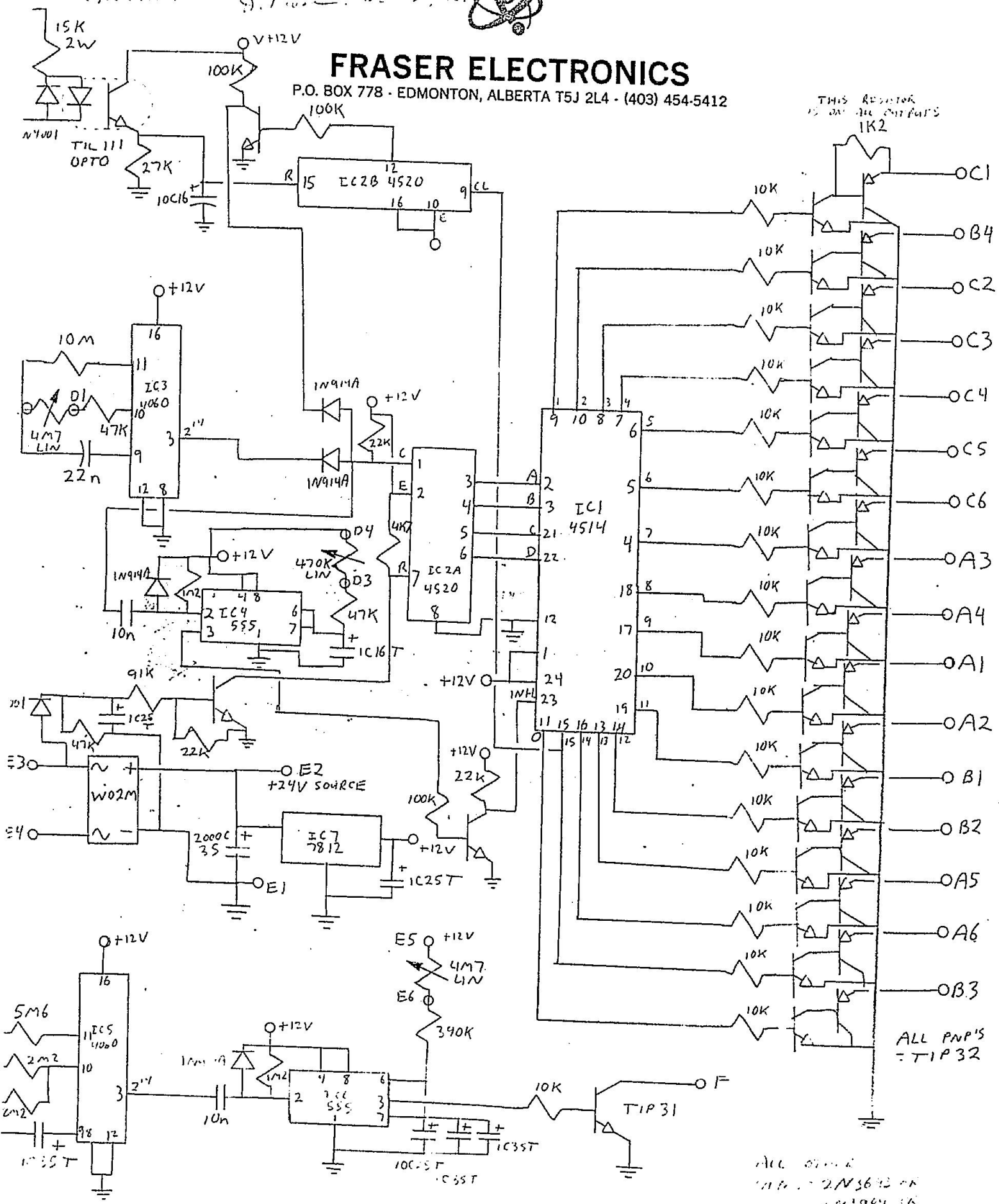
AUTOMATIC CONTROLLER FOR  
 DUST COLLECTION SYSTEM  
 FOR PERKINS ACOUSICS  
 CALGARY (403) 271-1111 DEC 20, 1981



# FRASER ELECTRONICS

P.O. BOX 778 - EDMONTON, ALBERTA T5J 2L4 - (403) 454-5412

THIS RESISTOR IS ON THE OUTPARTS 1K2



ALL PNP'S = TIP32

ALL PNP'S = TIP32  
 2N3638 PNP  
 2N3904 NPN

