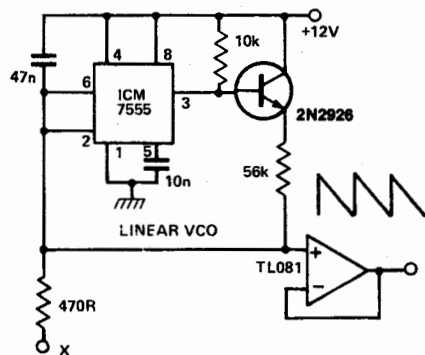
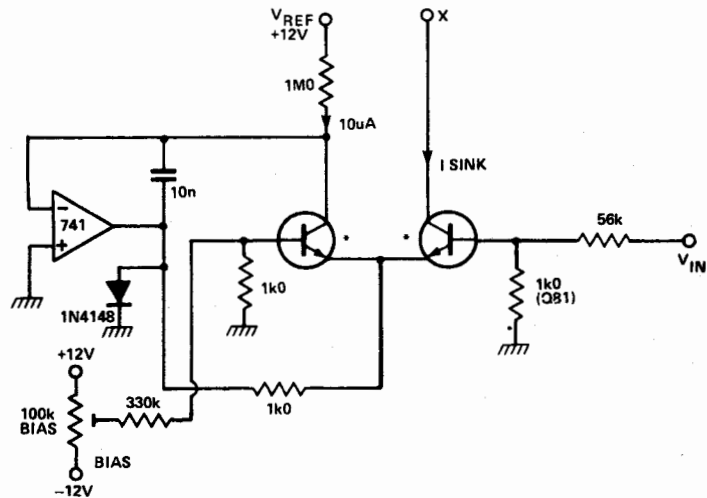


## 14

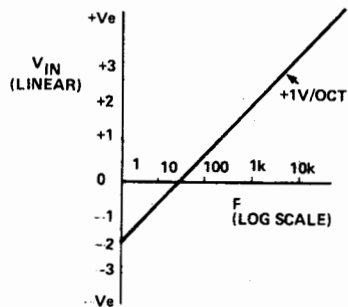
## Exponential Current Sink



CONNECT TO  
CURRENT  
SINK



\*Matched transistors in thermal contact



Frequency response of a linear VCO driven  
by an exponential current sink