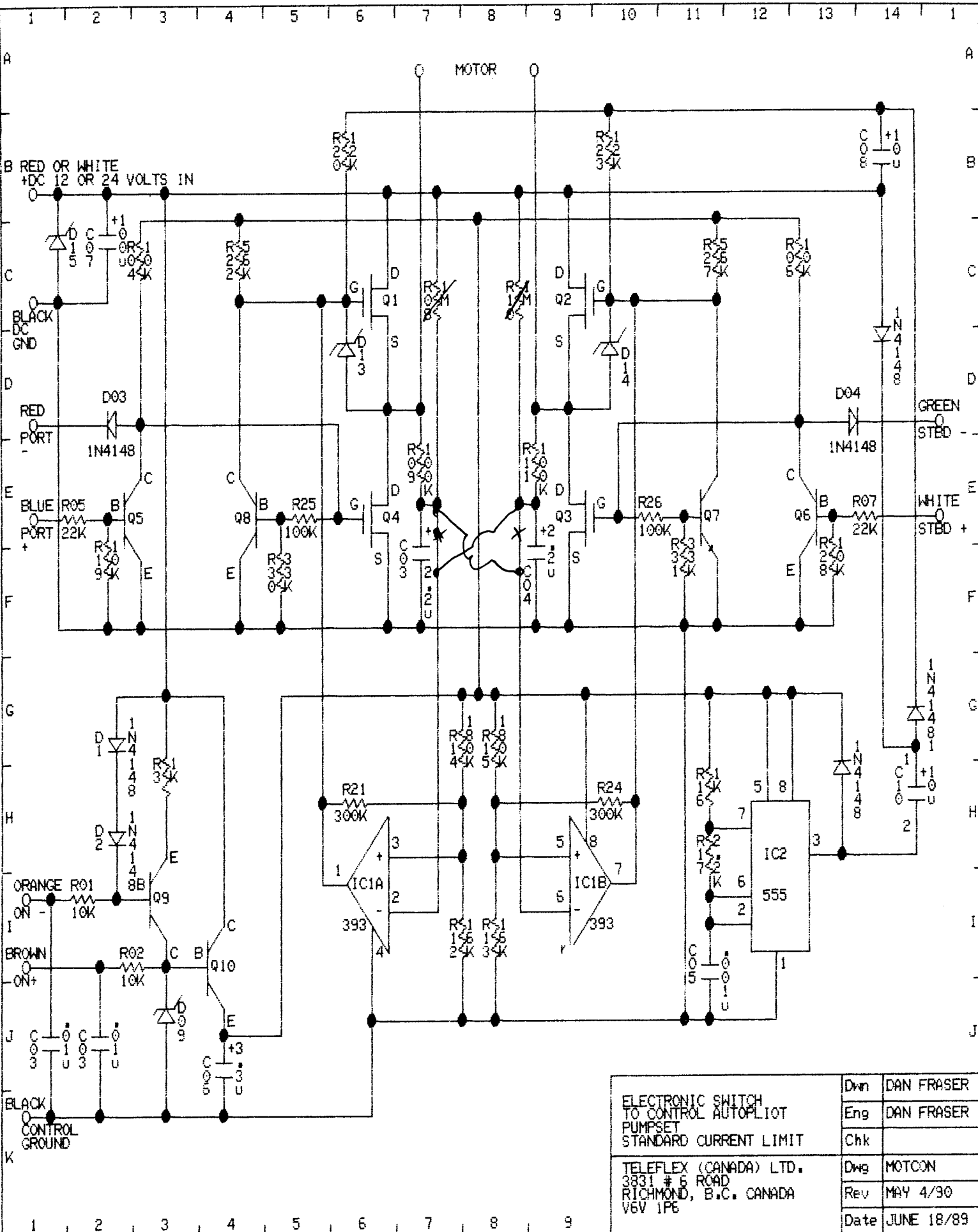
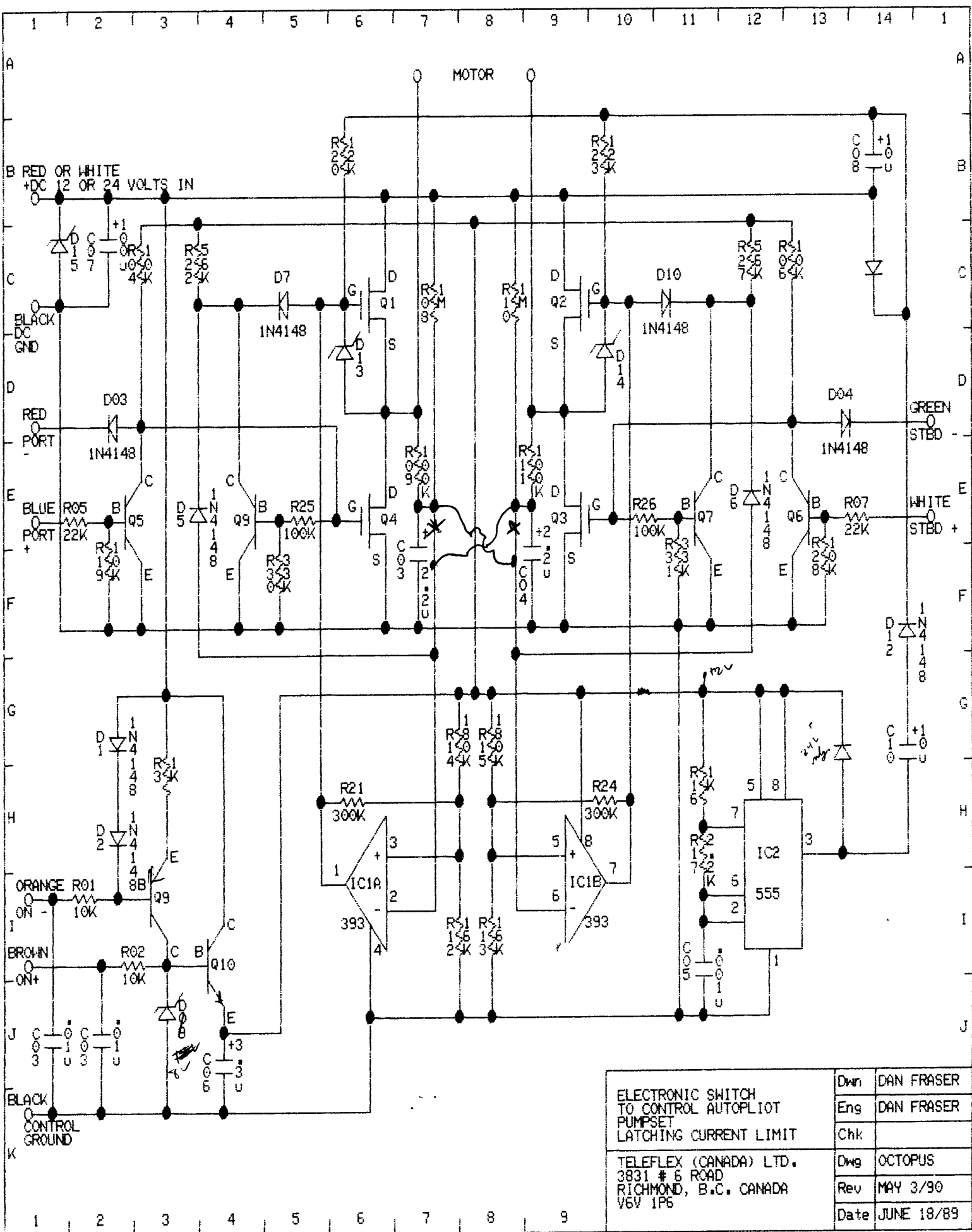


- COMPONENTS
- Q 1, 14
  - Q 2, 3, 4, 5, 10
  - Q 6, 7, 8, 9
  - A 1a, b
  - A 2
  - D 1, 2, 3, 5, 6, 8
  - D 4, 7, 11, 13
  - D 9
  - C 1
  - C 2
  - C 3
  - C 4, 6
  - C 5
  - C 7
  - R 11, 12, 21
  - R 6, 27
  - R 4, 8, 26
  - R 9, 24
  - R 1, 2, 3, 7,
  - R 14, 20
  - R 5, 15, 18
  - R 13, 19
  - R 10, 23
  - R 16, 17

SCHEMATIC DIAGRAM  
 OCTOPUS MOTOR DRIVE  
 P86245 REV 3  
 16 Nov 87  
 DWN BY R KOZINUK



ELECTRONIC SWITCH TO CONTROL AUTOPILOT PUMPSET STANDARD CURRENT LIMIT	Dwn	DAN FRASER
	Eng	DAN FRASER
TELEFLEX (CANADA) LTD. 3831 # 6 ROAD RICHMOND, B.C. CANADA V6V 1P6	Chk	
	Dwg	MOTCON
	Rev	MAY 4/90
	Date	JUNE 18/89



ELECTRONIC SWITCH TO CONTROL AUTOPILOT PUMPSET LATCHING CURRENT LIMIT	Dwn	DAN FRASER
	Eng	DAN FRASER
	Chk	
TELEFLEX (CANADA) LTD. 3831 # 6 ROAD RICHMOND, B.C. CANADA V6V 1P6	Dwg	OCTOPUS
	Rev	MAY 3/90
	Date	JUNE 18/89



# PRODUCT INFORMATION SHEET

038801

## ELECTRONIC CONTROL CIRCUIT

OCTOPUS PRECISION PRODUCTS 3396 Marine Drive, West Vancouver, B.C., Canada V7V 1M9 Phone (604) 925-1514 Telex 04-3527

### DESCRIPTION

The Electronic Control Circuit (ECC) is used to activate the Octopus 1012 Hydraulic Pump or Linear Actuator in either direction, using standard logic signals. The circuit has feedback which senses the end of the cylinder and puts the circuit into a "Turn-off state". The normal operating state is returned simply by removing the signal. When the circuit is in "Turn-off State" or it has no logic input, both of the motor leads are connected to ground and the motor is dynamically braked.

### LOGIC

The ECC can accept both the standard negative or the optional positive logic inputs. For the negative logic, connecting the red or green wires to ground will cause the pump to work in either direction. Likewise, connecting the blue or white wires to +12 Volts will turn on the pump. When the logic type is chosen for a particular circuit the unused wires should be cut short, preferably at the circuit, so that they will not short out and give false inputs.

### CONNECTIONS

