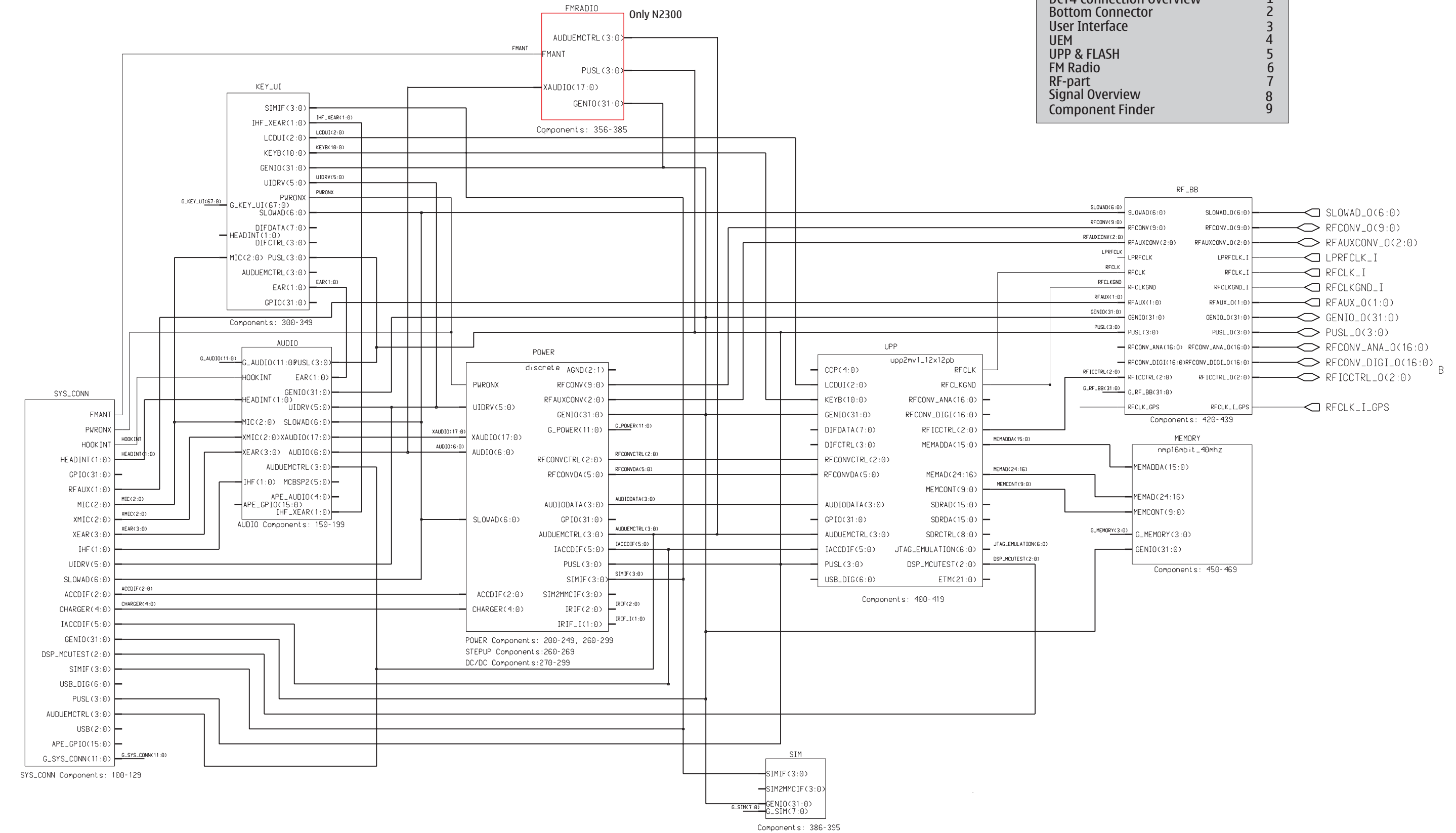
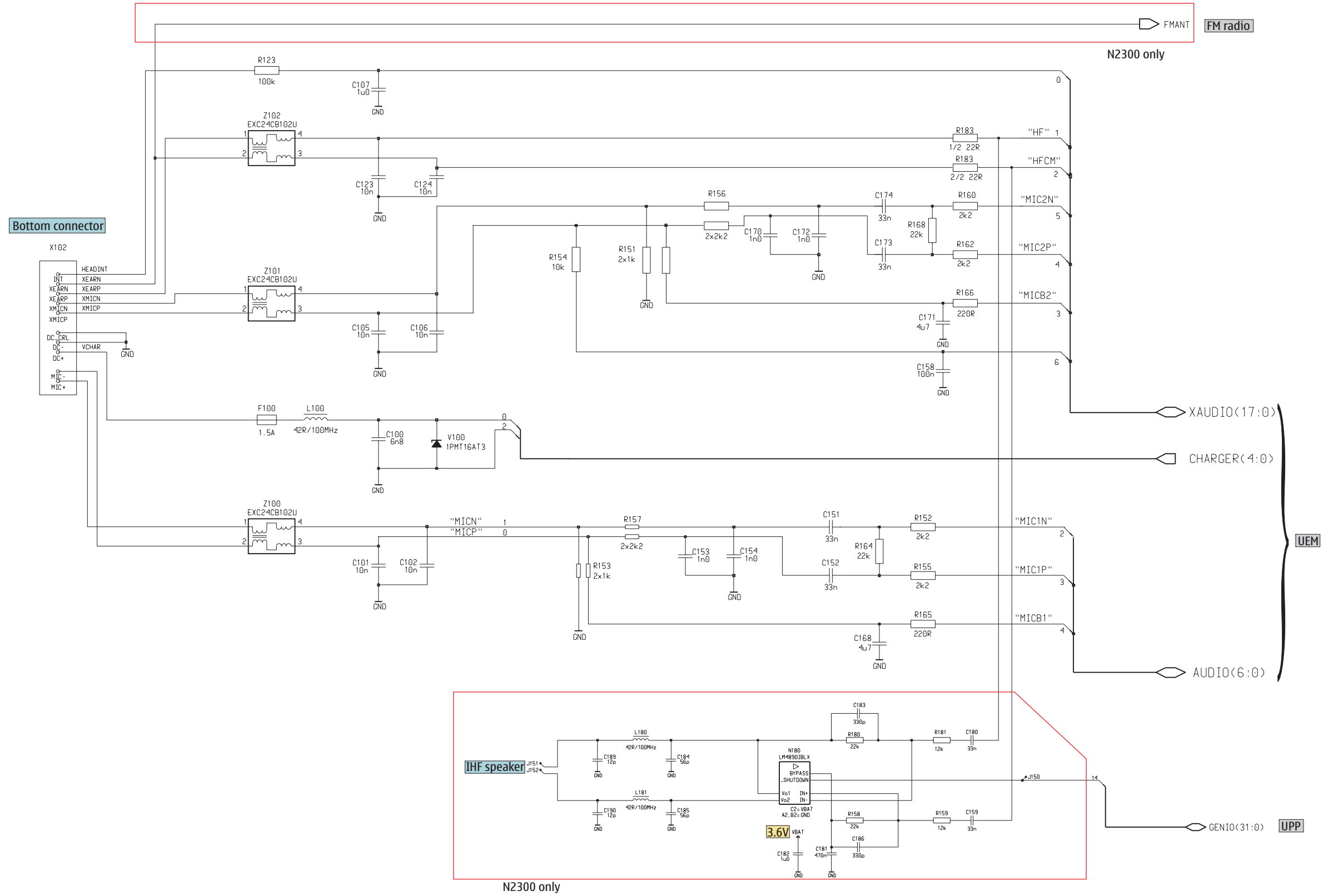
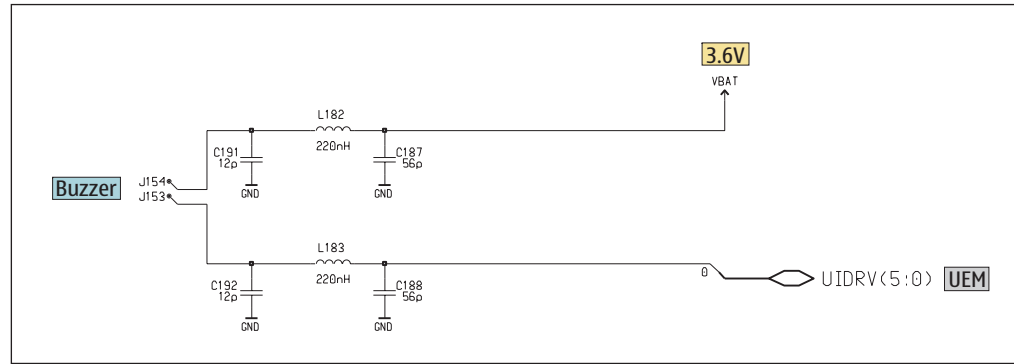


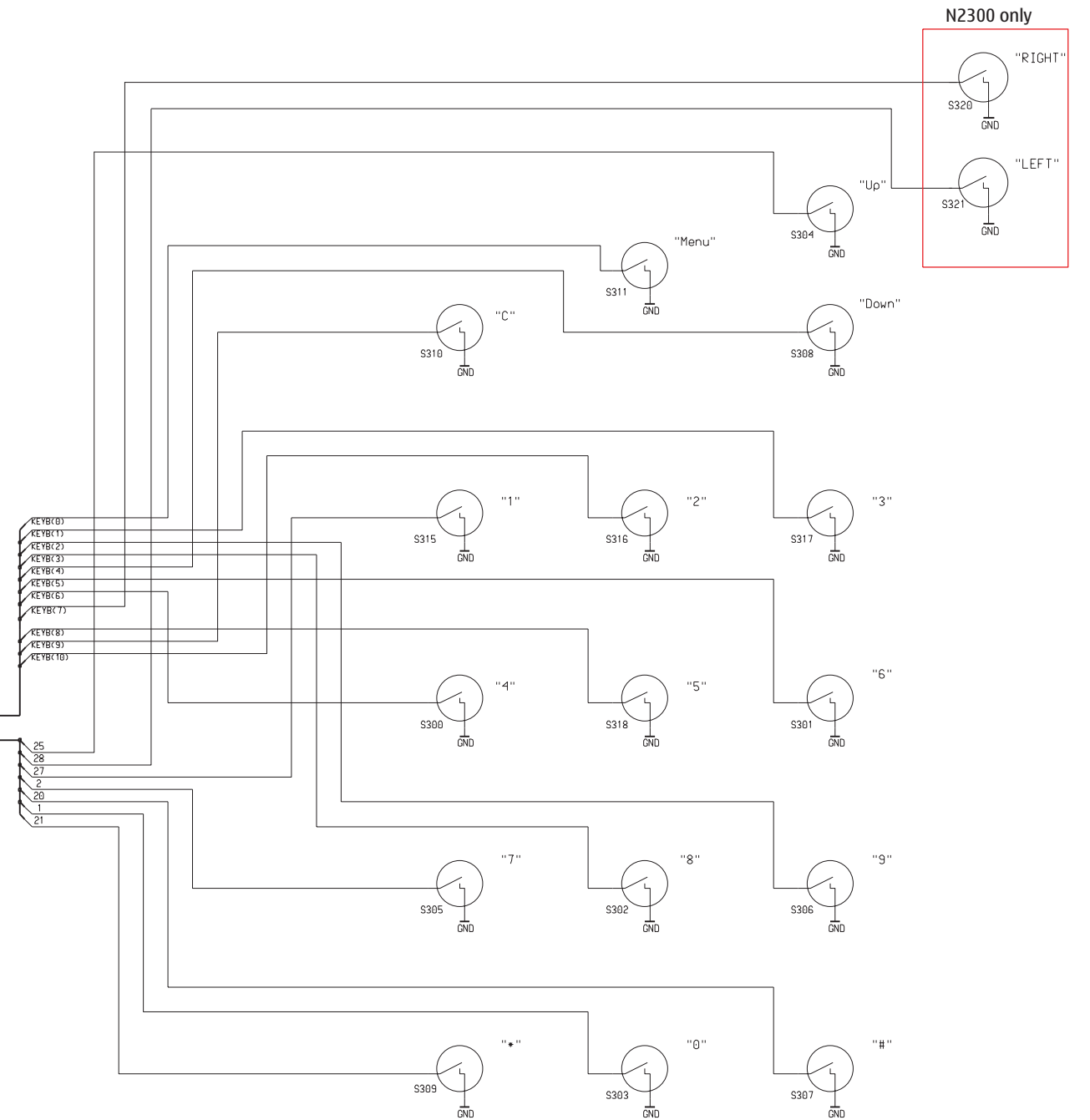
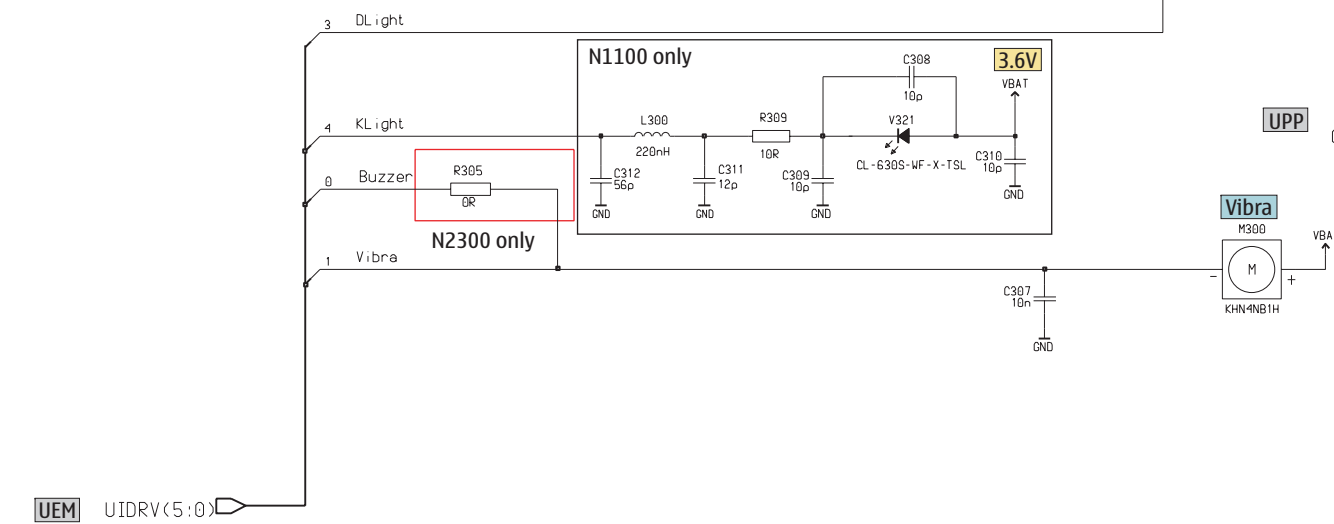
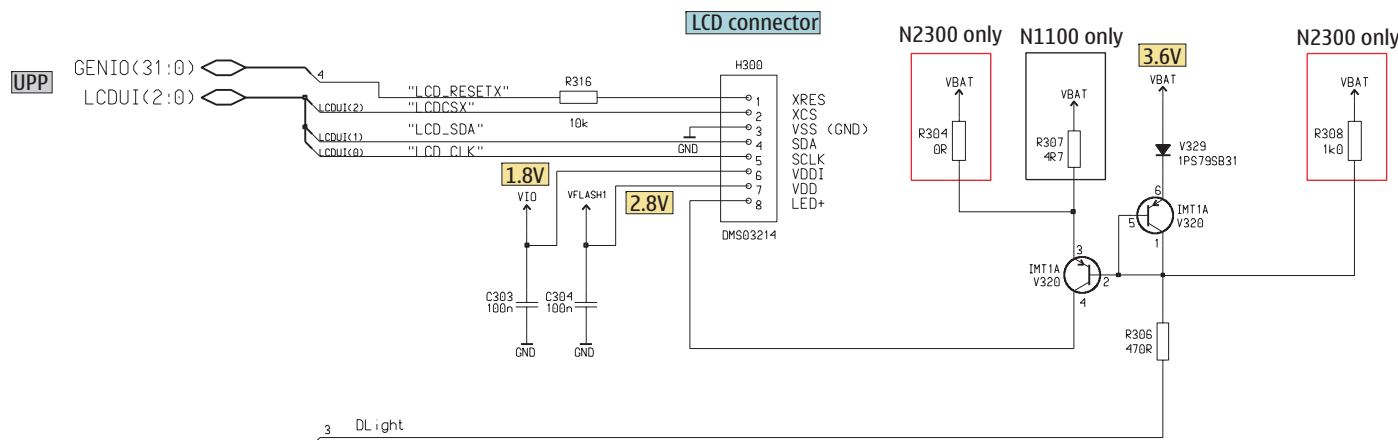
Table of Contents	Page
DCT4 Connection Overview	1
Bottom Connector	2
User Interface	3
UEM	4
UPP & FLASH	5
FM Radio	6
RF-part	7
Signal Overview	8
Component Finder	9

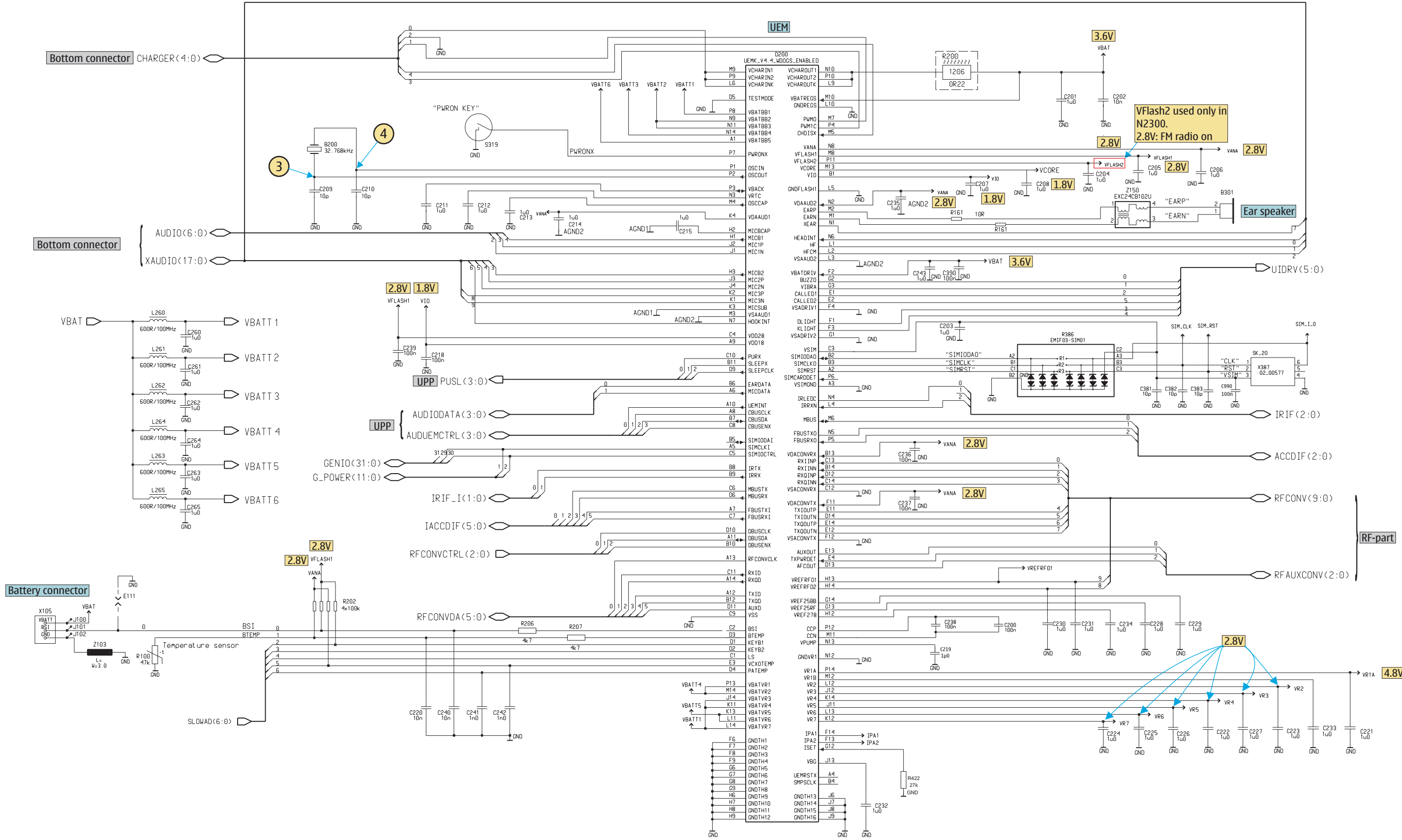


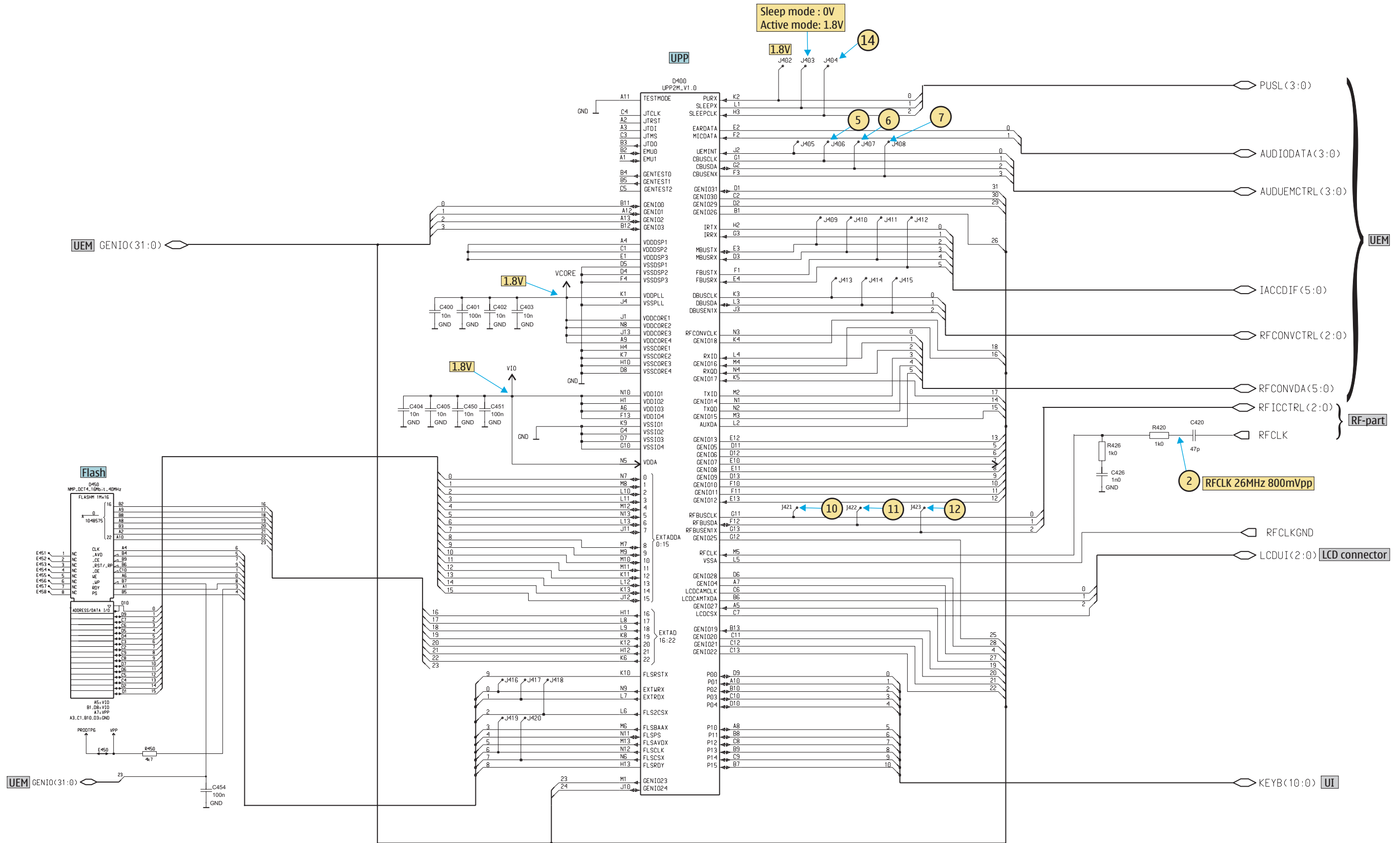


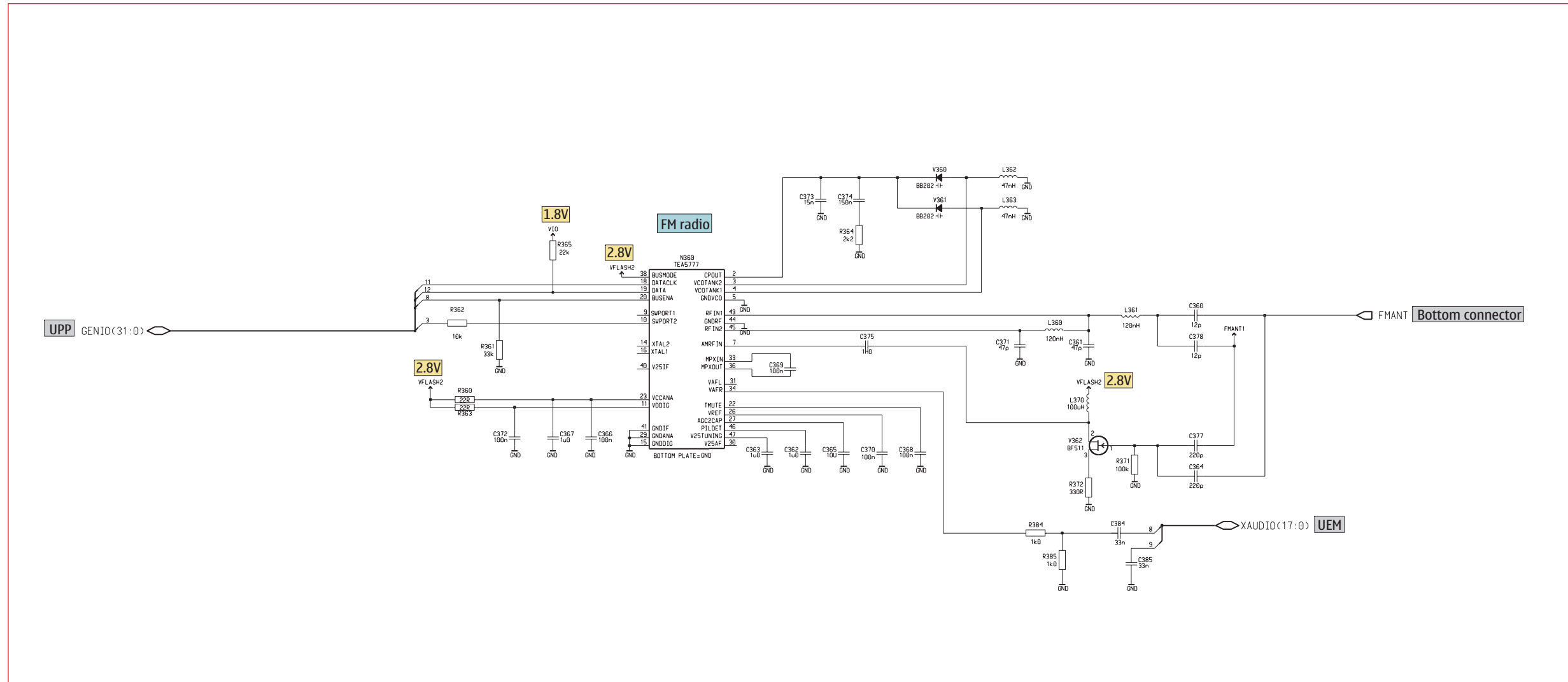


N1100 only









N2300 only

