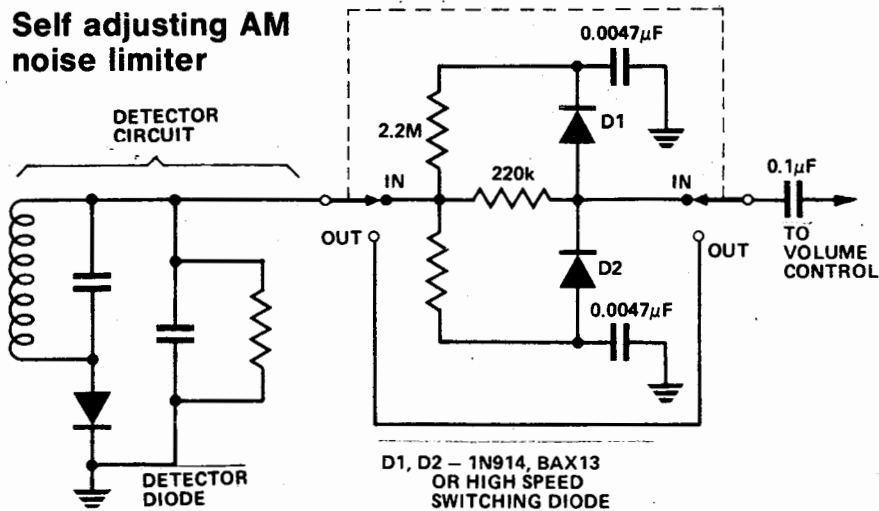


## Self adjusting AM noise limiter



This is a very effective self-adjusting positive and negative peak noise limiter. The detector diode is part of the usual detector arrangement in a receiver and provides a negative bias which varies with the average signal strength (bias provided by D1 and D2). When a noise spike appears on the positive swing of the demodulated audio wave form, D1 conducts flattening out the spike. Similarly when a noise spike appears on negative swing of the audio, D2 conducts flattening out the spike.

The circuit causes considerable reduction in audio output when in circuit and cuts the high frequency response.