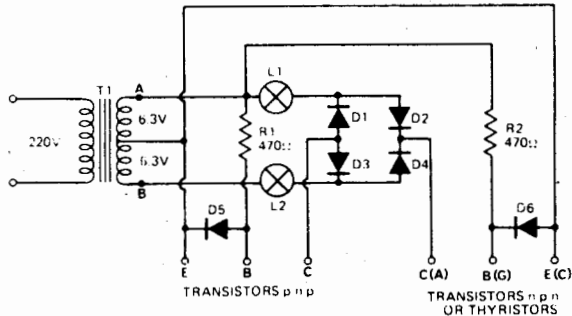


## SIMPLE TRANSISTOR/SCR TESTER



The 6.3-0-6.3V winding of T1 is bridge rectified by D1-D4, the two ac arms of the bridge being connected through L1 and L2 (75 mA maximum). The rectified waveform is applied to the collector of the transistor (or anode of SCR) under test.

The diodes D5 and D6 provide the correct drive polarity for the transistor base or SCR gate.

When testing a pnp transistor, for example, the collector and base are both driven negative when point A of the transformer swings negative. With a good transistor both functions will conduct, the transistor will saturate and L1 will be lit. If the base-collector junction is open circuit L1 will be off and if there is a collector-emitter short both lamps will be on.