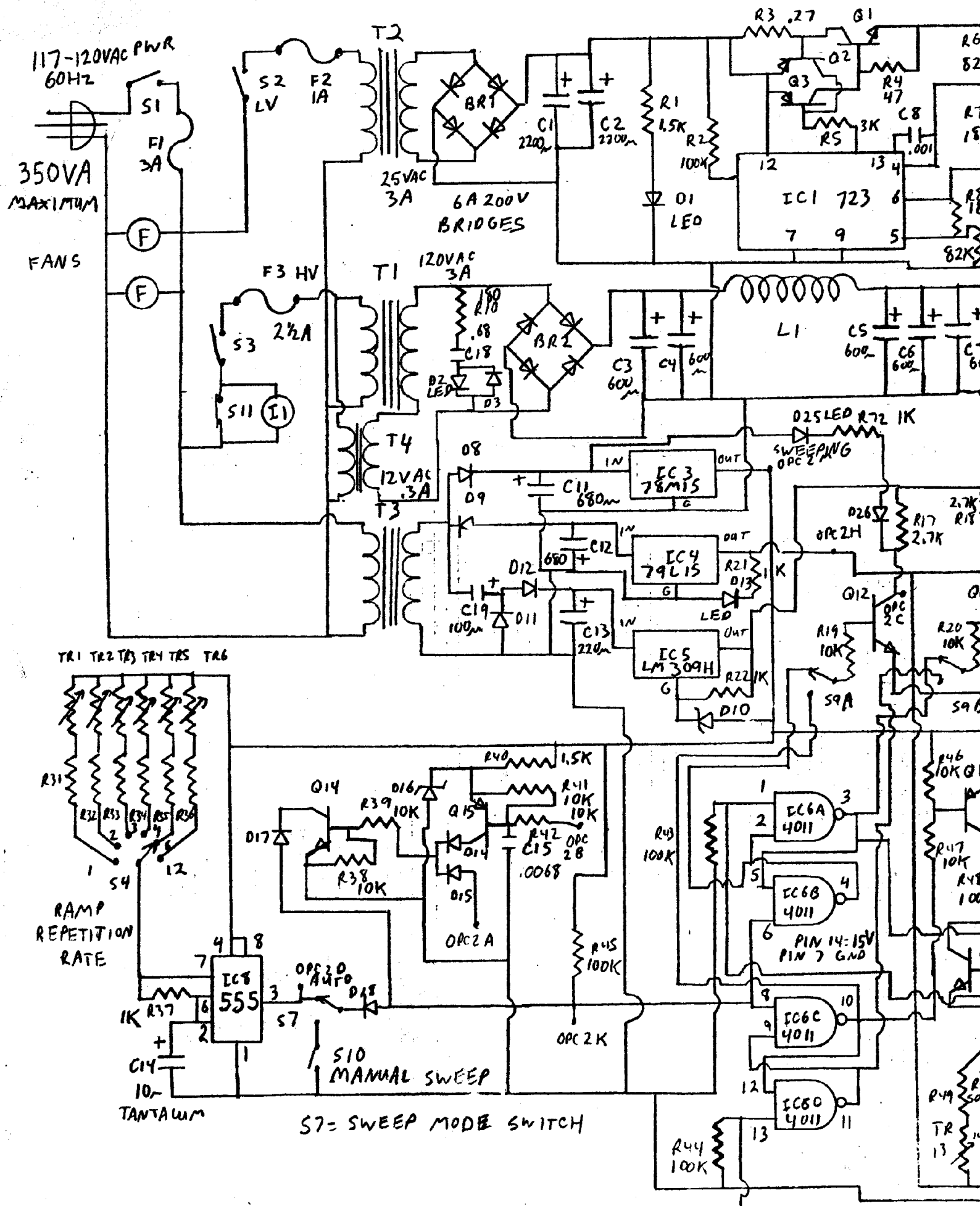
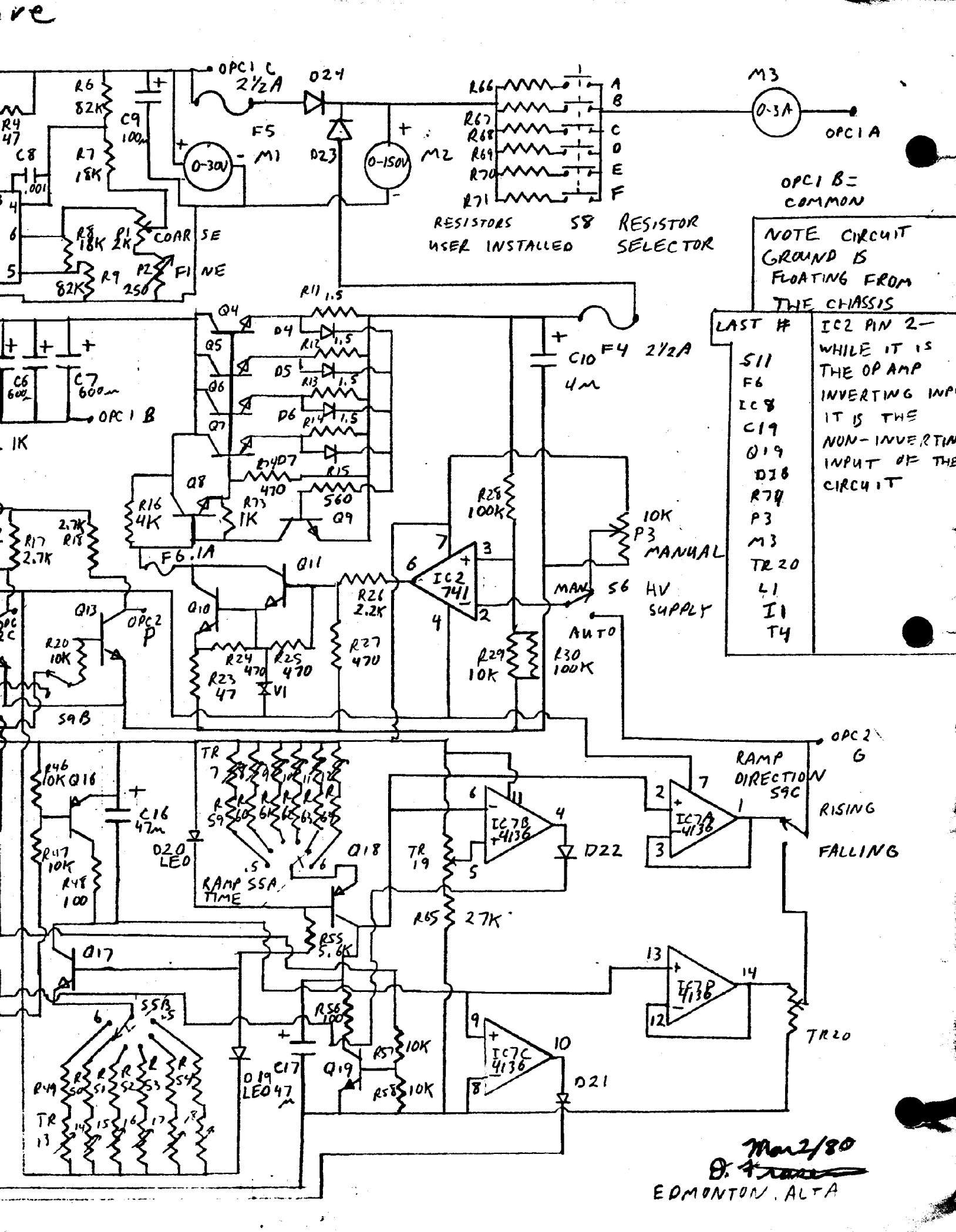


# Sweep Generator for Alberta Dept. of Agriculture





OPC1 B = COMMON

NOTE CIRCUIT GROUND IS FLOATING FROM THE CHASSIS

LAST #	IC2 PIN 2 - WHILE IT IS THE OP AMP INVERTING INPUT IT IS THE NON-INVERTING INPUT OF THE CIRCUIT
S11	
F6	
IC8	
C19	
Q19	
D18	
R79	
P3	
M3	
TR20	
L1	
I1	
T4	

Mar 2/80  
 D. [Signature]  
 EDMONTON, ALTA