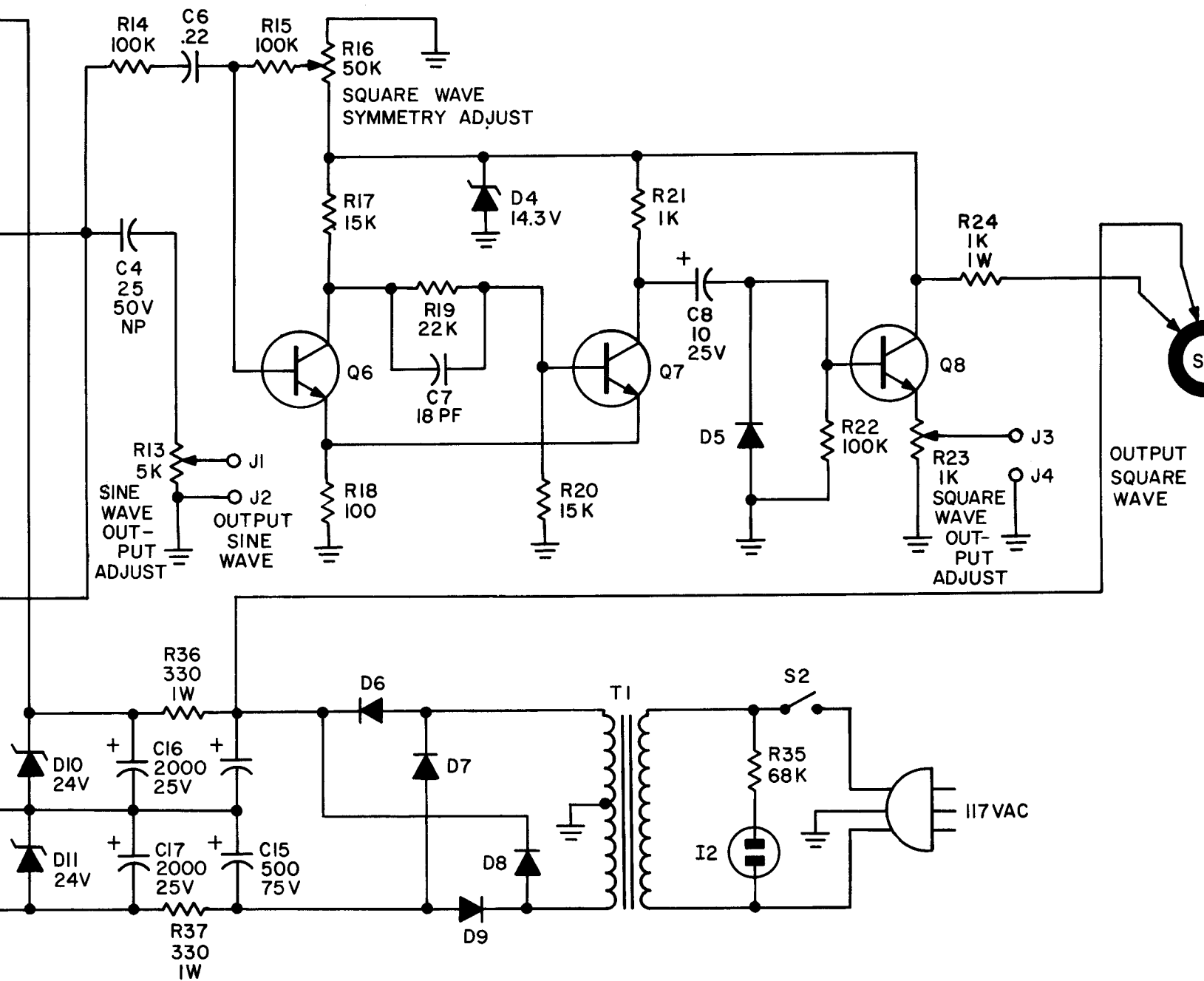


NOTES:
 1. RESISTOR VAL
 2. CAPACITOR VA



RES:
 RESISTOR VALUES ARE IN OHMS, 1/2 WATT, 10% UNLESS OTHERWISE SPECIFIED.
 CAPACITOR VALUES ARE IN MICROFARADS UNLESS OTHERWISE SPECIFIED.

EICO 379

RTS LIST

PRICE EA.	STOCK NO.	SYM. NO.	DESCRIPTION	QTY
<u>HARDWARE (cont)</u>				
.01	41191		screw, #6 x 1", b.h., self tap, black oxide	2
.04	41194		screw, #2 x 3/8, self tap, type B, b.h., cad. plated.	2
.03	41197		screw, #2-56 x 5/32, b.h.	2
.01	42001		washer, flat, 3/8	3
.01	42002		washer, lock, #6	11
.01	42007		washer, lock, #4	7
.02	42012		washer, star	1
.01	42039		washer, flat, metal #4	2
.07	42043		washer, shoulder, bakelite, black	2
.04	42045		washer, flat, metal, 1/8	2
n/c	42080		washer, shoulder, bakelite, red	2
n/c	42081		washer, flat, bakelite, red	2
.04	42084		washer, black #6 x 1-3/32 O.D.	2
.05	42093		washer, fiber, #4, 1/16 th	2
.02	43000		lug, ground, #6	4
.03	43019		lug, ground, #8	4
.24	44011		spacer, black, #6	2
.01	45033		standoff	3
.04	45500		spade, lug, #6	5
.09	46016		foot	4
.02	51300		solder lug, p.c. board	15

BINDING POSTS, KNOBS & TERMINAL STRIPS

.50	52001		binding post, #8, black	2
.50	52002		binding post, #8, red	2
.86	53101		tuning knob	1
.80	53108		knob, 3/4" dia.	2
.87	53109		knob bar	1
1.14	53514		dial pointer	1
.10	54008		terminal strip, 4 post	1
.10	54012		terminal strip, 1 post, left, upright	1
.08	54018		terminal strip, 4 post, w/gnd.	1
.10	54080		terminal strip, 2 post	1

SWITCH

5.02	60224	S1	switch, rotary, range	1
------	-------	----	-----------------------	---

PRICE EA.	STOCK NO.	SYM. NO.	DESCRIPTION	QTY
<u>SHEET METAL & MISCELLANEOUS</u>				
2.05	57009		linecord, 3 conductor	1
2.00	66212		manual, operating	1
2.50	66473		manual, assembly	1
3.33	80234		panel, front	1
4.20	81582		chassis	1
3.48	81583		bracket, cap. shield	1
1.08	81584		bracket, sw. shield	1
.12	82105		strain relief	1
2.71	82580		p.c. board	1
.60	83004		coupling, lucite	1
2.04	84000		ball drive, 6:1	1
2.25	86016		frame	1
1.31	87016		handle	1
7.20	88172		cabinet	1
.35	89424		nomenclature label	1
n/c	89858		handle hardware	2
1.86	89869		dial	1
.65	97738		socket, bayonet, miniature	1

DIODES & TRANSISTORS

1.80	93031	D1	diode, zener, IN1778A, 20V, 5%, 1W	1
4.00	93034	D4	diode, zener, 3V, 5%, 1W	1
1.68	93046	D6,7,8,9	diode, silicon, 200V, .5a	4
.80	93048	D2,3	diode, .65-7V at 10 ma	2
2.10	93049	D10,11	diode, zener, 24V, 10% 1W	2
.81	94047	Q8	transistor, GE2N3391A	1
1.60	94057	Q1	transistor, 2N4303	1
1.14	94074	Q2,3,6,7	transistor, MPS-6513	4
.69	94075	Q4	transistor, BC-107B	1
.96	94076	Q5	transistor, 2N5366	1
.73	95007	D5	diode, 1N34	1

BULBS

.82	92026	I1	bulb, GE 1819	1
.72	97736	I2	bulb assembly, neon, 7" leads	1

Prices and specifications subject to change without notice. To order replacement parts, remit with order; specify part number and descriptions. Add \$1.00 for mailing and handling; if a power transformer is included in the order, add instead \$1.50 for mailing and handling.