

# SIGNAL GENERATOR

Wired & Kit

## FEATURES

- Crystal Oscillator Adaptable as Calibrator
- Pre-Wired R.F. Section Calibrated to 1%
- Highest Quality Components Throughout
- Vernier 4 to 1 Ratio Tuning
- Adjustable external Modulation

The STARKIT Model RFG-2 Signal Generator is an accurate, precise instrument which provides a wide range of radio frequencies for AM, FM and television servicing. In keeping with the high quality offered in STARKIT the instrument was designed to include voltage regulation, a crystal oscillator and 400 cycle A. F. signal of approximately 3 volts. Only the highest quality components have been incorporated. It is ideal for accurate alignment of radio and television receivers, trouble shooting of radio receivers and many electronic instruments, a source of audio or radio frequency voltage for bridge measurements, with the crystal oscillator and the use of crystals from 1-10 megacycles it can be used as a crystal calibrator.

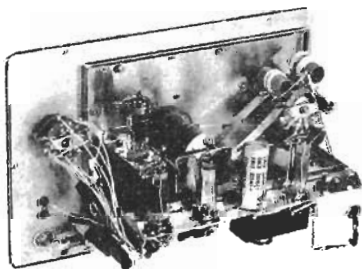
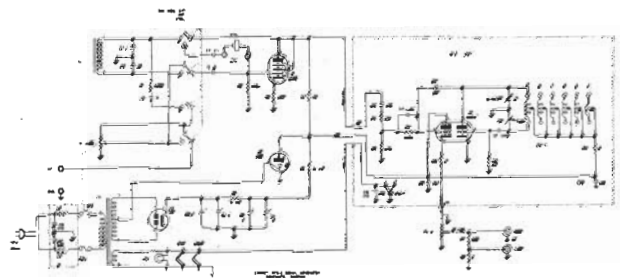
The STARKIT Model RFG-2 with its "velvet drive" 4 to 1 ratio condenser, maintains accuracy, has reset ability and minimum backlash only found in "Twice The Cost" Generators. To give the kit the accuracy of a "factory wired" generator, the R. F. section has been assembled and calibrated by factory trained technicians. The remaining parts can be easily and accurately assembled by following the concise step-by-step instructions.

The STARKIT RFG-2 weighs approximately 10 pounds and is housed in a rugged steel case with grey crackle finish. All controls are located on the front panel and clearly marked as to their function. The unit is provided complete with instruction manual, assembly instructions and test leads.

Guaranteed by STARK'S world famous warranty. Your investment in STARKIT quality instruments will always return big dividends in dependability and accuracy.



MODEL RFG-2



This photo shows the interior view of the STARKIT Model RFG-2 illustrating the neat, simplified layout and convenient, logical placement of components.

## Specifications

### POWER SUPPLY

105/125 volts AC 50/60 cycles OB2 High voltage regulator

### FREQUENCY RANGE

110 KC to 130 MC. Fundamental. 120 MC to 260 MC Harmonic covered by 6 ranges

### MOD. FREQUENCY

400 cycles

### R.F. OUTPUT

PURE OR MODULATED 100,000 micro volts variable; high & low output range.

### AUDIO FREQUENCY

400 cycles 3 volts maximum output variable

### CRYSTAL OSC.

From 1 MC to 10 MC

### TUBE COMPLEMENT

6AR5 AF or crystal osc. 12BH7 RF osc. OB2 Voltage regulator 6x4 HT rectifier

### WEIGHT

Net: 10 lbs Ship: 12 lbs

### SIZE

12"x8-1/2"x5" overall

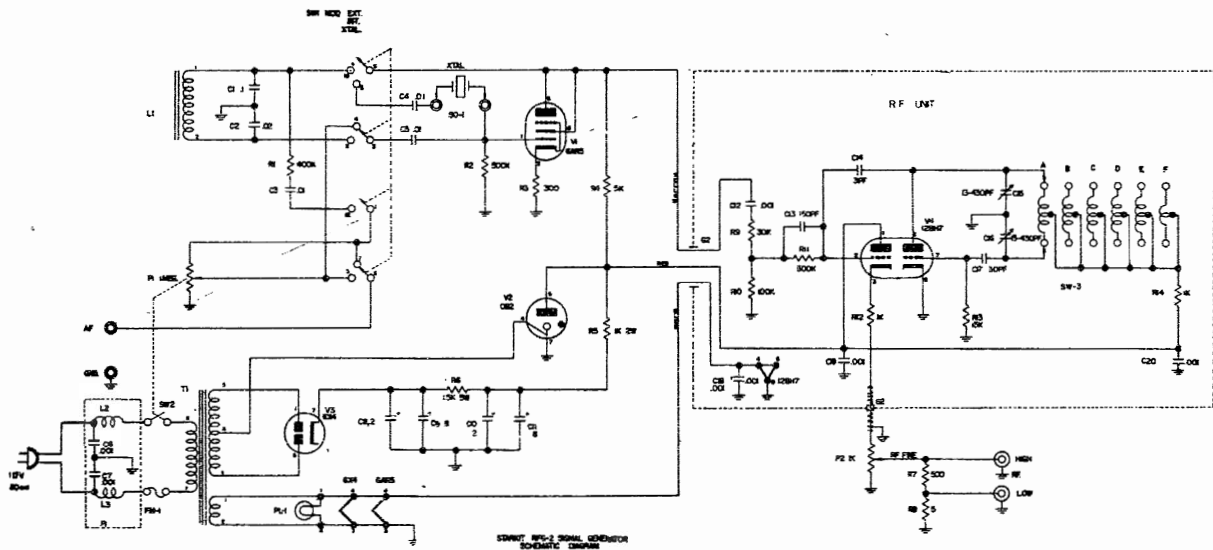
IMPORTED

E2O22F9



# STARK

# MODEL RFG-2



Specifications