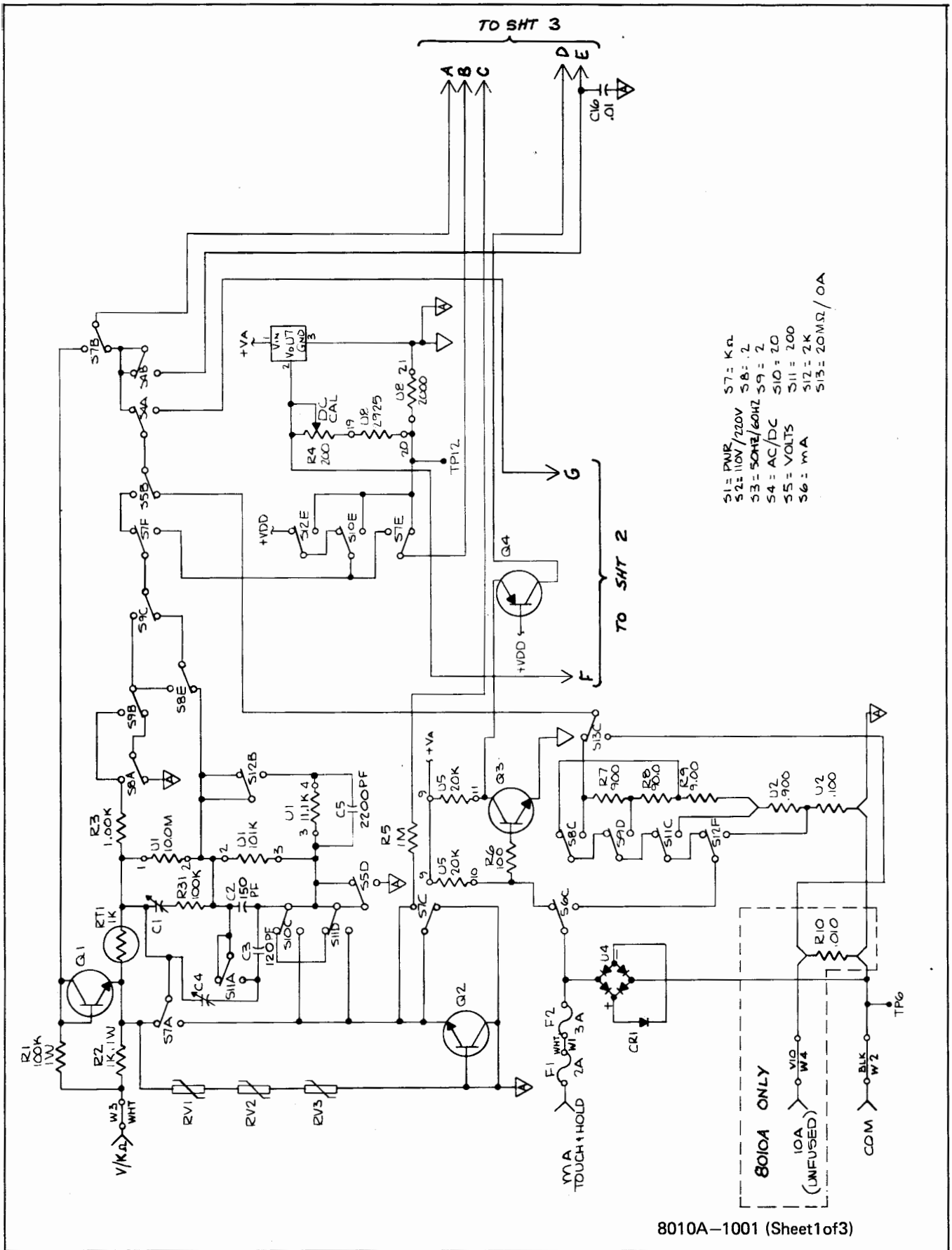


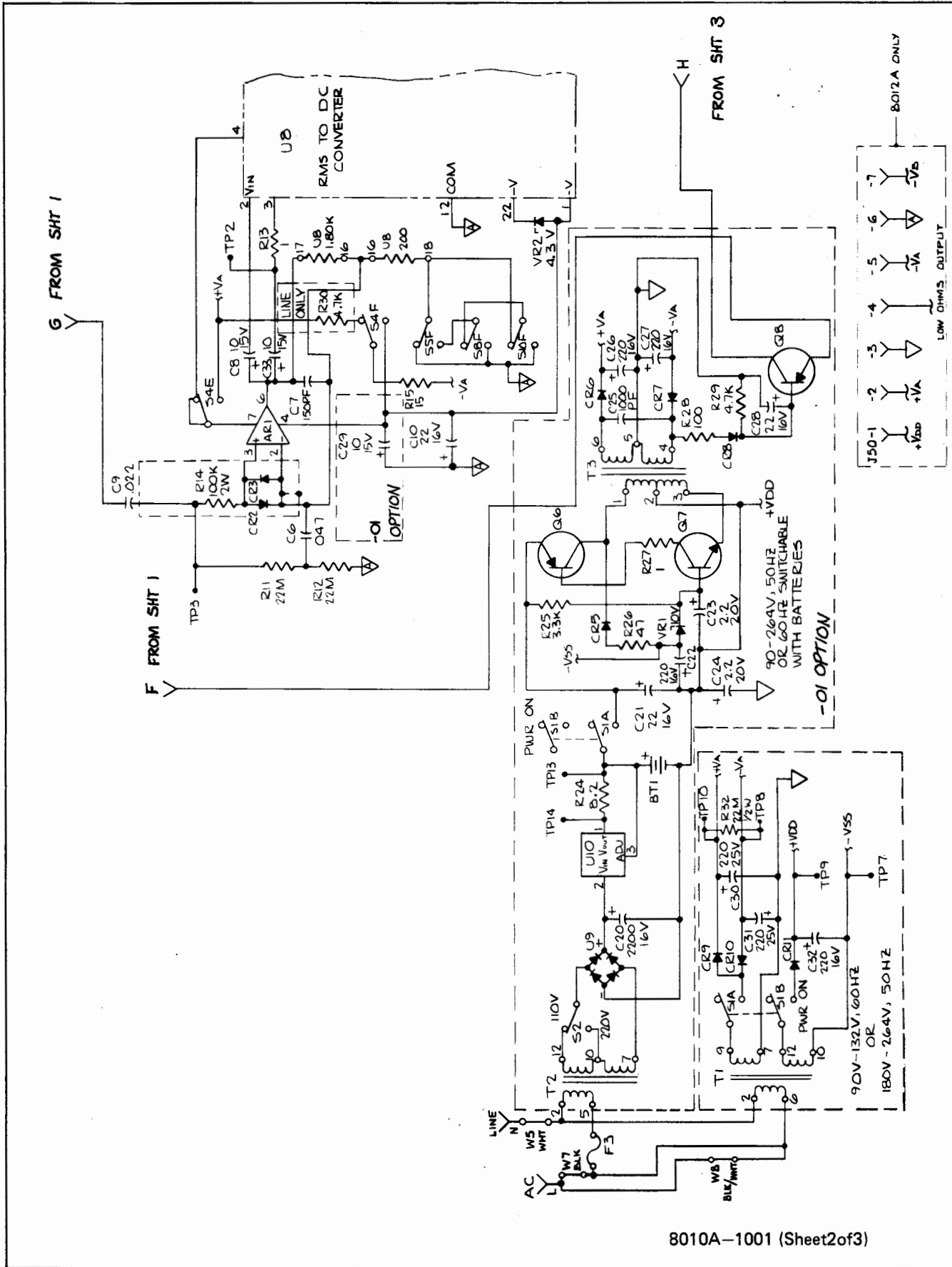
8010-1601

Figure 8-1. A1 Main PCB Assembly



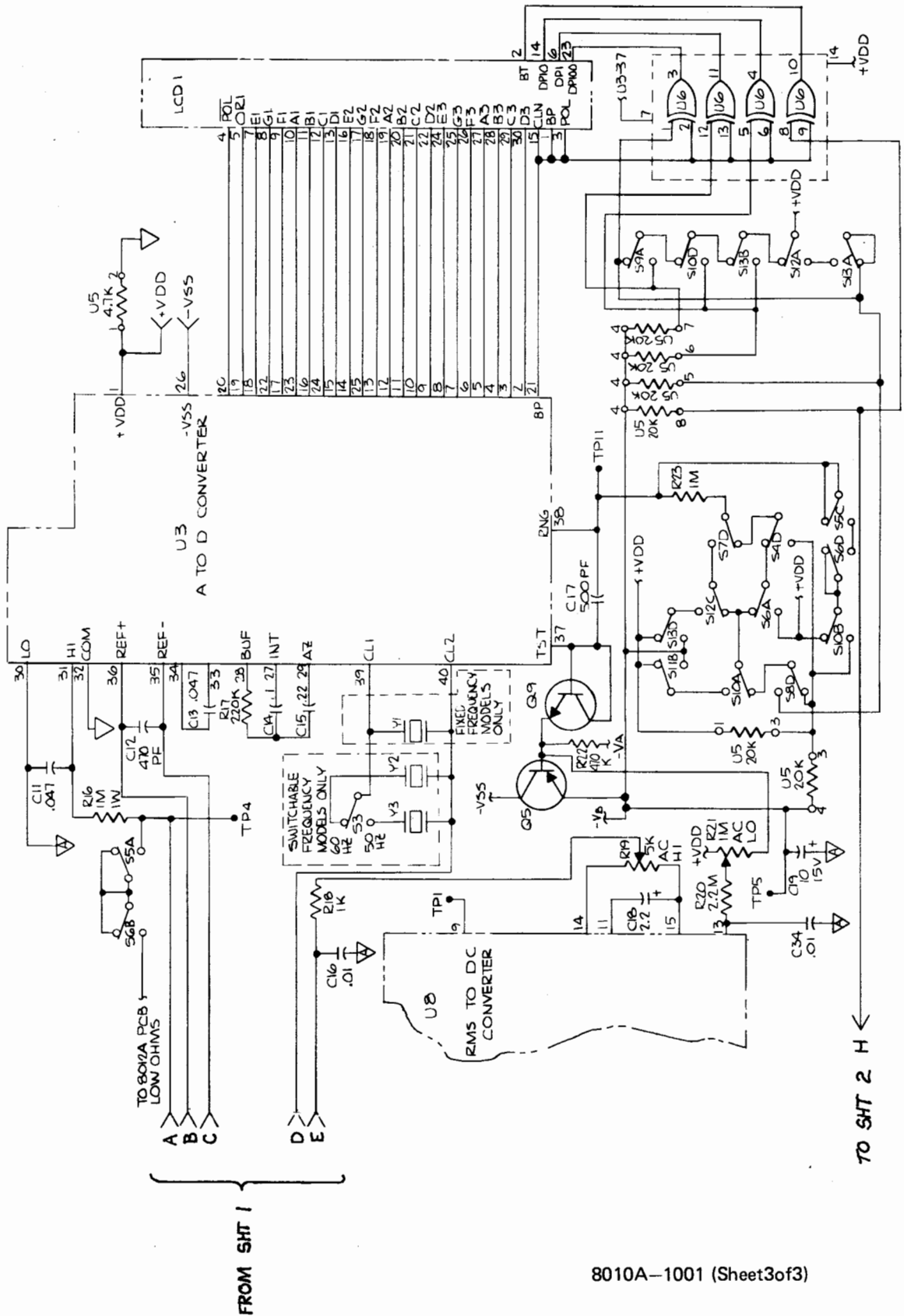
8010A-1001 (Sheet 1 of 3)

Figure 8-1. A1 Main PCB Assembly (cont)



8010A-1001 (Sheet2of3)

Figure 8-1. A1 Main PCB Assembly (cont)



8010A-1001 (Sheet3of3)

Figure 8-1. A1 Main PCB Assembly (cont)

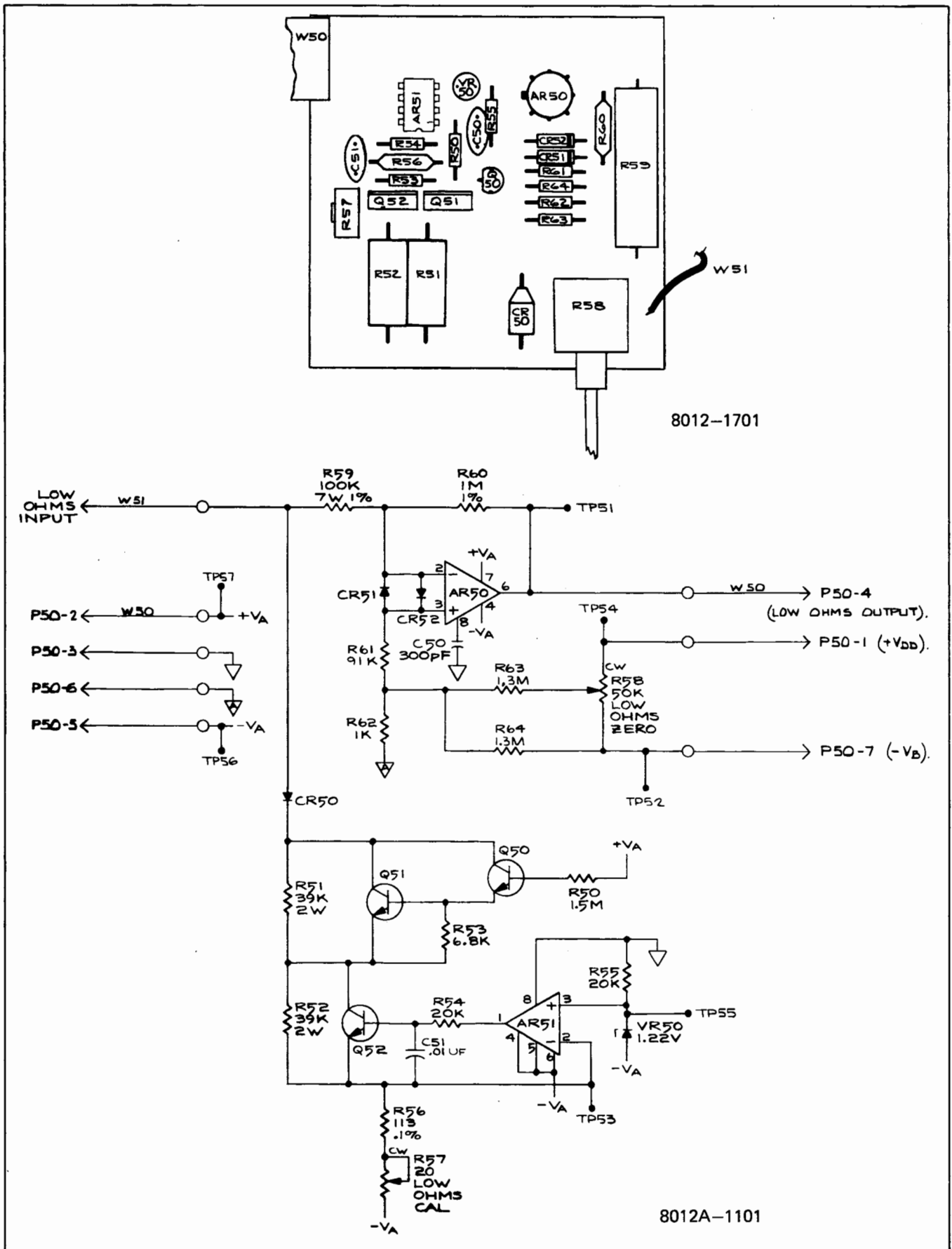


Figure 8-2. A2 Low Ohms PCB Assembly

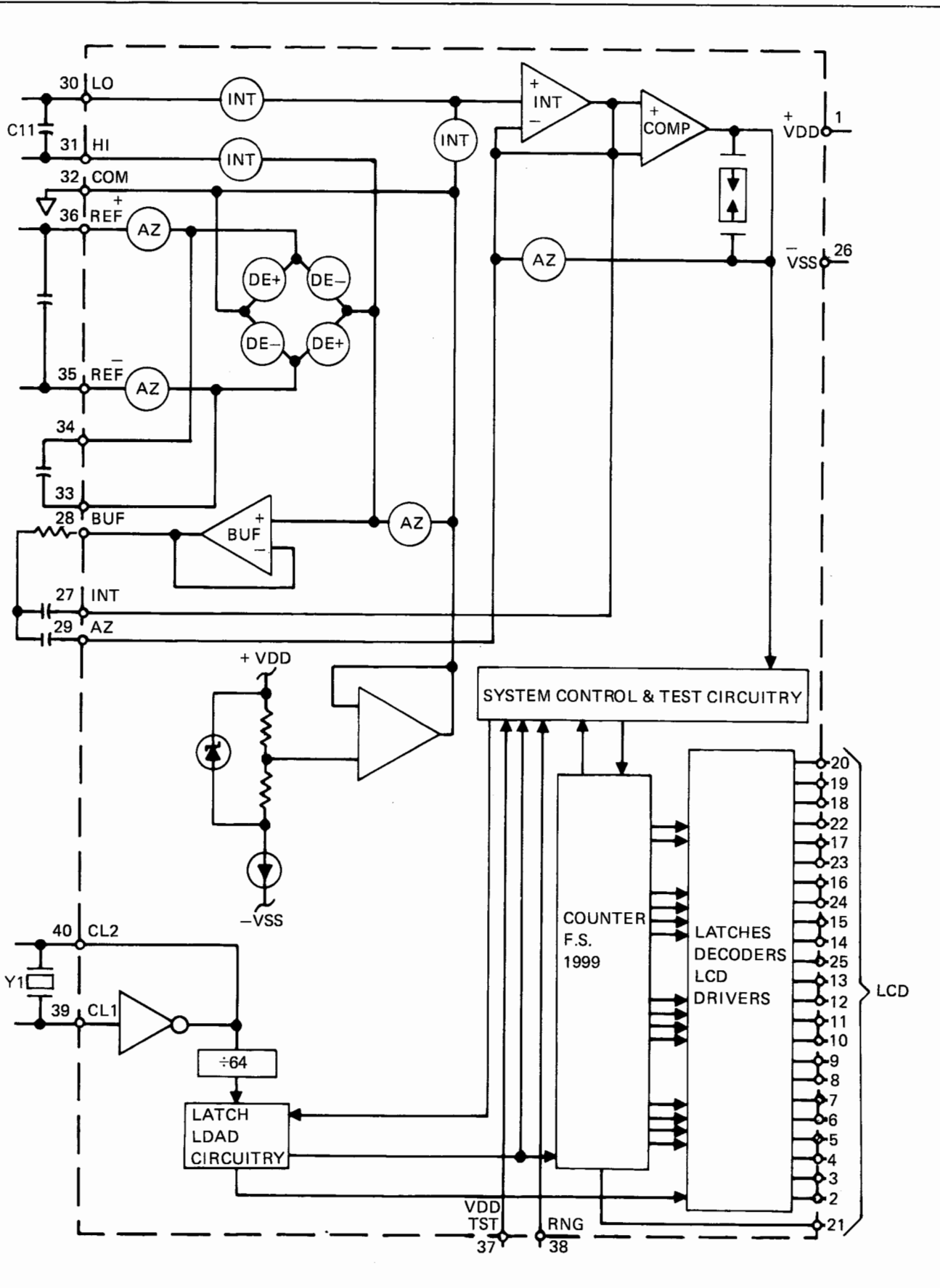


Figure 8-3. Custom IC(U3) Block Diagram