

MICRONTA®

30,000 OHMS/VOLT MULTITESTER



CAT. NO. 22-203 A

CUSTOM MANUFACTURED FOR

RADIO SHACK  A DIVISION OF TANDY CORPORATION

SPECIFICATIONS

| | |
|-----------------|---|
| Ranges: | 27 |
| + DC Voltage | 0-0.3-1-3-10-30-100-300-1000V |
| - DC Voltage | 0-0.3-1-3-10-30-100-300-1000V |
| AC Voltage | 0-10-30-100-300-1000V |
| + DC Current | 0-100 μ -3m-30m-300m-10A |
| - DC Current | 0-100 μ -3m-30m-300m-10A |
| Resistance: | 0-1K-10K-1Meg-10Meg. (center scale 10) |
| Decibel: | -10 to +62 dB in 5 Ranges |
| Output: | 0-10-30-100-300-600V |
| Accuracy: | $\pm 3\%$ of Full-scale, DC voltage and current. $\pm 4\%$ of Full-scale, AC voltage. $\pm 3\%$ of Scale-length, Resistance |
| Sensitivity: | 30,000 ohms/volt DC 10,000 ohms/volt AC |
| Meter Movement: | 4" (10 cm) 3-color, mirrored scale, 25 μ A movement |
| Battery: | Requires one type 1.5-volt "AA" penlight cell and one 9-volt rectangular "transistor-radio" cell for Ohms function. |
| Leads: | 47" (120 cm) Banana jack style |

RADIO SHACK LIMITED WARRANTY

This equipment is warranted against defects for 90 days from date of purchase. Within this period, we will repair it without charge for parts and labor. Simply bring your sales slip as proof of purchase date to any Radio Shack store. Warranty does not cover transportation costs. Nor does it cover equipment subjected to misuse or accidental damage.

This Warranty gives you specific legal rights and you may also have other rights which vary from state to state.

We Service What We Sell

INTRODUCTION

This sensitive Multitester is designed to measure AC and DC voltage, DC currents and resistance with accuracy and ease. The 4" (10 cm) sensitive meter incorporates a mirrored-scale for accurate readings and uses 3 colors for rapid scale identification. An "off" position is incorporated for meter protection during-transit. This instrument will provide many years of accurate voltage, current and resistance measurements.

HOW TO USE

Notes: For most accurate readings, keep the meter laying flat on a non-metallic surface. Also, use a range setting that results in a reading in the upper 1/3rd of the meter scale.

If the pointer does not normally rest exactly over the "0" at the left side of the scale, adjust the plastic screw in the lower center of the meter face to bring the needle to "0"

Always observe correct test lead polarity when making DC voltage and current-measurements (Black into the \ominus COM and RED into the \oplus V- Ω -A or 10A jacks).

Exercise extreme caution when measuring voltages of 150 and over.

When not in use, always leave the Range switch in the "OFF" position.

DC VOLTAGE MEASUREMENTS

1. Plug the test leads into the correct jacks (Black into \ominus COM and Red into \oplus V- Ω -A).
2. Set Function switch to +DC or -DC position.
3. Set Range switch to one of the DCV positions; it is best to start at the top and work down.
4. Connect the test probe tips to the circuit under test; be sure to observe correct polarity.
5. Read the voltage on the black DC scales.

AC VOLTAGE MEASUREMENTS

1. Plug the test leads into the correct jacks (black into \ominus COM and red into \oplus V- Ω -A).
2. Set Function switch to AC. Ω position.
3. Set Range switch to one of the ACV positions; it is best to start at the top and work down.
4. Connect the test probe tips to the circuit under test.
5. Read the voltage on the red AC scales.

RESISTANCE MEASUREMENTS

Before taking any resistance measurements, disconnect power to the unit under test and discharge capacitors. It is best to remove batteries and unplug line cords.

1. Plug the test leads into the \ominus COM and \oplus V- Ω -A
2. Set Function switch to AC. Ω position.
3. Set Range switch to one of the Ω positions; touch the test probes together and adjust the OHM ADJ. control to bring the pointer to the "0" on the top(green) OHMS scale.
4. Now, connect the probe tips across the circuit or part under test.
5. Read the resistance on the green OHMS scale; use the proper multiplier to obtain the correct value (R "times" 1, 10, 1000 or 10,000, depending on the position of the Range switch).

Notes: When you are unable to adjust the pointer to "0" on the OHMS scale in the R x 1, R x 10 or R x 1K positions, the penlight battery must be replaced. When you are unable to adjust the pointer to "0" on the OHMS scale when in the R x 10K position, replace the 9-volt battery. When measuring resistance, it is best to disconnect one side of the part under test (thus the remainder of the circuit will not interfere with the readings).

DC CURRENT MEASUREMENTS

1. Plug the test leads into the correct jacks.
2. Set Function switch to + DC or - DC.
3. Set the Range switch to the 300m DC A position (300 milliamp). Always start at the top and work down.
4. Open up the circuit in which you want to measure current and connect the black lead to the negative side and the red lead to the positive side of the circuit.
5. Apply power to the circuit under test and read the current on the black DC scales.
6. For current between 300m and 10A, set Range switch to 10A and plug the red test lead into the 10A jack.

DECIBEL MEASUREMENTS

1. Plug the test leads into the correct jacks.
2. Set Range switch to one of the ACV ranges and Function to AC.Ω.
3. For a Range switch setting of 10 ACV, read dB directly on the bottom scale in dB. For other settings of the Range switch, add the appropriate number of dB to the dB scale reading as noted on the chart at the lower right on the meter face.

Note: For absolute dB measurements, circuit impedance must be 600 ohms. 0 dB = 1 milliwatt dissipated in a 600 ohm impedance (equivalent to 0.775 V across 600 ohms).

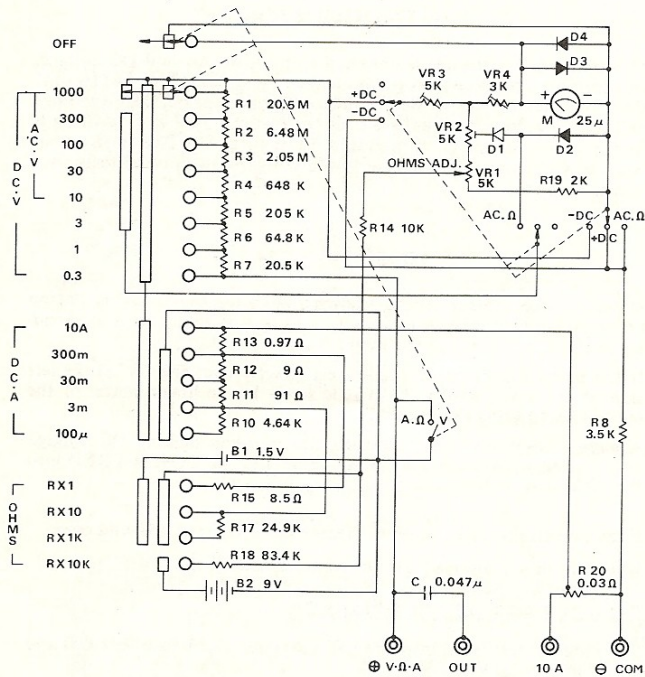
OUTPUT VOLTAGE MEASUREMENTS


1. To measure AC voltage in the presence of DC voltage, use the Output function. Connect the black lead to the ⊖COM jack and the red lead to the OUT jack.
2. Set Function switch to AC. Ω position.
3. Set the Range switch to an ACV position and measure the voltage in the circuit.

Note: The Output function incorporates a DC blocking capacitor, rated at 600 volts. Thus, do not exceed the 600 volt rating when measuring Output voltage.

4. Read Output voltages on the same scales as for AC Voltage.

SCHEMATIC DIAGRAM



RADIO SHACK  A DIVISION OF TANDY CORPORATION
 U.S.A.: FORT WORTH, TEXAS 76102
 CANADA: BARRIE, ONTARIO, CANADA L4M 4W5

TANDY CORPORATION

| | | |
|---|--|---|
| AUSTRALIA | BELGIUM | U. K. |
| 280-316 VICTORIA ROAD RYDALMERE, N.S.W. 2116 | PARC INDUSTRIEL DE NANINNE 5140 NANINNE | BILSTON ROAD WEDNESBURY, STAFFS WS10 7JN |

7A6

Printed in Korea