

POCKET METER

Wired & Calibrated

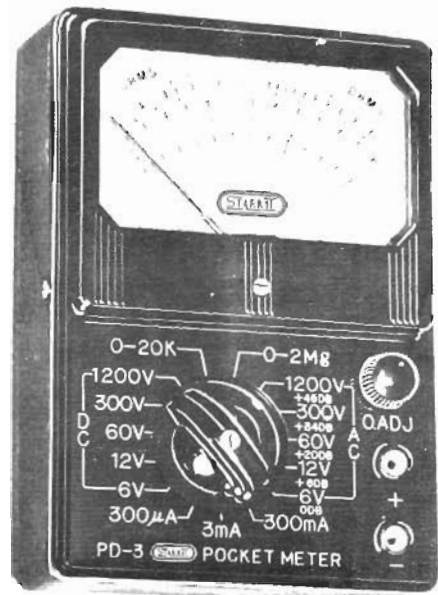
FEATURES

- Sturdy molded nylon switch
- Recessed range switch knob
- Heavy engraved bakelite panel
- Rugged black metal case

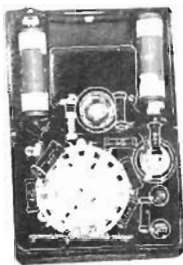
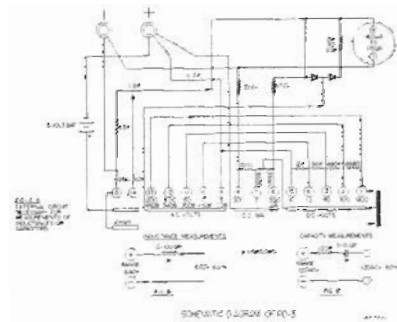
The STARKIT Model PD-3 is an accurate sturdily constructed pocket multimeter engineered for reliability for years to come. Housed in a durable good looking black metal case with rounded corners and heavy black bakelite panel, the PD-3 is ideal for all rugged electrical and electronic measurements. The panel is engraved and white filled to make all markings permanent. The range switch is specially designed of nylon construction, a type never before offered in a multi-meter of this type. It incorporates a 3-1/2" meter, housed in a black bakelite case with an easy to read scale.

The FD-3 is 2000 ohms/volt on both A.C. V. and D.C. V. covering a wide number of ranges making it a leader in its field. It measures D.C. V. from 0-1200 volts in five ranges; A.C. V. from 0-1200 volts in five ranges; D.C. current from 0-300 MA in three ranges; Decibels from -20 to 46 db in conjunction with A.C. volts; resistance from 0-2 megohms in two ranges; capacity to .2 mfd and inductance to 1000 H.

The STARKIT Model PD-3 is supplied complete with batteries, test leads and instruction manual. An attractive durable leather case can be purchased at extra cost. The unit is covered by a 90 day warranty and may be replaced regardless of age or condition for 50% of the list price when the warranty expires. Before buying any multimeter see the full range offered by "STARKIT" at your local distributor.

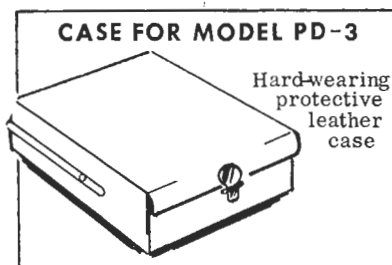


STARKIT MODEL PD-3



INTERIOR VIEW

Inside view of the STARKIT Model PD-3 illustrates the neat simplified layout and easy access to all components.



Specifications

SENSITIVITY

2000 ohms/volt DC
2000 ohms/volt AC

D.C. VOLTS

5 ranges 0-6-12-60-300-1200

A.C. VOLTS

5 ranges 0-6-12-60-300-1200

D.C. CURRENT

3 ranges 0-300UA 0-3-300MA

RESISTANCE

0-2K, 0-2 meg ohms

INDUCTANCE

0 - 1000 H

DECIBELS

-20 to +46 db (0db at .774 Volts on 600 ohm line)

CAPACITY

0-1UF; 0.005 to 0.2 UF

DIMENSIONS

5-1/4" x 3-3/4" x 1-1/4"

CONTROLS

Range Switch
Ohms adjust

WEIGHT

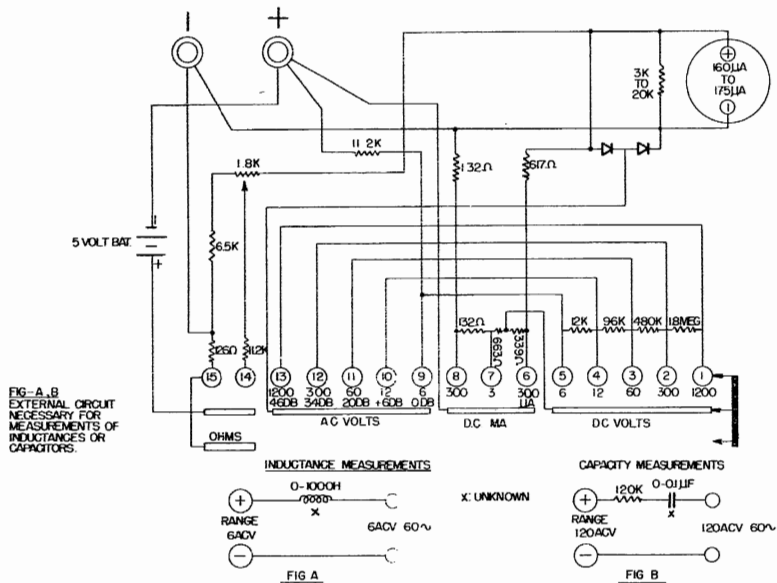
Net Wt. 18 ounces
Ship Wt. 30 ounces

BATTERIES

2 - Eveready 915 or equal

STARK

STARKIT MODEL PD-3



SCHEMATIC DIAGRAM OF PD-3