

VTVM KIT

Wired & Kit

FEATURES

- Measures DCV..ACV RMS, P.P. ..Ohms.
- High Impedance 10.5 Megohms Input
- 1% Deposited Carbon Type Resistors
- Bucking Potential Adjustable
- Individual ACV, + DCV, - DCV Calibration

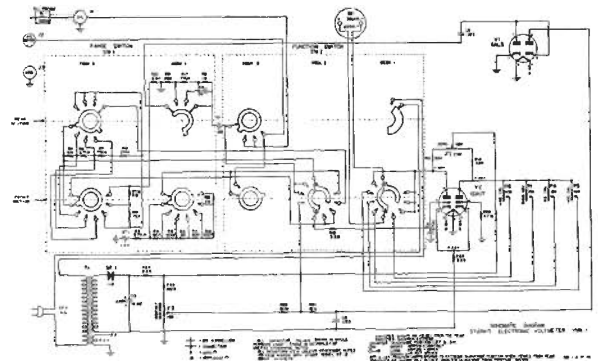
The perfect "work-horse" for all around laboratory work and service shop jobs; the ideal educational kit for the advanced student. The STARKIT Model VMK-1 is especially valuable in all electronic applications . . use it to measure all operating voltages, filament voltages, bias voltages, AC voltage, line voltage, etc. Ideal for measurements in all types of AM, FM, and TV circuits.

A practical and dependable VTVM unit, the VMK-1 permits unusual accuracy in checking high impedance circuits which are susceptible to loading. Measures ACV and DCV in 7 ranges from 1.5 to 1200 . . ACV peak-to-peak in 7 ranges from 4 to 3200 . . resistance in 7 ranges from 0.2 ohms to 1000 megohms. Frequency response up to approximately 3 MC, RMS and peak-to-peak. The special circuitry employed eliminates instability when shifting the range switch on low AC volts: 1% deposited carbon resistors assure high accuracy and stability.

Built for hard usage, the VMK-1 is encased in a rigid steel cabinet equipped with a hard wearing leather carrying handle. For smooth, rapid operation, all controls are located on the front panel. The finely calibrated 350 microampere 5" meter permits instant, "at-a-glance" test readings. Step-by-step assembly instructions complete with pin-up size pictorial and schematic diagrams take the "puzzle" out of assembly work. Operational instructions explain by both word and diagram, the useful tasks achieved by the VMK-1. Both manuals are written in French and English. All parts are packaged and labeled for immediate identification. Complete with test leads and probe. This exceptionally fine VTVM would be an asset in your work shop.



STARKIT MODEL VMK-1



Specifications

DC VOLTS

7 ranges: 0-1.5-3-12-30-120
-300-1200

AC VOLTS

7 ranges: 0-1.5-3-12-30-120
-300-1200

PEAK-TO-PEAK

7 ranges: 0-4-8-32-80-320
-800-3200

RESISTANCE

7 ranges: 0.2 ohms to 1000
megohms

MADE IN CANADA

FREQUENCY

AC to approx. 3 megacycles
(RMS & Peak - to - Peak)

INPUT IMPEDANCE

Volts DC 10.5 megohms
Volts AC approx. 10 meg-
ohms shunted by 150 mmfds.

TUBE COMPLEMENT

1-12AU7 balance bridge
1-6AL5 AC Input Rectifier

METER

5", 350 microamp movement

BATTERY

Style C Eveready, # 935
1.5 V.

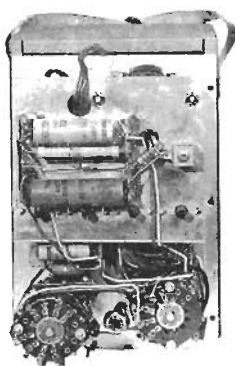
POWER REQUIREMENTS

105-125 ACV, 60 cycles,
20 watts at 115 volts

SIZE & WEIGHT

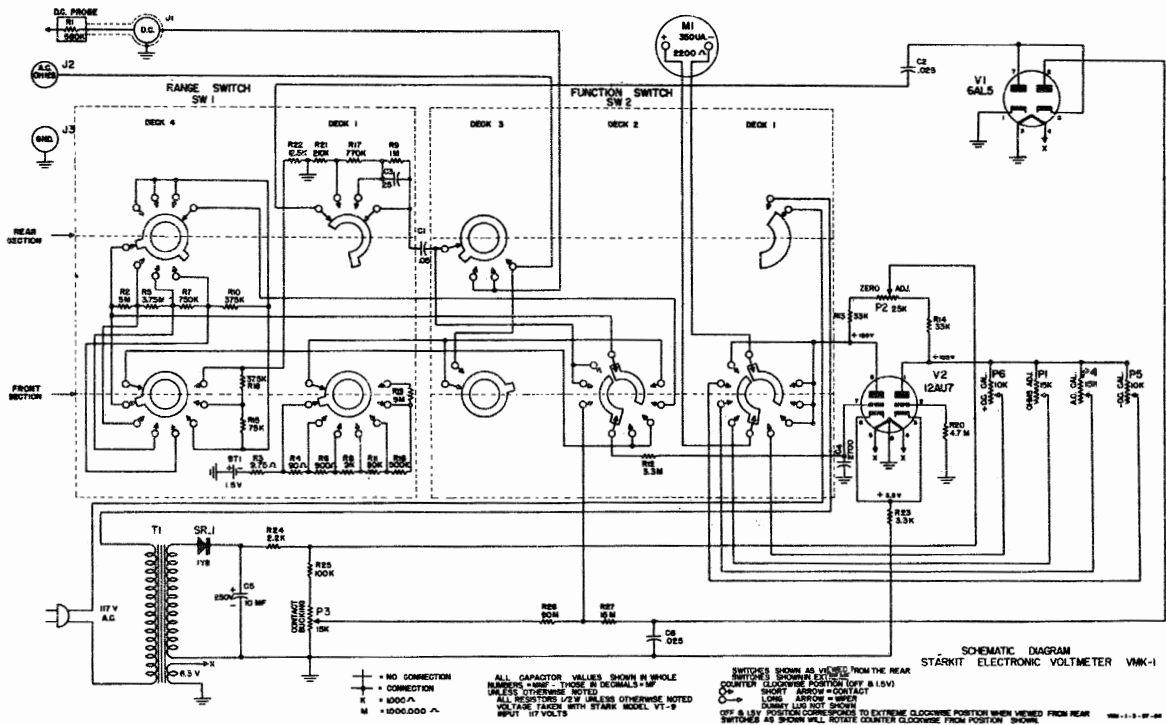
5-3/4" x 8-1/2" x 4"
Ship wt. 7 lbs.

E2026G9



Interior View

STARKIT MODEL VMK-1



SCHEMATIC DIAGRAM
STARKIT ELECTRONIC VOLTMETER VMK-1

STARKIT MODEL VMK-1

