

DEULY SCOPE

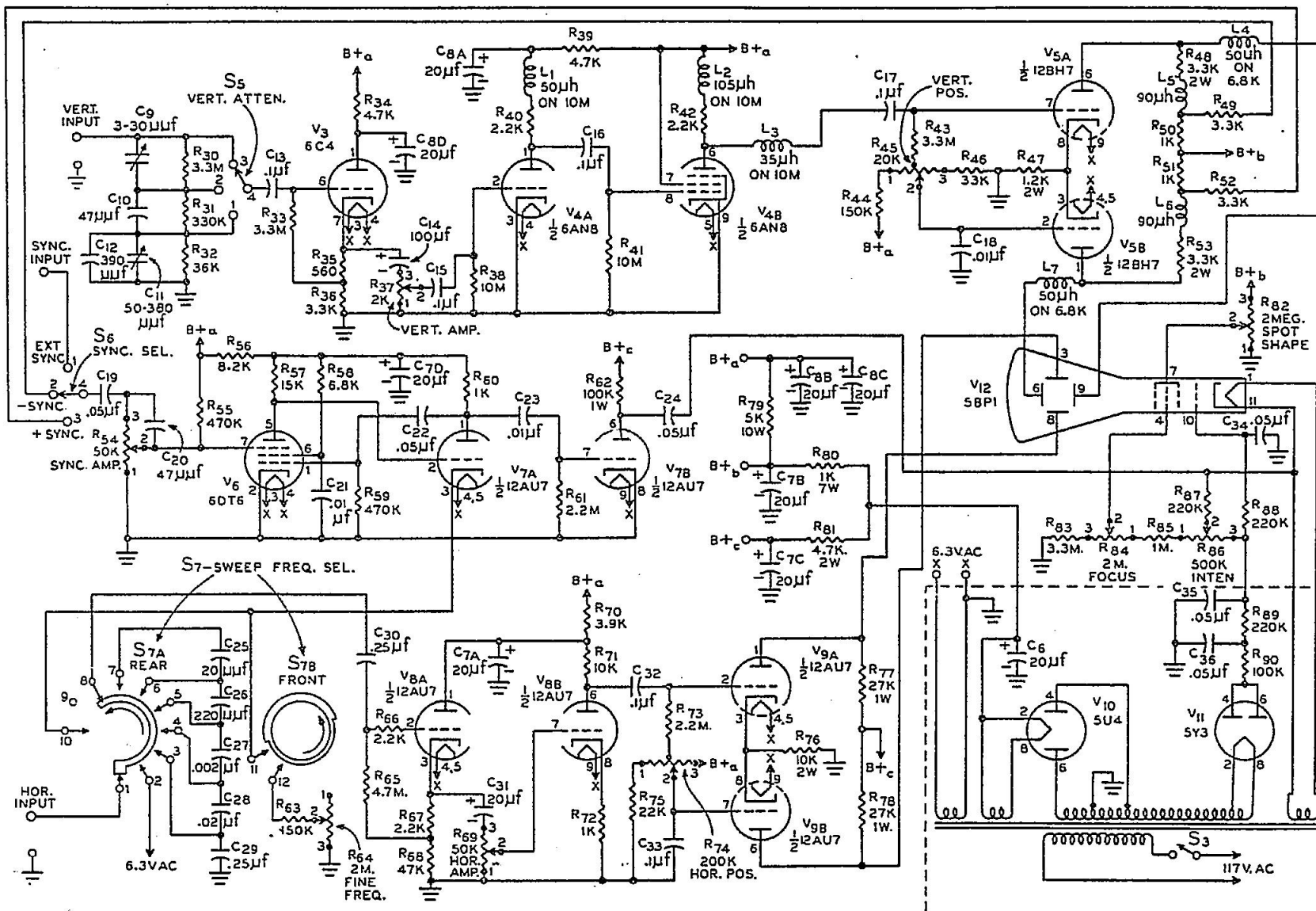


FIGURE 9