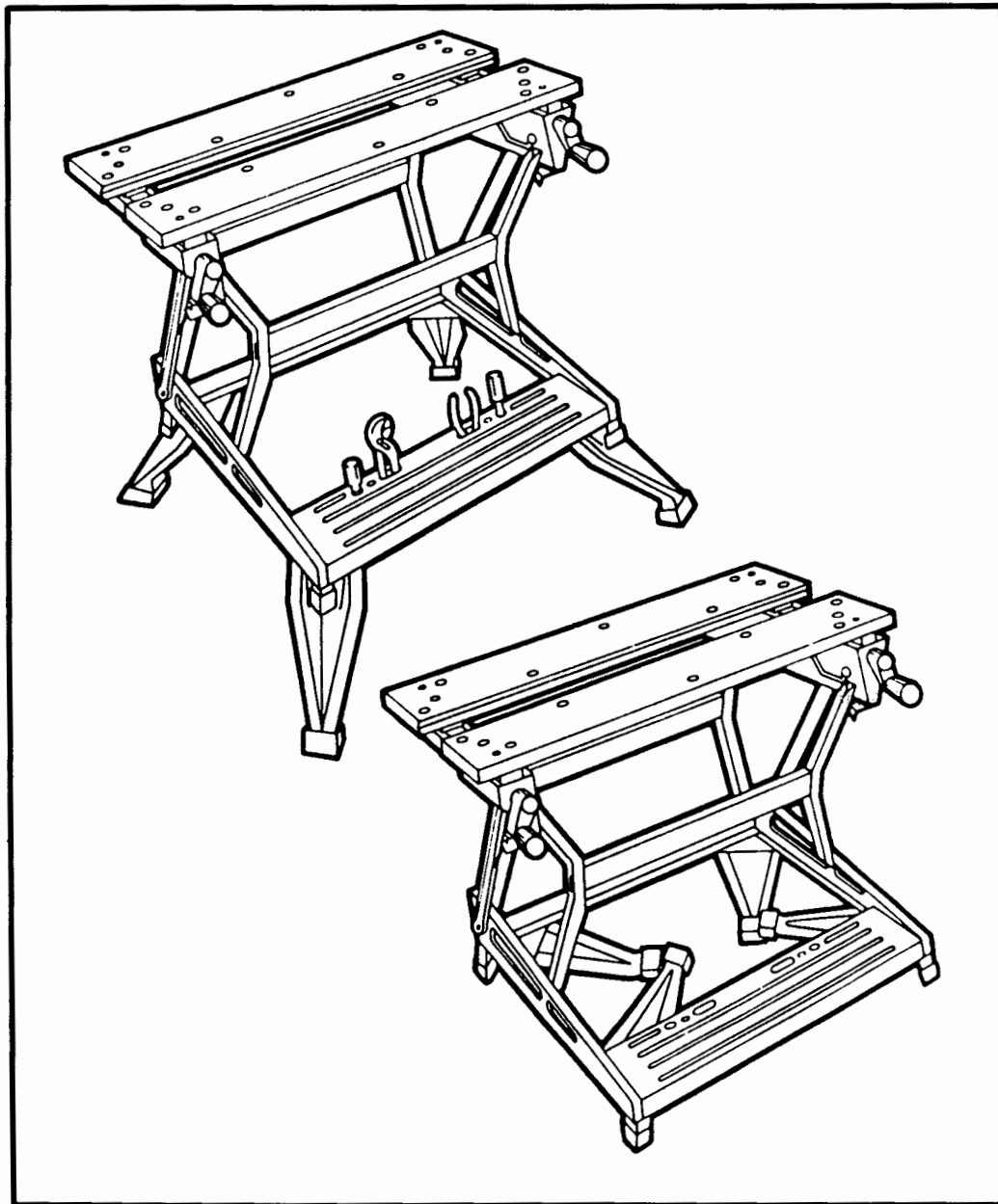
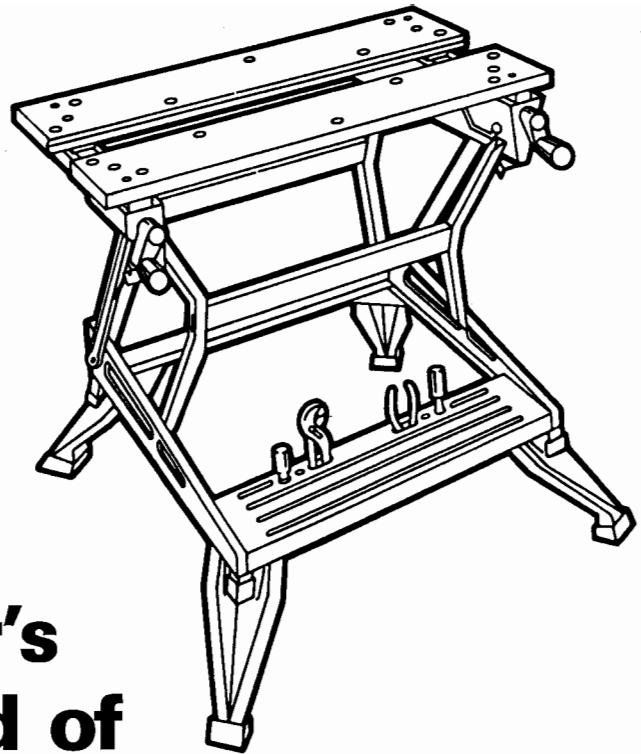




BLACK&DECKER™



Instruction Manual
Workmate® 200 Work Center
79-032-30



Welcome to Black & Decker's wonderful world of Workmate Work Centers.

If you already own a Black & Decker Product, you know the pleasures a high quality, high performance product can deliver.

Your new Workmate® Work Center is a quality piece of equipment that has been carefully designed and manufactured to provide years of dependable service.

This instruction manual will familiarize you with the Work Center. It lists important facts and features which describe the Work Center's construction and basic working techniques.

So take a few minutes and thoroughly read this instruction manual. Complete set-up and

application instructions are included. Only by being totally aware of what the Work Center can do will you be able to put it to the numerous tasks that it is capable of performing.

Pay particular attention to the Safety Rules we've provided for your protection.

We want you to enjoy your Workmate® Work Center, and the more you know about it, and its capabilities, the happier you'll be with it.

Thank you for selecting Black & Decker.

And don't forget to send in your owner's registration card.



BLACK & DECKER™

SAFETY INSTRUCTIONS

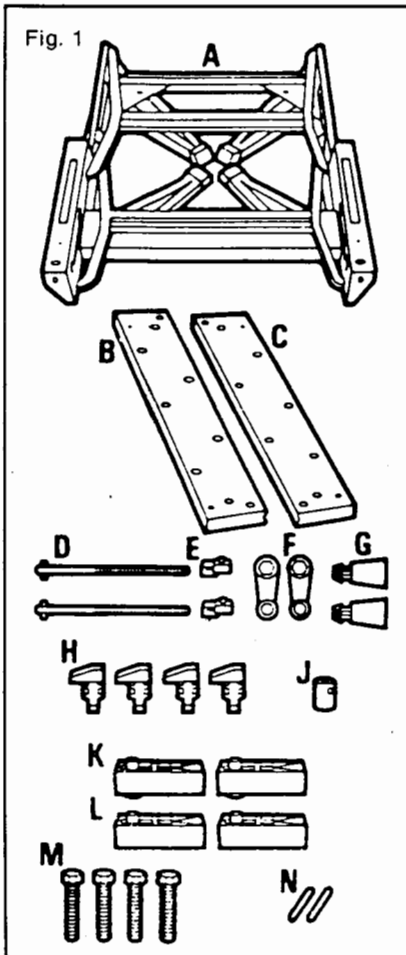
READ ALL INSTRUCTIONS

1. Do not load with more than 350 pounds.
2. Do not apply an unbalanced load which could cause the Work Center to tip over.
3. Do not use the Work Center as a step-ladder or standing platform. Do not use the lower platform as a step when the Work Center is in "Workbench" position.
4. Do not store Work Center outdoors or in a damp location.
5. Avoid applying excessive force when clamping with the swivel grips.
6. Be sure that the legs are fully open and be sure that the table locks in the sawhorse position.
7. When using a power tool with the Work Center, follow the safety instructions in the tool's instruction Manual.
8. Always wear safety glasses when operating power tools.
9. See "Using Power Equipment" in this manual for correct method of securing power tools in the Work Center. Never mount power tools directly in vise jaws; pressure may damage tools.
10. An even pressure of the vise jaws on the work piece is essential. Tighten both vise jaws uniformly.
11. When assembling your Work Center, use only the Special Plastic Wrench provided. Use of other wrenches or sockets can damage your Work Center.

SAVE THESE INSTRUCTIONS FOR FUTURE USE

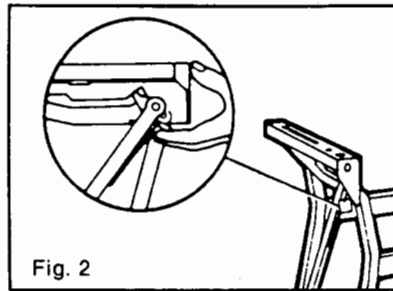
Assembly

1. Empty the contents of the box and identify all components. (see Figure 1)

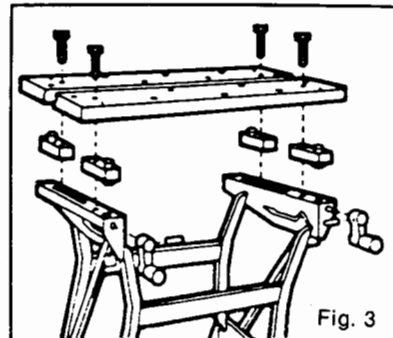


- | | |
|-----------------|-----------------------|
| A. Frame | H. Swivel Pegs |
| B. Front Jaw | J. Spanner |
| C. Rear Jaw | K. Front Vise Bracket |
| D. Vise Screw | L. Rear Vise Bracket |
| E. Vise Guide | M. Bolts |
| F. Vise Crank | N. Pins |
| G. Crank Handle | |

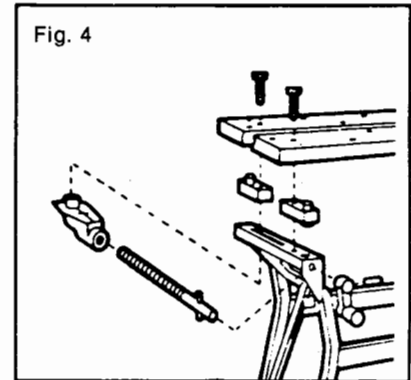
2. Raise part A to the extended position by lifting the two release latches. (see Figure 2). Place a foot on the footboard of the frame and raise it to full height. Ensure that it has locked into the fully extended position.



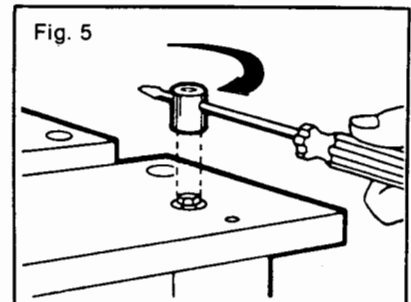
3. Pull out all four support legs until they positively lock into position.
4. Take part B polished side up ensuring the "V" groove edge is facing away from you.
5. Take part K smooth side facing downwards and position it beneath part B ensuring that the protruding lug of part K is located in the smaller hole of part B. (see Figure 3) Repeat on other side.



6. Drop part M through the hole in part B on both sides and screw tightly into part A using spanner J. (see Figure 5)
7. Take part C polished side up ensuring the "V" groove edge is facing towards you.
8. Take part L smooth side facing downwards and position it beneath part C ensuring the protruding lug of part L is located in the smaller hole of part C. Repeat on other side. (see Figure 3) Now place part C onto part A.
9. Screw part E onto part D then push the smooth end of part D through the holes in part A (see Figure 4) Ensure part E lines up with the bolt holes in part C. Drop part M through the bolt holes in part C and screw it into part E (see Figure 4).

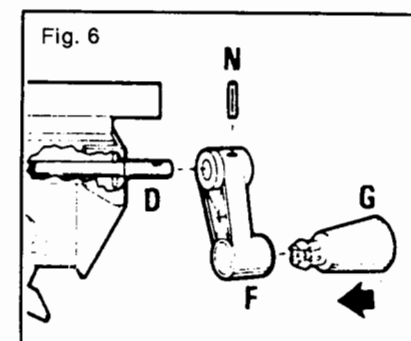


NOTE: Do not overtighten these bolts as they are pivot points.



10. Insert part F onto the protruding end of part D. Line up the holes through parts D and F and insert pin N tapping it smartly home. (see Figure 6)
11. Lubricate all moving parts initially and on a regular basis.

Push snap-in handle into handle arms on vise bracket assembly as illustrated in Figure 6.



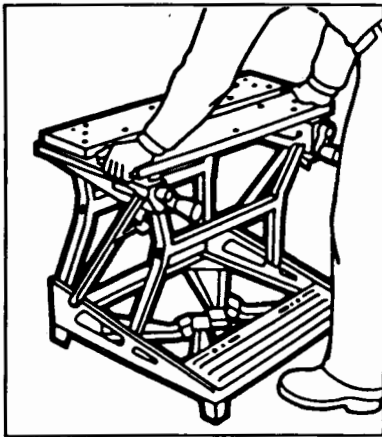
Maintenance Tips

1. Pivot screws are of low friction design. No lubrication is necessary.
2. If binding of vise jaw occurs, cleaning or lubrication of slider and vise screw may be required.
3. Pivot screws should be checked for tightness.

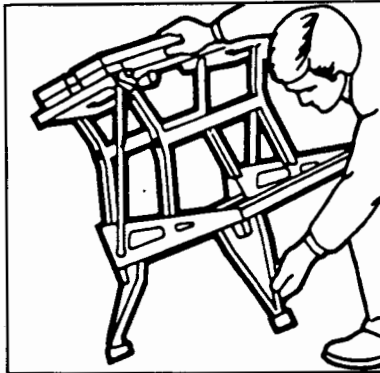
Setting Up Workmate® Work Center

The Work Center sets up easily into two working heights; the lower "sawhorse" height and the upper "workbench" height. Choose the position best suited to your particular job. In each case, the Work Center provides a convenient and rigid work surface.

This is the lower "sawhorse" height, measuring 23" high. Be sure the Work Center locks into position.



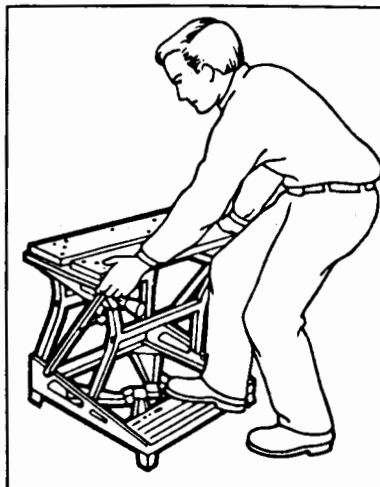
To raise the Work Center to its full workbench height of 30" extend the 4 base legs as shown.



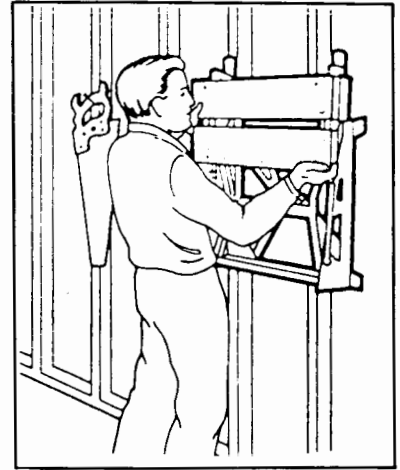
Always make sure that each leg is swung into its extended position. This will ensure safe use of the Work Center at this upper working height.

How To Store Your Workmate® Work Center

1. Store swivel pegs upside down in vise jaws until next application.
2. Fold in all four base legs.
3. Place one foot on footboard.
4. Using index fingers, simultaneously press release latches, then pull top toward you.



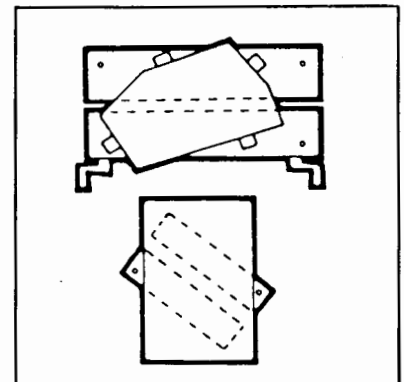
5. Close unit and clamp in locked position.
6. You can now store Workmate® conveniently in minimum space.



Holding Irregular Shapes With Workmate® Work Center

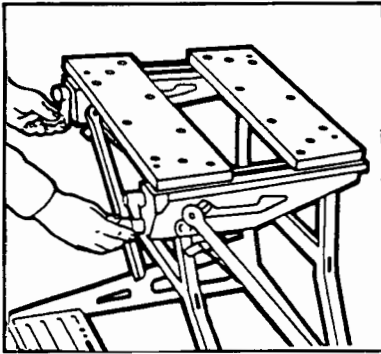
Using the swivel pegs in the appropriate holes and the independent action of both vise handles, the Work Center can secure the most irregular shapes. Lets you grip objects that used to be impossible to hold.

Rotate swivel pegs to accept irregular shapes. Outside swivel pegs extend vise capacity for a 21-3/4" diagonal grip.

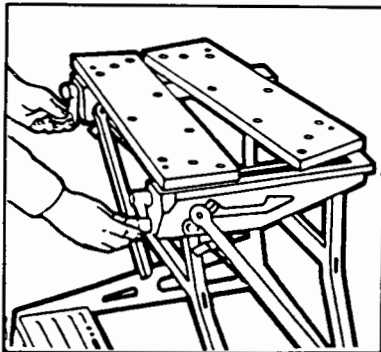


Working With Your Workmate® Work Center

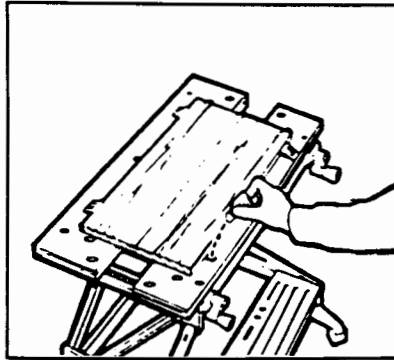
The Work Center is a vise, sawhorse and workbench all in one. Its basic design and special features help you perform a complete range of workshop tasks from the simplest to the most complicated.



The heart of the Work Center is in the action of the two parallel vise jaws. The two vise handles adjust the jaws to a maximum of 5-1/4" jaw opening. Because each handle works independently, the opening can be tapered from 0" to 5-1/4" maximum.

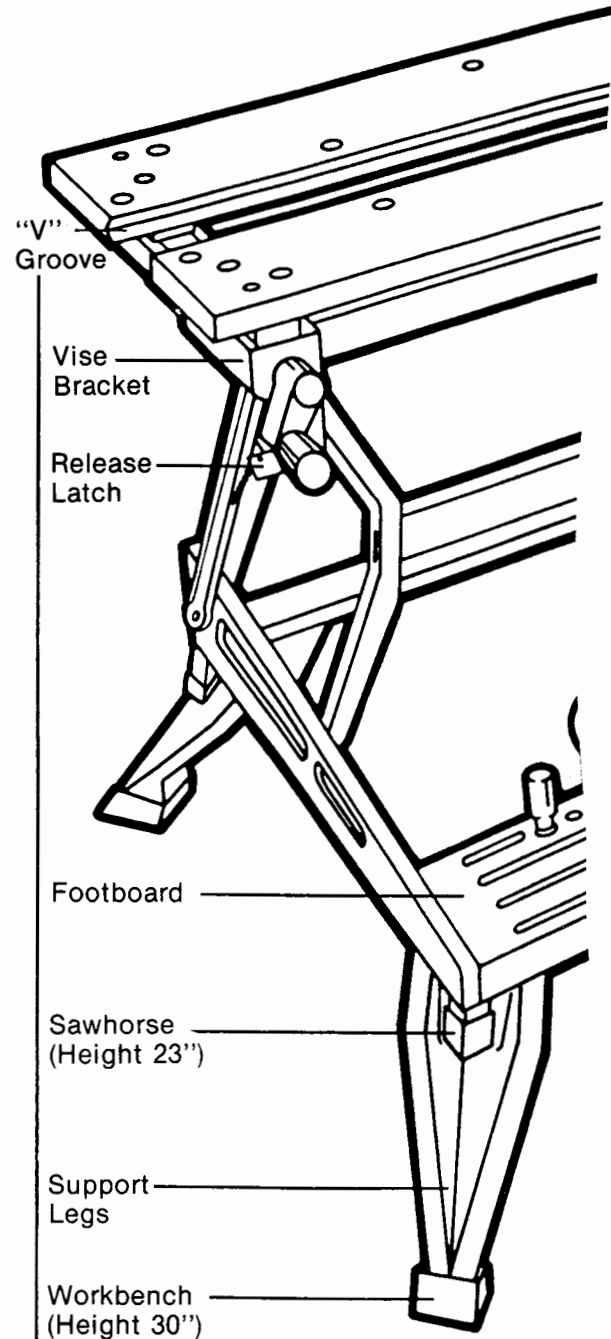
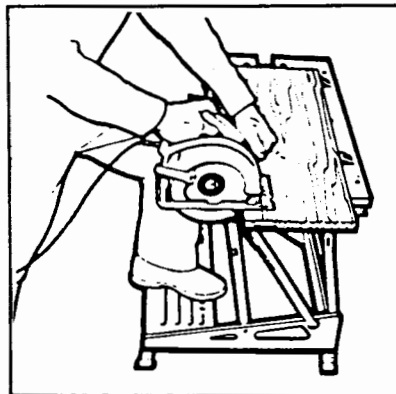


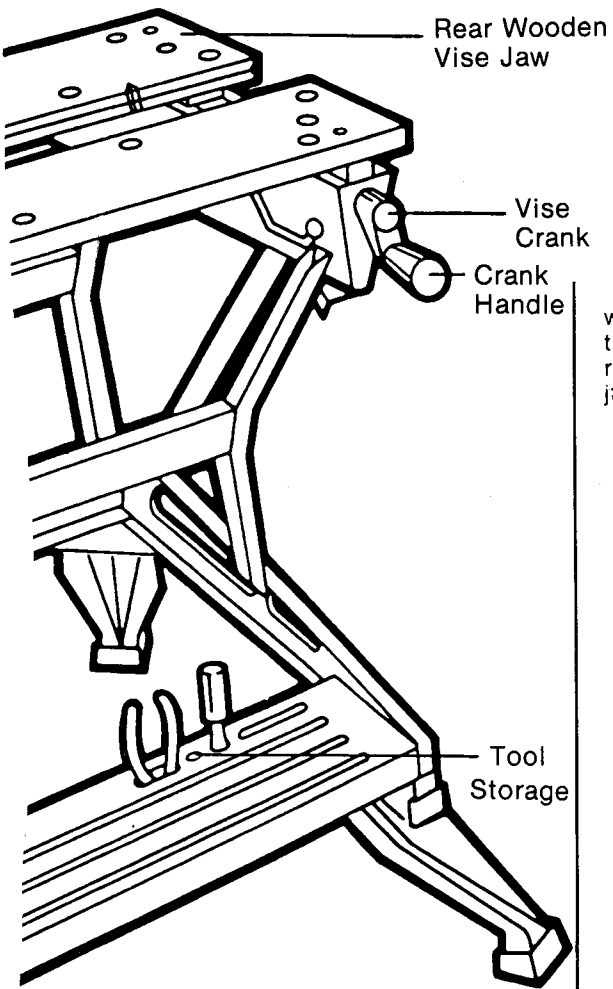
Use of the swivel pegs in the appropriate vise holes extends the vise capacity of the Work Center up to 12" wide, or up to 21-3/4" when objects are held diagonally.



Sawing

In its lower position, the Work Center is a sawhorse. Holds material securely.





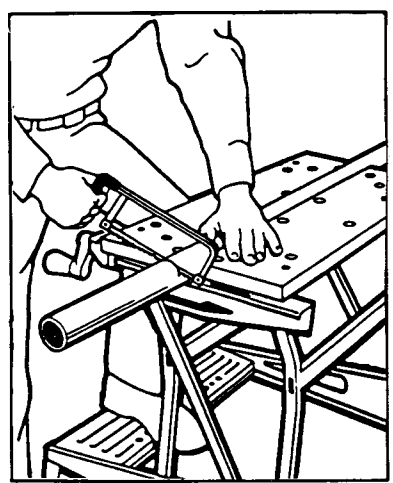
Rear Wooden Vise Jaw

Vise Crank

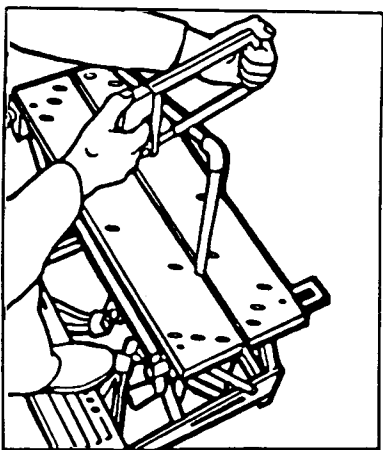
Crank Handle

Tool Storage

Sawing tubular pieces is easy when they are held horizontally in the specially designed "V" grooves running along the face of the vise jaws.



Vertical "V" grooves in the face of the vise jaws permit rigid vertical grasping of tubular objects.

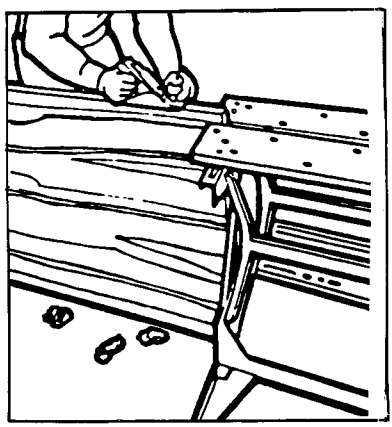


NOTE: Place your foot as shown on the footboard of the Work Center to steady it. DO NOT USE AS A STEP.

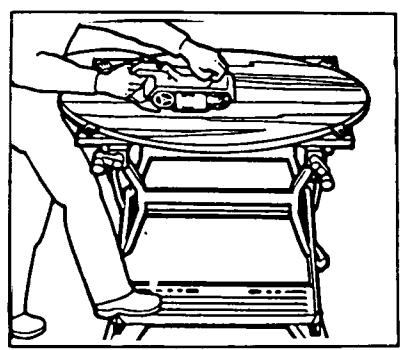
Planing, Sanding, Routing

Your Workmate® Work Center permits you to do a better job when planing, sanding and routing because work is held securely.

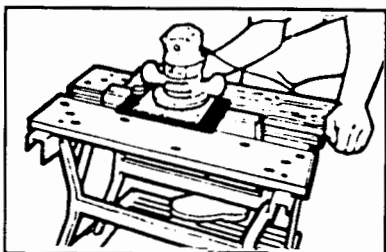
Holds material at perfect height and position. Strength and stability to handle large and awkward sizes and shapes.



Power sand the most irregular shapes. Swivel pegs hold material securely.



Special tasks won't mean special problems any more. Routing can be easy and the results more professional.



Using Power Equipment With Workmate® Work Center

Construct individual mounting boards for your power tools to save workbench space. Makes your power tools completely portable when placed in the Work Center.

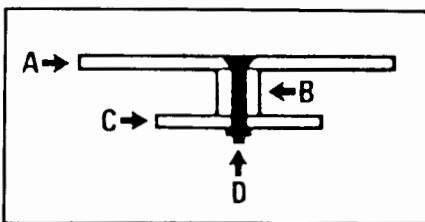
CAUTION: Securely mount tool accessories to mounting board with screws or bolts. Always wear safety glasses when using power tools with the Work Center.

Power Tool Mounting Board

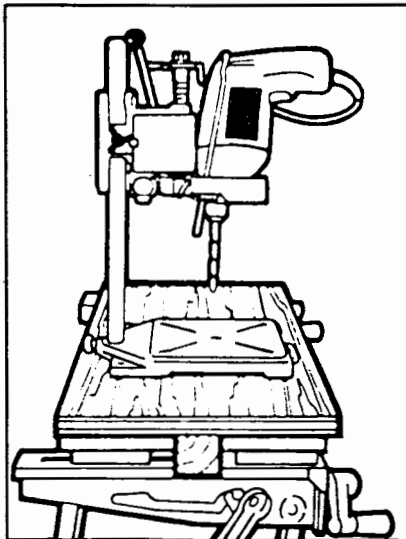
Attachments such as Black & Decker Vertical Drill Stand and the Horizontal Drill Stand may be attached with screws to a suitable sized piece of plywood, to the underside of which a block of wood is attached. The block, when gripped securely in the Work Center vise jaws, provides rigidity for the operation of the tools in the attachments.

Suggested Sizes

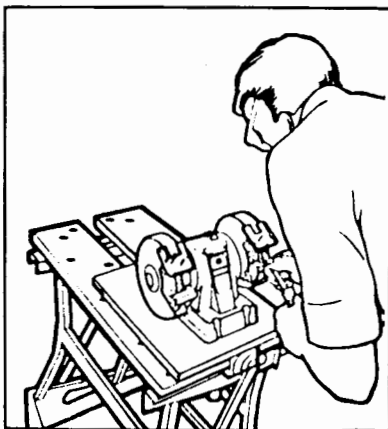
- A. Mounting Board 12" x 12" x 3/8"
- B. Vise Block 2" x 4" x 6"
- C. Retaining Board 3" x 3" x 1/4"
- D. Bolt 5



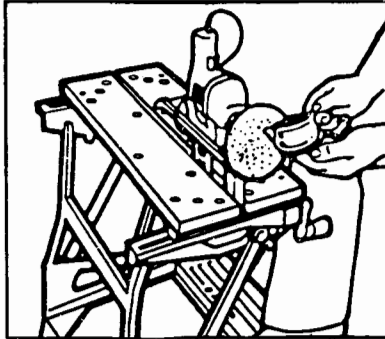
The block of wood on the underside of the mounting board is held in the jaws of the Work Center. The power tool is secure for use.



Add power tools you thought you never had room for. Securely holds even the larger tools.

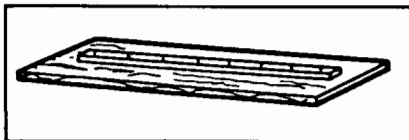


You'll want to use all of your power tool accessories more often. For instance, buffing — it's easier and more convenient with the Workmate® Work Center.



General Purpose Table

Suggested Sizes
2" x 6" x 1/4" plywood
2" x 4" stud, 30" long
4 bolts 5" long



When the project calls for extra work space, you can make a work table by attaching a block of wood to the underside of a piece of plywood. Makes an extra long table surface for a work or play occasion. Center table over center of vise jaws.

CAUTION: Do not use nails or screws. Use bolts.

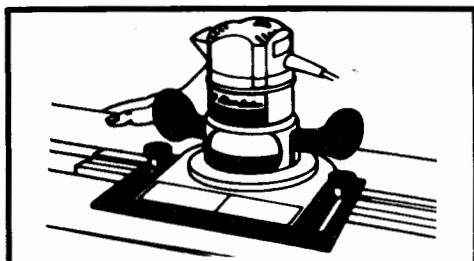


Important

To assure product SAFETY and RELIABILITY, repairs, maintenance and adjustment should be performed by Black & Decker Service Centers or other qualified service organizations, always using Black & Decker replacement parts.

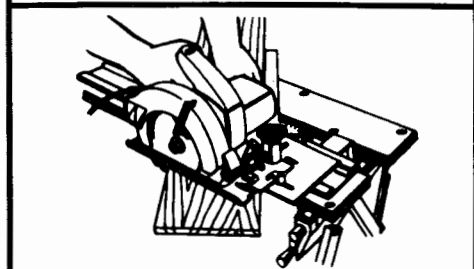
WORKMATE ACCESSORIES

(Available at Extra Cost)



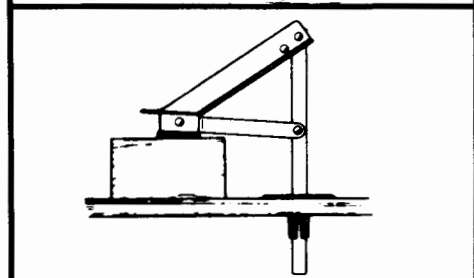
79-013-04
ROUTERMATE

Professional router cuts made easy. Holds Black & Decker and other popular routers securely on WORKMATE Portable Work Center table top. Gives solid "hands off" support for all types of router cuts.



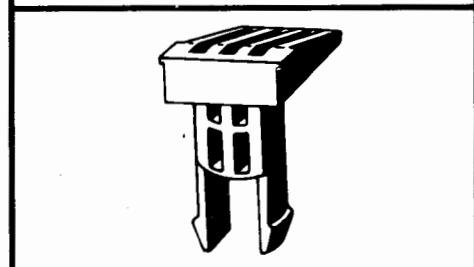
79-012-04
MITREMATE

Clamps into WORKMATE Work Center to hold material down securely for accurate mitre and compound mitre cuts, accepts most popular makes of 7-1/4" Circular Saws and is ideal for cutting rafters, floor joists, studs, window baseboard and decorative trim.



79-016-04
GRIPMATE

Specially designed clamp assembly to hold items on a Work Center Vise Jaw for glueing, routing, sanding, sawing, etc. (Pkg of two)



79-010-04
SWIVEL PEGS

Packaged in pairs. Ideal for holding large and irregular shaped objects.

RAPID EXCHANGE HOME USE WARRANTY

Black & Decker warrants this product for two years against defect in material and workmanship in normal residential use. This warranty does not cover damage resulting from negligent handling, misuse or lack of reasonable care. Please return the complete unit, transportation prepaid, to the seller for free replacement if the seller is a participating retailer in the Black & Decker rapid exchange program. (Proof of purchase may be required by the seller.) The unit may also be returned to a Black & Decker service centre or authorized service station for free replacement or repair at our option. This warranty does not apply to accessories.

In returning the tool for replacement, all original standard equipment must also be returned (for example, chuck, chuck key, auxiliary handles, circular saw blades). Expendable original equipment such as sanding sheets, belts and discs and jig saw blades need not be returned. For kits and assortments only the basic power tool will be replaced.

The sole remedy for breach of this warranty and the sole obligation of Black & Decker hereunder is the repair or replacement of the defective product at Black & Decker's option. Black & Decker shall have no liability whatsoever at any time for any personal injury or property damages or for any special, indirect or consequential damages of any kind howsoever arising.

This warranty is strictly limited to its terms and is in lieu of any kind and all other warranties and conditions, written or oral, whether express or implied.

Note: This warranty and related provisions set out above may not be applicable in certain provinces.



BLACK & DECKER™

Black & Decker Canada Inc., Brockville, Ontario

Form No. 240701
Printed in Brazil