

HOBBY-GUN is a handy, versatile tool for the hobbyist, craftsman and mechanic. It has many uses around the home, shop, school, etc. Sprays a smooth professional finish, without brush marks, on models, furniture, toys, plaster crafts. Great for auto touch-up, bicycle refinishing. Ideal for van art. Handles any sprayable material. Operates on ANY air compressor, including 12-volt compressors.

GUN IS CONVERTIBLE

This gun is set up for use with portable compressors without a storage tank. Air continuously flows out from under knob until knob is depressed for spraying.

To use with a compressor having a storage tank remove knob (J) (with slots at bottom) and attach plain knob (K) enclosed. In order to attach knob onto stem, the stem must be raised up. This can be done easily by inserting a paper clip or nozzle cleaning tool (U) up through the hose spud thus raising up the stem so that knob can be inserted in place.

ASSEMBLY:

Place plain end of hose over gun spud. Place other end with fitting on any suitable compressor having a 1/4" hose connector (standard for most compressors).

ADJUSTMENT:

Pattern size and wetness can be adjusted by screwing liquid nozzle up or down. Further adjustment can be made by screwing air nozzle in or out—particularly useful for heavy materials.

CLEANING:

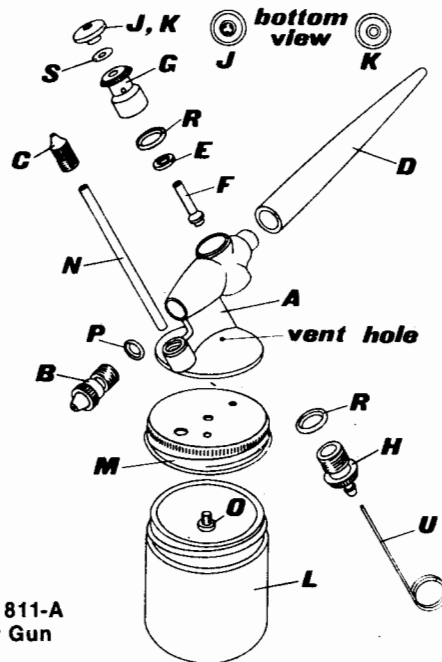
Pour small amount of thinner or solvent (used to thin spray material) into jar, tighten cap, depress knob until thinner has blown through. Shake while doing this to clean jar. Dismantle liquid nozzle and tube and clean out material thoroughly along with jar and cap for next use. Use nozzle cleaning tool (U) to clean out liquid nozzle—useful too when spraying.

Use with W. R. BROWN CORPORATION compressor Model 201-C and 410-C for best results in spraying.

**WARNING! DO NOT INHALE
SPRAY MIST OR SOLVENT FUMES!**

CAUTION!

- Do not use near open flame or hot surface
- Do not exceed 50 psig
- Do not use lye or other caustic solutions for cleaning parts
- Keep spray away from compressor



**Model 811-A
Hobby Gun**

Ref. Letter	Part	Description	Selling Price @
A	1508	Air Brush Body	\$2.50
B	1509	Air Nozzle	1.25
C	1511	Liquid Nozzle	.90
D	1512	Air Brush Handle	1.00
E	1513	Valve Seat	.55
F	1514	Valve Stem	.90
G	1515	Valve Body	2.00
H	1516	Valve Cap	2.00
J	1517	Knob-Bleeder	.75
K	1518	Knob-Non Bleeder	.75
L	1520-3	1 oz. Jar & Cover—Box of 3	1.50
	1521-3	2 oz. Jar & Cover—Box of 3 (Not Illust.)	1.50
M	1522	Jar Cap	.50
	1523	Jar Cap—with holes	.50
N	1524	Paint Tube—2 oz. (Not Illust.)	.30
	1525	Paint Tube—1 oz.	.30
O	1624	Screw—#5-40 x 1/8" Long	.20
P	1306	"O" Ring	.40
R	7014	"O" Ring (2 required)	.40
S	1528	Seal	.40
T	818	Air Hose Assembly—8 ft. (Not Illust.)	4.50
U	1529	Nozzle Cleaning Tool	.20

W. R. Brown Corporation

2701 NORTH NORMANDY AVENUE, CHICAGO, ILLINOIS 60635

One of America's leading compressor manufacturers.