

# Sears

# owners manual

MODEL NO.  
315.11351

CAUTION:  
Read Rules for  
Safe Operation  
and Instructions  
Carefully

- Introduction
- Operation
- Repair Parts



REG. TRADEMARK

## 3/8 INCH ELECTRIC DRILL REVERSIBLE-VARIABLE SPEED WITH VARI-TRI-LOCK SWITCH

### GUARANTEE

CRAFTSMAN PORTABLE ELECTRIC TOOLS ARE UNCONDITIONALLY GUARANTEED FOR ONE YEAR TO GIVE COMPLETE SATISFACTION OR RETURN FOR FREE REPLACEMENT.

THIS GUARANTEE SERVICE IS AVAILABLE BY SIMPLY RETURNING THE TOOL TO ANY SEARS STORE.

SEARS, ROEBUCK AND CO. and SIMPSONS-SEARS LTD.

### CUSTOMER INSTRUCTIONS

1. **DO** read thoroughly INTRODUCTION and OPERATING INSTRUCTIONS before using your 3/8 INCH ELECTRIC DRILL.
2. **DO** be sure switch is in "OFF" position before connecting tool to power supply.
3. **DO** disconnect power cord when cleaning or doing maintenance on tool.
4. **DO** be sure the voltage of the power supply agrees with the nameplate marking on the unit.
5. **DO** use correct size extension cord as recommended.
6. **DO** replace both brushes when either is worn to about 1/4 inch in length.
7. **DO** use only specified replacement parts.
8. **DO** disconnect from power source and store in a clean dry place.
9. **DO** insert drill bits into the chuck the full length of the jaws.
10. **DO** use light oil on drill bits to prevent overheating when drilling metal.
11. **DO** drill small pilot hole first when drilling holes 3/8" in metals.
1. **DON'T** use your 3/8 INCH ELECTRIC DRILL before reading thoroughly, INTRODUCTION and OPERATING INSTRUCTIONS.
2. **DON'T** leave Drill unattended before disconnecting from power source.
3. **DON'T** force tool, allow Drill to cut as it was designed.
4. **DON'T** allow children to operate Drill.
5. **DON'T** carry unit by power cord.
6. **DON'T** lift tool from work with motor running. This can cause the surface of the work to be marred and may break bits.
7. **DON'T** use an auger bit (screw pointed)—use types which must be pressure fed.
8. **DON'T** use a twist drill larger than the capacity the chuck indicates.
9. **DON'T** use drill as a router or try to elongate a hole by twisting the bit.
10. **DON'T** use a wrench to tighten the chuck.
11. **DON'T** support weight of drill with drill bit when drilling horizontally.
12. **DON'T** change direction while drill is running.

Designed exclusively for and sold only by

SEARS, ROEBUCK AND CO.—Chicago, Illinois 60607 U.S.A.  
and SIMPSONS-SEARS LIMITED—Toronto



## CAUTION



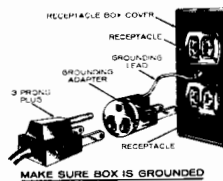
The operation of any power tool can result in foreign objects being thrown into the eyes, which can result in severe eye damage. Always wear safety glasses or eye shields before commencing power tool operation. We recommend Wide Vision Safety Mask for use over spectacles, or standard safety glasses . . . available at Sears retail or catalog stores.

**WHEN ELECTRIC TOOLS ARE USED ON FIBERGLASS** boats, sports cars, etc. it has been found that they are subject to accelerated wear and possible premature failure, as the fiberglass chips and grindings are highly abrasive to bearings, brushes, commutator, etc. Consequently it is not recommended that this tool be used for continuous production work on any fiberglass material. During any use on fiberglass it is extremely important that the tool is cleaned frequently by blowing with an air jet.

**THIS PRODUCT**, or any electrical product, requires extreme care when service repairs are made. A dangerous electrical hazard can be created by tampering with the electrical or insulating systems or in the replacement or substitution of repair parts. Repairs should be made only by a qualified technician. If service is required we suggest you return the tool to your nearest Sears store for approved service with original factory replacement parts.

**DISASSEMBLY** of this tool can result in dangerous electrical hazard if any leads (wires) are pinched against surfaces or if grounding connection is not secure when tool is reassembled.

**GROUNDING**—This tool is equipped with an Underwriters' Laboratories approved 3 prong plug for your safety. If your outlet is a grounded 3-cavity type, your tool will be grounded automatically.



Since many receptacle boxes in present construction will not have 3-cavity receptacles, an adapter is packed with this tool. Make sure grounding lead is firmly

attached to a grounded receptacle box as shown above, before attempting to operate tool. Extension cords should also be 3-wire.

\* (Not used in Canada)

**EXTENSION CORDS**—The use of any Extension cord will cause some loss of power. To keep this to a minimum and to prevent overheating and motor burn-out, use the table below to determine the MINIMUM wire size (A.W.G.) Extension Cord.

Extension Cord Length	Wire Size A.W.G.
25-100 Feet	16

Extension cords suitable for use with your 3/8 Inch Electric Drill are available at your nearest Sears Catalog Order or Retail Store.

## operating

Insert drill bit into chuck and tighten securely using chuck key provided. **DO NOT USE A WRENCH TO TIGHTEN OR LOOSEN CHUCK.**

### TO OPERATE

Check for correct direction setting (forward or reverse) before starting Drill. While holding your Drill firmly with the drill bit clear of any foreign material, place bit against material to be drilled at point of required hole. Depress trigger switch to select desired speed action. The trigger switch controls "ON-OFF" operation of this Drill and has lock button with safety release for added utility. The lock button may be engaged when trigger is depressed. This trigger lock is convenient when drilling soft woods, or soft metals. **DO NOT LOCK THE TRIGGER ON HEAVY JOBS WHERE THE DRILL MAY NEED TO BE STOPPED QUICKLY.** The locking mechanism may be easily disengaged by applying additional inward pressure to the trigger. **ALWAYS RELEASE SWITCH STOPPING BORING ACTION WHEN NOT DRILLING.**

**GENERAL DRILLING**—Be sure material to be drilled is held firmly. Small work pieces should be securely clamped in a vise or with clamps to the work bench or table. Mark the point to be drilled clearly and move the drill bit into the work. **DO NOT FORCE.** Use only enough pressure to keep the bit drilling. Let the Drill and bit do the work.

**METAL DRILLING**—Metals such as sheet steel, pipe, steel rods, aluminum, brass and copper may also be drilled. Follow directions under GENERAL DRILLING. Variable speed feature allows starting holes without center punching with "LO" speed if desired. Using oil when drilling metals will keep bits cool, increase drilling action, and prolong drill bit life.

### LUBRICATION

All the bearings in this tool are lubricated with a sufficient amount of high grade lubricant for the life of the unit under normal operating conditions, therefore, no further lubrication is required.

### BRUSH REPLACEMENT

Periodically check the brushes for wear and replace both brushes when either is worn to about 1/4 inch in length. To check length of brushes they must be removed from tool (see instructions below). Replacement of these relatively inexpensive parts, when necessary, will keep your Drill operating more efficiently and prolong the life of the motor.

**IMPORTANT—BE SURE POWER CORD IS DISCONNECTED FROM POWER SUPPLY.** To replace carbon brushes, Key No. 30, (See parts list, page 3). Remove two handle fastening screws Key No. 35, and slide back handle to expose lower brush cap. The upper brush cap is readily accessible from the top of the drill. Unscrew brush cap, Key No. 31, and remove old brush and spring. Replace both brushes making sure when inserting that curvature of brush matches curvature of the surface of the motor to which it is mated. Make sure brushes move freely in holder.

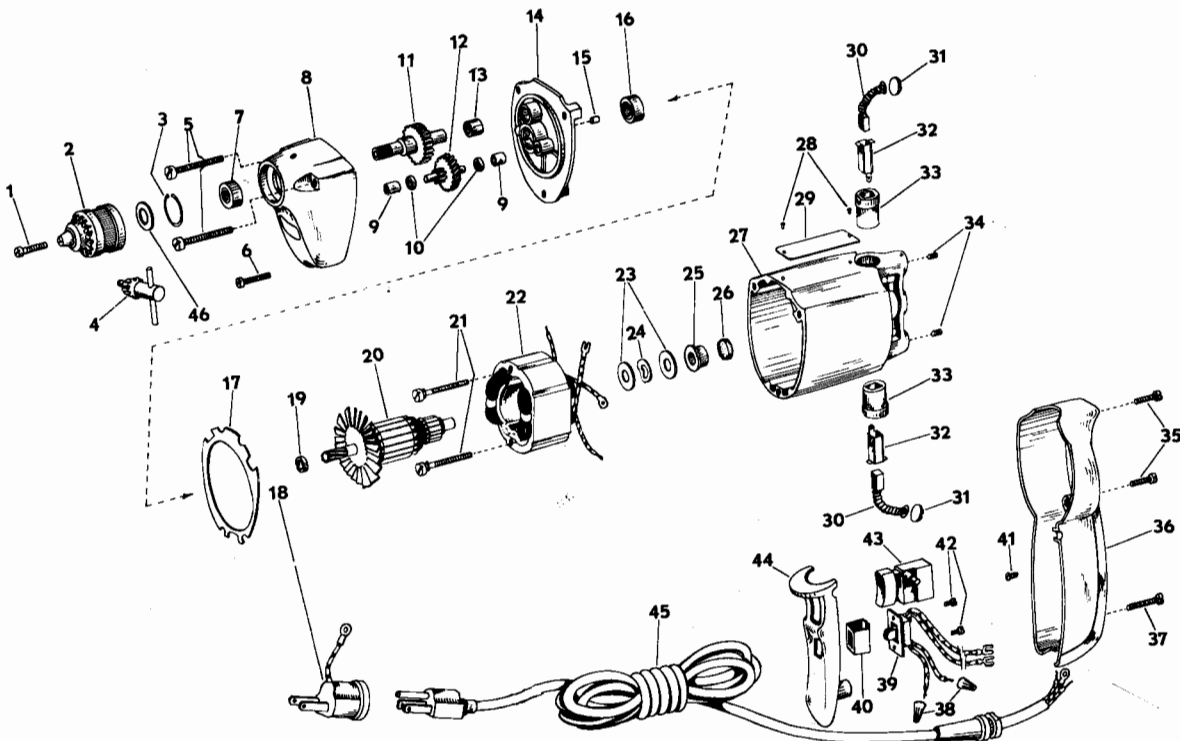
Replace handle making sure leads (wires) are not in position to be pinched between handle and motor housing.

### CHUCK REMOVAL

**IMPORTANT—BE SURE POWER CORD IS DISCONNECTED FROM POWER SUPPLY.** Insert a 1/8 inch diameter nail or pin into gear housing spindle lock hole. Rotate the chuck slowly to insure nail or pin engages hole in spindle shaft. Close the chuck jaws. Insert chuck key in chuck and tap sharply with a soft mallet in a clockwise direction. This tends to loosen chuck screw. Open chuck jaws wide and remove chuck screw by turning in a clockwise direction. This screw has left hand threads.

Again insert chuck key in chuck and tap sharply in a counter clockwise direction to loosen. Chuck can now be unscrewed by hand.

When replacing chuck make sure chuck spacer is in place on spindle against bearing and firmly secure chuck on spindle before tightening screw.



SEE BACK PAGE FOR PARTS ORDERING INSTRUCTIONS

PARTS LIST

Key No.	Part Number	Description	Quan.
1	1-616478-02	Screw (Special)	1
2	1-623261-00	Chuck (Cat. No. 9 2975)	1
3	1-829994-00	Retaining Ring	1
4	1-623262-00	Chuck Key (Cat. No. 9 2058)	1
5	1-623654-00	Screw (#8-32 x 1 7/8 Fil. Hd.)	2
6	1-703432-30	Screw (#8-32 x 7/8 Fil. Hd.)	1
7	1-885811-02	Ball Bearing (NICE 6946)	1
8	3-614338-05	Gear Housing (Includes 1 Key No. 9)	1
9	1-620413-00	Sleeve Bearing	2
10	1-931055-12	Washer	2
11	2-614663-01	Spindle Gear	1
12	3-623192-01	Intermediate Gear	1
13	1-620597-00	Sleeve Bearing	1
14	3-614337-03	Gear Housing Cover (Includes 1 Key No. 9 and Key No. 13)	1
15	1-623019-01	Bearing Plug	1
16	1-740943-01	Ball Bearing (Hoover 7038L1AC2)	1
17	2-615940-01	Baffle	1
18	1-706875-00	Adapter (Not Supplied With Canadian Tools)	1
19	1-706382-808	Armature Spacer	1
20	2-616602-01	Armature Complete	1
21	1-703432-948	Screw (#8-32 x 1 5/8 Fil. Hd.)	2
22	3-615968-01	Field Core Complete	1
23	1-703493-804	Washer	2
24	1-622347-05	Spring Washer	1
25	1-623313-01	Flange Bearing	1
26	1-703475-00	Felt Disc	1
27	4-614336-03	Motor Housing (Includes Key Nos. 25 and 26)	1
28	1-795247-06	Drive Screw	2
29	2-616332-01	Nameplate	1
30	2-615322-01	Brush w/Spring	2
31	1-614008-01	Brush Cap	2
32	2-623878-01	Brush Tube	2
33	2-623877-01	Brush Holder	2
34	*1-930687-05	Set Screw (#8-32 x 1/8 Hex Socket-Headless)	2
35	1-703432-27	Screw (#8-32 x 5/8 Fil. Hd.)	2
36	4-615533-712	Handle	1
37	1-703432-55	Screw (#8-32 x 1 Fil. Hd.)	1
38	1-623173-01	Wire Connector (For #16 and/or #18 Wire)	2
39	2-614446-03	Reversing Switch (Includes Key No. 40)	1
40	1-615519-01	Switch Pad	1
41	1-930993-01	Screw (#6-32 x 5/16 Pan Hd. T.C.)	1
42	1-930150-802	Screw (#6-20 x 1/4 Fil. Hd. T.F.)	2
43	2-615930-01	Switch	1
44	4-615532-02	Handle Cover	1
45	2-622897-03	Cord Complete	1
46	1-614927-02	Chuck Spacer	1
	EN-717	Instruction Sheet	1

\*Standard Hardware Item—May Be Purchased Locally

3/8 INCH ELECTRIC DRILL—MODEL NUMBER 315.11351

# Sears

# owners manual



REG. TRADEMARK

## 3/8 INCH ELECTRIC DRILL REVERSIBLE-VARIABLE SPEED WITH VARI-TRI-LOCK SWITCH

### MODEL NO. 315.11351

The Model Number will be found on the plate attached to the top of the motor housing. Always mention the Model Number when requesting service or repair parts for your Electric Drill.

### HOW TO ORDER REPAIR PARTS

All parts listed herein may be ordered through SEARS, ROEBUCK AND CO. and SIMPSONS-SEARS LIMITED. When ordering parts by mail, selling prices will be furnished on request. ~~Parts will be shipped at prevailing prices and you will be billed accordingly.~~

WHEN ORDERING REPAIR PARTS, ALWAYS GIVE THE FOLLOWING INFORMATION AS SHOWN IN THIS LIST.

1. The PART NUMBER
2. The PART DESCRIPTION
3. The MODEL NUMBER—315.11351
4. The NAME of ITEM—3/8 INCH ELECTRIC DRILL

### SEARS SERVICE IS AT YOUR SERVICE WHEREVER YOU LIVE OR MOVE IN THE U.S.A.

All fine tools, on occasion, may require service or the replacement of parts due to wear from normal use. To prolong the life of your tool when repairs are needed, call on your nearest Sears Catalog Order or Retail Store. Please do not risk possible electrical hazards, additional cost or damage to the tool through inexperienced repairs.

Your Sears merchandise takes on added value when you discover that Sears has over 2,000 Service Units throughout the country. Each is staffed by Sears—trained, professional technicians using Sears approved parts and methods.

### RULES FOR SAFE OPERATION



1. **KNOW YOUR POWER TOOL** — Read owner's manual carefully. Learn its applications and limitations as well as the specific potential hazards peculiar to this tool.
2. **GROUND ALL TOOLS — UNLESS DOUBLE-INSULATED.** If tool is equipped with three-prong plug, it should be plugged into a three-hole electrical receptacle. If adapter is used to accommodate two-prong receptacle, the adapter wire must be attached to a **known** ground. (Usually the screw securing receptacle cover plate). **Never** remove third prong.
3. **KEEP GUARDS IN PLACE** and in working order.
4. **KEEP WORK AREA CLEAN.** Cluttered areas and benches invite accidents.
5. **AVOID DANGEROUS ENVIRONMENT.** Don't use power tool in damp or wet locations. And keep work area well lit.
6. **KEEP CHILDREN AWAY.** All visitors should be kept safe distance from work area.
7. **STORE IDLE TOOLS.** When not in use, tools should be stored in dry, high or locked-up place—out of reach of children.
8. **DON'T FORCE TOOL.** It will do the job better and safer at the rate for which it was designed.
9. **USE RIGHT TOOL.** Don't force small tool or attachment to do the job of a heavy duty tool.
10. **WEAR PROPER APPAREL.** No loose clothing or jewelry to get caught in moving parts. Rubber gloves and footwear are recommended when working outdoors.
11. **USE SAFETY GLASSES** with most tools. Also face or dust mask if cutting operation is dusty.
12. **DON'T ABUSE CORD.** Never carry tool by cord or yank it to disconnect from receptacle. Keep cord from heat, oil and sharp edges.
13. **SECURE WORK.** Use clamps or a vise to hold work. It's safer than using your hand and it frees both hands to operate tool.
14. **DON'T OVERRREACH.** Keep proper footing and balance at all times.
15. **MAINTAIN TOOLS WITH CARE.** Keep tools sharp at all times, and clean for best and safest performance. Follow instructions for lubricating and changing accessories.
16. **DISCONNECT TOOLS.** When not in use, before servicing; when changing attachments, blades, bits, cutters, etc.
17. **REMOVE ADJUSTING KEYS AND WRENCHES.** Form habit of checking to see that keys and adjusting wrenches are removed from tool before turning it on.
18. **AVOID ACCIDENTAL STARTING.** Don't carry plugged-in tool with finger on switch.

COPYRIGHT, 1969, BY POWER TOOL INSTITUTE, INC. ALL RIGHTS RESERVED

SEARS, ROEBUCK AND CO.—Chicago, Illinois 60607 U.S.A. and SIMPSONS-SEARS LIMITED—Toronto