

BENCH GRINDERS

Wissota

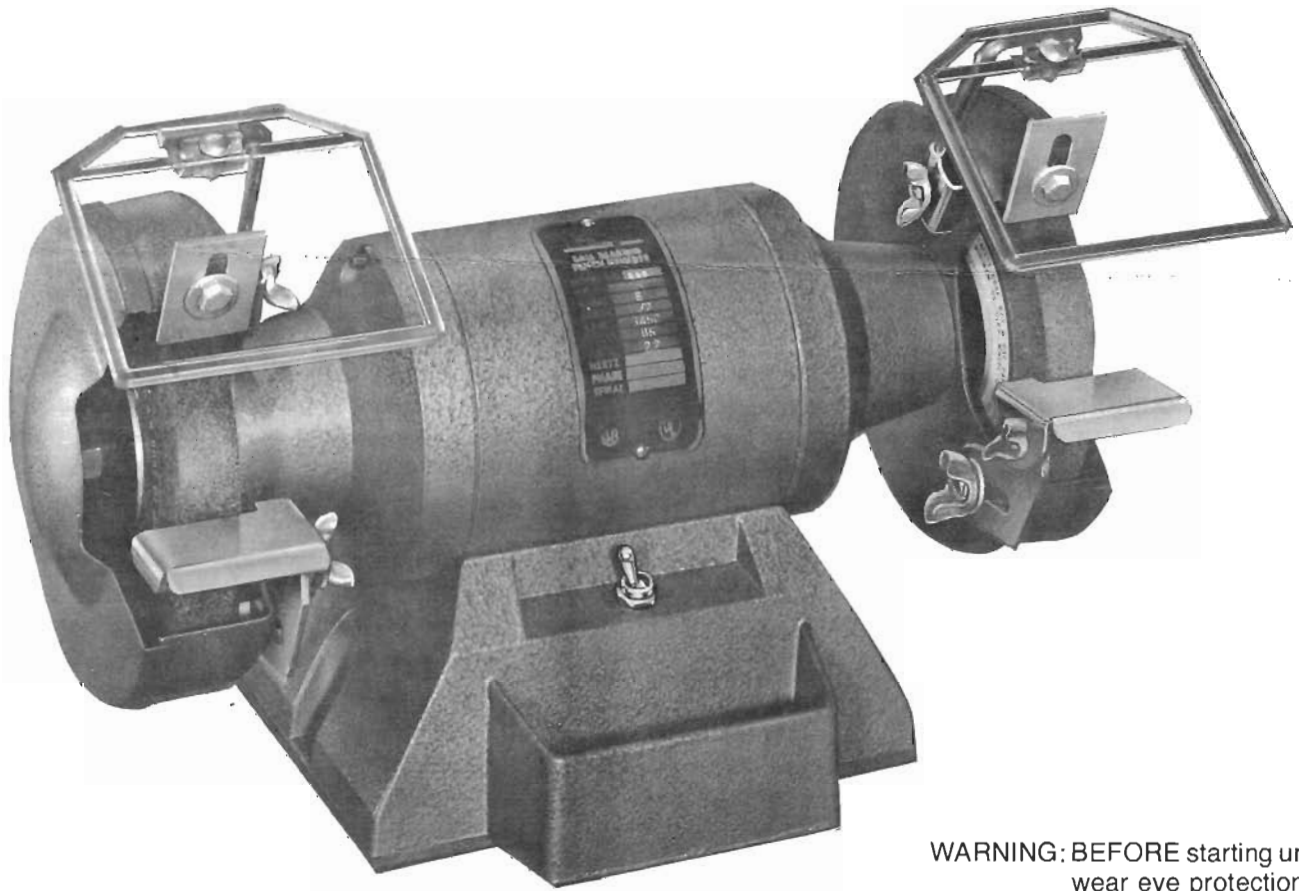
Better Tool Grinders

owner's
guide and
PARTS LIST

Models
E-66
E-6
Series

ARBOR
1/2 inch

RPM
3450



WARNING: BEFORE starting unit always wear eye protection.

WARNING: FOR YOUR OWN SAFETY READ AND UNDERSTAND ALL OPERATING RULES AND CAUTIONS BEFORE OPERATING MACHINE.

Wissota — *Better Tool Grinders*
MANUFACTURING CO.

2401 Nevada Avenue North
Minneapolis, Minnesota 55427

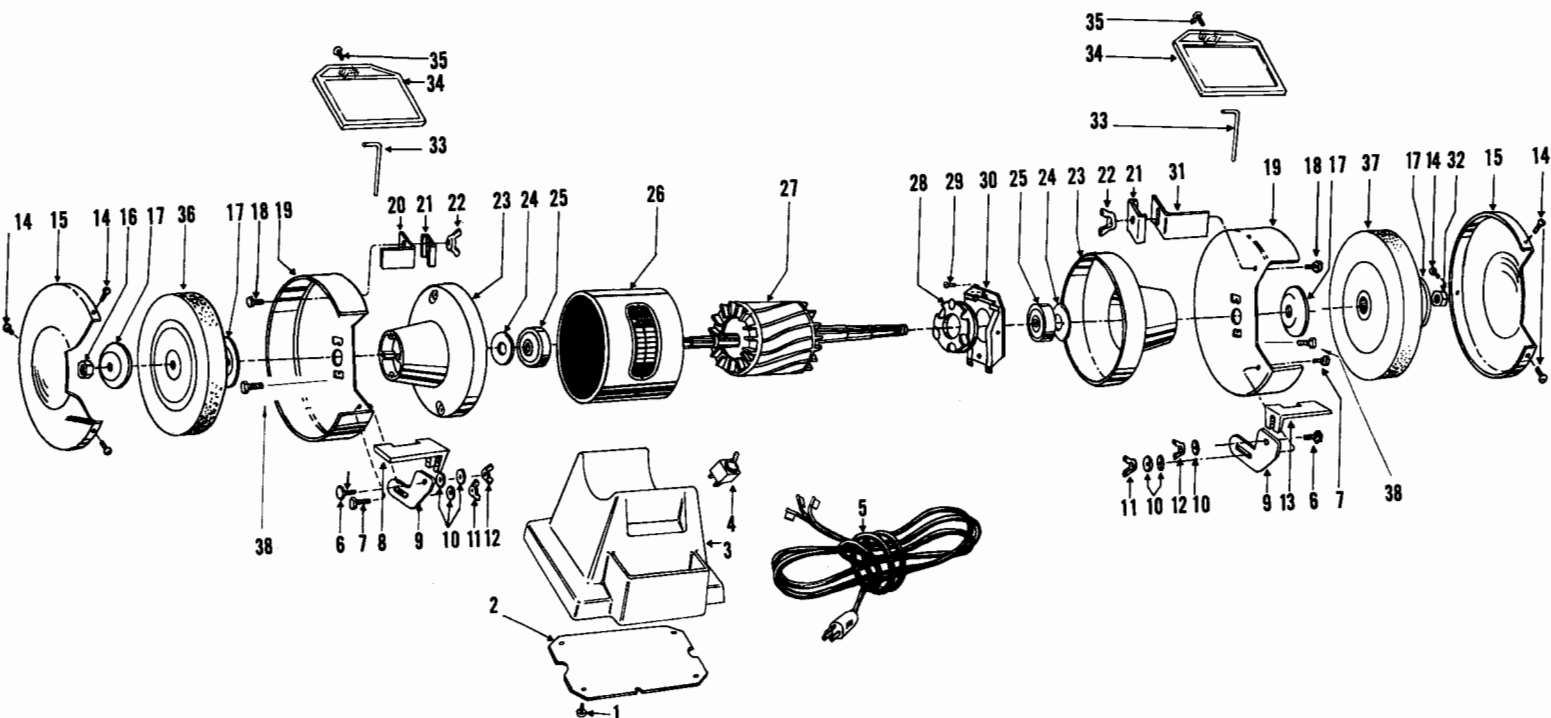
WARNING — SAFETY RULES

Your new Wissota grinder is designed to safety standards formulated and adopted by the United States Government and professional private testing agencies. Please read all operating rules and safety precautions before operating machine.

1. Inspect your new unit carefully for signs of shipping damage to wheels, guards, etc. Make sure all parts are tight.
2. To guard against concealed damage, stand clear and observe unit for the first two minutes of operation. Guards, end covers, eyeshields, tool rests, spark breakers and all furnished equipment must never be removed or altered and must be kept in proper adjustment.
3. Adjust distance between wheel and tool rest to maintain $\frac{1}{8}$ " or less separation as the diameter of the wheel decreases with use.
4. Distance between the wheel and spark breaker must be kept adjusted not to exceed $\frac{1}{4}$ ".
5. Do not make any adjustments with machine running.
6. WARNING: Grinding wheels can rupture if abused.
7. Use only grinding wheels suitable for 3600 RPM.
8. Do not grind on side of wheel.
9. Do not strike or pound on wheel.
10. Inspect wheels before every start up for cracks, scores, chips and replace immediately if necessary.
11. Do not overtighten wheel nuts.
12. Keep your face out of line and as far away from work opening as possible.
13. Use only flanges furnished with this grinder.
14. Keep eyeshield adjusted between your line of sight and work.
15. Never attempt to grind parts which require your hand to come in close proximity to the wheel. Hold parts with another suitable tool if necessary.
16. Wood, aluminum, brass, lead and other soft material will clog the pores of the grinding wheel which will stress motor and wheels during grinding. Keep wheels free of contamination.
17. Do not allow liquids to soak into wheel under freezing conditions as wheel will crack.
18. Always use guards and eyeshields.

POWER TOOL SAFETY RULES

1. KEEP GUARDS IN PLACE and in working order.
2. REMOVE ADJUSTING KEYS AND WRENCHES. Form habit of checking to see that keys and adjusting wrenches are removed from tool before turning it on.
3. KEEP WORK AREA CLEAN. Cluttered areas and benches invite accidents.
4. DON'T USE IN DANGEROUS ENVIRONMENT. Don't use power tools in damp or wet locations or expose them to rain. Keep work area well lighted.
5. KEEP CHILDREN AWAY. All visitors should be kept safe distance from work area.
6. MAKE WORKSHOP KID PROOF with padlocks, master switches or by removing starter keys.
7. DON'T FORCE TOOL. It will do the job better and safer at the rate for which it was designed.
8. USE RIGHT TOOL. Don't force tool or attachment to do a job for which it was not designed.
9. WEAR PROPER APPAREL. No loose clothing, neckties, rings, bracelets or other jewelry to get caught in moving parts. Nonslip footwear is recommended. Wear protective hair covering to contain long hair.
10. ALWAYS USE SAFETY GLASSES. Also use face or dust mask if cutting operation is dusty. Everyday glasses only have impact resistant lenses, they are NOT safety glasses.
11. SECURE WORK. Use clamps or a vise to hold work when practical. It's safer than using your hand and it frees both hands to operate tool.
12. DON'T OVERREACH. Keep proper footing and balance at all times.
13. MAINTAIN TOOLS WITH CARE. Keep tools sharp and clean for best and safest performance. Follow instructions for lubricating and changing accessories.
14. DISCONNECT TOOLS before servicing; when changing accessories such as blades, bits, cutters, etc.
15. REDUCE THE RISK OF UNINTENTIONAL STARTING. Make sure switch is in off position before plugging in.
16. USE RECOMMENDED ACCESSORIES. Consult the owner's manual for recommended accessories. The use of improper accessories may cause risk of injury to persons.
17. NEVER STAND ON TOOL. Serious injury could occur if the tool is tipped or if the cutting tool is unintentionally contacted.
18. CHECK DAMAGED PARTS. Before further use of the tool, a guard or other part that is damaged should be carefully checked to determine that it will operate properly and perform its intended function — check for alignment of moving parts, binding of moving parts, breakage of parts, mounting, and any other conditions that may affect its operation. A guard or other part that is damaged should be properly repaired or replaced.
19. DIRECTION OF FEED. Feed work into a blade or cutter against the direction of rotation of the blade or cutter only.
20. NEVER LEAVE TOOL RUNNING UNATTENDED, TURN POWER OFF.
21. USE PROPER ELECTRIC CONNECTIONS. See section titled "Grounding instructions" in this Owner's Guide.
22. MAKE SURE ELECTRIC CORD DOES NOT INTERFERE WITH WORK.
23. KEEP HANDS IN SIGHT AND CLEAR OF ALL MOVING PARTS.
24. KEEP CUTTING TOOLS SHARP, dull tools cause rough cuts and excessive slipping.
25. PLUG BENCH GRINDER INTO ELECTRICAL CIRCUIT PROTECTED BY A 15 AMP TIME DELAY FUSE.



PART REFERENCE	PART DESCRIPTION	PART NUMBER	PART REFERENCE	PART DESCRIPTION	PART NUMBER
1	Rubber Feet	6004	21	Eyeshield Clip	3008
2	Base Plate	3012	22	Wing Nut, 1/4"	4008
3	Base	2003	23	Endbell	2006
4	Toggle Switch	5003	24	Bearing Felt	1202
5	Cord	5007	25	Bearing	1203
6	Carriage Bolt 1/4-20 x 1/2"	4006	26	Stator 1/4 H.P. E66	5001
7	Cap Screw, 5/16-18 x 1/2"	4004	26	Stator 1/3 H.P. E6	5002
8	Left Hand Tool Rest	3004	27	Rotor 1/4 H.P. E66	5004
9	Tool Rest Arm	3003	27	Rotor 1/4 H.P. E6	5006
10	Washer, 1/4"	4007	28	Rotary Switch	5008
11	Wing Nut 5/16"	4011	29	Self Taping Screw, 6-32 x 5/16	4018
12	Wing Nut 1/4"	4008	30	Stationery Switch	5009
13	Right Hand Tool Rest	3005	31	Right Hand Spark Breaker	3021
14	Self Taping Screw	4027	32	Right Hand Hex Nut, 1/2-20	4003
15	Guard Cover	3018	33	Eyeshield Bracket	3007
16	Left Hand Nut, 1/2-20	4002	34	P-S Eyeshields	6001
17	Wheel Flange	3002	35	Carriage Bolt 3/16-24 x 5/8	4029
18	Carriage Bolt, 1/4-20 x 1	4028	36	Grinding Wheel, 6 x 3/4 x 1/2"	7006
19	Guard	3019	37	Grinding Wheel, 6 x 3/4 x 1/2"	7006
20	Left Hand Spark Breaker	3020	38	Cap Screw, 1/4-20 x 1/2"	4005

REPAIR PARTS PROCUREMENT

All repair parts listed available from WISSOTA MFG. CO.,
2401 Nevada Avenue North, Minneapolis, Minn. 55427

State Both Model and Serial Number Along With Part Number When Ordering

*Stock Hardware Items — Local Procurement

GROUNDING INSTRUCTIONS

In the event of a malfunction or breakdown, grounding provides a path of least resistance for electric current to reduce the risk of electric shock. This tool is equipped with an electric cord having an equipment-grounding conductor and a grounding plug. The plug must be plugged into a matching outlet that is properly installed and grounded in accordance with all local codes and ordinances.

Do not modify the plug provided — if it will not fit the outlet, have the proper outlet installed by a qualified electrician.

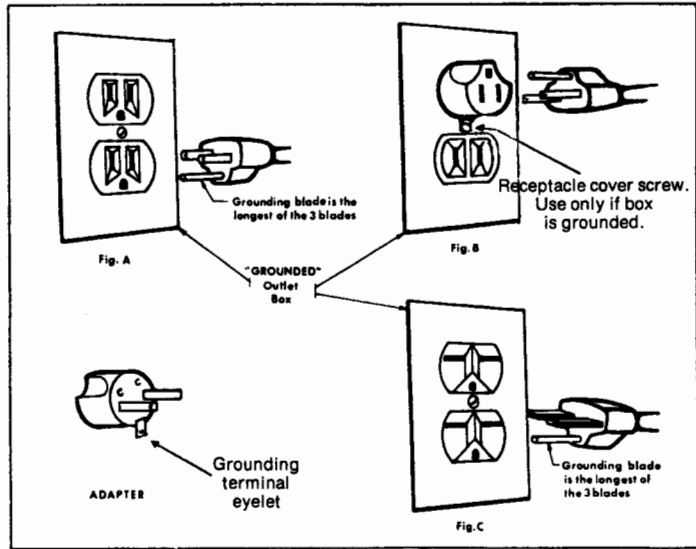
Improper connection of the equipment-grounding conductor can result in a risk of electric shock. The conductor with insulation having an outer surface that is green with or without yellow stripes is the equipment-grounding conductor. If repair or replacement of the electric cord or plug is necessary, do not connect the equipment-grounding conductor to a live terminal.

Check with a qualified electrician or serviceman if the grounding instructions are not completely understood, or if in doubt as to whether the tool is properly grounded.

Use only 3-wire extension cords that have 3-prong grounding plugs and 3-pole receptacles that accept the tool's plug.

Repair or replace damaged or worn cord immediately.

This tool is factory wired for 115V operation for use on a circuit that has an outlet that looks like the one illustrated in Sketch A in Figure 72.1. The tool has a grounding plug that looks like the plug illustrated in Sketch A in Figure 72.1. A temporary adapter, which looks like the adapter illustrated in Sketches B and C, may be used to connect this plug to a 2-pole receptacle as shown in Sketch B if a properly grounded outlet is not available. The temporary adapter should be used only until a properly grounded outlet can be installed by a qualified electrician. The green-colored rigid ear, lug, etc. extending from the adapter must be connected to a permanent ground such as a properly grounded outlet box.



DUAL VOLTAGE CONVERSION

On grinders having dual voltage capability, convert to 230V by following wiring instructions and warnings located inside base. For 230V operation, outlet box must look like Figure C. Cord plug must be replaced with plug as per Figure C.

PERMANENTLY CONNECTED TOOLS

This tool should be connected to a grounded, metal, permanent wiring system; or to a system having an equipment-grounding conductor.

MAINTENANCE

The basic grinder requires no periodic maintenance as it is equipped with sealed ball bearings.

VIBRATION/ noise vibrations are generated entirely by the condition of balance of the wheel. Grinding wheels require periodic truing up with a wheel dresser. When replacing wheels use only industrial grade balance wheels suitable for the RPM rating of the machine. NOTE: The rotary switch will "click" in and make a slight rubbing/squeaking sound when the grinder is slowing down which is normal.

WARRANTY REPAIR GUARANTEE:

Grinders are covered under warranty for one (1) year from date of purchase. Save your receipt. All warranty work is performed at Wissota Mfg. Co., 2401 Nevada Ave. No., Mpls., MN 55427 (612) 545-1448. Authorization to return goods must be received before shipping, by phone or by writing. Returns must be packed securely and returned to factory via prepaid parcel post or UPS. Return transportation cost paid by Wissota Mfg. Replacement of a completely new grinder will be made on a no charge basis. See notes on shipping damage below.

DO YOU KNOW THAT —

1. If these goods are damaged in transit the DELIVERING TRANSPORTATION COMPANY is required by law to make notation of damages on the freight bill.
2. If in your opinion there may be CONCEALED damage, they are obliged to make inspection AFTER goods are unpacked. Transportation rates are made in proportion to DAMAGE.
3. LIABILITY. Therefore, the CARRIER and not the Shipper should be charged with any loss or damage, and ANY CLAIM SHOULD BE FILED WITH THE DELIVERING TRANSPORTATION COMPANY.

**PLEASE DO NOT RETURN GOODS TO US
WITHOUT OUR SHIPPING INSTRUCTIONS**