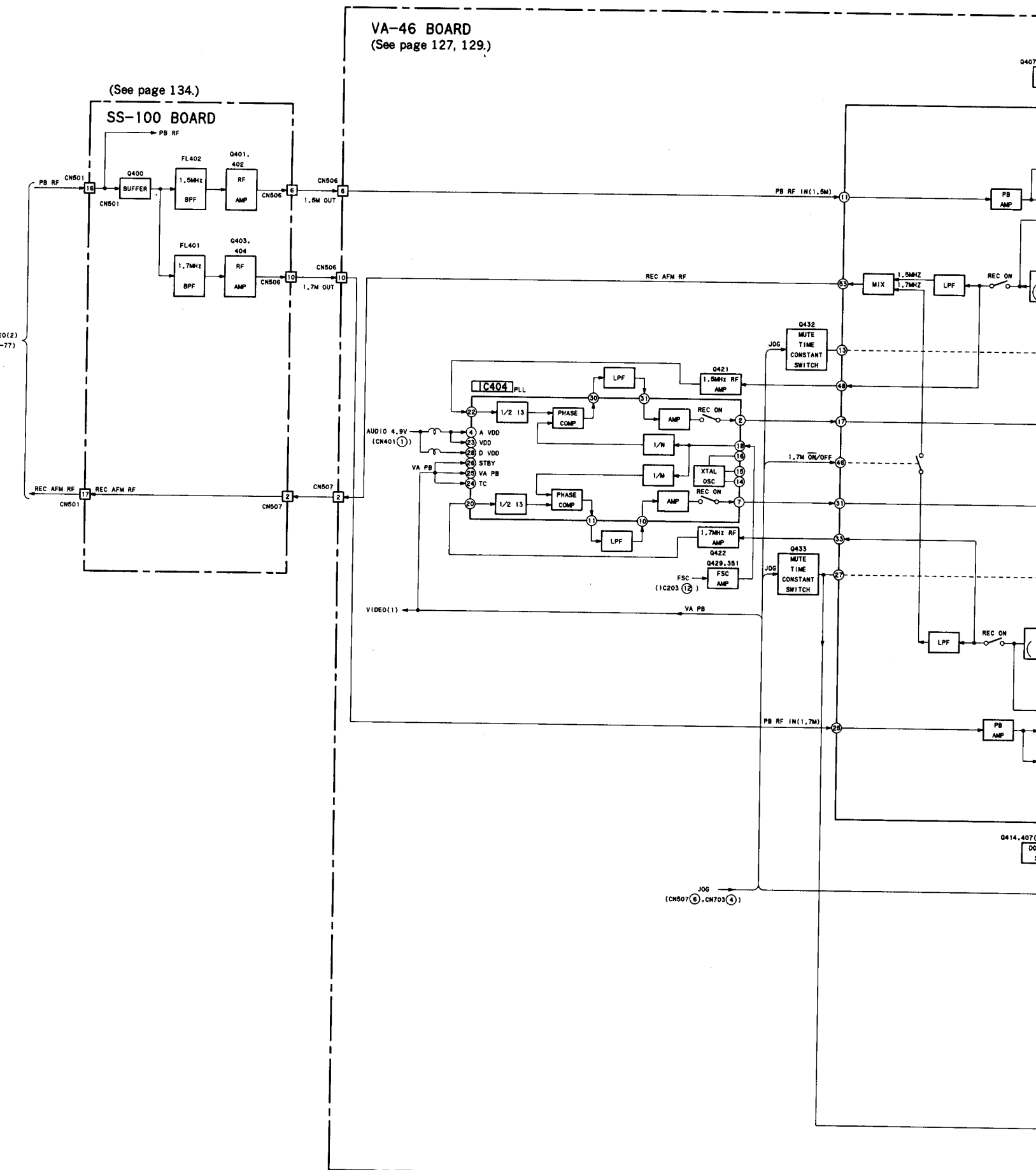
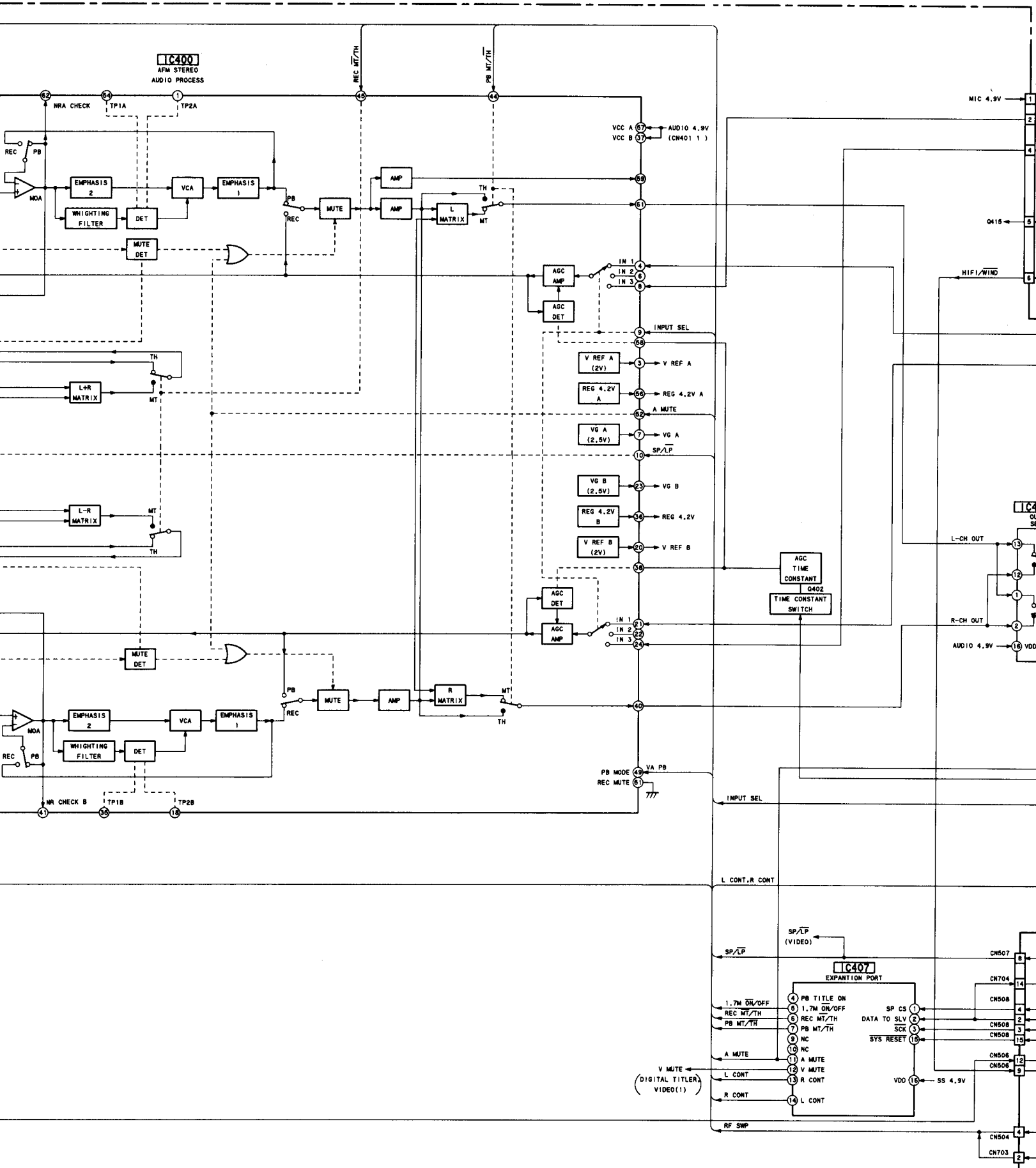


13. AUDIO BLOCK DIAGRAM



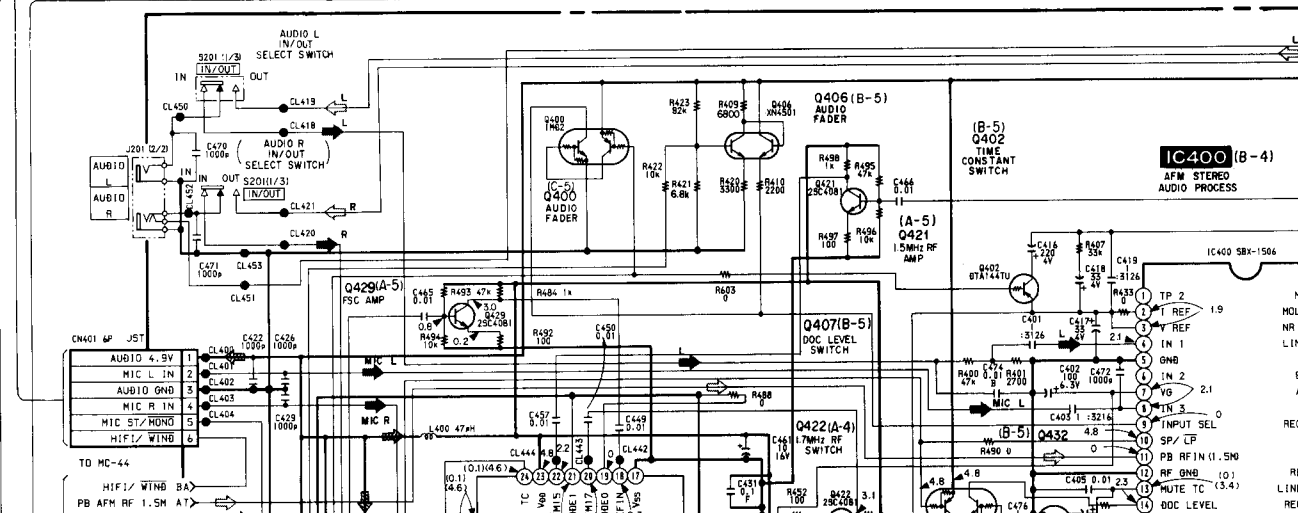
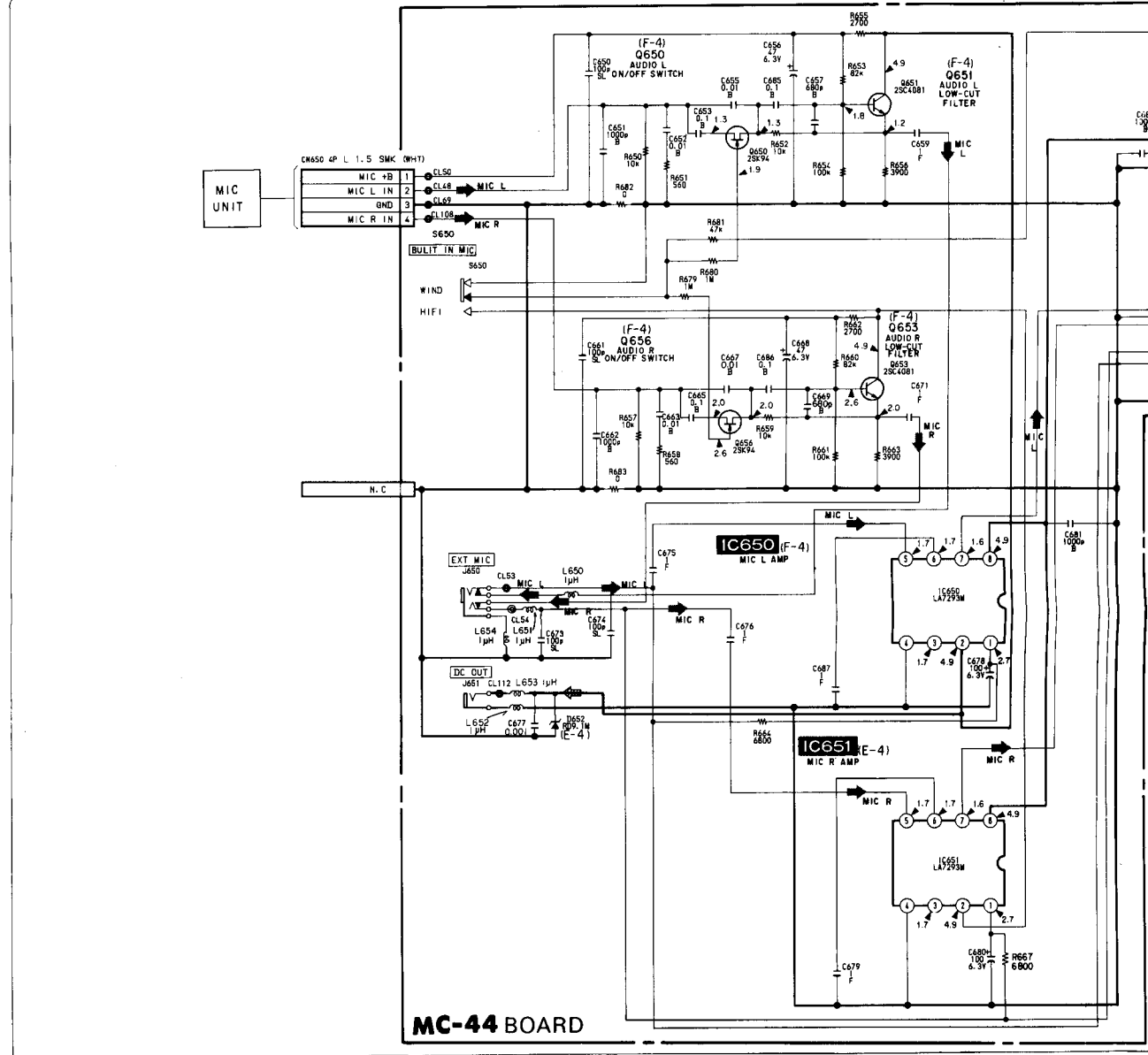


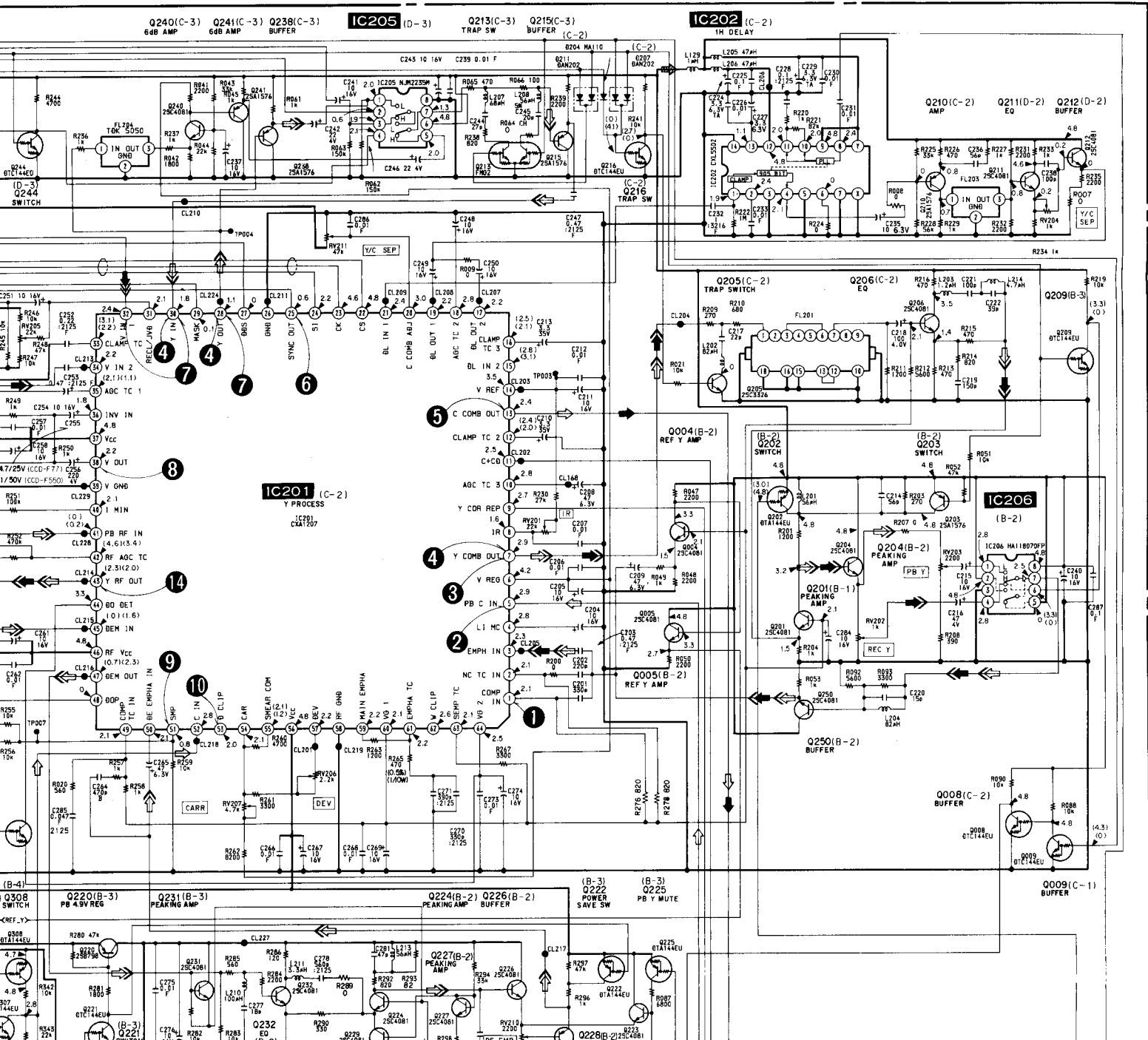
MC-44 (MIC), SW-121 (SWITCH, JACK), VA-46 (VIDEO/AUDIO) SCHEMATIC DIAGRAM

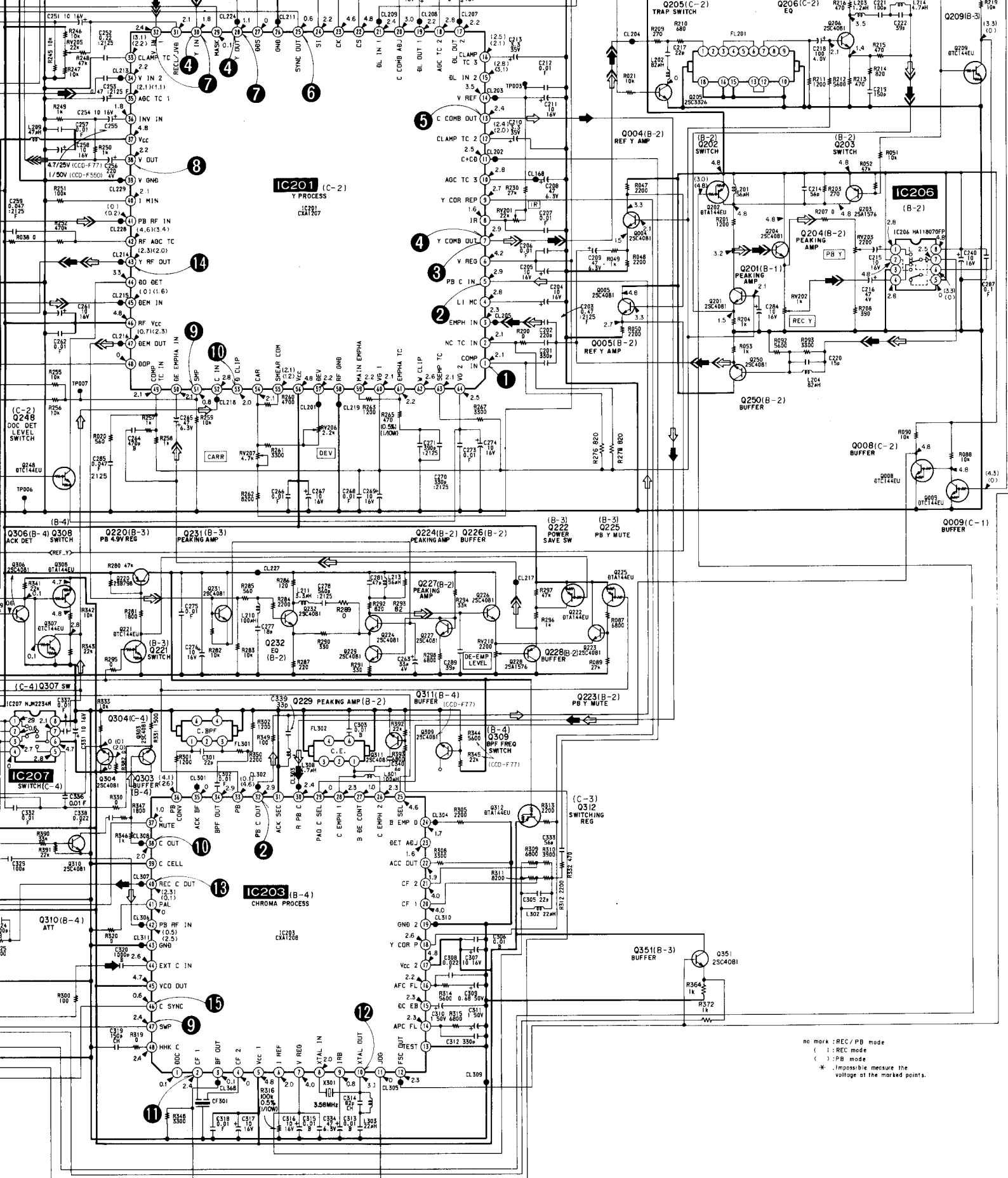
—Ref. No. MC-44 BOARD: 2000 series, SW-121, VA-46 BOARDS: 3000 series—

1 2 3 4 5 6 7 8

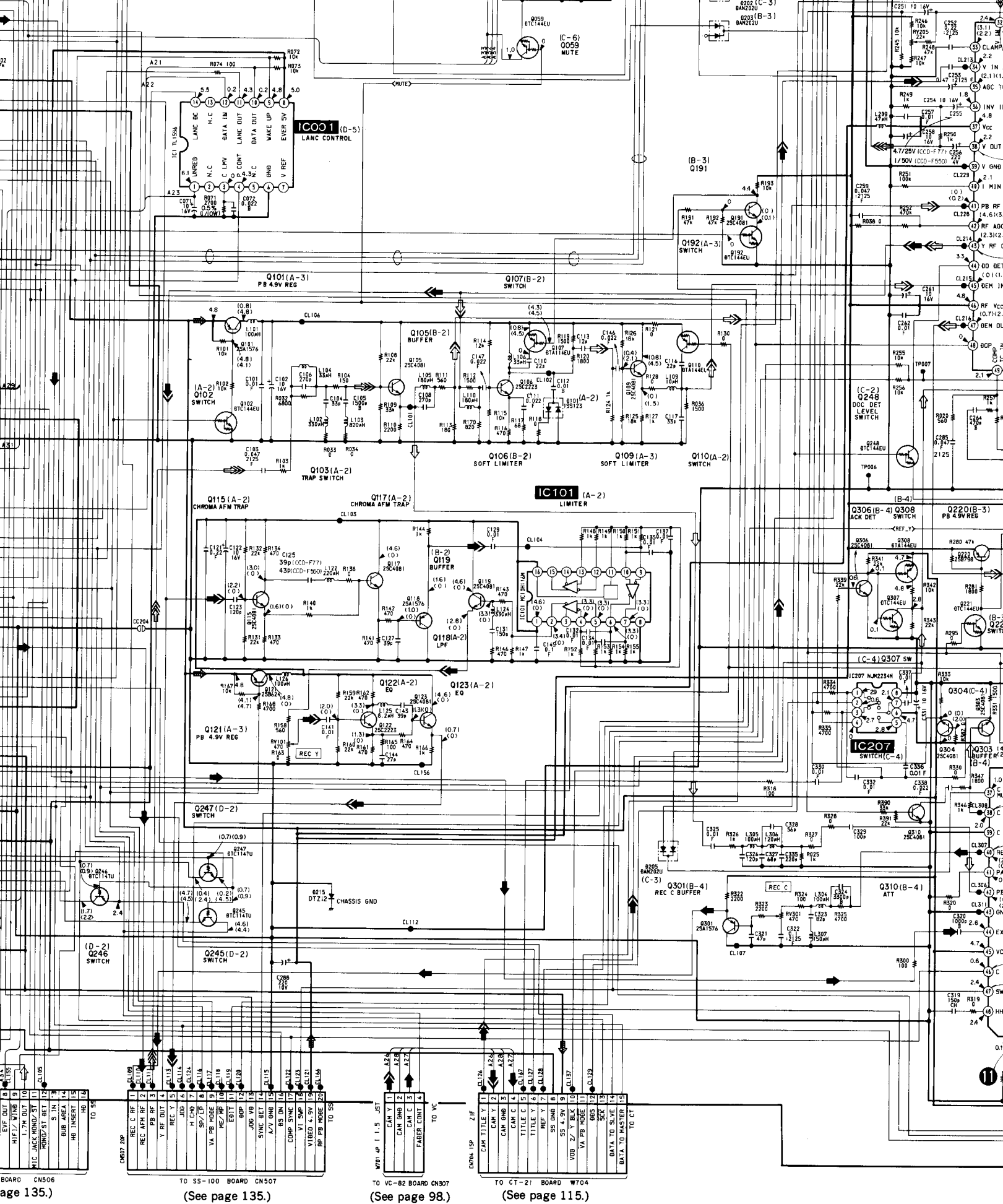
A
B
C
D
E
F
G
H
I
J







VA-46 BOARD (1/2) VIDEO BLOCK



BOARD CN506 TO SS-100 BOARD CN507 TO VC-82 BOARD CN307 TO CT-21 BOARD W704

(See page 135.) (See page 98.) (See page 115.)

