

CCD-TR86/TR96/TR506/TR506PK/TR507/TR916(NTSC) CCD-TR501E/TR502E/TR503E/TR506E/TR620E/TR720E/TR740E(PAL) RMT-713

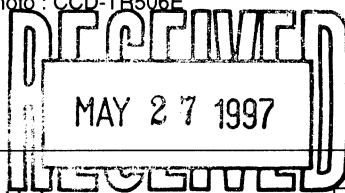
SERVICE MANUAL

video 8
Handycam

B MECHANISM



Photo: CCD-TR506E



US Model
 CCD-TR86/TR96/TR916(NTSC)

Canadian Model
 CCD-TR86/TR96(NTSC)

AEP Model

UK Model

CCD-TR501E/TR502E/TR620E(PAL)

E Model

CCD-TR506/TR507(NTSC)

CCD-TR501E/TR502E/TR503E/
 TR506E/TR720E/TR740E(PAL)

Australian Model

CCD-TR501E/TR503E(PAL)

Hong Kong Model

CCD-TR503E/TR720E(PAL)

Tourist Model

CCD-TR501E(PAL)

- CCD-TR506PK is model that carrying bag are added in CCD-TR506.
- CCD-TR506PK is different from CCD-TR506 only in the accessory and packing materials.

For MECHANISM ADJUSTMENT, refer to the "8mm Video MECHANICAL ADJUSTMENT MANUAL VII" (9-973-801-11).

SPECIFICATIONS

Video camera recorder

System

Video recording system

Two rotary heads, Helical scanning, FM system

Audio recording system

Rotary heads, FM system

Usable cassette

8 mm video format cassette (standard 8 mm)

Recording/Playback time

SP mode: 1 hour and 30 minutes

LP mode: 3 hours

Fastforward/rewind time

Approx. 5 min.

Image device

CCD (Charge Coupled Device)

Colour temperature

Auto

Recommended illumination

More than 100 lux

Input and Output connectors

Video output

Phono jack, 1 Vp-p, 75 ohm, unbalanced

RFU DC OUT

Special minijack, DC 5 V

LANC control jack

Stereo mini-minijack (ø 2.5 mm)

MIC jack

Minijack, 0.388 mV, low impedance with 2.5 to 3 V DC output, impedance 6.8 kilohm (ø 3.5 mm)

General

Power requirements

7.5 V (AC power adaptor)

Operating temperature

0°C to 40°C (32°F to 104°F)

Storage temperature

-20°C to +60°C (-4°F to +140°F)

Dimensions (Approx.)

111 x 105 x 200 mm (4 3/8 x 4 1/8 x 7 7/8 inches) (w/h/d)

Microphone

Electret condenser microphone, monaural type

AC power adaptor

Power requirements

110 - 240 V AC, 50/60Hz

Power consumption

AC-V16/V17: 20 W

AC-V16A/V17A: 22 W

Output voltage

DC OUT in operation mode 7.5 V, 1.8 A

Battery charge terminal

10 V, 1.1 A in charge mode

Operating temperature

0°C to 40°C (32°F to 104°F)

Storage temperature

-20°C to +60°C (-4°F to +140°F)

Dimensions (Approx.)

166 x 43 x 75 mm (6 5/8 x 1 11/16 x 3 inches) (w/h/d)

including projecting parts and controls

Mass (Approx.)

AC-V16: 420 g (15 oz)

AC-V16A: 450 g (16 oz)

AC-V17: 460 g (16 oz)

AC-V17A: 490 g (17 oz)

Design and specifications are subject to change without notice.

— Continued on next page —

8 VIDEO CAMERA RECORDER



SONY®

**CCD-TR86/TR96/TR506/TR506PK/TR507/TR916(NTSC)
CCD-TR501E/TR502E/TR503E/TR506E/TR620E/TR720E/TR740E(PAL)**

**SECTION 5
REPAIR PARTS LIST**

5-1. EXPLODED VIEWS

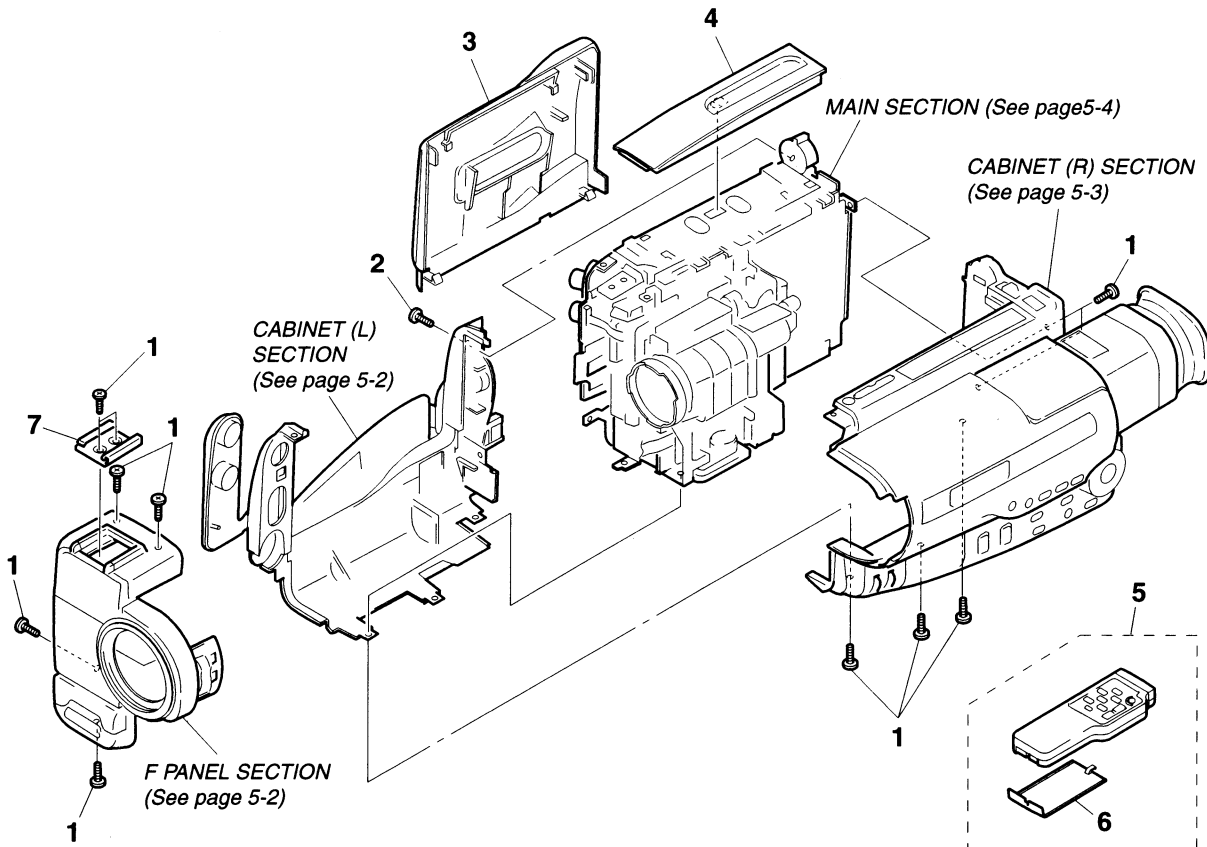
NOTE:

- -XX, -X mean standardized parts, so they may have some differences from the original one.
- Items marked "*" are not stocked since they are seldom required for routine service. Some delay should be anticipated when ordering these items.
- The mechanical parts with no reference number in the exploded views are not supplied.

The components identified by mark Δ or dotted line with mark Δ are critical for safety. Replace only with part number specified.

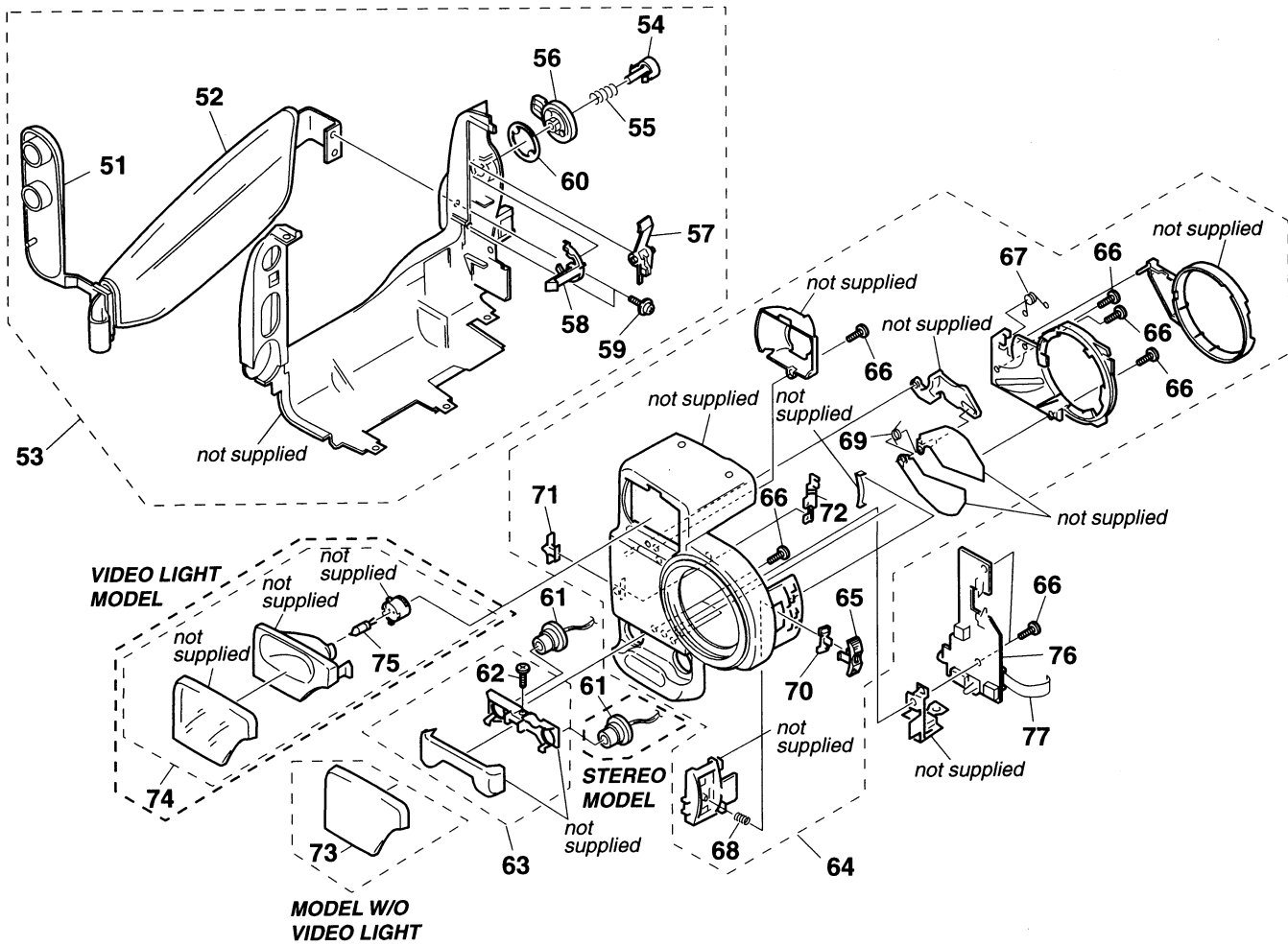
Les composants identifiés par une marque Δ sont critiques pour la sécurité. Ne les remplacer que par une pièce portant le numéro spécifié.

5-1-1. OVERALL SECTION



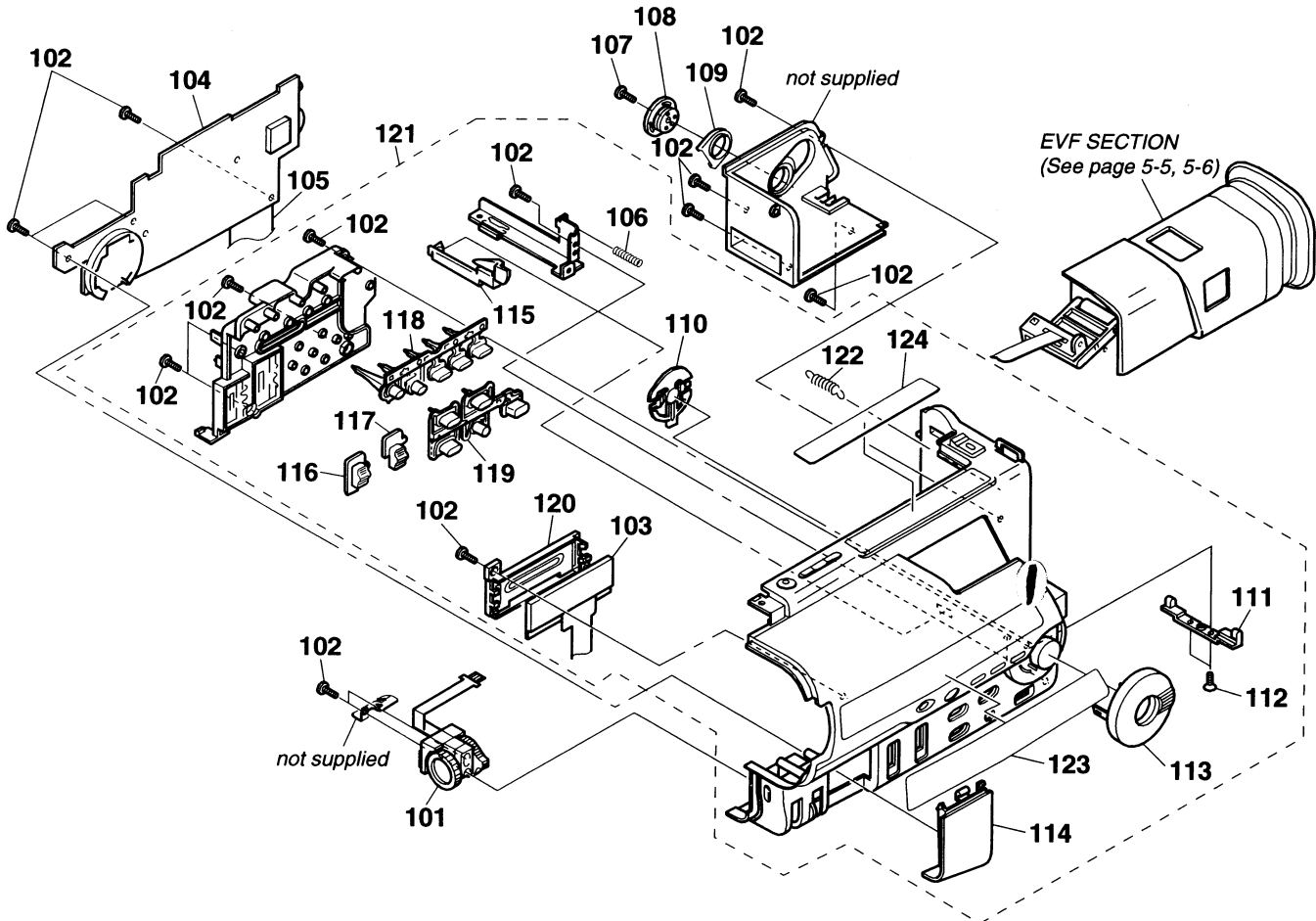
<u>Ref. No.</u>	<u>Part No.</u>	<u>Description</u>	<u>Remarks</u>	<u>Ref. No.</u>	<u>Part No.</u>	<u>Description</u>	<u>Remarks</u>
1	3-962-826-01	SCREW (2X4)		4	3-975-365-01	LID, LS (EXCEPT TR916/TR501E)	
2	3-713-786-21	SCREW (M2X3)		4	3-975-365-11	LID, LS (TR916/TR501E)	
3	X-3945-446-4	LID ASSY, CASSETTE (TR916/TR501E)		5	1-473-342-11	REMOTE COMMANDER (RMT-713)	
3	X-3947-229-1	LID ASSY (G), CASSETTE (EXCEPT TR916/TR501E)		6	3-958-131-01	COVER, BATTERY REMOCON	
				7	3-975-363-01	SHOE, ACCESSORY	

5-1-2. CABINET (L), F PANEL SECTION



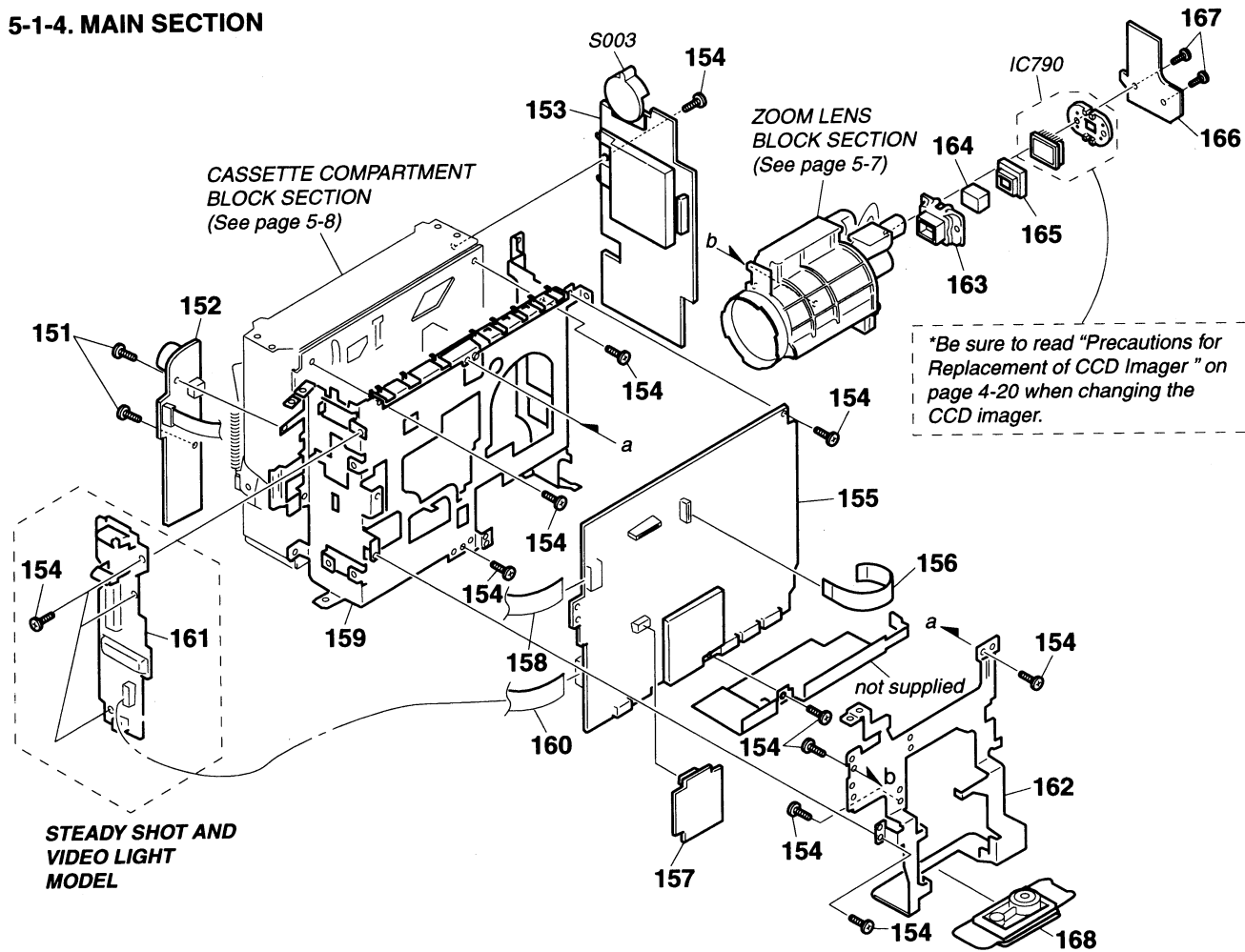
Ref. No.	Part No.	Description	Remarks	Ref. No.	Part No.	Description	Remarks
51	3-965-888-01	COVER, JACK		64	X-3947-344-1	PANEL ASSY (LC), FRONT (TR506/TR506E/TR720E)	
51	3-965-888-21	COVER, JACK (EXCEPT TR916/TR501E)		64	X-3947-347-1	PANEL ASSY (SVL), FRONT (TR507/TR740E)	
52	3-969-339-01	BELT, GRIP		64	X-3947-405-1	PANEL ASSY (BG), FRONT (TR916)	
53	X-3947-072-1	CABINET (L) ASSY (TR916/TR501E:E)		65	3-974-899-01	KNOB, POWER	
53	X-3947-256-1	CABINET (L) ASSY (TR506/TR507/TR506E/TR720E/TR740E)		66	3-719-601-01	SCREW (B2X5), TAPPING	
53	X-3947-340-1	CABINET (L) ASSY (G) (TR86/TR96/TR502E/TR503E/TR620E)		66	3-961-823-01	SPRING, L COVER	
53	X-3947-418-1	CABINET (L) ASSY (I) (R501E:AEP)		67	3-965-034-01	SPRING, COMPRESSION	
54	3-965-844-01	BUTTON, S/S		69	3-976-801-01	SPRING, SWITCHING	
55	3-965-830-01	SPRING, COMPRESSION		70	3-974-215-01	BUTTON, P LOCK	
56	3-942-985-01	KNOB, STAND-BY		71	3-974-222-01	VIDEO (LIGHT SW)(TR86/TR96/TR916)	
57	3-965-870-01	PLATE, S/S JOINT		72	3-974-223-01	SLIDER, VIDEO (LIGHT) (TR86/TR96/TR916)	
58	3-965-869-01	HOLDER, KNOB		73	3-974-901-01	PLATE, F ORNAMENTAL	
59	3-730-107-01	SCREW (M2X2.2)		74	1-517-530-21	LIGHT, VIDEO (TR86/TR96/TR916)	
60	3-736-364-01	SPRING		75	1-517-531-11	LAMP	
61	1-542-315-11	MICROPHONE		76	A-7073-073-A	MA-295 BOARD, COMPLETE (TR501E/TR502E/TR503E/TR620E)	
62	3-713-791-51	SCREW (M1.7X3.5), TAPPING, P2		76	A-7073-079-A	MA-295 BOARD, COMPLETE (TR86/TR96/TR916)	
63	X-3946-321-1	GRILLE ASSY, MICROPHONE		76	A-7073-126-A	MA-295 BOARD, COMPLETE (TR506/TR506E/TR720E)	
64	X-3946-890-1	PANEL ASSY, FRONT (TR501E)		76	A-7073-140-A	MA-295 BOARD, COMPLETE (TR507/TR740E)	
64	X-3947-261-1	PANEL ASSY (VL), FRONT (TR86/TR96)		77	1-782-154-11	CABLE, FLEXIBLE FLAT 12P	
64	X-3947-317-1	PANEL ASSY (G), FRONT (TR502E/TR503E/TR620E)					

5-1-3. CABINET (R) SECTION



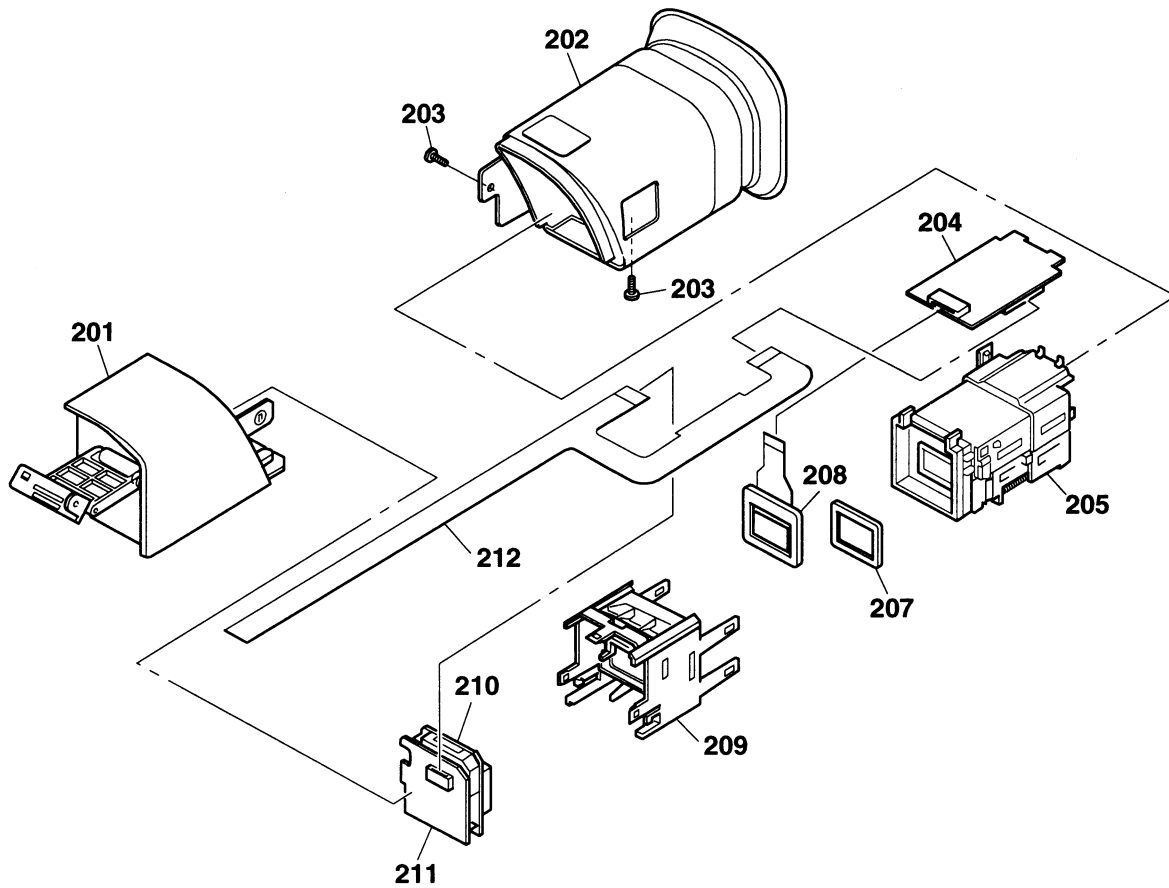
Ref. No.	Part No.	Description	Remarks	Ref. No.	Part No.	Description	Remarks
101	1-475-068-11	SWITCH BLOCK, CONTROL(MF-7800)		118	3-974-202-01	BUTTON (1), CF (TR501E/TR503E)	
102	3-719-601-01	SCREW (B2X5), TAPPING		118	3-974-202-11	BUTTON (1), CF (EXCEPT TR501E/TR503E)	
103	1-801-697-21	DISPLAY PANEL, LIQUID CRYSTAL		119	3-974-203-01	BUTTON (2), CF	
104	A-7093-256-A	CF-44 BOARD, COMPLETE (TR503E)				(TR506/TR501E/TR502E/TR503E/TR506E)	
104	A-7093-254-A	CF-44 BOARD, COMPLETE (TR501E)		119	3-974-203-11	BUTTON (2), CF	
104	A-7093-260-A	CF-44 BOARD, COMPLETE (TR96/TR916)				(TR86/TR96/TR507/TR916/TR620E/TR720E/TR740E)	
104	A-7093-258-A	CF-44 BOARD, COMPLETE		* 120	3-944-328-01	COVER, LIQUID CRYSTAL (TR916)	
		(TR506/TR507/TR506E)		121	X-3946-889-1	CABINET (R) ASSY (TR501E)	
104	A-7093-257-A	CF-44 BOARD, COMPLETE (TR86)		121	X-3947-260-1	CABINET (R) ASSY (MM) (TR620E/TR720E)	
104	A-7093-261-A	CF-44 BOARD, COMPLETE (TR720E/TR740E)		121	X-3947-262-1	CABINET (R) ASSY (GS) (TR96/TR740E)	
104	A-7093-259-A	CF-44 BOARD, COMPLETE (TR620E)		121	X-3947-316-1	CABINET (R) ASSY (G) (TR503E)	
104	A-7093-255-A	CF-44 BOARD, COMPLETE (TR502E)		121	X-3947-345-1	CABINET (R) ASSY (LC)	
105	1-782-153-11	CABLE, FLEXIBLE FLAT 45P				(TR506/TR502E/TR506E)	
106	3-965-846-01	SPRING, COMPRESSION		121	X-3947-371-1	CABINET (R) ASSY (W1) (TR86/TR507)	
107	3-713-790-31	SCREW (M2X8), TAPPING, P3		121	X-3947-435-1	CABINET (R) ASSY (BG) (TR916)	
108	3-974-325-01	FLANGE, ROTARY		122	3-976-957-01	SPRING, TENSION	
109	3-974-326-01	FLANGE, SLIDER		123	3-974-216-01	WINDOW, LCD (TR501E)	
110	3-974-220-01	HOLDER, AE		123	3-974-216-11	WINDOW, LCD (TR96)	
111	3-965-854-01	CLAW, BT LOCK		123	3-974-216-21	WINDOW, LCD (TR503E)	
112	3-966-178-01	SCREW (1.7)		123	3-974-216-31	WINDOW, LCD (TR506E)	
113	3-974-219-01	DIAL, AE		123	3-974-216-41	WINDOW, LCD (TR740E)	
114	3-974-221-01	LID, LITHIUM (TR96/TR501E/TR740E)		123	3-974-216-51	WINDOW, LCD (TR86)	
114	3-974-221-11	LID, LITHIUM		123	3-974-216-61	WINDOW, LCD (TR620E)	
		(TR86/TR506/TR507/TR916/TR502E/ TR503E/TR506E/TR620E/TR720E)		123	3-974-216-81	WINDOW, LCD (TR502E)	
115	3-965-879-01	SLIDER, BT		123	3-976-623-01	WINDOW, LCD (TR506)	
116	3-974-205-01	KNOB, 2P		123	3-976-623-11	WINDOW, LCD (TR507)	
		(TR96/TR916/TR620E/TR720E/TR740)		123	3-976-623-21	WINDOW, LCD (TR720E)	
117	3-974-204-01	KNOB, 3P		123	3-976-623-31	WINDOW, LCD (TR916)	
				124	3-975-376-01	SHEET, LETTER	

5-1-4. MAIN SECTION



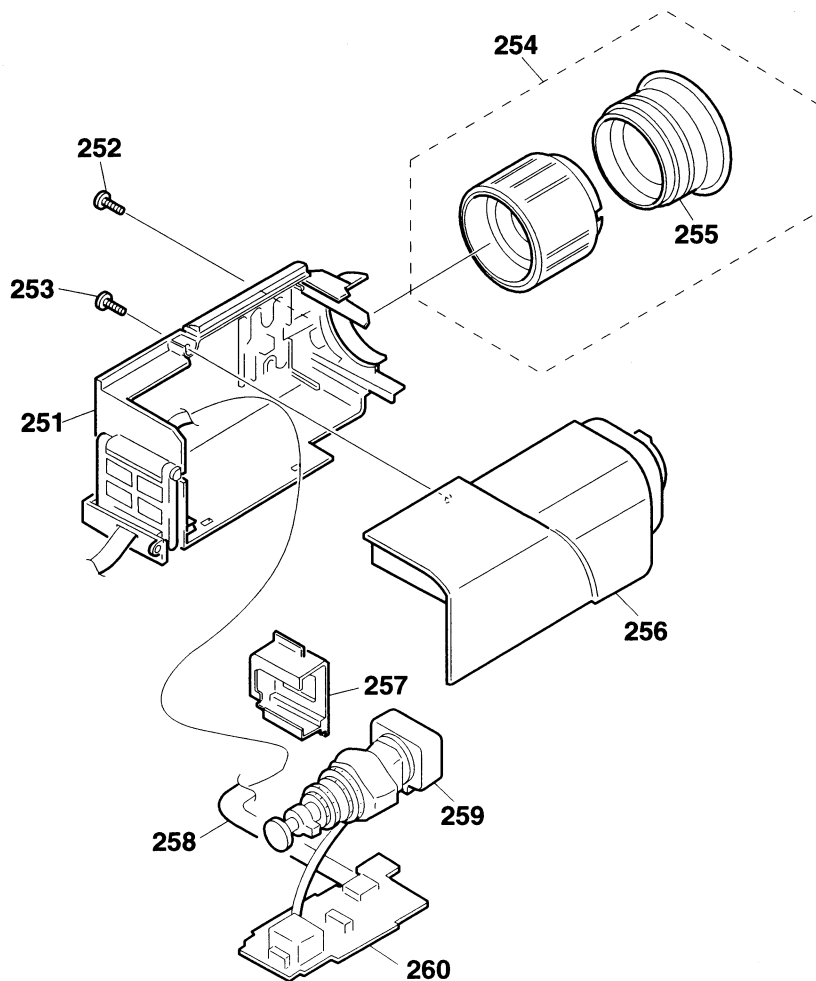
Ref. No.	Part No.	Description	Remarks	Ref. No.	Part No.	Description	Remarks
151	3-968-729-01	SCREW (M2), LOCK ACE, P2		161	A-7073-087-A	SE-60 BOARD, COMPLETE (TR96/TR916)	
152	A-7073-071-A	JK-153 BOARD, COMPLETE (TR501E:TR503E)		161	A-7073-129-A	SE-60 BOARD, COMPLETE (TR86)	
152	A-7073-076-A	JK-153 BOARD, COMPLETE (TR501E:AEP/TR502E/TR620E)		161	A-7073-145-A	SE-60 BOARD, COMPLETE (TR620E/TR720E/TR740E)	
152	A-7073-082-A	JK-153 BOARD, COMPLETE (TR86/TR96/TR916)		* 162	3-975-366-11	FRAME, LENS	
152	A-7073-125-A	JK-153 BOARD, COMPLETE (TR506/TR507/TR506E/TR720E/TR740E)		163	3-963-467-11	ADAPTOR (FH), CCD FITTING	
153	A-7093-251-A	DD-94 BOARD, COMPLETE (TR501E/TR502E/TR503E/TR506E/TR620E/TR720E/TR740E)		164	1-547-787-41	FILTER BLOCK, OPTICAL (TR96/TR916/TR620E/TR720E/TR740E)	
153	A-7093-252-A	DD-94 BOARD, COMPLETE (TR86/TR96/TR916)		164	1-547-924-41	FILTER BLOCK, OPTICAL (TR86/TR506/TR507/TR501E/TR502E/TR503E/TR506E)	
153	A-7093-253-A	DD-94 BOARD, COMPLETE (TR506/TR507)		165	3-961-192-01	RUBBER (FH), SEAL	
154	3-713-786-21	SCREW (M2X3)		165	3-968-054-11	RUBBER (FM), SHIELD (TR86/TR506/TR507/TR501E/TR502E/TR503E/TR506E)	
155	A-7093-241-A	VC-188 BOARD, COMPLETE (TR501E/TR503E)		166	A-7073-072-A	CD-163 BOARD, COMPLETE	
155	A-7093-249-A	VC-188 BOARD, COMPLETE (TR96/TR916)		167	3-318-203-11	SCREW (B1.7X6), TAPPING	
155	A-7093-243-A	VC-188 BOARD, COMPLETE (TR86)		168	3-965-871-01	SCREW, TRIPOD	
155	A-7093-250-A	VC-188 BOARD, COMPLETE (TR740E)		IC790	A-7030-638-A	CCD BLOCK ASSY(MN37240FP) (TR96/TR916)	
155	A-7093-245-A	VC-188 BOARD, COMPLETE (TR506E)		IC790	A-7030-779-A	CCD BLOCK ASSY(ICX207AK-13) (TR501E/TR503E)	
155	A-7093-247-A	VC-188 BOARD, COMPLETE (TR620E)		IC790	A-7030-782-A	CCD BLOCK ASSY(ICX211AK-43) (TR620E/TR720E/TR740E)	
155	A-7093-246-A	VC-188 BOARD, COMPLETE (TR507)		IC790	A-7030-785-A	CCD BLOCK ASSY(ICX206AK-43) (TR506/TR507)	
155	A-7093-244-A	VC-188 BOARD, COMPLETE (TR506)		IC790	A-7030-788-A	CCD BLOCK ASSY(ICX207AK-43) (TR502E/TR506E)	
155	A-7093-242-A	VC-188 BOARD, COMPLETE (TR502E)		IC790	A-7030-794-A	CCD BLOCK ASSY(MN37113FP) (TR86)	
155	A-7093-290-A	VC-188 BOARD, COMPLETE (TR720E)		S003	1-762-441-21	SWITCH, ROTARY (ZOOM SW)	
156	1-782-155-11	CABLE, FLEXIBLE FLAT 16P					
157	A-7073-091-A	IR-28 BOARD, COMPLETE (TR86/TR96/TR507/TR916)					
157	A-7073-142-A	IR-28 BOARD, COMPLETE (TR740E)					
158	1-665-151-11	FP-550 FLEXIBLE BOARD					
* 159	3-975-367-01	FRAME, MD					
160	1-665-150-11	FP-549 FLEXIBLE BOARD (TR86/TR96/TR916/TR620E/TR720E/TR740E)					

5-1-5. EVF SECTION (COLOR EVF MODEL)



Ref. No.	Part No.	Description	Remarks	Ref. No.	Part No.	Description	Remarks
201	X-3946-884-1	CABINET (FRONT)(C)ASSY,EVF(EXCEPT TR916)		209	X-3946-886-1	HOLDER ASSY, PRISM	
201	X-3947-442-1	CABINET (FRONT)(G)ASSY,EVF(TR916)		210	A-7073-086-A	LB-49 BOARD, COMPLETE	
202	X-3946-885-1	CABINET (REAR) ASSY, EVF (EXCEPT TR916)		210	A-7073-090-A	LB-49 BOARD, COMPLETE	(TR86/TR96/TR506/TR507/TR916)
202	X-3947-443-1	CABINET (REAR) (B)ASSY,EVF(TR916)		210	A-7073-090-A	LB-49 BOARD, COMPLETE	(TR503E/TR506E/TR720E/TR740E)
203	3-948-339-01	SCREW, TAPPING		211	A-7073-084-A	VF-109 BOARD, COMPLETE	(TR86/TR96/TR506/TR507/TR916)
204	A-7073-085-A	VF-110 BOARD, COMPLETE		211	A-7073-088-A	VF-109 BOARD, COMPLETE	(TR503E/TR506E/TR720E/TR740E)
204	A-7073-089-A	VF-110 BOARD, COMPLETE		212	1-665-152-11	FP-551 FLEXIBLE BOARD	
205	X-3946-887-1	VF LENS ASSY					
* 207	3-960-302-11	CUSHION (1), LCD					
208	8-756-016-10	LCX005BK-5					

5-1-6. EVF SECTION (B/W EVF MODEL)

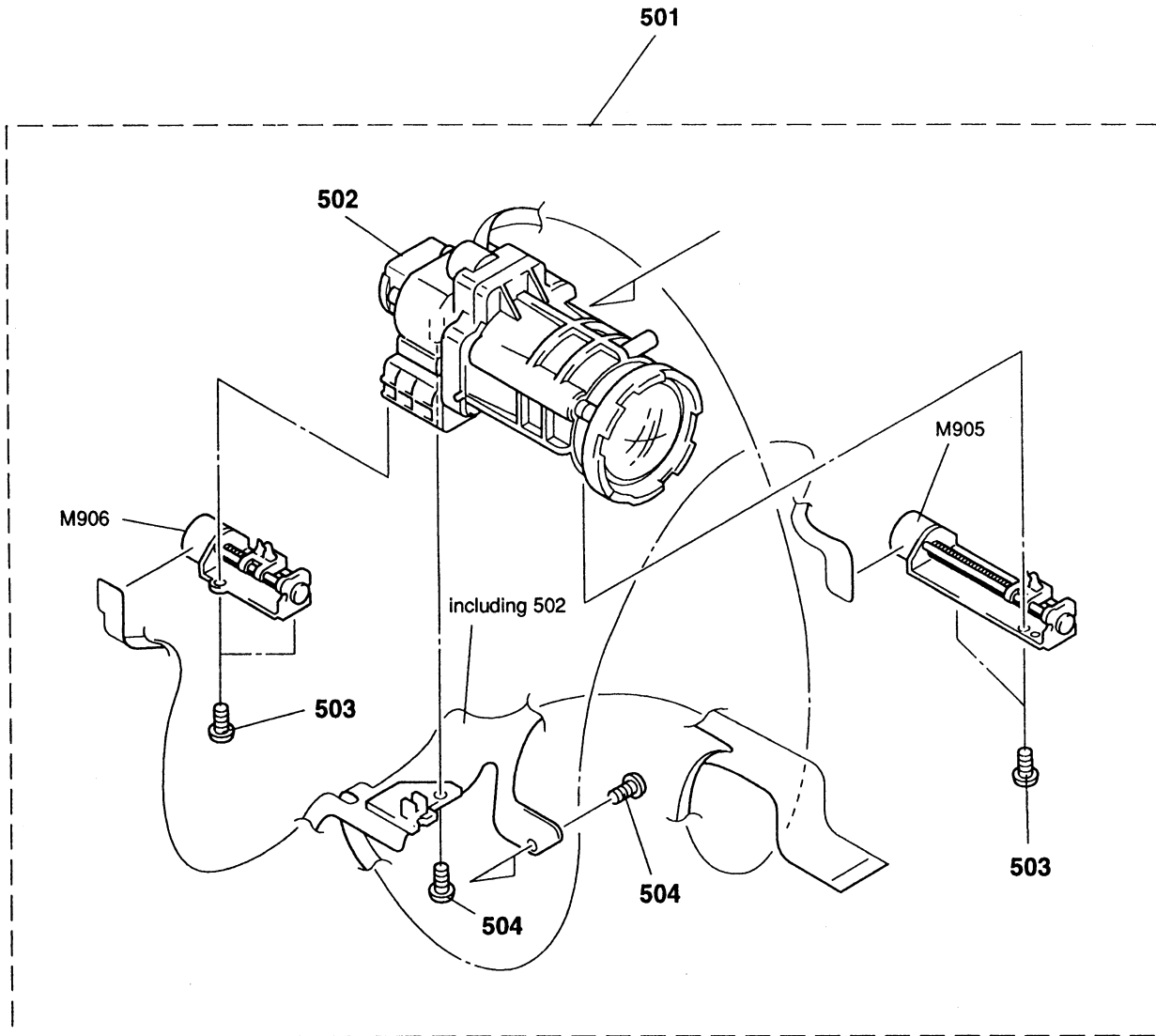


Ref. No.	Part No.	Description	Remarks
251	X-3946-883-1	CABINET (L) ASSY, EVF (TR502E/TR620E)	
251	X-3947-320-1	CABINET (L) ASSY, EVF (TR501E)	
252	3-975-898-01	SCREW(T), F LOCK	
253	3-948-339-01	SCREW, TAPPING	
254	X-3944-966-1	FINDER ASSY	
255	3-963-391-01	CUP, EYE	
256	3-974-155-01	CABINET (R), EVF (TR502E/TR620E)	

Ref. No.	Part No.	Description	Remarks
256	3-974-155-11	CABINET (R), EVF (TR501E)	
* 257	X-3947-303-1	COVER ASSY, CRT	
258	1-782-156-11	CABLE, FLEXIBLE FLAT 5P	
△ 259	1-452-673-31	CRT ASSY (M01KXX90WB) (TR501E/TR502E/TR620E)	
260	A-7073-078-A	VF-102 BOARD, COMPLETE	

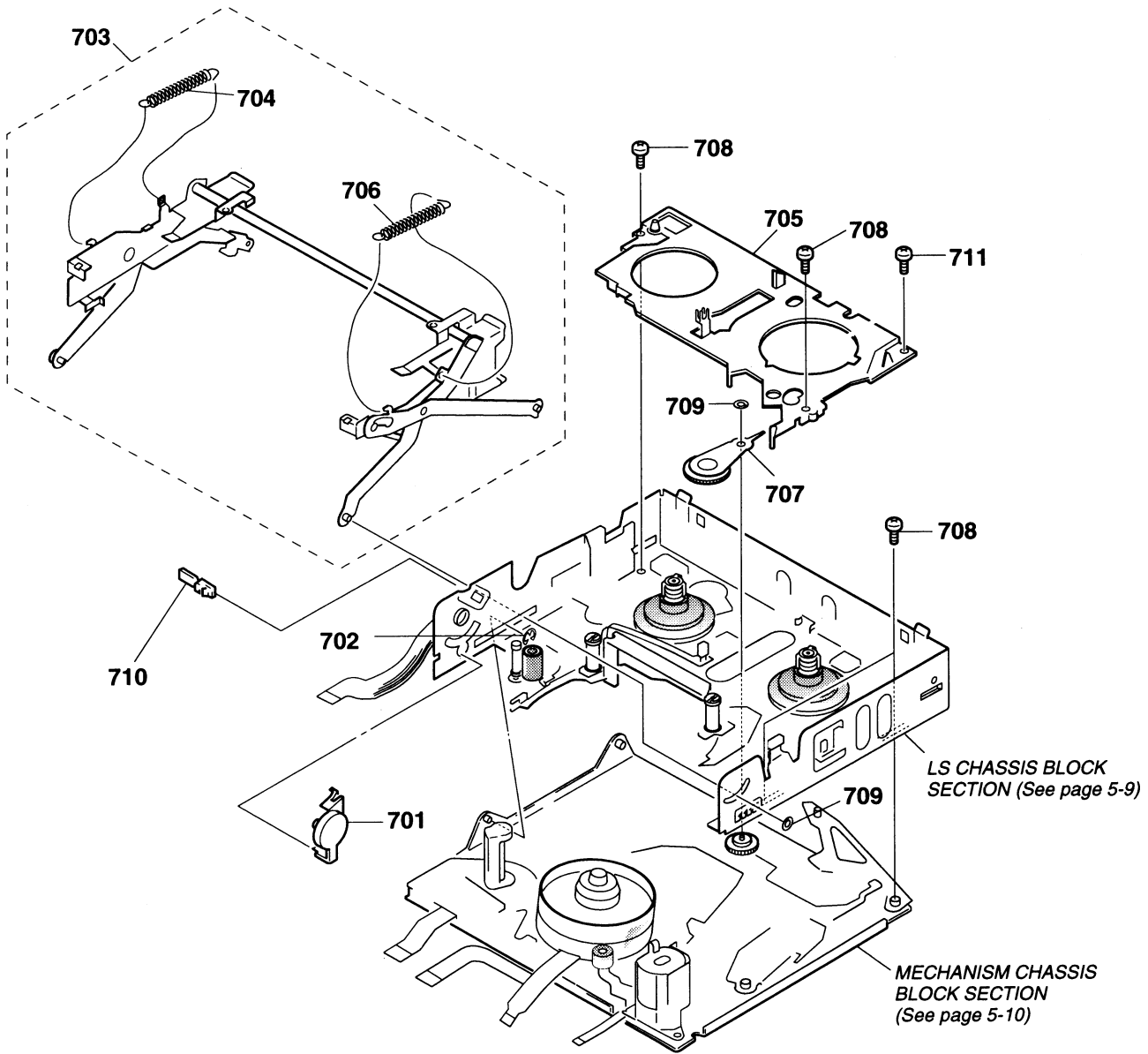
<p>Note : The components identified by mark △ or dotted line with mark △ are critical for safety. Replace only with part number specified.</p>	<p>Note : Les composants identifiés par une marque △ sont critiques pour la sécurité. Ne les remplacer que par une pièce portant le numéro spécifique.</p>
---	---

5-1-7. ZOOM LENS BLOCK SECTION (LSV-510A)



Ref. No.	Part No.	Description	Remarks	Ref. No.	Part No.	Description	Remarks
501	8-848-710-01	LENS, ZOOM (LSV-510A)		504	3-708-302-01	SCREW (BT3 P1.7X4C)	
502	A-4910-808-A	LSV-510A LENS DEVICE		M905	1-698-760-01	STEPPING MOTOR (FOCUS)	
503	3-713-791-41	SCREW (M1.7X5), TAPPING, P2		M906	1-698-759-01	STEPPING MOTOR (ZOOM)	

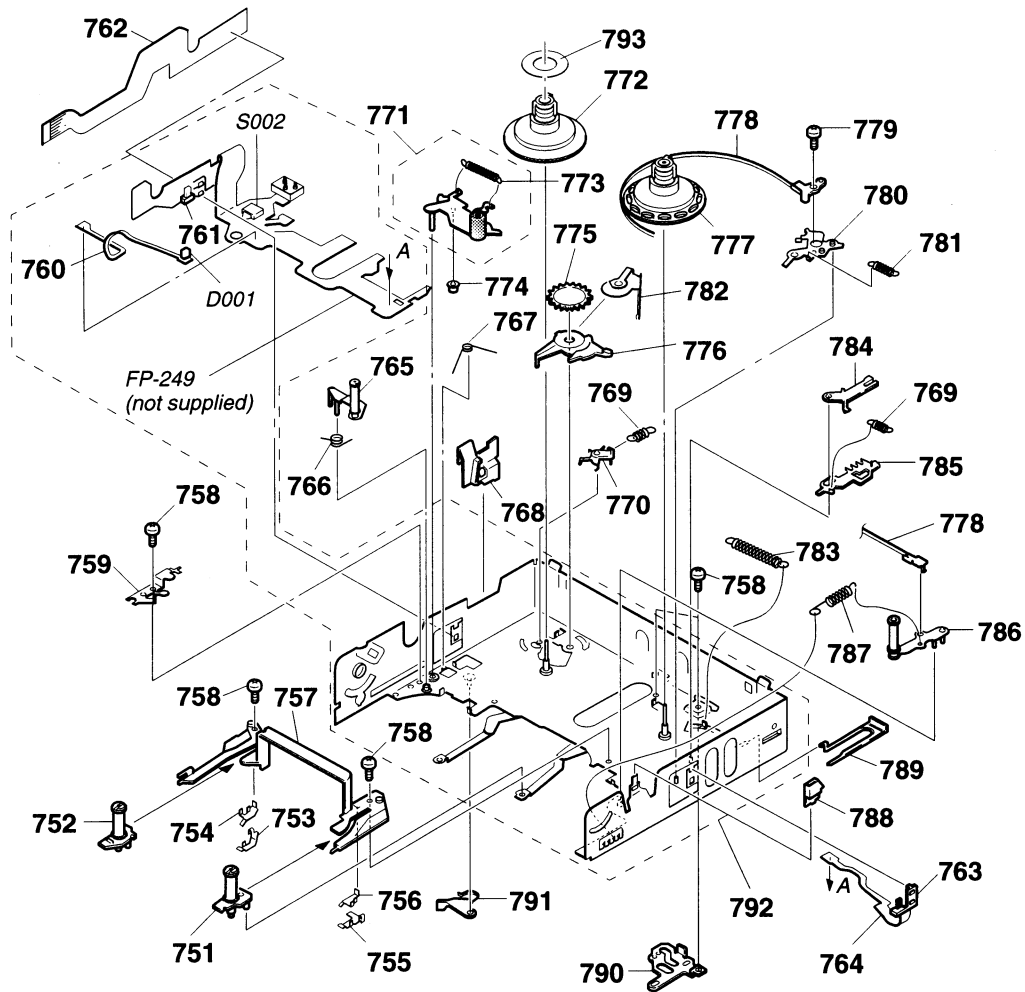
5-1-8. CASSETTE COMPARTMENT BLOCK SECTION



Ref. No.	Part No.	Description	Remarks	Ref. No.	Part No.	Description	Remarks
701	A-7040-421-A	DAMPER ASSY		707	X-3945-399-1	GEAR ASSY, GOOSENECK	
702	7-624-102-04	STOP RING 1.5, TYPE -E		708	3-947-503-01	SCREW (M1.4X2.5)	
703	X-3945-400-1	CASSETTE COMPARTMENT ASSY		709	3-727-176-01	WASHER	
704	3-965-587-03	SPRING, TENSION		710	3-971-076-01	FASTENER, D	
705	3-965-584-01	RETAINER, GOOSENECK		711	3-976-055-01	SCREW (M1.4X1)	
706	3-973-268-01	SPRING, TENSION					

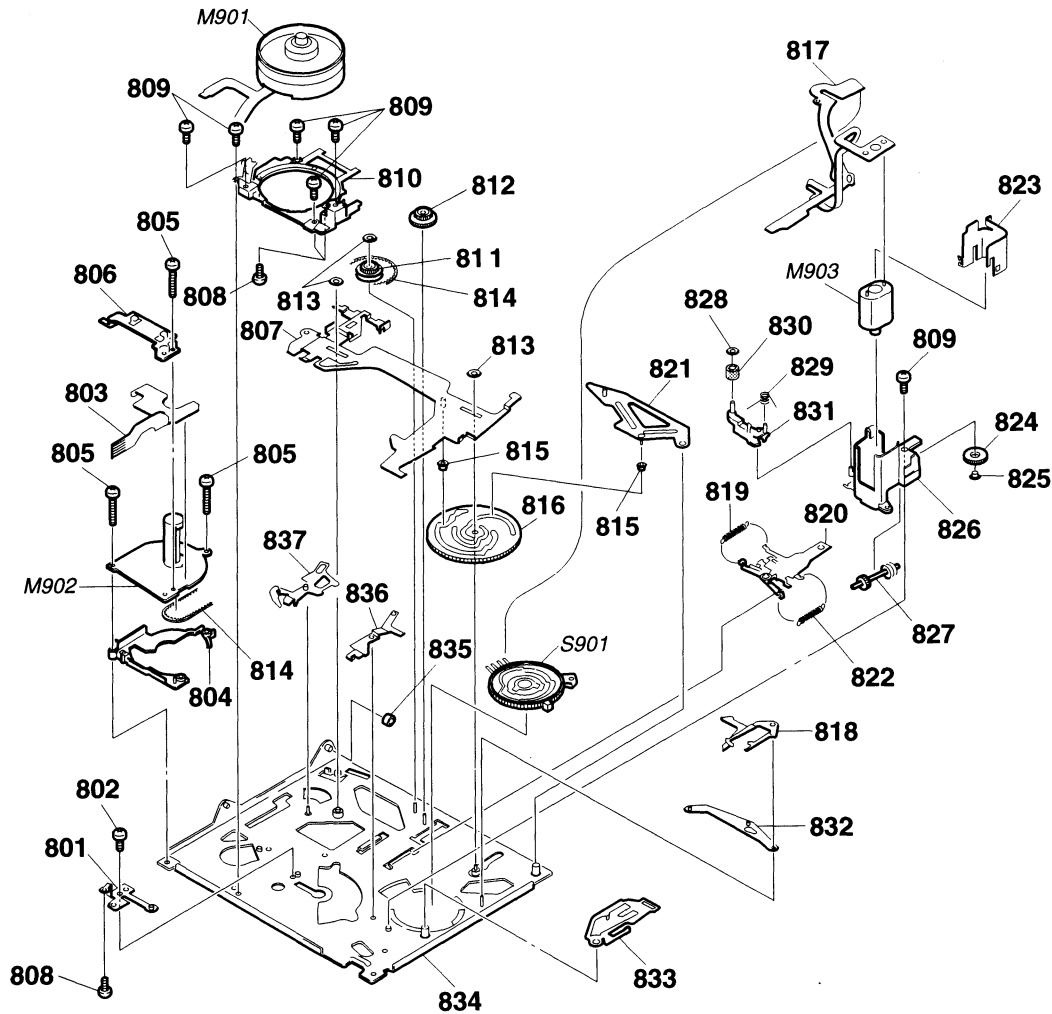
Look for hairline cracks in both
ref# 772 and 777 at gear teeth ! dw

5-1-9. LS CHASSIS BLOCK SECTION



Ref. No.	Part No.	Description	Remarks	Ref. No.	Part No.	Description	Remarks
751	A-7040-419-A	BASE (S) BLOCK ASSY, GUIDE		773	3-965-648-01	SPRING (PINCH), TENSION	
752	A-7040-418-B	BASE (T) BLOCK ASSY, GUIDE		774	3-965-579-01	ROLLER, PINCH PRESS	
753	3-965-559-01	STOPPER (T)		775	3-965-563-01	GEAR, T SOFT	
754	3-965-557-01	STOPPER (T), GB		776	3-965-565-01	CLAW, T SOFT	
755	3-965-558-01	STOPPER (S)		777	X-3945-397-1	DECK ASSY, REEL, S	
756	3-965-556-01	STOPPER (S), GB		778	X-3945-396-1	BAND ASSY, TENSION REGULATOR	
757	3-965-553-01	RAIL, GUIDE		779	3-945-756-01	SCREW (M1.4X3)	
758	3-947-503-01	SCREW (M1.4X2.5)		780	3-965-583-01	ARM, RVS	
759	3-965-573-01	RETAINER, TG4		781	3-965-580-01	SPRING, TENSION	
760	1-658-213-11	FP-355 FLEXIBLE PRINT BOARD		782	3-966-384-01	SPRING, T SOFT	
761	3-965-552-01	HOLDER (T), SENSOR		783	3-965-578-01	SPRING, TENSION	
762	1-657-786-11	FP-221 FLEXIBLE BOARD		784	3-965-560-01	RATCHET, S	
763	3-965-551-01	HOLDER (S), SENSOR		785	3-965-561-01	PLATE, RELEASE, S RATCHET	
764	1-658-214-11	FP-356 FLEXIBLE PRINT BOARD		786	X-3945-395-1	ARM ASSY, TG1	
765	A-7040-417-A	ARM BLOCK ASSY, TG4		787	3-965-576-01	SPRING (TG1), TENSION	
766	3-965-574-01	SPRING, TORSION		788	3-965-567-01	LID OPEN	
767	3-965-575-01	SPRING (PINCH), TORSION		789	3-965-566-01	COVER, LS GUIDE	
768	3-965-568-01	GUIDE, LOCK		* 790	3-965-577-01	PLATE, CAM, LS	
769	3-965-562-01	SPRING (RATCHET), TENSION		791	3-965-569-01	ARM, EJ	
770	3-965-581-01	RATCHET, T		792	A-7040-427-A	CHASSIS (S1) ASSY, LS	
771	X-3945-394-1	ARM ASSY, PINCH		* 793	3-972-838-01	SPACER, REEL	
772	X-3945-398-1	DECK ASSY, REEL, T		D001	8-719-988-42	DIODE GL453	
				S002	1-572-688-11	SWITCH, PUSH (1 KEY)(C.C.LOCK)	

5-1-10. MECHANISM CHASSIS BLOCK SECTION



Ref. No.	Part No.	Description	Remarks	Ref. No.	Part No.	Description	Remarks
801	X-3947-343-1	GROUND (IM) ASSY, SHAFT		822	3-965-535-01	SPRING, TENSION	
802	3-965-550-02	SCREW (M1.7X1.6)		823	3-965-542-01	SHIELD, MOTOR	
803	1-657-785-11	FP-248 FLEXIBLE BOARD		824	3-965-539-01	GEAR (A)	
804	3-965-545-01	SPACER, CAPSTAN		825	3-965-538-01	SLEEVE, MOTOR HOLDER	
805	3-965-549-01	SCREW (M1.4 X 6.5)		826	3-965-540-01	HOLDER, MOTOR	
806	3-966-349-01	HOLDER, FLEXIBLE		827	3-965-541-01	SHAFT, WORM	
807	3-971-644-01	SLIDER (2), M		828	3-321-393-01	WASHER, STOPPER	
808	3-965-588-11	SCREW (M1.4)		829	3-965-724-01	SPRING, TORSION	
809	3-947-503-01	SCREW (M1.4X2.5)		830	A-7040-423-A	ROLLER BLOCK ASSY, HC	
810	A-7040-416-A	BASE BLOCK ASSY, DRUM		831	X-3945-407-1	ARM ASSY, HC ROLLER	
811	3-965-527-01	GEAR, CHANGE		832	3-965-531-01	ARM, GL	
812	3-965-544-01	GEAR, RELAY		833	3-965-530-01	PLATE (2), REGULATOR, TENSION	
813	3-331-007-21	WASHER		834	X-3946-548-2	CHASSIS ASSY, MECHANICAL	
814	3-965-546-01	BELT, TIMING		835	3-965-526-02	ROLLER, LS GUIDE	
815	3-965-533-01	ROLLER, LS		836	3-965-547-01	ARM, HC DRIVING	
816	3-965-528-01	GEAR, CAM		837	3-965-534-01	PLATE, PRESS, PINCH	
817	1-657-784-11	FP-220 FLEXIBLE BOARD		M901	A-7048-851-A	DRUM BLOCK ASSY (DGH-0D5A-R)(PAL)	
818	3-965-529-01	PLATE, REGULATOR, TENSION		M901	A-7048-849-A	DRUM BLOCK ASSY (DGH-0D4A-R)(NTSC)	
819	3-965-536-01	SPRING, TENSION		M902	8-835-531-01	MOTOR, DC SCE-0601A (CAPSTAN)	
820	X-3945-388-1	SLIDER ASSY, GL		M903	X-3945-401-1	MOTOR ASSY, DC (LOADING)	
821	3-965-532-01	ARM, LS		S901	1-762-436-15	SWITCH, ROTARY (ENCODER)	