

DCR-PC6E/PC9/PC9E

RMT-814

SERVICE MANUAL

Level 2 Ver 1.0 2001.05

Self Diagnosis
Supported model

Digital Handycam



MEMORY STICK



Photo : DCR-PC9E
RMT-814

US Model
Canadian Model
Korea Model

DCR-PC9

AEP Model
UK Model

DCR-PC6E/PC9E

E Model

Hong Kong Model
Tourist Model

DCR-PC9/PC9E

Australian Model
Chinese Model

DCR-PC9E

J MECHANISM

On the VC-265/265A board

This service manual provides the information that is premised the circuit board replacement service and not intended repair inside the VC-265/265A board.

Therefore, schematic diagram, printed wiring board, waveforms, parts location and electrical parts list of the VC-265/265A board are not shown. The following pages are not shown.

Printed wiring board	Pages 4-15 to 4-18
Schematic diagram	Pages 4-19 to 4-54
Waveforms and parts location	Pages 4-74 to 4-77
Electrical parts list	Pages 6-13 to 6-24

For MECHANISM ADJUSTMENTS, refer to the "DV MECHANICAL ADJUSTMENT MANUAL VI J MECHANISM" (9-929-807-11).

NTSC model : DCR-PC9

PAL model : DCR-PC6E/PC9E

SPECIFICATIONS

Video camera recorder

System

Video recording system
2 rotary heads
Helical scanning system
Audio recording system
Rotary heads, PCM system
Quantization: 12 bits (Fs 32 kHz, stereo 1, stereo 2), 16 bits (Fs 48 kHz, stereo)
Video signal
DCR-PC9:
NTSC color, EIA standards
DCR-PC6E/PC9E:
PAL colour, CCIR standards
Usable cassette
Mini DV cassette with the **Mini DV** mark printed
Tape speed
SP: Approx. 18.81 mm/s
LP: Approx. 12.56 mm/s
Recording/playback time (using cassette DVM60)
SP: 1 hour
LP: 1.5 hours

Fastforward/rewind time (using cassette DVM60)
Approx. 2 min. and 30 seconds
Viewfinder
Electric viewfinder (colour)
Total dot number:
DCR-PC9/PC9E: 180 000 (800 × 225)
DCR-PC6E: 113 578 (521 × 218)
Image device
4.5 mm (1/4 type) CCD (Charge Coupled Device)
DCR-PC9:
Approx. 680 000 pixels (Effective: 340 000 pixels)
DCR-PC6E/PC9E:
Approx. 800 000 pixels (Effective: 400 000 pixels)
Lens
Carl Zeiss
Combined power zoom lens
Filter diameter 30 mm. (1 3/16 in.)
10× (Optical), 120× (Digital)
Focal length
3.3 - 33 mm (5/32 - 1 5/16 in.)
When converted to a 35 mm still camera 42 - 420 mm (1 11/16 - 16 5/8 in.)

Colour temperature
Auto, HOLD (Hold), Indoor (3 200K), Outdoor (5 800K)
Minimum illumination
5 lx (lux) (F 1.7)
0 lx (lux) (in the NightShot mode)*
* Objects unable to be seen due to the dark can be shot with infrared lighting.

Input/Output connectors

S video input/output (DCR-PC9/PC9E)
S video output (DCR-PC6E)
4-pin mini DIN
Luminance signal: 1 Vp-p, 75 Ω (ohms), unbalanced, sync negative
Chrominance signal:
DCR-PC9: 0.286 Vp-p,
DCR-PC6E/PC9E: 0.3 Vp-p
75 Ω (ohms), unbalanced
Audio/Video input/output (DCR-PC9/PC9E)

Audio/video output (DCR-PC6E)
AV MINI JACK, input/output auto switch
Video signal: 1 Vp-p, 75 Ω (ohms), unbalanced, sync negative
Audio signal: 327 mV, (at output impedance more than 47 kΩ (kilohms))
Input impedance with more than 47 kΩ (kilohms)
Output impedance with less than 2.2 kΩ (kilohms)
 DV input/output (DCR-PC9/PC9E)
 DV output (DCR-PC6E)
4-pin connector
Headphone jack
Stereo minijack (ø 3.5 mm)
LANC jack
Stereo mini-minijack (ø 2.5 mm)
 USB jack (DCR-PC9/PC9E only) mini-B

— Continued on next page —

Mini **DV** Digital Video Cassette

DIGITAL VIDEO CAMERA RECORDER

SONY®

MIC jack
Minijack, 0.388 mV low impedance
with 2.5 to 3.0 V DC, output
impedance 6.8 kΩ (kilohms)
(ø 3.5 mm)
Stereo type

LCD screen

Picture
6.2 cm (2.5 type)
50 × 37 mm (2 × 1 1/2 in.)
Total dot number:
DCR-PC9/PC9E: 211 200 (960 × 220)
DCR-PC6E: 123 200 (560 × 220)

General

Power requirements
7.2 V (battery pack)
8.4 V (AC power adaptor)
**Average power consumption
(when using the battery pack)**
During camera recording using
DCR-PC9/PC9E:
LCD: 3.5 W
Viewfinder: 2.7 W
DCR-PC6E:
LCD: 3.2 W
Viewfinder: 2.5 W
Operating temperature
0 °C to 40 °C (32 °F to 104 °F)
Storage temperature
-20 °C to +60 °C (-4 °F to +140 °F)
Dimensions (approx.)
58 × 104 × 97 mm
(2 3/8 × 4 1/8 × 3 7/8 in.) (w/h/d)
Mass (approx.)
490 g (1 lb 1 oz)
excluding the battery pack and
cassette
580 g (1 lb 2 oz)
including the battery pack,
NP-FM30, cassette DVM60 and lens
cap
Supplied accessories
See page 3.

AC power adaptor

AC-L10
Power requirements
100 - 240 V AC, 50/60 Hz
Power consumption
23 W
Output voltage
DC OUT: 8.4 V, 1.5 A in the
operating mode
Battery charge terminal:
4.2 V, 1.5 A in charge mode
Operating temperature
0 °C to 40 °C (32 °F to 104 °F)
Storage temperature
-20 °C to +60 °C (-4 °F to +140 °F)
Dimensions (approx.)
125 × 39 × 62 mm (5 × 1 9/16 × 2 1/2
in.) (w/h/d) excluding projecting
parts
Mass (approx.)
280 g (9.8 oz)
excluding mains lead

Battery pack

NP-FM30
Maximum output voltage
DC 8.4 V
Output voltage
DC 7.2 V
Capacity
5.0 Wh (700 mAh)
Operating temperature
0 °C to 40 °C (32 °F to 104 °F)
Dimensions (approx.)
38.2 × 20.5 × 55.6 mm
(1 9/16 × 13/16 × 2 1/4 in.)
(w/h/d)
Mass (approx.)
65 g (2.3 oz)
Type
Lithium ion

"Memory Stick" (DCR-PC9/PC9E only)

Memory
Flash memory
4MB: MSA-4A
Operating voltage
2.7-3.6V
Power consumption
Approx. 45mA in the operating
mode
Approx. 130µA in the standby
mode
Dimensions (approx.)
50 × 2.8 × 21.5 mm
(2 × 1/8 × 7/8 in.) (w/h/d)
Mass (approx.)
4 g (0.14 oz)

Design and specifications are
subject to change without notice.

SAFETY-RELATED COMPONENT WARNING!!

COMPONENTS IDENTIFIED BY MARK \triangle OR DOTTED LINE WITH MARK \triangle ON THE SCHEMATIC DIAGRAMS AND IN THE PARTS LIST ARE CRITICAL TO SAFE OPERATION. REPLACE THESE COMPONENTS WITH SONY PARTS WHOSE PART NUMBERS APPEAR AS SHOWN IN THIS MANUAL OR IN SUPPLEMENTS PUBLISHED BY SONY.

ATTENTION AU COMPOSANT AYANT RAPPORT À LA SÉCURITÉ!

LES COMPOSANTS IDENTIFIÉS PAR UNE MARQUE \triangle SUR LES DIAGRAMMES SCHÉMATIQUES ET LA LISTE DES PIÈCES SONT CRITIQUES POUR LA SÉCURITÉ DE FONCTIONNEMENT. NE REMPLACER CES COMPOSANTS QUE PAR DES PIÈCES SONY DONT LES NUMÉROS SONT DONNÉS DANS CE MANUEL OU DANS LES SUPPLÉMENTS PUBLIÉS PAR SONY.

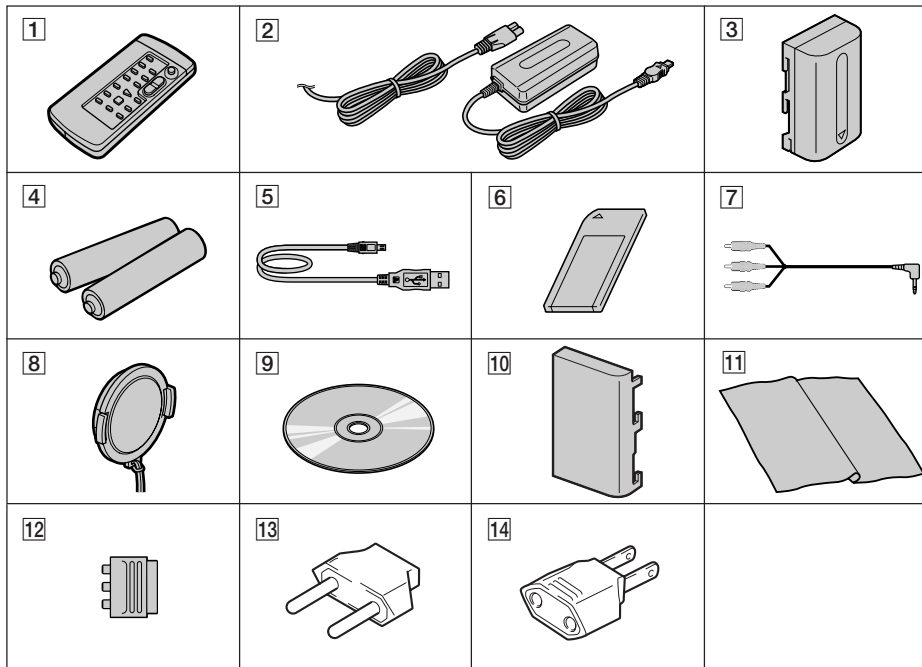
SAFETY CHECK-OUT

After correcting the original service problem, perform the following safety checks before releasing the set to the customer.

1. Check the area of your repair for unsoldered or poorly-soldered connections. Check the entire board surface for solder splashes and bridges.
2. Check the interboard wiring to ensure that no wires are "pinched" or contact high-wattage resistors.
3. Look for unauthorized replacement parts, particularly transistors, that were installed during a previous repair. Point them out to the customer and recommend their replacement.
4. Look for parts which, through functioning, show obvious signs of deterioration. Point them out to the customer and recommend their replacement.
5. Check the B+ voltage to see it is at the values specified.
6. Flexible Circuit Board Repairing
 - Keep the temperature of the soldering iron around 270°C during repairing.
 - Do not touch the soldering iron on the same conductor of the circuit board (within 3 times).
 - Be careful not to apply force on the conductor when soldering or unsoldering.

• SUPPLIED ACCESSORIES

Make sure that the following accessories are supplied with your camcorder.



- | | |
|---|--|
| 1 Wireless Remote Commander (1) | 8 Lens cap (1) |
| 2 AC-L10A/L10B/L10C AC power adaptor (1), Mains lead (1) | 9 CD-ROM (SPVD-004 USB Driver) (1)
DCR-PC9/PC9E only |
| 3 NP-FM30 battery pack (1) | 10 Battery terminal cover (1) |
| 4 R6 (size AA) battery for Remote Commander (2) | 11 Cleaning cloth (1) |
| 5 USB cable (1)
DCR-PC9/PC9E only | 12 21-pin adaptor (1)
European models only |
| 6 "Memory Stick" (1)
DCR-PC9/PC9E only | 13 2-pin adaptor (1)
DCR-PC9: JE/PC9E: JE only |
| 7 A/V connecting cable (1) | 14 2-pin adaptor (1)
DCR-PC9: E,HK/PC9E: E,HK only |

Table for difference of functions

Model	DCR-PC6E	DCR-PC9	DCR-PC9E	Remark
Destination	AEP,UK	US,CND,E, HK,KR,JE	AEP,UK,E,HK, AUS,CN,JE	
Memory stick	×	○	○	○: with FP-347 flexible
VCR Rec mode	×	○	○	○: with REC button
DV IN/OUT	×	○	○	○: with IN/OUT ×: with OUT
DIGITAL IN/OUT (USB)	×	○	○	○: with IN/OUT ×: with OUT

- Abbreviation
- HK : Hong Kong model
- AUS : Australian model
- CN : Chinese model
- JE : Tourist model

TABLE OF CONTENTS

SERVICE NOTE

1. POWER SUPPLY DURING REPAIRS	7
2. TO TAKE OUT A CASSETTE WHEN NOT EJECT (FORCE EJECT)	7
3. PERCAUTION DURING INSTALLATION OF DC IN CONNECTOR AND BATTERY TERMINAL BOARD	7

SELF-DIAGNOSIS FUNCTION

1. SELF-DIAGNOSIS FUNCTION	8
2. SELF-DIAGNOSIS DISPLAY	8
3. SERVICE MODE DISPLAY	8
3-1. Display Method	8
3-2. Backup No.	8
3-3. End of Display	8
4. SELF-DIAGNOSIS CODE TABLE	9

1. GENERAL

Main Features	1-1
Quick Start Guide	1-1
Getting started	
Using this manual	1-2
Checking supplied accessories	1-2
Step 1 Preparing the power supply	1-3
Installing the battery pack	1-3
Charging the battery pack	1-3
Connecting to a wall socket	1-4
Step 2 Setting the date and time	1-4
Step 3 Inserting a cassette	1-5
Step 4 Using the touch panel	1-5
Recording – Basics	
Recording a picture	1-6
Shooting backlit subjects – BACK LIGHT	1-8
Shooting in the dark – NightShot/Super NightShot	1-8
Self-timer recording	1-9
Checking the recording – END SEARCH/EDITSEARCH/Rec Review	1-9
Playback – Basics	
Playing back a tape	1-10
Viewing the recording on TV	1-11
Advanced Recording Operations	
Recording a still image on a tape – Tape Photo recording	1-12
Using the wide mode	1-13
Using the fader function	1-13
Using special effects – Picture effect	1-14
Using special effects – Digital effect	1-14
Using the PROGRAM AE function	1-15
Adjusting the white balance manually	1-16
Adjusting the exposure manually	1-16
Using the spot light-metering mode – Flexible Spot Meter	1-17
Focusing manually	1-17
Interval recording	1-18
Frame by frame recording – Cut recording	1-18
Using the viewfinder	1-19
Advanced Playback Operations	
Playing back a tape with picture effects	1-19
Playing back a tape with digital effects	1-19
Enlarging images recorded on tapes – Tape PB ZOOM	1-20
Quickly locating a scene using the zero set memory function	1-20
Searching the boundaries of recorded tape by title	
– Title search	1-21
Searching a recording by date – Date search	1-21
Searching for a photo – Photo search/Photo scan	1-22
Editing	
Dubbing a tape	1-22
Dubbing only desired scenes – Digital program editing	1-23
Using with an analog video unit and your computer	
– Signal convert function (DCR-PC9E only)	1-26

Recording video or TV programmes (DCR-PC9E only)	1-27
Inserting a scene from a VCR – Insert editing (DCR-PC9E only)	1-28
Audio dubbing	1-28
Superimposing a title	1-29
Making your own titles	1-30
Labeling a cassette	1-31
Customizing Your Camcorder	
Changing the menu settings	1-32
“Memory Stick” Operations (DCR-PC9E only)	
Using a “Memory Stick” – introduction	1-33
Recording still images on “Memory Stick”	
– Memory Photo recording	1-36
Recording an image from a tape as a still image	1-38
Recording moving pictures on “Memory Stick”s	
– MPEG movie recording	1-39
Recording a picture from a tape as a moving picture	1-39
Superimposing a still image in a “Memory Stick”	
on a moving picture – MEMORY MIX	1-40
Copying still images from a tape – Photo save	1-42
Viewing a still image – Memory photo playback	1-42
Viewing a moving picture – MPEG movie playback	1-43
Viewing images using your computer	1-44
Enlarging still images recorded on “Memory Stick”s	
– Memory PB ZOOM	1-46
Playing back images continuously – SLIDE SHOW	1-46
Preventing accidental erasure – Image protection	1-47
Deleting images	1-47
Writing a print mark – PRINT MARK	1-48
Troubleshooting	
Types of trouble and their solutions	1-48
Self-diagnosis display	1-50
Warning indicators and messages	1-50
Additional Information	
Usable cassettes	1-51
About the “InfoLITHIUM” battery pack	1-51
About i.LINK	1-52
Using your camcorder abroad	1-52
Maintenance information and precautions	1-53
Quick Reference	
Identifying the parts and controls	1-55

2. DISASSEMBLY

2-1. LCD SECTION (PD-148/148A BOARD)	2-2
2-2. CABINET (R) SECTION	2-3
2-3. LENS-EVF SECTION	2-3
2-4. VC-265/265A BOARD	2-4
2-5. MECHANISM DECK	2-4
2-6. CABINET (G) ASSEMBLY	2-5
2-7. MEMORY STICK CONNECTOR, FP-347 FLEXIBLE BOARD (PC9/PC9E)	2-5
2-8. CONTROL SWITCH BLOCK (FK-1770)	2-6
2-9. CONTROL SWITCH BLOCK (PS-1770), NS-013 BOARD	2-6
2-10. BJ-002/002A BOARD	2-7
2-11. LCD HINGE ASSEMBLY, PR-037, PO-007 BOARDS	2-9
2-12. CIRCUIT BOARDS LOCATION	2-10
2-13. FLEXIBLE BOARDS LOCATION	2-11

3. BLOCK DIAGRAMS

3-1. OVERALL BLOCK DIAGRAM (1/3)(DCR-PC6E)	3-1
3-2. OVERALL BLOCK DIAGRAM (1/3)(DCR-PC9/PC9E)	3-3
3-3. OVERALL BLOCK DIAGRAM (2/3)	3-5
3-4. OVERALL BLOCK DIAGRAM (3/3)	3-7
3-5. POWER BLOCK DIAGRAM (1/2)	3-9
3-6. POWER BLOCK DIAGRAM (2/2)	3-11

4. PRINTED WIRING BOARDS AND SCHEMATIC DIAGRAMS

4-1.	FRAME SCHEMATIC DIAGRAM (1/2)	4-1
	FRAME SCHEMATIC DIAGRAM (2/2)	4-3
4-2.	PRINTED WIRING BOARDS AND SCHEMATIC DIAGRAMS	4-5
	• MF-325 (MF SENSOR), NS-013 (REMOTE COMMANDER RECEIVER) PRINTED WIRING BOARDS	4-7
	• CF-085 (CCD IMAGER, PITCH/YAW SENSOR) PRINTED WIRING BOARD	4-9
	• CF-085 (CCD IMAGER, PITCH/YAW SENSOR)(1/2) SCHEMATIC DIAGRAM	4-11
	• MF-325 (MF SENSOR), NS-013 (REMOTE COMMANDER RECEIVER) SCHEMATIC DIAGRAMS	4-12
	• CF-085 (PITCH/YAW SENSOR)(2/2) SCHEMATIC DIAGRAM	4-13

Schematic diagram and printed wiring board of the VC-265/265A board are not shown. Pages from 4-15 to 4-54 are not shown.

	• FP-100 (MODE SWITCH), FP-228 (DEW SENSOR), FP-102 (TAPE TOP/END SENSOR, S/T REEL) FLEXIBLE BOARDS	4-55
	• FP-347 FLEXIBLE (MEMORY STICK CONNECTOR) SCHEMATIC DIAGRAM	4-57
	• CONTROL SWITCH BLOCK (FK-1770) PRINTED WIRING BOARD	4-59
	• CONTROL SWITCH BLOCK (FK-1770), (PS-1770) SCHEMATIC DIAGRAM	4-61
	• BJ-002/002A (JACK, BATTERY), PO-007 (PANEL OPEN), PR-037 (PANEL REVERSE) PRINTED WIRING BOARDS	4-63
	• BJ-002/002A (JACK, BATTERY) SCHEMATIC DIAGRAM	4-65
	• PO-007 (PANEL OPEN), PR-037 (PANEL REVERSE) SCHEMATIC DIAGRAMS	4-65
	• PD-148/148A (LCD DRIVE, BACK LIGHT) PRINTED WIRING BOARD	4-67
	• PD-148/148A (LCD DRIVE)(1/2) SCHEMATIC DIAGRAM	4-69
	• PD-148/148A (BACK LIGHT)(2/2) SCHEMATIC DIAGRAM	4-71
4-3.	WAVEFORMS	4-73

Waveforms and parts location of the VC-265/265A board are not shown. Pages from 4-74 to 4-77 are not shown.

4-4.	MOUNTED PARTS LOCATION	4-78
------	------------------------	------

5. ADJUSTMENTS

1.	Adjusting items when replacing main parts and boards	5-2
5-1.	CAMERA SECTION ADJUSTMENT	5-4
1-1.	PREPARATIONS BEFORE ADJUSTMENT (CAMERA SECTION)	5-4
1-1-1.	List of Service Tools	5-4
1-1-2.	Preparations	5-5
1-1-3.	Precaution	5-7
1.	Setting the Switch	5-7
2.	Order of Adjustments	5-7
3.	Subjects	5-7
1-2.	INITIALIZATION OF B, C, D, E, F, 7, 8 PAGE DATA	5-8
1-2-1.	INITIALIZATION OF C, D, 8 PAGE DATA	5-8

1.	Initializing the C, D, 8 Page Data	5-8
2.	Modification of C, D, 8 Page Data	5-8
3.	C Page Table	5-8
4.	D Page Table	5-10
5.	8 Page Table	5-11
1-2-2.	INITIALIZATION OF B PAGE DATA (DCR-PC9/PC9E)	5-12
1.	Initializing the B Page Data	5-12
2.	Modification of B Page Data	5-12
3.	B Page Table	5-12
1-2-3.	INITIALIZATION OF E, F, 7 PAGE DATA	5-13
1.	Initializing the E, F, 7 Page Data	5-13
2.	Modification of E, F, 7 Page Data	5-13
3.	F Page Table	5-13
4.	E Page Table	5-14
5.	7 Page Table	5-15
1-3.	CAMERA SYSTEM ADJUSTMENTS	5-16
1.	36MHz Origin Oscillation Adjustment (VC-265 board)	5-16
2.	HALL Adjustment	5-16
3.	Flange Back Adjustment (Using Minipattern Box)	5-17
4.	Flange Back Adjustment (Using Flange Back Adjustment Chart and Subject More Than 500m Away)	5-18
4-1.	Flange Back Adjustment (1)	5-18
4-2.	Flange Back Adjustment (2)	5-18
5.	Flange Back Check	5-19
6.	Optical Axis Adjustment	5-20
7.	Picture Frame Setting	5-21
8.	Color Reproduction Adjustment	5-22
9.	MAX GAIN Adjustment	5-23
10.	Auto White Balance & LV Standard Data Input	5-23
11.	Auto White Balance Adjustment	5-24
12.	White Balance Check	5-25
13.	Mechanical Shutter Adjustment (DCR-PC9/PC9E)	5-26
14.	Angular Velocity Sensor Sensitivity Adjustment	5-26
1-4.	COLOR ELECTRONIC VIEWFINDER SYSTEM ADJUSTMENT	5-27
1.	VCO Adjustment (VC-265 board)	5-27
2.	Backlight Adjustment (VC-265 board)	5-28
3.	Bright Adjustment (VC-265 board)	5-28
4.	Contrast Adjustment (VC-265 board)	5-29
5.	White Balance Adjustment (VC-265 board)	5-29
1-5.	LCD SYSTEM ADJUSTMENT	5-30
1.	VCO Adjustment (PD-148 board)	5-30
2.	Bright Adjustment (PD-148 board)	5-31
3.	Black Limit Adjustment (PD-148 board)	5-31
4.	PSIG GLAY Adjustment (PD-148 board)	5-32
5.	Contrast Adjustment (PD-148 board)	5-32
6.	Center Level Adjustment (PD-148 board)	5-33
7.	V-COM Adjustment (PD-148 board)	5-33
8.	White Balance Adjustment (PD-148 board)	5-34
5-2.	MECHANISM SECTION ADJUSTMENT	5-35
2-1.	HOW TO ENTER RECORD MODE WITHOUT CASSETTE	5-35
2-2.	HOW TO ENTER PLAYBACK MODE WITHOUT CASSETTE	5-35
2-3.	TAPE PATH ADJUSTMENT	5-35
1.	Preparation for Adjustment	5-35
2.	Procedure after operations	5-35
5-3.	VIDEO SECTION ADJUSTMENTS	5-36
3-1.	PREPARATIONS BEFORE ADJUSTMENTS	5-36
3-1-1.	Equipment Required	5-36
3-1-2.	Precautions on Adjusting	5-37
3-1-3.	Adjusting Connectors	5-38
3-1-4.	Connecting the Equipment	5-38
3-1-5.	Alignment Tapes	5-39
3-1-6.	Input/Output Level and Impedance	5-39

3-2.	SYSTEM CONTROL SYSTEM ADJUSTMENT	5-40
1.	Initialization of B, C, D, E, F, 7, 8 Page Data	5-40
2.	Serial No. Input	5-40
2-1.	Company ID Input	5-40
2-2.	Serial No. Input	5-40
3.	Touch Panel Adjustment (VC-265 board)	5-42
4.	Battery End Check (VC-265 board)	5-42
3-3.	SERVO AND RF SYSTEM ADJUSTMENT	5-43
1.	Cap FG Duty Adjustment (VC-265 board)	5-43
2.	PLL fo & LPF fo Adjustment (VC-265 board)	5-43
3.	Switching Position Adjustment (VC-265 board)	5-44
4.	AGC Center Level and APC & AEQ Adjustment	5-44
4-1.	Preparations before adjustments	5-44
4-2.	AGC Center Level Adjustment (VC-265 board)	5-45
4-3.	APC & AEQ Adjustment (VC-265 board)	5-45
4-4.	Processing after Completing Adjustments	5-46
5.	PLL fo & LPF fo Fine Adjustment (VC-265 board)	5-46
3-4.	VIDEO SYSTEM ADJUSTMENTS	5-47
1.	Chroma BPF fo Adjustment (VC-265 board)	5-47
2.	S VIDEO OUT Y Level Adjustment (VC-265 board)	5-47
3.	S VIDEO OUT Chroma Level Adjustment (VC-265 board)	5-48
4.	VIDEO OUT Y, Chroma Level Check (VC-265 board)	5-48
3-5.	AUDIO SYSTEM ADJUSTMENTS	5-49
1.	Playback Level Check	5-50
2.	Overall Level Characteristics Check	5-50
3.	Overall Distortion Check	5-50
4.	Overall Noise Level Check	5-50
5.	Overall Separation Check	5-50
5-4.	SERVICE MODE	5-51
4-1.	ADJUSTMENT REMOTE COMMANDER	5-51
1.	Using the adjustment remote commander	5-51
2.	Precautions upon using the adjustment remote commander	5-51
4-2.	DATA PROCESS	5-52
4-3.	SERVICE MODE	5-53
1.	Setting the Test Mode	5-53
2.	Emergence Memory Address	5-53
2-1.	EMG Code (Emergency Code)	5-53
2-2.	MSW Code	5-54
3.	Bit value discrimination	5-55
4.	Switch check (1)	5-55
5.	Switch check (2)	5-55
6.	Switch check (3)	5-56
7.	Switch check (4)	5-56
8.	Record of Use check	5-56
9.	Record of Self-diagnosis check	5-57

6. REPAIR PARTS LIST

6-1.	EXPLODED VIEWS	6-1
6-1-1.	OVERALL SECTION	6-1
6-1-2.	CABINET (R) SECTION-1	6-2
6-1-3.	CABINET (R) SECTION-2	6-3
6-1-4.	LENS-EVF SECTION	6-4
6-1-5.	CABINET (L) SECTION	6-5
6-1-6.	OVERALL MECHANISM DECK SECTION (J100)	6-6
6-1-7.	LS CHASSIS BLOCK ASSEMBLY	6-7
6-1-8.	MECHANISM CHASSIS BLOCK ASSEMBLY	6-8
6-2.	ELECTRICAL PARTS LIST	6-9

Parts list of the VC-265/265A board are not shown.
Pages from 6-13 to 6-24 are not shown.

* Optical axis frame and color reproduction frame are shown on pages 198 and 199.

SERVICE NOTE

1. POWER SUPPLY DURING REPAIRS

In this unit, about 10 seconds after power is supplied to the battery terminal using the regulated power supply (8.4V), the power is shut off so that the unit cannot operate.

These following two methods are available to prevent this. Take note of which to use during repairs.

Method 1.

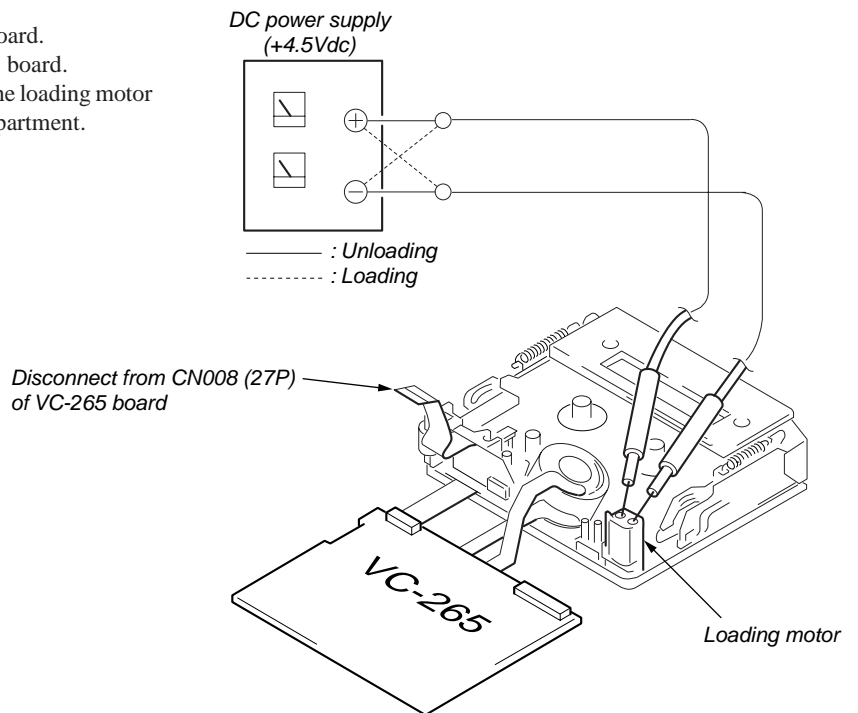
Use the AC power adaptor (AC-L10, AC-VQ800 etc.).

Method 2.

Connect the servicing remote commander RM-95 (J-6082-053-B) to the LANC jack, and set the commander switch to the "ADJ" side.

2. TO TAKE OUT A CASSETTE WHEN NOT EJECT (FORCE EJECT)

- ① Refer to 2-2 to remove the accessory shoe and microphone cover.
- ② Refer to 2-2 to remove the cabinet (R) assembly.
- ③ Refer to 2-3 to remove the lens-EVF block.
- ④ Refer to 2-9 to remove the rear cabinet and control switch block (PS-1770).
- ⑤ Open the VC-265 board.
- ⑥ Refer to 2-5 to remove the four screws with which the mechanism deck is fixed.
- ⑦ Open the cassette lid.
- ⑧ Remove the mechanism deck and VC-265 board.
- ⑨ Disconnect CN008 (27P, 0.3mm) of VC-265 board.
- ⑩ Supply +4.5V from the DC power supply to the loading motor and unload with a pressing the cassette compartment.



3. PERCAUTION DURING INSTALLATION OF DC IN CONNECTOR AND BATTERY TERMINAL BOARD

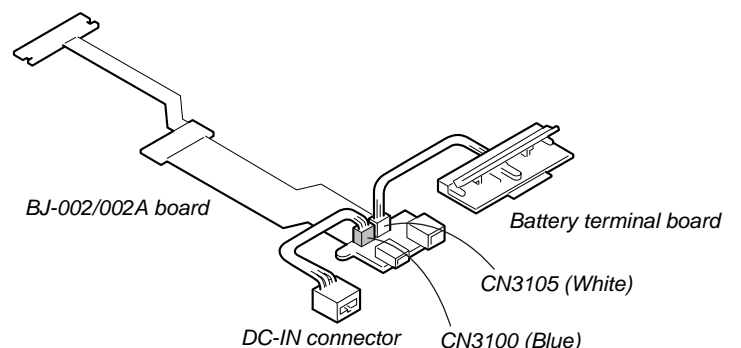
CN3100 (for the DC-IN connector) and CN3105 (for the battery terminal board) of BJ-002/002A board are the same size, and the number of the pins is the same.

So these connectors may be mistaken for each other. **When these connectors are mistaken, the charge system of the unit may break.**

So ascertain the color of the connector when assembling these connectors.

CN3100 (for the DC IN connector) Blue

CN3105 (for the battery terminal board) White



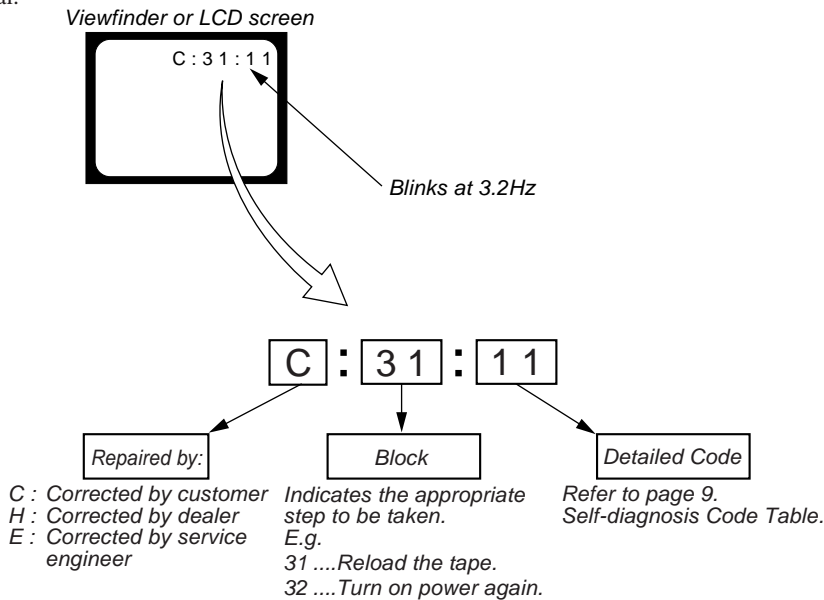
SELF-DIAGNOSIS FUNCTION

1. SELF-DIAGNOSIS FUNCTION

When problems occur while the unit is operating, the self-diagnosis function starts working, and displays on the viewfinder or LCD screen what to do. This function consists of two display; self-diagnosis display and service mode display. Details of the self-diagnosis functions are provided in the Instruction manual.

2. SELF-DIAGNOSIS DISPLAY

When problems occur while the unit is operating, the counter of the viewfinder or LCD screen consists of an alphabet and 4-digit numbers, which blinks at 3.2 Hz. This 5-character display indicates the “repaired by:”, “block” in which the problem occurred, and “detailed code” of the problem.

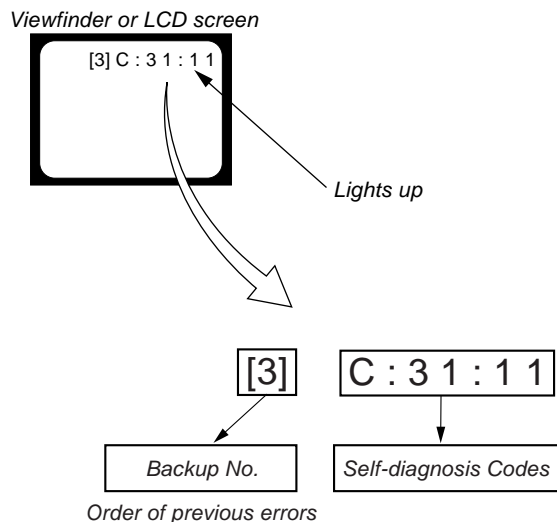


3. SERVICE MODE DISPLAY

The service mode display shows the last self-diagnosis codes shown in the past.

3-1. Display Method

While pressing the “BACK LIGHT” key, set the switch from OFF to “VCR or PLAYER”, and continue pressing the “BACK LIGHT” key for 5 seconds continuously. The service mode will be displayed, and the counter will show the backup No. and the 5-character self-diagnosis codes.



3-2. Backup No.

The backup No. in the [] indicates the order in which the problem occurred. (If the number of problems which occurred is less than 6, only the number of problems which occurred will be shown.)

[1] : Occurred first time [4] : Occurred fourth time
[2] : Occurred second time [5] : Occurred fifth time
[3] : Occurred third time [6] : Occurred the last time

Note: Switching of the backup No. can't be done.

3-3. End of Display

Turning OFF the power supply will end the service mode display.

Note: The “self-diagnosis display” data will be backed up by the coin-type lithium battery of control switch block (FK-1770) BT601. When CN013 of VC-265 board is disconnected, the “self-diagnosis display” data will be lost by initialization.

4. SELF-DIAGNOSIS CODE TABLE

Self-diagnosis Code				Symptom/State	Correction
Repaired by:	Block Function	Detailed Code			
C	0 4	0 0		Non-standard battery is used.	Use the info LITHIUM battery.
C	2 1	0 0		Condensation.	Remove the cassette, and insert it again after one hour.
C	2 2	0 0		Video head is dirty.	Clean with the optional cleaning cassette.
C	3 1	1 0		LOAD direction. Loading does not complete within specified time	Load the tape again, and perform operations from the beginning.
C	3 1	1 1		UNLOAD direction. Loading does not complete within specified time	Load the tape again, and perform operations from the beginning.
C	3 1	2 0		T reel side tape slacking when unloading.	Load the tape again, and perform operations from the beginning.
C	3 1	2 1		Winding S reel fault when counting the rest of tape.	Load the tape again, and perform operations from the beginning.
C	3 1	2 2		T reel fault.	Load the tape again, and perform operations from the beginning.
C	3 1	2 3		S reel fault.	Load the tape again, and perform operations from the beginning.
C	3 1	2 4		T reel fault.	Load the tape again, and perform operations from the beginning.
C	3 1	3 0		FG fault when starting capstan.	Load the tape again, and perform operations from the beginning.
C	3 1	4 0		FG fault when starting drum.	Load the tape again, and perform operations from the beginning.
C	3 1	4 2		FG fault during normal drum operations.	Load the tape again, and perform operations from the beginning.
C	3 1	1 0		LOAD direction loading motor time-out.	Remove the battery or power cable, connect, and perform operations from the beginning.
C	3 1	1 1		UNLOAD direction loading motor time-out.	Remove the battery or power cable, connect, and perform operations from the beginning.
C	3 2	2 0		T reel side tape slacking when unloading.	Remove the battery or power cable, connect, and perform operations from the beginning.
C	3 2	2 1		Winding S reel fault when counting the rest of tape.	Remove the battery or power cable, connect, and perform operations from the beginning.
C	3 2	2 2		T reel fault.	Remove the battery or power cable, connect, and perform operations from the beginning.
C	3 2	2 3		S reel fault.	Remove the battery or power cable, connect, and perform operations from the beginning.
C	3 2	2 4		T reel fault.	Remove the battery or power cable, connect, and perform operations from the beginning.
C	3 2	3 0		FG fault when starting capstan.	Remove the battery or power cable, connect, and perform operations from the beginning.
C	3 2	4 0		FG fault when starting drum	Remove the battery or power cable, connect, and perform operations from the beginning.
C	3 2	4 2		FG fault during normal drum operations	Remove the battery or power cable, connect, and perform operations from the beginning.
E	6 1	0 0		Difficult to adjust focus (Cannot initialize focus.)	Inspect the lens block focus reset sensor (Pin ⑦ of CF-085 board CN3351) when focusing is performed when the focus ring is rotated in the focus manual mode, and the focus motor drive circuit (IC204 of VC-265 board) when the focusing is not performed.
E	6 1	1 0		Zoom operations fault (Cannot initialize zoom lens.)	Inspect the lens block zoom reset sensor (Pin ⑩ of CF-085 board CN3351) when zooming is performed when the zoom lens is operated and the zoom motor drive circuit (IC204 of VC-265 board) when zooming is not performed.
E	6 2	0 0		Steadyshot function does not work well. (With pitch angular velocity sensor output stopped.)	Inspect pitch angular velocity sensor (SE3450 of CF-085 board) peripheral circuits.
E	6 2	0 1		Steadyshot function does not work well. (With yaw angular velocity sensor output stopped.)	Inspect yaw angular velocity sensor (SE3451 of CF-085 board) peripheral circuits.

English

Main Features

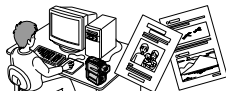
Taking moving or still images, and playing them back

- Recording a picture on a tape (p. 30)
- Recording a still image on a tape (p. 55)
- Playing back a tape (p. 46)
- Recording still images on "Memory Stick"s (DCR-PC9E only) (p. 159)
- Recording moving pictures on "Memory Stick"s (DCR-PC9E only) (p. 168)
- Viewing a still image recorded on "Memory Stick"s (DCR-PC9E only) (p.183)
- Viewing a moving picture on "Memory Stick"s (DCR-PC9E only) (p. 187)



Capturing images on your computer

- Using with an analog video unit and your computer (DCR-PC9E only) (p. 113)
- Viewing images recorded on "Memory Stick"s using the USB cable (DCR-PC9E only) (p. 189)



Other uses

Functions to adjust exposure in the recording mode

- Back light (p. 40)
- NightShot/Super NightShot (p. 41)
- PROGRAM AE (p. 68)
- White balance (p. 71)
- Adjusting the exposure manually (p. 73)
- Flexible Spot Meter (p. 74)

Functions to give images more impact

- Digital zoom [MENU] (p. 134) The default setting is set to OFF. (To zoom greater than 10x, select the digital zoom power in D ZOOM in the menu settings.)
- Fader (p. 60)
- Picture effect (p. 63)
- Digital effect (p. 65)
- Digital program editing (p. 101)
- Title (p. 125, 129)
- MEMORY MIX (DCR-PC9E only) (p. 174)

Functions to give a natural appearance to your recordings

- Manual focus (p. 76)
- Sports lesson mode (p. 68)
- Landscape mode (p. 68)

Functions to use after recording

- END SEARCH/EDITSEARCH/Rec Review (p. 44)
- DATA CODE (p. 48)
- Photo search (p. 94)
- Photo scan (p. 96)
- Tape PB ZOOM (p. 87)/Memory PB ZOOM (DCR-PC9E only) (p. 196)
- Zero set memory (p. 89)
- Title search (p. 90)

4

English

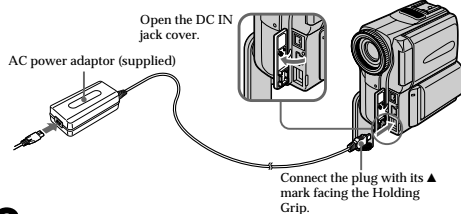
Quick Start Guide



This chapter introduces you to the basic features of your camcorder. See the page in parentheses "()" for more information. Pull down the Holding Grip to hold your camcorder as illustrated.

1 Connecting the mains lead (p. 24)

Use the battery pack when using your camcorder outdoors (p. 18).

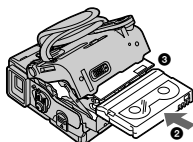


2 Inserting a cassette (p. 27)

- Slide OPEN/EJECT in the direction of the arrow and open the lid.

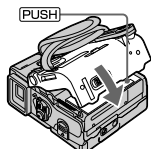


- Push the middle portion of the back of the cassette to insert. Insert the cassette in a straight line deeply into the cassette compartment with the window facing out.



- Close the cassette compartment by pressing the PUSH mark on the cassette compartment. After the cassette compartment goes down completely, close the lid until it clicks.

PUSH



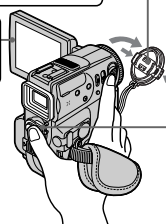
10

3 Recording a picture (p. 30)

- Remove the lens cap.

- Press OPEN to open the LCD panel.

Viewfinder
When the LCD panel is closed, pull out the view finder until it clicks to focus on the subject



When you purchase your camcorder, the clock setting is set to off. If you want to record the date and time for a picture, set the clock setting before recording (p. 25).

- Set the POWER switch to CAMERA while pressing the small green button.



- Press START/STOP. Your camcorder starts recording. To stop recording, press START/STOP again.



4 Monitoring the playback picture on the LCD screen (p. 46)

- Set the POWER switch to VCR (DCR-PC9E)/PLAYER (DCR-PC6E) while pressing the small green button.



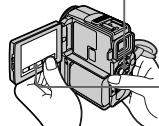
- Press ◀▶ of the touch panel to rewind the tape.



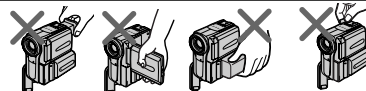
- Press ▶▶ of the touch panel to start playback.



NOTE
When using the touch panel, press operation buttons lightly with your thumb supporting the LCD screen from the backside of it. Do not press the LCD screen with sharp-pointed objects such as pens.



NOTE
Do not pick up your camcorder by holding the viewfinder, the LCD panel, the battery pack or the jack cover.



11

Using this manual

The instructions in this manual are for the two models listed in the table below. Before you start reading this manual and operating your camcorder, check the model number by looking at the bottom of your camcorder. The DCR-PC9E is the model used for illustration purposes. Otherwise, the model name is indicated in the illustrations. Any differences in operation are clearly indicated in the text, for example, "DCR-PC9E only."

As you read through this manual, buttons and settings on your camcorder are shown in capital letters.

e.g. Set the POWER switch to CAMERA.

When you carry out an operation, you can hear a beep sound to indicate that the operation is being carried out.

Type of difference

	PC6E	PC9E
POWER switch ¹⁾	PLAYER	VCR
MEMORY mark ²⁾ (on the POWER switch)	—	●
USB jack	—	●

- Provided
- Not provided

¹⁾ The models which have VCR mode on the POWER switch can record pictures from other equipment such as VCR.

²⁾ The models with MEMORY marked on the POWER switch is provided with memory functions. See page 147 for details.

Использование данного руководства

Инструкции в данном руководстве предназначены для двух моделей, перечисленных в таблице ниже. Перед тем, как прочесть данное руководство и начать эксплуатацию Вашей видеокамеры, проверьте номер модели на нижней стороне Вашей видеокамеры. В качестве иллюстративных целей используется модель DCR-PC9E. В других случаях номер модели указан на рисунках. Какие-либо расхождения в эксплуатации четко указаны в тексте, например, "только модель DCR-PC9E."

При чтении данного руководства учитывайте, что кнопки и установки на видеокамере показаны заглавными буквами.

При выполнении операции на видеокамере Вы сможете услышать звуковой сигнал, подтверждающий выполнение операции.

Типы различий

	PC6E	PC9E
Переключатель POWER ¹⁾	PLAYER	VCR
Знак MEMORY ²⁾ (на переключателе POWER)	—	●
Гнездо USB	—	●

- Имеется
- Отсутствует

¹⁾ Модели с режимом VCR на переключателе POWER могут записывать изображения с другого аппарата, такого как KVM.

²⁾ В моделях со знаком MEMORY на переключателе POWER имеются функции памяти. Подробные сведения приведены на стр. 147.

Using this manual

Note on Cassette Memory

Your camcorder is based on the DV format. You can only use mini DV cassettes with your camcorder. We recommend that you use a tape with cassette memory CII.

The functions which require different operations depending on whether the tape has the cassette memory or not are:

- End search (p. 44, 51)
- Date search (p. 92)
- Photo search (p. 94)

The functions you can operate only with the cassette memory are:

- Title search (p. 90)
- Superimposing a title (p. 125)
- Labelling a cassette (p. 131)

For details, see page 226.



You see this mark in the introduction of the features that operate only with cassette memory.

Tapes with cassette memory are marked by CII (Cassette Memory).

Note on TV colour systems

TV colour systems differ from country to country. To view your recordings on a TV, you need a PAL system-based TV.

Copyright precautions

Television programmes, films, video tapes, and other materials may be copyrighted. Unauthorized recording of such materials may be contrary to the provision of the copyright laws.

Использование данного руководства

Примечание по кассетной памяти

Ваша видеокамера основана на формате DV. Вы можете использовать для Вашей видеокамеры только кассеты mini DV. Рекомендуется использовать ленту с кассетной памятью CII.

Функции, для которых требуются разные операции в зависимости от того, имеет ли лента кассетную память или нет:

- Поиск конца (стр. 44, 51)
- Поиск даты (стр. 92)
- Фотопоиск (стр. 94)

Функции, которыми Вы можете управлять только с кассетной памятью, следующие:

- Поиск титра (стр. 90)
- Наложение титра (стр. 125)
- Маркировка кассеты (стр. 131)

Подробные сведения приведены на стр. 226.



Вы можете увидеть этот знак при описании функций, которыми можно управлять только с помощью кассетной памяти.

Ленты с кассетной памятью маркируются с помощью знака CII (кассетная память).

Примечание по системам цветного телевидения

Системы цветного телевидения отличаются в зависимости от страны. Для просмотра Ваших записей на экране телевизора Вам необходимо использовать телевизор, основанный на системе PAL.

Предостережения об авторском праве

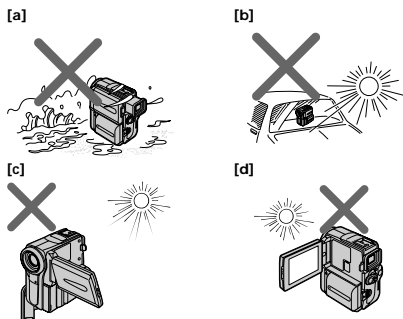
Телевизионные программы, кинофильмы, видеоленты и другие материалы могут быть защищены авторским правом. Нелицензированная запись таких материалов может противоречить положениям закона об авторском праве.

Using this manual

Precautions on camcorder care

Lens and LCD screen/finder (on mounted models only)

- The LCD screen and the finder are manufactured using extremely high-precision technology, so over 99.99% of the pixels are operational for effective use. However, there may be some tiny black points and/or bright points (white, red, blue or green in colour) that constantly appear on the LCD screen and the finder. These points are normal in the manufacturing process and do not affect the recording in any way.
- Do not let your camcorder get wet. Keep your camcorder away from rain and sea water. Letting your camcorder get wet may cause your camcorder to malfunction. Sometimes this malfunction cannot be repaired [a].
- Never leave your camcorder exposed to temperatures above 60 °C (140 °F), such as in a car parked in the sun or under direct sunlight [b].
- Be careful when placing the camera near a window or outdoors. Exposing the LCD screen, the finder or the lens to direct sunlight for long periods may cause malfunctions [c].
- Do not directly shoot the sun. Doing so might cause your camcorder to malfunction. Take pictures of the sun in low light conditions such as dusk [d].



Использование данного руководства

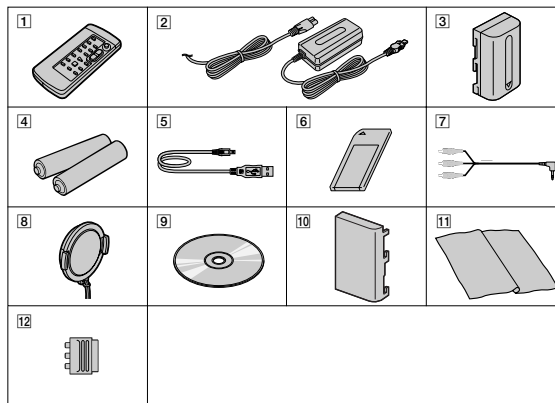
Меры предосторожности при уходе за видеокамерой

Объектив и экран ЖКД/видоискатель (только для установленных моделей)

- Экран ЖКД и видоискатель изготовлены с помощью высокоточной технологии, так что свыше 99,99% элементов изображения предназначены для эффективного использования. Однако на экране ЖКД и в видоискателе могут постоянно появляться черные и/или яркие цветные точки (красные, синие или зеленые). Появление этих точек вполне нормально для процесса изготовления и никоим образом не влияет на записываемое изображение.
- Не допускайте, чтобы видеокамера становилась влажной. Предохраняйте видеокамеру от дождя и морской воды. Если Вы намочите видеокамеру, то это может привести к неисправности аппарата, которая не всегда может быть устранена [a].
- Никогда не оставляйте видеокамеру в месте с температурой выше 60 °C (140 °F), как, например, в автомобиле, оставленном на солнце или под прямыми солнечными лучами [b].
- Будьте внимательны, когда оставляете видеокамеру вблизи окна или вне помещения. Действие прямого солнечного света на экран ЖКД, видоискатель или объектив в течение длительных промежутков времени может вызвать неисправности [c].
- Не снимайте солнце непосредственно. Это может привести к неисправности видеокамеры. Выполняйте съемку солнца в условиях низкой освещенности, например, в сумерках [d].

Checking supplied accessories

Make sure that the following accessories are supplied with your camcorder.



- 1) Wireless Remote Commander (1) (p. 251)
- 2) AC-L10A/L10B/L10C AC power adaptor (1), Mains lead (1) (p. 24)
- 3) NP-FM30 battery pack (1) (p. 18, 19)
- 4) R6 (size AA) battery for Remote Commander (2) (p. 252)
- 5) USB cable (1) (p. 190)
DCR-PC9E only
- 6) "Memory Stick" (1) (p. 147)
DCR-PC9E only
- 7) A/V connecting cable (1) (p. 53)
- 8) Lens cap (1) (p. 30)
- 9) CD-ROM (SPVD-004 USB Driver) (1)
(p. 190) DCR-PC9E only
- 10) Battery terminal cover (1) (p. 18)
- 11) Cleaning cloth (1) (p. 235)
- 12) 21-pin adaptor (1) (p. 54)
European models only

Проверка прилагаемых принадлежностей

Убедитесь, что следующие принадлежности прилагаются к Вашей видеокамере.

- 1) Беспроводной пульт дистанционного управления (1) (стр. 251)
- 2) Сетевой адаптер AC-L10A/L10B/L10C AC (1), провод электропитания (1) (стр. 24)
- 3) Батарейный блок NP-FM30 (1) (стр. 18, 19)
- 4) Батарейка R6 (размера AA) для пульта дистанционного управления (2) (стр. 252)
- 5) Кабель USB (1) (стр. 190)
Только модель DCR-PC9E
- 6) "Memory Stick" (1) (стр. 147)
Только модель DCR-PC9E
- 7) Соединительный кабель аудио/видео (1) (стр. 53)
- 8) Крышка объектива (1) (стр. 30)
- 9) CD-ROM (SPVD-004 USB драйвер) (1) (стр. 190) Только модель DCR-PC9E
- 10) Крышка батарейных контактов (1) (стр. 18)
- 11) Очистительная ткань (1) (стр. 235)
- 12) 21-штырьковый адаптер (1) (стр. 54)
Только для европейских моделей

Contents of the recording cannot be compensated if recording or playback is not made due to a malfunction of the camcorder, storage media, etc.

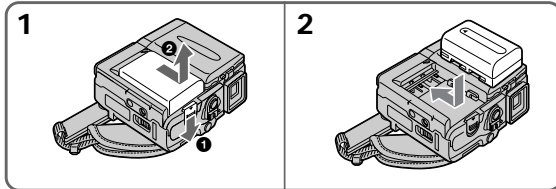
Содержание записи не может быть компенсировано в случае, если запись или воспроизведение не выполнены из-за неисправности видеокамеры, носителя и т.п.

Step 1 Preparing the power supply

Installing the battery pack

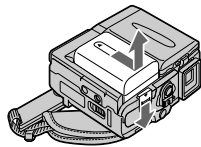
We recommend that you use the battery pack when you use your camcorder outdoors.

- (1) While sliding BATT (battery) release lever in the direction of the arrow ①, slide the battery terminal cover in the direction of the arrow ②.
- (2) Insert the battery pack in the direction of the arrow until it clicks.



To remove the battery pack

The battery pack is removed in the same way as the battery terminal cover.



Note on the battery terminal cover

To protect the battery terminals, install the battery terminal cover after the battery pack is removed.

Пункт 1 Подготовка источника питания

Установка батарейного блока

Рекомендуется использовать батарейный блок при использовании Вашей видеокамеры вне помещения.

- (1) При передвижении BATT (рычага освобождения батарейного блока) в направлении стрелки ①, передвиньте крышку полюсов батарейного блока в направлении стрелки ②.
- (2) Вставьте батарейный блок в направлении стрелки так, чтобы он защелкнулся.

Для снятия батарейного блока

Батарейный блок снимается таким образом, как и крышка батарейных контактов.

Примечание к крышке батарейных контактов

Для защиты батарейных контактов установите крышку батарейных контактов после удаления батарейного блока.

Step 1 Preparing the power supply

Charging the battery pack

Use the battery pack after charging it for your camcorder. Your camcorder operates only with the "InfoLITHIUM" battery pack (M series). See page 229 for details of "InfoLITHIUM" battery pack.

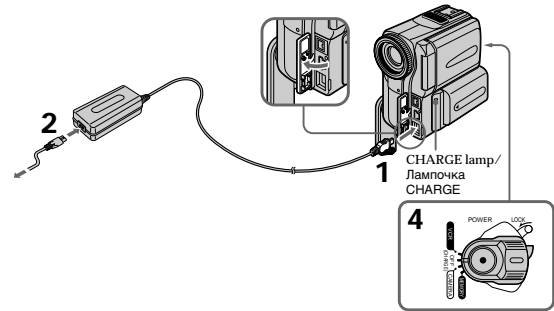
- (1) Open the DC IN jack cover and connect the AC power adaptor supplied with your camcorder to the DC IN jack with the plug's ▲ mark facing the Holding Grip.
- (2) Connect the mains lead to the AC power adaptor.
- (3) Connect the mains lead to a wall socket.
- (4) Set the POWER switch to OFF (CHARGE). The CHARGE lamp lights up when the charge begins. After the charge is completed, the CHARGE lamp goes off. (full charge)

Пункт 1 Подготовка источника питания

Зарядка батарейного блока

Используйте батарейный блок для Вашей видеокамеры после его зарядки. Ваша видеокамера работает только с батарейным блоком "InfoLITHIUM" (серии M). Более подробные сведения о "InfoLITHIUM" приведены на стр. 229.

- (1) Откройте крышку гнезда DC IN и подсоедините сетевой адаптер питания переменного тока, прилагаемый к Вашей видеокамере, к гнезду DC IN, так чтобы знак ▲ штекера был направлен в сторону рукоятки поддержки.
- (2) Подсоедините провод электропитания к сетевому адаптеру переменного тока.
- (3) Подсоедините провод электропитания к сетевой розетке.
- (4) Установите переключатель POWER в положение OFF (CHARGE). Когда начнется зарядка, высветится лампочка CHARGE (полная зарядка).



After charging the battery pack

Disconnect the AC power adaptor from the DC IN jack on your camcorder.

После зарядки батарейного блока

Отсоедините сетевой адаптер переменного тока от гнезда DC IN на Вашей видеокамере.

18

Step 1 Preparing the power supply

Note

Prevent metallic objects from coming into contact with the metal parts of the DC plug of the AC power adaptor. This may cause a short-circuit, damaging the AC power adaptor.

While charging the battery pack, the CHARGE lamp flashes in the following cases:
- The battery pack is not installed correctly.
- Something is wrong with the battery pack.

When you use the AC power adaptor Place the AC power adaptor near a wall socket. If any trouble occurs with this unit, disconnect the plug from a wall socket as soon as possible to cut off the power.

Charging time/Verste oplaadtijd

Battery pack/ Батарейный блок	Full charge/ Полная зарядка (нормальная зарядка)
NP-FM30 (supplied) / (прилагается)	145
NP-FM50	150
NP-FM70	240
NP-FM90	330
NP-FM91	360

The charging time may increase if the battery's temperature is extremely high or low because of the ambient temperature.

Approximate minutes at 25 °C (77 °F) to charge an empty battery pack

Пункт 1 Подготовка источника питания

Примечание

Не допускайте контакта металлических предметов с металлическими частями штекера постоянного тока сетевого адаптера переменного тока. Это может привести к короткому замыканию и повреждению сетевого адаптера переменного тока.

Во время зарядки батарейного блока лампочка CHARGE будет мигать в следующих случаях:
- Батарейный блок установлен неправильно.
- Батарейный блок неисправен.

При использовании сетевого адаптера Расположите сетевой адаптер переменного тока возле штепсельной розетки. В случае каких-либо проблем с аппаратом, отсоедините штекер от сетевой розетки как можно быстрее для отключения питания.

Время зарядки может увеличиться, если температура батарейного блока чрезмерно высокая или низкая вследствие окружающей температуры.

Приблизительное время в минутах при температуре 25°C для зарядки полностью разряженного батарейного блока

Step 1 Preparing the power supply

Recording time/Время записи

Battery pack/ Батарейный блок	Recording with the viewfinder/ Запись с помощью видоискателя		Recording with the LCD screen/ Запись с помощью экрана ЖКД	
	Continuous*/ Непрерывная*	Typical**/ Типичная**	Continuous*/ Непрерывная*	Typical**/ Типичная**
	NP-FM30 (supplied) / (прилагается)	115	60	85
NP-FM50	185	100	140	75
NP-FM70	385	210	295	160
NP-FM90	580	315	450	245
NP-FM91	670	365	520	285

DCR-PC6E

Battery pack/ Батарейный блок	Recording with the viewfinder/ Запись с помощью видоискателя		Recording with the LCD screen/ Запись с помощью экрана ЖКД	
	Continuous*/ Непрерывная*	Typical**/ Типичная**	Continuous*/ Непрерывная*	Typical**/ Типичная**
	NP-FM30 (supplied) / (прилагается)	125	65	95
NP-FM50	200	110	155	85
NP-FM70	415	225	320	175
NP-FM90	630	345	490	265
NP-FM91	725	395	565	310

Approximate minutes when you use a fully charged battery

* Approximate continuous recording time at 25 °C (77 °F). The battery life will be shorter if you use your camcorder in a cold environment.

** Approximate number of minutes when recording while you repeat recording start/stop, zooming and turning the power on/off. The actual battery life may be shorter.

Приблизительное время в минутах при использовании полностью заряженного батарейного блока

* Приблизительное время непрерывной записи при температуре 25°C (77°F). При использовании видеокамеры в холодных условиях срок службы батарейного блока будет короче.

** Приблизительное время в минутах при записи с неоднократным пуском/остановкой записи, наведением видеокамеры и включением/выключением питания. Фактический срок службы зарядки батарейного блока может быть короче.

20

21

Step 1 Preparing the power supply

Playing time/Время воспроизведения DCR-PC9E

Battery pack/ Батарейный блок	Playing time on LCD screen/ Время воспроизведения на экране ЖКД	Playing time with LCD closed/ Время воспроизведения при закрытом ЖКД
NP-FM30 (supplied)/ (прилагается)	90	125
NP-FM50	150	200
NP-FM70	310	415
NP-FM90	475	630
NP-FM91	550	725

DCR-PC6E

Battery pack/ Батарейный блок	Playing time on LCD screen/ Время воспроизведения на экране ЖКД	Playing time with LCD closed/ Время воспроизведения при закрытом ЖКД
NP-FM30 (supplied)/ (прилагается)	100	135
NP-FM50	165	220
NP-FM70	345	450
NP-FM90	520	685
NP-FM91	605	785

Approximate minutes when you use a fully charged battery.

Approximate continuous playing time at 25 °C (77 °F). The battery life will be shorter if you use your camcorder in a cold environment.

Пункт 1 Подготовка источника питания

Если Вы собираетесь использовать видеокамеру в течение длительного времени, рекомендуется использовать питание от электрической сети с помощью сетевого адаптера переменного тока.

(1) Откройте крышку гнезда DC IN и подсоедините сетевой адаптер питания переменного тока, прилагаемый к Вашей видеокамере, к гнезду DC IN на Вашей видеокамере, так чтобы знак ▲ штекера был направлен в сторону рукоятки поддержки.

(2) Подсоедините провод электропитания к сетевому адаптеру переменного тока.

Приблизительное время в минутах при использовании полностью заряженного батарейного блока

Приблизительное время непрерывной записи при температуре 25°C. При использовании видеокамеры в условиях холода срок службы батарейного блока будет короче.

Step 1 Preparing the power supply

If the power goes off although the battery remaining indicator indicates that the battery pack has enough power to operate Charge the battery pack fully again so that the indication on the battery remaining indicator is correct.

Recommended charging temperature
We recommend charging the battery pack in an ambient temperature of between 10 °C to 30 °C (50 °F to 86 °F).

What is "InfoLITHIUM"?

The "InfoLITHIUM" is a lithium ion battery pack which can exchange data such as battery consumption with compatible electronic equipment. This unit is compatible with the "InfoLITHIUM" battery pack (M series). Your camcorder operates only with the "InfoLITHIUM" battery. "InfoLITHIUM" M series battery packs have the (i) **InfoLITHIUM** mark. "InfoLITHIUM" is a trademark of Sony Corporation.

Пункт 1 Подготовка источника питания

Если заряд будет израсходован несмотря на то, что индикатор оставшегося заряда батарейного блока показывает достаточное для работы количество заряда батарейного блока Снова полностью зарядите батарейный блок так, чтобы показание индикатора оставшегося заряда батарейного блока было правильным.

Рекомендуемая температура зарядки
Рекомендуется выполнять зарядку батарейного блока при окружающей температуре в пределах от 10°C до 30°C.

Что такое "InfoLITHIUM"?

"InfoLITHIUM" представляет собой литиево-ионный батарейный блок, который может обмениваться данными, такими как потребление заряда батарейного блока, с совместимой электронной аппаратурой. Это устройство совместимо с батарейным блоком "InfoLITHIUM" (серии M). Ваша видеокамера работает только с батарейным блоком "InfoLITHIUM". На батарейных блоках "InfoLITHIUM" серии M имеется знак (i) **InfoLITHIUM**. "InfoLITHIUM" является торговой маркой корпорации Sony Corporation.

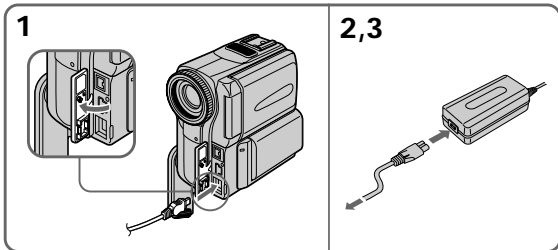
Getting started Подготовка к эксплуатации

Step 1 Preparing the power supply

Connecting to a wall socket

When you use your camcorder for a long time, we recommend that you power it from a wall socket using the AC power adaptor.

- (1) Open the DC IN jack cover and connect the AC power adaptor supplied with your camcorder to the DC IN jack on your camcorder with the plug's ▲ mark facing the Holding Grip.
- (2) Connect the mains lead to the AC power adaptor.
- (3) Connect the mains lead to a wall socket.



PRECAUTION

The set is not disconnected from the AC power source (the mains) as long as it is connected to a wall socket, even if the set itself has been turned off.

Notes

- The AC power adaptor can supply power even if the battery pack is attached to your camcorder.
- The DC IN jack has "source priority." This means that the battery pack cannot supply any power if the mains lead is connected to the DC IN jack, even when the mains lead is not plugged into a wall socket.

Using a car battery

Use Sony DC Adaptor/Charger (optional).

Пункт 1 Подготовка источника питания

Подсоединение к сетевой розетке

Если Вы собираетесь использовать видеокамеру в течение длительного времени, рекомендуется использовать питание от электрической сети с помощью сетевого адаптера переменного тока.

- (1) Откройте крышку гнезда DC IN и подсоедините сетевой адаптер питания переменного тока, прилагаемый к Вашей видеокамере, к гнезду DC IN на Вашей видеокамере, так чтобы знак ▲ штекера был направлен в сторону рукоятки поддержки.
- (2) Подсоедините провод электропитания к сетевому адаптеру переменного тока.
- (3) Подсоедините провод электропитания к сетевой розетке.

ПРЕДОСТЕРЕЖЕНИЕ

Аппарат не отключается от источника переменного тока (электрической сети) до тех пор, пока он подсоединен к электрической сети, даже если сам аппарат и выключен.

Примечания

- Питание от сетевого адаптера переменного тока может подаваться даже в случае, если батарейный блок прикреплен к Вашей видеокамере.
- Гнездо DC IN имеет "приоритет источника". Это значит, что питание от батарейного блока не может подаваться, если провод электропитания подсоединен к гнезду DC IN, даже если провод электропитания не подсоединен к сетевой розетке.

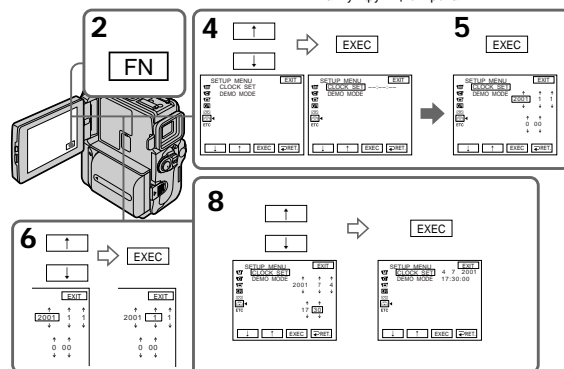
Использование автомобильного аккумулятора

Используйте адаптер/зарядное устройство постоянного тока Sony (приобретается отдельно).

Step 2 Setting the date and time

Set the date and time settings when you use your camcorder for the first time. "CLOCK SET" will be displayed each time that you set the POWER switch to CAMERA or MEMORY (DCR-PC9E only) unless you set the date and time settings. If you do not use your camcorder for about three months, the date and time settings may be released (bars may appear) because the built-in rechargeable battery installed in your camcorder will have been discharged (p. 236). First, set the year, then the month, the day, the hour and then the minute.

- (1) Set the POWER switch to CAMERA or MEMORY (DCR-PC9E only).
- (2) Press FN to display PAGE1 (p. 28).
- (3) Press MENU to display the menu.
- (4) Select \Rightarrow with \uparrow/\downarrow , and press EXEC.
- (5) Select CLOCK SET with \uparrow/\downarrow , and press EXEC.
- (6) Adjust the desired year with \uparrow/\downarrow , and press EXEC.
- (7) Set the month, day and hour with the same procedure as step 6.
- (8) Set the minute with \uparrow/\downarrow , and press EXEC by the time signal. The clock starts to move.



Пункт 2 Установка даты и времени

Выполните установку даты и времени, когда Вы используете Вашу видеокамеру в первый раз. До тех пор, пока Вы не выполните установку даты и времени, каждый раз при установке переключателя POWER в положение CAMERA или MEMORY (только модель DCR-PC9E) будет отображаться индикация "CLOCK SET".

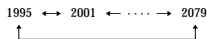
Если Вы не будете использовать Вашу видеокамеру около четырех месяцев, установки даты и времени могут саморазрешительно измениться (могут появиться полосы), из-за того, что встроенная перезаряжаемая батарея, установленная в Вашей видеокамере, будет разряжена (стр. 236). Сначала установите год, затем месяц, день, час и минуту.

- (1) Установите переключатель POWER в положение CAMERA или MEMORY (только модель DCR-PC9E).
- (2) Нажмите кнопку FN для отображения PAGE1 (стр. 28).
- (3) Нажмите кнопку MENU для отображения меню.
- (4) Выберите \Rightarrow с помощью \uparrow/\downarrow , а затем нажмите EXEC.
- (5) Выберите CLOCK SET с помощью \uparrow/\downarrow , а затем нажмите EXEC.
- (6) Отрегулируйте нужный год с помощью кнопок \uparrow/\downarrow и нажмите EXEC.
- (7) Установите месяц, день и час с помощью такой же процедуры, как и пункте 6.
- (8) Установите минуты с помощью \uparrow/\downarrow , а затем нажмите EXEC, по сигналу времени. Часы начнут функционировать.

Getting started Подготовка к эксплуатации

Step 2 Setting the date and time

The year changes as follows:



To return to FN
Press EXIT.

If you do not set the date and time "-----" and "-:--:--" are recorded on the data code of the tape and the "Memory Stick" (DCR-PC9E only).

Note on the time indicator
The internal clock of your camcorder operates on a 24-hour cycle.

Пункт 2 Установка даты и времени

Год изменяется следующим образом:

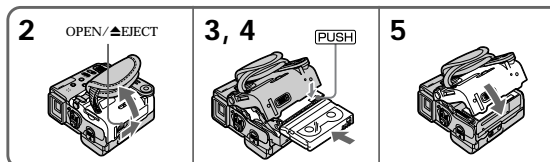
Для возврата в положение FN
Нажмите EXIT.

Если Вы не установите дату и время Индикации "-----" и "-:--:--" будут записана вместо кода данных на ленте и "Memory Stick" (Только модель DCR-PC9E).

Примечание по индикатору времени
Встроенные часы Вашей видеокамеры работают в 24-часовом режиме.

Step 3 Inserting a cassette

- Install the battery pack, or connect the AC power adaptor for the power supply (p. 18 to 24).
- Slide OPEN/▲EJECT in the direction of the arrow and open the lid. The cassette compartment automatically lifts up and opens.
- Push the middle portion of the back of the cassette to insert. Insert the cassette in a straight line deeply into the cassette compartment with the window facing out.
- Close the cassette compartment by pressing the [EJECT] mark on the cassette compartment. The cassette compartment automatically goes down.
- After the cassette compartment goes down completely, close the lid until it clicks.



To eject a cassette

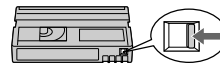
Follow the procedure above, and take out the cassette in step 3.

Notes

- Do not press the cassette compartment down. Doing so may cause malfunction.
- The cassette compartment may not be closed when you press any part of the lid other than the [EJECT] mark.

When you use mini DV cassette with cassette memory
Read the instruction about cassette memory to use this function properly (p. 226).

To prevent accidental erasure
Slide the write-protect tab on the cassette to expose the red mark.



Пункт 3 Установка кассеты

- Установите батарейный блок или подсоедините сетевой адаптер переменного тока для подачи электропитания (стр. 18-24).
- Передвиньте переключатель OPEN/▲EJECT в направлении стрелки. Кассетный отсек автоматически поднимется вверх и откроется.
- Нажмите по середине задней стороны кассеты, чтобы вставить ее. Вставьте кассету по прямой в кассетный отсек до упора, так чтобы окошко было обращено наружу.
- Закройте кассетный отсек, нажав метку [EJECT] на отсеке. Кассетный отсек автоматически опустится вниз.
- После того, как кассетный отсек опустится полностью вниз, закройте крышку так, чтобы она защелкнулась.

Для извлечения кассеты

Следуйте вышеописанной процедуре и выньте кассету в пункте 3.

Примечания

- Не нажимайте вниз кассетный отсек. Это может привести к неисправности.
- Кассетный отсек может не закрыться, если Вы нажмете какую-либо другую часть на крышке, а не метку [EJECT].

При использовании кассеты mini DV с кассетной памятью

Прочтите инструкцию о кассетной памяти для использования этой функции надлежащим образом (стр. 226).

Для предотвращения случайного стирания
Передвиньте лепесток защиты записи на кассете, так чтобы появилась красная метка.

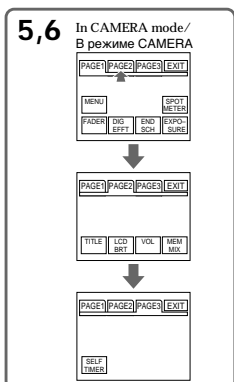
26

Step 4 Using the touch panel

Your camcorder has operation buttons on the LCD screen. Touch the LCD panel directly to operate each function.

In CAMERA or VCR (DCR-PC9E)/PLAYER (DCR-PC6E) mode

- Install the battery pack, or connect the AC power adaptor for the power supply (p. 18 to 24).
- Press OPEN to open the LCD panel.
- Set the POWER switch to CAMERA (in the standby/recording mode) or VCR (DCR-PC9E)/PLAYER (DCR-PC6E) (in the playback mode) while pressing the small green button.
- Press FN. Operation buttons appear on the LCD screen.
- Press PAGE2 to go to PAGE2. Operation buttons appear on the LCD screen.
- Press PAGE3 to go to PAGE3. Operation buttons appear on the LCD screen.
- Press a desired operation item. Refer to relevant pages for each function.



To return to FN
Press EXIT.

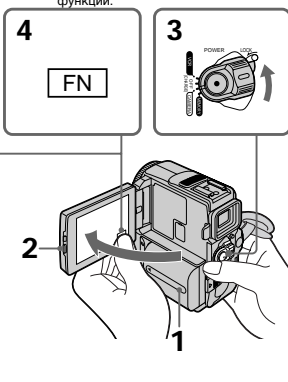
To execute settings
Press EXEC or OK. The display returns to PAGE1/PAGE2/PAGE3.

Пункт 4 Использование сенсорной панели

Ваша видеокамера имеет кнопки управления на экране ЖКД. Трогайте непосредственно панель ЖКД для управления каждой функцией.

В режиме CAMERA или VCR (DCR-PC9E)/PLAYER (DCR-PC6E)

- Установите батарейный блок или подсоедините адаптер переменного тока для подачи питания (стр. 18 – 24).
- Нажмите кнопку OPEN для открывания панели ЖКД.
- Нажимая маленькую зеленую кнопку, установите переключатель POWER в положение CAMERA (в режиме ожидания/записи) или VCR (DCR-PC9E)/PLAYER (DCR-PC6E) (в режиме воспроизведения).
- Нажмите FN. На экране ЖКД появятся кнопки управления.
- Нажмите PAGE2 для перехода к PAGE2. На экране ЖКД появятся кнопки управления.
- Нажмите PAGE3 для перехода к PAGE3. На экране ЖКД появятся кнопки управления. Обращайтесь к соответствующей странице для каждой функции.
- Нажмите на желаемый элемент управления.



Для возврата в положение FN
Нажмите кнопку EXIT.

Для выполнения установок
Нажмите EXEC или OK. Дисплей возвратится к PAGE1/PAGE2/PAGE3.

Step 4 Using the touch panel

To cancel settings

Press OFF to return to PAGE1/PAGE2/PAGE3.

Notes

- When using the touch panel, press operation buttons with your thumb supporting the LCD screen from the back side of it or press those buttons lightly with your index finger. Do not press them with sharp-pointed objects such as pens.
- Do not press the LCD screen too hard.
- Do not touch the LCD screen with wet hands.
- If FN is not on the LCD screen, touch the LCD screen lightly to make it appear. You can control the display with DISPLAY/TOUCH PANEL on your camcorder.
- When operation buttons do not work even if you press them, an adjustment is required (CALIBRATION) (p. 237).
- When the LCD screen gets dirty, use the supplied cleaning cloth.

When executing each item
The green bar appears above the item.

If the items are not available
The colour of the items changes to grey.

Touch panel
You can operate with the touch panel using the viewfinder (p. 82).

Press FN to display the following buttons:
In CAMERA mode

PAGE1	MENU, SPOT METER, FADER, DIG EFFT, END SCH, EXPOSURE
PAGE2	TITLE, LCD BRT, VOL, MEM MIX (DCR-PC9E only)
PAGE3	SELFTIMER

In VCR (DCR-PC9E)/PLAYER (DCR-PC6E) mode

PAGE1	MENU, LCD BRT, VOL, END SCH
PAGE2	TITLE, DIG EFFT, PB ZOOM
PAGE3	DATA CODE, V SPD PLAY, A DUB CTRL, REC CTRL

See p. 151 for MEMORY (DCR-PC9E only) mode.

Пункт 4 Использование сенсорной панели

Для отмены установок

Нажмите OFF для возвращения к PAGE1/PAGE2/PAGE3.

Примечания

- При использовании сенсорной панели нажимайте кнопки управления большим пальцем, поддерживая экран ЖКД с задней стороны или легко нажимайте эти кнопки Вашим указательным пальцем. Не нажимайте их заостренными предметами, такими, как шариковые ручки.
- Не нажимайте экран ЖКД слишком сильно.
- Не трогайте экран ЖКД мокрыми руками.
- Если кнопки FN нет на экране ЖКД, слегка дотроньтесь до экрана ЖКД, чтобы она появилась. Вы можете управлять дисплеем с помощью DISPLAY/TOUCH PANEL на Вашей видеокамере.
- Когда кнопки управления не работают, даже если Вы их нажимаете, то требуется выполнить регулировку (CALIBRATION) (стр. 237).
- В случае загрязнения экрана ЖКД, воспользуйтесь прилагаемой тканью для очистки.

При выполнении каждого пункта
Зеленая полоса появляется над элементом.

Если элементы будут недоступны
Цвет элементов изменяется на серый.

Сенсорная панель
Вы можете управлять сенсорной панелью с использованием видоискателя (стр. 82).

Нажмите кнопку FN для отображения следующих кнопок:

PAGE1	MENU, SPOT METER, FADER, DIG EFFT, END SCH, EXPOSURE
PAGE2	TITLE, LCD BRT, VOL, MEM MIX (Только модель DCR-PC9E)
PAGE3	SELFTIMER

В режиме VCR (DCR-PC9E)/PLAYER (DCR-PC6E)

PAGE1	MENU, LCD BRT, VOL, END SCH
PAGE2	TITLE, DIG EFFT, PB ZOOM
PAGE3	DATA CODE, V SPD PLAY, A DUB CTRL, REC CTRL

См. стр. 151 для режима MEMORY (Только модель DCR-PC9E).

28

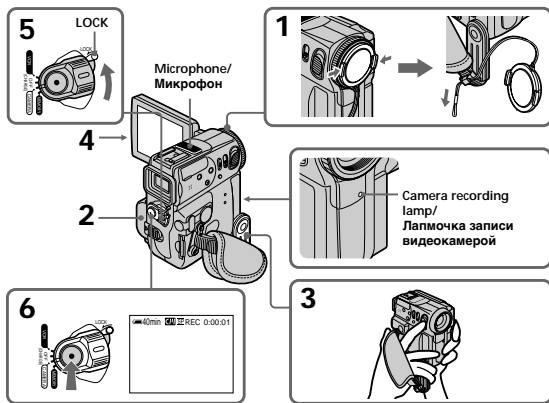
27

29

Recording a picture

Your camcorder automatically focuses for you.

- (1) Remove the lens cap and pull the lens cap string to fit it.
- (2) Install the power source and insert a cassette. See "Step 1" and "Step 3" for more information (p. 18, 27).
- (3) Pull down the Holding Grip. Hold your camcorder firmly as illustrated.
- (4) Press OPEN to open the LCD panel.
- (5) Set the POWER switch to CAMERA while pressing the small green button. Your camcorder is set to the standby mode.
- (6) Press START/STOP. Your camcorder starts recording. The REC indicator appears. The camera recording lamp located on the front of your camcorder lights up. To stop recording, press START/STOP again.



Запись изображения

Ваша видеокамера автоматически выполняет фокусировку за Вас.

- (1) Снимите крышку объектива и потяните шнур крышки объектива, чтобы зафиксировать ее.
- (2) Установите источник питания и вставьте кассету. Подробные сведения приведены в "Пункте 1" и "Пункте 3" (стр. 18, 27).
- (3) Потяните вниз рукоятку поддержки. Надежно удерживайте Вашу видеокамеру, как показано на рисунке.
- (4) Нажмите кнопку OPEN, чтобы открыть панель ЖКД.
- (5) Нажав маленькую зеленую кнопку, установите переключатель POWER в положение CAMERA. Ваша видеокамера будет установлена на режим готовности.
- (6) Нажмите кнопку START/STOP. Ваша видеокамера начнет запись. Появится индикатор REC. Высветится также лампочка записи, расположенная на передней панели видеокамеры. Для остановки записи нажмите кнопку START/STOP еще раз.

Recording a picture

After recording

- (1) Set the POWER switch to OFF (CHARGE).
- (2) Close the LCD panel and set the Holding Grip back to the previous position.
- (3) Eject the cassette.
- (4) Remove the battery pack.

Notes

- Fasten the grip strap firmly.
- Do not touch the built-in microphone during recording.

Note on Recording mode

Your camcorder records and plays back in the SP (standard play) mode and in the LP (long play) mode. Select SP or LP in the menu settings (p. 134). In the LP mode, you can record 1.5 times as long as in the SP mode.

When you record a tape in the LP mode on your camcorder, we recommend playing the tape on your camcorder.

Note on the LOCK switch (DCR-PC9E only)
When you slide the LOCK switch to the left, the POWER switch can no longer be set to MEMORY accidentally. The LOCK switch is set to the right as a default setting.

To enable smooth transition

Transition between the last scene you recorded and the next scene is smooth as long as you do not eject the cassette even if you turn off your camcorder.

However, check the following:

- When you change the battery pack, set the POWER switch to OFF (CHARGE).
- When you use a tape with cassette memory, however, you can make the transition smooth even after ejecting the cassette if you use the end search function (p. 44).

Запись изображения

После записи

- (1) Установите переключатель POWER в положение OFF (CHARGE).
- (2) Закройте панель ЖКД и установите захватное устройство в предыдущее положение.
- (3) Вытолкните кассету.
- (4) Удалите батарейный блок.

Примечания

- Плотно пристегните ремень захвата.
- Не прикасайтесь к встроенному микрофону во время записи.

Примечание по режиму записи

Ваша видеокамера выполняет запись и воспроизведение в режиме SP (стандартное воспроизведение) и в режиме LP (длгоиграющее воспроизведение). Выберите команду SP или LP в установках меню (стр. 134). В режиме LP Вы можете выполнять запись в 1,5 раза дольше по времени, чем в режиме SP.

При выполнении записи на ленту в режиме LP на Вашей видеокамере рекомендуется воспроизводить эту ленту также на Вашей видеокамере.

Примечание по переключателю LOCK (только модель DCR-PC9E)

Если Вы передвинете переключатель LOCK влево, то переключатель POWER уже не может быть случайно переключен в положение MEMORY. Переключатель LOCK установлен по умолчанию в правое положение.

Для обеспечения плавного перехода

Переход между последним записанным эпизодом и следующим эпизодом будет плавным до тех пор, пока Вы не извлечете кассету, даже если Вы и выключили Вашу видеокамеру.

- Однако проверьте следующее:
 - Когда Вы меняете батарейный блок, установите переключатель POWER в положение OFF (CHARGE).
 - Однако при использовании ленты с кассетной памятью Вы можете выполнять плавный переход даже после извлечения кассеты с помощью функции поиска конца (стр. 44).

Recording a picture

If you leave your camcorder in the standby mode for 5 minutes while the cassette is inserted

Your camcorder automatically turns off. This is to save battery power and to prevent battery and tape wear. To resume the standby mode, set the POWER switch to OFF (CHARGE), and to CAMERA again. However, your camcorder does not turn off automatically while the cassette is not inserted.

When you record in the SP and LP modes on one tape or you record in the LP mode

- The transition between scenes is not smooth.
- The playback picture may be distorted or the time code may not be written properly between scenes.

Recording data

The recording data (date/time or various settings when recorded) are not displayed while recording. However, they are recorded automatically onto the tape. To display the recording data, press DATA CODE during playback. You can also use the Remote Commander for this operation (p. 48).

The battery use time when you record using the LCD screen

The battery time is slightly shorter than the shooting time using the viewfinder.

Запись изображения

Если Вы оставите Вашу видеокамеру в режиме ожидания на 5 минут при вставленной кассете

Ваша видеокамера выключится автоматически. Это предотвращает расход заряда батарейного блока и износ батарейного блока и ленты. Для возобновления режима ожидания установите переключатель POWER в положение OFF (CHARGE), а затем снова в положение CAMERA. Однако Ваша видеокамера не будет выключаться автоматически, если кассета не вставлена.

Если Вы выполняете запись в режимах SP и LP на одну ленту или же записываете несколько эпизодов в режиме LP

- Переход между сценами не будет плавным.
- Воспроизводимое изображение может быть искажено или же код времени может быть не записан надлежащим образом между сценами.

Данные записи

Данные записи (дата/время или различные установки при записи) не отображаются во время записи. Тем не менее, они автоматически записываются на ленту. Чтобы отобразить данные записи, нажмите кнопку DATA CODE во время воспроизведения. Для этой операции Вы можете использовать пульт дистанционного управления (стр. 48).

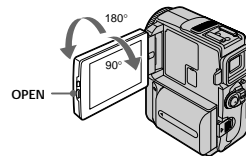
Время использования батарейного блока при выполнении записи с помощью экрана ЖКД

Время использования батарейного блока будет несколько короче, чем время съемки при использовании видоискателя.

Recording a picture

Adjusting the LCD screen

The LCD panel moves about 90 degrees to the viewfinder side and about 180 degrees to the lens side.



When closing the LCD panel, set it vertically, and swing it into the camcorder body.

Note

When using the LCD screen except in the mirror mode, the viewfinder automatically turns off.

When you use the LCD screen outdoors in direct sunlight

The LCD screen may be difficult to see. If this happens, we recommend that you use the viewfinder.

When you adjust the angle of the LCD panel Make sure if the LCD panel is opened up to 90 degrees.

Запись изображения

Регулировка экрана ЖКД

Панель ЖКД может передвигаться примерно на 90 градусов в сторону видоискателя и примерно на 180 градусов в сторону объектива.

При закрывании панели ЖКД установите ее вертикально, а затем поверните ее к корпусу видеокамеры.

Примечание

При использовании экрана ЖКД, за исключением зеркального режима, видоискатель автоматически отключается.

При использовании экрана ЖКД вне помещения под прямым солнечным светом

Экран ЖКД, возможно, будет трудно разглядеть. В таком случае рекомендуется использовать видоискатель.

При регулировке угла панели ЖКД

Убедитесь, чтобы панель ЖКД была открыта на 90 градусов.


Recording a picture

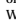
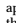
Shooting with the Mirror Mode

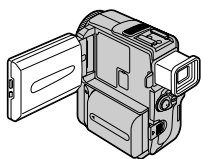
This feature allows the camera subject to view him- or herself on the LCD screen. The subject uses this feature to check his or her own image on the LCD screen while you look at the subject in the viewfinder.

In CAMERA or MEMORY (DCR-PC9E only) mode.

Pull out the viewfinder and rotate the LCD screen 180 degrees.

The  indicator appears in the viewfinder and on the LCD screen.

When the POWER switch is set to CAMERA,  appears in the standby mode, and  appears in the recording mode. Some of other indicators appear mirror-reversed and others are not displayed.



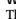
Picture in the mirror mode

The picture on the LCD screen is a mirror-image. However, the picture will be normal when recorded.

During recording in the mirror mode

- ZERO SET MEMORY on the Remote Commander does not work.
- FN appears mirror-reversed in the viewfinder.

When you press FN


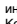
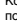
The  does not appear on the screen.

Запись изображения

Запись изображения

Данная функция позволяет объекту увидеть его или ее на экране ЖКД. Объект, использующий данную функцию, может проверить его или ее собственное изображение на экране ЖКД, в то время, как Вы смотрите на объект в видоискателе.

В режиме CAMERA или MEMORY (только модель DCR-PC9E)
Потяните видоискатель и поверните экран ЖКД на 180 градусов.

В видоискателе и на экране ЖКД появится индикатор . Когда переключатель POWER установлен в положение CAMERA индикатор  появляется в режиме ожидания, и индикатор  появляется в режиме записи. Некоторые из индикаторов будут перевернутыми, а некоторые не будут отображаться совсем.

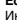
Изображение в зеркальном режиме

Изображение на экране ЖКД будет зеркальным. Однако изображение будет нормальным при записи.

Во время записи в зеркальном режиме

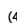
- Функция ZERO SET MEMORY на пульте дистанционного управления не работает.
- В видоискателе появится индикация FN в перевернутом виде.

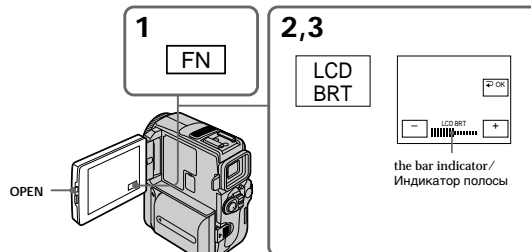
Если Вы нажмете кнопку FN

Индикация  не появится на экране.

Recording a picture

Adjusting the brightness of the LCD screen

- (1) In CAMERA or MEMORY (DCR-PC9E only) mode, press FN and select PAGE2. In VCR (DCR-PC9E)/PLAYER (DCR-PC6E) mode, press FN to display PAGE1 (p. 29).
- (2) Press LCD BRT. The screen to adjust the brightness of the LCD screen appears.
- (3) Adjust the brightness of the LCD screen using -/+.
- : to dim
- + : to brighten
- (4) Press  OK to return to PAGE1/PAGE2.



To return to FN

Press EXIT.


LCD screen backlight

You can change the brightness of the backlight. Select LCD B.L. in the menu settings when using the battery pack (p. 134).

Even if you adjust the LCD screen backlight or brightness of the LCD screen
The recorded picture will not be affected.

Запись изображения

Регулировка яркости экрана ЖКД

- (1) В режиме CAMERA или MEMORY (только модель DCR-PC9E) нажмите кнопку FN и выберите PAGE2. В режиме VCR (DCR-PC9E)/PLAYER (DCR-PC6E) нажмите кнопку FN для отображения PAGE1 (стр. 29).
- (2) Нажмите LCD BRT. Появится экран для регулировки яркости экрана ЖКД.
- (3) Отрегулируйте яркость экрана ЖКД с использованием -/+.
- : темнее
- + : ярче
- (4) Нажмите  OK для возврата к PAGE1/PAGE2.

Для возврата в положение FN

Нажмите кнопку EXIT.

Задняя подсветка экрана ЖКД

Вы можете изменять яркость задней подсветки. Выберите команду LCD B.L. в установках меню при использовании батарейного блока (стр. 134).

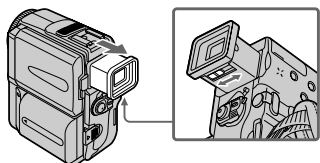
Даже в случае регулировки задней подсветки экрана ЖКД или яркости экрана ЖКД
Это не повлияет на записанное изображение.

Recording a picture

Adjusting the viewfinder

If you record pictures with the LCD panel closed, check the picture with the viewfinder. Adjust the viewfinder lens to your eyesight so that the indicators in the viewfinder come into sharp focus.

Pull out the viewfinder and move the viewfinder lens adjustment lever.



You turn the LCD panel over and move it back to your camcorder body with the LCD screen facing out. You can operate with the touch panel using the viewfinder in CAMERA or MEMORY (DCR-PC9E only) mode (p. 82).

Viewfinder backlight

You can change the brightness of the backlight. Select VF B.L. in the menu settings when using the battery pack (p. 134).

Even if you adjust the viewfinder backlight
The recorded picture will not be affected.

Запись изображения

Регулировка видоискателя

Если Вы записываете изображение с закрытой панелью ЖКД, проверьте изображение с помощью видоискателя. Отрегулируйте окуляр видоискателя в соответствии с Вашим зрением так, чтобы индикаторы в видоискателе были четко сфокусированы.

Потяните видоискатель и передвиньте рычаг регулировки окуляра видоискателя.

Поверните панель ЖКД и приставьте его к видеокамере, так чтобы экран ЖКД был направлен наружу. Вы можете управлять с помощью сенсорной панели, используя видоискатель в режиме CAMERA или MEMORY (только модель DCR-PC9E) (стр. 82).

Задняя подсветка видоискателя

Вы можете изменять яркость задней подсветки. Выберите пункт VF B.L. в установках меню только при использовании батарейного блока (стр. 134).

При регулировке задней подсветки видоискателя

Это не будет отражаться на записываемом изображении.

Recording a picture

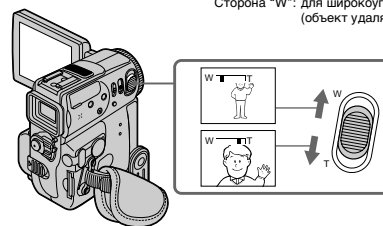
Using the zoom feature

Move the power zoom lever a little for a slower zoom. Move it further for a faster zoom.

Using the zoom function sparingly results in better-looking recordings.

"T" side: for telephoto (subject appears closer)

"W" side: for wide-angle (subject appears farther away)



To use zoom greater than 10x
Zoom greater than 10x is performed digitally. To activate digital zoom, select the digital zoom power in D ZOOM in the menu settings. The digital zoom function is set to OFF as a default setting (p. 134).

Запись изображения

Использование функции наезда видеокамеры

Передвиньте рычаг приводного вариообъектива слегка для относительно медленного наезда видеокамеры. Передвиньте его сильнее для ускоренного наезда видеокамеры.

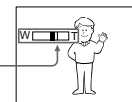
Использование функции наезда видеокамеры в небольшом количестве обеспечивает наилучшие результаты.

Сторона "T": для телефото (объект приближается)

Сторона "W": для широкоугольного вида (объект удаляется)

Наезд видеокамеры более, чем 10x
Наезд видеокамеры более 10x выполняется цифровым методом. Для активации цифрового наезда выберите степень цифрового наезда в D ZOOM в установках меню. Функция цифрового наезда по умолчанию установлена в положение OFF (стр. 134).

The right side of the bar shows the digital zooming zone.
The digital zooming zone appears when you select the digital zoom power in the menu settings (p. 134).
Правая сторона полосы на экране показывает зону цифровой трансфокации. Зона цифровой трансфокации появится, если Вы выберете степень цифрового наезда в установках меню (стр. 134).



Recording a picture

When you shoot close to a subject
If you cannot get a sharp focus, move the power zoom lever to the "W" side until the focus is sharp. You can shoot a subject that is at least about 80 cm (about 2 feet 5/8 inch) away from the lens surface in the telephoto position, or about 1 cm (about 1/2 inch) away in the wide-angle position.

Notes on digital zoom

- Digital zoom starts to function when zoom exceeds 10x.
- The picture quality deteriorates as you move the power zoom lever toward the "T" side.

When the POWER switch is set to MEMORY (DCR-PC9E only)

You cannot use the digital zoom.

Запись изображения

При съемке объекта с близкого положения
Если Вы не можете получить четкой фокусировки, передвиньте рычаг приводного вариообъектива сторону "W" до получения четкой фокусировки. Вы можете выполнять съемку объекта в положении телефото, который отстоит по крайней мере на расстоянии 80 см от поверхности объектива или же около 1 см в положении широкоугольного вида.

Примечания к наезду видеокамеры цифровым методом

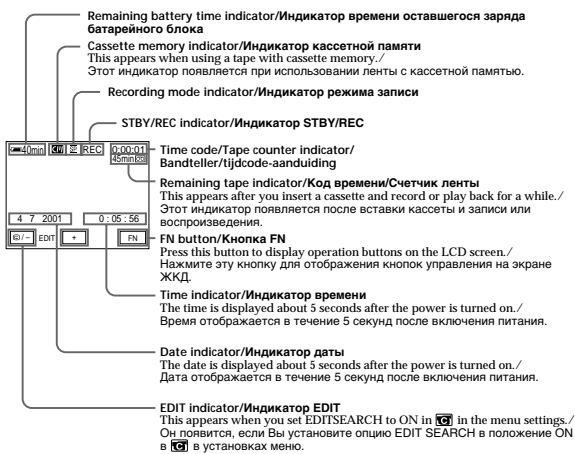
- Цифровой вариообъектив начинает срабатывать в случае, если наезд видеокамеры превышает 10x.
- Качество изображения ухудшается по мере продвижения рычага приводного вариообъектива в направлении стороны "T".

Если переключатель POWER установлен в положение MEMORY (только модель DCR-PC9E)

Вы не можете пользоваться цифровым наездом.

Indicators displayed in the recording mode

The indicators are not recorded on tape.



38

Индикаторы, отображаемые в режиме записи

Индикаторы не записываются на ленту.

Recording a picture

Remaining battery time indicator

The remaining battery time indicator roughly indicates the recording time. The indicator may not be correct, depending on the conditions in which you are recording. When you close the LCD panel and open it again, it takes about one minute for the correct remaining battery time in minutes to be displayed.

Time code

The time code indicates the recording or playback time. "0:00:00" (hours : minutes : seconds) in CAMERA mode and "0:00:00:00" (hours : minutes : seconds : frames) in VCR (DCR-PC9E)/PLAYER (DCR-PC6E) mode. You cannot rewrite only the time code.

Remaining tape indicator

The indicator may not be displayed accurately depending on the tape.

Recording data

The recording data (date/time or various settings when recorded) are not displayed while recording. However, they are recorded automatically onto the tape. To display the recording data, press DATA CODE during playback. You can also use the Remote Commander for this operation (p. 48).

Запись изображения

Индикатор времени оставшегося заряда батарейного блока

Индикатор оставшегося времени заряда батарейного блока грубо оценивает время записи. Индикатор может быть неточным в зависимости от условий, в которых Вы производите запись. Когда Вы закрываете панель ЖКД и открываете её снова, требуется около одной минуты для правильного отображения оставшегося времени заряда батарейного блока в минутах.

Код времени

Код времени указывает время записи или воспроизведения. "0:00:00" (часы:минуты:секунды) в режиме CAMERA и "0:00:00:00" (часы, минуты, секунды, кадры) в режиме VCR (DCR-PC9E)/PLAYER (DCR-PC6E). Вы не можете перезаписать только код времени.

Индикатор оставшейся ленты

Индикатор может точно не отображаться в зависимости от ленты.

Данные записи

Данные записи (дата/время или различные установки при записи) не отображаются во время записи. Тем не менее, они автоматически записываются на ленту. Чтобы отобразить дату и время записи, нажмите кнопку DATA CODE во время воспроизведения. Для этой операции Вы можете использовать пульт дистанционного управления (стр. 48).

Recording - Basics

Запись - Основные положения

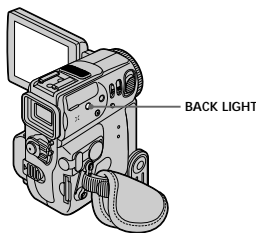
39

Recording a picture

Shooting backlit subjects - BACK LIGHT

When you shoot a subject with the light source behind the subject or a subject with a light background, use the backlight function.

Press BACK LIGHT in CAMERA or MEMORY (DCR-PC9E only) mode.
The [] indicator appears on the screen.
To cancel, press BACK LIGHT again.



During back light function

The backlight function will be canceled when you press MANUAL in the EXPOSURE mode or SPOT METER.

Запись изображения

Съемка объектов с задней подсветкой - BACK LIGHT

Если Вы выполняете съемку объекта с источником света позади него или же объекта со светлым фоном, используйте функцию задней подсветки.

Нажмите кнопку BACK LIGHT в режиме CAMERA или MEMORY (только модель DCR-PC9E).

На экране ЖКД появится индикатор []. Для отмены нажмите кнопку BACK LIGHT еще раз.

Во время работы функции задней подсветки

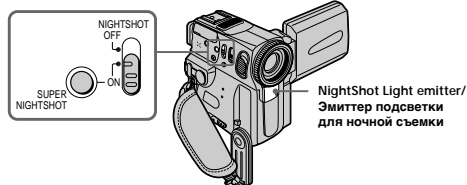
Функция задней подсветки будет отменена, если Вы нажмете MANUAL в режиме EXPOSURE или SPOT METER.

Recording a picture

Shooting in the dark - NIGHTSHOT/SUPER NIGHTSHOT

The NightShot function enables you to shoot a target in a dark place. For example, you can satisfactorily record the environment of nocturnal animals for observation when you use this function.

While your camcorder is in CAMERA or MEMORY (DCR-PC9E only) mode, slide NIGHTSHOT to ON.
@ and "NIGHTSHOT" indicators flash on the screen. To cancel the NightShot function, slide NIGHTSHOT to OFF.



Using Super NightShot

The Super NightShot mode makes subjects more than 16 times brighter than those recorded in the NightShot mode.

- (1) Slide NIGHTSHOT to ON in CAMERA mode. @ and "NIGHTSHOT" indicators flash on the screen.
- (2) Press SUPER NIGHTSHOT. The [] and "SUPER NIGHTSHOT" indicators flash on the screen.
To cancel the Super NightShot mode, press SUPER NIGHTSHOT again.

Using the NightShot Light

The picture will be clearer with the NightShot Light on. To activate NightShot Light, set N.S.LIGHT to ON in the menu settings (p. 134).

Запись изображения

Съемка в темноте - NIGHTSHOT/SUPER NIGHTSHOT

Функция ночной съемки позволяет Вам выполнять съемку объектов в темных местах. Например, Вы сможете с успехом выполнять съемку ночных животных для наблюдения при использовании данной функции.

Когда Ваша видеокамера находится в режиме CAMERA или MEMORY (только модель DCR-PC9E), передвиньте переключатель NIGHTSHOT в положение ON. Индикаторы @ и "NIGHTSHOT" начнут мигать на экране. Для отмены функции ночной съемки передвиньте переключатель NIGHTSHOT в положение OFF.

Использование режима ночной суперсъемки

Режим ночной суперсъемки делает объекты в 16 раз ярче, чем при записи их в режиме ночной съемки.

- (1) Передвиньте переключатель NIGHTSHOT в положение ON в режиме CAMERA. На экране начнут мигать индикаторы @ и "NIGHTSHOT".
- (2) Нажмите кнопку SUPER NIGHTSHOT. На экране начнут мигать индикаторы [] и "SUPER NIGHTSHOT".
Для отмены режима ночной суперсъемки нажмите кнопку SUPER NIGHTSHOT еще раз.

Использование подсветки для ночной съемки

Изображение станет ярче, если включить подсветку для ночной съемки. Для включения подсветки для ночной съемки установите команду N.S.LIGHT в положение ON в установках меню (стр. 134).

Recording - Basics

Запись - Основные положения

41

40

Recording a picture

Notes

- Do not use the NightShot function in bright places (ex. outdoors in the daytime). This may cause your camcorder to malfunction.
- When you keep NIGHTSHOT set to ON in normal recording, the picture may be recorded in incorrect or unnatural colours.
- If focusing is difficult with the autofocus mode when using the NightShot function, focus manually.
- Do not cover the NightShot Light emitter when using the NightShot function.

While using the NightShot function, you cannot use the following functions:

- Exposure
- Flexible Spot Meter
- PROGRAM AE
- White balance

Shutter speed in the Super NightShot mode
The shutter speed will be automatically adjusted depending on the brightness of the background. The motion of the moving picture will be slowed down.

While using the Super NightShot function, you cannot use the following functions:

- Fader
- Digital effect
- PROGRAM AE
- White balance
- Exposure
- Flexible Spot Meter

When the POWER switch is set to MEMORY (DCR-PC9E only)
Super NightShot function does not work.

NightShot Light

NightShot Light rays are infrared and so are invisible. The maximum shooting distance using the NightShot Light is about 3 m (10 feet).

Запись изображения

Примечания

- Не используйте функцию ночной съемки в ярких местах (например, на улице в дневное время). Это может привести к неисправности Вашей видеокамеры.
- При удержании установки NIGHTSHOT в положении ON при нормальной записи изображение может быть записано в неправильных или неестественных цветах.
- Если фокусировка затруднена в автоматическом режиме при использовании функции ночной съемки, выполните фокусировку вручную.
- Не закрывайте эмиттер подсветки для ночной съемки при использовании функции ночной съемки.

При использовании функции ночной съемки Вы не можете использовать следующие функции:

- Экспозиция
- Измеритель переменного пятна
- PROGRAM AE
- Баланс белого

Скорость затвора в режиме ночной суперсъемки

Скорость затвора будет автоматически отрегулирована в зависимости от яркости фона. В этом случае движущееся изображение станет замедленным.

Во время использования функции ночной суперсъемки Вы не можете использовать следующие функции:

- Фейдер
- Цифровой эффект
- PROGRAM AE
- Баланс белого
- Экспозиция
- Измеритель переменного пятна

Если переключатель POWER установлен в положение MEMORY (только DCR-PC9E)
Функция ночной суперсъемки не работает.

Подсветка для ночной съемки

Лучи подсветки для ночной съемки являются инфракрасными и поэтому невидимыми. Максимальное расстояние для съемки при использовании подсветки для ночной съемки равно примерно 3 м.

Recording a picture

Self-timer recording

Recording with the self-timer starts in 10 seconds automatically. You can also use the Remote Commander for this operation.

- In the standby mode, press FN and select PAGE3 (p. 28).
- Press SELFTIMER.
The (self-timer) indicator appears on the screen.
- Press START/STOP.
Self-timer starts counting down from 10 with a beep sound. In the last 2 seconds of the countdown, the beep sound gets faster, then recording starts automatically.



To stop the count down

Press START/STOP.
To restart the countdown, press START/STOP again.

To record still images on a tape using the self-timer
Press PHOTO in step 3 (p. 57).

To cancel the self-timer recording

Press SELFTIMER so that the (self-timer) indicator disappears from the screen while your camcorder is in the standby mode.

Note

- The self-timer recording mode is automatically cancelled when:
 - The self-timer recording is finished.
 - The POWER switch is set to OFF (CHARGE) or VCR (DCR-PC9E)/PLAYER (DCR-PC6E).

When the POWER switch is set to MEMORY (DCR-PC9E only)

You can also record still images on "Memory Stick" with the self-timer. (p. 162)

Запись изображения

Запись по таймеру самозапуска

Запись по таймеру самозапуска начинается автоматически через 10 секунд. Для этой операции Вы можете также использовать пульт дистанционного управления.

- В режиме ожидания нажмите FN и выберите PAGE3 (стр. 28).
- Нажмите кнопку SELFTIMER.
На экране появится индикатор (таймера самозапуска).
- Нажмите кнопку START/STOP.
Таймер самозапуска начинает обратный отсчет с 10 в сопровождении зуммерного звукового сигнала. В последние 2 секунды обратного отсчета зуммерный сигнал начинает звучать быстрее, а затем запись начинается автоматически.

Для остановки обратного отсчета

Нажмите кнопку START/STOP.
Для повторного запуска обратного отсчета нажмите кнопку START/STOP еще раз.

Для записи неподвижных изображений на ленте с помощью таймера самозапуска
Нажмите кнопку PHOTO в пункте 3 (стр. 57).

Для отмены записи по таймеру самозапуска

Нажмите кнопку SELFTIMER, так чтобы индикатор (таймера самозапуска) исчез с экрана в то время, когда Ваша видеокамера находится в режиме ожидания.

Примечание

- Режим записи по таймеру самозапуска автоматически отменяется, когда:
 - Запись по таймеру самозапуска будет закончена.
 - Переключатель POWER будет установлен в положение OFF (CHARGE) или VCR (DCR-PC9E)/PLAYER (DCR-PC6E).

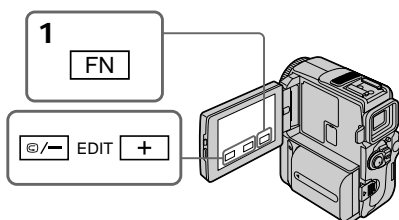
Если переключатель POWER установлен в положение MEMORY (только модель DCR-PC9E)

С помощью таймера самозапуска Вы можете также записывать неподвижные изображения на "Memory Stick" (стр. 162).

42

Checking the recording — END SEARCH / EDITSEARCH / Rec Review

You can use these buttons to check the recorded picture or shoot so that the transition between the last recorded scene and the next scene you record is smooth.



END SEARCH

You can go to the end of the recorded section after you record.

- In the standby mode, press FN to display PAGE1 (p. 28).
- Press END SCH.
The last 5 seconds of the recorded section are played back and your camcorder returns to the standby mode. You can monitor the sound from the speaker or headphones.

To return to END

Press EXIT.

To stop searching

Press END SCH again.

Проверка записи — END SEARCH/EDITSEARCH/Просмотр записи

Вы можете использовать эти кнопки для проверки записанного изображения или съемки, так, чтобы переход между последним записанным эпизодом и следующим записываемым эпизодом был плавным.

END SEARCH

Вы можете пойти до конца записанной части ленты после выполнения записи.

- В режиме готовности нажмите кнопку FN для отображения PAGE1 (стр. 28).
- Нажмите END SCH.
Будут воспроизведены последние 5 секунд записанного участка, и Ваша видеокамера вернется в режим ожидания. Вы можете контролировать звук через акустическую систему или головные телефоны.

Для возврата в положение FN

Нажмите кнопку EXIT.

Для остановки поиска

Снова нажмите END SCH.

Checking the recording — END SEARCH / EDITSEARCH / Rec Review

EDITSEARCH

You can search for the next recording start point.

- In the standby mode, press FN to display PAGE1.
- Press MENU, then set EDITSEARCH to ON in the menu settings.

Hold down the (EDIT) + side of EDIT. The recorded section is played back.

- + : to go forward
 - (EDIT) : to go backward
- Release (EDIT) + to stop playback. If you press START/STOP, re-recording begins from the point you released (EDIT) +. You cannot monitor the sound.

Rec Review

You can check the last recorded section.

In the standby mode, press the (EDIT) - side of EDIT momentarily.

The section you have stopped most recently will be played back for a few seconds, and then your camcorder will return to the standby mode. You can monitor the sound from the speaker or headphones.

End search function

When you use a tape without cassette memory, the end search function does not work once you eject the cassette after you have recorded on the tape. If you use a tape with cassette memory, the end search function works even once you eject the cassette.

If a tape has a blank portion in the recorded portions

The end search function may not work correctly.

Проверка записи — END SEARCH/EDITSEARCH/Просмотр записи

EDITSEARCH

Вы можете выполнять поиск места начала следующей записи.

- В режиме ожидания нажмите кнопку FN для отображения индикации PAGE1.
- Нажмите кнопку MENU, а затем установите опцию EDITSEARCH в положение ON в (EDIT) в установках меню.

Держите нажатой сторону (EDIT) + кнопки EDIT.

Будет воспроизведена записанная часть.

+ : для продвижения вперед
(EDIT) - : для продвижения назад
Отпустите кнопку (EDIT) + для остановки воспроизведения. Если Вы нажмете кнопку START/STOP, начнется перезапись с того места, где Вы отпустили кнопку (EDIT) +. Вы не можете контролировать звук.

Просмотр записи

Вы можете проверить последнюю записанную часть.

Нажмите кратковременно сторону (EDIT) - кнопки EDIT в режиме ожидания.

Будут воспроизведены последние несколько секунд самой последней части, остановку которой Вы выполнили, а затем Ваша видеокамера вернется в режим ожидания. Вы можете контролировать звук через акустическую систему или головные телефоны.

Функция поиска конца

Если Вы используете ленту без кассетной памяти, функция поиска конца не будет работать после извлечения кассеты, на ленте которой была выполнена запись. Если Вы используете ленту с кассетной памятью, функция поиска конца будет работать даже после извлечения кассеты.

Если на ленте имеется незаписанный участок между записанными частями
Функция может не работать надлежащим образом.

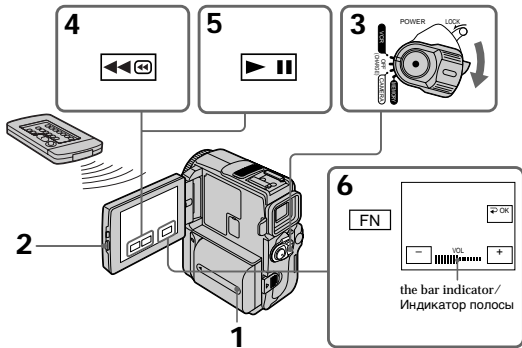
44

45

Playing back a tape

You can monitor the playback picture on the LCD screen. If you close the LCD panel, you can monitor the playback picture in the viewfinder. You can also control playback using the Remote Commander supplied with your camcorder.

- Install the power source and insert the recorded tape.
- Press OPEN to open the LCD panel.
- Set the POWER switch to VCR (DCR-PC9E)/PLAYER (DCR-PC6E) while pressing the small green button.
- Press to rewind the tape.
- Press to start playback.
- Adjust the volume following the steps below.
 - Press FN to display PAGE1 (p. 28).
 - Press VOL. The screen to adjust volume appears.
 - Press \rightarrow / \leftarrow to adjust the volume.
 - \rightarrow : to make the volume down
 - \leftarrow : to make the volume up
- Press \rightarrow OK to return to PAGE1.



Воспроизведение ленты

Вы можете контролировать воспроизводимое изображение на экране ЖКД. Если Вы закроете панель ЖКД, то Вы сможете контролировать воспроизводимое изображение в видеоскопел. Вы также можете контролировать воспроизводимое изображение с использованием пульта дистанционного управления, прилагаемого к Вашей видеокамере.

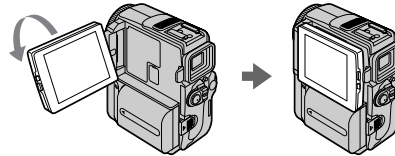
- Установите источник питания и вставьте записанную ленту.
- Нажмите кнопку OPEN для открывания панели ЖКД.
- Нажимая маленькую зеленую кнопку, установите переключатель POWER в положение VCR (DCR-PC9E)/PLAYER (DCR-PC6E).
- Нажмите кнопку для ускоренной перемотки ленты назад.
- Нажмите кнопку для включения воспроизведения.
- Отрегулируйте громкость, следуя нижеприведенным пунктам.
 - Нажмите кнопку FN для отображения индикации PAGE1 (стр. 28).
 - Нажмите VOL. Появится экран регулировки громкости.
 - Нажмите \rightarrow / \leftarrow для регулировки громкости.
 - \rightarrow : для понижения громкости
 - \leftarrow : для повышения громкости
- Нажмите \rightarrow OK для возврата к PAGE1.

Playing back a tape

To return to FN
Press EXIT.

To stop playback
Press .

When monitoring on the LCD screen
You can turn the LCD panel over and move it back to the camcorder body with the LCD screen facing out.



If you leave the power on for a long time Your camcorder gets warm. This is not a malfunction.

When you open or close the LCD panel
Open or close the LCD panel vertically.

Воспроизведение ленты

Для возврата в положение FN
Нажмите кнопку EXIT.

Для остановки воспроизведения
Нажмите кнопку .

Во время контроля на экране ЖКД
Вы можете повернуть панель ЖКД и придвинуть ее обратно на место к корпусу видеокамеры, так что экран ЖКД будет обращен наружу.

Если оставить питание включенным на длительное время
Ваша видеокамера станет теплой. Это не является неисправностью.

Когда Вы открываете или закрываете панель ЖКД
Открывайте или закрывайте панель ЖКД в вертикальном положении.

Playing back a tape

To display the screen indicators - Display function

Press DISPLAY / TOUCH PANEL on your camcorder or DISPLAY on the Remote Commander supplied with your camcorder. The indicators disappear on the screen. To make the indicators appear, press DISPLAY / TOUCH PANEL or DISPLAY again.

Using the data code function

Your camcorder automatically records not only images on the tape but also the recording data (date/time or various settings when recorded) (Data code). Follow the steps below to display the data code using the touch panel or the Remote Commander.

Using the touch panel

- In the playback mode, press FN and select PAGE3.
- Press DATA CODE.

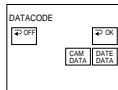
Воспроизведение ленты

Для отображения экранных индикаторов - Функция индикации

Нажмите кнопку DISPLAY/TOUCH PANEL на Вашей видеокамере или кнопку DISPLAY на пульте дистанционного управления, который прилагается к Вашей видеокамере. Индикаторы исчезнут с экрана. Для появления индикаторов нажмите DISPLAY/TOUCH PANEL или DISPLAY еще раз.

Использование функции кода данных
Ваша видеокамера автоматически записывает не только изображения на ленту, но также и данные записи (дату/время или разные установки при записи) (Код данных). Следуйте нижеприведенным пунктам для отображения кода данных с использованием сенсорной панели или пульта дистанционного управления.

- В режиме воспроизведения нажмите кнопку FN и выберите PAGE3.
- Нажмите кнопку DATA CODE.



- Select CAM DATA or DATE DATA, then press \rightarrow OK.
- Press EXIT.

Using the Remote Commander
Press DATA CODE button on the Remote Commander in the playback mode.

The display changes as follows:
date/time \rightarrow various settings (SteadyShot OFF, exposure, white balance, gain, shutter speed, aperture value) \rightarrow no indicator

Not to display various settings, set DATA CODE to DATE in the menu settings (p. 134). The display changes as follows when you press the DATA CODE button on the Remote Commander: date/time \rightarrow no indicator

- Выберите команду CAM DATA или DATE DATA, а затем нажмите кнопку \rightarrow OK.
- Нажмите кнопку EXIT.

Использование пульта дистанционного управления

Нажмите кнопку DATA CODE на пульте дистанционного управления в режиме воспроизведения. Индикация будет изменяться следующим образом:
дата/время \rightarrow разные установки (устойчивая съемка OFF, экспозиция, баланс белого, усиление, скорость затвора, величина диафрагмы) \rightarrow без индикации

Для того, чтобы не отображались различные установки, установите опцию DATA CODE в положение DATE в установках меню (стр. 134). Индикация будет изменяться следующим образом при нажатии кнопки DATA CODE на пульте дистанционного управления: дата/время \rightarrow без индикации

Playing back a tape



- [a] SteadyShot OFF indicator
- [b] Exposure mode indicator
- [c] White balance indicator
- [d] Gain indicator
- [e] Shutter speed indicator
- [f] Aperture value indicator

Various settings

Various settings are your camcorder's information when you have recorded. In the recording mode, the various settings will not be displayed.

When you use the data code function, bars (---) appear if:

- A blank portion of the tape is being played back.
- The tape is unreadable due to tape damage or noise.
- The tape was recorded by a camcorder without the date and time set.

Data code

When you connect your camcorder to the TV, the data code also appears on the TV screen.

Remaining battery time indicator during playback

The indicator indicates the approximate continuous playback time. The indicator may not be correct, depending on the conditions in which you are playing back. When you close the LCD panel and open it again, it takes about 1 minute for the correct remaining battery time to be displayed.

Воспроизведение ленты



- [a] Индикатор OFF функции устойчивой съемки
- [b] Индикатор режима экспозиции
- [c] Индикатор баланса белого
- [d] Индикатор усиления
- [e] Индикатор скорости затвора
- [f] Индикатор величины диафрагмы

Различные установки

Различные установки несут информацию о видеокамере, когда Вы выполняете запись. В режиме записи различные установки отображаться не будут.

Если Вы используете функцию кода данных, то появятся полосы (---), если:
- Воспроизводится незаписанный участок на ленте.
- Лента является не читаемой из-за повреждения или помех.
- Запись на ленту была выполнена видеокамерой без установки даты и времени.

Код данных

Когда Вы подсоединяете Вашу видеокамеру к телевизору, код данных также будет появляться на экране телевизора.

Индикатор оставшегося времени заряда батарейного блока во время воспроизведения

Индикатор оставшегося времени заряда батарейного блока отображает приблизительное время непрерывного воспроизведения. Индикатор может быть неточным в зависимости от условий, в которых Вы выполняете воспроизведение. Когда Вы закрываете панель ЖКД и открываете ее снова, требуется около 1 минуты для правильного отображения оставшегося времени заряда батарейного блока.

Playing back a tape

Various playback modes

To operate video control buttons, set the POWER switch to VCR (DCR-PC9E)/PLAYER (DCR-PC6E).

When using the touch panel

- Press FN and select PAGE3.
- Press V SPD PLAY to display video control buttons.

To view a still image (playback view)

Press **[]** / **[]** during playback. To resume playback, press **[]** / **[]** again.

To advance the tape

Press **[]** / **[]** in the stop mode. To resume normal playback, press the **[]** / **[]**.

To rewind the tape

Press **[]** / **[]** in the stop mode. To resume normal playback, press the **[]** / **[]**.

To change the playback direction

Press **[]** / **[]** during playback to reverse the playback direction. To pause playback, press the **[]** / **[]**. To resume normal playback, press the **[]** / **[]**.

To locate a scene monitoring the picture (picture search)

Keep pressing **[]** / **[]** or **[]** / **[]** during playback. To resume normal playback, release the button.

To monitor the high-speed picture while advancing or rewinding the tape (skip scan)

Keep pressing **[]** / **[]** while rewinding or **[]** / **[]** while advancing the tape. To pause playback, press the **[]** / **[]**. To resume normal playback, press the **[]** / **[]**.

To view the picture at slow speed (slow playback)

Press **[]** / **[]** during playback. For slow playback in the reverse direction, press **[]** / **[]**, then press **[]** / **[]**. To pause playback, press the **[]** / **[]**. To resume normal playback, press the **[]** / **[]**.

50

Playing back a tape

Slow playback

The slow playback can be performed smoothly on your camcorder, however, this function does not work for an output signal from the DV (DCR-PC9E)/DV OUT (DCR-PC6E) jack.

When you play back a tape in reverse horizontal noise may appear at the centre, or the top and bottom of the screen. This is not a malfunction.

52

Воспроизведение ленты

Переменные режимы воспроизведения

Для управления кнопками видеоконтроля установите переключатель POWER в положение VCR (DCR-PC9E)/PLAYER (DCR-PC6E).

При использовании сенсорной панели
(1) Нажмите кнопку FN и выберите индикацию PAGE3.
(2) Нажмите кнопку V SPD PLAY для отображения кнопок видеоконтроля.

Для просмотра неподвижного изображения (паузы воспроизведения)

Нажмите во время воспроизведения кнопку **[]** / **[]**. Для возобновления обычного воспроизведения нажмите кнопку **[]** / **[]** снова.

Для ускоренной перемотки ленты вперед

Нажмите в режиме остановки кнопку **[]** / **[]**. Для возобновления обычного воспроизведения нажмите кнопку **[]** / **[]**.

Для ускоренной перемотки ленты назад

Нажмите в режиме остановки кнопку **[]** / **[]**. Для возобновления обычного воспроизведения нажмите кнопку **[]** / **[]**.

Для изменения направления воспроизведения

Нажмите кнопку **[]** / **[]** во время воспроизведения для изменения направления воспроизведения. Для паузы воспроизведения нажмите кнопку **[]** / **[]**. Для возобновления обычного воспроизведения нажмите кнопку **[]** / **[]**.

Для отыскания эпизода во время контроля изображения (поиск изображения)

Держите нажатой кнопку **[]** / **[]** или **[]** / **[]** во время воспроизведения. Для возобновления обычного воспроизведения отпустите кнопку.

Для контроля изображения на высокой скорости во время ускоренной перемотки ленты вперед или назад (поиск методом прогона)

Держите нажатой кнопку **[]** / **[]** или **[]** / **[]** во время ускоренной перемотки ленты вперед или назад отпустите кнопку.

Для просмотра воспроизведения изображения на замедленной скорости (замедленное воспроизведение)

Нажмите кнопку **[]** / **[]** во время воспроизведения. Для замедленного воспроизведения в обратном направлении нажмите кнопку **[]** / **[]**, а затем нажмите кнопку **[]** / **[]**. Для паузы воспроизведения нажмите кнопку **[]** / **[]**. Для возобновления обычного воспроизведения нажмите кнопку **[]** / **[]**.

Воспроизведение ленты

Замедленное воспроизведение

Замедленное воспроизведение может выполняться на Вашей видеокамере без помех; однако эта функция не работает через выходной сигнал из гнезда DV (DCR-PC9E)/DV OUT (DCR-PC6E).

При воспроизведении ленты в обратном направлении

На экране могут появиться горизонтальные помехи по центру или же сверху и внизу экрана. Это не является неисправностью.

Playing back a tape

To view the picture at double speed

Press **[]** / **[]** during playback. For double speed playback in the reverse direction, press **[]** / **[]**, then press **[]** / **[]**. To pause playback, press the **[]** / **[]**. To resume normal playback, press the **[]** / **[]**.

To view the picture frame-by-frame

Press **[]** / **[]** in the playback pause mode. For frame-by-frame playback in the reverse direction, press **[]** / **[]**. To resume normal playback, press **[]** / **[]**.

To search the last scene recorded (END SEARCH)

Press END SCH on PAGE1 in the stop mode. The last 5 seconds of the recorded section plays back and stops.

Video control buttons

Marks on your camcorder are different from those on the Remote Commander supplied with your camcorder.

Your camcorder:

- []** To play back or pause a tape
- []** To stop a tape
- []** To rewind a tape
- []** To fastforward a tape
- []** To play back a tape slowly
- []** To forward one frame at a time
- []** To rewind one frame at a time
- []** To play back a tape at double speed

Remote Commander:

- []** To play back a tape
- []** To pause a tape
- []** To rewind a tape
- []** To forward a tape
- []** To play back a tape slowly
- []** To forward one frame at a time
- []** To rewind one frame at a time
- []** To play back a tape at double speed

In the various playback modes

- Sound is muted.
- The previous picture may remain as a mosaic image during playback.

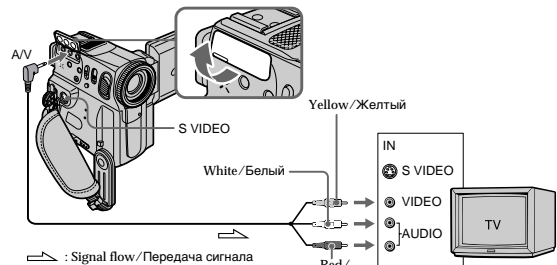
When the playback pause mode lasts for 5 minutes

Your camcorder automatically enters the stop mode. To resume playback, press **[]** / **[]**.

Viewing the recording on TV

Connect your camcorder to your TV with the A/V connecting cable supplied with your camcorder to watch the playback picture on the TV screen. You can operate the playback control buttons in the same way as when you monitor playback pictures on the LCD screen. When monitoring the playback picture on the TV screen, we recommend that you power your camcorder from a wall socket using the AC adaptor (p. 24). Refer to the operating instructions of your TV.

Open the jack cover. Connect your camcorder to the TV using the A/V connecting cable. Then, set the TV/VCR selector on the TV to VCR.



If your TV is already connected to a VCR

Connect your camcorder to the LINE IN input on the VCR by using the A/V connecting cable supplied with your camcorder. Set the input selector on the VCR to LINE.

Воспроизведение ленты

Для просмотра воспроизведения изображения на удвоенной скорости

Нажмите кнопку **[]** / **[]** во время воспроизведения. Для воспроизведения на удвоенной скорости в обратном направлении нажмите кнопку **[]** / **[]**, а затем кнопку **[]** / **[]**. Для паузы воспроизведения нажмите кнопку **[]** / **[]**. Для возобновления обычного воспроизведения нажмите кнопку **[]** / **[]**.

Для покадрового просмотра изображения

Нажмите кнопку **[]** / **[]** в режиме паузы воспроизведения. Для покадрового воспроизведения в обратном направлении нажмите кнопку **[]** / **[]**. Для возобновления обычного воспроизведения нажмите кнопку **[]** / **[]**.

Для поиска последнего записанного эпизода (END SEARCH)

Нажмите кнопку END SCH на PAGE1 в режиме остановки. Будут воспроизведены последние 5 секунд записанного участка на ленте, после чего воспроизведение остановится.

Кнопки видеоконтроля

Знаки на Вашей видеокамере отличаются от тех, которые на пульте дистанционного управления, прилагаемом к Вашей видеокамере.

Ваша видеокамера:

- []** Для воспроизведения или паузы воспроизведения ленты
- []** Для остановки ленты
- []** Для обратной перемотки ленты
- []** Для ускоренной перемотки ленты вперед
- []** Для замедленного воспроизведения ленты
- []** Для ускоренной перемотки вперед по одному кадру за раз
- []** Для обратной перемотки по одному кадру за раз
- []** Для воспроизведения ленты на удвоенной скорости

Пульт дистанционного управления:

- []** Для воспроизведения ленты
- []** Для паузы воспроизведения
- []** Для обратной перемотки ленты
- []** Для ускоренной перемотки ленты вперед
- []** Для замедленного воспроизведения ленты
- []** Для ускоренной перемотки вперед по одному кадру за раз
- []** Для обратной перемотки по одному кадру за раз
- []** Для воспроизведения ленты на удвоенной скорости

В переменных режимах воспроизведения

- Звук будет приглушен.
- Ранее записанное изображение может остаться в качестве мозаичного изображения во время воспроизведения.

Если режим паузы воспроизведения продлится 5 минут

Ваша видеокамера автоматически войдет в режим остановки. Для возобновления воспроизведения нажмите кнопку **[]** / **[]**.

Просмотр записи на экране телевизора

Подсоедините Вашу видеокамеру к Вашему телевизору с помощью соединительного кабеля аудио/видео, который прилагается к Вашей видеокамере, для просмотра воспроизводимого изображения на экране телевизора. Вы можете оперировать кнопками управления воспроизведением таким же способом, как при управлении воспроизводимым изображением на экране ЖКД. При управлении воспроизводимым изображением на экране телевизора рекомендуется подключить питание к Вашей видеокамере от сетевой розетки с помощью адаптера переменного тока (стр. 24). См. инструкцию по эксплуатации Вашего телевизора.

Откройте гнездовую крышку. Подсоедините Вашу видеокамеру к телевизору с помощью соединительного кабеля аудио/видео. Затем, установите переключатель TV/VCR на Вашем телевизоре в положение VCR.

51

53

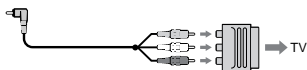
Viewing the recording on TV

If your TV or VCR is a monaural type

Connect the yellow plug of the A/V connecting cable to the video input jack and the white or the red plug to the audio input jack on the VCR or the TV. If you connect the white plug, the sound is L (left) signal. If you connect the red plug, the sound is R (right) signal.

If your TV/VCR has a 21-pin connector (EUROCONNECTOR)

– European models only



Use the 21-pin adaptor supplied with your camcorder.

If your TV has an S video jack
Connect using an S video cable (optional) to obtain high-quality pictures. With this connection, you do not need to connect the yellow (video) plug of the A/V connecting cable. Connect the S video cable (optional) to the S video jacks on both your camcorder and the TV or the VCR.
This connection produces higher quality DV format pictures.

To display the screen indicators on TV
Set DISPLAY to V-OUT/LCD in the menu settings (p. 134).
Then press DISPLAY/TOUCH PANEL on your camcorder. To turn off the screen indicators, press DISPLAY/TOUCH PANEL on your camcorder again.

Просмотр записи на экране телевизора

Если Ваш телевизор или КВМ монофонического типа

Подсоедините желтый штекер соединительного кабеля аудио/видео к входному гнезду видеосигнала, а белый или красный штекер к входному гнезду аудиосигнала на КВМ или телевизоре. Если Вы подсоедините белый штекер, то Вы получите сигнал канала L (левого). А если Вы подсоедините красный штекер, то Вы получите сигнал канала R (правого).

Если в Вашем телевизоре/КВМ имеется 21-штырьковый разъем (EUROCONNECTOR)

– Только европейские модели

Используйте 21-штырьковый адаптер, который прилагается к Вашей видеокамере.

Если в Вашем телевизоре имеется гнездо S видео.
Выполните соединение с использованием кабеля S видео (приобретается отдельно) для получения высококачественного изображения. При данном соединении Вам не нужно подсоединять желтый штекер (видео) соединительного кабеля аудио/видео. Подсоедините кабель S видео (приобретается отдельно) к гнездам S видео на Вашей видеокамере и Вашем телевизоре или КВМ.
Это соединение обеспечивает высококачественное изображение формата DV.

Для отображения индикаторов на экране телевизора
Установите DISPLAY на V-OUT/LCD в установках меню (стр. 134).
Затем нажмите DISPLAY/TOUCH PANEL на Вашей видеокамере. Для выключения экранных индикаторов нажмите DISPLAY/TOUCH PANEL на Вашей видеокамере снова.

— Advanced Recording Operations —

Recording a still image on a tape – Tape Photo recording

You can record a still image. This mode is useful when you want to print a image using a video printer (optional).

You can record about 510 images in the SP mode and about 765 images in the LP mode on a 60-minute tape.

Besides the operation described here, your camcorder can record still images on "Memory Stick"s (p. 159) (DCR-PC9E only).

(1) In the standby mode, keep pressing PHOTO lightly until a still image appears. The CAPTURE indicator appears. Recording does not start yet.

To change the still image, release PHOTO, select a still image again, and then press and hold PHOTO lightly.

(2) Press PHOTO deeper.
The still image on the screen is recorded for about 7 seconds. The sound during those 7 seconds is also recorded.
The still image is displayed on the screen until the recording is completed.

— Усовершенствованные операции съемки —

Запись неподвижного изображения на ленту – Фотосъемка на ленту

Вы можете записывать неподвижное изображение. Данный режим полезен при выполнении отпечатков с помощью видеопринера (приобретается отдельно).

Вы можете записать около 510 изображений в режиме SP и около 765 изображений в режиме LP на 60-минутной ленте. Кроме приведенной выше операции, Ваша видеокамера может выполнить запись неподвижных изображений на "Memory Stick" (стр. 159) (Только модель DCR-PC9E).

(1) В режиме ожидания держите слегка нажатой кнопку PHOTO до тех пор, пока не появится неподвижное изображение. Появится индикатор CAPTURE. Запись пока еще не началась.

Для изменения неподвижного изображения отпустите кнопку PHOTO, выберите неподвижное изображение снова, а затем нажмите и держите слегка нажатой кнопку PHOTO.

(2) Нажмите кнопку PHOTO сильнее. Неподвижное изображение в видискателе или на экране будет записываться около 7 секунд. В течение этих 7 секунд будет записываться и звук. Неподвижное изображение будет отображаться на экране до тех пор, пока не будет завершена запись.

54

Recording a still image on a tape – Tape Photo recording

Notes

- During tape photo recording, you cannot change the mode or setting.
- When recording a still image, do not shake your camcorder. The image may fluctuate.
- The tape photo recording function does not work during following operations:
 - Fader
 - Digital effect

If you record a moving subject with the tape photo recording function
When you play back the still image on other equipment, the image may fluctuate.

To use the tape photo recording function using the Remote Commander
Press PHOTO on the Remote Commander. Your camcorder records an image on the screen immediately.

To use the tape photo recording function during normal CAMERA recording
You cannot check an image on the screen by pressing PHOTO lightly. Press PHOTO deeper. The still image is then recorded for about 7 seconds and your camcorder returns to the standby mode.

To record clear and less fluctuated still images (DCR-PC9E only)
We recommend that you record on "Memory Stick"s.

Запись неподвижного изображения на ленту – Фотосъемка на ленту

Примечания

- Во время фотосъемки Вы не можете изменять режим или установку.
- При записи неподвижного изображения не трясите Вашу видеокамеру. Изображение может быть неустойчивым.
- Функция фотосъемки не во время следующих операций:
 - Фейдер
 - Цифровой эффект

Если вы выполняете запись движущегося объекта с помощью функции фотосъемки на ленту
При воспроизведении неподвижного изображения на другой аппаратуре изображение может быть неустойчивым.

Для использования функции фотосъемки на ленту с помощью пульта дистанционного управления
Нажмите кнопку PHOTO на пульте дистанционного управления. Ваша видеокамера тотчас же запишет изображение на экран.

Для использования функции фотосъемки на ленту во время обычной записи CAMERA

Вы не можете проверить изображение на экране ЖКД или в видискателе, слегка нажав кнопку PHOTO. Нажмите кнопку PHOTO сильнее.
Неподвижное изображение будет записываться около 7 секунд, а затем видеокамера вернется в режим ожидания.

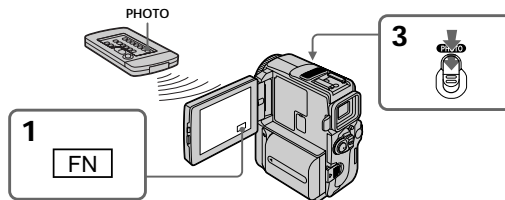
Для записи четких неподвижных изображений с меньшими колебаниями (только модель DCR-PC9E)
Мы рекомендуем, чтобы Вы выполняли запись на "Memory Stick"s.

Recording a still image on a tape – Tape Photo recording

Self-timer recording

You can record still images on tapes with the self-timer. You can also use the Remote Commander for this operation.

- (1) In the standby mode, press FN and select PAGES.
- (2) Press SELFTIMER.
The (self-timer) indicator appears on the screen.
- (3) Press PHOTO firmly.
Self-timer starts counting down from 10 with a beep sound. In the last 2 seconds of the countdown, the beep sound gets faster, then the recording starts automatically.



To cancel the self-timer recording
Press SELFTIMER so that the (self-timer) indicator disappears from the screen while your camcorder is in the standby mode. You cannot cancel the self-timer recording using the Remote Commander.

Note

The self-timer recording mode is automatically cancelled when:
– The self-timer recording is finished.
– The POWER switch is set to OFF (CHARGE) or VCR (DCR-PC9E)/PLAYER (DCR-PC6E).

Запись неподвижного изображения на ленту – Фотосъемка на ленту

Запись по таймеру самозапуска

Вы можете записывать неподвижные изображения на лентах с помощью таймера самозапуска. Для этой операции Вы можете также использовать пульт дистанционного управления.

- (1) В режиме ожидания, нажмите кнопку FN и выберите опцию PAGES.
- (2) Нажмите кнопку SELFTIMER.
На экране появится индикатор (таймера самозапуска)
- (3) Сильно нажмите кнопку PHOTO.
Таймер самозапуска начинает обратный отсчет с 10 в сопровождении зуммерного звукового сигнала. В последние 2 секунды обратного отсчета зуммерный сигнал начинает звучать быстрее, а затем съемка начинается автоматически.

Для отмены записи по таймеру самозапуска

Нажмите кнопку SELFTIMER, так чтобы индикатор (таймер самозапуска) исчез с экрана в то время, когда Ваша видеокамера находится в режиме ожидания. Вы не можете отменить запись по таймеру самозапуска, используя пульт дистанционного управления.

Примечание

Режим фотосъемки на ленту по таймеру самозапуска автоматически отменяется, когда:
– Окончания записи по таймеру самозапуска.
– Переключатель POWER будет установлен в положение OFF (CHARGE) или VCR (DCR-PC9E)/PLAYER (DCR-PC6E).

56

Advanced Recording Operations

Усовершенствованные операции съемки

55

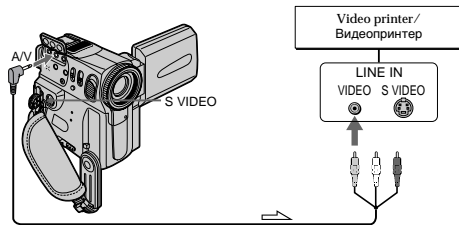
Advanced Recording Operations

Усовершенствованные операции съемки

Recording a still image on a tape – Tape Photo recording

Printing the still image

You can print a still image by using the video printer (optional). Connect the video printer using the A/V connecting cable supplied with your camcorder. Connect it to the A/V jack and connect the yellow plug of the cable to the video input of the video printer.



↗ : Signal flow / Передача сигнала

Refer to the operating instructions of the video printer as well.

If the video printer is equipped with S video input

Use the S video connecting cable (optional) to obtain high-quality output. Connect it to the S VIDEO jack and the S video input of the video printer.

Запись неподвижного изображения на ленту – Фотосъемка на ленту

Печатаение неподвижного изображения

Вы можете выполнить печатаение неподвижного изображения с помощью видеопринера (приобретается отдельно). Подсоедините видеопринер с помощью соединительного кабеля аудио/видео, который прилагается к Вашей видеокамере. Подсоедините его к гнезду A/V и подсоедините желтый штекер кабеля к входному гнезду видеосигнала на видеопринтере.

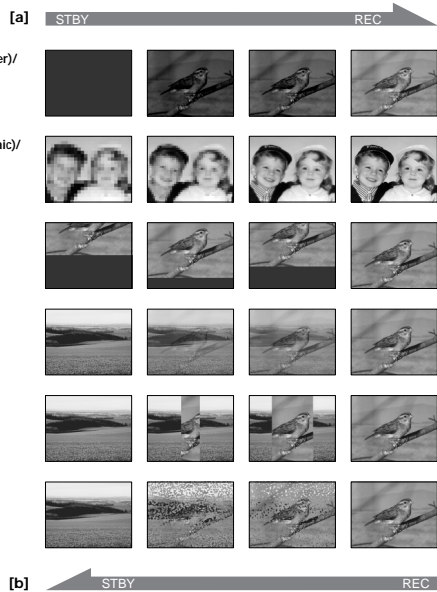
Воспользуйтесь также инструкцией по эксплуатации видеопринера.

Если в видеопринтере имеется входное гнездо S видео

Используйте соединительный кабель S видео (приобретается отдельно) для получения высококачественного выходного сигнала. Подсоедините его к гнезду S VIDEO и ко входному гнезду S видео на видеопринтере.

Using the fader function

You can fade in or out to give your recording a professional appearance.



MONOTONE

When fading in, the picture gradually changes from black-and-white to colour. When fading out the picture gradually changes from colour to black-and-white.

¹⁾ You can use the bounce function when D ZOOM is set to OFF in the menu settings.

²⁾ Fade in only.

Использование функции фейдера

Вы можете выполнять плавное введение и выводение изображения, чтобы придать Вашей съемке профессиональный вид.

MONOTONE

При введении изображение будет постепенно изменяться от черно-белого до цветного.

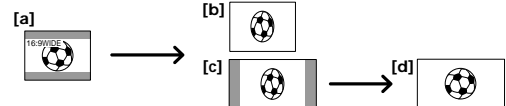
При выведении изображение будет постепенно изменяться от цветного до черно-белого.

¹⁾ Вы можете использовать эту функцию, только если команда D ZOOM установлена в положение OFF в установках меню.

²⁾ Только введение изображения.

Using the wide mode

You can record a 16:9 wide picture to watch on the 16:9 wide-screen TV (16:9WIDE). Black bands appear on the screen during recording in 16:9WIDE mode [a]. The picture during playing back on a normal TV [b] or a wide-screen TV [c] are compressed in the widthwise direction. If you set the screen mode of the wide-screen TV to the full mode, you can watch pictures of normal images [d].



(1) In the standby mode, press FN to display PAGE1.

(2) Press MENU, then set 16:9WIDE to ON in the menu settings (p. 134).

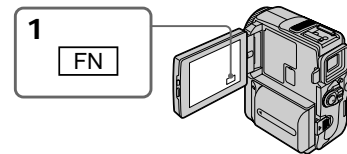
Использование широкоэкрannого режима

Вы можете записывать широкоформатное изображение 16:9 для просмотра на широкоэкрannом телевизоре формата 16:9 (16:9WIDE).

Во время записи в режиме 16:9WIDE на экране появляются черные полосы [a]. Изображение во время воспроизведения на обычном телевизоре [b] или на широкоэкрannом телевизоре [c] будет сжато по ширине. Если Вы установите экранный режим широкоэкрannого телевизора в полноэкранный режим, Вы сможете наблюдать изображения нормального размера [d].

(1) В режиме готовности нажмите кнопку FN для отображения PAGE1.

(2) Нажмите кнопку MENU, а затем установите 16:9WIDE на ON в установках меню (стр. 134).



To return to FN
Press EXIT.

To cancel the wide mode

Set 16:9WIDE to OFF in the menu settings.

In the wide mode, you cannot select the following functions:

- Old movie
- Bounce

During recording

You cannot select or cancel the wide mode. When you cancel the wide mode, set your camcorder to the standby mode and then set 16:9WIDE to OFF in the menu settings.

Для возврата в положение FN
Нажмите кнопку EXIT.

Для отмены широкоэкрannого режима

Установите команду 16:9WIDE в положение OFF в установках меню.

В широкоэкрannом режиме Вы не можете выбрать следующие функции:

- Старинное кино
- Перескакивания

Во время записи

Вы не можете выбрать или отменить широкоэкранный режим. Если Вы отмените широкоэкранный режим, установите Вашу видеокамеру в режим ожидания, а затем установите режим 16:9WIDE в положение OFF в установках меню.

Using the fader function

(1) When fading in [a]

In the standby mode, press FN to display PAGE1.

When fading out [b]

In the recording mode, press FN to display PAGE1.

(2) Press FADER. The screen to select the fader mode appears.

(3) Select a desired fader mode.

(4) Press \rightarrow OK to return to PAGE1, and press EXIT to return to FN.

The fader indicator you selected flashes.

(5) Press START/STOP. After the fade in/out is carried out, your camcorder automatically returns to the normal mode.

Использование функции фейдера

(1) При введении изображения [a]

В режиме готовности нажмите кнопку FN для отображения PAGE1.

При выведении изображения [b]

В режиме записи нажмите кнопку FN для отображения PAGE1.

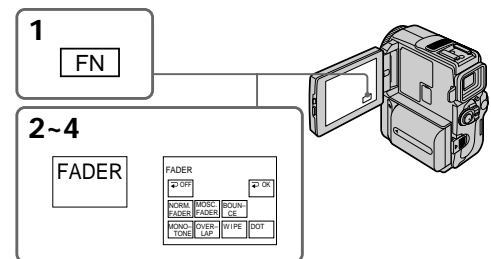
(2) Нажмите кнопку FADER. Появится экран выбора режима фейдера.

(3) Выберите желаемый режим фейдера.

(4) Нажмите \rightarrow OK для возврата к PAGE1, и нажмите кнопку EXIT для возврата в положение FN.

Индикатор выбранного Вами фейдера будет мигать.

(5) Нажмите кнопку START/STOP. После выполнения введения/выведения изображения ваша видеокамера автоматически вернется к нормальному режиму.



To cancel the fader function

Before pressing START/STOP, press \rightarrow OFF to return to PAGE1, and press EXIT to return to FN.

Для отмены функции фейдера

Перед нажатием START/STOP нажмите \rightarrow OFF для возврата к PAGE1, и нажмите кнопку EXIT для возврата в положение FN.

Using the fader function

Note
You cannot use the following functions while using the fader function. Also, you cannot use the fader function while using the following functions.

- Digital effect
- Low lux mode of PROGRAM AE (Overlap, Wipe or Dot function only)*
- Super NightShot
- Tape Photo recording
- Interval recording
- Cut recording

* If you operate your camcorder while the fader function is in use, the Low lux mode indicator flashes and you cannot use the fader function.

When you select OVERLAP, WIPE or DOT
Your camcorder automatically stores the image recorded on a tape. As the image is being stored, and the playback picture disappears. At this stage, the picture may not be recorded clearly, depending on the tape condition.

While using the bounce function, you cannot use the following functions:

- Exposure
- Flexible Spot Meter
- Focus
- Zoom
- Picture effect

Note on the bounce function
You cannot select the bounce function in the following mode or functions:

- D ZOOM is set to 20x or 120x in the menu settings
- Wide mode
- Picture effect
- PROGRAM AE

When the POWER switch is set to MEMORY (DCR-PC9E only)
You cannot use the fader function.

Использование функции фейдера

Примечание
Вы не можете использовать следующие функции во время использования функции фейдера. Также, Вы не можете использовать функцию фейдера во время использования следующих функций.

- Цифровой эффект
- Режим низкой освещенности PROGRAM AE (только функция наложения, вытеснения шторки или точечного изображения)*
- Ночная суперсъемка
- Фотосъемка на ленту
- Запись с интервалами
- Запись монтажного кадра

* Если Вы будете эксплуатировать Вашу видеокамеру при использовании функции фейдера, начнет мигать индикатор низкой освещенности, и Вы не сможете использовать функцию фейдера.

Если Вы выбрали режимы OVERLAP, WIPE или DOT

Ваша видеокамера автоматически сохранит изображение на ленте. Во время сохранения изображения, воспроизводимое изображение изменит. На этом этапе изображение может быть записано нечетко в зависимости от от состояния ленты.

Во время использования функции перескакивания Вы не можете использовать следующие функции:

- Экспозиция
- Универсальный точечный фотозаспектометр
- Фокусировка
- Трансфокация
- Эффект изображения

Примечание по функции перескакивания
Вы не можете выбрать функцию перескакивания в следующем режиме или при использовании следующих функций.

- Команда D ZOOM установлена в положение 20x или 120x в установках меню
- Широкоэкранный режим
- Эффект изображения
- PROGRAM AE

Если переключатель POWER установлен в положение MEMORY (только модель DCR-PC9E)
Вы не можете использовать функцию фейдера.

Using special effects - Picture effect

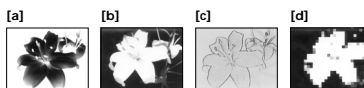
You can digitally process images to obtain special effects like those in films or on the TV.

- NEG. ART [a]** : The colour and brightness of the picture are reversed.
- SEPIA :** The picture is sepia.
- B&W :** The picture is monochrome (black-and-white).
- SOLARIZE [b]** : The light intensity is clearer, and the picture looks like an illustration.
- PASTEL [c]** : The contrast of the picture is emphasized, and the picture looks like an animated cartoon.
- MOSAIC [d]** : The picture is mosaic.

Использование специальных эффектов - Эффект изображения

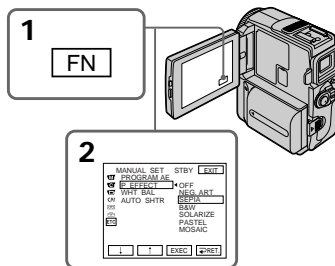
Вы можете выполнять обработку изображения цифровым методом для получения специальных эффектов, как в кинофильмах или на экранах телевизоров.

- NEG. ART [a]** : Цвет и яркость изображения будут негативными.
- SEPIA :** Изображение будет в цвете сепи.
- B&W :** Изображение будет монохроматическим (черно-белым).
- SOLARIZE [b]** : Яркость света будет усиленной, а изображение будет выглядеть как иллюстрация.
- PASTEL [c]** : Подчеркивается контрастность изображения, которому придается мультипликационный вид.
- MOSAIC [d]** : Изображение будет мозаичным.



- (1) In CAMERA mode, press FN to display PAGES.
- (2) Press MENU, then select P EFFECT in [MENU] in the menu settings to select a desired picture effect mode (p. 134).

- (1) В режиме CAMERA нажмите кнопку FN для отображения PAGES.
- (2) Нажмите кнопку MENU, а затем выберите P EFFECT в [MENU] в установках меню для выбора желаемого режима эффекта изображения (стр. 134).



Using special effects - Picture effect

To return to FN
Press EXIT.

To turn the picture effect function off
Select OFF in P EFFECT in the menu settings.

While using the picture effect function
You cannot select the old movie mode with the digital effect function.

When you set the POWER switch to OFF (CHARGE)
The picture effect is automatically canceled.

Использование специальных эффектов - Эффект изображения

Для возврата в положение FN
Нажмите кнопку EXIT.

Для выключения функции эффекта изображения
Выберите OFF в установках меню P EFFECT.

При использовании функции эффекта изображения
Вы не можете выбрать режим старинного кино с помощью эффектов изображения.

Если Вы установите переключатель POWER в положение OFF (CHARGE)
Эффект изображения будет автоматически отменен

Using special effects - Digital effect

You can add special effects to recorded pictures using the various digital functions. The sound is recorded normally.

STILL
You can record a still image so that it is superimposed on a moving picture.

FLASH (FLASH MOTION)
You can record still image successively at constant intervals.

LUMI. (LUMINANCEKEY)
You can swap a brighter area in a still image with a moving picture.

TRAIL
You can record a picture so that an incidental image like a trail is left.

SLOW SHTR (SLOW SHUTTER)
You can slow down the shutter speed. The slow shutter mode is good for recording dark pictures more brightly.

OLD MOVIE
You can add an old movie type atmosphere to pictures. Your camcorder automatically sets the wide mode to ON, picture effect to SEPIA, and the appropriate shutter speed.

Использование специальных эффектов - Цифровой эффект

Вы можете добавлять специальные эффекты к записываемому изображению с помощью разных цифровых функций. Записываемый звук будет обычным.

STILL
Вы можете записывать неподвижное изображение, которое можно налагать на подвижное изображение.

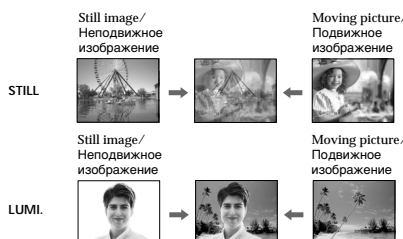
FLASH (FLASH MOTION)
Вы можете записывать неподвижные изображения в последовательности через определенные интервалы.

LUMI. (LUMINANCEKEY)
Вы можете изменять яркие места на неподвижном изображении на подвижное изображение.

TRAIL
Вы можете записывать изображение с эффектом запаздывания.

SLOW SHTR (SLOW SHUTTER)
Вы можете замедлить скорость затвора. Режим медленного затвора является подходящим для записи темных изображений в более ярком свете.

OLD MOVIE
Вы можете создавать атмосферу старинного кинофильма для Ваших изображений. Видеокамера автоматически устанавливает широкоформатный режим на ON, эффект изображения в положение SEPIA и надлежащую скорость затвора.



Using special effects – Digital effect

- (1) In CAMERA mode, press FN to display PAGE1.
- (2) Press DIG EFFT. The screen to select a desired digital effect mode appears.
- (3) Select a desired digital effect mode. In the STILL and LUMI modes, the still image is stored in memory.
- (4) Press \rightarrow / + to adjust the effect.

Items to adjust

STILL	The rate of the still image you want to superimpose on the moving picture
FLASH	The interval of flash motion
LUMI.	The colour scheme of the area in the still image which is to be swapped with a moving picture
TRAIL	The vanishing time of the incidental image
SLOW SHTR	Shutter speed. The larger the shutter speed number, the slower the shutter speed.
OLD MOVIE	No adjustment necessary

- (5) Press \rightarrow OK to return to PAGE1.

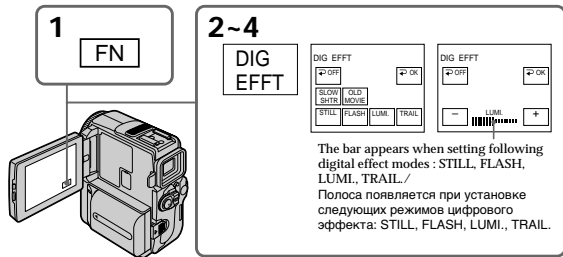
Использование специальных эффектов – Цифровой эффект

- (1) В режиме CAMERA нажмите кнопку FN для отображения PAGE1.
- (2) Нажмите DIG EFFT. Появится экран для выбора желаемого режима цифрового эффекта.
- (3) Выберите желаемый режим цифрового эффекта. В режимах STILL и LUMI неподвижное изображение будет сохранено в памяти.
- (4) Нажмите \rightarrow / + для регулировки эффекта.

Пункты для регулировки

STILL	Интенсивность неподвижного изображения, которое Вы хотите наложить на подвижное изображение
FLASH	Интервал прерывистого движения
LUMI.	Цветовая гамма участка на неподвижном изображении, который будет заменен на подвижное изображение
TRAIL	Время исчезновения побочного изображения
SLOW SHTR	Скорость затвора. Чем больше величина скорости затвора, тем медленнее скорость затвора
OLD MOVIE	Регулировка не требуется

- (5) Нажмите кнопку \rightarrow OK для возврата в положение PAGE1.



To return to FN
Press EXIT.

- 66 **To cancel the digital effect**
Press \rightarrow OFF to return to PAGE1.

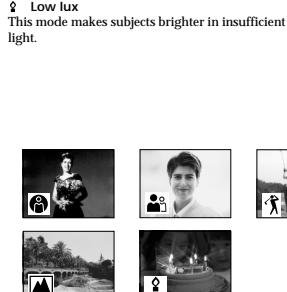
Для возврата в положение FN
Нажмите кнопку EXIT.

- Для отмены цифрового эффекта**
Нажмите \rightarrow OFF для возврата к PAGE1.

Using the PROGRAM AE function

You can select PROGRAM AE (Auto Exposure) mode to suit your specific shooting requirements.

- Spotlight**
This mode prevents people's faces, for example, from appearing excessively white when shooting subjects lit by strong light in the theatre.
- Soft portrait**
This mode brings out the subject while creating a soft background for subjects such as people or flowers.
- Sports lesson**
This mode minimizes shake on fast-moving subjects such as in tennis or golf.
- Beach & ski**
This mode prevents people's faces from appearing dark in strong light or reflected light, such as at a beach in midsummer or on a ski slope.
- Sunset & moon**
This mode allows you to maintain atmosphere when you are recording sunsets, general night views, fireworks displays and neon signs.
- Landscape**
This mode is for when you are recording distant subjects such as mountains and prevents your camcorder from focusing on glass or metal mesh in windows when you are recording a subject behind glass or a screen.
- Low lux**
This mode makes subjects brighter in insufficient light.



Использование функции PROGRAM AE

Вы можете выбрать режим PROGRAM AE (автоматическая экспозиция) в соответствии со специфическими требованиями к съемке.

- Пржекторное освещение**
Данный режим предотвращает, к примеру, лица людей от появления в чрезмерно белом свете при выполнении съемки людей, освещенных сильным светом в театре.
- Мягкий портрет**
Данный режим позволяет выделить объект путем создания мягкого фона для объектов, как например, цветы.
- Спортивные состязания**
Этот режим позволяет минимизировать дрожание при съемке быстро движущихся предметов, например, при игре в теннис или гольф.
- Пляжный и лыжный режим**
Этот режим предотвращает появление темных лиц людей в зоне сильного света или отраженного света, например, на пляже в разгар лета или на снежном склоне.
- Захода солнца и луны**
Этот режим позволяет в точности отражать обстановку при съемке заходов солнца, общих ночных видов, фейерверков и неоновых реклам.
- Ландшафт**
Этот режим позволяет выполнять съемку отдаленных объектов, таких как горы, например, и предотвращает фокусировку видеокамеры на стекло или металлическую решетку на окнах, когда Вы выполняете запись объектов позади стекла или решетки.
- Низкая освещенность**
Этот режим делает объекты ярче при недостаточном освещении.



Using special effects – Digital effect

- Notes**
- The following functions do not work during digital effect:
 - Fader
 - Low lux mode of PROGRAM AE (The indicator flashes)
 - Tape Photo recording
 - Super NightShot
 - The PROGRAM AE function does not work in the slow shutter mode.
 - The following functions do not work in the old movie mode:
 - Wide mode
 - Picture effect
 - PROGRAM AE

When you set the POWER switch to OFF (CHARGE)
The digital effect will be automatically canceled.

When recording in the slow shutter mode
Auto focus may not be effective. Focus manually using a tripod.

Shutter speed

Shutter speed number	Shutter speed
SLOW SHTR 1	1/25
SLOW SHTR 2	1/12
SLOW SHTR 3	1/6
SLOW SHTR 4	1/3

Использование специальных эффектов – Цифровой эффект

- Примечания**
- Следующие функции не работают при использовании цифрового эффекта:
 - Фейдер
 - Режим низкой освещенности PROGRAM AE (индикатор мигает)
 - Фотосъемка на ленту
 - Ночная суперсъемка
 - Функция PROGRAM AE не работает в режиме медленного затвора.
 - Следующие функции не работают в режиме старинного кино:
 - Широкоэкранный режим
 - Эффект изображения
 - PROGRAM AE

Если Вы установите переключатель POWER в положение OFF (CHARGE)
Цифровой эффект будет автоматически отменен.

При записи в режиме медленного затвора
Автоматическая фокусировка может быть не эффективной. Выполните фокусировку вручную, используя штатив.

Скорость затвора

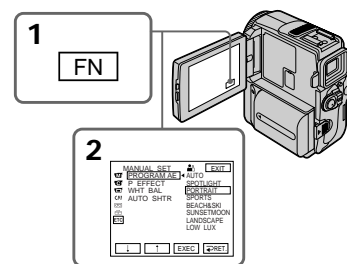
Величина скорости затвора	Скорость затвора
SLOW SHTR 1	1/25
SLOW SHTR 2	1/12
SLOW SHTR 3	1/6
SLOW SHTR 4	1/3

Using the PROGRAM AE function

- (1) In CAMERA or MEMORY (DCR-PC9E only) mode, press FN to display PAGE1.
- (2) Press MENU, then select PROGRAM AE in \rightarrow in the menu settings to select a desired PROGRAM AE mode (p. 134).

Использование функции PROGRAM AE

- (1) В режиме CAMERA или MEMORY (только модель DCR-PC9E) нажмите кнопку FN для отображения PAGE1.
- (2) Нажмите MENU, а затем выберите опцию PROGRAM AE в \rightarrow в установках меню для выбора нужного режима PROGRAM AE (стр. 134).



To return to FN
Press EXIT.

- To turn the PROGRAM AE function off**
Select AUTO in PROGRAM AE in the menu settings.

- Notes**
- Because your camcorder is set to focus only on subjects in the middle to far distance, you cannot take close-ups in the following modes:
 - Spotlight
 - Sports lesson
 - Beach & ski
 - Your camcorder is set to focus only on distant subjects in the following modes:
 - Sunset & moon
 - Landscape
 - The following functions do not work in the PROGRAM AE mode:
 - Slow shutter
 - Old movie
 - Bounce

Для возврата в положение FN
Нажмите кнопку EXIT.

- Для выключения функции PROGRAM AE**
Выберите AUTO в PROGRAM AE в установках меню.

- Примечания**
- Поскольку Ваша видеокамера настроена для фокусировки только на объекты, находящиеся на среднем и дальнем расстояниях, Вы не можете выполнять съемку крупным планом в следующих режимах:
 - Режим прожекторного освещения
 - Режим спортивных состязаний
 - Пляжный и лыжный режим
 - Ваша видеокамера настроена на фокусировку только на дальние объекты в следующих режимах:
 - Режим захода солнца и луны
 - Ландшафтный режим
 - Следующие функции не работают в режиме PROGRAM AE:
 - Медленный затвор
 - Старинное кино
 - Перескакивание

Using the PROGRAM AE function

- The following functions do not work in the low lux mode:
 - Digital effect
 - Overlap
 - Wipe
 - Dot
- The PROGRAM AE function does not work in the following cases. (The indicator flashes.)
 - To set the NIGHTSHOT to ON
 - To record images on a "Memory Stick" using the MEMORY MIX function. (DCR-PC9E only)
- While shooting in MEMORY (DCR-PC9E only) mode the following modes do not work. (The indicator flashes.):
 - Sports lesson
 - Low lux

While WHT BAL is set to AUTO in the menu settings

The white balance is adjusted even if the PROGRAM AE function is selected.

You can adjust the following functions while using the PROGRAM AE function.

- Exposure
- Flexible Spot Meter

If you are recording under a discharge tube such as a fluorescent lamp, sodium lamp or mercury lamp

Flickering or changes in colour may occur in the following modes. If this happens, turn the PROGRAM AE function off.

- Soft portrait
- Sports lesson

Использование функции PROGRAM AE

- Следующие функции не работают в режиме низкой освещенности:
 - Цифровой эффект
 - Наложение изображения
 - Вытеснение шторкой
 - Точное изображение
- Функция PROGRAM AE не будет работать в следующих случаях. (Индикатор будет мигать.)
 - Для установки NIGHTSHOT в положение ON
 - Для записи изображений на "Memory Stick" с помощью функции MEMORY MIX (только модель DCR-PC9E).
- При съемке в режиме MEMORY (только модель DCR-PC9E) не работают следующие режимы (Индикатор мигает):
 - Режим спортивных состязаний
 - Режим низкой освещенности

Если команда WHT BAL установлена в положение AUTO в установках меню баланс белого будет отрегулирован, даже если выбрана функция PROGRAM AE.

Вы можете отрегулировать следующие функции с помощью функции PROGRAM AE

- Экспозиция
- Универсальный точечный экспонометр

Если Вы выполняете запись при использовании газоразрядной лампы, как например, люминесцентной лампы, натриевой лампы или ртутной лампы

В следующих режимах может возникнуть мерцание или изменения в цвете. Если это произойдет, выключите функцию PROGRAM AE.

- Мягкий портрет
- Спортивные состязания

Adjusting the white balance manually

You can manually adjust and set the white balance. This adjustment makes white subjects look white and allows more natural colour balance. Normally white balance is automatically adjusted.

- In CAMERA or MEMORY (DCR-PC9E only) mode, press FN to display PAGE1.
- Press MENU, then select WHT BAL in in the menu settings to select a desired white balance mode (p. 134).

HOLD : Recording a single-coloured subject or background

- (OUTDOOR) :
 - Recording a sunset/sunrise, just after sunset, just before sunrise, neon signs, or fireworks
 - Under a colour matching fluorescent lamp
- (INDOOR) :
 - When lighting condition changes quickly
 - In too bright places such as photography studios
 - Under sodium lamps or mercury lamps

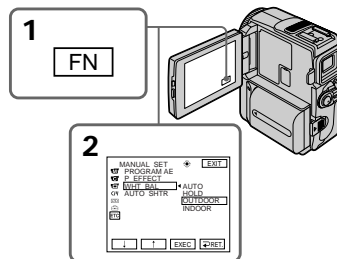
Регулировка баланса белого вручную

Вы можете отрегулировать и установить вручную баланс белого. Эта регулировка позволяет придать белым объектам истинно белый цвет и позволяет добиться более естественного цветового баланса. Обычно баланс белого регулируется автоматически.

- В режиме CAMERA или MEMORY (только модель DCR-PC9E) нажмите кнопку FN для отображения PAGE1.
- Нажмите кнопку MENU, затем выберите опцию WHT BAL в в установках меню для выбора нужного режима баланса белого (стр. 134).

HOLD : Запись одноцветного объекта или фона.

- (OUTDOOR):
 - Запись заката/захода солнца, сразу после захода, непосредственно перед рассветом, неоновых реклам или фейерверков
 - При освещении, соответствующем лампам дневного света
- (INDOOR):
 - Когда условия освещения быстро изменяются
 - В слишком ярких местах, как например, в фотостудии
 - Под натриевыми лампами или ртутными лампами



To return to FN
Press EXIT.

To return to the automatic white balance mode
Set WHT BAL to AUTO in the menu settings (p. 134).

Для возврата в положение FN
Нажмите кнопку EXIT.

Для возвращения к автоматическому режиму баланса белого
Установите команду WHT BAL в положение AUTO в установках меню (стр. 134).

70

Adjusting the white balance manually

If the picture is being taken in a studio lit by TV lighting
We recommend that you record in the indoor mode.

When you record under fluorescent lighting
Use the automatic white balance or hold mode. Your camcorder may not adjust the white balance correctly in the indoor mode.

In the automatic white balance mode
Point your camcorder at the white subject for about 10 seconds after setting the POWER switch to CAMERA to get better adjustment when:

- You detach the battery for replacement.
- You bring your camcorder from the interior of a house holding the exposure, or vice versa.

In the hold white balance mode
Set the white balance to AUTO and reset to HOLD after few seconds when:

- You change the PROGRAM AE mode.
- You bring your camcorder from the interior of a house, or vice versa.

Регулировка баланса белого вручную

В случае фотографирования изображения в студии при телевизионном освещении
Рекомендуется использовать для записи в режиме "в помещении".

В случае записи при освещении лампами дневного света
Используйте автоматический режим баланса белого или режим блокировки. Ваша видеокамера может не отрегулировать надлежащим образом баланс белого в режиме "в помещении".

В автоматическом режиме баланса белого
Наведите видеокамеру на белый объект приблизительно на 10 секунд после установки выключателя POWER в положение CAMERA для получения лучшей регулировки, когда:

- Вы отсоединяете батарейный блок для замены.
- Вы вынесли Вашу видеокамеру наружу из помещения, удерживая экспозицию, или наоборот.

В режиме блокировки баланса белого
Установите баланс белого в положение AUTO и снова установите в положение HOLD через несколько секунд, когда:

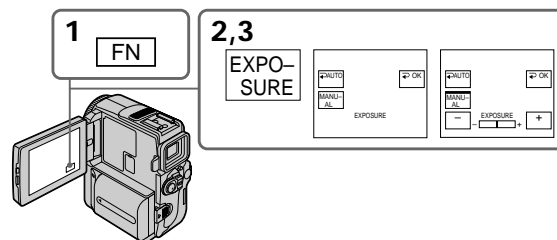
- Вы изменяете режим PROGRAM AE
- Вы вынесли Вашу видеокамеру наружу из помещения, или наоборот.

Adjusting the exposure manually

You can adjust and set the exposure. Normally exposure is automatically adjusted. Adjust the exposure manually in the following cases:

- The subject is backlit
- To shoot the bright subject and dark background
- To record dark pictures (e.g. night scenes) faithfully

- In CAMERA or MEMORY (DCR-PC9E only) mode, press FN to display PAGE1.
- Press EXPOSURE. The screen to adjust the exposure appears.
- Press MANUAL, then adjust the exposure using $-/+$.
 - : to dim
 - + : to brighten
- Press OK to return to PAGE1.



To return to FN
Press EXIT.

To return to the automatic exposure mode
Press AUTO to return to PAGE1.

Note
When you adjust the exposure manually, the backlight function does not work.

Your camcorder automatically returns to the automatic exposure mode:

- If you change the PROGRAM AE mode.
- If you slide NIGHTSHOT to ON.

Регулировка экспозиции вручную

Вы можете отрегулировать и установить экспозицию. Обычно экспозиция регулируется автоматически.

- Отрегулируйте экспозицию вручную в следующих случаях:
 - Объект на фоне задней подсветки
 - Для съемки яркого объекта на темном фоне
 - Для записи темных изображений (например, ночных сцен) с большой достоверностью

- В режиме CAMERA или MEMORY (только модель DCR-PC9E) нажмите кнопку FN для отображения PAGE1.
- Нажмите кнопку EXPOSURE. Появится экран для регулировки экспозиции.
- Нажмите кнопку MANUAL, а затем отрегулируйте экспозицию с использованием $-/+$.
 - : темнее
 - + : ярче
- Нажмите OK для возврата к PAGE1.

Для возврата в положение FN
Нажмите кнопку EXIT.

Для возврата в режим автоматической экспозиции
Нажмите AUTO для возврата к PAGE1.

Примечание
При выполнении регулировки вручную функция задней подсветки не работает.

Ваша видеокамера автоматически вернется в режим автоматической экспозиции:

- Если Вы измените режим PROGRAM AE.
- Если Вы передвинете переключатель NIGHTSHOT в положение ON.

72

71

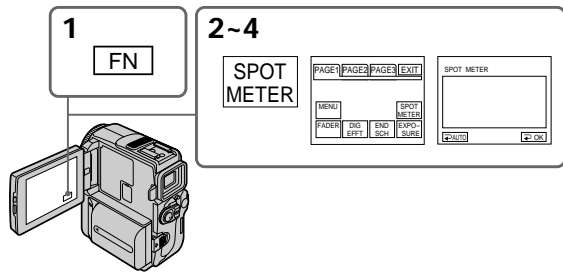
73

Using the spot light-metering mode – Flexible Spot Meter

You can take a picture with the appropriate exposure automatically for just the point you want to focus on and with its exposure fixed. Use the Flexible Spot Meter mode in the following cases:

- The subject is backlit.
- When there is strong contrast between the subject and background such as with a subject that is on stage and lighted by a spotlight.

- (1) In CAMERA or MEMORY (DCR-PC9E only) mode, press FN to display PAGE1.
- (2) Press SPOT METER. The SPOT METER screen appears.
- (3) Press the desired area in the frame on the LCD screen. The SPOT METER indicator flashes on the LCD screen. The exposure of the point you selected is adjusted.
- (4) Press \rightarrow OK to return to PAGE1.



To return to FN
Press EXIT.

To return to the automatic exposure mode
Press \rightarrow AUTO to return to PAGE1.

Использование режима точечной фотозаэкспониметрии – Универсальный точечный фотозаэкспониметр

Вы можете выполнять съемку изображения с соответствующей экспозицией автоматически для объекта, на который Вы хотите произвести фокусировку, при фиксированной экспозиции. Используйте режим универсального точечного фотозаэкспониметра в следующих случаях:

- Объект освещен задней подсветкой
- Когда существует сильный контраст между объектом и фоном, как например, объект, который находится на сцене и освещен прожекторным освещением.

- (1) В режиме CAMERA или MEMORY (только модель DCR-PC9E) нажмите кнопку FN для отображения PAGE1.
- (2) Нажмите кнопку SPOT METER. Появится экран SPOT METER.
- (3) Нажмите желаемое место в рамке на экране ЖКД. Индикатор SPOT METER будет мигать на экране ЖКД. Экспозиция для выбранной Вами точки будет отрегулирована.
- (4) Нажмите \rightarrow OK для возврата к PAGE1.

Для возврата в положение FN
Нажмите кнопку EXIT.

Для возврата к режиму автоматической экспозиции
Нажмите \rightarrow AUTO для возврата к PAGE1.

Using the spot light-metering mode – Flexible Spot Meter

Note
When the Flexible Spot Meter mode is in use, the backlight function does not work.

When using the Flexible Spot Meter function EXPOSURE is automatically set to MANUAL.

Your camcorder automatically returns to the automatic exposure mode:
- If you change the PROGRAM AE mode.
- If you slide NIGHTSHOT to ON.

Использование режима точечной фотозаэкспониметрии – Универсальный точечный фотозаэкспониметр

Примечание
Когда используется режим универсального точечного фотозаэкспониметра, функция задней подсветки работать не будет.

При использовании функции измерителя переменного пятна
Команда EXPOSURE будет автоматически установлена в положение MANUAL.

Ваша видеокамера автоматически вернется в режим автоматической экспозиции:
- Если Вы измените режим PROGRAM AE.
- Если Вы передвинете переключатель NIGHTSHOT в положение ON.

Focusing manually

You can gain better results by manually adjusting the focus in the following cases. Normally, focus is automatically adjusted.

- The autofocus mode is not effective when shooting
 - subjects through glass coated with water droplets
 - horizontal stripes
 - subjects with little contrast with backgrounds such as walls and sky
- When you want to change the focus from a subject in the foreground to a subject in the background
- Shooting a stationary subject when using a tripod



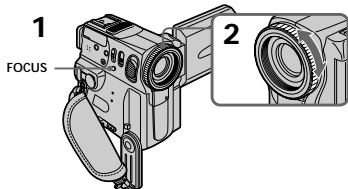
- (1) Press FOCUS lightly in CAMERA or MEMORY (DCR-PC9E only) mode. The \odot indicator appears.
- (2) Turn the focus ring to sharpen focus.

Фокусировка вручную

Вы можете получить лучшие результаты путем ручной регулировки в следующих случаях. Обычно фокусировка регулируется автоматически.

- Режим автоматической фокусировки является неэффективным при выполнении съемки
 - объектов через покрытое каплями стеклом
 - горизонтальных полос
 - объектов с малой контрастностью на таком фоне, как стена или небо
- Если Вы хотите выполнить изменение фокусировки с объекта на переднем плане на объект на заднем плане
- При выполнении съемки стационарных объектов с использованием штатива

- (1) Слегка нажмите FOCUS режиме CAMERA или MEMORY (только модель DCR-PC9E). Появится индикатор \odot .
- (2) Поверните кольцо фокусировки для получения четкой фокусировки.



To return to the autofocus mode
Press FOCUS lightly to turn off \odot , \blacktriangle or \blacktriangledown indicator.

Для возвращения в режим автоматической фокусировки
Слегка нажмите FOCUS для выключения индикатора \odot , \blacktriangle или \blacktriangledown .

Focusing manually

To record distant subjects
When you press FOCUS down firmly, the lens focuses on and \blacktriangle indicator appears. When you release FOCUS, your camcorder returns to the manual focus mode. Use this mode when your camcorder focuses on near objects even though you are trying to shoot a distant object.

To focus precisely
It is easier to focus on the subject if you adjust the zoom to shoot at the "W" (wide-angle) after focusing at the "T" (telephoto) position.

When you shoot close to the subject Focus at the end of the "W" (wide-angle) position.

- \odot changes as follows:
 \blacktriangle when recording a distant subject.
 \blacktriangledown when the subject is too close to focus on.

Фокусировка вручную

Для съемки удаленных объектов
Если Вы сильно нажмете кнопку FOCUS, объектив будет сфокусирован и появится индикатор \blacktriangle . Если Вы отпустите кнопку FOCUS, Ваша видеокамера вернется в режим ручной фокусировки. Используйте этот режим, если Ваша видеокамера выполняет фокусировку на ближние объекты, даже если Вы пытаетесь выполнить съемку удаленного объекта.

Для точной фокусировки
Это облегчит фокусировку, если Вы отрегулируете вариобъектив для выполнения съемки в положении "W" (широкоугольном) после фокусировки в положении "T" (телефото).

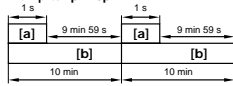
Если Вы выполняете съемку вблизи объекта
Выполните фокусировку в конце положения "W" (широкоугольное).

- \odot изменяется следующим образом:
 \blacktriangle при записи удаленного объекта.
 \blacktriangledown если объект находится слишком близко, чтобы выполнить фокусировку на него.

Interval recording

You can make a time-lapse recording by setting the camcorder to automatically record and standby sequentially. You can achieve an excellent recording for flowering, emergence, etc., with this function.

Example/Пример



[a] Recording time
[b] Waiting time

- (1) In standby mode, press FN to display PAGE1.
- (2) Press MENU, then set INT. REC to SET in **16** in the menu settings, then press EXEC (p. 134).
- (3) Set INTERVAL and REC TIME.
 - Press \uparrow/\downarrow to select INTERVAL, then press EXEC.
 - Press \uparrow/\downarrow to select the desired interval time, then press EXEC.
The time: 30SEC \leftrightarrow 1MIN \leftrightarrow 5MIN \leftrightarrow 10MIN
 - Press \uparrow/\downarrow to select REC TIME, then press EXEC.
 - Press \uparrow/\downarrow to select the desired recording time, then press EXEC.
The time: 0.5SEC \leftrightarrow 1SEC \leftrightarrow 1.5SEC \leftrightarrow 2SEC
 - Press \rightarrow RET.

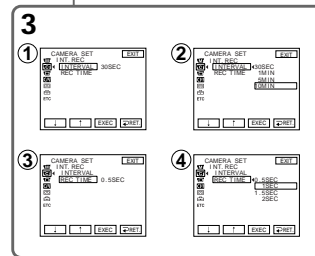
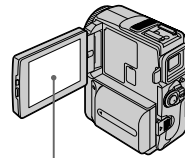
Запись с интервалами

Вы можете выполнять запись через заданные промежутки времени, выполнив установку видеокмеры для автоматической записи и следующего за ней режима ожидания. С помощью этой функции Вы можете получить превосходную запись процесса распускания цветов, чрезвычайных обстоятельств и т.д.

[a] Длительность записи
[b] Длительность ожидания

- (1) В режиме ожидания, нажмите кнопку FN для отображения индикации PAGE1.
- (2) Нажмите кнопку MENU, а затем установите INT. REC в положение SET в **16** в установках меню, а затем нажмите кнопку EXEC (стр. 134).
- (3) Установите опцию INTERVAL и REC TIME.
 - Нажимайте кнопки \uparrow/\downarrow для выбора опции INTERVAL, а затем нажмите кнопку EXEC.
 - Нажимайте кнопки \uparrow/\downarrow для выбора нужного интервала, а затем нажмите кнопку EXEC.
Время: 30SEC \leftrightarrow 1MIN \leftrightarrow 5MIN \leftrightarrow 10MIN
 - Нажимайте кнопки \uparrow/\downarrow для выбора опции REC TIME, а затем нажмите кнопку EXEC.
 - Нажимайте кнопки \uparrow/\downarrow для выбора нужного времени записи, а затем нажмите кнопку EXEC.
Время: 0.5SEC \leftrightarrow 1SEC \leftrightarrow 1.5SEC \leftrightarrow 2SEC
 - Нажмите кнопку \rightarrow RET.

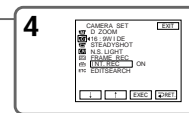
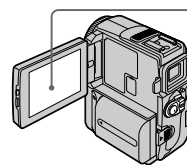
Interval recording



- (4) Set INT. REC to ON, then press EXEC.
- (5) Press EXIT to return to FN.
The INTERVAL indicator flashes on the screen.
- (6) Press START/STOP to start interval recording.
The interval recording indicator lights up.

Запись с интервалами

- (4) Установите INT. REC в положение ON, а затем нажмите кнопку EXEC.
- (5) Нажмите кнопку EXIT для возврата к опции FN.
На экране начнет мигать индикатор INTERVAL.
- (6) Нажмите кнопку START/STOP для начала записи с интервалами.
Восветится индикатор записи с интервалами.



78

Interval recording

To cancel the interval recording

Perform either of the following:
– Set INT. REC to OFF in the menu settings.
– Set the POWER switch to OFF (CHARGE), VCR (DCR-PC9E)/PLAYER (DCR-PC6E) or MEMORY (DCR-PC9E only).

To perform normal recording during the interval recording

Press START/STOP. The INTERVAL indicator flashes, and you can perform normal recording only once. To return to interval recording, stop normal recording, and press START/STOP again. The INTERVAL indicator stops flashing and lights up, and the recording time for interval recording is started.

Note on interval recording (DCR-PC9E only)

You cannot do interval recording in memory mode.

On recording time

There may be a discrepancy in recording time of up to +/- 6 frames from the selected time.

Запись с интервалами

Для отмены записи с интервалами

Выполните одно из следующих действий:
– Установите пункт INT. REC в установках меню в положение OFF.
– Установите переключатель POWER в положение OFF (CHARGE), VCR (модель DCR-PC9E)/PLAYER (модель DCR-PC6E) или MEMORY (только модель DCR-PC9E).

Для выполнения обычной записи во время записи с интервалами

Нажмите кнопку START/STOP. Индикатор INTERVAL будет мигать и Вы сможете выполнить обычную запись только один раз. Для возврата в режим записи с интервалами прекратите обычную запись и снова нажмите кнопку START/STOP. Индикатор INTERVAL перестанет мигать и будет гореть, после чего начинается время для записи с интервалами.

Примечание по записи с интервалами (только модель DCR-PC9E)

Вы не можете выполнять запись с интервалом в режиме памяти.

О длительности записи

Длительность записи может отклоняться от выбранной длительности, максимально, до +/- 6 кадров.

Frame by frame recording – Cut recording

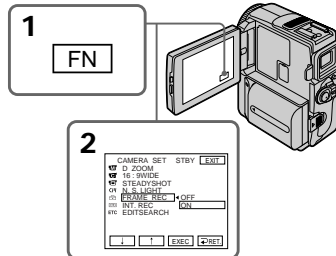
You can make a recording with a stop-motion animated effect using cut recording. To create this effect, alternately move the subject a little and make a cut recording. We recommend that you use a tripod, and operate the camcorder using the Remote Commander after step 4.

- (1) In standby mode, press FN to display PAGE1.
- (2) Press MENU, then set FRAME REC to ON in **16** in the menu setting (p. 134).
- (3) Press EXIT to return to FN.
The FRAME REC indicator lights up.
- (4) Press START/STOP to start cut recording.
The camcorder makes a recording for about six frames, and returns to recording standby.
- (5) Move the subject, and repeat step 4.

Покадровая запись – Запись монтажного кадра

Вы можете выполнить запись с анимированным эффектом стоп-кадра, используя запись монтажного кадра. Для создания данного эффекта попеременно перемещайте объект на небольшую величину и выполняйте запись монтажного кадра. Рекомендуется использовать треногу и управлять видеокмерой с помощью пульта дистанционного управления после выполнения действий пункта 4.

- (1) В режиме ожидания, нажмите кнопку FN для отображения индикации PAGE1.
- (2) Нажмите кнопку MENU, а затем установите опцию FRAME REC в положение ON в **16** в установках меню (стр. 134).
- (3) Нажмите кнопку EXIT для возврата к опции FN.
Восветится индикатор FRAME REC.
- (4) Нажмите кнопку START/STOP для начала записи монтажного кадра.
Видеокмера выполнит запись около шести кадров и вернется в режим ожидания записи.
- (5) Переместите объект и повторите действие пункта 4.



To cancel the cut recording

Perform either of the following:
– Set FRAME REC to OFF in the menu settings.
– Set the POWER switch to other than CAMERA mode.

Note

The proper remaining tape time is not indicated if you use this function continuously.

When using the cut recording function
The last recorded cut is longer than other cuts.

Для отмены записи монтажного кадра

Выполните одно из следующих действий:
– Установите пункт FRAME REC в установках меню в положение OFF в установках меню.
– Установите переключатель POWER в режим, отличный от режима CAMERA.

Примечание

Правильное время оставшейся ленты не отображается, если Вы используете эту функцию непрерывно.

При использовании функции записи монтажного кадра
Последний записанный кадр длиннее, чем другие кадры.

80

79

81

Using the viewfinder

You can pull out the viewfinder until it clicks, and then turn the LCD panel over and move it back to your camcorder body with the LCD screen facing out. You can operate with the touch panel using the viewfinder.

Use the viewfinder in the following case:
When operating camera brightness and the fader (only in CAMERA mode) on the touchpanel using the viewfinder

- (1) In CAMERA or MEMORY (DCR-PC9E only) mode, pull out the viewfinder until it clicks, and then turn the LCD panel over and move it back to your camcorder body with the LCD screen facing out.
- (2) Press **OFF**. The message PANEL OFF appears on the screen.
- (3) Press OK. The LCD screen is turned off.
- (4) Press the LCD screen. EXPOSURE → OK, **ON** and FADER (only in CAMERA mode) appear.
- (5) Select the desired item, then press **OK**.

EXPOSURE: adjust the exposure by pressing $-/+$.

FADER: press FADER until the desired fader mode is displayed (p. 60).
The indicator changes as follows:
FADER → M.FADER → BOUNCE → MONOTONE → OVERLAP → WIPE → DOT → (no indicator)

ON: The LCD screen lights up.



Использование видоискателя

Вы можете потянуть видоискатель до тех пор, пока он защелкнется, а затем поверните панель ЖКД вокруг и придвиньте ее к корпусу Вашей видеокамеры так, чтобы экран ЖКД был обращен наружу.

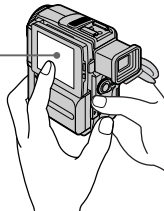
Вы можете управлять видеокамерой с помощью сенсорной панели, используя видоискатель. Используйте видоискатель в следующем случае:
При управлении яркостью видеокамеры и фейдерами (только в режиме CAMERA) на сенсорной панели, используя видоискатель.

- (1) В режиме CAMERA или MEMORY (только модель DCR-PC9E), потяните видоискатель, пока он не защелкнется, а затем поверните панель ЖКД и придвиньте ее к корпусу видеокамеры, так чтобы экран ЖКД был направлен наружу.
- (2) Нажмите кнопку **OFF**. На экране появится сообщение PANEL OFF.
- (3) Нажмите кнопку OK. Экран ЖКД выключится.
- (4) Нажмите кнопку LCD. Появятся индикации EXPOSURE → OK, **ON** и FADER (только в режиме CAMERA).
- (5) Выберите нужный пункт, а затем нажмите кнопку **OK**.

EXPOSURE: отрегулируйте экспозицию путем нажатия кнопок $-/+$.

FADER: нажмите кнопку FADER до тех пор, пока не будет отображен нужный режим фейдера (стр. 60). Индикация будет изменяться следующим образом:
FADER → M.FADER → BOUNCE → MONOTONE → OVERLAP → WIPE → DOT → (без индикации)
Высветится экран ЖКД.

ON:



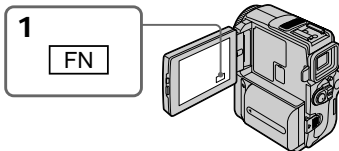
82 To make the buttons on the LCD screen disappear
Press **OK**.

Для того, чтобы индикация кнопок исчезла с экрана ЖКД
Нажмите кнопку **OK**.

— Advanced Playback Operations — Playing back a tape with picture effects

During playback, you can process a scene using the picture effect functions: NEG.ART, SEPIA, B&W and SOLARIZE.

- (1) In VCR (DCR-PC9E)/PLAYER (DCR-PC6E) mode, press FN to display PAGE1.
- (2) Press MENU, then select P EFFECT in **FN** in the menu settings to select a desired picture effect mode (p. 134).
Refer to page 63 for details of each picture effect function.



To return to FN
Press EXIT.

To cancel the picture effect function
Set P EFFECT to OFF in the menu settings.

Notes

- You cannot process externally input scenes using the picture effect function.
- You cannot record images on a tape on your camcorder when you have processed the image using the picture effect function. However, you can record images on a "Memory Stick" (DCR-PC9E only) (p. 164, 170), or on a VCR using your camcorder as a player.

Pictures processed by the picture effect function

Pictures processed by the picture effect function are not output through the DV (DCR-PC9E)/DV OUT (DCR-PC6E) jack.

When you set the POWER switch to OFF (CHARGE) or stop playing back
The picture effect function is automatically canceled.

84

— Усовершенствованные операции воспроизведения — Воспроизведение ленты с эффектами изображения

Во время воспроизведения, Вы можете видеоизменять изображение с помощью функций: NEG.ART, SEPIA, B&W и SOLARIZE.

- (1) В режиме VCR (модель DCR-PC9E)/PLAYER (модель DCR-PC6E) нажмите кнопку FN для отображения индикации PAGE1.
- (2) Нажмите кнопку MENU, а затем выберите P EFFECT в **FN** в установках меню для выбора желаемого режима эффекта изображения (стр. 134).
См. стр. 63 для получения подробностей относительно каждой функции эффекта изображения.

Для возврата в положение FN
Нажмите кнопку EXIT.

Для отмены функции эффектов изображения

Установите команду P EFFECT в положение OFF в установках меню.

Примечания

- Вы не можете видеоизменять введенные из внешнего источника изображения с помощью функции эффектов изображения.
- Вы не можете записывать изображения на ленту на Вашей видеокамере, если Вы обработали изображения с помощью функции эффектов изображения. Однако Вы можете записать изображения на "Memory Stick" (только модель DCR-PC9E) (стр. 164, 170) или на KBM, используя Вашу видеокамеру в качестве плеера.

Изображения, видеоизмененные с помощью функции эффектов изображения, не передаются через выходное гнездо DV (DCR-PC9E)/DV OUT (DCR-PC6E).

Если Вы установили переключатель POWER в положение OFF (CHARGE) или остановили воспроизведение
Функция эффектов изображения будет автоматически отменена.

Using the viewfinder

Notes

- Do not touch the LCD screen with wet hands.
- Do not press the LCD screen with sharp objects such as pens.
- In VCR (DCR-PC9E)/PLAYER (DCR-PC6E) or memory playback mode (DCR-PC9E only), you cannot operate with the touch panel using the viewfinder.

To operate the items that are not displayed
Set the LCD screen and the viewfinder back to the previous position. Operate the items using the LCD screen.

FN and **OFF** in the viewfinder
These buttons appear mirror-reversed.

Available shooting time
This is the time when you record a picture using the viewfinder (p. 21).

Использование видоискателя

Примечания

- Не трогайте экран ЖКД мокрыми руками.
- Не нажимайте на экран ЖКД острыми предметами, как например, шариковые ручки.
- В режиме VCR (DCR-PC9E)/PLAYER (DCR-PC6E) или режиме воспроизведения из памяти (только модель DCR-PC9E) Вы не сможете управлять сенсорной панелью с использованием видоискателя.

Для управления пунктами, которые не отображаются

Установите экран ЖКД и видоискатель назад в предыдущее положение. Управляйте пунктами с использованием экрана ЖКД.

Индикаторы FN и **OFF** в видоискателе
Эти кнопки появляются в зеркальном отображении.

Имеется в наличии время

Это время, когда фотоснимки выполняются с помощью видоискателя (стр. 21).

Playing back a tape with digital effects

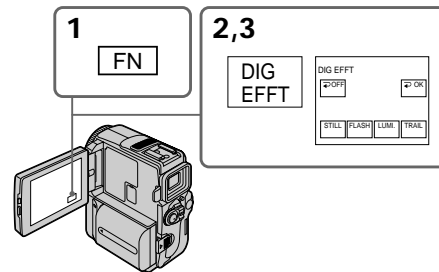
During playback, you can process a scene using the digital effect functions: STILL, FLASH, LUMI. and TRAIL.

- (1) In VCR (DCR-PC9E)/PLAYER (DCR-PC6E) mode, press FN and select PAGE2.
- (2) Press DIG.EFFT. The screen to select a desired digital effect mode appears.
- (3) Select a desired digital effect mode. In the STILL or LUMI. mode, the picture where you select the mode is stored in memory as a still image.
- (4) Press $-/+$ to adjust the effect. Refer to page 65 for details.
- (5) Press **OK** to return to PAGE2.

Воспроизведение ленты с цифровыми эффектами

Во время воспроизведения, Вы можете видеоизменять изображение с помощью функций: STILL, FLASH, LUMI. и TRAIL.

- (1) В режиме VCR (модель DCR-PC9E)/PLAYER (модель DCR-PC6E) нажмите кнопку FN для отображения индикации PAGE2.
- (2) Нажмите DIG.EFFT. Появится экран для выбора желаемого режима цифрового эффекта.
- (3) Выберите желаемый режим цифрового эффекта. В режиме STILL или LUMI. изображение в том месте, где Вы выбрали режим запоминается в памяти в качестве неподвижного изображения.
- (4) Нажмите $-/+$ для регулировки эффекта. См. стр. 65 для узнавания подробностей.
- (5) Нажмите **OK** для возврата к PAGE2.



To return to FN
Press EXIT.

To cancel the digital effect function
Press **OFF** to return to PAGE2.

Для возврата в положение FN
Нажмите кнопку EXIT.

Для отмены функции цифровых эффектов
Нажмите **OFF** для возврата к PAGE2.

Playing back a tape with digital effects

Notes

- You cannot process externally input scenes using the digital effect function.
- You cannot record images on a tape on your camcorder when you have processed the image using the digital effect function. However, you can record images on a "Memory Stick" (DCR-PC9E only) (p. 164, 170), or on a VCR using your camcorder as a player.

Pictures processed by the digital effect function

- Pictures processed by the digital effect function are not output through the DV (DCR-PC9E)/DV OUT (DCR-PC6E) jack.
- You cannot use the PB ZOOM function for pictures processed by the digital effect function.

When you set the POWER switch to OFF (CHARGE) or stop playing back the digital effect function is automatically canceled.

Воспроизведение ленты с цифровыми эффектами

Примечания

- Вы не можете видоизменять введенные из внешнего источника изображения с помощью функции цифровых эффектов.
- Вы не можете записывать изображения на ленту на Вашей видеокамере, если Вы обработали изображения с помощью функции цифровых эффектов. Однако Вы можете записать изображения на "Memory Stick" (только модель DCR-PC9E) (стр. 164, 170) или на KBM, используя Вашу видеокамеру в качестве плеера.

Изображения, видоизмененные с помощью функции цифровых эффектов

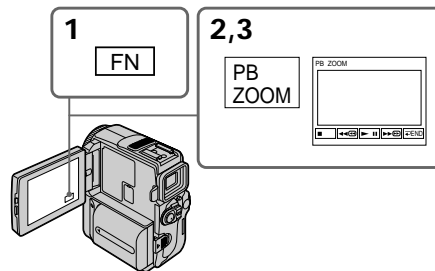
- Изображения, видоизмененные с помощью функции цифровых эффектов, не передаются через выходное гнездо DV (DCR-PC9E)/DV OUT (DCR-PC6E).
- Вы не можете использовать функцию PB ZOOM для изображений, обработанных с помощью функции цифровых эффектов.

Если Вы установили переключатель POWER в положение OFF (CHARGE) или остановили воспроизведение функции цифровых эффектов будет автоматически отменена.

Enlarging images recorded on tapes – Tape PB ZOOM

You can enlarge playback images recorded on tapes. Besides the operation described here, your camcorder can enlarge still images recorded on "Memory Stick" (p. 196) (DCR-PC9E only).

- In the playback or playback pause mode, press FN and select PAGE2.
- Press PB ZOOM. The PB ZOOM screen appears.
- Press the area you want to enlarge in the frame on the PB ZOOM screen. The area you pressed moves to the centre of the screen, and the playback image is enlarged at twice the size. If you press the other area again, the area moves to the centre of the screen.



To cancel the PB ZOOM function Press \Rightarrow END.

Увеличение изображений, записанных на ленте – Функция PB ZOOM ленты

Вы можете увеличить изображения, записанные на ленте. Кроме описанных здесь операций, Ваша видеокамера может увеличивать неподвижные изображения, записанные на "Memory Stick" (стр. 196) (только модель DCR-PC9E).

- В режиме воспроизведения или паузы воспроизведения нажмите кнопку FN для выбора PAGE2.
- Нажмите кнопку PB ZOOM. Появится экран PB ZOOM.
- Нажмите область, которую Вы хотите увеличить в рамке на экране PB ZOOM. Область, которую Вы нажали, переместится в центр экрана, и воспроизводимое изображение увеличится до двойного размера. Если Вы снова нажмете другую область, то другая область переместится в центр экрана.

Для отмены функции PB ZOOM Нажмите \Rightarrow END.

Enlarging images recorded on tapes – PB ZOOM

Notes

- You cannot process externally input scenes using the PB ZOOM function with your camcorder.
- You cannot record images on a tape on your camcorder when you have processed the image using the tape PB ZOOM function. However, you can record images on a "Memory Stick" (DCR-PC9E only) (p. 164, 170), or on a VCR using your camcorder as a player.

The PB ZOOM function is automatically canceled when you operate the following functions:

- Set the POWER switch to OFF (CHARGE)
- Stop playing back

Images in the PB ZOOM

Images in the PB ZOOM mode are not output through the DV (DCR-PC9E)/DV OUT (DCR-PC6E) jack.

In the PB ZOOM mode

If you press DISPLAY / TOUCH PANEL button, the frame on the PB ZOOM screen disappears. You cannot move the part you pressed to the centre of the screen.

Edge of the enlarged image

The edge of the enlarged image cannot be displayed at the centre of the screen.

Увеличение изображений, записанных на ленте – PB ZOOM

Примечания

- Вы не сможете обработать вводимые извне эпизоды с использованием функции PB ZOOM на Вашей видеокамере.
- Вы не можете записывать изображения на ленту на Вашей видеокамере, если Вы обработали изображения с помощью функции PB ZOOM. Однако Вы можете записать изображения на "Memory Stick" (только модель DCR-PC9E) (стр. 164, 170) или на KBM, используя Вашу видеокамеру в качестве плеера.

Функция PB ZOOM автоматически отменяется, когда Вы задействуете следующие функции:

- Установите переключатель POWER в положение OFF (CHARGE)
- Остановите воспроизведение

Изображения в режиме PB ZOOM

Изображения в режиме PB ZOOM не поступают на выход через гнездо DV (DCR-PC9E)/DV OUT (DCR-PC6E).

В режиме PB ZOOM

Если Вы нажмете кнопку DISPLAY/TOUCH PANEL, то рамка исчезнет с экрана PB ZOOM. Вы не можете перемещать увеличенные изображения к центру экрана.

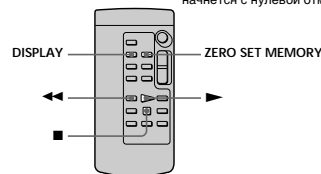
Край увеличенного изображения

Край увеличенного изображения не может быть отображен в центре экрана.

Quickly locating a scene using the zero set memory function

Your camcorder goes forward or backward to automatically stop at a desired scene having a tape counter value of "0:00:00". Use the Remote Commander for this operation.

- In the playback mode, press DISPLAY on the Remote Commander if the counter is not on the screen.
- Press ZERO SET MEMORY on the Remote Commander at the point you want to locate later. The tape counter shows "0:00:00" and the ZERO SET MEMORY indicator flashes.
- Press \blacksquare when you want to stop playback.
- Press \lll for rewinding the tape to the tape counter's zero point. The tape stops automatically when the tape counter reaches approximately zero. The ZERO SET MEMORY indicator disappears and the time code appears.
- Press \ggg . Playback starts from the counter's zero point.



Notes

- If you press ZERO SET MEMORY before rewinding the tape, the zero set memory function will be canceled.
- There may be a discrepancy of several seconds between the time code and the tape counter.
- The ZERO SET MEMORY indicator disappears when you press FN.

If a tape has a blank portion in the recorded portions the zero set memory function may not work correctly.

Быстрое отыскание эпизода с помощью функции памяти нулевой отметки

Ваша видеокамера выполняет продвижение вперед или назад с автоматической остановкой в нужном эпизоде, где показание счетчика ленты равно "0:00:00". Для этой операции используйте пульт дистанционного управления.

- В режиме воспроизведения нажмите кнопку DISPLAY на пульте дистанционного управления, если счетчик не отображается на экране.
- Нажмите кнопку ZERO SET MEMORY на пульте дистанционного управления в месте, которое Вы захотите найти позже. Показание счетчика станет равным "0:00:00", и начнет мигать индикатор ZERO SET MEMORY.
- Нажмите кнопку \blacksquare , если Вы захотите остановить воспроизведение.
- Нажмите кнопку \lll для ускоренной перемотки ленты назад к нулевой точке счетчика ленты. Лента остановится автоматически, если счетчик достигнет нулевой отметки. Индикатор ZERO SET MEMORY исчезнет, и появится код времени.
- Нажмите кнопку \ggg . Воспроизведение начнется с нулевой отметки по счетчику.

Примечания

- Если Вы нажмете кнопку ZERO SET MEMORY до начала обратной перемотки ленты, то функция памяти нулевой отметки будет отменена.
- Может быть расхождение в несколько секунд между кодом времени и счетчиком ленты.
- Когда Вы нажмете кнопку FN, индикатор ZERO SET MEMORY исчезнет.

Если на ленте имеется незаписанный участок между записанными частями Функция памяти нулевой отметки может не работать надлежащим образом.

Searching the boundaries of recorded tape by title – Title search

CM only If you use a tape with cassette memory, you can search for the boundaries of recorded tape by title. Use the Remote Commander for this operation.

Before operation
Set CM SEARCH in to ON in the menu settings (p. 134). (The default setting is ON.)

- (1) Set the POWER switch to VCR (DCR-PC9E)/PLAYER (DCR-PC6E).
- (2) Press SEARCH MODE on the Remote Commander repeatedly, until the TITLE SEARCH indicator appears.

The indicator changes as follows:
TITLE SEARCH → DATE SEARCH → PHOTO SEARCH → PHOTO SCAN → (no indicator)

- (3) Press or on the Remote Commander to select the title for playback. Your camcorder automatically starts playback of the scene having the title that you selected.

Поиск границ записи на записанной ленте по титру – Поиск титра

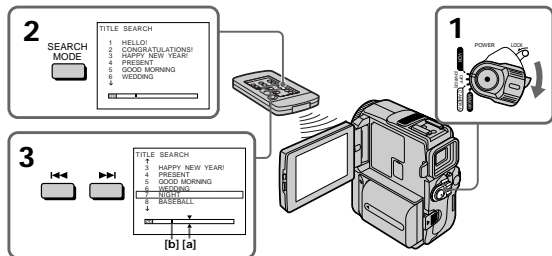
CM only Если Вы используете ленту с кассетной памятью, Вы можете выполнять поиск границ записи на ленте по титру. Для этой операции используйте пульт дистанционного управления.

Перед выполнением операции
Установите опцию CM SEARCH в в положение ON в установках меню (стр. 134). (По умолчанию выбрано положение ON.)

- (1) Установите переключатель POWER в положение VCR (DCR-PC9E)/PLAYER (DCR-PC6E).
- (2) Нажимайте повторно кнопку SEARCH MODE на пульте дистанционного управления до тех пор, пока не появится индикатор TITLE SEARCH.

Индикатор будет изменяться следующим образом:
TITLE SEARCH → DATE SEARCH → PHOTO SEARCH → PHOTO SCAN → (без индикации)

- (3) Нажмите кнопку или на пульте дистанционного управления для выбора титра для воспроизведения. Ваша видеокамера автоматически начнет воспроизведение эпизода с выбранным Вами титром.



[a] Actual point you are trying to search for
[b] Present point on the tape

[a] Действительная точка, которую Вы хотите найти
[b] Настоящая точка на ленте

90

Searching a recording by date – Date search

You can automatically search for the point where the recording date changes and start playback from that point (Date search). Use a tape with cassette memory for convenience. Use the Remote Commander for this operation. Use this function to check where recording dates change or to edit the tape at each recording date.

Searching for the date by using cassette memory

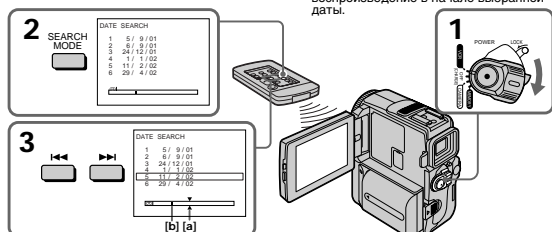
Before operation

- You can use this function only when playing back a tape with cassette memory.
- Set CM SEARCH in to ON in the menu settings (p. 134). (The default setting is ON.)

- (1) Set the POWER switch to VCR (DCR-PC9E)/PLAYER (DCR-PC6E).
- (2) Press SEARCH MODE on the Remote Commander repeatedly, until the DATE SEARCH indicator appears.

The indicator changes as follows:
TITLE SEARCH → DATE SEARCH → PHOTO SEARCH → PHOTO SCAN → (no indicator)

- (3) Press or on the Remote Commander to select the date for playback. Your camcorder automatically starts playback at the beginning of the selected date.



[a] Actual point you are trying to search for
[b] Present point on the tape

Поиск записи по дате – Поиск даты

Вы можете выполнять автоматически поиск места, где изменяется дата записи и начинать воспроизведение с этого места (Поиск даты). Используйте ленту с кассетной памятью для удобства. Для выполнения этой операции Вам потребуется пульт дистанционного управления. Используйте эту функцию для проверки, где изменяются даты записи, или же для выполнения монтажа ленты в каждом месте записи даты.

Поиск даты с помощью кассетной памяти

Перед выполнением операции

- Вы можете использовать эту функцию только при воспроизведении ленты с кассетной памятью.
- Установите опцию CM SEARCH в пункте в установках меню в положение ON (стр. 134). (По умолчанию выбрано положение ON.)

- (1) Установите переключатель POWER в положение VCR (DCR-PC9E)/PLAYER (DCR-PC6E).
- (2) Нажимайте повторно кнопку SEARCH MODE на пульте дистанционного управления до тех пор, пока не появится индикатор DATE SEARCH.

Индикатор будет изменяться следующим образом:
TITLE SEARCH → DATE SEARCH → PHOTO SEARCH → PHOTO SCAN → (без индикации)

- (3) Нажмите кнопку или на пульте дистанционного управления для выбора даты для воспроизведения. Ваша видеокамера автоматически начнет воспроизведение в начале выбранной даты.

[a] Действительная точка, которую Вы хотите найти
[b] Настоящая точка на ленте

Для остановки поиска
Нажмите кнопку на пульте дистанционного управления.

92

Searching the boundaries of recorded tape by title – Title search

To stop searching

Press on the Remote Commander.

If you use a tape without cassette memory You cannot superimpose or search a title.

If a tape has a blank portion between recorded portions The title search function may not work correctly.

To superimpose a title See page 125.

Поиск границ записи на записанной ленте по титру – Поиск титра

Для остановки поиска

Нажмите кнопку на пульте дистанционного управления.

Если Вы используете ленту без кассетной памяти

Вы не можете выполнять наложение или поиск титра.

Если на ленте имеется незаписанный участок между записанными частями Функция поиска титра может не работать надлежащим образом.

Для наложения титра См. стр. 125.

91

Searching a recording by date – Date search

Note

If one day's recording is less than 2 minutes, your camcorder may not accurately find the point where the recording date changes.

If a tape has a blank portion between recorded portions The date search function may not work correctly.

Cassette memory

The tape cassette memory can hold 6 recording date data. If you search the date among seven or more data, see "Searching for the date without using cassette memory".

Searching for the date without using cassette memory

- (1) Set the POWER switch to VCR (DCR-PC9E)/PLAYER (DCR-PC6E).
- (2) Press FN to display PAGE1.
- (3) Press MENU, then set CM SEARCH to OFF in the menu settings (p. 134).
- (4) Press SEARCH MODE on the Remote Commander repeatedly, until the DATE SEARCH indicator appears.

The indicator changes as follows:
DATE SEARCH → PHOTO SEARCH → (no indicator) ← PHOTO SCAN

- (5) Press or on the Remote Commander to search for the previous date or press on the Remote Commander to search for the next date. Your camcorder automatically starts playback at the point where the date changes. Each time you press or , your camcorder searches for the previous or next date.

To stop searching

Press on the Remote Commander or on your camcorder.

Поиск записи по дате – Поиск даты

Примечание

Если продолжительность записи одного дня менее 2 минут, Ваша видеокамера может не точно найти место, где изменяется дата.

Если на записанной ленте имеются незаписанные участки Функция поиска даты может работать неправильно.

Кассетная память

Кассетная память на ленте позволяет вместить до 6 дат записи. Если Вы осуществляете поиск среди семи или более дат, то см. "Поиск записи по дате без использования кассетной памяти".

Поиск записи по дате без использования кассетной памяти

- (1) Установите переключатель POWER в положение VCR (DCR-PC9E)/PLAYER (DCR-PC6E).
- (2) Нажмите кнопку FN для отображения PAGE1.
- (3) Нажмите MENU, а затем станьте командой CM SEARCH в положение OFF в установках меню (стр. 134).
- (4) Нажимайте повторно кнопку SEARCH MODE на пульте дистанционного управления до тех пор, пока не появится индикатор DATE SEARCH.

Индикатор будет изменяться следующим образом:
DATE SEARCH → PHOTO SEARCH → (без индикации) ← PHOTO SCAN

- (5) Нажмите кнопку на пульте дистанционного управления для поиска предыдущей даты или же нажимайте кнопку для поиска следующей даты. Ваше видеокамера автоматически начнет воспроизведение в месте, где изменяется дата. Всякий раз при нажатии кнопки или Ваша видеокамера выполнит поиск предыдущей или следующей даты.

Для остановки поиска

Нажмите кнопку на пульте дистанционного управления или на Вашей видеокамере.

93

Searching for a photo – Photo search/ Photo scan

You can search for a still image you have recorded on a tape (photo search). You can also search for still images one after another and display each image for 5 seconds automatically regardless of cassette memory (photo scan). Use the Remote Commander for these operations. Use this function to check or edit still images.

Searching for a photo by using cassette memory

Before operation

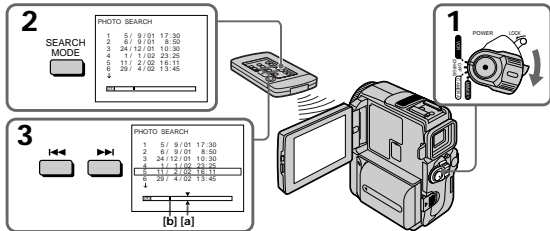
- You can use this function only when playing back a tape with cassette memory.
- Set CM SEARCH to ON in [CM] in the menu settings (p. 134). (The default setting is ON.)

(1) Set the POWER switch to VCR (DCR-PC9E)/PLAYER (DCR-PC6E).

(2) Press SEARCH MODE on the Remote Commander repeatedly, until the photo search indicator appears.

The indicator changes as follows:
TITLE SEARCH → DATE SEARCH → PHOTO SEARCH → PHOTO SCAN → (no indicator)

(3) Press [LEFT] or [RIGHT] on the Remote Commander to select the date for playback. Your camcorder automatically starts playback of the photo having the date that you selected.



[a] Actual point you are trying to search for
[b] Present point on the tape

Поиск фото – Фотопоиск/ Фотосканирование

Вы можете выполнять поиск неподвижного изображения, записанного на ленте (фотопоиск). Вы также можете выполнять поиск неподвижных изображений одного за другим и отображать каждое изображение 5 секунд автоматически независимо от кассетной памяти (фотосканирование). Используйте пульт дистанционного управления для этих операций. Используйте эту функцию для проверки или монтажа неподвижных изображений.

Поиск фото с помощью кассетной памяти

Перед выполнением операции

- Вы можете использовать эту функцию только при воспроизведении ленты с кассетной памятью.
- Установите опцию CM SEARCH в положение ON в пункте [CM] в установках меню (стр. 134). По умолчанию выбрано положение ON.

(1) Установите переключатель POWER в положение VCR (DCR-PC9E)/PLAYER (DCR-PC6E).

(2) Нажимайте повторно кнопку SEARCH MODE на пульте дистанционного управления до тех пор, пока не появится индикатор поиска фото. Индикатор будет изменяться следующим образом:

TITLE SEARCH → DATE SEARCH → PHOTO SEARCH → PHOTO SCAN → (без индикации)

(3) Нажмите кнопку [LEFT] или [RIGHT] на пульте дистанционного управления для выбора даты для воспроизведения. Ваша видеокамера автоматически начнет воспроизведение фото выбранной даты.

[a] Действительная точка, которую Вы хотите найти
[b] Настоящая точка на ленте

Searching for a photo – Photo search/Photo scan

To stop searching

Press [STOP] on the Remote Commander.

The available number of photos that can be searched using the cassette memory. The available number is up to 12 photos. However, you can search 13 photos or more using the scanning photo function.

Searching for a photo without using cassette memory

(1) Set the POWER switch to VCR (DCR-PC9E)/PLAYER (DCR-PC6E).

(2) Press FN to display PAGE1.

(3) Press MENU, then set CM SEARCH to OFF in [CM] in the menu settings (p. 134).

(4) Press SEARCH MODE on the Remote Commander repeatedly, until the photo search indicator appears.

The indicator changes as follows:
DATE SEARCH → PHOTO SEARCH → (no indicator) ← PHOTO SCAN

(5) Press [LEFT] or [RIGHT] on the Remote Commander to select the photo for playback. Each time you press [LEFT] or [RIGHT], your camcorder searches for the previous or next photo. Your camcorder automatically starts playback of the photo.

To stop searching

Press [STOP] on the Remote Commander or on your camcorder.

Поиск фото – Фотопоиск/Фотосканирование

Для остановки поиска

Нажмите кнопку [STOP] на пульте дистанционного управления.

Доступное количество фотоснимков, которое может быть найдено с использованием кассетной памяти. Доступное количество составляет до 12 фотоснимков. Однако Вы можете осуществить поиск 13 фотоснимков или более с использованием функции фотосканирования.

Поиск фото без использования кассетной памяти

(1) Установите переключатель POWER в положение VCR (DCR-PC9E)/PLAYER (DCR-PC6E).

(2) Нажмите кнопку FN для отображения PAGE1.

(3) Нажмите MENU, а затем установите команду CM SEARCH в положение в [CM] OFF в установках меню (стр. 134).

(4) Нажимайте повторно кнопку SEARCH MODE на пульте дистанционного управления до тех пор, пока не появится индикатор фотопоиска.

Индикатор будет изменяться следующим образом:
DATE SEARCH → PHOTO SEARCH → (без индикации) ← PHOTO SCAN

(5) Нажмите кнопку [LEFT] или [RIGHT] на пульте дистанционного управления для выбора фото для воспроизведения. Всякий раз при нажатии кнопки [LEFT] или [RIGHT] Ваша видеокамера выполняет поиск предыдущего или следующего фото. Ваша видеокамера автоматически начнет воспроизведение фото.

Для остановки поиска

Нажмите кнопку [STOP] на пульте дистанционного управления или на Вашей видеокамере.

Searching for a photo – Photo search/Photo scan

Scanning photo

(1) Set the POWER switch to VCR (DCR-PC9E)/PLAYER (DCR-PC6E).

(2) Press SEARCH MODE on the Remote Commander repeatedly, until the PHOTO SCAN indicator appears.

The indicator changes as follows:
TITLE SEARCH → DATE SEARCH → PHOTO SEARCH → (no indicator) ← PHOTO SCAN

(3) Press [LEFT] or [RIGHT] on the Remote Commander. Each photo is played back for about 5 seconds automatically.

Поиск фото – Фотопоиск/Фотосканирование

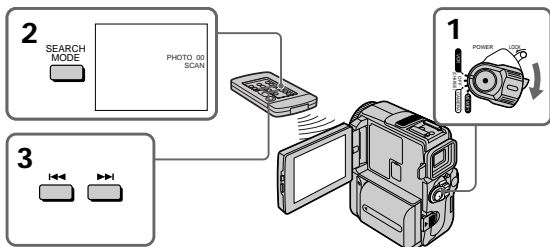
Сканирование фото

(1) Установите переключатель POWER в положение VCR (DCR-PC9E)/PLAYER (DCR-PC6E).

(2) Нажимайте повторно кнопку SEARCH MODE на пульте дистанционного управления до тех пор, пока не появится индикатор PHOTO SCAN. Индикатор будет изменяться следующим образом:

TITLE SEARCH → DATE SEARCH → PHOTO SEARCH → (без индикатора) ← PHOTO SCAN

(3) Нажмите кнопку [LEFT] или [RIGHT] на пульте дистанционного управления. Каждое фото будет автоматически отображаться примерно 5 секунд.



To stop scanning

Press [STOP] on the Remote Commander or on your camcorder.

If a tape has a blank portion between recorded portions The photo search and photo scan functions may not work correctly.

Для остановки сканирования

Нажмите кнопку [STOP] на пульте дистанционного управления или на Вашей видеокамере.

Если на ленте имеется незаписанный участок между записанными частями Функция фотопоиска может не работать надлежащим образом.

– Editing –

Dubbing a tape

Using the A/V connecting cable

You can dub or edit on the VCR connected to your camcorder using your camcorder as a player.

Connect your camcorder to the VCR using the A/V connecting cable supplied with your camcorder.

Before operation

• Set DISPLAY to LCD in the menu settings. (The default setting is LCD.)

• Press the following buttons to make the indicator disappear so that they will not be superimposed on the edited tape:

On your camcorder:
DISPLAY/TOUCHPANEL, DATA CODE
On the Remote Commander:
DISPLAY, DATA CODE, SEARCH MODE

(1) Insert a blank tape (or a tape you want to record over) into the VCR, and insert the recorded tape into your camcorder.

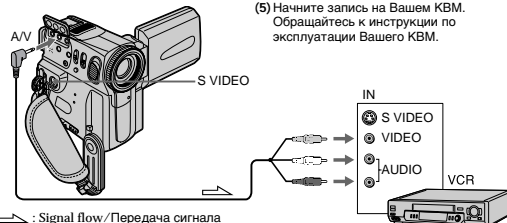
(2) Prepare the VCR for recording, then set the input selector to LINE.

(3) Set the POWER switch to VCR (DCR-PC9E)/PLAYER (DCR-PC6E).

(4) Play back the recorded tape on your camcorder.

(5) Start recording on the VCR.

Refer to the operating instructions of your VCR.



When you have finished dubbing a tape

Press [STOP] on both your camcorder and the VCR.

– Монтаж –

Перезапись ленты

Использование соединительного кабеля аудио/видео

Вы можете выполнять перезапись или монтаж на KBM, подсоединенном к Вашей видеокамере, используя видеокамеру в качестве плеера. Подсоедините Вашу видеокамеру к KBM с помощью соединительного кабеля аудио/видео, который прилагается к Вашей видеокамере.

Перед выполнением операции

• Установите пункт DISPLAY в установках меню в положение LCD. (По умолчанию выбрано положение LCD.)

• Нажмите следующие кнопки, чтобы добиться исчезновения индикаторов во избежание их наложения на монтируемую ленту:

На Вашей видеокамере:
DISPLAY/TOUCHPANEL, DATA CODE
На пульте дистанционного управления:
DISPLAY, DATA CODE, SEARCH MODE

(1) Вставьте незаписанную ленту (или ленту, на которую Вы хотите выполнить запись) в KBM и вставьте записанную ленту в Вашу видеокамеру.

(2) Подготовьте KBM к записи, затем установите селектор входов KBM в положение LINE.

Более подробные сведения Вы можете найти в инструкции по эксплуатации Вашего KBM.

(3) Установите переключатель POWER в положение VCR (DCR-PC9E)/PLAYER (DCR-PC6E).

(4) Начните воспроизведение записанной ленты на Вашей видеокамере.

(5) Начните запись на Вашем KBM. Обратитесь к инструкции по эксплуатации Вашего KBM.

Если Вы закончили перезапись ленты Нажмите кнопку [STOP] как на видеокамере, так и на KBM.

Dubbing a tape

You can edit on VCRs that support the following systems
■ 8 mm, ■ Hi8, ■ Digital8, ■ VHS, ■ S-VHS, ■ S-VHS, ■ S-VHS, ■ S-VHS, ■ Betamax, ■ DV mini DV or ■ DV

If your VCR is a monaural type
Connect the yellow plug of the A/V connecting cable to the video input jack and the white or the red plug to the audio input jack on the VCR or the TV. When the white plug is connected, the left channel audio is output, and when the red plug is connected, the right channel audio is output.

If your VCR has an S video jack
Connect using an S video cable (optional) to obtain high-quality pictures.
With this connection, you do not need to connect the yellow (video) plug of the A/V connecting cable.
Connect an S video cable (optional) to the S video jacks of both your camcorder and the VCR. This connection produces higher quality DV format pictures.

Перезапись ленты

Вы можете выполнять монтаж на KBM, которые поддерживают следующие системы

■ 8 мм, ■ Hi8, ■ Digital8, ■ VHS, ■ S-VHS, ■ S-VHS, ■ S-VHS, ■ Betamax, ■ DV mini DV или ■ DV

Если Ваш KBM монофонического типа
Подсоедините желтый штекер соединительного кабеля аудио/видео к входному гнезду видеосигнала, а белый или красный штекер к входному гнезду аудиосигнала на KBM или телевизоре. Если подсоединен белый штекер, то звук будет раздаваться с левого канала, а если подсоединен красный штекер, то звук будет раздаваться с правого канала.

Если в Вашем KBM имеется гнездо S видео
Выполните подсоединение с помощью кабеля S видео (приобретается отдельно) для получения высококачественных изображений. При таком подсоединении Вам не нужно подсоединять желтый (видео) штекер соединительного кабеля аудио/видео. Подсоедините кабель S видео (приобретается отдельно) к гнездам S видео на Вашей видеокамере и KBM. При данном подсоединении Вы сможете получить высококачественные изображения формата DV.

Dubbing a tape

Using the i.LINK cable (DV connecting cable)

Simply connect the i.LINK cable (DV connecting cable) (optional) to DV (DCR-PC9E)/DV OUT (DCR-PC6E) of your camcorder and to DV IN of the DV products. With digital-to-digital connection, video and audio signals are transmitted in digital form for high-quality editing. You cannot dub the titles, display indicators or the contents of cassette memory or letters on the "Memory Stick" (DCR-PC9E only) index screen.

Set the input selector on the VCR to the DV input position if the VCR is equipped with the input selector.

- (1) Insert a blank tape (or a tape you want to record over) into the VCR, and insert the recorded tape into your camcorder.
- (2) Prepare the VCR for recording.
Set the input selector to LINE. Refer to the operating instructions of the VCR.
- (3) Set the POWER switch to VCR (DCR-PC9E)/PLAYER (DCR-PC6E).
- (4) Play back the recorded tape on your camcorder.
- (5) Start recording on the VCR.

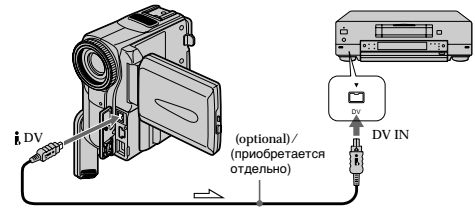
Перезапись ленты

Использование кабеля i.LINK (соединительный кабель DV)

Просто подсоедините кабель i.LINK (соединительный кабель цифрового видеосигнала DV) (приобретается отдельно) к гнезду DV (DCR-PC9E)/DV OUT (DCR-PC6E) и гнезду DV IN цифровых видеосигналов. При цифровом соединении видео- и аудиосигналы передаются в цифровой форме для высококачественного монтажа. Вы не можете выполнять перезапись титров, экранных индикаторов, содержимого кассетной памяти или букв на индексном экране "Memory Stick" (только модель DCR-PC9E).

Установите селектор входов KBM в положение входа DV, если KBM оснащен селектором входов.

- (1) Вставьте незаписанную ленту (или ленту, на которую хотите выполнить запись) в KBM и вставьте записанную ленту в видеокамеру.
- (2) Подготовьте Ваш KBM для записи. Установите селекторный переключатель в положение LINE. Обратитесь к инструкции по эксплуатации Вашего KBM.
- (3) Установите переключатель POWER в положение VCR (DCR-PC9E)/PLAYER (DCR-PC6E).
- (4) Начните воспроизведение записанной ленты на Вашей видеокамере.
- (5) Начните запись на KBM.



When you have finished dubbing a tape
Press ■ on both your camcorder and the VCR.

Если Вы закончили перезапись ленты
Нажмите кнопку ■ как на Вашей видеокамере, так и на KBM.

Dubbing a tape

You can connect one VCR only using the i.LINK cable (DV connecting cable)
See page 231 for more information about i.LINK.

The following functions do not work during digital editing:
- Picture effect
- Digital effect
- PB ZOOM

If you record playback pause picture with the DV (DCR-PC9E)/DV OUT (DCR-PC6E) jack
The recorded picture becomes rough. And when you play back the picture using the other video equipment, the picture may jitter.

Перезапись ленты

Вы можете подсоединить только один KBM с помощью кабеля i.LINK (соединительный кабель DV).

Для получения более подробных сведений о кабеле i.LINK обращайтесь к стр. 231.

Следующие функции не будут работать во время цифрового монтажа:
- Эффект изображения
- Цифровой эффект
- PB ZOOM

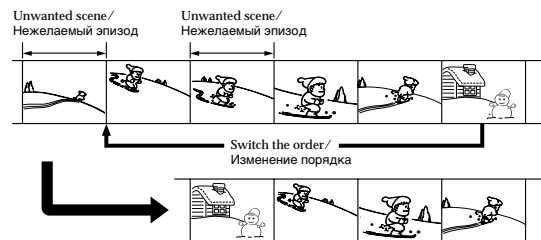
Если Вы записываете изображение паузы воспроизведения через гнездо DV (DCR-PC9E)/DV OUT (DCR-PC6E)
Записанное изображение будет нечетким. И если Вы будете воспроизводить изображение с использованием другой видеопаратуры, изображение может дрожать.

Dubbing only desired scenes – Digital program editing

You can duplicate selected scenes (programmes) for editing onto a tape without operating the VCR.
Scenes can be selected by frame. You can set up to 20 programmes.

Перезапись только желаемых эпизодов – Цифровой монтаж программы

Вы можете сдублировать выбранные эпизоды (программы) для монтажа на ленте без управления KBM.
Эпизоды могут быть выбраны по кадрам. Вы можете установить до 20 программ.



Before operating the Digital program editing

- Step 1 Connecting to the VCR (p. 102).
- Step 2 Setting the VCR for operation (p. 102, 107).
- Step 3 Adjusting the synchronicity of the VCR (p. 108).

When you dub using the same VCR again, you can skip steps 2 and 3.

Using the Digital program editing function

- Operation 1 Making the programme (p. 110).
- Operation 2 Performing a Digital program editing (dubbing a tape) (p. 112).

Перед началом цифрового монтажа программы

- Пункт 1 Подсоединение KBM (стр. 102).
- Пункт 2 Установите KBM для работы с помощью соединительного кабеля аудиовидео (стр. 102, 107).
- Пункт 3 Регулировка синхронности KBM (стр. 108).

Когда Вы осуществляете перезапись снова с использованием того же самого KBM, Вы можете пропустить пункты 2 и 3.

Использование функции цифрового монтажа программы

- Операция 1 Создание программ (стр. 110).
- Операция 2 Выполнение цифрового монтажа программы (перезапись ленты) (стр. 112).

Dubbing only desired scenes – Digital program editing

Notes

- You cannot dub the titles, display indicators, or the contents of cassette memory.
- When you connect with an i.LINK cable (DV connecting cable), you may not be able to operate the dubbing function correctly, depending on the VCR.
- Set CONTROL to IR in the menu settings of your camcorder.
- When editing digital video, the operation signals cannot be sent with LANC.

Step 1: Connecting the VCR

You can connect either the A/V connecting cable or the i.LINK cable (DV connecting cable). When you use the A/V connecting cable, connect the devices as illustrated in page 97. When you use the i.LINK cable (DV connecting cable), connect the devices as illustrated in page 99.

If you connect using an i.LINK cable (DV connecting cable)

With digital-to-digital connection, video and audio signals are transmitted in digital form for high-quality editing.

Step 2: Setting the VCR to operate with the A/V connecting cable

To edit using the VCR, send the control signal by infrared rays to the remote sensor on the VCR. When you connect using the A/V connecting cable, follow the procedures below. (1) to (4), to send the control signal correctly.

Перезапись только желаемых эпизодов – Цифровой монтаж программы

Примечания

- Вы не можете перезаписывать титры, индикаторы дисплея или содержимое кассетной памяти.
- Если Вы выполняете подсоединение с использованием кабеля i.LINK (соединительного кабеля цифрового видеосигнала DV), Вы можете не суметь правильно выполнить функцию перезаписи, в зависимости от КВМ.
- Установите пункт CONTROL в установках меню Вашей видеокамеры в положение IR.
- При монтаже цифрового видео сигналы операции не могут быть посланы через гнездо LANC.

Пункт 1: Подсоединение КВМ

Вы можете выполнить соединение либо с использованием соединительного кабеля аудио/видео, либо с использованием кабеля i.LINK (соединительного кабеля DV). Если Вы используете соединительный кабель аудио/видео, соедините аппараты, как показано на рисунке на стр. 97. Если Вы используете кабель i.LINK (соединительный кабель DV), соедините аппараты, как показано на рисунке на стр. 99.

Если Вы выполняете подсоединение с использованием кабеля i.LINK (соединительного кабеля цифрового видеосигнала DV)

При цифро-цифровом соединении видео- и аудиосигналы передаются в цифровой форме для высококачественного монтажа.

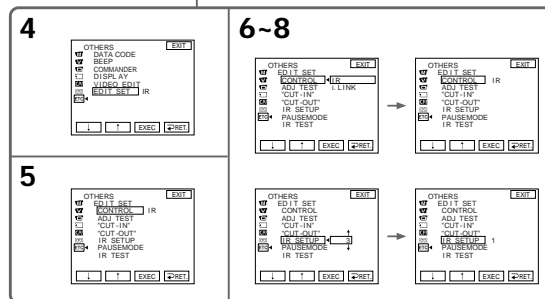
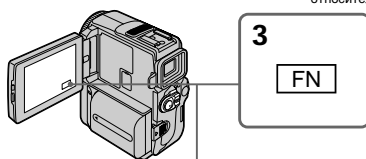
Пункт 2: Установите КВМ для работы с помощью соединительного кабеля аудиовидео

Для монтажа с использованием КВМ посылайте управляющий сигнал с помощью инфракрасных лучей на датчик дистанционного управления КВМ. Если Вы выполнили соединение с использованием соединительного кабеля аудио/видео, то следуйте нижеописанным процедурам (1) – (4) для правильной передачи управляющего сигнала.

Dubbing only desired scenes – Digital program editing

(1) Setting the IR SETUP code

- Set the POWER switch to your (DCR-PC9E)/PLAYER (DCR-PC8E) on your camcorder.
- Turn the power of the connected VCR on, then set the input selector to LINE. When you connect a video camera recorder, set its power switch to VCR/VTR.
- Press FN to display PAGE1.
- Press MENU, then select EDIT SET in [EDIT] in the menu settings (p. 134). Then press EXEC.
- Select CONTROL, then press EXEC.
- Select IR, then press EXEC.
- Select IR SETUP, then press EXEC.
- Select the IR SETUP code of your VCR, then press EXEC. See the following page about the IR SETUP code.



Перезапись только желаемых эпизодов – Цифровой монтаж программы

(1) Установка кода IR SETUP

- Установите переключатель POWER в положение VCR (DCR-PC9E)/PLAYER (DCR-PC8E) на Вашей видеокамере.
- Включите питание подсоединенного КВМ и установите селектор входов в положение LINE. Если Вы подсоединяете видеокамеру, установите ее переключатель питания в положение VCR/VTR.
- Нажмите кнопку FN для отображения индикации PAGE1.
- Нажмите кнопку MENU, а затем выберите опцию EDIT SET в [EDIT] в установках меню (стр. 134). Затем нажмите кнопку EXEC.
- Выберите CONTROL, а затем нажмите кнопку EXEC.
- Выберите IR, а затем нажмите кнопку EXEC.
- Выберите IR SETUP, а затем нажмите кнопку EXEC.
- Выберите код IR SETUP для Вашего КВМ, а затем нажмите кнопку EXEC. См. информацию на следующей странице относительно кода IR SETUP.

102

Dubbing only desired scenes – Digital program editing

About the IR SETUP code

The IR SETUP code is stored in the memory of your camcorder. Be sure to set the correct code, depending on your VCR. Default setting is code number 3.

Brand/Марка	IR SETUP code/Код IR SETUP
Sony	1, 2, 3, 4, 5, 6
Aiwa	47, 53, 54
Akai	50, 62, 74
Alba	73
Aristona	84
Baird	30, 36
Blaupunkt	78, 83
Bush	74
Canon	97
CGM	36, 47, 83
Clatronic	73
Daewoo	26
Ferguson	76
Fisher	73
Funai	80
Goldstar	47
Goodmans	26, 84
Grundig	9, 83
Hitachi	42, 56
ITT/Nokia Instant	36
JVC	11, 12, 15, 21
Kendo	47
Loewe	16, 47, 84
Luxor	89
Mark	26
Matsui	47, 58, 60

* TV/VCR component/Телевизор/КВМ

Note on the IR SETUP code
Digital program editing is not possible if the VCR does not support IR SETUP codes.

Перезапись только желаемых эпизодов – Цифровой монтаж программы

Относительно кода IR SETUP

Код IR SETUP сохранен в памяти Вашей видеокамеры. Обязательно установите правильный код в соответствии с Вашим КВМ. Установка по умолчанию соответствует коду с номером 3.

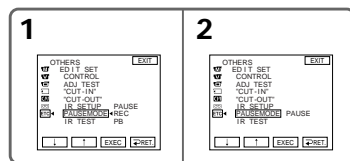
Brand/Марка	IR SETUP code/Код IR SETUP
Mitsubishi	28, 29
Nokia	36, 89
Nokia Oceanic	89
Nordmende	76
Okano	60, 62, 63
Orion	58, 70
Panasonic	16, 78, 96
Philips	83, 84, 86
Phonola	83, 84
Roadstar	47
SABA	21, 76
Samsung	22, 52, 93, 94
Sanyo	36
Schneider	10, 84
SEG	73
Seleco	47, 74
Sharp	89
Siemens	10, 36
Tandberg	26
Telefunken	91, 92
Tensai	73
Thomson	76, 100
Thorn	36, 47
Toshiba	40
Universum	47, 70, 92
W.W. House	47
Watson	58, 83

Примечание к коду IR SETUP
Цифровой монтаж программы будет невозможен, если КВМ не поддерживает коды IR SETUP.

Dubbing only desired scenes – Digital program editing

(2) Setting the modes to cancel the recording pause on the VCR

- Select PAUSEMODE, then press EXEC.
 - Select the mode to cancel recording pause on the VCR, then press EXEC.
- The correct button depends on your VCR. Refer to the operating instructions of your VCR.



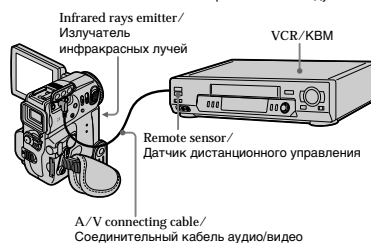
The buttons canceling recording pause on the VCR

The buttons vary depending on your VCR. To cancel recording pause of your VCR:

- Select "PAUSE" if the button to cancel recording pause is II.
- Select "REC" if the button to cancel recording pause is ●.
- Select "PB" if the button to cancel recording pause is ►.

(3) Locate the infrared rays emitter of your camcorder and face it towards the remote sensor of the VCR

Set the devices about 30 cm (11 7/8 in.) apart, and remove any obstacles between the devices.



Перезапись только желаемых эпизодов – Цифровой монтаж программы

(2) Установка режимов для отмены паузы записи на КВМ

- Выберите команду PAUSEMODE, а затем нажмите EXEC.
 - Выберите режим для отмены паузы записи на КВМ, а затем нажмите EXEC.
- Правильная кнопка зависит от Вашего КВМ. Обращайтесь к инструкции по эксплуатации Вашего КВМ.

Кнопки для отмены паузы записи

Кнопки отличаются в зависимости от Вашего КВМ. Для отмены паузы записи на Вашем КВМ:

- Выберите "PAUSE", если кнопка для отмены паузы записи II.
- Выберите "REC", если кнопка для отмены паузы записи ●.
- Выберите "PB", если кнопка для отмены паузы записи ►.

(3) Нацельте эмиттер инфракрасного излучения Вашей видеокамеры в направлении датчика дистанционного управления КВМ.

Установите аппараты приблизительно на расстоянии 30 см друг от друга и удалите все препятствия между ними.

104

Editing Монтаж

103

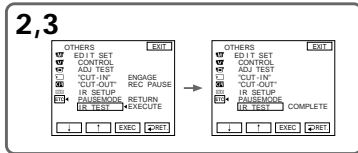
Editing Монтаж

105

Dubbing only desired scenes - Digital program editing

(4) Confirming the VCR operation

- Insert a recordable tape into the VCR, then set the VCR to recording pause.
 - Select IR TEST, then press EXEC.
 - Select EXECUTE, then press EXEC.
- If the VCR starts recording, the setting is correct.
- The indicator you selected to cancel recording pause on the VCR flashes on the LCD screen. When finished, the indicator changes to COMPLETE.



- When the VCR does not operate correctly
- After checking the code in "About the IR SETUP" code, set the IR SETUP or the PAUSEMODE again.
 - Place your camcorder at least 30 cm (11 7/8 in.) away from the VCR.
 - Refer to the operating instructions of your VCR.

Перезапись только желаемых эпизодов - Цифровой монтаж программы

(4) Подтвердите работу КВМ

- Вставьте пригодную для записи ленту в КВМ, а затем установите КВМ на паузу записи.
 - Выберите команду IR TEST, а затем нажмите EXEC.
 - Выберите команду EXECUTE, а затем нажмите EXEC.
- Если КВМ начинает запись, то установка является правильной.
- Индикатор, который Вы выбрали для отмены паузы записи на КВМ, будет мигать на экране ЖКД. По окончании записи индикатор изменится на COMPLETE.

- Если КВМ не работает надлежащим образом
- После проверки кода в пункте "O код IR SETUP", установите пункт IR SETUP или PAUSEMODE еще раз.
 - Поместите Вашу видеокамеру на расстоянии, по крайней мере, 30 см от КВМ.
 - Смотрите инструкцию по эксплуатации Вашего КВМ.

Dubbing only desired scenes - Digital program editing

Step 2: Setting the VCR to operate with the i.LINK cable (DV connecting cable)

When you connect using the i.LINK cable (DV connecting cable) (optional), follow the procedures below.

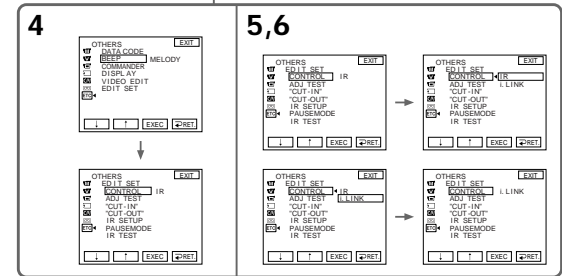
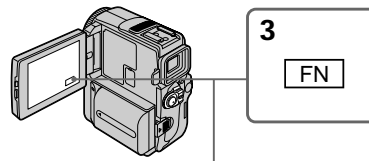
- Set the POWER switch to VCR (DCR-PC9E)/PLAYER (DCR-PC6E) on your camcorder.
- Turn the power of the connected VCR on, then set the input selector to DV input.
- When you connect a digital video camera recorder, set its power switch to VCR/VTR.
- Press FN to display PAGE1.
- Select CONTROL, then press EXEC.
- Select i.LINK, then press EXEC.

Перезапись только желаемых эпизодов - Цифровой монтаж программы

Пункт 2: Установка КВМ для работы с помощью кабеля i.LINK (соединительного кабеля DV)

Если Вы выполнили соединение с использованием кабеля i.LINK (соединительного кабеля DV) (приобретается отдельно), то следуйте нижеописанной процедуре.

- Установите переключатель POWER в положение VCR (DCR-PC9E)/PLAYER (DCR-PC6E) на Вашей видеокамере.
- Включите питание подсоединенного КВМ, а затем установите селекторный переключатель входного сигнала на цифровой видеовход DV.
- Если Вы подсоединяете цифровую видеокамеру, установите ее переключатель питания в положение VCR/VTR.
- Нажмите кнопку FN для отображения индикация PAGE1.
- Нажмите кнопку MENU, а затем выберите опцию EDIT SET в EZ3 в установках меню, а затем нажмите кнопку EXEC (стр. 134).
- Выберите CONTROL, а затем нажмите кнопку EXEC.
- Выберите i.LINK, а затем нажмите кнопку EXEC.



Dubbing only desired scenes - Digital program editing

Step 3: Adjusting the synchronicity of the VCR

You can adjust the synchronicity of your camcorder and the VCR. Prepare a pen and paper for notes. Before operation, eject a cassette from your camcorder.

- Set the POWER switch to VCR (DCR-PC9E)/PLAYER (DCR-PC6E) on your camcorder.
- Insert a recordable tape into the VCR, then set the VCR to recording pause. When you select i.LINK in CONTROL, the above procedure is not necessary.
- Select ADJ TEST, then press EXEC.
- Select EXECUTE, then press EXEC. IN and OUT are recorded on an image for 5 times each to calculate the numerical values for adjusting the synchronicity. The "EXECUTING" indicator flashes on the LCD screen. When finished, the indicator changes to "COMPLETE".
- Rewind the tape in the VCR, then start slow playback. Take a note of the opening numerical value of each IN and the closing numerical value of each OUT.
- Calculate the average of all the opening numerical values of each IN, and the average of all the closing numerical values of each OUT.
- Select "CUT-IN", then press EXEC.
- Select the average numerical value of IN, then press EXEC. The calculated start position for recording is set.
- Select "CUT-OUT", then press EXEC.
- Select the average numerical value of OUT, then press EXEC. The calculated stop position for recording is set.
- Select \rightarrow RET. to execute.

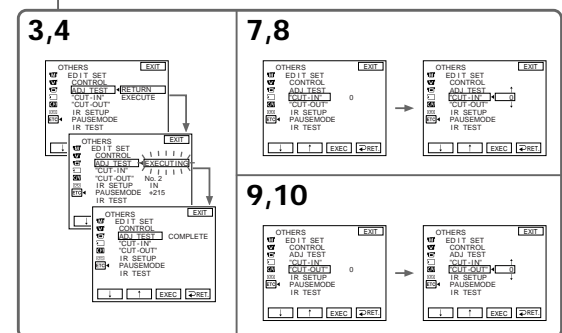
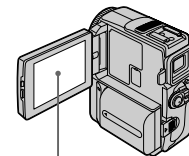
Перезапись только желаемых эпизодов - Цифровой монтаж программы

Пункт 3: Регулировка синхронности КВМ

Вы можете отрегулировать синхронность Вашей видеокамеры и КВМ. Приготовьте перо и бумагу для заметок. Перед началом операции извлеките кассету из Вашей видеокамеры.

- Установите переключатель POWER в положение VCR (DCR-PC9E)/PLAYER (DCR-PC6E) на Вашей видеокамере.
- Вставьте пригодную для записи ленту в КВМ, а затем установите КВМ на паузу записи. Если Вы выбрали i.LINK в опции CONTROL, то вышеописанная процедура не требуется.
- Выберите ADJ TEST, а затем нажмите кнопку EXEC.
- Выберите EXECUTE, а затем нажмите кнопку EXEC. IN и OUT записываются на изображении каждое по пять раз для вычисления числового значения для регулировки синхронности. Индикатор "EXECUTING" будет мигать на экране ЖКД. По окончании записи индикатор изменится на "COMPLETE".
- Перемотайте ленту в КВМ назад, а затем начните замедленное воспроизведение. Отметьте числовое значение открывания для каждого OUT.
- Вычислите среднее из всех числовых значений открывания для каждого OUT.
- Выберите "CUT-IN", а затем нажмите кнопку EXEC.
- Выберите среднее числовое значение для IN, а затем нажмите кнопку EXEC. Вычисленное положение для начала записи будет установлено.
- Выберите "CUT-OUT", а затем нажмите кнопку EXEC.
- Выберите среднее числовое значение для OUT, а затем нажмите кнопку EXEC. Вычисленное положение для остановки записи будет установлено.
- Нажмите \rightarrow RET. для выполнения.

Dubbing only desired scenes - Digital program editing



To return to FN Press EXIT.

- Notes
- When you complete step 3, the image to adjust the synchronicity is recorded for about 50 seconds.
 - If you start recording from the very beginning of the tape, the first few seconds of the tape may not be recorded properly. Be sure to allow about 10 seconds' lead before starting the recording.
 - When the recording unit cannot be operated properly by the i.LINK cable (DV connecting cable), leave the connection as it is, and make the A/V connecting cable settings (p. 102). Video and audio are sent by digital signals.

Перезапись только желаемых эпизодов - Цифровой монтаж программы

Для возврата в положение FN

Нажмите кнопку EXIT.

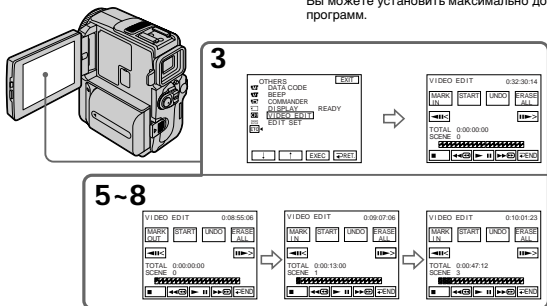
Примечания

- Когда Вы выполните пункт 3, изображение для регулировки синхронности будет записано приблизительно в течение 50 секунд.
- Если Вы начинаете запись от самого начала ленты, то первые несколько секунд ленты могут не быть записаны правильно. Обязательно позвольте пройти приблизительно 10 секундам перед началом записи.
- Если записывающий аппарат не может функционировать надлежащим образом с помощью кабеля i.LINK (соединительного кабеля цифрового видеосигнала DV), оставьте соединение как есть, и выполните установки соединительного кабеля аудио/видео (стр. 102). Видео- и аудиосигналы будут передаваться в виде цифровых сигналов.

Dubbing only desired scenes – Digital program editing

Operation 1: Making the Programme

- (1) Insert the tape for playback into your camcorder, and insert a tape for recording into the VCR.
- (2) Press FN to display PAGE1.
- (3) Select VIDEO EDIT in **[EDIT]** in the menu settings (p. 134). Then press EXEC.
- (4) Search for the beginning of the first scene you want to insert using the video control buttons on the LCD screen, then pause playback. You can fine-adjust one frame at a time.
- (5) Press MARK IN on the screen. The IN point of the first programme is set, and the top part of the programme mark changes to light blue.
- (6) Search for the end of the first scene you want to insert using the video control buttons on the LCD screen, then pause playback.
- (7) Press MARK OUT on the screen. The OUT point of the first programme is set, then the bottom part of the programme mark changes to light blue.
- (8) Repeat steps 4 to 7. When one programme is set, the programme mark changes to light blue. You can set 20 programmes in maximum.



110

Перезапись только желаемых эпизодов – Цифровой монтаж программы

Операция 1: Создание программ

- (1) Вставьте ленту для воспроизведения в Вашу видеокамеру, а ленту для записи в KBM.
- (2) Нажмите кнопку FN для отображения PAGE1.
- (3) Выберите VIDEO EDIT в **[EDIT]** в установках меню (стр. 134). Затем нажмите EXEC.
- (4) Выполните поиск начала первого эпизода, который Вы хотите вставить, с использованием кнопок видеопреуправления на экране ЖКД, а затем установите паузу воспроизведения. Вы можете выполнять тонкую регулировку по одному кадру за раз.
- (5) Нажмите MARK IN на экране. Точка IN первой программы будет установлена, и верхняя часть знака программы изменится и загорится синим светом.
- (6) Выполните поиск конца первого эпизода, который Вы хотите вставить, с использованием кнопок видеопреуправления на экране ЖКД, а затем установите паузу воспроизведения.
- (7) Нажмите MARK OUT на экране. Точка OUT первой программы будет установлена, и нижняя часть знака программы изменится и загорится синим светом.
- (8) Повторите пункты с 4 по 7. Когда программа будет установлена, знак программы изменится и загорится синим светом. Вы можете установить максимально до 20 программ.

Dubbing only desired scenes – Digital program editing

Erasing the programme you have set

- Erase OUT mark first, and then IN mark of the last programme.
- (1) Press UNDO. The last programme mark flashes on the LCD screen.
 - (2) Press EXEC. The setting is cancelled.

To cancel erasing
Press CANCEL in step 2.

Erasing all programmes

- (1) Select VIDEO EDIT in **[EDIT]** in the menu settings.
- (2) Press ERASE ALL. All the programme marks flash on the LCD screen.
- (3) Press EXEC. The settings are cancelled.

To cancel erasing all programmes
Press CANCEL in step 3.

To finish making programmes

Press **[END]**. The programme is stored in memory until the tape is ejected.

Note

You cannot operate recording during the Digital program editing.

On a blank portion of the tape
You cannot set IN or OUT.

If there is a blank portion between the IN point and the OUT point on the tape
The time code may not be displayed correctly.

Перезапись только желаемых эпизодов – Цифровой монтаж программы

Стирание установленной Вами программы

Слева сотрите знак OUT, а затем знак IN последней программы.

- (1) Нажмите UNDO. Знак последней программы будет мигать на экране ЖКД.
- (2) Нажмите кнопку EXEC. Установка будет отменена.

Для отмены стирания

Нажмите CANCEL в пункте 2.

Стирание всех программ

- (1) Выберите VIDEO EDIT в **[EDIT]** в установках меню.
- (2) Нажмите ERASE ALL. Знаки всех программ будут мигать на экране ЖКД.
- (3) Нажмите кнопку EXEC. Установки будут отменены.

Для отмены стирания всех программ

Нажмите CANCEL в пункте 3.

Для завершения создания программ

Нажмите **[END]**. Программы будут сохраняться в памяти до тех пор, пока лента не будет вытолкнута.

Примечание

Вы не можете управлять записью во время цифрового монтажа программы.

На незаписанной части ленты

Вы не сможете установить IN или OUT на незаписанной части ленты.

Если имеется незаписанный участок между точкой IN и точкой OUT на ленте
Код времени может быть отображен неправильно.

Editing
Монтаж

Dubbing only desired scenes – Digital program editing

Operation 2: Performing a Digital program editing (Dubbing a tape)

Make sure your camcorder and the VCR are connected, and that the VCR is set to recording pause. When you use an i.LINK cable (DV connecting cable) the following procedure is not necessary.

When you use a digital video camera recorder, set its power switch to VCR/VTR.

- (1) Select VIDEO EDIT in **[EDIT]** in the menu settings. Then press START.
- (2) Press EXEC. Search for the beginning of the first programme, then start dubbing. The "SEARCH" indicator appears during search, and the "EDITING" indicator appears during edit on the LCD screen. The programme mark changes to light blue after the dubbing is complete. When the dubbing ends, your camcorder and the VCR automatically stop.

To stop dubbing during editing

Press CANCEL.

To finish the Digital program editing function

Your camcorder stops when the dubbing is complete. Then the display returns to VIDEO EDIT in the menu settings. Press **[END]** to end the video edit function.

You cannot record on the VCR when:

- The tape has run out.
- The write-protect tab on the cassette is set to lock.
- The IR SETUP code is not correct. (When IR is selected.)
- The button to cancel recording pause is not correct. (When IR is selected.)
- The programme to operate the Digital program editing has not been made.
- i.LINK is selected but an i.LINK cable (DV connecting cable) is not connected.
- The power of the connected VCR is not turned on.

Перезапись только желаемых эпизодов – Цифровой монтаж программы

Операция 2: Выполнение цифрового монтажа программы (перезапись ленты)

Убедитесь, что Ваша видеокамера соединена с KBM, и что KBM установлен на режим паузы записи. Если Вы используете кабель i.LINK (соединительный кабель DV), следующую процедуру выполнять не надо.

Если используете цифровую видеокамеру, установите переключатель питания в положение VCR/VTR.

- (1) Выберите VIDEO EDIT в **[EDIT]** в установках меню. Затем нажмите кнопку START.
- (2) Нажмите кнопку EXEC. Выполните поиск начала первой программы, а затем начните перезапись. Индикатор "SEARCH" появляется во время поиска, и индикатор "EDITING" появляется во время монтажа на экране ЖКД. Знак программы изменяется и загорается синим светом по завершении перезаписи. Когда перезапись будет закончена, Ваша видеокамера и KBM останавливаются автоматически.

Для остановки перезаписи во время монтажа

Нажмите CANCEL.

Для окончания действия функции цифрового монтажа программы

Ваша видеокамера останавливается по завершении перезаписи. Затем дисплей возвращается к VIDEO EDIT в установках меню. Нажмите **[END]** для окончания действия функции видеомонтажа.

Вы не можете выполнять запись на KBM, когда:

- Закончилась лента.
- Лепесток защиты записи на кассете установлен в положение блокировки.
- Неправильный код IR SETUP. (При выборе IR.)
- Кнопка для отмены паузы записи не была нажата надлежащим образом. (Если выбран режим IR.)
- Не создана программа для выполнения цифрового монтажа программы.
- Выбрана опция i.LINK, но кабель i.LINK (соединительный кабель DV) не подсоединен.
- Не включено питание подсоединенного KBM.

Using with an analog video unit and your computer – Signal convert function

- DCR-PC9E only

You can capture images and sound from an analog video unit connected to your computer which has the i.LINK jack (DV jack) to your camcorder.

Before operation

Set DISPLAY to LCD in the menu settings. (The default setting is LCD.)

- (1) Set the POWER switch to VCR.
- (2) Press FN to display PAGE1.
- (3) Press MENU, then set A/V → DV OUT to ON in **[EDIT]** in the menu settings (p. 134).
- (4) Start playback on the analog video unit.
- (5) Start capturing procedures on your computer. The operation procedures depend on your computer and the software which you use. For details on how to capture images, refer to the instruction manual of computer and the software.

Использование с аналоговым видеоаппаратом и персональным компьютером – Функция преобразования сигнала

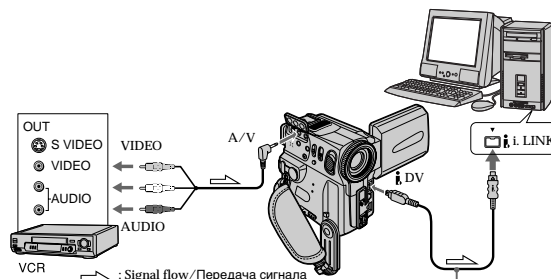
- Только модель DCR-PC9E

Вы можете захватывать изображения и звук с аналогового видеоаппарата, присоединенного через Вашу видеокамеру к персональному компьютеру со штекером i.LINK (цифрового видеосигнала).

Перед выполнением операции

Установите пункт DISPLAY в положение LCD в установках меню. (По умолчанию выбрано положение LCD.)

- (1) Установите переключатель POWER в положение VCR.
- (2) Нажмите кнопку FN для отображения индикации PAGE1.
- (3) Нажмите кнопку MENU, а затем установите опцию A/V → DV OUT в положение ON **[EDIT]** в установках меню (стр. 134).
- (4) Начните воспроизведение на аналоговом видеоаппарате.
- (5) Начните процедуры захвата на Вашем персональном компьютере. Выполнение процедур зависит от Вашего персонального компьютера и используемого Вами программного обеспечения. Для получения более подробных сведений о захвате изображений обращайтесь, пожалуйста, к руководству по эксплуатации персонального компьютера и программного обеспечения.



Editing
Монтаж

112

113

Using with an analog video unit and your computer – Signal convert function

After capturing images and sound

Stop capturing procedures on your computer, and stop the playback on the analog video unit.

Notes

- You need to install software which can exchange video signals.
- Depending on the condition of the analog video signals, the computer may not be able to output the images correctly when you convert analog video signals into digital video signals via your camcorder. Depending on the analog video unit, the image may contain noise or incorrect colors.
- You can capture images and sound with an S video cable (optional) instead of the A/V connecting cable (supplied).

Использование с аналоговым видеоаппаратом и персональным компьютером – Функция преобразования сигнала

После записи изображения и звука

Остановите процедуру записи на Вашем компьютере и остановите воспроизведение на аналоговом видеоаппарате.

Примечания

- Вам необходимо установить программное обеспечение, которое может обмениваться видеосигналами.
- В зависимости от состояния аналогового видеосигнала, персональный компьютер может быть не в состоянии воспроизвести правильно изображения на выходе, когда Вы преобразовываете аналоговые видеосигналы в цифровые видеосигналы с помощью Вашей видеокамеры. В зависимости от аналогового видеоустройства, изображение может быть зашумленным или с неправильными цветами.
- Вы можете захватывать изображения и звук с помощью кабеля S видео (приобретается отдельно) вместо соединительного кабеля аудио/видео (прилагается).

Recording video or TV programmes

– DCR-PC9E only

Using the A/V connecting cable

You can record a tape from another VCR or a TV programme from a TV that has video/audio outputs. Use your camcorder as a recorder.

Before operation

Set DISPLAY to LCD in the menu settings. (The default setting is LCD.)

- Insert a blank tape (or a tape you want to record over) into your camcorder. If you are recording a tape from the VCR, insert a recorded tape into the VCR.
- Set the POWER switch to VCR.
- Press FN and select PAGE3.
- Press REC CTRL.
- Press REC PAUSE.
- Press ► on the VCR to start playback if you are recording a tape from VCR. Select a TV programme if you are recording from TV. The picture from TV or VCR appears on the screen.
- Press REC START at the scene where you want to start recording from.

Запись видео или телевизионных программ

– Только модель DCR-PC9E

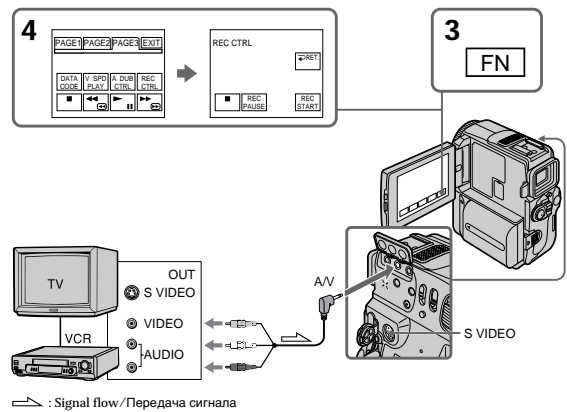
Использование соединительного аудио/видео кабеля

Вы можете записать ленту с другого KBM или телевизионную программу с телевизора, у которого есть видео/аудио выходы. Используйте Вашу видеокамеру как записывающее устройство.

Перед выполнением операции

Установите пункт DISPLAY в положение LCD в установках меню. (По умолчанию выбрано положение LCD.)

- Установите чистую ленту (или ленту, которую Вы хотите перезаписать) в Вашу видеокамеру. Если Вы записываете ленту с KBM, установите записанную ленту в KBM.
- Установите переключатель POWER на Вашей видеокамере в положение VCR.
- Нажмите кнопку FN и выберите опцию PAGE3.
- Нажмите кнопку REC CTRL.
- Нажмите кнопку REC PAUSE.
- Нажмите кнопку ► на KBM для начала воспроизведения, если Вы записываете ленту с KBM. Выберите телевизионную программу, если Вы записываете с телевизора. Изображение с телевизора или KBM появится на экране.
- Нажмите кнопку REC START в том месте, где Вы хотите начать запись.



Recording video or TV programmes

When you have finished dubbing a tape

Press ■ on both your camcorder and the VCR.

If your VCR is a monaural type

Connect the yellow plug of the A/V connecting cable to the video output jack and the white or the red plug to the audio output jack on the VCR or the TV. When the white plug is connected, the left channel audio is output, and when the red plug is connected, the right channel audio is output.

If your TV or VCR has an S video jack

Connect using an S video cable (optional) to obtain high-quality pictures. With this connection, you do not need to connect the yellow (video) plug of the A/V connecting cable. Connect an S video cable (optional) to the S video jacks of both your camcorder and the TV or VCR. This connection produces higher quality DV format pictures.

Запись видео или телевизионных программ

Если Вы закончили перезапись ленты

Нажмите кнопку ■ на Вашей видеокамере и на KBM.

Если Ваш KBM монофонического типа

Подсоедините желтый штекер соединительного кабеля аудио/видео к входному видеогнезду, а белый или красный штекер к входному аудиогнезду на KBM или телевизоре. Если подсоединен белый штекер, то выходным сигналом будет звук левого канала, а если подсоединен красный штекер, то выходным сигналом будет звук правого канала.

Если Ваш телевизор или KBM оснащен гнездом S видео

Выполните подсоединение с помощью кабеля S видео (приобретается отдельно) для получения высококачественных изображений. При таком подсоединении Вам не нужно подсоединять желтый (видео) штекер соединительного кабеля аудио/видео. Подсоедините кабель S видео (приобретается отдельно) к гнездам S видео на Вашей видеокамере и телевизоре или KBM. Это соединение обеспечивает изображение более высокого качества формата DV.

Recording video or TV programmes

Using the i.LINK cable (DV connecting cable)

Simply connect the i.LINK cable (DV connecting cable) (optional) to DV jack of your camcorder and to DV jack of the DV products. With digital-to-digital connection, video and audio signals are transmitted in digital form for high-quality editing.

Before operation

Set DISPLAY to LCD in the menu settings (p. 134). (The default setting is LCD.)

- Insert a blank tape (or a tape you want to record over) into your camcorder, and insert the recorded tape into VCR.
- Set the POWER switch to VCR.
- Press FN and select PAGE3.
- Press REC CTRL.
- Press REC PAUSE.
- Press ► on the VCR to start playback. The picture from the DV products appears on the screen of your camcorder.
- Press REC START at the scene where you want to start recording.

Запись видео или телевизионных программ

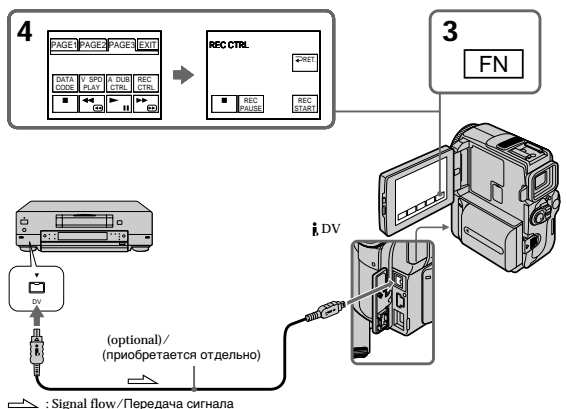
Использование кабеля i.LINK (соединительного кабеля цифрового видеосигнала)

Просто подсоедините кабель i.LINK (соединительный кабель цифрового видеосигнала) (приобретается отдельно) к гнездам DV и DV цифровых видеоизделий. При цифро-цифровом соединении видео- и аудиосигналы передаются в цифровой форме для высококачественного монтажа.

Перед выполнением операции

Установите пункт DISPLAY в разделе в установках меню в положение LCD (стр. 134). (По умолчанию выбрано положение LCD.)

- Установите чистую ленту (или ленту, которую Вы хотите перезаписать) в Вашу видеокамеру и установите записанную ленту в KBM.
- Установите переключатель POWER на Вашей видеокамере в положение VCR.
- Нажмите кнопку FN и выберите опцию PAGE3.
- Нажмите кнопку REC CTRL.
- Нажмите кнопку REC PAUSE.
- Нажмите кнопку ► на KBM для начала воспроизведения. Изображение с DV цифровых видеоизделий появится на экране Вашей видеокамеры.
- Нажмите кнопку REC START в том месте, где Вы хотите начать запись.



Recording video or TV programmes

When you have finished dubbing a tape

Press **■** on both your camcorder and the VCR.

You can connect one VCR only using the i.LINK cable (DV connecting cable).

When you dub a picture in digital form The colour of the display may be uneven. However, this does not affect the dubbed picture.

If you record playback pause picture with the DV jack

The recorded picture becomes rough. And when you play back the picture using your camcorder, the picture may jitter.

Before recording

Make sure if the DV IN indicator appears on the screen. The DV IN indicator may appear on both equipment.

Запись видео или телевизионных программ

Когда Вы закончили перезапись ленты

Нажмите кнопку **■** и на Вашей видеокамере, и на KBM.

Вы можете присоединить только один KBM, используя кабель i.LINK (соединительный кабель цифрового видеосигнала DV)

Во время цифрового монтажа

Цвета на экране могут быть размытыми. Тем не менее, это не повлияет на перезаписанное изображение.

Если Вы запишете паузу воспроизведения через гнездо DV

Записанное изображение станет грубым. Когда Вы будете воспроизводить изображение, используя Вашу видеокамеру, изображение может подрагивать.

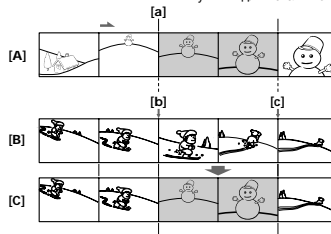
Перед началом записи

Убедитесь, что индикатор DV IN появился на экране. Индикатор DV IN может появиться на обоих устройствах.

Inserting a scene from a VCR - Insert Editing

- DCR-PC9E only

You can insert a new scene from a VCR onto your originally recorded tape by specifying the insert start and end points. Use the Remote Commander for this operation. Connections are the same as on page 115 or 117. Insert a cassette containing the desired scene to insert into the VCR.



[A]: A tape that contains the scene to be superimposed

[B]: A tape before editing

[C]: A tape after editing

- Set the POWER switch to VCR.
- On the VCR, locate just before the insert start point [a], then set the VCR to the playback pause mode.
- On your camcorder, locate the insert end point [c] by pressing **◀◀** or **▶▶**. Then set it to the playback pause mode.
- Press ZERO SET MEMORY on the Remote Commander. The ZERO SET MEMORY indicator flashes and the end point of the insert is stored in memory.
- On your camcorder, locate the insert start point [b] by pressing **◀◀**. Press FN and select REC CTRL in PAGE3. Press REC PAUSE.
- First press **■** on the VCR, and after a few seconds press REC START on your camcorder to start inserting the new scene. Inserting automatically stops near the zero point on the tape counter. Your camcorder automatically returns to the recording stop mode.

Вставка эпизода с KBM - Монтаж вставки

- Только модель DCR-PC9E

Вы можете вставить новый эпизод с KBM на Вашу первоначально записанную ленту, указав начальную и конечную точки вставки. Используйте пульт дистанционного управления для этой операции. Подсоединения выполняются так же, как и на стр. 115 или 117. Установите в KBM кассету, содержащую нужный для вставки эпизод.

[A]: Лента с эпизодом, который будет накладываться

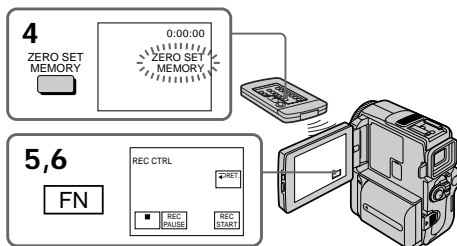
[B]: Лента до монтажа

[C]: Лента после монтажа

- Установите переключатель POWER на Вашей видеокамере в положение VCR.
- На присоединенном KBM определите местоположение как раз перед начальной точкой вставки [a], затем нажмите кнопку для установки KBM в режим паузы воспроизведения.
- На Вашей видеокамере определите местоположение конечной точки вставки [c], нажав кнопку **◀◀** или **▶▶**. Затем нажмите кнопку для установки ее в режим паузы воспроизведения.
- Нажмите кнопку ZERO SET MEMORY на пульте дистанционного управления. Индикатор ZERO SET MEMORY мигает, и конечная точка вставки сохранится в памяти.
- На Вашей видеокамере определите местоположение начальной точки вставки [b], нажав кнопку **◀◀**. Нажмите кнопку FN и выберите команду REC CTRL в опции PAGE3. Нажмите кнопку REC PAUSE.
- Сначала нажмите кнопку **■** на KBM, а через несколько секунд нажмите кнопку REC START на Вашей видеокамере для начала вставки нового эпизода. Вставка автоматически остановится возле нулевой отметки на счетчике ленты. Ваша видеокамера автоматически вернется в режим остановки записи.

118

Inserting a scene from a VCR - Insert Editing



To change the insert end point

Press ZERO SET MEMORY again after step 5 to erase the ZERO SET MEMORY indicator and begin from step 3.

Note

The picture and sound recorded on the section between the insert start and end points will be erased when you insert the new scene.

If you insert scenes on the tape recorded with other camcorder (including other DCR-PC9E) The picture and sound may be distorted. We recommend that you insert scenes on a tape recorded with your camcorder.

When the inserted picture is played back The picture and sound may be distorted at the end of the inserted section. This is not a malfunction. The picture and sound at the start point and the end point may be distorted in the LP mode.

To insert a scene without setting the insert end point Skip step 3 and 4. Press **■** when you want to stop inserting.

If you press FN The ZERO SET MEMORY indicator is not displayed.

Вставка эпизода с KBM - Монтаж вставки

Для изменения конечной точки вставки

Нажмите кнопку ZERO SET MEMORY еще раз после пункта 5, чтобы стереть индикатор ZERO SET MEMORY, и начните с пункта 3.

Примечание

Изображение и звук, записанные на участке между начальной и конечной точками вставки, будут стерты, когда Вы вставите новый эпизод.

Если Вы вставляете эпизоды на ленту, записанную на другой видеокамере (включая другие DCR-PC9E)

Изображение и звук могут быть искажены. Рекомендуется вставка эпизодов на ленту, записанную на Вашей видеокамере.

Когда вставленное изображение воспроизводится

Изображение и звук могут быть искажены в конце записанного участка. Это не является неисправностью. Изображение и звук могут быть искажены в начальной точке и конечной точке в режиме LP.

Для вставки эпизода без установки конечной точки вставки

Пропустите выполнение инструкций пунктов 3 и 4. Нажмите кнопку **■**, когда Вы захотите остановить вставку.

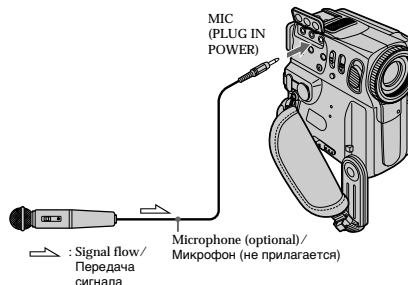
Если Вы нажмете кнопку FN

Индикатор ZERO SET MEMORY не будет отображаться.

Audio dubbing

You can record an audio sound to add to the original sound on a tape by connecting audio equipment or a microphone. If you connect the audio equipment, you can add sound to your recorded tape by specifying starting and ending points. The original sound will not be erased. Select one of the following connections to add an audio sound.

Connecting the microphone with the MIC jack



You can check the recorded picture and sound by connecting the A/V jack to a TV. The recorded sound is not output from a speaker. Check the sound by using the headphones or TV.

Аудиоперезапись

Вы можете записать аудиофрагмент, чтобы добавить его к первоначальному звуку на ленте, подсоединив аудиоаппарат или микрофон. Если Вы подсоедините аудиооборудование, Вы можете добавить звук к записанной Вами ленте, указав начальную и конечную точки. Первоначальный звук не будет стерт. Выберите один из следующих способов подсоединения для добавления аудиофрагмента.

Подсоединение микрофона через гнездо MIC

Вы можете проверить записанное изображение и звук, подсоединив гнездо A/V к телевизору. Записанный звук не выводится через громкоговоритель. Проверьте звук, используя головные телефоны или телевизор.

120

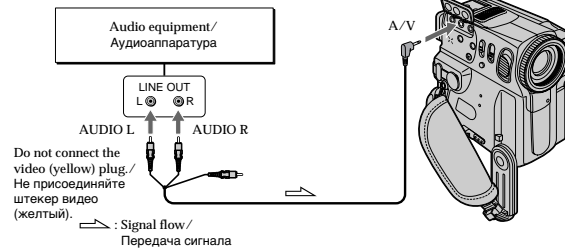
119

121

Audio dubbing

Connecting the A/V connecting cable to the A/V jack

— DCR-PC9E only



Dubbing with the built-in microphones

No connection is necessary.

Notes

- When dubbing with A/V jack or the built-in microphone, pictures are not output through S VIDEO jack or the A/V jack. Check the recorded picture on the screen. You can check the recorded sound by using head phones.
- You cannot add audio with the DV jack.

If you make all the connections

The audio input to be recorded will take precedence over others in the following order.

- MIC (PLUG IN POWER) jack
- A/V jack
- Built-in microphone

Аудиоперезапись

Присоединение соединительного аудио/видео кабеля к гнезду A/V

— Только модель DCR-PC9E

Перезапись с помощью встроенного микрофона

Никаких подсоединений не требуется.

Примечания

- При перезаписи через гнездо A/V или встроенный микрофон, изображения не будут передаваться через гнездо S VIDEO или гнездо A/V. Проверьте записанное изображение на экране. Вы можете проверить звук с помощью головных телефонов.
- Вы не можете добавить звуки, используя гнездо DV.

Если Вы произвели все подсоединения

Звуковые входы, с которых производится запись, имеют приоритет перед другими в следующем порядке:

- Гнездо MIC (PLUG IN POWER)
- Гнездо A/V
- Встроенный микрофон

Audio dubbing

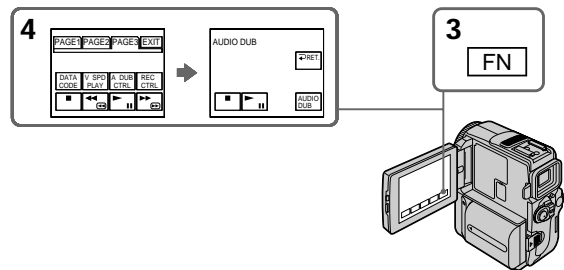
Adding an audio sound on a recorded tape

- Insert your recorded tape into your camcorder.
- Set the POWER switch to VCR (DCR-PC9E)/PLAYER (DCR-PC6E).
- Locate the recording start point. Press the **▶** button to start playing back. To pause playing back, press the **⏸** button again at the recording start point. You can fine adjust the recording start point by pressing **◀**/**▶** button, and you can also use the Remote Commander for this operation.
- Press FN and select PAGE3.
- Press A DUB CTRL to display control buttons on the LCD screen.
- Press AUDIO DUB. The green **▶** appears on the LCD screen.
- Press **▶** on your camcorder and at the same time start playing back the audio you want to record. The new sound is recorded in stereo 2 (ST2) during playback. During recording new sound, the red **▶** appears on the LCD screen.
- Press **■** on your camcorder at the point where you want to stop recording.

Аудиоперезапись

Добавление звукового сигнала на записанную ленту

- Вставьте Вашу записанную ленту в Вашу видеокамеру.
- Установите переключатель POWER в положение VCR (DCR-PC9E)/PLAYER (DCR-PC6E).
- Найдите место начала записи. Нажмите кнопку **▶** для начала воспроизведения. Для паузы воспроизведения нажмите кнопку **⏸** снова в месте начала записи. Вы можете точно найти точку начала записи путем нажатия кнопки **◀**/**▶**, поэтому Вы можете использовать пульт дистанционного управления для выполнения этой операции.
- Нажмите кнопку FN и выберите опцию PAGE3.
- Нажмите кнопку A DUB CTRL для отображения кнопок видеоконтроля.
- Нажмите кнопку AUDIO DUB. Зеленый индикатор **▶** появится на экране ЖКД.
- Нажмите кнопку **▶** на Вашей видеокамере или и начните в то же время воспроизведение звука, который Вы хотите записать. Новый звук записывается в канале стерео 2 (ST2) во время воспроизведения. Во время записи нового звука, красный индикатор **▶** появляется на экране ЖКД.
- Нажмите кнопку **■** на Вашей видеокамере в точке, в которой Вы хотите остановить запись.



122

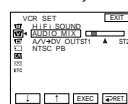
123

Audio dubbing

Monitoring the new recorded sound

To play back the sound

Adjust the balance between the original sound (ST1) and the new sound (ST2) by selecting AUDIO MIX in the menu settings (p. 134).



About 5 minutes after when you disconnect the power source or remove the battery pack, the setting of AUDIO MIX returns to the original sound (ST1) only. The default setting is original sound only.

Notes

- New sound cannot be recorded on a tape already recorded in the 16-bit mode (32 kHz, 44.1 kHz or 48 kHz) (p. 139).
- New sound cannot be recorded on a tape already recorded in the LP mode.
- New sound cannot be recorded on blank portions of the tape.

If the iLINK cable (DV connecting cable) (optional) is connected to your camcorder You cannot add a sound to a recorded tape.

We recommend that you add new sound on a tape recorded with your camcorder

If you add new sound on a tape recorded with another camcorder (including other DCR-PC6E/PC9E), the sound quality may become worse.

If you set the write-protect tab of the tape to lock

You cannot record on a tape. Slide the write-protect tab to release the write protection.

To add new sound more precisely

Press ZERO SET MEMORY at the point where you want to stop recording later in the playback mode.

Carry out steps 3. Recording automatically stops at the point where ZERO SET MEMORY was pressed.

Аудиоперезапись

Контроль нового записанного звука

Для воспроизведения звука

Отрегулируйте баланс между первоначальным звуком (ST1) и новым звуком (ST2), выбрав команду AUDIO MIX в установках меню (стр. 134).

Через 5 минут после отсоединения источника питания или снятия батарейного блока установка AUDIO MIX вернется к первоначальному звуку (ST1). Установка по умолчанию соответствует первоначальному звуку.

Примечания

- Новый звук не может быть записан на ленту, уже записанную в 16-битовом режиме (32 кГц, 44,1 кГц или 48 кГц) (стр. 139).
- Новый звук не может быть записан на ленту, уже записанную в режиме LP.
- Новый звук не может быть записан на пустые части ленты.

Если к Вашей видеокамере подсоединен кабель iLINK (соединительный кабель DV) Вы не сможете добавить звук на записанную ленту.

Рекомендуется добавлять новый звук на ленту, записанную с помощью Вашей видеокамеры

Если Вы добавите звук на ленту, записанную с помощью другой видеокамеры (включая и другие DCR-PC6E/PC9E), качество звука может быть хуже.

Если вы установите лепесток защиты записи ленты в положение блокировки

Вы не сможете выполнить запись на ленту. Передвиньте лепесток защиты записи для освобождения защиты записи.

Для более точного добавления нового звука

Нажмите кнопку ZERO SET MEMORY в месте, где Вы хотите запись позже в режиме воспроизведения.

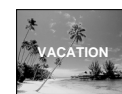
Выполните пункты с 3. Запись автоматически остановится в месте, где была нажата кнопка ZERO SET MEMORY.

Superimposing a title

CM only

If you use a tape with cassette memory, you can superimpose the title. When you play back the tape, the title is displayed for about 5 seconds from the point where you superimposed it.

You can select one of eight preset titles and 2 custom titles (p. 129). You can also select the colour, size and position of titles.



- In CAMERA or VCR (DCR-PC9E)/PLAYER (DCR-PC6E) mode, press FN and select PAGE2.
- Press TITLE. The screen to select a title appears on the LCD screen.
- Select **□** with **↑/↓**, and then press EXEC.
- Press **↑/↓** to select a desired title, and then press EXEC. The title appears on the LCD screen.
- If necessary, change the colour, size, or position by pressing COLOUR, SIZE, POS **↓** or POS **↑**.
- Press TITLE OK.
- Press SAVE TITLE. In the playback, playback pause or recording mode: The "TITLE SAVE" indicator appears on the screen for about 5 seconds and the title is set. In the standby mode: The "TITLE" indicator appears. And when you press START/STOP to start recording, "TITLE SAVE" appears on the screen for about 5 seconds and the title is set.

Наложение титра

CM only

Если Вы используете ленту с кассетной памятью, Вы можете выполнять наложение титра. Если Вы воспроизводите ленту, титр будет отображаться в течение 5 секунд с того места, где Вы наложили его.

Вы можете выбрать один из восьми предварительно установленных титров и 2 собственных титров (стр. 129). Вы можете также выбрать цвет, размер и положение титров.

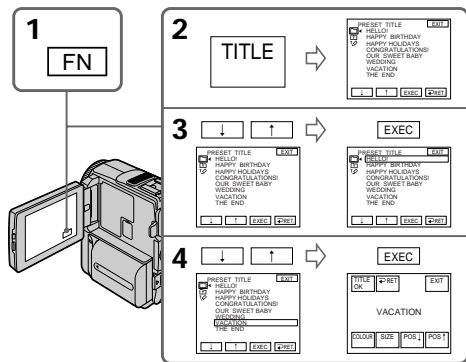
- В режиме CAMERA или VCR (модель DCR-PC9E)/PLAYER (модель DCR-PC6E), нажмите кнопку FN и выберите опцию PAGE2.
- Нажмите кнопку TITLE. Экран для выбора титра появится на экране ЖКД.
- Выберите **□** с помощью **↑/↓**, а затем нажмите EXEC.
- Нажмите **↑/↓** для выбора желаемого титра, а затем нажмите EXEC. Титр появится на экране ЖКД.
- Если требуется, измените цвет, размер или положение титра с помощью COLOUR, SIZE, POS **↓** или POS **↑**.
- Нажмите TITLE OK.
- Нажмите кнопку SAVE TITLE. В режиме воспроизведения, паузы воспроизведения или записи: На экране появится индикатор "TITLE SAVE" на 5 секунд, и установка титра будет завершена. В режиме ожидания: Появится индикатор "TITLE". А если Вы нажмете кнопку START/STOP для начала записи, на экране появится индикатор "TITLE SAVE" на 5 секунд, и установка титра будет завершена.

124

125

Superimposing a title

Наложение титра



If you set the write-protect tab to lock You cannot superimpose or erase the title. Slide the write-protect tab to release the write protection.

To use the custom title If you want to use the custom title, select [] in step 3.

If the tape has a blank portion You cannot superimpose a title on the tape.

If the tape has a blank portion in the middle of the recorded parts The title may not be displayed correctly.

The titles superimposed with your camcorder • They are displayed by only the DV™ **IX** format video equipment with index titler function. • The point you superimposed the title may be detected as an index signal when searching a recording with other video equipment.

If the tape has too many index signals You may not be able to superimpose a title because the memory is full. In this case, delete data you do not need.

Если Вы установили лепесток защиты записи в положение блокировки Вы не сможете наложить или стереть титр. Передвиньте лепесток защиты записи для освобождения защиты записи.

Для использования собственного титра Если Вы хотите использовать собственный титр, выберите установку [] в пункте 3.

Если на ленте имеется незаписанная часть Вы не сможете наложить титр на ленту.

Если на ленте имеются незаписанные части между записанными частями Титр может быть отображен неправильно.

Титры, наложенные с помощью Вашей видеокамеры

- Они отображаются только при использовании цифровой видеоаппаратуры DV™ **IX** с индексной функцией блока ввода титров.
- Место, на которое Вы наложили титр, может быть детектировано в качестве индексного сигнала при поиске записи на другой видеоаппаратуре.

Если на ленте имеется слишком много индексных сигналов Вы можете быть лишены возможности наложить титр из-за переполнения памяти. В таком случае отмените ненужные Вам данные.

Superimposing a title

Not to display title Set TITLE DSPL to OFF in the menu settings (p. 134).

Title setting

- The title colour changes as follows: WHITE → YELLOW → VIOLET → RED → CYAN → GREEN → BLUE
- The title size changes as follows: SMALL ↔ LARGE You cannot input 13 characters or more in LARGE size. If you input more than 12 characters, the title size returns to SMALL even you select LARGE.
- If you select the title size "SMALL", you have 9 choices for the title position. If you select the title size "LARGE", you have 8 choices for the title position.

One cassette can have up to about 20 titles, if 1 title consists of 8 characters However, if the cassette memory is full with date, photo and cassette label data, one cassette can have only up to about 11 titles with 5 characters each.

Cassette memory capacity is as follows:

- 6 date data (maximum)
- 12 photo data (maximum)
- 1 cassette label (maximum)

If the "FULL" mark appears

The cassette memory is full. Erase the title you do not need.

Наложение титра

Чтобы титр не отображался Установите TITLE DSPL на OFF в установках меню (стр. 134).

Установка титра

- Цвет титра изменяется следующим образом: WHITE (белый) → YELLOW (желтый) → VIOLET (фиолетовый) → RED (красный) → CYAN (голубой) → GREEN (зеленый) → BLUE (синий)
- Размер титра изменяется следующим образом: SMALL (маленький) ↔ LARGE (большой) Вы не можете ввести 13 знаков или более для размера LARGE. Если Вы введете более 12 знаков, то размер титра возвратится к установке SMALL, даже когда Вы выберете установку LARGE.
- Если Вы выбираете размер титра "SMALL", то Вы можете выбирать из 9 положений титра. Когда Вы выбираете размер титра "LARGE", Вы может выбирать из 8 положений.

На одной кассете может вмещаться до 20 титров, если 1 титр состоит из 5 символов

Однако, если кассетная память уже содержит дату, фото и данные кассетной маркировки, то на одной кассете может вмещаться около 11 титров с 5 символами каждый.

Емкость кассетной памяти является следующей:

- Данные 6 дат (максимум)
- Данные 12 фото (максимум)
- 1 кассетная маркировка (максимум)

Если появляется знак "FULL" Кассетная память заполнена. Сотрите титр, который Вам не требуется.

Superimposing a title

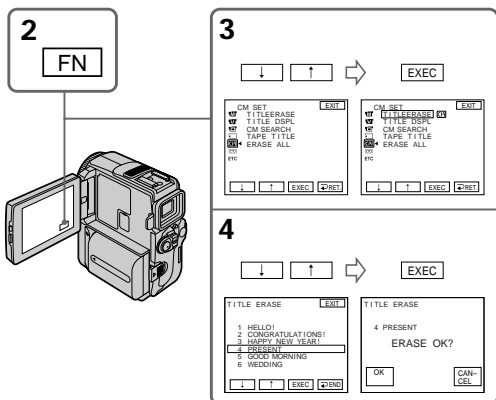
Наложение титра

Erasing a title

- (1) Set the POWER switch to CAMERA or VCR (DCR-PC9E)/PLAYER (DCR-PC6E).
- (2) Press FN to display PAGE1.
- (3) Press MENU, then select TITLEERASE in [] in the menu setting, then press EXEC.
- (4) Select the title you want to erase with ↓/↑, and then press EXEC.
- (5) Make sure the title is the one you want to erase, and press OK.

Стирание титра

- (1) Установите переключатель POWER в положение CAMERA или VCR (DCR-PC9E)/PLAYER (DCR-PC6E).
- (2) Нажмите кнопку FN для отображения PAGE1.
- (3) Нажмите кнопку MENU, а затем выберите опцию TITLEERASE в [] в установках меню, а затем нажмите кнопку EXEC.
- (4) Выберите титр, который Вы хотите стереть, с помощью ↓/↑, а затем нажмите EXEC.
- (5) Появится индикатор "ERASE OK?"
- (6) Убедитесь, что титр именно тот, который Вы хотите стереть, и нажмите OK.



To return to FN Press EXIT.

To cancel erasing Press CANCEL in step 5.

Для возврата в положение FN Нажмите кнопку EXIT.

Для отмены стирания Нажмите кнопку CANCEL в пункте 5.

Making your own titles

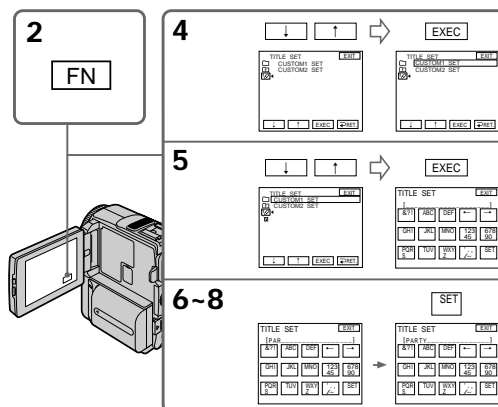
You can make up to 2 titles and store them in the memory of your camcorder. Each title can have up to 20 characters.

- (1) Set the POWER switch to CAMERA or VCR (DCR-PC9E)/PLAYER (DCR-PC6E).
- (2) Press FN and select PAGE2.
- (3) Press TITLE.
- (4) Select [] with ↓/↑, and press EXEC.
- (5) Select CUSTOM1 SET or CUSTOM2 SET with ↓/↑, and press EXEC.
- (6) Select the desired character. Repeat pressing a key to select the desired character on the key.
- (7) Press → to move the cursor for the next character. Repeat the same procedure as step 6 and 7 to complete your title.
- (8) Press SET. The title is stored in memory.

Создание Ваших собственных титров

Вы можете составить до двух титров и сохранить их в памяти Вашей видеокамеры. Каждый титр может содержать до 20 символов.

- (1) Установите переключатель POWER в положение CAMERA или VCR (модель DCR-PC9E)/PLAYER (модель DCR-PC6E).
- (2) Нажмите кнопку FN и выберите опцию PAGE2.
- (3) Нажмите кнопку TITLE.
- (4) Выберите [] с помощью ↓/↑, а затем нажмите EXEC.
- (5) Выберите CUSTOM1 SET или CUSTOM2 SET с помощью ↓/↑, а затем нажмите EXEC.
- (6) Выберите желаемый символ. Повторяйте нажатие клавиши для выбора желаемого символа на клавише.
- (7) Нажмите → для перемещения курсора на следующий символ. Повторяйте ту же самую процедуру, что и в пунктах 6 и 7 для завершения Вашего титра.
- (8) Нажмите кнопку SET. Титр запоминается в памяти.



Making your own titles

To return to FN
Press EXIT.

To change a title you have stored
In step 5, select CUSTOM1 SET or CUSTOM2 SET, depending on which title you want to change, then press EXEC and then enter the new title as desired.

If you take 5 minutes or longer to enter characters in the standby mode while a cassette is in your camcorder
The power automatically goes off. The characters you have entered remain stored in memory. Set the POWER switch to OFF (CHARGE) once and then to CAMERA again, then complete your title. We recommend setting the POWER switch to VCR (DCR-PC9E)/PLAYER (DCR-PC6E) or removing the cassette so that your camcorder does not automatically turn off while you are entering title characters.

To erase the title
Press ←. The last character is erased.

To enter a space
Press →.

To enter the same character on the same button in succession
Press → to move the cursor to the next position, and enter the character.

Создание Ваших собственных титров

Для возврата в положение FN
Нажмите кнопку EXIT.

Для изменения сохраненного в памяти титра
В пункте 5 выберите CUSTOM1 SET или CUSTOM2 SET, в зависимости от того, какой титр Вы хотите изменить, а затем нажмите EXEC и после чего введите новый желаемый титр.

Если Вы вводите символы 5 минут или более в режиме ожидания в то время, когда кассета находится в Вашей видеокамере
Питание выключится автоматически. Символы, которые Вы ввели, сохранятся в памяти видеокамеры. Установите сначала переключатель POWER в положение OFF (CHARGE), а затем снова в положение CAMERA, а затем завершите Ваш титр. Мы рекомендуем установить переключатель POWER на VCR (DCR-PC9E)/PLAYER (DCR-PC6E) или же вынуть кассету, так чтобы Ваша видеокамера автоматически не выключилась при вводе символов титра.

Для стирания титра
Нажмите ←. Последний символ будет стерт.

Для ввода пробела
Нажмите →.

Для последовательного ввода такого же знака той же кнопкой
Нажмите → для перемещения курсора на следующую позицию и введите символ.

Labelling a cassette

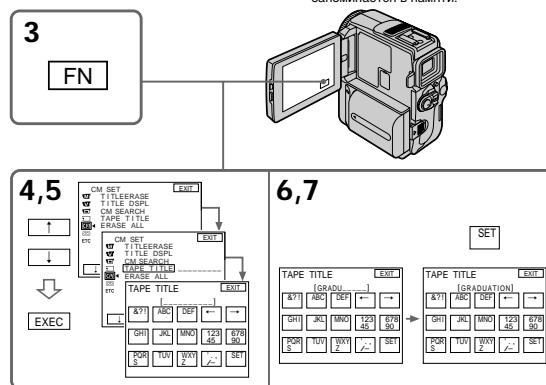
CM only
If you use a tape with cassette memory, you can label a cassette. The label can consist of up to 10 characters and is stored in cassette memory. When you insert the labeled cassette and set the POWER switch to CAMERA or VCR (DCR-PC9E)/PLAYER (DCR-PC6E), the label is displayed for about 5 seconds.

- (1) Insert the cassette you want to label.
- (2) Set the POWER switch to CAMERA or VCR (DCR-PC9E)/PLAYER (DCR-PC6E).
- (3) Press FN to display PAGE1.
- (4) Press MENU, then select TAPE TITLE in [MENU] in the menu setting, then press EXEC (p. 134).
- (5) Select a desired character. Repeat pressing a key to select the desired character on the key.
- (6) Press → to move the cursor to the next character. Repeat the same procedure as step 5 and 6 to complete the label.
- (7) Press SET. The label is stored in memory.

Маркировка кассеты

CM only
Если Вы используете ленту с кассетной памятью, Вы можете выполнить маркировку кассеты. Маркировка может содержать до 10 знаков и храниться в кассетной памяти. Если Вы вставите промаркированную кассету и установите переключатель POWER в положение CAMERA или VCR (DCR-PC9E)/PLAYER (DCR-PC6E), маркировка будет отображаться около 5 секунд.

- (1) Вставьте кассету, которую Вы хотите промаркировать.
- (2) Установите переключатель POWER в положение CAMERA или VCR (DCR-PC9E)/PLAYER (DCR-PC6E).
- (3) Нажмите кнопку FN для отображения PAGE1.
- (4) Нажмите кнопку MENU, а затем выберите опцию TAPE TITLE в [MENU] в установках меню, а затем нажмите кнопку EXEC (стр. 134).
- (5) Выберите желаемый символ. Повторите нажатие клавиши для выбора желаемого символа на клавише.
- (6) Нажмите → для перемещения курсора на следующий символ. Повторите ту же самую процедуру, что и в пунктах 5 и 6 для завершения маркировки.
- (7) Нажмите кнопку SET. Маркировка запоминается в памяти.



130

131

Labelling a cassette

To return to FN
Press EXIT.

To erase the label you have made
Select ← in step 6. The last character is erased.

To change the label you have made
Insert the cassette to change the label, and operate in the same way to make a new label.

If you set the write-protect tab of the tape to lock
You cannot label the tape. Slide the write-protect tab to release the write protection.

If the tape has too many index signals
You may not be able to label a cassette because the memory is full. In this case, delete data you do not need.

If you have superimposed titles in the cassette
When the label is displayed, up to 4 titles also appear.

When the "-----" indicator has fewer than 10 spaces
The cassette memory is full. The "-----" indicates the number of characters you can select for the label.

To erase the title
Press ←. The last character is erased.

To enter a space
Press →.

To enter the same character on the same button in succession
Press → to move the cursor to the next position, and enter the character.

Маркировка кассеты

Для возврата в положение FN
Нажмите кнопку EXIT.

Для стирания созданного Вами титра
Выберите ← в пункте 6. Последний символ будет стерт.

Для изменения выполненной маркировки
Вставьте кассету для изменения маркировку ленту и выполните те же действия, что и при маркировке новой кассеты.

Если Вы установили лепесток защиты записи ленты в положение блокировки
Вы не сможете выполнить маркировку ленту. Передвиньте лепесток защиты записи для освобождения защиты записи.

Если лента содержит слишком много индексных сигналов
Вы можете быть лишены возможности выполнить маркировку кассеты из-за переполнения памяти. В таком случае отмените ненужные Вам данные.

Если Вы выполнили наложение титров на кассете
Когда появится маркировка, появятся также до 4 титров.

Если индикатор "-----" имеет менее 10 пробелов
Кассетная память переполнена. Индикатор "-----" указывает количество символов, которое Вы можете выбрать для маркировки.

Для стирания титра
Нажмите ←. Последний символ будет стерт.

Для ввода пробела
Нажмите →.

Для последовательного ввода такого же знака той же кнопкой
Нажмите → для перемещения курсора на следующую позицию и введите символ.

Labelling a cassette

Deleting all the data in cassette memory

You can delete all the data in cassette memory at once.

- (1) Set the POWER switch to CAMERA or VCR (DCR-PC9E)/PLAYER (DCR-PC6E).
- (2) Press FN to display PAGE1.
- (3) Press MENU, then select ERASE ALL in [MENU] in the menu settings, then select OK.
- (4) Select EXECUTE and then press EXEC. "ERASING" appears on the screen. Once deleting is completed, "COMPLETE" is displayed.

To return to FN
Press EXIT.

To cancel deleting
Select RETURN in step 3 or step 4, then press EXEC.

Маркировка кассеты

Удаление всех данных кассетной памяти

Вы можете сразу удалить все данные из кассетной памяти за один раз.

- (1) Установите переключатель POWER в положение CAMERA или VCR (DCR-PC9E)/PLAYER (DCR-PC6E).
- (2) Нажмите кнопку FN для отображения PAGE1.
- (3) Нажмите кнопку MENU, а затем выберите опцию ERASE ALL в [MENU] в установках меню, а затем выберите OK.
- (4) Выберите EXECUTE, а затем нажмите кнопку EXEC. Индикатор "ERASING" появится на экране или в видеосигнале. Когда удаление будет завершено, отобразится индикатор "COMPLETE".

Для возврата в положение FN
Нажмите кнопку EXIT.

Для отмены удаления
Выберите установку RETURN в пункте 3 или 4, а затем нажмите кнопку EXEC.

132

133

Changing the menu settings

To change the mode settings in the menu settings, select the menu items with \uparrow/\downarrow dial. The default settings can be partially changed. First, select the icon, then the menu item and then the mode.

- (1) In CAMERA, VCR(DCR-PC9E)/PLAYER (DCR-PC9E) or MEMORY (DCR-PC9E only) mode, press FN to display PAGE1.
- (2) Press MENU to display the menu.
- (3) Press \uparrow/\downarrow to select a desired icon, and press EXEC.
- (4) Press \uparrow/\downarrow to select a desired item, and press EXEC.
- (5) Press \uparrow/\downarrow to select a desired setting.
- (6) Repeat steps from 3 to 5 if you want to change other items. Press \rightarrow RET. to return to step 3.

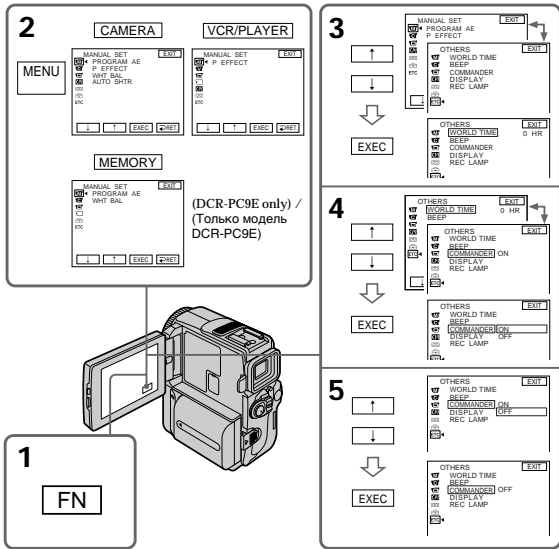
For details, see "Selecting the mode setting of each item" (p. 133).

Изменение установок меню

Для изменения установок режима в установках меню выберите пункты меню с помощью \uparrow/\downarrow . Установки по умолчанию могут быть частично изменены. Сначала выберите пиктограмму, затем пункт меню, а затем режим.

- (1) В режиме CAMERA, VCR(DCR-PC9E)/PLAYER (DCR-PC9E) или MEMORY (только DCR-PC9E) нажмите кнопку FN для отображения PAGE1.
- (2) Нажмите кнопку MENU для отображения меню.
- (3) Нажмите \uparrow/\downarrow для выбора желаемой пиктограммы, а затем нажмите EXEC.
- (4) Нажмите \uparrow/\downarrow для выбора желаемого пункта, а затем нажмите EXEC.
- (5) Нажмите \uparrow/\downarrow для выбора желаемой установки.
- (6) Повторяйте пункты с 3 по 5, если Вы хотите изменить другие установки. Нажмите \rightarrow RET. для возврата к пункту 3.

Подробные сведения приведены в разделе "Выбор установок режима по каждому пункту" (стр. 141).



134

Changing the menu settings

To return to FN Press EXIT.

Menu items are displayed as the following icons:

- MANUAL SET
- CAMERA SET
- VCR SET (DCR-PC9E)
- PLAYER SET (DCR-PC9E)
- LCD/VF SET
- MEMORY SET (DCR-PC9E only)
- CM SET
- TAPE SET
- SETUP MENU
- OTHERS

Изменение установок меню

Для возврата в положение FN Нажмите кнопку EXIT.

Пункты меню отображаются в виде приведенных ниже пиктограмм:

- MANUAL SET
- CAMERA SET
- VCR SET (DCR-PC9E)
- PLAYER SET (DCR-PC9E)
- LCD/VF SET
- MEMORY SET
- CM SET (Только модель DCR-PC9E)
- TAPE SET
- SETUP MENU
- OTHERS

English

Selecting the mode setting of each item ● is the default setting.

Menu items differ depending on the position of the POWER switch. The LCD screen shows only the items you can operate at the moment.

Icon/Item	Mode	Meaning	POWER switch
PROGRAM AE	—	To suit your specific shooting requirement (p. 68)	CAMERA MEMORY
P EFFECT	—	To add special effects like those in films or on the TV images (p. 63)	VCR/PLAYER CAMERA
WHT BAL	—	To adjust the white balance (p. 71)	CAMERA MEMORY
AUTO SHTR	● ON OFF	To automatically activate the electronic shutter when shooting in bright conditions. Not to automatically activate the electronic shutter even when shooting in bright conditions.	CAMERA
D ZOOM	● OFF 20x 120x	To deactivate the digital zoom. Up to 10x zoom is carried out. To activate the digital zoom. More than 10x to 20x zoom is performed digitally (p. 37). To activate the digital zoom. More than 10x to 120x zoom is performed digitally (p. 37).	CAMERA
16:9WIDE	● OFF ON	— To record a 16:9 wide picture (p. 59)	CAMERA
STEADYSHOT	● ON OFF	To compensate for camera-shake To cancel the SteadyShot function. Natural pictures are produced when shooting a stationary object with a tripod.	CAMERA
N.S. LIGHT	● ON OFF	To use the NightShot Light function (p. 41) To cancel the NightShot Light function	CAMERA MEMORY

Notes on the SteadyShot function

- The SteadyShot function will not correct excessive camera-shake.
- Attachment of a conversion lens (optional) may influence the SteadyShot function.

If you cancel the SteadyShot function

The SteadyShot off indicator appears. Your camcorder prevents excessive compensation for camera-shake.

Customizing Your Camcorder
Выполнение индивидуальных установок на видеокамере

135

Changing the menu settings

Icon/Item	Mode	Meaning	POWER switch
FRAME REC	● OFF ON	To deactivate cut recording function. To activate cut recording function (p. 81).	CAMERA
INT. REC	ON ● OFF SET	To activate interval recording function (p. 78). To deactivate interval recording function. To set waiting time and recording time for interval recording function.	CAMERA
EDIT SEARCH	● OFF ON	Not to display on the screen. To display on the screen.	CAMERA
HIFI SOUND	● STEREO 1 2	To play back a stereo tape or dual sound track tape with main and sub sound To play back a stereo tape with the left sound or a dual sound track tape with main sound To play back a stereo tape with the right sound or a dual sound track tape with sub sound	VCR/PLAYER
AUDIO MIX	—	To adjust the balance between the stereo 1 and stereo 2 (p. 124)	VCR/PLAYER
A/V → DV OUT*	● OFF ON	To output digital images in analog format using your camcorder. To output analog images in digital format using your camcorder (p. 113).	VCR
NTSC PB	● ON PAL TV NTSC 4.43	To play back a tape recorded in the NTSC colour system on a PAL system TV To play back a tape recorder in the NTSC colour system on a TV with the NTSC 4.43 mode	VCR/PLAYER
LCD B. L.	● BRT NORMAL BRIGHT	To set the brightness on the LCD screen normal To brighten the LCD screen	VCR/PLAYER CAMERA MEMORY
LCD COLOUR	—	To adjust the colour on the LCD screen with $-/+$	VCR/PLAYER CAMERA MEMORY
VF B.L.	● BRT NORMAL BRIGHT	To set the brightness on the viewfinder screen to normal. To brighten the viewfinder screen.	VCR/PLAYER CAMERA MEMORY

* DCR-PC9E only

Note on NTSC PB

When you play back a tape on a Multi System TV, select the best mode while viewing the picture on the TV.

Notes on LCD B.L. and VF B.L.

When you select "BRIGHT", battery life is reduced by about 10 percent during recording.

When you use the power source other than battery pack
LCD B.L. and VF B.L. are automatically selected to BRIGHT.

136

Changing the menu settings

Icon/Item	Mode	Meaning	POWER switch
STILL SET			
PIC MODE	● SINGLE MULTI SCRN	Not to record continuously. To record 9 images continuously (p. 160).	MEMORY
QUALITY	● FINE STANDARD	To record still images in the fine image quality mode. To record still images in the standard image quality mode.	VCR MEMORY
MOVIE SET			
IMAGESIZE	● 320 × 240 160 × 112	To record moving pictures in 320 × 240 size. To record moving pictures in 160 × 112 size.	VCR MEMORY
REMAIN	● AUTO ON	To display the remaining capacity of the "Memory Stick" in the following cases: • for 5 seconds after setting the POWER switch to MEMORY or VCR • for 5 seconds after inserting a "Memory Stick" into your camcorder in MEMORY or VCR mode • when the capacity of the "Memory Stick" is less than 1 minute in MEMORY mode • for 5 seconds after completing a moving picture recording To always display the remaining capacity of the "Memory Stick".	VCR MEMORY

* DCR-PC9E only

If you select QUALITY (DCR-PC9E only)

The number of images you can record matched to that image quality is displayed.

Customizing Your Camcorder
Выполнение индивидуальных установок на видеокамере

137

Changing the menu settings

Icon/Item	Mode	Meaning	POWER switch
SLIDE SHOW	—	To play back images in a continuous loop (p. 198).	MEMORY
DELETE ALL	—	To delete all the unprotected images (p. 203).	MEMORY
FORMAT	● RETURN OK	To cancel formatting. To format an inserted "Memory Stick" 1. Select FORMAT with ↓/↑, then press EXEC. 2. Press ↓/↑ to select OK, then press EXEC. 3. After "EXECUTE" appears, press EXEC. "FORMATTING" flashes during formatting. "COMPLETE" appears when formatting is finished.	MEMORY
PHOTO SAVE	—	To duplicate still images on mini DV tape onto "Memory Stick" (p. 181).	VCR
TITLEERASE	—	To erase the title you have superimposed (p. 128).	VCR/PLAYER CAMERA
TITLE DSPL	● ON OFF	To display the title you have superimposed Not to display the title	VCR/PLAYER
CM SEARCH	● ON OFF	To search using cassette memory (p. 90) To search without using cassette memory	VCR/PLAYER
TAPE TITLE	—	To label a cassette (p. 131)	VCR/PLAYER CAMERA
ERASE ALL	—	To erase all the data in cassette memory (p. 133)	VCR/PLAYER CAMERA

* DCR-PC9E only

Notes on formatting (DCR-PC9E only)

- "Memory Stick" supplied with your camcorder has been formatted at factory. Formatting with your camcorder is not required.
- Do not turn the POWER switch or press any button while "FORMATTING" is displayed.
- You cannot format the "Memory Stick" if the write-protect tab on the "Memory Stick" is set to LOCK.
- Format the "Memory Stick" if "FORMAT ERROR" appears.

Formatting erases all information on the "Memory Stick" (DCR-PC9E only)

- Check the contents of the "Memory Stick" before formatting.
- Formatting erases sample images on the "Memory Stick".
- Formatting erases the protected image data on the "Memory Stick".

Changing the menu settings

Icon/Item	Mode	Meaning	POWER switch
REC MODE	● SP LP	To record in the SP (Standard Play) mode To increase the recording time to 1.5 times the SP mode	VCR CAMERA
AUDIO MODE	● 12BIT 16BIT	To record in the 12-bit mode (two stereo sounds) To record in the 16-bit mode (the one stereo sound with high quality)	VCR/PLAYER CAMERA
REMAIN	● AUTO	To display the remaining tape bar: • for about 8 seconds after your camcorder is turned on and calculates the remaining amount of tape • for about 8 seconds after a cassette is inserted and your camcorder calculates the remaining amount of tape • for about 8 seconds after the playback button is pressed in VCR (DCR-PC9E)/PLAYER (DCR-PC9E) mode • for about 8 seconds after DISPLAY/TOUCH PANEL is pressed to display the screen indicators	VCR/PLAYER CAMERA
CLOCK SET	—	To always display the remaining tape indicator To reset the date or time (p. 25)	CAMERA MEMORY
DEMO MODE	● ON OFF	To make the demonstration appear To cancel the demonstration mode	CAMERA

Notes on the LP mode

- When you record a tape in the LP mode on your camcorder, we recommend playing the tape on your camcorder. When you play back the tape on other camcorders or VCRs, noise may occur in pictures or sound.
- When you record in the LP mode, we recommend using a Sony Excellence/Master mini DV cassette so that you can get the most out of your camcorder.
- You cannot make audio dubbing on a tape recorded in the LP mode. Use the SP mode for the tape to be audio dubbed.
- When you record in the SP and LP modes on one tape or you record some scenes in the LP mode, the playback picture may be distorted or the time code may not be written properly between scenes.

Notes on AUDIO MODE

- You cannot dub audio sound on a tape recorded in the 16-bit mode.
- When playing back a tape recorded in the 16-bit mode, you cannot adjust the balance in AUDIO MIX.

Notes on DEMO MODE

- You cannot select DEMO MODE when a cassette is inserted in your camcorder.
- DEMO MODE is set to STBY (Standby) at the default setting and the demonstration starts about 10 minutes after you have set the POWER switch to CAMERA without a cassette inserted.
- To cancel the demonstration, insert a cassette, set the POWER switch to other than CAMERA, or set DEMO MODE to OFF. To set to STBY (Standby) again, leave the DEMO MODE at ON in the menu settings, turn the POWER switch OFF (CHARGE), and return the POWER switch to CAMERA.
- If you press the touch panel during the demonstration, the demonstration stops for a while, then it starts again after about 10 minutes.
- When NIGHTSHOT is set to ON, the "NIGHTSHOT" indicator appears on the screen and you cannot select DEMO MODE in the menu settings.

Changing the menu settings

Icon/Item	Mode	Meaning	POWER switch
DATA CODE*	● DATE/CAM DATE	To display date, time and various settings during playback To display date and time during playback	VCR/PLAYER CAMERA MEMORY
WORLD TIME	—	To set the clock to the local time. Press ↓/↑ to set a time difference. The clock changes by the time difference you set here. If you set the time difference to 0, the clock returns to the originally set time.	CAMERA MEMORY
BEEP	● MELODY NORMAL OFF	To output the melody when you start/stop recording or when an unusual condition occurs on your camcorder To output the beep instead of the melody To cancel the melody and beep sound	VCR/PLAYER CAMERA MEMORY
COMMANDER	● ON OFF	To activate the Remote Commander supplied with your camcorder To deactivate the Remote Commander to avoid remote control misoperation caused by other VCR's remote control	VCR/PLAYER CAMERA MEMORY
DISPLAY	● LCD V-OUT/LCD	To show the display on the LCD screen and viewfinder To show the display on the TV screen, LCD screen and viewfinder	VCR/PLAYER CAMERA MEMORY
REC LAMP	● ON OFF	To light up the camera recording lamp at the front of your camcorder To turn the camera recording lamp off so that the subject is not aware of the recording	CAMERA MEMORY
VIDEO EDIT	—	To make programmes and perform Digital program editing (p. 101).	VCR/PLAYER
EDIT SET	—	To adjust and set the synchronicity of your camcorder and a VCR for dubbing in Digital program editing.	VCR/PLAYER

* Using the Remote Commander only

Note

If you press DISPLAY/TOUCH PANEL with "DISPLAY" set to "V-OUT/LCD" in the menu settings, the picture from a TV or VCR will not appear on the LCD screen even when your camcorder is connected to outputs on the TV or VCR.

In more than 5 minutes after removing the power source

The "PROGRAM AE", "AUDIO MIX", "COMMANDER", "HIFI SOUND" and "WHT BAL" items are returned to their default settings.
The other menu items are held in memory even when the battery is removed.

When recording a close subject

When REC LAMP is set to ON, the red camera recording lamp on the front of the camcorder may reflect on the subject if it is close. In this case, we recommend you set REC LAMP to OFF.

— "Memory Stick" operations —

Using a "Memory Stick" – introduction

– DCR-PC9E only

You can record and play back images on a "Memory Stick" supplied with your camcorder. You can easily play back, record or delete images. You can exchange image data with other equipment such as your computer etc., using the USB cable for "Memory Stick" supplied with your camcorder.

On file format

Still image (JPEG)
Your camcorder compresses image data in JPEG format (extension .jpg).

Moving picture (MPEG)

Your camcorder compresses picture data in MPEG format (extension .mpg).

Typical image data file name

Still image
100-0001: This file name appears on the screen of your camcorder.
DSC00001.jpg: This file name appears on the display of your computer.

Moving picture

MOV00001: This file name appears on the screen of your camcorder.
Mov00001.mpg: This file name appears on the display of your computer.

– Операции с "Memory Stick" –

Использование "Memory Stick" – Введение

– Только модель DCR-PC9E

Вы можете записывать и воспроизводить изображения на "Memory Stick", прилагаемой к Вашей видеокамере. Вы можете легко выполнять воспроизведение, запись или удаление изображений. Вы можете выполнять обмен данными изображения с другой аппаратурой, такой, как Ваш персональный компьютер и т.п., используя кабель USB для "Memory Stick", прилагаемый к Вашей видеокамере.

Относительно формата файлов

Неподвижное изображение (JPEG)
Ваша видеокамера сжимает данные изображения в формате JPEG (с расширением .jpg).

Движущееся изображение (MPEG)

Ваша видеокамера сжимает данные изображения в формат MPEG (с расширением .mpg).

Типичное имя файла данных изображения

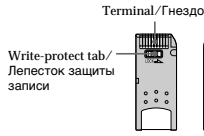
Неподвижное изображение
100-0001: Данное имя файла появляется на экране Вашего видеокамера.
DSC00001.jpg: Данное имя файла появляется на дисплее Вашего персонального компьютера.

Движущееся изображение

MOV00001: Это имя файла появится на экране Вашей видеокамеры.
Mov00001.mpg: Это имя файла появится на дисплее Вашего персонального компьютера.

Using a "Memory Stick" – introduction

Using a "Memory Stick"



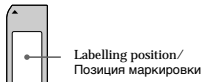
- You cannot record or erase images when the write-protect tab on the "Memory Stick" is set to LOCK.
- The position and shape of the write protect tab may be different depending on the model.
- We recommend backing up important data.
- Image data may be damaged in the following cases:
 - If you remove the "Memory Stick", turn the power off or detach the battery for replacement when the access lamp is flashing.
 - If you use "Memory Stick"s near magnets or magnetic fields such as those of speakers and televisions.
- Prevent metallic objects or your finger from coming into contact with the metal parts of the connecting section.
- Stick its label on the labelling position.
- Do not bend, drop or apply strong shock to "Memory Stick"s.
- Do not disassemble or modify "Memory Stick"s.
- Do not let "Memory Stick"s get wet.
- Do not use or keep "Memory Stick"s in locations that are:
 - Extremely hot such as in a car parked in the sun or under the scorching sun.
 - Under direct sunlight.
 - Very humid or subject to corrosive gases.
- When you carry or store a "Memory Stick", put it in its case.

"Memory Stick"s formatted by a computer

"Memory Stick"s formatted by Windows OS or Macintosh computers do not have a guaranteed compatibility with this camcorder.

Использование "Memory Stick" – Введение

Использование "Memory Stick"



- Вы не можете записывать или стирать изображения, если лепесток защиты записи на "Memory Stick" установлен в положение LOCK.
- Положение и форма лепестка защиты записи может отличаться в зависимости от модели.
- Рекомендуется выполнять копии важных данных.
- Данные изображения могут быть повреждены в следующих случаях:
 - Если Вы вынули "Memory Stick" или выключили питание в то время, когда мигает лампочка доступа.
 - Если Вы используете "Memory Stick" возле источников магнитных полей, таких как акустические системы и телевизоры.
- Не прикасайтесь металлическими частями или Вашими пальцами к металлическим частям соединительных секций.
- Этикетку следует прикреплять в позиции маркировки.
- Не сгибайте, не роняйте и сильно не трясите "Memory Stick".
- Не разбирайте и не видоизменяйте "Memory Stick".
- Не допускайте, чтобы "Memory Stick" становились влажными.
- Не используйте и не храните "Memory Stick" в местах:
 - Чрезмерно жарких, например, в припаркованном под солнцем автомобиле, особенно под палящим солнцем
 - Под прямым солнечным светом
 - В местах очень влажных или содержащих коррозионные газы
- При переноске или хранении "Memory Stick" положите ее в футляр.

"Memory Stick", отформатированные на компьютере

Совместимость "Memory Stick" с данной видеокамерой не гарантируется, если они отформатированы посредством операционной системы Windows или на компьютерах Macintosh.

Using a "Memory Stick" – introduction

Notes on image data compatibility

- Image data files recorded on "Memory Stick"s by your camcorder conform with the Design Rules for Camera File Systems universal standard established by the JEITA (Japan Electronics and Information Technology Industries Association). On your camcorder, you cannot play back still images recorded on other equipment (DCR-TRV890E/TRV900/TRV900E or DSC-D700/D770) that does not conform to this universal standard. (These models are not sold in some areas.)
- If you cannot use the "Memory Stick" that is used with other equipment, format it with this camcorder (p. 138). However, formatting erases all information on the "Memory Stick".

"Memory Stick" and are trademarks of Sony Corporation.

- Windows and Windows Media are either registered trademarks or trademarks of Microsoft Corporation in the United States and/or other countries.
- Macintosh and Mac OS, QuickTime are trademarks of Apple Computer, Inc.
- Real Player is either a registered trademark or trademark of RealNetworks, Inc. in the United States and/or other countries.
- All other product names mentioned herein may be the trademarks or registered trademarks of their respective companies.
- Furthermore, "TM" and "®" are not mentioned in each case in this manual.

Использование "Memory Stick" – Введение

Примечания по совместимости данных изображений

- Файлы данных изображения, записанные на "Memory Stick" с помощью Вашей видеокамеры, отвечают проектным требованиям для универсального стандарта файловых систем видеокамеры, разработанного JEITA (японской ассоциацией электронной промышленности и информационных технологий). На Вашей видеокамере, Вы не можете воспроизводить неподвижные изображения, записанные на другой аппаратуре (DCR-TRV890E/TRV900/TRV900E или DCS-D700/D770), которые не соответствуют этому универсальному стандарту. (Эти модели не продаются в некоторых регионах.)
- Если Вы не можете использовать "Memory Stick", которая была использована с другой аппаратурой, отформатируйте ее на данной видеокамере (стр. 144). Однако форматирование стирает всю информацию с "Memory Stick".

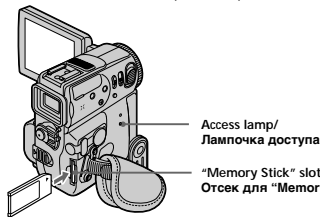
"Memory Stick" и являются торговыми марками корпорации Sony.

- Windows и Windows Media являются зарегистрированными марками или фирменными знаками Microsoft Corporation в Соединенных Штатах и/или других странах.
 - Macintosh, Mac OS и QuickTime являются фирменными знаками Apple Computer, Inc.
 - Real Player является официально зарегистрированной торговой маркой или фирменным знаком RealNetworks, Inc. в Соединенных Штатах и/или других странах.
 - Все названия изделий, упомянутые в данном руководстве, могут быть торговыми марками или зарегистрированными торговыми марками соответствующих компаний.
- К тому же, знаки "TM" и "®" не упоминаются в каждом случае в данном руководстве.

Using a "Memory Stick" – introduction

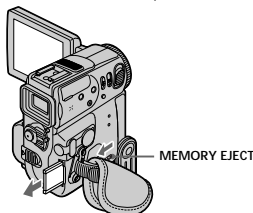
Inserting a "Memory Stick"

Insert a "Memory Stick" in the "Memory Stick" slot as far as it can go with the ▲ mark facing up as illustrated.



Ejecting a "Memory Stick"

Slide MEMORY EJECT in the direction of the arrow.



While the access lamp is lit or flashing Do not shake or strike your camcorder because your camcorder is reading the data from the "Memory Stick" or recording the data on the "Memory Stick". Do not turn the power off, eject a "Memory Stick" or remove the battery pack. Otherwise, the image data breakdown may occur.

If "MEMORYSTICK ERROR" is displayed The "Memory Stick" may be corrupted. If this occurs, use another "Memory Stick".

Использование "Memory Stick" – Введение

Установка "Memory Stick"

Вставьте "Memory Stick" в отсек для "Memory Stick" до упора, так, чтобы знак ▲ был обращен вверх, как показано на рисунке.

Извлечение "Memory Stick"

Передвиньте MEMORY EJECT в направлении стрелки.

Если лампочка доступа горит или мигает Не трясите и не стучите по Вашей видеокамере, потому что видеокамера читает данные с "Memory Stick" или записывает данные на "Memory Stick". Не выключайте питание, не извлекайте "Memory Stick" и не снимайте батарейный блок. В противном случае данные изображения могут быть повреждены.

Если отображается индикатор "MEMORYSTICK ERROR" Возможно, "Memory Stick" повреждена. Если это произошло, используйте другую "Memory Stick".

Using a "Memory Stick" – introduction

Using a touch panel

Your camcorder has operation buttons on the LCD screen. Press the LCD panel directly to operate each function.

- Set the POWER switch to MEMORY. Make sure that the LOCK is set to the right (unlock) position.
- Press OPEN to open the LCD panel. Operation buttons appear on the LCD screen. You can switch the memory playback/memory camera mode by pressing PLAY/CAM.
- Press FN. Operation buttons appear on the LCD screen.
- Press PAGE2 to go to PAGE2. Operation buttons appear on the LCD screen.
- Press PAGE3 to go to PAGE3. Operation buttons appear on the LCD screen.
- Press a desired operation item. Refer to relevant pages for each function.

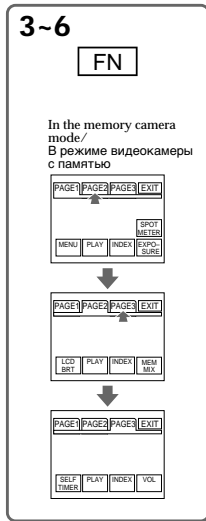
Использование "Memory Stick" – Введение

Использование сенсорной панели

Ваша видеокамера имеет кнопки управления на экране ЖКД. Дотрагивайтесь непосредственно до панели ЖКД для управления каждой функцией.

- Установите переключатель POWER в положение MEMORY. Убедитесь, что фиксатор LOCK установлен в правое положение (незафиксированное).
- Нажмите кнопку OPEN для открытия панели ЖКД. Кнопки управления появляются на экране ЖКД. Вы можете включить режим воспроизведения из памяти/памяти камеры путем нажатия PLAY/CAM.
- Нажмите FN. Кнопки управления появляются на экране ЖКД.
- Нажмите PAGE2 для перехода к PAGE2. Кнопки управления появляются на экране ЖКД.
- Нажмите PAGE3 для перехода к PAGE3. Кнопки управления появляются на экране ЖКД.
- Нажмите желаемый пункт управления. Обратитесь к соответствующим страницам относительно каждой функции.

Using a "Memory Stick" – introduction

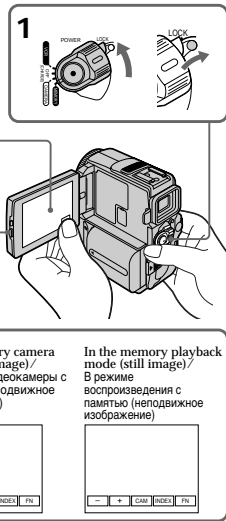


To execute settings
Press EXEC or OK.

To cancel settings
Press OFF to return to PAGE1/PAGE2/PAGE3.

To return to FN
Press EXIT.

Использование "Memory Stick" – Введение



Для выполнения установок
Нажмите кнопку EXEC или OK.

Для отмены установок
Нажмите кнопку OFF для возврата к опции PAGE1/PAGE2/PAGE3.

Для возврата к опции FN
Нажмите кнопку EXIT.

Using a "Memory Stick" – introduction

Notes

- When using the touch panel, press operation buttons with your thumb supporting the LCD screen from the back side of it or press those buttons lightly with your index finger. Do not press them with sharp objects such as pens.
- Do not touch the LCD screen with wet hands.
- If FN is not on the LCD screen, touch the LCD screen lightly to make it appear. You can control the display with DISPLAY/TOUCH PANEL on your camcorder.
- When operation buttons do not work even if you press them, an adjustment (CALIBRATION) is required (p. 237).

When executing each item
The green bar appears above the item.

If the items are not available
The colour of the items changes to grey.

Touch panel

You can operate with the touch panel using the viewfinder (p. 82).

Press FN to display the following buttons:
In the memory camera mode

PAGE1	MENU, PLAY, INDEX, SPOT METER, EXPOSURE
PAGE2	LCD BRT, PLAY, INDEX, MEM MIX
PAGE3	SELFTIMER, PLAY, INDEX, VOL

In the memory playback mode

PAGE1	MENU, CAM, INDEX, DELETE, [+], [-]
PAGE2	LCD BRT, CAM, INDEX, PB ZOOM, [+], [-]
PAGE3	DATA CODE, CAM, INDEX, [+], [-]

Использование "Memory Stick" – Введение

Примечания

- При использовании сенсорной панели нажимайте кнопки управления большим пальцем, поддерживая экран ЖКД с задней стороны или легко нажимайте эти кнопки Вашим указательным пальцем. Не нажимайте их острыми предметами, такими, как шариковые ручки.
- Не трогайте экран ЖКД мокрыми руками.
- Если кнопки FN нет на экране ЖКД, слегка дотроньтесь до экрана ЖКД, чтобы она появилась. Вы можете управлять дисплеем с помощью DISPLAY/TOUCH PANEL на Вашей видеокамере.
- Когда кнопки управления не работают, даже если Вы их нажимаете, требуется выполнить регулировку (CALIBRATION) (стр. 237).

При выполнении каждого пункта
Зеленая полоса появляется над элементом.

Если элементы будут недоступны.
Цвет элементов изменяется на серый.

Сенсорная панель

Вы можете управлять сенсорной панелью с использованием видеоскопателя (стр. 82).

Нажмите кнопку FN для отображения следующих кнопок:
В режиме памяти камеры

PAGE1	MENU, PLAY, INDEX, SPOT METER, EXPOSURE
PAGE2	LCD BRT, PLAY, INDEX, MEM MIX
PAGE3	SELFTIMER, PLAY, INDEX, VOL

В режиме воспроизведения из памяти

PAGE1	MENU, CAM, INDEX, DELETE, [+], [-]
PAGE2	LCD BRT, CAM, INDEX, PB ZOOM, [+], [-]
PAGE3	DATA CODE, CAM, INDEX, [+], [-]

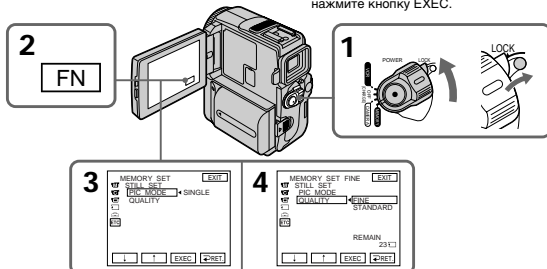
152

Using a "Memory Stick" – introduction

Selecting still image quality mode

You can select image quality mode in still image recording. The default setting is FINE.

- Set the POWER switch to MEMORY or VCR. Make sure that the LOCK is set to the right (unlock) position.
- Press FN to display PAGE1.
- Press MENU, then select STILL SET in the menu settings, then press EXEC (p. 134).
- Select QUALITY with \uparrow/\downarrow to set a desired image quality, then press EXEC.



To return to FN
Press EXIT.

Image quality settings

Setting	Meaning
FINE (Indicator: FINE)	Use this mode when you want to record high quality images. The image is compressed to about 1/6.
STANDARD (Indicator:STD)	This is the standard image quality. The image is compressed to about 1/10.

Использование "Memory Stick" – Введение

Выбор режима качества изображения

Вы можете выбрать режим качества изображения при записи неподвижного изображения. Установкой по умолчанию является FINE.

- Установите переключатель POWER в положение MEMORY или VCR. Убедитесь, что фиксатор LOCK установлен в правом (незафиксированном) положении.
- Нажмите FN для отображения PAGE1.
- Нажмите MENU, а затем выберите STILL SET в меню установок, затем нажмите кнопку EXEC (стр. 134).
- Выберите опцию QUALITY с помощью \uparrow/\downarrow , чтобы установить нужный режим качества изображения, а затем нажмите кнопку EXEC.

Для возврата в положение FN
Нажмите кнопку EXIT.

Установки качества изображения

Установка	Значение
FINE (Индикатор: FINE)	Используйте этот режим, если Вы хотите записать высококачественные изображения. Изображение сжимается примерно до 1/6.
STANDARD (Индикатор: STD)	Это соответствует стандартному качеству изображения. Изображение сжимается примерно до 1/10.

Using a "Memory Stick" – introduction

Note

In some cases, changing the image quality mode may not affect the image quality, depending on the types of images you are shooting.

Differences in image quality mode

Recorded images are compressed in JPEG format before being stored in memory. The memory capacity allotted to each image varies depending on the selected image quality mode. Details are shown in the table below. (The image size is 640 × 480, regardless of image quality mode. The data size before compression is about 600 KB.)

Image quality mode	Memory capacity
FINE (FINE)	About 100 KB
STANDARD (STD)	About 60 KB

Image quality mode indicator
The image quality mode indicator is not displayed during playback.

Использование "Memory Stick" – Введение

Примечание

В некоторых случаях, изменение режима качества изображения может не отразиться на качестве изображения, в зависимости от типа изображений, съемку которых Вы производите.

Отличия в режиме качества изображения

Записанные изображения сжимаются в формат JPEG перед сохранением в памяти. Емкость памяти, выделенная для каждого изображения, изменяется в зависимости от выбранного режима качества изображения. Подробности содержатся в приведенной ниже таблице. (Размер изображения равно 640 × 480, независимо от от режима качества изображения. Размер данных перед сжатием составляет около 600 Кб.)

Режим качества изображения	Емкость памяти
FINE (FINE)	Около 100 Кб
STANDARD (STD)	Около 60 Кб

Индикатор режима качества изображения
Индикатор режима качества изображения не отображается во время воспроизведения.

154

153

155

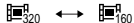
Using a "Memory Stick" – introduction

Selecting the size of a moving picture

You can select 320 × 240 or 160 × 112 of the moving picture size. The default setting is 320 × 240.

- Set the POWER switch to MEMORY. Make sure that the LOCK switch is set to the right (unlock) position.
- Press FN to display PAGE1.
- Press MENU, then select MOVIE SET in the menu setting, then press EXEC (p. 134).
- Press ↓/↑ to select IMAGESIZE, then press EXEC.
- Press ↓/↑ to select the desired image size, then press EXEC.

The indicator changes as follows:

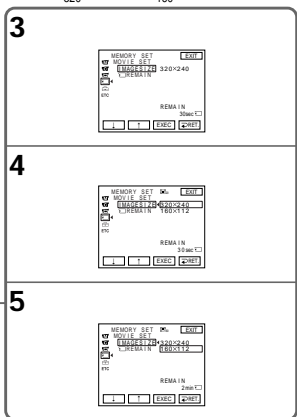
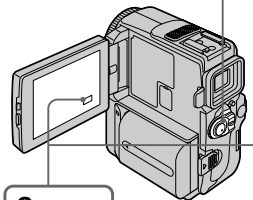
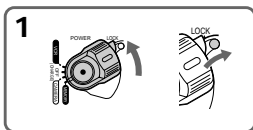
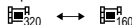


Использование "Memory Stick" – Введение

Выбор размера движущегося изображения

Вы можете выбрать размер движущегося изображения 320 × 240 или 160 × 112. Установкой по умолчанию является 320 × 240.

- Установите переключатель POWER в положение MEMORY. Убедитесь, что переключатель LOCK установлен вправо (незафиксированное) положение.
- Нажмите кнопку FN для отображения индикации PAGE1.
- Нажмите кнопку MENU, а затем выберите опцию MOVIE SET в меню, а затем нажмите кнопку EXEC (стр. 134).
- Нажмите кнопки ↓/↑ для выбора опции IMAGESIZE, а затем нажмите кнопку EXEC.
- Нажимайте кнопки ↓/↑ для выбора нужного размера изображения, а затем нажмите кнопку EXEC. Индикатор будет изменяться следующим образом:



156

Using a "Memory Stick" – introduction

Approximate time of moving pictures you can record on a "Memory Stick"

The time of moving pictures you can record varies depending on which image size you select and the complexity of the subject.

4MB type (supplied)/4 МБ типа (прилагается):

Picture size/Размер изображения	160 × 112	320 × 240
Recording time/Длительность записи	2 min. 40 sec./2 мин. 40 сек.	40 sec./40 сек.

8MB type (optional)/8 МБ типа (приобретается отдельно):

Picture size/Размер изображения	160 × 112	320 × 240
Recording time/Длительность записи	5 min. 20 sec./5 мин. 20 сек.	1 min. 20 sec./1 мин. 20 сек.

16MB type (optional)/16 МБ типа (приобретается отдельно):

Picture size/Размер изображения	160 × 112	320 × 240
Recording time/Длительность записи	10 min. 40 sec./10 мин. 40 сек.	2 min. 40 sec./2 мин. 40 сек.

32MB type (optional)/32 МБ типа (приобретается отдельно):

Picture size/Размер изображения	160 × 112	320 × 240
Recording time/Длительность записи	21 min. 20 sec./21 мин. 20 сек.	5 min. 20 sec./5 мин. 20 сек.

64MB type (optional)/64 МБ типа (приобретается отдельно):

Picture size/Размер изображения	160 × 112	320 × 240
Recording time/Длительность записи	42 min. 40 sec./42 мин. 40 сек.	10 min. 40 sec./10 мин. 40 сек.

128MB type (optional)/128 МБ типа (приобретается отдельно):

Picture size/Размер изображения	160 × 112	320 × 240
Recording time/Длительность записи	85 min. 20 sec./85 мин. 20 сек.	21 min. 20 sec./21 мин. 20 сек.

158

Using a "Memory Stick" – introduction

Image size settings/Установки размера изображения

Setting/Установка	Meaning/Значение	Indicator/Индикатор	
		Recording/Запись	Playback/Воспроизведение
640 × 480	Records 640 × 480 still images./Записывает неподвижные изображения размером 640 × 480.	---	---
320 × 240	Records 320 × 240 moving pictures./Записывает движущиеся изображения размером 320 × 240.		
160 × 112	Records 160 × 112 moving pictures./Записывает движущиеся изображения размером 160 × 112.		

Maximum recording time of moving pictures/Максимальная длительность записи движущихся изображений

Image size/Размер изображения	Maximum recording time/Максимальная длительность записи
320 × 240	15 seconds/секунд
160 × 112	60 seconds/секунд

Approximate number of still images you can record on a "Memory Stick"

The number of images you can record varies depending on which image quality mode you select and the complexity of the subject.

Приблизительное количество неподвижных изображений, которые Вы можете записать на "Memory Stick"

Количество изображений, которые Вы можете записать, изменится в зависимости от выбранных Вами режима качества изображения и сложности объекта.

4MB type (supplied)/4 МБ типа (прилагается):

FINE (FINE)/Высшее (FINE)	40 images/изображений
STANDARD (STD)/Стандартное (STD)	60 images/изображений

8MB type (optional)/8 МБ типа (приобретается отдельно):

FINE (FINE)/Высшее (FINE)	81 images/изображение
STANDARD (STD)/Стандартное (STD)	122 images/изображения

16MB type (optional)/16 МБ типа (приобретается отдельно):

FINE (FINE)/Высшее (FINE)	164 images/изображения
STANDARD (STD)/Стандартное (STD)	246 images/изображений

32MB type (optional)/32 МБ типа (приобретается отдельно):

FINE (FINE)/Высшее (FINE)	329 images/изображений
STANDARD (STD)/Стандартное (STD)	494 images/изображения

64MB type (optional)/64 МБ типа (приобретается отдельно):

FINE (FINE)/Высшее (FINE)	659 images/изображений
STANDARD (STD)/Стандартное (STD)	988 images/изображений

128MB type (optional)/128 МБ типа (приобретается отдельно):

FINE (FINE)/Высшее (FINE)	1319 images/изображений
STANDARD (STD)/Стандартное (STD)	1978 images/изображений

Recording still images on "Memory Stick" – Memory photo recording

– DCR-PC9E only

You can record still images on the "Memory Stick". You can also record nine still images continuously. (MULTI SCRNN)

Before operation

Insert a "Memory Stick" into your camcorder.

- Set the POWER switch to MEMORY. Make sure that the LOCK switch is set to the right (unlock) position.
- Keep pressing PHOTO lightly. The green mark stops flashing, then lights up. The brightness of the image and focus are adjusted, being targeted for the middle of the image and are fixed. Recording does not start yet.
- Press PHOTO deeper. The image displayed on the screen will be recorded on a "Memory Stick". Recording is complete when the bar scroll indicator disappears.

Запись неподвижных изображений на "Memory Stick" – Фотозапись с сохранением в памяти

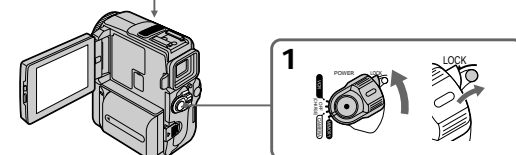
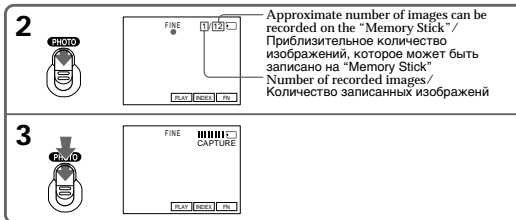
– Только модель DCR-PC9E

Вы можете записать неподвижные изображения на "Memory Stick". Вы также можете записать девять неподвижных изображений последовательно. (MULTI SCRNN).

Перед началом работы

Вставьте "Memory Stick" в Вашу видеокамеру.

- Установите переключатель POWER в положение MEMORY. Убедитесь, что фиксатор LOCK установлен в правом (незафиксированном) положении.
- Держите слегка нажатой кнопку PHOTO. Зеленая метка перестает мигать и будет гореть. Яркость изображения и фокусировка будут отрегулированы посередине изображения и зафиксированы. Запись еще не начинается.
- Нажмите кнопку PHOTO сильнее. Изображение, отображаемое на экране, будет записано на "Memory Stick". Запись считается завершенной, если исчезнет перемещающийся полосатый индикатор.



"Memory Stick" operations

Операции с "Memory Stick"

157

"Memory Stick" operations

Операции с "Memory Stick"

159

Recording still images on "Memory Stick" – Memory photo recording

When the POWER switch is set to MEMORY The following functions do not work:

- Wide mode
- Digital zoom
- SteadyShot function
- SUPER NIGHTSHOT
- Fader
- Picture effect
- Digital effect
- Title
- Low lux mode of PROGRAM AE (The indicator flashes.)
- Sports lesson mode of PROGRAM AE (The indicator flashes.)

When you are recording a still image You can neither turn off the power nor press PHOTO.

When you press the PHOTO button on the Remote Commander Your camcorder immediately records the image that is on the screen when you press the button.

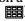
When recording still images at step 2 The image momentarily flickers. This is not a malfunction.

The number of still images you can record on a "Memory Stick" It varies according to the image quality mode and the complexity of the subject.

Recording data
The recording data (date/time or various settings when recorded) are not displayed while recording. However, they are recorded automatically onto the "Memory Stick". To display the recording data, press DATA CODE during playback. You can also use the Remote Commander for this operation. (p. 48)

Recording images continuously

You can record still images continuously. Select the multi screen mode described below before recording.

Multi screen mode
Your camcorder shoots 9 still images at about 0.5 sec intervals and displays the images on a single page divided into 9 boxes. (Indicator: )



160

Запись неподвижных изображений на "Memory Stick" – Фотозапись с сохранением в памяти

Если переключатель POWER установлен в положение MEMORY Следующие функции не работают:

- Широкоэкранный режим
- Цифровой varioобъектив
- Функция устойчивой съемки
- SUPER NIGHTSHOT
- Фейдер
- Эффект изображения
- Цифровой эффект
- Титр
- Режим низкой освещенности PROGRAM AE (Индикатор мигает.)
- Режим спортивных состязаний PROGRAM AE (Индикатор мигает.)

Если Вы записываете неподвижное изображение Вы не можете ни выключить питание, ни нажать кнопку PHOTO.

Если Вы нажмете PHOTO на пульте дистанционного управления Ваша видеочка сразу же запишет изображение, которое будет на экране при нажатии кнопки.


При записи неподвижных изображений в пункте 2 Изображение на мгновение дрогнет. Это не является неисправностью.

Количество изображений, которое может быть записано на "Memory Stick" Различается в зависимости от установленного режима качества изображения и сложности объекта.

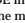
Данные записи
Данные записи (дата/время или различные установки, выполненные при записи) не отображаются во время выполнения записи. Однако они автоматически записываются на "Memory Stick". Для отображения данных записи нажмите кнопку DATA CODE во время воспроизведения. Вы можете использовать пульт дистанционного управления для выполнения этой операции (стр. 48).

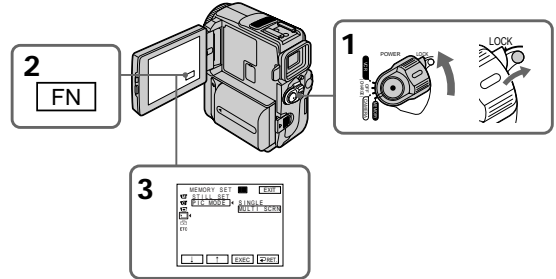
Запись изображений непрерывно

Вы можете выполнить последовательную запись неподвижных изображений. Выберите нижеописанный многоэкранный режим перед началом записи.

Многоэкранный режим
Ваша видеочка снимает 9 неподвижных изображений примерно с 0,5-секундными интервалами и отображает изображения на одной странице, разделенной на 9 прямоугольников. (Индикатор: )

Recording still images on "Memory Stick" – Memory photo recording

- (1) Set the POWER switch to MEMORY. Make sure that the LOCK is set to the right (unlock) position.
- (2) Press FN to display PAGE1.
- (3) Press MENU, then set PIC MODE in STILL SET to MULTI SCRIN in  in the menu settings.

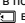


To return to FN
Press EXIT.

If the capacity of the "Memory Stick" becomes full
"S FULL" appears on the screen, and you cannot record still images on this "Memory Stick".

Note on using the video flash light (optional)
The video flash light does not work in the multi screen mode.

Запись неподвижных изображений на "Memory Stick" – Фотозапись с сохранением в памяти

- (1) Установите переключатель POWER в положение MEMORY. Убедитесь, что фиксатор LOCK установлен в правом (незафиксированном) положении.
- (2) Нажмите кнопку FN для отображения PAGE1.
- (3) Нажмите кнопку MENU, а затем установите опцию PIC MODE в положение STILL SET на MULTI SCRIN в  в установках меню.

Для возврата в положение FN
Нажмите кнопку EXIT.

Если емкость "Memory Stick" станет заполненной
"S FULL" появится на экране и Вы не сможете записывать неподвижные изображения на эту "Memory Stick".

Примечание к использованию видеолампы-вспышки (приобретается отдельно)
Видеолампа-вспышка не работает в многоэкранный режиме.

"Memory Stick" operations

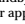
Операции с "Memory Stick"

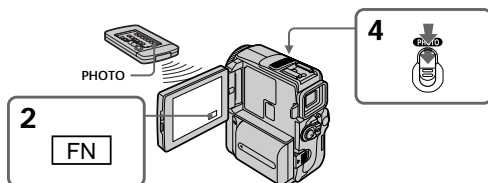
161

Recording still images on "Memory Stick" – Memory photo recording

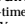
Self-timer memory photo recording

You can record images on "Memory Stick" with the self-timer. You can also use the Remote Commander for this operation.

- (1) Set the POWER switch to MEMORY. Make sure that the LOCK switch is set to the right (unlock) position.
- (2) Press FN and select PAGE3.
- (3) Press SELFTIMER in the standby mode. The  (self-timer) indicator appears on the screen.
- (4) Press PHOTO firmly.
Self-timer starts counting down from 10 with a beep sound. In the last 2 seconds of the countdown, the beep sound gets faster, then recording starts automatically.



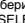
To record moving pictures on "Memory Stick" with the self-timer
Press START/STOP in step 4. To stop the recording, press START/STOP again.

To cancel the self-timer recording
Press SELFTIMER so that the  (self-timer) indicator disappears from the screen. You cannot cancel the self-timer recording using the Remote Commander.

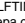
Запись неподвижных изображений на "Memory Stick" – Фотозапись с сохранением в памяти

Фотозапись с сохранением в памяти по таймеру самозапуска

Вы можете записывать изображения на "Memory Stick" с помощью таймера самозапуска. Для этой операции Вы можете также использовать пульт дистанционного управления.

- (1) Установите переключатель POWER в положение MEMORY. Убедитесь, что переключатель LOCK установлен в правом (незафиксированном) положении.
- (2) Нажмите FN и выберите PAGE3.
- (3) Нажмите кнопку SELFTIMER.
Индикатор  (таймера самозапуска) появится на экране.
- (4) Нажмите кнопку PHOTO сильно.
Таймер самозапуска начинает обратный отсчет с 10 в сопровождении зуммерного звукового сигнала. В последние 2 секунды обратного отсчета зуммерный сигнал начинает звучать быстрее, а затем запись начинается автоматически.

Для записи движущихся изображений на "Memory Stick" с помощью таймера самозапуска
Нажмите кнопку START/STOP при выполнении действий пункта 4. Для остановки записи нажмите кнопку START/STOP еще раз.

Для отмены записи по таймеру самозапуска
Нажмите кнопку SELFTIMER так, чтобы индикатор  (таймера самозапуска) исчез с экрана. Вы не можете отменить запись по таймеру самозапуска с использованием пульта дистанционного управления.

Recording still images on "Memory Stick" – Memory photo recording

Note
The self-timer recording mode is automatically canceled when:

- The self-timer recording is finished.
- The POWER switch is set to OFF (CHARGE) or VCR.

To check the image to be recorded
You can check the image with pressing the PHOTO button lightly, then press it deeper to start the self-timer recording.

Запись неподвижных изображений на "Memory Stick" – Фотозапись с сохранением в памяти

Примечание
Режим записи по таймеру самозапуска автоматически отменяется, когда:

- Окончания записи по таймеру самозапуска.
- Переключатель POWER будет установлен в положение OFF (CHARGE) или VCR.

Для проверки изображения, которое будет записываться
Вы можете проверить изображение, нажав слегка кнопку PHOTO, а затем нажав ее сильнее для пуска записи по таймеру самозапуска.

"Memory Stick" operations

Операции с "Memory Stick"

162

163

Recording an image from a tape as a still image

- DCR-PC9E only

Your camcorder can read moving picture data recorded on a tape and record it as a still image on a "Memory Stick".
Your camcorder can also take in moving picture data through the input connector and record it as a still image on a "Memory Stick".

Before operation

- Insert a recorded tape into your camcorder.
- Insert a "Memory Stick" into your camcorder.

- (1) Set the POWER switch to VCR.
- (2) Press . The picture recorded on the tape is played back.
- (3) Keep pressing PHOTO lightly until the picture from the tape freezes. CAPTURE appears on the screen. Recording does not start yet.
- (4) Press PHOTO deeper. The image displayed on the screen will be recorded on a "Memory Stick". Recording is complete when the bar scroll indicator disappears.

Запись изображения с ленты как неподвижного изображения

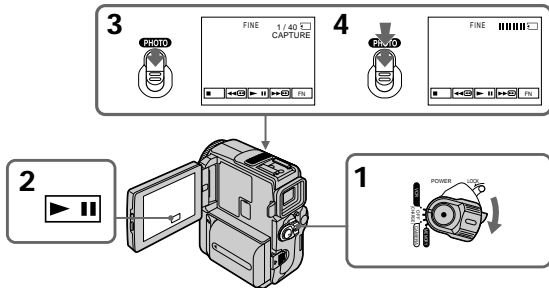
- Только модель DCR-PC9E

Ваша видеокамера может читать данные движущегося изображения, записанного на ленте, и записывать его как неподвижное изображение на "Memory Stick".
Ваша видеокамера может также получать данные движущегося изображения через входной разъем и записывать их как неподвижное изображение на "Memory Stick".

Перед выполнением операции

- Установите записанную кассету с лентой в Вашу видеокамеру.
- Установите "Memory Stick" в Вашу видеокамеру.

- (1) Установите переключатель POWER в положение VCR.
- (2) Нажмите кнопку . Начнется воспроизведение изображения, записанного на ленте.
- (3) Держите слегка нажатую кнопку PHOTO до тех пор, пока изображение с ленты не будет "заморожено". На экране появится индикация CAPTURE. Запись пока не начнется.
- (4) Нажмите кнопку PHOTO сильнее. Изображение, отображаемое на экране, будет записано на "Memory Stick". Запись считается завершенной, если исчезнет перемещающийся полосатый индикатор.



Recording an image from a tape as a still image

When the access lamp is lit or flashing Do not shake or strike the unit. As well do not turn the power off, eject a "Memory Stick" or remove the battery pack. Otherwise, the image data breakdown may occur.

If "⊞" appears on the screen
The inserted "Memory Stick" is incompatible with your camcorder because its format does not conform with your camcorder. Check the format of the "Memory Stick".

If you press PHOTO lightly in the playback mode
Your camcorder stops momentarily.

Sound recorded on a tape
You cannot record the audio from a tape.

Titles which have already been recorded on tapes
You cannot record the titles on "Memory Stick"s. The title does not appear while you are recording a still image with PHOTO.

Recording date/time
The date/time when it is recorded on "Memory Stick" is recorded. Various settings are not recorded.

When you press the PHOTO button on the Remote Commander
Your camcorder immediately records the image that is on the screen when you press the button.

Запись изображения с ленты как неподвижного изображения

Если лампочка доступа горит или мигает
Не трясите и не стучите по Вашей видеокамере. Также, не выключайте питание, не извлекайте "Memory Stick" из отсека и не снимайте батарейный блок. В противном случае данные изображения могут быть повреждены.

Если на экране появится индикация "⊞"
Вставленная "Memory Stick" является несовместимой с вашей видеокамерой, поскольку ее формат не соответствует Вашей видеокамере. Проверьте формат "Memory Stick".

Если в режиме воспроизведения слегка нажать кнопку PHOTO
Ваша видеокамера на мгновение остановится.

Звук, записанный на ленту
Вы не можете записывать звук с ленты.

Титры, которые уже были записаны на ленту
Вы не можете записывать титры на "Memory Stick". Титр не появится во время записи неподвижного изображения с помощью кнопки PHOTO.

Дата/время записи
Дата/время записываются во время записи на "Memory Stick". Различные установки не записываются.

Когда Вы нажимаете кнопку PHOTO на пульте дистанционного управления
Ваша видеокамера сразу же запишет изображение, которое отображается на экране, когда Вы нажмете кнопку.

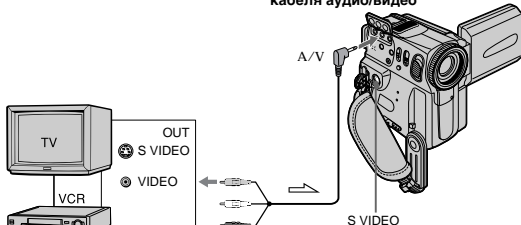
Recording an image from a tape as a still image

Recording a still image from other equipment

Before operation
• Set DISPLAY in to LCD in the menu settings (p. 134). (The default setting is LCD.)
• Set A/V → DV OUT in to OFF in the menu settings (p. 134). (The default setting is OFF.)

- (1) Set the POWER switch to VCR.
- (2) Play back the recorded tape, or turn the TV on to see the desired programme.
The image of the other equipment is displayed on the LCD screen or in the viewfinder.
- (3) Follow the steps 3 and 4 on page 164.

Using the A/V connecting cable



Connect the yellow plug of the A/V connecting cable to the video jack on the VCR or the TV.

If your TV or VCR has an S VIDEO jack
Connect using an S video cable (optional) to obtain high-quality pictures.
With this connection, you do not need to connect the yellow (video) plug of the A/V connecting cable.
Connect an S video cable (optional) to the S video jacks of both your camcorder and the TV or VCR.
This connection produces higher quality DV format pictures.

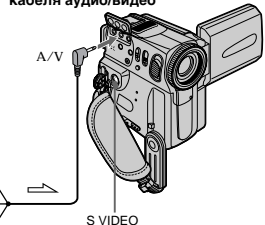
Запись изображения с ленты как неподвижного изображения

Запись неподвижного изображения с другой аппаратуры

Перед выполнением операции
• Установите опцию DISPLAY в положение LCD в установках меню (стр. 134). (По умолчанию установлено положение LCD.)
• Установите опцию A/V → DV OUT в положение OFF в установках меню (стр. 134). (По умолчанию установлено положение OFF.)

- (1) Установите переключатель POWER в положение VCR.
- (2) Воспроизведите записанную ленту или включите телевизор для просмотра нужной программы.
Изображение с другой аппаратуры отображается в видеосигнале или на экране ЖКД.
- (3) Следуйте инструкциям пунктов 3 и 4 на стр.164.

Использование соединительного кабеля аудио/видео

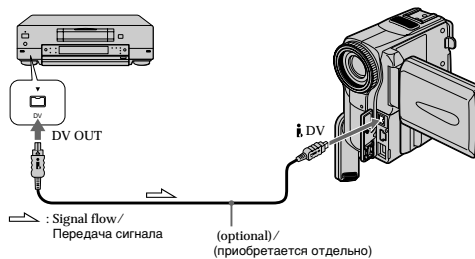


Подсоедините желтый штекер соединительного кабеля аудио/видео к гнезду видеосигнала KBM или телевизора.

Если Ваш телевизор или KBM оснащен гнездом S VIDEO
Выполните соединение с использованием кабеля S видео (приобретается отдельно) для получения высококачественных изображений.
При данном соединении Вам не нужно подсоединять желтый штекер (видео) соединительного кабеля аудио/видео.
Подсоедините кабель S видео (приобретается отдельно) к гнездам S видео Вашей видеокамеры и телевизора или KBM. Это соединение обеспечивает более качественные изображения формата DV.

Recording an image from a tape as a still image

Using the i.LINK cable (DV connecting cable)



Note
The "⊞" flashes in the following instances. If this happens, eject and insert "Memory Stick" again, and record distortion-free images.
- When recording on a tape in a poor recording state, for example, on a tape that has been repeatedly used for dubbing
- When attempting to input images that are distorted due to poor radio wave reception when a TV tuner unit is in use

Запись изображения с ленты как неподвижного изображения

Использование кабеля i.LINK (соединительного кабеля цифрового видеосигнала)

Примечание
Индикатор "⊞" мигает в следующих случаях.
Если это произойдет, извлеките "Memory Stick" и установите ее еще раз, и запишите изображение без искажений.
- При записи на ленту, находящуюся в малопригодном для записи состоянии, например, на ленту, неоднократно использованную для перезаписи.
- При попытке выполнять ввод изображений, искаженных из-за плохого приема радиоволн при использовании телевизора.

Recording moving pictures on "Memory Stick" – MPEG movie recording

– DCR-PC9E only

You can record moving pictures with sound on "Memory Stick" s.

Before operation

Insert a "Memory Stick" into your camcorder.

- (1) Set the POWER switch to MEMORY. Make sure that the LOCK switch is set to the right (unlock) position.
- (2) Press START/STOP. Your camcorder starts recording. The camera recording lamp located on the front of your camcorder lights up. When IMAGESIZE in the menu settings is set to 160 × 112, the maximum recording time is 60 seconds. However, when IMAGESIZE in the menu settings is set to 320 × 240, the maximum recording time is 15 seconds.

Запись движущихся изображений на "Memory Stick" – Запись фильмов MPEG

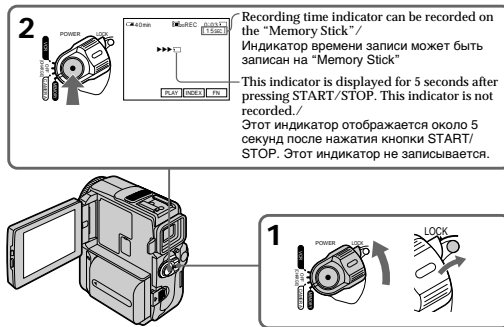
– Только модель DCR-PC9E

Вы можете записывать движущиеся изображения со звуком на "Memory Stick" s.

Перед выполнением операции

Установите "Memory Stick" в Вашу видеокамеру.

- (1) Установите переключатель POWER в положение MEMORY. Убедитесь, что фиксатор LOCK установлен в левом (незафиксированном) положении.
- (2) Нажмите кнопку START/STOP. Ваша видеокамера начнет запись. Загорается лампочка записи видеокамеры, расположенная на передней панели Вашей видеокамеры. Если пункт IMAGESIZE в установках меню установлен в положение 160 × 112, максимальная длительность записи составляет 60 секунд. Однако, если пункт IMAGESIZE в установках меню установлен в положение 320 × 240, максимальная длительность записи составляет 15 секунд.



To stop recording
Press START/STOP.

Для остановки записи
Нажмите кнопку START/STOP.

168

Recording a picture from a tape as a moving picture

– DCR-PC9E only

Your camcorder can read moving picture data recorded on a tape and record it as a moving picture on a "Memory Stick." Your camcorder can also take in moving picture data through the input connector and record it as a moving picture on a "Memory Stick."

Before operation

- Insert a recorded tape into your camcorder.
- Insert a "Memory Stick" into your camcorder.

- (1) Set the POWER switch to VCR.
- (2) Press [RECALL]. The picture recorded on the tape is played back. And press [RECALL] again at the scene where you want to start recording from.
- (3) Press START/STOP. When IMAGESIZE in the menu settings is set to 160 × 112, the maximum recording time is 60 seconds. However, when IMAGESIZE in the menu settings is set to 320 × 240, the maximum recording time is 15 seconds.

Запись изображения с ленты как движущегося изображения

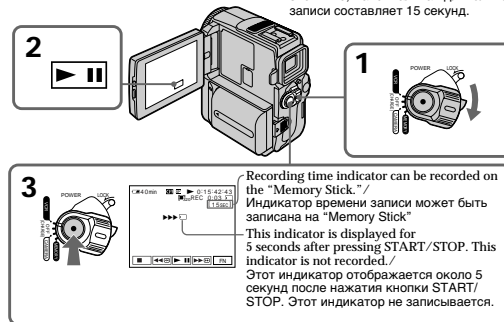
– Только модель DCR-PC9E

Ваша видеокамера может читать данные движущегося изображения на ленте и записывать их как движущееся изображение на "Memory Stick". Ваша видеокамера может получать также данные движущегося изображения через входной разъем и записывать их как движущееся изображение на "Memory Stick".

Перед выполнением операции

- Установите записанную кассету с лентой в Вашу видеокамеру.
- Установите "Memory Stick" в Вашу видеокамеру.

- (1) Установите переключатель POWER в положение VCR.
- (2) Нажмите кнопку [RECALL]. Воспроизводится изображение, записанное на кассете с лентой. И нажмите кнопку [RECALL] еще раз в том месте, с которого Вы хотите начать запись.
- (3) Нажмите кнопку START/STOP. Если пункт IMAGESIZE в установках меню установлен в положение 160 × 112, максимальная длительность записи составляет 60 секунд. Однако, если пункт IMAGESIZE в установках меню установлен в положение 320 × 240, максимальная длительность записи составляет 15 секунд.



To stop recording
Press START/STOP.

Для остановки записи
Нажмите кнопку START/STOP.

170

Recording moving pictures on "Memory Stick" s – MPEG movie recording

Note

Sound is recorded in monaural.

When the POWER switch is set to MEMORY

The following functions do not work:

- Wide mode
- Digital zoom
- SteadyShot function
- SUPER NIGHTSHOT
- Fader
- Picture effect
- Digital effect
- Title
- Low lux of PROGRAM AE (The indicator flashes.)
- Sports lesson of PROGRAM AE (The indicator flashes.)

When using an external flash (optional)

Turn the power of the external flash off when recording moving pictures on "Memory Stick" s. Otherwise, the charging sound for the flash may be recorded.

Recording date/time

The date/ time are not displayed while recording. However, they are automatically recorded onto the "Memory Stick". To display the recording date/ time, press "DATA CODE" during playback. Various settings cannot be recorded. You can also use the Remote Commander for this operation (p. 48).

During recording on "Memory Stick"

Do not eject the cassette tape from your camcorder. During ejecting the tape, sound is not recorded on the "Memory Stick."

Запись движущихся изображений на "Memory Stick" – Запись фильмов MPEG

Примечание

Звук записывается в монофоническом режиме.

Если переключатель POWER установлен в положение MEMORY

Следующие функции не работают:

- Широкоэкранный режим
- Цифровой наезд
- Функция устойчивой съемки
- SUPER NIGHTSHOT
- Фейдер
- Эффект изображения
- Цифровой эффект
- Титр
- Режим низкой освещенности PROGRAM AE (Индикатор мигает.)
- Режим спортивных состязаний PROGRAM AE (Индикатор мигает.)

При использовании внешней вспышки (не прилагается)

Выключите питание внешней вспышки во время записи подвижных изображений на "Memory Stick".

В противном случае может быть записан звук зарядки вспышки.

Во время записи на "Memory Stick"

Не извлекайте кассету из Вашей видеокамеры. Во время извлечения кассеты звук не будет записываться на "Memory Stick".

Дата/время записи

Дата/время не отображаются во время выполнения записи. Однако они автоматически записываются на "Memory Stick". Для отображения даты/времени записи нажмите кнопку "DATA CODE" во время воспроизведения. Различные установки записываться не могут. Вы можете использовать пульт дистанционного управления для выполнения этой операции (стр. 48).

Recording a picture from a tape as a moving picture

Notes

- Sound recorded in 48 kHz is converted to one in 32 kHz when recording images from a tape to "Memory Stick" s.
- Sound recorded in stereo is converted to monaural sound when recording from tapes.
- You cannot record the image played back using NTSC PB function.

When the access lamp is lit or flashing

Do not shake or strike the unit. As well do not turn the power off, eject a "Memory Stick" or remove the battery pack. Otherwise, the image data breakdown may occur.

Titles have already recorded on tapes

You cannot record the titles on "Memory Stick" s. The title does not appear while you are recording a moving picture with START/STOP.

Recording date/time

The date/ time when it is recorded on "Memory Stick" is recorded. Various settings are not recorded.

If "AUDIO ERROR" is displayed

Sound that cannot be recorded by your camcorder has been recorded. Connect the A/V connecting cable to input images from an external unit used to play back the image (p. 172).

Запись изображения с ленты как движущегося изображения

Примечания

- Звук, записанный с частотой оцифровки 48 кГц, преобразуется в звук с частотой оцифровки 32 кГц при записи изображений с ленты на "Memory Stick".
- Звук, записанный в стереофоническом режиме, преобразуется в монофонический звук при записи с ленты.
- Вы не можете воспроизвести записанное изображение, используя функцию NTSC PB.

Если лампочка доступа горит или мигает

Не трясите и не стучите по аппарату. Также, не выключайте питание, не извлекайте "Memory Stick" и не снимайте батарейный блок. В противном случае данные изображения могут быть повреждены.

Титры, записанные на лентах

Вы не можете записывать титры на "Memory Stick". Титр не появится во время записи движущегося изображения с помощью кнопки START/STOP.

Дата/время записи

Дата/время записываются во время записи на "Memory Stick". Различные установки не записываются.

Если появляется индикация "AUDIO ERROR"

Записан звук, который Ваша видеокамера не может записать. Подсоедините соединительный кабель аудио/видео для ввода изображений с внешнего аппарата, используемого для воспроизведения изображения (стр. 172).

"Memory Stick" operations

Операции с "Memory Stick"

"Memory Stick" operations

Операции с "Memory Stick"

171

Recording a picture from a tape as a moving picture

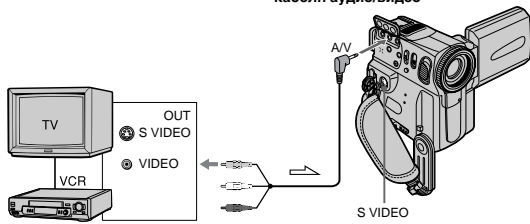
Recording a moving picture from other equipment

Before operation

- Set DISPLAY to LCD in the menu settings. (p. 134) (The default setting is LCD.)
- Select A/V → DV OUT to OFF in the menu setting (p. 134). (The default setting is OFF.)

- (1) Set the POWER switch to VCR.
- (2) Play back the recorded tape, or turn the TV on to see the desired programme. The image of the other equipment is displayed on the LCD screen or in the viewfinder.
- (3) Follow the procedure on page 170 from the steps 3 on wards at the point where you want to start recording.

Using the A/V connecting cable



Signal flow/Передача сигнала

Connect the yellow plug of the A/V connecting cable to the video jack on the VCR or the TV.

If your TV or VCR has an S video jack Connect using an S video cable (optional) to obtain high-quality pictures. With this connection, you do not need to connect the yellow (video) plug of the A/V connecting cable.

Connect an S video cable (optional) to the S video jacks of both your camcorder and the TV or VCR. This connection produces higher quality DV format pictures.

Запись изображения с ленты как движущегося изображения

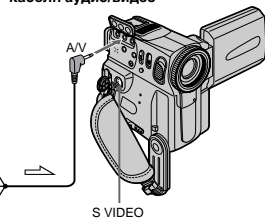
Запись движущегося изображения с другой аппаратуры

Перед выполнением операции

- Установите опцию DISPLAY в положение LCD в установках меню (стр. 134). (По умолчанию установлено положение LCD.)
- Установите опцию A/V → DV OUT в положение OFF в установках меню (стр. 134). (По умолчанию установлено положение OFF.)

- (1) Установите переключатель POWER в положение VCR.
- (2) Воспроизведите записанную ленту или включите телевизор для просмотра нужной программы. Изображение с другой аппаратуры отображается на экране ЖКД или в видоискателе.
- (3) Следуйте инструкции на стр. 170 с пункта 3 и далее в точке, с которой вы хотите начать запись изображения.

Использование соединительного кабеля аудио/видео



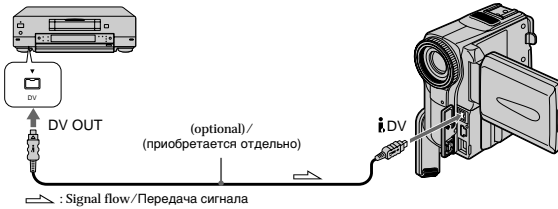
Подсоедините желтый штекер соединительного кабеля аудио/видео к гнезду видеосигнала KVM или телевизора.

Если Ваш телевизор или KVM оснащен гнездом S видео

Выполните соединение с использованием кабеля S видео (приобретается отдельно) для получения высококачественных изображений. При данном соединении Вам не нужно подсоединять желтый штекер (видео) соединительного кабеля аудио/видео. Подсоедините кабель S видео (приобретается отдельно) к гнездам S видео Вашей видеокамеры и телевизора или KVM. Это соединение обеспечивает более качественные изображения формата DV.

Recording a picture from a tape as a moving picture

Using the i.LINK cable (DV connecting cable)



Note

The "DV" flashes in the following instances. If this happens, eject and insert "Memory Stick" again, and record distortion-free images.

- When recording on a tape in a poor recording state, for example, on a tape that has been repeatedly used for dubbing
- When attempting to input images that are distorted due to poor radio wave reception when a TV tuner unit is in use

During recording on "Memory Stick"

Do not eject the cassette tape from your camcorder. During ejecting the tape, sound is not recorded on the "Memory Stick."

Запись изображения с ленты как движущегося изображения

Использование кабеля i.LINK (соединительного кабеля цифрового видеосигнала)

Примечание

Индикатор "DV" мигает в следующих случаях. Если это произойдет, извлеките "Memory Stick" и установите ее еще раз, и запишите изображения без искажений.

- При записи на ленту, находящуюся в малопригодном для записи состоянии, например, на ленту, неоднократно использованную для перезаписи.
- При попытке выполнить ввод изображений, искаженных из-за плохого приема радиоволн при использовании телевизора.

Во время записи на "Memory Stick"

Не извлекайте кассету с лентой из Вашей видеокамеры. Во время извлечения кассеты звук не записывается на "Memory Stick".

Superimposing a still image in a "Memory Stick" on a moving picture - MEMORY MIX

- DCR-PC9E only

You can superimpose a still image you have recorded on a "Memory Stick" on top of the moving picture you are recording. You can record the superimposed images on a tape or a "Memory Stick". (However, you can record only superimposed still images on the "Memory Stick".)

M. CHROM (Memory chromakey)

You can swap a blue area of a still image such as an illustration or a frame with a moving picture.

M. LUMI (Memory luminancekey)

You can swap a brighter area of a still image such as a handwritten illustration or title with a moving picture. Record a title on a "Memory Stick" before a trip or event for convenience.

C. CHROM (Camera chromakey)

You can superimpose a moving picture on top of a still image such as an image which can be used as background. Shoot the subject against a blue background. The blue area of the moving picture will be swapped with a still image.

M. OVERLAP* (Memory overlap)

You can make a moving picture fade in on top of a still image.

Наложение неподвижного изображения из "Memory Stick" на подвижное изображение - MEMORY MIX

- Только модель DCR-PC9E

Вы можете наложить неподвижное изображение, записанное на "Memory Stick", на записываемое подвижное изображение. Вы можете записывать наложенные изображения на ленту или "Memory Stick". (Однако Вы можете записывать только наложенные неподвижные изображения на "Memory Stick".)

M. CHROM (кнопка цветности памяти)

Вы можете менять местами синюю часть неподвижного изображения, такого как рисунок или кадр, с подвижным изображением.

M. LUMI (кнопка яркости памяти)

Вы можете менять местами более яркую часть неподвижного изображения, такого как рисунок или титр, с подвижным изображением. Запишите титр на "Memory Stick" перед тем, как отправиться в путешествие, или же для удобства.

C. CHROM (кнопка цветности видеокамеры)

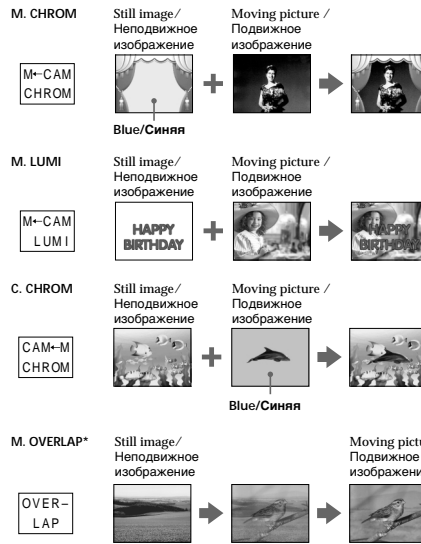
Вы можете наложить движущееся изображение поверх неподвижного изображения, например, изображения, которое может служить фоном. Снимите объект на голубом фоне. Голубая часть подвижного изображения будет заменена на неподвижное изображение.

M. OVERLAP* (наложение по памяти)

Вы можете сделать так, что подвижное изображение будет вводиться в верхнюю часть неподвижного изображения.

Superimposing a still image in a "Memory Stick" on a moving picture - MEMORY MIX

Наложение неподвижного изображения из "Memory Stick" на подвижное изображение - MEMORY MIX



* The superimposed image using Memory overlap function can be recorded on tapes only.

* Наложение изображения с использованием функции наложения памяти может записано только на ленты.

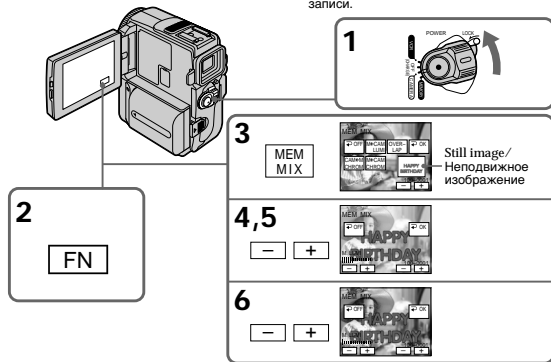
Superimposing a still image in a "Memory Stick" on a moving picture - MEMORY MIX

Recording a superimposed image to tape

Before operation

- Insert a tape for recording into your camcorder.
- Insert a "Memory Stick" recorded with still images into your camcorder.

- Set the POWER switch to CAMERA.
- In the standby mode, press FN and select PAGE2.
- Press MEM MIX. The last recorded or last composed image appears on the lower part of the screen as a thumbnail image.
- Press -/+ on the right lower corner of the screen to select the still image which you want to superimpose.
 - : to see the previous image
 - +: to see the next image
- Press a desired mode. The still image is superimposed on the moving picture.
- Press -/+ on the left lower corner of the screen to adjust the effect, then press OK to return to PAGE2.
- Press EXIT to return to FN.
- Press START/STOP to start recording.



176

Наложение неподвижного изображения из "Memory Stick" на подвижное изображение - MEMORY MIX

Запись наложенного изображения на ленту

Перед началом работы

- Вставьте ленту в Вашу видеокамеру.
- Установите записанную "Memory Stick" в Вашу видеокамеру.

- Установите выключатель POWER в положение CAMERA.
- В режиме ожидания нажмите кнопку FN и выберите индикацию PAGE2.
- Нажмите MEM MIX. Последнее записанное или последнее скомпанованное изображение появится в нижней части экрана в виде крохотного изображения.
- Нажмите -/+ в правом нижнем углу экрана для выбора неподвижного изображения, которое Вы хотите наложить.
 - : для просмотра предыдущего изображения
 - +: для выбора следующего изображения
- Выберите желаемый режим. Неподвижное изображение будет наложено на движущееся изображение.
- Нажмите -/+ в левом нижнем углу экрана для регулировки эффекта, а затем нажмите OK для возврата к PAGE2.
- Нажмите кнопку EXIT для возврата в положение FN.
- Нажмите кнопку START/STOP для начала записи.

Superimposing a still image in a "Memory Stick" on a moving picture - MEMORY MIX

Items to adjust

M. CHROM	The colour (blue) scheme of the area in the still image which is to be swapped with a moving picture
M. LUMI	The colour (bright) scheme of the area in the still image which is to be swapped with a moving picture
C. CHROM	The colour (blue) scheme of the area in the moving picture which is to be swapped with a still image
M. OVERLAP	No adjustment necessary

The fewer bars there are on the screen, the stronger the effect.

To change the still image to be superimposed

Press -/+ on the right lower corner before step 6.

To cancel MEMORY MIX

Press OK OFF to return to PAGE2.

Note

You cannot change the still image to superimpose in the memory overlap mode. Once cancel the memory overlap mode to change the still image.

To press PHOTO button in step 8
You can record a still images on a tape.

Наложение неподвижного изображения из "Memory Stick" на подвижное изображение - MEMORY MIX

Пункты для регулировки

M. CHROM	Цветовая гамма (синяя) участка в неподвижном изображении, который будет заменен на подвижное изображение
M. LUMI	Цветовая гамма (яркая) участка в подвижном изображении, которое будет заменен на подвижное изображение
C. CHROM	Цветовая гамма (синяя) участка в подвижном изображении, которое будет заменено на неподвижное изображение
M. OVERLAP	Регулировка не требуется

Чем меньше полос на экране, тем сильнее эффект.

Для изменения неподвижного изображения для наложения

Нажмите -/+ в правом нижнем углу перед выполнением пункта 6.

Для отмены установки MEMORY MIX

Нажмите OK OFF для возврата к PAGE2.

Примечание

Вы не можете изменять неподвижное изображение для наложения в режиме наложения из памяти. Для изменения неподвижного изображения необходимо отменить режим наложения из памяти.

При нажатии кнопки PHOTO в пункте 8
Вы можете записать неподвижные изображения на ленту.

"Memory Stick" operations

Операции с "Memory Stick"

177

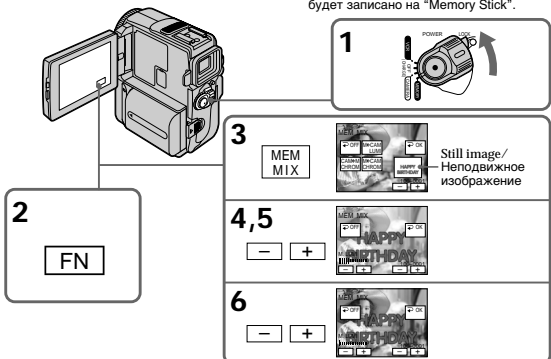
Superimposing a still image in a "Memory Stick" on a moving picture - MEMORY MIX

Recording a superimposed image to "Memory Stick" as a still image

Before operation

Insert a recorded "Memory Stick" into your camcorder.

- Set the POWER switch to MEMORY. Make sure that the LOCK switch is set to the right (unlock) position.
- In the standby mode, press FN and select PAGE2.
- Press MEM MIX. The last recorded or last composed image appears on the lower part of the screen as a thumbnail image.
- Press -/+ on the right lower corner of the screen to select the still image which you want to superimpose.
 - : to see the previous image
 - +: to see the next image
- Press a desired mode. The still image is superimposed on the moving picture.
- Press -/+ on the left lower corner of the screen to adjust the effect, then press OK to return to PAGE2.
- Press EXIT to return to FN.
- Press PHOTO deeply. Recording is completed when the bar scroll indicator disappears. The image displayed on the screen will be recorded on a "Memory Stick".



178

Наложение неподвижного изображения из "Memory Stick" на подвижное изображение - MEMORY MIX

Запись наложенного изображения на "Memory Stick" как неподвижного изображения

Перед выполнением операции

Установите "Memory Stick" в Вашу видеокамеру.

- Установите переключатель POWER в положение MEMORY. Убедитесь, что фиксатор LOCK установлен в правое (незафиксированное) положение.
- В режиме ожидания, нажмите кнопку FN и выберите индикацию PAGE2.
- Нажмите кнопку MEM MIX. Последнее записанное или последнее смонтированное изображение появится в нижней части экрана в виде небольшого изображения.
- Нажмите кнопку -/+ в правом нижнем углу экрана для выбора неподвижного изображения, которое Вы хотите наложить.
 - : для просмотра предыдущего изображения
 - +: для просмотра следующего изображения
- Нажмите нужный режим. Неподвижное изображение будет наложено на движущееся изображение.
- Нажимайте кнопку -/+ в левом нижнем углу экрана для регулировки эффекта, а затем нажмите кнопку OK для возврата к опции PAGE2.
- Нажмите кнопку EXIT для возврата к опции FN.
- Сильно нажмите кнопку PHOTO. Запись будет завершена, когда исчезнет перемещающийся ползательный индикатор. Изображение, отображаемое на экране, будет записано на "Memory Stick".

Superimposing a still image in a "Memory Stick" on a moving picture - MEMORY MIX

Items to adjust

M. CHROM	The colour (blue) scheme of the area in the still image which is to be swapped with a moving picture
M. LUMI	The colour (bright) scheme of the area in the still image which is to be swapped with a moving picture
C. CHROM	The colour (blue) scheme of the area in the moving picture which is to be swapped with a still image

The fewer bars there are on the screen, the stronger the effect.

To change the still image to be superimposed

Press -/+ on the right lower corner before step 6.

To cancel MEMORY MIX

Press OK OFF to return to PAGE2.

Наложение неподвижного изображения из "Memory Stick" на подвижное изображение - MEMORY MIX

Пункты регулировки

M. CHROM	Цветовая (синяя) схема участка на неподвижном изображении, которая должна быть заменена на движущееся изображение
M. LUMI	Цветовая (яркая) схема участка на неподвижном изображении, которая должна быть заменена на движущееся изображение
C. CHROM	Цветовая (яркая) схема участка на движущемся изображении, которая должна быть заменена на неподвижное изображение

Чем меньше полос на экране, тем сильнее эффект.

Для изменения неподвижного изображения для наложения

Нажмите кнопку -/+ в правом нижнем углу перед выполнением пункта 6.

Для отмены режима MEMORY MIX

Нажмите кнопку OK OFF для возврата к опции PAGE2.

"Memory Stick" operations

Операции с "Memory Stick"

179

Superimposing a still image in a "Memory Stick" on a moving picture - MEMORY MIX

- Notes**
- You cannot use MEMORY MIX function for moving pictures recorded on "Memory Stick"s.
 - When the overlapping still image has a large amount of white, the thumbnail image of the picture may not be clear.
 - You cannot reselect the mode. Press \rightarrow OFF again to return to PAGE 2.

The "Memory Stick" supplied with your camcorder stores 20 images

- For M. CHROM: 18 images (such as a frame) 100-0001-100-0018
- For C. CHROM: 2 images (such as a background) 100-0019-100-0020

Sample images
Sample images stored in the "Memory Stick" supplied with your camcorder are protected (p. 200).

Image data modified with your computers or shot with other equipment
You may not be able to play them back with your camcorder.

To record a still image without any effect on a tape
Press $-/+$ on the left corner to increase the bars to maximum in the M. LUMI mode in step 6.

When recording images on "Memory Stick" using the MEMORY MIX function
The PROGRAM AE function does not work.

Наложение неподвижного изображения из "Memory Stick" на подвижное изображение - MEMORY MIX

- Примечания**
- Вы не можете использовать функцию MEMORY MIX для движущихся изображений, хранимых на "Memory Stick".
 - Если в налагаемом неподвижном изображении имеется большой участок белого, то маленькое изображение может быть нечетким.
 - Вы не можете выбрать режим. Нажмите кнопку \rightarrow OFF снова для возвращения к PAGE 2.

"Memory Stick", прилагаемая к Вашей видеокамере, вмещает 20 изображений.

- Для M. CHROM: 18 изображений (типа кадра) 100-0001 - 100-0018
- Для C. CHROM: 2 изображения (типа фона) 100-0019 - 100-0020

Образцы изображений
Образцы изображений, хранимые на "Memory Stick", прилагаемой к Вашей видеокамере, защищены (стр. 200).

Данные изображения, видоизмененного с помощью компьютеров или сняты с помощью другого аппарата
Вы можете быть лишены возможности воспроизвести их с помощью Вашей видеокамеры.

Для записи неподвижного изображения, записываемого на ленту без какого-либо эффекта
Нажимайте кнопку $-/+$ в левом углу для увеличения полос до максимального количества в режиме M. LUMI в пункте 6.

Во время записи изображений на "Memory Stick" с использованием функции MEMORY MIX
Функция PROGRAM AE не работает.

Copying still images from a tape - Photo save

- DCR-PC9E only
Using the search function, you can automatically take in only still images from tapes and record them on a "Memory Stick" in sequence.

Before operation

- Insert a recorded tape into your camcorder and rewind the tape.
- Insert a "Memory Stick" into your camcorder.

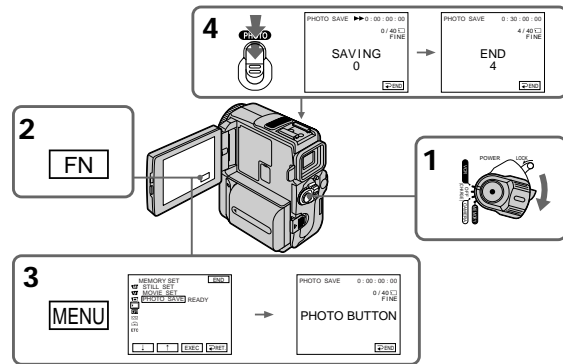
- Set the POWER switch to VCR.
- Press FN to display PAGE1.
- Press MENU, then select PHOTO SAVE in \square in the menu settings. "PHOTO BUTTON" appears on the LCD screen.
- Press PHOTO firmly. The still image from the tape is recorded on a "Memory Stick". The number of still images copied is displayed. "END" is displayed when copying is completed.

Копирование неподвижных изображений с ленты - Сохранение в памяти фотоснимков

- Только модель DCR-PC9E
Используя функцию поиска, Вы можете автоматически выполнять фотоснимки только неподвижных изображений с ленты и записывать их на "Memory Stick" в последовательности.

Перед началом работы
Вставьте записанную ленту в Вашу видеокамеру и перемотайте ленту обратно.

- Установите переключатель POWER в положение VCR.
- Нажмите кнопку FN для отображения PAGE1.
- Нажмите кнопку MENU, а затем выберите PHOTO SAVE в \square в установках меню. "PHOTO BUTTON" появится на экране ЖКД.
- Нажмите кнопку PHOTO сильно. Неподвижное изображение с ленты будет записано на "Memory Stick". Будет отображено количество неподвижных скопированных изображений. По завершении копирования на дисплее будет отображена индикация "END".



"Memory Stick" operations
Операции с "Memory Stick"

180

Copying still images from a tape - Photo save

To stop or end copying
Press \rightarrow END.

To return to FN
Press \rightarrow END to return to PAGE1, then press EXIT.

When the memory of the "Memory Stick" is full
"MEMORY FULL" appears on the LCD screen, and the copying stops. Press \rightarrow END, insert another "Memory Stick" and repeat the procedure from step 2.

When the access lamp is lit or flashing
Do not shake or strike your camcorder. As well do not turn the power off, eject a "Memory Stick" or remove the battery pack. Otherwise, the image data breakdown may occur.

If the write-protect tab on the "Memory Stick" is set to LOCK
"NOT READY" appears when you select the item in the menu settings.

When you change "Memory Stick"s in the middle of copying
Your camcorder resumes copying from the last image recorded on the previous "Memory Stick".

Копирование неподвижных изображений с ленты - Сохранение в памяти фотоснимков

Для остановки или окончания копирования
Нажмите \rightarrow END.

Для возврата в положение FN
Нажмите кнопку \rightarrow END для возврата в положение PAGE1, а затем нажмите кнопку EXIT.

В случае переполнения "Memory Stick"
На экране ЖКД появится индикация "MEMORY FULL", и копирование остановится. Нажмите \rightarrow END, вставьте другую "Memory Stick" и повторите процедуру с пункта 2.

Если лампочка доступа горит или мигает
Не трясите и стучите по Вашей видеокамере. Также, не выключайте питание, не вынимайте "Memory Stick" из отсека и не снимайте батарейный блок. В противном случае данные изображения могут быть повреждены.

Если лепесток защиты записи на "Memory Stick" установлен в положение LOCK
Появится индикация "NOT READY", если Вы выберете пункт в установках меню.

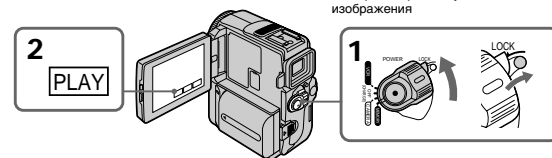
Если Вы замените "Memory Stick" в середине копирования
Ваша видеокамера возобновит копирование, начиная с последнего изображения, записанного на предыдущей "Memory Stick".

Viewing a still image - Memory photo playback

- DCR-PC9E only
You can play back still images recorded on a "Memory Stick". You can also play back 6 images including moving pictures in order at a time by selecting the index screen.

Before operation
Insert a "Memory Stick" into your camcorder.

- Set the POWER switch to MEMORY. Make sure that the LOCK is set to the right (unlock) position.
- Press PLAY. The last recorded image is displayed.
- Press $-/+$ on your camcorder to select the desired still image.
- : to see the previous image
+ : to see the next image



To stop memory photo playback
Press CAM.

Notes on the file name

- The directory number may not be displayed and only the file name may be displayed if the structure of the directory does not conform to the DCF98 standard.
- " \square DIRECTORY ERROR" may appear on the LCD screen if the structure of the directory does not conform to the DCF98 standard. While this message appears, you can play back images but cannot record them on the "Memory Stick".
- The file name flashes on the LCD screen if the file is corrupted or the file is unreadable.

Просмотр неподвижного изображения - Воспроизведение фотоснимков из памяти

- Только модель DCR-PC9E
Вы можете воспроизводить движущиеся изображения, записанные на "Memory Stick". Вы можете также воспроизводить 6 изображений по порядку, включая неподвижные изображения, за один раз путем выбора индексного экрана.

Перед началом работы
Вставьте "Memory Stick" в Вашу видеокамеру.

- Установите переключатель POWER в положение MEMORY. Убедитесь, что фиксатор LOCK установлен в правое (незафиксированное) положение.
- Нажмите кнопку PLAY. Последнее записанное изображение будет отображено.
- Нажимайте кнопку $-/+$ на Вашей видеокамере для выбора нужного неподвижного изображения.
- : для просмотра предыдущего изображения
+ : для просмотра следующего изображения

Для остановки воспроизведения фотоснимков из памяти
Нажмите кнопку CAM.

Примечания к имени файла

- Номер каталога может быть не отображен и только имя файла может быть отображено, если структура каталога не соответствует стандарту DCF98.
- Индикация " \square DIRECTORY ERROR" может появиться на экране ЖКД или в видеосигнале, если структура каталога не соответствует требованиям стандарта DCF98. Пока это сообщение отображается, Вы сможете воспроизводить изображения, но не сможете их записывать на "Memory Stick".
- Имя файла будет мигать на экране ЖКД, если файл является поврежденным или недоступным для чтения.

181

"Memory Stick" operations
Операции с "Memory Stick"

182

Viewing a still image – Memory photo playback

To play back recorded images on a TV screen

- Connect your camcorder to the TV with the A/V connecting cable supplied with your camcorder before the operation.
- When operating memory photo playback on a TV or on the LCD screen, the image quality may appear to have deteriorated. This is not a malfunction. The image data is as good as ever.
- Turn the audio volume of the TV down before operation, or noise (howling) may be output from the TV speakers.

Image data modified with your computers or shot with other equipment

You may not be able to play them back with your camcorder.

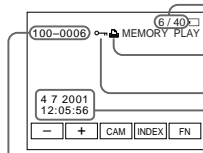
Still image

You can select still images also with -/+ on PAGE1/PAGE2/PAGE3.

When no image is recorded on the "Memory Stick"

The message "NO FILE" appears

Screen indicators during still image playback



Data Directory Number/File Number/Имя файла данных

Recording data

To display the recording data (date/time or various settings when recorded), press DATA CODE during playback. You can also use the Remote Commander for this operation.

To make screen indicators disappear
Press DISPLAY/TOUCH PANEL.

184

Просмотр неподвижного изображения – Воспроизведение фотоснимков из памяти

Для воспроизведения записанных изображений на экране телевизора

- Перед началом воспроизведения подсоедините Вашу видеокамеру к телевизору с помощью соединительного кабеля аудио/видео, прилагаемого к Вашей видеокамере.
- При управлении воспроизведением фотоснимков из памяти на экране телевизора или ЖКД качество изображения может показаться хуже. Это не является неисправностью. Данные изображения будут такими же как всегда.
- Перед началом воспроизведения поверните регулятор громкости телевизора вниз, иначе через акустическую систему может послышаться шум (завывание).

Данные изображения, преобразованные с помощью с помощью Вашего компьютера, или снятые с помощью другого аппарата
Может быть Вы не сможете воспроизвести их с помощью Вашей видеокамеры.

Неподвижное изображение

Вы можете также выбирать неподвижные изображения с помощью -/+ на странице PAGE1/PAGE2/PAGE3.

Если на "Memory Stick" не записано ни одно изображение
Появится сообщение "NO FILE".

Экранные индикаторы во время воспроизведения неподвижных изображений

Image number / Total number of recorded images/
Номер изображения/общее количество записанных изображений

Print mark / Afdruk-markering

Protect indicator / Печатный знак

Recording data / Данные записи

Данные записи

Если Вы нажмете кнопку DATA CODE на пульте дистанционного управления, Вы сможете видеть данные записи (дату/время или различные установки при записи). Вы можете также использовать пульт дистанционного управления для этой операции.

Для того, чтобы экранные индикаторы исчезли

Нажмите DISPLAY/TOUCH PANEL.

Viewing a still image – Memory photo playback

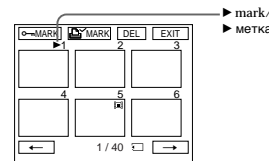
Playing back 6 recorded images at a time (index screen)

You can play back 6 recorded images at a time. This function is especially useful when searching for a particular image.

- (1) Set the POWER switch to MEMORY. Make sure that the LOCK is set to the right (unlock) position.
- (2) Press INDEX to display the index screen.

A red ► mark appears above the image that is displayed before changing to the index screen mode.

← : to display the previous 6 images
→ : to display the following 6 images



To return to FN
Press EXIT.

To return to the normal playback screen (single screen)
Press the image you want to display.

Просмотр неподвижного изображения – Воспроизведение фотоснимков из памяти

Воспроизведение 6 записанных изображений одновременно (индексный экран)

Вы можете воспроизвести 6 записанных изображений одновременно. Эта функция является особенно полезной при выполнении поиска отдельных изображений.

- (1) Установите переключатель POWER в положение MEMORY. Убедитесь, что фиксатор LOCK установлен в правое (незафиксированное) положение.
- (2) Нажмите кнопку INDEX для отображения индексного экрана.

Красная метка ► появится над изображением, которое будет отображаться перед изменением режима индексного экрана.

← : для отображения предыдущих 6 изображений
→ : для отображения следующих 6 изображений

Для возврата в положение FN
Нажмите EXIT.

Для возврата к экрану обычного воспроизведения (одиночный экран)
Нажмите изображение, которое Вы хотите отобразить.

"Memory Stick" operations Операции с "Memory Stick"

Viewing a still image – Memory photo playback

Note

When displaying the index screen, the number appears above each image. This indicates the order in which images are recorded on the "Memory Stick". These numbers are different from the data file names (p. 147).

Image data modified with personal computers or shot with other equipment
These files may not be displayed on the index screen.

Просмотр неподвижного изображения – Воспроизведение фотоснимков из памяти

Примечание

При отображении индексного экрана над каждым изображением будет появляться номер. Он означает порядок, в котором изображения записаны на "Memory Stick". Эти номера отличаются от имен файлов данных (стр. 147).

Данные изображения, преобразованные с помощью с помощью Вашего компьютера, или снятые с помощью другого аппарата
Эти файлы могут быть не отображены на индексном экране.

Viewing a moving picture – MPEG movie playback

– DCR-PC9E only

You can play back moving pictures recorded on a "Memory Stick." You can also play back 6 images including still images in order at a time by selecting the index screen.

Before operation

Insert a "Memory Stick" into your camcorder.

- (1) Set the POWER switch to MEMORY. Make sure that the LOCK switch is set to the right (unlock) position.
- (2) Press PLAY. The last recorded image is displayed.
- (3) Press +/- to select the desired moving pictures. To see the previous picture, press -. To see the next picture, press +.
- (4) Press MPEG ► II to start playback.
- (5) Press VOL-/VOL+ to adjust the volume
- : To turn down
+ : To turn up

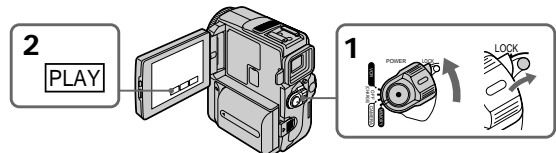
Просмотр движущегося изображения – воспроизведение фильма MPEG

– Только модель DCR-PC9E

Вы можете воспроизводить движущиеся изображения, записанные на "Memory Stick". Вы можете также воспроизводить 6 изображений по порядку, включая неподвижные изображения, за один раз путем выбора индексного экрана.

Перед выполнением операции
Установите "Memory Stick" в Вашу видеокамеру.

- (1) Установите переключатель POWER в положение MEMORY. Убедитесь, что фиксатор LOCK установлен в левом (незафиксированном) положении.
- (2) Нажмите кнопку PLAY. Будет отображено последнее записанное изображение.
- (3) Нажмите кнопку +/- для выбора нужных движущихся изображений. Для просмотра предыдущего изображения нажмите кнопку -. Для просмотра следующего изображения нажмите кнопку +.
- (4) Нажмите кнопку MPEG ► II для начала воспроизведения.
- (5) Нажмите кнопку VOL-/VOL+ для регулировки громкости.
- : Для уменьшения громкости
+ : Для увеличения громкости



To stop MPEG movie playback
Press MPEG ► II.

Для остановки воспроизведения фильма MPEG
Нажмите кнопку MPEG ► II.

"Memory Stick" operations Операции с "Memory Stick"

186

185

Viewing a moving picture – MPEG movie playback

To play back recorded images on a TV screen

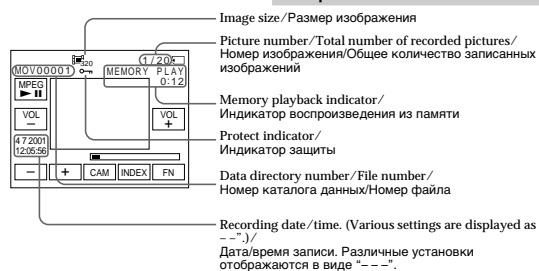
- Connect your camcorder to the TV with the A/V connecting cable supplied with your camcorder before operation.
- Turn the audio volume of the TV down before operation, or noise (howling) may be output from the TV speakers.

Image data modified with personal computers or shot with other equipment
You may not be able to play them back with your camcorder.

When no image is recorded on the "Memory Stick"
The message "NO FILE" appears.

Moving picture
You can select moving pictures also with -/+ on PAGE1/PAGE2/PAGE3.

Screen indicators during moving picture playback



Recording date/time
To display the recording date/time, press DATA CODE during playback. Various settings are not displayed. You can also use the Remote Commander for this operation (p. 48).

To make screen indicators disappear
Press DISPLAY/TOUCH PANEL.

Просмотр движущегося изображения – воспроизведение фильма MPEG

Для воспроизведения записанных изображений на экране телевизора

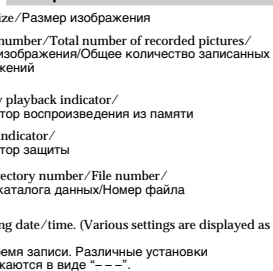
- Перед выполнением операции подсоедините Вашу видеокамеру к телевизору с помощью соединительного кабеля аудио/видео, прилагаемого к Вашей видеокамере.
- Перед началом воспроизведения уменьшите громкость телевизора, иначе через акустическую систему телевизора может слышаться шум (завывание).

Данные изображения, преобразованные с помощью персональных компьютеров или снятые с помощью другого оборудования
Данные изображения, преобразованные с помощью Вашего компьютера, или снятые с помощью другого аппарата.

Если на "Memory Stick" не записано ни одно изображение
Появится сообщение "NO FILE".

Движущееся изображение
Вы можете выбирать движущиеся изображения также и с помощью -/+ на PAGE1/PAGE2/PAGE3.

Экранные индикаторы во время воспроизведения движущегося изображения



Дата/время записи
Для отображения даты/времени записи нажмите кнопку DATA CODE во время воспроизведения. Различные установки отображаться не будут. Вы можете использовать пульт дистанционного управления для выполнения этой операции (стр. 48).

Для удаления индикаторов с экрана
Нажмите кнопку DISPLAY/TOUCH PANEL.

Viewing images using your computer

– DCR-PC9E only
You can view data recorded on the "Memory Stick" using your computer.

Notes

- Data recorded on the "Memory Stick" is stored in the following formats. Make sure that applications that support these file formats are installed on your computer.
 - Still images : JPEG format
 - Moving images/audio : MPEG format
- An application such as Real Player or Windows Media Player capable of playing back MPEG picture must be installed (to play back moving pictures).
- QuickTime 3.0 or newer must be installed (to play back moving pictures).

Recommended computer environment
Recommended Windows environment
OS: Microsoft Windows 98, Windows 98SE, Windows Me or Windows 2000
Professional standard installation is required.

However, operation is not assured if the above environment is an upgraded OS
CPU:MMX Pentium 200 MHz or faster

The USB connector must be provided as standard.

Recommended Macintosh environment
Macintosh computer with the Mac OS 8.5.1/8.6/9.0/9.1 standard installation
However, note that the update to Mac OS 9.0/9.1 should be used for the following models.

- iMac with the Mac OS 8.6 standard installation and a slot loading type CD-ROM drive
- iBook or Power Mac G4 with the Mac OS 8.6 standard installation

The USB connector must be provided as standard.

Notes

- Operations are not guaranteed for either the Windows or Macintosh environment if you connect 2 or more USB equipment to a single computer at the same time or when using a hub.
- Depending on the type of USB equipment that is used simultaneously, some equipment may not operate.
- Operations are not guaranteed for all the recommended computer environments mentioned above.

Просмотр изображений с использованием Вашего персонального компьютера

– Только модель DCR-PC9E
Вы можете просматривать записанные на "Memory Stick" данные, используя Ваш персональный компьютер.

Примечания

- Данные, записанные на "Memory Stick", хранятся в следующих форматах. Убедитесь, что на Вашем персональном компьютере установлены программы, поддерживающие эти форматы файлов.
 - неподвижные изображения: Формат JPEG
 - Движущиеся изображения/звук: Формат MPEG
- Следует установить проигрыватель реального времени или проигрыватель мультимедиа системы Windows с возможностью воспроизведения изображений MPEG (для воспроизведения движущихся изображений).
- Следует установить программу QuickTime 3.0 или более новой версии (для воспроизведения подвижных изображений).

Рекомендованные конфигурации компьютеров

Рекомендованная конфигурация Windows
OS: Microsoft Windows 98, Windows 98SE, Windows Me или Windows 2000
Professional в стандартной установке. Выполнение операций не гарантируется, если указанная выше конфигурация получена в результате обновления ОС.
Процессор: Pentium MMX 200 МГц или более быстрый
Разъем USB должен входить в стандартную комплектацию.

Рекомендованная конфигурация Macintosh
Компьютер Macintosh с Mac OS 8.5.1/8.6/9.0/9.1 в стандартной установке. Однако, обратите внимание на то, что следует использовать обновление до Mac OS 9.0/9.1 для следующих моделей:

- iMac со стандартно установленной Mac OS 8.6 и накопителем CD-ROM с щелевой загрузкой
- iBook или G4 со стандартно установленной Mac OS 8.6

 Разъем USB должен входить в стандартную комплектацию.

Примечания

- Выполнение операций не гарантируется и для среды Windows, и для среды Macintosh, если Вы подсоедините 2 или более устройств USB одновременно к одному персональному компьютеру, или при использовании концентратора.
- В зависимости от типа оборудования USB, используемого одновременно, некоторые из устройств могут не работать.
- Выполнение операций не гарантируется для всех рекомендованных компьютерных сред, упомянутых выше.

Viewing images using your computer

Installing the USB driver

Before connecting your camcorder to your computer, install the USB driver to the computer. The USB driver is contained together with application software for viewing images on a CD-ROM which is supplied with your camcorder.
Do not connect the USB cable to your computer before installation of the USB driver is completed.

For Windows 98/98SE/Me, Windows 2000 users

- 1) Turn on the power of your computer and allow Windows to load.
- 2) Insert the supplied CD-ROM in the CD-ROM drive of your computer. The application software screen appears.
- 3) Set the cursor on "USB Driver Installation for Windows 98/98SE/Me and Windows 2000" and click. USB driver installation starts.
- 4) Follow the on-screen messages to install the USB driver.
- 5) Connect the USB jack on your camcorder with the USB connector on your computer using the supplied USB cable.
- 6) Insert a "Memory Stick" into your camcorder, connect the AC power adaptor and set the POWER switch to MEMORY.
- 7) Follow the on-screen messages to have the Add Hard Ware Wizard recognize the hardware. The Add Hardware Wizard starts twice because 2 different USB drivers are installed. Be sure to allow the installation to complete without interrupting it.

Просмотр изображений с использованием Вашего персонального компьютера

Установка драйвера USB

Перед подсоединением Вашей видеокамеры к Вашему персональному компьютеру, установите на компьютер драйвер USB. Драйвер USB содержится вместе с программным обеспечением для просмотра изображений на CD-ROM, прилагаемом к Вашей видеокамере.
Не подсоединяйте кабель USB к Вашему компьютеру, пока установка драйвера USB не будет завершена.

Для пользователей Windows 98/98SE/Me, Windows 2000

- 1) Включите Ваш персональный компьютер и дайте Windows загрузиться.
- 2) Установите прилагаемый CD-ROM в накопитель CD-ROM Вашего компьютера. Появится экран прикладного программного обеспечения.
- 3) Установите курсор на пункте "USB Driver Installation for Windows 98/98SE/Me and Windows 2000" и щелкните. Начнется установка драйвера USB.
- 4) Следуйте указаниям экранных сообщений для установки драйвера USB.
- 5) Соедините гнездо USB на Вашей видеокамере с разъемом USB Вашего персонального компьютера, используя прилагаемый кабель USB.
- 6) Установите "Memory Stick" в Вашу видеокамеру, подсоедините сетевой адаптер питания переменного тока и установите переключатель POWER в положение MEMORY.
- 7) Следуйте указаниям экранных сообщений для того, чтобы Add Hard Ware Wizard распознал аппаратуру. Программа Add Hardware Wizard запускается дважды, потому что устанавливаются 2 различных драйвера USB. Обязательно позвольте установке завершиться без ее прерывания.

Viewing images using your computer

Notes

- You cannot install the USB driver if a "Memory Stick" is not in your camcorder. Be sure to insert a "Memory Stick" into your camcorder before installing the USB driver.
- The USB driver has been registered incorrectly as your computer was connected to your camcorder before installation of the USB driver was completed. Re-install the USB driver following the procedure below.

Image data cannot be transferred by the USB connection

The USB driver has been registered incorrectly as your computer was connected to your camcorder before installation of the USB driver was completed. Perform the following procedure to correctly install the USB driver.

Step 1 Uninstall the incorrect USB driver

- 1) Turn on the power and allow Windows to load.
- 2) Connect the USB jack on your computer to the USB jack on your camcorder using the USB cable supplied with your camcorder.
- 3) Insert a "Memory Stick" into your camcorder, connect the AC power adaptor, and set the POWER switch to MEMORY.
- 4) Open your computer's "Device Manager." Windows 2000 Professional: Open "My Computer" → "Control Panel" → "Hardware" tab, and click the "Device Manager" button. Other OS: Select "My Computer" → "Control Panel" → "System," and click "Device Manager".
- 5) Select "Other devices". Select the device prefixed with the "?" mark and delete. Ex: (?)Sony Handycam
- 6) Turn the power OFF (CHARGE), and then disconnect the USB cable.
- 7) Reboot your computer.

Просмотр изображений с использованием Вашего персонального компьютера

Примечания

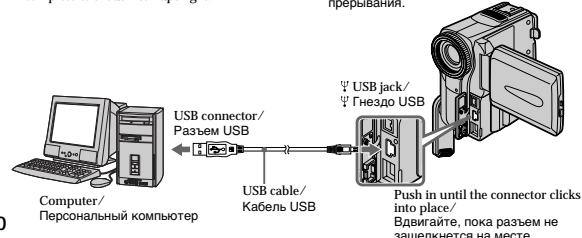
- Вы не можете установить драйвер USB, если в Вашей видеокамере нет "Memory Stick". Убедитесь, что установили "Memory Stick" в Вашу видеокамеру перед установкой драйвера USB.
- Ваш драйвер USB был зарегистрирован неправильно, когда Ваш компьютер был подсоединен к Вашей видеокамере до того, как установка драйвера USB была завершена. Выполните повторную установку драйвера USB, следуя процедуре ниже.

Данные изображения не могут быть переданы путем соединения USB

Ваш драйвер USB был зарегистрирован неправильно, когда Ваш компьютер был подсоединен к Вашей видеокамере до того, как установка драйвера USB была завершена. Выполните следующую процедуру для правильной установки драйвера USB.

Пункт 1 Удаление неправильного драйвера USB

- 1) Включите питание и позвольте Windows загрузиться.
- 2) Соедините гнездо USB на Вашем компьютере с гнездом USB на Вашей видеокамере с использованием кабеля USB, прилагаемого к Вашей видеокамере.
- 3) Установите "Memory Stick" в Вашу видеокамеру, подсоедините адаптер питания переменного тока к Вашей видеокамере, а затем установите переключатель POWER в положение MEMORY.
- 4) Откройте пиктограмму "Установка оборудования" на Вашем компьютере: Windows 2000 Professional: Откройте пиктограмму "Мой компьютер" → "Панель управления" → закладку "Оборудование" и щелкните по кнопке "Устройства". Другие ОС: Выберите пиктограмму "Мой компьютер" → "Панель управления" → "Система" → и щелкните по кнопке "Устройства".
- 5) Выберите пункт "Прочие устройства". Выберите устройство со знаком "?" перед ним и удалите его. Например: (?)Sony Handycam
- 6) Выключите питание OFF (CHARGE), а затем отсоедините кабель USB.
- 7) Перезагрузите Ваш персональный компьютер.



Viewing images using your computer

Step 2 Install the USB driver on the CD-ROM

Perform the entire procedure listed in "Installing the USB Driver" on the page 190.

For Mac OS 8.5.1/8.6/9.0 users

- Turn on the power of your computer and allow the Mac OS to load.
- Insert the supplied CD-ROM in the CD-ROM drive of your computer.
- Double-click the CD-ROM drive icon to open the window.
- Double-click the icon of the hard disk containing the OS to open the window.
- Move the following 2 files from the window opened in step 3 to the System Folder icon in the window opened in step 4 (drag and drop).
 - Sony Camcorder USB Driver
 - Sony Camcorder USB Shim
- When "Put these items into the Extensions folder" appears, click OK.
- Restart your computer.

For Mac OS 9.1

The USB driver need not be installed. Your Mac is automatically recognized as a driver just by connecting your Mac using the USB cable.

Просмотр изображений с использованием Вашего персонального компьютера

Пункт 2 Установите драйвер USB на CD-ROM

Выполните полностью процедуру, приведенную в разделе "Установка драйвера USB" на стр. 190.

Для пользователей Mac OS 8.5.1/8.6/9.0

- Включите Ваш персональный компьютер и дайте Mac OS загрузиться.
- Установите прилагаемый CD-ROM в накопитель CD-ROM Вашего компьютера.
- Двойным щелчком по пиктограмме CD-ROM откройте окно.
- Двойным щелчком по пиктограмме жесткого диска, содержащего ОС, откройте окно.
- Переместите следующие 2 файла из окна, открытого при выполнении инструкции пункта 3, на пиктограмму System Folder в окне, открытом при выполнении инструкции пункта 4 (потяните и отпустите).
 - Sony Camcorder USB Driver
 - Sony Camcorder USB Shim
- Когда появится вопрос "Put these items into Extensions folder?", нажмите кнопку OK.
- Перезапустите Ваш персональный компьютер.

Для операционной системы Mac OS 9.1

Требуется установка драйвера USB. Ваш компьютер Mac автоматически распознает как только драйвер подсоединен к Вашему компьютеру Mac с использованием кабеля USB.

Viewing images using your computer

Viewing images

For Windows users

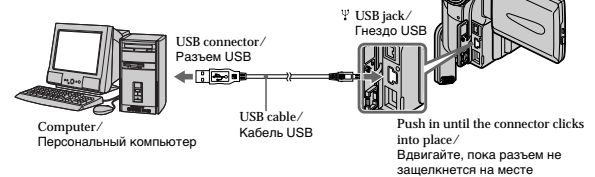
- Turn on the power of your computer and allow Windows to load.
- Connect one end of the USB cable to the USB jack on the camcorder and the other end to the USB connector on your computer.
- Insert a "Memory Stick" into your camcorder, and connect the AC power adaptor to your camcorder and then to a wall socket.
- Set the POWER switch to MEMORY. USB MODE appears on the screen of the camcorder.
- Open "My Computer" on Windows and double click the newly recognized drive. (Example: "Removable Disk (E:)") The folders inside the "Memory Stick" are displayed.
- Select and double-click the desired image file from the folder.
For the detailed folder and file name, see "Image file storage destinations and image files" (p. 195).

Просмотр изображений с использованием Вашего персонального компьютера

Просмотр изображений

Для пользователей Windows

- Включите Ваш персональный компьютер и дайте Windows загрузиться.
- Подсоедините один конец кабеля USB к гнезду USB на видеокамере, а другой конец - к разъему USB Вашего персонального компьютера.
- Установите "Memory Stick" в Вашу видеокамеру и подсоедините адаптер питания переменного тока к Вашей видеокамере, а затем к сетевой розетке.
- Установите переключатель POWER в положение MEMORY. На экране видеокамеры появится индикация USB MODE.
- Откройте пиктограмму "Мой компьютер" в Windows 98 и дважды щелкните по вновь распознанному накопителю (Пример: "Removable Disk (E:)").
- Выберите и дважды щелкните по файлу нужного изображения из папки. Для подробного описания названий папок и файлов обращайтесь к разделу "Места хранения файлов изображений и файлы изображений" (стр. 195).



Desired file type/ Нужный тип файла	Double-click in this order/ Двойной щелчок в таком порядке
Still image/ Неподвижное изображение	"Dcim" folder → "100msdcf" folder → Image file/ Папка "Dcim" → Папка "100msdcf" → Файл изображения
Moving picture/ Движущееся изображение*	"Mssonv" folder → "Moml0001" folder → Image file/ Папка "Mssonv" → Папка "Moml0001" → Файл изображения*

* Copying a file to the hard disk of your computer before viewing it is recommended. If you play back the file directly from the "Memory Stick", the image and sound may break off.

* Рекомендуется перед просмотром скопировать файл на жесткий диск Вашего персонального компьютера. Если Вы будете воспроизводить файл прямо с "Memory Stick", изображение и звук могут внезапно обрываться.

Viewing images using your computer

Unplug the USB cable/Eject the "Memory Stick"

For Windows 2000/Me users
To unplug the USB cable or eject the "Memory Stick", follow the procedure below.

- Move the cursor to the "Unplug or Eject Hardware" icon on the Task Tray and click to cancel the applicable drive.
- A message to remove the device from the system appears, then unplug the USB cable or eject the "Memory Stick."

For Macintosh users

- Quit application programmes opened. Make sure that the access lamp of the hard disk is not lit.
- Drag and drop the "Memory Stick" icon to the Trash or select Eject under the Special menu.
- Eject the "Memory Stick."

Notes on using your computer

"Memory Stick"

- "Memory Stick" operations on your camcorder cannot be assured if a "Memory Stick" formatted on your computer is used on your camcorder, or if the "Memory Stick" in your camcorder was formatted from your computer when the USB cable was connected.
- Do not optimize the "Memory Stick" on a Windows machine. This will shorten the "Memory Stick" life.
- Do not compress the data on the "Memory Stick". Compressed files cannot be played back on your camcorder.

Software

- Depending on your application software, the file size may increase when you open a still image file.
- When you load an image modified using a retouch software from your computer to the camcorder or when you directly modify the image on the camcorder, the image format will differ so a file error indicator may appear and you may be unable to open the file.

Communications with your computer

Communications between your camcorder and your computer may not recover after recovering from Suspend, Resume, or Sleep.

Просмотр изображений с использованием Вашего персонального компьютера

Отсоединение кабеля USB/Извлечение "Memory Stick"

Для пользователей Windows 2000/Me
Для отсоединения кабеля USB или извлечения "Memory Stick" следуйте нижеописанной процедуре.

- Переместите курсор на пиктограмму "Отключить или извлечь оборудование" в панели задач и щелкните для отмены подходящего устройства.
- Появится сообщение об удалении устройства из системы, а затем отсоедините кабель USB или извлеките "Memory Stick".

Для пользователей Macintosh

- Закройте открытые программы. Убедитесь, что лампа дост ула жесткого диска не горит.
- Потяните пиктограмму "Memory Stick" и отпустите ее над Корзиной или выделите эту пиктограмму одинарным щелчком и выберите команду Eject в меню Special.
- Извлеките "Memory Stick".

Примечания об использовании Вашего персонального компьютера

"Memory Stick"

- Работа "Memory Stick" не может быть гарантирована, если "Memory Stick", отформатированная на Вашем компьютере, используется на Вашей видеокамере, или если "Memory Stick" на Вашей видеокамере была отформатирована с Вашего компьютера при подключенном кабеле USB.
- Не выполняйте оптимизацию "Memory Stick" на компьютере с Windows. Это сократит срок службы "Memory Stick".
- Не сжимайте данные на "Memory Stick". Сжатые файлы не воспроизводятся на Вашей видеокамере.

Программы

- В зависимости от прикладной программы, размер файла может увеличиться, когда Вы открываете неподвижное изображение.
- Когда Вы загружаете изображение, видоизмененное с помощью программы для ретуширования, из Вашего персонального компьютера в видеокамеру или когда Вы напрямую видоизменяете изображение в видеокамере, формат изображения изменится, так что может появиться индикатор ошибки файла и, возможно, Вы не сможете открыть файл.

Связь с Вашим персональным компьютером

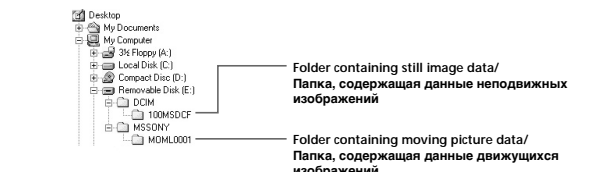
Связь между Вашей видеокамерой и Вашим персональным компьютером может не восстановиться после выхода компьютера из режимов Suspend, Resume или Sleep.

Viewing images using your computer

Image file storage destinations and image files

Image files recorded with your camcorder are grouped in folders by recording mode. The meanings of the file names are as follows.
□□□□ stands for any number within the range from 0001 to 9999.

For Windows Me users (The drive recognizing the camera is [E:])



Folder/Папка.	File/Файл	Meaning/Значение
100msdcf	DSC0□□□□.JPG	Still image file/Файл неподвижного изображения
Moml0001	MOV0□□□□.MPG	Moving picture file/Файл движущегося изображения

Просмотр изображений с использованием Вашего персонального компьютера

Места хранения файлов изображений и файлы изображений

Файлы изображений, записанные с помощью Вашей видеокамеры, сгруппированы в папки по режиму записи. Значения имен файлов таковы.
□□□□ обозначает любое число в диапазоне от 0001 до 9999.

Для пользователей Windows Me (Устройство, представляющее видеокамеру - [E:])

Enlarging still images recorded on "Memory Stick"s – Memory PB ZOOM

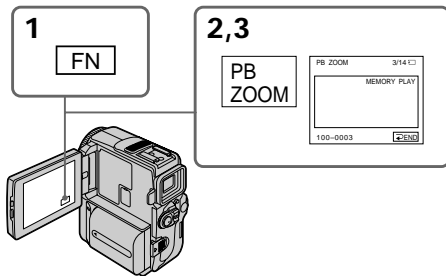
– DCR-PC9E only

You can enlarge still images recorded on a "Memory Stick".

Before operation

Insert a "Memory Stick" into your camcorder.

- (1) In the memory playback mode, press FN and select PAGE2.
- (2) Press PB ZOOM. PB ZOOM screen appears.
- (3) Press the area that you want to enlarge in the frame on the PB ZOOM screen. The area you pressed moves to the centre of the screen, and the playback image is enlarged at twice the size. If you press the other area, the area moves to the centre of the screen.



To cancel the Memory PB ZOOM function
Press \Rightarrow END.

Увеличение изображений, записанных на "Memory Stick"s – Память PB ZOOM

– Только модель DCR-PC9E

Вы можете увеличить изображения, записанные на "Memory Stick".

Перед операцией

Вставьте "Memory Stick" в Вашу видеокамеру.

- (1) В режиме воспроизведения из памяти нажмите кнопку FN и выберите PAGE2.
- (2) Нажмите кнопку PB ZOOM. Появится экран PB ZOOM.
- (3) Нажмите область, которую Вы хотите увеличить в рамке на экране PB ZOOM. Область, которую Вы нажали, переместится в центр экрана, и воспроизводимое изображение увеличится до двойного размера. Если Вы нажмете другую область, то другая область переместится в центр экрана.

Для отмены функции PB ZOOM.
Нажмите \Rightarrow END.

Enlarging still images recorded on "Memory Stick"s – Memory PB ZOOM

Note

You cannot record images in the "Memory Stick" enlarged by the Memory PB ZOOM mode. Record the images on a VCR using your camcorder as a player.

Pictures in the Memory PB ZOOM mode Pictures are not output through the DV jack.

In the Memory PB ZOOM mode
If you press DISPLAY/ TOUCH PANEL button, the frame on the Memory PB ZOOM screen disappears. You cannot move the part you pressed to the centre of the screen.

Edge of enlarged image
The edge of the enlarged image cannot be displayed at the centre of the screen.

Moving pictures recorded on "Memory Stick"s
The PB ZOOM function does not work.

Увеличение изображений, записанных на "Memory Stick"s – Память PB ZOOM

Примечание

Вы не можете записывать изображения на "Memory Stick", увеличенные в режиме PB ZOOM памяти. Запишите изображения на КВМ, используя Вашу видеокамеру в качестве плеера.

Изображения в режиме PB ZOOM памяти
Изображения не передаются через гнездо DV.

В режиме PB ZOOM памяти
Если Вы нажмете кнопку DISPLAY/TOUCH PANEL, то рамка исчезнет с экрана памяти PB ZOOM. Вы не можете передвигать часть, которую нажали, в центр экрана.

Край увеличенного изображения
Край увеличенного изображения не может быть отображен в центре экрана.

Движущиеся изображения, записанные на "Memory Stick"
Функция PB ZOOM не работает.

"Memory Stick" operations
Операции с "Memory Stick"

196

Playing back images continuously – SLIDE SHOW

– DCR-PC9E only

You can automatically play back images in sequence. This function is useful especially when checking recorded images or during a presentation.

Before operation

Insert a "Memory Stick" into your camcorder.

- (1) Set the POWER switch to MEMORY. Make sure that the LOCK is set to the right (unlock) position.
- (2) Press FN to display PAGE1.
- (3) Press MENU, then select SLIDE SHOW in the menu settings (p. 134). And press EXEC.
- (4) Press START. Your camcorder plays back the images recorded on a "Memory Stick" in sequence.

Воспроизведение изображений в непрерывной последовательности – SLIDE SHOW

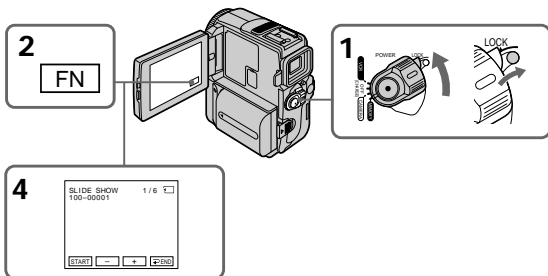
– Только модель DCR-PC9E

Вы можете автоматически воспроизводить изображения в непрерывной последовательности. Эта функция является полезной особенно при проверке записанных изображений или во время презентации.

Перед началом работы

Вставьте "Memory Stick" в Вашу видеокамеру.

- (1) Установите переключатель POWER в положение MEMORY. Убедитесь, что фиксатор LOCK установлен в правое (незафиксированное) положение.
- (2) Нажмите кнопку FN для отображения PAGE1.
- (3) Нажмите кнопку MENU, а затем выберите SLIDE SHOW в меню (стр. 134). Потом нажмите EXEC.
- (4) Нажмите кнопку START. Ваша видеокамера воспроизведет изображения, записанные на "Memory Stick", в непрерывной последовательности.



Playing back images continuously – SLIDE SHOW

To stop the slide show
Press \Rightarrow END.

To pause during a slide show
Press PAUSE.

To return to FN
Press \Rightarrow END to return to PAGE1, then press EXIT.

To start the slide show from a particular image
Select the desired image using \leftarrow/\rightarrow buttons before step 4.

To view the recorded images on TV
Connect your camcorder to a TV with the A/V connecting cable supplied with your camcorder before operation.

If you change the "Memory Stick" during operation
The slide show does not operate. If you change the "Memory Stick", be sure to follow the steps again from the beginning.

Воспроизведение изображений в непрерывной последовательности – SLIDE SHOW

Для остановки демонстрации слайдов
Нажмите \Rightarrow END.

Для паузы во время демонстрации слайдов
Нажмите кнопку PAUSE.

Для возврата в положение FN
Нажмите \Rightarrow END для возвращения к PAGE1, а затем нажмите кнопку EXIT.

Для начала демонстрации слайдов с определенного изображения
Выберите нужное изображение с помощью кнопок \leftarrow/\rightarrow перед пунктом 4.

Для просмотра записанных изображений на экране телевизора
Перед началом процедуры подключите Вашу видеокамеру к телевизору с помощью соединительного кабеля аудио/видео, прилагаемого к Вашей видеокамере.

При замене "Memory Stick" во время работы
Функция демонстрации слайдов не будет работать. Если Вы замените "Memory Stick", выполните все действия с начала.

"Memory Stick" operations
Операции с "Memory Stick"

198

199

Preventing accidental erasure – Image protection

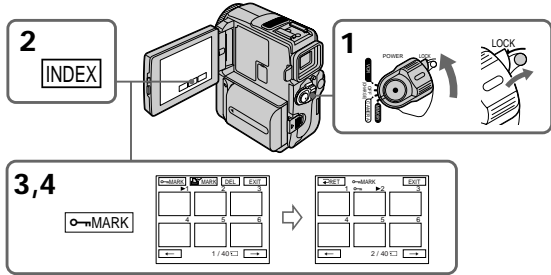
– DCR-PC9E only

To prevent accidental erasure of important images, you can protect selected images.

Before operation

Insert a "Memory Stick" into your camcorder.

- (1) Set the POWER switch to MEMORY. Make sure that the LOCK switch is set to the right (unlock) position.
- (2) Press INDEX on your camcorder to display the index.
- (3) Press "O→ MARK." The screen to protect the image appears.
- (4) Press the image you want to protect. The "O→" appears on the protected image.



To return to FN
Press EXIT.

To cancel image protection

Press the image you want to cancel image protection in step 4 again. The "O→" disappears.

Note

Formatting erases all information on the "Memory Stick", including the protected image data. Check the contents of the "Memory Stick" before formatting.

If the write-protect tab on the "Memory Stick" is set to LOCK
You cannot carry out image protection.

200

Предотвращение случайного стирания – Защита изображения

– Только модель DCR-PC9E

Для предотвращения случайного стирания важных изображений Вы можете защитить выбранные изображения.

Перед началом работы

Вставьте "Memory Stick" в Вашу видеокамеру.

- (1) Установите переключатель POWER в положение MEMORY. Убедитесь, что фиксатор LOCK установлен в левом (незафиксированном) положении.
- (2) Нажмите кнопку INDEX на Вашей видеокамере для отображения индексного экрана.
- (3) Нажмите кнопку "O→ MARK". Появится экран защиты изображений.
- (4) Нажмите изображение, которое Вы хотите защитить. Знак "O→" появится на защищенном изображении.

Для возврата в положение FN
Нажмите EXIT.

Для отмены защиты изображения
В пункте 4 нажмите изображение, защиту которого Вы хотите отменить еще раз. Индикация "O→" исчезнет.

Примечание

Форматирование стирает всю информацию на "Memory Stick", включая данные защищенного изображения. Проверьте содержание "Memory Stick" перед форматированием.

Если лепесток защиты записи на "Memory Stick" установлен в положение LOCK
Вы не сможете выполнить защиту изображения.

Deleting images

– DCR-PC9E only

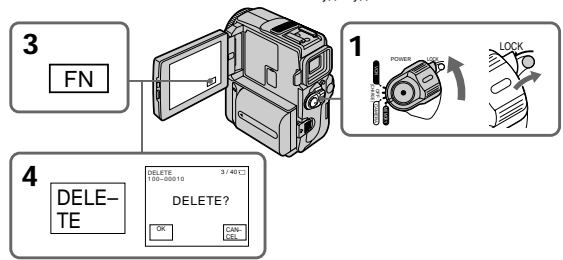
You can delete images stored in a "Memory Stick". You can delete all images or selected images.

Deleting selected images

Before operation

Insert a "Memory Stick" into your camcorder.

- (1) Set the POWER switch to MEMORY. Make sure that the LOCK is set to the right (unlock) position.
- (2) Play back the image you want to delete.
- (3) Press FN to display PAGE1.
- (4) Press DELETE. "DELETE?" appears on the LCD screen.
- (5) Press OK. The selected image is deleted.



To return to FN
Press EXIT.

To cancel deleting an image
Press CANCEL in step 5.

Notes

- To delete a protected image, first cancel image protection.
- Once you delete an image, you cannot restore it. Check the images to delete carefully before deleting them.

If the write-protect tab on the "Memory Stick" is set to LOCK
You cannot delete images.

Удаление изображений

– Только модель DCR-PC9E

Вы можете удалить изображения, сохраненные в "Memory Stick". Вы можете удалить все изображения или выбранные изображения.

Удаление выбранных изображений на одиночном экране

Перед началом работы

Вставьте "Memory Stick" в Вашу видеокамеру.

- (1) Установите переключатель POWER в положение MEMORY. Убедитесь, что фиксатор LOCK установлен в левом (незафиксированном) положении.
- (2) Воспроизведите изображение, которое Вы хотите удалить.
- (3) Нажмите кнопку FN для отображения PAGE1.
- (4) Нажмите DELETE. "DELETE?" появится на экране ЖКД.
- (5) Нажмите ОК. Выбранное изображение будет удалено.

Для возврата в положение FN
Нажмите кнопку EXIT.

Для отмены удаления изображения
Нажмите кнопку CANCEL в пункте 5.

Примечания

- Для удаления защищенного изображения, сначала отмените защиту изображения.
- После удаления изображений Вы не сможете восстановить его. Проверьте предназначенные для удаления изображения внимательно, прежде чем удалить их.

Если лепесток защиты записи на "Memory Stick" установлен в положение LOCK
Вы не можете удалить изображения.

"Memory Stick" operations
Операции с "Memory Stick"

201

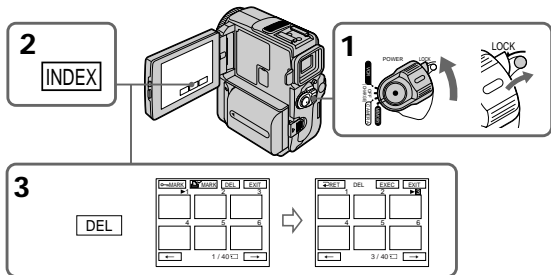
Deleting images

Deleting selected images on the index screen

Before operation

Insert a "Memory Stick" into your camcorder.

- (1) Set the POWER switch to MEMORY. Make sure that the LOCK is set to the right (unlock) position.
- (2) Press INDEX on your camcorder to display the index.
- (3) Press DEL. Then press the image you want to delete. The number of the selected image is highlighted.
- (4) Press EXEC. "DELETE?" appears on the LCD screen.
- (5) Press OK. The selected images are deleted.



To return to FN
Press EXIT.

To cancel deleting an image
Press CANCEL in step 5.

Удаление изображений

Удаление выбранных изображений на индексном экране

Перед началом работы

Вставьте "Memory Stick" в Вашу видеокамеру.

- (1) Установите переключатель POWER в положение MEMORY. Убедитесь, что фиксатор LOCK установлен в правое (незафиксированное) положение.
- (2) Нажмите кнопку INDEX на Вашей видеокамере для отображения индексного экрана.
- (3) Нажмите кнопку DEL. Затем нажмите изображение, которое Вы хотите удалить. Номер выбранного изображения высветится.
- (4) Нажмите EXEC. "DELETE?" появится на экране ЖКД.
- (5) Нажмите ОК. Выбранное изображение будет удалено.

Для возврата в положение FN
Нажмите кнопку EXIT.

Для отмены удаления изображения
Нажмите кнопку CANCEL в пункте 5.

Deleting images

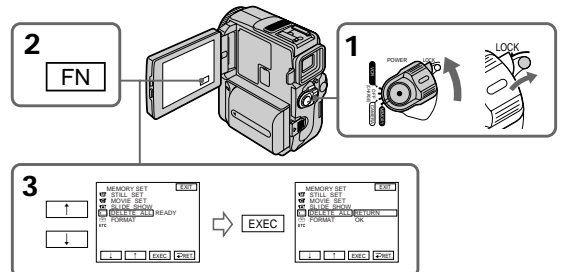
Deleting all the images

You can delete all the unprotected images in a "Memory Stick".

Before operation

Insert a "Memory Stick" into your camcorder.

- (1) Set the POWER switch to MEMORY. Make sure that the LOCK is set to the right (unlock) position.
- (2) Press FN to display PAGE1.
- (3) Press MENU, then select DELETE ALL in [] in the menu settings (p. 134). And press EXEC.
- (4) Select OK, then press EXEC.
- (5) Select EXECUTE, then press EXEC. "DELETING" appears on the LCD screen. When all the unprotected images are deleted, "COMPLETE" is displayed.



To return to FN
Press EXIT.

To cancel deleting all the images in the "Memory Stick"
Select [] RET. in step 3 or 4, then press EXEC.

While "DELETING" appears
Do not turn the POWER switch or press any buttons.

Удаление изображений

Удаление всех изображений

Вы можете удалить все незащищенные изображения на "Memory Stick".

Перед началом работы

Вставьте "Memory Stick" в Вашу видеокамеру.

- (1) Установите переключатель POWER в положение MEMORY. Убедитесь, что фиксатор LOCK установлен в правое (незафиксированное) положение.
- (2) Нажмите кнопку FN для отображения PAGE1.
- (3) Нажмите кнопку MENU, а затем выберите DELETE ALL в [] в установках меню (стр. 134). И нажмите EXEC.
- (4) Выберите установку ОК, а затем кнопку EXEC.
- (5) Выберите команду EXECUTE, затем нажмите EXEC. На экране ЖКД появится индикация "DELETING". Когда все незащищенные изображения будут удалены, на дисплее появится индикация "COMPLETE".

Для возврата в положение FN
Нажмите кнопку EXIT.

Для отмены удаления всех изображений на "Memory Stick"
Выберите установку [] RET. в пункте 3 или 4, а затем нажмите кнопку EXEC.

Во время отображения индикации "DELETING"
Не изменяйте положение переключателя POWER и не нажимайте каких-либо кнопок.

"Memory Stick" operations
Операции с "Memory Stick"

203

202

Writing a print mark – PRINT MARK

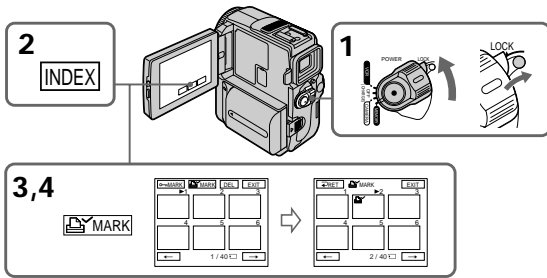
– DCR-PC9E only

You can specify the recorded still image to print out by putting marks. This function is useful for printing out still images later.
Your camcorder conforms with the DPOF (Digital Print Order Format) standard for specifying the still images to print out.

Before operation

Insert a "Memory Stick" into your camcorder.

- (1) Set the POWER switch to MEMORY. Make sure that the LOCK is set to the right (unlock) position.
- (2) Press INDEX on your camcorder to display the index.
- (3) Press MARK. The screen to write a print mark appears.
- (4) Press the image you want to write a print mark. The appears on the selected image.



To return to FN

Press EXIT.

To cancel writing print marks

Press the image you want to cancel the print mark in step 4 again. The disappears.

Запись печатных знаков – PRINT MARK

– Только модель DCR-PC9E

Вы можете указать записанные неподвижные изображения для распечатки, помечая их знаками. Эта функция является полезной для распечатки неподвижных изображений позже.
Ваша видеокамера удовлетворяет стандарту DPOF (цифровому формату последовательной распечатки) для указания неподвижных изображений для распечатки.

Перед началом работы

Вставьте "Memory Stick" в Вашу видеокамеру.

- (1) Установите переключатель POWER в положение MEMORY. Убедитесь, что фиксатор LOCK установлен в правое (незафиксированное) положение.
- (2) Нажмите кнопку INDEX на Вашей видеокамере для отображения индексного экрана.
- (3) Нажмите кнопку MARK. Появится экран для записи печатного знака.
- (4) Нажмите изображение, на котором Вы хотите записать печатный знак. Знак появится на выбранном изображении.

Для возврата в положение FN

Нажмите кнопку EXIT.

Для отмены записи печатных знаков

В пункте 4 нажмите изображение, для которого Вы хотите отменить печатный знак еще раз. Индикация исчезнет.

Writing a print mark – PRINT MARK

If the write-protect tab on the "Memory Stick" is set to LOCK
You cannot write print marks on still images.

Moving pictures

You cannot write print marks on moving pictures.

Запись печатных знаков – PRINT MARK

Если лепесток защиты записи на "Memory Stick" установлен в положение LOCK
Вы не сможете записать печатные знаки на неподвижных изображениях.

Движущиеся изображения

Вы не можете записать знаки печати на движущиеся изображения.

– Troubleshooting –

English

Types of trouble and their solutions

If you run into any problem using your camcorder, use the following table to troubleshoot the problem. If the problem persists, disconnect the power source and contact your Sony dealer. If "C:□□□□" appears on the screen, the self-diagnosis display function has worked. See page 213.

In the recording mode

Symptom	Cause and/or Corrective Actions
START/STOP does not operate.	<ul style="list-style-type: none"> • The POWER switch is not set to CAMERA. → Set it to CAMERA (p. 30). • The tape has run out. → Rewind the tape or insert a new one (p. 27, 50). • The write-protect tab is set to expose the red mark. → Use a new tape or slide the tab (p. 27). • The tape is stuck to the drum (moisture condensation). → Remove the cassette and leave your camcorder for at least 1 hour to acclimatize (p. 234).
The power goes off.	<ul style="list-style-type: none"> • While being operated in CAMERA mode, your camcorder has been in the standby mode for more than 5 minutes. → Set the POWER switch to OFF (CHARGE) and then to CAMERA (p. 30). • The battery pack is dead or nearly dead. → Install a fully charged battery pack.
The image on the viewfinder screen is not clear.	<ul style="list-style-type: none"> • Viewfinder is not extended to the end. → Pull out the viewfinder. • The viewfinder lens is not adjusted. → Adjust the viewfinder lens (p. 36).
The SteadyShot function does not work.	<ul style="list-style-type: none"> • STEADYSHOT is set to OFF in the menu settings. → Set it to ON (p. 134).
The autofocusing function does not work.	<ul style="list-style-type: none"> • The setting is the manual focus mode. → Press FOCUS to set to the auto focus mode (p. 76). • Shooting conditions are not suitable for autofocus. → Adjust to focus manually (p. 76).
The picture does not appear in the viewfinder.	<ul style="list-style-type: none"> • The LCD panel is open. → Close the LCD panel (p. 33).
A vertical band appears when you shoot a subject such as lights or a candle flame against a dark background.	<ul style="list-style-type: none"> • The contrast between the subject and background is too high. This is not a malfunction.
A vertical band appears when you shoot a very bright subject.	<ul style="list-style-type: none"> • This is not a malfunction.
Some tiny white spots appear on the screen.	<ul style="list-style-type: none"> • Slow shutter, low lux or Super NightShot mode is activated. This is not a malfunction.

Types of trouble and their solutions

Symptom	Cause and/or Corrective Actions
An unknown picture is displayed on the screen.	<ul style="list-style-type: none"> • If 10 minutes elapse after you set the POWER switch to CAMERA or DEMO MODE is set to ON in the menu settings without a cassette inserted, your camcorder automatically starts the demonstration. → Insert a cassette or press the LCD screen. The demonstration stops. You can also cancel DEMO MODE (p. 139).
The picture is recorded in incorrect or unnatural colours.	<ul style="list-style-type: none"> • NIGHTSHOT is set to ON. → Set it to OFF (p. 41).
Picture appears too bright, and the subject does not appear on the screen.	<ul style="list-style-type: none"> • NIGHTSHOT is set to ON in a bright place. → Set it to OFF (p. 41). • The backlight function is active. → Set it off (p. 40).
The click of the shutter does not sound.	<ul style="list-style-type: none"> • BEEP is set to OFF in the menu settings. → Set it to MELODY or NORMAL (p. 134).
A horizontal band appears when shooting a TV screen or computer screen.	<ul style="list-style-type: none"> • Set STEADYSHOT to OFF in the menu settings (p. 134).
An external flash (optional) does not work.	<ul style="list-style-type: none"> • The power of the external flash is off or the power source is not installed. → Turn on the external flash or install the power source. • Two or more external flashes (optional) are attached. → Only one external flash (optional) can be attached not fully charged.

Types of trouble and their solutions

In the playback mode

Symptom	Cause and/or Corrective Actions
Playback is not possible.	<ul style="list-style-type: none"> The tape has run out. → Rewind the tape (p. 50).
There are horizontal lines on the picture or the playback picture is not clear or does not appear.	<ul style="list-style-type: none"> The video head may be dirty. → Clean the heads using the cleaning cassette (optional) (p. 235).
No sound or only a low sound is heard when playing back a tape.	<ul style="list-style-type: none"> The volume is turned to minimum. → Turn up the volume (p. 46). AUDIO MIX is set to ST2 in the menu settings. → Adjust AUDIO MIX (p. 134).
Displaying the recorded date, date search function does not work.	<ul style="list-style-type: none"> The tape has no cassette memory. → Use a tape with cassette memory (p. 92). CM SEARCH is set to OFF in the menu settings. → Set it to ON (p. 134). The tape has a blank portion in the recorded portion (p. 226).
The title search function does not work.	<ul style="list-style-type: none"> The tape has no cassette memory. → Use a tape with cassette memory (p.90). CM SEARCH is set to OFF in the menu settings. → Set it to ON (p. 134). There is no title in the tape. → Superimpose the titles (p. 125). The tape has a blank portion in the recorded portion (p. 226).
The new sound added to the recorded tape is not heard.	<ul style="list-style-type: none"> AUDIO MIX is set to ST1 side in the menu settings. → Adjust AUDIO MIX in the menu settings (p. 134).
The title is not displayed.	<ul style="list-style-type: none"> TITLE DSPL is set to OFF in the menu settings. → Set it to ON in the menu settings (p. 134).

Types of trouble and their solutions

In the recording and playback modes

Symptom	Cause and/or Corrective Actions
The power does not turn on.	<ul style="list-style-type: none"> The battery pack is not installed, or is dead or nearly dead. → Install a charged battery pack (p. 18, 19). The AC power adaptor is not connected to a wall socket. → Connect the AC power adaptor to a wall socket (p. 24).
The end search function does not work.	<ul style="list-style-type: none"> The tape was ejected after recording when using a tape without cassette memory (p. 45). You have not recorded on the new cassette yet.
The end search function does not work correctly.	<ul style="list-style-type: none"> The tape has a blank portion in the beginning or middle. (p. 45).
The battery pack is quickly discharged.	<ul style="list-style-type: none"> The temperature of the environment is too low. The battery pack is not fully charged. → Charge the battery pack fully again (p. 19). The battery pack is completely dead, and cannot be recharged. → Replace with a new battery pack (p. 18).
The battery remaining indicator does not indicate the correct time.	<ul style="list-style-type: none"> You have used the battery pack in an extremely hot or cold environment for a long time. The battery pack is completely dead, and cannot be recharged. → Replace with a new battery pack (p. 18). The battery is not fully charged. → Charge the battery pack fully again (p. 19). A deviation has occurred in the remaining time. → Charge the battery pack fully again (p. 19).
The power goes off although the battery remaining indicator indicates that the battery pack has enough power to operate.	<ul style="list-style-type: none"> A deviation has occurred in the remaining battery time. → Charge the battery pack fully again so that the indication on the battery remaining indicator is correct (p. 19).
The cassette cannot be removed from the holder.	<ul style="list-style-type: none"> The power source is disconnected. → Connect it firmly (p. 18, 24). The battery is not fully charged. → Use a charged battery pack (p. 18, 19).
The Q and A indicators flash and no functions except for cassette ejection work.	<ul style="list-style-type: none"> Moisture condensation has occurred. → Remove the cassette and leave your camcorder for at least 1 hour to acclimatize (p. 234).
C/H indicator does not appear when using a tape with cassette memory.	<ul style="list-style-type: none"> The gold-plated connector of the tape is dirty or dusty. → Clean the gold-plated connector (p. 228).
Remaining tape indicator is not displayed.	<ul style="list-style-type: none"> The REMAIN is set to AUTO in the menu settings. → Set it to ON to always display the remaining tape indicator (p. 134).

208

209

Types of trouble and their solutions

When operating using the "Memory Stick"

- DCR-PC9E only

Symptom	Cause and/or Corrective Actions
The "Memory Stick" does not function.	<ul style="list-style-type: none"> The POWER switch is not set to MEMORY. → Set it to MEMORY (p. 159). The "Memory Stick" is not inserted. → Insert a "Memory Stick" (p. 150).
Recording does not function.	<ul style="list-style-type: none"> The "Memory Stick" has already been recorded to its full capacity. → Delete unnecessary images and record again (p. 201). The "Memory Stick" formatted incorrectly is inserted. → Format the "Memory Stick" using your camcorder or use another "Memory Stick" (p. 138). The write-protect tab on the "Memory Stick" is set to LOCK. → Release the lock (p. 148).
The image cannot be deleted.	<ul style="list-style-type: none"> The image is protected. → Cancel image protection (p. 200). The write-protect tab on the "Memory Stick" is set to LOCK. → Release the lock (p. 148).
You cannot format the "Memory Stick".	<ul style="list-style-type: none"> The write-protect tab on the "Memory Stick" is set to LOCK. → Release the lock (p. 148).
Deleting all the images cannot be carried out.	<ul style="list-style-type: none"> The write-protect tab on the "Memory Stick" is set to LOCK. → Release the lock (p. 148).
You cannot protect the image.	<ul style="list-style-type: none"> The write-protect tab on the "Memory Stick" is set to LOCK. → Release the lock (p. 148). INDEX screen is not displayed. → The protect marks cannot be written to the single screen (p. 200).
You cannot write a print mark on the still image.	<ul style="list-style-type: none"> The write-protect tab on the "Memory Stick" is set to LOCK. → Release the lock (p. 148). INDEX screen is not displayed. → The print marks cannot be written to the single screen (p. 204). The "Memory Stick" has been recorded to its full capacity. → Delete unnecessary images and write a print mark again (p. 201, 204). You are trying to write a print mark on a moving picture. → Print marks cannot be written to moving picture.
The photo save function does not work.	<ul style="list-style-type: none"> The write-protect tab on the "Memory Stick" is set to LOCK. → Release the lock (p. 148).
You cannot playback images in actual size.	<ul style="list-style-type: none"> You may not be able to playback images in actual size when you try to play back images recorded by other equipment. This is not a malfunction.

Types of trouble and their solutions

Others

Symptom	Cause and/or Corrective Actions
The title is not recorded.	<ul style="list-style-type: none"> The tape has no cassette memory. → Use a tape with cassette memory (p. 125). The cassette memory is full. → Erase unnecessary title (p. 128). The tape is set to prevent accidental erasure. → Slide the write-protect tab so that red portion is not visible (p. 27). The tape has a blank portion in the recorded portion. → Superimpose the title to the recorded position (p. 125).
The cassette label is not recorded.	<ul style="list-style-type: none"> The tape has no cassette memory. → Use a tape with cassette memory (p. 226). The cassette memory is full. → Erase some titles (p. 128). The tape is set to prevent accidental erasure. → Slide the write-protect tab so that red portion is not visible (p. 27).
Digital program editing does not function.	<ul style="list-style-type: none"> The input selector on the VCR is not set correctly. → Set the selector correctly, and check the connection between the VCR and your camcorder (p. 97, 99). The camcorder is connected to DV equipment of other than Sony using the iLINK cable (DV connecting cable). → Set it to IR (p. 103). Setting programme on a blank portion of the tape is attempted. → Set the programme again on a recorded portion (p. 110). The synchronicity of your camcorder and the VCR is not adjusted. → Adjust the synchronicity of the VCR (p. 108). The IR SETUP code is incorrect. → Set the correct code (p. 104).
The Remote Commander supplied with your camcorder does not work.	<ul style="list-style-type: none"> COMMANDER is set to OFF in the menu settings. → Set it to ON (p. 134). Something is blocking the infrared rays. → Remove the obstacle. The batteries are inserted in the battery holder with the + - polarities incorrectly matching the + - marks. → Insert the batteries with the correct polarity (p. 252). The batteries are dead. → Insert new ones (p. 252).
The picture from a TV or VCR does not appear even when your camcorder is connected to outputs on the TV or VCR.	<ul style="list-style-type: none"> DISPLAY is set to V-OUT/LCD in the menu settings. → Set it to LCD (p. 134).
The melody or beep sounds for 5 seconds.	<ul style="list-style-type: none"> Moisture condensation has occurred. → Remove the cassette and leave your camcorder for at least 1 hour to acclimatize (p. 234). Some troubles have occurred in your camcorder. → Remove the cassette and insert it again, then operate your camcorder.

210

(continued on the following page)

211

Types of trouble and their solutions

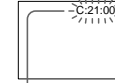
Symptom	Cause and/or Corrective Actions
No function works though the power is on.	<ul style="list-style-type: none"> Disconnect the AC power adaptor from a wall socket or remove the battery, then reconnect it in about 1 minute. Turn the power on. If the functions still do not work, press the RESET button using a sharp-pointed object. (If you press the RESET button, all the settings including the date and time return to the default) (p. 249).
While charging the battery pack, the CHARGE lamp does not light up.	<ul style="list-style-type: none"> Charging is completed. The battery pack is not properly installed. → Install it properly (p. 18).
You cannot charge the battery pack.	<ul style="list-style-type: none"> The POWER switch is not set to OFF (CHARGE). → Set it to OFF (CHARGE).
While charging the battery pack, the CHARGE lamp flashes.	<ul style="list-style-type: none"> The battery pack is not properly installed. → Install it properly (p. 18). Something is wrong with the battery pack. → Please contact your Sony dealer or local authorized Sony service facility.
The buttons do not appear on the touch panel.	<ul style="list-style-type: none"> The DISPLAY/TOUCH PANEL button is pressed. → Press the LCD screen lightly. → Press the DISPLAY/TOUCH PANEL button on your camcorder or DISPLAY button on the Remote Commander (p. 48).
The buttons on the LCD screen do not work.	<ul style="list-style-type: none"> → Adjust the screen (CALIBRATION) (p. 237).
The indicators appear mirror-reversed in the viewfinder or on the TV screen.	<ul style="list-style-type: none"> The mirror mode is activated. This is not a malfunction.
Image data cannot be transferred by the USB connection.	<ul style="list-style-type: none"> The USB cable was connected before installation of the USB driver was completed. → Uninstall the incorrect USB driver and re-install the USB driver (p. 191).

English

Self-diagnosis display

Your camcorder has a self-diagnosis display function. This function displays the current condition of your camcorder as a 5-digit code (a combination of a letter and figures) on the screen. If a 5-digit code is displayed, check the following code chart. The last 2 digits (indicated by □□) will differ depending on the state of your camcorder.

LCD screen or Viewfinder



Self-diagnosis display

- C:□□:□□
You can service your camcorder yourself.
- E:□□:□□
Contact your Sony dealer or local authorized Sony facility.

Five-digit display	Cause and/or Corrective Actions
C:04:□□	<ul style="list-style-type: none"> You are using a battery pack that is not an "InfoLITHIUM" battery pack. → Use an "InfoLITHIUM" battery pack.
C:21:□□	<ul style="list-style-type: none"> Moisture condensation has occurred. → Remove the cassette and leave your camcorder for at least 1 hour to acclimatize (p. 234).
C:22:□□	<ul style="list-style-type: none"> The video heads are dirty. → Clean the heads using the cleaning cassette (optional) (p. 235).
C:31:□□	<ul style="list-style-type: none"> A malfunction other than the above that you can service has occurred. → Remove the cassette and insert it again, then operate your camcorder. → Disconnect the mains lead of the AC adaptor or remove the battery pack. After reconnecting the power source, operate your camcorder.
C:32:□□	
E:61:□□	<ul style="list-style-type: none"> A malfunction that you cannot service has occurred. → Contact your Sony dealer or local authorized Sony service facility and inform them of the 5-digit code. (example: E:61:10)
E:62:□□	

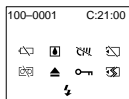
If you are unable to rectify the problem even if you try corrective actions a few times, contact your Sony dealer or local authorized Sony service facility.

English

Warning indicators and messages

If indicators and messages appear on the screen, check the following: See the page in parentheses () for more information.

Warning indicators



100-0001 Warning indicator as to file (DCR-PC9E only)

- Slow flashing:
- The file is corrupted.
 - The file is unreadable.
 - You are trying to carry out MEMORY MIX function on moving picture.

C:21:00 Self-diagnosis display (p. 213).

☹ The battery is dead or nearly dead

- Slow flashing:
- The battery is nearly dead.
- Depending on the operating conditions, environment and battery condition, the ☹ indicator may flash, even if there are approximately 5 to 10 minutes remaining.
- Fast flashing:
- The battery is dead (p. 19).

☹ Moisture condensation has occurred*

- Fast flashing:
- Eject the cassette, turn off your camcorder, and leave it for about 1 hour with the cassette compartment open (p. 234).

🔒 Warning indicator as to cassette memory*

- Slow flashing:
- No tape with cassette memory is inserted (p. 226).

🔒 Warning indicator as to "Memory Stick" (DCR-PC9E only)

- Slow flashing:
- No "Memory Stick" is inserted.
 - The write-protect tab on the "Memory Stick" is set to LOCK (p. 148).

Fast flashing:

- The "Memory Stick" is not readable with your camcorder (p. 147).

* The image cannot be recorded on "Memory Stick" (p. 167, 173).

🔒 Warning indicator as to "Memory Stick" formatting (DCR-PC9E only)*

- Fast flashing:
- "Memory Stick" is not formatted correctly (p. 138).
 - The "Memory Stick" data is corrupted.

🔒 Warning indicator as to tape

- Slow flashing:
- The tape is near the end.
 - No tape is inserted.*
 - The write-protect tab on the cassette is out (red) (p. 27).*
- Fast flashing:
- The tape has run out.*

⬆ You need to eject the cassette*

- Slow flashing:
- The write-protect tab on the cassette is out (red) (p. 27).

Fast flashing:

- Moisture condensation has occurred (p. 234).
- The tape has run out.
- The self-diagnosis display function is activated (p. 213).

🔒 The image is protected* (DCR-PC9E only)

- Slow flashing:
- The image is protected (p. 200).
 - The write-protect tab on the "Memory Stick" is set to LOCK (p. 148).

⚡ Warning indicator as to the flash (optional)

- Slow flashing:
- During charging.
- Fast flashing:
- There is something wrong with the external flash (optional).

* You hear the melody or beep sound.

Warning indicators and messages

Warning messages

- CLOCK SET Set the date and time (p. 25).
- FOR "InfoLITHIUM" BATTERY ONLY Use an "InfoLITHIUM" battery pack (p. 23).
- 🧼 CLEANING CASSETTE¹⁾ The video heads are dirty (p. 235).
- COPY INHIBIT You tried to record a picture that has a copyright control signal (p. 227).²⁾
- 🔒 FULL The tape cassette memory is full (p. 127).³⁾
- 16BIT AUDIO MODE is set to 16BIT.³⁾ You cannot dub new sound (p. 139).
- REC MODE REC MODE is set to LP.³⁾ You cannot dub new sound (p. 139).
- TAPE There is no recorded portion on the tape.³⁾ You cannot dub new sound (p. 124).
- iLINK CABLE iLINK cable is connected (p. 122).³⁾ You cannot dub new sound.
- 🔒 FULL The "Memory Stick" is full (p. 161).^{1) 2)}
- NO FILE No image is recorded on the "Memory Stick" (p. 184).^{1) 2)}
- NO MEMORY STICK No "Memory Stick" is inserted (p. 150).^{1) 2)}
- AUDIO ERROR You are trying to record an image with sound that cannot be recorded by your camcorder on "Memory Stick" (p. 171).^{1) 2)}
- MEMORY STICK ERROR The "Memory Stick" data is corrupted (p. 150).^{1) 2)}
- FORMAT ERROR The "Memory Stick" is not recognized (p. 138).^{1) 2)} Check the format.
- 🔒 DIRECTORY ERROR There is more than two same directories (p. 183).^{1) 2)}
- TAPE END The tape has reached the end of the tape.³⁾
- NO TAPE Insert a cassette tape.³⁾
- DELETING You press the PHOTO button on your camcorder while deleting data in a "Memory Stick".³⁾
- FORMATTING You press the PHOTO button on your camcorder while formatting a "Memory Stick".³⁾
- ⚡ NOW CHARGING Charging an external flash (optional) does not work correctly.³⁾

¹⁾ You hear the melody or beep sound.

²⁾ DCR-PC9E only

³⁾ The 🧼 indicator and 🧼 CLEANING CASSETTE" message appear one after another on the screen.

Usable cassettes

Selecting cassette types

You can use the **Mini DV** mini DV cassette only*. You cannot use any other **8 mm**, **Hi8**, **Hi8r**, **Hi Digital 8**, **VHS**, **VHS-C**, **VHS-C**, **S-VHS**, **S-VHS-C**, **S-VHS-C**, **B** Betamax or **DX** DV cassette.

* There are two types of mini DV cassettes: with cassette memory and without cassette memory. Tapes with cassette memory have **CM** (Cassette Memory) mark. We recommend that you use the tape with cassette memory.

The IC memory is built in the cassette with cassette memory. Using this IC memory, your camcorder can read, write, and search data such as the date of recording or titles. The functions using the cassette memory require successive signals recorded on the tape. If the tape has a blank portion in the beginning or between the recorded portions, a title may not be displayed properly or the search functions may not work correctly. Not to make any blank portion on the tape, press **END SCH** to return to the end of the recorded portion before you begin the next recording when:
 - you have ejected the cassette while recording.
 - you have played back the tape in **VCR (DCR-PC9E)/PLAYER (DCR-PC6E)** mode.
 If there is a blank portion or discontinuous signal on your tape, re-record from the beginning to the end of the tape concerning above.

When you record, using a digital video camera recorder without a cassette memory function, on a tape recorded by one with the cassette memory function, the same result may occur.

CM14K mark on the cassette

The memory capacity of tapes marked with **CM14K** is 4KB. Your camcorder can accommodate up to 16KB. 16KB tape is marked with **CM16K**.

Mini DV This is the Mini DV mark.

CM This is the Cassette Memory mark.

These are trademarks.

Usable cassettes

When you playback a dual sound track tape

When you play back a dual sound track tape recorded in a stereo system, set **HIFI SOUND** to the desired mode in the menu settings (p. 134).

Sound from speaker

HIFI Sound Mode	Playing back a stereo tape	Playing back a dual sound track tape
STEREO	Stereo	Main sound and sub sound
1	Lch	Main sound
2	Rch	Sub sound

You cannot record dual sound programmes on your camcorder.

Notes on the mini DV cassette

When affixing a label on the mini DV cassette

Be sure to affix a label only on the locations as illustrated below [a] so as not to cause malfunction of your camcorder.

After using the mini DV cassette

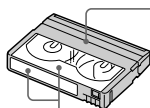
Rewind the tape to the beginning, put the cassette in its case, and store it in an upright position.

When the cassette memory function does not work

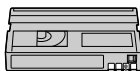
Reinsert a cassette. The gold-plated connector of mini DV cassettes may be dirty or dusty.

Cleaning gold-plated connector

If the gold-plated connector of mini DV cassettes is dirty or dusty, you may not operate the function using cassette memory. Clean up the gold-plated connector with cotton-wool swab, about every 10 times ejection of a cassette. [b]



Do not affix a label around this border.
 Не приклеивайте этикетку в этом месте.



Используемые кассеты

Выбор типа кассет

Вы можете использовать только кассеты мини DV **Mini DV**. Вы не можете использовать какие-либо другие кассеты типа **8 мм**, **Hi8**, **Hi8r**, **Hi Digital 8**, **VHS**, **VHS-C**, **S-VHS**, **S-VHS-C**, **S-VHS-C**, **B** Betamax или типа **DX** DV.

* Имеется два типа кассет мини DV: с кассетной памятью и без кассетной памяти. Ленты с кассетной памятью имеют знак **CM** (кассетной памяти). Рекомендуется использовать ленты с кассетной памятью.

На типе кассет с кассетной памятью установлено запоминающее устройство в виде ИС. Используя данную ИС, Ваша видеокамера может считывать, записывать и искать данные, такие как даты выполнения записей или титры. Функции, использующие кассетную память, нуждаются в непрерывных сигналах, записанных на ленте. Если лента имеет независимый участок в начале или между записанными частями, то титр может не отображаться надлежащим образом, или функции поиска могут работать неправильно.

Чтобы на ленте не появилось ни одной незаписанной части нажмите **END SCH** для возврата к концу записанной части перед началом следующей записи, когда:
 - Вы вытолкнули кассету во время выполнения записи.
 - Вы воспроизвели ленту в режиме **VCR (DCR-PC9E)/PLAYER (DCR-PC6E)**.
 Если на Вашей ленте имеется незаписанный участок или прерывающийся сигнал, то вследствие вышеупомянутого перезапишите такую ленту от начала до конца.

Такой же результат может произойти, когда Вы выполняете запись с использованием цифровой видеокамеры без функции кассетной памяти на ленте, записанной на видеокамере с функцией кассетной памяти.

Знак CM14K на кассете

Емкость кассетной памяти лент, обозначенных знаком **CM14K** составляет 4 Кбайт. Ваша видеокамера может принимать кассеты до 16 Кбайт. Лента в 16 Кбайт обозначена как **CM16K**.

Mini DV Это является знаком цифровой видеопроизводительности Mini DV.

CM Memory Это является знаком кассетной памяти.

Эти знаки являются торговыми марками.

Используемые кассеты

При воспроизведении ленты с двойной звуковой дорожкой

При воспроизведении ленты с двойной звуковой дорожкой, записанной в стереофонической системе, установите команду **HIFI SOUND** в нужный режим в установках меню (стр. 134).

Звук от динамика

Режим звучания HIFI	Воспроизведение стереофонической ленты	Воспроизведение ленты с двойной звуковой дорожкой
STEREO	Стерео	Основной звук и вспомогательный звук
1	Звук левого канала	Основной звук
2	Звук правого канала	Вспомогательный звук

Вы не можете записывать программы с двойным звучанием на Вашей видеокамере.

Примечания по кассете мини DV

При прикреплении этикетки на кассету мини DV

Следите за тем, чтобы этикетка приклеивалась только в местах, как показано на рисунке ниже [a], так чтобы не нарушить нормальное функционирование видеокамеры.

После использования кассеты мини DV Перемотайте ленту к началу, положите кассету в футляр и храните кассету в вертикальном положении.

Если функция кассетной памяти не работает

Переустановите кассету. Позолоченный разъем кассеты мини DV может быть грязным или пыльным.

Очистка позолоченного разъема

Если позолоченный разъем кассеты мини DV загрязнен или заржавлен, Вы не можете управлять функцией с помощью кассетной памяти. Очищайте позолоченный разъем с помощью хлопчатобумажного тампона примерно после 10 раз использования кассеты. [b]

Usable cassettes

When you play back

Playing back an NTSC-recorded tape You can play back tapes recorded in the NTSC video system on the LCD screen, if the tape is recorded in the SP mode.

Copyright signal

When you play back

Using any other video camera recorder, you cannot record on a tape that has recorded copyright control signals for copyright protection of software which is played back on your camcorder.

When you record

(DCR-PC9E only) You cannot record software on your camcorder that contains copyright control signals for copyright protection of software. COPY INHIBIT appears on the LCD screen, in the viewfinder or on the TV screen if you try to record such software. Your camcorder does not record copyright control signals on the tape when it records.

Audio mode

12-bit mode: The original sound can be recorded in stereo 1, and the new sound in stereo 2 in 32 kHz. The balance between stereo 1 and stereo 2 can be adjusted by selecting **AUDIO MIX** in the menu settings during playback. Both sounds can be played back.

16-bit mode: A new sound cannot be recorded but the original sound can be recorded in high quality. Moreover, it can also play back sound recorded in 32 kHz, 44.1 kHz or 48 kHz. When playing back a tape recorded in the 16-bit mode, **16BIT** indicator appears on the screen.

About the "InfoLITHIUM" battery pack

What is the "InfoLITHIUM" battery pack?

The "InfoLITHIUM" battery pack is a lithium-ion battery pack that has functions for communicating information related to operating conditions between your camcorder and an optional AC adaptor/charger. The "InfoLITHIUM" battery pack calculates the power consumption according to the operating conditions of your camcorder, and displays the remaining battery time in minutes.

Charging the battery pack

- Be sure to charge the battery pack before you start using your camcorder.
- Use the large capacity battery pack in an ambient temperature of between 10 °C to 30 °C (50 °F to 86 °F) until the CHARGE lamp goes off, indicating that the battery pack is fully charged. If you charge the battery outside of this temperature range, you may not be able to efficiently charge the battery pack.
- After charging is completed, either disconnect the cable from the DC IN jack on your camcorder or remove the battery pack.

Effective use of the battery pack

- Battery pack performance decreases in low-temperature surroundings. So, the time that the battery pack can be used is shorter in cold place. We recommend the following to use the battery pack longer:
 - Put the battery pack in a pocket to warm it up, and insert it in your camcorder immediately before you start taking shots.
 - Use the large capacity battery pack (NP-FM70/FM90/FM91, optional).
- Frequently using the LCD panel or frequently operating playback, fast forward or rewind wears out the battery pack faster. We recommend using the large capacity battery pack (NP-FM70/FM90/FM91, optional).
- Be certain to turn the POWER switch to OFF (CHARGE) when not taking shots or playing back on your camcorder. The battery pack is also consumed when your camcorder is in the standby mode or playback is paused.
- Have spare battery packs handy for two or three times the expected recording time, and make a trial recordings before taking the actual recording.
- Do not expose the battery pack to water. The battery pack is not water resistant.

Используемые кассеты

При воспроизведении

Воспроизведение лент, записанных в системе NTSC Вы можете воспроизводить ленты, записанные в видеосистеме NTSC, на экране ЖКД, если лента записана в режиме SP.

Сигнал авторского права

При воспроизведении

Используя какую-либо другую видеокамеру, Вы не можете выполнить запись на ленту, на которой записаны сигналы авторского права для защиты авторских прав программ, воспроизводимых на Вашей видеокамере.

При записи

(Только модель DCR-PC9E) Вы не можете записать программное обеспечение на Вашей видеокамере, которая содержит сигналы управления авторским правом для защиты авторского права программного обеспечения. На экране, в видоискателе или на экране ЖКД телевизора появится индикация "COPY INHIBIT", если Вы попытаетесь записать такое программное обеспечение. Ваша видеокамера не записывает сигналы управления авторским правом на ленту, когда она выполняет запись.

Аудиорежим

12-битовый режим: первоначальный звук может быть записан в стереофонический канал 1, а новый звук – в стереофонический канал 2 с частотой 32 кГц. Баланс между стереоканалом 1 и стереоканалом 2 можно отрегулировать, выбрав во время воспроизведения из меню установку **AUDIO MIX**. Могут воспроизводиться оба звуковых канала.

16-битовый режим: новый звук не может быть записан, но первоначальный звук может быть записан с высоким качеством. Более того, также может воспроизводиться звук, записанный с частотой оцифровки 32 кГц, 44.1 кГц или 48 кГц. При воспроизведении ленты, записанной в 16-битовом режиме, на экране появляется индикатор 16BIT.

О батарейном блоке "InfoLITHIUM"

Что такое батарейный блок "InfoLITHIUM"?

Батарейный блок "InfoLITHIUM" представляет собой литиево-ионный батарейный блок, который оснащен функциями обмена данными, связанными с условиями работы, между вспомогательным адаптером/зарядным устройством переменного тока. Батарейный блок "InfoLITHIUM" вычисляет потребление энергии в зависимости от условий работы Вашей видеокамеры и отображает оставшееся время заряда батарейного блока в минутах.

Зарядка батарейного блока

- Перед началом использования видеокамеры удостоверьтесь, что батарейный блок заряжен.
- Рекомендуется заряжать батарейный блок при температуре окружающей среды от 10 °C до 30 °C до тех пор, пока не погаснет лампочка CHARGE, указывающая на то, что батарейный блок заряжен полностью. Если Вы зарядите батарейный блок при температуре, не попадающей в указанный выше диапазон, Вы не сможете эффективно зарядить батарейный блок.
- После завершения зарядки либо отсоедините кабель от гнезда DC IN Вашей видеокамеры, либо снимите батарейный блок.


Эффективное использование батарейного блока

- Производительность батарейного блока падает в условиях низких температур. Поэтому время, в течение которого можно пользоваться батарейным блоком, уменьшается. Для более продолжительного использования рекомендуется следующее:
 - Помещайте батарейный блок во внутренний карман, чтобы нагреть его, и устанавливайте его на видеокамеру непосредственно перед съемкой.
 - Используйте батарейный блок большой емкости (NP-FM70/FM90/FM91, приобретается отдельно).
- Частое использование экрана ЖКД или частое применение воспроизведения, ускоренной перемотки вперед или назад быстрее разряжает батарейный блок. Рекомендуется использовать батарейный блок большой емкости (NP-FM70/FM90/FM91, приобретается отдельно).
- Обязательно устанавливайте переключатель POWER в положение OFF (CHARGE), в то время, когда Вы не производите съемку и не выполняете воспроизведение на Вашей видеокамере.
- Держите под рукой запасные батарейные блоки с зарядом, в 2-3 раза большим, чем ожидаемое время съемки, и проводите пробную съемку перед тем, как выполнить реальную съемку.
- Не смачивайте батарейный блок. Батарейный блок не является водонепроницаемым.

About the "InfoLITHIUM" battery pack

Remaining battery time indicator

If the power may go off although the remaining battery time indicator indicates that the battery pack has enough power to operate, charge the battery pack fully again so that the indication on the remaining battery time indicator is correct. Note, however, that the correct battery indication sometimes will not be restored if it is used in high temperatures for a long time or left in a fully charged state, or the battery pack is frequently used. Regard the remaining battery time indication as the approximate shooting time.

- The  mark indicating there is little remaining battery time sometimes flashes depending on the operating conditions or ambient temperature and environment even if the remaining battery time is about five to ten minutes.

How to store the battery pack

- Even if the battery pack is not used for a long time, store it in a dry, cool place after fully charging it once per year and then using the battery pack up on your camcorder. This is to maintain the battery pack's functions.
- To use the battery pack up on your camcorder, leave your camcorder in the shooting mode until the power goes off without a cassette inserted.

Battery life

- The battery life is limited. Battery capacity drops little by little as you use it more and more, and as time passes. When the available battery time is shortened considerably, a probable cause is that the battery pack has reached the end of its life. Please buy a new battery pack.
- The battery life varies according to how it is stored and operating conditions and environment for each battery pack.

О батарейном блоке "InfoLITHIUM"

Индикатор времени оставшегося заряда батарейного блока

- Если питание может выключиться, хотя индикатор оставшегося времени заряда батарейного блока показывает достаточный для работы заряд батарейного блока, зарядите батарейный блок полностью еще раз, чтобы отображение индикатора оставшегося времени заряда батарейного блока стало правильным. Заметьте, тем не менее, что точная индикация времени заряда батарейного блока иногда не будет восстанавливаться, если он длительное время использовался при высоких температурах или был оставлен в полностью заряженном состоянии, или при частом использовании батарейного блока. Считайте индикацию оставшегося времени заряда батарейного блока приблизительным временем съемки.
- Иногда метка  указывает на то, что времени заряда батарейного блока осталось мало, мигает в зависимости от условий окружающей температуры и среды, даже если заряда осталось на пять-десять минут.

Как хранить батарейный блок

- Даже если батарейный блок не используется длительное время, храните его в сухом, прохладном месте, полностью зарядив его один раз в год и полностью разрядив его после этого на Вашей видеокамере. Это необходимо для поддержания функционирования батарейного блока.
- Для того, чтобы полностью разрядить батарейный блок на Вашей видеокамере, оставьте Вашу видеокамеру в режиме съемки без вставленной кассеты, пока заряд батарейного блока не исчерпается.

Срок службы батарейного блока

- Срок службы батарейного блока ограничен. Емкость батарейного блока мало-помалу падает, по мере того, как Вы с течением времени используете его все больше и больше. Когда доступное время заряда батарейного блока значительно сократится, возможной причиной является то, что срок службы батарейного блока закончился. Пожалуйста, приобретите новый батарейный блок.
- Срок службы батарейного блока изменится в соответствии с тем, как он хранился, а также в зависимости от условий использования и окружающей среды для каждого батарейного блока.

About i.LINK

The DV (DCR-PC9E) or DV OUT (DCR-PC6E) jack on this unit is an i.LINK-compliant DV OUT (DCR-PC6E) or DV IN/OUT (DCR-PC9E) jack. This section describes the i.LINK standard and its features.

What is i.LINK?

i.LINK is a digital serial interface for handling digital video, digital audio and other data in two directions between equipment having the i.LINK jack, and for controlling other equipment. i.LINK-compatible equipment can be connected by a single i.LINK cable. Possible applications are operations and data transactions with various digital AV equipment. When two or more i.LINK-compatible equipment are connected to this unit in a daisy chain, operations and data transactions are possible with not only the equipment that this unit is connected to but also with other devices via the directly connected equipment.

Note, however, that the method of operation sometimes varies according to the characteristics and specifications of the equipment to be connected, and that operations and data transactions are sometimes not possible on some connected equipment.

Note

Normally, only one piece of equipment can be connected to this unit by the i.LINK cable (DV connecting cable). When connecting this unit to i.LINK-compatible equipment having two or more i.LINK jacks (DV jacks), refer to the instruction manual of the equipment to be connected.

About the Name "i.LINK"

i.LINK is a more familiar term for IEEE 1394 data transport bus proposed by SONY, and is a trademark approved by many corporations. IEEE 1394 is an international standard standardized by the Institute of Electrical and Electronics Engineers.

Относительно i.LINK

Гнездо цифрового видеосигнала DV (DCR-PC9E) или DV OUT (DCR-PC6E) на данном аппарате является гнездом выхода цифрового видеосигнала DV OUT (модель DCR-PC6E) или гнездом входа/выхода цифрового видеосигнала DV IN/OUT (модель DCR-PC9E), совместимым со стандартом i.LINK. Данный раздел описывает стандарт i.LINK и его функции.

Что такое i.LINK?

i.LINK является цифровым последовательным интерфейсом для управления цифровыми видеосигналами, цифровыми аудиосигналами и другими данными в двух направлениях между аппаратурой имеющей гнездо i.LINK и служит для управления другой аппаратурой. Совместимая с i.LINK аппаратура может быть соединена с использованием одного кабеля i.LINK. Возможными способами применения являются операции и передача данных между различной цифровой аппаратурой аудиовидео. Когда два или большее количество аппаратов, совместимых с i.LINK, подсоединены к данному аппарату по цепочке, операции и обработку данных возможно выполнять не только с аппаратурой, к которой непосредственно подсоединен данный аппарат, но также и с другими устройствами через непосредственно подсоединенную аппаратуру. Однако, примите во внимание, что способ управления иногда отличается в зависимости от характеристик технических условий подсоединенной аппаратуры, и что операции и обработку данных иногда невозможно выполнить на некоторой подсоединенной аппаратуре.

Примечание

Обычно только одно устройство может быть подсоединено к данному аппарату путем использования кабеля i.LINK (соединительного кабеля DV). При подсоединении данного аппарата к совместимой с i.LINK аппаратуре, которая имеет два или более гнезда i.LINK (цифровые видеогнезда DV) смотрите руководство по эксплуатации подсоединенной аппаратуры.

Относительно названия i.LINK

i.LINK является более привычным термином для шины передачи данных IEEE 1394, разработанной фирмой SONY, и является торговой маркой, утвержденной многими корпорациями. IEEE 1394 является международным стандартом, установленным институтом инженеров по электротехнике и радиоэлектронике.

Использование Вашей видеокамеры за границей

Использование Вашей видеокамеры за границей

Вы можете использовать Вашу видеокамеру в любой стране или области с помощью адаптера переменного тока, прилагаемого к Вашей видеокамере, который можно использовать в пределах от 100 В до 240 В переменного тока с частотой 50/60 Гц.

Ваша видеокамера основана на системе PAL. Если Вы хотите просмотреть воспроизводимое изображение на телевизоре, то это должен быть телевизор, основанный на системе PAL, с входными гнездами VIDEO/AUDIO. Ниже приведены системы цветного телевидения, используемые за рубежом.

Система PAL

Австралия, Австрия, Бельгия, Великобритания, Германия, Голландия, Гонконг, Дания, Испания, Италия, Китай, Кувейт, Малайзия, Новая Зеландия, Норвегия, Португалия, Сингапур, Словацкая Республика, Таиланд, Финляндия, Чешская Республика, Швейцария, Швеция и т.д.

Система PAL-M

Бразилия

Система PAL-N

Аргентина, Парагвай, Уругвай

Система NTSC

Багамские острова, Боливия, Венесуэла, Канада, Колумбия, Корея, Мексика, Перу, Суринам, США, Тайвань, Филиппины, Центральная Америка, Чили, Эквадор, Ямайка, Япония и т.д.

Система SECAM

Болгария, Венгрия, Гвинея, Ирак, Иран, Монако, Польша, Россия, Украина, Франция и т.д.

Простая установка часов с помощью разницы во времени

Вы можете легко установить часы на местное время путем установки разницы во времени. Выберите команду WORLD TIME в установках меню. Подробные сведения приведены на стр. 146.

About i.LINK

i.LINK Baud rate

i.LINK's maximum baud rate varies according to the equipment. Three maximum baud rates are defined:

S100 (approx. 100Mbps*)
S200 (approx. 200Mbps)
S400 (approx. 400Mbps)

The baud rate is listed under "Specifications" in the instruction manual of each equipment. It is also indicated near the i.LINK jack on some equipment.

The maximum baud rate of equipment on which it is not indicated such as this unit is "S100". When units are connected to equipment having a different maximum baud rate, the baud rate sometimes differs from the indicated baud rate.

*What is Mbps?

Mbps stands for megabits per second, or the amount of data that can be sent or received in one second. For example, a baud rate of 100Mbps means that 100 megabits of data can be sent in one second.

i.LINK functions on this unit

For details on how to dub when this unit is connected to other video equipment having DV jacks, see page 99.

This unit can also be connected to other i.LINK (DV) compatible equipment made by SONY (e.g. VAIO series personal computer) other than video equipment.

Before connecting this unit to your computer, make sure that application software supported by this unit is already installed on your computer.

For details on precautions when connecting this unit, also refer to the instruction manuals for the equipment to be connected.

Required i.LINK Cable

Use the Sony i.LINK 4-pin-to-4-pin cable (during DV dubbing).

i.LINK and  are trademarks.

Относительно i.LINK

Скорость передачи данных i.LINK

Максимальная скорость передачи данных i.LINK варьируется в зависимости от аппаратуры. Определены три максимальные скорости передачи данных:

S100 (приблиз. 100 Мбит в секунду*)
S200 (приблиз. 200 Мбит в секунду)
S400 (приблиз. 400 Мбит в секунду)

Скорость передачи данных указывается в разделе "Технические характеристики" руководства по эксплуатации каждой аппаратуры. Она также указана возле гнезд i.LINK на некоторой аппаратуре.

Максимальная скорость передачи данных у аппаратуры, на которой она не указывается, как например, данный аппарат, составляет "S100".

Когда аппараты подсоединяются к аппаратуре, имеющей другую максимальную скорость передачи данных, то в таких случаях скорость передачи данных иногда отличается от указанной.

*Что такое Мбит в секунду?

Мбит в секунду означает количество мегабитов за одну секунду, или количество данных, которое может быть послано или принято в течение одной секунды. Например скорость передачи данных 100 Мбит в секунду означает, что 100 мегабит данных может быть послано за одну секунду.

Функции i.LINK на данном аппарате

Подробности от том, как осуществлять переадресацию, смотрите в руководстве по эксплуатации другой аппаратуры, имеющей цифровые видеогнезда DV см. на стр. 99. Данный аппарат может также быть подсоединен к другой совместимой с i.LINK (DV) аппаратуре, сделанной фирмой SONY (например, персональные компьютеры серии VAIO), которая не является видеоаппаратурой.

Перед подсоединением данного аппарата к Вашему компьютеру убедитесь, что прикладное программное обеспечение, поддерживаемое данным аппаратом, уже установлено в персональный компьютер. Для получения подробностей относительно мер предосторожности при подсоединении данного аппарата смотрите также инструкции по эксплуатации подсоединяемой аппаратуры.

Требуемый кабель i.LINK

Используйте 4-штырьковый-к-4-штырьковому кабель (во время цифровой видеопереадресации DV).

i.LINK и  являются торговыми марками.

Using your camcorder abroad

Using your camcorder abroad

You can use your camcorder in any country or area with the AC adaptor supplied with your camcorder within 100 V to 240 V AC, 50/60 Hz.

Your camcorder is a PAL system based camcorder. If you want to view the playback picture on a TV, it must be a PAL system based TV with VIDEO/AUDIO input jack. The following shows TV colour systems used overseas.

PAL system

Australia, Austria, Belgium, China, Czech Republic, Denmark, Finland, Germany, Great Britain, Holland, Hong Kong, Italy, Kuwait, Malaysia, New Zealand, Norway, Portugal, Singapore, Slovak Republic, Spain, Sweden, Switzerland, Thailand, etc.

PAL-M system

Brazil

PAL-N system

Argentina, Paraguay, Uruguay

NTSC system

Bahama Islands, Bolivia, Canada, Central America, Chile, Colombia, Ecuador, Jamaica, Japan, Korea, Mexico, Peru, Surinam, Taiwan, the Philippines, the U.S.A., Venezuela, etc.

SECAM system


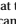
Monaco, France, Guyana, Hungary, Iran, Iraq, Monaco, Poland, Russia, Ukraine, etc.

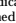
Simple setting of clock by time difference

You can easily set the clock to the local time by setting a time difference. Select WORLD TIME in the menu settings. See page 140 for more information.

Maintenance information and precautions

Moisture condensation

If your camcorder is brought directly from a cold place to a warm place, moisture may condense inside your camcorder, on the surface of the tape, or on the lens. In this condition, the tape may stick to the head drum and be damaged or your camcorder may not operate correctly. If there is moisture inside your camcorder, the beep sounds and the  indicator flashes. When the  indicator flashes at the same time, the cassette is inserted in your camcorder. If moisture condenses on the lens, the indicator will not appear.

If moisture condensation occurred
None of the functions except cassette ejection will work. Eject the cassette, turn off your camcorder, and leave it for about 1 hour with the cassette compartment open. Your camcorder can be used again if the  indicator does not appear when the power is turned on again.

Note on moisture condensation

Moisture may condense when you bring your camcorder from a cold place into a warm place (or vice versa) or when you use your camcorder in a hot place as follows:

- You bring your camcorder from a ski slope into a place warmed up by a heating device
- You bring your camcorder from an air-conditioned car or room into a hot place outside
- You use your camcorder after a squall or a shower
- You use your camcorder in a high temperature and humidity place


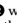

How to prevent moisture condensation

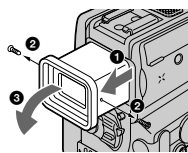
When you bring your camcorder from a cold place into a warm place, put your camcorder in a plastic bag and tightly seal it. Remove the bag when the air temperature inside the plastic bag has reached the surrounding temperature (after about 1 hour).


234

Maintenance information and precautions

Removing dust from inside the viewfinder

- (1) Pull out the viewfinder in the direction of the arrow .
Remove the two screws in the direction of the arrow  with a screwdriver (optional).
Remove the eyecup in the direction of the arrow .



- (2) Remove dust from inside the eyecup and viewfinder with a commercially available blower.
- (3) In the reverse way of (1), attach the eyecup.
Then replace the screws in the direction of the arrow .

Notes

- Do not drop or bend the eyecup shaft.
- Be careful when handling the eyecup.

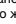
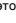
Charging the built-in rechargeable battery


Your camcorder is supplied with a built-in rechargeable battery installed so as to retain the date and time, etc., regardless of the setting of the POWER switch. The built-in rechargeable battery is always charged as long as you are using your camcorder. The battery, however, will get discharged gradually if you do not use your camcorder. It will be completely discharged in about 3 months if you do not use your camcorder at all. Even if the built-in rechargeable battery is not charged, it will not affect the camcorder operation. To retain the date and time, etc., charge the battery if the battery is discharged.

235

Информация по уходу за аппаратом и меры предосторожности

Конденсация влаги

Если видеокамера принесена прямо из холодного места в теплое, то внутри видеокамеры, на поверхности ленты или на объективе может произойти конденсация влаги. В таком состоянии лента может прилипнуть к барабану головки и будет повреждена или же видеокамера не сможет работать надлежащим образом. Если внутри видеокамеры произошла конденсация влаги, то прозвучит зуммерный сигнал, а на экране ЖКД будет мигать индикатор . Если в то же самое время будет мигать индикатор , это значит, что в видеокамеру вставлена кассета. Если влага сконденсировалась на объективе, индикатор появляться не будет.

Если произошла конденсация влаги
Ни одна из функций, кроме выталкивания кассеты, не будут работать. Извлеките кассету, выключите видеокамеру и оставьте ее приблизительно на 1 час с открытым отсеком для кассеты. Если при повторном включении питания индикатор  не появится на дисплее, Вы можете снова пользоваться видеокамерой.

Примечание по конденсации влаги

Влага может образоваться, если Вы принесете Вашу видеокамеру из холодного места в теплое (или наоборот) или когда Вы используете Вашу видеокамеру в жарком месте в следующих случаях:


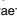
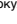
- Вы принесли Вашу видеокамеру с лыжного склона в помещение, где функционирует обогреватель
- Вы принесли Вашу видеокамеру из автомобиля или из комнаты с воздушным кондиционированием в жаркое место на улице
- Вы используете видеокамеру после грозы или дождя
- Вы используете Вашу видеокамеру в очень жарком и влажном месте

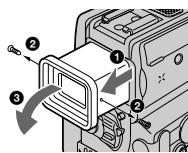
Как предотвратить конденсацию влаги

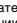
Если видеокамера принесена из холодного места в теплое, то положите видеокамеру в полиэтиленовый пакет и плотно закройте его. Выньте видеокамеру из полиэтиленового пакета, когда температура воздуха внутри пакета достигнет температуры окружающего воздуха (приблизительно через 1 час).

Информация по уходу за аппаратом и меры предосторожности

Удаление пыли изнутри видеоскриня

- (1) Потяните видеоскриня в направлении стрелки .
- (2) Снимите два винта  с помощью отвертки (приобретается отдельно).
- (3) Снимите окуляр в направлении стрелки .



- (2) Удалите пыль изнутри окуляра и видеоскриня с помощью имеющейся в продаже воздушной струйки.
- (3) В обратном порядке пункта (1) прикрепите окуляр. Затем установите винт в направлении стрелки .

Примечания

- Не роняйте и не сгибайте корпус окуляра.
- Будьте осторожны при обращении с окуляром.

Зарядка встроенной аккумуляторной батарейки

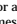
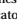
Ваша видеокамера оснащена встроенной аккумуляторной батарейкой для сохранения даты и времени и т.д., независимо от установки переключателя POWER. Встроенная аккумуляторная батарейка всегда подзарядается, когда Вы используете видеокамеру. Однако, батарейка постепенно будет разряжаться, если Вы не используете Вашу видеокамеру. Она полностью разрядится приблизительно за 3 месяца, если Вы вообще не будете использовать видеокамеру. Даже если встроенная аккумуляторная батарейка не заряжена, это не будет влиять на работу видеокамеры. Для сохранения даты и времени и т.д., зарядите батарейку, если батарейка станет разряженной.

Maintenance information and precautions

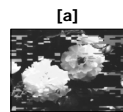
Maintenance information

Cleaning the video head

To ensure normal recording and clear pictures, clean the video head. The video head may be dirty when:

- mosaic-pattern noise appears on the playback picture.
- playback pictures do not move.
- playback pictures do not appear.
- the  indicator and "CLEANING CASSETTE" message appear one after another or the  indicator flashes on the screen during recording.

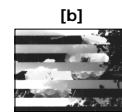
If the above problem, [a], [b] or [c] occurs, clean the video heads for 10 seconds with the Sony DVM-12CLD cleaning cassette (optional). Check the picture and if the above problem persists, repeat cleaning.



If the video heads get dirtier, the entire screen becomes blue [c].

Cleaning the LCD screen

If fingerprints or dust make the LCD screen dirty, we recommend using a LCD cleaning cloth (supplied) to clean the LCD screen.



If the video heads get dirtier, the entire screen becomes blue [c].

Если видеоголовки загрязнились еще больше, весь экран станет синим [c].

Чистка экрана ЖКД

Если на экране ЖКД появятся отпечатки или пыль, рекомендуется воспользоваться очистительной тканью для ЖКД (прилагается), чтобы очистить экран ЖКД.

Maintenance information and precautions

Charging the built-in rechargeable battery:

- Connect your camcorder to the mains using the AC adaptor supplied with your camcorder, and leave your camcorder with the POWER switch turned off for more than 24 hours.
- Or install the fully charged battery pack in your camcorder, and leave your camcorder with the POWER switch turned off for more than 24 hours.

Ajusting the LCD screen (CALIBRATION)

The buttons on the touch panel may not work correctly. If this happens, follow the procedure below.

- (1) Set the POWER switch to OFF (CHARGE).
- (2) Eject the tape from your camcorder, then disconnect any connecting cable from your camcorder.
- (3) Set the POWER switch to VCR (DCR-PC9E)/PLAYER (DCR-PC6E) while pressing DISPLAY/TOUCH PANEL on your camcorder, then keep pressing DISPLAY/TOUCH PANEL for about five seconds.
- (4) Follow the procedure below using an object such as the corner of a "Memory Stick".
 - ① Touch X at the upper left corner.
 - ② Touch X at the lower right corner.
 - ③ Touch X in the middle of the screen.



Note

If you do not press the right spot, X always returns to the position at the upper left corner. In this case, start from step 4 again.

Информация по уходу за аппаратом и меры предосторожности

Зарядка встроенной аккумуляторной батарейки

- Подсоедините Вашу видеокамеру к сети с помощью сетевого адаптера переменного тока, прилагаемого к Вашей видеокамере, и оставьте Вашу видеокамеру с выключенным положением переключателя питания POWER более, чем на 24 часа.
- Или же установите полностью заряженный батарейный блок в Вашу видеокамеру и оставьте Вашу видеокамеру с выключенным положением переключателя питания POWER более, чем на 24 часа.

Регулировка экрана ЖКД (CALIBRATION)

Кнопки на сенсорной панели могут не работать надлежащим образом. Если это случится, следуйте нижеописанной процедуре.

- (1) Установите переключатель POWER в положение OFF (CHARGE).
- (2) Вытолкните кассету из Вашей видеокамеры, затем отсоедините любой соединительный кабель от Вашей видеокамеры.
- (3) Установите выключатель POWER в положение VCR (DCR-PC9E)/PLAYER (DCR-PC6E), нажимая кнопку DISPLAY/TOUCH PANEL на Вашей видеокамере, а затем подержите нажатой кнопку DISPLAY/TOUCH PANEL около пяти секунд.
- (4) Выполните приведенную ниже процедуру с использованием такого предмета, как например, угол "Memory Stick".
 - ① Прикоснитесь к X в верхнем левом углу.
 - ② Прикоснитесь к X в нижнем правом углу.
 - ③ Прикоснитесь к X в середине экрана.

Примечание

Если Вы не нажмете правую точку, X всегда будет возвращаться в положение верхнего левого угла. В таком случае снова начните с пункта 4.

235

237

Maintenance information and precautions

Precautions

Camcorder operation

- Operate your camcorder on 7.2 V (battery pack) or 8.4 V (AC adaptor).
- For DC or AC operation, use the accessories recommended in this operating instructions.
- If any solid object or liquid get inside the casing, unplug your camcorder and have it checked by a Sony dealer before operating it any further.
- Avoid rough handling or mechanical shock. Be particularly careful of the lens.
- Keep the POWER switch set to OFF (CHARGE) when you are not using your camcorder.
- Do not wrap your camcorder with a towel, for example, and operate it. Doing so might cause heat to build up inside.
- Keep your camcorder away from strong magnetic fields or mechanical vibration.
- Do not touch the LCD screen with a sharp-pointed object.
- If your camcorder is used in a cold place, a residual image may appear on the LCD screen. This is not a malfunction.
- While using your camcorder, the back of the LCD screen may heat up. This is not a malfunction.

On handling tapes

- Do not insert anything into the small holes on the rear of the cassette. These holes are used to sense the type and thickness of the tape and if the recording tab is in or out.
- Do not open the tape protect cover or touch the tape.
- Avoid touching or damaging the terminals. To remove dust, clean the terminals with a soft cloth.

Информация по уходу за аппаратом и меры предосторожности

Меры предосторожности

Эксплуатация видеокамеры

- Эксплуатируйте видеокамеру от 7,2 В (батареиный блок) или 8,4 В (адаптер переменного тока).
- Что касается эксплуатации видеокамеры от постоянного и переменного тока, используйте принадлежности, рекомендуемые в данной инструкции по эксплуатации.
- Если какой-нибудь твердый предмет или жидкость попали внутрь корпуса, то выключите видеокамеру и проверьте ее у дилера Sony перед дальнейшей ее эксплуатацией.
- Избегайте грубого обращения с видеокамерой или механических ударов. Будьте особенно осторожны с объективом.
- Если видеокамера не используется, держите выключатель POWER в положении OFF (CHARGE).
- Не заворачивайте Вашу видеокамеру, например, в полотенце, и не эксплуатируйте ее в таком состоянии. В противном случае может произойти повышение температуры внутри видеокамеры.
- Держите Вашу видеокамеру подальше от сильных магнитных полей или механической вибрации.
- Не прикасайтесь к экрану ЖКД острыми предметами.
- При эксплуатации Вашей видеокамеры в холодном месте, на экране ЖКД может появиться остаточное изображение. Это не является неисправностью.
- При эксплуатации Вашей видеокамеры, задняя сторона экрана ЖКД может нагреваться. Это не является неисправностью.

Относительно обращения с лентами

- Не вставляйте ничего в маленькие отверстия на задней стороне кассеты. Эти отверстия используются для определения типа и толщины ленты, а также для определения наличия или отсутствия лепестка защиты записи на ленте.
- Не открывайте предохранительную крышку ленты и не прикасайтесь к ленте.
- Избегайте касания или повреждения полюсов. Для удаления пыли чистите полюса с помощью мягкой ткани.

Maintenance information and precautions

Camcorder care

- Remove the tape, and periodically turn on the power, operate the CAMERA and VCR (DCR-PC9E)/PLAYER (DCR-PC8E) sections and play back a tape for about 3 minutes when your camcorder is not to be used for a long time.
- Clean the lens with a soft brush to remove dust. If there are fingerprints on the lens, remove them with a soft cloth.
- Clean the camcorder body with a dry soft cloth, or a soft cloth lightly moistened with a mild detergent solution. Do not use any type of solvent which may damage the finish.
- Do not let sand get into your camcorder. When you use your camcorder on a sandy beach or in a dusty place, protect it from the sand or dust. Sand or dust may cause your camcorder to malfunction, and sometimes this malfunction cannot be repaired.

AC power adaptor

- Unplug the unit from a wall socket when you are not using the unit for a long time. To disconnect the mains lead, pull it out by the plug. Never pull the mains lead itself.
- Do not operate the unit with a damaged cord or if the unit has been dropped or damaged.
- Do not bend the mains lead forcibly, or place a heavy object on it. This will damage the cord and may cause fire or electrical shock.
- Prevent metallic objects from coming into contact with the metal parts of the connecting section. If this happens, a short may occur and the unit may be damaged.
- Always keep metal contacts clean.
- Do not apply mechanical shock or drop the unit.
- While the unit is in use, particularly during charging, keep it away from AM receivers and video equipment. AM receivers and video equipment disturb AM reception and video operation.
- The unit becomes warm during use. This is not a malfunction.
- Do not place the unit in locations that are:
 - Extremely hot or cold
 - Dusty or dirty
 - Very humid
 - Vibrating

Информация по уходу за аппаратом и меры предосторожности

Уход за видеокамерой

- Периодически вынимайте кассету и включайте питание, оперируйте устройствами CAMERA и VCR (DCR-PC9E)/PLAYER (DCR-PC8E) и воспроизводите ленту порядка 3-х минут, если Ваша видеокамера не будет использоваться длительное время.
- Чистите объектив с помощью мягкой кисточки для удаления пыли. Если имеются отпечатки пальцев на объективе, то удалите их с помощью мягкой ткани.
- Чистите корпус видеокамеры с помощью сухой мягкой ткани или мягкой ткани, слегка смоченной раствором умеренного моющего средства. Не используйте каких-либо типов растворителей, которые могут повредить отделку.
- Не допускайте попадания песка в видеокамеру. Если Вы используете видеокамеру на песчаном пляже или в каком-либо пыльном месте, предохраните аппарат от песка или пыли. Песок или пыль могут привести к неисправности аппарата, которая иногда может быть неисправимой.

Сетевой адаптер питания переменного тока

- Отсоедините аппарат от электрической сети, если он не используется длительное время. Для отсоединения сетевого шнура потяните его за разъем. Никогда не тяните за сам шнур.
- Не эксплуатируйте аппарат с поврежденным шнуром или же в случае, если аппарат упал или был поврежден.
- Не сбивайте сетевой провод силой и не ставьте на него тяжелые предметы. Это повредит провод и может привести к пожару или поражению электрическим током.
- Будьте осторожны, чтобы никакие металлические предметы не соприкасались с металлическими контактами соединительной пластины. Если это случится, то может произойти короткое замыкание, и аппарат может быть поврежден.
- Всегда поддерживайте металлические контакты в чистоте.
- Не разбирайте аппарат.
- Не подвергайте аппарат механической вибрации и не роняйте его.
- При использовании аппарата, особенно во время зарядки, держите его подальше от приемников AM-радиовещания и видеоаппаратуры. Приемники AM-радиовещания и видеоаппаратура нарушают AM-радиоприем и работу видеоаппаратуры.
- В процессе эксплуатации аппарат нагревается. Это является вполне нормальным.
- Не размещайте аппарат в местах:
 - Чрезмерно жарких или холодных
 - Пыльных или грязных
 - Очень влажных
 - Подверженных воздействию вибрации

Additional Information

Дополнительная информация

238

Maintenance information and precautions

About care and storage of the lens

- Wipe the surface of the lens clean with a soft cloth in the following instance:
 - When there are fingerprints on the lens surface
 - In hot or humid locations
 - When the lens is used in environments such as the seaside
- Store the lens in a well-ventilated location subject to little dirt or dust.

To prevent mold from occurring, periodically perform the above.

We recommend turning on and operating the video camera recorder about once per month to keep the video camera recorder in an optimum state for a long time.

Battery pack

- Use only the specified charger or video equipment with the charging function.
- To prevent accident from a short circuit, do not allow metal objects to come into contact with the battery terminals.
- Keep the battery pack away from fire.
- Never expose the battery pack to temperatures above 60°C (140°F), such as in a car parked in the sun or under direct sunlight.
- Store the battery pack in a cool, dry place.
- Do not expose the battery pack to any mechanical shock.
- Do not disassemble nor modify the battery pack.
- Attach the battery pack to the video equipment securely.
- Charging while some capacity remains does not affect the original battery capacity.

Информация по уходу за аппаратом и меры предосторожности

Об уходе за объективом и о его хранении

- Очистите поверхность объектива мягкой тканью в следующих случаях:
 - Если на поверхности объектива есть отпечатки пальцев
 - В жарких или влажных местах
 - При использовании объектива в таких местах, как морское побережье
- Храните объектив в хорошо проветриваемом месте, защищенном от грязи и пыли.

Во избежание появления плесени периодически выполняйте описанные выше процедуры.

Рекомендуется включать видеокамеру и пользоваться ею примерно 1 раз в месяц для поддержания видеокамеры в оптимальном состоянии в течение длительного времени.

Батарейный блок

- Используйте только рекомендуемое зарядное устройство или видеоаппаратуру с зарядной функцией.
- Для предотвращения несчастного случая из-за короткого замыкания не допускайте контакта металлических предметов с полюсами батарейного блока.
- Не располагайте батарейный блок вблизи огня.
- Не подвергайте батарейный блок воздействию температур свыше 60°C, например, в припаркованном под солнцем автомобиле или под прямым солнечным светом.
- Храните батарейный блок в прохладном, сухом месте.
- Не подвергайте батарейный блок воздействию каких-либо механических ударов.
- Не разбирайте и не видоизменяйте батарейный блок.
- Прикрепляйте батарейный блок к видеоаппаратуре плотно.
- Зарядка в случае оставшейся емкости заряда не отражается на емкости первоначального заряда.

Maintenance information and precautions

Notes on dry batteries

To avoid possible damage from battery leakage or corrosion, observe the following:

- Be sure to insert the batteries with the + - polarities matched to the + - marks.
- Dry batteries are not rechargeable.
- Do not use a combination of new and old batteries.
- Do not use different types of batteries.
- Current flows from batteries when you are not using them for a long time.
- Do not use leaking batteries.

If batteries are leaking

- Wipe off the liquid in the battery compartment carefully before replacing the batteries.
- If you touch the liquid, wash it off with water.
- If the liquid get into your eyes, wash your eyes with a lot of water and then consult a doctor.

If any problem occurs, unplug your camcorder and contact your nearest Sony dealer.

Информация по уходу за аппаратом и меры предосторожности

Примечания к сухим батарейкам

Во избежание возможного повреждения видеокамеры вследствие утечки внутреннего вещества батареек или коррозии соблюдайте следующие:

- При установке батареек соблюдайте правильную полярность + - в соответствии с метками + -
- Сухие батарейки нельзя перезаряжать.
- Не используйте новые батарейки вместе со старыми.
- Не используйте батарейки разного типа.
- Если батарейки не используются длительное время, они постепенно разряжаются.
- Не используйте батарейки, которые потекли.

Если произошла утечка внутреннего вещества батареек

- Перед тем, как заменить батарейки, тщательно протрите остатки жидкости в отсеке для батареек.
- В случае попадания жидкости на кожу, промойте жидкость водой.
- В случае попадания жидкости в глаза, промойте свои глаза большим количеством воды, после чего обратитесь к врачу.

В случае возникновения каких-либо проблем, отключите Вашу видеокамеру от источника питания и обратитесь в ближайший сервисный центр Sony.

Additional Information

Дополнительная информация

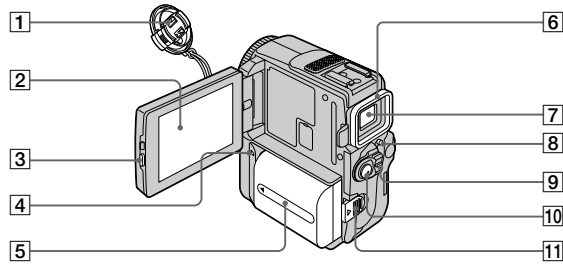
239

240

241

Identifying the parts and controls

Camcorder



- 1 Lens cap (p. 30)
 - 2 LCD screen/Touch panel (p. 28, 151)
 - 3 OPEN button (p. 30)
 - 4 CHARGE lamp (p. 19)
 - 5 Battery/Battery terminal cover (p. 18)
 - 6 Eyecup
 - 7 Viewfinder (p. 36)
 - 8 LOCK (DCR-PC9E only) (p. 30)
 - 9 POWER switch (p. 30)
 - 10 START/STOP button (p. 30)
 - 11 BATT (battery) release lever (p. 18)
- 1 Крышка объектива (стр. 30)
 - 2 Экран ЖКД/сенсорная панель (стр. 28, 151)
 - 3 Кнопка OPEN (стр. 30)
 - 4 Лампа CHARGE (стр. 19)
 - 5 Крышка батарейного блока/батарейных контактов (стр. 18)
 - 6 Окуляр
 - 7 Видоискатель (стр. 36)
 - 8 LOCK (Только модель DCR-PC9E) (стр. 30)
 - 9 Переключатель POWER (стр. 30)
 - 10 Кнопка START/STOP (стр. 30)
 - 11 Рычаг освобождения BATT (батарейного блока) (стр. 18)



This mark indicates that this product is a genuine accessory for Sony video products. When purchasing Sony video products, Sony recommends that you purchase accessories with this "GENUINE VIDEO ACCESSORIES" mark.

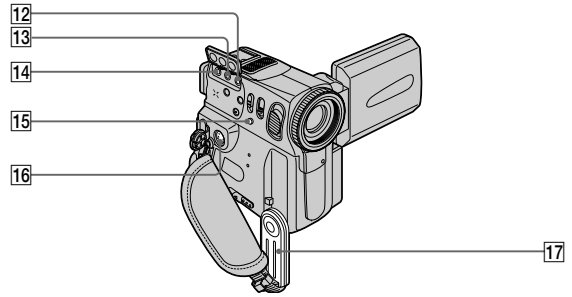


Данный знак означает, что это изделие является подлинной принадлежностью для видеоаппаратуры Sony. При покупке видеоаппаратуры Sony рекомендуется приобретать для нее принадлежности Sony с таким знаком "GENUINE VIDEO ACCESSORIES".

Обозначение частей и регуляторов

Видеокамера

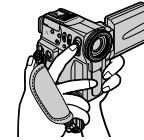
Identifying the parts and controls



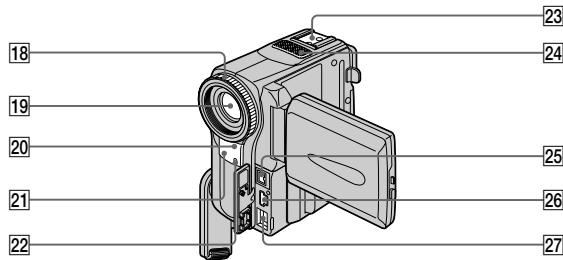
- 12 MIC (PLUG IN POWER) jack
 - 13 A/V jack (DCR-PC9E)/A/V OUT jack (DCR-PC6E)
 - 14 LANC jack
LANC stands for Local Application Control Bus System. The LANC control jack is used for controlling the tape transport of video equipment and other peripherals connected to the video equipment. This jack has the same function as the jack indicated as CONTROL L or REMOTE.
 - 15 FOCUS button (p. 76)
 - 16 S VIDEO jack (DCR-PC9E) /S VIDEO OUT jack (DCR-PC6E) (p. 53, 58, 97)
 - 17 Holding Grip
- 12 Гнездо MIC (PLUG IN POWER)
 - 13 Гнездо A/V (только модель DCR-PC9E)/ гнездо A/V OUT (только модель DCR-PC6E)
 - 14 Гнездо LANC
LANC означает систему канала местного управления. Гнездо управления LANC используется для контроля за перемещением ленты видеоаппаратуры и периферийных устройств, подключенных к ней. Данное гнездо имеет такую же функцию, как и разъемы, обозначенные как CONTROL L или REMOTE.
 - 15 Кнопка FOCUS (p. 76)
 - 16 Гнездо S VIDEO (только модель DCR-PC9E)/гнездо S VIDEO OUT (только модель DCR-PC6E) (стр. 53, 58, 97)
 - 17 Захват для удержания

About the Holding Grip
Hold the Holding Grip firmly as illustrated.

Относительно рукоятки поддержки
Надежно удерживайте рукоятку поддержки, как показано на рисунке.



Identifying the parts and controls



- 18 Focus ring (p. 76)
 - 19 Lens
 - 20 Infrared rays emitter (p. 41)
 - 21 Remote sensor
 - 22 Camera recording lamp (p. 30)
 - 23 Accessory shoe
 - 24 Microphone
 - 25 DV jack (DCR-PC9E)/DV OUT jack (DCR-PC6E) (p. 99)
The DV jack (DCR-PC9E) /DV OUT jack (DCR-PC6E) is i.LINK compatible.
 - 26 USB jack (DCR-PC9E only)
 - 27 DC IN jack
- 18 Кольцо фокусировки (стр. 76)
 - 19 Объектив
 - 20 Излучатель инфракрасных лучей (стр. 41)
 - 21 Дистанционный датчик
 - 22 Лампочка записи камерой (стр. 30)
 - 23 Гнездо для вспомогательного оборудования
 - 24 Микрофон
 - 25 Гнездо DV (DCR-PC9E)/гнездо DV OUT (DCR-PC6E) (стр. 99)
Гнездо DV (DCR-PC9E)/гнездо DV OUT (DCR-PC6E) является совместимым со стандартом i.LINK.
 - 26 Гнездо USB (только DCR-PC9E)
 - 27 Гнездо DC IN

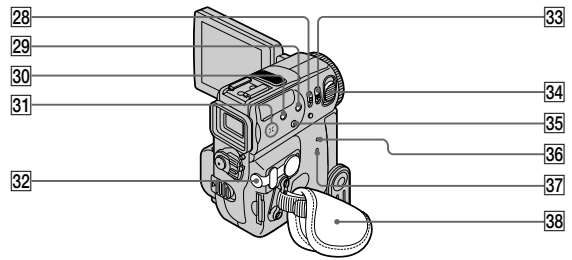
Note on the Carl Zeiss lens
Your camcorder is equipped with a Carl Zeiss lens which can reproduce a fine image. The lens for your camcorder was developed jointly by Carl Zeiss, in Germany, and Sony Corporation. It adopts the MTF* measurement system for video camera and offers a quality as the Carl Zeiss lens.

* MTF is an abbreviation of Modulation Transfer Function.
The value number indicates the amount of light of a subject penetrating into the lens.

Примечание относительно объектива Карл Цейсс
Ваша видеокамера оснащена объективом Карл Цейсс, который может производить превосходное изображение. Объектив для данной камеры был разработан фирмой Карл Цейсс в Германии совместно с корпорацией Sony. Он обладает измерительной системой MTF* для видеокамеры и обеспечивает качество, характерное для объективов фирмы Карл Цейсс.

* MTF является сокращением от Modulation Transfer Function, что в переводе означает функция/фактор передачи модуляции. Числовое значение указывает какое количество света от объекта попадает на объектив.

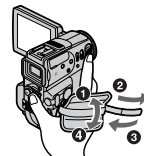
Identifying the parts and controls



- 28 NIGHTSHOT switch (p. 41)
 - 29 SUPER NIGHTSHOT button (p. 41)
 - 30 BACK LIGHT button (p. 40)
 - 31 Speaker
 - 32 (headphones) jack
When you use headphones, the speaker on your camcorder is silent.
 - 33 PHOTOS button (p. 55, 159)
 - 34 Power zoom lever (p. 37)
 - 35 DISPLAY/TOUCH PANEL button (p. 48)
 - 36 RESET button (p. 212)
 - 37 Access lamp (DCR-PC9E only) (p. 150)
 - 38 Grip Strap
- 28 Переключатель NIGHTSHOT (стр. 41)
 - 29 Кнопка SUPER NIGHTSHOT (стр. 41)
 - 30 Кнопка BACK LIGHT (стр. 40)
 - 31 Динамик
 - 32 Гнездо (головные телефоны)
Если Вы используете головные телефоны, динамик на Вашей видеокамере отключается.
 - 33 Кнопка PHOTOS (стр. 55, 159)
 - 34 Рычаг приводного вариобъектива (стр. 37)
 - 35 Кнопка DISPLAY/TOUCH PANEL (стр. 48)
 - 36 Кнопка RESET (стр. 222)
 - 37 Лампочка доступа (только модель DCR-PC9E) (стр. 150)
 - 38 Ремень захвата

Fastening the grip strap

Застегивание ремня захвата

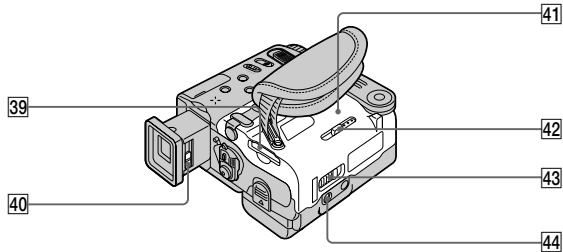


Fasten the grip strap firmly.

Надежно застегните ремень захвата.

Identifying the parts and controls

Обозначение частей и регуляторов



- 39 "Memory Stick" slot (p. 150) (DCR-PC9E only)
- 40 Viewfinder lens adjustment lever (p. 36)
- 41 Cassette lid (p. 27)
- 42 MEMORY EJECT lever (p. 150) (DCR-PC9E only)
- 43 OPEN/EJECT lever (p. 27)
- 44 Tripod receptacle
Make sure that the length of the tripod screw is less than 5.5 mm (7/32 inch). Otherwise, you cannot attach the tripod securely and the screw may damage your camcorder.

- 39 Гнездо "Memory Stick" (стр. 150) (Только модель DCR-PC9E)
- 40 Рычаг регулировки объектива видеодискеты (стр. 36)
- 41 Крышка кассеты (стр. 27)
- 42 Рычаг MEMORY EJECT (стр. 150) (Только модель DCR-PC9E)
- 43 Рычаг OPEN/EJECT (стр. 27)
- 44 Гнездо для треноги
Убедитесь, что длина винта треноги менее 5,5 мм. В противном случае Вы не сможете надежно прикрепить треногу, а винт может повредить Вашу видеокамеру.

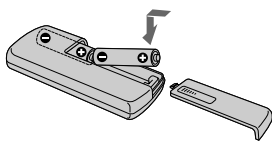
250

Identifying the parts and controls

Обозначение частей и регуляторов

To prepare the Remote Commander
Insert 2 R6 (size AA) batteries by matching the + and - polarities on the batteries to the + - marks inside the battery compartment.

Для подготовки пульта дистанционного управления
Вставьте 2 батарейки R6 (размера AA), соблюдая надлежащую полярность + и - на батарейках со знаками + - внутри отсека для батареек.



- Notes on the Remote Commander**
- Point the remote sensor away from strong light sources such as direct sunlight or overhead lighting. Otherwise, the Remote Commander may not function properly.
 - Your camcorder works in the commander mode VTR 2. Commander modes 1, 2 and 3 are used to distinguish your camcorder from other Sony VCRs to avoid remote control misoperation. If you use another Sony VCR in the Commander mode VTR 2, we recommend changing the commander mode or covering the sensor of the VCR with black paper.

- Примечания к пульту дистанционного управления**
- Держите дистанционный датчик подальше от сильных источников света, как например, прямые солнечные лучи или иллюминация. В противном случае дистанционное управление может не действовать.
 - Данная видеокамера работает в режиме пульта дистанционного управления VTR 2. Режимы пульта дистанционного управления 1, 2 и 3 используются для отличия данной видеокамеры от других КВМ фирмы Sony во избежание неправильной работы дистанционного управления. Если Вы используете другой КВМ фирмы Sony, работающий в режиме VTR 2, мы рекомендуем Вам изменить режим пульта дистанционного управления или закрыть дистанционный датчик КВМ черной бумагой.

252

Identifying the parts and controls

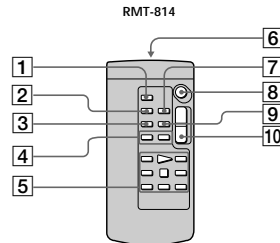
Обозначение частей и регуляторов

Remote Commander

The buttons that have the same name on the Remote Commander as on your camcorder function identically to the buttons on your camcorder.

Пульт дистанционного управления

Кнопки пульта дистанционного управления, которые имеют одинаковые наименования с кнопками на видеокамере, функционируют идентично.



- 1 PHOTO button (p. 55, 159)
- 2 DISPLAY button (p. 48)
- 3 SEARCH MODE button (p. 90)
- 4 << / >> buttons (p. 90)
- 5 Video control buttons (p. 46)
- 6 Transmitter
Point toward the remote sensor to control your camcorder after turning on your camcorder.
- 7 ZERO SET MEMORY button (p. 89)
- 8 START/STOP button (p. 30)
- 9 DATA CODE button (p. 48)
- 10 Power zoom button (p. 37)

- 1 Кнопка PHOTO (стр. 55, 159)
- 2 Кнопка DISPLAY (стр. 48)
- 3 Кнопка SEARCH MODE (стр. 90)
- 4 Кнопки << / >> (стр. 90)
- 5 Кнопки видеоконтроля (стр. 46)
- 6 Передатчик
Направьте на датчик для управления видеокамерой после включения видеокамеры.
- 7 Кнопка ZERO SET MEMORY (стр. 89)
- 8 Кнопка START/STOP (п. 30)
- 9 Кнопка DATA CODE (стр. 48)
- 10 Кнопка приводного вариообъектива (стр. 37)

Quick Reference
Оперативный справочник

251

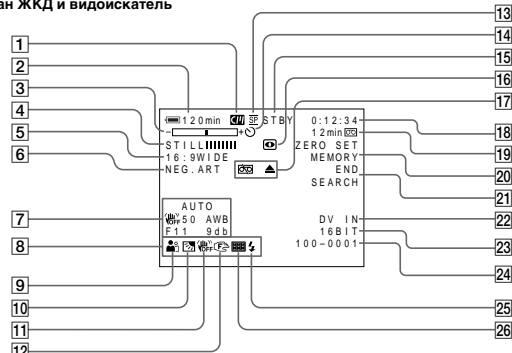
Identifying the parts and controls

Обозначение частей и регуляторов

Operation indicators

LCD screen and viewfinder/
Экран ЖКД и видоискатель

Рабочие индикаторы



- 1 Cassette memory indicator (p. 226)
- 2 Remaining battery time indicator (p. 38)
- 3 Zoom indicator (p. 37)/Exposure indicator (p. 73)/Data file name indicator (DCR-PC9E only) (p. 147)
- 4 Digital effect indicator (p. 65)/MEMORY MIX indicator (DCR-PC9E only) (p. 174)/FADER indicator (p. 60)
- 5 16:9WIDE indicator (p. 59)
- 6 Picture effect indicator (p. 63)
- 7 Data code indicator (p. 48)
- 8 Date indicator
- 9 PROGRAM AE indicator (p. 68)
- 10 Backlight indicator (p. 40)
- 11 SteadyShot off indicator (p. 135)
- 12 Manual focus/Infinity indicator (p. 76)
- 13 Recording mode indicator (p. 38, 139)

- 1 Индикатор кассетной памяти (стр. 226)
- 2 Индикатор оставшегося времени батарейного блока (стр. 38)
- 3 Индикатор вариообъектива (стр. 37)/индикатор экспозиции (стр. 73)/индикатор названия данных (Только модель DCR-PC9E) (стр. 147)
- 4 Индикатор цифрового эффекта (стр. 65)/индикатор MEMORY MIX (Только модель DCR-PC9E) (стр. 174)/индикатор FADER (стр. 60)
- 5 Индикатор режима 16:9WIDE (стр. 59)
- 6 Индикатор эффекта изображения (стр. 63)
- 7 Индикатор кода данных (стр. 48)
- 8 Индикатор даты
- 9 Индикатор PROGRAM AE (стр. 68)
- 10 Индикатор задней подсветки (стр. 40)
- 11 Индикатор выключенной устойчивой съемки (стр. 141)
- 12 Индикатор ручной фокусировки/бесконечности (стр. 76)
- 13 Индикатор режима записи (стр. 38, 145)

Quick Reference
Оперативный справочник

253

Identifying the parts and controls

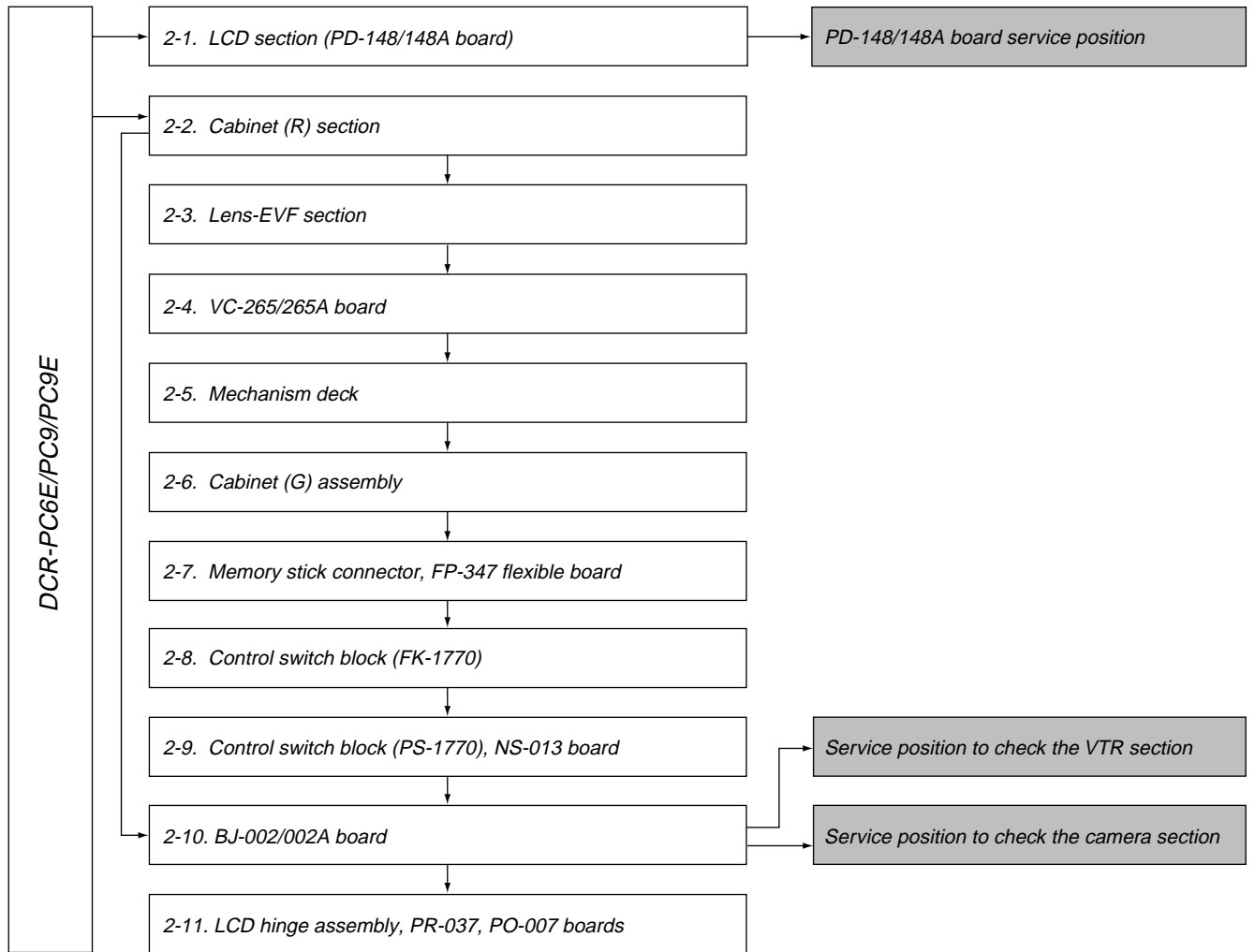
- 14 Self-timer indicator (p. 43, 162)
- 15 STBY/REC indicator (p. 30)/Video control mode indicator (p. 50)/Picture size indicator (DCR-PC9E only) (p. 156)/Image quality mode indicator (DCR-PC9E only) (p. 154)
- 16 NIGHTSHOT indicator (p. 41)
- 17 Warning indicators (p. 214)
- 18 Tape counter indicator (p. 89)/Time code indicator (p.38)/Self-diagnosis indicator (p. 213)/Photo mode indicator (p. 55, 159)/Image number indicator (DCR-PC9E only) (p. 184)
- 19 Remaining tape indicator (p. 38)/Memory playback indicator (DCR-PC9E only) (p. 184)
- 20 ZERO SET MEMORY indicator (p. 89)
- 21 END SEARCH indicator (p. 44)
- 22 DV IN indicator (DCR-PC9E only) (p. 118)/A/V → DV indicator (DCR-PC9E only) (p. 113)
- 23 Audio mode indicator (p. 139)
- 24 Data file name indicator (DCR-PC9E only) (p. 176)
This indicator appears when the MEMORY MIX functions work. /Time indicator
- 25 Video flash ready indicator
This indicator appears when you use the video flash light (optional).
- 26 Multi screen mode indicator (DCR-PC9E only) (p. 160)

Обозначение частей и регуляторов

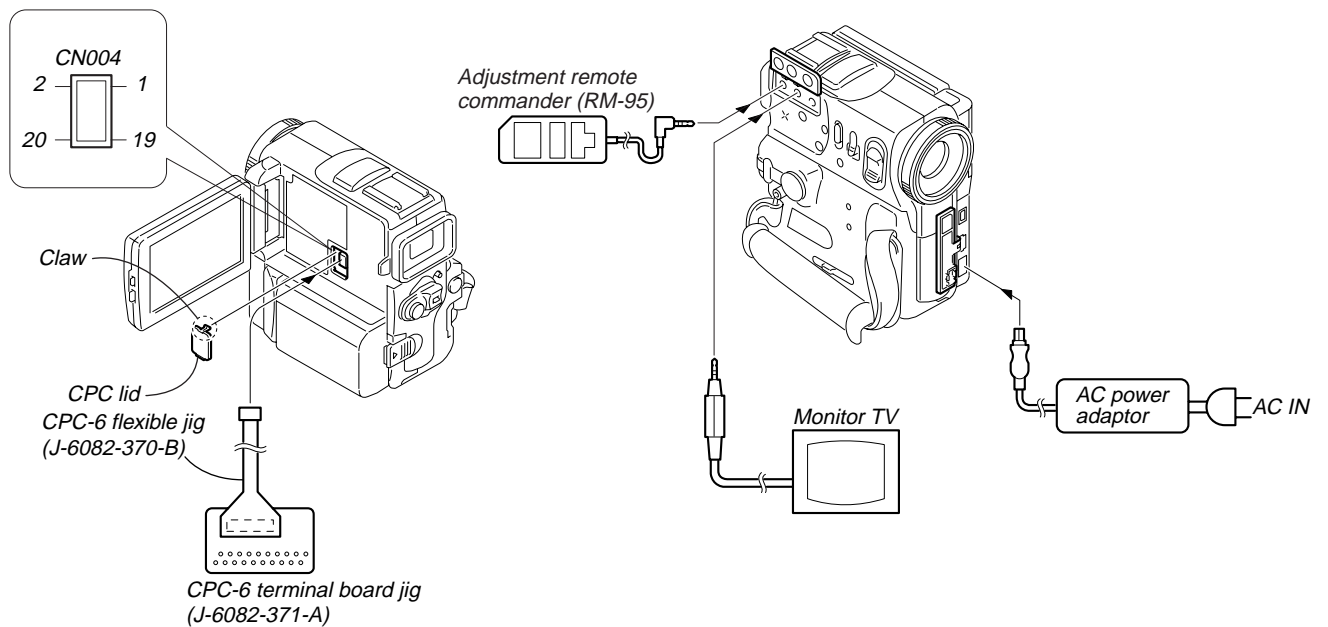
- 14 Индикатор таймера самозапуска (стр. 43, 162)
- 15 Индикатор STBY/REC (стр. 30)/индикатор режима видеоконтроля (стр. 50)/индикатор размера изображения (Только модель DCR-PC9E) (стр. 156)/индикатор режима качества изображения (Только модель DCR-PC9E) (стр. 154)
- 16 Индикатор NIGHTSHOT (стр. 41)
- 17 Предупреждающие индикаторы (стр. 224)
- 18 Индикатор счетчика ленты (стр. 89)/индикатор кода времени (стр. 38)/индикатор функции самодиагностики (стр. 223)/индикатор фоторежима (стр. 55, 159)/индикатор номера изображения (Только модель DCR-PC9E) (стр. 184)
- 19 Индикатор оставшейся ленты (стр. 38)/индикатор воспроизведения памяти (Только модель DCR-PC9E) (стр. 184)
- 20 Индикатор ZERO SET MEMORY (стр. 89)
- 21 Индикатор END SEARCH (стр. 44)
- 22 Индикатор DV IN (только модель DCR-PC9E) (стр. 118)/Индикатор A/V → DV (только модель DCR-PC9E) (стр. 113)
- 23 Индикатор автоматического режима (стр. 145)
- 24 Индикатор названия файла данных (Только модель DCR-PC9E) (стр. 176)
Этот индикатор появляется во время работы функций MEMORY MIX. /индикатор времени
- 25 Индикатор готовности видеовспышки
Этот индикатор появляется при использовании видеовспышки (не прилагается).
- 26 Индикатор многоэкранного режима (только модель DCR-PC9E) (стр. 160)

SECTION 2 DISASSEMBLY

The following flow chart shows the disassembly procedure.

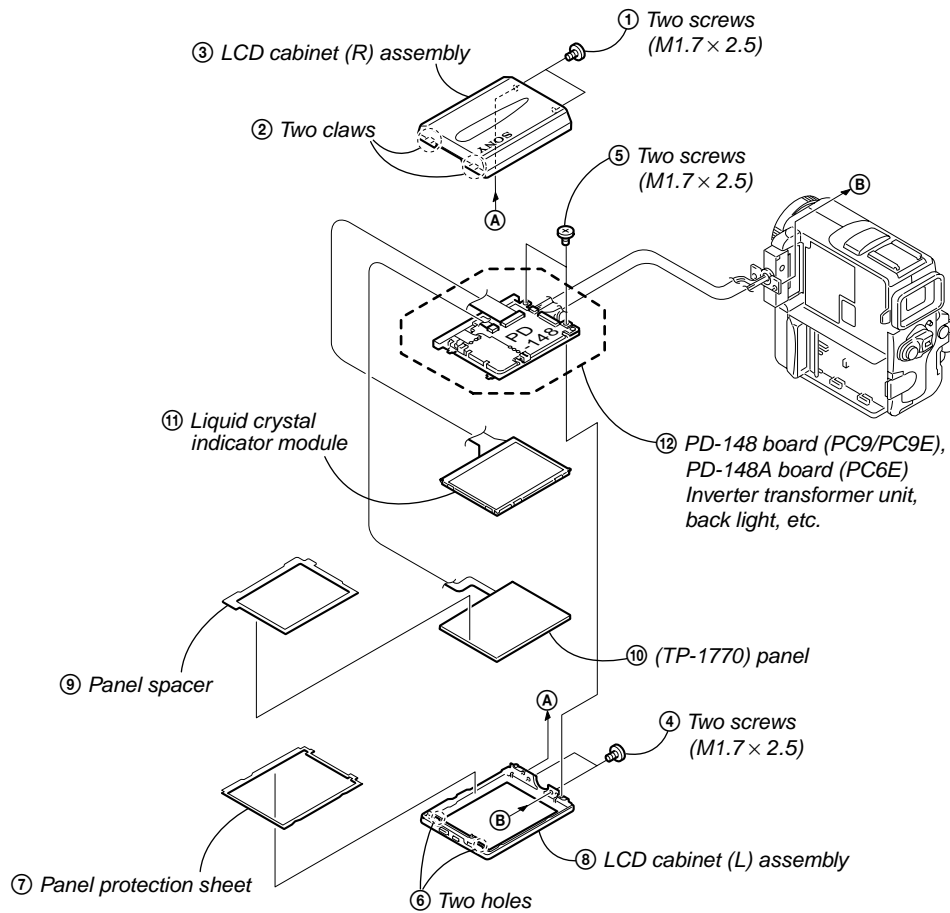


[CONNECTION OF EQUIPMENTS]

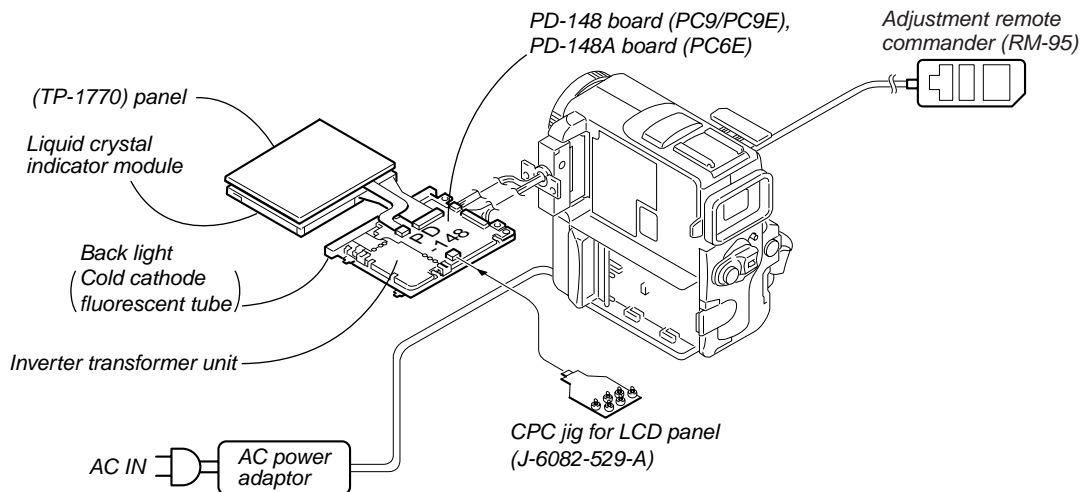


NOTE: Follow the disassembly procedure in the numerical order given.

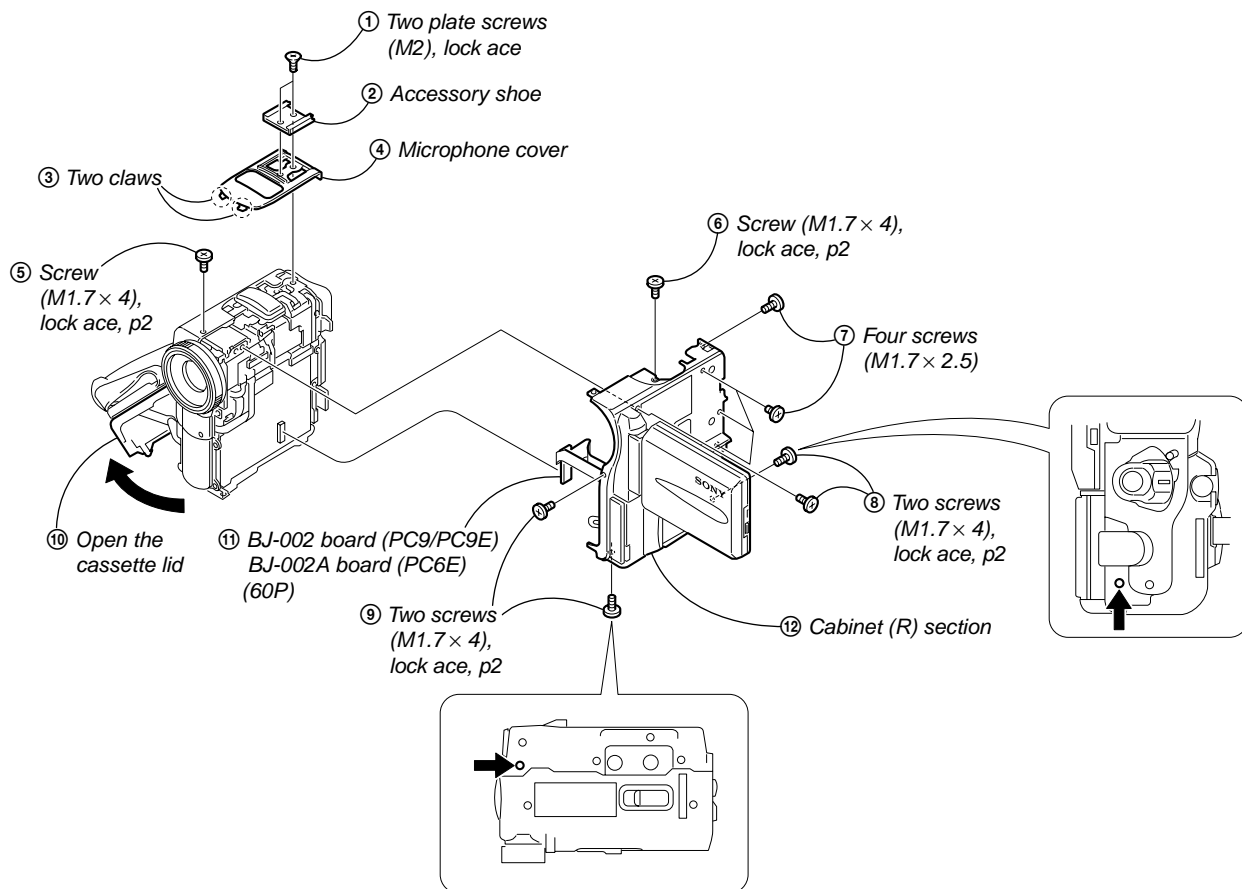
2-1. LCD SECTION (PD-148/148A BOARD)



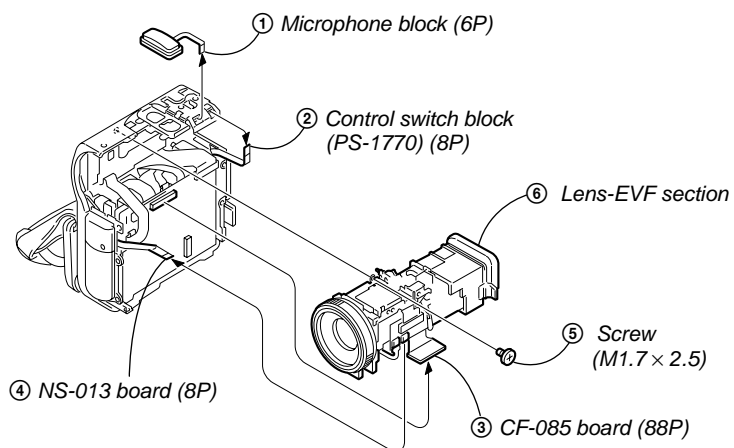
[PD-148/148A BOARD SERVICE POSITION]



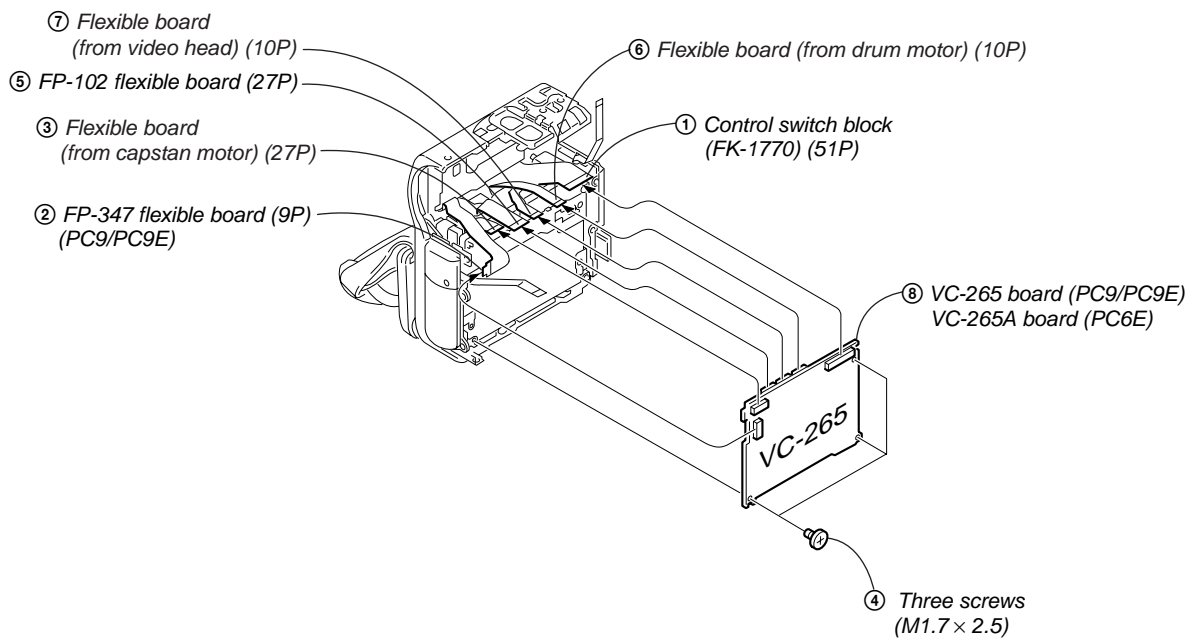
2-2. CABINET (R) SECTION



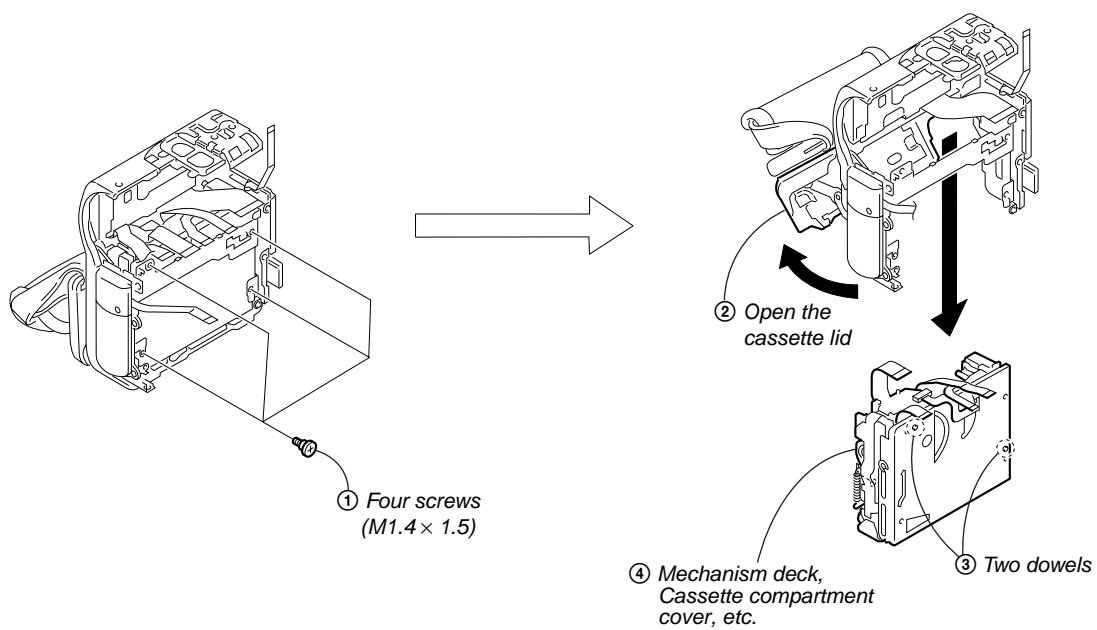
2-3. LENS-EVF SECTION



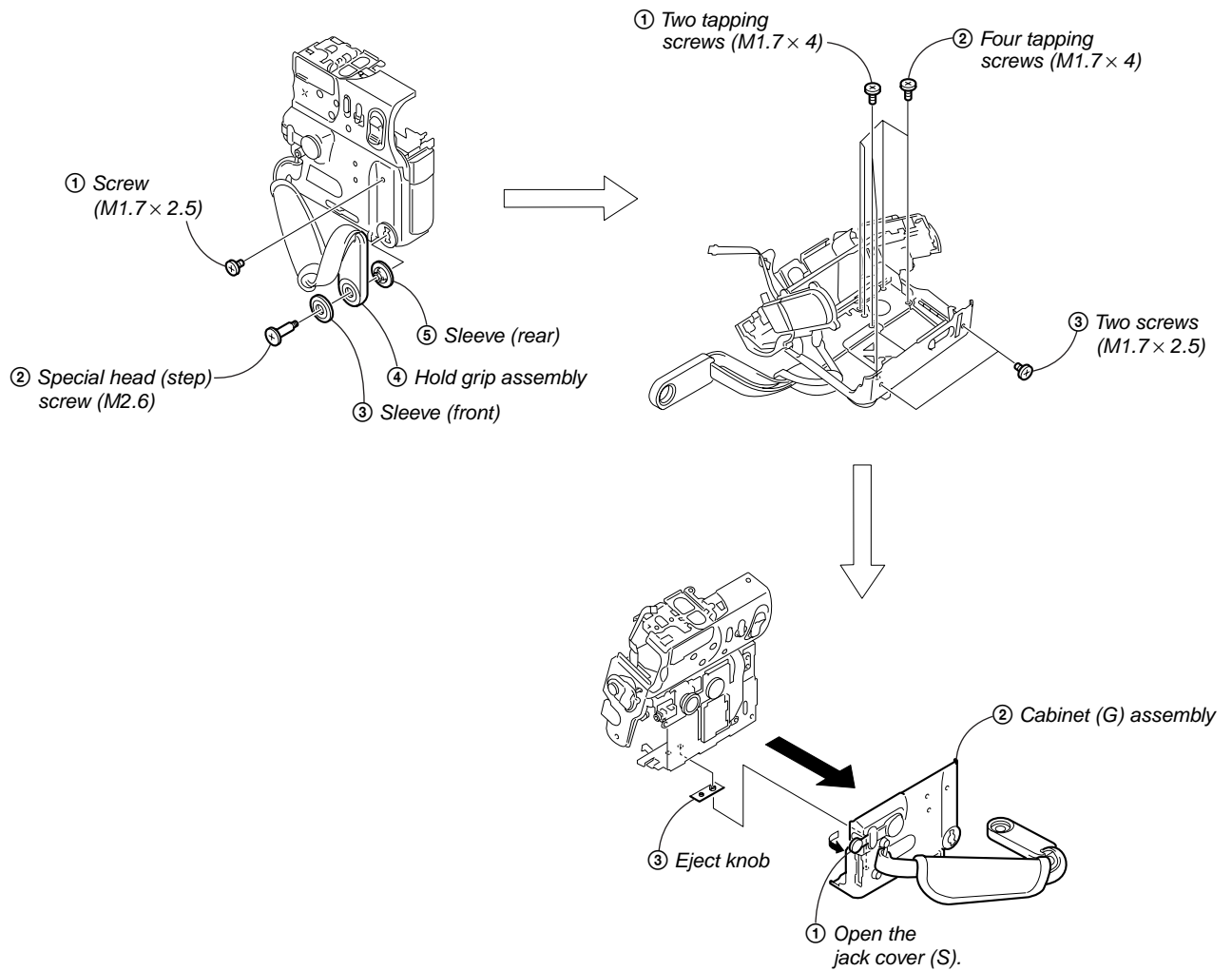
2-4. VC-265/265A BOARD



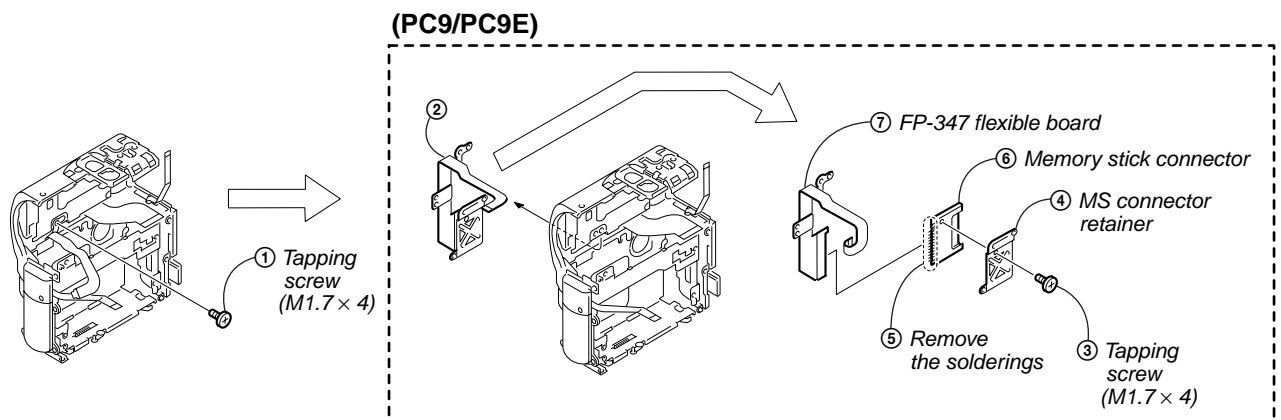
2-5. MECHANISM DECK



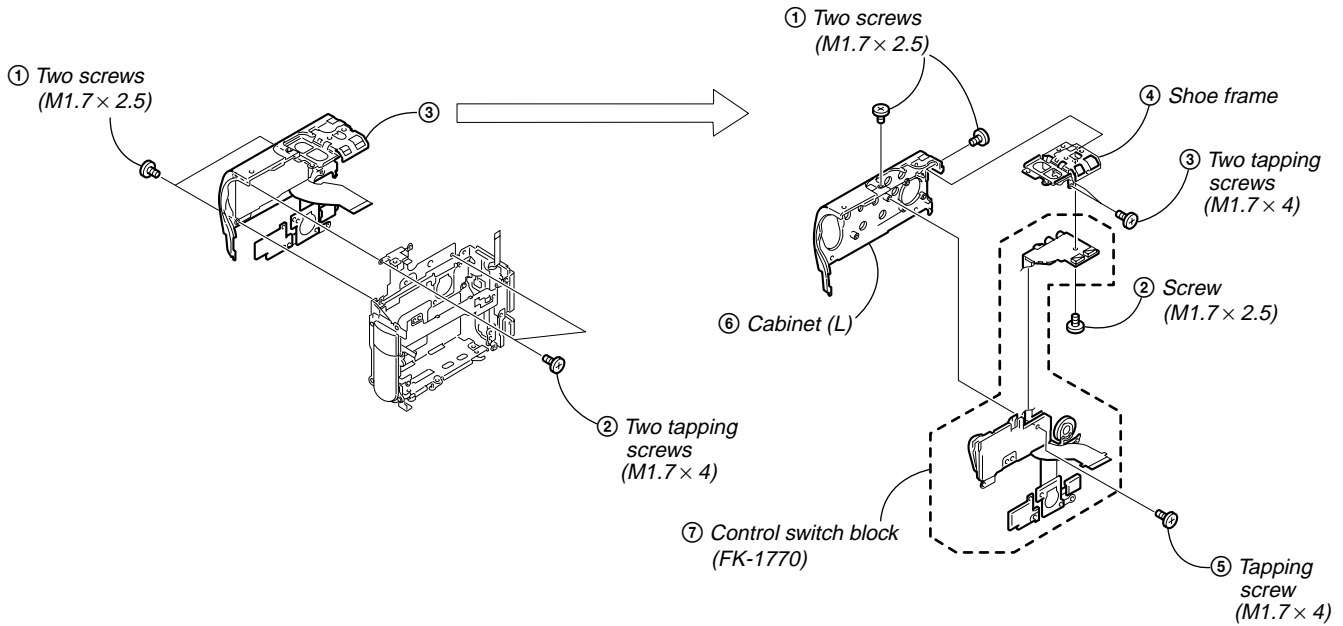
2-6. CABINET (G) ASSEMBLY



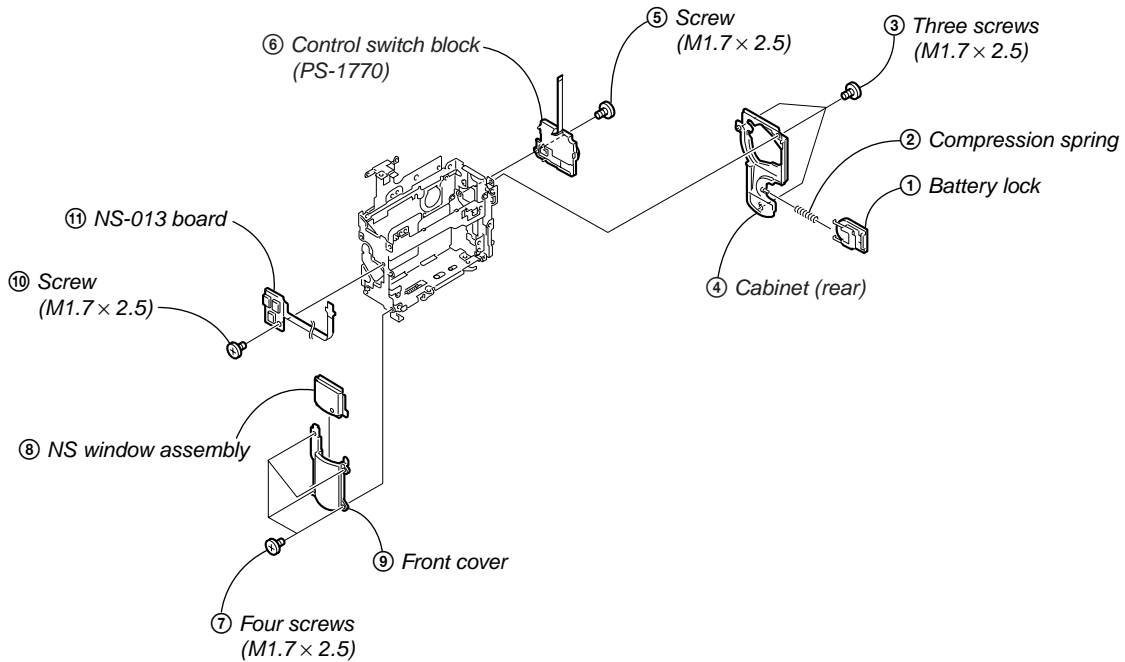
2-7. MEMORY STICK CONNECTOR, FP-347 FLEXIBLE BOARD



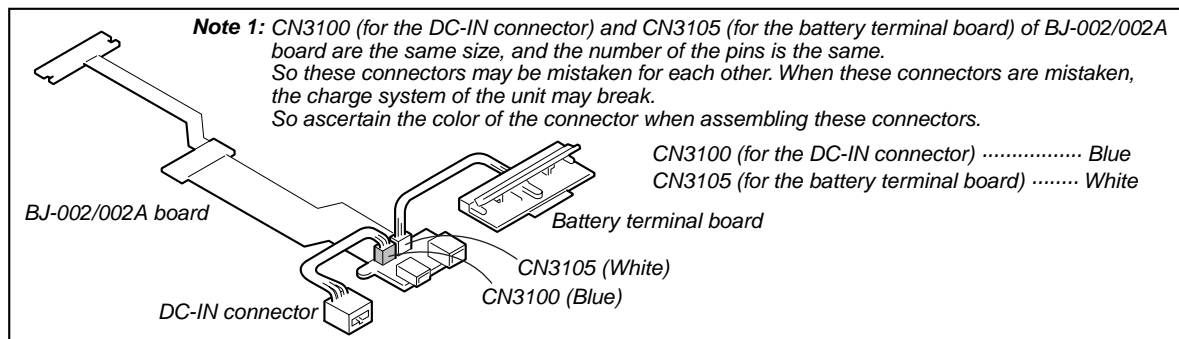
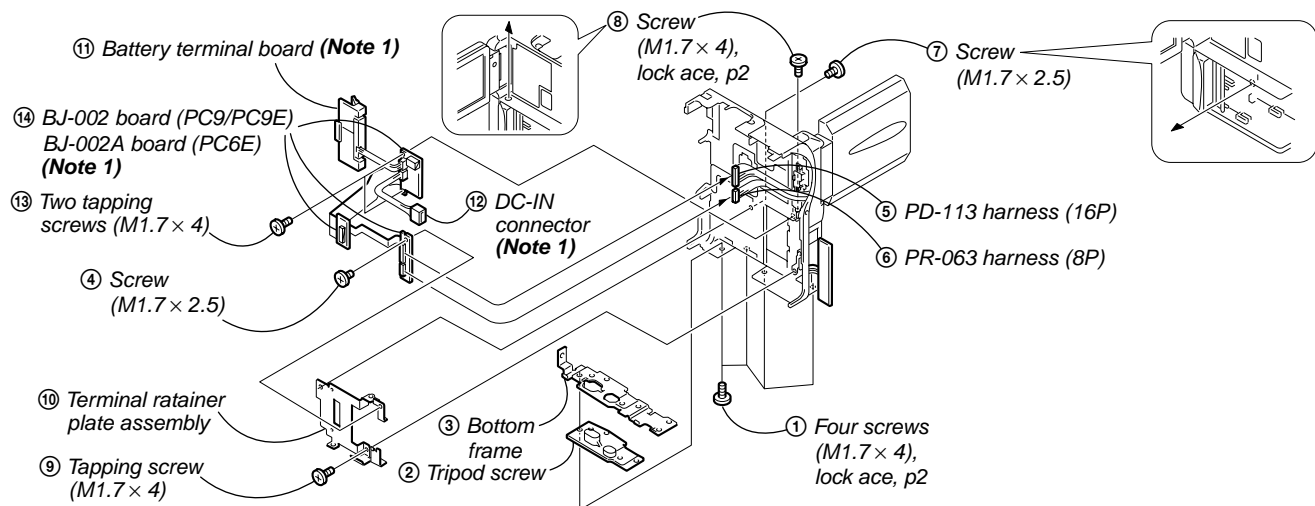
2-8. CONTROL SWITCH BLOCK (FK-1770)



2-9. CONTROL SWITCH BLOCK (PS-1770), NS-013 BOARD



2-10. BJ-002/002A BOARD



[SERVICE POSITION TO CHECK THE VTR SECTION]

Connection to Check the VTR Section

To check the VTR section, set the VTR to the "Forced VTR power ON" mode. (Or, connect the control switch block (PS-1770) to the control switch block (FK-1770) and set the power switch to the "VIDEO" position.)

Operate the VTR function using the adjustment remote commander (with the HOLD switch set in the OFF position).

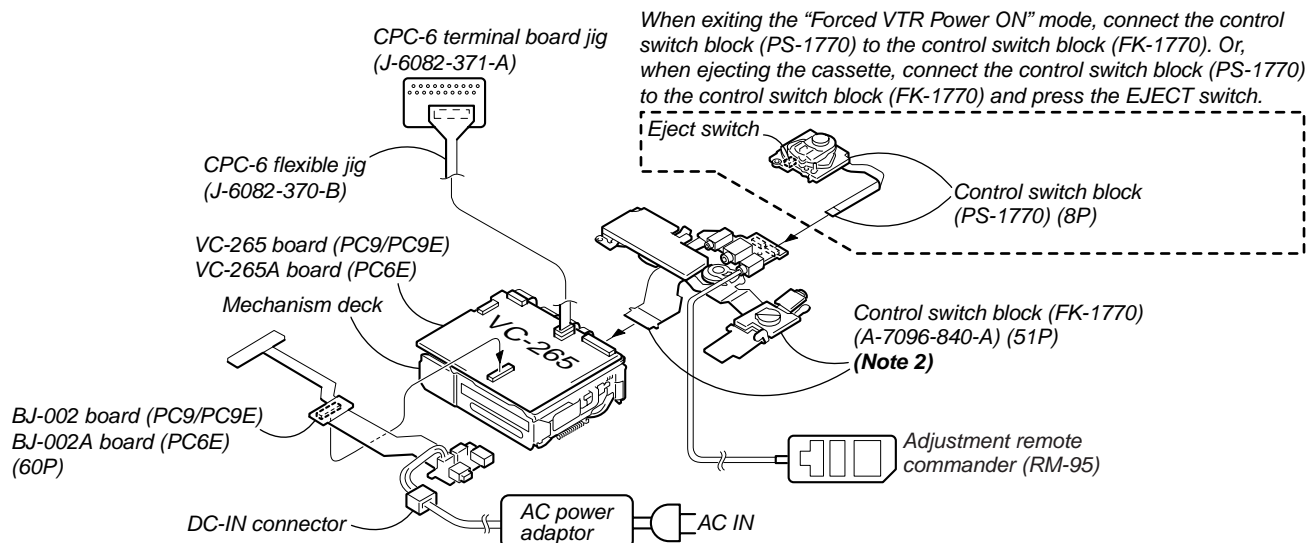
Note 2 : The control switch block (FK-1770) is used for the repair parts as a jig.

Setting the "Forced VTR Power ON" mode

- 1) Select page: 0, address: 01, and set data: 01.
- 2) Select page: D, address: 10, set data: 02 and press the PAUSE button of the adjustment remote commander.

Exiting the "Forced VTR Power ON" mode

- 1) Select page: 0, address: 01, and set data: 01.
- 2) Select page: D, address: 10, data: 00, and press the PAUSE button of the adjustment remote commander.
- 3) Select page: 0, address: 01, and set data: 00.



[SERVICE POSITION TO CHECK THE CAMERA SECTION]

Connection to Check the Camera Section

To check the camera section, set the camera to the "Forced camera power ON" mode. (Or, connect the control switch block (PS-1770) to the control switch block (FK-1770) and set the power switch to the "CAMERA" position.)

Operate the camera functions of the zoom and focus using the adjustment remote commander (with the HOLD switch set in the OFF position).

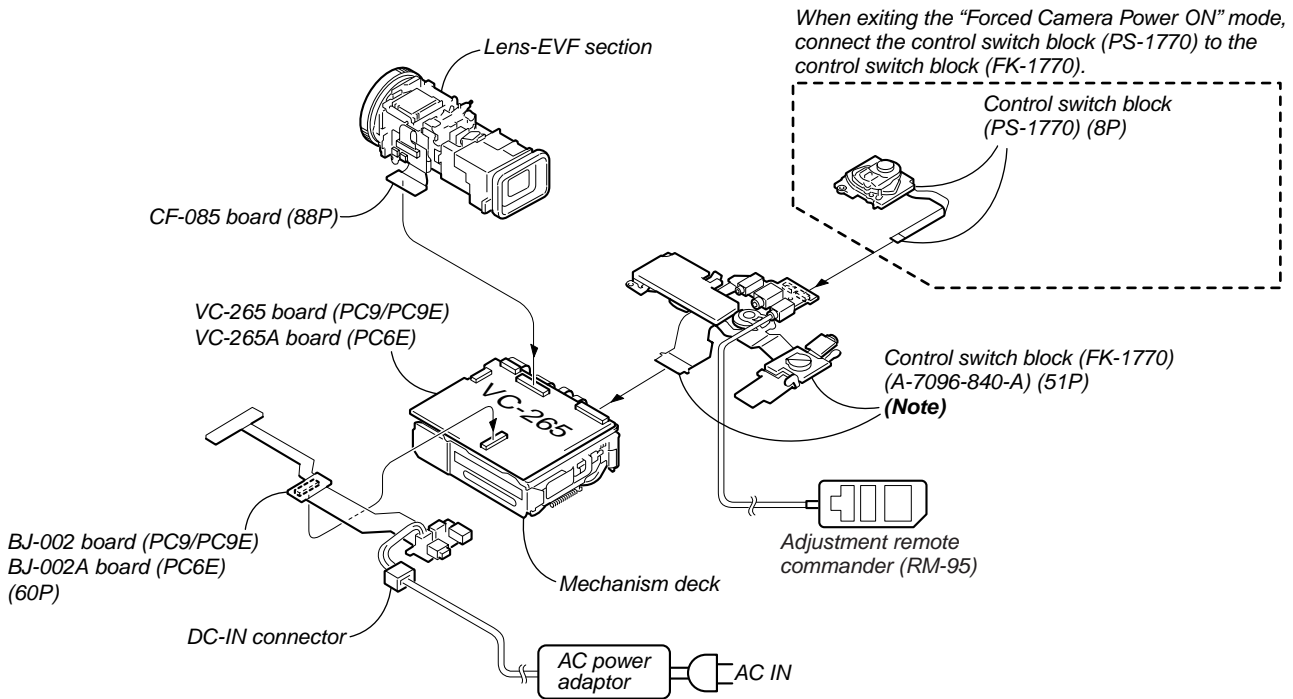
(Note) : The control switch block (FK-1770) is used for the repair parts as a jig.

Setting the "Forced Camera Power ON" mode

- 1) Select page: O, address: 01, and set data: 01.
- 2) Select page: D, address: 10, set data: 01 and press the PAUSE button of the adjustment remote commander.

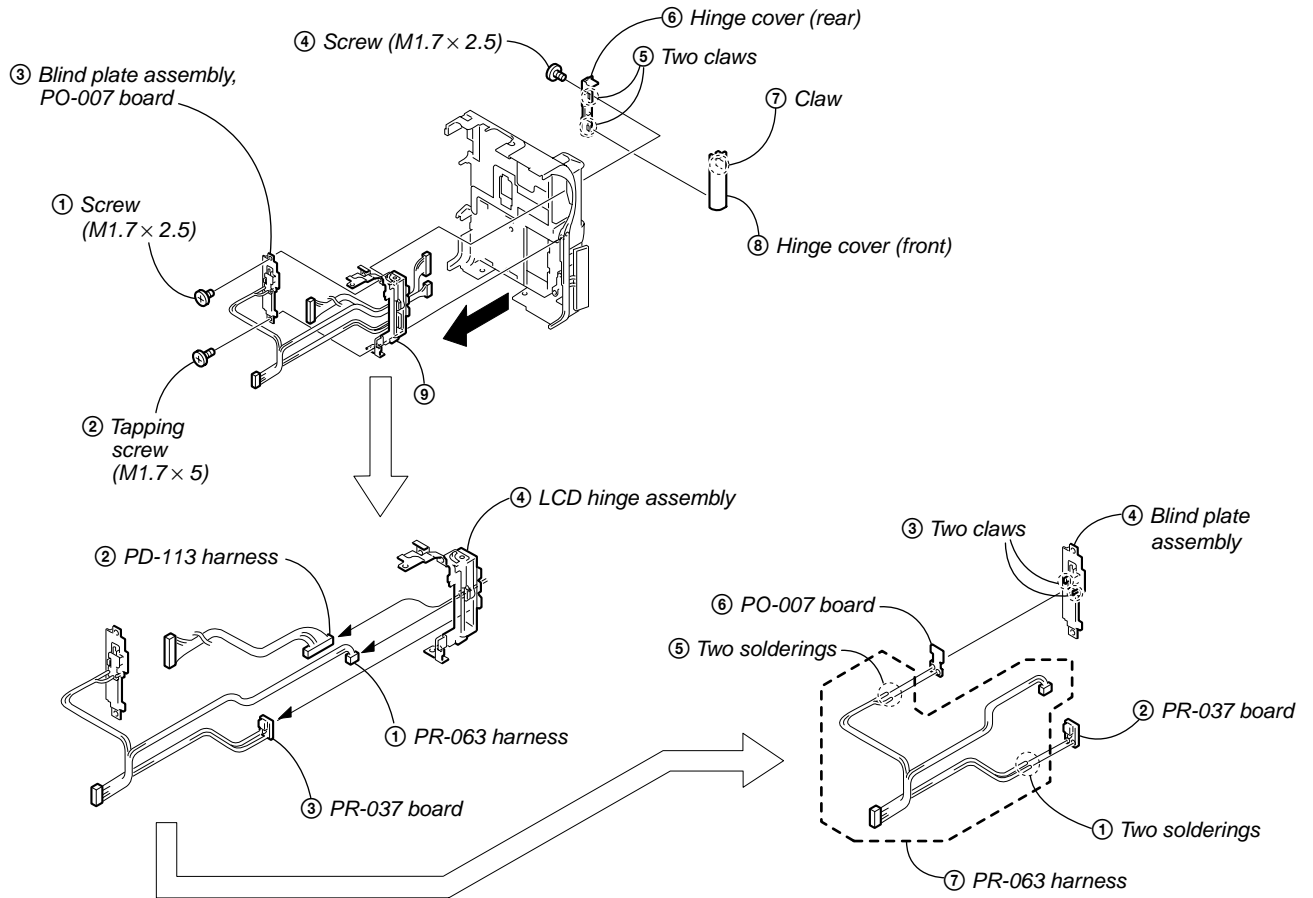
Exiting the "Forced Camera Power ON" mode

- 1) Select page: O, address: 01, and set data: 01.
- 2) Select page: D, address: 10, data: 00, and press the PAUSE button of the adjustment remote commander.
- 3) Select page : 0, address: 01, and set data: 00.



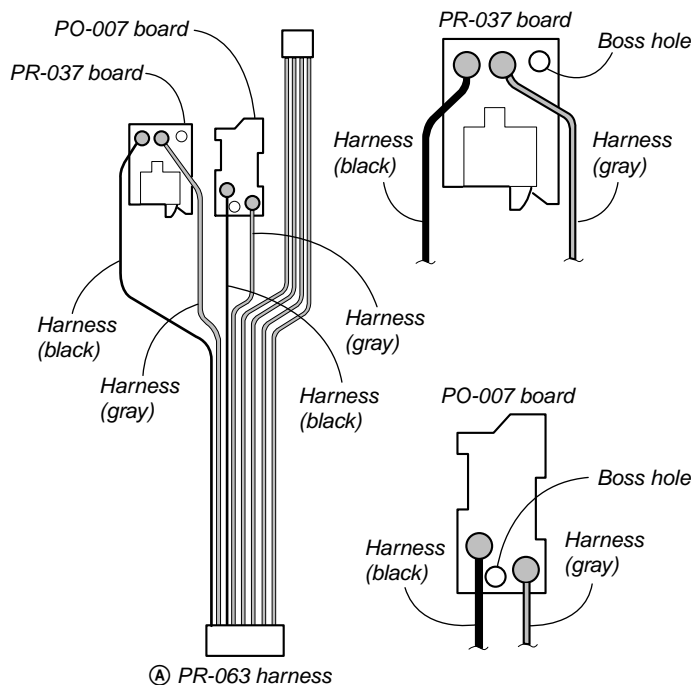
2-11. LCD HINGE ASSEMBLY, PR-037, PO-007 BOARDS

(Remove the LCD unit referring to section 2-1 before starting disassembling.)



SOLDERING OF HARNESS (PR-063)

● Soldering position



① Connect the black harness at the leftmost end of the harness (PR-063) and connect the second gray harness (PR-063) to the PR-037 board by soldering.

② Check that there is no cold soldering, non-soldering, solder slump nor solder bridge.

Note: Align the direction of the harness (A) as shown in the picture.
Be careful that the harness must not be caught by the boss hole.

③ Connect the third black harness and the fourth gray harness from the leftmost end of the PO-007 board by soldering.

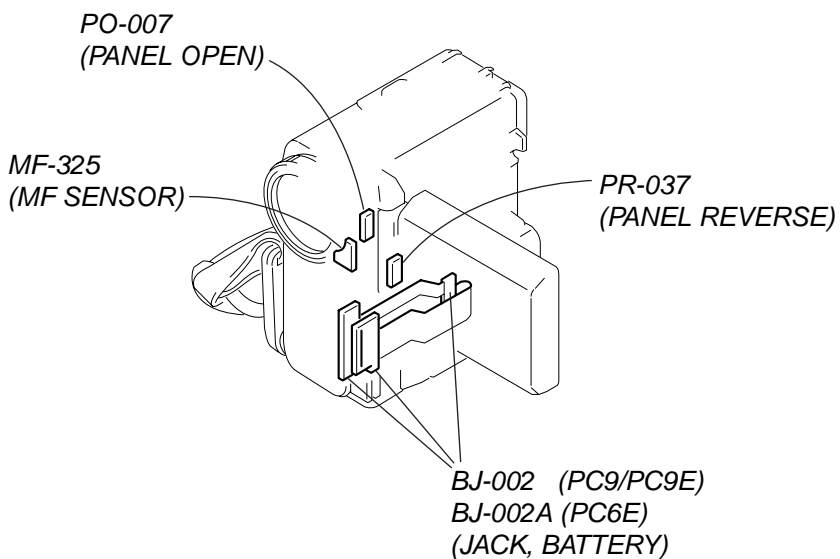
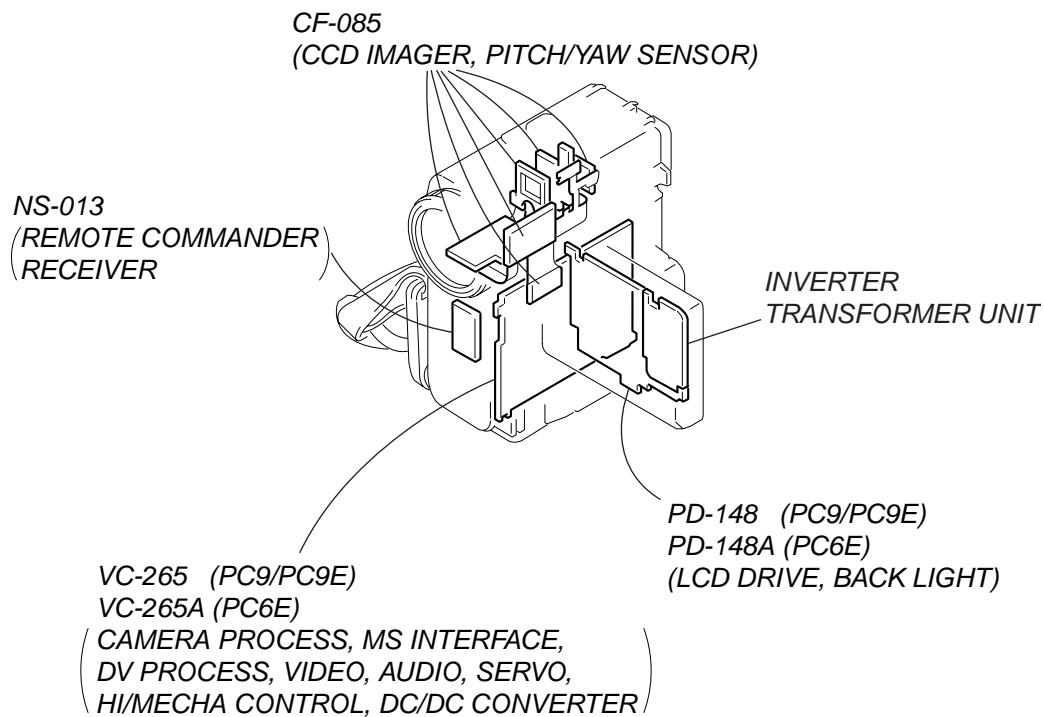
④ Check that there is no cold soldering, non-soldering, solder slump nor solder bridge.

Note: Align the direction of the harness (A) as shown in the picture.
Be careful that the harness must not be caught by the boss hole.

Specification

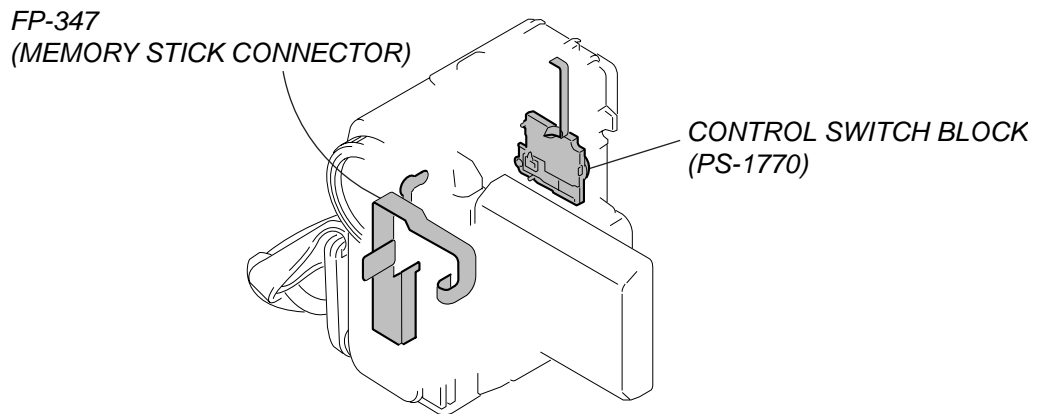
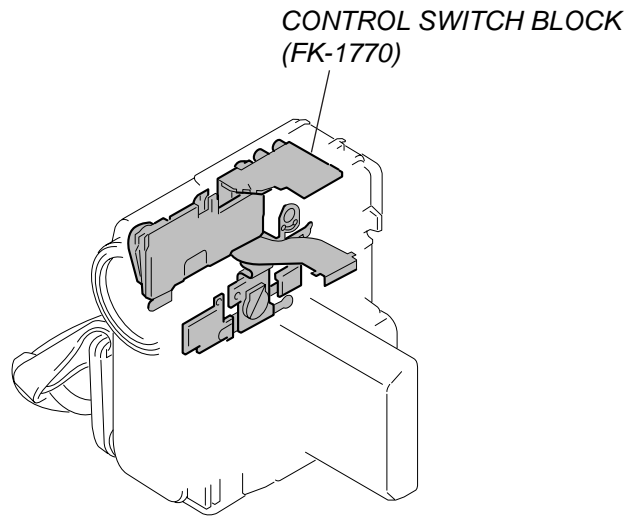
Reference of counting the harness starts counting from the black harness in the end.

2-12. CIRCUIT BOARDS LOCATION



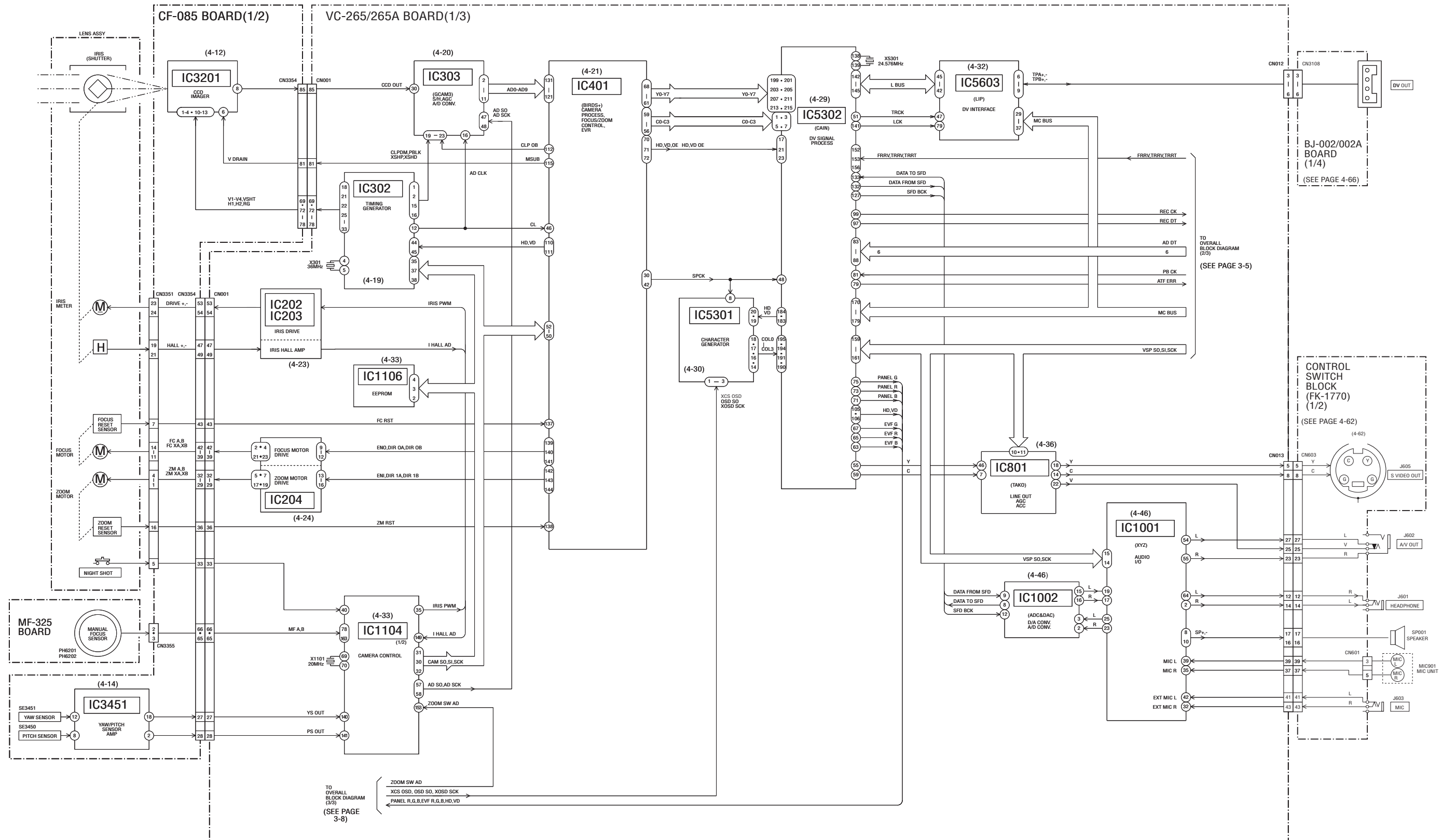
2-13. FLEXIBLE BOARDS LOCATION

The flexible boards contained in the mechanism deck and that in the lens device are not shown.

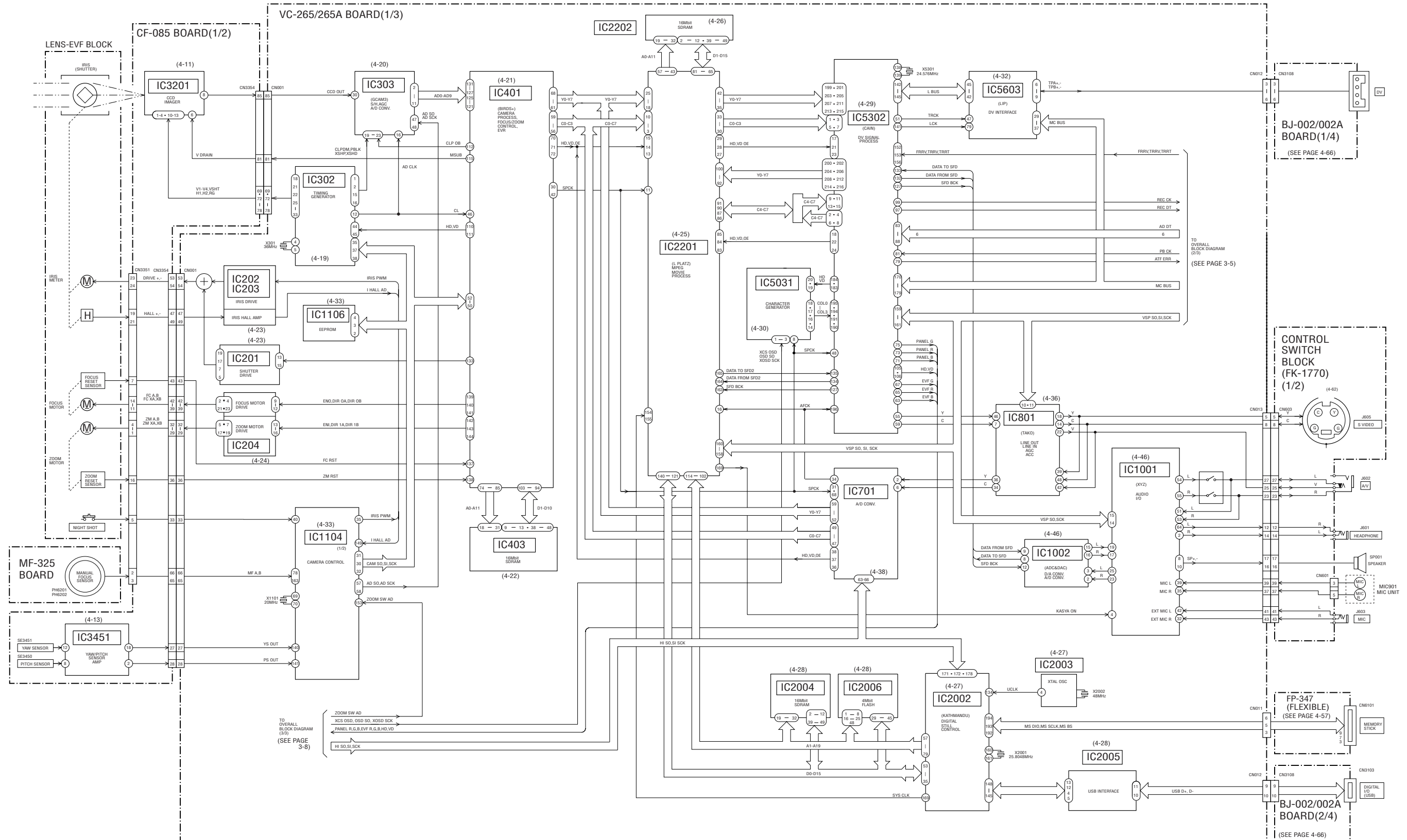


SECTION 3
BLOCK DIAGRAMS

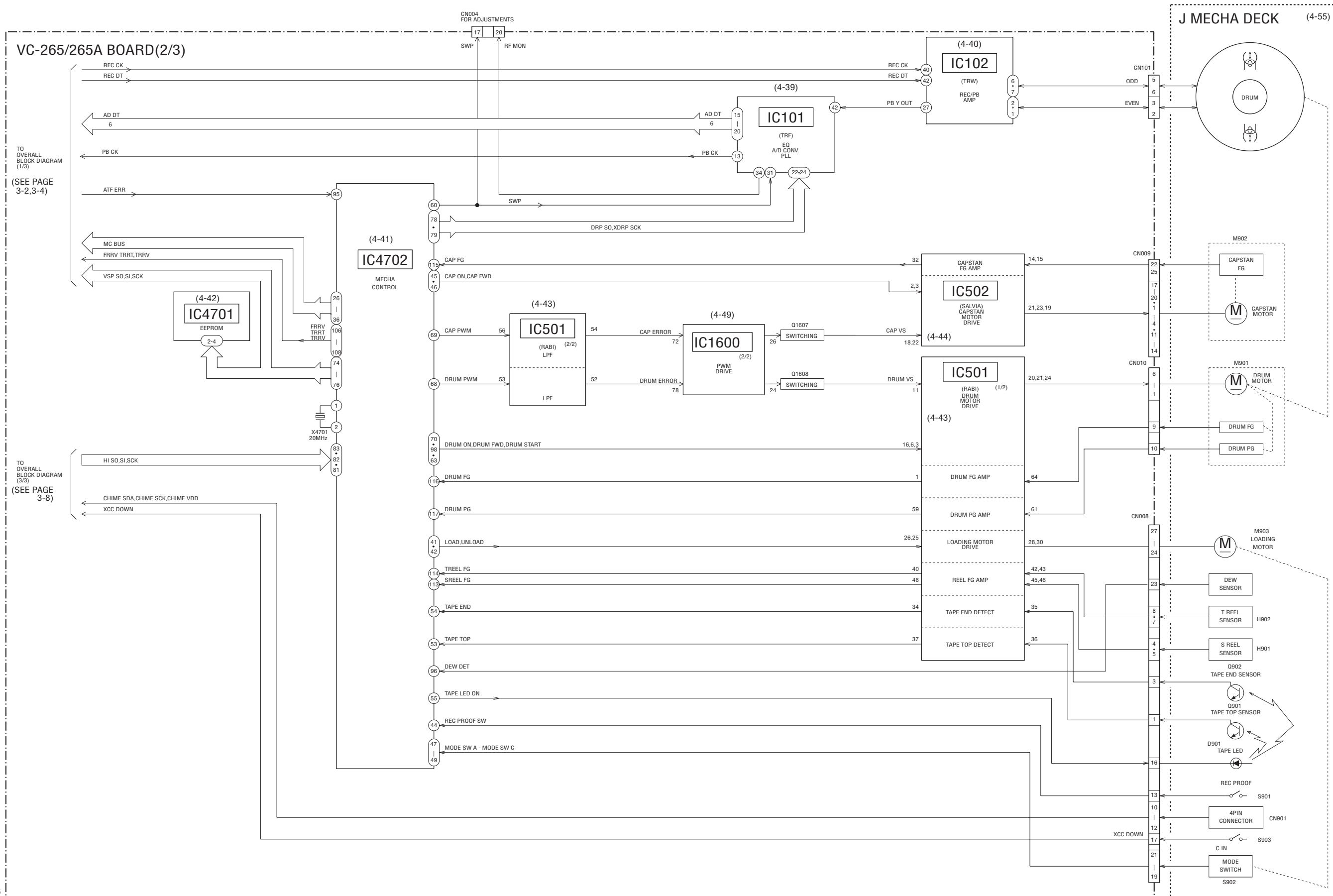
3-1. OVERALL BLOCK DIAGRAM (1/3)(DCR-PC6E) () : Page No. shown in () indicates the page to refer on the schematic diagram.



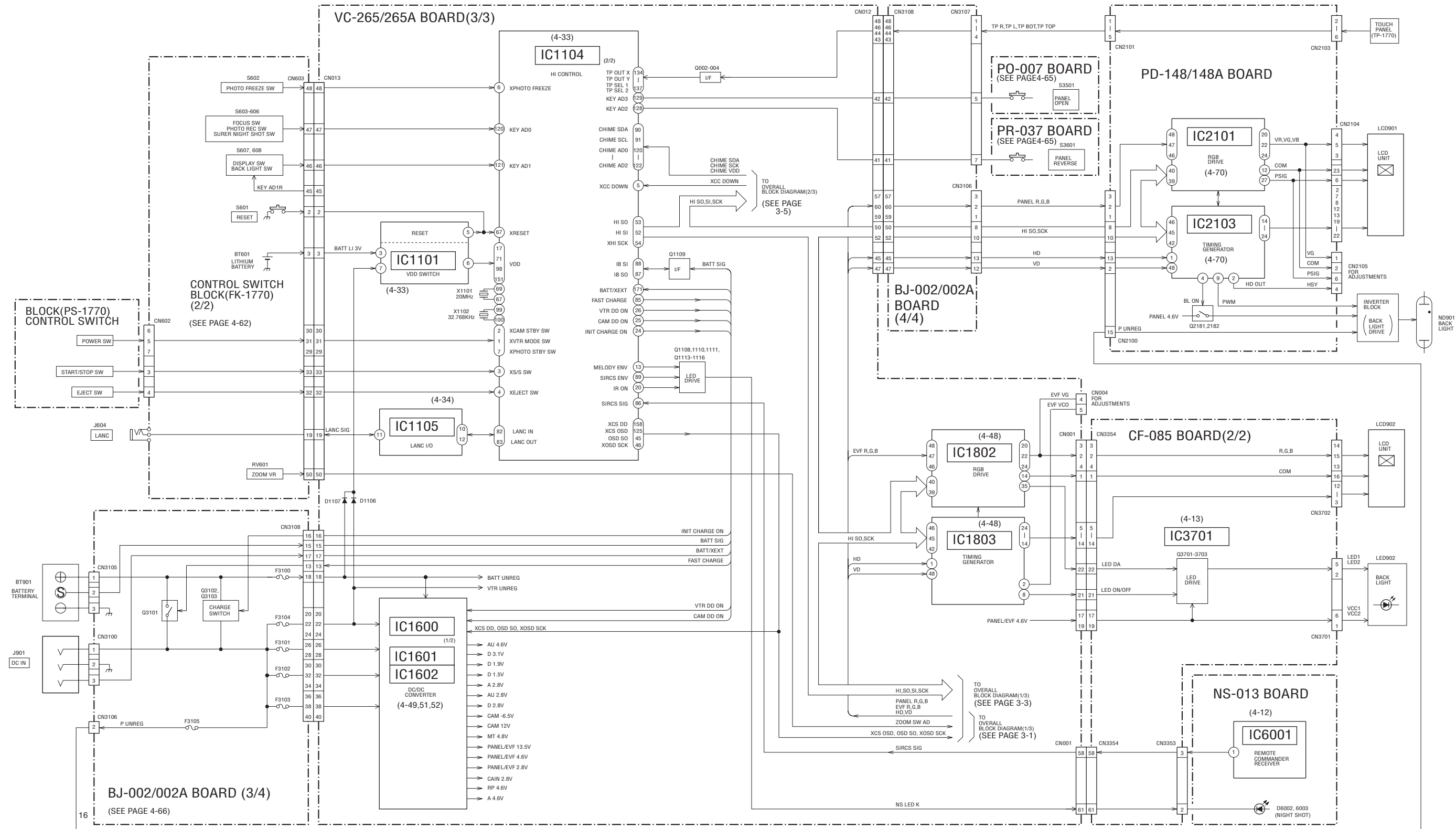
3-2. OVERALL BLOCK DIAGRAM (1/3)(DCR-PC9/PC9E) () : Page No. shown in () indicates the page to refer on the schematic diagram.



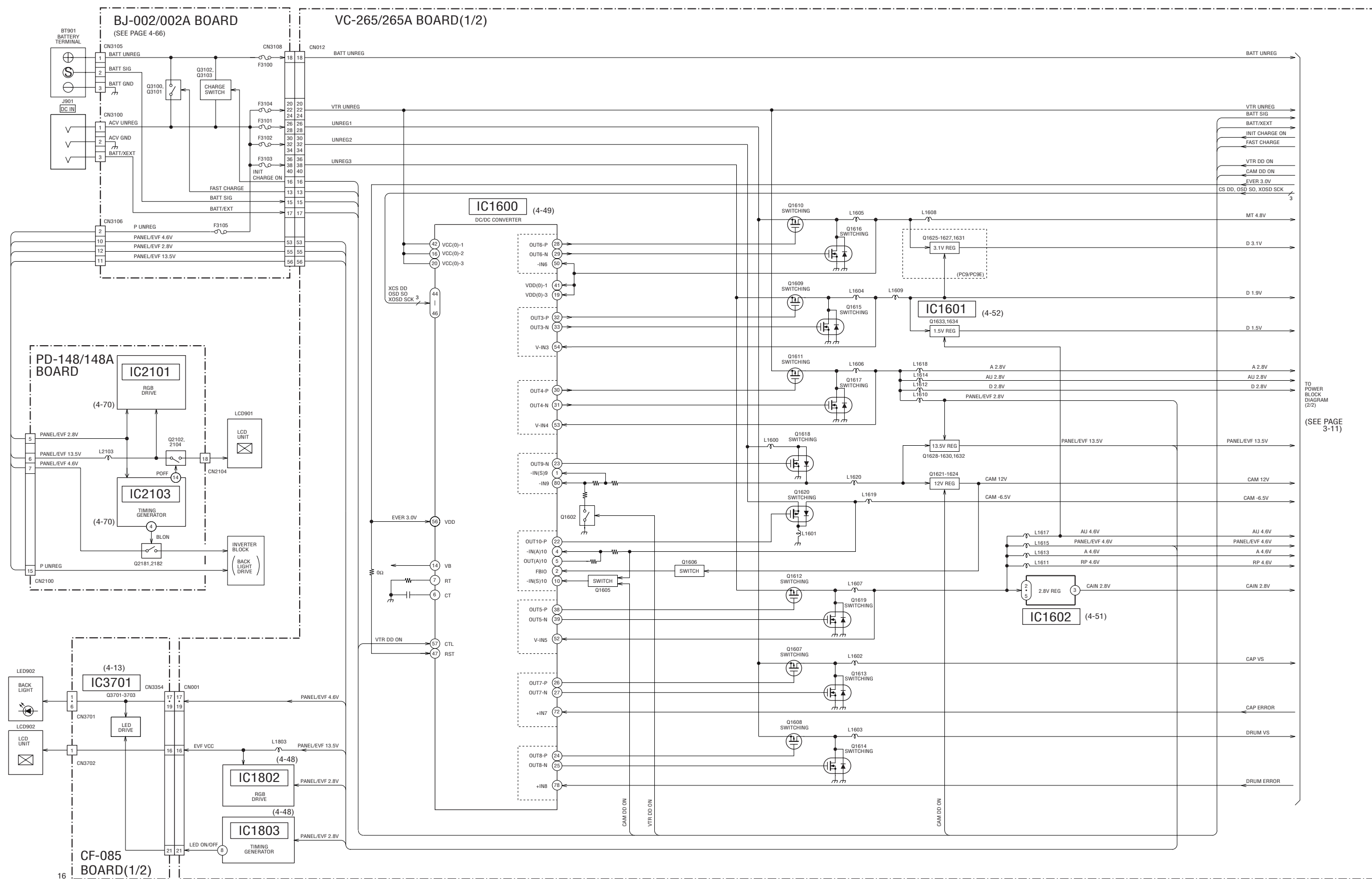
3-3. OVERALL BLOCK DIAGRAM (2/3) () : Page No. shown in () indicates the page to refer on the schematic diagram.



3-4. OVERALL BLOCK DIAGRAM (3/3) () : Page No. shown in () indicates the page to refer on the schematic diagram.

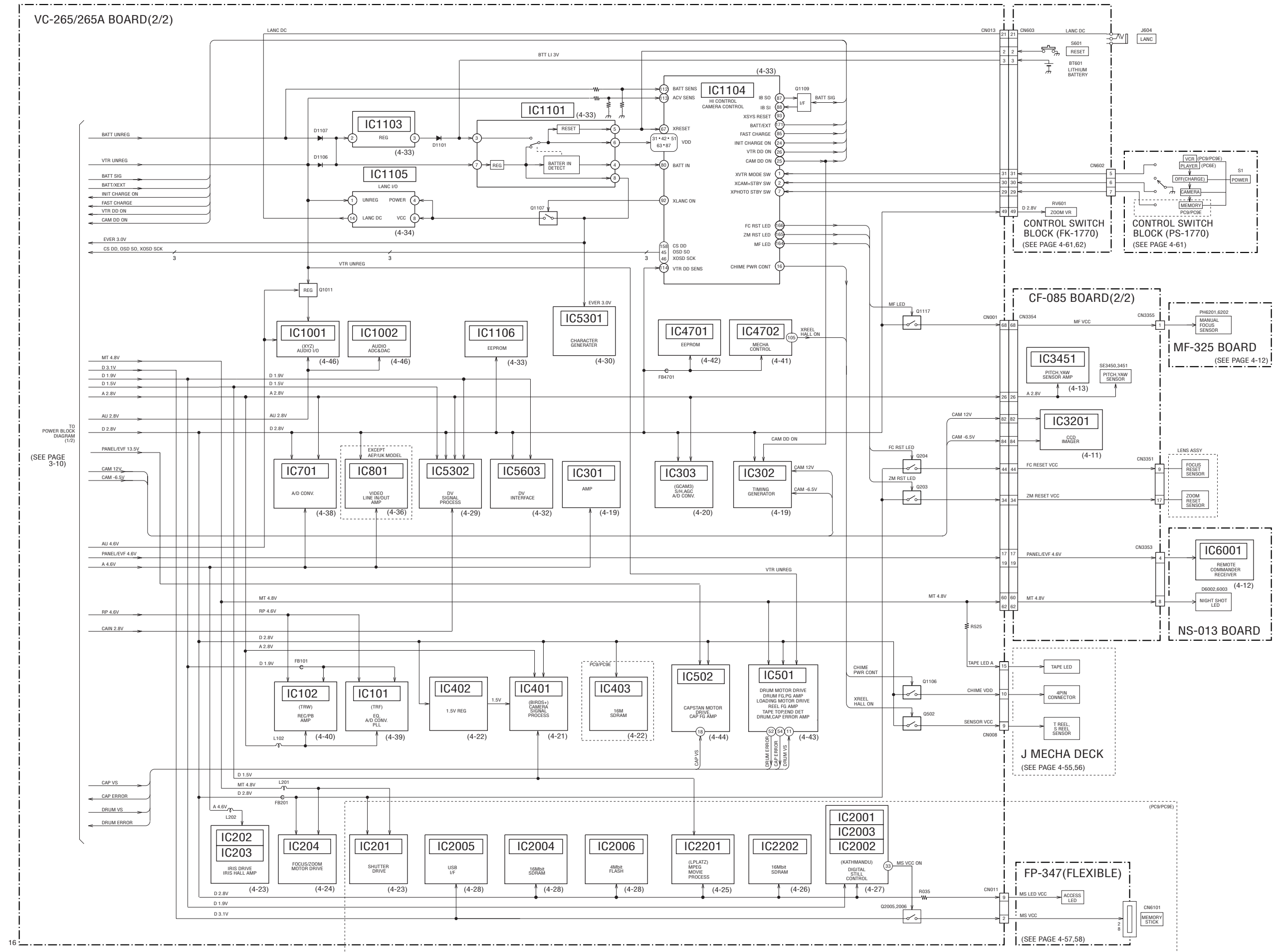


3-5. POWER BLOCK DIAGRAM (1/2) () : Page No. shown in () indicates the page to refer on the schematic diagram.

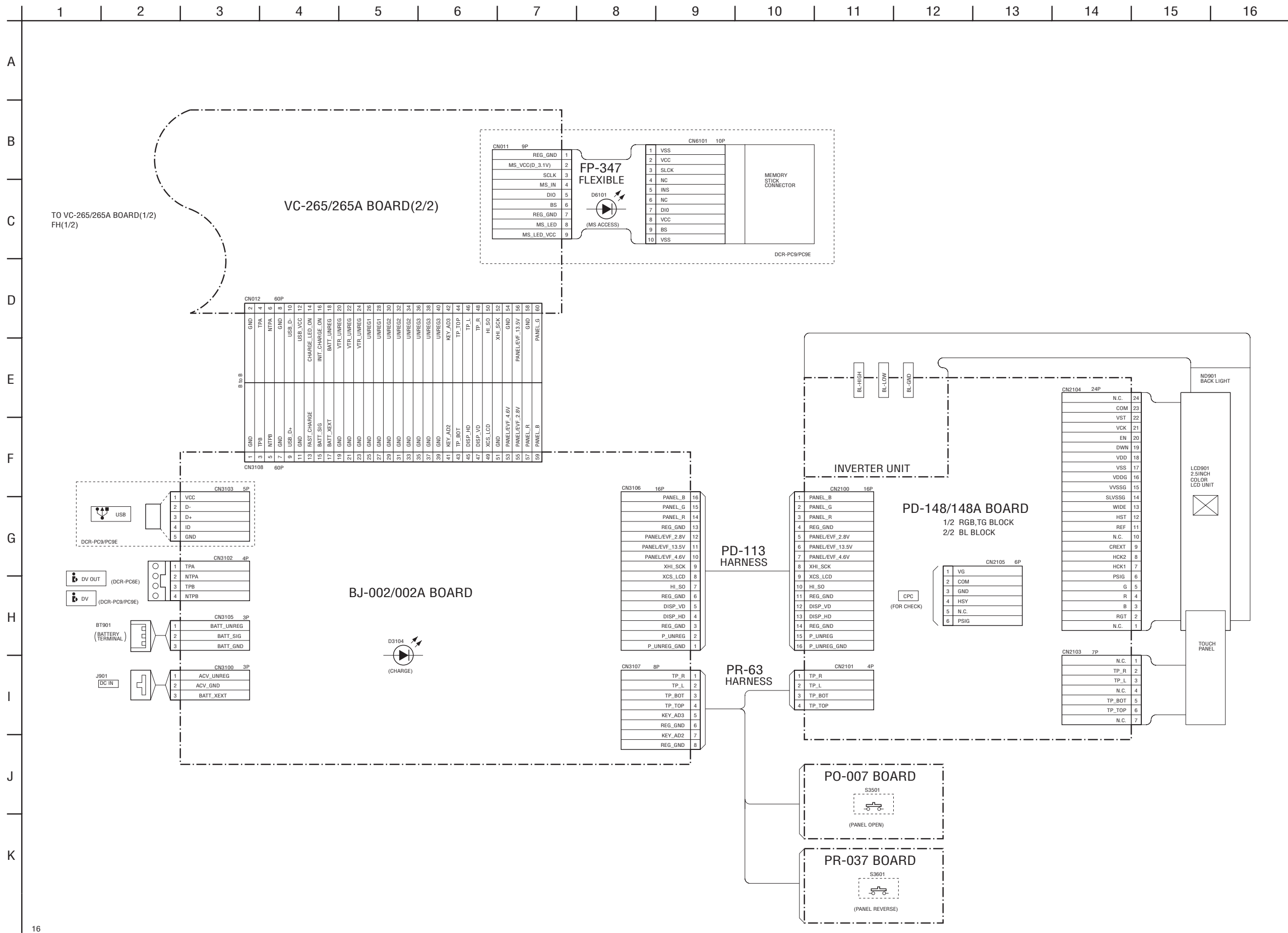


TO POWER BLOCK DIAGRAM (2/2)
(SEE PAGE 3-11)

3-6. POWER BLOCK DIAGRAM (2/2) () : Page No. shown in () indicates the page to refer on the schematic diagram.



FRAME SCHEMATIC DIAGRAM (2/2)

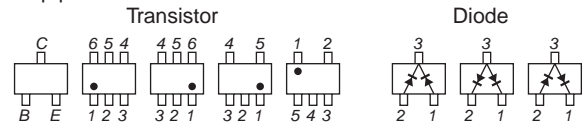


4-2. PRINTED WIRING BOARDS AND SCHEMATIC DIAGRAMS

THIS NOTE IS COMMON FOR WIRING BOARDS AND SCHEMATIC DIAGRAMS
(In addition to this, the necessary note is printed in each block)

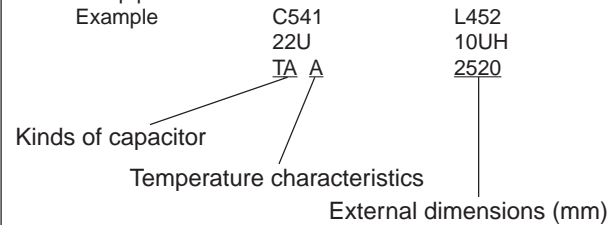
(For printed wiring boards)

- : Pattern from the side which enables seeing.
(The other layers' patterns are not indicated.)
- Through hole is omitted.
- Circled numbers refer to waveforms.
- There are few cases that the part printed on diagram isn't mounted in this model.
- Chip parts.



(For schematic diagrams)

- All capacitors are in μF unless otherwise noted. p: pF. 50V or less are not indicated except for electrolytics and tantalums.
- Chip resistors are 1/10W unless otherwise noted. $\text{k}\Omega=1000\Omega$, $\text{M}\Omega=1000\text{k}\Omega$.
- Caution when replacing chip parts.
New parts must be attached after removal of chip.
Be careful not to heat the minus side of tantalum capacitor, Because it is damaged by the heat.
- Some chip part will be indicated as follows.



- Constants of resistors, capacitors, ICs and etc with XX indicate that they are not used.
In such cases, the unused circuits may be indicated.
- All variable and adjustable resistors have characteristic curve B, unless otherwise noted.
- Signal name
XEDIT \rightarrow EDIT PB/XREC \rightarrow PB/REC
- : non flammable resistor
- : fusible resistor
- : panel designation
- : B+ Line *
- : B- Line *
- : IN/OUT direction of (+,-) B LINE. *
- : adjustment for repair. *
- Circled numbers refer to waveforms. *

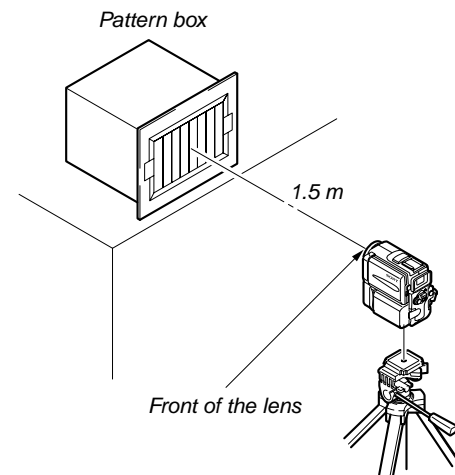
Note :
The components identified by mark Δ or dotted line with mark Δ are critical for safety. Replace only with part number specified.

Note :
Les composants identifiés par une marque Δ sont critiques pour la sécurité. Ne les remplacer que par une pièce portant le numéro spécifié.

(Measuring conditions voltage and waveform)

- Voltages and waveforms are measured between the measurement points and ground when camera shoots color bar chart of pattern box. They are reference values and reference waveforms. *
- (VOM of DC 10 M Ω input impedance is used.)
- Voltage values change depending upon input impedance of VOM used.) *

1. Connection



2. Adjust the distance so that the output waveform of Fig. a and the Fig. b can be obtain.

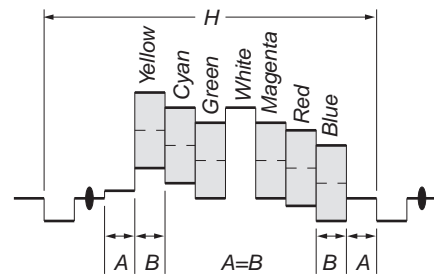


Fig. a (Video output terminal output waveform)

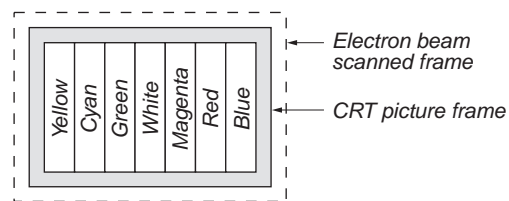
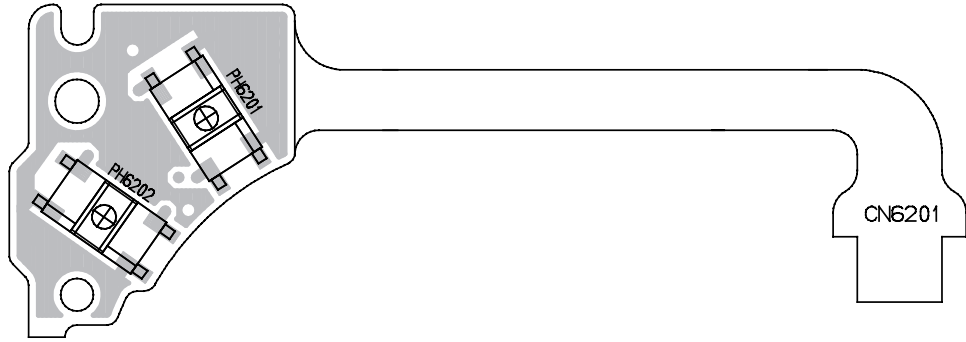


Fig. b (Picture on monitor TV)

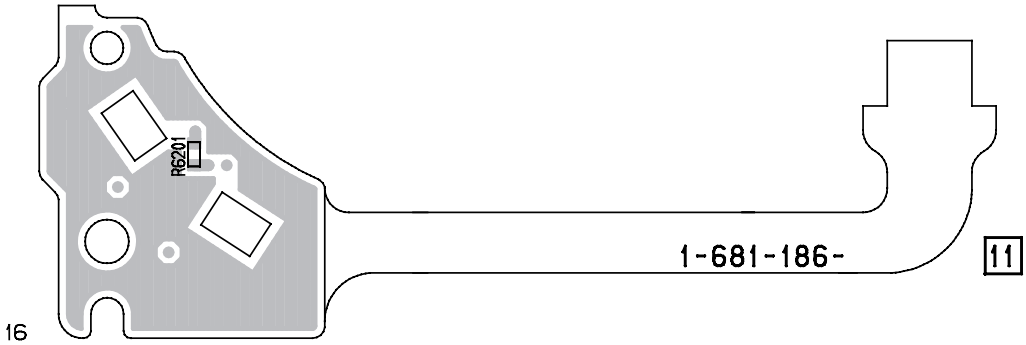
When indicating parts by reference number, please include the board name.

MF-325 (MF SENSOR), NS-013 (REMOTE COMMANDER RECEIVER) PRINTED WIRING BOARDS
 — Ref. No. MF-325, NS-013 Boards; 20,000 Series —

MF-325 BOARD (SIDE A)



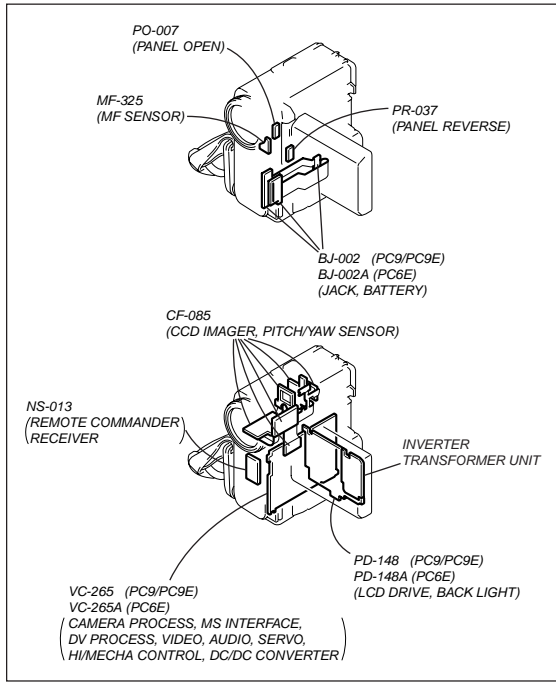
MF-325 BOARD (SIDE B)



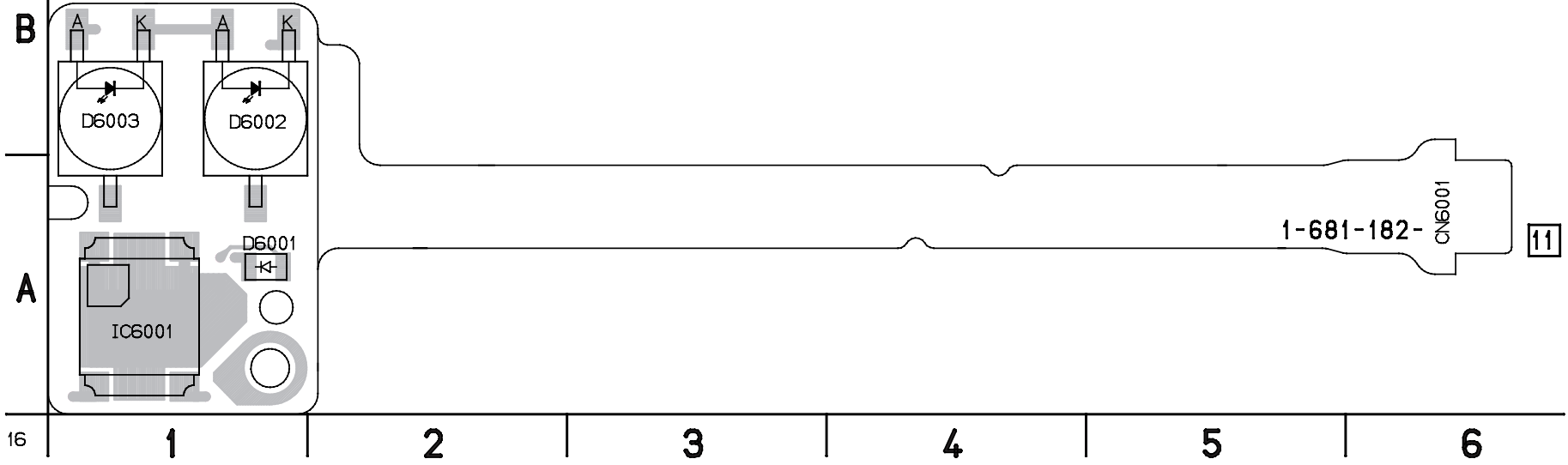
For printed wiring board

- Refer to page 4-78 for parts location. (NS-013 board)
- MF-325 board consists of multiple layers. However, only the sides (layers) A and B are shown.
- NS-013 board consists of multiple layers. However, only the side (layer) A is shown.

There are a few cases that the part printed on this diagram isn't mounted in this model.



NS-013 BOARD



For Schematic Diagram

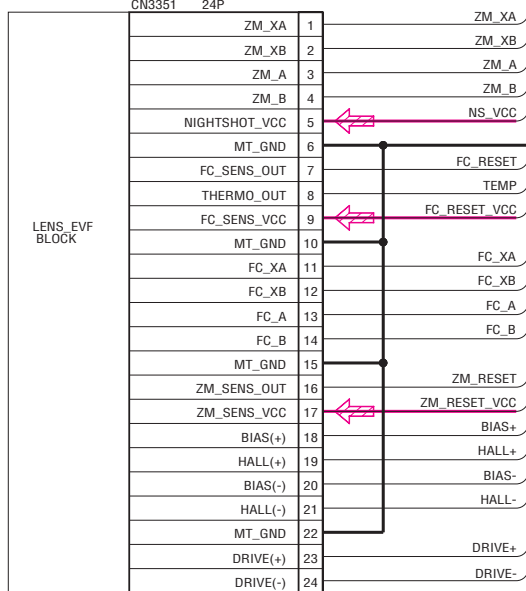
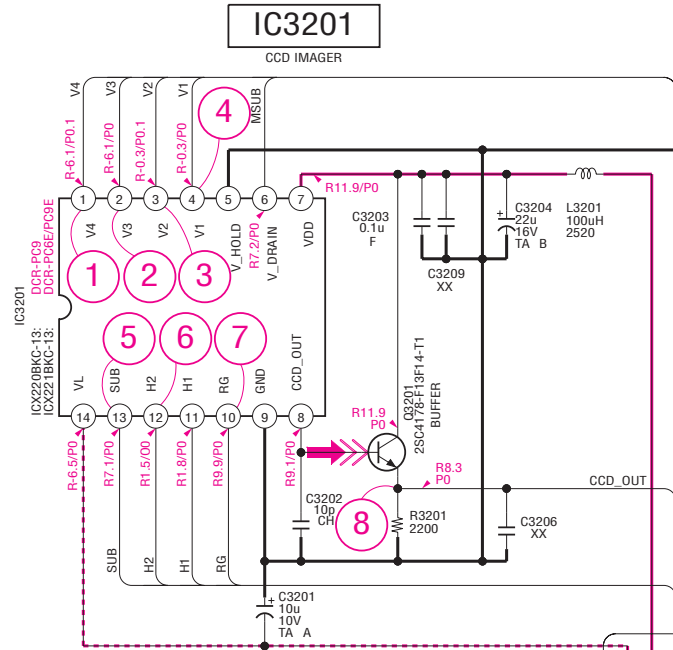
- Refer to page 4-9 for CF-085 printed wiring board.
- Refer to page 4-7 for MF-325, NS-013 printed wiring boards.
- Refer to page 4-73 for waveforms.



**CF-085 BOARD(1/2)
CCD IMAGER(CD BLOCK)**

-REF.NO.:20000 SERIES-
XX MARK:NO MOUNT

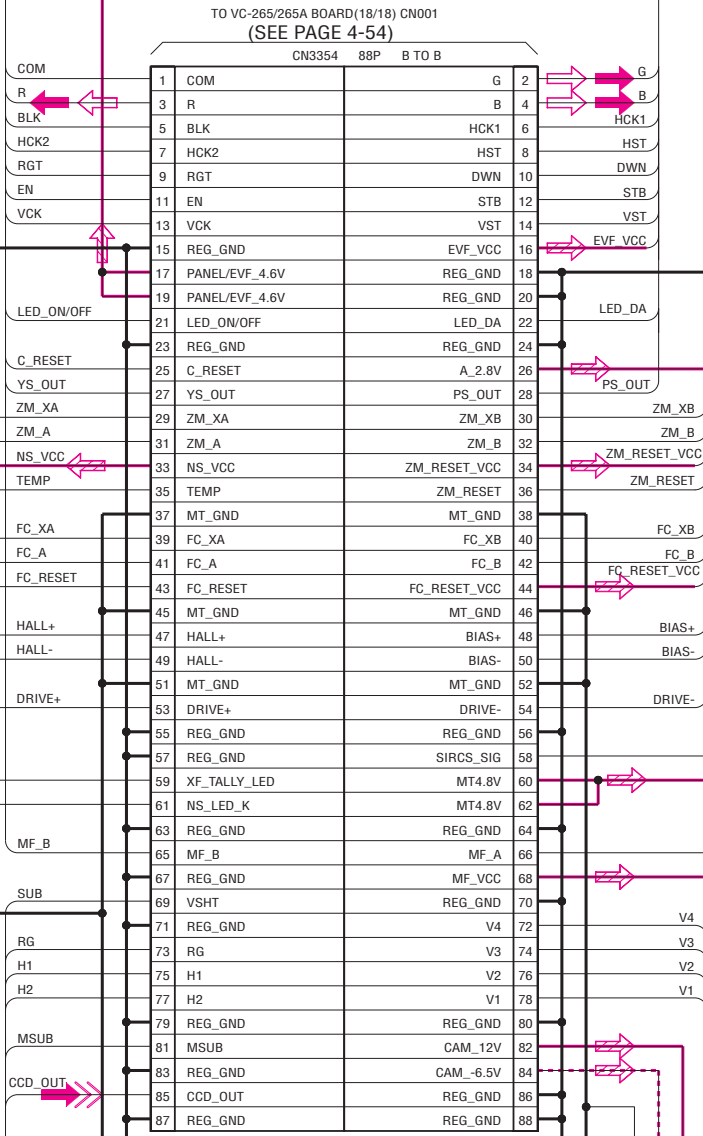
NO MARK:REC/PB MODE
R :REC MODE
P :PB MODE



LENS-EVF BLOCK is replaced as a block.
So that these PRINTED WIRING BOARD and
SCHEMATIC DIAGRAM are omitted.

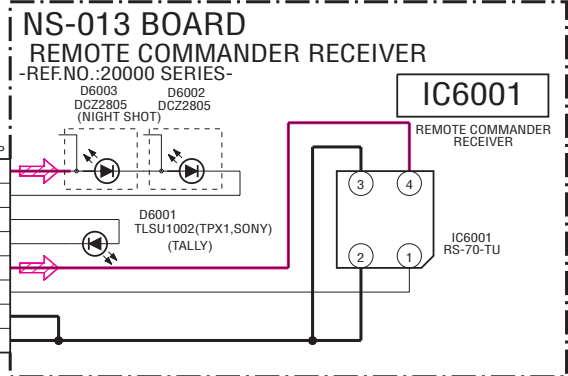
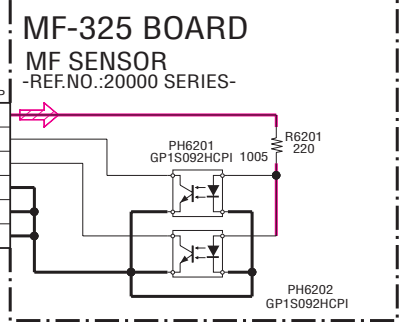
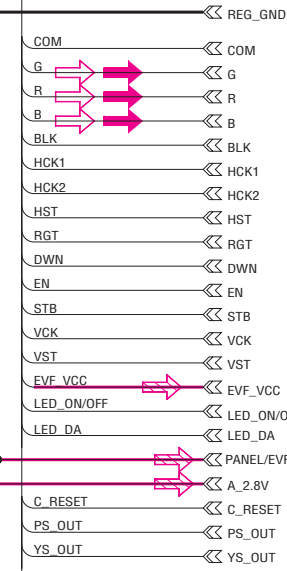
SIGNAL PATH

	VIDEO SIGNAL		
	CHROMA	Y	Y/CHROMA
REC	→		→→
PB	→		



Precautions Upon Replacing CCD imager

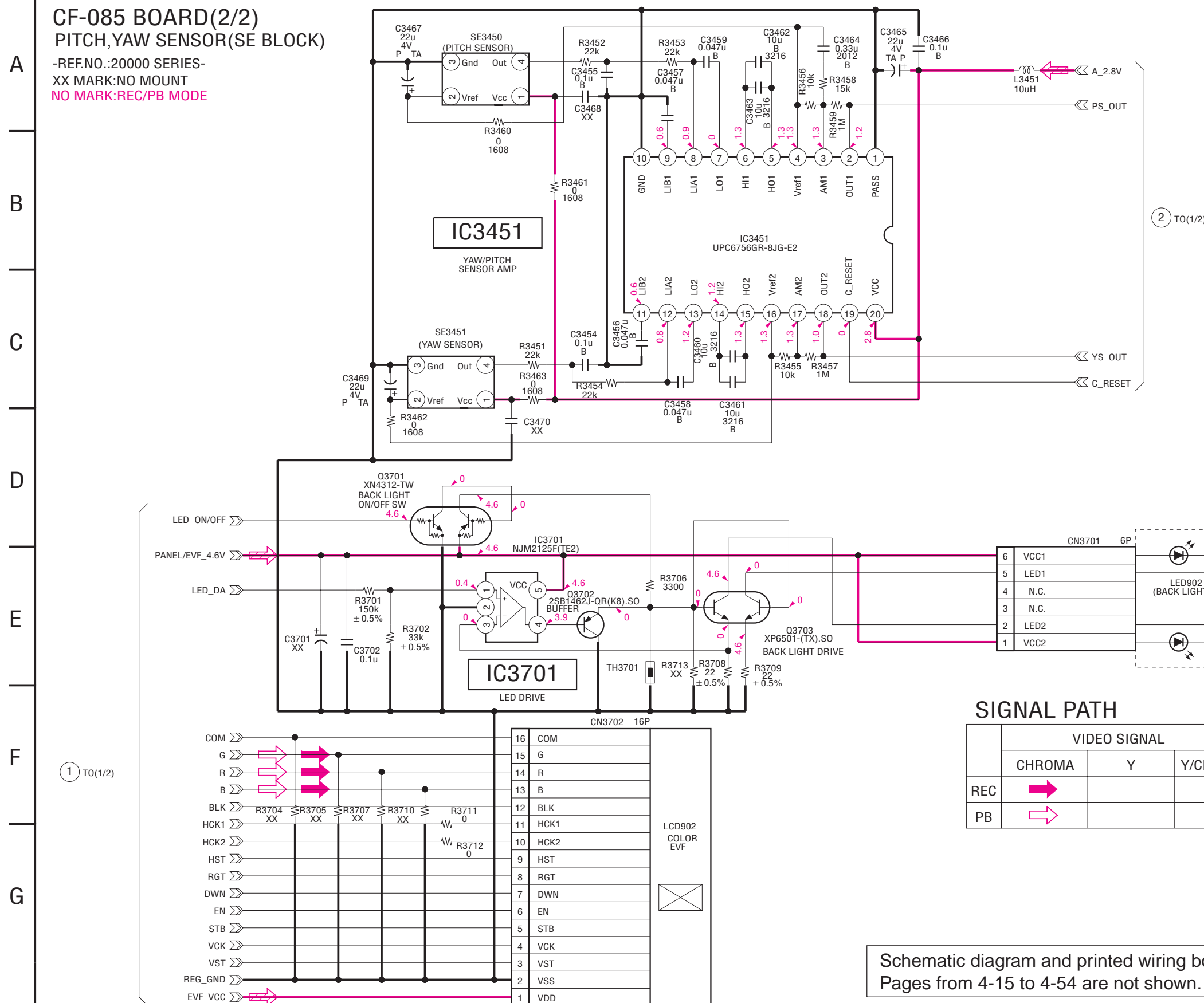
- The CF-085 board mounted as a repair part is not equipped with a CCD imager. When replacing this board, remove the CCD imager from the old one and mount it onto the new one.
- If the CCD imager has been replaced, carry out all the adjustments for the camera section.
- As the CCD imager may be damaged by static electricity from its structure, handle it carefully like for the MOS IC. In addition, ensure that the receiver is not covered with dusts nor exposed to strong light.



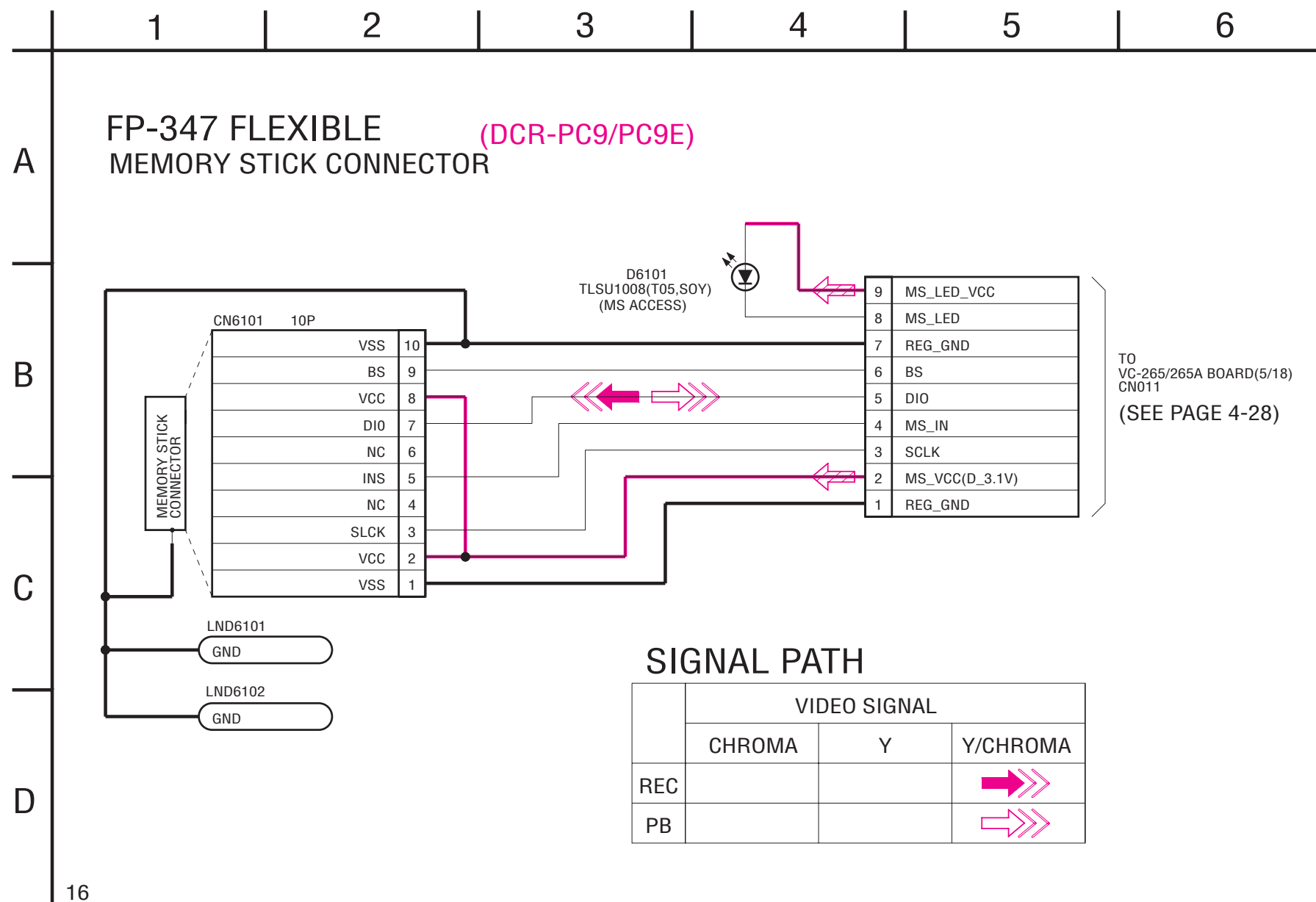
For Schematic Diagram

• Refer to page 4-9 for printed wiring board.

1 2 3 4 5 6 7 8 9



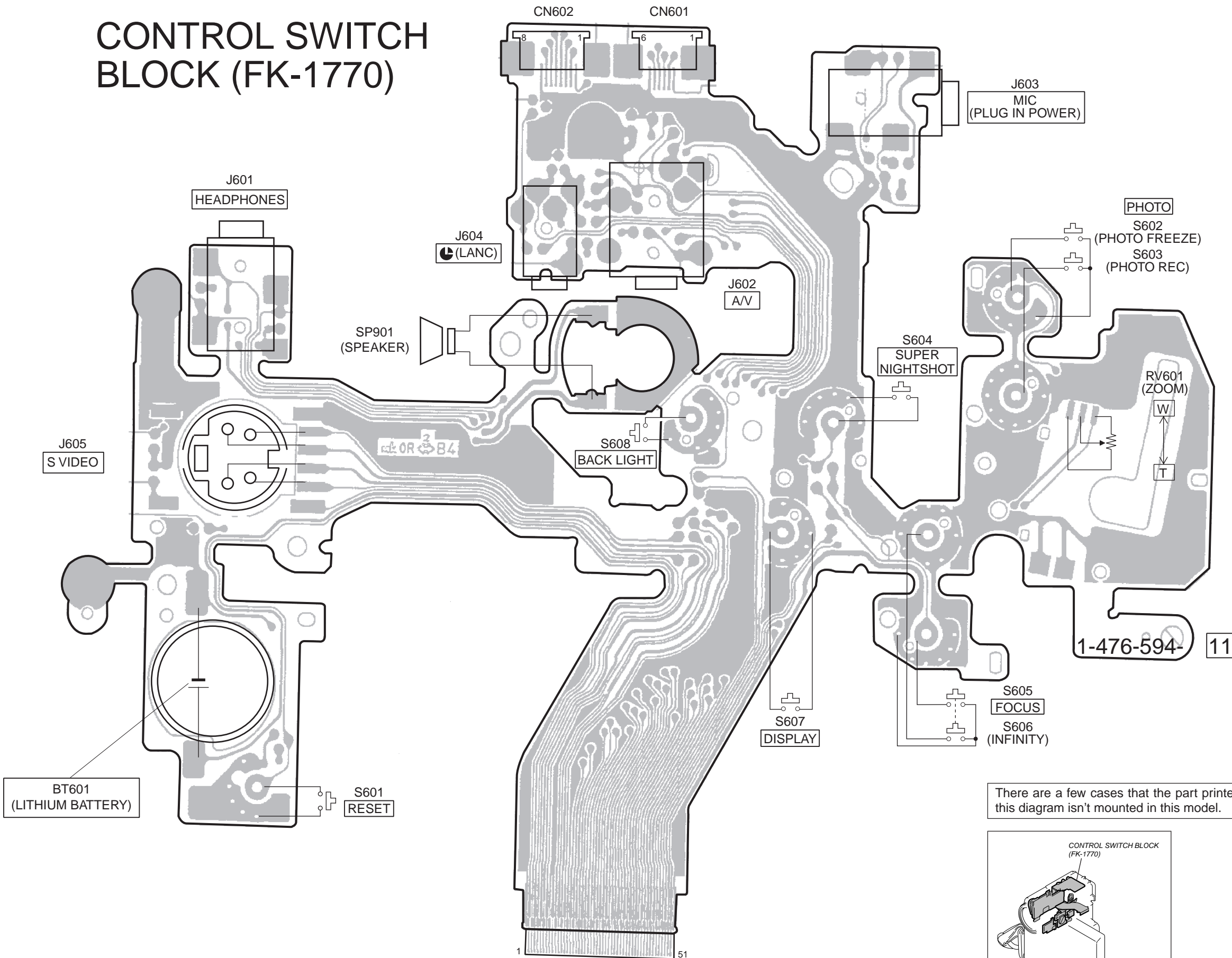
Schematic diagram and printed wiring board of the VC-265/265A board are not shown. Pages from 4-15 to 4-54 are not shown.



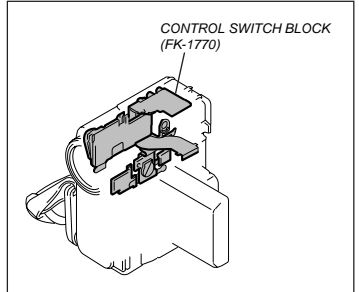
16

CONTROL SWITCH BLOCK (FK-1770) PRINTED WIRING BOARD

CONTROL SWITCH BLOCK (FK-1770)

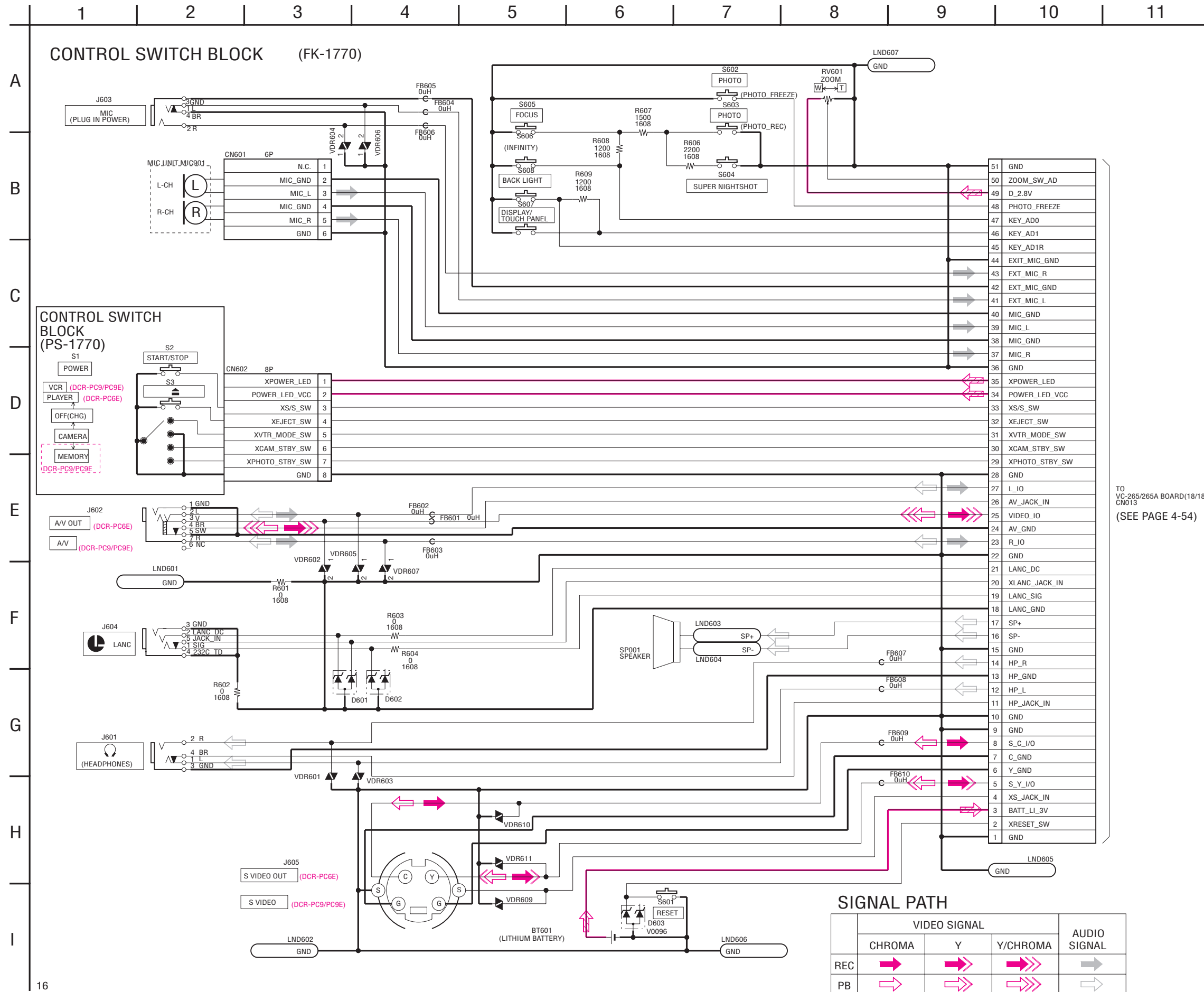


There are a few cases that the part printed on this diagram isn't mounted in this model.



For Schematic Diagram

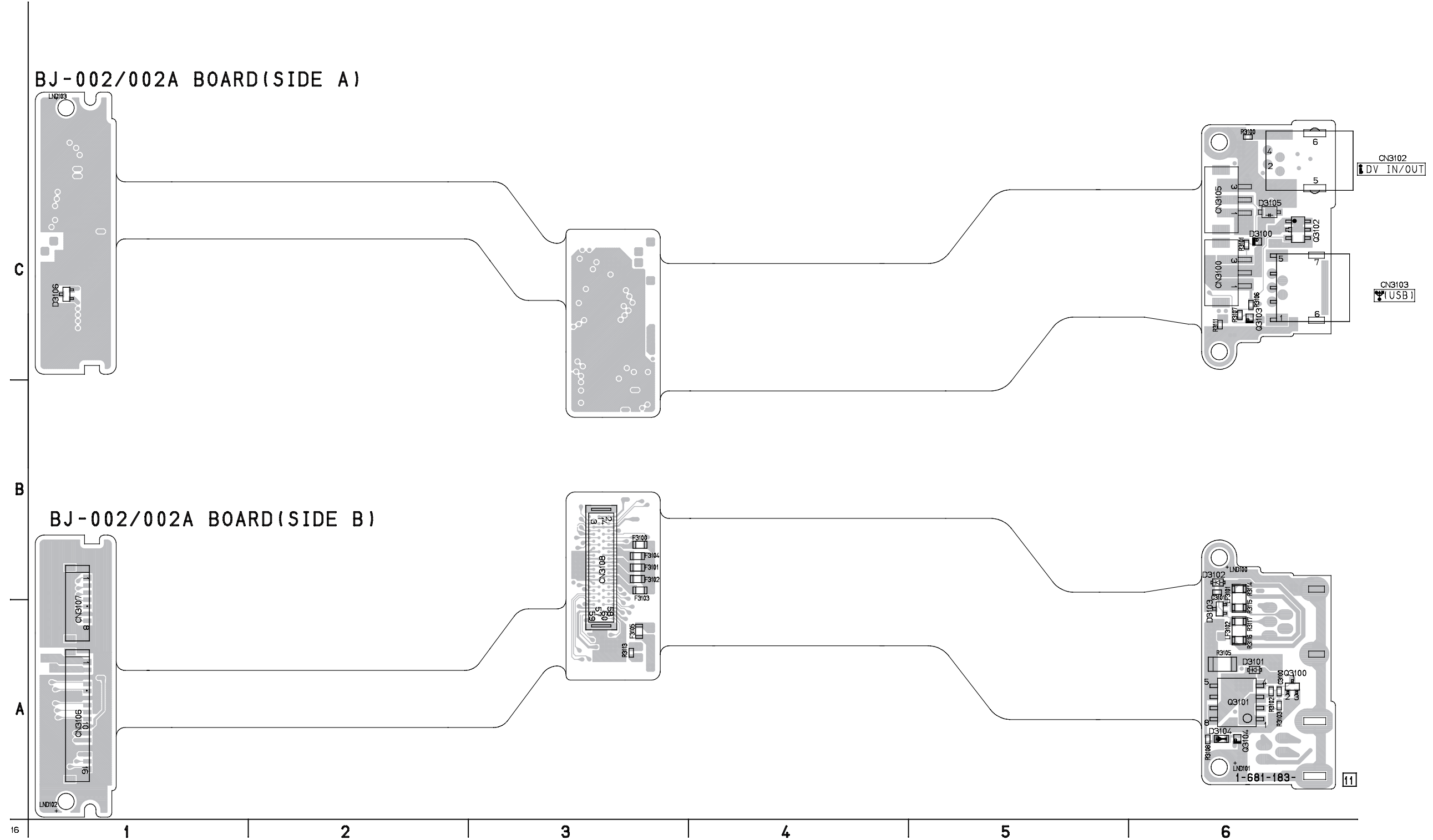
• Refer to page 4-59 for control switch block (FK-1770) printed wiring board.



TO VC-265/265A BOARD(18/18) CN013 (SEE PAGE 4-54)

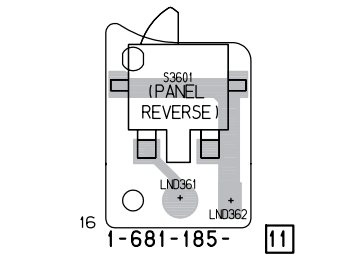
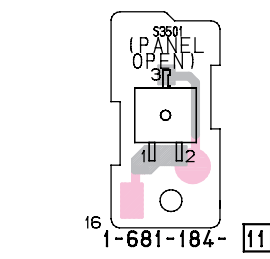
BJ-002/002A (JACK, BATTERY), PO-007 (PANEL OPEN), PR-037 (PANEL REVERSE) PRINTED WIRING BOARDS

— Ref. No. BJ-002/002A, PO-007, PR-037 Boards; 30,000 Series —



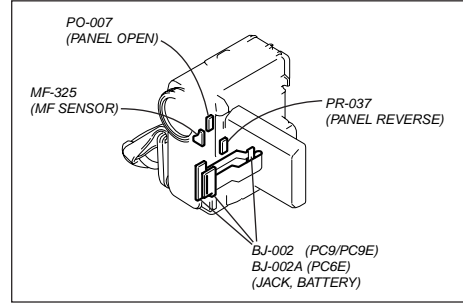
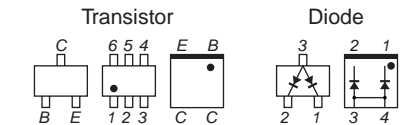
PO-007 BOARD

PR-037 BOARD



- For printed wiring board**
- Refer to page 4-78 for parts location (BJ-002/002A board).
 - BJ-002/002A board consists of multiple layers. However, only the sides (layers) A and B are shown.
 - PO-007, PR-037 boards consists of multiple layers. However, only the side (layer) A is shown.
 - Chip parts (BJ-002/002A board only)

There are a few cases that the part printed on this diagram isn't mounted in this model.



BJ-002 Board : DCR-PC9/PC9E
BJ-002A Board : DCR-PC6E

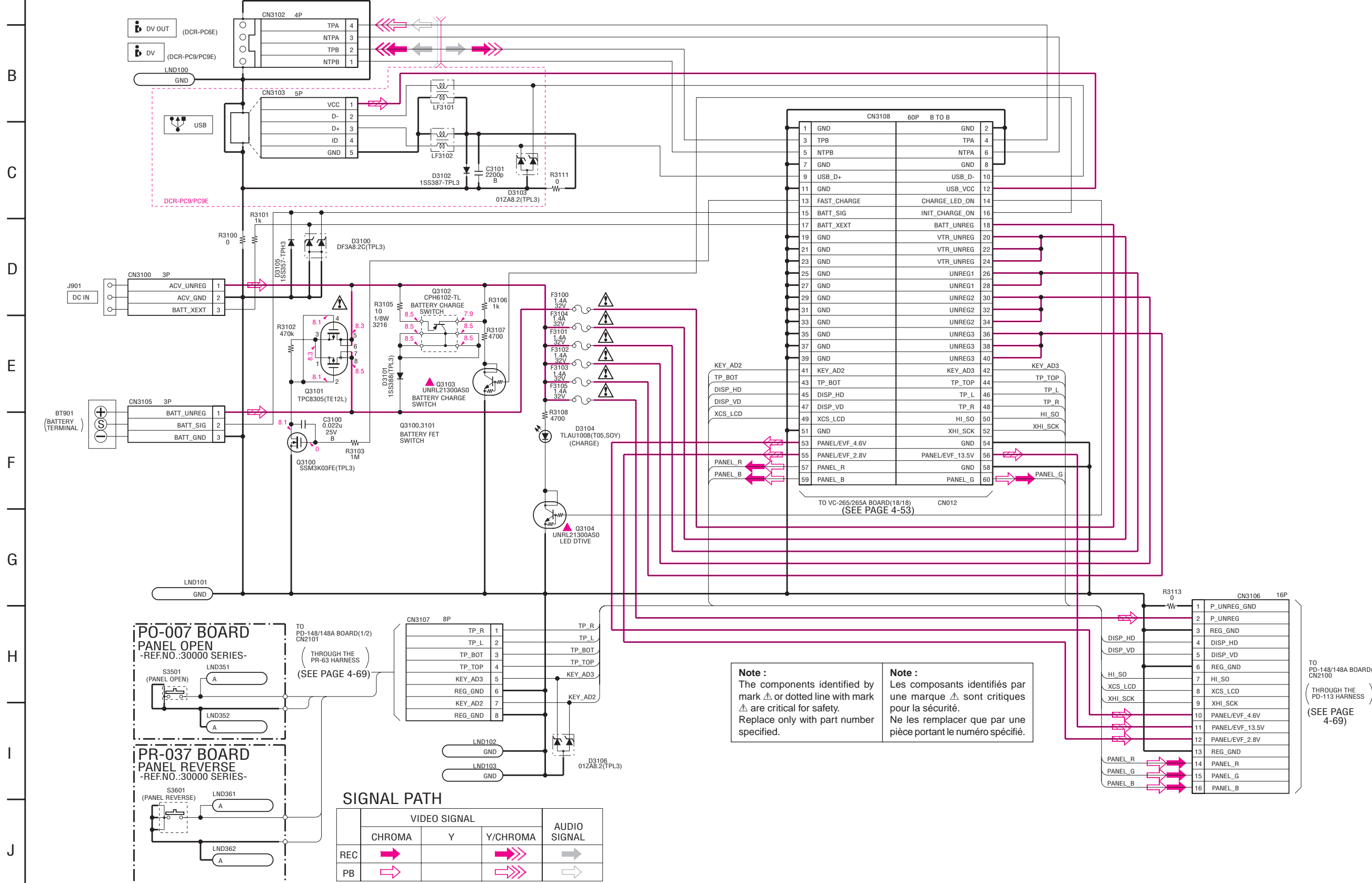
For Schematic Diagram

- Refer to page 4-63 for BJ-002/002A printed wiring board.
- Refer to page 4-63 for PO-007 printed wiring board.
- Refer to page 4-63 for PR-037 printed wiring board.

1 2 3 4 5 6 7 8 9 10 11 12 13 14

BJ-002/002A BOARD
JACK, BATTERY
 -REF.NO.:30000 SERIES-
 XX MARK:NO MOUNT

NO MARK:REC/PB MODE
 ▲ :Voltage measurement is impossible for the CSP ICs and the transistors that are shown with the ▲ mark.



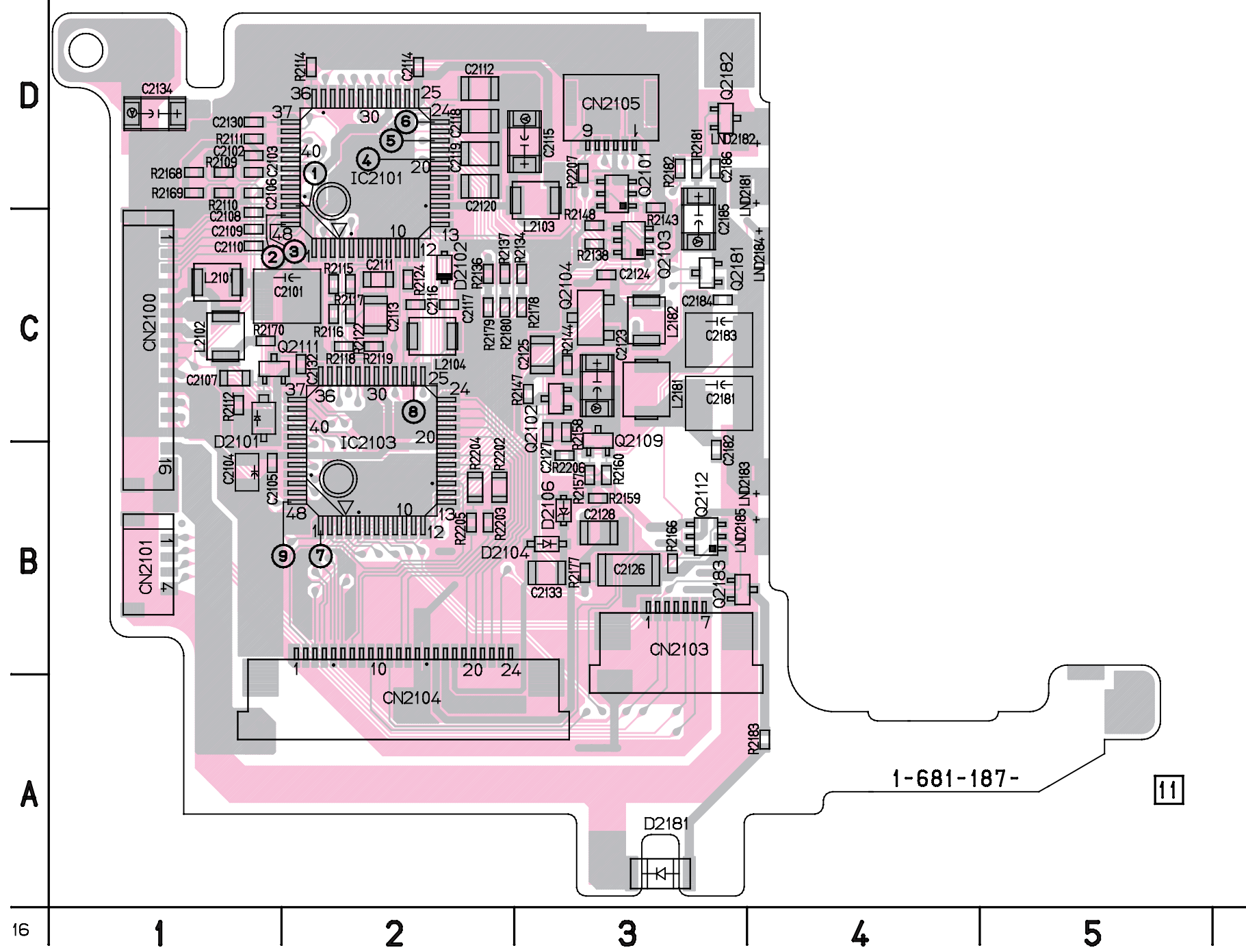
Note :
 The components identified by mark ▲ or dotted line with mark ▲ are critical for safety. Replace only with part number specified.

Note :
 Les composants identifiés par une marque ▲ sont critiques pour la sécurité. Ne les remplacer que par une pièce portant le numéro spécifié.

PD-148/148A (LCD DRIVE, BACK LIGHT) PRINTED WIRING BOARD

— Ref. No. PD-148/148A Board; 20,000 Series —

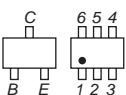
PD-148/148A BOARD



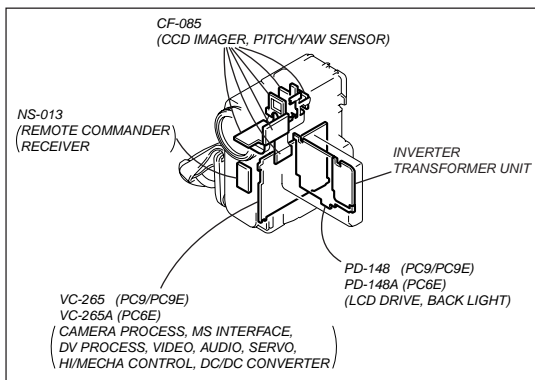
For printed wiring board

- Refer to page 4-78 for parts location.
- This board consists of multiple layers. However, only the side (layer) A is shown.
- Chip parts

Transistor

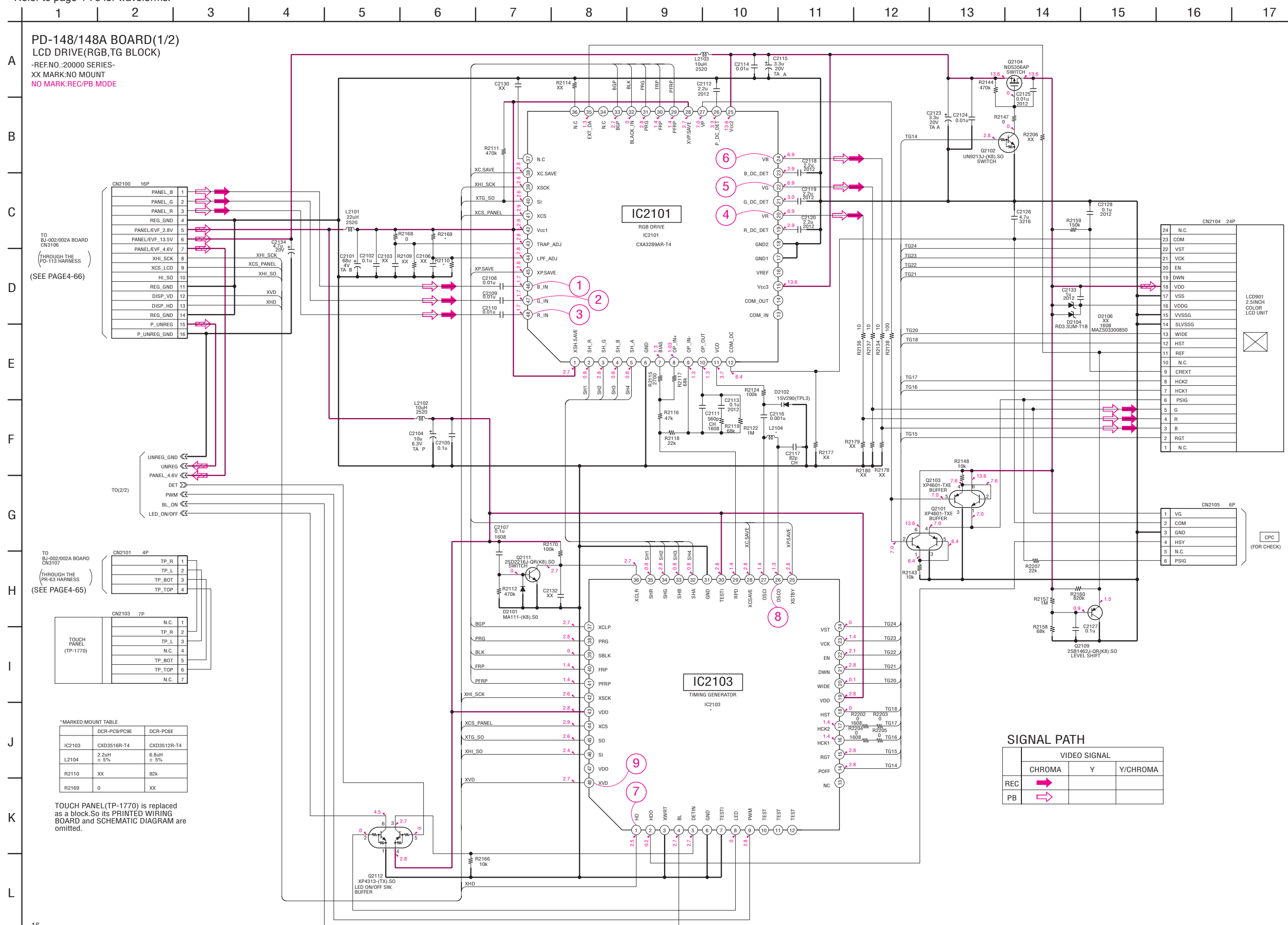


There are a few cases that the part printed on this diagram isn't mounted in this model.



For Schematic Diagram

- Refer to page 4-67 for printed wiring board.
- Refer to page 4-73 for waveforms.



PD-148/148A BOARD(1/2)
LCD DRIVE (RGB, TG BLOCK)

-REF.NO.:20000 SERIES-
XX MARK:NO MOUNT
NO MARK:REC/PB MODE

TO BJ-002/002A BOARD CN3106
(THROUGH THE PD-113 HARNESS)
(SEE PAGE4-66)

TO BJ-002/002A BOARD CN3107
(THROUGH THE PR-63 HARNESS)
(SEE PAGE4-65)

*MARKED-MOUNT TABLE

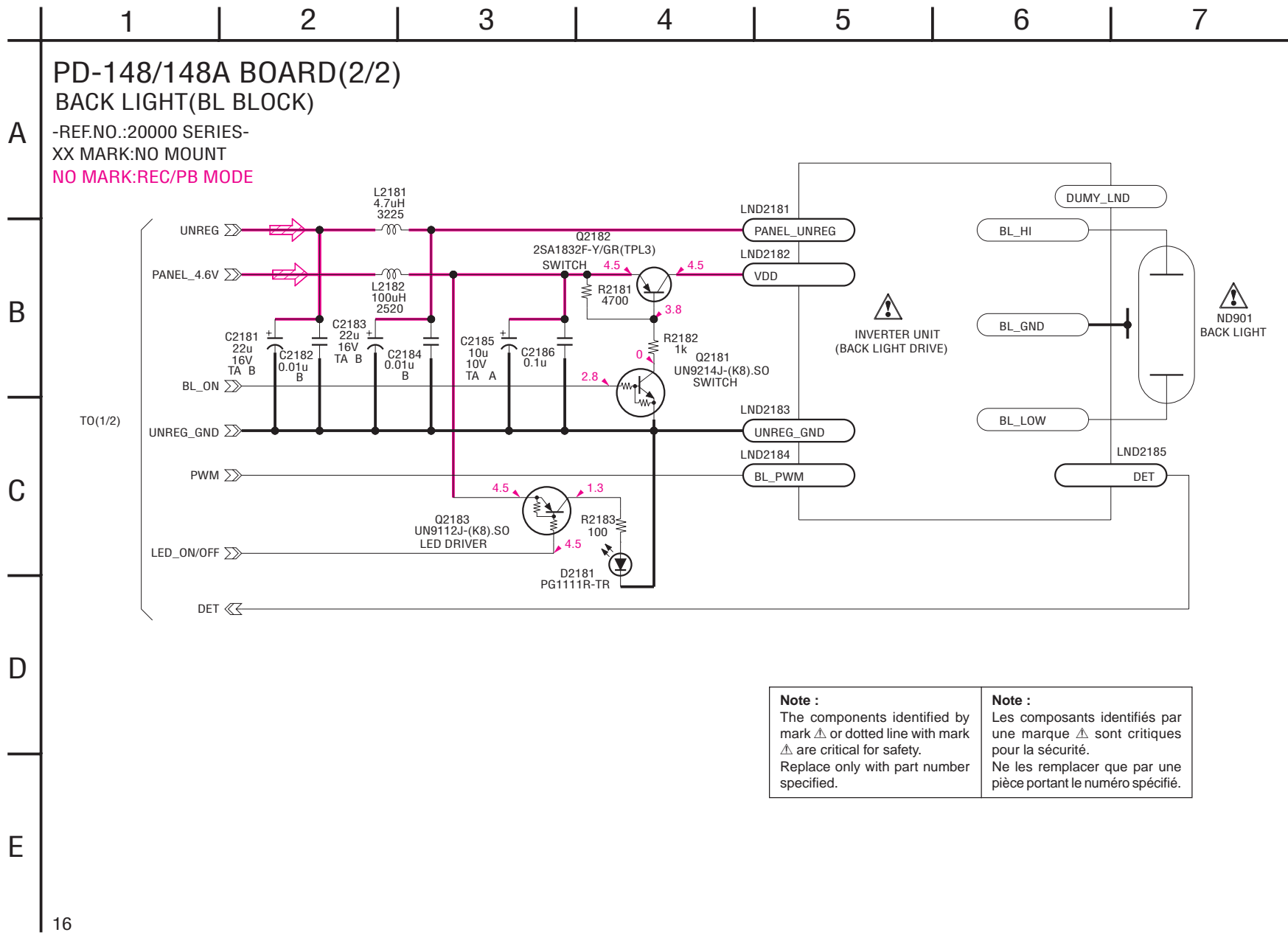
	DCR-PC9/PC9E	DCR-PC6E
IC2103	CXD3516R-T4	CXD3512R-T4
L2104	2.2uH ± 5%	6.8uH ± 5%
R2110	XX	82k
R2169	0	XX

TOUCH PANEL (TP-1770) is replaced as a block. So its PRINTED WIRING BOARD and SCHEMATIC DIAGRAM are omitted.

SIGNAL PATH

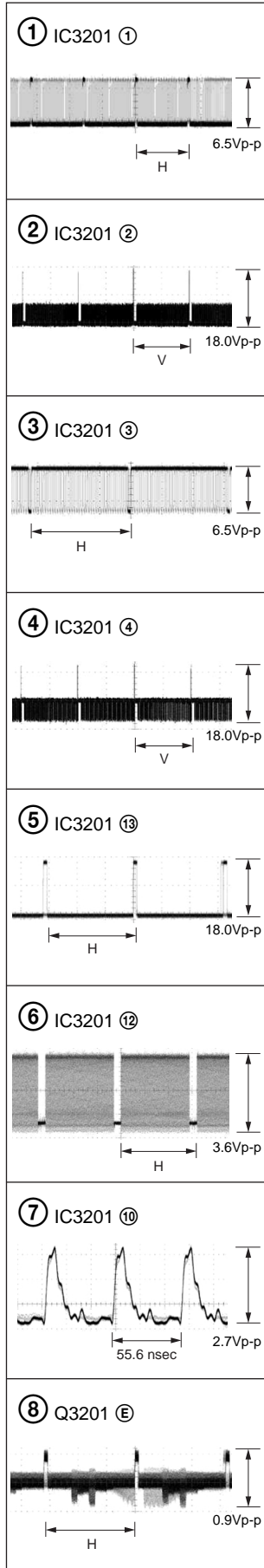
	VIDEO SIGNAL		
	CHROMA	Y	Y/CHROMA
REC	→		
PB	→		

For Schematic Diagram
 • Refer to page 4-67 for printed wiring board.

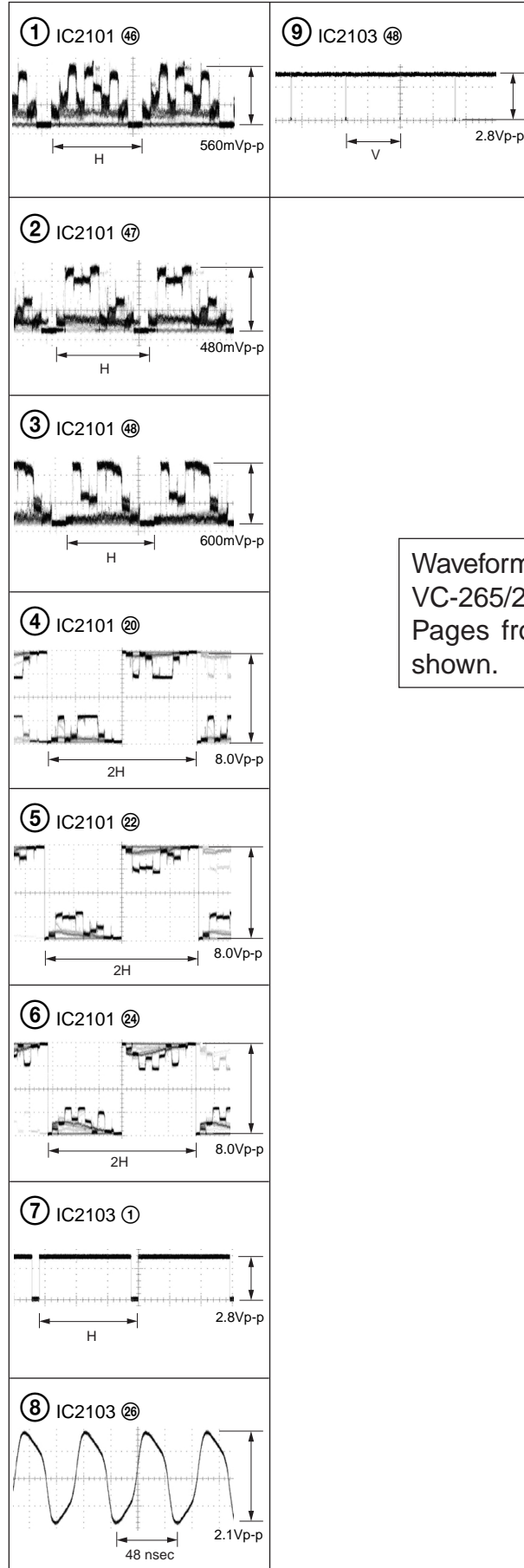


4-3. WAVEFORMS

CF-085 BOARD
CAMERA REC



PD-148/148A BOARD
REC/PB



Waveforms and parts location of the VC-265/265A board are not shown. Pages from 4-74 to 4-77 are not shown.

4-4. MOUNTED PARTS LOCATION

no mark : side A

* mark : side B

NS-013 BOARD

D6001 A-1
D6003 B-1
D6002 B-1

IC6001 A-1

CF-085 BOARD

C3201 B-3
C3202 A-3
C3203 A-3
* C3204 A-8
C3206 A-3
C3209 A-4
C3454 E-4
* C3455 D-6
C3456 E-4
C3457 D-5
C3458 E-4
C3459 D-5
* C3460 D-6
* C3461 D-6
* C3462 D-6
* C3463 D-6
C3464 D-5
C3465 C-5
C3466 D-4
C3467 D-5
C3468 C-4
C3469 D-4
C3470 E-4
C3701 C-2
C3702 C-2

CN3351 D-2
CN3353 D-1
* CN3354 B-9
CN3355 D-1
CN3701 G-5
* CN3702 G-6

D3351 D-1
D3352 D-1

IC3201 A-4
IC3451 D-4
IC3701 C-2

L3201 A-3
L3451 C-5

Q3201 A-3
Q3701 D-2
Q3702 D-2
Q3703 D-3

R3201 A-3
R3351 D-1
R3352 D-1
R3451 E-4
* R3452 D-6
* R3453 D-6
R3454 E-4
R3455 D-4
R3456 D-5
R3457 D-4
R3458 D-5
R3459 D-5
R3460 D-5
R3461 C-4
R3462 D-4
R3463 E-4
R3701 D-2
R3702 D-3
* R3704 G-6
* R3705 G-6
R3706 D-2
* R3707 G-6
R3708 D-3
R3709 D-2
* R3710 G-6
* R3711 G-6
* R3712 G-6
R3713 D-3

* SE3450 D-7
* SE3451 D-7

TH3701 D-3

BJ-002/002A BOARD

* C3100 A-6
* C3101 B-6

GN3100 C-6
GN3102 C-6
GN3103 C-6
GN3105 C-6
* CN3106 A-1
* CN3107 A-1
* CN3108 B-3

D3100 C-6
* D3101 A-6
* D3102 B-6
* D3103 A-6
* D3104 A-6
D3105 C-6
D3106 C-1

* F3100 B-3
* F3101 B-3
* F3102 B-3
* F3103 B-3
* F3104 B-3
* F3105 A-3

* LF3101 B-6
* LF3102 A-6

* Q3100 A-6
* Q3101 A-6
Q3102 C-6
Q3103 C-6
* Q3104 A-6

R3100 C-6
R3101 C-6
* R3102 A-6
* R3103 A-6
* R3105 A-6
R3106 C-6
R3107 C-6
* R3108 A-6
R3111 C-6
* R3113 A-3
* R3114 B-6
* R3115 A-6
* R3116 A-6
* R3117 A-6

PD-148/148A BOARD

C2101 C-2
C2102 D-1
C2103 D-1
C2104 B-1
C2105 B-1
C2106 D-1
C2107 C-1
C2108 C-1
C2109 C-1
C2110 C-1
C2111 C-2
C2112 D-2
C2113 C-2
C2114 D-2
C2115 D-3
C2116 C-2
C2117 C-2
C2118 D-2
C2119 D-2
C2120 D-2
C2123 C-3
C2124 C-3
C2125 C-3
C2126 B-3
C2127 C-3
C2128 B-3
C2130 D-1
C2132 C-2
C2133 B-3
C2134 D-1
C2181 C-3
C2182 B-3
C2183 C-3
C2184 C-3
C2185 C-3
C2186 D-3

CN2100 C-1
CN2101 B-1
CN2103 B-3
CN2104 A-2
CN2105 D-3

D2101 C-1
D2102 C-2
D2104 B-3
D2106 B-3
D2181 A-3

IC2101 D-2
IC2103 B-2

L2101 C-1
L2102 C-1
L2103 D-3
L2104 C-2
L2181 C-3
L2182 C-3

Q2101 D-3
Q2102 C-3
Q2103 C-3
Q2104 C-3
Q2109 C-3
Q2111 C-1
Q2112 B-3
Q2181 C-3
Q2182 D-3
Q2183 B-3

R2109 D-1
R2110 D-1
R2111 D-1
R2112 C-1
R2114 D-2
R2115 C-2
R2116 C-2
R2117 C-2
R2118 C-2
R2119 C-2
R2122 C-2
R2124 C-2
R2134 C-3
R2136 C-2
R2137 C-2
R2138 C-3
R2143 D-3
R2144 C-3
R2147 C-3
R2148 C-3
R2157 B-3
R2158 C-3
R2159 B-3
R2160 B-3
R2166 B-3
R2168 D-1
R2169 D-1
R2170 C-1
R2177 B-3
R2178 C-3
R2179 C-2
R2180 C-2
R2181 D-3
R2182 D-3
R2183 A-4
R2202 B-2
R2203 B-2
R2204 B-2
R2205 B-2
R2206 B-3
R2207 D-3

**SECTION 5
ADJUSTMENTS**

1. Adjusting items when replacing main parts and boards.

• Adjusting items when replacing main parts

When replacing main parts, adjust the items indicated by ● in the following table.

Note: When replacing the drum assy. or the mechanism deck, reset the data of page: 2, address: A2 to A4 to "00". (Refer to "Record of Use check" of "5-4. SERVICE MODE")

Adjustment Section	Adjustment	Replaced parts																									
		Block replacement								Parts replacement																	
		Lens device	Mechanism deck	Note	Color EVF block LCD902 (LCD panel (EVF))	Color EVF block LED902 (Back light LED (EVF))	LCD block LCD901 (LCD panel (LCD))	LCD block ND901 (Fluorescent tube (LCD))	LCD block Inverter unit (LCD)	LCD block Touch panel (TP-1770)	Mechanism deck M901 (Drum assy) Note	Mechanism deck M902 (Capstan motor)	CF-085 board SE3450/3451 (PITCH/YAW sensor)	PD-148 board IC2101 (RGB driver (LCD))	PD-148 board IC2103 (Timing generator (LCD))	VC-265 board IC1802 (RGB driver (EVF))	VC-265 board IC1803 (Timing generator (EVF))	CF-085 board IC3201 (CCD imager)	VC-265 board IC302, X301 (Timing generator)	VC-265 board IC303 (CDS, AGC, A/D conv.)	VC-265 board IC204 (Lens pre-driver)	VC-265 board IC401 (Camera process, EVR)	VC-265 board IC801 (LINE IN/OUT AMP)	VC-265 board IC5302 (DV signal process)	VC-265 board IC101 (EQ, A/D CONV., PLL)	VC-265 board IC102 (REC/PB AMP)	
Initialization of B, C, D, E, F, 7, 8 page data	Initialization of C, D, 8 page data																										
	Initialization of B page data *1																										
	Initialization of E, F, 7 page data																										
Camera	36MHz origin oscillation adj.																		●				●				
	HALL adj.	●																					●				
	Flange back adj.	●																	●			●					
	Optical axis adj.	●																	●								
	Color reproduction adj.																		●		●						
	MAX GAIN adj.																		●		●						
	AWB & LV standard data input																		●		●						
	Auto white balance adj.																		●		●						
	Mechanical shutter adj. *1																										
	Angular velocity sensor sens. adj.												●														
Color EVF	VCO adj.																		●	●							
	Backlight adj.																										
	Bright adj.																										
	Contrast adj.																										
	White balance adj.				●	●																				●	
LCD	VCO adj.																										
	Bright adj.																										
	Black limit adj.																										
	PSIG gray adj.																										
	Contrast adj.																										
	Center level adj.																										
	V-COM adj.																										
	White balance adj.																										
System control	Serial No. input																										
	Touch panel adj.																										
Servo, RF	CAP FG duty adj.		●																								●
	Switching position adj.		●																								
	AGC center level adj.		●																							●	●
	APC & AEQ adj.		●																							●	●
	PLL fo & LPF fo adj.		●																							●	●
Video	Chroma BPF fo adj.																										●
	S VIDEO OUT Y level adj.																									●	●
	S VIDEO OUT chroma level adj.																									●	●
Mechanism	Tape path adj.	●																									

Table 5-1-1 (1).

• **Adjusting items when replacing a board or EEPROM**

When replacing a board or EEPROM, adjust the items indicated by ● in the following table.

*1: DCR-PC9/PC9E model only.


Adjustment Section	Adjustment	Board replacement		EEPROM replacement			Supporting 
		VC-265 board	PD-148 board	VC-265 board	VC-265 board	VC-265 board	
Initialization of B, C, D, E, F, 7, 8 page data	Initialization of C, D, 8 page data	●			●		
	Initialization of B page data *1	●				●	
	Initialization of E, F, 7 page data	●		●			
Camera	36MHz origin oscillation adj.	●		●			
	HALL adj.	●		●			●
	Flange back adj.	●		●			●
	Optical axis adj.	●		●			
	Color reproduction adj.	●		●			
	MAX GAIN adj.	●		●			●
	AWB & LV standard data input	●		●			●
	Auto white balance adj.	●		●			●
	Mechanical shutter adj. *1	●		●			●
	Angular velocity sensor sens. adj.	●		●			
Color EVF	VCO adj.	●			●		
	Backlight adj.	●			●		
	Bright adj.	●			●		
	Contrast adj.	●			●		
	White balance adj.	●			●		
LCD	VCO adj.	●	●		●		
	Bright adj.	●	●		●		
	Black limit adj.	●	●		●		
	PSIG gray adj.	●	●		●		
	Contrast adj.	●	●		●		
	Center level adj.	●	●		●		
	V-COM adj.	●	●		●		
	White balance adj.	●	●		●		
System control	Serial No. input	●			●		
	Touch panel adj.	●			●		
Servo, RF	CAP FG duty adj.	●			●		●
	Switching position adj.	●			●		●
	AGC center level adj.	●			●		●
	APC & AEQ adj.	●			●		●
	PLL fo & LPF fo adj.	●			●		●
Video	Chroma BPF fo adj.	●			●		
	S VIDEO OUT Y level adj.	●			●		
	S VIDEO OUT chroma level adj.	●			●		
Mechanism	Tape path adj.						

Table. 5-1-1 (2).

5-1. CAMERA SECTION ADJUSTMENT

1-1. PREPARATIONS BEFORE ADJUSTMENT (CAMERA SECTION)

1-1-1. List of Service Tools

- Oscilloscope
- Regulated power supply
- Color monitor
- Digital voltmeter
- Vectorscope

Ref. No.	Name	Parts Code	Usage
J-1	Filter for color temperature correction (C14)	J-6080-058-A	Auto white balance adjustment/check White balance adjustment/check
J-2	ND filter 1.0	J-6080-808-A	White balance check
	ND filter 0.4	J-6080-806-A	White balance check
	ND filter 0.1	J-6080-807-A	White balance check
J-3	Pattern box PTB-450	J-6082-200-A	
J-4	Color chart for pattern box	J-6020-250-A	
J-5	Adjustment remote commander (RM-95 upgraded). (Note 1)	J-6082-053-B	
J-6	Siemens star chart	J-6080-875-A	For checking the flange back
J-7	Clear chart for pattern box	J-6080-621-A	
J-8	CPC-6 flexible jig (Note 2)	J-6082-370-B	For adjusting the video section For adjusting the color viewfinder
J-9	CPC-6 terminal board jig	J-6082-371-A	For adjusting the video section For adjusting the color viewfinder
J-10	Mini pattern box	J-6082-353-B	For adjusting the flange back
J-11	Camera table	J-6082-384-A	For adjusting the flange back
J-12	CPC-jig for LCD panel	J-6082-529-A	For adjusting the LCD system

Note 1: If the micro processor IC in the adjustment remote commander is not the new micro processor (UPD7503G-C56-12), the pages cannot be switched. In this case, replace with the new micro processor (8-759-148-35).

Note 2: When using the old CPC-6 flexible jig (J-6082-370-A), open the cabinet (R) assembly.

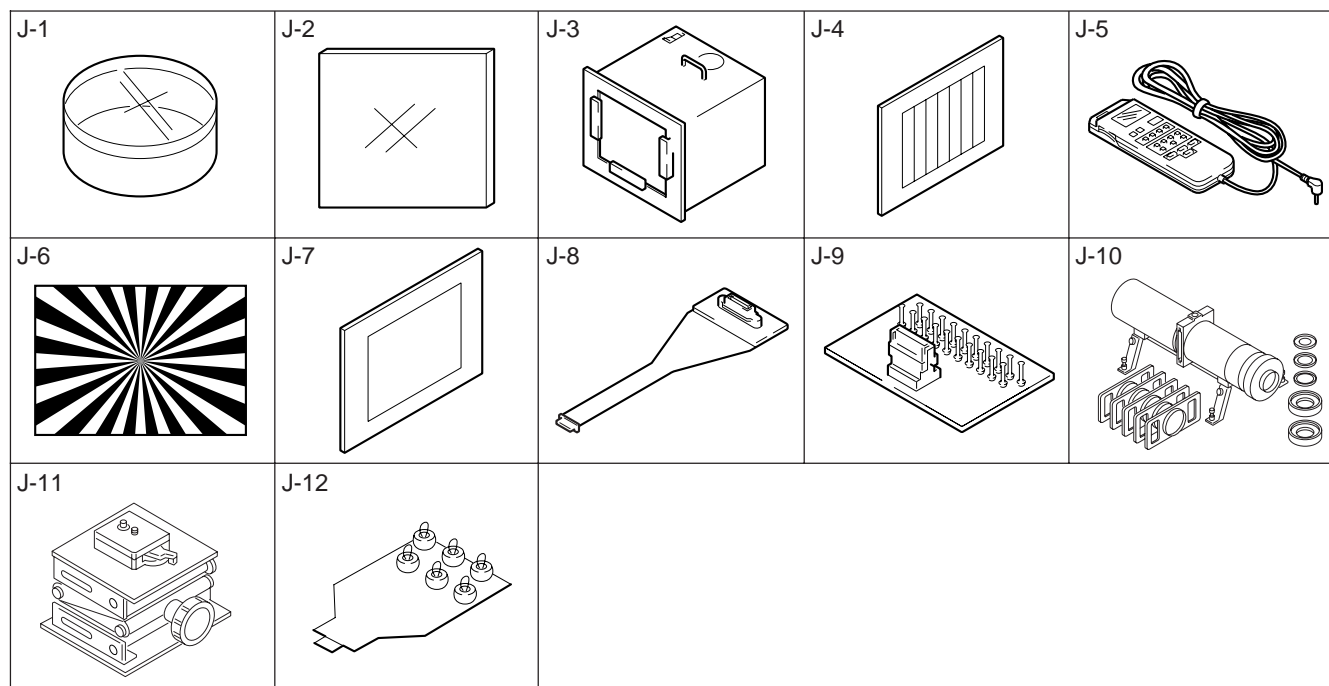


Fig. 5-1-1.

1-1-2. Preparations

Note 1: For details of how remove the cabinet and boards, refer to “2. DISASSEMBLY”.

Note 2: When performing only the adjustments, the lens block and boards need not be disassembled.

1) Connect the equipment for adjustments according to Fig. 5-1-2.

Note 3: As removing the control switch block (FK-1770)(removing the VC-265 board CN013) means removing the lithium 3V power supply (BT601), data such as date, time, user-set menus will be lost. After completing adjustments, reset these data. If the cabinet (R) has been removed, the self-diagnosis data, data on history of use (total drum rotation time etc.) will be lost. Before removing, note down the self-diagnosis data (data of page:2, address: B0 to C6) and the data on history use (data of page: 2, address: A2 to AA). (Refer to “SELF-DIAGNOSIS FUNCTION” for the self-diagnosis data, and to “5-4.Service Mode” for the data on the history use.)

Note 4: Setting the “Forced Camera Power ON” Mode

- 1) Select page: 0, address: 01, and set data: 01.
- 2) Select page: D, address: 10, set data: 01, and press the PAUSE button of the adjustment remote commander.

The above procedure will enable the camera power to be turned on with the control switch block (PS-1770) removed. After completing adjustments, be sure to exit the “Forced Camera Power ON Mode”.

Note 5: Exiting the “Forced Camera Power ON” Mode

- 1) Select page: 0, address: 01, and set data: 01.
- 2) Select page: D, address: 10, set data: 00, and press the PAUSE button of the adjustment remote commander.
- 3) Select page: 0, address: 01, and set data: 00.

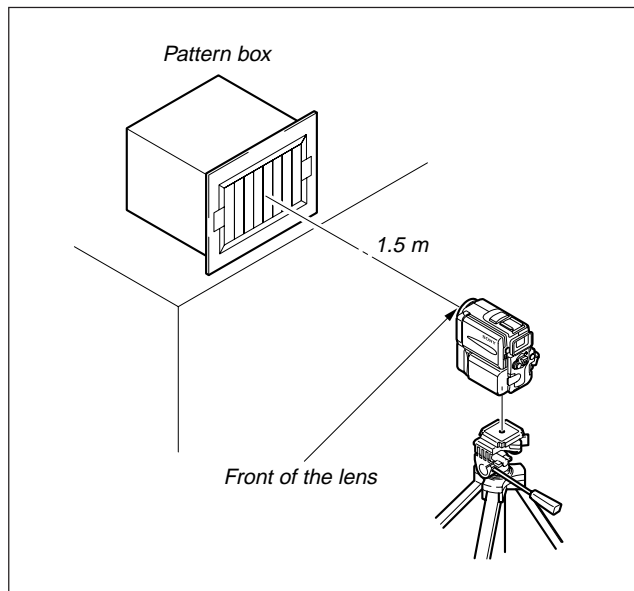


Fig. 5-1-2.

Note1: If CN3105 of BJ-002 board is mistaken for CN3100, the charge system of the unit may break.
So ascertain the color of the connector when assembling these connectors.

Note2: DCR-PC9/PC9E only.

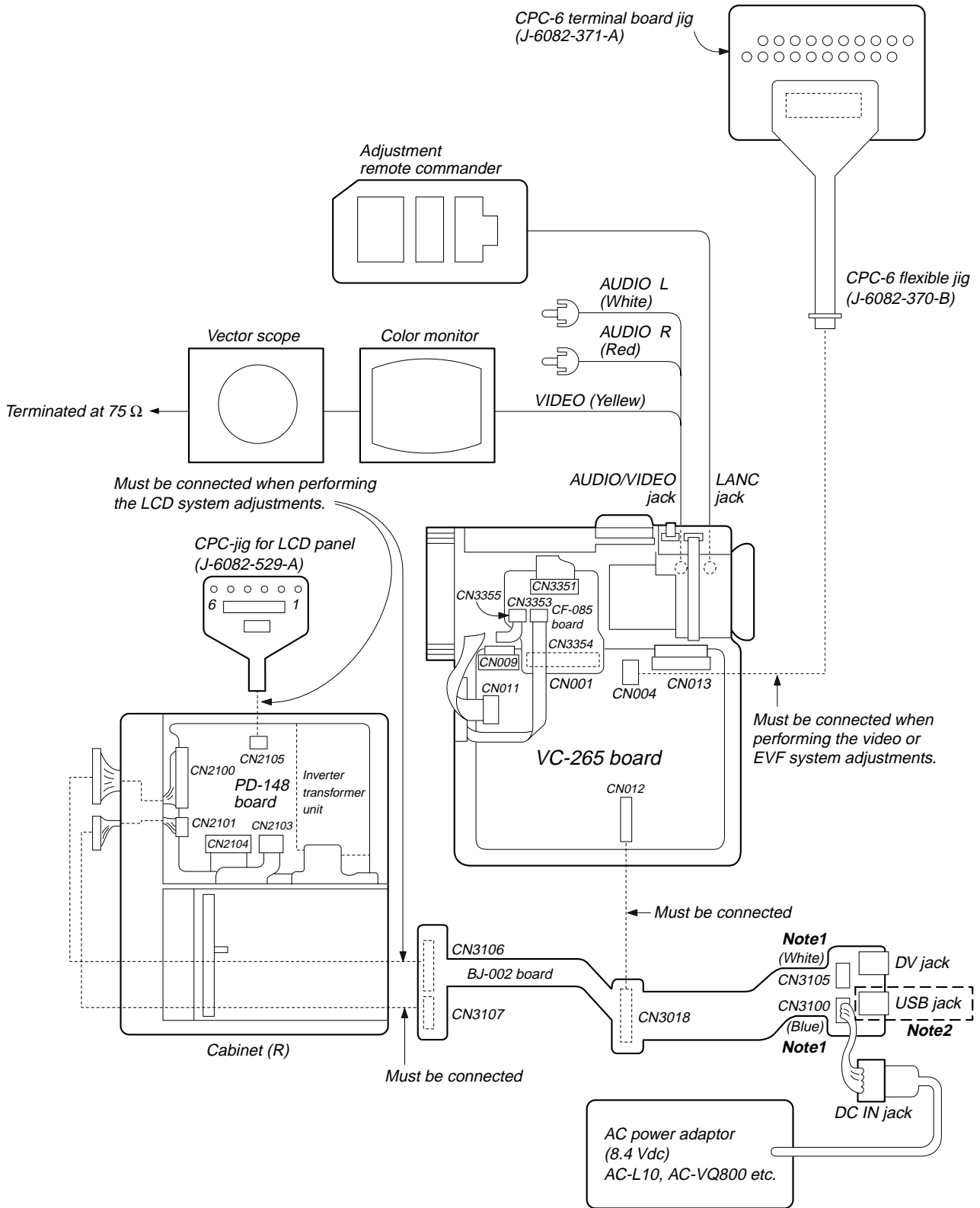


Fig. 5-1-3.

1-1-3. Precaution

1. Setting the Switch

Unless otherwise specified, set the switches as follows and perform adjustments without loading cassette.

- | | | | |
|---|--------|-------------------------------------|--------|
| 1. POWER (PS-1770 block) | CAMERA | CAMERA SET of the MENU settings | |
| 2. NIGHT SHOT (Lens block) | OFF | DIGITAL ZOOM | OFF |
| 3. FUNCTION settings of the touch panel | | 16:9 WIDE | OFF |
| DIGITAL EFFECT | OFF | STEADY SHOT | OFF |
| EXPOSURE | OFF | SETUP MENU of the MENU settings | |
| MANUAL SET of the MENU settings | | DEMO MODE | OFF |
| PROGRAM AE | AUTO | 4. FOCUS (FK-1770 block) | Manual |
| PICTURE EFFECT | OFF | 5. BACK LIGHT (FK-1770 block) | OFF |
| WHITE BALANCE | AUTO | | |

2. Order of Adjustments

Basically carry out adjustments in the order given.

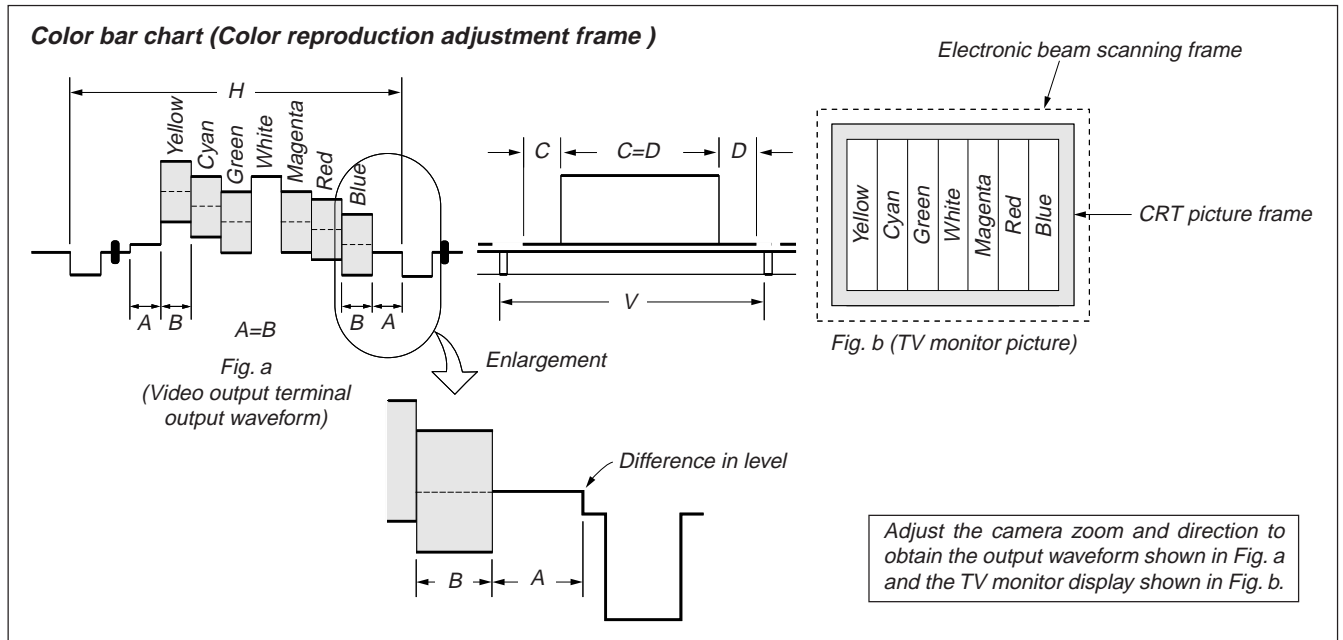


Fig.5-1-4.

3. Subjects

- 1) Color bar chart (Color reproduction adjustment frame)
When performing adjustments using the color bar chart, adjust the picture frame as shown in Fig. 5-1-4. (Color reproduction adjustment frame)
- 2) Clear chart (Color reproduction adjustment frame)
Remove the color bar chart from the pattern box and insert a clear chart in its place. (Do not perform zoom operations during this time.)
- 3) Flange back adjustment chart
Make the chart shown in Fig. 5-1-5 using A0 size (1189mm × 841mm) black and white vellum paper.

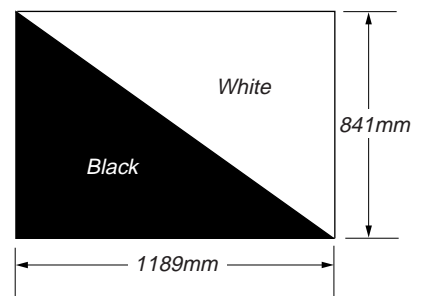


Fig. 5-1-5.

Note: Use matte vellum paper bigger than A0, and make sure the edges of the black and white paper joined together are not rough.

1-2. INITIALIZATION OF B, C, D, E, F, 7, 8 PAGE DATA

1-2-1. INITIALIZATION OF C, D, 8 PAGE DATA

1. Initializing the C, D, 8 Page Data

Note1: If “Initializing the C, D, 8 Page Data” is performed, all data of the C page, D page and 8 page will be initialized. (It is impossible to initialize a single page.)

Note2: If the C, D, 8 page data has been initialized, the following adjustments need to be performed again.

- 1) Modification of C, D, 8 page data
- 2) Serial No. input
- 3) Servo and RF system adjustments
- 4) Video system adjustments
- 5) Color viewfinder system adjustments
- 6) LCD system Adjustments

Adjusting page	C
Adjusting Address	10 to FF
Adjusting page	D
Adjusting Address	10 to FF
Adjusting page	8
Adjusting Address	00 to FF

Initializing Method:

Order	Page	Address	Data	Procedure
1	0	01	01	Set the data
2	3	81		Check that the data is “00”.
3	3	80	0A	Set the data, and press the PAUSE button.
4	3	80		Check that the data changes to “1A”
5				Perform “Modification of C, D, 8 Page Data”.

2. Modification of C, D, 8 Page Data

If the C, D, 8 page data has been initialized, change the data of the “Fixed data-2” address shown in the following tables by manual input.

Modifying Method:

- 1) Before changing the data, select page: 0, address: 01, and set data: 01.
- 2) New data for changing are not shown in the tables because they are different in destination. When changing the data, copy the data built in the same model.
Note: If copy the data built in the different model, the camcorder may not operate.
- 3) When changing the data, press the PAUSE button of the adjustment remote commander each time when setting new data to write the data in the non-volatile memory.
- 4) Check that the data of adjustment addresses is the initial value. If not, change the data to the initial value.

Processing after Completing Modification of C, D, 8 Page data

Order	Page	Address	Data	Procedure
1	2	00	29	Set the data
2	2	01	29	Set the data, and press the PAUSE button.

Note: If the following symptoms occur after completing of the “Modification of C, D, 8 page data”, check that the data of the “Fixed data-2” addresses of D page are same as those of the same model of the same destination.

- 1) The battery end mark on the LCD or viewfinder screen is flashing.
- 2) The power is shut off so that unit cannot operate.

3. C Page Table

Note: Fixed data-1: Initialized data. (Refer to “1. Initializing the C, D, 8 Page Data”.)

Fixed data-2: Modified data. (Refer to “2. Modification of C, D, 8 Page Data”.)

Address	Initial value		Remark
00 to 0F			
10	EE		Switching position adj.
11	00		
12	00		
13	00		
14 to 15			Fixed data-1
16	E0		Cap FG duty adj.
17			Fixed data-2
18	2A		AEQ adj.
19	2A		
1A			Fixed data-1
1B	32		AEQ adj.
1C	32		
1D			Fixed data-1
1E	25		AGC center level adj.
1F	3E		PLL fo adj.
20	3E		
21	DC		APC adj.
22	99		LPF fo adj.
23 to 24			Fixed data-1
25	88		S VIDEO out Y level adj.
26	E3		S VIDEO out Cr level adj.
27	A1		S VIDEO out Cb level adj.
28	04		Chroma BPF fo adj.
29	20		PLL fo fine adj.
2A to 2B			Fixed data-1
2C	03		APC adj.
2D to 42			Fixed data-1
43			Fixed data-2
44 to 46			Fixed data-1
47			Fixed data-2
48 to 4B			Fixed data-1
4C			Fixed data-2
4D			
4E to 4F			Fixed data-1
50			Fixed data-2
51			
52 to 68			Fixed data-1
69			Fixed data-2
6A to 6D			Fixed data-1

Address	Initial value	Remark	
6E		Fixed data-2	
6F		Fixed data-1	
70		Fixed data-2	
71		(Modified data. Copy the data built in the same model.)	
72			
73			
74			
75 to 83		Fixed data-1	
84		Fixed data-2	
85		Fixed data-1	
86		Fixed data-2	
87		(Modified data. Copy the data built in the same model.)	
88			
89			
8A to 9A			Fixed data-1
9B		Fixed data-2	
9C		(Modified data. Copy the data built in the same model.)	
9D			
9E			
9F			
A0			
A1 to A2			Fixed data-1
A3		Fixed data-2	
A4		(Modified data. Copy the data built in the same model.)	
A5			
A6			
A7			
A8			
A9 to AA		Fixed data-1	
AB		Fixed data-2	
AC		(Modified data. Copy the data built in the same model.)	
AD			
AE		Fixed data-1	
AF		Fixed data-2	
B0			
B1		Fixed data-1	
B2		Fixed data-2	
B3		(Modified data. Copy the data built in the same model.)	
B4			
B5			
B6			
B7			
B8			
B9			
BA			
BB to C1			Fixed data-1
C2			Fixed data-2
C3		(Modified data. Copy the data built in the same model.)	
C4			
C5			
C6			
C7			
C8 to D5		Fixed data-1	
D6		Fixed data-2	
D7		(Modified data. Copy the data built in the same model.)	
D8			

Address	Initial value	Remark
D9		Fixed data-2 (Modified data. Copy the data built in the same model.)
DA		
DB		
DC		
DD		
DE to E5		
E6		Fixed data-2
E7		Fixed data-1
E8	08	Serial No. input
E9	00	
EA	46	
EB	01	
EC	02	
ED	00	
EE	00	
EF	00	
F0 to F3		Fixed data-1
F4	00	Emergency memory address
F5	00	
F6	00	
F7	00	
F8	00	
F9	00	
FA	00	
FB	00	
FC	00	
FD	00	
FE	00	
FF	00	

Table. 5-1-2.

4. D Page Table

Note: Fixed data-1: Initialized data. (Refer to “1. Initializing the C, D, 8 Page Data”.)
 Fixed data-2: Modified data. (Refer to “2. Modification of C, D, 8 Page Data”.)

Address	Initial value		Remark
	NTSC	PAL	
00 to 0F			
10	00	00	Test mode
11			Fixed data-1
12			Fixed data-2
13			(Modified data. Copy the data built in the same model.)
14			
15 to 18			Fixed data-1
19			Fixed data-2
1A			
1B to 1C			Fixed data-1
1D			Fixed data-2
1E			(Modified data. Copy the data built in the same model.)
1F			
20			
21			Fixed data-1
22			Fixed data-2
23			(Modified data. Copy the data built in the same model.)
24			
25			
26			Fixed data-1
27			Fixed data-2
28			(Modified data. Copy the data built in the same model.)
29			
2A			
2B			
2C			
2D			
2E			
2F			
30			
31			Fixed data-1
32			Fixed data-2
33			
34 to 37			Fixed data-1
38			Fixed data-2
39			Fixed data-1
3A			Fixed data-2
3B to 3F			Fixed data-1
40			Fixed data-2
41			(Modified data. Copy the data built in the same model.)
42			
43			
44 to 4D			Fixed data-1
4E			Fixed data-2
4F to 50			Fixed data-1
51			Fixed data-2
52			(Modified data. Copy the data built in the same model.)
53			
54			
55 to 57			Fixed data-1

Address	Initial value		Remark
	NTSC	PAL	
58			Fixed data-2
59			(Modified data. Copy the data built in the same model.)
5A			
5B			Fixed data-1
5C			Fixed data-2
5D to 63			Fixed data-1
64			Fixed data-2
65			(Modified data. Copy the data built in the same model.)
66			
67			
68			
69 to 6A			Fixed data-1
6B			Fixed data-2
6C			(Modified data. Copy the data built in the same model.)
6D			
6E			
6F			
70 to 8D			Fixed data-1
8E			Fixed data-2
8F			
90	6F	6F [4F]	Backlight adj. (EVF)
91	CF	CF [8F]	[] : DCR-PC6E
92	46	9B [A6]	VCO adj. (EVF)
93	5F	82 [8D]	[] : DCR-PC6E
94			Fixed data-1
95	8A	88 [85]	Bright adj.(EVF)
96			Fixed data-1
97	8D	8D [8D]	White balance adj. (EVF)
98	73	73 [60]	[] : DCR-PC6E
99	35	35 [1D]	Contrast adj. (EVF)
9A			Fixed data-1
9B			Fixed data-2
9C			(Modified data. Copy the data built in the same model.)
9D			
9E			
9F to A1			Fixed data-1
A2	77	8C [98]	VCO adj. (LCD)
A3	8C	77 [7E]	[] : DCR-PC6E
A4	A2	A2 [A7]	V-COM adj. (LCD)
A5	A3	A3 [C9]	Bright adj. (LCD)
A6	07	07 [23]	Black limit adj. (LCD)
A7	3E	3E [4A]	PSIG gray adj. (LCD)
A8	7D	7D [79]	White balance adj. (LCD)
A9	65	65 [6F]	[] : DCR-PC6E
AA	19	19 [0B]	Contrast adj. (LCD)
AB	37	37 [34]	Center level adj. (LCD)
AC			Fixed data-2
AD			(Modified data. Copy the data built in the same model.)
AE			
AF			
B0			
B1 to B7			Fixed data-1
B8			Fixed data-2
B9 to BB			Fixed data-1
BC			Fixed data-2

D page

Address	Initial value		Remark
	NTSC	PAL	
BD to BF			Fixed data-1
C0			Fixed data-2
C1			(Modified data. Copy the data built in the same model.)
C2			
C3			
C4			
C5 to D0			Fixed data-1
D1			Fixed data-2
D2 to D5			Fixed data-1
D6			Fixed data-2
D7			
D8			Fixed data-1
D9			Fixed data-2
DA			(Modified data. Copy the data built in the same model.)
DB			
DC			
DD			
DE			
DF			
E0	D0	D0	
E1	26	26	
E2	CE	CE	
E3	1E	1E	
E4 to FF			Fixed data-1

Table. 5-1-3.

5. 8 Page Table

Note: Fixed data-1: Initialized data. (Refer to “1. Initializing the C, D, 8 Page Data”.)
 Fixed data-2: Modified data. (Refer to “2. Modification of C, D, 8 Page Data”.)

Address	Remark
00 to 32	Fixed data-1
33	Fixed data-2
34 to 52	Fixed data-1
53	Fixed data-2
54 to 64	Fixed data-1
65	Fixed data-2
66	
67 to 8F	Fixed data-1
90	Fixed data-2
91 to 98	Fixed data-1
99	Fixed data-2
9A to FF	Fixed data-1

Table. 5-1-4.

1-2-2. INITIALIZATION OF B PAGE DATA (DCR-PC9/PC9E)

Note: When reading the B page data, insert a “Memory Stick” into the “Memory Stick” slot.

Switch setting:

POWER..... MEMORY

1. Initializing the B Page Data

Note: If the B page data has been initialized, the following adjustments need to be performed again.

- 1) Modification of B page data

Adjusting page	B
Adjusting Address	00 to FF

Initializing Method:

Order	Page	Address	Data	Procedure
1	0	01	01	Set the data.
2	2	8F	02	Set the data, and press PAUSE button.
3	2	8F	03	Set the data, and press PAUSE button.
4	2	8F	02	Set the data, and press PAUSE button.
5	2	8F	00	Set the data, and press PAUSE button.
6	5	0E	00	Set the data, and press PAUSE button.
7	5	01	F3	Set the data, and press PAUSE button.
8	5	00	01	Set the data, and press PAUSE button.
9	5	0E		Check that the data changes to “01”.
10				Perform “Modification of B Page Data”.

2. Modification of B Page Data

If the B page data has been initialized, change the data of the “Fixed data-2” address shown in the following tables by manual input.

Preparations:

Order	Page	Address	Data	Procedure
1	2	8F	02	Set the data, and press PAUSE button.
2	2	8F	03	Set the data, and press PAUSE button.
3	2	8F	02	Set the data, and press PAUSE button.
4	2	8F	00	Set the data, and press PAUSE button.

Modifying Method:

- 1) Before changing the data, select page: 0, address: 01, and set data: 01.
- 2) New data for changing are not shown in the tables because they are different in destination. When changing the data, copy the data built in the same model.

Note: If copy the data built in the different model, the camcorder may not operate.

- 3) **When changing the data, don't press the PAUSE button.**

Processing after Completing Modification of B Page data:

Order	Page	Address	Data	Procedure
1	5	0E	00	Set the data, and press PAUSE button.
2	5	01	FB	Set the data, and press PAUSE button.
3	5	00	01	Set the data, and press PAUSE button.
4	5	0E		Check that the data changes to “01”. (The change data are written in the flash memory.)
5	2	00	29	Set the data.
6	2	01	29	Set the data, and press PAUSE button.

3. B Page Table

Note: Fixed data-1: Initialized data. (Refer to “1. Initializing the B Page Data”.)

Fixed data-2: Modified data. (Refer to “2. Modification of B Page Data”.)

Address	Remark
00 to FF	Fixed data-1

Table. 5-1-5.

1-2-3. INITIALIZATION OF E, F, 7 PAGE DATA

1. Initializing the E, F, 7 Page Data

Note1: If “Initializing the E, F, 7 Page Data” is performed, all data of the E page, F page and 7 page will be initialized. (It is impossible to initialize a single page.)

Note2: If the E, F, 7 page data has been initialized, following adjustments need to be performed again.

- 1) Modification of E, F, 7 page data
- 2) Camera system adjustments
- 3) IR transmitter adjustments

Adjusting page	F
Adjusting Address	10 to FF
Adjusting page	E
Adjusting Address	00 to FF
Adjusting page	7
Adjusting Address	00 to 5F

Switch setting:

POWER CAMERA

Initializing Method:

Order	Page	Address	Data	Procedure
1	0	01	01	Set the data.
2	6	01		Set the following data, and press PAUSE button. 2D: DCR-PC9 (NTSC) 2F: DCR-PC6E/PC9E (PAL)
3	6	03	01	Set the data, and press PAUSE button.
4	6	02		Check that the data changes to “01”.
5				Perform “Modification of E, F, 7 Page Data”.

2. Modification of E, F, 7 Page Data

If the E, F, 7 page data has been initialized, change the data of the “Fixed data-2” address shown in the following table by manual input.

Modifying Method:

- 1) Before changing the data, select page: 0, address: 01, and set data: 01.
- 2) New data for changing are not shown in the tables because they are different in destination. When changing the data, copy the data built in the same model.
Note: If copy the data built in the different model, the camcorder may not operate.
- 3) When changing the data, press the PAUSE button of the adjustment remote commander each time when setting new data to write the data in the non-volatile memory.
- 4) Check that the data of adjustment addresses is the initial value. If not, change the data to the initial value.

Processing after Completing Modification of E, F, 7 Page data

- 1) Select page: 0, address: 01, and set data: 00.
- 2) Turn off the power and turn on again.

3. F Page Table

Note1: Fixed data-1: Initialized data. (Refer to “1. Initializing the E, F, 7 Page Data”.)

Fixed data-2: Modified data. (Refer to “2. Modification of E, F, 7 Page Data”.)

Address	Initial value		Remark	
	NTSC	PAL		
00 to 0F				
10 to 11			Fixed data-1	
12	80	80	36MHz origin osc adj.	
13 to 16			Fixed data-1	
17	7F	7F	HALL adj.	
18	88	88		
19	16	16		
1A to 1C			Fixed data-1	
1D	9A	9A	Max gain adj.	
1E	80	80	AWB & LV standard data input	
1F	7A	7A		
20 to 2F			Fixed data-1	
30	90	90	AWB & LV standard data input	
31	3E	3E		
32	43	43		
33	59	59		
34			Fixed data-1	
35	22	22	Color reproduction adj.	
36			Fixed data-1	
37	27	24	Color reproduction adj.	
38 to 3B			Fixed data-1	
3C	00	00	Color reproduction adj.	
3D	F1	EF		
3E to 3F			Fixed data-1	
40	80	80	Auto white balance adj.	
41	40	40		
42 to 49			Fixed data-1	
4A	51	51	Flange back adj.	
4B	19	19		
4C	22	22		
4D	20	20		
4E	93	93		
4F	13	13		
50	00	00		
51	00	00		
52 to 59				Fixed data-1
5A	46	46		Flange back adj.
5B	00	00		
5C	19	19		
5D	00	00		
5E	2A	2A		
5F	00	00		
60 to 65			Fixed data-1	
66	5E	82	Angular velocity sensor sensitivity adj.	
67	6B	82		
68			Fixed data-1	
69	00	00	Optical axis adj.	
6A to 6F			Fixed data-1	
70	00	00	Mechanical shutter adj.	
71	0C	0C		

Address	Initial value		Remark
	NTSC	PAL	
72	34	34	Mechanical shutter adj.
73	09	09	
74	70	70	
75	07	07	
76	AA	AA	
77	06	06	
78	28	28	
79	06	06	
7A	00	00	
7B	40	40	
7C	00	00	
7D	3A	3A	
7E	00	00	
7F	31	31	
80	00	00	
81	31	31	
82	00	00	
83	35	35	
84	1E	1E	
85 to 8D	Fixed data-1		
8E	Fixed data-2		
8F	Fixed data-2		
90 to 92	Fixed data-1		
93	Fixed data-2		
94 to 95	Fixed data-1		
96	Fixed data-2		
97 to 9E	Fixed data-1		
9F	Fixed data-2		
A0 to A7	Fixed data-1		
A8	Fixed data-2		
A9 to AF	Fixed data-1		
B0	Fixed data-2		
B1 to B3	Fixed data-1		
B4	Fixed data-2		
B5 to C2	Fixed data-1		
C3	Fixed data-2		
C4	Fixed data-1		
C5	Fixed data-2		
C6 to E2	Fixed data-1		
E3	Fixed data-2		
E4 to FF	Fixed data-1		

Table. 5-1-6.

4. E Page Table

Note1: Fixed data-1: Initialized data. (Refer to “1. Initializing the E, F, 7 Page Data”.)
 Fixed data-2: Modified data. (Refer to “2. Modification of E, F, 7 Page Data”.)

Address	Initial value		Remark
	NTSC	PAL	
00 to 50	Fixed data-1		
51	Fixed data-2		
52 to 7E	Fixed data-1		
7F	Fixed data-2		
80 to 83	Fixed data-1		
84	Fixed data-2 (Modified data. Copy the data built in the same model.)		
85			
86			
87			
88 to 8B	Fixed data-1		
8C	Fixed data-2		
8D to 8F	Fixed data-1		
90	Fixed data-2		
91			
92 to 94	Fixed data-1		
95	Fixed data-2		
96 to 97	Fixed data-1		
98	Fixed data-2		
99 to BA	Fixed data-1		
BB	Fixed data-2		
BC to C8	Fixed data-1		
C9	Fixed data-2		
CA			
CB to CE	Fixed data-1		
CF	Fixed data-2		
D0	26	24	Optical axis adj.
D1 to DD	Fixed data-1		
DE	5F	71	Optical axis adj.
DF to E5	Fixed data-1		
E6	Fixed data-2		
E7 to EA	Fixed data-1		
EB	Fixed data-2 (Modified data. Copy the data built in the same model.)		
EC			
ED			
EF			
F0 to FB	Fixed data-1		
FC	Fixed data-2		
FD to FF	Fixed data-1		

Table. 5-1-7.

5. 7 Page Table

Note1: Fixed data-1: Initialized data. (Refer to “1. Initializing the E, F, 7 Page Data”.)
 Fixed data-2: Modified data. (Refer to “2. Modification of E, F, 7 Page Data”.)

Address	Initial value		Remark
	NTSC	PAL	
00 to 1B			Fixed data-1
1C			Fixed data-2
1D			(Modified data. Copy the data built in the same model.)
1E			
1F			
20			
20 to 22			Fixed data-1
23	80	80	Mechanical shutter adj.
24	80	80	
25	80	80	
26	80	80	
27 to 3C			Fixed data-1
3D			Fixed data-2
3E to 5F			Fixed data-1

Table. 5-1-8.

3. Flange Back Adjustment **RadarW** (Using Minipattern Box)

The inner focus lens flange back adjustment is carried out automatically. In whichever case, the focus will be deviated during auto focusing/manual focusing.

Subject	Siemens star chart with ND filter for the minipattern box (Note1)
Measurement Point	Display data of page: F, address: 5F
Measuring Instrument	Adjustment remote commander
Adjustment Page	F
Adjustment Address	4A to 51, 5A to 5F
Specified Value	Upper digit: 0 to B Lower digit: 0 to 9

Note1: Dark Siemens star chart.

Note2: Check that the data of page: 6, address: 02 is "00". If not, to page: 6, address: 01, set data: 00, and press the PAUSE button.

Switch setting:

- 1) POWER CAMERA
- 2) NIGHT SHOT OFF

Preparations:

- 1) The minipattern box is installed as shown in the following figure.
Note: The attachment lenses are not used.
- 2) Install the minipattern box so that the distance between it and the front of the lens of the camcorder is less than 3cm.
- 3) Make the height of the minipattern box and the camcorder equal.
- 4) Check that the output voltage of the regulated power supply is the specified voltage.
- 5) Check that at both the zoom lens TELE end and WIDE end, the center of the Siemens star chart and center of the exposure screen coincide.

Specified voltage: The specified voltage varies according to the minipattern box, so adjust the power supply output voltage to the specified voltage written on the sheet which is supplied with the minipattern box.

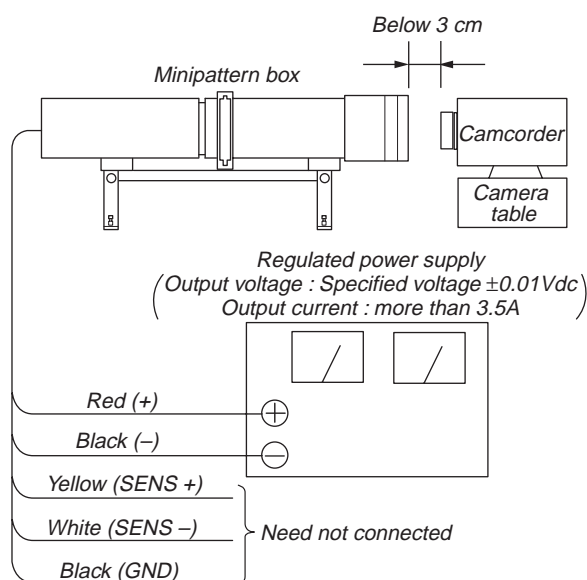


Fig. 5-1-7.

Adjusting method:

Order	Page	Address	Data	Procedure
1	0	01	01	Set the data.
2	6	01	13	Set the data, and press PAUSE button.
3	6	01	27	Set the data, and press PAUSE button.
4	6	02		Check that the data changes to "01". (Note3)
5	F	5F		Check that the upper digit of the data is "0" to "B".
6	F	5F		Check that the lower digit of the data is "0" to "9".

Note3: The adjustment data will be automatically input to page: F, address: 4A to 51, 5A to 5F.

Processing after Completing Adjustments:

Order	Page	Address	Data	Procedure
1	6	01	00	Set the data, and press PAUSE button.
2	0	01	00	Set the data.
3				Perform "Flange Back Check".

4. Flange Back Adjustment **RadarW** (Using Flange Back Adjustment Chart and Subject More Than 500m Away)

The inner focus lens flange back adjustment is carried out automatically. In whichever case, the focus will be deviated during auto focusing/manual focusing.

4-1. Flange Back Adjustment (1)

Subject	Flange back adjustment chart (2.0 m from the front of the protection glass) (Luminance: 350 ± 30 lux)
Measurement Point	Display data of page: F, address: 5F
Measuring Instrument	Adjustment remote commander
Adjustment Page	F
Adjustment Address	4A to 51, 5A to 5F
Specified Value	Upper digit: 0 to B Lower digit: 0 to 9

Note1: Check that the data of page: 6, address: 02 is "00". If not, to page: 6, address: 01, set data: 00, and press the PAUSE button.

Switch setting:

- 1) POWER CAMERA
- 2) NIGHT SHOT OFF

Adjusting method:

Order	Page	Address	Data	Procedure
1	0	01	01	Set the data.
2	6	01	13	Set the data, and press PAUSE button.
3	6	01	15	Set the data, and press PAUSE button.
4	6	02		Check that the data changes to "01". (Note2)
5	F	5F		Check that the upper digit is "0" to "B".
6	F	5F		Check that the lower digit is "0" to "9".

Note2: The adjustment data will be automatically input to page: F, address: 4A to 51, 5A to 5F.

Processing after Completing Adjustments:

Order	Page	Address	Data	Procedure
1	6	01	00	Set the data, and press PAUSE button.
2				Perform "Flange Back Adjustment (2)"

4-2. Flange Back Adjustment (2)

Perform this adjustment after performing "Flange Back Adjustment (1)".

Subject	Subject more than 500m away (Subjects with clear contrast such as buildings, etc.)
Measurement Point	Check operation on TV monitor
Measuring Instrument	
Adjustment Page	F
Adjustment Address	4A to 51, 5A to 5F

Note1: Check that the data of page: 6, address: 02 is "00". If not, to page: 6, address: 01, set data: 00, and press the PAUSE button.

Switch setting:

- 1) POWER CAMERA
- 2) NIGHT SHOT OFF

Preparations:

- 1) Set the zoom lens to the TELE end and expose a subject that is more than 500m away (subject with clear contrast such as building, etc.). (Nearby subjects less than 500m away should not be in the screen.)

Adjusting method:

Order	Page	Address	Data	Procedure
1	0	01	01	Set the data.
2	6	01	13	Set the data, and press PAUSE button.
				Place a ND filter on the lens so that the optimum image is obtain.
3	6	01	29	Set the data, and press PAUSE button.
4	6	02		Check that the data changes to "01". (Note2)

Note2: The adjustment data will be automatically input to page: F, address: 4A to 51, 5A to 5F.

Processing after Completing Adjustments:

Order	Page	Address	Data	Procedure
1	6	01	00	Set the data, and press PAUSE button.
2	0	01	00	Set the data.
3				Perform "Flange Back Check".

5. Flange Back Check

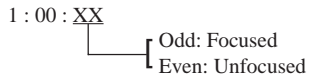
Subject	Siemens star (2.0m from the front of the lens) (Luminance : approx. 200 lux)
Measurement Point	Check operation on TV monitor
Measuring Instrument	
Specified Value	Focused at the TELE end and WIDE end.

Switch setting:

- 1) POWER CAMERA
- 2) NIGHT SHOT OFF
- 3) DIGITAL ZOOM (Menu display) OFF
- 4) STEADY SHOT (Menu display) OFF

Note: When the auto focus is ON, the lens can be checked if it is focused or not by observing the data on the page 1 of the adjustment remote commander.

- 1) Select page: 6, address: 04, and set data: 0F.
- 2) Page 1 shows the state of the focus.



Checking method:

- 1) Place the Siemens star 2.0m from the front of the lens.
- 2) To open the IRIS, decrease the luminous intensity to the Siemens star up to a point before noise appear on the image.
- 3) Shoot the Siemens star with the zoom TELE end.
- 4) Turn on the auto focus.
- 5) Check that the lens is focused (Note).
- 6) Select page: 6, address: 21, and set data: 10.
- 7) Shoot the Siemens star with the zoom WIDE end.
- 8) Observe the TV monitor and check that the lens is focused.

Processing after Completing Adjustments:

- 1) Select page: 6, address: 21, and set data: 00.
- 2) Select page: 6, address: 04, and set data: 00.

6. Optical Axis Adjustment

Align the lens Optical Axis with that of the CCD imager. If deviated, center of picture can lose focus when zoom is operated from the WIDE end to the TELE end.

Subject	Siemens star	
Measurement Point	Check on the monitor TV	
Measuring Instrument		
Adjustment Page	F	E
Adjustment Address	69	D0, DE

Switch setting:

- 1) POWER CAMERA

Preparations before adjustments:

- 1) Playback the monoscope segment of the system check tape (XH5-5 (NTSC), XH5-5P (PAL)).
- 2) Attach the optical axis frame chart (transparent) on the monitor TV screen. Center of monoscope image and that that of optical axis frame must be agree.
- 3) Set to the camera mode.

Adjusting method:

- 1) Select page: 0, address: 01, and set data: 01.
- 2) Select page: 6, address: 40, and set data: 02.
- 3) Select page: 6, address: 41, and set data: 01.
- 4) Input the data of Table 5-1-9 to each adjustment addresses.

Note: Press the PAUSE button each time to set the data.

Page: F	Page: E			
Address: 69	Address: D0		Address: DE	
	NTSC	PAL	NTSC	PAL
00	22	26	5F	71

Table 5-1-9.

- 5) Place the Siemens star 2.0 m away from the front of the lens.
- 6) Shoot the Siemens star with the zoom TELE end.
- 7) Point the lens toward the Siemens star chart until center of the Siemens star is located in the center of the optical axis frame.
- 8) Shoot the Siemens star with the zoom WIDE end.
- 9) Measure on the monitor TV screen in which area of the optical axis frame the center of the Siemens star is located. Measure the amount of displacement (distance between the center of the Siemens star and the center of the optical axis frame.) The measurement value is named L1.
- 10) Read the correction data corresponding to the area from Table 5-1-10.
- 11) Input the correction data to each adjustment address.
Note: Press the PAUSE button each time to set the data.
- 12) Shoot the Siemens star with the zoom TELE end.
- 13) Point the lens toward the Siemens star chart until center of the Siemens star is located in the center of the optical axis frame.
- 14) Shoot the Siemens star with the zoom WIDE end.
- 15) Measure the amount of displacement (distance between the center of the Siemens star and the center of the optical axis frame.) The measurement value is named L2.
- 16) Compare the values L1 and L2, and confirm that L2 is smaller than L1. If L2 is larger than L1, input the data of Table 5-1-9 to each adjustment address.

Note: Press the PAUSE button each time to set the data.

Note: NTSC model: DCR-PC9
PAL model: DCR-PC6E/PC9E

Area	Display phase	Connection data				
		Page: F	Page: E			
		Address: 69	Address: D0		Address: DE	
		NTSC	PAL	NTSC	PAL	
1	22.6° to 67.5°	01	22	26	57	69
2	67.6° to 112.5°	02	22	26	5F	71
3	112.6° to 157.5°	03	22	26	67	79
4	157.6° to 202.5°	04	02	26	69	7D
5	202.6° to 247.5°	05	22	26	67	79
6	247.6° to 292.5°	06	22	26	5F	71
7	292.6° to 337.5°	07	22	26	57	69
8	337.6° to 22.5°	08	02	26	55	65

Table 5-1-10.

Processing after Completing Adjustments:

- 1) Select page: 0, address: 01, and set data: 00.
- 2) Select page: 6, address: 40, and set data: 00.
- 3) Select page: 6, address: 41, and set data: 00.

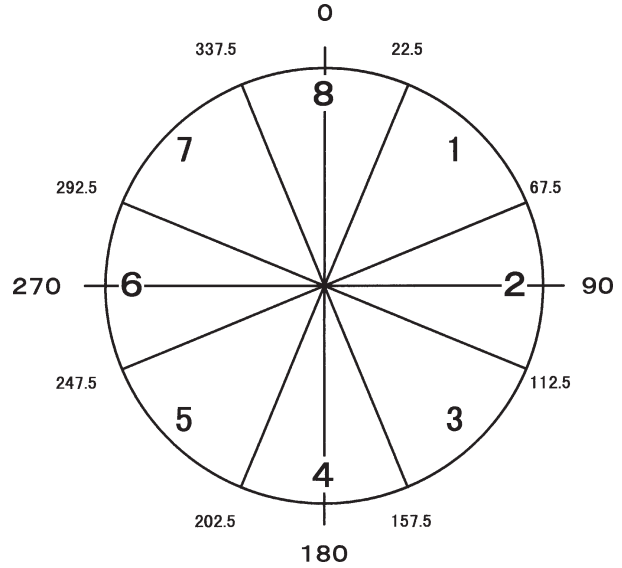


Fig. 5-1-8.

7. Picture Frame Setting

Subject	Color bar chart (Color reproduction adjustment frame) (1.5m from the front of the lens)
Measurement Point	Video output terminal
Measuring Instrument	Oscilloscope and TV monitor
Specified Value	A=B, C=D, E=F

Switch setting:

- 1) POWER CAMERA
- 2) NIGHT SHOT OFF
- 3) DIGITAL ZOOM (Menu display) OFF
- 4) STEADY SHOT (Menu display) OFF

Setting method:

- 1) Select page: 0, address: 01, and set data: 01.
- 2) Select page: F, address: 69, after noting down the data, set data: 00, and press the PAUSE button.
- 3) Adjust the zoom and the camera direction, and set to the specified position.
- 4) Mark the position of the picture frame on the monitor display, and adjust the picture frame to this position in following adjustments using "Color reproduction adjustment frame".

Processing after Completing Camera System Adjustments:

After completing the camera system adjustments, release the data settings.

- 1) Select page: 0, address: 01, and set data: 01.
- 2) Select page: F, address: 69, set the data noted down at step 2), and press the PAUSE button.
- 3) Select page: 0, address: 01, and set data: 00.

Check on the oscilloscope

1. Horizontal period

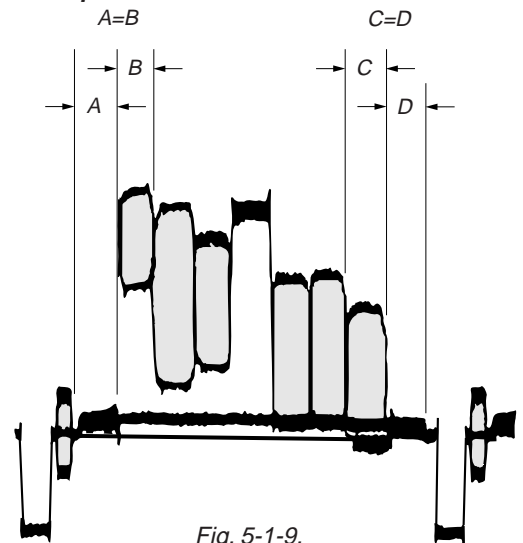


Fig. 5-1-9.

2. Vertical period

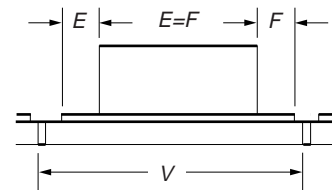


Fig. 5-1-10.

Check on the monitor TV (Underscanned mode)

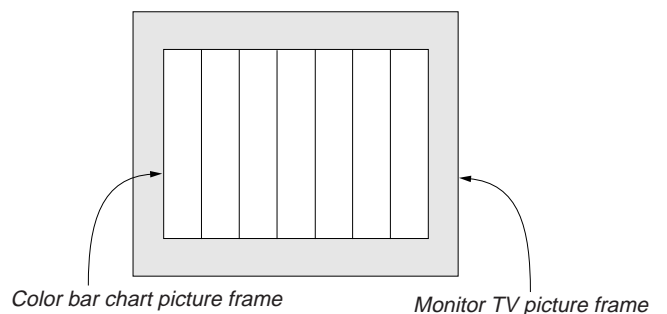


Fig. 5-1-11.

8. Color Reproduction Adjustment

Adjust the color Separation matrix coefficient so that proper color reproduction is produced.

Subject	Color bar chart (Color reproduction adjustment frame)
Measurement Point	Video output terminal
Measuring Instrument	Vectorscope
Adjustment Page	F
Adjustment Address	35, 37, 3C, 3D
Specified Value	All color luminance points should settle within each color reproduction frame.

Note: NTSC model: DCR-PC9
PAL model: DCR-PC6E/PC9E

Switch setting:

- 1) POWER CAMERA
- 2) NIGHT SHOT OFF
- 3) DIGITAL ZOOM (Menu display) OFF
- 4) STEADY SHOT (Menu display) OFF

Adjusting method:

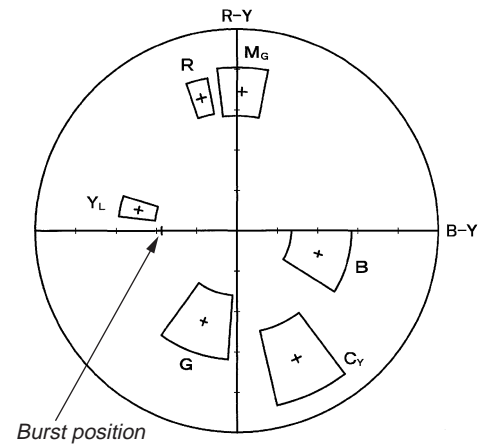
- 1) Select page: 0, address: 01, and set data: 01.
- 2) Select page: F, address: 8E, set data: 29, and press the PAUSE button.
- 3) Select page: F, address: C0, set the following data and press the PAUSE button.
37: NTSC model
B7: PAL model
- 4) Select page: 6, address: 01, set data: 3D, and press the PAUSE button.
- 5) Adjust the GAIN and PHASE of the vectorscope, and adjust the burst luminance point to the burst position of the color reproduction frame.
- 6) Change the data of page: F, address: 35, 37, 3C and 3D, and settle each color luminance point in each color reproduction frame.

Note: Be sure to press the PAUSE button of the adjustment remote commander before changing the addresses. If not, the new data will not be written to the memory.

Processing after Completing Adjustments:

- 1) Select page: F, address: 8E, set data: 2E, and press the PAUSE button.
- 2) Select page: 6, address: 01, set data: 00, and press the PAUSE button.
- 3) Select page: 0, address: 01, and set data: 00.

For NTSC model



For PAL model

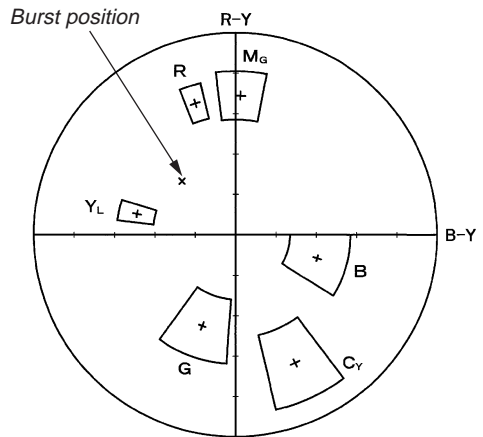


Fig. 5-1-12.

9. MAX GAIN Adjustment **RadarW**

Setting the minimum illumination.

If it is not consistent, the image level required for taking subjects in low illuminance will not be produced (dark).

Subject	Clear chart (Color reproduction adjustment frame)
Adjustment Page	F
Adjustment Address	1D

Switch setting:

- 1) POWER CAMERA
- 2) NIGHT SHOT OFF

Adjusting method:

Order	Page	Address	Data	Procedure
1	0	01	01	Set the data.
2	6	96	00	Set the data.
3	6	97	22	Set the data.
4	6	01	6F	Set the data, and press PAUSE button.
5	6	02		Check that the data changes to "01". (Note)

Note: The adjustment data will be automatically input to page: F, address: 1D

Processing after Completing Adjustments

Order	Page	Address	Data	Procedure
1	6	96	00	Set the data.
2	6	97	00	Set the data.
3	6	01	00	Set the data, and press PAUSE button.
4	0	01	00	Set the data.

10. Auto White Balance & LV Standard Data Input **RadarW**

RadarW

Adjust the white balance reference at 3200K, and adjust the normal coefficient of the light value.

Subject	Clear chart (Color reproduction adjustment frame)
Measurement Point	Display data of page 1 (Note4)
Measuring Instrument	Adjustment remote commander
Adjustment Page	F
Adjustment Address	1E, 1F, 30 to 33
Specified Value	0FE0 to 1020

Note1: This adjustment should be carried out upon completion of "Color reproduction Adjustment".

Note2: After the power is turned on, this adjustment can be done only once.

Note3: Check that the data of page: 6, address: 02 is "00". If not, to page: 6, address: 01, set data: 00, and press the PAUSE button.

Note4: Displayed data of page 1 of the adjustment remote commander.

1 : XX : XX
 LV data

Switch setting:

- 1) POWER CAMERA
- 2) NIGHT SHOT OFF

Adjusting method:

Order	Page	Address	Data	Procedure
1	0	01	01	Set the data.
2	6	01	11	Set the data, and press PAUSE button.
3	6	01	0D	Set the data, and press PAUSE button.
4	6	02		Check that the data changes to "01". (Note5)
5	F	10	2E	Set the data, and press PAUSE button.
6	1			Check that the display data (Note4) satisfies the specified value.

Note5: The adjustment data will be automatically input to page: F, address: 1E, 1F, 30 to 33.

Processing after Completing Adjustments

Order	Page	Address	Data	Procedure
1	6	01	00	Set the data, and press PAUSE button.
2	F	10	00	Set the data, and press PAUSE button.
3	0	01	00	Set the data.
4				Perform "Auto White Balance Adjustment".

13. Mechanical Shutter Adjustment

(DCR-PC9/PC9E)

Adjust the period which the mechanical shutter is closed, and compensate the exposure.

Adjustment Page	F	7
Adjustment Address	70 to 84	23 to 26

Input method:

- 1) Select page: 0, address: 01, and set data: 01.
- 2) Input the following data to page: F, addresses: 70 to 84.

Note: Press the PAUSE button of the adjustment remote commander each time to set the data.

Address	Data
70	EC
71	0F
72	FB
73	0C
74	46
75	0B
76	0F
77	0A
78	03
79	09
7A	78
7B	48
7C	CB
7D	76
7E	4F
7F	83
80	8E
81	82
82	25
83	6F
84	1E

- 3) Input the following data to page: 7, addresses: 23 to 26.

Note: Press the PAUSE button of the adjustment remote commander each time to set the data.

Address	Data
23	9C
24	A3
25	A5
26	AC

- 4) Select page: 0, address: 01, and set data: 00.

14. Angular Velocity Sensor Sensitivity Adjustment

- This adjustment is performed only when replacing the angular velocity sensor.
Although this adjustment need not be performed when the circuit is damaged, etc., check the operations.
- Note down the sensitivity displayed on the angular velocity sensor of the repair parts. At this time, note down also to which board it was attached to.
Be sure to check because if attached incorrectly, the screen will vibrate up and down or left and right during hand-shake correction operations.

Precautions on the Parts Replacement

There are two types of repair parts.

Type A: ENC03JA

Type B: ENC03JB

Replace the broken sensor with a same type sensor. If replace with other type parts, the image will vibrate up and down or left and right during hand-shake correction operations. After replacing, re-adjust according to the adjusting method after replacement.

Precautions on Angular Velocity Sensor

The sensor incorporates a precision oscillator. Handle it with care as if it dropped, the balance of the oscillator will be disrupted and operations will not be performed properly.

Adjustment Page	F
Adjustment Address	66, 67

Note1: The sensor sensitivity of SE3450 and SE3451 of the CF-085 board is written only on the repair parts.

Adjusting method:

- 1) Select page: 0, address: 01, and set data: 01.
- 2) Read the sensor sensitivity written on SE3450 (PITCH sensor) of the CF-085 board, and take this as S_{3450} .
- 3) Read the sensor sensitivity written on SE3451 (YAW sensor) of the CF-085 board, and take this as S_{3451} .
- 4) Calculate D_{66}' and D_{67}' using the following equation (decimal calculation).
NTSC model (DCR-PC9)
$$D_{66}' = 56 / S_{3450}$$
$$D_{67}' = 64 / S_{3451}$$

PAL model (DCR-PC6E/PC9E)
$$D_{66}' = 78 / S_{3450}$$
$$D_{67}' = 78 / S_{3451}$$
- 5) Convert D_{66}' and D_{67}' into hexadecimal digits, to obtain D_{66} and D_{67} . (Round off decimal points)
- 6) Select page: F, address: 66, set data: D_{66} , and press the PAUSE button of the adjustment remote commander.
- 7) Select page: F, address: 67, set data: D_{67} , and press the PAUSE button of the adjustment remote commander.

Processing after Completing Adjustments

- 1) Select page: 0, address: 01, and set data: 00.
- 2) Check that the steady shot operations have been performed normally.

1-4. COLOR ELECTRONIC VIEWFINDER SYSTEM ADJUSTMENT

Note1: When replacing the LCD unit, be careful to prevent damages caused by static electricity.

Note2: Perform the following data setting before the viewfinder system adjustments.

- 1) Select page: 2, address: 0E, and set data: 67.
- 2) Select page: 2, address: 0F, and set data: 01.
Reset the data after completing adjustment.
- 1) Select page: 2, address: 0E, and set data: 00.
- 2) Select page: 2, address: 0F, and set data: 00.

[Adjusting connector]

Most of the measuring points for adjusting the viewfinder system are concentrated in CN004 of the VC-265 board.

Connect the Measuring Instruments via the CPC-6 flexible jig (J-6082-370-B) and CPC-6 terminal board jig (J-6082-371-A).

The following table shows the Pin No. and signal name of CN004.

Pin No.	Signal Name	Pin No.	Signal Name
1	LANC SIG	2	
3	EVF LED DA	4	EVF VG
5	EVF VCO	6	GND
7	TW PWE	8	HI XRESET
9	HI RXD	10	HI TXD
11	HI TEST A	12	TMS
13	TCK	14	JIG TDI
15	JIG TDO	16	GND
17	SWP	18	RF IN/LANC JACK IN
19	GND	20	RF MON

Table 5-1-11.

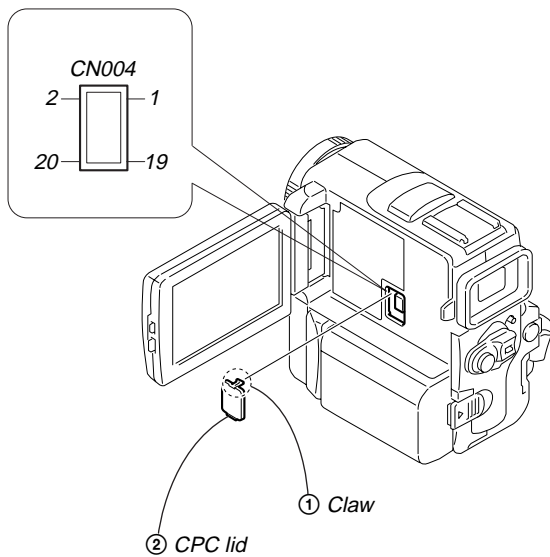


Fig. 5-1-14.

1. VCO Adjustment (VC-265 board)

Set the VCO free-run frequency. If deviated, the EVF screen will be blurred.

Mode	Camera
Subject	Arbitrary
Measurement Point	Pin ⑤ of CN004 (EVF VCO)
Measuring Instrument	Frequency counter
Adjustment Page	D
Adjustment Address	92, 93
Specified Value	f = 15734 ± 30Hz (NTSC) f = 15625 ± 30Hz (PAL)

Note1: NTSC: DCR-PC9
PAL: DCR-PC6E/PC9E

Adjusting method:

Order	Page	Address	Data	Procedure
1	0	01	01	Set the data.
2	D	92		Change the data and set the VCO frequency (f) to the specified value.
3	D	92		Press PAUSE button.
4	D	92		Read the data, and this data is named D ₉₂ .
5				Convert D ₉₂ to decimal notation, and obtain D ₉₂ ' (Note2)
6				Calculate D ₉₃ ' using following equations (Decimal calculation) NTSC model: When D ₉₂ ' ≤ 230 D ₉₃ ' = D ₉₂ ' + 25 When D ₉₂ ' > 230 D ₉₃ ' = 255 PAL model: When D ₉₂ ' ≥ 25 D ₉₃ ' = D ₉₂ ' - 25 When D ₉₂ ' < 25 D ₉₃ ' = 00
7				Convert D ₉₃ ' to a hexadecimal number, and obtain D ₉₃ . (Note2)
8	D	93	D ₉₃	Set the data, and press PAUSE button.
9	0	01	00	Set the data.

Note2: Refer to "Table 5-4-1. Hexadecimal-decimal Conversion Table".

2. Backlight Adjustment (VC-265 board)

Set the backlight luminance.

If deviated, the image may become dark or bright.

Mode	Camera
Subject	Arbitrary
Measurement Point	Pin ③ of CN004 (EVF LED DA)
Measuring Instrument	Digital voltmeter
Adjustment Page	D
Adjustment Address	90, 91
Specified Value	DCR-TRV6E: A=1.50 ± 0.05Vdc DCR-TRV9/TRV9E: A=2.15 ± 0.05Vdc

Adjusting method:

Order	Page	Address	Data	Procedure
1	0	01	01	Set the data.
2	D	91		Change the data and set the voltage (A) of Pin ③ of CN004 to the specified value.
3	D	91		Press PAUSE button.
4				Read the data, and this data is named D ₉₁ .
5				Convert D ₉₁ to decimal notation, and obtain D ₉₁ '. (Note)
6				Calculate D ₉₀ ' using following equation. (Decimal calculation) DCR-TRV6E: $D_{90}' = D_{91}' - 64$ DCR-TRV9/TRV9E: $D_{90}' = D_{91}' - 96$
7				Convert D ₉₀ ' to a hexadecimal number, and obtain D ₉₀ . (Note)
8	D	90	D ₉₀	Set the data, and press PAUSE button.
9	0	01	00	Set the data.

Note: Refer to "Table 5-4-1. Hexadecimal-decimal Conversion Table".

3. Bright Adjustment (VC-265 board)

Set the D range of the RGB decoder used to drive the LCD to the specified value. If deviated, the LCD screen will become blackish or saturated (whitish).

Mode	Camera
Subject	Arbitrary
Measurement Point	Pin ④ of CN004 (EVF VG)
Measuring Instrument	Oscilloscope
Adjustment Page	D
Adjustment Address	95
Specified Value	A = 7.00 ± 0.05V

Adjusting method:

Order	Page	Address	Data	Procedure
1	0	01	01	Set the data.
2	D	95		Change the data and set the voltage (A) between the reversed waveform pedestal and non-reversed waveform pedestal to the specified value.
3	D	95		Press PAUSE button.
4	0	01	00	Set the data.

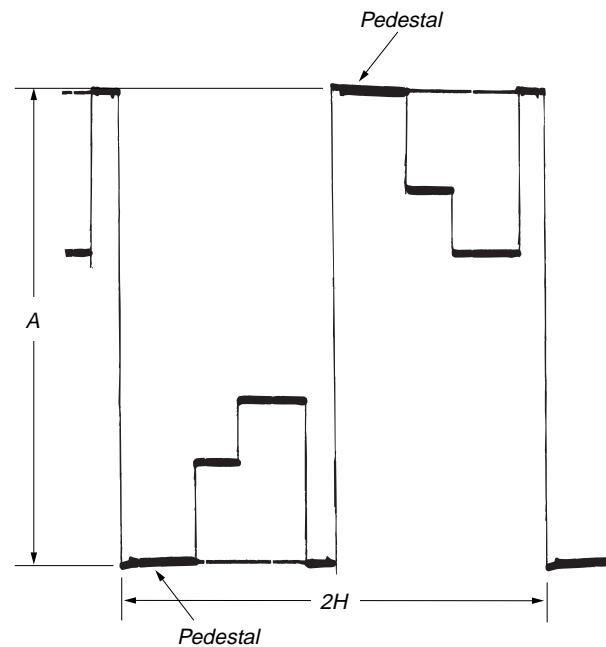


Fig. 5-1-15.

4. Contrast Adjustment (VC-265 board)

Set the level of the VIDEO signal for driving the LCD to the specified value. If deviated, the screen image will be blackish or saturated (whitish).

Mode	Camera
Subject	Arbitrary
Measurement Point	Pin ④ of CN004 (EVF VG)
Measuring Instrument	Oscilloscope
Adjustment Page	D
Adjustment Address	99
Specified Value	$A=2.45 \pm 0.05V$

Adjusting method:

Order	Page	Address	Data	Procedure
1	0	01	01	Set the data.
2	D	99		Change the data and set the voltage (A) between the 3 steps peak and pedestal to the specified value. (The data should be "00" to "7F".)
3	D	99		Press PAUSE button.
4	0	01	00	Set the data.

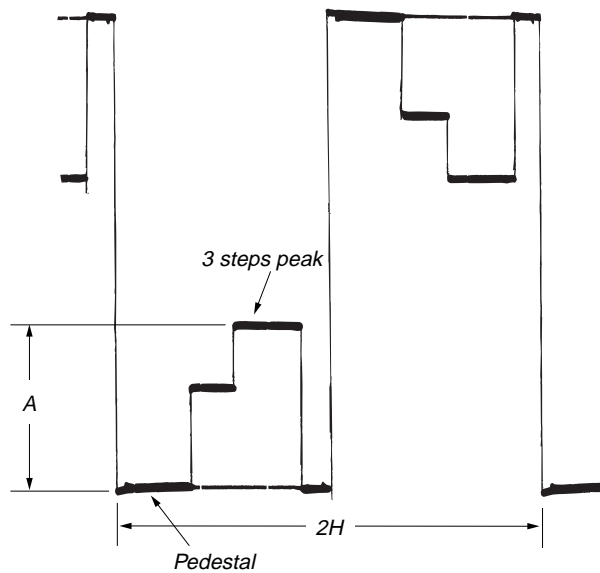


Fig. 5-1-16.

5. White Balance Adjustment (VC-265 board)

Correct the white balance.

If deviated, the reproduction of the EVF screen may degenerate.

Mode	Camera
Subject	Arbitrary
Measurement Point	Check on EVF screen
Measuring Instrument	
Adjustment Page	D
Adjustment Address	97, 98
Specified Value	The EVF screen should not be colored.

Note1: Check the white balance only when replacing the following parts. If necessary, adjust them.

1. LCD panel
2. Light induction plate
3. IC1802

Note2: Use the AC power adaptor.

Adjusting method:

Order	Page	Address	Data	Procedure
1	0	01	01	Set the data.
2	D	97	8D	Set the data, and press PAUSE button.
3	D	98		Set the following data, and press PAUSE button. 73: DCR-PC9/PC9E 60: DCR-PC6E
4	D	98		Check that the EVF screen is not colored. If not colored, proceed to step 10.
5	D	97		Change the data so that the EVF screen is not colored.
6	D	97		Press PAUSE button.
7	D	98		Change the data so that the EVF screen is not colored.
8	D	98		Press PAUSE button.
9	D	98		If the EVF screen is colored, repeat steps 5 to 9.
10	0	01	00	Set the data.

1-5. LCD SYSTEM ADJUSTMENT

Note 1: The back light (fluorescent tube) is driven by a high voltage AC power supply. Therefore, do not touch the back light holder to avoid electrical shock.

Note 2: When replacing the LCD unit, be careful to prevent damages caused by static electricity.

[Adjusting connector]

Most of the measuring points for adjusting the LCD system are concentrated in CN2105 of the PD-148 board. Connect the Measuring Instruments via the CPC-jig for LCD (J-6082-529-A). The following table shows the Pin No. and signal name of CN2105.

Pin No.	Signal Name
1	VG
2	COM
3	GND
4	HSY
5	NC
6	PSIG

Table 5-1-12.

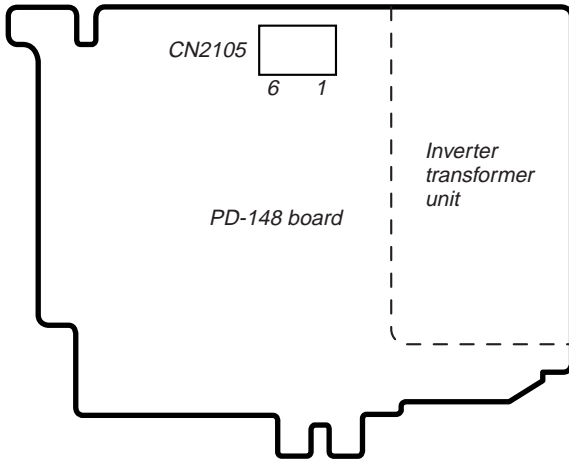


Fig. 5-1-17.

1. VCO Adjustment (PD-148 board)

Set the VCO free-run frequency. If deviated, the LCD screen will be blurred.

Mode	VTR stop
Signal	No signal
Measurement Point	Pin ④ of CN2105 (HSY)
Measuring Instrument	Frequency counter
Adjustment Page	D
Adjustment Address	A2, A3
Specified Value	f = 15734 ± 30Hz (NTSC) f = 15625 ± 30Hz (PAL)

Note1: NTSC: DCR-PC9
PAL: DCR-PC6E/PC9E

Adjusting method:

Order	Page	Address	Data	Procedure
1	0	01	01	Set the data.
2	D	A2		Change the data and set the VCO frequency (f) to the specified value.
3	D	A2		Press PAUSE button.
4	D	A2		Read the data, and this data is named DA2.
5				Convert DA2 to decimal notation, and obtain DA2'. (Note2)
6				Calculate DA3' using following equations (Decimal calculation) NTSC model: When $DA2' \leq 234$ $DA3' = DA2' + 21$ When $DA2' > 234$ $DA3' = 255$ PAL model: When $DA2' \geq 21$ $DA3' = DA2' - 21$ When $DA2' < 21$ $DA3' = 00$
7				Convert DA3' to a hexadecimal number, and obtain DA3. (Note2)
8	D	A3	DA3	Set the data, and press PAUSE button.
9	0	01	00	Set the data.

Note2: Refer to "Table 5-4-1. Hexadecimal-decimal Conversion Table".

2. Bright Adjustment (PD-148 board)

Set the video signal level for driving the LCD to the specified value. If deviated, the LCD screen will become blackish or saturated (whitish).

Mode	VTR stop
Signal	No signal
Measurement Point	Pin ① of CN2105 (VG)
Measuring Instrument	Oscilloscope
Adjustment Page	D
Adjustment Address	A5
Specified Value	$A = 7.90 \pm 0.05V$

Adjusting method:

Order	Page	Address	Data	Procedure
1	0	01	01	Set the data.
2	D	A5		Change the data and set the voltage (A) between the reversed waveform pedestal and non-reversed waveform pedestal to the specified value.
3	D	A5		Press PAUSE button.
4	0	01	00	Set the data.
5				Perform "Black Limit Adjustment"

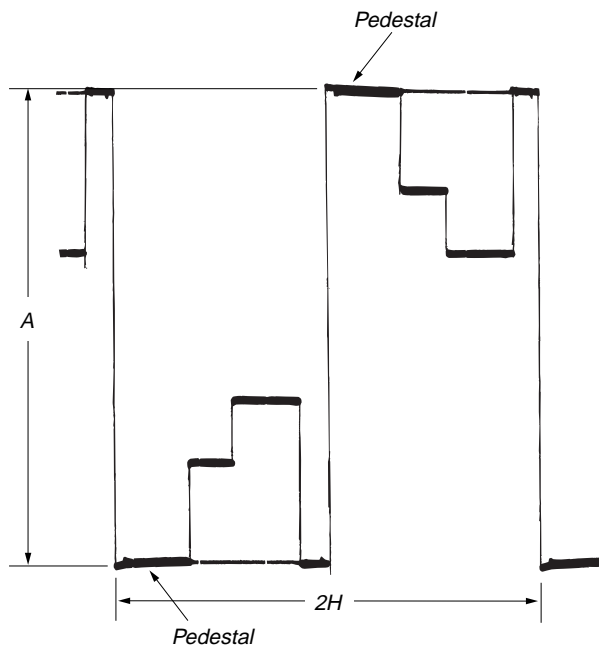


Fig. 5-1-18.

3. Black Limit Adjustment (PD-148 board)

Set the video signal level for driving the LCD to an appropriate level.

Mode	VTR stop
Signal	No signal
Measurement Point	Pin ⑥ of CN2105 (PSIG)
Measuring Instrument	Oscilloscope
Adjustment Page	D
Adjustment Address	A6
Specified Value	$A = 8.50 \pm 0.05V$

Adjusting method:

Order	Page	Address	Data	Procedure
1	0	01	01	Set the data.
2	2	0E	61	Set the data.
3	2	0F		Set the following data. 5B: DCR-PC9 (NTSC) 53: DCR-PC6E/PC9E (PAL)
4	D	A6		Change the data and set the PSIG signal amplitude (A) to the specified value. [DCR-PC9/PC9E] The data should be "00" to "0F". [DCR-PC6E] The data should be "20" to "2F".
5	D	A6		Press PAUSE button.
6	2	0E	00	Set the data.
7	2	0F	00	Set the data.
8	0	01	00	Set the data.
9				Check that the specified value of "Bright Adjustment" is satisfied. If not, perform "Bright Adjustment".

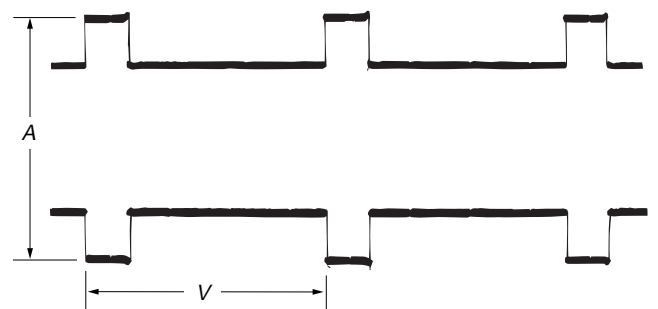


Fig. 5-1-19.

4. PSIG GLAY Adjustment (PD-148 board)

Set the PSIG signal level to an appropriate level.

Mode	VTR stop
Signal	No signal
Measurement Point	Pin ⑥ of CN2105 (PSIG)
Measuring Instrument	Oscilloscope
Adjustment Page	D
Adjustment Address	A7
Specified Value	$A = 5.00 \pm 0.05V$

Adjusting method:

Order	Page	Address	Data	Procedure
1	0	01	01	Set the data.
2	D	A7		Change the data and set the PSIG signal level (A) to the specified value. (The data should be "00" to "7F".)
3	D	A7		Press PAUSE button.
4	0	01	00	Set the data.

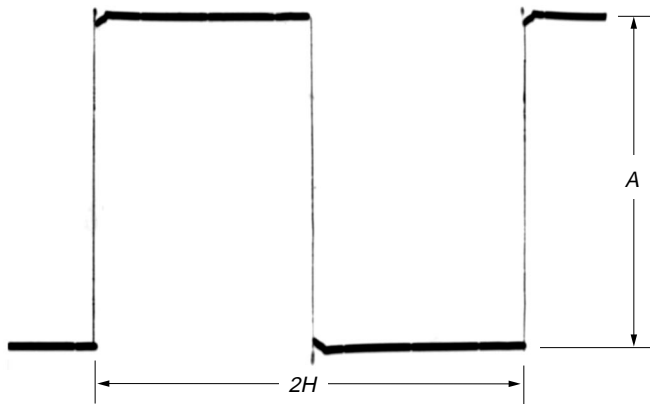


Fig. 5-1-20.

5. Contrast Adjustment (PD-148 board)

Set the level of the VIDEO signal for driving the LCD to the specified value. If deviated, the screen image will be blackish or saturated (whitish).

Mode	VTR stop
Signal	No signal
Measurement Point	Pin ① of CN2105 (VG)
Measuring Instrument	Oscilloscope
Adjustment Page	D
Adjustment Address	AA
Specified Value	$A = 3.00 \pm 0.05V$

Adjusting method:

Order	Page	Address	Data	Procedure
1	0	01	01	Set the data.
2	D	AA		Change the data and set the voltage (A) between the 3 steps peak and pedestal to the specified value. (The data should be "00" to "7F".)
3	D	AA		Press PAUSE button.
4	0	01	00	Set the data.
5				Check that the specified value of "Bright Adjustment" is satisfied.

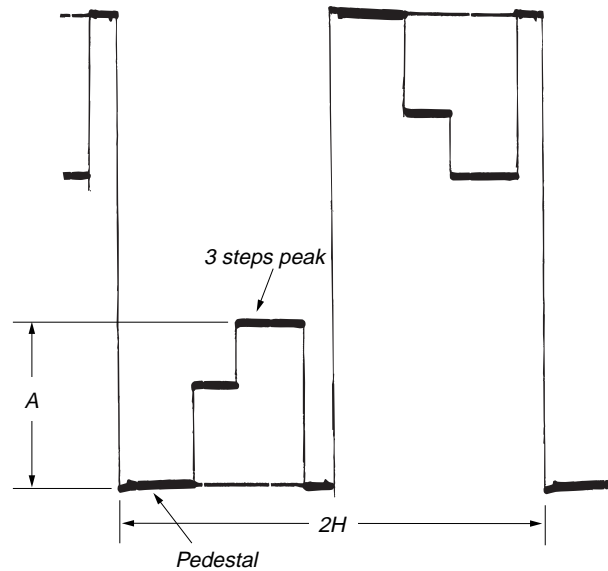


Fig. 5-1-21.

6. Center Level Adjustment (PD-148 board)

Set the video signal center level of LCD panel to an appropriate level.

Mode	VTR stop
Signal	No signal
Measurement Point	Pin ① of CN2105 (VG)
Measuring Instrument	Digital voltmeter
Adjustment Page	D
Adjustment Address	AB
Specified Value	$A = 7.00 \pm 0.05Vdc$

Adjusting method:

Order	Page	Address	Data	Procedure
1	0	01	01	Set the data.
2	3	0C	60	Set the data, and press PAUSE button.
3	3	22	08	Set the data, and press PAUSE button.
4	D	AB		Change the data and set the DC voltage (A) to the specified value. (The data should be "00" to "7F".)
5	D	AB		Press PAUSE button.
6	3	0C	00	Set the data, and press PAUSE button.
7	3	22	00	Set the data, and press PAUSE button.
8	0	01	00	Set the data.

7. V-COM Adjustment (PD-148 board)

Set the DC bias of the common electrode drive signal of LCD to the specified value.

If deviated, the LCD display will move, producing flicker and conspicuous vertical lines.

Mode	VTR stop
Signal	No signal
Measurement Point	Check on LCD display
Measuring Instrument	
Adjustment Page	D
Adjustment Address	A4
Specified Value	The brightness difference between the section A and section B is minimum.

Note: Perform "Bright Adjustment", "Black Limit Adjustment", "Contrast Adjustment" and "Center Level Adjustment" before this adjustment.

Adjusting method:

Order	Page	Address	Data	Procedure
1	0	01	01	Set the data.
2	D	A4		Change the data so that the brightness of the section A and that of the section B is equal. (The data should be "80" to "BF".)
3	D	A4		Subtract 2 from the data.
4	D	A4		Press PAUSE button.
5	0	01	00	Set the data.

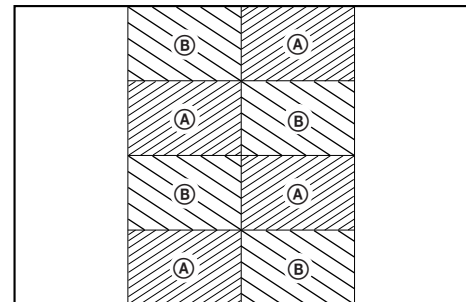


Fig. 5-1-22.

8. White Balance Adjustment (PD-148 board)

Correct the white balance.

If deviated, the reproduction of the LCD screen may degenerate.

Mode	VTR stop
Signal	No signal
Measurement Point	Check on LCD screen
Measuring Instrument	
Adjustment Page	D
Adjustment Address	A8, A9
Specified Value	The LCD screen should not be colored.

Note1: Check the white balance only when replacing the following parts.
If necessary, adjust them.

1. LCD panel
2. Light induction plate
3. IC2101

Note2: Use the AC power adaptor.

Adjusting method:

Order	Page	Address	Data	Procedure
1	0	01	01	Set the data.
2	D	A8		Set the following data, and press PAUSE button. 7D: DCR-PC9/PC9E 79: DCR-PC6E
3	D	A9		Set the following data, and press PAUSE button. 65: DCR-PC9/PC9E 6F: DCR-PC6E
4	D	A9		Check that the LCD screen is not colored. If not colored, proceed to step 10.
5	D	A8		Change the data so that the LCD screen is not colored.
6	D	A8		Press PAUSE button.
7	D	A9		Change the data so that the LCD screen is not colored.
8	D	A9		Press PAUSE button.
9	D	A9		If the LCD screen is colored, repeat steps 5 to 9.
10	0	01	00	Set the data.

5-2. MECHANISM SECTION ADJUSTMENT

On the mechanism section adjustment

For details of mechanism section adjustments, checks, and replacement of mechanism parts, refer to the separate volume “DV MECHANICAL ADJUSTMENT MANUAL VI [J Mechanism]”.

2-1. HOW TO ENTER RECORD MODE WITHOUT CASSETTE

- 1) Connect the adjustment remote commander to the LANC jack.
- 2) Turn the HOLD switch of the adjustment remote commander to the ON position.
- 3) Close the cassette compartment without the cassette.
- 4) Select page: 3, address: 01, set data: 0C, and press the PAUSE button of the adjustment remote commander.
(The mechanism enters the record mode automatically.)
Note: The function buttons become inoperable.
- 5) To quit the record mode, select page: 3, address: 01, set data: 00, and press the PAUSE button of the adjustment remote commander. (Whenever you want to quit the record mode, be sure to quit following this procedure.)

2-2. HOW TO ENTER PLAYBACK MODE WITHOUT CASSETTE

- 1) Connect the adjustment remote commander to the LANC jack.
- 2) Turn the HOLD switch of the adjustment remote commander to the ON position.
- 3) Close the cassette compartment without the cassette.
- 4) Select page: 3, address: 01, set data: 0B, and press the PAUSE button of the adjustment remote commander.
(The mechanism enters the playback mode automatically.)
Note: The function buttons become inoperable.
- 5) To quit the playback mode, select page: 3, address: 01, set data: 00, and press the PAUSE button of the adjustment remote commander. (Whenever you want to quit the playback mode, be sure to quit following this procedure.)

2-3. TAPE PATH ADJUSTMENT

1. Preparation for Adjustment

- 1) Clean the tape running side (tape guide, drum, capstan shaft, pinch roller, etc.).
- 2) Connect the adjustment remote commander to the LANC jack.
- 3) Turn the HOLD switch of the adjustment remote commander to the ON position.
- 4) Connect an oscilloscope to VC-265 board CN004 via the CPC-6 flexible jig (J-6082-370-B) and CPC-6 terminal board jig (J-6082-371-A).
Channel 1: VC-265 board, CN004 Pin ⑳ (Note)
External trigger: VC-265 board, CN004 Pin ⑰
Note: Connect a 75 Ω resistor between pins ⑳ of CN004 and ⑲ (GND).
75 Ω resistor (Parts code: 1-247-804-11)
- 5) Playback the alignment tape for tracking. (XH2-1)
- 6) Select page: 3, address: 33, and set data: 08.
- 7) Select page: 3, address: 26, and set data: 31.
- 8) Check that the oscilloscope RF waveform is normal at the entrance and exit.

If not normal, adjust according to the separate volume “DV MECHANICAL ADJUSTMENT MANUAL VI [J Mechanism]”.

CN004 of VC-265 board

Pin No.	Signal Name	Pin No.	Signal Name
1	LANC SIG	2	
3	EVF LED DA	4	EVF VG
5	EVF VCO	6	GND
7	TW PWE	8	HI XRESET
9	HI RXD	10	HI TXD
11	HI TEST A	12	TMS
13	TCK	14	JIG TDI
15	JIG TDO	16	GND
17	SWP	18	RF IN/LANC JACK IN
19	GND	20	RF MON

2. Procedure after operations

- 1) Connect the adjustment remote commander to the LANC jack and set the HOLD switch to the ON position.
- 2) Select page: 3, address: 26, and set data: 00.
- 3) Select page: 3, address: 33, and set data: 00.

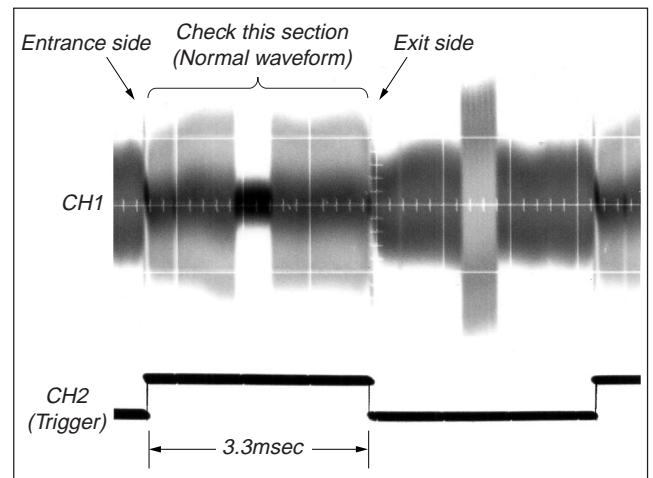


Fig. 5-2-1.

5-3. VIDEO SECTION ADJUSTMENTS

NTSC model : DCR-PC9

PAL model : DCR-PC6E/PC9E

3-1. PREPARATIONS BEFORE ADJUSTMENTS

Use the following measuring instruments for video section adjustments.

3-1-1. Equipment Required

- 1) TV monitor
- 2) Oscilloscope (dual-phenomenon, band above 30 MHz with delay mode) (Unless specified otherwise, use a 10 : 1 probe.)
- 3) Frequency counter
- 4) Pattern generator with video output terminal.
- 5) Digital voltmeter
- 6) Audio generator
- 7) Audio level meter
- 8) Audio distortion meter
- 9) Audio attenuator
- 10) Regulated power supply
- 11) Alignment tapes
 - Tracking standard (XH2-1)
Parts code: 8-967-997-01
 - SW/OL standard (XH2-3)
Parts code: 8-967-997-11
 - Audio operation check for NTSC (XH5-3)
Parts code: 8-967-997-51
 - System operation check for NTSC (XH5-5)
Parts code: 8-967-997-61
 - Audio operation check for PAL (XH5-3P)
Parts code: 8-967-997-55
 - System operation check for PAL (XH5-5P)
Parts code: 8-967-997-66
- 12) Adjustment remote commander (J-6082-053-B)
- 13) CPC-6 flexible jig (J-6082-370-B) (Note)
- 14) CPC-6 terminal board jig (J-6082-371-A)

Note: When using the old CPC-6 jig (J-6082-370-A), open the cabinet (R) assembly.

3-1-2. Precautions on Adjusting

- 1) The adjustments of this unit are performed in the VTR mode or camera mode.

To set to the VTR mode, set the power switch to "VTR" (or "PLAYER") or set the "Forced VTR Power ON mode" using the adjustment remote commander (Note 1).

To set to the Camera mode, set the power switch to "CAMERA" or set the "Forced Camera Power ON mode" using the adjustment remote commander (Note 2).

After completing adjustments, be sure to exit the "Forced VTR Power ON Mode" or "Forced Camera Power ON Mode". (Note 3)

- 2) To remove the cabinet (R), disconnect the following connector.
VC-265 board CN012 (60P, 0.4mm)

As the DC IN jack is connected to the BJ-002 board of the cabinet (R), the board must be connected to the VC-265 board. So remove the BJ-002 board and DC IN jack from the cabinet (R). To remove them from the cabinet (R), disconnect the following connectors. (The LCD block and battery terminal need not to be connected. To operate VTR, use the adjustment remote commander.)

1. BJ-002 board CN3107 (8P, 0.8mm)
2. BJ-002 board CN3106 (16P, 0.8mm)
3. BJ-002 board CN3105 (3P, 1.5mm)

And connect the BJ-002 board to the following connector of VC-265 board.

VC-265 board CN012 (60P, 0.4mm)

- 3) The Lens-EVF block need not to be connected. To remove them, disconnect the following connector.

VC-265 board CN001 (88P, 0.4mm)

- 4) As removing CN013 of VC-265 board (removing the control switch block (FK-1770)) means removing the lithium 3V power supply, data such as date, time, user-set menus will be lost. After completing adjustments, reset these data. If the CN013 has been removed, the self-diagnosis data, data on history of use (total drum rotation time etc.) will be lost. Before removing, note down the self-diagnosis data (data of page: 2, address: B0 to C6) and the data on history use (data of page: 2, address: A2 to AA). (Refer to "5-4. Service Mode" for the data on the history use and the self-diagnosis data.)

- 5) If the "Forced VTR power ON" mode is set, the control switch block (PS-1770) need not be connected. To remove it, disconnect the following connectors.

Control switch block (FK-1770) CN602 (8P, 0.5mm)

Note 1: Setting the "Forced VTR Power ON" mode (VTR mode)

- 1) Select page: 0, address: 01, and set data: 01.
- 2) Select page: D, address: 10, set data: 02, and press the PAUSE button of the adjustment remote commander.

The above procedure will enable the VTR power to be turned on with the control switch block (PS-1770) removed.

After completing adjustments, be sure to exit the "Forced Power ON mode".

Note 2: Setting the "Forced Camera Power ON" mode (Camera mode)

- 1) Select page: 0, address: 01, and set data: 01.
- 2) Select page: D, address: 10, set data: 01, and press the PAUSE button of the adjustment remote commander.

The above procedure will enable the camera power to be turned on with the control switch block (PS-1770) removed.

After completing adjustments, be sure to exit the "Forced Power ON mode".

Note 3: Setting the "Forced Memory Power ON" mode (Memory mode) (DCR-PC9/PC9E)

- 1) Select page: 0, address: 01, and set data: 01.
- 2) Select page: D, address: 10, set data: 05, and press the PAUSE button of the adjustment remote commander.

The above procedure will enable the memory power to be turned on with the control switch block (PS-1770) removed.

After completing adjustments, be sure to exit the "Forced Power ON mode".

Note 4: Exiting the "Forced Power ON" mode

- 1) Select page: 0, address: 01, and set data: 01.
- 2) Select page: D, address: 10, set data: 00, and press the PAUSE button of the adjustment remote commander.
- 3) Select page: 0, address: 01, and set data: 00.

3-1-3. Adjusting Connectors

Some of the adjusting points of the video section are concentrated at VC-265 board CN004. Connect the measuring instruments via the CPC-6 flexible jig (J-6082-370-B) and CPC-6 terminal board jig (J-6082-371-A). The following table lists the pin numbers and signal names of CN004.

Pin No.	Signal Name	Pin No.	Signal Name
1	LANC SIG	2	
3	EVF LED DA	4	EVF VG
5	EVF VCO	6	GND
7	TW PWE	8	HI XRESET
9	HI RXD	10	HI TXD
11	HI TEST A	12	TMS
13	TCK	14	JIG TDI
15	JIG TDO	16	GND
17	SWP	18	RF IN/LANC JACK IN
19	GND	20	RF MON

Table 5-3-1.

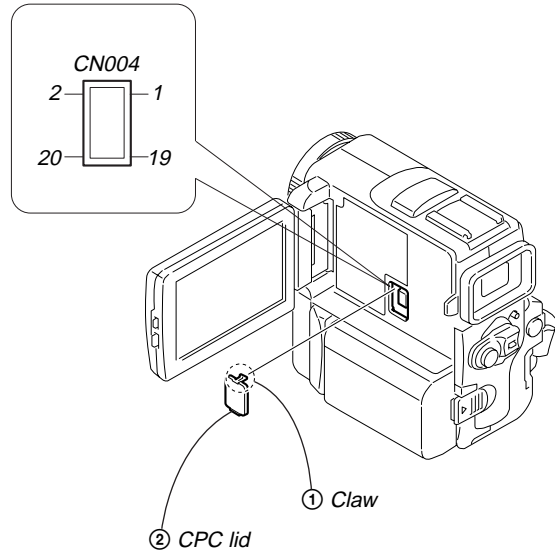


Fig. 5-3-1

3-1-4. Connecting the Equipment

Connect the measuring instruments as shown in Fig. 5-3-2, and perform the adjustments.

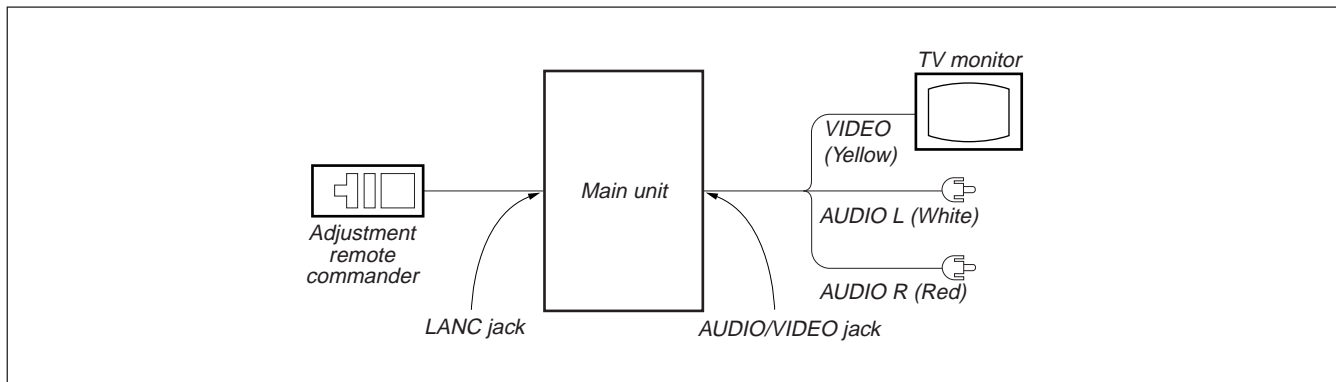


Fig. 5-3-2.

3-1-5. Alignment Tapes

Use the alignment tapes shown in the following table.
Use tapes specified in the signal column of each adjustment.

Name	Use
Tracking standard (XH2-1)	Tape path adjustment
SW/OL standard (XH2-3)	Switching position adjustment
Audio operation check (XH5-3 (NTSC), XH5-3P (PAL))	Audio system adjustment
System operation check (XH5-5 (NTSC), XH5-5P (PAL))	Operation check

Fig. 5-3-3 shows the 75% color bar signals recorded on the alignment tape for Audio Operation Check.

Note: Measure with video terminal (Terminated at 75 Ω)

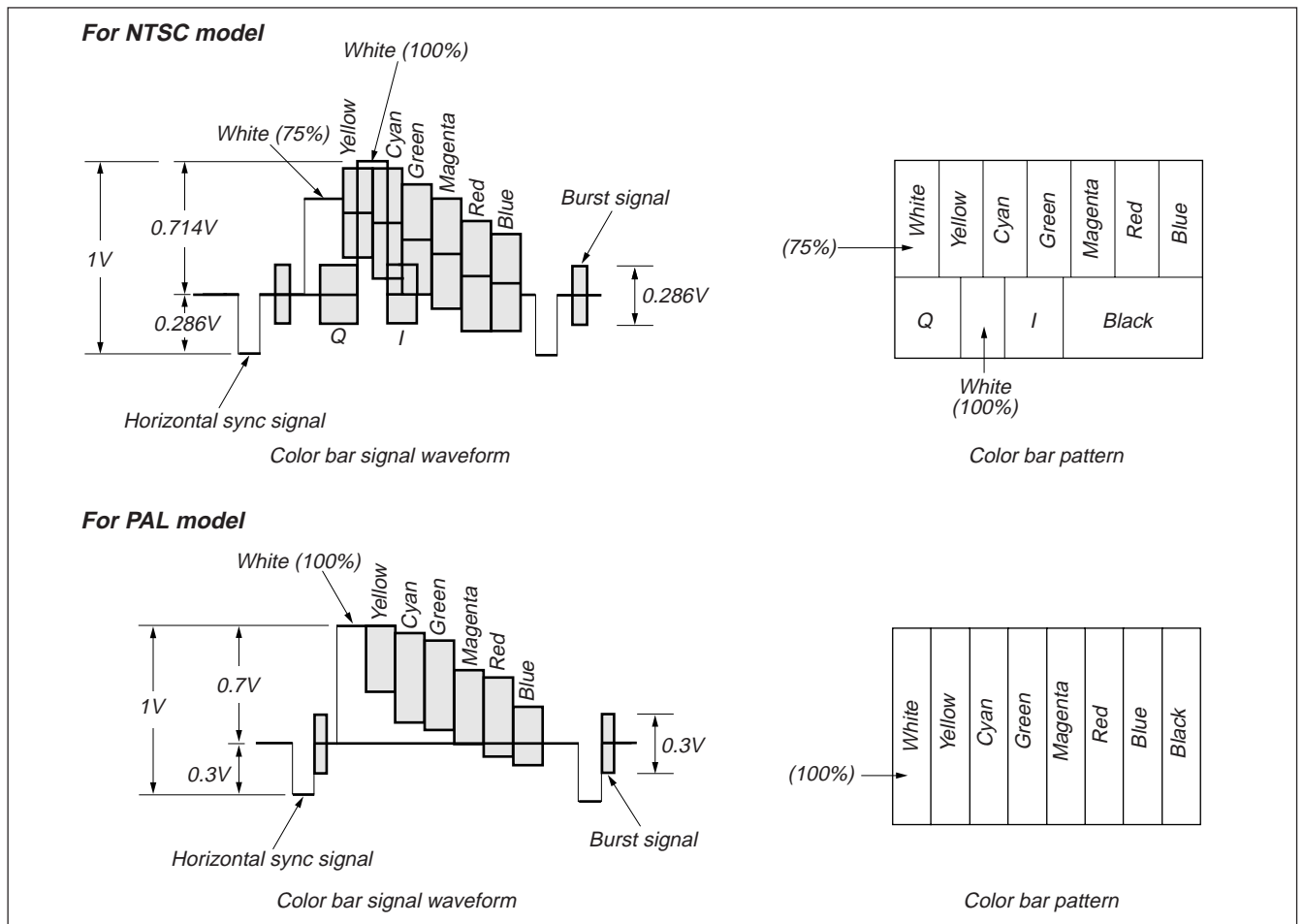


Fig. 5-3-3. Color bar signal of alignment tapes

3-1-6. Input/Output Level and Impedance

Video input/output

Special stereo mini jack

Video signal: 1 V_{p-p}, 75 Ω unbalanced, sync negative

S video input/output

4-pin mini DIN

Luminance signal: 1 V_{p-p}, 75 Ω unbalanced, sync negative

Chrominance signal: 0.286 V_{p-p}, 75 Ω unbalanced (NTSC)
: 0.300 V_{p-p}, 75 Ω unbalanced (PAL)

Audio input/output

Special stereo mini jack

Input level: 327mV

Input impedance: More than 47kΩ

Output level: 327 mV (at load impedance 47 kΩ)

Output impedance: Below 2.2 kΩ

3-2. SYSTEM CONTROL SYSTEM ADJUSTMENT

1. Initialization of B, C, D, E, F, 7, 8 Page Data

If the B, C, D, E, F, 7, 8 page data is erased due to some reason, perform "1-2. INITIALIZATION OF B, C, D, E, F, 7, 8 PAGE DATA", of "5-1. CAMERA SECTION ADJUSTMENT"

2. Serial No. Input

2-1. Company ID Input

Write the company ID in the EEPROM (nonvolatile memory).

Page	C
Address	E8, E9, EA, EB, EC

Input method:

- 1) Select page: 0, address: 01, and set data: 01.
- 2) Input the following data to page: C, addresses: E8 to EC.
Note: Press the PAUSE button of the adjustment remote commander each time to set the data.

Address	Data
E8	08
E9	00
EA	46
EB	01
EC	02

- 3) Select page: 0, address: 01, and set data: 00.

2-2. Serial No. Input

Write the serial No. and model code in the EEPROM (nonvolatile memory). Convert the serial No. on the name plate from decimal to hexadecimal, and write in the EEPROM.

Page	C
Address	ED, EE, EF

Input method:

- 1) Select page: 0, address: 01, and set data: 01.
- 2) Read the serial No. on the name plate, and take it as D₁.
Example: If the serial No. is 77881.
D₁=77881
Note: Use six digits of the low rank when a serial No. is more than seven digits.
- 3) Obtain D₂ and H₁ corresponding to D₁ from Table 5-3-2.
Example: If D₁ is "77881".
D₂=D₁-65536=12345
H₁=FE

D ₁ (Decimal)	D ₂ (Decimal)	H ₁ (Hexadecimal) (Service model code)
000001 to 065535	D ₁	FE
065536 to 131071	D ₁ -65536	FE
131072 to 196607	D ₁ -131072	FE

Table 5-3-2.

- 4) Input H₁ to page: C, address: ED. (Model code input)
Example: If H₁ is "FE".
Select page: C, address: ED, set data: FE, and press the PAUSE button.
- 5) Obtain the maximum decimal not exceeding D₂ from Table 5-3-3, and take this as D₃.
Example: If D₂ is "12345".
D₃=12288
- 6) Obtain the hexadecimal corresponding to D₃ from Table 5-3-3, and take this as H₃.
Example: If D₃ is "12288".
H₃=3000
- 7) Obtain the difference D₄ between D₂ and D₃. (Decimal calculation, 0 ≤ D₄ ≤ 255)
D₄= D₂-D₃
Example: If D₂ is "12345" and D₃ is "12288".
D₄=12345-12288=57
- 8) Convert D₄ to hexadecimal, and take this as H₄. (Refer to "Hexadecimal-decimal conversion table" in "5-4. Service Mode".)
Example: If D₄ is "57".
H₄=39
- 9) Input the upper 2 digits of H₃ to page: C, address: EE.
Example: If H₃ is "3000".
Select page: C, address: EE, set data: 30, and press the PAUSE button.
- 10) Input H₄ to page: C, address: EF.
Example: If H₄ is "39".
Select page: C, address: EF, set data: 39, and press the PAUSE button.
- 11) Select page: 0, address: 01, and set data: 00.

Decimal (D ₃)	Hexa-decimal (H ₃)	Decimal (D ₃)	Hexa-decimal (H ₃)	Decimal (D ₃)	Hexa-decimal (H ₃)	Decimal (D ₃)	Hexa-decimal (H ₃)	Decimal (D ₃)	Hexa-decimal (H ₃)	Decimal (D ₃)	Hexa-decimal (H ₃)	Decimal (D ₃)	Hexa-decimal (H ₃)	Decimal (D ₃)	Hexa-decimal (H ₃)
0	0000	8192	2000	16384	4000	24576	6000	32768	8000	40960	A000	49152	C000	57344	E000
256	0100	8448	2100	16640	4100	24832	6100	33024	8100	41216	A100	49408	C100	57600	E100
512	0200	8704	2200	16896	4200	25088	6200	33280	8200	41472	A200	49664	C200	57856	E200
768	0300	8960	2300	17152	4300	25344	6300	33536	8300	41728	A300	49920	C300	58112	E300
1024	0400	9216	2400	17408	4400	25600	6400	33792	8400	41984	A400	50176	C400	58368	E400
1280	0500	9472	2500	17664	4500	25856	6500	34048	8500	42240	A500	50432	C500	58624	E500
1536	0600	9728	2600	17920	4600	26112	6600	34304	8600	42496	A600	50688	C600	58880	E600
1792	0700	9984	2700	18176	4700	26368	6700	34560	8700	42752	A700	50944	C700	59136	E700
2048	0800	10240	2800	18432	4800	26624	6800	34816	8800	43008	A800	51200	C800	59392	E800
2304	0900	10496	2900	18688	4900	26880	6900	35072	8900	43264	A900	51456	C900	59648	E900
2560	0A00	10752	2A00	18944	4A00	27136	6A00	35328	8A00	43520	AA00	51712	CA00	59904	EA00
2816	0B00	11008	2B00	19200	4B00	27392	6B00	35584	8B00	43776	AB00	51968	CB00	60160	EB00
3072	0C00	11264	2C00	19456	4C00	27648	6C00	35840	8C00	44032	AC00	52224	CC00	60416	EC00
3328	0D00	11520	2D00	19712	4D00	27904	6D00	36096	8D00	44288	AD00	52480	CD00	60672	ED00
3584	0E00	11776	2E00	19968	4E00	28160	6E00	36352	8E00	44544	AE00	52736	CE00	60928	EE00
3840	0F00	12032	2F00	20224	4F00	28416	6F00	36608	8F00	44800	AF00	52992	CF00	61184	EF00
4096	1000	12288	3000	20480	5000	28672	7000	36864	9000	45056	B000	53248	D000	61440	F000
4352	1100	12544	3100	20736	5100	28928	7100	37120	9100	45312	B100	53504	D100	61696	F100
4608	1200	12800	3200	20992	5200	29184	7200	37376	9200	45568	B200	53760	D200	61952	F200
4864	1300	13056	3300	21248	5300	29440	7300	37632	9300	45824	B300	54016	D300	62208	F300
5120	1400	13312	3400	21504	5400	29696	7400	37888	9400	46080	B400	54272	D400	62464	F400
5376	1500	13568	3500	21760	5500	29952	7500	38144	9500	46336	B500	54528	D500	62720	F500
5632	1600	13824	3600	22016	5600	30208	7600	38400	9600	46592	B600	54784	D600	62976	F600
5888	1700	14080	3700	22272	5700	30464	7700	38656	9700	46848	B700	55040	D700	63232	F700
6144	1800	14336	3800	22528	5800	30720	7800	38912	9800	47104	B800	55296	D800	63488	F800
6400	1900	14592	3900	22784	5900	30976	7900	39168	9900	47360	B900	55552	D900	63744	F900
6656	1A00	14848	3A00	23040	5A00	31232	7A00	39424	9A00	47616	BA00	55808	DA00	64000	FA00
6912	1B00	15104	3B00	23296	5B00	31488	7B00	39680	9B00	47872	BB00	56064	DB00	64256	FB00
7168	1C00	15360	3C00	23552	5C00	31744	7C00	39936	9C00	48128	BC00	56320	DC00	64512	FC00
7424	1D00	15616	3D00	23808	5D00	32000	7D00	40192	9D00	48384	BD00	56576	DD00	64768	FD00
7680	1E00	15872	3E00	24064	5E00	32256	7E00	40448	9E00	48640	BE00	56832	DE00	65024	FE00
7936	1F00	16128	3F00	24320	5F00	32512	7F00	40704	9F00	48896	BF00	57088	DF00	65280	FF00

Table 5-3-3.

3. Touch Panel Adjustment (VC-265 board)

Adjust the calibration of the touch panel.

Mode	VTR stop
Signal	Arbitrary
Adjustment Page	D
Adjustment Address	E0 to E3

Note 1: Protect the Touch panel (LCD screen) with a transparent sheet.

Note 2: Turn off the HOLD switch of the adjustment remote commander.

Adjusting method:

- 1) While pressing the DISPLAY button, set the POWER switch from OFF to VCR (or PLAYER).
- 2) Using a ball-point pen etc., push the center of "×" indicated in the part A.
- 3) Using a ball-point pen etc., push the center of "×" indicated in the part B.
- 4) Using a ball-point pen etc., push the center of "×" indicated in the part C.

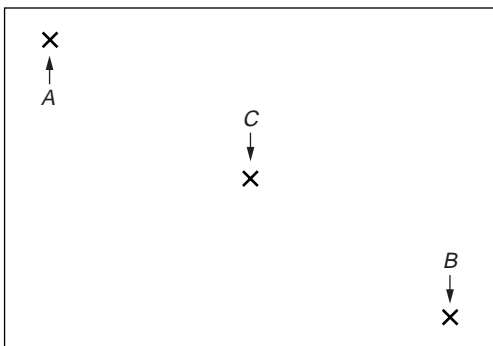


Fig. 5-3-4.

4. Battery End Check (VC-265 board)

Check the battery end voltage.

Mode	Camera recording and VTR playback
Subject	Arbitrary

Note: It is normal though the following symptoms appear during the battery end check.

- 1) The message of "FOR InfoLITHIUM BATTERY ONLY" on the LCD or viewfinder screen.
- 2) The tally lamp is flashing.

Connection:

- 1) Connect the regulated power supply and the digital voltmeter to the battery terminal as shown in Fig. 5-3-5.

Checking method:

- 1) Adjust the output voltage of the regulated power supply so that the digital voltmeter display is $6.0 \pm 0.1\text{Vdc}$.
- 2) Turn off the power supply.
- 3) Turn on the HOLD switch of the adjustment remote commander.
- 4) Turn on the power supply.
- 5) Load a cassette, and set to the camera recording mode.
- 6) Decrease the output voltage of the regulated power supply so that the digital voltmeter display is $5.5 \pm 0.1\text{Vdc}$.
- 7) Record the camera signal for a minute.
- 8) Playback the recorded section and check that the playback picture and sound are normal.

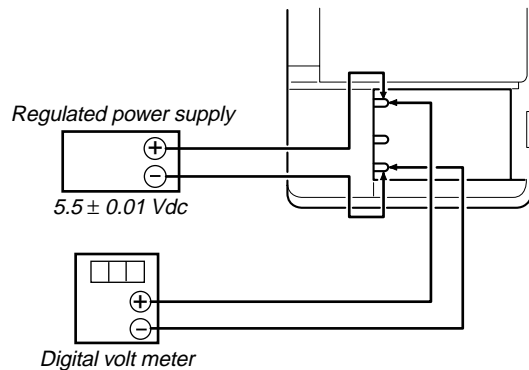


Fig. 5-3-5.

3-3. SERVO AND RF SYSTEM ADJUSTMENT

Before perform the servo and RF system adjustments, check that the specified value of “36MHz Origin Oscillation Adjustment” of “CAMERA SYSTEM ADJUSTMENT” is satisfied.

Adjusting Procedure:

1. Cap FG duty adjustment
2. PLL fo & LPF fo adjustment
3. Switching position adjustment
4. AGC center level
5. APC & AEQ adjustment
6. PLL fo & LPF fo fine adjustment

1. Cap FG Duty Adjustment (VC-265 board) **RadarW**

Set the Cap FG signal duty cycle to 50% to establish an appropriate capstan servo. If deviated, the uneven rotation of capstan and noise can occur.

Measurement Point	Display data of page: 3, address: 03
Measuring Instrument	Adjustment remote commander
Adjustment Page	C
Adjustment Address	16
Specified Value	00

Adjusting method:

Order	Page	Address	Data	Procedure
1				Close the cassette compartment without inserting a cassette.
2	0	01	01	Set the data.
3	3	01	1B	Set the data, and press PAUSE button.
4	3	02		Check that the data changes in the following order. “1B” → “2B” → “00”
5	3	03		Check that the data is “00”. (Note)
6	0	01	00	Set the data.

Note: If the data is “01”, adjustment has errors or the mechanism deck is defective.

2. PLL fo & LPF fo Adjustment (VC-265 board) **RadarW**

Mode	VTR stop
Measurement Point	Display data of page: 3, address: 02, 03
Measuring Instrument	Adjustment remote commander
Adjustment Page	C
Adjustment Address	1F, 20, 22, 29
Specified Value	Data of page: 3, address: 02 is “00”. Data of page: 3, address: 03 is “00”.

Adjusting method:

Order	Page	Address	Data	Procedure
1	0	01	01	Set the data.
2	3	01	00	Set the data, and press PAUSE button.
3	3	01	30	Set the data, and press PAUSE button.
4	3	02		Check that the data changes to “00” with in 5 sec. (Note)
5	3	03		Check that the data is “00”. (Note)
6	0	01	00	Set the data.

Note: If it isn't satisfied, select page: C, address: 21, set the following data, and press the PAUSE button, and repeat steps 2 to 5.

	Setting data
When the data of page: C, address: 21 is “CA”.	CE
When the data of page: C, address: 21 is “CE”.	C6
When the data of page: C, address: 21 is “C6”.	D2
When the data of page: C, address: 21 is “D2”	C2

There are errors when it isn't satisfied even if the above treatment is done.

If bit2, bit3, bit4, bit5 or bit 6 of the data of page: 3, address: 03 is “1”, there are errors. For the error contents, see the following table. (For the bit values, refer to “5-4. SERVICE MODE”, “4-3. 3. Bit value discrimination”).

Bit value of page: 3, address: 03 data	Error contents
bit 2 = 1 or bit 3 = 1	PLL fo fine adjustment is defective
bit 4 = 1 or bit 5 = 1	PLL fo adjustment is defective
bit 6 = 1	LPF fo is defective

3. Switching Position Adjustment (VC-265 board) **RadarW**

Mode	VTR playback
Signal	SW/OL reference tape (XH2-3)
Measurement Point	Display data of page: 3, address: 03
Measuring Instrument	Adjustment remote commander
Adjustment Page	C
Adjustment Address	10, 11, 12, 13
Specified Value	00

Adjusting method:

Order	Page	Address	Data	Procedure
1				Insert the SW/OL reference tape and enter the VTR STOP mode.
2	0	01	01	Set the data.
3	C	10	EE	Set the data, and press PAUSE button.
4	3	21		Check that the data is "02". (Note1)
5	3	01	0D	Set the data, and press PAUSE button.
6	3	02		Check that the data changes to "00".
7	3	03		Check that the data is "00". (Note2)
8	C	10		Check that the data is other than "EE". (Note3)
9	0	01	00	Set the data.

Note1: If the data of page: 3, address: 21 is "72", the tape top being played. After playing the tape for 1 to 2 seconds, stop it, perform step 4 and higher.

Note2: If bit 0 of the data is "1", the EVEN channel is defective. If bit 1 is "1", the ODD channel is defective. Contents of the defect is written into page: C, addresses: 10 and 12. See the following table. (For the bit values, refer to "5-4. SERVICE MODE", "4-3. 3. Bit value discrimination".) If bit 3 of the data is "1", the tape end being played, so rewind the tape and perform the adjustment again.

Note3: If the data is "EE", the adjustment is not done. So perform this adjustment again.

When the EVEN channel is defective

Data of page: C, address: 10	Contents of defect
EE	Writing into EEPROM (IC4701) is defective
E8	Adjustment data is out of range
E7	No data is returned from IC5302 (CAIN)

When the ODD channel is defective

Data of page: C, address: 12	Contents of defect
EE	Writing into EEPROM (IC4701) is defective
E8	Adjustment data is out of range
E7	No data is returned from IC5302 (CAIN)

4. AGC Center Level and APC & AEQ Adjustment **RadarW**

4-1. Preparations before adjustments

Mode	Camera recording
Subject	Arbitrary

Adjusting method:

Order	Page	Address	Data	Procedure
1	2	30	40	Set the data.
2				Record the camera signal for three minutes.

4-2. AGC Center Level Adjustment (VC-265 board)

Mode	Playback
Signal	Recorded signal at "Preparations before adjustments"
Measurement Point	Pin ⑳ of CN004 (RF MON) (Note 1) Ext. trigger: Pin ⑰ of CN004 (SWP)
Measuring Instrument	Oscilloscope
Adjustment Page	C
Adjustment Address	1E
Specified Value	The data of page: 3, address: 03 is "00"

Note 1: Connect a 75Ω resistor between Pin ⑳ and Pin ⑰ (GND) of CN004.
75Ω resistor (Parts code: 1-247-804-11)

Adjusting method:

Order	Page	Address	Data	Procedure
1				Playback the recorded signal at "Preparations before adjustments"
2	0	01	01	Set the data.
3	3	33	08	Set the data.
4				Confirm that the playback RF signal is stable. (Fig. 5-3-4.)
5	3	01	23	Set the data, and press PAUSE button.
6	3	02		Check that the data is "00".
7	3	03		Check that the data is "00". (Note2)
8				Perform "APC & AEQ Adjustment".

Note2: If the data of page: 3, address: 03 is other than "00", adjustment has errors. (Take an appropriate remedial measures according to the errors referring to the following table.)

Data	Contents of defect
20	Perform re-adjustment. (Note 3)
30	The machine is defective
40	Perform re-adjustment. (Note 3)
50	The machine is defective

Note 3: If this data is displayed twice successively, the machine is defective.

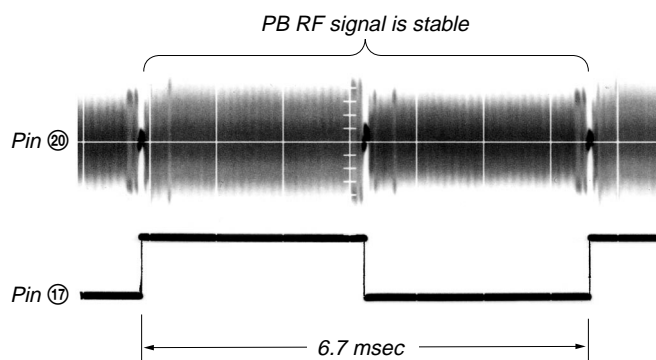


Fig. 5-3-4.

4-3. APC & AEQ Adjustment (VC-265 board)

Mode	Playback
Signal	Recorded signal at "Preparations before adjustments"
Measurement Point	Pin ⑳ of CN004 (RF MON) (Note 1) Ext. trigger: Pin ⑰ of CN004 (SWP)
Measuring Instrument	Oscilloscope
Adjustment Page	C
Adjustment Address	18, 19, 1B, 1C, 21, 2C
Specified Value	The data of page: 3, address: 03 is "00"

Note 1: Connect a 75Ω resistor between Pin ⑳ and Pin ⑰ (GND) of CN004.
75Ω resistor (Parts code: 1-247-804-11)

Note 2: The "AGC Center Level Adjustment" must have already been completed before starting this adjustment.

Adjusting method:

Order	Page	Address	Data	Procedure
1				Playback the recorded signal at "Preparations before adjustments"
2	0	01	01	Set the data.
3	3	33	08	Set the data.
4				Confirm that the playback RF signal is stable. (Fig. 5-3-5.)
5	3	01	07	Set the data, and press PAUSE button.
6	3	02		Check that the data changes from "07" to "00" in about 20 seconds after pressing PAUSE button.
7	3	03		Check that the data is "00". (Note3)
8				Perform "Processing after Completing Adjustments".

Note3: If the data is other than "00", adjustment has errors. Take an appropriate remedial measures according to the errors referring to the following table.

Data	Contents of defect
20	Perform re-adjustment. (Note 4)
30	The machine is defective
50	Perform re-adjustment. (Note 4)
60	The machine is defective
80	The machine is defective

Note 4: If this data is displayed twice successively, the machine is defective.

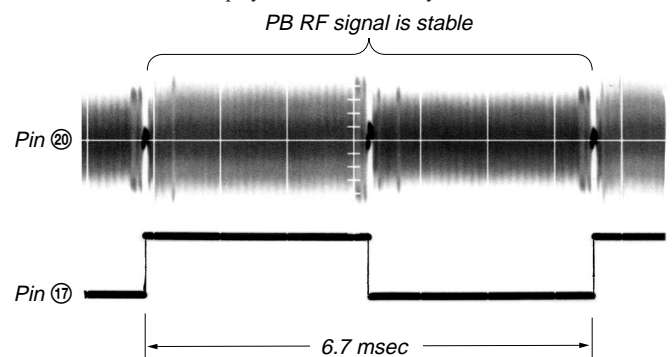


Fig. 5-3-5.

4-4. Processing after Completing Adjustments

Order	Page	Address	Data	Procedure
1	2	30	00	Set the data.
2	3	33	00	Set the data.
3	0	01	00	Set the data.

5. PLL fo & LPF fo Fine Adjustment (VC-265 board)

RadarW

Mode	VTR stop
Signal	Arbitrary
Measurement Point	Display data of page: 3, address: 02, 03
Measuring Instrument	Adjustment remote commander
Adjustment Page	C
Adjustment Address	1F, 20, 22, 29
Specified Value	Data of page: 3, address: 02 is "00". Data of page: 3, address: 03 is "00".

Adjusting method:

Order	Page	Address	Data	Procedure
1	0	01	01	Set the data.
2	3	01	30	Set the data, and press PAUSE button.
3	3	02		Check that the data changes to "00" with in 5 sec. (Note1)
4	3	03		Check that the data is "00". (Note2)
5	0	01	00	Set the data.

Note1: If it isn't satisfied, there are errors.

Note2: If the data of page: 3, address: 03 is other than "00", there are errors. For the error contents, see the following table. (For the bit values, refer to "5-4. SERVICE MODE", "4-3. 3. Bit value discrimination".)

Bit value of page: 3, address: 03 data	Error contents
bit 2 = 1 or bit 3 = 1	PLL fo fine adjustment is defective
bit 4 = 1 or bit 5 = 1	PLL fo adjustment is defective
bit 6 = 1	LPF fo is defective

3-4. VIDEO SYSTEM ADJUSTMENTS

Before perform the video system adjustments, check that the specified value of “36MHz Origin Oscillation Adjustment” of “CAMERA SYSTEM ADJUSTMENT” is satisfied.

1. Chroma BPF f_0 Adjustment (VC-265 board)

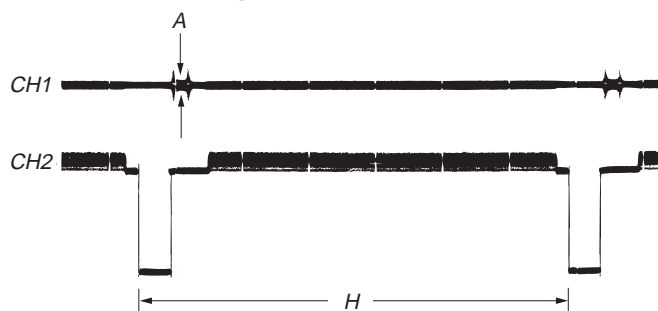
Set the center frequency of IC801 chroma band-pass filter.

Mode	Camera
Subject	All black (Cover the lens with the lens cap)
Measurement Point	CH1: Chroma signal terminal of S VIDEO jack (75Ω terminated) CH2: Y signal terminal of S VIDEO jack (75Ω terminated)
Measuring Instrument	Oscilloscope
Adjustment Page	C
Adjustment Address	28
Specified Value	A = 100mVp-p or less B = 200mVp-p or more

Adjusting method:

Order	Page	Address	Data	Procedure
1	0	01	01	Set the data.
2				Check that the burst signal (B) is output to the chroma signal terminal of S VIDEO jack.
3	3	0C	04	Set the data, and press PAUSE button.
4	C	28		Change the data for minimum amplitude of the burst signal level (A). (The data should be “00” to “0F”.)
5	C	28		Press PAUSE button.
6	3	0C	00	Set the data, and press PAUSE button.
7				Check that the burst signal level (B) satisfies the specified value.
8	0	01	00	Set the data.

When the data of page: 3, address: 0C, is 04:



When the data of page: 3, address: 0C, is 00:

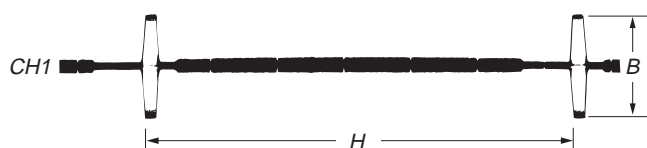


Fig. 5-3-7.

2. S VIDEO OUT Y Level Adjustment (VC-265 board)

Mode	Camera
Subject	Arbitrary
Measurement Point	Y signal terminal of S VIDEO jack (75Ω terminated)
Measuring Instrument	Oscilloscope
Adjustment Page	C
Adjustment Address	25
Specified Value	A = 1000 ± 14mV

Adjusting method:

Order	Page	Address	Data	Procedure
1	0	01	01	Set the data.
2	2	35		Note down the data.
3	2	35	01	Set the data.
4	3	0C	02	Set the data, and press PAUSE button.
5	C	25		Change the data and set the Y signal level (A) to the specified value.
6	C	25		Press PAUSE button.
7	3	0C	00	Set the data, and press PAUSE button.
8	2	35		Set the data that is noted down at step 2.
9	0	01	00	Set the data.

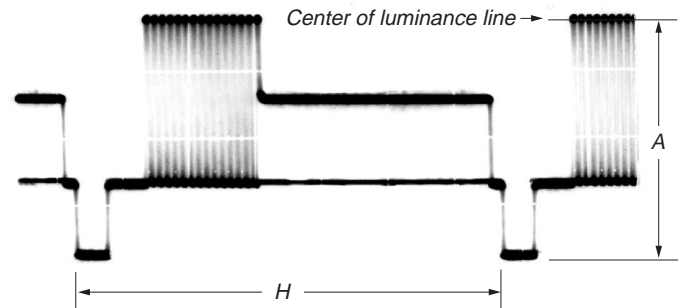


Fig. 5-3-8.

3. S VIDEO OUT Chroma Level Adjustment (VC-265 board)

Mode	Camera
Subject	Arbitrary
Measurement Point	Chroma signal terminal of S VIDEO jack (75Ω terminated) External trigger: Y signal terminal of S VIDEO jack
Measuring Instrument	Oscilloscope
Adjustment Page	C
Adjustment Address	26, 27
Specified Value	Cr level: A = 714 ± 14mV(NTSC) A = 700 ± 14mV(PAL) Cb level: B = 714 ± 14mV(NTSC) B = 700 ± 14mV(PAL) Burst level: C = 286 ± 6mV(NTSC) C = 300 ± 6mV(PAL)

Adjusting method:

Order	Page	Address	Data	Procedure
1	0	01	01	Set the data.
2	2	35		Note down the data.
3	2	35	01	Set the data.
4	3	0C	02	Set the data, and press PAUSE button.
5	C	26		Change the data and set the Cr signal level (A) to the specified value.
6	C	26		Press PAUSE button.
7	C	27		Change the data and set the Cb signal level (B) to the specified value.
8	C	27		Press PAUSE button.
9				Check that the burst signal level (C) is satisfied the specified value.
10	3	0C	00	Set the data, and press PAUSE button.
11	2	35		Set the data that is noted down at step 2.
12	0	01	00	Set the data.

4. VIDEO OUT Y, Chroma Level Check (VC-265 board)

Mode	Camera
Subject	Arbitrary
Measurement Point	VIDEO terminal of AUDIO/VIDEO jack (75Ω terminated)
Measuring Instrument	Oscilloscope
Specified Value	Sync level: A = 286 ± 18mV(NTSC) A = 300 ± 18mV(PAL) Burst level: B = 286 ± 18mV(NTSC) B = 300 ± 18mV(PAL)

Adjusting method:

Order	Page	Address	Data	Procedure
1	2	35		Note down the data.
2	2	35	01	Set the data.
3	3	0C	02	Set the data, and press PAUSE button.
4				Check that the sync signal level (A) satisfies the specified value.
5				Check that the burst signal level (B) satisfies the specified value.
6	3	0C	00	Set the data, and press PAUSE button.
7	2	35		Set the data that is noted down at step 1.

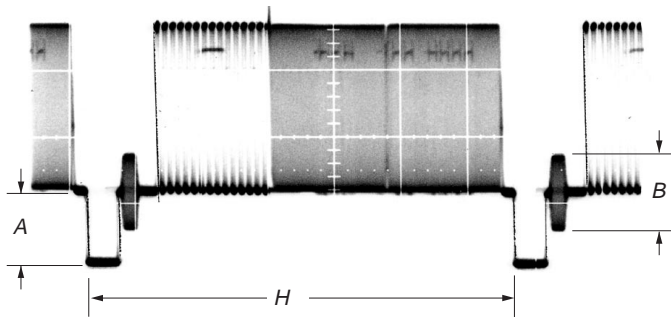


Fig. 5-3-10.

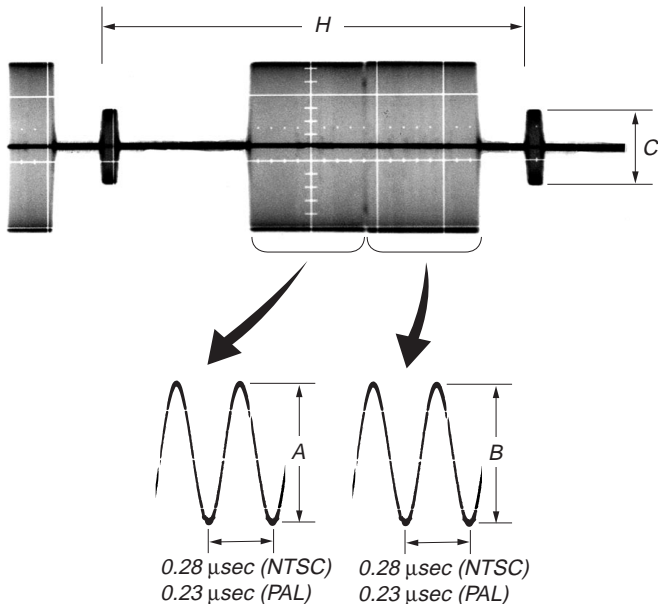


Fig. 5-3-9.

3-5. AUDIO SYSTEM ADJUSTMENTS

[Connection of Audio System Measuring Devices]

Connect the audio system measuring devices as shown in Fig. 5-3-11.

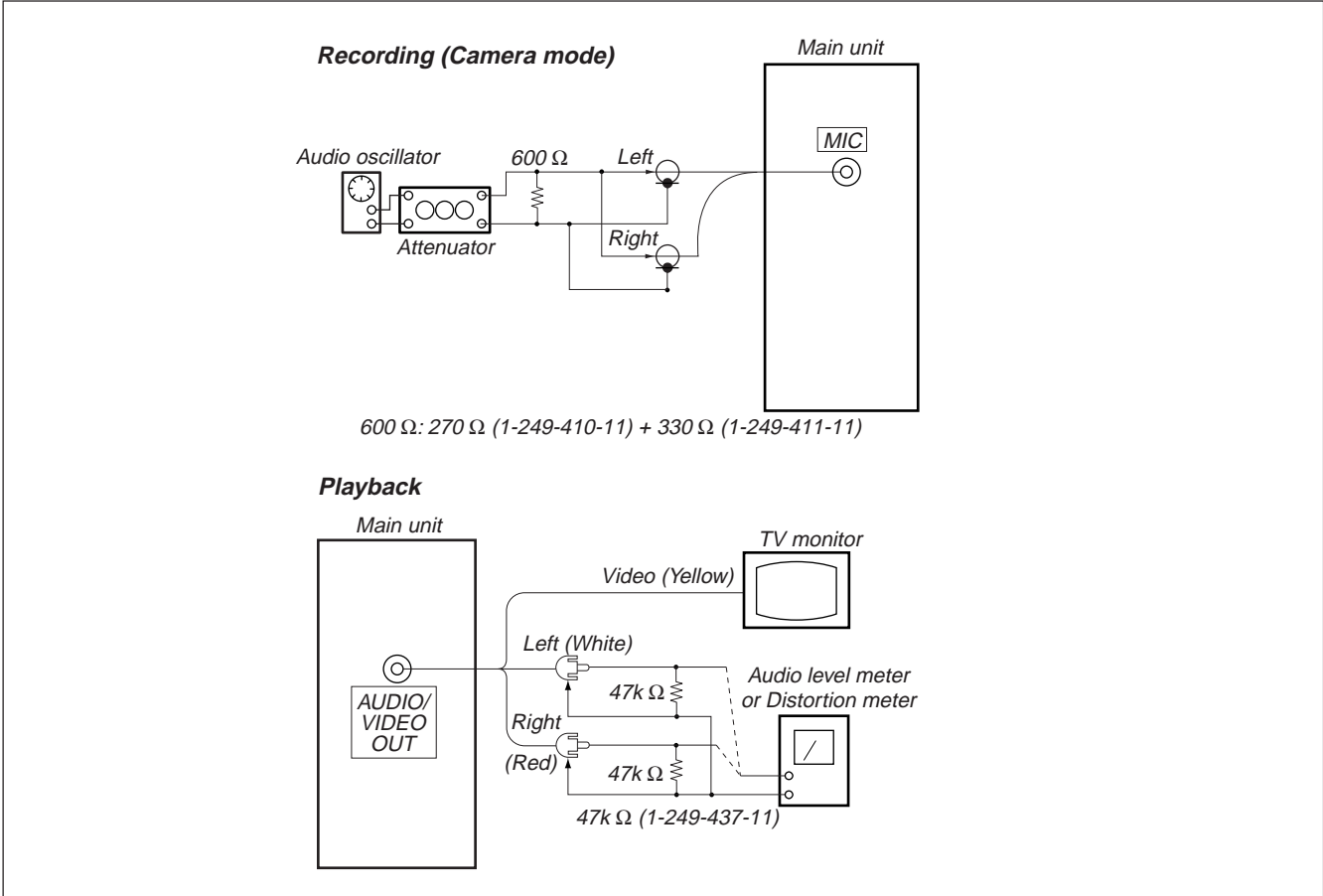


Fig. 5-3-11.

1. Playback Level Check

Mode	VTR playback
Signal	Alignment tape: For audio operation check (XH5-3 (NTSC)) (XH5-3P (PAL))
Measurement Point	Audio left or right terminal of AUDIO VIDEO jack
Measuring Instrument	Audio level meter and frequency counter
Specified Value	32 kHz mode: 1 kHz, $+3.0 \pm 2.0$ dBs 48 kHz mode: 1 kHz, $+3.0 \pm 2.0$ dBs 44.1 kHz mode: The 7.35kHz signal level during EMP OFF is $+2.0 \pm 2.0$ dBs. The 7.35kHz signal level during EMP ON is -6 ± 2 dB from the signal level during EMP OFF.

Checking Method:

- 1) Check that the playback signal level is the specified value.

2. Overall Level Characteristics Check

Mode	Camera recording and playback
Signal	400Hz, -66 dBs signal: MIC jack left and right
Measurement Point	Audio left or right terminal of AUDIO VIDEO jack
Measuring Instrument	Audio level meter
Specified Value	-7.5 ± 3.0 dBs

Checking Method:

- 1) Input the 400Hz, -66 dBs signal in the MIC jack.
- 2) Record in the camera mode.
- 3) Playback the recorded section.
- 4) Check that the 400Hz signal level is the specified value.

3. Overall Distortion Check

Mode	Camera recording and playback
Signal	400Hz, -66 dBs signal: MIC jack left and right
Measurement Point	Audio left or right terminal of AUDIO VIDEO jack
Measuring Instrument	Audio distortion meter
Specified Value	Below 0.4% (200Hz to 6kHz BPF ON)

Checking Method:

- 1) Input the 400Hz, -66 dBs signal in the MIC jack.
- 2) Record in the camera mode.
- 3) Playback the recorded section.
- 4) Check that the distortion is the specified value.

4. Overall Noise Level Check

Mode	Camera recording and playback
Signal	No signal: Insert a shorting plug in the MIC jack
Measurement Point	Audio left or right terminal of AUDIO VIDEO jack
Measuring Instrument	Audio level meter
Specified Value	Below -45 dBs (IHF-A filter ON, 20kHz LPF ON)

Checking Method:

- 1) Insert a shorting plug in the MIC jack.
- 2) Record in the camera mode.
- 3) Playback the recorded section.
- 4) Check that the noise level is the specified value.

5. Overall Separation Check

Mode	Camera recording and playback
Signal	400Hz, -66 dBs signal: MIC jack <right> [left] (Connect the MIC jack <left> [right] to GND)
Measurement Point	Audio <left> [right] terminal of AUDIO VIDEO jack
Measuring Instrument	Audio level meter
Specified Value	Below -40 dBs (IHF-A filter ON)

< > : Left channel check

[] : Right channel check

Checking Method:

- 1) Input the 400Hz, -66 dBs signal in the <right> [left] terminal of the MIC jack only.
- 2) Record in the camera mode.
- 3) Playback the recorded section.
- 4) Check that the signal level of the audio <left> [right] terminal is the specified value.

5-4. SERVICE MODE

4-1. ADJUSTMENT REMOTE COMMANDER

The adjustment remote commander is used for changing the calculation coefficient in signal processing, EVR data, etc. The adjustment remote commander performs bi-directional communication with the unit using the remote commander signal line (LANC). The resultant data of this bi-directional communication is written in the non-volatile memory.

1. Using the adjustment remote commander

- 1) Connect the adjustment remote commander to the LANC terminal.
- 2) Set the HOLD switch of the adjustment remote commander to "HOLD" (SERVICE position). If it has been properly connected, the LCD on the adjustment remote commander will display as shown in Fig. 5-4-1.

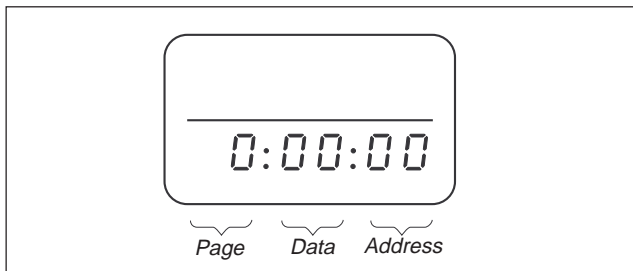


Fig. 5-4-1

- 3) Operate the adjustment remote commander as follows.
 - Changing the page
The page increases when the EDIT SEARCH+ button is pressed, and decreases when the EDIT SEARCH- button is pressed. There are altogether 16 pages, from 0 to F.

Hexadecimal notation	0 1 2 3 4 5 6 7 8 9 A B C D E F
LCD Display	0 1 2 3 4 5 6 7 8 9 A b c d E F
Decimal notation conversion value	0 1 2 3 4 5 6 7 8 9 10 11 12 13 14 15

- Changing the address
The address increases when the FF (▶▶) button is pressed, and decreases when the REW (◀◀) button is pressed. There are altogether 256 addresses, from 00 to FF.
 - Changing the data (Data setting)
The data increases when the PLAY (▶) button is pressed, and decreases when the STOP (■) button is pressed. There are altogether 256 data, from 00 to FF.
 - Writing the adjustment data
The PAUSE button must be pressed to write the adjustment data (B, C, D, F, 7, 8 page) in the nonvolatile memory. (The new adjusting data will not be recorded in the nonvolatile memory if this step is not performed.)
- 4) After completing all adjustments, turn off the main power supply once.

2. Precautions upon using the adjustment remote commander

Mishandling of the adjustment remote commander may erase the correct adjustment data at times. To prevent this, it is recommended that all adjustment data be noted down before beginning adjustments and new adjustment data after each adjustment.

4-2. DATA PROCESS

The calculation of the DDS display and the adjustment remote commander display data (hexadecimal notation) are required for obtaining the adjustment data of some adjustment items. In this case, after converting the hexadecimal notation to decimal notation, calculate and convert the result to hexadecimal notation, and use it as the adjustment data. Indicates the hexadecimal-decimal conversion table.

Hexadecimal-decimal Conversion Table																②
Lower digit of hexadecimal Upper digit of hexadecimal	0	1	2	3	4	5	6	7	8	9	A (H)	B (b)	C (c)	D (d)	E (E)	F (F)
0	0	1	2	3	4	5	6	7	8	9	10	11	12	13	14	15
1	16	17	18	19	20	21	22	23	24	25	26	27	28	29	30	31
2	32	33	34	35	36	37	38	39	40	41	42	43	44	45	46	47
3	48	49	50	51	52	53	54	55	56	57	58	59	60	61	62	63
4	64	65	66	67	68	69	70	71	72	73	74	75	76	77	78	79
5	80	81	82	83	84	85	86	87	88	89	90	91	92	93	94	95
6	96	97	98	99	100	101	102	103	104	105	106	107	108	109	110	111
7	112	113	114	115	116	117	118	119	120	121	122	123	124	125	126	127
8	128	129	130	131	132	133	134	135	136	137	138	139	140	141	142	143
9	144	145	146	147	148	149	150	151	152	153	154	155	156	157	158	159
A (H)	160	161	162	163	164	165	166	167	168	169	170	171	172	173	174	175
① B (b)	176	177	178	179	180	181	182	183	184	185	186	187	188	189	190	191
C (c)	192	193	194	195	196	197	198	199	200	201	202	203	204	205	206	207
D (d)	208	209	210	211	212	213	214	215	216	217	218	219	220	221	222	223
E (E)	224	225	226	227	228	229	230	231	232	233	234	235	236	237	238	239
F (F)	240	241	242	243	244	245	246	247	248	249	250	251	252	253	254	255

Note: The characters shown in the parenthesis () shown the display on the adjustment remote commander.

(Example) If the DDS display or the adjustment remote commander shows BD (bd);
Because the upper digit of the adjustment number is B (b), and the lower digit is D (d), the meeting point “189” of ① and ② in the above table is the corresponding decimal number.

Table. 5-4-1.

4-3. SERVICE MODE

1. Setting the Test Mode

Page D	Address 10
--------	------------

Data	Function
00	Normal
01	Forced camera power ON
02	Forced VTR power ON
03	Forced camera + VTR power ON
05	Forced memory power ON

- Before setting the data, select page: 0, address: 01, and set data: 01.
- For page D, the data set is recorded in the non-volatile memory by pressing the PAUSE button of the adjustment remote commander. In this case, take note that the test mode will not be exited even when the main power is turned off.
- After completing adjustments/repairs, be sure to return the data of this address to 00, and press the PAUSE button of the adjustment remote commander.
Select page: 0, address: 01, and set data: 00.

2. Emergence Memory Address

Page C	Address F4 to FF
--------	------------------

Address	Contents
F4	EMG code when first error occurs
F6	Upper: MSW code when shift starts when first error occurs Lower: MSW code when first error occurs
F7	Lower: MSW code to be moved when first error occurs
F8	EMG code when second error occurs
FA	Upper: MSW code when shift starts when second error occurs Lower: MSW code when second error occurs
FB	Lower: MSW code to be moved when second error occurs
FC	EMG code when last error occurs
FE	Upper: MSW code when shift starts when last error occurs Lower: MSW code when last error occurs
FF	Lower: MSW code to be moved when last error occurs

When no error occurs in this unit, data "00" is written in the above addresses (F4 to FF). when first error occurs in the unit, the data corresponding to the error is written in the first emergency address (F4 to F7). In the same way, when the second error occurs, the data corresponding to the error is written in the second emergency address (F8 to FB). Finally, when the last error occurs, the data corresponding to the error is written in the last emergency address (FC to FF).

Note: After completing adjustments, be sure to initialize the data of addresses F4 to FF to "00".

Initializing method:

- 1) Select page: 0, address: 01, and set data: 01.
- 2) Select page: 3, address: 01, set data: 37, and press the PAUSE button.
- 3) Select page: 0, address: 01, and set data: 00.

2-1. EMG Code (Emergency Code)

Codes corresponding to the errors which occur are written in addresses F4, F8 and FC. The type of error indicated by the code are shown in the following table.

Code	Emergency Type
00	No error
10	Loading motor emergency during loading
11	Loading motor emergency during unloading
22	T reel emergency during normal rotation
23	S reel emergency during normal rotation
24	T reel emergency (Short circuit between S reel terminal and T reel terminal)
30	FG emergency at the start up of the capstan
40	FG emergency at the start up of the drum
42	FG emergency during normal rotation of the drum

2-2. MSW Code

MSW when errors occur:

Information on MSW (mode SW) when errors occur

MSW when movement starts:

Information on MSW when movements starts when the mechanism position is moved (When the L motor is moved)

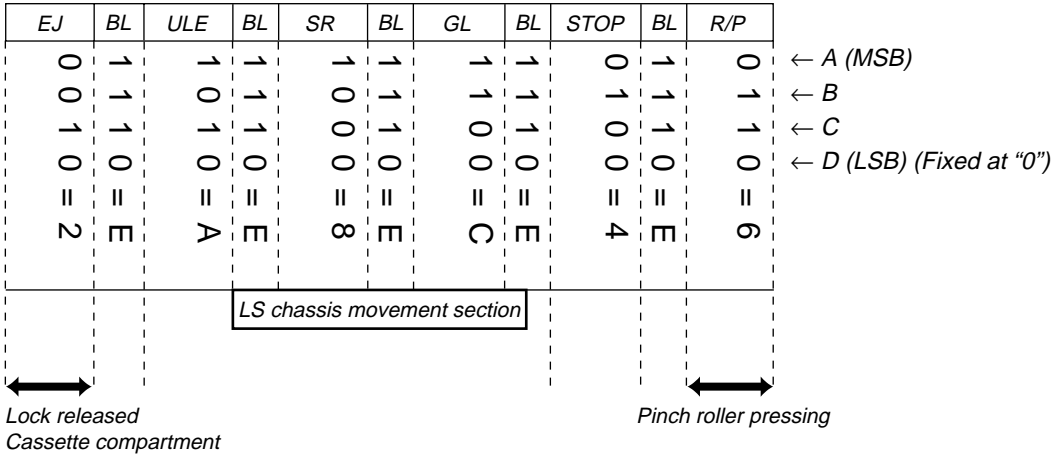
MSW of target of movement:

Information on target MSW of movement when the mechanism position is moved

Mechanical Position

← UNLOAD

LOAD →

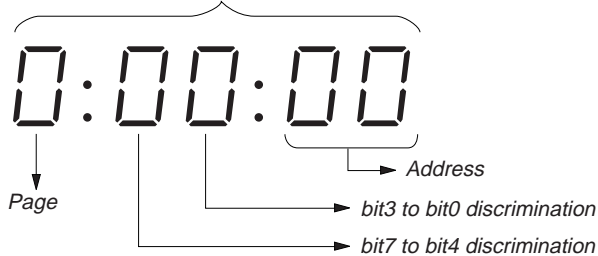


Position	Code	Contents
EJ	2	Position at which the cassette component lock is released, at the farthest unload side mechanically at which the mechanism can move no further in the UNLOAD direction.
BL	E	BLANK code, at the boundary between codes.
ULE	A	EJECT completion position. when the cassette is ejected, the mechanism will stop at this position. Cassette IN standby. The guide will start protruding out as the mechanism moves towards the LOAD position.
SR	8	Position at which it is possible to release the S ratchet.
GL	C	Guide loading are performed here.
STOP	4	Stop position in the loading state. The pinch roller separates, the tension regulator returns, and the brake is imposed on both reels.
R/P	6	PB, REC, CUE, REVIEW, PAUSE positions. When pinch roller is pressed, and the tension regulator is ON, the mechanism is operating at this position in modes in which normal images are shown.
NULL	0	Code not existing in the MD. Default value.
	F	Status before finding any mechanism position.

3. Bit value discrimination

Bit values must be discriminated using the display data of the adjustment remote commander for following items. Use the table below to discriminate if the bit value is "1" or "0".

Display on the adjustment remote commander



Display on the adjustment remote commander	Bit values			
	bit3 or bit7	bit2 or bit6	bit1 or bit5	bit0 or bit4
0	0	0	0	0
1	0	0	0	1
2	0	0	1	0
3	0	0	1	1
4	0	1	0	0
5	0	1	0	1
6	0	1	1	0
7	0	1	1	1
Ⓐ 8	1	0	0	0
9	1	0	0	1
A (ℱ)	1	0	1	0
B (ℎ)	1	0	1	1
C (℄)	1	1	0	0
D (℆)	1	1	0	1
Ⓑ E (ℰ)	1	1	1	0
F (ℱ)	1	1	1	1

Example: If "8E" is displayed on the adjustment remote commander, the bit values for bit7 to bit4 are shown in the Ⓐ column, and the bit values for bit3 to bit0 are shown in the Ⓑ column.

4. Switch check (1)

Page 2	Address 42
--------	------------

Bit	Function	When bit value = 1	When bit value = 0
0	POWER SW (VTR MODE SW) (PS-1770 block)	OFF	ON (VCR/PLAYER)
1	POWER SW (CAM MODE SW) (PS-1770 block)	OFF	ON (CAMERA)
2	START/STOP SW (PS-1770 block)	OFF	ON
3	EJECT SW (PS-1770 block)	OFF	ON
4	CC DOWN SW (Mechanism chassis)	OFF (UP)	ON (DOWN)
5	PHOTO FREEZE SW (FK-1770 block S602)	OFF	ON
6	POWER SW (PHOTO STBY SW) (PS-1770 block) *1	OFF	ON (MEMORY)
7			

*1: DCR-PC9/PC9E model only

Using method:

- 1) Select page: 2, address: 42.
- 2) By discriminating the bit value of display data, the state of the switch can be discriminated.

5. Switch check (2)

Page 2	Address 81
--------	------------

Bit	Function	When bit value = 1	When bit value = 0
4	AUDIO/VIDEO jack (FK-1770 block J602)	Used	Not used
5	S VIDEO jack (FK-1770 block J605)	Not used	Used
6	MIC jack (FK-1770 block J603)	Used	Not used

Using method:

- 1) Select page: 2, address: 81.
- 2) By discriminating the bit value of display data, the state of the switch can be discriminated.

6. Switch check (3)

Page 3	Address 5A
--------	------------

Bit	Function	When bit value = 1	When bit value = 0
6	HEADPHONES jack (FK-1770 block J601)	Used	Not used

Using method:

- 1) Select page: 3, address: 5A.
- 2) By discriminating the bit value of display data, the state of the switch can be discriminated.

7. Switch check (4)

Page 2	Address 5C to 5F
--------	------------------

Using method:

- 1) Select page: 2, address: 5C to 5F.
- 2) By discriminating the display data, the pressed key can be discriminated.

Address	Data							
	00 (00 to 0C)	19 (0D to 24)	32 (25 to 3F)	4E (40 to 5D)	6F (5E to 81)	96 (82 to AA)	C1 (AB to D7)	EB (D8 to FF)
5C (KEY AD0) (IC1104 (18))	FOCUS (INFINITY) (FK-1770) (S606)	FOCUS (AUTO/MANUAL) (FK-1770) (S605)	PHOTO (PHOTO REC) (FK-1770) (S603)	SUPER (NIGHT SHOT) (FK-1770) (S604)				No key input
5D (KEY AD1) (IC1104 (17))	DISPLAY (FK-1770) (S607)	BACK LIGHT (FK-1770) (S608)						No key input
5E (KEY AD2) (IC1104 (18))	PANEL REVERSE (PR-037)(S3601)							PANEL NORMAL (PR-037)(S3601)
5F (KEY AD3) (IC1104 (19))	PANEL CLOSE (PO-007) (S3501)							PANEL OPEN (PO-007) (S3501)

8. Record of Use check

Note: When replacing the mechanism deck or the drum assembly, initialize the data of address: A2 to A4.

Page 2	Address A2 to AA
--------	------------------

Address	Function	Remarks
A2	Drum rotation	Minutes
A3	counted time (BCD code)	Hour (L)
A4		Hour (H)
A5	User initial power	Year
A6	on date (BCD code)	Month
A7		Day
A8	Final condensation	Year
A9	occurrence date (BCD code)	Month
AA		Day

Using method:

- 1) The record of use data is displayed at page: 2, addresses: A2 to AA.
Note: This data will be erased (reset) when CN013 of VC-265 is disconnected.

Initializing method:

- 1) Using the adjustment remote commander, select the object address and set data: 00.

9. Record of Self-diagnosis check

Page 2	Address B0 to C6
--------	------------------

Address	Self-diagnosis code
B0	“Repaired by” code (Occurred 1st time) *1
B1	“Block function” code (Occurred 1st time)
B2	“Detailed” code (Occurred 1st time)
B4	“Repaired by” code (Occurred 2nd time) *1
B5	“Block function” code (Occurred 2nd time)
B6	“Detailed” code (Occurred 2nd time)
B8	“Repaired by” code (Occurred 3rd time) *1
B9	“Block function” code (Occurred 3rd time)
BA	“Detailed” code (Occurred 3rd time)
BC	“Repaired by” code (Occurred 4th time) *1
BD	“Block function” code (Occurred 4th time)
BE	“Detailed” code (Occurred 4th time)
C0	“Repaired by” code (Occurred 5th time) *1
C1	“Block function” code (Occurred 5th time)
C2	“Detailed” code (Occurred 5th time)
C4	“Repaired by” code (Occurred the last time) *1
C5	“Block function” code (Occurred the last time)
C6	“Detailed” code (Occurred the last time)

*1 : “01” → “C”, “03” → “E”

Using method:

- 1) The past self-diagnosis codes are displayed at page: 2, addresses: B0 to C6. Refer to “SELF-DIAGNOSIS FUNCTION” for detail of the self-diagnosis code.

Note: This data will be erased (reset) when CN013 of VC-265 is disconnected.

SECTION 6 REPAIR PARTS LIST

6-1. EXPLODED VIEWS

NOTE:

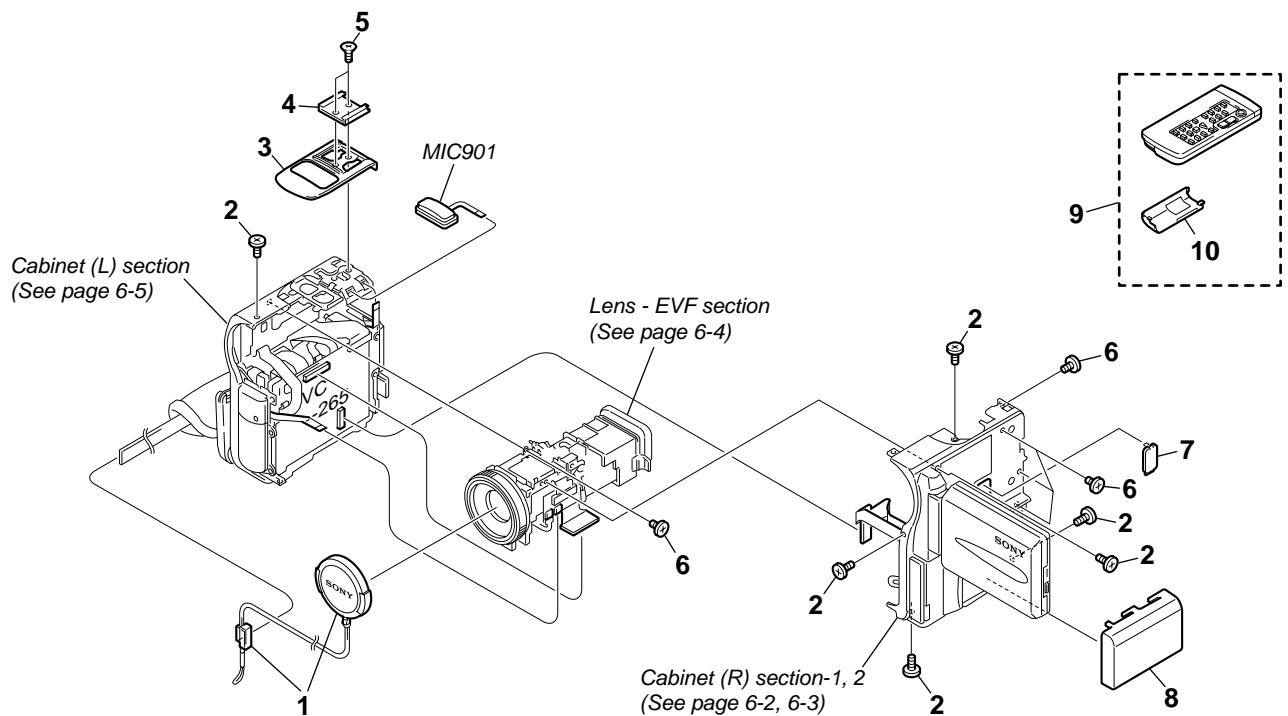
- -XX, -X mean standardized parts, so they may have some differences from the original one.
- Items marked "*" are not stocked since they are seldom required for routine service. Some delay should be anticipated when ordering these items.
- The mechanical parts with no reference number in the exploded views are not supplied.

- Abbreviation
CND: Canadian model
KR: Korea model
AUS: Australian model
CN: Chinese model
HK: Hong Kong model
JE: Tourist model

The components identified by mark Δ or dotted line with mark Δ are critical for safety. Replace only with part number specified.

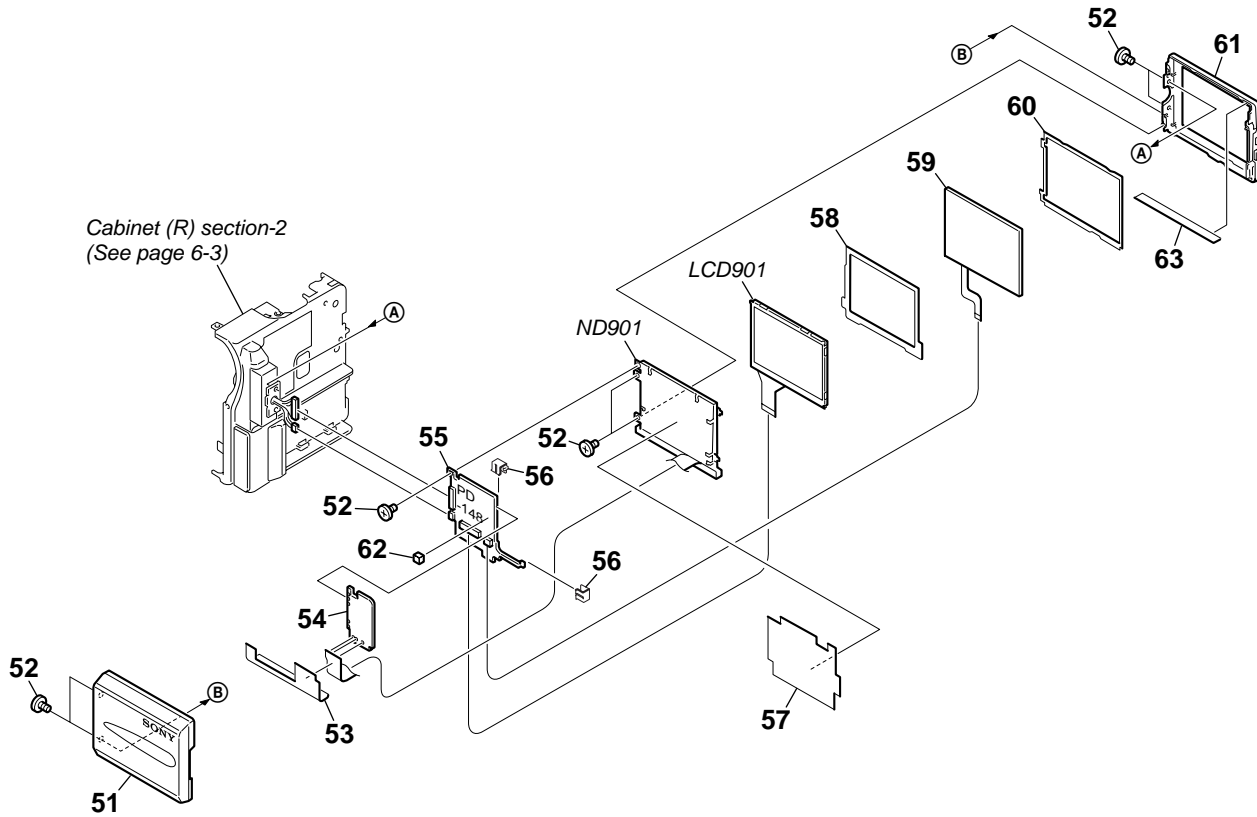
Les composants identifiés par une marque Δ sont critiques pour la sécurité. Ne les remplacer que par une pièce portant le numéro spécifié.

6-1-1. OVERALL SECTION



Ref. No.	Part No.	Description	Remarks	Ref. No.	Part No.	Description	Remarks
1	X-3951-693-1	CAP ASSY, LENS		7	3-068-784-01	LID, CPC	
2	3-989-735-31	SCREW (M1.7), LOCK ACE, P2		8	3-057-482-01	COVER, BATTERY	
3	3-068-774-01	COVER, MICROPHONE		9	1-475-141-61	REMOTE COMMANDER (RMT-814)	
4	3-067-469-21	SHOE, ACCESSORY		10	3-742-854-01	LID, BATTERY CASE (FOR RMT-814)	
5	3-067-187-11	ACE, PLATE SCREW (M2) LOCK		MIC901	1-418-926-21	MICROPHONE BLOCK	
6	4-974-725-01	SCREW (M1.7X2.5), P2					

6-1-2. CABINET (R) SECTION-1



Ref. No.	Part No.	Description	Remarks	Ref. No.	Part No.	Description	Remarks
51	X-3951-686-1	CABINET (R) ASSY, LCD (PC9E)		57	3-060-704-01	SHEET (N), BL SHIELD	
51	X-3951-700-1	CABINET (R) ASSY, LCD (PC9)		58	3-068-790-01	SPACER, PANEL	
51	X-3951-704-1	CABINET (R) ASSY, LCD (PC6E)		59	1-476-593-11	PANEL, (TP-1770)	
52	4-974-725-01	SCREW (M1.7X2.5), P2		60	3-068-789-01	SHEET, PANEL PROTECTION	
53	3-068-897-01	SHEET, BL INSULATING		61	X-3951-685-1	CABINET (L) ASSY, LCD	
△ 54	1-476-660-11	INVERTER TRANSFORMER UNIT (PC9/PC9E)		62	3-068-791-01	SPACER, PD	
△ 54	1-476-669-11	INVERTER TRANSFORMER UNIT (PC6E)		63	3-069-786-01	SHEET (A), LIGHT INTERCEPTION	
55	A-7074-871-A	PD-148 BOARD, COMPLETE (PC9/PC9E)		LCD901	8-753-050-84	ACX311AKB-J (PC9/PC9E)	
55	A-7074-902-A	PD-148A BOARD, COMPLETE (PC6E)		LCD901	8-753-050-86	ACX307AKB-J (PC6E)	
* 56	3-051-232-01	CLIP, PCB		△ ND901	1-517-931-11	TUBE, FLUORESCENT,COLD CATHODE	

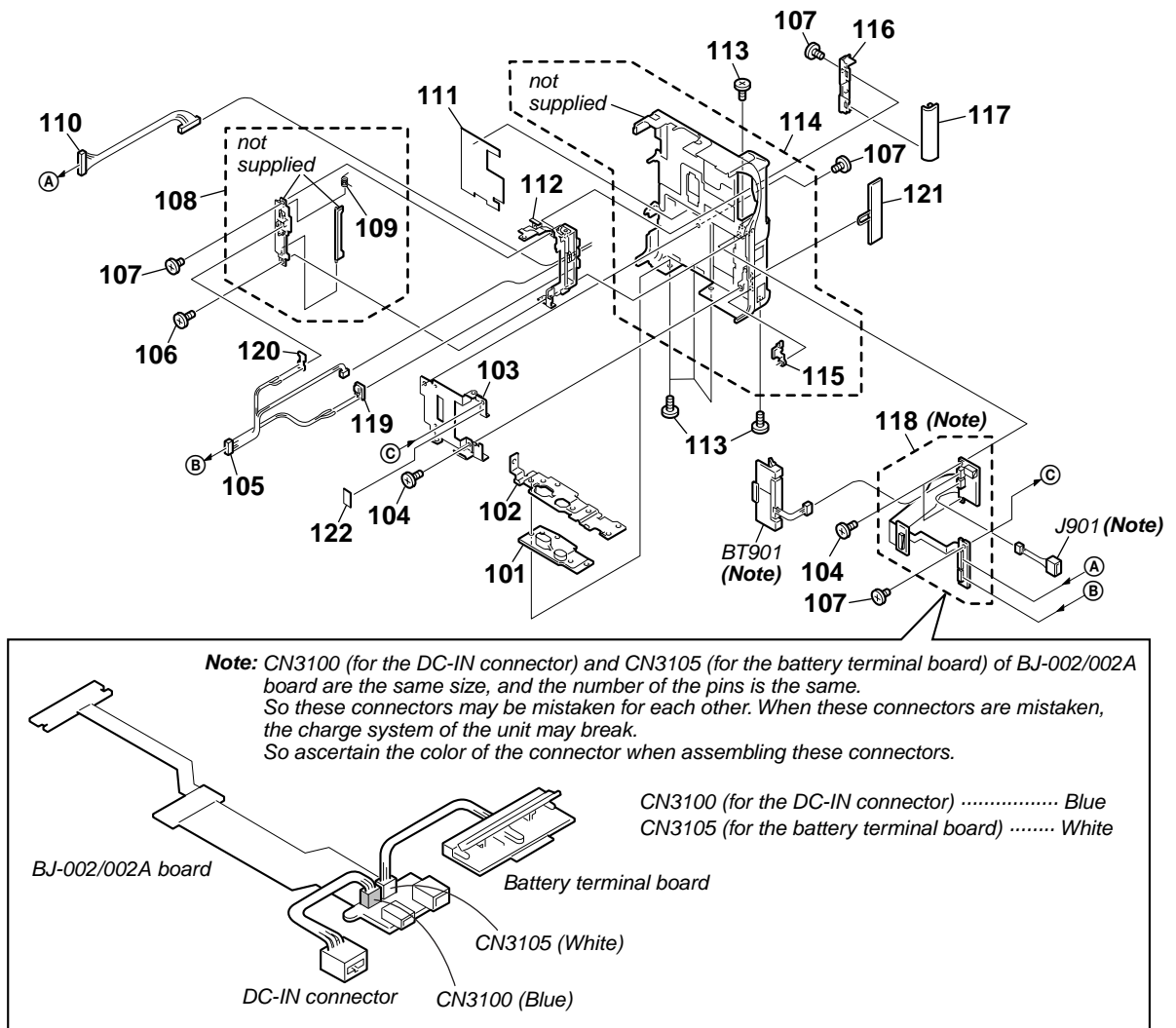
Note :

The components identified by mark △ or dotted line with mark △ are critical for safety. Replace only with part number specified.

Note :

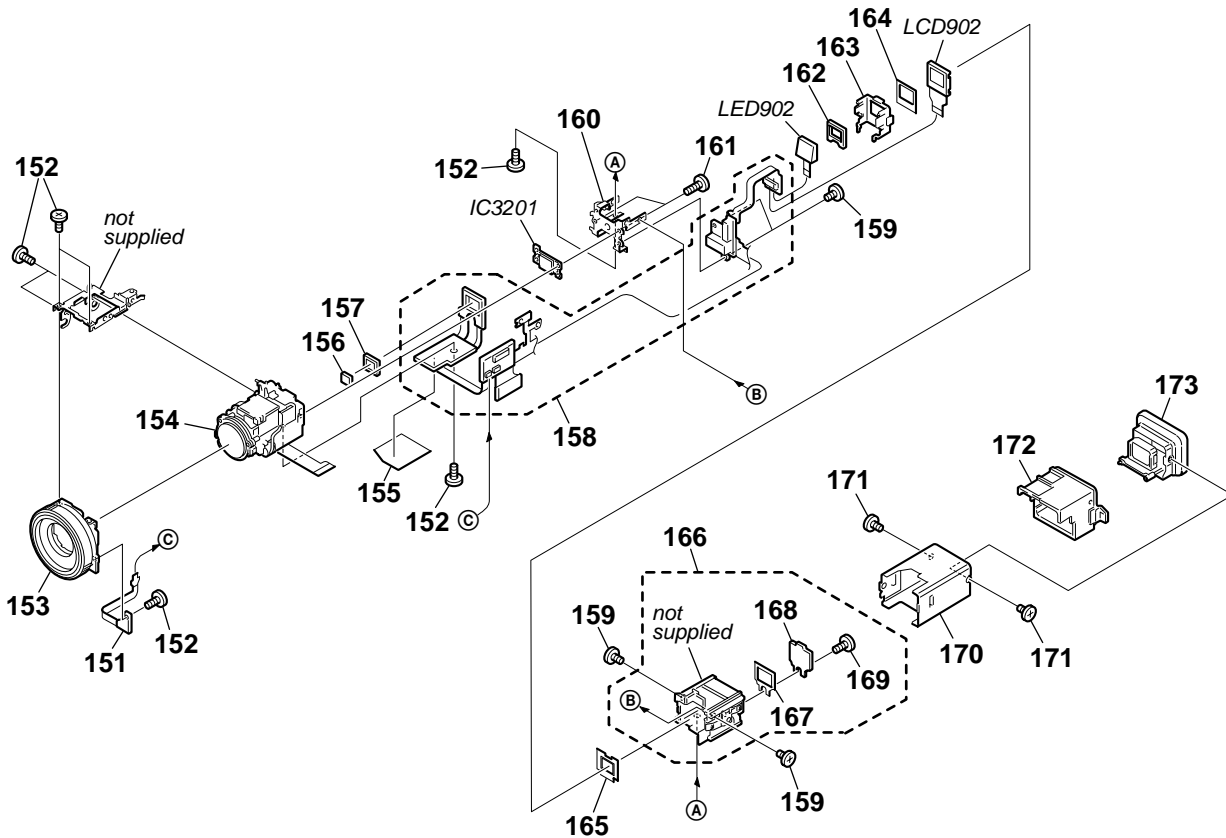
Les composants identifiés par une marque △ sont critiques pour la sécurité. Ne les remplacer que par une pièce portant le numéro spécifié.

6-1-3. CABINET (R) SECTION-2



Ref. No.	Part No.	Description	Remarks	Ref. No.	Part No.	Description	Remarks
101	3-068-788-01	SCREW, TRIPOD		114	X-3951-702-1	CABINET (R) ASSY (PC6E)	
102	3-068-787-02	FRAME, BOTTOM		115	3-068-793-01	RETAINER, JACK COVER	
103	X-3951-709-1	PLATE ASSY, TERMINAL RETAINER		116	3-062-106-21	COVER (REAR), HINGE	
104	3-713-791-01	SCREW (M1.7X4), TAPPING, P2		117	3-068-792-01	COVER (FRONT), HINGE	
105	1-961-078-11	HARNESS (PR-063)		118	A-7074-874-A	BJ-002 BOARD, COMPLETE (PC9/PC9E)	
106	3-713-791-41	SCREW (M1.7X5), TAPPING, P2		118	A-7074-903-A	BJ-002A BOARD, COMPLETE (PC6E)	
107	4-974-725-01	SCREW (M1.7X2.5), P2		119	A-7074-873-A	PR-037 BOARD, COMPLETE	
108	X-3951-689-1	PLATE ASSY, BLIND		120	A-7074-872-A	PO-007 BOARD, COMPLETE	
* 109	3-055-323-01	SPRING (MK), TORSION		121	X-3951-768-1	COVER (DV) ASSY, JACK (PC9/PC9E)	
110	1-961-077-11	HARNESS (PD-113)		121	X-3951-769-1	COVER (DV) ASSY(6), JACK (PC6E)	
111	3-068-783-01	SHEET, BT BLIND		122	3-068-896-01	SHEET, BJ INSULATING	
112	X-3951-688-1	HINGE ASSY, LCD		BT901	1-694-796-11	TERMINAL BOARD, BATTERY	
113	3-989-735-31	SCREW (M1.7), LOCK ACE, P2		J901	1-815-005-11	CONNECTOR, DC-IN	
114	X-3951-682-1	CABINET (R) ASSY (PC9/PC9E)					

6-1-4. LENS-EVF SECTION



Be sure to read "Precautions upon replacing CCD imager" on page 4-12 when changing the CCD imager.

Ref. No.	Part No.	Description	Remarks	Ref. No.	Part No.	Description	Remarks
151	A-7074-870-A	MF-325 BOARD, COMPLETE		* 165	3-062-767-01	CUSHION, LCD	
152	3-713-791-01	SCREW (M1.7X4), TAPPING, P2		166	X-3951-691-1	GUIDE ASSY, VF SLEEVE	
153	X-3951-690-1	RING ASSY, MF		167	3-068-805-01	CUSHION, VF	
154	8-848-748-01	DEVICE, LENS LSV-650D		168	3-068-796-01	PLATE, VF ACRYLIC	
155	3-068-797-01	SHEET, CF INSULATING		169	3-713-791-11	SCREW (M1.7X5), TAPPING, P2	
156	1-758-155-21	FILTER BLOCK, OPTICAL		170	3-068-764-01	SLEEVE, VF	
157	3-053-973-01	RUBBER (W), SEAL		171	3-056-030-21	ACE (M1.7), O PLATE 2 MAIN LOCK	
158	A-7074-869-A	CF-085 BOARD, COMPLETE		172	3-068-773-01	RING, VF REGULATION	
159	4-974-725-01	SCREW (M1.7X2.5), P2		173	X-3950-751-1	LENS ASSY, VF	
160	3-068-770-01	FRAME, CD		IC3201	A-7031-074-A	CCD BLOCK ASSY (CCD IMAGER)(PC6E/PC9E)	
161	3-713-791-41	SCREW (M1.7X5), TAPPING, P2		IC3201	A-7031-075-A	CCD BLOCK ASSY (CCD IMAGER)(PC9)	
162	3-062-205-11	CUSHION (B), BL		LCD902	8-753-028-47	LCX032AN-J (PC6E)	
163	3-068-771-01	BL UNIT		LCD902	8-753-028-54	LCX033AN-J (PC9/PC9E)	
164	3-068-772-01	CUSHION (L), BL		△LED902	1-418-738-11	BLOCK, LIGHT GUIDE PLATE	

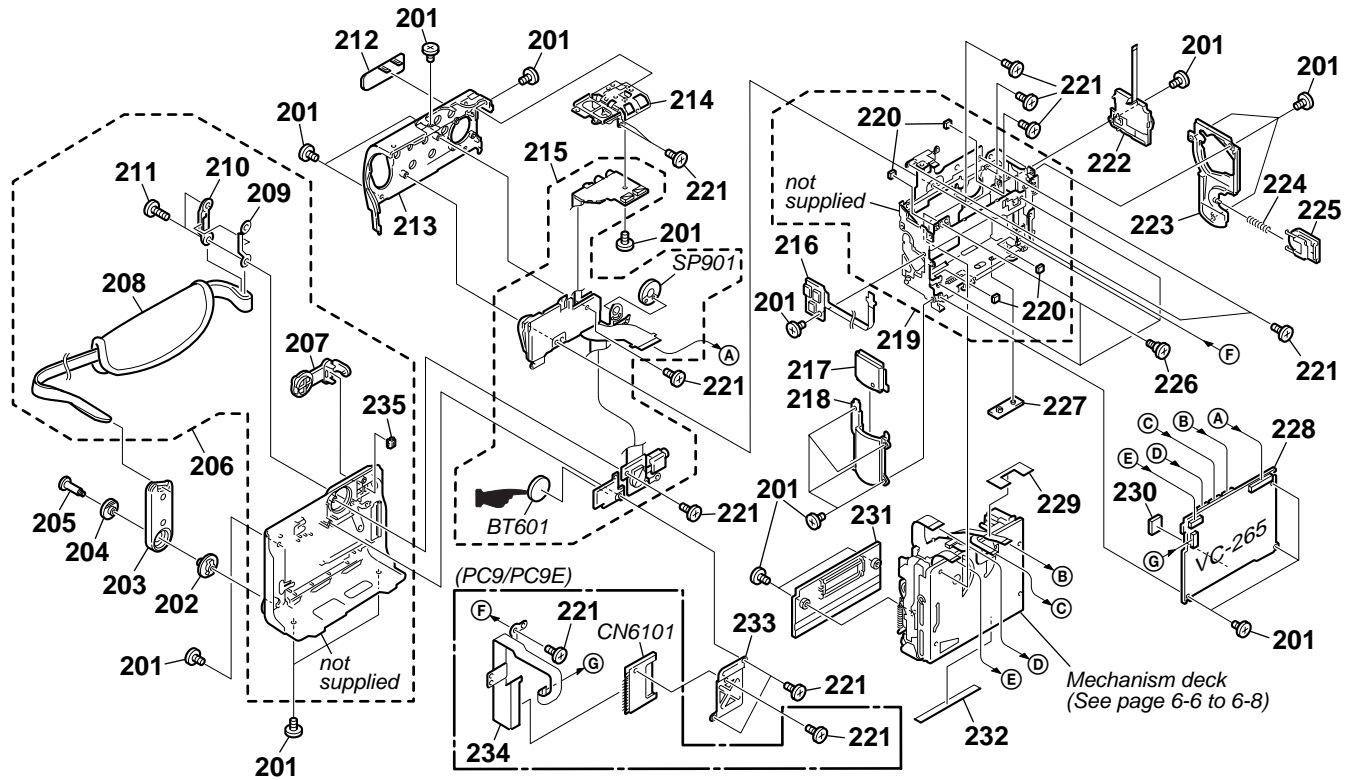
Note :

The components identified by mark \triangle or dotted line with mark \triangle are critical for safety. Replace only with part number specified.

Note :

Les composants identifiés par une marque \triangle sont critiques pour la sécurité. Ne les remplacer que par une pièce portant le numéro spécifié.

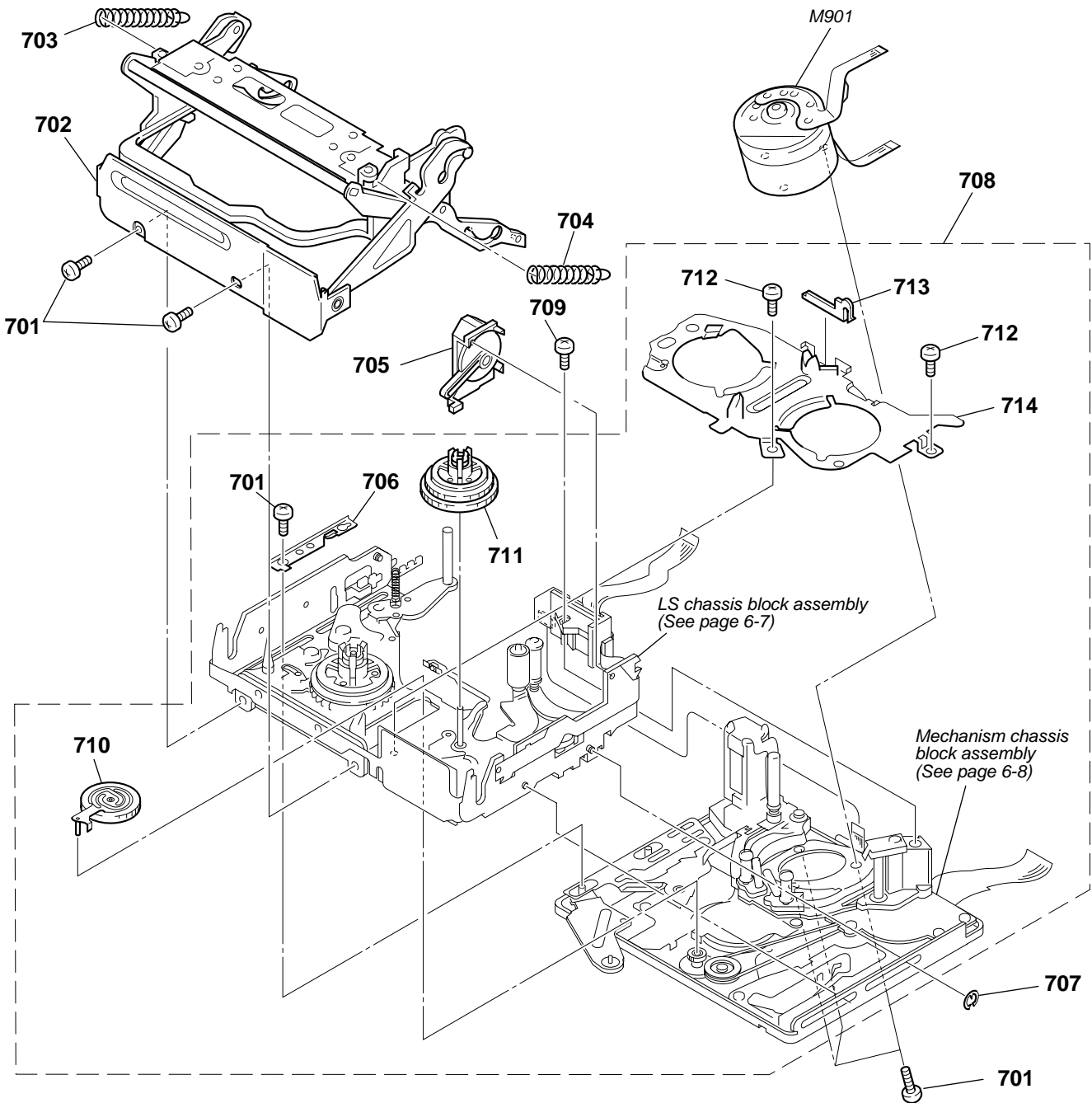
6-1-5. CABINET (L) SECTION



: BT601 (Lithium battery) Control switch block (FK-1770) on the mount position. (See page 4-60)

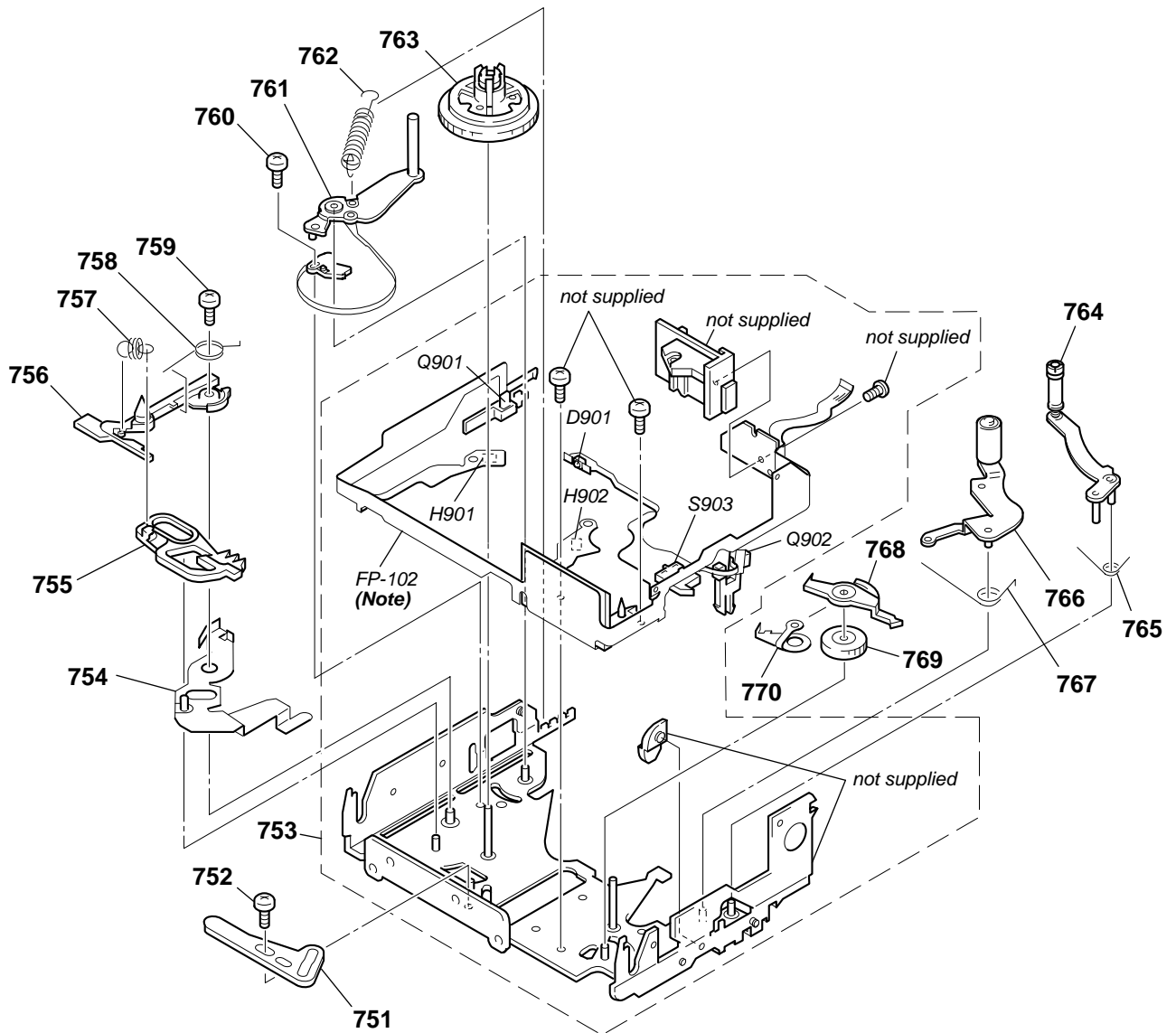
Ref. No.	Part No.	Description	Remarks	Ref. No.	Part No.	Description	Remarks
201	4-974-725-01	SCREW (M1.7X2.5), P2		220	3-975-921-01	SHEET, VIBRATION PROOF	
202	3-068-740-01	SLEEVE (REAR)		221	3-713-791-01	SCREW (M1.7X4), TAPPING, P2	
203	X-3951-684-1	GRIP ASSY, HOLD		222	1-476-595-11	BLOCK (PS-1770), CONTROL SWITCH	(PC9/PC9E)
204	3-068-739-01	SLEEVE (FRONT)		222	1-476-595-21	BLOCK (PS-1770), CONTROL SWITCH (PC6E)	
205	3-062-189-02	SCREW(M2.6),SPECIAL HEAD(STEP)		223	3-068-777-01	CABINET (REAR) (PC9/PC9E)	
206	X-3951-683-1	CABINET (G) ASSY (PC9E)		223	3-068-777-21	CABINET (REAR) (PC6E)	
206	X-3951-699-1	CABINET (G) ASSY (PC9)		224	3-062-128-01	SPRING, COMPRESSION	
206	X-3951-703-1	CABINET (G) ASSY (PC6E)		225	3-068-778-01	LOCK, BATTERY	
207	3-068-803-01	COVER (S), JACK		226	3-062-214-01	SCREW (M1.4X1.5)	
208	3-062-141-01	BELT, GRIP		227	3-068-766-01	KNOB, EJECT	
209	3-068-800-01	BRACKET, BELT		228	A-7074-904-A	VC-265A BOARD, COMPLETE (SERVICE)(PC6E)	
210	3-068-801-01	COVER, BRACKET		228	A-7096-767-A	VC-265 BOARD, COMPLETE (SERVICE)	(PC9/PC9E)
211	3-729-076-11	SCREW (+B) (2X4)		229	3-064-338-01	TAPE, DF	
212	X-3951-692-1	COVER (AV) ASSY, JACK (PC9E)		230	3-062-210-01	CUSHION, VC	
212	X-3951-701-1	COVER (AV) ASSY, JACK (PC9)		231	3-059-722-01	COVER, CASSETTE COMPARTMENT	
212	X-3951-708-1	COVER (AV) ASSY, JACK (PC6E)		232	3-059-725-01	LABEL, LS	
213	3-068-767-01	CABINET (L)		233	3-062-198-01	RETAINER, MS CONNECTOR	
214	3-068-769-01	FRAME, SHOE		234	A-7096-839-A	FP-347 FLEXIBLE BOARD, COMPLETE	(SERVICE) (PC9/PC9E)
215	A-7096-840-A	SWITCH BLOCK, CONTROL (FK-1770)	(SERVICE)	235	3-068-894-01	RETAINER, JACK COVER (S)	
216	A-7074-867-A	NS-013 BOARD, COMPLETE		CN6101	1-794-262-11	CONNECTOR, MEMORY STICK (PC9/PC9E)	
217	X-3951-694-1	WINDOW ASSY, NS		SP901	1-529-857-11	SPEAKER (1.6 CM)	
218	3-068-779-01	COVER, FRONT					
219	X-3951-687-1	FRAME ASSY					

6-1-6. OVERALL MECHANISM DECK SECTION (J100)



Ref. No.	Part No.	Description	Remarks	Ref. No.	Part No.	Description	Remarks
701	3-703-816-14	SCREW (M1.4)		708	A-7028-133-B	MD (J100) SUB ASSY (K)	
702	X-3950-369-2	CASSETTE COMPARTMENT ASSY		709	3-703-816-41	SCREW (M1.4X2.5), SPECIAL HEAD	
703	3-059-082-01	SPRING, TENSION		710	X-3950-364-1	GEAR ASSY, GOOSENECK	
		(CASSETTE COMPARTMENT S)		711	X-3950-366-1	TABLE ASSY, T REEL	
704	3-059-208-01	SPRING (CASSETTE COMPARTMENT T)		712	3-059-100-01	SCREW (M1.4X1.4), SPECIAL HEAD	
705	X-3950-370-3	DAMPER ASSY		713	3-059-093-01	RETAINER, LED	
706	3-059-101-03	RETAINER, LS GUIDE		714	X-3950-361-1	PLATE ASSY, RETAINER	
707	7-624-102-04	STOP RING 1.5, TYPE -E		M901	A-7048-940-A	DRUM (DEH-18A-R)(SERVICE)	

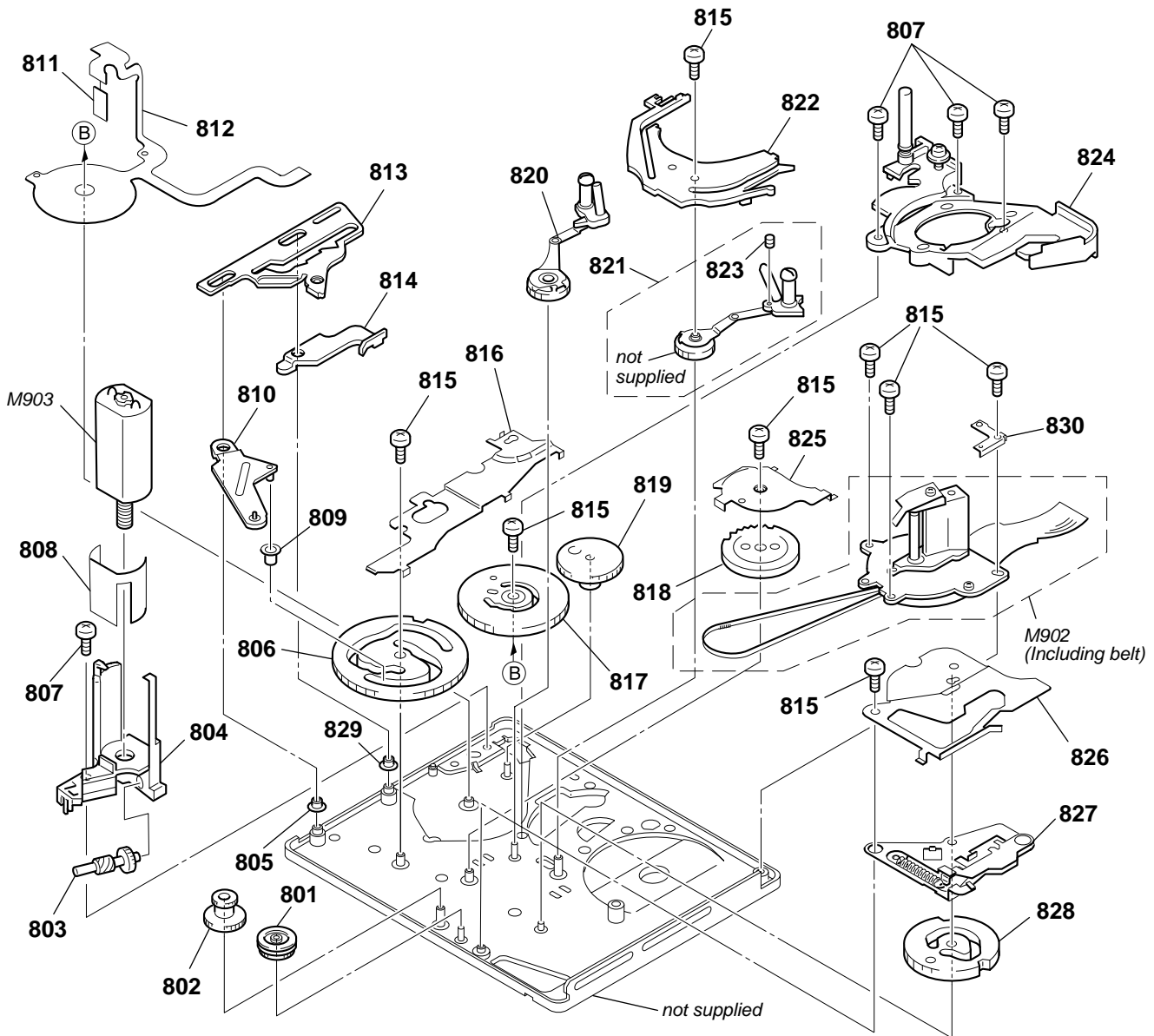
6-1-7. LS CHASSIS BLOCK ASSEMBLY



Note: FP-102 is included in the LS sub assy and is attached to chassis by hot-press. Because installation of FP-102 requires a very high accuracy, FP-102 is not supplied as an independent service parts.

Ref. No.	Part No.	Description	Remarks	Ref. No.	Part No.	Description	Remarks
751	3-059-173-01	PLATE, LS CAM		764	A-7094-819-A	TG7 BLOCK ASSY	
752	3-059-100-01	SCREW (M1.4X1.4), SPECIAL HEAD		765	3-059-165-01	SPRING (TG7 RETURN), TORSION	
753	A-7094-816-B	LS BLOCK ASSY		766	X-3950-359-1	ARM ASSY, PINCH	
754	X-3950-371-1	ARM ASSY, BRAKE (S) DRIVING		767	3-059-161-01	SPRING (PINCH RETURN), TORSION	
755	3-059-166-01	BRAKE (S)		768	3-059-170-01	BRAKE (T)	
756	3-059-146-01	POSITIONING (S), CASSETTE		769	3-059-171-01	GEAR (T), BRAKE	
757	3-059-167-01	SPRING (BRAKE S), TENSION COIL		770	3-059-172-01	SPRING (T), BRAKE	
758	3-059-169-01	SPRING (BRAKE S ARM), TORSION		D901	8-719-078-71	DIODE LN57A,SO (TAPE LED)	
759	3-703-816-14	SCREW (M1.4)		H901	8-719-067-74	ELEMENT, HOLE HW-105A-CDE-T (S REEL)	
760	3-059-090-01	SCREW (M1.4X2.5), SPECIAL HEAD		H902	8-719-067-74	ELEMENT, HOLE HW-105A-CDE-T (T REEL)	
* 761	X-3950-358-4	TG1 ASSY		Q901	8-729-028-71	TRANSISTOR, PN166,SO (TAPE END)	
762	3-059-156-01	SPRING (TENSION REGULATOR)		Q902	8-729-028-71	TRANSISTOR, PN166,SO (TAPE TOP)	
763	X-3950-365-2	TABLE ASSY, S REEL		S903	1-572-288-11	SWITCH, PUSH (C.C. DOWN)	

6-1-8. MECHANISM CHASSIS BLOCK ASSEMBLY



Ref. No.	Part No.	Description	Remarks	Ref. No.	Part No.	Description	Remarks
801	3-059-211-01	GEAR, CONVERSION		818	3-059-139-01	GEAR, GL DRIVING	
802	3-059-220-01	GEAR, RELAY		819	3-059-188-01	GEAR, DECELERATION	
803	3-059-187-01	SHAFT, WORM		820	A-7094-818-A	COASTER (S) BLOCK ASSY	
804	3-059-186-03	HOLDER, MOTOR		821	A-7094-817-A	COASTER (T) BLOCK ASSY	
805	3-060-002-01	ROLLER, LS GUIDE		822	3-059-126-01	RAIL, GUIDE	
806	3-059-189-01	GEAR (A), CAM		823	3-962-914-01	SCREW (M1.4X2)	
807	3-703-816-41	SCREW (M1.4X2.5), SPECIAL HEAD		824	A-7094-822-A	DRUM BASE BLOCK ASSY	
808	3-059-225-01	SHIELD, MOTOR		825	3-059-118-01	COVER (B), GEAR	
809	3-059-191-01	ROLLER, LS		826	3-059-083-01	COVER (C), GEAR	
810	3-059-190-01	ARM, LS		827	X-3950-368-1	ARM ASSY, PINCH DRIVING	
811	1-677-049-11	FP-228 FLEXIBLE BOARD (DEW SENSOR)		828	3-059-192-01	GEAR (B), CAM	
812	1-677-084-11	FP-100 FLEXIBLE BOARD		829	3-063-355-01	ROLLER (S1), LS GUIDE	
813	3-059-149-01	SLIDER, TG1 CAM		830	3-065-202-01	SUPPORT, TG7	
814	3-059-148-01	ARM, TG1 DRIVING		M902	8-835-685-01	MOTOR, DC SCD18A/C-NP (INCLUDING BELT)(CAPSTAN)	
815	3-703-816-14	SCREW (M1.4)		M903	A-7094-823-A	MOTOR BLOCK ASSY (LOADING)	
816	3-059-117-01	COVER (A), GEAR					
817	X-3950-367-1	GEAR ASSY, MODE					

CF-085	FP-102	MF-325	NS-013	PD-148
---------------	---------------	---------------	---------------	---------------

Ref. No.	Part No.	Description	Remarks
< CONNECTOR >			
CN3351	1-691-362-11	CONNECTOR, FFC/FPC (ZIF) 24P	
CN3353	1-794-411-21	CONNECTOR, FFC/FPC (LIF) 8P	
CN3354	1-794-404-21	CONNECTOR, BOARD TO BOARD 88P	
CN3355	1-794-766-21	CONNECTOR, FFC/FPC (LIF) 6P	
CN3701	1-691-370-11	CONNECTOR, FFC/FPC 6P	
CN3702	1-691-354-21	CONNECTOR, FFC/FPC (ZIF) 16P	
< DIODE >			
D3351	8-719-056-61	DIODE 015AZ8.2-TPL3	
< IC >			
IC3201	A-7031-074-A	CCD BLOCK ASSY (CCD IMAGER)(PC6E/PC9E)	
IC3201	A-7031-075-A	CCD BLOCK ASSY (CCD IMAGER)(PC9)	
IC3451	8-759-489-19	IC uPC6756GR-8JG-E2	
IC3701	8-759-581-11	IC NJM2125F(Te2)	
< COIL >			
L3201	1-414-757-11	INDUCTOR 100uH	
L3451	1-414-771-91	INDUCTOR 10uH	
< TRANSISTOR >			
Q3201	8-729-117-73	TRANSISTOR 2SC4178-F13F14-T1	
Q3701	8-729-420-20	TRANSISTOR XN4312-TW	
Q3702	8-729-042-26	TRANSISTOR 2SB1462J-QR(K8).SO	
Q3703	8-729-427-83	TRANSISTOR XP6501-(TX).SO	
< RESISTOR >			
R3201	1-218-957-11	RES-CHIP 2.2K 5% 1/16W	
R3351	1-218-959-11	RES-CHIP 3.3K 5% 1/16W	
R3451	1-218-969-11	RES-CHIP 22K 5% 1/16W	
R3452	1-218-969-11	RES-CHIP 22K 5% 1/16W	
R3453	1-218-969-11	RES-CHIP 22K 5% 1/16W	
R3454	1-218-969-11	RES-CHIP 22K 5% 1/16W	
R3455	1-218-965-11	RES-CHIP 10K 5% 1/16W	
R3456	1-218-965-11	RES-CHIP 10K 5% 1/16W	
R3457	1-218-989-11	RES-CHIP 1M 5% 1/16W	
R3458	1-218-967-11	RES-CHIP 15K 5% 1/16W	
R3459	1-218-989-11	RES-CHIP 1M 5% 1/16W	
R3460	1-216-864-11	METAL CHIP 0 5% 1/16W	
R3461	1-216-864-11	METAL CHIP 0 5% 1/16W	
R3462	1-216-864-11	METAL CHIP 0 5% 1/16W	
R3463	1-216-864-11	METAL CHIP 0 5% 1/16W	
R3701	1-208-939-11	METAL CHIP 150K 0.5% 1/16W	
R3702	1-208-719-11	METAL CHIP 33K 0.5% 1/16W	
R3706	1-218-959-11	RES-CHIP 3.3K 5% 1/16W	
R3708	1-208-643-11	METAL CHIP 22 0.5% 1/16W	
R3709	1-208-643-11	METAL CHIP 22 0.5% 1/16W	
R3711	1-218-990-11	SHORT 0	
R3712	1-218-990-11	SHORT 0	
< SENSOR >			
SE3450	1-803-042-41	SENSOR, ANGULAR VELOCITY (PITCH SENSOR)	
SE3451	1-803-042-31	SENSOR, ANGULAR VELOCITY (YAW SENSOR)	

Be sure to read "Precautions upon replacing CCD imager" on page 4-12 when changing the CCD imager.

Ref. No.	Part No.	Description	Remarks
< THERMISTOR >			
TH3701	1-810-811-11	THERMISTOR, NTC (1608)	
< DIODE >			
D901	8-719-078-71	DIODE LN57A,SO (TAPE LED)	
< HOLE ELEMENT >			
H901	8-719-067-74	HOLE ELEMENT HW-105A-CDE-T (S REEL)	
H902	8-719-067-74	HOLE ELEMENT HW-105A-CDE-T (T REEL)	
< TRANSISTOR >			
Q901	8-729-028-71	TRANSISTOR PN-166,SO (TAPE END)	
Q902	8-729-028-71	TRANSISTOR PN-166,SO (TAPE TOP)	
< SWITCH >			
S901	1-572-288-11	SWITCH, PUSH (C.C. DOWN)	
< BOARD >			
A-7074-870-A		MF-325 BOARD, COMPLETE	(Ref.No;20000 Series)
< RESISTOR >			
R6201	1-218-945-11	RES-CHIP 220 5% 1/16W	
< BOARD >			
A-7074-867-A		NS-013 BOARD, COMPLETE	(Ref.No;20000 Series)
< DIODE >			
D6001	8-719-061-82	DIODE TLSU1002 (TPX1,SONY)	
D6002	8-719-078-78	DIODE DCZ2805	
D6003	8-719-078-78	DIODE DCZ2805	
< IC >			
IC6001	8-749-013-13	IC RS-70-TU	
< BOARD >			
A-7074-871-A		PD-148 BOARD, COMPLETE (PC9/PC9E)	(Ref.No;20000 Series)
A-7074-902-A		PD-148A BOARD, COMPLETE (PC6E)	(Ref.No;20000 Series)
< CAPACITOR >			
C2101	1-113-988-11	TANTAL. CHIP 68uF 20% 4V	
C2102	1-125-777-11	CERAMIC CHIP 0.1uF 10% 10V	
C2104	1-117-919-11	TANTAL. CHIP 10uF 20% 6.3V	
C2105	1-125-777-11	CERAMIC CHIP 0.1uF 10% 10V	
C2107	1-107-826-11	CERAMIC CHIP 0.1uF 10% 16V	
C2108	1-164-943-11	CERAMIC CHIP 0.01uF 10% 16V	
C2109	1-164-943-11	CERAMIC CHIP 0.01uF 10% 16V	
C2110	1-164-943-11	CERAMIC CHIP 0.01uF 10% 16V	
C2111	1-164-739-11	CERAMIC CHIP 560PF 5% 50V	
C2112	1-125-838-11	CERAMIC CHIP 2.2uF 10% 6.3V	

Ref. No.	Part No.	Description	Remarks	Ref. No.	Part No.	Description	Remarks
C2113	1-164-004-11	CERAMIC CHIP	0.1uF 10% 25V	Q2111	8-729-037-52	TRANSISTOR	2SD2216J-QR(K8).SO
C2114	1-164-943-11	CERAMIC CHIP	0.01uF 10% 16V	Q2112	8-729-048-77	TRANSISTOR	XP4313-(TX).SO
C2115	1-107-687-11	TANTAL. CHIP	3.3uF 20% 20V	Q2181	8-729-042-72	TRANSISTOR	UN9214J-(K8).SO
C2116	1-164-937-11	CERAMIC CHIP	0.001uF 10% 16V	Q2182	8-729-037-53	TRANSISTOR	2SA1832F-Y/GR(TPL3)
C2117	1-164-872-11	CERAMIC CHIP	82PF 5% 16V	Q2183	8-729-042-59	TRANSISTOR	UN9112J-(K8).SO
C2118	1-125-838-11	CERAMIC CHIP	2.2uF 10% 6.3V	< RESISTOR >			
C2119	1-125-838-11	CERAMIC CHIP	2.2uF 10% 6.3V	R2110	1-208-933-11	METAL CHIP	82K 0.5% 1/16W (PC6E)
C2120	1-125-838-11	CERAMIC CHIP	2.2uF 10% 6.3V	R2111	1-218-985-11	RES-CHIP	470K 5% 1/16W
C2123	1-107-687-11	TANTAL. CHIP	3.3uF 20% 20V	R2112	1-218-985-11	RES-CHIP	470K 5% 1/16W
C2124	1-164-943-11	CERAMIC CHIP	0.01uF 10% 16V	R2115	1-218-958-11	RES-CHIP	2.7K 5% 1/16W
C2125	1-163-021-91	CERAMIC CHIP	0.01uF 10% 50V	R2116	1-218-973-11	RES-CHIP	47K 5% 1/16W
C2126	1-115-566-11	CERAMIC CHIP	4.7uF 10% 10V	R2117	1-218-975-11	RES-CHIP	68K 5% 1/16W
C2127	1-125-777-11	CERAMIC CHIP	0.1uF 10% 10V	R2118	1-218-969-11	RES-CHIP	22K 5% 1/16W
C2128	1-107-725-11	CERAMIC CHIP	0.1uF 10% 16V	R2119	1-218-975-11	RES-CHIP	68K 5% 1/16W
C2133	1-109-982-11	CERAMIC CHIP	1uF 10% 10V	R2122	1-218-989-11	RES-CHIP	1M 5% 1/16W
C2134	1-131-861-91	TANTAL. CHIP	4.7uF 20% 20V	R2124	1-218-977-11	RES-CHIP	100K 5% 1/16W
C2181	1-119-751-11	TANTAL. CHIP	22uF 20% 16V	R2134	1-208-635-11	RES-CHIP	10 5% 1/16W
C2182	1-164-943-11	CERAMIC CHIP	0.01uF 10% 16V	R2136	1-208-635-11	RES-CHIP	10 5% 1/16W
C2183	1-119-751-11	TANTAL. CHIP	22uF 20% 16V	R2137	1-208-635-11	RES-CHIP	10 5% 1/16W
C2184	1-164-943-11	CERAMIC CHIP	0.01uF 10% 16V	R2138	1-218-941-11	RES-CHIP	100 5% 1/16W
C2185	1-104-851-11	TANTAL. CHIP	10uF 20% 10V	R2143	1-218-965-11	RES-CHIP	10K 5% 1/16W
C2186	1-125-777-11	CERAMIC CHIP	0.1uF 10% 10V	R2144	1-218-985-11	RES-CHIP	470K 5% 1/16W
< CONNECTOR >				R2147	1-218-990-11	SHORT	0
CN2100	1-794-996-21	PIN, CONNECTOR	16P	R2148	1-218-965-11	RES-CHIP	10K 5% 1/16W
CN2101	1-794-376-21	PIN, CONNECTOR	4P	R2157	1-218-989-11	RES-CHIP	1M 5% 1/16W
* CN2103	1-778-155-11	CONNECTOR, FFC/FPC (ZIF)	7P	R2158	1-218-975-11	RES-CHIP	68K 5% 1/16W
* CN2104	1-778-172-11	CONNECTOR, FFC/FPC (ZIF)	24P	R2159	1-218-979-11	RES-CHIP	150K 5% 1/16W
CN2105	1-794-766-21	CONNECTOR, FFC/FPC (LIF)	6P	R2160	1-218-988-11	RES-CHIP	820K 5% 1/16W
< DIODE >				R2166	1-218-965-11	RES-CHIP	10K 5% 1/16W
D2101	8-719-073-01	DIODE	MA111-(K8).SO	R2168	1-218-990-11	SHORT	0
D2102	8-719-084-47	DIODE	1SV290(TPL3)	R2169	1-218-990-11	SHORT	0 (PC9/PC9E)
D2104	8-719-050-42	DIODE	RD3.3UM-T1B	R2170	1-218-977-11	RES-CHIP	100K 5% 1/16W
D2181	8-719-059-47	DIODE	PG1111R-TR	R2181	1-218-961-11	RES-CHIP	4.7K 5% 1/16W
< IC >				R2182	1-218-953-11	RES-CHIP	1K 5% 1/16W
IC2101	8-752-100-95	IC	CXA3289AR-T4	R2183	1-218-941-11	RES-CHIP	100 5% 1/16W
IC2103	8-752-407-33	IC	CXD3512R-T4	R2202	1-216-864-11	METAL CHIP	0 5% 1/16W
IC2103	8-752-409-15	IC	CXD3516R-T4	R2203	1-218-990-11	SHORT	0
< COIL >				R2204	1-216-864-11	METAL CHIP	0 5% 1/16W
L2101	1-414-755-11	INDUCTOR	22uH	R2205	1-218-990-11	SHORT	0
L2102	1-414-754-11	INDUCTOR	10uH	R2207	1-218-969-11	RES-CHIP	22K 5% 1/16W
L2103	1-414-754-11	INDUCTOR	10uH	A-7074-872-A PO-007 BOARD, COMPLETE ***** (Ref.No;3000 Series)			
L2104	1-411-949-21	INDUCTOR	6.8uH (PC6E)	< SWITCH >			
L2104	1-412-943-11	INDUCTOR	2.2uH (PC9/PC9E)	S3501	1-762-805-21	SWITCH, PUSH (1 KEY)	(PANEL OPEN)
L2181	1-412-056-11	INDUCTOR	4.7uH	A-7074-873-A PR-037 BOARD, COMPLETE ***** (Ref.No;3000 Series)			
L2182	1-414-757-11	INDUCTOR	100uH	< SWITCH >			
< TRANSISTOR >				S3601	1-771-338-21	SWITCH, PUSH (PANEL REVERSE)	
Q2101	8-729-427-74	TRANSISTOR	XP4601-TXE				
Q2102	8-729-037-74	TRANSISTOR	UN9213J-(K8).SO				
Q2103	8-729-427-74	TRANSISTOR	XP4601-TXE				
Q2104	8-729-041-23	TRANSISTOR	NDS356AP				
Q2109	8-729-042-26	TRANSISTOR	2SB1462J-QR(K8).SO				

VC-265

<u>Ref. No.</u>	<u>Part No.</u>	<u>Description</u>	<u>Remarks</u>
	A-7074-904-A	VC-265A BOARD, COMPLETE (PC6E) *****	
	A-7096-767-A	VC-265 BOARD, COMPLETE (PC9/PC9E) *****	

(Ref.No;10000 Series)

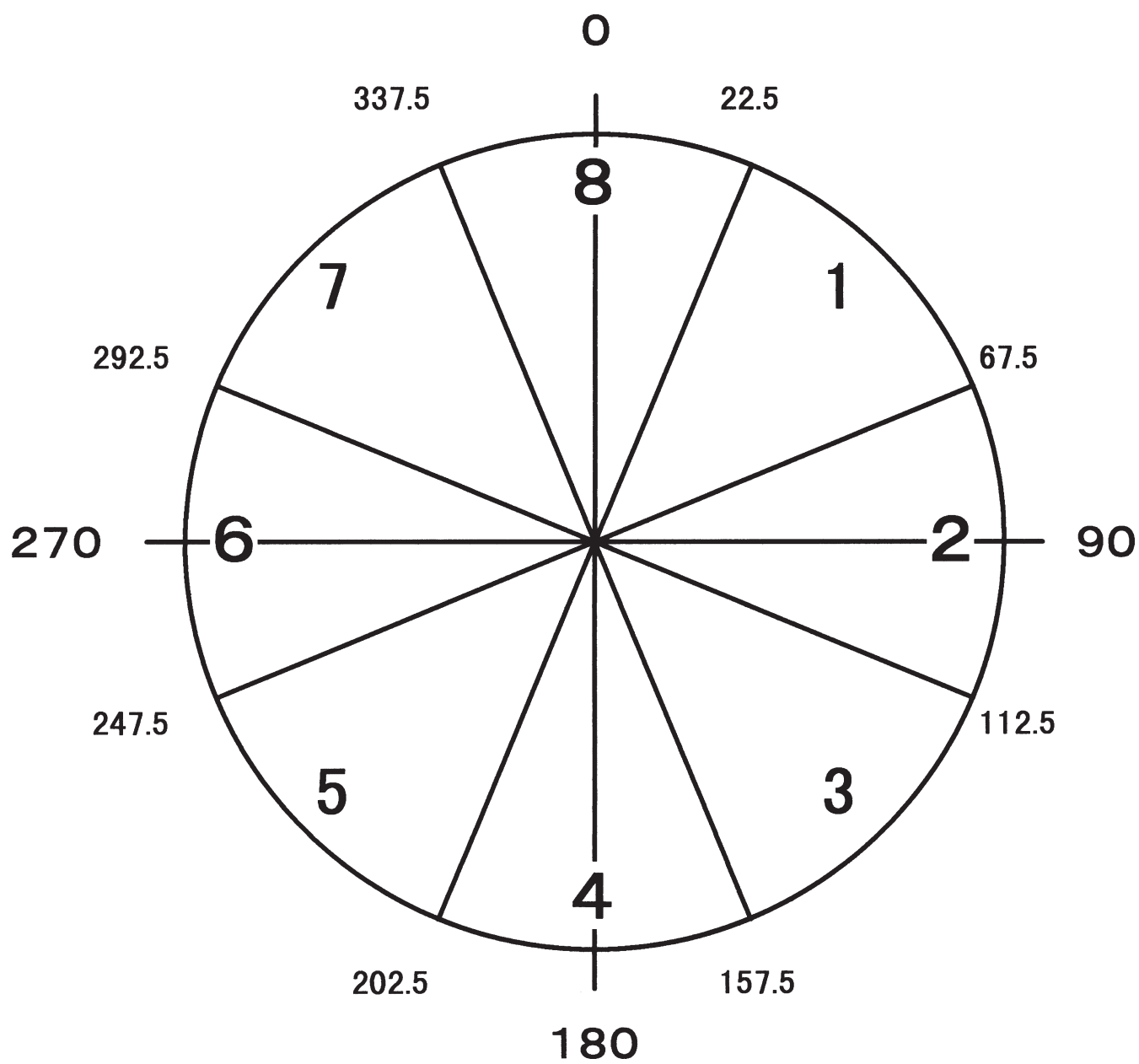


**Electrical parts list of the VC-265 board are not shown.
Pages 6-13 to 6-24 are not shown.**

<u>Ref. No.</u>	<u>Part No.</u>	<u>Description</u>	<u>Remarks</u>
		ACCESSORIES *****	
	1-475-141-61	REMOTE COMMANDER (RMT-814)	
△	1-475-599-11	ADAPTOR, AC (L10A) (PC6E/PC9:US,CND,E,JE,HK/PC9E:AEP,UK,AUS,E,JE,HK)	
△	1-475-599-71	ADAPTOR, AC (L10A) (PC9:KR)	
△	1-475-599-81	ADAPTOR, AC (L10B) (PC9E:CN)	
△	1-569-007-11	ADAPTOR, CONVERSION 2P (PC9:JE/PC9E:JE)	
△	1-569-008-21	ADAPTOR, CONVERSION 2P (PC9:E,HK/PC9E:E,HK)	
△	1-573-291-11	ADAPTOR, CONVERSION 21P (PC6E:/PC9E:AEP,UK)	
△	1-696-819-11	CORD, POWER (PC9E:AUS)	
	1-757-293-21	CORD, CONNECTION (USB 5P) (PC9/PC9E)	
	1-765-080-11	CORD, CONNECTION (AV) (1.5m)	
△	1-769-608-11	CORD, POWER (PC6E:AEP/PC9E:E/PC9E:AEP,E)	
△	1-776-985-11	CORD, POWER (PC9:KR)	
△	1-782-476-11	CORD, POWER (PC9E:CN)	
△	1-783-374-11	CORD, POWER (PC6E:UK/PC9:HK/PC9E:UK,HK)	
△	1-790-107-22	CORD, POWER (PC9:US,CND)	
△	1-790-732-11	CORD, POWER (PC9:JE/PC9E:JE)	
	3-066-676-01	SPVD-004 (P) (CD-ROM) (USB DRIVER) (PC9:E,JE,HK,KR/PC9E)	
	3-066-677-01	SPVD-004 (I) (CD-ROM) (USB DRIVER) (PC9:US,CND)	
	3-068-331-11	MANUAL, INSTRUCTION (ENGLISH) (PC9:US,CND,E,JE,HK)	
	3-068-331-21	MANUAL, INSTRUCTION (FRENCH)(PC9:CND)	
	3-068-331-31	MANUAL, INSTRUCTION (SPANISH/PORTUGUESE) (PC9:E,JE)	
	3-068-331-41	MANUAL, INSTRUCTION (TRADITIONAL CHINESE) (PC9:E,HK)	
	3-068-331-51	MANUAL, INSTRUCTION (ARABIC)(PC9:E)	
	3-068-331-61	MANUAL, INSTRUCTION (KOREAN)(PC9:JE,KR)	
	3-068-332-11	MANUAL, INSTRUCTION (ENGLISH/RUSSIAN) (PC6E/PC9E)	
	3-068-332-21	MANUAL, INSTRUCTION (ITALIAN/GREEK) (PC6E:AEP/PC9E:AEP)	
	3-068-332-31	MANUAL, INSTRUCTION (SPANISH/PORTUGUESE)(PC6E:AEP/PC9E:AEP)	
	3-068-332-41	MANUAL, INSTRUCTION (FRENCH/GERMAN) (PC6E:AEP/PC9E:AEP,E,JE)	
	3-068-332-51	MANUAL, INSTRUCTION (ENGLISH/DUTCH) (PC6E:AEP/PC9E:AEP)	
	3-068-332-61	MANUAL, INSTRUCTION (ARABIC/PERSIAN) (PC9E:E)	
	3-068-332-71	MANUAL, INSTRUCTION (TRADITIONAL CHINESE)(PC9E:HK)	
	3-068-332-81	MANUAL, INSTRUCTION (SIMPLIFIED CHINESE) (PC9E:CN,E,JE)	
	3-742-854-01	LID, BATTERY CASE (FOR RMT-814)	
	3-967-386-11	CLOTH, CLEANING	
	A-7033-740-A	MEMORY STICK (MSA-4A)(PC9/PC9E)	
	X-3951-693-1	CAP ASSY, LENS NP-FM30 BATTERY PACK (NOT SUPPLIED)	

<p>Note : The components identified by mark △ or dotted line with mark △ are critical for safety. Replace only with part number specified.</p>	<p>Note : Les composants identifiés par une marque △ sont critiques pour la sécurité. Ne les remplacer que par une pièce portant le numéro spécifié.</p>
---	---

〈OPTICAL AXIS FRAME〉

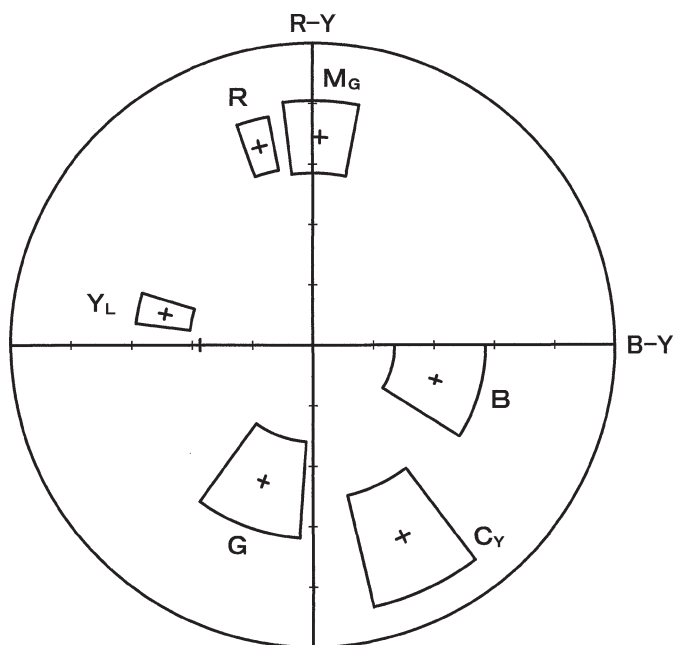


Take a copy of OPTICAL AXIS FRAME with a clear sheet for use.



〈FOR CAMERA COLOR REPRODUCTION ADJUSTMENT〉

For NTSC model

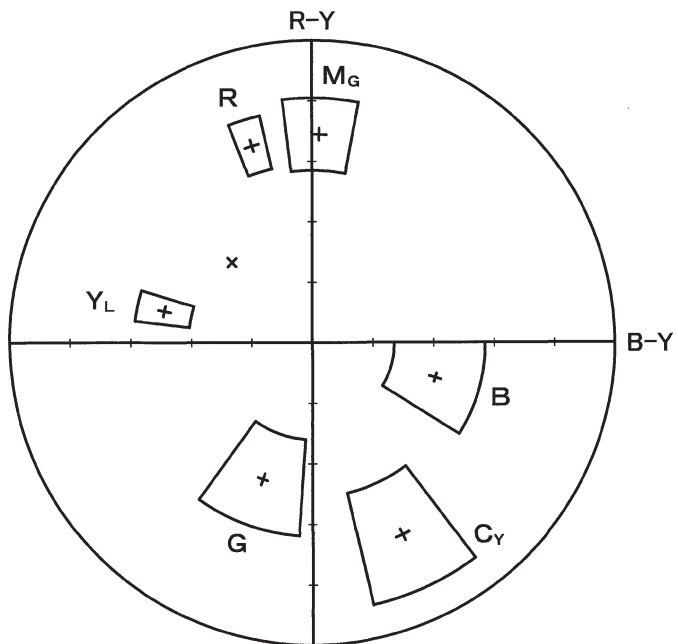


DCR-PC9

Take a copy of CAMERA COLOR REPRODUCTION FRAME with a clear sheet for use.



For PAL model



DCR-PC6E/PC9E



Revision History

Ver.	Date	History	Contents	S.M. Rev. issued
1.0	2001.05	Official Release	—	—