

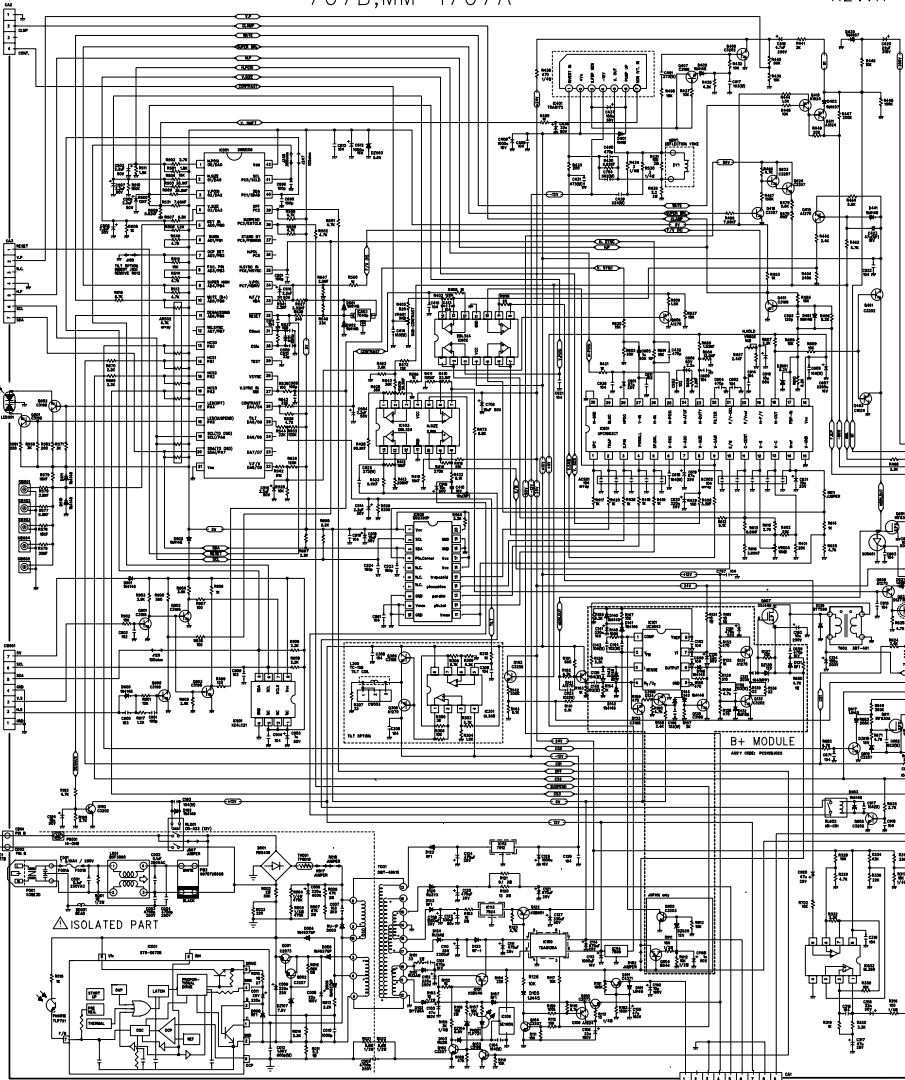
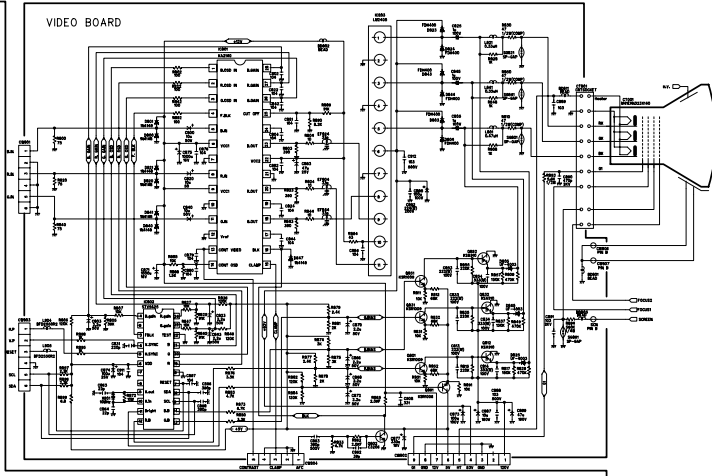
CH □ □

CMC-1707B****
707B,MM-1707A

SCHMATIC DIAGRAM

REV.11

VIDEO BOARD



PART DIFFERENCE LIST

- Part Difference List (DESIGN)
- | Part No. | Old Part No. | Old Part Name | New Part Name |
|----------|--------------|---------------|---------------|
| 10000001 | 10000001 | RESISTOR | RESISTOR |
| 10000002 | 10000002 | RESISTOR | RESISTOR |
| 10000003 | 10000003 | RESISTOR | RESISTOR |
| 10000004 | 10000004 | RESISTOR | RESISTOR |
| 10000005 | 10000005 | RESISTOR | RESISTOR |
| 10000006 | 10000006 | RESISTOR | RESISTOR |
| 10000007 | 10000007 | RESISTOR | RESISTOR |
| 10000008 | 10000008 | RESISTOR | RESISTOR |
| 10000009 | 10000009 | RESISTOR | RESISTOR |
| 10000010 | 10000010 | RESISTOR | RESISTOR |
| 10000011 | 10000011 | RESISTOR | RESISTOR |
| 10000012 | 10000012 | RESISTOR | RESISTOR |
| 10000013 | 10000013 | RESISTOR | RESISTOR |
| 10000014 | 10000014 | RESISTOR | RESISTOR |
| 10000015 | 10000015 | RESISTOR | RESISTOR |
| 10000016 | 10000016 | RESISTOR | RESISTOR |
| 10000017 | 10000017 | RESISTOR | RESISTOR |
| 10000018 | 10000018 | RESISTOR | RESISTOR |
| 10000019 | 10000019 | RESISTOR | RESISTOR |
| 10000020 | 10000020 | RESISTOR | RESISTOR |
| 10000021 | 10000021 | RESISTOR | RESISTOR |
| 10000022 | 10000022 | RESISTOR | RESISTOR |
| 10000023 | 10000023 | RESISTOR | RESISTOR |
| 10000024 | 10000024 | RESISTOR | RESISTOR |
| 10000025 | 10000025 | RESISTOR | RESISTOR |
| 10000026 | 10000026 | RESISTOR | RESISTOR |
| 10000027 | 10000027 | RESISTOR | RESISTOR |
| 10000028 | 10000028 | RESISTOR | RESISTOR |
| 10000029 | 10000029 | RESISTOR | RESISTOR |
| 10000030 | 10000030 | RESISTOR | RESISTOR |
| 10000031 | 10000031 | RESISTOR | RESISTOR |
| 10000032 | 10000032 | RESISTOR | RESISTOR |
| 10000033 | 10000033 | RESISTOR | RESISTOR |
| 10000034 | 10000034 | RESISTOR | RESISTOR |
| 10000035 | 10000035 | RESISTOR | RESISTOR |
| 10000036 | 10000036 | RESISTOR | RESISTOR |
| 10000037 | 10000037 | RESISTOR | RESISTOR |
| 10000038 | 10000038 | RESISTOR | RESISTOR |
| 10000039 | 10000039 | RESISTOR | RESISTOR |
| 10000040 | 10000040 | RESISTOR | RESISTOR |
| 10000041 | 10000041 | RESISTOR | RESISTOR |
| 10000042 | 10000042 | RESISTOR | RESISTOR |
| 10000043 | 10000043 | RESISTOR | RESISTOR |
| 10000044 | 10000044 | RESISTOR | RESISTOR |
| 10000045 | 10000045 | RESISTOR | RESISTOR |
| 10000046 | 10000046 | RESISTOR | RESISTOR |
| 10000047 | 10000047 | RESISTOR | RESISTOR |
| 10000048 | 10000048 | RESISTOR | RESISTOR |
| 10000049 | 10000049 | RESISTOR | RESISTOR |
| 10000050 | 10000050 | RESISTOR | RESISTOR |
- Part Difference List (P.A.T.)
- | Part No. | Old Part No. | Old Part Name | New Part Name |
|----------|--------------|---------------|---------------|
| 10000051 | 10000051 | RESISTOR | RESISTOR |
| 10000052 | 10000052 | RESISTOR | RESISTOR |
| 10000053 | 10000053 | RESISTOR | RESISTOR |
| 10000054 | 10000054 | RESISTOR | RESISTOR |
| 10000055 | 10000055 | RESISTOR | RESISTOR |
| 10000056 | 10000056 | RESISTOR | RESISTOR |
| 10000057 | 10000057 | RESISTOR | RESISTOR |
| 10000058 | 10000058 | RESISTOR | RESISTOR |
| 10000059 | 10000059 | RESISTOR | RESISTOR |
| 10000060 | 10000060 | RESISTOR | RESISTOR |
| 10000061 | 10000061 | RESISTOR | RESISTOR |
| 10000062 | 10000062 | RESISTOR | RESISTOR |
| 10000063 | 10000063 | RESISTOR | RESISTOR |
| 10000064 | 10000064 | RESISTOR | RESISTOR |
| 10000065 | 10000065 | RESISTOR | RESISTOR |
| 10000066 | 10000066 | RESISTOR | RESISTOR |
| 10000067 | 10000067 | RESISTOR | RESISTOR |
| 10000068 | 10000068 | RESISTOR | RESISTOR |
| 10000069 | 10000069 | RESISTOR | RESISTOR |
| 10000070 | 10000070 | RESISTOR | RESISTOR |
| 10000071 | 10000071 | RESISTOR | RESISTOR |
| 10000072 | 10000072 | RESISTOR | RESISTOR |
| 10000073 | 10000073 | RESISTOR | RESISTOR |
| 10000074 | 10000074 | RESISTOR | RESISTOR |
| 10000075 | 10000075 | RESISTOR | RESISTOR |
| 10000076 | 10000076 | RESISTOR | RESISTOR |
| 10000077 | 10000077 | RESISTOR | RESISTOR |
| 10000078 | 10000078 | RESISTOR | RESISTOR |
| 10000079 | 10000079 | RESISTOR | RESISTOR |
| 10000080 | 10000080 | RESISTOR | RESISTOR |
| 10000081 | 10000081 | RESISTOR | RESISTOR |
| 10000082 | 10000082 | RESISTOR | RESISTOR |
| 10000083 | 10000083 | RESISTOR | RESISTOR |
| 10000084 | 10000084 | RESISTOR | RESISTOR |
| 10000085 | 10000085 | RESISTOR | RESISTOR |
| 10000086 | 10000086 | RESISTOR | RESISTOR |
| 10000087 | 10000087 | RESISTOR | RESISTOR |
| 10000088 | 10000088 | RESISTOR | RESISTOR |
| 10000089 | 10000089 | RESISTOR | RESISTOR |
| 10000090 | 10000090 | RESISTOR | RESISTOR |
| 10000091 | 10000091 | RESISTOR | RESISTOR |
| 10000092 | 10000092 | RESISTOR | RESISTOR |
| 10000093 | 10000093 | RESISTOR | RESISTOR |
| 10000094 | 10000094 | RESISTOR | RESISTOR |
| 10000095 | 10000095 | RESISTOR | RESISTOR |
| 10000096 | 10000096 | RESISTOR | RESISTOR |
| 10000097 | 10000097 | RESISTOR | RESISTOR |
| 10000098 | 10000098 | RESISTOR | RESISTOR |
| 10000099 | 10000099 | RESISTOR | RESISTOR |
| 10000100 | 10000100 | RESISTOR | RESISTOR |

C.S. TABLE

REV.	DATE	BY	CHKD.	APP'D.
1	1997.08.13	H.S.KANG	Y.S.HWANG	S.Y.WOO
2	1997.08.13	H.S.KANG	Y.S.HWANG	S.Y.WOO
3	1997.08.13	H.S.KANG	Y.S.HWANG	S.Y.WOO
4	1997.08.13	H.S.KANG	Y.S.HWANG	S.Y.WOO
5	1997.08.13	H.S.KANG	Y.S.HWANG	S.Y.WOO
6	1997.08.13	H.S.KANG	Y.S.HWANG	S.Y.WOO
7	1997.08.13	H.S.KANG	Y.S.HWANG	S.Y.WOO
8	1997.08.13	H.S.KANG	Y.S.HWANG	S.Y.WOO
9	1997.08.13	H.S.KANG	Y.S.HWANG	S.Y.WOO
10	1997.08.13	H.S.KANG	Y.S.HWANG	S.Y.WOO
11	1997.08.13	H.S.KANG	Y.S.HWANG	S.Y.WOO
12	1997.08.13	H.S.KANG	Y.S.HWANG	S.Y.WOO
13	1997.08.13	H.S.KANG	Y.S.HWANG	S.Y.WOO
14	1997.08.13	H.S.KANG	Y.S.HWANG	S.Y.WOO
15	1997.08.13	H.S.KANG	Y.S.HWANG	S.Y.WOO
16	1997.08.13	H.S.KANG	Y.S.HWANG	S.Y.WOO
17	1997.08.13	H.S.KANG	Y.S.HWANG	S.Y.WOO
18	1997.08.13	H.S.KANG	Y.S.HWANG	S.Y.WOO
19	1997.08.13	H.S.KANG	Y.S.HWANG	S.Y.WOO
20	1997.08.13	H.S.KANG	Y.S.HWANG	S.Y.WOO

1. This drawing is the property of the company and is not to be distributed, copied, or used in any way without the written consent of the company.
2. All dimensions are in millimeters unless otherwise specified.
3. Tolerances are as follows:
 a. Dimensions: ±0.2mm
 b. Hole diameters: ±0.05mm
 c. Thread diameters: ±0.1mm
4. All parts must be finished to the standard of the company.
5. All parts must be tested and certified before shipment.
6. All parts must be stored in a dry, clean environment.
7. All parts must be handled with care to avoid damage.
8. All parts must be labeled with the company name and part number.
9. All parts must be shipped in original packaging.
10. All parts must be shipped in a timely manner.

CH □ □
CONFIDENTIAL

ISSUED.	DRAW	CHECK	APPROVAL	CERTIFICATION
13.AUG 1997	H.S.KANG	Y.S.HWANG	S.Y.WOO	M.J.MOON