

DVD DVD  
DVD DVD

## Dual Screen Portable DVD Player



**OWNER'S MANUAL**

SIZE: 148 x 210mm  
P/N: 811-197791-080 (ENGLISH)  
04-Feb-2005

# SAFETY PRECAUTIONS

The following mark and symbols are located on bottom of the unit.



**WARNING: TO REDUCE THE RISK OF ELECTRIC SHOCK, DO NOT REMOVE COVER (OR BACK). NO USER-SERVICEABLE PARTS INSIDE. REFER SERVICING TO QUALIFIED SERVICE PERSONNEL.**

**WARNING: TO PREVENT FIRE OR SHOCK HAZARD, DO NOT EXPOSE THIS APPLIANCE TO RAIN OR MOISTURE.**

**CAUTION: TO PREVENT ELECTRIC SHOCK, MATCHWIDE BLADE OF PLUGTOWIDE SLOT, FULLY INSERT.**

**DANGER OF EXPLOSION IF BATTERY IS INCORRECTLY REPLACED. REPLACE ONLY WITH THE SAME OR EQUIVALENT TYPE.**



The lightning flash with an arrowhead symbol, within the equilateral triangle, is intended to alert the user to the presence of uninsulated "dangerous voltage" within the product's enclosure that may be of sufficient magnitude to cause an electric shock.



The exclamation point within the equilateral triangle is intended to alert the user to the presence of important operating and maintenance (servicing) instructions in this owner manual.

Marking sign is located on bottom of the unit.



This product contains a low power laser device.



The symbol for Class II (Double Insulation)

## On Placement

- Do not use the unit in places which are extremely hot, cold, dusty, or humid.
- Place the unit on a flat and even surface.
- Do not restrict the air flow of the unit by placing it in a place with poor air flow, by covering it with a cloth, or by placing it on carpeting.

## FCC Information

This device complies with Part 15 of FCC Rules.

Operation is subject to the following two conditions:

- (1) This device may not cause harmful interference, and
- (2) This device must accept any interference received, including interference that may cause undesirable operation.

## On Safety

- When connecting or disconnecting the AC cord, grip the plug and not the cord itself. Pulling the cord may damage it and create a hazard.
- When you are not going to use the unit for a long period of time, disconnect the AC power cord.

## On Condensation

- When left in a heated room where it is warm and damp, water droplets or condensation may form inside the unit. When there is condensation inside the unit, the unit may not function normally. Let the unit stand for 1 to 2 hours before turning the power on, or gradually heat the room up and dry the unit before use.

### WARNING:

- Should any trouble occur, disconnect the AC power cord and refer servicing to a qualified technician.

## Notes on Copyright

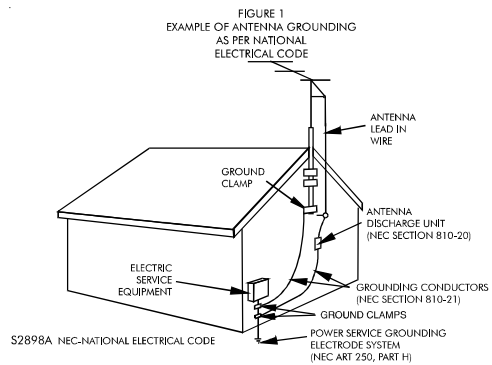
It is forbidden by law to copy, broadcast, show, broadcast on cable, play in public, rent copyrighted material without permission.

Apparatus Claims of U.S. Patent Nos. 4,631,603; 4,577,216; 4,819,098 and 4,907,093 licensed for limited viewing uses only.

DVD video discs are copy protected, and any recordings made from these discs will be distorted. This product incorporates copyright protection technology that is protected by method claims of certain U.S. patents and other intellectual property rights owned by Macrovision Corporation and other rights owners. Use of this copyright protection technology must be authorized by Macrovision Corporation, and is intended for home and other limited viewing uses only, unless otherwise authorized by Macrovision Corporation. Reverse engineering or disassembly is prohibited.

## IMPORTANT SAFETY INSTRUCTIONS

1. **Read Instructions** - All the safety and operating instructions should be read before the appliance is operated.
2. **Retain Instructions** - The safety and operating instructions should be retained for future reference.
3. **Heed Warnings** - All warnings on the appliance and in the operating instructions should be adhered to.
4. **Follow Instructions** - All operating and use instructions should be followed.
5. **Water and Moisture** - The appliance should not be used near water - for example, near a bathtub, washbowl, kitchen sink, laundry tub, in a wet basement, or near a swimming pool, and the like.
6. **Carts and Stands** - The appliance should be used only with a cart or stand that is recommended by the manufacturer.
- 6A. An appliance and cart combination should be moved with care. Quick stops, excessive force, and uneven surfaces may cause the appliance and cart combination to overturn.
7. **Wall or Ceiling Mounting** - The appliance should be mounted to a wall or ceiling only as recommended by the manufacturer.
8. **Ventilation** - The appliance should be situated so that its location or position does not interfere with its proper ventilation. For example, the appliance should not be situated on a bed, sofa, rug, or similar surface that may block the ventilation openings; or, placed in a built-in installation, such as a book case or cabinet, that may impede the flow of air through the ventilation openings.
9. **Heat** - The appliance should be situated away from heat sources such as radiators, heat registers, stoves, or other appliances (including amplifiers) that produce heat.
10. **Power Sources** - The appliance should be connected to a power supply only of the type described in the operating instructions or as marked on the appliance.
11. **Grounding or Polarization** - Precautions should be taken so that the grounding or polarization means of an appliance are not defeated.
12. **Power-Cord Protection** - Power-supply cords should be routed so that they are not likely to be walked on or pinched by items placed upon or against them, paying particular attention to cords at plugs, convenience receptacles, and the point where they exit from the appliance.
13. **Cleaning** - The appliance should be cleaned only as recommended by the manufacturer.
14. **Power Lines** - An outdoor antenna should be located away from power lines.
15. **Outdoor Antenna Grounding** - If an outside antenna is connected to the receiver, be sure the antenna system is grounded so as to provide some protection against voltage surges and built up static charges. Section 810 of the National Electrical Code, ANSI/NFPA No. 70, provides information with respect to proper grounding of the mast and supporting structure, grounding of the lead-in wire to an antenna discharge unit, size of grounding conductors, location of antenna-discharge unit, connection to grounding electrodes, and requirements for the grounding electrode. See Figure 1.
16. **Nonuse Periods** - The power cord of the appliance should be unplugged from the outlet when left unused for a long period of time.
17. **Object and Liquid Entry** - Care should be taken so that objects do not fall, and liquids are not spilled, into the enclosure through openings.
18. **Damage Requiring Service** - The appliance should be serviced by qualified service personnel when:
  - A. The power-supply cord or the plug has been damaged; or
  - B. Objects have fallen, or liquid has been spilled, into the appliance; or
  - C. The appliance has been exposed to rain; or
  - D. The appliance does not appear to operate normally or exhibits a marked change in performance; or
  - E. The appliance has been dropped, or the enclosure damaged.
19. **Servicing** - The user should not attempt to service the appliance beyond that described in the operating instructions. All other servicing should be referred to qualified service personnel.

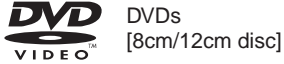


# TABLE OF CONTENTS

<b>Safety Precautions</b> .....	<b>1</b>	<b>Special Functions</b> .....	<b>21-22</b>
<b>Important Safety Instructions</b> .....	<b>2</b>	Display function .....	21
<b>Table Of Contents</b> .....	<b>3</b>	GOTO function .....	21
<b>Disc Formats</b> .....	<b>4</b>	Locating a specific title .....	22
<b>Accessories</b> .....	<b>5</b>	Locating a specific chapter/track .....	22
<b>Remote Control</b> .....	<b>5</b>	Locating a specific time .....	22
<b>Control Reference Guide</b> .....	<b>6-8</b>	<b>CD / DVD programmable memory</b> .....	<b>23</b>
<b>Screen Viewing Angle Adjustment</b> .....	<b>9</b>	DVD programmable memory .....	23
<b>Connections</b> .....	<b>9</b>	CD programmable memory .....	23
Connecting the Monitors .....	9	<b>Repeat Playback</b> .....	<b>24-25</b>
Using Headphone/Earphones .....	9	Repeating a title/chapter (DVD) .....	24
<b>Power Supply</b> .....	<b>10-12</b>	Repeating a single track/whole disc (CD) .....	24
Using the AC adapter .....	10	Repeating a specific section (DVD/CD) .....	25
Using the Car power adapter .....	10	<b>Playing MP3 and Picture File Disc</b> .....	<b>26</b>
Using the rechargeable battery pack .....	11	Playing a MP3/Picture file disc .....	26
Turning on the unit .....	12	<b>Customizing the Function</b>	
<b>Connecting the other</b>		<b>Settings</b> .....	<b>27-28</b>
<b>Equipment</b> .....	<b>13-15</b>	LANGUAGE setting .....	27
Connecting the Game Consoles / other Video		VIDEO setting .....	27
Equipment .....	13	AUDIO setting .....	28
Connecting the Video Game System .....	13	RATING .....	28
Connecting to another source .....	14	<b>Language Code List for</b>	
Connecting a TV .....	14	<b>Disc Language</b> .....	<b>29</b>
Using this Mointor with Other		<b>Maintenance</b> .....	<b>30</b>
Equipment .....	15	Cleaning Disc .....	30
<b>Sound System</b> .....	<b>16</b>	Cleaning the Unit .....	30
<b>Installation Guide</b> .....	<b>16</b>	Important Note .....	30
<b>Carrying Bag Installation</b> .....	<b>17</b>	<b>Trouble Shooting Guide</b> .....	<b>31</b>
<b>Playing a Disc</b> .....	<b>18-19</b>		
Playing a Disc .....	18		
Pausing playback (still mode) .....	18		
Stopping playback .....	18		
To skip to a different track .....	18		
Fast Foward/Fast Reverse .....	19		
Skip (Forward/Reverse) .....	19		
Audio selection .....	19		
Subtitle selection .....	20		
Angle selection .....	20		

# DISC FORMATS

The unit can playback.



DVDs  
[8cm/12cm disc]



**CD-R CD-RW**  
Compatible



Audio CDs  
[8cm/12cm disc]


## Region Management Information

Region Management Information: This unit is designed and manufactured to respond to the Region Management Information that is encoded on DVD discs. If the Region number printed on the DVD disc does not correspond to the Region number of this unit, this unit cannot play that disc.








The region number of this unit is 1.

## Disc Function or Operation that is Not Available

When the  symbol appears on the screen, it indicates that the function or operation attempted is not available at that time. This occurs because the DVD disc manufacturer determines the specific functions. Certain functions may not be available on some discs. Be sure to read the documentation provided with the DVD.

## Icons Used on DVDs

Sample Icons

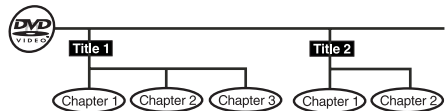
	1. English 2. French	— Language selections for audio
	1. English 2. French	— Language selections for subtitles
		— Screen aspect ratio
		— Multiple camera angles
		— Region code indicator

### Notes:

- This Unit supports 2-channel (L/R) audio and 5.1ch (Multi-channel) MPEG Audio 1/2 (only when the DIGITAL AUDIO OUT coaxial jack is used for connection). It does not support 7.1 channel MPEG Audio Version 2.0.
- When playing back a CD-G (Graphics) or CD EXTRA disc, the audio portion will be played, but the graphic images will not be shown.

## Title, Chapter and Tracks

- DVDs are divided into “titles” and “chapters”. If the disc has more than one movie on it, each movie would be a separate “title”. “Chapters” are sections of titles.



- Audio CDs are divided into “tracks”. A “track” is usually one song on an Audio CD.



### Note :

- Numbers identify each title, chapter, and track on a disc. Most discs have these numbers recorded on them, but some do not.

### Notes on Unauthorized Discs

You may not be able to play back some DVD discs on this unit if they were purchased from outside your geographic area or made for business purposes.

## ACCESSORIES

**Please check and identify the supplied accessories.**

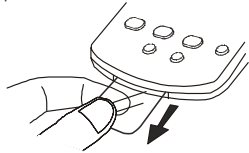
- Remote control (with battery) ..... x 1
- AC adaptor ..... x 1
- AC power cord ..... x 1
- Car power adaptor ..... x 1
- Mounting Strap for Monitor ..... x 1
- Rechargeable battery pack (Model no.: BATT-2P) ..... x 1
- Battery charger (Model no.: CHRR-2) ..... x 1
- Audio/Video cable ..... x 1
- Carrying bag (with 2 Straps and Elastic Band) ..... x 1
- Game console ..... x 1

## REMOTE CONTROL

### **Using the Remote Control**

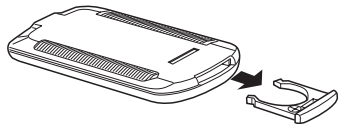
- Point the Remote Control at the REMOTE SENSOR located on the unit.
- When there is a strong ambient light source, the performance of the infrared REMOTE SENSOR may be degraded, causing unreliable operation.
- The recommended effective distance for remote operation is about 16 feet (5 meters).

Remove the protective plastic tab before operating the Remote Control.

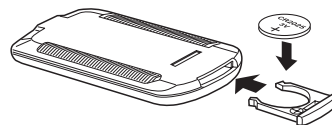


### **TO CHANGE REMOTE BATTERY**

1. Open the battery door.



2. Insert one CR2025 (3V) size battery.



### **BATTERY REPLACEMENT**

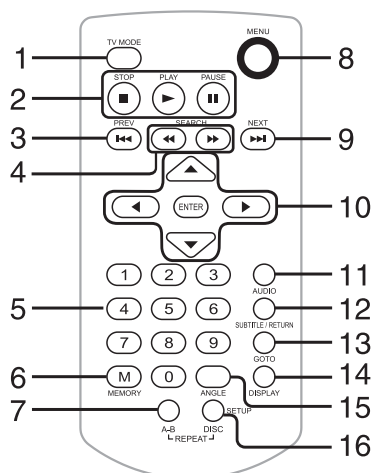
When battery become weak, the operating distance of the Remote Control is greatly reduced and you will need to replace the battery.

#### **NOTE:**

- If the Remote Control is not to be used for a long time, remove the battery to avoid corrosion damage caused by battery leakage.
- **WARNING:** Do not dispose of batteries in a fire, batteries may explode or leak.

## CONTROL REFERENCE GUIDE

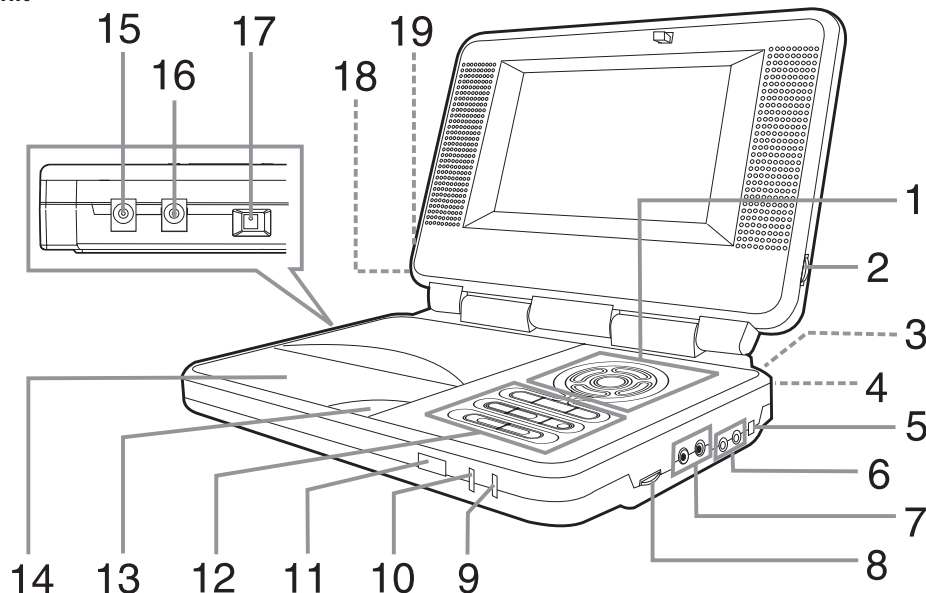
### Remote Control



- 1) **TV MODE button**  
In stop mode, select whether to output the video signal. TV shows "AUTO" means output signal depends on DVD (either NTSC or PAL). TV shows "PAL" or "NTSC" which means output signal fixed to PAL or NTSC.
- 2) **■ STOP button**  
Stop playing a disc.  
**▶ PLAY button**  
Press to start or resume playback a disc.  
**|| PAUSE button**  
Pause playback, frame advance.
- 3) **◀◀ PREV button**  
Move backwards through titles, chapters or tracks on a disc.
- 4) **◀◀ / ▶▶ SEARCH buttons**  
◀◀ SEARCH: Fast reverse playback.  
▶▶ SEARCH: Fast forward playback.
- 5) **Number (0 - 9) buttons**  
Use when creating programs, and entering a parental level password. To select a CD/MP3 track directly.
- 6) **MEMORY button**  
In stop mode, enter the number of a selected chapter or track.
- 7) **REPEAT A - B button**  
Perform point-to-point repeat playback on a DVD or CD.
- 8) **MENU button**  
Open and close DVD menu.
- 9) **▶▶ NEXT button**  
Move forward through titles, chapters or tracks on a disc.
- 10) **Cursor (▼, ▲, ◀, ▶) buttons**  
Use to highlight selections on a menu screen and make adjustments to certain settings.  
**ENTER button**  
Confirm selections on a menu screen.
- 11) **AUDIO button**  
Select one of the audio sound tracks programmed on a DVD or select the audio output mode on a AUDIO CD.
- 12) **SUBTITLE/RETURN button**   
Select one of the subtitle languages programmed on a DVD.  
Return to the normal operation after using the SETUP menu of a DVD.
- 13) **GOTO button**  
Skip directly to a specific location on a DVD disc.
- 14) **DISPLAY button**  
Change disc status information displayed on the screen.
- 15) **ANGLE button**   
During DVD playing, switch the camera angle of the video presentation when scenes with multiple camera angles are recorded on a DVD.
- 16) **SETUP/REPEAT-DISC button**  
In stop mode, Open and close the SETUP menu of the unit.  
Repeat chapter or title of a DVD.  
Repeat single track or whole CD.

## CONTROL REFERENCE GUIDE

Unit

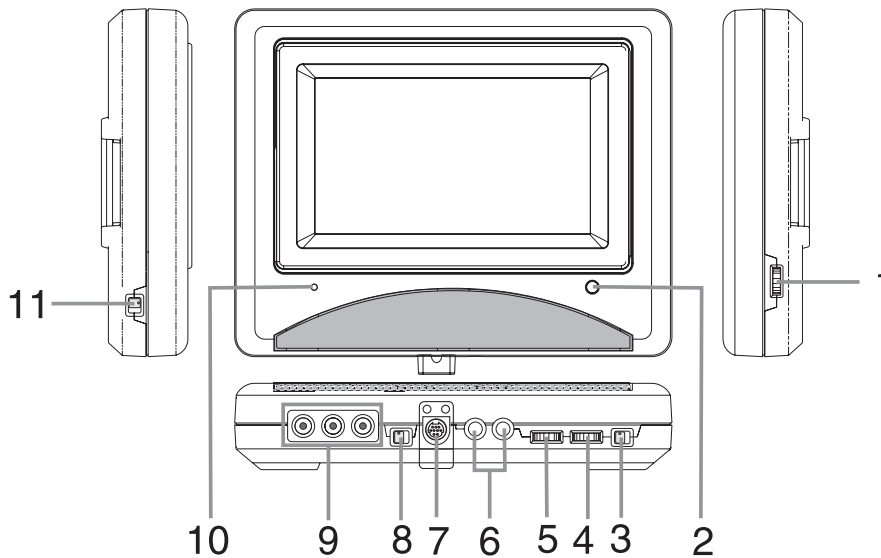


- 1) **Cursor (↙, ↘, ↗, ↖) button**  
Use to highlight selections on a menu screen and make adjustments to certain settings.  
**ENTER button**  
Confirm selections on a menu screen.
- 2) **BRIGHTNESS button**  
Adjust the relative lightness or darkness of the colour.
- 3) **DIGITAL OUT jack**
- 4) **CONNECT TO MONITOR ports (output)**
- 5) **AV IN / DVD switch**  
Turn off AV IN mode. Turn on DVD mode.
- 6) **AUDIO & VIDEO IN / OUT jacks**
- 7) **Headphone jacks**
- 8) **VOLUME control**  
Adjust the volume.
- 9) **BATTERY LOW indicator**
- 10) **Power ON indicator**  
When the Power ON/OFF switched to ON position, the light will illuminate.
- 11) **Remote sensor**  
Receives the remote control unit signals
- 12) **ANGLE button**  
During DVD playing, switch the camera angle of the video presentation when scenes with multiple camera angles are recorded on a DVD.  
**AUDIO button**  
Select one of the audio soundtracks programmed on a DVD or select the audio output mode on a AUDIO CD.  
**MENU button**  
Open and close DVD's menu.
- ◀◀ PREV button**  
Press ◀◀ PREV button to go back to previous chapters /tracks. Press and hold ◀◀ PREV button to begin fast scan. Four speeds are available.
- ▶▶ NEXT button**  
Press ▶▶ NEXT button to advance to chapters / tracks. Press and hold ▶▶ NEXT button to begin fast scan. Four speeds are available.
- ⏸ PAUSE button**  
Press to pause playback of disc. Each time you press the PAUSE button the picture advances one frame.
- STOP button**  
Stop playing a disc.
- ▶ PLAY button**  
Press to start or resume playback a disc.
- 13) **Open button**  
Open the disc door.
- 14) **Disc Door**  
Close by pushing the disc door.
- 15) **BATTERY IN jack**
- 16) **DC IN 9V jack**
- 17) **POWER ON/OFF switch**
- 18) **SCREEN switch**  
Wide screen  
Normal screen
- 19) **COLOUR control**  
Adjust for colour intensity.



## CONTROL REFERENCE GUIDE

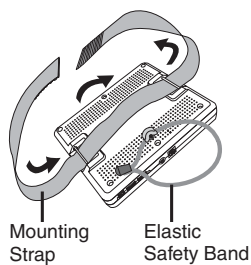
### Monitor



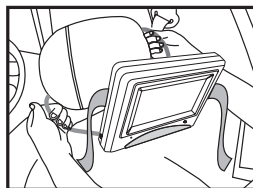
- |  |  |
|--|--|
| 1) <b>VOLUME control</b><br>Adjust the volume.                       | 5) <b>BRIGHTNESS control</b><br>Adjust the relative lightness or darkness of the colour. |
| 2) <b>Remote sensor</b><br>Receives the remote control unit signals. | 6) <b>Headphone jacks</b>  |
| 3) <b>SCREEN switch</b><br>Wide screen<br>Normal screen              | 7) <b>CONNECT TO MAIN UNIT port (Input)</b>  |
| 4) <b>COLOUR control</b><br>Adjust for colour intensity.             | 8) <b>AV / DIN switch</b>  |
|  | 9) <b>VIDEO IN / AUDIO IN jacks</b>  |
|  | 10) <b>AV IN indicator</b>   |
|  | 11) <b>MONITOR ON/OFF switch</b>   |

### Installing the Monitor in Car

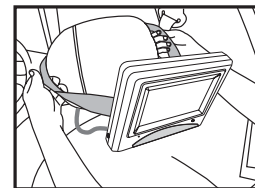
- Use supplied mounting straps installing the monitors onto the seat back in a car.



- 1) Loop the safety band around the headrest.



- 2) Tightly wrap the mounting strap around the headrest.



### SAFETY WARNING!

- This unit should never be used by the vehicle's driver or left unsecured in the vehicle while driving.
- If this unit is being used in your vehicle, be sure that it is secured or held safely, and does not obstruct any safety device, including air bags or seat belts.
- All passengers should wear seat belts when using this unit in a moving vehicle.
- If in doubt, please contact your vehicle manufacturer for further advice.

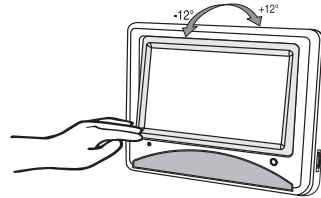
## SCREEN VIEWING ANGLE ADJUSTMENT

The Monitor is designed to allow users to have a comfortable viewing angle. The viewing angle can be adjusted as top  $-12^{\circ}$ ~ $+12^{\circ}$ .

- Push screen frame to adjust viewing angle.

### Caution:

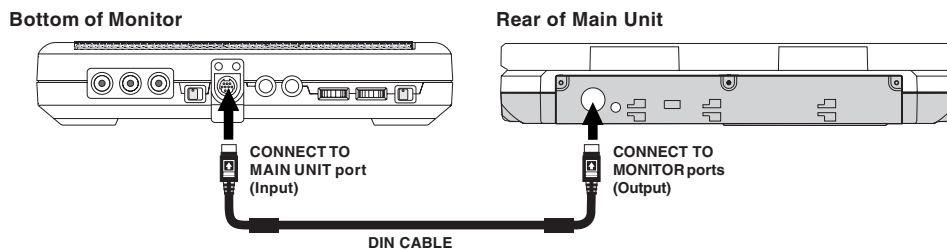
- Do not force the screen frame over its maximum viewing angle settings as stated above. Attempting this will result in damaging the unit.



## CONNECTIONS

### Connecting the Monitor

- Use supplied DIN cables to connect the monitor ports.

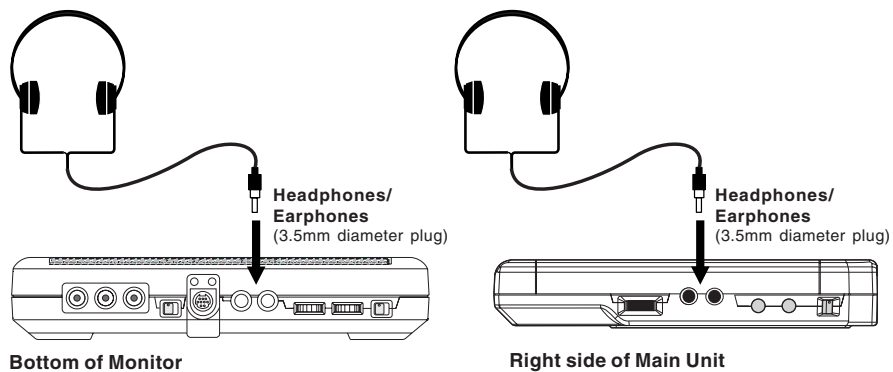


### Using Headphones/Earphones

- Turn down the volume before connection, and then adjust the level.
- When headphones are connected on Monitor, no sound will be output from the Monitor's speakers.

### Caution:

- Avoid listening to sound at excessive levels which could be harmful to your ears.



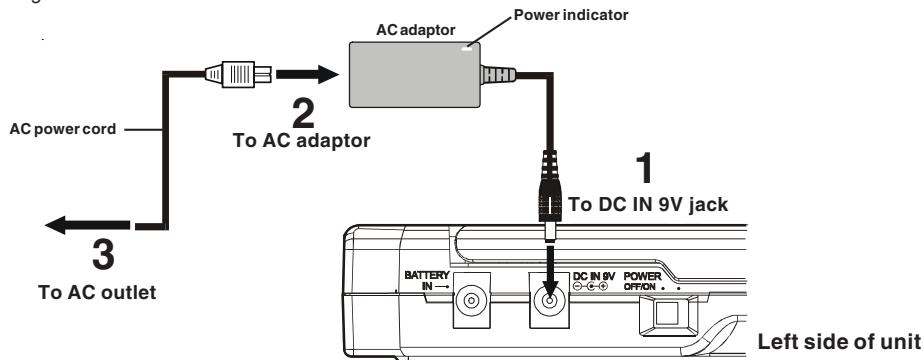
**Note:** In AV IN mode, headphones are connected on unit, no sound will be output from the unit.

## POWER SUPPLY

### A. Using the AC adaptor

This AC adaptor operates on AC between 100V and 240V, But

- In the U.S.A. and Canada, the AC power supply cord must be connected to a 120V AC power supply only.
- When connecting to an AC supply outside of the U.S.A. and Canada, use plug adaptor to suit the AC outlet configuration.

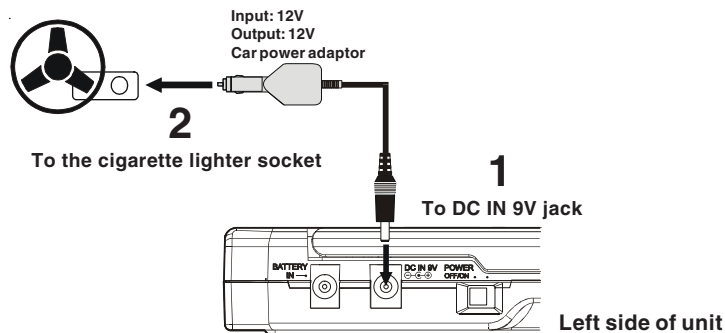


#### Cautions:

- The included AC power supply cord and AC adaptor are for use with this unit only. Do not use them with other equipment.
- **To prevent electrical shock, match wide blade of plug to wide slot, fully insert.**
- When the unit is not going to be used for long time, disconnect the AC power supply cord from the AC outlet.

### B. Using the Car power adaptor

The included Car power adaptor is designed for use with vehicles that have a 12V, negative ground electrical system.



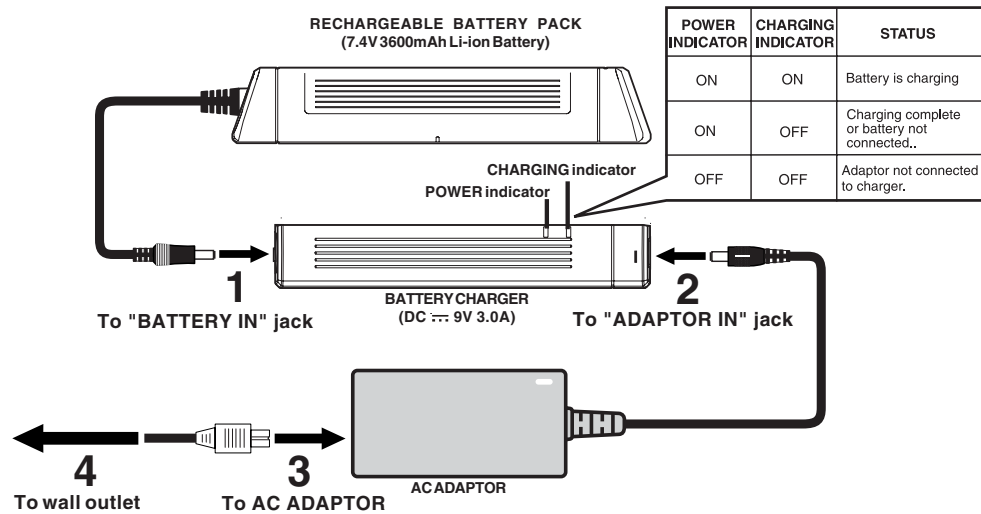
#### Cautions:

- Use this unit only with the included Car power adaptor, use with other Car power adaptors could damage the unit.
- The included Car power adaptor is for use with this unit only. Do not use it with other equipment.
- In the interests of traffic safety, do not operate the unit or view video software while driving the vehicle.
- Make sure the unit is secured correctly to prevent it from falling inside the vehicle in the event of an accident.
- When the inside of the cigarette lighter socket is dirty with ashes or dust, the plug section may become hot due to poor contact. Be sure to clean the cigarette lighter socket before use.
- After use, disconnect the Car power adaptor from both the unit and cigarette lighter socket.

## POWER SUPPLY

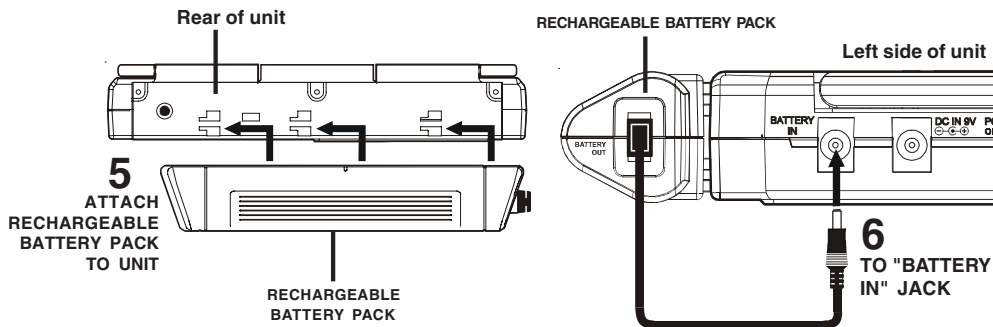
### C. Using the rechargeable battery pack

- Charge the rechargeable battery pack before using it for the first time.
- The rechargeable battery pack is suitable when using the unit for portable use.
- To recharge the battery
  - Remove the rechargeable battery pack from the unit (if being used).



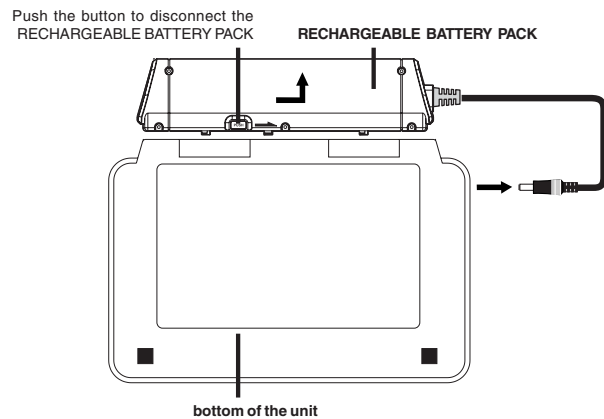
#### Cautions:

- The included AC power supply cord and AC adaptor are for use with this unit only. Do not use them with other equipment.
- **To prevent electrical shock, match wide blade of plug to wide slot, fully insert.**
- When the unit is not going to be used for long time, disconnect the AC power supply cord from the AC outlet.
- Recharging is complete when charging indicator goes out. Unplug the AC power supply cord from the AC adaptor, then remove the battery pack from the battery charger.
- To use rechargeable battery pack
  - Attach it at the corresponding position at the back of the unit.



## POWER SUPPLY

### ■ Disconnecting the Battery Pack.



### **Warnings:**

- When RECHARGEABLE BATTERY PACK battery is low, player will stop playing.
- During the playback, if the battery is low, the BATTERY LOW indicator on the unit front panel will turn into red and blink. At this time, please recharge the battery.
- Do not short-circuit the terminals.
- Use only the supplied AC ADAPTOR and BATTERY CHARGER to recharge the battery pack.
- Detach the battery pack. (Even if the unit is off, it still uses some power. This can lead to discharging of the battery and malfunction.)
- Recharge the battery pack when you are ready to use it again.
- If the rechargeable battery pack is not used for a long period of time, discharge it and store it in a place that is cool, dry and dark.
- While using the rechargeable battery pack, the ambient temperature should be 5°C (41°F) to 35°C (95°F).
- To get the longest service from of the rechargeable battery pack, charge it under or close to indoor-temperature.
- Do not throw used batteries into fire or water, dispose of them correctly.
- Do not open the rechargeable battery pack.

### **Note:**

Rechargeable battery pack only provides power to DVD player only and it cannot power up the Monitor. To power up the Monitor, the DVD player must be powered by Car power adaptor or AC adaptor.



### **Turning on the unit**

1. Slide the **POWER ON/OFF** switch to the ON position.
2. Slide the **AV IN / DVD** switch to DVD or AV IN mode on right side of unit.
  - If you select DVD the DVD logo (start-up picture) will appear on screen.

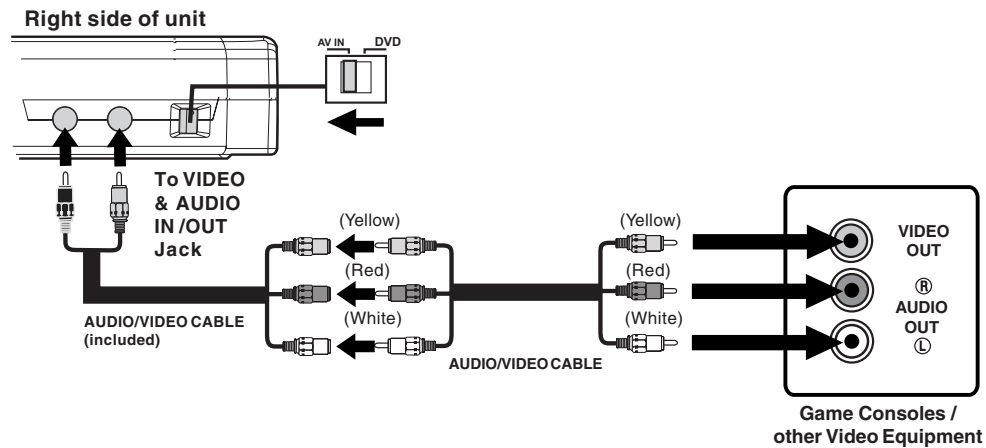


## CONNECTING THE OTHER EQUIPMENT

### Using this Unit with Other Equipment

#### A. Connecting the Game Consoles / other Video Equipment

- You can connect your Game Consoles or other Video Equipment to playback through the system.

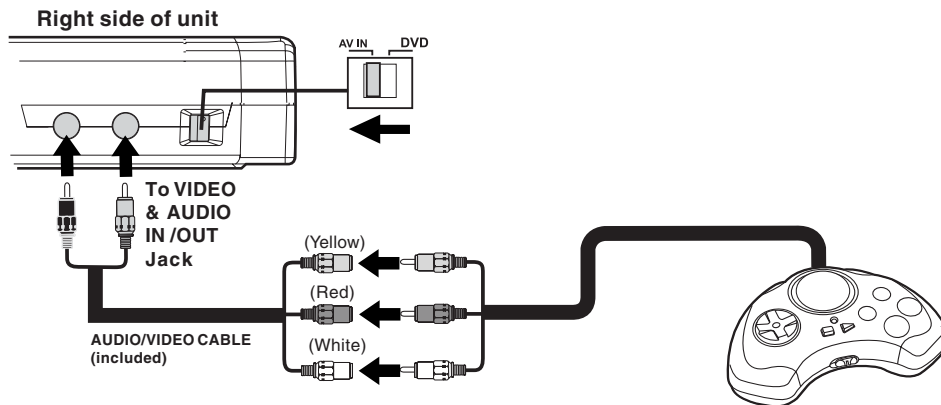


#### Watching a Video Equipment

- Turn on the unit, slide the **AV IN / DVD** switch to select "AV IN".
- Turn on the video equipment and follow the instructions provided with it to playback.

**Note:** If you have a mono VCR, the volume level from the speakers will be low.

#### B. Connecting the Video Game System



#### Playing a Video Game System

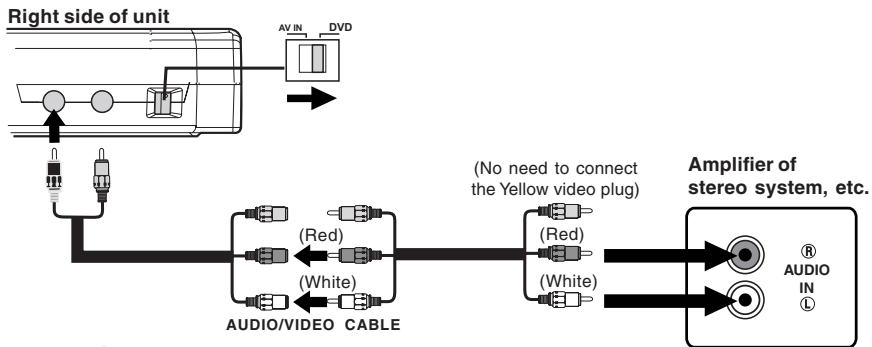
- Turn on the unit, slide the **AV IN / DVD** switch to select "AV IN".
- Turn on the video game system and follow the instructions provided with it to play game.

## CONNECTING THE OTHER EQUIPMENT

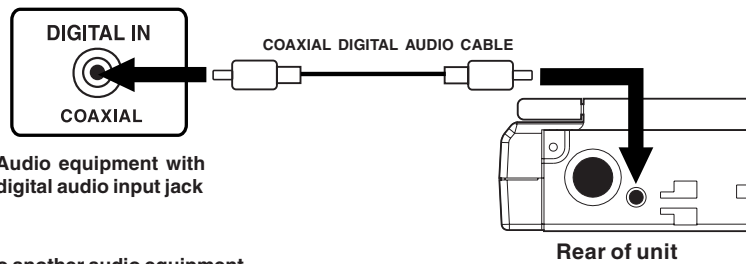
### C. Connecting to another source

This unit can play Dolby Digital, but only in two channels.

#### Analogue connection



#### Digital connection



#### Listening to another audio equipment

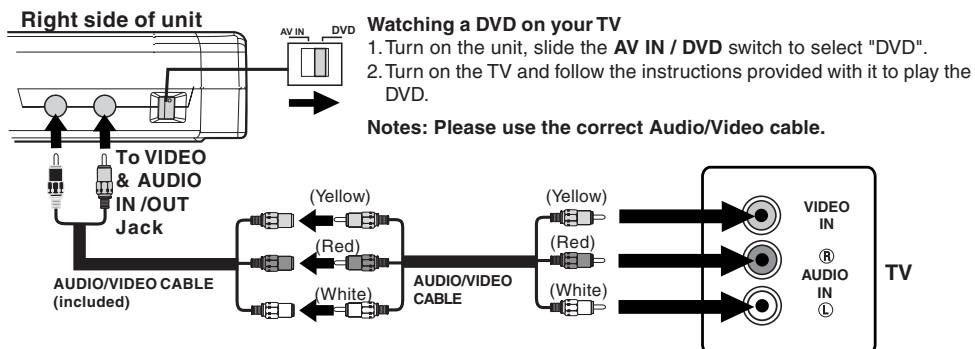
1. Turn on the Unit.
2. Turn on your audio equipment and follow the instructions provided with it to select the AUDIO IN or DIGITAL IN function.

#### Notes:

- If the external equipment is a television and this audio system is close to it, you may experience some interference.
- Make sure to use correct Audio/Video cable, wrong plug connection may cause weak signal.
- If you have a stereo VCR, make sure you set it in stereo mode.
- Due to copyright protection, DVD movies cannot be copied. If you copy a DVD movie onto a videotape, the resulting copy will be unclear, with poor sound quality. This is NOT caused by a defective DVD system.

### D. Connecting a TV

- If your TV has Audio/Video inputs

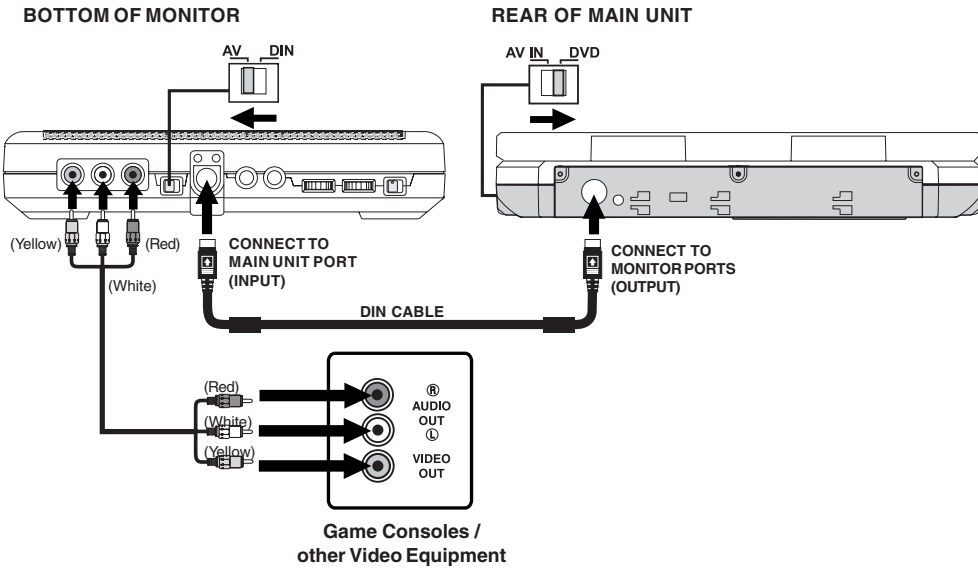


# CONNECTING THE OTHER EQUIPMENT

**Using this Monitor with Other Equipment**

- You can playback DVD in Main Unit, also Game Consoles or other Video Equipment to playback in Monitor at the same time.

**EXAMPLE OF CONNECTION**



**Operation status**

Main Unit		Monitor		
AV IN / DVD switch	Display	AV / DIN switch	Display	AV IN indicator
AV IN mode	AV IN	AV mode	AV	ON
DVD mode	DVD	AV mode	AV	ON
AV IN mode	AV IN	DIN mode	AV IN	OFF
DVD mode	DVD	DIN mode	DVD	OFF

Display will change to blue screen if no video signal is detected.




## SOUND SYSTEM

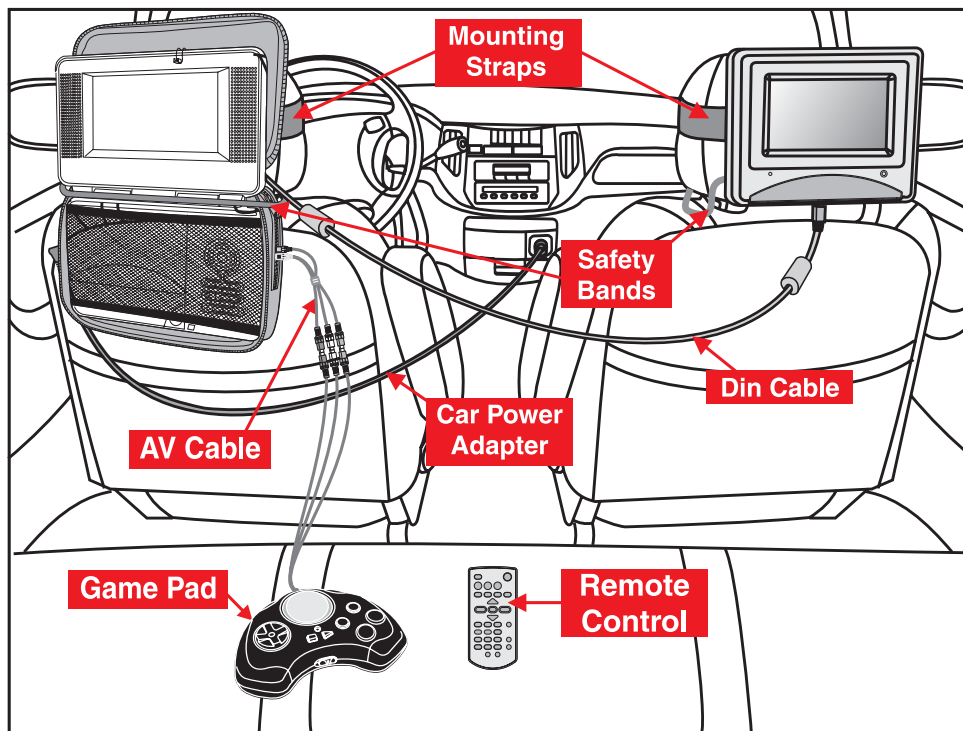
### ***Dolby Digital (for DVD)***

Dolby Digital is a sound system developed by Dolby Laboratories Inc. that gives movie theatre ambience to audio output when the unit is connected to a Dolby Digital 5.1 channel processor or amplifier. This unit automatically recognises DVDs that have been recorded with Dolby Digital. Not all Dolby Digital sources are recorded with 6 channels. Some sources marked Dolby Digital may be recorded in Dolby Surround, a 2 channel system. Look for this logo on your unit.



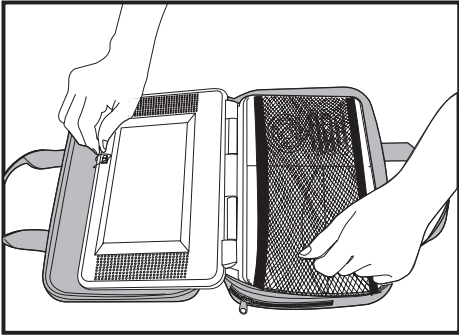
Manufactured under license from Dolby Laboratories.  
'Dolby' and the double-D  symbol are trademarks of Dolby Laboratories.

## INSTALLATION GUIDE

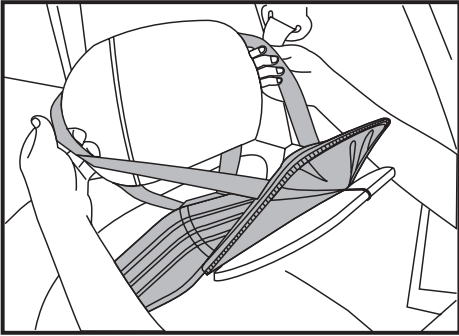


# CARRYING BAG INSTALLATION

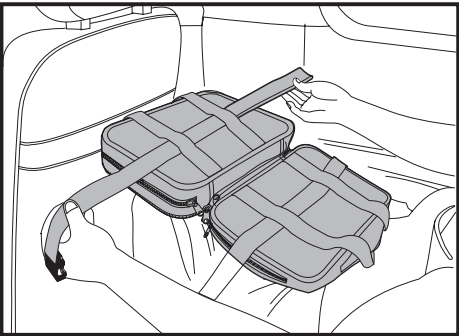
1. Insert the unit into bag as shown.



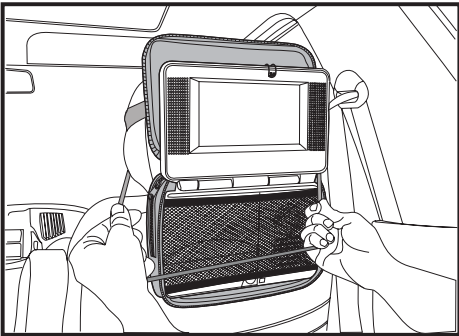
4. Take another strap and hook up the upper headrest of the driver's seat as shown.



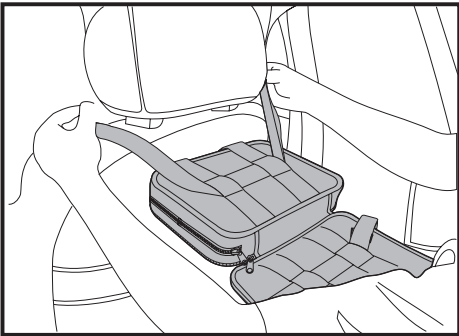
2. Insert the straps on carrying bag as shown.



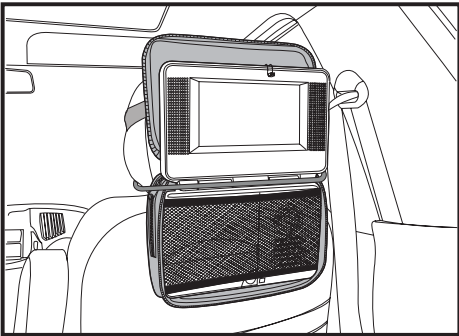
5. Take loop elastic band to around the headrest of the driver's seat and unit as shown.



3. Take straps and hook up the neck headrest of the driver's seat as shown.



6. Adjust the straps tightly so that the unit is secured.





## PLAYING A DISC

This owner's manual explains the basic instructions of this unit. Some DVD discs are produced in a manner that allows specific or limited operation during playback. As such, the unit may not respond to all operating commands. This is not a defect in the unit. Refer to the instruction notes of discs.

“” may appear on the screen during operation. A “” means that the desired operation is not permitted by the unit or disc.

### *Playing a Disc*

1. Slide the **POWER ON/OFF** switch on the left side of unit to on mode.
2. Slide the **AV IN / DVD** switch on the right side of unit to select DVD mode.

See **CUSTOMIZING THE FUNCTION SETTINGS** (page 27 to 28) before proceeding to step 3.

3. Press the **OPEN** button on the unit to open the disc door.
4. Hold the disc by its sides and carefully fit in onto the central spindle in the disc compartment, with the label side facing up; press the disc down until you hear a “click”.
5. Push the door to close.  
It takes a short while for your unit to load the disc. After loading, on some discs, the unit will automatically start playback of the disc.
6. If disc play does not start automatically, press the **▶ PLAY** button.

### *Pausing playback (still mode)*

Press the **II PAUSE** button. To resume normal playback, press the **▶ PLAY** button.

### *Stopping playback*

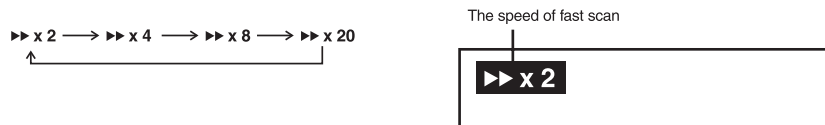
Press the **■ STOP** button to interrupt playback. To resume playback, press the **▶ PLAY** button. If you press the **■ STOP** button twice, the unit's memory will be cleared and pressing the **▶ PLAY** button will reset the disc to the beginning.

### *To skip to a different track*

- Press the **◀◀ PREV** button repeatedly to skip to the start of the current or previous track.
- Press the **▶▶ NEXT** button to skip to the next track.
- For audio CD disc, use the number buttons (remote control only) to jump straight to a particular track number.

### Fast Forward/Fast Reverse

1. Press the **SEARCH ►►** or **◄◄ SEARCH** button of the remote unit when a disc is playing.
  - The disc begins fast scan at x2 speed.
  - Four speeds are available. Each time **SEARCH ►►** or **◄◄ SEARCH** button is pressed, the speed of fast scan changes in the following sequence:



**Note :**

You also can press and hold **◄◄ / ►►** (**PREV/NEXT**) buttons on unit repeatedly to select different fast scan speeds.

2. Press the **► PLAY** button to resume playback at normal speed.

### SKIP (Forward / Reverse)

While you are playing a disc, press the **►► NEXT** button to move to the beginning of the next chapter or track. Press the **◄◄ PREV** button to move to the previous chapter or track and automatically start playing it.

### Audio selection

On some discs, the sound is recorded in two or more formats. Follow the directions below to select the type of playback.

1. While a disc is playing, press the **AUDIO** button to show the current audio format number.
2. Press the **AUDIO** button repeatedly to select the desired audio format.



**Notes :**

- If only one audio format is recorded, the number does not change.
- About two seconds later, playback continues in the new audio format.

### Subtitle selection

1. While a DVD is playing, press the **SUBTITLE / RETURN** button to display the current language setting, as shown in the example below.
2. Press the **SUBTITLE / RETURN** button repeatedly to select the desired subtitle language.



#### Notes :

- If only one language is recorded, the language does not change.
- About two seconds later, playback continues with the new subtitle you selected.
- The number of languages recorded differs depending on the disc.
- If no button is pressed within a few seconds, playback continues without changing the current subtitle.
- This function can only be used for discs on which subtitles have been recorded in multiple languages.
- On some DVDs, subtitles are activated from the main menu of the DVD. Press the **MENU** button to activate the main menu.

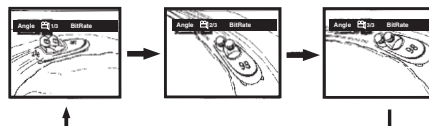
### Angle selection

Some DVDs contain scenes which have been shot from a number of different angles. For these discs, the same scene can be viewed from each of these different angles.

1. While you are playing a DVD with different angles recorded, press the **ANGLE** button to view the number of the current angle available.
2. Press the **ANGLE** button repeatedly to change the scene to the next angle in those recorded.
  - About two seconds later, playback continues from the new angle you selected.
  - If no button is pressed within 10 seconds, playback continues without changing the current angle.



#### Sequence of angle shots (Example)



#### Notes:

- This function can only be used for discs on which scenes shot from multiple angles have been recorded.
- If only one angle is recorded, " 1/1 " is displayed.

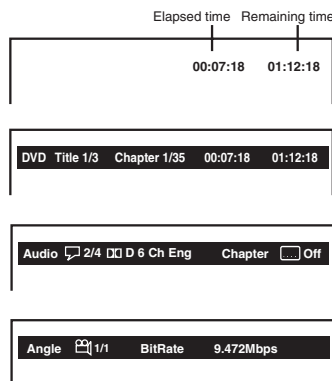
### **DISPLAY function**

Using DISPLAY, you can check and change the current settings of the following : ANGLE, AUDIO and SUBTITLE.

- While the disc is playing, press the **DISPLAY** button of the remote unit to display the screen shown below.

**Elapsed time:** Elapsed time from the beginning of the chapter which is currently playing.

**Remaining time:** Remaining time of the title which is currently playing.



### **GOTO function**

This function allows you to skip directly to any part of the disc while a disc is playing. Press ◀ or ▶ button to highlight time.



#### **Note :**

- After setting, press the **DISPLAY** button again on the remote unit to return to the normal screen.

### Locating a specific title

If a DVD disc contains title numbers, you can locate a specific title by directly selecting a title number.

1. In stop mode, press the **GOTO** button.
2. Press ◀ or ▶ button to highlight a specific field and press the corresponding number button(s) for the title you want.
3. Press the **ENTER** button to confirm. The unit will start playback about 3 seconds later.



### Locating a specific chapter / track

If you know the chapter / track number you want to play, you can locate a specific chapter / track by directly selecting a chapter / track number.

1. Press the **GOTO** button to search your desired chapter / track.
2. Press ◀ or ▶ button to highlight a chapter / track and press the corresponding number button(s) for the chapter you want.
3. Press the **ENTER** button to confirm. The unit will start playback about 3 seconds later.



### Locating a specific time

You can move to a specific location by entering its corresponding time (hours, minutes, seconds)

1. Press the **GOTO** button.
2. Press ◀ or ▶ button to highlight time.
3. Press the corresponding number buttons for the setting point you want.
4. Press the **ENTER** button to confirm. The unit will start playback about 3 seconds later.



**Notes :**

- Some discs may not respond to this process.
- Some scenes may not be located as precisely as you specified.
- This method for accessing specific locations is available only within the current title of the DVD disc.



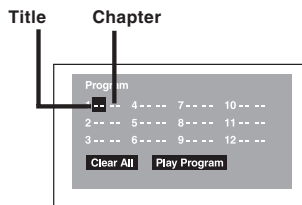
## CD / DVD PROGRAMMABLE MEMORY

### Programmable memory

The two types of programmed playback provided by this unit are title programmed playback and chapter programmed playback.

#### Title / Chapter programmed playback

1. Press the **MEMORY** button while the disc is stopped.
2. Enter the title numbers in **---**. Use **◀** or **▶** button to move the highlight to chapter and enter the chapter numbers in **---**.
3. Use **◀**, **▶**, **▲** or **▼** button to move to the other field.
4. Repeat steps 2 to 3.
5. Press the **▶ PLAY** button to start the programmed playback.

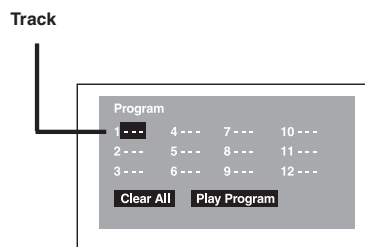


#### Notes :

- If you press the **■ STOP** button twice, the programmed selections will be cleared.

### Programmable memory Track programmed playback

1. Press the **MEMORY** button while the disc is stopped.
2. Enter the track numbers in **---**.



3. Use **◀**, **▶**, **▲** or **▼** button to select other field.
4. Repeat steps 2 to 3.
5. Press the **▶ PLAY** button to start the programmed playback.





## REPEAT PLAYBACK

You can play a specific title or chapter repeatedly.  
(Title repeat, chapter repeat, A-B repeat)

### ***Repeating a title***

You can play the same title repeatedly.

1. While the disc is playing, press the **REPEAT DISC** button until the "**Repeat Title**" indicator displays on the screen. The current title is played repeatedly.

Repeat Title

### ***Repeating a chapter***

You can play the same chapter repeatedly.

2. While the disc is playing, press the **REPEAT DISC** button until the "**Repeat Chapter**" indicator displays on the screen. The current chapter is played repeatedly.

Repeat Chapter

### ***To resume normal playback***

3. While the disc is playing, press the **REPEAT DISC** button until the "**Off**" indicator displays on the screen.

Off

You can play a single track or entire disc repeatedly.

### ***Repeating a single track***

You can play the same track repeatedly.

1. While the disc is playing, press the **REPEAT DISC** button until the "**Repeat Single**" indicator displays on the screen. The current track is played repeatedly.

Repeat Single

### ***Repeating a whole disc***

2. While the disc is playing, press the **REPEAT DISC** button until the "**Repeat All**" indicator displays on the screen. The whole disc is played repeatedly.

Repeat All

### ***To resume normal playback***

3. Press the **REPEAT DISC** button until the "**Off**" indicator displays on the screen.

Off

(continued on next page)



## REPEAT PLAYBACK

### ***Repeating a specific section***

You can play a specific section repeatedly.

1. While the disc is playing, press the **REPEAT A-B** button at the beginning of the section ((**Rep A-**) is displayed) you want to play repeatedly.



Rep A-

2. Press the **REPEAT A-B** button again at the end of the section ((**Rep A-B**) is displayed).



Rep A-B

3. The Unit will immediately begin replaying your selection.

### ***To resume normal playback***

4. While the disc is playing, press the **REPEAT A-B** button until the "**Off**" indicator displays on the screen.



Off

#### **Notes :**

- A-B repeat can only be used within the same title. If the start and end of the section to be repeated are in different titles, A-B repeat is cancelled.
- The A-B repeat function does not operate in scenes where different camera angles are recorded.

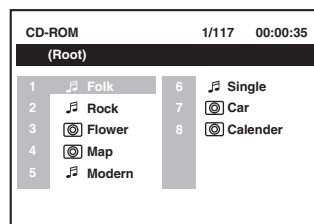
## PLAYING MP3 AND PICTURE FILE DISC

This unit can play MP3 and Picture files recorded on CD-R and CD-RW discs.

### **Playing a MP3 /Picture file disc**

1. Slide the **OPEN** switch to open the disc door.
2. Hold a MP3 files/Picture file disc by its sides and carefully fit onto the central support of compartment with the label side facing forward you until you hear a "click".
3. Push the door to close.
4. The unit will take a short while to load the disc, automatically begin playback. The MP3 files or Picture files will be playback one by one.

Press the ▲, ▼, ◀ or ▶ CURSOR button to view and select the files, you want to listen to then press **ENTER** button to confirm and this selected file will be played.



### **Notes:**

- You can press the **PAUSE** button to interrupt playback, and press the **PLAY** button to resume playback.
- You also can use **GOTO** function or use the numbered buttons to enter the number to quickly select any image.
- Press the **ANGLE** button on the remote control to rotate the picture orientation by 90°.

### **Playable files**

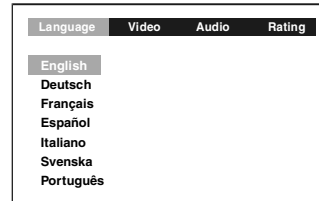
The ability of this unit to read MP3 discs is dependent on the following:

- The Bit Rate must be within 64 - 256 kbps.
- The total number of files on the disc should not exceed 254.
- The maximum number of directories should not exceed 32.
- The maximum depth level of directories should not exceed 4.
- File names should be named using 7 or fewer letters and/or numbers, and must incorporate the "MP3" file extension. EXAMPLE: \*\*\*\*\*.MP3 where each \* is a letter or number.
- Use only letters and / or numbers in file names. If you use special characters, the file and/or folder names may not be displayed correctly on the on-screen display.
- When recording on CD-R discs, use 74-minute (650MB) discs.
- The CD-R or CD-RW discs should be "finalized" in computer by "single session format".
- See your CD/MP3 creation software for details.

## CUSTOMIZING THE FUNCTION SETTINGS

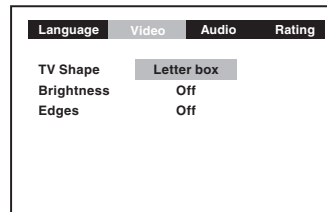
### LANGUAGE setting

1. Press the **SETUP** button in stop mode.
2. Use **▲** or **▼** button to one language, then press the **ENTER** button. The screen will change to your selected language wordings immediately.
3. To exit the **SETUP MENU** and return to the normal screen, press the **RETURN** button.



### VIDEO setting

1. Press the **SETUP** button in stop mode.
2. Use **◀** or **▶** button to select **Video**, then press the **ENTER** button.
3. Use **▲** or **▼** button to select the options (**TV Shape**, **Brightness** or **Edges**) to be adjusted by press **▲** or **▼** button, then press the **ENTER** button. (The screen will change to your desired setting).
4. Repeats step 2 and 3 above to adjust other options.
5. To exit the **FUNCTION SETUP MENU** and return to the normal screen, press the **RETURN** button.



Cut off when a wide-screen video image is played.



Pan Scan

#### Pan Scan

- When wide-screen video is played, this mode clips the right and left sides of the image so that it can be viewed on a conventional screen.
- Some wide-screen DVDs that do not permit Pan Scan mode playback are automatically played in letterbox mode (black bands top and bottom).



Letter Box

#### Letter Box

- When wide-screen video is played in this mode on a conventional screen, black bands appear at the top and bottom of the screen.



Wide-screen

#### Wide-screen

- This is the correct mode for playing wide-screen videos on a wide-screen.

#### Notes :

- The displayable picture size is preset on the DVD disc. Therefore the playback picture of some DVD discs may not conform to the picture size you select.
- When you play DVD discs recorded in the 4:3 aspect ratio, the playback picture will always appear in the 4:3 aspect ratio regardless of the TV shape setting.

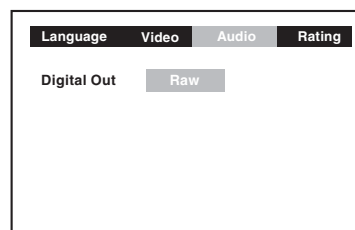
## CUSTOMIZING THE FUNCTION SETTINGS

### AUDIO setting

1. Press the **SETUP** button in stop mode.
2. Use **◀** or **▶** button to select **Audio**, press the **ENTER** button repeatedly to select Digital Out type.
3. To exit the FUNCTION SETUP MENU and return to the normal screen, press the **RETURN** button.

**Raw** : Use this setting when the unit is connected to an external Dolby Digital decoder.

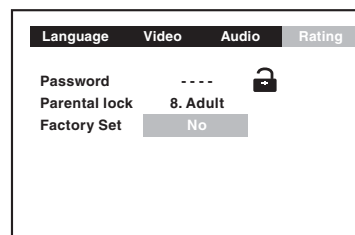
**PCM** : Use this setting when the unit is connected to an external surround decoder or stereo.



### RATING

DVD discs equipped with a password function and are rated according to their content. The contents allowed by parental lock level and the way a DVD disc is controlled may vary from disc to disc. For example, if the disc allowed, you could lock-out violent scenes unsuitable for children or you could lock out playback of the disc altogether.

1. Press the **SETUP** button in stop mode.
2. Use **◀** or **▶** button to select the **Rating**, press the **ENTER** button.
3. Use **▲** or **▼** button to select parental lock and then press the **ENTER** button repeatedly to set the parental lock level.
4. Use **▲** or **▼** button to shift and select Password, enter your 4-digit security code and then press the **ENTER** button.



If you make a mistake before pressing the **ENTER** button, enter your 4-digit security code again.

You cannot play DVD discs rated higher than the level you selected unless you cancel the parental lock function.

The parental lock levels are equivalent to the following ratings.

Level 1 : Kid Safe

Level 2 : G

Level 3 : PG

Level 4 : PG\_13

Level 5 : PG\_R

Level 6 : R

Level 7 : NC\_17

Level 8 : Adult



Indicates Parental lock is NOT active.



The Parental lock is active.

**If you forget the password, you can erase your current password by pressing number button 8 on the remote four times, then press the ENTER button to confirm the setting.**

**PASSWORD : 8 8 8 8**

#### Note:

It takes 3-5 seconds to reset the unit to the factory default.

## LANGUAGE CODE LIST FOR DISC LANGUAGE

Code	Language Name	Code	Language Name	Code	Language Name	Code	Language Name
AA	Afar	FY	Frisian	MG	Malagasy	SL	Slovenian
AB	Abkhazian	GA	Irish	MI	Maori	SM	Samoan
AF	Afrikaans	GB	Scots Gaelic	MK	Macedonian	SN	Shona
AM	Ameharic	GL	Galician	ML	Malayalam	SO	Somali
AR	Arabic	GN	Guarani	MN	Mongolian	SQ	Albanian
AS	Assamese	GU	Gujarati	MO	Moldavian	SR	Serbian
AY	Aymara	HA	Hausa	MR	Marathi	SS	Siswat
AZ	Azerbaijani	HI	Hindi	MS	Malay	ST	Sesotho
BA	Bashkir	HR	Croatian	MT	Maltese	SU	Sundanese
BE	Byelorussian	HU	Hungarian	MY	Burmese	SV	Swedish
BG	Bulgarian	HY	Armenian	NA	Nauru	SW	Swahili
BH	Bihari	IA	Interlingua	NE	Nepali	TA	Tamil
BI	Bislama	IE	Interlingue	NL	Dutch	TE	Telugu
BN	Bengali	IK	Inupiak	NO	Norwegian	TG	Tajik
	Bangla	IN	Indonesian	OC	Occitan	TH	Thai
BO	Tibetan	IS	Icelandic	OM	(Afan) Oromo	TI	Tigrinya
BR	Breton	IT	Italian	OR	Oriya	TK	Turkmen
CA	Catalan	IW	Hebrew	PA	Panjabi	TL	Tagalog
CO	Corsican	JA	Japanese	PL	Polish	TN	Setswana
CS	Czech	JI	Yiddish	PS	Pashto, Pushto	TO	Tonga
CY	Welsh	JW	Javanese	PT	Portuguese	TR	Turish
DA	Danish	KA	Georgian	QU	Quechua	TS	Tsonga
DE	German	KK	Kazakh	RM	Rhaeto- Romance	TT	Tatar
DZ	Bhutani	KL	Greenlandic	RN	Kirundi	TW	Twi
EL	Greek	KM	Cambodian	RO	Romanian	UK	Ukrainian
EN	English	KN	Kannada	RU	Russian	UR	Urdu
EO	Esperanto	KO	Korean	RU	Russian	UZ	Uzbek
ES	Spanish	KS	Kashmiri	RW	Kinyarwanda	VI	Vietnamese
ET	Estonian	KU	Kurdish	SA	Sanskrit	VO	Volapük
EU	Basque	KY	Kirghiz	SD	Sindhi	WO	Wolof
FA	Persian	LA	Latin	SG	Sangho	XH	Xhosa
FI	Finnish	LN	Lingala	SH	Serbo- Croatian	YO	Yoruba
FJ	Fiji	LO	Laothian	SI	Singhalese	ZH	Chinese
FO	Faroese	LT	Lithuanian	SK	Slovak	ZU	Zulu
FR	French	LV	Latvian, Lettish				

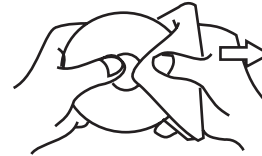
## MAINTENANCE

### ***Cleaning Disc***

A defective or soiled disc inserted into the unit can cause sound to drop out during playback.

Handle the disc by holding its inner and outer edges.

- Do NOT touch the surface of the unlabeled side of the disc.
- Do NOT stick paper or tape on the surface.
- Do NOT expose the disc to direct sunlight or excessive heat.
- Clean the disc before playback. Wipe the disc from the center outward with a cleaning cloth.
- NEVER use solvents such as benzine or alcohol to clean the disc.
- Do NOT use irregular shaped discs (example : heart shaped, octagonal, etc.). They may cause malfunctions.



### ***Cleaning the unit***

- Be sure to turn the unit off and disconnect the AC power cord before maintaining the unit.
- Wipe the unit with a dry soft cloth.


If the surfaces are extremely dirty, wipe clean with a cloth which has been dipped in a weak soap-and-water solution and wrung out thoroughly, then wipe with a dry cloth.

- Never use alcohol, benzine, thinner, cleaning fluid or other chemicals. Do NOT use compressed air to remove dust.

### ***Important Note***

Before transporting the unit, remove disc from the disc compartment.

## TROUBLE SHOOTING GUIDE

<b>SYMPTOM</b>	<b>CAUSE (AND REMEDY)</b>
No power.	<ul style="list-style-type: none"> <li>• Check that the AC adaptor and AC power cord is connected.</li> <li>• Turn on the unit.</li> </ul>
The remote does not function.	<ul style="list-style-type: none"> <li>• Remove any obstacles between the remote and the unit.</li> <li>• Use the remote near the unit.</li> <li>• Point the remote at the remote sensor on the unit.</li> <li>• Replace the battery in the remote.</li> </ul>
<b>DVD</b> No sound or only a very low-level sound is heard.	<ul style="list-style-type: none"> <li>• Make sure that you've select DVD mode.</li> <li>• The system is in pause mode or in Slow-motion Play mode. Press the ► <b>PLAY</b> button to return to normal play mode.</li> <li>• Fast forward or fast reverse is performed. Press the ► <b>PLAY</b> button to return to normal play mode.</li> <li>• Make sure that AUDIO output and AV IN input connections are correct.</li> <li>• The DTS DVD disc cannot be decoded for speaker output.</li> <li>• This unit is too hot, shut off the unit for 30 minutes to cool down.</li> </ul>
No picture	<ul style="list-style-type: none"> <li>• The region number of the disc does not match the region number of the unit.</li> </ul> <div style="text-align: center;">  </div> <ul style="list-style-type: none"> <li>• DVD mode is not selected, select DVD on AV IN/DVD switch.</li> </ul>
The picture is not clear	<ul style="list-style-type: none"> <li>• Clean the disc.</li> <li>• The disc is scratched.</li> </ul>
Severe hum or noise is heard.	<ul style="list-style-type: none"> <li>• The plugs and jacks are dirty. Wipe them with a cloth slightly moistened with alcohol.</li> <li>• Clean the disc.</li> </ul>
The disc does not play.	<ul style="list-style-type: none"> <li>• There is no disc inside ("No Disc" appears on the screen).</li> <li>• Insert the disc correctly with the playback side facing down on the disc tray.</li> <li>• Clean the disc.</li> <li>• A non-NTSC or PAL disc has been inserted. The Unit and disc region numbers are incompatible. Press the <b>TV MODE</b> button on the remote to output the video signal.</li> <li>• Condensation may have formed inside the unit due to a sudden change in temperature. Wait about an hour for it to clear and try again.</li> </ul>

**Need More  
Help?**

**DO NOT RETURN THIS TO THE STORE**  
**Please call Customer Service at 1-800-252-6123 (ET)**  
**or visit online help at <http://www.18002526123.com>**

Printed in China  
811-197791-081