

IMPORTANT SAFETY INSTRUCTIONS

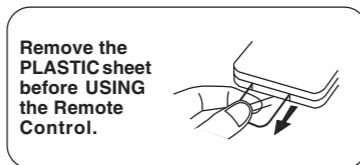
- Read Instructions** - All the safety and operating instructions should be read before you use the unit.
- Keep the Instructions** - The safety and operating instructions should be kept for future reference.
- Pay Attention to Warnings** - All warnings on the unit and in this user's manual should be followed.
- Follow Instructions** - All operating and use instructions should be followed.
- Water and Moisture** - This unit should not be used near water or liquids- for example, near a bathtub, sink, wet basement, swimming pool, lake or ocean, beach, or similar places where there is a chance that the unit may come into contact with water or liquid.
- Carts and Stands** - This unit should only be used with a cart or stand that is recommended by the manufacturer. If this unit is placed on a cart, it should be moved with care. Quick stops, excessive force, and uneven surfaces may cause the cart to overturn.
- Wall or Ceiling Mounting** - This unit is not designed to be mounted to a wall or ceiling.
- Ventilation** - This unit should be situated so that its location or position does not interfere with its proper ventilation. For example, the unit should not be used on a bed, sofa, rug, or similar soft surface which may block the ventilation openings. The unit should also not be built-in to a book case or cabinet, as that may impede the flow of air through the ventilation openings.
- Heat** - This unit should be situated away from heat sources such as radiators, heat registers, stoves, or other items (including amplifiers) that produce heat.
- Power Sources** - The appliance should be connected to a power supply only of the type described in these instructions or as marked on the unit.
- Grounding or Polarization** - Do not try to defeat the grounding or polarization safeguards built into the unit.
- Powercord Protection** - Power cords should be routed so that they are not likely to be walked on or pinched by items placed on or against them. Pay particular attention to cords at plugs, power outlets, and the point where the cord exits the unit.
- Cleaning** - This unit should be cleaned only as recommended by the manufacturer.
- Nonuse Periods** - The power cord should be unplugged from the wall outlet when the unit will not be used for a long period of time.
- Drops and Spills** - Care should be taken so that objects do not fall on this unit, and liquids are not spilled on or in the unit through openings in its enclosure.
- Damage Requiring Service** - This unit should be serviced by qualified personnel when:
 - The power cord or plug has been damaged; or
 - Objects have fallen on, or liquid has been spilled into the unit; or
 - The unit has been exposed to rain; or
 - The unit does not appear to operate normally or there is a noticeable change in its performance; or
 - The unit has been dropped, and/or the enclosure damaged.
- Servicing** - You should not attempt to service this unit beyond what is described in these instructions. All other servicing should be referred to qualified personnel.

ACCESSORIES

Please LOCATE the INCLUDED accessories.
 • To order replacement, call customer service at 1-888-2526-123 or visit <http://www.1800customersupport.com>.

- Remote control with battery x 1
- AC adapter x 1
- Car power adapter x 1
- Rechargeable battery x 1
- Audio/Video cable x 1

REMOTE CONTROL



TO CHANGE THE REMOTE CONTROL BATTERY

- Open the battery door.
- Insert one CR2025 (3V) size battery.

Using the Remote Control

- Point the remote control at the REMOTE SENSOR located on the unit.
- When using this unit in very bright light, the infrared REMOTE CONTROL SENSOR may not work properly.
- The recommended effective distance for using the remote control is about 16 feet (5 meters).

BATTERY REPLACEMENT

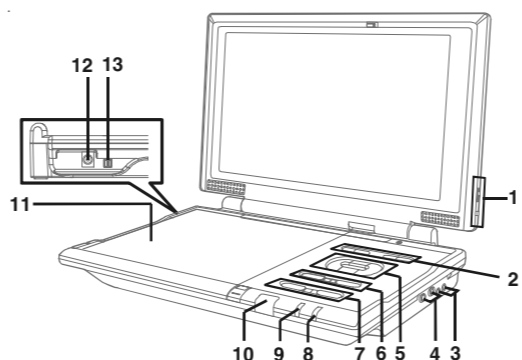
When the battery becomes weak, the operating distance of the remote control will be greatly reduced and you will need to replace the battery.

Note: If the remote control is not going to be used for a long time, remove the battery.

WARNING:
Do not dispose of the battery in a fire or it may leave and/or explode.

CAUTION:
Danger of explosion if battery is incorrectly replaced. Replace only with the same or equivalent type.

Unit



- BRIGHTNESS switch**
Adjusts the lightness or darkness of the screen color.
- VOLUME + / - controls**
Adjusts the volume up(+) and down (-).
- VIDEO OUT jack**
Adjust the VOLUME to MAX when connecting the unit to another device.
- Headphone jacks**
- Cursor (V, ▲, ◀, ▶) buttons**
Use to move between selections on a menu screen and adjust certain settings.
- ENTER button**
Confirm selections on a menu screen.
- PREV button**
Press ◀◀ PREV to go back to the previous chapters /tracks. Press and hold ◀◀ PREV button to begin fast scan. Four speeds are available.
- NEXT button**
Press ▶▶ NEXT button to advance chapters / tracks. Press and hold ▶▶ NEXT button to begin fast scan. Four speeds are available.
- STOP button**
Stop playing a disc.
- PLAY button**
Press to start or resume playing a disc.
- BATTERY LOW Indicator**
- POWER ON indicator**
When the POWER ON / OFF switch is in the ON position, the light will illuminate.
- Remote sensor**
Receives the remote control signal.
- Disc Door**
Lift the door to open the DVD door. Close door by gently pushing down.
- DC IN 9V-12V / Car Plug 12V jack**
Connect the car plug or AC adapter.
- POWER ON/OFF switch**

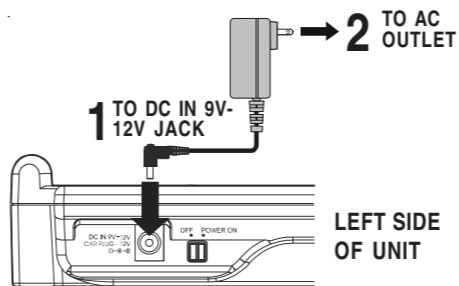
POWER SUPPLY

A. Using the AC adapter

This AC adapter operates on AC 100V - 120V.

Cautions:

- The included AC adapter are for use with this unit only. Do not use them with other equipment.
- When the unit is not going to be used for long time, disconnect the AC adapter from the outlet.
- Whenever the AC adapter is plugged in to a power outlet, electricity is running through the unit, even when the power switch is turned off.

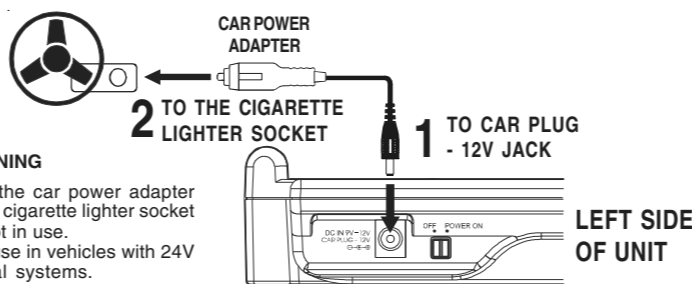


B. Using the Car power adapter

The included car power adapter is designed for use with vehicles that have a 12V, negative ground electrical system.

WARNING

- Unplug the car power adapter from the cigarette lighter socket when not in use.
- Do not use in vehicles with 24V electrical systems.

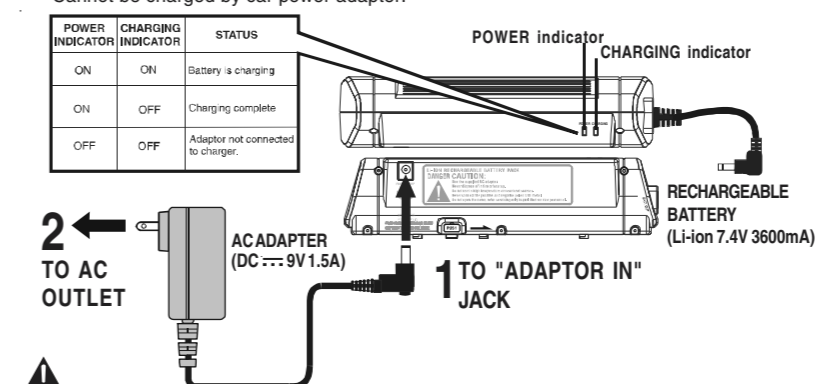


Cautions:

- Use only the included 12V car power adapter. Use of any other 12V car power adapters could damage the unit.
- The 12V car power adapter included is for use with this unit only. Do not use it with any other equipment.
- In the interest of traffic safety, drivers should not operate the unit or view videos while driving.
- When the inside of the cigarette lighter socket is dirty with ashes or dust, the plug section may become hot due to poor contact. Be sure to clean the cigarette lighter socket before use.
- After use, disconnect the car power adapter from both the unit and cigarette lighter socket.
- If the unit is not properly attached to a vehicle, it may become airborne in the event of an accident and cause damage, injury, or death.
- Check your local traffic laws for rules governing the use of video devices in vehicles before using this unit in your vehicle.

C. Using the rechargeable battery

- Charge the rechargeable battery before using it for the first time. The normal charging time should be completed at least 4-5 hours. The green charging light will go out when the battery becomes fully charged.
- The rechargeable battery is suitable when adapting the unit for portable use and when it is convenient for you to enjoy the unique functions of the unit out of doors.
- Cannot be charged by car power adapter.

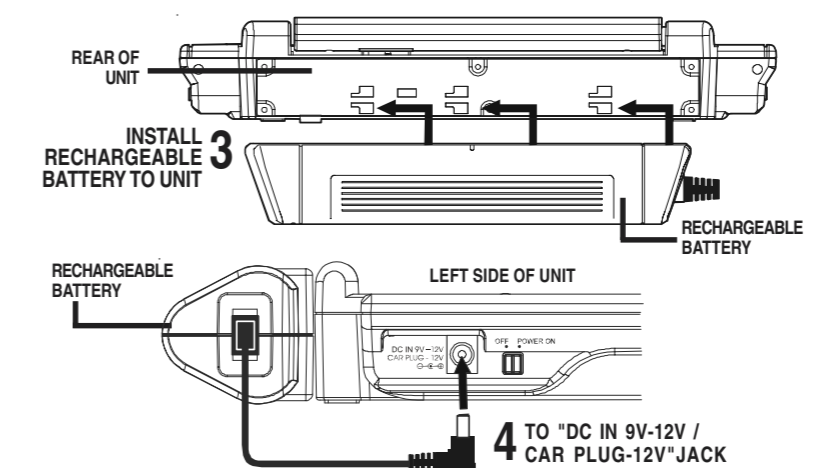


Warnings:

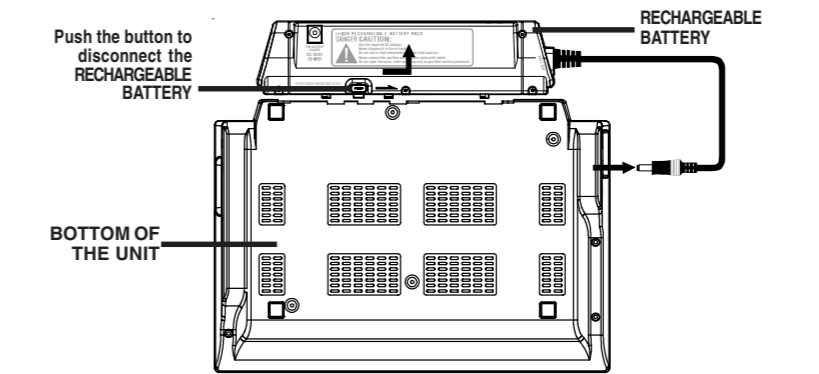
- The rechargeable battery cannot be recharged either by using the 12V car-plug or when the unit is ON.
- The included AC adapter are for use with this unit only. Do not use them with other equipment.
- When the unit is not going to be used for a long time, disconnect the AC Adapter from the AC outlet.
- Whenever the AC adapter is plugged in to a power outlet, electricity is running through the unit, even when the power switch is turned off.
- Do not short-circuit the terminals on the battery.

- Recharging is complete when charging indicator goes out. Unplug the AC adapter, then unplug the rechargeable battery.

- To install rechargeable battery, slide it in to the corresponding direction on the back of the unit.



Disconnecting the Rechargeable Battery from the unit.



Condition and attention:

- When battery is low, unit will stop operating.
- During playback, if the battery is low, the BATTERY LOW indicator on the front will turn red and blink. When this occurs, you should recharge the battery.
- Do not short-circuit the terminals.
- Recharge the battery when you are ready to use it again.
- While using the rechargeable battery, the environmental temperature should be 5°C (41°F) to 35°C (95°F).
- To get the longest service life of the rechargeable battery, charge at indoor-temperature.
- Never dispose the battery in fire or water. Never heat up the rechargeable battery.
- Do not open the rechargeable battery, refer servicing only to qualified service personnel.
- Detach the rechargeable battery when not in use. (Even if the unit is off, it still uses some power. This can completely discharge the battery and cause it to malfunction.)

DISC FORMATS

The unit can playback



Region Management Information

Region Management Information: This unit is designed and manufactured to respond to the Region Management Information that is encoded on DVDs. If the Region number printed on the DVD does not correspond to the Region number of this unit, it cannot play that disc.

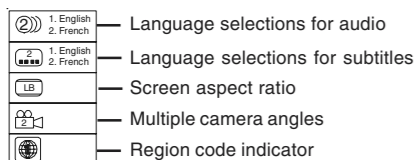
The region number of this unit is 1.

Disc Function or Operation that is Not Available

When the symbol appears on the screen, it indicates that the function or operation you have selected is not available at that time. This occurs because the DVD manufacturer sets the specific functions of DVDs. Certain functions may not be available on some DVDs. For more information, refer to the documentation provided with the DVD.

Icons Used on DVDs

Sample icons

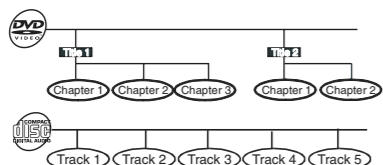


Note

- When playing back a CD-G (karaoke) or CD EXTRA disc, the audio portion will be played, but the graphic images will not be shown.

Title, Chapter and Tracks

- DVDs are divided into titles and chapters. If the DVD has more than one movie on it, each movie is a separate title. Titles are divided into smaller sections called chapters.
- Audio CDs are divided into tracks. Each song is usually one track.



Note

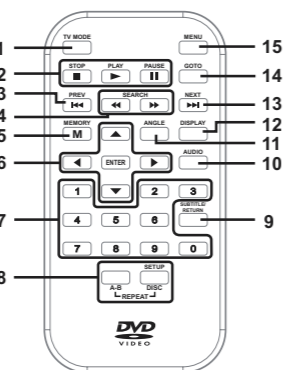
- Numbers identify each title, chapter, and track on a disc. Most discs have these numbers recorded on them, but some do not.

Notes on Unauthorized Discs

- You may not be able to play some DVDs on this unit, particularly if they were purchased from outside your geographic area (refer to Region Management Information above), or made for business purposes.

REMOTE CONTROL REFERENCE GUIDE

Remote Control



- TV MODE button**
When the STOP button has been pressed, this feature allows you to select TV shape format. Pan Scan, Letter Box or Wide-screen will be toggled by pressing this button once.
- STOP button**
Stop playing a disc.
▶ **PLAY button**
Start or resume playback a disc.
|| **PAUSE button**
Press once to pause playback. Press subsequently to advance the DVD one frame at a time.
- PREV button**
Move back through titles, chapters or tracks on a disc.
- SEARCH buttons**
◀◀ **SEARCH:** Fast reverse playback.
▶▶ **SEARCH:** Fast forward playback.
- MEMORY button**
When the STOP button has been pressed, this feature is used to enter the number of a chapter or track which you wish to save in memory.
- Cursor (V, ▲, ◀, ▶) buttons**
Use to move between selections on a menu screen and adjust certain settings.
- ENTER button**
Confirm selections on a menu screen.
- Number (0 - 9) buttons**
Use when creating programs and entering a password. Also use to select a CD track directly.
- SETUP button**
When a DVD is stopped, brings up the unit's SETUP menu.
REPEAT A-B button
Perform point-to-point repeat playback on a DVD or CD.
REPEAT DISC button
Repeat a DVD chapter or title.
Repeat a CD track of the entire disc.
- SUBTITLE button**
Select one of the subtitle languages programmed on a DVD (if available).
- RETURN button**
Return to the normal operation after using the SETUP menu of a DVD.
- AUDIO button**
Select one of the audio sound tracks on a DVD (if more than one is available) or select the audio output mode on a CD.
- ANGLE button**
Switches between multiple camera angles when the DVD you are playing has been programmed with multiple camera angles.
- DISPLAY button**
Show status information on the screen.
- NEXT button**
Move forward through titles, chapters or tracks on a disc.
- GOTO button**
Skip directly to a location on a DVD.
- MENU button**
Enter and exit the main DVD menu.

Turning on the unit

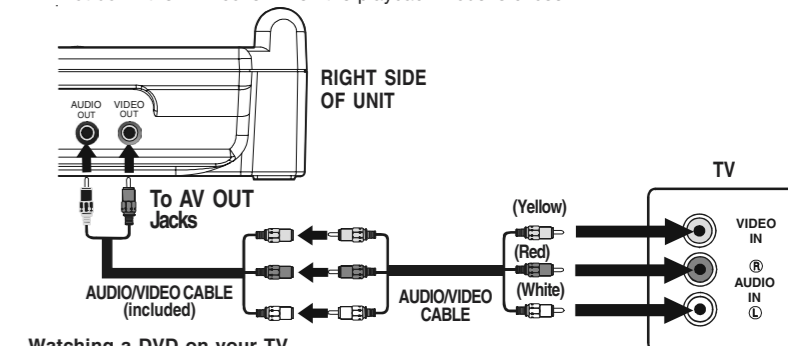
- Slide the **POWER ON/OFF** switch on the left side of unit to the **POWER ON** position.
- The DVD logo (start-up picture) will appear on the screen.



CONNECTIONS

A. Connecting the unit to a TV

- If your TV has Audio/Video inputs, you can connect the unit to your TV using the included Audio/Video cable.
- You must adjust the **VOLUME** to **MAXIMUM** when you connect this unit to other equipment.
- Put down the TFT cover when the playback mode is chosen.



Watching a DVD on your TV

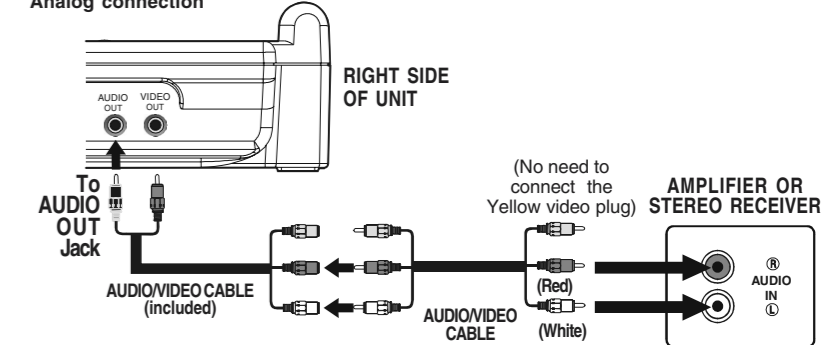
- Turn on the unit.
- Turn on the TV and follow the instructions provided with it to play the DVD.

Note: Please use the correct Audio/Video cable.

B. Connecting to an amplifier or stereo receiver

This unit can play Dolby Digital, but only in two channels.

Analog connection



Listening to another audio equipment

- Turn on the Unit.
- Turn on your audio equipment and follow the instructions included with it to select the **AUDIO IN** function.

Notes:

- You may experience interference if the radio tuner function is selected while the television is working.
- Make sure to use the correct Audio/Video cable, connecting the plugs incorrectly may cause a weak signal.
- If you have a stereo VCR, make sure you set it to stereo mode.
- Due to copyright protection, DVD movies cannot be copied. If you copy a DVD movie onto a videotape, the resulting copy will be unclear, with poor sound quality. This is NOT caused by a defective DVD system.

CONNECTING OTHER EQUIPMENT

Using Headphones/Earphones

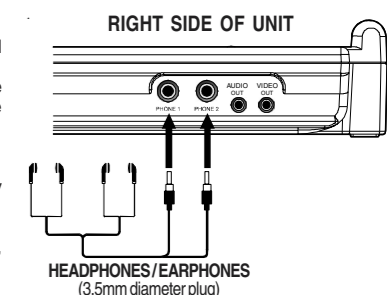
- Turn down the volume before connecting, and then adjust the volume level.
- When either headphones/earphones are connected, no sound will be output from the unit's speakers.

Caution:

- Avoid listening to sound at levels which may be harmful to your ears.

Note:

- When headphones are connected to the unit, the speakers are automatically disabled.



SOUND SYSTEM

Dolby Digital

Dolby Digital is a technology developed by Dolby Laboratories. Soundtracks encoded in Dolby Digital can reproduce from one to 5.1 discrete channels of excellent quality audio. The unit automatically recognizes the Dolby Digital bitstream and provides a downmix suitable for two-channel listening. An additional Dolby Digital decoder is required for reproduction of the discrete multi-channel soundtracks available on many DVDs.



Manufactured under license from Dolby Laboratories.
 'Dolby' and the double-D symbol are trademarks of Dolby Laboratories.

