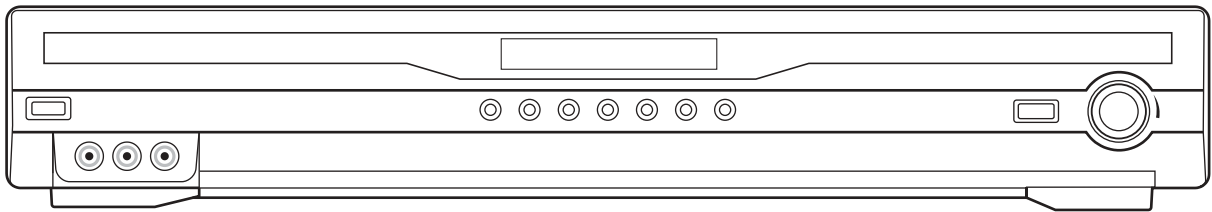


HOME THEATER SYSTEM

INSTRUCTION MANUAL



Please read the instruction manual carefully before using your unit.

GENERAL

GENERAL

Introduction
Supplied Accessories
Maintenance
Placement

SAFETY INSTRUCTIONS.....1

FUNCTION CONTROL

Front Panel.....2
Rear Panel.....2
Remote Control.....3

SETUP

Power Connection.....4
Connecting The Speakers & Subwoofer.....4
Mounting The Rear Surround Speakers.....4
Positioning The Speakers & Subwoofer.....5
Setting the Listening Channels.....5
Connecting The Radio Antenna.....6
Video & Audio Input/Output Setting.....6

OPERATION

Sound Adjustment.....8
Radio Operation.....9

TROUBLE SHOOTING GUIDE.....10

Introduction

Thank you for purchasing this production. For best performance, please read this manual carefully. It will guide you in operating your product.

Manufactured under license from Dolby Laboratories. 'Dolby', 'Pro Logic' and the double -D symbol are trademarks of Dolby Laboratories.

Supplied Accessories

Remote control unit.....X1
Home Theater Speaker & Cable.....X6
Main unit.....X1
AM LOOP antenna.....X1
FM antenna.....X1
Manual guide book.....X1
Audio/Video cable.....X1

Maintenance

1. Do not use volatile chemicals on this unit. Clean by lightly wiping with a soft cloth.
2. Keep the unit away from domestic heating equipment and direct sunlight.

Placement

1. Do not use the unit in places which are extremely hot, cold, dusty, or humid.
2. Place the unit on a flat and even surface.
3. In a cabinet, allow about 2.5cm (1 inch) of free space all around the unit for adequate ventilation.
4. Do not restrict the air flow of the unit by placing it in a place with poor air flow, by covering it with a cloth, or by placing it on carpeting.

WARNING: Do not place the unit on bedding or other surfaces that prevents air flow through the unit.

IMPORTANT SAFETY INSTRUCTIONS



WARNING: TO REDUCE THE RISK OF ELECTRIC SHOCK, DO NOT REMOVE COVER (OR BACK). NO USER-SERVICEABLE PARTS INSIDE. REFER SERVICING TO QUALIFIED SERVICE PERSONNEL.



The lightning flash with an arrowhead symbol, within the equilateral triangle, is intended to alert the user to the presence of uninsulated "dangerous voltage" within the product's enclosure that may be of sufficient magnitude to cause an electric shock.



The exclamation point within the equilateral triangle is intended to alert the user to the presence of important operating and maintenance (servicing) instructions in this owner manual.



The symbol for Class II (Double Insulation)

WARNING: TO PREVENT FIRE OR SHOCK HAZARD, DO NOT EXPOSE THIS APPLIANCE TO RAIN OR MOISTURE.

CAUTION: TO PREVENT ELECTRIC SHOCK, MATCH WIDE BLADE OF PLUG TO WIDE SLOT, FULLY INSERT. (FOR USA AND CANADA ONLY)

FCC Information

This device complies with Part 15 of FCC Rules.

Operation is subject to the following two conditions:

- (1) This device may not cause harmful interference, and
- (2) This device must accept any interference received, including interference that may cause undesirable operation.

On AC Voltage

- Before use, check that the rated voltage of your unit matches your local voltage.

On Safety

- When connecting or disconnecting the AC cord, grip the plug and not the cord itself. Pulling the cord may damage it and create a hazard.
- When you are not going to use the unit for a long period of time, disconnect the AC power cord.

On Condensation

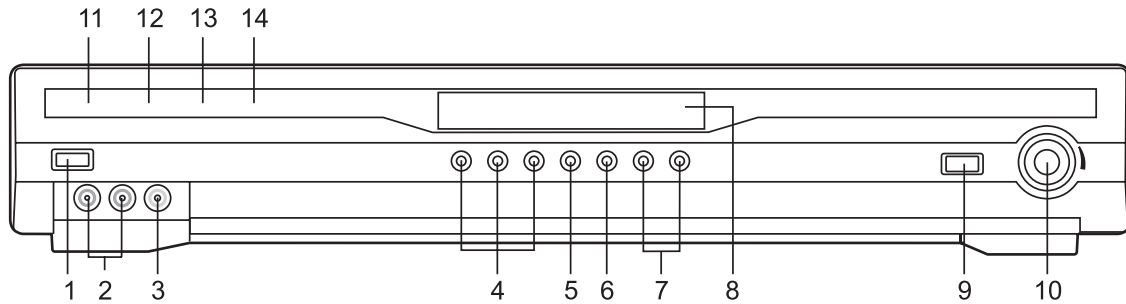
- When left in a heated room where it is warm and damp, water droplets or condensation may form inside the unit. When there is condensation inside the unit, the unit may not function normally. Let the unit stand for 1 to 2 hours before turning the power on, or gradually heat the room up and dry the unit before use.

WARNING:

- Should any trouble occur, disconnect the AC power cord and refer servicing to a qualified technician.
- Do not place anything directly on the top of the unit or it may cause damage to the unit.

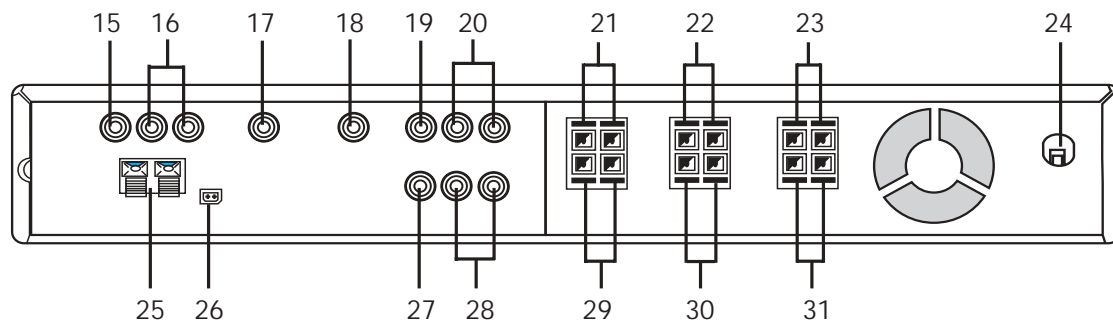
FUNCTION CONTROL

Front Panel



1. **POWER BUTTON**
Turn the power on or off.
2. **AV3 AUDIO IN (L&R) JACKS**
Connect to audio outputs.
3. **AV3 VIDEO IN JACK**
Connect to video outputs.
4. **AV1/2/3 BUTTONS**
Press AV1 or AV2 to enter auto-detected/auto-switching mode, press again to switch to "forced analog mode". Press AV3 button to select the AV3 input.
5. **TUNER / BAND BUTTON**
Select the radio mode and press again to select between FM and AM band.
6. **PRESET BUTTON**
Select the memorized station.
7. **TUNING -/+ BUTTONS**
Search a radio station.
8. **DISPLAY WINDOW**
Show the status of the unit.
9. **REMOTE SENSOR**
Accept the remote control signals.
10. **VOLUME KNOB**
Adjust the volume.
11. **STANDBY INDICATOR**
When the unit is turned off by the remote control into standby mode, the light will illuminate.
12. **3 STEREO INDICATOR**
The light illuminates when 3 STEREO sound is selected in AV IN mode.
13. **PRO LOGIC INDICATOR**
The light illuminates when Dolby Pro Logic is active in AV IN mode.
14. **DIGITAL INDICATOR**
The light illuminates when Dolby Digital signal is input in AV IN mode.

Rear Panel

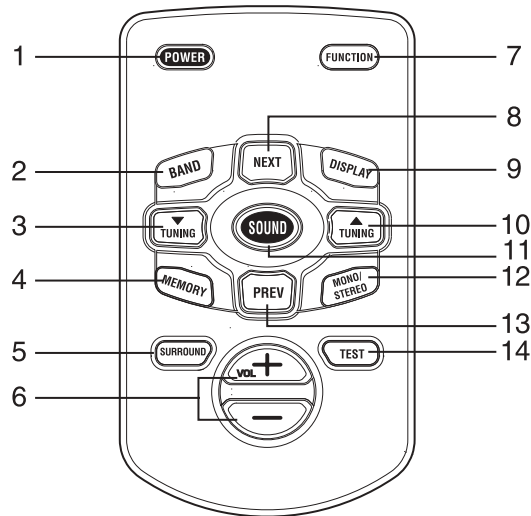


15. AV2 VIDEO IN Jack
16. AV2 AUDIO IN (L & R) Jacks
17. AV2 DIGITAL AUDIO IN Jack
18. AV1 DIGITAL AUDIO IN Jack
19. AV1 VIDEO IN Jack
20. AV1 AUDIO IN (L & R) Jacks
21. Right Front Speaker terminals
22. Center Speaker terminals
23. Left Front Speaker terminals
24. Power Cord
25. FM ANTENNA terminals
26. AM LOOP ANTENNA jack
27. TV VIDEO OUT jack
28. TV AUDIO OUT (L & R) jacks
29. Right Rear Speaker terminals
30. Subwoofer terminals
31. Left Rear Speaker terminals

FUNCTION CONTROL

(Continued)

Remote Control



- 1. POWER BUTTON**
Turn the unit on from standby mode or put it in standby mode.
- 2. BAND BUTTON**
Select the radio band between FM and AM.
- 3. TUNING ▼ BUTTON**
Search a radio station.
- 4. MEMORY BUTTON**
Memorize a radio station.
- 5. SURROUND BUTTON**
Change the output channels or the output sound mode in AV IN mode.
- 6. VOL +/- BUTTON**
Increase or decrease the volume.
- 7. FUNCTION BUTTON**
Select the tuner mode and AV inputs. Every time the button is pressed, the mode will change cyclically as: AV1->AV2->AV3->Tuner.
- 8. NEXT BUTTON**
Select the presetted stations or increase the sound balance and tone level.
- 9. DISPLAY BUTTON**
Show the current sound channel or status.
- 10. TUNING ▲ BUTTON**
Search a radio station.
- 11. SOUND BUTTON**
Select sound balance and tone control for adjustment with the NEXT/PREV buttons.
- 12. MONO/STEREO BUTTON**
Press to select FM STEREO or FM MONO sound.
- 13. PREV BUTTON**
Select to the presetted stations or decrease the sound balance and tone level.
- 14. TEST BUTTON**
Test the volume of each speaker.

Using The Remote Control Correctly

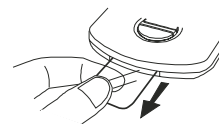
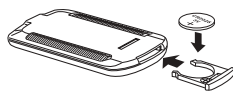
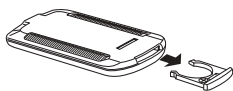
- Point the remote control at the remote sensor located on the unit.
- When there is a strong ambient light source, the performance of the infrared remote sensor may be degraded, causing unreliable operation.
- The recommended effective distance for remote operation is about 4 meters (13 feet).

Battery Replacement

When battery becomes weak, the operating distance of the remote control is greatly reduced and you will need to replace the battery.

1. Open the battery door.
2. Insert one CR2025 (3V) size battery.

Attention: Take out the PVC sheet before operating the remote control.



Note:

If the remote control is not to be used for a long time, remove the battery to avoid damage caused by battery leakage corrosion.

SETUP

Power Connection

CAUTION:

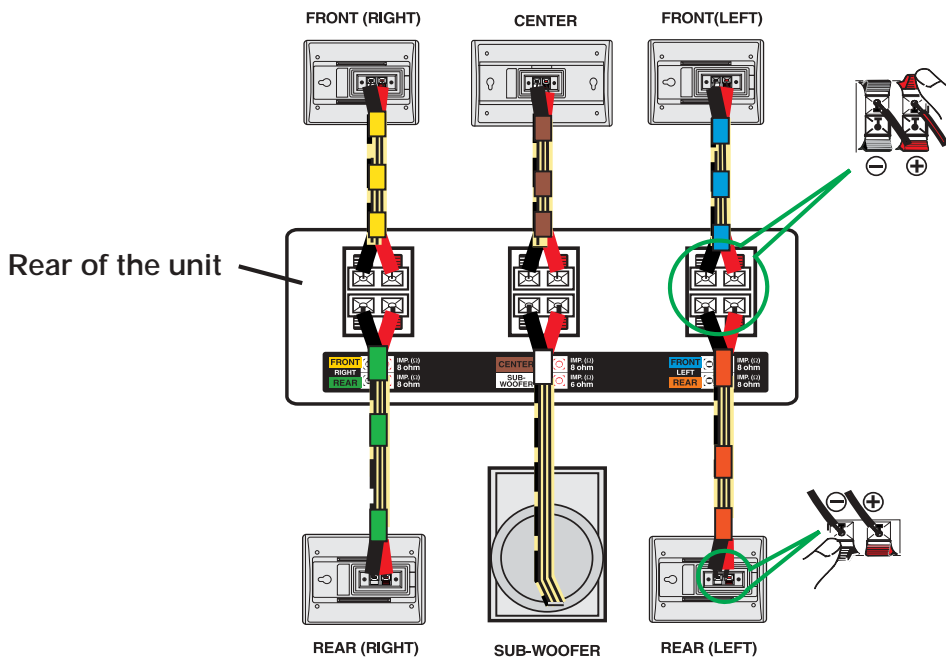
- Before making connection, check that the rated voltage of your unit matches your local voltage.
- When connecting or disconnecting the AC cord, grip the plug and not the cord itself. Pulling the cord may be dangerous and cause damage.
- When you are not going to use the unit for a long period of time, disconnect the power cord.

Connecting The Speakers & Subwoofer

1. The speaker cords have been color-coded to simplify connection. Just plug the POSITIVE (+) and NEGATIVE (-) ends of each speaker wire into the corresponding jacks on the rear of the main unit, matching the color tube on the end of the speaker wire to the color-coded connector.
2. Connect each of the speaker wires to the satellite speakers. The front left/right and rear left/right speakers are all the same. However, make sure you connect to the center speaker (color) to the one speaker which is slightly longer than the rest.
3. Do not connect the other speakers to the subwoofer internal, it may damage the speakers.

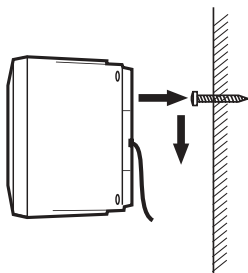
CAUTION:

To prevent damage to the unit, be sure to turn off the unit before making any connection.



Mounting The Rear Surround Speakers

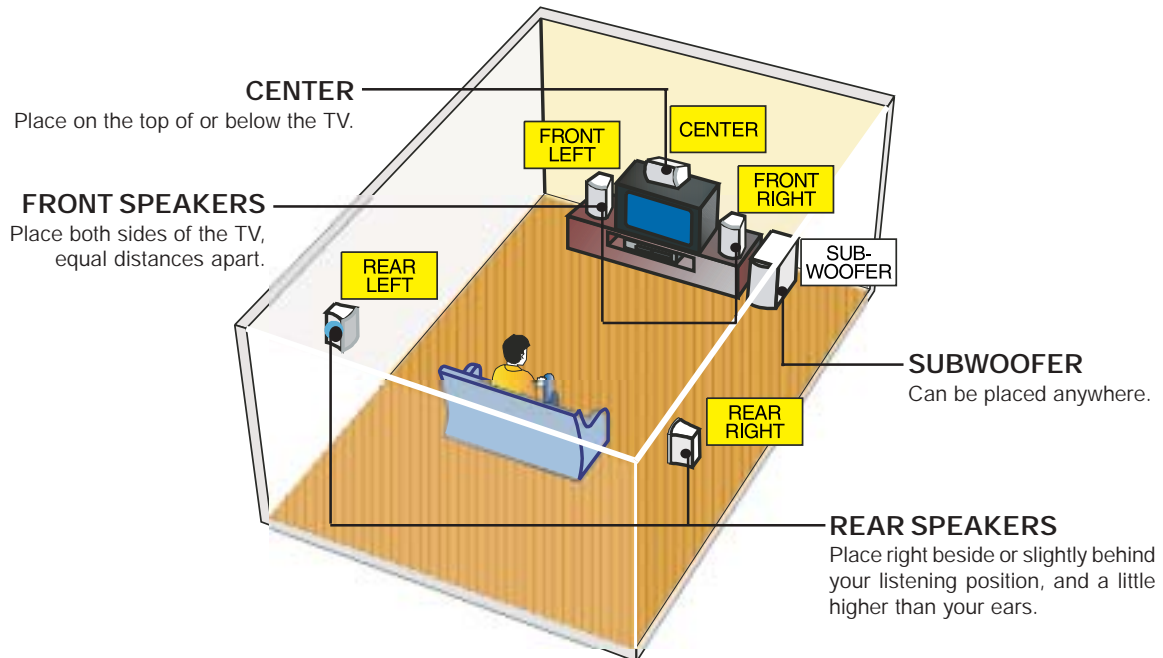
1. Mark the correct mounting position on the wall.
2. Insert a fixing screw(s) at the marked position on the wall.
3. Align the slot hole(s) of the speaker over the screw and pull the speaker downward until it is firmly hooked.



Need More Help?

DO NOT RETURN THIS TO THE STORE
Please call Customer Service at 1-800-252-6123
or visit online help at <http://www.18002526123.com>

Positioning The Speakers & Subwoofer



Setting the input mode and listening channels

AV1: Turn on the unit and "AV1" will automatically show on the display, press AV1 button again until "AV1 ANALOG" appears on the display.

AV2: Turn on the unit and press AV2 button to select the AV2 input mode, press the button again until "AV2 ANALOG" appears on the display.

NOTES:

- AV1 and AV2 input mode can auto-detect the input source (digital or analog) and auto-switch to the corresponding mode.
- To enter "force analog" mode, press AV1 or AV2 button again until "AV1 ANALOG" or "AV2 ANALOG" appears on the display. "Force analog" mode is available for AV1 and AV2 only.
- You can press the SURROUND button repeatedly on the remote control to change the sound output status. Please see the table below.

The following table shows which speakers are working in various modes.

SOURCES		AUDIO SETTINGS				SPEAKERS OUTPUT STATUS					
		2 CH.	3 CH.	4 CH.	5 CH.	FRONT . L SPEAKER	FRONT . R SPEAKER	CENTER SPEAKER	SUBWOOFER	REAR.L SPEAKER	REAR.R SPEAKER
TUNER		STEREO	--	--	--	0	0	X	0	X	X
AV IN	DIGITAL	DOLBY DIGITAL 5.1ch				0	0	0	0	0	0
		ON (5 CH.)				0	0	0	0	0	0
		DOWNMIX (2 CH.)				0	0	X	0	X	X
		STEREO				0	0	X	0	X	X
	ANALOG	DOLBY DIGITAL 2.0ch				0	0	0	0	X	X
		3 STEREO				0	0	0	0	X	X
		DOLBY PRO LOGIC				0	0	0	0	0	0
		STEREO				0	0	X	0	X	X
ANALOG		--	3 STEREO	--	--	0	0	0	0	X	X
		--	--	PRO LOGIC	--	0	0	0	0	0	0
		--	--	PRO LOGIC	--	0	0	0	0	0	0

REMARKS:

1. Generally, only Front Left, Right speakers and Subwoofer are active at TUNER mode.
2. "O" The speakers is active." X " The speakers is inactive.
3. In 3 STEREO mode, no sound comes from the rear speakers.

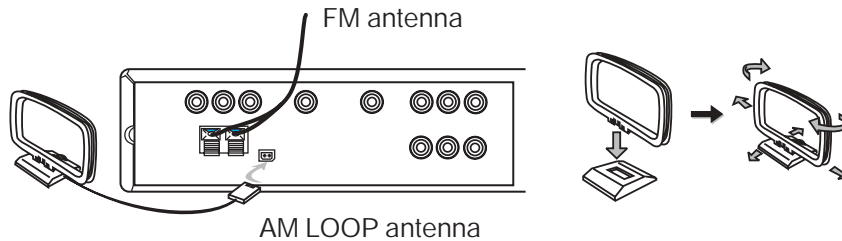
SETUP

(Continued)

Connecting The Radio Antenna

FM: Connect the FM antenna (included) to the FM ANTENNA terminals. Fully unwind the wire antenna. Then extend the wire antenna and place it in the position that sounds best.

AM: Connect the loop antenna (included) to the AM LOOP ANTENNA jack. Rotate the antenna to get the best receiving position.



Video & Audio Input/Output Setting

AV1

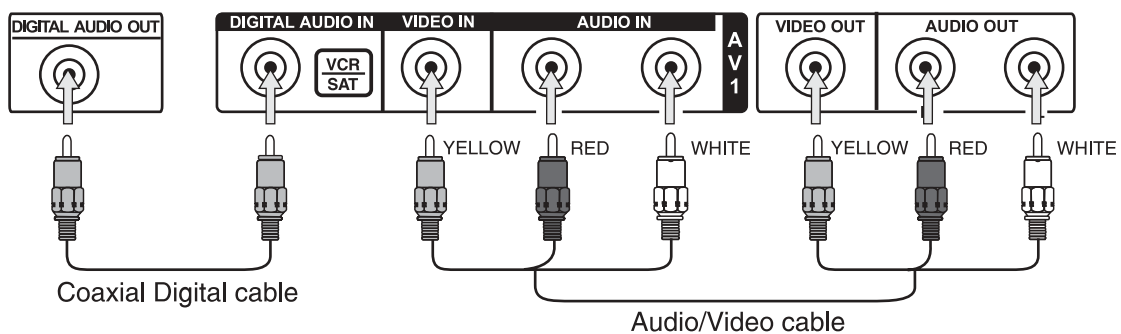
Connect the AUDIO OUT L/R and VIDEO OUT of the AV equipment (VCR, Satellite receiver, etc.) to the AUDIO IN L/R and VIDEO IN on the unit with an Audio/Video cable.

Connect the audio equipment with digital audio output jack to the DIGITAL AUDIO IN on the unit by using a coaxial digital audio cable (sold separately).

Audio equipment with digital audio output jack

Rear of the unit

VCR
SAT



AV2

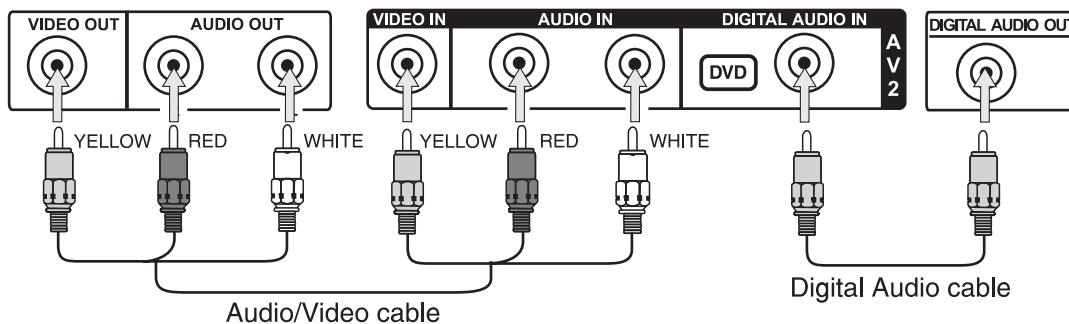
Connect the AUDIO OUT L/R and VIDEO OUT of the AV equipment (DVD player, etc.) to the AUDIO IN L/R and VIDEO IN on the unit with an Audio/Video cable.

Connect the audio equipment with digital audio output jack to the DIGITAL AUDIO IN on the unit by using a coaxial digital audio cable (sold separately).

DVD Player

Rear of the unit

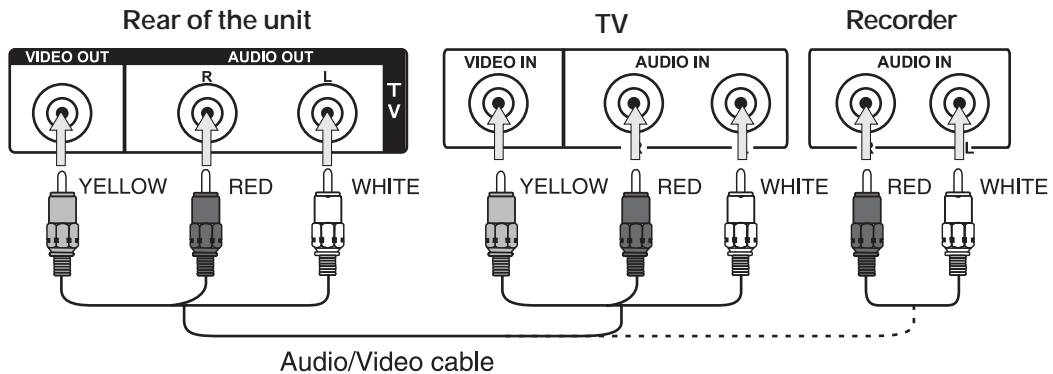
Audio equipment with digital audio output jack



Video & Audio Input/Output Setting(Continued)

TV

The unit can be connected to your TV by connecting the VIDEO OUT jack of the unit to the VIDEO IN jack on your TV. To record the playing signal, connect AUDIO OUT to the recordable equipment (Recordable cassette player, Recordable Mini Disc player, etc.).



Watching a DVD

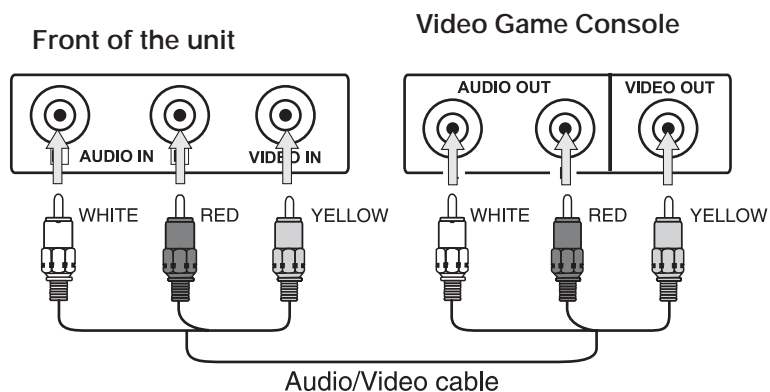
1. Connect the unit and the auxiliary equipment (TV,DVD) following the instructions.
2. Turn on the unit and the DVD player, press the FUNCTION button on the remote control to select AV2 auto-detected mode, or press the AV2 button on the front panel directly, If no sound in digital input mode, press the AV2 button of the front panel to enter "forced analog" mode.

NOTE:

- Force analog mode is activated by pressing the front panel AV keys only.
3. Turn on your TV and follow the instructions included with it to select the VIDEO input which corresponding to the VIDEO IN jack you connected to the unit.
 4. Adjust the video and audio effect as your desire.

AV3

If you want to play with a portable AV equipment (Video game console, etc.), use the AV3 on the front panel of the unit. Connect the audio and video following the instructions of AV1 and AV2.

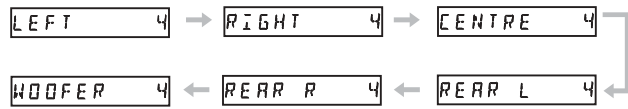


OPERATION

Sound Adjustment

To adjust the channel level

Use the remote control to make the following changes to speaker balance. Every time the SOUND button is pressed, the type of characters will be changed as rightward, select the desired speaker and press NEXT or PREV button to adjust the channel level.



Note :

1. Dolby Digital audio input has 3 modes.
 - When in Dolby Digital 5.1ch audio input mode, press the SURROUND button on the remote control to select the sound output mode between Dolby Digital (5 CH) and Downmix (2 CH).
 - When in Dolby Digital 2.0ch input mode, press the SURROUND button to select the output mode among Stereo, 3 Stereo and Dolby Pro Logic.
 - When in PCM input mode, press the SURROUND button to select the output mode among Stereo, 3 Stereo and Dolby Pro Logic, the corresponding indicator will illuminate.
2. When analog audio is input, Press the SURROUND button to select the output mode among Stereo, 3 Stereo and Dolby Pro Logic.
3. If you do not press any button within a few seconds, the display will return to normal.

To adjust the sound quality

Press the SOUND button repeatedly to select an equalization mode (BASS, MIDDLE, TREBLE). Press the NEXT or PREV button to adjust the sound level. Press the SOUND button until the menu " COMP ON " appears. Press the NEXT or PREV button to switch between " COMP OFF " and " COMP ON ".

BASS : the low range of sounds

MIDDLE : the middle range of sounds

TREBLE : the high range of sounds



NOTE:

- Bass, middle and treble control the sound from the front left and right speakers.
- " COMP ON " and " COMP OFF " provide the ability to turn Line mode compression ON or OFF.

Dolby Pro logic is a sound system that was developed to get a better sense of presence from sources encoded with Dolby Surround. The feeling of position has been improved by the addition of a separate center speaker channel.

Dolby Digital is a sound system developed by Dolby Laboratories Inc. that gives movie theatre ambience to audio output when the unit is connected to a Dolby Digital 5.1 channel processor or amplifier. This unit automatically recognizes DVDs that have been recorded with Dolby Digital. Not all Dolby Digital sources are recorded with 6 channel. Some sources marked Dolby Digital may be recorded in Dolby Surround, a 2 channel system.



3 STEREO mode creates a surround sound effect without using surround speakers. (Rear left and Rear right speakers).

To adjust the delay time of the sound

Press the SOUND button repeatedly to select the delay time of the center speaker or the rear speakers. Press the NEXT or PREV button to adjust the delay time (millisecond).

P DELAY: Set the delay time of the rear speakers for Dolby Pro Logic mode.

D DELAY: Set the delay time of the rear speakers for Dolby Digital mode.

C DELAY: Set the delay time of the center speaker.

Radio Operation

Tuning into a station manually

1. Press the TUNER/BAND button on the unit or the FUNCTION button on the remote control until the frequency band appears on the display.
2. Press the TUNER / BAND button again or the BAND button on the remote control to select the desired band.
3. Press the TUNING +/- buttons to tune into a station.




FM 87.50 MHz



AM 531 kHz

FM Stereo

Press the MONO/STEREO button on the remote control until "STEREO" appears on the display. When the radio signal is weak, the "(ST)" indicator will flash.



(ST) STEREO

Weak FM stations

Press the MONO/STEREO button until "MONO" appears on the display. Background noise will be reduced but the signal reproduced will be mono. To restore stereo reception, press the MONO/STEREO button again.



MONO

To search for a station automatically

- Hold down the TUNING buttons on the remote control or the front panel for 1 to 2 seconds, and a station is searched for automatically. After tuning in a station, the search stops.
- The search may not stop at a station with a very weak signal.
- When the search is in progress, press the TUNING buttons again to stop searching.

Presetting stations

You can tune into a stored station directly by pressing the PRESET button.

20 stations on FM band can be preset.

20 stations on AM band can be preset.

1. Press the TUNER/BAND button on the unit or the FUNCTION button on the remote control until the frequency band appears on the display.
2. Press the TUNER/BAND button on the unit again or the BAND button on the remote control to select the desired band.
3. Use the TUNING button to find your desired station.
4. Press the MEMORY button on the remote.
5. Press the NEXT or PREV button to select the preset number and press the MEMORY button on the remote to store the station.
6. Repeat steps 2-5 to store other stations.
7. To change the presetted station. Repeat steps 2-5.

Tuning into a presetted station

1. Press the TUNER/BAND button on the unit or the FUNCTION button on the remote control until the frequency band appears on the display.
2. Press the TUNER/BAND button again or the BAND button on the remote control to select the desired band.
3. Press the PRESET button on the unit repeatedly or the NEXT or PREV button to select the presetted station.
4. To check the presetted stations. Press the PRESET button repeatedly.

NOTE:

- Only the two front speakers and the subwoofer are active in radio mode.
- The SURROUND and TEST buttons are unavailable in radio mode.

TROUBLE SHOOTING GUIDE

The following checks will assist in the correction of most problems which you may encounter with your system.

SYMPTOM	CAUSE (AND REMEDY)
No Power.	<ul style="list-style-type: none"> • Check that the AC power cord is connected.
No sound.	<ul style="list-style-type: none"> • Rotate the VOLUME clockwise to increase volume. • Select the correct AV input and the correct input mode (Digital or analog sound).
No sound from one channel or unbalanced left and right volume.	<ul style="list-style-type: none"> • Check the speaker connections of the inoperative channel. • Check the speaker cord connection and speaker location.
Reversed left and right sound.	<ul style="list-style-type: none"> • Check the speaker connection for proper phasing.
The centre speaker or the surround speakers give no sound	<ul style="list-style-type: none"> • Check that the speaker connections are correct. • The current mode does not support surround sound.
The remote control does not function.	<ul style="list-style-type: none"> • Remove any obstacles between the remote control and the unit. • Use the remote control near the unit. • Point the remote control at the remote sensor on the unit. • Replace the battery in the remote control with new one.
RADIO RECEPTION	
The FM STEREO indicator flashes.	<ul style="list-style-type: none"> • Unwind the antenna.
Severe hum or noise.	<ul style="list-style-type: none"> • Unwind the antenna.
	<ul style="list-style-type: none"> • Switch to MONO sound in FM Radio mode.

Specifications and external appearance are subject to change without advance notice due to continuous product improvement.