



CANADA : <http://biz.lgservice.com>  
USA : <http://www.lgservice.com>  
: <http://lgservice.com/techsup.html>

# PLASMA TV

# SERVICE MANUAL

**CHASSIS : AF-05FC**

**MODEL : 50PX1D 50PX1D-UC**

## **CAUTION**

BEFORE SERVICING THE CHASSIS,  
READ THE SAFETY PRECAUTIONS IN THIS MANUAL.



# SAFETY PRECAUTIONS

## IMPORTANT SAFETY NOTICE

Many electrical and mechanical parts in this chassis have special safety-related characteristics. These parts are identified by  $\triangle$  in the Schematic Diagram and Replacement Parts List.

It is essential that these special safety parts should be replaced with the same components as recommended in this manual to prevent X-RADIATION, Shock, Fire, or other Hazards.

Do not modify the original design without permission of manufacturer.

### General Guidance

An **Isolation Transformer should always be used** during the servicing of a receiver whose chassis is not isolated from the AC power line. Use a transformer of adequate power rating as this protects the technician from accidents resulting in personal injury from electrical shocks.

It will also protect the receiver and it's components from being damaged by accidental shorts of the circuitry that may be inadvertently introduced during the service operation.

If any fuse (or Fusible Resistor) in this monitor is blown, replace it with the same specified type.

When replacing a high wattage resistor (Oxide Metal Film Resistor, over 1W), keep the resistor 10mm away from PCB.

Keep wires away from high voltage or high temperature parts.

### Leakage Current Cold Check(Antenna Cold Check)

With the instrument AC plug removed from AC source, connect an electrical jumper across the two AC plug prongs. Place the AC switch in the on position, connect one lead of ohm-meter to the AC plug prongs tied together and touch other ohm-meter lead in turn to each exposed metallic parts such as antenna terminals, phone jacks, etc.

If the exposed metallic part has a return path to the chassis, the measured resistance should be between  $1M\Omega$  and  $5.2M\Omega$ .

When the exposed metal has no return path to the chassis the reading must be infinite.

An other abnormality exists that must be corrected before the receiver is returned to the customer.

### Leakage Current Hot Check (See below Figure)

Plug the AC cord directly into the AC outlet.

#### Do not use a line Isolation Transformer during this check.

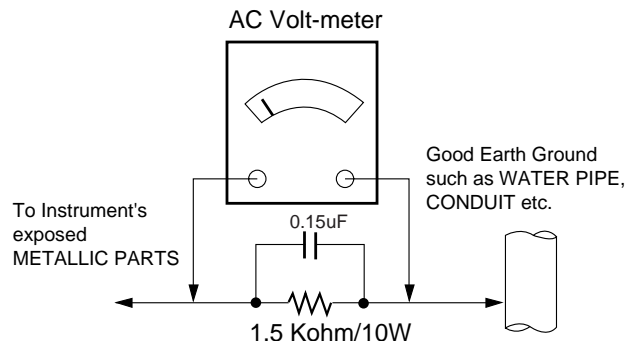
Connect 1.5K/10watt resistor in parallel with a 0.15uF capacitor between a known good earth ground (Water Pipe, Conduit, etc.) and the exposed metallic parts.

Measure the AC voltage across the resistor using AC voltmeter with 1000 ohms/volt or more sensitivity.

Reverse plug the AC cord into the AC outlet and repeat AC voltage measurements for each exposed metallic part. Any voltage measured must not exceed 0.75 volt RMS which is corresponds to 0.5mA.

In case any measurement is out of the limits sepcified, there is possibility of shock hazard and the set must be checked and repaired before it is returned to the customer.

### Leakage Current Hot Check circuit



CANADA: LG Electronics Canada, Inc. 550 Matheson Boulevard East Mississauga, Ontario L4Z 4G3

USA : LG Customer Interactive Center  
P.O.Box 240007, 201 James Record Road Huntsville, AL 35824  
Digital TV Hotline 1-800-243-0000

# TABLE OF CONTENTS

---

---

DESCRIPTION OF CONTROLS .....	4
SPECIFICATIONS.....	8
ADJUSTMENT INSTRUCTIONS .....	9
BLOCK DIAGRAM.....	14
EXPLODED VIEW.....	16
EXPLODED VIEW PARTS LIST .....	17
REPLACEMENT PARTS LIST .....	18
SCHEMATIC DIAGRAM.....	
PRINTED CIRCUIT BOARDS .....	

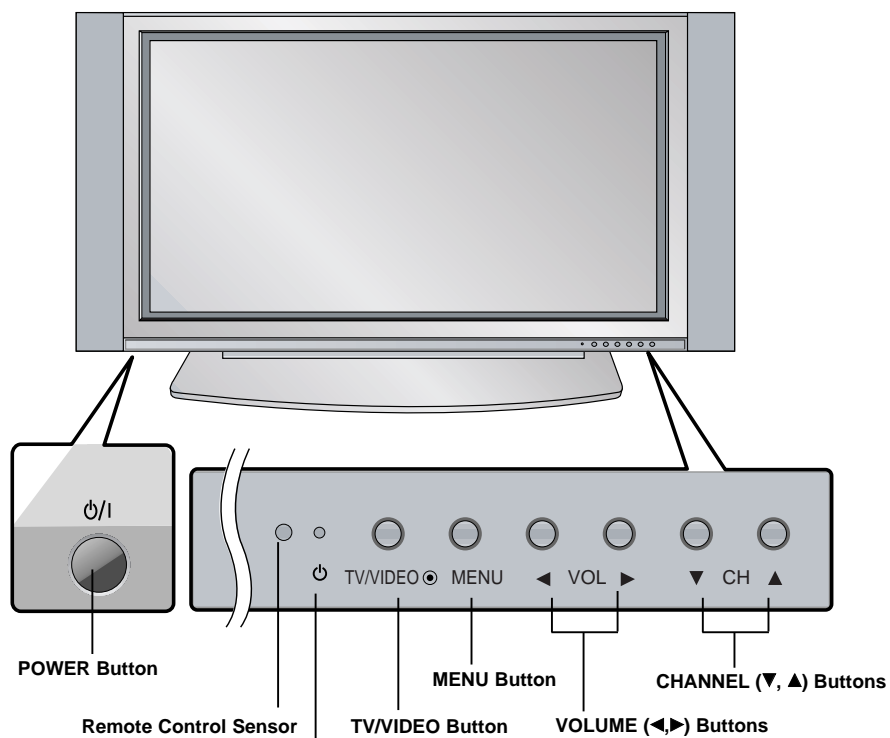
# DESCRIPTION OF CONTROLS

---

## Controls

- This is a simplified representation of front panel.  
Here shown may be somewhat different from your TV.

### Front Panel Controls



#### Power Standby Indicator

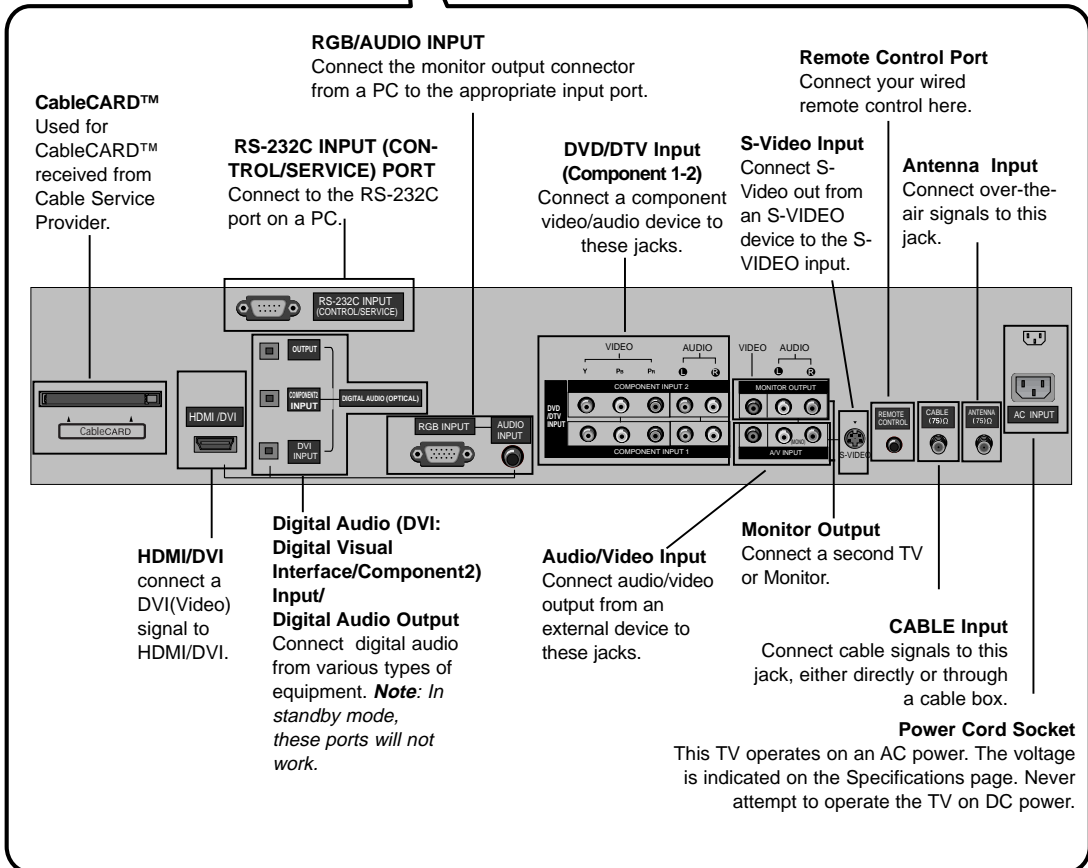
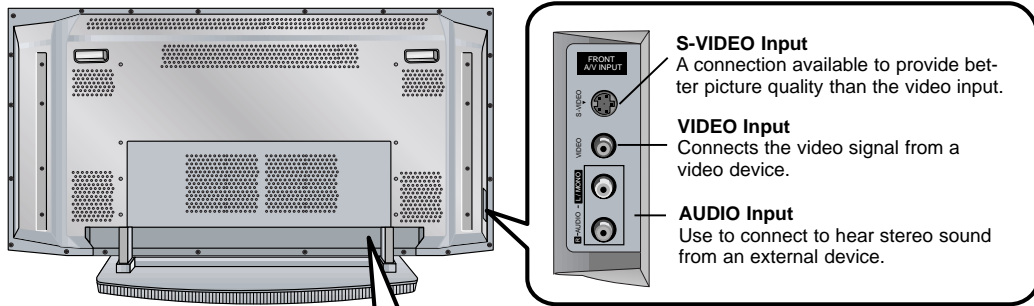
-Without CableCARD™: Illuminates red in standby mode, Illuminates green when the TV is turned on.

-Inserting the CableCARD™: Illuminates orange in standby mode, Illuminates green when the TV is turned on.

# DESCRIPTION OF CONTROLS

## Connection Options

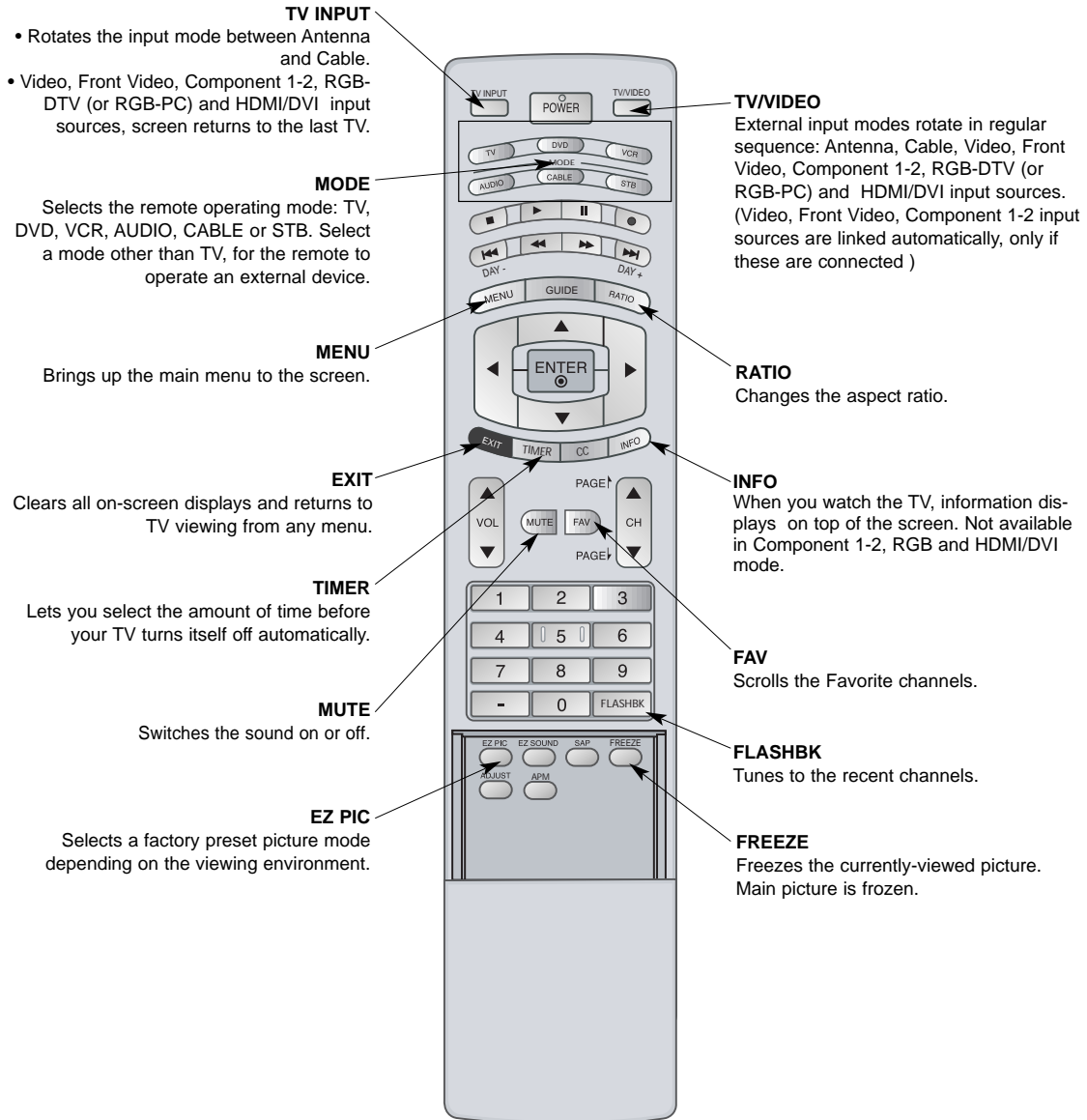
### Back Connection Panel



# DESCRIPTION OF CONTROLS

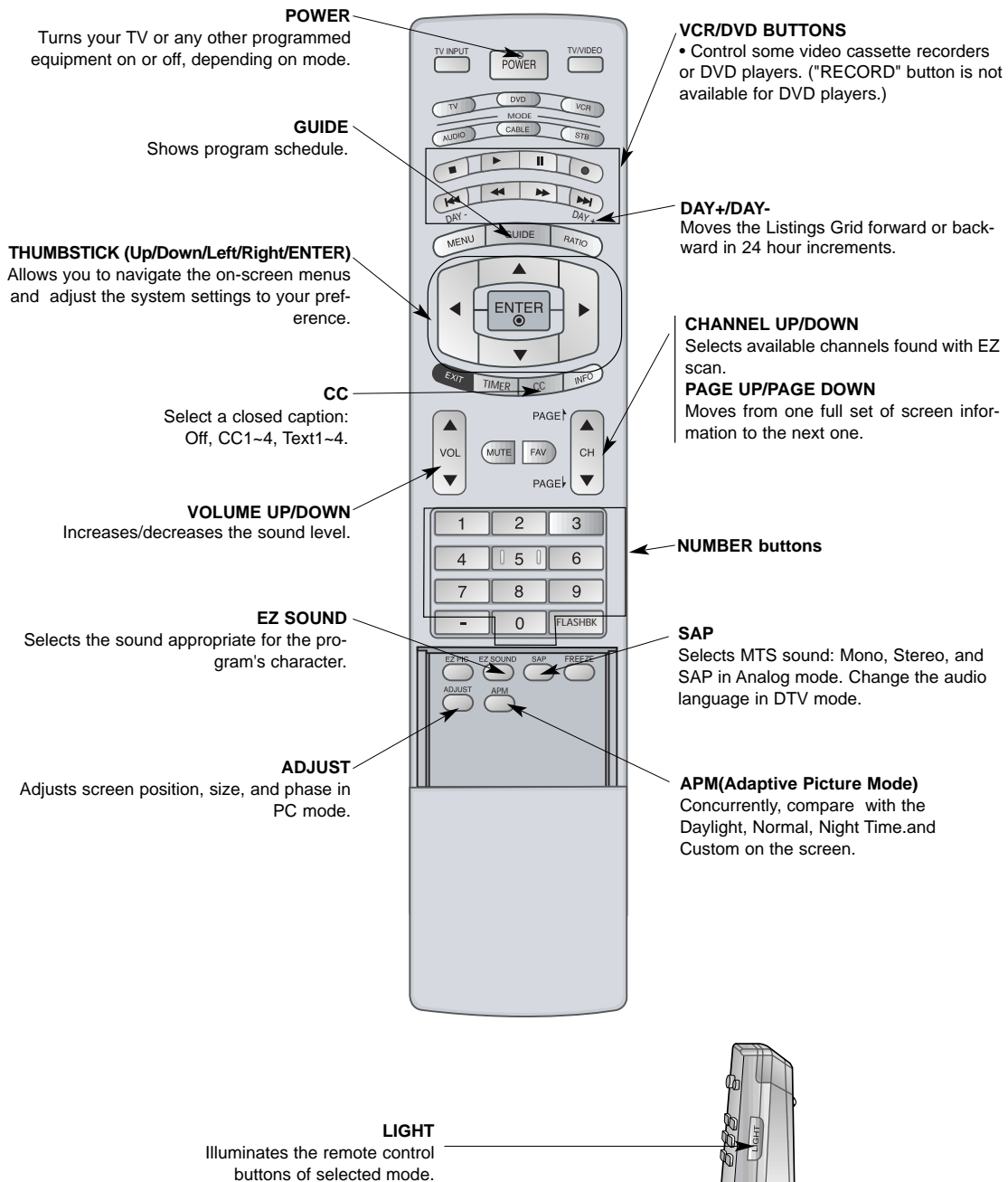
## Remote Control Key Functions

- When using the remote control, aim it at the remote control sensor on the TV.



# DESCRIPTION OF CONTROLS

## Remote Control Key Functions



# SPECIFICATIONS

---

MODELS	50PX1D-UC
Width (inches / mm)	55 / 1400
Height (inches / mm)	32.3 / 821
Depth (inches / mm)	12.4 / 315
Weight (pounds / kg)	114.8 / 52.05
Resolution	1366 x 768 (Dot)
Power requirement	AC100-240V ~ 50/60Hz
Television System	NTSC-M, ATSC, 64 & 256 QAM
Program Coverage	VHF 2 ~ 13, UHF 14 ~ 69, CATV 1 ~ 135, CADTV 1 ~ 135, DTV 2 ~ 69
External Antenna Impedance	75 $\Omega$
Color	16,770,000 (256 steps of each R, G and B)
Operating Temperature Range	32 ~ 104°F (0 ~ 40°C)
Operating Humidity Range	Less than 80%
Maximum Elevation	6561 feet (2000m)

- The specifications shown above may be changed without prior notice for quality improvement.



# ADJUSTMENT INSTRUCTIONS

## 1. Application Object

These instructions are applied to all of the PDP TV, AF-05FC.

## 2. Notes

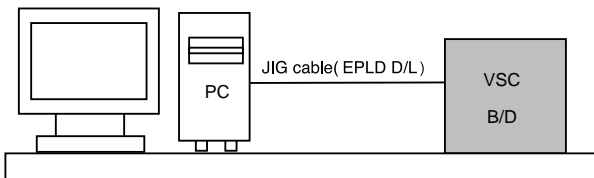
- (1) Because this is not a hot chassis, it is not necessary to use an isolation transformer. However, the use of isolation transformer will help protect test equipment.
- (2) Adjustments must be done in the correct order.
- (3) The adjustments must be performed in the conditions of  $25\pm 5^{\circ}\text{C}$  of temperature and  $65\pm 10\%$  of relative humidity if there is no specific designation.
- (4) The input voltage of the receiver be must kept 110V, 60Hz during adjustment.
- (5) The receiver must be operational for about 15 minutes prior to the adjustments.

- 1) After receiving 100% white pattern, the receiver must be operated 15 minutes prior to adjustment. (Or 8. White Pattern condition in EZ - Adjust)
- 2) Enter into White Pattern
  - Pressing POWER ON Key on Service Remote Control (S R/C)
  - Enter the Ez - Adjust by pressing ADJ Key on Service Remote Control (S R/C).
  - Select the 7. White Pattern using CH +/- Key and press the Enter(■) Key.
  - Display the 100% Full White Pattern.

\* The set will display white screen without a signal generator in this mode.

If you turn on a still screen more than 20 minutes (Especially Digital pattern, Cross Hatch Pattern), an afterimage may occur in the black level part of the screen.

## 3. EPLD Download



<Fig 1> Connection Diagram of EPLD Download

- (1) Test Equipment: PC, Jig for download
- (2) Connect the power of VSC B/D.
- (3) Execute download program (iMPACK) of PC.
- (4) After executing the hot key on the Programmer, click icon
- (5) End after confirming

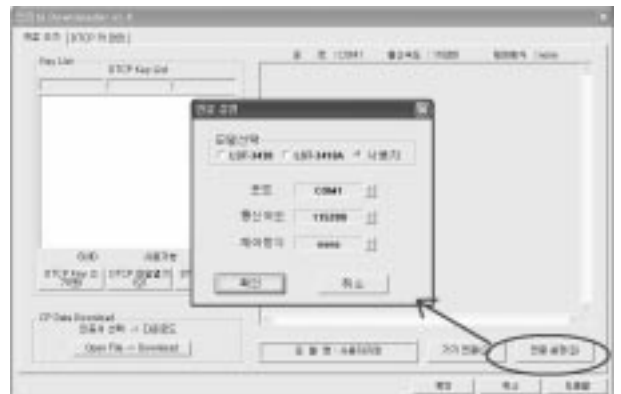
## 4. POD Certificate Download

### 4-1. Preparation for Adjustment

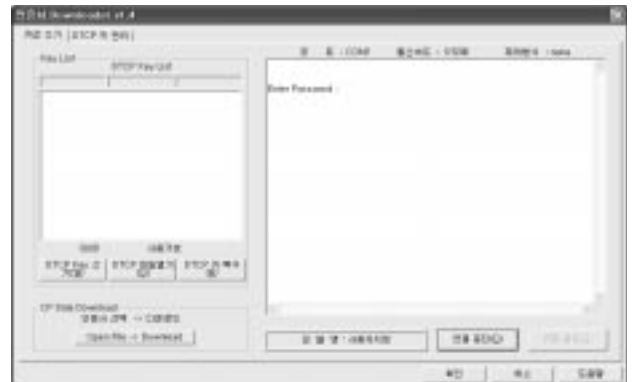
- (1) Connect the MEMORY JIG and PC.
- (2) Turn on the JIG MAIN POWER SWITCH.
- (3) After turn on the PC and MONITOR, execute the 'Certificate Downloader v1.4' from the screen.

### 4-2. Adjustment Sequence

- (1) After open the 'Certificate Downloader v1.4', enter Connection set and set the as same below.  
The port settings are determined by each PC's setup.



- (2) Select 'Connection' and SET connected to RS-232C.
- (3) After clicking "Enter", confirm that "Enter Password:" appears.



# ADJUSTMENT INSTRUCTIONS

(4) Click the "OpenFile - Download" button from CP Data Download, 'select Private Key' appears and click ENTER.



(5) After clicking ENTER, the 'opens Private key' window appears and select the Private key applied to the SET. The Private Key file name is on the Label of the Digital Board.



(6) When the Dialog window appears, click OK and the write work will begin.



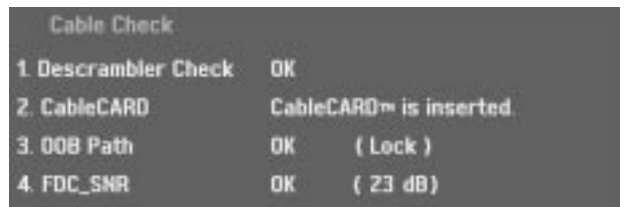
(7) When completed, click 'CP Data Download: OK'

※ When 'CP Data Download: OK' does not appear, certificate has not Download correctly.  
SET is rebooted and certificate Download work must be repeated.

## 5. Cable Operation Confirmation

- (1) Confirm that the Cable Card is inserted in the slot.
- (2) Enter the EZ adjust menu by pressing Adjust on the Service Remote Control (S R/C).
- (3) Go to number 2 Cable Check and press the Right key (▶) .
- (4) Confirm items below.

Name	Normal	Defective
Descrambler Check	OK	Not OK
CableCARD	CableCARD™ is inserted.	CableCARD™ is removed.
OOB Path	OK(Lock)	Not OK(Unlock)
FDC_SNR	OK(20dB above)	Not OK(20dB under)
Video Signal	Normal Screen	Black Screen (No Picture)



# ADJUSTMENT INSTRUCTIONS

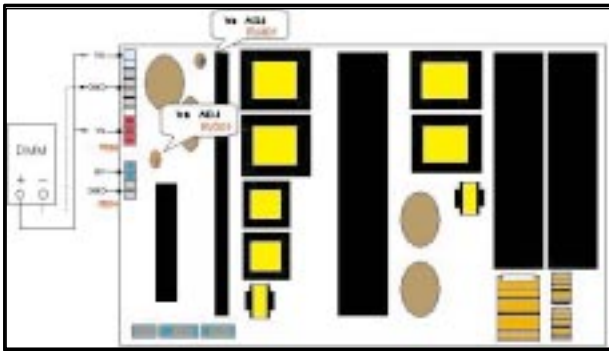
Each PCB Assy must be checked by Check JIG Set before assembly. (Especially, be careful Power PCB Assy which can cause Damage to the PDP Module.)

## 6. POWER PCB Assy Voltage Adjustment (Va, Vs Voltage Adjustment)

### 6-1. Test Equipment : D.M.M 1EA

### 6-2. Connection Diagram for Measuring

Refer to Fig 1.



<Fig. 1> Connection Diagram of Power Adjustment for the Measuring (Power Board)

### 6-3. Adjustment

#### (1) Va Adjustment

- 1) Connect + terminal of D.M.M to Va pin of P805 and connect – terminal to GND pin of P805.
- 2) Adjust RV601 voltage to match that of the label on the Top/Right of the panel. (Deviation :  $\pm 0.5V$ )

#### (2) Vs Adjustment

- 1) Connect + terminal of D.M.M to Vs pin of P805 and connect – terminal to GND pin of P805.
- 2) Adjust RV401 voltage to match that of the label on the Top/Right of the panel. (Deviation :  $\pm 0.5V$ )

## 7. EDID(The Extended Display Identification Data)/DDC (Display Data Channel) download

This is the function that enables "Plug and Play".

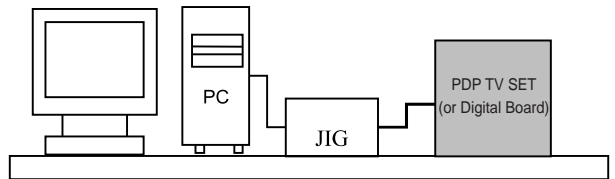
### 7-1. HDMI EDID Data Input

#### (1) Required Test Equipment

- 1) Jig for adjusting PC, DDC. (PC serial to D-sub. Connection equipment)
- 2) S/W for writing DDC(EDID data write & read)
- 3) D-Sub cable
- 4) Jig for HDMI Cable connection

#### (2) Preparation for Adjustments & Setting of Device

- 1) Set devices as below and turn on the PC and JIG.
- 2) Open S/W for writing DDC (EDID data write & read). (operated in DOS mode)



<Fig. 2>

### 7-2. EDID DATA for AF-05FC

- EDID for HDMI 1 (DDC (Display Data Channel) Data)  
EDID table =

	0	1	2	3	4	5	6	7	8	9	A	B	C	D	E	F
00	00	FF	FF	FF	FF	FF	FF	00	1E	6D	01	00	01	01	01	01
10	00	0F	01	03	80	73	41	96	0A	CF	74	A3	57	4C	B0	23
20	09	48	4C	2F	CE	00	31	40	45	40	61	40	01	01	01	01
30	01	01	01	01	01	01	01	1D	00	72	51	D0	1E	20	6E	28
40	55	00	C4	8E	21	00	00	1E	01	1D	80	18	71	1C	16	20
50	58	2C	25	00	C4	8E	21	00	00	9E	00	00	00	FC	00	4C
60	47	2D	54	56	0A	20	20	20	20	20	20	20	20	00	00	00
70	00	3B	3C	1F	2D	08	00	0A	20	20	20	20	20	20	01	77
80	02	03	15	F2	46	84	85	03	02	07	06	23	15	07	50	65
90	03	0C	00	10	00	8C	0A	D0	8A	20	E0	2D	10	10	3E	96
A0	00	C4	8E	21	00	00	18	8C	0A	D0	8A	20	E0	2D	10	10
B0	3E	96	00	13	8E	21	00	00	18	8C	0A	A0	14	51	F0	16
C0	00	26	7C	43	00	C4	8E	21	00	00	98	8C	0A	A0	14	51
D0	F0	16	00	26	7C	43	00	13	8E	21	00	00	98	00	00	00
E0	00	00	00	00	00	00	00	00	00	00	00	00	00	00	00	00
F0	00	00	00	00	00	00	00	00	00	00	00	00	00	00	00	88

# ADJUSTMENT INSTRUCTIONS

• EDID DATA for RGB

EDID table =

00 01 02 03 04 05 06 07 08 09 0A 0B 0C 0D 0E 0F

```

00 | 00 FF FF FF FF FF FF 00 1E 6D 01 01 01 01 01 01
10 | 06 0D 01 03 18 5C 34 96 08 CF 72 A3 57 4C B0 23
20 | 09 45 5D EF CE 00 31 D9 31 59 45 59 01 01 01 01
30 | 01 01 01 01 01 01 40 C3 1E 00 20 41 00 20 30 10 60
40 | 13 00 98 08 32 00 00 18 00 00 00 FC 00 4C 47 20
50 | 54 56 0A 20 20 20 20 20 20 20 00 00 00 FD 00 30
60 | 4C 1E 64 0F 00 0A 20 20 20 20 20 20 00 00 00 00
70 | 00 00 00 00 00 00 00 00 00 00 00 00 00 00 00 C5
    
```

- (5) Readjust after confirming the case Pattern or adjustment condition where the adjustment had errors.
- (6) After adjustment is complete, exit the adjustment mode by pressing the ADJ KEY.

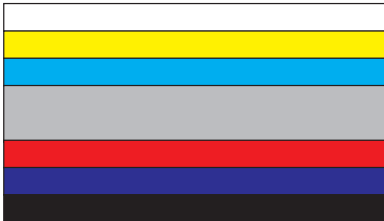
## 8. AD9883A-Set Adjustment

### 8-1. Synopsis

AD9883A-Set adjustment to set the black level and the Gain of optimum with an automatic movement from the analog => digital converter.

### 8-2. Test Equipment

Service R/C, 801GF(802B, 802F, 802R) or MSPG925FA Pattern Generator  
 (720P The Horizontal 100% Color Bar Pattern output will be possible and the output level will accurately have to be adjusted to 0.7±0.1Vp-p)



<Fig. 3> Adjustment Pattern : 720P/60Hz HozTV31Bar Pattern

### 8-3. Adjustment

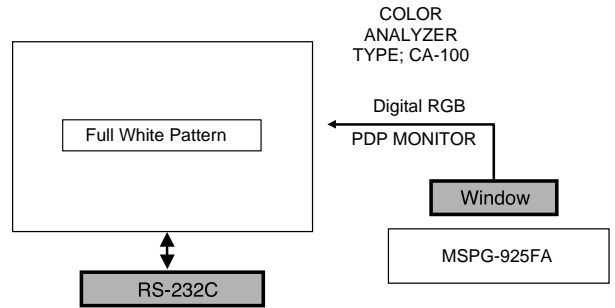
- (1) Select Component1 or Component2 as the input with 100% Horizontal Color Bar Pattern(HozTV31Bar) in 720p Mode and select 'Normal' on screen.
- (2) After receiving signal for at least 1 second, press the ADJ Key on the Service R/C to enter the 'Ez - Adjust' and select the '3. AD9883A-Set'.  
Pressing the Enter Key to adjust with automatic movement.
- (3) When the adjustment is over, 'AD9883A Component Success' is displayed. If the adjustment has errors, 'AD9883A Configuration Error' is displayed.
- (4) After the Component AD9883A adjustment is over, convert the RGB-DTV Mode and display Pattern.  
When the adjustment is over, 'AD9883A RGB\_DTV Success' is displayed. If the adjustment has errors, 'AD9883A Configuration Error' is displayed.

## 9. Adjustment of White Balance

### 9-1. Required Equipment

- (1) Color analyzer (CA-100 or similar product)
- (2) Automatic adjustor (with automatic adjustment hour necessity and the RS-232C communication being possible)
- (3) Pattern Generator(MSPG-925FA): DVI Output

### 9-2. Connection Diagram of Equipment for Measuring (Automatic Adjustment)



<Fig. 4> Connection Diagram of Automatic Adjustment

### \* RS-232C Command (Automatic Adjustment)

	RS-232C COMMAND			Min	CENTER(DEFAULT)			Max
	Cool	Med	Warm		Cool	Med	Warm	
R Gain	jg	ja	jd	00	C0	C0	C0	ff
G Gain	jh	jb	je	00	91	B3	BD	ff
B Gain	ji	jc	jf	00	4C	95	B7	ff
R Cut					40	40	40	
G Cut					40	40	40	
B Cut					40	40	40	

# ADJUSTMENT INSTRUCTIONS

## 9-3. Adjustment of White Balance

- Operate the Zero-calibration of the CA-100, then attach sensor to PDP module surface when you adjust.
- Manual adjustment is also possible by the following sequence.

- (1) Enter 'Ez - Adjust' by pressing ADJ KEY on the Service Remote Control.
- (2) Select "7. WHITE PATTERN" using CH +/- Key and HEAT RUN at least 30 minutes by pressing the ENTER Key.
- (3) Receive the Window pattern signal from Digital Pattern Generator. (AV Input: connect the 'HDMI')
- (4) After attaching sensor to center of screen, select '5. White-Balance' of 'Ez - Adjust' by pressing the ADJ KEY on the Service R/C. Then enter adjustment mode by pressing the Right KEY (▶) .
- (5) Adjust the Hight Light using G Gain/B Gain(Cool: 42").  
Adjust the Hight Light using R Gain/G Gain(Cool: 50").  
Adjust the Hight Light using G Gain/B Gain(Medium).  
Adjust the Hight Light using G Gain/B Gain(Warm).
- (6) Adjust using Volume +/- KEY.  
After adjustment is complete, exit the adjustment mode by pressing the ADJ KEY.

High Level: 216gray

### [Cool]

X: 0.278±0.002 Y: 0.279±0.002  
Color temperature: 11000°K±1000°K

### [Medium]

X: 0.287±0.002 Y: 0.289±0.002  
Color temperature: 9300°K±1000°K

### [Warm]

X: 0.315±0.002 Y: 0.316±0.002  
Color temperature: 6500°K±1000°K

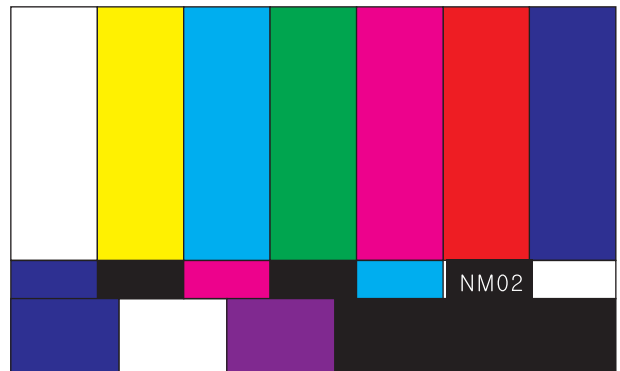
## 10. Video(uPD)

### 10-1. Required Equipment

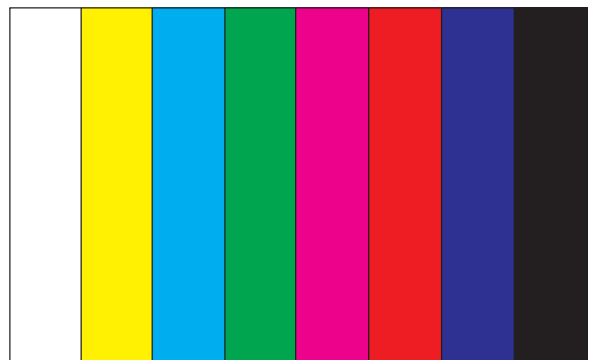
- (1) Service R/C
- (2) MSPG925FA Pattern Generator  
(100% Color Bar Pattern output will be possible and the output level will accurately have to be adjusted to 0.7±0.1Vp-p: Model #201(NTSC-M), Patter #32))

### 10-2. Adjustment

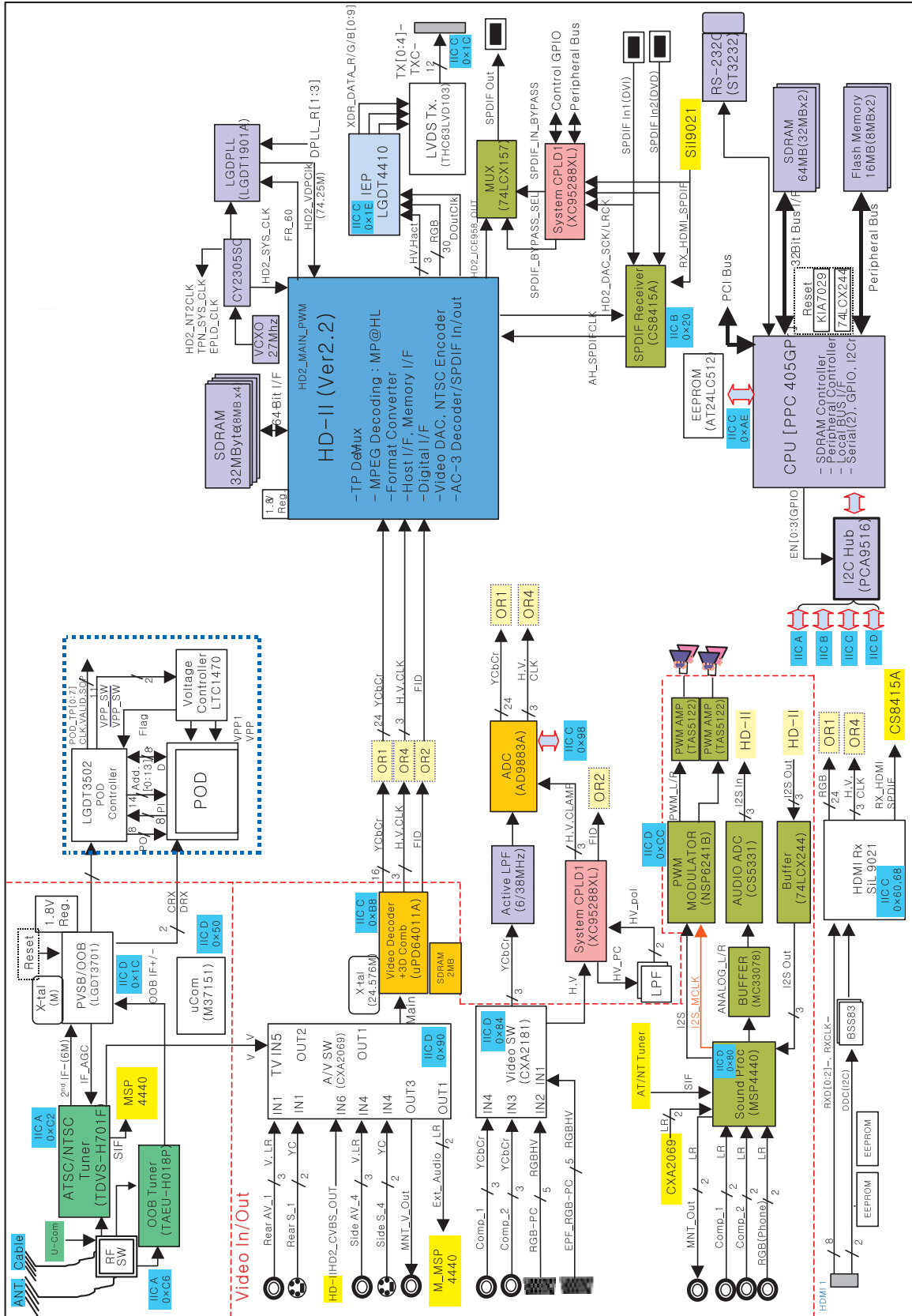
- (1) After receive signal to Ant input, CVBS output of MSPG925FA to Video and confirm the signal receiving.
- (2) Enter the 'EZ-ADJUST' by pressing the ADJ Key on the Service R/C.
- (3) Select '3. Video(uPD)-Set' and enter the adjustment mode by pressing the right key(▶).
- (4) When enter the adjustment mode, displayed the TV 2CH Screen automatic at picture and appear as below figure.



- (5) When the automatic adjustment is over, 'RF Configuration Success' is displayed. If the adjustment has errors, 'Video Configuration Error' is displayed.
- (6) After the RF signal automatic adjustment is over, convert the Video Mode as below figure and adjust with automatic movement the Video Mode.  
When the automatic adjustment is over, 'Video Configuration Success' is displayed. If the adjustment has errors, 'Video Configuration Error' is displayed.



# BLOCK DIAGRAM

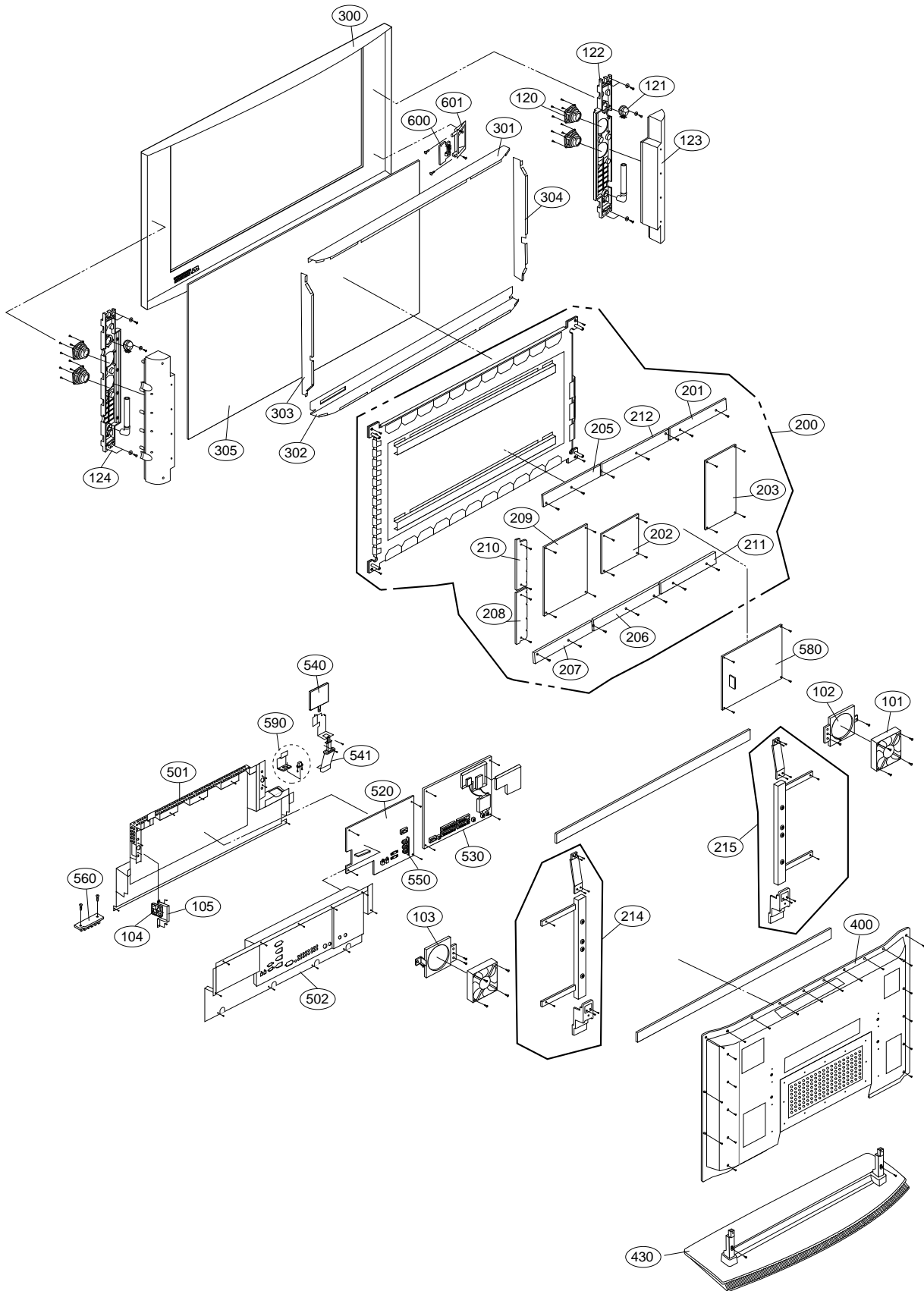


## NOTES

---

---

# EXPLODED VIEW





# EXPLODED VIEW PARTS LIST

No.	Part No.	Description
101	5900V12003B	FAN,DC D12025S SDS 120MM*120MM*25MM 12V/0.2A 1300 5V-13.2V RPM
102	4980V01018A	SUPPORTER,FAN EGI LEFT PDP DN-50PY10
103	4980V01017A	SUPPORTER,FAN EGI RIGHT PDP DN-50PY10
104	5900V04010A	FAN,DC EFB0412LD-W147 DELTA 40*40*20 12V/0.05A 5000RPM 7.0-13.8VDC L=100MM
105	4980V00D89B	SUPPORTER,FAN SECC(EGI) T1.0 (PRESS)
120	6400WTTX01A	SPEAKER,WOOFER N21C-6539-27C 16 OHM 10/15W 78DB OTHERS 56MM*56MM
121	6400TTTX01A	SPEAKER,TWEETER N08D-6560 8 OHM 10/15W 77DB OTHERS 29MM*29MM
122	3110V00351A	CASE,FRONT (R)SPEAKER DN-50PY10 ABS PDP
123	3550V00396A	COVER,DUCT DN-50PY10 ABS PDP
124	3110V00352A	CASE,FRONT (L)SPEAKER DN-50PY10 ABS PDP
200	6348Q-C036H	PDP,50 16:9 1365*768 PDP50X20562.AKLG
201	6871QRH041C	PCB ASSEMBLY,DISPLAY XRRT ASSY 50X2A COF RESISTOR
202	6871QCH045A	PCB ASSEMBLY,DISPLAY CTRL ASSY 4023 50X2 FOR CI
203	6871QZH036B	PCB ASSEMBLY,DISPLAY ZSUS ASSY 50X2A 4LAYER
205	6871QLH035C	PCB ASSEMBLY,DISPLAY XRLT ASSY 50X2A COF RESISTOR
206	6871QXH025C	PCB ASSEMBLY,DISPLAY XRCB ASSY 50X2A COF RESISTOR
207	6871QLH036C	PCB ASSEMBLY,DISPLAY XRLB ASSY 50X2A COF RESISTOR
208	6871QDH081A	PCB ASSEMBLY,DISPLAY YDRV ASSY 50X2A YDRV_BTM
209	6871QYH032B	PCB ASSEMBLY,DISPLAY YSUS ASSY 50X2A YSUS 4LAYER
210	6871QDH080A	PCB ASSEMBLY,DISPLAY YDRV ASSY 50X2A YDRV_TOP
211	6871QRH042C	PCB ASSEMBLY,DISPLAY XRRB ASSY 50X2A COF RESISTOR
212	6871QXH024C	PCB ASSEMBLY,DISPLAY XRCT ASSY 50X2A COF RESISTOR
214	4980V00D78A	SUPPORTER,VERTICAL ASSY. RIGHT
215	4980V00D77A	SUPPORTER,VERTICAL ASSY. LEFT
300	3091V00671N	CABINET ASSEMBLY,DU-50PX13 NON AF05FC 2 TONE
301	4980V01112A	SUPPORTER ASSY,AL FILTER TOP DU-50PX10
302	4980V01113A	SUPPORTER ASSY,AL FILTER BOTTOM DU-50PX10
303	4980V01114A	SUPPORTER ASSY,AL FILTER RIGHT DU-50PX10
304	4980V01115A	SUPPORTER ASSY AL FILTER LEFT DU-50PX10
305	5230V00017A	FILTER(MECH),LGM50-01 MITSUI 50 CLASS B GLASS FILTER
400	3809V00463L	BACK COVER ASSEMBLY,DU-50PX13 NON TYPE B 3850VC0030F
430	3501V00186F	BOARD ASSEMBLY,STAND AP-50DM10.AUL NON DU-50PX13.
501	3301V00070B	PLATE ASSEMBLY,AV PLATE ASSY. DU-50PX13 PRESS
502	3301V00071B	PLATE ASSEMBLY,AV 3300V00527, 3300V00529 50PX13 DU COVER ASSY PRESS
520	6871VMMZX6A	PCB ASSEMBLY,MAIN AF-05FC DU-50PX13 DIGITAL B/D..
530	6871VSMR99A	PCB ASSEMBLY,SUB TUNER AF05FC DU-50PX13 ANALOG B/D..
540	6871VSMF97A	PCB ASSEMBLY,SUB PSW AF044P POWERSWITCH
541	5020V01068A	BUTTON,POWER DU-50PX13 ABS 1KEY .
550	6871VSMQ67A	PCB ASSEMBLY,SUB AUDIO AF05FA TU-50PY22
560	6871VSMR94A	PCB ASSEMBLY,SUB BUTON AF05FC DU-50PX13 LOCAL
580	6709V00001A	POWER SUPPLY ASSEMBLY,PDP 50INCH 480W 1H259W SANKEN 50 INCH LOW END PSU
590	3141VSN84A	CHASSIS ASSEMBLY,SUB AF05FC 50PX1D-UC LINE FILTER
600	6871VSM96A	PCB ASSEMBLY,SUB A/V AF05FB DU-50PX41S SIDE A/V
601	4811V00118K	BRACKET ASSEMBLY,SIDE AV DU-42PX20 AF05FC DCR

# REPLACEMENT PARTS LIST

For Capacitor & Resistors, the characters at 2nd and 3rd digit in the P/No. means as follows;	CC, CX, CK, CN : Ceramic CQ : Polyester CE : Electrolytic	RD : Carbon Film RS : Metal Oxide Film RN : Metal Film RF : Fusible
---	---	--

RUN DATE : 2005.4.14

LOCA. NO	PART NO	DESCRIPTION
<b>IC</b>		
IC100	0IPRPBM001B	PPC405GPR-3JB266C
IC1000	0IMCRSJ001B	SC1565IST-2.5TR 2.5V 1.5A 3P SOT-223
IC1001	0ICTMLG017A	LGDT3502B LG IC 208P
IC1002	0IMCRFA013A	74LCX244MTC FAIRCHILD 20P
IC1003	0IMCRLT002A	LCT1470CS8 LINEAR TECHNOLOGY 8P
IC101	0ISO206900A	CXA2069Q QFP64 BK I2C BUS AV S/W
IC101	0IMCRSJ001A	SC1565IST-1.8 SEMTECH 3P SOT223
IC112	0IMMRAL014B	AT24C02N-10SI-2.7 ATMEL 8P
IC1301	0IMCRSJ001A	SC1565IST-1.8 SEMTECH 3P SOT223
IC1302	0IMCRTH002A	THC63LVD103 THINE ELECTRONICS 64P
IC1305	0ICTMLG018B	LGDP4411 IEP2 LG IC 176P
IC1700	0IMI623200B	M62320FP,I/O EXPANDER 16P
IC1701	0IPRPNS054A	LM75CIMX-3 8P
IC1702	0IPMGKE032A	KIA78R09F KEC 5PIN
IC1703	0IPMGKE032A	KIA78R09F KEC 5PIN
IC1705	0IPMGKE032A	KIA78R09F KEC 5PIN
IC1706	0IMCRSH001A	PQ05DZ1U SHARP 5
IC200	0IKE702900G	KIA7029AF SOT-89 TP 2.9V
IC200	0IMCRMN027D	MSP4440K MICRONAS 80P
IC201	0ILNR00015A	NSP-2100A,LF NEOFIDELITY TQFP 64P
IC201	0ISTLPH026A	74LVC14APW PHILIPS 14PIN
IC202	0IMCRFA013A	74LCX244MTC FAIRCHILD 20P
IC203	0IMCRXL004A	XC95288XL-10TQG144C XILINX 144P
IC203	0IMCRSH001A	PQ05DZ1U SHARP 5
IC204	0IMCRCY001A	CY2305SXC-1HT CYPRESS SOIC 8P
IC204	0IMCRSJ001A	SC1565IST-1.8 SEMTECH 3P SOT223
IC205	0IMCRCY002A	CY2309SXC-1HT CYPRESS SOIC 16P
IC205	0IMCRSJ001A	SC1565IST-1.8 SEMTECH 3P SOT223
IC206	0IMCRFA010A	KA7809R, FAIRCHILD 2P
IC207	0IMCRSH001A	PQ05DZ1U SHARP 5
IC208	0IMCRFA010A	KA7809R, FAIRCHILD 2P
IC209	0IPMGA0010A	AZ1117H-3.3 AAC SOT-223 3P
IC300	0IMCRSO025A	CXA2181Q SONY 48P
IC300	0IMCRPH026B	PA9516APW PHILIPS 16P
IC301	0IMCRAL021A	AT24C512W-10SI-2.7 8P
IC302	0IMMRHY038C	HY57V561620CT-H 54PIN
IC302	0ITK118100B	TK11840L 8P SOT23L
IC303	0IMMRHY038C	HY57V561620CT-H HYNIX 54PIN
IC304	0ICTM00006A	LGDT3701 LG SYSTEM IC 128P
IC305	0IPRP00538A	FSA1156P6X-NL FAIRCHILD 6P/MAA06A
IC400	0IMCRSJ001A	SC1565IST-1.8 SEMTECH 3P SOT223
IC401	0ICTMLG009C	LGDT1102C HD2.3 LG IC SBGA-432P
IC402	0IMCRTI028C	TAS5122DCAR TEXAS INSTRUMENT 56P
IC405	0IMCRAL006A	AT24C16AN-10SI-2.7 ATMEL 8P
IC406	0IKE704200J	KIA7042AF SOT-89 TP 4.2V
IC500	0IMMRSS041F	K4S641632H-UC60 54P

LOCA. NO	PART NO	DESCRIPTION
IC501	0IMMRSS041F	K4S641632H-UC60 54P
IC502	0IMMRSS041F	K4S641632H-UC60 54P
IC503	0IMMRSS041F	K4S641632H-UC60 54P
IC504	0IMCRTI035A	TL592B-8DR 8P
IC504	0IMCRCY001A	CY2305SXC-1HT 8P R/TP 3.3V
IC505	0ICTMLG013A	LGDT1901A LG IC 24P
IC506	0IMCRFA004A	KA2904DTF FAIRCHILD 8SOP R/TP OP-AMP
IC508	0IMCRFA010A	KA7809R, FAIRCHILD 2P
IC600	0IMCRFA013A	74LCX244MTC FAIRCHILD 20P
IC601	0ICB533100A	CS5331A-KSR 8SOIC TP ADC -
IC602	0ISS416162D	K4S161622H-UC80 50P
IC602	0IMO330780B	MC33078D 8/SOIC +-18V OP AMP
IC603	0IPRPNE008A	UPD64011BGM-8ED-A 160
IC603	0ITO741570C	TC74LCX157FT 16P
IC604	0ICB841500B	CS8415A-CZR 28P 96KHZ DIGITAL AUDIO
IC605	0IPMGKE032A	KIA78R09F KEC 5PIN DPAK R/TP 1A,9V
IC606	0IPMGSG018C	LD1086DT15TR 2P 1.5V 1.5A
IC607	0IPRPFA015A	FMS6410CSX-NL(PB-FREE) 8P
IC800	0IPRPS5006A	SIL9021CTU(PB FREE) 144P
IC801	0IMCRAD002A	AD9883AKST-110 80P
IC802	0IPMGA0010A	AZ1117H-3.3 AAC SOT-223 3P 3.3V 1A
IC805	0IPRPFA016A	FMS6407MTC20X-NL(PB-FREE) 20P
IC808	0IMMRAL014B	AT24C02N-10SI-2.7 ATMEL 8P
IC809	0IMCRSJ001A	SC1565IST-1.8 SEMTECH 3P SOT223
IC900	0IMCRXL003B	XC95144XL-10TQG144C 144P
IC902	0IPRP00009A	ICL3232CBNZ 16P/SOP R/TP RS232
<b>TRANSISTOR</b>		
IC407	0TR830009BA	BSS83
IC408	0TR830009BA	BSS83
Q119	0TR150400BA	CHIP 2SA1504S(ASY) BK KEC
Q120	0TR150400BA	CHIP 2SA1504S(ASY) BK KEC
Q121	0TR150400BA	CHIP 2SA1504S(ASY) BK KEC
Q122	0TR387500AA	CHIP 2SC3875S(ALY) BK KEC
Q123	0TR387500AA	CHIP 2SC3875S(ALY) BK KEC
Q124	0TR150400BA	CHIP 2SA1504S(ASY) BK KEC
Q125	0TR150400BA	CHIP 2SA1504S(ASY) BK KEC
Q126	0TR387500AA	CHIP 2SC3875S(ALY) BK KEC
Q127	0TR150400BA	CHIP 2SA1504S(ASY) BK KEC
Q149	0TR387500AA	CHIP 2SC3875S(ALY) BK KEC
Q150	0TR150400BA	CHIP 2SA1504S(ASY) BK KEC
Q151	0TR387500AA	CHIP 2SC3875S(ALY) BK KEC
Q152	0TR387500AA	CHIP 2SC3875S(ALY) BK KEC
Q153	0TR387500AA	CHIP 2SC3875S(ALY) BK KEC
Q154	0TR387500AA	CHIP 2SC3875S(ALY) BK KEC
Q155	0TR387500AA	CHIP 2SC3875S(ALY) BK KEC
Q156	0TR150400BA	CHIP 2SA1504S(ASY) BK KEC
Q157	0TR150400BA	CHIP 2SA1504S(ASY) BK KEC

# REPLACEMENT PARTS LIST

LOCA. NO	PART NO	DESCRIPTION	LOCA. NO	PART NO	DESCRIPTION
Q158	0TR150400BA	CHIP 2SA1504S(ASY) BK KEC	LED302	0DL233309AC	LED,SAM2333
Q159	0TR387500AA	CHIP 2SC3875S(ALY) BK KEC	LED901	0DL233309AC	LED,SAM2333
Q160	0TR387500AA	CHIP 2SC3875S(ALY) BK KEC	<b>CAPACITOR</b>		
Q161	0TR387500AA	CHIP 2SC3875S(ALY) BK KEC	C100	0CS335EFKDC	3.3UF 3216 16V 20%,-20%
Q162	0TR387500AA	CHIP 2SC3875S(ALY) BK KEC	C1003	0CE336SH6DC	33UF MVG 25V 20%
Q163	0TR387500AA	CHIP 2SC3875S(ALY) BK KEC	C1005	0CK104CF56A	0.1UF 1608 16V 10%
Q164	0TR387500AA	CHIP 2SC3875S(ALY) BK KEC	C1009	0CK104CF56A	0.1UF 1608 16V 10%
Q165	0TR387500AA	CHIP 2SC3875S(ALY) BK KEC	C101	0CK104CF56A	0.1UF 1608 16V 10%
Q166	0TR387500AA	CHIP 2SC3875S(ALY) BK KEC	C101	0CE225VK6DC	2.2UF MV 50V 20%
Q167	0TR387500AA	CHIP 2SC3875S(ALY) BK KEC	C1010	0CK104CF56A	0.1UF 1608 16V 10%
Q175	0TR387500AA	CHIP 2SC3875S(ALY) BK KEC	C1011	0CK104CF56A	0.1UF 1608 16V 10%
Q176	0TR387500AA	CHIP 2SC3875S(ALY) BK KEC	C1012	0CK104CF56A	0.1UF 1608 16V 10%
Q177	0TR387500AA	CHIP 2SC3875S(ALY) BK KEC	C1014	0CK104CF56A	0.1UF 1608 16V 10%
Q201	0TR387500AA	CHIP 2SC3875S(ALY) BK KEC	C1015	0CC200CK41A	20PF 1608 50V 5%
Q201	0TR150400BA	CHIP 2SA1504S(ASY) BK KEC	C1016	0CK104CF56A	0.1UF 1608 16V 10%
Q202	0TR387500AA	CHIP 2SC3875S(ALY) BK KEC	C1017	0CK104CF56A	0.1UF 1608 16V 10%
Q202	0TR150400BA	CHIP 2SA1504S(ASY) BK KEC	C1018	0CC200CK41A	20PF 1608 50V 5%
Q203	0TR150400BA	CHIP 2SA1504S(ASY) BK KEC	C1019	0CK104CF56A	0.1UF 1608 16V 10%
Q204	0TR150400BA	CHIP 2SA1504S(ASY) BK KEC	C102	0CK103CK56A	0.01UF 1608 50V 10%
Q205	0TR387500AA	CHIP 2SC3875S(ALY) BK KEC	C1020	0CK104CF56A	0.1UF 1608 16V 10%
Q206	0TR387500AA	CHIP 2SC3875S(ALY) BK KEC	C1022	0CK104CF56A	0.1UF 1608 16V 10%
Q207	0TR102008AA	KRA102S R/TP KEC SOT23 CHIP TR	C1023	0CK104CF56A	0.1UF 1608 16V 10%
Q208	0TR387500AA	CHIP 2SC3875S(ALY) BK KEC	C1024	0CK104CF56A	0.1UF 1608 16V 10%
Q209	0TR387500AA	CHIP 2SC3875S(ALY) BK KEC	C1025	0CK104CF56A	0.1UF 1608 16V 10%
Q301	0TR387500AA	CHIP 2SC3875S(ALY) BK KEC	C1026	0CK104CF56A	0.1UF 1608 16V 10%
Q305	0TRKE80038A	KTC3552T-RTK SOT-23F 50V 3A	C1027	0CK104CF56A	0.1UF 1608 16V 10%
Q306	0TR387500AA	CHIP 2SC3875S(ALY) BK KEC	C1028	0CK104CF56A	0.1UF 1608 16V 10%
Q503	0TR150400BA	CHIP 2SA1504S(ASY) BK KEC	C1029	0CK104CF56A	0.1UF 1608 16V 10%
Q504	0TR150400BA	CHIP 2SA1504S(ASY) BK KEC	C103	0CE106VF6DC	10UF MV 16V 20%
Q601	0TR150400BA	CHIP 2SA1504S(ASY) BK KEC	C1030	0CK104CF56A	0.1UF 1608 16V 10%
Q602	0TR150400BA	CHIP 2SA1504S(ASY) BK KEC	C1031	0CK104CF56A	0.1UF 1608 16V 10%
Q6607	0TR150400BA	CHIP 2SA1504S(ASY) BK KEC	C1033	0CK104CF56A	0.1UF 1608 16V 10%
Q6608	0TR150400BA	CHIP 2SA1504S(ASY) BK KEC	C1034	0CK104CF56A	0.1UF 1608 16V 10%
Q800	0TR102009AG	CHIP KRC102S KEC TP SOT-23	C1037	0CK104CF56A	0.1UF 1608 16V 10%
Q801	0TR102009AG	CHIP KRC102S KEC TP SOT-23	C1038	0CK104CF56A	0.1UF 1608 16V 10%
Q805	0TR830009BA	BSS83	C1039	0CK104CF56A	0.1UF 1608 16V 10%
Q806	0TR830009BA	BSS83	C104	0CE225VK6DC	2.2UF MV 50V 20%
Q808	0TR830009BA	BSS83	C104	0CE106VF6DC	10UF MV 16V 20%
<b>DIODE</b>			C1041	0CE336SH6DC	33UF MVG 25V 20%
D200	0DD184009AA	KDS184 TP KEC - 85V - 300MA	C1042	0CE336SH6DC	33UF MVG 25V 20%
D204	0DZRM00248A	ZENERS,RLZ8.2B-TE11	C105	0CK104CF56A	0.1UF 1608 16V 10%
D301	0DD184009AA	KDS184 TP KEC - 85V - 300MA	C106	0CK104CF56A	0.1UF 1608 16V 10%
D505	0DD184009AA	KDS184 TP KEC - 85V - 300MA	C107	0CK104CF56A	0.1UF 1608 16V 10%
D506	0DD184009AA	KDS184 TP KEC - 85V - 300MA	C108	0CK104CF56A	0.1UF 1608 16V 10%
D801	0DD184009AA	KDS184 TP KEC - 85V - 300MA	C109	0CK104CF56A	0.1UF 1608 16V 10%
D900	0DRSE00038A	SDC15 SOT23 12.8V	C110	0CK104CF56A	0.1UF 1608 16V 10%
D901	0DRSE00038A	SDC15 SOT23 12.8V	C111	0CK104CF56A	0.1UF 1608 16V 10%
LD201	0DL200000CA	LED,SAM5670(DL-2LRG)	C112	0CK104CF56A	0.1UF 1608 16V 10%
LED170	0DL233309AC	LED,SAM2333	C113	0CE106VF6DC	10UF MV 16V 20%
LED301	0DL233309AC	LED,SAM2333	C114	0CE106VF6DC	10UF MV 16V 20%

# REPLACEMENT PARTS LIST

LOCA. NO	PART NO	DESCRIPTION	LOCA. NO	PART NO	DESCRIPTION
C115	0CK104CF56A	0.1UF 1608 16V 10%	C1342	0CK104CF56A	0.1UF 1608 16V 10%
C116	0CK104CF56A	0.1UF 1608 16V 10%	C1343	0CK104CF56A	0.1UF 1608 16V 10%
C117	0CK104CF56A	0.1UF 1608 16V 10%	C1344	0CE476SF6DC	47UF MVG 16V 20%
C118	0CK104CF56A	0.1UF 1608 16V 10%	C1345	0CE476SF6DC	47UF MVG 16V 20%
C118	0CE105SK6DC	1UF MVG 50V 20%	C1346	0CK104CF56A	0.1UF 1608 16V 10%
C119	0CK104CF56A	0.1UF 1608 16V 10%	C1347	0CK104CF56A	0.1UF 1608 16V 10%
C120	0CK104CF56A	0.1UF 1608 16V 10%	C1348	0CK104CF56A	0.1UF 1608 16V 10%
C1200	0CE475SK6DC	4.7UF MVG 50V 20%	C1349	0CK104CF56A	0.1UF 1608 16V 10%
C1201	0CE475SK6DC	4.7UF MVG 50V 20%	C1350	0CK104CF56A	0.1UF 1608 16V 10%
C1203	0CE226SF6DC	22UF MVG 16V 20%	C1351	0CK104CF56A	0.1UF 1608 16V 10%
C121	0CK104CF56A	0.1UF 1608 16V 10%	C1352	0CK104CF56A	0.1UF 1608 16V 10%
C1213	0CE476SF6DC	47UF MVG 16V 20%	C1353	0CK104CF56A	0.1UF 1608 16V 10%
C1214	0CK105DF64A	1UF 2012 16V 20%	C1354	0CK104CF56A	0.1UF 1608 16V 10%
C1216	0CE476SF6DC	47UF MVG 16V 20%	C1355	0CK104CF56A	0.1UF 1608 16V 10%
C1219	0CE476SF6DC	47UF MVG 16V 20%	C1356	0CK104CF56A	0.1UF 1608 16V 10%
C122	0CK104CF56A	0.1UF 1608 16V 10%	C1357	0CK104CF56A	0.1UF 1608 16V 10%
C1221	0CE476SF6DC	47UF MVG 16V 20%	C1358	0CK104CF56A	0.1UF 1608 16V 10%
C123	0CE106VF6DC	10UF MV 16V 20%	C1359	0CK104CF56A	0.1UF 1608 16V 10%
C124	0CK104CF56A	0.1UF 1608 16V 10%	C1360	0CK104CF56A	0.1UF 1608 16V 10%
C1242	0CE108DJ618	1000UF STD 35V 20%	C1361	0CK104CF56A	0.1UF 1608 16V 10%
C125	0CK104CF56A	0.1UF 1608 16V 10%	C1362	0CK104CF56A	0.1UF 1608 16V 10%
C1255	0CE476SF6DC	47UF MVG 16V 20%	C1363	0CK106EF56A	10UF 3216 16V 10%
C1258	0CE108DJ618	1000UF STD 35V 20%	C144	0CE105SK6DC	1UF MVG 50V 20%
C126	0CE336SD6DC	33UF MVG 10V 20%	C148	0CE226SF6DC	22UF MVG 16V 20%
C1264	0CE476SF6DC	47UF MVG 16V 20%	C149	0CE226SF6DC	22UF MVG 16V 20%
C1266	0CE476SF6DC	47UF MVG 16V 20%	C150	0CE476SF6DC	47UF MVG 16V 20%
C1269	0CE107SF6DC	100UF MVG 16V 20%	C152	0CE107SF6DC	100UF MVG 16V 20%
C1273	0CE476SF6DC	47UF MVG 16V 20%	C158	0CE105SK6DC	1UF MVG 50V 20%
C1277	0CE477SF6DC	470UF MVG 16V 20%	C161	0CE105SK6DC	1UF MVG 50V 20%
C1279	0CE107SF6DC	100UF MVG 16V 20%	C162	0CE225VK6DC	2.2UF MV 50V 20%
C1318	0CK104CF56A	0.1UF 1608 16V 10%	C163	0CE225VK6DC	2.2UF MV 50V 20%
C1321	0CE476SF6DC	47UF MVG 16V 20%	C168	0CK105DF64A	1UF 2012 16V 20%
C1322	0CE476SF6DC	47UF MVG 16V 20%	C1700	0CK104CF56A	0.1UF 1608 16V 10%
C1323	0CK104CF56A	0.1UF 1608 16V 10%	C1701	0CK104CF56A	0.1UF 1608 16V 10%
C1324	0CK103CK56A	0.01UF 1608 50V 10%	C1702	0CK104CF56A	0.1UF 1608 16V 10%
C1325	0CE476SF6DC	47UF MVG 16V 20%	C1703	0CE477SF6DC	470UF MVG 16V 20%
C1326	0CK104CF56A	0.1UF 1608 16V 10%	C1704	0CE477SF6DC	470UF MVG 16V 20%
C1327	0CE106VF6DC	10UF MV 16V 20%	C1705	0CE477SF6DC	470UF MVG 16V 20%
C1328	0CK104CF56A	0.1UF 1608 16V 10%	C1706	0CE477SF6DC	470UF MVG 16V 20%
C1329	0CK104CF56A	0.1UF 1608 16V 10%	C1707	0CE477SF6DC	470UF MVG 16V 20%
C1330	0CK104CF56A	0.1UF 1608 16V 10%	C1708	0CE477SF6DC	470UF MVG 16V 20%
C1331	0CK102CK56A	1000PF 1608 50V 0.1	C1709	0CK104CF56A	0.1UF 1608 16V 10%
C1332	0CK104CF56A	0.1UF 1608 16V 10%	C171	0CK105DF64A	1UF 2012 16V 20%
C1333	0CK104CF56A	0.1UF 1608 16V 10%	C1710	0CK104CF56A	0.1UF 1608 16V 10%
C1334	0CE106VF6DC	10UF MV 16V 20%	C1711	0CK104CF56A	0.1UF 1608 16V 10%
C1335	0CK102CK56A	1000PF 1608 50V 0.1	C1712	0CE476SF6DC	47UF MVG 16V 20%
C1336	0CK104CF56A	0.1UF 1608 16V 10%	C1713	0CE476SF6DC	47UF MVG 16V 20%
C1337	0CK104CF56A	0.1UF 1608 16V 10%	C1714	0CK104CF56A	0.1UF 1608 16V 10%
C1338	0CK104CF56A	0.1UF 1608 16V 10%	C1715	0CK104CF56A	0.1UF 1608 16V 10%
C1339	0CE106VF6DC	10UF MV 16V 20%	C1716	0CK104CF56A	0.1UF 1608 16V 10%
C1341	0CK104CF56A	0.1UF 1608 16V 10%	C1717	0CK104CF56A	0.1UF 1608 16V 10%

# REPLACEMENT PARTS LIST

LOCA. NO	PART NO	DESCRIPTION	LOCA. NO	PART NO	DESCRIPTION
C1718	0CE476SF6DC	47UF MVG 16V 20%	C225	0CK104CF56A	0.1UF 1608 16V 10%
C1719	0CE476SF6DC	47UF MVG 16V 20%	C226	0CC100CK11A	10PF 1608 50V 0.5 PF
C172	0CE106SK6DC	10UF MVG 50V 20%	C227	0CC100CK11A	10PF 1608 50V 0.5 PF
C1722	0CE477SF6DC	470UF MVG 16V 20%	C228	0CK104CF56A	0.1UF 1608 16V 10%
C1725	0CK104CF56A	0.1UF 1608 16V 10%	C232	0CE476SF6DC	47UF MVG 16V 20%
C1726	0CK104CF56A	0.1UF 1608 16V 10%	C233	0CE476SF6DC	47UF MVG 16V 20%
C1727	0CK104CF56A	0.1UF 1608 16V 10%	C234	0CE107SF6DC	100UF MVG 16V 20%
C1728	0CE476SF6DC	47UF MVG 16V 20%	C235	0CE476SF6DC	47UF MVG 16V 20%
C1729	0CE476SF6DC	47UF MVG 16V 20%	C236	0CE476SF6DC	47UF MVG 16V 20%
C1730	0CK104CF56A	0.1UF 1608 16V 10%	C244	0CE477SF6DC	470UF MVG 16V 20%
C1731	0CE477SF6DC	470UF MVG 16V 20%	C245	0CE477SF6DC	470UF MVG 16V 20%
C1739	0CK104CF56A	0.1UF 1608 16V 10%	C251	0CE476SF6DC	47UF MVG 16V 20%
C1740	0CE476SF6DC	47UF MVG 16V 20%	C253	0CE476SF6DC	47UF MVG 16V 20%
C1741	0CK104CF56A	0.1UF 1608 16V 10%	C254	0CE476SF6DC	47UF MVG 16V 20%
C1742	0CE476SF6DC	47UF MVG 16V 20%	C255	0CE476SF6DC	47UF MVG 16V 20%
C175	0CE108DJ618	1000UF STD 35V 20%	C260	0CE476SF6DC	47UF MVG 16V 20%
C186	0CF4741L438	0.47UF D 63V 5%	C266	0CE107SF6DC	100UF MVG 16V 20%
C190	0CF4741L438	0.47UF D 63V 5%	C269	0CE107SF6DC	100UF MVG 16V 20%
C202	0CE4763F618	47UF SRE,SE 16V 20%	C274	0CE226SF6DC	22UF MVG 16V 20%
C202	0CE106VF6DC	10UF MV 16V 20%	C280	0CE335SK6DC	3.3UF MVG 50V 20%
C203	0CE106VF6DC	10UF MV 16V 20%	C295	0CE335SK6DC	3.3UF MVG 50V 20%
C204	0CK104CF56A	0.1UF 1608 16V 10%	C297	0CE107SF6DC	100UF MVG 16V 20%
C205	0CK104CF56A	0.1UF 1608 16V 10%	C298	0CE106SF6DC	10UF MVG 16V 20%
C205	0CE476SF6DC	47UF MVG 16V 20%	C299	0CE106SF6DC	10UF MVG 16V 20%
C207	0CK104CF56A	0.1UF 1608 16V 10%	C300	0CK104CF56A	0.1UF 1608 16V 10%
C207	0CE477DJ618	470UF STD 35V 20%	C301	0CK104CF56A	0.1UF 1608 16V 10%
C208	0CK104CF56A	0.1UF 1608 16V 10%	C302	0CK104CF56A	0.1UF 1608 16V 10%
C209	0CK104CF56A	0.1UF 1608 16V 10%	C303	0CK104CF56A	0.1UF 1608 16V 10%
C210	0CK104CF56A	0.1UF 1608 16V 10%	C304	0CK104CF56A	0.1UF 1608 16V 10%
C211	0CK104CF56A	0.1UF 1608 16V 10%	C305	0CK104CF56A	0.1UF 1608 16V 10%
C212	0CK104CF56A	0.1UF 1608 16V 10%	C306	0CK104CF56A	0.1UF 1608 16V 10%
C212	0CE477SF6DC	470UF MVG 16V 20%	C307	0CK104CF56A	0.1UF 1608 16V 10%
C213	0CK104CF56A	0.1UF 1608 16V 10%	C308	0CK104CF56A	0.1UF 1608 16V 10%
C213	0CE477SF6DC	470UF MVG 16V 20%	C309	0CK104CF56A	0.1UF 1608 16V 10%
C214	0CK104CF56A	0.1UF 1608 16V 10%	C309	0CE476SF6DC	47UF MVG 16V 20%
C214	0CE477SF6DC	470UF MVG 16V 20%	C310	0CK104CF56A	0.1UF 1608 16V 10%
C215	0CK104CF56A	0.1UF 1608 16V 10%	C310	0CE476SF6DC	47UF MVG 16V 20%
C215	0CE477DJ618	470UF STD 35V 20%	C311	0CK104CF56A	0.1UF 1608 16V 10%
C216	0CK104CF56A	0.1UF 1608 16V 10%	C312	0CK104CF56A	0.1UF 1608 16V 10%
C216	0CE477SF6DC	470UF MVG 16V 20%	C313	0CK104CF56A	0.1UF 1608 16V 10%
C217	0CK104CF56A	0.1UF 1608 16V 10%	C314	0CK104CF56A	0.1UF 1608 16V 10%
C217	0CE477SF6DC	470UF MVG 16V 20%	C315	0CK104CF56A	0.1UF 1608 16V 10%
C218	0CK104CF56A	0.1UF 1608 16V 10%	C317	0CK104CF56A	0.1UF 1608 16V 10%
C219	0CE226SF6DC	22UF MVG 16V 20%	C318	0CK104CF56A	0.1UF 1608 16V 10%
C220	0CK104CF56A	0.1UF 1608 16V 10%	C319	0CK104CF56A	0.1UF 1608 16V 10%
C221	0CK104CF56A	0.1UF 1608 16V 10%	C320	0CK104CF56A	0.1UF 1608 16V 10%
C222	0CK104CF56A	0.1UF 1608 16V 10%	C330	0CK104CF56A	0.1UF 1608 16V 10%
C223	0CK104CF56A	0.1UF 1608 16V 10%	C331	0CK104CF56A	0.1UF 1608 16V 10%
C223	0CE477SF6DC	470UF MVG 16V 20%	C332	0CK104CF56A	0.1UF 1608 16V 10%
C224	0CK104CF56A	0.1UF 1608 16V 10%	C333	0CK104CF56A	0.1UF 1608 16V 10%
C224	0CE107SF6DC	100UF MVG 16V 20%	C338	0CE476SF6DC	47UF MVG 16V 20%

## REPLACEMENT PARTS LIST

LOCA. NO	PART NO	DESCRIPTION	LOCA. NO	PART NO	DESCRIPTION
C343	0CE335SK6DC	3.3UF MVG 50V 20%	C435	0CK104CF56A	0.1UF 1608 16V 10%
C345	0CE225VK6DC	2.2UF MV 50V 20%	C436	0CK104CF56A	0.1UF 1608 16V 10%
C358	0CE476SF6DC	47UF MVG 16V 20%	C436	0CE106SF6DC	10UF MVG 16V 20%
C360	0CE476SF6DC	47UF MVG 16V 20%	C437	0CK104CF56A	0.1UF 1608 16V 10%
C364	0CE106SF6DC	10UF MVG 16V 20%	C438	0CK104CF56A	0.1UF 1608 16V 10%
C370	0CK105DF64A	1UF 2012 16V 20%	C438	0CE106SF6DC	10UF MVG 16V 20%
C375	0CE106SH6DC	10UF MVG 25V 20%	C439	0CK104CF56A	0.1UF 1608 16V 10%
C383	0CE476SF6DC	47UF MVG 16V 20%	C439	0CE106SF6DC	10UF MVG 16V 20%
C400	0CE226SF6DC	22UF MVG 16V 20%	C440	0CK104CF56A	0.1UF 1608 16V 10%
C401	0CK104CF56A	0.1UF 1608 16V 10%	C440	0CE106SF6DC	10UF MVG 16V 20%
C402	0CK104CF56A	0.1UF 1608 16V 10%	C441	0CK104CF56A	0.1UF 1608 16V 10%
C403	0CE336SD6DC	33UF MVG 10V 20%	C441	0CE106SF6DC	10UF MVG 16V 20%
C404	0CK104CF56A	0.1UF 1608 16V 10%	C442	0CK104CF56A	0.1UF 1608 16V 10%
C405	0CK104CF56A	0.1UF 1608 16V 10%	C443	0CK104CF56A	0.1UF 1608 16V 10%
C406	0CK104CF56A	0.1UF 1608 16V 10%	C443	0CE106SF6DC	10UF MVG 16V 20%
C407	0CK104CF56A	0.1UF 1608 16V 10%	C444	0CK104CF56A	0.1UF 1608 16V 10%
C408	0CK104CF56A	0.1UF 1608 16V 10%	C444	0CE106SF6DC	10UF MVG 16V 20%
C408	0CE476SF6DC	47UF MVG 16V 20%	C445	0CK104CF56A	0.1UF 1608 16V 10%
C409	0CK104CF56A	0.1UF 1608 16V 10%	C445	0CE106SF6DC	10UF MVG 16V 20%
C410	0CK104CF56A	0.1UF 1608 16V 10%	C446	0CK104CF56A	0.1UF 1608 16V 10%
C411	0CK104CF56A	0.1UF 1608 16V 10%	C446	0CE106SF6DC	10UF MVG 16V 20%
C412	0CK104CF56A	0.1UF 1608 16V 10%	C447	0CK104CF56A	0.1UF 1608 16V 10%
C412	0CE476SF6DC	47UF MVG 16V 20%	C448	0CK104CF56A	0.1UF 1608 16V 10%
C413	0CK104CF56A	0.1UF 1608 16V 10%	C448	0CE106SF6DC	10UF MVG 16V 20%
C414	0CK104CF56A	0.1UF 1608 16V 10%	C449	0CK104CF56A	0.1UF 1608 16V 10%
C415	0CK104CF56A	0.1UF 1608 16V 10%	C450	0CK104CF56A	0.1UF 1608 16V 10%
C415	0CE476SF6DC	47UF MVG 16V 20%	C451	0CK104CF56A	0.1UF 1608 16V 10%
C416	0CK104CF56A	0.1UF 1608 16V 10%	C452	0CK104CF56A	0.1UF 1608 16V 10%
C417	0CK104CF56A	0.1UF 1608 16V 10%	C453	0CK104CF56A	0.1UF 1608 16V 10%
C418	0CK104CF56A	0.1UF 1608 16V 10%	C454	0CK104CF56A	0.1UF 1608 16V 10%
C419	0CK105DF64A	1UF 2012 16V 20%	C455	0CK104CF56A	0.1UF 1608 16V 10%
C419	0CK104CF56A	0.1UF 1608 16V 10%	C456	0CK104CF56A	0.1UF 1608 16V 10%
C420	0CK104CF56A	0.1UF 1608 16V 10%	C457	0CK104CF56A	0.1UF 1608 16V 10%
C421	0CK104CF56A	0.1UF 1608 16V 10%	C458	0CK104CF56A	0.1UF 1608 16V 10%
C422	0CK104CF56A	0.1UF 1608 16V 10%	C459	0CE106VF6DC	10UF MV 16V 20%
C422	0CE476SF6DC	47UF MVG 16V 20%	C460	0CK103CK56A	0.01UF 1608 50V 10%
C423	0CK104CF56A	0.1UF 1608 16V 10%	C460	0CE107SF6DC	100UF MVG 16V 20%
C424	0CK104CF56A	0.1UF 1608 16V 10%	C461	0CK103CK56A	0.01UF 1608 50V 10%
C425	0CK104CF56A	0.1UF 1608 16V 10%	C462	0CK103CK56A	0.01UF 1608 50V 10%
C426	0CK104CF56A	0.1UF 1608 16V 10%	C463	0CK103CK56A	0.01UF 1608 50V 10%
C427	0CK104CF56A	0.1UF 1608 16V 10%	C464	0CK104CF56A	0.1UF 1608 16V 10%
C427	0CE476SF6DC	47UF MVG 16V 20%	C466	0CK104CF56A	0.1UF 1608 16V 10%
C428	0CK104CF56A	0.1UF 1608 16V 10%	C467	0CK104CF56A	0.1UF 1608 16V 10%
C429	0CK104CF56A	0.1UF 1608 16V 10%	C468	0CK104CF56A	0.1UF 1608 16V 10%
C430	0CK104CF56A	0.1UF 1608 16V 10%	C468	0CE107SF6DC	100UF MVG 16V 20%
C431	0CK104CF56A	0.1UF 1608 16V 10%	C469	0CK104CF56A	0.1UF 1608 16V 10%
C432	0CK104CF56A	0.1UF 1608 16V 10%	C470	0CK104CF56A	0.1UF 1608 16V 10%
C433	0CK104CF56A	0.1UF 1608 16V 10%	C471	0CK104CF56A	0.1UF 1608 16V 10%
C433	0CE106SF6DC	10UF MVG 16V 20%	C472	0CK104CF56A	0.1UF 1608 16V 10%
C434	0CK104CF56A	0.1UF 1608 16V 10%	C472	0CE105SK6DC	1UF MVG 50V 20%
C434	0CE106SF6DC	10UF MVG 16V 20%	C473	0CK104CF56A	0.1UF 1608 16V 10%

# REPLACEMENT PARTS LIST

LOCA. NO	PART NO	DESCRIPTION	LOCA. NO	PART NO	DESCRIPTION
C474	0CK104CF56A	0.1UF 1608 16V 10%	C534	0CK104CF56A	0.1UF 1608 16V 10%
C475	0CK104CF56A	0.1UF 1608 16V 10%	C535	0CE226SF6DC	22UF MVG 16V 20%
C476	0CK104CF56A	0.1UF 1608 16V 10%	C536	0CK104CF56A	0.1UF 1608 16V 10%
C477	0CK104CF56A	0.1UF 1608 16V 10%	C537	0CC100CK11A	10PF 1608 50V 0.5 PF
C477	0CE105SK6DC	1UF MVG 50V 20%	C537	0CE477SF6DC	470UF MVG 16V 20%
C478	0CK104CF56A	0.1UF 1608 16V 10%	C538	0CE106VF6DC	10UF MV 16V 20%
C479	0CK104CF56A	0.1UF 1608 16V 10%	C539	0CC270CK41A	27PF 1608 50V 5%
C480	0CK104CF56A	0.1UF 1608 16V 10%	C539	0CE107SF6DC	100UF MVG 16V 20%
C481	0CK104CF56A	0.1UF 1608 16V 10%	C540	0CK104CF56A	0.1UF 1608 16V 10%
C482	0CK104CF56A	0.1UF 1608 16V 10%	C541	0CE226SF6DC	22UF MVG 16V 20%
C483	0CK104CF56A	0.1UF 1608 16V 10%	C542	0CK104CF56A	0.1UF 1608 16V 10%
C483	0CE107SF6DC	100UF MVG 16V 20%	C543	0CK104CF56A	0.1UF 1608 16V 10%
C484	0CK104CF56A	0.1UF 1608 16V 10%	C544	0CK104CF56A	0.1UF 1608 16V 10%
C485	0CK104CF56A	0.1UF 1608 16V 10%	C545	0CK104CF56A	0.1UF 1608 16V 10%
C486	0CE226SF6DC	22UF MVG 16V 20%	C554	0CE105SK6DC	1UF MVG 50V 20%
C487	0CK104CF56A	0.1UF 1608 16V 10%	C600	0CK103CK56A	0.01UF 1608 50V 10%
C488	0CE226SF6DC	22UF MVG 16V 20%	C601	0CE226SF6DC	22UF MVG 16V 20%
C490	0CE106SF6DC	10UF MVG 16V 20%	C6015	0CE476SF6DC	47UF MVG 16V 20%
C492	0CE105SK6DC	1UF MVG 50V 20%	C6017	0CE106SF6DC	10UF MVG 16V 20%
C500	0CK104CF56A	0.1UF 1608 16V 10%	C602	0CE226SF6DC	22UF MVG 16V 20%
C501	0CK104CF56A	0.1UF 1608 16V 10%	C603	0CC470CK41A	47PF 1608 50V 5%
C502	0CK104CF56A	0.1UF 1608 16V 10%	C6034	0CE226SF6DC	22UF MVG 16V 20%
C503	0CK104CF56A	0.1UF 1608 16V 10%	C6036	0CE226SF6DC	22UF MVG 16V 20%
C504	0CK104CF56A	0.1UF 1608 16V 10%	C6038	0CE226SF6DC	22UF MVG 16V 20%
C504	0CE476VK6DC	47UF MV 50V 20%	C604	0CK104CF56A	0.1UF 1608 16V 10%
C505	0CK104CF56A	0.1UF 1608 16V 10%	C6040	0CE226SF6DC	22UF MVG 16V 20%
C506	0CK104CF56A	0.1UF 1608 16V 10%	C6049	0CE226SF6DC	22UF MVG 16V 20%
C507	0CK104CF56A	0.1UF 1608 16V 10%	C605	0CE107VF6DC	100UF MV 16V 20%
C508	0CK104CF56A	0.1UF 1608 16V 10%	C606	0CK104CF56A	0.1UF 1608 16V 10%
C508	0CE476SF6DC	47UF MVG 16V 20%	C607	0CK104CF56A	0.1UF 1608 16V 10%
C509	0CK104CF56A	0.1UF 1608 16V 10%	C608	0CK104CF56A	0.1UF 1608 16V 10%
C510	0CK104CF56A	0.1UF 1608 16V 10%	C609	0CK104CF56A	0.1UF 1608 16V 10%
C511	0CK104CF56A	0.1UF 1608 16V 10%	C610	0CE107VF6DC	100UF MV 16V 20%
C512	0CK104CF56A	0.1UF 1608 16V 10%	C611	0CC470CK41A	47PF 1608 50V 5%
C513	0CK104CF56A	0.1UF 1608 16V 10%	C612	0CE226SF6DC	22UF MVG 16V 20%
C513	0CE226SF6DC	22UF MVG 16V 20%	C613	0CE226SF6DC	22UF MVG 16V 20%
C519	0CE106SF6DC	10UF MVG 16V 20%	C614	0CK103CK56A	0.01UF 1608 50V 10%
C521	0CK104CF56A	0.1UF 1608 16V 10%	C615	0CK104CF56A	0.1UF 1608 16V 10%
C522	0CK104CF56A	0.1UF 1608 16V 10%	C616	0CE476SF6DC	47UF MVG 16V 20%
C522	0CE226SF6DC	22UF MVG 16V 20%	C617	0CK104CF56A	0.1UF 1608 16V 10%
C523	0CK104CF56A	0.1UF 1608 16V 10%	C618	0CE476SF6DC	47UF MVG 16V 20%
C524	0CK104CF56A	0.1UF 1608 16V 10%	C619	0CK472CK56A	4700PF 1608 50V 10%
C525	0CK104CF56A	0.1UF 1608 16V 10%	C620	0CE106VF6DC	10UF MV 16V 20%
C526	0CK104CF56A	0.1UF 1608 16V 10%	C621	0CK103CK56A	0.01UF 1608 50V 10%
C527	0CK104CF56A	0.1UF 1608 16V 10%	C622	0CK104CF56A	0.1UF 1608 16V 10%
C528	0CK104CF56A	0.1UF 1608 16V 10%	C623	0CK104CF56A	0.1UF 1608 16V 10%
C529	0CK104CF56A	0.1UF 1608 16V 10%	C624	0CK103CK56A	0.01UF 1608 50V 10%
C530	0CK104CF56A	0.1UF 1608 16V 10%	C625	0CK103CK56A	0.01UF 1608 50V 10%
C531	0CK104CF56A	0.1UF 1608 16V 10%	C626	0CK104CF56A	0.1UF 1608 16V 10%
C532	0CK104CF56A	0.1UF 1608 16V 10%	C627	0CK103CK56A	0.01UF 1608 50V 10%
C533	0CK104CF56A	0.1UF 1608 16V 10%	C628	0CK104CF56A	0.1UF 1608 16V 10%

# REPLACEMENT PARTS LIST

LOCA. NO	PART NO	DESCRIPTION	LOCA. NO	PART NO	DESCRIPTION
C629	0CK104CF56A	0.1UF 1608 16V 10%	C8038	0CK102CK56A	1000PF 1608 50V 0.1
C630	0CK104CF56A	0.1UF 1608 16V 10%	C8039	0CK104CF56A	0.1UF 1608 16V 10%
C631	0CK104CF56A	0.1UF 1608 16V 10%	C804	0CK104CF56A	0.1UF 1608 16V 10%
C6605	0CE226SF6DC	22UF MVG 16V 20%	C8040	0CK102CK56A	1000PF 1608 50V 0.1
C6608	0CE226SF6DC	22UF MVG 16V 20%	C8041	0CK102CK56A	1000PF 1608 50V 0.1
C6609	0CE107SF6DC	100UF MVG 16V 20%	C8042	0CK102CK56A	1000PF 1608 50V 0.1
C6611	0CE226SF6DC	22UF MVG 16V 20%	C8043	0CK104CF56A	0.1UF 1608 16V 10%
C6615	0CE226SF6DC	22UF MVG 16V 20%	C8044	0CK104CF56A	0.1UF 1608 16V 10%
C6617	0CE226SF6DC	22UF MVG 16V 20%	C8045	0CK104CF56A	0.1UF 1608 16V 10%
C6703	0CE476SF6DC	47UF MVG 16V 20%	C8046	0CK104CF56A	0.1UF 1608 16V 10%
C6706	0CE106SK6DC	10UF MVG 50V 20%	C8047	0CE106VF6DC	10UF MV 16V 20%
C800	0CK104CF56A	0.1UF 1608 16V 10%	C8048	0CK104CF56A	0.1UF 1608 16V 10%
C8001	0CK102CK56A	1000PF 1608 50V 0.1	C8049	0CK104CF56A	0.1UF 1608 16V 10%
C8002	0CK102CK56A	1000PF 1608 50V 0.1	C805	0CK104CF56A	0.1UF 1608 16V 10%
C8003	0CK102CK56A	1000PF 1608 50V 0.1	C8050	0CK104CF56A	0.1UF 1608 16V 10%
C8004	0CK102CK56A	1000PF 1608 50V 0.1	C8051	0CK104CF56A	0.1UF 1608 16V 10%
C8005	0CE106VF6DC	10UF MV 16V 20%	C8052	0CK102CK56A	1000PF 1608 50V 0.1
C8006	0CK104CF56A	0.1UF 1608 16V 10%	C8053	0CK102CK56A	1000PF 1608 50V 0.1
C8007	0CK103CK56A	0.01UF 1608 50V 10%	C8054	0CK102CK56A	1000PF 1608 50V 0.1
C8008	0CC180CKH1A	18PF 1608 50V 5%	C8055	0CK102CK56A	1000PF 1608 50V 0.1
C8009	0CC180CKH1A	18PF 1608 50V 5%	C8056	0CK102CK56A	1000PF 1608 50V 0.1
C801	0CK104CF56A	0.1UF 1608 16V 10%	C8057	0CK102CK56A	1000PF 1608 50V 0.1
C8010	0CK102CK56A	1000PF 1608 50V 0.1	C8058	0CK102CK56A	1000PF 1608 50V 0.1
C8012	0CK104CF56A	0.1UF 1608 16V 10%	C8059	0CK102CK56A	1000PF 1608 50V 0.1
C8013	0CK103CK56A	0.01UF 1608 50V 10%	C806	0CK102CK56A	1000PF 1608 50V 0.1
C8014	0CK102CK56A	1000PF 1608 50V 0.1	C8060	0CK102CK56A	1000PF 1608 50V 0.1
C8015	0CK102CK56A	1000PF 1608 50V 0.1	C8061	0CK102CK56A	1000PF 1608 50V 0.1
C8016	0CK102CK56A	1000PF 1608 50V 0.1	C8062	0CE106VF6DC	10UF MV 16V 20%
C8017	0CK102CK56A	1000PF 1608 50V 0.1	C8064	0CK103CK56A	0.01UF 1608 50V 10%
C8018	0CK102CK56A	1000PF 1608 50V 0.1	C8068	0CE106VF6DC	10UF MV 16V 20%
C8019	0CK102CK56A	1000PF 1608 50V 0.1	C8069	0CK104CF56A	0.1UF 1608 16V 10%
C802	0CK104CF56A	0.1UF 1608 16V 10%	C8070	0CE226SF6DC	22UF MVG 16V 20%
C8020	0CK104CF56A	0.1UF 1608 16V 10%	C8071	0CK104CF56A	0.1UF 1608 16V 10%
C8021	0CK104CF56A	0.1UF 1608 16V 10%	C8072	0CK104CF56A	0.1UF 1608 16V 10%
C8022	0CK104CF56A	0.1UF 1608 16V 10%	C8073	0CE336SD6DC	33UF MVG 10V 20%
C8023	0CK104CF56A	0.1UF 1608 16V 10%	C8074	0CK104CF56A	0.1UF 1608 16V 10%
C8024	0CE106VF6DC	10UF MV 16V 20%	C8075	0CE226SF6DC	22UF MVG 16V 20%
C8025	0CE106VF6DC	10UF MV 16V 20%	C8076	0CK104CF56A	0.1UF 1608 16V 10%
C8026	0CK102CK56A	1000PF 1608 50V 0.1	C814	0CE106VF6DC	10UF MV 16V 20%
C8027	0CK104CF56A	0.1UF 1608 16V 10%	C815	0CE106VF6DC	10UF MV 16V 20%
C8028	0CK102CK56A	1000PF 1608 50V 0.1	C818	0CK473CH56A	0.047UF 1608 25V 10%
C8029	0CK103CK56A	0.01UF 1608 50V 10%	C819	0CK473CH56A	0.047UF 1608 25V 10%
C803	0CE106VF6DC	10UF MV 16V 20%	C820	0CK473CH56A	0.047UF 1608 25V 10%
C8030	0CK103CK56A	0.01UF 1608 50V 10%	C822	0CC221CK41A	220PF 1608 50V 5%
C8031	0CE106VF6DC	10UF MV 16V 20%	C824	0CE226SF6DC	22UF MVG 16V 20%
C8032	0CK104CF56A	0.1UF 1608 16V 10%	C825	0CE226SF6DC	22UF MVG 16V 20%
C8033	0CK104CF56A	0.1UF 1608 16V 10%	C826	0CK104CF56A	0.1UF 1608 16V 10%
C8034	0CE106VF6DC	10UF MV 16V 20%	C827	0CK104CF56A	0.1UF 1608 16V 10%
C8035	0CK104CF56A	0.1UF 1608 16V 10%	C828	0CK104CF56A	0.1UF 1608 16V 10%
C8036	0CK102CK56A	1000PF 1608 50V 0.1	C829	0CK104CF56A	0.1UF 1608 16V 10%
C8037	0CK102CK56A	1000PF 1608 50V 0.1	C830	0CK104CF56A	0.1UF 1608 16V 10%



# REPLACEMENT PARTS LIST

LOCA. NO	PART NO	DESCRIPTION	LOCA. NO	PART NO	DESCRIPTION
C831	0CK104CF56A	0.1UF 1608 16V 10%	C922	0CK104CF56A	0.1UF 1608 16V 10%
C832	0CK104CF56A	0.1UF 1608 16V 10%	C923	0CC331CK41A	330PF 1608 50V 5%
C833	0CK104CF56A	0.1UF 1608 16V 10%	C924	0CK104CF56A	0.1UF 1608 16V 10%
C834	0CK104CF56A	0.1UF 1608 16V 10%	C925	0CK334CF56A	0.33UF 1608 16V 10%
C835	0CK104CF56A	0.1UF 1608 16V 10%	C926	0CK334CF56A	0.33UF 1608 16V 10%
C839	0CK104CF56A	0.1UF 1608 16V 10%	C927	0CK334CF56A	0.33UF 1608 16V 10%
C840	0CK104CF56A	0.1UF 1608 16V 10%	C928	0CK334CF56A	0.33UF 1608 16V 10%
C842	0CK104CF56A	0.1UF 1608 16V 10%	C929	0CK473CH56A	0.047UF 1608 25V 10%
C843	0CK823CF56A	82NF 1608 16V 10%	<b>COIL</b>		
C846	0CK104CF56A	0.1UF 1608 16V 10%	L130	6140VB0032A	COIL,CHOKE DBF-1015A 15.5UH
C847	0CK104CF56A	0.1UF 1608 16V 10%	L131	6140VB0032A	COIL,CHOKE DBF-1015A 15.5UH
C849	0CK822CK46A	8.2NF 1608 50V 5%	L132	6140VB0032A	COIL,CHOKE DBF-1015A 15.5UH
C850	0CK104CF56A	0.1UF 1608 16V 10%	L133	6140VB0032A	COIL,CHOKE DBF-1015A 15.5UH
C852	0CK104CF56A	0.1UF 1608 16V 10%	L1700	6140VB0004B	COIL,CHOKE 26UH
C853	0CK104CF56A	0.1UF 1608 16V 10%	L1701	6140VB0004B	COIL,CHOKE 26UH
C858	0CK104CF56A	0.1UF 1608 16V 10%	L201	6140VB0004B	COIL,CHOKE 26UH
C859	0CK104CF56A	0.1UF 1608 16V 10%	L202	6140VB0004B	COIL,CHOKE 26UH
C860	0CK104CF56A	0.1UF 1608 16V 10%	L203	6140VB0004B	COIL,CHOKE 26UH
C861	0CK104CF56A	0.1UF 1608 16V 10%	L204	6140VB0004B	COIL,CHOKE 26UH
C863	0CC470CK41A	47PF 1608 50V 5%	<b>CONNECTOR</b>		
C871	0CK104CF56A	0.1UF 1608 16V 10%	C10	6630CE00168	CONNECTOR,CARD BUS 10003526-150CALF
C872	0CK104CF56A	0.1UF 1608 16V 10%	C11	387-G04Q	CONNECTOR ASSEMBLY,4P 2.5MM 1200MM
C874	0CE226SF6DC	22UF MVG 16V 20%	C12	387-J08Q	CONNECTOR ASSEMBLY,8P 2.5MM 1200MM
C880	0CK104CF56A	0.1UF 1608 16V 10%	C13	387-G03E	CONNECTOR ASSEMBLY,3P 2.5MM 300MM
C883	0CE226SF6DC	22UF MVG 16V 20%	C14	6631V25032E	CONNECTOR ASSEMBLY,3P 2.5MM 300MM
C884	0CK104CF56A	0.1UF 1608 16V 10%	C15	6631V25032E	CONNECTOR ASSEMBLY,3P 2.5MM 300MM
C887	0CK104CF56A	0.1UF 1608 16V 10%	C16	6631V39015E	CONNECTOR ASSEMBLY,4P 3.96MM 300MM
C889	0CE106VF6DC	10UF MV 16V 20%	C17	6631V39016E	CONNECTOR ASSEMBLY,10P 3.96MM 300MM
C890	0CK104CF56A	0.1UF 1608 16V 10%	C3	387-J12N	CONNECTOR ASSEMBLY,12P 2.5MM 900MM
C891	0CK104CF56A	0.1UF 1608 16V 10%	C4	6631V00045B	CONNECTOR ASSEMBLY,10P SPECIAL 150MM
C892	0CE106VF6DC	10UF MV 16V 20%	C5	6631V10004A	CONNECTOR ASSEMBLY,31P 1.0MM 80MM
C893	0CE106VF6DC	10UF MV 16V 20%	C6	6631V10004Z	CONNECTOR ASSEMBLY,31P 1.0MM 50MM
C894	0CK104CF56A	0.1UF 1608 16V 10%	C7	6631V25032E	CONNECTOR ASSEMBLY,3P 2.5MM 300MM
C895	0CK104CF56A	0.1UF 1608 16V 10%	C8	6631V25083C	CONNECTOR ASSEMBLY,7P 2.5MM 200MM
C896	0CK104CF56A	0.1UF 1608 16V 10%	C9	6631V25084C	CONNECTOR ASSEMBLY,12P 2.5MM 200MM
C897	0CK104CF56A	0.1UF 1608 16V 10%	CN900	6630G70017A	CONNECTOR,D-SUB 9P 2.54MM RS232
C898	0CK102CK56A	1000PF 1608 50V 0.1	JK300	6630G70016A	CONNECTOR,D-SUB 15P 2.29MM RGB
C899	0CK102CK56A	1000PF 1608 50V 0.1	<b>JACK</b>		
C900	0CK104CF56A	0.1UF 1608 16V 10%	ANT1	6612J00042G	JACK,RCA UCT-EX-063
C901	0CK104CF56A	0.1UF 1608 16V 10%	ANT2	6612J00042G	JACK,RCA UCT-EX-063
C902	0CK104CF56A	0.1UF 1608 16V 10%	CN801	6612B00015B	JACK,DIN DC1R019WDH JAE 0.5MM
C903	0CK104CF56A	0.1UF 1608 16V 10%	JK101	6613V00026A	JACK ASSEMBLY,UJB-03-28A
C904	0CK104CF56A	0.1UF 1608 16V 10%	JK402	6612F00087A	JACK,PHONE UEJ-CV-032
C905	0CK104CF56A	0.1UF 1608 16V 10%	JK407	6612J00040B	JACK,RCA UJB-06-23B
C906	0CK104CF56A	0.1UF 1608 16V 10%	JK408	6612J10012A	JACK,RCA UJB-05-02C
C911	0CK104CF56A	0.1UF 1608 16V 10%	JK409	6612J10012A	JACK,RCA UJB-05-02C
C912	0CK104CF56A	0.1UF 1608 16V 10%	JK410	6612F00087A	JACK,PHONE UEJ-CV-032
C913	0CK104CF56A	0.1UF 1608 16V 10%	JOPT101	6612BBBH4A	JACK,DIN TOTX179
C919	0CK104CF56A	0.1UF 1608 16V 10%			
C920	0CC221CK41A	220PF 1608 50V 5%			
C921	0CC221CK41A	220PF 1608 50V 5%			

# REPLACEMENT PARTS LIST

LOCA. NO	PART NO	DESCRIPTION	LOCA. NO	PART NO	DESCRIPTION
JOPT102	6612BBBHN4B	JACK,DIN TORX179	B1309	0LCML00003B	FILTER,EMC MLB-201209-0120P-N2
JOPT103	6612BBBHN4B	JACK,DIN TORX179	B1310	0LCML00003B	FILTER,EMC MLB-201209-0120P-N2
<b>RESISTOR</b>			B1311	0LCML00003B	FILTER,EMC MLB-201209-0120P-N2
AR110	0RRZVTA001C	4.7K OHM 1 / 16 W 1608 5%	B1312	0LCML00003B	FILTER,EMC MLB-201209-0120P-N2
AR111	0RRZVTA001C	4.7K OHM 1 / 16 W 1608 5%	B1313	0LCML00003B	FILTER,EMC MLB-201209-0120P-N2
AR1301	0RRZVTA001D	22 OHM 1 / 16 W 1608 5%	B1700	0LCML00003B	FILTER,EMC MLB-201209-0120P-N2
AR1302	0RRZVTA001D	22 OHM 1 / 16 W 1608 5%	B1701	0LCML00003B	FILTER,EMC MLB-201209-0120P-N2
AR1303	0RRZVTA001D	22 OHM 1 / 16 W 1608 5%	B200	0LCML00003B	FILTER,EMC MLB-201209-0120P-N2
AR1304	0RRZVTA001D	22 OHM 1 / 16 W 1608 5%	B400	0LCML00003B	FILTER,EMC MLB-201209-0120P-N2
AR1305	0RRZVTA001D	22 OHM 1 / 16 W 1608 5%	B401	0LCML00003B	FILTER,EMC MLB-201209-0120P-N2
AR1306	0RRZVTA001D	22 OHM 1 / 16 W 1608 5%	B403	0LCML00003B	FILTER,EMC MLB-201209-0120P-N2
AR1307	0RRZVTA001D	22 OHM 1 / 16 W 1608 5%	B502	0LCML00003B	FILTER,EMC MLB-201209-0120P-N2
AR1308	0RRZVTA001D	22 OHM 1 / 16 W 1608 5%	B503	0LCML00003B	FILTER,EMC MLB-201209-0120P-N2
AR1309	0RRZVTA001D	22 OHM 1 / 16 W 1608 5%	B800	0LCML00003B	FILTER,EMC MLB-201209-0120P-N2
AR1310	0RRZVTA001D	22 OHM 1 / 16 W 1608 5%	B801	0LCML00003B	FILTER,EMC MLB-201209-0120P-N2
AR1311	0RRZVTA001D	22 OHM 1 / 16 W 1608 5%	B802	0LCML00003B	FILTER,EMC MLB-201209-0120P-N2
AR1312	0RRZVTA001D	22 OHM 1 / 16 W 1608 5%	B803	0LCML00003B	FILTER,EMC MLB-201209-0120P-N2
AR1313	0RRZVTA001D	22 OHM 1 / 16 W 1608 5%	B804	0LCML00003B	FILTER,EMC MLB-201209-0120P-N2
AR6603	0RRZVTA001D	22 OHM 1 / 16 W 1608 5%	B805	0LCML00003B	FILTER,EMC MLB-201209-0120P-N2
AR6604	0RRZVTA001D	22 OHM 1 / 16 W 1608 5%	B806	0LCML00003B	FILTER,EMC MLB-201209-0120P-N2
AR6605	0RRZVTA001D	22 OHM 1 / 16 W 1608 5%	B807	0LCML00003B	FILTER,EMC MLB-201209-0120P-N2
AR6606	0RRZVTA001D	22 OHM 1 / 16 W 1608 5%	B808	0LCML00003B	FILTER,EMC MLB-201209-0120P-N2
AR800	0RRZVTA001D	22 OHM 1 / 16 W 1608 5%	B810	0LCML00003B	FILTER,EMC MLB-201209-0120P-N2
AR801	0RRZVTA001D	22 OHM 1 / 16 W 1608 5%	B901	0LCML00003B	FILTER,EMC MLB-201209-0120P-N2
AR802	0RRZVTA001D	22 OHM 1 / 16 W 1608 5%	F1700	6200QJ3001A	FILTER,EMC BMS400 25V 200MA
AR803	0RRZVTA001D	22 OHM 1 / 16 W 1608 5%	F1701	6200QJ3001A	FILTER,EMC BMS400 25V 200MA
AR804	0RRZVTA001D	22 OHM 1 / 16 W 1608 5%	F1702	6200QJ3001A	FILTER,EMC BMS400 25V 200MA
AR805	0RRZVTA001D	22 OHM 1 / 16 W 1608 5%	F1703	6200QJ3001A	FILTER,EMC BMS400 25V 200MA
R1716	ORD0222H609	22 OHM 1/2 W 5.00% TA52	F1704	6200QJ3001A	FILTER,EMC BMS400 25V 200MA
R1754	ORD0332H609	33 OHM 1/2 W 5.00% TA52	F1705	6200QJ3001A	FILTER,EMC BMS400 25V 200MA
R675	0RN1002F409	10K OHM 1/6 W 1.00% TA52	F1706	6200QJ3001A	FILTER,EMC BMS400 25V 200MA
<b>SWITCH</b>			F1707	6200QJ3001A	FILTER,EMC BMS400 25V 200MA
CN201	140-313A	SWITCH,TACT 2LEAD 100G(TA)	F1708	6200QJ3001A	FILTER,EMC BMS400 25V 200MA
SW201	140-315A	SWITCH,TACT SKHV17910B	F1709	6200QJ3001A	FILTER,EMC BMS400 25V 200MA
SW202	140-315A	SWITCH,TACT SKHV17910B	F1710	6200QJ3001A	FILTER,EMC BMS400 25V 200MA
SW203	140-315A	SWITCH,TACT SKHV17910B	F1711	6200QJ3001A	FILTER,EMC BMS400 25V 200MA
SW204	140-315A	SWITCH,TACT SKHV17910B	F1712	6200QJ3001A	FILTER,EMC BMS400 25V 200MA
SW205	140-315A	SWITCH,TACT SKHV17910B	F1713	6200QJ3001A	FILTER,EMC BMS400 25V 200MA
SW206	140-315A	SWITCH,TACT SKHV17910B	F1714	6200QJ3001A	FILTER,EMC BMS400 25V 200MA
<b>FILTER &amp; CRYSTAL</b>			F1715	6200QJ3001A	FILTER,EMC BMS400 25V 200MA
B1000	0LCML00003B	FILTER,EMC MLB-201209-0120P-N2	F1716	6200QJ3001A	FILTER,EMC BMS400 25V 200MA
B1007	0LCML00003B	FILTER,EMC MLB-201209-0120P-N2	F1717	6200QJ3001A	FILTER,EMC BMS400 25V 200MA
B116	0LCML00003B	FILTER,EMC MLB-201209-0120P-N2	F1718	6200QJ3001A	FILTER,EMC BMS400 25V 200MA
B1302	0LCML00003B	FILTER,EMC MLB-201209-0120P-N2	F1719	6200QJ3001A	FILTER,EMC BMS400 25V 200MA
B1304	0LCML00003B	FILTER,EMC MLB-201209-0120P-N2	F1720	6200QJ3001A	FILTER,EMC BMS400 25V 200MA
B1305	0LCML00003B	FILTER,EMC MLB-201209-0120P-N2	F1721	6200QJ3001A	FILTER,EMC BMS400 25V 200MA
B1306	0LCML00003B	FILTER,EMC MLB-201209-0120P-N2	F1722	6200QJ3001A	FILTER,EMC BMS400 25V 200MA
B1308	0LCML00003B	FILTER,EMC MLB-201209-0120P-N2	F1723	6200QJ3001A	FILTER,EMC BMS400 25V 200MA
			F1724	6200QJ3001A	FILTER,EMC BMS400 25V 200MA
			F1725	6200QJ3001A	FILTER,EMC BMS400 25V 200MA
			F1726	6200QJ3001A	FILTER,EMC BMS400 25V 200MA

# REPLACEMENT PARTS LIST

LOCA. NO	PART NO	DESCRIPTION	LOCA. NO	PART NO	DESCRIPTION
F1727	6200QJ3001A	FILTER,EMC BMS400 25V 200MA	L6602	6210VC0006A	FILTER,EMC FBMH3216 HM501NT
F1728	6200QJ3001A	FILTER,EMC BMS400 25V 200MA	L6603	6210VC0006A	FILTER,EMC FBMH3216 HM501NT
F700	6200QJ3001A	FILTER,EMC BMS400 25V 200MA	L6604	6210VC0006A	FILTER,EMC FBMH3216 HM501NT
F701	6200QJ3001A	FILTER,EMC BMS400 25V 200MA	L6605	6210VC0006A	FILTER,EMC FBMH3216 HM501NT
F702	6200QJ3001A	FILTER,EMC BMS400 25V 200MA	L6607	6210VC0006A	FILTER,EMC FBMH3216 HM501NT
F703	6200QJ3001A	FILTER,EMC BMS400 25V 200MA	L6608	6210VC0006A	FILTER,EMC FBMH3216 HM501NT
F704	6200QJ3001A	FILTER,EMC BMS400 25V 200MA	L6609	6210VC0006A	FILTER,EMC FBMH3216 HM501NT
F705	6200QJ3001A	FILTER,EMC BMS400 25V 200MA	L6610	6210VC0006A	FILTER,EMC FBMH3216 HM501NT
F706	6200QJ3001A	FILTER,EMC BMS400 25V 200MA	L6615	6210VC0006A	FILTER,EMC FBMH3216 HM501NT
F710	6200QJ3001A	FILTER,EMC BMS400 25V 200MA	X1000	6212AC2001D	RESONATOR,CRYSTAL HC-49/SM 14MHZ
F711	6200QJ3001A	FILTER,EMC BMS400 25V 200MA	X103	6212BA2002C	RESONATOR,CERAMIC CSALA2M69G4ZF01-B0
F714	6200QJ3001A	FILTER,EMC BMS400 25V 200MA	X104	6212AB2015A	RESONATOR,CRYSTAL HC-49/SM4H 4MHZ
F715	6200QJ3001A	FILTER,EMC BMS400 25V 200MA	X200	6202VDT002H	RESONATOR,CRYSTAL SX-1 18.432000MHZ
F716	6200QJ3001A	FILTER,EMC BMS400 25V 200MA	X401	6202VDT002D	RESONATOR,CRYSTAL SX-1 8.0MHZ
F717	6200QJ3001A	FILTER,EMC BMS400 25V 200MA	X6602	6212AB2806A	RESONATOR,CRYSTAL SX-1 24.576MHZ
F718	6200QJ3001A	FILTER,EMC BMS400 25V 200MA	X801	6212AB2845A	RESONATOR,CRYSTAL ABL5-27.000MHZ
F719	6200QJ3001A	FILTER,EMC BMS400 25V 200MA	<b>MISCELLANEOUS</b>		
IC502	6200QL3002E	FILTER,SAW X9650M 44MHZ 5PIN	C1	6850J00005B	CABLE,DVI LVDS UL20276 AWG30 500MM
L112	6210VC0006A	FILTER,EMC FBMH3216 HM501NT	C2	6851V00022B	CABLE,COAXIAL(100MM),UL1365#26 VW-1
L115	6210VC0006A	FILTER,EMC FBMH3216 HM501NT	IC305	6927V1280AB	SOFT WARE,2.00.1V 64A2 PDP AF05FC
L116	6210VC0005A	FILTER,EMC BK2125 HS 750	IC306	6927V1281AB	SOFT WARE,2.00.1V 2459 PDP AF05FC
L117	6210VC0006A	FILTER,EMC FBMH3216 HM501NT	IC404	6927V1211AN	SOFT WARE,3.01V 7F15 PDP AF05FB
L118	6210VC0006A	FILTER,EMC FBMH3216 HM501NT	SW301	6634D00010B	ADAPTER,RF TASA-H301P
L119	6210VC0006A	FILTER,EMC FBMH3216 HM501NT	TU301	6700AN0002C	TUNER,TDVS-H702P
L200	6210VC0006A	FILTER,EMC FBMH3216 HM501NT	TU500	6700NC0001B	TUNER,TAEU-H018P
L205	6210VC0006A	FILTER,EMC FBMH3216 HM501NT	VX500	6204B60001B	OSCILLATOR,27MHZ +/- 100 PPM 3.3V
L206	6210VC0006A	FILTER,EMC FBMH3216 HM501NT	X200	6204B47985L	OSCILLATOR,SCO-103 33.33HZ
L207	6210VC0006A	FILTER,EMC FBMH3216 HM501NT	X302	6204B47985K	OSCILLATOR,BMS-873R 25MHZ
L208	6210VC0006A	FILTER,EMC FBMH3216 HM501NT	<b>ACCESSORIES</b>		
L209	6210VC0006A	FILTER,EMC FBMH3216 HM501NT	A1	3828VA0528F	MANUAL,OWNERS 50PX1D-UC
L210	6210VC0006A	FILTER,EMC FBMH3216 HM501NT	A2	6710V00141N	REMOTE CONTROLLER,AF05FC
L211	6210VC0006A	FILTER,EMC FBMH3216 HM501NT	A3	6410VUH005C	POWER CORD BP-301 2800MM V1625
L212	6210VC0006A	FILTER,EMC FBMH3216 HM501NT	A4	6850TD9007E	CABLE,D-SUB UL20276-9C(5.8MM) DT L1800
L213	6210VC0006A	FILTER,EMC FBMH3216 HM501NT	A5	6851V00019A	CABLE ASSEMBLY,RF 4AC208A0 3M CORE 2EA
L214	6210VC0006A	FILTER,EMC FBMH3216 HM501NT	A7	4972V00178A	FIXER,WALL NON ASSY PDP SET
L215	6210VC0006A	FILTER,EMC FBMH3216 HM501NT			
L220	6210VC0006A	FILTER,EMC FBMH3216 HM501NT			
L227	6210VC0006A	FILTER,EMC FBMH3216 HM501NT			
L228	6210VC0006A	FILTER,EMC FBMH3216 HM501NT			
L229	6210VC0006A	FILTER,EMC FBMH3216 HM501NT			
L230	6210VC0006A	FILTER,EMC FBMH3216 HM501NT			
L231	6210VC0006A	FILTER,EMC FBMH3216 HM501NT			
L232	6210VC0006A	FILTER,EMC FBMH3216 HM501NT			
L234	6210VC0006A	FILTER,EMC FBMH3216 HM501NT			
L235	6210VC0006A	FILTER,EMC FBMH3216 HM501NT			
L312	6210VC0006A	FILTER,EMC FBMH3216 HM501NT			
L320	6210VC0006A	FILTER,EMC FBMH3216 HM501NT			
L321	6210VC0006A	FILTER,EMC FBMH3216 HM501NT			
L421	6210VC0006A	FILTER,EMC FBMH3216 HM501NT			
L510	6210VC0006A	FILTER,EMC FBMH3216 HM501NT			
L511	6210VC0006A	FILTER,EMC FBMH3216 HM501NT			

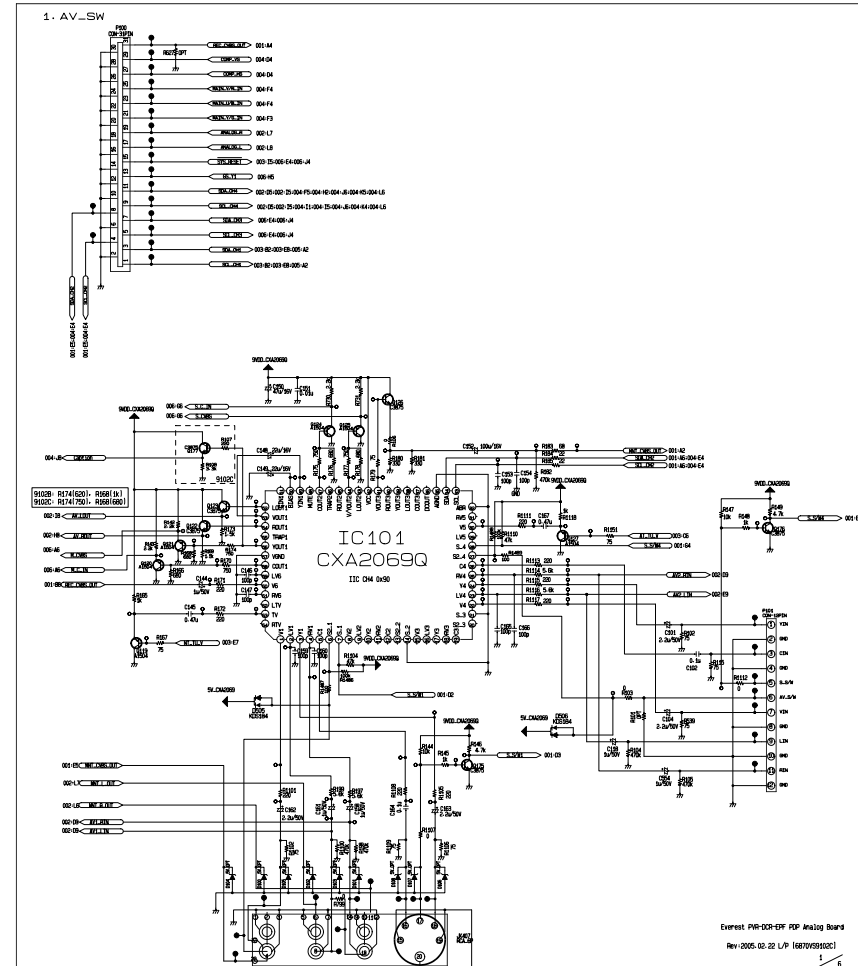
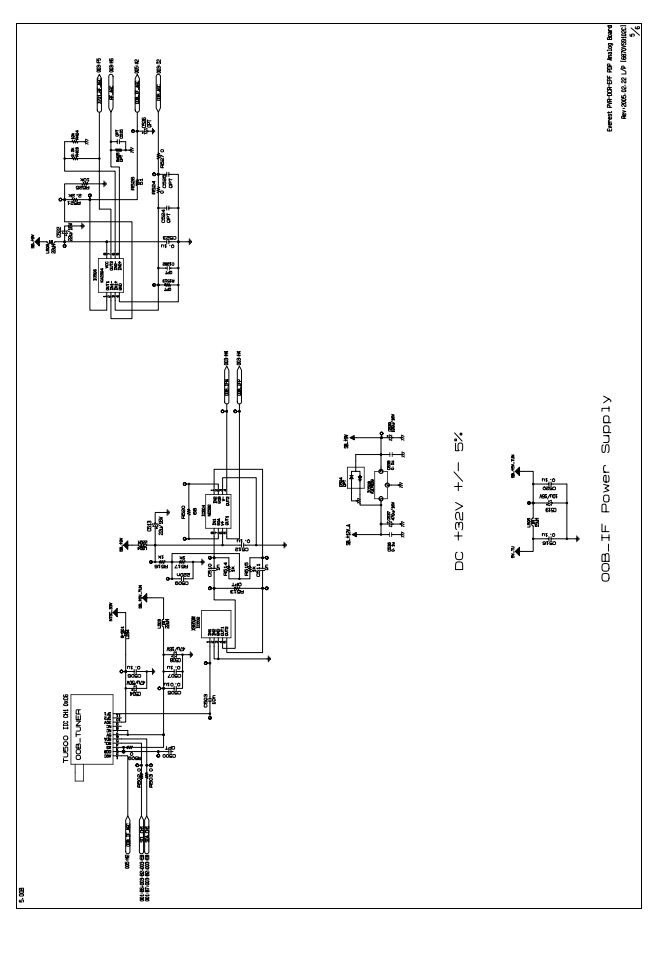
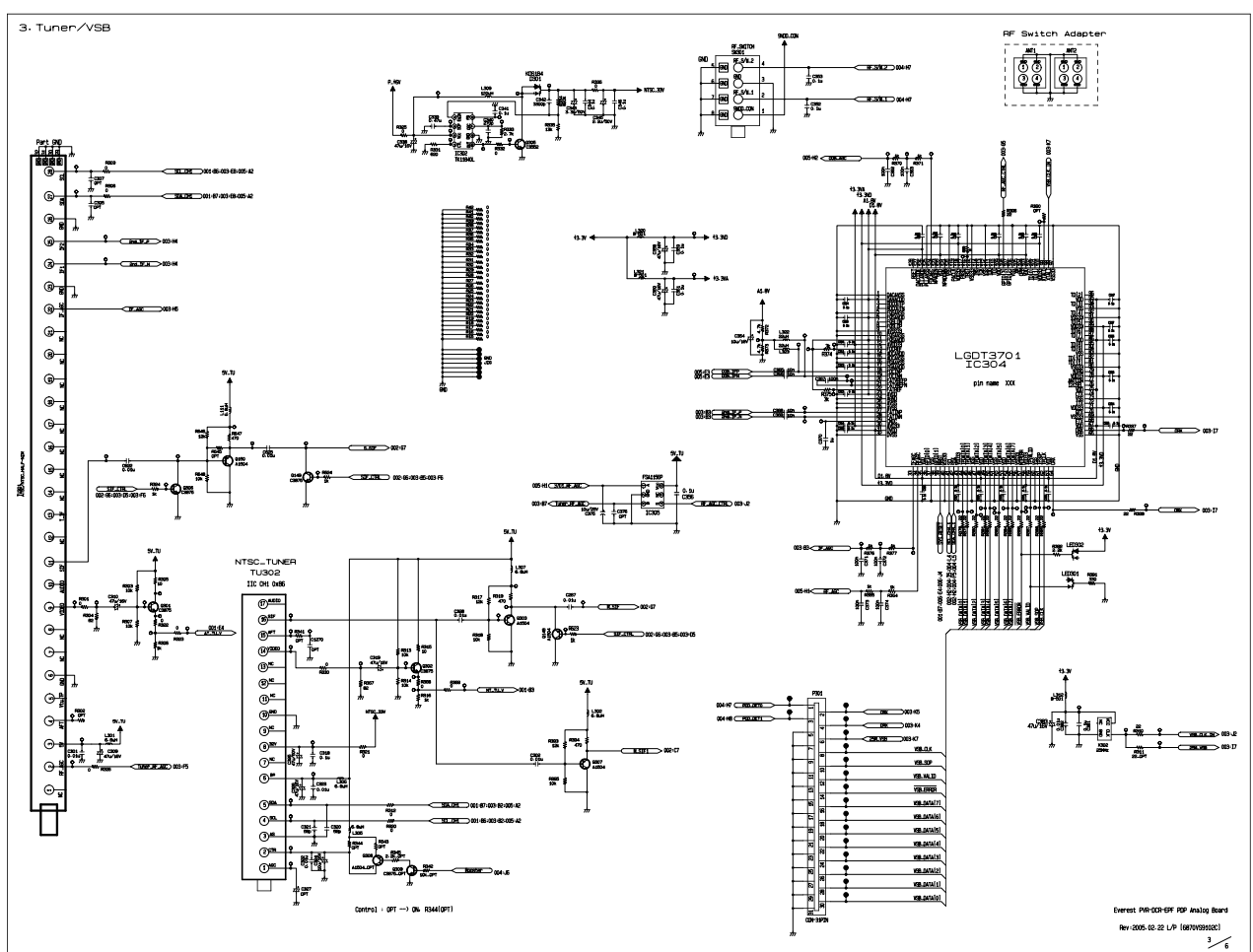
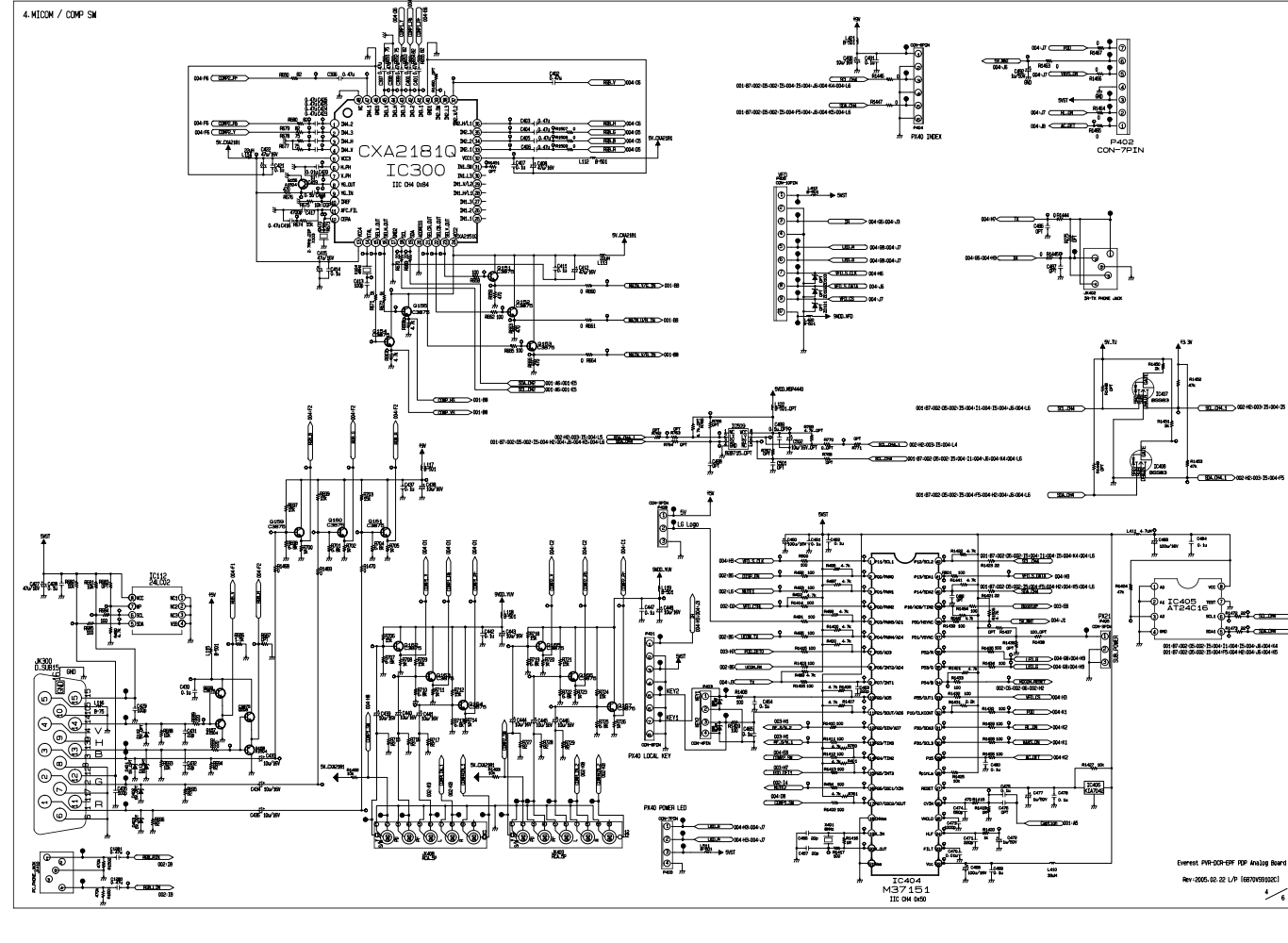
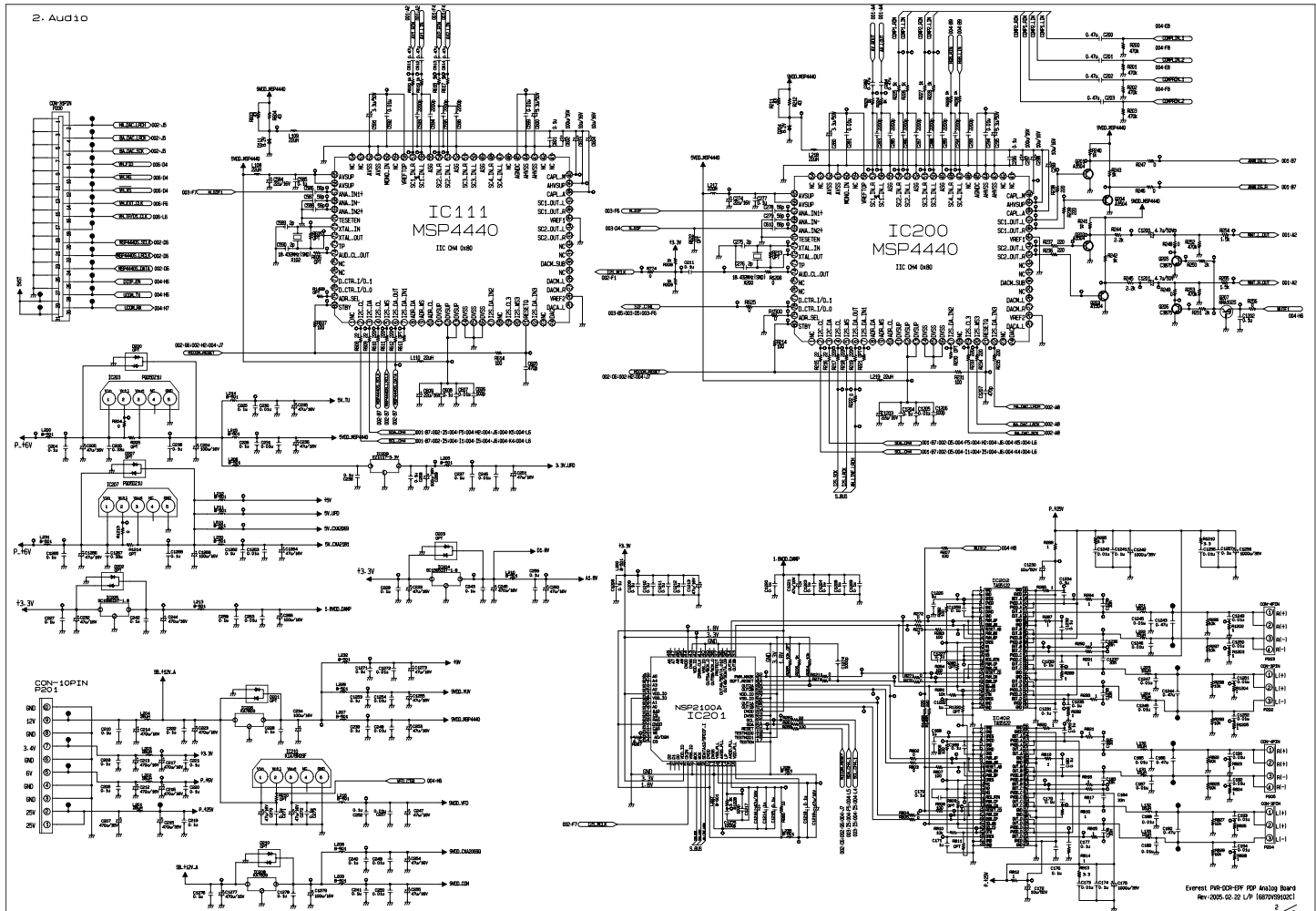


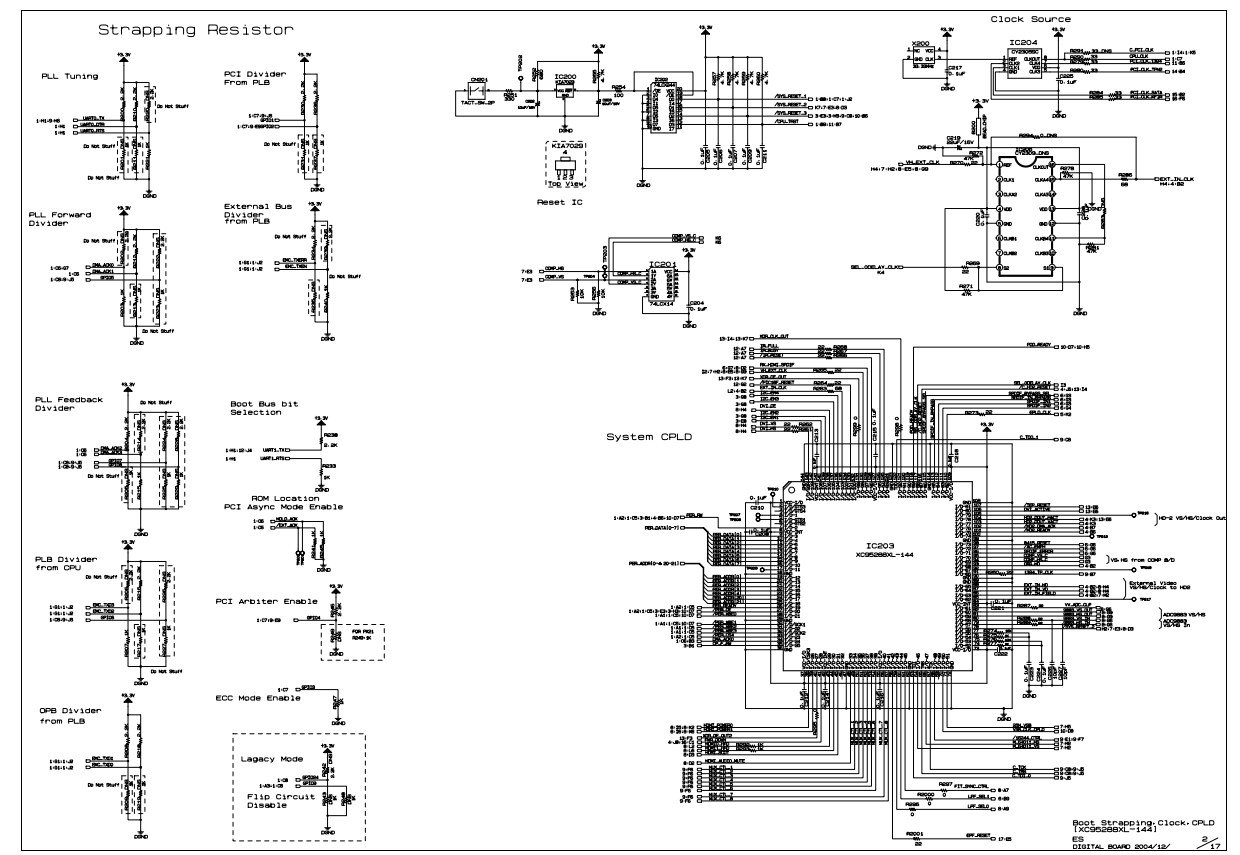
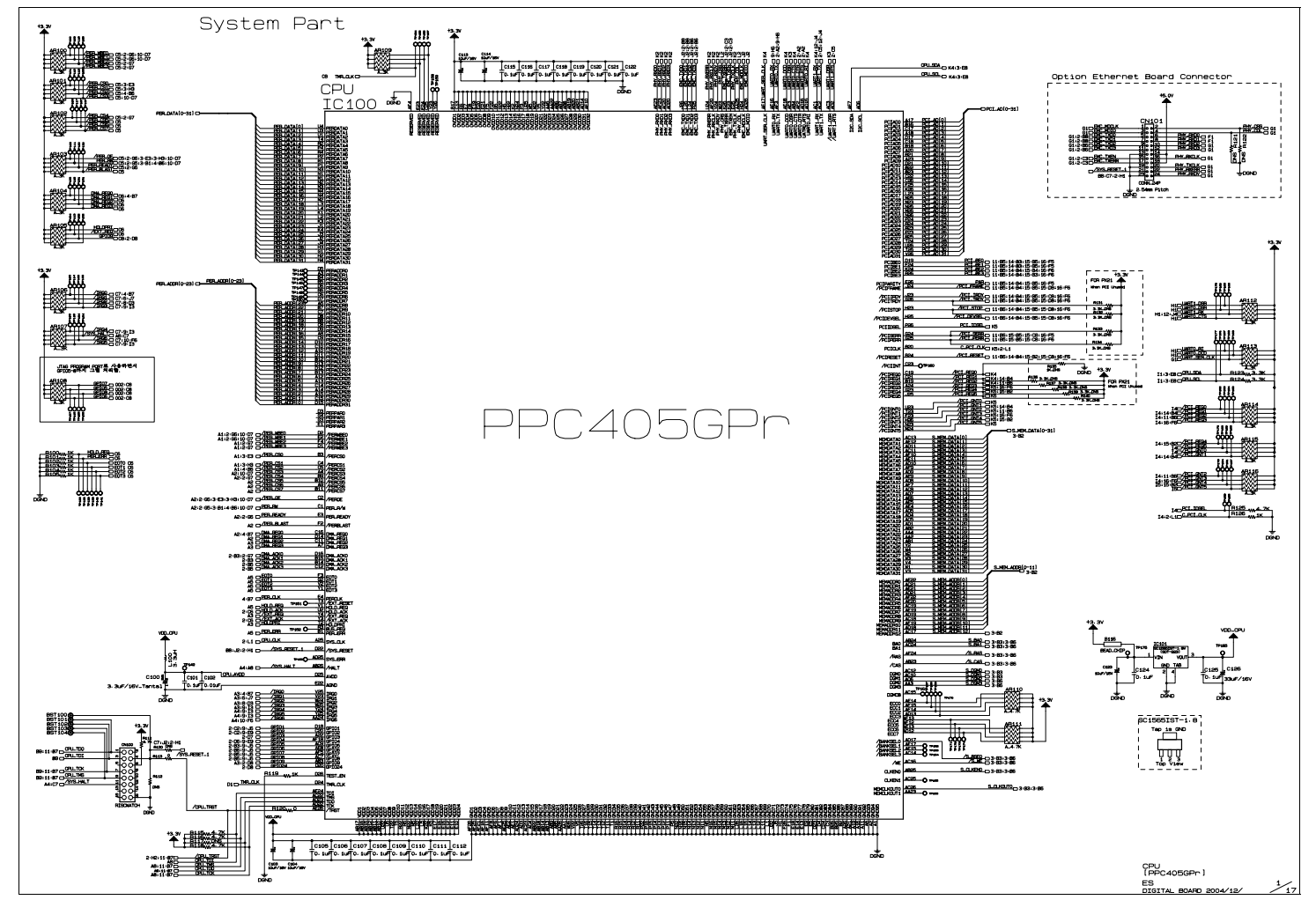
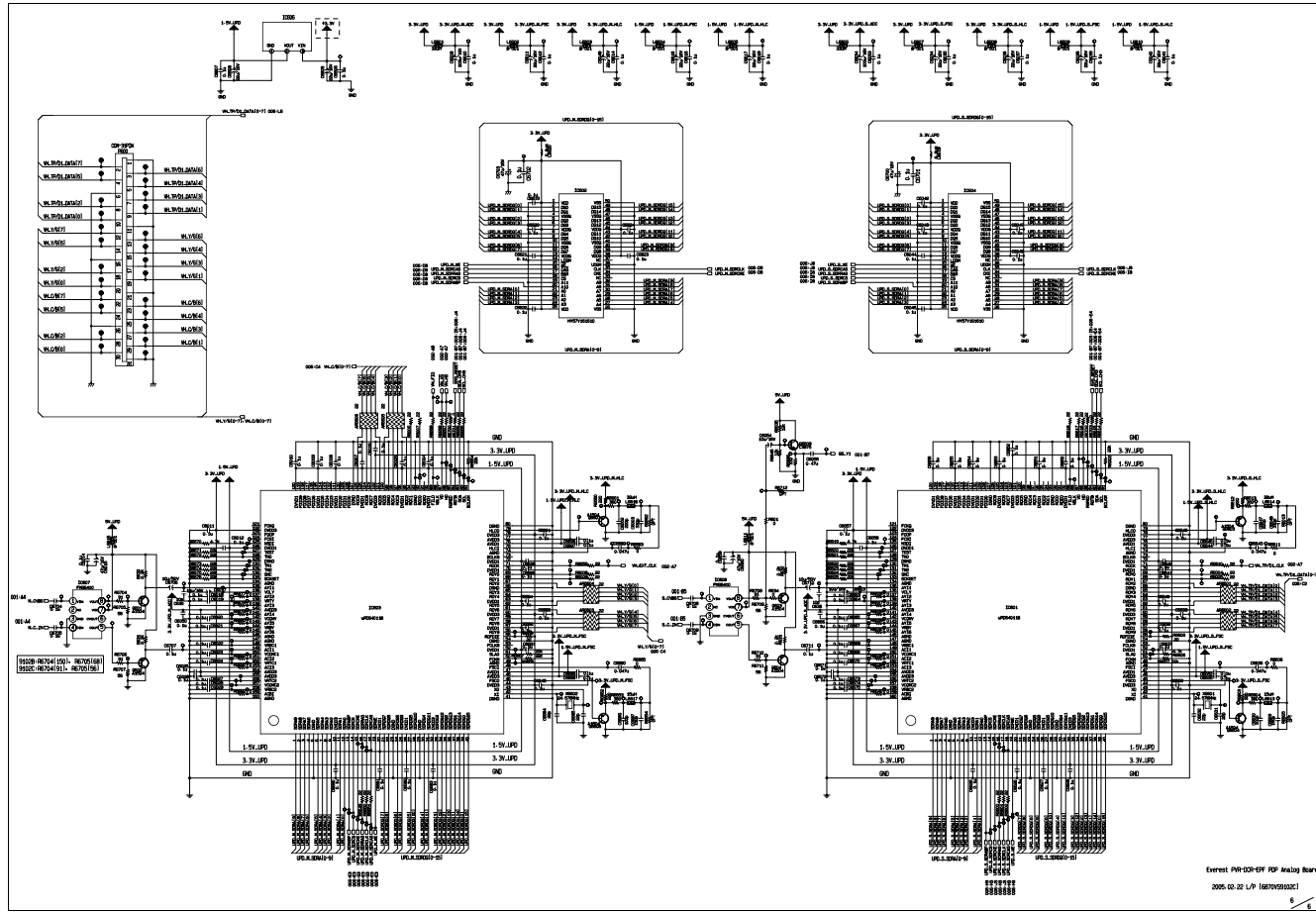
P/NO : 3828VD0214J

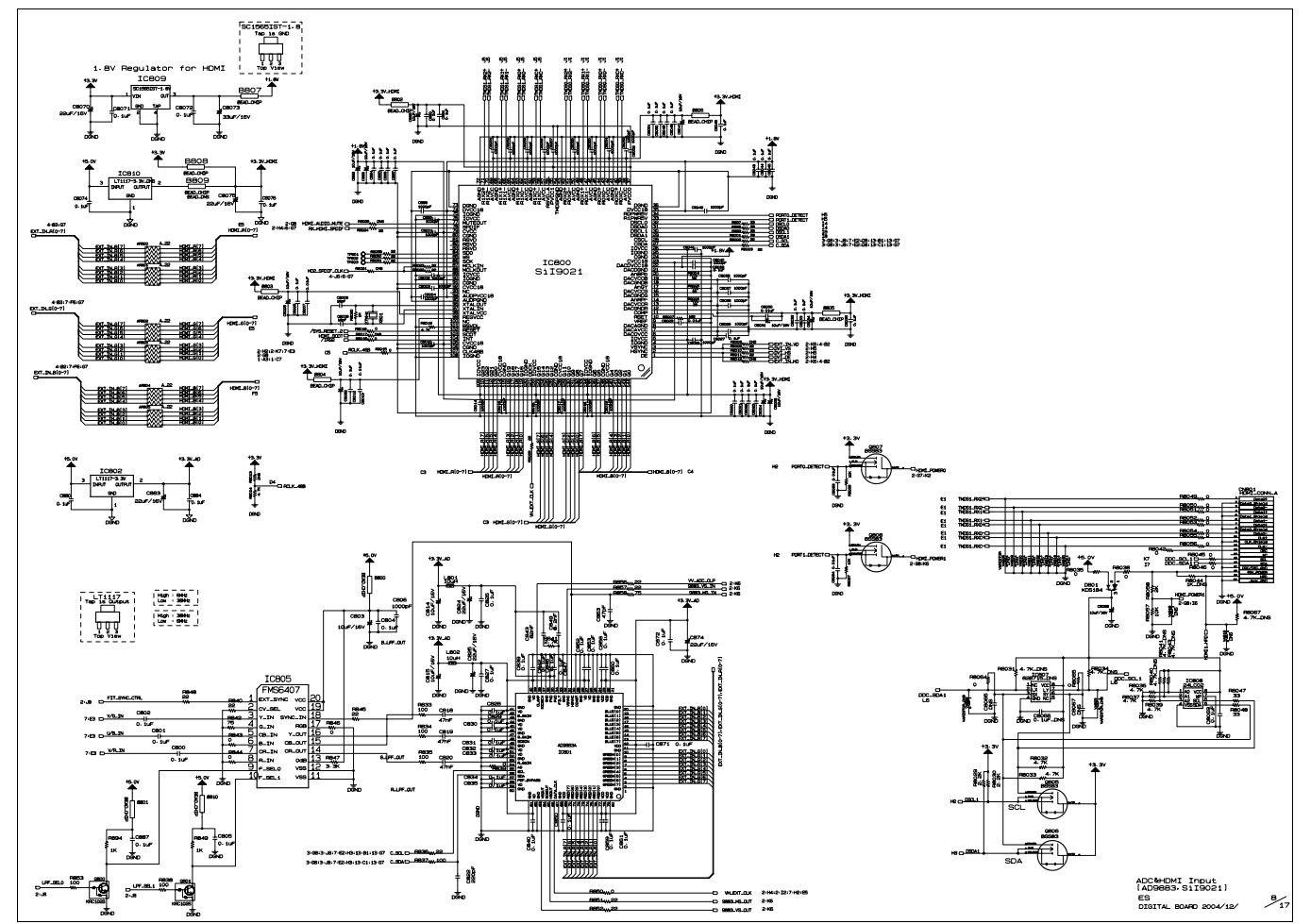
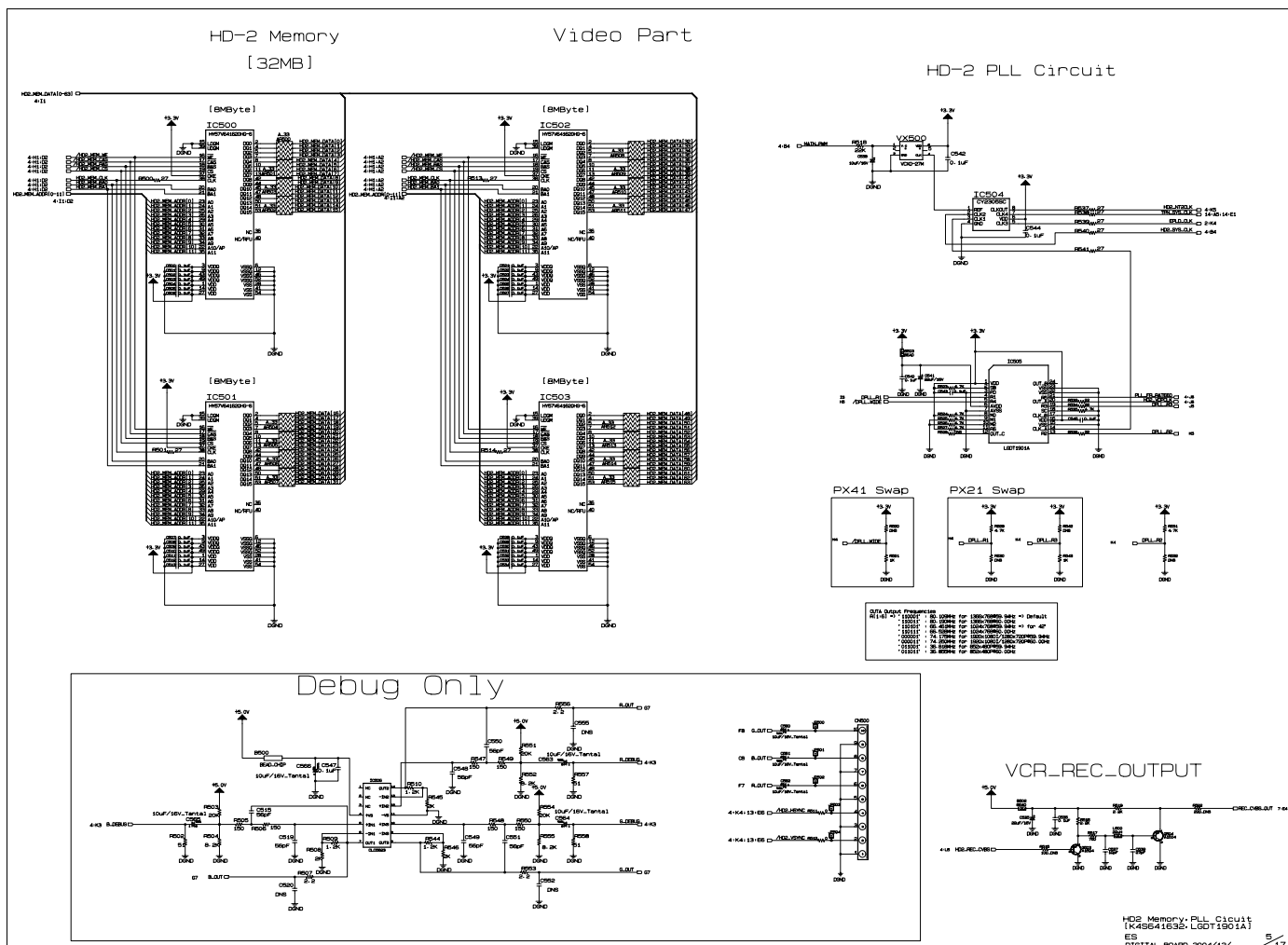
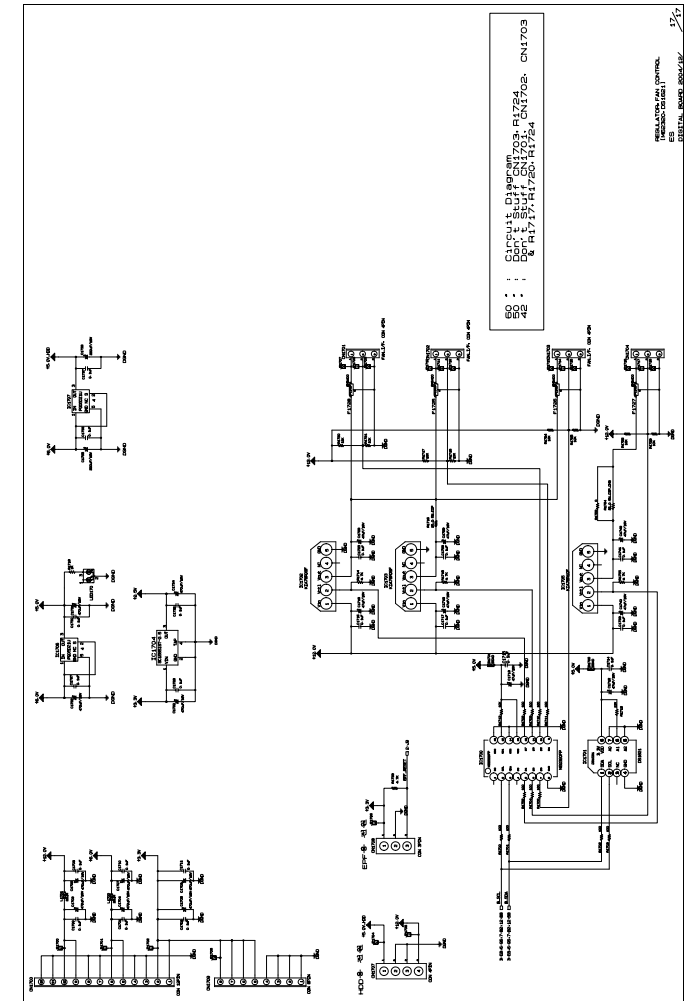
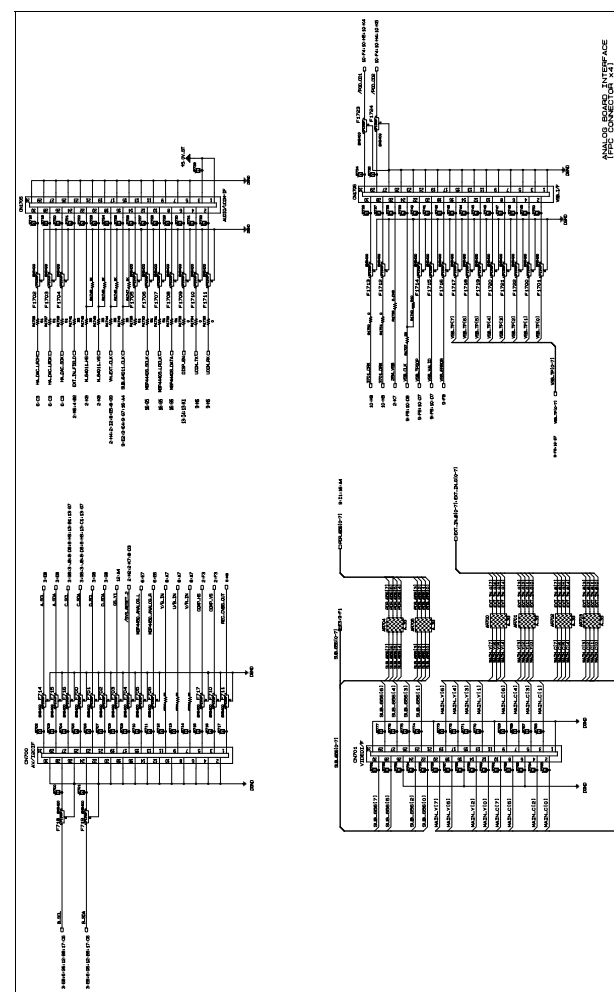
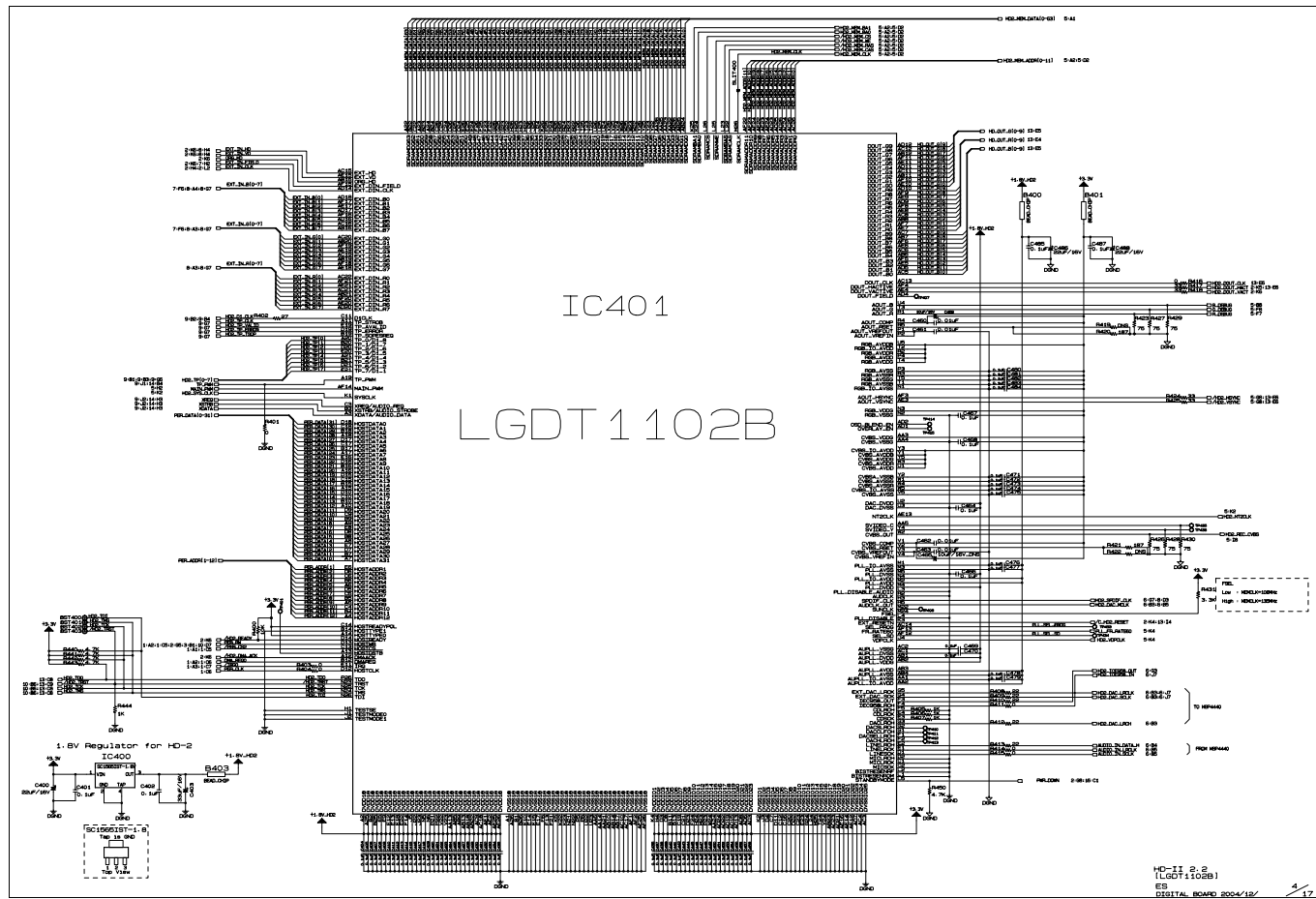
April, 2005  
Printed in Korea

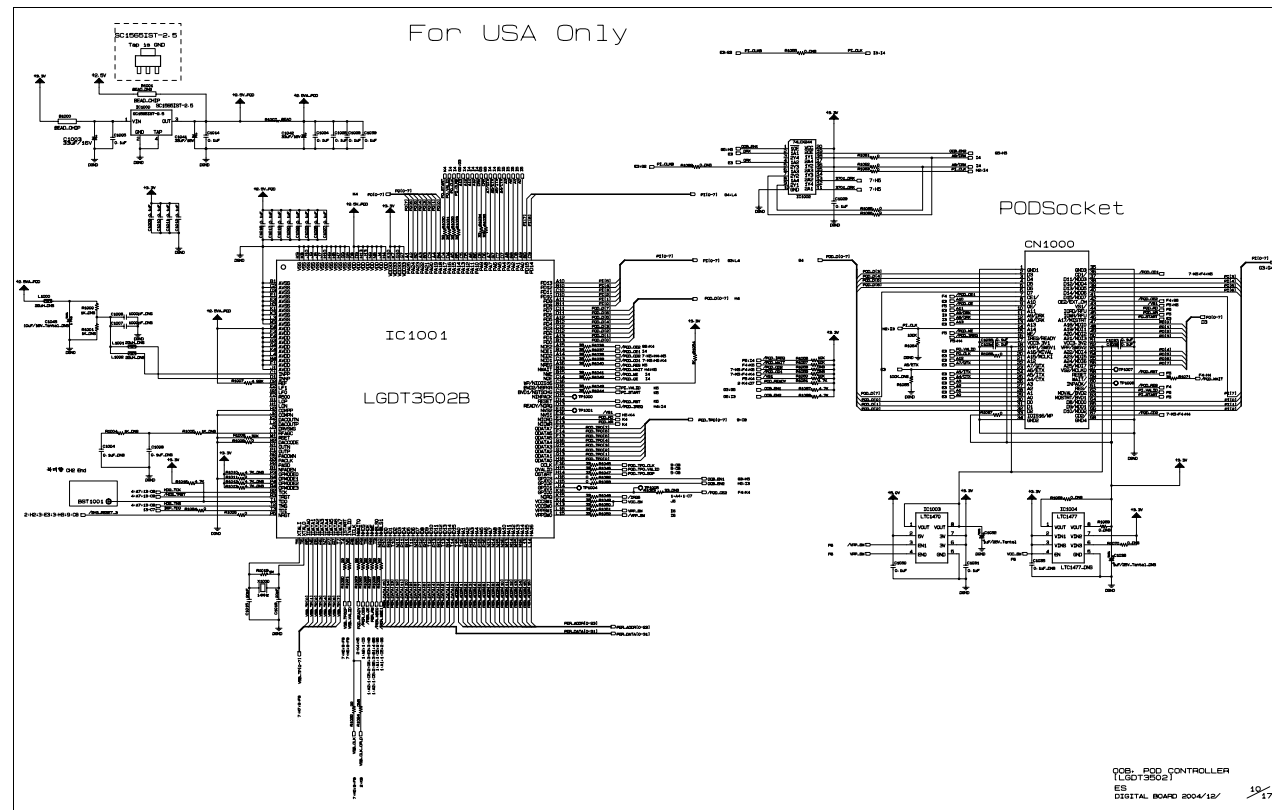
**CANADA: LG Electronics Canada, Inc. 550 Matheson  
Boulevard East Mississauga, Ontario L4Z 4G3**

**USA : LG Electronics Alabama, Inc.  
P.O.Box 240007, 201 James Record Road Bldg 3  
Huntsville, AL 35824**

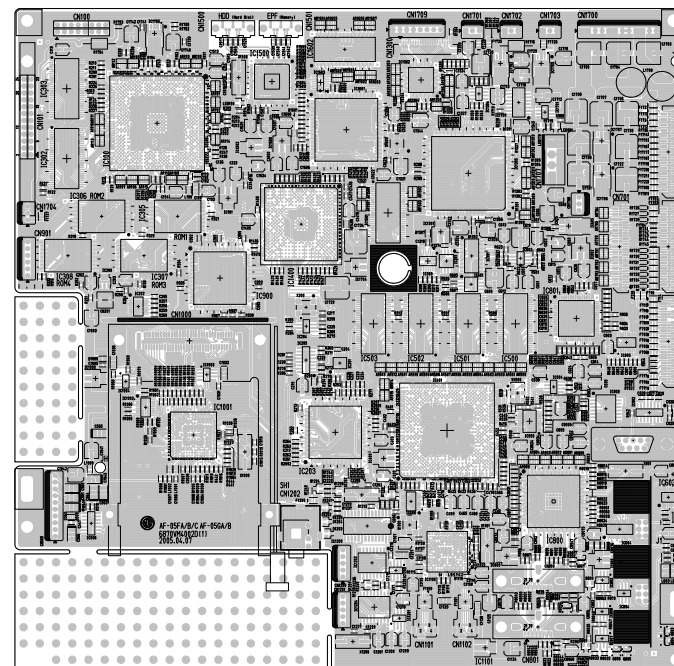




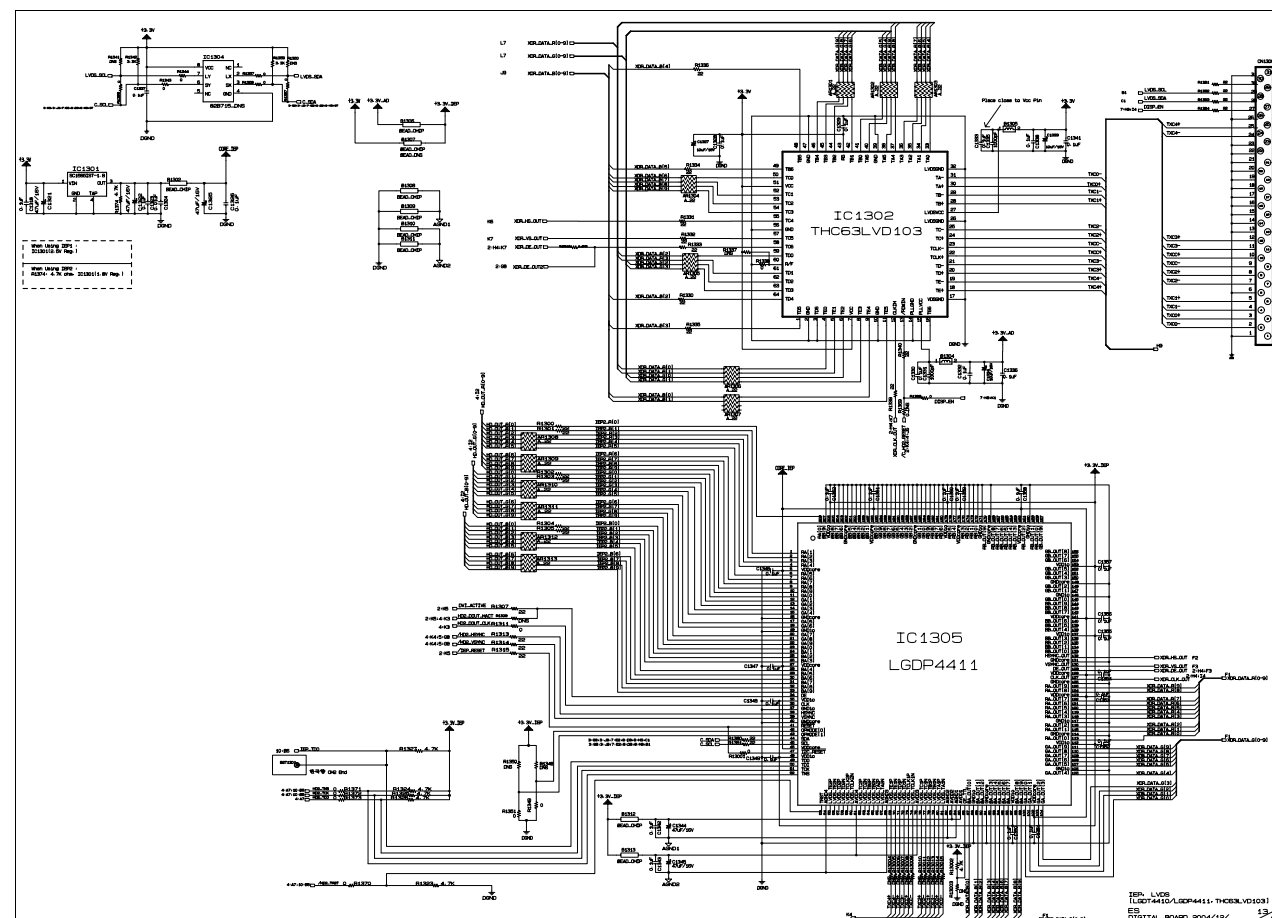
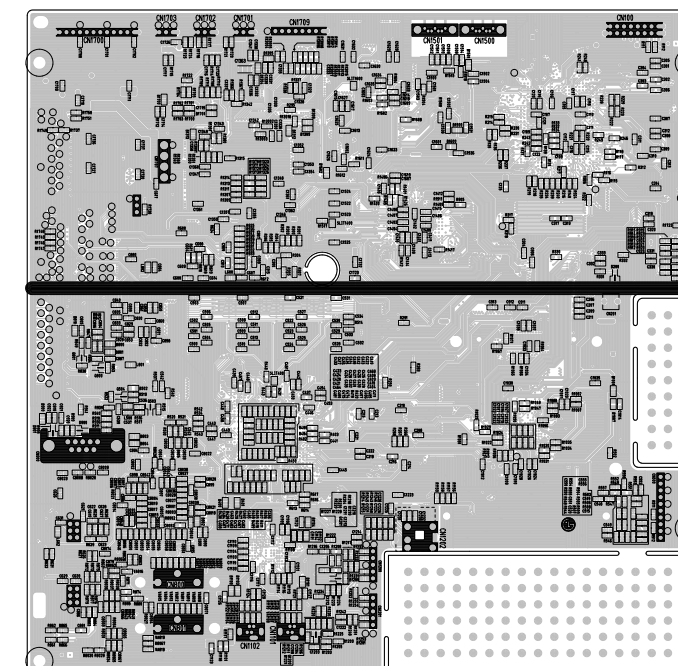




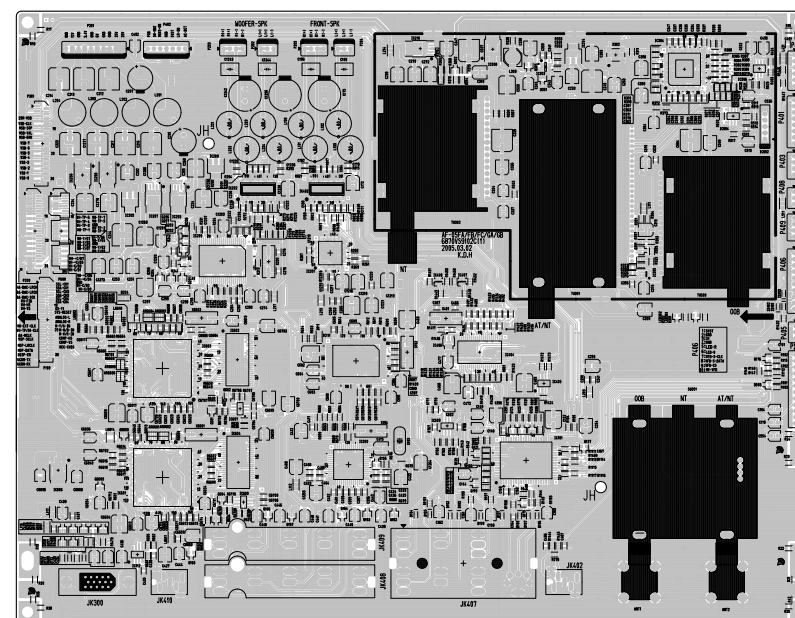
DIGITAL(TOP)



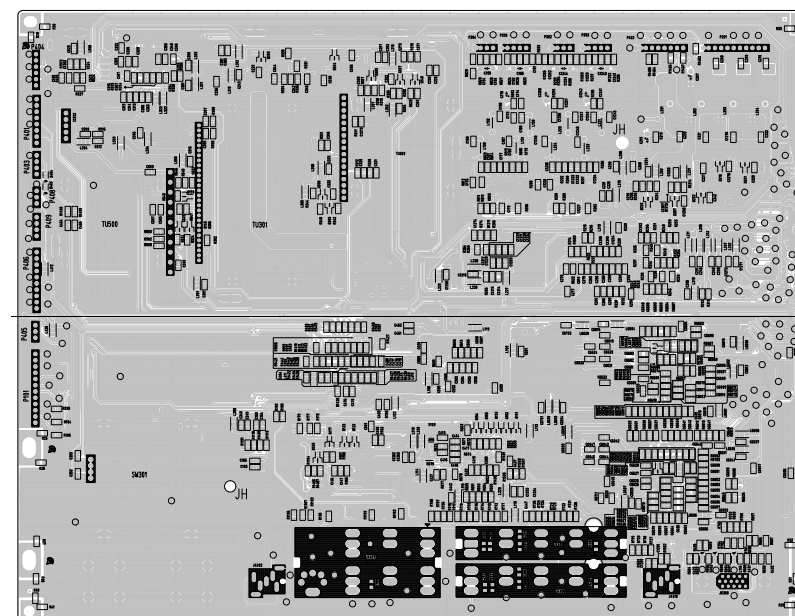
DIGITAL(BOTTOM)



TUNER(TOP)



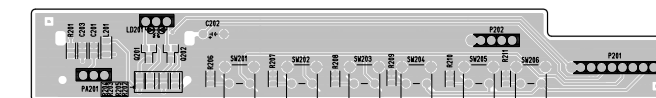
TUNER(BOTTOM)



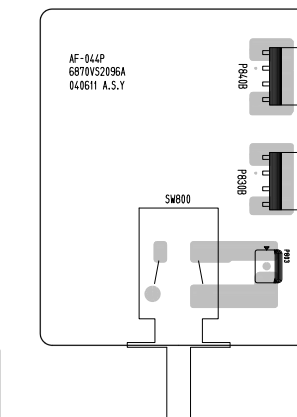
CONTROL(TOP)



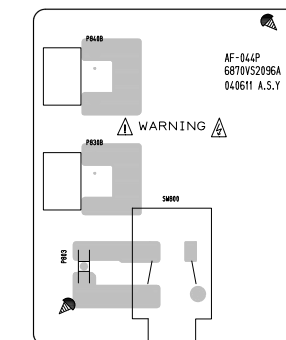
CONTROL(BOTTOM)



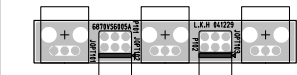
POWER S/W(TOP)



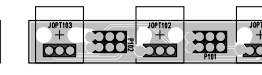
POWER S/W(BOTTOM)



SPDIF(TOP)



SPDIF(BOTTOM)



SIDE A/V

