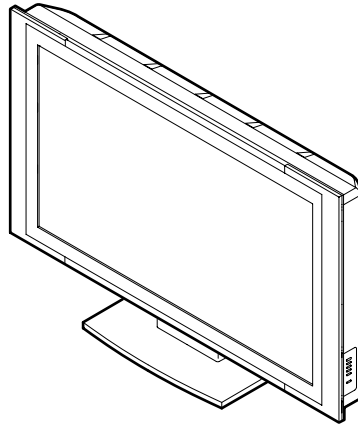


KDE-37/42XS955

SERVICE MANUAL

US Model
Canadian Model



XS2 CHASSIS

SPECIFICATIONS

Panel System	Plasma Display panel	
Display resolution	KDE-37XS955	1024 pixels (horizontal) × 1024 pixels (vertical)
	KDE-42XS955	1024 pixels (horizontal) × 1024 pixels (vertical)
Antenna	75 ohm external terminal for VHF/UHF	
Television System	NTSC	American TV Standard
	ATSC (8VSB terrestrial)	ATSC compliant 8VSB
	QAM on cable	ITU-T J.83 Annex B compliant 64/256 QAM
Channel Coverage	Terrestrial (analog)	2-69
	Cable TV (analog)	1-125
	Terrestrial (digital)	2-69
	Cable TV (digital)	1-135
Power Requirements	120V, 60 Hz	
Inputs/Outputs	HDMI IN	
	Video	1080i, 720p, 480p, 480i
	Audio	Two channel linear PCM 32, 44.1 and 48 kHz, 16, 20 and 24 bits

FLAT PANEL COLOR TV
SONY®

Video (IN)	3 total (1 on left side panel)	1 Vp-p, 75 ohms unbalanced, sync negative
S Video (IN)	3 total (1 on left side panel)	Y: 1 Vp-p, 75 ohms unbalanced, sync negative C: 0.286 Vp-p (Burst signal), 75 ohms
Audio (IN)	5 total (1 on left side panel)	500 mVrms (100% modulation) Impedance: 47 kilohm
Component Video Input	2 (Y, PB, PR)	Y: 1.0 Vp-p, 75 ohms unbalanced, sync negative; PB: 0.7 Vp-p, 75 ohms PR: 0.7 Vp-p, 75 ohms
CONTROL S (IN)	1	Mini jack
CONTROL S (OUT)		Mini jack
Digital Audio Optical Output (PCM/Dolby Digital)	1	Optical rectangular (1)
Variable/Fixed Audio (OUT)	1	More than 408 mVrms at the maximum volume setting (Variable) More than 408 mVrms (Fixed) Impedance (output): 2 kilohms
Sub woofer (OUT)	1	Phono jack
CableCARD™ slot	PCMCIA Type I/II	
Screen Size (measured diagonally)	KDE-37XS955	37 inches
	KDE-42XS955	42 inches
Speaker Output	25 W × 2 + 50 W woofer	
CENTER SPEAKER IN	Max. 180 W (6 Ω), 1 kHz, Sensitivity 30 Vp-p	
Dimensions (W × H × D)	KDE-37XS955	1048 × 679 × 360 mm (41 3/8 × 26 3/4 × 14 1/4 in)
	KDE-42XS955	1139 × 752 × 360 mm (44 7/8 × 29 5/8 × 14 1/4 in)
Mass	KDE-37XS955	51.0 kg (112 lb 7 oz)
	KDE-42XS955	56.5 kg (124 lb 9 oz)
Power Consumption	In Use	KDE-37XS955: 350 W KDE-42XS955: 385 W
	In Standby	0.5 W
	CableCARD Standby	KDE-37XS955: 26 W KDE-42XS955: 26 W
Supplied Accessories	Remote Control (1) AA (R6) Batteries (2) AC power cord (1) AC plug holder (1) Cable band (1) Cable band screw (1) AC cord clamp (1) Cleaning Cloth (1) Operating Instructions (1) Quick Setup Guide (1) Warranty Card (1)	RM-Y1004

Design and specifications are subject to change without notice.

WARNING AND CAUTIONS


CAUTION

These servicing instructions are for use by qualified service personnel only. To reduce the risk of electric shock, do not perform any servicing other than that contained in the operating instructions unless you are qualified to do so.

WARNING!!

An isolation transformer should be used during any service to avoid possible shock hazard, because of live chassis. The chassis of this receiver is directly connected to the ac power line.

SAFETY-RELATED COMPONENT WARNING!!


Components identified by shading and  mark on the schematic diagrams, exploded views, and in the parts list are critical for safe operation. Replace these components with Sony parts whose part numbers appear as shown in this manual or in supplements published by Sony. Circuit adjustments that are critical for safe operation are identified in this manual. Follow these procedures whenever critical components are replaced or improper operation is suspected.

ATTENTION!!

Ces instructions de service sont à l'usage du personnel de service qualifié seulement. Pour prévenir le risque de choc électrique, ne pas faire l'entretien autre que celui contenu dans le Mode d'emploi à moins que vous soyez qualifié faire ainsi.

Afin d'éviter tout risque d'électrocution provenant d'un châssis sous tension, un transformateur d'isolement doit être utilisé lors de tout dépannage. Le châssis de ce récepteur est directement raccordé à l'alimentation du secteur.

ATTENTION AUX COMPOSANTS RELATIFS A LA SECURITE!!

Les composants identifiés par une trame et par une marque  sur les schémas de principe, les vues explosées et les listes de pièces sont d'une importance critique pour la sécurité du fonctionnement. Ne les remplacer que par des composants Sony dont le numéro de pièce est indiqué dans le présent manuel ou dans des suppléments publiés par Sony. Les réglages de circuit dont l'importance est critique pour la sécurité du fonctionnement sont identifiés dans le présent manuel. Suivre ces procédures lors de chaque remplacement de composants critiques, ou lorsqu'un mauvais fonctionnement suspecte.

SAFETY CHECK-OUT

After correcting the original service problem, perform the following safety checks before releasing the set to the customer:

1. Check the area of your repair for unsoldered or poorly-soldered connections. Check the entire board surface for solder splashes and bridges.
2. Check the interboard wiring to ensure that no wires are "pinched" or contact high-wattage resistors.
3. Check that all control knobs, shields, covers, ground straps, and mounting hardware have been replaced. Be absolutely certain that you have replaced all the insulators.
4. Look for unauthorized replacement parts, particularly transistors, that were installed during a previous repair. Point them out to the customer and recommend their replacement.
5. Look for parts which, though functioning, show obvious signs of deterioration. Point them out to the customer and recommend their replacement.
6. Check the line cords for cracks and abrasion. Recommend the replacement of any such line cord to the customer.
7. Check the antenna terminals, metal trim, "metallized" knobs, screws, and all other exposed metal parts for AC Leakage. Check leakage as described right.

LEAKAGE TEST

The AC leakage from any exposed metal part to earth ground and from all exposed metal parts to any exposed metal part having a return to chassis, must not exceed 0.5 mA (500 microamperes).

Leakage current can be measured by any one of three methods.

1. A commercial leakage tester, such as the Simpson 229 or RCA WT-540A. Follow the manufacturers' instructions to use these instruments.
2. A battery-operated AC milliammeter. The Data Precision 245 digital multimeter is suitable for this job.
3. Measuring the voltage drop across a resistor by means of a VOM or battery-operated AC voltmeter. The "limit" indication is 0.75 V, so analog meters must have an accurate low-voltage scale. The Simpson 250 and Sanwa SH-63Trd are examples of a passive VOMs that are suitable. Nearly all battery operated digital multimeters that have a 2 V AC range are suitable. (See Fig. A)

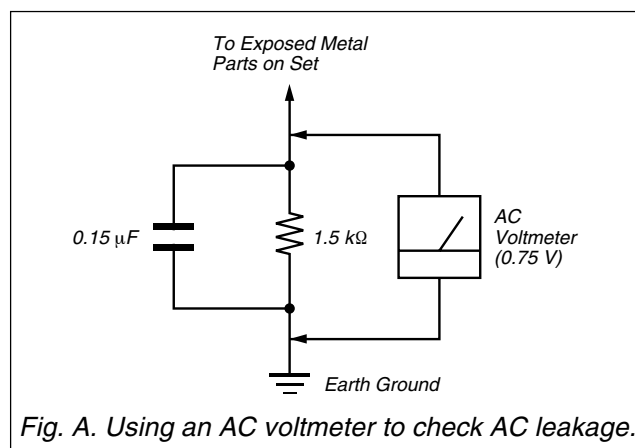


Fig. A. Using an AC voltmeter to check AC leakage.

WARNING!!

SAFETY-RELATED COMPONENT WARNING!!
COMPONENTS IDENTIFIED BY SHADING AND MARK \triangle ON THE SCHEMATIC DIAGRAMS, EXPLODED VIEWS AND IN THE PARTS LIST ARE CRITICAL FOR SAFE OPERATION. REPLACE THESE COMPONENTS WITH SONY PARTS WHOSE PART NUMBERS APPEAR AS SHOWN IN THIS MANUAL OR IN SUPPLEMENTS PUBLISHED BY SONY. CIRCUIT ADJUSTMENTS THAT ARE CRITICAL FOR SAFE OPERATION ARE IDENTIFIED IN THIS MANUAL. FOLLOW THESE PROCEDURES WHENEVER CRITICAL COMPONENTS ARE REPLACED OR IMPROPER OPERATION IS SUSPECTED.

AVERTISSEMENT!!

ATTENTION AUX COMPOSANTS RELATIFS À LA SÉCURITÉ!!
LES COMPOSANTS IDENTIFIÉS PAR UNE TRAME ET UNE MARQUE \triangle SONT CRITIQUES POUR LA SÉCURITÉ. NE LES REMPLACER QUE PAR UNE PIÈCE PORTANT LE NUMÉRO SPECIFIÉ. LES RÉGLAGES DE CIRCUIT DONT L'IMPORTANCE EST CRITIQUE POUR LA SÉCURITÉ DU FONCTIONNEMENT SONT IDENTIFIÉS DANS LE PRÉSENT MANUEL. SUIVRE CES PROCÉDURES LORS DE CHAQUE REMPLACEMENT DE COMPOSANTS CRITIQUES, OU LORSQU'UN MAUVAIS FONCTIONNEMENT EST SUSPECTÉ.

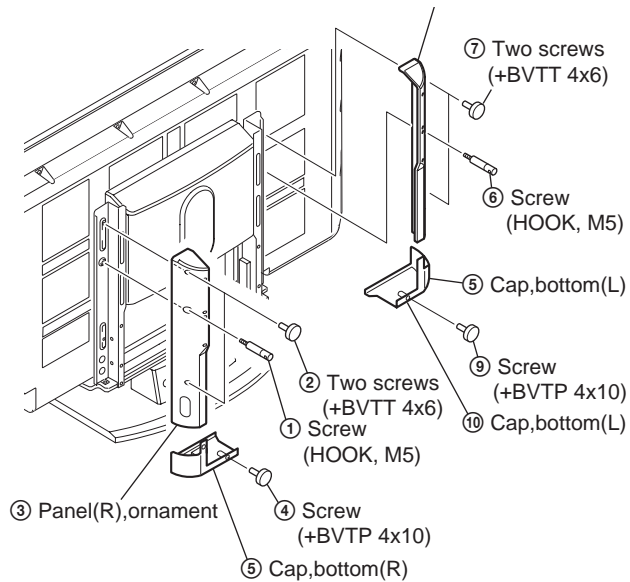
TABLE OF CONTENTS

1. DISASSEMBLY	1-1	3-4. SCHEMATIC DIAGRAMS AND PRINTED WIRING BOARDS	3-14
1-1. SERVICE POSITION	1-1	(1) Schematic Diagrams of A1U Board	3-15
1-1-1. PANELS AND CAP REMOVAL	1-1	(2) Schematic Diagrams of A2FU Board	3-19
1-1-2. WOOFER BLOCK REMOVAL	1-1	(3) Schematic Diagrams of DE1 Board	3-22
1-1-3. REAR COVER ASSY REMOVAL	1-1	(4) Schematic Diagrams of DIC3 Board	3-27
1-2. STAND REMOVAL	1-2	(5) Schematic Diagram of F Board	3-34
1-3. REAR COVER ASSY REMOVAL	1-2	(6) Schematic Diagrams of G1 Board	3-35
1-4. QU BOARD REMOVAL	1-3	(7) Schematic Diagrams of G2F Board	3-38
1-5. QM AND QT BOARDS REMOVAL	1-3	(8) Schematic Diagram of H1U and H2 Boards	3-41
1-6. A2FU, DE1, DIC3 AND M1U BOARDS REMOVAL	1-4	(9) Schematic Diagram of H3 and H4 Boards	3-42
1-7. A1U, H2, P AND QH BOARDS REMOVAL	1-4	(10) Schematic Diagram of H5 Board	3-43
1-8. G1, G2F AND K BOARDS REMOVAL	1-5	(11) Schematic Diagram of K Board	3-44
1-9. F AND H1U BOARDS REMOVAL	1-5	(12) Schematic Diagrams of M1U Board	3-46
1-10. PLASMA DISPLAY PANEL ASSY REMOVAL	1-6	(13) Schematic Diagram of P Board	3-55
1-11. H3 AND H4 BOARDS REMOVAL	1-7	(14) Schematic Diagram of QH Board	3-54
1-12. H5 BOARD REMOVAL	1-7	(15) Schematic Diagrams of QM Board	3-55
		(16) Schematic Diagrams of QT Board	3-60
		(17) Schematic Diagram of QU Board	3-63
		3-5. SEMICONDUCTORS	3-64
2. ADJUSTMENTS and TROUBLESHOOTING	2-1	4. EXPLODED VIEWS	4-1
2-1. WHITE BALANCE ADJUSTMENT	2-1	4-1. REAR COVER ASSY AND STAND	4-2
2-1-1. Measurement equipment	2-1	4-2. CHASSIS-1	4-4
2-1-2. Measuring procedure	2-1	4-3. CHASSIS-2	4-5
2-1-3. Service mode	2-1	4-4. CHASSIS-3	4-6
2-2. TROUBLESHOOTING	2-2	4-5. CHASSIS-4	4-7
		4-6. PACKING MATERIALS	4-8
3. DIAGRAMS	3-1	5. ELECTRICAL PARTS LIST	5-1
3-1. BLOCK DIAGRAMS	3-1		
(1) A1U AND H2 BOARDS	3-1		
(2) A2FU (1/2) BOARD	3-2		
(3) A2FU (2/2) AND H4 BOARDS	3-3		
(4) DE1 BOARD	3-4		
(5) DIC3 BOARD	3-5		
(6) F AND G1 BOARD	3-6		
(7) G2F BOARD	3-7		
(8) K BOARD	3-8		
(9) H1U, H3, H5 AND M1U BOARDS	3-9		
(10) P BOARD	3-10		
(11) QH AND QM BOARDS	3-11		
(12) QT AND QU BOARDS	3-12		
3-2. FRAME DIAGRAMS	3-13		
3-3. CIRCUIT BOARDS LOCATION	3-14		

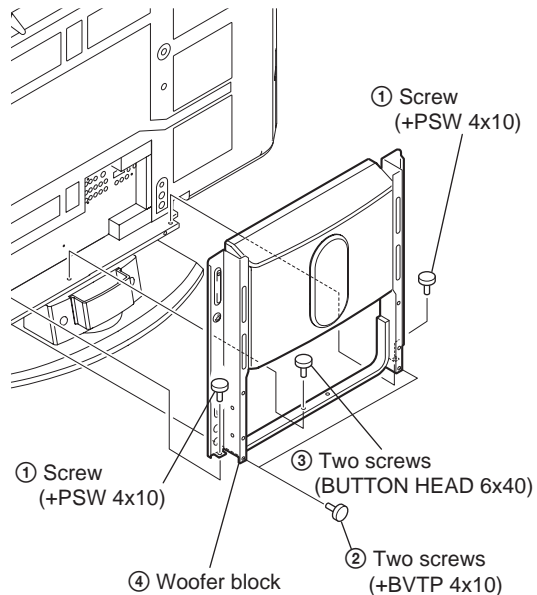
SECTION 1 DISASSEMBLY

1-1. SERVICE POSITION

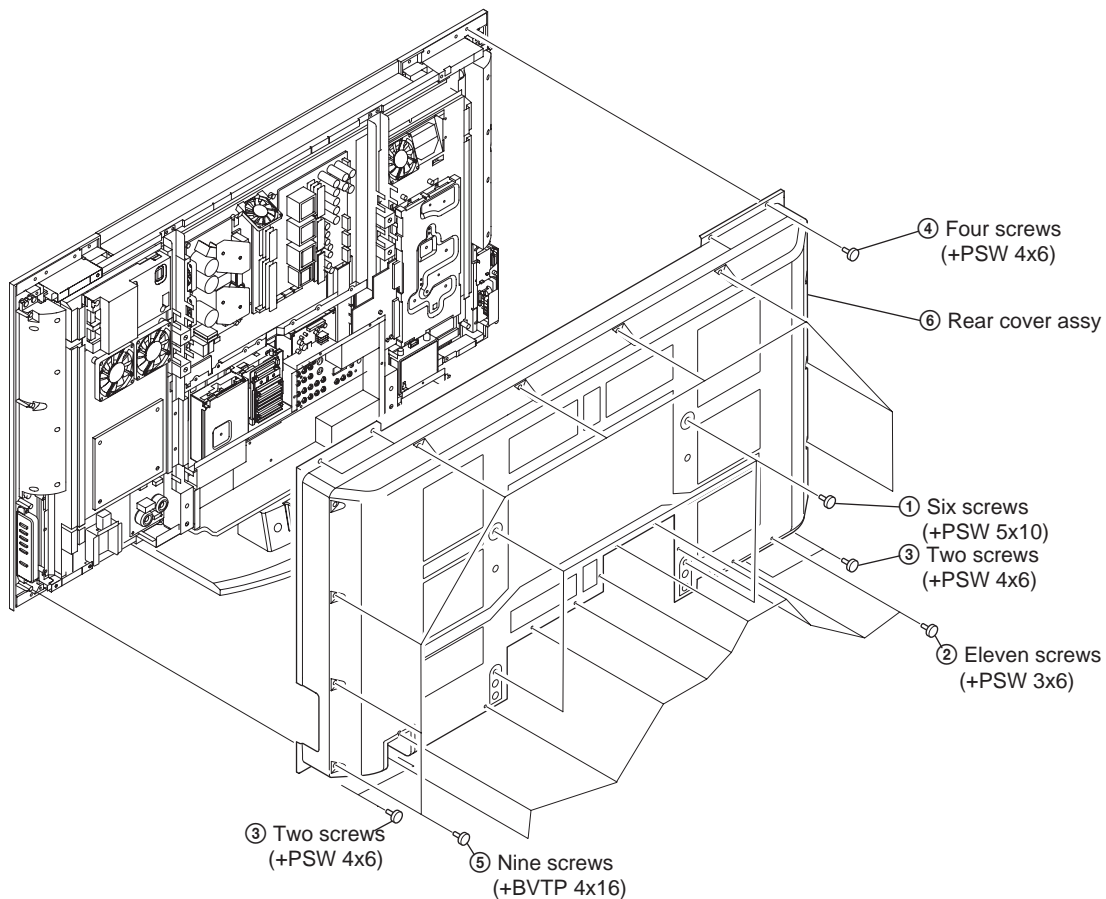
1-1-1. PANELS AND CAP REMOVAL



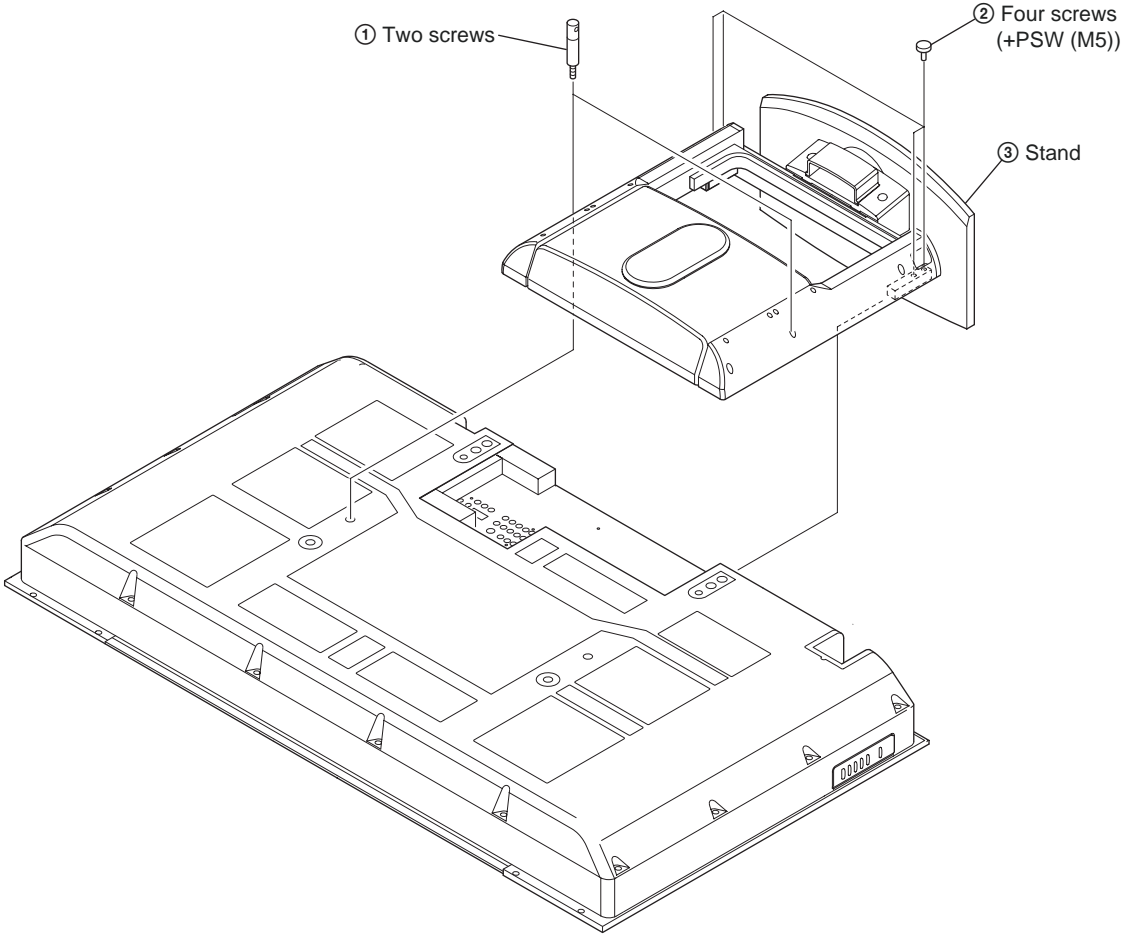
1-1-2. WOOFER BLOCK REMOVAL



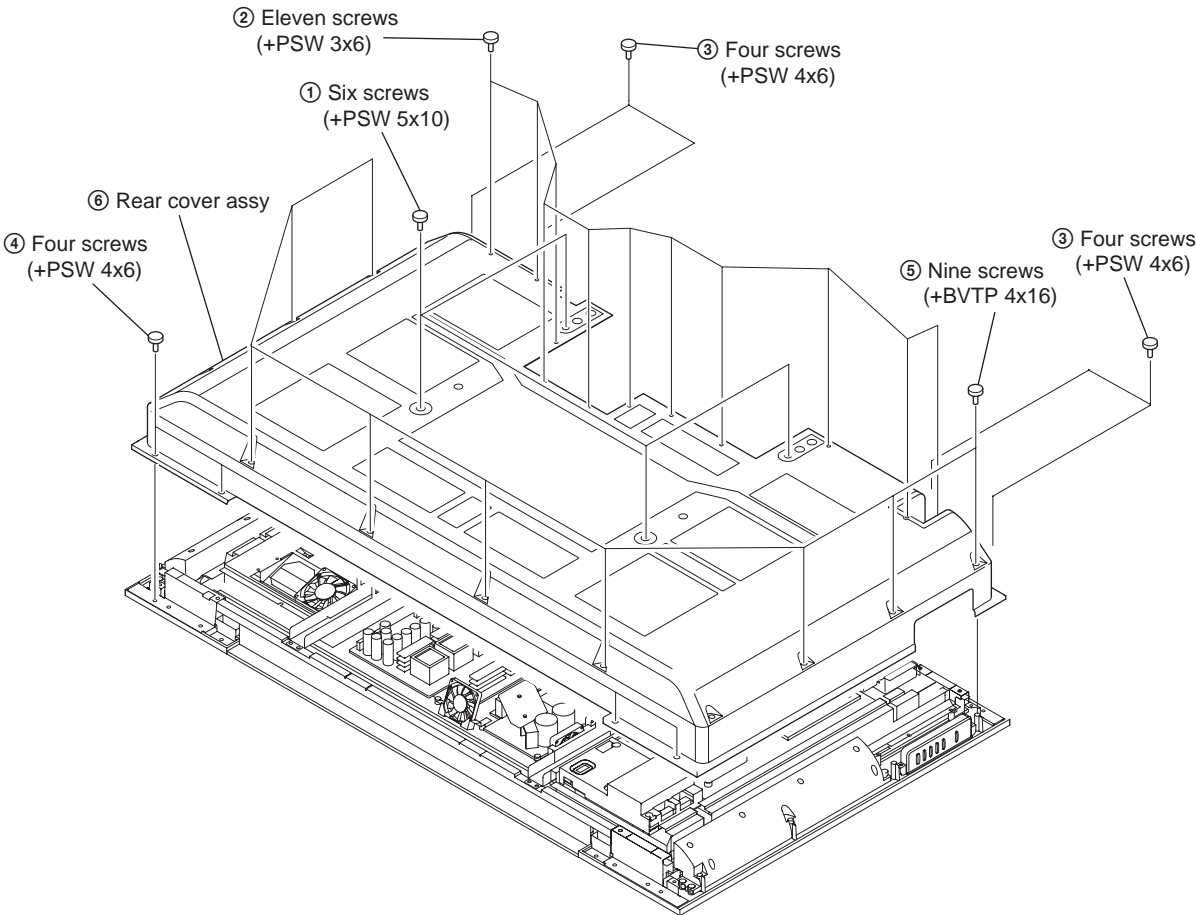
1-1-3. REAR COVER ASSY REMOVAL



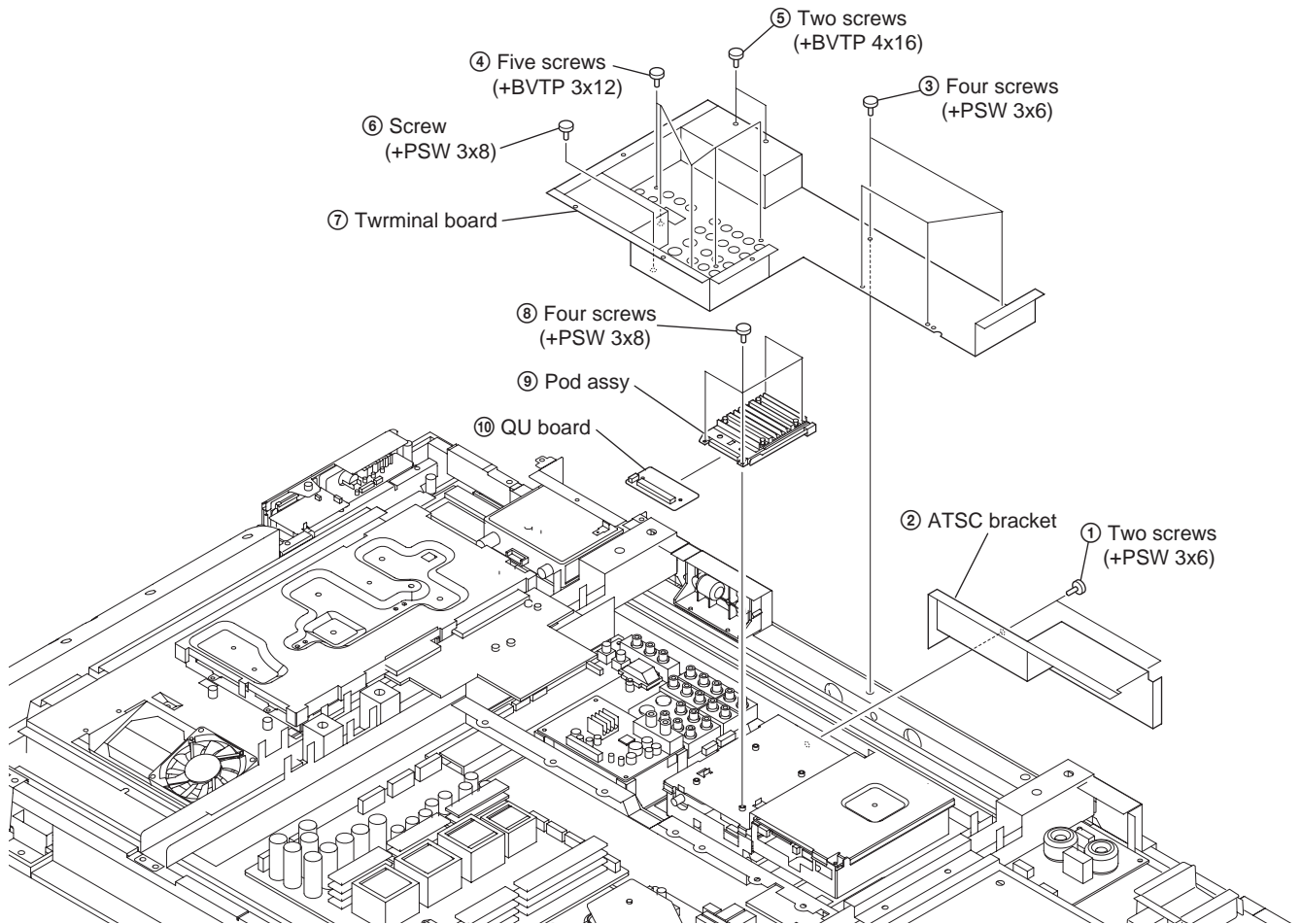
1-2. STAND REMOVAL



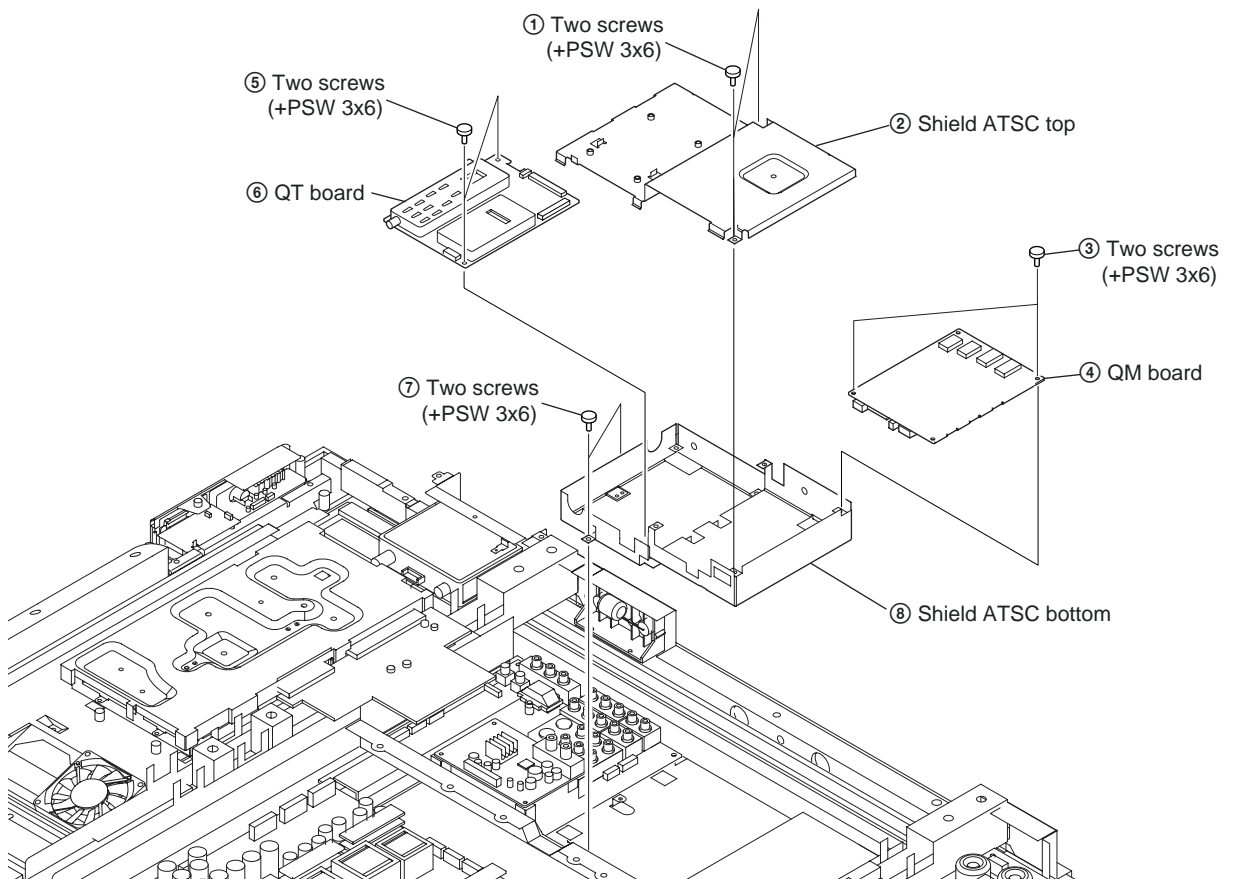
1-3. REAR COVER ASSY REMOVAL



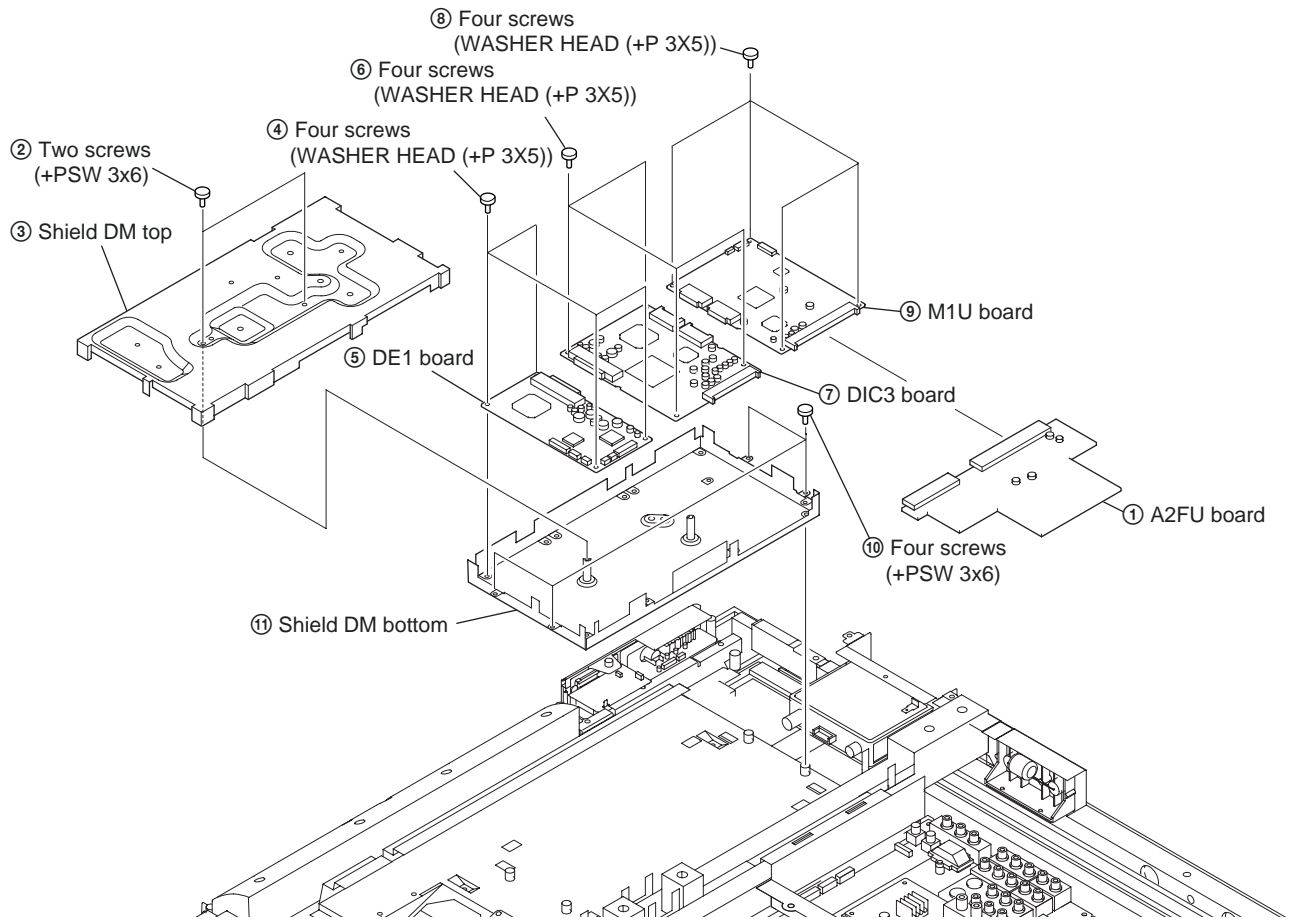
1-4. QU BOARD REMOVAL



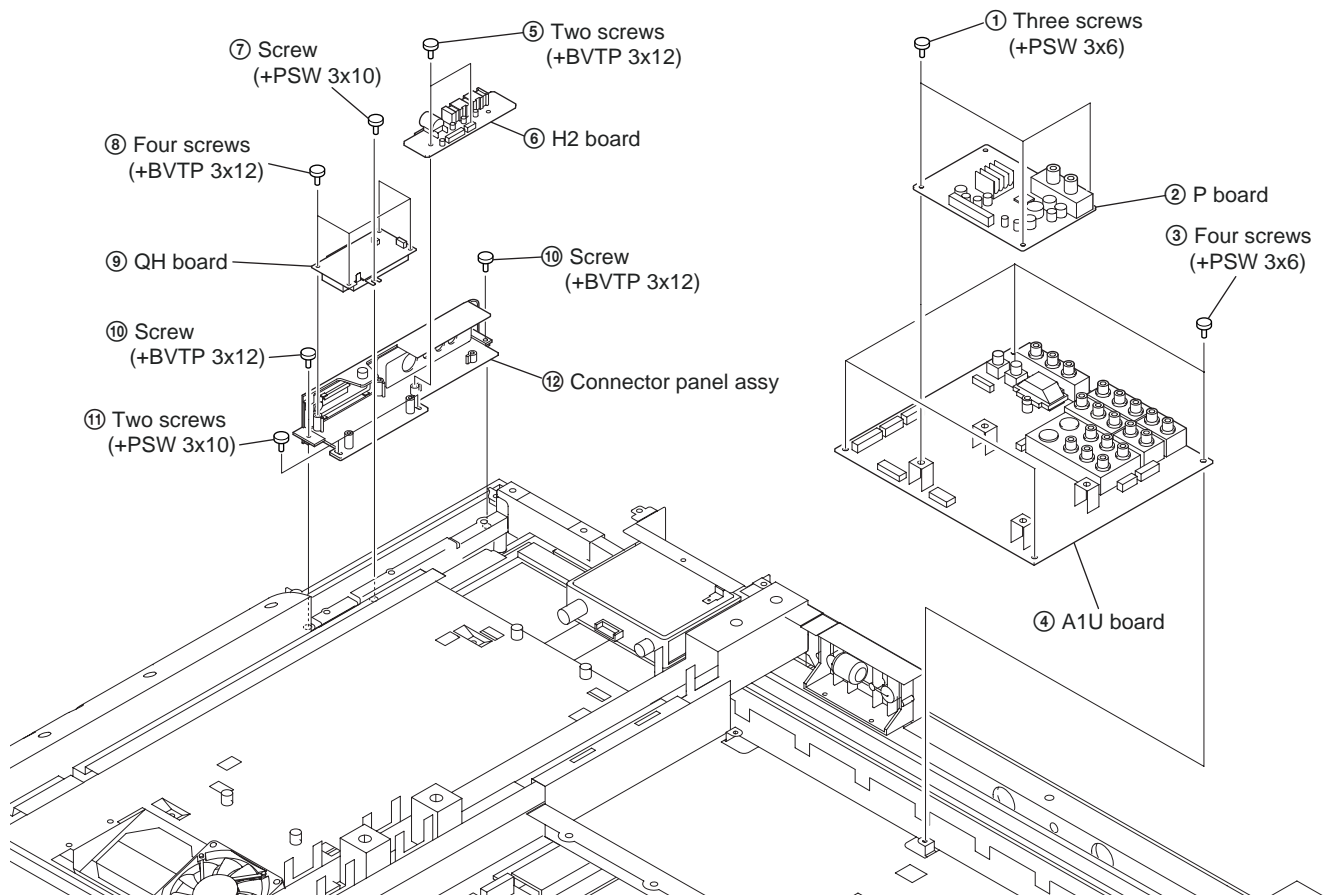
1-5. QM AND QT BOARDS REMOVAL



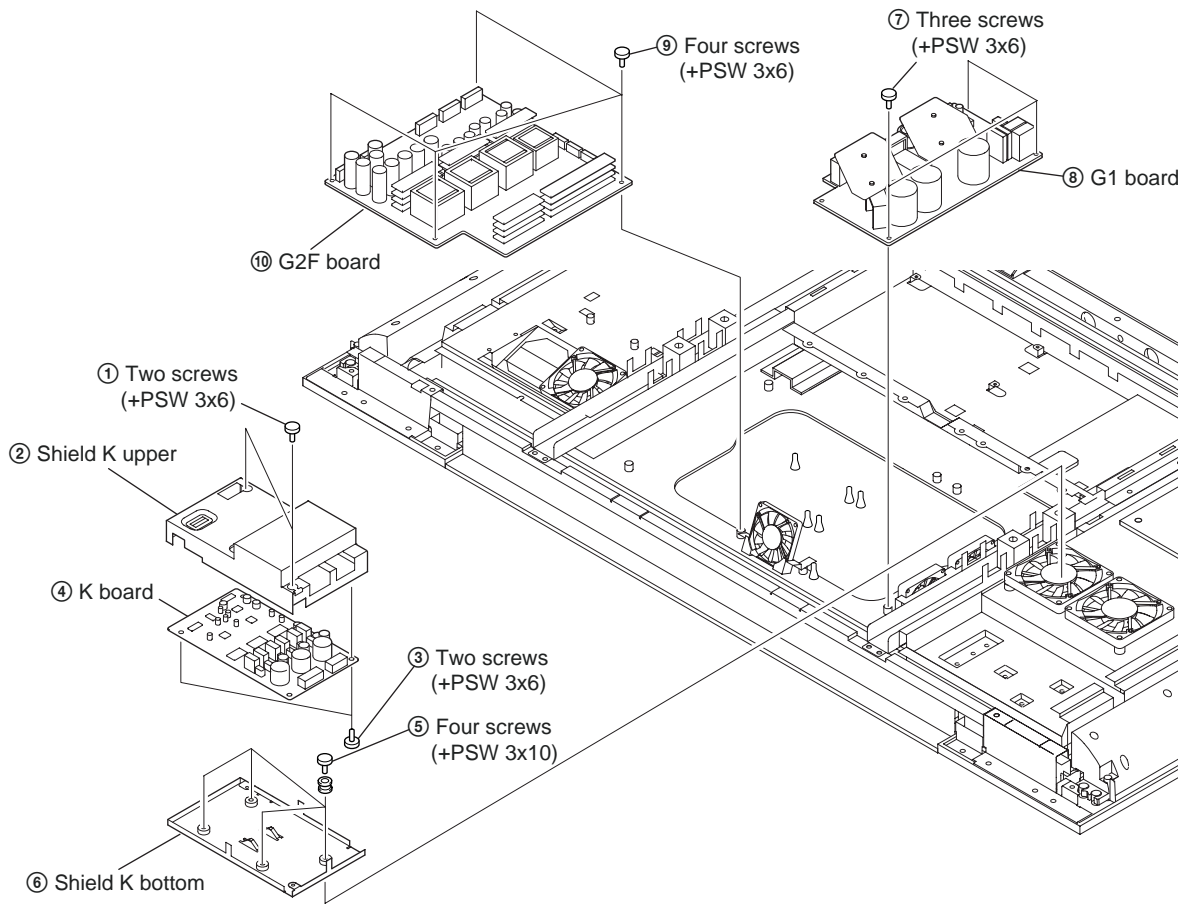
1-6. A2FU, DE1, DIC3 AND M1U BOARDS REMOVAL



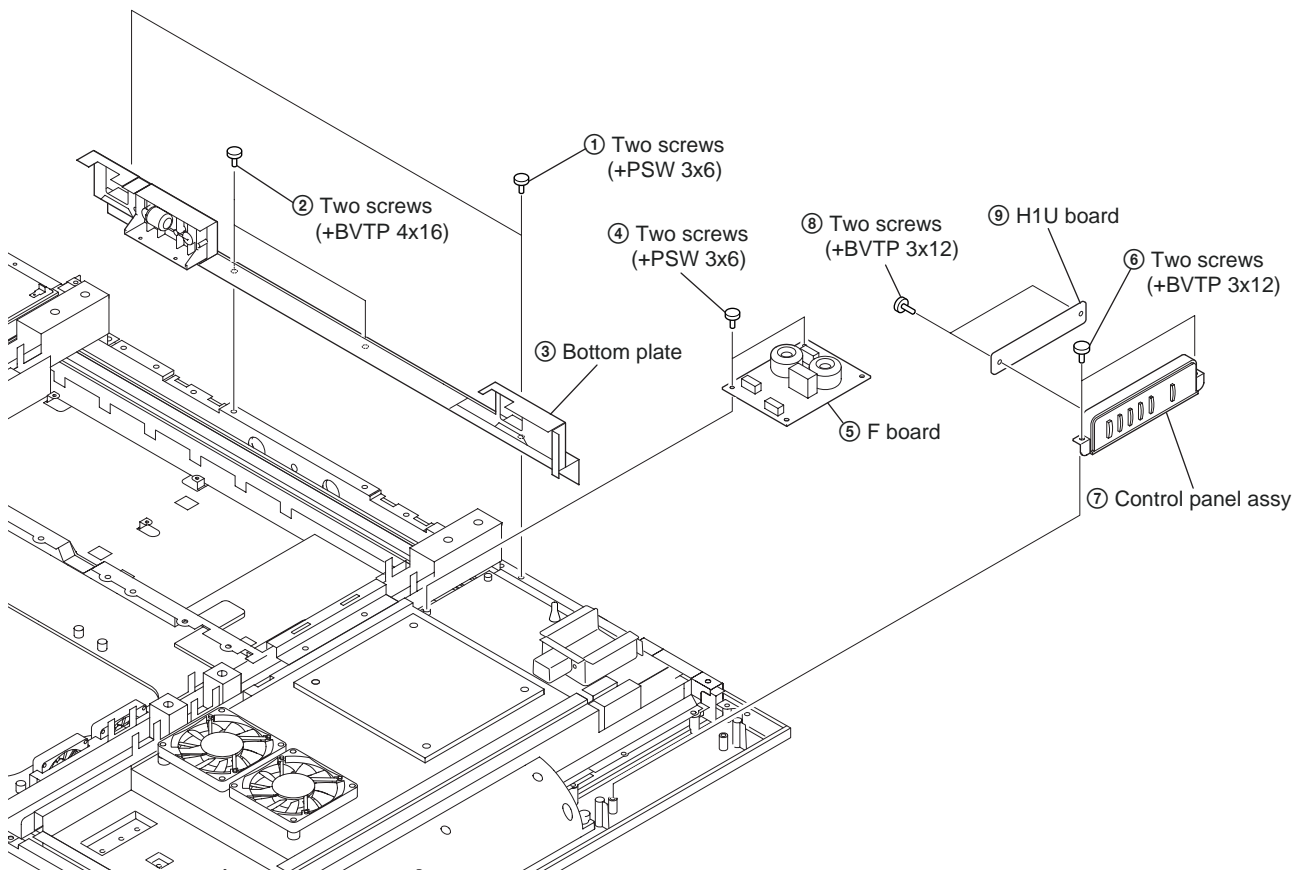
1-7. A1U, H2, P AND QH BOARDS REMOVAL



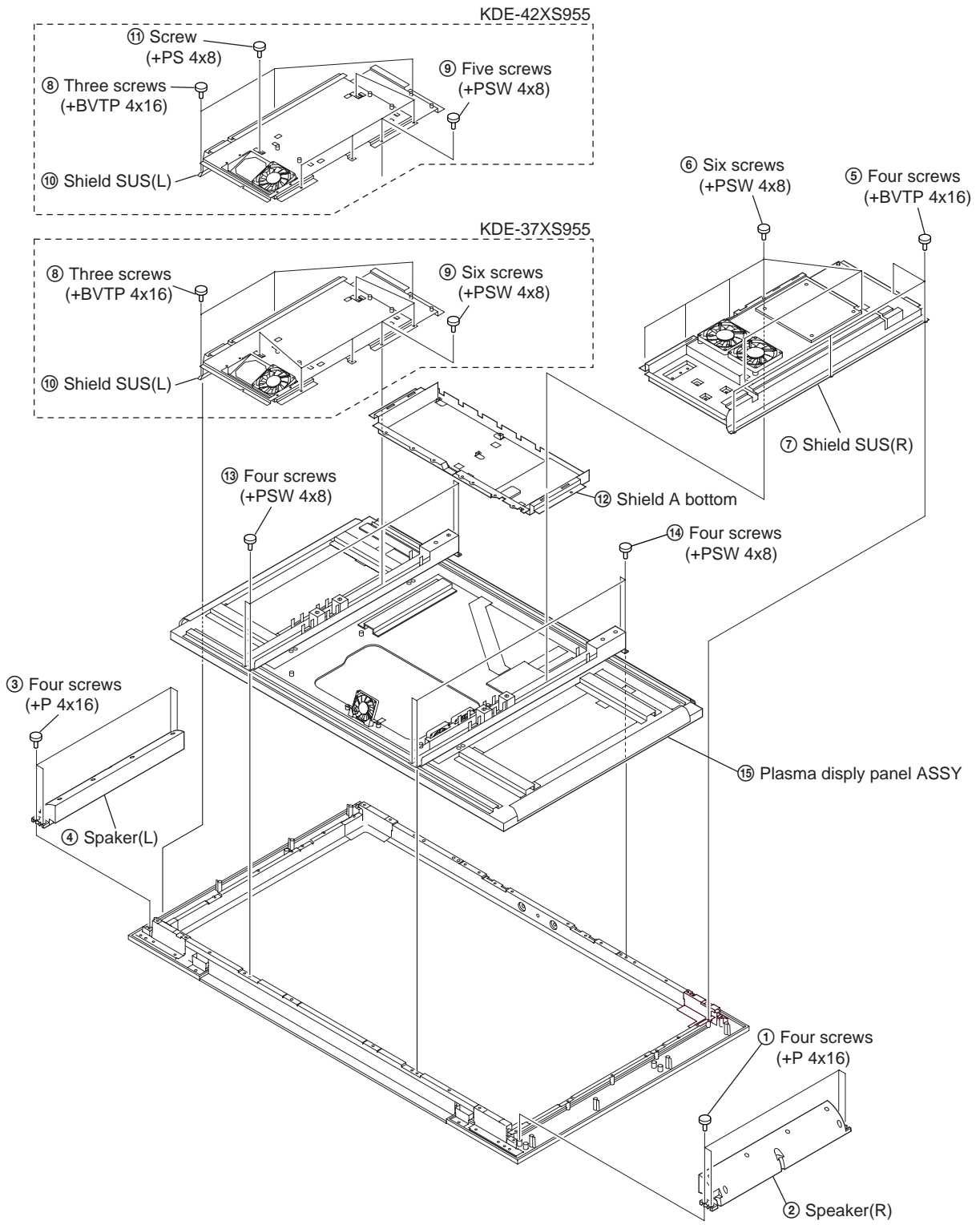
1-8. G1, G2F AND K BOARDS REMOVAL



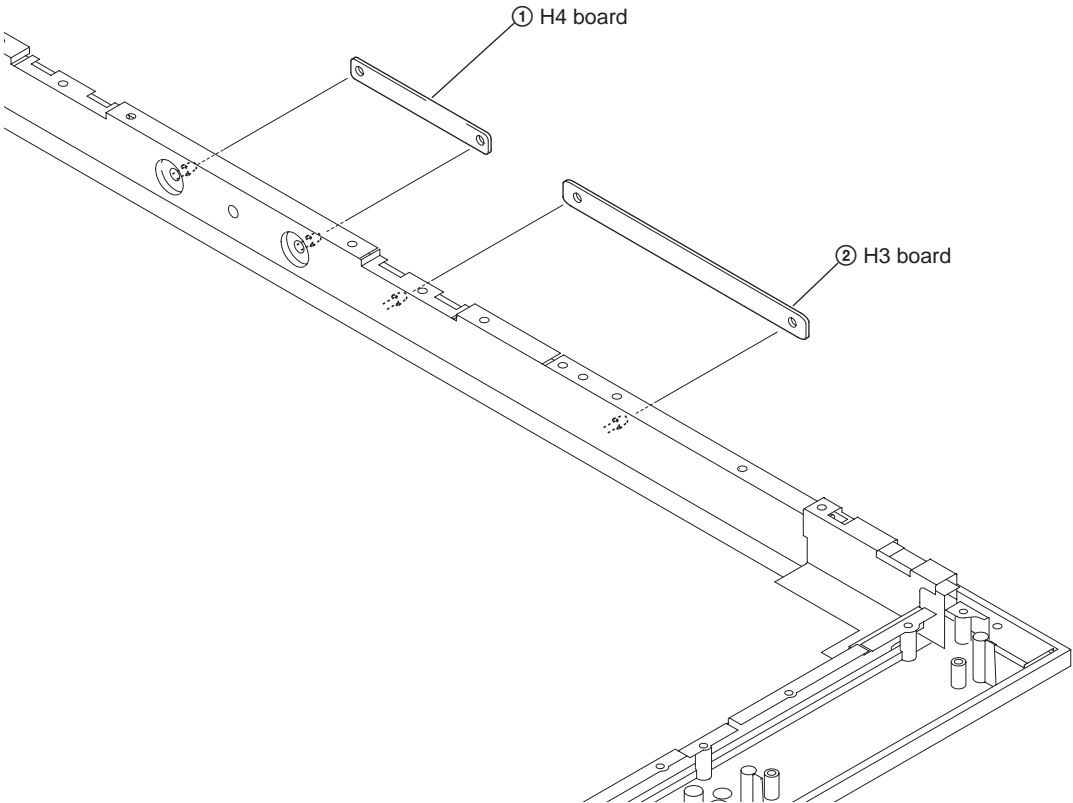
1-9. F AND H1U BOARDS REMOVAL



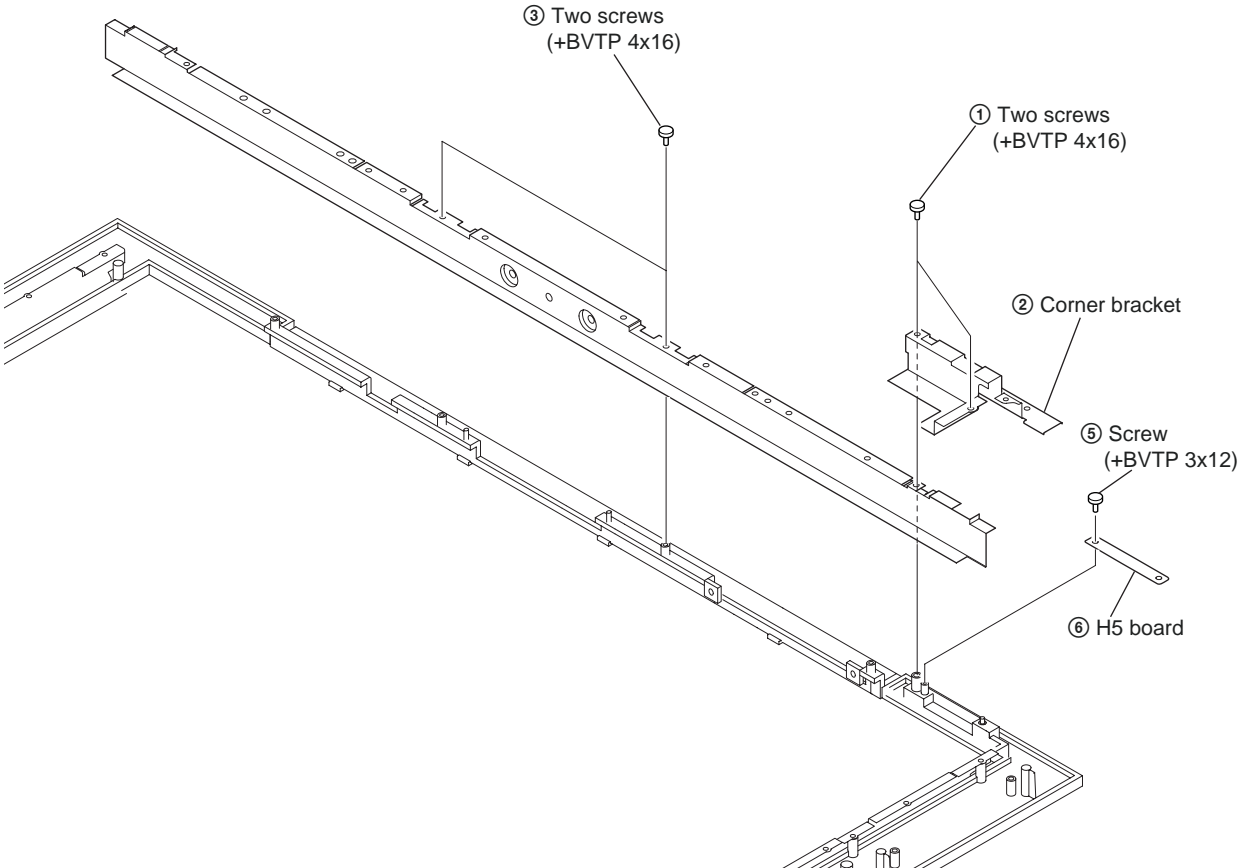
1-10. PLASMA DISPLAY PANEL ASSY REMOVAL



1-11. H3 AND H4 BOARDS REMOVAL



1-12. H5 BOARD REMOVAL



SECTION 2

ADJUSTMENTS and TROUBLESHOOTING

2-1. WHITE BALANCE ADJUSTMENT

When the Panel or DE1 Board is replaced or is repaired, W/B should be adjusted.

4. After the adjustment is completed, save the data using the **MUTE** and **ENTER** keys.

2-1-1. Measurement equipment

1. Color analyzer (CA-100 manufactured by MINOLTA)
2. Signal generator (ASTRO DESIGN VG-828D)

2-1-2. Measuring procedure

1. Dab the W/B adjustment jig (CA-100) at the glass face of the panel.
2. Connect the Signal generator (VG-828D) to the component terminal.
3. Input All-white signal (70%).
4. Make the settings as follows.
 - Set the quality mode to PRO.
 - Set the PICTURE to MAX.
5. Set the color temp, be adjusted cool.
6. Adjust the color temperature of the “highlight” side with the following items of service mode menu, fixed a avlue of one of RGBs 255.

*Operation Register

Service mode “53 FHP_I_1”

36 : RGAIN ×××

37 : GGAIN ×××

38 : BGAIN ×××

Note: Refer to section 2-1-3 for adjustment in service mode.

7. Adjust Cool, Neutral, Warm of each color temperature.

Adjustment target values:

MODE	x	y	
COOL	0.2684 ± 0.003	0.2700 ± 0.003	13550K + 0MPCD
NEUTRAL	0.2849 ± 0.003	0.2931 ± 0.003	9300K + 0MPCD
WARM	0.2951 ± 0.003	0.3044 ± 0.003	8000K + 0MPCD

2-1-3. Service mode

1. How to Enter Service Mode
 - 1) Turn on the main power switch to place this set in standby mode. (The LED will light red.)
 - 2) Press the buttons on the commander as follows to enter service mode.



2. Press the **JUMP** key on the commander three times.

3. How to Adjust

“53 FHP_I_1”

└ Category name.

(Can be changed with the 2 and 5 keys on the commander.)

36 **RGAIN** ×××

└ Data — Can be changed with the 3 and 6 keys on the commander.

└ Item Name } Can be changed with the 1 and 4 keys on the commander.

└ Item No. }

2-2. TROUBLESHOOTING

Twin View

Problem	Possible Remedies
I cannot get Twin View to work	<ul style="list-style-type: none">❑ If you are using a cable box to unscramble all channels (as shown on page 26), you cannot use the Twin View feature. This is because the cable box can unscramble only one channel at a time. But if you need the cable box to unscramble only some (usually premium) channels, you can use Twin View for unscrambled channels if you connect both a cable and cable box, as shown on page 25.❑ You can use Twin View to view a signal from a different source that is connected to the TV's A/V jacks (such as a VCR or DVD player) in the second window by pressing the TV/VIDEO button while in Twin View.❑ Digital sources, as well as any sources connected to the VIDEO 4, VIDEO 5, VIDEO 6 inputs, display in the left window, but not in the right windows.
There is no Twin View window, or it is just static	<ul style="list-style-type: none">❑ Be sure the Twin View window is set to a video input or channel that has a signal airing.❑ You might be tuned to a video input with nothing connected to it. Try cycling through the video inputs by pressing the TV/VIDEO button.
Twin View cannot display anything but TV channels	<ul style="list-style-type: none">❑ Try cycling through the video inputs by pressing the TV/VIDEO button. Check that the Label Video Inputs option is not set to Skip. (See the Setup Menu on page 105.)
Twin View displays the same program in both windows	<ul style="list-style-type: none">❑ Both Twin View windows might be set to the same channel. Try changing channels in either window.

Remote Control

Problem	Possible Remedies
Remote control does not operate	<ul style="list-style-type: none">❑ The batteries could be weak. Replace the batteries.❑ Check the orientation of the batteries.❑ Press the TV (FUNCTION) button. You may have inadvertently pressed the SAT/CABLE (FUNCTION) button, which changes the remote control to SAT or CABLE mode.❑ Make sure the TV's power cord is connected securely to the wall outlet.❑ Locate the TV at least 3-4 feet away from fluorescent lights.
Cannot change channels with the remote control	<ul style="list-style-type: none">❑ If you are using the TV to change channels, first press the TV (FUNCTION) button.❑ If you are using another device to change channels, be sure you have not inadvertently switched your TV from the channel 3 or 4 setting. Use the Channel Fix option to fix the channel based on the hookup you used (see page 99).❑ If you are using another device to change channels, be sure to press the FUNCTION button for that device. For example, if you are using your cable box to change channels, be sure to press the SAT/CABLE (FUNCTION) button.
Remote control does not operate non-Sony video equipment	<ul style="list-style-type: none">❑ If you replaced the batteries to the remote recently, the code numbers for the video equipment may need to be reset.❑ There may be more than one code for the equipment that you are attempting to operate.❑ There is a possibility that some non-Sony equipment cannot be operated by your Sony TV remote. You may need to use the equipment's original remote control.

CableCARD™

Problem	Possible Remedies
Problems using CableCARD™ or CableCARD™ services	<ul style="list-style-type: none">❑ Check that the CableCARD™ is inserted properly (see page 51).❑ The CableCARD™ must be activated by your local cable TV provider before you can receive digital cable TV services. See the activation instructions on page 51.❑ Check the Diagnostics and CableCARD™ menu options (see page 108). (This can be useful in providing information to an authorized technician or repair person.)❑ Contact your cable TV provider.





Channels

Problem	Possible Remedies
Cannot receive upper channels (UHF) when using an antenna	<ul style="list-style-type: none"> <input type="checkbox"/> Press ANT to select the VHF/UHF input (see page 57). <input type="checkbox"/> Use Auto Program in the Channel Menu to add receivable channels that are not presently in the TV's memory (see page 99).
TV is fixed to one channel	<ul style="list-style-type: none"> <input type="checkbox"/> Use Auto Program in the Channel Menu to add receivable channels that are not presently in the TV's memory (see page 99). <input type="checkbox"/> Check your Channel Fix settings (see page 99).
Cannot receive any channels when using cable TV	<ul style="list-style-type: none"> <input type="checkbox"/> Use Auto Program in the Channel Menu to add receivable channels that are not presently in the TV's memory (see page 99). <input type="checkbox"/> Press ANT to select the CABLE input (see page 57).
Cannot receive or select channels	<ul style="list-style-type: none"> <input type="checkbox"/> Use Auto Program in the Channel Menu to add receivable TV channels that are not presently in TV memory (see page 99).
Some digital cable channels are not being displayed	<ul style="list-style-type: none"> <input type="checkbox"/> Certain cable TV companies have limitations on the broadcast of digital cable channels. Check with your cable TV company for more information. <input type="checkbox"/> Check with your cable TV company if the channels are scrambled or encrypted. You will need a CableCARD or a separate set-top box to view those channels. <input type="checkbox"/> Some optional digital cable broadcast formats may not be supported. If your cable TV company is broadcasting digital signals in unsupported broadcast formats, you will need a separate set-top box provided by your cable TV company to view those channels. <input type="checkbox"/> The digital cable channel may be set to Hide in the Channel Menu (see page 99). <input type="checkbox"/> Use the Digital Channels feature to search for new digital channels (see page 99).

Memory Stick

Problem	Possible Remedies
Image does not display/Cannot see all files	<ul style="list-style-type: none"> <input type="checkbox"/> Make sure the image file is a JPEG (.jpg, .jpeg) file or an MPEG1 (.mpg, .mpeg) file. <input type="checkbox"/> Make sure the Memory Stick is inserted properly (see page 78). <input type="checkbox"/> Check the Filter option setting (see page 89). <input type="checkbox"/> Check the Select Folder setting (see page 89) and ensure that files are either in DCF directories if Digital Camera Folders is selected (see page 89), or in the currently selected folder if Select a Folder is selected (see page 89). <input type="checkbox"/> The maximum number of files the Memory Stick Viewer can display is 2,000 files total, including all JPEG, MPEG1, and MP3 files. <input type="checkbox"/> If you are using a Memory Stick with the Memory Select function, try changing the position of the A/B select switch.
JPEG image displays undesirable motion or flicker in full screen	<ul style="list-style-type: none"> <input type="checkbox"/> JPEGs captured using a digital video camera may appear to display motion in full screen. This is a result of the way digital video cameras record still images, and is not a result of a malfunction with the TV.
Rotation not saved after Memory Stick is ejected or Memory Stick Viewer is closed	<ul style="list-style-type: none"> <input type="checkbox"/> The Memory Stick might be locked. Unlock the Memory Stick and try rotating the image again. <input type="checkbox"/> The file might not have information (EXIF data) that is usually generated when a digital camera records a photo. In this case, it is not possible to save the rotation. <input type="checkbox"/> There might be insufficient space on the Memory Stick to save the rotated file. Try deleting one or more files and rotating the image again.
Cannot show (or hide) file information in full screen or Slide Show	<ul style="list-style-type: none"> <input type="checkbox"/> Set the File Information option to On or Off (see page 88).
Cannot set print quantity	<ul style="list-style-type: none"> <input type="checkbox"/> The Memory Stick might be locked. Unlock the Memory Stick and try rotating the image again.
Cannot see Menu	<ul style="list-style-type: none"> <input type="checkbox"/> Press ▲ to display the Menu again.
Cannot hear audio while using Memory Stick	<ul style="list-style-type: none"> <input type="checkbox"/> Check the TV's volume or Speaker (page 96) settings. <input type="checkbox"/> To hear JPEG voice memo in full screen view, select the Digital Camera Folders option and set the Filter option to Show All Print Marks. <input type="checkbox"/> Check that the Music option is not set to Off (see page 88).
Not all MP3 files on Memory Stick are included when the Music /Complete List option is selected (page 88)	<ul style="list-style-type: none"> <input type="checkbox"/> The Memory Stick Viewer can display a maximum of 2,000 files total, including all JPEG, MPEG1, and MP3 files. <input type="checkbox"/> Make sure that the file is named with the file extension (.mp3).
Cannot see MP3 list to play music	<ul style="list-style-type: none"> <input type="checkbox"/> MP3 files on your Memory Stick only can be played as background music during a Slide Show (see page 88).
MP3 file does not play back correctly	<ul style="list-style-type: none"> <input type="checkbox"/> The Memory Stick Viewer supports only MP3 files with a fixed data rate of 128 kbps (kilobits per second).

MP3 files on the Memory Stick are not listed	<input type="checkbox"/>	Only MP3 files that are named with the file extension (.mp3) are displayed in the list.
Music files are playing in wrong order	<input type="checkbox"/>	MP3 files are played in alphabetical order, according to the folder in which they are stored. If you want to change the playlist order, rename your files alphabetically in the order in which you want them to play.
MPEG1 movie does not play back correctly	<input type="checkbox"/>	Some variations of MPEG1 movies may not be compatible with the Memory Stick Viewer.

Problem	Possible Remedies	
MPEG1 quality is poor when enlarged (page 86)	<input type="checkbox"/>	The quality of the movie when enlarged depends on the resolution of the MPEG1 file. See your camera's instruction manual for details.
Error message is displayed	<input type="checkbox"/>	No Memory Stick There is no Memory Stick in the slot.
	<input type="checkbox"/>	Memory Stick Locked The lock mechanism on the Memory Stick is engaged.
	<input type="checkbox"/>	Memory Stick Error The Memory Stick in the slot might be damaged; try a different Memory Stick.
	<input type="checkbox"/>	Format Error The Memory Stick may have been formatted using a PC or other device that is not compatible with cameras.
Error icon is displayed		The file is not a valid MPEG1 or JPEG format, or it is a progressive JPEG (which is not supported).
		The thumbnail is not DCF-compatible.
		The file is a JPEG or an MPEG1, but the thumbnail is unreadable.
		The file is unreadable.

Audio

Problem	Possible Remedies	
Good picture, no sound	<input type="checkbox"/>	Press MUTING so that the word Muting disappears from the screen (see page 56).
Cannot gain enough volume when using a cable box	<input type="checkbox"/>	Make sure the Speaker option is set to On in the Audio Menu (see page 96).
	<input type="checkbox"/>	Make sure the MTS option is set to Stereo or Mono (see page 95).
	<input type="checkbox"/>	Increase the volume of the cable box using the cable box's remote control. Then press TV (FUNCTION) and adjust the TV's volume.
Sound seems weak or insufficient	<input type="checkbox"/>	The TV's audio might be set to Auto SAP or Mono , when it might be better set to Stereo . In the Audio Menu (see page 95), set the MTS setting to Stereo . If already set to Stereo , switch to Mono (which may reduce background noise during weak stereo broadcasts).
Cannot raise the volume on external audio speakers	<input type="checkbox"/>	If the Speaker option is set to Off and the Audio Out option is set to Fixed (in order to output the sound to your audio system) use your audio receiver to adjust the sound (see page 96). Or, to use the TV remote control, set the Audio Out option to Variable .
	<input type="checkbox"/>	To turn on the TV speakers, set the Speaker option to On (see page 96).
There is no sound from WOOFER	<input type="checkbox"/>	Check the screen if there is a display message stating the WOOFER is disconnected. If the message is shown, you may need to contact your dealer or Sony Customer Information Service Center to check the connection.

Video

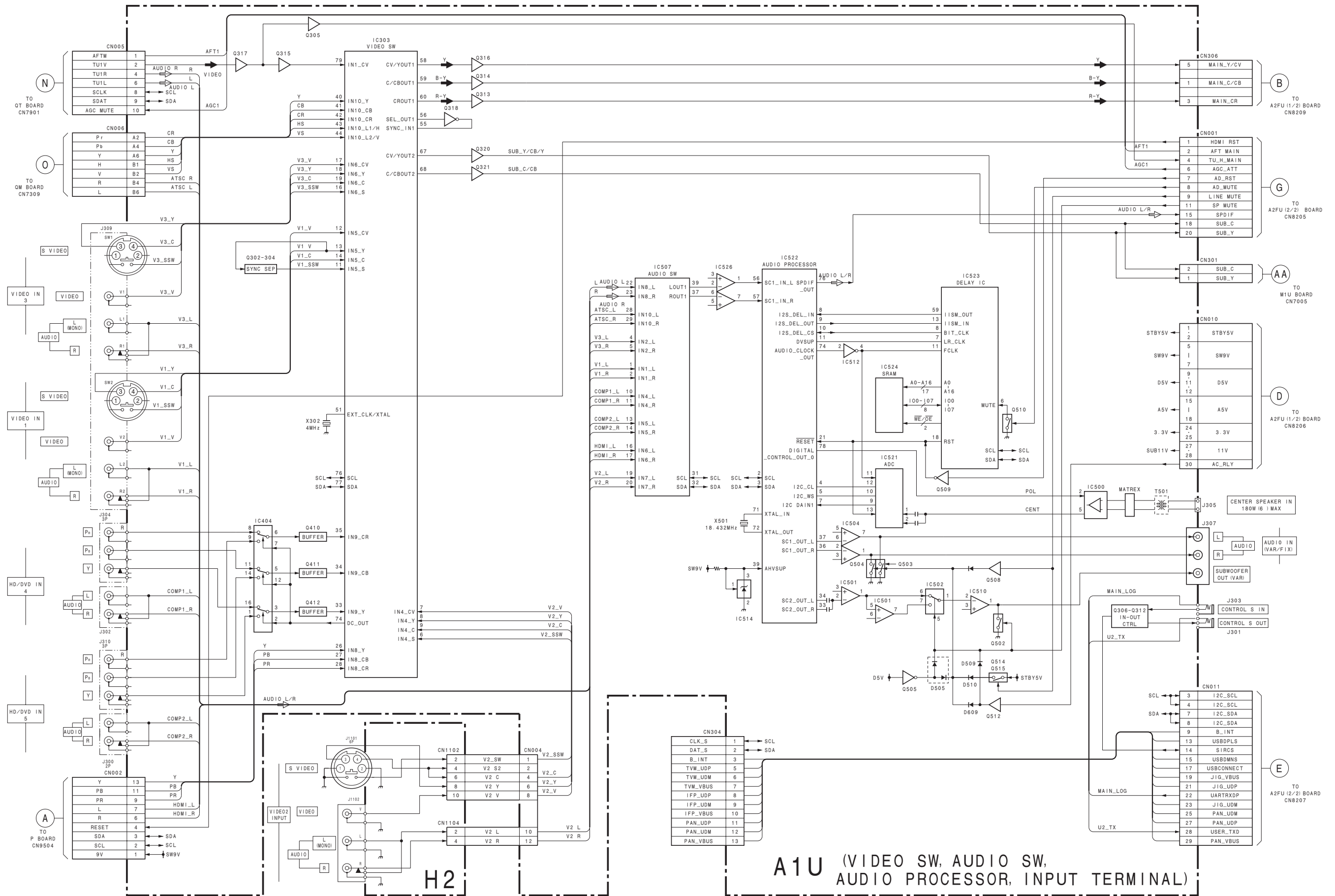
Problem	Possible Remedies
No picture (screen not lit), no sound	<ul style="list-style-type: none"> <input type="checkbox"/> If your TV does not turn on, and a red light keeps flashing, your TV may need service. Call your local Sony Service Center. <input type="checkbox"/> Make sure the power cord is plugged in. <input type="checkbox"/> Press the POWER button on the right side of the TV. <input type="checkbox"/> Press the TV/VIDEO button to cycle through the connected video sources. <input type="checkbox"/> Try another channel; it could be station trouble.
Dark, poor or no picture (screen lit), good sound	<ul style="list-style-type: none"> <input type="checkbox"/> Adjust the Picture option in the Video Menu (see page 92). <input type="checkbox"/> Adjust the Brightness option in the Video Menu (see page 92). <input type="checkbox"/> Check the antenna/cable connections.
No color./Dark picture./Color is not correct.	<ul style="list-style-type: none"> <input type="checkbox"/> Press the PICTURE (MODE) button to select the desired Picture mode (see page 56). <input type="checkbox"/> Adjust the Color option in the Video Menu (see page 92).
Only snow and noise appear on the screen	<ul style="list-style-type: none"> <input type="checkbox"/> Check the antenna/cable connections. <input type="checkbox"/> Try another channel; it could be station trouble. <input type="checkbox"/> Press ANT to change the input mode (see page 57).
Dotted lines or stripes	<ul style="list-style-type: none"> <input type="checkbox"/> Adjust the antenna. <input type="checkbox"/> Move the TV away from noise sources such as cars, neon signs, or hair-dryers.
Double images or ghosts	<ul style="list-style-type: none"> <input type="checkbox"/> Using a highly directional outdoor antenna or a cable may solve the problem.
Striped noise during playback/recording of a VCR	<ul style="list-style-type: none"> <input type="checkbox"/> Video head interference. Keep your VCR away from the TV. <input type="checkbox"/> Leave a space of 30 cm (11 7/8 inches) between your VCR and the TV to avoid noise. <input type="checkbox"/> Avoid installing your VCR in front of the TV or at the side of the TV.
Image left on screen	<ul style="list-style-type: none"> <input type="checkbox"/> Perform image retention recovery. (see page 98) <input type="checkbox"/> Use the Screen Saver function (see page 98).
The screen flickers when turning on the TV.	<ul style="list-style-type: none"> <input type="checkbox"/> This is caused by feature of the Plasma Display Panel, and does not indicate a malfunction of the TV.
Black box on screen	<ul style="list-style-type: none"> <input type="checkbox"/> You have selected a text option in the Setup Menu and no text is available. (See page 104 to reset Setup selections.) To turn off this feature, set the Caption Vision option to Off. If you were trying to select closed captioning, select CC1 instead of TEXT 1-4.
Bars appear at the top and bottom of the screen	<ul style="list-style-type: none"> <input type="checkbox"/> Some wide-screen programs are filmed in aspect ratios that are greater than 16:9, such as 2.35:1. (This is especially common with theatrical releases). Your TV will show these programs with bars at the top and bottom of the screen. For more details, check the documentation that came with your DVD (or contact your program provider).
Certain programs on DVD or other digital sources display a loss of detail, especially during fast-motion or dark scenes	<ul style="list-style-type: none"> <input type="checkbox"/> The compression used by certain digital broadcasts and DVDs may cause your TV's screen to display less detail than usual, or cause artifacts (small blocks or dots, pixelations) to appear on your screen. This is due to your TV's large screen and ability to show very fine detail, and is normal for certain digitally recorded programs. Adjust the reality/clarity in the DRC Palette option (see page 93) to optimize the picture while viewing these sources.

General

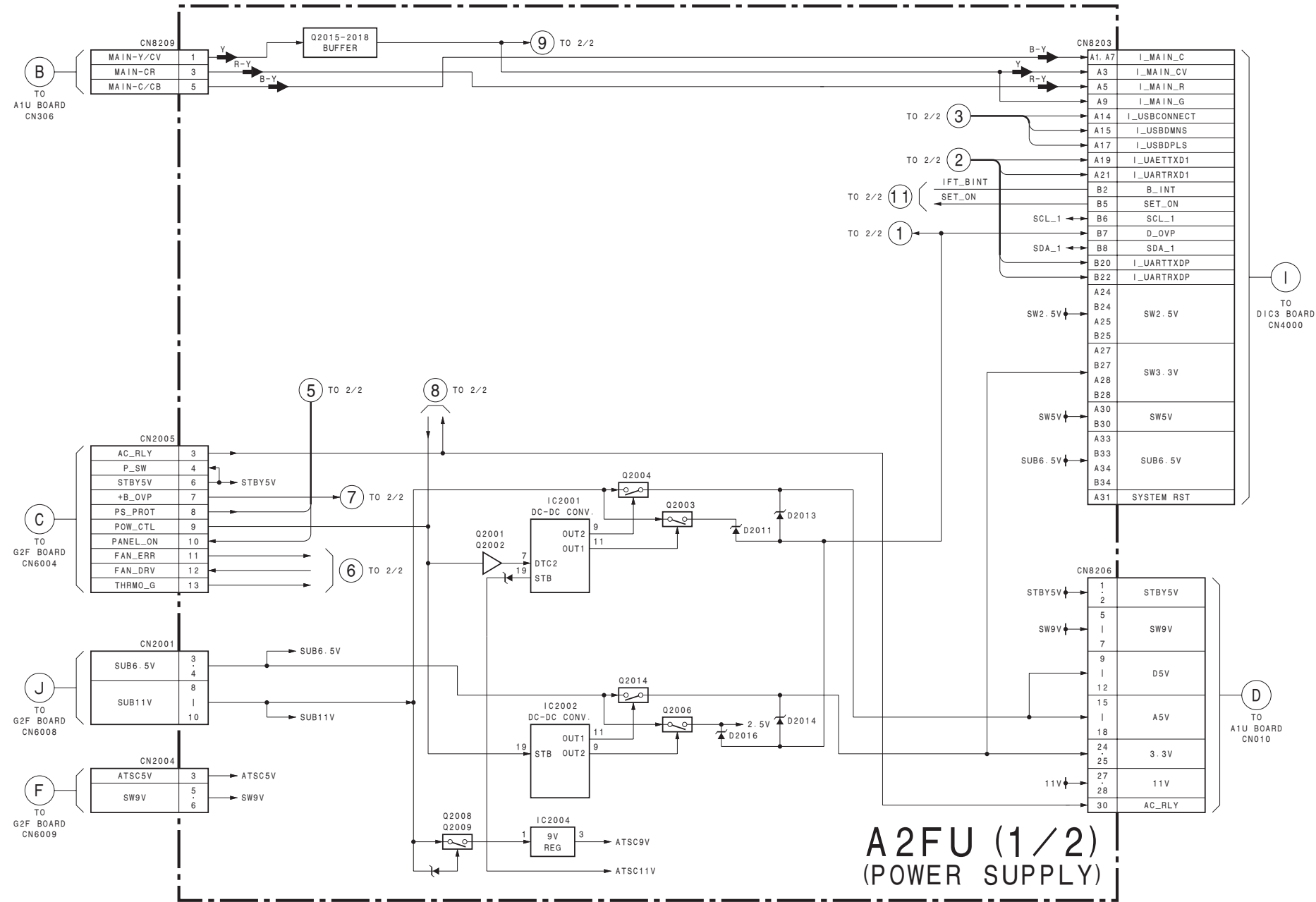
Problem	Possible Remedies
How to reset TV to factory settings	<input type="checkbox"/> Turn on the TV. While holding down the RESET button on the remote control, press the POWER button on the right side of the TV. (The TV will turn itself off, then back on again.) Release the RESET button.
How to restore Video settings to factory settings	<input type="checkbox"/> Press the RESET button on the remote control while in the Video Menu (see page 92).
How to restore Audio settings to factory settings	<input type="checkbox"/> Press the RESET button on the remote control while in the Audio Menu (see page 95).
Cannot cycle through the other video equipment connected to the TV	<input type="checkbox"/> Be sure the Label Video Inputs option is not set to Skip (see page 105).
Cannot operate Menu	<input type="checkbox"/> If a Menu option appears in gray, this indicates that the TV is in a state in which the Menu option is not available.
Lost password	<input type="checkbox"/> In the password screen (see page 101), enter the following master password: 4357 . The master password clears your previous password; it cannot be used to temporarily unblock channels.
TIMER LED on front panel is lit	<input type="checkbox"/> The LED (see page 16) blinks when the TV is turned on, then shuts off when the picture is displayed. If the LED blinks continuously, this may indicate the TV needs service. When lit, indicates that the timer is set (page 107). When the timer is set, this LED will remain lit even when the TV is turned off.
Digital cable box does not work	<input type="checkbox"/> If you are connecting a VCR and digital cable box using a splitter, as described on page 32, you must use a special bi-directional splitter that is designed to work with your digital cable box. Contact your cable TV company for details.
Cannot record digital channels to VCR	<input type="checkbox"/> Only analog channels can be recorded to your VCR.

SECTION 3 DIAGRAMS

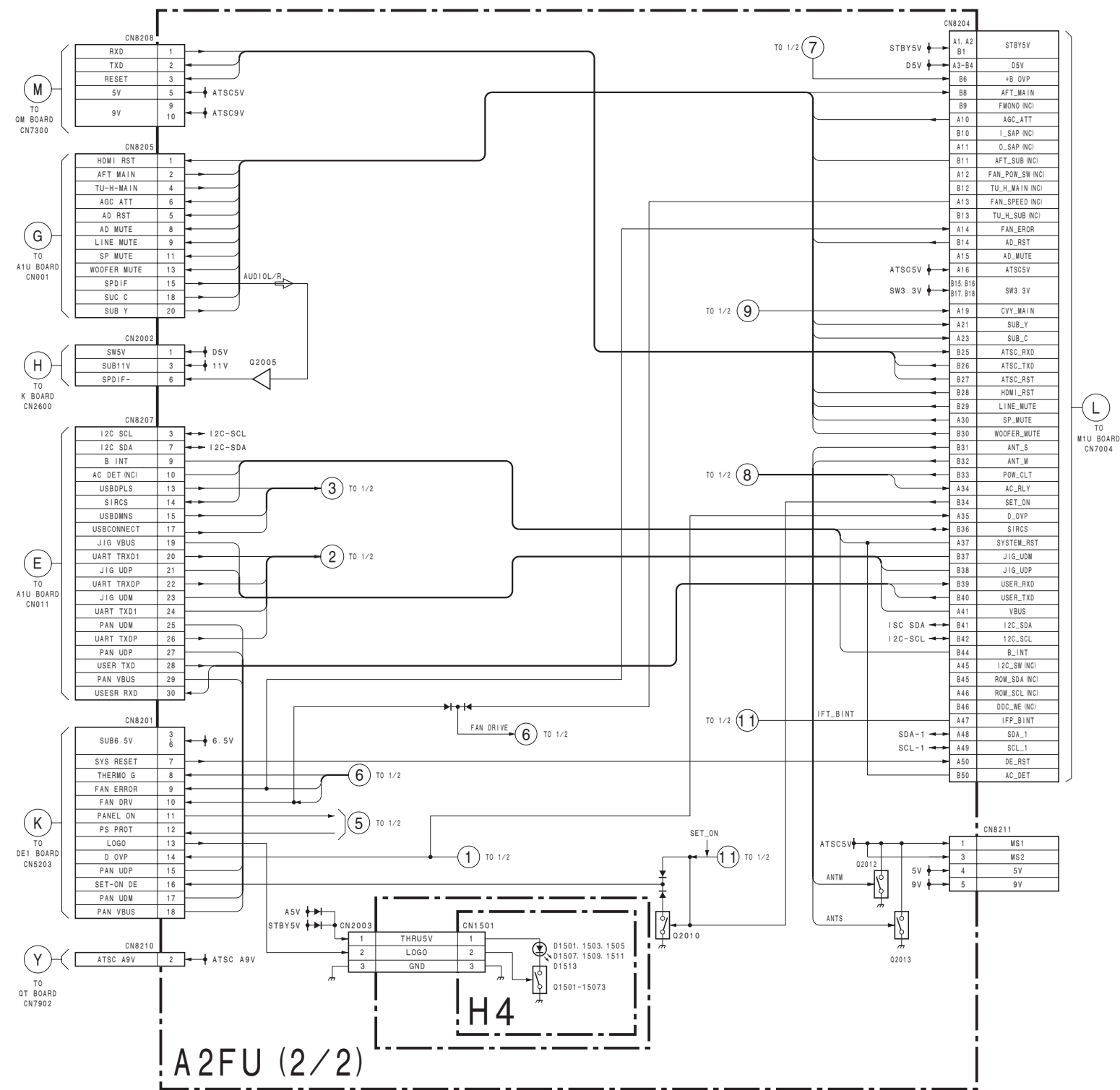
3-1. BLOCK DIAGRAMS (1) A1U AND H2 BOARDS



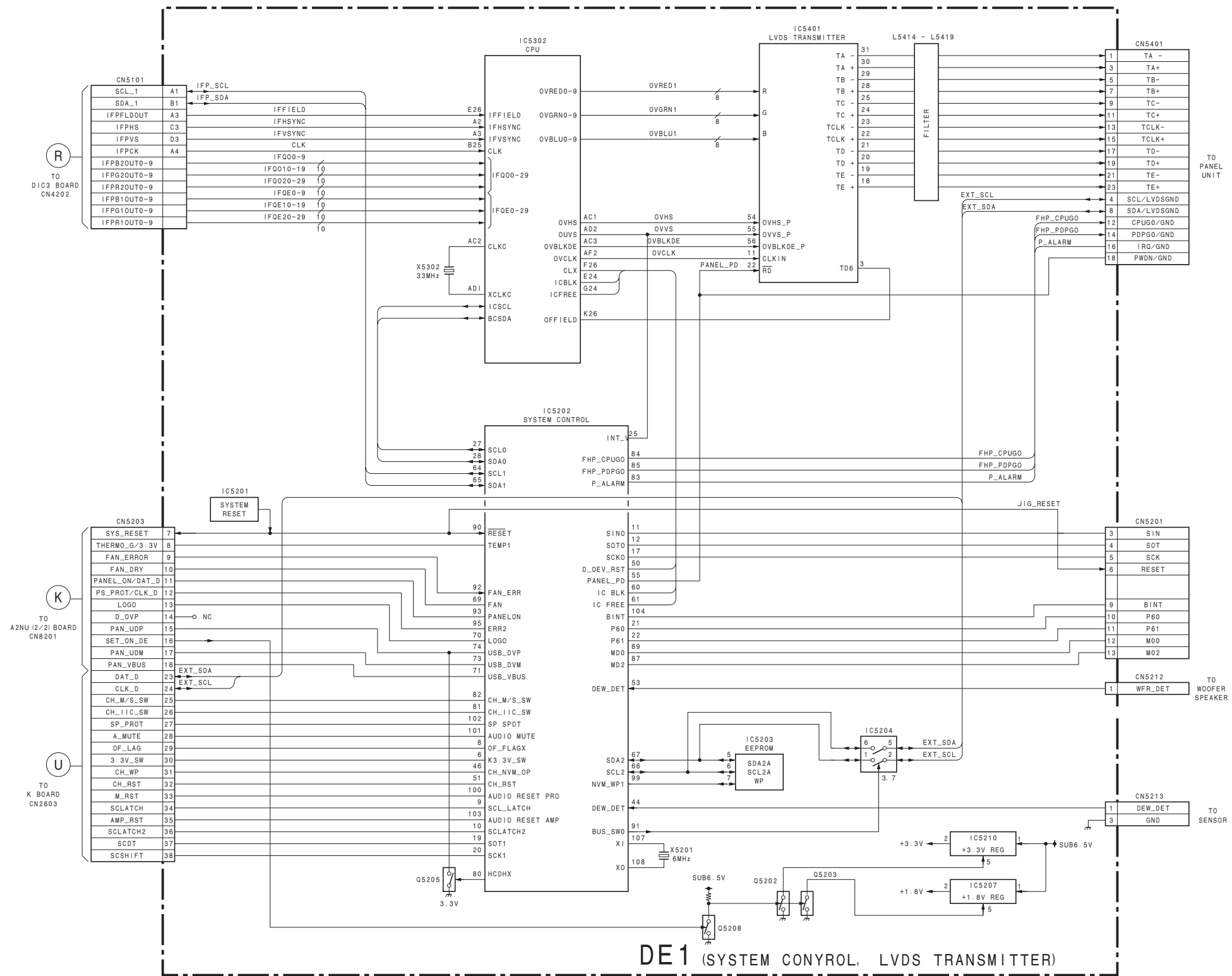
(2) A2FU (1/2) BOARD



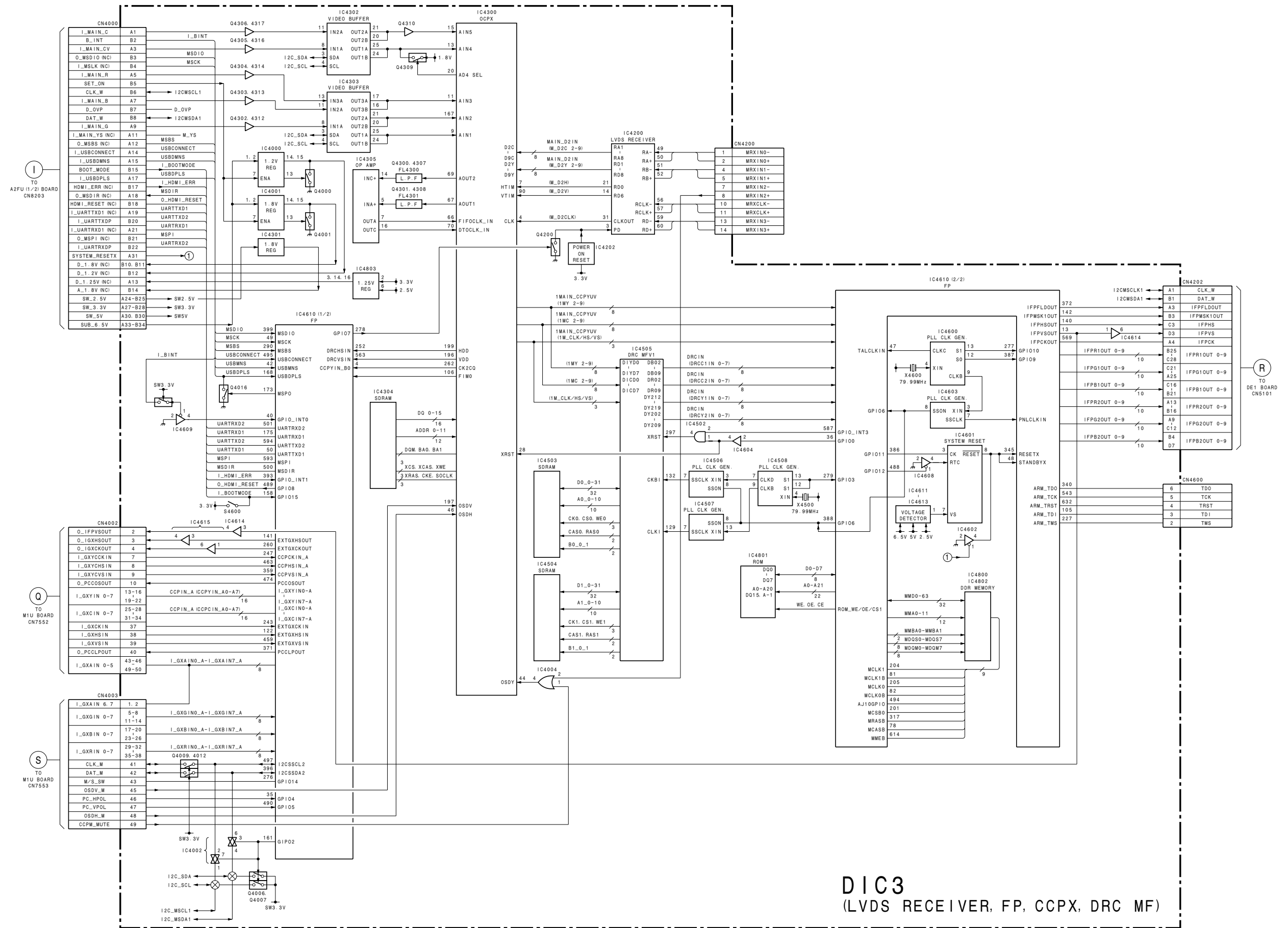
(3) A2FU (2/2) AND H4 BOARDS



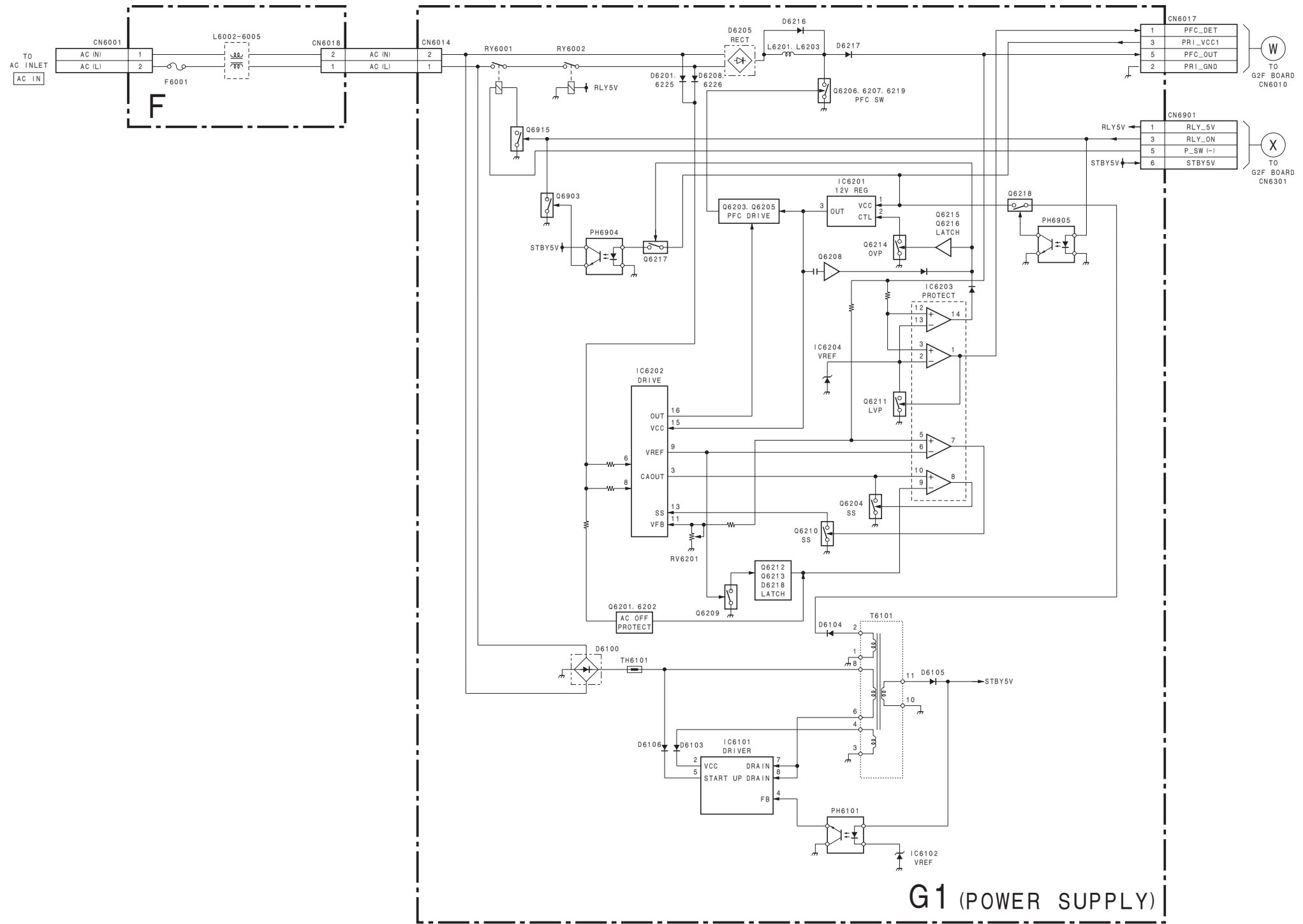
(4) DE1 BOARD



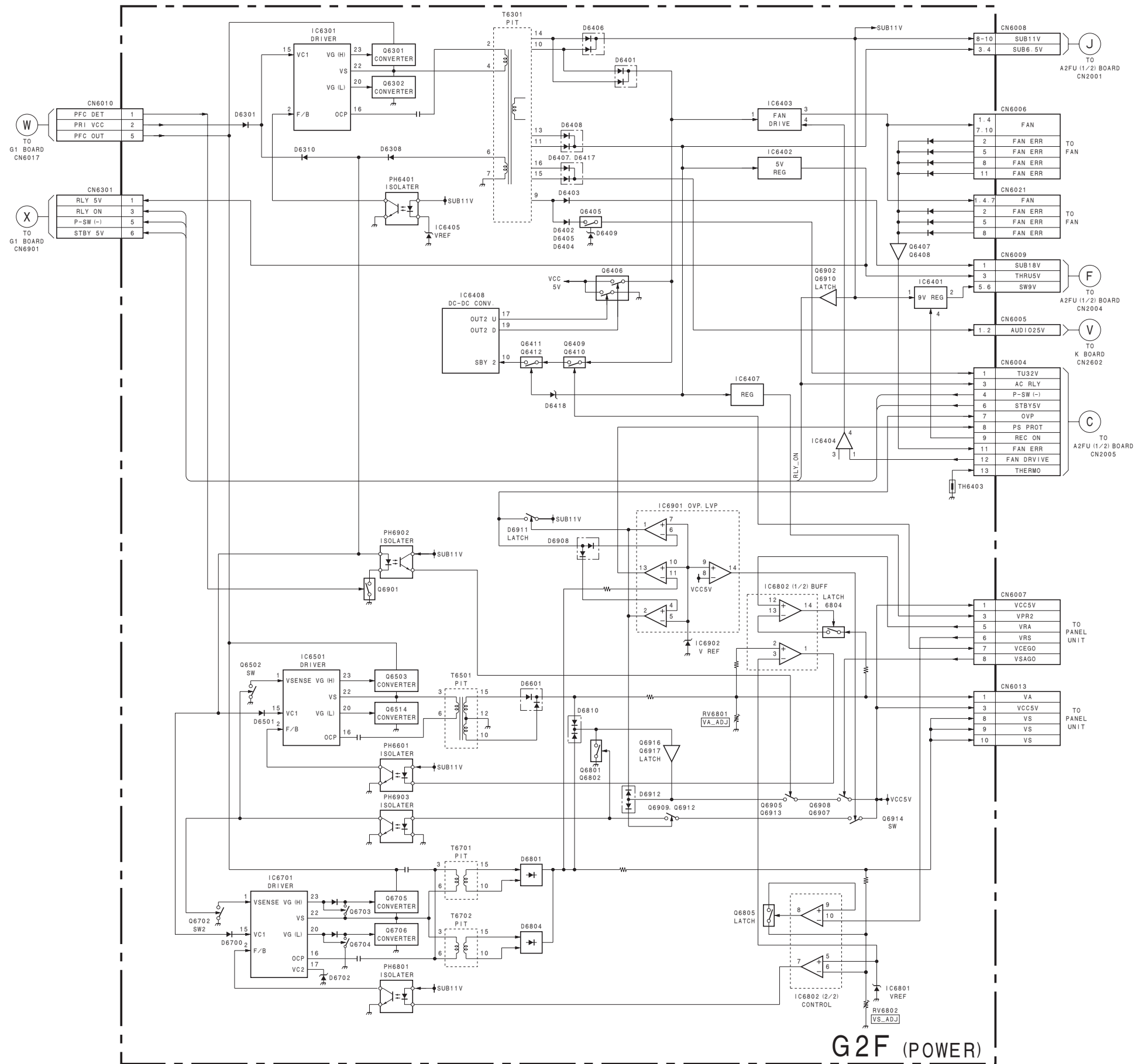
DE1 (SYSTEM CONYROL, LVDS TRANSMITTER)



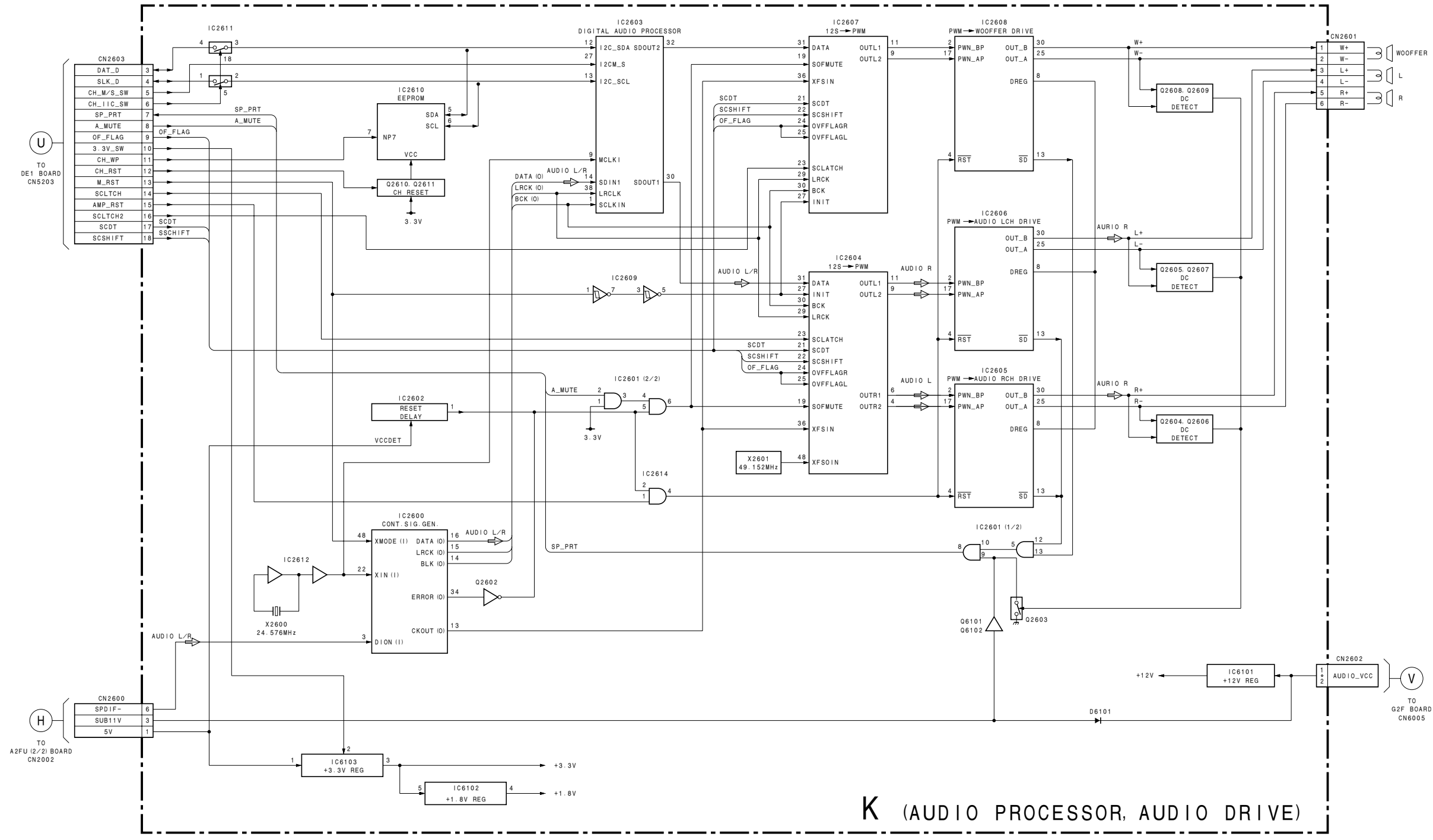
(6) F AND G1 BOARDS



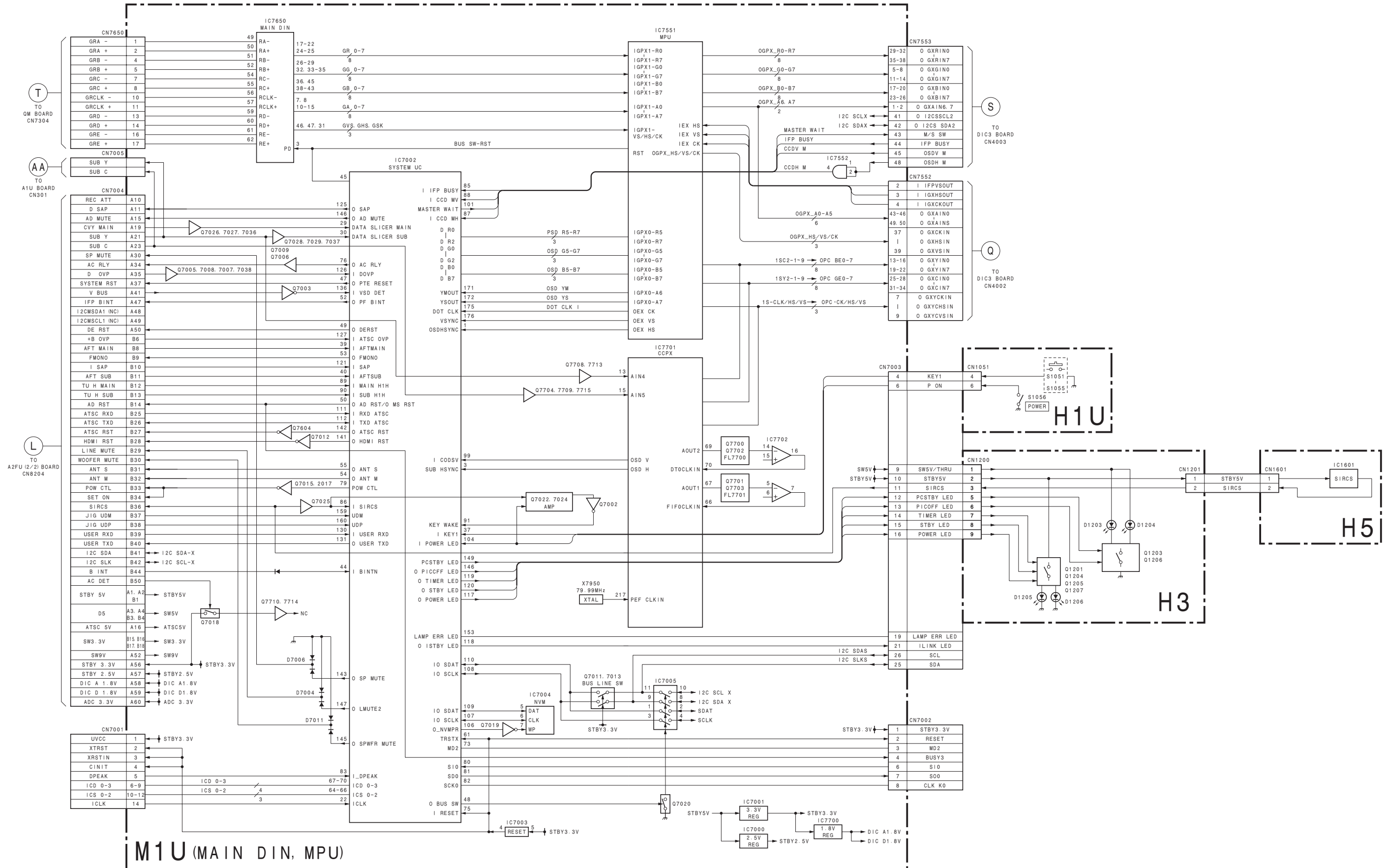
(7) G2F BOARD

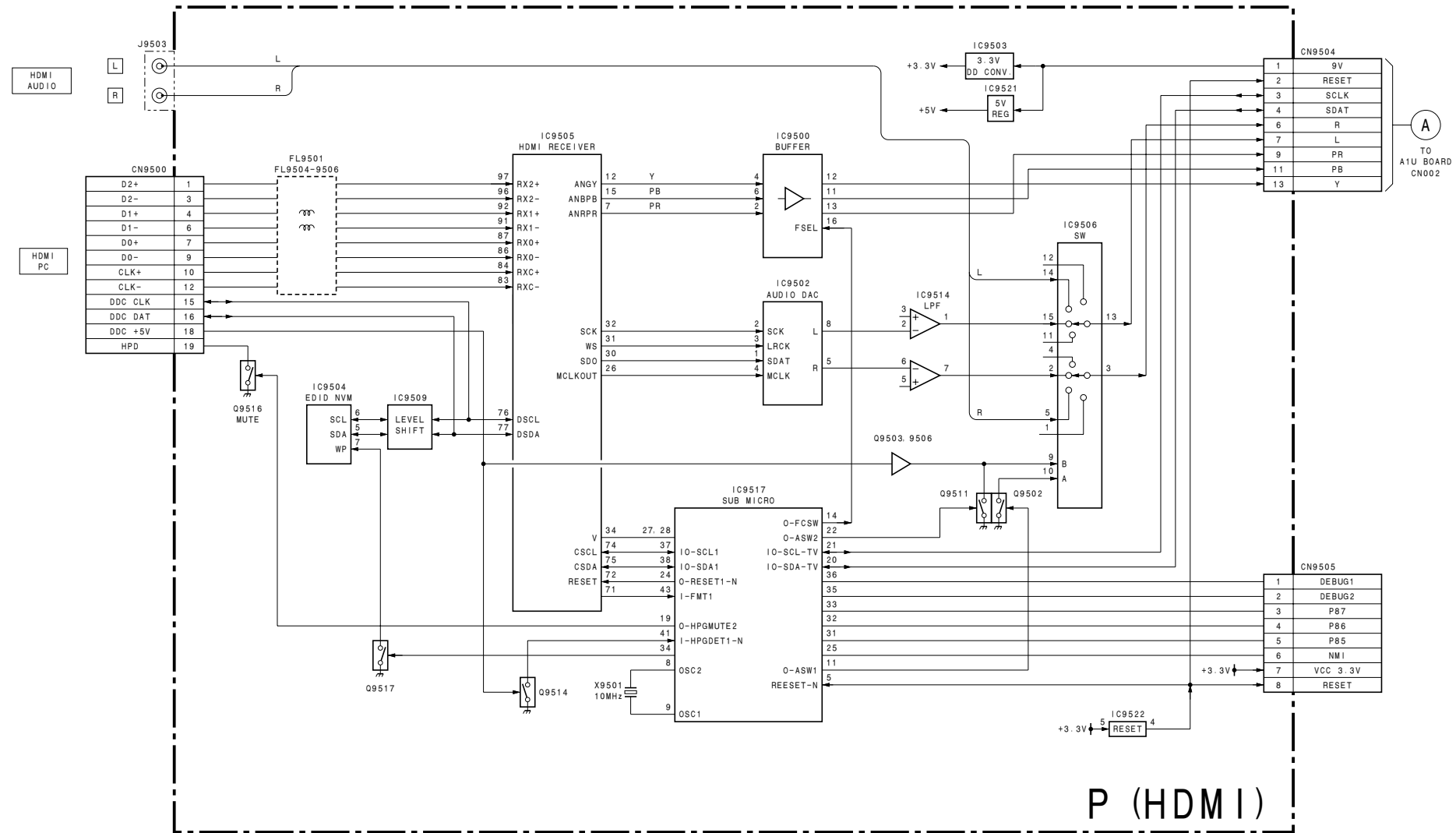


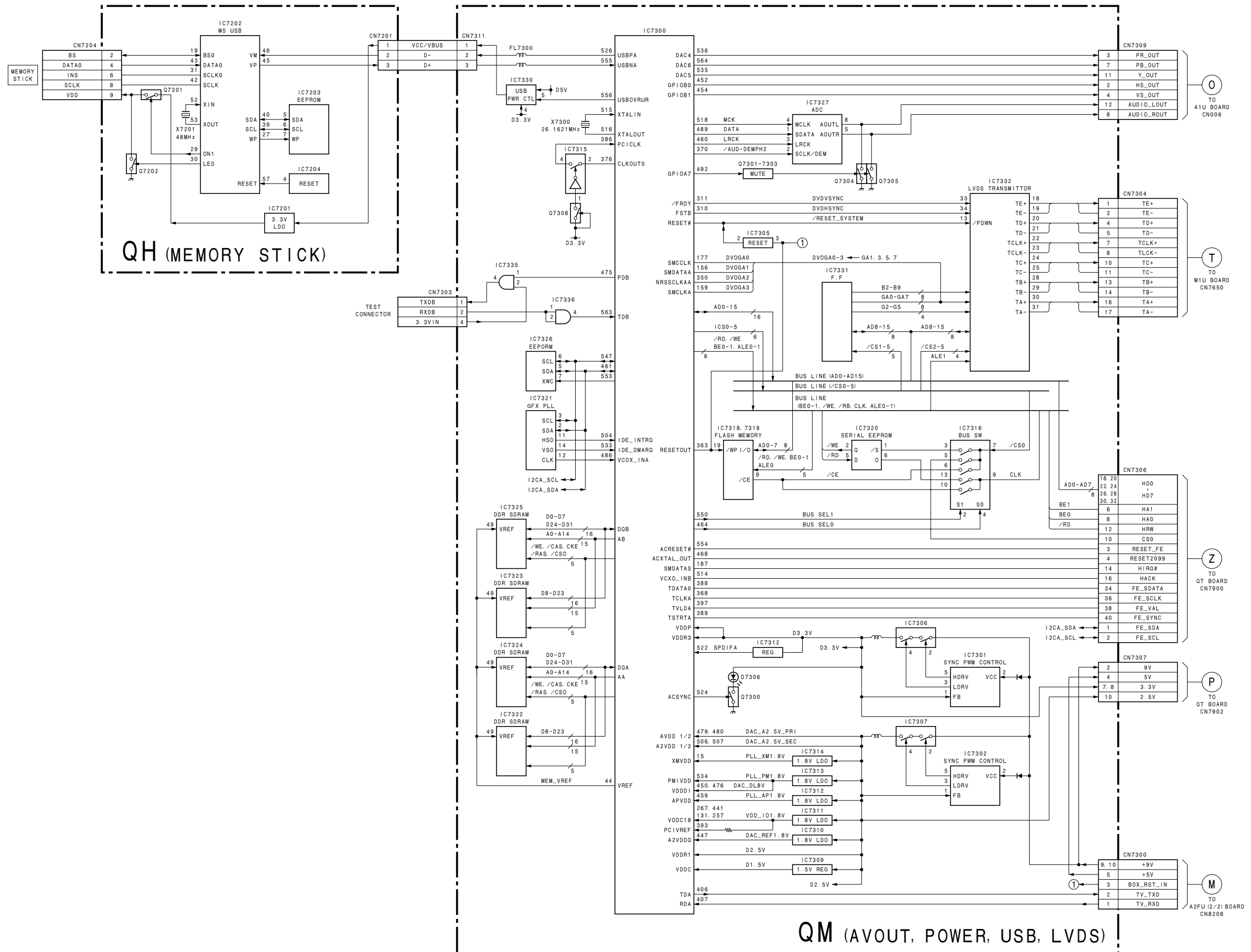
(8) K BOARD

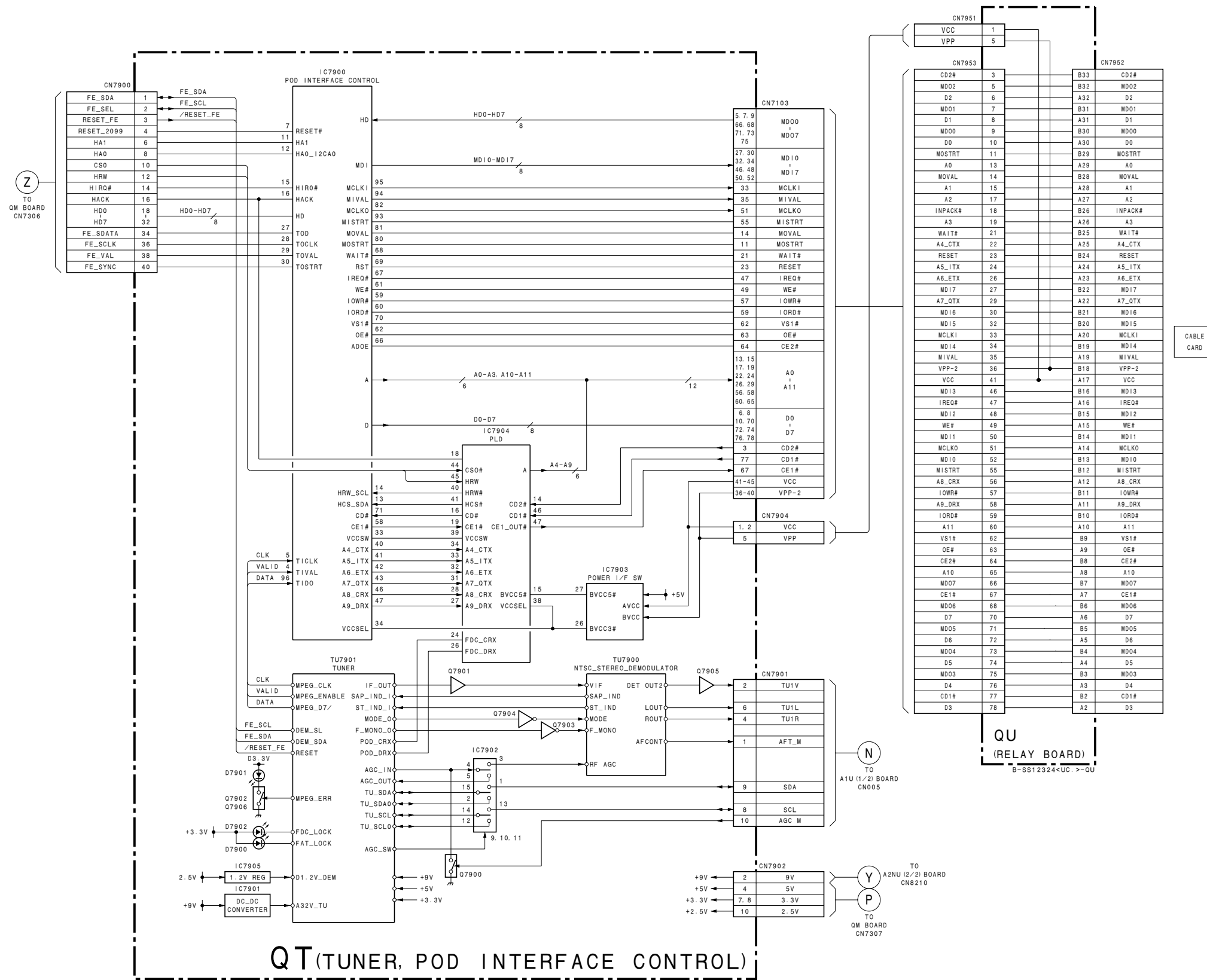


(9) H1U, H3, H5 AND M1U BOARDS

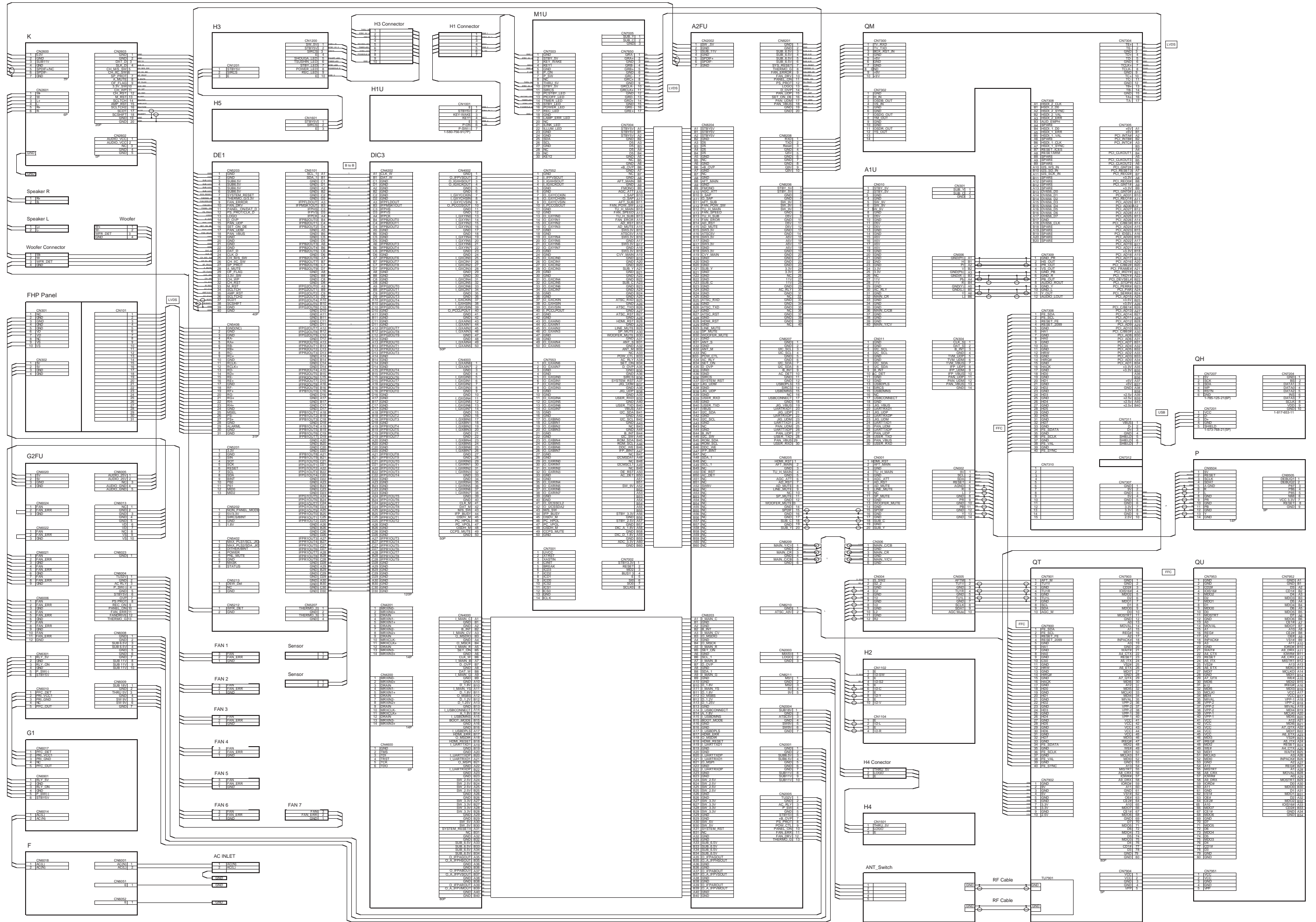




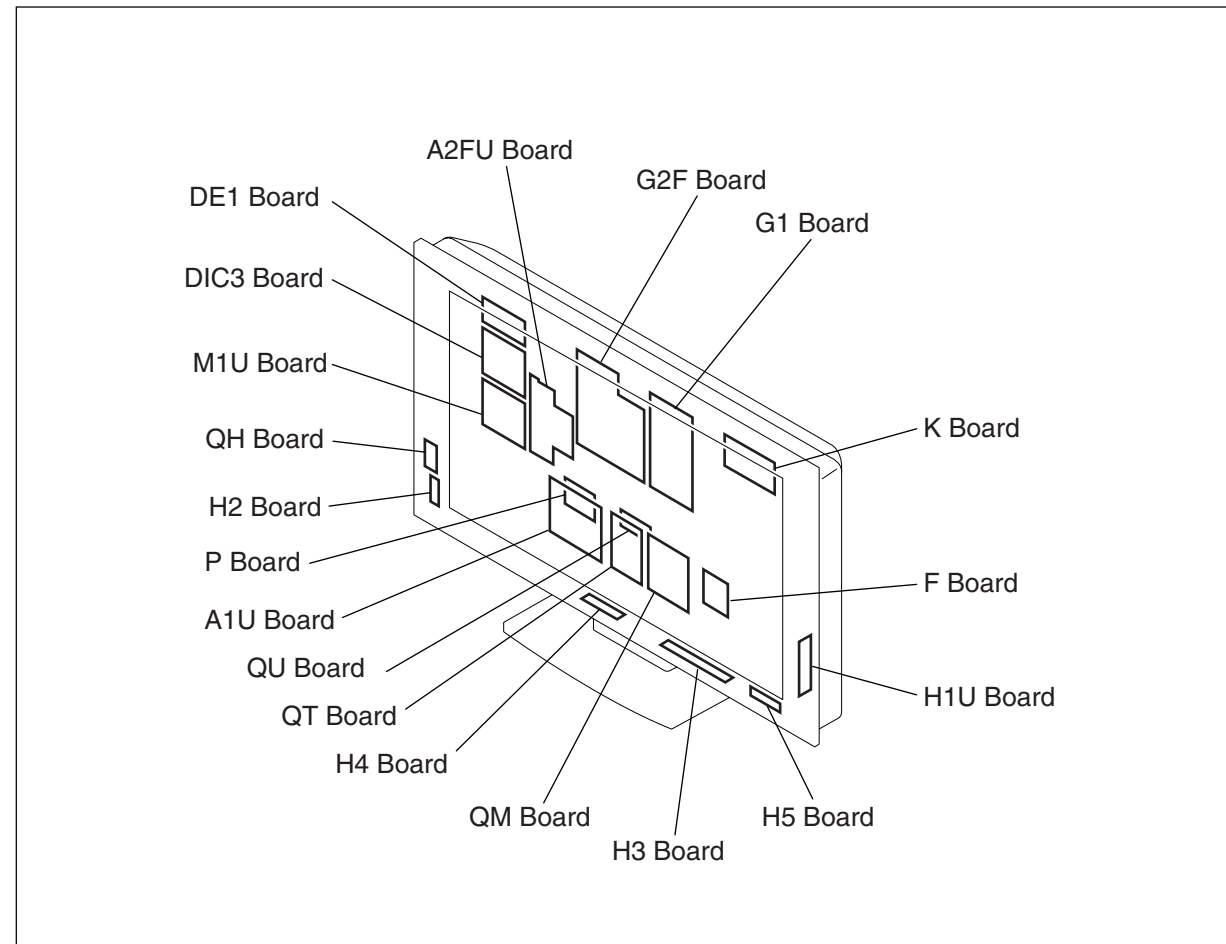




3-2. FRAME DIAGRAMS



3-3. CIRCUIT BOARDS LOCATION



3-4. SCHEMATIC DIAGRAMS AND PRINTED WIRING BOARDS

Note:

- All capacitors are in μF unless otherwise noted. (pF : μF)
Capacitors without voltage indication are all 50 V.
- Indication of resistance, which does not have one for rating electrical power, is as follows.

Pitch: 5 mm

Rating electrical power 1/4 W (CHIP : 1/10 W)

- All resistors are in ohms.
- : nonflammable resistor.
- : fusible resistor.
- : internal component.
- : panel designation, and adjustment for repair.
- All variable and adjustable resistors have characteristic curve B, unless otherwise noted.
- : earth-ground.
- : earth-chassis.
- When replacing the part in below table, be sure to perform the related adjustment.
- All voltages are in V.
- Readings are taken with a 10 M digital multimeter.
- Readings are taken with a color-bar signal input.
- Voltage variations may be noted due to normal production tolerances.
- * : Names and values of parts depend on models.
- * : Can not be measured.
- Circled numbers are waveform references.
- : B + bus.
- : B - bus.
- : Signal path.

Note: The components identified by shading and mark \triangle are critical for safety. Replace only with part number specified.

Note: Les composants identifiés par un tramé et une marque \triangle sont critiques pour la sécurité. Ne les remplacer que par une pièce portant le numéro spécifié.

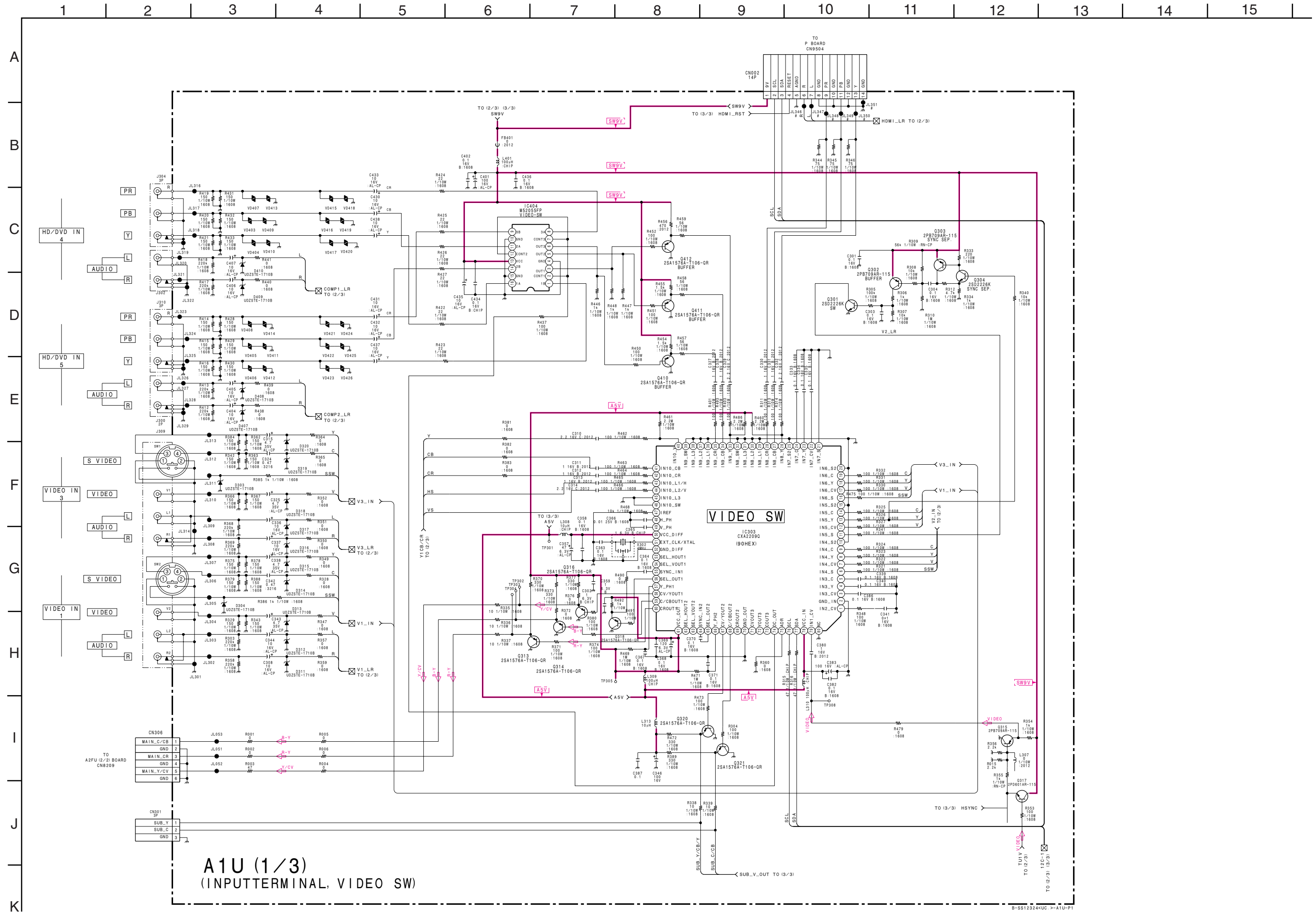
Terminal name of semiconductors in silk screen printed circuit (*)

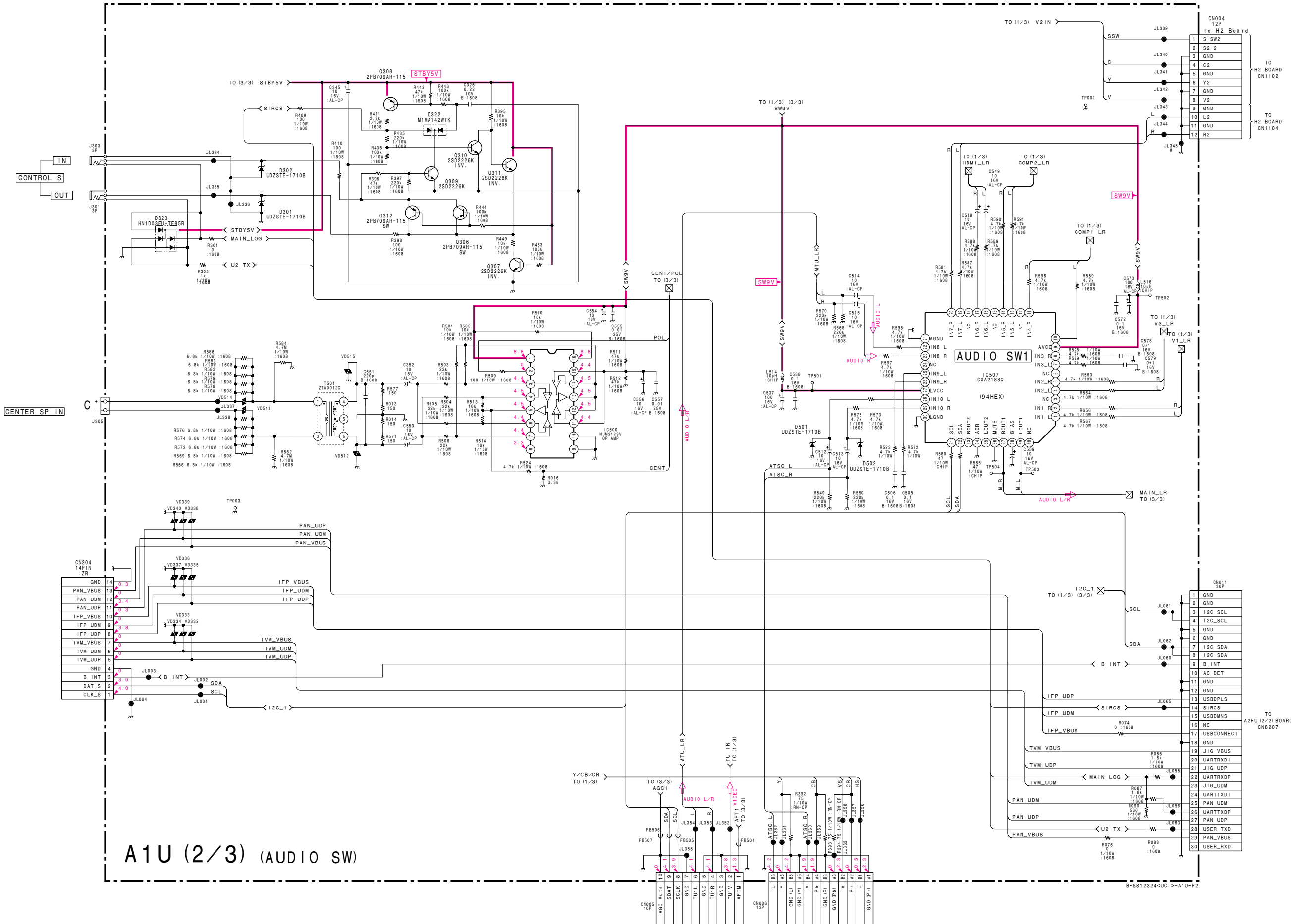
	Device	Printed symbol	Terminal name	Circuit
①	Transistor		Collector Base Emitter	
②	Transistor		Collector Base Emitter	
③	Diode		Cathode Anode	
④	Diode		Cathode Anode (NC)	
⑤	Diode		Anode (NC)	
⑥	Diode		Common Anode Cathode	
⑦	Diode		Common Anode Cathode	
⑧	Diode		Common Anode Anode	
⑨	Diode		Common Anode Anode	
⑩	Diode		Common Cathode Cathode	
⑪	Diode		Common Cathode Cathode	
⑫	Diode		Anode Anode Cathode Cathode	
⑬	Transistor (FET)		Drain Source Gate	
⑭	Transistor (FET)		Drain Source Gate	
⑮	Transistor (FET)		Source Drain Gate	
⑯	Transistor		Emitter Collector Base	
⑰	Transistor		C2(B1)E1 E2(B2)C1	
⑱	Transistor		C1(B2)E2 E1(B1)C2	
⑲	Transistor		C1 B2 E2 E1 B1 C2	
⑳	Transistor		C1 B2 E2 E1 B1 C2	
㉑	Transistor		E2 B1 E1 C2 C1(B2)	
㉒	Transistor		(B2) B1 E1 E2 C1 C2	
㉓	Transistor		(B2) E2 E1 B1 C2 C1	
-	Discrete semiconductor			

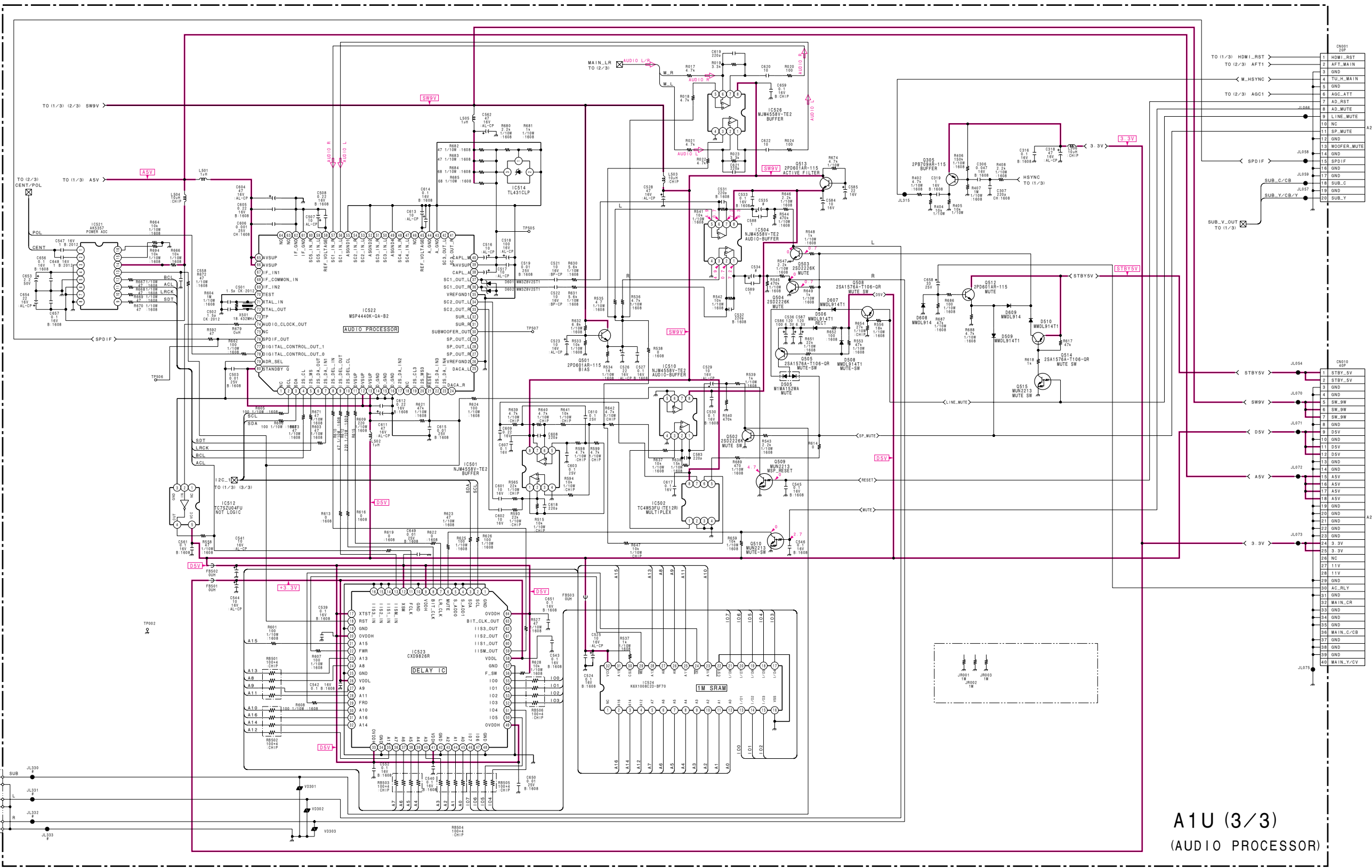
(Chip semiconductors that are not actually used are included.)

Ver.1.6

(1) Schematic Diagrams of A1U Board





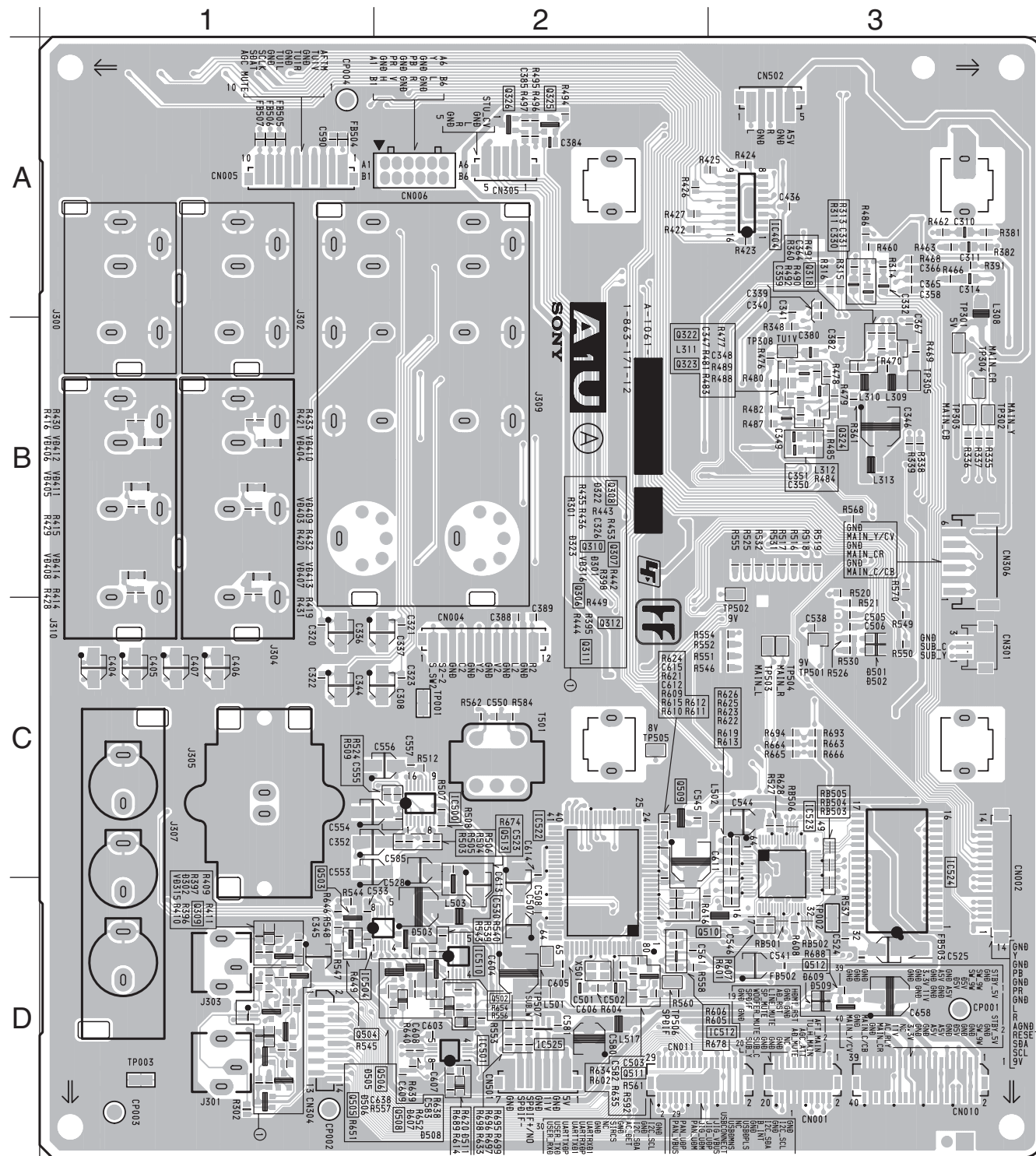


A1U (3/3)
(AUDIO PROCESSOR)

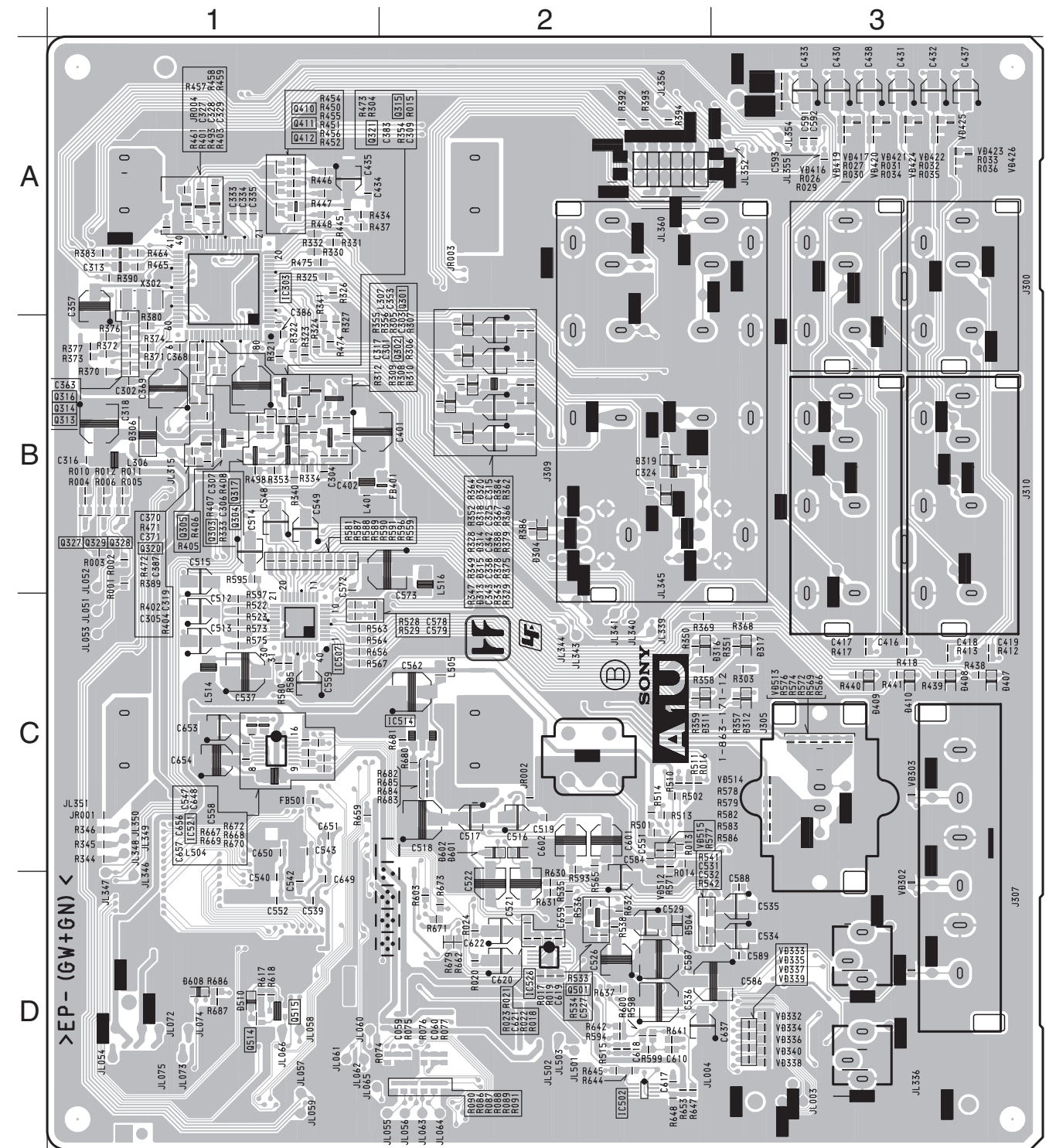
A1U

[AUDIO SW, AUDIO PROCESSOR, VIDEO SW, INPUT TERMINAL]

— A1U BOARD —



<COMPONENT SIDE>



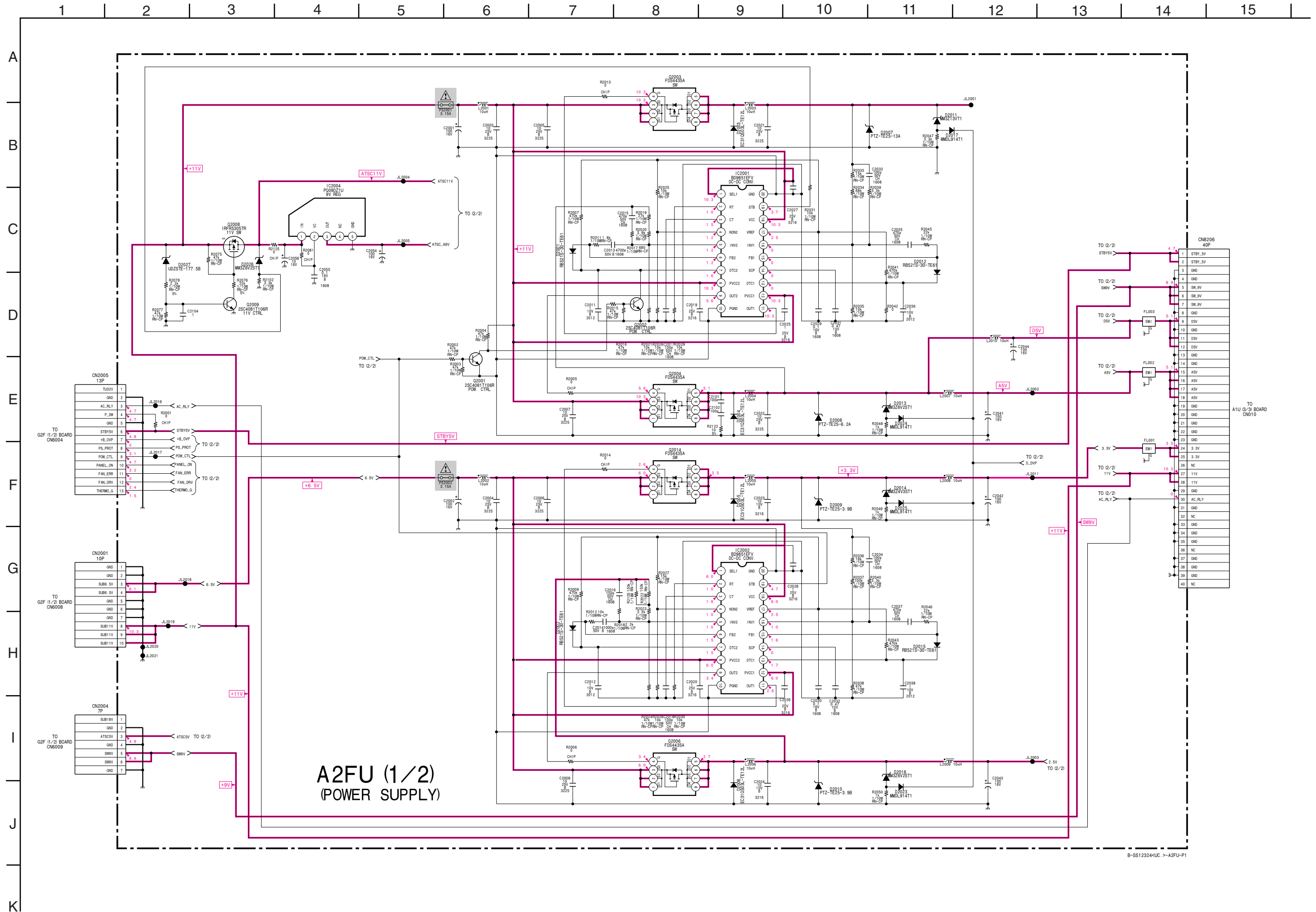
<CONDUCTOR SIDE>

• A1U BOARD SEMICONDUCTOR LOCATION

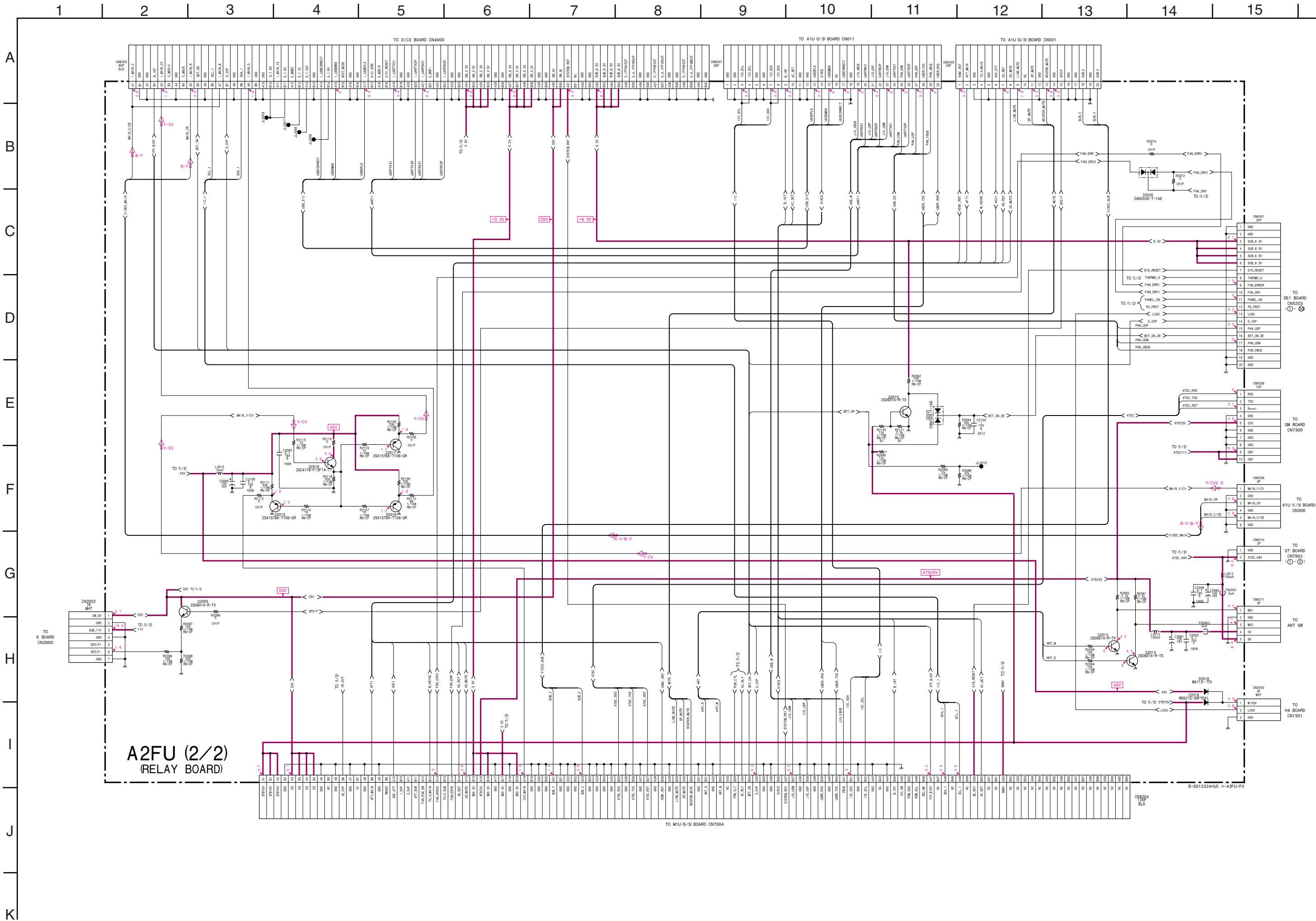
IC (Component Side) (Conductor Side)	IC510 D-2 IC512 D-2 IC514 C-2 IC521 C-1 IC522 D-2 IC523 C-3 IC524 C-3 IC526 D-2	TRANSISTOR		Q308 D-1 Q309 D-1 Q310 D-1 Q311 D-1 Q312 D-1 Q313 B-1 Q314 B-1 Q315 B-1 Q316 B-1 Q317 B-1	Q318 B-3 Q320 B-3 Q321 B-1 Q324 B-3 Q410 A-1 Q411 A-1 Q501 D-2 Q502 D-2 Q503 D-1	Q504 D-1 Q505 D-2 Q508 D-2 Q509 C-2 Q510 D-3 Q512 D-3 Q513 D-2 Q514 D-1 Q515 D-1	DIODE		D314 B-2 D315 B-2 D316 C-2 D317 C-3 D318 B-2 D319 B-2 D320 B-2 D322 D-1 D323 D-1 D407 C-3	D408 C-3 D409 C-3 D501 C-3 D502 C-3 D505 D-2 D508 C-2 D509 D-3 D510 D-1	D601 C-2 D602 C-2 D607 D-2 D608 D-1 D609 D-3	D601 C-2 D602 C-2 D607 D-2 D608 D-1 D609 D-3	
		(Component Side)	(Conductor Side)				(Component Side)	(Conductor Side)					
IC403		Q301	B-1	Q318	B-3	Q504	D-1	D314	B-2	D408	C-3	D601	C-2
IC404	A-3	Q302	B-1	Q320	B-3	Q505	D-2	D315	B-2	D409	C-3	D602	C-2
IC500	C-2	Q303	B-1	Q321	B-1	Q508	D-2	D316	C-2	D410	C-3	D607	D-2
IC501	D-2	Q304	B-1	Q324	B-3	Q509	C-2	D317	C-3	D501	C-3	D608	D-1
IC502		Q305	B-1	Q410	A-1	Q510	D-3	D318	B-2	D502	C-3	D609	D-3
IC504	D-2	Q306	D-1	Q411	A-1	Q512	D-3	D319	B-2	D505	D-2		
IC507	C-1	Q307	D-1	Q412	A-1	Q513	D-2	D320	B-2	D508	C-2		
				Q501	D-2	Q514	D-1	D322	D-1	D509	D-3		
				Q502	D-2	Q515	D-1	D407	C-3	D510	D-1		
				Q503	D-1								

*: Refer to Terminal name of semiconductors in silk screen printed circuit (see page 3-14)

(2) Schematic Diagrams of A2FU Board



B-SS12324-UC.3-A2FU-P1



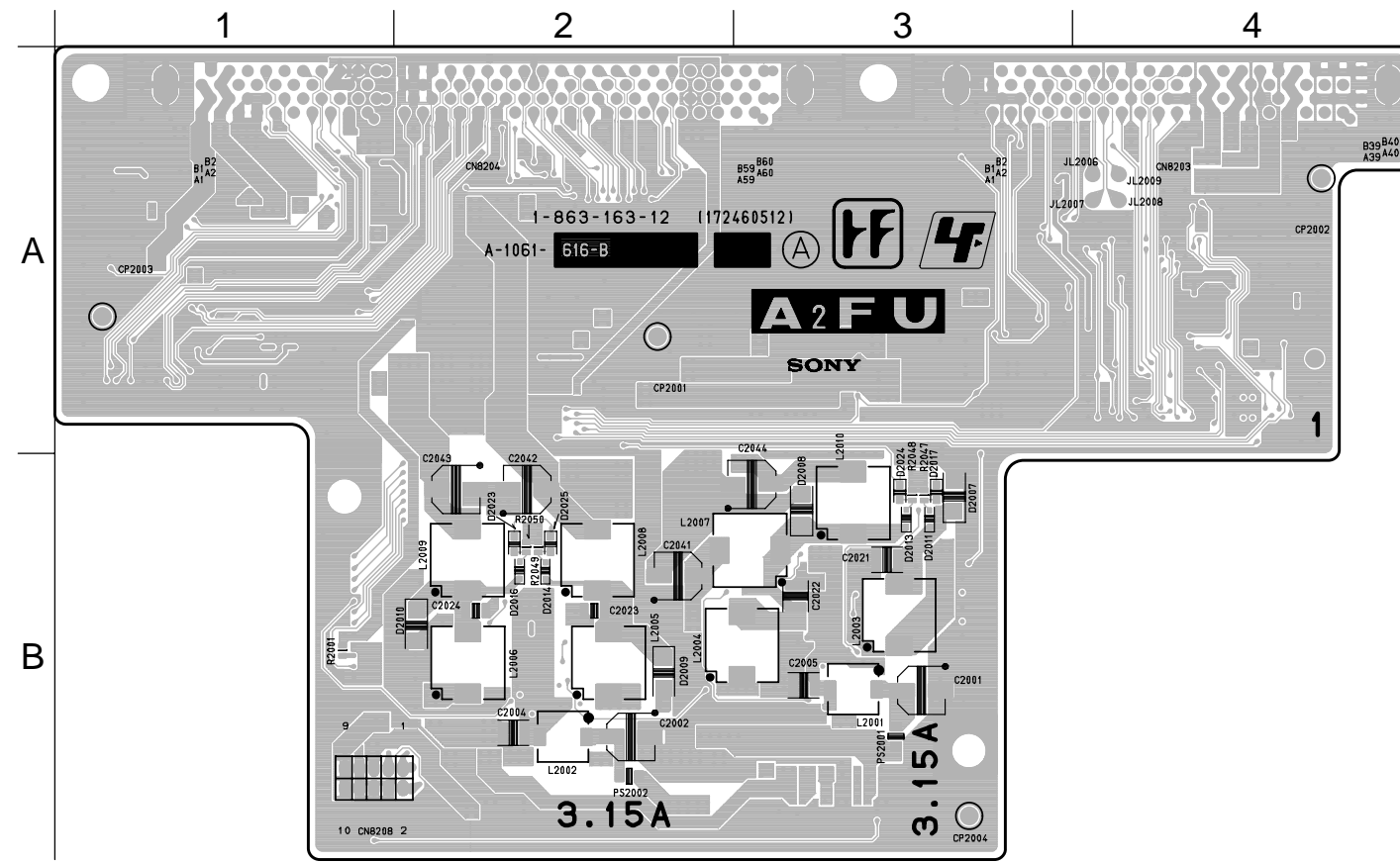
A2FU (2/2)
RELAY BOARD

B-5912324JC -> A2FU-P2

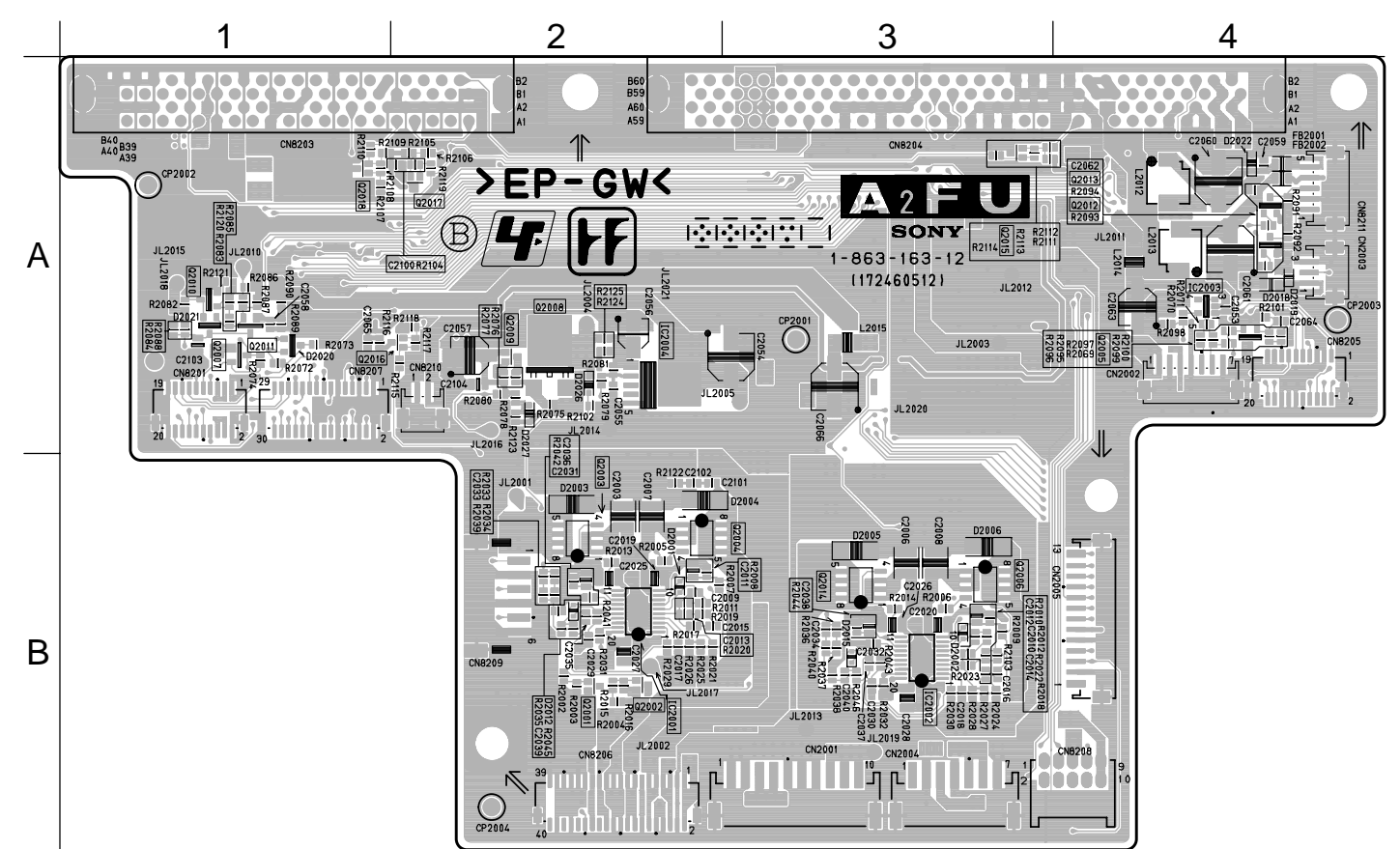
A2FU

[POWER SUPPLY, RELAY BOARD]

— A2FU BOARD —



<COMPONENT SIDE>



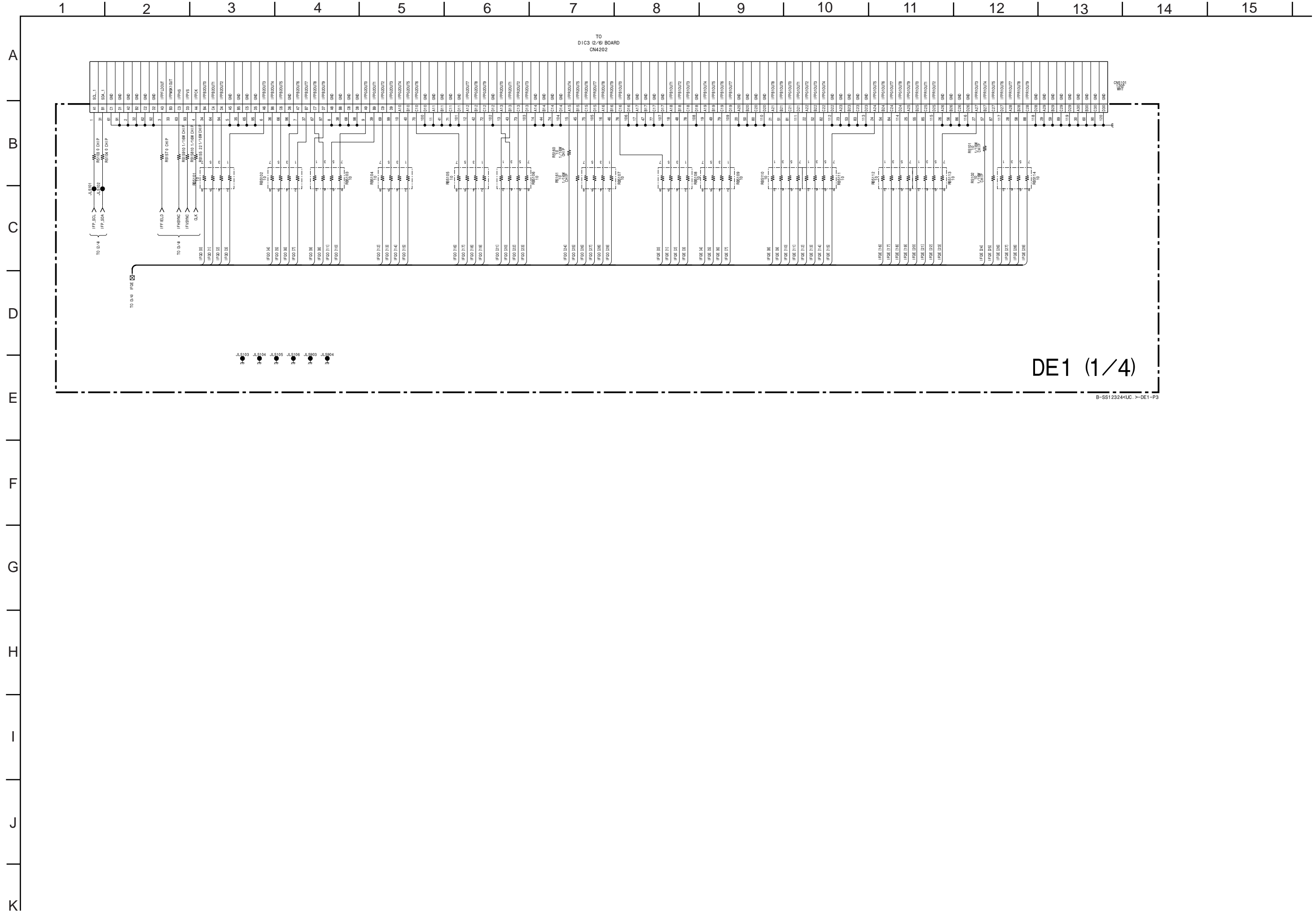
<CONDUCTOR SIDE>

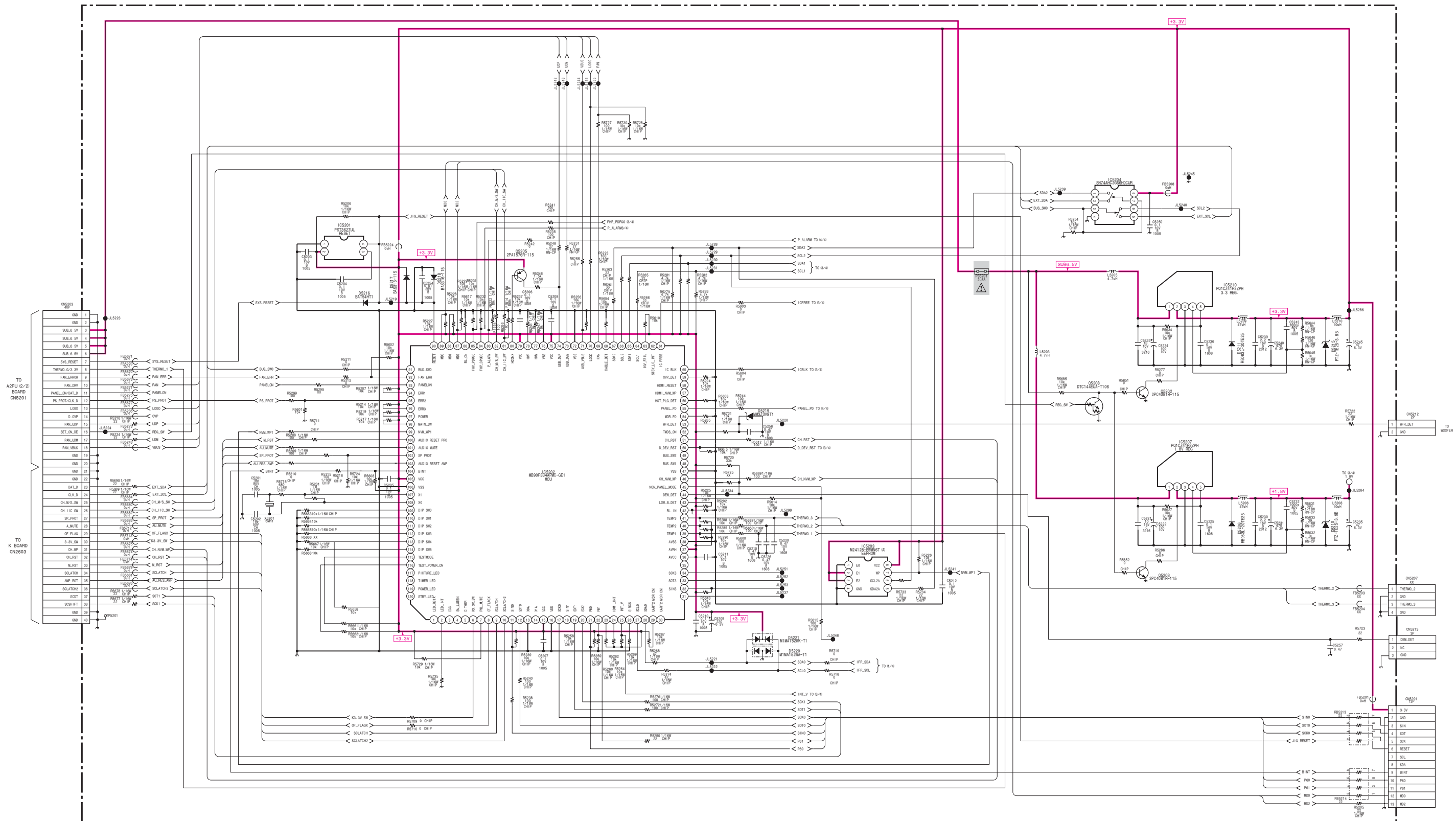
• A2FU BOARD SEMICONDUCTOR LOCATION

IC		TRANSISTOR		DIODE	
(Component Side)	(Conductor Side)	(Component Side)	(Conductor Side)	(Component Side)	(Conductor Side)
IC2001	B-2	Q2001	B-2	D2001	B-2
IC2002	B-3	Q2002	B-2	D2002	B-3
IC2003	A-4	Q2003	B-2	D2003	B-2
IC2004	A-2	Q2004	B-2	D2004	B-2
		Q2005	A-4	D2005	B-3
		Q2006	B-3	D2006	B-3
		Q2007	A-1	D2007	B-3
		Q2008	A-2	D2008	B-3
		Q2009	A-2	D2009	B-2
		Q2010	A-1	D2010	B-2
		Q2011	A-1	D2011	B-3
				D2012	B-2
				D2013	B-3
				D2014	B-2
				D2015	B-3
				D2016	B-2
				D2017	B-3
				D2018	A-4
				D2019	A-4
				D2020	A-1
				D2021	A-1
				D2022	A-4
				D2023	B-2
				D2024	B-3
				D2025	B-2
				D2026	A-2
				D2027	A-2

* : Refer to Terminal name of semiconductors in silk screen printed circuit (see page 3-14)

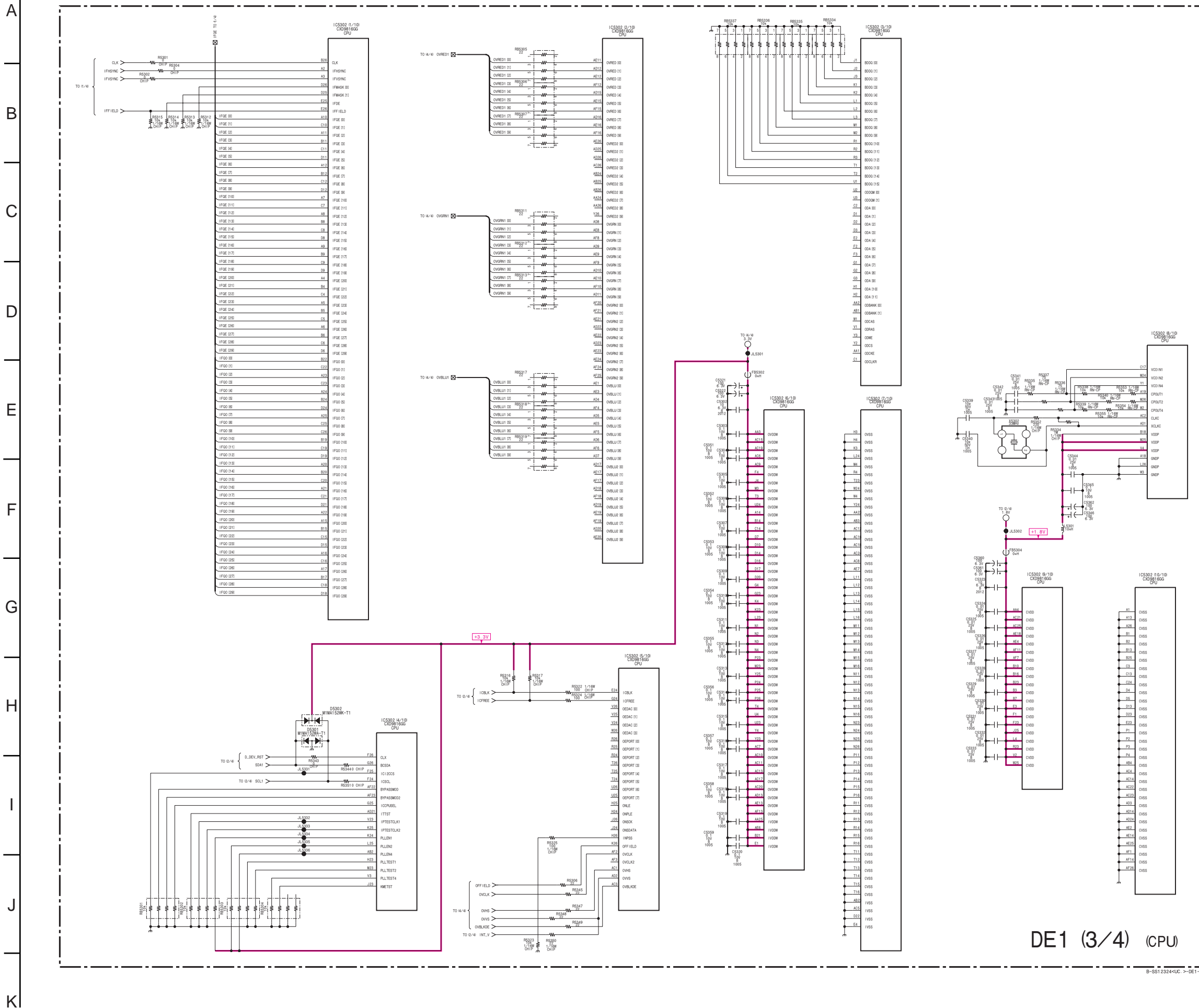
(3) Schematic Diagrams of DE1 Board



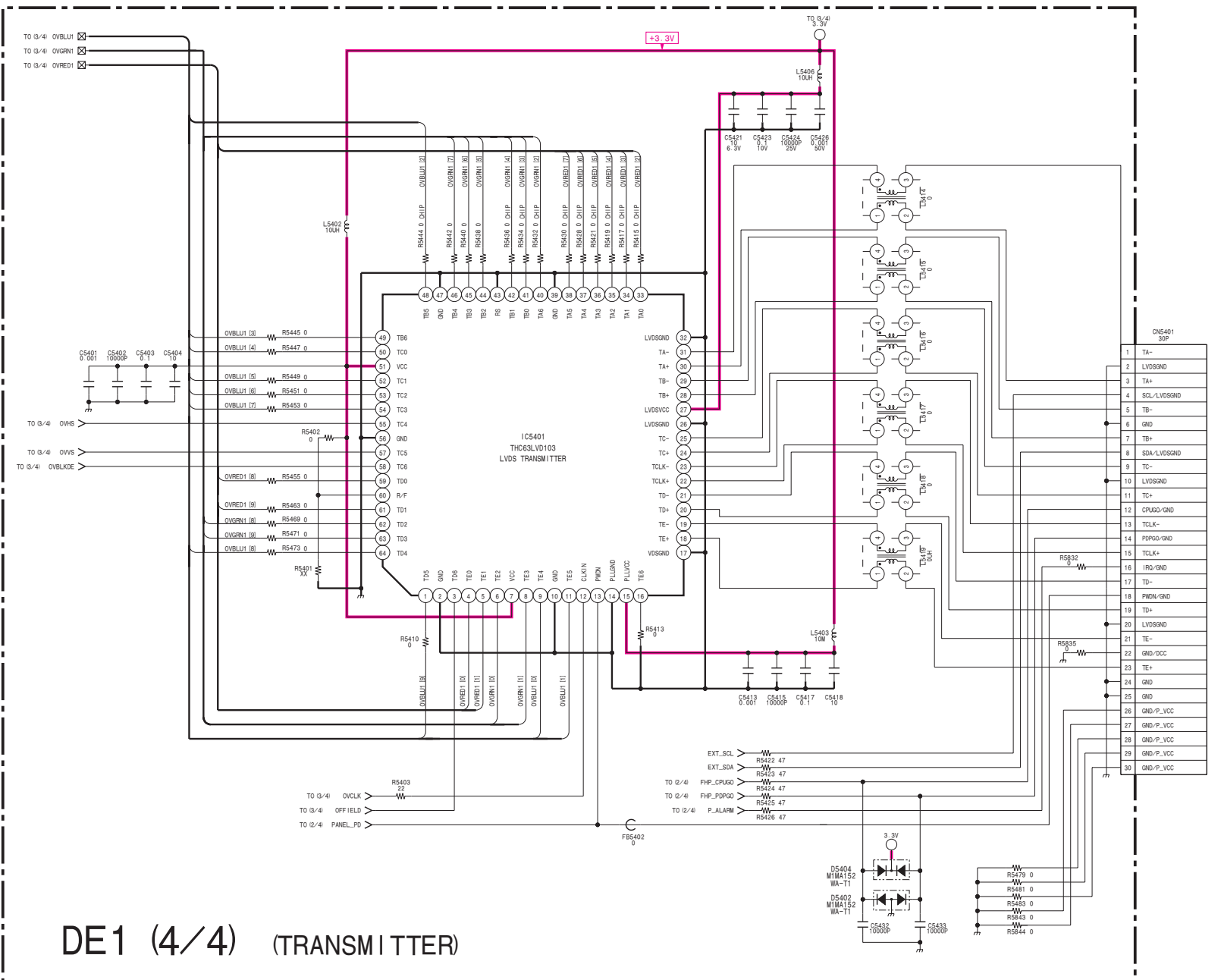


DE1 (2/4) MCU

B-SS12324-UC-DE1-P2



B-8812324-UC-3-DE1-P8



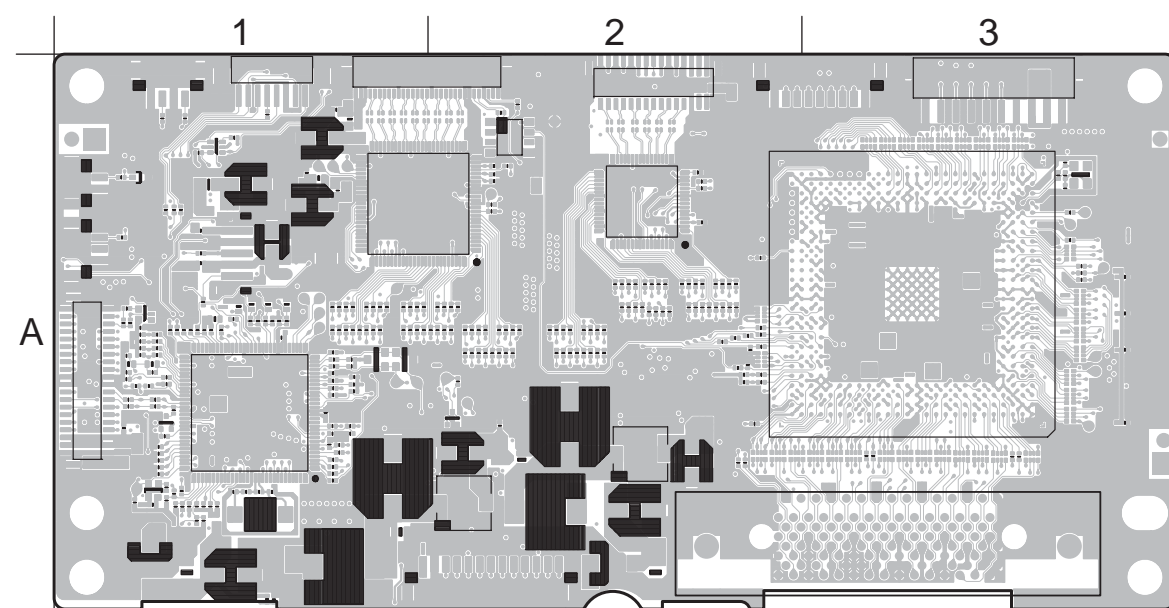
DE1 (4/4) (TRANSMITTER)

B=SS12324<LC. >-DE1-P4

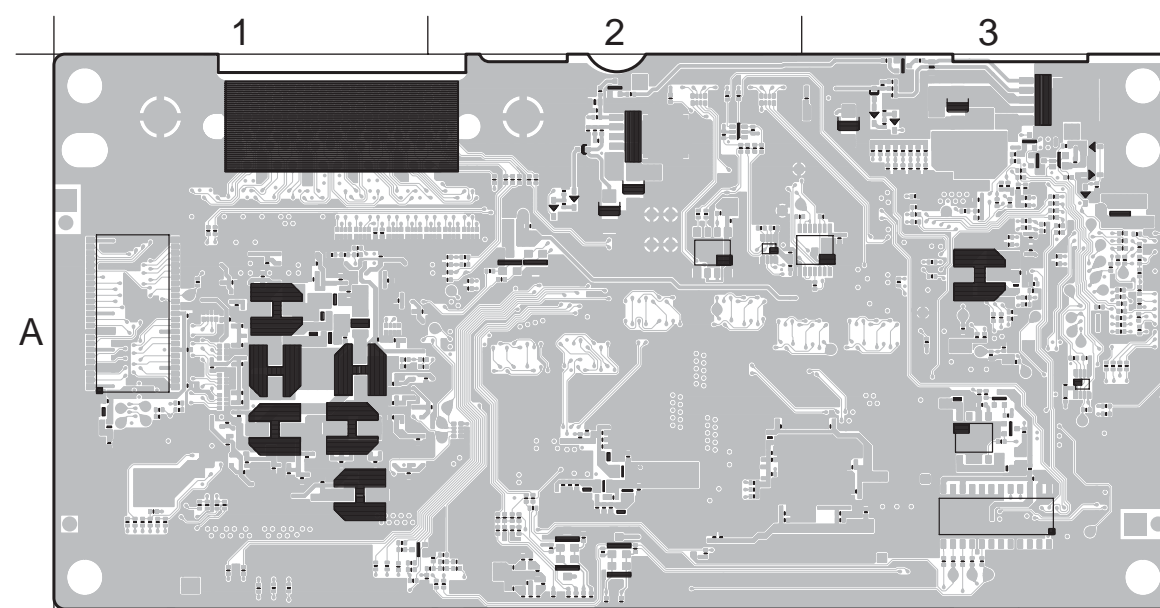
DE1

[MCU, CPU, TRANSMITTER]

— DE1 BOARD —

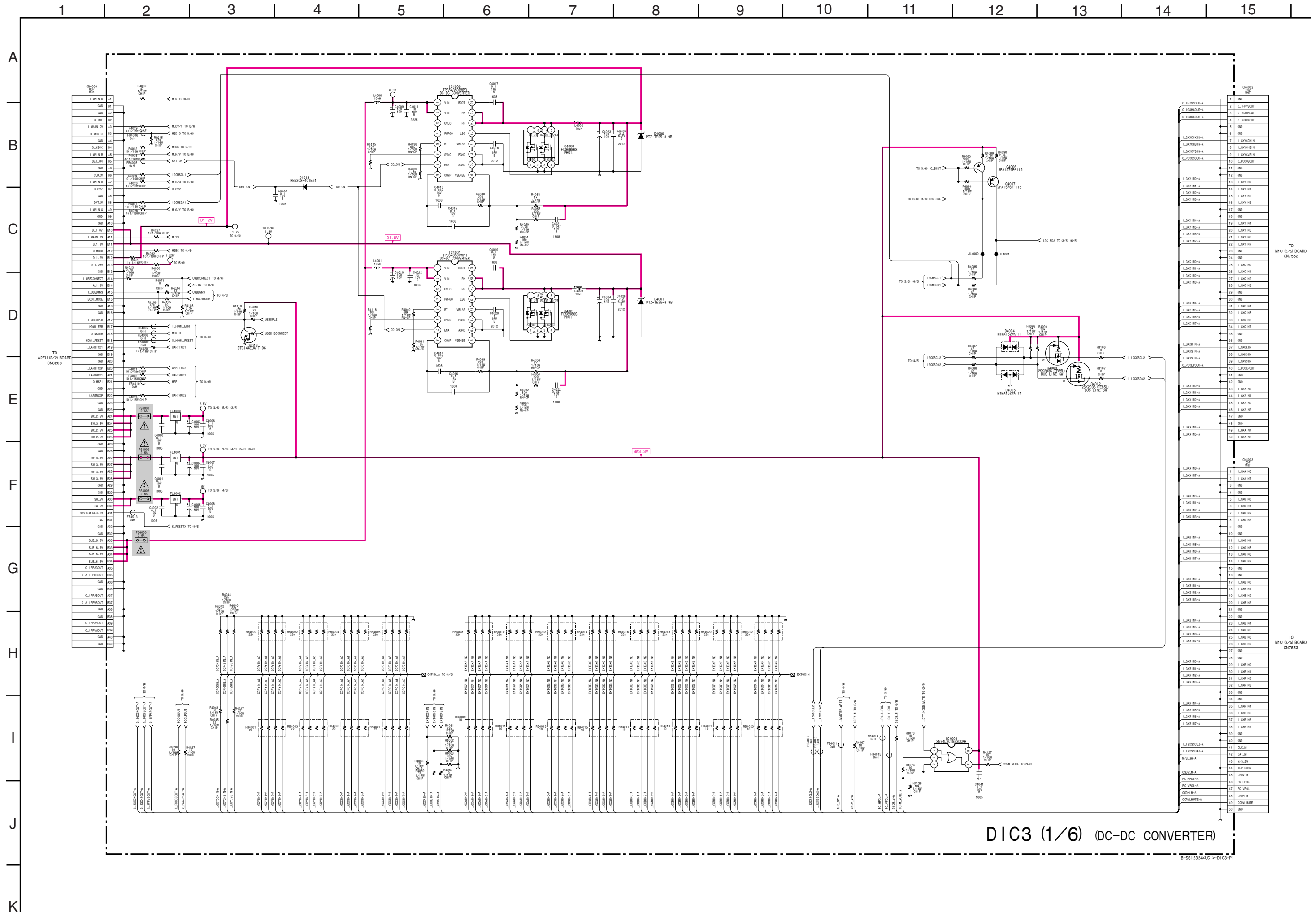


<COMPONENT SIDE>



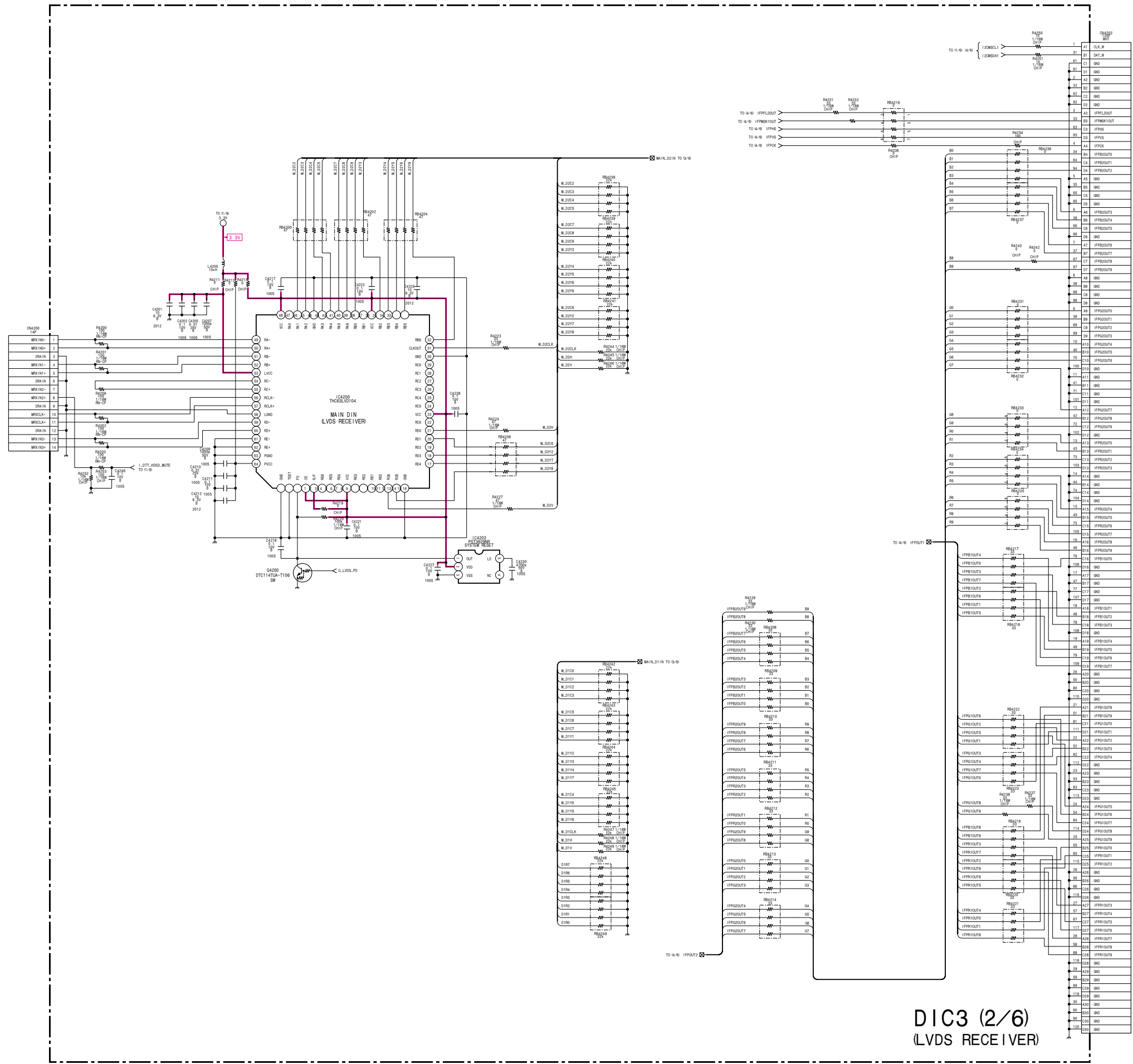
<CONDUCTOR SIDE>

(4) Schematic Diagrams of DIC3 Board

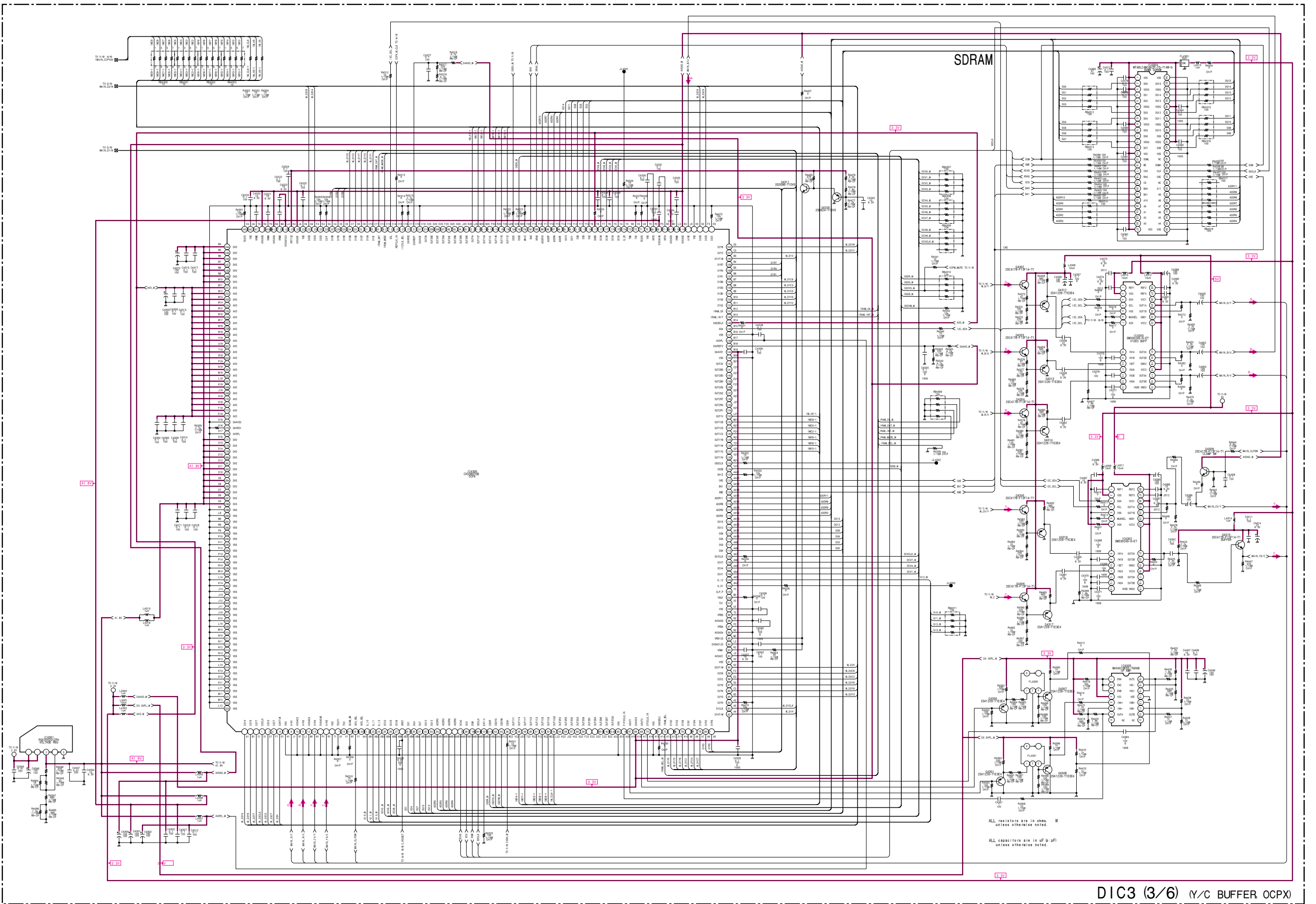


DIC3 (1/6) (DC-DC CONVERTER)

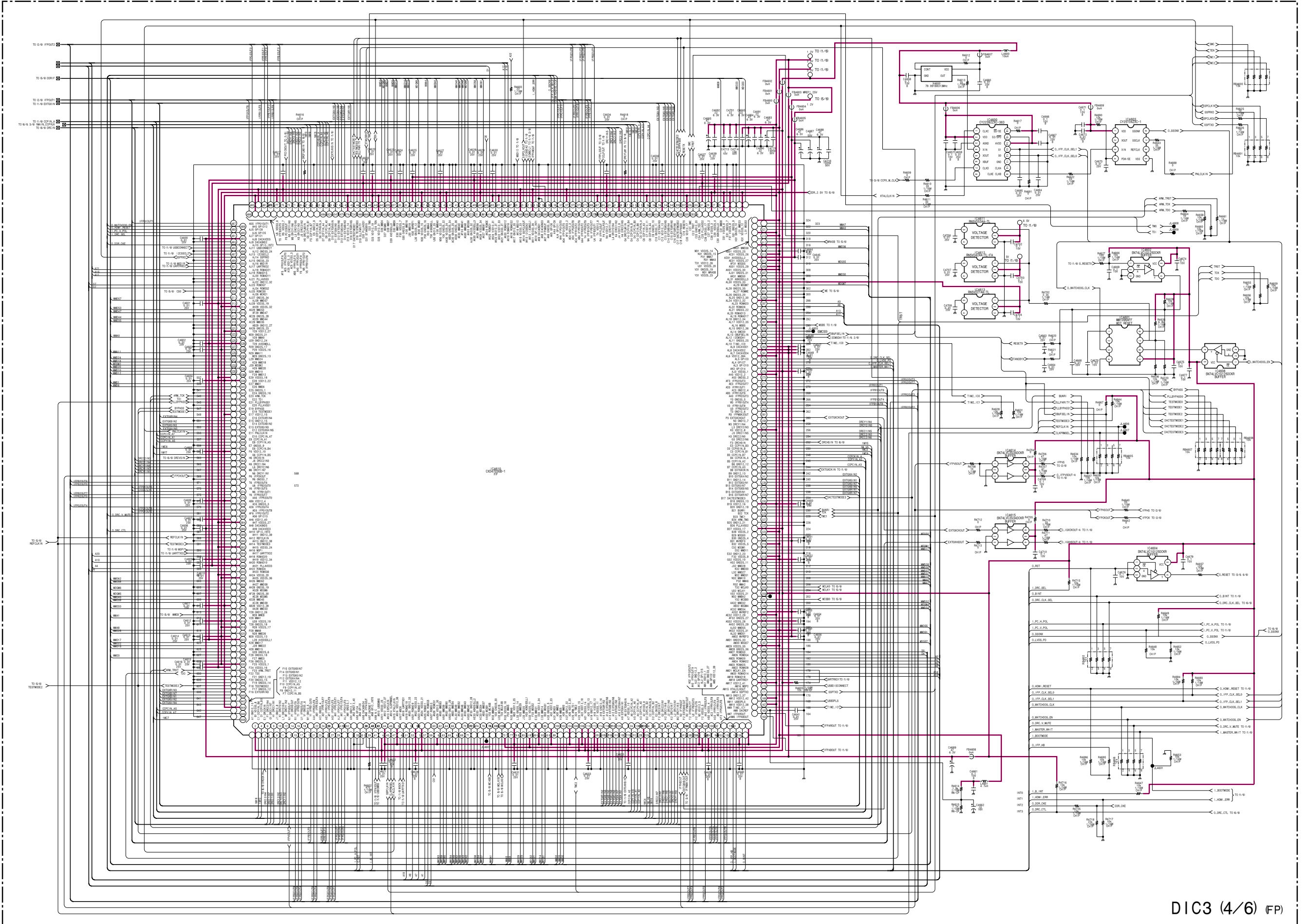
B-8512324-UC -> DIC3-P1



DIC3 (2/6)
(LVDS RECEIVER)

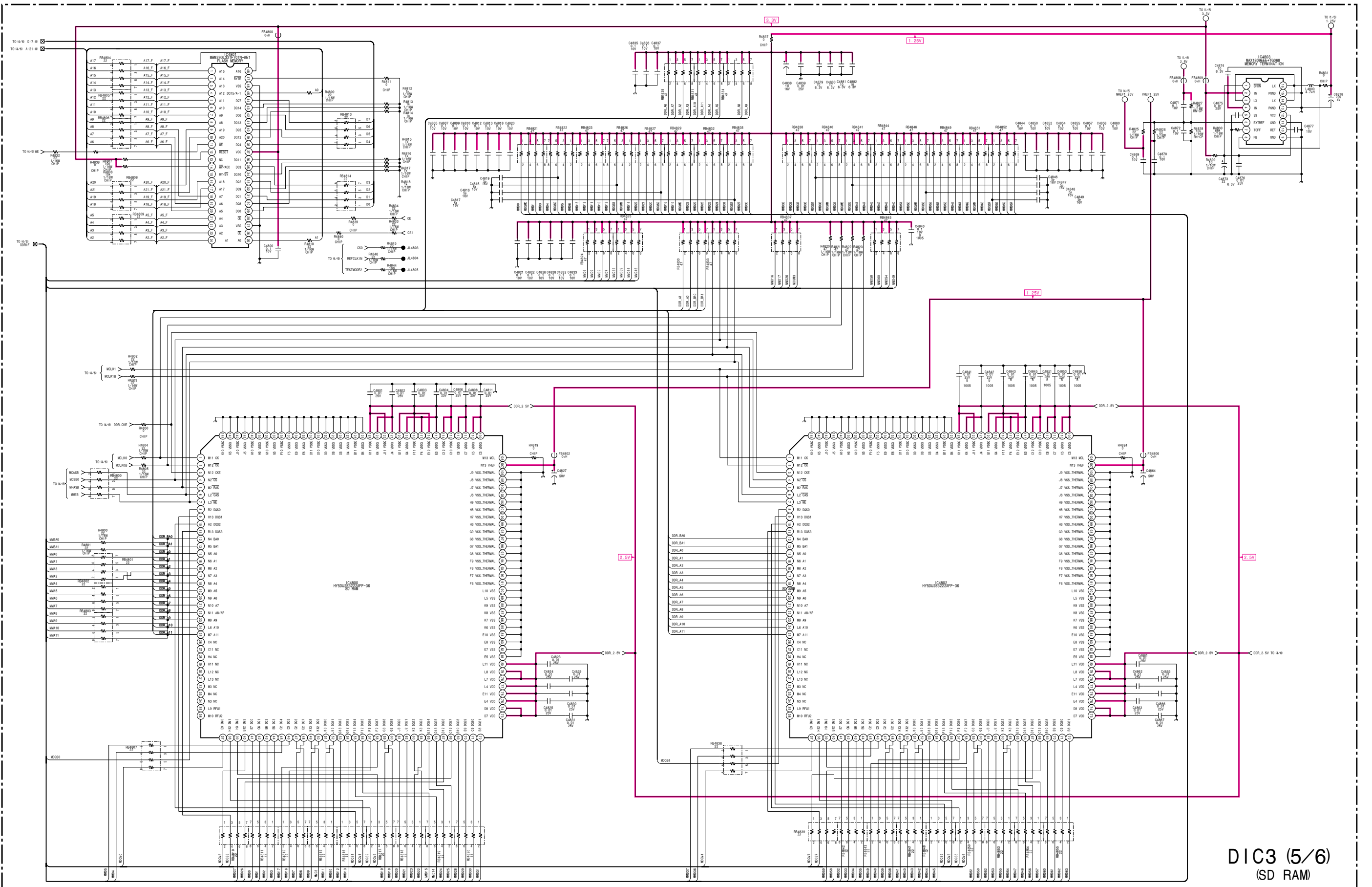


DIC3 (3/6) Y/C BUFFER OCPX

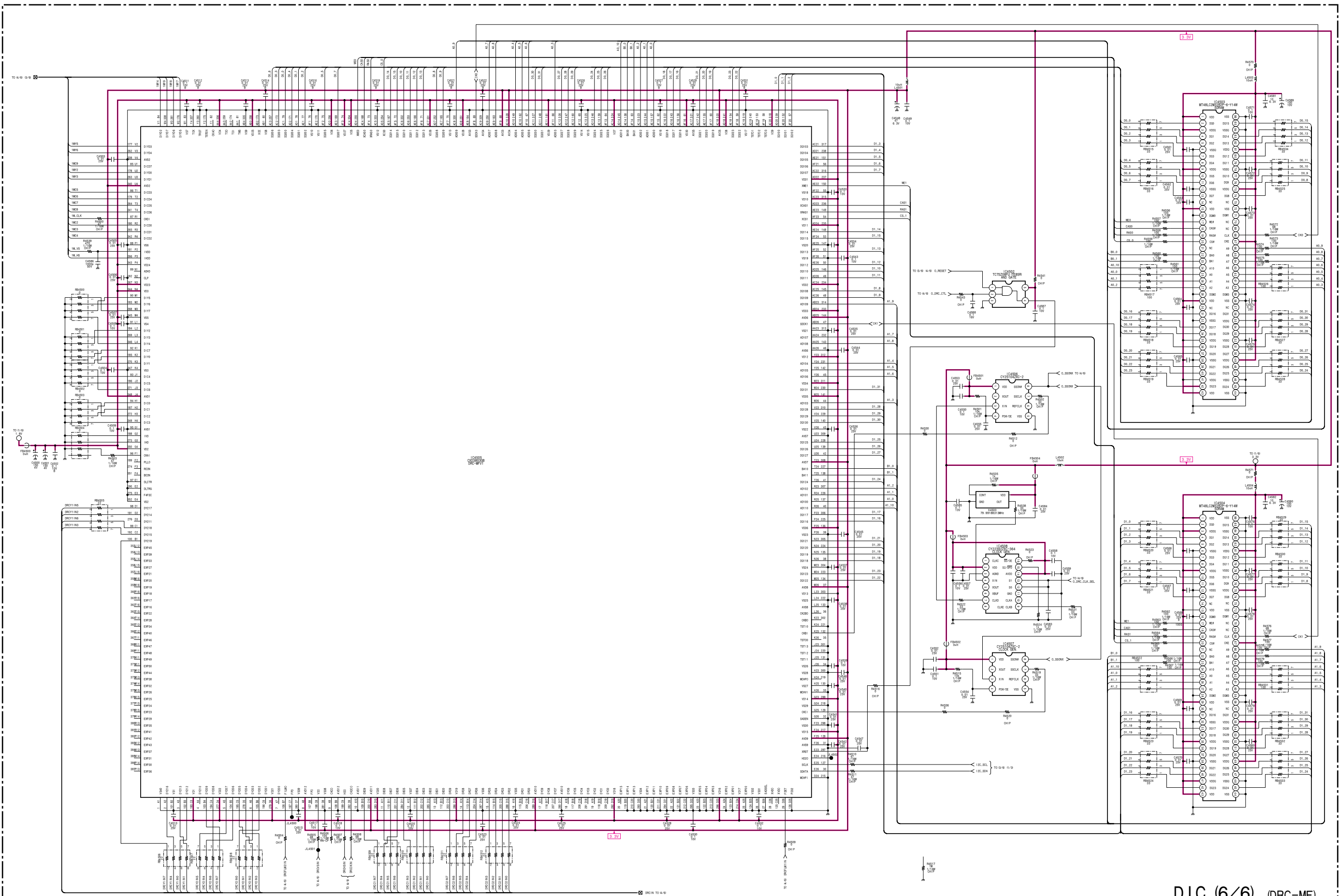


1 2 3 4 5 6 7 8 9 10 11 12 13 14 15

A
B
C
D
E
F
G
H
I
J
K



DIC3 (5/6)
(SD RAM)

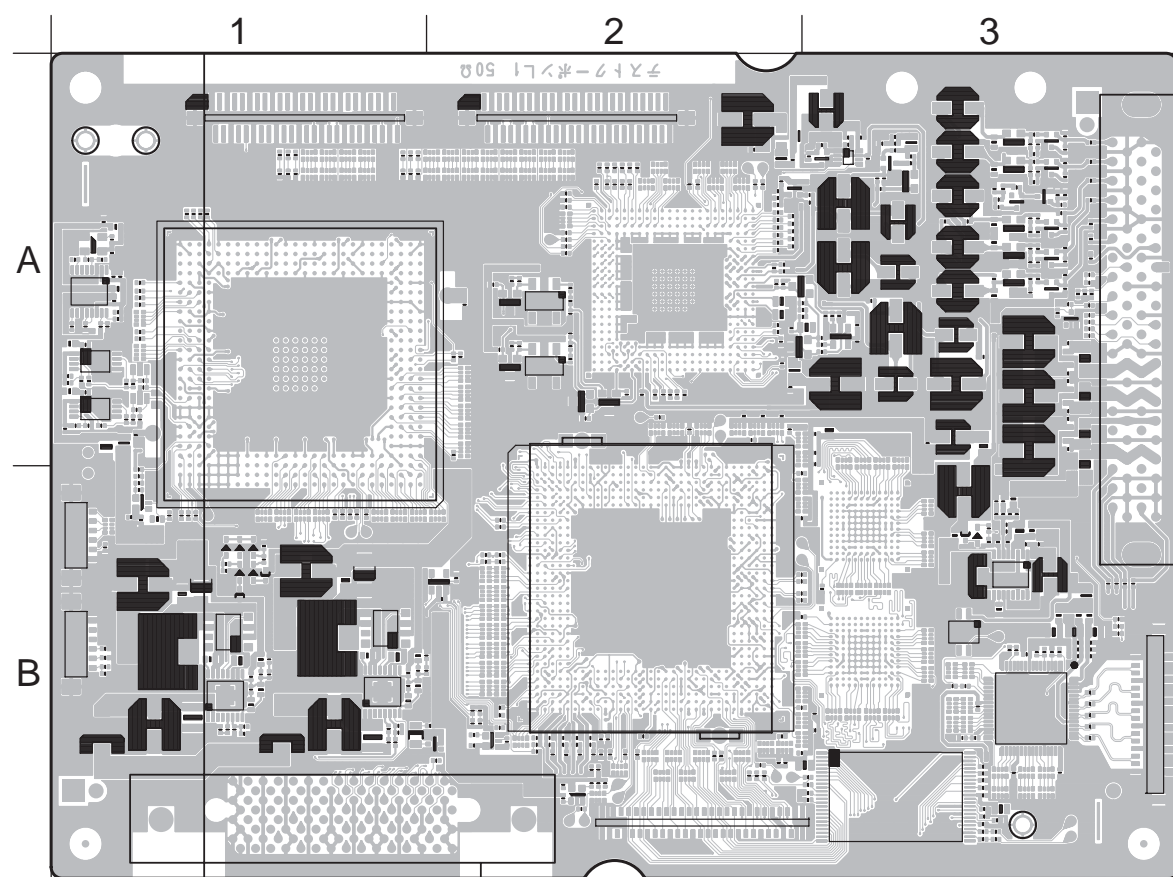


DIC (6/6) (DRC-MF)

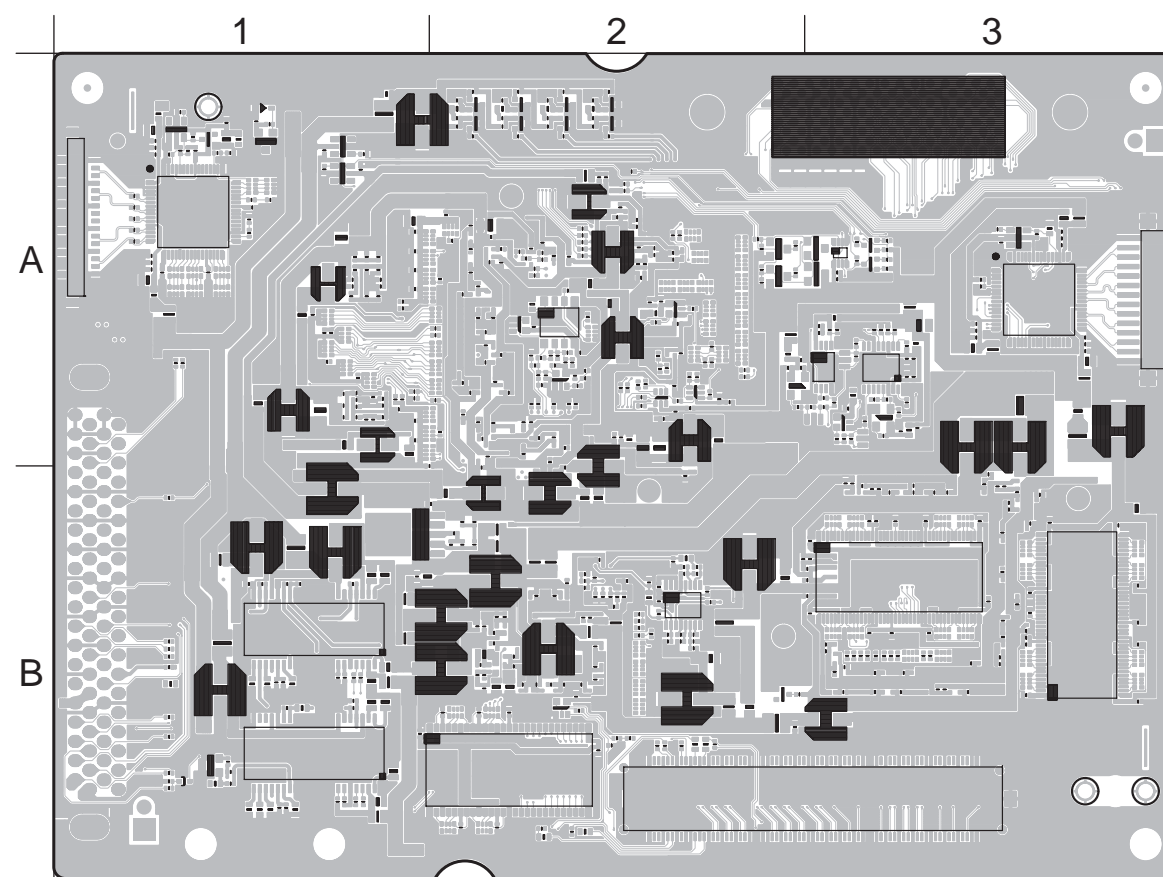
DIC3

[DC-DC CONVERTER, LVDS RECEIVER, DRC-MF, FP]

— DIC3 BOARD —

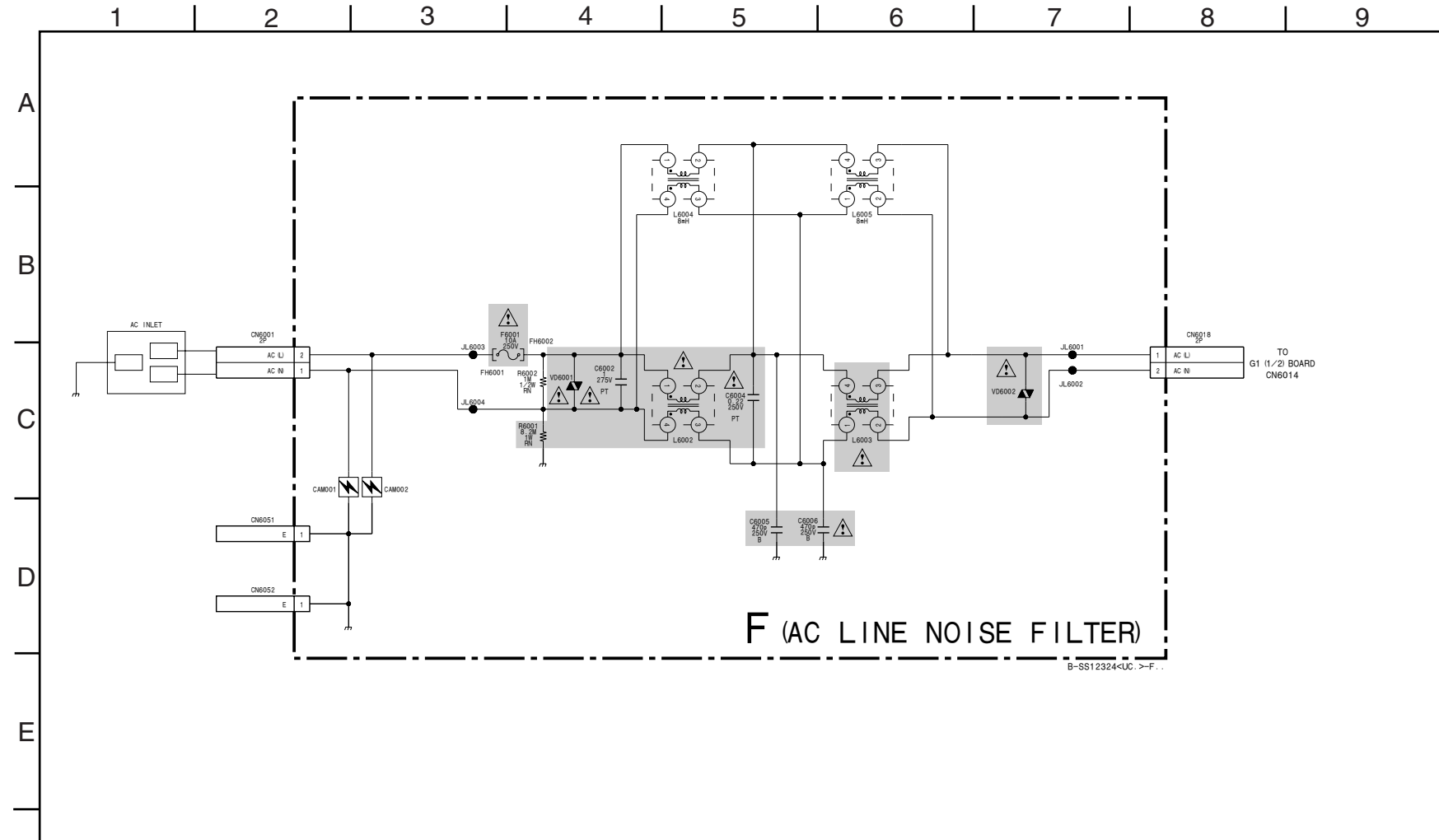


<COMPONENT SIDE>



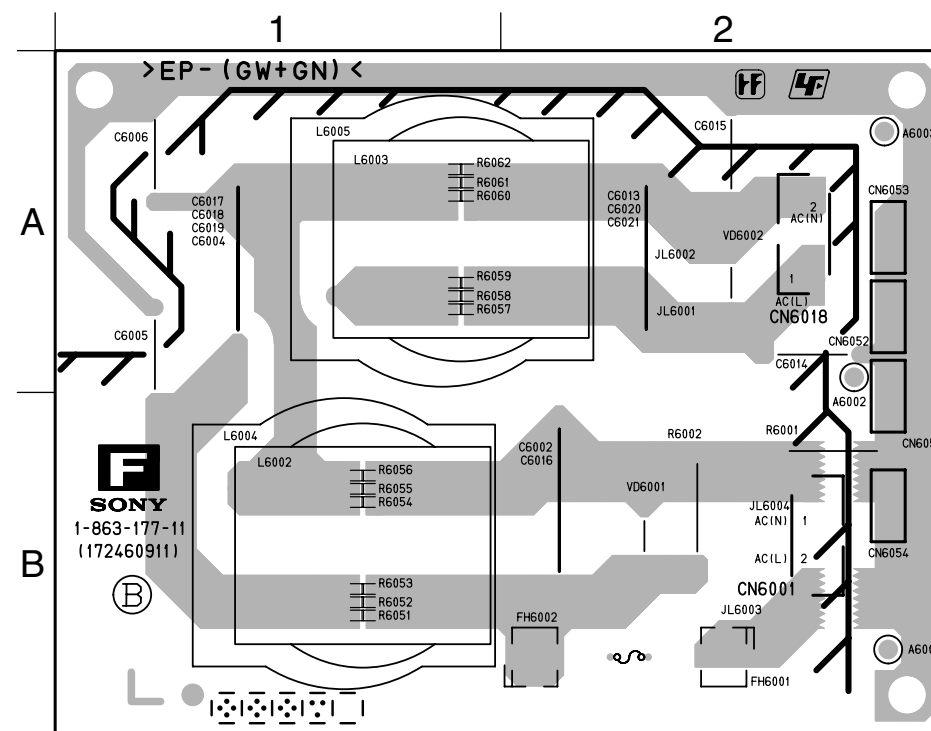
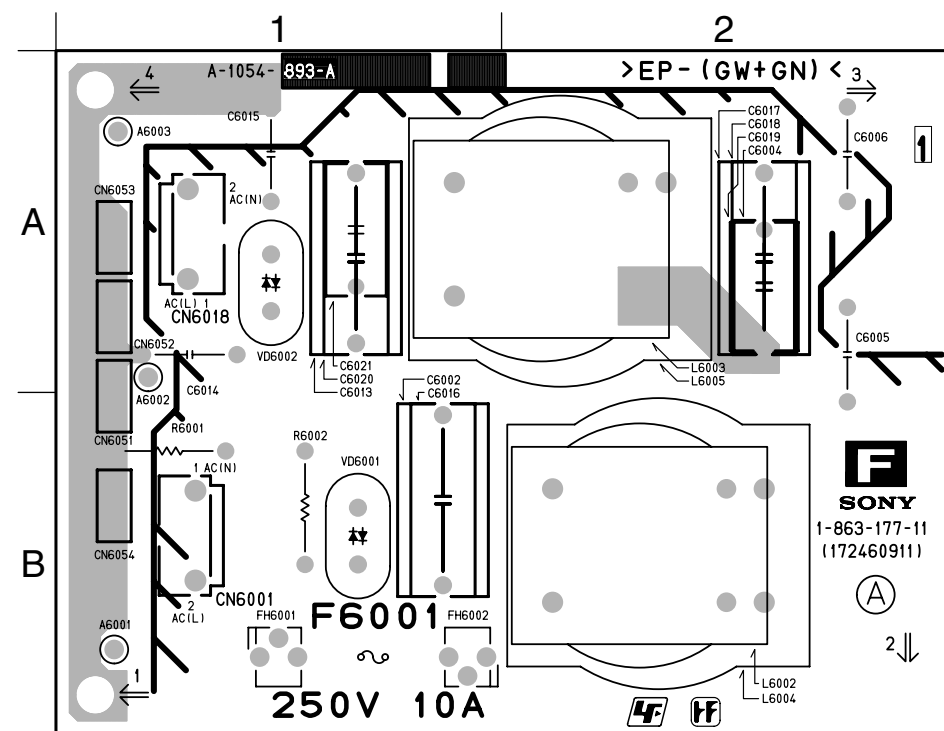
<CONDUCTOR SIDE>

(5) Schematic Diagram of F Board

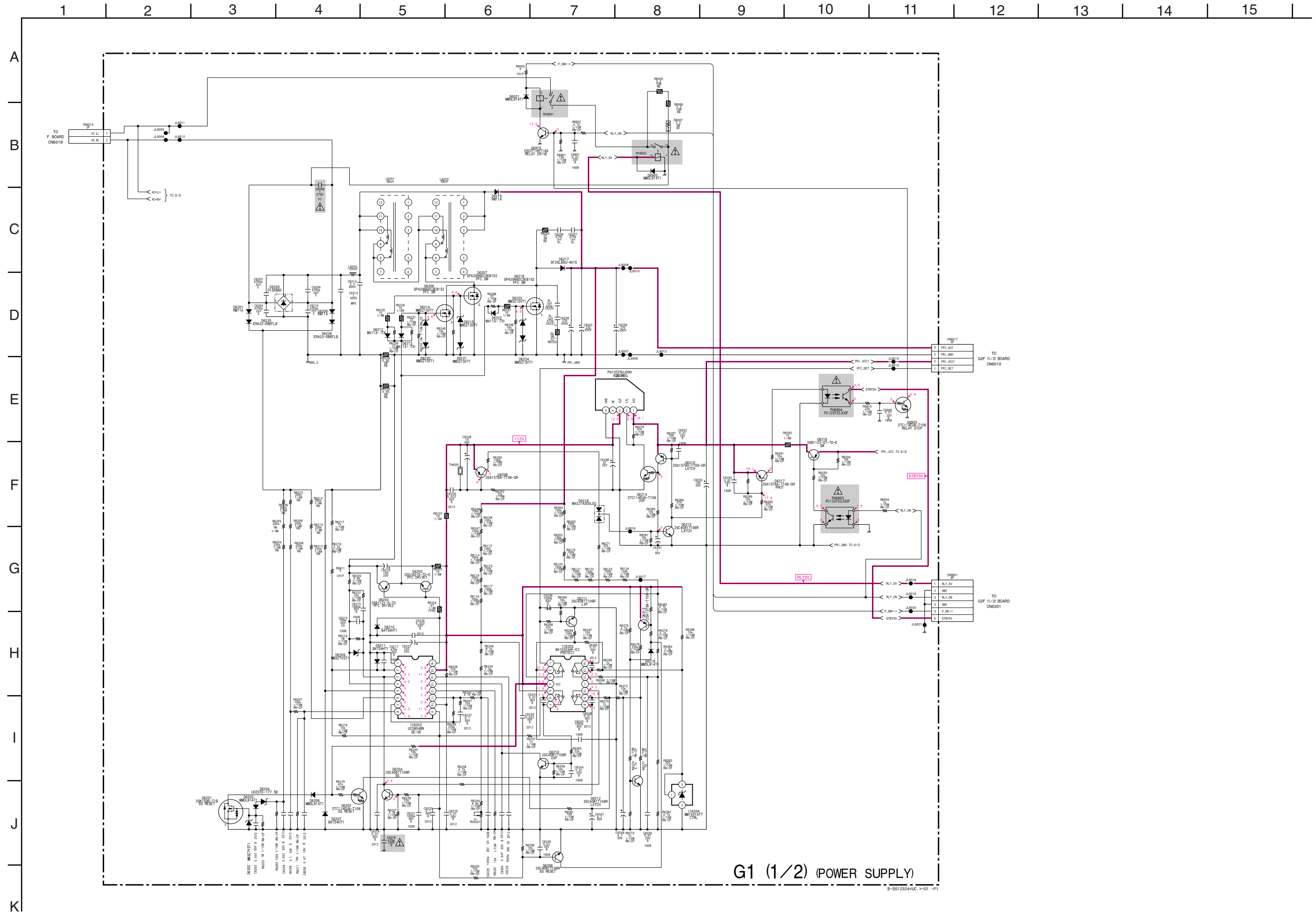


F [AC LINE NOISE FILTER]

— F BOARD —

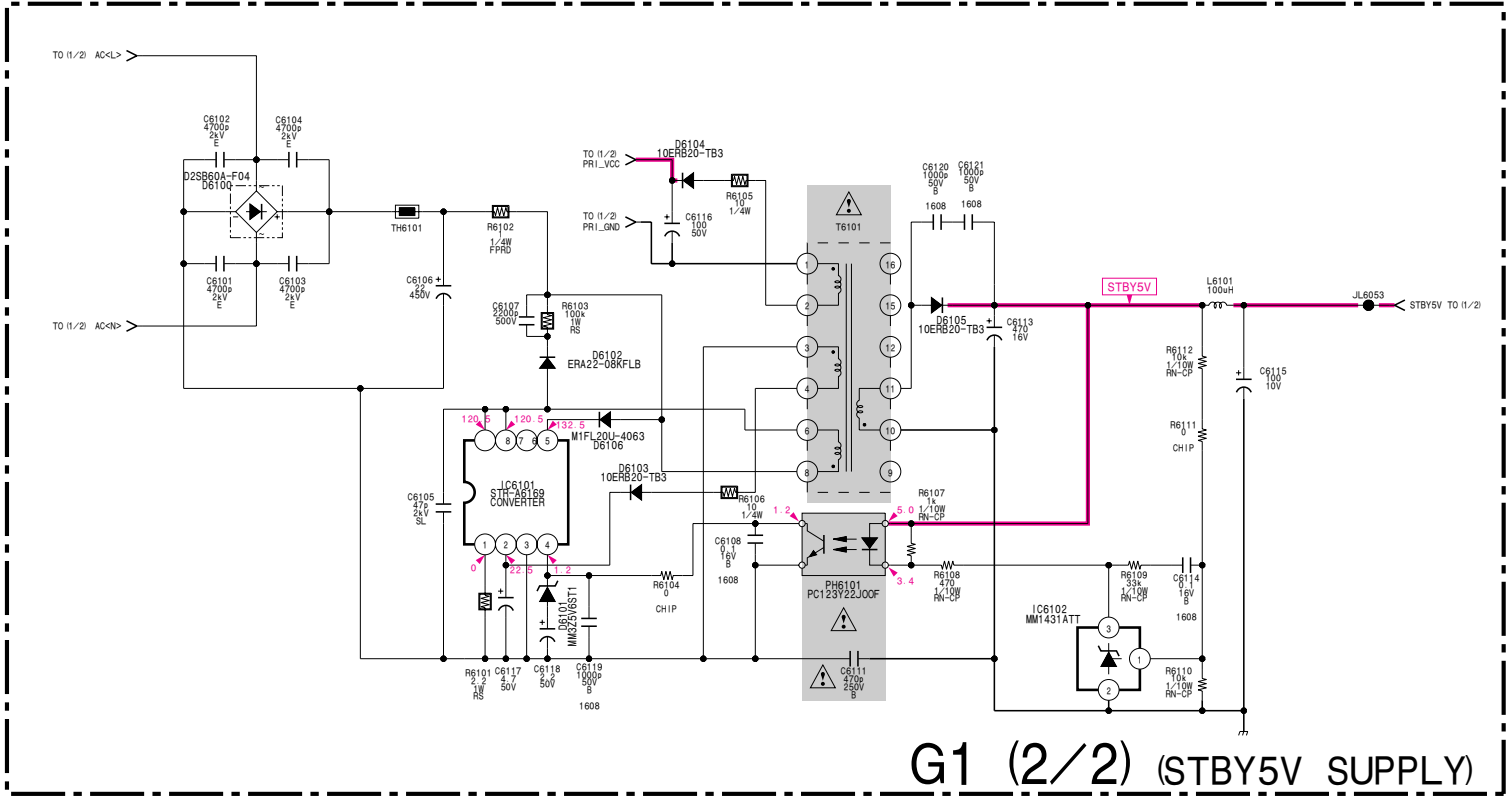


(6) Schematic Diagrams of G1 Board



1 2 3 4 5 6 7 8 9 10 11 12 13 14 15

A
B
C
D
E
F
G
H
I
J
K



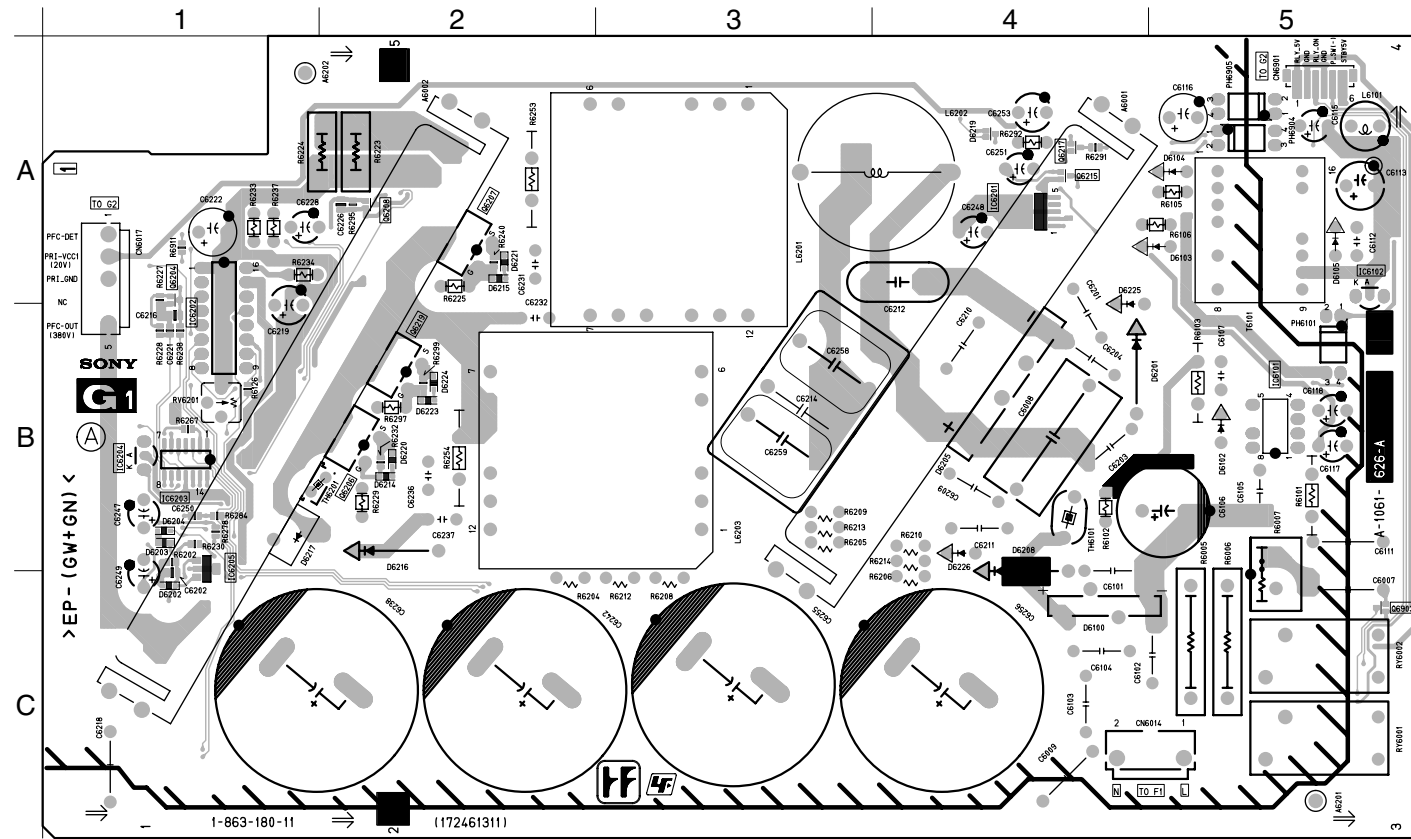
G1 (2/2) (STBY5V SUPPLY)

B-SS12324<UC> -G1 -P2

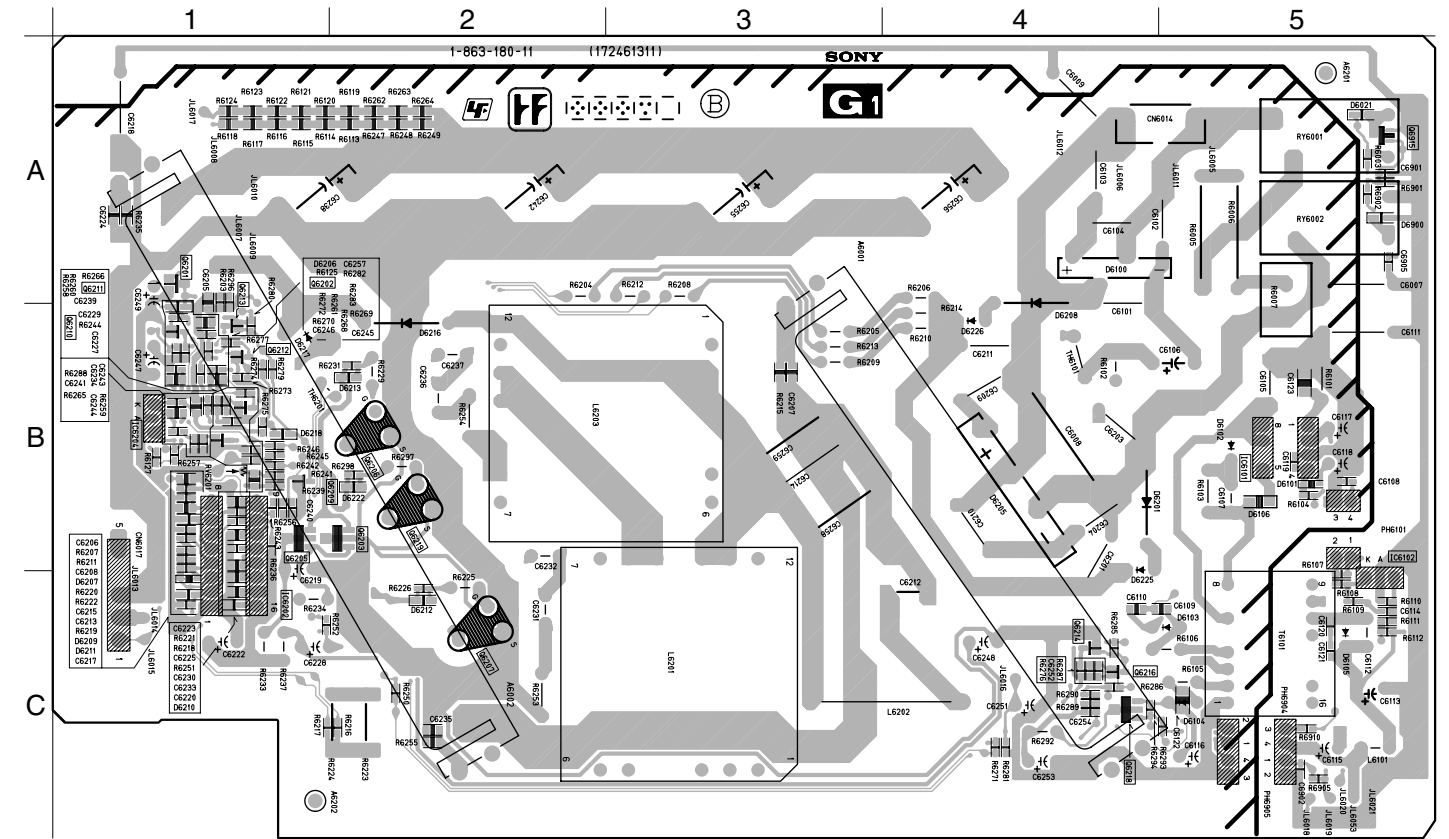
G1

[POWER SUPPLY, STBY5V SUPPLY]

— G1 BOARD —



<COMPONENT SIDE>



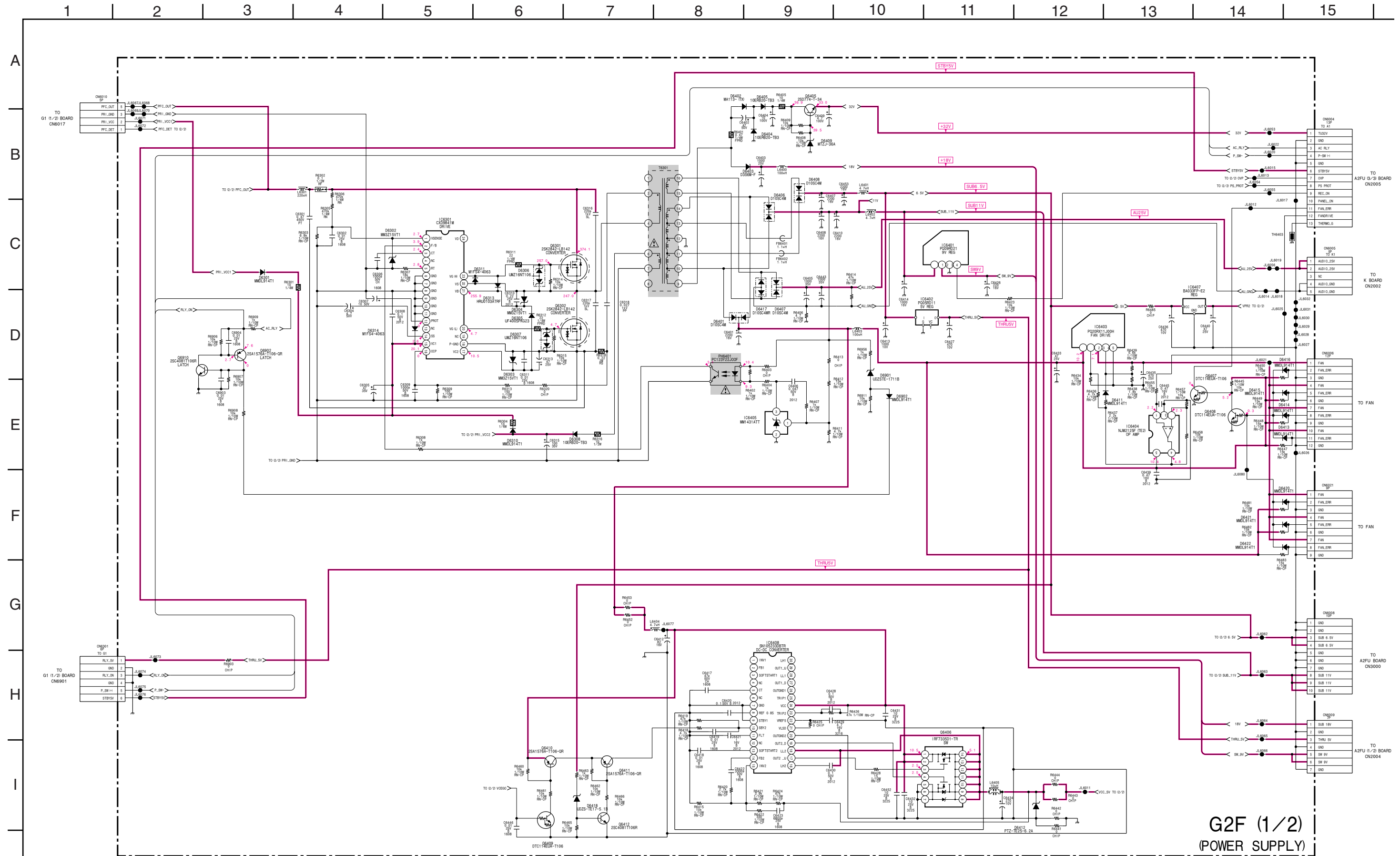
<CONDUCTOR SIDE>

• G1 BOARD SEMICONDUCTOR LOCATION

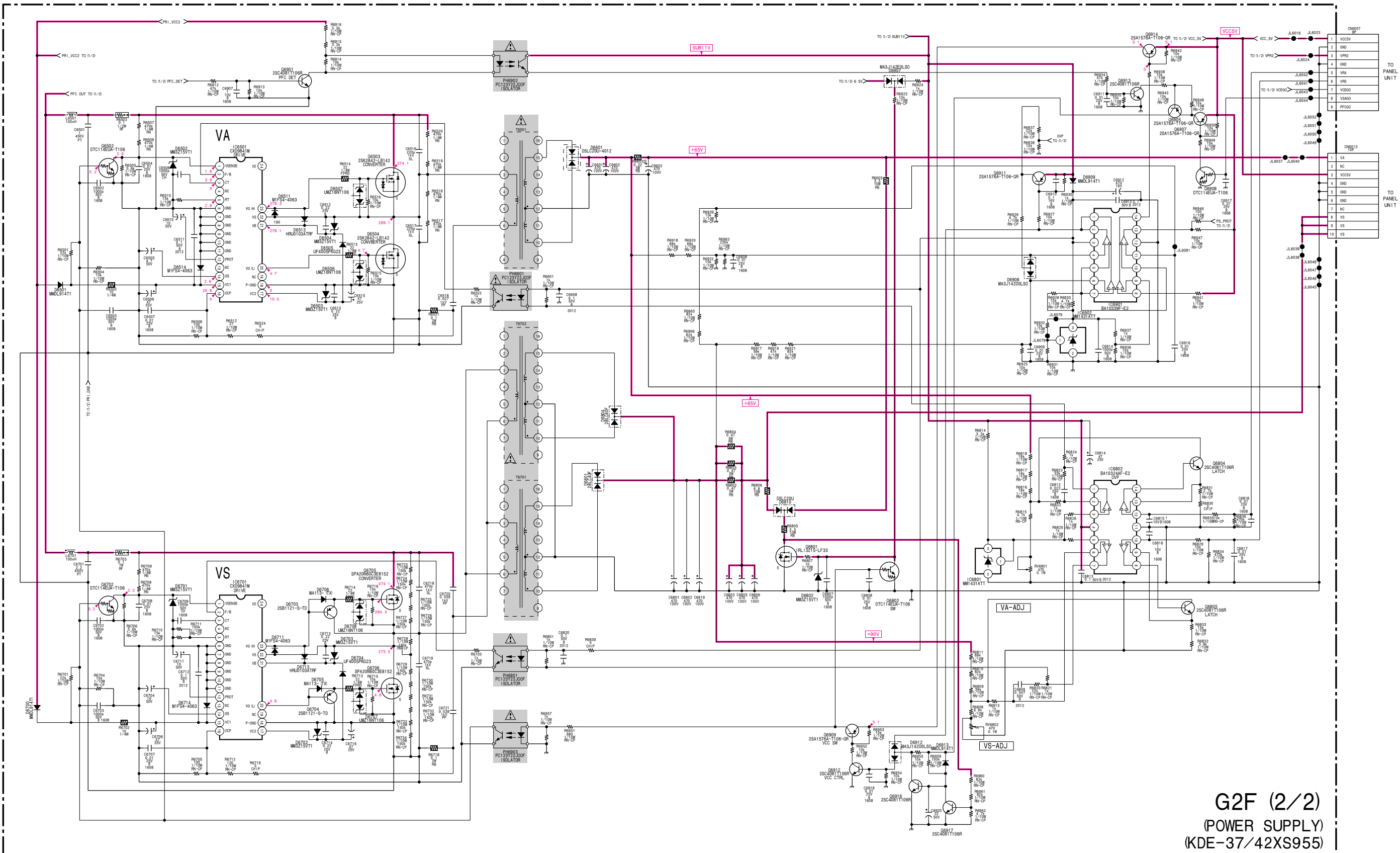
IC		TRANSISTOR		DIODE			
(Component Side)	(Conductor Side)	(Component Side)	(Conductor Side)	(Component Side)	(Conductor Side)	(Component Side)	(Conductor Side)
IC6101	B-5	Q6201	A-1	D6021	A-5	D6204	B-1
IC6102	A-5	Q6202	B-1	D6100	C-4	D6205	B-4
IC6201	A-4	Q6203	B-2	D6101	B-5	D6206	B-1
IC6202	A-1	Q6204	A-1	D6102	B-5	D6207	B-1
IC6203	B-1	Q6205	B-1	D6103	A-5	D6208	C-4
IC6204	B-1	Q6206	B-2	D6104	A-5	D6209	C-1
IC6205	B-1	Q6207	A-2	D6105	A-5	D6210	C-1
		Q6208	A-2	D6106	B-5	D6211	C-1
		Q6209	B-1	D6201	B-4	D6212	C-2
		Q6210	B-1	D6202	C-1	D6213	B-2
		Q6211	B-1	D6203	B-1	D6214	B-2
						D6215	A-2
						D6216	B-2
						D6217	B-2
						D6218	B-1
						D6219	A-4
						D6220	B-2
						D6221	A-2
						D6222	B-2
						D6223	B-2
						D6224	B-2
						D6225	B-4
						D6226	B-4
						D6900	A-5

*: Refer to Terminal name of semiconductors in silk screen printed circuit (see page 3-14)

(7) Schematic Diagrams of G2F Board



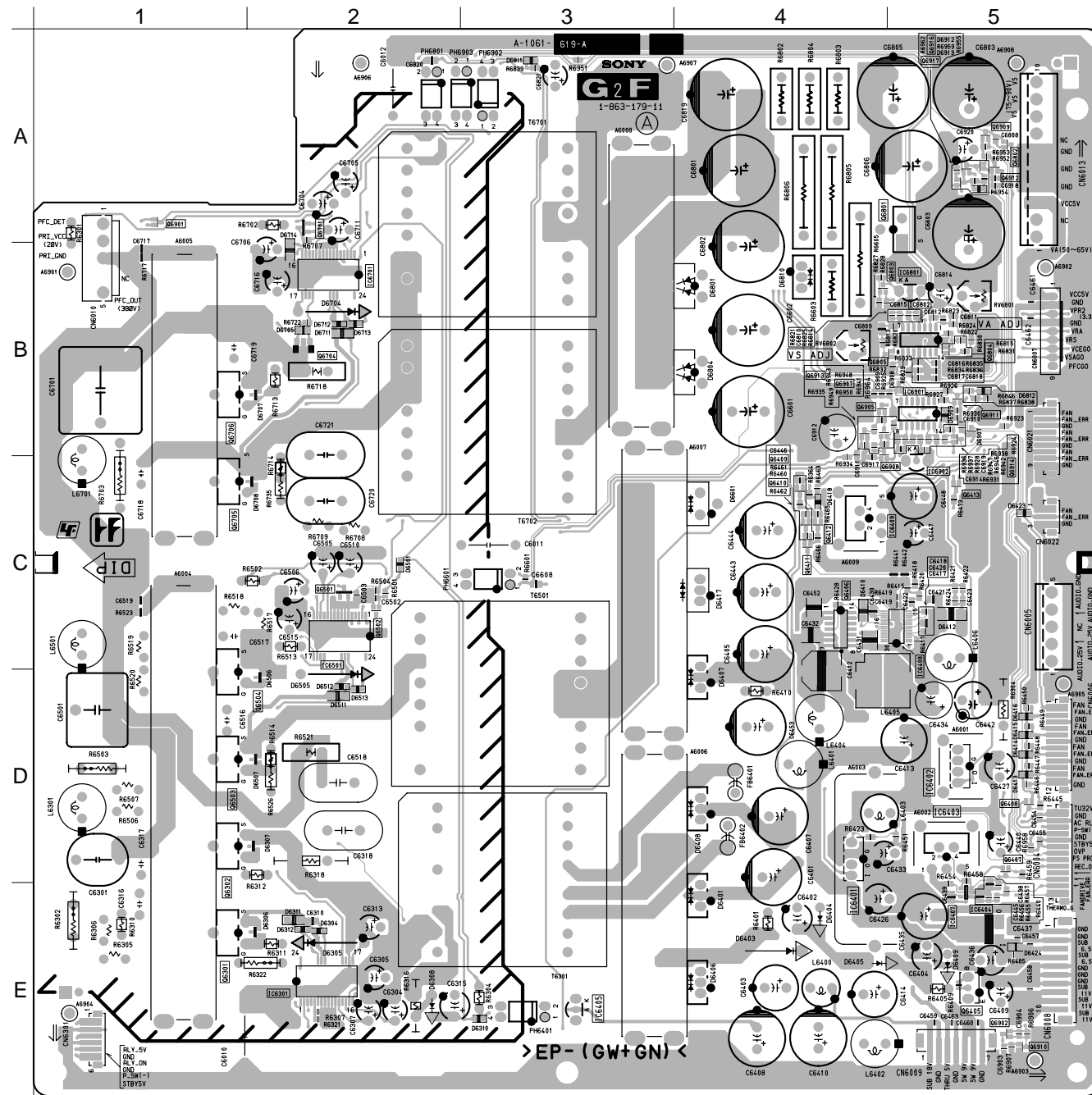
G2F (1/2)
(POWER SUPPLY)



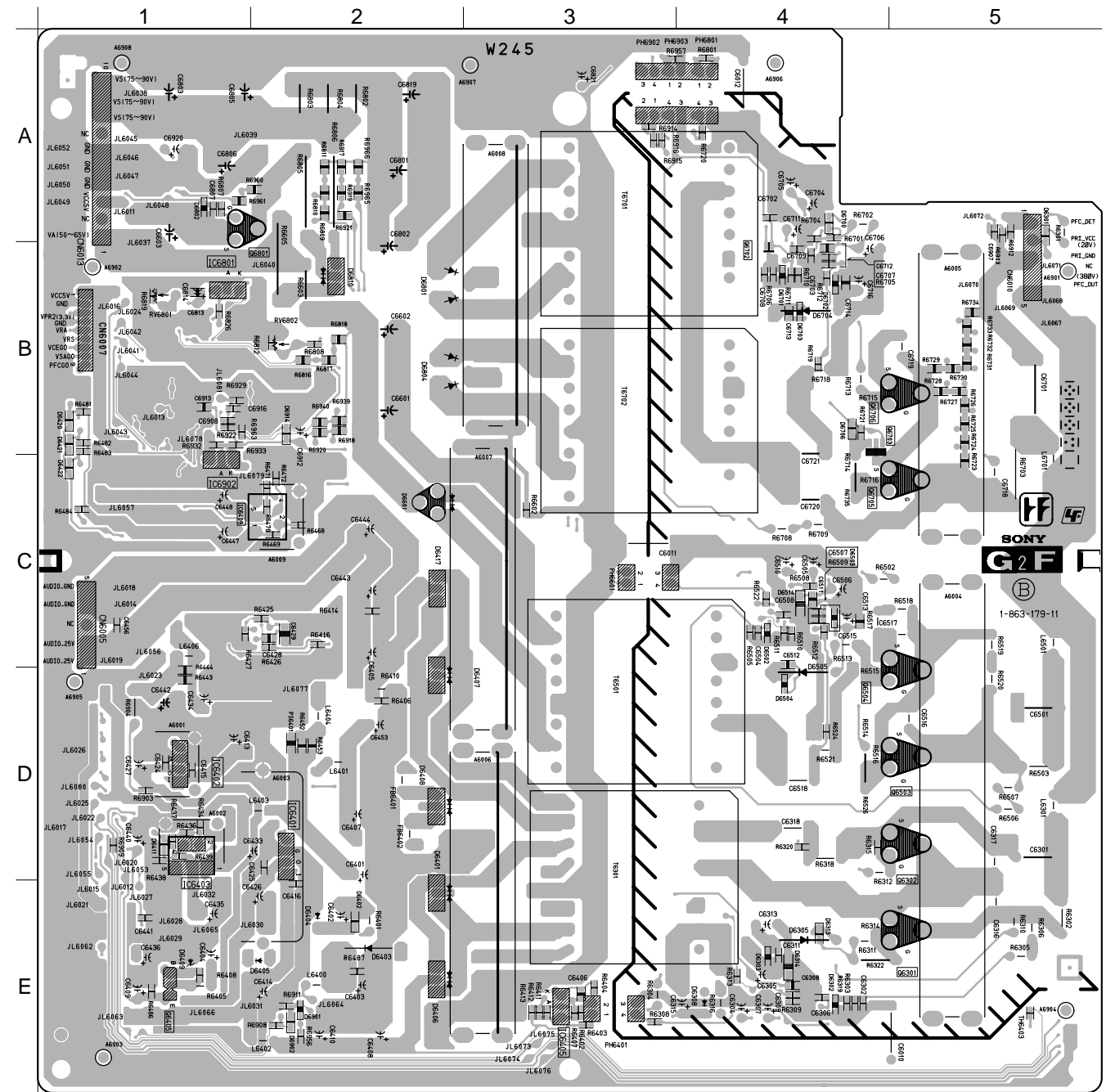
G2F (2/2)
(POWER SUPPLY)
(KDE-37/42XS955)

B-S512324-UC -> G2F-P2

— G2F BOARD —



<COMPONENT SIDE>



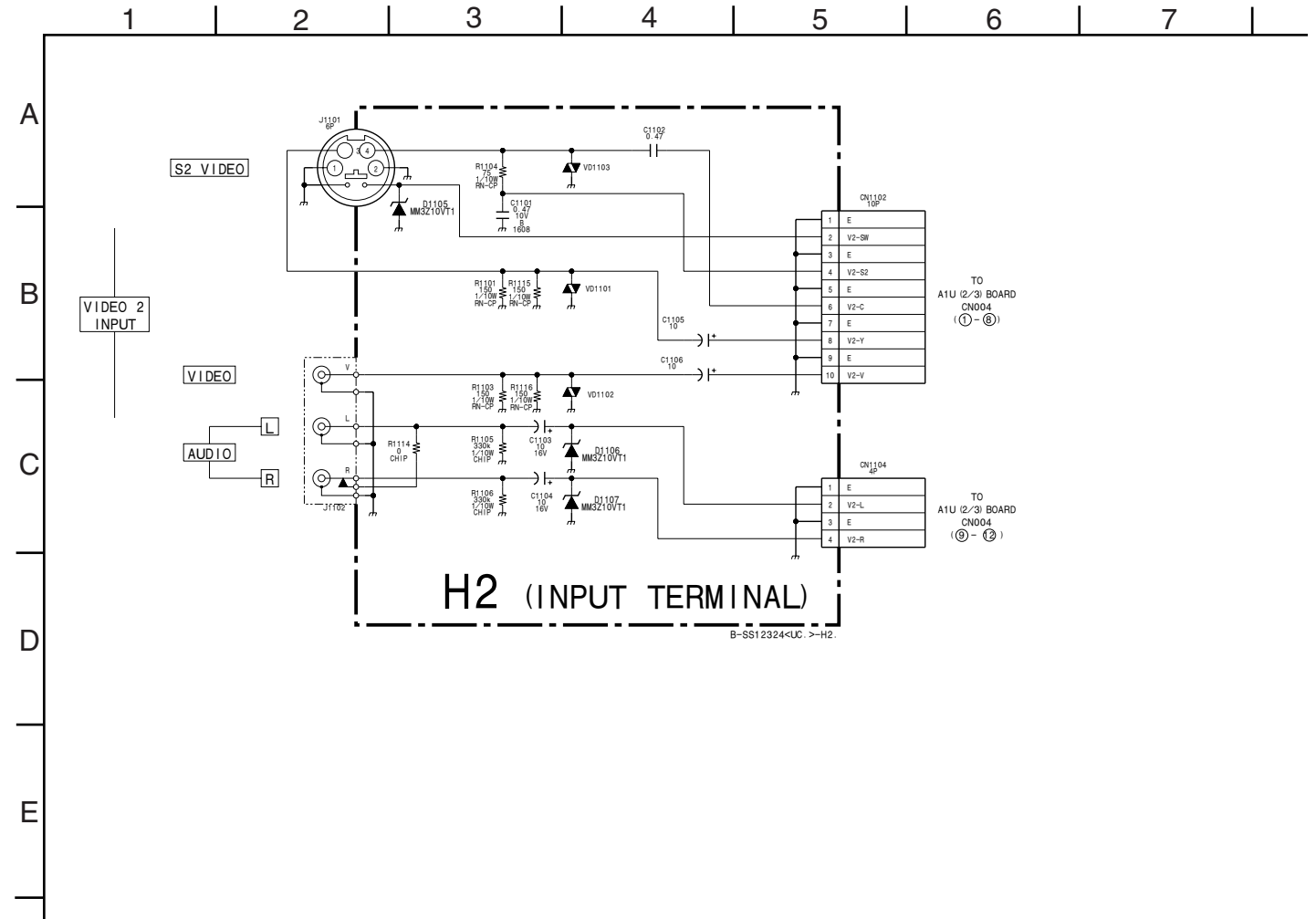
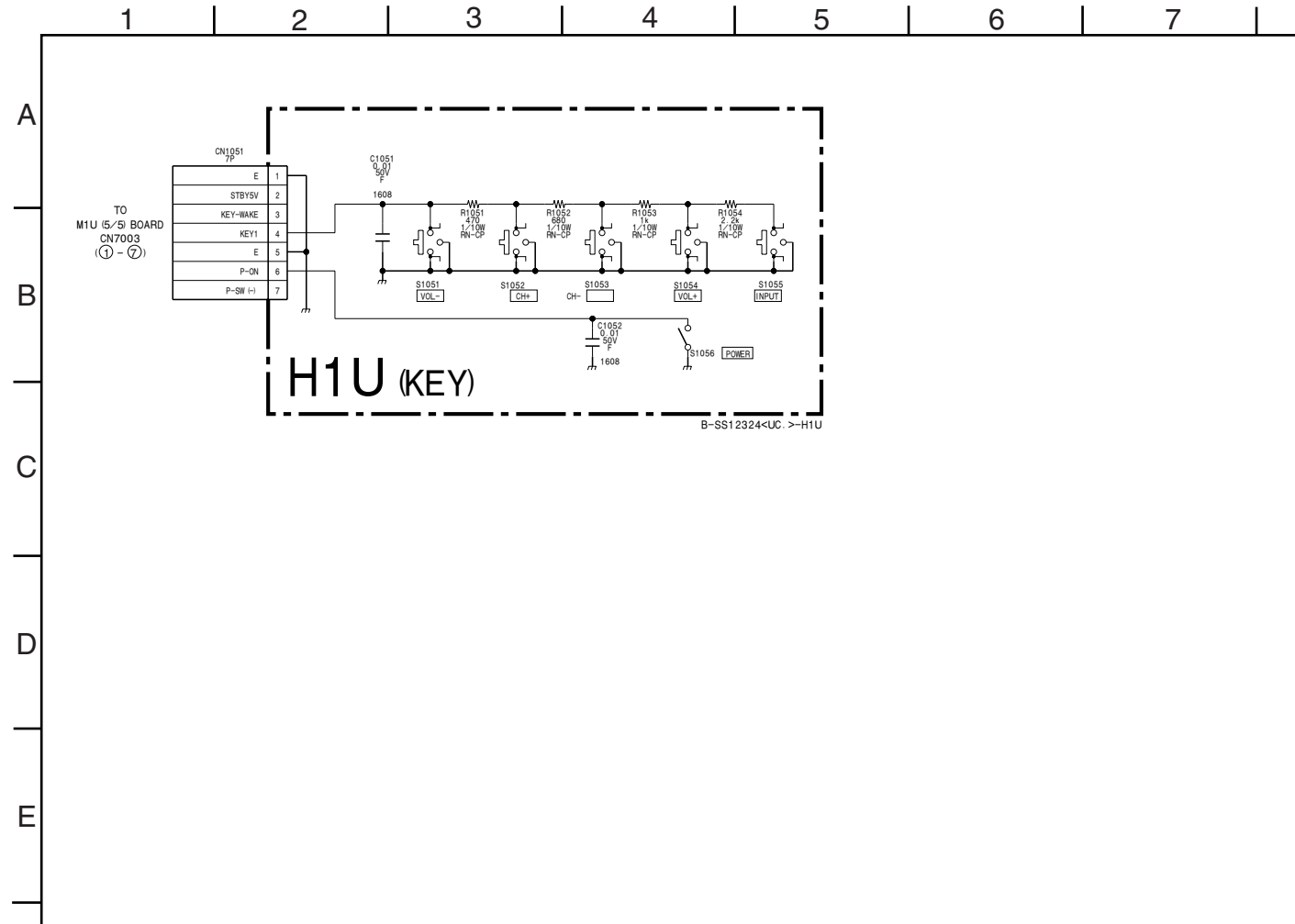
<CONDUCTOR SIDE>

• G2F BOARD SEMICONDUCTOR LOCATION

IC	(Component Side)	(Conductor Side)	IC	(Component Side)	(Conductor Side)	IC	(Component Side)	(Conductor Side)	IC	(Component Side)	(Conductor Side)	IC	(Component Side)	(Conductor Side)	IC	(Component Side)	(Conductor Side)
IC6301	E-2		Q6408	D-5	②	Q6705	C-1	-	Q6911	B-5	②	D6304	E-2	③	D6405	E-4	-
IC6401	D-4		Q6409	C-4	②	Q6706	B-1	-	Q6912	A-5	②	D6305	E-2	-	D6406	E-4	-
IC6402	D-5		Q6410	C-4	②	Q6801	A-5	-	Q6913	B-4	②	D6306	E-2	-	D6407	D-4	-
IC6403	D-5		Q6411	C-4	②	Q6802	A-5	②	Q6914	B-5	②	D6307	D-2	-	D6408	D-4	-
IC6404	E-5		Q6412	C-4	②	Q6803	B-4	②	Q6916	A-5	②	D6308	E-2	-	D6409	E-5	-
IC6405	E-3		Q6413	C-5	②	Q6804	B-5	②	Q6917	A-5	②	D6310	E-3	③	D6410	C-4	③
IC6407	E-5		Q6501	C-2	⑬	Q6805	B-5	②	DIODE			D6311	E-2	③	D6411	C-4	D-1
IC6408	C-5		Q6502	C-2	②	Q6901	A-1	②				D6312	E-2	③	D6412	C-5	③
IC6409	C-4		Q6503	D-1	-	Q6902	E-5	②	D6313	E-4	③	D6413	D-5	③	D6502	C-4	③
IC6501	C-2		Q6504	D-1	-	Q6905	B-4	②	D6314	E-4	③	D6414	D-5	③	D6503	C-4	③
IC6701	B-2		Q6701	A-2	⑬	Q6907	B-4	②	D6401	E-4	-	D6415	D-5	③	D6504	D-4	③
			Q6702	-	-	Q6908	B-4	②	D6402	E-2	③	D6416	D-5	③	D6505	D-2	-
			Q6703	B-4	②	Q6909	A-5	②	D6403	E-4	-	D6417	C-4	③	D6506	D-2	⑪
			Q6704	B-2	-	Q6910	E-5	②	D6404	E-4	-	D6418	C-4	③	D6507	D-2	⑪
									D6420	B-1	③	D6511	D-2	③	D6705	B-2	③
									D6421	B-1	③	D6512	D-2	③	D6706	B-2	③
									D6422	C-1	③				D6707	B-2	⑪
									D6423	C-5	③				D6708	C-2	⑪
									D6424	E-5	③				D6709	B-2	③
									D6501	C-2	③				D6801	B-4	③
									D6502	C-4	③				D6802	B-4	③
									D6503	C-4	③				D6804	B-4	③
									D6504	D-4	③				D6811	A-3	③
									D6505	D-2	③				D6812	B-5	③
									D6506	D-2	③				D6901	E-2	③
									D6507	D-2	③				D6902	E-2	③
									D6511	D-2	③				D6907	B-5	③
									D6512	D-2	③				D6908	B-5	③
															D6909	B-5	③
															D6912	A-5	⑪
															D6913	B-2	③
															D6914	B-2	③

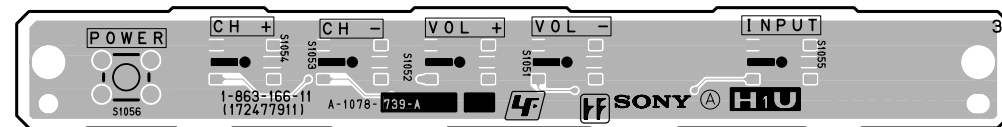
* : Refer to Terminal name of semiconductors in silk screen printed circuit (see page 3-14)

(8) Schematic Diagram of H1U and H2 Boards

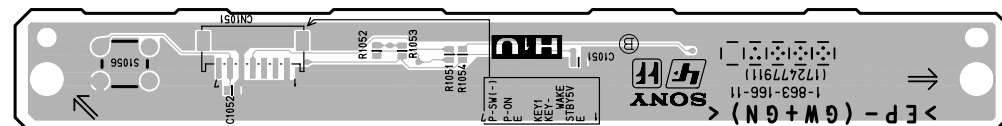


H1U [KEY INPUT]

— H1U BOARD —



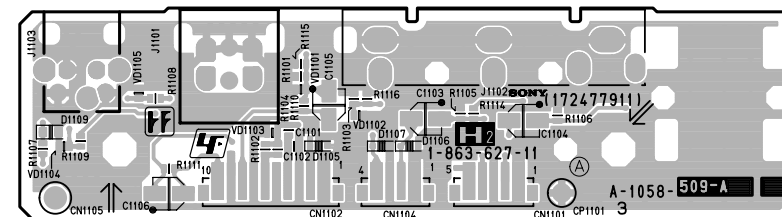
<COMPONENT SIDE>



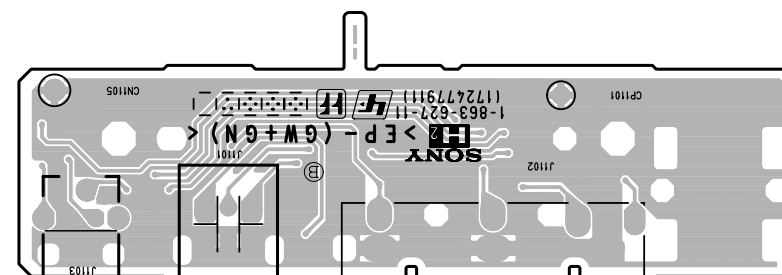
<CONDUCTOR SIDE>

H2 [INPUT TERMINAL]

— H2 BOARD —



<COMPONENT SIDE>



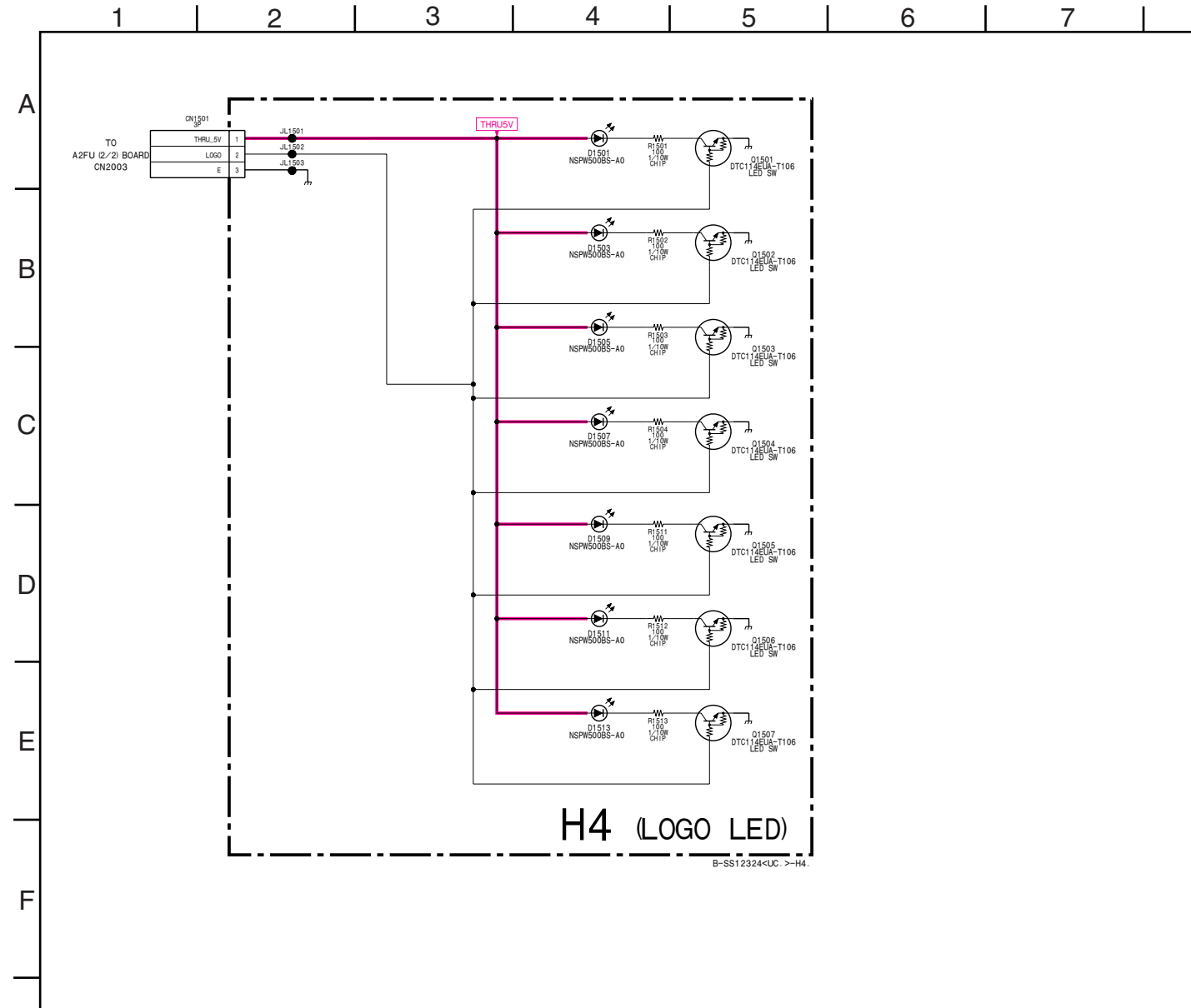
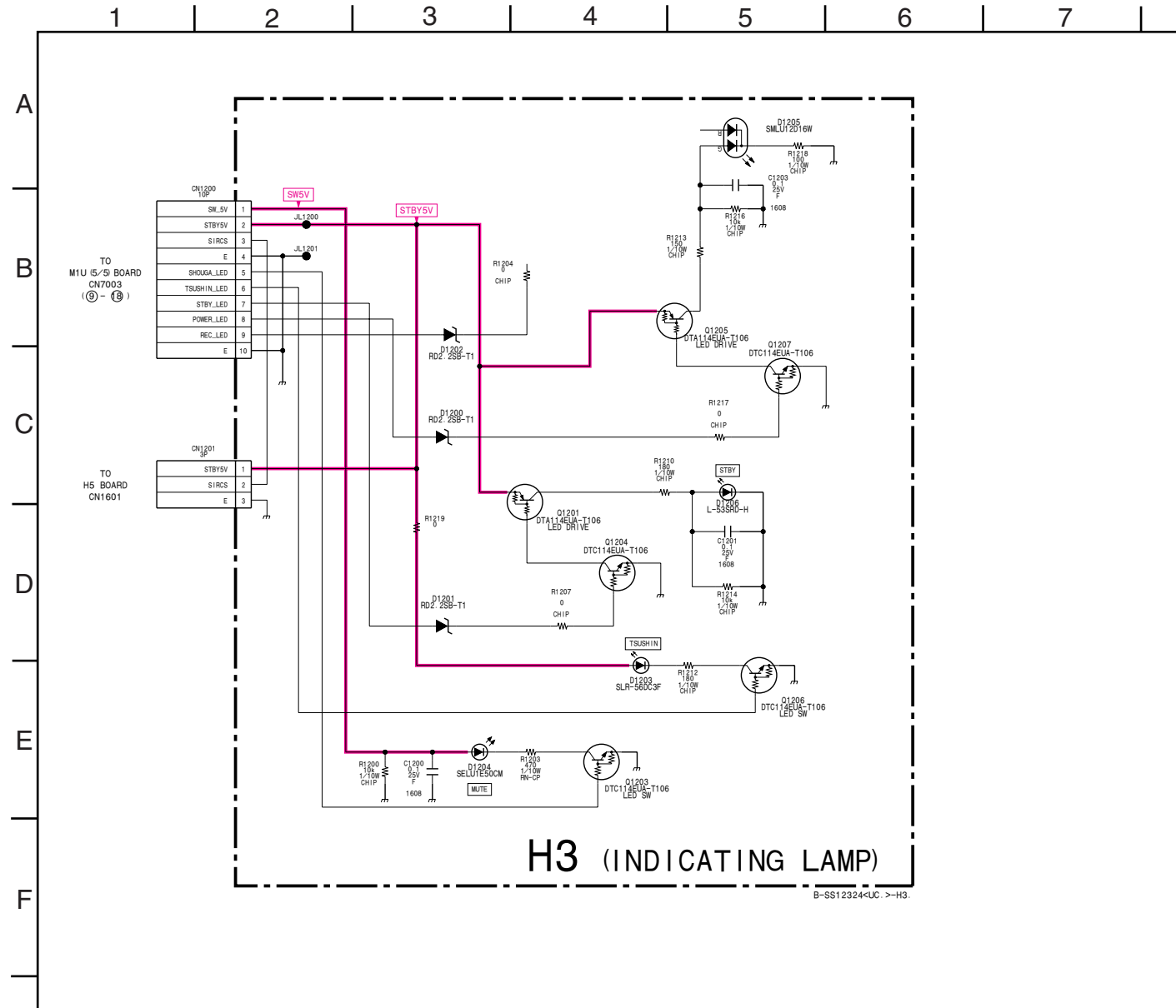
<CONDUCTOR SIDE>

• H2 BOARD SEMICONDUCTOR LOCATION

Ref.	*
D1105-D1107, D1109	③

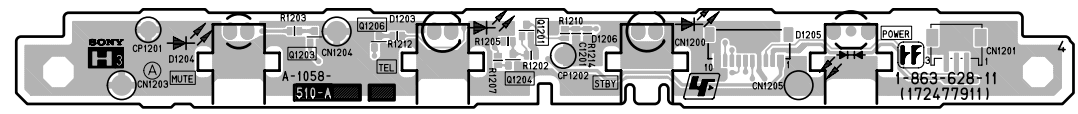
*: Refer to Terminal name of semiconductors in silk screen printed circuit (see page 3-14)

(9) Schematic Diagram of H3 and H4 Boards

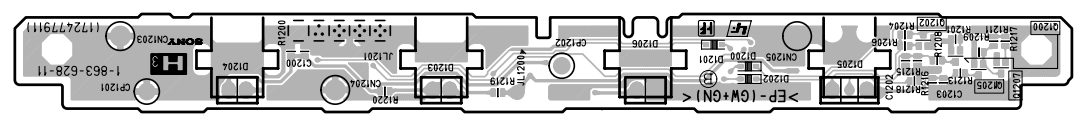


H3 [INDICATING LAMP]

— H3 BOARD —



<COMPONENT SIDE>



<CONDUCTOR SIDE>

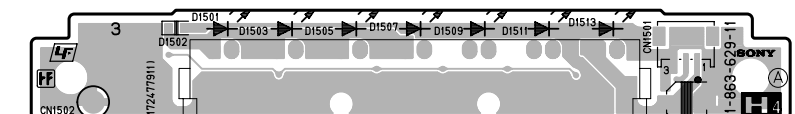
• H3 BOARD SEMICONDUCTOR LOCATION

Ref.	*
Q1200, Q1201, Q1203, Q1205, Q1206	②
D1200-D1202	③
D1203-D1206	-

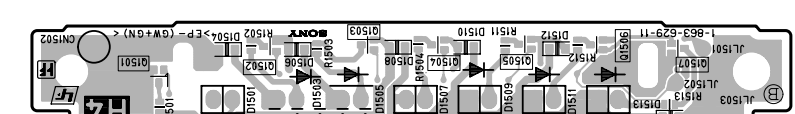
*: Refer to Terminal name of semiconductors in silk screen printed circuit (see page 3-14)

H4 [LOGO LED]

— H4 BOARD —



<COMPONENT SIDE>



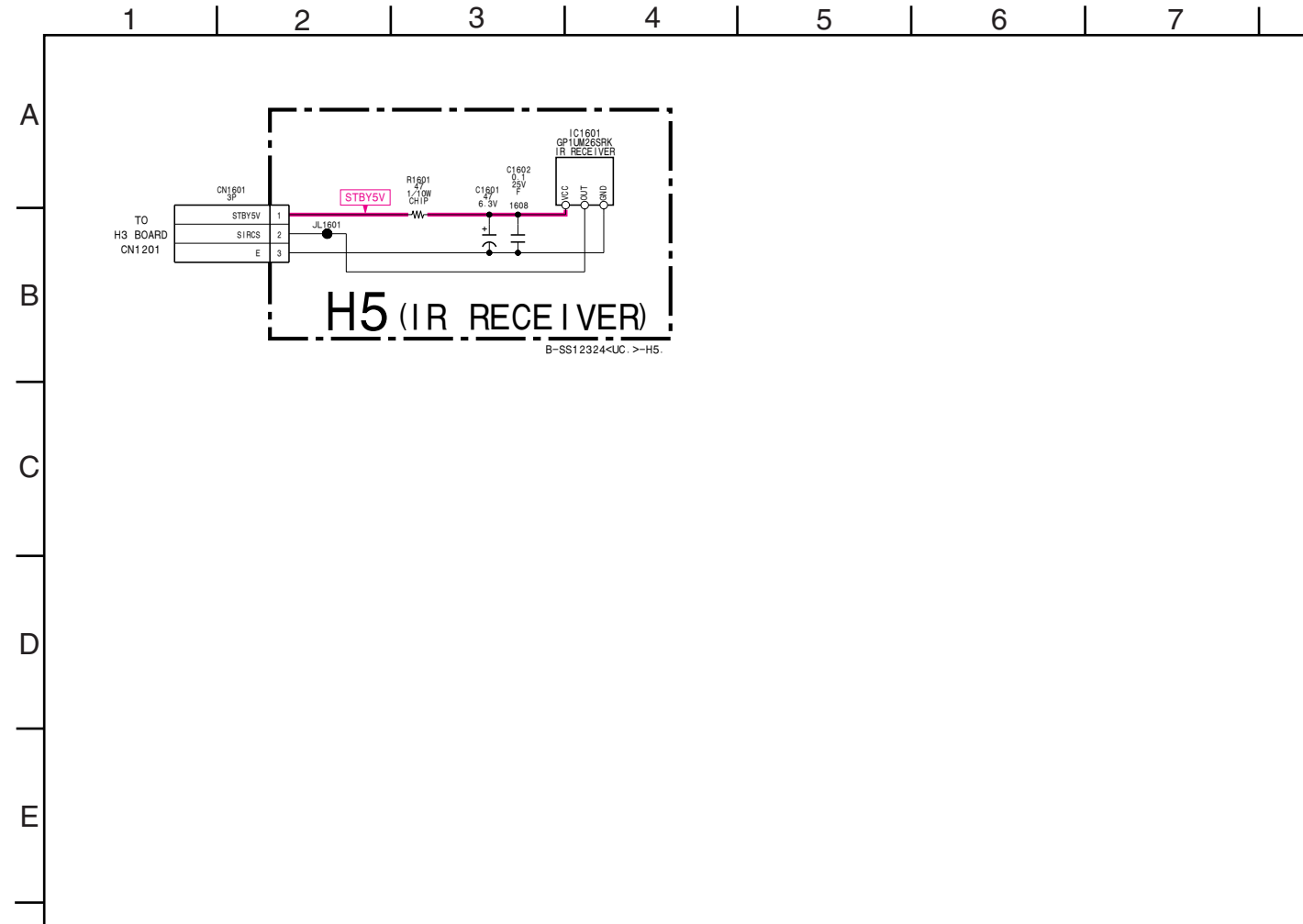
<CONDUCTOR SIDE>

• H4 BOARD SEMICONDUCTOR LOCATION

Ref.	*
Q1501-Q1507	②
D1501, D1503, D1505, D1507, D1509, D1511, D1513	-

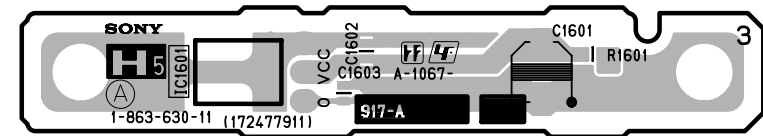
*: Refer to Terminal name of semiconductors in silk screen printed circuit (see page 3-14)

(10) Schematic Diagram of H5 Board

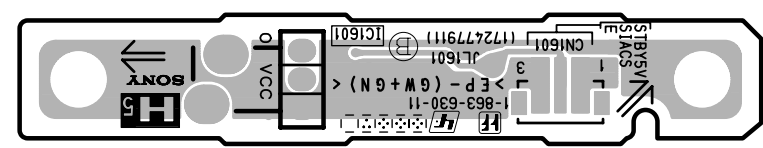


H5 [IR RECELVER]

— H5 BOARD —

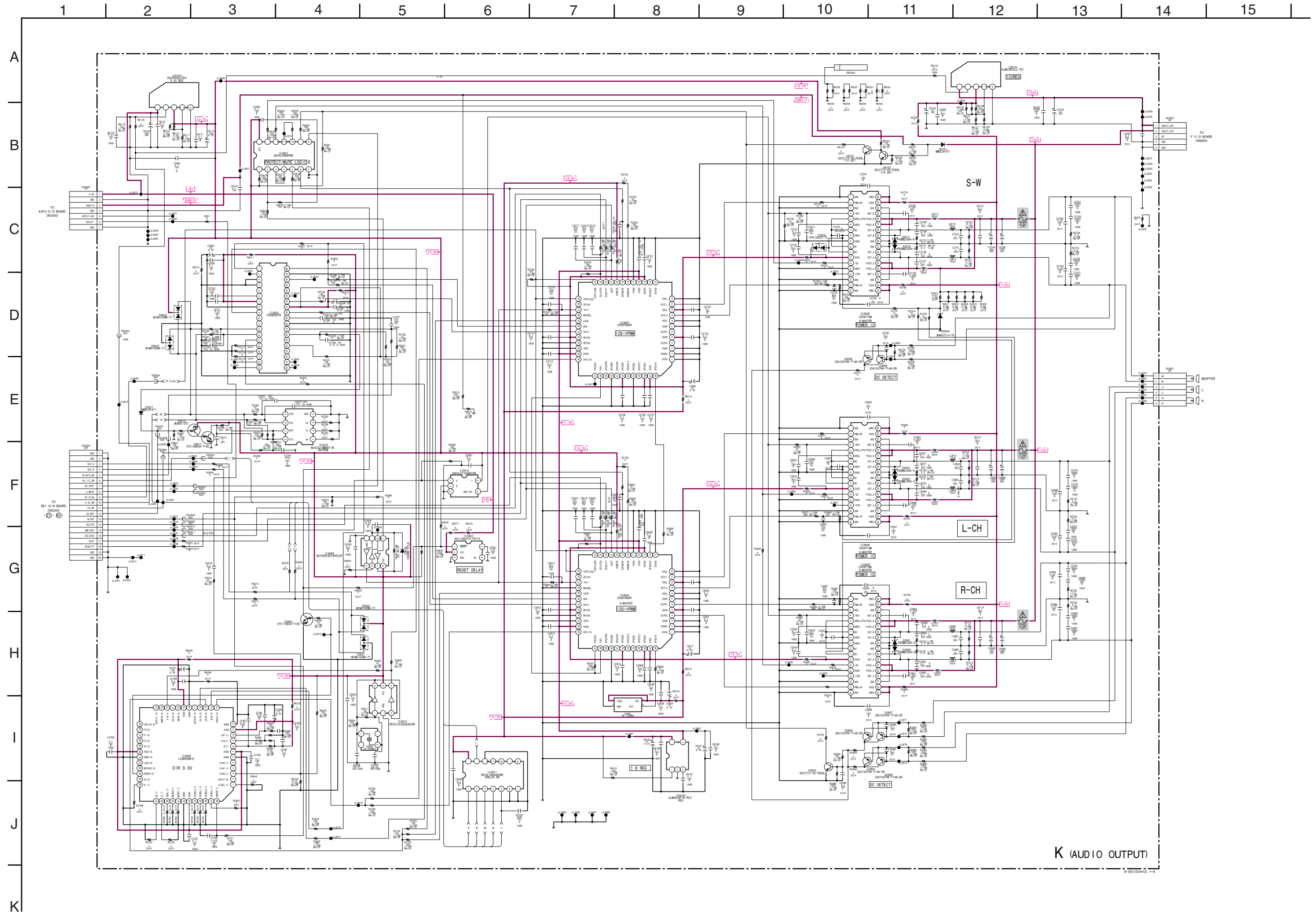


<COMPONENT SIDE>



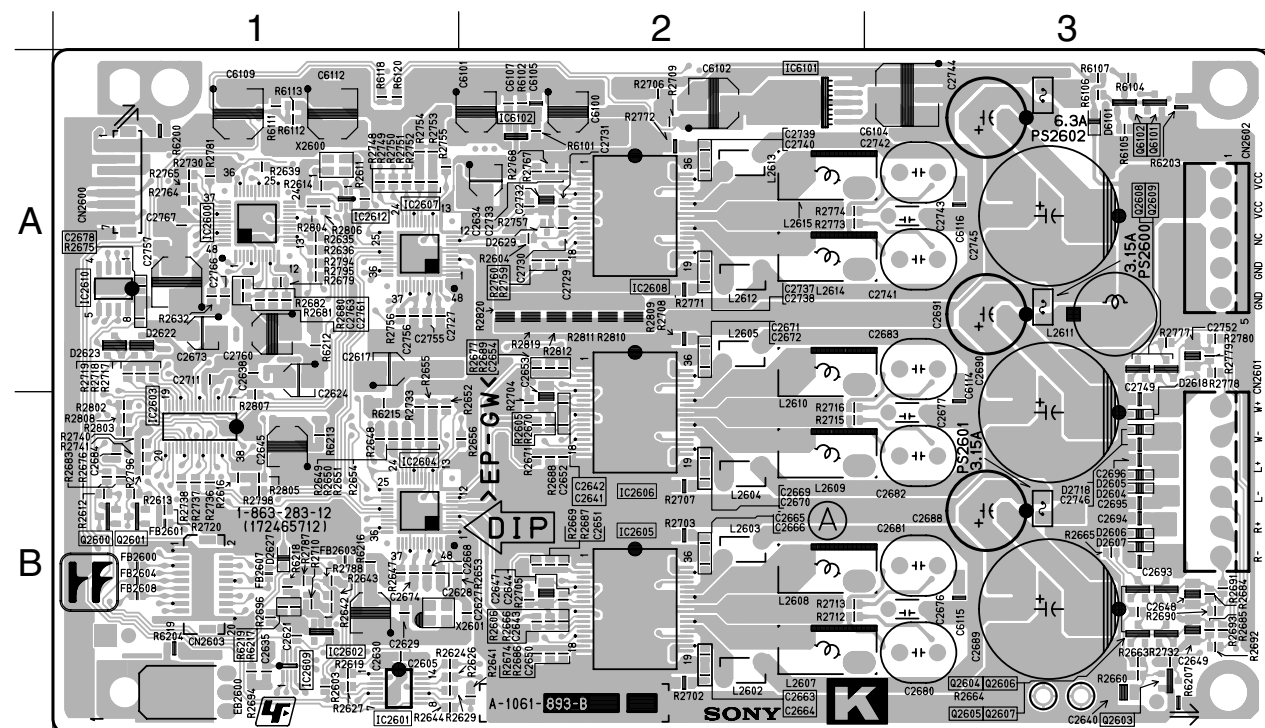
<CONDUCTOR SIDE>

(11) Schematic Diagram of K Board

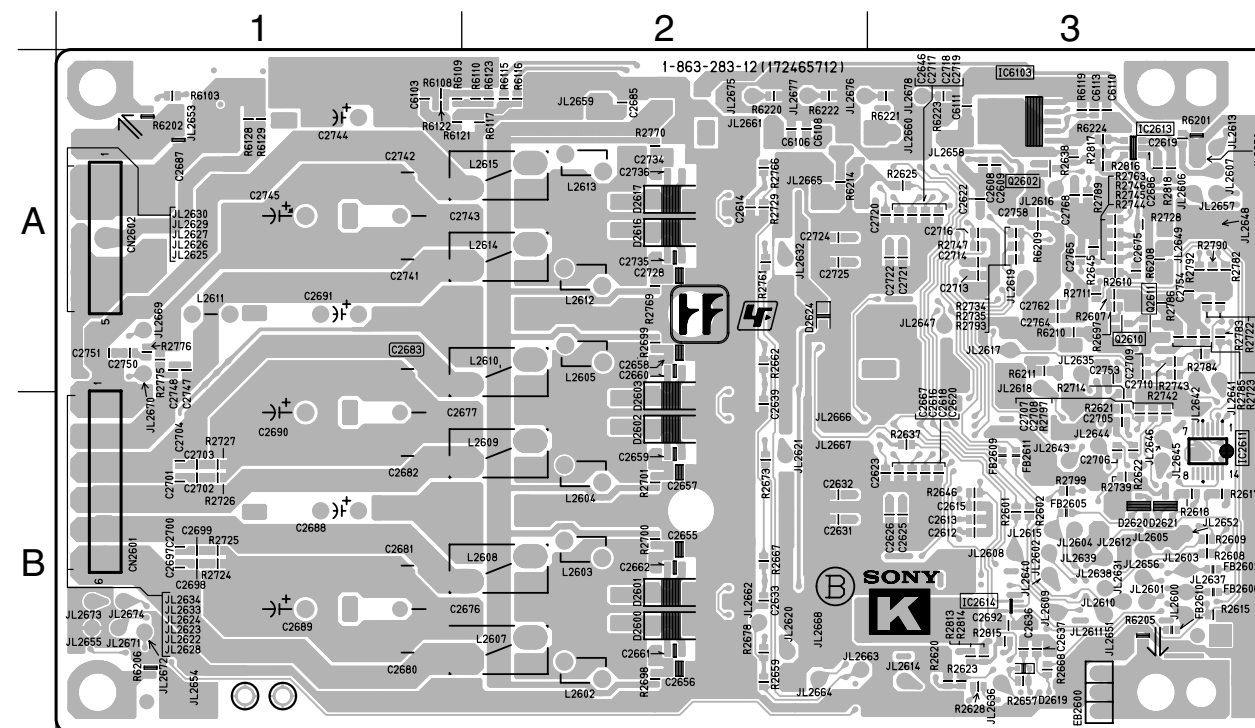


K

— K BOARD —



<COMPONENT SIDE>



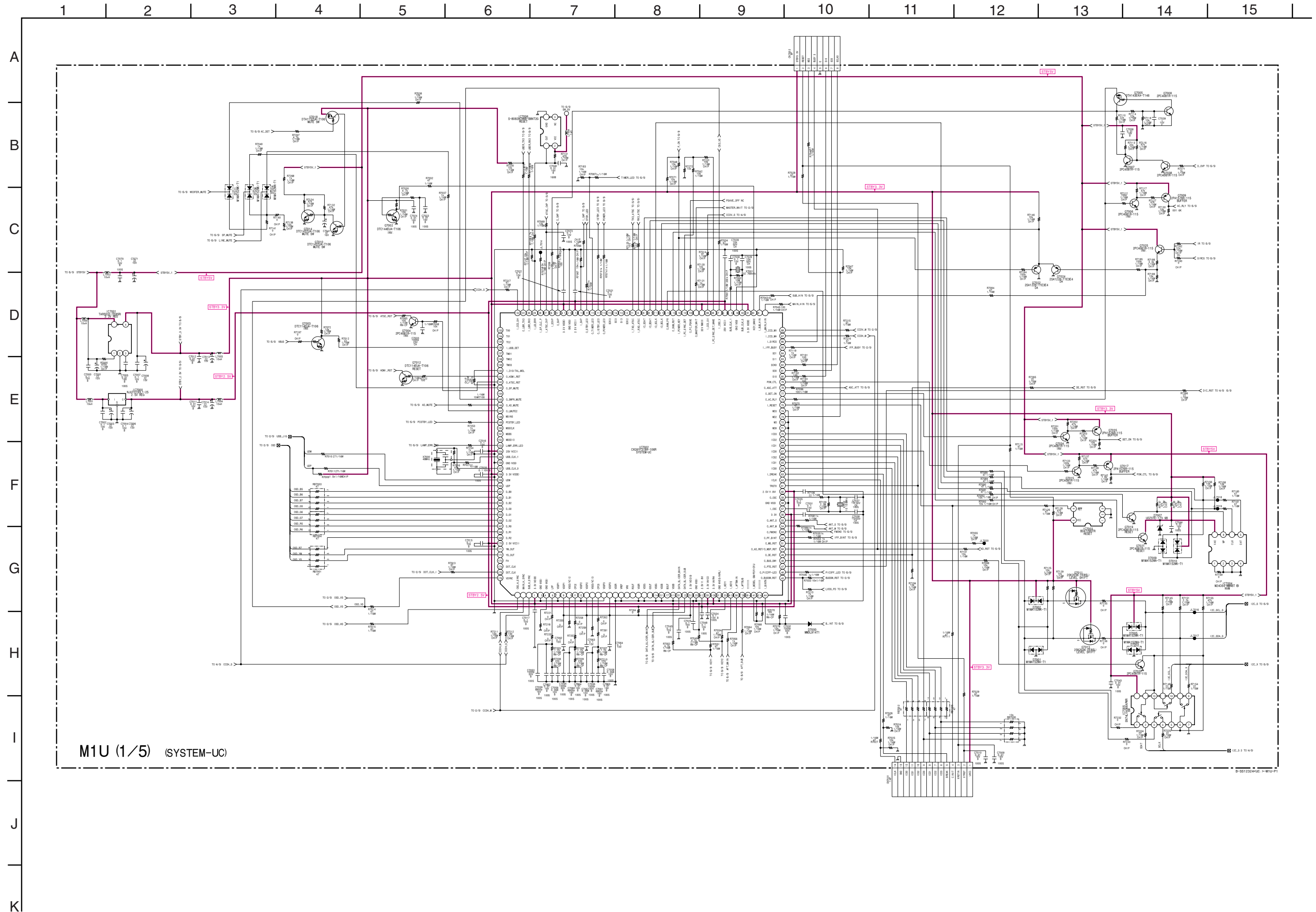
<CONDUCTOR SIDE>

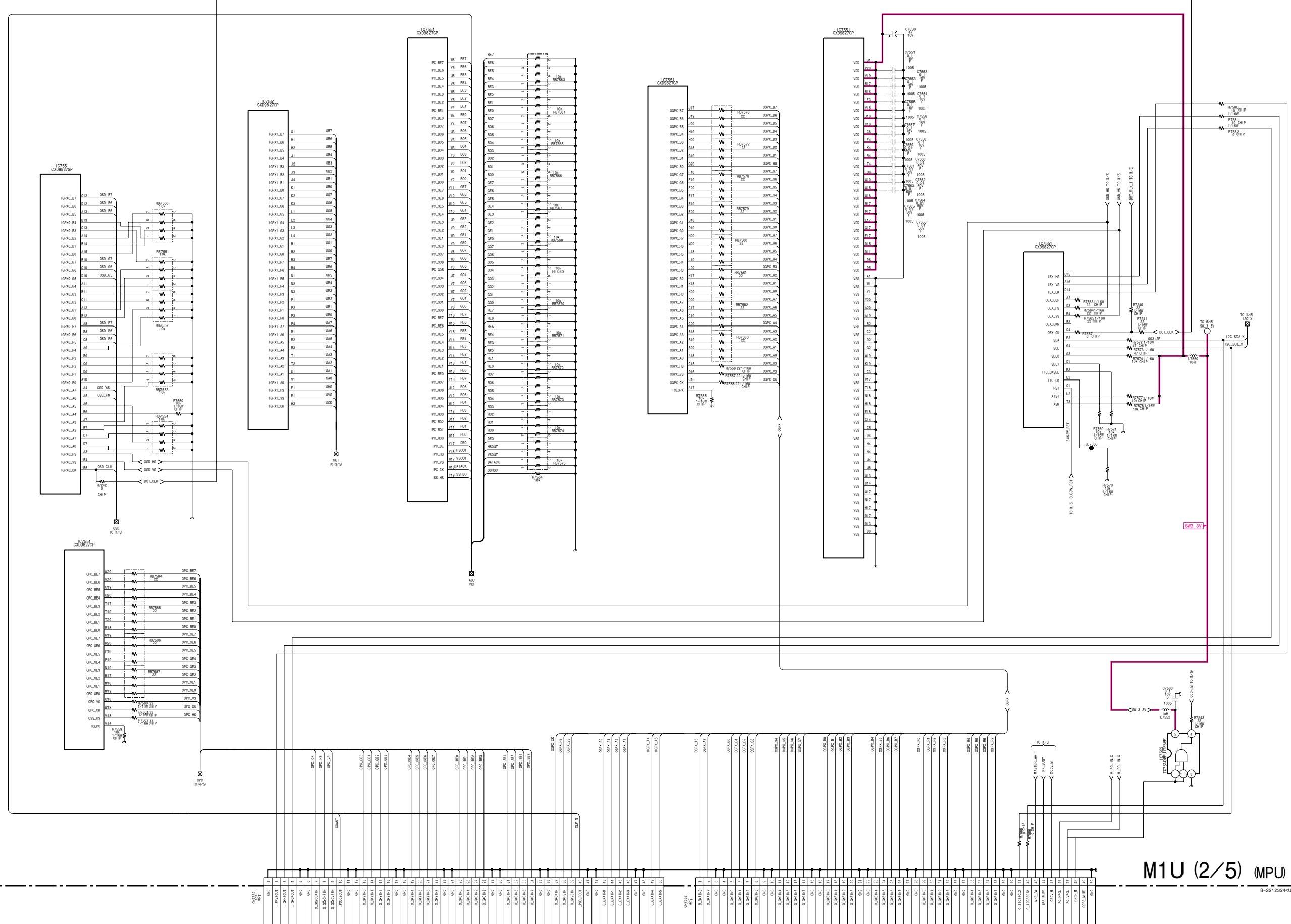
• K BOARD SEMICONDUCTOR LOCATION

IC	TRANSISTOR		DIODE		
	(Component Side)	(Conductor Side)	(Component Side)	(Conductor Side)	
IC2600	A-1	Q2600	B-1	D2600	B-2
IC2601	B-1	Q2601	B-1	D2601	B-2
IC2602	B-1	Q2602	A-3	D2602	B-2
IC2603	B-1	Q2603	B-3	D2603	B-2
IC2604	B-1	Q2604	B-3	D2604	B-3
IC2605	B-2	Q2605	B-3	D2605	B-3
IC2606	B-2	Q2606	B-3	D2606	B-3
IC2607	A-1	Q2607	B-3	D2607	B-3
IC2608	A-2	Q2608	A-3	D2616	A-2
IC2609	B-1	Q2609	A-3	D2617	A-2
IC2610	A-1	Q2610	A-3	D2618	B-3
IC2611		Q2611	A-3	D2619	B-3
IC2612	A-1	Q6101	A-3	D2620	B-3
IC2613		Q6102	A-3	D2621	B-3
IC2614				D2622	A-1
IC6101	A-2			D2623	A-1
IC6102	A-2			D2624	A-2
IC6103				D2627	B-1
				D2718	B-3
				D6101	A-3

*: Refer to Terminal name of semiconductors in silk screen printed circuit (see page 3-14)

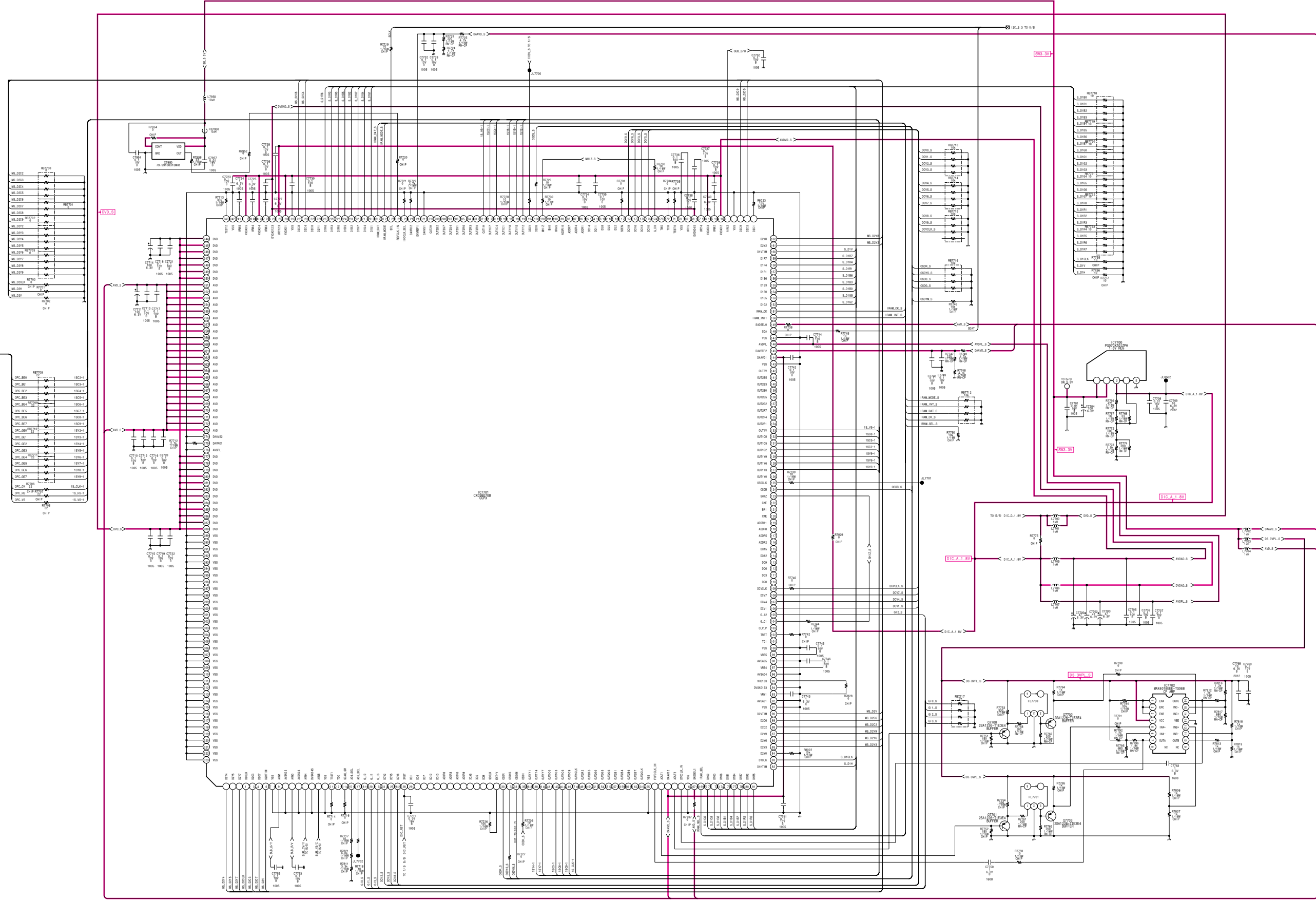
(12) Schematic Diagrams of M1U Board



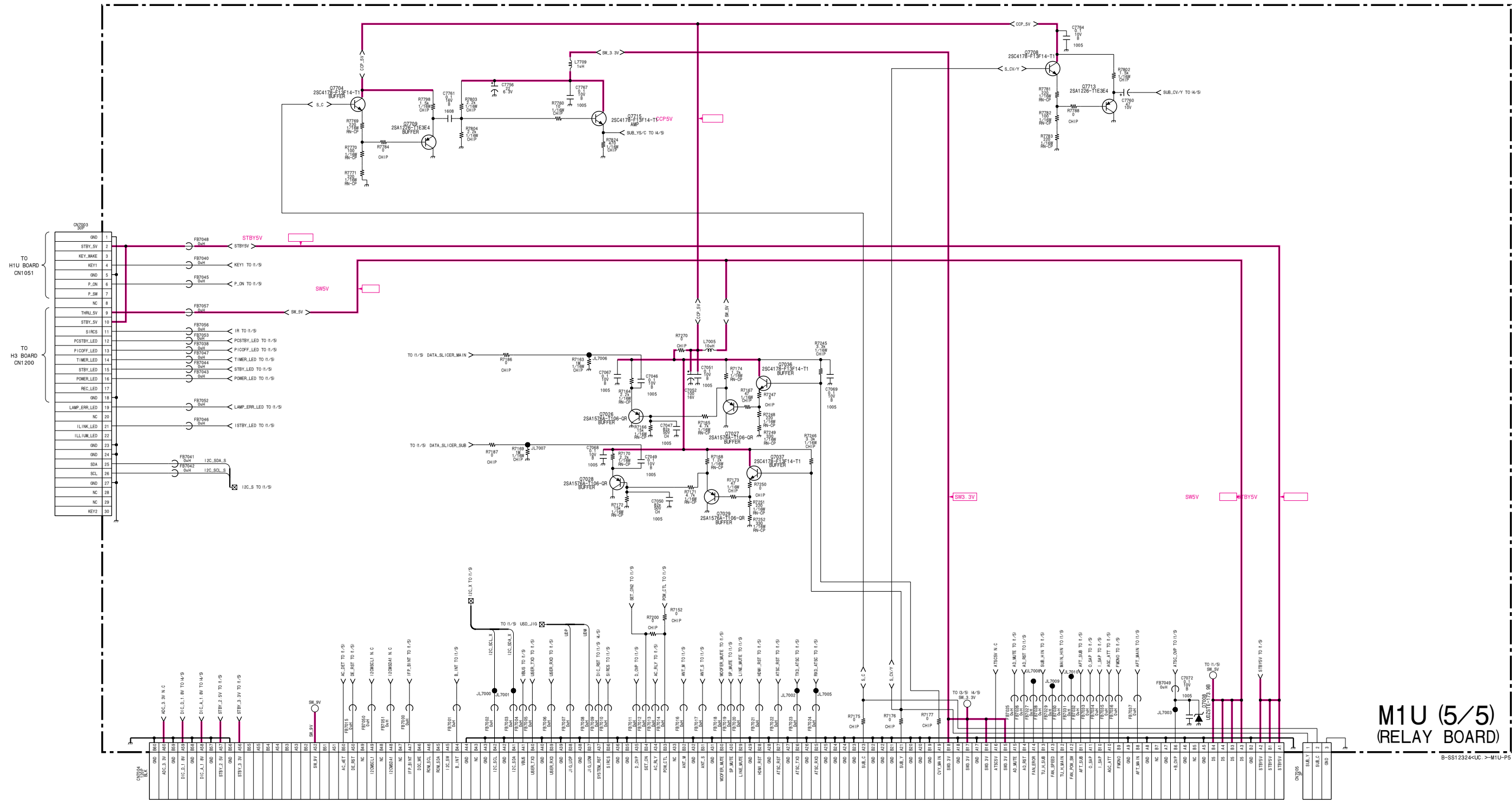


M1U (2/5) MPU

B-SS12324-UC-3-M1U-P2



M1U (4/5) CCPX



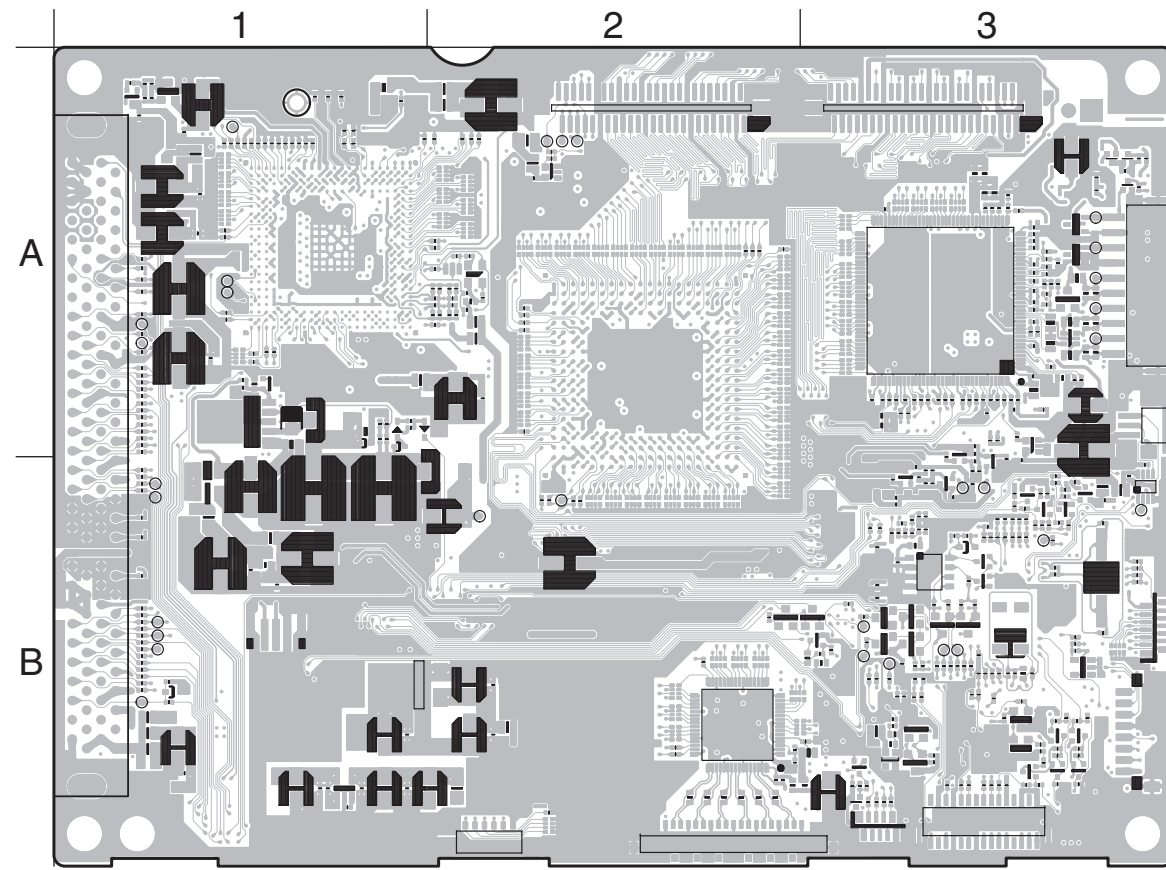
M1U (5/5)
(RELAY BOARD)

B-S512324-UC -> M1U-P5

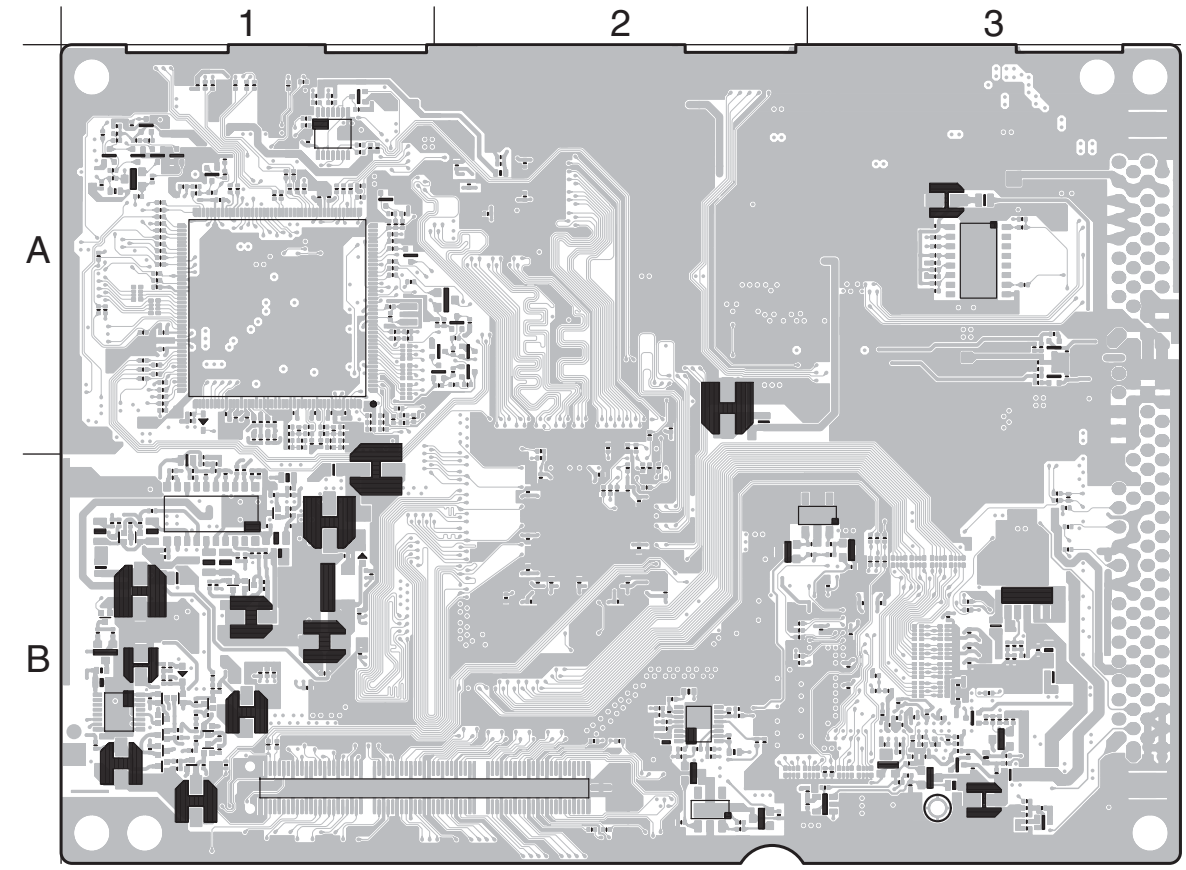
M1U

[CCPX, LVDS RECEIVER, MPU, SYSTEM UC]

— M1U BOARD —



<COMPONENT SIDE>



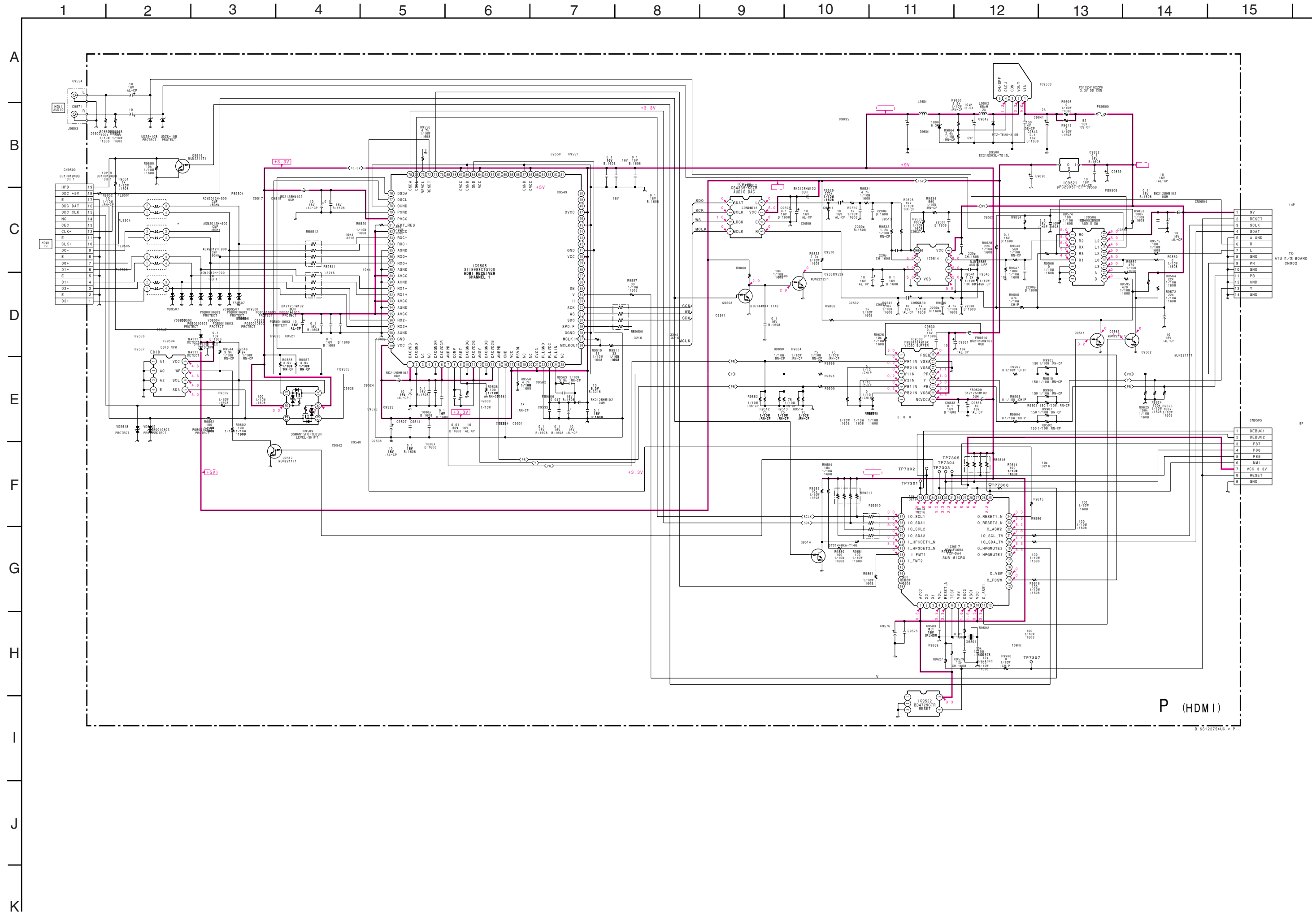
<CONDUCTOR SIDE>

• M1U BOARD SEMICONDUCTOR LOCATION

IC		Q2010	A-2	②	D2008	A-3	③
(Component Side)	(Conductor Side)	Q2011	A-1	②	D2009	A-2	③
IC2001	A-2	Q2012	B-4	②	D2010	B-2	③
IC2002	A-3	Q2013	B-4	②	D2011	A-3	③
IC2003	B-2	Q2014	A-3	-	D2012	A-2	③
IC2004	B-4	Q2015	A-4	②	D2013	A-3	③
		Q2016	B-3	②	D2014	A-2	③
		Q2017	A-2	②	D2015	A-3	③
		Q2018	A-2	②	D2016	B-2	③
					D2017	A-3	③
					D2018	B-4	③
					D2019	B-4	③
					D2020	A-1	③
					D2021	A-1	③
					D2022	A-4	③
					D2023	B-2	③
					D2024	A-3	③
					D2025	A-2	③
					D2026	B-4	③
					D2027	A-4	③
TRANSISTOR		DIODE					
(Component Side)	(Conductor Side)	* (Component Side) (Conductor Side) *					
Q2001	A-2	D2001	A-2	③			
Q2002	A-2	D2002	B-3	③			
Q2003	A-1	D2003	A-1	③			
Q2004	A-2	D2004	A-2	③			
Q2005	B-3	D2005	A-3	③			
Q2006	B-3	D2006	B-3	③			
Q2007	A-1	D2007	A-4	③			
Q2008	A-4						
Q2009	A-4						

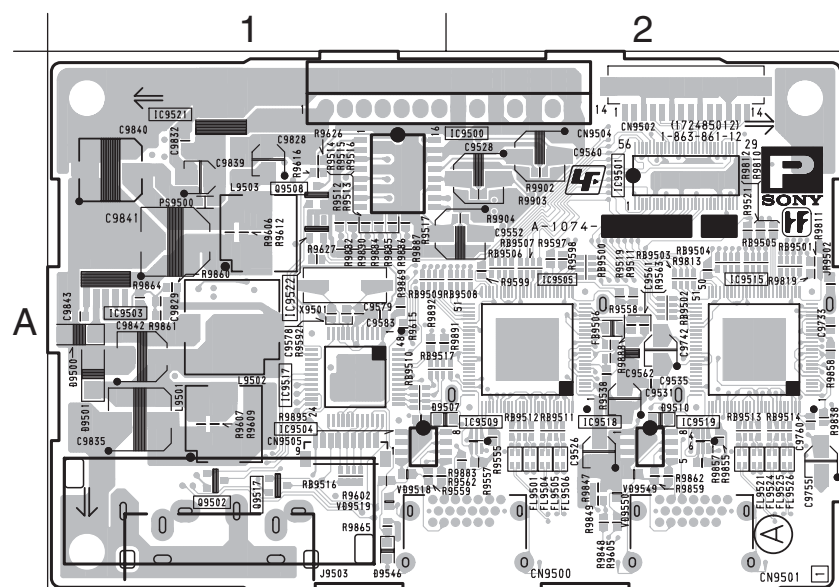
*: Refer to Terminal name of semiconductors in silk screen printed circuit (see page 3-14)

(13) Schematic Diagram of P Board

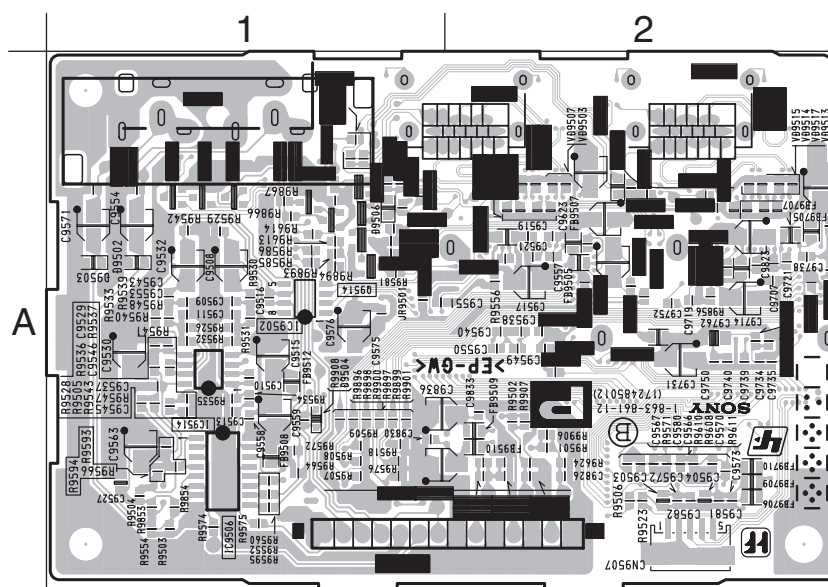


P

— P BOARD —



<COMPONENT SIDE>



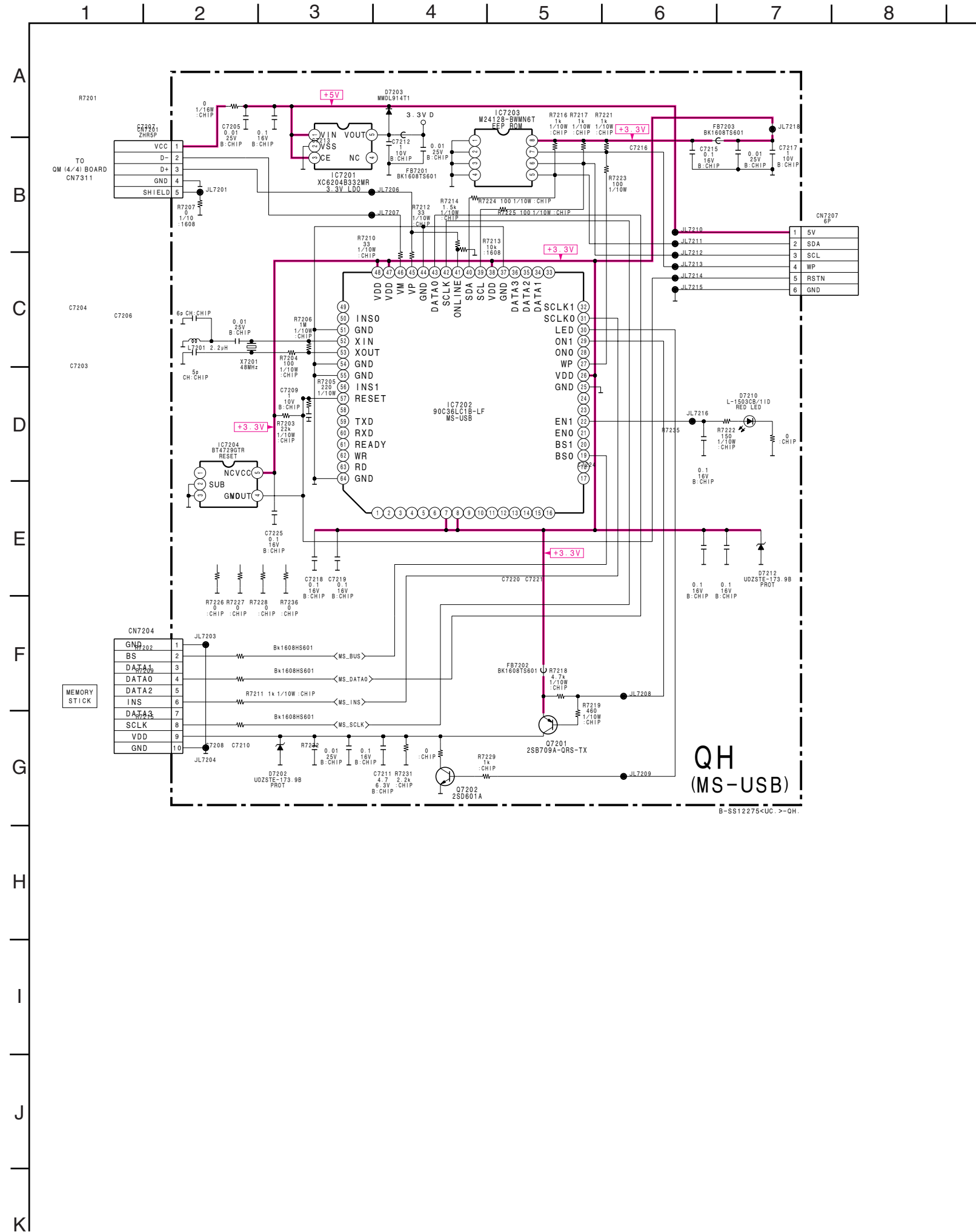
<CONDUCTOR SIDE>

• P BOARD SEMICONDUCTOR LOCATION

IC	TRANSISTOR		DIODE	
	(Component Side)	(Conductor Side)	(Component Side)	(Conductor Side)
IC9500	A-1		Q9502	A-1
IC9502		A-1	Q9503	A-1
IC9503	A-1		Q9506	A-1
IC9504	A-1		Q9511	A-1
IC9505	A-2		Q9514	A-1
IC9506		A-1	Q9516	A-1
IC9509	A-2		Q9517	A-1
IC9514		A-1		
IC9517	A-1			
IC9521	A-1			
IC9522	A-1			

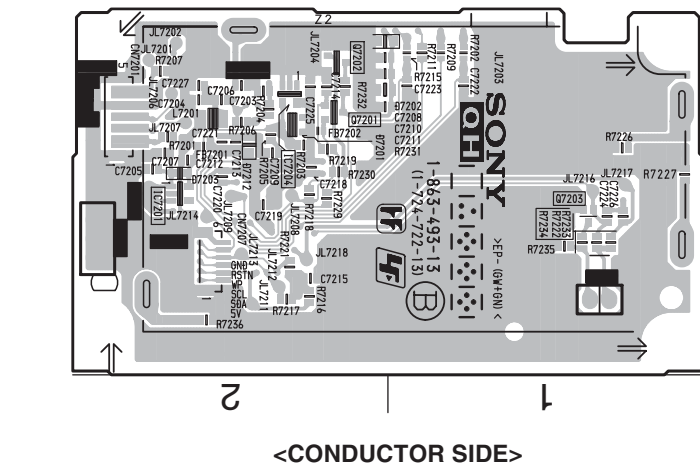
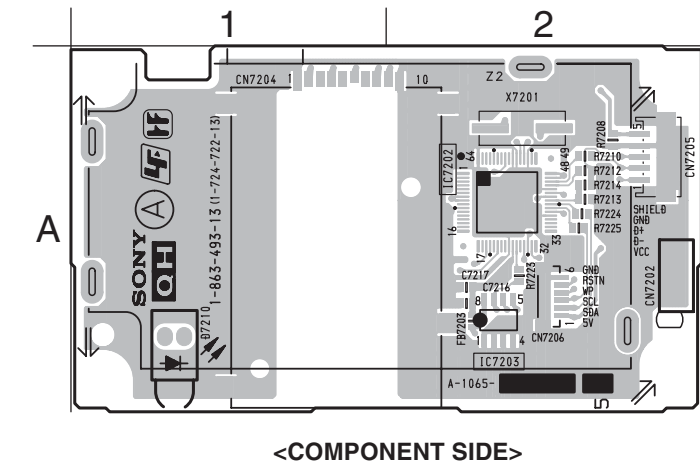
*: Refer to Terminal name of semiconductors in silk screen printed circuit (see page 3-14)

(14) Schematic Diagram of QH Board



QH [MS-USB]

— QH BOARD —

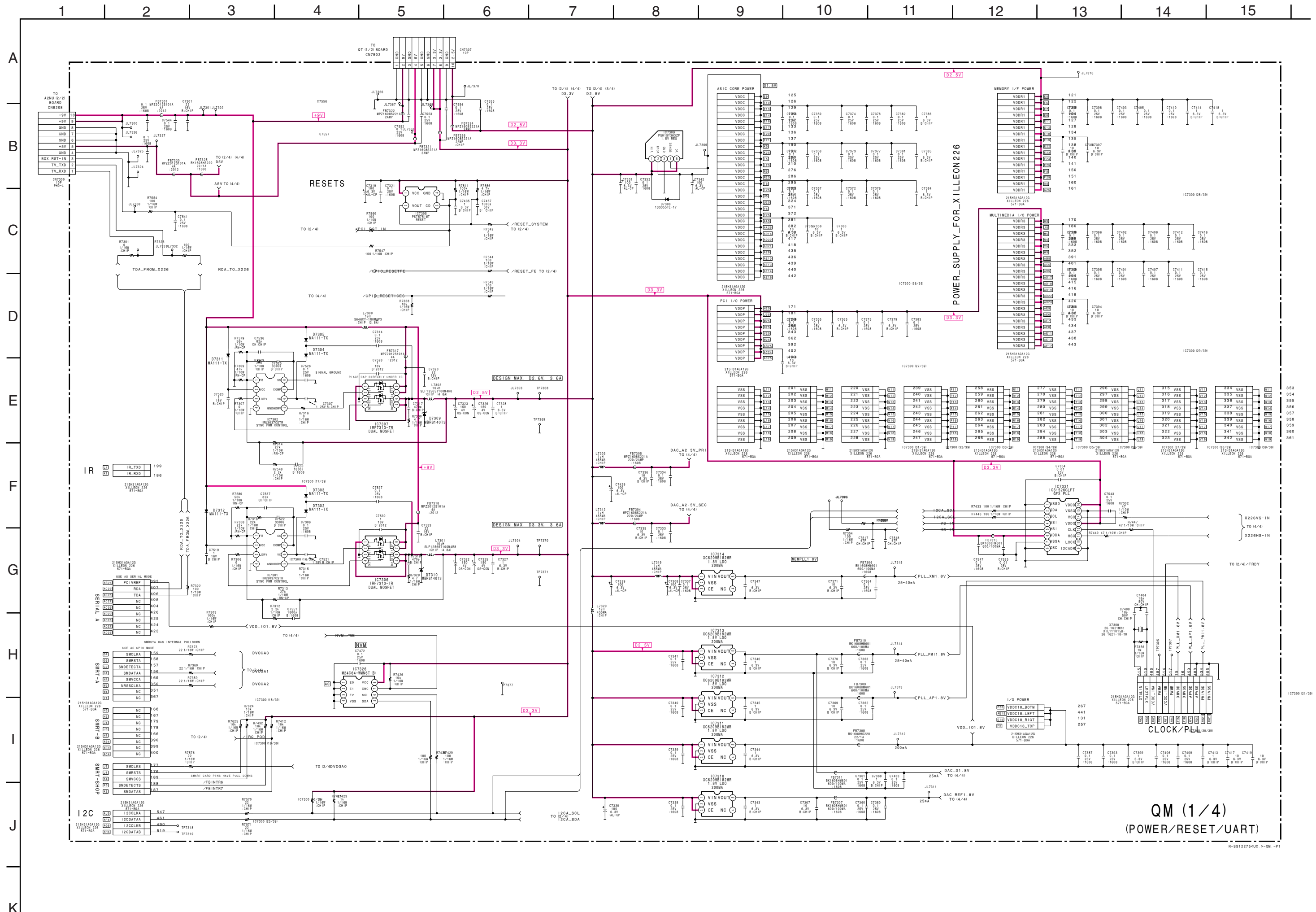


• QH BOARD SEMICONDUCTOR LOCATION

IC	
(Component Side)	(Conductor Side)
IC7201	B-1
IC7202	B-1
IC7203	B-1
IC7204	B-1
TRANSISTOR	
(Component Side)	(Conductor Side) *
Q7201	B-1 2
Q7202	B-1 2
DIODE	
(Component Side)	(Conductor Side) *
D7202	B-1 3
D7203	B-1 3
D7210	A-1 -
D7212	B-1 3

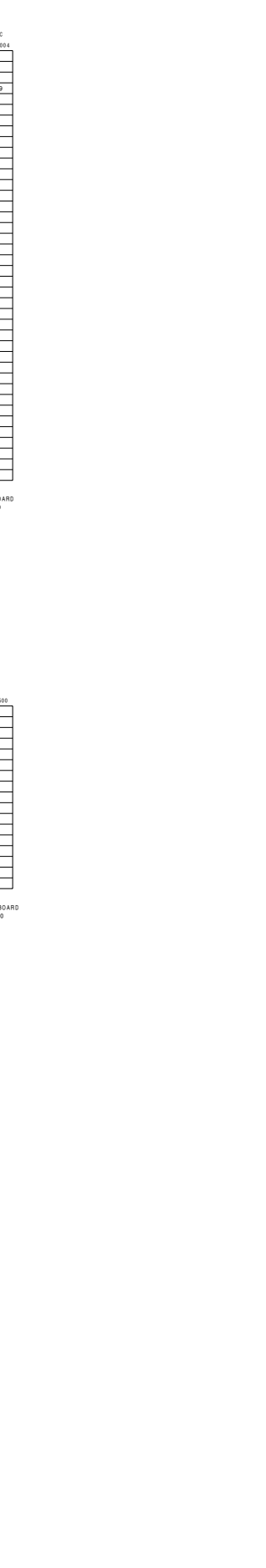
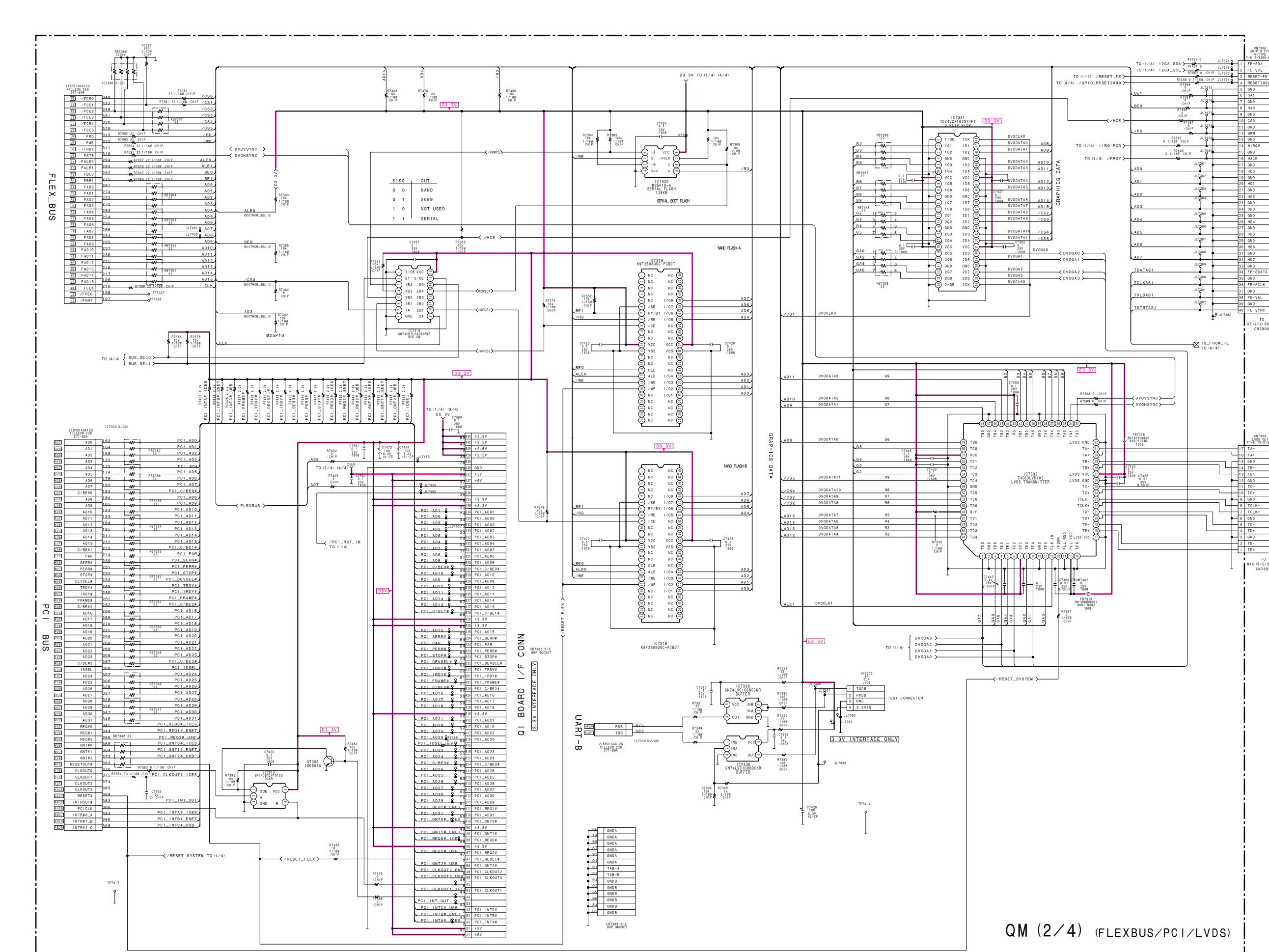
*: Refer to Terminal name of semiconductors in silk screen printed circuit (see page 3-14)

(15) Schematic Diagrams of QM Board

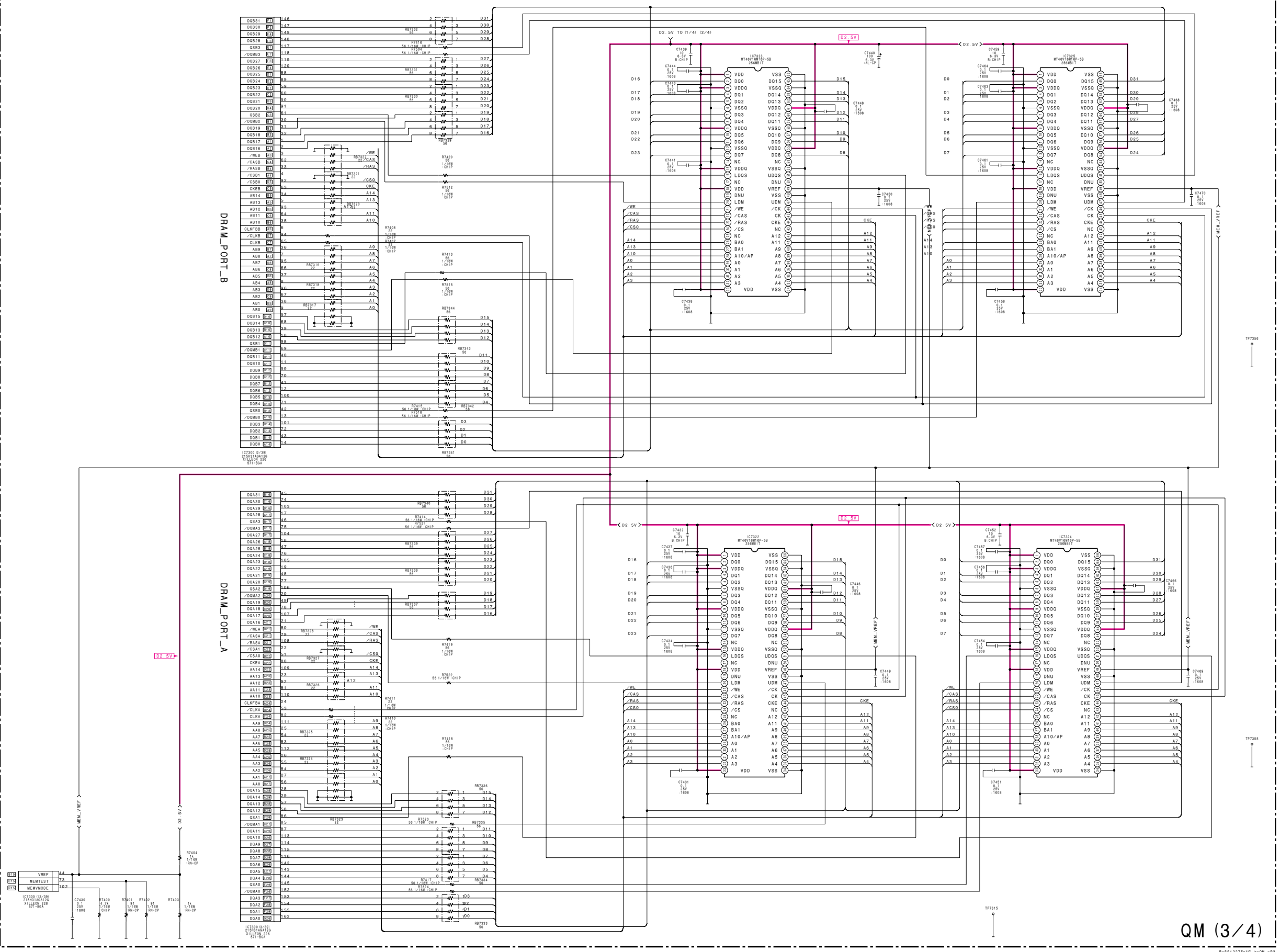


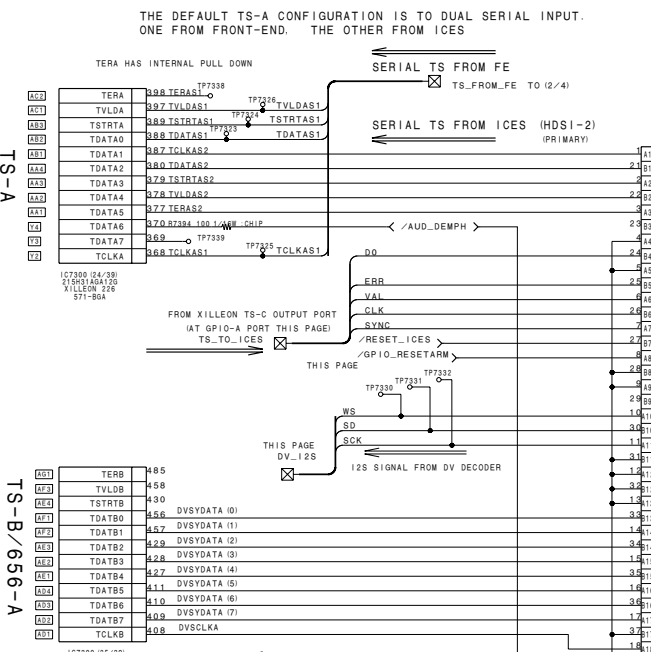
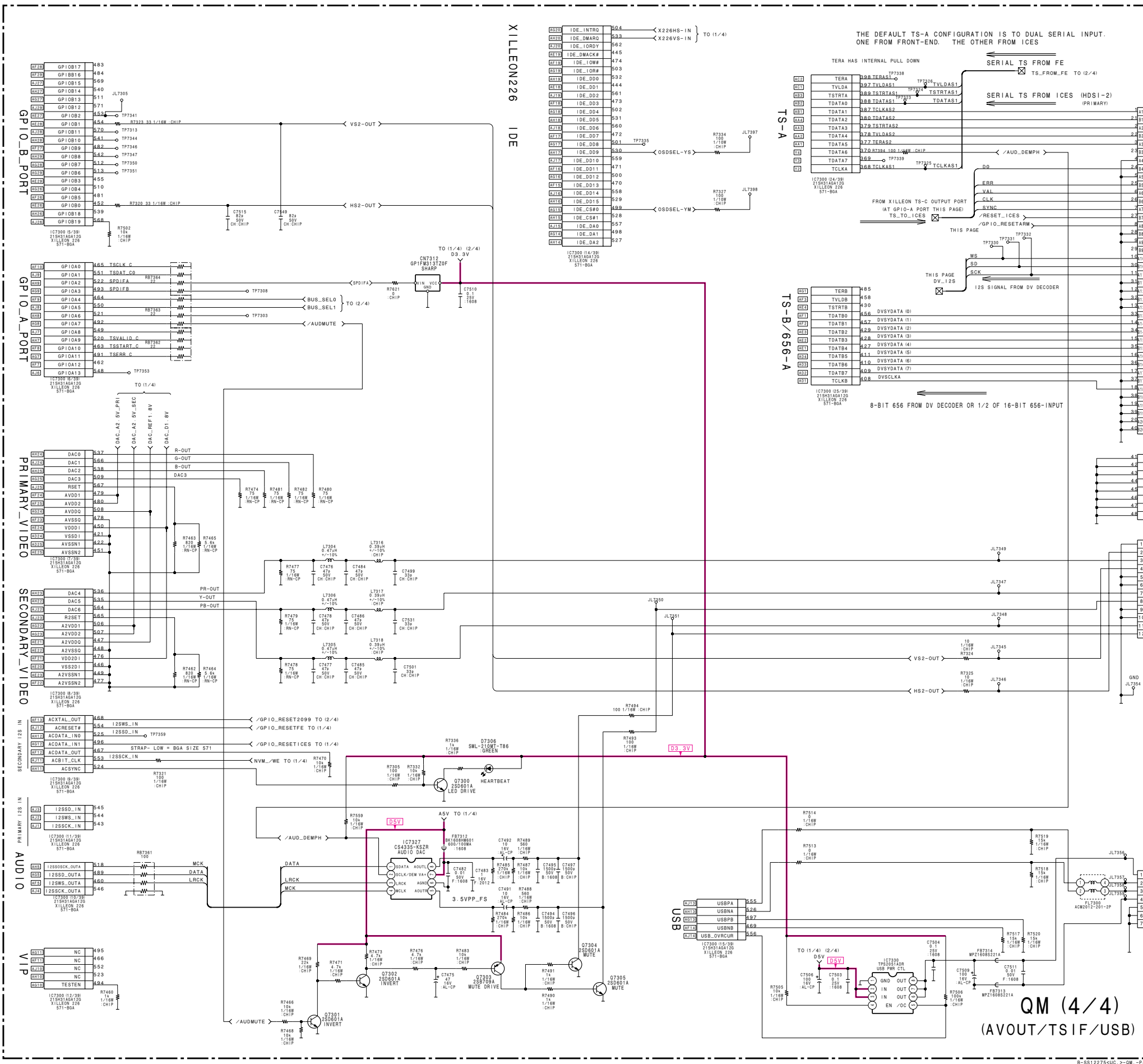
QM (1/4)
(POWER/RESET/UART)

A B C D E F G H I J K



QM (2/4) (FLEXBUS/PCI/LVDS)





41	HSD1_2_CLK
42	HSD1_2_D0
43	HSD1_2_SYNC
44	HSD1_2_VAL
45	HSD1_2_ERR
46	AUD_DEMPH
47	SPARE
48	HSD1_1_D0
49	SPARE
50	HSD1_1_ERR
51	HSD1_1_VAL
52	HSD1_1_SYNC
53	RESET_ICES
54	RESET_ARM
55	SPARE
56	SPARE
57	SPARE
58	SPARE
59	SPARE
60	I2S_WS_IN
61	I2S_SD_IN
62	I2S_SCK_IN
63	SPARE
64	SPARE
65	SPARE
66	SPARE
67	SPARE
68	SPARE
69	SPARE
70	SPARE
71	SPARE
72	SPARE
73	SPARE
74	SPARE
75	SPARE
76	SPARE
77	SPARE
78	SPARE
79	SPARE
80	SPARE

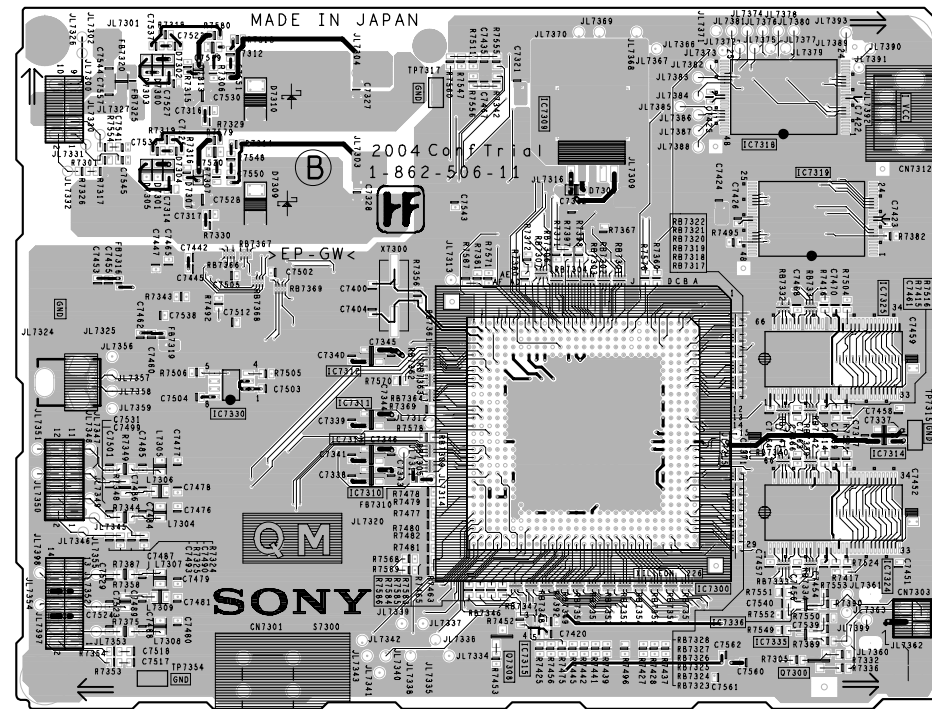
41	TAB A N.C.1
42	TAB B N.C.1
43	GND
44	GND
45	GND
46	GND
47	GND
48	GND
49	GND
50	GND
51	GND
52	GND
53	GND
54	GND
55	GND
56	GND
57	GND
58	GND
59	GND
60	GND
61	GND
62	GND
63	GND
64	GND
65	GND
66	GND
67	GND
68	GND
69	GND
70	GND
71	GND
72	GND
73	GND
74	GND
75	GND
76	GND
77	GND
78	GND
79	GND
80	GND

1	GND-PR
2	HS-OUT
3	PR-OUT
4	VS-OUT
5	GND-PB
6	GND-R
7	PB-OUT
8	AUDIO_ROUT
9	GND-L
10	GND-L
11	Y-OUT
12	AUDIO_L-OUT

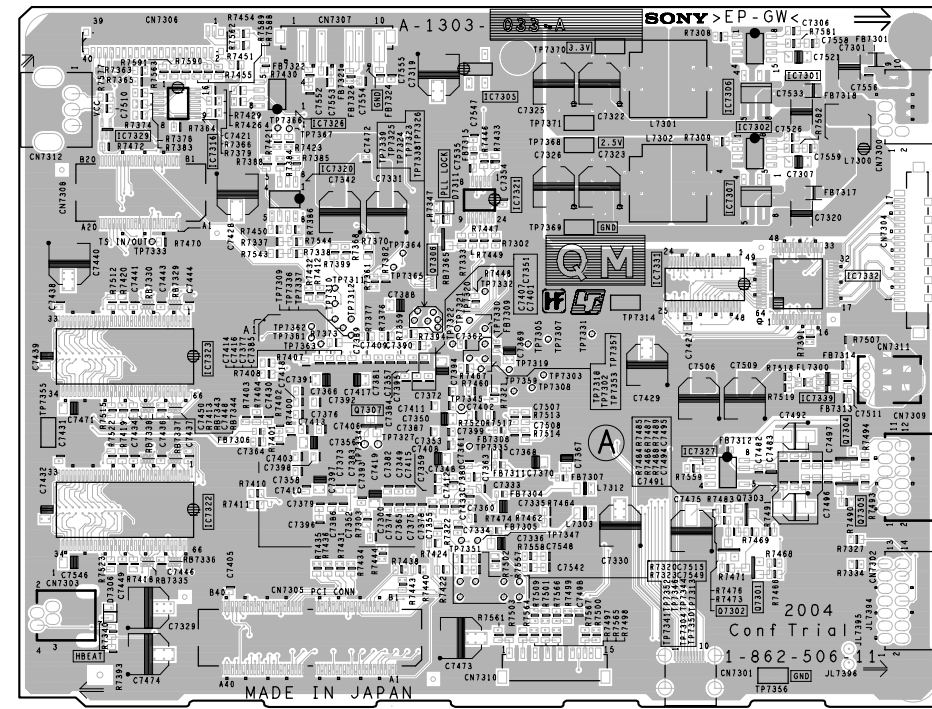
1	VBUS
2	D-
3	D+
4	GND
5	SHIELD
6	SHIELD
7	SHIELD

QM (4/4)
(AVOUT/TSIF/USB)

— QM BOARD —



<COMPONENT SIDE>



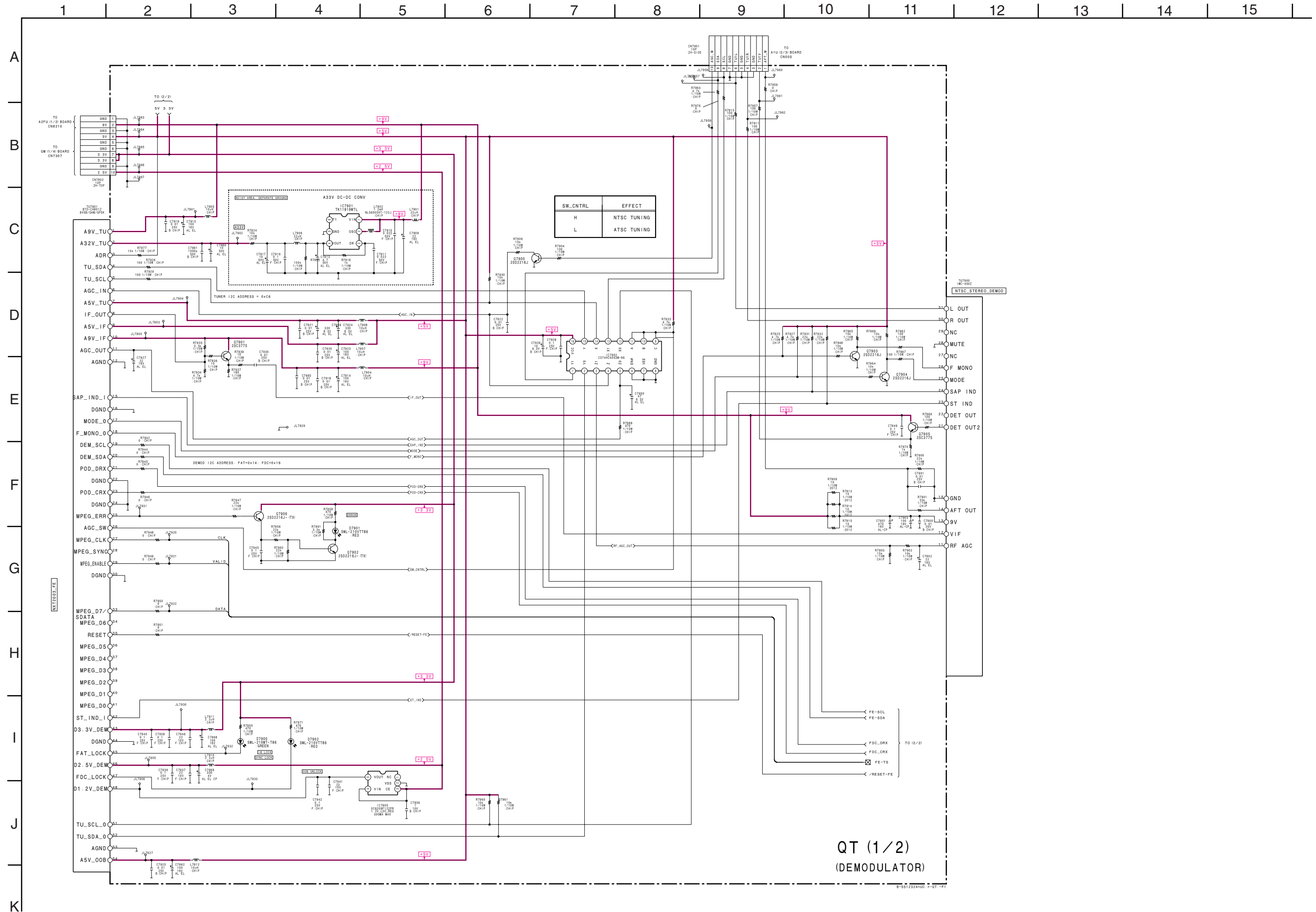
<CONDUCTOR SIDE>

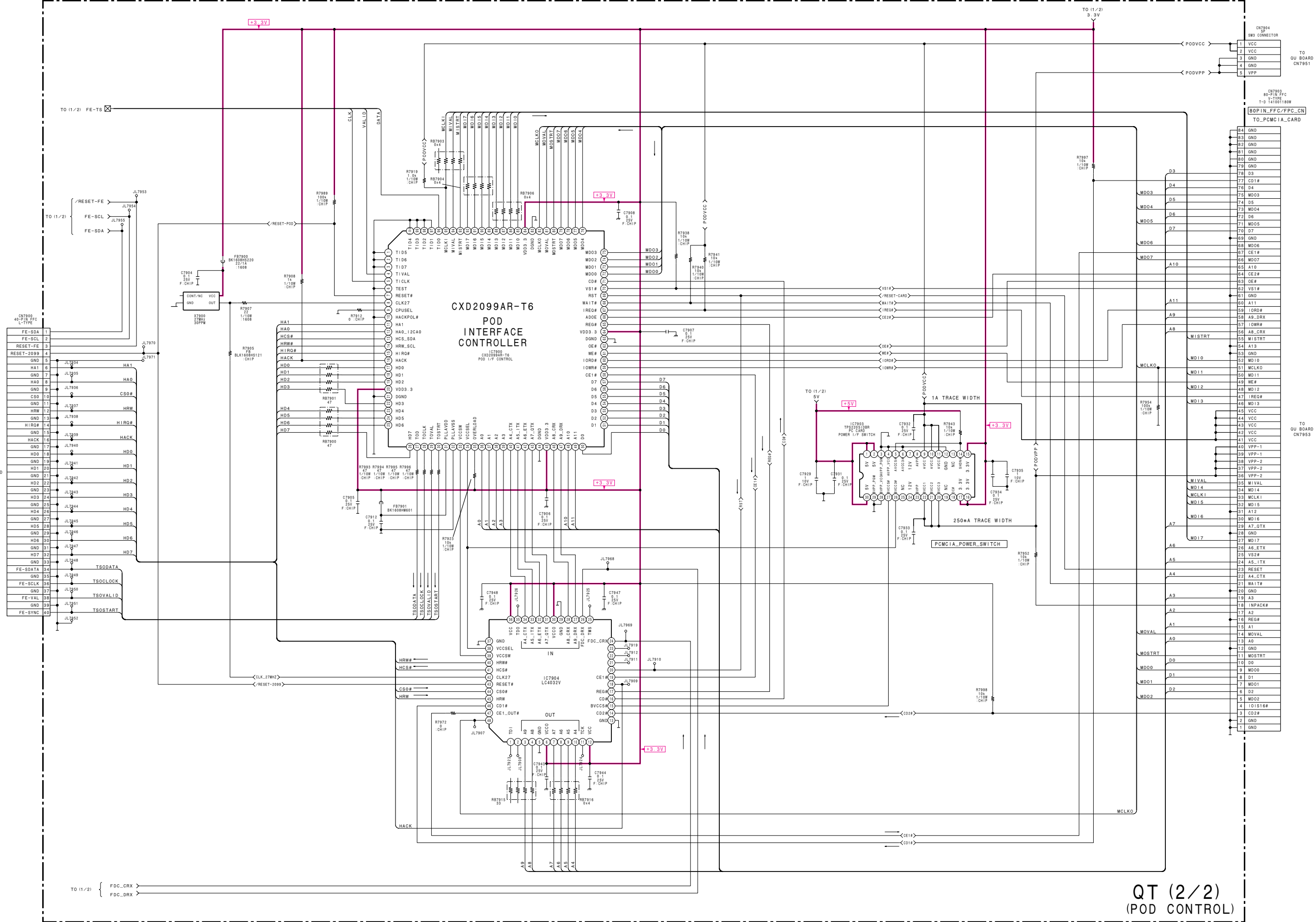
• QM BOARD SEMICONDUCTOR LOCATION

IC		Q6212		B-1		①		D6204		B-1		③	
(Component Side)	(Conductor Side)	Q6213		B-1		①		D6205		B-4		-	
		Q6214		C-4		①		D6206		B-1		③	
IC6101	B-5	Q6215	A-4	②	D6207	B-1	-	D6208	C-4	-	-	-	-
IC6102	A-5	Q6216	C-4	①	D6209	C-1	③	D6210	C-1	③	-	-	-
IC6201	A-4	Q6217	A-4	②	D6211	C-1	③	D6212	C-2	③	-	-	-
IC6202	A-1	Q6218	C-4	②	D6213	B-2	③	D6214	B-2	③	-	-	-
IC6203	B-1	Q6219	B-2	-	D6215	A-2	③	D6216	B-2	-	-	-	-
IC6204	B-1	Q6903	C-5	②	D6217	B-2	③	D6218	B-2	-	-	-	-
IC6205	B-1	Q6915	A-5	①	D6218	B-1	③	D6219	A-4	③	-	-	-
						D6220	B-2	③	D6221	A-2	③	-	-
						D6222	B-2	③	D6223	B-2	③	-	-
						D6224	B-2	③	D6225	B-4	-	-	-
						D6226	B-4	-	D6900	A-5	③	-	-
						D6201	A-5	③					
						D6100	C-4	-					
						D6101	B-5	③					
						D6102	B-5	-					
						D6103	A-5	-					
						D6104	A-5	-					
						D6105	A-5	-					
						D6106	B-5	③					
						D6201	B-4	③					
						D6202	C-1	③					
						D6203	B-1	③					

*: Refer to Terminal name of semiconductors in silk screen printed circuit (see page 3-14)

(16) Schematic Diagrams of QT Board

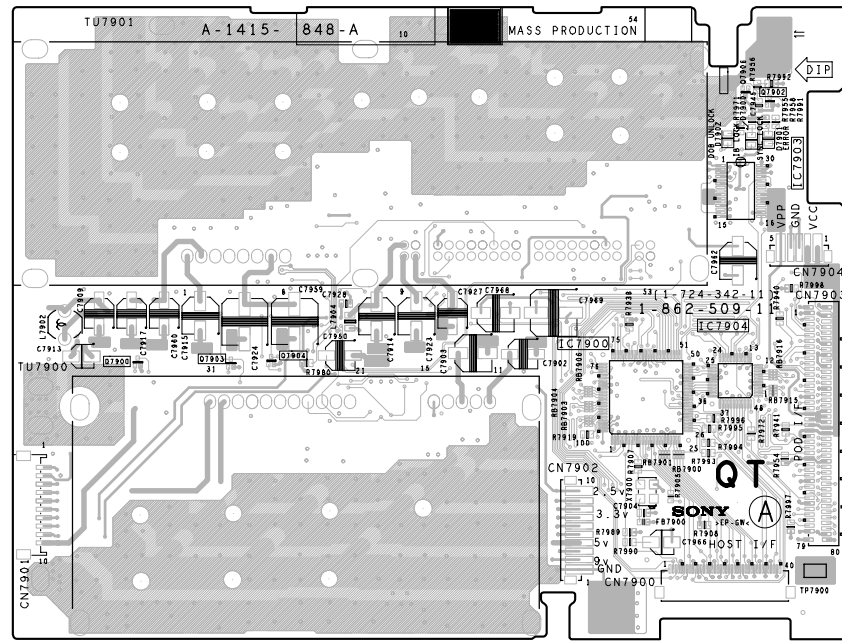




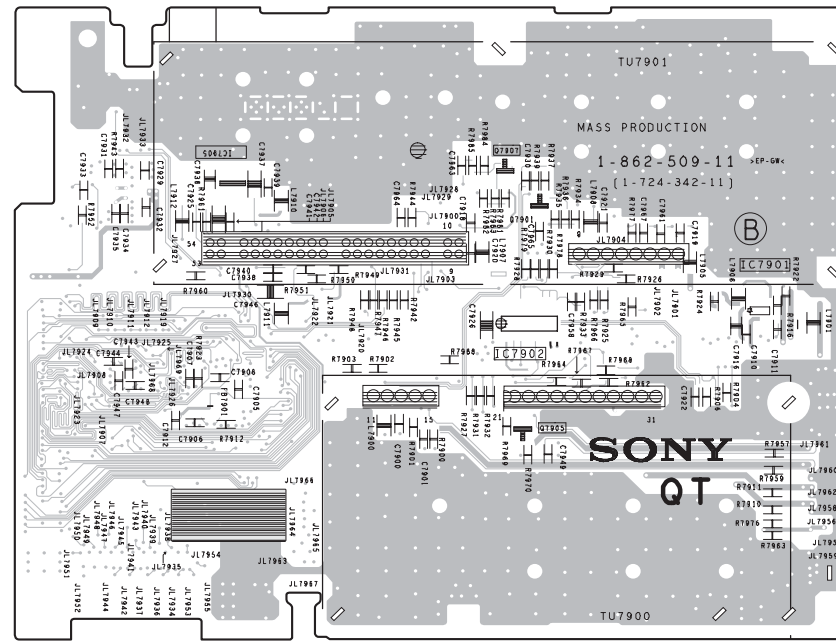
QT (2/2)
(POD CONTROL)

QT [DEMODULATOR, POD CONTROL]

— QT BOARD —

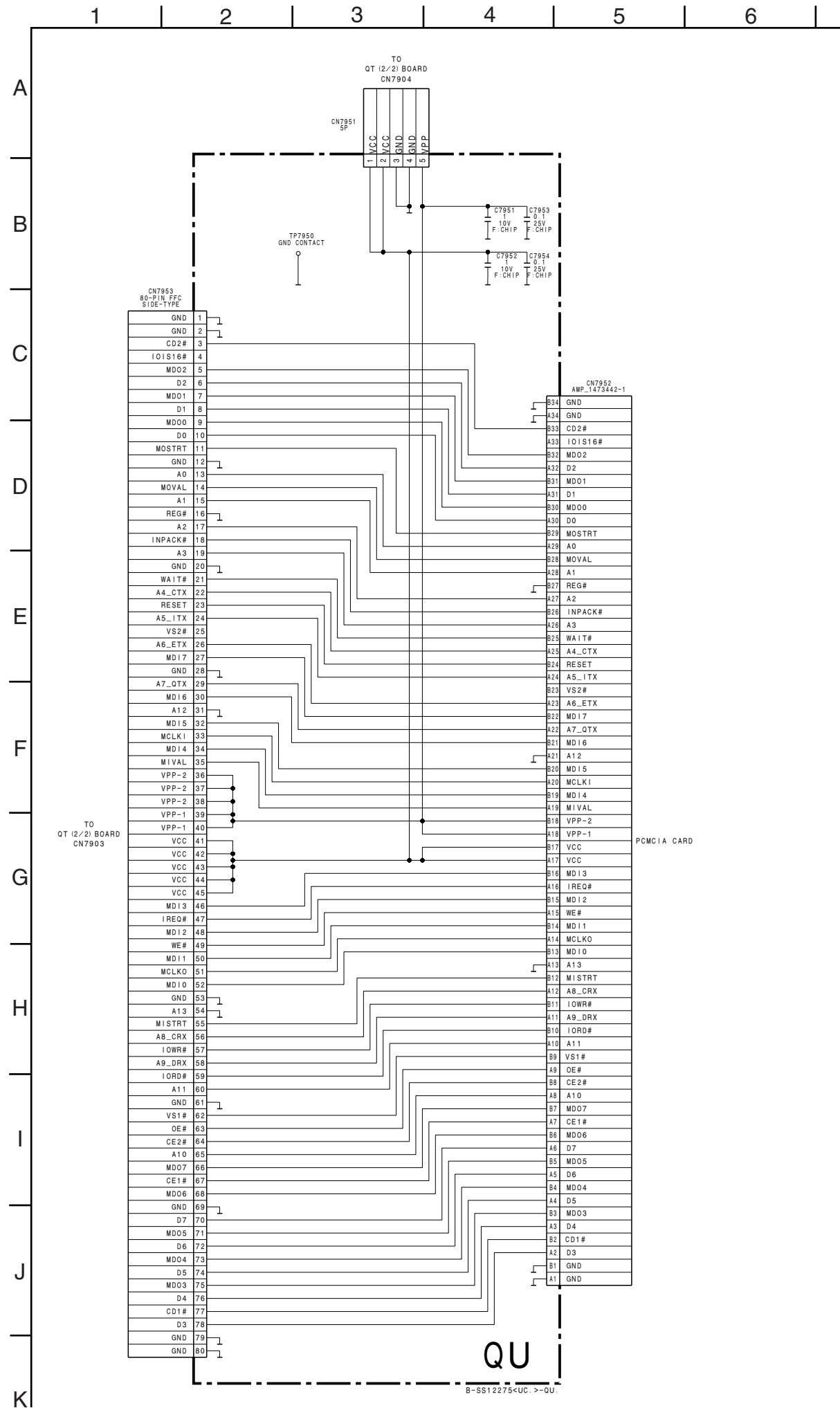


<COMPONENT SIDE>



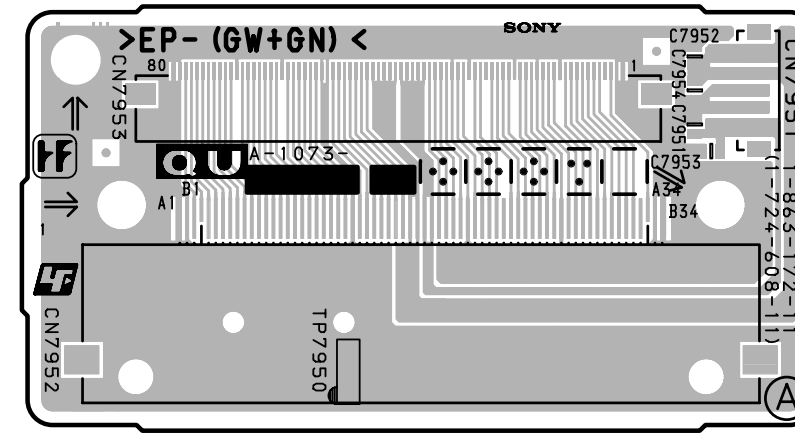
<CONDUCTOR SIDE>

(17) Schematic Diagram of QU Board



QU

— QU BOARD —

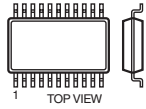


<COMPONENT SIDE>

3-5. SEMICONDUCTORS

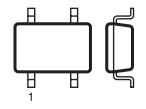
IC

AK5357VT-E2
CD4052BNSR
CY22392ZXC-363
CY22392ZXC-364
FMS6418AM16X
M52055FP
MAX1809EEE+TG068
MAX4018EEE-TG068
NJM2123V(Te2)
SN74CBTLV3253PWR
TPS54350PWR
UC3854BN



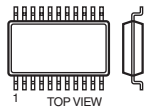
16Pin SOP

BA033FP-E2
BD4729GTR
NJM2125F(Te2)
NJM2870F18(Te2)
PST3629NR
R3112N421A-TR-FA
RN5VD21AA-TL-FA
RN5VD42AA-TL-FA
RN5VD53AA-TL
SN74CBTLV1G125DCKR
SN74LVC1G08DCKR
SN74LVC1G125DCKR
SN74LVC1G32DCKR
TAR5S33(Te85R)
TC7SA08FU(Te85R)
TC7SZ08FU(Te85R)
TC7SZU04FU(Te85R)
XC6204B332MR
XC6209B182MR



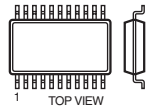
5Pin CHIP

BA10324AF-E2
CD74HC4053M-96
K4H561638F-UCCCT00
SN74LV08APWR
SN74LV4066APWR
TPS2051ADR
XRA10324AF



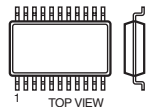
14Pin SOP

BA10339F-E2
BR24C02F-WE2
BR24L02F-WE2
BR24L32F-WE2
CS4335-KSZR
CY25104ZXC-1
CY25104ZXC-2
DS90LV018ATMX
IRU3037CS
M24128-BWMN6T(A)
M24C32-WMN6T(B)
M24C64-WMN6T(B)
M25P10-AVMN6T
MM1096AFF
NJM4558E(Te2)
NJM4558V-Te2
SN74AHC2G14HDCU3
SN74AHC2G66HDCU3
SN74LVC2G66DCUR
TC4W53FU
TC4W53FU(Te12R)



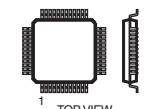
8Pin SOP

BD9851EFV-E2



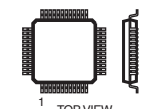
20Pin SOP

CXA2188Q-T4



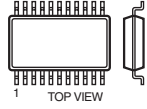
40Pin QFP

CXA2209Q-T6



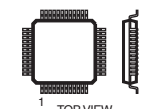
80Pin QFP

CXD9774M



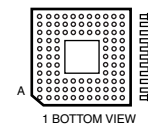
36Pin SOP

CXD9788AR
HD64F3694FXV-DA4
LC89056W-E



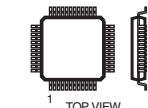
48Pin QFP

CXD9816GG



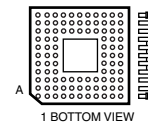
388Pin PGA

CXD9826R
THC63LVD103
THC63LVD104A
90C36LC1B-LF



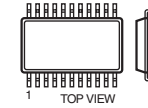
64Pin QFP

CXD9827GP



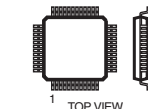
256Pin PGA

CXD9835TNDBTR



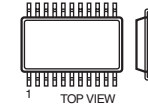
38Pin SOP

DS90C387VJDX
SII9993CTG100



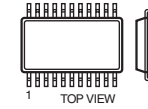
100Pin QFP

HYB25D256160CE-5
MT46V16M16P-5BTR



66Pin SOP

IC62C1024AL-70QG
IS62C1024L-70QLT
K6X1008C2D-BF70T



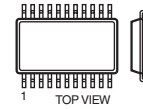
32Pin SOP

IC62C1024AL-70QG
IS62C1024L-70QLT
K6X1008C2D-BF70T



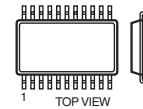
48Pin QFP

IS42S32200B-6TL
IS42S32200B-6TL-TR
MT48LC2M32B2P-6-Y14W



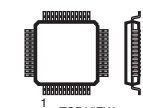
86Pin SOP

K9F2808U0C-PCB0T
K9F2808U0C-PIB0T
MBM29DL32TF70TN-KE1-WE1
TC58DVM72A1TG00
TC74VCX162374(EL,F



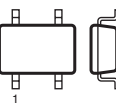
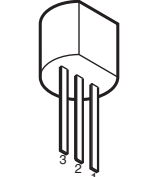
48Pin SOP

MB90F334APMC-GE1



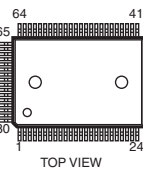
120Pin QFP

MM1431ATT



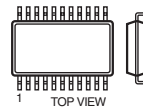
4Pin CHIP

MSP4440K-QA-B2



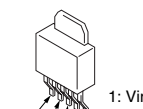
64Pin SOP

MT48LC4M16A2P-75-Y14W-G



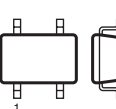
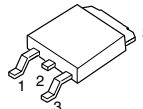
54Pin SOP

NJM2387DL2-TE1
PQ070XZ01ZPH



30Pin SOP

NJU7223DL1-25
UPC2905T-E1

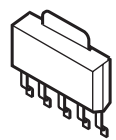


6Pin CHIP

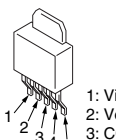
PQ05RD11
PQ09DZ1U
PQ09RD21



PQ12DZ5UJ00H



PQ1CZ41H2ZPH

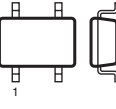


1: Vin
2: Vout
3: COM
4: Oadj
5: ON/OFF

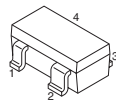
PQ20RX11J00H



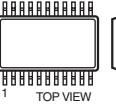
PST3627UL
PST575IMT-T1



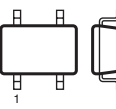
S-80828CNNB-B8NT2G



SN105233DBTR
TPS2205IDBR

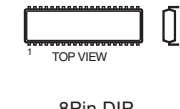


SN74LVC2GU04DCKR
TK11819MTL
SN74LVC2G34DCKR



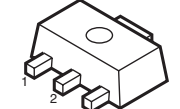
6Pin CHIP

STR-A6169

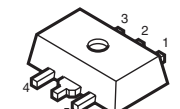


8Pin DIP

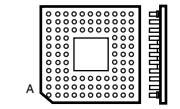
TL431CPK-E2



XC6209F122PR



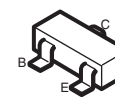
215H31AGA12G



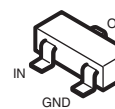
571Pin PGA

TRANSISTOR

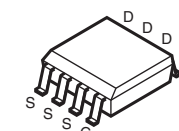
DTA113ZUA-T106
DTA114EUAFT106
DTA114EUA-T106
DTA114TUA-T106
DTA143EK
DTA143EKA-T146
DTA144EUA-T106
DTC114EUA-T106
DTC143EUA-T106
DTC143TUA-T106
DTC144EKA
DTC144EKA-T146
DTC144EUA-T106
DTC144WKA-T146
MSB1218A-RT1
MSB709-RT1
MSD1819A-RT1
MSD601-RT1
MUN2211T1
MUN2212T1
MUN2213T1
UN2211
UN2213
UN2213-TX
2PA1576R-115
2PC4081R-115
2SA1037AK-T146-QR
2SA1037AK-T146-R
2SA1162-G
2SA1226-E4
2SA1226-T1E3E4
2SA1576A-T106-QR
2SB1690KT146
2SB624-BV5
2SB624-T1BV5
2SB709A-QRS-TX
2SB709A-R-TX
2SC1623-L5L6
2SC2412K-T-146-QR
2SC2712-YG
2SC2712-YG-TE85L
2SC3624A-T1L15L16
2SC3775
2SC4081-R
2SC4081T106R
2SC4178-F13F14-T1
2SC4178-F14
2SD2114K
2SD2114KT146
2SD2216J-QR(TX).SO
2SD596-DV5
2SD596-T1DV5
2SD601A-Q
2SD601A-QRS-TX
2SD601A-R-TX
2SD601A-S



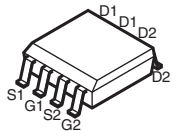
DTC114EKA-T146
DTC114EU
DTC114EUAFT106
DTC114TUA-T106



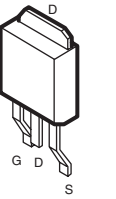
FDS4435A



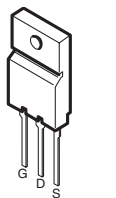
FDS6986S
IRF7313-TR



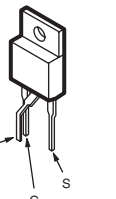
IRFR5305TR



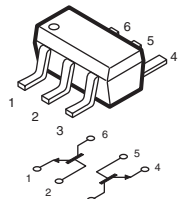
IRFS644BYDTU



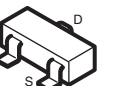
IRLI3215-LF33



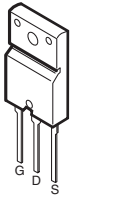
RT1N141C-TP-1



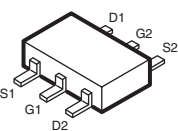
SI2301BDS-T1
SI2301DS-T1
2SK1590-T1B



SPA20N60C3E8152

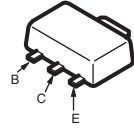


SSM6N15FU(Te85R)



DIODE

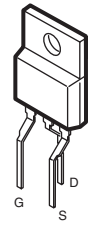
2SB1121-ST
2SB1121-S-TD
2SB1122-S
2SB1122-ST-TD-E
2SD1621-S
2SD1621S-TD-E
2SK2036(TE85L)



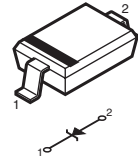
2SD774-34
2SD774-T-34



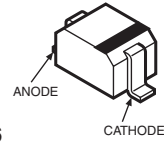
2SK2842(LBS2SONY)



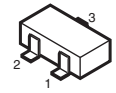
BAS316-115
HZU10BTRF
MM3Z10VT1
MM3Z13VT1
MM3Z15VT1
MM3Z3V9T1
MM3Z4V3ST1
MM3Z6V2ST1
MM3Z7V5T1
MTZJ-T-77-36A
RD2.2SB-T1
02DZ3.9-Z(TPH3)



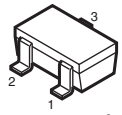
BAT54HT1
DTZ10B
HRU0103ATRF
MA111-TX
MA113-(TX)
MMDL914T1
UDZSTE-1710B
UDZSTE-1711B
UDZSTE-173.9B
UDZSTE-175.1B
UDZSTE-175.6B
UDZSTE-177.5B
UDZSTE-178.2B
UDZ-TE-17-3.9B
UDZ-TE-17-6.2B
UDZ-TE-17-7.5B
UDZ-TE-17-8.2B
1SS355TE-17



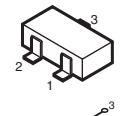
DAN202K
DAN202K-T-146
M1MA152WK-T1



DAN202U
DAN202UT106
1PS184-115



DA221
DA221-TL
1PS181-115



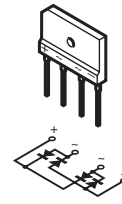
D10SC4M
D8LC40
D8LC40F



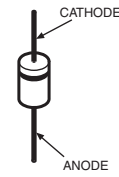
D10SC4MR



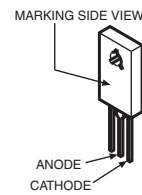
D15XB60
D2SB60A-F04



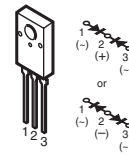
D3S6M-F
RM11A



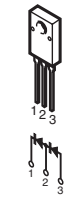
D5LC20U



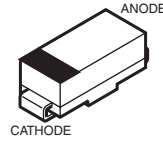
D5LC20U-4012
D8LC20U-4012



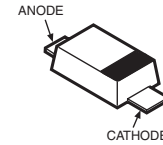
D8LD40-F1



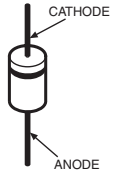
EC21QS03L-TE12L
P6SMBJ30A-5
PTZ-TE25-13A
PTZ-TE25-3.9B
PTZ-TE25-6.2A
RB083L-20TE25



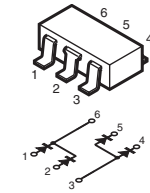
EC31QS03L-TE12L
M1FL20U-4063
RB520S-40TE61
RB521S-30FTE61
RB521S-30-TE61
1SS388(TPL3)



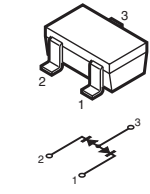
ERA22-08KFLB
UF4005PKG23
10ERB20-TB3



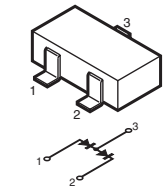
HN1D03FU-TE85L
HN1D03FU-TE85R



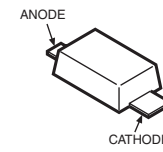
MA3J142D0LSO
MA3J142E0LSO



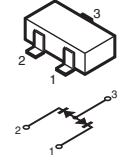
MBRS140T3



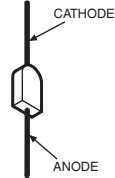
M1FS4-4063
MA8027-H-TX
MA8027-L



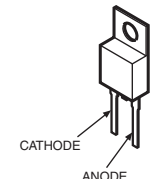
M1MA152WA-T1
UMZ16NT106



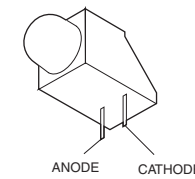
RM11C



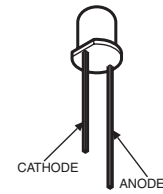
SF20L60U-4015



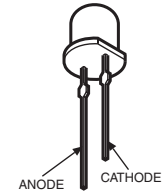
L-1503CB/1ID-F01



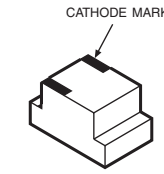
L-53SRD-H-F01



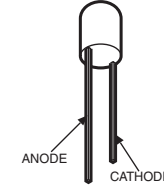
NSPW500BS-A0



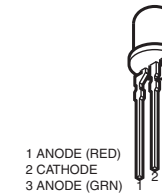
SEC1901C
SML-210MT-T86
SML-210VTT86



SELU1E50CM



SMLU12D16W



SECTION 4 EXPLODED VIEWS

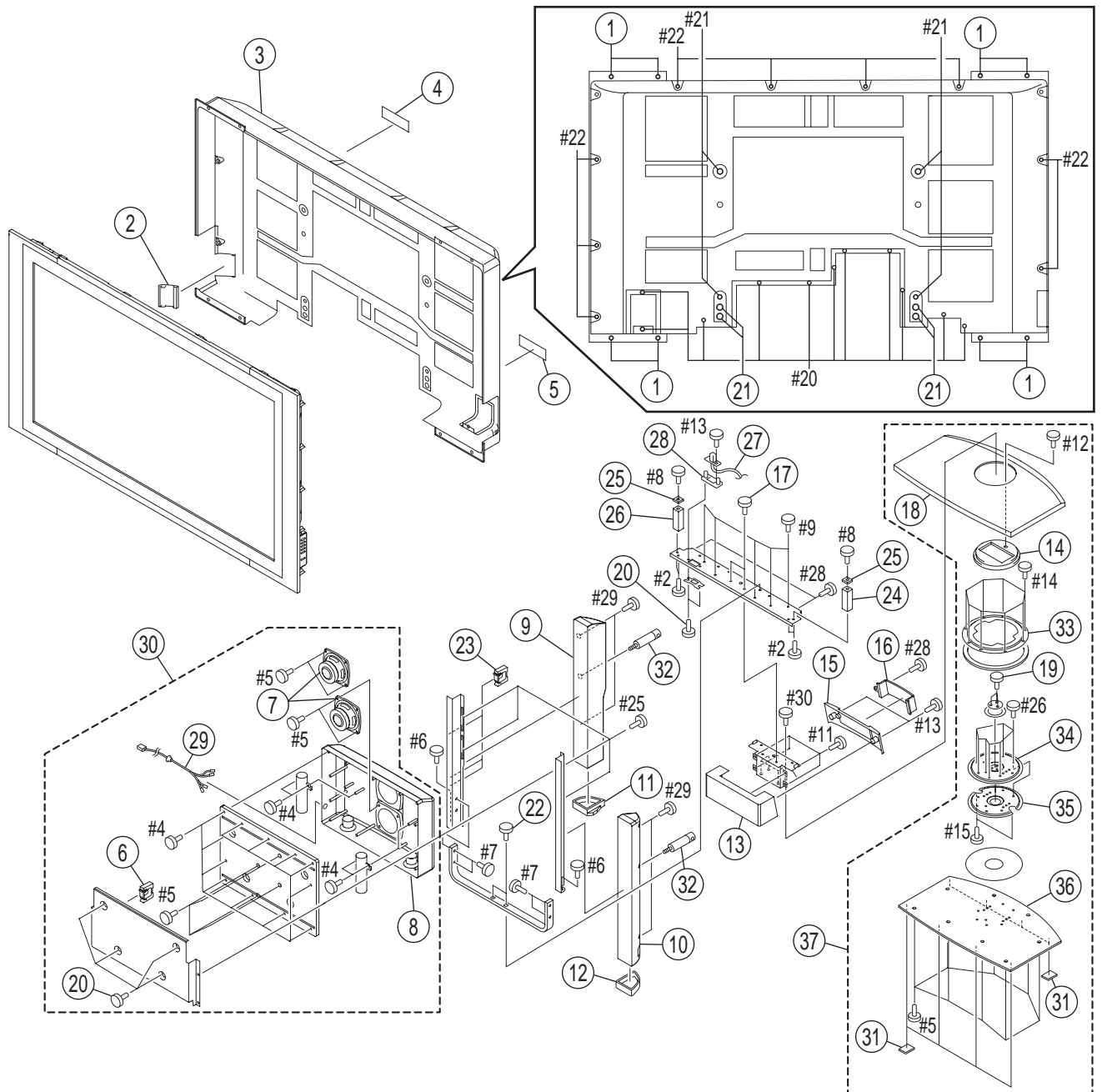
NOTE:

The components identified \triangle marked are critical for safety.
Replace only with the part number specified.

Les composants identifiés par la marque \triangle sont critiques pour la sécurité.
Ne les remplacer que par une pièce portant le numéro spécifié.

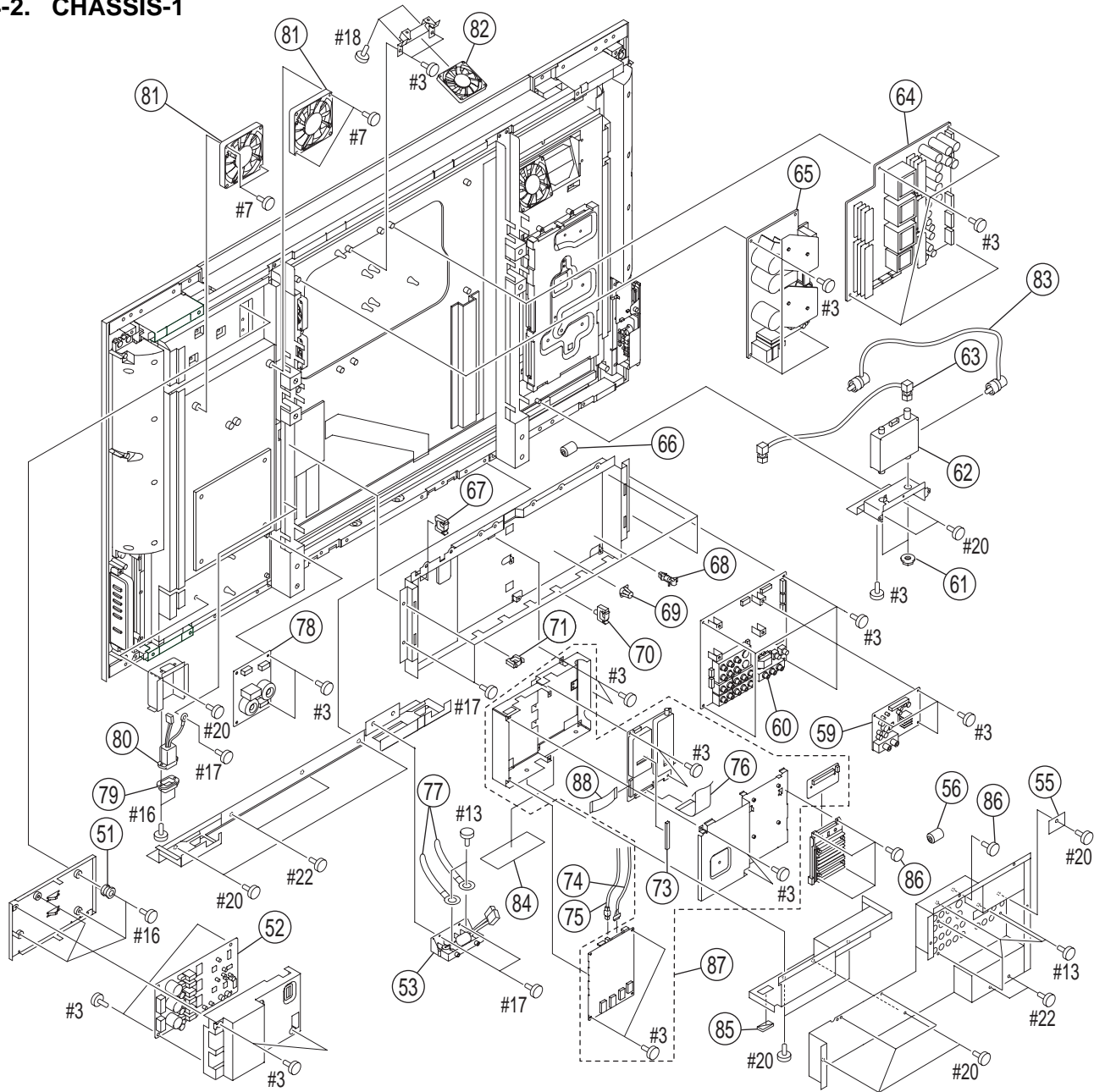
- Items with no part number and no description are not stocked because they are seldom required for routine service.
- The construction parts of an assembled part are indicated with a collation number in the remark column.
- Items marked " * " are not stocked since they are seldom required for routine service. Some delay should be anticipated when ordering these items.

4-1. REAR COVER ASSY AND STAND



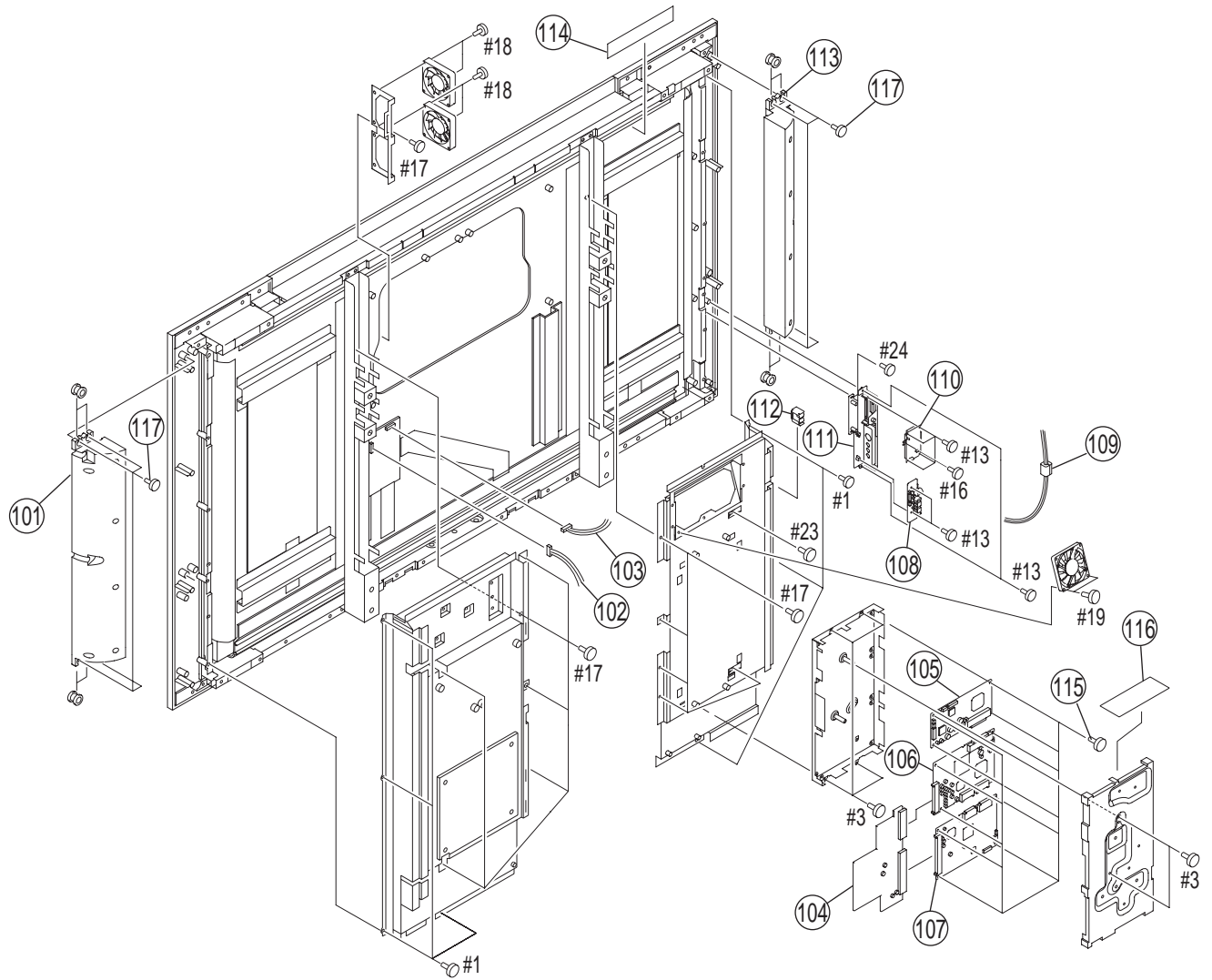
REF. No.	PART No.	DESCRIPTIONRE	MARK	REF. No.	PART No.	DESCRIPTIONRE	MARK
1	2-190-715-01	SCREW +PSW 4X6		26	2-318-332-01	HORN (L)	
2	2-188-937-01	BLIND LID		27	1-910-010-05	CONNECTOR ASSY (51010-4P)	
3	X-2022-771-1	REAR COVER (42) ASSY (KDE-42XS955)		28	2-179-910-01	HOLDER, CONNECTOR	
	X-2022-770-1	REAR COVER (37) ASSY (KDE-37XS955)		29	1-910-004-41	CONNECTOR ASSY (SL4P/LUG)	
4	* 2-189-190-01	LABEL, CAUTION		30	A-1081-710-B	WOOFER ASSY	6-8, 20, 29
5	* 2-177-528-11	LABEL, MODEL NAME(42) (KDE-42XS955)		31	2-342-751-01	CUSHION (FOOT)	
	* 2-177-528-21	LABEL, MODEL NAME(37) (KDE-37XS955)		32	2-318-410-01	HOOK M5, SCREW	
6	* 3-961-199-01	SADDLE, EDGE		33	2-179-936-01	FLANGE	
7	1-825-944-11	LOUDSPEAKER (10CM)		34	2-179-935-01	DISK	
8	2-187-868-01	CABINET,WOOFER-BOX		35	2-179-943-01	DISK, UNDER	
9	2-179-911-01	PANEL(L),ORNAMENT		36	2-179-934-01	PLATE, BASE	
10	2-179-897-01	PANEL(R),ORNAMENT		37	A-1087-030-A	BOTTOM BLOCK	14, 18, 19, 31, 33-36
11	2-179-898-01	CAP(L),BOTTOM		#2	7-682-973-11	SCREW +PSW 5X10	
12	2-179-899-01	CAP(R),BOTTOM		#4	7-685-661-79	SCREW +BVTP 4X12, TYPE2 N-S	
13	2-179-939-01	NECKFRONT		#5	7-685-660-19	SCREW +BVTP 4X10, TYPE2 N-S	
14	2-179-938-01	COVER,DISK		#6	7-682-962-01	SCREW +PSW 4X10	
15	2-179-940-01	NECKREAR		#7	7-682-966-09	SCREW +PSW 4X20	
16	2-179-941-01	COVER,CABLE		#8	7-682-562-09	SCREW +B 4X10	
17	2-318-704-01	SCREW 6X20, HEX		#9	7-682-262-09	SCREW +K 4X10	
18	2-179-937-01	COVER,BOTTOM		#11	7-682-948-01	SCREW +PSW 3X8	
19	2-318-432-01	SCREW +BS 5X8		#12	7-682-964-09	SCREW +PSW 4X14	
20	4-302-404-11	SCREW,WASHER HEAD (+P 4X16)		#13	7-685-648-79	SCREW +BVTP 3X12, TYPE2 IT-3	
21	2-350-305-11	SCREW +PSW (M5)		#14	7-682-973-09	SCREW +PSW 5X8	
22	2-318-702-02	SCREW 6X40, BUTTON HEAD		#15	7-682-575-04	SCREW +B 5X10	
23	2-318-814-01	SUDDLE (H16.5), ROCKING WIRE		#20	7-682-947-09	SCREW +PSW 3X6	
24	2-179-900-01	HORN (R)		#21	7-682-973-19	SCREW +PSW 5X10	
25	2-179-902-01	HORN CAP		#22	7-685-663-79	SCREW +BVTP 4X16, TYPE2 IT-3	
				#25	7-682-961-09	SCREW +PSW 4X8	
				#26	7-682-173-01	SCREW +P 5X6	
				#28	7-685-660-79	SCREW +BVTP 4X10, TYPE2 IT-3	
				#29	7-685-880-09	SCREW +BVTT 4X6 (S)	
				#30	7-682-973-31	SCREW +PSW 5X14	

4-2. CHASSIS-1



REF. No.	PART No.	DESCRIPTIONRE	MARK	REF. No.	PART No.	DESCRIPTIONRE	MARK
51	* 4-888-798-00	BUSHING, RUBBER		76	1-910-006-50	CONNECTOR ASSY (FFC80P)	
52	* A-1088-593-A	K COMPL (KDE-37XS955)		77	* 4-662-796-01	CLIP, COACHING	
	* A-1088-594-A	K COMPL (KDE-42XS955)		78	* A-1054-893-A	F MOUNT	
53	2-149-641-01	SP CONNECTOR HOLDER		79	2-990-241-02	HOLDER (A), PLUG	
55	4-087-363-01	COVER, CONNECTOR		80	1-818-700-11	INLET, AC (WITH NOISE FILTER)	
56	1-469-969-11	CLAMP, FERRITE		81	1-763-963-21	FAN, DC	
59	* A-1074-834-A	P COMPL		82	1-763-659-11	FAN, DC	
60	* A-1061-614-A	A1U COMPL		83	* 1-827-699-61	RF CABLE	
61	3-682-691-00	NUT, WASHER HEXAGON		84	4-087-332-21	TAPE, SHIELD	
62	8-597-906-00	ANTENNA SWITCHE RFD-SA801		85	2-176-107-01	CN COVER	
63	1-829-928-11	COAXIAL CABLE WITH F-PLUG		86	4-382-854-41	SCREW (M3X8), P, SW (+)	
64	* A-1061-619-A	G2F COMPL		87	A-1062-895-A	ATSC BLOCK ASSY	73, 76, 88
65	* A-1061-626-A	G1 COMPL		88	1-910-008-61	CONNECTOR ASSY (FFC40P)	
66	1-400-061-11	CORE, FERRITE (CLAMP FILTER)		#3	7-682-947-01	SCREW +PSW 3X6	
67	2-187-364-01	EDGE HOLDER		#7	7-682-966-09	SCREW +PSW 4X20	
68	* 3-952-863-11	SPACER, CIRCUIT BOARD		#13	7-685-648-79	SCREW +BVTP 3X12, TYPE2 IT-3	
69	* 4-069-570-31	SPACER, PWB		#16	7-682-949-09	SCREW +PSW 3X10	
70	* 4-098-165-01	CLAMPER		#17	7-682-961-01	SCREW +PSW 4X8	
71	2-433-598-01	HOLDER (LT-11U), WIRE		#18	7-682-952-09	SCREW +PSW 3X16	
73	* 4-091-096-02	GASKET (D)		#20	7-682-947-09	SCREW +PSW 3X6	
74	1-829-362-11	LEAD WIRE WITH CONNECTOR(LVDS)		#22	7-685-663-79	SCREW +BVTP 4X16, TYPE2 IT-3	
75	1-829-590-21	CABLE, USB					

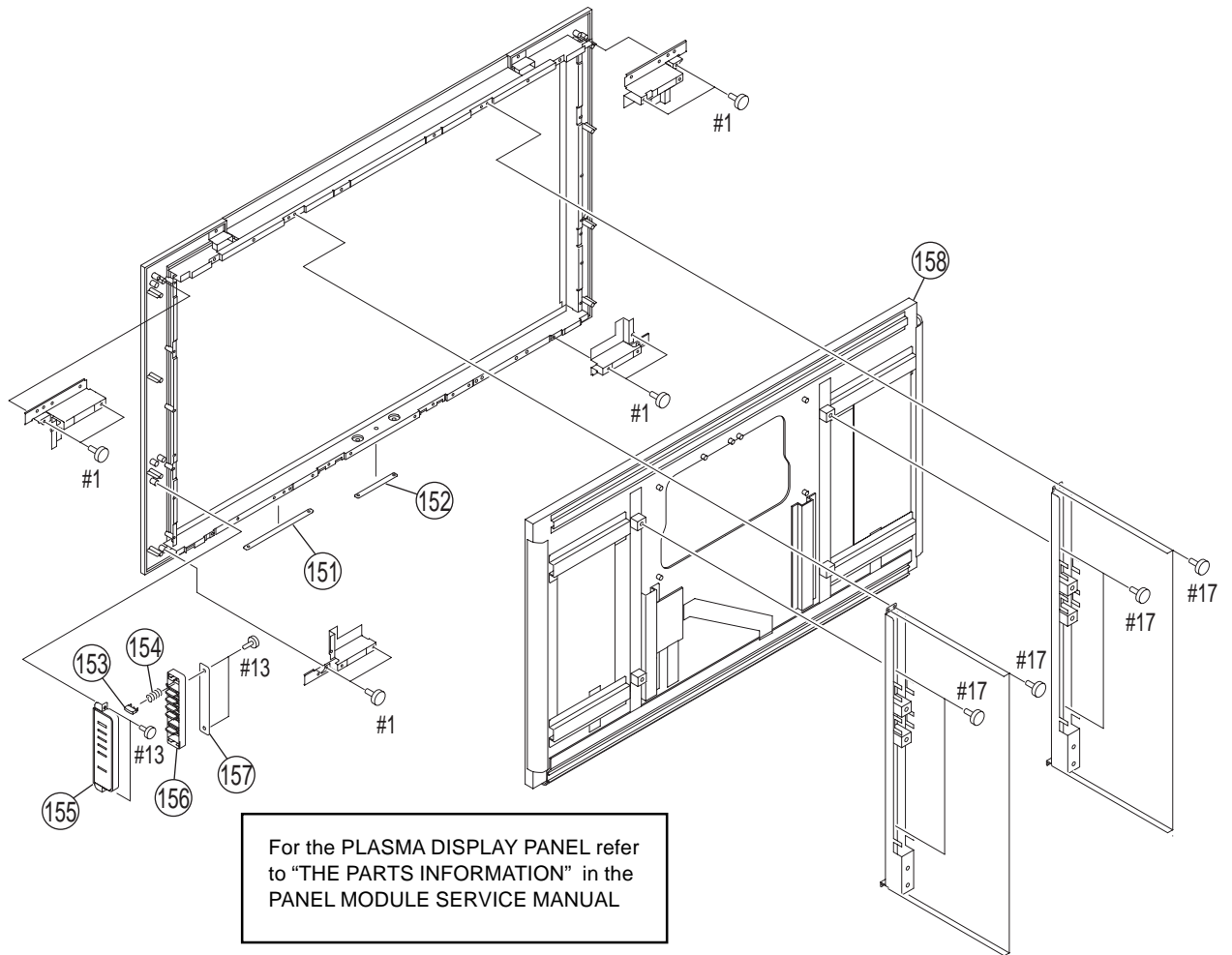
4-3. CHASSIS-2



REF. No.	PART No.	DESCRIPTIONRE	MARK
101	1-825-948-21	LOUDSPEAKER (R)(42)(KDE-42XS955)	
	1-825-947-21	LOUDSPEAKER (R)(37)(KDE-37XS955)	
102	1-910-005-79	PH CONNECTOR ASSY 9P	
104	* A-1061-616-B	A2FU COMPL	
105	* A-1118-634-A	DE1 COMPL (KDE-37XS955)	
	* A-1118-635-A	DE1 COMPL (KDE-42XS955)	
106	* A-1105-161-A	DIC3 COMPL	
107	* A-1107-089-A	M1U COMPL (KDE-42XS955)	
	* A-1107-088-A	M1U COMPL (KDE-37XS955)	
108	* A-1058-509-A	H2 MOUNT	
109	1-543-653-31	CORE ASSY, BEAD(DIVISION TYPE)	
110	* A-1065-916-A	QH COMPL	
111	X-2023-006-2	CONNECTOR PANEL ASSY(XS)	
112	3-383-699-01	CLAMP (EDGE)	
113	1-825-948-11	LOUDSPEAKER (L)(42)(KDE-42XS955)	

REF. No.	PART No.	DESCRIPTIONRE	MARK
	1-825-947-11	LOUDSPEAKER (L)(37)(KDE-37XS955)	
114	4-100-089-01	LABEL, FHP PANEL	
115	3-669-145-01	SCREW,WASHER HEAD (+P 3X5)	
116	4-087-332-32	TAPE, SHIELD	
117	4-302-404-11	SCREW,WASHER HEAD (+P 4X16)	
#1	7-685-663-71	SCREW +BVTP 4X16, TYPE2 IT-3	
#3	7-682-947-01	SCREW +PSW 3X6	
#13	7-685-648-79	SCREW +BVTP 3X12, TYPE2 IT-3	
#16	7-682-949-09	SCREW +PSW 3X10	
#17	7-682-961-01	SCREW +PSW 4X8	
#18	7-682-952-09	SCREW +PSW 3X16	
#19	7-682-666-09	SCREW +PSW 4X20	
#23	7-682-661-01	SCREW +PS 4X8	
#24	7-682-949-01	SCREW +PSW 3X10	

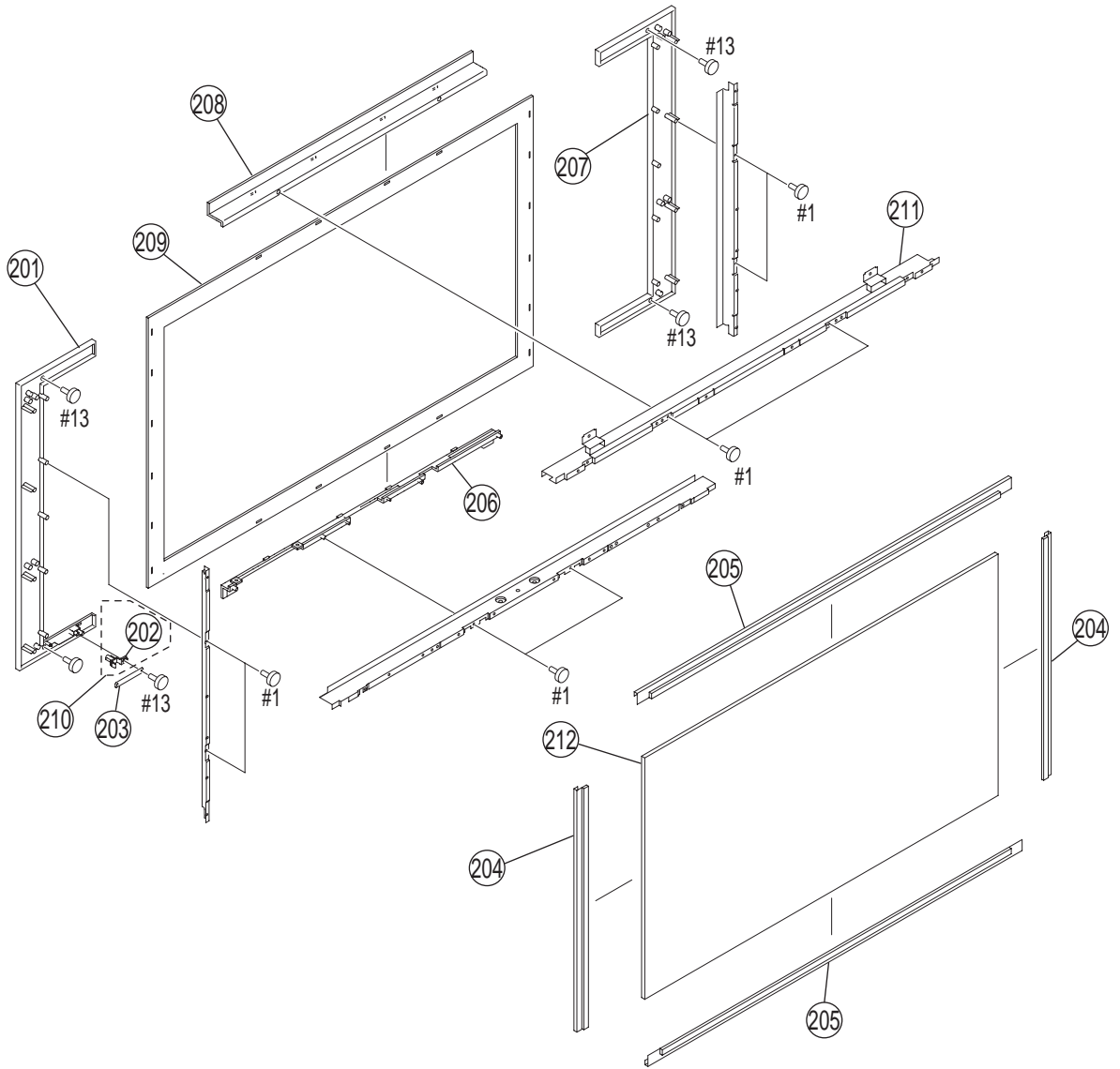
4-4. CHASSIS-3



REF. No.	PART No.	DESCRIPTIONRE	MARK
151	* A-1058-510-A	H3 MOUNT	
152	* A-1058-511-A	H4 MOUNT	
153	2-149-615-02	POWER BUTTON	
154	* 4-098-112-01	SPRING, COMPRESSION	
155	2-149-607-01	CONTROL PANEL COVER	

REF. No.	PART No.	DESCRIPTIONRE	MARK
156	2-149-614-01	MULTI BUTTON	
157	A-1078-739-B	H1U MOUNT	
158		REFER TO PANEL MODULE S. M PLASMA DISPLAY PANEL	
#1	7-685-663-71	SCREW +BVTP 4X16, TYPE2 IT-3	
#13	7-685-648-79	SCREW +BVTP 3X12, TYPE2 IT-3	
#17	7-682-961-01	SCREW +PSW 4X8	

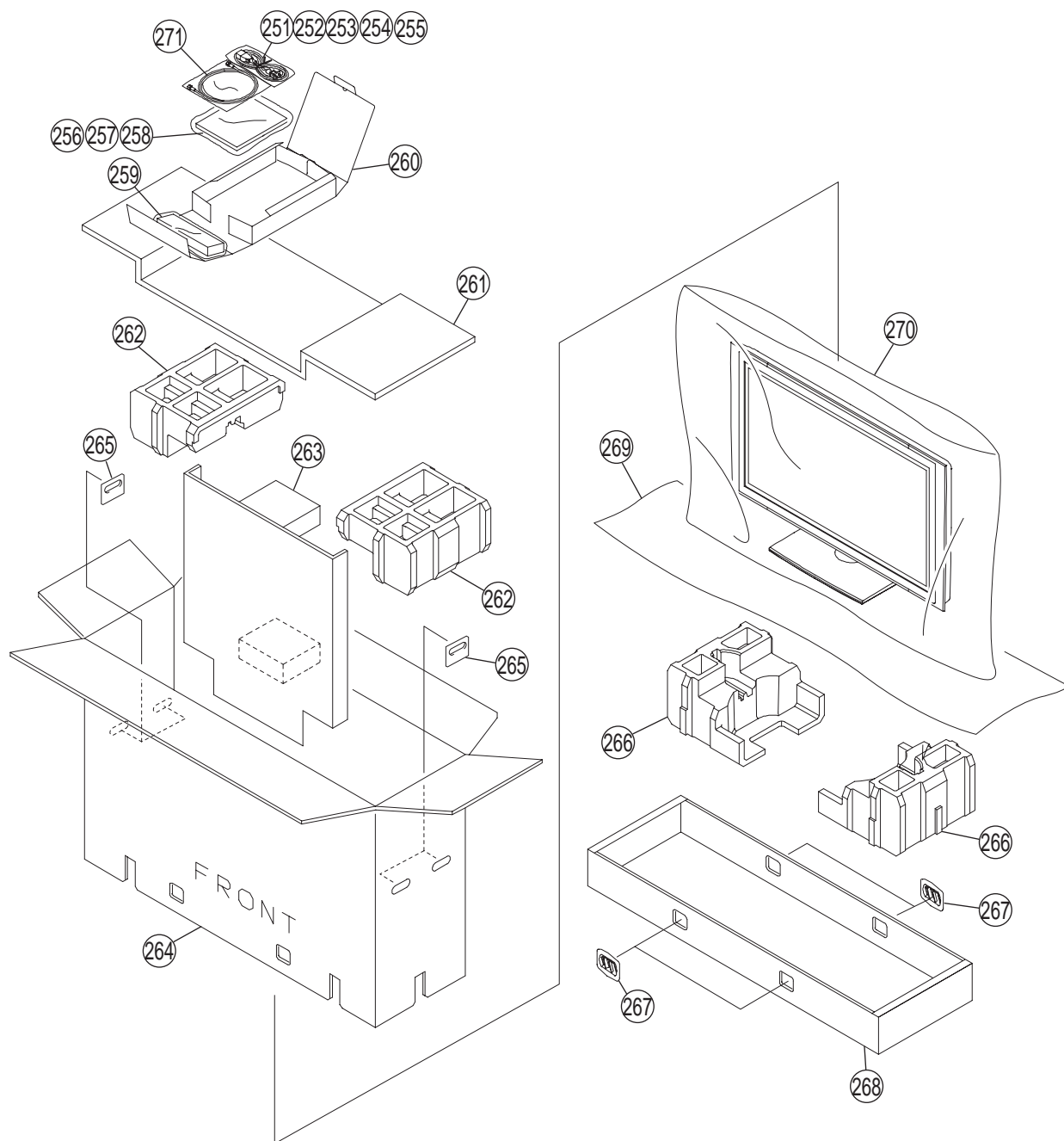
4-5. CHASSIS-4



REF. No.	PART No.	DESCRIPTIONRE	MARK
201	X-2023-747-1	SPEAKER GRILL (42XSR) ASSY (42) (KDE-42XS955)	
	X-2023-749-1	SPEAKER GRILL (37XSR) ASSY (37) (KDE-37XS955)	
202	2-109-890-02	LIGHT GUIDE (BZ)	
203	* A-1067-917-A	H5 MOUNT	
204	X-2022-955-2	GASKET FG (42V) ASSY (42) (KDE-42XS955)	
	X-2022-960-2	GASKET FG (37V) ASSY (37) (KDE-37XS955)	
205	X-2022-954-2	GASKET FG (42H) ASSY (42) (KDE-42XS955)	
	X-2022-959-2	GASKET FG (37H) ASSY (42) (KDE-37XS955)	
206	X-2022-950-2	PANEL BOTTOM (42/37XS) ASSY	
207	X-2023-746-1	SPEAKER GRILL (42XSL) ASSY (42) (KDE-42XS955)	
	X-2023-748-1	SPEAKER GRILL (37XSL) ASSY (37) (KDE-37XS955)	
208	2-176-090-02	PANEL TOP(42/37)	
209	2-109-304-01	BEZEL(42) (KDE-42XS955)	
	2-109-302-01	BEZEL(37) (KDE-37XS955)	
210	X-2024-678-1	LIGHT GUIDE (BZ) ASSY	202

REF. No.	PART No.	DESCRIPTIONRE	MARK
211	X-2022-956-1	FRONT FLAME (37T) ASSY (KDE-37XS955)	
	X-2022-951-1	FRONT FLAME (42T) ASSY (KDE-42XS955)	
212	A-1116-021-A	OPTICAL FILTER GRASS ASSY (KDE-37XS955)	
	A-1116-020-A	OPTICAL FILTER GRASS ASSY (KDE-42XS955)	
#1	7-685-663-71	SCREW +BVTP 4X16, TYPE2 IT-3	
#13	7-685-648-79	SCREW +BVTP 3X12, TYPE2 IT-3	

4-6. PACKING MATERIALS



REF. No.	PART No.	DESCRIPTIONRE	MARK
251	2-990-242-01	HOLDER (B), PLUG	
252	1-830-211-11	AC POWER-SUPPLY CORD	
253	4-102-612-01	BELT, CLAMP	
254	4-302-404-11	SCREW,WASHER HEAD (+P 4X16)	
255	* X-4040-964-1	ASSY, CLEANING CLOTH (FOR U/C)	
256	2-148-836-11	MANUAL, INSTRUCTION (UC)	
257	2-148-836-21	MANUAL, INSTRUCTION (FR)	
258	2-148-836-31	MANUAL, INSTRUCTION (ES)	
259	1-478-825-11	REMOTE COMMANDER (RM-Y1004)	
260	* 4-100-241-02	BOX, ACCESSORY	
261	* 2-348-485-01	BOARD, TOP (KDE-37XS955)	
	* 2-348-489-01	BOARD, TOP (KDE-42XS955)	
262	* 2-348-477-01	CUSHION, UPPER	

REF. No.	PART No.	DESCRIPTIONRE	MARK
263	* 2-348-486-01	CUSHION, FRONT (KDE-37XS955)	
	* 2-348-490-01	CUSHION, FRONT (KDE-42XS955)	
264	* 2-348-483-01	INDIVIDUAL CARTON (KDE-37XS955)	
	* 2-348-487-01	INDIVIDUAL CARTON (KDE-42XS955)	
265	* 4-067-995-01	HANDLE (E)	
266	* 2-348-478-01	CUSHION, LOWER	
267	* 4-030-895-01	JOINT	
268	* 2-348-484-01	TRAY (KDE-37XS955)	
	* 2-348-488-01	TRAY (KDE-42XS955)	
269	* 2-581-047-01	SHEET, PROTECTION	
270	* 2-189-611-01	BAG, PROTECTION	
271	* 1-829-929-11	COAXIAL, CABLE WITH F-PLUG	

SECTION 5 ELECTRICAL PARTS LIST

NOTE:

The components identified \triangle marked are critical for safety.
Replace only with the part number specified.

Les composants identifiés par la marque \triangle sont critiques pour la sécurité.
Ne les remplacer que par une pièce portant le numéro spécifié.

When indicating parts by reference number, please include the board name.

- All variable and adjustable resistors have characteristic curve B, unless otherwise noted.
- Items marked " * " are not stocked since they are seldom required for routine service. Some delay should be anticipated when ordering these items.

RESISTORS

- All resistors are in ohms
- F : nonflammable

No.	#	Board	Type	△/*	Ref. No.	Part No.	Description	Remarks-1	Remarks-2
1		H2	CAPACITOR		C1101	1-125-891-11	CERAMIC CHIP 0.47UF 10.00% 10V		
2		H2	CAPACITOR		C1102	1-125-891-11	CERAMIC CHIP 0.47UF 10.00% 10V		
3		H2	CAPACITOR		C1103	1-124-779-00	ELECT CHIP 10UF 20.00% 16V		
4		H2	CAPACITOR		C1104	1-124-779-00	ELECT CHIP 10UF 20.00% 16V		
5		H2	CAPACITOR		C1105	1-124-779-00	ELECT CHIP 10UF 20.00% 16V		
6		H2	CAPACITOR		C1106	1-124-779-00	ELECT CHIP 10UF 20.00% 16V		
7		H2	CONNECTOR		CN1102	1-766-382-91	PIN, CONNECTOR 10P		
8		H2	CONNECTOR		CN1104	1-573-290-91	PIN, CONNECTOR 4P		
9		H2	DIODE		D1105	8-719-977-28	DIODE DTZ10B		
10		H2	DIODE		D1106	8-719-977-28	DIODE DTZ10B		
11		H2	DIODE		D1107	8-719-977-28	DIODE DTZ10B		
12		H2	JACK		J1101	1-784-646-11	TERMINAL, S		
13		H2	JACK		J1102	1-580-443-11	JACK, PIN 3P		
14		H2	RESISTOR		R1101	1-216-811-11	METAL CHIP 150 5% 1/10W		
15		H2	RESISTOR		R1103	1-216-811-11	METAL CHIP 150 5% 1/10W		
16		H2	RESISTOR		R1104	1-218-665-11	METAL CHIP 75 0.5% 1/10W		
17		H2	RESISTOR		R1105	1-216-851-11	METAL CHIP 330K 5% 1/10W		
18		H2	RESISTOR		R1106	1-216-851-11	METAL CHIP 330K 5% 1/10W		
19		H2	RESISTOR		R1114	1-216-864-11	SHORT CHIP 0		
20		H2	RESISTOR		R1115	1-216-811-11	METAL CHIP 150 5% 1/10W		
21		H2	RESISTOR		R1116	1-216-811-11	METAL CHIP 150 5% 1/10W		
22		H2	VARISTOR		VD1101	1-803-974-21	VARISTOR, CHIP (1608)		
23		H2	VARISTOR		VD1102	1-803-974-21	VARISTOR, CHIP (1608)		
24		H2	VARISTOR		VD1103	1-803-974-21	VARISTOR, CHIP (1608)		
25		H3	CAPACITOR		C1200	1-164-156-11	CERAMIC CHIP 0.1UF 25V		
26		H3	CAPACITOR		C1201	1-164-156-11	CERAMIC CHIP 0.1UF 25V		
27		H3	CAPACITOR		C1203	1-164-156-11	CERAMIC CHIP 0.1UF 25V		
28		H3	CONNECTOR		CN1200	1-770-627-21	PIN, CONNECTOR 10P		
29		H3	CONNECTOR		CN1201	1-580-056-91	PIN, CONNECTOR 3P		
30		H3	LEAD PIN	*	CP1201	4-042-408-02	PIN(45), WIRE		
31		H3	LEAD PIN	*	CP1202	4-042-408-02	PIN(45), WIRE		
32		H3	DIODE		D1200	8-719-036-66	DIODE RD2.2SB-T1		
33		H3	DIODE		D1201	8-719-036-66	DIODE RD2.2SB-T1		
34		H3	DIODE		D1202	8-719-036-66	DIODE RD2.2SB-T1		
35		H3	DIODE		D1203	8-719-081-23	DIODE L-53SRD-H-F01		
36		H3	DIODE		D1204	6-500-425-01	DIODE SELU1E50CM		
37		H3	DIODE		D1205	6-500-487-01	DIODE SMLU12D16W		
38		H3	DIODE		D1206	8-719-081-23	DIODE L-53SRD-H-F01		
39		H3	TRANSISTOR		Q1201	8-729-028-73	TRANSISTOR DTA114EUA-T106		
40		H3	TRANSISTOR		Q1203	8-729-907-00	TRANSISTOR DTC114EU		
41		H3	TRANSISTOR		Q1204	8-729-907-00	TRANSISTOR DTC114EU		
42		H3	TRANSISTOR		Q1205	8-729-028-73	TRANSISTOR DTA114EUA-T106		
43		H3	TRANSISTOR		Q1206	8-729-907-00	TRANSISTOR DTC114EU		
44		H3	TRANSISTOR		Q1207	8-729-907-00	TRANSISTOR DTC114EU		
45		H3	RESISTOR		R1200	1-216-833-11	METAL CHIP 10K 5% 1/10W		
46		H3	RESISTOR		R1203	1-216-817-11	METAL CHIP 470 5% 1/10W		
47		H3	RESISTOR		R1204	1-216-864-11	SHORT CHIP 0		
48		H3	RESISTOR		R1207	1-216-864-11	SHORT CHIP 0		
49		H3	RESISTOR		R1210	1-216-812-11	METAL CHIP 180 5% 1/10W		
50		H3	RESISTOR		R1212	1-216-812-11	METAL CHIP 180 5% 1/10W		
51		H3	RESISTOR		R1213	1-216-811-11	METAL CHIP 150 5% 1/10W		
52		H3	RESISTOR		R1214	1-216-833-11	METAL CHIP 10K 5% 1/10W		
53		H3	RESISTOR		R1216	1-216-833-11	METAL CHIP 10K 5% 1/10W		
54		H3	RESISTOR		R1217	1-216-864-11	SHORT CHIP 0		
55		H3	RESISTOR		R1218	1-216-809-11	METAL CHIP 100 5% 1/10W		
56		H3	RESISTOR		R1219	1-216-864-11	SHORT CHIP 0		
57		H4	CONNECTOR		CN1501	1-580-056-91	PIN, CONNECTOR 3P		
58		H4	DIODE		D1501	6-500-870-01	DIODE NSPW500BS-A0		
59		H4	DIODE		D1503	6-500-870-01	DIODE NSPW500BS-A0		
60		H4	DIODE		D1505	6-500-870-01	DIODE NSPW500BS-A0		
61		H4	DIODE		D1507	6-500-870-01	DIODE NSPW500BS-A0		
62		H4	DIODE		D1509	6-500-870-01	DIODE NSPW500BS-A0		
63		H4	DIODE		D1511	6-500-870-01	DIODE NSPW500BS-A0		
64		H4	DIODE		D1513	6-500-870-01	DIODE NSPW500BS-A0		
65		H4	TRANSISTOR		Q1501	8-729-907-00	TRANSISTOR DTC114EU		
66		H4	TRANSISTOR		Q1502	8-729-907-00	TRANSISTOR DTC114EU		
67		H4	TRANSISTOR		Q1503	8-729-907-00	TRANSISTOR DTC114EU		
68		H4	TRANSISTOR		Q1504	8-729-907-00	TRANSISTOR DTC114EU		
69		H4	TRANSISTOR		Q1505	8-729-907-00	TRANSISTOR DTC114EU		
70		H4	TRANSISTOR		Q1506	8-729-907-00	TRANSISTOR DTC114EU		
71		H4	TRANSISTOR		Q1507	8-729-907-00	TRANSISTOR DTC114EU		
72		H4	RESISTOR		R1501	1-216-809-11	METAL CHIP 100 5% 1/10W		
73		H4	RESISTOR		R1502	1-216-809-11	METAL CHIP 100 5% 1/10W		
74		H4	RESISTOR		R1503	1-216-809-11	METAL CHIP 100 5% 1/10W		

No.	#	Board	Type	△/*	Ref. No.	Part No.	Description	Remarks-1	Remarks-2
75		H4	RESISTOR		R1504	1-216-809-11	METAL CHIP 100 5% 1/10W		
76		H4	RESISTOR		R1511	1-216-809-11	METAL CHIP 100 5% 1/10W		
77		H4	RESISTOR		R1512	1-216-809-11	METAL CHIP 100 5% 1/10W		
78		H4	RESISTOR		R1513	1-216-809-11	METAL CHIP 100 5% 1/10W		
79		H5	CAPACITOR		C1601	1-126-205-11	ELECT CHIP 47UF 20.00% 6.3V		
80		H5	CAPACITOR		C1602	1-164-156-11	CERAMIC CHIP 0.1UF 25V		
81		H5	CONNECTOR		CN1601	1-691-550-91	PIN, CONNECTOR 3P		
82		H5	IC		IC1601	6-600-389-01	IC GP1UM26SRK1F		
83		H5	RESISTOR		R1601	1-216-805-11	METAL CHIP 47 5% 1/10W		
84		H1U	CAPACITOR		C1051	1-162-974-11	CERAMIC CHIP 0.01UF 50V		
85		H1U	CAPACITOR		C1052	1-162-974-11	CERAMIC CHIP 0.01UF 50V		
86		H1U	CONNECTOR		CN1051	1-580-756-91	PIN, CONNECTOR 7P		
87		H1U	RESISTOR		R1051	1-218-684-11	METAL CHIP 470 0.5% 1/10W		
88		H1U	RESISTOR		R1052	1-218-688-11	METAL CHIP 680 0.5% 1/10W		
89		H1U	RESISTOR		R1053	1-218-692-11	METAL CHIP 1K 0.5% 1/10W		
90		H1U	RESISTOR		R1054	1-218-700-11	METAL CHIP 2.2K 0.5% 1/10W		
91		H1U	SWITCH		S1051	1-572-595-11	SWITCH, TACTIL (REFLOW TYPE)		
92		H1U	SWITCH		S1052	1-572-595-11	SWITCH, TACTIL (REFLOW TYPE)		
93		H1U	SWITCH		S1053	1-572-595-11	SWITCH, TACTIL (REFLOW TYPE)		
94		H1U	SWITCH		S1054	1-572-595-11	SWITCH, TACTIL (REFLOW TYPE)		
95		H1U	SWITCH		S1055	1-572-595-11	SWITCH, TACTIL (REFLOW TYPE)		
96		H1U	SWITCH		S1056	1-692-539-11	SWITCH, KEYBOARD		
97		F	CAPACITOR	△	C6002	1-165-531-11	MYLAR 1UF 10 275V		
98		F	CAPACITOR	△	C6004	1-165-529-31	MYLAR 0.22UF 10 0V		
99		F	CAPACITOR	△	C6005	1-119-886-51	CERAMIC 470PF 10.00% 250V		
100		F	CAPACITOR	△	C6006	1-119-886-51	CERAMIC 470PF 10.00% 250V		
101		F	CONNECTOR	*	CN6001	1-580-843-11	PIN, CONNECTOR (POWER)		
102		F	CONNECTOR	*	CN6018	1-580-843-11	PIN, CONNECTOR (POWER)		
103		F	CONNECTOR		CN6051	1-695-915-11	TAB (CONTACT)		
104		F	CONNECTOR		CN6052	1-695-915-11	TAB (CONTACT)		
105		F	FUSE	△	F6001	1-576-764-11	FUSE 10A 250V		
106		F	FUSE HOLDER		FH6001	1-576-766-11	FUSE HOLDER 14A 250V		
107		F	FUSE HOLDER		FH6002	1-576-766-11	FUSE HOLDER 14A 250V		
108		F	COIL	△	L6002	1-456-856-21	LINE FILTER COIL		
109		F	COIL	△	L6003	1-456-856-21	LINE FILTER COIL		
110		F	RESISTOR	△	R6001	1-247-289-00	METAL 8.2M 5% 1W		
111		F	RESISTOR		R6002	1-219-759-11	METAL 1M 5% 1/2W		
112		F	VARISTOR	△	VD6001	1-805-483-21	VARISTOR		
113		F	VARISTOR	△	VD6002	1-805-483-21	VARISTOR		
114		A2FU	CAPACITOR		C2001	1-117-681-11	ELECT CHIP 100UF 20.00% 16V		
115		A2FU	CAPACITOR		C2002	1-117-681-11	ELECT CHIP 100UF 20.00% 16V		
116		A2FU	CAPACITOR		C2003	1-135-960-91	CERAMIC CHIP 10UF 10% 25V		
117		A2FU	CAPACITOR		C2004	1-135-960-91	CERAMIC CHIP 10UF 10% 25V		
118		A2FU	CAPACITOR		C2005	1-135-960-91	CERAMIC CHIP 10UF 10% 25V		
119		A2FU	CAPACITOR		C2006	1-135-960-91	CERAMIC CHIP 10UF 10% 25V		
120		A2FU	CAPACITOR		C2007	1-135-960-91	CERAMIC CHIP 10UF 10% 25V		
121		A2FU	CAPACITOR		C2008	1-135-960-91	CERAMIC CHIP 10UF 10% 25V		
122		A2FU	CAPACITOR		C2011	1-109-982-11	CERAMIC CHIP 1UF 10.00% 10V		
123		A2FU	CAPACITOR		C2012	1-109-982-11	CERAMIC CHIP 1UF 10.00% 10V		
124		A2FU	CAPACITOR		C2013	1-162-968-11	CERAMIC CHIP 0.0047UF 10.00% 50V		
125		A2FU	CAPACITOR		C2014	1-162-964-11	CERAMIC CHIP 0.001UF 10.00% 50V		
126		A2FU	CAPACITOR		C2015	1-164-315-11	CERAMIC CHIP 470PF 5.00% 50V		
127		A2FU	CAPACITOR		C2016	1-164-217-11	CERAMIC CHIP 150PF 5.00% 50V		
128		A2FU	CAPACITOR		C2017	1-162-927-11	CERAMIC CHIP 100PF 5.00% 50V		
129		A2FU	CAPACITOR		C2018	1-162-927-11	CERAMIC CHIP 100PF 5.00% 50V		
130		A2FU	CAPACITOR		C2019	1-125-827-91	CERAMIC CHIP 1UF 10.00% 25V		
131		A2FU	CAPACITOR		C2020	1-125-827-91	CERAMIC CHIP 1UF 10.00% 25V		
132		A2FU	CAPACITOR		C2021	1-135-960-91	CERAMIC CHIP 10UF 10% 25V		
133		A2FU	CAPACITOR		C2022	1-135-960-91	CERAMIC CHIP 10UF 10% 25V		
134		A2FU	CAPACITOR		C2023	1-165-875-11	CERAMIC CHIP 10UF 10% 10V		
135		A2FU	CAPACITOR		C2024	1-165-875-11	CERAMIC CHIP 10UF 10% 10V		
136		A2FU	CAPACITOR		C2025	1-125-827-91	CERAMIC CHIP 1UF 10.00% 25V		
137		A2FU	CAPACITOR		C2026	1-125-827-91	CERAMIC CHIP 1UF 10.00% 25V		
138		A2FU	CAPACITOR		C2027	1-125-827-91	CERAMIC CHIP 1UF 10.00% 25V		
139		A2FU	CAPACITOR		C2028	1-125-827-91	CERAMIC CHIP 1UF 10.00% 25V		
140		A2FU	CAPACITOR		C2029	1-107-826-11	CERAMIC CHIP 0.1UF 10.00% 16V		
141		A2FU	CAPACITOR		C2030	1-107-826-11	CERAMIC CHIP 0.1UF 10.00% 16V		
142		A2FU	CAPACITOR		C2031	1-125-891-11	CERAMIC CHIP 0.47UF 10.00% 10V		
143		A2FU	CAPACITOR		C2032	1-125-891-11	CERAMIC CHIP 0.47UF 10.00% 10V		
144		A2FU	CAPACITOR		C2033	1-162-927-11	CERAMIC CHIP 100PF 5.00% 50V		
145		A2FU	CAPACITOR		C2034	1-162-927-11	CERAMIC CHIP 100PF 5.00% 50V		
146		A2FU	CAPACITOR		C2035	1-164-315-11	CERAMIC CHIP 470PF 5.00% 50V		
147		A2FU	CAPACITOR		C2036	1-109-982-11	CERAMIC CHIP 1UF 10.00% 10V		
148		A2FU	CAPACITOR		C2037	1-164-315-11	CERAMIC CHIP 470PF 5.00% 50V		

No.	#	Board	Type	△/*	Ref. No.	Part No.	Description	Remarks-1	Remarks-2
149		A2FU	CAPACITOR		C2038	1-109-982-11	CERAMIC CHIP 1UF 10.00% 10V		
150		A2FU	CAPACITOR		C2041	1-117-681-11	ELECT CHIP 100UF 20.00% 16V		
151		A2FU	CAPACITOR		C2042	1-117-681-11	ELECT CHIP 100UF 20.00% 16V		
152		A2FU	CAPACITOR		C2043	1-117-681-11	ELECT CHIP 100UF 20.00% 16V		
153		A2FU	CAPACITOR		C2044	1-117-681-11	ELECT CHIP 100UF 20.00% 16V		
154		A2FU	CAPACITOR		C2054	1-117-681-11	ELECT CHIP 100UF 20.00% 16V		
155		A2FU	CAPACITOR		C2055	1-107-826-11	CERAMIC CHIP 0.1UF 10.00% 16V		
156		A2FU	CAPACITOR		C2056	1-124-779-00	ELECT CHIP 10UF 20.00% 16V		
157		A2FU	CAPACITOR		C2059	1-107-826-11	CERAMIC CHIP 0.1UF 10.00% 16V		
158		A2FU	CAPACITOR		C2060	1-117-681-11	ELECT CHIP 100UF 20.00% 16V		
159		A2FU	CAPACITOR		C2061	1-117-681-11	ELECT CHIP 100UF 20.00% 16V		
160		A2FU	CAPACITOR		C2062	1-164-156-11	CERAMIC CHIP 0.1UF 25V		
161		A2FU	CAPACITOR		C2065	1-107-826-11	CERAMIC CHIP 0.1UF 10.00% 16V		
162		A2FU	CAPACITOR		C2066	1-117-681-11	ELECT CHIP 100UF 20.00% 16V		
163		A2FU	CAPACITOR		C2100	1-107-826-11	CERAMIC CHIP 0.1UF 10.00% 16V		
164		A2FU	CAPACITOR		C2101	1-162-927-11	CERAMIC CHIP 100PF 5.00% 50V		
165		A2FU	CAPACITOR		C2102	1-162-927-11	CERAMIC CHIP 100PF 5.00% 50V		
166		A2FU	CAPACITOR		C2103	1-109-982-11	CERAMIC CHIP 1UF 10.00% 10V		
167		A2FU	CAPACITOR		C2104	1-127-573-11	CERAMIC CHIP 1UF 10% 16V		
168		A2FU	CONNECTOR		CN2001	1-774-729-21	PIN, CONNECTOR (PC BOARD) 10P		
169		A2FU	CONNECTOR		CN2002	1-580-756-21	PIN, CONNECTOR (SMD) 7P		
170		A2FU	CONNECTOR		CN2003	1-580-056-21	PIN, CONNECTOR (SMD) 3P		
171		A2FU	CONNECTOR		CN2004	1-774-297-21	PIN, CONNECTOR (PC BOARD) 7P		
172		A2FU	CONNECTOR		CN2005	1-817-194-21	PIN, CONNECTOR (SMD) 13P		
173		A2FU	CONNECTOR		CN8208	1-815-468-11	PIN, CONNECTOR (PC BOARD)		
174		A2FU	CONNECTOR		CN8209	1-770-161-21	PIN, CONNECTOR (PC BOARD) 6P		
175		A2FU	CONNECTOR	*	CN8210	1-580-055-21	PIN, CONNECTOR (SMD) 2P		
176		A2FU	CONNECTOR	*	CN8211	1-569-775-21	PIN, CONNECTOR (SMD) 5P		
177		A2FU	LEAD PIN	*	CP2001	4-042-408-02	PIN(45), WIRE		
178		A2FU	LEAD PIN	*	CP2002	4-042-408-02	PIN(45), WIRE		
179		A2FU	LEAD PIN	*	CP2003	4-042-408-02	PIN(45), WIRE		
180		A2FU	DIODE		D2001	8-719-071-34	DIODE RB521S-30-TE61		
181		A2FU	DIODE		D2002	8-719-071-34	DIODE RB521S-30-TE61		
182		A2FU	DIODE		D2003	8-719-078-04	DIODE EC31QS03L-TE12L		
183		A2FU	DIODE		D2004	8-719-078-04	DIODE EC31QS03L-TE12L		
184		A2FU	DIODE		D2005	8-719-078-04	DIODE EC31QS03L-TE12L		
185		A2FU	DIODE		D2006	8-719-078-04	DIODE EC31QS03L-TE12L		
186		A2FU	DIODE		D2007	8-719-068-71	DIODE PTZ-TE25-13A		
187		A2FU	DIODE		D2008	8-719-073-69	DIODE PTZ-TE25-6.2A		
188		A2FU	DIODE		D2009	6-500-294-01	DIODE PTZ-TE25-3.9B		
189		A2FU	DIODE		D2010	6-500-294-01	DIODE PTZ-TE25-3.9B		
190		A2FU	DIODE		D2011	8-719-081-99	DIODE MM3Z13VT1		
191		A2FU	DIODE		D2012	8-719-071-34	DIODE RB521S-30-TE61		
192		A2FU	DIODE		D2013	8-719-056-82	DIODE UDZ-TE-17-6.2B		
193		A2FU	DIODE		D2014	6-500-020-01	DIODE MM3Z4V3ST1		
194		A2FU	DIODE		D2015	8-719-071-34	DIODE RB521S-30-TE61		
195		A2FU	DIODE		D2016	8-719-056-82	DIODE UDZ-TE-17-6.2B		
196		A2FU	DIODE		D2017	8-719-081-97	DIODE MMDL914T1		
197		A2FU	DIODE		D2018	8-719-041-97	DIODE MA113-(TX)		
198		A2FU	DIODE		D2019	6-500-540-01	DIODE RB521S-30FTE61		
199		A2FU	DIODE		D2020	8-719-050-38	DIODE M1MA152WK-T1		
200		A2FU	DIODE		D2021	8-719-050-38	DIODE M1MA152WK-T1		
201		A2FU	DIODE		D2023	8-719-081-97	DIODE MMDL914T1		
202		A2FU	DIODE		D2024	8-719-081-97	DIODE MMDL914T1		
203		A2FU	DIODE		D2025	8-719-081-97	DIODE MMDL914T1		
204		A2FU	DIODE		D2026	8-719-056-82	DIODE UDZ-TE-17-6.2B		
205		A2FU	DIODE		D2027	8-719-056-84	DIODE UDZ-TE-17-7.5B		
206		A2FU	FERRITE BEAD		FB2001	1-469-324-21	FERRITE 0UH		
207		A2FU	FERRITE BEAD		FB2002	1-469-324-21	FERRITE 0UH		
208		A2FU	IC		IC2001	6-706-884-01	IC BD9851EFV-E2		
209		A2FU	IC		IC2002	6-706-884-01	IC BD9851EFV-E2		
210		A2FU	IC		IC2004	8-759-668-14	IC PQ09DZ1U		
211		A2FU	COIL		L2001	1-457-041-21	INDUCTOR 10UH		
212		A2FU	COIL		L2002	1-457-041-21	INDUCTOR 10UH		
213		A2FU	COIL		L2003	1-424-918-21	INDUCTOR 10UH		
214		A2FU	COIL		L2004	1-424-918-21	INDUCTOR 10UH		
215		A2FU	COIL		L2005	1-424-918-21	INDUCTOR 10UH		
216		A2FU	COIL		L2006	1-424-918-21	INDUCTOR 10UH		
217		A2FU	COIL		L2007	1-424-918-21	INDUCTOR 10UH		
218		A2FU	COIL		L2008	1-424-918-21	INDUCTOR 10UH		
219		A2FU	COIL		L2009	1-424-918-21	INDUCTOR 10UH		
220		A2FU	COIL		L2010	1-424-918-21	INDUCTOR 10UH		
221		A2FU	COIL		L2012	1-457-040-21	INDUCTOR 100UH		
222		A2FU	COIL		L2013	1-457-040-21	INDUCTOR 100UH		

No.	#	Board	Type	△/*	Ref. No.	Part No.	Description	Remarks-1	Remarks-2
223		A2FU	COIL		L2015	1-412-058-11	INDUCTOR 10UH		
224		A2FU	IC LINK	△	PS2001	1-576-736-21	IC LINK 3.15A 24V		
225		A2FU	IC LINK	△	PS2002	1-576-736-21	IC LINK 3.15A 24V		
226		A2FU	TRANSISTOR		Q2001	6-550-585-01	TRANSISTOR 2PC4081R-115		
227		A2FU	TRANSISTOR		Q2002	6-550-585-01	TRANSISTOR 2PC4081R-115		
228		A2FU	TRANSISTOR		Q2003	6-550-652-01	TRANSISTOR FDS4435A		
229		A2FU	TRANSISTOR		Q2004	6-550-652-01	TRANSISTOR FDS4435A		
230		A2FU	TRANSISTOR		Q2005	8-729-422-29	TRANSISTOR 2SD601A-S		
231		A2FU	TRANSISTOR		Q2006	6-550-652-01	TRANSISTOR FDS4435A		
232		A2FU	TRANSISTOR		Q2008	6-550-380-01	TRANSISTOR IRFR5305TR		
233		A2FU	TRANSISTOR		Q2009	6-550-585-01	TRANSISTOR 2PC4081R-115		
234		A2FU	TRANSISTOR		Q2010	8-729-422-29	TRANSISTOR 2SD601A-S		
235		A2FU	TRANSISTOR		Q2012	8-729-422-29	TRANSISTOR 2SD601A-S		
236		A2FU	TRANSISTOR		Q2013	8-729-422-29	TRANSISTOR 2SD601A-S		
237		A2FU	TRANSISTOR		Q2014	6-550-652-01	TRANSISTOR FDS4435A		
238		A2FU	TRANSISTOR		Q2015	6-550-586-01	TRANSISTOR 2PA1576R-115		
239		A2FU	TRANSISTOR		Q2016	8-729-117-73	TRANSISTOR 2SC4178-F14		
240		A2FU	TRANSISTOR		Q2017	6-550-586-01	TRANSISTOR 2PA1576R-115		
241		A2FU	TRANSISTOR		Q2018	6-550-586-01	TRANSISTOR 2PA1576R-115		
242		A2FU	RESISTOR		R2001	1-216-864-11	SHORT CHIP 0		
243		A2FU	RESISTOR		R2002	1-216-841-11	METAL CHIP 47K 5% 1/10W		
244		A2FU	RESISTOR		R2003	1-216-841-11	METAL CHIP 47K 5% 1/10W		
245		A2FU	RESISTOR		R2004	1-216-841-11	METAL CHIP 47K 5% 1/10W		
246		A2FU	RESISTOR		R2005	1-216-864-11	SHORT CHIP 0		
247		A2FU	RESISTOR		R2006	1-216-864-11	SHORT CHIP 0		
248		A2FU	RESISTOR		R2007	1-216-853-11	METAL CHIP 470K 5% 1/10W		
249		A2FU	RESISTOR		R2009	1-216-853-11	METAL CHIP 470K 5% 1/10W		
250		A2FU	RESISTOR		R2011	1-216-824-11	METAL CHIP 1.8K 5% 1/10W		
251		A2FU	RESISTOR		R2012	1-216-833-11	METAL CHIP 10K 5% 1/10W		
252		A2FU	RESISTOR		R2013	1-216-864-11	SHORT CHIP 0		
253		A2FU	RESISTOR		R2014	1-216-864-11	SHORT CHIP 0		
254		A2FU	RESISTOR		R2015	1-216-841-11	METAL CHIP 47K 5% 1/10W		
255		A2FU	RESISTOR		R2016	1-216-841-11	METAL CHIP 47K 5% 1/10W		
256		A2FU	RESISTOR		R2017	1-216-819-11	METAL CHIP 680 5% 1/10W		
257		A2FU	RESISTOR		R2018	1-216-825-11	METAL CHIP 2.2K 5% 1/10W		
258		A2FU	RESISTOR		R2019	1-218-881-11	METAL CHIP 27K 0.5% 1/10W		
259		A2FU	RESISTOR		R2020	1-218-861-11	METAL CHIP 3.9K 0.5% 1/10W		
260		A2FU	RESISTOR		R2021	1-218-871-11	METAL CHIP 10K 0.5% 1/10W		
261		A2FU	RESISTOR		R2022	1-218-899-11	METAL CHIP 150K 0.5% 1/16W		
262		A2FU	RESISTOR		R2023	1-218-859-11	METAL CHIP 3.3K 0.5% 1/10W		
263		A2FU	RESISTOR		R2024	1-218-887-11	METAL CHIP 47K 0.5% 1/10W		
264		A2FU	RESISTOR		R2025	1-218-871-11	METAL CHIP 10K 0.5% 1/10W		
265		A2FU	RESISTOR		R2026	1-218-871-11	METAL CHIP 10K 0.5% 1/10W		
266		A2FU	RESISTOR		R2027	1-218-875-11	METAL CHIP 15K 0.5% 1/10W		
267		A2FU	RESISTOR		R2028	1-218-871-11	METAL CHIP 10K 0.5% 1/10W		
268		A2FU	RESISTOR		R2029	1-218-871-11	METAL CHIP 10K 0.5% 1/10W		
269		A2FU	RESISTOR		R2030	1-218-871-11	METAL CHIP 10K 0.5% 1/10W		
270		A2FU	RESISTOR		R2031	1-216-833-11	METAL CHIP 10K 5% 1/10W		
271		A2FU	RESISTOR		R2033	1-218-875-11	METAL CHIP 15K 0.5% 1/10W		
272		A2FU	RESISTOR		R2034	1-218-891-11	METAL CHIP 68K 0.5% 1/10W		
273		A2FU	RESISTOR		R2035	1-218-871-11	METAL CHIP 10K 0.5% 1/10W		
274		A2FU	RESISTOR		R2036	1-218-877-11	METAL CHIP 18K 0.5% 1/10W		
275		A2FU	RESISTOR		R2037	1-218-895-11	METAL CHIP 100K 0.5% 1/10W		
276		A2FU	RESISTOR		R2038	1-218-887-11	METAL CHIP 47K 0.5% 1/10W		
277		A2FU	RESISTOR		R2039	1-216-827-11	METAL CHIP 3.3K 5% 1/10W		
278		A2FU	RESISTOR		R2040	1-216-827-11	METAL CHIP 3.3K 5% 1/10W		
279		A2FU	RESISTOR		R2041	1-216-853-11	METAL CHIP 470K 5% 1/10W		
280		A2FU	RESISTOR		R2042	1-216-864-11	SHORT CHIP 0		
281		A2FU	RESISTOR		R2043	1-216-853-11	METAL CHIP 470K 5% 1/10W		
282		A2FU	RESISTOR		R2045	1-216-837-11	METAL CHIP 22K 5% 1/10W		
283		A2FU	RESISTOR		R2046	1-216-837-11	METAL CHIP 22K 5% 1/10W		
284		A2FU	RESISTOR		R2047	1-216-827-11	METAL CHIP 3.3K 5% 1/10W		
285		A2FU	RESISTOR		R2048	1-216-821-11	METAL CHIP 1K 5% 1/10W		
286		A2FU	RESISTOR		R2049	1-216-821-11	METAL CHIP 1K 5% 1/10W		
287		A2FU	RESISTOR		R2050	1-216-821-11	METAL CHIP 1K 5% 1/10W		
288		A2FU	RESISTOR		R2069	1-216-809-11	METAL CHIP 100 5% 1/10W		
289		A2FU	RESISTOR		R2072	1-216-864-11	SHORT CHIP 0		
290		A2FU	RESISTOR		R2074	1-216-864-11	SHORT CHIP 0		
291		A2FU	RESISTOR		R2075	1-216-841-11	METAL CHIP 47K 5% 1/10W		
292		A2FU	RESISTOR		R2076	1-216-837-11	METAL CHIP 22K 5% 1/10W		
293		A2FU	RESISTOR		R2077	1-216-841-11	METAL CHIP 47K 5% 1/10W		
294		A2FU	RESISTOR		R2078	1-216-825-11	METAL CHIP 2.2K 5% 1/10W		
295		A2FU	RESISTOR		R2081	1-216-864-11	SHORT CHIP 0		
296		A2FU	RESISTOR		R2082	1-216-833-11	METAL CHIP 10K 5% 1/10W		

No.	#	Board	Type	Δ / [*]	Ref. No.	Part No.	Description	Remarks-1	Remarks-2
297		A2FU	RESISTOR		R2084	1-216-839-11	METAL CHIP 33K 5% 1/10W		
298		A2FU	RESISTOR		R2085	1-216-834-11	METAL CHIP 12K 5% 1/10W		
299		A2FU	RESISTOR		R2086	1-216-837-11	METAL CHIP 22K 5% 1/10W		
300		A2FU	RESISTOR		R2090	1-216-834-11	METAL CHIP 12K 5% 1/10W		
301		A2FU	RESISTOR		R2091	1-216-825-11	METAL CHIP 2.2K 5% 1/10W		
302		A2FU	RESISTOR		R2092	1-216-825-11	METAL CHIP 2.2K 5% 1/10W		
303		A2FU	RESISTOR		R2093	1-216-833-11	METAL CHIP 10K 5% 1/10W		
304		A2FU	RESISTOR		R2094	1-216-833-11	METAL CHIP 10K 5% 1/10W		
305		A2FU	RESISTOR		R2097	1-216-809-11	METAL CHIP 100 5% 1/10W		
306		A2FU	RESISTOR		R2098	1-216-815-11	METAL CHIP 330 5% 1/10W		
307		A2FU	RESISTOR		R2099	1-216-864-11	SHORT CHIP 0		
308		A2FU	RESISTOR		R2102	1-218-859-11	METAL CHIP 3.3K 0.5% 1/10W		
309		A2FU	RESISTOR		R2103	1-218-899-11	METAL CHIP 150K 0.5% 1/16W		
310		A2FU	RESISTOR		R2105	1-216-815-11	METAL CHIP 330 5% 1/10W		
311		A2FU	RESISTOR		R2106	1-216-864-11	SHORT CHIP 0		
312		A2FU	RESISTOR		R2107	1-216-797-11	METAL CHIP 10 5% 1/10W		
313		A2FU	RESISTOR		R2109	1-216-815-11	METAL CHIP 330 5% 1/10W		
314		A2FU	RESISTOR		R2110	1-216-807-11	METAL CHIP 68 5% 1/10W		
315		A2FU	RESISTOR		R2111	1-216-815-11	METAL CHIP 330 5% 1/10W		
316		A2FU	RESISTOR		R2112	1-216-864-11	SHORT CHIP 0		
317		A2FU	RESISTOR		R2114	1-216-797-11	METAL CHIP 10 5% 1/10W		
318		A2FU	RESISTOR		R2115	1-216-797-11	METAL CHIP 10 5% 1/10W		
319		A2FU	RESISTOR		R2116	1-216-864-11	SHORT CHIP 0		
320		A2FU	RESISTOR		R2118	1-216-815-11	METAL CHIP 330 5% 1/10W		
321		A2FU	RESISTOR		R2119	1-216-797-11	METAL CHIP 10 5% 1/10W		
322		A2FU	RESISTOR		R2120	1-216-834-11	METAL CHIP 12K 5% 1/10W		
323		A2FU	RESISTOR		R2121	1-216-827-11	METAL CHIP 3.3K 5% 1/10W		
324		A2FU	RESISTOR		R2122	1-216-797-11	METAL CHIP 10 5% 1/10W		
325		A2FU	RESISTOR		R2125	1-216-864-11	SHORT CHIP 0		
326		G2F	CAPACITOR		C6301	1-137-639-21	MYLAR 0.47UF 10% 450V		
327		G2F	CAPACITOR		C6302	1-162-970-11	CERAMIC CHIP 0.01UF 10.00% 25V		
328		G2F	CAPACITOR		C6304	1-107-905-11	ELECT 4.7UF 20.00% 50V		
329		G2F	CAPACITOR		C6305	1-107-909-11	ELECT 47UF 20.00% 50V		
330		G2F	CAPACITOR		C6306	1-100-831-91	CERAMIC CHIP 0.001UF 2% 50V		
331		G2F	CAPACITOR		C6307	1-107-906-11	ELECT 10UF 20.00% 50V		
332		G2F	CAPACITOR		C6308	1-115-339-11	CERAMIC CHIP 0.1UF 10.00% 50V		
333		G2F	CAPACITOR		C6309	1-162-964-11	CERAMIC CHIP 0.001UF 10.00% 50V		
334		G2F	CAPACITOR		C6310	1-115-340-11	CERAMIC CHIP 0.22UF 10.00% 25V		
335		G2F	CAPACITOR		C6311	1-162-970-11	CERAMIC CHIP 0.01UF 10.00% 25V		
336		G2F	CAPACITOR		C6313	1-107-888-11	ELECT 47UF 20.00% 25V		
337		G2F	CAPACITOR		C6315	1-107-910-11	ELECT 100UF 20.00% 50V		
338		G2F	CAPACITOR		C6316	1-107-824-11	CERAMIC 220PF 5.00% 1KV		
339		G2F	CAPACITOR		C6317	1-107-824-11	CERAMIC 220PF 5.00% 1KV		
340		G2F	CAPACITOR		C6318	1-100-919-11	FILM 0.027UF 3% 1KV		
341		G2F	CAPACITOR		C6401	1-128-951-31	ELECT 2200UF 20% 16V		
342		G2F	CAPACITOR		C6402	1-107-909-11	ELECT 47UF 20.00% 50V		
343		G2F	CAPACITOR		C6403	1-107-914-11	ELECT 1000UF 20.00% 50V		
344		G2F	CAPACITOR		C6404	1-107-929-11	ELECT 10UF 20.00% 100V		
345		G2F	CAPACITOR		C6405	1-128-959-31	ELECT 1000UF 20% 35V		
346		G2F	CAPACITOR		C6406	1-104-760-11	CERAMIC CHIP 0.047UF 10.00% 50V		
347		G2F	CAPACITOR		C6407	1-128-951-31	ELECT 2200UF 20% 16V		
348		G2F	CAPACITOR		C6408	1-128-951-31	ELECT 2200UF 20% 16V		
349		G2F	CAPACITOR		C6409	1-107-928-11	ELECT 4.7UF 20.00% 100V		
350		G2F	CAPACITOR		C6410	1-128-951-31	ELECT 2200UF 20% 16V		
351		G2F	CAPACITOR		C6412	1-100-118-21	ELECT CHIP 82UF 20% 16V		
352		G2F	CAPACITOR		C6413	1-107-877-11	ELECT 1000UF 20.00% 10V		
353		G2F	CAPACITOR		C6414	1-107-884-11	ELECT 1000UF 20.00% 16V		
354		G2F	CAPACITOR		C6417	1-162-923-11	CERAMIC CHIP 47PF 5.00% 50V		
355		G2F	CAPACITOR		C6418	1-162-970-11	CERAMIC CHIP 0.01UF 10.00% 25V		
356		G2F	CAPACITOR		C6419	1-162-970-11	CERAMIC CHIP 0.01UF 10.00% 25V		
357		G2F	CAPACITOR		C6420	1-115-339-11	CERAMIC CHIP 0.1UF 10.00% 50V		
358		G2F	CAPACITOR		C6421	1-127-573-11	CERAMIC CHIP 1UF 10% 16V		
359		G2F	CAPACITOR		C6422	1-162-967-11	CERAMIC CHIP 0.0033UF 10.00% 50V		
360		G2F	CAPACITOR		C6423	1-162-969-11	CERAMIC CHIP 0.0068UF 10.00% 25V		
361		G2F	CAPACITOR		C6426	1-104-653-11	ELECT 220UF 20.00% 16V		
362		G2F	CAPACITOR		C6427	1-104-652-11	ELECT 470UF 20.00% 10V		
363		G2F	CAPACITOR		C6428	1-115-339-11	CERAMIC CHIP 0.1UF 10.00% 50V		
364		G2F	CAPACITOR		C6429	1-127-820-11	CERAMIC CHIP 4.7UF 10% 16V		
365		G2F	CAPACITOR		C6430	1-115-339-11	CERAMIC CHIP 0.1UF 10.00% 50V		
366		G2F	CAPACITOR		C6431	1-135-960-91	CERAMIC CHIP 10UF 10% 25V		
367		G2F	CAPACITOR		C6432	1-135-960-91	CERAMIC CHIP 10UF 10% 25V		
368		G2F	CAPACITOR		C6433	1-107-888-11	ELECT 47UF 20.00% 25V		
369		G2F	CAPACITOR		C6434	1-100-398-21	ELECT 270UF 20% 10V		
370		G2F	CAPACITOR		C6435	1-128-528-11	ELECT 470UF 20.00% 25V		

No.	#	Board	Type	Δ / [*]	Ref. No.	Part No.	Description	Remarks-1	Remarks-2
371		G2F	CAPACITOR		C6436	1-104-652-11	ELECT 470UF 20.00% 10V		
372		G2F	CAPACITOR		C6439	1-107-823-11	CERAMIC CHIP 0.47UF 10.00% 16V		
373		G2F	CAPACITOR		C6440	1-107-888-11	ELECT 47UF 20.00% 25V		
374		G2F	CAPACITOR		C6443	1-128-959-31	ELECT 1000UF 20% 35V		
375		G2F	CAPACITOR		C6445	1-107-823-11	CERAMIC CHIP 0.47UF 10.00% 16V		
376		G2F	CAPACITOR		C6446	1-162-970-11	CERAMIC CHIP 0.01UF 10.00% 25V		
377		G2F	CAPACITOR		C6452	1-135-960-91	CERAMIC CHIP 10UF 10% 25V		
378		G2F	CAPACITOR		C6453	1-128-951-31	ELECT 2200UF 20% 16V		
379		G2F	CAPACITOR		C6501	1-117-227-11	MYLAR 1UF 10% 450V		
380		G2F	CAPACITOR		C6502	1-162-964-11	CERAMIC CHIP 0.001UF 10.00% 50V		
381		G2F	CAPACITOR		C6503	1-162-964-11	CERAMIC CHIP 0.001UF 10.00% 50V		
382		G2F	CAPACITOR		C6504	1-162-970-11	CERAMIC CHIP 0.01UF 10.00% 25V		
383		G2F	CAPACITOR		C6505	1-107-905-11	ELECT 4.7UF 20.00% 50V		
384		G2F	CAPACITOR		C6506	1-107-909-11	ELECT 47UF 20.00% 50V		
385		G2F	CAPACITOR		C6507	1-162-970-11	CERAMIC CHIP 0.01UF 10.00% 25V		
386		G2F	CAPACITOR		C6508	1-100-831-91	CERAMIC CHIP 0.001UF 2% 50V		
387		G2F	CAPACITOR		C6510	1-107-906-11	ELECT 10UF 20.00% 50V		
388		G2F	CAPACITOR		C6511	1-115-339-11	CERAMIC CHIP 0.1UF 10.00% 50V		
389		G2F	CAPACITOR		C6512	1-115-340-11	CERAMIC CHIP 0.22UF 10.00% 25V		
390		G2F	CAPACITOR		C6513	1-115-340-11	CERAMIC CHIP 0.22UF 10.00% 25V		
391		G2F	CAPACITOR		C6515	1-107-888-11	ELECT 47UF 20.00% 25V		
392		G2F	CAPACITOR		C6516	1-107-824-11	CERAMIC 220PF 5.00% 1KV		
393		G2F	CAPACITOR		C6517	1-107-824-11	CERAMIC 220PF 5.00% 1KV		
394		G2F	CAPACITOR		C6518	1-100-919-11	FILM 0.027UF 3% 1KV		
395		G2F	CAPACITOR		C6601	1-165-774-31	ELECT 470UF 20% 100V		
396		G2F	CAPACITOR		C6602	1-165-774-31	ELECT 470UF 20% 100V		
397		G2F	CAPACITOR		C6603	1-107-936-11	ELECT 470UF 20.00% 100V		
398		G2F	CAPACITOR		C6608	1-115-339-11	CERAMIC CHIP 0.1UF 10.00% 50V		
399		G2F	CAPACITOR		C6701	1-117-228-71	MYLAR 2.2UF 10.00% 450V		
400		G2F	CAPACITOR		C6702	1-162-964-11	CERAMIC CHIP 0.001UF 10.00% 50V		
401		G2F	CAPACITOR		C6703	1-162-964-11	CERAMIC CHIP 0.001UF 10.00% 50V		
402		G2F	CAPACITOR		C6704	1-107-906-11	ELECT 10UF 20.00% 50V		
403		G2F	CAPACITOR		C6706	1-107-909-11	ELECT 47UF 20.00% 50V		
404		G2F	CAPACITOR		C6707	1-162-970-11	CERAMIC CHIP 0.01UF 10.00% 25V		
405		G2F	CAPACITOR		C6708	1-162-970-11	CERAMIC CHIP 0.01UF 10.00% 25V		
406		G2F	CAPACITOR		C6709	1-100-831-91	CERAMIC CHIP 0.001UF 2% 50V		
407		G2F	CAPACITOR		C6711	1-107-906-11	ELECT 10UF 20.00% 50V		
408		G2F	CAPACITOR		C6712	1-115-339-11	CERAMIC CHIP 0.1UF 10.00% 50V		
409		G2F	CAPACITOR		C6713	1-115-340-11	CERAMIC CHIP 0.22UF 10.00% 25V		
410		G2F	CAPACITOR		C6714	1-115-340-11	CERAMIC CHIP 0.22UF 10.00% 25V		
411		G2F	CAPACITOR		C6716	1-107-888-11	ELECT 47UF 20.00% 25V		
412		G2F	CAPACITOR		C6718	1-100-613-81	CERAMIC 470PF 5% 1KV		
413		G2F	CAPACITOR		C6719	1-100-613-81	CERAMIC 470PF 5% 1KV		
414		G2F	CAPACITOR		C6720	1-100-400-11	FILM 39000PF 3% 1KV		
415		G2F	CAPACITOR		C6721	1-100-400-11	FILM 39000PF 3% 1KV		
416		G2F	CAPACITOR		C6801	1-165-774-31	ELECT 470UF 20% 100V		
417		G2F	CAPACITOR		C6802	1-165-774-31	ELECT 470UF 20% 100V		
418		G2F	CAPACITOR		C6803	1-107-936-11	ELECT 470UF 20.00% 100V		
419		G2F	CAPACITOR		C6805	1-107-936-11	ELECT 470UF 20.00% 100V		
420		G2F	CAPACITOR		C6806	1-107-936-11	ELECT 470UF 20.00% 100V		
421		G2F	CAPACITOR		C6807	1-162-964-11	CERAMIC CHIP 0.001UF 10.00% 50V		
422		G2F	CAPACITOR		C6808	1-162-970-11	CERAMIC CHIP 0.01UF 10.00% 25V		
423		G2F	CAPACITOR		C6809	1-104-760-11	CERAMIC CHIP 0.047UF 10.00% 50V		
424		G2F	CAPACITOR		C6812	1-164-227-11	CERAMIC CHIP 0.022UF 10.00% 25V		
425		G2F	CAPACITOR		C6813	1-115-339-11	CERAMIC CHIP 0.1UF 10.00% 50V		
426		G2F	CAPACITOR		C6814	1-107-888-11	ELECT 47UF 20.00% 25V		
427		G2F	CAPACITOR		C6815	1-165-908-11	CERAMIC CHIP 1UF 10% 10V		
428		G2F	CAPACITOR		C6816	1-165-908-11	CERAMIC CHIP 1UF 10% 10V		
429		G2F	CAPACITOR		C6817	1-162-970-11	CERAMIC CHIP 0.01UF 10.00% 25V		
430		G2F	CAPACITOR		C6818	1-162-970-11	CERAMIC CHIP 0.01UF 10.00% 25V		
431		G2F	CAPACITOR		C6819	1-165-774-31	ELECT 470UF 20% 100V		
432		G2F	CAPACITOR		C6820	1-115-339-11	CERAMIC CHIP 0.1UF 10.00% 50V		
433		G2F	CAPACITOR		C6903	1-162-970-11	CERAMIC CHIP 0.01UF 10.00% 25V		
434		G2F	CAPACITOR		C6904	1-162-970-11	CERAMIC CHIP 0.01UF 10.00% 25V		
435		G2F	CAPACITOR		C6907	1-165-908-11	CERAMIC CHIP 1UF 10% 10V		
436		G2F	CAPACITOR		C6908	1-162-970-11	CERAMIC CHIP 0.01UF 10.00% 25V		
437		G2F	CAPACITOR		C6909	1-162-970-11	CERAMIC CHIP 0.01UF 10.00% 25V		
438		G2F	CAPACITOR		C6910	1-107-826-11	CERAMIC CHIP 0.1UF 10.00% 16V		
439		G2F	CAPACITOR		C6911	1-162-970-11	CERAMIC CHIP 0.01UF 10.00% 25V		
440		G2F	CAPACITOR		C6912	1-128-528-11	ELECT 470UF 20.00% 25V		
441		G2F	CAPACITOR		C6913	1-115-339-11	CERAMIC CHIP 0.1UF 10.00% 50V		
442		G2F	CAPACITOR		C6914	1-162-964-11	CERAMIC CHIP 0.001UF 10.00% 50V		
443		G2F	CAPACITOR		C6916	1-162-970-11	CERAMIC CHIP 0.01UF 10.00% 25V		
444		G2F	CAPACITOR		C6917	1-162-970-11	CERAMIC CHIP 0.01UF 10.00% 25V		

No.	#	Board	Type	△/★	Ref. No.	Part No.	Description	Remarks-1	Remarks-2
445		G2F	CAPACITOR		C6918	1-162-970-11	CERAMIC CHIP 0.01UF 10.00% 25V		
446		G2F	CAPACITOR		C6920	1-107-907-11	ELECT 22UF 20.00% 50V		
447		G2F	CONNECTOR		CN6004	1-817-097-91	PIN, CONNECTOR (1.5MM)(SMD)13P		
448		G2F	CONNECTOR	*	CN6005	1-766-175-11	PIN, CONNECTOR (PC BOARD) 5P		
449		G2F	CONNECTOR		CN6006	1-766-383-91	PIN, CONNECTOR 12P		
450		G2F	CONNECTOR	*	CN6007	1-564-711-11	PIN, CONNECTOR (SMALL TYPE) 9P		
451		G2F	CONNECTOR	*	CN6008	1-770-468-21	PIN, CONNECTOR (PC BOARD) 10P		
452		G2F	CONNECTOR		CN6009	1-785-728-21	PIN (PC BOARD), CONNECTOR 7P		
453		G2F	CONNECTOR		CN6013	1-779-092-11	PIN, CONNECTOR (PC BOARD) 10P		
454		G2F	CONNECTOR		CN6021	1-766-376-91	PIN, CONNECTOR 9P		
455		G2F	CONNECTOR		CN6301	1-573-806-91	PIN, CONNECTOR 6P		
456		G2F	DIODE		D6301	8-719-081-97	DIODE MMDL914T1		
457		G2F	DIODE		D6302	8-719-082-03	DIODE MM3Z15VT1		
458		G2F	DIODE		D6303	8-719-082-03	DIODE MM3Z15VT1		
459		G2F	DIODE		D6304	8-719-082-03	DIODE MM3Z15VT1		
460		G2F	DIODE		D6305	8-719-979-64	DIODE UF4005PKG23		
461		G2F	DIODE		D6306	6-501-043-01	DIODE UMZ16NT106		
462		G2F	DIODE		D6307	6-501-043-01	DIODE UMZ16NT106		
463		G2F	DIODE		D6308	6-500-567-31	DIODE 10ERB20-TB3		
464		G2F	DIODE		D6310	8-719-081-97	DIODE MMDL914T1		
465		G2F	DIODE		D6311	8-719-080-69	DIODE M1FS4-4063		
466		G2F	DIODE		D6313	8-719-071-94	DIODE HRU0103ATRF		
467		G2F	DIODE		D6314	8-719-080-69	DIODE M1FS4-4063		
468		G2F	DIODE		D6401	8-719-510-12	DIODE D10SC4M		
469		G2F	DIODE		D6402	8-719-041-97	DIODE MA113-(TX)		
470		G2F	DIODE		D6403	8-719-027-22	DIODE D3S6M-F		
471		G2F	DIODE		D6404	6-500-567-31	DIODE 10ERB20-TB3		
472		G2F	DIODE		D6405	6-500-567-31	DIODE 10ERB20-TB3		
473		G2F	DIODE		D6406	8-719-510-12	DIODE D10SC4M		
474		G2F	DIODE		D6407	8-719-510-12	DIODE D10SC4M		
475		G2F	DIODE		D6408	8-719-510-12	DIODE D10SC4M		
476		G2F	DIODE		D6409	8-719-983-37	DIODE MTZJ-T-77-36A		
477		G2F	DIODE		D6411	8-719-081-97	DIODE MMDL914T1		
478		G2F	DIODE		D6412	8-719-073-69	DIODE PTZ-TE25-6.2A		
479		G2F	DIODE		D6413	8-719-081-97	DIODE MMDL914T1		
480		G2F	DIODE		D6414	8-719-081-97	DIODE MMDL914T1		
481		G2F	DIODE		D6415	8-719-081-97	DIODE MMDL914T1		
482		G2F	DIODE		D6416	8-719-081-97	DIODE MMDL914T1		
483		G2F	DIODE		D6417	8-719-510-13	DIODE D10SC4MR		
484		G2F	DIODE		D6418	8-719-069-54	DIODE UDZSTE-175.1B		
485		G2F	DIODE		D6420	8-719-081-97	DIODE MMDL914T1		
486		G2F	DIODE		D6421	8-719-081-97	DIODE MMDL914T1		
487		G2F	DIODE		D6422	8-719-081-97	DIODE MMDL914T1		
488		G2F	DIODE		D6501	8-719-081-97	DIODE MMDL914T1		
489		G2F	DIODE		D6502	8-719-082-03	DIODE MM3Z15VT1		
490		G2F	DIODE		D6503	8-719-082-03	DIODE MM3Z15VT1		
491		G2F	DIODE		D6504	8-719-082-03	DIODE MM3Z15VT1		
492		G2F	DIODE		D6505	8-719-979-64	DIODE UF4005PKG23		
493		G2F	DIODE		D6506	6-501-043-01	DIODE UMZ16NT106		
494		G2F	DIODE		D6507	6-501-043-01	DIODE UMZ16NT106		
495		G2F	DIODE		D6511	8-719-080-69	DIODE M1FS4-4063		
496		G2F	DIODE		D6513	8-719-071-94	DIODE HRU0103ATRF		
497		G2F	DIODE		D6514	8-719-080-69	DIODE M1FS4-4063		
498		G2F	DIODE		D6601	8-719-075-66	DIODE D5LC20U-4012		
499		G2F	DIODE		D6700	8-719-081-97	DIODE MMDL914T1		
500		G2F	DIODE		D6701	8-719-082-03	DIODE MM3Z15VT1		
501		G2F	DIODE		D6702	8-719-082-03	DIODE MM3Z15VT1		
502		G2F	DIODE		D6703	8-719-082-03	DIODE MM3Z15VT1		
503		G2F	DIODE		D6704	8-719-979-64	DIODE UF4005PKG23		
504		G2F	DIODE		D6705	8-719-041-97	DIODE MA113-(TX)		
505		G2F	DIODE		D6706	8-719-041-97	DIODE MA113-(TX)		
506		G2F	DIODE		D6707	6-501-043-01	DIODE UMZ16NT106		
507		G2F	DIODE		D6708	6-501-043-01	DIODE UMZ16NT106		
508		G2F	DIODE		D6711	8-719-080-69	DIODE M1FS4-4063		
509		G2F	DIODE		D6713	8-719-071-94	DIODE HRU0103ATRF		
510		G2F	DIODE		D6714	8-719-080-69	DIODE M1FS4-4063		
511		G2F	DIODE		D6801	8-719-500-71	DIODE D8LC40		
512		G2F	DIODE		D6802	8-719-082-03	DIODE MM3Z15VT1		
513		G2F	DIODE		D6804	8-719-500-71	DIODE D8LC40		
514		G2F	DIODE		D6810	8-719-510-37	DIODE D5LC20U		
515		G2F	DIODE		D6901	8-719-083-61	DIODE UDZSTE-1711B		
516		G2F	DIODE		D6902	8-719-081-97	DIODE MMDL914T1		
517		G2F	DIODE		D6907	8-719-059-51	DIODE MA3J142E0LSO		
518		G2F	DIODE		D6908	8-719-059-50	DIODE MA3J142D0LSO		

No.	#	Board	Type	△/*	Ref. No.	Part No.	Description	Remarks-1	Remarks-2
519		G2F	DIODE		D6909	8-719-081-97	DIODE MMDL914T1		
520		G2F	DIODE		D6912	8-719-059-50	DIODE MA3J142D0LSO		
521		G2F	DIODE		D6913	8-719-081-97	DIODE MMDL914T1		
522		G2F	FERRITE BEAD		FB6401	1-410-397-21	FERRITE 1.1UH		
523		G2F	FERRITE BEAD		FB6402	1-410-397-21	FERRITE 1.1UH		
524		G2F	IC		IC6301	6-706-852-01	IC CXD9841M		
525		G2F	IC		IC6401	8-759-653-07	IC PQ09RD21		
526		G2F	IC		IC6402	8-759-471-81	IC PQ05RD11		
527		G2F	IC		IC6403	6-704-967-01	IC PQ20RX11J00H		
528		G2F	IC		IC6404	8-759-581-11	IC NJM2125F(TE2)		
529		G2F	IC		IC6405	8-759-682-42	IC MM1431ATT		
530		G2F	IC		IC6407	8-759-460-72	IC BA033FP-E2		
531		G2F	IC		IC6408	6-703-249-01	IC SN105233DBTR		
532		G2F	IC		IC6501	6-706-852-01	IC CXD9841M		
533		G2F	IC		IC6701	6-706-852-01	IC CXD9841M		
534		G2F	IC		IC6801	8-759-682-42	IC MM1431ATT		
535		G2F	IC		IC6802	8-759-058-50	IC XRA10324AF		
536		G2F	IC	*	IC6901	8-759-575-27	IC BA10339F-E2		
537		G2F	IC		IC6902	8-759-682-42	IC MM1431ATT		
538		G2F	COIL		L6301	1-406-667-11	INDUCTOR 220UH		
539		G2F	COIL		L6400	1-412-537-31	INDUCTOR 100UH		
540		G2F	COIL		L6401	1-406-657-11	INDUCTOR 4.7UH		
541		G2F	COIL		L6402	1-406-657-11	INDUCTOR 4.7UH		
542		G2F	COIL		L6403	1-412-537-31	INDUCTOR 100UH		
543		G2F	COIL		L6404	1-406-657-11	INDUCTOR 4.7UH		
544		G2F	COIL		L6405	1-456-787-21	INDUCTOR 10UH		
545		G2F	COIL		L6501	1-406-665-11	INDUCTOR 100UH		
546		G2F	COIL		L6701	1-406-665-11	INDUCTOR 100UH		
547		G2F	PHOTO COUPLER	△	PH6401	6-600-187-01	PHOTO COUPLER PC123Y22JOOF		
548		G2F	PHOTO COUPLER	△	PH6601	6-600-187-01	PHOTO COUPLER PC123Y22JOOF		
549		G2F	PHOTO COUPLER	△	PH6801	6-600-187-01	PHOTO COUPLER PC123Y22JOOF		
550		G2F	PHOTO COUPLER	△	PH6902	6-600-187-01	PHOTO COUPLER PC123Y22JOOF		
551		G2F	PHOTO COUPLER	△	PH6903	6-600-187-01	PHOTO COUPLER PC123Y22JOOF		
552		G2F	IC LINK	△	PS6401	1-576-736-21	IC LINK 3.15A 24V		
553		G2F	TRANSISTOR		Q6301	6-550-526-11	TRANSISTOR 2SK2842(LBS2SONY)		
554		G2F	TRANSISTOR		Q6302	6-550-526-11	TRANSISTOR 2SK2842(LBS2SONY)		
555		G2F	TRANSISTOR		Q6405	8-729-140-96	TRANSISTOR 2SD774-34		
556		G2F	TRANSISTOR		Q6406	6-550-222-01	TRANSISTOR IRF7335D1-TR		
557		G2F	TRANSISTOR		Q6407	6-550-549-01	TRANSISTOR DTC114EUAFT106		
558		G2F	TRANSISTOR		Q6408	6-550-549-01	TRANSISTOR DTC114EUAFT106		
559		G2F	TRANSISTOR		Q6409	6-550-549-01	TRANSISTOR DTC114EUAFT106		
560		G2F	TRANSISTOR		Q6410	8-729-026-53	TRANSISTOR 2SA1576A-T106-QR		
561		G2F	TRANSISTOR		Q6411	8-729-026-53	TRANSISTOR 2SA1576A-T106-QR		
562		G2F	TRANSISTOR		Q6412	8-729-905-35	TRANSISTOR 2SC4081-R		
563		G2F	TRANSISTOR		Q6501	8-729-040-89	TRANSISTOR 2SK1590-T1B		
564		G2F	TRANSISTOR		Q6502	6-550-549-01	TRANSISTOR DTC114EUAFT106		
565		G2F	TRANSISTOR		Q6503	6-550-526-11	TRANSISTOR 2SK2842(LBS2SONY)		
566		G2F	TRANSISTOR		Q6504	6-550-526-11	TRANSISTOR 2SK2842(LBS2SONY)		
567		G2F	TRANSISTOR		Q6701	8-729-040-89	TRANSISTOR 2SK1590-T1B		
568		G2F	TRANSISTOR		Q6702	6-550-549-01	TRANSISTOR DTC114EUAFT106		
569		G2F	TRANSISTOR		Q6703	8-729-820-86	TRANSISTOR 2SB1121-ST		
570		G2F	TRANSISTOR		Q6704	8-729-820-86	TRANSISTOR 2SB1121-ST		
571		G2F	TRANSISTOR		Q6705	6-550-372-01	TRANSISTOR SPA20N60C3E8152		
572		G2F	TRANSISTOR		Q6706	6-550-372-01	TRANSISTOR SPA20N60C3E8152		
573		G2F	TRANSISTOR		Q6801	6-550-118-01	TRANSISTOR IRLI3215-LF33		
574		G2F	TRANSISTOR		Q6802	6-550-549-01	TRANSISTOR DTC114EUAFT106		
575		G2F	TRANSISTOR		Q6804	8-729-905-35	TRANSISTOR 2SC4081-R		
576		G2F	TRANSISTOR		Q6805	8-729-905-35	TRANSISTOR 2SC4081-R		
577		G2F	TRANSISTOR		Q6901	8-729-905-35	TRANSISTOR 2SC4081-R		
578		G2F	TRANSISTOR		Q6902	8-729-026-53	TRANSISTOR 2SA1576A-T106-QR		
579		G2F	TRANSISTOR		Q6905	8-729-026-53	TRANSISTOR 2SA1576A-T106-QR		
580		G2F	TRANSISTOR		Q6907	8-729-026-53	TRANSISTOR 2SA1576A-T106-QR		
581		G2F	TRANSISTOR		Q6908	6-550-549-01	TRANSISTOR DTC114EUAFT106		
582		G2F	TRANSISTOR		Q6909	8-729-026-53	TRANSISTOR 2SA1576A-T106-QR		
583		G2F	TRANSISTOR		Q6910	8-729-905-35	TRANSISTOR 2SC4081-R		
584		G2F	TRANSISTOR		Q6911	8-729-026-53	TRANSISTOR 2SA1576A-T106-QR		
585		G2F	TRANSISTOR		Q6912	8-729-905-35	TRANSISTOR 2SC4081-R		
586		G2F	TRANSISTOR		Q6913	8-729-905-35	TRANSISTOR 2SC4081-R		
587		G2F	TRANSISTOR		Q6914	8-729-026-53	TRANSISTOR 2SA1576A-T106-QR		
588		G2F	TRANSISTOR		Q6916	8-729-905-35	TRANSISTOR 2SC4081-R		
589		G2F	TRANSISTOR		Q6917	8-729-905-35	TRANSISTOR 2SC4081-R		
590		G2F	RESISTOR		R6301	1-249-393-11	CARBON 10 5% 1/4W		
591		G2F	RESISTOR		R6302	1-202-933-61	FUSIBLE 0.1 10% 1/2W		
592		G2F	RESISTOR		R6303	1-218-867-11	METAL CHIP 6.8K 0.5% 1/10W		

No.	#	Board	Type	Δ/\ast	Ref. No.	Part No.	Description	Remarks-1	Remarks-2
593		G2F	RESISTOR		R6304	1-249-393-11	CARBON 10 5% 1/4W		
594		G2F	RESISTOR		R6305	1-245-478-21	METAL 470K 1% 1/4W		
595		G2F	RESISTOR		R6306	1-245-478-21	METAL 470K 1% 1/4W		
596		G2F	RESISTOR		R6307	1-218-877-11	METAL CHIP 18K 0.5% 1/10W		
597		G2F	RESISTOR		R6308	1-216-821-11	METAL CHIP 1K 5% 1/10W		
598		G2F	RESISTOR		R6309	1-218-823-11	METAL CHIP 100 0.5% 1/10W		
599		G2F	RESISTOR		R6311	1-249-397-11	CARBON 22 5% 1/4W		
600		G2F	RESISTOR		R6312	1-249-397-11	CARBON 22 5% 1/4W		
601		G2F	RESISTOR		R6313	1-218-827-11	METAL CHIP 150 0.5% 1/10W		
602		G2F	RESISTOR		R6314	1-216-833-11	METAL CHIP 10K 5% 1/10W		
603		G2F	RESISTOR		R6315	1-216-833-11	METAL CHIP 10K 5% 1/10W		
604		G2F	RESISTOR		R6316	1-260-304-51	CARBON 10 5% 1/2W		
605		G2F	RESISTOR		R6318	1-216-361-00	METAL OXIDE 0.22 5% 2W		
606		G2F	RESISTOR		R6320	1-216-864-11	SHORT CHIP 0		
607		G2F	RESISTOR		R6401	1-249-377-11	CARBON 0.47 5% 1/4W		
608		G2F	RESISTOR		R6402	1-216-821-11	METAL CHIP 1K 5% 1/10W		
609		G2F	RESISTOR		R6403	1-216-864-11	SHORT CHIP 0		
610		G2F	RESISTOR		R6404	1-216-821-11	METAL CHIP 1K 5% 1/10W		
611		G2F	RESISTOR		R6405	1-249-393-11	CARBON 10 5% 1/4W		
612		G2F	RESISTOR		R6406	1-216-793-11	METAL CHIP 4.7 5% 1/10W		
613		G2F	RESISTOR		R6407	1-216-821-11	METAL CHIP 1K 5% 1/10W		
614		G2F	RESISTOR		R6408	1-216-833-11	METAL CHIP 10K 5% 1/10W		
615		G2F	RESISTOR		R6409	1-216-833-11	METAL CHIP 10K 5% 1/10W		
616		G2F	RESISTOR		R6411	1-218-863-11	METAL CHIP 4.7K 0.5% 1/10W		
617		G2F	RESISTOR		R6412	1-218-875-11	METAL CHIP 15K 0.5% 1/10W		
618		G2F	RESISTOR		R6413	1-216-864-11	SHORT CHIP 0		
619		G2F	RESISTOR		R6414	1-216-841-11	METAL CHIP 47K 5% 1/10W		
620		G2F	RESISTOR		R6415	1-218-871-11	METAL CHIP 10K 0.5% 1/10W		
621		G2F	RESISTOR		R6418	1-216-829-11	METAL CHIP 4.7K 5% 1/10W		
622		G2F	RESISTOR		R6419	1-216-841-11	METAL CHIP 47K 5% 1/10W		
623		G2F	RESISTOR		R6420	1-218-857-11	METAL CHIP 2.7K 0.5% 1/10W		
624		G2F	RESISTOR		R6421	1-218-861-11	METAL CHIP 3.9K 0.5% 1/10W		
625		G2F	RESISTOR		R6422	1-218-835-11	METAL CHIP 330 0.5% 1/10W		
626		G2F	RESISTOR		R6423	1-216-833-11	METAL CHIP 10K 5% 1/10W		
627		G2F	RESISTOR		R6424	1-218-887-11	METAL CHIP 47K 0.5% 1/10W		
628		G2F	RESISTOR		R6425	1-216-864-11	SHORT CHIP 0		
629		G2F	RESISTOR		R6426	1-218-887-11	METAL CHIP 47K 0.5% 1/10W		
630		G2F	RESISTOR		R6428	1-216-799-11	METAL CHIP 15 5% 1/10W		
631		G2F	RESISTOR		R6434	1-216-833-11	METAL CHIP 10K 5% 1/10W		
632		G2F	RESISTOR		R6436	1-216-829-11	METAL CHIP 4.7K 5% 1/10W		
633		G2F	RESISTOR		R6437	1-216-825-11	METAL CHIP 2.2K 5% 1/10W		
634		G2F	RESISTOR		R6438	1-218-853-11	METAL CHIP 1.8K 0.5% 1/10W		
635		G2F	RESISTOR		R6439	1-218-865-11	METAL CHIP 5.6K 0.5% 1/10W		
636		G2F	RESISTOR		R6441	1-216-295-91	SHORT CHIP 0		
637		G2F	RESISTOR		R6442	1-216-295-91	SHORT CHIP 0		
638		G2F	RESISTOR		R6443	1-216-295-91	SHORT CHIP 0		
639		G2F	RESISTOR		R6444	1-216-295-91	SHORT CHIP 0		
640		G2F	RESISTOR		R6445	1-218-871-11	METAL CHIP 10K 0.5% 1/10W		
641		G2F	RESISTOR		R6447	1-216-835-11	METAL CHIP 15K 5% 1/10W		
642		G2F	RESISTOR		R6448	1-216-835-11	METAL CHIP 15K 5% 1/10W		
643		G2F	RESISTOR		R6449	1-216-835-11	METAL CHIP 15K 5% 1/10W		
644		G2F	RESISTOR		R6450	1-216-835-11	METAL CHIP 15K 5% 1/10W		
645		G2F	RESISTOR		R6452	1-216-295-91	SHORT CHIP 0		
646		G2F	RESISTOR		R6453	1-216-295-91	SHORT CHIP 0		
647		G2F	RESISTOR		R6455	1-216-833-11	METAL CHIP 10K 5% 1/10W		
648		G2F	RESISTOR		R6457	1-218-871-11	METAL CHIP 10K 0.5% 1/10W		
649		G2F	RESISTOR		R6458	1-218-871-11	METAL CHIP 10K 0.5% 1/10W		
650		G2F	RESISTOR		R6460	1-216-833-11	METAL CHIP 10K 5% 1/10W		
651		G2F	RESISTOR		R6461	1-216-833-11	METAL CHIP 10K 5% 1/10W		
652		G2F	RESISTOR		R6462	1-216-833-11	METAL CHIP 10K 5% 1/10W		
653		G2F	RESISTOR		R6463	1-216-821-11	METAL CHIP 1K 5% 1/10W		
654		G2F	RESISTOR		R6465	1-216-833-11	METAL CHIP 10K 5% 1/10W		
655		G2F	RESISTOR		R6466	1-216-833-11	METAL CHIP 10K 5% 1/10W		
656		G2F	RESISTOR		R6481	1-216-835-11	METAL CHIP 15K 5% 1/10W		
657		G2F	RESISTOR		R6482	1-216-835-11	METAL CHIP 15K 5% 1/10W		
658		G2F	RESISTOR		R6483	1-216-835-11	METAL CHIP 15K 5% 1/10W		
659		G2F	RESISTOR		R6485	1-216-864-11	SHORT CHIP 0		
660		G2F	RESISTOR		R6501	1-216-837-11	METAL CHIP 22K 5% 1/10W		
661		G2F	RESISTOR		R6502	1-249-393-11	CARBON 10 5% 1/4W		
662		G2F	RESISTOR		R6503	1-202-933-61	FUSIBLE 0.1 10% 1/2W		
663		G2F	RESISTOR		R6504	1-216-833-11	METAL CHIP 10K 5% 1/10W		
664		G2F	RESISTOR		R6505	1-218-865-11	METAL CHIP 5.6K 0.5% 1/10W		
665		G2F	RESISTOR		R6506	1-245-478-21	METAL 470K 1% 1/4W		
666		G2F	RESISTOR		R6507	1-245-478-21	METAL 470K 1% 1/4W		

No.	#	Board	Type	Δ / [*]	Ref. No.	Part No.	Description	Remarks-1	Remarks-2
667		G2F	RESISTOR		R6509	1-218-823-11	METAL CHIP 100 0.5% 1/10W		
668		G2F	RESISTOR		R6510	1-218-875-11	METAL CHIP 15K 0.5% 1/10W		
669		G2F	RESISTOR		R6512	1-211-979-11	METAL CHIP 27 0.5% 1/10W		
670		G2F	RESISTOR		R6513	1-249-397-11	CARBON 22 5% 1/4W		
671		G2F	RESISTOR		R6514	1-249-397-11	CARBON 22 5% 1/4W		
672		G2F	RESISTOR		R6515	1-216-833-11	METAL CHIP 10K 5% 1/10W		
673		G2F	RESISTOR		R6516	1-216-833-11	METAL CHIP 10K 5% 1/10W		
674		G2F	RESISTOR		R6517	1-245-478-21	METAL 470K 1% 1/4W		
675		G2F	RESISTOR		R6518	1-245-478-21	METAL 470K 1% 1/4W		
676		G2F	RESISTOR		R6519	1-245-478-21	METAL 470K 1% 1/4W		
677		G2F	RESISTOR		R6520	1-245-478-21	METAL 470K 1% 1/4W		
678		G2F	RESISTOR		R6521	1-219-984-51	METAL 0.1 2% 2W		
679		G2F	RESISTOR		R6522	1-216-821-11	METAL CHIP 1K 5% 1/10W		
680		G2F	RESISTOR		R6523	1-216-121-11	RES-CHIP 1M 5% 1/10W		
681		G2F	RESISTOR		R6524	1-216-864-11	SHORT CHIP 0		
682		G2F	RESISTOR		R6601	1-216-821-11	METAL CHIP 1K 5% 1/10W		
683		G2F	RESISTOR		R6602	1-216-864-11	SHORT CHIP 0		
684		G2F	RESISTOR		R6603	1-217-156-00	METAL 0.22 10% 5W		
685		G2F	RESISTOR		R6605	1-202-962-11	CEMENTED 3.3 5% 10W		
686		G2F	RESISTOR		R6701	1-216-837-11	METAL CHIP 22K 5% 1/10W		
687		G2F	RESISTOR		R6702	1-249-393-11	CARBON 10 5% 1/4W		
688		G2F	RESISTOR		R6703	1-220-886-11	FUSIBLE 0.1 10% 1W		
689		G2F	RESISTOR		R6704	1-216-833-11	METAL CHIP 10K 5% 1/10W		
690		G2F	RESISTOR		R6705	1-218-823-11	METAL CHIP 100 0.5% 1/10W		
691		G2F	RESISTOR		R6706	1-218-865-11	METAL CHIP 5.6K 0.5% 1/10W		
692		G2F	RESISTOR		R6708	1-245-478-21	METAL 470K 1% 1/4W		
693		G2F	RESISTOR		R6709	1-245-478-21	METAL 470K 1% 1/4W		
694		G2F	RESISTOR		R6710	1-218-875-11	METAL CHIP 15K 0.5% 1/10W		
695		G2F	RESISTOR		R6711	1-218-895-11	METAL CHIP 100K 0.5% 1/10W		
696		G2F	RESISTOR		R6712	1-218-825-11	METAL CHIP 120 0.5% 1/10W		
697		G2F	RESISTOR		R6713	1-249-397-11	CARBON 22 5% 1/4W		
698		G2F	RESISTOR		R6714	1-249-397-11	CARBON 22 5% 1/4W		
699		G2F	RESISTOR		R6715	1-216-833-11	METAL CHIP 10K 5% 1/10W		
700		G2F	RESISTOR		R6716	1-216-833-11	METAL CHIP 10K 5% 1/10W		
701		G2F	RESISTOR		R6717	1-216-121-11	RES-CHIP 1M 5% 1/10W		
702		G2F	RESISTOR		R6718	1-219-984-51	METAL 0.1 2% 2W		
703		G2F	RESISTOR		R6719	1-216-864-11	SHORT CHIP 0		
704		G2F	RESISTOR		R6720	1-216-821-11	METAL CHIP 1K 5% 1/10W		
705		G2F	RESISTOR		R6723	1-208-834-11	METAL CHIP 150K 0.5% 1/10W		
706		G2F	RESISTOR		R6724	1-208-834-11	METAL CHIP 150K 0.5% 1/10W		
707		G2F	RESISTOR		R6725	1-208-834-11	METAL CHIP 150K 0.5% 1/10W		
708		G2F	RESISTOR		R6726	1-208-834-11	METAL CHIP 150K 0.5% 1/10W		
709		G2F	RESISTOR		R6727	1-208-834-11	METAL CHIP 150K 0.5% 1/10W		
710		G2F	RESISTOR		R6728	1-208-834-11	METAL CHIP 150K 0.5% 1/10W		
711		G2F	RESISTOR		R6729	1-208-834-11	METAL CHIP 150K 0.5% 1/10W		
712		G2F	RESISTOR		R6730	1-208-834-11	METAL CHIP 150K 0.5% 1/10W		
713		G2F	RESISTOR		R6731	1-208-834-11	METAL CHIP 150K 0.5% 1/10W		
714		G2F	RESISTOR		R6732	1-208-834-11	METAL CHIP 150K 0.5% 1/10W		
715		G2F	RESISTOR		R6733	1-208-834-11	METAL CHIP 150K 0.5% 1/10W		
716		G2F	RESISTOR		R6734	1-208-834-11	METAL CHIP 150K 0.5% 1/10W		
717		G2F	RESISTOR		R6801	1-216-821-11	METAL CHIP 1K 5% 1/10W		
718		G2F	RESISTOR		R6802	1-217-158-00	METAL 0.47 10% 5W		
719		G2F	RESISTOR		R6803	1-217-158-00	METAL 0.47 10% 5W		
720		G2F	RESISTOR		R6804	1-217-158-00	METAL 0.47 10% 5W		
721		G2F	RESISTOR		R6805	1-202-962-11	CEMENTED 3.3 5% 10W		
722		G2F	RESISTOR		R6806	1-240-251-11	CEMENTED 6.8 5% 10W		
723		G2F	RESISTOR		R6807	1-216-797-11	METAL CHIP 10 5% 1/10W		
724		G2F	RESISTOR		R6808	1-218-867-11	METAL CHIP 6.8K 0.5% 1/10W		
725		G2F	RESISTOR		R6809	1-208-820-11	METAL CHIP 39K 0.5% 1/10W		
726		G2F	RESISTOR		R6810	1-208-828-11	METAL CHIP 82K 0.5% 1/10W		
727		G2F	RESISTOR		R6811	1-208-826-11	METAL CHIP 68K 0.5% 1/10W		
728		G2F	RESISTOR		R6813	1-216-821-11	METAL CHIP 1K 5% 1/10W		
729		G2F	RESISTOR		R6814	1-216-827-11	METAL CHIP 3.3K 5% 1/10W		
730		G2F	RESISTOR		R6815	1-218-863-11	METAL CHIP 4.7K 0.5% 1/10W		
731		G2F	RESISTOR		R6816	1-208-812-11	METAL CHIP 18K 0.5% 1/10W		
732		G2F	RESISTOR		R6817	1-208-812-11	METAL CHIP 18K 0.5% 1/10W		
733		G2F	RESISTOR		R6818	1-208-812-11	METAL CHIP 18K 0.5% 1/10W		
734		G2F	RESISTOR		R6820	1-216-837-11	METAL CHIP 22K 5% 1/10W		
735		G2F	RESISTOR		R6821	1-216-821-11	METAL CHIP 1K 5% 1/10W		
736		G2F	RESISTOR		R6822	1-216-821-11	METAL CHIP 1K 5% 1/10W		
737		G2F	RESISTOR		R6823	1-216-839-11	METAL CHIP 33K 5% 1/10W		
738		G2F	RESISTOR		R6824	1-216-821-11	METAL CHIP 1K 5% 1/10W		
739		G2F	RESISTOR		R6825	1-216-821-11	METAL CHIP 1K 5% 1/10W		
740		G2F	RESISTOR		R6826	1-216-821-11	METAL CHIP 1K 5% 1/10W		

No.	#	Board	Type	Δ / [*]	Ref. No.	Part No.	Description	Remarks-1	Remarks-2
741		G2F	RESISTOR		R6829	1-216-833-11	METAL CHIP 10K 5% 1/10W		
742		G2F	RESISTOR		R6830	1-216-864-11	SHORT CHIP 0		
743		G2F	RESISTOR		R6831	1-218-857-11	METAL CHIP 2.7K 0.5% 1/10W		
744		G2F	RESISTOR		R6832	1-218-861-11	METAL CHIP 3.9K 0.5% 1/10W		
745		G2F	RESISTOR		R6833	1-218-875-11	METAL CHIP 15K 0.5% 1/10W		
746		G2F	RESISTOR		R6834	1-216-853-11	METAL CHIP 470K 5% 1/10W		
747		G2F	RESISTOR		R6835	1-216-833-11	METAL CHIP 10K 5% 1/10W		
748		G2F	RESISTOR		R6836	1-216-853-11	METAL CHIP 470K 5% 1/10W		
749		G2F	RESISTOR		R6837	1-216-837-11	METAL CHIP 22K 5% 1/10W		
750		G2F	RESISTOR		R6838	1-216-833-11	METAL CHIP 10K 5% 1/10W		
751		G2F	RESISTOR		R6839	1-216-864-11	SHORT CHIP 0		
752		G2F	RESISTOR		R6903	1-216-864-11	SHORT CHIP 0		
753		G2F	RESISTOR		R6906	1-216-833-11	METAL CHIP 10K 5% 1/10W		
754		G2F	RESISTOR		R6907	1-216-833-11	METAL CHIP 10K 5% 1/10W		
755		G2F	RESISTOR		R6908	1-216-833-11	METAL CHIP 10K 5% 1/10W		
756		G2F	RESISTOR		R6909	1-216-821-11	METAL CHIP 1K 5% 1/10W		
757		G2F	RESISTOR		R6911	1-216-833-11	METAL CHIP 10K 5% 1/10W		
758		G2F	RESISTOR		R6912	1-216-841-11	METAL CHIP 47K 5% 1/10W		
759		G2F	RESISTOR		R6913	1-216-833-11	METAL CHIP 10K 5% 1/10W		
760		G2F	RESISTOR		R6914	1-216-833-11	METAL CHIP 10K 5% 1/10W		
761		G2F	RESISTOR		R6915	1-216-827-11	METAL CHIP 3.3K 5% 1/10W		
762		G2F	RESISTOR		R6916	1-216-827-11	METAL CHIP 3.3K 5% 1/10W		
763		G2F	RESISTOR		R6917	1-208-824-11	METAL CHIP 56K 0.5% 1/10W		
764		G2F	RESISTOR		R6918	1-208-826-11	METAL CHIP 68K 0.5% 1/10W		
765		G2F	RESISTOR		R6919	1-208-822-11	METAL CHIP 47K 0.5% 1/10W		
766		G2F	RESISTOR		R6920	1-208-826-11	METAL CHIP 68K 0.5% 1/10W		
767		G2F	RESISTOR		R6921	1-208-828-11	METAL CHIP 82K 0.5% 1/10W		
768		G2F	RESISTOR		R6922	1-218-871-11	METAL CHIP 10K 0.5% 1/10W		
769		G2F	RESISTOR		R6923	1-216-833-11	METAL CHIP 10K 5% 1/10W		
770		G2F	RESISTOR		R6924	1-216-821-11	METAL CHIP 1K 5% 1/10W		
771		G2F	RESISTOR		R6925	1-218-871-11	METAL CHIP 10K 0.5% 1/10W		
772		G2F	RESISTOR		R6926	1-216-829-11	METAL CHIP 4.7K 5% 1/10W		
773		G2F	RESISTOR		R6927	1-216-833-11	METAL CHIP 10K 5% 1/10W		
774		G2F	RESISTOR		R6928	1-216-833-11	METAL CHIP 10K 5% 1/10W		
775		G2F	RESISTOR		R6929	1-218-875-11	METAL CHIP 15K 0.5% 1/10W		
776		G2F	RESISTOR		R6930	1-216-821-11	METAL CHIP 1K 5% 1/10W		
777		G2F	RESISTOR		R6931	1-218-871-11	METAL CHIP 10K 0.5% 1/10W		
778		G2F	RESISTOR		R6932	1-218-871-11	METAL CHIP 10K 0.5% 1/10W		
779		G2F	RESISTOR		R6933	1-216-829-11	METAL CHIP 4.7K 5% 1/10W		
780		G2F	RESISTOR		R6934	1-216-841-11	METAL CHIP 47K 5% 1/10W		
781		G2F	RESISTOR		R6935	1-216-833-11	METAL CHIP 10K 5% 1/10W		
782		G2F	RESISTOR		R6936	1-218-871-11	METAL CHIP 10K 0.5% 1/10W		
783		G2F	RESISTOR		R6937	1-218-847-11	METAL CHIP 1K 0.5% 1/10W		
784		G2F	RESISTOR		R6938	1-216-833-11	METAL CHIP 10K 5% 1/10W		
785		G2F	RESISTOR		R6941	1-216-833-11	METAL CHIP 10K 5% 1/10W		
786		G2F	RESISTOR		R6942	1-216-833-11	METAL CHIP 10K 5% 1/10W		
787		G2F	RESISTOR		R6943	1-216-833-11	METAL CHIP 10K 5% 1/10W		
788		G2F	RESISTOR		R6946	1-216-809-11	METAL CHIP 100 5% 1/10W		
789		G2F	RESISTOR		R6947	1-216-833-11	METAL CHIP 10K 5% 1/10W		
790		G2F	RESISTOR		R6948	1-216-833-11	METAL CHIP 10K 5% 1/10W		
791		G2F	RESISTOR		R6949	1-216-833-11	METAL CHIP 10K 5% 1/10W		
792		G2F	RESISTOR		R6950	1-216-833-11	METAL CHIP 10K 5% 1/10W		
793		G2F	RESISTOR		R6951	1-216-819-11	METAL CHIP 680 5% 1/10W		
794		G2F	RESISTOR		R6952	1-216-833-11	METAL CHIP 10K 5% 1/10W		
795		G2F	RESISTOR		R6953	1-216-833-11	METAL CHIP 10K 5% 1/10W		
796		G2F	RESISTOR		R6954	1-216-833-11	METAL CHIP 10K 5% 1/10W		
797		G2F	RESISTOR		R6955	1-216-833-11	METAL CHIP 10K 5% 1/10W		
798		G2F	RESISTOR		R6956	1-216-821-11	METAL CHIP 1K 5% 1/10W		
799		G2F	RESISTOR		R6957	1-216-821-11	METAL CHIP 1K 5% 1/10W		
800		G2F	RESISTOR		R6959	1-216-845-11	METAL CHIP 100K 5% 1/10W		
801		G2F	RESISTOR		R6960	1-208-828-11	METAL CHIP 82K 0.5% 1/10W		
802		G2F	RESISTOR		R6961	1-208-828-11	METAL CHIP 82K 0.5% 1/10W		
803		G2F	RESISTOR		R6962	1-216-829-11	METAL CHIP 4.7K 5% 1/10W		
804		G2F	RESISTOR		R6963	1-218-903-11	METAL CHIP 220K 0.5% 1/10W		
805		G2F	RESISTOR		R6965	1-208-828-11	METAL CHIP 82K 0.5% 1/10W		
806		G2F	RESISTOR		R6966	1-208-828-11	METAL CHIP 82K 0.5% 1/10W		
807		G2F	VARIABLE RESISTOR		RV6801	1-241-760-11	RES, ADJ, CARBON 470		
808		G2F	VARIABLE RESISTOR		RV6802	1-241-760-11	RES, ADJ, CARBON 470		
809		G2F	TRANSFORMER	Δ	T6301	1-443-450-11	DC-DC CONVERTER TRANSFORMER		
810		G2F	TRANSFORMER	Δ	T6501	1-443-446-11	CONVERTER TRANSFORMER (PIT)		
811		G2F	TRANSFORMER	Δ	T6701	1-443-447-11	CONVERTER TRANSFORMER (PIT)		
812		G2F	TRANSFORMER	Δ	T6702	1-443-447-11	CONVERTER TRANSFORMER (PIT)		
813		G2F	THERMISTOR		TH6403	1-804-045-11	THERMISTOR		
814		G1	CAPACITOR	Δ	C6008	1-165-531-11	MYLAR 1UF 10 275V		

No.	#	Board	Type	△/*	Ref. No.	Part No.	Description	Remarks-1	Remarks-2
815		G1	CAPACITOR		C6101	1-115-350-51	CERAMIC 0.0047UF 2KV		
816		G1	CAPACITOR		C6102	1-115-350-51	CERAMIC 0.0047UF 2KV		
817		G1	CAPACITOR		C6103	1-115-350-51	CERAMIC 0.0047UF 2KV		
818		G1	CAPACITOR		C6104	1-115-350-51	CERAMIC 0.0047UF 2KV		
819		G1	CAPACITOR		C6105	1-107-974-11	CERAMIC 47PF 5.00% 2KV		
820		G1	CAPACITOR		C6106	1-107-680-91	ELECT 22UF 20.00% 450V		
821		G1	CAPACITOR		C6107	1-164-646-11	CERAMIC 2200PF 10.00% 500V		
822		G1	CAPACITOR		C6108	1-107-826-11	CERAMIC CHIP 0.1UF 10.00% 16V		
823		G1	CAPACITOR	△	C6111	1-119-886-51	CERAMIC 470PF 10.00% 250V		
824		G1	CAPACITOR		C6113	1-165-729-31	ELECT 470UF 20% 16V		
825		G1	CAPACITOR		C6114	1-107-826-11	CERAMIC CHIP 0.1UF 10.00% 16V		
826		G1	CAPACITOR		C6115	1-128-526-11	ELECT 100UF 20.00% 25V		
827		G1	CAPACITOR		C6116	1-107-910-11	ELECT 100UF 20.00% 50V		
828		G1	CAPACITOR		C6117	1-107-905-11	ELECT 4.7UF 20.00% 50V		
829		G1	CAPACITOR		C6118	1-107-903-11	ELECT 2.2UF 20.00% 50V		
830		G1	CAPACITOR		C6119	1-162-964-11	CERAMIC CHIP 0.001UF 10.00% 50V		
831		G1	CAPACITOR		C6120	1-162-964-11	CERAMIC CHIP 0.001UF 10.00% 50V		
832		G1	CAPACITOR		C6121	1-162-964-11	CERAMIC CHIP 0.001UF 10.00% 50V		
833		G1	CAPACITOR		C6202	1-104-760-11	CERAMIC CHIP 0.047UF 10.00% 50V		
834		G1	CAPACITOR		C6203	1-115-350-51	CERAMIC 0.0047UF 2KV		
835		G1	CAPACITOR		C6204	1-115-350-51	CERAMIC 0.0047UF 2KV		
836		G1	CAPACITOR		C6205	1-163-037-11	CERAMIC CHIP 0.022UF 10.00% 50V		
837		G1	CAPACITOR		C6206	1-115-339-11	CERAMIC CHIP 0.1UF 10.00% 50V		
838		G1	CAPACITOR		C6208	1-107-823-11	CERAMIC CHIP 0.47UF 10.00% 16V		
839		G1	CAPACITOR		C6209	1-115-350-51	CERAMIC 0.0047UF 2KV		
840		G1	CAPACITOR		C6210	1-115-350-51	CERAMIC 0.0047UF 2KV		
841		G1	CAPACITOR		C6212	1-112-024-21	MYLAR 1UF 10% 450V		
842		G1	CAPACITOR		C6213	1-162-927-11	CERAMIC CHIP 100PF 5.00% 50V		
843		G1	CAPACITOR		C6214	1-100-804-11	MYLAR 2.2UF 10% 450V		
844		G1	CAPACITOR		C6215	1-162-964-11	CERAMIC CHIP 0.001UF 10.00% 50V		
845		G1	CAPACITOR		C6216	1-163-021-91	CERAMIC CHIP 0.01UF 10.00% 50V		
846		G1	CAPACITOR		C6217	1-162-962-11	CERAMIC CHIP 470PF 10.00% 50V		
847		G1	CAPACITOR	△	C6218	1-119-886-51	CERAMIC 470PF 10.00% 250V		
848		G1	CAPACITOR		C6219	1-128-526-11	ELECT 100UF 20.00% 25V		
849		G1	CAPACITOR		C6220	1-163-037-11	CERAMIC CHIP 0.022UF 10.00% 50V		
850		G1	CAPACITOR		C6221	1-162-964-11	CERAMIC CHIP 0.001UF 10.00% 50V		
851		G1	CAPACITOR		C6222	1-107-889-11	ELECT 220UF 20.00% 25V		
852		G1	CAPACITOR		C6223	1-115-339-11	CERAMIC CHIP 0.1UF 10.00% 50V		
853		G1	CAPACITOR		C6225	1-163-021-91	CERAMIC CHIP 0.01UF 10.00% 50V		
854		G1	CAPACITOR		C6226	1-163-037-11	CERAMIC CHIP 0.022UF 10.00% 50V		
855		G1	CAPACITOR		C6227	1-115-339-11	CERAMIC CHIP 0.1UF 10.00% 50V		
856		G1	CAPACITOR		C6228	1-107-906-11	ELECT 10UF 20.00% 50V		
857		G1	CAPACITOR		C6229	1-115-416-11	CERAMIC CHIP 0.001UF 5.00% 25V		
858		G1	CAPACITOR		C6230	1-104-760-11	CERAMIC CHIP 0.047UF 10.00% 50V		
859		G1	CAPACITOR		C6231	1-100-613-81	CERAMIC 470PF 5% 1KV		
860		G1	CAPACITOR		C6232	1-100-613-81	CERAMIC 470PF 5% 1KV		
861		G1	CAPACITOR		C6233	1-163-145-00	CERAMIC CHIP 0.0015UF 5.00% 50V		
862		G1	CAPACITOR		C6234	1-163-037-11	CERAMIC CHIP 0.022UF 10.00% 50V		
863		G1	CAPACITOR		C6235	1-163-021-91	CERAMIC CHIP 0.01UF 10.00% 50V		
864		G1	CAPACITOR		C6236	1-100-613-81	CERAMIC 470PF 5% 1KV		
865		G1	CAPACITOR		C6237	1-100-613-81	CERAMIC 470PF 5% 1KV		
866		G1	CAPACITOR		C6238	1-112-025-11	ELECT 270UF 20% 450V		
867		G1	CAPACITOR		C6239	1-162-964-11	CERAMIC CHIP 0.001UF 10.00% 50V		
868		G1	CAPACITOR		C6240	1-162-970-11	CERAMIC CHIP 0.01UF 10.00% 25V		
869		G1	CAPACITOR		C6241	1-163-021-91	CERAMIC CHIP 0.01UF 10.00% 50V		
870		G1	CAPACITOR		C6242	1-112-025-11	ELECT 270UF 20% 450V		
871		G1	CAPACITOR		C6243	1-162-964-11	CERAMIC CHIP 0.001UF 10.00% 50V		
872		G1	CAPACITOR		C6244	1-162-970-11	CERAMIC CHIP 0.01UF 10.00% 25V		
873		G1	CAPACITOR		C6245	1-163-021-91	CERAMIC CHIP 0.01UF 10.00% 50V		
874		G1	CAPACITOR		C6246	1-163-021-91	CERAMIC CHIP 0.01UF 10.00% 50V		
875		G1	CAPACITOR		C6247	1-107-905-11	ELECT 4.7UF 20.00% 50V		
876		G1	CAPACITOR		C6248	1-107-888-11	ELECT 47UF 20.00% 25V		
877		G1	CAPACITOR		C6249	1-107-905-11	ELECT 4.7UF 20.00% 50V		
878		G1	CAPACITOR		C6250	1-162-970-11	CERAMIC CHIP 0.01UF 10.00% 25V		
879		G1	CAPACITOR		C6251	1-107-902-11	ELECT 1UF 20.00% 50V		
880		G1	CAPACITOR		C6252	1-162-970-11	CERAMIC CHIP 0.01UF 10.00% 25V		
881		G1	CAPACITOR		C6253	1-107-910-11	ELECT 100UF 20.00% 50V		
882		G1	CAPACITOR		C6254	1-162-970-11	CERAMIC CHIP 0.01UF 10.00% 25V		
883		G1	CAPACITOR		C6256	1-112-025-11	ELECT 270UF 20% 450V		
884		G1	CAPACITOR		C6901	1-162-970-11	CERAMIC CHIP 0.01UF 10.00% 25V		
885		G1	CAPACITOR		C6905	1-162-970-11	CERAMIC CHIP 0.01UF 10.00% 25V		
886		G1	CONNECTOR	*	CN6014	1-580-843-11	PIN, CONNECTOR (POWER)		
887		G1	CONNECTOR		CN6901	1-573-806-91	PIN, CONNECTOR 6P		
888		G1	DIODE		D6021	8-719-081-97	DIODE MMDL914T1		

No.	#	Board	Type	△/*	Ref. No.	Part No.	Description	Remarks-1	Remarks-2
889		G1	DIODE		D6100	8-719-077-76	DIODE D2SB60A-F04		
890		G1	DIODE		D6101	8-719-069-55	DIODE UDZSTE-175.6B		
891		G1	DIODE		D6102	6-500-849-01	DIODE ERA22-08KFLB		
892		G1	DIODE		D6103	6-500-567-31	DIODE 10ERB20-TB3		
893		G1	DIODE		D6104	6-500-567-31	DIODE 10ERB20-TB3		
894		G1	DIODE		D6105	6-500-567-31	DIODE 10ERB20-TB3		
895		G1	DIODE		D6106	8-719-080-75	DIODE M1FL20U-4063		
896		G1	DIODE		D6201	8-719-304-63	DIODE RM11C		
897		G1	DIODE		D6202	6-500-254-01	DIODE MM3Z7V5T1		
898		G1	DIODE		D6203	8-719-081-97	DIODE MMDL914T1		
899		G1	DIODE		D6204	8-719-056-84	DIODE UDZ-TE-17-7.5B		
900		G1	DIODE		D6205	8-719-054-89	DIODE D15XB60		
901		G1	DIODE		D6206	8-719-081-97	DIODE MMDL914T1		
902		G1	DIODE		D6207	8-719-071-94	DIODE HRU0103ATRF		
903		G1	DIODE		D6208	8-719-304-63	DIODE RM11C		
904		G1	DIODE		D6209	6-500-254-01	DIODE MM3Z7V5T1		
905		G1	DIODE		D6210	8-719-071-94	DIODE HRU0103ATRF		
906		G1	DIODE		D6211	8-719-071-94	DIODE HRU0103ATRF		
907		G1	DIODE		D6212	8-719-041-97	DIODE MA113-(TX)		
908		G1	DIODE		D6213	8-719-041-97	DIODE MA113-(TX)		
909		G1	DIODE		D6214	8-719-082-03	DIODE MM3Z15VT1		
910		G1	DIODE		D6215	8-719-082-03	DIODE MM3Z15VT1		
911		G1	DIODE		D6216	8-719-304-63	DIODE RM11C		
912		G1	DIODE		D6217	6-500-407-01	DIODE SF20L60U-4015		
913		G1	DIODE		D6218	8-719-081-97	DIODE MMDL914T1		
914		G1	DIODE		D6219	8-719-059-51	DIODE MA3J142E0LSO		
915		G1	DIODE		D6220	8-719-082-03	DIODE MM3Z15VT1		
916		G1	DIODE		D6221	8-719-082-03	DIODE MM3Z15VT1		
917		G1	DIODE		D6222	8-719-041-97	DIODE MA113-(TX)		
918		G1	DIODE		D6223	8-719-082-03	DIODE MM3Z15VT1		
919		G1	DIODE		D6224	8-719-082-03	DIODE MM3Z15VT1		
920		G1	DIODE		D6225	6-500-849-01	DIODE ERA22-08KFLB		
921		G1	DIODE		D6226	6-500-849-01	DIODE ERA22-08KFLB		
922		G1	DIODE		D6900	8-719-081-97	DIODE MMDL914T1		
923		G1	IC		IC6101	6-600-279-01	IC STR-A6169		
924		G1	IC		IC6102	8-759-682-42	IC MM1431ATT		
925		G1	IC		IC6201	6-704-924-01	IC PQ12DZ5UJ00H		
926		G1	IC		IC6202	6-703-132-01	IC UC3854BN		
927		G1	IC		IC6203	8-759-058-50	IC XRA10324AF		
928		G1	IC		IC6204	8-759-682-42	IC MM1431ATT		
929		G1	COIL		L6101	1-412-537-31	INDUCTOR 100UH		
930		G1	COIL		L6201	1-456-854-11	INDUCTOR 58UH		
931		G1	COIL		L6202	1-456-855-11	INDUCTOR 100UH		
932		G1	COIL		L6203	1-456-854-11	INDUCTOR 58UH		
933		G1	PHOTO COUPLER	△	PH6101	6-600-187-01	PHOTO COUPLER PC123Y22JOOF		
934		G1	PHOTO COUPLER	△	PH6904	6-600-187-01	PHOTO COUPLER PC123Y22JOOF		
935		G1	PHOTO COUPLER	△	PH6905	6-600-187-01	PHOTO COUPLER PC123Y22JOOF		
936		G1	TRANSISTOR		Q6201	8-729-040-89	TRANSISTOR 2SK1590-T1B		
937		G1	TRANSISTOR		Q6202	6-550-549-01	TRANSISTOR DTC114EUAFT106		
938		G1	TRANSISTOR		Q6203	8-729-820-86	TRANSISTOR 2SB1121-ST		
939		G1	TRANSISTOR		Q6204	8-729-905-35	TRANSISTOR 2SC4081-R		
940		G1	TRANSISTOR		Q6205	8-729-807-17	TRANSISTOR 2SD1621-S		
941		G1	TRANSISTOR		Q6206	6-550-372-01	TRANSISTOR SPA20N60C3E8152		
942		G1	TRANSISTOR		Q6207	6-550-372-01	TRANSISTOR SPA20N60C3E8152		
943		G1	TRANSISTOR		Q6208	8-729-026-53	TRANSISTOR 2SA1576A-T106-QR		
944		G1	TRANSISTOR		Q6209	8-729-905-35	TRANSISTOR 2SC4081-R		
945		G1	TRANSISTOR		Q6210	8-729-905-35	TRANSISTOR 2SC4081-R		
946		G1	TRANSISTOR		Q6211	8-729-905-35	TRANSISTOR 2SC4081-R		
947		G1	TRANSISTOR		Q6212	8-729-905-35	TRANSISTOR 2SC4081-R		
948		G1	TRANSISTOR		Q6213	8-729-026-53	TRANSISTOR 2SA1576A-T106-QR		
949		G1	TRANSISTOR		Q6214	6-550-549-01	TRANSISTOR DTC114EUAFT106		
950		G1	TRANSISTOR		Q6215	8-729-905-35	TRANSISTOR 2SC4081-R		
951		G1	TRANSISTOR		Q6216	8-729-026-53	TRANSISTOR 2SA1576A-T106-QR		
952		G1	TRANSISTOR		Q6217	8-729-026-53	TRANSISTOR 2SA1576A-T106-QR		
953		G1	TRANSISTOR		Q6218	8-729-804-41	TRANSISTOR 2SB1122-S		
954		G1	TRANSISTOR		Q6219	6-550-372-01	TRANSISTOR SPA20N60C3E8152		
955		G1	TRANSISTOR		Q6903	6-550-549-01	TRANSISTOR DTC114EUAFT106		
956		G1	TRANSISTOR		Q6915	8-729-023-22	TRANSISTOR 2SD2114K		
957		G1	RESISTOR		R6003	1-216-864-11	SHORT CHIP 0		
958		G1	RESISTOR		R6005	1-202-962-11	CEMENTED 3.3 5% 10W		
959		G1	RESISTOR		R6006	1-202-962-11	CEMENTED 3.3 5% 10W		
960		G1	RESISTOR		R6007	1-217-781-31	FUSIBLE 2.2 5% 5W		
961		G1	RESISTOR		R6101	1-216-353-00	METAL OXIDE 2.2 5% 1W		
962		G1	RESISTOR		R6102	1-249-381-11	CARBON 1 5% 1/4W		

No.	#	Board	Type	Δ / [*]	Ref. No.	Part No.	Description	Remarks-1	Remarks-2
963		G1	RESISTOR		R6103	1-243-725-71	METAL OXIDE 100K 5% 1W		
964		G1	RESISTOR		R6104	1-216-864-11	SHORT CHIP 0		
965		G1	RESISTOR		R6105	1-249-393-11	CARBON 10 5% 1/4W		
966		G1	RESISTOR		R6106	1-249-393-11	CARBON 10 5% 1/4W		
967		G1	RESISTOR		R6107	1-216-821-11	METAL CHIP 1K 5% 1/10W		
968		G1	RESISTOR		R6108	1-216-817-11	METAL CHIP 470 5% 1/10W		
969		G1	RESISTOR		R6109	1-216-839-11	METAL CHIP 33K 5% 1/10W		
970		G1	RESISTOR		R6110	1-218-871-11	METAL CHIP 10K 0.5% 1/10W		
971		G1	RESISTOR		R6111	1-216-864-11	SHORT CHIP 0		
972		G1	RESISTOR		R6112	1-218-871-11	METAL CHIP 10K 0.5% 1/10W		
973		G1	RESISTOR		R6113	1-208-830-11	METAL CHIP 100K 0.5% 1/10W		
974		G1	RESISTOR		R6114	1-208-830-11	METAL CHIP 100K 0.5% 1/10W		
975		G1	RESISTOR		R6115	1-208-830-11	METAL CHIP 100K 0.5% 1/10W		
976		G1	RESISTOR		R6116	1-208-830-11	METAL CHIP 100K 0.5% 1/10W		
977		G1	RESISTOR		R6117	1-208-830-11	METAL CHIP 100K 0.5% 1/10W		
978		G1	RESISTOR		R6118	1-208-830-11	METAL CHIP 100K 0.5% 1/10W		
979		G1	RESISTOR		R6119	1-208-830-11	METAL CHIP 100K 0.5% 1/10W		
980		G1	RESISTOR		R6120	1-208-830-11	METAL CHIP 100K 0.5% 1/10W		
981		G1	RESISTOR		R6121	1-208-830-11	METAL CHIP 100K 0.5% 1/10W		
982		G1	RESISTOR		R6122	1-208-830-11	METAL CHIP 100K 0.5% 1/10W		
983		G1	RESISTOR		R6123	1-208-830-11	METAL CHIP 100K 0.5% 1/10W		
984		G1	RESISTOR		R6124	1-208-830-11	METAL CHIP 100K 0.5% 1/10W		
985		G1	RESISTOR		R6125	1-216-841-11	METAL CHIP 47K 5% 1/10W		
986		G1	RESISTOR		R6202	1-216-857-11	METAL CHIP 1M 5% 1/10W		
987		G1	RESISTOR		R6203	1-218-899-11	METAL CHIP 150K 0.5% 1/16W		
988		G1	RESISTOR		R6204	1-245-470-21	METAL 220K 1% 1/4W		
989		G1	RESISTOR		R6205	1-245-474-21	METAL 330K 1% 1/4W		
990		G1	RESISTOR		R6206	1-245-474-21	METAL 330K 1% 1/4W		
991		G1	RESISTOR		R6207	1-218-895-11	METAL CHIP 100K 0.5% 1/10W		
992		G1	RESISTOR		R6208	1-245-470-21	METAL 220K 1% 1/4W		
993		G1	RESISTOR		R6209	1-245-474-21	METAL 330K 1% 1/4W		
994		G1	RESISTOR		R6210	1-245-474-21	METAL 330K 1% 1/4W		
995		G1	RESISTOR		R6211	1-218-877-11	METAL CHIP 18K 0.5% 1/10W		
996		G1	RESISTOR		R6212	1-245-470-21	METAL 220K 1% 1/4W		
997		G1	RESISTOR		R6213	1-245-474-21	METAL 330K 1% 1/4W		
998		G1	RESISTOR		R6214	1-245-474-21	METAL 330K 1% 1/4W		
999		G1	RESISTOR		R6215	1-216-121-11	RES-CHIP 1M 5% 1/10W		
1000		G1	RESISTOR		R6216	1-216-825-11	METAL CHIP 2.2K 5% 1/10W		
1001		G1	RESISTOR		R6217	1-218-847-11	METAL CHIP 1K 0.5% 1/10W		
1002		G1	RESISTOR		R6218	1-218-875-11	METAL CHIP 15K 0.5% 1/10W		
1003		G1	RESISTOR		R6219	1-216-857-11	METAL CHIP 1M 5% 1/10W		
1004		G1	RESISTOR		R6220	1-216-830-11	METAL CHIP 5.6K 5% 1/10W		
1005		G1	RESISTOR		R6222	1-216-837-11	METAL CHIP 22K 5% 1/10W		
1006		G1	RESISTOR		R6223	1-243-665-11	METAL 0.05 5% 5W		
1007		G1	RESISTOR		R6224	1-243-665-11	METAL 0.05 5% 5W		
1008		G1	RESISTOR		R6225	1-249-393-11	CARBON 10 5% 1/4W		
1009		G1	RESISTOR		R6226	1-216-801-11	METAL CHIP 22 5% 1/10W		
1010		G1	RESISTOR		R6227	1-216-825-11	METAL CHIP 2.2K 5% 1/10W		
1011		G1	RESISTOR		R6228	1-216-837-11	METAL CHIP 22K 5% 1/10W		
1012		G1	RESISTOR		R6229	1-249-393-11	CARBON 10 5% 1/4W		
1013		G1	RESISTOR		R6230	1-216-833-11	METAL CHIP 10K 5% 1/10W		
1014		G1	RESISTOR		R6231	1-216-801-11	METAL CHIP 22 5% 1/10W		
1015		G1	RESISTOR		R6232	1-216-833-11	METAL CHIP 10K 5% 1/10W		
1016		G1	RESISTOR		R6233	1-249-393-11	CARBON 10 5% 1/4W		
1017		G1	RESISTOR		R6234	1-249-401-11	CARBON 47 5% 1/4W		
1018		G1	RESISTOR		R6236	1-216-837-11	METAL CHIP 22K 5% 1/10W		
1019		G1	RESISTOR		R6237	1-249-393-11	CARBON 10 5% 1/4W		
1020		G1	RESISTOR		R6238	1-216-829-11	METAL CHIP 4.7K 5% 1/10W		
1021		G1	RESISTOR		R6239	1-216-849-11	METAL CHIP 220K 5% 1/10W		
1022		G1	RESISTOR		R6240	1-216-833-11	METAL CHIP 10K 5% 1/10W		
1023		G1	RESISTOR		R6241	1-216-837-11	METAL CHIP 22K 5% 1/10W		
1024		G1	RESISTOR		R6242	1-216-829-11	METAL CHIP 4.7K 5% 1/10W		
1025		G1	RESISTOR		R6243	1-216-833-11	METAL CHIP 10K 5% 1/10W		
1026		G1	RESISTOR		R6244	1-218-867-11	METAL CHIP 6.8K 0.5% 1/10W		
1027		G1	RESISTOR		R6245	1-218-851-11	METAL CHIP 1.5K 0.5% 1/10W		
1028		G1	RESISTOR		R6246	1-218-869-11	METAL CHIP 8.2K 0.5% 1/10W		
1029		G1	RESISTOR		R6247	1-208-830-11	METAL CHIP 100K 0.5% 1/10W		
1030		G1	RESISTOR		R6248	1-208-830-11	METAL CHIP 100K 0.5% 1/10W		
1031		G1	RESISTOR		R6249	1-208-830-11	METAL CHIP 100K 0.5% 1/10W		
1032		G1	RESISTOR		R6250	1-216-845-11	METAL CHIP 100K 5% 1/10W		
1033		G1	RESISTOR		R6251	1-216-835-11	METAL CHIP 15K 5% 1/10W		
1034		G1	RESISTOR		R6252	1-216-837-11	METAL CHIP 22K 5% 1/10W		
1035		G1	RESISTOR		R6253	1-215-882-00	METAL OXIDE 22 5% 2W		
1036		G1	RESISTOR		R6254	1-215-882-00	METAL OXIDE 22 5% 2W		

No.	#	Board	Type	Δ / [*]	Ref. No.	Part No.	Description	Remarks-1	Remarks-2
1037		G1	RESISTOR		R6255	1-216-121-11	RES-CHIP 1M 5% 1/10W		
1038		G1	RESISTOR		R6256	1-216-833-11	METAL CHIP 10K 5% 1/10W		
1039		G1	RESISTOR		R6257	1-216-821-11	METAL CHIP 1K 5% 1/10W		
1040		G1	RESISTOR		R6258	1-216-841-11	METAL CHIP 47K 5% 1/10W		
1041		G1	RESISTOR		R6259	1-216-833-11	METAL CHIP 10K 5% 1/10W		
1042		G1	RESISTOR		R6260	1-216-833-11	METAL CHIP 10K 5% 1/10W		
1043		G1	RESISTOR		R6261	1-216-809-11	METAL CHIP 100 5% 1/10W		
1044		G1	RESISTOR		R6262	1-208-830-11	METAL CHIP 100K 0.5% 1/10W		
1045		G1	RESISTOR		R6263	1-208-830-11	METAL CHIP 100K 0.5% 1/10W		
1046		G1	RESISTOR		R6264	1-208-830-11	METAL CHIP 100K 0.5% 1/10W		
1047		G1	RESISTOR		R6265	1-216-837-11	METAL CHIP 22K 5% 1/10W		
1048		G1	RESISTOR		R6266	1-216-847-11	METAL CHIP 150K 5% 1/10W		
1049		G1	RESISTOR		R6267	1-216-833-11	METAL CHIP 10K 5% 1/10W		
1050		G1	RESISTOR		R6268	1-216-821-11	METAL CHIP 1K 5% 1/10W		
1051		G1	RESISTOR		R6269	1-216-821-11	METAL CHIP 1K 5% 1/10W		
1052		G1	RESISTOR		R6270	1-216-821-11	METAL CHIP 1K 5% 1/10W		
1053		G1	RESISTOR		R6271	1-216-841-11	METAL CHIP 47K 5% 1/10W		
1054		G1	RESISTOR		R6272	1-216-833-11	METAL CHIP 10K 5% 1/10W		
1055		G1	RESISTOR		R6273	1-216-821-11	METAL CHIP 1K 5% 1/10W		
1056		G1	RESISTOR		R6274	1-216-829-11	METAL CHIP 4.7K 5% 1/10W		
1057		G1	RESISTOR		R6275	1-216-829-11	METAL CHIP 4.7K 5% 1/10W		
1058		G1	RESISTOR		R6276	1-216-841-11	METAL CHIP 47K 5% 1/10W		
1059		G1	RESISTOR		R6277	1-216-797-11	METAL CHIP 10 5% 1/10W		
1060		G1	RESISTOR		R6278	1-216-849-11	METAL CHIP 220K 5% 1/10W		
1061		G1	RESISTOR		R6279	1-216-829-11	METAL CHIP 4.7K 5% 1/10W		
1062		G1	RESISTOR		R6280	1-216-829-11	METAL CHIP 4.7K 5% 1/10W		
1063		G1	RESISTOR		R6281	1-216-833-11	METAL CHIP 10K 5% 1/10W		
1064		G1	RESISTOR		R6282	1-218-863-11	METAL CHIP 4.7K 0.5% 1/10W		
1065		G1	RESISTOR		R6283	1-218-831-11	METAL CHIP 220 0.5% 1/10W		
1066		G1	RESISTOR		R6284	1-218-855-11	METAL CHIP 2.2K 0.5% 1/10W		
1067		G1	RESISTOR		R6285	1-216-833-11	METAL CHIP 10K 5% 1/10W		
1068		G1	RESISTOR		R6286	1-216-841-11	METAL CHIP 47K 5% 1/10W		
1069		G1	RESISTOR		R6287	1-216-833-11	METAL CHIP 10K 5% 1/10W		
1070		G1	RESISTOR		R6288	1-216-833-11	METAL CHIP 10K 5% 1/10W		
1071		G1	RESISTOR		R6289	1-216-833-11	METAL CHIP 10K 5% 1/10W		
1072		G1	RESISTOR		R6290	1-216-841-11	METAL CHIP 47K 5% 1/10W		
1073		G1	RESISTOR		R6291	1-216-833-11	METAL CHIP 10K 5% 1/10W		
1074		G1	RESISTOR		R6292	1-249-393-11	CARBON 10 5% 1/4W		
1075		G1	RESISTOR		R6293	1-216-837-11	METAL CHIP 22K 5% 1/10W		
1076		G1	RESISTOR		R6294	1-216-833-11	METAL CHIP 10K 5% 1/10W		
1077		G1	RESISTOR		R6297	1-249-393-11	CARBON 10 5% 1/4W		
1078		G1	RESISTOR		R6298	1-216-801-11	METAL CHIP 22 5% 1/10W		
1079		G1	RESISTOR		R6299	1-216-833-11	METAL CHIP 10K 5% 1/10W		
1080		G1	RESISTOR		R6901	1-216-835-11	METAL CHIP 15K 5% 1/10W		
1081		G1	RESISTOR		R6902	1-216-829-11	METAL CHIP 4.7K 5% 1/10W		
1082		G1	RESISTOR		R6905	1-216-821-11	METAL CHIP 1K 5% 1/10W		
1083		G1	RESISTOR		R6910	1-216-817-11	METAL CHIP 470 5% 1/10W		
1084		G1	RESISTOR		R6911	1-216-864-11	SHORT CHIP 0		
1085		G1	VARIABLE RESISTOR		RV6201	1-225-626-91	RES, VAR, ADJ, CERMET 1K		
1086		G1	RELAY	Δ	RY6001	1-755-418-12	RELAY (AC POWER)		
1087		G1	RELAY	Δ	RY6002	1-755-418-12	RELAY (AC POWER)		
1088		G1	TRANSFORMER	Δ	T6101	1-443-313-11	TRANSFORMER, CONVERTER (SBT)		
1089		G1	THERMISTOR		TH6101	1-803-586-11	THERMISTOR, NTC		
1090		G1	THERMISTOR		TH6201	1-809-789-71	THERMISTOR, POSITIVE		
1091		K	CAPACITOR		C2605	1-107-826-11	CERAMIC CHIP 0.1UF 10.00% 16V		
1092		K	CAPACITOR		C2608	1-162-915-11	CERAMIC CHIP 10PF 0.50PF 50V		
1093		K	CAPACITOR		C2609	1-162-915-11	CERAMIC CHIP 10PF 0.50PF 50V		
1094		K	CAPACITOR		C2612	1-107-826-11	CERAMIC CHIP 0.1UF 10.00% 16V		
1095		K	CAPACITOR		C2613	1-107-826-11	CERAMIC CHIP 0.1UF 10.00% 16V		
1096		K	CAPACITOR		C2614	1-162-923-11	CERAMIC CHIP 47PF 5.00% 50V		
1097		K	CAPACITOR		C2615	1-162-923-11	CERAMIC CHIP 47PF 5.00% 50V		
1098		K	CAPACITOR		C2616	1-162-923-11	CERAMIC CHIP 47PF 5.00% 50V		
1099		K	CAPACITOR		C2617	1-124-778-00	ELECT CHIP 22UF 20.00% 6.3V		
1100		K	CAPACITOR		C2618	1-162-923-11	CERAMIC CHIP 47PF 5.00% 50V		
1101		K	CAPACITOR		C2619	1-107-826-11	CERAMIC CHIP 0.1UF 10.00% 16V		
1102		K	CAPACITOR		C2620	1-162-923-11	CERAMIC CHIP 47PF 5.00% 50V		
1103		K	CAPACITOR		C2621	1-162-970-11	CERAMIC CHIP 0.01UF 10.00% 25V		
1104		K	CAPACITOR		C2622	1-107-826-11	CERAMIC CHIP 0.1UF 10.00% 16V		
1105		K	CAPACITOR		C2624	1-124-778-00	ELECT CHIP 22UF 20.00% 6.3V		
1106		K	CAPACITOR		C2625	1-107-826-11	CERAMIC CHIP 0.1UF 10.00% 16V		
1107		K	CAPACITOR		C2626	1-107-826-11	CERAMIC CHIP 0.1UF 10.00% 16V		
1108		K	CAPACITOR		C2628	1-107-826-11	CERAMIC CHIP 0.1UF 10.00% 16V		
1109		K	CAPACITOR		C2629	1-107-826-11	CERAMIC CHIP 0.1UF 10.00% 16V		
1110		K	CAPACITOR		C2630	1-126-205-11	ELECT CHIP 47UF 20.00% 6.3V		

No.	#	Board	Type	Δ / [*]	Ref. No.	Part No.	Description	Remarks-1	Remarks-2
1111		K	CAPACITOR		C2631	1-107-826-11	CERAMIC CHIP 0.1UF 10.00% 16V		
1112		K	CAPACITOR		C2632	1-107-826-11	CERAMIC CHIP 0.1UF 10.00% 16V		
1113		K	CAPACITOR		C2633	1-162-923-11	CERAMIC CHIP 47PF 5.00% 50V		
1114		K	CAPACITOR		C2634	1-126-390-11	ELECT CHIP 22UF 20.00% 6.3V		
1115		K	CAPACITOR		C2635	1-107-826-11	CERAMIC CHIP 0.1UF 10.00% 16V		
1116		K	CAPACITOR		C2636	1-115-467-11	CERAMIC CHIP 0.22UF 10.00% 10V		
1117		K	CAPACITOR		C2638	1-107-826-11	CERAMIC CHIP 0.1UF 10.00% 16V		
1118		K	CAPACITOR		C2639	1-162-923-11	CERAMIC CHIP 47PF 5.00% 50V		
1119		K	CAPACITOR		C2640	1-128-643-11	CERAMIC CHIP 4.7UF 35V		
1120		K	CAPACITOR		C2641	1-100-566-91	CERAMIC CHIP 0.1UF 10.00% 25V		
1121		K	CAPACITOR		C2642	1-100-566-91	CERAMIC CHIP 0.1UF 10.00% 25V		
1122		K	CAPACITOR		C2643	1-100-566-91	CERAMIC CHIP 0.1UF 10.00% 25V		
1123		K	CAPACITOR		C2644	1-100-566-91	CERAMIC CHIP 0.1UF 10.00% 25V		
1124		K	CAPACITOR		C2645	1-126-205-11	ELECT CHIP 47UF 20.00% 6.3V		
1125		K	CAPACITOR		C2646	1-162-923-11	CERAMIC CHIP 47PF 5.00% 50V		
1126		K	CAPACITOR		C2647	1-125-827-91	CERAMIC CHIP 1UF 10.00% 25V		
1127		K	CAPACITOR		C2648	1-128-643-11	CERAMIC CHIP 4.7UF 35V		
1128		K	CAPACITOR		C2649	1-128-643-11	CERAMIC CHIP 4.7UF 35V		
1129		K	CAPACITOR		C2651	1-162-923-11	CERAMIC CHIP 47PF 5.00% 50V		
1130		K	CAPACITOR		C2652	1-162-923-11	CERAMIC CHIP 47PF 5.00% 50V		
1131		K	CAPACITOR		C2653	1-125-827-91	CERAMIC CHIP 1UF 10.00% 25V		
1132		K	CAPACITOR		C2655	1-125-827-91	CERAMIC CHIP 1UF 10.00% 25V		
1133		K	CAPACITOR		C2656	1-125-827-91	CERAMIC CHIP 1UF 10.00% 25V		
1134		K	CAPACITOR		C2657	1-125-827-91	CERAMIC CHIP 1UF 10.00% 25V		
1135		K	CAPACITOR		C2658	1-125-827-91	CERAMIC CHIP 1UF 10.00% 25V		
1136		K	CAPACITOR		C2659	1-163-989-11	CERAMIC CHIP 0.033UF 10.00% 25V		
1137		K	CAPACITOR		C2660	1-163-989-11	CERAMIC CHIP 0.033UF 10.00% 25V		
1138		K	CAPACITOR		C2661	1-163-989-11	CERAMIC CHIP 0.033UF 10.00% 25V		
1139		K	CAPACITOR		C2662	1-163-989-11	CERAMIC CHIP 0.033UF 10.00% 25V		
1140		K	CAPACITOR		C2663	1-100-566-91	CERAMIC CHIP 0.1UF 10.00% 25V		
1141		K	CAPACITOR		C2664	1-100-566-91	CERAMIC CHIP 0.1UF 10.00% 25V		
1142		K	CAPACITOR		C2665	1-100-566-91	CERAMIC CHIP 0.1UF 10.00% 25V		
1143		K	CAPACITOR		C2666	1-100-566-91	CERAMIC CHIP 0.1UF 10.00% 25V		
1144		K	CAPACITOR		C2667	1-162-923-11	CERAMIC CHIP 47PF 5.00% 50V		
1145		K	CAPACITOR		C2668	1-107-826-11	CERAMIC CHIP 0.1UF 10.00% 16V		
1146		K	CAPACITOR		C2669	1-100-566-91	CERAMIC CHIP 0.1UF 10.00% 25V		
1147		K	CAPACITOR		C2670	1-100-566-91	CERAMIC CHIP 0.1UF 10.00% 25V		
1148		K	CAPACITOR		C2671	1-100-566-91	CERAMIC CHIP 0.1UF 10.00% 25V		
1149		K	CAPACITOR		C2672	1-100-566-91	CERAMIC CHIP 0.1UF 10.00% 25V		
1150		K	CAPACITOR		C2673	1-126-193-11	ELECT CHIP 1UF 20.00% 50V		
1151		K	CAPACITOR		C2674	1-107-826-11	CERAMIC CHIP 0.1UF 10.00% 16V		
1152		K	CAPACITOR		C2675	1-107-826-11	CERAMIC CHIP 0.1UF 10.00% 16V		
1153		K	CAPACITOR		C2678	1-162-923-11	CERAMIC CHIP 47PF 5.00% 50V		
1154		K	CAPACITOR		C2679	1-162-923-11	CERAMIC CHIP 47PF 5.00% 50V		
1155		K	CAPACITOR		C2680	1-131-704-11	FILM 1UF 5% 50V		
1156		K	CAPACITOR		C2681	1-131-704-11	FILM 1UF 5% 50V		
1157		K	CAPACITOR		C2682	1-131-704-11	FILM 1UF 5% 50V		
1158		K	CAPACITOR		C2683	1-131-704-11	FILM 1UF 5% 50V		
1159		K	CAPACITOR		C2684	1-107-826-11	CERAMIC CHIP 0.1UF 10.00% 16V		
1160		K	CAPACITOR		C2685	1-100-566-91	CERAMIC CHIP 0.1UF 10.00% 25V		
1161		K	CAPACITOR		C2686	1-107-826-11	CERAMIC CHIP 0.1UF 10.00% 16V		
1162		K	CAPACITOR		C2687	1-115-339-11	CERAMIC CHIP 0.1UF 10.00% 50V		
1163		K	CAPACITOR		C2688	1-137-805-31	ELECT 330UF 20% 35V		
1164		K	CAPACITOR		C2689	1-112-030-31	CAP,ELECT,ALUMINUM		
1165		K	CAPACITOR		C2690	1-112-030-31	CAP,ELECT,ALUMINUM		
1166		K	CAPACITOR		C2691	1-137-805-31	ELECT 330UF 20% 35V		
1167		K	CAPACITOR		C2692	1-107-826-11	CERAMIC CHIP 0.1UF 10.00% 16V		
1168		K	CAPACITOR		C2693	1-115-340-11	CERAMIC CHIP 0.22UF 10.00% 25V		
1169		K	CAPACITOR		C2694	1-115-340-11	CERAMIC CHIP 0.22UF 10.00% 25V		
1170		K	CAPACITOR		C2695	1-115-340-11	CERAMIC CHIP 0.22UF 10.00% 25V		
1171		K	CAPACITOR		C2696	1-115-340-11	CERAMIC CHIP 0.22UF 10.00% 25V		
1172		K	CAPACITOR		C2697	1-162-964-11	CERAMIC CHIP 0.001UF 10.00% 50V		
1173		K	CAPACITOR		C2698	1-162-964-11	CERAMIC CHIP 0.001UF 10.00% 50V		
1174		K	CAPACITOR		C2699	1-162-964-11	CERAMIC CHIP 0.001UF 10.00% 50V		
1175		K	CAPACITOR		C2700	1-162-964-11	CERAMIC CHIP 0.001UF 10.00% 50V		
1176		K	CAPACITOR		C2701	1-162-964-11	CERAMIC CHIP 0.001UF 10.00% 50V		
1177		K	CAPACITOR		C2702	1-162-964-11	CERAMIC CHIP 0.001UF 10.00% 50V		
1178		K	CAPACITOR		C2703	1-162-964-11	CERAMIC CHIP 0.001UF 10.00% 50V		
1179		K	CAPACITOR		C2704	1-162-964-11	CERAMIC CHIP 0.001UF 10.00% 50V		
1180		K	CAPACITOR		C2705	1-162-970-11	CERAMIC CHIP 0.01UF 10.00% 25V		
1181		K	CAPACITOR		C2706	1-125-891-11	CERAMIC CHIP 0.47UF 10.00% 10V		
1182		K	CAPACITOR		C2707	1-162-923-11	CERAMIC CHIP 47PF 5.00% 50V		
1183		K	CAPACITOR		C2708	1-125-891-11	CERAMIC CHIP 0.47UF 10.00% 10V		
1184		K	CAPACITOR		C2709	1-162-923-11	CERAMIC CHIP 47PF 5.00% 50V		

No.	#	Board	Type	Δ / [*]	Ref. No.	Part No.	Description	Remarks-1	Remarks-2
1185		K	CAPACITOR		C2710	1-162-923-11	CERAMIC CHIP 47PF 5.00% 50V		
1186		K	CAPACITOR		C2711	1-162-970-11	CERAMIC CHIP 0.01UF 10.00% 25V		
1187		K	CAPACITOR		C2713	1-107-826-11	CERAMIC CHIP 0.1UF 10.00% 16V		
1188		K	CAPACITOR		C2714	1-107-826-11	CERAMIC CHIP 0.1UF 10.00% 16V		
1189		K	CAPACITOR		C2716	1-162-923-11	CERAMIC CHIP 47PF 5.00% 50V		
1190		K	CAPACITOR		C2717	1-162-923-11	CERAMIC CHIP 47PF 5.00% 50V		
1191		K	CAPACITOR		C2718	1-162-923-11	CERAMIC CHIP 47PF 5.00% 50V		
1192		K	CAPACITOR		C2719	1-162-923-11	CERAMIC CHIP 47PF 5.00% 50V		
1193		K	CAPACITOR		C2721	1-107-826-11	CERAMIC CHIP 0.1UF 10.00% 16V		
1194		K	CAPACITOR		C2722	1-107-826-11	CERAMIC CHIP 0.1UF 10.00% 16V		
1195		K	CAPACITOR		C2724	1-107-826-11	CERAMIC CHIP 0.1UF 10.00% 16V		
1196		K	CAPACITOR		C2725	1-107-826-11	CERAMIC CHIP 0.1UF 10.00% 16V		
1197		K	CAPACITOR		C2727	1-107-826-11	CERAMIC CHIP 0.1UF 10.00% 16V		
1198		K	CAPACITOR		C2728	1-125-827-91	CERAMIC CHIP 1UF 10.00% 25V		
1199		K	CAPACITOR		C2729	1-162-923-11	CERAMIC CHIP 47PF 5.00% 50V		
1200		K	CAPACITOR		C2730	1-100-566-91	CERAMIC CHIP 0.1UF 10.00% 25V		
1201		K	CAPACITOR		C2731	1-100-566-91	CERAMIC CHIP 0.1UF 10.00% 25V		
1202		K	CAPACITOR		C2732	1-125-827-91	CERAMIC CHIP 1UF 10.00% 25V		
1203		K	CAPACITOR		C2734	1-125-827-91	CERAMIC CHIP 1UF 10.00% 25V		
1204		K	CAPACITOR		C2735	1-163-989-11	CERAMIC CHIP 0.033UF 10.00% 25V		
1205		K	CAPACITOR		C2736	1-163-989-11	CERAMIC CHIP 0.033UF 10.00% 25V		
1206		K	CAPACITOR		C2737	1-100-566-91	CERAMIC CHIP 0.1UF 10.00% 25V		
1207		K	CAPACITOR		C2738	1-100-566-91	CERAMIC CHIP 0.1UF 10.00% 25V		
1208		K	CAPACITOR		C2739	1-100-566-91	CERAMIC CHIP 0.1UF 10.00% 25V		
1209		K	CAPACITOR		C2740	1-100-566-91	CERAMIC CHIP 0.1UF 10.00% 25V		
1210		K	CAPACITOR		C2741	1-131-704-11	FILM 1UF 5% 50V		
1211		K	CAPACITOR		C2742	1-131-704-11	FILM 1UF 5% 50V		
1212		K	CAPACITOR		C2744	1-137-805-31	ELECT 330UF 20% 35V		
1213		K	CAPACITOR		C2745	1-112-030-31	CAP,ELECT,ALUMINUM		
1214		K	CAPACITOR		C2746	1-115-340-11	CERAMIC CHIP 0.22UF 10.00% 25V		
1215		K	CAPACITOR		C2747	1-162-964-11	CERAMIC CHIP 0.001UF 10.00% 50V		
1216		K	CAPACITOR		C2748	1-162-964-11	CERAMIC CHIP 0.001UF 10.00% 50V		
1217		K	CAPACITOR		C2749	1-115-340-11	CERAMIC CHIP 0.22UF 10.00% 25V		
1218		K	CAPACITOR		C2750	1-162-964-11	CERAMIC CHIP 0.001UF 10.00% 50V		
1219		K	CAPACITOR		C2751	1-162-964-11	CERAMIC CHIP 0.001UF 10.00% 50V		
1220		K	CAPACITOR		C2752	1-128-643-11	CERAMIC CHIP 4.7UF 35V		
1221		K	CAPACITOR		C2753	1-162-970-11	CERAMIC CHIP 0.01UF 10.00% 25V		
1222		K	CAPACITOR		C2754	1-162-962-11	CERAMIC CHIP 470PF 10.00% 50V		
1223		K	CAPACITOR		C2755	1-107-826-11	CERAMIC CHIP 0.1UF 10.00% 16V		
1224		K	CAPACITOR		C2756	1-107-826-11	CERAMIC CHIP 0.1UF 10.00% 16V		
1225		K	CAPACITOR		C2757	1-126-206-11	ELECT CHIP 100UF 20.00% 6.3V		
1226		K	CAPACITOR		C2758	1-107-826-11	CERAMIC CHIP 0.1UF 10.00% 16V		
1227		K	CAPACITOR		C2760	1-126-205-11	ELECT CHIP 47UF 20.00% 6.3V		
1228		K	CAPACITOR		C2761	1-162-970-11	CERAMIC CHIP 0.01UF 10.00% 25V		
1229		K	CAPACITOR		C2762	1-162-970-11	CERAMIC CHIP 0.01UF 10.00% 25V		
1230		K	CAPACITOR		C2763	1-107-826-11	CERAMIC CHIP 0.1UF 10.00% 16V		
1231		K	CAPACITOR		C2764	1-107-826-11	CERAMIC CHIP 0.1UF 10.00% 16V		
1232		K	CAPACITOR		C2765	1-107-826-11	CERAMIC CHIP 0.1UF 10.00% 16V		
1233		K	CAPACITOR		C2766	1-164-245-11	CERAMIC CHIP 0.015UF 10.00% 25V		
1234		K	CAPACITOR		C2767	1-107-826-11	CERAMIC CHIP 0.1UF 10.00% 16V		
1235		K	CAPACITOR		C2768	1-107-826-11	CERAMIC CHIP 0.1UF 10.00% 16V		
1236		K	CAPACITOR		C6100	1-126-391-11	ELECT CHIP 47UF 20.00% 6.3V		
1237		K	CAPACITOR		C6101	1-126-391-11	ELECT CHIP 47UF 20.00% 6.3V		
1238		K	CAPACITOR		C6102	1-126-396-11	ELECT CHIP 47UF 20.00% 16V		
1239		K	CAPACITOR		C6103	1-162-964-11	CERAMIC CHIP 0.001UF 10.00% 50V		
1240		K	CAPACITOR		C6104	1-100-633-21	ELECT CHIP 47UF 20% 35V		
1241		K	CAPACITOR		C6106	1-107-826-11	CERAMIC CHIP 0.1UF 10.00% 16V		
1242		K	CAPACITOR		C6107	1-107-826-11	CERAMIC CHIP 0.1UF 10.00% 16V		
1243		K	CAPACITOR		C6108	1-107-826-11	CERAMIC CHIP 0.1UF 10.00% 16V		
1244		K	CAPACITOR		C6109	1-117-681-11	ELECT CHIP 100UF 20.00% 16V		
1245		K	CAPACITOR		C6110	1-107-826-11	CERAMIC CHIP 0.1UF 10.00% 16V		
1246		K	CAPACITOR		C6111	1-107-826-11	CERAMIC CHIP 0.1UF 10.00% 16V		
1247		K	CAPACITOR		C6112	1-126-206-11	ELECT CHIP 100UF 20.00% 6.3V		
1248		K	CAPACITOR		C6113	1-125-891-11	CERAMIC CHIP 0.47UF 10.00% 10V		
1249		K	CAPACITOR		C6114	1-115-339-11	CERAMIC CHIP 0.1UF 10.00% 50V		
1250		K	CAPACITOR		C6115	1-115-339-11	CERAMIC CHIP 0.1UF 10.00% 50V		
1251		K	CAPACITOR		C6116	1-115-339-11	CERAMIC CHIP 0.1UF 10.00% 50V		
1252		K	CONNECTOR		CN2600	1-764-177-91	PIN, CONNECTOR 7P		
1253		K	CONNECTOR	*	CN2601	1-766-176-11	PIN, CONNECTOR (PC BOARD) 6P		
1254		K	CONNECTOR	*	CN2602	1-766-175-11	PIN, CONNECTOR (PC BOARD) 5P		
1255		K	DIODE		D2600	6-500-884-01	DIODE P6SMBJ30A-5		
1256		K	DIODE		D2601	6-500-884-01	DIODE P6SMBJ30A-5		
1257		K	DIODE		D2602	6-500-884-01	DIODE P6SMBJ30A-5		
1258		K	DIODE		D2603	6-500-884-01	DIODE P6SMBJ30A-5		

No.	#	Board	Type	△/△*	Ref. No.	Part No.	Description	Remarks-1	Remarks-2
1259		K	DIODE		D2616	6-500-884-01	DIODE P6SMBJ30A-5		
1260		K	DIODE		D2617	6-500-884-01	DIODE P6SMBJ30A-5		
1261		K	DIODE		D2619	8-719-977-28	DIODE DTZ10B		
1262		K	DIODE		D2620	8-719-050-38	DIODE M1MA152WK-T1		
1263		K	DIODE		D2621	8-719-050-37	DIODE M1MA152WA-T1		
1264		K	DIODE		D2622	8-719-050-37	DIODE M1MA152WA-T1		
1265		K	DIODE		D2623	8-719-050-38	DIODE M1MA152WK-T1		
1266		K	DIODE		D2624	8-719-977-28	DIODE DTZ10B		
1267		K	DIODE		D2627	8-719-081-97	DIODE MMDL914T1		
1268		K	DIODE		D2629	8-719-989-00	DIODE DA221		
1269		K	DIODE		D6101	8-719-081-97	DIODE MMDL914T1		
1270		K	TERMINAL BOARD		EB2600	1-537-771-21	TERMINAL BOARD, GROUND		
1271		K	FERRITE BEAD		FB2600	1-414-228-11	FERRITE 0UH		
1272		K	FERRITE BEAD		FB2601	1-414-228-11	FERRITE 0UH		
1273		K	FERRITE BEAD		FB2602	1-414-228-11	FERRITE 0UH		
1274		K	FERRITE BEAD		FB2603	1-414-228-11	FERRITE 0UH		
1275		K	FERRITE BEAD		FB2604	1-414-228-11	FERRITE 0UH		
1276		K	FERRITE BEAD		FB2605	1-414-228-11	FERRITE 0UH		
1277		K	FERRITE BEAD		FB2606	1-414-228-11	FERRITE 0UH		
1278		K	FERRITE BEAD		FB2607	1-414-228-11	FERRITE 0UH		
1279		K	FERRITE BEAD		FB2608	1-414-228-11	FERRITE 0UH		
1280		K	FERRITE BEAD		FB2609	1-414-228-11	FERRITE 0UH		
1281		K	FERRITE BEAD		FB2610	1-414-228-11	FERRITE 0UH		
1282		K	FERRITE BEAD		FB2611	1-414-228-11	FERRITE 0UH		
1283		K	IC		IC2600	8-759-825-15	IC LC89056W-E		
1284		K	IC		IC2601	8-759-548-99	IC SN74LV08APWR		
1285		K	IC		IC2602	6-702-821-01	IC R3112N421A-TR-FA		
1286		K	IC		IC2603	6-706-902-01	IC CXD9835TNDDBTR		
1287		K	IC		IC2604	6-705-979-01	IC CXD9788AR		
1288		K	IC		IC2605	6-704-802-01	IC CXD9774M		
1289		K	IC		IC2606	6-704-802-01	IC CXD9774M		
1290		K	IC		IC2607	6-705-979-01	IC CXD9788AR		
1291		K	IC		IC2608	6-704-802-01	IC CXD9774M		
1292		K	IC		IC2609	6-704-766-01	IC SN74AHC2G14HDCU3		
1293		K	IC		IC2610	6-704-573-01	IC M24C32-WMN6T(B)		
1294		K	IC		IC2611	8-759-596-29	IC SN74LV4066APWR		
1295		K	IC		IC2612	6-706-056-01	IC SN74LVC2GU04DCKR		
1296		K	IC		IC2614	6-703-046-01	IC SN74LVC1G08DCKR		
1297		K	IC		IC6101	6-706-862-01	IC NJM2387DL2-TE1		
1298		K	IC		IC6102	6-700-263-01	IC NJM2870F18(TE2)		
1299		K	IC		IC6103	6-705-403-01	IC PQ070XZ01ZPH		
1300		K	COIL		L2602	1-456-813-11	COIL, AIR-CORE		
1301		K	COIL		L2603	1-456-813-11	COIL, AIR-CORE		
1302		K	COIL		L2604	1-456-813-11	COIL, AIR-CORE		
1303		K	COIL		L2605	1-456-813-11	COIL, AIR-CORE		
1304		K	COIL		L2607	1-456-857-11	INDUCTOR 10UH		
1305		K	COIL		L2608	1-456-857-11	INDUCTOR 10UH		
1306		K	COIL		L2609	1-456-857-11	INDUCTOR 10UH		
1307		K	COIL		L2610	1-456-857-11	INDUCTOR 10UH		
1308		K	COIL		L2612	1-456-813-11	COIL, AIR-CORE		
1309		K	COIL		L2613	1-456-813-11	COIL, AIR-CORE		
1310		K	COIL		L2614	1-456-857-11	INDUCTOR 10UH		
1311		K	COIL		L2615	1-456-857-11	INDUCTOR 10UH		
1312		K	IC LINK	△	PS2602	1-576-774-21	FUSE 6.3A 72V		
1313		K	TRANSISTOR		Q2602	8-729-907-00	TRANSISTOR DTC114EU		
1314		K	TRANSISTOR		Q2603	8-729-230-49	TRANSISTOR 2SC2712-YG		
1315		K	TRANSISTOR		Q2604	8-729-026-49	TRANSISTOR 2SA1037AK-T146-R		
1316		K	TRANSISTOR		Q2605	8-729-026-49	TRANSISTOR 2SA1037AK-T146-R		
1317		K	TRANSISTOR		Q2606	8-729-026-49	TRANSISTOR 2SA1037AK-T146-R		
1318		K	TRANSISTOR		Q2607	8-729-026-49	TRANSISTOR 2SA1037AK-T146-R		
1319		K	TRANSISTOR		Q2608	8-729-026-49	TRANSISTOR 2SA1037AK-T146-R		
1320		K	TRANSISTOR		Q2609	8-729-026-49	TRANSISTOR 2SA1037AK-T146-R		
1321		K	TRANSISTOR		Q2610	8-729-028-74	TRANSISTOR DTA114TUA-T106		
1322		K	TRANSISTOR		Q2611	8-729-029-09	TRANSISTOR DTC143EUA-T106		
1323		K	TRANSISTOR		Q6101	8-729-230-49	TRANSISTOR 2SC2712-YG		
1324		K	TRANSISTOR		Q6102	8-729-230-49	TRANSISTOR 2SC2712-YG		
1325		K	RESISTOR		R2601	1-216-864-11	SHORT CHIP 0		
1326		K	RESISTOR		R2602	1-216-864-11	SHORT CHIP 0		
1327		K	RESISTOR		R2603	1-216-864-11	SHORT CHIP 0		
1328		K	RESISTOR		R2604	1-216-864-11	SHORT CHIP 0		
1329		K	RESISTOR		R2605	1-216-864-11	SHORT CHIP 0		
1330		K	RESISTOR		R2606	1-216-864-11	SHORT CHIP 0		
1331		K	RESISTOR		R2607	1-216-833-11	METAL CHIP 10K 5% 1/10W		
1332		K	RESISTOR		R2608	1-216-864-11	SHORT CHIP 0		

No.	#	Board	Type	Δ / [*]	Ref. No.	Part No.	Description	Remarks-1	Remarks-2
1333		K	RESISTOR		R2609	1-216-864-11	SHORT CHIP 0		
1334		K	RESISTOR		R2610	1-216-805-11	METAL CHIP 47 5% 1/10W		
1335		K	RESISTOR		R2611	1-216-857-11	METAL CHIP 1M 5% 1/10W		
1336		K	RESISTOR		R2612	1-216-864-11	SHORT CHIP 0		
1337		K	RESISTOR		R2613	1-216-864-11	SHORT CHIP 0		
1338		K	RESISTOR		R2614	1-216-817-11	METAL CHIP 470 5% 1/10W		
1339		K	RESISTOR		R2615	1-216-833-11	METAL CHIP 10K 5% 1/10W		
1340		K	RESISTOR		R2619	1-216-809-11	METAL CHIP 100 5% 1/10W		
1341		K	RESISTOR		R2620	1-216-833-11	METAL CHIP 10K 5% 1/10W		
1342		K	RESISTOR		R2621	1-216-833-11	METAL CHIP 10K 5% 1/10W		
1343		K	RESISTOR		R2622	1-216-833-11	METAL CHIP 10K 5% 1/10W		
1344		K	RESISTOR		R2623	1-216-809-11	METAL CHIP 100 5% 1/10W		
1345		K	RESISTOR		R2624	1-216-809-11	METAL CHIP 100 5% 1/10W		
1346		K	RESISTOR		R2625	1-216-833-11	METAL CHIP 10K 5% 1/10W		
1347		K	RESISTOR		R2626	1-216-809-11	METAL CHIP 100 5% 1/10W		
1348		K	RESISTOR		R2627	1-216-809-11	METAL CHIP 100 5% 1/10W		
1349		K	RESISTOR		R2628	1-216-809-11	METAL CHIP 100 5% 1/10W		
1350		K	RESISTOR		R2629	1-216-809-11	METAL CHIP 100 5% 1/10W		
1351		K	RESISTOR		R2632	1-216-864-11	SHORT CHIP 0		
1352		K	RESISTOR		R2635	1-216-809-11	METAL CHIP 100 5% 1/10W		
1353		K	RESISTOR		R2636	1-216-809-11	METAL CHIP 100 5% 1/10W		
1354		K	RESISTOR		R2637	1-216-833-11	METAL CHIP 10K 5% 1/10W		
1355		K	RESISTOR		R2639	1-216-797-11	METAL CHIP 10 5% 1/10W		
1356		K	RESISTOR		R2641	1-216-833-11	METAL CHIP 10K 5% 1/10W		
1357		K	RESISTOR		R2642	1-216-853-11	METAL CHIP 470K 5% 1/10W		
1358		K	RESISTOR		R2643	1-216-864-11	SHORT CHIP 0		
1359		K	RESISTOR		R2644	1-216-809-11	METAL CHIP 100 5% 1/10W		
1360		K	RESISTOR		R2645	1-216-864-11	SHORT CHIP 0		
1361		K	RESISTOR		R2646	1-216-805-11	METAL CHIP 47 5% 1/10W		
1362		K	RESISTOR		R2647	1-216-809-11	METAL CHIP 100 5% 1/10W		
1363		K	RESISTOR		R2648	1-216-805-11	METAL CHIP 47 5% 1/10W		
1364		K	RESISTOR		R2649	1-216-805-11	METAL CHIP 47 5% 1/10W		
1365		K	RESISTOR		R2650	1-216-805-11	METAL CHIP 47 5% 1/10W		
1366		K	RESISTOR		R2651	1-216-833-11	METAL CHIP 10K 5% 1/10W		
1367		K	RESISTOR		R2652	1-216-833-11	METAL CHIP 10K 5% 1/10W		
1368		K	RESISTOR		R2653	1-216-805-11	METAL CHIP 47 5% 1/10W		
1369		K	RESISTOR		R2654	1-216-805-11	METAL CHIP 47 5% 1/10W		
1370		K	RESISTOR		R2656	1-216-805-11	METAL CHIP 47 5% 1/10W		
1371		K	RESISTOR		R2657	1-216-841-11	METAL CHIP 47K 5% 1/10W		
1372		K	RESISTOR		R2659	1-216-864-11	SHORT CHIP 0		
1373		K	RESISTOR		R2660	1-216-845-11	METAL CHIP 100K 5% 1/10W		
1374		K	RESISTOR		R2662	1-216-805-11	METAL CHIP 47 5% 1/10W		
1375		K	RESISTOR		R2663	1-216-833-11	METAL CHIP 10K 5% 1/10W		
1376		K	RESISTOR		R2664	1-216-864-11	SHORT CHIP 0		
1377		K	RESISTOR		R2665	1-216-864-11	SHORT CHIP 0		
1378		K	RESISTOR		R2667	1-216-805-11	METAL CHIP 47 5% 1/10W		
1379		K	RESISTOR		R2668	1-216-864-11	SHORT CHIP 0		
1380		K	RESISTOR		R2669	1-216-818-11	METAL CHIP 560 5% 1/10W		
1381		K	RESISTOR		R2671	1-216-818-11	METAL CHIP 560 5% 1/10W		
1382		K	RESISTOR		R2673	1-216-864-11	SHORT CHIP 0		
1383		K	RESISTOR		R2674	1-216-864-11	SHORT CHIP 0		
1384		K	RESISTOR		R2675	1-216-837-11	METAL CHIP 22K 5% 1/10W		
1385		K	RESISTOR		R2676	1-216-864-11	SHORT CHIP 0		
1386		K	RESISTOR		R2677	1-216-864-11	SHORT CHIP 0		
1387		K	RESISTOR		R2678	1-216-864-11	SHORT CHIP 0		
1388		K	RESISTOR		R2679	1-216-809-11	METAL CHIP 100 5% 1/10W		
1389		K	RESISTOR		R2680	1-216-839-11	METAL CHIP 33K 5% 1/10W		
1390		K	RESISTOR		R2681	1-216-829-11	METAL CHIP 4.7K 5% 1/10W		
1391		K	RESISTOR		R2682	1-216-830-11	METAL CHIP 5.6K 5% 1/10W		
1392		K	RESISTOR		R2683	1-216-864-11	SHORT CHIP 0		
1393		K	RESISTOR		R2684	1-216-846-11	METAL CHIP 120K 5% 1/10W		
1394		K	RESISTOR		R2685	1-216-846-11	METAL CHIP 120K 5% 1/10W		
1395		K	RESISTOR		R2687	1-216-837-11	METAL CHIP 22K 5% 1/10W		
1396		K	RESISTOR		R2688	1-216-837-11	METAL CHIP 22K 5% 1/10W		
1397		K	RESISTOR		R2690	1-216-845-11	METAL CHIP 100K 5% 1/10W		
1398		K	RESISTOR		R2691	1-216-845-11	METAL CHIP 100K 5% 1/10W		
1399		K	RESISTOR		R2692	1-216-845-11	METAL CHIP 100K 5% 1/10W		
1400		K	RESISTOR		R2693	1-216-845-11	METAL CHIP 100K 5% 1/10W		
1401		K	RESISTOR		R2694	1-216-864-11	SHORT CHIP 0		
1402		K	RESISTOR		R2695	1-216-837-11	METAL CHIP 22K 5% 1/10W		
1403		K	RESISTOR		R2696	1-216-833-11	METAL CHIP 10K 5% 1/10W		
1404		K	RESISTOR		R2697	1-216-833-11	METAL CHIP 10K 5% 1/10W		
1405		K	RESISTOR		R2698	1-216-864-11	SHORT CHIP 0		
1406		K	RESISTOR		R2699	1-216-864-11	SHORT CHIP 0		

No.	#	Board	Type	Δ / [*]	Ref. No.	Part No.	Description	Remarks-1	Remarks-2
1407		K	RESISTOR		R2700	1-216-864-11	SHORT CHIP 0		
1408		K	RESISTOR		R2701	1-216-864-11	SHORT CHIP 0		
1409		K	RESISTOR		R2702	1-220-942-11	METAL CHIP 3.3 1% 1/4W		
1410		K	RESISTOR		R2703	1-220-942-11	METAL CHIP 3.3 1% 1/4W		
1411		K	RESISTOR		R2704	1-216-821-11	METAL CHIP 1K 5% 1/10W		
1412		K	RESISTOR		R2705	1-216-821-11	METAL CHIP 1K 5% 1/10W		
1413		K	RESISTOR		R2707	1-220-942-11	METAL CHIP 3.3 1% 1/4W		
1414		K	RESISTOR		R2708	1-220-942-11	METAL CHIP 3.3 1% 1/4W		
1415		K	RESISTOR		R2709	1-216-864-11	SHORT CHIP 0		
1416		K	RESISTOR		R2711	1-216-809-11	METAL CHIP 100 5% 1/10W		
1417		K	RESISTOR		R2712	1-218-708-11	METAL CHIP 4.7K 0.5% 1/10W		
1418		K	RESISTOR		R2713	1-218-708-11	METAL CHIP 4.7K 0.5% 1/10W		
1419		K	RESISTOR		R2715	1-218-708-11	METAL CHIP 4.7K 0.5% 1/10W		
1420		K	RESISTOR		R2716	1-218-708-11	METAL CHIP 4.7K 0.5% 1/10W		
1421		K	RESISTOR		R2717	1-216-864-11	SHORT CHIP 0		
1422		K	RESISTOR		R2718	1-216-864-11	SHORT CHIP 0		
1423		K	RESISTOR		R2719	1-216-864-11	SHORT CHIP 0		
1424		K	RESISTOR		R2720	1-216-833-11	METAL CHIP 10K 5% 1/10W		
1425		K	RESISTOR		R2722	1-216-833-11	METAL CHIP 10K 5% 1/10W		
1426		K	RESISTOR		R2724	1-216-791-11	METAL CHIP 3.3 5% 1/10W		
1427		K	RESISTOR		R2725	1-216-791-11	METAL CHIP 3.3 5% 1/10W		
1428		K	RESISTOR		R2726	1-216-791-11	METAL CHIP 3.3 5% 1/10W		
1429		K	RESISTOR		R2727	1-216-791-11	METAL CHIP 3.3 5% 1/10W		
1430		K	RESISTOR		R2729	1-216-821-11	METAL CHIP 1K 5% 1/10W		
1431		K	RESISTOR		R2730	1-216-864-11	SHORT CHIP 0		
1432		K	RESISTOR		R2732	1-216-864-11	SHORT CHIP 0		
1433		K	RESISTOR		R2733	1-216-864-11	SHORT CHIP 0		
1434		K	RESISTOR		R2734	1-216-809-11	METAL CHIP 100 5% 1/10W		
1435		K	RESISTOR		R2735	1-216-809-11	METAL CHIP 100 5% 1/10W		
1436		K	RESISTOR		R2736	1-216-809-11	METAL CHIP 100 5% 1/10W		
1437		K	RESISTOR		R2737	1-216-809-11	METAL CHIP 100 5% 1/10W		
1438		K	RESISTOR		R2738	1-216-805-11	METAL CHIP 47 5% 1/10W		
1439		K	RESISTOR		R2739	1-216-805-11	METAL CHIP 47 5% 1/10W		
1440		K	RESISTOR		R2741	1-216-833-11	METAL CHIP 10K 5% 1/10W		
1441		K	RESISTOR		R2742	1-216-805-11	METAL CHIP 47 5% 1/10W		
1442		K	RESISTOR		R2743	1-216-805-11	METAL CHIP 47 5% 1/10W		
1443		K	RESISTOR		R2744	1-216-864-11	SHORT CHIP 0		
1444		K	RESISTOR		R2745	1-216-864-11	SHORT CHIP 0		
1445		K	RESISTOR		R2746	1-216-864-11	SHORT CHIP 0		
1446		K	RESISTOR		R2747	1-216-805-11	METAL CHIP 47 5% 1/10W		
1447		K	RESISTOR		R2748	1-216-805-11	METAL CHIP 47 5% 1/10W		
1448		K	RESISTOR		R2749	1-216-805-11	METAL CHIP 47 5% 1/10W		
1449		K	RESISTOR		R2750	1-216-805-11	METAL CHIP 47 5% 1/10W		
1450		K	RESISTOR		R2751	1-216-833-11	METAL CHIP 10K 5% 1/10W		
1451		K	RESISTOR		R2752	1-216-805-11	METAL CHIP 47 5% 1/10W		
1452		K	RESISTOR		R2754	1-216-864-11	SHORT CHIP 0		
1453		K	RESISTOR		R2755	1-216-833-11	METAL CHIP 10K 5% 1/10W		
1454		K	RESISTOR		R2756	1-216-833-11	METAL CHIP 10K 5% 1/10W		
1455		K	RESISTOR		R2757	1-216-821-11	METAL CHIP 1K 5% 1/10W		
1456		K	RESISTOR		R2759	1-216-837-11	METAL CHIP 22K 5% 1/10W		
1457		K	RESISTOR		R2760	1-216-818-11	METAL CHIP 560 5% 1/10W		
1458		K	RESISTOR		R2761	1-216-864-11	SHORT CHIP 0		
1459		K	RESISTOR		R2763	1-216-864-11	SHORT CHIP 0		
1460		K	RESISTOR		R2764	1-216-864-11	SHORT CHIP 0		
1461		K	RESISTOR		R2765	1-216-864-11	SHORT CHIP 0		
1462		K	RESISTOR		R2766	1-216-805-11	METAL CHIP 47 5% 1/10W		
1463		K	RESISTOR		R2767	1-216-864-11	SHORT CHIP 0		
1464		K	RESISTOR		R2769	1-216-864-11	SHORT CHIP 0		
1465		K	RESISTOR		R2770	1-216-864-11	SHORT CHIP 0		
1466		K	RESISTOR		R2771	1-220-942-11	METAL CHIP 3.3 1% 1/4W		
1467		K	RESISTOR		R2772	1-220-942-11	METAL CHIP 3.3 1% 1/4W		
1468		K	RESISTOR		R2773	1-218-708-11	METAL CHIP 4.7K 0.5% 1/10W		
1469		K	RESISTOR		R2774	1-218-708-11	METAL CHIP 4.7K 0.5% 1/10W		
1470		K	RESISTOR		R2775	1-216-791-11	METAL CHIP 3.3 5% 1/10W		
1471		K	RESISTOR		R2776	1-216-791-11	METAL CHIP 3.3 5% 1/10W		
1472		K	RESISTOR		R2777	1-216-864-11	SHORT CHIP 0		
1473		K	RESISTOR		R2778	1-216-845-11	METAL CHIP 100K 5% 1/10W		
1474		K	RESISTOR		R2779	1-216-846-11	METAL CHIP 120K 5% 1/10W		
1475		K	RESISTOR		R2780	1-216-845-11	METAL CHIP 100K 5% 1/10W		
1476		K	RESISTOR		R2781	1-216-864-11	SHORT CHIP 0		
1477		K	RESISTOR		R2782	1-216-864-11	SHORT CHIP 0		
1478		K	RESISTOR		R2783	1-216-805-11	METAL CHIP 47 5% 1/10W		
1479		K	RESISTOR		R2784	1-216-805-11	METAL CHIP 47 5% 1/10W		
1480		K	RESISTOR		R2785	1-216-813-11	METAL CHIP 220 5% 1/10W		

No.	#	Board	Type	Δ / [*]	Ref. No.	Part No.	Description	Remarks-1	Remarks-2
1481		K	RESISTOR		R2786	1-216-864-11	SHORT CHIP 0		
1482		K	RESISTOR		R2789	1-216-864-11	SHORT CHIP 0		
1483		K	RESISTOR		R2790	1-216-864-11	SHORT CHIP 0		
1484		K	RESISTOR		R2792	1-216-864-11	SHORT CHIP 0		
1485		K	RESISTOR		R2793	1-216-809-11	METAL CHIP 100 5% 1/10W		
1486		K	RESISTOR		R2794	1-216-809-11	METAL CHIP 100 5% 1/10W		
1487		K	RESISTOR		R2795	1-216-809-11	METAL CHIP 100 5% 1/10W		
1488		K	RESISTOR		R2798	1-216-809-11	METAL CHIP 100 5% 1/10W		
1489		K	RESISTOR		R2799	1-216-809-11	METAL CHIP 100 5% 1/10W		
1490		K	RESISTOR		R2802	1-216-864-11	SHORT CHIP 0		
1491		K	RESISTOR		R2804	1-216-805-11	METAL CHIP 47 5% 1/10W		
1492		K	RESISTOR		R2805	1-216-864-11	SHORT CHIP 0		
1493		K	RESISTOR		R2806	1-216-805-11	METAL CHIP 47 5% 1/10W		
1494		K	RESISTOR		R2807	1-216-864-11	SHORT CHIP 0		
1495		K	RESISTOR		R2809	1-220-283-91	RES-CHIP 6.8K 5% 1/4W		
1496		K	RESISTOR		R2810	1-220-283-91	RES-CHIP 6.8K 5% 1/4W		
1497		K	RESISTOR		R2811	1-220-283-91	RES-CHIP 6.8K 5% 1/4W		
1498		K	RESISTOR		R2812	1-220-283-91	RES-CHIP 6.8K 5% 1/4W		
1499		K	RESISTOR		R2813	1-216-839-11	METAL CHIP 33K 5% 1/10W		
1500		K	RESISTOR		R2815	1-216-834-11	METAL CHIP 12K 5% 1/10W		
1501		K	RESISTOR		R2817	1-216-864-11	SHORT CHIP 0		
1502		K	RESISTOR		R2819	1-220-283-91	RES-CHIP 6.8K 5% 1/4W		
1503		K	RESISTOR		R2820	1-220-283-91	RES-CHIP 6.8K 5% 1/4W		
1504		K	RESISTOR		R6101	1-216-833-11	METAL CHIP 10K 5% 1/10W		
1505		K	RESISTOR		R6103	1-216-864-11	SHORT CHIP 0		
1506		K	RESISTOR		R6104	1-216-833-11	METAL CHIP 10K 5% 1/10W		
1507		K	RESISTOR		R6105	1-216-825-11	METAL CHIP 2.2K 5% 1/10W		
1508		K	RESISTOR		R6106	1-216-837-11	METAL CHIP 22K 5% 1/10W		
1509		K	RESISTOR		R6107	1-216-821-11	METAL CHIP 1K 5% 1/10W		
1510		K	RESISTOR		R6108	1-218-706-11	METAL CHIP 3.9K 0.5% 1/10W		
1511		K	RESISTOR		R6109	1-218-732-11	METAL CHIP 47K 0.5% 1/10W		
1512		K	RESISTOR		R6110	1-218-732-11	METAL CHIP 47K 0.5% 1/10W		
1513		K	RESISTOR		R6111	1-218-692-11	METAL CHIP 1K 0.5% 1/10W		
1514		K	RESISTOR		R6112	1-218-704-11	METAL CHIP 3.3K 0.5% 1/10W		
1515		K	RESISTOR		R6113	1-218-704-11	METAL CHIP 3.3K 0.5% 1/10W		
1516		K	RESISTOR		R6115	1-216-864-11	SHORT CHIP 0		
1517		K	RESISTOR		R6118	1-216-864-11	SHORT CHIP 0		
1518		K	RESISTOR		R6119	1-216-833-11	METAL CHIP 10K 5% 1/10W		
1519		K	RESISTOR		R6122	1-218-708-11	METAL CHIP 4.7K 0.5% 1/10W		
1520		K	RESISTOR		R6123	1-218-732-11	METAL CHIP 47K 0.5% 1/10W		
1521		K	RESISTOR		R6200	1-216-295-91	SHORT CHIP 0		
1522		K	RESISTOR		R6201	1-216-295-91	SHORT CHIP 0		
1523		K	RESISTOR		R6202	1-216-295-91	SHORT CHIP 0		
1524		K	RESISTOR		R6203	1-216-295-91	SHORT CHIP 0		
1525		K	RESISTOR		R6204	1-216-295-91	SHORT CHIP 0		
1526		K	RESISTOR		R6205	1-216-295-91	SHORT CHIP 0		
1527		K	RESISTOR		R6206	1-216-295-91	SHORT CHIP 0		
1528		K	RESISTOR		R6207	1-216-295-91	SHORT CHIP 0		
1529		K	RESISTOR		R6208	1-216-864-11	SHORT CHIP 0		
1530		K	RESISTOR		R6209	1-216-864-11	SHORT CHIP 0		
1531		K	RESISTOR		R6210	1-216-864-11	SHORT CHIP 0		
1532		K	RESISTOR		R6211	1-216-864-11	SHORT CHIP 0		
1533		K	RESISTOR		R6212	1-216-864-11	SHORT CHIP 0		
1534		K	RESISTOR		R6213	1-216-864-11	SHORT CHIP 0		
1535		K	RESISTOR		R6214	1-216-864-11	SHORT CHIP 0		
1536		K	RESISTOR		R6215	1-216-864-11	SHORT CHIP 0		
1537		K	RESISTOR		R6216	1-216-864-11	SHORT CHIP 0		
1538		K	RESISTOR		R6217	1-216-864-11	SHORT CHIP 0		
1539		K	RESISTOR		R6218	1-216-864-11	SHORT CHIP 0		
1540		K	RESISTOR		R6220	1-216-864-11	SHORT CHIP 0		
1541		K	CRYSTAL		X2600	1-813-049-21	VIBRATOR, CRYSTAL		
1542		K	CRYSTAL		X2601	1-813-388-11	OSCILLATOR, CRYSTAL		
1543		A1U	CAPACITOR		C301	1-107-826-11	CERAMIC CHIP 0.1UF 10.00% 16V		
1544		A1U	CAPACITOR		C302	1-125-837-91	CERAMIC CHIP 1UF 10% 6.3V		
1545		A1U	CAPACITOR		C303	1-107-826-11	CERAMIC CHIP 0.1UF 10.00% 16V		
1546		A1U	CAPACITOR		C304	1-107-826-11	CERAMIC CHIP 0.1UF 10.00% 16V		
1547		A1U	CAPACITOR		C306	1-165-176-11	CERAMIC CHIP 0.047UF 10.00% 16V		
1548		A1U	CAPACITOR		C307	1-164-230-11	CERAMIC CHIP 220PF 5.00% 50V		
1549		A1U	CAPACITOR		C308	1-124-779-00	ELECT CHIP 10UF 20.00% 16V		
1550		A1U	CAPACITOR		C310	1-100-743-91	CERAMIC CHIP 2.2UF 20% 16V		
1551		A1U	CAPACITOR		C311	1-127-573-11	CERAMIC CHIP 1UF 10% 16V		
1552		A1U	CAPACITOR		C312	1-127-573-11	CERAMIC CHIP 1UF 10% 16V		
1553		A1U	CAPACITOR		C313	1-127-573-11	CERAMIC CHIP 1UF 10% 16V		
1554		A1U	CAPACITOR		C314	1-100-743-91	CERAMIC CHIP 2.2UF 20% 16V		

No.	#	Board	Type	Δ / [*]	Ref. No.	Part No.	Description	Remarks-1	Remarks-2
1555		A1U	CAPACITOR		C315	1-126-603-11	ELECT CHIP 4.7UF 20.00% 35V		
1556		A1U	CAPACITOR		C316	1-107-826-11	CERAMIC CHIP 0.1UF 10.00% 16V		
1557		A1U	CAPACITOR		C318	1-104-607-11	ELECT CHIP 47UF 20.00% 16V		
1558		A1U	CAPACITOR		C319	1-127-573-11	CERAMIC CHIP 1UF 10% 16V		
1559		A1U	CAPACITOR		C324	1-137-980-91	CERAMIC CHIP 0.47UF 10% 50V		
1560		A1U	CAPACITOR		C325	1-126-603-11	ELECT CHIP 4.7UF 20.00% 35V		
1561		A1U	CAPACITOR		C326	1-115-467-11	CERAMIC CHIP 0.22UF 10.00% 10V		
1562		A1U	CAPACITOR		C327	1-127-573-11	CERAMIC CHIP 1UF 10% 16V		
1563		A1U	CAPACITOR		C328	1-127-573-11	CERAMIC CHIP 1UF 10% 16V		
1564		A1U	CAPACITOR		C329	1-100-743-91	CERAMIC CHIP 2.2UF 20% 16V		
1565		A1U	CAPACITOR		C330	1-127-573-11	CERAMIC CHIP 1UF 10% 16V		
1566		A1U	CAPACITOR		C331	1-127-573-11	CERAMIC CHIP 1UF 10% 16V		
1567		A1U	CAPACITOR		C332	1-100-743-91	CERAMIC CHIP 2.2UF 20% 16V		
1568		A1U	CAPACITOR		C333	1-107-826-11	CERAMIC CHIP 0.1UF 10.00% 16V		
1569		A1U	CAPACITOR		C334	1-107-826-11	CERAMIC CHIP 0.1UF 10.00% 16V		
1570		A1U	CAPACITOR		C335	1-107-826-11	CERAMIC CHIP 0.1UF 10.00% 16V		
1571		A1U	CAPACITOR		C336	1-124-779-00	ELECT CHIP 10UF 20.00% 16V		
1572		A1U	CAPACITOR		C337	1-124-779-00	ELECT CHIP 10UF 20.00% 16V		
1573		A1U	CAPACITOR		C338	1-126-603-11	ELECT CHIP 4.7UF 20.00% 35V		
1574		A1U	CAPACITOR		C339	1-107-826-11	CERAMIC CHIP 0.1UF 10.00% 16V		
1575		A1U	CAPACITOR		C340	1-107-826-11	CERAMIC CHIP 0.1UF 10.00% 16V		
1576		A1U	CAPACITOR		C341	1-107-826-11	CERAMIC CHIP 0.1UF 10.00% 16V		
1577		A1U	CAPACITOR		C342	1-137-980-91	CERAMIC CHIP 0.47UF 10% 50V		
1578		A1U	CAPACITOR		C343	1-126-603-11	ELECT CHIP 4.7UF 20.00% 35V		
1579		A1U	CAPACITOR		C344	1-124-779-00	ELECT CHIP 10UF 20.00% 16V		
1580		A1U	CAPACITOR		C345	1-124-779-00	ELECT CHIP 10UF 20.00% 16V		
1581		A1U	CAPACITOR		C346	1-117-681-11	ELECT CHIP 100UF 20.00% 16V		
1582		A1U	CAPACITOR		C352	1-124-779-00	ELECT CHIP 10UF 20.00% 16V		
1583		A1U	CAPACITOR		C357	1-126-205-11	ELECT CHIP 47UF 20.00% 6.3V		
1584		A1U	CAPACITOR		C358	1-107-826-11	CERAMIC CHIP 0.1UF 10.00% 16V		
1585		A1U	CAPACITOR		C359	1-125-837-91	CERAMIC CHIP 1UF 10% 6.3V		
1586		A1U	CAPACITOR		C363	1-107-826-11	CERAMIC CHIP 0.1UF 10.00% 16V		
1587		A1U	CAPACITOR		C364	1-107-826-11	CERAMIC CHIP 0.1UF 10.00% 16V		
1588		A1U	CAPACITOR		C365	1-125-837-91	CERAMIC CHIP 1UF 10% 6.3V		
1589		A1U	CAPACITOR		C366	1-162-970-11	CERAMIC CHIP 0.01UF 10.00% 25V		
1590		A1U	CAPACITOR		C367	1-107-826-11	CERAMIC CHIP 0.1UF 10.00% 16V		
1591		A1U	CAPACITOR		C368	1-107-826-11	CERAMIC CHIP 0.1UF 10.00% 16V		
1592		A1U	CAPACITOR		C369	1-165-874-21	ELECT CHIP 120UF 20% 6.3V		
1593		A1U	CAPACITOR		C370	1-107-826-11	CERAMIC CHIP 0.1UF 10.00% 16V		
1594		A1U	CAPACITOR		C371	1-107-826-11	CERAMIC CHIP 0.1UF 10.00% 16V		
1595		A1U	CAPACITOR		C380	1-127-573-11	CERAMIC CHIP 1UF 10% 16V		
1596		A1U	CAPACITOR		C382	1-107-826-11	CERAMIC CHIP 0.1UF 10.00% 16V		
1597		A1U	CAPACITOR		C383	1-117-681-11	ELECT CHIP 100UF 20.00% 16V		
1598		A1U	CAPACITOR		C386	1-107-826-11	CERAMIC CHIP 0.1UF 10.00% 16V		
1599		A1U	CAPACITOR		C387	1-107-826-11	CERAMIC CHIP 0.1UF 10.00% 16V		
1600		A1U	CAPACITOR		C401	1-117-681-11	ELECT CHIP 100UF 20.00% 16V		
1601		A1U	CAPACITOR		C402	1-107-826-11	CERAMIC CHIP 0.1UF 10.00% 16V		
1602		A1U	CAPACITOR		C404	1-124-779-00	ELECT CHIP 10UF 20.00% 16V		
1603		A1U	CAPACITOR		C405	1-124-779-00	ELECT CHIP 10UF 20.00% 16V		
1604		A1U	CAPACITOR		C406	1-124-779-00	ELECT CHIP 10UF 20.00% 16V		
1605		A1U	CAPACITOR		C407	1-124-779-00	ELECT CHIP 10UF 20.00% 16V		
1606		A1U	CAPACITOR		C430	1-124-779-00	ELECT CHIP 10UF 20.00% 16V		
1607		A1U	CAPACITOR		C431	1-124-779-00	ELECT CHIP 10UF 20.00% 16V		
1608		A1U	CAPACITOR		C432	1-124-779-00	ELECT CHIP 10UF 20.00% 16V		
1609		A1U	CAPACITOR		C433	1-124-779-00	ELECT CHIP 10UF 20.00% 16V		
1610		A1U	CAPACITOR		C434	1-107-826-11	CERAMIC CHIP 0.1UF 10.00% 16V		
1611		A1U	CAPACITOR		C435	1-124-779-00	ELECT CHIP 10UF 20.00% 16V		
1612		A1U	CAPACITOR		C436	1-107-826-11	CERAMIC CHIP 0.1UF 10.00% 16V		
1613		A1U	CAPACITOR		C437	1-124-779-00	ELECT CHIP 10UF 20.00% 16V		
1614		A1U	CAPACITOR		C438	1-124-779-00	ELECT CHIP 10UF 20.00% 16V		
1615		A1U	CAPACITOR		C501	1-163-084-00	CERAMIC CHIP 1.5PF 0.25PF 50V		
1616		A1U	CAPACITOR		C502	1-163-084-00	CERAMIC CHIP 1.5PF 0.25PF 50V		
1617		A1U	CAPACITOR		C503	1-162-970-11	CERAMIC CHIP 0.01UF 10.00% 25V		
1618		A1U	CAPACITOR		C505	1-107-826-11	CERAMIC CHIP 0.1UF 10.00% 16V		
1619		A1U	CAPACITOR		C506	1-107-826-11	CERAMIC CHIP 0.1UF 10.00% 16V		
1620		A1U	CAPACITOR		C507	1-124-779-00	ELECT CHIP 10UF 20.00% 16V		
1621		A1U	CAPACITOR		C508	1-127-715-91	CERAMIC CHIP 0.22UF 10% 16V		
1622		A1U	CAPACITOR		C512	1-124-779-00	ELECT CHIP 10UF 20.00% 16V		
1623		A1U	CAPACITOR		C513	1-124-779-00	ELECT CHIP 10UF 20.00% 16V		
1624		A1U	CAPACITOR		C514	1-124-779-00	ELECT CHIP 10UF 20.00% 16V		
1625		A1U	CAPACITOR		C515	1-124-779-00	ELECT CHIP 10UF 20.00% 16V		
1626		A1U	CAPACITOR		C516	1-124-779-00	ELECT CHIP 10UF 20.00% 16V		
1627		A1U	CAPACITOR		C517	1-124-779-00	ELECT CHIP 10UF 20.00% 16V		
1628		A1U	CAPACITOR		C518	1-117-681-11	ELECT CHIP 100UF 20.00% 16V		

No.	#	Board	Type	Δ / [*]	Ref. No.	Part No.	Description	Remarks-1	Remarks-2
1629		A1U	CAPACITOR		C519	1-162-970-11	CERAMIC CHIP 0.01UF 10.00% 25V		
1630		A1U	CAPACITOR		C521	1-128-357-11	ELECT CHIP 10UF 20.00% 16V		
1631		A1U	CAPACITOR		C522	1-128-357-11	ELECT CHIP 10UF 20.00% 16V		
1632		A1U	CAPACITOR		C523	1-124-779-00	ELECT CHIP 10UF 20.00% 16V		
1633		A1U	CAPACITOR		C524	1-107-826-11	CERAMIC CHIP 0.1UF 10.00% 16V		
1634		A1U	CAPACITOR		C525	1-124-779-00	ELECT CHIP 10UF 20.00% 16V		
1635		A1U	CAPACITOR		C526	1-126-395-11	ELECT CHIP 22UF 20.00% 16V		
1636		A1U	CAPACITOR		C527	1-107-826-11	CERAMIC CHIP 0.1UF 10.00% 16V		
1637		A1U	CAPACITOR		C528	1-126-204-11	ELECT CHIP 47UF 20.00% 16V		
1638		A1U	CAPACITOR		C529	1-124-779-00	ELECT CHIP 10UF 20.00% 16V		
1639		A1U	CAPACITOR		C530	1-107-826-11	CERAMIC CHIP 0.1UF 10.00% 16V		
1640		A1U	CAPACITOR		C531	1-162-960-11	CERAMIC CHIP 220PF 10.00% 50V		
1641		A1U	CAPACITOR		C532	1-162-960-11	CERAMIC CHIP 220PF 10.00% 50V		
1642		A1U	CAPACITOR		C533	1-107-826-11	CERAMIC CHIP 0.1UF 10.00% 16V		
1643		A1U	CAPACITOR		C536	1-165-874-21	ELECT CHIP 120UF 20% 6.3V		
1644		A1U	CAPACITOR		C537	1-117-681-11	ELECT CHIP 100UF 20.00% 16V		
1645		A1U	CAPACITOR		C538	1-107-826-11	CERAMIC CHIP 0.1UF 10.00% 16V		
1646		A1U	CAPACITOR		C539	1-107-826-11	CERAMIC CHIP 0.1UF 10.00% 16V		
1647		A1U	CAPACITOR		C540	1-107-826-11	CERAMIC CHIP 0.1UF 10.00% 16V		
1648		A1U	CAPACITOR		C541	1-124-779-00	ELECT CHIP 10UF 20.00% 16V		
1649		A1U	CAPACITOR		C542	1-107-826-11	CERAMIC CHIP 0.1UF 10.00% 16V		
1650		A1U	CAPACITOR		C543	1-107-826-11	CERAMIC CHIP 0.1UF 10.00% 16V		
1651		A1U	CAPACITOR		C544	1-124-779-00	ELECT CHIP 10UF 20.00% 16V		
1652		A1U	CAPACITOR		C545	1-107-826-11	CERAMIC CHIP 0.1UF 10.00% 16V		
1653		A1U	CAPACITOR		C546	1-107-826-11	CERAMIC CHIP 0.1UF 10.00% 16V		
1654		A1U	CAPACITOR		C547	1-127-573-11	CERAMIC CHIP 1UF 10% 16V		
1655		A1U	CAPACITOR		C548	1-124-779-00	ELECT CHIP 10UF 20.00% 16V		
1656		A1U	CAPACITOR		C549	1-124-779-00	ELECT CHIP 10UF 20.00% 16V		
1657		A1U	CAPACITOR		C551	1-162-960-11	CERAMIC CHIP 220PF 10.00% 50V		
1658		A1U	CAPACITOR		C552	1-107-826-11	CERAMIC CHIP 0.1UF 10.00% 16V		
1659		A1U	CAPACITOR		C553	1-124-779-00	ELECT CHIP 10UF 20.00% 16V		
1660		A1U	CAPACITOR		C554	1-124-779-00	ELECT CHIP 10UF 20.00% 16V		
1661		A1U	CAPACITOR		C555	1-162-970-11	CERAMIC CHIP 0.01UF 10.00% 25V		
1662		A1U	CAPACITOR		C556	1-124-779-00	ELECT CHIP 10UF 20.00% 16V		
1663		A1U	CAPACITOR		C557	1-162-970-11	CERAMIC CHIP 0.01UF 10.00% 25V		
1664		A1U	CAPACITOR		C559	1-124-779-00	ELECT CHIP 10UF 20.00% 16V		
1665		A1U	CAPACITOR		C561	1-107-826-11	CERAMIC CHIP 0.1UF 10.00% 16V		
1666		A1U	CAPACITOR		C562	1-126-204-11	ELECT CHIP 47UF 20.00% 16V		
1667		A1U	CAPACITOR		C572	1-107-826-11	CERAMIC CHIP 0.1UF 10.00% 16V		
1668		A1U	CAPACITOR		C573	1-117-681-11	ELECT CHIP 100UF 20.00% 16V		
1669		A1U	CAPACITOR		C578	1-107-826-11	CERAMIC CHIP 0.1UF 10.00% 16V		
1670		A1U	CAPACITOR		C579	1-107-826-11	CERAMIC CHIP 0.1UF 10.00% 16V		
1671		A1U	CAPACITOR		C583	1-162-960-11	CERAMIC CHIP 220PF 10.00% 50V		
1672		A1U	CAPACITOR		C584	1-124-779-00	ELECT CHIP 10UF 20.00% 16V		
1673		A1U	CAPACITOR		C585	1-137-764-21	ELECT 22UF 20% 16V		
1674		A1U	CAPACITOR		C586	1-117-681-11	ELECT CHIP 100UF 20.00% 16V		
1675		A1U	CAPACITOR		C587	1-165-874-21	ELECT CHIP 120UF 20% 6.3V		
1676		A1U	CAPACITOR		C588	1-125-837-91	CERAMIC CHIP 1UF 10% 6.3V		
1677		A1U	CAPACITOR		C589	1-125-837-91	CERAMIC CHIP 1UF 10% 6.3V		
1678		A1U	CAPACITOR		C601	1-128-357-11	ELECT CHIP 10UF 20.00% 16V		
1679		A1U	CAPACITOR		C602	1-128-357-11	ELECT CHIP 10UF 20.00% 16V		
1680		A1U	CAPACITOR		C603	1-100-566-91	CERAMIC CHIP 0.1UF 10.00% 25V		
1681		A1U	CAPACITOR		C604	1-126-204-11	ELECT CHIP 47UF 20.00% 16V		
1682		A1U	CAPACITOR		C605	1-127-715-91	CERAMIC CHIP 0.22UF 10% 16V		
1683		A1U	CAPACITOR		C606	1-115-416-11	CERAMIC CHIP 0.001UF 5.00% 25V		
1684		A1U	CAPACITOR		C607	1-107-826-11	CERAMIC CHIP 0.1UF 10.00% 16V		
1685		A1U	CAPACITOR		C608	1-162-960-11	CERAMIC CHIP 220PF 10.00% 50V		
1686		A1U	CAPACITOR		C609	1-127-715-91	CERAMIC CHIP 0.22UF 10% 16V		
1687		A1U	CAPACITOR		C610	1-100-566-91	CERAMIC CHIP 0.1UF 10.00% 25V		
1688		A1U	CAPACITOR		C611	1-126-204-11	ELECT CHIP 47UF 20.00% 16V		
1689		A1U	CAPACITOR		C612	1-127-715-91	CERAMIC CHIP 0.22UF 10% 16V		
1690		A1U	CAPACITOR		C613	1-124-779-00	ELECT CHIP 10UF 20.00% 16V		
1691		A1U	CAPACITOR		C614	1-107-826-11	CERAMIC CHIP 0.1UF 10.00% 16V		
1692		A1U	CAPACITOR		C615	1-162-970-11	CERAMIC CHIP 0.01UF 10.00% 25V		
1693		A1U	CAPACITOR		C617	1-107-826-11	CERAMIC CHIP 0.1UF 10.00% 16V		
1694		A1U	CAPACITOR		C618	1-162-960-11	CERAMIC CHIP 220PF 10.00% 50V		
1695		A1U	CAPACITOR		C619	1-162-960-11	CERAMIC CHIP 220PF 10.00% 50V		
1696		A1U	CAPACITOR		C620	1-124-779-00	ELECT CHIP 10UF 20.00% 16V		
1697		A1U	CAPACITOR		C621	1-162-960-11	CERAMIC CHIP 220PF 10.00% 50V		
1698		A1U	CAPACITOR		C622	1-124-779-00	ELECT CHIP 10UF 20.00% 16V		
1699		A1U	CAPACITOR		C648	1-127-573-11	CERAMIC CHIP 1UF 10% 16V		
1700		A1U	CAPACITOR		C649	1-162-970-11	CERAMIC CHIP 0.01UF 10.00% 25V		
1701		A1U	CAPACITOR		C650	1-162-970-11	CERAMIC CHIP 0.01UF 10.00% 25V		
1702		A1U	CAPACITOR		C651	1-107-826-11	CERAMIC CHIP 0.1UF 10.00% 16V		

No.	#	Board	Type	△/*	Ref. No.	Part No.	Description	Remarks-1	Remarks-2
1703		A1U	CAPACITOR		C653	1-126-601-11	ELECT CHIP 2.2UF 20.00% 50V		
1704		A1U	CAPACITOR		C654	1-126-395-11	ELECT CHIP 22UF 20.00% 16V		
1705		A1U	CAPACITOR		C656	1-107-826-11	CERAMIC CHIP 0.1UF 10.00% 16V		
1706		A1U	CAPACITOR		C657	1-107-826-11	CERAMIC CHIP 0.1UF 10.00% 16V		
1707		A1U	CAPACITOR		C658	1-126-397-11	ELECT CHIP 33UF 20.00% 25V		
1708		A1U	CAPACITOR		C659	1-107-826-11	CERAMIC CHIP 0.1UF 10.00% 16V		
1709		A1U	CONNECTOR		CN002	1-764-087-21	PIN, CONNECTOR (PC BOARD) 14P		
1710		A1U	CONNECTOR		CN005	1-766-382-21	PIN, CONNECTOR (1.5MM)(SMD)10P		
1711		A1U	CONNECTOR	*	CN006	1-785-531-11	PIN, CONNECTOR (PC BOARD) 12P		
1712		A1U	CONNECTOR		CN304	1-774-771-11	CONNECTOR, FFC/FPC 14P		
1713		A1U	CONNECTOR		CN306	1-770-161-21	PIN, CONNECTOR (PC BOARD) 6P		
1714		A1U	LEAD PIN	*	CP001	4-042-408-02	PIN(45), WIRE		
1715		A1U	LEAD PIN	*	CP002	4-042-408-02	PIN(45), WIRE		
1716		A1U	LEAD PIN	*	CP003	4-042-408-02	PIN(45), WIRE		
1717		A1U	LEAD PIN	*	CP004	4-042-408-02	PIN(45), WIRE		
1718		A1U	DIODE		D301	8-719-977-28	DIODE DTZ10B		
1719		A1U	DIODE		D302	8-719-977-28	DIODE DTZ10B		
1720		A1U	DIODE		D303	8-719-977-28	DIODE DTZ10B		
1721		A1U	DIODE		D304	8-719-977-28	DIODE DTZ10B		
1722		A1U	DIODE		D311	8-719-977-28	DIODE DTZ10B		
1723		A1U	DIODE		D312	8-719-977-28	DIODE DTZ10B		
1724		A1U	DIODE		D313	8-719-977-28	DIODE DTZ10B		
1725		A1U	DIODE		D314	8-719-977-28	DIODE DTZ10B		
1726		A1U	DIODE		D315	8-719-977-28	DIODE DTZ10B		
1727		A1U	DIODE		D316	8-719-977-28	DIODE DTZ10B		
1728		A1U	DIODE		D317	8-719-977-28	DIODE DTZ10B		
1729		A1U	DIODE		D318	8-719-977-28	DIODE DTZ10B		
1730		A1U	DIODE		D319	8-719-977-28	DIODE DTZ10B		
1731		A1U	DIODE		D320	8-719-977-28	DIODE DTZ10B		
1732		A1U	DIODE		D322	8-719-941-86	DIODE DAN202U		
1733		A1U	DIODE		D323	8-719-024-77	DIODE HN1D03FU-TE85L		
1734		A1U	DIODE		D407	8-719-977-28	DIODE DTZ10B		
1735		A1U	DIODE		D408	8-719-977-28	DIODE DTZ10B		
1736		A1U	DIODE		D409	8-719-977-28	DIODE DTZ10B		
1737		A1U	DIODE		D410	8-719-977-28	DIODE DTZ10B		
1738		A1U	DIODE		D501	8-719-977-28	DIODE DTZ10B		
1739		A1U	DIODE		D502	8-719-977-28	DIODE DTZ10B		
1740		A1U	DIODE		D505	8-719-050-37	DIODE M1MA152WA-T1		
1741		A1U	DIODE		D506	8-719-988-61	DIODE 1SS355TE-17		
1742		A1U	DIODE		D508	8-719-988-61	DIODE 1SS355TE-17		
1743		A1U	DIODE		D509	8-719-081-97	DIODE MMDL914T1		
1744		A1U	DIODE		D510	8-719-081-97	DIODE MMDL914T1		
1745		A1U	DIODE		D601	8-719-056-85	DIODE UDZ-TE-17-8.2B		
1746		A1U	DIODE		D602	8-719-056-85	DIODE UDZ-TE-17-8.2B		
1747		A1U	DIODE		D607	8-719-988-61	DIODE 1SS355TE-17		
1748		A1U	DIODE		D608	8-719-081-97	DIODE MMDL914T1		
1749		A1U	DIODE		D609	8-719-081-97	DIODE MMDL914T1		
1750		A1U	FERRITE BEAD		FB401	1-216-295-91	SHORT CHIP 0		
1751		A1U	FERRITE BEAD		FB501	1-414-921-11	FERRITE 0UH		
1752		A1U	FERRITE BEAD		FB502	1-414-921-11	FERRITE 0UH		
1753		A1U	FERRITE BEAD		FB503	1-414-921-11	FERRITE 0UH		
1754		A1U	FERRITE BEAD		FB504	1-414-760-21	FERRITE 0UH		
1755		A1U	FERRITE BEAD		FB505	1-414-760-21	FERRITE 0UH		
1756		A1U	FERRITE BEAD		FB506	1-414-760-21	FERRITE 0UH		
1757		A1U	FERRITE BEAD		FB507	1-414-760-21	FERRITE 0UH		
1758		A1U	IC		IC303	8-753-204-12	IC CXA2209Q-T6		
1759		A1U	IC		IC404	8-759-548-56	IC M52055FP		
1760		A1U	IC		IC500	8-759-661-88	IC NJM2123V(TE2)		
1761		A1U	IC		IC501	8-759-278-58	IC NJM4558V-TE2		
1762		A1U	IC		IC502	8-759-082-61	IC TC4W53FU		
1763		A1U	IC		IC504	8-759-278-58	IC NJM4558V-TE2		
1764		A1U	IC		IC507	8-752-107-98	IC CXA2188Q-T4		
1765		A1U	IC		IC510	8-759-278-58	IC NJM4558V-TE2		
1766		A1U	IC		IC512	8-759-592-45	IC TC7SZU04FU(TE85R)		
1767		A1U	IC		IC514	8-759-183-53	IC TL431CPK-E2		
1768		A1U	IC		IC521	6-706-903-01	IC AK5357VT-E2		
1769		A1U	IC		IC522	6-706-897-01	IC MSP4440K-QA-B2		
1770		A1U	IC		IC523	6-706-536-01	IC CXD9826R		
1771		A1U	IC		IC524	6-705-030-01	IC IC62C1024AL-70QG		
1772		A1U	IC		IC526	8-759-278-58	IC NJM4558V-TE2		
1773		A1U	JACK		J300	1-565-838-11	JACK BLOCK, PIN 2P		
1774		A1U	JACK		J301	1-507-792-31	JACK		
1775		A1U	JACK		J302	1-565-838-11	JACK BLOCK, PIN 2P		
1776		A1U	JACK		J303	1-507-792-31	JACK		

No.	#	Board	Type	Δ / [*]	Ref. No.	Part No.	Description	Remarks-1	Remarks-2
1777		A1U	JACK		J304	1-816-393-11	JACK BLOCK, PIN 3P		
1778		A1U	JACK		J305	1-537-712-11	TERMINAL, PUSH		
1779		A1U	JACK		J307	1-817-098-11	PIN JACK BLOCK 3P		
1780		A1U	JACK		J309	1-780-051-11	TERMINAL BLOCK, (S)		
1781		A1U	JACK		J310	1-816-393-11	JACK BLOCK, PIN 3P		
1782		A1U	SHORT CHIP		JR001	1-216-857-11	METAL CHIP 1M 5% 1/10W		
1783		A1U	SHORT CHIP		JR002	1-216-857-11	METAL CHIP 1M 5% 1/10W		
1784		A1U	SHORT CHIP		JR003	1-216-857-11	METAL CHIP 1M 5% 1/10W		
1785		A1U	COIL		L306	1-412-058-11	INDUCTOR 10UH		
1786		A1U	COIL		L307	1-216-295-91	SHORT CHIP 0		
1787		A1U	COIL		L308	1-412-058-11	INDUCTOR 10UH		
1788		A1U	COIL		L309	1-412-064-11	INDUCTOR 100UH		
1789		A1U	COIL		L310	1-412-064-11	INDUCTOR 100UH		
1790		A1U	COIL		L313	1-412-058-11	INDUCTOR 10UH		
1791		A1U	COIL		L401	1-412-064-11	INDUCTOR 100UH		
1792		A1U	COIL		L501	1-469-549-21	INDUCTOR 1UH		
1793		A1U	COIL		L502	1-469-549-21	INDUCTOR 1UH		
1794		A1U	COIL		L503	1-412-058-11	INDUCTOR 10UH		
1795		A1U	COIL		L504	1-412-058-11	INDUCTOR 10UH		
1796		A1U	COIL		L505	1-469-549-21	INDUCTOR 1UH		
1797		A1U	COIL		L514	1-412-058-11	INDUCTOR 10UH		
1798		A1U	COIL		L516	1-412-058-11	INDUCTOR 10UH		
1799		A1U	TRANSISTOR		Q301	8-729-010-25	TRANSISTOR MSD601-RT1		
1800		A1U	TRANSISTOR		Q302	8-729-010-05	TRANSISTOR MSB709-RT1		
1801		A1U	TRANSISTOR		Q303	8-729-010-05	TRANSISTOR MSB709-RT1		
1802		A1U	TRANSISTOR		Q304	8-729-010-25	TRANSISTOR MSD601-RT1		
1803		A1U	TRANSISTOR		Q305	8-729-216-22	TRANSISTOR 2SA1162-G		
1804		A1U	TRANSISTOR		Q306	8-729-026-49	TRANSISTOR 2SA1037AK-T146-R		
1805		A1U	TRANSISTOR		Q307	8-729-120-28	TRANSISTOR 2SC1623-L5L6		
1806		A1U	TRANSISTOR		Q308	8-729-026-49	TRANSISTOR 2SA1037AK-T146-R		
1807		A1U	TRANSISTOR		Q309	8-729-120-28	TRANSISTOR 2SC1623-L5L6		
1808		A1U	TRANSISTOR		Q310	8-729-120-28	TRANSISTOR 2SC1623-L5L6		
1809		A1U	TRANSISTOR		Q311	8-729-120-28	TRANSISTOR 2SC1623-L5L6		
1810		A1U	TRANSISTOR		Q312	8-729-026-49	TRANSISTOR 2SA1037AK-T146-R		
1811		A1U	TRANSISTOR		Q313	8-729-026-53	TRANSISTOR 2SA1576A-T106-QR		
1812		A1U	TRANSISTOR		Q314	8-729-026-53	TRANSISTOR 2SA1576A-T106-QR		
1813		A1U	TRANSISTOR		Q315	8-729-216-22	TRANSISTOR 2SA1162-G		
1814		A1U	TRANSISTOR		Q316	8-729-026-53	TRANSISTOR 2SA1576A-T106-QR		
1815		A1U	TRANSISTOR		Q317	8-729-422-29	TRANSISTOR 2SD601A-S		
1816		A1U	TRANSISTOR		Q318	8-729-026-53	TRANSISTOR 2SA1576A-T106-QR		
1817		A1U	TRANSISTOR		Q320	8-729-026-53	TRANSISTOR 2SA1576A-T106-QR		
1818		A1U	TRANSISTOR		Q321	8-729-026-53	TRANSISTOR 2SA1576A-T106-QR		
1819		A1U	TRANSISTOR		Q324	8-729-026-53	TRANSISTOR 2SA1576A-T106-QR		
1820		A1U	TRANSISTOR		Q410	8-729-026-53	TRANSISTOR 2SA1576A-T106-QR		
1821		A1U	TRANSISTOR		Q411	8-729-026-53	TRANSISTOR 2SA1576A-T106-QR		
1822		A1U	TRANSISTOR		Q412	8-729-026-53	TRANSISTOR 2SA1576A-T106-QR		
1823		A1U	TRANSISTOR		Q501	8-729-422-29	TRANSISTOR 2SD601A-S		
1824		A1U	TRANSISTOR		Q502	8-729-141-73	TRANSISTOR 2SC3624A-T1L15L16		
1825		A1U	TRANSISTOR		Q503	8-729-141-73	TRANSISTOR 2SC3624A-T1L15L16		
1826		A1U	TRANSISTOR		Q504	8-729-141-73	TRANSISTOR 2SC3624A-T1L15L16		
1827		A1U	TRANSISTOR		Q505	8-729-026-53	TRANSISTOR 2SA1576A-T106-QR		
1828		A1U	TRANSISTOR		Q508	8-729-026-53	TRANSISTOR 2SA1576A-T106-QR		
1829		A1U	TRANSISTOR		Q509	8-729-421-19	TRANSISTOR UN2213		
1830		A1U	TRANSISTOR		Q510	8-729-421-19	TRANSISTOR UN2213		
1831		A1U	TRANSISTOR		Q512	8-729-422-29	TRANSISTOR 2SD601A-S		
1832		A1U	TRANSISTOR		Q513	8-729-422-29	TRANSISTOR 2SD601A-S		
1833		A1U	TRANSISTOR		Q514	8-729-026-53	TRANSISTOR 2SA1576A-T106-QR		
1834		A1U	TRANSISTOR		Q515	8-729-421-19	TRANSISTOR UN2213		
1835		A1U	RESISTOR		R001	1-216-864-11	SHORT CHIP 0		
1836		A1U	RESISTOR		R002	1-216-864-11	SHORT CHIP 0		
1837		A1U	RESISTOR		R003	1-216-805-11	METAL CHIP 47 5% 1/10W		
1838		A1U	RESISTOR		R004	1-216-864-11	SHORT CHIP 0		
1839		A1U	RESISTOR		R005	1-216-864-11	SHORT CHIP 0		
1840		A1U	RESISTOR		R006	1-216-864-11	SHORT CHIP 0		
1841		A1U	RESISTOR		R013	1-218-827-11	METAL CHIP 150 0.5% 1/10W		
1842		A1U	RESISTOR		R014	1-218-827-11	METAL CHIP 150 0.5% 1/10W		
1843		A1U	RESISTOR		R015	1-218-855-11	METAL CHIP 2.2K 0.5% 1/10W		
1844		A1U	RESISTOR		R016	1-216-827-11	METAL CHIP 3.3K 5% 1/10W		
1845		A1U	RESISTOR		R017	1-216-829-11	METAL CHIP 4.7K 5% 1/10W		
1846		A1U	RESISTOR		R018	1-216-829-11	METAL CHIP 4.7K 5% 1/10W		
1847		A1U	RESISTOR		R019	1-216-827-11	METAL CHIP 3.3K 5% 1/10W		
1848		A1U	RESISTOR		R020	1-216-809-11	METAL CHIP 100 5% 1/10W		
1849		A1U	RESISTOR		R021	1-216-829-11	METAL CHIP 4.7K 5% 1/10W		
1850		A1U	RESISTOR		R022	1-216-829-11	METAL CHIP 4.7K 5% 1/10W		

No.	#	Board	Type	Δ / [*]	Ref. No.	Part No.	Description	Remarks-1	Remarks-2
1851		A1U	RESISTOR		R023	1-216-827-11	METAL CHIP 3.3K 5% 1/10W		
1852		A1U	RESISTOR		R024	1-216-809-11	METAL CHIP 100 5% 1/10W		
1853		A1U	RESISTOR		R074	1-216-864-11	SHORT CHIP 0		
1854		A1U	RESISTOR		R076	1-216-864-11	SHORT CHIP 0		
1855		A1U	RESISTOR		R086	1-216-824-11	METAL CHIP 1.8K 5% 1/10W		
1856		A1U	RESISTOR		R087	1-216-824-11	METAL CHIP 1.8K 5% 1/10W		
1857		A1U	RESISTOR		R088	1-216-864-11	SHORT CHIP 0		
1858		A1U	RESISTOR		R090	1-216-818-11	METAL CHIP 560 5% 1/10W		
1859		A1U	RESISTOR		R301	1-216-864-11	SHORT CHIP 0		
1860		A1U	RESISTOR		R302	1-216-821-11	METAL CHIP 1K 5% 1/10W		
1861		A1U	RESISTOR		R303	1-216-849-11	METAL CHIP 220K 5% 1/10W		
1862		A1U	RESISTOR		R304	1-216-809-11	METAL CHIP 100 5% 1/10W		
1863		A1U	RESISTOR		R305	1-216-845-11	METAL CHIP 100K 5% 1/10W		
1864		A1U	RESISTOR		R306	1-216-821-11	METAL CHIP 1K 5% 1/10W		
1865		A1U	RESISTOR		R307	1-216-833-11	METAL CHIP 10K 5% 1/10W		
1866		A1U	RESISTOR		R308	1-216-833-11	METAL CHIP 10K 5% 1/10W		
1867		A1U	RESISTOR		R309	1-218-734-11	METAL CHIP 56K 0.5% 1/10W		
1868		A1U	RESISTOR		R310	1-216-857-11	METAL CHIP 1M 5% 1/10W		
1869		A1U	RESISTOR		R311	1-216-809-11	METAL CHIP 100 5% 1/10W		
1870		A1U	RESISTOR		R312	1-216-829-11	METAL CHIP 4.7K 5% 1/10W		
1871		A1U	RESISTOR		R313	1-216-809-11	METAL CHIP 100 5% 1/10W		
1872		A1U	RESISTOR		R314	1-216-809-11	METAL CHIP 100 5% 1/10W		
1873		A1U	RESISTOR		R315	1-216-805-11	METAL CHIP 47 5% 1/10W		
1874		A1U	RESISTOR		R316	1-216-805-11	METAL CHIP 47 5% 1/10W		
1875		A1U	RESISTOR		R321	1-216-809-11	METAL CHIP 100 5% 1/10W		
1876		A1U	RESISTOR		R322	1-216-809-11	METAL CHIP 100 5% 1/10W		
1877		A1U	RESISTOR		R323	1-216-809-11	METAL CHIP 100 5% 1/10W		
1878		A1U	RESISTOR		R324	1-216-809-11	METAL CHIP 100 5% 1/10W		
1879		A1U	RESISTOR		R325	1-216-809-11	METAL CHIP 100 5% 1/10W		
1880		A1U	RESISTOR		R326	1-216-809-11	METAL CHIP 100 5% 1/10W		
1881		A1U	RESISTOR		R327	1-216-809-11	METAL CHIP 100 5% 1/10W		
1882		A1U	RESISTOR		R328	1-216-864-11	SHORT CHIP 0		
1883		A1U	RESISTOR		R329	1-216-811-11	METAL CHIP 150 5% 1/10W		
1884		A1U	RESISTOR		R330	1-216-809-11	METAL CHIP 100 5% 1/10W		
1885		A1U	RESISTOR		R331	1-216-809-11	METAL CHIP 100 5% 1/10W		
1886		A1U	RESISTOR		R332	1-216-809-11	METAL CHIP 100 5% 1/10W		
1887		A1U	RESISTOR		R333	1-216-813-11	METAL CHIP 220 5% 1/10W		
1888		A1U	RESISTOR		R334	1-216-821-11	METAL CHIP 1K 5% 1/10W		
1889		A1U	RESISTOR		R335	1-216-797-11	METAL CHIP 10 5% 1/10W		
1890		A1U	RESISTOR		R336	1-216-797-11	METAL CHIP 10 5% 1/10W		
1891		A1U	RESISTOR		R337	1-216-797-11	METAL CHIP 10 5% 1/10W		
1892		A1U	RESISTOR		R338	1-216-797-11	METAL CHIP 10 5% 1/10W		
1893		A1U	RESISTOR		R339	1-216-797-11	METAL CHIP 10 5% 1/10W		
1894		A1U	RESISTOR		R340	1-216-833-11	METAL CHIP 10K 5% 1/10W		
1895		A1U	RESISTOR		R341	1-216-809-11	METAL CHIP 100 5% 1/10W		
1896		A1U	RESISTOR		R342	1-216-811-11	METAL CHIP 150 5% 1/10W		
1897		A1U	RESISTOR		R343	1-216-811-11	METAL CHIP 150 5% 1/10W		
1898		A1U	RESISTOR		R344	1-218-285-11	METAL CHIP 75 5% 1/10W		
1899		A1U	RESISTOR		R345	1-218-285-11	METAL CHIP 75 5% 1/10W		
1900		A1U	RESISTOR		R346	1-218-285-11	METAL CHIP 75 5% 1/10W		
1901		A1U	RESISTOR		R347	1-216-864-11	SHORT CHIP 0		
1902		A1U	RESISTOR		R348	1-216-809-11	METAL CHIP 100 5% 1/10W		
1903		A1U	RESISTOR		R349	1-216-864-11	SHORT CHIP 0		
1904		A1U	RESISTOR		R350	1-216-864-11	SHORT CHIP 0		
1905		A1U	RESISTOR		R351	1-216-864-11	SHORT CHIP 0		
1906		A1U	RESISTOR		R352	1-216-864-11	SHORT CHIP 0		
1907		A1U	RESISTOR		R353	1-216-809-11	METAL CHIP 100 5% 1/10W		
1908		A1U	RESISTOR		R354	1-216-821-11	METAL CHIP 1K 5% 1/10W		
1909		A1U	RESISTOR		R355	1-218-692-11	METAL CHIP 1K 0.5% 1/10W		
1910		A1U	RESISTOR		R356	1-218-855-11	METAL CHIP 2.2K 0.5% 1/10W		
1911		A1U	RESISTOR		R357	1-216-864-11	SHORT CHIP 0		
1912		A1U	RESISTOR		R358	1-216-849-11	METAL CHIP 220K 5% 1/10W		
1913		A1U	RESISTOR		R359	1-216-864-11	SHORT CHIP 0		
1914		A1U	RESISTOR		R360	1-216-864-11	SHORT CHIP 0		
1915		A1U	RESISTOR		R362	1-216-811-11	METAL CHIP 150 5% 1/10W		
1916		A1U	RESISTOR		R363	1-216-811-11	METAL CHIP 150 5% 1/10W		
1917		A1U	RESISTOR		R364	1-216-864-11	SHORT CHIP 0		
1918		A1U	RESISTOR		R365	1-216-864-11	SHORT CHIP 0		
1919		A1U	RESISTOR		R366	1-216-811-11	METAL CHIP 150 5% 1/10W		
1920		A1U	RESISTOR		R367	1-216-811-11	METAL CHIP 150 5% 1/10W		
1921		A1U	RESISTOR		R368	1-216-849-11	METAL CHIP 220K 5% 1/10W		
1922		A1U	RESISTOR		R369	1-216-849-11	METAL CHIP 220K 5% 1/10W		
1923		A1U	RESISTOR		R370	1-216-815-11	METAL CHIP 330 5% 1/10W		
1924		A1U	RESISTOR		R371	1-216-809-11	METAL CHIP 100 5% 1/10W		

No.	#	Board	Type	Δ / [*]	Ref. No.	Part No.	Description	Remarks-1	Remarks-2
1925		A1U	RESISTOR		R372	1-216-864-11	SHORT CHIP 0		
1926		A1U	RESISTOR		R373	1-216-815-11	METAL CHIP 330 5% 1/10W		
1927		A1U	RESISTOR		R374	1-216-809-11	METAL CHIP 100 5% 1/10W		
1928		A1U	RESISTOR		R375	1-216-811-11	METAL CHIP 150 5% 1/10W		
1929		A1U	RESISTOR		R376	1-216-864-11	SHORT CHIP 0		
1930		A1U	RESISTOR		R377	1-216-815-11	METAL CHIP 330 5% 1/10W		
1931		A1U	RESISTOR		R378	1-216-811-11	METAL CHIP 150 5% 1/10W		
1932		A1U	RESISTOR		R379	1-216-811-11	METAL CHIP 150 5% 1/10W		
1933		A1U	RESISTOR		R380	1-216-809-11	METAL CHIP 100 5% 1/10W		
1934		A1U	RESISTOR		R381	1-216-864-11	SHORT CHIP 0		
1935		A1U	RESISTOR		R382	1-216-864-11	SHORT CHIP 0		
1936		A1U	RESISTOR		R383	1-216-864-11	SHORT CHIP 0		
1937		A1U	RESISTOR		R384	1-216-811-11	METAL CHIP 150 5% 1/10W		
1938		A1U	RESISTOR		R385	1-216-821-11	METAL CHIP 1K 5% 1/10W		
1939		A1U	RESISTOR		R386	1-216-821-11	METAL CHIP 1K 5% 1/10W		
1940		A1U	RESISTOR		R388	1-216-811-11	METAL CHIP 150 5% 1/10W		
1941		A1U	RESISTOR		R389	1-216-815-11	METAL CHIP 330 5% 1/10W		
1942		A1U	RESISTOR		R392	1-218-665-11	METAL CHIP 75 0.5% 1/10W		
1943		A1U	RESISTOR		R393	1-218-665-11	METAL CHIP 75 0.5% 1/10W		
1944		A1U	RESISTOR		R394	1-218-665-11	METAL CHIP 75 0.5% 1/10W		
1945		A1U	RESISTOR		R395	1-216-833-11	METAL CHIP 10K 5% 1/10W		
1946		A1U	RESISTOR		R396	1-216-841-11	METAL CHIP 47K 5% 1/10W		
1947		A1U	RESISTOR		R397	1-216-849-11	METAL CHIP 220K 5% 1/10W		
1948		A1U	RESISTOR		R398	1-216-809-11	METAL CHIP 100 5% 1/10W		
1949		A1U	RESISTOR		R401	1-216-809-11	METAL CHIP 100 5% 1/10W		
1950		A1U	RESISTOR		R402	1-216-829-11	METAL CHIP 4.7K 5% 1/10W		
1951		A1U	RESISTOR		R403	1-216-809-11	METAL CHIP 100 5% 1/10W		
1952		A1U	RESISTOR		R404	1-216-833-11	METAL CHIP 10K 5% 1/10W		
1953		A1U	RESISTOR		R405	1-216-833-11	METAL CHIP 10K 5% 1/10W		
1954		A1U	RESISTOR		R406	1-216-847-11	METAL CHIP 150K 5% 1/10W		
1955		A1U	RESISTOR		R407	1-216-857-11	METAL CHIP 1M 5% 1/10W		
1956		A1U	RESISTOR		R408	1-216-825-11	METAL CHIP 2.2K 5% 1/10W		
1957		A1U	RESISTOR		R409	1-216-809-11	METAL CHIP 100 5% 1/10W		
1958		A1U	RESISTOR		R410	1-216-809-11	METAL CHIP 100 5% 1/10W		
1959		A1U	RESISTOR		R411	1-216-825-11	METAL CHIP 2.2K 5% 1/10W		
1960		A1U	RESISTOR		R412	1-216-849-11	METAL CHIP 220K 5% 1/10W		
1961		A1U	RESISTOR		R413	1-216-849-11	METAL CHIP 220K 5% 1/10W		
1962		A1U	RESISTOR		R414	1-216-811-11	METAL CHIP 150 5% 1/10W		
1963		A1U	RESISTOR		R415	1-216-811-11	METAL CHIP 150 5% 1/10W		
1964		A1U	RESISTOR		R416	1-216-811-11	METAL CHIP 150 5% 1/10W		
1965		A1U	RESISTOR		R417	1-216-849-11	METAL CHIP 220K 5% 1/10W		
1966		A1U	RESISTOR		R418	1-216-849-11	METAL CHIP 220K 5% 1/10W		
1967		A1U	RESISTOR		R419	1-216-811-11	METAL CHIP 150 5% 1/10W		
1968		A1U	RESISTOR		R420	1-216-811-11	METAL CHIP 150 5% 1/10W		
1969		A1U	RESISTOR		R421	1-216-811-11	METAL CHIP 150 5% 1/10W		
1970		A1U	RESISTOR		R422	1-216-801-11	METAL CHIP 22 5% 1/10W		
1971		A1U	RESISTOR		R423	1-216-801-11	METAL CHIP 22 5% 1/10W		
1972		A1U	RESISTOR		R424	1-216-801-11	METAL CHIP 22 5% 1/10W		
1973		A1U	RESISTOR		R425	1-216-801-11	METAL CHIP 22 5% 1/10W		
1974		A1U	RESISTOR		R426	1-216-801-11	METAL CHIP 22 5% 1/10W		
1975		A1U	RESISTOR		R427	1-216-801-11	METAL CHIP 22 5% 1/10W		
1976		A1U	RESISTOR		R428	1-216-811-11	METAL CHIP 150 5% 1/10W		
1977		A1U	RESISTOR		R429	1-216-811-11	METAL CHIP 150 5% 1/10W		
1978		A1U	RESISTOR		R430	1-216-811-11	METAL CHIP 150 5% 1/10W		
1979		A1U	RESISTOR		R431	1-216-811-11	METAL CHIP 150 5% 1/10W		
1980		A1U	RESISTOR		R432	1-216-811-11	METAL CHIP 150 5% 1/10W		
1981		A1U	RESISTOR		R433	1-216-811-11	METAL CHIP 150 5% 1/10W		
1982		A1U	RESISTOR		R435	1-216-849-11	METAL CHIP 220K 5% 1/10W		
1983		A1U	RESISTOR		R436	1-216-845-11	METAL CHIP 100K 5% 1/10W		
1984		A1U	RESISTOR		R437	1-216-809-11	METAL CHIP 100 5% 1/10W		
1985		A1U	RESISTOR		R438	1-216-864-11	SHORT CHIP 0		
1986		A1U	RESISTOR		R439	1-216-864-11	SHORT CHIP 0		
1987		A1U	RESISTOR		R440	1-216-864-11	SHORT CHIP 0		
1988		A1U	RESISTOR		R441	1-216-864-11	SHORT CHIP 0		
1989		A1U	RESISTOR		R442	1-216-841-11	METAL CHIP 47K 5% 1/10W		
1990		A1U	RESISTOR		R443	1-216-845-11	METAL CHIP 100K 5% 1/10W		
1991		A1U	RESISTOR		R444	1-216-845-11	METAL CHIP 100K 5% 1/10W		
1992		A1U	RESISTOR		R446	1-216-821-11	METAL CHIP 1K 5% 1/10W		
1993		A1U	RESISTOR		R447	1-216-821-11	METAL CHIP 1K 5% 1/10W		
1994		A1U	RESISTOR		R448	1-216-821-11	METAL CHIP 1K 5% 1/10W		
1995		A1U	RESISTOR		R449	1-216-833-11	METAL CHIP 10K 5% 1/10W		
1996		A1U	RESISTOR		R450	1-216-809-11	METAL CHIP 100 5% 1/10W		
1997		A1U	RESISTOR		R451	1-216-809-11	METAL CHIP 100 5% 1/10W		
1998		A1U	RESISTOR		R452	1-216-809-11	METAL CHIP 100 5% 1/10W		

No.	#	Board	Type	Δ / [*]	Ref. No.	Part No.	Description	Remarks-1	Remarks-2
1999		A1U	RESISTOR		R453	1-216-845-11	METAL CHIP 100K 5% 1/10W		
2000		A1U	RESISTOR		R454	1-216-823-11	METAL CHIP 1.5K 5% 1/10W		
2001		A1U	RESISTOR		R455	1-216-823-11	METAL CHIP 1.5K 5% 1/10W		
2002		A1U	RESISTOR		R456	1-216-041-00	RES-CHIP 470 5% 1/10W		
2003		A1U	RESISTOR		R457	1-216-806-11	METAL CHIP 56 5% 1/10W		
2004		A1U	RESISTOR		R458	1-216-806-11	METAL CHIP 56 5% 1/10W		
2005		A1U	RESISTOR		R459	1-216-806-11	METAL CHIP 56 5% 1/10W		
2006		A1U	RESISTOR		R460	1-216-861-11	METAL CHIP 2.2M 5% 1/10W		
2007		A1U	RESISTOR		R461	1-216-861-11	METAL CHIP 2.2M 5% 1/10W		
2008		A1U	RESISTOR		R462	1-216-809-11	METAL CHIP 100 5% 1/10W		
2009		A1U	RESISTOR		R463	1-216-809-11	METAL CHIP 100 5% 1/10W		
2010		A1U	RESISTOR		R464	1-216-809-11	METAL CHIP 100 5% 1/10W		
2011		A1U	RESISTOR		R465	1-216-809-11	METAL CHIP 100 5% 1/10W		
2012		A1U	RESISTOR		R466	1-216-809-11	METAL CHIP 100 5% 1/10W		
2013		A1U	RESISTOR		R468	1-216-833-11	METAL CHIP 10K 5% 1/10W		
2014		A1U	RESISTOR		R469	1-216-857-11	METAL CHIP 1M 5% 1/10W		
2015		A1U	RESISTOR		R471	1-216-857-11	METAL CHIP 1M 5% 1/10W		
2016		A1U	RESISTOR		R472	1-216-815-11	METAL CHIP 330 5% 1/10W		
2017		A1U	RESISTOR		R473	1-216-809-11	METAL CHIP 100 5% 1/10W		
2018		A1U	RESISTOR		R475	1-216-809-11	METAL CHIP 100 5% 1/10W		
2019		A1U	RESISTOR		R479	1-216-864-11	SHORT CHIP 0		
2020		A1U	RESISTOR		R486	1-216-861-11	METAL CHIP 2.2M 5% 1/10W		
2021		A1U	RESISTOR		R490	1-216-864-11	SHORT CHIP 0		
2022		A1U	RESISTOR		R491	1-216-809-11	METAL CHIP 100 5% 1/10W		
2023		A1U	RESISTOR		R492	1-216-821-11	METAL CHIP 1K 5% 1/10W		
2024		A1U	RESISTOR		R493	1-216-809-11	METAL CHIP 100 5% 1/10W		
2025		A1U	RESISTOR		R501	1-216-833-11	METAL CHIP 10K 5% 1/10W		
2026		A1U	RESISTOR		R502	1-216-833-11	METAL CHIP 10K 5% 1/10W		
2027		A1U	RESISTOR		R503	1-216-837-11	METAL CHIP 22K 5% 1/10W		
2028		A1U	RESISTOR		R504	1-216-837-11	METAL CHIP 22K 5% 1/10W		
2029		A1U	RESISTOR		R505	1-216-837-11	METAL CHIP 22K 5% 1/10W		
2030		A1U	RESISTOR		R506	1-216-837-11	METAL CHIP 22K 5% 1/10W		
2031		A1U	RESISTOR		R509	1-216-809-11	METAL CHIP 100 5% 1/10W		
2032		A1U	RESISTOR		R510	1-216-833-11	METAL CHIP 10K 5% 1/10W		
2033		A1U	RESISTOR		R511	1-216-841-11	METAL CHIP 47K 5% 1/10W		
2034		A1U	RESISTOR		R512	1-216-841-11	METAL CHIP 47K 5% 1/10W		
2035		A1U	RESISTOR		R513	1-216-833-11	METAL CHIP 10K 5% 1/10W		
2036		A1U	RESISTOR		R514	1-216-833-11	METAL CHIP 10K 5% 1/10W		
2037		A1U	RESISTOR		R515	1-216-833-11	METAL CHIP 10K 5% 1/10W		
2038		A1U	RESISTOR		R522	1-216-829-11	METAL CHIP 4.7K 5% 1/10W		
2039		A1U	RESISTOR		R523	1-216-829-11	METAL CHIP 4.7K 5% 1/10W		
2040		A1U	RESISTOR		R524	1-216-829-11	METAL CHIP 4.7K 5% 1/10W		
2041		A1U	RESISTOR		R527	1-216-805-11	METAL CHIP 47 5% 1/10W		
2042		A1U	RESISTOR		R528	1-216-829-11	METAL CHIP 4.7K 5% 1/10W		
2043		A1U	RESISTOR		R529	1-216-829-11	METAL CHIP 4.7K 5% 1/10W		
2044		A1U	RESISTOR		R533	1-216-833-11	METAL CHIP 10K 5% 1/10W		
2045		A1U	RESISTOR		R534	1-216-821-11	METAL CHIP 1K 5% 1/10W		
2046		A1U	RESISTOR		R535	1-216-829-11	METAL CHIP 4.7K 5% 1/10W		
2047		A1U	RESISTOR		R536	1-216-829-11	METAL CHIP 4.7K 5% 1/10W		
2048		A1U	RESISTOR		R537	1-216-821-11	METAL CHIP 1K 5% 1/10W		
2049		A1U	RESISTOR		R538	1-216-864-11	SHORT CHIP 0		
2050		A1U	RESISTOR		R539	1-216-821-11	METAL CHIP 1K 5% 1/10W		
2051		A1U	RESISTOR		R540	1-216-853-11	METAL CHIP 470K 5% 1/10W		
2052		A1U	RESISTOR		R541	1-216-833-11	METAL CHIP 10K 5% 1/10W		
2053		A1U	RESISTOR		R542	1-216-833-11	METAL CHIP 10K 5% 1/10W		
2054		A1U	RESISTOR		R543	1-216-825-11	METAL CHIP 2.2K 5% 1/10W		
2055		A1U	RESISTOR		R544	1-216-853-11	METAL CHIP 470K 5% 1/10W		
2056		A1U	RESISTOR		R545	1-216-853-11	METAL CHIP 470K 5% 1/10W		
2057		A1U	RESISTOR		R547	1-216-825-11	METAL CHIP 2.2K 5% 1/10W		
2058		A1U	RESISTOR		R548	1-216-821-11	METAL CHIP 1K 5% 1/10W		
2059		A1U	RESISTOR		R549	1-216-849-11	METAL CHIP 220K 5% 1/10W		
2060		A1U	RESISTOR		R550	1-216-849-11	METAL CHIP 220K 5% 1/10W		
2061		A1U	RESISTOR		R553	1-216-841-11	METAL CHIP 47K 5% 1/10W		
2062		A1U	RESISTOR		R556	1-216-836-11	METAL CHIP 18K 5% 1/10W		
2063		A1U	RESISTOR		R558	1-216-805-11	METAL CHIP 47 5% 1/10W		
2064		A1U	RESISTOR		R559	1-216-829-11	METAL CHIP 4.7K 5% 1/10W		
2065		A1U	RESISTOR		R562	1-220-397-11	METAL CHIP 4.7M 5% 1/10W		
2066		A1U	RESISTOR		R563	1-216-829-11	METAL CHIP 4.7K 5% 1/10W		
2067		A1U	RESISTOR		R564	1-216-829-11	METAL CHIP 4.7K 5% 1/10W		
2068		A1U	RESISTOR		R565	1-216-837-11	METAL CHIP 22K 5% 1/10W		
2069		A1U	RESISTOR		R566	1-218-867-11	METAL CHIP 6.8K 0.5% 1/10W		
2070		A1U	RESISTOR		R567	1-216-829-11	METAL CHIP 4.7K 5% 1/10W		
2071		A1U	RESISTOR		R568	1-216-849-11	METAL CHIP 220K 5% 1/10W		
2072		A1U	RESISTOR		R569	1-218-867-11	METAL CHIP 6.8K 0.5% 1/10W		

No.	#	Board	Type	Δ / [*]	Ref. No.	Part No.	Description	Remarks-1	Remarks-2
2073		A1U	RESISTOR		R570	1-216-849-11	METAL CHIP 220K 5% 1/10W		
2074		A1U	RESISTOR		R571	1-218-827-11	METAL CHIP 150 0.5% 1/10W		
2075		A1U	RESISTOR		R572	1-218-867-11	METAL CHIP 6.8K 0.5% 1/10W		
2076		A1U	RESISTOR		R573	1-216-829-11	METAL CHIP 4.7K 5% 1/10W		
2077		A1U	RESISTOR		R574	1-218-867-11	METAL CHIP 6.8K 0.5% 1/10W		
2078		A1U	RESISTOR		R575	1-216-829-11	METAL CHIP 4.7K 5% 1/10W		
2079		A1U	RESISTOR		R576	1-218-867-11	METAL CHIP 6.8K 0.5% 1/10W		
2080		A1U	RESISTOR		R577	1-218-827-11	METAL CHIP 150 0.5% 1/10W		
2081		A1U	RESISTOR		R578	1-218-867-11	METAL CHIP 6.8K 0.5% 1/10W		
2082		A1U	RESISTOR		R579	1-218-867-11	METAL CHIP 6.8K 0.5% 1/10W		
2083		A1U	RESISTOR		R580	1-216-805-11	METAL CHIP 47 5% 1/10W		
2084		A1U	RESISTOR		R581	1-216-829-11	METAL CHIP 4.7K 5% 1/10W		
2085		A1U	RESISTOR		R582	1-218-867-11	METAL CHIP 6.8K 0.5% 1/10W		
2086		A1U	RESISTOR		R583	1-218-867-11	METAL CHIP 6.8K 0.5% 1/10W		
2087		A1U	RESISTOR		R584	1-220-397-11	METAL CHIP 4.7M 5% 1/10W		
2088		A1U	RESISTOR		R585	1-216-805-11	METAL CHIP 47 5% 1/10W		
2089		A1U	RESISTOR		R586	1-218-867-11	METAL CHIP 6.8K 0.5% 1/10W		
2090		A1U	RESISTOR		R587	1-216-829-11	METAL CHIP 4.7K 5% 1/10W		
2091		A1U	RESISTOR		R588	1-216-829-11	METAL CHIP 4.7K 5% 1/10W		
2092		A1U	RESISTOR		R589	1-216-829-11	METAL CHIP 4.7K 5% 1/10W		
2093		A1U	RESISTOR		R590	1-216-829-11	METAL CHIP 4.7K 5% 1/10W		
2094		A1U	RESISTOR		R591	1-216-829-11	METAL CHIP 4.7K 5% 1/10W		
2095		A1U	RESISTOR		R592	1-216-805-11	METAL CHIP 47 5% 1/10W		
2096		A1U	RESISTOR		R593	1-216-837-11	METAL CHIP 22K 5% 1/10W		
2097		A1U	RESISTOR		R594	1-216-833-11	METAL CHIP 10K 5% 1/10W		
2098		A1U	RESISTOR		R595	1-216-829-11	METAL CHIP 4.7K 5% 1/10W		
2099		A1U	RESISTOR		R596	1-216-829-11	METAL CHIP 4.7K 5% 1/10W		
2100		A1U	RESISTOR		R597	1-216-829-11	METAL CHIP 4.7K 5% 1/10W		
2101		A1U	RESISTOR		R598	1-216-829-11	METAL CHIP 4.7K 5% 1/10W		
2102		A1U	RESISTOR		R599	1-216-829-11	METAL CHIP 4.7K 5% 1/10W		
2103		A1U	RESISTOR		R601	1-216-809-11	METAL CHIP 100 5% 1/10W		
2104		A1U	RESISTOR		R603	1-216-805-11	METAL CHIP 47 5% 1/10W		
2105		A1U	RESISTOR		R604	1-216-857-11	METAL CHIP 1M 5% 1/10W		
2106		A1U	RESISTOR		R605	1-216-809-11	METAL CHIP 100 5% 1/10W		
2107		A1U	RESISTOR		R606	1-216-809-11	METAL CHIP 100 5% 1/10W		
2108		A1U	RESISTOR		R607	1-216-809-11	METAL CHIP 100 5% 1/10W		
2109		A1U	RESISTOR		R608	1-216-809-11	METAL CHIP 100 5% 1/10W		
2110		A1U	RESISTOR		R609	1-216-813-11	METAL CHIP 220 5% 1/10W		
2111		A1U	RESISTOR		R610	1-216-805-11	METAL CHIP 47 5% 1/10W		
2112		A1U	RESISTOR		R612	1-216-813-11	METAL CHIP 220 5% 1/10W		
2113		A1U	RESISTOR		R613	1-216-864-11	SHORT CHIP 0		
2114		A1U	RESISTOR		R614	1-216-864-11	SHORT CHIP 0		
2115		A1U	RESISTOR		R615	1-414-760-21	FERRITE 0UH		
2116		A1U	RESISTOR		R616	1-216-864-11	SHORT CHIP 0		
2117		A1U	RESISTOR		R617	1-216-841-11	METAL CHIP 47K 5% 1/10W		
2118		A1U	RESISTOR		R618	1-216-821-11	METAL CHIP 1K 5% 1/10W		
2119		A1U	RESISTOR		R619	1-216-864-11	SHORT CHIP 0		
2120		A1U	RESISTOR		R621	1-216-841-11	METAL CHIP 47K 5% 1/10W		
2121		A1U	RESISTOR		R622	1-216-864-11	SHORT CHIP 0		
2122		A1U	RESISTOR		R623	1-216-805-11	METAL CHIP 47 5% 1/10W		
2123		A1U	RESISTOR		R624	1-216-809-11	METAL CHIP 100 5% 1/10W		
2124		A1U	RESISTOR		R625	1-216-809-11	METAL CHIP 100 5% 1/10W		
2125		A1U	RESISTOR		R626	1-216-809-11	METAL CHIP 100 5% 1/10W		
2126		A1U	RESISTOR		R628	1-216-833-11	METAL CHIP 10K 5% 1/10W		
2127		A1U	RESISTOR		R630	1-216-830-11	METAL CHIP 5.6K 5% 1/10W		
2128		A1U	RESISTOR		R631	1-216-830-11	METAL CHIP 5.6K 5% 1/10W		
2129		A1U	RESISTOR		R632	1-218-867-11	METAL CHIP 6.8K 0.5% 1/10W		
2130		A1U	RESISTOR		R637	1-216-833-11	METAL CHIP 10K 5% 1/10W		
2131		A1U	RESISTOR		R638	1-216-835-11	METAL CHIP 15K 5% 1/10W		
2132		A1U	RESISTOR		R639	1-216-829-11	METAL CHIP 4.7K 5% 1/10W		
2133		A1U	RESISTOR		R640	1-216-829-11	METAL CHIP 4.7K 5% 1/10W		
2134		A1U	RESISTOR		R641	1-216-833-11	METAL CHIP 10K 5% 1/10W		
2135		A1U	RESISTOR		R642	1-216-829-11	METAL CHIP 4.7K 5% 1/10W		
2136		A1U	RESISTOR		R646	1-216-825-11	METAL CHIP 2.2K 5% 1/10W		
2137		A1U	RESISTOR		R647	1-216-833-11	METAL CHIP 10K 5% 1/10W		
2138		A1U	RESISTOR		R649	1-216-821-11	METAL CHIP 1K 5% 1/10W		
2139		A1U	RESISTOR		R651	1-216-837-11	METAL CHIP 22K 5% 1/10W		
2140		A1U	RESISTOR		R652	1-216-809-11	METAL CHIP 100 5% 1/10W		
2141		A1U	RESISTOR		R654	1-216-838-11	METAL CHIP 27K 5% 1/10W		
2142		A1U	RESISTOR		R656	1-216-829-11	METAL CHIP 4.7K 5% 1/10W		
2143		A1U	RESISTOR		R659	1-216-833-11	METAL CHIP 10K 5% 1/10W		
2144		A1U	RESISTOR		R662	1-216-809-11	METAL CHIP 100 5% 1/10W		
2145		A1U	RESISTOR		R664	1-216-833-11	METAL CHIP 10K 5% 1/10W		
2146		A1U	RESISTOR		R666	1-216-833-11	METAL CHIP 10K 5% 1/10W		

No.	#	Board	Type	Δ / [*]	Ref. No.	Part No.	Description	Remarks-1	Remarks-2
2147		A1U	RESISTOR		R667	1-216-805-11	METAL CHIP 47 5% 1/10W		
2148		A1U	RESISTOR		R668	1-216-805-11	METAL CHIP 47 5% 1/10W		
2149		A1U	RESISTOR		R669	1-216-805-11	METAL CHIP 47 5% 1/10W		
2150		A1U	RESISTOR		R670	1-216-805-11	METAL CHIP 47 5% 1/10W		
2151		A1U	RESISTOR		R671	1-216-805-11	METAL CHIP 47 5% 1/10W		
2152		A1U	RESISTOR		R672	1-216-805-11	METAL CHIP 47 5% 1/10W		
2153		A1U	RESISTOR		R673	1-216-805-11	METAL CHIP 47 5% 1/10W		
2154		A1U	RESISTOR		R674	1-216-829-11	METAL CHIP 4.7K 5% 1/10W		
2155		A1U	RESISTOR		R679	1-414-760-21	FERRITE 0UH		
2156		A1U	RESISTOR		R680	1-216-825-11	METAL CHIP 2.2K 5% 1/10W		
2157		A1U	RESISTOR		R681	1-216-821-11	METAL CHIP 1K 5% 1/10W		
2158		A1U	RESISTOR		R682	1-216-805-11	METAL CHIP 47 5% 1/10W		
2159		A1U	RESISTOR		R683	1-216-805-11	METAL CHIP 47 5% 1/10W		
2160		A1U	RESISTOR		R684	1-216-807-11	METAL CHIP 68 5% 1/10W		
2161		A1U	RESISTOR		R685	1-216-807-11	METAL CHIP 68 5% 1/10W		
2162		A1U	RESISTOR		R686	1-216-809-11	METAL CHIP 100 5% 1/10W		
2163		A1U	RESISTOR		R687	1-216-841-11	METAL CHIP 47K 5% 1/10W		
2164		A1U	RESISTOR		R688	1-216-829-11	METAL CHIP 4.7K 5% 1/10W		
2165		A1U	RESISTOR		R689	1-216-817-11	METAL CHIP 470 5% 1/10W		
2166		A1U	RESISTOR		R694	1-216-833-11	METAL CHIP 10K 5% 1/10W		
2167		A1U	NETWORK		RB501	1-234-372-21	RES, NETWORK 100X4 (1005)		
2168		A1U	NETWORK		RB502	1-234-372-21	RES, NETWORK 100X4 (1005)		
2169		A1U	NETWORK		RB503	1-234-372-21	RES, NETWORK 100X4 (1005)		
2170		A1U	NETWORK		RB504	1-234-372-21	RES, NETWORK 100X4 (1005)		
2171		A1U	NETWORK		RB505	1-234-372-21	RES, NETWORK 100X4 (1005)		
2172		A1U	NETWORK		RB506	1-234-372-21	RES, NETWORK 100X4 (1005)		
2173		A1U	TRANSFORMER		T501	1-437-982-11	SOUND INPUT TRANSFORMER		
2174		A1U	CHIP CHCKER		TP001	1-535-877-22	CHIP, CHECKER		
2175		A1U	CHIP CHCKER		TP002	1-535-877-22	CHIP, CHECKER		
2176		A1U	CHIP CHCKER		TP003	1-535-877-22	CHIP, CHECKER		
2177		A1U	CHIP CHCKER		TP301	1-535-757-11	CHIP, CHECKER		
2178		A1U	CHIP CHCKER		TP302	1-535-757-11	CHIP, CHECKER		
2179		A1U	CHIP CHCKER		TP303	1-535-757-11	CHIP, CHECKER		
2180		A1U	CHIP CHCKER		TP304	1-535-757-11	CHIP, CHECKER		
2181		A1U	CHIP CHCKER		TP305	1-535-757-11	CHIP, CHECKER		
2182		A1U	CHIP CHCKER		TP308	1-535-757-11	CHIP, CHECKER		
2183		A1U	CHIP CHCKER		TP501	1-535-757-11	CHIP, CHECKER		
2184		A1U	CHIP CHCKER		TP502	1-535-757-11	CHIP, CHECKER		
2185		A1U	CHIP CHCKER		TP503	1-535-757-11	CHIP, CHECKER		
2186		A1U	CHIP CHCKER		TP504	1-535-757-11	CHIP, CHECKER		
2187		A1U	CHIP CHCKER		TP505	1-535-757-11	CHIP, CHECKER		
2188		A1U	CHIP CHCKER		TP506	1-535-757-11	CHIP, CHECKER		
2189		A1U	CHIP CHCKER		TP507	1-535-757-11	CHIP, CHECKER		
2190		A1U	VARISTOR		VD301	1-803-974-21	VARISTOR, CHIP (1608)		
2191		A1U	VARISTOR		VD302	1-803-974-21	VARISTOR, CHIP (1608)		
2192		A1U	VARISTOR		VD303	1-803-974-21	VARISTOR, CHIP (1608)		
2193		A1U	VARISTOR		VD332	1-803-974-21	VARISTOR, CHIP (1608)		
2194		A1U	VARISTOR		VD333	1-803-974-21	VARISTOR, CHIP (1608)		
2195		A1U	VARISTOR		VD334	1-803-974-21	VARISTOR, CHIP (1608)		
2196		A1U	VARISTOR		VD335	1-803-974-21	VARISTOR, CHIP (1608)		
2197		A1U	VARISTOR		VD336	1-803-974-21	VARISTOR, CHIP (1608)		
2198		A1U	VARISTOR		VD337	1-803-974-21	VARISTOR, CHIP (1608)		
2199		A1U	VARISTOR		VD338	1-803-974-21	VARISTOR, CHIP (1608)		
2200		A1U	VARISTOR		VD339	1-803-974-21	VARISTOR, CHIP (1608)		
2201		A1U	VARISTOR		VD340	1-803-974-21	VARISTOR, CHIP (1608)		
2202		A1U	VARISTOR		VD403	1-803-974-21	VARISTOR, CHIP (1608)		
2203		A1U	VARISTOR		VD404	1-803-974-21	VARISTOR, CHIP (1608)		
2204		A1U	VARISTOR		VD405	1-803-974-21	VARISTOR, CHIP (1608)		
2205		A1U	VARISTOR		VD406	1-803-974-21	VARISTOR, CHIP (1608)		
2206		A1U	VARISTOR		VD407	1-803-974-21	VARISTOR, CHIP (1608)		
2207		A1U	VARISTOR		VD408	1-803-974-21	VARISTOR, CHIP (1608)		
2208		A1U	VARISTOR		VD409	1-803-974-21	VARISTOR, CHIP (1608)		
2209		A1U	VARISTOR		VD410	1-803-974-21	VARISTOR, CHIP (1608)		
2210		A1U	VARISTOR		VD411	1-803-974-21	VARISTOR, CHIP (1608)		
2211		A1U	VARISTOR		VD412	1-803-974-21	VARISTOR, CHIP (1608)		
2212		A1U	VARISTOR		VD413	1-803-974-21	VARISTOR, CHIP (1608)		
2213		A1U	VARISTOR		VD414	1-803-974-21	VARISTOR, CHIP (1608)		
2214		A1U	VARISTOR		VD415	1-803-974-21	VARISTOR, CHIP (1608)		
2215		A1U	VARISTOR		VD416	1-803-974-21	VARISTOR, CHIP (1608)		
2216		A1U	VARISTOR		VD417	1-803-974-21	VARISTOR, CHIP (1608)		
2217		A1U	VARISTOR		VD418	1-803-974-21	VARISTOR, CHIP (1608)		
2218		A1U	VARISTOR		VD419	1-803-974-21	VARISTOR, CHIP (1608)		
2219		A1U	VARISTOR		VD420	1-803-974-21	VARISTOR, CHIP (1608)		
2220		A1U	VARISTOR		VD421	1-803-974-21	VARISTOR, CHIP (1608)		

No.	#	Board	Type	△/*	Ref. No.	Part No.	Description	Remarks-1	Remarks-2
2221		A1U	VARISTOR		VD422	1-803-974-21	VARISTOR, CHIP (1608)		
2222		A1U	VARISTOR		VD423	1-803-974-21	VARISTOR, CHIP (1608)		
2223		A1U	VARISTOR		VD424	1-803-974-21	VARISTOR, CHIP (1608)		
2224		A1U	VARISTOR		VD425	1-803-974-21	VARISTOR, CHIP (1608)		
2225		A1U	VARISTOR		VD426	1-803-974-21	VARISTOR, CHIP (1608)		
2226		A1U	VARISTOR		VD512	1-803-974-21	VARISTOR, CHIP (1608)		
2227		A1U	VARISTOR		VD513	1-803-974-21	VARISTOR, CHIP (1608)		
2228		A1U	VARISTOR		VD514	1-803-974-21	VARISTOR, CHIP (1608)		
2229		A1U	VARISTOR		VD515	1-803-974-21	VARISTOR, CHIP (1608)		
2230		A1U	CRYSTAL		X302	1-781-922-21	VIBRATOR, CERAMIC		
2231		A1U	CRYSTAL		X501	1-795-980-21	VIBRATOR, CRYSTAL		
2232		QU	CAPACITOR		C7951	1-115-156-11	CERAMIC CHIP 1UF 10V		
2233		QU	CAPACITOR		C7952	1-115-156-11	CERAMIC CHIP 1UF 10V		
2234		QU	CAPACITOR		C7953	1-164-156-11	CERAMIC CHIP 0.1UF 25V		
2235		QU	CAPACITOR		C7954	1-164-156-11	CERAMIC CHIP 0.1UF 25V		
2236		QU	CONNECTOR	*	CN7951	1-573-768-21	PIN, CONNECTOR (1.5MM) (SMD)5P		
2237		QU	CONNECTOR	*	CN7952	1-818-486-11	PCMCIA CONNECTOR (SMD)		
2238		QU	CONNECTOR	*	CN7953	1-818-483-11	FFC/FPC CONNECTOR (ZIF) 80P		
2239		QU	CHIP CHCKER		TP7950	1-694-766-21	TERMINAL (ONBOARD CONTACT)		
2240		QM	CAPACITOR		C7301	1-100-055-11	CERAMIC CHIP 22UF 20% 16V		
2241		QM	CAPACITOR		C7306	1-100-597-91	CERAMIC CHIP 0.1UF 10% 25V		
2242		QM	CAPACITOR		C7307	1-125-827-91	CERAMIC CHIP 1UF 10.00% 25V		
2243		QM	CAPACITOR		C7314	1-100-597-91	CERAMIC CHIP 0.1UF 10% 25V		
2244		QM	CAPACITOR		C7316	1-162-962-11	CERAMIC CHIP 470PF 10.00% 50V		
2245		QM	CAPACITOR		C7317	1-162-962-11	CERAMIC CHIP 470PF 10.00% 50V		
2246		QM	CAPACITOR		C7319	1-126-206-11	ELECT CHIP 100UF 20.00% 6.3V		
2247		QM	CAPACITOR		C7320	1-100-055-11	CERAMIC CHIP 22UF 20% 16V		
2248		QM	CAPACITOR		C7321	1-100-597-91	CERAMIC CHIP 0.1UF 10% 25V		
2249		QM	CAPACITOR		C7322	1-137-897-21	ELECT CHIP 150UF 20% 4V		
2250		QM	CAPACITOR		C7323	1-137-897-21	ELECT CHIP 150UF 20% 4V		
2251		QM	CAPACITOR		C7325	1-137-897-21	ELECT CHIP 150UF 20% 4V		
2252		QM	CAPACITOR		C7326	1-137-897-21	ELECT CHIP 150UF 20% 4V		
2253		QM	CAPACITOR		C7327	1-125-837-91	CERAMIC CHIP 1UF 10% 6.3V		
2254		QM	CAPACITOR		C7328	1-125-837-91	CERAMIC CHIP 1UF 10% 6.3V		
2255		QM	CAPACITOR		C7329	1-126-206-11	ELECT CHIP 100UF 20.00% 6.3V		
2256		QM	CAPACITOR		C7330	1-126-206-11	ELECT CHIP 100UF 20.00% 6.3V		
2257		QM	CAPACITOR		C7331	1-126-206-11	ELECT CHIP 100UF 20.00% 6.3V		
2258		QM	CAPACITOR		C7332	1-100-597-91	CERAMIC CHIP 0.1UF 10% 25V		
2259		QM	CAPACITOR		C7333	1-100-597-91	CERAMIC CHIP 0.1UF 10% 25V		
2260		QM	CAPACITOR		C7334	1-100-597-91	CERAMIC CHIP 0.1UF 10% 25V		
2261		QM	CAPACITOR		C7335	1-127-692-11	CERAMIC CHIP 10UF 10% 16V		
2262		QM	CAPACITOR		C7336	1-127-692-11	CERAMIC CHIP 10UF 10% 16V		
2263		QM	CAPACITOR		C7337	1-100-597-91	CERAMIC CHIP 0.1UF 10% 25V		
2264		QM	CAPACITOR		C7338	1-100-597-91	CERAMIC CHIP 0.1UF 10% 25V		
2265		QM	CAPACITOR		C7339	1-100-597-91	CERAMIC CHIP 0.1UF 10% 25V		
2266		QM	CAPACITOR		C7340	1-100-597-91	CERAMIC CHIP 0.1UF 10% 25V		
2267		QM	CAPACITOR		C7341	1-100-597-91	CERAMIC CHIP 0.1UF 10% 25V		
2268		QM	CAPACITOR		C7342	1-126-206-11	ELECT CHIP 100UF 20.00% 6.3V		
2269		QM	CAPACITOR		C7343	1-125-837-91	CERAMIC CHIP 1UF 10% 6.3V		
2270		QM	CAPACITOR		C7344	1-125-837-91	CERAMIC CHIP 1UF 10% 6.3V		
2271		QM	CAPACITOR		C7345	1-125-837-91	CERAMIC CHIP 1UF 10% 6.3V		
2272		QM	CAPACITOR		C7346	1-125-837-91	CERAMIC CHIP 1UF 10% 6.3V		
2273		QM	CAPACITOR		C7347	1-125-837-91	CERAMIC CHIP 1UF 10% 6.3V		
2274		QM	CAPACITOR		C7348	1-127-692-11	CERAMIC CHIP 10UF 10% 16V		
2275		QM	CAPACITOR		C7349	1-100-597-91	CERAMIC CHIP 0.1UF 10% 25V		
2276		QM	CAPACITOR		C7350	1-127-692-11	CERAMIC CHIP 10UF 10% 16V		
2277		QM	CAPACITOR		C7351	1-100-597-91	CERAMIC CHIP 0.1UF 10% 25V		
2278		QM	CAPACITOR		C7352	1-100-597-91	CERAMIC CHIP 0.1UF 10% 25V		
2279		QM	CAPACITOR		C7353	1-100-597-91	CERAMIC CHIP 0.1UF 10% 25V		
2280		QM	CAPACITOR		C7354	1-162-970-11	CERAMIC CHIP 0.01UF 10.00% 25V		
2281		QM	CAPACITOR		C7355	1-100-597-91	CERAMIC CHIP 0.1UF 10% 25V		
2282		QM	CAPACITOR		C7356	1-127-692-11	CERAMIC CHIP 10UF 10% 16V		
2283		QM	CAPACITOR		C7357	1-100-597-91	CERAMIC CHIP 0.1UF 10% 25V		
2284		QM	CAPACITOR		C7358	1-100-597-91	CERAMIC CHIP 0.1UF 10% 25V		
2285		QM	CAPACITOR		C7359	1-100-597-91	CERAMIC CHIP 0.1UF 10% 25V		
2286		QM	CAPACITOR		C7360	1-100-597-91	CERAMIC CHIP 0.1UF 10% 25V		
2287		QM	CAPACITOR		C7361	1-100-597-91	CERAMIC CHIP 0.1UF 10% 25V		
2288		QM	CAPACITOR		C7362	1-100-597-91	CERAMIC CHIP 0.1UF 10% 25V		
2289		QM	CAPACITOR		C7363	1-100-597-91	CERAMIC CHIP 0.1UF 10% 25V		
2290		QM	CAPACITOR		C7364	1-100-597-91	CERAMIC CHIP 0.1UF 10% 25V		
2291		QM	CAPACITOR		C7365	1-125-837-91	CERAMIC CHIP 1UF 10% 6.3V		
2292		QM	CAPACITOR		C7366	1-125-837-91	CERAMIC CHIP 1UF 10% 6.3V		
2293		QM	CAPACITOR		C7367	1-127-692-11	CERAMIC CHIP 10UF 10% 16V		
2294		QM	CAPACITOR		C7368	1-125-837-91	CERAMIC CHIP 1UF 10% 6.3V		

No.	#	Board	Type	Δ / [*]	Ref. No.	Part No.	Description	Remarks-1	Remarks-2
2295		QM	CAPACITOR		C7369	1-127-692-11	CERAMIC CHIP 10UF 10% 16V		
2296		QM	CAPACITOR		C7370	1-127-692-11	CERAMIC CHIP 10UF 10% 16V		
2297		QM	CAPACITOR		C7371	1-127-692-11	CERAMIC CHIP 10UF 10% 16V		
2298		QM	CAPACITOR		C7372	1-100-597-91	CERAMIC CHIP 0.1UF 10% 25V		
2299		QM	CAPACITOR		C7373	1-100-597-91	CERAMIC CHIP 0.1UF 10% 25V		
2300		QM	CAPACITOR		C7374	1-100-597-91	CERAMIC CHIP 0.1UF 10% 25V		
2301		QM	CAPACITOR		C7375	1-100-597-91	CERAMIC CHIP 0.1UF 10% 25V		
2302		QM	CAPACITOR		C7376	1-100-597-91	CERAMIC CHIP 0.1UF 10% 25V		
2303		QM	CAPACITOR		C7377	1-100-597-91	CERAMIC CHIP 0.1UF 10% 25V		
2304		QM	CAPACITOR		C7378	1-100-597-91	CERAMIC CHIP 0.1UF 10% 25V		
2305		QM	CAPACITOR		C7379	1-125-837-91	CERAMIC CHIP 1UF 10% 6.3V		
2306		QM	CAPACITOR		C7380	1-100-597-91	CERAMIC CHIP 0.1UF 10% 25V		
2307		QM	CAPACITOR		C7381	1-100-597-91	CERAMIC CHIP 0.1UF 10% 25V		
2308		QM	CAPACITOR		C7382	1-100-597-91	CERAMIC CHIP 0.1UF 10% 25V		
2309		QM	CAPACITOR		C7383	1-100-597-91	CERAMIC CHIP 0.1UF 10% 25V		
2310		QM	CAPACITOR		C7384	1-125-837-91	CERAMIC CHIP 1UF 10% 6.3V		
2311		QM	CAPACITOR		C7385	1-125-837-91	CERAMIC CHIP 1UF 10% 6.3V		
2312		QM	CAPACITOR		C7386	1-125-837-91	CERAMIC CHIP 1UF 10% 6.3V		
2313		QM	CAPACITOR		C7387	1-100-597-91	CERAMIC CHIP 0.1UF 10% 25V		
2314		QM	CAPACITOR		C7388	1-127-692-11	CERAMIC CHIP 10UF 10% 16V		
2315		QM	CAPACITOR		C7389	1-100-597-91	CERAMIC CHIP 0.1UF 10% 25V		
2316		QM	CAPACITOR		C7390	1-100-597-91	CERAMIC CHIP 0.1UF 10% 25V		
2317		QM	CAPACITOR		C7391	1-127-692-11	CERAMIC CHIP 10UF 10% 16V		
2318		QM	CAPACITOR		C7392	1-100-597-91	CERAMIC CHIP 0.1UF 10% 25V		
2319		QM	CAPACITOR		C7393	1-100-597-91	CERAMIC CHIP 0.1UF 10% 25V		
2320		QM	CAPACITOR		C7394	1-127-692-11	CERAMIC CHIP 10UF 10% 16V		
2321		QM	CAPACITOR		C7395	1-100-597-91	CERAMIC CHIP 0.1UF 10% 25V		
2322		QM	CAPACITOR		C7396	1-100-597-91	CERAMIC CHIP 0.1UF 10% 25V		
2323		QM	CAPACITOR		C7397	1-127-692-11	CERAMIC CHIP 10UF 10% 16V		
2324		QM	CAPACITOR		C7398	1-100-597-91	CERAMIC CHIP 0.1UF 10% 25V		
2325		QM	CAPACITOR		C7399	1-125-837-91	CERAMIC CHIP 1UF 10% 6.3V		
2326		QM	CAPACITOR		C7400	1-162-918-11	CERAMIC CHIP 18PF 5.00% 50V		
2327		QM	CAPACITOR		C7401	1-100-597-91	CERAMIC CHIP 0.1UF 10% 25V		
2328		QM	CAPACITOR		C7402	1-100-597-91	CERAMIC CHIP 0.1UF 10% 25V		
2329		QM	CAPACITOR		C7403	1-100-597-91	CERAMIC CHIP 0.1UF 10% 25V		
2330		QM	CAPACITOR		C7404	1-162-918-11	CERAMIC CHIP 18PF 5.00% 50V		
2331		QM	CAPACITOR		C7405	1-100-597-91	CERAMIC CHIP 0.1UF 10% 25V		
2332		QM	CAPACITOR		C7406	1-100-597-91	CERAMIC CHIP 0.1UF 10% 25V		
2333		QM	CAPACITOR		C7407	1-100-597-91	CERAMIC CHIP 0.1UF 10% 25V		
2334		QM	CAPACITOR		C7408	1-100-597-91	CERAMIC CHIP 0.1UF 10% 25V		
2335		QM	CAPACITOR		C7409	1-100-597-91	CERAMIC CHIP 0.1UF 10% 25V		
2336		QM	CAPACITOR		C7410	1-100-597-91	CERAMIC CHIP 0.1UF 10% 25V		
2337		QM	CAPACITOR		C7411	1-100-597-91	CERAMIC CHIP 0.1UF 10% 25V		
2338		QM	CAPACITOR		C7412	1-100-597-91	CERAMIC CHIP 0.1UF 10% 25V		
2339		QM	CAPACITOR		C7413	1-125-837-91	CERAMIC CHIP 1UF 10% 6.3V		
2340		QM	CAPACITOR		C7414	1-125-837-91	CERAMIC CHIP 1UF 10% 6.3V		
2341		QM	CAPACITOR		C7415	1-100-597-91	CERAMIC CHIP 0.1UF 10% 25V		
2342		QM	CAPACITOR		C7416	1-100-597-91	CERAMIC CHIP 0.1UF 10% 25V		
2343		QM	CAPACITOR		C7417	1-127-692-11	CERAMIC CHIP 10UF 10% 16V		
2344		QM	CAPACITOR		C7418	1-125-837-91	CERAMIC CHIP 1UF 10% 6.3V		
2345		QM	CAPACITOR		C7419	1-127-692-11	CERAMIC CHIP 10UF 10% 16V		
2346		QM	CAPACITOR		C7420	1-100-597-91	CERAMIC CHIP 0.1UF 10% 25V		
2347		QM	CAPACITOR		C7421	1-100-597-91	CERAMIC CHIP 0.1UF 10% 25V		
2348		QM	CAPACITOR		C7422	1-100-597-91	CERAMIC CHIP 0.1UF 10% 25V		
2349		QM	CAPACITOR		C7423	1-100-597-91	CERAMIC CHIP 0.1UF 10% 25V		
2350		QM	CAPACITOR		C7424	1-100-597-91	CERAMIC CHIP 0.1UF 10% 25V		
2351		QM	CAPACITOR		C7425	1-100-597-91	CERAMIC CHIP 0.1UF 10% 25V		
2352		QM	CAPACITOR		C7426	1-100-597-91	CERAMIC CHIP 0.1UF 10% 25V		
2353		QM	CAPACITOR		C7427	1-100-597-91	CERAMIC CHIP 0.1UF 10% 25V		
2354		QM	CAPACITOR		C7428	1-126-206-11	ELECT CHIP 100UF 20.00% 6.3V		
2355		QM	CAPACITOR		C7429	1-126-206-11	ELECT CHIP 100UF 20.00% 6.3V		
2356		QM	CAPACITOR		C7430	1-100-597-91	CERAMIC CHIP 0.1UF 10% 25V		
2357		QM	CAPACITOR		C7431	1-100-597-91	CERAMIC CHIP 0.1UF 10% 25V		
2358		QM	CAPACITOR		C7432	1-127-692-11	CERAMIC CHIP 10UF 10% 16V		
2359		QM	CAPACITOR		C7433	1-100-597-91	CERAMIC CHIP 0.1UF 10% 25V		
2360		QM	CAPACITOR		C7434	1-100-597-91	CERAMIC CHIP 0.1UF 10% 25V		
2361		QM	CAPACITOR		C7435	1-125-837-91	CERAMIC CHIP 1UF 10% 6.3V		
2362		QM	CAPACITOR		C7436	1-100-597-91	CERAMIC CHIP 0.1UF 10% 25V		
2363		QM	CAPACITOR		C7437	1-100-597-91	CERAMIC CHIP 0.1UF 10% 25V		
2364		QM	CAPACITOR		C7438	1-100-597-91	CERAMIC CHIP 0.1UF 10% 25V		
2365		QM	CAPACITOR		C7439	1-127-692-11	CERAMIC CHIP 10UF 10% 16V		
2366		QM	CAPACITOR		C7440	1-126-206-11	ELECT CHIP 100UF 20.00% 6.3V		
2367		QM	CAPACITOR		C7441	1-100-597-91	CERAMIC CHIP 0.1UF 10% 25V		
2368		QM	CAPACITOR		C7442	1-100-597-91	CERAMIC CHIP 0.1UF 10% 25V		

No.	#	Board	Type	Δ / [*]	Ref. No.	Part No.	Description	Remarks-1	Remarks-2
2369		QM	CAPACITOR		C7443	1-100-597-91	CERAMIC CHIP 0.1UF 10% 25V		
2370		QM	CAPACITOR		C7444	1-100-597-91	CERAMIC CHIP 0.1UF 10% 25V		
2371		QM	CAPACITOR		C7445	1-100-597-91	CERAMIC CHIP 0.1UF 10% 25V		
2372		QM	CAPACITOR		C7446	1-100-597-91	CERAMIC CHIP 0.1UF 10% 25V		
2373		QM	CAPACITOR		C7447	1-162-970-11	CERAMIC CHIP 0.01UF 10.00% 25V		
2374		QM	CAPACITOR		C7448	1-100-597-91	CERAMIC CHIP 0.1UF 10% 25V		
2375		QM	CAPACITOR		C7449	1-100-597-91	CERAMIC CHIP 0.1UF 10% 25V		
2376		QM	CAPACITOR		C7450	1-100-597-91	CERAMIC CHIP 0.1UF 10% 25V		
2377		QM	CAPACITOR		C7451	1-100-597-91	CERAMIC CHIP 0.1UF 10% 25V		
2378		QM	CAPACITOR		C7452	1-127-692-11	CERAMIC CHIP 10UF 10% 16V		
2379		QM	CAPACITOR		C7453	1-100-597-91	CERAMIC CHIP 0.1UF 10% 25V		
2380		QM	CAPACITOR		C7454	1-100-597-91	CERAMIC CHIP 0.1UF 10% 25V		
2381		QM	CAPACITOR		C7455	1-162-970-11	CERAMIC CHIP 0.01UF 10.00% 25V		
2382		QM	CAPACITOR		C7456	1-100-597-91	CERAMIC CHIP 0.1UF 10% 25V		
2383		QM	CAPACITOR		C7457	1-100-597-91	CERAMIC CHIP 0.1UF 10% 25V		
2384		QM	CAPACITOR		C7458	1-100-597-91	CERAMIC CHIP 0.1UF 10% 25V		
2385		QM	CAPACITOR		C7459	1-127-692-11	CERAMIC CHIP 10UF 10% 16V		
2386		QM	CAPACITOR		C7460	1-162-970-11	CERAMIC CHIP 0.01UF 10.00% 25V		
2387		QM	CAPACITOR		C7461	1-100-597-91	CERAMIC CHIP 0.1UF 10% 25V		
2388		QM	CAPACITOR		C7462	1-100-597-91	CERAMIC CHIP 0.1UF 10% 25V		
2389		QM	CAPACITOR		C7463	1-100-597-91	CERAMIC CHIP 0.1UF 10% 25V		
2390		QM	CAPACITOR		C7464	1-100-597-91	CERAMIC CHIP 0.1UF 10% 25V		
2391		QM	CAPACITOR		C7465	1-100-597-91	CERAMIC CHIP 0.1UF 10% 25V		
2392		QM	CAPACITOR		C7466	1-100-597-91	CERAMIC CHIP 0.1UF 10% 25V		
2393		QM	CAPACITOR		C7467	1-162-964-11	CERAMIC CHIP 0.001UF 10.00% 50V		
2394		QM	CAPACITOR		C7468	1-100-597-91	CERAMIC CHIP 0.1UF 10% 25V		
2395		QM	CAPACITOR		C7469	1-100-597-91	CERAMIC CHIP 0.1UF 10% 25V		
2396		QM	CAPACITOR		C7470	1-100-597-91	CERAMIC CHIP 0.1UF 10% 25V		
2397		QM	CAPACITOR		C7472	1-100-597-91	CERAMIC CHIP 0.1UF 10% 25V		
2398		QM	CAPACITOR		C7473	1-126-206-11	ELECT CHIP 100UF 20.00% 6.3V		
2399		QM	CAPACITOR		C7474	1-126-206-11	ELECT CHIP 100UF 20.00% 6.3V		
2400		QM	CAPACITOR		C7475	1-126-204-11	ELECT CHIP 47UF 20.00% 16V		
2401		QM	CAPACITOR		C7476	1-162-923-11	CERAMIC CHIP 47PF 5.00% 50V		
2402		QM	CAPACITOR		C7477	1-162-923-11	CERAMIC CHIP 47PF 5.00% 50V		
2403		QM	CAPACITOR		C7478	1-162-923-11	CERAMIC CHIP 47PF 5.00% 50V		
2404		QM	CAPACITOR		C7482	1-162-974-11	CERAMIC CHIP 0.01UF 50V		
2405		QM	CAPACITOR		C7483	1-164-346-11	CERAMIC CHIP 1UF 16V		
2406		QM	CAPACITOR		C7484	1-162-923-11	CERAMIC CHIP 47PF 5.00% 50V		
2407		QM	CAPACITOR		C7485	1-162-923-11	CERAMIC CHIP 47PF 5.00% 50V		
2408		QM	CAPACITOR		C7486	1-162-923-11	CERAMIC CHIP 47PF 5.00% 50V		
2409		QM	CAPACITOR		C7491	1-124-779-00	ELECT CHIP 10UF 20.00% 16V		
2410		QM	CAPACITOR		C7492	1-124-779-00	ELECT CHIP 10UF 20.00% 16V		
2411		QM	CAPACITOR		C7494	1-162-965-11	CERAMIC CHIP 0.0015UF 10.00% 50V		
2412		QM	CAPACITOR		C7495	1-162-965-11	CERAMIC CHIP 0.0015UF 10.00% 50V		
2413		QM	CAPACITOR		C7496	1-162-965-11	CERAMIC CHIP 0.0015UF 10.00% 50V		
2414		QM	CAPACITOR		C7497	1-162-965-11	CERAMIC CHIP 0.0015UF 10.00% 50V		
2415		QM	CAPACITOR		C7499	1-162-921-11	CERAMIC CHIP 33PF 5.00% 50V		
2416		QM	CAPACITOR		C7501	1-162-921-11	CERAMIC CHIP 33PF 5.00% 50V		
2417		QM	CAPACITOR		C7502	1-100-597-91	CERAMIC CHIP 0.1UF 10% 25V		
2418		QM	CAPACITOR		C7503	1-100-597-91	CERAMIC CHIP 0.1UF 10% 25V		
2419		QM	CAPACITOR		C7504	1-100-597-91	CERAMIC CHIP 0.1UF 10% 25V		
2420		QM	CAPACITOR		C7505	1-100-597-91	CERAMIC CHIP 0.1UF 10% 25V		
2421		QM	CAPACITOR		C7506	1-117-681-11	ELECT CHIP 100UF 20.00% 16V		
2422		QM	CAPACITOR		C7509	1-117-681-11	ELECT CHIP 100UF 20.00% 16V		
2423		QM	CAPACITOR		C7510	1-100-597-91	CERAMIC CHIP 0.1UF 10% 25V		
2424		QM	CAPACITOR		C7511	1-162-974-11	CERAMIC CHIP 0.01UF 50V		
2425		QM	CAPACITOR		C7512	1-100-597-91	CERAMIC CHIP 0.1UF 10% 25V		
2426		QM	CAPACITOR		C7515	1-162-926-11	CERAMIC CHIP 82PF 5.00% 50V		
2427		QM	CAPACITOR		C7517	1-162-923-11	CERAMIC CHIP 47PF 5.00% 50V		
2428		QM	CAPACITOR		C7518	1-162-923-11	CERAMIC CHIP 47PF 5.00% 50V		
2429		QM	CAPACITOR		C7519	1-127-573-11	CERAMIC CHIP 1UF 10% 16V		
2430		QM	CAPACITOR		C7520	1-127-573-11	CERAMIC CHIP 1UF 10% 16V		
2431		QM	CAPACITOR		C7521	1-125-827-91	CERAMIC CHIP 1UF 10.00% 25V		
2432		QM	CAPACITOR		C7522	1-162-967-11	CERAMIC CHIP 0.0033UF 10.00% 50V		
2433		QM	CAPACITOR		C7525	1-162-967-11	CERAMIC CHIP 0.0033UF 10.00% 50V		
2434		QM	CAPACITOR		C7526	1-100-597-91	CERAMIC CHIP 0.1UF 10% 25V		
2435		QM	CAPACITOR		C7527	1-100-597-91	CERAMIC CHIP 0.1UF 10% 25V		
2436		QM	CAPACITOR		C7528	1-127-573-11	CERAMIC CHIP 1UF 10% 16V		
2437		QM	CAPACITOR		C7530	1-127-573-11	CERAMIC CHIP 1UF 10% 16V		
2438		QM	CAPACITOR		C7531	1-162-921-11	CERAMIC CHIP 33PF 5.00% 50V		
2439		QM	CAPACITOR		C7533	1-100-055-11	CERAMIC CHIP 22UF 20% 16V		
2440		QM	CAPACITOR		C7535	1-162-970-11	CERAMIC CHIP 0.01UF 10.00% 25V		
2441		QM	CAPACITOR		C7536	1-162-926-11	CERAMIC CHIP 82PF 5.00% 50V		
2442		QM	CAPACITOR		C7537	1-162-926-11	CERAMIC CHIP 82PF 5.00% 50V		

No.	#	Board	Type	Δ / [*]	Ref. No.	Part No.	Description	Remarks-1	Remarks-2
2443		QM	CAPACITOR		C7538	1-100-597-91	CERAMIC CHIP 0.1UF 10% 25V		
2444		QM	CAPACITOR		C7539	1-100-597-91	CERAMIC CHIP 0.1UF 10% 25V		
2445		QM	CAPACITOR		C7540	1-100-597-91	CERAMIC CHIP 0.1UF 10% 25V		
2446		QM	CAPACITOR		C7541	1-100-597-91	CERAMIC CHIP 0.1UF 10% 25V		
2447		QM	CAPACITOR		C7543	1-100-597-91	CERAMIC CHIP 0.1UF 10% 25V		
2448		QM	CAPACITOR		C7544	1-100-597-91	CERAMIC CHIP 0.1UF 10% 25V		
2449		QM	CAPACITOR		C7547	1-100-597-91	CERAMIC CHIP 0.1UF 10% 25V		
2450		QM	CAPACITOR		C7549	1-162-926-11	CERAMIC CHIP 82PF 5.00% 50V		
2451		QM	CAPACITOR		C7550	1-162-977-11	CERAMIC CHIP 0.0018UF 10.00% 50V		
2452		QM	CAPACITOR		C7551	1-162-977-11	CERAMIC CHIP 0.0018UF 10.00% 50V		
2453		QM	CAPACITOR		C7552	1-100-597-91	CERAMIC CHIP 0.1UF 10% 25V		
2454		QM	CAPACITOR		C7553	1-100-597-91	CERAMIC CHIP 0.1UF 10% 25V		
2455		QM	CAPACITOR		C7554	1-100-597-91	CERAMIC CHIP 0.1UF 10% 25V		
2456		QM	CAPACITOR		C7555	1-100-597-91	CERAMIC CHIP 0.1UF 10% 25V		
2457		QM	CAPACITOR		C7556	1-100-597-91	CERAMIC CHIP 0.1UF 10% 25V		
2458		QM	CAPACITOR		C7557	1-100-597-91	CERAMIC CHIP 0.1UF 10% 25V		
2459		QM	CAPACITOR		C7560	1-100-597-91	CERAMIC CHIP 0.1UF 10% 25V		
2460		QM	CAPACITOR		C7561	1-100-597-91	CERAMIC CHIP 0.1UF 10% 25V		
2461		QM	CAPACITOR		C7562	1-100-597-91	CERAMIC CHIP 0.1UF 10% 25V		
2462		QM	CAPACITOR		C7563	1-162-910-11	CERAMIC CHIP 5PF 0.25PF 50V		
2463		QM	CONNECTOR		CN7300	1-815-468-11	PIN, CONNECTOR (PC BOARD)		
2464		QM	CONNECTOR	*	CN7303	1-817-702-11	CONNECTOR, BOARD TO BOARD 4P		
2465		QM	CONNECTOR	*	CN7304	1-818-562-21	CONNECTOR (RECEPTACLE) 17P		
2466		QM	CONNECTOR	*	CN7305	1-817-717-11	CONNECTOR, BOARD TO BOARD 80P		
2467		QM	CONNECTOR		CN7307	1-766-382-21	PIN, CONNECTOR (1.5MM)(SMD)10P		
2468		QM	CONNECTOR	*	CN7309	1-816-598-11	PIN, CONNECTOR 12P		
2469		QM	CONNECTOR		CN7311	1-785-842-11	CONNECTOR, USB (VERTICAL TYPE)		
2470		QM	CONNECTOR		CN7312	6-600-272-01	IC GP1FM313TZ0F		
2471		QM	DIODE		D7302	8-719-404-50	DIODE MA111-TX		
2472		QM	DIODE		D7303	8-719-404-50	DIODE MA111-TX		
2473		QM	DIODE		D7304	8-719-404-50	DIODE MA111-TX		
2474		QM	DIODE		D7305	8-719-404-50	DIODE MA111-TX		
2475		QM	DIODE		D7306	8-719-060-99	DIODE SML-210MT-T86		
2476		QM	DIODE		D7308	8-719-988-61	DIODE 1SS355TE-17		
2477		QM	DIODE		D7309	8-719-048-40	DIODE MBRS140T3		
2478		QM	DIODE		D7310	8-719-048-40	DIODE MBRS140T3		
2479		QM	FERRITE BEAD		FB7301	1-400-089-21	FERRITE 0UH		
2480		QM	FERRITE BEAD		FB7304	1-400-180-21	INDUCTOR 0UH		
2481		QM	FERRITE BEAD		FB7305	1-400-180-21	INDUCTOR 0UH		
2482		QM	FERRITE BEAD		FB7306	1-414-229-11	FERRITE 0UH		
2483		QM	FERRITE BEAD		FB7307	1-414-229-11	FERRITE 0UH		
2484		QM	FERRITE BEAD		FB7308	1-469-835-21	FERRITE 0UH		
2485		QM	FERRITE BEAD		FB7309	1-414-229-11	FERRITE 0UH		
2486		QM	FERRITE BEAD		FB7310	1-414-229-11	FERRITE 0UH		
2487		QM	FERRITE BEAD		FB7311	1-414-229-11	FERRITE 0UH		
2488		QM	FERRITE BEAD		FB7312	1-414-229-11	FERRITE 0UH		
2489		QM	FERRITE BEAD		FB7313	1-400-180-21	INDUCTOR 0UH		
2490		QM	FERRITE BEAD		FB7314	1-400-180-21	INDUCTOR 0UH		
2491		QM	FERRITE BEAD		FB7315	1-414-229-11	FERRITE 0UH		
2492		QM	FERRITE BEAD		FB7316	1-414-229-11	FERRITE 0UH		
2493		QM	FERRITE BEAD		FB7317	1-400-089-21	FERRITE 0UH		
2494		QM	FERRITE BEAD		FB7318	1-400-089-21	FERRITE 0UH		
2495		QM	FERRITE BEAD		FB7319	1-414-229-11	FERRITE 0UH		
2496		QM	FERRITE BEAD		FB7320	1-400-089-21	FERRITE 0UH		
2497		QM	FERRITE BEAD		FB7321	1-400-180-21	INDUCTOR 0UH		
2498		QM	FERRITE BEAD		FB7322	1-400-180-21	INDUCTOR 0UH		
2499		QM	FERRITE BEAD		FB7324	1-400-180-21	INDUCTOR 0UH		
2500		QM	FERRITE BEAD		FB7325	1-469-835-21	FERRITE 0UH		
2501		QM	FERRITE BEAD		FB7326	1-400-180-21	INDUCTOR 0UH		
2502		QM	FILTER		FL7300	1-781-667-22	INDUCTOR 0UH		
2503		QM	IC		IC7300	6-706-447-01	IC 215H31AGA12G		
2504		QM	IC		IC7301	6-703-182-01	IC IRU3037CS		
2505		QM	IC		IC7302	6-703-182-01	IC IRU3037CS		
2506		QM	IC		IC7305	8-759-159-44	IC PST575IMT-T1		
2507		QM	IC		IC7306	8-729-044-83	TRANSISTOR IRF7313-TR		
2508		QM	IC		IC7307	8-729-044-83	TRANSISTOR IRF7313-TR		
2509		QM	IC		IC7309	6-704-622-01	IC PQ015Y3H3ZP		
2510		QM	IC		IC7310	6-703-048-01	IC XC6209B182MR		
2511		QM	IC		IC7311	6-703-048-01	IC XC6209B182MR		
2512		QM	IC		IC7312	6-703-048-01	IC XC6209B182MR		
2513		QM	IC		IC7313	6-703-048-01	IC XC6209B182MR		
2514		QM	IC		IC7314	6-703-048-01	IC XC6209B182MR		
2515		QM	IC		IC7315	8-759-698-08	IC SN74CBTLV1G125DCKR		
2516		QM	IC		IC7316	6-700-352-01	IC SN74CBTLV3253PWR		

No.	#	Board	Type	Δ / [*]	Ref. No.	Part No.	Description	Remarks-1	Remarks-2
2517		QM	IC		IC7318	6-705-336-01	IC K9F2808U0C-PCB0T		
2518		QM	IC		IC7319	6-705-336-01	IC K9F2808U0C-PCB0T		
2519		QM	IC		IC7320	6-703-866-01	IC M25P10-AVMN6T		
2520		QM	IC		IC7321	6-706-353-01	IC ICS1526GLFT		
2521		QM	IC		IC7322	6-706-901-01	IC K4H561638F-UCCCT00		
2522		QM	IC		IC7323	6-706-901-01	IC K4H561638F-UCCCT00		
2523		QM	IC		IC7324	6-706-901-01	IC K4H561638F-UCCCT00		
2524		QM	IC		IC7325	6-706-901-01	IC K4H561638F-UCCCT00		
2525		QM	IC		IC7326	6-702-688-01	IC M24C64-WMN6T(B)		
2526		QM	IC		IC7327	6-704-819-01	IC CS4335-KSZR		
2527		QM	IC		IC7330	6-700-631-01	IC TPS2051ADR		
2528		QM	IC		IC7331	6-706-334-01	IC TC74VCX162374(EL,F		
2529		QM	IC		IC7332	6-704-519-01	IC THC63LVD103		
2530		QM	IC		IC7335	6-703-046-01	IC SN74LVC1G08DCKR		
2531		QM	IC		IC7336	6-703-046-01	IC SN74LVC1G08DCKR		
2532		QM	COIL		L7300	1-469-349-11	INDUCTOR 1UH		
2533		QM	COIL		L7301	1-419-491-21	INDUCTOR 10UH		
2534		QM	COIL		L7302	1-419-491-21	INDUCTOR 10UH		
2535		QM	COIL		L7303	1-414-751-11	INDUCTOR 1UH		
2536		QM	COIL		L7304	1-410-989-11	INDUCTOR 0.47UH		
2537		QM	COIL		L7305	1-410-989-11	INDUCTOR 0.47UH		
2538		QM	COIL		L7306	1-410-989-11	INDUCTOR 0.47UH		
2539		QM	COIL		L7312	1-414-751-11	INDUCTOR 1UH		
2540		QM	COIL		L7316	1-410-988-42	INDUCTOR 0.39UH		
2541		QM	COIL		L7317	1-410-988-42	INDUCTOR 0.39UH		
2542		QM	COIL		L7318	1-410-988-42	INDUCTOR 0.39UH		
2543		QM	TRANSISTOR		Q7300	8-729-422-27	TRANSISTOR 2SD601A-Q		
2544		QM	TRANSISTOR		Q7301	8-729-422-27	TRANSISTOR 2SD601A-Q		
2545		QM	TRANSISTOR		Q7302	8-729-422-27	TRANSISTOR 2SD601A-Q		
2546		QM	TRANSISTOR		Q7303	8-729-424-02	TRANSISTOR 2SB709A-QRS-TX		
2547		QM	TRANSISTOR		Q7304	8-729-422-27	TRANSISTOR 2SD601A-Q		
2548		QM	TRANSISTOR		Q7305	8-729-422-27	TRANSISTOR 2SD601A-Q		
2549		QM	TRANSISTOR		Q7308	8-729-422-27	TRANSISTOR 2SD601A-Q		
2550		QM	RESISTOR		R7301	1-216-864-11	SHORT CHIP 0		
2551		QM	RESISTOR		R7302	1-216-805-11	METAL CHIP 47 5% 1/10W		
2552		QM	RESISTOR		R7303	1-216-845-11	METAL CHIP 100K 5% 1/10W		
2553		QM	RESISTOR		R7305	1-216-809-11	METAL CHIP 100 5% 1/10W		
2554		QM	RESISTOR		R7306	1-216-864-11	SHORT CHIP 0		
2555		QM	RESISTOR		R7307	1-216-864-11	SHORT CHIP 0		
2556		QM	RESISTOR		R7308	1-218-724-11	METAL CHIP 22K 0.5% 1/10W		
2557		QM	RESISTOR		R7309	1-218-732-11	METAL CHIP 47K 0.5% 1/10W		
2558		QM	RESISTOR		R7312	1-216-825-11	METAL CHIP 2.2K 5% 1/10W		
2559		QM	RESISTOR		R7313	1-218-726-11	METAL CHIP 27K 0.5% 1/10W		
2560		QM	RESISTOR		R7314	1-218-726-11	METAL CHIP 27K 0.5% 1/10W		
2561		QM	RESISTOR		R7315	1-216-864-11	SHORT CHIP 0		
2562		QM	RESISTOR		R7316	1-216-864-11	SHORT CHIP 0		
2563		QM	RESISTOR		R7318	1-216-837-11	METAL CHIP 22K 5% 1/10W		
2564		QM	RESISTOR		R7319	1-216-837-11	METAL CHIP 22K 5% 1/10W		
2565		QM	RESISTOR		R7320	1-216-803-11	METAL CHIP 33 5% 1/10W		
2566		QM	RESISTOR		R7321	1-216-809-11	METAL CHIP 100 5% 1/10W		
2567		QM	RESISTOR		R7322	1-216-809-11	METAL CHIP 100 5% 1/10W		
2568		QM	RESISTOR		R7323	1-216-803-11	METAL CHIP 33 5% 1/10W		
2569		QM	RESISTOR		R7324	1-216-797-11	METAL CHIP 10 5% 1/10W		
2570		QM	RESISTOR		R7325	1-216-797-11	METAL CHIP 10 5% 1/10W		
2571		QM	RESISTOR		R7326	1-216-809-11	METAL CHIP 100 5% 1/10W		
2572		QM	RESISTOR		R7327	1-216-809-11	METAL CHIP 100 5% 1/10W		
2573		QM	RESISTOR		R7329	1-216-793-11	METAL CHIP 4.7 5% 1/10W		
2574		QM	RESISTOR		R7330	1-216-793-11	METAL CHIP 4.7 5% 1/10W		
2575		QM	RESISTOR		R7332	1-216-833-11	METAL CHIP 10K 5% 1/10W		
2576		QM	RESISTOR		R7334	1-216-809-11	METAL CHIP 100 5% 1/10W		
2577		QM	RESISTOR		R7336	1-216-821-11	METAL CHIP 1K 5% 1/10W		
2578		QM	RESISTOR		R7338	1-216-833-11	METAL CHIP 10K 5% 1/10W		
2579		QM	RESISTOR		R7340	1-216-821-11	METAL CHIP 1K 5% 1/10W		
2580		QM	RESISTOR		R7342	1-216-864-11	SHORT CHIP 0		
2581		QM	RESISTOR		R7343	1-216-864-11	SHORT CHIP 0		
2582		QM	RESISTOR		R7353	1-216-809-11	METAL CHIP 100 5% 1/10W		
2583		QM	RESISTOR		R7354	1-216-809-11	METAL CHIP 100 5% 1/10W		
2584		QM	RESISTOR		R7356	1-216-857-11	METAL CHIP 1M 5% 1/10W		
2585		QM	RESISTOR		R7359	1-216-801-11	METAL CHIP 22 5% 1/10W		
2586		QM	RESISTOR		R7360	1-216-801-11	METAL CHIP 22 5% 1/10W		
2587		QM	RESISTOR		R7362	1-216-833-11	METAL CHIP 10K 5% 1/10W		
2588		QM	RESISTOR		R7363	1-216-833-11	METAL CHIP 10K 5% 1/10W		
2589		QM	RESISTOR		R7365	1-216-821-11	METAL CHIP 1K 5% 1/10W		
2590		QM	RESISTOR		R7366	1-216-833-11	METAL CHIP 10K 5% 1/10W		

No.	#	Board	Type	Δ / [*]	Ref. No.	Part No.	Description	Remarks-1	Remarks-2
2591		QM	RESISTOR		R7368	1-216-833-11	METAL CHIP 10K 5% 1/10W		
2592		QM	RESISTOR		R7370	1-216-833-11	METAL CHIP 10K 5% 1/10W		
2593		QM	RESISTOR		R7373	1-216-801-11	METAL CHIP 22 5% 1/10W		
2594		QM	RESISTOR		R7374	1-216-833-11	METAL CHIP 10K 5% 1/10W		
2595		QM	RESISTOR		R7376	1-216-801-11	METAL CHIP 22 5% 1/10W		
2596		QM	RESISTOR		R7377	1-216-801-11	METAL CHIP 22 5% 1/10W		
2597		QM	RESISTOR		R7378	1-216-833-11	METAL CHIP 10K 5% 1/10W		
2598		QM	RESISTOR		R7379	1-216-833-11	METAL CHIP 10K 5% 1/10W		
2599		QM	RESISTOR		R7380	1-216-801-11	METAL CHIP 22 5% 1/10W		
2600		QM	RESISTOR		R7381	1-216-801-11	METAL CHIP 22 5% 1/10W		
2601		QM	RESISTOR		R7382	1-216-833-11	METAL CHIP 10K 5% 1/10W		
2602		QM	RESISTOR		R7383	1-216-833-11	METAL CHIP 10K 5% 1/10W		
2603		QM	RESISTOR		R7384	1-216-833-11	METAL CHIP 10K 5% 1/10W		
2604		QM	RESISTOR		R7385	1-216-845-11	METAL CHIP 100K 5% 1/10W		
2605		QM	RESISTOR		R7386	1-216-833-11	METAL CHIP 10K 5% 1/10W		
2606		QM	RESISTOR		R7388	1-216-833-11	METAL CHIP 10K 5% 1/10W		
2607		QM	RESISTOR		R7389	1-216-809-11	METAL CHIP 100 5% 1/10W		
2608		QM	RESISTOR		R7390	1-216-809-11	METAL CHIP 100 5% 1/10W		
2609		QM	RESISTOR		R7391	1-216-864-11	SHORT CHIP 0		
2610		QM	RESISTOR		R7392	1-216-833-11	METAL CHIP 10K 5% 1/10W		
2611		QM	RESISTOR		R7393	1-216-833-11	METAL CHIP 10K 5% 1/10W		
2612		QM	RESISTOR		R7394	1-216-809-11	METAL CHIP 100 5% 1/10W		
2613		QM	RESISTOR		R7397	1-216-801-11	METAL CHIP 22 5% 1/10W		
2614		QM	RESISTOR		R7398	1-216-801-11	METAL CHIP 22 5% 1/10W		
2615		QM	RESISTOR		R7399	1-216-801-11	METAL CHIP 22 5% 1/10W		
2616		QM	RESISTOR		R7400	1-216-829-11	METAL CHIP 4.7K 5% 1/10W		
2617		QM	RESISTOR		R7401	1-218-667-11	METAL CHIP 91 0.5% 1/10W		
2618		QM	RESISTOR		R7402	1-218-667-11	METAL CHIP 91 0.5% 1/10W		
2619		QM	RESISTOR		R7403	1-218-692-11	METAL CHIP 1K 0.5% 1/10W		
2620		QM	RESISTOR		R7404	1-218-692-11	METAL CHIP 1K 0.5% 1/10W		
2621		QM	RESISTOR		R7407	1-216-801-11	METAL CHIP 22 5% 1/10W		
2622		QM	RESISTOR		R7408	1-216-801-11	METAL CHIP 22 5% 1/10W		
2623		QM	RESISTOR		R7410	1-216-801-11	METAL CHIP 22 5% 1/10W		
2624		QM	RESISTOR		R7411	1-216-801-11	METAL CHIP 22 5% 1/10W		
2625		QM	RESISTOR		R7412	1-216-833-11	METAL CHIP 10K 5% 1/10W		
2626		QM	RESISTOR		R7413	1-216-806-11	METAL CHIP 56 5% 1/10W		
2627		QM	RESISTOR		R7414	1-216-806-11	METAL CHIP 56 5% 1/10W		
2628		QM	RESISTOR		R7415	1-216-806-11	METAL CHIP 56 5% 1/10W		
2629		QM	RESISTOR		R7416	1-216-806-11	METAL CHIP 56 5% 1/10W		
2630		QM	RESISTOR		R7417	1-216-806-11	METAL CHIP 56 5% 1/10W		
2631		QM	RESISTOR		R7418	1-216-806-11	METAL CHIP 56 5% 1/10W		
2632		QM	RESISTOR		R7419	1-216-806-11	METAL CHIP 56 5% 1/10W		
2633		QM	RESISTOR		R7420	1-216-806-11	METAL CHIP 56 5% 1/10W		
2634		QM	RESISTOR		R7421	1-216-821-11	METAL CHIP 1K 5% 1/10W		
2635		QM	RESISTOR		R7422	1-216-825-11	METAL CHIP 2.2K 5% 1/10W		
2636		QM	RESISTOR		R7423	1-216-821-11	METAL CHIP 1K 5% 1/10W		
2637		QM	RESISTOR		R7424	1-216-825-11	METAL CHIP 2.2K 5% 1/10W		
2638		QM	RESISTOR		R7425	1-216-825-11	METAL CHIP 2.2K 5% 1/10W		
2639		QM	RESISTOR		R7426	1-216-833-11	METAL CHIP 10K 5% 1/10W		
2640		QM	RESISTOR		R7427	1-216-825-11	METAL CHIP 2.2K 5% 1/10W		
2641		QM	RESISTOR		R7428	1-216-825-11	METAL CHIP 2.2K 5% 1/10W		
2642		QM	RESISTOR		R7429	1-216-809-11	METAL CHIP 100 5% 1/10W		
2643		QM	RESISTOR		R7430	1-216-809-11	METAL CHIP 100 5% 1/10W		
2644		QM	RESISTOR		R7431	1-216-825-11	METAL CHIP 2.2K 5% 1/10W		
2645		QM	RESISTOR		R7432	1-216-833-11	METAL CHIP 10K 5% 1/10W		
2646		QM	RESISTOR		R7433	1-216-809-11	METAL CHIP 100 5% 1/10W		
2647		QM	RESISTOR		R7434	1-216-825-11	METAL CHIP 2.2K 5% 1/10W		
2648		QM	RESISTOR		R7435	1-216-825-11	METAL CHIP 2.2K 5% 1/10W		
2649		QM	RESISTOR		R7436	1-216-825-11	METAL CHIP 2.2K 5% 1/10W		
2650		QM	RESISTOR		R7437	1-216-825-11	METAL CHIP 2.2K 5% 1/10W		
2651		QM	RESISTOR		R7438	1-216-825-11	METAL CHIP 2.2K 5% 1/10W		
2652		QM	RESISTOR		R7439	1-216-825-11	METAL CHIP 2.2K 5% 1/10W		
2653		QM	RESISTOR		R7440	1-216-825-11	METAL CHIP 2.2K 5% 1/10W		
2654		QM	RESISTOR		R7441	1-216-825-11	METAL CHIP 2.2K 5% 1/10W		
2655		QM	RESISTOR		R7442	1-216-825-11	METAL CHIP 2.2K 5% 1/10W		
2656		QM	RESISTOR		R7443	1-216-825-11	METAL CHIP 2.2K 5% 1/10W		
2657		QM	RESISTOR		R7444	1-216-825-11	METAL CHIP 2.2K 5% 1/10W		
2658		QM	RESISTOR		R7445	1-216-864-11	SHORT CHIP 0		
2659		QM	RESISTOR		R7446	1-216-809-11	METAL CHIP 100 5% 1/10W		
2660		QM	RESISTOR		R7447	1-216-805-11	METAL CHIP 47 5% 1/10W		
2661		QM	RESISTOR		R7448	1-216-864-11	SHORT CHIP 0		
2662		QM	RESISTOR		R7449	1-216-805-11	METAL CHIP 47 5% 1/10W		
2663		QM	RESISTOR		R7450	1-216-833-11	METAL CHIP 10K 5% 1/10W		
2664		QM	RESISTOR		R7451	1-216-864-11	SHORT CHIP 0		

No.	#	Board	Type	Δ / [*]	Ref. No.	Part No.	Description	Remarks-1	Remarks-2
2665		QM	RESISTOR		R7453	1-216-833-11	METAL CHIP 10K 5% 1/10W		
2666		QM	RESISTOR		R7454	1-216-864-11	SHORT CHIP 0		
2667		QM	RESISTOR		R7455	1-216-864-11	SHORT CHIP 0		
2668		QM	RESISTOR		R7456	1-216-864-11	SHORT CHIP 0		
2669		QM	RESISTOR		R7460	1-216-821-11	METAL CHIP 1K 5% 1/10W		
2670		QM	RESISTOR		R7462	1-218-690-11	METAL CHIP 820 0.5% 1/10W		
2671		QM	RESISTOR		R7463	1-218-690-11	METAL CHIP 820 0.5% 1/10W		
2672		QM	RESISTOR		R7464	1-218-710-11	METAL CHIP 5.6K 0.5% 1/10W		
2673		QM	RESISTOR		R7465	1-218-710-11	METAL CHIP 5.6K 0.5% 1/10W		
2674		QM	RESISTOR		R7466	1-216-833-11	METAL CHIP 10K 5% 1/10W		
2675		QM	RESISTOR		R7468	1-216-833-11	METAL CHIP 10K 5% 1/10W		
2676		QM	RESISTOR		R7469	1-216-837-11	METAL CHIP 22K 5% 1/10W		
2677		QM	RESISTOR		R7470	1-216-833-11	METAL CHIP 10K 5% 1/10W		
2678		QM	RESISTOR		R7471	1-216-829-11	METAL CHIP 4.7K 5% 1/10W		
2679		QM	RESISTOR		R7473	1-216-829-11	METAL CHIP 4.7K 5% 1/10W		
2680		QM	RESISTOR		R7474	1-218-665-11	METAL CHIP 75 0.5% 1/10W		
2681		QM	RESISTOR		R7475	1-216-864-11	SHORT CHIP 0		
2682		QM	RESISTOR		R7476	1-216-829-11	METAL CHIP 4.7K 5% 1/10W		
2683		QM	RESISTOR		R7477	1-218-665-11	METAL CHIP 75 0.5% 1/10W		
2684		QM	RESISTOR		R7478	1-218-665-11	METAL CHIP 75 0.5% 1/10W		
2685		QM	RESISTOR		R7479	1-218-665-11	METAL CHIP 75 0.5% 1/10W		
2686		QM	RESISTOR		R7480	1-218-665-11	METAL CHIP 75 0.5% 1/10W		
2687		QM	RESISTOR		R7481	1-218-665-11	METAL CHIP 75 0.5% 1/10W		
2688		QM	RESISTOR		R7482	1-218-665-11	METAL CHIP 75 0.5% 1/10W		
2689		QM	RESISTOR		R7483	1-216-833-11	METAL CHIP 10K 5% 1/10W		
2690		QM	RESISTOR		R7484	1-216-850-11	METAL CHIP 270K 5% 1/10W		
2691		QM	RESISTOR		R7485	1-216-850-11	METAL CHIP 270K 5% 1/10W		
2692		QM	RESISTOR		R7486	1-216-833-11	METAL CHIP 10K 5% 1/10W		
2693		QM	RESISTOR		R7487	1-216-833-11	METAL CHIP 10K 5% 1/10W		
2694		QM	RESISTOR		R7488	1-216-818-11	METAL CHIP 560 5% 1/10W		
2695		QM	RESISTOR		R7489	1-216-818-11	METAL CHIP 560 5% 1/10W		
2696		QM	RESISTOR		R7490	1-216-821-11	METAL CHIP 1K 5% 1/10W		
2697		QM	RESISTOR		R7491	1-216-821-11	METAL CHIP 1K 5% 1/10W		
2698		QM	RESISTOR		R7492	1-216-864-11	SHORT CHIP 0		
2699		QM	RESISTOR		R7493	1-216-809-11	METAL CHIP 100 5% 1/10W		
2700		QM	RESISTOR		R7494	1-216-809-11	METAL CHIP 100 5% 1/10W		
2701		QM	RESISTOR		R7495	1-216-864-11	SHORT CHIP 0		
2702		QM	RESISTOR		R7496	1-216-864-11	SHORT CHIP 0		
2703		QM	RESISTOR		R7502	1-216-833-11	METAL CHIP 10K 5% 1/10W		
2704		QM	RESISTOR		R7504	1-216-806-11	METAL CHIP 56 5% 1/10W		
2705		QM	RESISTOR		R7505	1-216-833-11	METAL CHIP 10K 5% 1/10W		
2706		QM	RESISTOR		R7506	1-216-845-11	METAL CHIP 100K 5% 1/10W		
2707		QM	RESISTOR		R7511	1-216-845-11	METAL CHIP 100K 5% 1/10W		
2708		QM	RESISTOR		R7512	1-216-806-11	METAL CHIP 56 5% 1/10W		
2709		QM	RESISTOR		R7513	1-216-864-11	SHORT CHIP 0		
2710		QM	RESISTOR		R7514	1-216-864-11	SHORT CHIP 0		
2711		QM	RESISTOR		R7515	1-216-806-11	METAL CHIP 56 5% 1/10W		
2712		QM	RESISTOR		R7516	1-216-806-11	METAL CHIP 56 5% 1/10W		
2713		QM	RESISTOR		R7517	1-216-835-11	METAL CHIP 15K 5% 1/10W		
2714		QM	RESISTOR		R7518	1-216-835-11	METAL CHIP 15K 5% 1/10W		
2715		QM	RESISTOR		R7519	1-216-835-11	METAL CHIP 15K 5% 1/10W		
2716		QM	RESISTOR		R7520	1-216-835-11	METAL CHIP 15K 5% 1/10W		
2717		QM	RESISTOR		R7521	1-216-806-11	METAL CHIP 56 5% 1/10W		
2718		QM	RESISTOR		R7522	1-216-806-11	METAL CHIP 56 5% 1/10W		
2719		QM	RESISTOR		R7523	1-216-806-11	METAL CHIP 56 5% 1/10W		
2720		QM	RESISTOR		R7524	1-216-806-11	METAL CHIP 56 5% 1/10W		
2721		QM	RESISTOR		R7543	1-216-809-11	METAL CHIP 100 5% 1/10W		
2722		QM	RESISTOR		R7544	1-216-809-11	METAL CHIP 100 5% 1/10W		
2723		QM	RESISTOR		R7547	1-216-809-11	METAL CHIP 100 5% 1/10W		
2724		QM	RESISTOR		R7548	1-216-825-11	METAL CHIP 2.2K 5% 1/10W		
2725		QM	RESISTOR		R7549	1-216-801-11	METAL CHIP 22 5% 1/10W		
2726		QM	RESISTOR		R7550	1-216-801-11	METAL CHIP 22 5% 1/10W		
2727		QM	RESISTOR		R7551	1-216-801-11	METAL CHIP 22 5% 1/10W		
2728		QM	RESISTOR		R7552	1-216-801-11	METAL CHIP 22 5% 1/10W		
2729		QM	RESISTOR		R7554	1-216-809-11	METAL CHIP 100 5% 1/10W		
2730		QM	RESISTOR		R7556	1-216-829-11	METAL CHIP 4.7K 5% 1/10W		
2731		QM	RESISTOR		R7559	1-216-833-11	METAL CHIP 10K 5% 1/10W		
2732		QM	RESISTOR		R7560	1-216-809-11	METAL CHIP 100 5% 1/10W		
2733		QM	RESISTOR		R7562	1-216-864-11	SHORT CHIP 0		
2734		QM	RESISTOR		R7563	1-216-864-11	SHORT CHIP 0		
2735		QM	RESISTOR		R7570	1-216-801-11	METAL CHIP 22 5% 1/10W		
2736		QM	RESISTOR		R7571	1-216-801-11	METAL CHIP 22 5% 1/10W		
2737		QM	RESISTOR		R7576	1-216-801-11	METAL CHIP 22 5% 1/10W		
2738		QM	RESISTOR		R7579	1-218-734-11	METAL CHIP 56K 0.5% 1/10W		

No.	#	Board	Type	Δ / [*]	Ref. No.	Part No.	Description	Remarks-1	Remarks-2
2739		QM	RESISTOR		R7580	1-218-734-11	METAL CHIP 56K 0.5% 1/10W		
2740		QM	RESISTOR		R7583	1-216-864-11	SHORT CHIP 0		
2741		QM	RESISTOR		R7584	1-216-803-11	METAL CHIP 33 5% 1/10W		
2742		QM	RESISTOR		R7587	1-216-813-11	METAL CHIP 220 5% 1/10W		
2743		QM	RESISTOR		R7588	1-216-864-11	SHORT CHIP 0		
2744		QM	RESISTOR		R7589	1-216-864-11	SHORT CHIP 0		
2745		QM	RESISTOR		R7590	1-216-864-11	SHORT CHIP 0		
2746		QM	RESISTOR		R7591	1-216-864-11	SHORT CHIP 0		
2747		QM	RESISTOR		R7592	1-216-801-11	METAL CHIP 22 5% 1/10W		
2748		QM	RESISTOR		R7593	1-216-801-11	METAL CHIP 22 5% 1/10W		
2749		QM	RESISTOR		R7594	1-216-801-11	METAL CHIP 22 5% 1/10W		
2750		QM	RESISTOR		R7595	1-216-801-11	METAL CHIP 22 5% 1/10W		
2751		QM	RESISTOR		R7598	1-216-864-11	SHORT CHIP 0		
2752		QM	RESISTOR		R7599	1-216-864-11	SHORT CHIP 0		
2753		QM	RESISTOR		R7621	1-216-864-11	SHORT CHIP 0		
2754		QM	RESISTOR		R7623	1-216-833-11	METAL CHIP 10K 5% 1/10W		
2755		QM	NETWORK		RB7301	1-234-370-21	RES, NETWORK 22X4 (1005)		
2756		QM	NETWORK		RB7302	1-234-370-21	RES, NETWORK 22X4 (1005)		
2757		QM	NETWORK		RB7303	1-234-370-21	RES, NETWORK 22X4 (1005)		
2758		QM	NETWORK		RB7304	1-234-370-21	RES, NETWORK 22X4 (1005)		
2759		QM	NETWORK		RB7307	1-234-370-21	RES, NETWORK 22X4 (1005)		
2760		QM	NETWORK		RB7317	1-234-370-21	RES, NETWORK 22X4 (1005)		
2761		QM	NETWORK		RB7318	1-234-370-21	RES, NETWORK 22X4 (1005)		
2762		QM	NETWORK		RB7319	1-234-370-21	RES, NETWORK 22X4 (1005)		
2763		QM	NETWORK		RB7320	1-234-370-21	RES, NETWORK 22X4 (1005)		
2764		QM	NETWORK		RB7321	1-234-370-21	RES, NETWORK 22X4 (1005)		
2765		QM	NETWORK		RB7322	1-234-370-21	RES, NETWORK 22X4 (1005)		
2766		QM	NETWORK		RB7323	1-234-370-21	RES, NETWORK 22X4 (1005)		
2767		QM	NETWORK		RB7324	1-234-370-21	RES, NETWORK 22X4 (1005)		
2768		QM	NETWORK		RB7325	1-234-370-21	RES, NETWORK 22X4 (1005)		
2769		QM	NETWORK		RB7326	1-234-370-21	RES, NETWORK 22X4 (1005)		
2770		QM	NETWORK		RB7327	1-234-370-21	RES, NETWORK 22X4 (1005)		
2771		QM	NETWORK		RB7328	1-234-370-21	RES, NETWORK 22X4 (1005)		
2772		QM	NETWORK		RB7329	1-234-714-11	RES, NETWORK 56X4 (1005)		
2773		QM	NETWORK		RB7330	1-234-714-11	RES, NETWORK 56X4 (1005)		
2774		QM	NETWORK		RB7331	1-234-714-11	RES, NETWORK 56X4 (1005)		
2775		QM	NETWORK		RB7332	1-234-714-11	RES, NETWORK 56X4 (1005)		
2776		QM	NETWORK		RB7333	1-234-714-11	RES, NETWORK 56X4 (1005)		
2777		QM	NETWORK		RB7334	1-234-714-11	RES, NETWORK 56X4 (1005)		
2778		QM	NETWORK		RB7335	1-234-714-11	RES, NETWORK 56X4 (1005)		
2779		QM	NETWORK		RB7336	1-234-714-11	RES, NETWORK 56X4 (1005)		
2780		QM	NETWORK		RB7337	1-234-714-11	RES, NETWORK 56X4 (1005)		
2781		QM	NETWORK		RB7338	1-234-714-11	RES, NETWORK 56X4 (1005)		
2782		QM	NETWORK		RB7339	1-234-714-11	RES, NETWORK 56X4 (1005)		
2783		QM	NETWORK		RB7340	1-234-714-11	RES, NETWORK 56X4 (1005)		
2784		QM	NETWORK		RB7341	1-234-714-11	RES, NETWORK 56X4 (1005)		
2785		QM	NETWORK		RB7342	1-234-714-11	RES, NETWORK 56X4 (1005)		
2786		QM	NETWORK		RB7343	1-234-714-11	RES, NETWORK 56X4 (1005)		
2787		QM	NETWORK		RB7344	1-234-714-11	RES, NETWORK 56X4 (1005)		
2788		QM	NETWORK		RB7346	1-242-963-21	RES, NETWORK 33X4 (1005)		
2789		QM	NETWORK		RB7347	1-242-963-21	RES, NETWORK 33X4 (1005)		
2790		QM	NETWORK		RB7348	1-242-963-21	RES, NETWORK 33X4 (1005)		
2791		QM	NETWORK		RB7349	1-242-963-21	RES, NETWORK 33X4 (1005)		
2792		QM	NETWORK		RB7350	1-242-963-21	RES, NETWORK 33X4 (1005)		
2793		QM	NETWORK		RB7351	1-242-963-21	RES, NETWORK 33X4 (1005)		
2794		QM	NETWORK		RB7352	1-242-963-21	RES, NETWORK 33X4 (1005)		
2795		QM	NETWORK		RB7353	1-242-963-21	RES, NETWORK 33X4 (1005)		
2796		QM	NETWORK		RB7354	1-242-963-21	RES, NETWORK 33X4 (1005)		
2797		QM	NETWORK		RB7355	1-242-963-21	RES, NETWORK 33X4 (1005)		
2798		QM	NETWORK		RB7356	1-242-963-21	RES, NETWORK 33X4 (1005)		
2799		QM	NETWORK		RB7357	1-242-963-21	RES, NETWORK 33X4 (1005)		
2800		QM	NETWORK		RB7361	1-234-372-21	RES, NETWORK 100X4 (1005)		
2801		QM	NETWORK		RB7362	1-234-370-21	RES, NETWORK 22X4 (1005)		
2802		QM	NETWORK		RB7363	1-234-370-21	RES, NETWORK 22X4 (1005)		
2803		QM	NETWORK		RB7364	1-234-370-21	RES, NETWORK 22X4 (1005)		
2804		QM	NETWORK		RB7365	1-234-373-21	RES, NETWORK 220X4 (1005)		
2805		QM	NETWORK		RB7366	1-234-370-21	RES, NETWORK 22X4 (1005)		
2806		QM	NETWORK		RB7367	1-234-370-21	RES, NETWORK 22X4 (1005)		
2807		QM	NETWORK		RB7368	1-234-370-21	RES, NETWORK 22X4 (1005)		
2808		QM	NETWORK		RB7369	1-234-370-21	RES, NETWORK 22X4 (1005)		
2809		QM	CRYSTAL		X7300	1-813-331-21	VIBRATOR CRYSTAL		
2810		QT	CAPACITOR		C7900	1-162-970-11	CERAMIC CHIP 0.01UF 10.00% 25V		
2811		QT	CAPACITOR		C7901	1-162-970-11	CERAMIC CHIP 0.01UF 10.00% 25V		
2812		QT	CAPACITOR		C7902	1-126-395-11	ELECT CHIP 22UF 20.00% 16V		

No.	#	Board	Type	△/*	Ref. No.	Part No.	Description	Remarks-1	Remarks-2
2813		QT	CAPACITOR		C7903	1-117-681-11	ELECT CHIP 100UF 20.00% 16V		
2814		QT	CAPACITOR		C7904	1-164-156-11	CERAMIC CHIP 0.1UF 25V		
2815		QT	CAPACITOR		C7905	1-164-156-11	CERAMIC CHIP 0.1UF 25V		
2816		QT	CAPACITOR		C7906	1-164-156-11	CERAMIC CHIP 0.1UF 25V		
2817		QT	CAPACITOR		C7907	1-164-156-11	CERAMIC CHIP 0.1UF 25V		
2818		QT	CAPACITOR		C7908	1-164-156-11	CERAMIC CHIP 0.1UF 25V		
2819		QT	CAPACITOR		C7909	1-126-395-11	ELECT CHIP 22UF 20.00% 16V		
2820		QT	CAPACITOR		C7910	1-162-995-11	CERAMIC CHIP 0.022UF 50V		
2821		QT	CAPACITOR		C7911	1-162-995-11	CERAMIC CHIP 0.022UF 50V		
2822		QT	CAPACITOR		C7912	1-164-156-11	CERAMIC CHIP 0.1UF 25V		
2823		QT	CAPACITOR		C7913	1-128-996-11	ELECT CHIP 4.7UF 20% 50V		
2824		QT	CAPACITOR		C7914	1-117-681-11	ELECT CHIP 100UF 20.00% 16V		
2825		QT	CAPACITOR		C7915	1-117-681-11	ELECT CHIP 100UF 20.00% 16V		
2826		QT	CAPACITOR		C7916	1-165-319-11	CERAMIC CHIP 0.1UF 50V		
2827		QT	CAPACITOR		C7917	1-128-991-21	ELECT CHIP 10UF 20% 50V		
2828		QT	CAPACITOR		C7918	1-162-970-11	CERAMIC CHIP 0.01UF 10.00% 25V		
2829		QT	CAPACITOR		C7919	1-162-970-11	CERAMIC CHIP 0.01UF 10.00% 25V		
2830		QT	CAPACITOR		C7920	1-162-970-11	CERAMIC CHIP 0.01UF 10.00% 25V		
2831		QT	CAPACITOR		C7921	1-162-970-11	CERAMIC CHIP 0.01UF 10.00% 25V		
2832		QT	CAPACITOR		C7922	1-162-970-11	CERAMIC CHIP 0.01UF 10.00% 25V		
2833		QT	CAPACITOR		C7923	1-117-681-11	ELECT CHIP 100UF 20.00% 16V		
2834		QT	CAPACITOR		C7924	1-135-474-21	ELECT 330UF 20% 6.3V		
2835		QT	CAPACITOR		C7925	1-162-970-11	CERAMIC CHIP 0.01UF 10.00% 25V		
2836		QT	CAPACITOR		C7926	1-127-692-11	CERAMIC CHIP 10UF 10% 16V		
2837		QT	CAPACITOR		C7927	1-126-395-11	ELECT CHIP 22UF 20.00% 16V		
2838		QT	CAPACITOR		C7928	1-164-156-11	CERAMIC CHIP 0.1UF 25V		
2839		QT	CAPACITOR		C7929	1-115-156-11	CERAMIC CHIP 1UF 10V		
2840		QT	CAPACITOR		C7930	1-162-970-11	CERAMIC CHIP 0.01UF 10.00% 25V		
2841		QT	CAPACITOR		C7931	1-164-156-11	CERAMIC CHIP 0.1UF 25V		
2842		QT	CAPACITOR		C7932	1-164-156-11	CERAMIC CHIP 0.1UF 25V		
2843		QT	CAPACITOR		C7933	1-164-156-11	CERAMIC CHIP 0.1UF 25V		
2844		QT	CAPACITOR		C7934	1-164-156-11	CERAMIC CHIP 0.1UF 25V		
2845		QT	CAPACITOR		C7935	1-115-156-11	CERAMIC CHIP 1UF 10V		
2846		QT	CAPACITOR		C7936	1-109-982-11	CERAMIC CHIP 1UF 10.00% 10V		
2847		QT	CAPACITOR		C7937	1-119-667-11	CERAMIC CHIP 22UF 10V		
2848		QT	CAPACITOR		C7938	1-164-156-11	CERAMIC CHIP 0.1UF 25V		
2849		QT	CAPACITOR		C7939	1-164-156-11	CERAMIC CHIP 0.1UF 25V		
2850		QT	CAPACITOR		C7940	1-164-156-11	CERAMIC CHIP 0.1UF 25V		
2851		QT	CAPACITOR		C7941	1-119-667-11	CERAMIC CHIP 22UF 10V		
2852		QT	CAPACITOR		C7942	1-164-156-11	CERAMIC CHIP 0.1UF 25V		
2853		QT	CAPACITOR		C7943	1-164-156-11	CERAMIC CHIP 0.1UF 25V		
2854		QT	CAPACITOR		C7944	1-164-156-11	CERAMIC CHIP 0.1UF 25V		
2855		QT	CAPACITOR		C7945	1-164-156-11	CERAMIC CHIP 0.1UF 25V		
2856		QT	CAPACITOR		C7946	1-119-667-11	CERAMIC CHIP 22UF 10V		
2857		QT	CAPACITOR		C7947	1-164-156-11	CERAMIC CHIP 0.1UF 25V		
2858		QT	CAPACITOR		C7948	1-164-156-11	CERAMIC CHIP 0.1UF 25V		
2859		QT	CAPACITOR		C7949	1-164-156-11	CERAMIC CHIP 0.1UF 25V		
2860		QT	CAPACITOR		C7950	1-126-205-11	ELECT CHIP 47UF 20.00% 6.3V		
2861		QT	CAPACITOR		C7951	1-107-778-11	ELECT CHIP 470UF 20% 16V		
2862		QT	CAPACITOR		C7959	1-135-474-21	ELECT 330UF 20% 6.3V		
2863		QT	CAPACITOR		C7960	1-128-991-21	ELECT CHIP 10UF 20% 50V		
2864		QT	CAPACITOR		C7961	1-162-964-11	CERAMIC CHIP 0.001UF 10.00% 50V		
2865		QT	CAPACITOR		C7962	1-117-681-11	ELECT CHIP 100UF 20.00% 16V		
2866		QT	CAPACITOR		C7965	1-162-970-11	CERAMIC CHIP 0.01UF 10.00% 25V		
2867		QT	CAPACITOR		C7968	1-117-681-11	ELECT CHIP 100UF 20.00% 16V		
2868		QT	CAPACITOR		C7969	1-165-663-21	ELECT CHIP 330UF 20% 4V		
2869		QT	CONNECTOR	*	CN7901	1-695-223-21	PIN, CONNECTOR (SMD) 10P		
2870		QT	CONNECTOR		CN7902	1-766-382-21	PIN, CONNECTOR (1.5MM)(SMD)10P		
2871		QT	CONNECTOR	*	CN7903	1-818-484-11	FFC/FPC CONNECTOR (ZIF) 80P		
2872		QT	CONNECTOR	*	CN7904	1-573-768-21	PIN, CONNECTOR (1.5MM) (SMD)5P		
2873		QT	DIODE		D7900	8-719-060-99	DIODE SML-210MT-T86		
2874		QT	DIODE		D7901	8-719-066-99	DIODE SML-210VT86		
2875		QT	DIODE		D7902	8-719-066-99	DIODE SML-210VT86		
2876		QT	FERRITE BEAD		FB7900	1-469-835-21	FERRITE 0UH		
2877		QT	FERRITE BEAD		FB7901	1-414-229-11	FERRITE 0UH		
2878		QT	IC		IC7900	8-752-418-81	IC CXD2099AR-T6		
2879		QT	IC		IC7901	8-749-925-00	IC TK11819MTL		
2880		QT	IC		IC7902	8-759-646-63	IC CD74HC4053M-96		
2881		QT	IC		IC7903	8-759-693-94	IC TPS2205IDBR		
2882		QT	IC		IC7904	6-804-829-01	IC LC4032V-75TN48CS3244		
2883		QT	IC		IC7905	6-706-352-01	IC XC6209F122PR		
2884		QT	COIL		L7901	1-414-755-11	INDUCTOR 22UH		
2885		QT	COIL		L7902	1-400-815-21	INDUCTOR 1.2MH		
2886		QT	COIL		L7904	1-414-754-11	INDUCTOR 10UH		

No.	#	Board	Type	Δ / [*]	Ref. No.	Part No.	Description	Remarks-1	Remarks-2
2887		QT	COIL		L7905	1-414-754-11	INDUCTOR 10UH		
2888		QT	COIL		L7906	1-414-755-11	INDUCTOR 22UH		
2889		QT	COIL		L7907	1-414-754-11	INDUCTOR 10UH		
2890		QT	COIL		L7908	1-414-754-11	INDUCTOR 10UH		
2891		QT	COIL		L7910	1-414-752-11	INDUCTOR 2.2UH		
2892		QT	COIL		L7911	1-414-752-11	INDUCTOR 2.2UH		
2893		QT	COIL		L7912	1-414-754-11	INDUCTOR 10UH		
2894		QT	TRANSISTOR		Q7900	8-729-037-52	TRANSISTOR 2SD2216J-QR(TX).SO		
2895		QT	TRANSISTOR		Q7901	8-729-047-14	TRANSISTOR 2SC3775		
2896		QT	TRANSISTOR		Q7902	8-729-037-52	TRANSISTOR 2SD2216J-QR(TX).SO		
2897		QT	TRANSISTOR		Q7903	8-729-037-52	TRANSISTOR 2SD2216J-QR(TX).SO		
2898		QT	TRANSISTOR		Q7904	8-729-037-52	TRANSISTOR 2SD2216J-QR(TX).SO		
2899		QT	TRANSISTOR		Q7905	8-729-047-14	TRANSISTOR 2SC3775		
2900		QT	TRANSISTOR		Q7906	8-729-037-52	TRANSISTOR 2SD2216J-QR(TX).SO		
2901		QT	RESISTOR		R7900	1-216-837-11	METAL CHIP 22K 5% 1/10W		
2902		QT	RESISTOR		R7901	1-216-839-11	METAL CHIP 33K 5% 1/10W		
2903		QT	RESISTOR		R7902	1-216-833-11	METAL CHIP 10K 5% 1/10W		
2904		QT	RESISTOR		R7903	1-216-835-11	METAL CHIP 15K 5% 1/10W		
2905		QT	RESISTOR		R7904	1-216-809-11	METAL CHIP 100 5% 1/10W		
2906		QT	RESISTOR		R7905	1-414-226-21	FERRITE 0UH		
2907		QT	RESISTOR		R7906	1-216-835-11	METAL CHIP 15K 5% 1/10W		
2908		QT	RESISTOR		R7907	1-216-801-11	METAL CHIP 22 5% 1/10W		
2909		QT	RESISTOR		R7908	1-216-821-11	METAL CHIP 1K 5% 1/10W		
2910		QT	RESISTOR		R7909	1-216-789-11	METAL CHIP 2.2 5% 1/10W		
2911		QT	RESISTOR		R7910	1-216-809-11	METAL CHIP 100 5% 1/10W		
2912		QT	RESISTOR		R7911	1-216-809-11	METAL CHIP 100 5% 1/10W		
2913		QT	RESISTOR		R7912	1-216-864-11	SHORT CHIP 0		
2914		QT	RESISTOR		R7916	1-216-821-11	METAL CHIP 1K 5% 1/10W		
2915		QT	RESISTOR		R7919	1-216-821-11	METAL CHIP 1K 5% 1/10W		
2916		QT	RESISTOR		R7922	1-216-845-11	METAL CHIP 100K 5% 1/10W		
2917		QT	RESISTOR		R7923	1-216-833-11	METAL CHIP 10K 5% 1/10W		
2918		QT	RESISTOR		R7924	1-216-833-11	METAL CHIP 10K 5% 1/10W		
2919		QT	RESISTOR		R7925	1-216-829-11	METAL CHIP 4.7K 5% 1/10W		
2920		QT	RESISTOR		R7926	1-216-809-11	METAL CHIP 100 5% 1/10W		
2921		QT	RESISTOR		R7927	1-216-829-11	METAL CHIP 4.7K 5% 1/10W		
2922		QT	RESISTOR		R7929	1-216-809-11	METAL CHIP 100 5% 1/10W		
2923		QT	RESISTOR		R7930	1-216-833-11	METAL CHIP 10K 5% 1/10W		
2924		QT	RESISTOR		R7931	1-216-837-11	METAL CHIP 22K 5% 1/10W		
2925		QT	RESISTOR		R7932	1-216-837-11	METAL CHIP 22K 5% 1/10W		
2926		QT	RESISTOR		R7933	1-216-829-11	METAL CHIP 4.7K 5% 1/10W		
2927		QT	RESISTOR		R7934	1-216-829-11	METAL CHIP 4.7K 5% 1/10W		
2928		QT	RESISTOR		R7935	1-216-827-11	METAL CHIP 3.3K 5% 1/10W		
2929		QT	RESISTOR		R7936	1-216-797-11	METAL CHIP 10 5% 1/10W		
2930		QT	RESISTOR		R7937	1-216-812-11	METAL CHIP 180 5% 1/10W		
2931		QT	RESISTOR		R7938	1-216-833-11	METAL CHIP 10K 5% 1/10W		
2932		QT	RESISTOR		R7939	1-216-797-11	METAL CHIP 10 5% 1/10W		
2933		QT	RESISTOR		R7940	1-216-833-11	METAL CHIP 10K 5% 1/10W		
2934		QT	RESISTOR		R7941	1-216-833-11	METAL CHIP 10K 5% 1/10W		
2935		QT	RESISTOR		R7942	1-216-864-11	SHORT CHIP 0		
2936		QT	RESISTOR		R7943	1-216-833-11	METAL CHIP 10K 5% 1/10W		
2937		QT	RESISTOR		R7944	1-216-864-11	SHORT CHIP 0		
2938		QT	RESISTOR		R7945	1-216-864-11	SHORT CHIP 0		
2939		QT	RESISTOR		R7946	1-216-864-11	SHORT CHIP 0		
2940		QT	RESISTOR		R7947	1-216-837-11	METAL CHIP 22K 5% 1/10W		
2941		QT	RESISTOR		R7948	1-216-864-11	SHORT CHIP 0		
2942		QT	RESISTOR		R7949	1-216-864-11	SHORT CHIP 0		
2943		QT	RESISTOR		R7950	1-216-864-11	SHORT CHIP 0		
2944		QT	RESISTOR		R7951	1-216-864-11	SHORT CHIP 0		
2945		QT	RESISTOR		R7952	1-216-833-11	METAL CHIP 10K 5% 1/10W		
2946		QT	RESISTOR		R7954	1-216-845-11	METAL CHIP 100K 5% 1/10W		
2947		QT	RESISTOR		R7955	1-216-817-11	METAL CHIP 470 5% 1/10W		
2948		QT	RESISTOR		R7956	1-216-837-11	METAL CHIP 22K 5% 1/10W		
2949		QT	RESISTOR		R7957	1-216-809-11	METAL CHIP 100 5% 1/10W		
2950		QT	RESISTOR		R7958	1-216-817-11	METAL CHIP 470 5% 1/10W		
2951		QT	RESISTOR		R7959	1-216-864-11	SHORT CHIP 0		
2952		QT	RESISTOR		R7960	1-216-833-11	METAL CHIP 10K 5% 1/10W		
2953		QT	RESISTOR		R7961	1-216-833-11	METAL CHIP 10K 5% 1/10W		
2954		QT	RESISTOR		R7962	1-216-809-11	METAL CHIP 100 5% 1/10W		
2955		QT	RESISTOR		R7963	1-216-829-11	METAL CHIP 4.7K 5% 1/10W		
2956		QT	RESISTOR		R7964	1-216-833-11	METAL CHIP 10K 5% 1/10W		
2957		QT	RESISTOR		R7965	1-216-833-11	METAL CHIP 10K 5% 1/10W		
2958		QT	RESISTOR		R7966	1-216-833-11	METAL CHIP 10K 5% 1/10W		
2959		QT	RESISTOR		R7967	1-216-809-11	METAL CHIP 100 5% 1/10W		
2960		QT	RESISTOR		R7968	1-216-833-11	METAL CHIP 10K 5% 1/10W		

No.	#	Board	Type	Δ / [*]	Ref. No.	Part No.	Description	Remarks-1	Remarks-2
2961		QT	RESISTOR		R7969	1-216-809-11	METAL CHIP 100 5% 1/10W		
2962		QT	RESISTOR		R7970	1-216-821-11	METAL CHIP 1K 5% 1/10W		
2963		QT	RESISTOR		R7971	1-216-817-11	METAL CHIP 470 5% 1/10W		
2964		QT	RESISTOR		R7972	1-216-864-11	SHORT CHIP 0		
2965		QT	RESISTOR		R7976	1-216-864-11	SHORT CHIP 0		
2966		QT	RESISTOR		R7977	1-216-833-11	METAL CHIP 10K 5% 1/10W		
2967		QT	RESISTOR		R7988	1-216-809-11	METAL CHIP 100 5% 1/10W		
2968		QT	RESISTOR		R7989	1-216-845-11	METAL CHIP 100K 5% 1/10W		
2969		QT	RESISTOR		R7991	1-216-827-11	METAL CHIP 3.3K 5% 1/10W		
2970		QT	RESISTOR		R7992	1-216-837-11	METAL CHIP 22K 5% 1/10W		
2971		QT	RESISTOR		R7993	1-216-805-11	METAL CHIP 47 5% 1/10W		
2972		QT	RESISTOR		R7994	1-216-805-11	METAL CHIP 47 5% 1/10W		
2973		QT	RESISTOR		R7995	1-216-805-11	METAL CHIP 47 5% 1/10W		
2974		QT	RESISTOR		R7996	1-216-805-11	METAL CHIP 47 5% 1/10W		
2975		QT	RESISTOR		R7997	1-216-833-11	METAL CHIP 10K 5% 1/10W		
2976		QT	RESISTOR		R7998	1-216-833-11	METAL CHIP 10K 5% 1/10W		
2977		QT	NETWORK		RB7900	1-234-371-21	RES, NETWORK 47X4 (1005)		
2978		QT	NETWORK		RB7901	1-234-371-21	RES, NETWORK 47X4 (1005)		
2979		QT	NETWORK		RB7903	1-233-981-21	RES, NETWORK (CHIP TYPE) 0		
2980		QT	NETWORK		RB7904	1-233-981-21	RES, NETWORK (CHIP TYPE) 0		
2981		QT	NETWORK		RB7906	1-233-981-21	RES, NETWORK (CHIP TYPE) 0		
2982		QT	NETWORK		RB7915	1-242-963-21	RES, NETWORK 33X4 (1005)		
2983		QT	NETWORK		RB7916	1-233-981-21	RES, NETWORK (CHIP TYPE) 0		
2984		QT	CHIP CHCKER		TP7900	1-535-757-11	CHIP, CHECKER		
2985		QT	TUNER		TU7901	8-597-905-00	TUNER UNIT,DIGITAL BTD-CA801Z		
2986		QT	CRYSTAL		X7900	1-813-330-21	OSCILLATOR, CRYSTAL		
2987		P	CAPACITOR		C9507	1-162-970-11	CERAMIC CHIP 0.01UF 10.00% 25V		
2988		P	CAPACITOR		C9508	1-126-394-11	ELECT CHIP 10UF 20.00% 16V		
2989		P	CAPACITOR		C9509	1-162-966-11	CERAMIC CHIP 0.0022UF 10.00% 50V		
2990		P	CAPACITOR		C9510	1-164-230-11	CERAMIC CHIP 220PF 5.00% 50V		
2991		P	CAPACITOR		C9511	1-162-966-11	CERAMIC CHIP 0.0022UF 10.00% 50V		
2992		P	CAPACITOR		C9513	1-162-966-11	CERAMIC CHIP 0.0022UF 10.00% 50V		
2993		P	CAPACITOR		C9514	1-126-394-11	ELECT CHIP 10UF 20.00% 16V		
2994		P	CAPACITOR		C9515	1-126-394-11	ELECT CHIP 10UF 20.00% 16V		
2995		P	CAPACITOR		C9516	1-107-826-11	CERAMIC CHIP 0.1UF 10.00% 16V		
2996		P	CAPACITOR		C9517	1-126-394-11	ELECT CHIP 10UF 20.00% 16V		
2997		P	CAPACITOR		C9519	1-107-826-11	CERAMIC CHIP 0.1UF 10.00% 16V		
2998		P	CAPACITOR		C9521	1-162-964-11	CERAMIC CHIP 0.001UF 10.00% 50V		
2999		P	CAPACITOR		C9523	1-162-964-11	CERAMIC CHIP 0.001UF 10.00% 50V		
3000		P	CAPACITOR		C9524	1-107-826-11	CERAMIC CHIP 0.1UF 10.00% 16V		
3001		P	CAPACITOR		C9525	1-107-826-11	CERAMIC CHIP 0.1UF 10.00% 16V		
3002		P	CAPACITOR		C9526	1-126-394-11	ELECT CHIP 10UF 20.00% 16V		
3003		P	CAPACITOR		C9527	1-164-505-11	CERAMIC CHIP 2.2UF 16V		
3004		P	CAPACITOR		C9528	1-126-246-11	ELECT CHIP 220UF 20.00% 4V		
3005		P	CAPACITOR		C9529	1-107-826-11	CERAMIC CHIP 0.1UF 10.00% 16V		
3006		P	CAPACITOR		C9530	1-126-394-11	ELECT CHIP 10UF 20.00% 16V		
3007		P	CAPACITOR		C9531	1-126-394-11	ELECT CHIP 10UF 20.00% 16V		
3008		P	CAPACITOR		C9532	1-126-394-11	ELECT CHIP 10UF 20.00% 16V		
3009		P	CAPACITOR		C9533	1-107-826-11	CERAMIC CHIP 0.1UF 10.00% 16V		
3010		P	CAPACITOR		C9534	1-107-826-11	CERAMIC CHIP 0.1UF 10.00% 16V		
3011		P	CAPACITOR		C9535	1-107-826-11	CERAMIC CHIP 0.1UF 10.00% 16V		
3012		P	CAPACITOR		C9537	1-107-826-11	CERAMIC CHIP 0.1UF 10.00% 16V		
3013		P	CAPACITOR		C9538	1-162-964-11	CERAMIC CHIP 0.001UF 10.00% 50V		
3014		P	CAPACITOR		C9540	1-107-826-11	CERAMIC CHIP 0.1UF 10.00% 16V		
3015		P	CAPACITOR		C9541	1-107-826-11	CERAMIC CHIP 0.1UF 10.00% 16V		
3016		P	CAPACITOR		C9542	1-126-394-11	ELECT CHIP 10UF 20.00% 16V		
3017		P	CAPACITOR		C9543	1-162-966-11	CERAMIC CHIP 0.0022UF 10.00% 50V		
3018		P	CAPACITOR		C9545	1-162-966-11	CERAMIC CHIP 0.0022UF 10.00% 50V		
3019		P	CAPACITOR		C9546	1-164-230-11	CERAMIC CHIP 220PF 5.00% 50V		
3020		P	CAPACITOR		C9547	1-107-826-11	CERAMIC CHIP 0.1UF 10.00% 16V		
3021		P	CAPACITOR		C9549	1-107-826-11	CERAMIC CHIP 0.1UF 10.00% 16V		
3022		P	CAPACITOR		C9550	1-107-826-11	CERAMIC CHIP 0.1UF 10.00% 16V		
3023		P	CAPACITOR		C9551	1-107-826-11	CERAMIC CHIP 0.1UF 10.00% 16V		
3024		P	CAPACITOR		C9552	1-126-246-11	ELECT CHIP 220UF 20.00% 4V		
3025		P	CAPACITOR		C9553	1-162-966-11	CERAMIC CHIP 0.0022UF 10.00% 50V		
3026		P	CAPACITOR		C9554	1-126-394-11	ELECT CHIP 10UF 20.00% 16V		
3027		P	CAPACITOR		C9555	1-126-394-11	ELECT CHIP 10UF 20.00% 16V		
3028		P	CAPACITOR		C9557	1-107-826-11	CERAMIC CHIP 0.1UF 10.00% 16V		
3029		P	CAPACITOR		C9558	1-107-826-11	CERAMIC CHIP 0.1UF 10.00% 16V		
3030		P	CAPACITOR		C9559	1-126-394-11	ELECT CHIP 10UF 20.00% 16V		
3031		P	CAPACITOR		C9560	1-126-246-11	ELECT CHIP 220UF 20.00% 4V		
3032		P	CAPACITOR		C9561	1-165-176-11	CERAMIC CHIP 0.047UF 10.00% 16V		
3033		P	CAPACITOR		C9562	1-127-692-11	CERAMIC CHIP 10UF 10% 16V		
3034		P	CAPACITOR		C9563	1-126-394-11	ELECT CHIP 10UF 20.00% 16V		

No.	#	Board	Type	Δ / [*]	Ref. No.	Part No.	Description	Remarks-1	Remarks-2
3035		P	CAPACITOR		C9571	1-126-394-11	ELECT CHIP 10UF 20.00% 16V		
3036		P	CAPACITOR		C9575	1-162-970-11	CERAMIC CHIP 0.01UF 10.00% 25V		
3037		P	CAPACITOR		C9576	1-126-394-11	ELECT CHIP 10UF 20.00% 16V		
3038		P	CAPACITOR		C9578	1-162-916-11	CERAMIC CHIP 12PF 5.00% 50V		
3039		P	CAPACITOR		C9579	1-162-916-11	CERAMIC CHIP 12PF 5.00% 50V		
3040		P	CAPACITOR		C9583	1-107-826-11	CERAMIC CHIP 0.1UF 10.00% 16V		
3041		P	CAPACITOR		C9584	1-107-826-11	CERAMIC CHIP 0.1UF 10.00% 16V		
3042		P	CAPACITOR		C9585	1-107-826-11	CERAMIC CHIP 0.1UF 10.00% 16V		
3043		P	CAPACITOR		C9587	1-107-826-11	CERAMIC CHIP 0.1UF 10.00% 16V		
3044		P	CAPACITOR		C9623	1-107-826-11	CERAMIC CHIP 0.1UF 10.00% 16V		
3045		P	CAPACITOR		C9824	1-162-919-11	CERAMIC CHIP 22PF 5.00% 50V		
3046		P	CAPACITOR		C9825	1-162-919-11	CERAMIC CHIP 22PF 5.00% 50V		
3047		P	CAPACITOR		C9826	1-162-919-11	CERAMIC CHIP 22PF 5.00% 50V		
3048		P	CAPACITOR		C9828	1-126-394-11	ELECT CHIP 10UF 20.00% 16V		
3049		P	CAPACITOR		C9830	1-107-826-11	CERAMIC CHIP 0.1UF 10.00% 16V		
3050		P	CAPACITOR		C9831	1-126-394-11	ELECT CHIP 10UF 20.00% 16V		
3051		P	CAPACITOR		C9832	1-107-826-11	CERAMIC CHIP 0.1UF 10.00% 16V		
3052		P	CAPACITOR		C9833	1-107-826-11	CERAMIC CHIP 0.1UF 10.00% 16V		
3053		P	CAPACITOR		C9835	1-100-588-21	ELECT CHIP 1000UF 20% 6.3V		
3054		P	CAPACITOR		C9836	1-126-394-11	ELECT CHIP 10UF 20.00% 16V		
3055		P	CAPACITOR		C9839	1-126-394-11	ELECT CHIP 10UF 20.00% 16V		
3056		P	CAPACITOR		C9841	1-100-118-21	ELECT CHIP 82UF 20% 16V		
3057		P	CAPACITOR		C9842	1-137-897-21	ELECT CHIP 150UF 20% 4V		
3058		P	CAPACITOR		C9843	1-107-826-11	CERAMIC CHIP 0.1UF 10.00% 16V		
3059		P	CONNECTOR		CN9500	1-818-737-11	HDMI CONNECTOR		
3060		P	CONNECTOR	*	CN9504	1-564-595-11	PLUG, CONNECTOR 14P		
3061		P	DIODE		D9501	6-500-294-01	DIODE PTZ-TE25-3.9B		
3062		P	DIODE		D9502	8-719-977-28	DIODE DTZ10B		
3063		P	DIODE		D9503	8-719-977-28	DIODE DTZ10B		
3064		P	DIODE		D9506	8-719-404-50	DIODE MA111-TX		
3065		P	DIODE		D9507	8-719-404-50	DIODE MA111-TX		
3066		P	FERRITE BEAD		FB9504	1-414-235-22	FERRITE 0UH		
3067		P	FERRITE BEAD		FB9505	1-414-235-22	FERRITE 0UH		
3068		P	FERRITE BEAD		FB9506	1-414-235-22	FERRITE 0UH		
3069		P	FERRITE BEAD		FB9507	1-414-235-22	FERRITE 0UH		
3070		P	FERRITE BEAD		FB9508	1-414-235-22	FERRITE 0UH		
3071		P	FERRITE BEAD		FB9509	1-414-235-22	FERRITE 0UH		
3072		P	FERRITE BEAD		FB9510	1-414-235-22	FERRITE 0UH		
3073		P	FERRITE BEAD		FB9512	1-414-235-22	FERRITE 0UH		
3074		P	FILTER	*	FL9501	1-813-308-11	INDUCTOR 0UH		
3075		P	FILTER	*	FL9504	1-813-308-11	INDUCTOR 0UH		
3076		P	FILTER	*	FL9505	1-813-308-11	INDUCTOR 0UH		
3077		P	FILTER	*	FL9506	1-813-308-11	INDUCTOR 0UH		
3078		P	IC		IC9500	6-706-257-01	IC FMS6418AM16X		
3079		P	IC		IC9502	6-704-819-01	IC CS4335-KSZR		
3080		P	IC		IC9503	6-704-407-01	IC PQ1CZ41H2ZPH		
3081		P	IC		IC9504	8-759-640-39	IC BR24C02F-WE2		
3082		P	IC		IC9505	6-704-499-01	IC SII9993CTG100		
3083		P	IC		IC9506	6-703-042-01	IC CD4052BNSR		
3084		P	IC		IC9509	6-550-014-01	TRANSISTOR SSM6N15FU(TE85R)		
3085		P	IC		IC9514	8-759-331-71	IC NJM4558E(TE2)		
3086		P	IC		IC9517	6-804-248-01	IC HD64F3694FXV-DA4		
3087		P	IC		IC9521	8-759-473-95	IC UPC2905T-E1		
3088		P	IC		IC9522	6-801-402-01	IC BD4729GTR		
3089		P	JACK		J9503	1-793-725-11	JACK BLOCK, PIN 2P		
3090		P	COIL		L9501	1-416-948-21	INDUCTOR 10UH		
3091		P	COIL		L9502	1-400-303-21	INDUCTOR 68UH		
3092		P	IC LINK	Δ	PS9500	1-576-415-21	FUSE 2A 32V		
3093		P	TRANSISTOR		Q9502	8-729-027-43	TRANSISTOR DTC114EKA-T146		
3094		P	TRANSISTOR		Q9503	8-729-027-62	TRANSISTOR DTC144WKA-T146		
3095		P	TRANSISTOR		Q9506	8-729-027-43	TRANSISTOR DTC114EKA-T146		
3096		P	TRANSISTOR		Q9511	8-729-027-43	TRANSISTOR DTC114EKA-T146		
3097		P	TRANSISTOR		Q9514	8-729-027-62	TRANSISTOR DTC144WKA-T146		
3098		P	TRANSISTOR		Q9516	8-729-421-22	TRANSISTOR UN2211		
3099		P	TRANSISTOR		Q9517	8-729-027-43	TRANSISTOR DTC114EKA-T146		
3100		P	RESISTOR		R9501	1-218-665-11	METAL CHIP 75 0.5% 1/10W		
3101		P	RESISTOR		R9502	1-218-665-11	METAL CHIP 75 0.5% 1/10W		
3102		P	RESISTOR		R9505	1-216-841-11	METAL CHIP 47K 5% 1/10W		
3103		P	RESISTOR		R9507	1-216-857-11	METAL CHIP 1M 5% 1/10W		
3104		P	RESISTOR		R9508	1-216-857-11	METAL CHIP 1M 5% 1/10W		
3105		P	RESISTOR		R9509	1-216-857-11	METAL CHIP 1M 5% 1/10W		
3106		P	RESISTOR		R9510	1-218-665-11	METAL CHIP 75 0.5% 1/10W		
3107		P	RESISTOR		R9511	1-216-803-11	METAL CHIP 33 5% 1/10W		
3108		P	RESISTOR		R9512	1-218-665-11	METAL CHIP 75 0.5% 1/10W		

No.	#	Board	Type	Δ / [*]	Ref. No.	Part No.	Description	Remarks-1	Remarks-2
3109		P	RESISTOR		R9513	1-218-665-11	METAL CHIP 75 0.5% 1/10W		
3110		P	RESISTOR		R9514	1-218-665-11	METAL CHIP 75 0.5% 1/10W		
3111		P	RESISTOR		R9518	1-216-864-11	SHORT CHIP 0		
3112		P	RESISTOR		R9519	1-216-803-11	METAL CHIP 33 5% 1/10W		
3113		P	RESISTOR		R9520	1-216-816-11	METAL CHIP 390 5% 1/10W		
3114		P	RESISTOR		R9526	1-218-716-11	METAL CHIP 10K 0.5% 1/10W		
3115		P	RESISTOR		R9528	1-216-837-11	METAL CHIP 22K 5% 1/10W		
3116		P	RESISTOR		R9529	1-216-850-11	METAL CHIP 270K 5% 1/10W		
3117		P	RESISTOR		R9530	1-216-821-11	METAL CHIP 1K 5% 1/10W		
3118		P	RESISTOR		R9531	1-216-829-11	METAL CHIP 4.7K 5% 1/10W		
3119		P	RESISTOR		R9532	1-218-694-11	METAL CHIP 1.2K 0.5% 1/10W		
3120		P	RESISTOR		R9533	1-216-825-11	METAL CHIP 2.2K 5% 1/10W		
3121		P	RESISTOR		R9534	1-218-686-11	METAL CHIP 560 0.5% 1/10W		
3122		P	RESISTOR		R9535	1-216-845-11	METAL CHIP 100K 5% 1/10W		
3123		P	RESISTOR		R9538	1-218-823-11	METAL CHIP 100 0.5% 1/10W		
3124		P	RESISTOR		R9539	1-216-821-11	METAL CHIP 1K 5% 1/10W		
3125		P	RESISTOR		R9540	1-216-829-11	METAL CHIP 4.7K 5% 1/10W		
3126		P	RESISTOR		R9541	1-218-694-11	METAL CHIP 1.2K 0.5% 1/10W		
3127		P	RESISTOR		R9542	1-216-850-11	METAL CHIP 270K 5% 1/10W		
3128		P	RESISTOR		R9543	1-218-686-11	METAL CHIP 560 0.5% 1/10W		
3129		P	RESISTOR		R9544	1-218-706-11	METAL CHIP 3.9K 0.5% 1/10W		
3130		P	RESISTOR		R9546	1-218-706-11	METAL CHIP 3.9K 0.5% 1/10W		
3131		P	RESISTOR		R9547	1-216-845-11	METAL CHIP 100K 5% 1/10W		
3132		P	RESISTOR		R9548	1-218-716-11	METAL CHIP 10K 0.5% 1/10W		
3133		P	RESISTOR		R9552	1-216-817-11	METAL CHIP 470 5% 1/10W		
3134		P	RESISTOR		R9555	1-218-706-11	METAL CHIP 3.9K 0.5% 1/10W		
3135		P	RESISTOR		R9556	1-216-829-11	METAL CHIP 4.7K 5% 1/10W		
3136		P	RESISTOR		R9557	1-218-706-11	METAL CHIP 3.9K 0.5% 1/10W		
3137		P	RESISTOR		R9558	1-216-829-11	METAL CHIP 4.7K 5% 1/10W		
3138		P	RESISTOR		R9559	1-216-809-11	METAL CHIP 100 5% 1/10W		
3139		P	RESISTOR		R9560	1-216-864-11	SHORT CHIP 0		
3140		P	RESISTOR		R9562	1-216-809-11	METAL CHIP 100 5% 1/10W		
3141		P	RESISTOR		R9563	1-218-706-11	METAL CHIP 3.9K 0.5% 1/10W		
3142		P	RESISTOR		R9564	1-216-837-11	METAL CHIP 22K 5% 1/10W		
3143		P	RESISTOR		R9565	1-216-845-11	METAL CHIP 100K 5% 1/10W		
3144		P	RESISTOR		R9566	1-216-864-11	SHORT CHIP 0		
3145		P	RESISTOR		R9569	1-216-845-11	METAL CHIP 100K 5% 1/10W		
3146		P	RESISTOR		R9572	1-216-837-11	METAL CHIP 22K 5% 1/10W		
3147		P	RESISTOR		R9574	1-216-809-11	METAL CHIP 100 5% 1/10W		
3148		P	RESISTOR		R9575	1-216-809-11	METAL CHIP 100 5% 1/10W		
3149		P	RESISTOR		R9576	1-216-864-11	SHORT CHIP 0		
3150		P	RESISTOR		R9577	1-216-864-11	SHORT CHIP 0		
3151		P	RESISTOR		R9580	1-216-809-11	METAL CHIP 100 5% 1/10W		
3152		P	RESISTOR		R9581	1-216-809-11	METAL CHIP 100 5% 1/10W		
3153		P	RESISTOR		R9582	1-216-833-11	METAL CHIP 10K 5% 1/10W		
3154		P	RESISTOR		R9584	1-216-833-11	METAL CHIP 10K 5% 1/10W		
3155		P	RESISTOR		R9585	1-216-809-11	METAL CHIP 100 5% 1/10W		
3156		P	RESISTOR		R9586	1-216-809-11	METAL CHIP 100 5% 1/10W		
3157		P	RESISTOR		R9592	1-216-809-11	METAL CHIP 100 5% 1/10W		
3158		P	RESISTOR		R9595	1-216-817-11	METAL CHIP 470 5% 1/10W		
3159		P	RESISTOR		R9597	1-216-803-11	METAL CHIP 33 5% 1/10W		
3160		P	RESISTOR		R9602	1-216-809-11	METAL CHIP 100 5% 1/10W		
3161		P	RESISTOR		R9606	1-216-864-11	SHORT CHIP 0		
3162		P	RESISTOR		R9612	1-216-864-11	SHORT CHIP 0		
3163		P	RESISTOR		R9614	1-216-809-11	METAL CHIP 100 5% 1/10W		
3164		P	RESISTOR		R9615	1-216-809-11	METAL CHIP 100 5% 1/10W		
3165		P	RESISTOR		R9616	1-216-809-11	METAL CHIP 100 5% 1/10W		
3166		P	RESISTOR		R9623	1-216-845-11	METAL CHIP 100K 5% 1/10W		
3167		P	RESISTOR		R9624	1-216-845-11	METAL CHIP 100K 5% 1/10W		
3168		P	RESISTOR		R9625	1-216-845-11	METAL CHIP 100K 5% 1/10W		
3169		P	RESISTOR		R9626	1-216-833-11	METAL CHIP 10K 5% 1/10W		
3170		P	RESISTOR		R9627	1-216-809-11	METAL CHIP 100 5% 1/10W		
3171		P	RESISTOR		R9850	1-216-833-11	METAL CHIP 10K 5% 1/10W		
3172		P	RESISTOR		R9851	1-216-821-11	METAL CHIP 1K 5% 1/10W		
3173		P	RESISTOR		R9852	1-218-644-11	METAL CHIP 10 0.5% 1/10W		
3174		P	RESISTOR		R9853	1-216-845-11	METAL CHIP 100K 5% 1/10W		
3175		P	RESISTOR		R9854	1-216-845-11	METAL CHIP 100K 5% 1/10W		
3176		P	RESISTOR		R9860	1-218-706-11	METAL CHIP 3.9K 0.5% 1/10W		
3177		P	RESISTOR		R9864	1-218-701-11	METAL CHIP 2.4K 0.5% 1/10W		
3178		P	RESISTOR		R9866	1-216-821-11	METAL CHIP 1K 5% 1/10W		
3179		P	RESISTOR		R9868	1-216-833-11	METAL CHIP 10K 5% 1/10W		
3180		P	RESISTOR		R9869	1-216-833-11	METAL CHIP 10K 5% 1/10W		
3181		P	RESISTOR		R9882	1-218-665-11	METAL CHIP 75 0.5% 1/10W		
3182		P	RESISTOR		R9883	1-216-838-11	METAL CHIP 27K 5% 1/10W		

No.	#	Board	Type	Δ / [*]	Ref. No.	Part No.	Description	Remarks-1	Remarks-2
3183		P	RESISTOR		R9884	1-218-665-11	METAL CHIP 75 0.5% 1/10W		
3184		P	RESISTOR		R9888	1-218-847-11	METAL CHIP 1K 0.5% 1/10W		
3185		P	RESISTOR		R9890	1-218-665-11	METAL CHIP 75 0.5% 1/10W		
3186		P	RESISTOR		R9891	1-216-809-11	METAL CHIP 100 5% 1/10W		
3187		P	NETWORK		RB9500	1-234-524-21	RES, CHIP NETWORK 33 (3216)		
3188		P	NETWORK		RB9510	1-233-576-11	RES, CHIP NETWORK 100 (3216)		
3189		P	NETWORK		RB9511	1-233-574-11	RES, CHIP NETWORK 10 (3216)		
3190		P	NETWORK		RB9512	1-233-574-11	RES, CHIP NETWORK 10 (3216)		
3191		P	NETWORK		RB9516	1-236-908-11	RES, CHIP NETWORK 10K		
3192		P	NETWORK		RB9517	1-236-908-11	RES, CHIP NETWORK 10K		
3193		P	VARISTOR		VD9500	6-500-701-01	DIODE PGB0010603NR		
3194		P	VARISTOR		VD9501	6-500-701-01	DIODE PGB0010603NR		
3195		P	VARISTOR		VD9502	6-500-701-01	DIODE PGB0010603NR		
3196		P	VARISTOR		VD9503	6-500-701-01	DIODE PGB0010603NR		
3197		P	VARISTOR		VD9504	6-500-701-01	DIODE PGB0010603NR		
3198		P	VARISTOR		VD9505	6-500-701-01	DIODE PGB0010603NR		
3199		P	VARISTOR		VD9506	6-500-701-01	DIODE PGB0010603NR		
3200		P	VARISTOR		VD9507	6-500-701-01	DIODE PGB0010603NR		
3201		P	VARISTOR		VD9518	6-500-701-01	DIODE PGB0010603NR		
3202		P	VARISTOR		VD9519	6-500-701-01	DIODE PGB0010603NR		
3203		P	CRYSTAL		X9501	1-767-984-21	VIBRATOR, CRYSTAL		
3204		M1U	CAPACITOR		C7000	1-125-777-11	CERAMIC CHIP 0.1UF 10.00% 10V		
3205		M1U	CAPACITOR		C7001	1-128-993-21	ELECT CHIP 22UF 20% 10V		
3206		M1U	CAPACITOR		C7002	1-125-777-11	CERAMIC CHIP 0.1UF 10.00% 10V		
3207		M1U	CAPACITOR		C7003	1-128-993-21	ELECT CHIP 22UF 20% 10V		
3208		M1U	CAPACITOR		C7004	1-125-777-11	CERAMIC CHIP 0.1UF 10.00% 10V		
3209		M1U	CAPACITOR		C7005	1-164-943-11	CERAMIC CHIP 0.01UF 10.00% 16V		
3210		M1U	CAPACITOR		C7006	1-128-993-21	ELECT CHIP 22UF 20% 10V		
3211		M1U	CAPACITOR		C7007	1-125-777-11	CERAMIC CHIP 0.1UF 10.00% 10V		
3212		M1U	CAPACITOR		C7008	1-128-993-21	ELECT CHIP 22UF 20% 10V		
3213		M1U	CAPACITOR		C7009	1-164-943-11	CERAMIC CHIP 0.01UF 10.00% 16V		
3214		M1U	CAPACITOR		C7010	1-164-943-11	CERAMIC CHIP 0.01UF 10.00% 16V		
3215		M1U	CAPACITOR		C7011	1-164-943-11	CERAMIC CHIP 0.01UF 10.00% 16V		
3216		M1U	CAPACITOR		C7012	1-164-943-11	CERAMIC CHIP 0.01UF 10.00% 16V		
3217		M1U	CAPACITOR		C7013	1-128-993-21	ELECT CHIP 22UF 20% 10V		
3218		M1U	CAPACITOR		C7014	1-128-993-21	ELECT CHIP 22UF 20% 10V		
3219		M1U	CAPACITOR		C7015	1-125-777-11	CERAMIC CHIP 0.1UF 10.00% 10V		
3220		M1U	CAPACITOR		C7016	1-125-777-11	CERAMIC CHIP 0.1UF 10.00% 10V		
3221		M1U	CAPACITOR		C7017	1-125-777-11	CERAMIC CHIP 0.1UF 10.00% 10V		
3222		M1U	CAPACITOR		C7020	1-125-777-11	CERAMIC CHIP 0.1UF 10.00% 10V		
3223		M1U	CAPACITOR		C7021	1-125-777-11	CERAMIC CHIP 0.1UF 10.00% 10V		
3224		M1U	CAPACITOR		C7022	1-125-777-11	CERAMIC CHIP 0.1UF 10.00% 10V		
3225		M1U	CAPACITOR		C7023	1-164-943-11	CERAMIC CHIP 0.01UF 10.00% 16V		
3226		M1U	CAPACITOR		C7024	1-164-943-11	CERAMIC CHIP 0.01UF 10.00% 16V		
3227		M1U	CAPACITOR		C7025	1-125-777-11	CERAMIC CHIP 0.1UF 10.00% 10V		
3228		M1U	CAPACITOR		C7028	1-164-850-11	CERAMIC CHIP 10PF 0.50PF 50V		
3229		M1U	CAPACITOR		C7029	1-164-850-11	CERAMIC CHIP 10PF 0.50PF 50V		
3230		M1U	CAPACITOR		C7030	1-125-777-11	CERAMIC CHIP 0.1UF 10.00% 10V		
3231		M1U	CAPACITOR		C7031	1-125-777-11	CERAMIC CHIP 0.1UF 10.00% 10V		
3232		M1U	CAPACITOR		C7032	1-164-937-11	CERAMIC CHIP 0.001UF 10.00% 50V		
3233		M1U	CAPACITOR		C7033	1-115-416-11	CERAMIC CHIP 0.001UF 5.00% 25V		
3234		M1U	CAPACITOR		C7034	1-125-777-11	CERAMIC CHIP 0.1UF 10.00% 10V		
3235		M1U	CAPACITOR		C7035	1-125-777-11	CERAMIC CHIP 0.1UF 10.00% 10V		
3236		M1U	CAPACITOR		C7036	1-164-943-11	CERAMIC CHIP 0.01UF 10.00% 16V		
3237		M1U	CAPACITOR		C7037	1-164-854-11	CERAMIC CHIP 15PF 5.00% 50V		
3238		M1U	CAPACITOR		C7038	1-164-852-11	CERAMIC CHIP 12PF 5.00% 50V		
3239		M1U	CAPACITOR		C7039	1-115-156-11	CERAMIC CHIP 1UF 10V		
3240		M1U	CAPACITOR		C7040	1-107-726-91	CERAMIC CHIP 0.01UF 10.00% 16V		
3241		M1U	CAPACITOR		C7041	1-126-204-11	ELECT CHIP 47UF 20.00% 16V		
3242		M1U	CAPACITOR		C7043	1-164-943-11	CERAMIC CHIP 0.01UF 10.00% 16V		
3243		M1U	CAPACITOR		C7044	1-164-943-11	CERAMIC CHIP 0.01UF 10.00% 16V		
3244		M1U	CAPACITOR		C7045	1-125-777-11	CERAMIC CHIP 0.1UF 10.00% 10V		
3245		M1U	CAPACITOR		C7046	1-125-777-11	CERAMIC CHIP 0.1UF 10.00% 10V		
3246		M1U	CAPACITOR		C7047	1-164-872-11	CERAMIC CHIP 82PF 5.00% 50V		
3247		M1U	CAPACITOR		C7048	1-125-777-11	CERAMIC CHIP 0.1UF 10.00% 10V		
3248		M1U	CAPACITOR		C7049	1-125-777-11	CERAMIC CHIP 0.1UF 10.00% 10V		
3249		M1U	CAPACITOR		C7050	1-164-872-11	CERAMIC CHIP 82PF 5.00% 50V		
3250		M1U	CAPACITOR		C7051	1-125-777-11	CERAMIC CHIP 0.1UF 10.00% 10V		
3251		M1U	CAPACITOR		C7052	1-117-681-11	ELECT CHIP 100UF 20.00% 16V		
3252		M1U	CAPACITOR		C7053	1-164-937-11	CERAMIC CHIP 0.001UF 10.00% 50V		
3253		M1U	CAPACITOR		C7054	1-164-937-11	CERAMIC CHIP 0.001UF 10.00% 50V		
3254		M1U	CAPACITOR		C7055	1-164-937-11	CERAMIC CHIP 0.001UF 10.00% 50V		
3255		M1U	CAPACITOR		C7056	1-137-987-81	CERAMIC CHIP 0.068UF 10% 10V		
3256		M1U	CAPACITOR		C7057	1-137-987-81	CERAMIC CHIP 0.068UF 10% 10V		

No.	#	Board	Type	Δ / [*]	Ref. No.	Part No.	Description	Remarks-1	Remarks-2
3257		M1U	CAPACITOR		C7058	1-137-987-81	CERAMIC CHIP 0.068UF 10% 10V		
3258		M1U	CAPACITOR		C7059	1-164-942-11	CERAMIC CHIP 0.0068UF 10.00% 16V		
3259		M1U	CAPACITOR		C7060	1-164-942-11	CERAMIC CHIP 0.0068UF 10.00% 16V		
3260		M1U	CAPACITOR		C7061	1-164-942-11	CERAMIC CHIP 0.0068UF 10.00% 16V		
3261		M1U	CAPACITOR		C7062	1-125-777-11	CERAMIC CHIP 0.1UF 10.00% 10V		
3262		M1U	CAPACITOR		C7063	1-125-777-11	CERAMIC CHIP 0.1UF 10.00% 10V		
3263		M1U	CAPACITOR		C7064	1-125-777-11	CERAMIC CHIP 0.1UF 10.00% 10V		
3264		M1U	CAPACITOR		C7067	1-125-777-11	CERAMIC CHIP 0.1UF 10.00% 10V		
3265		M1U	CAPACITOR		C7068	1-125-777-11	CERAMIC CHIP 0.1UF 10.00% 10V		
3266		M1U	CAPACITOR		C7069	1-125-777-11	CERAMIC CHIP 0.1UF 10.00% 10V		
3267		M1U	CAPACITOR		C7070	1-125-777-11	CERAMIC CHIP 0.1UF 10.00% 10V		
3268		M1U	CAPACITOR		C7071	1-128-993-21	ELECT CHIP 22UF 20% 10V		
3269		M1U	CAPACITOR		C7072	1-125-777-11	CERAMIC CHIP 0.1UF 10.00% 10V		
3270		M1U	CAPACITOR		C7073	1-125-777-11	CERAMIC CHIP 0.1UF 10.00% 10V		
3271		M1U	CAPACITOR		C7550	1-126-204-11	ELECT CHIP 47UF 20.00% 16V		
3272		M1U	CAPACITOR		C7551	1-107-820-11	CERAMIC CHIP 0.1UF 16V		
3273		M1U	CAPACITOR		C7552	1-107-820-11	CERAMIC CHIP 0.1UF 16V		
3274		M1U	CAPACITOR		C7553	1-107-820-11	CERAMIC CHIP 0.1UF 16V		
3275		M1U	CAPACITOR		C7554	1-107-820-11	CERAMIC CHIP 0.1UF 16V		
3276		M1U	CAPACITOR		C7555	1-107-820-11	CERAMIC CHIP 0.1UF 16V		
3277		M1U	CAPACITOR		C7556	1-107-820-11	CERAMIC CHIP 0.1UF 16V		
3278		M1U	CAPACITOR		C7557	1-107-820-11	CERAMIC CHIP 0.1UF 16V		
3279		M1U	CAPACITOR		C7558	1-107-820-11	CERAMIC CHIP 0.1UF 16V		
3280		M1U	CAPACITOR		C7559	1-164-947-11	CERAMIC CHIP 0.01UF 50V		
3281		M1U	CAPACITOR		C7560	1-164-947-11	CERAMIC CHIP 0.01UF 50V		
3282		M1U	CAPACITOR		C7561	1-164-947-11	CERAMIC CHIP 0.01UF 50V		
3283		M1U	CAPACITOR		C7562	1-164-947-11	CERAMIC CHIP 0.01UF 50V		
3284		M1U	CAPACITOR		C7563	1-164-947-11	CERAMIC CHIP 0.01UF 50V		
3285		M1U	CAPACITOR		C7564	1-164-947-11	CERAMIC CHIP 0.01UF 50V		
3286		M1U	CAPACITOR		C7565	1-164-947-11	CERAMIC CHIP 0.01UF 50V		
3287		M1U	CAPACITOR		C7566	1-164-947-11	CERAMIC CHIP 0.01UF 50V		
3288		M1U	CAPACITOR		C7568	1-125-777-11	CERAMIC CHIP 0.1UF 10.00% 10V		
3289		M1U	CAPACITOR		C7650	1-125-777-11	CERAMIC CHIP 0.1UF 10.00% 10V		
3290		M1U	CAPACITOR		C7651	1-164-943-11	CERAMIC CHIP 0.01UF 10.00% 16V		
3291		M1U	CAPACITOR		C7652	1-125-777-11	CERAMIC CHIP 0.1UF 10.00% 10V		
3292		M1U	CAPACITOR		C7653	1-164-943-11	CERAMIC CHIP 0.01UF 10.00% 16V		
3293		M1U	CAPACITOR		C7654	1-126-208-21	ELECT CHIP 47UF 20.00% 4V		
3294		M1U	CAPACITOR		C7655	1-125-777-11	CERAMIC CHIP 0.1UF 10.00% 10V		
3295		M1U	CAPACITOR		C7656	1-125-777-11	CERAMIC CHIP 0.1UF 10.00% 10V		
3296		M1U	CAPACITOR		C7658	1-125-777-11	CERAMIC CHIP 0.1UF 10.00% 10V		
3297		M1U	CAPACITOR		C7659	1-164-943-11	CERAMIC CHIP 0.01UF 10.00% 16V		
3298		M1U	CAPACITOR		C7660	1-125-777-11	CERAMIC CHIP 0.1UF 10.00% 10V		
3299		M1U	CAPACITOR		C7700	1-126-205-11	ELECT CHIP 47UF 20.00% 6.3V		
3300		M1U	CAPACITOR		C7701	1-164-943-11	CERAMIC CHIP 0.01UF 10.00% 16V		
3301		M1U	CAPACITOR		C7702	1-126-205-11	ELECT CHIP 47UF 20.00% 6.3V		
3302		M1U	CAPACITOR		C7703	1-126-205-11	ELECT CHIP 47UF 20.00% 6.3V		
3303		M1U	CAPACITOR		C7704	1-126-206-11	ELECT CHIP 100UF 20.00% 6.3V		
3304		M1U	CAPACITOR		C7705	1-125-777-11	CERAMIC CHIP 0.1UF 10.00% 10V		
3305		M1U	CAPACITOR		C7706	1-125-777-11	CERAMIC CHIP 0.1UF 10.00% 10V		
3306		M1U	CAPACITOR		C7707	1-125-777-11	CERAMIC CHIP 0.1UF 10.00% 10V		
3307		M1U	CAPACITOR		C7708	1-164-943-11	CERAMIC CHIP 0.01UF 10.00% 16V		
3308		M1U	CAPACITOR		C7709	1-137-710-11	CERAMIC CHIP 10UF 20% 6.3V		
3309		M1U	CAPACITOR		C7710	1-125-777-11	CERAMIC CHIP 0.1UF 10.00% 10V		
3310		M1U	CAPACITOR		C7711	1-126-206-11	ELECT CHIP 100UF 20.00% 6.3V		
3311		M1U	CAPACITOR		C7712	1-125-777-11	CERAMIC CHIP 0.1UF 10.00% 10V		
3312		M1U	CAPACITOR		C7713	1-125-777-11	CERAMIC CHIP 0.1UF 10.00% 10V		
3313		M1U	CAPACITOR		C7714	1-126-206-11	ELECT CHIP 100UF 20.00% 6.3V		
3314		M1U	CAPACITOR		C7715	1-125-777-11	CERAMIC CHIP 0.1UF 10.00% 10V		
3315		M1U	CAPACITOR		C7716	1-125-777-11	CERAMIC CHIP 0.1UF 10.00% 10V		
3316		M1U	CAPACITOR		C7717	1-125-777-11	CERAMIC CHIP 0.1UF 10.00% 10V		
3317		M1U	CAPACITOR		C7718	1-125-777-11	CERAMIC CHIP 0.1UF 10.00% 10V		
3318		M1U	CAPACITOR		C7719	1-125-777-11	CERAMIC CHIP 0.1UF 10.00% 10V		
3319		M1U	CAPACITOR		C7720	1-125-777-11	CERAMIC CHIP 0.1UF 10.00% 10V		
3320		M1U	CAPACITOR		C7721	1-125-777-11	CERAMIC CHIP 0.1UF 10.00% 10V		
3321		M1U	CAPACITOR		C7722	1-125-777-11	CERAMIC CHIP 0.1UF 10.00% 10V		
3322		M1U	CAPACITOR		C7723	1-125-777-11	CERAMIC CHIP 0.1UF 10.00% 10V		
3323		M1U	CAPACITOR		C7724	1-125-777-11	CERAMIC CHIP 0.1UF 10.00% 10V		
3324		M1U	CAPACITOR		C7725	1-125-777-11	CERAMIC CHIP 0.1UF 10.00% 10V		
3325		M1U	CAPACITOR		C7726	1-125-777-11	CERAMIC CHIP 0.1UF 10.00% 10V		
3326		M1U	CAPACITOR		C7727	1-125-777-11	CERAMIC CHIP 0.1UF 10.00% 10V		
3327		M1U	CAPACITOR		C7728	1-125-777-11	CERAMIC CHIP 0.1UF 10.00% 10V		
3328		M1U	CAPACITOR		C7730	1-125-777-11	CERAMIC CHIP 0.1UF 10.00% 10V		
3329		M1U	CAPACITOR		C7731	1-164-943-11	CERAMIC CHIP 0.01UF 10.00% 16V		
3330		M1U	CAPACITOR		C7732	1-125-777-11	CERAMIC CHIP 0.1UF 10.00% 10V		

No.	#	Board	Type	Δ / [*]	Ref. No.	Part No.	Description	Remarks-1	Remarks-2
3331		M1U	CAPACITOR		C7733	1-125-777-11	CERAMIC CHIP 0.1UF 10.00% 10V		
3332		M1U	CAPACITOR		C7734	1-125-777-11	CERAMIC CHIP 0.1UF 10.00% 10V		
3333		M1U	CAPACITOR		C7735	1-125-777-11	CERAMIC CHIP 0.1UF 10.00% 10V		
3334		M1U	CAPACITOR		C7736	1-125-777-11	CERAMIC CHIP 0.1UF 10.00% 10V		
3335		M1U	CAPACITOR		C7737	1-125-777-11	CERAMIC CHIP 0.1UF 10.00% 10V		
3336		M1U	CAPACITOR		C7738	1-125-777-11	CERAMIC CHIP 0.1UF 10.00% 10V		
3337		M1U	CAPACITOR		C7739	1-125-777-11	CERAMIC CHIP 0.1UF 10.00% 10V		
3338		M1U	CAPACITOR		C7740	1-125-777-11	CERAMIC CHIP 0.1UF 10.00% 10V		
3339		M1U	CAPACITOR		C7741	1-125-777-11	CERAMIC CHIP 0.1UF 10.00% 10V		
3340		M1U	CAPACITOR		C7742	1-125-777-11	CERAMIC CHIP 0.1UF 10.00% 10V		
3341		M1U	CAPACITOR		C7743	1-125-777-11	CERAMIC CHIP 0.1UF 10.00% 10V		
3342		M1U	CAPACITOR		C7744	1-125-777-11	CERAMIC CHIP 0.1UF 10.00% 10V		
3343		M1U	CAPACITOR		C7745	1-125-777-11	CERAMIC CHIP 0.1UF 10.00% 10V		
3344		M1U	CAPACITOR		C7746	1-125-777-11	CERAMIC CHIP 0.1UF 10.00% 10V		
3345		M1U	CAPACITOR		C7748	1-125-777-11	CERAMIC CHIP 0.1UF 10.00% 10V		
3346		M1U	CAPACITOR		C7749	1-125-777-11	CERAMIC CHIP 0.1UF 10.00% 10V		
3347		M1U	CAPACITOR		C7750	1-125-837-91	CERAMIC CHIP 1UF 10% 6.3V		
3348		M1U	CAPACITOR		C7752	1-125-777-11	CERAMIC CHIP 0.1UF 10.00% 10V		
3349		M1U	CAPACITOR		C7753	1-125-777-11	CERAMIC CHIP 0.1UF 10.00% 10V		
3350		M1U	CAPACITOR		C7755	1-125-777-11	CERAMIC CHIP 0.1UF 10.00% 10V		
3351		M1U	CAPACITOR		C7756	1-124-778-00	ELECT CHIP 22UF 20.00% 6.3V		
3352		M1U	CAPACITOR		C7760	1-128-994-21	ELECT CHIP 47UF 20% 10V		
3353		M1U	CAPACITOR		C7761	1-107-826-11	CERAMIC CHIP 0.1UF 10.00% 16V		
3354		M1U	CAPACITOR		C7763	1-125-837-91	CERAMIC CHIP 1UF 10% 6.3V		
3355		M1U	CAPACITOR		C7764	1-125-777-11	CERAMIC CHIP 0.1UF 10.00% 10V		
3356		M1U	CAPACITOR		C7767	1-125-777-11	CERAMIC CHIP 0.1UF 10.00% 10V		
3357		M1U	CAPACITOR		C7768	1-137-710-11	CERAMIC CHIP 10UF 20% 6.3V		
3358		M1U	CAPACITOR		C7769	1-125-777-11	CERAMIC CHIP 0.1UF 10.00% 10V		
3359		M1U	CAPACITOR		C7954	1-125-777-11	CERAMIC CHIP 0.1UF 10.00% 10V		
3360		M1U	CAPACITOR		C7957	1-164-943-11	CERAMIC CHIP 0.01UF 10.00% 16V		
3361		M1U	CAPACITOR		C7962	1-164-943-11	CERAMIC CHIP 0.01UF 10.00% 16V		
3362		M1U	CAPACITOR		C7963	1-164-943-11	CERAMIC CHIP 0.01UF 10.00% 16V		
3363		M1U	CAPACITOR		C7964	1-164-943-11	CERAMIC CHIP 0.01UF 10.00% 16V		
3364		M1U	CONNECTOR		CN7001	1-779-331-11	CONNECTOR, FFC/FPC 14P		
3365		M1U	CONNECTOR	*	CN7002	1-691-551-11	PIN, CONNECTOR (SMD) 8P		
3366		M1U	CONNECTOR	*	CN7650	1-818-562-21	CONNECTOR (RECEPTACLE) 17P		
3367		M1U	DIODE		D7000	8-719-081-97	DIODE MMDL914T1		
3368		M1U	DIODE		D7001	8-719-050-37	DIODE M1MA152WA-T1		
3369		M1U	DIODE		D7002	8-719-050-38	DIODE M1MA152WK-T1		
3370		M1U	DIODE		D7003	8-719-050-37	DIODE M1MA152WA-T1		
3371		M1U	DIODE		D7004	8-719-050-38	DIODE M1MA152WK-T1		
3372		M1U	DIODE		D7005	8-719-050-38	DIODE M1MA152WK-T1		
3373		M1U	DIODE		D7006	8-719-050-38	DIODE M1MA152WK-T1		
3374		M1U	DIODE		D7007	8-719-083-58	DIODE UDZSTE-173.9B		
3375		M1U	DIODE		D7008	8-719-083-58	DIODE UDZSTE-173.9B		
3376		M1U	DIODE		D7009	8-719-050-37	DIODE M1MA152WA-T1		
3377		M1U	DIODE		D7010	8-719-050-38	DIODE M1MA152WK-T1		
3378		M1U	DIODE		D7011	8-719-050-38	DIODE M1MA152WK-T1		
3379		M1U	FERRITE BEAD		FB7000	1-469-082-21	FERRITE 0UH		
3380		M1U	FERRITE BEAD		FB7001	1-469-082-21	FERRITE 0UH		
3381		M1U	FERRITE BEAD		FB7002	1-469-082-21	FERRITE 0UH		
3382		M1U	FERRITE BEAD		FB7003	1-469-082-21	FERRITE 0UH		
3383		M1U	FERRITE BEAD		FB7004	1-469-082-21	FERRITE 0UH		
3384		M1U	FERRITE BEAD		FB7005	1-469-082-21	FERRITE 0UH		
3385		M1U	FERRITE BEAD		FB7006	1-469-082-21	FERRITE 0UH		
3386		M1U	FERRITE BEAD		FB7007	1-469-082-21	FERRITE 0UH		
3387		M1U	FERRITE BEAD		FB7008	1-469-082-21	FERRITE 0UH		
3388		M1U	FERRITE BEAD		FB7009	1-469-082-21	FERRITE 0UH		
3389		M1U	FERRITE BEAD		FB7010	1-469-082-21	FERRITE 0UH		
3390		M1U	FERRITE BEAD		FB7011	1-469-082-21	FERRITE 0UH		
3391		M1U	FERRITE BEAD		FB7012	1-469-082-21	FERRITE 0UH		
3392		M1U	FERRITE BEAD		FB7013	1-469-082-21	FERRITE 0UH		
3393		M1U	FERRITE BEAD		FB7014	1-469-082-21	FERRITE 0UH		
3394		M1U	FERRITE BEAD		FB7015	1-469-082-21	FERRITE 0UH		
3395		M1U	FERRITE BEAD		FB7016	1-469-082-21	FERRITE 0UH		
3396		M1U	FERRITE BEAD		FB7017	1-469-082-21	FERRITE 0UH		
3397		M1U	FERRITE BEAD		FB7018	1-469-082-21	FERRITE 0UH		
3398		M1U	FERRITE BEAD		FB7019	1-469-082-21	FERRITE 0UH		
3399		M1U	FERRITE BEAD		FB7020	1-469-082-21	FERRITE 0UH		
3400		M1U	FERRITE BEAD		FB7021	1-469-082-21	FERRITE 0UH		
3401		M1U	FERRITE BEAD		FB7022	1-469-082-21	FERRITE 0UH		
3402		M1U	FERRITE BEAD		FB7023	1-469-082-21	FERRITE 0UH		
3403		M1U	FERRITE BEAD		FB7024	1-469-082-21	FERRITE 0UH		
3404		M1U	FERRITE BEAD		FB7025	1-469-082-21	FERRITE 0UH		

No.	#	Board	Type	Δ / [*]	Ref. No.	Part No.	Description	Remarks-1	Remarks-2
3405		M1U	FERRITE BEAD		FB7026	1-469-082-21	FERRITE 0UH		
3406		M1U	FERRITE BEAD		FB7027	1-469-082-21	FERRITE 0UH		
3407		M1U	FERRITE BEAD		FB7028	1-469-082-21	FERRITE 0UH		
3408		M1U	FERRITE BEAD		FB7029	1-469-082-21	FERRITE 0UH		
3409		M1U	FERRITE BEAD		FB7030	1-469-082-21	FERRITE 0UH		
3410		M1U	FERRITE BEAD		FB7031	1-469-082-21	FERRITE 0UH		
3411		M1U	FERRITE BEAD		FB7032	1-469-082-21	FERRITE 0UH		
3412		M1U	FERRITE BEAD		FB7033	1-469-082-21	FERRITE 0UH		
3413		M1U	FERRITE BEAD		FB7034	1-469-082-21	FERRITE 0UH		
3414		M1U	FERRITE BEAD		FB7035	1-469-082-21	FERRITE 0UH		
3415		M1U	FERRITE BEAD		FB7036	1-469-082-21	FERRITE 0UH		
3416		M1U	FERRITE BEAD		FB7037	1-469-082-21	FERRITE 0UH		
3417		M1U	FERRITE BEAD		FB7038	1-469-082-21	FERRITE 0UH		
3418		M1U	FERRITE BEAD		FB7040	1-469-082-21	FERRITE 0UH		
3419		M1U	FERRITE BEAD		FB7041	1-469-082-21	FERRITE 0UH		
3420		M1U	FERRITE BEAD		FB7042	1-469-082-21	FERRITE 0UH		
3421		M1U	FERRITE BEAD		FB7043	1-469-082-21	FERRITE 0UH		
3422		M1U	FERRITE BEAD		FB7044	1-469-082-21	FERRITE 0UH		
3423		M1U	FERRITE BEAD		FB7045	1-469-082-21	FERRITE 0UH		
3424		M1U	FERRITE BEAD		FB7046	1-469-082-21	FERRITE 0UH		
3425		M1U	FERRITE BEAD		FB7047	1-469-082-21	FERRITE 0UH		
3426		M1U	FERRITE BEAD		FB7048	1-469-082-21	FERRITE 0UH		
3427		M1U	FERRITE BEAD		FB7049	1-469-082-21	FERRITE 0UH		
3428		M1U	FERRITE BEAD		FB7050	1-469-082-21	FERRITE 0UH		
3429		M1U	FERRITE BEAD		FB7051	1-469-082-21	FERRITE 0UH		
3430		M1U	FERRITE BEAD		FB7052	1-469-082-21	FERRITE 0UH		
3431		M1U	FERRITE BEAD		FB7053	1-469-082-21	FERRITE 0UH		
3432		M1U	FERRITE BEAD		FB7056	1-469-082-21	FERRITE 0UH		
3433		M1U	FERRITE BEAD		FB7057	1-469-082-21	FERRITE 0UH		
3434		M1U	FERRITE BEAD		FB7650	1-414-921-11	FERRITE 0UH		
3435		M1U	FERRITE BEAD		FB7651	1-414-921-11	FERRITE 0UH		
3436		M1U	FERRITE BEAD		FB7652	1-414-921-11	FERRITE 0UH		
3437		M1U	FERRITE BEAD		FB7950	1-414-445-11	FERRITE 0UH		
3438		M1U	FILTER		FL7700	1-234-560-21	FILTER, LOW PASS		
3439		M1U	FILTER		FL7701	1-234-560-21	FILTER, LOW PASS		
3440		M1U	IC		IC7000	6-704-879-01	IC NJU7223DL1-25		
3441		M1U	IC		IC7001	8-759-695-94	IC TAR5S33(TE85R)		
3442		M1U	IC		IC7002	8-753-236-03	IC CXQ91F318A-106R		
3443		M1U	IC		IC7003	6-801-402-01	IC BD4729GTR		
3444		M1U	IC		IC7004	6-702-688-01	IC M24C64-WMN6T(B)		
3445		M1U	IC		IC7005	8-759-596-29	IC SN74LV4066APWR		
3446		M1U	IC		IC7006	6-703-224-01	IC S-80828CNNB-B8NT2G		
3447		M1U	IC		IC7551	6-706-535-01	IC CXD9827GP		
3448		M1U	IC		IC7552	6-700-599-01	IC TC7SA08FU(TE85R)		
3449		M1U	IC		IC7650	6-704-632-01	IC THC63LVD104A		
3450		M1U	IC		IC7700	6-705-403-01	IC PQ070XZ01ZPH		
3451		M1U	IC		IC7701	8-753-209-17	IC CXD3807GB		
3452		M1U	IC		IC7702	8-759-680-92	IC MAX4018EEE-TG068		
3453		M1U	COIL		L7000	1-469-555-21	INDUCTOR 10UH		
3454		M1U	COIL		L7001	1-469-555-21	INDUCTOR 10UH		
3455		M1U	COIL		L7002	1-469-555-21	INDUCTOR 10UH		
3456		M1U	COIL		L7003	1-469-555-21	INDUCTOR 10UH		
3457		M1U	COIL		L7004	1-469-555-21	INDUCTOR 10UH		
3458		M1U	COIL		L7005	1-469-555-21	INDUCTOR 10UH		
3459		M1U	COIL		L7009	1-469-549-21	INDUCTOR 1UH		
3460		M1U	COIL		L7550	1-469-555-21	INDUCTOR 10UH		
3461		M1U	COIL		L7552	1-469-549-21	INDUCTOR 1UH		
3462		M1U	COIL		L7700	1-469-549-21	INDUCTOR 1UH		
3463		M1U	COIL		L7701	1-469-549-21	INDUCTOR 1UH		
3464		M1U	COIL		L7702	1-469-549-21	INDUCTOR 1UH		
3465		M1U	COIL		L7703	1-469-549-21	INDUCTOR 1UH		
3466		M1U	COIL		L7704	1-469-549-21	INDUCTOR 1UH		
3467		M1U	COIL		L7705	1-469-549-21	INDUCTOR 1UH		
3468		M1U	COIL		L7706	1-469-549-21	INDUCTOR 1UH		
3469		M1U	COIL		L7707	1-469-549-21	INDUCTOR 1UH		
3470		M1U	COIL		L7709	1-469-549-21	INDUCTOR 1UH		
3471		M1U	COIL		L7950	1-469-555-21	INDUCTOR 10UH		
3472		M1U	TRANSISTOR		Q7002	8-729-029-14	TRANSISTOR DTC144EUA-T106		
3473		M1U	TRANSISTOR		Q7003	8-729-907-00	TRANSISTOR DTC114EU		
3474		M1U	TRANSISTOR		Q7004	6-550-585-01	TRANSISTOR 2PC4081R-115		
3475		M1U	TRANSISTOR		Q7005	8-729-901-47	TRANSISTOR DTA143EK		
3476		M1U	TRANSISTOR		Q7006	6-550-585-01	TRANSISTOR 2PC4081R-115		
3477		M1U	TRANSISTOR		Q7007	6-550-585-01	TRANSISTOR 2PC4081R-115		
3478		M1U	TRANSISTOR		Q7008	6-550-585-01	TRANSISTOR 2PC4081R-115		

No.	#	Board	Type	Δ / [*]	Ref. No.	Part No.	Description	Remarks-1	Remarks-2
3479		M1U	TRANSISTOR		Q7009	6-550-586-01	TRANSISTOR 2PA1576R-115		
3480		M1U	TRANSISTOR		Q7010	8-729-029-10	TRANSISTOR DTC143TUA-T106		
3481		M1U	TRANSISTOR		Q7011	8-729-028-28	TRANSISTOR 2SK2036(TE85L)		
3482		M1U	TRANSISTOR		Q7012	8-729-907-00	TRANSISTOR DTC114EU		
3483		M1U	TRANSISTOR		Q7013	8-729-028-28	TRANSISTOR 2SK2036(TE85L)		
3484		M1U	TRANSISTOR		Q7014	8-729-029-10	TRANSISTOR DTC143TUA-T106		
3485		M1U	TRANSISTOR		Q7015	6-550-585-01	TRANSISTOR 2PC4081R-115		
3486		M1U	TRANSISTOR		Q7017	6-550-586-01	TRANSISTOR 2PA1576R-115		
3487		M1U	TRANSISTOR		Q7018	8-729-028-72	TRANSISTOR DTA113ZUA-T106		
3488		M1U	TRANSISTOR		Q7019	6-550-585-01	TRANSISTOR 2PC4081R-115		
3489		M1U	TRANSISTOR		Q7020	6-550-585-01	TRANSISTOR 2PC4081R-115		
3490		M1U	TRANSISTOR		Q7021	6-550-585-01	TRANSISTOR 2PC4081R-115		
3491		M1U	TRANSISTOR		Q7022	8-729-122-63	TRANSISTOR 2SA1226-E4		
3492		M1U	TRANSISTOR		Q7024	8-729-122-63	TRANSISTOR 2SA1226-E4		
3493		M1U	TRANSISTOR		Q7025	6-550-585-01	TRANSISTOR 2PC4081R-115		
3494		M1U	TRANSISTOR		Q7026	8-729-026-53	TRANSISTOR 2SA1576A-T106-QR		
3495		M1U	TRANSISTOR		Q7027	8-729-026-53	TRANSISTOR 2SA1576A-T106-QR		
3496		M1U	TRANSISTOR		Q7028	8-729-026-53	TRANSISTOR 2SA1576A-T106-QR		
3497		M1U	TRANSISTOR		Q7029	8-729-026-53	TRANSISTOR 2SA1576A-T106-QR		
3498		M1U	TRANSISTOR		Q7034	6-550-585-01	TRANSISTOR 2PC4081R-115		
3499		M1U	TRANSISTOR		Q7035	6-550-586-01	TRANSISTOR 2PA1576R-115		
3500		M1U	TRANSISTOR		Q7036	8-729-117-73	TRANSISTOR 2SC4178-F14		
3501		M1U	TRANSISTOR		Q7037	8-729-117-73	TRANSISTOR 2SC4178-F14		
3502		M1U	TRANSISTOR		Q7038	6-550-585-01	TRANSISTOR 2PC4081R-115		
3503		M1U	TRANSISTOR		Q7700	8-729-122-63	TRANSISTOR 2SA1226-E4		
3504		M1U	TRANSISTOR		Q7701	8-729-122-63	TRANSISTOR 2SA1226-E4		
3505		M1U	TRANSISTOR		Q7702	8-729-122-63	TRANSISTOR 2SA1226-E4		
3506		M1U	TRANSISTOR		Q7703	8-729-122-63	TRANSISTOR 2SA1226-E4		
3507		M1U	TRANSISTOR		Q7704	8-729-117-73	TRANSISTOR 2SC4178-F14		
3508		M1U	TRANSISTOR		Q7708	8-729-117-73	TRANSISTOR 2SC4178-F14		
3509		M1U	TRANSISTOR		Q7709	8-729-122-63	TRANSISTOR 2SA1226-E4		
3510		M1U	TRANSISTOR		Q7713	8-729-122-63	TRANSISTOR 2SA1226-E4		
3511		M1U	TRANSISTOR		Q7715	8-729-117-73	TRANSISTOR 2SC4178-F14		
3512		M1U	RESISTOR		R7000	1-218-985-11	RES-CHIP 470K 5% 1/16W		
3513		M1U	RESISTOR		R7009	1-218-955-11	RES-CHIP 1.5K 5% 1/16W		
3514		M1U	RESISTOR		R7010	1-218-934-11	RES-CHIP 27 5% 1/16W		
3515		M1U	RESISTOR		R7011	1-218-934-11	RES-CHIP 27 5% 1/16W		
3516		M1U	RESISTOR		R7012	1-218-933-11	RES-CHIP 22 5% 1/16W		
3517		M1U	RESISTOR		R7013	1-218-937-11	RES-CHIP 47 5% 1/16W		
3518		M1U	RESISTOR		R7014	1-218-937-11	RES-CHIP 47 5% 1/16W		
3519		M1U	RESISTOR		R7015	1-218-937-11	RES-CHIP 47 5% 1/16W		
3520		M1U	RESISTOR		R7016	1-218-973-11	RES-CHIP 47K 5% 1/16W		
3521		M1U	RESISTOR		R7021	1-218-933-11	RES-CHIP 22 5% 1/16W		
3522		M1U	RESISTOR		R7023	1-218-965-11	RES-CHIP 10K 5% 1/16W		
3523		M1U	RESISTOR		R7024	1-218-965-11	RES-CHIP 10K 5% 1/16W		
3524		M1U	RESISTOR		R7025	1-218-965-11	RES-CHIP 10K 5% 1/16W		
3525		M1U	RESISTOR		R7026	1-218-937-11	RES-CHIP 47 5% 1/16W		
3526		M1U	RESISTOR		R7027	1-218-937-11	RES-CHIP 47 5% 1/16W		
3527		M1U	RESISTOR		R7028	1-218-937-11	RES-CHIP 47 5% 1/16W		
3528		M1U	RESISTOR		R7029	1-218-937-11	RES-CHIP 47 5% 1/16W		
3529		M1U	RESISTOR		R7030	1-218-961-11	RES-CHIP 4.7K 5% 1/16W		
3530		M1U	RESISTOR		R7031	1-218-965-11	RES-CHIP 10K 5% 1/16W		
3531		M1U	RESISTOR		R7032	1-218-937-11	RES-CHIP 47 5% 1/16W		
3532		M1U	RESISTOR		R7033	1-218-965-11	RES-CHIP 10K 5% 1/16W		
3533		M1U	RESISTOR		R7034	1-218-937-11	RES-CHIP 47 5% 1/16W		
3534		M1U	RESISTOR		R7035	1-218-953-11	RES-CHIP 1K 5% 1/16W		
3535		M1U	RESISTOR		R7036	1-218-953-11	RES-CHIP 1K 5% 1/16W		
3536		M1U	RESISTOR		R7037	1-218-953-11	RES-CHIP 1K 5% 1/16W		
3537		M1U	RESISTOR		R7038	1-218-965-11	RES-CHIP 10K 5% 1/16W		
3538		M1U	RESISTOR		R7040	1-218-953-11	RES-CHIP 1K 5% 1/16W		
3539		M1U	RESISTOR		R7042	1-218-941-81	RES-CHIP 100 5% 1/16W		
3540		M1U	RESISTOR		R7043	1-218-937-11	RES-CHIP 47 5% 1/16W		
3541		M1U	RESISTOR		R7045	1-218-941-81	RES-CHIP 100 5% 1/16W		
3542		M1U	RESISTOR		R7046	1-218-937-11	RES-CHIP 47 5% 1/16W		
3543		M1U	RESISTOR		R7047	1-218-965-11	RES-CHIP 10K 5% 1/16W		
3544		M1U	RESISTOR		R7048	1-218-965-11	RES-CHIP 10K 5% 1/16W		
3545		M1U	RESISTOR		R7049	1-208-699-11	METAL CHIP 4.7K 0.5% 1/16W		
3546		M1U	RESISTOR		R7050	1-218-941-81	RES-CHIP 100 5% 1/16W		
3547		M1U	RESISTOR		R7051	1-218-937-11	RES-CHIP 47 5% 1/16W		
3548		M1U	RESISTOR		R7052	1-208-699-11	METAL CHIP 4.7K 0.5% 1/16W		
3549		M1U	RESISTOR		R7053	1-218-953-11	RES-CHIP 1K 5% 1/16W		
3550		M1U	RESISTOR		R7054	1-218-937-11	RES-CHIP 47 5% 1/16W		
3551		M1U	RESISTOR		R7055	1-218-953-11	RES-CHIP 1K 5% 1/16W		
3552		M1U	RESISTOR		R7056	1-218-953-11	RES-CHIP 1K 5% 1/16W		

No.	#	Board	Type	Δ / [*]	Ref. No.	Part No.	Description	Remarks-1	Remarks-2
3553		M1U	RESISTOR		R7058	1-218-965-11	RES-CHIP 10K 5% 1/16W		
3554		M1U	RESISTOR		R7059	1-218-953-11	RES-CHIP 1K 5% 1/16W		
3555		M1U	RESISTOR		R7061	1-218-983-11	RES-CHIP 330K 5% 1/16W		
3556		M1U	RESISTOR		R7062	1-219-570-11	METAL CHIP 10M 5% 1/10W		
3557		M1U	RESISTOR		R7064	1-218-953-11	RES-CHIP 1K 5% 1/16W		
3558		M1U	RESISTOR		R7066	1-218-937-11	RES-CHIP 47 5% 1/16W		
3559		M1U	RESISTOR		R7067	1-218-967-11	RES-CHIP 15K 5% 1/16W		
3560		M1U	RESISTOR		R7068	1-218-965-11	RES-CHIP 10K 5% 1/16W		
3561		M1U	RESISTOR		R7069	1-218-965-11	RES-CHIP 10K 5% 1/16W		
3562		M1U	RESISTOR		R7070	1-208-713-11	METAL CHIP 18K 0.5% 1/16W		
3563		M1U	RESISTOR		R7071	1-218-965-11	RES-CHIP 10K 5% 1/16W		
3564		M1U	RESISTOR		R7072	1-218-965-11	RES-CHIP 10K 5% 1/16W		
3565		M1U	RESISTOR		R7073	1-218-953-11	RES-CHIP 1K 5% 1/16W		
3566		M1U	RESISTOR		R7074	1-218-953-11	RES-CHIP 1K 5% 1/16W		
3567		M1U	RESISTOR		R7075	1-218-937-11	RES-CHIP 47 5% 1/16W		
3568		M1U	RESISTOR		R7076	1-218-965-11	RES-CHIP 10K 5% 1/16W		
3569		M1U	RESISTOR		R7077	1-218-953-11	RES-CHIP 1K 5% 1/16W		
3570		M1U	RESISTOR		R7078	1-218-965-11	RES-CHIP 10K 5% 1/16W		
3571		M1U	RESISTOR		R7081	1-218-953-11	RES-CHIP 1K 5% 1/16W		
3572		M1U	RESISTOR		R7085	1-218-668-11	METAL CHIP 100 0.5% 1/10W		
3573		M1U	RESISTOR		R7086	1-218-953-11	RES-CHIP 1K 5% 1/16W		
3574		M1U	RESISTOR		R7087	1-218-953-11	RES-CHIP 1K 5% 1/16W		
3575		M1U	RESISTOR		R7088	1-218-937-11	RES-CHIP 47 5% 1/16W		
3576		M1U	RESISTOR		R7089	1-218-937-11	RES-CHIP 47 5% 1/16W		
3577		M1U	RESISTOR		R7090	1-218-937-11	RES-CHIP 47 5% 1/16W		
3578		M1U	RESISTOR		R7091	1-218-937-11	RES-CHIP 47 5% 1/16W		
3579		M1U	RESISTOR		R7092	1-218-965-11	RES-CHIP 10K 5% 1/16W		
3580		M1U	RESISTOR		R7093	1-218-965-11	RES-CHIP 10K 5% 1/16W		
3581		M1U	RESISTOR		R7094	1-218-937-11	RES-CHIP 47 5% 1/16W		
3582		M1U	RESISTOR		R7096	1-218-941-81	RES-CHIP 100 5% 1/16W		
3583		M1U	RESISTOR		R7098	1-218-965-11	RES-CHIP 10K 5% 1/16W		
3584		M1U	RESISTOR		R7100	1-218-965-11	RES-CHIP 10K 5% 1/16W		
3585		M1U	RESISTOR		R7101	1-218-965-11	RES-CHIP 10K 5% 1/16W		
3586		M1U	RESISTOR		R7104	1-218-941-81	RES-CHIP 100 5% 1/16W		
3587		M1U	RESISTOR		R7105	1-218-941-81	RES-CHIP 100 5% 1/16W		
3588		M1U	RESISTOR		R7106	1-218-933-11	RES-CHIP 22 5% 1/16W		
3589		M1U	RESISTOR		R7107	1-218-967-11	RES-CHIP 15K 5% 1/16W		
3590		M1U	RESISTOR		R7108	1-218-961-11	RES-CHIP 4.7K 5% 1/16W		
3591		M1U	RESISTOR		R7109	1-220-804-11	RES-CHIP 2.2M 5% 1/16W		
3592		M1U	RESISTOR		R7110	1-218-969-11	RES-CHIP 22K 5% 1/16W		
3593		M1U	RESISTOR		R7111	1-218-937-11	RES-CHIP 47 5% 1/16W		
3594		M1U	RESISTOR		R7112	1-218-977-11	RES-CHIP 100K 5% 1/16W		
3595		M1U	RESISTOR		R7113	1-218-969-11	RES-CHIP 22K 5% 1/16W		
3596		M1U	RESISTOR		R7114	1-218-969-11	RES-CHIP 22K 5% 1/16W		
3597		M1U	RESISTOR		R7115	1-218-937-11	RES-CHIP 47 5% 1/16W		
3598		M1U	RESISTOR		R7116	1-218-973-11	RES-CHIP 47K 5% 1/16W		
3599		M1U	RESISTOR		R7117	1-218-973-11	RES-CHIP 47K 5% 1/16W		
3600		M1U	RESISTOR		R7118	1-218-965-11	RES-CHIP 10K 5% 1/16W		
3601		M1U	RESISTOR		R7119	1-218-953-11	RES-CHIP 1K 5% 1/16W		
3602		M1U	RESISTOR		R7120	1-218-965-11	RES-CHIP 10K 5% 1/16W		
3603		M1U	RESISTOR		R7121	1-218-953-11	RES-CHIP 1K 5% 1/16W		
3604		M1U	RESISTOR		R7122	1-218-941-81	RES-CHIP 100 5% 1/16W		
3605		M1U	RESISTOR		R7123	1-218-941-81	RES-CHIP 100 5% 1/16W		
3606		M1U	RESISTOR		R7124	1-218-941-81	RES-CHIP 100 5% 1/16W		
3607		M1U	RESISTOR		R7125	1-218-965-11	RES-CHIP 10K 5% 1/16W		
3608		M1U	RESISTOR		R7126	1-218-937-11	RES-CHIP 47 5% 1/16W		
3609		M1U	RESISTOR		R7127	1-218-973-11	RES-CHIP 47K 5% 1/16W		
3610		M1U	RESISTOR		R7128	1-218-949-11	RES-CHIP 470 5% 1/16W		
3611		M1U	RESISTOR		R7129	1-218-965-11	RES-CHIP 10K 5% 1/16W		
3612		M1U	RESISTOR		R7130	1-218-965-11	RES-CHIP 10K 5% 1/16W		
3613		M1U	RESISTOR		R7131	1-216-817-11	METAL CHIP 470 5% 1/10W		
3614		M1U	RESISTOR		R7132	1-218-973-11	RES-CHIP 47K 5% 1/16W		
3615		M1U	RESISTOR		R7133	1-218-977-11	RES-CHIP 100K 5% 1/16W		
3616		M1U	RESISTOR		R7134	1-218-973-11	RES-CHIP 47K 5% 1/16W		
3617		M1U	RESISTOR		R7135	1-218-990-11	SHORT CHIP 0		
3618		M1U	RESISTOR		R7136	1-218-990-11	SHORT CHIP 0		
3619		M1U	RESISTOR		R7137	1-218-973-11	RES-CHIP 47K 5% 1/16W		
3620		M1U	RESISTOR		R7138	1-218-965-11	RES-CHIP 10K 5% 1/16W		
3621		M1U	RESISTOR		R7139	1-218-973-11	RES-CHIP 47K 5% 1/16W		
3622		M1U	RESISTOR		R7140	1-218-990-11	SHORT CHIP 0		
3623		M1U	RESISTOR		R7141	1-218-990-11	SHORT CHIP 0		
3624		M1U	RESISTOR		R7142	1-218-956-11	RES-CHIP 1.8K 5% 1/16W		
3625		M1U	RESISTOR		R7145	1-218-957-11	RES-CHIP 2.2K 5% 1/16W		
3626		M1U	RESISTOR		R7146	1-218-965-11	RES-CHIP 10K 5% 1/16W		

No.	#	Board	Type	Δ / [*]	Ref. No.	Part No.	Description	Remarks-1	Remarks-2
3627		M1U	RESISTOR		R7147	1-218-973-11	RES-CHIP 47K 5% 1/16W		
3628		M1U	RESISTOR		R7148	1-218-933-11	RES-CHIP 22 5% 1/16W		
3629		M1U	RESISTOR		R7150	1-218-949-11	RES-CHIP 470 5% 1/16W		
3630		M1U	RESISTOR		R7151	1-218-957-11	RES-CHIP 2.2K 5% 1/16W		
3631		M1U	RESISTOR		R7152	1-218-990-11	SHORT CHIP 0		
3632		M1U	RESISTOR		R7154	1-218-933-11	RES-CHIP 22 5% 1/16W		
3633		M1U	RESISTOR		R7155	1-218-973-11	RES-CHIP 47K 5% 1/16W		
3634		M1U	RESISTOR		R7156	1-218-965-11	RES-CHIP 10K 5% 1/16W		
3635		M1U	RESISTOR		R7158	1-218-965-11	RES-CHIP 10K 5% 1/16W		
3636		M1U	RESISTOR		R7159	1-218-990-11	SHORT CHIP 0		
3637		M1U	RESISTOR		R7160	1-218-937-11	RES-CHIP 47 5% 1/16W		
3638		M1U	RESISTOR		R7161	1-218-937-11	RES-CHIP 47 5% 1/16W		
3639		M1U	RESISTOR		R7162	1-218-990-11	SHORT CHIP 0		
3640		M1U	RESISTOR		R7163	1-218-989-11	RES-CHIP 1M 5% 1/16W		
3641		M1U	RESISTOR		R7164	1-208-691-11	METAL CHIP 2.2K 0.5% 1/16W		
3642		M1U	RESISTOR		R7165	1-208-699-11	METAL CHIP 4.7K 0.5% 1/16W		
3643		M1U	RESISTOR		R7166	1-208-711-11	METAL CHIP 15K 0.5% 1/16W		
3644		M1U	RESISTOR		R7167	1-218-937-11	RES-CHIP 47 5% 1/16W		
3645		M1U	RESISTOR		R7168	1-218-849-11	METAL CHIP 1.2K 0.5% 1/10W		
3646		M1U	RESISTOR		R7169	1-218-989-11	RES-CHIP 1M 5% 1/16W		
3647		M1U	RESISTOR		R7170	1-208-691-11	METAL CHIP 2.2K 0.5% 1/16W		
3648		M1U	RESISTOR		R7171	1-208-699-11	METAL CHIP 4.7K 0.5% 1/16W		
3649		M1U	RESISTOR		R7172	1-208-711-11	METAL CHIP 15K 0.5% 1/16W		
3650		M1U	RESISTOR		R7173	1-218-937-11	RES-CHIP 47 5% 1/16W		
3651		M1U	RESISTOR		R7174	1-218-849-11	METAL CHIP 1.2K 0.5% 1/10W		
3652		M1U	RESISTOR		R7175	1-218-990-11	SHORT CHIP 0		
3653		M1U	RESISTOR		R7176	1-218-990-11	SHORT CHIP 0		
3654		M1U	RESISTOR		R7177	1-218-990-11	SHORT CHIP 0		
3655		M1U	RESISTOR		R7183	1-218-965-11	RES-CHIP 10K 5% 1/16W		
3656		M1U	RESISTOR		R7184	1-218-977-11	RES-CHIP 100K 5% 1/16W		
3657		M1U	RESISTOR		R7185	1-218-977-11	RES-CHIP 100K 5% 1/16W		
3658		M1U	RESISTOR		R7186	1-218-990-11	SHORT CHIP 0		
3659		M1U	RESISTOR		R7187	1-218-990-11	SHORT CHIP 0		
3660		M1U	RESISTOR		R7188	1-218-959-11	RES-CHIP 3.3K 5% 1/16W		
3661		M1U	RESISTOR		R7189	1-218-967-11	RES-CHIP 15K 5% 1/16W		
3662		M1U	RESISTOR		R7190	1-218-990-11	SHORT CHIP 0		
3663		M1U	RESISTOR		R7191	1-218-941-81	RES-CHIP 100 5% 1/16W		
3664		M1U	RESISTOR		R7192	1-218-941-81	RES-CHIP 100 5% 1/16W		
3665		M1U	RESISTOR		R7193	1-218-941-81	RES-CHIP 100 5% 1/16W		
3666		M1U	RESISTOR		R7194	1-218-965-11	RES-CHIP 10K 5% 1/16W		
3667		M1U	RESISTOR		R7197	1-218-990-11	SHORT CHIP 0		
3668		M1U	RESISTOR		R7200	1-218-990-11	SHORT CHIP 0		
3669		M1U	RESISTOR		R7201	1-218-977-11	RES-CHIP 100K 5% 1/16W		
3670		M1U	RESISTOR		R7202	1-218-973-11	RES-CHIP 47K 5% 1/16W		
3671		M1U	RESISTOR		R7203	1-218-973-11	RES-CHIP 47K 5% 1/16W		
3672		M1U	RESISTOR		R7204	1-218-965-11	RES-CHIP 10K 5% 1/16W		
3673		M1U	RESISTOR		R7205	1-218-849-11	METAL CHIP 1.2K 0.5% 1/10W		
3674		M1U	RESISTOR		R7206	1-218-849-11	METAL CHIP 1.2K 0.5% 1/10W		
3675		M1U	RESISTOR		R7207	1-218-849-11	METAL CHIP 1.2K 0.5% 1/10W		
3676		M1U	RESISTOR		R7208	1-218-945-11	METAL CHIP 220 5% 1/16W		
3677		M1U	RESISTOR		R7209	1-218-945-11	METAL CHIP 220 5% 1/16W		
3678		M1U	RESISTOR		R7210	1-218-945-11	METAL CHIP 220 5% 1/16W		
3679		M1U	RESISTOR		R7211	1-218-941-81	RES-CHIP 100 5% 1/16W		
3680		M1U	RESISTOR		R7212	1-218-941-81	RES-CHIP 100 5% 1/16W		
3681		M1U	RESISTOR		R7213	1-218-953-11	RES-CHIP 1K 5% 1/16W		
3682		M1U	RESISTOR		R7214	1-218-937-11	RES-CHIP 47 5% 1/16W		
3683		M1U	RESISTOR		R7215	1-218-937-11	RES-CHIP 47 5% 1/16W		
3684		M1U	RESISTOR		R7216	1-218-937-11	RES-CHIP 47 5% 1/16W		
3685		M1U	RESISTOR		R7217	1-218-937-11	RES-CHIP 47 5% 1/16W		
3686		M1U	RESISTOR		R7218	1-218-990-11	SHORT CHIP 0		
3687		M1U	RESISTOR		R7220	1-218-990-11	SHORT CHIP 0		
3688		M1U	RESISTOR		R7221	1-218-990-11	SHORT CHIP 0		
3689		M1U	RESISTOR		R7230	1-218-965-11	RES-CHIP 10K 5% 1/16W		
3690		M1U	RESISTOR		R7231	1-218-965-11	RES-CHIP 10K 5% 1/16W		
3691		M1U	RESISTOR		R7232	1-218-990-11	SHORT CHIP 0		
3692		M1U	RESISTOR		R7233	1-218-990-11	SHORT CHIP 0		
3693		M1U	RESISTOR		R7234	1-218-933-11	RES-CHIP 22 5% 1/16W		
3694		M1U	RESISTOR		R7235	1-218-933-11	RES-CHIP 22 5% 1/16W		
3695		M1U	RESISTOR		R7240	1-218-933-11	RES-CHIP 22 5% 1/16W		
3696		M1U	RESISTOR		R7241	1-218-933-11	RES-CHIP 22 5% 1/16W		
3697		M1U	RESISTOR		R7242	1-218-990-11	SHORT CHIP 0		
3698		M1U	RESISTOR		R7243	1-218-933-11	RES-CHIP 22 5% 1/16W		
3699		M1U	RESISTOR		R7245	1-218-959-11	RES-CHIP 3.3K 5% 1/16W		
3700		M1U	RESISTOR		R7246	1-218-959-11	RES-CHIP 3.3K 5% 1/16W		

No.	#	Board	Type	Δ / [*]	Ref. No.	Part No.	Description	Remarks-1	Remarks-2
3701		M1U	RESISTOR		R7247	1-218-990-11	SHORT CHIP 0		
3702		M1U	RESISTOR		R7248	1-218-945-11	METAL CHIP 220 5% 1/16W		
3703		M1U	RESISTOR		R7249	1-208-671-11	METAL CHIP 330 0.5% 1/16W		
3704		M1U	RESISTOR		R7250	1-218-990-11	SHORT CHIP 0		
3705		M1U	RESISTOR		R7251	1-218-945-11	METAL CHIP 220 5% 1/16W		
3706		M1U	RESISTOR		R7252	1-208-671-11	METAL CHIP 330 0.5% 1/16W		
3707		M1U	RESISTOR		R7253	1-218-953-11	RES-CHIP 1K 5% 1/16W		
3708		M1U	RESISTOR		R7254	1-218-953-11	RES-CHIP 1K 5% 1/16W		
3709		M1U	RESISTOR		R7255	1-218-990-11	SHORT CHIP 0		
3710		M1U	RESISTOR		R7257	1-218-990-11	SHORT CHIP 0		
3711		M1U	RESISTOR		R7258	1-218-990-11	SHORT CHIP 0		
3712		M1U	RESISTOR		R7259	1-218-990-11	SHORT CHIP 0		
3713		M1U	RESISTOR		R7261	1-218-990-11	SHORT CHIP 0		
3714		M1U	RESISTOR		R7262	1-218-990-11	SHORT CHIP 0		
3715		M1U	RESISTOR		R7264	1-218-990-11	SHORT CHIP 0		
3716		M1U	RESISTOR		R7265	1-218-933-11	RES-CHIP 22 5% 1/16W		
3717		M1U	RESISTOR		R7266	1-218-933-11	RES-CHIP 22 5% 1/16W		
3718		M1U	RESISTOR		R7267	1-218-961-11	RES-CHIP 4.7K 5% 1/16W		
3719		M1U	RESISTOR		R7268	1-218-953-11	RES-CHIP 1K 5% 1/16W		
3720		M1U	RESISTOR		R7270	1-216-864-11	SHORT CHIP 0		
3721		M1U	RESISTOR		R7271	1-218-953-11	RES-CHIP 1K 5% 1/16W		
3722		M1U	RESISTOR		R7272	1-218-965-11	RES-CHIP 10K 5% 1/16W		
3723		M1U	RESISTOR		R7554	1-218-965-11	RES-CHIP 10K 5% 1/16W		
3724		M1U	RESISTOR		R7555	1-218-965-11	RES-CHIP 10K 5% 1/16W		
3725		M1U	RESISTOR		R7556	1-218-933-11	RES-CHIP 22 5% 1/16W		
3726		M1U	RESISTOR		R7557	1-218-933-11	RES-CHIP 22 5% 1/16W		
3727		M1U	RESISTOR		R7558	1-218-933-11	RES-CHIP 22 5% 1/16W		
3728		M1U	RESISTOR		R7559	1-218-965-11	RES-CHIP 10K 5% 1/16W		
3729		M1U	RESISTOR		R7560	1-218-933-11	RES-CHIP 22 5% 1/16W		
3730		M1U	RESISTOR		R7561	1-218-933-11	RES-CHIP 22 5% 1/16W		
3731		M1U	RESISTOR		R7562	1-218-933-11	RES-CHIP 22 5% 1/16W		
3732		M1U	RESISTOR		R7563	1-218-933-11	RES-CHIP 22 5% 1/16W		
3733		M1U	RESISTOR		R7564	1-218-933-11	RES-CHIP 22 5% 1/16W		
3734		M1U	RESISTOR		R7565	1-218-933-11	RES-CHIP 22 5% 1/16W		
3735		M1U	RESISTOR		R7567	1-218-990-11	SHORT CHIP 0		
3736		M1U	RESISTOR		R7569	1-218-965-11	RES-CHIP 10K 5% 1/16W		
3737		M1U	RESISTOR		R7570	1-218-965-11	RES-CHIP 10K 5% 1/16W		
3738		M1U	RESISTOR		R7571	1-218-965-11	RES-CHIP 10K 5% 1/16W		
3739		M1U	RESISTOR		R7572	1-218-937-11	RES-CHIP 47 5% 1/16W		
3740		M1U	RESISTOR		R7573	1-218-937-11	RES-CHIP 47 5% 1/16W		
3741		M1U	RESISTOR		R7574	1-218-965-11	RES-CHIP 10K 5% 1/16W		
3742		M1U	RESISTOR		R7577	1-218-965-11	RES-CHIP 10K 5% 1/16W		
3743		M1U	RESISTOR		R7578	1-218-965-11	RES-CHIP 10K 5% 1/16W		
3744		M1U	RESISTOR		R7580	1-218-929-11	RES-CHIP 10 5% 1/16W		
3745		M1U	RESISTOR		R7581	1-218-929-11	RES-CHIP 10 5% 1/16W		
3746		M1U	RESISTOR		R7582	1-218-990-11	SHORT CHIP 0		
3747		M1U	RESISTOR		R7585	1-218-990-11	SHORT CHIP 0		
3748		M1U	RESISTOR		R7586	1-218-990-11	SHORT CHIP 0		
3749		M1U	RESISTOR		R7650	1-216-809-11	METAL CHIP 100 5% 1/10W		
3750		M1U	RESISTOR		R7651	1-216-809-11	METAL CHIP 100 5% 1/10W		
3751		M1U	RESISTOR		R7652	1-216-809-11	METAL CHIP 100 5% 1/10W		
3752		M1U	RESISTOR		R7653	1-216-809-11	METAL CHIP 100 5% 1/10W		
3753		M1U	RESISTOR		R7654	1-216-809-11	METAL CHIP 100 5% 1/10W		
3754		M1U	RESISTOR		R7655	1-216-809-11	METAL CHIP 100 5% 1/10W		
3755		M1U	RESISTOR		R7656	1-218-933-11	RES-CHIP 22 5% 1/16W		
3756		M1U	RESISTOR		R7657	1-218-933-11	RES-CHIP 22 5% 1/16W		
3757		M1U	RESISTOR		R7659	1-216-295-91	SHORT CHIP 0		
3758		M1U	RESISTOR		R7660	1-218-977-11	RES-CHIP 100K 5% 1/16W		
3759		M1U	RESISTOR		R7661	1-218-933-11	RES-CHIP 22 5% 1/16W		
3760		M1U	RESISTOR		R7700	1-218-990-11	SHORT CHIP 0		
3761		M1U	RESISTOR		R7701	1-218-990-11	SHORT CHIP 0		
3762		M1U	RESISTOR		R7702	1-218-990-11	SHORT CHIP 0		
3763		M1U	RESISTOR		R7706	1-218-933-11	RES-CHIP 22 5% 1/16W		
3764		M1U	RESISTOR		R7707	1-218-933-11	RES-CHIP 22 5% 1/16W		
3765		M1U	RESISTOR		R7708	1-218-933-11	RES-CHIP 22 5% 1/16W		
3766		M1U	RESISTOR		R7709	1-218-929-11	RES-CHIP 10 5% 1/16W		
3767		M1U	RESISTOR		R7712	1-218-958-11	RES-CHIP 2.7K 5% 1/16W		
3768		M1U	RESISTOR		R7713	1-218-971-11	RES-CHIP 33K 5% 1/16W		
3769		M1U	RESISTOR		R7714	1-218-990-11	SHORT CHIP 0		
3770		M1U	RESISTOR		R7716	1-218-990-11	SHORT CHIP 0		
3771		M1U	RESISTOR		R7717	1-218-929-11	RES-CHIP 10 5% 1/16W		
3772		M1U	RESISTOR		R7718	1-218-929-11	RES-CHIP 10 5% 1/16W		
3773		M1U	RESISTOR		R7719	1-218-929-11	RES-CHIP 10 5% 1/16W		
3774		M1U	RESISTOR		R7720	1-218-990-11	SHORT CHIP 0		

No.	#	Board	Type	Δ / [*]	Ref. No.	Part No.	Description	Remarks-1	Remarks-2
3775		M1U	RESISTOR		R7721	1-218-990-11	SHORT CHIP 0		
3776		M1U	RESISTOR		R7722	1-218-958-11	RES-CHIP 2.7K 5% 1/16W		
3777		M1U	RESISTOR		R7723	1-218-945-11	METAL CHIP 220 5% 1/16W		
3778		M1U	RESISTOR		R7724	1-208-699-11	METAL CHIP 4.7K 0.5% 1/16W		
3779		M1U	RESISTOR		R7725	1-208-699-11	METAL CHIP 4.7K 0.5% 1/16W		
3780		M1U	RESISTOR		R7726	1-218-965-11	RES-CHIP 10K 5% 1/16W		
3781		M1U	RESISTOR		R7727	1-218-990-11	SHORT CHIP 0		
3782		M1U	RESISTOR		R7728	1-218-929-11	RES-CHIP 10 5% 1/16W		
3783		M1U	RESISTOR		R7729	1-218-929-11	RES-CHIP 10 5% 1/16W		
3784		M1U	RESISTOR		R7730	1-218-929-11	RES-CHIP 10 5% 1/16W		
3785		M1U	RESISTOR		R7731	1-218-990-11	SHORT CHIP 0		
3786		M1U	RESISTOR		R7733	1-218-929-11	RES-CHIP 10 5% 1/16W		
3787		M1U	RESISTOR		R7734	1-218-990-11	SHORT CHIP 0		
3788		M1U	RESISTOR		R7735	1-218-990-11	SHORT CHIP 0		
3789		M1U	RESISTOR		R7737	1-218-990-11	SHORT CHIP 0		
3790		M1U	RESISTOR		R7738	1-218-990-11	SHORT CHIP 0		
3791		M1U	RESISTOR		R7739	1-218-929-11	RES-CHIP 10 5% 1/16W		
3792		M1U	RESISTOR		R7740	1-218-990-11	SHORT CHIP 0		
3793		M1U	RESISTOR		R7742	1-218-990-11	SHORT CHIP 0		
3794		M1U	RESISTOR		R7744	1-218-929-11	RES-CHIP 10 5% 1/16W		
3795		M1U	RESISTOR		R7745	1-218-929-11	RES-CHIP 10 5% 1/16W		
3796		M1U	RESISTOR		R7746	1-218-965-11	RES-CHIP 10K 5% 1/16W		
3797		M1U	RESISTOR		R7747	1-218-945-11	METAL CHIP 220 5% 1/16W		
3798		M1U	RESISTOR		R7748	1-208-699-11	METAL CHIP 4.7K 0.5% 1/16W		
3799		M1U	RESISTOR		R7749	1-208-699-11	METAL CHIP 4.7K 0.5% 1/16W		
3800		M1U	RESISTOR		R7750	1-218-965-11	RES-CHIP 10K 5% 1/16W		
3801		M1U	RESISTOR		R7751	1-218-943-11	RES-CHIP 150 5% 1/16W		
3802		M1U	RESISTOR		R7752	1-218-943-11	RES-CHIP 150 5% 1/16W		
3803		M1U	RESISTOR		R7753	1-218-947-11	RES-CHIP 330 5% 1/16W		
3804		M1U	RESISTOR		R7754	1-218-947-11	RES-CHIP 330 5% 1/16W		
3805		M1U	RESISTOR		R7755	1-218-929-11	RES-CHIP 10 5% 1/16W		
3806		M1U	RESISTOR		R7756	1-218-929-11	RES-CHIP 10 5% 1/16W		
3807		M1U	RESISTOR		R7757	1-218-929-11	RES-CHIP 10 5% 1/16W		
3808		M1U	RESISTOR		R7758	1-220-174-11	METAL CHIP 200 5% 1/16W		
3809		M1U	RESISTOR		R7759	1-218-929-11	RES-CHIP 10 5% 1/16W		
3810		M1U	RESISTOR		R7760	1-218-929-11	RES-CHIP 10 5% 1/16W		
3811		M1U	RESISTOR		R7761	1-220-174-11	METAL CHIP 200 5% 1/16W		
3812		M1U	RESISTOR		R7762	1-220-174-11	METAL CHIP 200 5% 1/16W		
3813		M1U	RESISTOR		R7763	1-220-174-11	METAL CHIP 200 5% 1/16W		
3814		M1U	RESISTOR		R7764	1-218-953-11	RES-CHIP 1K 5% 1/16W		
3815		M1U	RESISTOR		R7765	1-218-953-11	RES-CHIP 1K 5% 1/16W		
3816		M1U	RESISTOR		R7766	1-208-675-11	METAL CHIP 470 0.5% 1/16W		
3817		M1U	RESISTOR		R7767	1-220-876-81	METAL CHIP 18 0.5% 1/16W		
3818		M1U	RESISTOR		R7768	1-208-647-11	METAL CHIP 33 0.5% 1/16W		
3819		M1U	RESISTOR		R7769	1-218-945-11	METAL CHIP 220 5% 1/16W		
3820		M1U	RESISTOR		R7770	1-218-941-11	METAL CHIP 100 5% 1/16W		
3821		M1U	RESISTOR		R7771	1-218-945-11	METAL CHIP 220 5% 1/16W		
3822		M1U	RESISTOR		R7772	1-208-679-11	METAL CHIP 680 0.5% 1/16W		
3823		M1U	RESISTOR		R7773	1-208-687-11	METAL CHIP 1.5K 0.5% 1/16W		
3824		M1U	RESISTOR		R7774	1-218-948-11	METAL CHIP 390 5% 1/16W		
3825		M1U	RESISTOR		R7775	1-216-295-91	SHORT CHIP 0		
3826		M1U	RESISTOR		R7781	1-218-945-11	METAL CHIP 220 5% 1/16W		
3827		M1U	RESISTOR		R7782	1-218-941-11	METAL CHIP 100 5% 1/16W		
3828		M1U	RESISTOR		R7783	1-218-945-11	METAL CHIP 220 5% 1/16W		
3829		M1U	RESISTOR		R7784	1-218-990-11	SHORT CHIP 0		
3830		M1U	RESISTOR		R7788	1-218-990-11	SHORT CHIP 0		
3831		M1U	RESISTOR		R7790	1-218-990-11	SHORT CHIP 0		
3832		M1U	RESISTOR		R7791	1-218-990-11	SHORT CHIP 0		
3833		M1U	RESISTOR		R7792	1-218-849-11	METAL CHIP 1.2K 0.5% 1/10W		
3834		M1U	RESISTOR		R7794	1-218-971-11	RES-CHIP 33K 5% 1/16W		
3835		M1U	RESISTOR		R7795	1-208-679-11	METAL CHIP 680 0.5% 1/16W		
3836		M1U	RESISTOR		R7796	1-208-893-11	METAL CHIP 1.8K 0.5% 1/16W		
3837		M1U	RESISTOR		R7798	1-218-955-11	RES-CHIP 1.5K 5% 1/16W		
3838		M1U	RESISTOR		R7802	1-218-955-11	RES-CHIP 1.5K 5% 1/16W		
3839		M1U	RESISTOR		R7803	1-218-957-11	RES-CHIP 2.2K 5% 1/16W		
3840		M1U	RESISTOR		R7804	1-218-957-11	RES-CHIP 2.2K 5% 1/16W		
3841		M1U	RESISTOR		R7806	1-218-953-11	RES-CHIP 1K 5% 1/16W		
3842		M1U	RESISTOR		R7807	1-218-953-11	RES-CHIP 1K 5% 1/16W		
3843		M1U	RESISTOR		R7811	1-218-959-11	RES-CHIP 3.3K 5% 1/16W		
3844		M1U	RESISTOR		R7812	1-208-893-11	METAL CHIP 1.8K 0.5% 1/16W		
3845		M1U	RESISTOR		R7813	1-218-953-11	RES-CHIP 1K 5% 1/16W		
3846		M1U	RESISTOR		R7816	1-218-849-11	METAL CHIP 1.2K 0.5% 1/10W		
3847		M1U	RESISTOR		R7817	1-208-679-11	METAL CHIP 680 0.5% 1/16W		
3848		M1U	RESISTOR		R7818	1-218-953-11	RES-CHIP 1K 5% 1/16W		

No.	#	Board	Type	Δ / [*]	Ref. No.	Part No.	Description	Remarks-1	Remarks-2
3849		M1U	RESISTOR		R7819	1-218-953-11	RES-CHIP 1K 5% 1/16W		
3850		M1U	RESISTOR		R7821	1-218-963-11	RES-CHIP 6.8K 5% 1/16W		
3851		M1U	RESISTOR		R7824	1-218-949-11	RES-CHIP 470 5% 1/16W		
3852		M1U	RESISTOR		R7828	1-218-990-11	SHORT CHIP 0		
3853		M1U	RESISTOR		R7829	1-218-990-11	SHORT CHIP 0		
3854		M1U	RESISTOR		R7952	1-218-990-11	SHORT CHIP 0		
3855		M1U	RESISTOR		R7954	1-218-990-11	SHORT CHIP 0		
3856		M1U	RESISTOR		R7958	1-218-935-11	RES-CHIP 33 5% 1/16W		
3857		M1U	RESISTOR		R8022	1-218-965-11	RES-CHIP 10K 5% 1/16W		
3858		M1U	RESISTOR		R8023	1-218-965-11	RES-CHIP 10K 5% 1/16W		
3859		M1U	NETWORK		RB7000	1-234-378-21	RES, NETWORK 10KX4 (1005)		
3860		M1U	NETWORK		RB7001	1-234-371-21	RES, NETWORK 47X4 (1005)		
3861		M1U	NETWORK		RB7002	1-234-371-21	RES, NETWORK 47X4 (1005)		
3862		M1U	NETWORK		RB7003	1-234-371-21	RES, NETWORK 47X4 (1005)		
3863		M1U	NETWORK		RB7004	1-234-371-21	RES, NETWORK 47X4 (1005)		
3864		M1U	NETWORK		RB7005	1-234-371-21	RES, NETWORK 47X4 (1005)		
3865		M1U	NETWORK		RB7563	1-234-378-21	RES, NETWORK 10KX4 (1005)		
3866		M1U	NETWORK		RB7564	1-234-378-21	RES, NETWORK 10KX4 (1005)		
3867		M1U	NETWORK		RB7565	1-234-378-21	RES, NETWORK 10KX4 (1005)		
3868		M1U	NETWORK		RB7566	1-234-378-21	RES, NETWORK 10KX4 (1005)		
3869		M1U	NETWORK		RB7567	1-234-378-21	RES, NETWORK 10KX4 (1005)		
3870		M1U	NETWORK		RB7568	1-234-378-21	RES, NETWORK 10KX4 (1005)		
3871		M1U	NETWORK		RB7569	1-234-378-21	RES, NETWORK 10KX4 (1005)		
3872		M1U	NETWORK		RB7570	1-234-378-21	RES, NETWORK 10KX4 (1005)		
3873		M1U	NETWORK		RB7571	1-234-378-21	RES, NETWORK 10KX4 (1005)		
3874		M1U	NETWORK		RB7572	1-234-378-21	RES, NETWORK 10KX4 (1005)		
3875		M1U	NETWORK		RB7573	1-234-378-21	RES, NETWORK 10KX4 (1005)		
3876		M1U	NETWORK		RB7574	1-234-378-21	RES, NETWORK 10KX4 (1005)		
3877		M1U	NETWORK		RB7575	1-234-378-21	RES, NETWORK 10KX4 (1005)		
3878		M1U	NETWORK		RB7576	1-234-370-21	RES, NETWORK 22X4 (1005)		
3879		M1U	NETWORK		RB7577	1-234-370-21	RES, NETWORK 22X4 (1005)		
3880		M1U	NETWORK		RB7578	1-234-370-21	RES, NETWORK 22X4 (1005)		
3881		M1U	NETWORK		RB7579	1-234-370-21	RES, NETWORK 22X4 (1005)		
3882		M1U	NETWORK		RB7580	1-234-370-21	RES, NETWORK 22X4 (1005)		
3883		M1U	NETWORK		RB7581	1-234-370-21	RES, NETWORK 22X4 (1005)		
3884		M1U	NETWORK		RB7582	1-234-370-21	RES, NETWORK 22X4 (1005)		
3885		M1U	NETWORK		RB7583	1-234-370-21	RES, NETWORK 22X4 (1005)		
3886		M1U	NETWORK		RB7584	1-234-370-21	RES, NETWORK 22X4 (1005)		
3887		M1U	NETWORK		RB7585	1-234-370-21	RES, NETWORK 22X4 (1005)		
3888		M1U	NETWORK		RB7586	1-234-370-21	RES, NETWORK 22X4 (1005)		
3889		M1U	NETWORK		RB7587	1-234-370-21	RES, NETWORK 22X4 (1005)		
3890		M1U	NETWORK		RB7650	1-234-370-21	RES, NETWORK 22X4 (1005)		
3891		M1U	NETWORK		RB7651	1-234-370-21	RES, NETWORK 22X4 (1005)		
3892		M1U	NETWORK		RB7652	1-234-370-21	RES, NETWORK 22X4 (1005)		
3893		M1U	NETWORK		RB7653	1-234-370-21	RES, NETWORK 22X4 (1005)		
3894		M1U	NETWORK		RB7654	1-234-370-21	RES, NETWORK 22X4 (1005)		
3895		M1U	NETWORK		RB7655	1-234-370-21	RES, NETWORK 22X4 (1005)		
3896		M1U	NETWORK		RB7656	1-234-370-21	RES, NETWORK 22X4 (1005)		
3897		M1U	NETWORK		RB7657	1-234-370-21	RES, NETWORK 22X4 (1005)		
3898		M1U	NETWORK		RB7700	1-234-795-21	RES, NETWORK 0X4 (2010)		
3899		M1U	NETWORK		RB7701	1-234-795-21	RES, NETWORK 0X4 (2010)		
3900		M1U	NETWORK		RB7702	1-234-795-21	RES, NETWORK 0X4 (2010)		
3901		M1U	NETWORK		RB7703	1-234-795-21	RES, NETWORK 0X4 (2010)		
3902		M1U	NETWORK		RB7708	1-234-370-21	RES, NETWORK 22X4 (1005)		
3903		M1U	NETWORK		RB7709	1-234-370-21	RES, NETWORK 22X4 (1005)		
3904		M1U	NETWORK		RB7710	1-234-370-21	RES, NETWORK 22X4 (1005)		
3905		M1U	NETWORK		RB7711	1-234-370-21	RES, NETWORK 22X4 (1005)		
3906		M1U	NETWORK		RB7712	1-234-378-21	RES, NETWORK 10KX4 (1005)		
3907		M1U	NETWORK		RB7713	1-234-378-21	RES, NETWORK 10KX4 (1005)		
3908		M1U	NETWORK		RB7714	1-234-378-21	RES, NETWORK 10KX4 (1005)		
3909		M1U	NETWORK		RB7715	1-234-378-21	RES, NETWORK 10KX4 (1005)		
3910		M1U	NETWORK		RB7716	1-234-378-21	RES, NETWORK 10KX4 (1005)		
3911		M1U	NETWORK		RB7717	1-234-378-21	RES, NETWORK 10KX4 (1005)		
3912		M1U	NETWORK		RB7718	1-234-369-21	RES, NETWORK 10X4 (1005)		
3913		M1U	NETWORK		RB7719	1-234-369-21	RES, NETWORK 10X4 (1005)		
3914		M1U	NETWORK		RB7720	1-234-369-21	RES, NETWORK 10X4 (1005)		
3915		M1U	NETWORK		RB7721	1-234-369-21	RES, NETWORK 10X4 (1005)		
3916		M1U	NETWORK		RB7722	1-234-369-21	RES, NETWORK 10X4 (1005)		
3917		M1U	NETWORK		RB7723	1-234-369-21	RES, NETWORK 10X4 (1005)		
3918		M1U	CRYSTAL		X7000	1-795-753-21	VIBRATOR, CERAMIC		
3919		M1U	CRYSTAL		X7001	1-781-696-21	VIBRATOR, CRYSTAL		
3920		M1U	CRYSTAL		X7002	1-813-113-11	VIBRATOR, CRYSTAL		
3921		M1U	CRYSTAL		X7950	1-813-373-11	OSCILLATOR, CRYSTAL		
3922		DE1	CAPACITOR		C5201	1-164-856-81	CERAMIC CHIP 18PF 5.00% 50V		

No.	#	Board	Type	Δ/J^*	Ref. No.	Part No.	Description	Remarks-1	Remarks-2
3923		DE1	CAPACITOR		C5202	1-164-856-81	CERAMIC CHIP 18PF 5.00% 50V		
3924		DE1	CAPACITOR		C5203	1-125-777-11	CERAMIC CHIP 0.1UF 10.00% 10V		
3925		DE1	CAPACITOR		C5204	1-125-777-11	CERAMIC CHIP 0.1UF 10.00% 10V		
3926		DE1	CAPACITOR		C5205	1-125-777-11	CERAMIC CHIP 0.1UF 10.00% 10V		
3927		DE1	CAPACITOR		C5206	1-125-777-11	CERAMIC CHIP 0.1UF 10.00% 10V		
3928		DE1	CAPACITOR		C5207	1-125-777-11	CERAMIC CHIP 0.1UF 10.00% 10V		
3929		DE1	CAPACITOR		C5208	1-125-777-11	CERAMIC CHIP 0.1UF 10.00% 10V		
3930		DE1	CAPACITOR		C5209	1-100-053-21	ELECT CHIP 220UF 20% 6.3V		
3931		DE1	CAPACITOR		C5210	1-125-777-11	CERAMIC CHIP 0.1UF 10.00% 10V		
3932		DE1	CAPACITOR		C5211	1-125-777-11	CERAMIC CHIP 0.1UF 10.00% 10V		
3933		DE1	CAPACITOR		C5212	1-125-777-11	CERAMIC CHIP 0.1UF 10.00% 10V		
3934		DE1	CAPACITOR		C5215	1-125-891-11	CERAMIC CHIP 0.47UF 10.00% 10V		
3935		DE1	CAPACITOR		C5220	1-125-891-11	CERAMIC CHIP 0.47UF 10.00% 10V		
3936		DE1	CAPACITOR		C5221	1-100-672-11	CERAMIC CHIP 10UF 20% 16V		
3937		DE1	CAPACITOR		C5222	1-128-995-21	ELECT CHIP 100UF 20% 10V		
3938		DE1	CAPACITOR		C5225	1-107-826-11	CERAMIC CHIP 0.1UF 10.00% 16V		
3939		DE1	CAPACITOR		C5226	1-125-891-11	CERAMIC CHIP 0.47UF 10.00% 10V		
3940		DE1	CAPACITOR		C5230	1-100-743-91	CERAMIC CHIP 2.2UF 20% 16V		
3941		DE1	CAPACITOR		C5231	1-165-671-21	ELECT CHIP 470UF 20% 6.3V		
3942		DE1	CAPACITOR		C5232	1-164-937-11	CERAMIC CHIP 0.001UF 10.00% 50V		
3943		DE1	CAPACITOR		C5233	1-100-672-11	CERAMIC CHIP 10UF 20% 16V		
3944		DE1	CAPACITOR		C5234	1-128-995-21	ELECT CHIP 100UF 20% 10V		
3945		DE1	CAPACITOR		C5235	1-126-205-11	ELECT CHIP 47UF 20.00% 6.3V		
3946		DE1	CAPACITOR		C5236	1-107-826-11	CERAMIC CHIP 0.1UF 10.00% 16V		
3947		DE1	CAPACITOR		C5239	1-100-743-91	CERAMIC CHIP 2.2UF 20% 16V		
3948		DE1	CAPACITOR		C5240	1-165-671-21	ELECT CHIP 470UF 20% 6.3V		
3949		DE1	CAPACITOR		C5243	1-164-937-11	CERAMIC CHIP 0.001UF 10.00% 50V		
3950		DE1	CAPACITOR		C5245	1-126-205-11	ELECT CHIP 47UF 20.00% 6.3V		
3951		DE1	CAPACITOR		C5250	1-125-777-11	CERAMIC CHIP 0.1UF 10.00% 10V		
3952		DE1	CAPACITOR		C5254	1-100-567-81	CERAMIC CHIP 10000PF 10% 25V		
3953		DE1	CAPACITOR		C5256	1-125-891-11	CERAMIC CHIP 0.47UF 10.00% 10V		
3954		DE1	CAPACITOR		C5257	1-125-891-11	CERAMIC CHIP 0.47UF 10.00% 10V		
3955		DE1	CAPACITOR		C5302	1-165-989-11	CERAMIC CHIP 10UF 10% 6.3V		
3956		DE1	CAPACITOR		C5303	1-125-777-11	CERAMIC CHIP 0.1UF 10.00% 10V		
3957		DE1	CAPACITOR		C5304	1-125-777-11	CERAMIC CHIP 0.1UF 10.00% 10V		
3958		DE1	CAPACITOR		C5305	1-125-777-11	CERAMIC CHIP 0.1UF 10.00% 10V		
3959		DE1	CAPACITOR		C5306	1-125-777-11	CERAMIC CHIP 0.1UF 10.00% 10V		
3960		DE1	CAPACITOR		C5307	1-125-777-11	CERAMIC CHIP 0.1UF 10.00% 10V		
3961		DE1	CAPACITOR		C5308	1-125-777-11	CERAMIC CHIP 0.1UF 10.00% 10V		
3962		DE1	CAPACITOR		C5309	1-125-777-11	CERAMIC CHIP 0.1UF 10.00% 10V		
3963		DE1	CAPACITOR		C5310	1-125-777-11	CERAMIC CHIP 0.1UF 10.00% 10V		
3964		DE1	CAPACITOR		C5311	1-125-777-11	CERAMIC CHIP 0.1UF 10.00% 10V		
3965		DE1	CAPACITOR		C5312	1-125-777-11	CERAMIC CHIP 0.1UF 10.00% 10V		
3966		DE1	CAPACITOR		C5313	1-125-777-11	CERAMIC CHIP 0.1UF 10.00% 10V		
3967		DE1	CAPACITOR		C5314	1-125-777-11	CERAMIC CHIP 0.1UF 10.00% 10V		
3968		DE1	CAPACITOR		C5315	1-125-777-11	CERAMIC CHIP 0.1UF 10.00% 10V		
3969		DE1	CAPACITOR		C5316	1-125-777-11	CERAMIC CHIP 0.1UF 10.00% 10V		
3970		DE1	CAPACITOR		C5317	1-125-777-11	CERAMIC CHIP 0.1UF 10.00% 10V		
3971		DE1	CAPACITOR		C5318	1-125-777-11	CERAMIC CHIP 0.1UF 10.00% 10V		
3972		DE1	CAPACITOR		C5319	1-125-777-11	CERAMIC CHIP 0.1UF 10.00% 10V		
3973		DE1	CAPACITOR		C5320	1-125-777-11	CERAMIC CHIP 0.1UF 10.00% 10V		
3974		DE1	CAPACITOR		C5321	1-135-595-11	ELECT 100UF 20% 6.3V		
3975		DE1	CAPACITOR		C5322	1-135-595-11	ELECT 100UF 20% 6.3V		
3976		DE1	CAPACITOR		C5323	1-165-989-11	CERAMIC CHIP 10UF 10% 6.3V		
3977		DE1	CAPACITOR		C5324	1-100-567-81	CERAMIC CHIP 10000PF 10% 25V		
3978		DE1	CAPACITOR		C5325	1-100-567-81	CERAMIC CHIP 10000PF 10% 25V		
3979		DE1	CAPACITOR		C5326	1-100-567-81	CERAMIC CHIP 10000PF 10% 25V		
3980		DE1	CAPACITOR		C5327	1-100-567-81	CERAMIC CHIP 10000PF 10% 25V		
3981		DE1	CAPACITOR		C5328	1-100-567-81	CERAMIC CHIP 10000PF 10% 25V		
3982		DE1	CAPACITOR		C5329	1-100-567-81	CERAMIC CHIP 10000PF 10% 25V		
3983		DE1	CAPACITOR		C5330	1-100-567-81	CERAMIC CHIP 10000PF 10% 25V		
3984		DE1	CAPACITOR		C5331	1-100-567-81	CERAMIC CHIP 10000PF 10% 25V		
3985		DE1	CAPACITOR		C5332	1-100-567-81	CERAMIC CHIP 10000PF 10% 25V		
3986		DE1	CAPACITOR		C5333	1-100-567-81	CERAMIC CHIP 10000PF 10% 25V		
3987		DE1	CAPACITOR		C5339	1-164-850-11	CERAMIC CHIP 10PF 0.50PF 50V		
3988		DE1	CAPACITOR		C5340	1-164-850-11	CERAMIC CHIP 10PF 0.50PF 50V		
3989		DE1	CAPACITOR		C5341	1-100-567-81	CERAMIC CHIP 10000PF 10% 25V		
3990		DE1	CAPACITOR		C5342	1-100-567-81	CERAMIC CHIP 10000PF 10% 25V		
3991		DE1	CAPACITOR		C5343	1-100-567-81	CERAMIC CHIP 10000PF 10% 25V		
3992		DE1	CAPACITOR		C5344	1-100-567-81	CERAMIC CHIP 10000PF 10% 25V		
3993		DE1	CAPACITOR		C5345	1-125-777-11	CERAMIC CHIP 0.1UF 10.00% 10V		
3994		DE1	CAPACITOR		C5346	1-135-595-11	ELECT 100UF 20% 6.3V		
3995		DE1	CAPACITOR		C5351	1-125-777-11	CERAMIC CHIP 0.1UF 10.00% 10V		
3996		DE1	CAPACITOR		C5352	1-125-777-11	CERAMIC CHIP 0.1UF 10.00% 10V		

No.	#	Board	Type	Δ / [*]	Ref. No.	Part No.	Description	Remarks-1	Remarks-2
3997		DE1	CAPACITOR		C5353	1-125-777-11	CERAMIC CHIP 0.1UF 10.00% 10V		
3998		DE1	CAPACITOR		C5354	1-125-777-11	CERAMIC CHIP 0.1UF 10.00% 10V		
3999		DE1	CAPACITOR		C5355	1-125-777-11	CERAMIC CHIP 0.1UF 10.00% 10V		
4000		DE1	CAPACITOR		C5356	1-125-777-11	CERAMIC CHIP 0.1UF 10.00% 10V		
4001		DE1	CAPACITOR		C5357	1-125-777-11	CERAMIC CHIP 0.1UF 10.00% 10V		
4002		DE1	CAPACITOR		C5358	1-125-777-11	CERAMIC CHIP 0.1UF 10.00% 10V		
4003		DE1	CAPACITOR		C5359	1-125-777-11	CERAMIC CHIP 0.1UF 10.00% 10V		
4004		DE1	CAPACITOR		C5360	1-135-595-11	ELECT 100UF 20% 6.3V		
4005		DE1	CAPACITOR		C5361	1-135-595-11	ELECT 100UF 20% 6.3V		
4006		DE1	CAPACITOR		C5362	1-135-595-11	ELECT 100UF 20% 6.3V		
4007		DE1	CAPACITOR		C5401	1-164-937-11	CERAMIC CHIP 0.001UF 10.00% 50V		
4008		DE1	CAPACITOR		C5402	1-100-567-81	CERAMIC CHIP 10000PF 10% 25V		
4009		DE1	CAPACITOR		C5403	1-125-777-11	CERAMIC CHIP 0.1UF 10.00% 10V		
4010		DE1	CAPACITOR		C5404	1-165-989-11	CERAMIC CHIP 10UF 10% 6.3V		
4011		DE1	CAPACITOR		C5413	1-164-937-11	CERAMIC CHIP 0.001UF 10.00% 50V		
4012		DE1	CAPACITOR		C5415	1-100-567-81	CERAMIC CHIP 10000PF 10% 25V		
4013		DE1	CAPACITOR		C5417	1-125-777-11	CERAMIC CHIP 0.1UF 10.00% 10V		
4014		DE1	CAPACITOR		C5418	1-165-989-11	CERAMIC CHIP 10UF 10% 6.3V		
4015		DE1	CAPACITOR		C5421	1-165-989-11	CERAMIC CHIP 10UF 10% 6.3V		
4016		DE1	CAPACITOR		C5423	1-125-777-11	CERAMIC CHIP 0.1UF 10.00% 10V		
4017		DE1	CAPACITOR		C5424	1-100-567-81	CERAMIC CHIP 10000PF 10% 25V		
4018		DE1	CAPACITOR		C5426	1-164-937-11	CERAMIC CHIP 0.001UF 10.00% 50V		
4019		DE1	CAPACITOR		C5432	1-100-567-81	CERAMIC CHIP 10000PF 10% 25V		
4020		DE1	CAPACITOR		C5433	1-100-567-81	CERAMIC CHIP 10000PF 10% 25V		
4021		DE1	CONNECTOR		CN5201	1-817-194-21	PIN, CONNECTOR (SMD) 13P		
4022		DE1	CONNECTOR		CN5212	1-580-055-11	PIN, CONNECTOR 2P		
4023		DE1	CONNECTOR		CN5213	1-580-056-91	PIN, CONNECTOR 3P		
4024		DE1	DIODE		D5206	8-719-080-03	DIODE RB083L-20TE25		
4025		DE1	DIODE		D5210	6-500-294-01	DIODE PTZ-TE25-3.9B		
4026		DE1	DIODE		D5211	8-719-080-03	DIODE RB083L-20TE25		
4027		DE1	DIODE		D5215	6-500-294-01	DIODE PTZ-TE25-3.9B		
4028		DE1	DIODE		D5216	6-500-137-01	DIODE BAT54HT1		
4029		DE1	DIODE		D5217	8-719-081-97	DIODE MMDL914T1		
4030		DE1	DIODE		D5218	8-719-081-97	DIODE MMDL914T1		
4031		DE1	DIODE		D5219	8-719-082-02	DIODE MM3Z3V9T1		
4032		DE1	DIODE		D5220	8-719-066-10	DIODE 1PS181-115		
4033		DE1	DIODE		D5221	8-719-066-11	DIODE 1PS184-115		
4034		DE1	DIODE		D5301	8-719-066-10	DIODE 1PS181-115		
4035		DE1	DIODE		D5302	8-719-066-11	DIODE 1PS184-115		
4036		DE1	DIODE		D5402	8-719-066-10	DIODE 1PS181-115		
4037		DE1	DIODE		D5404	8-719-066-11	DIODE 1PS184-115		
4038		DE1	FERRITE BEAD		FB5201	1-469-082-21	FERRITE 0UH		
4039		DE1	FERRITE BEAD		FB5208	1-469-082-21	FERRITE 0UH		
4040		DE1	FERRITE BEAD		FB5224	1-414-445-11	FERRITE 0UH		
4041		DE1	FERRITE BEAD		FB5236	1-469-082-21	FERRITE 0UH		
4042		DE1	FERRITE BEAD		FB5243	1-469-082-21	FERRITE 0UH		
4043		DE1	FERRITE BEAD		FB5270	1-469-082-21	FERRITE 0UH		
4044		DE1	FERRITE BEAD		FB5271	1-469-082-21	FERRITE 0UH		
4045		DE1	FERRITE BEAD		FB5273	1-469-082-21	FERRITE 0UH		
4046		DE1	FERRITE BEAD		FB5275	1-469-082-21	FERRITE 0UH		
4047		DE1	FERRITE BEAD		FB5302	1-469-855-21	FERRITE 0UH		
4048		DE1	FERRITE BEAD		FB5304	1-469-855-21	FERRITE 0UH		
4049		DE1	FERRITE BEAD		FB5402	1-469-082-21	FERRITE 0UH		
4050		DE1	FERRITE BEAD		FB5670	1-469-082-21	FERRITE 0UH		
4051		DE1	FERRITE BEAD		FB5671	1-469-082-21	FERRITE 0UH		
4052		DE1	FERRITE BEAD		FB5672	1-469-082-21	FERRITE 0UH		
4053		DE1	FERRITE BEAD		FB5673	1-469-082-21	FERRITE 0UH		
4054		DE1	FERRITE BEAD		FB5674	1-469-082-21	FERRITE 0UH		
4055		DE1	FERRITE BEAD		FB5675	1-469-082-21	FERRITE 0UH		
4056		DE1	FERRITE BEAD		FB5676	1-469-082-21	FERRITE 0UH		
4057		DE1	FERRITE BEAD		FB5679	1-469-082-21	FERRITE 0UH		
4058		DE1	FERRITE BEAD		FB5680	1-469-082-21	FERRITE 0UH		
4059		DE1	FERRITE BEAD		FB5681	1-469-082-21	FERRITE 0UH		
4060		DE1	FERRITE BEAD		FB5682	1-469-082-21	FERRITE 0UH		
4061		DE1	FERRITE BEAD		FB5683	1-469-082-21	FERRITE 0UH		
4062		DE1	FERRITE BEAD		FB5684	1-469-082-21	FERRITE 0UH		
4063		DE1	FERRITE BEAD		FB5712	1-469-082-21	FERRITE 0UH		
4064		DE1	FERRITE BEAD		FB5713	1-469-082-21	FERRITE 0UH		
4065		DE1	FERRITE BEAD		FB5714	1-469-082-21	FERRITE 0UH		
4066		DE1	IC		IC5201	6-703-176-01	IC PST3627UL		
4067		DE1	IC		IC5202	6-804-648-01	IC MB90F334APMC-GE1		
4068		DE1	IC		IC5203	6-704-067-01	IC M24128-BWMN6T(A)		
4069		DE1	IC		IC5204	6-704-754-01	IC SN74AHC2G66HDCU3		
4070		DE1	IC		IC5207	6-704-407-01	IC PQ1CZ41H2ZPH		

No.	#	Board	Type	Δ / [*]	Ref. No.	Part No.	Description	Remarks-1	Remarks-2
4071		DE1	IC		IC5210	6-704-407-01	IC PQ1CZ41H2ZPH		
4072		DE1	IC		IC5302	6-706-826-01	IC CXD9816GG		
4073		DE1	IC		IC5401	6-704-519-01	IC THC63LVD103		
4074		DE1	COIL		L5203	1-419-630-21	INDUCTOR 4.7UH		
4075		DE1	COIL		L5205	1-419-630-21	INDUCTOR 4.7UH		
4076		DE1	COIL		L5206	1-416-606-11	INDUCTOR 47UH		
4077		DE1	COIL		L5208	1-424-922-21	INDUCTOR 10UH		
4078		DE1	COIL		L5209	1-416-606-11	INDUCTOR 47UH		
4079		DE1	COIL		L5210	1-424-922-21	INDUCTOR 10UH		
4080		DE1	COIL		L5301	1-414-398-11	INDUCTOR 10UH		
4081		DE1	COIL		L5402	1-469-555-21	INDUCTOR 10UH		
4082		DE1	COIL		L5403	1-469-555-21	INDUCTOR 10UH		
4083		DE1	COIL		L5406	1-469-555-21	INDUCTOR 10UH		
4084		DE1	COIL		L5414	1-456-583-11	INDUCTOR 0UH		
4085		DE1	COIL		L5415	1-456-583-11	INDUCTOR 0UH		
4086		DE1	COIL		L5416	1-456-583-11	INDUCTOR 0UH		
4087		DE1	COIL		L5417	1-456-583-11	INDUCTOR 0UH		
4088		DE1	COIL		L5418	1-456-583-11	INDUCTOR 0UH		
4089		DE1	COIL		L5419	1-456-583-11	INDUCTOR 0UH		
4090		DE1	IC LINK	Δ	PS5201	1-576-398-21	IC LINK 2.5A 72V		
4091		DE1	TRANSISTOR		Q5202	8-729-905-35	TRANSISTOR 2SC4081-R		
4092		DE1	TRANSISTOR		Q5203	8-729-905-35	TRANSISTOR 2SC4081-R		
4093		DE1	TRANSISTOR		Q5205	8-729-030-54	TRANSISTOR MSB1218A-RT1		
4094		DE1	TRANSISTOR		Q5208	8-729-029-14	TRANSISTOR DTC144EUA-T106		
4095		DE1	RESISTOR		R5101	1-218-929-11	RES-CHIP 10 5% 1/16W		
4096		DE1	RESISTOR		R5102	1-218-929-11	RES-CHIP 10 5% 1/16W		
4097		DE1	RESISTOR		R5103	1-218-990-11	SHORT CHIP 0		
4098		DE1	RESISTOR		R5104	1-218-990-11	SHORT CHIP 0		
4099		DE1	RESISTOR		R5155	1-218-933-11	RES-CHIP 22 5% 1/16W		
4100		DE1	RESISTOR		R5157	1-218-990-11	SHORT CHIP 0		
4101		DE1	RESISTOR		R5158	1-218-929-11	RES-CHIP 10 5% 1/16W		
4102		DE1	RESISTOR		R5159	1-218-929-11	RES-CHIP 10 5% 1/16W		
4103		DE1	RESISTOR		R5160	1-218-929-11	RES-CHIP 10 5% 1/16W		
4104		DE1	RESISTOR		R5161	1-218-929-11	RES-CHIP 10 5% 1/16W		
4105		DE1	RESISTOR		R5201	1-218-989-11	RES-CHIP 1M 5% 1/16W		
4106		DE1	RESISTOR		R5202	1-218-965-11	RES-CHIP 10K 5% 1/16W		
4107		DE1	RESISTOR		R5205	1-218-933-11	RES-CHIP 22 5% 1/16W		
4108		DE1	RESISTOR		R5206	1-218-965-11	RES-CHIP 10K 5% 1/16W		
4109		DE1	RESISTOR		R5207	1-218-965-11	RES-CHIP 10K 5% 1/16W		
4110		DE1	RESISTOR		R5208	1-218-941-81	RES-CHIP 100 5% 1/16W		
4111		DE1	RESISTOR		R5209	1-218-941-81	RES-CHIP 100 5% 1/16W		
4112		DE1	RESISTOR		R5210	1-218-990-11	SHORT CHIP 0		
4113		DE1	RESISTOR		R5211	1-218-990-11	SHORT CHIP 0		
4114		DE1	RESISTOR		R5212	1-218-990-11	SHORT CHIP 0		
4115		DE1	RESISTOR		R5214	1-218-965-11	RES-CHIP 10K 5% 1/16W		
4116		DE1	RESISTOR		R5215	1-218-941-81	RES-CHIP 100 5% 1/16W		
4117		DE1	RESISTOR		R5216	1-218-990-11	SHORT CHIP 0		
4118		DE1	RESISTOR		R5217	1-218-965-11	RES-CHIP 10K 5% 1/16W		
4119		DE1	RESISTOR		R5218	1-218-933-11	RES-CHIP 22 5% 1/16W		
4120		DE1	RESISTOR		R5219	1-218-965-11	RES-CHIP 10K 5% 1/16W		
4121		DE1	RESISTOR		R5222	1-218-965-11	RES-CHIP 10K 5% 1/16W		
4122		DE1	RESISTOR		R5223	1-218-941-81	RES-CHIP 100 5% 1/16W		
4123		DE1	RESISTOR		R5224	1-218-965-11	RES-CHIP 10K 5% 1/16W		
4124		DE1	RESISTOR		R5225	1-218-965-11	RES-CHIP 10K 5% 1/16W		
4125		DE1	RESISTOR		R5226	1-218-965-11	RES-CHIP 10K 5% 1/16W		
4126		DE1	RESISTOR		R5227	1-218-965-11	RES-CHIP 10K 5% 1/16W		
4127		DE1	RESISTOR		R5228	1-218-965-11	RES-CHIP 10K 5% 1/16W		
4128		DE1	RESISTOR		R5229	1-218-965-11	RES-CHIP 10K 5% 1/16W		
4129		DE1	RESISTOR		R5231	1-218-965-11	RES-CHIP 10K 5% 1/16W		
4130		DE1	RESISTOR		R5232	1-218-965-11	RES-CHIP 10K 5% 1/16W		
4131		DE1	RESISTOR		R5234	1-218-933-11	RES-CHIP 22 5% 1/16W		
4132		DE1	RESISTOR		R5235	1-218-941-81	RES-CHIP 100 5% 1/16W		
4133		DE1	RESISTOR		R5237	1-218-965-11	RES-CHIP 10K 5% 1/16W		
4134		DE1	RESISTOR		R5238	1-218-941-81	RES-CHIP 100 5% 1/16W		
4135		DE1	RESISTOR		R5239	1-218-965-11	RES-CHIP 10K 5% 1/16W		
4136		DE1	RESISTOR		R5240	1-218-941-81	RES-CHIP 100 5% 1/16W		
4137		DE1	RESISTOR		R5241	1-218-941-81	RES-CHIP 100 5% 1/16W		
4138		DE1	RESISTOR		R5242	1-218-990-11	SHORT CHIP 0		
4139		DE1	RESISTOR		R5244	1-218-941-81	RES-CHIP 100 5% 1/16W		
4140		DE1	RESISTOR		R5245	1-218-965-11	RES-CHIP 10K 5% 1/16W		
4141		DE1	RESISTOR		R5246	1-218-955-11	RES-CHIP 1.5K 5% 1/16W		
4142		DE1	RESISTOR		R5247	1-218-965-11	RES-CHIP 10K 5% 1/16W		
4143		DE1	RESISTOR		R5248	1-220-880-81	METAL CHIP 27 0.5% 1/16W		
4144		DE1	RESISTOR		R5250	1-218-933-11	RES-CHIP 22 5% 1/16W		

No.	#	Board	Type	Δ / [*]	Ref. No.	Part No.	Description	Remarks-1	Remarks-2
4145		DE1	RESISTOR		R5251	1-220-880-81	METAL CHIP 27 0.5% 1/16W		
4146		DE1	RESISTOR		R5254	1-218-965-11	RES-CHIP 10K 5% 1/16W		
4147		DE1	RESISTOR		R5255	1-218-990-11	SHORT CHIP 0		
4148		DE1	RESISTOR		R5256	1-218-965-11	RES-CHIP 10K 5% 1/16W		
4149		DE1	RESISTOR		R5258	1-218-965-11	RES-CHIP 10K 5% 1/16W		
4150		DE1	RESISTOR		R5259	1-218-965-11	RES-CHIP 10K 5% 1/16W		
4151		DE1	RESISTOR		R5260	1-218-965-11	RES-CHIP 10K 5% 1/16W		
4152		DE1	RESISTOR		R5261	1-218-933-11	RES-CHIP 22 5% 1/16W		
4153		DE1	RESISTOR		R5262	1-218-965-11	RES-CHIP 10K 5% 1/16W		
4154		DE1	RESISTOR		R5263	1-218-933-11	RES-CHIP 22 5% 1/16W		
4155		DE1	RESISTOR		R5264	1-218-965-11	RES-CHIP 10K 5% 1/16W		
4156		DE1	RESISTOR		R5265	1-218-933-11	RES-CHIP 22 5% 1/16W		
4157		DE1	RESISTOR		R5266	1-218-933-11	RES-CHIP 22 5% 1/16W		
4158		DE1	RESISTOR		R5267	1-218-965-11	RES-CHIP 10K 5% 1/16W		
4159		DE1	RESISTOR		R5268	1-218-937-11	RES-CHIP 47 5% 1/16W		
4160		DE1	RESISTOR		R5269	1-218-965-11	RES-CHIP 10K 5% 1/16W		
4161		DE1	RESISTOR		R5272	1-218-941-81	RES-CHIP 100 5% 1/16W		
4162		DE1	RESISTOR		R5274	1-218-937-11	RES-CHIP 47 5% 1/16W		
4163		DE1	RESISTOR		R5276	1-218-941-81	RES-CHIP 100 5% 1/16W		
4164		DE1	RESISTOR		R5277	1-218-990-11	SHORT CHIP 0		
4165		DE1	RESISTOR		R5279	1-218-961-11	RES-CHIP 4.7K 5% 1/16W		
4166		DE1	RESISTOR		R5281	1-218-961-11	RES-CHIP 4.7K 5% 1/16W		
4167		DE1	RESISTOR		R5282	1-218-961-11	RES-CHIP 4.7K 5% 1/16W		
4168		DE1	RESISTOR		R5283	1-218-961-11	RES-CHIP 4.7K 5% 1/16W		
4169		DE1	RESISTOR		R5286	1-218-990-11	SHORT CHIP 0		
4170		DE1	RESISTOR		R5288	1-218-965-11	RES-CHIP 10K 5% 1/16W		
4171		DE1	RESISTOR		R5289	1-218-965-11	RES-CHIP 10K 5% 1/16W		
4172		DE1	RESISTOR		R5290	1-218-965-11	RES-CHIP 10K 5% 1/16W		
4173		DE1	RESISTOR		R5293	1-218-941-81	RES-CHIP 100 5% 1/16W		
4174		DE1	RESISTOR		R5294	1-218-941-81	RES-CHIP 100 5% 1/16W		
4175		DE1	RESISTOR		R5299	1-218-941-81	RES-CHIP 100 5% 1/16W		
4176		DE1	RESISTOR		R5301	1-218-990-11	SHORT CHIP 0		
4177		DE1	RESISTOR		R5302	1-218-990-11	SHORT CHIP 0		
4178		DE1	RESISTOR		R5304	1-218-990-11	SHORT CHIP 0		
4179		DE1	RESISTOR		R5306	1-218-933-11	RES-CHIP 22 5% 1/16W		
4180		DE1	RESISTOR		R5312	1-218-965-11	RES-CHIP 10K 5% 1/16W		
4181		DE1	RESISTOR		R5313	1-218-965-11	RES-CHIP 10K 5% 1/16W		
4182		DE1	RESISTOR		R5314	1-218-965-11	RES-CHIP 10K 5% 1/16W		
4183		DE1	RESISTOR		R5315	1-218-965-11	RES-CHIP 10K 5% 1/16W		
4184		DE1	RESISTOR		R5316	1-218-965-11	RES-CHIP 10K 5% 1/16W		
4185		DE1	RESISTOR		R5317	1-218-965-11	RES-CHIP 10K 5% 1/16W		
4186		DE1	RESISTOR		R5322	1-218-941-81	RES-CHIP 100 5% 1/16W		
4187		DE1	RESISTOR		R5323	1-218-965-11	RES-CHIP 10K 5% 1/16W		
4188		DE1	RESISTOR		R5324	1-218-941-81	RES-CHIP 100 5% 1/16W		
4189		DE1	RESISTOR		R5325	1-218-941-81	RES-CHIP 100 5% 1/16W		
4190		DE1	RESISTOR		R5334	1-218-989-11	RES-CHIP 1M 5% 1/16W		
4191		DE1	RESISTOR		R5335	1-208-860-81	METAL CHIP 75 0.5% 1/16W		
4192		DE1	RESISTOR		R5336	1-208-860-81	METAL CHIP 75 0.5% 1/16W		
4193		DE1	RESISTOR		R5337	1-208-860-81	METAL CHIP 75 0.5% 1/16W		
4194		DE1	RESISTOR		R5338	1-208-911-11	METAL CHIP 10K 0.5% 1/16W		
4195		DE1	RESISTOR		R5339	1-208-911-11	METAL CHIP 10K 0.5% 1/16W		
4196		DE1	RESISTOR		R5340	1-208-911-11	METAL CHIP 10K 0.5% 1/16W		
4197		DE1	RESISTOR		R5343	1-218-990-11	SHORT CHIP 0		
4198		DE1	RESISTOR		R5344	1-218-990-11	SHORT CHIP 0		
4199		DE1	RESISTOR		R5345	1-218-933-11	RES-CHIP 22 5% 1/16W		
4200		DE1	RESISTOR		R5347	1-218-933-11	RES-CHIP 22 5% 1/16W		
4201		DE1	RESISTOR		R5348	1-218-933-11	RES-CHIP 22 5% 1/16W		
4202		DE1	RESISTOR		R5349	1-218-933-11	RES-CHIP 22 5% 1/16W		
4203		DE1	RESISTOR		R5350	1-218-933-11	RES-CHIP 22 5% 1/16W		
4204		DE1	RESISTOR		R5351	1-218-990-11	SHORT CHIP 0		
4205		DE1	RESISTOR		R5352	1-218-945-11	RES-CHIP 220 5% 1/16W		
4206		DE1	RESISTOR		R5353	1-208-911-11	METAL CHIP 10K 0.5% 1/16W		
4207		DE1	RESISTOR		R5354	1-208-911-11	METAL CHIP 10K 0.5% 1/16W		
4208		DE1	RESISTOR		R5355	1-208-911-11	METAL CHIP 10K 0.5% 1/16W		
4209		DE1	RESISTOR		R5402	1-218-990-11	SHORT CHIP 0		
4210		DE1	RESISTOR		R5403	1-218-933-11	RES-CHIP 22 5% 1/16W		
4211		DE1	RESISTOR		R5410	1-218-990-11	SHORT CHIP 0		
4212		DE1	RESISTOR		R5413	1-218-990-11	SHORT CHIP 0		
4213		DE1	RESISTOR		R5415	1-218-990-11	SHORT CHIP 0		
4214		DE1	RESISTOR		R5417	1-218-990-11	SHORT CHIP 0		
4215		DE1	RESISTOR		R5419	1-218-990-11	SHORT CHIP 0		
4216		DE1	RESISTOR		R5421	1-218-990-11	SHORT CHIP 0		
4217		DE1	RESISTOR		R5422	1-218-937-11	RES-CHIP 47 5% 1/16W		
4218		DE1	RESISTOR		R5423	1-218-937-11	RES-CHIP 47 5% 1/16W		

No.	#	Board	Type	Δ / [*]	Ref. No.	Part No.	Description	Remarks-1	Remarks-2
4219		DE1	RESISTOR		R5424	1-218-937-11	RES-CHIP 47 5% 1/16W		
4220		DE1	RESISTOR		R5425	1-218-937-11	RES-CHIP 47 5% 1/16W		
4221		DE1	RESISTOR		R5426	1-218-937-11	RES-CHIP 47 5% 1/16W		
4222		DE1	RESISTOR		R5428	1-218-990-11	SHORT CHIP 0		
4223		DE1	RESISTOR		R5430	1-218-990-11	SHORT CHIP 0		
4224		DE1	RESISTOR		R5432	1-218-990-11	SHORT CHIP 0		
4225		DE1	RESISTOR		R5434	1-218-990-11	SHORT CHIP 0		
4226		DE1	RESISTOR		R5436	1-218-990-11	SHORT CHIP 0		
4227		DE1	RESISTOR		R5438	1-218-990-11	SHORT CHIP 0		
4228		DE1	RESISTOR		R5440	1-218-990-11	SHORT CHIP 0		
4229		DE1	RESISTOR		R5442	1-218-990-11	SHORT CHIP 0		
4230		DE1	RESISTOR		R5444	1-218-990-11	SHORT CHIP 0		
4231		DE1	RESISTOR		R5445	1-218-990-11	SHORT CHIP 0		
4232		DE1	RESISTOR		R5447	1-218-990-11	SHORT CHIP 0		
4233		DE1	RESISTOR		R5449	1-218-990-11	SHORT CHIP 0		
4234		DE1	RESISTOR		R5451	1-218-990-11	SHORT CHIP 0		
4235		DE1	RESISTOR		R5453	1-218-990-11	SHORT CHIP 0		
4236		DE1	RESISTOR		R5455	1-218-990-11	SHORT CHIP 0		
4237		DE1	RESISTOR		R5463	1-218-990-11	SHORT CHIP 0		
4238		DE1	RESISTOR		R5469	1-218-990-11	SHORT CHIP 0		
4239		DE1	RESISTOR		R5471	1-218-990-11	SHORT CHIP 0		
4240		DE1	RESISTOR		R5473	1-218-990-11	SHORT CHIP 0		
4241		DE1	RESISTOR		R5479	1-218-990-11	SHORT CHIP 0		
4242		DE1	RESISTOR		R5481	1-218-990-11	SHORT CHIP 0		
4243		DE1	RESISTOR		R5483	1-218-990-11	SHORT CHIP 0		
4244		DE1	RESISTOR		R5512	1-218-965-11	RES-CHIP 10K 5% 1/16W		
4245		DE1	RESISTOR		R5514	1-218-977-11	RES-CHIP 100K 5% 1/16W		
4246		DE1	RESISTOR		R5600	1-218-941-81	RES-CHIP 100 5% 1/16W		
4247		DE1	RESISTOR		R5601	1-218-967-11	RES-CHIP 15K 5% 1/16W		
4248		DE1	RESISTOR		R5602	1-218-965-11	RES-CHIP 10K 5% 1/16W		
4249		DE1	RESISTOR		R5603	1-218-990-11	SHORT CHIP 0		
4250		DE1	RESISTOR		R5604	1-218-990-11	SHORT CHIP 0		
4251		DE1	RESISTOR		R5608	1-218-965-11	RES-CHIP 10K 5% 1/16W		
4252		DE1	RESISTOR		R5610	1-218-965-11	RES-CHIP 10K 5% 1/16W		
4253		DE1	RESISTOR		R5612	1-218-941-81	RES-CHIP 100 5% 1/16W		
4254		DE1	RESISTOR		R5614	1-218-965-11	RES-CHIP 10K 5% 1/16W		
4255		DE1	RESISTOR		R5615	1-218-941-81	RES-CHIP 100 5% 1/16W		
4256		DE1	RESISTOR		R5617	1-218-965-11	RES-CHIP 10K 5% 1/16W		
4257		DE1	RESISTOR		R5627	1-218-965-11	RES-CHIP 10K 5% 1/16W		
4258		DE1	RESISTOR		R5631	1-218-948-11	METAL CHIP 390 5% 1/16W		
4259		DE1	RESISTOR		R5632	1-208-683-11	METAL CHIP 1K 0.5% 1/16W		
4260		DE1	RESISTOR		R5633	1-220-884-81	METAL CHIP 39 0.5% 1/16W		
4261		DE1	RESISTOR		R5634	1-218-965-11	RES-CHIP 10K 5% 1/16W		
4262		DE1	RESISTOR		R5643	1-218-965-11	RES-CHIP 10K 5% 1/16W		
4263		DE1	RESISTOR		R5644	1-208-687-11	METAL CHIP 1.5K 0.5% 1/16W		
4264		DE1	RESISTOR		R5645	1-208-683-11	METAL CHIP 1K 0.5% 1/16W		
4265		DE1	RESISTOR		R5646	1-208-661-11	METAL CHIP 120 0.5% 1/16W		
4266		DE1	RESISTOR		R5649	1-218-941-81	RES-CHIP 100 5% 1/16W		
4267		DE1	RESISTOR		R5650	1-218-941-81	RES-CHIP 100 5% 1/16W		
4268		DE1	RESISTOR		R5651	1-218-990-11	SHORT CHIP 0		
4269		DE1	RESISTOR		R5652	1-218-990-11	SHORT CHIP 0		
4270		DE1	RESISTOR		R5653	1-218-965-11	RES-CHIP 10K 5% 1/16W		
4271		DE1	RESISTOR		R5654	1-218-965-11	RES-CHIP 10K 5% 1/16W		
4272		DE1	RESISTOR		R5658	1-218-965-11	RES-CHIP 10K 5% 1/16W		
4273		DE1	RESISTOR		R5661	1-218-965-11	RES-CHIP 10K 5% 1/16W		
4274		DE1	RESISTOR		R5662	1-218-965-11	RES-CHIP 10K 5% 1/16W		
4275		DE1	RESISTOR		R5663	1-218-965-11	RES-CHIP 10K 5% 1/16W		
4276		DE1	RESISTOR		R5664	1-218-965-11	RES-CHIP 10K 5% 1/16W		
4277		DE1	RESISTOR		R5665	1-218-965-11	RES-CHIP 10K 5% 1/16W		
4278		DE1	RESISTOR		R5667	1-218-965-11	RES-CHIP 10K 5% 1/16W		
4279		DE1	RESISTOR		R5668	1-218-965-11	RES-CHIP 10K 5% 1/16W		
4280		DE1	RESISTOR		R5669	1-218-941-81	RES-CHIP 100 5% 1/16W		
4281		DE1	RESISTOR		R5677	1-218-933-11	RES-CHIP 22 5% 1/16W		
4282		DE1	RESISTOR		R5678	1-218-933-11	RES-CHIP 22 5% 1/16W		
4283		DE1	RESISTOR		R5685	1-218-965-11	RES-CHIP 10K 5% 1/16W		
4284		DE1	RESISTOR		R5689	1-218-933-11	RES-CHIP 22 5% 1/16W		
4285		DE1	RESISTOR		R5690	1-218-933-11	RES-CHIP 22 5% 1/16W		
4286		DE1	RESISTOR		R5709	1-218-990-11	SHORT CHIP 0		
4287		DE1	RESISTOR		R5710	1-218-990-11	SHORT CHIP 0		
4288		DE1	RESISTOR		R5711	1-218-990-11	SHORT CHIP 0		
4289		DE1	RESISTOR		R5715	1-218-951-11	RES-CHIP 680 5% 1/16W		
4290		DE1	RESISTOR		R5718	1-218-990-11	SHORT CHIP 0		
4291		DE1	RESISTOR		R5719	1-218-990-11	SHORT CHIP 0		
4292		DE1	RESISTOR		R5720	1-218-971-11	RES-CHIP 33K 5% 1/16W		

No.	#	Board	Type	△/*	Ref. No.	Part No.	Description	Remarks-1	Remarks-2
4293		DE1	RESISTOR		R5721	1-218-965-11	RES-CHIP 10K 5% 1/16W		
4294		DE1	RESISTOR		R5722	1-218-933-11	RES-CHIP 22 5% 1/16W		
4295		DE1	RESISTOR		R5723	1-218-933-11	RES-CHIP 22 5% 1/16W		
4296		DE1	RESISTOR		R5724	1-218-965-11	RES-CHIP 10K 5% 1/16W		
4297		DE1	RESISTOR		R5727	1-218-941-81	RES-CHIP 100 5% 1/16W		
4298		DE1	RESISTOR		R5728	1-218-965-11	RES-CHIP 10K 5% 1/16W		
4299		DE1	RESISTOR		R5729	1-218-965-11	RES-CHIP 10K 5% 1/16W		
4300		DE1	RESISTOR		R5733	1-218-933-11	RES-CHIP 22 5% 1/16W		
4301		DE1	RESISTOR		R5734	1-218-933-11	RES-CHIP 22 5% 1/16W		
4302		DE1	RESISTOR		R5735	1-218-965-11	RES-CHIP 10K 5% 1/16W		
4303		DE1	RESISTOR		R5832	1-218-990-11	SHORT CHIP 0		
4304		DE1	RESISTOR		R5835	1-218-990-11	SHORT CHIP 0		
4305		DE1	RESISTOR		R5843	1-218-990-11	SHORT CHIP 0		
4306		DE1	RESISTOR		R5844	1-218-990-11	SHORT CHIP 0		
4307		DE1	NETWORK		RB5101	1-234-369-21	RES, NETWORK 10X4 (1005)		
4308		DE1	NETWORK		RB5102	1-234-369-21	RES, NETWORK 10X4 (1005)		
4309		DE1	NETWORK		RB5103	1-234-369-21	RES, NETWORK 10X4 (1005)		
4310		DE1	NETWORK		RB5104	1-234-369-21	RES, NETWORK 10X4 (1005)		
4311		DE1	NETWORK		RB5105	1-234-369-21	RES, NETWORK 10X4 (1005)		
4312		DE1	NETWORK		RB5106	1-234-369-21	RES, NETWORK 10X4 (1005)		
4313		DE1	NETWORK		RB5107	1-234-369-21	RES, NETWORK 10X4 (1005)		
4314		DE1	NETWORK		RB5108	1-234-369-21	RES, NETWORK 10X4 (1005)		
4315		DE1	NETWORK		RB5109	1-234-369-21	RES, NETWORK 10X4 (1005)		
4316		DE1	NETWORK		RB5110	1-234-369-21	RES, NETWORK 10X4 (1005)		
4317		DE1	NETWORK		RB5111	1-234-369-21	RES, NETWORK 10X4 (1005)		
4318		DE1	NETWORK		RB5112	1-234-369-21	RES, NETWORK 10X4 (1005)		
4319		DE1	NETWORK		RB5113	1-234-369-21	RES, NETWORK 10X4 (1005)		
4320		DE1	NETWORK		RB5114	1-234-369-21	RES, NETWORK 10X4 (1005)		
4321		DE1	NETWORK		RB5213	1-234-370-21	RES, NETWORK 22X4 (1005)		
4322		DE1	NETWORK		RB5214	1-234-370-21	RES, NETWORK 22X4 (1005)		
4323		DE1	NETWORK		RB5301	1-234-378-21	RES, NETWORK 10KX4 (1005)		
4324		DE1	NETWORK		RB5302	1-234-378-21	RES, NETWORK 10KX4 (1005)		
4325		DE1	NETWORK		RB5303	1-234-378-21	RES, NETWORK 10KX4 (1005)		
4326		DE1	NETWORK		RB5304	1-234-378-21	RES, NETWORK 10KX4 (1005)		
4327		DE1	NETWORK		RB5305	1-234-370-21	RES, NETWORK 22X4 (1005)		
4328		DE1	NETWORK		RB5306	1-234-370-21	RES, NETWORK 22X4 (1005)		
4329		DE1	NETWORK		RB5307	1-234-370-21	RES, NETWORK 22X4 (1005)		
4330		DE1	NETWORK		RB5311	1-234-370-21	RES, NETWORK 22X4 (1005)		
4331		DE1	NETWORK		RB5312	1-234-370-21	RES, NETWORK 22X4 (1005)		
4332		DE1	NETWORK		RB5313	1-234-370-21	RES, NETWORK 22X4 (1005)		
4333		DE1	NETWORK		RB5317	1-234-370-21	RES, NETWORK 22X4 (1005)		
4334		DE1	NETWORK		RB5318	1-234-370-21	RES, NETWORK 22X4 (1005)		
4335		DE1	NETWORK		RB5319	1-234-370-21	RES, NETWORK 22X4 (1005)		
4336		DE1	NETWORK		RB5334	1-234-378-21	RES, NETWORK 10KX4 (1005)		
4337		DE1	NETWORK		RB5335	1-234-378-21	RES, NETWORK 10KX4 (1005)		
4338		DE1	NETWORK		RB5336	1-234-378-21	RES, NETWORK 10KX4 (1005)		
4339		DE1	NETWORK		RB5337	1-234-378-21	RES, NETWORK 10KX4 (1005)		
4340		DE1	CRYSTAL		X5201	1-813-374-21	QUARTZ CRYSTAL VIBRATOR		
4341		DE1	CRYSTAL		X5302	1-813-375-21	QUARTZ CRYSTAL UNIT		
4342		DIC3	CAPACITOR		C4000	1-125-777-11	CERAMIC CHIP 0.1UF 10.00% 10V		
4343		DIC3	CAPACITOR		C4001	1-125-777-11	CERAMIC CHIP 0.1UF 10.00% 10V		
4344		DIC3	CAPACITOR		C4002	1-125-777-11	CERAMIC CHIP 0.1UF 10.00% 10V		
4345		DIC3	CAPACITOR		C4003	1-131-661-21	ELECT CHIP 100UF 20% 10V		
4346		DIC3	CAPACITOR		C4004	1-131-661-21	ELECT CHIP 100UF 20% 10V		
4347		DIC3	CAPACITOR		C4005	1-131-661-21	ELECT CHIP 100UF 20% 10V		
4348		DIC3	CAPACITOR		C4006	1-125-777-11	CERAMIC CHIP 0.1UF 10.00% 10V		
4349		DIC3	CAPACITOR		C4007	1-125-777-11	CERAMIC CHIP 0.1UF 10.00% 10V		
4350		DIC3	CAPACITOR		C4008	1-125-777-11	CERAMIC CHIP 0.1UF 10.00% 10V		
4351		DIC3	CAPACITOR		C4009	1-131-661-21	ELECT CHIP 100UF 20% 10V		
4352		DIC3	CAPACITOR		C4010	1-131-661-21	ELECT CHIP 100UF 20% 10V		
4353		DIC3	CAPACITOR		C4011	1-127-692-11	CERAMIC CHIP 10UF 10% 16V		
4354		DIC3	CAPACITOR		C4012	1-127-692-11	CERAMIC CHIP 10UF 10% 16V		
4355		DIC3	CAPACITOR		C4013	1-165-176-11	CERAMIC CHIP 0.047UF 10.00% 16V		
4356		DIC3	CAPACITOR		C4014	1-165-176-11	CERAMIC CHIP 0.047UF 10.00% 16V		
4357		DIC3	CAPACITOR		C4015	1-107-826-11	CERAMIC CHIP 0.1UF 10.00% 16V		
4358		DIC3	CAPACITOR		C4016	1-107-826-11	CERAMIC CHIP 0.1UF 10.00% 16V		
4359		DIC3	CAPACITOR		C4017	1-107-826-11	CERAMIC CHIP 0.1UF 10.00% 16V		
4360		DIC3	CAPACITOR		C4018	1-127-573-11	CERAMIC CHIP 1UF 10% 16V		
4361		DIC3	CAPACITOR		C4019	1-107-826-11	CERAMIC CHIP 0.1UF 10.00% 16V		
4362		DIC3	CAPACITOR		C4020	1-127-573-11	CERAMIC CHIP 1UF 10% 16V		
4363		DIC3	CAPACITOR		C4021	1-165-176-11	CERAMIC CHIP 0.047UF 10.00% 16V		
4364		DIC3	CAPACITOR		C4022	1-165-176-11	CERAMIC CHIP 0.047UF 10.00% 16V		
4365		DIC3	CAPACITOR		C4023	1-131-661-21	ELECT CHIP 100UF 20% 10V		
4366		DIC3	CAPACITOR		C4024	1-131-661-21	ELECT CHIP 100UF 20% 10V		

No.	#	Board	Type	Δ / [*]	Ref. No.	Part No.	Description	Remarks-1	Remarks-2
4367		DIC3	CAPACITOR		C4025	1-125-838-11	CERAMIC CHIP 2.2UF 10% 6.3V		
4368		DIC3	CAPACITOR		C4026	1-125-838-11	CERAMIC CHIP 2.2UF 10% 6.3V		
4369		DIC3	CAPACITOR		C4033	1-125-777-11	CERAMIC CHIP 0.1UF 10.00% 10V		
4370		DIC3	CAPACITOR		C4037	1-125-777-11	CERAMIC CHIP 0.1UF 10.00% 10V		
4371		DIC3	CAPACITOR		C4041	1-125-777-11	CERAMIC CHIP 0.1UF 10.00% 10V		
4372		DIC3	CAPACITOR		C4201	1-165-989-11	CERAMIC CHIP 10UF 10% 6.3V		
4373		DIC3	CAPACITOR		C4202	1-165-989-11	CERAMIC CHIP 10UF 10% 6.3V		
4374		DIC3	CAPACITOR		C4203	1-125-777-11	CERAMIC CHIP 0.1UF 10.00% 10V		
4375		DIC3	CAPACITOR		C4204	1-125-777-11	CERAMIC CHIP 0.1UF 10.00% 10V		
4376		DIC3	CAPACITOR		C4205	1-100-567-81	CERAMIC CHIP 10000PF 10% 25V		
4377		DIC3	CAPACITOR		C4206	1-100-567-81	CERAMIC CHIP 10000PF 10% 25V		
4378		DIC3	CAPACITOR		C4207	1-164-937-11	CERAMIC CHIP 0.001UF 10.00% 50V		
4379		DIC3	CAPACITOR		C4208	1-164-937-11	CERAMIC CHIP 0.001UF 10.00% 50V		
4380		DIC3	CAPACITOR		C4209	1-164-937-11	CERAMIC CHIP 0.001UF 10.00% 50V		
4381		DIC3	CAPACITOR		C4210	1-100-567-81	CERAMIC CHIP 10000PF 10% 25V		
4382		DIC3	CAPACITOR		C4211	1-125-777-11	CERAMIC CHIP 0.1UF 10.00% 10V		
4383		DIC3	CAPACITOR		C4212	1-165-989-11	CERAMIC CHIP 10UF 10% 6.3V		
4384		DIC3	CAPACITOR		C4213	1-164-937-11	CERAMIC CHIP 0.001UF 10.00% 50V		
4385		DIC3	CAPACITOR		C4214	1-100-567-81	CERAMIC CHIP 10000PF 10% 25V		
4386		DIC3	CAPACITOR		C4215	1-125-777-11	CERAMIC CHIP 0.1UF 10.00% 10V		
4387		DIC3	CAPACITOR		C4216	1-165-989-11	CERAMIC CHIP 10UF 10% 6.3V		
4388		DIC3	CAPACITOR		C4217	1-125-777-11	CERAMIC CHIP 0.1UF 10.00% 10V		
4389		DIC3	CAPACITOR		C4218	1-125-777-11	CERAMIC CHIP 0.1UF 10.00% 10V		
4390		DIC3	CAPACITOR		C4219	1-125-777-11	CERAMIC CHIP 0.1UF 10.00% 10V		
4391		DIC3	CAPACITOR		C4220	1-125-777-11	CERAMIC CHIP 0.1UF 10.00% 10V		
4392		DIC3	CAPACITOR		C4221	1-125-777-11	CERAMIC CHIP 0.1UF 10.00% 10V		
4393		DIC3	CAPACITOR		C4222	1-125-777-11	CERAMIC CHIP 0.1UF 10.00% 10V		
4394		DIC3	CAPACITOR		C4223	1-125-777-11	CERAMIC CHIP 0.1UF 10.00% 10V		
4395		DIC3	CAPACITOR		C4224	1-125-777-11	CERAMIC CHIP 0.1UF 10.00% 10V		
4396		DIC3	CAPACITOR		C4225	1-165-989-11	CERAMIC CHIP 10UF 10% 6.3V		
4397		DIC3	CAPACITOR		C4226	1-165-989-11	CERAMIC CHIP 10UF 10% 6.3V		
4398		DIC3	CAPACITOR		C4227	1-125-777-11	CERAMIC CHIP 0.1UF 10.00% 10V		
4399		DIC3	CAPACITOR		C4228	1-125-777-11	CERAMIC CHIP 0.1UF 10.00% 10V		
4400		DIC3	CAPACITOR		C4229	1-125-777-11	CERAMIC CHIP 0.1UF 10.00% 10V		
4401		DIC3	CAPACITOR		C4230	1-100-581-81	CERAMIC CHIP 4700PF 10% 50V		
4402		DIC3	CAPACITOR		C4246	1-125-777-11	CERAMIC CHIP 0.1UF 10.00% 10V		
4403		DIC3	CAPACITOR		C4300	1-131-661-21	ELECT CHIP 100UF 20% 10V		
4404		DIC3	CAPACITOR		C4301	1-131-661-21	ELECT CHIP 100UF 20% 10V		
4405		DIC3	CAPACITOR		C4302	1-131-661-21	ELECT CHIP 100UF 20% 10V		
4406		DIC3	CAPACITOR		C4303	1-125-777-11	CERAMIC CHIP 0.1UF 10.00% 10V		
4407		DIC3	CAPACITOR		C4304	1-125-777-11	CERAMIC CHIP 0.1UF 10.00% 10V		
4408		DIC3	CAPACITOR		C4305	1-131-661-21	ELECT CHIP 100UF 20% 10V		
4409		DIC3	CAPACITOR		C4306	1-125-777-11	CERAMIC CHIP 0.1UF 10.00% 10V		
4410		DIC3	CAPACITOR		C4307	1-125-777-11	CERAMIC CHIP 0.1UF 10.00% 10V		
4411		DIC3	CAPACITOR		C4308	1-125-777-11	CERAMIC CHIP 0.1UF 10.00% 10V		
4412		DIC3	CAPACITOR		C4309	1-125-777-11	CERAMIC CHIP 0.1UF 10.00% 10V		
4413		DIC3	CAPACITOR		C4310	1-131-661-21	ELECT CHIP 100UF 20% 10V		
4414		DIC3	CAPACITOR		C4311	1-125-777-11	CERAMIC CHIP 0.1UF 10.00% 10V		
4415		DIC3	CAPACITOR		C4312	1-125-777-11	CERAMIC CHIP 0.1UF 10.00% 10V		
4416		DIC3	CAPACITOR		C4313	1-125-777-11	CERAMIC CHIP 0.1UF 10.00% 10V		
4417		DIC3	CAPACITOR		C4314	1-125-777-11	CERAMIC CHIP 0.1UF 10.00% 10V		
4418		DIC3	CAPACITOR		C4315	1-125-777-11	CERAMIC CHIP 0.1UF 10.00% 10V		
4419		DIC3	CAPACITOR		C4316	1-125-777-11	CERAMIC CHIP 0.1UF 10.00% 10V		
4420		DIC3	CAPACITOR		C4317	1-125-777-11	CERAMIC CHIP 0.1UF 10.00% 10V		
4421		DIC3	CAPACITOR		C4318	1-125-777-11	CERAMIC CHIP 0.1UF 10.00% 10V		
4422		DIC3	CAPACITOR		C4319	1-125-777-11	CERAMIC CHIP 0.1UF 10.00% 10V		
4423		DIC3	CAPACITOR		C4320	1-165-989-11	CERAMIC CHIP 10UF 10% 6.3V		
4424		DIC3	CAPACITOR		C4321	1-165-989-11	CERAMIC CHIP 10UF 10% 6.3V		
4425		DIC3	CAPACITOR		C4322	1-125-777-11	CERAMIC CHIP 0.1UF 10.00% 10V		
4426		DIC3	CAPACITOR		C4323	1-165-989-11	CERAMIC CHIP 10UF 10% 6.3V		
4427		DIC3	CAPACITOR		C4324	1-125-777-11	CERAMIC CHIP 0.1UF 10.00% 10V		
4428		DIC3	CAPACITOR		C4325	1-125-777-11	CERAMIC CHIP 0.1UF 10.00% 10V		
4429		DIC3	CAPACITOR		C4326	1-100-567-81	CERAMIC CHIP 10000PF 10% 25V		
4430		DIC3	CAPACITOR		C4327	1-125-777-11	CERAMIC CHIP 0.1UF 10.00% 10V		
4431		DIC3	CAPACITOR		C4328	1-125-777-11	CERAMIC CHIP 0.1UF 10.00% 10V		
4432		DIC3	CAPACITOR		C4329	1-125-777-11	CERAMIC CHIP 0.1UF 10.00% 10V		
4433		DIC3	CAPACITOR		C4330	1-125-777-11	CERAMIC CHIP 0.1UF 10.00% 10V		
4434		DIC3	CAPACITOR		C4331	1-125-777-11	CERAMIC CHIP 0.1UF 10.00% 10V		
4435		DIC3	CAPACITOR		C4332	1-125-777-11	CERAMIC CHIP 0.1UF 10.00% 10V		
4436		DIC3	CAPACITOR		C4333	1-125-777-11	CERAMIC CHIP 0.1UF 10.00% 10V		
4437		DIC3	CAPACITOR		C4334	1-165-989-11	CERAMIC CHIP 10UF 10% 6.3V		
4438		DIC3	CAPACITOR		C4335	1-125-777-11	CERAMIC CHIP 0.1UF 10.00% 10V		
4439		DIC3	CAPACITOR		C4336	1-125-777-11	CERAMIC CHIP 0.1UF 10.00% 10V		
4440		DIC3	CAPACITOR		C4337	1-165-989-11	CERAMIC CHIP 10UF 10% 6.3V		

No.	#	Board	Type	Δ / [*]	Ref. No.	Part No.	Description	Remarks-1	Remarks-2
4441		DIC3	CAPACITOR		C4338	1-125-777-11	CERAMIC CHIP 0.1UF 10.00% 10V		
4442		DIC3	CAPACITOR		C4339	1-125-777-11	CERAMIC CHIP 0.1UF 10.00% 10V		
4443		DIC3	CAPACITOR		C4340	1-125-777-11	CERAMIC CHIP 0.1UF 10.00% 10V		
4444		DIC3	CAPACITOR		C4342	1-125-777-11	CERAMIC CHIP 0.1UF 10.00% 10V		
4445		DIC3	CAPACITOR		C4343	1-165-989-11	CERAMIC CHIP 10UF 10% 6.3V		
4446		DIC3	CAPACITOR		C4344	1-100-567-81	CERAMIC CHIP 10000PF 10% 25V		
4447		DIC3	CAPACITOR		C4345	1-125-777-11	CERAMIC CHIP 0.1UF 10.00% 10V		
4448		DIC3	CAPACITOR		C4346	1-131-661-21	ELECT CHIP 100UF 20% 10V		
4449		DIC3	CAPACITOR		C4347	1-100-567-81	CERAMIC CHIP 10000PF 10% 25V		
4450		DIC3	CAPACITOR		C4349	1-131-661-21	ELECT CHIP 100UF 20% 10V		
4451		DIC3	CAPACITOR		C4351	1-165-908-11	CERAMIC CHIP 1UF 10% 10V		
4452		DIC3	CAPACITOR		C4354	1-165-989-11	CERAMIC CHIP 10UF 10% 6.3V		
4453		DIC3	CAPACITOR		C4356	1-131-661-21	ELECT CHIP 100UF 20% 10V		
4454		DIC3	CAPACITOR		C4357	1-125-777-11	CERAMIC CHIP 0.1UF 10.00% 10V		
4455		DIC3	CAPACITOR		C4358	1-115-152-11	ELECT CHIP 22UF 20.00% 6.3V		
4456		DIC3	CAPACITOR		C4359	1-115-152-11	ELECT CHIP 22UF 20.00% 6.3V		
4457		DIC3	CAPACITOR		C4360	1-115-152-11	ELECT CHIP 22UF 20.00% 6.3V		
4458		DIC3	CAPACITOR		C4361	1-115-152-11	ELECT CHIP 22UF 20.00% 6.3V		
4459		DIC3	CAPACITOR		C4362	1-115-152-11	ELECT CHIP 22UF 20.00% 6.3V		
4460		DIC3	CAPACITOR		C4365	1-126-396-11	ELECT CHIP 47UF 20.00% 16V		
4461		DIC3	CAPACITOR		C4366	1-165-989-11	CERAMIC CHIP 10UF 10% 6.3V		
4462		DIC3	CAPACITOR		C4367	1-165-989-11	CERAMIC CHIP 10UF 10% 6.3V		
4463		DIC3	CAPACITOR		C4368	1-165-908-11	CERAMIC CHIP 1UF 10% 10V		
4464		DIC3	CAPACITOR		C4369	1-165-908-11	CERAMIC CHIP 1UF 10% 10V		
4465		DIC3	CAPACITOR		C4370	1-165-908-11	CERAMIC CHIP 1UF 10% 10V		
4466		DIC3	CAPACITOR		C4371	1-165-908-11	CERAMIC CHIP 1UF 10% 10V		
4467		DIC3	CAPACITOR		C4372	1-125-777-11	CERAMIC CHIP 0.1UF 10.00% 10V		
4468		DIC3	CAPACITOR		C4373	1-165-989-11	CERAMIC CHIP 10UF 10% 6.3V		
4469		DIC3	CAPACITOR		C4374	1-165-989-11	CERAMIC CHIP 10UF 10% 6.3V		
4470		DIC3	CAPACITOR		C4375	1-165-908-11	CERAMIC CHIP 1UF 10% 10V		
4471		DIC3	CAPACITOR		C4376	1-165-908-11	CERAMIC CHIP 1UF 10% 10V		
4472		DIC3	CAPACITOR		C4377	1-165-908-11	CERAMIC CHIP 1UF 10% 10V		
4473		DIC3	CAPACITOR		C4378	1-125-777-11	CERAMIC CHIP 0.1UF 10.00% 10V		
4474		DIC3	CAPACITOR		C4379	1-125-777-11	CERAMIC CHIP 0.1UF 10.00% 10V		
4475		DIC3	CAPACITOR		C4380	1-125-777-11	CERAMIC CHIP 0.1UF 10.00% 10V		
4476		DIC3	CAPACITOR		C4381	1-125-777-11	CERAMIC CHIP 0.1UF 10.00% 10V		
4477		DIC3	CAPACITOR		C4382	1-125-777-11	CERAMIC CHIP 0.1UF 10.00% 10V		
4478		DIC3	CAPACITOR		C4384	1-165-908-11	CERAMIC CHIP 1UF 10% 10V		
4479		DIC3	CAPACITOR		C4385	1-131-661-21	ELECT CHIP 100UF 20% 10V		
4480		DIC3	CAPACITOR		C4386	1-165-989-11	CERAMIC CHIP 10UF 10% 6.3V		
4481		DIC3	CAPACITOR		C4387	1-165-989-11	CERAMIC CHIP 10UF 10% 6.3V		
4482		DIC3	CAPACITOR		C4389	1-131-661-21	ELECT CHIP 100UF 20% 10V		
4483		DIC3	CAPACITOR		C4390	1-165-989-11	CERAMIC CHIP 10UF 10% 6.3V		
4484		DIC3	CAPACITOR		C4391	1-165-989-11	CERAMIC CHIP 10UF 10% 6.3V		
4485		DIC3	CAPACITOR		C4392	1-107-826-11	CERAMIC CHIP 0.1UF 10.00% 16V		
4486		DIC3	CAPACITOR		C4394	1-125-777-11	CERAMIC CHIP 0.1UF 10.00% 10V		
4487		DIC3	CAPACITOR		C4395	1-125-777-11	CERAMIC CHIP 0.1UF 10.00% 10V		
4488		DIC3	CAPACITOR		C4396	1-131-661-21	ELECT CHIP 100UF 20% 10V		
4489		DIC3	CAPACITOR		C4402	1-131-661-21	ELECT CHIP 100UF 20% 10V		
4490		DIC3	CAPACITOR		C4404	1-131-661-21	ELECT CHIP 100UF 20% 10V		
4491		DIC3	CAPACITOR		C4405	1-131-661-21	ELECT CHIP 100UF 20% 10V		
4492		DIC3	CAPACITOR		C4407	1-165-989-11	CERAMIC CHIP 10UF 10% 6.3V		
4493		DIC3	CAPACITOR		C4408	1-125-777-11	CERAMIC CHIP 0.1UF 10.00% 10V		
4494		DIC3	CAPACITOR		C4409	1-125-777-11	CERAMIC CHIP 0.1UF 10.00% 10V		
4495		DIC3	CAPACITOR		C4411	1-125-777-11	CERAMIC CHIP 0.1UF 10.00% 10V		
4496		DIC3	CAPACITOR		C4414	1-126-390-11	ELECT CHIP 22UF 20.00% 6.3V		
4497		DIC3	CAPACITOR		C4500	1-165-643-21	ELECT CHIP 150UF 20% 4V		
4498		DIC3	CAPACITOR		C4501	1-165-643-21	ELECT CHIP 150UF 20% 4V		
4499		DIC3	CAPACITOR		C4502	1-125-777-11	CERAMIC CHIP 0.1UF 10.00% 10V		
4500		DIC3	CAPACITOR		C4503	1-100-567-81	CERAMIC CHIP 10000PF 10% 25V		
4501		DIC3	CAPACITOR		C4504	1-125-777-11	CERAMIC CHIP 0.1UF 10.00% 10V		
4502		DIC3	CAPACITOR		C4505	1-100-567-81	CERAMIC CHIP 10000PF 10% 25V		
4503		DIC3	CAPACITOR		C4506	1-100-567-81	CERAMIC CHIP 10000PF 10% 25V		
4504		DIC3	CAPACITOR		C4507	1-100-567-81	CERAMIC CHIP 10000PF 10% 25V		
4505		DIC3	CAPACITOR		C4508	1-125-777-11	CERAMIC CHIP 0.1UF 10.00% 10V		
4506		DIC3	CAPACITOR		C4509	1-125-777-11	CERAMIC CHIP 0.1UF 10.00% 10V		
4507		DIC3	CAPACITOR		C4510	1-100-567-81	CERAMIC CHIP 10000PF 10% 25V		
4508		DIC3	CAPACITOR		C4511	1-125-777-11	CERAMIC CHIP 0.1UF 10.00% 10V		
4509		DIC3	CAPACITOR		C4512	1-100-567-81	CERAMIC CHIP 10000PF 10% 25V		
4510		DIC3	CAPACITOR		C4513	1-100-567-81	CERAMIC CHIP 10000PF 10% 25V		
4511		DIC3	CAPACITOR		C4514	1-100-567-81	CERAMIC CHIP 10000PF 10% 25V		
4512		DIC3	CAPACITOR		C4515	1-100-567-81	CERAMIC CHIP 10000PF 10% 25V		
4513		DIC3	CAPACITOR		C4516	1-100-567-81	CERAMIC CHIP 10000PF 10% 25V		
4514		DIC3	CAPACITOR		C4517	1-125-777-11	CERAMIC CHIP 0.1UF 10.00% 10V		

No.	#	Board	Type	Δ / [*]	Ref. No.	Part No.	Description	Remarks-1	Remarks-2
4515		DIC3	CAPACITOR		C4518	1-125-777-11	CERAMIC CHIP 0.1UF 10.00% 10V		
4516		DIC3	CAPACITOR		C4519	1-100-567-81	CERAMIC CHIP 10000PF 10% 25V		
4517		DIC3	CAPACITOR		C4520	1-100-567-81	CERAMIC CHIP 10000PF 10% 25V		
4518		DIC3	CAPACITOR		C4521	1-100-567-81	CERAMIC CHIP 10000PF 10% 25V		
4519		DIC3	CAPACITOR		C4522	1-100-567-81	CERAMIC CHIP 10000PF 10% 25V		
4520		DIC3	CAPACITOR		C4523	1-100-567-81	CERAMIC CHIP 10000PF 10% 25V		
4521		DIC3	CAPACITOR		C4524	1-100-567-81	CERAMIC CHIP 10000PF 10% 25V		
4522		DIC3	CAPACITOR		C4525	1-100-567-81	CERAMIC CHIP 10000PF 10% 25V		
4523		DIC3	CAPACITOR		C4526	1-100-567-81	CERAMIC CHIP 10000PF 10% 25V		
4524		DIC3	CAPACITOR		C4527	1-125-777-11	CERAMIC CHIP 0.1UF 10.00% 10V		
4525		DIC3	CAPACITOR		C4528	1-100-567-81	CERAMIC CHIP 10000PF 10% 25V		
4526		DIC3	CAPACITOR		C4529	1-100-567-81	CERAMIC CHIP 10000PF 10% 25V		
4527		DIC3	CAPACITOR		C4530	1-125-777-11	CERAMIC CHIP 0.1UF 10.00% 10V		
4528		DIC3	CAPACITOR		C4531	1-100-567-81	CERAMIC CHIP 10000PF 10% 25V		
4529		DIC3	CAPACITOR		C4532	1-125-777-11	CERAMIC CHIP 0.1UF 10.00% 10V		
4530		DIC3	CAPACITOR		C4533	1-125-777-11	CERAMIC CHIP 0.1UF 10.00% 10V		
4531		DIC3	CAPACITOR		C4534	1-100-567-81	CERAMIC CHIP 10000PF 10% 25V		
4532		DIC3	CAPACITOR		C4535	1-100-567-81	CERAMIC CHIP 10000PF 10% 25V		
4533		DIC3	CAPACITOR		C4536	1-100-567-81	CERAMIC CHIP 10000PF 10% 25V		
4534		DIC3	CAPACITOR		C4537	1-100-567-81	CERAMIC CHIP 10000PF 10% 25V		
4535		DIC3	CAPACITOR		C4538	1-100-567-81	CERAMIC CHIP 10000PF 10% 25V		
4536		DIC3	CAPACITOR		C4539	1-125-777-11	CERAMIC CHIP 0.1UF 10.00% 10V		
4537		DIC3	CAPACITOR		C4540	1-100-567-81	CERAMIC CHIP 10000PF 10% 25V		
4538		DIC3	CAPACITOR		C4541	1-100-567-81	CERAMIC CHIP 10000PF 10% 25V		
4539		DIC3	CAPACITOR		C4542	1-100-567-81	CERAMIC CHIP 10000PF 10% 25V		
4540		DIC3	CAPACITOR		C4543	1-125-777-11	CERAMIC CHIP 0.1UF 10.00% 10V		
4541		DIC3	CAPACITOR		C4544	1-100-567-81	CERAMIC CHIP 10000PF 10% 25V		
4542		DIC3	CAPACITOR		C4545	1-100-567-81	CERAMIC CHIP 10000PF 10% 25V		
4543		DIC3	CAPACITOR		C4546	1-100-567-81	CERAMIC CHIP 10000PF 10% 25V		
4544		DIC3	CAPACITOR		C4547	1-100-567-81	CERAMIC CHIP 10000PF 10% 25V		
4545		DIC3	CAPACITOR		C4548	1-126-391-11	ELECT CHIP 47UF 20.00% 6.3V		
4546		DIC3	CAPACITOR		C4549	1-125-777-11	CERAMIC CHIP 0.1UF 10.00% 10V		
4547		DIC3	CAPACITOR		C4550	1-125-777-11	CERAMIC CHIP 0.1UF 10.00% 10V		
4548		DIC3	CAPACITOR		C4551	1-125-777-11	CERAMIC CHIP 0.1UF 10.00% 10V		
4549		DIC3	CAPACITOR		C4552	1-100-567-81	CERAMIC CHIP 10000PF 10% 25V		
4550		DIC3	CAPACITOR		C4553	1-100-567-81	CERAMIC CHIP 10000PF 10% 25V		
4551		DIC3	CAPACITOR		C4554	1-100-567-81	CERAMIC CHIP 10000PF 10% 25V		
4552		DIC3	CAPACITOR		C4555	1-100-567-81	CERAMIC CHIP 10000PF 10% 25V		
4553		DIC3	CAPACITOR		C4556	1-125-777-11	CERAMIC CHIP 0.1UF 10.00% 10V		
4554		DIC3	CAPACITOR		C4557	1-100-567-81	CERAMIC CHIP 10000PF 10% 25V		
4555		DIC3	CAPACITOR		C4558	1-125-777-11	CERAMIC CHIP 0.1UF 10.00% 10V		
4556		DIC3	CAPACITOR		C4559	1-100-567-81	CERAMIC CHIP 10000PF 10% 25V		
4557		DIC3	CAPACITOR		C4561	1-100-567-81	CERAMIC CHIP 10000PF 10% 25V		
4558		DIC3	CAPACITOR		C4562	1-100-567-81	CERAMIC CHIP 10000PF 10% 25V		
4559		DIC3	CAPACITOR		C4563	1-100-567-81	CERAMIC CHIP 10000PF 10% 25V		
4560		DIC3	CAPACITOR		C4564	1-100-567-81	CERAMIC CHIP 10000PF 10% 25V		
4561		DIC3	CAPACITOR		C4565	1-100-567-81	CERAMIC CHIP 10000PF 10% 25V		
4562		DIC3	CAPACITOR		C4566	1-100-567-81	CERAMIC CHIP 10000PF 10% 25V		
4563		DIC3	CAPACITOR		C4567	1-100-567-81	CERAMIC CHIP 10000PF 10% 25V		
4564		DIC3	CAPACITOR		C4568	1-100-567-81	CERAMIC CHIP 10000PF 10% 25V		
4565		DIC3	CAPACITOR		C4569	1-100-567-81	CERAMIC CHIP 10000PF 10% 25V		
4566		DIC3	CAPACITOR		C4570	1-100-567-81	CERAMIC CHIP 10000PF 10% 25V		
4567		DIC3	CAPACITOR		C4571	1-125-777-11	CERAMIC CHIP 0.1UF 10.00% 10V		
4568		DIC3	CAPACITOR		C4572	1-100-567-81	CERAMIC CHIP 10000PF 10% 25V		
4569		DIC3	CAPACITOR		C4573	1-100-567-81	CERAMIC CHIP 10000PF 10% 25V		
4570		DIC3	CAPACITOR		C4574	1-100-567-81	CERAMIC CHIP 10000PF 10% 25V		
4571		DIC3	CAPACITOR		C4575	1-100-567-81	CERAMIC CHIP 10000PF 10% 25V		
4572		DIC3	CAPACITOR		C4576	1-125-777-11	CERAMIC CHIP 0.1UF 10.00% 10V		
4573		DIC3	CAPACITOR		C4577	1-100-567-81	CERAMIC CHIP 10000PF 10% 25V		
4574		DIC3	CAPACITOR		C4578	1-100-567-81	CERAMIC CHIP 10000PF 10% 25V		
4575		DIC3	CAPACITOR		C4579	1-100-567-81	CERAMIC CHIP 10000PF 10% 25V		
4576		DIC3	CAPACITOR		C4580	1-100-567-81	CERAMIC CHIP 10000PF 10% 25V		
4577		DIC3	CAPACITOR		C4581	1-165-989-11	CERAMIC CHIP 10UF 10% 6.3V		
4578		DIC3	CAPACITOR		C4582	1-165-989-11	CERAMIC CHIP 10UF 10% 6.3V		
4579		DIC3	CAPACITOR		C4583	1-100-567-81	CERAMIC CHIP 10000PF 10% 25V		
4580		DIC3	CAPACITOR		C4584	1-100-567-81	CERAMIC CHIP 10000PF 10% 25V		
4581		DIC3	CAPACITOR		C4585	1-125-777-11	CERAMIC CHIP 0.1UF 10.00% 10V		
4582		DIC3	CAPACITOR		C4586	1-164-937-11	CERAMIC CHIP 0.001UF 10.00% 50V		
4583		DIC3	CAPACITOR		C4587	1-125-777-11	CERAMIC CHIP 0.1UF 10.00% 10V		
4584		DIC3	CAPACITOR		C4588	1-107-826-11	CERAMIC CHIP 0.1UF 10.00% 16V		
4585		DIC3	CAPACITOR		C4589	1-131-661-21	ELECT CHIP 100UF 20% 10V		
4586		DIC3	CAPACITOR		C4590	1-131-661-21	ELECT CHIP 100UF 20% 10V		
4587		DIC3	CAPACITOR		C4600	1-100-567-81	CERAMIC CHIP 10000PF 10% 25V		
4588		DIC3	CAPACITOR		C4601	1-100-567-81	CERAMIC CHIP 10000PF 10% 25V		

No.	#	Board	Type	Δ / [*]	Ref. No.	Part No.	Description	Remarks-1	Remarks-2
4663		DIC3	CAPACITOR		C4683	1-126-391-11	ELECT CHIP 47UF 20.00% 6.3V		
4664		DIC3	CAPACITOR		C4684	1-126-391-11	ELECT CHIP 47UF 20.00% 6.3V		
4665		DIC3	CAPACITOR		C4685	1-126-391-11	ELECT CHIP 47UF 20.00% 6.3V		
4666		DIC3	CAPACITOR		C4686	1-126-391-11	ELECT CHIP 47UF 20.00% 6.3V		
4667		DIC3	CAPACITOR		C4687	1-126-401-21	ELECT CHIP 1UF 20.00% 50V		
4668		DIC3	CAPACITOR		C4688	1-126-391-11	ELECT CHIP 47UF 20.00% 6.3V		
4669		DIC3	CAPACITOR		C4689	1-126-391-11	ELECT CHIP 47UF 20.00% 6.3V		
4670		DIC3	CAPACITOR		C4690	1-100-159-91	CERAMIC CHIP 22UF 10% 6.3V		
4671		DIC3	CAPACITOR		C4691	1-100-159-91	CERAMIC CHIP 22UF 10% 6.3V		
4672		DIC3	CAPACITOR		C4692	1-100-159-91	CERAMIC CHIP 22UF 10% 6.3V		
4673		DIC3	CAPACITOR		C4694	1-100-567-81	CERAMIC CHIP 10000PF 10% 25V		
4674		DIC3	CAPACITOR		C4695	1-100-567-81	CERAMIC CHIP 10000PF 10% 25V		
4675		DIC3	CAPACITOR		C4701	1-100-159-91	CERAMIC CHIP 22UF 10% 6.3V		
4676		DIC3	CAPACITOR		C4702	1-125-777-11	CERAMIC CHIP 0.1UF 10.00% 10V		
4677		DIC3	CAPACITOR		C4703	1-125-777-11	CERAMIC CHIP 0.1UF 10.00% 10V		
4678		DIC3	CAPACITOR		C4704	1-125-777-11	CERAMIC CHIP 0.1UF 10.00% 10V		
4679		DIC3	CAPACITOR		C4706	1-100-567-81	CERAMIC CHIP 10000PF 10% 25V		
4680		DIC3	CAPACITOR		C4707	1-100-567-81	CERAMIC CHIP 10000PF 10% 25V		
4681		DIC3	CAPACITOR		C4708	1-100-567-81	CERAMIC CHIP 10000PF 10% 25V		
4682		DIC3	CAPACITOR		C4709	1-125-777-11	CERAMIC CHIP 0.1UF 10.00% 10V		
4683		DIC3	CAPACITOR		C4710	1-125-777-11	CERAMIC CHIP 0.1UF 10.00% 10V		
4684		DIC3	CAPACITOR		C4713	1-165-908-11	CERAMIC CHIP 1UF 10% 10V		
4685		DIC3	CAPACITOR		C4714	1-164-854-11	CERAMIC CHIP 15PF 5.00% 50V		
4686		DIC3	CAPACITOR		C4715	1-164-938-11	CERAMIC CHIP 0.0015UF 10.00% 50V		
4687		DIC3	CAPACITOR		C4716	1-164-938-11	CERAMIC CHIP 0.0015UF 10.00% 50V		
4688		DIC3	CAPACITOR		C4800	1-125-777-11	CERAMIC CHIP 0.1UF 10.00% 10V		
4689		DIC3	CAPACITOR		C4801	1-100-567-81	CERAMIC CHIP 10000PF 10% 25V		
4690		DIC3	CAPACITOR		C4802	1-100-567-81	CERAMIC CHIP 10000PF 10% 25V		
4691		DIC3	CAPACITOR		C4803	1-100-567-81	CERAMIC CHIP 10000PF 10% 25V		
4692		DIC3	CAPACITOR		C4804	1-100-567-81	CERAMIC CHIP 10000PF 10% 25V		
4693		DIC3	CAPACITOR		C4805	1-125-777-11	CERAMIC CHIP 0.1UF 10.00% 10V		
4694		DIC3	CAPACITOR		C4806	1-100-567-81	CERAMIC CHIP 10000PF 10% 25V		
4695		DIC3	CAPACITOR		C4807	1-125-777-11	CERAMIC CHIP 0.1UF 10.00% 10V		
4696		DIC3	CAPACITOR		C4808	1-100-567-81	CERAMIC CHIP 10000PF 10% 25V		
4697		DIC3	CAPACITOR		C4809	1-125-777-11	CERAMIC CHIP 0.1UF 10.00% 10V		
4698		DIC3	CAPACITOR		C4810	1-125-777-11	CERAMIC CHIP 0.1UF 10.00% 10V		
4699		DIC3	CAPACITOR		C4811	1-100-567-81	CERAMIC CHIP 10000PF 10% 25V		
4700		DIC3	CAPACITOR		C4812	1-125-777-11	CERAMIC CHIP 0.1UF 10.00% 10V		
4701		DIC3	CAPACITOR		C4813	1-125-777-11	CERAMIC CHIP 0.1UF 10.00% 10V		
4702		DIC3	CAPACITOR		C4815	1-117-743-81	CERAMIC CHIP 5PF 0.1PF 16V		
4703		DIC3	CAPACITOR		C4816	1-117-743-81	CERAMIC CHIP 5PF 0.1PF 16V		
4704		DIC3	CAPACITOR		C4817	1-117-743-81	CERAMIC CHIP 5PF 0.1PF 16V		
4705		DIC3	CAPACITOR		C4818	1-125-777-11	CERAMIC CHIP 0.1UF 10.00% 10V		
4706		DIC3	CAPACITOR		C4819	1-117-743-81	CERAMIC CHIP 5PF 0.1PF 16V		
4707		DIC3	CAPACITOR		C4820	1-125-777-11	CERAMIC CHIP 0.1UF 10.00% 10V		
4708		DIC3	CAPACITOR		C4821	1-125-777-11	CERAMIC CHIP 0.1UF 10.00% 10V		
4709		DIC3	CAPACITOR		C4822	1-125-777-11	CERAMIC CHIP 0.1UF 10.00% 10V		
4710		DIC3	CAPACITOR		C4823	1-100-567-81	CERAMIC CHIP 10000PF 10% 25V		
4711		DIC3	CAPACITOR		C4824	1-100-567-81	CERAMIC CHIP 10000PF 10% 25V		
4712		DIC3	CAPACITOR		C4825	1-100-567-81	CERAMIC CHIP 10000PF 10% 25V		
4713		DIC3	CAPACITOR		C4826	1-125-777-11	CERAMIC CHIP 0.1UF 10.00% 10V		
4714		DIC3	CAPACITOR		C4827	1-126-401-21	ELECT CHIP 1UF 20.00% 50V		
4715		DIC3	CAPACITOR		C4828	1-125-777-11	CERAMIC CHIP 0.1UF 10.00% 10V		
4716		DIC3	CAPACITOR		C4829	1-100-567-81	CERAMIC CHIP 10000PF 10% 25V		
4717		DIC3	CAPACITOR		C4830	1-100-567-81	CERAMIC CHIP 10000PF 10% 25V		
4718		DIC3	CAPACITOR		C4831	1-100-567-81	CERAMIC CHIP 10000PF 10% 25V		
4719		DIC3	CAPACITOR		C4832	1-125-777-11	CERAMIC CHIP 0.1UF 10.00% 10V		
4720		DIC3	CAPACITOR		C4833	1-125-777-11	CERAMIC CHIP 0.1UF 10.00% 10V		
4721		DIC3	CAPACITOR		C4835	1-125-777-11	CERAMIC CHIP 0.1UF 10.00% 10V		
4722		DIC3	CAPACITOR		C4836	1-125-777-11	CERAMIC CHIP 0.1UF 10.00% 10V		
4723		DIC3	CAPACITOR		C4837	1-125-777-11	CERAMIC CHIP 0.1UF 10.00% 10V		
4724		DIC3	CAPACITOR		C4838	1-126-394-11	ELECT CHIP 10UF 20.00% 16V		
4725		DIC3	CAPACITOR		C4839	1-100-567-81	CERAMIC CHIP 10000PF 10% 25V		
4726		DIC3	CAPACITOR		C4840	1-125-777-11	CERAMIC CHIP 0.1UF 10.00% 10V		
4727		DIC3	CAPACITOR		C4841	1-100-567-81	CERAMIC CHIP 10000PF 10% 25V		
4728		DIC3	CAPACITOR		C4842	1-100-567-81	CERAMIC CHIP 10000PF 10% 25V		
4729		DIC3	CAPACITOR		C4843	1-100-567-81	CERAMIC CHIP 10000PF 10% 25V		
4730		DIC3	CAPACITOR		C4844	1-125-777-11	CERAMIC CHIP 0.1UF 10.00% 10V		
4731		DIC3	CAPACITOR		C4845	1-100-567-81	CERAMIC CHIP 10000PF 10% 25V		
4732		DIC3	CAPACITOR		C4846	1-117-743-81	CERAMIC CHIP 5PF 0.1PF 16V		
4733		DIC3	CAPACITOR		C4847	1-117-743-81	CERAMIC CHIP 5PF 0.1PF 16V		
4734		DIC3	CAPACITOR		C4848	1-117-743-81	CERAMIC CHIP 5PF 0.1PF 16V		
4735		DIC3	CAPACITOR		C4849	1-117-743-81	CERAMIC CHIP 5PF 0.1PF 16V		
4736		DIC3	CAPACITOR		C4850	1-125-777-11	CERAMIC CHIP 0.1UF 10.00% 10V		

No.	#	Board	Type	Δ / [*]	Ref. No.	Part No.	Description	Remarks-1	Remarks-2
4737		DIC3	CAPACITOR		C4851	1-100-567-81	CERAMIC CHIP 10000PF 10% 25V		
4738		DIC3	CAPACITOR		C4852	1-125-777-11	CERAMIC CHIP 0.1UF 10.00% 10V		
4739		DIC3	CAPACITOR		C4853	1-100-567-81	CERAMIC CHIP 10000PF 10% 25V		
4740		DIC3	CAPACITOR		C4854	1-125-777-11	CERAMIC CHIP 0.1UF 10.00% 10V		
4741		DIC3	CAPACITOR		C4855	1-125-777-11	CERAMIC CHIP 0.1UF 10.00% 10V		
4742		DIC3	CAPACITOR		C4856	1-100-567-81	CERAMIC CHIP 10000PF 10% 25V		
4743		DIC3	CAPACITOR		C4857	1-125-777-11	CERAMIC CHIP 0.1UF 10.00% 10V		
4744		DIC3	CAPACITOR		C4858	1-125-777-11	CERAMIC CHIP 0.1UF 10.00% 10V		
4745		DIC3	CAPACITOR		C4860	1-125-777-11	CERAMIC CHIP 0.1UF 10.00% 10V		
4746		DIC3	CAPACITOR		C4861	1-100-567-81	CERAMIC CHIP 10000PF 10% 25V		
4747		DIC3	CAPACITOR		C4862	1-100-567-81	CERAMIC CHIP 10000PF 10% 25V		
4748		DIC3	CAPACITOR		C4863	1-100-567-81	CERAMIC CHIP 10000PF 10% 25V		
4749		DIC3	CAPACITOR		C4864	1-126-401-21	ELECT CHIP 1UF 20.00% 50V		
4750		DIC3	CAPACITOR		C4865	1-100-567-81	CERAMIC CHIP 10000PF 10% 25V		
4751		DIC3	CAPACITOR		C4866	1-100-567-81	CERAMIC CHIP 10000PF 10% 25V		
4752		DIC3	CAPACITOR		C4867	1-100-567-81	CERAMIC CHIP 10000PF 10% 25V		
4753		DIC3	CAPACITOR		C4869	1-125-777-11	CERAMIC CHIP 0.1UF 10.00% 10V		
4754		DIC3	CAPACITOR		C4870	1-125-777-11	CERAMIC CHIP 0.1UF 10.00% 10V		
4755		DIC3	CAPACITOR		C4871	1-125-777-11	CERAMIC CHIP 0.1UF 10.00% 10V		
4756		DIC3	CAPACITOR		C4872	1-125-777-11	CERAMIC CHIP 0.1UF 10.00% 10V		
4757		DIC3	CAPACITOR		C4873	1-126-390-11	ELECT CHIP 22UF 20.00% 6.3V		
4758		DIC3	CAPACITOR		C4874	1-165-989-11	CERAMIC CHIP 10UF 10% 6.3V		
4759		DIC3	CAPACITOR		C4875	1-100-567-81	CERAMIC CHIP 10000PF 10% 25V		
4760		DIC3	CAPACITOR		C4876	1-100-567-81	CERAMIC CHIP 10000PF 10% 25V		
4761		DIC3	CAPACITOR		C4877	1-165-908-11	CERAMIC CHIP 1UF 10% 10V		
4762		DIC3	CAPACITOR		C4878	1-126-412-11	ELECT CHIP 220UF 20.00% 4V		
4763		DIC3	CAPACITOR		C4879	1-165-989-11	CERAMIC CHIP 10UF 10% 6.3V		
4764		DIC3	CAPACITOR		C4880	1-165-989-11	CERAMIC CHIP 10UF 10% 6.3V		
4765		DIC3	CAPACITOR		C4881	1-165-989-11	CERAMIC CHIP 10UF 10% 6.3V		
4766		DIC3	CAPACITOR		C4882	1-165-989-11	CERAMIC CHIP 10UF 10% 6.3V		
4767		DIC3	CONNECTOR	*	CN4200	1-817-752-21	CONNECTOR (RECEPTACLE) 14P		
4768		DIC3	CONNECTOR	*	CN4201	1-817-752-21	CONNECTOR (RECEPTACLE) 14P		
4769		DIC3	CONNECTOR		CN4600	1-770-851-21	PIN, CONNECTOR (PC BOARD) 6P		
4770		DIC3	DIODE		D4000	6-500-294-01	DIODE PTZ-TE25-3.9B		
4771		DIC3	DIODE		D4001	6-500-294-01	DIODE PTZ-TE25-3.9B		
4772		DIC3	DIODE		D4004	8-719-050-38	DIODE M1MA152WK-T1		
4773		DIC3	DIODE		D4005	8-719-050-37	DIODE M1MA152WA-T1		
4774		DIC3	DIODE		D4013	6-500-619-01	DIODE RB520S-40TE61		
4775		DIC3	DIODE		D4600	8-719-045-61	DIODE SEC1901C		
4776		DIC3	FERRITE BEAD		FB4002	1-414-228-11	FERRITE 0UH		
4777		DIC3	FERRITE BEAD		FB4003	1-414-228-11	FERRITE 0UH		
4778		DIC3	FERRITE BEAD		FB4004	1-400-461-21	FERRITE 0UH		
4779		DIC3	FERRITE BEAD		FB4005	1-400-461-21	FERRITE 0UH		
4780		DIC3	FERRITE BEAD		FB4006	1-400-461-21	FERRITE 0UH		
4781		DIC3	FERRITE BEAD		FB4007	1-400-461-21	FERRITE 0UH		
4782		DIC3	FERRITE BEAD		FB4008	1-400-461-21	FERRITE 0UH		
4783		DIC3	FERRITE BEAD		FB4009	1-400-461-21	FERRITE 0UH		
4784		DIC3	FERRITE BEAD		FB4010	1-400-461-21	FERRITE 0UH		
4785		DIC3	FERRITE BEAD		FB4011	1-400-461-21	FERRITE 0UH		
4786		DIC3	FERRITE BEAD		FB4013	1-400-461-21	FERRITE 0UH		
4787		DIC3	FERRITE BEAD		FB4014	1-400-461-21	FERRITE 0UH		
4788		DIC3	FERRITE BEAD		FB4015	1-400-461-21	FERRITE 0UH		
4789		DIC3	FERRITE BEAD		FB4500	1-469-979-21	FERRITE 0UH		
4790		DIC3	FERRITE BEAD		FB4501	1-414-445-11	FERRITE 0UH		
4791		DIC3	FERRITE BEAD		FB4502	1-414-445-11	FERRITE 0UH		
4792		DIC3	FERRITE BEAD		FB4503	1-414-445-11	FERRITE 0UH		
4793		DIC3	FERRITE BEAD		FB4504	1-414-445-11	FERRITE 0UH		
4794		DIC3	FERRITE BEAD		FB4600	1-469-379-11	FERRITE 0UH		
4795		DIC3	FERRITE BEAD		FB4601	1-469-379-11	FERRITE 0UH		
4796		DIC3	FERRITE BEAD		FB4602	1-469-379-11	FERRITE 0UH		
4797		DIC3	FERRITE BEAD		FB4603	1-469-379-11	FERRITE 0UH		
4798		DIC3	FERRITE BEAD		FB4604	1-469-379-11	FERRITE 0UH		
4799		DIC3	FERRITE BEAD		FB4605	1-469-379-11	FERRITE 0UH		
4800		DIC3	FERRITE BEAD		FB4606	1-414-445-11	FERRITE 0UH		
4801		DIC3	FERRITE BEAD		FB4607	1-414-445-11	FERRITE 0UH		
4802		DIC3	FERRITE BEAD		FB4608	1-469-379-11	FERRITE 0UH		
4803		DIC3	FERRITE BEAD		FB4609	1-414-445-11	FERRITE 0UH		
4804		DIC3	FERRITE BEAD		FB4800	1-469-379-11	FERRITE 0UH		
4805		DIC3	FERRITE BEAD		FB4802	1-469-379-11	FERRITE 0UH		
4806		DIC3	FERRITE BEAD		FB4806	1-469-379-11	FERRITE 0UH		
4807		DIC3	FERRITE BEAD		FB4808	1-414-864-11	FERRITE 0UH		
4808		DIC3	FERRITE BEAD		FB4809	1-414-864-11	FERRITE 0UH		
4809		DIC3	FILTER		FL4000	1-234-494-21	FILTER, EMI REMOVAL (SMD)		
4810		DIC3	FILTER		FL4001	1-234-494-21	FILTER, EMI REMOVAL (SMD)		

No.	#	Board	Type	△/*	Ref. No.	Part No.	Description	Remarks-1	Remarks-2
4811		DIC3	FILTER		FL4002	1-234-494-21	FILTER, EMI REMOVAL (SMD)		
4812		DIC3	FILTER		FL4300	1-234-560-21	FILTER, LOW PASS		
4813		DIC3	FILTER		FL4301	1-234-560-21	FILTER, LOW PASS		
4814		DIC3	FILTER		FL4302	1-234-177-21	FERRITE 0UH		
4815		DIC3	IC		IC4000	6-706-893-01	IC TPS54350PWPR		
4816		DIC3	IC		IC4001	6-706-893-01	IC TPS54350PWPR		
4817		DIC3	IC	*	IC4002	6-703-107-01	IC SN74LVC2G66DCUR		
4818		DIC3	IC		IC4004	6-705-771-01	IC SN74LVC1G32DCKR		
4819		DIC3	IC		IC4200	6-704-632-01	IC THC63LVD104A		
4820		DIC3	IC		IC4201	6-704-632-01	IC THC63LVD104A		
4821		DIC3	IC		IC4202	6-701-680-01	IC PST3629NR		
4822		DIC3	IC		IC4300	8-753-209-17	IC CXD3807GB		
4823		DIC3	IC		IC4301	6-705-403-01	IC PQ070XZ01ZPH		
4824		DIC3	IC		IC4302	6-706-892-01	IC SM5302AS-G-ET		
4825		DIC3	IC		IC4303	6-706-892-01	IC SM5302AS-G-ET		
4826		DIC3	IC		IC4304	6-706-873-01	IC MT48LC4M16A2P-75-Y14W-G		
4827		DIC3	IC		IC4305	8-759-680-92	IC MAX4018EEE-TG068		
4828		DIC3	IC		IC4502	8-759-592-47	IC TC7SZ08FU(TE85R)		
4829		DIC3	IC		IC4503	6-706-155-01	IC MT48LC2M32B2P-6-Y14W		
4830		DIC3	IC		IC4504	6-706-155-01	IC MT48LC2M32B2P-6-Y14W		
4831		DIC3	IC		IC4505	8-752-421-30	IC CXD3803GB		
4832		DIC3	IC		IC4506	6-804-680-01	IC CY25104ZXC-2		
4833		DIC3	IC		IC4507	6-804-680-01	IC CY25104ZXC-2		
4834		DIC3	IC		IC4508	6-804-677-01	IC CY22392ZXC-364		
4835		DIC3	IC		IC4600	6-804-678-01	IC CY22392ZXC-363		
4836		DIC3	IC		IC4601	8-759-331-27	IC MM1096AFF		
4837		DIC3	IC		IC4602	6-703-589-01	IC SN74LVC1G125DCKR		
4838		DIC3	IC		IC4603	6-804-679-01	IC CY25104ZXC-1		
4839		DIC3	IC		IC4604	6-703-589-01	IC SN74LVC1G125DCKR		
4840		DIC3	IC		IC4608	6-703-589-01	IC SN74LVC1G125DCKR		
4841		DIC3	IC		IC4609	6-703-589-01	IC SN74LVC1G125DCKR		
4842		DIC3	IC		IC4610	8-753-228-04	IC CXD4703GB-1		
4843		DIC3	IC		IC4611	8-759-836-78	IC RN5VD53AA-TL		
4844		DIC3	IC		IC4612	8-759-474-95	IC RN5VD42AA-TL-FA		
4845		DIC3	IC		IC4613	8-759-524-77	IC RN5VD21AA-TL-FA		
4846		DIC3	IC		IC4614	6-704-353-01	IC SN74LVC2G34DCKR		
4847		DIC3	IC		IC4615	6-704-353-01	IC SN74LVC2G34DCKR		
4848		DIC3	IC		IC4800	6-706-784-01	IC HY5DU283222AFP-36		
4849		DIC3	IC		IC4801	6-804-681-01	IC MBM29DL32TF70TN-KE1-WE1		
4850		DIC3	IC		IC4802	6-706-784-01	IC HY5DU283222AFP-36		
4851		DIC3	IC		IC4803	6-704-520-01	IC MAX1809EEE+TG068		
4852		DIC3	COIL		L4000	1-416-344-11	INDUCTOR 10UH		
4853		DIC3	COIL		L4001	1-416-344-11	INDUCTOR 10UH		
4854		DIC3	COIL		L4002	1-424-918-21	INDUCTOR 10UH		
4855		DIC3	COIL		L4003	1-424-918-21	INDUCTOR 10UH		
4856		DIC3	COIL		L4200	1-469-555-21	INDUCTOR 10UH		
4857		DIC3	COIL		L4201	1-469-555-21	INDUCTOR 10UH		
4858		DIC3	COIL		L4300	1-469-549-21	INDUCTOR 1UH		
4859		DIC3	COIL		L4301	1-469-555-21	INDUCTOR 10UH		
4860		DIC3	COIL		L4302	1-469-549-21	INDUCTOR 1UH		
4861		DIC3	COIL		L4305	1-469-549-21	INDUCTOR 1UH		
4862		DIC3	COIL		L4306	1-469-549-21	INDUCTOR 1UH		
4863		DIC3	COIL		L4307	1-469-549-21	INDUCTOR 1UH		
4864		DIC3	COIL		L4308	1-469-555-21	INDUCTOR 10UH		
4865		DIC3	COIL		L4309	1-469-555-21	INDUCTOR 10UH		
4866		DIC3	COIL		L4310	1-469-555-21	INDUCTOR 10UH		
4867		DIC3	COIL		L4311	1-412-029-11	INDUCTOR 10UH		
4868		DIC3	COIL		L4312	1-412-029-11	INDUCTOR 10UH		
4869		DIC3	COIL		L4313	1-469-549-21	INDUCTOR 1UH		
4870		DIC3	COIL		L4314	1-469-549-21	INDUCTOR 1UH		
4871		DIC3	COIL		L4315	1-469-549-21	INDUCTOR 1UH		
4872		DIC3	COIL		L4316	1-469-549-21	INDUCTOR 1UH		
4873		DIC3	COIL		L4501	1-412-029-11	INDUCTOR 10UH		
4874		DIC3	COIL		L4502	1-469-555-21	INDUCTOR 10UH		
4875		DIC3	COIL		L4503	1-412-029-11	INDUCTOR 10UH		
4876		DIC3	COIL		L4504	1-412-029-11	INDUCTOR 10UH		
4877		DIC3	COIL		L4600	1-469-555-21	INDUCTOR 10UH		
4878		DIC3	COIL		L4601	1-469-553-21	INDUCTOR 4.7UH		
4879		DIC3	COIL		L4800	1-419-630-21	INDUCTOR 4.7UH		
4880		DIC3	IC LINK	△	PS4000	1-576-731-21	IC LINK 2.5A 24V		
4881		DIC3	IC LINK	△	PS4001	1-576-731-21	IC LINK 2.5A 24V		
4882		DIC3	IC LINK	△	PS4002	1-576-731-21	IC LINK 2.5A 24V		
4883		DIC3	IC LINK	△	PS4003	1-576-731-21	IC LINK 2.5A 24V		
4884		DIC3	TRANSISTOR		Q4000	8-729-054-68	TRANSISTOR FDS6986S		

No.	#	Board	Type	Δ / [*]	Ref. No.	Part No.	Description	Remarks-1	Remarks-2
4885		DIC3	TRANSISTOR		Q4001	8-729-054-68	TRANSISTOR FDS6986S		
4886		DIC3	TRANSISTOR		Q4006	6-550-586-01	TRANSISTOR 2PA1576R-115		
4887		DIC3	TRANSISTOR		Q4007	6-550-586-01	TRANSISTOR 2PA1576R-115		
4888		DIC3	TRANSISTOR		Q4009	8-729-028-28	TRANSISTOR 2SK2036(TE85L)		
4889		DIC3	TRANSISTOR		Q4012	8-729-028-28	TRANSISTOR 2SK2036(TE85L)		
4890		DIC3	TRANSISTOR		Q4016	8-729-029-14	TRANSISTOR DTC144EUA-T106		
4891		DIC3	TRANSISTOR		Q4200	8-729-028-97	TRANSISTOR DTC114TUA-T106		
4892		DIC3	TRANSISTOR		Q4300	8-729-122-63	TRANSISTOR 2SA1226-E4		
4893		DIC3	TRANSISTOR		Q4301	8-729-122-63	TRANSISTOR 2SA1226-E4		
4894		DIC3	TRANSISTOR		Q4302	8-729-117-73	TRANSISTOR 2SC4178-F14		
4895		DIC3	TRANSISTOR		Q4303	8-729-117-73	TRANSISTOR 2SC4178-F14		
4896		DIC3	TRANSISTOR		Q4304	8-729-117-73	TRANSISTOR 2SC4178-F14		
4897		DIC3	TRANSISTOR		Q4305	8-729-117-73	TRANSISTOR 2SC4178-F14		
4898		DIC3	TRANSISTOR		Q4306	8-729-117-73	TRANSISTOR 2SC4178-F14		
4899		DIC3	TRANSISTOR		Q4307	8-729-122-63	TRANSISTOR 2SA1226-E4		
4900		DIC3	TRANSISTOR		Q4308	8-729-122-63	TRANSISTOR 2SA1226-E4		
4901		DIC3	TRANSISTOR		Q4309	8-729-117-73	TRANSISTOR 2SC4178-F14		
4902		DIC3	TRANSISTOR		Q4310	8-729-117-73	TRANSISTOR 2SC4178-F14		
4903		DIC3	TRANSISTOR		Q4311	8-729-159-65	TRANSISTOR 2SD596-DV5		
4904		DIC3	TRANSISTOR		Q4312	8-729-122-63	TRANSISTOR 2SA1226-E4		
4905		DIC3	TRANSISTOR		Q4313	8-729-122-63	TRANSISTOR 2SA1226-E4		
4906		DIC3	TRANSISTOR		Q4314	8-729-122-63	TRANSISTOR 2SA1226-E4		
4907		DIC3	TRANSISTOR		Q4316	8-729-122-63	TRANSISTOR 2SA1226-E4		
4908		DIC3	TRANSISTOR		Q4317	8-729-122-63	TRANSISTOR 2SA1226-E4		
4909		DIC3	TRANSISTOR		Q4320	8-729-162-45	TRANSISTOR 2SB624-BV5		
4910		DIC3	TRANSISTOR		Q4600	8-729-028-97	TRANSISTOR DTC114TUA-T106		
4911		DIC3	TRANSISTOR		Q4601	8-729-028-28	TRANSISTOR 2SK2036(TE85L)		
4912		DIC3	RESISTOR		R4000	1-218-953-11	RES-CHIP 1K 5% 1/16W		
4913		DIC3	RESISTOR		R4009	1-218-929-11	RES-CHIP 10 5% 1/16W		
4914		DIC3	RESISTOR		R4011	1-218-929-11	RES-CHIP 10 5% 1/16W		
4915		DIC3	RESISTOR		R4012	1-218-929-11	RES-CHIP 10 5% 1/16W		
4916		DIC3	RESISTOR		R4013	1-218-957-11	RES-CHIP 2.2K 5% 1/16W		
4917		DIC3	RESISTOR		R4014	1-218-933-11	RES-CHIP 22 5% 1/16W		
4918		DIC3	RESISTOR		R4015	1-218-973-11	RES-CHIP 47K 5% 1/16W		
4919		DIC3	RESISTOR		R4016	1-218-933-11	RES-CHIP 22 5% 1/16W		
4920		DIC3	RESISTOR		R4020	1-218-929-11	RES-CHIP 10 5% 1/16W		
4921		DIC3	RESISTOR		R4021	1-218-929-11	RES-CHIP 10 5% 1/16W		
4922		DIC3	RESISTOR		R4022	1-218-929-11	RES-CHIP 10 5% 1/16W		
4923		DIC3	RESISTOR		R4024	1-218-929-11	RES-CHIP 10 5% 1/16W		
4924		DIC3	RESISTOR		R4025	1-218-937-11	RES-CHIP 47 5% 1/16W		
4925		DIC3	RESISTOR		R4026	1-218-937-11	RES-CHIP 47 5% 1/16W		
4926		DIC3	RESISTOR		R4027	1-218-929-11	RES-CHIP 10 5% 1/16W		
4927		DIC3	RESISTOR		R4028	1-218-937-11	RES-CHIP 47 5% 1/16W		
4928		DIC3	RESISTOR		R4029	1-218-937-11	RES-CHIP 47 5% 1/16W		
4929		DIC3	RESISTOR		R4030	1-218-937-11	RES-CHIP 47 5% 1/16W		
4930		DIC3	RESISTOR		R4031	1-218-953-11	RES-CHIP 1K 5% 1/16W		
4931		DIC3	RESISTOR		R4032	1-218-929-11	RES-CHIP 10 5% 1/16W		
4932		DIC3	RESISTOR		R4036	1-218-929-11	RES-CHIP 10 5% 1/16W		
4933		DIC3	RESISTOR		R4037	1-218-929-11	RES-CHIP 10 5% 1/16W		
4934		DIC3	RESISTOR		R4038	1-208-931-11	METAL CHIP 68K 0.5% 1/16W		
4935		DIC3	RESISTOR		R4039	1-208-893-11	METAL CHIP 1.8K 0.5% 1/16W		
4936		DIC3	RESISTOR		R4040	1-208-931-11	METAL CHIP 68K 0.5% 1/16W		
4937		DIC3	RESISTOR		R4041	1-208-893-11	METAL CHIP 1.8K 0.5% 1/16W		
4938		DIC3	RESISTOR		R4042	1-218-969-11	RES-CHIP 22K 5% 1/16W		
4939		DIC3	RESISTOR		R4043	1-218-929-11	RES-CHIP 10 5% 1/16W		
4940		DIC3	RESISTOR		R4044	1-218-969-11	RES-CHIP 22K 5% 1/16W		
4941		DIC3	RESISTOR		R4045	1-218-933-11	RES-CHIP 22 5% 1/16W		
4942		DIC3	RESISTOR		R4046	1-218-969-11	RES-CHIP 22K 5% 1/16W		
4943		DIC3	RESISTOR		R4047	1-218-933-11	RES-CHIP 22 5% 1/16W		
4944		DIC3	RESISTOR		R4048	1-218-945-11	RES-CHIP 220 5% 1/16W		
4945		DIC3	RESISTOR		R4049	1-218-945-11	RES-CHIP 220 5% 1/16W		
4946		DIC3	RESISTOR		R4050	1-218-958-11	METAL CHIP 2.7K 5% 1/16W		
4947		DIC3	RESISTOR		R4051	1-208-663-11	METAL CHIP 150 0.5% 1/16W		
4948		DIC3	RESISTOR		R4052	1-208-885-11	METAL CHIP 820 0.5% 1/16W		
4949		DIC3	RESISTOR		R4053	1-208-663-11	METAL CHIP 150 0.5% 1/16W		
4950		DIC3	RESISTOR		R4054	1-208-683-11	METAL CHIP 1K 0.5% 1/16W		
4951		DIC3	RESISTOR		R4055	1-218-945-11	RES-CHIP 220 5% 1/16W		
4952		DIC3	RESISTOR		R4056	1-208-683-11	METAL CHIP 1K 0.5% 1/16W		
4953		DIC3	RESISTOR		R4057	1-218-945-11	RES-CHIP 220 5% 1/16W		
4954		DIC3	RESISTOR		R4058	1-218-929-11	RES-CHIP 10 5% 1/16W		
4955		DIC3	RESISTOR		R4059	1-218-929-11	RES-CHIP 10 5% 1/16W		
4956		DIC3	RESISTOR		R4060	1-218-929-11	RES-CHIP 10 5% 1/16W		
4957		DIC3	RESISTOR		R4061	1-218-969-11	RES-CHIP 22K 5% 1/16W		
4958		DIC3	RESISTOR		R4062	1-218-969-11	RES-CHIP 22K 5% 1/16W		

No.	#	Board	Type	Δ / [*]	Ref. No.	Part No.	Description	Remarks-1	Remarks-2
4959		DIC3	RESISTOR		R4063	1-218-969-11	RES-CHIP 22K 5% 1/16W		
4960		DIC3	RESISTOR		R4067	1-218-929-11	RES-CHIP 10 5% 1/16W		
4961		DIC3	RESISTOR		R4071	1-216-864-11	SHORT CHIP 0		
4962		DIC3	RESISTOR		R4073	1-218-929-11	RES-CHIP 10 5% 1/16W		
4963		DIC3	RESISTOR		R4074	1-218-929-11	RES-CHIP 10 5% 1/16W		
4964		DIC3	RESISTOR		R4083	1-218-977-11	RES-CHIP 100K 5% 1/16W		
4965		DIC3	RESISTOR		R4084	1-218-977-11	RES-CHIP 100K 5% 1/16W		
4966		DIC3	RESISTOR		R4085	1-218-937-11	RES-CHIP 47 5% 1/16W		
4967		DIC3	RESISTOR		R4086	1-218-937-11	RES-CHIP 47 5% 1/16W		
4968		DIC3	RESISTOR		R4087	1-218-937-11	RES-CHIP 47 5% 1/16W		
4969		DIC3	RESISTOR		R4088	1-218-937-11	RES-CHIP 47 5% 1/16W		
4970		DIC3	RESISTOR		R4089	1-218-957-11	RES-CHIP 2.2K 5% 1/16W		
4971		DIC3	RESISTOR		R4090	1-218-957-11	RES-CHIP 2.2K 5% 1/16W		
4972		DIC3	RESISTOR		R4092	1-218-965-11	RES-CHIP 10K 5% 1/16W		
4973		DIC3	RESISTOR		R4094	1-218-965-11	RES-CHIP 10K 5% 1/16W		
4974		DIC3	RESISTOR		R4106	1-218-990-11	SHORT CHIP 0		
4975		DIC3	RESISTOR		R4107	1-218-990-11	SHORT CHIP 0		
4976		DIC3	RESISTOR		R4108	1-218-959-11	RES-CHIP 3.3K 5% 1/16W		
4977		DIC3	RESISTOR		R4109	1-218-973-11	RES-CHIP 47K 5% 1/16W		
4978		DIC3	RESISTOR		R4110	1-218-955-11	RES-CHIP 1.5K 5% 1/16W		
4979		DIC3	RESISTOR		R4115	1-218-965-11	RES-CHIP 10K 5% 1/16W		
4980		DIC3	RESISTOR		R4118	1-218-965-11	RES-CHIP 10K 5% 1/16W		
4981		DIC3	RESISTOR		R4135	1-218-929-11	RES-CHIP 10 5% 1/16W		
4982		DIC3	RESISTOR		R4136	1-218-965-11	RES-CHIP 10K 5% 1/16W		
4983		DIC3	RESISTOR		R4137	1-218-929-11	RES-CHIP 10 5% 1/16W		
4984		DIC3	RESISTOR		R4200	1-218-941-11	METAL CHIP 100 5% 1/16W		
4985		DIC3	RESISTOR		R4201	1-218-941-11	METAL CHIP 100 5% 1/16W		
4986		DIC3	RESISTOR		R4202	1-218-941-11	METAL CHIP 100 5% 1/16W		
4987		DIC3	RESISTOR		R4203	1-218-941-11	METAL CHIP 100 5% 1/16W		
4988		DIC3	RESISTOR		R4204	1-218-941-11	METAL CHIP 100 5% 1/16W		
4989		DIC3	RESISTOR		R4205	1-218-941-11	METAL CHIP 100 5% 1/16W		
4990		DIC3	RESISTOR		R4206	1-218-941-11	METAL CHIP 100 5% 1/16W		
4991		DIC3	RESISTOR		R4207	1-218-941-11	METAL CHIP 100 5% 1/16W		
4992		DIC3	RESISTOR		R4208	1-218-941-11	METAL CHIP 100 5% 1/16W		
4993		DIC3	RESISTOR		R4209	1-218-941-11	METAL CHIP 100 5% 1/16W		
4994		DIC3	RESISTOR		R4211	1-216-864-11	SHORT CHIP 0		
4995		DIC3	RESISTOR		R4212	1-216-864-11	SHORT CHIP 0		
4996		DIC3	RESISTOR		R4213	1-216-864-11	SHORT CHIP 0		
4997		DIC3	RESISTOR		R4214	1-216-864-11	SHORT CHIP 0		
4998		DIC3	RESISTOR		R4215	1-216-864-11	SHORT CHIP 0		
4999		DIC3	RESISTOR		R4216	1-216-864-11	SHORT CHIP 0		
5000		DIC3	RESISTOR		R4219	1-218-990-11	SHORT CHIP 0		
5001		DIC3	RESISTOR		R4220	1-218-977-11	RES-CHIP 100K 5% 1/16W		
5002		DIC3	RESISTOR		R4221	1-218-990-11	SHORT CHIP 0		
5003		DIC3	RESISTOR		R4222	1-218-977-11	RES-CHIP 100K 5% 1/16W		
5004		DIC3	RESISTOR		R4223	1-218-935-11	RES-CHIP 33 5% 1/16W		
5005		DIC3	RESISTOR		R4224	1-218-937-11	RES-CHIP 47 5% 1/16W		
5006		DIC3	RESISTOR		R4225	1-218-935-11	RES-CHIP 33 5% 1/16W		
5007		DIC3	RESISTOR		R4226	1-218-937-11	RES-CHIP 47 5% 1/16W		
5008		DIC3	RESISTOR		R4227	1-218-937-11	RES-CHIP 47 5% 1/16W		
5009		DIC3	RESISTOR		R4228	1-218-937-11	RES-CHIP 47 5% 1/16W		
5010		DIC3	RESISTOR		R4229	1-218-935-11	RES-CHIP 33 5% 1/16W		
5011		DIC3	RESISTOR		R4230	1-218-935-11	RES-CHIP 33 5% 1/16W		
5012		DIC3	RESISTOR		R4231	1-218-935-11	RES-CHIP 33 5% 1/16W		
5013		DIC3	RESISTOR		R4232	1-218-935-11	RES-CHIP 33 5% 1/16W		
5014		DIC3	RESISTOR		R4236	1-218-990-11	SHORT CHIP 0		
5015		DIC3	RESISTOR		R4237	1-218-935-11	RES-CHIP 33 5% 1/16W		
5016		DIC3	RESISTOR		R4238	1-218-935-11	RES-CHIP 33 5% 1/16W		
5017		DIC3	RESISTOR		R4242	1-218-990-11	SHORT CHIP 0		
5018		DIC3	RESISTOR		R4243	1-218-990-11	SHORT CHIP 0		
5019		DIC3	RESISTOR		R4244	1-218-969-11	RES-CHIP 22K 5% 1/16W		
5020		DIC3	RESISTOR		R4245	1-218-969-11	RES-CHIP 22K 5% 1/16W		
5021		DIC3	RESISTOR		R4246	1-218-969-11	RES-CHIP 22K 5% 1/16W		
5022		DIC3	RESISTOR		R4247	1-218-969-11	RES-CHIP 22K 5% 1/16W		
5023		DIC3	RESISTOR		R4248	1-218-969-11	RES-CHIP 22K 5% 1/16W		
5024		DIC3	RESISTOR		R4249	1-218-969-11	RES-CHIP 22K 5% 1/16W		
5025		DIC3	RESISTOR		R4250	1-218-929-11	RES-CHIP 10 5% 1/16W		
5026		DIC3	RESISTOR		R4251	1-218-929-11	RES-CHIP 10 5% 1/16W		
5027		DIC3	RESISTOR		R4252	1-218-965-11	RES-CHIP 10K 5% 1/16W		
5028		DIC3	RESISTOR		R4253	1-218-941-81	RES-CHIP 100 5% 1/16W		
5029		DIC3	RESISTOR		R4254	1-218-941-81	RES-CHIP 100 5% 1/16W		
5030		DIC3	RESISTOR		R4300	1-218-958-11	RES-CHIP 2.7K 5% 1/16W		
5031		DIC3	RESISTOR		R4301	1-218-965-11	RES-CHIP 10K 5% 1/16W		
5032		DIC3	RESISTOR		R4302	1-218-929-11	RES-CHIP 10 5% 1/16W		

No.	#	Board	Type	Δ / [*]	Ref. No.	Part No.	Description	Remarks-1	Remarks-2
5033		DIC3	RESISTOR		R4303	1-218-929-11	RES-CHIP 10 5% 1/16W		
5034		DIC3	RESISTOR		R4304	1-218-929-11	RES-CHIP 10 5% 1/16W		
5035		DIC3	RESISTOR		R4305	1-218-965-11	RES-CHIP 10K 5% 1/16W		
5036		DIC3	RESISTOR		R4306	1-218-965-11	RES-CHIP 10K 5% 1/16W		
5037		DIC3	RESISTOR		R4307	1-218-990-11	SHORT CHIP 0		
5038		DIC3	RESISTOR		R4309	1-218-990-11	SHORT CHIP 0		
5039		DIC3	RESISTOR		R4310	1-218-929-11	RES-CHIP 10 5% 1/16W		
5040		DIC3	RESISTOR		R4312	1-218-929-11	RES-CHIP 10 5% 1/16W		
5041		DIC3	RESISTOR		R4313	1-218-990-11	SHORT CHIP 0		
5042		DIC3	RESISTOR		R4314	1-218-990-11	SHORT CHIP 0		
5043		DIC3	RESISTOR		R4315	1-218-958-11	RES-CHIP 2.7K 5% 1/16W		
5044		DIC3	RESISTOR		R4317	1-218-945-11	METAL CHIP 220 5% 1/16W		
5045		DIC3	RESISTOR		R4318	1-208-699-11	METAL CHIP 4.7K 0.5% 1/16W		
5046		DIC3	RESISTOR		R4319	1-208-699-11	METAL CHIP 4.7K 0.5% 1/16W		
5047		DIC3	RESISTOR		R4320	1-218-965-11	RES-CHIP 10K 5% 1/16W		
5048		DIC3	RESISTOR		R4321	1-218-929-11	RES-CHIP 10 5% 1/16W		
5049		DIC3	RESISTOR		R4322	1-218-929-11	RES-CHIP 10 5% 1/16W		
5050		DIC3	RESISTOR		R4323	1-218-965-11	RES-CHIP 10K 5% 1/16W		
5051		DIC3	RESISTOR		R4324	1-218-990-11	SHORT CHIP 0		
5052		DIC3	RESISTOR		R4326	1-218-929-11	RES-CHIP 10 5% 1/16W		
5053		DIC3	RESISTOR		R4327	1-218-990-11	SHORT CHIP 0		
5054		DIC3	RESISTOR		R4328	1-218-990-11	SHORT CHIP 0		
5055		DIC3	RESISTOR		R4330	1-218-990-11	SHORT CHIP 0		
5056		DIC3	RESISTOR		R4331	1-218-990-11	SHORT CHIP 0		
5057		DIC3	RESISTOR		R4332	1-218-929-11	RES-CHIP 10 5% 1/16W		
5058		DIC3	RESISTOR		R4333	1-218-965-11	RES-CHIP 10K 5% 1/16W		
5059		DIC3	RESISTOR		R4334	1-218-990-11	SHORT CHIP 0		
5060		DIC3	RESISTOR		R4336	1-218-990-11	SHORT CHIP 0		
5061		DIC3	RESISTOR		R4338	1-218-990-11	SHORT CHIP 0		
5062		DIC3	RESISTOR		R4339	1-218-965-11	RES-CHIP 10K 5% 1/16W		
5063		DIC3	RESISTOR		R4340	1-218-929-11	RES-CHIP 10 5% 1/16W		
5064		DIC3	RESISTOR		R4341	1-218-929-11	RES-CHIP 10 5% 1/16W		
5065		DIC3	RESISTOR		R4342	1-218-965-11	RES-CHIP 10K 5% 1/16W		
5066		DIC3	RESISTOR		R4343	1-218-945-11	METAL CHIP 220 5% 1/16W		
5067		DIC3	RESISTOR		R4344	1-208-699-11	METAL CHIP 4.7K 0.5% 1/16W		
5068		DIC3	RESISTOR		R4345	1-208-699-11	METAL CHIP 4.7K 0.5% 1/16W		
5069		DIC3	RESISTOR		R4346	1-208-647-11	METAL CHIP 33 0.5% 1/16W		
5070		DIC3	RESISTOR		R4347	1-208-679-11	METAL CHIP 680 0.5% 1/16W		
5071		DIC3	RESISTOR		R4348	1-208-675-11	METAL CHIP 470 0.5% 1/16W		
5072		DIC3	RESISTOR		R4349	1-218-929-11	RES-CHIP 10 5% 1/16W		
5073		DIC3	RESISTOR		R4352	1-218-943-11	RES-CHIP 150 5% 1/16W		
5074		DIC3	RESISTOR		R4353	1-218-943-11	RES-CHIP 150 5% 1/16W		
5075		DIC3	RESISTOR		R4362	1-218-947-11	RES-CHIP 330 5% 1/16W		
5076		DIC3	RESISTOR		R4363	1-218-947-11	RES-CHIP 330 5% 1/16W		
5077		DIC3	RESISTOR		R4364	1-218-941-11	METAL CHIP 100 5% 1/16W		
5078		DIC3	RESISTOR		R4367	1-218-941-11	METAL CHIP 100 5% 1/16W		
5079		DIC3	RESISTOR		R4368	1-218-929-11	RES-CHIP 10 5% 1/16W		
5080		DIC3	RESISTOR		R4372	1-218-990-11	SHORT CHIP 0		
5081		DIC3	RESISTOR		R4373	1-208-855-81	METAL CHIP 47 0.5% 1/16W		
5082		DIC3	RESISTOR		R4374	1-208-663-11	METAL CHIP 150 0.5% 1/16W		
5083		DIC3	RESISTOR		R4375	1-218-945-11	METAL CHIP 220 5% 1/16W		
5084		DIC3	RESISTOR		R4376	1-208-855-81	METAL CHIP 47 0.5% 1/16W		
5085		DIC3	RESISTOR		R4377	1-208-661-11	METAL CHIP 120 0.5% 1/16W		
5086		DIC3	RESISTOR		R4378	1-218-945-11	METAL CHIP 220 5% 1/16W		
5087		DIC3	RESISTOR		R4379	1-208-855-81	METAL CHIP 47 0.5% 1/16W		
5088		DIC3	RESISTOR		R4380	1-208-661-11	METAL CHIP 120 0.5% 1/16W		
5089		DIC3	RESISTOR		R4381	1-218-945-11	METAL CHIP 220 5% 1/16W		
5090		DIC3	RESISTOR		R4382	1-218-945-11	METAL CHIP 220 5% 1/16W		
5091		DIC3	RESISTOR		R4383	1-208-663-11	METAL CHIP 150 0.5% 1/16W		
5092		DIC3	RESISTOR		R4384	1-218-945-11	METAL CHIP 220 5% 1/16W		
5093		DIC3	RESISTOR		R4385	1-218-945-11	METAL CHIP 220 5% 1/16W		
5094		DIC3	RESISTOR		R4386	1-208-663-11	METAL CHIP 150 0.5% 1/16W		
5095		DIC3	RESISTOR		R4387	1-218-945-11	METAL CHIP 220 5% 1/16W		
5096		DIC3	RESISTOR		R4388	1-218-941-11	METAL CHIP 100 5% 1/16W		
5097		DIC3	RESISTOR		R4389	1-218-941-11	METAL CHIP 100 5% 1/16W		
5098		DIC3	RESISTOR		R4392	1-218-990-11	SHORT CHIP 0		
5099		DIC3	RESISTOR		R4394	1-218-990-11	SHORT CHIP 0		
5100		DIC3	RESISTOR		R4395	1-218-953-11	RES-CHIP 1K 5% 1/16W		
5101		DIC3	RESISTOR		R4396	1-218-953-11	RES-CHIP 1K 5% 1/16W		
5102		DIC3	RESISTOR		R4398	1-208-893-11	METAL CHIP 1.8K 0.5% 1/16W		
5103		DIC3	RESISTOR		R4399	1-218-941-81	RES-CHIP 100 5% 1/16W		
5104		DIC3	RESISTOR		R4400	1-218-941-81	RES-CHIP 100 5% 1/16W		
5105		DIC3	RESISTOR		R4401	1-218-941-81	RES-CHIP 100 5% 1/16W		
5106		DIC3	RESISTOR		R4402	1-218-941-81	RES-CHIP 100 5% 1/16W		

No.	#	Board	Type	Δ / [*]	Ref. No.	Part No.	Description	Remarks-1	Remarks-2
5107		DIC3	RESISTOR		R4403	1-218-941-81	RES-CHIP 100 5% 1/16W		
5108		DIC3	RESISTOR		R4404	1-218-941-81	RES-CHIP 100 5% 1/16W		
5109		DIC3	RESISTOR		R4405	1-218-941-81	RES-CHIP 100 5% 1/16W		
5110		DIC3	RESISTOR		R4406	1-218-941-81	RES-CHIP 100 5% 1/16W		
5111		DIC3	RESISTOR		R4407	1-208-893-11	METAL CHIP 1.8K 0.5% 1/16W		
5112		DIC3	RESISTOR		R4408	1-218-990-11	SHORT CHIP 0		
5113		DIC3	RESISTOR		R4409	1-218-990-11	SHORT CHIP 0		
5114		DIC3	RESISTOR		R4410	1-218-990-11	SHORT CHIP 0		
5115		DIC3	RESISTOR		R4411	1-218-990-11	SHORT CHIP 0		
5116		DIC3	RESISTOR		R4412	1-218-990-11	SHORT CHIP 0		
5117		DIC3	RESISTOR		R4413	1-218-990-11	SHORT CHIP 0		
5118		DIC3	RESISTOR		R4414	1-218-990-11	SHORT CHIP 0		
5119		DIC3	RESISTOR		R4415	1-218-849-11	METAL CHIP 1.2K 0.5% 1/10W		
5120		DIC3	RESISTOR		R4416	1-218-990-11	SHORT CHIP 0		
5121		DIC3	RESISTOR		R4417	1-218-990-11	SHORT CHIP 0		
5122		DIC3	RESISTOR		R4418	1-218-971-11	RES-CHIP 33K 5% 1/16W		
5123		DIC3	RESISTOR		R4419	1-208-679-11	METAL CHIP 680 0.5% 1/16W		
5124		DIC3	RESISTOR		R4420	1-208-893-11	METAL CHIP 1.8K 0.5% 1/16W		
5125		DIC3	RESISTOR		R4422	1-218-953-11	RES-CHIP 1K 5% 1/16W		
5126		DIC3	RESISTOR		R4423	1-218-953-11	RES-CHIP 1K 5% 1/16W		
5127		DIC3	RESISTOR		R4424	1-218-957-11	RES-CHIP 2.2K 5% 1/16W		
5128		DIC3	RESISTOR		R4425	1-218-957-11	RES-CHIP 2.2K 5% 1/16W		
5129		DIC3	RESISTOR		R4426	1-208-893-11	METAL CHIP 1.8K 0.5% 1/16W		
5130		DIC3	RESISTOR		R4427	1-218-953-11	RES-CHIP 1K 5% 1/16W		
5131		DIC3	RESISTOR		R4430	1-218-990-11	SHORT CHIP 0		
5132		DIC3	RESISTOR		R4432	1-218-849-11	METAL CHIP 1.2K 0.5% 1/10W		
5133		DIC3	RESISTOR		R4433	1-208-679-11	METAL CHIP 680 0.5% 1/16W		
5134		DIC3	RESISTOR		R4434	1-218-990-11	SHORT CHIP 0		
5135		DIC3	RESISTOR		R4435	1-218-941-81	RES-CHIP 100 5% 1/16W		
5136		DIC3	RESISTOR		R4436	1-218-939-11	RES-CHIP 68 5% 1/16W		
5137		DIC3	RESISTOR		R4437	1-218-941-81	RES-CHIP 100 5% 1/16W		
5138		DIC3	RESISTOR		R4438	1-218-953-11	RES-CHIP 1K 5% 1/16W		
5139		DIC3	RESISTOR		R4439	1-218-953-11	RES-CHIP 1K 5% 1/16W		
5140		DIC3	RESISTOR		R4442	1-218-959-11	RES-CHIP 3.3K 5% 1/16W		
5141		DIC3	RESISTOR		R4444	1-218-963-11	RES-CHIP 6.8K 5% 1/16W		
5142		DIC3	RESISTOR		R4447	1-218-949-11	RES-CHIP 470 5% 1/16W		
5143		DIC3	RESISTOR		R4448	1-218-990-11	SHORT CHIP 0		
5144		DIC3	RESISTOR		R4450	1-218-957-11	RES-CHIP 2.2K 5% 1/16W		
5145		DIC3	RESISTOR		R4451	1-218-990-11	SHORT CHIP 0		
5146		DIC3	RESISTOR		R4452	1-218-990-11	SHORT CHIP 0		
5147		DIC3	RESISTOR		R4453	1-218-957-11	RES-CHIP 2.2K 5% 1/16W		
5148		DIC3	RESISTOR		R4454	1-220-884-81	METAL CHIP 39 0.5% 1/16W		
5149		DIC3	RESISTOR		R4455	1-208-675-11	METAL CHIP 470 0.5% 1/16W		
5150		DIC3	RESISTOR		R4457	1-218-990-11	SHORT CHIP 0		
5151		DIC3	RESISTOR		R4458	1-216-818-11	METAL CHIP 560 5% 1/10W		
5152		DIC3	RESISTOR		R4459	1-216-818-11	METAL CHIP 560 5% 1/10W		
5153		DIC3	RESISTOR		R4460	1-216-818-11	METAL CHIP 560 5% 1/10W		
5154		DIC3	RESISTOR		R4463	1-216-818-11	METAL CHIP 560 5% 1/10W		
5155		DIC3	RESISTOR		R4465	1-216-818-11	METAL CHIP 560 5% 1/10W		
5156		DIC3	RESISTOR		R4473	1-218-965-11	RES-CHIP 10K 5% 1/16W		
5157		DIC3	RESISTOR		R4474	1-218-965-11	RES-CHIP 10K 5% 1/16W		
5158		DIC3	RESISTOR		R4475	1-218-957-11	RES-CHIP 2.2K 5% 1/16W		
5159		DIC3	RESISTOR		R4476	1-208-695-11	METAL CHIP 3.3K 0.5% 1/16W		
5160		DIC3	RESISTOR		R4477	1-218-849-11	METAL CHIP 1.2K 0.5% 1/10W		
5161		DIC3	RESISTOR		R4478	1-218-957-11	RES-CHIP 2.2K 5% 1/16W		
5162		DIC3	RESISTOR		R4479	1-208-893-11	METAL CHIP 1.8K 0.5% 1/16W		
5163		DIC3	RESISTOR		R4480	1-208-661-11	METAL CHIP 120 0.5% 1/16W		
5164		DIC3	RESISTOR		R4481	1-208-661-11	METAL CHIP 120 0.5% 1/16W		
5165		DIC3	RESISTOR		R4482	1-208-635-11	METAL CHIP 10 0.5% 1/16W		
5166		DIC3	RESISTOR		R4483	1-208-635-11	METAL CHIP 10 0.5% 1/16W		
5167		DIC3	RESISTOR		R4484	1-220-876-81	METAL CHIP 18 0.5% 1/16W		
5168		DIC3	RESISTOR		R4485	1-218-948-11	METAL CHIP 390 5% 1/16W		
5169		DIC3	RESISTOR		R4486	1-208-687-11	METAL CHIP 1.5K 0.5% 1/16W		
5170		DIC3	RESISTOR		R4494	1-218-990-11	SHORT CHIP 0		
5171		DIC3	RESISTOR		R4495	1-218-941-11	METAL CHIP 100 5% 1/16W		
5172		DIC3	RESISTOR		R4496	1-218-941-11	METAL CHIP 100 5% 1/16W		
5173		DIC3	RESISTOR		R4497	1-218-941-11	METAL CHIP 100 5% 1/16W		
5174		DIC3	RESISTOR		R4498	1-218-941-11	METAL CHIP 100 5% 1/16W		
5175		DIC3	RESISTOR		R4500	1-218-937-11	RES-CHIP 47 5% 1/16W		
5176		DIC3	RESISTOR		R4501	1-218-965-11	RES-CHIP 10K 5% 1/16W		
5177		DIC3	RESISTOR		R4502	1-218-935-11	RES-CHIP 33 5% 1/16W		
5178		DIC3	RESISTOR		R4503	1-218-937-11	RES-CHIP 47 5% 1/16W		
5179		DIC3	RESISTOR		R4504	1-218-990-11	SHORT CHIP 0		
5180		DIC3	RESISTOR		R4505	1-218-939-11	RES-CHIP 68 5% 1/16W		

No.	#	Board	Type	Δ / [*]	Ref. No.	Part No.	Description	Remarks-1	Remarks-2
5181		DIC3	RESISTOR		R4506	1-218-941-11	METAL CHIP 100 5% 1/16W		
5182		DIC3	RESISTOR		R4507	1-218-939-11	RES-CHIP 68 5% 1/16W		
5183		DIC3	RESISTOR		R4508	1-218-939-11	RES-CHIP 68 5% 1/16W		
5184		DIC3	RESISTOR		R4509	1-218-990-11	SHORT CHIP 0		
5185		DIC3	RESISTOR		R4510	1-218-937-11	RES-CHIP 47 5% 1/16W		
5186		DIC3	RESISTOR		R4511	1-218-937-11	RES-CHIP 47 5% 1/16W		
5187		DIC3	RESISTOR		R4512	1-218-990-11	SHORT CHIP 0		
5188		DIC3	RESISTOR		R4515	1-218-965-11	RES-CHIP 10K 5% 1/16W		
5189		DIC3	RESISTOR		R4516	1-218-990-11	SHORT CHIP 0		
5190		DIC3	RESISTOR		R4517	1-218-989-11	RES-CHIP 1M 5% 1/16W		
5191		DIC3	RESISTOR		R4519	1-218-935-11	RES-CHIP 33 5% 1/16W		
5192		DIC3	RESISTOR		R4520	1-218-990-11	SHORT CHIP 0		
5193		DIC3	RESISTOR		R4522	1-218-935-11	RES-CHIP 33 5% 1/16W		
5194		DIC3	RESISTOR		R4523	1-218-990-11	SHORT CHIP 0		
5195		DIC3	RESISTOR		R4524	1-218-953-11	RES-CHIP 1K 5% 1/16W		
5196		DIC3	RESISTOR		R4530	1-218-990-11	SHORT CHIP 0		
5197		DIC3	RESISTOR		R4531	1-218-935-11	RES-CHIP 33 5% 1/16W		
5198		DIC3	RESISTOR		R4535	1-218-953-11	RES-CHIP 1K 5% 1/16W		
5199		DIC3	RESISTOR		R4536	1-218-990-11	SHORT CHIP 0		
5200		DIC3	RESISTOR		R4538	1-218-935-11	RES-CHIP 33 5% 1/16W		
5201		DIC3	RESISTOR		R4539	1-218-949-11	RES-CHIP 470 5% 1/16W		
5202		DIC3	RESISTOR		R4541	1-218-990-11	SHORT CHIP 0		
5203		DIC3	RESISTOR		R4543	1-218-990-11	SHORT CHIP 0		
5204		DIC3	RESISTOR		R4556	1-218-941-81	RES-CHIP 100 5% 1/16W		
5205		DIC3	RESISTOR		R4557	1-218-941-81	RES-CHIP 100 5% 1/16W		
5206		DIC3	RESISTOR		R4558	1-218-941-81	RES-CHIP 100 5% 1/16W		
5207		DIC3	RESISTOR		R4559	1-218-941-81	RES-CHIP 100 5% 1/16W		
5208		DIC3	RESISTOR		R4560	1-218-941-81	RES-CHIP 100 5% 1/16W		
5209		DIC3	RESISTOR		R4561	1-218-941-81	RES-CHIP 100 5% 1/16W		
5210		DIC3	RESISTOR		R4562	1-218-941-81	RES-CHIP 100 5% 1/16W		
5211		DIC3	RESISTOR		R4563	1-218-941-81	RES-CHIP 100 5% 1/16W		
5212		DIC3	RESISTOR		R4564	1-218-941-81	RES-CHIP 100 5% 1/16W		
5213		DIC3	RESISTOR		R4565	1-218-941-81	RES-CHIP 100 5% 1/16W		
5214		DIC3	RESISTOR		R4566	1-218-941-81	RES-CHIP 100 5% 1/16W		
5215		DIC3	RESISTOR		R4567	1-218-941-81	RES-CHIP 100 5% 1/16W		
5216		DIC3	RESISTOR		R4570	1-216-295-91	SHORT CHIP 0		
5217		DIC3	RESISTOR		R4571	1-216-295-91	SHORT CHIP 0		
5218		DIC3	RESISTOR		R4572	1-218-939-11	RES-CHIP 68 5% 1/16W		
5219		DIC3	RESISTOR		R4573	1-218-941-81	RES-CHIP 100 5% 1/16W		
5220		DIC3	RESISTOR		R4574	1-218-941-81	RES-CHIP 100 5% 1/16W		
5221		DIC3	RESISTOR		R4575	1-218-941-81	RES-CHIP 100 5% 1/16W		
5222		DIC3	RESISTOR		R4576	1-218-939-11	RES-CHIP 68 5% 1/16W		
5223		DIC3	RESISTOR		R4577	1-218-941-81	RES-CHIP 100 5% 1/16W		
5224		DIC3	RESISTOR		R4578	1-218-941-81	RES-CHIP 100 5% 1/16W		
5225		DIC3	RESISTOR		R4579	1-218-941-81	RES-CHIP 100 5% 1/16W		
5226		DIC3	RESISTOR		R4602	1-218-949-11	RES-CHIP 470 5% 1/16W		
5227		DIC3	RESISTOR		R4603	1-218-933-11	RES-CHIP 22 5% 1/16W		
5228		DIC3	RESISTOR		R4605	1-208-911-11	METAL CHIP 10K 0.5% 1/16W		
5229		DIC3	RESISTOR		R4609	1-218-990-11	SHORT CHIP 0		
5230		DIC3	RESISTOR		R4610	1-218-935-11	RES-CHIP 33 5% 1/16W		
5231		DIC3	RESISTOR		R4611	1-218-935-11	RES-CHIP 33 5% 1/16W		
5232		DIC3	RESISTOR		R4612	1-218-990-11	SHORT CHIP 0		
5233		DIC3	RESISTOR		R4613	1-218-935-11	RES-CHIP 33 5% 1/16W		
5234		DIC3	RESISTOR		R4614	1-208-893-11	METAL CHIP 1.8K 0.5% 1/16W		
5235		DIC3	RESISTOR		R4615	1-218-849-11	METAL CHIP 1.2K 0.5% 1/10W		
5236		DIC3	RESISTOR		R4616	1-218-990-11	SHORT CHIP 0		
5237		DIC3	RESISTOR		R4617	1-218-990-11	SHORT CHIP 0		
5238		DIC3	RESISTOR		R4618	1-218-990-11	SHORT CHIP 0		
5239		DIC3	RESISTOR		R4620	1-218-990-11	SHORT CHIP 0		
5240		DIC3	RESISTOR		R4621	1-218-990-11	SHORT CHIP 0		
5241		DIC3	RESISTOR		R4622	1-218-935-11	RES-CHIP 33 5% 1/16W		
5242		DIC3	RESISTOR		R4625	1-218-929-11	RES-CHIP 10 5% 1/16W		
5243		DIC3	RESISTOR		R4626	1-218-929-11	RES-CHIP 10 5% 1/16W		
5244		DIC3	RESISTOR		R4627	1-218-941-81	RES-CHIP 100 5% 1/16W		
5245		DIC3	RESISTOR		R4628	1-218-965-11	RES-CHIP 10K 5% 1/16W		
5246		DIC3	RESISTOR		R4631	1-218-965-11	RES-CHIP 10K 5% 1/16W		
5247		DIC3	RESISTOR		R4634	1-218-965-11	RES-CHIP 10K 5% 1/16W		
5248		DIC3	RESISTOR		R4635	1-218-963-11	RES-CHIP 6.8K 5% 1/16W		
5249		DIC3	RESISTOR		R4636	1-218-965-11	RES-CHIP 10K 5% 1/16W		
5250		DIC3	RESISTOR		R4637	1-218-965-11	RES-CHIP 10K 5% 1/16W		
5251		DIC3	RESISTOR		R4638	1-218-965-11	RES-CHIP 10K 5% 1/16W		
5252		DIC3	RESISTOR		R4639	1-218-965-11	RES-CHIP 10K 5% 1/16W		
5253		DIC3	RESISTOR		R4640	1-218-935-11	RES-CHIP 33 5% 1/16W		
5254		DIC3	RESISTOR		R4642	1-218-990-11	SHORT CHIP 0		

No.	#	Board	Type	Δ / [*]	Ref. No.	Part No.	Description	Remarks-1	Remarks-2
5255		DIC3	RESISTOR		R4643	1-218-935-11	RES-CHIP 33 5% 1/16W		
5256		DIC3	RESISTOR		R4644	1-218-965-11	RES-CHIP 10K 5% 1/16W		
5257		DIC3	RESISTOR		R4647	1-218-965-11	RES-CHIP 10K 5% 1/16W		
5258		DIC3	RESISTOR		R4648	1-218-965-11	RES-CHIP 10K 5% 1/16W		
5259		DIC3	RESISTOR		R4649	1-218-965-11	RES-CHIP 10K 5% 1/16W		
5260		DIC3	RESISTOR		R4652	1-218-965-11	RES-CHIP 10K 5% 1/16W		
5261		DIC3	RESISTOR		R4653	1-218-965-11	RES-CHIP 10K 5% 1/16W		
5262		DIC3	RESISTOR		R4654	1-218-929-11	RES-CHIP 10 5% 1/16W		
5263		DIC3	RESISTOR		R4655	1-218-953-11	RES-CHIP 1K 5% 1/16W		
5264		DIC3	RESISTOR		R4656	1-218-965-11	RES-CHIP 10K 5% 1/16W		
5265		DIC3	RESISTOR		R4657	1-218-941-81	RES-CHIP 100 5% 1/16W		
5266		DIC3	RESISTOR		R4658	1-218-965-11	RES-CHIP 10K 5% 1/16W		
5267		DIC3	RESISTOR		R4659	1-218-965-11	RES-CHIP 10K 5% 1/16W		
5268		DIC3	RESISTOR		R4660	1-218-965-11	RES-CHIP 10K 5% 1/16W		
5269		DIC3	RESISTOR		R4661	1-218-953-11	RES-CHIP 1K 5% 1/16W		
5270		DIC3	RESISTOR		R4666	1-218-965-11	RES-CHIP 10K 5% 1/16W		
5271		DIC3	RESISTOR		R4667	1-218-990-11	SHORT CHIP 0		
5272		DIC3	RESISTOR		R4668	1-218-945-11	RES-CHIP 220 5% 1/16W		
5273		DIC3	RESISTOR		R4669	1-218-965-11	RES-CHIP 10K 5% 1/16W		
5274		DIC3	RESISTOR		R4688	1-218-990-11	SHORT CHIP 0		
5275		DIC3	RESISTOR		R4690	1-218-965-11	RES-CHIP 10K 5% 1/16W		
5276		DIC3	RESISTOR		R4691	1-218-990-11	SHORT CHIP 0		
5277		DIC3	RESISTOR		R4693	1-218-965-11	RES-CHIP 10K 5% 1/16W		
5278		DIC3	RESISTOR		R4694	1-218-965-11	RES-CHIP 10K 5% 1/16W		
5279		DIC3	RESISTOR		R4695	1-218-965-11	RES-CHIP 10K 5% 1/16W		
5280		DIC3	RESISTOR		R4696	1-218-965-11	RES-CHIP 10K 5% 1/16W		
5281		DIC3	RESISTOR		R4702	1-218-959-11	RES-CHIP 3.3K 5% 1/16W		
5282		DIC3	RESISTOR		R4704	1-218-990-11	SHORT CHIP 0		
5283		DIC3	RESISTOR		R4705	1-218-990-11	SHORT CHIP 0		
5284		DIC3	RESISTOR		R4706	1-218-937-11	RES-CHIP 47 5% 1/16W		
5285		DIC3	RESISTOR		R4707	1-218-937-11	RES-CHIP 47 5% 1/16W		
5286		DIC3	RESISTOR		R4708	1-218-929-11	RES-CHIP 10 5% 1/16W		
5287		DIC3	RESISTOR		R4710	1-218-935-11	RES-CHIP 33 5% 1/16W		
5288		DIC3	RESISTOR		R4711	1-218-937-11	RES-CHIP 47 5% 1/16W		
5289		DIC3	RESISTOR		R4712	1-218-990-11	SHORT CHIP 0		
5290		DIC3	RESISTOR		R4713	1-218-990-11	SHORT CHIP 0		
5291		DIC3	RESISTOR		R4715	1-218-965-11	RES-CHIP 10K 5% 1/16W		
5292		DIC3	RESISTOR		R4716	1-218-965-11	RES-CHIP 10K 5% 1/16W		
5293		DIC3	RESISTOR		R4717	1-218-965-11	RES-CHIP 10K 5% 1/16W		
5294		DIC3	RESISTOR		R4718	1-218-969-11	RES-CHIP 22K 5% 1/16W		
5295		DIC3	RESISTOR		R4719	1-218-965-11	RES-CHIP 10K 5% 1/16W		
5296		DIC3	RESISTOR		R4720	1-218-965-11	RES-CHIP 10K 5% 1/16W		
5297		DIC3	RESISTOR		R4725	1-218-965-11	RES-CHIP 10K 5% 1/16W		
5298		DIC3	RESISTOR		R4800	1-218-933-11	RES-CHIP 22 5% 1/16W		
5299		DIC3	RESISTOR		R4801	1-218-933-11	RES-CHIP 22 5% 1/16W		
5300		DIC3	RESISTOR		R4802	1-218-933-11	RES-CHIP 22 5% 1/16W		
5301		DIC3	RESISTOR		R4803	1-218-933-11	RES-CHIP 22 5% 1/16W		
5302		DIC3	RESISTOR		R4804	1-218-933-11	RES-CHIP 22 5% 1/16W		
5303		DIC3	RESISTOR		R4805	1-218-933-11	RES-CHIP 22 5% 1/16W		
5304		DIC3	RESISTOR		R4807	1-218-965-11	RES-CHIP 10K 5% 1/16W		
5305		DIC3	RESISTOR		R4808	1-218-965-11	RES-CHIP 10K 5% 1/16W		
5306		DIC3	RESISTOR		R4809	1-218-933-11	RES-CHIP 22 5% 1/16W		
5307		DIC3	RESISTOR		R4810	1-218-933-11	RES-CHIP 22 5% 1/16W		
5308		DIC3	RESISTOR		R4811	1-218-990-11	SHORT CHIP 0		
5309		DIC3	RESISTOR		R4812	1-218-953-11	RES-CHIP 1K 5% 1/16W		
5310		DIC3	RESISTOR		R4813	1-218-953-11	RES-CHIP 1K 5% 1/16W		
5311		DIC3	RESISTOR		R4814	1-218-953-11	RES-CHIP 1K 5% 1/16W		
5312		DIC3	RESISTOR		R4815	1-218-953-11	RES-CHIP 1K 5% 1/16W		
5313		DIC3	RESISTOR		R4816	1-218-953-11	RES-CHIP 1K 5% 1/16W		
5314		DIC3	RESISTOR		R4817	1-218-953-11	RES-CHIP 1K 5% 1/16W		
5315		DIC3	RESISTOR		R4818	1-218-953-11	RES-CHIP 1K 5% 1/16W		
5316		DIC3	RESISTOR		R4819	1-218-990-11	SHORT CHIP 0		
5317		DIC3	RESISTOR		R4820	1-218-937-11	RES-CHIP 47 5% 1/16W		
5318		DIC3	RESISTOR		R4821	1-218-937-11	RES-CHIP 47 5% 1/16W		
5319		DIC3	RESISTOR		R4822	1-218-937-11	RES-CHIP 47 5% 1/16W		
5320		DIC3	RESISTOR		R4823	1-218-937-11	RES-CHIP 47 5% 1/16W		
5321		DIC3	RESISTOR		R4824	1-218-990-11	SHORT CHIP 0		
5322		DIC3	RESISTOR		R4825	1-218-933-11	RES-CHIP 22 5% 1/16W		
5323		DIC3	RESISTOR		R4826	1-218-933-11	RES-CHIP 22 5% 1/16W		
5324		DIC3	RESISTOR		R4827	1-208-911-11	METAL CHIP 10K 0.5% 1/16W		
5325		DIC3	RESISTOR		R4828	1-208-911-11	METAL CHIP 10K 0.5% 1/16W		
5326		DIC3	RESISTOR		R4829	1-218-929-11	RES-CHIP 10 5% 1/16W		
5327		DIC3	RESISTOR		R4830	1-218-975-11	RES-CHIP 68K 5% 1/16W		
5328		DIC3	RESISTOR		R4831	1-216-864-11	SHORT CHIP 0		

No.	#	Board	Type	Δ / [*]	Ref. No.	Part No.	Description	Remarks-1	Remarks-2
5329		DIC3	RESISTOR		R4832	1-218-933-11	RES-CHIP 22 5% 1/16W		
5330		DIC3	RESISTOR		R4833	1-218-933-11	RES-CHIP 22 5% 1/16W		
5331		DIC3	RESISTOR		R4834	1-218-933-11	RES-CHIP 22 5% 1/16W		
5332		DIC3	RESISTOR		R4837	1-216-295-91	SHORT CHIP 0		
5333		DIC3	RESISTOR		R4838	1-218-990-11	SHORT CHIP 0		
5334		DIC3	RESISTOR		R4839	1-218-990-11	SHORT CHIP 0		
5335		DIC3	RESISTOR		R4840	1-218-990-11	SHORT CHIP 0		
5336		DIC3	RESISTOR		R4844	1-218-941-81	RES-CHIP 100 5% 1/16W		
5337		DIC3	RESISTOR		R4845	1-218-933-11	RES-CHIP 22 5% 1/16W		
5338		DIC3	RESISTOR		R4846	1-218-933-11	RES-CHIP 22 5% 1/16W		
5339		DIC3	RESISTOR		R4850	1-218-990-11	SHORT CHIP 0		
5340		DIC3	NETWORK		RB4000	1-234-379-21	RES, NETWORK 22KX4 (1005)		
5341		DIC3	NETWORK		RB4001	1-234-370-21	RES, NETWORK 22X4 (1005)		
5342		DIC3	NETWORK		RB4002	1-234-379-21	RES, NETWORK 22KX4 (1005)		
5343		DIC3	NETWORK		RB4003	1-234-370-21	RES, NETWORK 22X4 (1005)		
5344		DIC3	NETWORK		RB4004	1-234-379-21	RES, NETWORK 22KX4 (1005)		
5345		DIC3	NETWORK		RB4005	1-234-370-21	RES, NETWORK 22X4 (1005)		
5346		DIC3	NETWORK		RB4006	1-234-379-21	RES, NETWORK 22KX4 (1005)		
5347		DIC3	NETWORK		RB4007	1-234-370-21	RES, NETWORK 22X4 (1005)		
5348		DIC3	NETWORK		RB4008	1-234-379-21	RES, NETWORK 22KX4 (1005)		
5349		DIC3	NETWORK		RB4009	1-234-369-21	RES, NETWORK 10X4 (1005)		
5350		DIC3	NETWORK		RB4010	1-234-379-21	RES, NETWORK 22KX4 (1005)		
5351		DIC3	NETWORK		RB4011	1-234-369-21	RES, NETWORK 10X4 (1005)		
5352		DIC3	NETWORK		RB4012	1-234-379-21	RES, NETWORK 22KX4 (1005)		
5353		DIC3	NETWORK		RB4013	1-234-369-21	RES, NETWORK 10X4 (1005)		
5354		DIC3	NETWORK		RB4014	1-234-379-21	RES, NETWORK 22KX4 (1005)		
5355		DIC3	NETWORK		RB4015	1-234-369-21	RES, NETWORK 10X4 (1005)		
5356		DIC3	NETWORK		RB4016	1-234-379-21	RES, NETWORK 22KX4 (1005)		
5357		DIC3	NETWORK		RB4017	1-234-369-21	RES, NETWORK 10X4 (1005)		
5358		DIC3	NETWORK		RB4018	1-234-379-21	RES, NETWORK 22KX4 (1005)		
5359		DIC3	NETWORK		RB4019	1-234-369-21	RES, NETWORK 10X4 (1005)		
5360		DIC3	NETWORK		RB4020	1-234-379-21	RES, NETWORK 22KX4 (1005)		
5361		DIC3	NETWORK		RB4021	1-234-369-21	RES, NETWORK 10X4 (1005)		
5362		DIC3	NETWORK		RB4022	1-234-379-21	RES, NETWORK 22KX4 (1005)		
5363		DIC3	NETWORK		RB4023	1-234-369-21	RES, NETWORK 10X4 (1005)		
5364		DIC3	NETWORK		RB4200	1-234-371-21	RES, NETWORK 47X4 (1005)		
5365		DIC3	NETWORK		RB4201	1-234-371-21	RES, NETWORK 47X4 (1005)		
5366		DIC3	NETWORK		RB4202	1-234-371-21	RES, NETWORK 47X4 (1005)		
5367		DIC3	NETWORK		RB4203	1-234-371-21	RES, NETWORK 47X4 (1005)		
5368		DIC3	NETWORK		RB4204	1-234-371-21	RES, NETWORK 47X4 (1005)		
5369		DIC3	NETWORK		RB4205	1-234-371-21	RES, NETWORK 47X4 (1005)		
5370		DIC3	NETWORK		RB4206	1-234-371-21	RES, NETWORK 47X4 (1005)		
5371		DIC3	NETWORK		RB4207	1-234-371-21	RES, NETWORK 47X4 (1005)		
5372		DIC3	NETWORK		RB4208	1-242-963-21	RES, NETWORK 33X4 (1005)		
5373		DIC3	NETWORK		RB4209	1-242-963-21	RES, NETWORK 33X4 (1005)		
5374		DIC3	NETWORK		RB4210	1-242-963-21	RES, NETWORK 33X4 (1005)		
5375		DIC3	NETWORK		RB4211	1-242-963-21	RES, NETWORK 33X4 (1005)		
5376		DIC3	NETWORK		RB4212	1-242-963-21	RES, NETWORK 33X4 (1005)		
5377		DIC3	NETWORK		RB4213	1-242-963-21	RES, NETWORK 33X4 (1005)		
5378		DIC3	NETWORK		RB4214	1-242-963-21	RES, NETWORK 33X4 (1005)		
5379		DIC3	NETWORK		RB4216	1-234-795-21	RES, NETWORK 0X4 (2010)		
5380		DIC3	NETWORK		RB4217	1-242-963-21	RES, NETWORK 33X4 (1005)		
5381		DIC3	NETWORK		RB4218	1-242-963-21	RES, NETWORK 33X4 (1005)		
5382		DIC3	NETWORK		RB4219	1-242-963-21	RES, NETWORK 33X4 (1005)		
5383		DIC3	NETWORK		RB4220	1-242-963-21	RES, NETWORK 33X4 (1005)		
5384		DIC3	NETWORK		RB4221	1-242-963-21	RES, NETWORK 33X4 (1005)		
5385		DIC3	NETWORK		RB4222	1-242-963-21	RES, NETWORK 33X4 (1005)		
5386		DIC3	NETWORK		RB4223	1-242-963-21	RES, NETWORK 33X4 (1005)		
5387		DIC3	NETWORK		RB4231	1-234-795-21	RES, NETWORK 0X4 (2010)		
5388		DIC3	NETWORK		RB4232	1-234-795-21	RES, NETWORK 0X4 (2010)		
5389		DIC3	NETWORK		RB4233	1-234-795-21	RES, NETWORK 0X4 (2010)		
5390		DIC3	NETWORK		RB4234	1-234-795-21	RES, NETWORK 0X4 (2010)		
5391		DIC3	NETWORK		RB4235	1-234-795-21	RES, NETWORK 0X4 (2010)		
5392		DIC3	NETWORK		RB4236	1-234-795-21	RES, NETWORK 0X4 (2010)		
5393		DIC3	NETWORK		RB4237	1-234-795-21	RES, NETWORK 0X4 (2010)		
5394		DIC3	NETWORK		RB4238	1-234-379-21	RES, NETWORK 22KX4 (1005)		
5395		DIC3	NETWORK		RB4239	1-234-379-21	RES, NETWORK 22KX4 (1005)		
5396		DIC3	NETWORK		RB4240	1-234-379-21	RES, NETWORK 22KX4 (1005)		
5397		DIC3	NETWORK		RB4241	1-234-379-21	RES, NETWORK 22KX4 (1005)		
5398		DIC3	NETWORK		RB4242	1-234-379-21	RES, NETWORK 22KX4 (1005)		
5399		DIC3	NETWORK		RB4243	1-234-379-21	RES, NETWORK 22KX4 (1005)		
5400		DIC3	NETWORK		RB4244	1-234-379-21	RES, NETWORK 22KX4 (1005)		
5401		DIC3	NETWORK		RB4245	1-234-379-21	RES, NETWORK 22KX4 (1005)		
5402		DIC3	NETWORK		RB4246	1-234-371-21	RES, NETWORK 47X4 (1005)		

No.	#	Board	Type	△/*	Ref. No.	Part No.	Description	Remarks-1	Remarks-2
5403		DIC3	NETWORK		RB4247	1-234-371-21	RES, NETWORK 47X4 (1005)		
5404		DIC3	NETWORK		RB4248	1-234-379-21	RES, NETWORK 22KX4 (1005)		
5405		DIC3	NETWORK		RB4249	1-234-379-21	RES, NETWORK 22KX4 (1005)		
5406		DIC3	NETWORK		RB4300	1-234-369-21	RES, NETWORK 10X4 (1005)		
5407		DIC3	NETWORK		RB4301	1-234-369-21	RES, NETWORK 10X4 (1005)		
5408		DIC3	NETWORK		RB4302	1-234-369-21	RES, NETWORK 10X4 (1005)		
5409		DIC3	NETWORK		RB4303	1-234-369-21	RES, NETWORK 10X4 (1005)		
5410		DIC3	NETWORK		RB4306	1-234-378-21	RES, NETWORK 10KX4 (1005)		
5411		DIC3	NETWORK		RB4307	1-234-378-21	RES, NETWORK 10KX4 (1005)		
5412		DIC3	NETWORK		RB4308	1-234-378-21	RES, NETWORK 10KX4 (1005)		
5413		DIC3	NETWORK		RB4309	1-234-378-21	RES, NETWORK 10KX4 (1005)		
5414		DIC3	NETWORK		RB4310	1-234-378-21	RES, NETWORK 10KX4 (1005)		
5415		DIC3	NETWORK		RB4311	1-234-378-21	RES, NETWORK 10KX4 (1005)		
5416		DIC3	NETWORK		RB4312	1-234-372-21	RES, NETWORK 100X4 (1005)		
5417		DIC3	NETWORK		RB4313	1-234-372-21	RES, NETWORK 100X4 (1005)		
5418		DIC3	NETWORK		RB4314	1-234-372-21	RES, NETWORK 100X4 (1005)		
5419		DIC3	NETWORK		RB4315	1-234-372-21	RES, NETWORK 100X4 (1005)		
5420		DIC3	NETWORK		RB4316	1-234-372-21	RES, NETWORK 100X4 (1005)		
5421		DIC3	NETWORK		RB4317	1-234-372-21	RES, NETWORK 100X4 (1005)		
5422		DIC3	NETWORK		RB4318	1-234-372-21	RES, NETWORK 100X4 (1005)		
5423		DIC3	NETWORK		RB4500	1-234-795-21	RES, NETWORK 0X4 (2010)		
5424		DIC3	NETWORK		RB4501	1-234-795-21	RES, NETWORK 0X4 (2010)		
5425		DIC3	NETWORK		RB4502	1-234-795-21	RES, NETWORK 0X4 (2010)		
5426		DIC3	NETWORK		RB4503	1-234-795-21	RES, NETWORK 0X4 (2010)		
5427		DIC3	NETWORK		RB4504	1-234-795-21	RES, NETWORK 0X4 (2010)		
5428		DIC3	NETWORK		RB4505	1-234-370-21	RES, NETWORK 22X4 (1005)		
5429		DIC3	NETWORK		RB4506	1-234-370-21	RES, NETWORK 22X4 (1005)		
5430		DIC3	NETWORK		RB4507	1-234-370-21	RES, NETWORK 22X4 (1005)		
5431		DIC3	NETWORK		RB4508	1-234-370-21	RES, NETWORK 22X4 (1005)		
5432		DIC3	NETWORK		RB4509	1-234-370-21	RES, NETWORK 22X4 (1005)		
5433		DIC3	NETWORK		RB4510	1-234-370-21	RES, NETWORK 22X4 (1005)		
5434		DIC3	NETWORK		RB4511	1-234-370-21	RES, NETWORK 22X4 (1005)		
5435		DIC3	NETWORK		RB4512	1-234-370-21	RES, NETWORK 22X4 (1005)		
5436		DIC3	NETWORK		RB4515	1-242-963-21	RES, NETWORK 33X4 (1005)		
5437		DIC3	NETWORK		RB4516	1-242-963-21	RES, NETWORK 33X4 (1005)		
5438		DIC3	NETWORK		RB4517	1-234-372-21	RES, NETWORK 100X4 (1005)		
5439		DIC3	NETWORK		RB4518	1-242-963-21	RES, NETWORK 33X4 (1005)		
5440		DIC3	NETWORK		RB4519	1-242-963-21	RES, NETWORK 33X4 (1005)		
5441		DIC3	NETWORK		RB4520	1-242-963-21	RES, NETWORK 33X4 (1005)		
5442		DIC3	NETWORK		RB4521	1-242-963-21	RES, NETWORK 33X4 (1005)		
5443		DIC3	NETWORK		RB4522	1-234-372-21	RES, NETWORK 100X4 (1005)		
5444		DIC3	NETWORK		RB4523	1-242-963-21	RES, NETWORK 33X4 (1005)		
5445		DIC3	NETWORK		RB4524	1-242-963-21	RES, NETWORK 33X4 (1005)		
5446		DIC3	NETWORK		RB4525	1-242-963-21	RES, NETWORK 33X4 (1005)		
5447		DIC3	NETWORK		RB4526	1-234-372-21	RES, NETWORK 100X4 (1005)		
5448		DIC3	NETWORK		RB4527	1-242-963-21	RES, NETWORK 33X4 (1005)		
5449		DIC3	NETWORK		RB4528	1-242-963-21	RES, NETWORK 33X4 (1005)		
5450		DIC3	NETWORK		RB4529	1-242-963-21	RES, NETWORK 33X4 (1005)		
5451		DIC3	NETWORK		RB4530	1-242-963-21	RES, NETWORK 33X4 (1005)		
5452		DIC3	NETWORK		RB4531	1-234-372-21	RES, NETWORK 100X4 (1005)		
5453		DIC3	NETWORK		RB4532	1-242-963-21	RES, NETWORK 33X4 (1005)		
5454		DIC3	NETWORK		RB4533	1-242-963-21	RES, NETWORK 33X4 (1005)		
5455		DIC3	NETWORK		RB4534	1-242-963-21	RES, NETWORK 33X4 (1005)		
5456		DIC3	NETWORK		RB4600	1-234-378-21	RES, NETWORK 10KX4 (1005)		
5457		DIC3	NETWORK		RB4601	1-234-378-21	RES, NETWORK 10KX4 (1005)		
5458		DIC3	NETWORK		RB4602	1-234-378-21	RES, NETWORK 10KX4 (1005)		
5459		DIC3	NETWORK		RB4605	1-234-378-21	RES, NETWORK 10KX4 (1005)		
5460		DIC3	NETWORK		RB4606	1-234-378-21	RES, NETWORK 10KX4 (1005)		
5461		DIC3	NETWORK		RB4607	1-234-378-21	RES, NETWORK 10KX4 (1005)		
5462		DIC3	NETWORK		RB4608	1-234-378-21	RES, NETWORK 10KX4 (1005)		
5463		DIC3	NETWORK		RB4800	1-234-370-21	RES, NETWORK 22X4 (1005)		
5464		DIC3	NETWORK		RB4801	1-234-370-21	RES, NETWORK 22X4 (1005)		
5465		DIC3	NETWORK		RB4802	1-234-370-21	RES, NETWORK 22X4 (1005)		
5466		DIC3	NETWORK		RB4803	1-234-370-21	RES, NETWORK 22X4 (1005)		
5467		DIC3	NETWORK		RB4804	1-234-370-21	RES, NETWORK 22X4 (1005)		
5468		DIC3	NETWORK		RB4805	1-234-370-21	RES, NETWORK 22X4 (1005)		
5469		DIC3	NETWORK		RB4806	1-234-370-21	RES, NETWORK 22X4 (1005)		
5470		DIC3	NETWORK		RB4807	1-234-370-21	RES, NETWORK 22X4 (1005)		
5471		DIC3	NETWORK		RB4808	1-234-370-21	RES, NETWORK 22X4 (1005)		
5472		DIC3	NETWORK		RB4809	1-234-370-21	RES, NETWORK 22X4 (1005)		
5473		DIC3	NETWORK		RB4810	1-234-370-21	RES, NETWORK 22X4 (1005)		
5474		DIC3	NETWORK		RB4811	1-234-370-21	RES, NETWORK 22X4 (1005)		
5475		DIC3	NETWORK		RB4812	1-234-370-21	RES, NETWORK 22X4 (1005)		
5476		DIC3	NETWORK		RB4813	1-234-370-21	RES, NETWORK 22X4 (1005)		

No.	#	Board	Type	△/*	Ref. No.	Part No.	Description	Remarks-1	Remarks-2
5477		DIC3	NETWORK		RB4814	1-234-370-21	RES, NETWORK 22X4 (1005)		
5478		DIC3	NETWORK		RB4815	1-234-370-21	RES, NETWORK 22X4 (1005)		
5479		DIC3	NETWORK		RB4816	1-234-370-21	RES, NETWORK 22X4 (1005)		
5480		DIC3	NETWORK		RB4817	1-234-370-21	RES, NETWORK 22X4 (1005)		
5481		DIC3	NETWORK		RB4818	1-234-370-21	RES, NETWORK 22X4 (1005)		
5482		DIC3	NETWORK		RB4819	1-234-370-21	RES, NETWORK 22X4 (1005)		
5483		DIC3	NETWORK		RB4820	1-234-370-21	RES, NETWORK 22X4 (1005)		
5484		DIC3	NETWORK		RB4821	1-234-371-21	RES, NETWORK 47X4 (1005)		
5485		DIC3	NETWORK		RB4822	1-234-371-21	RES, NETWORK 47X4 (1005)		
5486		DIC3	NETWORK		RB4823	1-234-371-21	RES, NETWORK 47X4 (1005)		
5487		DIC3	NETWORK		RB4824	1-234-371-21	RES, NETWORK 47X4 (1005)		
5488		DIC3	NETWORK		RB4825	1-234-371-21	RES, NETWORK 47X4 (1005)		
5489		DIC3	NETWORK		RB4826	1-234-371-21	RES, NETWORK 47X4 (1005)		
5490		DIC3	NETWORK		RB4827	1-234-371-21	RES, NETWORK 47X4 (1005)		
5491		DIC3	NETWORK		RB4828	1-234-371-21	RES, NETWORK 47X4 (1005)		
5492		DIC3	NETWORK		RB4829	1-234-371-21	RES, NETWORK 47X4 (1005)		
5493		DIC3	NETWORK		RB4830	1-234-371-21	RES, NETWORK 47X4 (1005)		
5494		DIC3	NETWORK		RB4831	1-234-371-21	RES, NETWORK 47X4 (1005)		
5495		DIC3	NETWORK		RB4832	1-234-371-21	RES, NETWORK 47X4 (1005)		
5496		DIC3	NETWORK		RB4833	1-234-371-21	RES, NETWORK 47X4 (1005)		
5497		DIC3	NETWORK		RB4834	1-234-371-21	RES, NETWORK 47X4 (1005)		
5498		DIC3	NETWORK		RB4835	1-234-371-21	RES, NETWORK 47X4 (1005)		
5499		DIC3	NETWORK		RB4836	1-234-370-21	RES, NETWORK 22X4 (1005)		
5500		DIC3	NETWORK		RB4837	1-234-371-21	RES, NETWORK 47X4 (1005)		
5501		DIC3	NETWORK		RB4838	1-234-371-21	RES, NETWORK 47X4 (1005)		
5502		DIC3	NETWORK		RB4839	1-234-370-21	RES, NETWORK 22X4 (1005)		
5503		DIC3	NETWORK		RB4840	1-234-371-21	RES, NETWORK 47X4 (1005)		
5504		DIC3	NETWORK		RB4841	1-234-371-21	RES, NETWORK 47X4 (1005)		
5505		DIC3	NETWORK		RB4842	1-234-370-21	RES, NETWORK 22X4 (1005)		
5506		DIC3	NETWORK		RB4843	1-234-370-21	RES, NETWORK 22X4 (1005)		
5507		DIC3	NETWORK		RB4844	1-234-371-21	RES, NETWORK 47X4 (1005)		
5508		DIC3	NETWORK		RB4845	1-234-371-21	RES, NETWORK 47X4 (1005)		
5509		DIC3	NETWORK		RB4846	1-234-371-21	RES, NETWORK 47X4 (1005)		
5510		DIC3	NETWORK		RB4847	1-234-370-21	RES, NETWORK 22X4 (1005)		
5511		DIC3	NETWORK		RB4848	1-234-370-21	RES, NETWORK 22X4 (1005)		
5512		DIC3	NETWORK		RB4849	1-234-371-21	RES, NETWORK 47X4 (1005)		
5513		DIC3	NETWORK		RB4850	1-234-370-21	RES, NETWORK 22X4 (1005)		
5514		DIC3	NETWORK		RB4851	1-234-371-21	RES, NETWORK 47X4 (1005)		
5515		DIC3	NETWORK		RB4852	1-234-371-21	RES, NETWORK 47X4 (1005)		
5516		DIC3	NETWORK		RB4853	1-234-370-21	RES, NETWORK 22X4 (1005)		
5517		DIC3	NETWORK		RB4854	1-234-370-21	RES, NETWORK 22X4 (1005)		
5518		DIC3	NETWORK		RB4855	1-234-370-21	RES, NETWORK 22X4 (1005)		
5519		DIC3	CRYSTAL		X4500	1-813-373-11	OSCILLATOR, CRYSTAL		
5520		DIC3	CRYSTAL		X4600	1-813-373-11	OSCILLATOR, CRYSTAL		
5521		QH	CAPACITOR		C7203	1-162-910-11	CERAMIC CHIP 5PF 0.25PF 50V		
5522		QH	CAPACITOR		C7204	1-162-911-11	CERAMIC CHIP 6PF 0.50PF 50V		
5523		QH	CAPACITOR		C7205	1-162-970-11	CERAMIC CHIP 0.01UF 10.00% 25V		
5524		QH	CAPACITOR		C7206	1-162-970-11	CERAMIC CHIP 0.01UF 10.00% 25V		
5525		QH	CAPACITOR		C7207	1-107-826-11	CERAMIC CHIP 0.1UF 10.00% 16V		
5526		QH	CAPACITOR		C7208	1-162-970-11	CERAMIC CHIP 0.01UF 10.00% 25V		
5527		QH	CAPACITOR		C7209	1-165-908-11	CERAMIC CHIP 1UF 10% 10V		
5528		QH	CAPACITOR		C7210	1-107-826-11	CERAMIC CHIP 0.1UF 10.00% 16V		
5529		QH	CAPACITOR		C7211	1-127-760-11	CERAMIC CHIP 4.7UF 10% 6.3V		
5530		QH	CAPACITOR		C7212	1-165-908-11	CERAMIC CHIP 1UF 10% 10V		
5531		QH	CAPACITOR		C7213	1-162-970-11	CERAMIC CHIP 0.01UF 10.00% 25V		
5532		QH	CAPACITOR		C7215	1-107-826-11	CERAMIC CHIP 0.1UF 10.00% 16V		
5533		QH	CAPACITOR		C7216	1-162-970-11	CERAMIC CHIP 0.01UF 10.00% 25V		
5534		QH	CAPACITOR		C7217	1-165-908-11	CERAMIC CHIP 1UF 10% 10V		
5535		QH	CAPACITOR		C7218	1-107-826-11	CERAMIC CHIP 0.1UF 10.00% 16V		
5536		QH	CAPACITOR		C7219	1-107-826-11	CERAMIC CHIP 0.1UF 10.00% 16V		
5537		QH	CAPACITOR		C7220	1-107-826-11	CERAMIC CHIP 0.1UF 10.00% 16V		
5538		QH	CAPACITOR		C7221	1-107-826-11	CERAMIC CHIP 0.1UF 10.00% 16V		
5539		QH	CAPACITOR		C7224	1-107-826-11	CERAMIC CHIP 0.1UF 10.00% 16V		
5540		QH	CAPACITOR		C7225	1-107-826-11	CERAMIC CHIP 0.1UF 10.00% 16V		
5541		QH	CONNECTOR	*	CN7201	1-573-768-21	PIN, CONNECTOR (1.5MM) (SMD)5P		
5542		QH	CONNECTOR		CN7204	1-817-653-11	MEMORY STICK CONNECTOR		
5543		QH	DIODE		D7202	8-719-083-58	DIODE UDZSTE-173.9B		
5544		QH	DIODE		D7203	8-719-081-97	DIODE MMDL914T1		
5545		QH	DIODE		D7210	6-500-182-01	DIODE L-1503CB/11D-F01		
5546		QH	DIODE		D7212	8-719-083-58	DIODE UDZSTE-173.9B		
5547		QH	FERRITE BEAD		FB7201	1-414-921-11	FERRITE 0UH		
5548		QH	FERRITE BEAD		FB7202	1-414-921-11	FERRITE 0UH		
5549		QH	FERRITE BEAD		FB7203	1-414-921-11	FERRITE 0UH		
5550		QH	IC		IC7201	6-703-076-01	IC XC6204B332MR		

No.	#	Board	Type	Δ /*	Ref. No.	Part No.	Description	Remarks-1	Remarks-2
5551		QH	IC		IC7202	6-704-548-01	IC 90C36LC1B-LF		
5552		QH	IC		IC7203	6-704-067-01	IC M24128-BWMN6T(A)		
5553		QH	IC		IC7204	6-801-402-01	IC BD4729GTR		
5554		QH	COIL		L7201	1-414-394-11	INDUCTOR 2.2UH		
5555		QH	TRANSISTOR		Q7201	6-550-363-01	TRANSISTOR 2SB1690KT146		
5556		QH	TRANSISTOR		Q7202	8-729-422-27	TRANSISTOR 2SD601A-Q		
5557		QH	RESISTOR		R7201	1-216-864-11	SHORT CHIP 0		
5558		QH	RESISTOR		R7202	1-414-228-11	FERRITE 0UH		
5559		QH	RESISTOR		R7203	1-216-837-11	METAL CHIP 22K 5% 1/10W		
5560		QH	RESISTOR		R7204	1-216-809-11	METAL CHIP 100 5% 1/10W		
5561		QH	RESISTOR		R7205	1-216-813-11	METAL CHIP 220 5% 1/10W		
5562		QH	RESISTOR		R7206	1-216-857-11	METAL CHIP 1M 5% 1/10W		
5563		QH	RESISTOR		R7207	1-216-864-11	SHORT CHIP 0		
5564		QH	RESISTOR		R7209	1-414-228-11	FERRITE 0UH		
5565		QH	RESISTOR		R7210	1-216-803-11	METAL CHIP 33 5% 1/10W		
5566		QH	RESISTOR		R7211	1-216-821-11	METAL CHIP 1K 5% 1/10W		
5567		QH	RESISTOR		R7212	1-216-803-11	METAL CHIP 33 5% 1/10W		
5568		QH	RESISTOR		R7214	1-216-823-11	METAL CHIP 1.5K 5% 1/10W		
5569		QH	RESISTOR		R7215	1-414-228-11	FERRITE 0UH		
5570		QH	RESISTOR		R7216	1-216-821-11	METAL CHIP 1K 5% 1/10W		
5571		QH	RESISTOR		R7217	1-216-821-11	METAL CHIP 1K 5% 1/10W		
5572		QH	RESISTOR		R7218	1-216-829-11	METAL CHIP 4.7K 5% 1/10W		
5573		QH	RESISTOR		R7219	1-216-821-11	METAL CHIP 1K 5% 1/10W		
5574		QH	RESISTOR		R7221	1-216-821-11	METAL CHIP 1K 5% 1/10W		
5575		QH	RESISTOR		R7222	1-216-811-11	METAL CHIP 150 5% 1/10W		
5576		QH	RESISTOR		R7223	1-216-809-11	METAL CHIP 100 5% 1/10W		
5577		QH	RESISTOR		R7224	1-216-809-11	METAL CHIP 100 5% 1/10W		
5578		QH	RESISTOR		R7225	1-216-809-11	METAL CHIP 100 5% 1/10W		
5579		QH	RESISTOR		R7226	1-216-864-11	SHORT CHIP 0		
5580		QH	RESISTOR		R7227	1-216-864-11	SHORT CHIP 0		
5581		QH	RESISTOR		R7228	1-216-864-11	SHORT CHIP 0		
5582		QH	RESISTOR		R7229	1-216-821-11	METAL CHIP 1K 5% 1/10W		
5583		QH	RESISTOR		R7231	1-216-825-11	METAL CHIP 2.2K 5% 1/10W		
5584		QH	RESISTOR		R7232	1-216-864-11	SHORT CHIP 0		
5585		QH	RESISTOR		R7235	1-216-864-11	SHORT CHIP 0		
5586		QH	RESISTOR		R7236	1-216-864-11	SHORT CHIP 0		
5587		QH	CRYSTAL		X7201	1-760-965-21	VIBRATOR, CRYSTAL		

