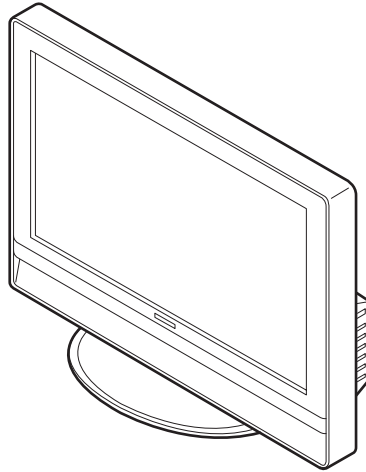


KDL-V26XBR1/V32XBR1/V40XBR1

SERVICE MANUAL

US Model
Canadian Model



MIX5 CHASSIS

SPECIFICATIONS

Television system:

American TV standard

Channel coverage:

VHF: 2-13/UHF: 14-69/CATV: 1-125

Antenna:

75-ohm external terminal for VHF/UHF

Screen size (measured diagonally):

KDL-V26XBR1: 26 inches

KDL-V32XBR1: 32 inches

KDL-V40XBR1: 40 inches

Panel System:

LCD (Liquid Crystal Display) Panel

Display resolution (horizontal × vertical):

1,366 pixels × 768 lines

VIDEO IN 1/2/3:

S VIDEO (4-pin mini DIN):

Y: 1.0 Vp-p, 75 ohms unbalanced, sync negative

C: 0.286 Vp-p (Burst signal), 75 ohms

VIDEO: 1 Vp-p, 75 ohms unbalanced, sync negative

AUDIO: 500 mVrms (100% modulation)

Impedance: 47 kilohms

HD/DVD IN 4/5:

Y Pb/Cb Pr/Cr (Component Video):

Y: 1.0 Vp-p, 75 ohms unbalanced, sync negative

Pb/Cb: 0.7 Vp-p, 75 ohms

Pr/Cr: 0.7 Vp-p, 75 ohms

Signal format: 480i, 480p, 720p, 1080i

AUDIO: 500 mVrms (100% modulation)

Impedance: 47 kilohms

HDMI IN 6:

HDMI: Video: 480i, 480p, 720p, 1080i

Audio: Two channel linear PCM 32, 44.1 and 48 kHz, 16, 20 and 24 bits

AUDIO: 500 mVrms (100% modulation)

Impedance: 47 kilohms

AUDIO OUT:

500 mVrms (100% modulation)

More than 1 Vrms at the maximum volume setting (Variable)

More than 500 mVrms (Fixed)

PC IN 7:

D-sub 15-pin, analog RGB, 0.7 Vp-p, 75 ohms, positive

See the PC Input Signal Reference Chart on page 89.

PC AUDIO INPUT:

Stereo mini jack, 0.5 Vrms, 1 kilohm

Headphones:

Stereo mini jack Impedance: 16 ohms

Speaker:

Woofer: 4.0 × 10 cm (4 inches) (2)

Tweeter: ϕ 4.0 cm (1 ⁷/₈ inches) (2)

Speaker output:

13 W + 13 W

LCD DIGITAL COLOR TV/HD-TV

SONY®

Power requirement:

120-240 V AC, 50/60 Hz

Power consumption:

In use: KDL-V26XBR1: 140 W
 KDL-V32XBR1: 166 W
 KDL-V40XBR1: 240 W

In standby: KDL-V26XBR1: Less than 0.15 W
 KDL-V32XBR1: Less than 0.15 W
 KDL-V40XBR1: Less than 0.15 W

Dimensions (W/H/D):

KDL-V26XBR1: (with stand) 674.8 × 511.5 × 308.2 mm
 (26 ⁵/₈ × 20 ¹/₄ × 12 ¹/₄ inches)
 (without stand) 674.8 × 472.7 × 103 mm
 (26 ⁵/₈ × 18 ³/₈ × 4 ¹/₈ inches)

KDL-V32XBR1: (with stand) 808 × 587.8 × 308.2 mm
 (31 ⁷/₈ × 23 ¹/₄ × 12 ¹/₄ inches)
 (without stand) 808 × 549.4 × 110.5 mm
 (31 ⁷/₈ × 21 ³/₄ × 4 ³/₈ inches)

KDL-V40XBR1: (with stand) 1014.4 × 722.7 × 370.3 mm
 (40 × 28 ¹/₂ × 14 ⁵/₈ inches)
 (without stand) 1014.4 × 683.3 × 121.3 mm
 (40 × 27 × 4 ⁷/₈ inches)

Mass:

KDL-V26XBR1: (with stand) 18.5 kg (40 lb. 13 oz.)
 (without stand) 14.5 kg (32 lb.)

KDL-V32XBR1: (with stand) 23.7 kg (52 lb. 4 oz.)
 (without stand) 19.7 kg (43 lb. 7 oz.)

KDL-V40XBR1: (with stand) 34.3 kg (75 lb. 10 oz.)
 (without stand) 28.1 kg (62 lb.)

Supplied accessories:

Remote control RM-YD002 (1)
 Size AA batteries (2)
 AC power cord (1)
 HD15-HD15 cable (ferrite core attached) (1)
 Support belt (1), securing screw (1) and wood screw (1)
 Cable holder (1)
 Coaxial cable (1)
 PC Audio cable holder (1)
 Operating Instructions (1)
 Quick Setup Guide (1)
 Product Registration Card (1)
 Warranty Card (1)
 Optional accessories:
 HDMI cable
 HDMI-to-DVI cable
 Component video cable
 S VIDEO cable
 A/V cable
 Audio cable
 Optical cable
 Control S cable : RK-G69
 Wall-Mount Bracket: SU-WL31(KDL-V26XBR1/KDL-V32XBR1)
 SU-PW2 (KDL-V40XBR1)

 **The availability of optional accessories depends on stock.**

Design and specifications are subject to change without notice.

WARNINGS AND CAUTIONS


CAUTION

These servicing instructions are for use by qualified service personnel only. To reduce the risk of electric shock, do not perform any servicing other than that contained in the operating instructions unless you are qualified to do so.

WARNING!!

An isolation transformer should be used during any service to avoid possible shock hazard, because of live chassis. The chassis of this receiver is directly connected to the ac power line.

SAFETY-RELATED COMPONENT WARNING!!


Components identified by shading and  mark on the schematic diagrams, exploded views, and in the parts list are critical for safe operation. Replace these components with Sony parts whose part numbers appear as shown in this manual or in supplements published by Sony. Circuit adjustments that are critical for safe operation are identified in this manual. Follow these procedures whenever critical components are replaced or improper operation is suspected.

ATTENTION!!

Ces instructions de service sont à l'usage du personnel de service qualifié seulement. Pour prévenir le risque de choc électrique, ne pas faire l'entretien autre que celui contenu dans le Mode d'emploi à moins que vous soyez qualifié faire ainsi.

Afin d'éviter tout risque d'électrocution provenant d'un châssis sous tension, un transformateur d'isolement doit être utilisé lors de tout dépannage. Le châssis de ce récepteur est directement raccordé à l'alimentation du secteur.

ATTENTION AUX COMPOSANTS RELATIFS A LA SECURITE!!

Les composants identifiés par une trame et par une marque  sur les schémas de principe, les vues explosées et les listes de pièces sont d'une importance critique pour la sécurité du fonctionnement. Ne les remplacer que par des composants Sony dont le numéro de pièce est indiqué dans le présent manuel ou dans des suppléments publiés par Sony. Les réglages de circuit dont l'importance est critique pour la sécurité du fonctionnement sont identifiés dans le présent manuel. Suivre ces procédures lors de chaque remplacement de composants critiques, ou lorsqu'un mauvais fonctionnement suspecte.

SAFETY CHECK-OUT

After correcting the original service problem, perform the following safety checks before releasing the set to the customer:

1. Check the area of your repair for unsoldered or poorly-soldered connections. Check the entire board surface for solder splashes and bridges.
2. Check the interboard wiring to ensure that no wires are “pinched” or contact high-wattage resistors.
3. Check that all control knobs, shields, covers, ground straps, and mounting hardware have been replaced. Be absolutely certain that you have replaced all the insulators.
4. Look for unauthorized replacement parts, particularly transistors, that were installed during a previous repair. Point them out to the customer and recommend their replacement.
5. Look for parts which, though functioning, show obvious signs of deterioration. Point them out to the customer and recommend their replacement.
6. Check the line cords for cracks and abrasion. Recommend the replacement of any such line cord to the customer.
7. Check the antenna terminals, metal trim, “metallized” knobs, screws, and all other exposed metal parts for AC Leakage. Check leakage as described right.

LEAKAGE TEST

The AC leakage from any exposed metal part to earth ground and from all exposed metal parts to any exposed metal part having a return to chassis, must not exceed 0.5 mA (500 microamperes).

Leakage current can be measured by any one of three methods.

1. A commercial leakage tester, such as the Simpson 229 or RCA WT-540A. Follow the manufacturers' instructions to use these instruments.
2. A battery-operated AC milliammeter. The Data Precision 245 digital multimeter is suitable for this job.
3. Measuring the voltage drop across a resistor by means of a VOM or battery-operated AC voltmeter. The “limit” indication is 0.75 V, so analog meters must have an accurate low-voltage scale. The Simpson 250 and Sanwa SH-63Trd are examples of a passive VOMs that are suitable. Nearly all battery operated digital multimeters that have a 2 V AC range are suitable. (See Fig. A)

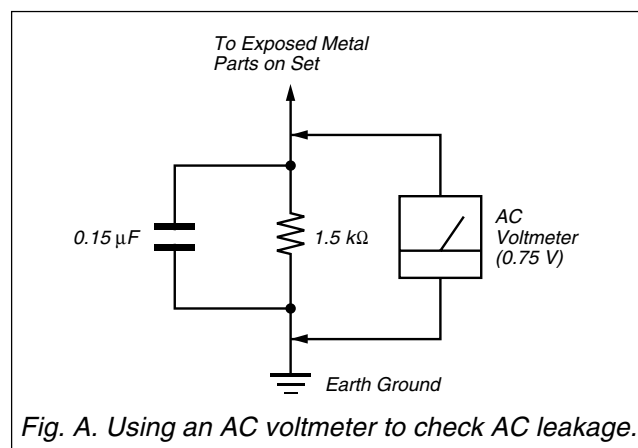


Fig. A. Using an AC voltmeter to check AC leakage.

WARNING!!

SAFETY-RELATED COMPONENT WARNING!!
COMPONENTS IDENTIFIED BY SHADING AND MARK \triangle ON THE SCHEMATIC DIAGRAMS, EXPLODED VIEWS AND IN THE PARTS LIST ARE CRITICAL FOR SAFE OPERATION. REPLACE THESE COMPONENTS WITH SONY PARTS WHOSE PART NUMBERS APPEAR AS SHOWN IN THIS MANUAL OR IN SUPPLEMENTS PUBLISHED BY SONY. CIRCUIT ADJUSTMENTS THAT ARE CRITICAL FOR SAFE OPERATION ARE IDENTIFIED IN THIS MANUAL. FOLLOW THESE PROCEDURES WHENEVER CRITICAL COMPONENTS ARE REPLACED OR IMPROPER OPERATION IS SUSPECTED.

AVERTISSEMENT!!

ATTENTION AUX COMPOSANTS RELATIFS À LA SÉCURITÉ!!
LES COMPOSANTS IDENTIFIÉS PAR UNE TRAME ET UNE MARQUE \triangle SONT CRITIQUES POUR LA SÉCURITÉ. NE LES REMPLACER QUE PAR UNE PIÈCE PORTANT LE NUMÉRO SPECIFIÉ. LES RÉGLAGES DE CIRCUIT DONT L'IMPORTANCE EST CRITIQUE POUR LA SÉCURITÉ DU FONCTIONNEMENT SONT IDENTIFIÉS DANS LE PRÉSENT MANUEL. SUIVRE CES PROCÉDURES LORS DE CHAQUE REMPLACEMENT DE COMPOSANTS CRITIQUES, OU LORSQU'UN MAUVAIS FONCTIONNEMENT EST SUSPECTÉ.

TABLE OF CONTENTS

1. SELF-DIAGNOSIS FUNCTION	1-1	4. DIAGRAMS	4-1
1-1. LED BLINKING PATTERNS AND MONITORING ITEMS	1-1	4-1. BLOCK DIAGRAMS	4-1
2. DISASSEMBLY	2-1	(1) AL (1/3), H8 and HPC Boards	4-1
2-1. KDL-V26XBR1/V32XBR1	2-1	(2) AL (2/3), H6 and H7 Boards	4-2
2-1-1. REAR CABINET ASSY REMOVAL	2-1	(3) AL (3/3) Boards	4-3
2-1-2. STAND ASSY REMOVAL	2-1	(4) B (1/2) Board	4-4
2-1-3. FAN AND FRAME REMOVAL (Illustration are created based on KDL-V26XBR1)	2-2	(5) B (2/2) Board	4-5
2-1-4. H6 BOARD REMOVAL	2-3	(6) QM Board	4-6
2-1-5. H8 BOARD REMOVAL (Illustration are created based on KLV-V26XBR1)	2-3	(7) QT and QU Boards	4-7
2-1-6. HPC BOARD REMOVAL	2-4	(8) P Board	4-8
2-1-7. QU BOARD REMOVAL	2-4	(9) K Board	4-9
2-1-8. B AND QM BOARDS REMOVAL	2-5	(10) GI1 Board (KDL-V26/V32XBR1 ONLY)....	4-10
2-1-9. QT BOARD REMOVAL	2-6	(11) GI2 Board (KDL-V40XBR1 ONLY)	4-11
2-1-10. K BOARD REMOVAL	2-6	4-2. FRAME DIAGRAMS	4-12
2-1-11. P BOARD REMOVAL	2-7	4-3. CIRCUIT BOARDS LOCATION	4-13
2-1-12. GI1 BOARD REMOVAL (Illustration are created based on KDL-V26XBR1)	2-7	4-3-1. KDL-V26XBR1/V32XBR1	4-13
2-1-13. H7 BOARD AND SPEAKER REMOVAL (Illustration are created based on KDL-V26XBR1) ...	2-8	4-3-2. KDL-V40XBR1	4-13
2-1-14. LCD PANEL REMOVAL (Illustration are created based on KDL-V26XBR1)	2-9	4-4. SCHEMATIC DIAGRAMS AND PRINTED WIRING BOARDS	4-13
2-2. KDL-V40XBR1	2-10	(1) Schematic Diagrams of QT Board	4-14
2-2-1. REAR CABINET ASSY REMOVAL	2-10	(2) Schematic Diagram of QU Board	4-17
2-2-2. STAND ASSY REMOVAL	2-10	(3) Schematic Diagram of K Board	4-18
2-2-3. FAN AND ARM REMOVAL	2-11	(4) Schematic Diagram of H6 Board	4-20
2-2-4. H8 BOARD REMOVAL	2-11	(5) Schematic Diagram of H7 Board	4-21
2-2-5. HPC BOARD REMOVAL	2-12	(6) Schematic Diagram of H8 Board	4-22
2-2-6. QU BOARD REMOVAL	2-12	(7) Schematic Diagram of GI1 Board (KDL-V26/V32XBR1 ONLY)	4-23
2-2-7. B AND QM BOARDS REMOVAL	2-13	(8) Schematic Diagrams of GI2 Board (KDL-V40XBR1 ONLY)	4-25
2-2-8. QT BOARD REMOVAL	2-14	4-5. SEMICONDUCTORS	4-28
2-2-9. K BOARD REMOVAL	2-14	5. EXPLODED VIEWS	5-1
2-2-10. P BOARD REMOVAL	2-15	5-1. KDL-V26XBR1/V32XBR1	5-2
2-2-11. GI2 BOARD REMOVAL	2-15	5-1-1. REAR CABINET ASSY AND STAND ASSY ...	5-2
2-2-12. H6 BOARD REMOVAL	2-16	5-1-2. FAN BLOCK AND FRAME	5-3
2-2-13. H7 BOARD AND SPEAKER REMOVAL ..	2-16	5-1-3. CHASSIS-1	5-4
2-2-14. LCD BOARD REMOVAL	2-17	5-1-4. CHASSIS-2	5-5
3.SERVICE MODE	3-1	5-1-5. CHASSIS-3	5-6
3-1. DISPLAYING SERVICE MENU	3-1	5-1-6. BEZEL ASSY LCD PANEL	5-7
3-2. ADJUSTMENT USING THE SERVICE MENU	3-1	5-2. KDL-V40XBR1	5-8
		5-2-1. REAR CABINET ASSY AND STAND ASSY ...	5-8
		5-2-2. FAN BLOCK AND ARM	5-9
		5-2-3. CHASSIS-1	5-10
		5-2-4. CHASSIS-2	5-11
		5-2-5. CHASSIS-3	5-12
		5-2-6. BEZEL ASSY AND LCD PANEL	5-13
		5-3. PACKING MATERIALS (KDL-V26XBR1) ...	5-14
		5-4. PACKING MATERIALS (KDL-V32XBR1) ...	5-15
		5-5. PACKING MATERIALS (KDL-V40XBR1) ...	5-16
		6. ELECTRICAL PARTS LIST	6-1

SECTION 1

SELF-DIAGNOSIS FUNCTION

1-1. LED BLINKING PATTERNS AND MONITORING ITEMS

- (1) The following table shows LED blinking patterns to be used for reporting causes in the case of safety shutdown.
- (2) Since the TV set is provided with many failure items, causes of shutdown can be identified by the following blinking patterns.

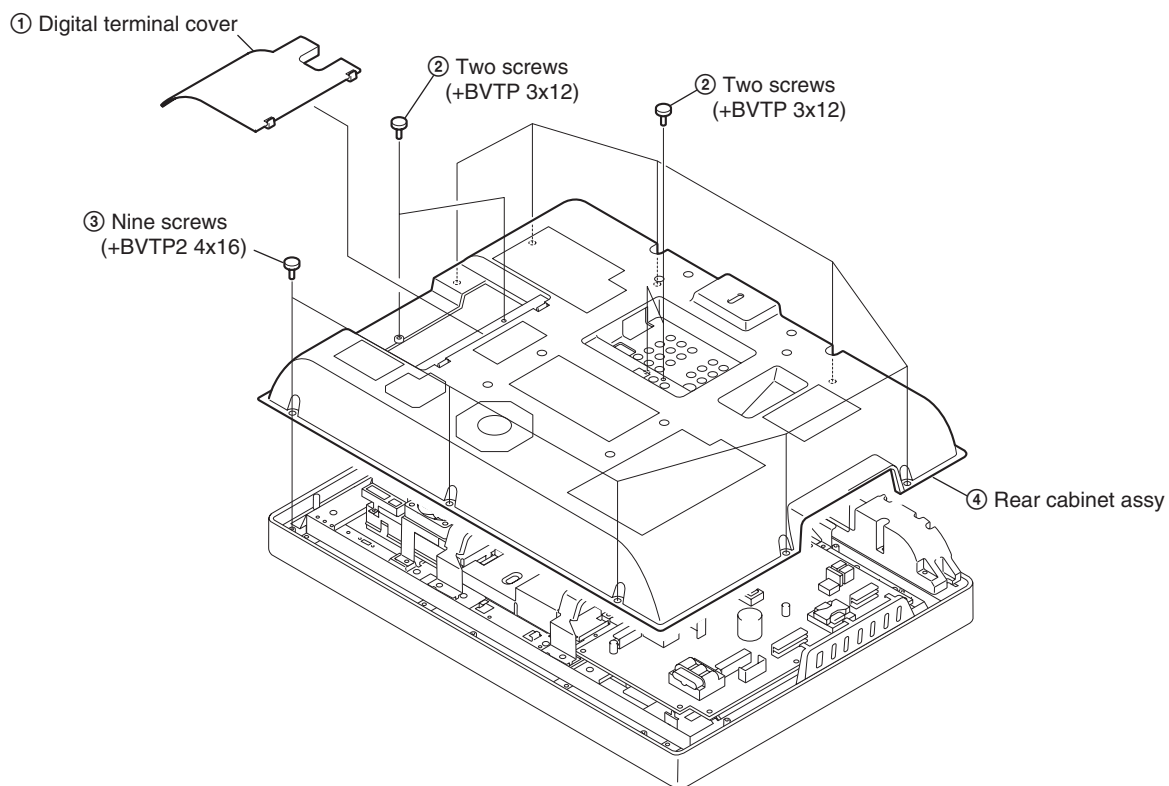
• MIX-U/C Self-Diagnosis Functions

LED blinking times	Item	Abbreviation	Description	Detection location
2	Abnormal inner temperature	Panel TEMP ERR	Panel module overheating detected.	Communication between LM75 and I2C
3	+B power OVP	+B_OVP	6.5V (inverter power) overvoltage detected.	Unregulated 6.5V line
4	Fan error	FAN_ERR	Malfunction of any fan detected	Return voltage from fan (L/H detected by the circuit)
6	Low B power error	LowB_ERR	Power low of main power supply (for set's load) detected.	10.5V line
7	Speaker protection	Audio_Prot	Amplifier output error (short-circuit, no power supply to K board) detected.	K board
8	Digital power OVP	D_OVP	Overvoltage for T-CON detected.	Panel 5V
9	Backlight error	B_LIGHT_ERR	Inverter error detected.	Panel module (inverter with power supply)

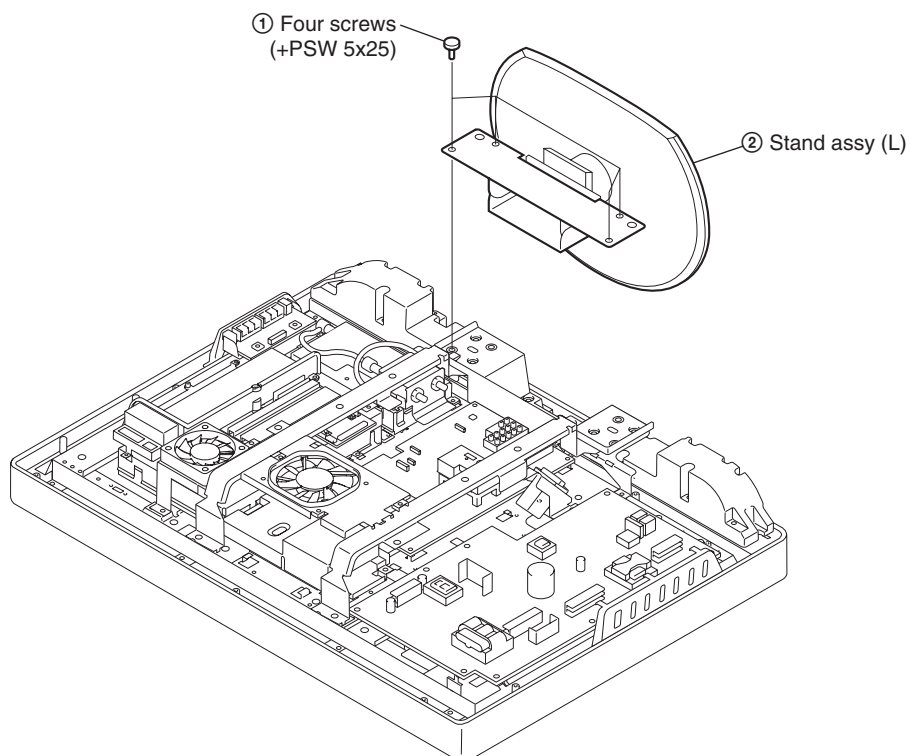
SECTION 2 DISASSEMBLY

2-1. KDL-V26XBR1/V32XBR1

2-1-1. REAR CABINET ASSY REMOVAL

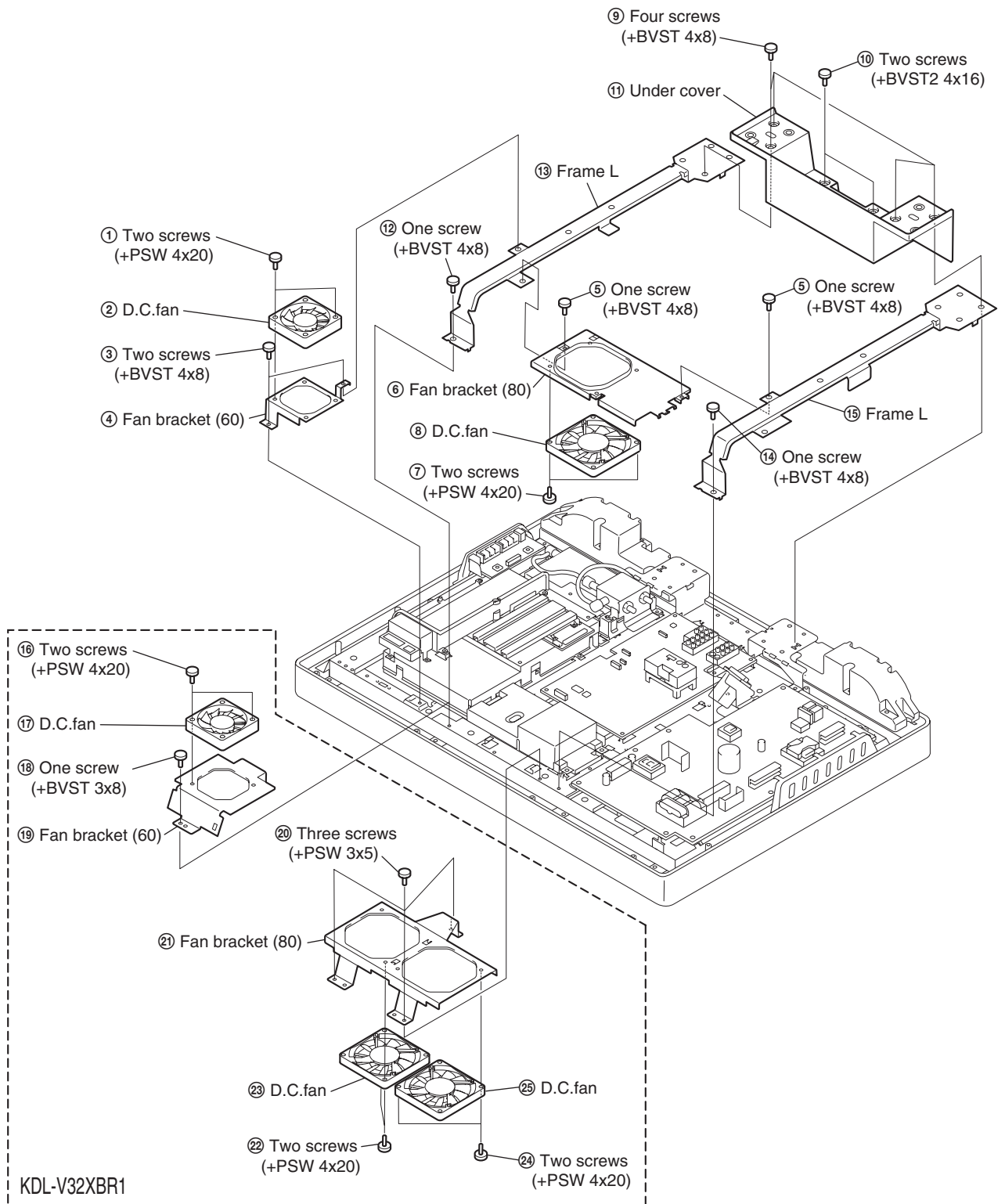


2-1-2. STAND ASSY REMOVAL

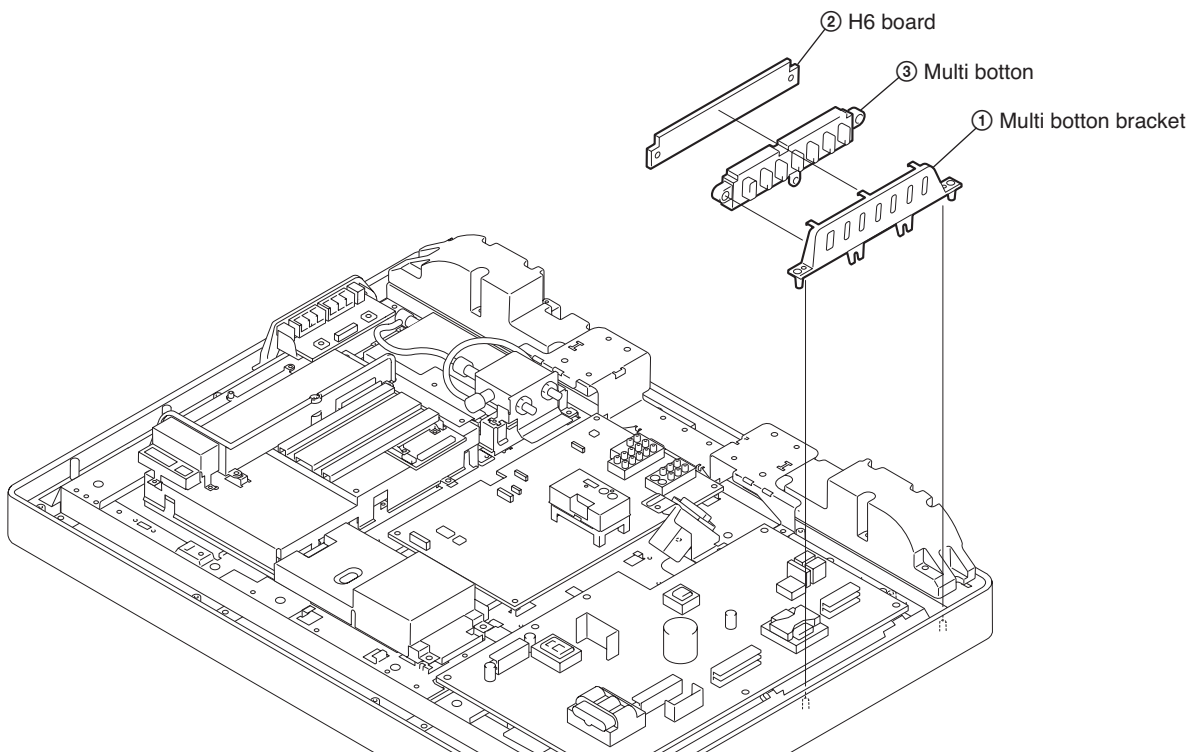


KDL-V26XBR1/V32XBR1

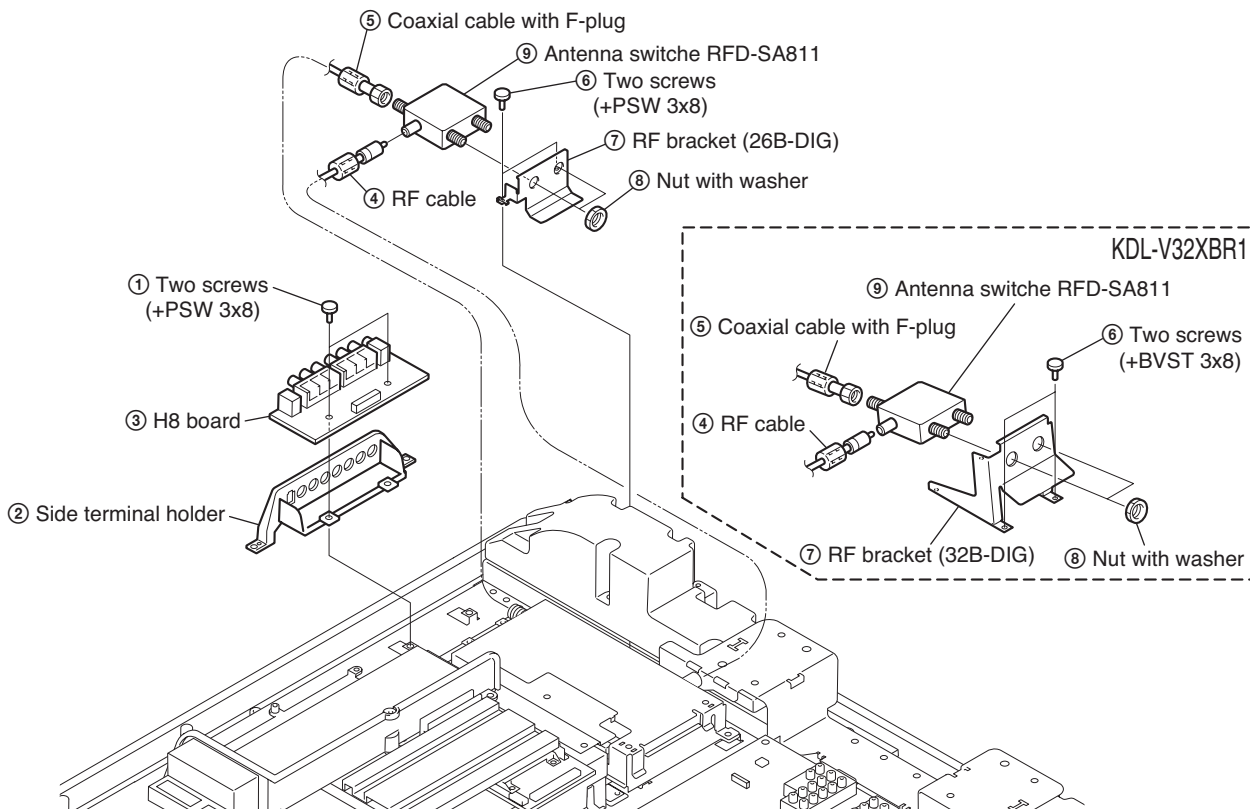
2-1-3. FAN AND FRAME REMOVAL (Illustration are created based on KDL-V26XBR1)



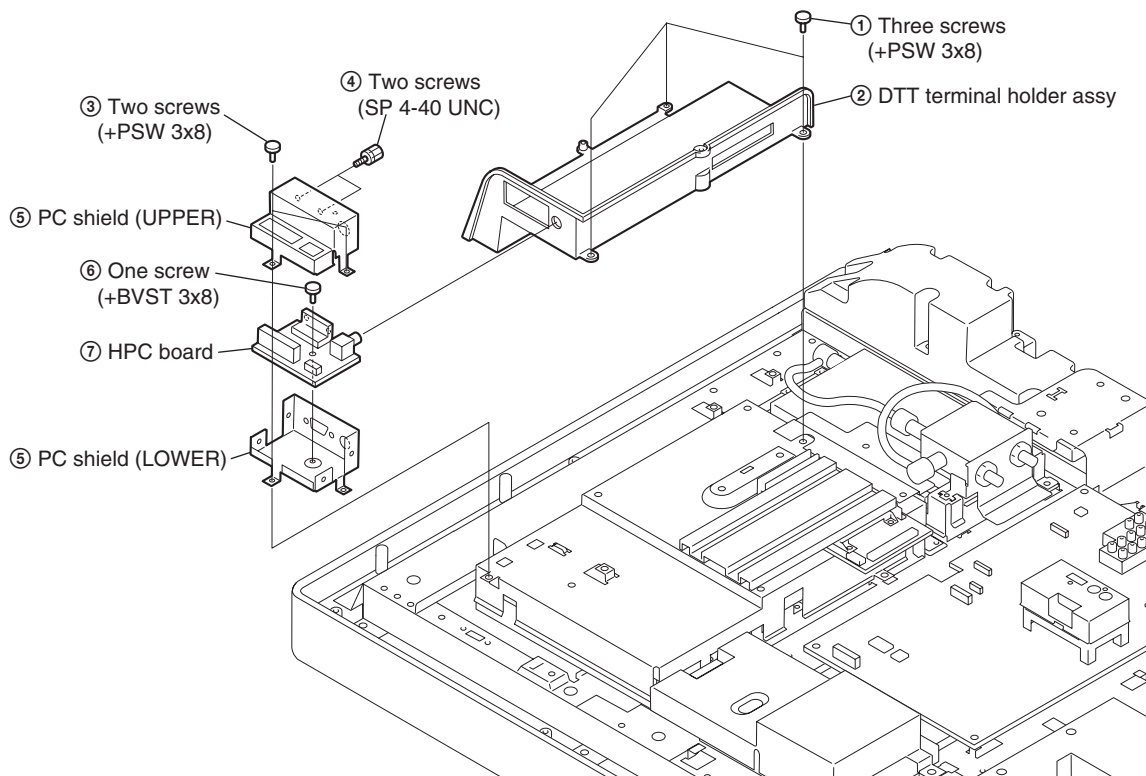
KDL-V26XBR1/V32XBR1
2-1-4. H6 BOARD REMOVAL



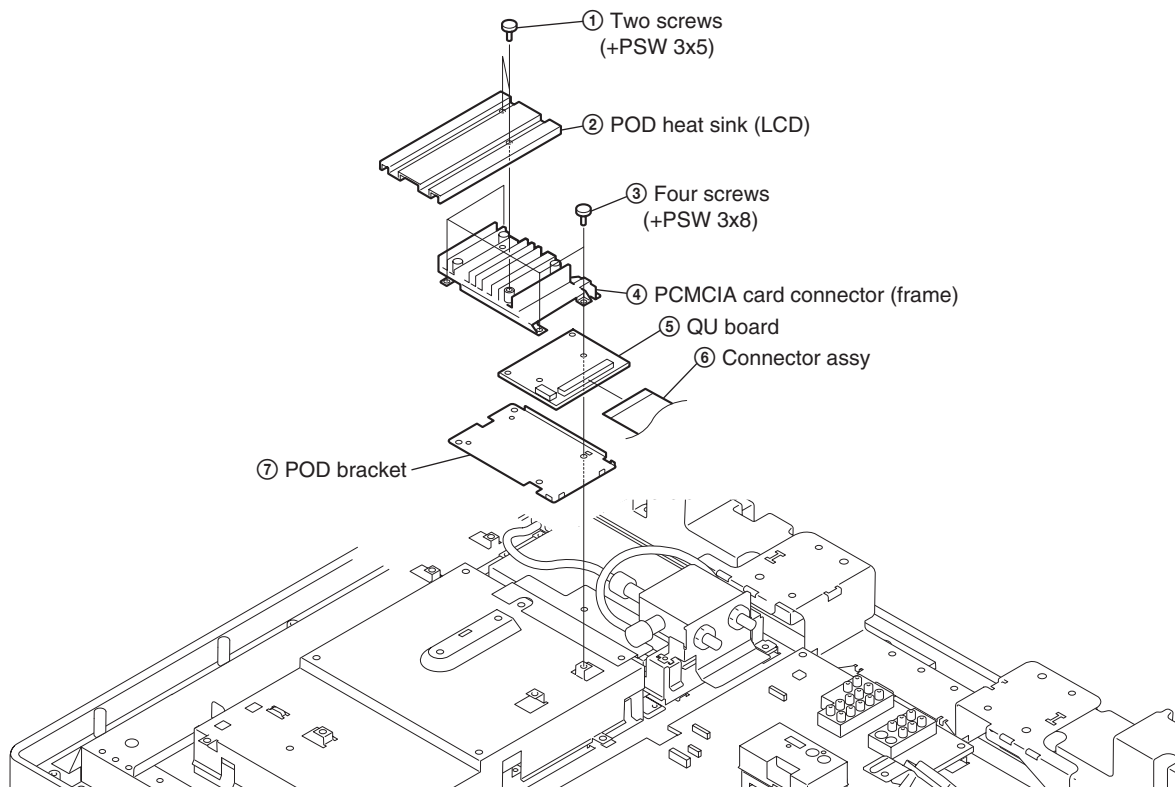
2-1-5. H8 BOARD REMOVAL (Illustration are created based on KDL-V26XBR1)



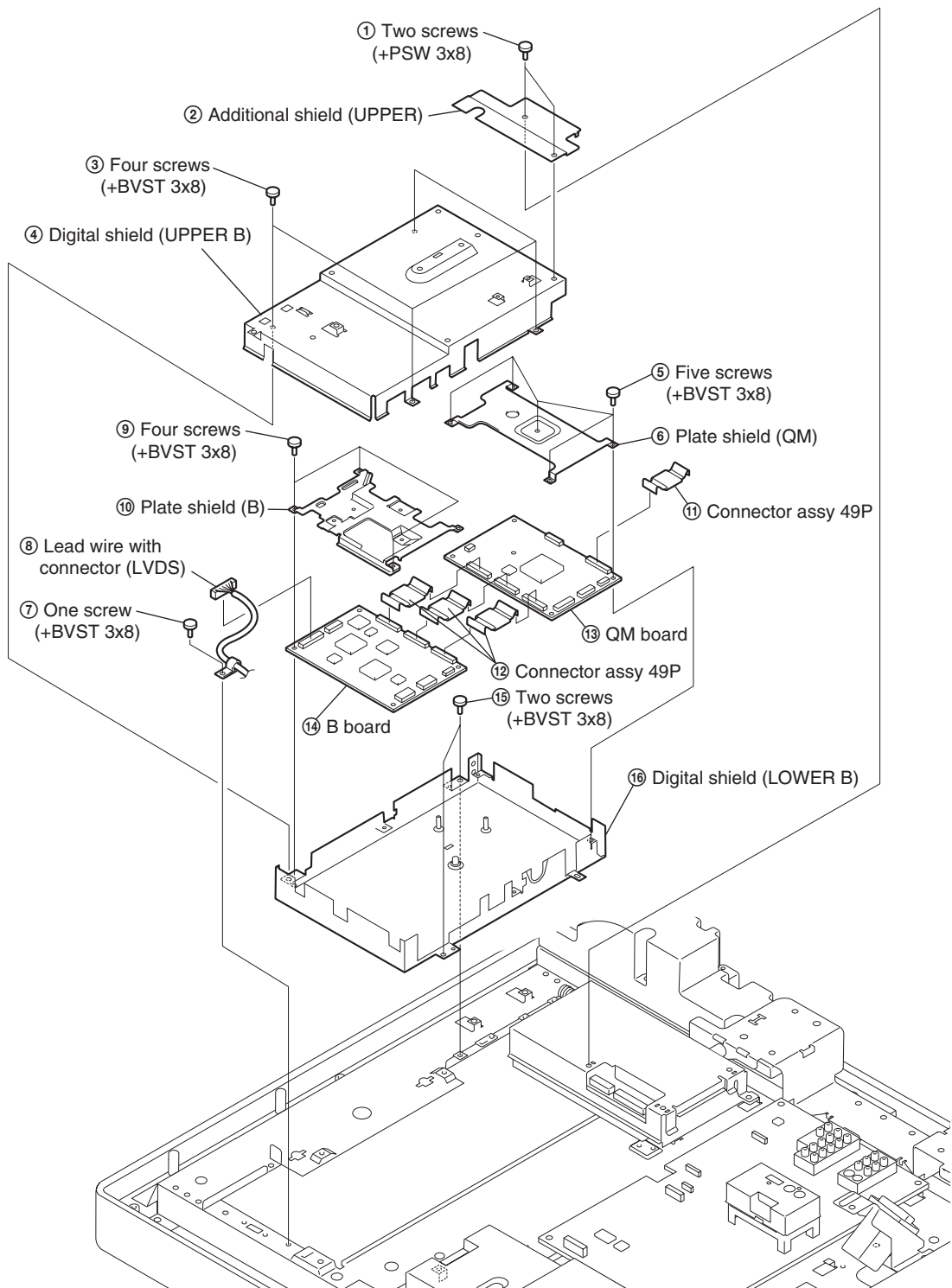
KDL-V26XBR1/V32XBR1
2-1-6. HPC BOARD REMOVAL



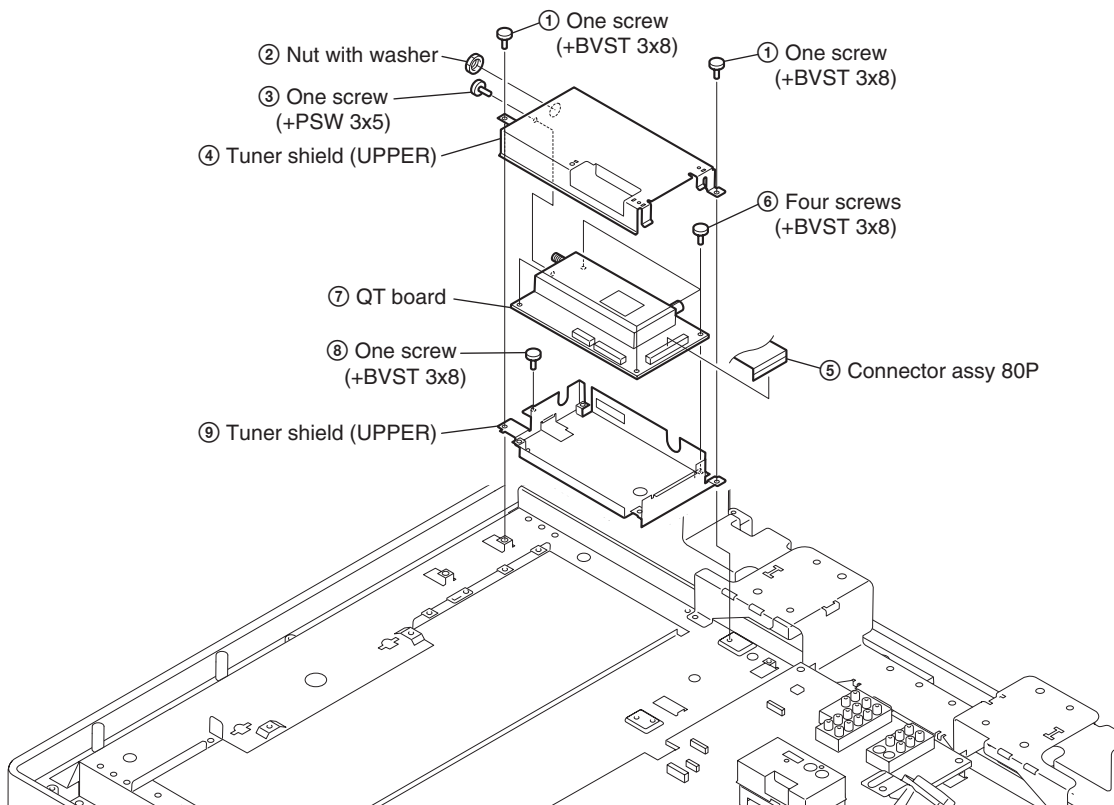
2-1-7. QU BOARD REMOVAL



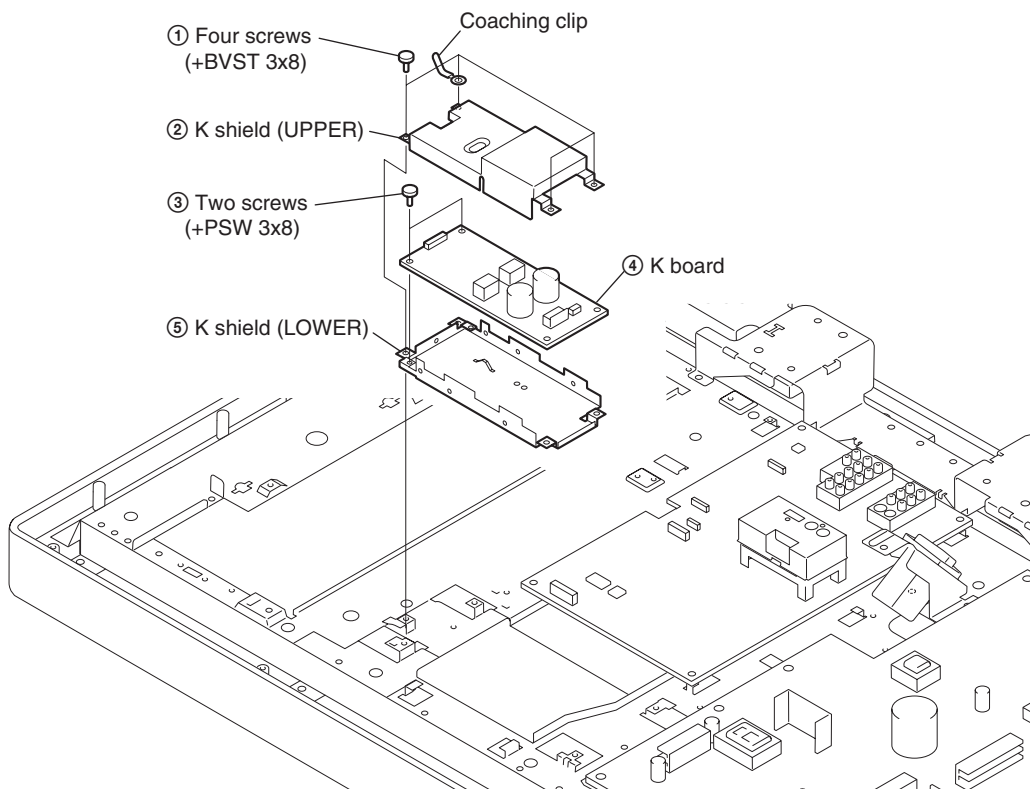
KDL-V26XBR1/V32XBR1
2-1-8. B AND QM BOARDS REMOVAL



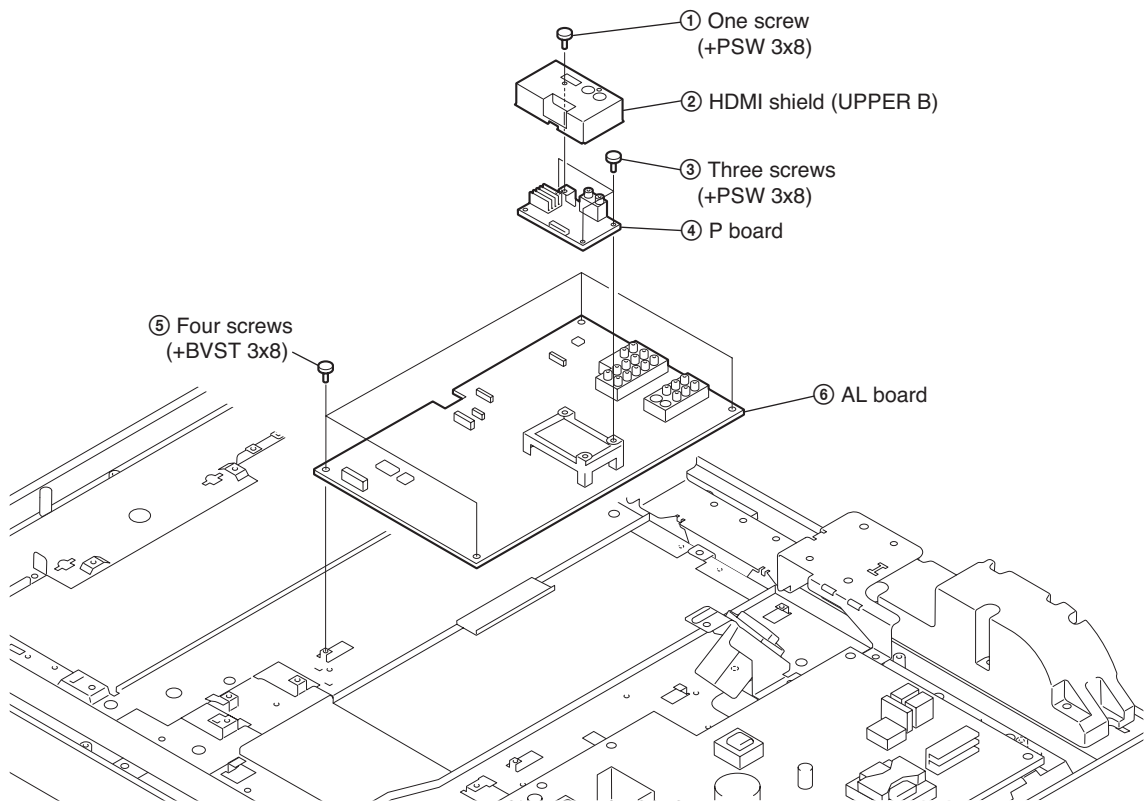
KDL-V26XBR1/V32XBR1
2-1-9. QT BOARD REMOVAL



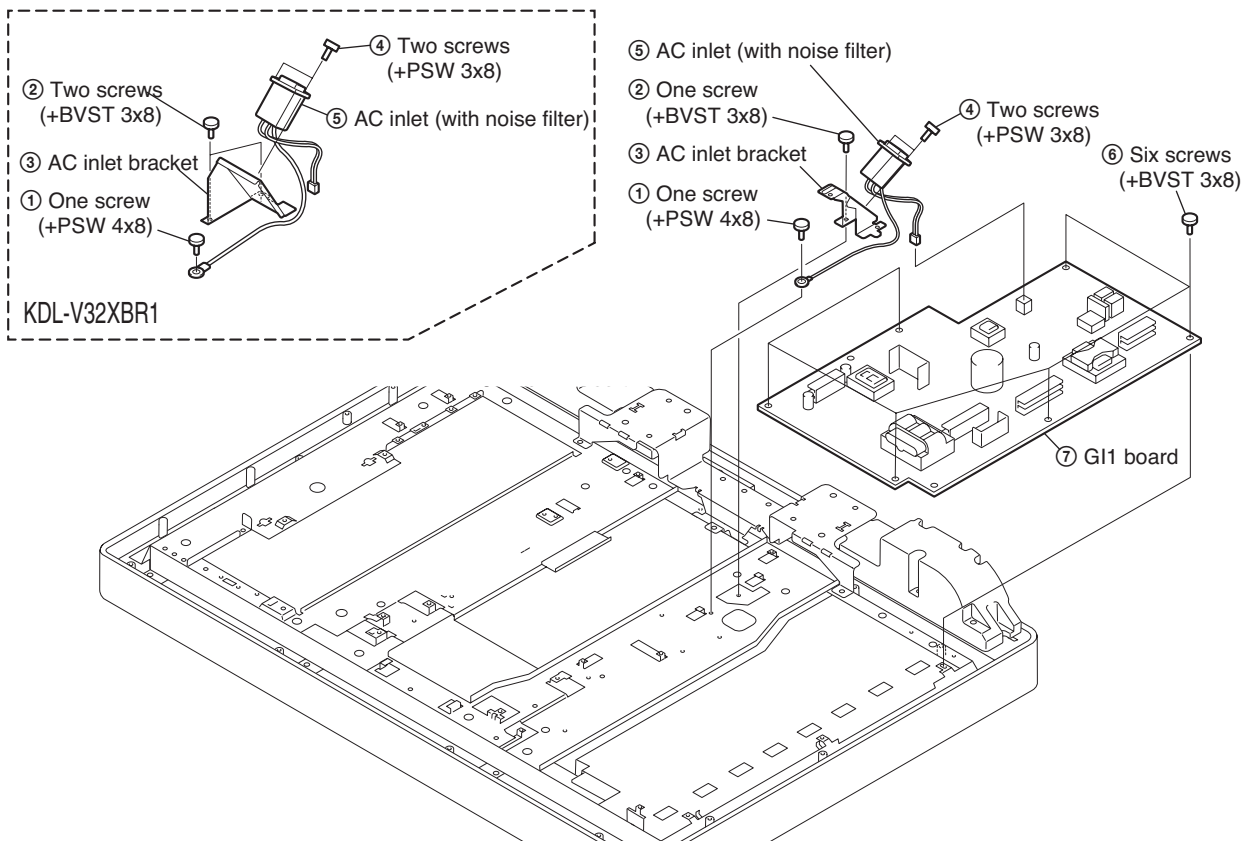
2-1-10. K BOARD REMOVAL



KDL-V26XBR1/V32XBR1
2-1-11. P BOARD REMOVAL

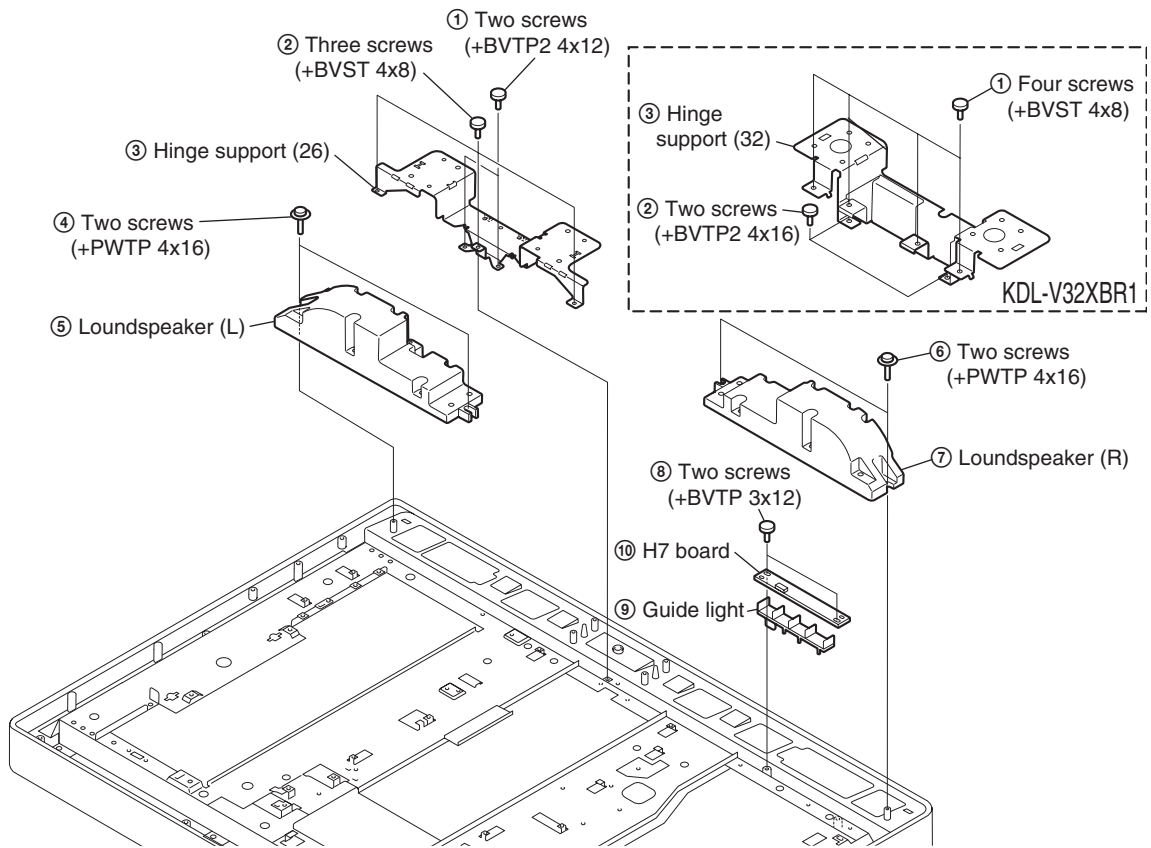


2-1-12. GI1 BOARD REMOVAL (Illustration are created based on KDL-V26XBR1)



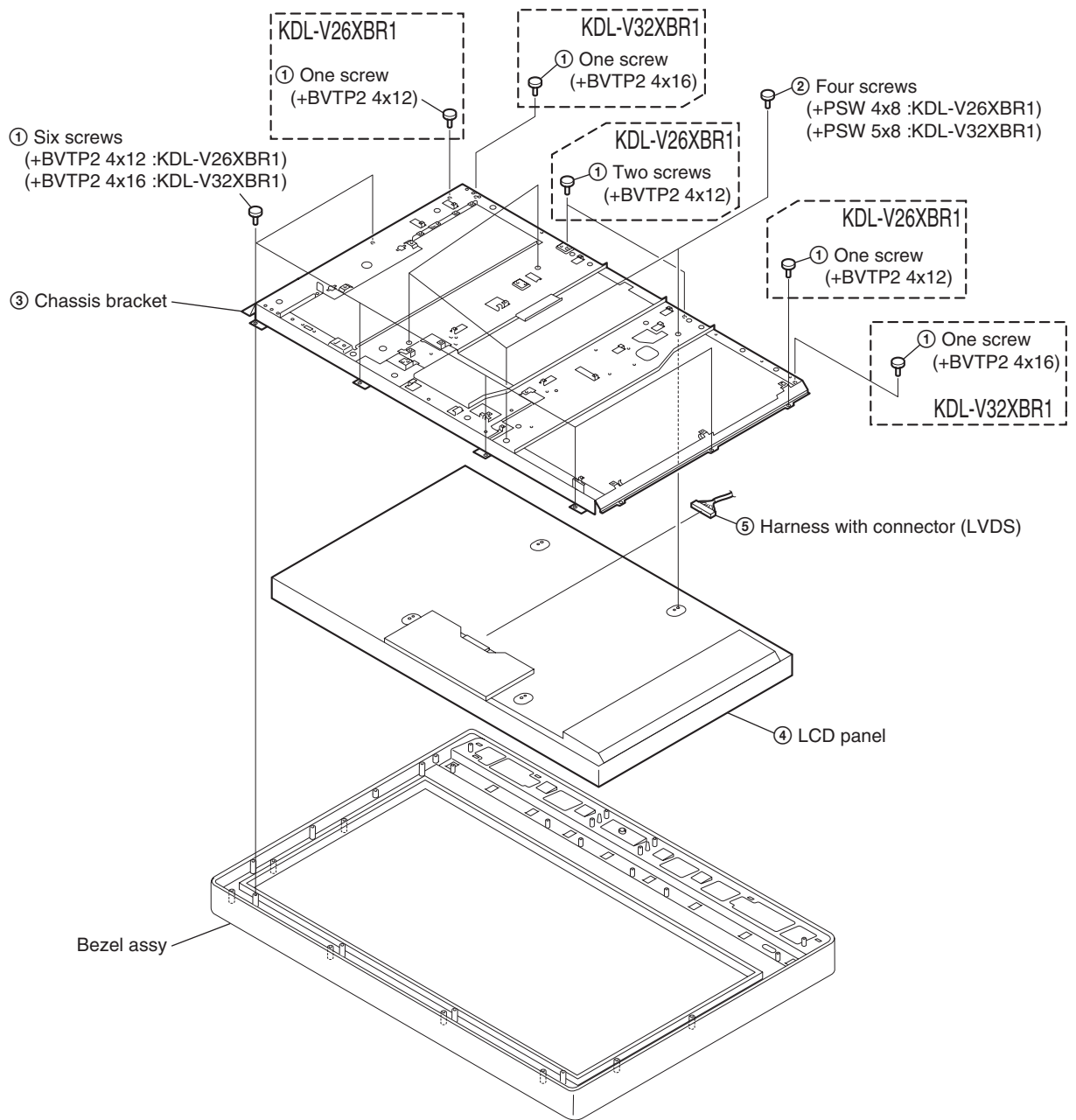
KDL-V26XBR1/V32XBR1

2-1-13. H7 BOARD AND SPEAKER REMOVAL (Illustration are created based on KDL-V26XBR1)



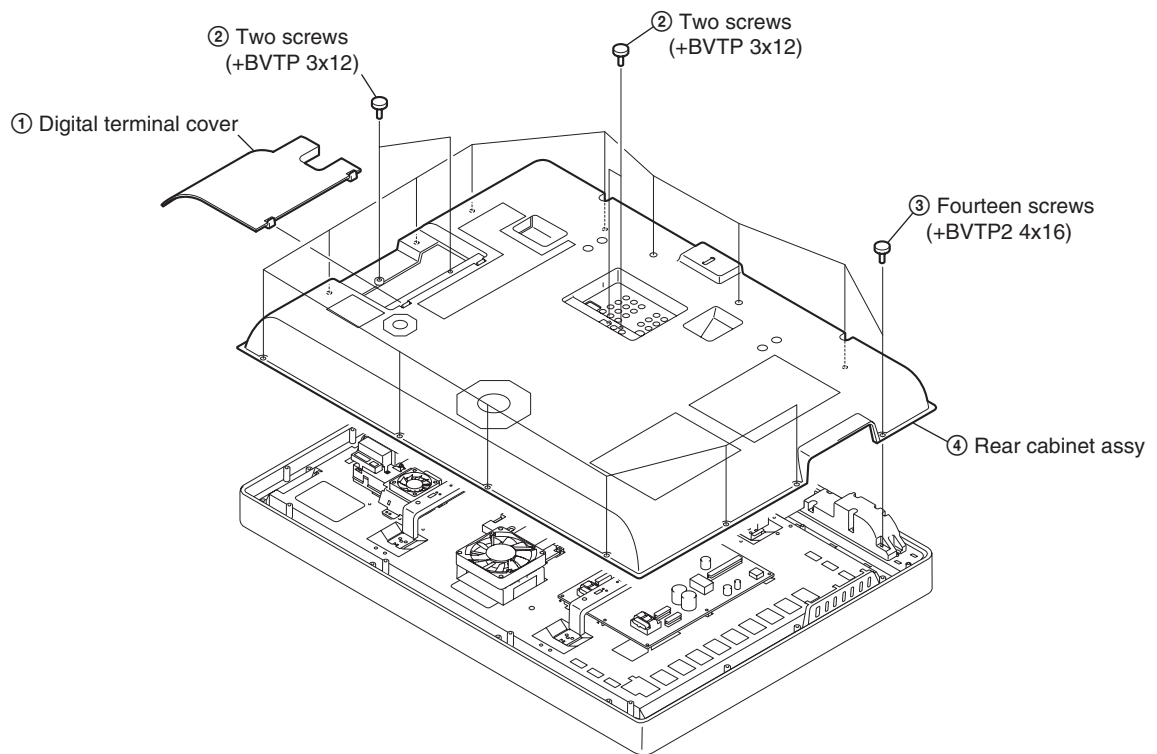
KDL-V26XBR1/V32XBR1

2-1-14. LCD PANEL REMOVAL (Illustration are created based on KDL-V26XBR1)

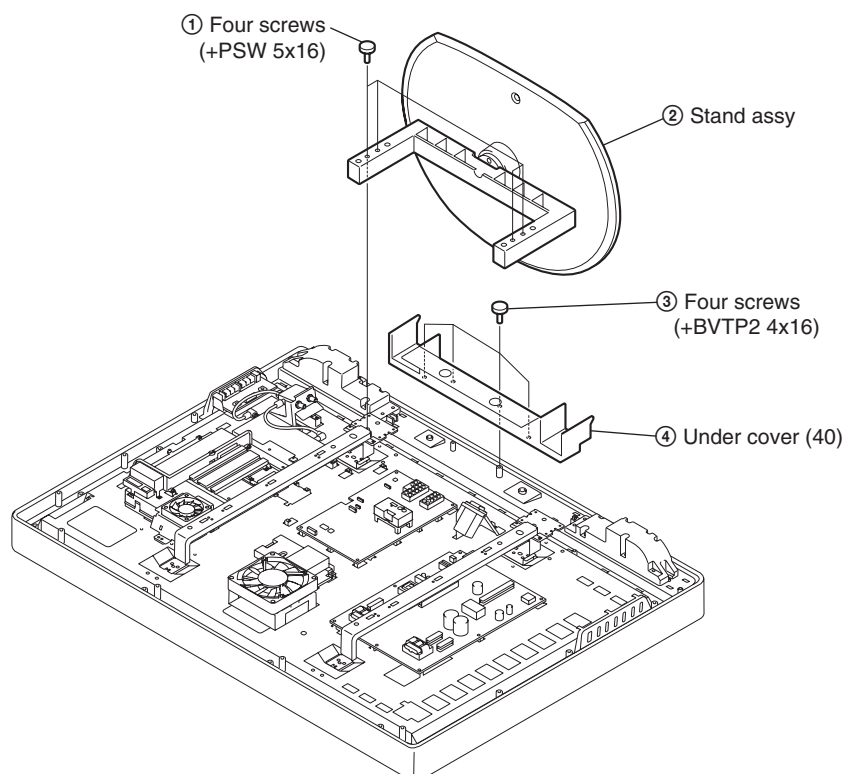


2-2. KDL-V40XBR1

2-2-1. REAR CABINET ASSY REMOVAL

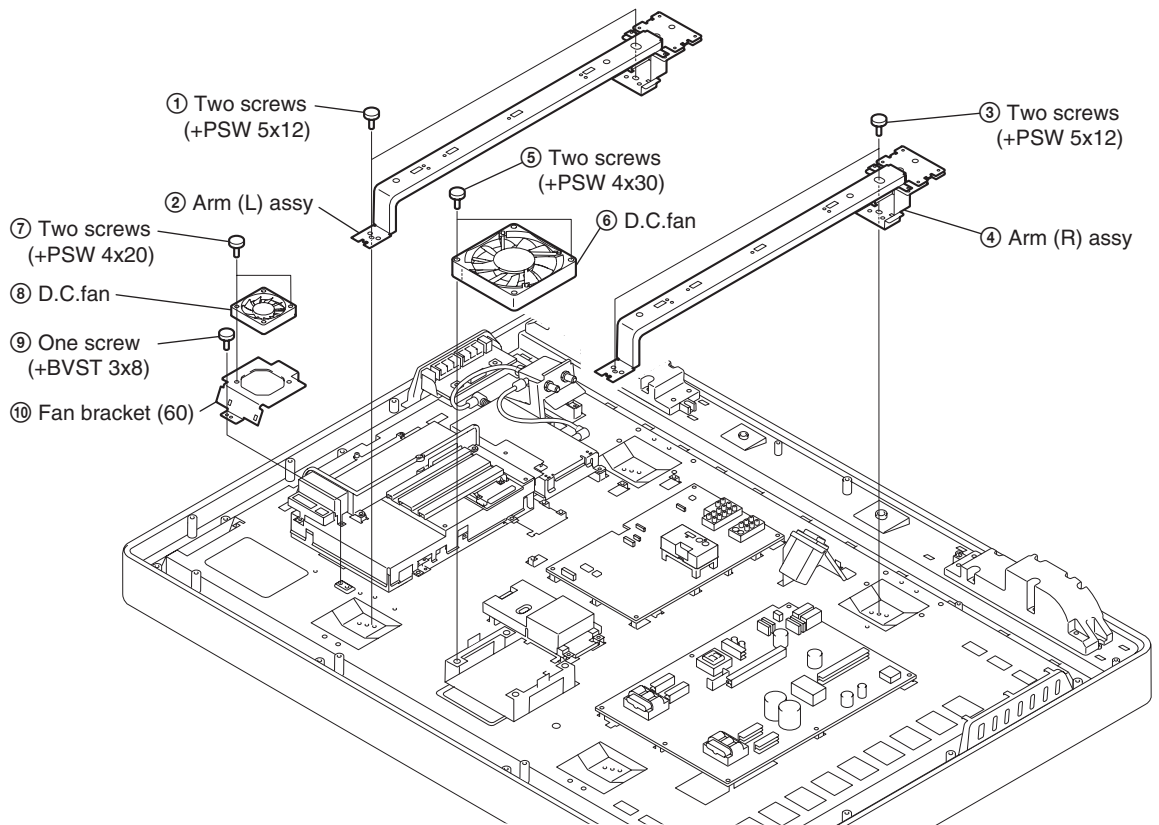


2-2-2. STAND ASSY REMOVAL

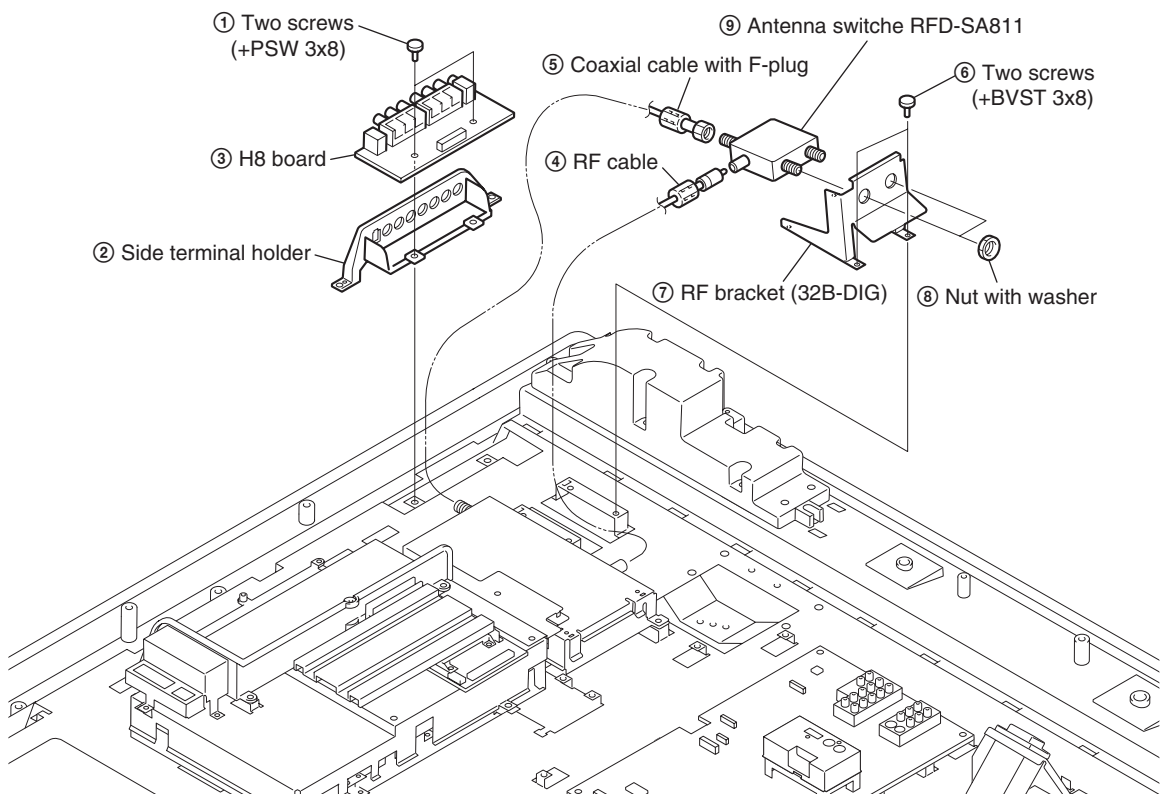


KDL-V40XBR1

2-2-3. FAN AND ARM REMOVAL

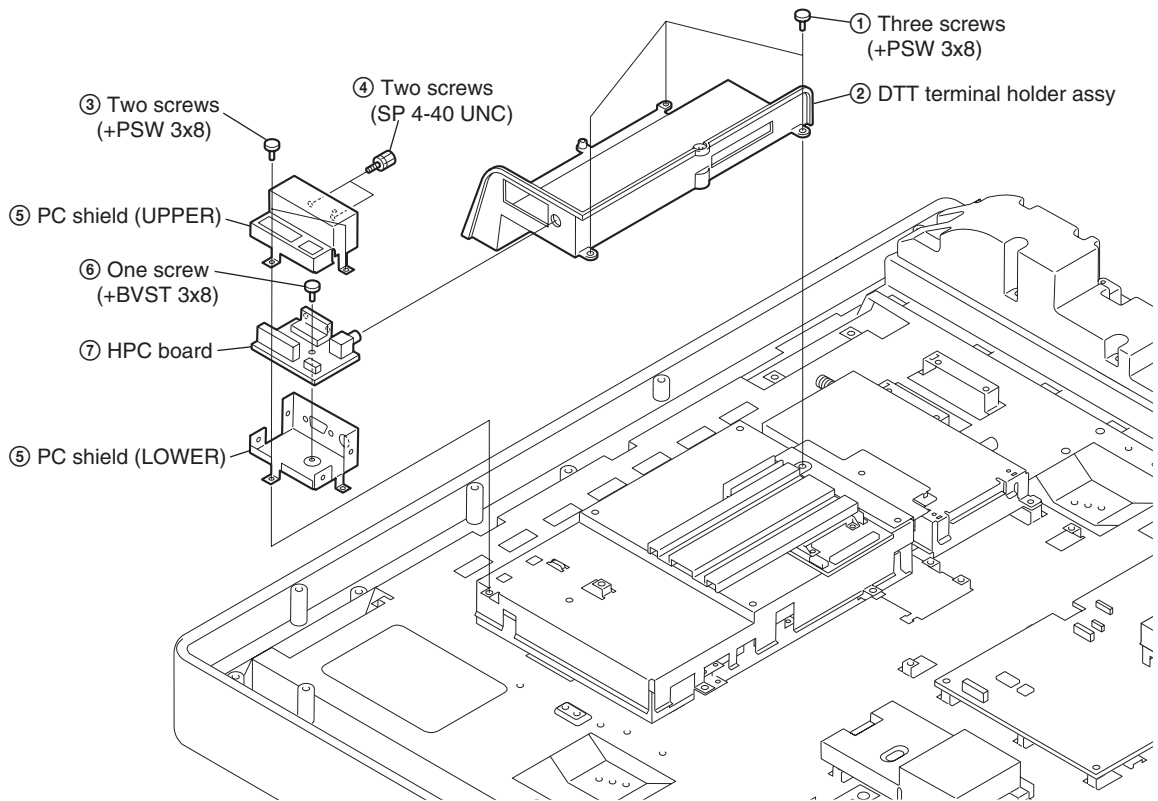


2-2-4. H8 BOARD REMOVAL

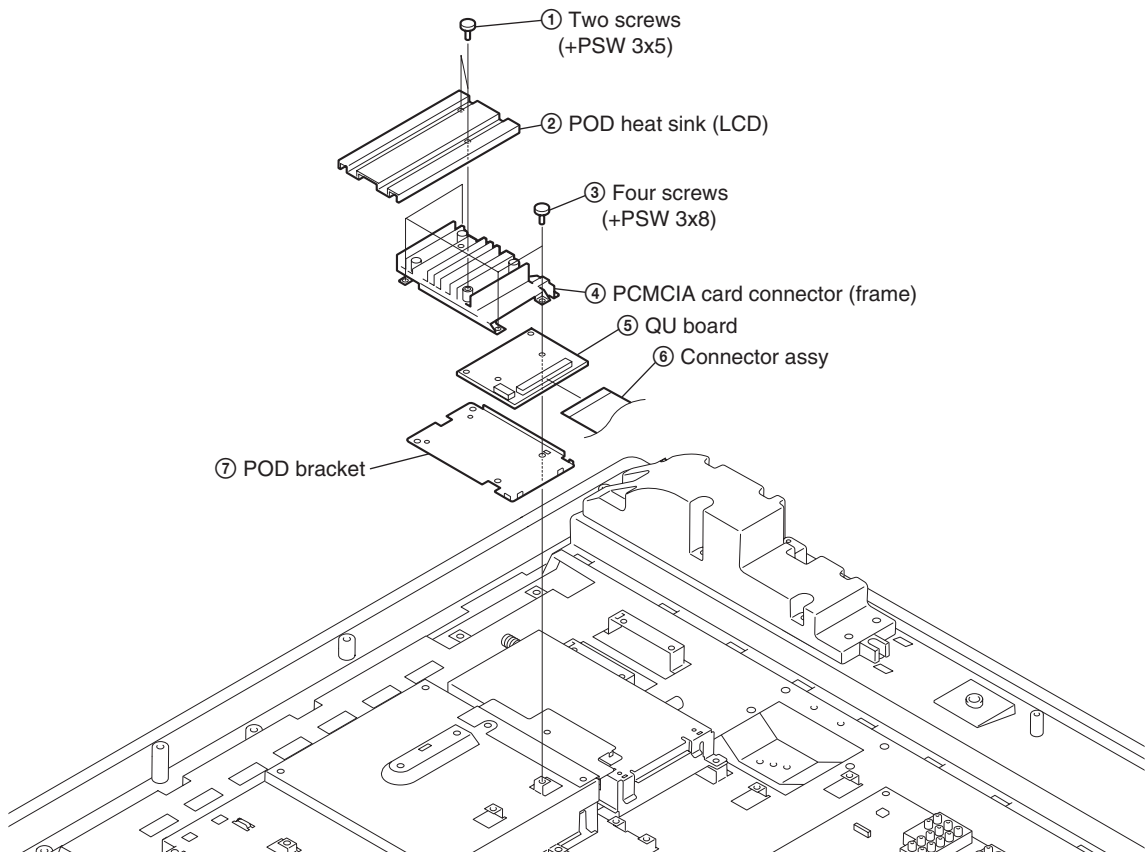


KDL-V40XBR1

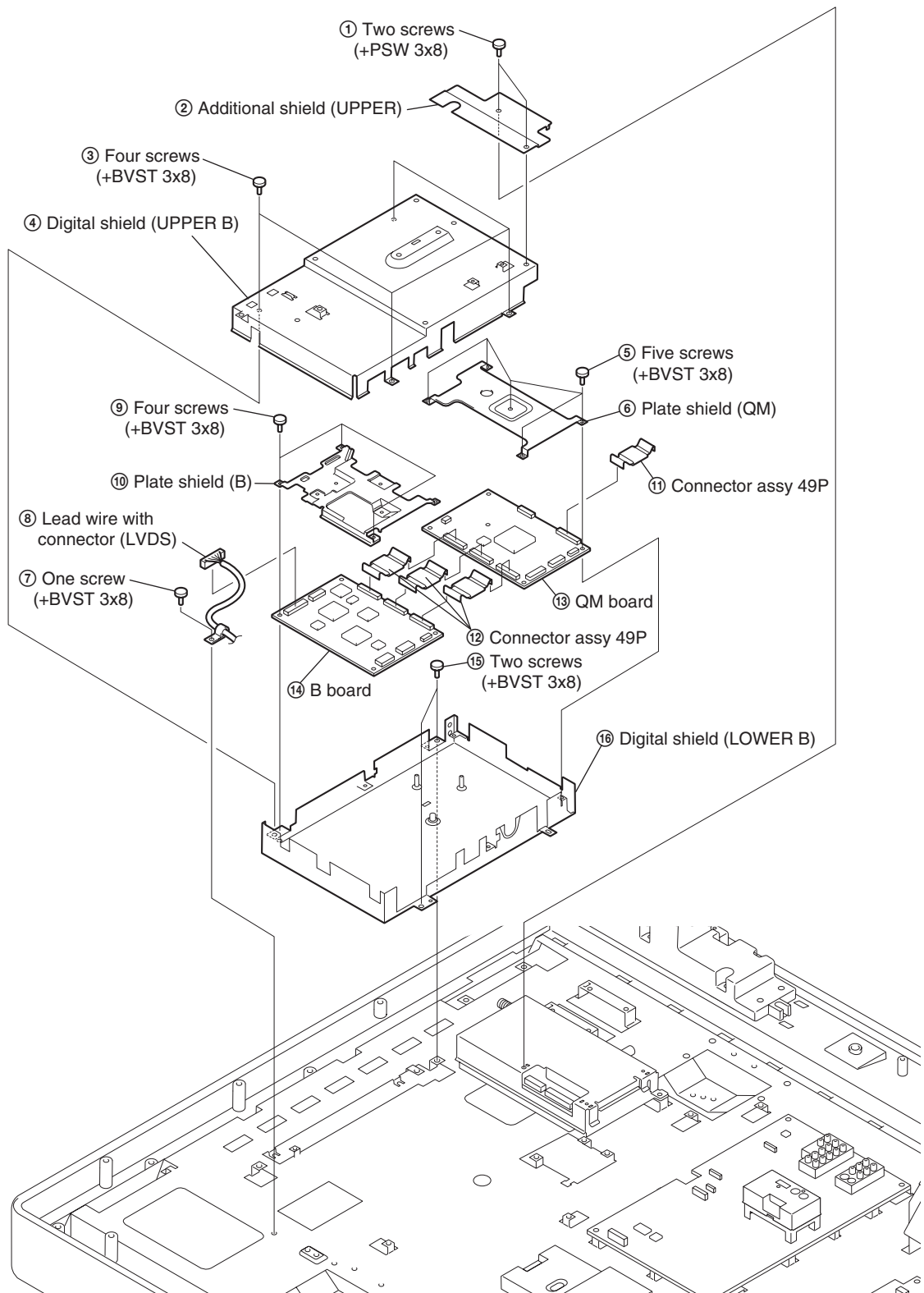
2-2-5. HPC BOARD REMOVAL



2-2-6. QU BOARD REMOVAL

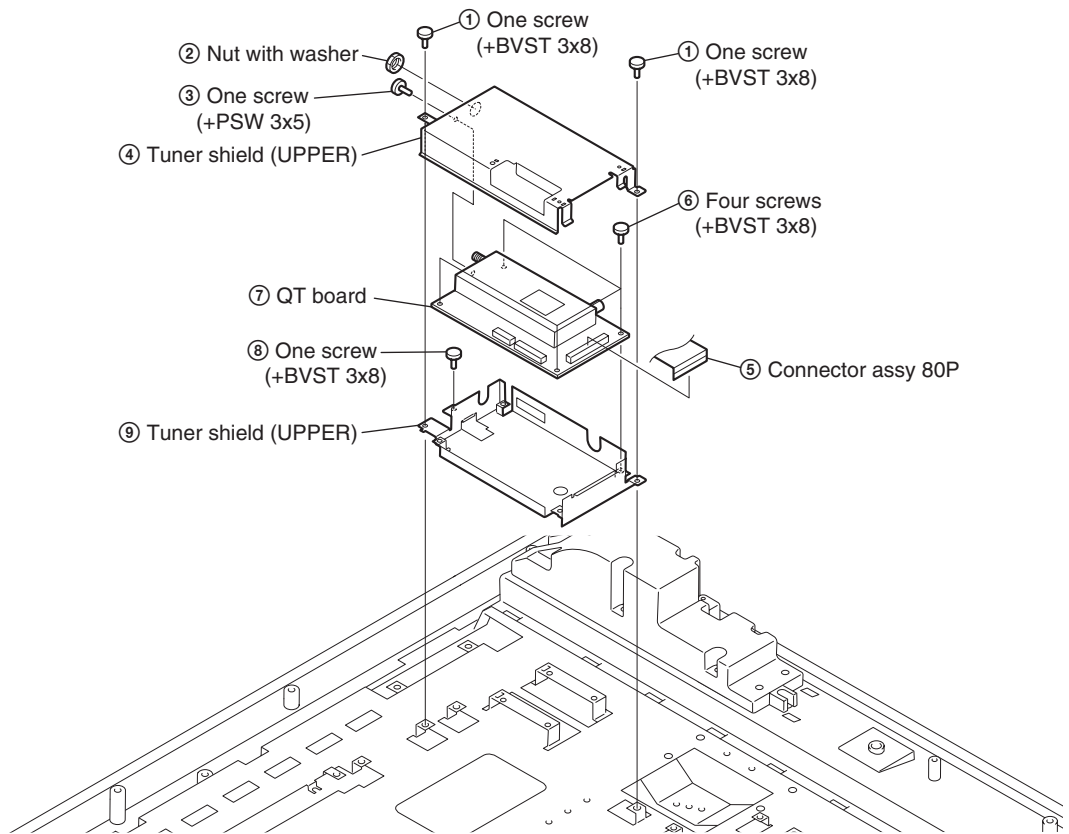


KDL-V40XBR1
2-2-7. B AND QM BOARDS REMOVAL

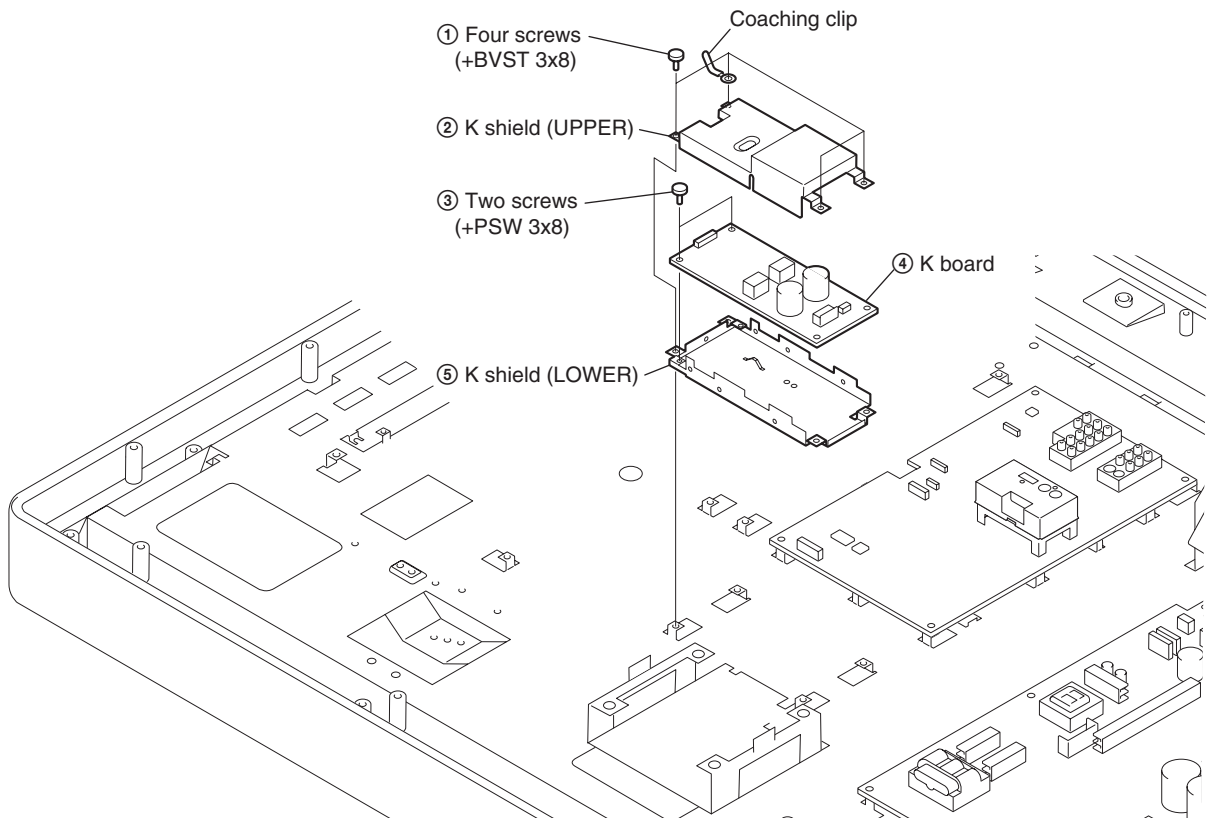


KDL-V40XBR1

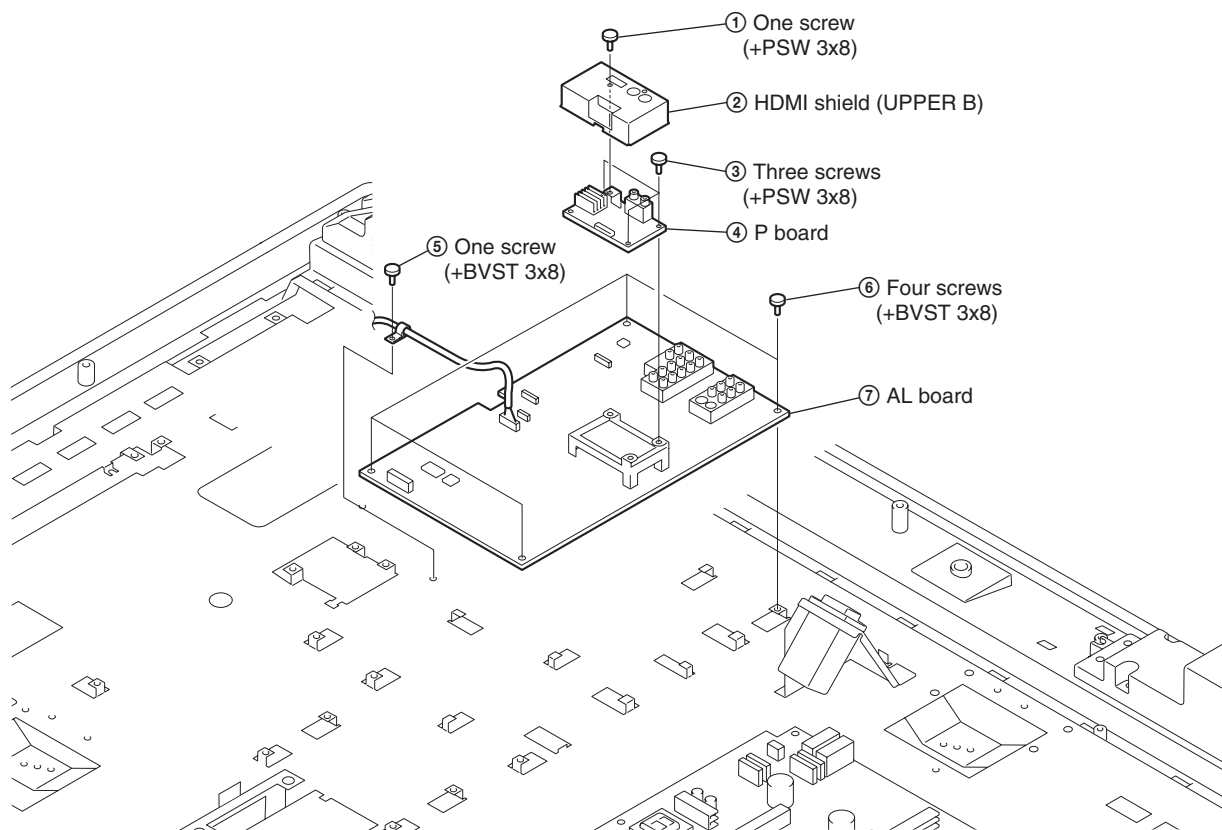
2-2-8. QT BOARD REMOVAL



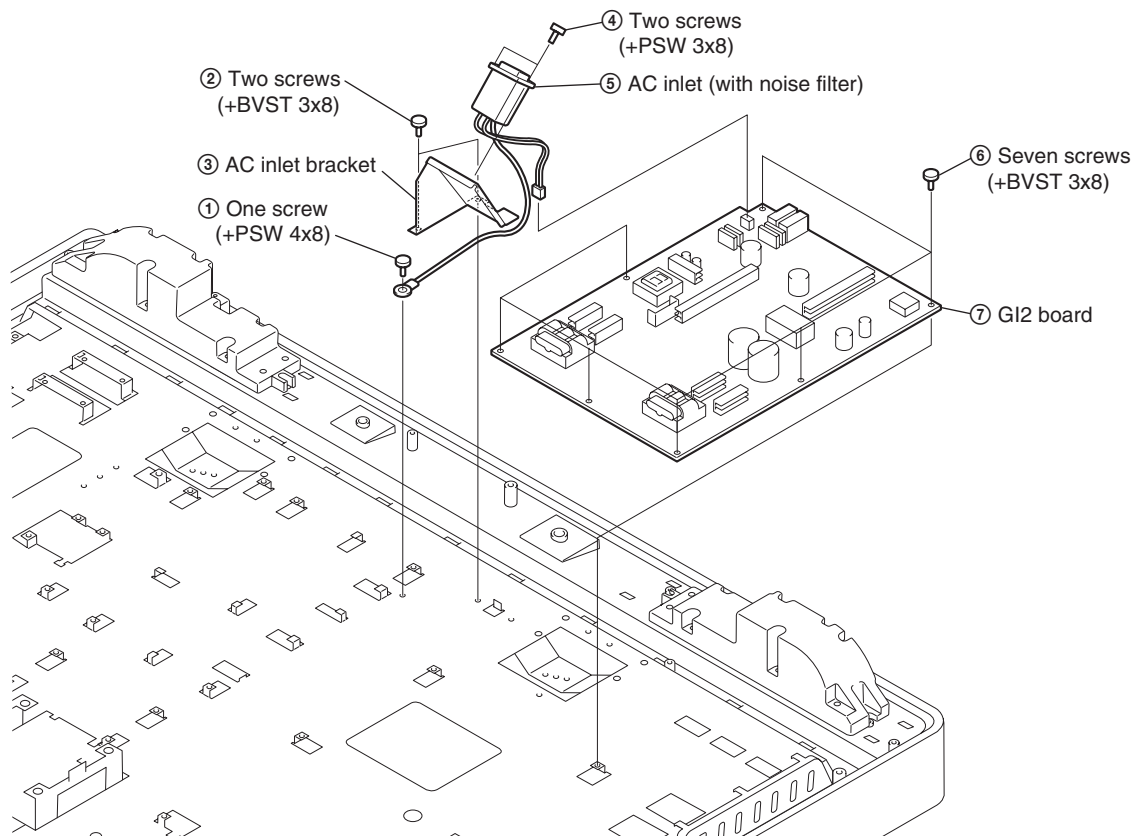
2-2-9. K BOARD REMOVAL



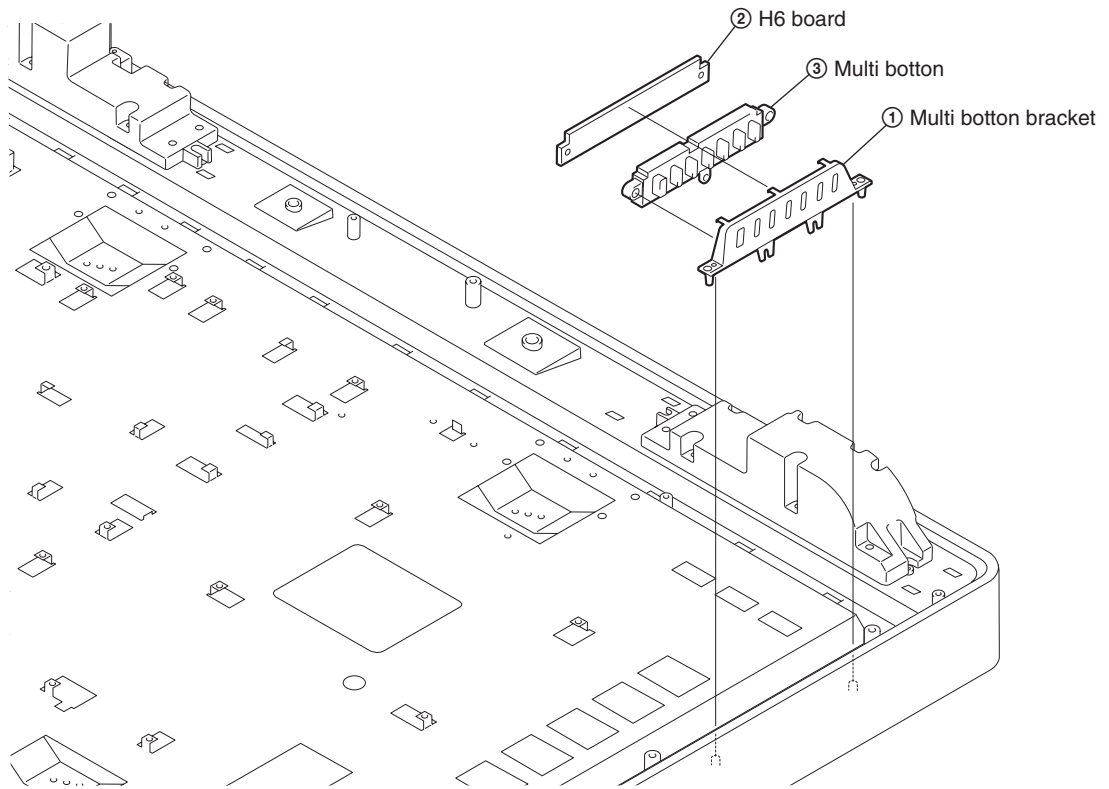
KDL-V40XBR1
2-2-10. P BOARD REMOVAL



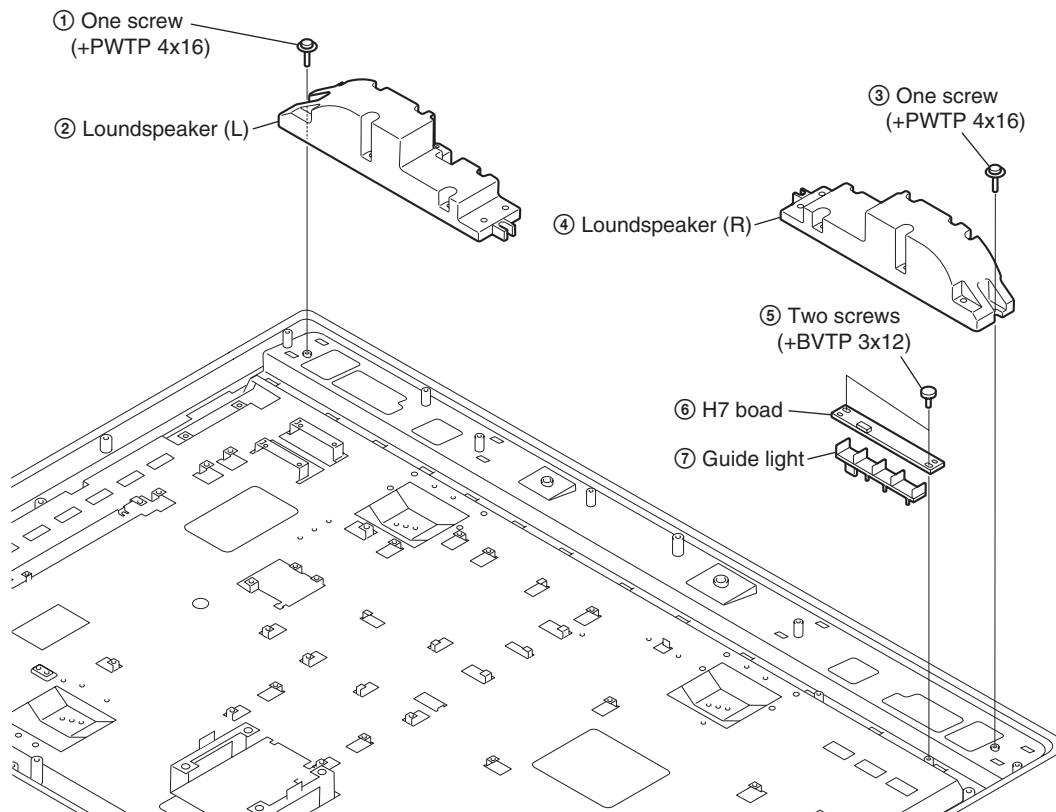
2-2-11. GI2 BOARD REMOVAL



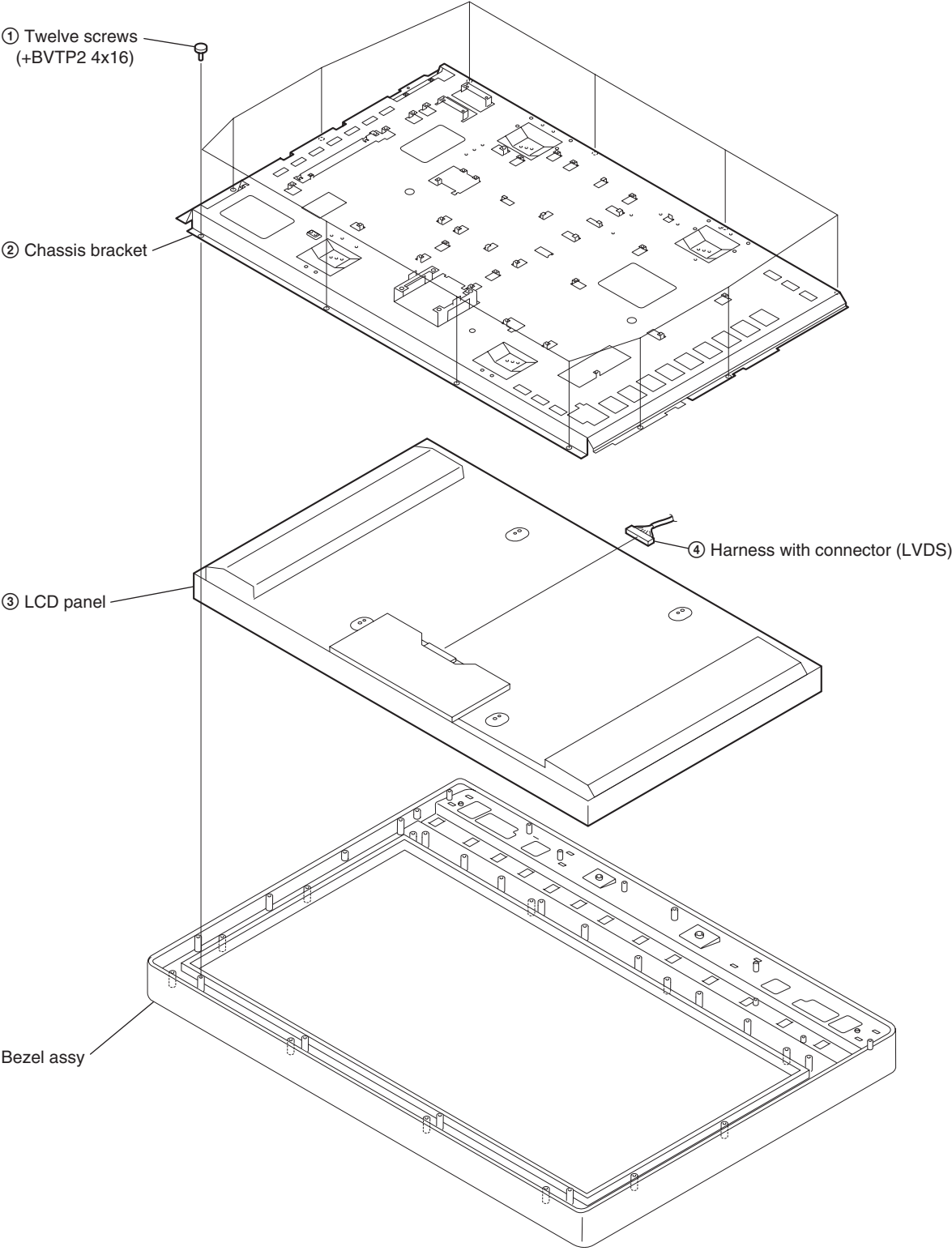
KDL-V40XBR1
2-2-12. H6 BOARD REMOVAL



2-2-13. H7 BOARD AND SPEAKER REMOVAL



KDL-V40XBR1
2-2-14. LCD BOARD REMOVAL




SECTION 3 SERVICE MODE

3-1. DISPLAYING SERVICE MENU

- (1) Turn ON the power of the TV set, and drive it into the standby mode by the remote control.
- (2) Press the buttons on the remote control as follows.

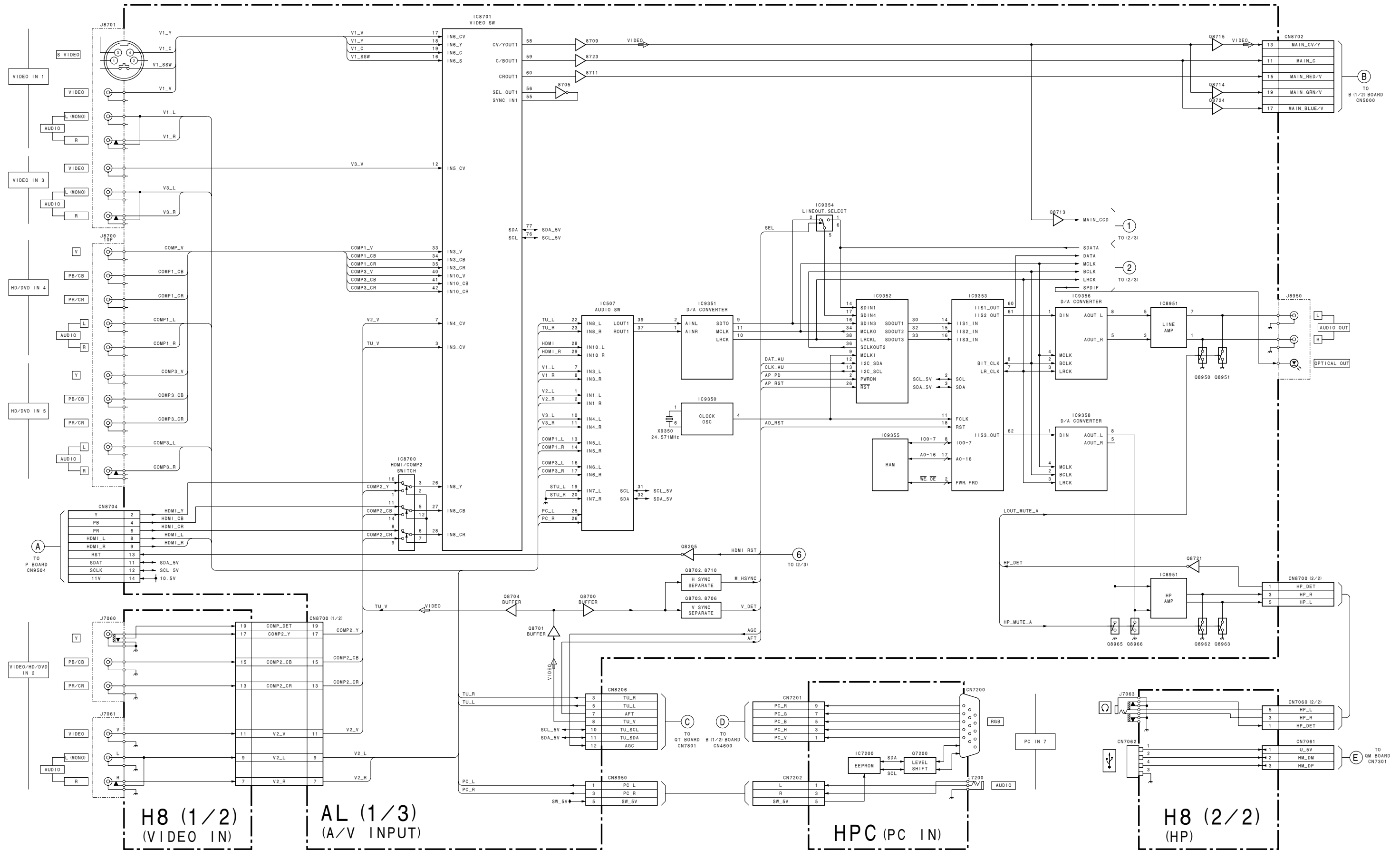
Analog service menu	MIX5	DISPLAY → TEN KEY “5” → VOL “+” → TV POWER
---------------------	------	--

3-2. ADJUSTMENT USING THE SERVICE MENU

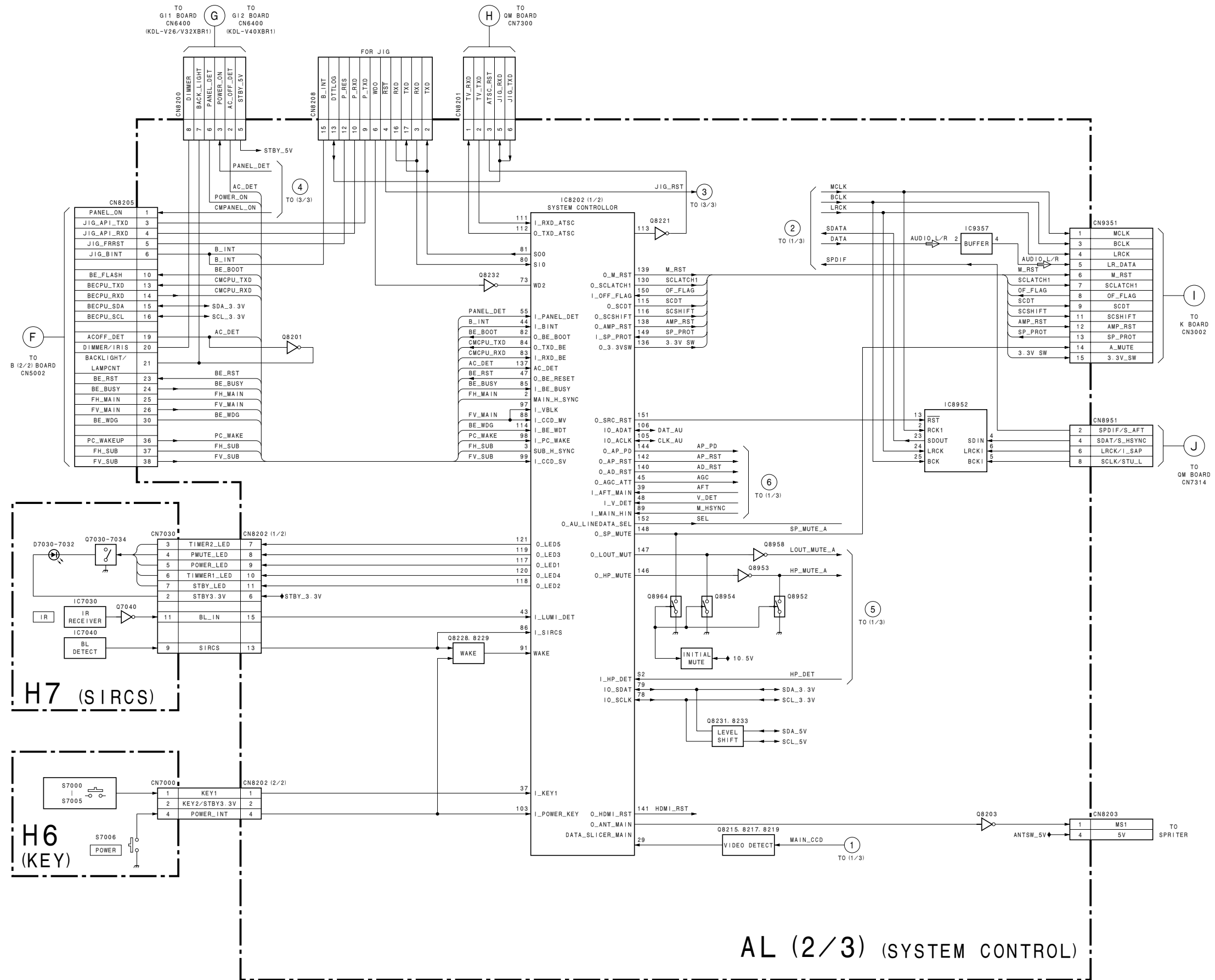
Set adjustment values using the “/” keys and the “+” key.

SECTION 4 DIAGRAMS

4-1. BLOCK DIAGRAMS (1) AL (1/3), H8 and HPC Boards

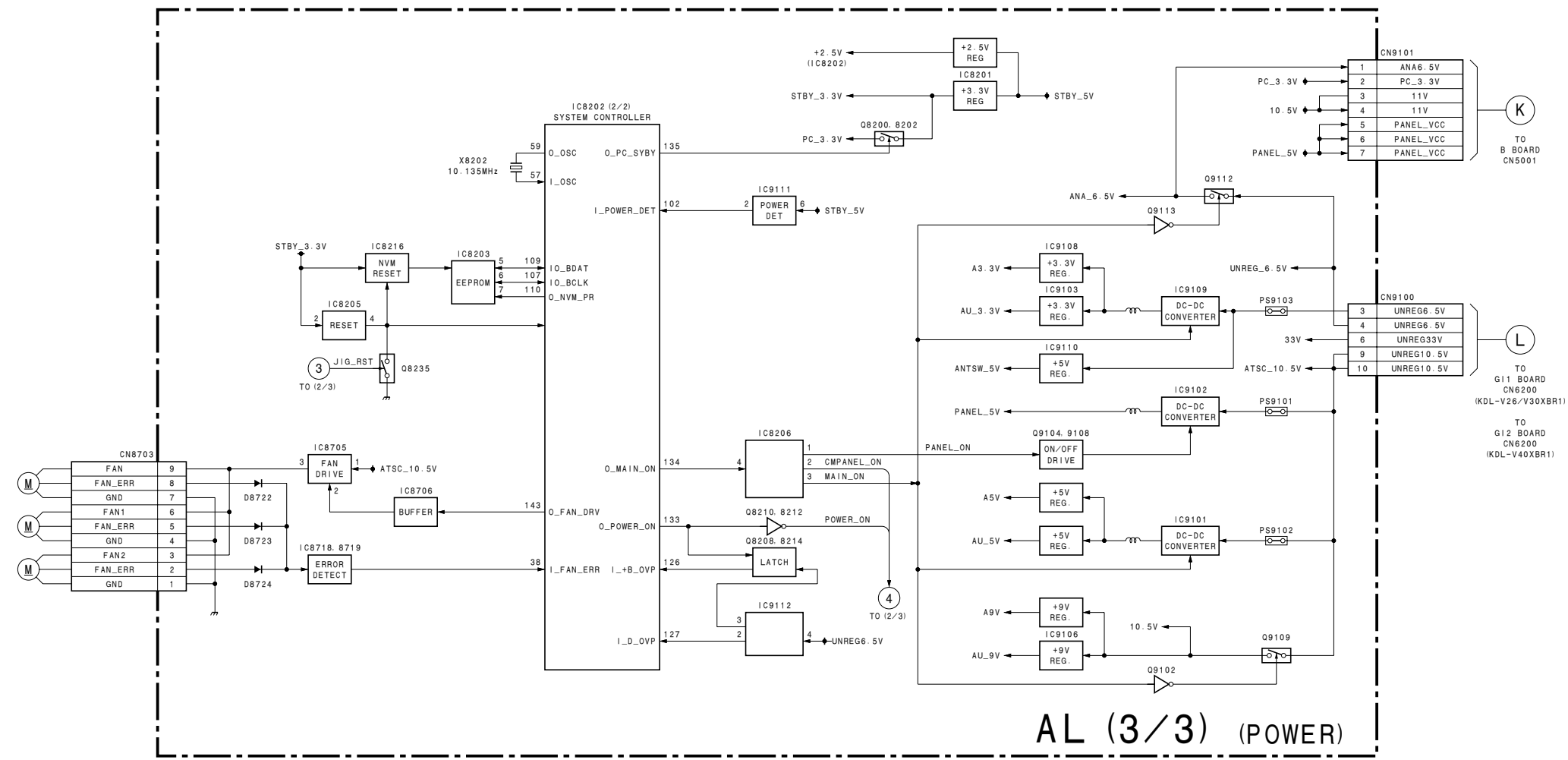


(2) AL (2/3), H6 and H7 Boards

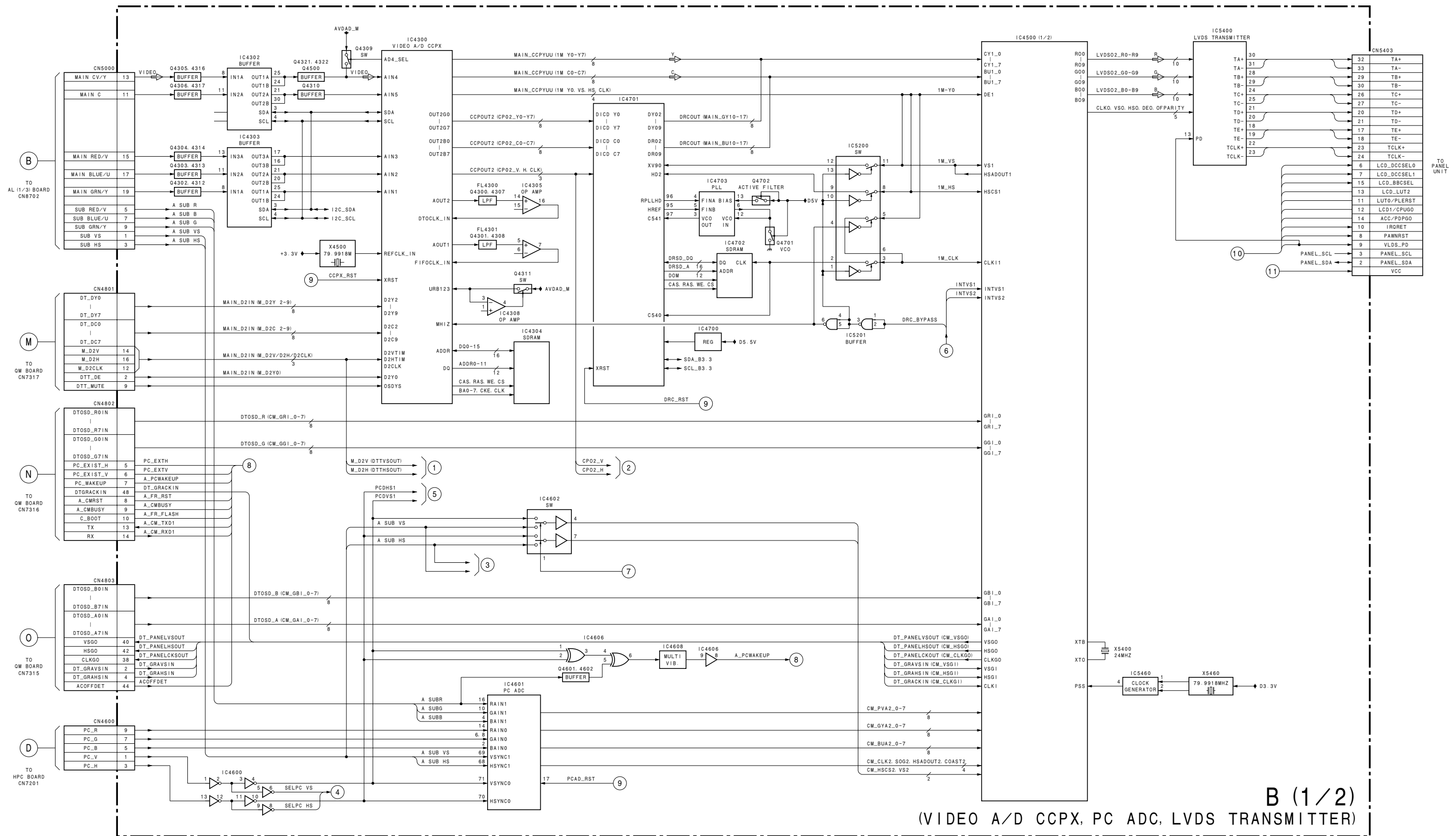


AL (2/3) (SYSTEM CONTROL)

(3) AL (3/3) Board



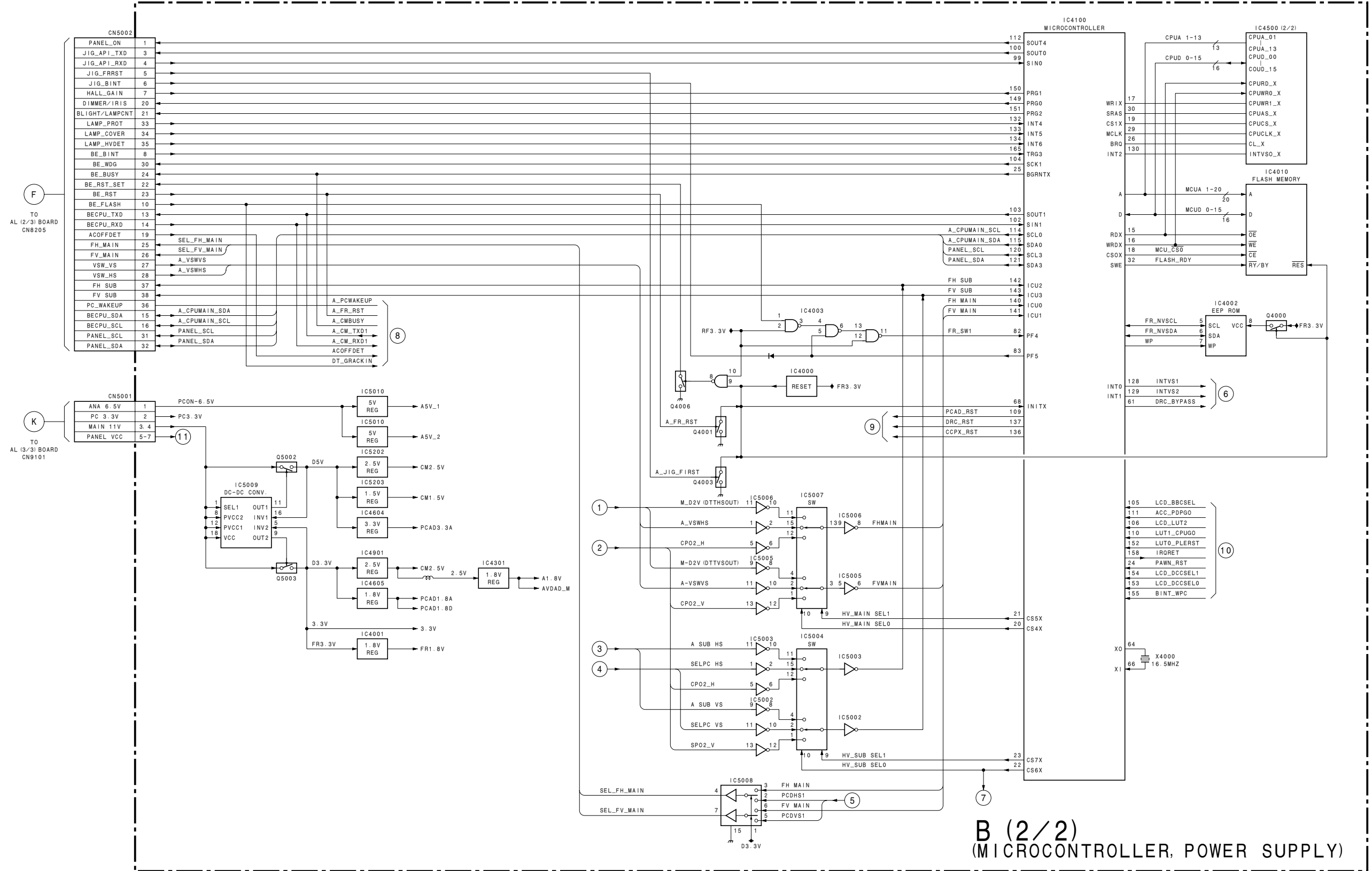
(4) B (1/2) Board



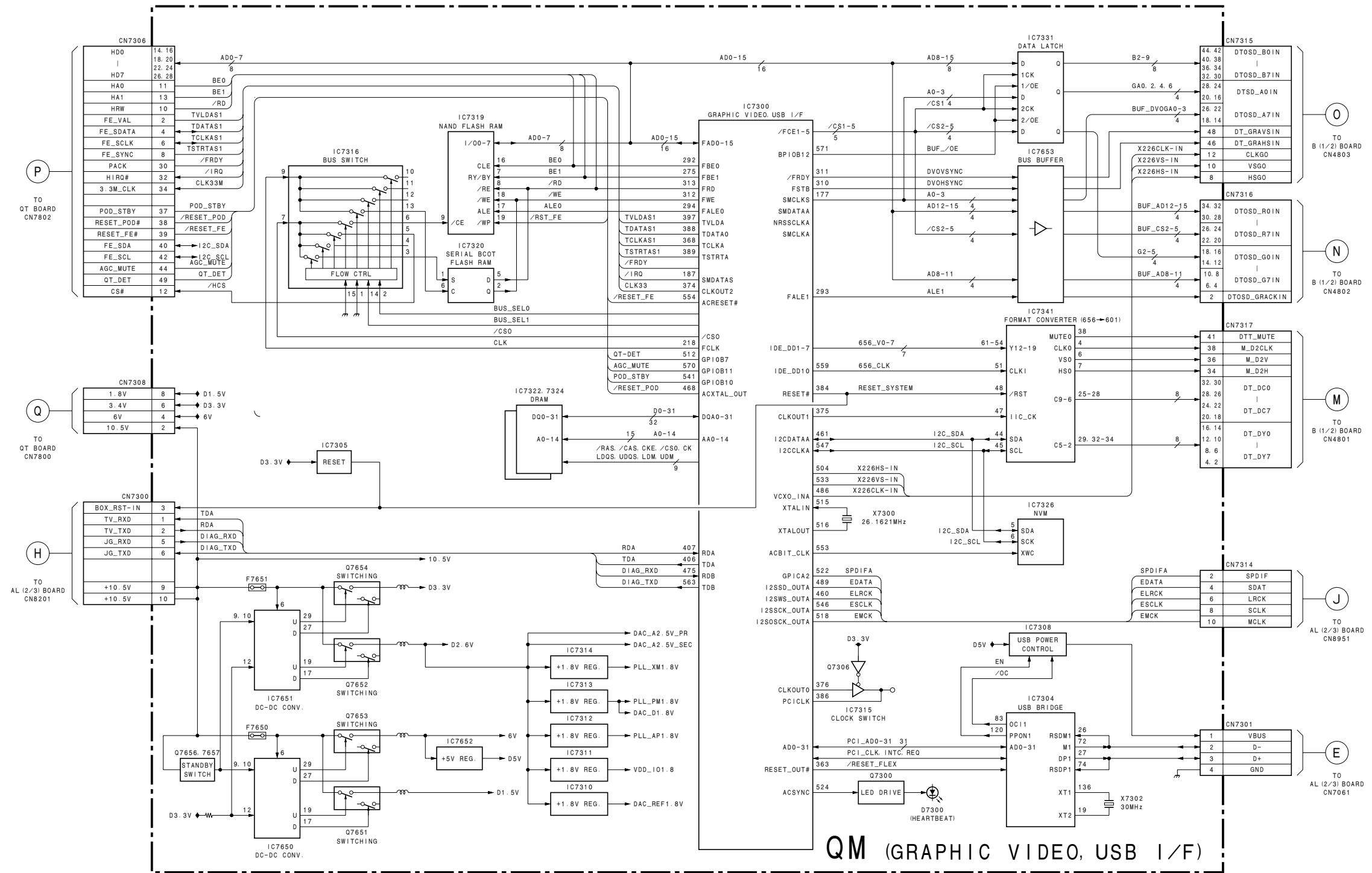
B (1/2)

(VIDEO A/D CCPX, PC ADC, LVDS TRANSMITTER)

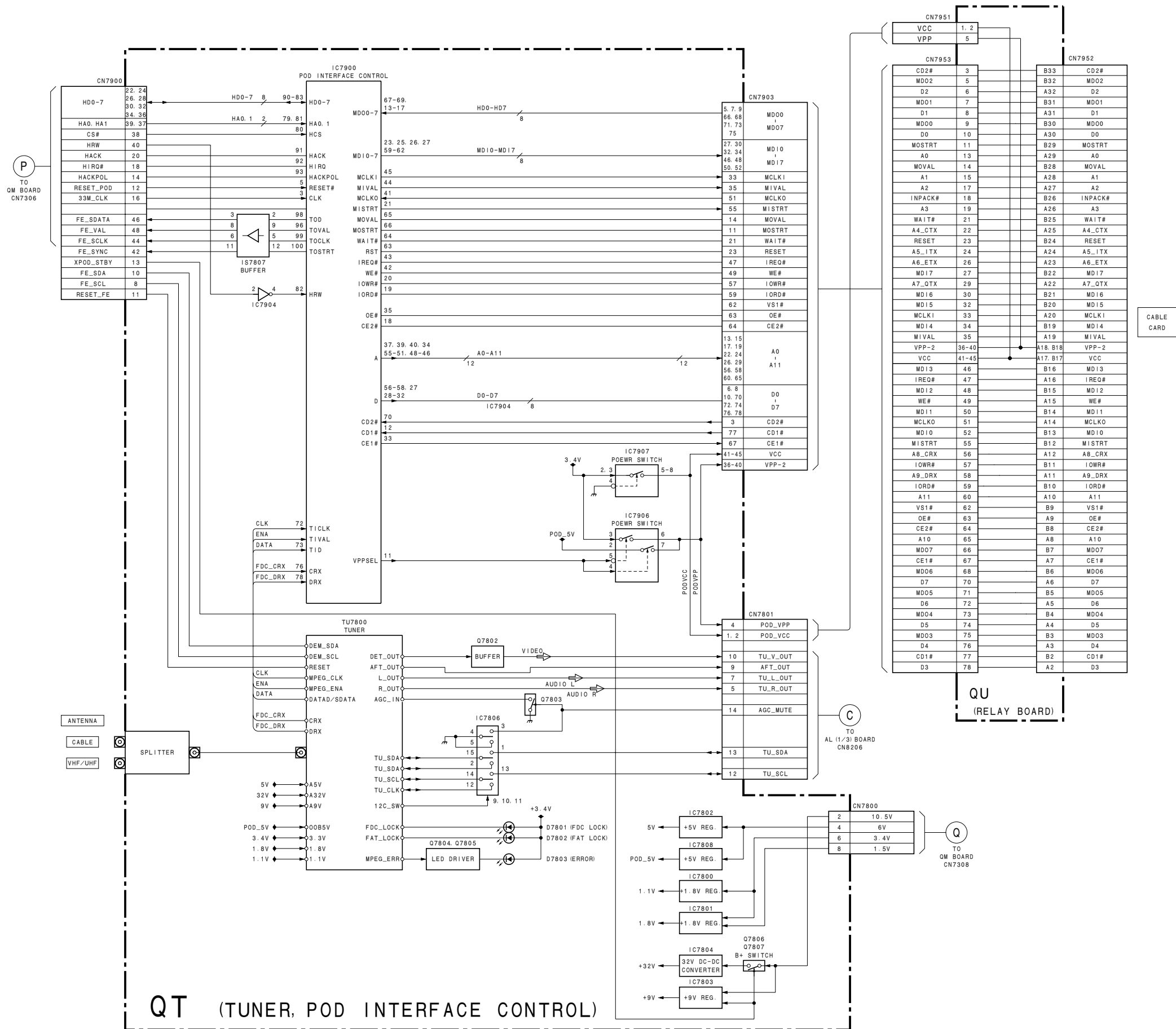
(5) B (2/2) Board



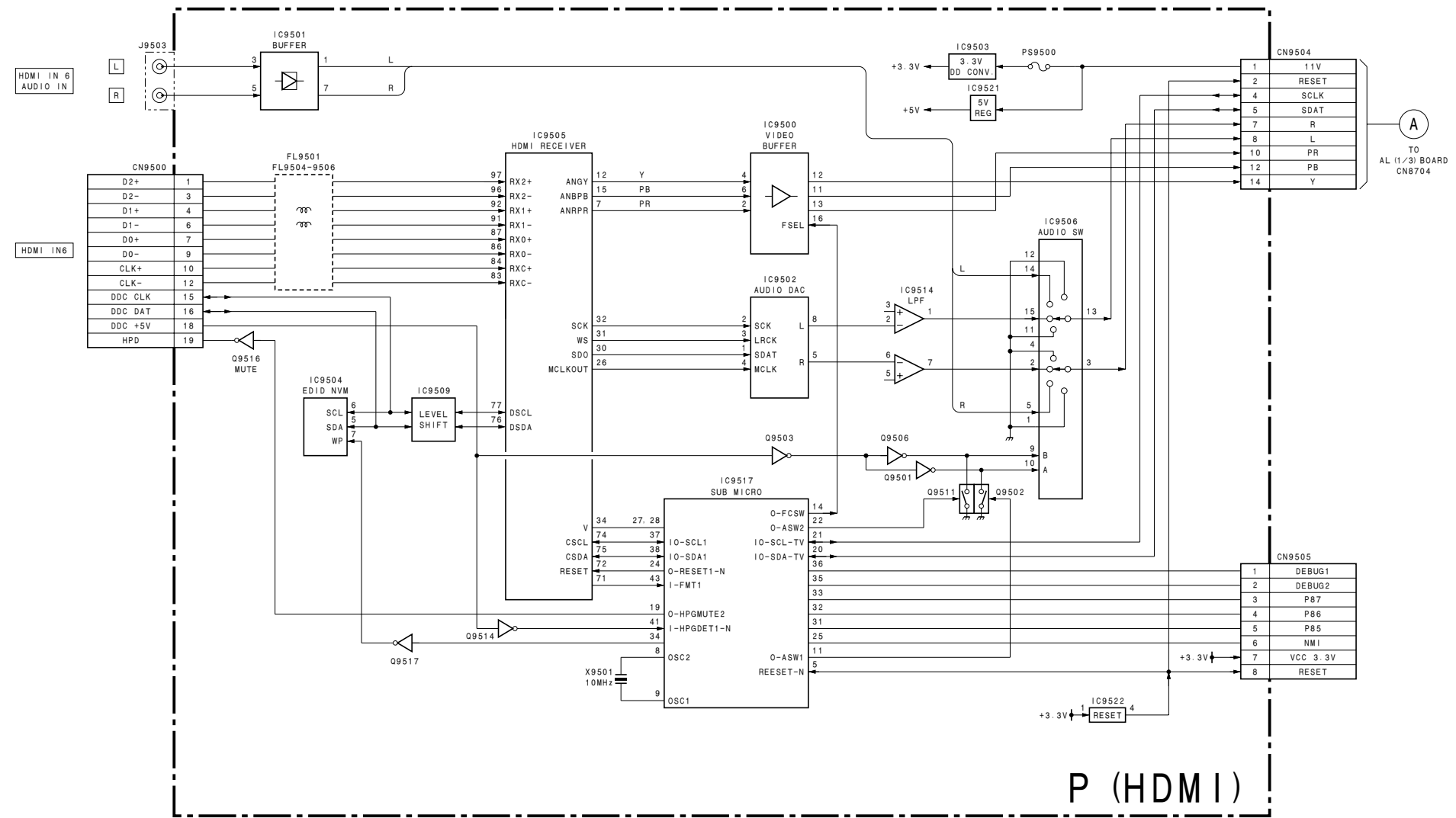
(6) QM Board



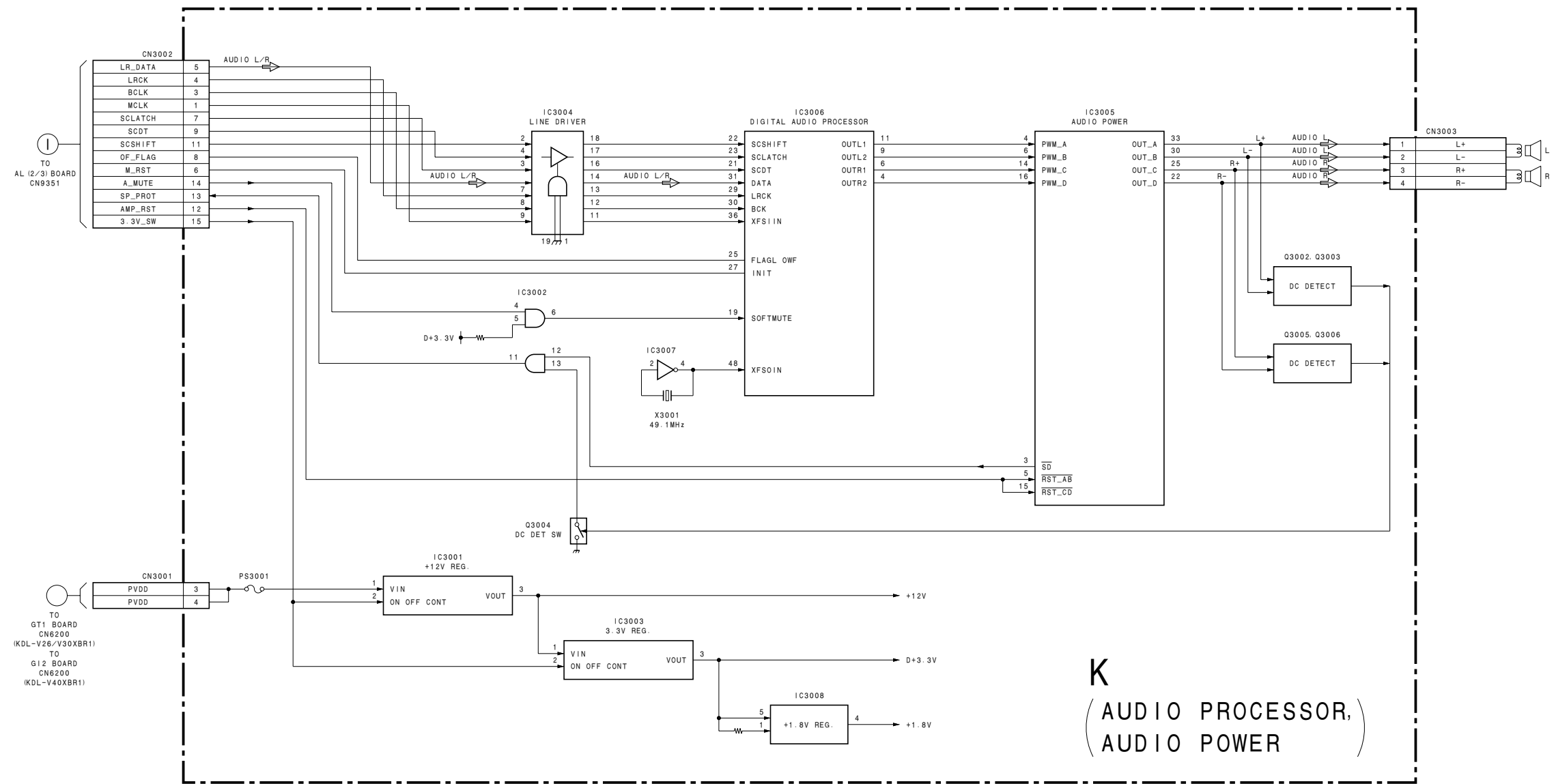
(7) QT and QU Boards



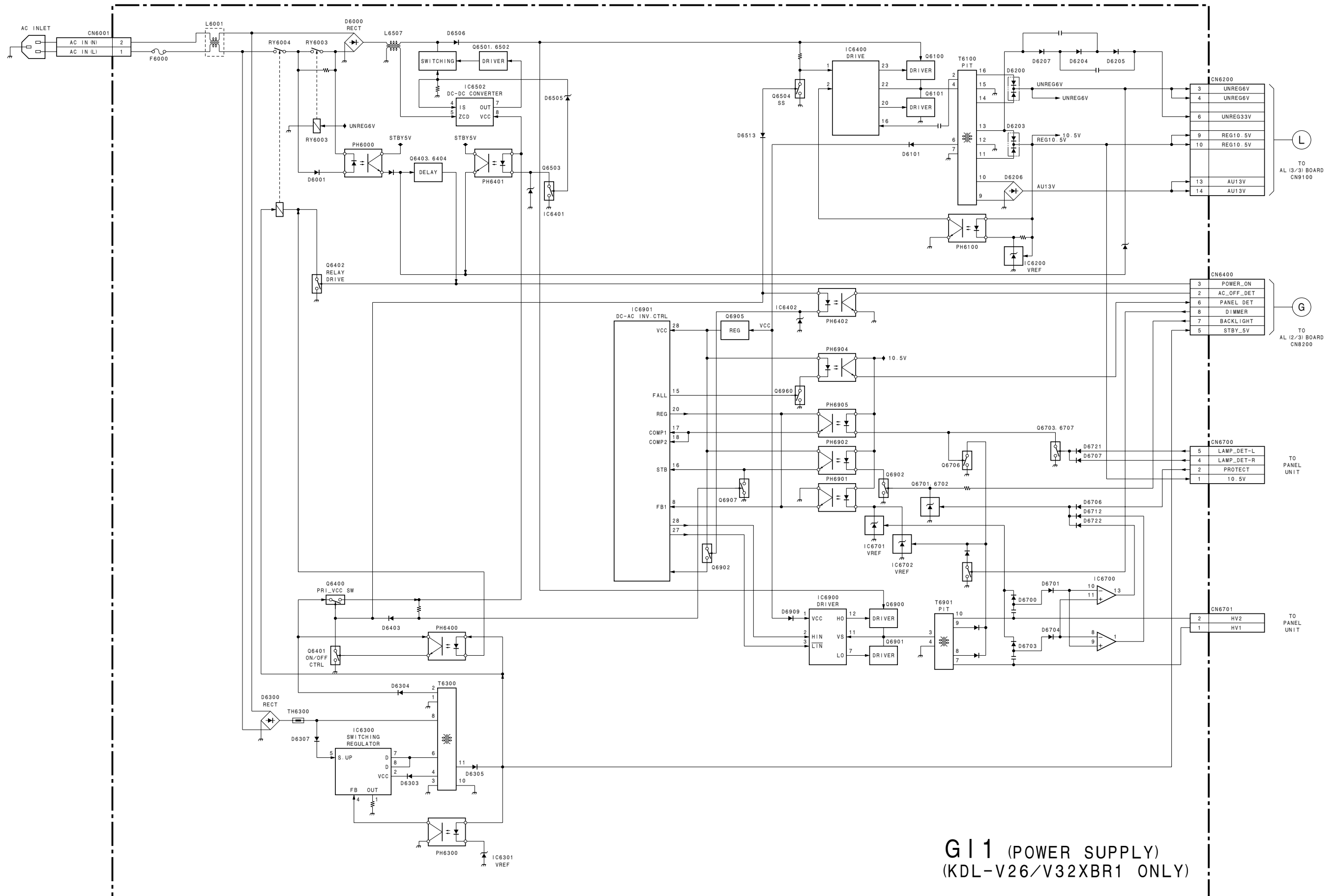
(8) P Board



(9) K Board

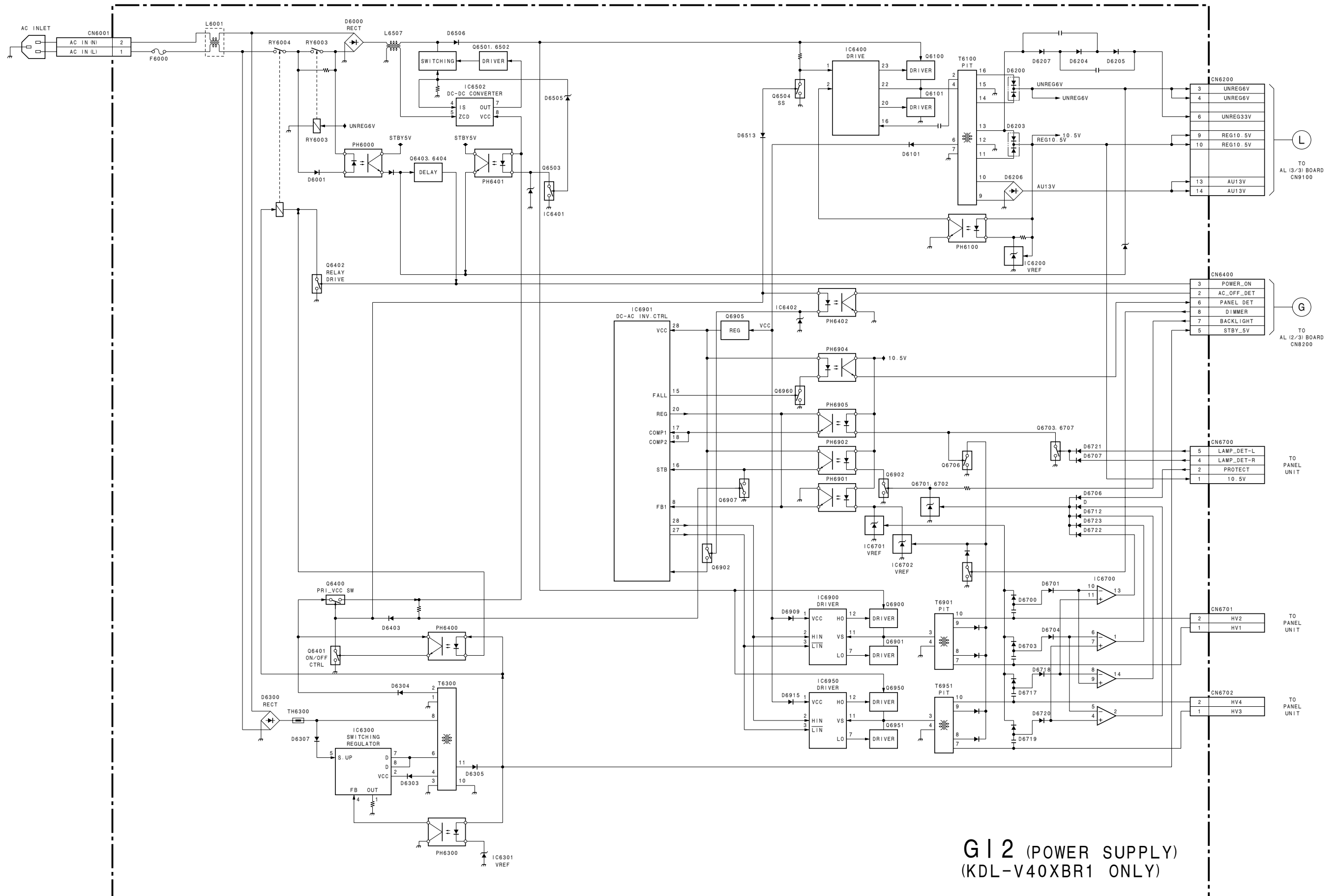


(10) G11 Board (KDL-V26/V32XBR1 ONLY)

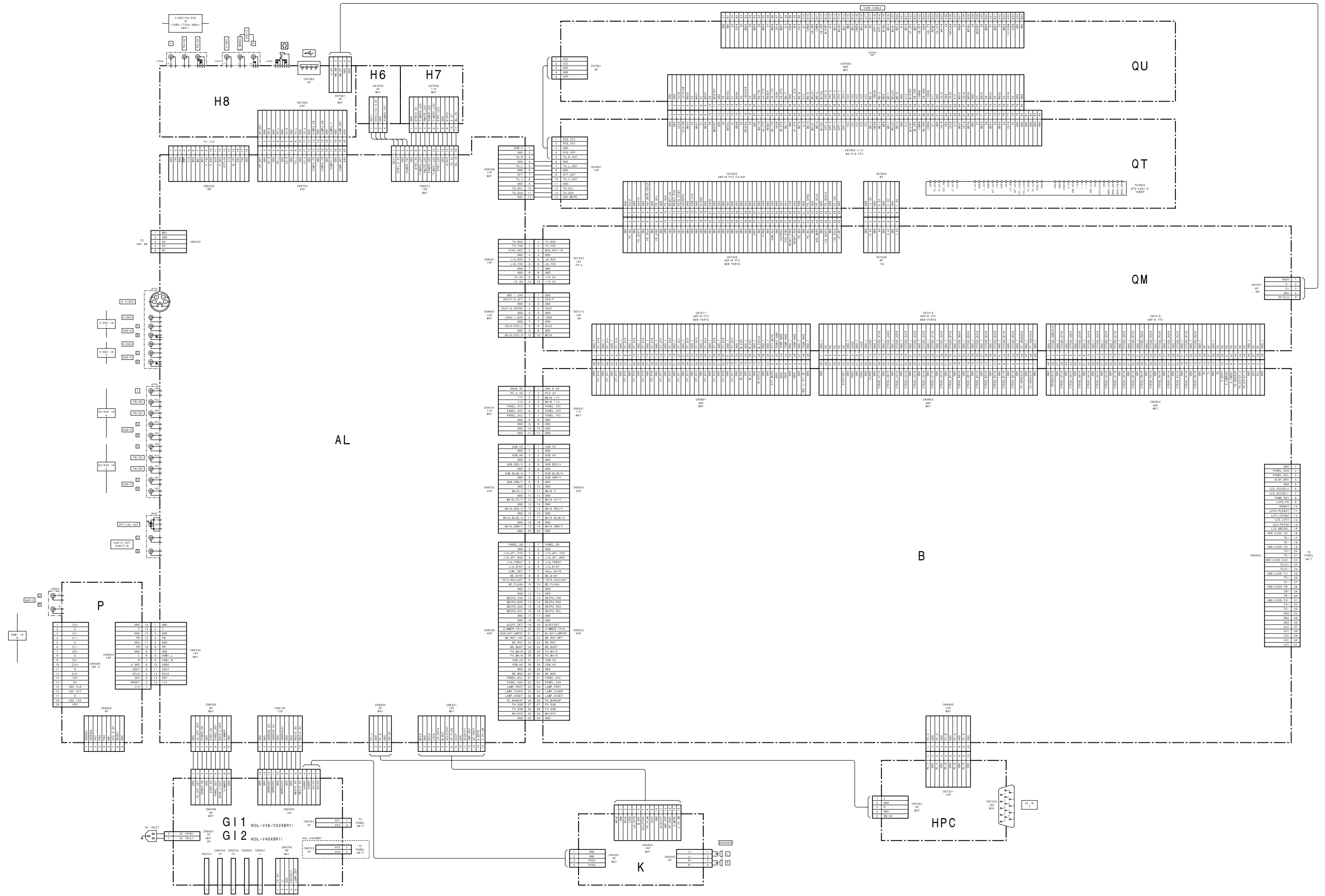


G11 (POWER SUPPLY)
(KDL-V26/V32XBR1 ONLY)

(11) G12 Board (KDL-V40XBR1 ONLY)

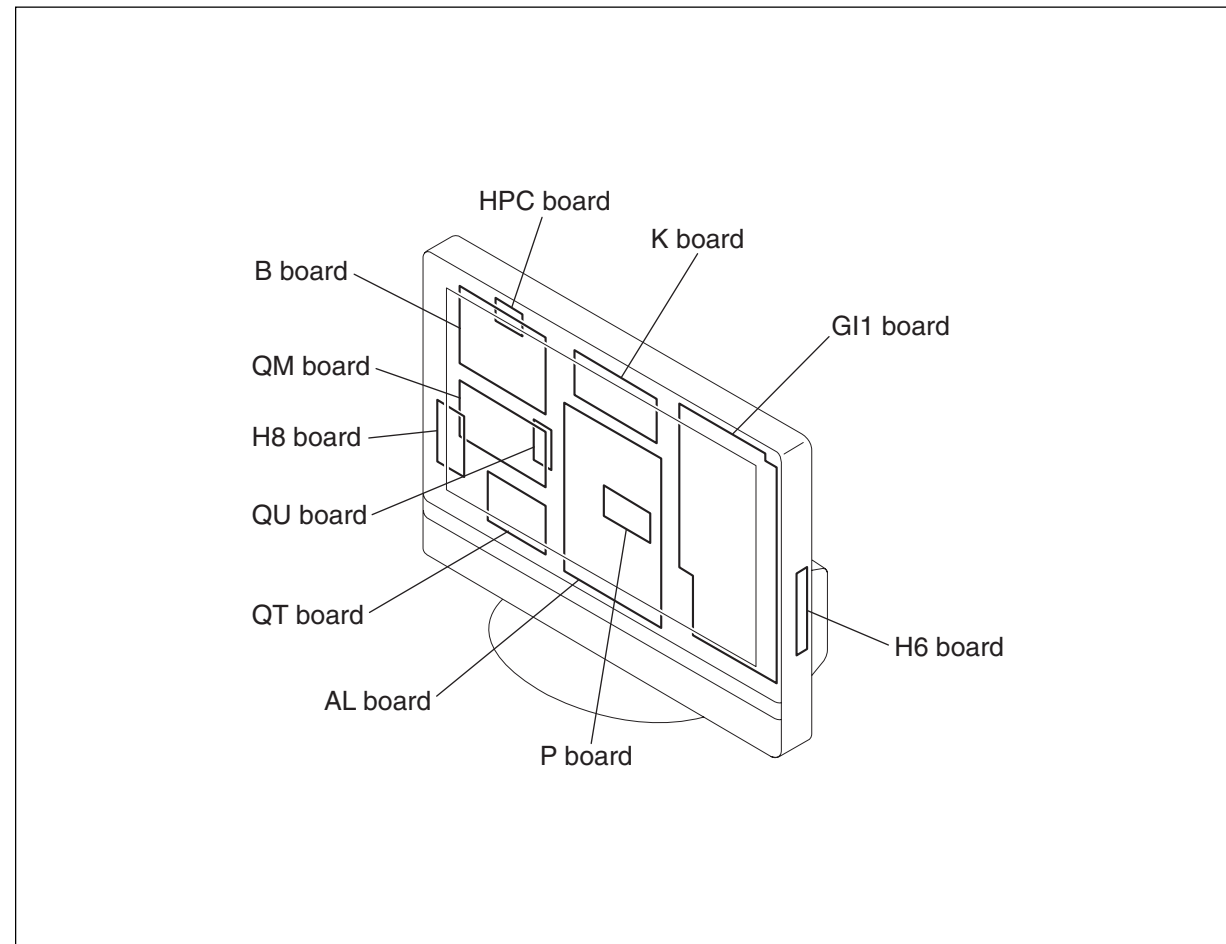


4-2. FRAME DIAGRAMS

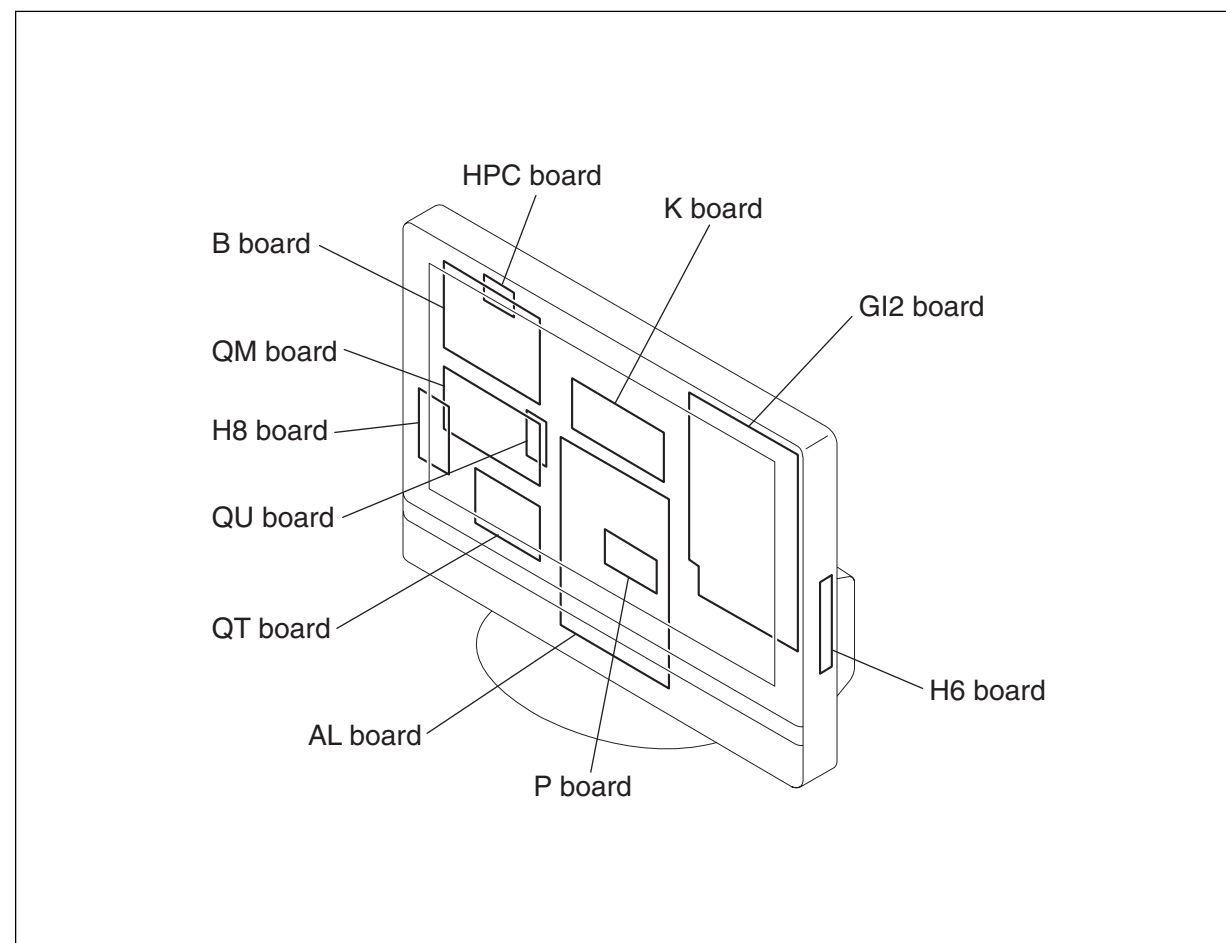


4-3. CIRCUIT BOARDS LOCATION

4-3-1. KDL-V26XBR1/V32XBR1



4-3-2. KDL-V40XBR1



4-4. SCHEMATIC DIAGRAMS AND PRINTED WIRING BOARDS

Note:

- All capacitors are in μF unless otherwise noted. (pF : $\mu\mu\text{F}$)
Capacitors without voltage indication are all 50 V.
- Indication of resistance, which does not have one for rating electrical power, is as follows.

Pitch: 5 mm

Rating electrical power 1/4 W (CHIP : 1/10 W)

- All resistors are in ohms.
- : nonflammable resistor.
- : fusible resistor.
- : internal component.
- : panel designation, and adjustment for repair.
- All variable and adjustable resistors have characteristic curve B, unless otherwise noted.
- : earth-ground.
- : earth-chassis.
- When replacing the part in below table, be sure to perform the related adjustment.
- All voltages are in V.
- Readings are taken with a 10 M Ω digital multimeter.
- Readings are taken with a color-bar signal input.
- Voltage variations may be noted due to normal production tolerances.
- * : Names and values of parts depend on models.
- * : Can not be measured.
- Circled numbers are waveform references.
- : B + bus.
- : B - bus.
- : Signal path.

Note: The components identified by shading and mark \triangle are critical for safety. Replace only with part number specified.

Note: Les composants identifiés par un trame et une marque \triangle sont critiques pour la sécurité. Ne les remplacer que par une pièce portant le numéro spécifié.

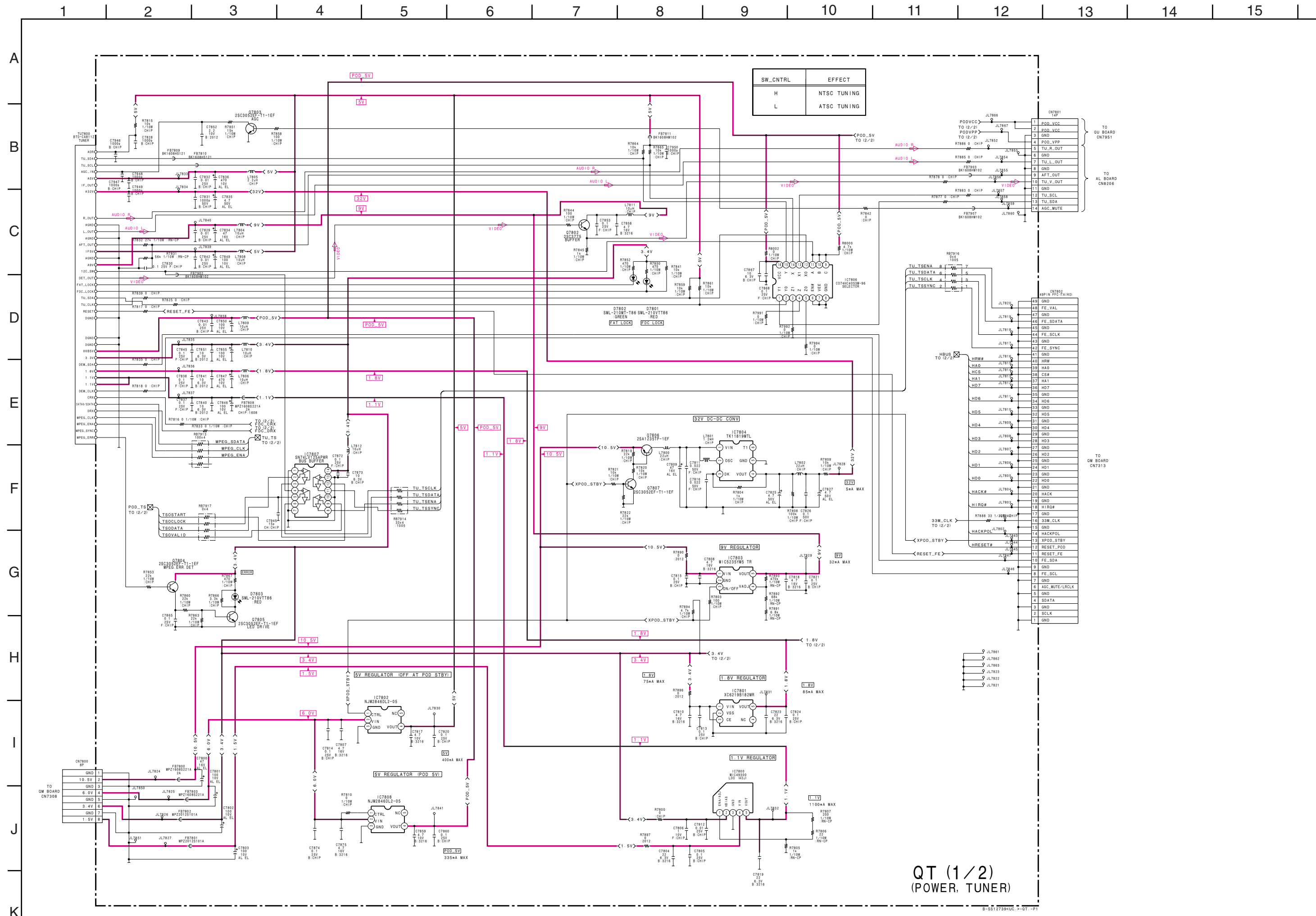
Terminal name of semiconductors in silk screen printed circuit (*):

	Device	Printed symbol	Terminal name	Circuit
①	Transistor		Collector Base Emitter	
②	Transistor		Collector Base Emitter	
③	Diode		Cathode Anode	
④	Diode		Cathode Anode (NC)	
⑤	Diode		Anode (NC)	
⑥	Diode		Common Anode Cathode	
⑦	Diode		Common Anode Cathode	
⑧	Diode		Common Anode Anode	
⑨	Diode		Common Anode Anode	
⑩	Diode		Common Cathode Cathode	
⑪	Diode		Common Cathode Cathode	
⑫	Diode		Anode Anode Cathode Anode	
⑬	Transistor (FET)		Drain Source Gate	
⑭	Transistor (FET)		Drain Source Gate	
⑮	Transistor (FET)		Source Drain Gate	
⑯	Transistor		Emitter Collector Base	
⑰	Transistor		C2 B1 E1 E2 B2 C1	
⑱	Transistor		C1 B2 E2 E1 B1 C2	
⑲	Transistor		C1 B2 E2 E1 B1 C2	
⑳	Transistor		C1 B2 E2 E1 B1 C2	
㉑	Transistor		E2 B1 E1 C2 C1(B2)	
㉒	Transistor		(B2) B1 E1 E2 C1 C2	
㉓	Transistor		(B2) E2 E1 B1 C2 C1	
-	Discrete semiconductor			

(Chip semiconductors that are not actually used are included.)

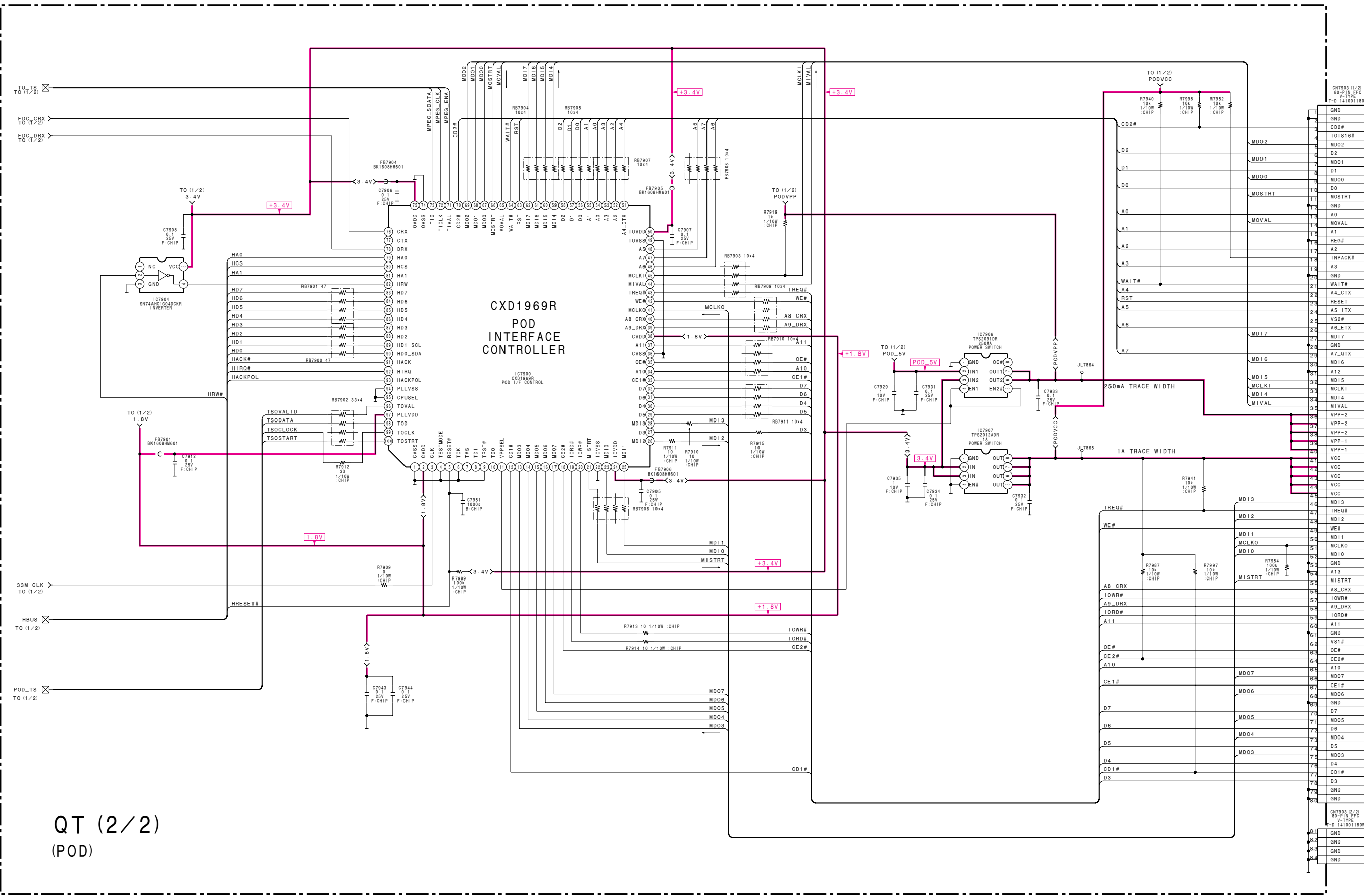
Ver.1.6

(1) Schematic Diagrams of QT Board



QT (1/2)
(POWER, TUNER)

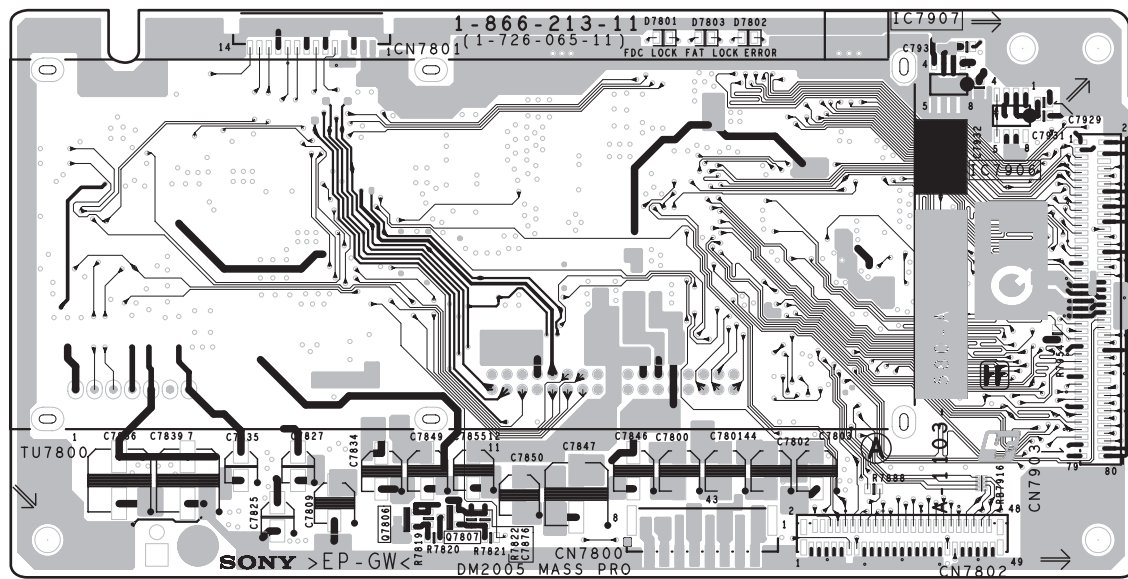
B-8812739UC-5-DT -PT



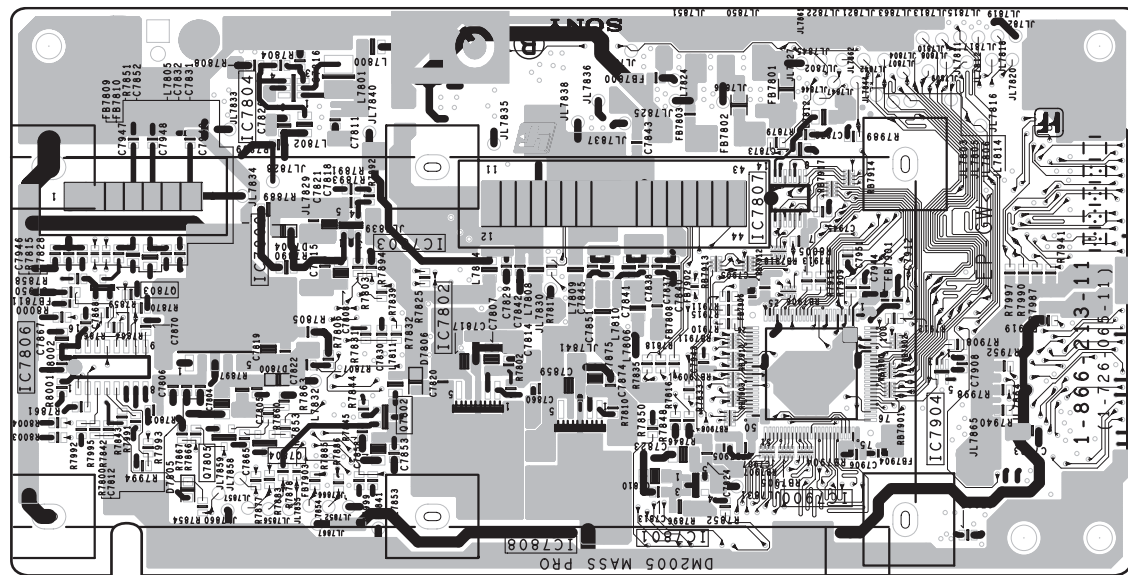
QT (2/2)
(POD)

TO BOARD
CN7953

— QT BOARD —

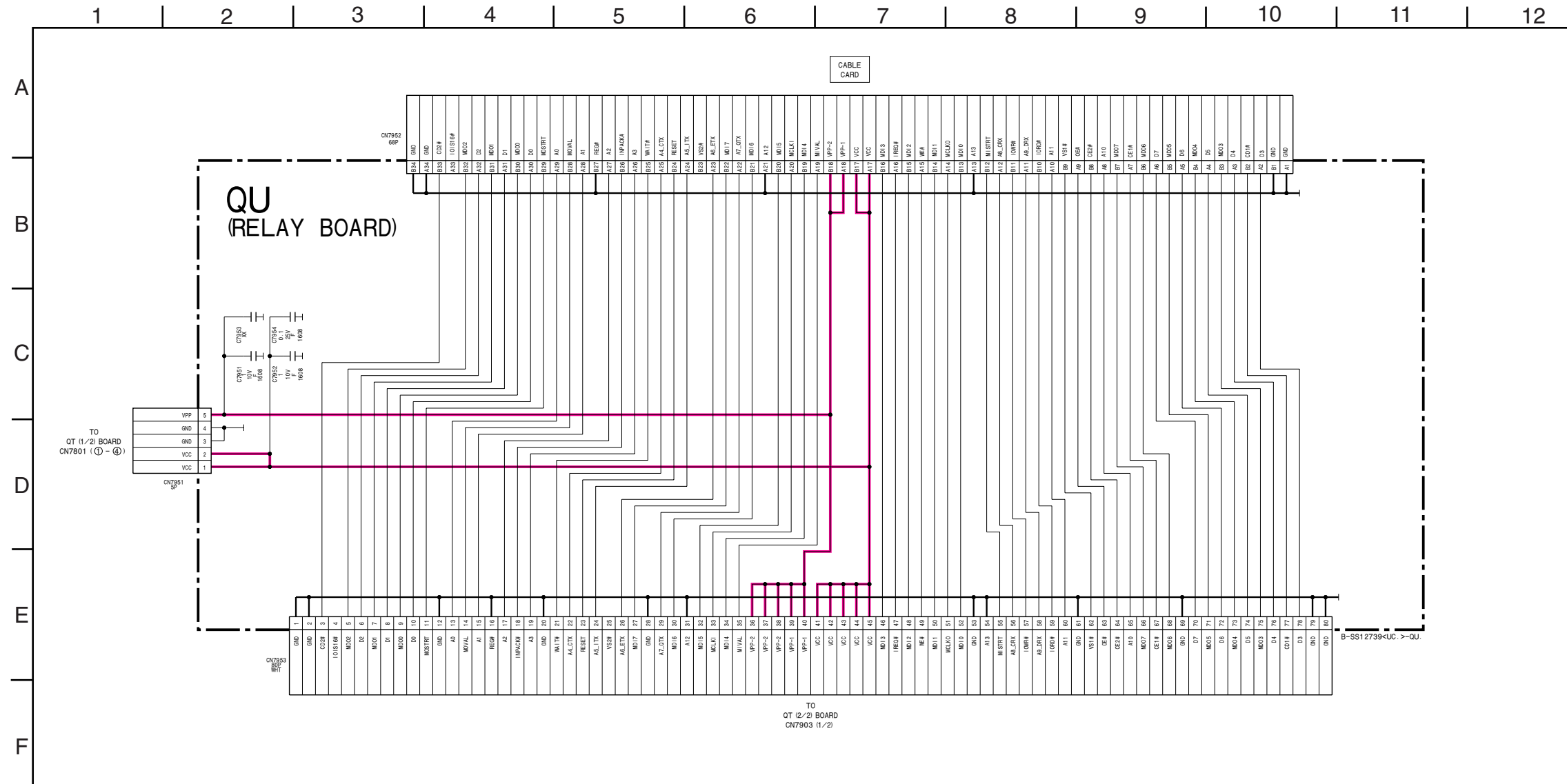


<COMPONENT SIDE>



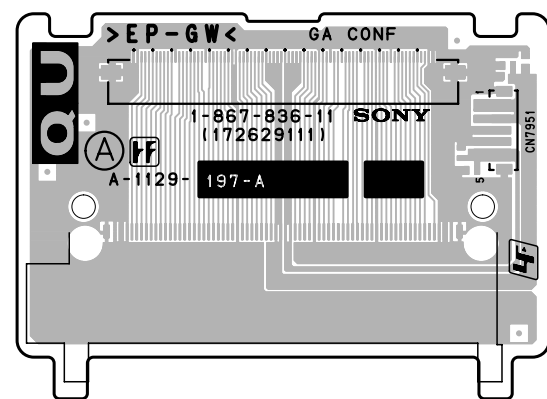
<CONDUCTOR SIDE>

(2) Schematic Diagram of QU Board

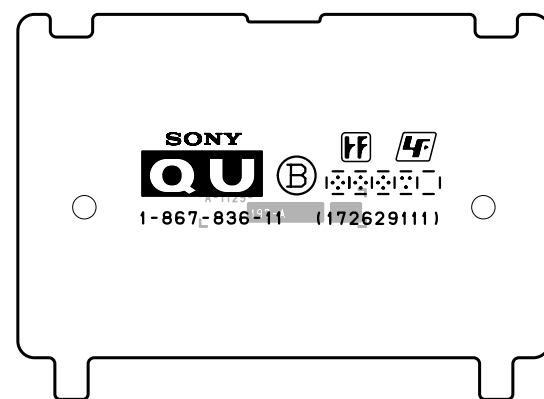


QU [RELAY BOARD]

— QU BOARD —

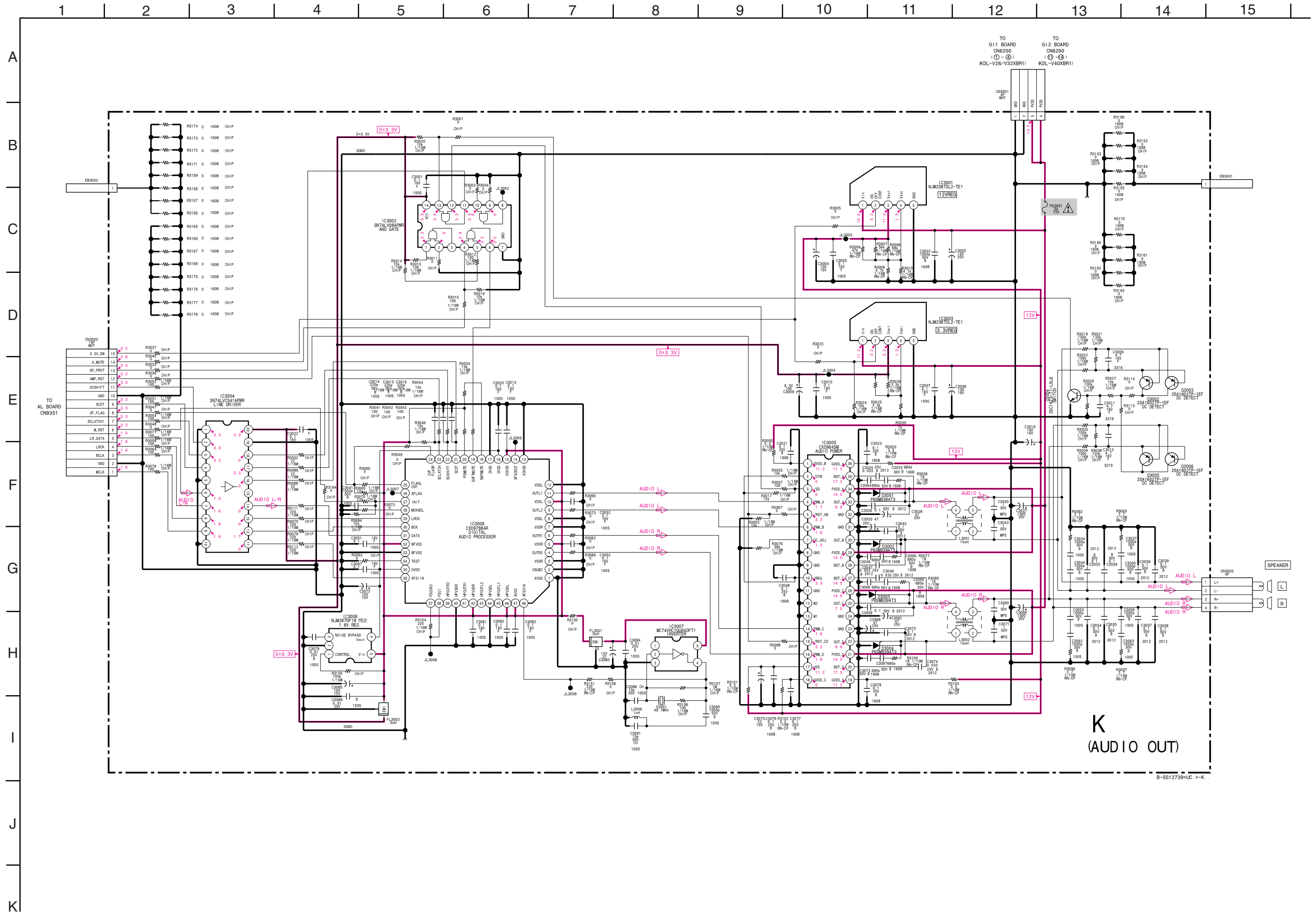


<COMPONENT SIDE>



<CONDUCTOR SIDE>

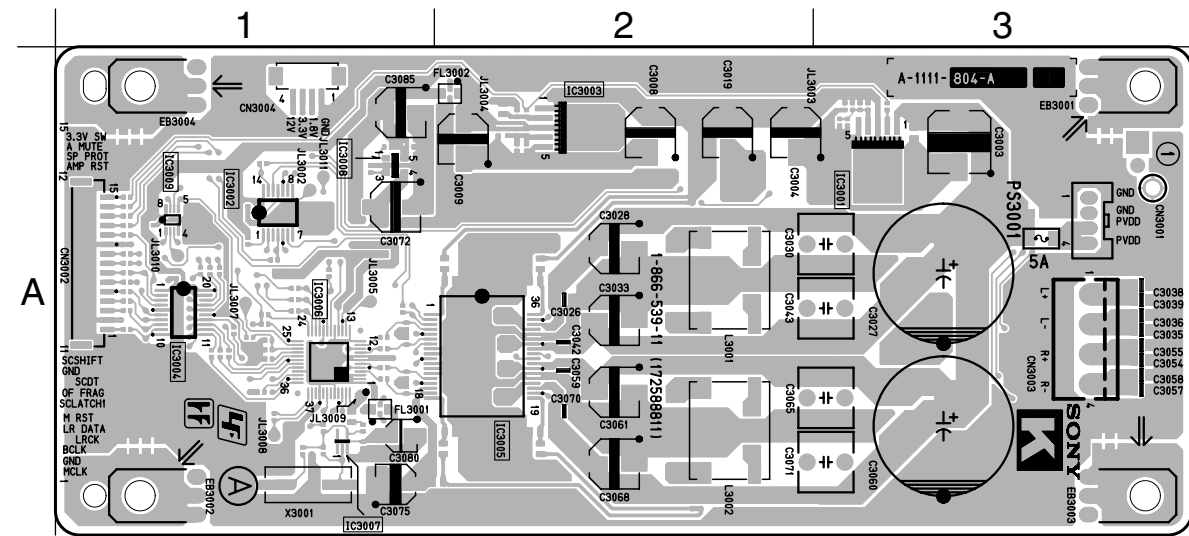
(3) Schematic Diagram of K Board



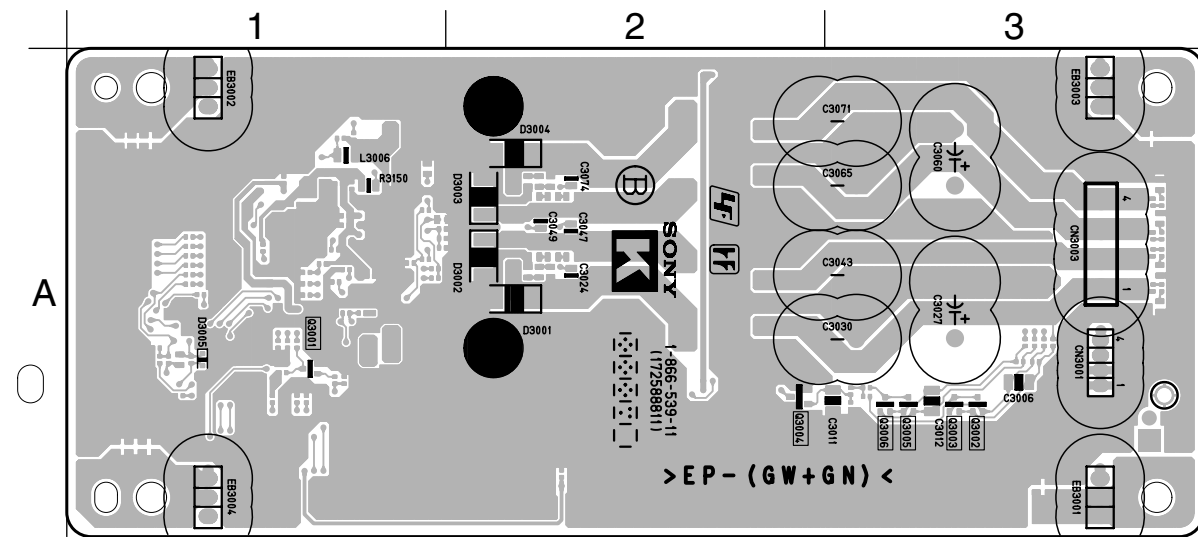
K
(AUDIO OUT)

B-S12739<UC>->K-

— K BOARD —



<COMPONENT SIDE>



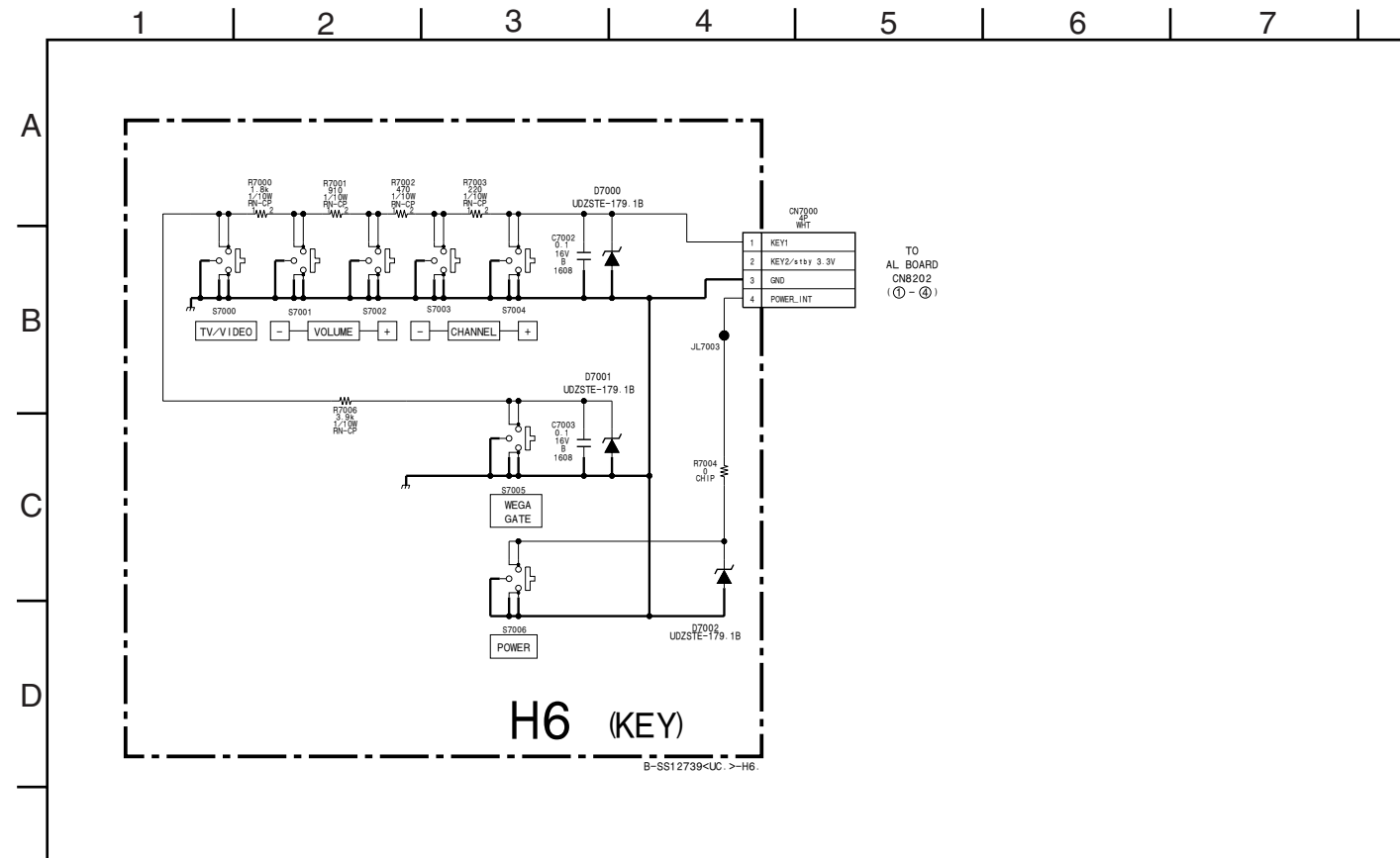
<CONDUCTOR SIDE>

• K BOARD SEMICONDUCTOR LOCATION

IC		
(Component Side)	(Conductor Side)	*
IC3001	A-3	
IC3002	A-1	
IC3003	A-2	
IC3004	A-1	
IC3005	A-2	
IC3006	A-1	
IC3007	A-1	
IC3008	A-1	
IC3009	A-1	
TRANSISTOR		
(Component Side)	(Conductor Side)	*
Q3001	A-1	②
Q3002	A-3	②
Q3003	A-3	②
Q3004	A-2	②
Q3005	A-3	②
Q3006	A-3	②
DIODE		
(Component Side)	(Conductor Side)	*
D3001	A-2	③
D3002	A-2	③
D3003	A-2	③
D3004	A-2	③
D3005	A-1	③

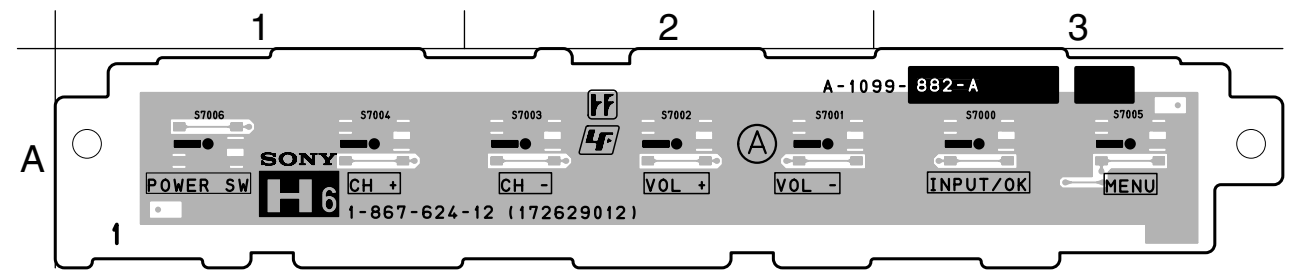
*: Refer to Terminal name of semiconductors in silk screen printed circuit (see page 4-13)

(4) Schematic Diagram of H6 Board

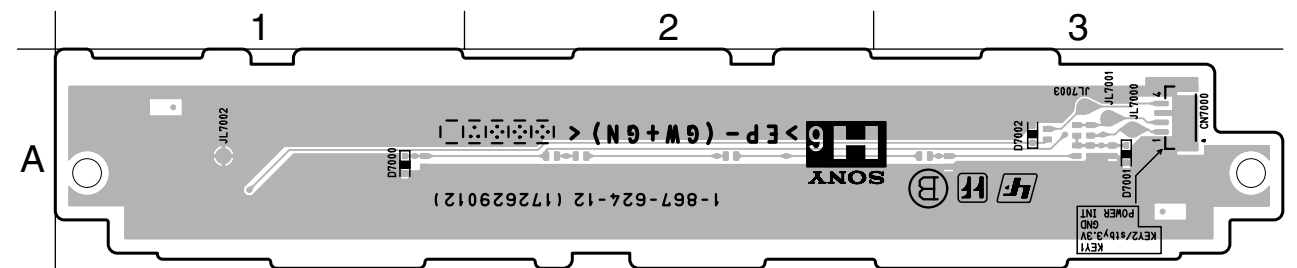


H6 [KEY]

—H6 BOARD—



<COMPONENT SIDE>



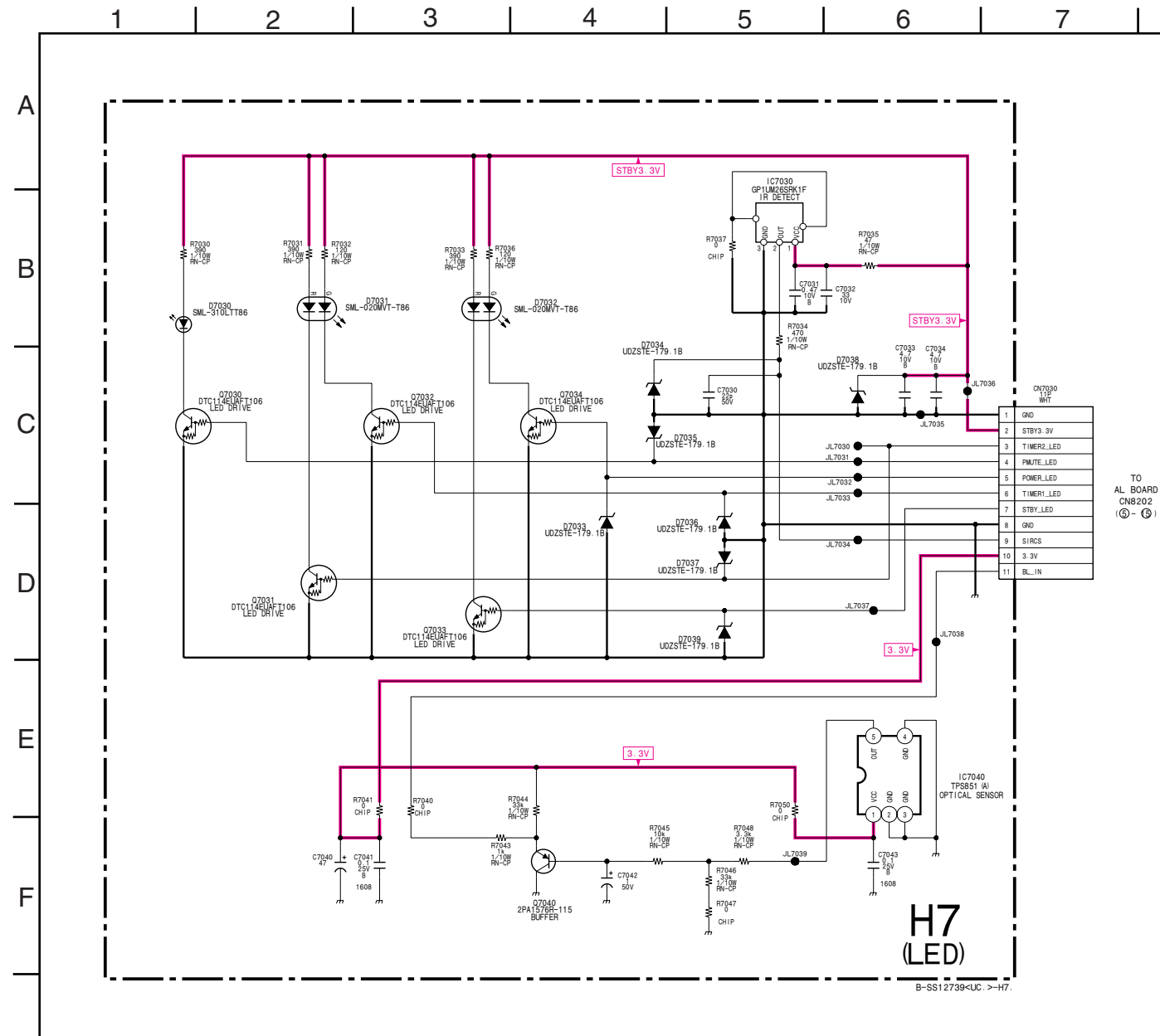
<CONDUCTOR SIDE>

• H6 BOARD SEMICONDUCTOR LOCATION

Ref.	*
D7001-D7002	③

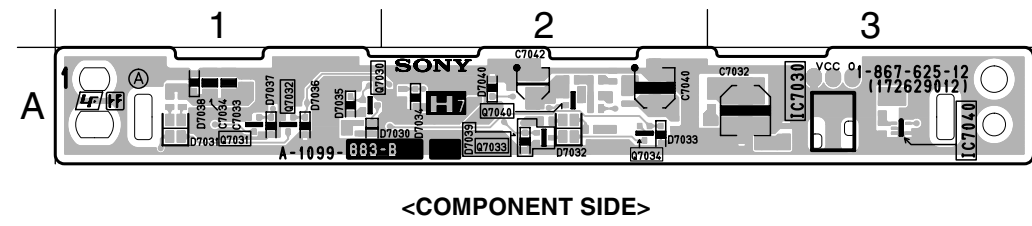
*: Refer to Terminal name of semiconductors in silk screen printed circuit (see page 4-13)

(5) Schematic Diagram of H7 Board

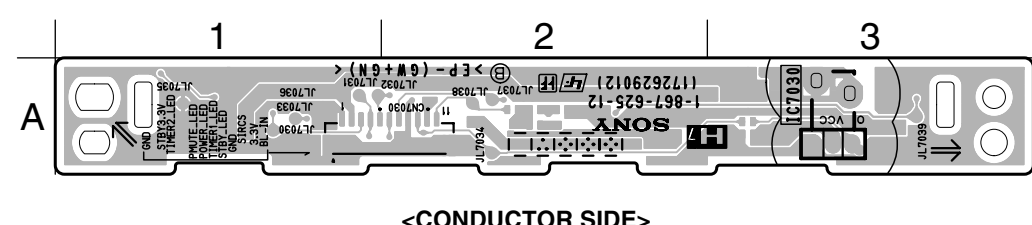


H7 [LED]

—H7 BOARD—



<COMPONENT SIDE>



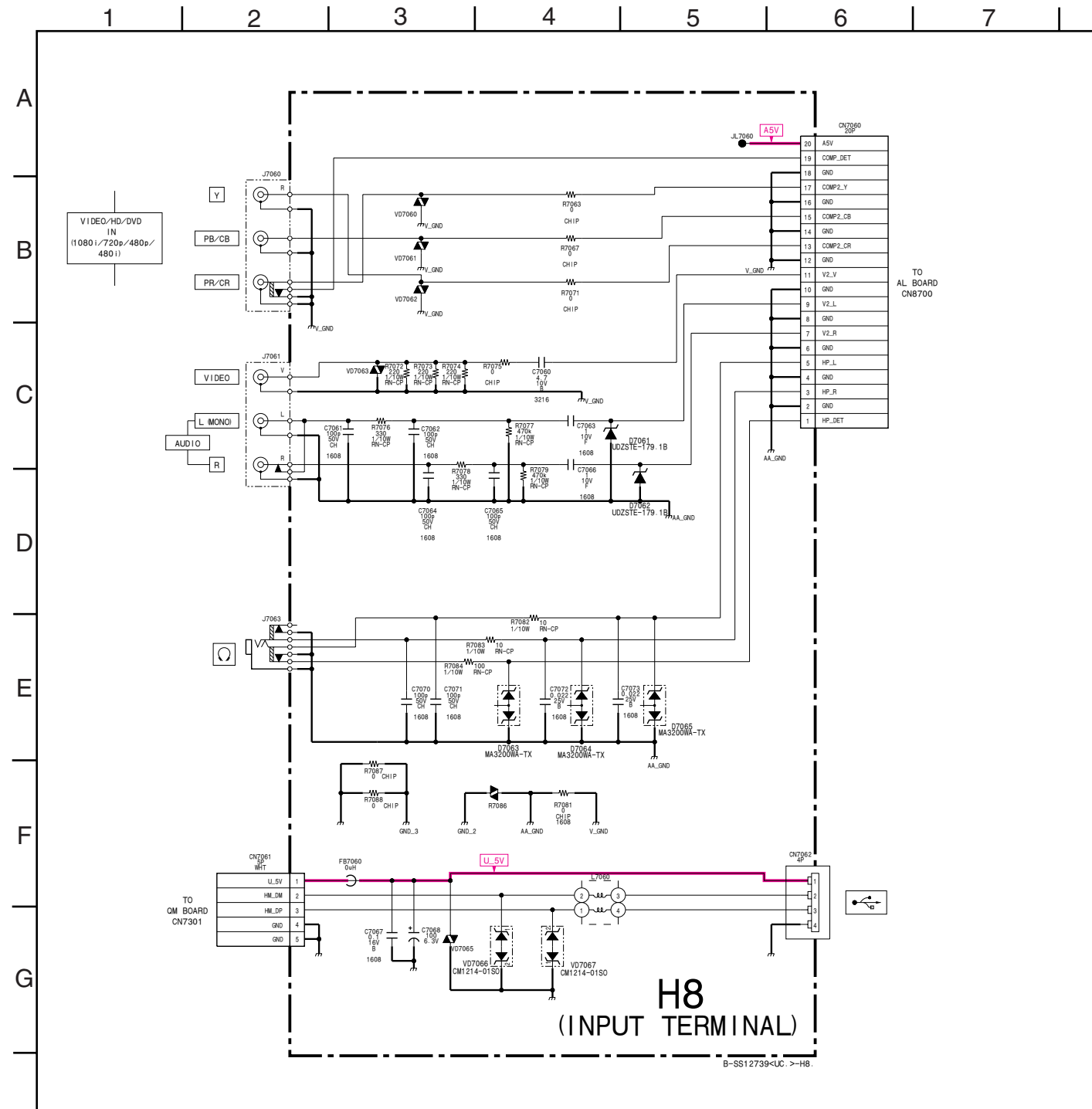
<CONDUCTOR SIDE>

• H7 BOARD SEMICONDUCTOR LOCATION

IC		
	(Component Side)	(Conductor Side)
IC7030	A-3	
IC7040	A-3	
TRANSISTOR		
	(Component Side)	(Conductor Side) *
Q7030	A-1	②
Q7031	A-1	②
Q7032	A-1	②
Q7033	A-2	②
Q7034	A-2	②
Q7040	A-2	②
DIODE		
	(Component Side)	(Conductor Side) *
D7030	A-1	③
D7031	A-1	-
D7032	A-2	-
D7033	A-2	③
D7034	A-2	③
D7035	A-1	③
D7036	A-1	③
D7037	A-1	③
D7038	A-1	③
D7039	A-2	③
D7040	A-2	③

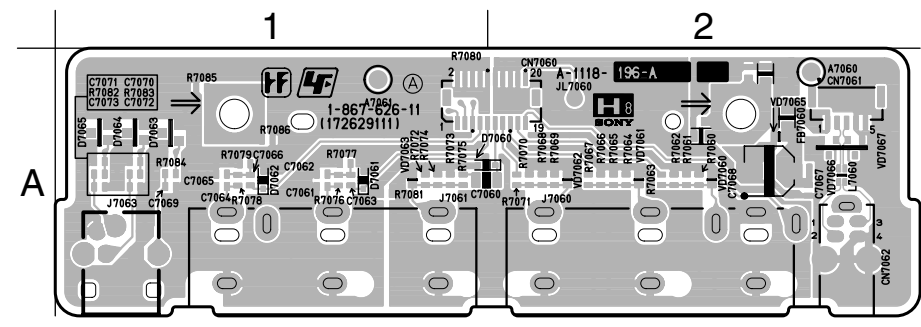
*: Refer to Terminal name of semiconductors in silk screen printed circuit (see page 4-13)

(6) Schematic Diagram of H8 Board

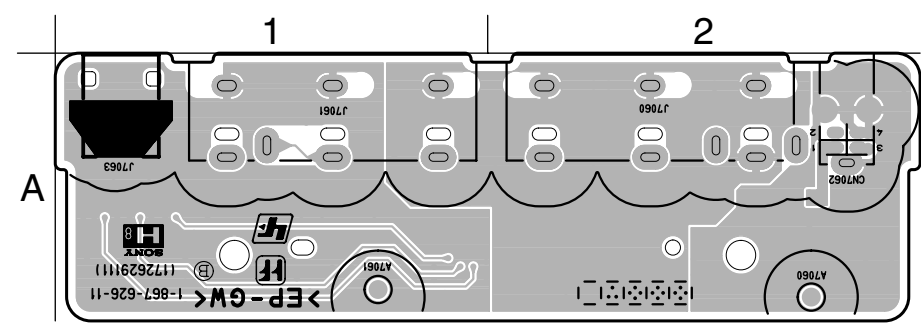


H8 [INPUT TERMINAL]

—H8 BOARD—



<COMPONENT SIDE>



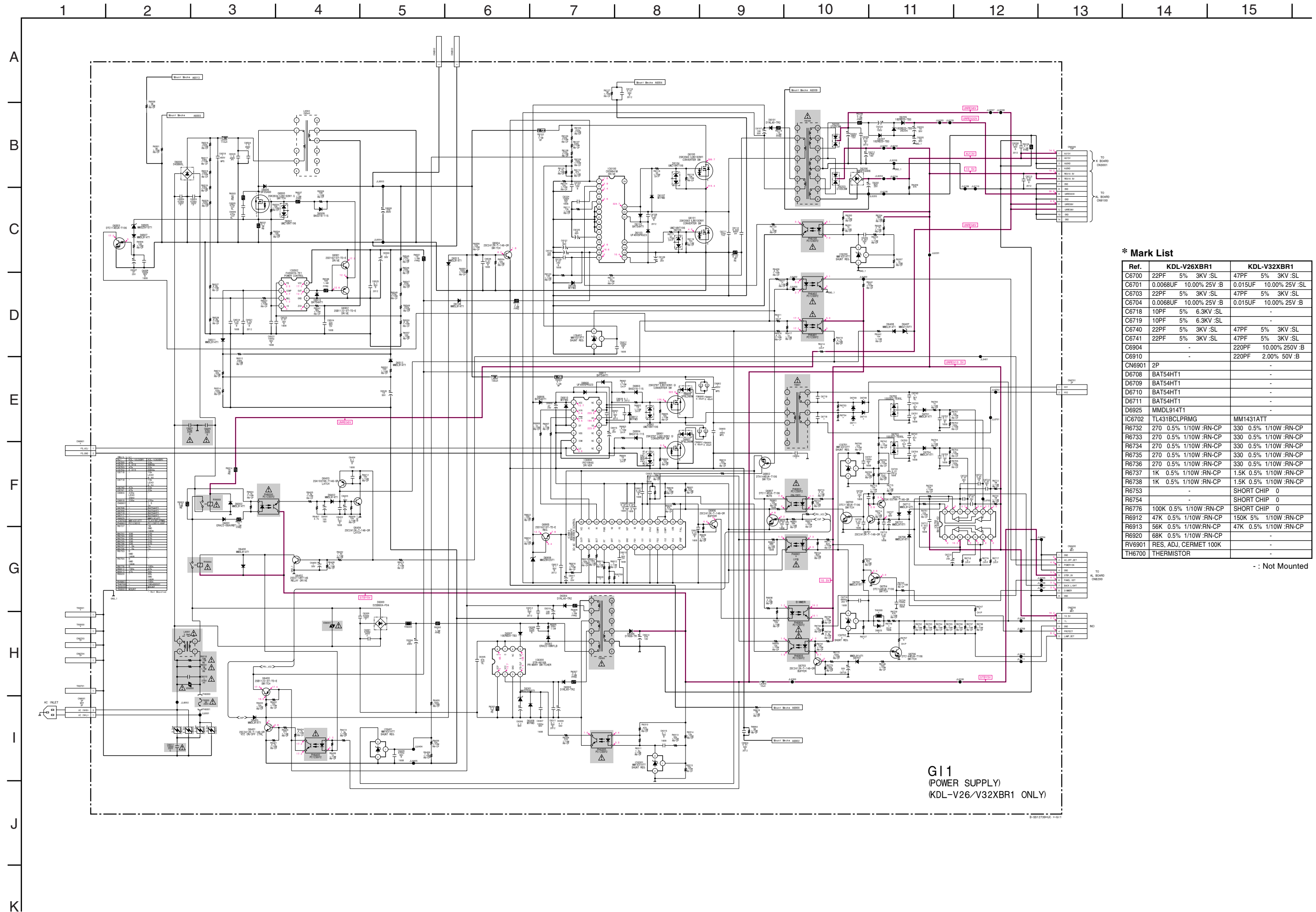
<CONDUCTOR SIDE>

• H8 BOARD SEMICONDUCTOR LOCATION

Ref.	*
D7060-D7062	⑨
D7063-D7065	⑩

*: Refer to Terminal name of semiconductors in silk screen printed circuit (see page 4-13)

(7) Schematic Diagram of G11 Board (KDL-V26/V32XBR1 ONLY)



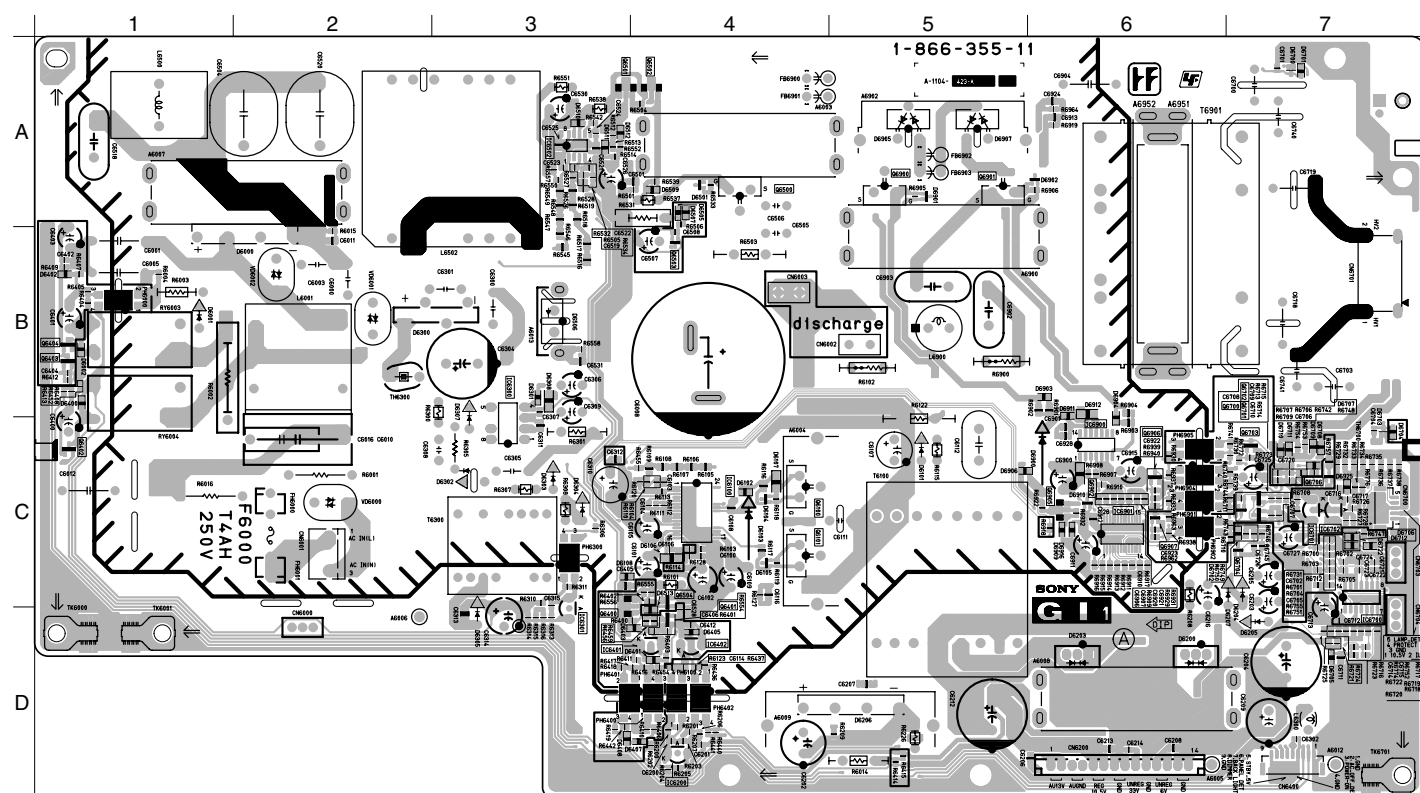
*** Mark List**

Ref.	KDL-V26XBR1	KDL-V32XBR1
C6700	22PF 5% 3KV :SL	47PF 5% 3KV :SL
C6701	0.0068UF 10.00% 25V :B	0.015UF 10.00% 25V :SL
C6703	22PF 5% 3KV :SL	47PF 5% 3KV :SL
C6704	0.0068UF 10.00% 25V :B	0.015UF 10.00% 25V :B
C6718	10PF 5% 6.3KV :SL	-
C6719	10PF 5% 6.3KV :SL	-
C6740	22PF 5% 3KV :SL	47PF 5% 3KV :SL
C6741	22PF 5% 3KV :SL	47PF 5% 3KV :SL
C6904	-	220PF 10.00% 250V :B
C6910	-	220PF 2.00% 50V :B
CN6901	2P	-
D6708	BAT54HT1	-
D6709	BAT54HT1	-
D6710	BAT54HT1	-
D6711	BAT54HT1	-
D6925	MMDL914T1	-
IC6702	TL431BCLPRMG	MM1431ATT
R6732	270 0.5% 1/10W :RN-CP	330 0.5% 1/10W :RN-CP
R6733	270 0.5% 1/10W :RN-CP	330 0.5% 1/10W :RN-CP
R6734	270 0.5% 1/10W :RN-CP	330 0.5% 1/10W :RN-CP
R6735	270 0.5% 1/10W :RN-CP	330 0.5% 1/10W :RN-CP
R6736	270 0.5% 1/10W :RN-CP	330 0.5% 1/10W :RN-CP
R6737	1K 0.5% 1/10W :RN-CP	1.5K 0.5% 1/10W :RN-CP
R6738	1K 0.5% 1/10W :RN-CP	1.5K 0.5% 1/10W :RN-CP
R6753	-	SHORT CHIP 0
R6754	-	SHORT CHIP 0
R6776	100K 0.5% 1/10W :RN-CP	SHORT CHIP 0
R6912	47K 0.5% 1/10W :RN-CP	150K 5% 1/10W :RN-CP
R6913	56K 0.5% 1/10W :RN-CP	47K 0.5% 1/10W :RN-CP
R6920	68K 0.5% 1/10W :RN-CP	-
RV6901	RES, ADJ, CERMET 100K	-
TH6700	THERMISTOR	-

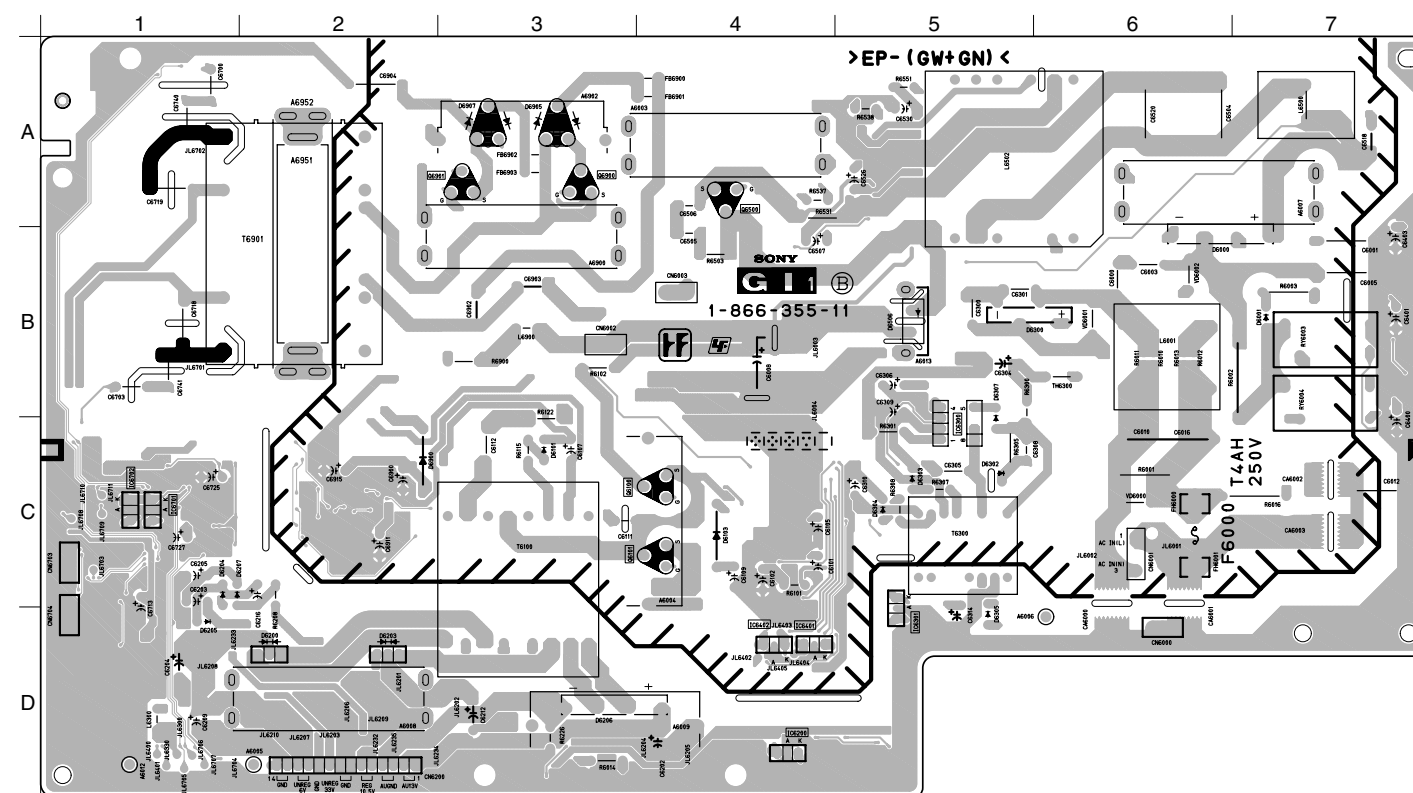
- : Not Mounted

G11 [POWER SUPPLY]
(KDL-V26/V32XBR1 ONLY)

— G11 BOARD —



<COMPONENT SIDE>



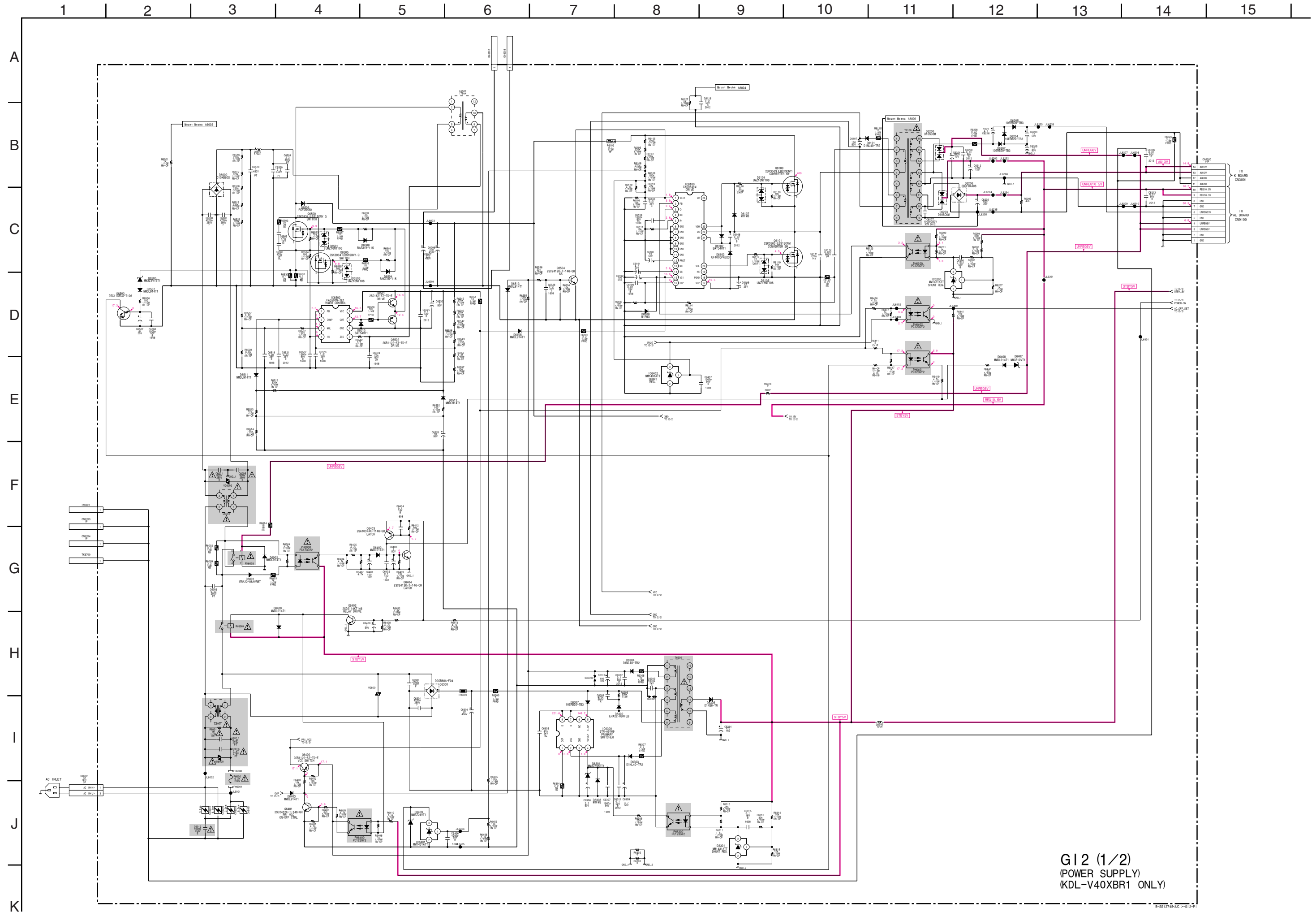
<CONDUCTOR SIDE>

• G11 BOARD SEMICONDUCTOR LOCATION

IC		DIODE		TRANSISTOR		DIODE				
(Component Side)	(Conductor Side)	(Component Side)	(Conductor Side)	(Component Side)	(Conductor Side)	(Component Side)	(Conductor Side)			
IC6100	C-4	Q6503	B-4	②	D6200	D-6	-	D6700	A-7	⑦
IC6200	D-4	Q6504	C-4	②	D6203	D-6	-	D6701	A-7	③
IC6300	C-3	Q6700	C-7	②	D6204	C-7	-	D6702	C-7	③
IC6301	D-3	Q6701	C-7	②	D6205	D-7	-	D6703	C-7	⑦
IC6401	D-4	Q6702	C-7	②	D6206	D-4	-	D6704	C-7	③
IC6402	D-4	Q6703	C-7	②	D6207	C-7	-	D6705	D-7	③
IC6502	A-3	Q6704	C-7	②	D6300	B-2	-	D6706	C-7	③
IC6700	C-7	Q6706	C-7	②	D6301	B-3	③	D6707	C-7	③
IC6701	C-7	Q6900	A-5	-	D6302	C-3	-	D6708	C-7	③
IC6702	C-7	Q6901	A-5	-	D6303	C-3	-	D6709	C-7	③
IC6900	C-6	Q6902	C-6	②	D6304	C-3	-	D6710	C-7	③
IC6901	C-6	Q6905	C-6	-	D6305	D-3	-	D6711	C-7	③
		Q6906	C-6	②	D6307	C-3	-	D6712	C-7	③
		Q6907	C-6	②	D6308	B-3	③	D6722	C-7	-
					D6400	B-1	③	D6900	C-6	-
					D6401	D-4	③	D6901	A-5	⑩
					D6402	B-1	③	D6902	A-6	⑩
					D6403	D-4	③	D6903	B-6	③
					D6405	D-4	③	D6904	C-6	③
					D6407	D-4	③	D6905	A-5	-
					D6408	D-3	③	D6906	C-5	③
					D6501	A-4	⑩	D6907	A-5	-
					D6505	A-4	③	D6909	C-6	③
					D6506	B-3	-	D6910	C-6	③
					D6507	A-4	③	D6911	B-6	③
					D6509	A-4	③	D6912	B-6	③
					D6510	A-3	③	D6916	C-6	③
					D6511	A-3	③	D6925	C-7	③
					D6512	A-3	③			
					D6513	D-4	③			

*: Refer to Terminal name of semiconductors in silk screen printed circuit (see page 4-13)

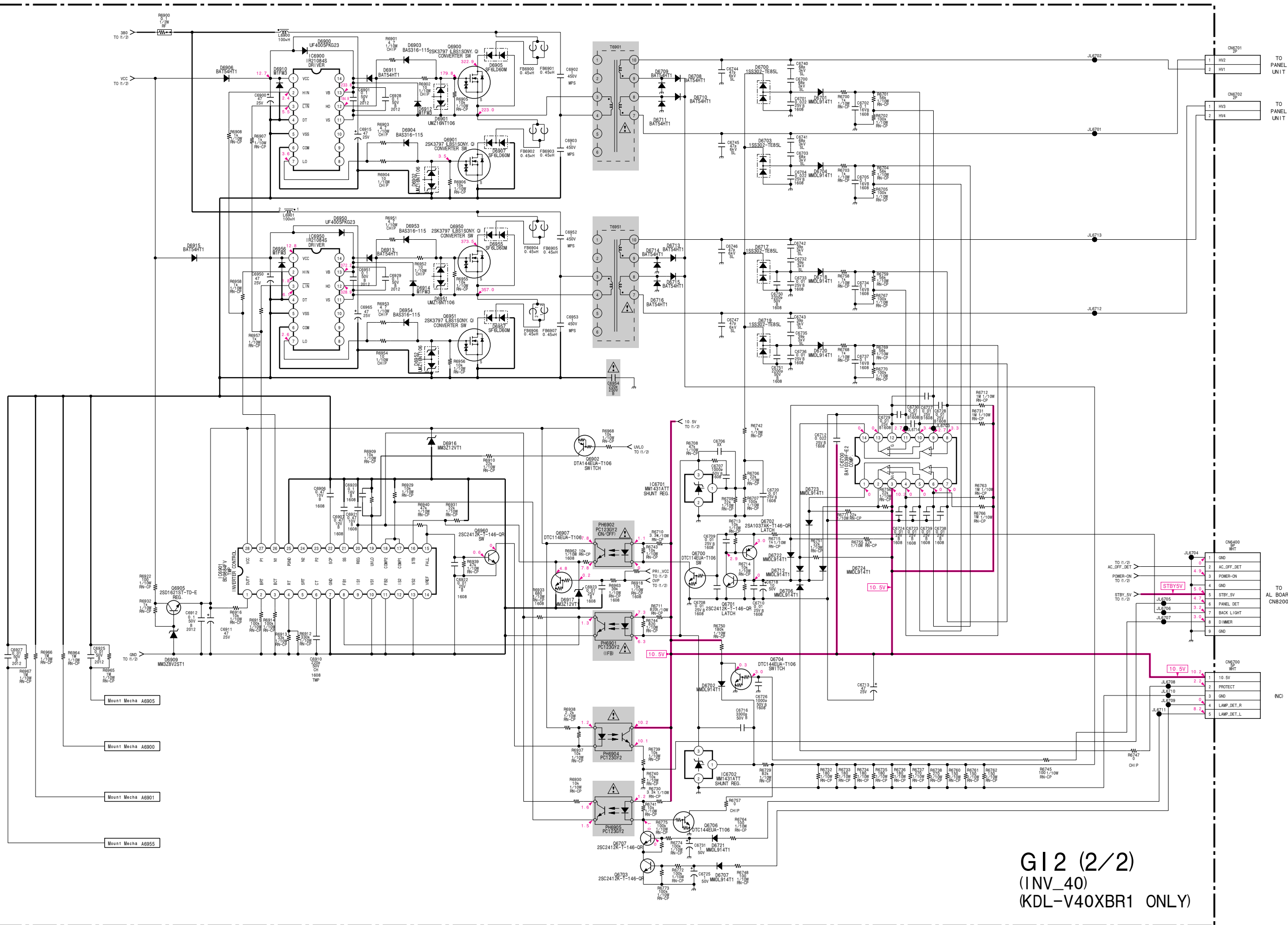
(8) Schematic Diagrams of G12 Board (KDL-V40XBR1 ONLY)



G12 (1/2)
 (POWER SUPPLY)
 (KDL-V40XBR1 ONLY)

1 2 3 4 5 6 7 8 9 10 11 12 13 14 15

A
B
C
D
E
F
G
H
I
J
K

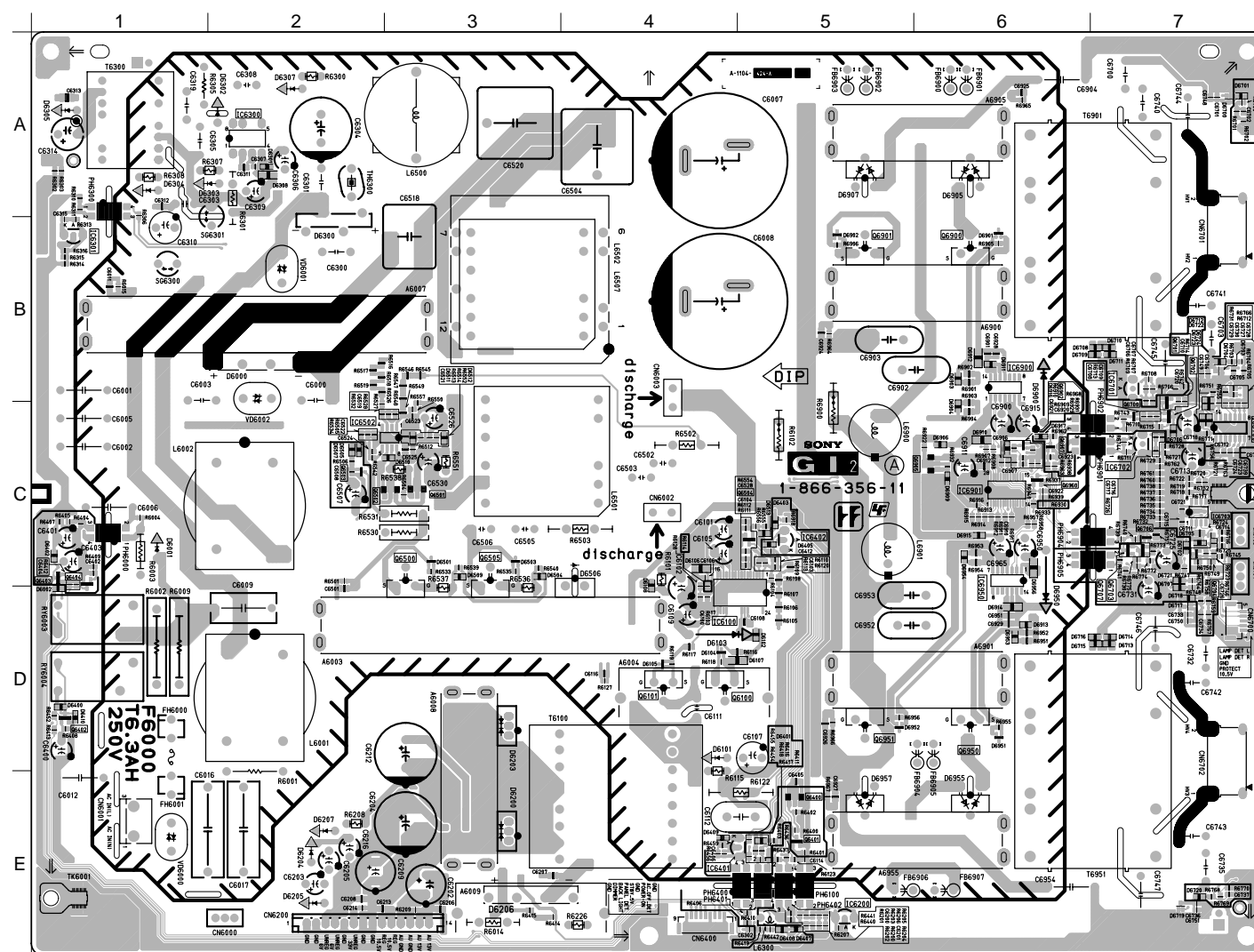


G12 (2/2)
 (INV_40)
 (KDL-V40XBR1 ONLY)

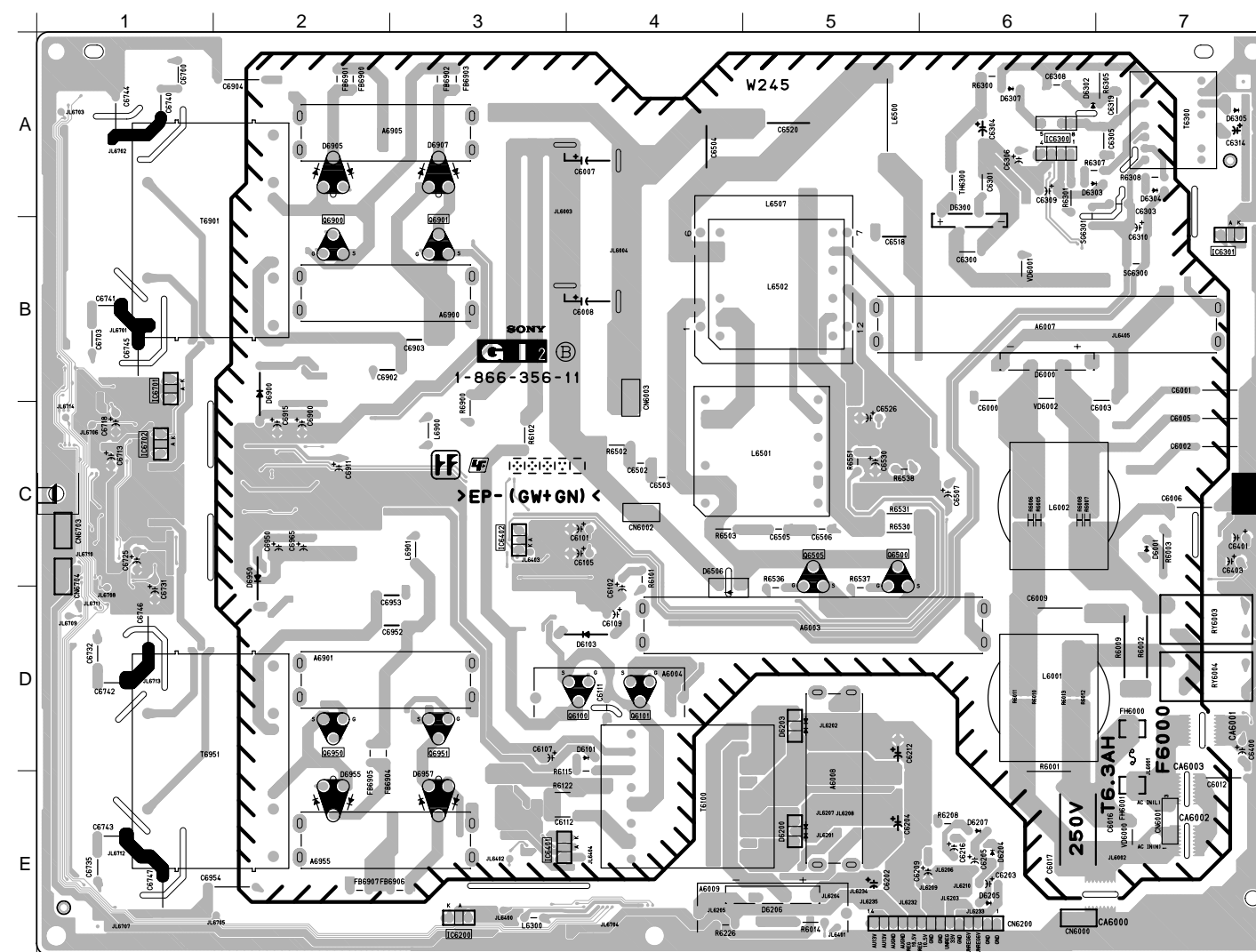
B-SS12745UC -> G12-P2

G12 [POWER SUPPLY]
(KDL-V40XBR1 ONLY)

— G12 BOARD —



<COMPONENT SIDE>



<CONDUCTOR SIDE>

• G12 BOARD SEMICONDUCTOR LOCATION

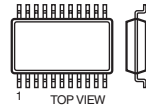
IC (Component Side) (Conductor Side)	TRANSISTOR		DIODE		DIODE		DIODE		DIODE		DIODE			
	(Component Side)	(Conductor Side) *	(Component Side)	(Conductor Side)	(Component Side)	(Conductor Side)	(Component Side)	(Conductor Side)	(Component Side)	(Conductor Side)	(Component Side)	(Conductor Side)		
IC6100 D-5	Q6100 D-4	-	Q6703 C-7	②	D6002 D-1	③	D6304 A-1	-	D6509 C-3	③	D6714 D-7	③	D6909 C-6	③
IC6200 E-5	Q6101 D-4	-	Q6704 C-7	②	D6101 D-4	-	D6305 A-1	-	D6510 C-3	③	D6715 D-7	③	D6910 C-6	③
IC6300 A-2	Q6400 E-5	-	Q6706 C-7	②	D6102 D-5	③	D6307 A-2	-	D6511 C-3	③	D6716 D-7	③	D6911 B-6	③
IC6301 B-1	Q6401 E-5	-	Q6707 C-7	②	D6103 D-4	-	D6308 A-2	-	D6512 C-3	③	D6717 D-7	⑦	D6912 B-6	③
IC6401 E-5	Q6402 D-1	②	Q6900 B-6	-	D6104 D-4	⑩	D6400 D-1	③	D6513 C-5	③	D6718 D-7	③	D6913 D-6	③
IC6402 C-5	Q6403 C-1	②	Q6901 B-5	-	D6105 D-4	⑩	D6401 E-5	③	D6700 A-7	⑦	D6719 E-7	⑦	D6914 D-6	③
IC6502 C-3	Q6404 C-1	②	Q6902 C-6	②	D6106 C-4	③	D6402 C-1	③	D6701 A-7	③	D6720 E-7	③	D6915 C-6	③
IC6700 C-7	Q6500 C-3	-	Q6905 C-6	-	D6107 D-4	③	D6403 C-5	③	D6702 C-7	③	D6721 C-7	③	D6916 C-6	③
IC6701 B-7	Q6501 C-3	-	Q6907 C-6	②	D6108 C-4	③	D6405 C-5	③	D6703 B-7	⑦	D6722 C-7	③	D6917 C-6	③
IC6702 C-7	Q6502 C-3	-	Q6950 D-6	-	D6200 E-3	-	D6407 E-5	③	D6704 B-7	③	D6723 C-7	③	D6950 C-6	-
IC6703 C-7	Q6503 C-2	②	Q6951 D-5	-	D6203 D-3	-	D6408 E-5	③	D6705 C-7	③	D6724 C-7	③	D6951 D-6	⑩
IC6900 B-6	Q6504 C-5	②	Q6960 C-6	②	D6204 E-2	-	D6409 E-4	③	D6706 C-7	③	D6900 C-6	-	D6952 D-5	⑩
IC6901 C-6	Q6505 C-3	-			D6205 E-2	-	D6410 D-1	③	D6707 D-7	③	D6901 B-6	⑩	D6953 D-6	③
IC6950 C-6	Q6700 C-7	②			D6206 E-3	-	D6501 C-3	⑩	D6708 B-7	③	D6902 B-5	⑩	D6954 C-6	③
	Q6701 C-7	②			D6207 E-2	-	D6503 C-3	⑩	D6709 B-7	③	D6903 B-6	③	D6955 E-6	-
	Q6702 C-7	②			D6300 A-2	-	D6504 C-3	⑩	D6710 B-7	③	D6904 C-6	③	D6956 C-6	③
					D6301 A-2	③	D6505 C-2	-	D6711 B-7	③	D6905 A-6	-	D6957 E-5	-
					D6302 A-2	-	D6506 C-4	-	D6712 B-7	③	D6906 C-6	-		
					D6303 A-2	-	D6507 C-2	③	D6713 D-7	③	D6907 A-5	-		

*: Refer to Terminal name of semiconductors in silk screen printed circuit (see page 4-13)

4-5. SEMICONDUCTORS

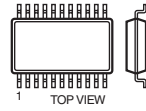
IC

BA10339F-E2
FA5501N-TE1
TPS2012ADR



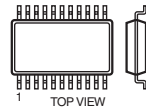
8Pin SOP

BD9884FV
BD9884FV-AE2



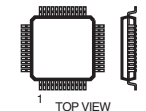
28Pin SOP

CD74HC4053M-96
IR21084S
SN74LV08APWR
SN74LV125APWR
TPS2091DR



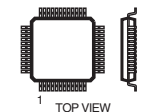
14Pin SOP

CXD1969R-T6



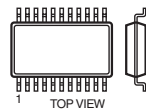
100Pin QFP

CXD9788AR



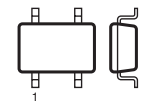
48Pin QFP

CXD9845M



36Pin SOP

MC74VHC1GU04DFT1
MIC5235YM5TR
NJM2870F18(TE2)
SN74AHC1G04DCKR
XC6219B182MR



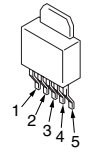
5Pin CHIP

MM1431ATT



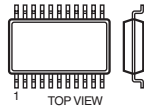
C152

NJM2387DL2-TE1



1: Vin
2: Vc
3: Vo
4: adj
5: GND

SN74LVC541APWR



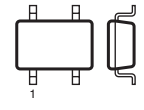
20Pin SOP

STR-A6169



8Pin DIP

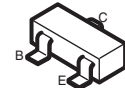
TK11819MTL



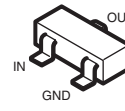
6Pin CHIP

TRANSISTOR

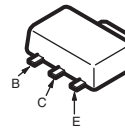
DTA144EUA-T106
DTC114EUA-T106
DTC144EUA-T106
2PA1576R-115
2SA1037AK-T146-QR
2SA1037AK-T146-R
2SA1235-F
2SA1235TP-1EF
2SA1602-F
2SA1602TP-1EF
2SC1623-L5L6
2SC1623-T1-L5L6
2SC2412K-T-146-QR
2SC3052EF-T1-LEF
2SC3775
2SD2114K
2SD2114KT146



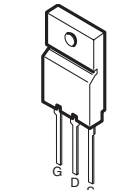
DTC114EU
DTC114EUAFT106



2SB1122-S
2SB1122-ST-TD-E
2SD1621-ST
2SD1621ST-TD-E

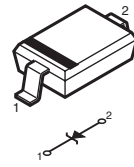


2SK3563(LBS1SONY)
2SK3797(LBS1SONY.Q)
2SK3934(LBS1SONY.Q)

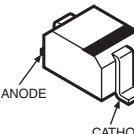


DIODE

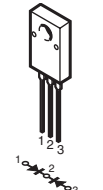
BAS316-115
MM3Z10VT1
MM3Z12VT1
MM3Z24VT1
MM3Z5V1ST1
MM3Z5V6ST1
MM3Z8V2ST1



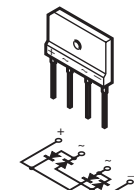
BAT54HT1
DTZ10B
DTZ5.1B
MMDL914T1
RD5.6SB-T1
UDZSTE-179.1B



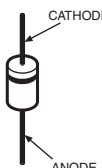
D10SC6M



D10XB60S
D2SB60A-F04
D4SB60L
SBQF04A06



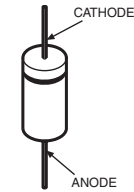
D1NL40-TA2
D1NL40-TR2
ERA22-08



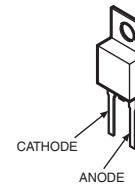
D1NS6
D1NS6-TR
ERA22-06AVRBT
UF4005/23
10ERB20-TB3



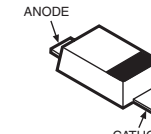
ERA22-08KFLB



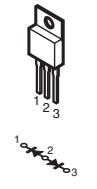
FSF05A60



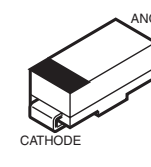
M1FM3



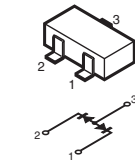
MA3200WA-TX



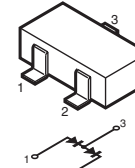
P6SMB39AT3



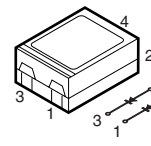
UMZ16NT106



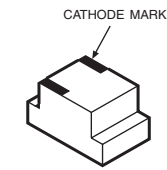
1SS302
1SS302-TE85L



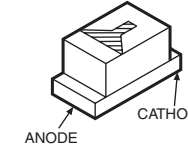
SML-020MVT-T86



SML-210MT-T86
SML-210VTT86



SML-310LTT86



SECTION 5 EXPLODED VIEWS

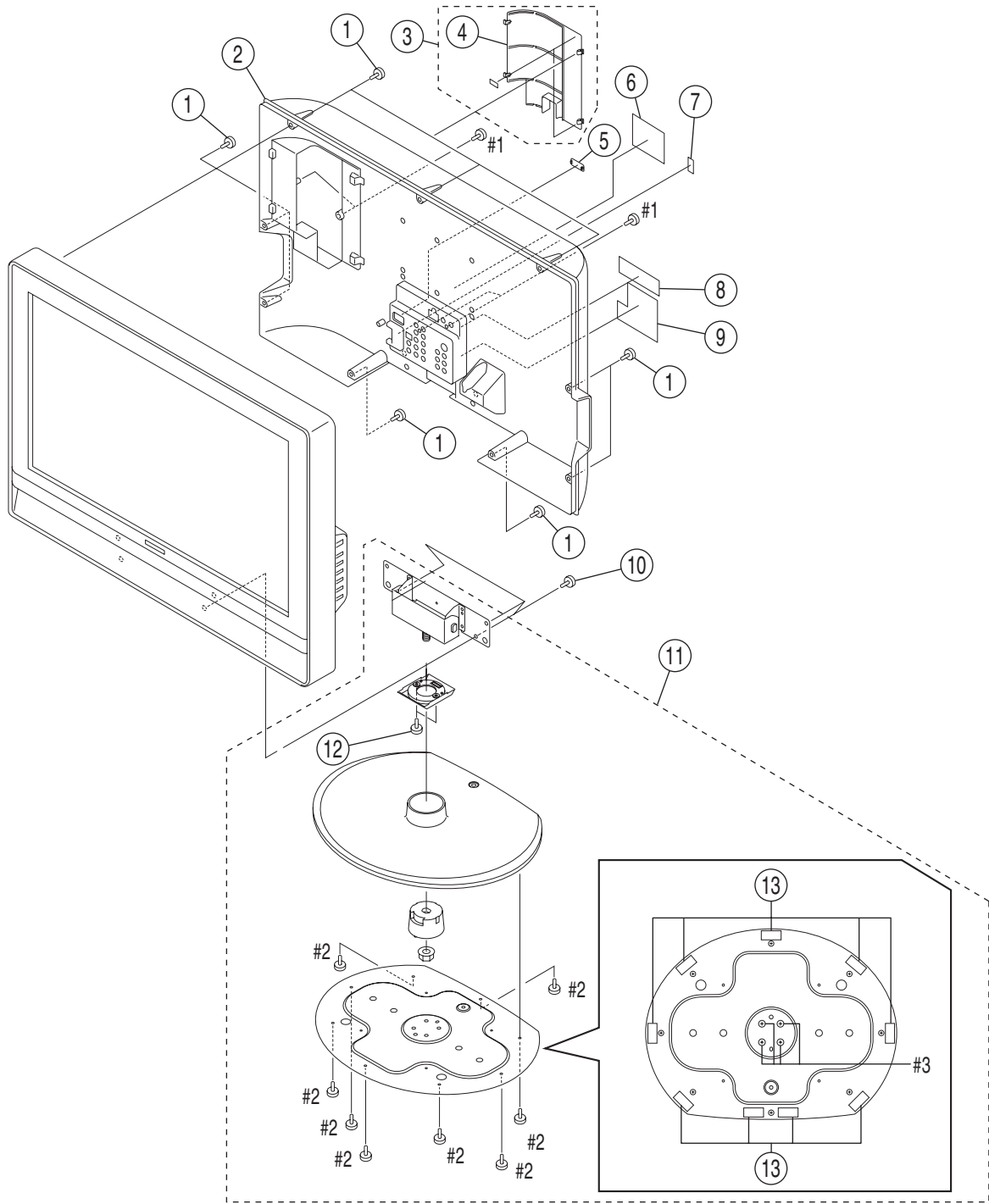
NOTE:

The components identified \triangle marked are critical for safety.
Replace only with the part number specified.

Les composants identifiés par la marque \triangle sont critiques pour la sécurité.
Ne les remplacer que par une pièce portant le numéro spécifié.

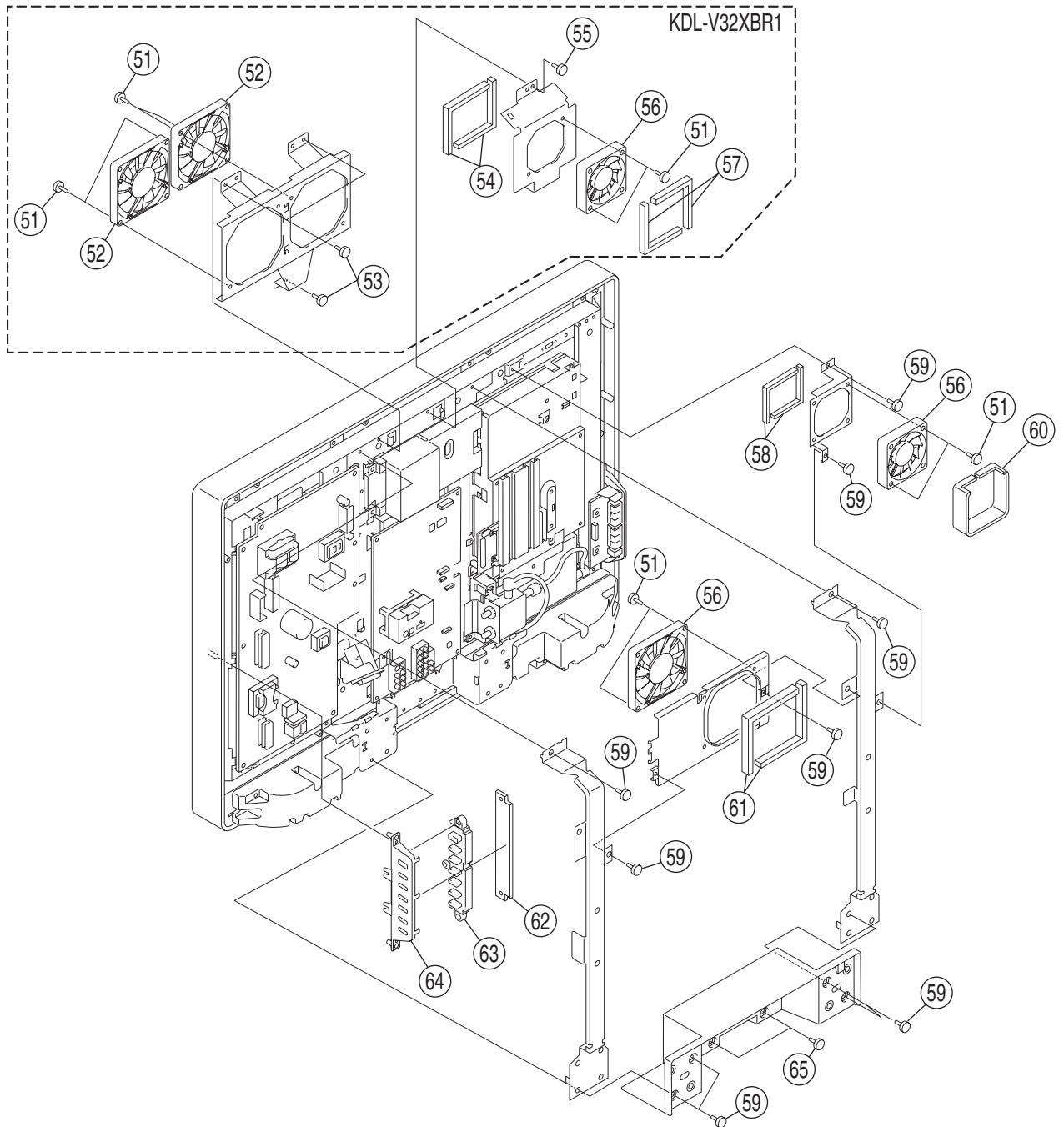
- Items with no part number and no description are not stocked because they are seldom required for routine service.
- The construction parts of an assembled part are indicated with a collation number in the remark column.
- Items marked " * " are not stocked since they are seldom required for routine service. Some delay should be anticipated when ordering these items.

5-1. KDL-V26XBR1/V32XBR1
5-1-1. REAR CABINET ASSY AND STAND ASSY



REF. No.	PART No.	DESCRIPTION	MARK	REF. No.	PART No.	DESCRIPTION	MARK
1	2-580-640-01	SCREW +BVTP2 4X16		9	2-595-462-01	LABEL (LOWER), REAR TERMINAL (made in Japan)	
2	X-2055-828-1	REAR CABINET ASSY (KDL-V26XBR1)			2-662-030-01	LABEL (LOWER), REAR TERMINAL (made in USA)	
3	X-2102-537-1	DIGITAL TERMINAL COVER ASSY	4	10	2-580-609-01	SCREW +PSW M5X25	
4	2-581-343-01	COVER, DIGITAL TERMINAL		11	X-2025-223-1	STAND ASSY (L)	12, 13
5	4-094-922-41	COVER, ECS (15V)		12	2-320-333-01	SCREW +B M4X6	
6	* 2-650-855-21	MODEL NAME PLATE (KDL-V26XBR1) (made in Japan)		13	4-100-951-11	FOOT, STAND	
	* 2-650-855-01	MODEL NAME PLATE (KDL-V32XBR1) (made in Japan)		#1	7-685-648-79	SCREW +BVTP 3X12 TYPE2 IT-3	
7	2-595-463-01	LABEL, RF (made in Japan)		#2	7-685-246-19	SCREW +KTP 3X8 TYPE2 NON-SLIT	
	2-662-031-01	LABEL, RF (made in USA)		#3	7-682-973-39	SCREW +PSW 5X14	
8	2-595-461-01	LABEL (UPPER), REAR TERMINAL (made in Japan)					
	2-662-029-01	LABEL (UPPER), REAR TERMINAL (made in USA)					

KDL-V26XB1/V32XBR1
5-1-2. FAN BLOCK AND FRAME

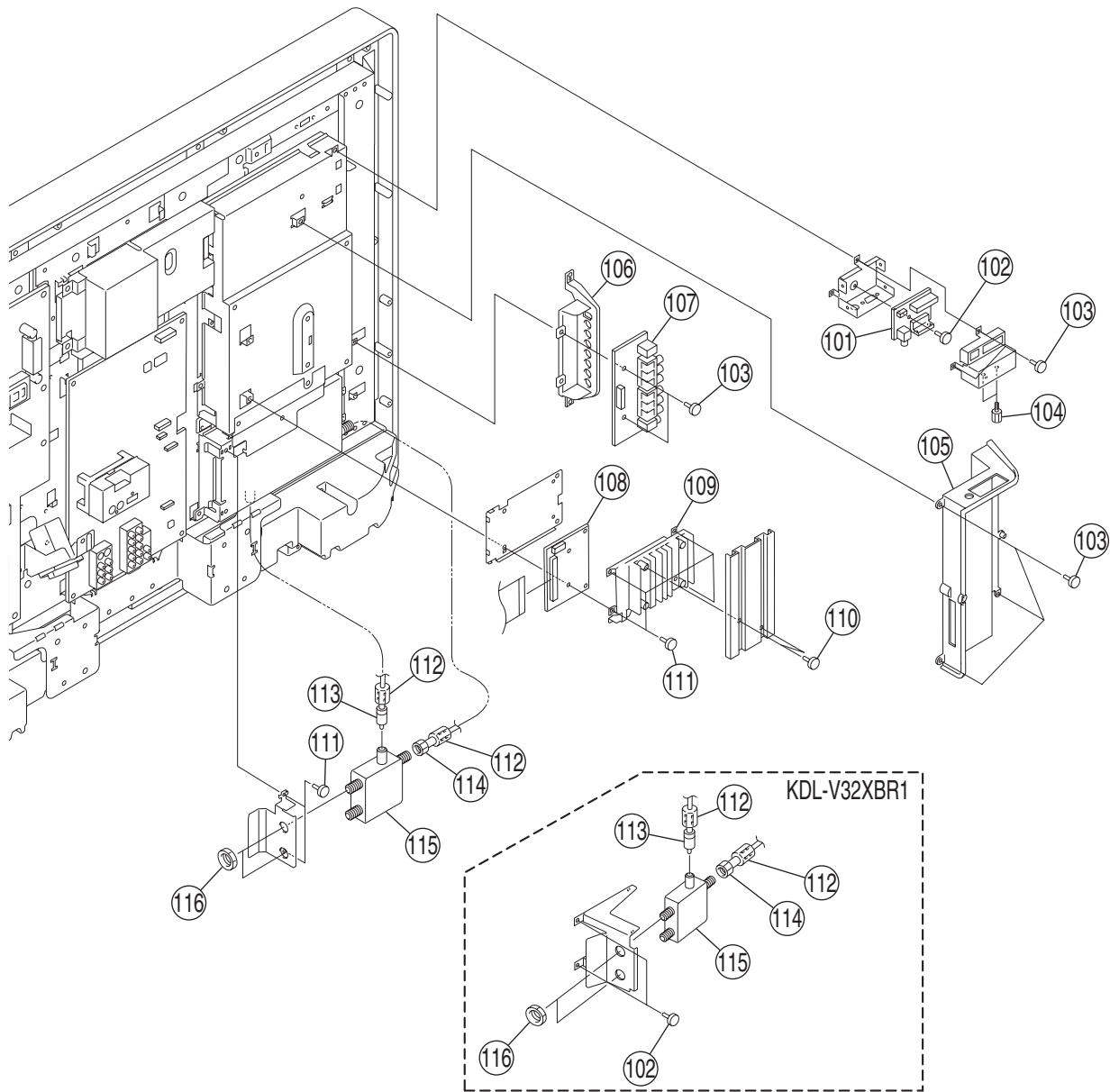


REF. No.	PART No.	DESCRIPTION	MARK
51	2-580-604-01	SCREW +PSW M4X20	
52	1-787-333-11	D.C. FAN (KDL-V32XBR1)	
53	2-580-590-01	SCREW +PSW M3X5 (KDL-V32XBR1)	
54	2-593-934-01	CUSHION, FAN (60) (KDL-V32XBR1)	
55	2-580-629-01	SCREW +BVST 3X8 (KDL-V32XBR1)	
56	1-787-409-11	D.C. FAN	
57	2-593-934-11	CUSHION, FAN (60) (KDL-V32XBR1)	
58	2-661-884-01	CUSHION, FAN (60) S (KDL-V26XBR1)	
59	2-580-630-01	SCREW +BVST 4X8	
60	2-661-886-01	CUSHION, FAN (60) SMK (KDL-V26XBR1)	

REF. No.	PART No.	DESCRIPTION	MARK
61	2-593-933-01	CUSHION, FAN (80) S (KDL-V26XBR1)	
62	A-1099-882-A	H6 MOUNT	
63	2-581-348-02	BUTTON, MULTI	
64	2-581-344-02	BRACKET, MULTI BUTTON	
65	2-580-640-01	SCREW +BVTP2 4X16	

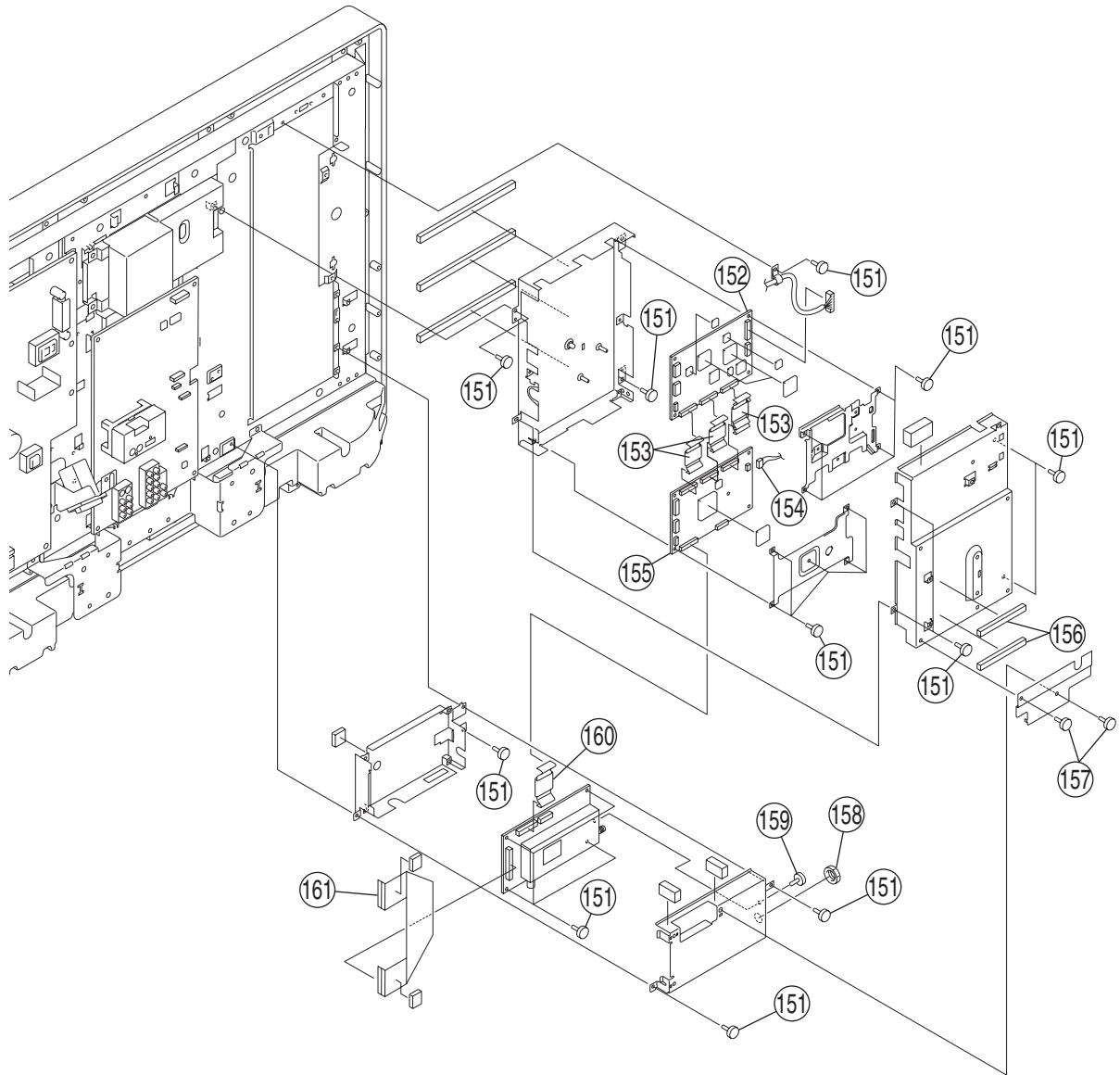
KDL-V26XB1/V32XBR1

5-1-3. CHASSIS-1



REF. No.	PART No.	DESCRIPTION	MARK	REF. No.	PART No.	DESCRIPTION	MARK
101	A-1147-802-A	HPC MOUNT		111	2-580-592-01	SCREW +PSW M3X8	
102	2-580-629-01	SCREW +BVST 3X8		112	1-543-793-11	FILTER, CLAMP (FERRITE CORE)	
103	2-580-593-01	SCREW +PSW M3X8		113	1-829-361-21	RF CABLE (KDL-V26XBR1)	
104	2-580-626-01	SCREW, SP 4-40 UNC			1-830-262-11	RF CABLE (KDL-V32XBR1)	
105	X-2055-850-2	DTT TERMINAL HOLDER ASSY		114	1-829-702-11	COAXIAL CABLE WITH F-PLUG	
106	2-581-342-02	HOLDER, SIDE TERMINAL		115	8-597-504-00	ANTENNA SWITCHE RFD-SA811	
107	A-1118-196-A	H8 MOUNT		116	3-682-691-00	NUT, WASHER HEXAGON	
108	A-1129-197-A	QU MOUNT					
109	1-819-587-11	PCMCIA CARD CONNECTOR FRAME					
110	2-580-590-01	SCREW +PSW M3X5					

KDL-V26XB1/V32XBR1
5-1-4. CHASSIS-2

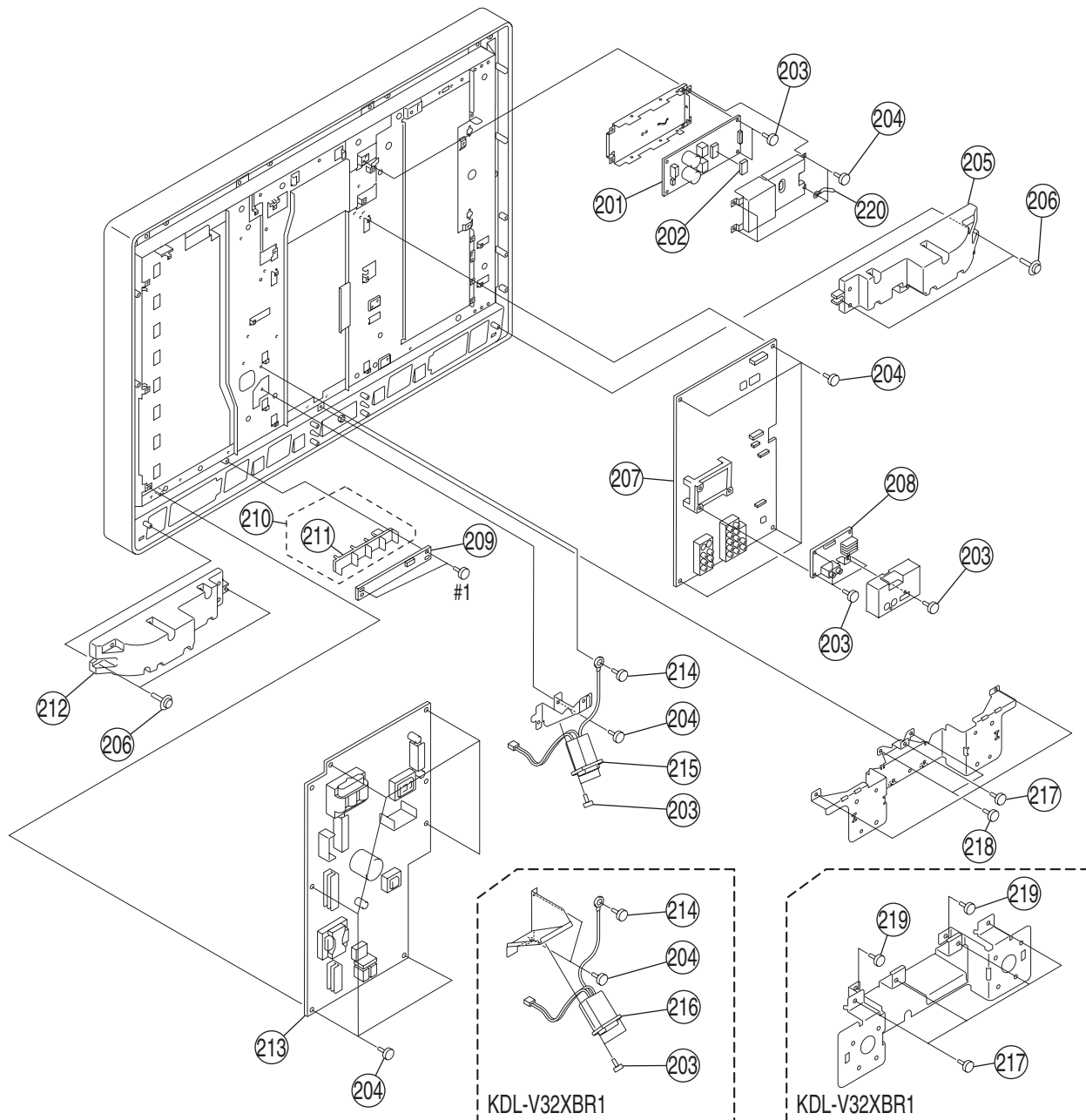


REF. No.	PART No.	DESCRIPTION	MARK
151	2-580-629-01	SCREW +BVST 3X8	
152	A-1147-799-A	B MOUNT (KDL-V26XBR1)	
	A-1147-798-A	B MOUNT (KDL-V32XBR1)	
153	1-910-017-29	FFC CONNECTOR ASSY 49P	
154	1-830-700-12	CORD WITH CONNECTOR	
155	A-1147-800-A	QM MOUNT	

REF. No.	PART No.	DESCRIPTION	MARK
156	* 4-091-097-02	GASKET (E) (made in Japan)	
157	2-580-593-01	SCREW +PSW M3X8	
158	3-682-691-00	NUT, WASHER HEXAGON	
159	2-580-590-01	SCREW +PSW M3X5	
160	1-910-020-86	FFC CONNECTOR ASSY 49P	
161	1-910-017-31	FFC CONNECTOR ASSY 80P	

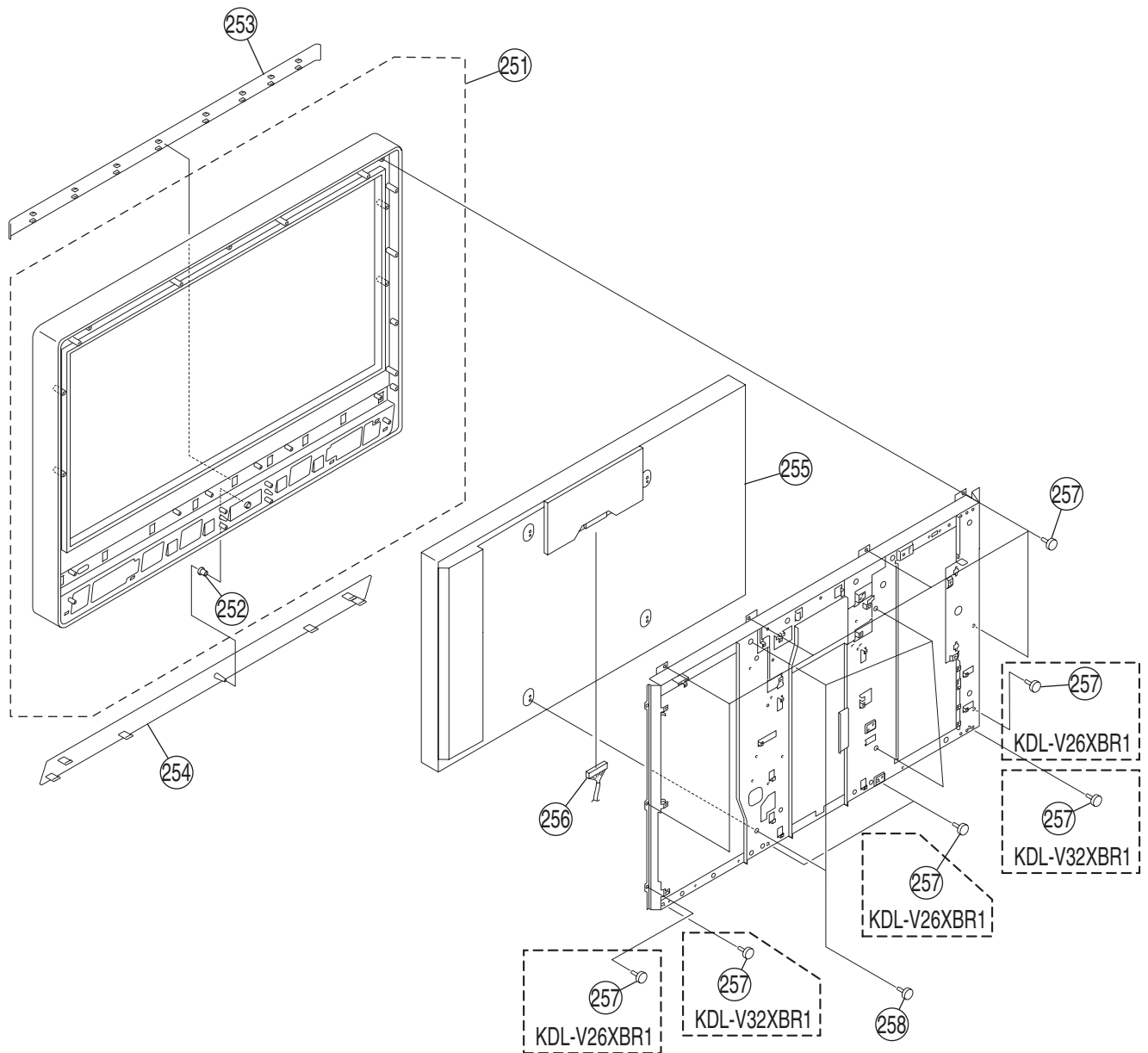
KDL-V26XB1/V32XBR1

5-1-5. CHASSIS-3



REF. No.	PART No.	DESCRIPTION	MARK	REF. No.	PART No.	DESCRIPTION	MARK
201	A-1118-098-A	K COMPL		211	2-581-349-03	GUIDE, LIGHT	
202	2-632-929-01	SHEET (K), RADIATION		212	1-826-132-21	LOUDSPEAKER (R)	
203	2-580-593-01	SCREW +PSW M3X8		213	A-1109-580-A	G11 MOUNT (KDL-V26XBR1)	
204	2-580-629-01	SCREW +BVST 3X8			* A-1104-423-A	G11 MOUNT (KDL-V32XBR1)	
205	1-826-132-11	LOUDSPEAKER (L)		214	2-580-600-01	SCREW +PSW M4X8	
206	2-580-654-01	SCREW +PWTP2 4X16		215	△ 1-251-382-11	INLET, AC 3P (WITH NOISE FILTE) (KDL-V26XBR1)	
207	A-1147-796-A	AL MOUNT (KDL-V26XBR1)		216	△ 1-251-382-21	INLET, AC 3P (WITH NOISE FILTE) (KDL-V32XBR1)	
	A-1147-795-A	AL MOUNT (KDL-V32XBR1)		217	2-580-630-01	SCREW +BVST 4X8	
208	A-1147-801-A	P COMPL		218	2-580-639-01	SCREW +BVTP2 4X12 (KDL-V26XBR1)	
209	A-1099-883-A	H7 MOUNT		219	2-580-640-01	SCREW +BVTP2 4X16 (KDL-V32XBR1)	
210	X-2102-538-1	GUIDE, LIGHT ASSY	211	220	* 4-662-796-01	CLIP, COACHING (KDL-V26XBR1) (made in USA)	
				#1	7-685-648-79	SCREW +BVTP 3X12 TYPE2 IT-3	

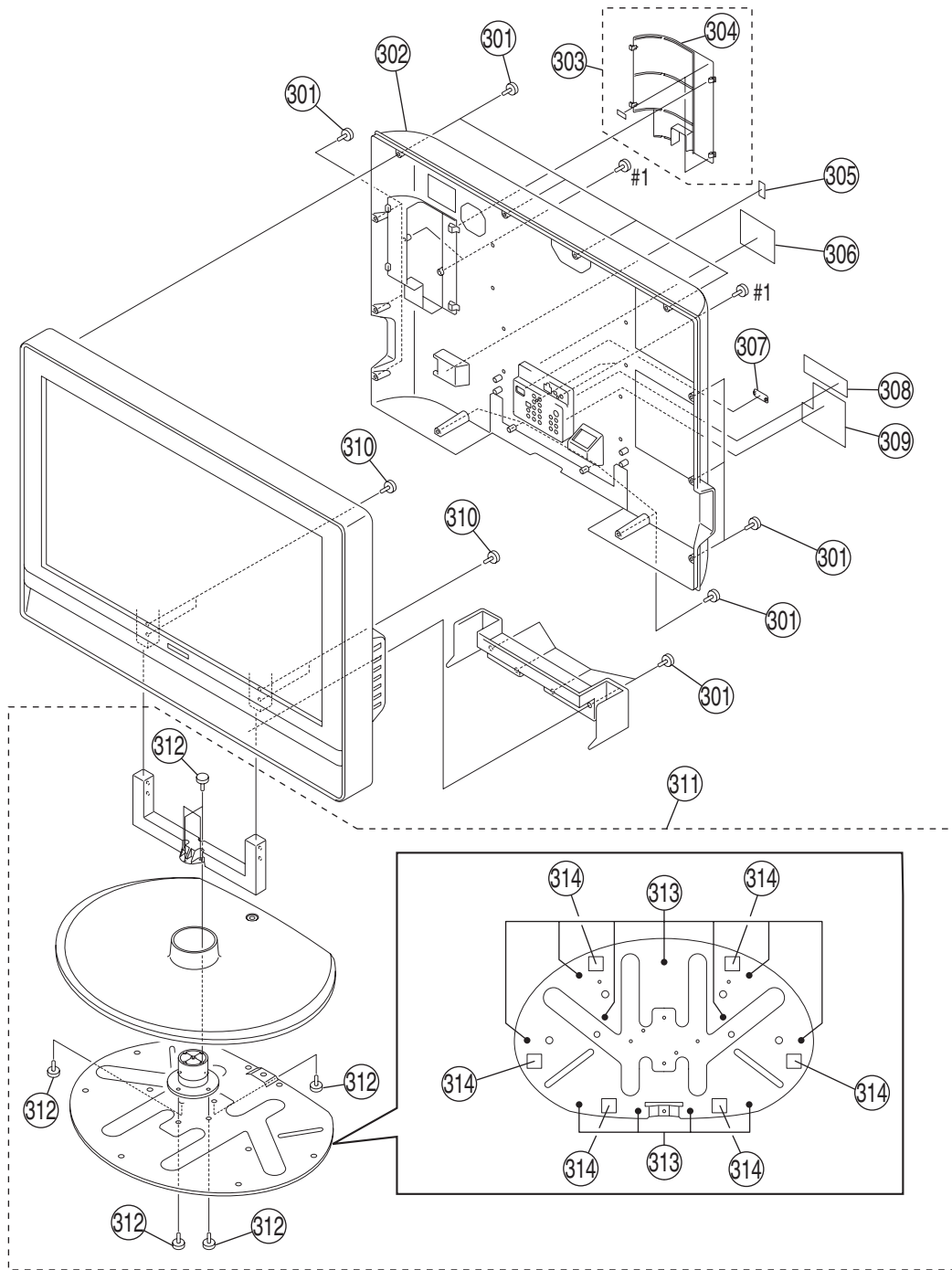
KDL-V26XB1/V32XBR1
5-1-6. BEZEL ASSY LCD PANEL



REF. No.	PART No.	DESCRIPTION	MARK
251	X-2055-827-1	BEZEL ASSY (KDL-V26XBR1)	252
	X-2055-823-1	BEZEL ASSY (KDL-V32XBR1)	
252	4-235-399-01	CATCHER	
253	2-581-411-01	ORNAMENTAL PANEL (26) (KDL-V26XBR1)	
	2-581-415-01	ORNAMENTAL PANEL (32) (KDL-V32XBR1)	
254	2-581-410-01	SPEAKER GRILLE (26) (KDL-V26XBR1)	
	2-581-414-02	SPEAKER GRILLE (32) (KDL-V32XBR1)	
255	1-805-855-11	PANEL, LCD (KDL-V26XBR1)	
	1-805-856-11	PANEL, LCD (KDL-V32XBR1)	

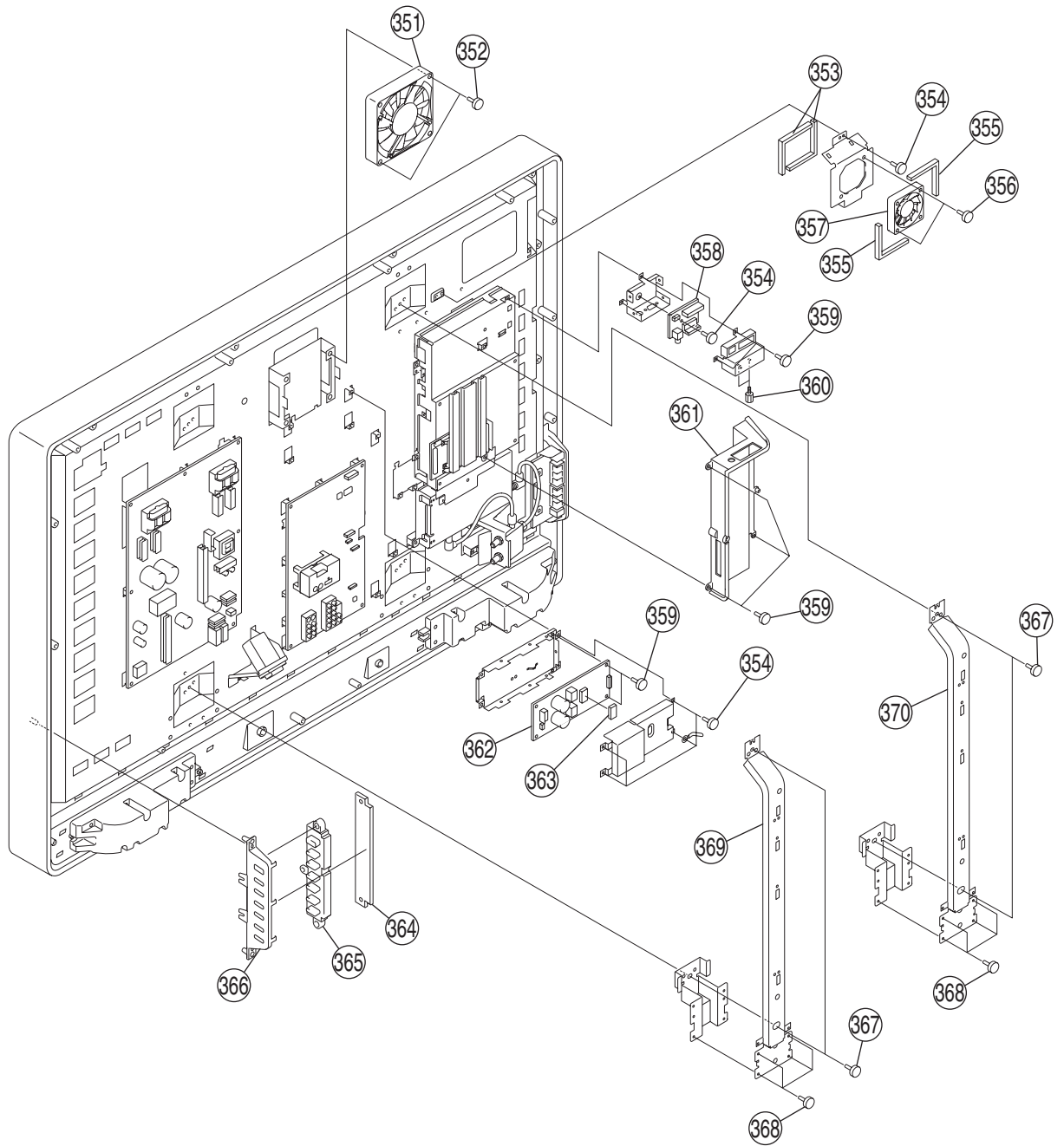
REF. No.	PART No.	DESCRIPTION	MARK
256	1-830-692-11	LEAD WIRE WITH CONNECTOR (LVDS) (KDL-V32XBR1)	
257	2-580-639-01	SCREW +BVTP2 4X12 (KDL-V26XBR1)	
	2-580-640-01	SCREW +BVTP2 4X16 (KDL-V32XBR1)	
258	2-580-600-01	SCREW +PSW M4X8 (KDL-V26XBR1)	
	2-580-606-01	SCREW +PSW M5X8 (KDL-V32XBR1)	

5-2. KDL-V40XBR1
5-2-1. REAR CABINET ASSY AND STAND ASSY



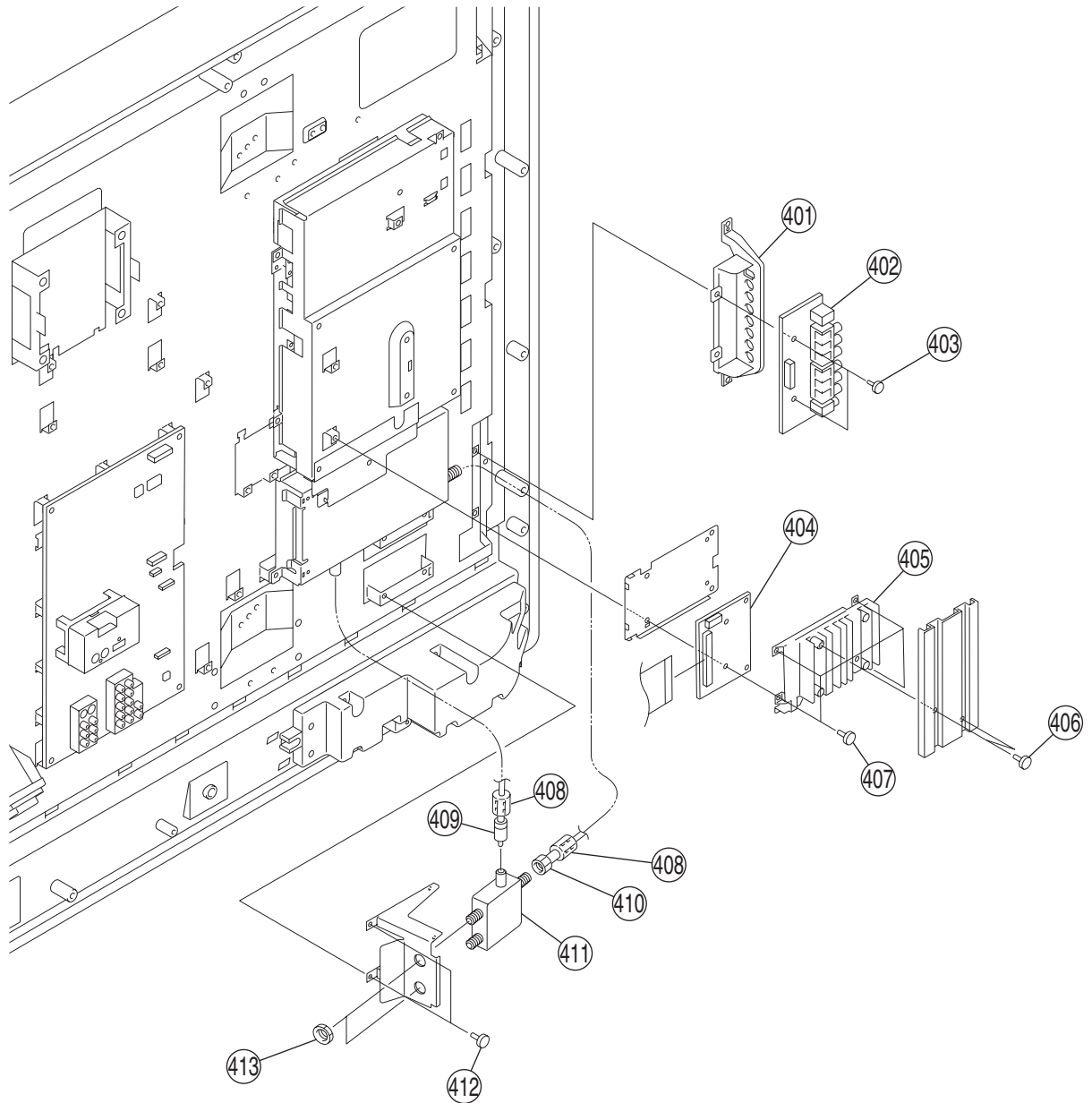
REF. No.	PART No.	DESCRIPTION	MARK	REF. No.	PART No.	DESCRIPTION	MARK
301	2-580-640-01	SCREW +BVTP2 4X16		309	2-595-462-01	LABEL (LOWER), REAR TERMINAL (made in Japan)	
302	X-2055-826-1	REAR CABINET ASSY			2-662-030-01	LABEL (LOWER), REAR TERMINAL (made in USA)	
303	X-2102-537-1	DIGITAL TERMINAL COVER ASSY	304	310	2-580-608-01	SCREW PSW M5X16	
304	2-581-343-01	COVER, DIGITAL TERMINAL		311	X-2050-187-1	STAND ASSY	
305	2-595-463-01	LABEL, RF (made in Japan)		312	2-580-607-01	SCREW +PSW M5X12	312-314
	2-662-031-01	LABEL, RF (made in USA)		313	3-254-144-11	SCREW (B3), (+) BV TAPPING	
306	* 2-650-855-12	MODEL NAME PLATE (made in Japan)		314	2-590-249-01	FOOT	
	2-662-035-01	LABEL, MODEL NAME PLATE (made in USA)		#1	7-685-648-79	SCREW +BVTP 3X12 TYPE2 IT-3	
307	4-094-922-41	COVER, ECS (15V)					
308	2-595-461-01	LABEL (UPPER), REAR TERMINAL (made in Japan)					
	2-662-029-01	LABEL (UPPER), REAR TERMINAL (made in USA)					

KDL-V40XBR1
5-2-2. FAN BLOCK AND ARM



REF. No.	PART No.	DESCRIPTION	MARK	REF. No.	PART No.	DESCRIPTION	MARK
351	1-787-393-11	D.C. FAN		361	X-2055-850-2	DTT TERMINAL HOLDER ASSY	
352	2-580-605-01	SCREW +PSW M4X30		362	A-1118-098-A	K COMPL	
353	2-593-934-01	CUSHION, FAN (60)		363	2-632-929-01	SHEET (K), RADIATION	
354	2-580-629-01	SCREW +BVST 3X8		364	A-1099-882-A	H6 MOUNT	
355	2-593-934-11	CUSHION, FAN (60)		365	2-581-348-02	BUTTON, MULTI	
356	2-580-604-01	SCREW +PSW M4X20		366	2-581-344-02	BRACKET, MULTI BUTTON	
357	1-787-409-11	D.C. FAN		367	2-580-607-01	SCREW +PSW M5X12	
358	A-1147-802-A	HPC MOUNT		368	2-580-630-01	SCREW +BVST 4X8	
359	2-580-593-01	SCREW +PSW M3X8		369	* X-2055-846-3	ARM (R) ASSY	
360	2-580-626-01	SCREW, SP 4-40 UNC		370	* X-2059-687-3	ARM (L) ASSY	

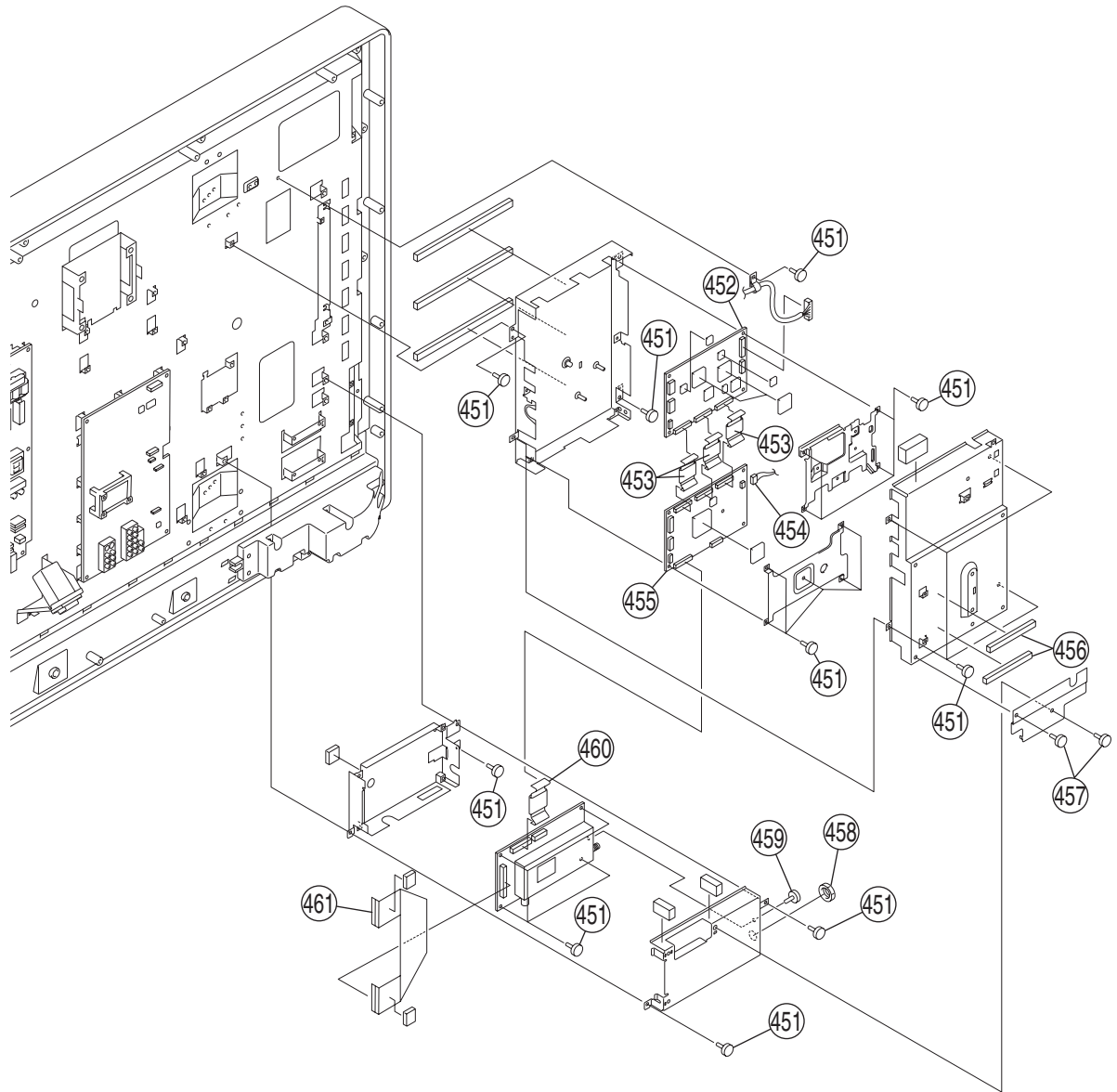
KDL-V40XBR1
5-2-3. CHASSIS-1



REF. No.	PART No.	DESCRIPTION	MARK
401	2-581-342-01	HOLDER, SIDE TERMINAL	
402	A-1118-196-A	H8 MOUNT	
403	2-580-593-01	SCREW +PSW M3X8	
404	A-1129-197-A	QU MOUNT	
405	1-819-587-11	PCMCIA CARD CONNECTOR FRAME	

REF. No.	PART No.	DESCRIPTION	MARK
406	2-580-590-01	SCREW +PSW M3X5	
407	2-580-592-01	SCREW +PSW M3X8	
408	1-543-793-11	FILTER, CLAMP (FERRITE CORE)	
409	1-830-262-11	RF CABLE	
410	1-829-702-11	COAXIAL CABLE WITH F-PLUG	
411	8-597-504-00	ANTENNA SWITCHE RFD-SA811	
412	2-580-629-01	SCREW +BVST 3X8	
413	3-682-691-00	NUT, WASHER HEXAGON	

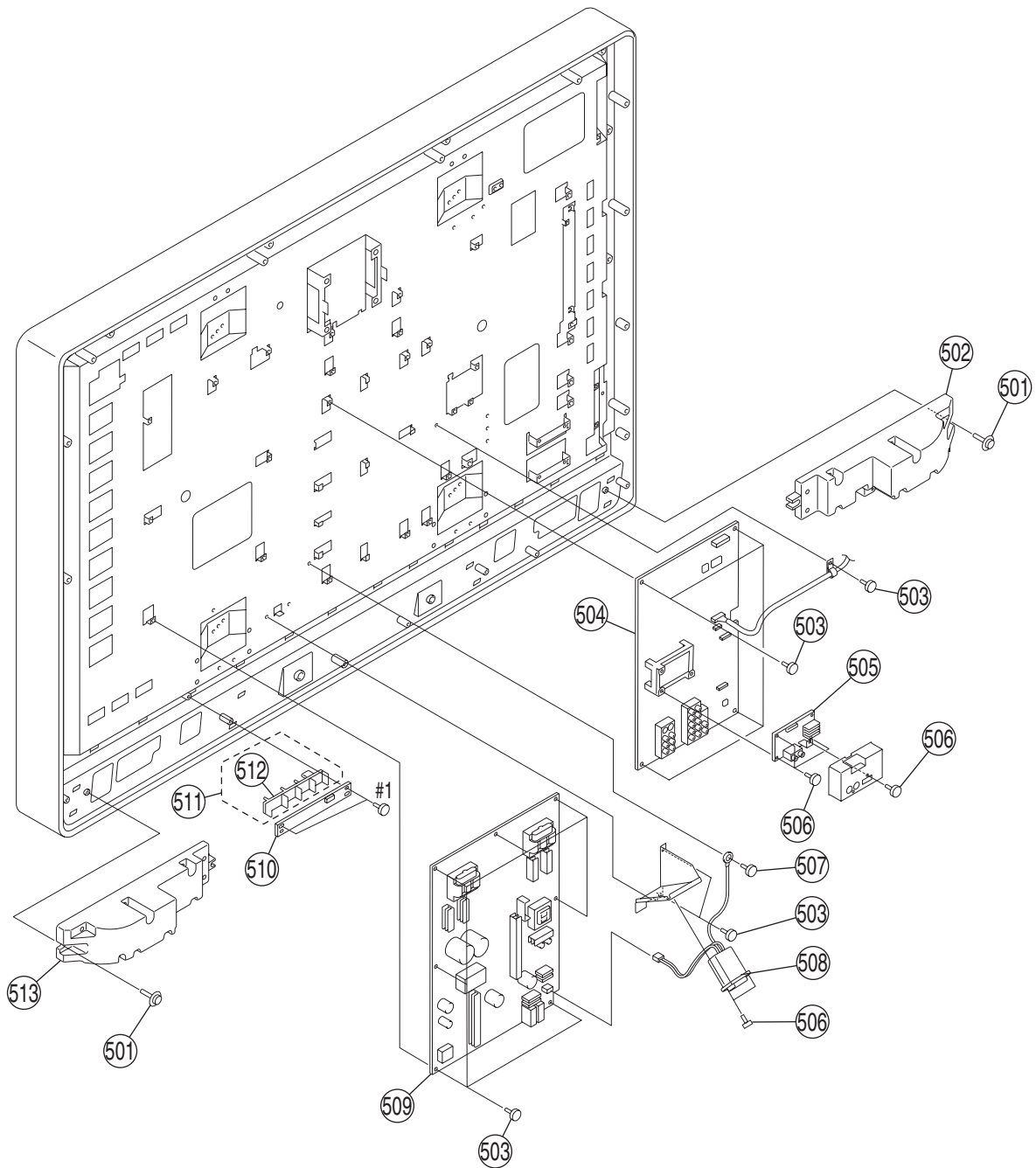
KDL-V40XBR1
5-2-4. CHASSIS-2



REF. No.	PART No.	DESCRIPTION	MARK
451	2-580-629-01	SCREW +BVST 3X8	
452	A-1147-797-A	B MOUNT	
453	1-910-017-29	FFC CONNECTOR ASSY 49P	
454	1-830-700-12	CORD WITH CONNECTOR	
455	A-1147-800-A	QM MOUNT	

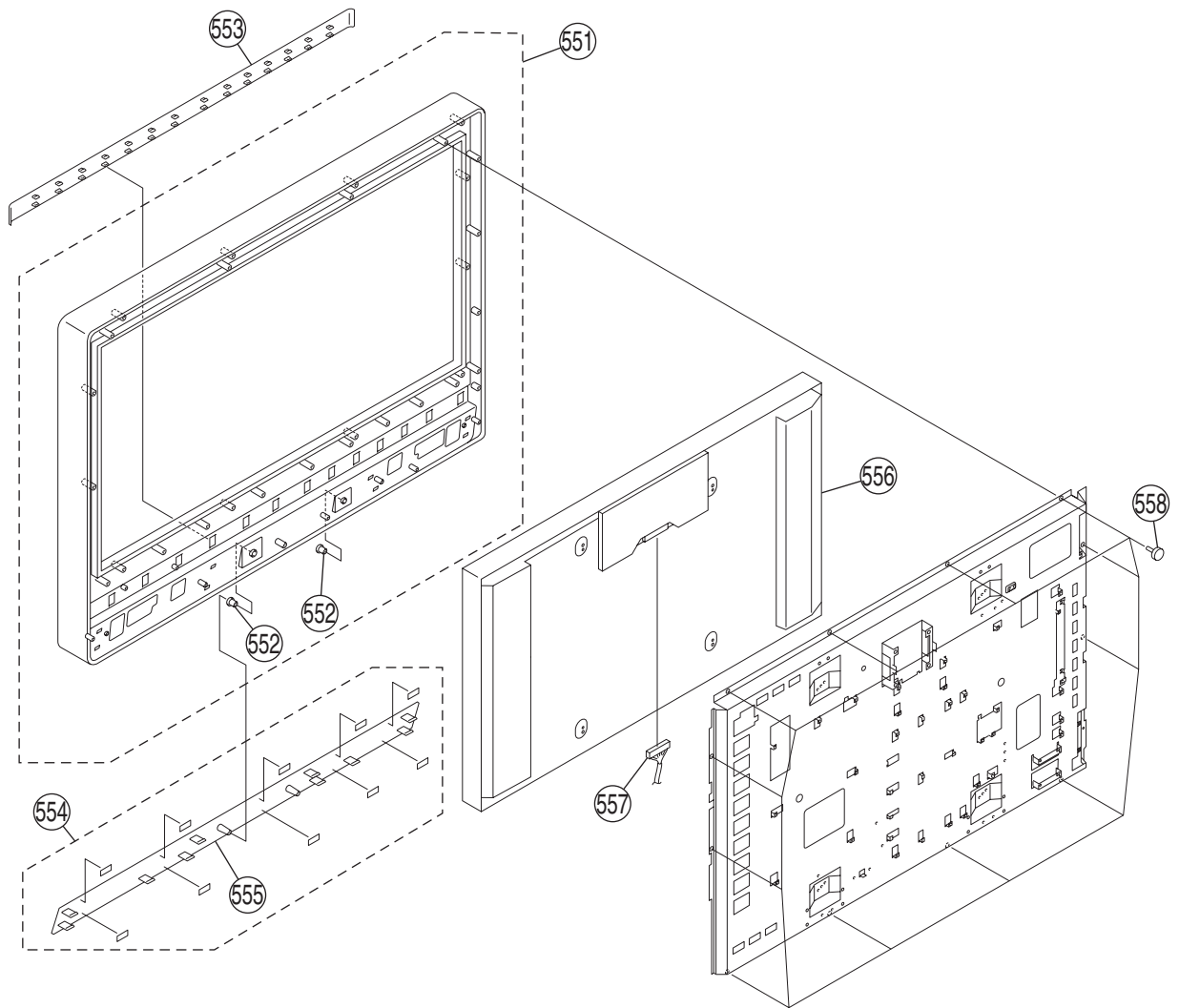
REF. No.	PART No.	DESCRIPTION	MARK
456	* 4-091-097-02	GASKET (E) (made in Japan)	
457	2-580-593-01	SCREW +PSW M3X8	
458	3-682-691-00	NUT, WASHER HEXAGON	
459	2-580-590-01	SCREW +PSW M3X5	
460	1-910-020-86	FFC CONNECTOR ASSY 49P	
461	1-910-017-31	FFC CONNECTOR ASSY 80P	

KDL-V40XBR1
5-2-5. CHASSIS-3



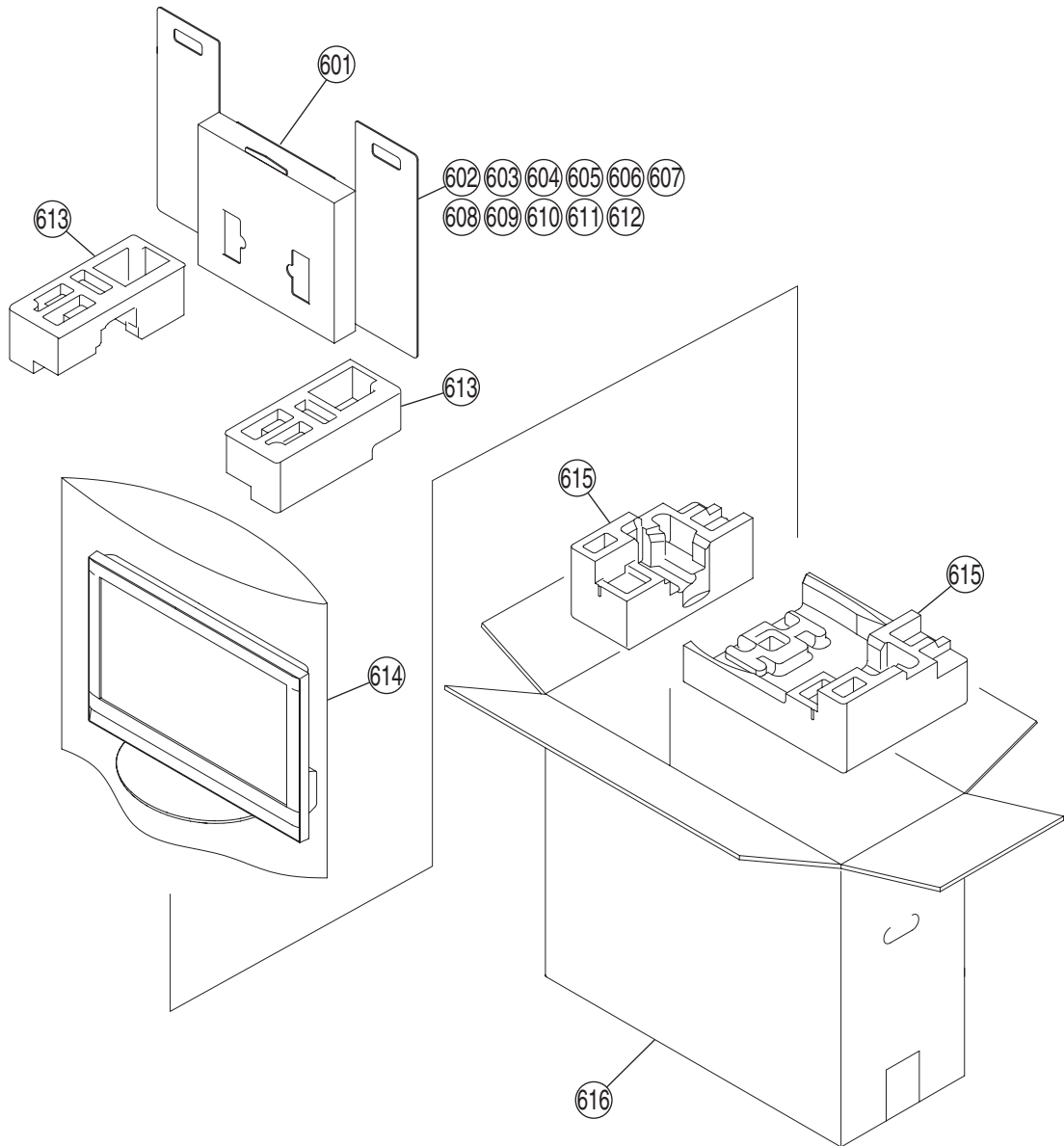
REF. No.	PART No.	DESCRIPTION	MARK	REF. No.	PART No.	DESCRIPTION	MARK
501	2-580-654-01	SCREW +PWTP2 4X16		511	X-2102-538-1	GUIDE, LIGHT ASSY	512
502	1-826-132-11	LOUDSPEAKER (L)		512	2-581-349-01	GUIDE, LIGHT	
503	2-580-629-01	SCREW +BVST 3X8		513	1-826-132-21	LOUDSPEAKER (R)	
504	A-1147-794-A	AL MOUNT					
505	* A-1147-801-A	P COMPL		#1	7-685-648-79	SCREW +BVTP 3X12 TYPE2 IT-3	
506	2-580-593-01	SCREW +PSW M3X8					
507	2-580-600-01	SCREW +PSW M4X8					
508	△ 1-818-098-21	INLET, AC (WITH NOISE FILTER)					
509	* A-1104-424-A	G12 MOUNT					
510	A-1099-883-A	H7 MOUNT					

KDL-V40XBR1
5-2-6. BEZEL ASSY AND LCD PANEL



REF. No.	PART No.	DESCRIPTION	MARK	REF. No.	PART No.	DESCRIPTION	MARK
551	X-2055-825-1	BEZEL ASSY	552	556	1-805-857-11	PANEL, LCD	
552	4-235-399-01	CATCHER		557	1-830-692-11	LEAD WIRE WITH CONNECTOR (LVDS)	
553	2-581-419-01	ORNAMENTAL PANEL (40)		558	2-580-640-01	SCREW +BVTP2 4X16	
554	X-2102-645-1	SPEAKER GRILLE (40) ASSY	555				
555	2-581-418-01	SPEAKER GRILLE (40)					

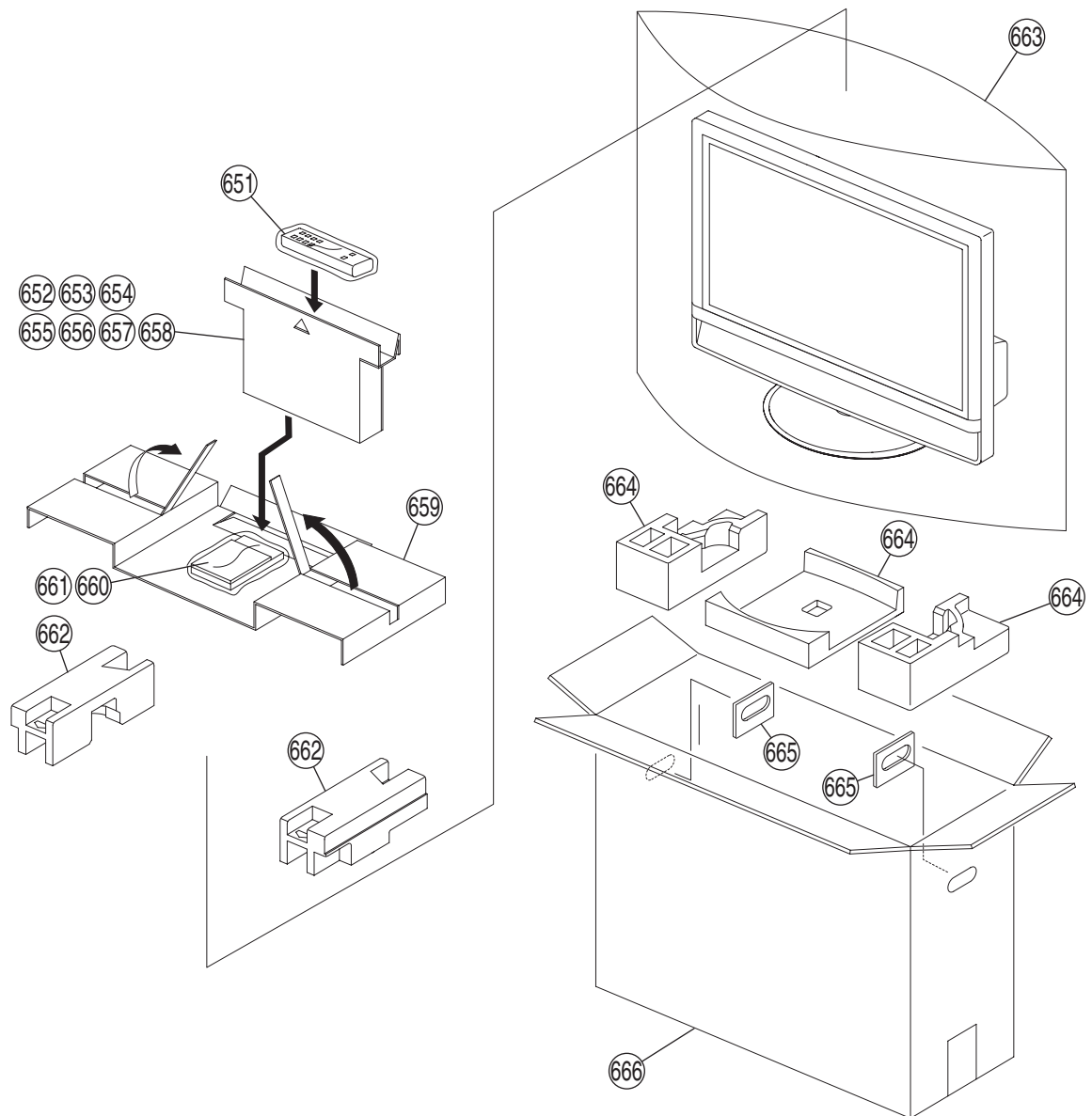
5-3. PACKING MATERIALS (KDL-V26XBR1)



REF. No.	PART No.	DESCRIPTION	MARK
601	* 2-654-544-01	HOLDER,ACCESORY	
602	1-479-327-11	REMOTE COMANDER (RM-YD002)	
603	1-765-167-62	CABLE, COAXIAL (WITH (F) PLUG)	
604	△ 1-765-720-41	CORD SET, POWER	
605	1-830-686-11	CABLE ASSY (15PDSUBCONNECTORX2)	
606	2-593-320-02	SCREW, CION (M6X18)	
607	2-595-155-01	CLAMP	
608	7-621-853-30	SCREW, WOOD +R 3.1X13	
609	X-2055-287-2	BAG ASSY, RUDDER LOCK	
610	2-599-864-11	MANUAL, INSTRUCTION (UC)	
	2-599-864-21	MANUAL, INSTRUCTION (FR)	
	2-599-864-31	MANUAL, INSTRUCTION (ES)	

REF. No.	PART No.	DESCRIPTION	MARK
611	2-599-865-11	QUICK START GUIDE (UC)	
	2-599-865-21	QUICK START GUIDE (FR)	
	2-599-865-31	QUICK START GUIDE (ES)	
612	* 2-629-287-01	PLATE, TOP	
613	* 2-629-285-01	CUSHION (UPPER) (made in Japan)	
	* 2-635-275-01	CUSHION, UPPER (made in USA)	
614	* 2-654-545-01	BAG, PROTECTION (made in Japan)	
	* 2-637-716-01	BAG, PROTECTION (made in USA)	
615	* 2-629-286-01	CUSHION (LOWER) (made in Japan)	
	* 2-635-276-01	CUSHION (LOWER) (made in USA)	
616	* 2-629-284-01	INDIVIDUAL CARTON (made in Japan)	
	* 2-635-278-01	CARTON, INDIVIDUAL (made in USA)	

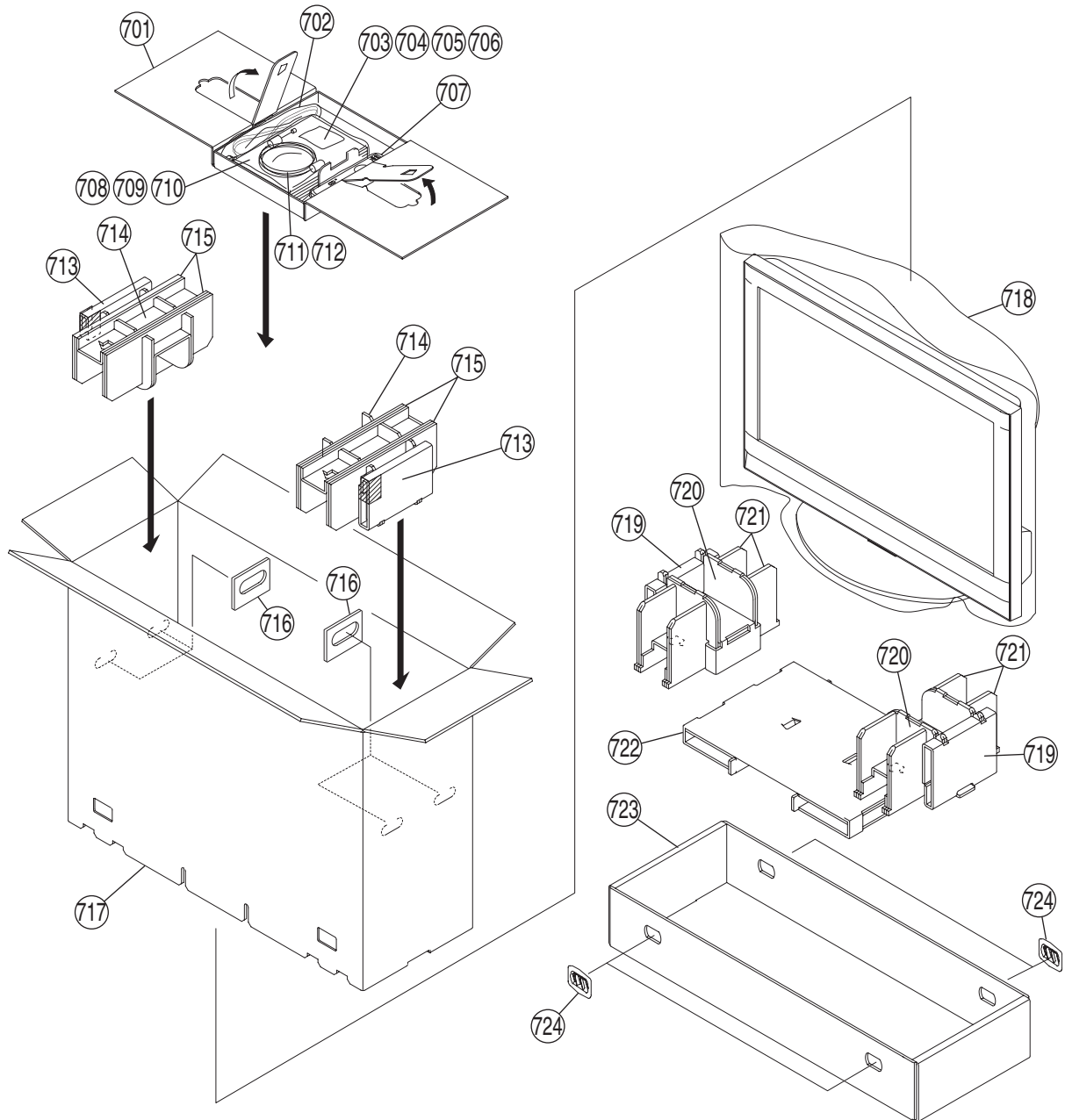
5-4. PACKING MATERIALS (KDL-V32XBR1)



REF. No.	PART No.	DESCRIPTION	MARK
651	1-479-327-11	REMOTE COMANDER (RM-YD002)	
652	1-765-167-62	CABLE, COAXIAL (WITH (F) PLUG)	
653	△ 1-765-720-41	CORD SET, POWER	
654	2-593-320-02	SCREW, CION (M6X18)	
655	2-595-155-01	CLAMP	
656	7-621-853-30	SCREW,WOOD +R 3.1X13	
657	X-2055-287-2	BAG ASSY, RUDDER LOCK	
658	1-830-686-11	CABLE ASSY (15PDSUBCONNECTORX2)	
659	* 2-633-808-01	BOARD, TOP	
660	2-599-864-11	MANUAL, INSTRUCTION (UC)	
	2-599-864-21	MANUAL, INSTRUCTION (FR)	
	2-599-864-31	MANUAL, INSTRUCTION (ES)	

REF. No.	PART No.	DESCRIPTION	MARK
661	2-599-865-11	QUICK START GUIDE (UC)	
	2-599-865-21	QUICK START GUIDE (FR)	
	2-599-865-31	QUICK START GUIDE (ES)	
662	* 2-633-809-01	CUSHION (UPPER) (made in Japan)	
	* 2-635-279-01	CUSHION UPPER (made in USA)	
663	* 3-704-308-01	BAG, PROTECTION (made in Japan)	
	* 2-637-717-01	BAG, PROTECTION (made in USA)	
664	* 2-633-810-01	CUSHION (LOWER) (made in Japan)	
	* 2-635-280-01	CUSHION, LOWER (made in USA)	
665	* 4-067-995-01	HANDLE (E) (made in Japan)	
666	* 2-632-725-01	INDIVIDUAL CARTON (made in Japan)	
	* 2-635-282-01	CARTON, INDIVIDUAL (made in USA)	

5-5. PACKING MATERIALS (KDL-V40XBR1)



REF. No.	PART No.	DESCRIPTION	MARK
701	* 2-592-147-01	BORAD, TOP (made in Japan)	
702	△ 1-765-720-41	CORD SET, POWER	
703	2-593-320-02	SCREW, CION (M6X18)	
704	2-595-155-01	CLAMP	
705	2-580-663-01	SCREW, WOOD 3.8X20	
706	X-2102-511-1	BAG ASSY, RUDDER LOCK	
707	1-479-327-11	REMOTE COMANDER (RM-YD002)	
708	2-599-864-11	MANUAL, INSTRUCTION (UC)	
	2-599-864-21	MANUAL, INSTRUCTION (FR)	
	2-599-864-31	MANUAL, INSTRUCTION (ES)	
709	2-599-865-11	QUICK START GUIDE (UC)	
	2-599-865-21	QUICK START GUIDE (FR)	
	2-599-865-31	QUICK START GUIDE (ES)	
710	2-599-866-11	MANUAL (WALL MOUNT INSTRUCTION) (made in Japan)	

REF. No.	PART No.	DESCRIPTION	MARK
711	1-765-167-62	CABLE, COAXIAL (WITH (F) PLUG)	
712	1-830-686-11	CABLE ASSY (15PDSUBCONNECTORX2)	
713	* 2-592-143-01	CUSHION UPPER SIDE (made in Japan)	
	* 2-637-237-01	CUSHION, UPPER (made in USA)	
714	* 2-592-141-01	CUSHION UPPER (made in Japan)	
715	* 2-592-142-01	CUSHION UPPER SUPPORT (made in Japan)	
716	* 4-067-995-01	HANDLE (E) (made in Japan)	
717	* 2-592-148-01	INDIVIDUAL CARTON (made in Japan)	
	* 2-637-240-01	CARTON, INDIVIDUAL (made in USA)	
718	* 2-632-670-01	BAG, PROTECTION (made in Japan)	
	* 2-637-718-01	BAG, PROTECTION (made in USA)	
719	* 2-592-146-01	CUSHION LOWER SIDE (made in Japan)	
	* 2-637-238-01	CUSHION, LOWER (made in USA)	
720	* 2-592-144-01	CUSHION LOWER (made in Japan)	
721	* 2-592-145-01	CUSHION LOWER SUPPORT (made in Japan)	
722	* 2-592-302-01	BOARD, BOTTOM (made in Japan)	
723	* 2-592-149-01	TRAY (made in Japan)	
	* 2-639-460-01	TRAY (made in USA)	
724	* 4-030-895-01	JOINT (made in Japan)	

SECTION 6 ELECTRICAL PARTS LIST

NOTE:

The components identified \triangle marked are critical for safety.
Replace only with the part number specified.

Les composants identifiés par la marque \triangle sont critiques pour la sécurité.
Ne les remplacer que par une pièce portant le numéro spécifié.

When indicating parts by reference number, please include the board name.

- All variable and adjustable resistors have characteristic curve B, unless otherwise noted.
- Items marked " * " are not stocked since they are seldom required for routine service. Some delay should be anticipated when ordering these items.

RESISTORS

- All resistors are in ohms
- F : nonflammable

No.	#	Board	Type	Δ / [*]	Ref. No.	Part No.	Description	Remarks-1	Remarks-2
1		H7	CAPACITOR		C7030	1-162-919-11	CERAMIC CHIP 22PF 5.00% 50V		
2		H7	CAPACITOR		C7031	1-125-891-11	CERAMIC CHIP 0.47UF 10.00% 10V		
3		H7	CAPACITOR		C7032	1-117-137-11	ELECT CHIP 33UF 20.00% 10V		
4		H7	CAPACITOR		C7033	1-115-566-11	CERAMIC CHIP 4.7UF 10.00% 10V		
5		H7	CAPACITOR		C7034	1-115-566-11	CERAMIC CHIP 4.7UF 10.00% 10V		
6		H7	CAPACITOR		C7040	1-126-391-11	ELECT CHIP 47UF 20.00% 6.3V		
7		H7	CAPACITOR		C7041	1-100-566-91	CERAMIC CHIP 0.1UF 10.00% 25V		
8		H7	CAPACITOR		C7042	1-126-193-11	ELECT CHIP 1UF 20.00% 50V		
9		H7	CAPACITOR		C7043	1-100-566-91	CERAMIC CHIP 0.1UF 10.00% 25V		
10		H7	DIODE		D7030	8-719-064-07	DIODE SML-310LTT86		
11		H7	DIODE		D7031	6-500-861-01	DIODE SML-020MVT-T86		
12		H7	DIODE		D7032	6-500-861-01	DIODE SML-020MVT-T86		
13		H7	DIODE		D7033	8-719-069-60	DIODE UDZSTE-179.1B		
14		H7	DIODE		D7034	8-719-069-60	DIODE UDZSTE-179.1B		
15		H7	DIODE		D7035	8-719-069-60	DIODE UDZSTE-179.1B		
16		H7	DIODE		D7036	8-719-069-60	DIODE UDZSTE-179.1B		
17		H7	DIODE		D7037	8-719-069-60	DIODE UDZSTE-179.1B		
18		H7	DIODE		D7038	8-719-069-60	DIODE UDZSTE-179.1B		
19		H7	DIODE		D7039	8-719-069-60	DIODE UDZSTE-179.1B		
20		H7	IC		IC7030	6-600-210-01	IC RPM7240-H8		
21		H7	IC		IC7040	6-600-418-01	IC TPS851(A.SONY)		
22		H7	TRANSISTOR		Q7030	6-550-549-01	TRANSISTOR DTC114EUAFT106		
23		H7	TRANSISTOR		Q7031	6-550-549-01	TRANSISTOR DTC114EUAFT106		
24		H7	TRANSISTOR		Q7032	6-550-549-01	TRANSISTOR DTC114EUAFT106		
25		H7	TRANSISTOR		Q7033	6-550-549-01	TRANSISTOR DTC114EUAFT106		
26		H7	TRANSISTOR		Q7034	6-550-549-01	TRANSISTOR DTC114EUAFT106		
27		H7	TRANSISTOR		Q7040	6-550-586-01	TRANSISTOR 2PA1576R-115		
28		H7	RESISTOR		R7030	1-216-816-11	METAL CHIP 390 5% 1/10W		
29		H7	RESISTOR		R7031	1-216-816-11	METAL CHIP 390 5% 1/10W		
30		H7	RESISTOR		R7032	1-216-810-11	METAL CHIP 120 5% 1/10W		
31		H7	RESISTOR		R7033	1-216-816-11	METAL CHIP 390 5% 1/10W		
32		H7	RESISTOR		R7034	1-216-817-11	METAL CHIP 470 5% 1/10W		
33		H7	RESISTOR		R7035	1-216-805-11	METAL CHIP 47 5% 1/10W		
34		H7	RESISTOR		R7036	1-216-810-11	METAL CHIP 120 5% 1/10W		
35		H7	RESISTOR		R7040	1-216-864-11	SHORT CHIP 0		
36		H7	RESISTOR		R7041	1-216-864-11	SHORT CHIP 0		
37		H7	RESISTOR		R7043	1-216-821-11	METAL CHIP 1K 5% 1/10W		
38		H7	RESISTOR		R7044	1-216-839-11	METAL CHIP 33K 5% 1/10W		
39		H7	RESISTOR		R7045	1-216-833-11	METAL CHIP 10K 5% 1/10W		
40		H7	RESISTOR		R7046	1-216-839-11	METAL CHIP 33K 5% 1/10W		
41		H7	RESISTOR		R7047	1-216-864-11	SHORT CHIP 0		
42		H7	RESISTOR		R7048	1-216-827-11	METAL CHIP 3.3K 5% 1/10W		
43		H7	RESISTOR		R7050	1-216-864-11	SHORT CHIP 0		
44		H6	CAPACITOR		C7002	1-107-826-11	CERAMIC CHIP 0.1UF 10.00% 16V		
45		H6	CAPACITOR		C7003	1-107-826-11	CERAMIC CHIP 0.1UF 10.00% 16V		
46		H6	DIODE		D7000	8-719-069-60	DIODE UDZSTE-179.1B		
47		H6	DIODE		D7001	8-719-069-60	DIODE UDZSTE-179.1B		
48		H6	DIODE		D7002	8-719-069-60	DIODE UDZSTE-179.1B		
49		H6	RESISTOR		R7000	1-216-824-11	METAL CHIP 1.8K 5% 1/10W		
50		H6	RESISTOR		R7001	1-218-457-11	METAL CHIP 910 5% 1/10W		
51		H6	RESISTOR		R7002	1-216-817-11	METAL CHIP 470 5% 1/10W		
52		H6	RESISTOR		R7003	1-216-813-11	METAL CHIP 220 5% 1/10W		
53		H6	RESISTOR		R7004	1-216-864-11	SHORT CHIP 0		
54		H6	RESISTOR		R7006	1-216-828-11	METAL CHIP 3.9K 5% 1/10W		
55		H6	SWITCH		S7000	1-572-595-11	SWITCH, TACTIL (REFLOW TYPE)		
56		H6	SWITCH		S7001	1-572-595-11	SWITCH, TACTIL (REFLOW TYPE)		
57		H6	SWITCH		S7002	1-572-595-11	SWITCH, TACTIL (REFLOW TYPE)		
58		H6	SWITCH		S7003	1-572-595-11	SWITCH, TACTIL (REFLOW TYPE)		
59		H6	SWITCH		S7004	1-572-595-11	SWITCH, TACTIL (REFLOW TYPE)		
60		H6	SWITCH		S7005	1-572-595-11	SWITCH, TACTIL (REFLOW TYPE)		
61		H6	SWITCH		S7006	1-572-595-11	SWITCH, TACTIL (REFLOW TYPE)		
62		G11	CAPACITOR		C6000	1-161-964-91	CERAMIC 0.0047UF 250V	KDL-V26/V32XBR1	
63		G11	CAPACITOR	Δ	C6001	1-119-892-51	CERAMIC 470PF 10.00% 250V	KDL-V26/V32XBR1	
64		G11	CAPACITOR		C6003	1-161-964-91	CERAMIC 0.0047UF 250V	KDL-V26/V32XBR1	
65		G11	CAPACITOR	Δ	C6005	1-119-892-51	CERAMIC 470PF 10.00% 250V	KDL-V26/V32XBR1	
66		G11	CAPACITOR		C6008	1-112-312-11	ELECT(BLOCK) 270UF 20% 450V	KDL-V26/V32XBR1	
67		G11	CAPACITOR	Δ	C6010	1-165-531-11	MYLAR 1UF 10 275V	KDL-V26/V32XBR1	
68		G11	CAPACITOR	Δ	C6012	1-113-889-11	CERAMIC 0.001UF 20.00% 250V	KDL-V26/V32XBR1	
69		G11	CAPACITOR		C6100	1-162-970-11	CERAMIC CHIP 0.01UF 10.00% 25V	KDL-V26/V32XBR1	
70		G11	CAPACITOR		C6101	1-107-905-11	ELECT 4.7UF 20% 50V	KDL-V26/V32XBR1	
71		G11	CAPACITOR		C6102	1-107-910-11	ELECT 100UF 20% 50V	KDL-V26/V32XBR1	
72		G11	CAPACITOR		C6103	1-162-970-11	CERAMIC CHIP 0.01UF 10.00% 25V	KDL-V26/V32XBR1	
73		G11	CAPACITOR		C6104	1-100-831-91	CERAMIC CHIP 0.001UF 2% 50V	KDL-V26/V32XBR1	
74		G11	CAPACITOR		C6105	1-107-906-11	ELECT 10UF 20% 50V	KDL-V26/V32XBR1	

No.	#	Board	Type	Δ/V^*	Ref. No.	Part No.	Description	Remarks-1	Remarks-2
75		G11	CAPACITOR		C6107	1-107-910-11	ELECT 100UF 20% 50V	KDL-V26/V32XBR1	
76		G11	CAPACITOR		C6108	1-115-340-11	CERAMIC CHIP 0.22UF 10.00% 25V	KDL-V26/V32XBR1	
77		G11	CAPACITOR		C6109	1-107-888-11	ELECT 47UF 20% 25V	KDL-V26/V32XBR1	
78		G11	CAPACITOR		C6111	1-107-824-11	CERAMIC 220PF 5.00% 1KV	KDL-V26/V32XBR1	
79		G11	CAPACITOR		C6112	1-100-311-91	FILM 22000PF 3% 800V	KDL-V26/V32XBR1	
80		G11	CAPACITOR		C6116	1-163-021-91	CERAMIC CHIP 0.01UF 10.00% 50V	KDL-V26/V32XBR1	
81		G11	CAPACITOR		C6200	1-100-756-91	CERAMIC CHIP 0.047UF 50V	KDL-V26/V32XBR1	
82		G11	CAPACITOR		C6202	1-131-976-11	ELECT 820UF 20% 25V	KDL-V26/V32XBR1	
83		G11	CAPACITOR		C6203	1-107-906-11	ELECT 10UF 20% 50V	KDL-V26/V32XBR1	
84		G11	CAPACITOR		C6204	1-165-724-31	ELECT 3900UF 20% 10V	KDL-V26/V32XBR1	
85		G11	CAPACITOR		C6205	1-107-906-11	ELECT 10UF 20% 50V	KDL-V26/V32XBR1	
86		G11	CAPACITOR		C6206	1-163-021-91	CERAMIC CHIP 0.01UF 10.00% 50V	KDL-V26/V32XBR1	
87		G11	CAPACITOR		C6208	1-163-021-91	CERAMIC CHIP 0.01UF 10.00% 50V	KDL-V26/V32XBR1	
88		G11	CAPACITOR		C6212	1-137-902-31	ELECT 2700UF 20% 16V	KDL-V26/V32XBR1	
89		G11	CAPACITOR		C6213	1-163-021-91	CERAMIC CHIP 0.01UF 10.00% 50V	KDL-V26/V32XBR1	
90		G11	CAPACITOR		C6216	1-107-928-11	ELECT 4.7UF 20% 100V	KDL-V26/V32XBR1	
91		G11	CAPACITOR		C6300	1-161-964-91	CERAMIC 0.0047UF 250V	KDL-V26/V32XBR1	
92		G11	CAPACITOR		C6301	1-161-964-91	CERAMIC 0.0047UF 250V	KDL-V26/V32XBR1	
93		G11	CAPACITOR		C6304	1-100-780-31	ELECT 22UF 20% 450V	KDL-V26/V32XBR1	
94		G11	CAPACITOR		C6305	1-107-974-11	CERAMIC 47PF 5.00% 2KV	KDL-V26/V32XBR1	
95		G11	CAPACITOR		C6306	1-107-903-11	ELECT 2.2UF 20% 50V	KDL-V26/V32XBR1	
96		G11	CAPACITOR		C6307	1-162-964-11	CERAMIC CHIP 0.001UF 10.00% 50V	KDL-V26/V32XBR1	
97		G11	CAPACITOR		C6308	1-165-127-11	CERAMIC 470PF 10.00% 500V	KDL-V26/V32XBR1	
98		G11	CAPACITOR		C6309	1-107-905-11	ELECT 4.7UF 20% 50V	KDL-V26/V32XBR1	
99		G11	CAPACITOR		C6310	1-107-910-11	ELECT 100UF 20% 50V	KDL-V26/V32XBR1	
100		G11	CAPACITOR		C6311	1-115-339-11	CERAMIC CHIP 0.1UF 10.00% 50V	KDL-V26/V32XBR1	
101		G11	CAPACITOR		C6312	1-115-339-11	CERAMIC CHIP 0.1UF 10.00% 50V	KDL-V26/V32XBR1	
102		G11	CAPACITOR		C6314	1-165-729-31	ELECT 470UF 20% 16V	KDL-V26/V32XBR1	
103		G11	CAPACITOR		C6315	1-107-826-11	CERAMIC CHIP 0.1UF 10.00% 16V	KDL-V26/V32XBR1	
104		G11	CAPACITOR		C6400	1-107-902-11	ELECT 1UF 20% 50V	KDL-V26/V32XBR1	
105		G11	CAPACITOR		C6401	1-107-882-91	ELECT 100UF 20% 16V	KDL-V26/V32XBR1	
106		G11	CAPACITOR		C6402	1-107-826-11	CERAMIC CHIP 0.1UF 10.00% 16V	KDL-V26/V32XBR1	
107		G11	CAPACITOR		C6403	1-107-902-11	ELECT 1UF 20% 50V	KDL-V26/V32XBR1	
108		G11	CAPACITOR		C6404	1-107-826-11	CERAMIC CHIP 0.1UF 10.00% 16V	KDL-V26/V32XBR1	
109		G11	CAPACITOR		C6406	1-162-968-11	CERAMIC CHIP 0.0047UF 10.00% 50V	KDL-V26/V32XBR1	
110		G11	CAPACITOR		C6412	1-162-964-11	CERAMIC CHIP 0.001UF 10.00% 50V	KDL-V26/V32XBR1	
111		G11	CAPACITOR		C6504	1-112-188-11	MYLAR 1.5UF 5% 450V	KDL-V26/V32XBR1	
112		G11	CAPACITOR		C6505	1-100-613-81	CERAMIC 470PF 5% 1KV	KDL-V26/V32XBR1	
113		G11	CAPACITOR		C6506	1-100-613-81	CERAMIC 470PF 5% 1KV	KDL-V26/V32XBR1	
114		G11	CAPACITOR		C6507	1-107-888-11	ELECT 47UF 20% 25V	KDL-V26/V32XBR1	
115		G11	CAPACITOR		C6508	1-162-964-11	CERAMIC CHIP 0.001UF 10.00% 50V	KDL-V26/V32XBR1	
116		G11	CAPACITOR		C6518	1-112-024-21	MYLAR 1UF 10% 450V	KDL-V26/V32XBR1	
117		G11	CAPACITOR		C6519	1-162-970-11	CERAMIC CHIP 0.01UF 10.00% 25V	KDL-V26/V32XBR1	
118		G11	CAPACITOR		C6520	1-112-188-11	MYLAR 1.5UF 5% 450V	KDL-V26/V32XBR1	
119		G11	CAPACITOR		C6521	1-115-340-11	CERAMIC CHIP 0.22UF 10.00% 25V	KDL-V26/V32XBR1	
120		G11	CAPACITOR		C6522	1-162-964-11	CERAMIC CHIP 0.001UF 10.00% 50V	KDL-V26/V32XBR1	
121		G11	CAPACITOR		C6523	1-162-970-11	CERAMIC CHIP 0.01UF 10.00% 25V	KDL-V26/V32XBR1	
122		G11	CAPACITOR		C6524	1-162-919-11	CERAMIC CHIP 22PF 5.00% 50V	KDL-V26/V32XBR1	
123		G11	CAPACITOR		C6525	1-115-339-11	CERAMIC CHIP 0.1UF 10.00% 50V	KDL-V26/V32XBR1	
124		G11	CAPACITOR		C6526	1-107-906-11	ELECT 10UF 20% 50V	KDL-V26/V32XBR1	
125		G11	CAPACITOR		C6528	1-162-970-11	CERAMIC CHIP 0.01UF 10.00% 25V	KDL-V26/V32XBR1	
126		G11	CAPACITOR		C6530	1-107-902-11	ELECT 1UF 20% 50V	KDL-V26/V32XBR1	
127		G11	CAPACITOR		C6700	1-112-742-91	CERAMIC 22PF 5% 3KV	KDL-V26XBR1	
128		G11	CAPACITOR		C6700	1-112-673-91	CERAMIC 47PF 5% 3KV	KDL-V32XBR1	
129		G11	CAPACITOR		C6701	1-162-969-11	CERAMIC CHIP 0.0068UF 10.00% 25V	KDL-V26XBR1	
130		G11	CAPACITOR		C6701	1-164-245-11	CERAMIC CHIP 0.015UF 10.00% 25V	KDL-V32XBR1	
131		G11	CAPACITOR		C6702	1-107-826-11	CERAMIC CHIP 0.1UF 10.00% 16V	KDL-V26/V32XBR1	
132		G11	CAPACITOR		C6703	1-112-742-91	CERAMIC 22PF 5% 3KV	KDL-V26XBR1	
133		G11	CAPACITOR		C6703	1-112-673-91	CERAMIC 47PF 5% 3KV	KDL-V32XBR1	
134		G11	CAPACITOR		C6704	1-162-969-11	CERAMIC CHIP 0.0068UF 10.00% 25V	KDL-V26XBR1	
135		G11	CAPACITOR		C6704	1-164-245-11	CERAMIC CHIP 0.015UF 10.00% 25V	KDL-V32XBR1	
136		G11	CAPACITOR		C6705	1-107-826-11	CERAMIC CHIP 0.1UF 10.00% 16V	KDL-V26/V32XBR1	
137		G11	CAPACITOR		C6707	1-162-964-11	CERAMIC CHIP 0.001UF 10.00% 50V	KDL-V26/V32XBR1	
138		G11	CAPACITOR		C6708	1-162-970-11	CERAMIC CHIP 0.01UF 10.00% 25V	KDL-V26/V32XBR1	
139		G11	CAPACITOR		C6709	1-162-970-11	CERAMIC CHIP 0.01UF 10.00% 25V	KDL-V26/V32XBR1	
140		G11	CAPACITOR		C6710	1-162-970-11	CERAMIC CHIP 0.01UF 10.00% 25V	KDL-V26/V32XBR1	
141		G11	CAPACITOR		C6712	1-164-227-11	CERAMIC CHIP 0.022UF 10.00% 25V	KDL-V26/V32XBR1	
142		G11	CAPACITOR		C6713	1-107-888-11	ELECT 47UF 20% 25V	KDL-V26/V32XBR1	
143		G11	CAPACITOR		C6716	1-162-969-11	CERAMIC CHIP 0.0068UF 10.00% 25V	KDL-V26/V32XBR1	
144		G11	CAPACITOR		C6718	1-112-735-11	CERAMIC 10PF 5% 6.3KV	KDL-V26XBR1	
145		G11	CAPACITOR		C6719	1-112-735-11	CERAMIC 10PF 5% 6.3KV	KDL-V26XBR1	
146		G11	CAPACITOR		C6720	1-162-970-11	CERAMIC CHIP 0.01UF 10.00% 25V	KDL-V26/V32XBR1	
147		G11	CAPACITOR		C6721	1-162-970-11	CERAMIC CHIP 0.01UF 10.00% 25V	KDL-V26/V32XBR1	
148		G11	CAPACITOR		C6722	1-162-970-11	CERAMIC CHIP 0.01UF 10.00% 25V	KDL-V26/V32XBR1	

No.	#	Board	Type	△/△*	Ref. No.	Part No.	Description	Remarks-1	Remarks-2
149		GI1	CAPACITOR		C6723	1-162-970-11	CERAMIC CHIP 0.01UF 10.00% 25V	KDL-V26/V32XBR1	
150		GI1	CAPACITOR		C6724	1-162-970-11	CERAMIC CHIP 0.01UF 10.00% 25V	KDL-V26/V32XBR1	
151		GI1	CAPACITOR		C6725	1-107-902-11	ELECT 1UF 20% 50V	KDL-V26/V32XBR1	
152		GI1	CAPACITOR		C6726	1-162-964-11	CERAMIC CHIP 0.001UF 10.00% 50V	KDL-V26/V32XBR1	
153		GI1	CAPACITOR		C6727	1-107-906-11	ELECT 10UF 20% 50V	KDL-V26/V32XBR1	
154		GI1	CAPACITOR		C6740	1-112-742-91	CERAMIC 22PF 5% 3KV	KDL-V26XBR1	
155		GI1	CAPACITOR		C6740	1-112-673-91	CERAMIC 47PF 5% 3KV	KDL-V32XBR1	
156		GI1	CAPACITOR		C6741	1-112-742-91	CERAMIC 22PF 5% 3KV	KDL-V26XBR1	
157		GI1	CAPACITOR		C6741	1-112-673-91	CERAMIC 47PF 5% 3KV	KDL-V32XBR1	
158		GI1	CAPACITOR		C6900	1-107-888-11	ELECT 47UF 20% 25V	KDL-V26/V32XBR1	
159		GI1	CAPACITOR		C6901	1-115-339-11	CERAMIC CHIP 0.1UF 10.00% 50V	KDL-V26/V32XBR1	
160		GI1	CAPACITOR		C6902	1-112-024-21	MYLAR 1UF 10% 450V	KDL-V26/V32XBR1	
161		GI1	CAPACITOR		C6903	1-112-024-21	MYLAR 1UF 10% 450V	KDL-V26/V32XBR1	
162		GI1	CAPACITOR	△	C6904	1-119-891-51	CERAMIC 220PF 10.00% 250V	KDL-V32XBR1	
163		GI1	CAPACITOR		C6906	1-125-891-11	CERAMIC CHIP 0.47UF 10.00% 10V	KDL-V26/V32XBR1	
164		GI1	CAPACITOR		C6907	1-125-891-11	CERAMIC CHIP 0.47UF 10.00% 10V	KDL-V26/V32XBR1	
165		GI1	CAPACITOR		C6910	1-164-816-11	CERAMIC CHIP 220PF 2.00% 50V	KDL-V32XBR1	
166		GI1	CAPACITOR		C6911	1-107-888-11	ELECT 47UF 20% 25V	KDL-V26/V32XBR1	
167		GI1	CAPACITOR		C6912	1-115-339-11	CERAMIC CHIP 0.1UF 10.00% 50V	KDL-V26/V32XBR1	
168		GI1	CAPACITOR		C6915	1-107-888-11	ELECT 47UF 20% 25V	KDL-V26/V32XBR1	
169		GI1	CAPACITOR		C6920	1-107-826-11	CERAMIC CHIP 0.1UF 10.00% 16V	KDL-V26/V32XBR1	
170		GI1	CAPACITOR		C6921	1-125-891-11	CERAMIC CHIP 0.47UF 10.00% 10V	KDL-V26/V32XBR1	
171		GI1	CAPACITOR		C6922	1-162-970-11	CERAMIC CHIP 0.01UF 10.00% 25V	KDL-V26/V32XBR1	
172		GI1	CAPACITOR		C6923	1-162-970-11	CERAMIC CHIP 0.01UF 10.00% 25V	KDL-V26/V32XBR1	
173		GI1	CAPACITOR		C6924	1-163-021-91	CERAMIC CHIP 0.01UF 10.00% 50V	KDL-V26/V32XBR1	
174		GI1	CAPACITOR		C6928	1-115-339-11	CERAMIC CHIP 0.1UF 10.00% 50V	KDL-V26/V32XBR1	
175		GI1	CONNECTOR	*	CN6001	1-793-660-11	PIN, CONNECTOR (PC BOARD) 3P	KDL-V26/V32XBR1	
176		GI1	CONNECTOR	*	CN6200	1-564-595-11	PLUG, CONNECTOR 14P	KDL-V26/V32XBR1	
177		GI1	CONNECTOR		CN6703	1-695-915-11	TAB (CONTACT)	KDL-V26/V32XBR1	
178		GI1	CONNECTOR		CN6704	1-695-915-11	TAB (CONTACT)	KDL-V26/V32XBR1	
179		GI1	CONNECTOR	*	CN6901	1-695-320-21	PIN, CONNECTOR (1.5MM)(SMD) 2P	KDL-V26XBR1	
180		GI1	DIODE	△	D6000	8-719-510-53	DIODE D4SB60L	KDL-V26/V32XBR1	
181		GI1	DIODE		D6001	8-719-948-45	DIODE ERA22-08	KDL-V26/V32XBR1	
182		GI1	DIODE		D6002	8-719-081-97	DIODE MMDL914T1	KDL-V26/V32XBR1	
183		GI1	DIODE		D6101	8-719-052-90	DIODE D1NL40-TA2	KDL-V26/V32XBR1	
184		GI1	DIODE		D6102	6-500-137-01	DIODE BAT54HT1	KDL-V26/V32XBR1	
185		GI1	DIODE		D6103	8-719-979-64	DIODE UF4005/23	KDL-V26/V32XBR1	
186		GI1	DIODE		D6104	6-501-043-01	DIODE UMZ16NT106	KDL-V26/V32XBR1	
187		GI1	DIODE		D6105	6-501-043-01	DIODE UMZ16NT106	KDL-V26/V32XBR1	
188		GI1	DIODE		D6106	8-719-081-67	DIODE M1FM3	KDL-V26/V32XBR1	
189		GI1	DIODE		D6107	8-719-081-67	DIODE M1FM3	KDL-V26/V32XBR1	
190		GI1	DIODE		D6108	8-719-081-97	DIODE MMDL914T1	KDL-V26/V32XBR1	
191		GI1	DIODE	△	D6200	8-719-510-09	DIODE D10SC6M	KDL-V26/V32XBR1	
192		GI1	DIODE	△	D6203	8-719-510-09	DIODE D10SC6M	KDL-V26/V32XBR1	
193		GI1	DIODE		D6204	6-500-567-31	DIODE 10ERB20-TB3	KDL-V26/V32XBR1	
194		GI1	DIODE		D6205	6-500-567-31	DIODE 10ERB20-TB3	KDL-V26/V32XBR1	
195		GI1	DIODE	△	D6206	6-500-747-01	DIODE SBQF04A06	KDL-V26/V32XBR1	
196		GI1	DIODE		D6207	6-500-567-31	DIODE 10ERB20-TB3	KDL-V26/V32XBR1	
197		GI1	DIODE		D6300	8-719-077-76	DIODE D2SB60A-F04	KDL-V26/V32XBR1	
198		GI1	DIODE		D6301	8-719-036-94	DIODE RD5.6SB-T1	KDL-V26/V32XBR1	
199		GI1	DIODE		D6302	6-500-849-01	DIODE ERA22-08KFLB	KDL-V26/V32XBR1	
200		GI1	DIODE		D6303	8-719-052-90	DIODE D1NL40-TA2	KDL-V26/V32XBR1	
201		GI1	DIODE		D6304	8-719-052-90	DIODE D1NL40-TA2	KDL-V26/V32XBR1	
202		GI1	DIODE		D6305	8-719-032-12	DIODE D1NS6	KDL-V26/V32XBR1	
203		GI1	DIODE		D6307	6-500-567-31	DIODE 10ERB20-TB3	KDL-V26/V32XBR1	
204		GI1	DIODE		D6308	8-719-081-67	DIODE M1FM3	KDL-V26/V32XBR1	
205		GI1	DIODE		D6400	8-719-081-97	DIODE MMDL914T1	KDL-V26/V32XBR1	
206		GI1	DIODE		D6402	8-719-081-97	DIODE MMDL914T1	KDL-V26/V32XBR1	
207		GI1	DIODE		D6403	8-719-081-97	DIODE MMDL914T1	KDL-V26/V32XBR1	
208		GI1	DIODE		D6407	8-719-977-28	DIODE DTZ10B	KDL-V26/V32XBR1	
209		GI1	DIODE		D6408	8-719-081-97	DIODE MMDL914T1	KDL-V26/V32XBR1	
210		GI1	DIODE		D6501	6-501-043-01	DIODE UMZ16NT106	KDL-V26/V32XBR1	
211		GI1	DIODE		D6505	8-719-976-99	DIODE DTZ5.1B	KDL-V26/V32XBR1	
212		GI1	DIODE	△	D6506	8-719-054-59	DIODE FSF05A60	KDL-V26/V32XBR1	
213		GI1	DIODE		D6507	8-719-081-97	DIODE MMDL914T1	KDL-V26/V32XBR1	
214		GI1	DIODE		D6509	8-719-074-43	DIODE BAS316-115	KDL-V26/V32XBR1	
215		GI1	DIODE		D6510	6-500-137-01	DIODE BAT54HT1	KDL-V26/V32XBR1	
216		GI1	DIODE		D6511	8-719-081-97	DIODE MMDL914T1	KDL-V26/V32XBR1	
217		GI1	DIODE		D6512	8-719-081-97	DIODE MMDL914T1	KDL-V26/V32XBR1	
218		GI1	DIODE		D6513	8-719-081-97	DIODE MMDL914T1	KDL-V26/V32XBR1	
219		GI1	DIODE		D6700	8-719-820-41	DIODE 1SS302	KDL-V26/V32XBR1	
220		GI1	DIODE		D6701	8-719-081-97	DIODE MMDL914T1	KDL-V26/V32XBR1	
221		GI1	DIODE		D6702	8-719-081-97	DIODE MMDL914T1	KDL-V26/V32XBR1	
222		GI1	DIODE		D6703	8-719-820-41	DIODE 1SS302	KDL-V26/V32XBR1	

No.	#	Board	Type	△/*	Ref. No.	Part No.	Description	Remarks-1	Remarks-2
223		GI1	DIODE		D6704	8-719-081-97	DIODE MMDL914T1	KDL-V26/V32XBR1	
224		GI1	DIODE		D6706	8-719-081-97	DIODE MMDL914T1	KDL-V26/V32XBR1	
225		GI1	DIODE		D6707	8-719-081-97	DIODE MMDL914T1	KDL-V26/V32XBR1	
226		GI1	DIODE		D6708	6-500-137-01	DIODE BAT54HT1	KDL-V26XBR1	
227		GI1	DIODE		D6709	6-500-137-01	DIODE BAT54HT1	KDL-V26XBR1	
228		GI1	DIODE		D6710	6-500-137-01	DIODE BAT54HT1	KDL-V26XBR1	
229		GI1	DIODE		D6711	6-500-137-01	DIODE BAT54HT1	KDL-V26XBR1	
230		GI1	DIODE		D6712	8-719-081-97	DIODE MMDL914T1	KDL-V26/V32XBR1	
231		GI1	DIODE		D6722	8-719-081-97	DIODE MMDL914T1	KDL-V26/V32XBR1	
232		GI1	DIODE		D6900	8-719-979-64	DIODE UF4005/23	KDL-V26/V32XBR1	
233		GI1	DIODE		D6901	6-501-043-01	DIODE UMZ16NT106	KDL-V26/V32XBR1	
234		GI1	DIODE		D6902	6-501-043-01	DIODE UMZ16NT106	KDL-V26/V32XBR1	
235		GI1	DIODE		D6903	8-719-074-43	DIODE BAS316-115	KDL-V26/V32XBR1	
236		GI1	DIODE		D6904	8-719-074-43	DIODE BAS316-115	KDL-V26/V32XBR1	
237		GI1	DIODE	△	D6905	6-501-298-01	DIODE SF6LD60M	KDL-V26/V32XBR1	
238		GI1	DIODE		D6906	6-500-137-01	DIODE BAT54HT1	KDL-V26/V32XBR1	
239		GI1	DIODE	△	D6907	6-501-298-01	DIODE SF6LD60M	KDL-V26/V32XBR1	
240		GI1	DIODE		D6909	6-500-027-01	DIODE MM3Z8V2ST1	KDL-V26/V32XBR1	
241		GI1	DIODE		D6910	8-719-081-67	DIODE M1FM3	KDL-V26/V32XBR1	
242		GI1	DIODE		D6911	6-500-137-01	DIODE BAT54HT1	KDL-V26/V32XBR1	
243		GI1	DIODE		D6912	8-719-081-67	DIODE M1FM3	KDL-V26/V32XBR1	
244		GI1	DIODE		D6925	8-719-081-97	DIODE MMDL914T1	KDL-V26XBR1	
245		GI1	FUSE	△	F6000	1-576-231-51	FUSE 4A 250V	KDL-V26/V32XBR1	
246		GI1	FERRITE BEAD		FB6900	1-410-396-41	FERRITE 0.45UH	KDL-V26/V32XBR1	
247		GI1	FERRITE BEAD		FB6901	1-410-396-41	FERRITE 0.45UH	KDL-V26/V32XBR1	
248		GI1	FERRITE BEAD		FB6902	1-410-396-41	FERRITE 0.45UH	KDL-V26/V32XBR1	
249		GI1	FERRITE BEAD		FB6903	1-410-396-41	FERRITE 0.45UH	KDL-V26/V32XBR1	
250		GI1	FUSE HOLDER		FH6000	1-533-223-11	FUSE HOLDER 0A 0V	KDL-V26/V32XBR1	
251		GI1	FUSE HOLDER		FH6001	1-533-223-11	FUSE HOLDER 0A 0V	KDL-V26/V32XBR1	
252		GI1	IC		IC6100	6-706-852-01	IC CXD9841M	KDL-V26/V32XBR1	
253		GI1	IC		IC6200	8-759-682-42	IC MM1431ATT	KDL-V26/V32XBR1	
254		GI1	IC		IC6300	6-600-279-01	IC STR-A6169	KDL-V26/V32XBR1	
255		GI1	IC		IC6301	8-759-682-42	IC MM1431ATT	KDL-V26/V32XBR1	
256		GI1	IC		IC6401	8-759-682-42	IC MM1431ATT	KDL-V26/V32XBR1	
257		GI1	IC		IC6402	8-759-682-42	IC MM1431ATT	KDL-V26/V32XBR1	
258		GI1	IC		IC6502	6-704-815-01	IC FA5501N-TE1	KDL-V26/V32XBR1	
259		GI1	IC	*	IC6700	8-759-575-27	IC BA10339F-E2	KDL-V26/V32XBR1	
260		GI1	IC		IC6701	8-759-682-42	IC MM1431ATT	KDL-V26/V32XBR1	
261		GI1	IC		IC6702	6-706-215-01	IC TL431BCLPRMG	KDL-V26XBR1	
262		GI1	IC		IC6702	8-759-682-42	IC MM1431ATT	KDL-V32XBR1	
263		GI1	IC		IC6900	6-708-423-01	IC IR21084S	KDL-V26/V32XBR1	
264		GI1	IC		IC6901	6-706-842-01	IC BD9884FV	KDL-V26/V32XBR1	
265		GI1	COIL	△	L6001	1-457-142-11	LINE FILTER COIL	KDL-V26/V32XBR1	
266		GI1	COIL		L6300	1-414-934-21	INDUCTOR 10UH	KDL-V26/V32XBR1	
267		GI1	COIL		L6500	1-457-039-12	INDUCTOR 110UH	KDL-V26/V32XBR1	
268		GI1	COIL		L6502	1-457-136-11	INDUCTOR 295UH	KDL-V26/V32XBR1	
269		GI1	COIL		L6900	1-406-665-11	INDUCTOR 100UH	KDL-V26/V32XBR1	
270		GI1	PHOTO COUPLER	△	PH6000	8-749-016-82	PHOTO COUPLER PC123GY2J00F	KDL-V26/V32XBR1	
271		GI1	PHOTO COUPLER	△	PH6100	8-749-016-82	PHOTO COUPLER PC123GY2J00F	KDL-V26/V32XBR1	
272		GI1	PHOTO COUPLER	△	PH6300	8-749-016-82	PHOTO COUPLER PC123GY2J00F	KDL-V26/V32XBR1	
273		GI1	PHOTO COUPLER	△	PH6400	8-749-016-82	PHOTO COUPLER PC123GY2J00F	KDL-V26/V32XBR1	
274		GI1	PHOTO COUPLER	△	PH6401	8-749-016-82	PHOTO COUPLER PC123GY2J00F	KDL-V26/V32XBR1	
275		GI1	PHOTO COUPLER	△	PH6402	8-749-016-82	PHOTO COUPLER PC123GY2J00F	KDL-V26/V32XBR1	
276		GI1	PHOTO COUPLER	△	PH6901	8-749-016-82	PHOTO COUPLER PC123GY2J00F	KDL-V26/V32XBR1	
277		GI1	PHOTO COUPLER	△	PH6902	8-749-016-82	PHOTO COUPLER PC123GY2J00F	KDL-V26/V32XBR1	
278		GI1	PHOTO COUPLER	△	PH6904	8-749-016-82	PHOTO COUPLER PC123GY2J00F	KDL-V26/V32XBR1	
279		GI1	PHOTO COUPLER	△	PH6905	8-749-016-82	PHOTO COUPLER PC123GY2J00F	KDL-V26/V32XBR1	
280		GI1	TRANSISTOR	△	Q6100	6-551-386-01	TRANSISTOR 2SK3563(LBS1SONY)	KDL-V26/V32XBR1	
281		GI1	TRANSISTOR	△	Q6101	6-551-386-01	TRANSISTOR 2SK3563(LBS1SONY)	KDL-V26/V32XBR1	
282		GI1	TRANSISTOR		Q6400	8-729-804-41	TRANSISTOR 2SB1122-S	KDL-V26/V32XBR1	
283		GI1	TRANSISTOR		Q6401	8-729-120-28	TRANSISTOR 2SC1623-L5L6	KDL-V26/V32XBR1	
284		GI1	TRANSISTOR		Q6402	8-729-023-22	TRANSISTOR 2SD2114K	KDL-V26/V32XBR1	
285		GI1	TRANSISTOR		Q6403	8-729-026-49	TRANSISTOR 2SA1037AK-T146-R	KDL-V26/V32XBR1	
286		GI1	TRANSISTOR		Q6404	8-729-120-28	TRANSISTOR 2SC1623-L5L6	KDL-V26/V32XBR1	
287		GI1	TRANSISTOR	△	Q6500	6-551-336-01	TRANSISTOR 2SK3934(LBS1SONY.Q	KDL-V26/V32XBR1	
288		GI1	TRANSISTOR		Q6501	8-729-820-90	TRANSISTOR 2SD1621-ST	KDL-V26/V32XBR1	
289		GI1	TRANSISTOR		Q6502	8-729-804-41	TRANSISTOR 2SB1122-S	KDL-V26/V32XBR1	
290		GI1	TRANSISTOR		Q6503	8-729-907-00	TRANSISTOR DTC114EU	KDL-V26/V32XBR1	
291		GI1	TRANSISTOR		Q6504	8-729-120-28	TRANSISTOR 2SC1623-L5L6	KDL-V26/V32XBR1	
292		GI1	TRANSISTOR		Q6700	8-729-907-00	TRANSISTOR DTC114EU	KDL-V26/V32XBR1	
293		GI1	TRANSISTOR		Q6701	8-729-120-28	TRANSISTOR 2SC1623-L5L6	KDL-V26/V32XBR1	
294		GI1	TRANSISTOR		Q6702	8-729-026-49	TRANSISTOR 2SA1037AK-T146-R	KDL-V26/V32XBR1	
295		GI1	TRANSISTOR		Q6703	8-729-120-28	TRANSISTOR 2SC1623-L5L6	KDL-V26/V32XBR1	
296		GI1	TRANSISTOR		Q6704	8-729-029-14	TRANSISTOR DTC144EUA-T106	KDL-V26/V32XBR1	

No.	#	Board	Type	△/*	Ref. No.	Part No.	Description	Remarks-1	Remarks-2
297		GI1	TRANSISTOR		Q6706	8-729-029-14	TRANSISTOR DTC144EUA-T106	KDL-V26/V32XBR1	
298		GI1	TRANSISTOR	△	Q6900	6-551-403-01	TRANSISTOR 2SK3797(LBS1SONY.	KDL-V26/V32XBR1	
299		GI1	TRANSISTOR	△	Q6901	6-551-403-01	TRANSISTOR 2SK3797(LBS1SONY.	KDL-V26/V32XBR1	
300		GI1	TRANSISTOR		Q6902	8-729-028-91	TRANSISTOR DTA144EUA-T106	KDL-V26/V32XBR1	
301		GI1	TRANSISTOR		Q6905	8-729-820-90	TRANSISTOR 2SD1621-ST	KDL-V26/V32XBR1	
302		GI1	TRANSISTOR		Q6906	8-729-120-28	TRANSISTOR 2SC1623-LSL6	KDL-V26/V32XBR1	
303		GI1	TRANSISTOR		Q6907	8-729-907-00	TRANSISTOR DTC114EU	KDL-V26/V32XBR1	
304		GI1	RESISTOR	△	R6001	1-219-759-11	METAL 1M 5% 1/2W	KDL-V26/V32XBR1	
305		GI1	RESISTOR		R6002	1-240-251-11	CEMENTED 6.8 5% 10W	KDL-V26/V32XBR1	
306		GI1	RESISTOR		R6003	1-247-752-11	CARBON 1K 5% 1/2W	KDL-V26/V32XBR1	
307		GI1	RESISTOR		R6004	1-216-829-11	METAL CHIP 4.7K 5% 1/10W	KDL-V26/V32XBR1	
308		GI1	RESISTOR		R6014	1-243-832-71	METAL OXIDE 15 5% 1W	KDL-V26/V32XBR1	
309		GI1	RESISTOR		R6016	1-219-755-11	METAL 10M 5% 1/2W	KDL-V26/V32XBR1	
310		GI1	RESISTOR		R6101	1-249-385-11	CARBON 2.2 5% 1/4W	KDL-V26/V32XBR1	
311		GI1	RESISTOR		R6102	1-202-933-61	FUSIBLE 0.1 10% 1/2W	KDL-V26/V32XBR1	
312		GI1	RESISTOR		R6103	1-218-823-11	METAL CHIP 100 0.5% 1/10W	KDL-V26/V32XBR1	
313		GI1	RESISTOR		R6104	1-218-871-11	METAL CHIP 10K 0.5% 1/10W	KDL-V26/V32XBR1	
314		GI1	RESISTOR		R6105	1-218-760-11	METAL CHIP 220K 0.5% 1/10W	KDL-V26/V32XBR1	
315		GI1	RESISTOR		R6106	1-218-760-11	METAL CHIP 220K 0.5% 1/10W	KDL-V26/V32XBR1	
316		GI1	RESISTOR		R6107	1-218-760-11	METAL CHIP 220K 0.5% 1/10W	KDL-V26/V32XBR1	
317		GI1	RESISTOR		R6108	1-208-840-11	METAL CHIP 270K 0.5% 1/10W	KDL-V26/V32XBR1	
318		GI1	RESISTOR		R6109	1-208-834-11	METAL CHIP 150K 0.5% 1/10W	KDL-V26/V32XBR1	
319		GI1	RESISTOR		R6110	1-218-887-11	METAL CHIP 47K 0.5% 1/10W	KDL-V26/V32XBR1	
320		GI1	RESISTOR		R6111	1-218-875-11	METAL CHIP 15K 0.5% 1/10W	KDL-V26/V32XBR1	
321		GI1	RESISTOR		R6114	1-211-981-11	METAL CHIP 33 0.5% 1/10W	KDL-V26/V32XBR1	
322		GI1	RESISTOR		R6115	1-249-393-11	CARBON 10 5% 1/4W	KDL-V26/V32XBR1	
323		GI1	RESISTOR		R6116	1-216-009-91	RES-CHIP 22 5% 1/10W	KDL-V26/V32XBR1	
324		GI1	RESISTOR		R6117	1-216-009-91	RES-CHIP 22 5% 1/10W	KDL-V26/V32XBR1	
325		GI1	RESISTOR		R6118	1-216-833-11	METAL CHIP 10K 5% 1/10W	KDL-V26/V32XBR1	
326		GI1	RESISTOR		R6119	1-216-833-11	METAL CHIP 10K 5% 1/10W	KDL-V26/V32XBR1	
327		GI1	RESISTOR		R6120	1-218-863-11	METAL CHIP 4.7K 0.5% 1/10W	KDL-V26/V32XBR1	
328		GI1	RESISTOR		R6122	1-216-361-00	METAL OXIDE 0.22 5% 2W	KDL-V26/V32XBR1	
329		GI1	RESISTOR		R6123	1-218-847-11	METAL CHIP 1K 0.5% 1/10W	KDL-V26/V32XBR1	
330		GI1	RESISTOR		R6127	1-216-857-11	METAL CHIP 1M 5% 1/10W	KDL-V26/V32XBR1	
331		GI1	RESISTOR		R6200	1-216-821-11	METAL CHIP 1K 5% 1/10W	KDL-V26/V32XBR1	
332		GI1	RESISTOR		R6201	1-216-821-11	METAL CHIP 1K 5% 1/10W	KDL-V26/V32XBR1	
333		GI1	RESISTOR		R6203	1-216-821-11	METAL CHIP 1K 5% 1/10W	KDL-V26/V32XBR1	
334		GI1	RESISTOR		R6204	1-218-837-11	METAL CHIP 390 0.5% 1/10W	KDL-V26/V32XBR1	
335		GI1	RESISTOR		R6205	1-218-857-11	METAL CHIP 2.7K 0.5% 1/10W	KDL-V26/V32XBR1	
336		GI1	RESISTOR		R6207	1-218-847-11	METAL CHIP 1K 0.5% 1/10W	KDL-V26/V32XBR1	
337		GI1	RESISTOR		R6208	1-249-377-11	CARBON 0.47 5% 1/4W	KDL-V26/V32XBR1	
338		GI1	RESISTOR		R6209	1-218-887-11	METAL CHIP 47K 0.5% 1/10W	KDL-V26/V32XBR1	
339		GI1	RESISTOR		R6226	1-249-389-11	CARBON 4.7 5% 1/4W	KDL-V26/V32XBR1	
340		GI1	RESISTOR		R6300	1-249-381-11	CARBON 1 5% 1/4W	KDL-V26/V32XBR1	
341		GI1	RESISTOR		R6301	1-216-353-00	METAL OXIDE 2.2 5% 1W	KDL-V26/V32XBR1	
342		GI1	RESISTOR		R6305	1-260-129-11	CARBON 330K 5% 1/2W	KDL-V26/V32XBR1	
343		GI1	RESISTOR		R6306	1-216-813-11	METAL CHIP 220 5% 1/10W	KDL-V26/V32XBR1	
344		GI1	RESISTOR		R6307	1-249-385-11	CARBON 2.2 5% 1/4W	KDL-V26/V32XBR1	
345		GI1	RESISTOR		R6308	1-249-393-11	CARBON 10 5% 1/4W	KDL-V26/V32XBR1	
346		GI1	RESISTOR		R6310	1-216-817-11	METAL CHIP 470 5% 1/10W	KDL-V26/V32XBR1	
347		GI1	RESISTOR		R6311	1-216-823-11	METAL CHIP 1.5K 5% 1/10W	KDL-V26/V32XBR1	
348		GI1	RESISTOR		R6313	1-216-839-11	METAL CHIP 33K 5% 1/10W	KDL-V26/V32XBR1	
349		GI1	RESISTOR		R6314	1-218-871-11	METAL CHIP 10K 0.5% 1/10W	KDL-V26/V32XBR1	
350		GI1	RESISTOR		R6315	1-218-871-11	METAL CHIP 10K 0.5% 1/10W	KDL-V26/V32XBR1	
351		GI1	RESISTOR		R6400	1-216-833-11	METAL CHIP 10K 5% 1/10W	KDL-V26/V32XBR1	
352		GI1	RESISTOR		R6401	1-218-863-11	METAL CHIP 4.7K 0.5% 1/10W	KDL-V26/V32XBR1	
353		GI1	RESISTOR		R6402	1-216-833-11	METAL CHIP 10K 5% 1/10W	KDL-V26/V32XBR1	
354		GI1	RESISTOR		R6403	1-218-887-11	METAL CHIP 47K 0.5% 1/10W	KDL-V26/V32XBR1	
355		GI1	RESISTOR		R6405	1-216-827-11	METAL CHIP 3.3K 5% 1/10W	KDL-V26/V32XBR1	
356		GI1	RESISTOR		R6406	1-216-821-11	METAL CHIP 1K 5% 1/10W	KDL-V26/V32XBR1	
357		GI1	RESISTOR		R6407	1-216-829-11	METAL CHIP 4.7K 5% 1/10W	KDL-V26/V32XBR1	
358		GI1	RESISTOR		R6408	1-218-863-11	METAL CHIP 4.7K 0.5% 1/10W	KDL-V26/V32XBR1	
359		GI1	RESISTOR		R6409	1-216-833-11	METAL CHIP 10K 5% 1/10W	KDL-V26/V32XBR1	
360		GI1	RESISTOR		R6410	1-216-823-11	METAL CHIP 1.5K 5% 1/10W	KDL-V26/V32XBR1	
361		GI1	RESISTOR		R6411	1-216-864-11	SHORT CHIP 0	KDL-V26/V32XBR1	
362		GI1	RESISTOR		R6412	1-216-833-11	METAL CHIP 10K 5% 1/10W	KDL-V26/V32XBR1	
363		GI1	RESISTOR		R6413	1-218-863-11	METAL CHIP 4.7K 0.5% 1/10W	KDL-V26/V32XBR1	
364		GI1	RESISTOR		R6414	1-216-864-11	SHORT CHIP 0	KDL-V26/V32XBR1	
365		GI1	RESISTOR		R6417	1-216-821-11	METAL CHIP 1K 5% 1/10W	KDL-V26/V32XBR1	
366		GI1	RESISTOR		R6418	1-216-829-11	METAL CHIP 4.7K 5% 1/10W	KDL-V26/V32XBR1	
367		GI1	RESISTOR		R6419	1-216-829-11	METAL CHIP 4.7K 5% 1/10W	KDL-V26/V32XBR1	
368		GI1	RESISTOR		R6436	1-216-829-11	METAL CHIP 4.7K 5% 1/10W	KDL-V26/V32XBR1	
369		GI1	RESISTOR		R6437	1-216-821-11	METAL CHIP 1K 5% 1/10W	KDL-V26/V32XBR1	
370		GI1	RESISTOR		R6441	1-216-837-11	METAL CHIP 22K 5% 1/10W	KDL-V26/V32XBR1	

No.	#	Board	Type	Δ/\ast	Ref. No.	Part No.	Description	Remarks-1	Remarks-2
371		GI1	RESISTOR		R6442	1-216-833-11	METAL CHIP 10K 5% 1/10W	KDL-V26/V32XBR1	
372		GI1	RESISTOR		R6452	1-218-851-11	METAL CHIP 1.5K 0.5% 1/10W	KDL-V26/V32XBR1	
373		GI1	RESISTOR		R6454	1-216-829-11	METAL CHIP 4.7K 5% 1/10W	KDL-V26/V32XBR1	
374		GI1	RESISTOR		R6455	1-218-899-11	METAL CHIP 150K 0.5% 1/16W	KDL-V26/V32XBR1	
375		GI1	RESISTOR		R6456	1-218-871-11	METAL CHIP 10K 0.5% 1/10W	KDL-V26/V32XBR1	
376		GI1	RESISTOR		R6459	1-218-849-11	METAL CHIP 1.2K 0.5% 1/10W	KDL-V26/V32XBR1	
377		GI1	RESISTOR		R6501	1-216-857-11	METAL CHIP 1M 5% 1/10W	KDL-V26/V32XBR1	
378		GI1	RESISTOR		R6503	1-215-882-00	METAL OXIDE 22 5% 2W	KDL-V26/V32XBR1	
379		GI1	RESISTOR		R6506	1-218-823-11	METAL CHIP 100 0.5% 1/10W	KDL-V26/V32XBR1	
380		GI1	RESISTOR		R6512	1-218-907-11	METAL CHIP 330K 0.5% 1/10W	KDL-V26/V32XBR1	
381		GI1	RESISTOR		R6513	1-218-879-11	METAL CHIP 22K 0.5% 1/10W	KDL-V26/V32XBR1	
382		GI1	RESISTOR		R6514	1-218-895-11	METAL CHIP 100K 0.5% 1/10W	KDL-V26/V32XBR1	
383		GI1	RESISTOR		R6516	1-218-760-11	METAL CHIP 220K 0.5% 1/10W	KDL-V26/V32XBR1	
384		GI1	RESISTOR		R6517	1-218-760-11	METAL CHIP 220K 0.5% 1/10W	KDL-V26/V32XBR1	
385		GI1	RESISTOR		R6518	1-218-760-11	METAL CHIP 220K 0.5% 1/10W	KDL-V26/V32XBR1	
386		GI1	RESISTOR		R6519	1-218-760-11	METAL CHIP 220K 0.5% 1/10W	KDL-V26/V32XBR1	
387		GI1	RESISTOR		R6526	1-218-760-11	METAL CHIP 220K 0.5% 1/10W	KDL-V26/V32XBR1	
388		GI1	RESISTOR		R6527	1-218-867-11	METAL CHIP 6.8K 0.5% 1/10W	KDL-V26/V32XBR1	
389		GI1	RESISTOR		R6528	1-218-867-11	METAL CHIP 6.8K 0.5% 1/10W	KDL-V26/V32XBR1	
390		GI1	RESISTOR		R6531	1-217-611-00	METAL 0.1 10% 2W	KDL-V26/V32XBR1	
391		GI1	RESISTOR		R6532	1-216-845-11	METAL CHIP 100K 5% 1/10W	KDL-V26/V32XBR1	
392		GI1	RESISTOR		R6533	1-216-833-11	METAL CHIP 10K 5% 1/10W	KDL-V26/V32XBR1	
393		GI1	RESISTOR		R6534	1-216-809-11	METAL CHIP 100 5% 1/10W	KDL-V26/V32XBR1	
394		GI1	RESISTOR		R6537	1-249-397-11	CARBON 22 5% 1/4W	KDL-V26/V32XBR1	
395		GI1	RESISTOR		R6538	1-249-405-11	CARBON 100 5% 1/4W	KDL-V26/V32XBR1	
396		GI1	RESISTOR		R6539	1-216-809-11	METAL CHIP 100 5% 1/10W	KDL-V26/V32XBR1	
397		GI1	RESISTOR		R6542	1-216-842-11	METAL CHIP 56K 5% 1/10W	KDL-V26/V32XBR1	
398		GI1	RESISTOR		R6545	1-208-840-11	METAL CHIP 270K 0.5% 1/10W	KDL-V26/V32XBR1	
399		GI1	RESISTOR		R6546	1-208-840-11	METAL CHIP 270K 0.5% 1/10W	KDL-V26/V32XBR1	
400		GI1	RESISTOR		R6547	1-208-840-11	METAL CHIP 270K 0.5% 1/10W	KDL-V26/V32XBR1	
401		GI1	RESISTOR		R6548	1-208-840-11	METAL CHIP 270K 0.5% 1/10W	KDL-V26/V32XBR1	
402		GI1	RESISTOR		R6549	1-218-760-11	METAL CHIP 220K 0.5% 1/10W	KDL-V26/V32XBR1	
403		GI1	RESISTOR		R6550	1-218-869-11	METAL CHIP 8.2K 0.5% 1/10W	KDL-V26/V32XBR1	
404		GI1	RESISTOR		R6551	1-249-393-11	CARBON 10 5% 1/4W	KDL-V26/V32XBR1	
405		GI1	RESISTOR		R6552	1-216-809-11	METAL CHIP 100 5% 1/10W	KDL-V26/V32XBR1	
406		GI1	RESISTOR		R6554	1-216-833-11	METAL CHIP 10K 5% 1/10W	KDL-V26/V32XBR1	
407		GI1	RESISTOR		R6555	1-216-845-11	METAL CHIP 100K 5% 1/10W	KDL-V26/V32XBR1	
408		GI1	RESISTOR		R6556	1-216-837-11	METAL CHIP 22K 5% 1/10W	KDL-V26/V32XBR1	
409		GI1	RESISTOR		R6557	1-218-823-11	METAL CHIP 100 0.5% 1/10W	KDL-V26/V32XBR1	
410		GI1	RESISTOR		R6558	1-216-857-11	METAL CHIP 1M 5% 1/10W	KDL-V26/V32XBR1	
411		GI1	RESISTOR		R6700	1-216-821-11	METAL CHIP 1K 5% 1/10W	KDL-V26/V32XBR1	
412		GI1	RESISTOR		R6701	1-216-837-11	METAL CHIP 22K 5% 1/10W	KDL-V26/V32XBR1	
413		GI1	RESISTOR		R6702	1-216-845-11	METAL CHIP 100K 5% 1/10W	KDL-V26/V32XBR1	
414		GI1	RESISTOR		R6703	1-216-821-11	METAL CHIP 1K 5% 1/10W	KDL-V26/V32XBR1	
415		GI1	RESISTOR		R6704	1-216-837-11	METAL CHIP 22K 5% 1/10W	KDL-V26/V32XBR1	
416		GI1	RESISTOR		R6705	1-216-845-11	METAL CHIP 100K 5% 1/10W	KDL-V26/V32XBR1	
417		GI1	RESISTOR		R6706	1-216-837-11	METAL CHIP 22K 5% 1/10W	KDL-V26/V32XBR1	
418		GI1	RESISTOR		R6707	1-216-845-11	METAL CHIP 100K 5% 1/10W	KDL-V26/V32XBR1	
419		GI1	RESISTOR		R6708	1-218-887-11	METAL CHIP 47K 0.5% 1/10W	KDL-V26/V32XBR1	
420		GI1	RESISTOR		R6709	1-218-879-11	METAL CHIP 22K 0.5% 1/10W	KDL-V26/V32XBR1	
421		GI1	RESISTOR		R6710	1-216-827-11	METAL CHIP 3.3K 5% 1/10W	KDL-V26/V32XBR1	
422		GI1	RESISTOR		R6711	1-216-820-11	METAL CHIP 820 5% 1/10W	KDL-V26/V32XBR1	
423		GI1	RESISTOR		R6712	1-216-857-11	METAL CHIP 1M 5% 1/10W	KDL-V26/V32XBR1	
424		GI1	RESISTOR		R6713	1-216-833-11	METAL CHIP 10K 5% 1/10W	KDL-V26/V32XBR1	
425		GI1	RESISTOR		R6714	1-216-833-11	METAL CHIP 10K 5% 1/10W	KDL-V26/V32XBR1	
426		GI1	RESISTOR		R6715	1-216-821-11	METAL CHIP 1K 5% 1/10W	KDL-V26/V32XBR1	
427		GI1	RESISTOR		R6716	1-216-864-11	SHORT CHIP 0	KDL-V26/V32XBR1	
428		GI1	RESISTOR		R6717	1-216-864-11	SHORT CHIP 0	KDL-V26/V32XBR1	
429		GI1	RESISTOR		R6727	1-216-857-11	METAL CHIP 1M 5% 1/10W	KDL-V26/V32XBR1	
430		GI1	RESISTOR		R6729	1-218-887-11	METAL CHIP 47K 0.5% 1/10W	KDL-V26/V32XBR1	
431		GI1	RESISTOR		R6730	1-216-827-11	METAL CHIP 3.3K 5% 1/10W	KDL-V26/V32XBR1	
432		GI1	RESISTOR		R6731	1-216-857-11	METAL CHIP 1M 5% 1/10W	KDL-V26/V32XBR1	
433		GI1	RESISTOR		R6732	1-218-833-11	METAL CHIP 270 0.5% 1/10W	KDL-V26XBR1	
434		GI1	RESISTOR		R6732	1-218-835-11	METAL CHIP 330 0.5% 1/10W	KDL-V32XBR1	
435		GI1	RESISTOR		R6733	1-218-833-11	METAL CHIP 270 0.5% 1/10W	KDL-V26XBR1	
436		GI1	RESISTOR		R6733	1-218-835-11	METAL CHIP 330 0.5% 1/10W	KDL-V32XBR1	
437		GI1	RESISTOR		R6734	1-218-833-11	METAL CHIP 270 0.5% 1/10W	KDL-V26XBR1	
438		GI1	RESISTOR		R6734	1-218-835-11	METAL CHIP 330 0.5% 1/10W	KDL-V32XBR1	
439		GI1	RESISTOR		R6735	1-218-833-11	METAL CHIP 270 0.5% 1/10W	KDL-V26XBR1	
440		GI1	RESISTOR		R6735	1-218-835-11	METAL CHIP 330 0.5% 1/10W	KDL-V32XBR1	
441		GI1	RESISTOR		R6736	1-218-833-11	METAL CHIP 270 0.5% 1/10W	KDL-V26XBR1	
442		GI1	RESISTOR		R6736	1-218-835-11	METAL CHIP 330 0.5% 1/10W	KDL-V32XBR1	
443		GI1	RESISTOR		R6737	1-218-847-11	METAL CHIP 1K 0.5% 1/10W	KDL-V26XBR1	
444		GI1	RESISTOR		R6737	1-218-851-11	METAL CHIP 1.5K 0.5% 1/10W	KDL-V32XBR1	

No.	#	Board	Type	△/*	Ref. No.	Part No.	Description	Remarks-1	Remarks-2
445		GI1	RESISTOR		R6738	1-218-847-11	METAL CHIP 1K 0.5% 1/10W	KDL-V26XBR1	
446		GI1	RESISTOR		R6738	1-218-851-11	METAL CHIP 1.5K 0.5% 1/10W	KDL-V32XBR1	
447		GI1	RESISTOR		R6739	1-216-833-11	METAL CHIP 10K 5% 1/10W	KDL-V26/V32XBR1	
448		GI1	RESISTOR		R6740	1-216-833-11	METAL CHIP 10K 5% 1/10W	KDL-V26/V32XBR1	
449		GI1	RESISTOR		R6741	1-216-833-11	METAL CHIP 10K 5% 1/10W	KDL-V26/V32XBR1	
450		GI1	RESISTOR		R6742	1-216-821-11	METAL CHIP 1K 5% 1/10W	KDL-V26/V32XBR1	
451		GI1	RESISTOR		R6743	1-216-833-11	METAL CHIP 10K 5% 1/10W	KDL-V26/V32XBR1	
452		GI1	RESISTOR		R6744	1-216-820-11	METAL CHIP 820 5% 1/10W	KDL-V26/V32XBR1	
453		GI1	RESISTOR		R6745	1-216-809-11	METAL CHIP 100 5% 1/10W	KDL-V26/V32XBR1	
454		GI1	RESISTOR		R6747	1-216-864-11	SHORT CHIP 0	KDL-V26/V32XBR1	
455		GI1	RESISTOR		R6748	1-216-809-11	METAL CHIP 100 5% 1/10W	KDL-V26/V32XBR1	
456		GI1	RESISTOR		R6750	1-218-893-11	METAL CHIP 82K 0.5% 1/10W	KDL-V26/V32XBR1	
457		GI1	RESISTOR		R6751	1-216-837-11	METAL CHIP 22K 5% 1/10W	KDL-V26/V32XBR1	
458		GI1	RESISTOR		R6753	1-216-864-11	SHORT CHIP 0	KDL-V32XBR1	
459		GI1	RESISTOR		R6754	1-216-864-11	SHORT CHIP 0	KDL-V32XBR1	
460		GI1	RESISTOR		R6755	1-216-837-11	METAL CHIP 22K 5% 1/10W	KDL-V26/V32XBR1	
461		GI1	RESISTOR		R6757	1-216-295-91	SHORT CHIP 0	KDL-V26/V32XBR1	
462		GI1	RESISTOR		R6772	1-216-845-11	METAL CHIP 100K 5% 1/10W	KDL-V26/V32XBR1	
463		GI1	RESISTOR		R6773	1-216-845-11	METAL CHIP 100K 5% 1/10W	KDL-V26/V32XBR1	
464		GI1	RESISTOR		R6774	1-216-864-11	SHORT CHIP 0	KDL-V26/V32XBR1	
465		GI1	RESISTOR		R6776	1-218-895-11	METAL CHIP 100K 0.5% 1/10W	KDL-V26XBR1	
466		GI1	RESISTOR		R6776	1-216-864-11	SHORT CHIP 0	KDL-V32XBR1	
467		GI1	RESISTOR		R6900	1-202-933-61	FUSIBLE 0.1 10% 1/2W	KDL-V26/V32XBR1	
468		GI1	RESISTOR		R6901	1-216-308-00	RES-CHIP 4.7 5% 1/10W	KDL-V26/V32XBR1	
469		GI1	RESISTOR		R6902	1-216-001-00	RES-CHIP 10 5% 1/10W	KDL-V26/V32XBR1	
470		GI1	RESISTOR		R6903	1-216-308-00	RES-CHIP 4.7 5% 1/10W	KDL-V26/V32XBR1	
471		GI1	RESISTOR		R6904	1-216-001-00	RES-CHIP 10 5% 1/10W	KDL-V26/V32XBR1	
472		GI1	RESISTOR		R6905	1-216-833-11	METAL CHIP 10K 5% 1/10W	KDL-V26/V32XBR1	
473		GI1	RESISTOR		R6906	1-216-833-11	METAL CHIP 10K 5% 1/10W	KDL-V26/V32XBR1	
474		GI1	RESISTOR		R6907	1-216-821-11	METAL CHIP 1K 5% 1/10W	KDL-V26/V32XBR1	
475		GI1	RESISTOR		R6908	1-216-821-11	METAL CHIP 1K 5% 1/10W	KDL-V26/V32XBR1	
476		GI1	RESISTOR		R6909	1-216-833-11	METAL CHIP 10K 5% 1/10W	KDL-V26/V32XBR1	
477		GI1	RESISTOR		R6910	1-216-837-11	METAL CHIP 22K 5% 1/10W	KDL-V26/V32XBR1	
478		GI1	RESISTOR		R6912	1-218-887-11	METAL CHIP 47K 0.5% 1/10W	KDL-V26XBR1	
479		GI1	RESISTOR		R6912	1-216-847-11	METAL CHIP 150K 5% 1/10W	KDL-V32XBR1	
480		GI1	RESISTOR		R6913	1-218-889-11	METAL CHIP 56K 0.5% 1/10W	KDL-V26XBR1	
481		GI1	RESISTOR		R6913	1-218-887-11	METAL CHIP 47K 0.5% 1/10W	KDL-V32XBR1	
482		GI1	RESISTOR		R6914	1-216-845-11	METAL CHIP 100K 5% 1/10W	KDL-V26/V32XBR1	
483		GI1	RESISTOR		R6915	1-216-845-11	METAL CHIP 100K 5% 1/10W	KDL-V26/V32XBR1	
484		GI1	RESISTOR		R6916	1-216-837-11	METAL CHIP 22K 5% 1/10W	KDL-V26/V32XBR1	
485		GI1	RESISTOR		R6918	1-216-833-11	METAL CHIP 10K 5% 1/10W	KDL-V26/V32XBR1	
486		GI1	RESISTOR		R6919	1-216-857-11	METAL CHIP 1M 5% 1/10W	KDL-V26/V32XBR1	
487		GI1	RESISTOR		R6920	1-218-891-11	METAL CHIP 68K 0.5% 1/10W	KDL-V26XBR1	
488		GI1	RESISTOR		R6922	1-216-809-11	METAL CHIP 100 5% 1/10W	KDL-V26/V32XBR1	
489		GI1	RESISTOR		R6929	1-216-833-11	METAL CHIP 10K 5% 1/10W	KDL-V26/V32XBR1	
490		GI1	RESISTOR		R6930	1-216-833-11	METAL CHIP 10K 5% 1/10W	KDL-V26/V32XBR1	
491		GI1	RESISTOR		R6931	1-216-837-11	METAL CHIP 22K 5% 1/10W	KDL-V26/V32XBR1	
492		GI1	RESISTOR		R6932	1-216-821-11	METAL CHIP 1K 5% 1/10W	KDL-V26/V32XBR1	
493		GI1	RESISTOR		R6933	1-216-819-11	METAL CHIP 680 5% 1/10W	KDL-V26/V32XBR1	
494		GI1	RESISTOR		R6937	1-216-833-11	METAL CHIP 10K 5% 1/10W	KDL-V26/V32XBR1	
495		GI1	RESISTOR		R6938	1-216-825-11	METAL CHIP 2.2K 5% 1/10W	KDL-V26/V32XBR1	
496		GI1	RESISTOR		R6939	1-216-841-11	METAL CHIP 47K 5% 1/10W	KDL-V26/V32XBR1	
497		GI1	RESISTOR		R6940	1-216-841-11	METAL CHIP 47K 5% 1/10W	KDL-V26/V32XBR1	
498		GI1	RESISTOR		R6962	1-218-885-11	METAL CHIP 39K 0.5% 1/10W	KDL-V26/V32XBR1	
499		GI1	RESISTOR		R6963	1-216-833-11	METAL CHIP 10K 5% 1/10W	KDL-V26/V32XBR1	
500		GI1	RESISTOR		R6964	1-216-857-11	METAL CHIP 1M 5% 1/10W	KDL-V26/V32XBR1	
501		GI1	RELAY		RV6901	1-237-039-11	RES, ADJ, CERMET 100K	KDL-V26XBR1	
502		GI1	RELAY	△	RY6003	1-755-418-12	RELAY (AC POWER)	KDL-V26/V32XBR1	
503		GI1	RELAY	△	RY6004	1-755-418-12	RELAY (AC POWER)	KDL-V26/V32XBR1	
504		GI1	TRANSFORMER	△	T6100	1-443-787-11	CONVERTER TRANSFORMER (PIT)	KDL-V26/V32XBR1	
505		GI1	TRANSFORMER	△	T6300	1-443-313-21	TRANSFORMER, CONVERTER (SBT)	KDL-V26/V32XBR1	
506		GI1	THERMISTOR		TH6300	1-803-586-41	THERMISTOR	KDL-V26/V32XBR1	
507		GI1	THERMISTOR		TH6700	1-804-503-21	THERMISTOR	KDL-V26XBR1	
508		GI1	VARISTOR	△	VD6000	1-805-479-21	VARISTOR	KDL-V26/V32XBR1	
509		GI1	VARISTOR	△	VD6001	1-805-479-21	VARISTOR	KDL-V26/V32XBR1	
510		GI2	CAPACITOR		C6000	1-161-964-91	CERAMIC 0.0047UF 250V	KDL-V40XBR1	
511		GI2	CAPACITOR	△	C6001	1-119-892-51	CERAMIC 470PF 10.00% 250V	KDL-V40XBR1	
512		GI2	CAPACITOR		C6003	1-161-964-91	CERAMIC 0.0047UF 250V	KDL-V40XBR1	
513		GI2	CAPACITOR	△	C6005	1-119-892-51	CERAMIC 470PF 10.00% 250V	KDL-V40XBR1	
514		GI2	CAPACITOR		C6007	1-112-312-11	ELECT(BLOCK) 270UF 20% 450V	KDL-V40XBR1	
515		GI2	CAPACITOR		C6008	1-112-312-11	ELECT(BLOCK) 270UF 20% 450V	KDL-V40XBR1	
516		GI2	CAPACITOR	△	C6009	1-165-529-31	MYLAR 0.22UF 10 0V	KDL-V40XBR1	
517		GI2	CAPACITOR	△	C6012	1-113-889-11	CERAMIC 0.001UF 20.00% 250V	KDL-V40XBR1	
518		GI2	CAPACITOR	△	C6016	1-165-530-11	MYLAR 0.47UF 10 275V	KDL-V40XBR1	

No.	#	Board	Type	Δ / [*]	Ref. No.	Part No.	Description	Remarks-1	Remarks-2
519		GI2	CAPACITOR	Δ	C6017	1-165-530-11	MYLAR 0.47UF 10 275V	KDL-V40XBR1	
520		GI2	CAPACITOR		C6100	1-162-970-11	CERAMIC CHIP 0.01UF 10.00% 25V	KDL-V40XBR1	
521		GI2	CAPACITOR		C6101	1-107-905-11	ELECT 4.7UF 20% 50V	KDL-V40XBR1	
522		GI2	CAPACITOR		C6102	1-107-910-11	ELECT 100UF 20% 50V	KDL-V40XBR1	
523		GI2	CAPACITOR		C6103	1-162-970-11	CERAMIC CHIP 0.01UF 10.00% 25V	KDL-V40XBR1	
524		GI2	CAPACITOR		C6104	1-100-831-91	CERAMIC CHIP 0.001UF 2% 50V	KDL-V40XBR1	
525		GI2	CAPACITOR		C6105	1-107-906-11	ELECT 10UF 20% 50V	KDL-V40XBR1	
526		GI2	CAPACITOR		C6107	1-107-910-11	ELECT 100UF 20% 50V	KDL-V40XBR1	
527		GI2	CAPACITOR		C6108	1-115-340-11	CERAMIC CHIP 0.22UF 10.00% 25V	KDL-V40XBR1	
528		GI2	CAPACITOR		C6109	1-107-888-11	ELECT 47UF 20% 25V	KDL-V40XBR1	
529		GI2	CAPACITOR		C6111	1-107-824-11	CERAMIC 220PF 5.00% 1KV	KDL-V40XBR1	
530		GI2	CAPACITOR		C6112	1-100-311-91	FILM 22000PF 3% 800V	KDL-V40XBR1	
531		GI2	CAPACITOR		C6116	1-163-021-91	CERAMIC CHIP 0.01UF 10.00% 50V	KDL-V40XBR1	
532		GI2	CAPACITOR		C6200	1-100-756-91	CERAMIC CHIP 0.047UF 50V	KDL-V40XBR1	
533		GI2	CAPACITOR		C6202	1-131-976-11	ELECT 820UF 20% 25V	KDL-V40XBR1	
534		GI2	CAPACITOR		C6203	1-107-906-11	ELECT 10UF 20% 50V	KDL-V40XBR1	
535		GI2	CAPACITOR		C6204	1-165-724-31	ELECT 3900UF 20% 10V	KDL-V40XBR1	
536		GI2	CAPACITOR		C6205	1-107-906-11	ELECT 10UF 20% 50V	KDL-V40XBR1	
537		GI2	CAPACITOR		C6206	1-163-021-91	CERAMIC CHIP 0.01UF 10.00% 50V	KDL-V40XBR1	
538		GI2	CAPACITOR		C6208	1-163-021-91	CERAMIC CHIP 0.01UF 10.00% 50V	KDL-V40XBR1	
539		GI2	CAPACITOR		C6212	1-137-902-31	ELECT 2700UF 20% 16V	KDL-V40XBR1	
540		GI2	CAPACITOR		C6213	1-163-021-91	CERAMIC CHIP 0.01UF 10.00% 50V	KDL-V40XBR1	
541		GI2	CAPACITOR		C6216	1-107-928-11	ELECT 4.7UF 20% 100V	KDL-V40XBR1	
542		GI2	CAPACITOR		C6300	1-161-964-91	CERAMIC 0.0047UF 250V	KDL-V40XBR1	
543		GI2	CAPACITOR		C6301	1-161-964-91	CERAMIC 0.0047UF 250V	KDL-V40XBR1	
544		GI2	CAPACITOR		C6303	1-104-570-11	CERAMIC 0.001UF 10.00% 2KV	KDL-V40XBR1	
545		GI2	CAPACITOR		C6304	1-100-780-31	ELECT 22UF 20% 450V	KDL-V40XBR1	
546		GI2	CAPACITOR		C6305	1-107-974-11	CERAMIC 47PF 5.00% 2KV	KDL-V40XBR1	
547		GI2	CAPACITOR		C6306	1-107-903-11	ELECT 2.2UF 20% 50V	KDL-V40XBR1	
548		GI2	CAPACITOR		C6307	1-162-964-11	CERAMIC CHIP 0.001UF 10.00% 50V	KDL-V40XBR1	
549		GI2	CAPACITOR		C6308	1-165-127-11	CERAMIC 470PF 10.00% 500V	KDL-V40XBR1	
550		GI2	CAPACITOR		C6309	1-107-905-11	ELECT 4.7UF 20% 50V	KDL-V40XBR1	
551		GI2	CAPACITOR		C6310	1-107-910-11	ELECT 100UF 20% 50V	KDL-V40XBR1	
552		GI2	CAPACITOR		C6311	1-115-339-11	CERAMIC CHIP 0.1UF 10.00% 50V	KDL-V40XBR1	
553		GI2	CAPACITOR		C6312	1-115-339-11	CERAMIC CHIP 0.1UF 10.00% 50V	KDL-V40XBR1	
554		GI2	CAPACITOR		C6314	1-165-729-31	ELECT 470UF 20% 16V	KDL-V40XBR1	
555		GI2	CAPACITOR		C6315	1-107-826-11	CERAMIC CHIP 0.1UF 10.00% 16V	KDL-V40XBR1	
556		GI2	CAPACITOR		C6400	1-107-902-11	ELECT 1UF 20% 50V	KDL-V40XBR1	
557		GI2	CAPACITOR		C6401	1-107-882-91	ELECT 100UF 20% 16V	KDL-V40XBR1	
558		GI2	CAPACITOR		C6402	1-107-826-11	CERAMIC CHIP 0.1UF 10.00% 16V	KDL-V40XBR1	
559		GI2	CAPACITOR		C6403	1-107-902-11	ELECT 1UF 20% 50V	KDL-V40XBR1	
560		GI2	CAPACITOR		C6404	1-107-826-11	CERAMIC CHIP 0.1UF 10.00% 16V	KDL-V40XBR1	
561		GI2	CAPACITOR		C6406	1-162-968-11	CERAMIC CHIP 0.0047UF 10.00% 50V	KDL-V40XBR1	
562		GI2	CAPACITOR		C6412	1-162-964-11	CERAMIC CHIP 0.001UF 10.00% 50V	KDL-V40XBR1	
563		GI2	CAPACITOR		C6504	1-117-228-11	MYLAR 2.2UF 10.00% 450V	KDL-V40XBR1	
564		GI2	CAPACITOR		C6505	1-100-613-81	CERAMIC 470PF 5% 1KV	KDL-V40XBR1	
565		GI2	CAPACITOR		C6506	1-100-613-81	CERAMIC 470PF 5% 1KV	KDL-V40XBR1	
566		GI2	CAPACITOR		C6507	1-107-888-11	ELECT 47UF 20% 25V	KDL-V40XBR1	
567		GI2	CAPACITOR		C6508	1-162-964-11	CERAMIC CHIP 0.001UF 10.00% 50V	KDL-V40XBR1	
568		GI2	CAPACITOR		C6518	1-117-227-11	MYLAR 1UF 10.00% 450V	KDL-V40XBR1	
569		GI2	CAPACITOR		C6519	1-162-970-11	CERAMIC CHIP 0.01UF 10.00% 25V	KDL-V40XBR1	
570		GI2	CAPACITOR		C6520	1-117-228-11	MYLAR 2.2UF 10.00% 450V	KDL-V40XBR1	
571		GI2	CAPACITOR		C6521	1-115-340-11	CERAMIC CHIP 0.22UF 10.00% 25V	KDL-V40XBR1	
572		GI2	CAPACITOR		C6522	1-162-964-11	CERAMIC CHIP 0.001UF 10.00% 50V	KDL-V40XBR1	
573		GI2	CAPACITOR		C6523	1-162-970-11	CERAMIC CHIP 0.01UF 10.00% 25V	KDL-V40XBR1	
574		GI2	CAPACITOR		C6524	1-162-919-11	CERAMIC CHIP 22PF 5.00% 50V	KDL-V40XBR1	
575		GI2	CAPACITOR		C6525	1-115-339-11	CERAMIC CHIP 0.1UF 10.00% 50V	KDL-V40XBR1	
576		GI2	CAPACITOR		C6526	1-107-906-11	ELECT 10UF 20% 50V	KDL-V40XBR1	
577		GI2	CAPACITOR		C6528	1-162-970-11	CERAMIC CHIP 0.01UF 10.00% 25V	KDL-V40XBR1	
578		GI2	CAPACITOR		C6530	1-107-902-11	ELECT 1UF 20% 50V	KDL-V40XBR1	
579		GI2	CAPACITOR		C6700	1-112-725-91	CERAMIC 68PF 5% 3KV	KDL-V40XBR1	
580		GI2	CAPACITOR		C6701	1-164-227-11	CERAMIC CHIP 0.022UF 10.00% 25V	KDL-V40XBR1	
581		GI2	CAPACITOR		C6702	1-107-826-11	CERAMIC CHIP 0.1UF 10.00% 16V	KDL-V40XBR1	
582		GI2	CAPACITOR		C6703	1-112-725-91	CERAMIC 68PF 5% 3KV	KDL-V40XBR1	
583		GI2	CAPACITOR		C6704	1-164-227-11	CERAMIC CHIP 0.022UF 10.00% 25V	KDL-V40XBR1	
584		GI2	CAPACITOR		C6705	1-107-826-11	CERAMIC CHIP 0.1UF 10.00% 16V	KDL-V40XBR1	
585		GI2	CAPACITOR		C6707	1-162-964-11	CERAMIC CHIP 0.001UF 10.00% 50V	KDL-V40XBR1	
586		GI2	CAPACITOR		C6708	1-162-970-11	CERAMIC CHIP 0.01UF 10.00% 25V	KDL-V40XBR1	
587		GI2	CAPACITOR		C6709	1-162-970-11	CERAMIC CHIP 0.01UF 10.00% 25V	KDL-V40XBR1	
588		GI2	CAPACITOR		C6710	1-162-970-11	CERAMIC CHIP 0.01UF 10.00% 25V	KDL-V40XBR1	
589		GI2	CAPACITOR		C6712	1-164-227-11	CERAMIC CHIP 0.022UF 10.00% 25V	KDL-V40XBR1	
590		GI2	CAPACITOR		C6713	1-107-888-11	ELECT 47UF 20% 25V	KDL-V40XBR1	
591		GI2	CAPACITOR		C6716	1-162-967-11	CERAMIC CHIP 0.0033UF 10.00% 50V	KDL-V40XBR1	
592		GI2	CAPACITOR		C6718	1-107-906-11	ELECT 10UF 20% 50V	KDL-V40XBR1	

No.	#	Board	Type	Δ / [*]	Ref. No.	Part No.	Description	Remarks-1	Remarks-2
593		GI2	CAPACITOR		C6720	1-162-970-11	CERAMIC CHIP 0.01UF 10.00% 25V	KDL-V40XBR1	
594		GI2	CAPACITOR		C6723	1-162-970-11	CERAMIC CHIP 0.01UF 10.00% 25V	KDL-V40XBR1	
595		GI2	CAPACITOR		C6724	1-162-970-11	CERAMIC CHIP 0.01UF 10.00% 25V	KDL-V40XBR1	
596		GI2	CAPACITOR		C6725	1-107-902-11	ELECT 1UF 20% 50V	KDL-V40XBR1	
597		GI2	CAPACITOR		C6726	1-162-964-11	CERAMIC CHIP 0.001UF 10.00% 50V	KDL-V40XBR1	
598		GI2	CAPACITOR		C6727	1-162-970-11	CERAMIC CHIP 0.01UF 10.00% 25V	KDL-V40XBR1	
599		GI2	CAPACITOR		C6728	1-162-970-11	CERAMIC CHIP 0.01UF 10.00% 25V	KDL-V40XBR1	
600		GI2	CAPACITOR		C6729	1-162-970-11	CERAMIC CHIP 0.01UF 10.00% 25V	KDL-V40XBR1	
601		GI2	CAPACITOR		C6730	1-162-970-11	CERAMIC CHIP 0.01UF 10.00% 25V	KDL-V40XBR1	
602		GI2	CAPACITOR		C6731	1-107-902-11	ELECT 1UF 20% 50V	KDL-V40XBR1	
603		GI2	CAPACITOR		C6732	1-165-157-11	CERAMIC 39PF 5% 6.3V	KDL-V40XBR1	
604		GI2	CAPACITOR		C6733	1-162-970-11	CERAMIC CHIP 0.01UF 10.00% 25V	KDL-V40XBR1	
605		GI2	CAPACITOR		C6734	1-107-826-11	CERAMIC CHIP 0.1UF 10.00% 16V	KDL-V40XBR1	
606		GI2	CAPACITOR		C6735	1-165-157-11	CERAMIC 39PF 5% 6.3V	KDL-V40XBR1	
607		GI2	CAPACITOR		C6736	1-162-970-11	CERAMIC CHIP 0.01UF 10.00% 25V	KDL-V40XBR1	
608		GI2	CAPACITOR		C6737	1-107-826-11	CERAMIC CHIP 0.1UF 10.00% 16V	KDL-V40XBR1	
609		GI2	CAPACITOR		C6738	1-162-970-11	CERAMIC CHIP 0.01UF 10.00% 25V	KDL-V40XBR1	
610		GI2	CAPACITOR		C6739	1-162-970-11	CERAMIC CHIP 0.01UF 10.00% 25V	KDL-V40XBR1	
611		GI2	CAPACITOR		C6740	1-112-725-91	CERAMIC 68PF 5% 3KV	KDL-V40XBR1	
612		GI2	CAPACITOR		C6741	1-112-725-91	CERAMIC 68PF 5% 3KV	KDL-V40XBR1	
613		GI2	CAPACITOR		C6742	1-165-157-11	CERAMIC 39PF 5% 6.3V	KDL-V40XBR1	
614		GI2	CAPACITOR		C6743	1-165-157-11	CERAMIC 39PF 5% 6.3V	KDL-V40XBR1	
615		GI2	CAPACITOR		C6744	1-104-513-21	CERAMIC 47PF 5% 6.3V	KDL-V40XBR1	
616		GI2	CAPACITOR		C6745	1-104-513-21	CERAMIC 47PF 5% 6.3V	KDL-V40XBR1	
617		GI2	CAPACITOR		C6746	1-104-513-21	CERAMIC 47PF 5% 6.3V	KDL-V40XBR1	
618		GI2	CAPACITOR		C6747	1-104-513-21	CERAMIC 47PF 5% 6.3V	KDL-V40XBR1	
619		GI2	CAPACITOR		C6750	1-162-966-11	CERAMIC CHIP 0.0022UF 10.00% 50V	KDL-V40XBR1	
620		GI2	CAPACITOR		C6751	1-162-966-11	CERAMIC CHIP 0.0022UF 10.00% 50V	KDL-V40XBR1	
621		GI2	CAPACITOR		C6900	1-107-888-11	ELECT 47UF 20% 25V	KDL-V40XBR1	
622		GI2	CAPACITOR		C6901	1-115-339-11	CERAMIC CHIP 0.1UF 10.00% 50V	KDL-V40XBR1	
623		GI2	CAPACITOR		C6902	1-112-024-21	MYLAR 1UF 10% 450V	KDL-V40XBR1	
624		GI2	CAPACITOR		C6903	1-112-024-21	MYLAR 1UF 10% 450V	KDL-V40XBR1	
625		GI2	CAPACITOR		C6906	1-125-891-11	CERAMIC CHIP 0.47UF 10.00% 10V	KDL-V40XBR1	
626		GI2	CAPACITOR		C6907	1-125-891-11	CERAMIC CHIP 0.47UF 10.00% 10V	KDL-V40XBR1	
627		GI2	CAPACITOR		C6911	1-107-888-11	ELECT 47UF 20% 25V	KDL-V40XBR1	
628		GI2	CAPACITOR		C6912	1-115-339-11	CERAMIC CHIP 0.1UF 10.00% 50V	KDL-V40XBR1	
629		GI2	CAPACITOR		C6915	1-107-888-11	ELECT 47UF 20% 25V	KDL-V40XBR1	
630		GI2	CAPACITOR		C6920	1-107-826-11	CERAMIC CHIP 0.1UF 10.00% 16V	KDL-V40XBR1	
631		GI2	CAPACITOR		C6921	1-125-891-11	CERAMIC CHIP 0.47UF 10.00% 10V	KDL-V40XBR1	
632		GI2	CAPACITOR		C6922	1-162-970-11	CERAMIC CHIP 0.01UF 10.00% 25V	KDL-V40XBR1	
633		GI2	CAPACITOR		C6923	1-162-970-11	CERAMIC CHIP 0.01UF 10.00% 25V	KDL-V40XBR1	
634		GI2	CAPACITOR		C6925	1-163-021-91	CERAMIC CHIP 0.01UF 10.00% 50V	KDL-V40XBR1	
635		GI2	CAPACITOR		C6927	1-163-021-91	CERAMIC CHIP 0.01UF 10.00% 50V	KDL-V40XBR1	
636		GI2	CAPACITOR		C6928	1-115-339-11	CERAMIC CHIP 0.1UF 10.00% 50V	KDL-V40XBR1	
637		GI2	CAPACITOR		C6929	1-115-339-11	CERAMIC CHIP 0.1UF 10.00% 50V	KDL-V40XBR1	
638		GI2	CAPACITOR		C6950	1-107-888-11	ELECT 47UF 20% 25V	KDL-V40XBR1	
639		GI2	CAPACITOR		C6951	1-115-339-11	CERAMIC CHIP 0.1UF 10.00% 50V	KDL-V40XBR1	
640		GI2	CAPACITOR		C6952	1-112-024-21	MYLAR 1UF 10% 450V	KDL-V40XBR1	
641		GI2	CAPACITOR		C6953	1-112-024-21	MYLAR 1UF 10% 450V	KDL-V40XBR1	
642		GI2	CAPACITOR	Δ	C6954	1-119-891-51	CERAMIC 220PF 10.00% 250V	KDL-V40XBR1	
643		GI2	CAPACITOR		C6965	1-107-888-11	ELECT 47UF 20% 25V	KDL-V40XBR1	
644		GI2	CONNECTOR	*	CN6001	1-793-660-11	PIN, CONNECTOR (PC BOARD) 3P	KDL-V40XBR1	
645		GI2	CONNECTOR	*	CN6200	1-564-595-11	PLUG, CONNECTOR 14P	KDL-V40XBR1	
646		GI2	CONNECTOR		CN6703	1-695-915-11	TAB (CONTACT)	KDL-V40XBR1	
647		GI2	CONNECTOR		CN6704	1-695-915-11	TAB (CONTACT)	KDL-V40XBR1	
648		GI2	DIODE	Δ	D6000	8-719-026-63	DIODE D10XB60S	KDL-V40XBR1	
649		GI2	DIODE		D6001	8-719-948-45	DIODE ERA22-08	KDL-V40XBR1	
650		GI2	DIODE		D6002	8-719-081-97	DIODE MMDL914T1	KDL-V40XBR1	
651		GI2	DIODE		D6101	8-719-052-90	DIODE D1NL40-TA2	KDL-V40XBR1	
652		GI2	DIODE		D6102	6-500-137-01	DIODE BAT54HT1	KDL-V40XBR1	
653		GI2	DIODE		D6103	8-719-979-64	DIODE UF4005/23	KDL-V40XBR1	
654		GI2	DIODE		D6104	6-501-043-01	DIODE UMZ16NT106	KDL-V40XBR1	
655		GI2	DIODE		D6105	6-501-043-01	DIODE UMZ16NT106	KDL-V40XBR1	
656		GI2	DIODE		D6106	8-719-081-67	DIODE M1FM3	KDL-V40XBR1	
657		GI2	DIODE		D6107	8-719-081-67	DIODE M1FM3	KDL-V40XBR1	
658		GI2	DIODE		D6108	8-719-081-97	DIODE MMDL914T1	KDL-V40XBR1	
659		GI2	DIODE	Δ	D6200	8-719-510-09	DIODE D10SC6M	KDL-V40XBR1	
660		GI2	DIODE	Δ	D6203	8-719-510-09	DIODE D10SC6M	KDL-V40XBR1	
661		GI2	DIODE		D6204	6-500-567-31	DIODE 10ERB20-TB3	KDL-V40XBR1	
662		GI2	DIODE		D6205	6-500-567-31	DIODE 10ERB20-TB3	KDL-V40XBR1	
663		GI2	DIODE	Δ	D6206	6-500-747-01	DIODE SBQF04A06	KDL-V40XBR1	
664		GI2	DIODE		D6207	6-500-567-31	DIODE 10ERB20-TB3	KDL-V40XBR1	
665		GI2	DIODE		D6300	8-719-077-76	DIODE D2SB60A-F04	KDL-V40XBR1	
666		GI2	DIODE		D6301	8-719-036-94	DIODE RD5.6SB-T1	KDL-V40XBR1	

No.	#	Board	Type	△/*	Ref. No.	Part No.	Description	Remarks-1	Remarks-2
667		GI2	DIODE		D6302	6-500-849-01	DIODE ERA22-08KFLB	KDL-V40XBR1	
668		GI2	DIODE		D6303	8-719-052-90	DIODE D1NL40-TA2	KDL-V40XBR1	
669		GI2	DIODE		D6304	8-719-052-90	DIODE D1NL40-TA2	KDL-V40XBR1	
670		GI2	DIODE		D6305	8-719-032-12	DIODE D1NS6	KDL-V40XBR1	
671		GI2	DIODE		D6307	6-500-567-31	DIODE 10ERB20-TB3	KDL-V40XBR1	
672		GI2	DIODE		D6308	8-719-081-67	DIODE M1FM3	KDL-V40XBR1	
673		GI2	DIODE		D6400	8-719-081-97	DIODE MMDL914T1	KDL-V40XBR1	
674		GI2	DIODE		D6402	8-719-081-97	DIODE MMDL914T1	KDL-V40XBR1	
675		GI2	DIODE		D6403	8-719-081-97	DIODE MMDL914T1	KDL-V40XBR1	
676		GI2	DIODE		D6407	8-719-977-28	DIODE DTZ10B	KDL-V40XBR1	
677		GI2	DIODE		D6408	8-719-081-97	DIODE MMDL914T1	KDL-V40XBR1	
678		GI2	DIODE		D6409	6-500-554-01	DIODE MM3Z24VT1	KDL-V40XBR1	
679		GI2	DIODE		D6501	6-501-043-01	DIODE UMZ16NT106	KDL-V40XBR1	
680		GI2	DIODE		D6503	6-501-043-01	DIODE UMZ16NT106	KDL-V40XBR1	
681		GI2	DIODE		D6504	8-719-074-43	DIODE BAS316-115	KDL-V40XBR1	
682		GI2	DIODE		D6505	8-719-976-99	DIODE DTZ5.1B	KDL-V40XBR1	
683		GI2	DIODE	△	D6506	8-719-054-59	DIODE FSF05A60	KDL-V40XBR1	
684		GI2	DIODE		D6507	8-719-081-97	DIODE MMDL914T1	KDL-V40XBR1	
685		GI2	DIODE		D6509	8-719-074-43	DIODE BAS316-115	KDL-V40XBR1	
686		GI2	DIODE		D6510	6-500-137-01	DIODE BAT54HT1	KDL-V40XBR1	
687		GI2	DIODE		D6511	8-719-081-97	DIODE MMDL914T1	KDL-V40XBR1	
688		GI2	DIODE		D6512	8-719-081-97	DIODE MMDL914T1	KDL-V40XBR1	
689		GI2	DIODE		D6513	8-719-081-97	DIODE MMDL914T1	KDL-V40XBR1	
690		GI2	DIODE		D6700	8-719-820-41	DIODE 1SS302	KDL-V40XBR1	
691		GI2	DIODE		D6701	8-719-081-97	DIODE MMDL914T1	KDL-V40XBR1	
692		GI2	DIODE		D6702	8-719-081-97	DIODE MMDL914T1	KDL-V40XBR1	
693		GI2	DIODE		D6703	8-719-820-41	DIODE 1SS302	KDL-V40XBR1	
694		GI2	DIODE		D6704	8-719-081-97	DIODE MMDL914T1	KDL-V40XBR1	
695		GI2	DIODE		D6706	8-719-081-97	DIODE MMDL914T1	KDL-V40XBR1	
696		GI2	DIODE		D6707	8-719-081-97	DIODE MMDL914T1	KDL-V40XBR1	
697		GI2	DIODE		D6708	6-500-137-01	DIODE BAT54HT1	KDL-V40XBR1	
698		GI2	DIODE		D6709	6-500-137-01	DIODE BAT54HT1	KDL-V40XBR1	
699		GI2	DIODE		D6710	6-500-137-01	DIODE BAT54HT1	KDL-V40XBR1	
700		GI2	DIODE		D6711	6-500-137-01	DIODE BAT54HT1	KDL-V40XBR1	
701		GI2	DIODE		D6712	8-719-081-97	DIODE MMDL914T1	KDL-V40XBR1	
702		GI2	DIODE		D6713	6-500-137-01	DIODE BAT54HT1	KDL-V40XBR1	
703		GI2	DIODE		D6714	6-500-137-01	DIODE BAT54HT1	KDL-V40XBR1	
704		GI2	DIODE		D6715	6-500-137-01	DIODE BAT54HT1	KDL-V40XBR1	
705		GI2	DIODE		D6716	6-500-137-01	DIODE BAT54HT1	KDL-V40XBR1	
706		GI2	DIODE		D6717	8-719-820-41	DIODE 1SS302	KDL-V40XBR1	
707		GI2	DIODE		D6718	8-719-081-97	DIODE MMDL914T1	KDL-V40XBR1	
708		GI2	DIODE		D6719	8-719-820-41	DIODE 1SS302	KDL-V40XBR1	
709		GI2	DIODE		D6720	8-719-081-97	DIODE MMDL914T1	KDL-V40XBR1	
710		GI2	DIODE		D6721	8-719-081-97	DIODE MMDL914T1	KDL-V40XBR1	
711		GI2	DIODE		D6722	8-719-081-97	DIODE MMDL914T1	KDL-V40XBR1	
712		GI2	DIODE		D6723	8-719-081-97	DIODE MMDL914T1	KDL-V40XBR1	
713		GI2	DIODE		D6724	8-719-081-97	DIODE MMDL914T1	KDL-V40XBR1	
714		GI2	DIODE		D6900	8-719-979-64	DIODE UF4005/23	KDL-V40XBR1	
715		GI2	DIODE		D6901	6-501-043-01	DIODE UMZ16NT106	KDL-V40XBR1	
716		GI2	DIODE		D6902	6-501-043-01	DIODE UMZ16NT106	KDL-V40XBR1	
717		GI2	DIODE		D6903	8-719-074-43	DIODE BAS316-115	KDL-V40XBR1	
718		GI2	DIODE		D6904	8-719-074-43	DIODE BAS316-115	KDL-V40XBR1	
719		GI2	DIODE	△	D6905	6-501-298-01	DIODE SF6LD60M	KDL-V40XBR1	
720		GI2	DIODE		D6906	6-500-137-01	DIODE BAT54HT1	KDL-V40XBR1	
721		GI2	DIODE	△	D6907	6-501-298-01	DIODE SF6LD60M	KDL-V40XBR1	
722		GI2	DIODE		D6909	6-500-027-01	DIODE MM3Z8V2ST1	KDL-V40XBR1	
723		GI2	DIODE		D6910	8-719-081-67	DIODE M1FM3	KDL-V40XBR1	
724		GI2	DIODE		D6911	6-500-137-01	DIODE BAT54HT1	KDL-V40XBR1	
725		GI2	DIODE		D6912	8-719-081-67	DIODE M1FM3	KDL-V40XBR1	
726		GI2	DIODE		D6913	6-500-137-01	DIODE BAT54HT1	KDL-V40XBR1	
727		GI2	DIODE		D6914	8-719-081-67	DIODE M1FM3	KDL-V40XBR1	
728		GI2	DIODE		D6915	6-500-137-01	DIODE BAT54HT1	KDL-V40XBR1	
729		GI2	DIODE		D6916	8-719-082-01	DIODE MM3Z12VT1	KDL-V40XBR1	
730		GI2	DIODE		D6917	8-719-082-01	DIODE MM3Z12VT1	KDL-V40XBR1	
731		GI2	DIODE		D6950	8-719-979-64	DIODE UF4005/23	KDL-V40XBR1	
732		GI2	DIODE		D6951	6-501-043-01	DIODE UMZ16NT106	KDL-V40XBR1	
733		GI2	DIODE		D6952	6-501-043-01	DIODE UMZ16NT106	KDL-V40XBR1	
734		GI2	DIODE		D6953	8-719-074-43	DIODE BAS316-115	KDL-V40XBR1	
735		GI2	DIODE		D6954	8-719-074-43	DIODE BAS316-115	KDL-V40XBR1	
736		GI2	DIODE	△	D6955	6-501-298-01	DIODE SF6LD60M	KDL-V40XBR1	
737		GI2	DIODE		D6956	8-719-081-67	DIODE M1FM3	KDL-V40XBR1	
738		GI2	DIODE	△	D6957	6-501-298-01	DIODE SF6LD60M	KDL-V40XBR1	
739		GI2	FUSE	△	F6000	1-576-233-51	FUSE 6.3A 250V	KDL-V40XBR1	
740		GI2	FERRITE BEAD		FB6900	1-410-396-41	FERRITE 0.45UH	KDL-V40XBR1	

No.	#	Board	Type	△/*	Ref. No.	Part No.	Description	Remarks-1	Remarks-2
741		GI2	FERRITE BEAD		FB6901	1-410-396-41	FERRITE 0.45UH	KDL-V40XBR1	
742		GI2	FERRITE BEAD		FB6902	1-410-396-41	FERRITE 0.45UH	KDL-V40XBR1	
743		GI2	FERRITE BEAD		FB6903	1-410-396-41	FERRITE 0.45UH	KDL-V40XBR1	
744		GI2	FERRITE BEAD		FB6904	1-410-396-41	FERRITE 0.45UH	KDL-V40XBR1	
745		GI2	FERRITE BEAD		FB6905	1-410-396-41	FERRITE 0.45UH	KDL-V40XBR1	
746		GI2	FERRITE BEAD		FB6906	1-410-396-41	FERRITE 0.45UH	KDL-V40XBR1	
747		GI2	FERRITE BEAD		FB6907	1-410-396-41	FERRITE 0.45UH	KDL-V40XBR1	
748		GI2	FUSE HOLDER		FH6000	1-533-223-11	FUSE HOLDER 0A 0V	KDL-V40XBR1	
749		GI2	FUSE HOLDER		FH6001	1-533-223-11	FUSE HOLDER 0A 0V	KDL-V40XBR1	
750		GI2	IC		IC6100	6-706-852-01	IC CXD9841M	KDL-V40XBR1	
751		GI2	IC		IC6200	8-759-682-42	IC MM1431ATT	KDL-V40XBR1	
752		GI2	IC		IC6300	6-600-279-01	IC STR-A6169	KDL-V40XBR1	
753		GI2	IC		IC6301	8-759-682-42	IC MM1431ATT	KDL-V40XBR1	
754		GI2	IC		IC6401	8-759-682-42	IC MM1431ATT	KDL-V40XBR1	
755		GI2	IC		IC6402	8-759-682-42	IC MM1431ATT	KDL-V40XBR1	
756		GI2	IC		IC6502	6-704-815-01	IC FA5501N-TE1	KDL-V40XBR1	
757		GI2	IC	*	IC6700	8-759-575-27	IC BA10339F-E2	KDL-V40XBR1	
758		GI2	IC		IC6701	8-759-682-42	IC MM1431ATT	KDL-V40XBR1	
759		GI2	IC		IC6702	8-759-682-42	IC MM1431ATT	KDL-V40XBR1	
760		GI2	IC		IC6900	6-708-423-01	IC IR21084S	KDL-V40XBR1	
761		GI2	IC		IC6901	6-708-897-01	IC BD9884FV-AE2	KDL-V40XBR1	
762		GI2	IC		IC6950	6-708-423-01	IC IR21084S	KDL-V40XBR1	
763		GI2	COIL	△	L6001	1-456-856-21	LINE FILTER COIL	KDL-V40XBR1	
764		GI2	COIL	△	L6002	1-456-856-11	LINE FILTER COIL	KDL-V40XBR1	
765		GI2	COIL		L6300	1-414-934-21	INDUCTOR 10UH	KDL-V40XBR1	
766		GI2	COIL		L6500	1-456-917-11	INDUCTOR 170UH	KDL-V40XBR1	
767		GI2	COIL		L6507	1-457-141-11	INDUCTOR 175UH	KDL-V40XBR1	
768		GI2	COIL		L6900	1-406-977-21	INDUCTOR 100UH	KDL-V40XBR1	
769		GI2	COIL		L6901	1-406-977-21	INDUCTOR 100UH	KDL-V40XBR1	
770		GI2	PHOTO COUPLER	△	PH6000	8-749-016-82	PHOTO COUPLER PC123GY2J00F	KDL-V40XBR1	
771		GI2	PHOTO COUPLER	△	PH6100	8-749-016-82	PHOTO COUPLER PC123GY2J00F	KDL-V40XBR1	
772		GI2	PHOTO COUPLER	△	PH6300	8-749-016-82	PHOTO COUPLER PC123GY2J00F	KDL-V40XBR1	
773		GI2	PHOTO COUPLER	△	PH6400	8-749-016-82	PHOTO COUPLER PC123GY2J00F	KDL-V40XBR1	
774		GI2	PHOTO COUPLER	△	PH6401	8-749-016-82	PHOTO COUPLER PC123GY2J00F	KDL-V40XBR1	
775		GI2	PHOTO COUPLER	△	PH6402	8-749-016-82	PHOTO COUPLER PC123GY2J00F	KDL-V40XBR1	
776		GI2	PHOTO COUPLER	△	PH6901	8-749-016-82	PHOTO COUPLER PC123GY2J00F	KDL-V40XBR1	
777		GI2	PHOTO COUPLER	△	PH6902	8-749-016-82	PHOTO COUPLER PC123GY2J00F	KDL-V40XBR1	
778		GI2	PHOTO COUPLER	△	PH6904	8-749-016-82	PHOTO COUPLER PC123GY2J00F	KDL-V40XBR1	
779		GI2	PHOTO COUPLER	△	PH6905	8-749-016-82	PHOTO COUPLER PC123GY2J00F	KDL-V40XBR1	
780		GI2	TRANSISTOR	△	Q6100	6-551-386-01	TRANSISTOR 2SK3563(LBS1SONY)	KDL-V40XBR1	
781		GI2	TRANSISTOR	△	Q6101	6-551-386-01	TRANSISTOR 2SK3563(LBS1SONY)	KDL-V40XBR1	
782		GI2	TRANSISTOR		Q6400	8-729-804-41	TRANSISTOR 2SB1122-S	KDL-V40XBR1	
783		GI2	TRANSISTOR		Q6401	8-729-120-28	TRANSISTOR 2SC1623-L5L6	KDL-V40XBR1	
784		GI2	TRANSISTOR		Q6402	8-729-023-22	TRANSISTOR 2SD2114K	KDL-V40XBR1	
785		GI2	TRANSISTOR		Q6403	8-729-026-49	TRANSISTOR 2SA1037AK-T146-R	KDL-V40XBR1	
786		GI2	TRANSISTOR		Q6404	8-729-120-28	TRANSISTOR 2SC1623-L5L6	KDL-V40XBR1	
787		GI2	TRANSISTOR	△	Q6500	6-551-336-01	TRANSISTOR 2SK3934(LBS1SONY.Q)	KDL-V40XBR1	
788		GI2	TRANSISTOR		Q6501	8-729-820-90	TRANSISTOR 2SD1621-ST	KDL-V40XBR1	
789		GI2	TRANSISTOR		Q6502	8-729-804-41	TRANSISTOR 2SB1122-S	KDL-V40XBR1	
790		GI2	TRANSISTOR		Q6503	8-729-907-00	TRANSISTOR DTC114EU	KDL-V40XBR1	
791		GI2	TRANSISTOR		Q6504	8-729-120-28	TRANSISTOR 2SC1623-L5L6	KDL-V40XBR1	
792		GI2	TRANSISTOR	△	Q6505	6-551-336-01	TRANSISTOR 2SK3934(LBS1SONY.Q)	KDL-V40XBR1	
793		GI2	TRANSISTOR		Q6700	8-729-907-00	TRANSISTOR DTC114EU	KDL-V40XBR1	
794		GI2	TRANSISTOR		Q6701	8-729-120-28	TRANSISTOR 2SC1623-L5L6	KDL-V40XBR1	
795		GI2	TRANSISTOR		Q6702	8-729-026-49	TRANSISTOR 2SA1037AK-T146-R	KDL-V40XBR1	
796		GI2	TRANSISTOR		Q6703	8-729-120-28	TRANSISTOR 2SC1623-L5L6	KDL-V40XBR1	
797		GI2	TRANSISTOR		Q6704	8-729-029-14	TRANSISTOR DTC144EUA-T106	KDL-V40XBR1	
798		GI2	TRANSISTOR		Q6706	8-729-029-14	TRANSISTOR DTC144EUA-T106	KDL-V40XBR1	
799		GI2	TRANSISTOR		Q6707	8-729-120-28	TRANSISTOR 2SC1623-L5L6	KDL-V40XBR1	
800		GI2	TRANSISTOR	△	Q6900	6-551-403-01	TRANSISTOR 2SK3797(LBS1SONY.	KDL-V40XBR1	
801		GI2	TRANSISTOR	△	Q6901	6-551-403-01	TRANSISTOR 2SK3797(LBS1SONY.	KDL-V40XBR1	
802		GI2	TRANSISTOR		Q6902	8-729-028-91	TRANSISTOR DTA144EUA-T106	KDL-V40XBR1	
803		GI2	TRANSISTOR		Q6905	8-729-820-90	TRANSISTOR 2SD1621-ST	KDL-V40XBR1	
804		GI2	TRANSISTOR		Q6907	8-729-907-00	TRANSISTOR DTC114EU	KDL-V40XBR1	
805		GI2	TRANSISTOR	△	Q6950	6-551-403-01	TRANSISTOR 2SK3797(LBS1SONY.	KDL-V40XBR1	
806		GI2	TRANSISTOR	△	Q6951	6-551-403-01	TRANSISTOR 2SK3797(LBS1SONY.	KDL-V40XBR1	
807		GI2	TRANSISTOR		Q6960	8-729-120-28	TRANSISTOR 2SC1623-L5L6	KDL-V40XBR1	
808		GI2	RESISTOR	△	R6001	1-219-759-11	METAL 1M 5% 1/2W	KDL-V40XBR1	
809		GI2	RESISTOR		R6002	1-202-962-11	CEMENTED 3.3 5% 10W	KDL-V40XBR1	
810		GI2	RESISTOR		R6003	1-247-752-11	CARBON 1K 5% 1/2W	KDL-V40XBR1	
811		GI2	RESISTOR		R6004	1-216-829-11	METAL CHIP 4.7K 5% 1/10W	KDL-V40XBR1	
812		GI2	RESISTOR		R6009	1-202-962-11	CEMENTED 3.3 5% 10W	KDL-V40XBR1	
813		GI2	RESISTOR		R6014	1-243-832-71	METAL OXIDE 15 5% 1W	KDL-V40XBR1	
814		GI2	RESISTOR		R6101	1-249-385-11	CARBON 2.2 5% 1/4W	KDL-V40XBR1	

No.	#	Board	Type	Δ / [*]	Ref. No.	Part No.	Description	Remarks-1	Remarks-2
815		GI2	RESISTOR		R6102	1-202-933-61	FUSIBLE 0.1 10% 1/2W	KDL-V40XBR1	
816		GI2	RESISTOR		R6103	1-218-823-11	METAL CHIP 100 0.5% 1/10W	KDL-V40XBR1	
817		GI2	RESISTOR		R6104	1-218-871-11	METAL CHIP 10K 0.5% 1/10W	KDL-V40XBR1	
818		GI2	RESISTOR		R6105	1-218-760-11	METAL CHIP 220K 0.5% 1/10W	KDL-V40XBR1	
819		GI2	RESISTOR		R6106	1-218-760-11	METAL CHIP 220K 0.5% 1/10W	KDL-V40XBR1	
820		GI2	RESISTOR		R6107	1-218-760-11	METAL CHIP 220K 0.5% 1/10W	KDL-V40XBR1	
821		GI2	RESISTOR		R6108	1-208-840-11	METAL CHIP 270K 0.5% 1/10W	KDL-V40XBR1	
822		GI2	RESISTOR		R6109	1-208-834-11	METAL CHIP 150K 0.5% 1/10W	KDL-V40XBR1	
823		GI2	RESISTOR		R6110	1-218-887-11	METAL CHIP 47K 0.5% 1/10W	KDL-V40XBR1	
824		GI2	RESISTOR		R6111	1-218-875-11	METAL CHIP 15K 0.5% 1/10W	KDL-V40XBR1	
825		GI2	RESISTOR		R6114	1-211-981-11	METAL CHIP 33 0.5% 1/10W	KDL-V40XBR1	
826		GI2	RESISTOR		R6115	1-249-393-11	CARBON 10 5% 1/4W	KDL-V40XBR1	
827		GI2	RESISTOR		R6116	1-216-009-91	RES-CHIP 22 5% 1/10W	KDL-V40XBR1	
828		GI2	RESISTOR		R6117	1-216-009-91	RES-CHIP 22 5% 1/10W	KDL-V40XBR1	
829		GI2	RESISTOR		R6118	1-216-833-11	METAL CHIP 10K 5% 1/10W	KDL-V40XBR1	
830		GI2	RESISTOR		R6119	1-216-833-11	METAL CHIP 10K 5% 1/10W	KDL-V40XBR1	
831		GI2	RESISTOR		R6120	1-218-863-11	METAL CHIP 4.7K 0.5% 1/10W	KDL-V40XBR1	
832		GI2	RESISTOR		R6122	1-216-361-00	METAL OXIDE 0.22 5% 2W	KDL-V40XBR1	
833		GI2	RESISTOR		R6123	1-218-847-11	METAL CHIP 1K 0.5% 1/10W	KDL-V40XBR1	
834		GI2	RESISTOR		R6127	1-216-857-11	METAL CHIP 1M 5% 1/10W	KDL-V40XBR1	
835		GI2	RESISTOR		R6200	1-216-821-11	METAL CHIP 1K 5% 1/10W	KDL-V40XBR1	
836		GI2	RESISTOR		R6201	1-216-821-11	METAL CHIP 1K 5% 1/10W	KDL-V40XBR1	
837		GI2	RESISTOR		R6203	1-216-821-11	METAL CHIP 1K 5% 1/10W	KDL-V40XBR1	
838		GI2	RESISTOR		R6204	1-218-837-11	METAL CHIP 390 0.5% 1/10W	KDL-V40XBR1	
839		GI2	RESISTOR		R6205	1-218-857-11	METAL CHIP 2.7K 0.5% 1/10W	KDL-V40XBR1	
840		GI2	RESISTOR		R6207	1-218-847-11	METAL CHIP 1K 0.5% 1/10W	KDL-V40XBR1	
841		GI2	RESISTOR		R6208	1-249-377-11	CARBON 0.47 5% 1/4W	KDL-V40XBR1	
842		GI2	RESISTOR		R6209	1-218-887-11	METAL CHIP 47K 0.5% 1/10W	KDL-V40XBR1	
843		GI2	RESISTOR		R6226	1-249-389-11	CARBON 4.7 5% 1/4W	KDL-V40XBR1	
844		GI2	RESISTOR		R6300	1-249-381-11	CARBON 1 5% 1/4W	KDL-V40XBR1	
845		GI2	RESISTOR		R6301	1-216-353-00	METAL OXIDE 2.2 5% 1W	KDL-V40XBR1	
846		GI2	RESISTOR		R6302	1-216-864-11	SHORT CHIP 0	KDL-V40XBR1	
847		GI2	RESISTOR		R6303	1-216-864-11	SHORT CHIP 0	KDL-V40XBR1	
848		GI2	RESISTOR		R6305	1-260-129-11	CARBON 330K 5% 1/2W	KDL-V40XBR1	
849		GI2	RESISTOR		R6306	1-216-813-11	METAL CHIP 220 5% 1/10W	KDL-V40XBR1	
850		GI2	RESISTOR		R6307	1-249-385-11	CARBON 2.2 5% 1/4W	KDL-V40XBR1	
851		GI2	RESISTOR		R6308	1-249-393-11	CARBON 10 5% 1/4W	KDL-V40XBR1	
852		GI2	RESISTOR		R6310	1-216-817-11	METAL CHIP 470 5% 1/10W	KDL-V40XBR1	
853		GI2	RESISTOR		R6311	1-216-823-11	METAL CHIP 1.5K 5% 1/10W	KDL-V40XBR1	
854		GI2	RESISTOR		R6313	1-216-839-11	METAL CHIP 33K 5% 1/10W	KDL-V40XBR1	
855		GI2	RESISTOR		R6314	1-218-871-11	METAL CHIP 10K 0.5% 1/10W	KDL-V40XBR1	
856		GI2	RESISTOR		R6315	1-218-871-11	METAL CHIP 10K 0.5% 1/10W	KDL-V40XBR1	
857		GI2	RESISTOR		R6400	1-216-833-11	METAL CHIP 10K 5% 1/10W	KDL-V40XBR1	
858		GI2	RESISTOR		R6401	1-218-863-11	METAL CHIP 4.7K 0.5% 1/10W	KDL-V40XBR1	
859		GI2	RESISTOR		R6402	1-216-833-11	METAL CHIP 10K 5% 1/10W	KDL-V40XBR1	
860		GI2	RESISTOR		R6403	1-218-887-11	METAL CHIP 47K 0.5% 1/10W	KDL-V40XBR1	
861		GI2	RESISTOR		R6404	1-216-829-11	METAL CHIP 4.7K 5% 1/10W	KDL-V40XBR1	
862		GI2	RESISTOR		R6405	1-216-829-11	METAL CHIP 4.7K 5% 1/10W	KDL-V40XBR1	
863		GI2	RESISTOR		R6406	1-216-821-11	METAL CHIP 1K 5% 1/10W	KDL-V40XBR1	
864		GI2	RESISTOR		R6407	1-216-829-11	METAL CHIP 4.7K 5% 1/10W	KDL-V40XBR1	
865		GI2	RESISTOR		R6408	1-218-863-11	METAL CHIP 4.7K 0.5% 1/10W	KDL-V40XBR1	
866		GI2	RESISTOR		R6409	1-216-833-11	METAL CHIP 10K 5% 1/10W	KDL-V40XBR1	
867		GI2	RESISTOR		R6410	1-216-823-11	METAL CHIP 1.5K 5% 1/10W	KDL-V40XBR1	
868		GI2	RESISTOR		R6411	1-216-864-11	SHORT CHIP 0	KDL-V40XBR1	
869		GI2	RESISTOR		R6412	1-216-833-11	METAL CHIP 10K 5% 1/10W	KDL-V40XBR1	
870		GI2	RESISTOR		R6413	1-218-863-11	METAL CHIP 4.7K 0.5% 1/10W	KDL-V40XBR1	
871		GI2	RESISTOR		R6414	1-216-864-11	SHORT CHIP 0	KDL-V40XBR1	
872		GI2	RESISTOR		R6417	1-216-821-11	METAL CHIP 1K 5% 1/10W	KDL-V40XBR1	
873		GI2	RESISTOR		R6418	1-216-829-11	METAL CHIP 4.7K 5% 1/10W	KDL-V40XBR1	
874		GI2	RESISTOR		R6419	1-216-829-11	METAL CHIP 4.7K 5% 1/10W	KDL-V40XBR1	
875		GI2	RESISTOR		R6436	1-216-829-11	METAL CHIP 4.7K 5% 1/10W	KDL-V40XBR1	
876		GI2	RESISTOR		R6437	1-216-821-11	METAL CHIP 1K 5% 1/10W	KDL-V40XBR1	
877		GI2	RESISTOR		R6441	1-216-837-11	METAL CHIP 22K 5% 1/10W	KDL-V40XBR1	
878		GI2	RESISTOR		R6442	1-216-833-11	METAL CHIP 10K 5% 1/10W	KDL-V40XBR1	
879		GI2	RESISTOR		R6452	1-218-851-11	METAL CHIP 1.5K 0.5% 1/10W	KDL-V40XBR1	
880		GI2	RESISTOR		R6454	1-216-829-11	METAL CHIP 4.7K 5% 1/10W	KDL-V40XBR1	
881		GI2	RESISTOR		R6455	1-218-899-11	METAL CHIP 150K 0.5% 1/16W	KDL-V40XBR1	
882		GI2	RESISTOR		R6456	1-218-871-11	METAL CHIP 10K 0.5% 1/10W	KDL-V40XBR1	
883		GI2	RESISTOR		R6459	1-218-849-11	METAL CHIP 1.2K 0.5% 1/10W	KDL-V40XBR1	
884		GI2	RESISTOR		R6501	1-216-857-11	METAL CHIP 1M 5% 1/10W	KDL-V40XBR1	
885		GI2	RESISTOR		R6503	1-215-882-00	METAL OXIDE 22 5% 2W	KDL-V40XBR1	
886		GI2	RESISTOR		R6506	1-218-823-11	METAL CHIP 100 0.5% 1/10W	KDL-V40XBR1	
887		GI2	RESISTOR		R6512	1-218-907-11	METAL CHIP 330K 0.5% 1/10W	KDL-V40XBR1	
888		GI2	RESISTOR		R6513	1-218-879-11	METAL CHIP 22K 0.5% 1/10W	KDL-V40XBR1	

No.	#	Board	Type	Δ/\ast	Ref. No.	Part No.	Description	Remarks-1	Remarks-2
889		GI2	RESISTOR		R6514	1-218-895-11	METAL CHIP 100K 0.5% 1/10W	KDL-V40XBR1	
890		GI2	RESISTOR		R6516	1-218-760-11	METAL CHIP 220K 0.5% 1/10W	KDL-V40XBR1	
891		GI2	RESISTOR		R6517	1-218-760-11	METAL CHIP 220K 0.5% 1/10W	KDL-V40XBR1	
892		GI2	RESISTOR		R6518	1-218-760-11	METAL CHIP 220K 0.5% 1/10W	KDL-V40XBR1	
893		GI2	RESISTOR		R6519	1-218-760-11	METAL CHIP 220K 0.5% 1/10W	KDL-V40XBR1	
894		GI2	RESISTOR		R6526	1-218-760-11	METAL CHIP 220K 0.5% 1/10W	KDL-V40XBR1	
895		GI2	RESISTOR		R6527	1-218-867-11	METAL CHIP 6.8K 0.5% 1/10W	KDL-V40XBR1	
896		GI2	RESISTOR		R6528	1-218-867-11	METAL CHIP 6.8K 0.5% 1/10W	KDL-V40XBR1	
897		GI2	RESISTOR		R6530	1-217-611-00	METAL 0.1 10% 2W	KDL-V40XBR1	
898		GI2	RESISTOR		R6531	1-217-611-00	METAL 0.1 10% 2W	KDL-V40XBR1	
899		GI2	RESISTOR		R6532	1-216-845-11	METAL CHIP 100K 5% 1/10W	KDL-V40XBR1	
900		GI2	RESISTOR		R6533	1-216-833-11	METAL CHIP 10K 5% 1/10W	KDL-V40XBR1	
901		GI2	RESISTOR		R6534	1-216-809-11	METAL CHIP 100 5% 1/10W	KDL-V40XBR1	
902		GI2	RESISTOR		R6535	1-216-833-11	METAL CHIP 10K 5% 1/10W	KDL-V40XBR1	
903		GI2	RESISTOR		R6536	1-249-393-11	CARBON 10 5% 1/4W	KDL-V40XBR1	
904		GI2	RESISTOR		R6537	1-249-393-11	CARBON 10 5% 1/4W	KDL-V40XBR1	
905		GI2	RESISTOR		R6538	1-249-405-11	CARBON 100 5% 1/4W	KDL-V40XBR1	
906		GI2	RESISTOR		R6539	1-216-809-11	METAL CHIP 100 5% 1/10W	KDL-V40XBR1	
907		GI2	RESISTOR		R6540	1-216-809-11	METAL CHIP 100 5% 1/10W	KDL-V40XBR1	
908		GI2	RESISTOR		R6542	1-216-841-11	METAL CHIP 47K 5% 1/10W	KDL-V40XBR1	
909		GI2	RESISTOR		R6545	1-208-840-11	METAL CHIP 270K 0.5% 1/10W	KDL-V40XBR1	
910		GI2	RESISTOR		R6546	1-208-840-11	METAL CHIP 270K 0.5% 1/10W	KDL-V40XBR1	
911		GI2	RESISTOR		R6547	1-208-840-11	METAL CHIP 270K 0.5% 1/10W	KDL-V40XBR1	
912		GI2	RESISTOR		R6548	1-208-840-11	METAL CHIP 270K 0.5% 1/10W	KDL-V40XBR1	
913		GI2	RESISTOR		R6549	1-218-760-11	METAL CHIP 220K 0.5% 1/10W	KDL-V40XBR1	
914		GI2	RESISTOR		R6550	1-218-869-11	METAL CHIP 8.2K 0.5% 1/10W	KDL-V40XBR1	
915		GI2	RESISTOR		R6551	1-249-393-11	CARBON 10 5% 1/4W	KDL-V40XBR1	
916		GI2	RESISTOR		R6552	1-216-809-11	METAL CHIP 100 5% 1/10W	KDL-V40XBR1	
917		GI2	RESISTOR		R6554	1-216-833-11	METAL CHIP 10K 5% 1/10W	KDL-V40XBR1	
918		GI2	RESISTOR		R6555	1-216-845-11	METAL CHIP 100K 5% 1/10W	KDL-V40XBR1	
919		GI2	RESISTOR		R6556	1-216-837-11	METAL CHIP 22K 5% 1/10W	KDL-V40XBR1	
920		GI2	RESISTOR		R6557	1-218-823-11	METAL CHIP 100 0.5% 1/10W	KDL-V40XBR1	
921		GI2	RESISTOR		R6700	1-216-821-11	METAL CHIP 1K 5% 1/10W	KDL-V40XBR1	
922		GI2	RESISTOR		R6701	1-218-889-11	METAL CHIP 56K 0.5% 1/10W	KDL-V40XBR1	
923		GI2	RESISTOR		R6702	1-218-895-11	METAL CHIP 100K 0.5% 1/10W	KDL-V40XBR1	
924		GI2	RESISTOR		R6703	1-216-821-11	METAL CHIP 1K 5% 1/10W	KDL-V40XBR1	
925		GI2	RESISTOR		R6704	1-218-889-11	METAL CHIP 56K 0.5% 1/10W	KDL-V40XBR1	
926		GI2	RESISTOR		R6705	1-218-895-11	METAL CHIP 100K 0.5% 1/10W	KDL-V40XBR1	
927		GI2	RESISTOR		R6706	1-216-837-11	METAL CHIP 22K 5% 1/10W	KDL-V40XBR1	
928		GI2	RESISTOR		R6707	1-216-845-11	METAL CHIP 100K 5% 1/10W	KDL-V40XBR1	
929		GI2	RESISTOR		R6708	1-218-887-11	METAL CHIP 47K 0.5% 1/10W	KDL-V40XBR1	
930		GI2	RESISTOR		R6709	1-216-837-11	METAL CHIP 22K 5% 1/10W	KDL-V40XBR1	
931		GI2	RESISTOR		R6710	1-216-827-11	METAL CHIP 3.3K 5% 1/10W	KDL-V40XBR1	
932		GI2	RESISTOR		R6711	1-216-820-11	METAL CHIP 820 5% 1/10W	KDL-V40XBR1	
933		GI2	RESISTOR		R6712	1-216-857-11	METAL CHIP 1M 5% 1/10W	KDL-V40XBR1	
934		GI2	RESISTOR		R6713	1-216-833-11	METAL CHIP 10K 5% 1/10W	KDL-V40XBR1	
935		GI2	RESISTOR		R6714	1-216-833-11	METAL CHIP 10K 5% 1/10W	KDL-V40XBR1	
936		GI2	RESISTOR		R6715	1-216-821-11	METAL CHIP 1K 5% 1/10W	KDL-V40XBR1	
937		GI2	RESISTOR		R6729	1-218-893-11	METAL CHIP 82K 0.5% 1/10W	KDL-V40XBR1	
938		GI2	RESISTOR		R6730	1-216-827-11	METAL CHIP 3.3K 5% 1/10W	KDL-V40XBR1	
939		GI2	RESISTOR		R6731	1-216-857-11	METAL CHIP 1M 5% 1/10W	KDL-V40XBR1	
940		GI2	RESISTOR		R6732	1-218-829-11	METAL CHIP 180 0.5% 1/10W	KDL-V40XBR1	
941		GI2	RESISTOR		R6733	1-218-829-11	METAL CHIP 180 0.5% 1/10W	KDL-V40XBR1	
942		GI2	RESISTOR		R6734	1-218-829-11	METAL CHIP 180 0.5% 1/10W	KDL-V40XBR1	
943		GI2	RESISTOR		R6735	1-218-829-11	METAL CHIP 180 0.5% 1/10W	KDL-V40XBR1	
944		GI2	RESISTOR		R6736	1-218-829-11	METAL CHIP 180 0.5% 1/10W	KDL-V40XBR1	
945		GI2	RESISTOR		R6737	1-218-833-11	METAL CHIP 270 0.5% 1/10W	KDL-V40XBR1	
946		GI2	RESISTOR		R6738	1-218-833-11	METAL CHIP 270 0.5% 1/10W	KDL-V40XBR1	
947		GI2	RESISTOR		R6739	1-216-833-11	METAL CHIP 10K 5% 1/10W	KDL-V40XBR1	
948		GI2	RESISTOR		R6740	1-216-833-11	METAL CHIP 10K 5% 1/10W	KDL-V40XBR1	
949		GI2	RESISTOR		R6741	1-216-833-11	METAL CHIP 10K 5% 1/10W	KDL-V40XBR1	
950		GI2	RESISTOR		R6742	1-216-821-11	METAL CHIP 1K 5% 1/10W	KDL-V40XBR1	
951		GI2	RESISTOR		R6743	1-216-833-11	METAL CHIP 10K 5% 1/10W	KDL-V40XBR1	
952		GI2	RESISTOR		R6744	1-216-820-11	METAL CHIP 820 5% 1/10W	KDL-V40XBR1	
953		GI2	RESISTOR		R6745	1-216-809-11	METAL CHIP 100 5% 1/10W	KDL-V40XBR1	
954		GI2	RESISTOR		R6747	1-216-864-11	SHORT CHIP 0	KDL-V40XBR1	
955		GI2	RESISTOR		R6748	1-216-809-11	METAL CHIP 100 5% 1/10W	KDL-V40XBR1	
956		GI2	RESISTOR		R6750	1-218-901-11	METAL CHIP 180K 0.5% 1/10W	KDL-V40XBR1	
957		GI2	RESISTOR		R6751	1-216-837-11	METAL CHIP 22K 5% 1/10W	KDL-V40XBR1	
958		GI2	RESISTOR		R6755	1-216-837-11	METAL CHIP 22K 5% 1/10W	KDL-V40XBR1	
959		GI2	RESISTOR		R6756	1-216-837-11	METAL CHIP 22K 5% 1/10W	KDL-V40XBR1	
960		GI2	RESISTOR		R6757	1-216-295-91	SHORT CHIP 0	KDL-V40XBR1	
961		GI2	RESISTOR		R6758	1-216-821-11	METAL CHIP 1K 5% 1/10W	KDL-V40XBR1	
962		GI2	RESISTOR		R6759	1-218-889-11	METAL CHIP 56K 0.5% 1/10W	KDL-V40XBR1	

No.	#	Board	Type	Δ / [*]	Ref. No.	Part No.	Description	Remarks-1	Remarks-2
963		GI2	RESISTOR		R6760	1-218-827-11	METAL CHIP 150 0.5% 1/10W	KDL-V40XBR1	
964		GI2	RESISTOR		R6761	1-218-827-11	METAL CHIP 150 0.5% 1/10W	KDL-V40XBR1	
965		GI2	RESISTOR		R6762	1-218-827-11	METAL CHIP 150 0.5% 1/10W	KDL-V40XBR1	
966		GI2	RESISTOR		R6763	1-216-857-11	METAL CHIP 1M 5% 1/10W	KDL-V40XBR1	
967		GI2	RESISTOR		R6764	1-216-809-11	METAL CHIP 100 5% 1/10W	KDL-V40XBR1	
968		GI2	RESISTOR		R6766	1-216-857-11	METAL CHIP 1M 5% 1/10W	KDL-V40XBR1	
969		GI2	RESISTOR		R6767	1-218-895-11	METAL CHIP 100K 0.5% 1/10W	KDL-V40XBR1	
970		GI2	RESISTOR		R6768	1-216-821-11	METAL CHIP 1K 5% 1/10W	KDL-V40XBR1	
971		GI2	RESISTOR		R6769	1-218-889-11	METAL CHIP 56K 0.5% 1/10W	KDL-V40XBR1	
972		GI2	RESISTOR		R6770	1-218-895-11	METAL CHIP 100K 0.5% 1/10W	KDL-V40XBR1	
973		GI2	RESISTOR		R6771	1-216-837-11	METAL CHIP 22K 5% 1/10W	KDL-V40XBR1	
974		GI2	RESISTOR		R6772	1-216-845-11	METAL CHIP 100K 5% 1/10W	KDL-V40XBR1	
975		GI2	RESISTOR		R6773	1-216-845-11	METAL CHIP 100K 5% 1/10W	KDL-V40XBR1	
976		GI2	RESISTOR		R6774	1-216-845-11	METAL CHIP 100K 5% 1/10W	KDL-V40XBR1	
977		GI2	RESISTOR		R6775	1-216-845-11	METAL CHIP 100K 5% 1/10W	KDL-V40XBR1	
978		GI2	RESISTOR		R6900	1-202-933-61	FUSIBLE 0.1 10% 1/2W	KDL-V40XBR1	
979		GI2	RESISTOR		R6901	1-216-308-00	RES-CHIP 4.7 5% 1/10W	KDL-V40XBR1	
980		GI2	RESISTOR		R6902	1-216-001-00	RES-CHIP 10 5% 1/10W	KDL-V40XBR1	
981		GI2	RESISTOR		R6903	1-216-308-00	RES-CHIP 4.7 5% 1/10W	KDL-V40XBR1	
982		GI2	RESISTOR		R6904	1-216-001-00	RES-CHIP 10 5% 1/10W	KDL-V40XBR1	
983		GI2	RESISTOR		R6905	1-216-833-11	METAL CHIP 10K 5% 1/10W	KDL-V40XBR1	
984		GI2	RESISTOR		R6906	1-216-833-11	METAL CHIP 10K 5% 1/10W	KDL-V40XBR1	
985		GI2	RESISTOR		R6907	1-216-821-11	METAL CHIP 1K 5% 1/10W	KDL-V40XBR1	
986		GI2	RESISTOR		R6908	1-216-821-11	METAL CHIP 1K 5% 1/10W	KDL-V40XBR1	
987		GI2	RESISTOR		R6909	1-216-833-11	METAL CHIP 10K 5% 1/10W	KDL-V40XBR1	
988		GI2	RESISTOR		R6910	1-216-837-11	METAL CHIP 22K 5% 1/10W	KDL-V40XBR1	
989		GI2	RESISTOR		R6912	1-216-851-11	METAL CHIP 330K 5% 1/10W	KDL-V40XBR1	
990		GI2	RESISTOR		R6913	1-218-883-11	METAL CHIP 33K 0.5% 1/10W	KDL-V40XBR1	
991		GI2	RESISTOR		R6914	1-216-845-11	METAL CHIP 100K 5% 1/10W	KDL-V40XBR1	
992		GI2	RESISTOR		R6915	1-216-845-11	METAL CHIP 100K 5% 1/10W	KDL-V40XBR1	
993		GI2	RESISTOR		R6916	1-216-833-11	METAL CHIP 10K 5% 1/10W	KDL-V40XBR1	
994		GI2	RESISTOR		R6918	1-216-833-11	METAL CHIP 10K 5% 1/10W	KDL-V40XBR1	
995		GI2	RESISTOR		R6922	1-216-809-11	METAL CHIP 100 5% 1/10W	KDL-V40XBR1	
996		GI2	RESISTOR		R6929	1-216-833-11	METAL CHIP 10K 5% 1/10W	KDL-V40XBR1	
997		GI2	RESISTOR		R6930	1-216-833-11	METAL CHIP 10K 5% 1/10W	KDL-V40XBR1	
998		GI2	RESISTOR		R6931	1-216-837-11	METAL CHIP 22K 5% 1/10W	KDL-V40XBR1	
999		GI2	RESISTOR		R6932	1-216-821-11	METAL CHIP 1K 5% 1/10W	KDL-V40XBR1	
1000		GI2	RESISTOR		R6933	1-216-819-11	METAL CHIP 680 5% 1/10W	KDL-V40XBR1	
1001		GI2	RESISTOR		R6937	1-216-833-11	METAL CHIP 10K 5% 1/10W	KDL-V40XBR1	
1002		GI2	RESISTOR		R6938	1-216-825-11	METAL CHIP 2.2K 5% 1/10W	KDL-V40XBR1	
1003		GI2	RESISTOR		R6939	1-216-841-11	METAL CHIP 47K 5% 1/10W	KDL-V40XBR1	
1004		GI2	RESISTOR		R6940	1-216-841-11	METAL CHIP 47K 5% 1/10W	KDL-V40XBR1	
1005		GI2	RESISTOR		R6951	1-216-308-00	RES-CHIP 4.7 5% 1/10W	KDL-V40XBR1	
1006		GI2	RESISTOR		R6952	1-216-001-00	RES-CHIP 10 5% 1/10W	KDL-V40XBR1	
1007		GI2	RESISTOR		R6953	1-216-308-00	RES-CHIP 4.7 5% 1/10W	KDL-V40XBR1	
1008		GI2	RESISTOR		R6954	1-216-001-00	RES-CHIP 10 5% 1/10W	KDL-V40XBR1	
1009		GI2	RESISTOR		R6955	1-216-833-11	METAL CHIP 10K 5% 1/10W	KDL-V40XBR1	
1010		GI2	RESISTOR		R6956	1-216-833-11	METAL CHIP 10K 5% 1/10W	KDL-V40XBR1	
1011		GI2	RESISTOR		R6957	1-216-821-11	METAL CHIP 1K 5% 1/10W	KDL-V40XBR1	
1012		GI2	RESISTOR		R6958	1-216-821-11	METAL CHIP 1K 5% 1/10W	KDL-V40XBR1	
1013		GI2	RESISTOR		R6962	1-216-833-11	METAL CHIP 10K 5% 1/10W	KDL-V40XBR1	
1014		GI2	RESISTOR		R6963	1-218-885-11	METAL CHIP 39K 0.5% 1/10W	KDL-V40XBR1	
1015		GI2	RESISTOR		R6964	1-216-857-11	METAL CHIP 1M 5% 1/10W	KDL-V40XBR1	
1016		GI2	RESISTOR		R6965	1-216-857-11	METAL CHIP 1M 5% 1/10W	KDL-V40XBR1	
1017		GI2	RESISTOR		R6966	1-216-857-11	METAL CHIP 1M 5% 1/10W	KDL-V40XBR1	
1018		GI2	RESISTOR		R6967	1-216-857-11	METAL CHIP 1M 5% 1/10W	KDL-V40XBR1	
1019		GI2	RESISTOR		R6968	1-216-833-11	METAL CHIP 10K 5% 1/10W	KDL-V40XBR1	
1020		GI2	RELAY	Δ	RY6003	1-755-418-12	RELAY (AC POWER)	KDL-V40XBR1	
1021		GI2	RELAY	Δ	RY6004	1-755-418-12	RELAY (AC POWER)	KDL-V40XBR1	
1022		GI2	SPARK GAP		SG6300	1-533-982-21	GAP, SPARK	KDL-V40XBR1	
1023		GI2	SPARK GAP		SG6301	1-533-982-21	GAP, SPARK	KDL-V40XBR1	
1024		GI2	TRANSFORMER	Δ	T6100	1-443-787-11	CONVERTER TRANSFORMER (PIT)	KDL-V40XBR1	
1025		GI2	TRANSFORMER	Δ	T6300	1-443-313-21	TRANSFORMER, CONVERTER (SBT)	KDL-V40XBR1	
1026		GI2	THERMISTOR		TH6300	1-803-586-41	THERMISTOR	KDL-V40XBR1	
1027		GI2	VARISTOR	Δ	VD6000	1-805-479-21	VARISTOR	KDL-V40XBR1	
1028		GI2	VARISTOR	Δ	VD6001	1-805-479-21	VARISTOR	KDL-V40XBR1	
1029		GI2	VARISTOR		VD6002	1-805-479-21	VARISTOR	KDL-V40XBR1	
1030		QT	CAPACITOR		C7800	1-137-765-21	ELECT CHIP 47UF 20% 16V		
1031		QT	CAPACITOR		C7801	1-165-492-21	ELECT CHIP 100UF 20% 10V		
1032		QT	CAPACITOR		C7802	1-165-492-21	ELECT CHIP 100UF 20% 10V		
1033		QT	CAPACITOR		C7803	1-165-492-21	ELECT CHIP 100UF 20% 10V		
1034		QT	CAPACITOR		C7804	1-100-159-91	CERAMIC CHIP 22UF 10% 6.3V		
1035		QT	CAPACITOR		C7805	1-107-826-11	CERAMIC CHIP 0.1UF 10.00% 16V		
1036		QT	CAPACITOR		C7806	1-115-156-11	CERAMIC CHIP 1UF 10V		

No.	#	Board	Type	Δ / [*]	Ref. No.	Part No.	Description	Remarks-1	Remarks-2
1037		QT	CAPACITOR		C7807	1-127-820-11	CERAMIC CHIP 4.7UF 10% 16V		
1038		QT	CAPACITOR		C7808	1-127-820-11	CERAMIC CHIP 4.7UF 10% 16V		
1039		QT	CAPACITOR		C7809	1-137-765-21	ELECT CHIP 47UF 20% 16V		
1040		QT	CAPACITOR		C7810	1-127-820-11	CERAMIC CHIP 4.7UF 10% 16V		
1041		QT	CAPACITOR		C7811	1-162-995-11	CERAMIC CHIP 0.022UF 50V		
1042		QT	CAPACITOR		C7812	1-162-970-11	CERAMIC CHIP 0.01UF 10.00% 25V		
1043		QT	CAPACITOR		C7813	1-107-826-11	CERAMIC CHIP 0.1UF 10.00% 16V		
1044		QT	CAPACITOR		C7814	1-107-826-11	CERAMIC CHIP 0.1UF 10.00% 16V		
1045		QT	CAPACITOR		C7815	1-107-826-11	CERAMIC CHIP 0.1UF 10.00% 16V		
1046		QT	CAPACITOR		C7816	1-162-995-11	CERAMIC CHIP 0.022UF 50V		
1047		QT	CAPACITOR		C7817	1-115-566-11	CERAMIC CHIP 4.7UF 10.00% 10V		
1048		QT	CAPACITOR		C7818	1-127-820-11	CERAMIC CHIP 4.7UF 10% 16V		
1049		QT	CAPACITOR		C7819	1-100-159-91	CERAMIC CHIP 22UF 10% 6.3V		
1050		QT	CAPACITOR		C7820	1-107-826-11	CERAMIC CHIP 0.1UF 10.00% 16V		
1051		QT	CAPACITOR		C7821	1-107-826-11	CERAMIC CHIP 0.1UF 10.00% 16V		
1052		QT	CAPACITOR		C7823	1-100-159-91	CERAMIC CHIP 22UF 10% 6.3V		
1053		QT	CAPACITOR		C7824	1-107-826-11	CERAMIC CHIP 0.1UF 10.00% 16V		
1054		QT	CAPACITOR		C7825	1-128-996-11	ELECT CHIP 4.7UF 20% 50V		
1055		QT	CAPACITOR		C7826	1-165-319-11	CERAMIC CHIP 0.1UF 50V		
1056		QT	CAPACITOR		C7827	1-128-996-11	ELECT CHIP 4.7UF 20% 50V		
1057		QT	CAPACITOR		C7828	1-162-964-11	CERAMIC CHIP 0.001UF 10.00% 50V		
1058		QT	CAPACITOR		C7829	1-162-970-11	CERAMIC CHIP 0.01UF 10.00% 25V		
1059		QT	CAPACITOR		C7830	1-164-156-11	CERAMIC CHIP 0.1UF 25V		
1060		QT	CAPACITOR		C7831	1-162-964-11	CERAMIC CHIP 0.001UF 10.00% 50V		
1061		QT	CAPACITOR		C7832	1-162-970-11	CERAMIC CHIP 0.01UF 10.00% 25V		
1062		QT	CAPACITOR		C7834	1-137-765-21	ELECT CHIP 47UF 20% 16V		
1063		QT	CAPACITOR		C7835	1-128-996-11	ELECT CHIP 4.7UF 20% 50V		
1064		QT	CAPACITOR		C7836	1-128-396-11	ELECT CHIP 470UF 20% 10V		
1065		QT	CAPACITOR		C7837	1-164-156-11	CERAMIC CHIP 0.1UF 25V		
1066		QT	CAPACITOR		C7838	1-164-156-11	CERAMIC CHIP 0.1UF 25V		
1067		QT	CAPACITOR		C7840	1-165-989-11	CERAMIC CHIP 10UF 10% 6.3V		
1068		QT	CAPACITOR		C7841	1-165-989-11	CERAMIC CHIP 10UF 10% 6.3V		
1069		QT	CAPACITOR		C7842	1-162-970-11	CERAMIC CHIP 0.01UF 10.00% 25V		
1070		QT	CAPACITOR		C7843	1-162-970-11	CERAMIC CHIP 0.01UF 10.00% 25V		
1071		QT	CAPACITOR		C7845	1-164-156-11	CERAMIC CHIP 0.1UF 25V		
1072		QT	CAPACITOR		C7846	1-165-492-21	ELECT CHIP 100UF 20% 10V		
1073		QT	CAPACITOR		C7847	1-128-396-11	ELECT CHIP 470UF 20% 10V		
1074		QT	CAPACITOR		C7849	1-165-492-21	ELECT CHIP 100UF 20% 10V		
1075		QT	CAPACITOR		C7850	1-165-492-21	ELECT CHIP 100UF 20% 10V		
1076		QT	CAPACITOR		C7851	1-165-989-11	CERAMIC CHIP 10UF 10% 6.3V		
1077		QT	CAPACITOR		C7852	1-125-889-91	CERAMIC CHIP 2.2UF 10% 10V		
1078		QT	CAPACITOR		C7853	1-164-156-11	CERAMIC CHIP 0.1UF 25V		
1079		QT	CAPACITOR		C7855	1-165-492-21	ELECT CHIP 100UF 20% 10V		
1080		QT	CAPACITOR		C7858	1-127-820-11	CERAMIC CHIP 4.7UF 10% 16V		
1081		QT	CAPACITOR		C7859	1-115-566-11	CERAMIC CHIP 4.7UF 10.00% 10V		
1082		QT	CAPACITOR		C7860	1-107-826-11	CERAMIC CHIP 0.1UF 10.00% 16V		
1083		QT	CAPACITOR		C7865	1-164-156-11	CERAMIC CHIP 0.1UF 25V		
1084		QT	CAPACITOR		C7867	1-165-989-11	CERAMIC CHIP 10UF 10% 6.3V		
1085		QT	CAPACITOR		C7868	1-164-156-11	CERAMIC CHIP 0.1UF 25V		
1086		QT	CAPACITOR		C7872	1-164-156-11	CERAMIC CHIP 0.1UF 25V		
1087		QT	CAPACITOR		C7873	1-165-989-11	CERAMIC CHIP 10UF 10% 6.3V		
1088		QT	CAPACITOR		C7874	1-107-826-11	CERAMIC CHIP 0.1UF 10.00% 16V		
1089		QT	CAPACITOR		C7875	1-127-820-11	CERAMIC CHIP 4.7UF 10% 16V		
1090		QT	CAPACITOR		C7905	1-164-156-11	CERAMIC CHIP 0.1UF 25V		
1091		QT	CAPACITOR		C7906	1-164-156-11	CERAMIC CHIP 0.1UF 25V		
1092		QT	CAPACITOR		C7907	1-164-156-11	CERAMIC CHIP 0.1UF 25V		
1093		QT	CAPACITOR		C7908	1-164-156-11	CERAMIC CHIP 0.1UF 25V		
1094		QT	CAPACITOR		C7912	1-164-156-11	CERAMIC CHIP 0.1UF 25V		
1095		QT	CAPACITOR		C7929	1-115-156-11	CERAMIC CHIP 1UF 10V		
1096		QT	CAPACITOR		C7931	1-164-156-11	CERAMIC CHIP 0.1UF 25V		
1097		QT	CAPACITOR		C7932	1-164-156-11	CERAMIC CHIP 0.1UF 25V		
1098		QT	CAPACITOR		C7933	1-164-156-11	CERAMIC CHIP 0.1UF 25V		
1099		QT	CAPACITOR		C7934	1-164-156-11	CERAMIC CHIP 0.1UF 25V		
1100		QT	CAPACITOR		C7935	1-115-156-11	CERAMIC CHIP 1UF 10V		
1101		QT	CAPACITOR		C7943	1-164-156-11	CERAMIC CHIP 0.1UF 25V		
1102		QT	CAPACITOR		C7944	1-164-156-11	CERAMIC CHIP 0.1UF 25V		
1103		QT	CAPACITOR		C7945	1-162-917-11	CERAMIC CHIP 15PF 5.00% 50V		
1104		QT	CAPACITOR		C7946	1-162-964-11	CERAMIC CHIP 0.001UF 10.00% 50V		
1105		QT	CAPACITOR		C7947	1-162-964-11	CERAMIC CHIP 0.001UF 10.00% 50V		
1106		QT	CAPACITOR		C7948	1-162-964-11	CERAMIC CHIP 0.001UF 10.00% 50V		
1107		QT	CAPACITOR		C7949	1-162-964-11	CERAMIC CHIP 0.001UF 10.00% 50V		
1108		QT	CAPACITOR		C7950	1-162-964-11	CERAMIC CHIP 0.001UF 10.00% 50V		
1109		QT	CAPACITOR		C7951	1-162-964-11	CERAMIC CHIP 0.001UF 10.00% 50V		
1110		QT	CONNECTOR	*	CN7802	1-819-390-21	FFC/FPC CONNECTOR (ZIF) 49P		

No.	#	Board	Type	Δ / [*]	Ref. No.	Part No.	Description	Remarks-1	Remarks-2
1111		QT	CONNECTOR	*	CN7903	1-818-484-11	FFC/FPC CONNECTOR (ZIF) 80P		
1112		QT	DIODE		D7801	8-719-066-99	DIODE SML-210VTT86		
1113		QT	DIODE		D7802	8-719-060-99	DIODE SML-210MT-T86		
1114		QT	DIODE		D7803	8-719-066-99	DIODE SML-210VTT86		
1115		QT	FERRITE BEAD		FB7800	1-400-180-21	INDUCTOR 0UH		
1116		QT	FERRITE BEAD		FB7801	1-400-089-21	FERRITE 0UH		
1117		QT	FERRITE BEAD		FB7802	1-400-089-21	FERRITE 0UH		
1118		QT	FERRITE BEAD		FB7803	1-400-180-21	INDUCTOR 0UH		
1119		QT	FERRITE BEAD		FB7808	1-400-180-21	INDUCTOR 0UH		
1120		QT	FERRITE BEAD		FB7809	1-414-226-21	FERRITE 0UH		
1121		QT	FERRITE BEAD		FB7810	1-414-226-21	FERRITE 0UH		
1122		QT	FERRITE BEAD		FB7811	1-414-760-21	FERRITE 0UH		
1123		QT	FERRITE BEAD		FB7901	1-414-229-11	FERRITE 0UH		
1124		QT	FERRITE BEAD		FB7902	1-414-760-21	FERRITE 0UH		
1125		QT	FERRITE BEAD		FB7903	1-414-760-21	FERRITE 0UH		
1126		QT	FERRITE BEAD		FB7904	1-414-229-11	FERRITE 0UH		
1127		QT	FERRITE BEAD		FB7905	1-414-229-11	FERRITE 0UH		
1128		QT	FERRITE BEAD		FB7906	1-414-229-11	FERRITE 0UH		
1129		QT	FERRITE BEAD		FB7907	1-414-760-21	FERRITE 0UH		
1130		QT	IC		IC7800	6-708-112-01	IC MIC49300WR-TR		
1131		QT	IC		IC7801	6-705-839-01	IC XC6219B182MPR		
1132		QT	IC		IC7802	6-708-082-01	IC NJM2846DL2-05(TE2)		
1133		QT	IC		IC7803	6-708-171-01	IC MIC5235YM5TR		
1134		QT	IC		IC7804	8-749-925-00	IC TK11819MTL		
1135		QT	IC		IC7806	8-759-646-63	IC CD74HC4053M-96		
1136		QT	IC		IC7807	8-759-549-01	IC SN74LV125APWR		
1137		QT	IC		IC7808	6-708-082-01	IC NJM2846DL2-05(TE2)		
1138		QT	IC		IC7900	8-753-238-09	IC CXD1969R-T6		
1139		QT	IC	*	IC7904	8-759-649-45	IC SN74AHC1G04DCKR		
1140		QT	IC		IC7906	6-706-811-01	IC TPS2091DR		
1141		QT	IC		IC7907	6-706-812-01	IC TPS2012ADR		
1142		QT	COIL		L7800	1-414-755-11	INDUCTOR 22UH		
1143		QT	COIL		L7801	1-412-642-61	INDUCTOR 1.2MH		
1144		QT	COIL		L7802	1-414-755-11	INDUCTOR 22UH		
1145		QT	COIL		L7804	1-414-754-11	INDUCTOR 10UH		
1146		QT	COIL		L7805	1-414-752-11	INDUCTOR 2.2UH		
1147		QT	COIL		L7806	1-414-754-11	INDUCTOR 10UH		
1148		QT	COIL		L7808	1-414-754-11	INDUCTOR 10UH		
1149		QT	COIL		L7809	1-414-754-11	INDUCTOR 10UH		
1150		QT	COIL		L7810	1-414-754-11	INDUCTOR 10UH		
1151		QT	COIL		L7811	1-414-754-11	INDUCTOR 10UH		
1152		QT	COIL		L7812	1-414-754-11	INDUCTOR 10UH		
1153		QT	TRANSISTOR		Q7802	8-729-047-14	TRANSISTOR 2SC3775		
1154		QT	TRANSISTOR		Q7803	8-729-120-28	TRANSISTOR 2SC1623-L5L6		
1155		QT	TRANSISTOR		Q7804	8-729-120-28	TRANSISTOR 2SC1623-L5L6		
1156		QT	TRANSISTOR		Q7805	8-729-120-28	TRANSISTOR 2SC1623-L5L6		
1157		QT	TRANSISTOR		Q7806	8-729-600-22	TRANSISTOR 2SA1235-F		
1158		QT	TRANSISTOR		Q7807	8-729-120-28	TRANSISTOR 2SC1623-L5L6		
1159		QT	RESISTOR		R7800	1-216-864-11	SHORT CHIP 0		
1160		QT	RESISTOR		R7803	1-216-809-11	METAL CHIP 100 5% 1/10W		
1161		QT	RESISTOR		R7804	1-216-821-11	METAL CHIP 1K 5% 1/10W		
1162		QT	RESISTOR		R7805	1-218-847-11	METAL CHIP 1K 0.5% 1/10W		
1163		QT	RESISTOR		R7806	1-211-977-11	METAL CHIP 22 0.5% 1/10W		
1164		QT	RESISTOR		R7807	1-218-830-11	METAL CHIP 200 0.5% 1/10W		
1165		QT	RESISTOR		R7808	1-216-845-11	METAL CHIP 100K 5% 1/10W		
1166		QT	RESISTOR		R7809	1-216-833-11	METAL CHIP 10K 5% 1/10W		
1167		QT	RESISTOR		R7810	1-216-864-11	SHORT CHIP 0		
1168		QT	RESISTOR		R7815	1-216-833-11	METAL CHIP 10K 5% 1/10W		
1169		QT	RESISTOR		R7816	1-216-864-11	SHORT CHIP 0		
1170		QT	RESISTOR		R7817	1-216-864-11	SHORT CHIP 0		
1171		QT	RESISTOR		R7818	1-216-864-11	SHORT CHIP 0		
1172		QT	RESISTOR		R7819	1-216-837-11	METAL CHIP 22K 5% 1/10W		
1173		QT	RESISTOR		R7820	1-216-833-11	METAL CHIP 10K 5% 1/10W		
1174		QT	RESISTOR		R7821	1-216-833-11	METAL CHIP 10K 5% 1/10W		
1175		QT	RESISTOR		R7822	1-216-837-11	METAL CHIP 22K 5% 1/10W		
1176		QT	RESISTOR		R7825	1-216-864-11	SHORT CHIP 0		
1177		QT	RESISTOR		R7831	1-218-889-11	METAL CHIP 56K 0.5% 1/10W		
1178		QT	RESISTOR		R7832	1-218-881-11	METAL CHIP 27K 0.5% 1/10W		
1179		QT	RESISTOR		R7833	1-216-864-11	SHORT CHIP 0		
1180		QT	RESISTOR		R7835	1-216-864-11	SHORT CHIP 0		
1181		QT	RESISTOR		R7839	1-216-864-11	SHORT CHIP 0		
1182		QT	RESISTOR		R7841	1-216-833-11	METAL CHIP 10K 5% 1/10W		
1183		QT	RESISTOR		R7842	1-216-864-11	SHORT CHIP 0		
1184		QT	RESISTOR		R7844	1-216-809-11	METAL CHIP 100 5% 1/10W		

No.	#	Board	Type	Δ / [*]	Ref. No.	Part No.	Description	Remarks-1	Remarks-2
1185		QT	RESISTOR		R7845	1-216-821-11	METAL CHIP 1K 5% 1/10W		
1186		QT	RESISTOR		R7850	1-216-817-11	METAL CHIP 470 5% 1/10W		
1187		QT	RESISTOR		R7851	1-216-835-11	METAL CHIP 15K 5% 1/10W		
1188		QT	RESISTOR		R7852	1-216-817-11	METAL CHIP 470 5% 1/10W		
1189		QT	RESISTOR		R7853	1-216-837-11	METAL CHIP 22K 5% 1/10W		
1190		QT	RESISTOR		R7858	1-216-809-11	METAL CHIP 100 5% 1/10W		
1191		QT	RESISTOR		R7859	1-216-833-11	METAL CHIP 10K 5% 1/10W		
1192		QT	RESISTOR		R7860	1-216-837-11	METAL CHIP 22K 5% 1/10W		
1193		QT	RESISTOR		R7861	1-216-833-11	METAL CHIP 10K 5% 1/10W		
1194		QT	RESISTOR		R7863	1-216-837-11	METAL CHIP 22K 5% 1/10W		
1195		QT	RESISTOR		R7864	1-216-833-11	METAL CHIP 10K 5% 1/10W		
1196		QT	RESISTOR		R7865	1-216-833-11	METAL CHIP 10K 5% 1/10W		
1197		QT	RESISTOR		R7866	1-216-827-11	METAL CHIP 3.3K 5% 1/10W		
1198		QT	RESISTOR		R7867	1-216-817-11	METAL CHIP 470 5% 1/10W		
1199		QT	RESISTOR		R7877	1-216-864-11	SHORT CHIP 0		
1200		QT	RESISTOR		R7878	1-216-864-11	SHORT CHIP 0		
1201		QT	RESISTOR		R7883	1-216-864-11	SHORT CHIP 0		
1202		QT	RESISTOR		R7885	1-216-864-11	SHORT CHIP 0		
1203		QT	RESISTOR		R7886	1-216-864-11	SHORT CHIP 0		
1204		QT	RESISTOR		R7888	1-216-803-11	METAL CHIP 33 5% 1/10W		
1205		QT	RESISTOR		R7890	1-216-295-91	SHORT CHIP 0		
1206		QT	RESISTOR		R7891	1-218-867-11	METAL CHIP 6.8K 0.5% 1/10W		
1207		QT	RESISTOR		R7892	1-218-891-11	METAL CHIP 68K 0.5% 1/10W		
1208		QT	RESISTOR		R7893	1-218-911-11	METAL CHIP 470K 0.5% 1/10W		
1209		QT	RESISTOR		R7894	1-216-829-11	METAL CHIP 4.7K 5% 1/10W		
1210		QT	RESISTOR		R7896	1-216-295-91	SHORT CHIP 0		
1211		QT	RESISTOR		R7897	1-216-295-91	SHORT CHIP 0		
1212		QT	RESISTOR		R7909	1-216-864-11	SHORT CHIP 0		
1213		QT	RESISTOR		R7910	1-216-797-11	METAL CHIP 10 5% 1/10W		
1214		QT	RESISTOR		R7911	1-216-797-11	METAL CHIP 10 5% 1/10W		
1215		QT	RESISTOR		R7912	1-216-803-11	METAL CHIP 33 5% 1/10W		
1216		QT	RESISTOR		R7913	1-216-797-11	METAL CHIP 10 5% 1/10W		
1217		QT	RESISTOR		R7914	1-216-797-11	METAL CHIP 10 5% 1/10W		
1218		QT	RESISTOR		R7915	1-216-797-11	METAL CHIP 10 5% 1/10W		
1219		QT	RESISTOR		R7919	1-216-821-11	METAL CHIP 1K 5% 1/10W		
1220		QT	RESISTOR		R7940	1-216-833-11	METAL CHIP 10K 5% 1/10W		
1221		QT	RESISTOR		R7941	1-216-833-11	METAL CHIP 10K 5% 1/10W		
1222		QT	RESISTOR		R7952	1-216-833-11	METAL CHIP 10K 5% 1/10W		
1223		QT	RESISTOR		R7954	1-216-845-11	METAL CHIP 100K 5% 1/10W		
1224		QT	RESISTOR		R7987	1-216-833-11	METAL CHIP 10K 5% 1/10W		
1225		QT	RESISTOR		R7989	1-216-845-11	METAL CHIP 100K 5% 1/10W		
1226		QT	RESISTOR		R7991	1-216-864-11	SHORT CHIP 0		
1227		QT	RESISTOR		R7992	1-216-864-11	SHORT CHIP 0		
1228		QT	RESISTOR		R7994	1-216-864-11	SHORT CHIP 0		
1229		QT	RESISTOR		R7997	1-216-833-11	METAL CHIP 10K 5% 1/10W		
1230		QT	RESISTOR		R7998	1-216-833-11	METAL CHIP 10K 5% 1/10W		
1231		QT	RESISTOR		R8000	1-216-829-11	METAL CHIP 4.7K 5% 1/10W		
1232		QT	RESISTOR		R8002	1-216-864-11	SHORT CHIP 0		
1233		QT	NETWORK		RB7900	1-234-371-21	RES, NETWORK 47 (1005X4)		
1234		QT	NETWORK		RB7901	1-234-371-21	RES, NETWORK 47 (1005X4)		
1235		QT	NETWORK		RB7902	1-242-963-21	RES, NETWORK 33 (1005X4)		
1236		QT	NETWORK		RB7903	1-234-369-21	RES, NETWORK 10 (1005X4)		
1237		QT	NETWORK		RB7904	1-234-369-21	RES, NETWORK 10 (1005X4)		
1238		QT	NETWORK		RB7905	1-234-369-21	RES, NETWORK 10 (1005X4)		
1239		QT	NETWORK		RB7906	1-234-369-21	RES, NETWORK 10 (1005X4)		
1240		QT	NETWORK		RB7907	1-234-369-21	RES, NETWORK 10 (1005X4)		
1241		QT	NETWORK		RB7908	1-234-369-21	RES, NETWORK 10 (1005X4)		
1242		QT	NETWORK		RB7909	1-234-369-21	RES, NETWORK 10 (1005X4)		
1243		QT	NETWORK		RB7910	1-234-369-21	RES, NETWORK 10 (1005X4)		
1244		QT	NETWORK		RB7911	1-234-369-21	RES, NETWORK 10 (1005X4)		
1245		QT	NETWORK		RB7913	1-234-372-21	RES, NETWORK 100 (1005X4)		
1246		QT	NETWORK		RB7914	1-242-963-21	RES, NETWORK 33 (1005X4)		
1247		QT	NETWORK		RB7916	1-234-400-21	CONDUCTOR, NETWORK (2010X4)		
1248		QT	NETWORK		RB7917	1-234-400-21	CONDUCTOR, NETWORK (2010X4)		
1249		QT	TUNER		TU7800	8-597-505-20	TUNER UNIT, DIGITAL BTD-CA811Z		
1250		QU	CAPACITOR		C7951	1-115-156-11	CERAMIC CHIP 1UF 10V		
1251		QU	CAPACITOR		C7952	1-115-156-11	CERAMIC CHIP 1UF 10V		
1252		QU	CAPACITOR		C7954	1-164-156-11	CERAMIC CHIP 0.1UF 25V		
1253		QU	CONNECTOR	*	CN7951	1-573-768-21	PIN, CONNECTOR (1.5MM) (SMD)5P		
1254		QU	CONNECTOR		CN7952	1-818-657-11	PCMCIA CARD CONNECTOR (SMD)		
1255		QU	CONNECTOR	*	CN7953	1-818-483-11	FFC/FPC CONNECTOR (ZIF) 80P		
1256		K	CAPACITOR		C3001	1-107-820-11	CERAMIC CHIP 0.1UF 16V		
1257		K	CAPACITOR		C3002	1-162-964-11	CERAMIC CHIP 0.001UF 10.00% 50V		
1258		K	CAPACITOR		C3003	1-128-404-11	ELECT CHIP 100UF 20% 35V		

No.	#	Board	Type	Δ / [*]	Ref. No.	Part No.	Description	Remarks-1	Remarks-2
1259		K	CAPACITOR		C3004	1-117-681-11	ELECT CHIP 100UF 20.00% 16V		
1260		K	CAPACITOR		C3005	1-107-820-11	CERAMIC CHIP 0.1UF 16V		
1261		K	CAPACITOR		C3006	1-164-506-11	CERAMIC CHIP 4.7UF 16V		
1262		K	CAPACITOR		C3007	1-107-820-11	CERAMIC CHIP 0.1UF 16V		
1263		K	CAPACITOR		C3008	1-117-681-11	ELECT CHIP 100UF 20.00% 16V		
1264		K	CAPACITOR		C3009	1-126-206-11	ELECT CHIP 100UF 20.00% 6.3V		
1265		K	CAPACITOR		C3010	1-107-820-11	CERAMIC CHIP 0.1UF 16V		
1266		K	CAPACITOR		C3011	1-164-506-11	CERAMIC CHIP 4.7UF 16V		
1267		K	CAPACITOR		C3012	1-164-506-11	CERAMIC CHIP 4.7UF 16V		
1268		K	CAPACITOR		C3013	1-107-820-11	CERAMIC CHIP 0.1UF 16V		
1269		K	CAPACITOR		C3014	1-164-933-11	CERAMIC CHIP 220PF 10.00% 50V		
1270		K	CAPACITOR		C3015	1-164-933-11	CERAMIC CHIP 220PF 10.00% 50V		
1271		K	CAPACITOR		C3016	1-164-933-11	CERAMIC CHIP 220PF 10.00% 50V		
1272		K	CAPACITOR		C3019	1-117-681-11	ELECT CHIP 100UF 20.00% 16V		
1273		K	CAPACITOR		C3020	1-107-820-11	CERAMIC CHIP 0.1UF 16V		
1274		K	CAPACITOR		C3021	1-100-566-91	CERAMIC CHIP 0.1UF 10.00% 25V		
1275		K	CAPACITOR		C3022	1-107-820-11	CERAMIC CHIP 0.1UF 16V		
1276		K	CAPACITOR		C3023	1-100-566-91	CERAMIC CHIP 0.1UF 10.00% 25V		
1277		K	CAPACITOR		C3024	1-163-989-11	CERAMIC CHIP 0.033UF 10.00% 25V		
1278		K	CAPACITOR		C3025	1-162-963-11	CERAMIC CHIP 680PF 10.00% 50V		
1279		K	CAPACITOR		C3026	1-115-339-11	CERAMIC CHIP 0.1UF 10.00% 50V		
1280		K	CAPACITOR		C3027	1-112-030-31	ELECT 1500UF 20% 35V		
1281		K	CAPACITOR		C3028	1-128-992-21	ELECT CHIP 47UF 20% 25V		
1282		K	CAPACITOR		C3030	1-136-177-00	FILM 1UF 5.00% 50V		
1283		K	CAPACITOR		C3032	1-107-820-11	CERAMIC CHIP 0.1UF 16V		
1284		K	CAPACITOR		C3033	1-128-992-21	ELECT CHIP 47UF 20% 25V		
1285		K	CAPACITOR		C3034	1-164-937-11	CERAMIC CHIP 0.001UF 10.00% 50V		
1286		K	CAPACITOR		C3035	1-115-339-11	CERAMIC CHIP 0.1UF 10.00% 50V		
1287		K	CAPACITOR		C3036	1-115-339-11	CERAMIC CHIP 0.1UF 10.00% 50V		
1288		K	CAPACITOR		C3037	1-164-937-11	CERAMIC CHIP 0.001UF 10.00% 50V		
1289		K	CAPACITOR		C3038	1-115-339-11	CERAMIC CHIP 0.1UF 10.00% 50V		
1290		K	CAPACITOR		C3039	1-115-339-11	CERAMIC CHIP 0.1UF 10.00% 50V		
1291		K	CAPACITOR		C3041	1-164-937-11	CERAMIC CHIP 0.001UF 10.00% 50V		
1292		K	CAPACITOR		C3042	1-115-339-11	CERAMIC CHIP 0.1UF 10.00% 50V		
1293		K	CAPACITOR		C3043	1-136-177-00	FILM 1UF 5.00% 50V		
1294		K	CAPACITOR		C3044	1-164-937-11	CERAMIC CHIP 0.001UF 10.00% 50V		
1295		K	CAPACITOR		C3045	1-164-937-11	CERAMIC CHIP 0.001UF 10.00% 50V		
1296		K	CAPACITOR		C3046	1-162-963-11	CERAMIC CHIP 680PF 10.00% 50V		
1297		K	CAPACITOR		C3047	1-163-989-11	CERAMIC CHIP 0.033UF 10.00% 25V		
1298		K	CAPACITOR		C3048	1-100-566-91	CERAMIC CHIP 0.1UF 10.00% 25V		
1299		K	CAPACITOR		C3049	1-163-989-11	CERAMIC CHIP 0.033UF 10.00% 25V		
1300		K	CAPACITOR		C3050	1-162-963-11	CERAMIC CHIP 680PF 10.00% 50V		
1301		K	CAPACITOR		C3051	1-107-820-11	CERAMIC CHIP 0.1UF 16V		
1302		K	CAPACITOR		C3052	1-107-820-11	CERAMIC CHIP 0.1UF 16V		
1303		K	CAPACITOR		C3053	1-164-937-11	CERAMIC CHIP 0.001UF 10.00% 50V		
1304		K	CAPACITOR		C3054	1-115-339-11	CERAMIC CHIP 0.1UF 10.00% 50V		
1305		K	CAPACITOR		C3055	1-115-339-11	CERAMIC CHIP 0.1UF 10.00% 50V		
1306		K	CAPACITOR		C3056	1-164-937-11	CERAMIC CHIP 0.001UF 10.00% 50V		
1307		K	CAPACITOR		C3057	1-115-339-11	CERAMIC CHIP 0.1UF 10.00% 50V		
1308		K	CAPACITOR		C3058	1-115-339-11	CERAMIC CHIP 0.1UF 10.00% 50V		
1309		K	CAPACITOR		C3059	1-115-339-11	CERAMIC CHIP 0.1UF 10.00% 50V		
1310		K	CAPACITOR		C3060	1-112-030-31	ELECT 1500UF 20% 35V		
1311		K	CAPACITOR		C3061	1-128-992-21	ELECT CHIP 47UF 20% 25V		
1312		K	CAPACITOR		C3062	1-164-937-11	CERAMIC CHIP 0.001UF 10.00% 50V		
1313		K	CAPACITOR		C3063	1-164-937-11	CERAMIC CHIP 0.001UF 10.00% 50V		
1314		K	CAPACITOR		C3065	1-136-177-00	FILM 1UF 5.00% 50V		
1315		K	CAPACITOR		C3067	1-107-820-11	CERAMIC CHIP 0.1UF 16V		
1316		K	CAPACITOR		C3068	1-128-992-21	ELECT CHIP 47UF 20% 25V		
1317		K	CAPACITOR		C3070	1-115-339-11	CERAMIC CHIP 0.1UF 10.00% 50V		
1318		K	CAPACITOR		C3071	1-136-177-00	FILM 1UF 5.00% 50V		
1319		K	CAPACITOR		C3072	1-128-995-21	ELECT CHIP 100UF 20% 10V		
1320		K	CAPACITOR		C3073	1-162-963-11	CERAMIC CHIP 680PF 10.00% 50V		
1321		K	CAPACITOR		C3074	1-163-989-11	CERAMIC CHIP 0.033UF 10.00% 25V		
1322		K	CAPACITOR		C3075	1-126-395-11	ELECT CHIP 22UF 20.00% 16V		
1323		K	CAPACITOR		C3076	1-100-566-91	CERAMIC CHIP 0.1UF 10.00% 25V		
1324		K	CAPACITOR		C3077	1-100-566-91	CERAMIC CHIP 0.1UF 10.00% 25V		
1325		K	CAPACITOR		C3078	1-100-566-91	CERAMIC CHIP 0.1UF 10.00% 25V		
1326		K	CAPACITOR		C3079	1-100-567-81	CERAMIC CHIP 10000PF 10% 25V		
1327		K	CAPACITOR		C3080	1-128-993-21	ELECT CHIP 22UF 20% 10V		
1328		K	CAPACITOR		C3081	1-107-820-11	CERAMIC CHIP 0.1UF 16V		
1329		K	CAPACITOR		C3082	1-107-820-11	CERAMIC CHIP 0.1UF 16V		
1330		K	CAPACITOR		C3083	1-107-820-11	CERAMIC CHIP 0.1UF 16V		
1331		K	CAPACITOR		C3084	1-100-567-81	CERAMIC CHIP 10000PF 10% 25V		
1332		K	CAPACITOR		C3085	1-128-995-21	ELECT CHIP 100UF 20% 10V		

No.	#	Board	Type	△/△*	Ref. No.	Part No.	Description	Remarks-1	Remarks-2
1333		K	CAPACITOR		C3086	1-164-850-11	CERAMIC CHIP 10PF 0.50PF 50V		
1334		K	CAPACITOR		C3088	1-100-567-81	CERAMIC CHIP 10000PF 10% 25V		
1335		K	CAPACITOR		C3090	1-164-937-11	CERAMIC CHIP 0.001UF 10.00% 50V		
1336		K	CAPACITOR		C3091	1-164-850-11	CERAMIC CHIP 10PF 0.50PF 50V		
1337		K	CAPACITOR		C3094	1-162-963-11	CERAMIC CHIP 680PF 10.00% 50V		
1338		K	CAPACITOR		C3095	1-162-963-11	CERAMIC CHIP 680PF 10.00% 50V		
1339		K	CAPACITOR		C3096	1-162-963-11	CERAMIC CHIP 680PF 10.00% 50V		
1340		K	CAPACITOR		C3097	1-162-963-11	CERAMIC CHIP 680PF 10.00% 50V		
1341		K	CONNECTOR		CN3002	1-819-443-11	HEADER ASEMBLY FOR PWB 15P		
1342		K	CONNECTOR	*	CN3003	1-580-838-11	PIN, CONNECTOR (PC BOARD) 4P		
1343		K	DIODE		D3001	6-500-260-01	DIODE P6SMB39AT3		
1344		K	DIODE		D3002	6-500-260-01	DIODE P6SMB39AT3		
1345		K	DIODE		D3003	6-500-260-01	DIODE P6SMB39AT3		
1346		K	DIODE		D3004	6-500-260-01	DIODE P6SMB39AT3		
1347		K	TERMINAL BOARD		EB3001	1-537-771-21	TERMINAL BOARD, GROUND		
1348		K	TERMINAL BOARD		EB3002	1-537-771-21	TERMINAL BOARD, GROUND		
1349		K	FILTER		FL3001	1-234-177-21	FERRITE 0UH		
1350		K	FILTER		FL3002	1-234-177-21	FERRITE 0UH		
1351		K	IC		IC3001	6-706-862-01	IC NJM2387DL2-TE1		
1352		K	IC		IC3002	8-759-548-99	IC SN74LV08APWR		
1353		K	IC		IC3003	6-706-862-01	IC NJM2387DL2-TE1		
1354		K	IC		IC3004	8-759-573-97	IC SN74LVC541APWR		
1355		K	IC		IC3005	6-707-629-01	IC CXD9845M		
1356		K	IC		IC3006	6-705-979-01	IC CXD9788AR		
1357		K	IC		IC3007	6-701-189-01	IC MC74VHC1GU04DFT1		
1358		K	IC		IC3008	6-700-263-01	IC NJM2870F18(TE2)		
1359		K	COIL		L3001	1-457-106-11	INDUCTOR 10UH		
1360		K	COIL		L3002	1-457-106-11	INDUCTOR 10UH		
1361		K	COIL		L3006	1-412-939-11	INDUCTOR 1UH		
1362		K	IC LINK	△	PS3001	1-576-788-21	FUSE 5A 72V		
1363		K	TRANSISTOR		Q3002	8-729-602-36	TRANSISTOR 2SA1602-F		
1364		K	TRANSISTOR		Q3003	8-729-602-36	TRANSISTOR 2SA1602-F		
1365		K	TRANSISTOR		Q3004	8-729-120-28	TRANSISTOR 2SC1623-L5L6		
1366		K	TRANSISTOR		Q3005	8-729-602-36	TRANSISTOR 2SA1602-F		
1367		K	TRANSISTOR		Q3006	8-729-602-36	TRANSISTOR 2SA1602-F		
1368		K	RESISTOR		R3001	1-218-990-81	SHORT CHIP 0		
1369		K	RESISTOR		R3002	1-218-965-11	RES-CHIP 10K 5% 1/16W		
1370		K	RESISTOR		R3003	1-218-990-81	SHORT CHIP 0		
1371		K	RESISTOR		R3004	1-218-990-81	SHORT CHIP 0		
1372		K	RESISTOR		R3005	1-218-990-81	SHORT CHIP 0		
1373		K	RESISTOR		R3006	1-208-927-11	METAL CHIP 47K 0.5% 1/16W		
1374		K	RESISTOR		R3007	1-208-929-11	METAL CHIP 56K 0.5% 1/16W		
1375		K	RESISTOR		R3008	1-208-931-11	METAL CHIP 68K 0.5% 1/16W		
1376		K	RESISTOR		R3009	1-208-699-11	METAL CHIP 4.7K 0.5% 1/16W		
1377		K	RESISTOR		R3010	1-208-699-11	METAL CHIP 4.7K 0.5% 1/16W		
1378		K	RESISTOR		R3011	1-218-990-81	SHORT CHIP 0		
1379		K	RESISTOR		R3012	1-218-941-81	RES-CHIP 100 5% 1/16W		
1380		K	RESISTOR		R3013	1-218-941-81	RES-CHIP 100 5% 1/16W		
1381		K	RESISTOR		R3014	1-218-965-11	RES-CHIP 10K 5% 1/16W		
1382		K	RESISTOR		R3015	1-218-941-81	RES-CHIP 100 5% 1/16W		
1383		K	RESISTOR		R3016	1-218-965-11	RES-CHIP 10K 5% 1/16W		
1384		K	RESISTOR		R3017	1-218-965-11	RES-CHIP 10K 5% 1/16W		
1385		K	RESISTOR		R3019	1-218-977-11	RES-CHIP 100K 5% 1/16W		
1386		K	RESISTOR		R3020	1-218-965-11	RES-CHIP 10K 5% 1/16W		
1387		K	RESISTOR		R3021	1-218-978-11	RES-CHIP 120K 5% 1/16W		
1388		K	RESISTOR		R3022	1-218-977-11	RES-CHIP 100K 5% 1/16W		
1389		K	RESISTOR		R3023	1-218-990-81	SHORT CHIP 0		
1390		K	RESISTOR		R3024	1-218-965-11	RES-CHIP 10K 5% 1/16W		
1391		K	RESISTOR		R3025	1-208-695-11	METAL CHIP 3.3K 0.5% 1/16W		
1392		K	RESISTOR		R3026	1-208-695-11	METAL CHIP 3.3K 0.5% 1/16W		
1393		K	RESISTOR		R3027	1-218-965-11	RES-CHIP 10K 5% 1/16W		
1394		K	RESISTOR		R3029	1-218-977-11	RES-CHIP 100K 5% 1/16W		
1395		K	RESISTOR		R3030	1-208-683-11	METAL CHIP 1K 0.5% 1/16W		
1396		K	RESISTOR		R3032	1-218-933-11	RES-CHIP 22 5% 1/16W		
1397		K	RESISTOR		R3033	1-218-990-81	SHORT CHIP 0		
1398		K	RESISTOR		R3034	1-218-965-11	RES-CHIP 10K 5% 1/16W		
1399		K	RESISTOR		R3035	1-218-977-11	RES-CHIP 100K 5% 1/16W		
1400		K	RESISTOR		R3036	1-218-990-81	SHORT CHIP 0		
1401		K	RESISTOR		R3037	1-218-990-81	SHORT CHIP 0		
1402		K	RESISTOR		R3038	1-218-978-11	RES-CHIP 120K 5% 1/16W		
1403		K	RESISTOR		R3039	1-218-977-11	RES-CHIP 100K 5% 1/16W		
1404		K	RESISTOR		R3040	1-218-990-81	SHORT CHIP 0		
1405		K	RESISTOR		R3041	1-218-941-81	RES-CHIP 100 5% 1/16W		
1406		K	RESISTOR		R3042	1-218-941-81	RES-CHIP 100 5% 1/16W		

No.	#	Board	Type	Δ / [*]	Ref. No.	Part No.	Description	Remarks-1	Remarks-2
1407		K	RESISTOR		R3043	1-218-941-81	RES-CHIP 100 5% 1/16W		
1408		K	RESISTOR		R3044	1-218-965-11	RES-CHIP 10K 5% 1/16W		
1409		K	RESISTOR		R3045	1-218-990-81	SHORT CHIP 0		
1410		K	RESISTOR		R3046	1-218-965-11	RES-CHIP 10K 5% 1/16W		
1411		K	RESISTOR		R3047	1-218-990-81	SHORT CHIP 0		
1412		K	RESISTOR		R3048	1-218-990-81	SHORT CHIP 0		
1413		K	RESISTOR		R3049	1-218-990-81	SHORT CHIP 0		
1414		K	RESISTOR		R3050	1-216-791-11	METAL CHIP 3.3 5% 1/10W		
1415		K	RESISTOR		R3051	1-218-941-81	RES-CHIP 100 5% 1/16W		
1416		K	RESISTOR		R3052	1-218-941-81	RES-CHIP 100 5% 1/16W		
1417		K	RESISTOR		R3053	1-216-791-11	METAL CHIP 3.3 5% 1/10W		
1418		K	RESISTOR		R3054	1-218-941-81	RES-CHIP 100 5% 1/16W		
1419		K	RESISTOR		R3055	1-218-965-11	RES-CHIP 10K 5% 1/16W		
1420		K	RESISTOR		R3056	1-216-800-11	METAL CHIP 18 5% 1/10W		
1421		K	RESISTOR		R3057	1-218-941-81	RES-CHIP 100 5% 1/16W		
1422		K	RESISTOR		R3059	1-218-941-81	RES-CHIP 100 5% 1/16W		
1423		K	RESISTOR		R3060	1-218-990-81	SHORT CHIP 0		
1424		K	RESISTOR		R3062	1-216-790-11	METAL CHIP 2.7 5% 1/10W		
1425		K	RESISTOR		R3063	1-216-790-11	METAL CHIP 2.7 5% 1/10W		
1426		K	RESISTOR		R3064	1-218-941-81	RES-CHIP 100 5% 1/16W		
1427		K	RESISTOR		R3065	1-218-965-11	RES-CHIP 10K 5% 1/16W		
1428		K	RESISTOR		R3066	1-218-990-81	SHORT CHIP 0		
1429		K	RESISTOR		R3067	1-218-990-81	SHORT CHIP 0		
1430		K	RESISTOR		R3070	1-218-945-11	RES-CHIP 220 5% 1/16W		
1431		K	RESISTOR		R3071	1-218-941-81	RES-CHIP 100 5% 1/16W		
1432		K	RESISTOR		R3072	1-218-990-81	SHORT CHIP 0		
1433		K	RESISTOR		R3073	1-218-990-81	SHORT CHIP 0		
1434		K	RESISTOR		R3075	1-218-945-11	RES-CHIP 220 5% 1/16W		
1435		K	RESISTOR		R3076	1-218-972-11	RES-CHIP 39K 5% 1/16W		
1436		K	RESISTOR		R3077	1-216-800-11	METAL CHIP 18 5% 1/10W		
1437		K	RESISTOR		R3078	1-218-941-81	RES-CHIP 100 5% 1/16W		
1438		K	RESISTOR		R3079	1-218-945-11	RES-CHIP 220 5% 1/16W		
1439		K	RESISTOR		R3082	1-218-990-81	SHORT CHIP 0		
1440		K	RESISTOR		R3084	1-218-965-11	RES-CHIP 10K 5% 1/16W		
1441		K	RESISTOR		R3085	1-216-800-11	METAL CHIP 18 5% 1/10W		
1442		K	RESISTOR		R3086	1-218-933-11	RES-CHIP 22 5% 1/16W		
1443		K	RESISTOR		R3088	1-218-933-11	RES-CHIP 22 5% 1/16W		
1444		K	RESISTOR		R3089	1-218-990-81	SHORT CHIP 0		
1445		K	RESISTOR		R3092	1-218-990-81	SHORT CHIP 0		
1446		K	RESISTOR		R3096	1-216-790-11	METAL CHIP 2.7 5% 1/10W		
1447		K	RESISTOR		R3097	1-216-790-11	METAL CHIP 2.7 5% 1/10W		
1448		K	RESISTOR		R3098	1-218-990-81	SHORT CHIP 0		
1449		K	RESISTOR		R3100	1-216-800-11	METAL CHIP 18 5% 1/10W		
1450		K	RESISTOR		R3101	1-216-791-11	METAL CHIP 3.3 5% 1/10W		
1451		K	RESISTOR		R3102	1-216-791-11	METAL CHIP 3.3 5% 1/10W		
1452		K	RESISTOR		R3103	1-216-791-11	METAL CHIP 3.3 5% 1/10W		
1453		K	RESISTOR		R3104	1-218-945-11	RES-CHIP 220 5% 1/16W		
1454		K	RESISTOR		R3105	1-218-977-11	RES-CHIP 100K 5% 1/16W		
1455		K	RESISTOR		R3106	1-218-990-81	SHORT CHIP 0		
1456		K	RESISTOR		R3107	1-218-989-11	RES-CHIP 1M 5% 1/16W		
1457		K	RESISTOR		R3108	1-218-941-81	RES-CHIP 100 5% 1/16W		
1458		K	RESISTOR		R3111	1-218-945-11	RES-CHIP 220 5% 1/16W		
1459		K	RESISTOR		R3112	1-218-945-11	RES-CHIP 220 5% 1/16W		
1460		K	RESISTOR		R3113	1-218-990-81	SHORT CHIP 0		
1461		K	RESISTOR		R3114	1-218-990-81	SHORT CHIP 0		
1462		K	RESISTOR		R3150	1-216-295-91	SHORT CHIP 0		
1463		K	RESISTOR		R3151	1-216-813-11	METAL CHIP 220 5% 1/10W		
1464		K	RESISTOR		R3152	1-216-864-11	SHORT CHIP 0		
1465		K	RESISTOR		R3153	1-216-864-11	SHORT CHIP 0		
1466		K	RESISTOR		R3154	1-216-864-11	SHORT CHIP 0		
1467		K	RESISTOR		R3155	1-216-864-11	SHORT CHIP 0		
1468		K	RESISTOR		R3156	1-216-864-11	SHORT CHIP 0		
1469		K	RESISTOR		R3157	1-216-864-11	SHORT CHIP 0		
1470		K	RESISTOR		R3158	1-216-864-11	SHORT CHIP 0		
1471		K	RESISTOR		R3159	1-216-864-11	SHORT CHIP 0		
1472		K	RESISTOR		R3160	1-216-864-11	SHORT CHIP 0		
1473		K	RESISTOR		R3161	1-216-864-11	SHORT CHIP 0		
1474		K	RESISTOR		R3162	1-216-864-11	SHORT CHIP 0		
1475		K	RESISTOR		R3163	1-216-864-11	SHORT CHIP 0		
1476		K	RESISTOR		R3164	1-218-990-81	SHORT CHIP 0		
1477		K	RESISTOR		R3165	1-216-864-11	SHORT CHIP 0		
1478		K	RESISTOR		R3166	1-216-864-11	SHORT CHIP 0		
1479		K	RESISTOR		R3167	1-216-864-11	SHORT CHIP 0		
1480		K	RESISTOR		R3168	1-216-864-11	SHORT CHIP 0		

No.	#	Board	Type	Δ / [*]	Ref. No.	Part No.	Description	Remarks-1	Remarks-2
1481		K	RESISTOR		R3169	1-216-864-11	SHORT CHIP 0		
1482		K	RESISTOR		R3170	1-216-864-11	SHORT CHIP 0		
1483		K	RESISTOR		R3171	1-216-864-11	SHORT CHIP 0		
1484		K	RESISTOR		R3172	1-216-864-11	SHORT CHIP 0		
1485		K	RESISTOR		R3173	1-216-864-11	SHORT CHIP 0		
1486		K	RESISTOR		R3174	1-216-864-11	SHORT CHIP 0		
1487		K	RESISTOR		R3175	1-216-864-11	SHORT CHIP 0		
1488		K	RESISTOR		R3176	1-216-864-11	SHORT CHIP 0		
1489		K	RESISTOR		R3177	1-216-864-11	SHORT CHIP 0		
1490		K	RESISTOR		R3178	1-216-864-11	SHORT CHIP 0		
1491		K	CRYSTAL		X3001	1-795-660-21	QUARTZ CRYSTAL UNIT		
1492		H8	CAPACITOR		C7060	1-115-566-11	CERAMIC CHIP 4.7UF 10.00% 10V		
1493		H8	CAPACITOR		C7061	1-162-927-11	CERAMIC CHIP 100PF 5.00% 50V		
1494		H8	CAPACITOR		C7062	1-162-927-11	CERAMIC CHIP 100PF 5.00% 50V		
1495		H8	CAPACITOR		C7063	1-115-156-11	CERAMIC CHIP 1UF 10V		
1496		H8	CAPACITOR		C7064	1-162-927-11	CERAMIC CHIP 100PF 5.00% 50V		
1497		H8	CAPACITOR		C7065	1-162-927-11	CERAMIC CHIP 100PF 5.00% 50V		
1498		H8	CAPACITOR		C7066	1-115-156-11	CERAMIC CHIP 1UF 10V		
1499		H8	CAPACITOR		C7067	1-107-826-11	CERAMIC CHIP 0.1UF 10.00% 16V		
1500		H8	CAPACITOR		C7068	1-126-392-11	ELECT CHIP 100UF 20.00% 6.3V		
1501		H8	CAPACITOR		C7070	1-162-927-11	CERAMIC CHIP 100PF 5.00% 50V		
1502		H8	CAPACITOR		C7071	1-162-927-11	CERAMIC CHIP 100PF 5.00% 50V		
1503		H8	CAPACITOR		C7072	1-164-227-11	CERAMIC CHIP 0.022UF 10.00% 25V		
1504		H8	CAPACITOR		C7073	1-164-227-11	CERAMIC CHIP 0.022UF 10.00% 25V		
1505		H8	DIODE		D7061	8-719-069-60	DIODE UDZSTE-179.1B		
1506		H8	DIODE		D7062	8-719-069-60	DIODE UDZSTE-179.1B		
1507		H8	DIODE		D7063	8-719-062-19	DIODE MA3200WA-TX		
1508		H8	DIODE		D7064	8-719-062-19	DIODE MA3200WA-TX		
1509		H8	DIODE		D7065	8-719-062-19	DIODE MA3200WA-TX		
1510		H8	FERRITE BEAD		FB7060	1-469-379-11	FERRITE 0UH		
1511		H8	JACK		J7060	1-819-355-11	PHONO JACK 3P		
1512		H8	JACK		J7061	1-819-356-11	PHONO JACK 3P		
1513		H8	JACK		J7063	1-568-267-11	JACK		
1514		H8	COIL		L7060	1-400-284-21	INDUCTOR 0UH		
1515		H8	RESISTOR		R7063	1-216-864-11	SHORT CHIP 0		
1516		H8	RESISTOR		R7067	1-216-864-11	SHORT CHIP 0		
1517		H8	RESISTOR		R7071	1-216-864-11	SHORT CHIP 0		
1518		H8	RESISTOR		R7072	1-216-813-11	METAL CHIP 220 5% 1/10W		
1519		H8	RESISTOR		R7073	1-216-813-11	METAL CHIP 220 5% 1/10W		
1520		H8	RESISTOR		R7074	1-216-813-11	METAL CHIP 220 5% 1/10W		
1521		H8	RESISTOR		R7075	1-216-864-11	SHORT CHIP 0		
1522		H8	RESISTOR		R7076	1-216-815-11	METAL CHIP 330 5% 1/10W		
1523		H8	RESISTOR		R7077	1-216-853-11	METAL CHIP 470K 5% 1/10W		
1524		H8	RESISTOR		R7078	1-216-815-11	METAL CHIP 330 5% 1/10W		
1525		H8	RESISTOR		R7079	1-216-853-11	METAL CHIP 470K 5% 1/10W		
1526		H8	RESISTOR		R7081	1-216-864-11	SHORT CHIP 0		
1527		H8	RESISTOR		R7082	1-216-797-11	METAL CHIP 10 5% 1/10W		
1528		H8	RESISTOR		R7083	1-216-797-11	METAL CHIP 10 5% 1/10W		
1529		H8	RESISTOR		R7084	1-216-809-11	METAL CHIP 100 5% 1/10W		
1530		H8	RESISTOR		R7086	1-803-974-21	VARISTOR, CHIP (1608)		
1531		H8	RESISTOR		R7087	1-216-864-11	SHORT CHIP 0		
1532		H8	RESISTOR		R7088	1-216-864-11	SHORT CHIP 0		
1533		H8	VARISTOR		VD7060	1-803-974-21	VARISTOR, CHIP (1608)		
1534		H8	VARISTOR		VD7061	1-803-974-21	VARISTOR, CHIP (1608)		
1535		H8	VARISTOR		VD7062	1-803-974-21	VARISTOR, CHIP (1608)		
1536		H8	VARISTOR		VD7063	1-803-974-21	VARISTOR, CHIP (1608)		
1537		H8	VARISTOR		VD7065	1-801-925-21	VARISTOR, CHIP (1608)		
1538		H8	VARISTOR		VD7066	6-501-243-01	DIODE CM1214-01SO		
1539		H8	VARISTOR		VD7067	6-501-243-01	DIODE CM1214-01SO		

