

# SONY® SERVICE MANUAL

# RA-3 CHASSIS

<u>MODEL</u>	<u>COMMANDER</u>	<u>DEST.</u>	<u>CHASSIS NO.</u>	<u>MODEL</u>	<u>COMMANDER</u>	<u>DEST.</u>	<u>CHASSIS NO.</u>
KP-48V80	RM-Y906	US	SCC-P14CA	KP-61V80	RM-Y906	US	SCC-P14BA
KP-48V80	RM-Y906	Canadian	SCC-P14CA	KP-61V80	RM-Y906	Canadian	SCC-P14BA
KP-53V80	RM-Y906	US	SCC-P14AA				
KP-53V80	RM-Y906	Canadian	SCC-P14AA				

## SUPPLEMENT -1

SUBJECT : Circuit boards modification

File this Supplement with the service manual.

- Applicable to the following serial numbers.

<b>Modified Item</b>	<b>G Board</b>	<b>IC002 on A board</b>
<b>Model</b>		
KP-48V80	9001828 and later	9004592 and later
KP-53V80	9024601 and later	9037092 and later
KP-61V80	9006248 and later	9009041 and later

### TABLE OF CONTENTS

- **CORRECTION OF EXPLODED VIEWS** ..... 2
- 6. DIAGRAMS**
  - 6-4. Printed Wiring Boards and Schematic Diagrams
    - CG Board ..... 3
    - CB Board ..... 3
    - G Board ..... 4
    - A (1/3) Board ..... 11
    - A (2/3) Board ..... 15
    - A (3/3) Board ..... 19
- 8. ELECTRICAL PARTS LIST** ..... 27

※ Please file according to model size. .... ■

48 53 61

• **CORRECTION OF EXPLODED VIEWS**

**7-3. CHASSIS (Page115)**

REF. NO.	INCORRECT		CORRECT	
	PART NO.	DESCRIPTION	PART NO.	DESCRIPTION
153	△ X-4560-164-1	FLAY BACK TRANS ASSY, NX4007//J114 ( T504 )	△ 1-453-238-21	FLAY BACK TRANS ASSY, NX4007//J114 ( T504 )

**7-4. PICTURE TUBE (Page116)**

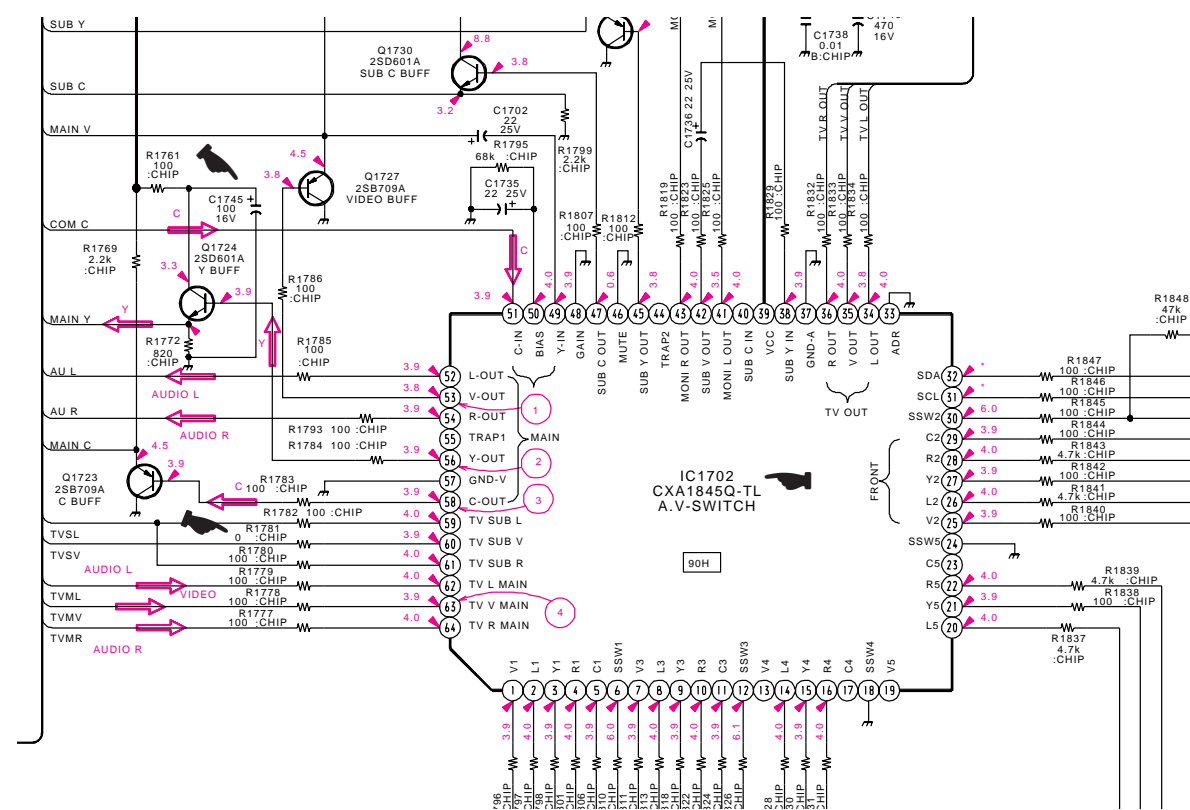
REF. NO.	INCORRECT		CORRECT	
	PART NO.	DESCRIPTION	PART NO.	DESCRIPTION
153	△ 8-733-572-05	CRT 07MXC3 (R) (HEATER) (48V80)	△ 8-733-572-15	CRT 07MXC3 (R) (HEATER) (48V80)
154	△ 8-733-570-05	CRT 07MXC2 (G) (HEATER) (48V80)	△ 8-733-570-15	CRT 07MXC2 (G) (HEATER) (48V80)
155	△ 8-733-575-05	CRT 07MXC3 (B) (HEATER) (48V80)	△ 8-733-575-15	CRT 07MXC3 (B) (HEATER) (48V80)

**MISCELLANEOUS (Page143)**

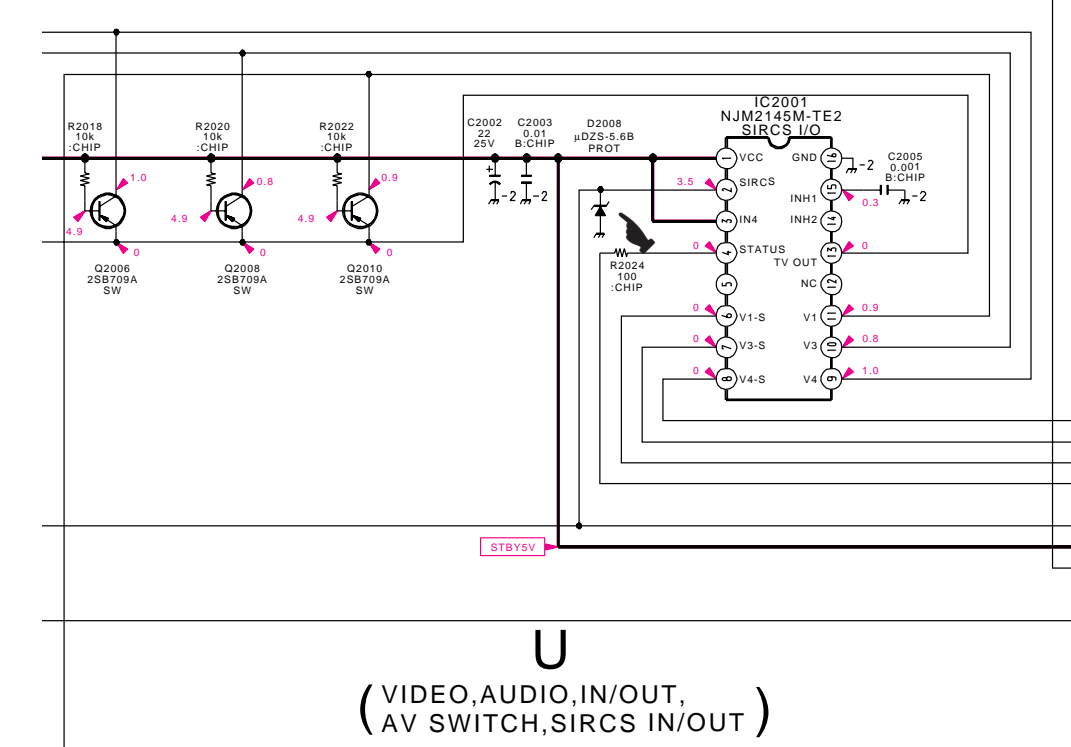
REF. NO.	INCORRECT		CORRECT	
	PART NO.	DESCRIPTION	PART NO.	DESCRIPTION
	△ 8-733-572-05	CRT 07MXC3 (R) (HEATER) (48V80)	△ 8-733-572-15	CRT 07MXC3 (R) (HEATER) (48V80)
	△ 8-733-570-05	CRT 07MXC2 (G) (HEATER) (48V80)	△ 8-733-570-15	CRT 07MXC2 (G) (HEATER) (48V80)
	△ 8-733-575-05	CRT 07MXC3 (B) (HEATER) (48V80)	△ 8-733-575-15	CRT 07MXC3 (B) (HEATER) (48V80)
	△ X-4560-164-1	FLAY BACK TRANS ASSY, NX4007//J114 ( T504 )	△ 1-453-238-21	FLAY BACK TRANS ASSY, NX4007//J114 ( T504 )

■ : Changed portion

**- U Board -**  
(Service Manual page 101. Location : B - 9, E - 13)

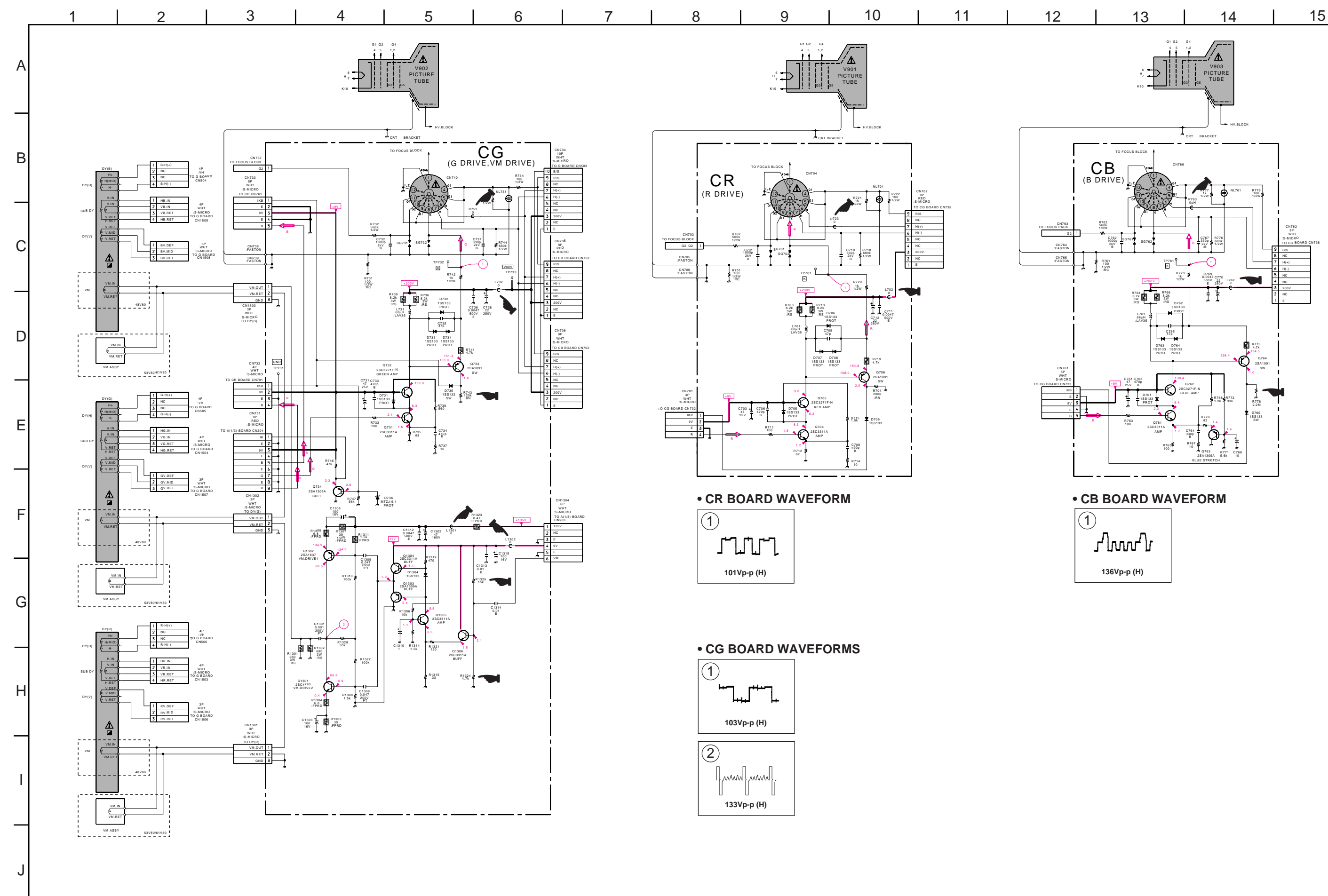


**- U Board -**  
(Service Manual page 101. Location : K - 17, M - 20)



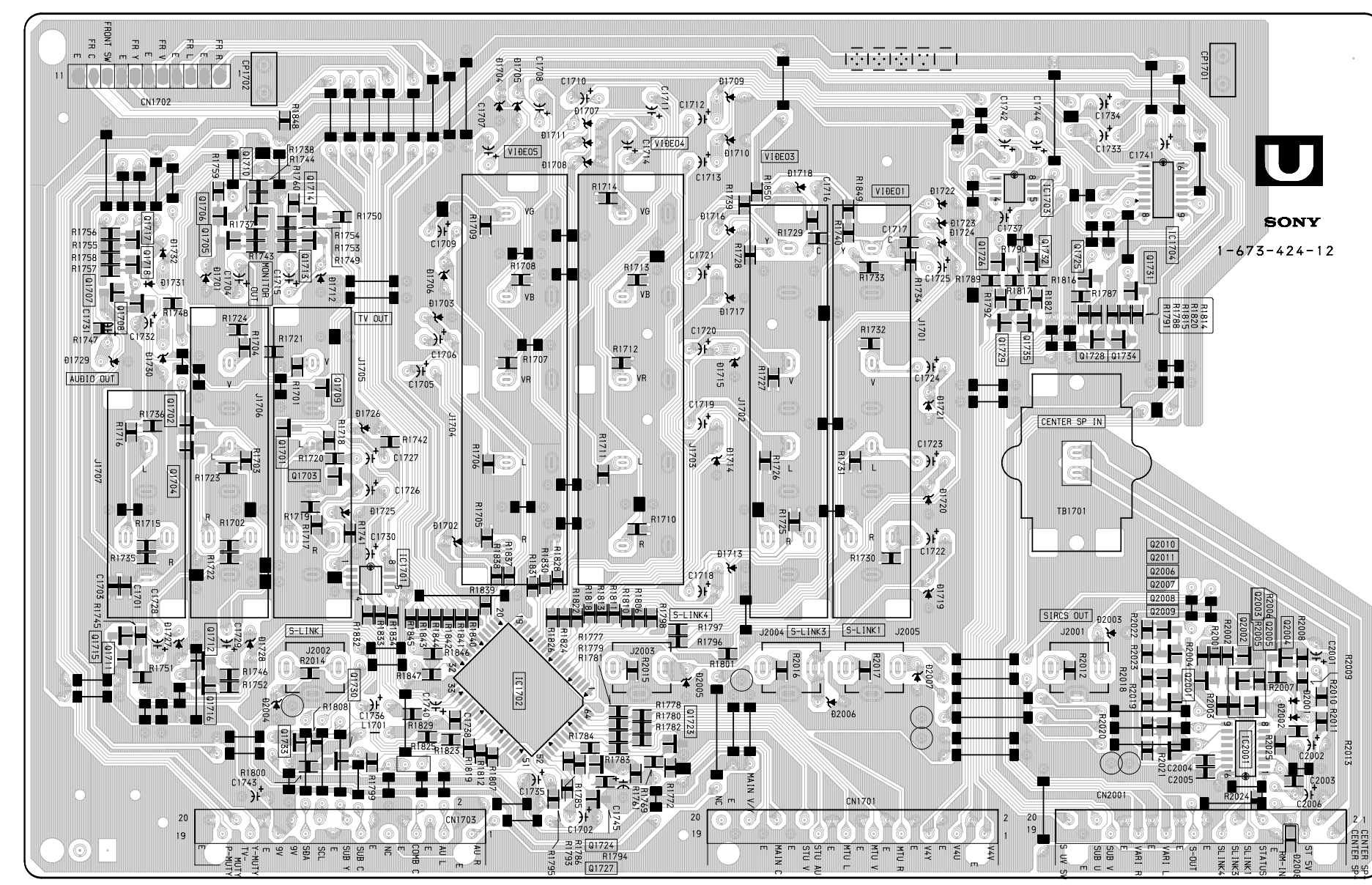
**U**  
(VIDEO, AUDIO, IN/OUT, AV SWITCH, SIRCS IN/OUT)

**- CG, CR, CB Boards -**  
(Service Manual page 105 -107)

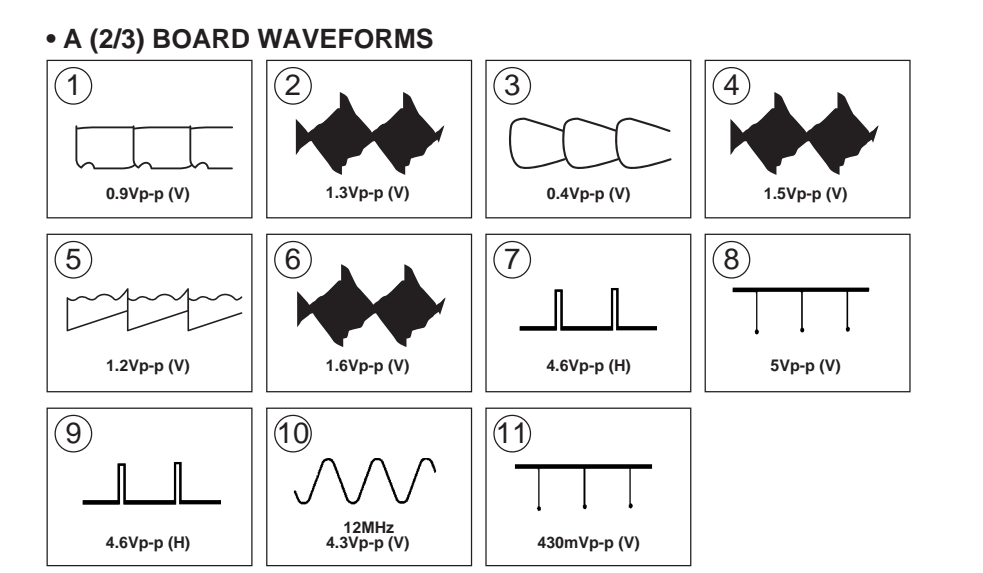
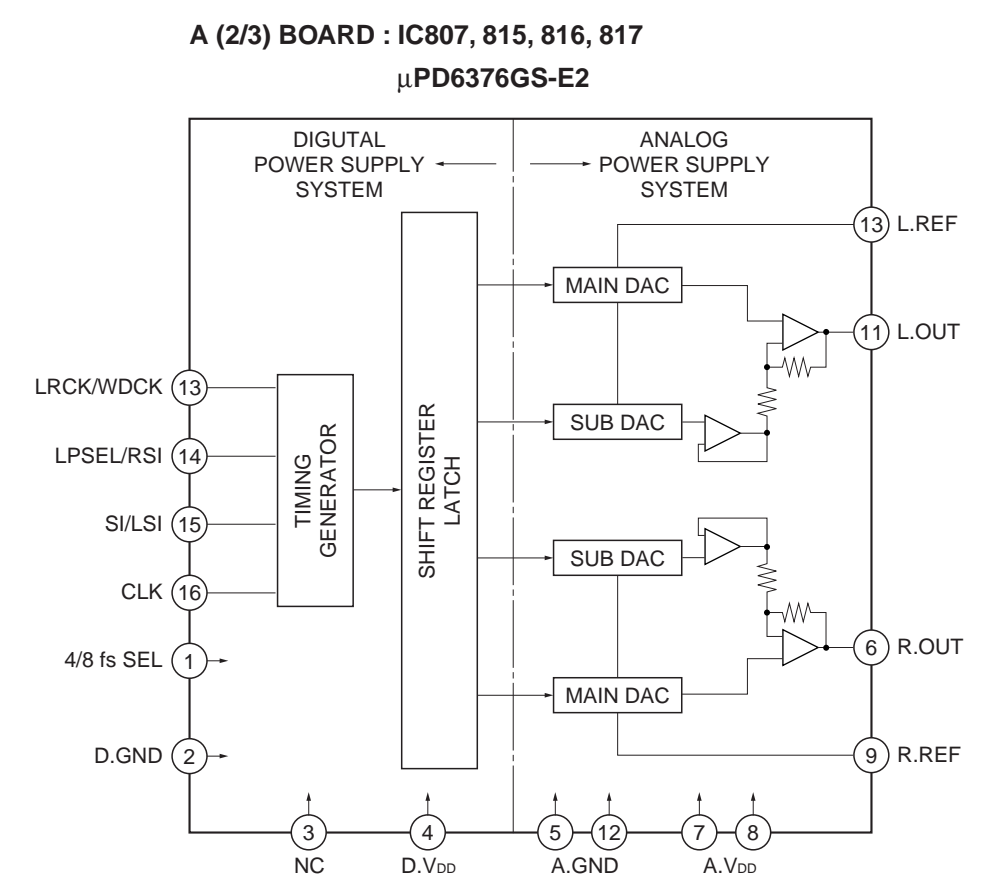
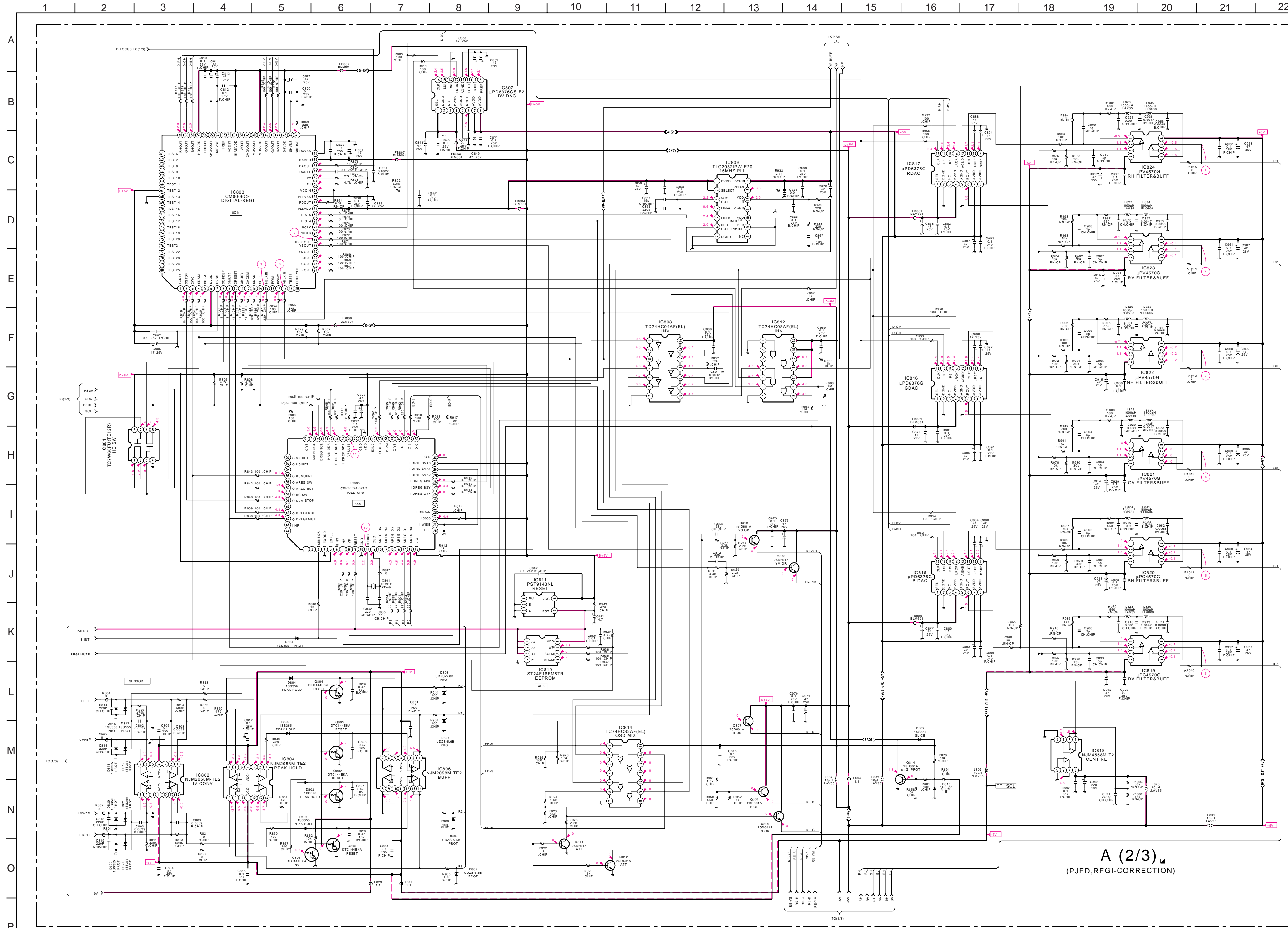


**U** [ VIDEO, AUDIO IN/OUT, AV SWITCH, SIRCS IN/OUT ]

**- U Board -** (Service Manual page 99)



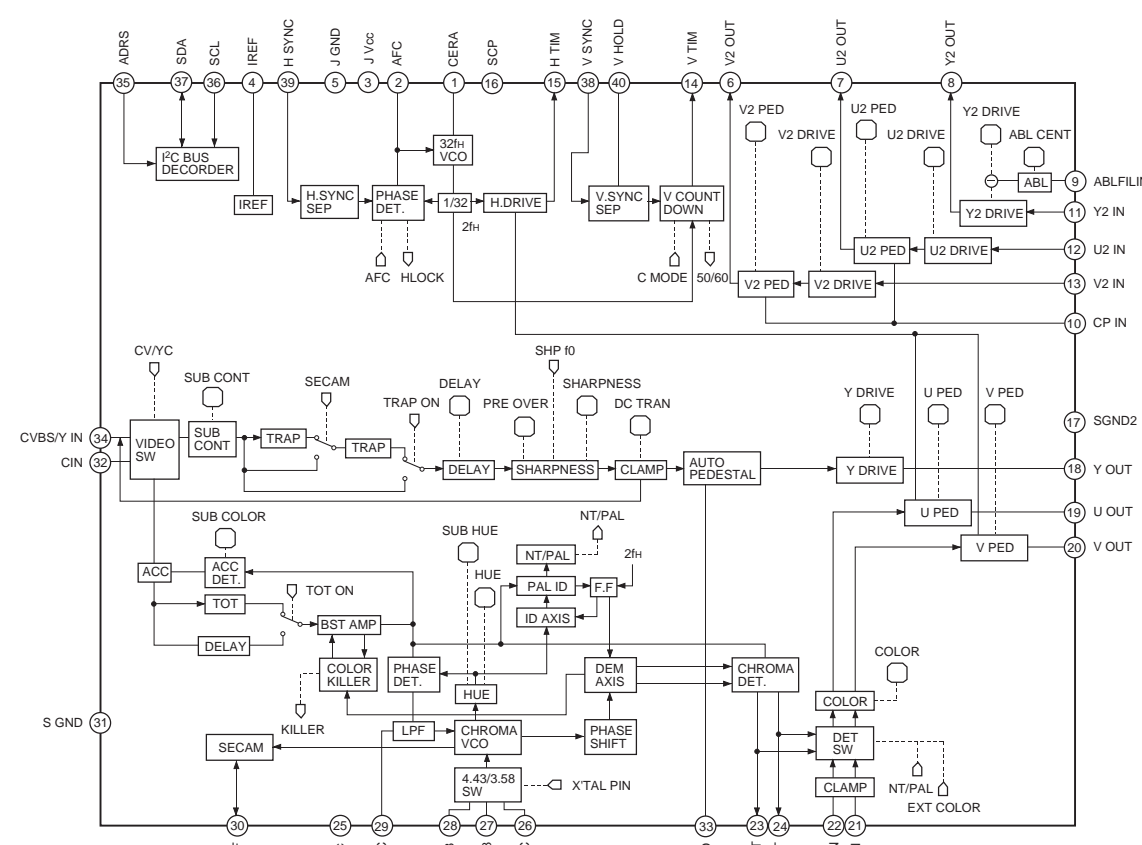




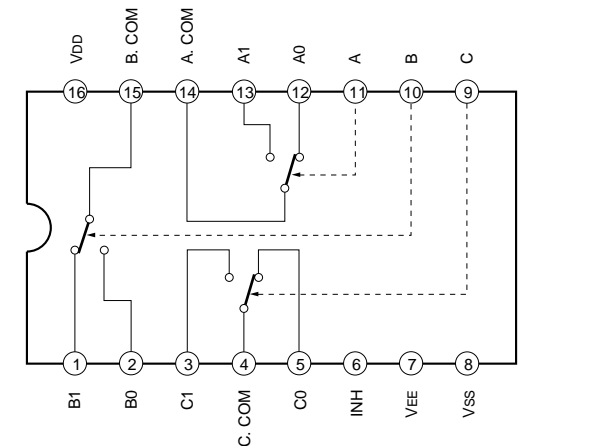
**A (2/3)**  
 (PJED,REGI-CORRECTION)



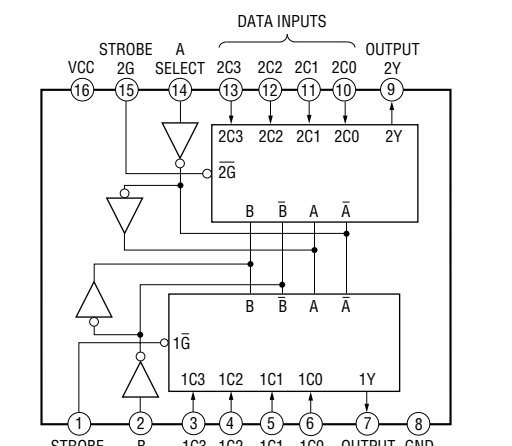
A (3/3) BOARD : IC1402, 1403 CXA2019AQ-T4



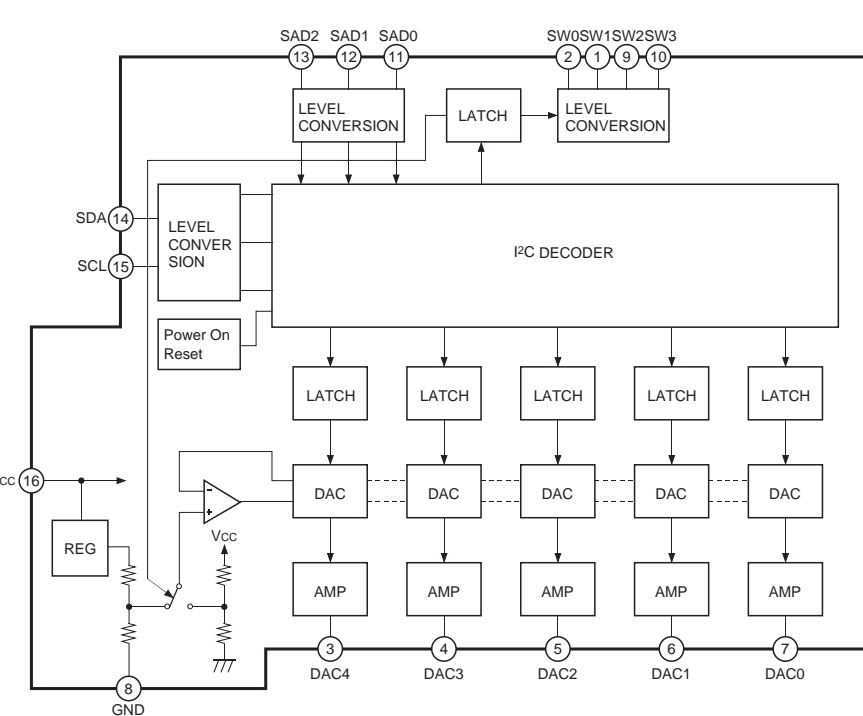
A (3/3) BOARD : IC1404, 1406 BU4053BCF-T2



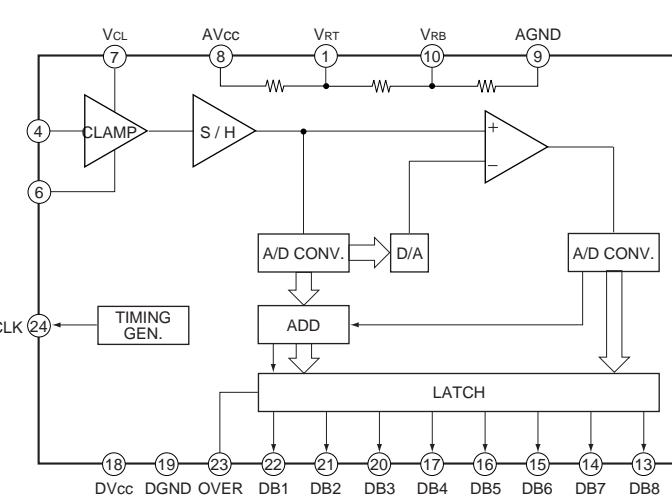
A (3/3) BOARD : IC1408 TC74HC153AF



A (3/3) BOARD : IC1409 CXA1315M-T4



A (3/3) BOARD : IC203 μPC659AGS-E2

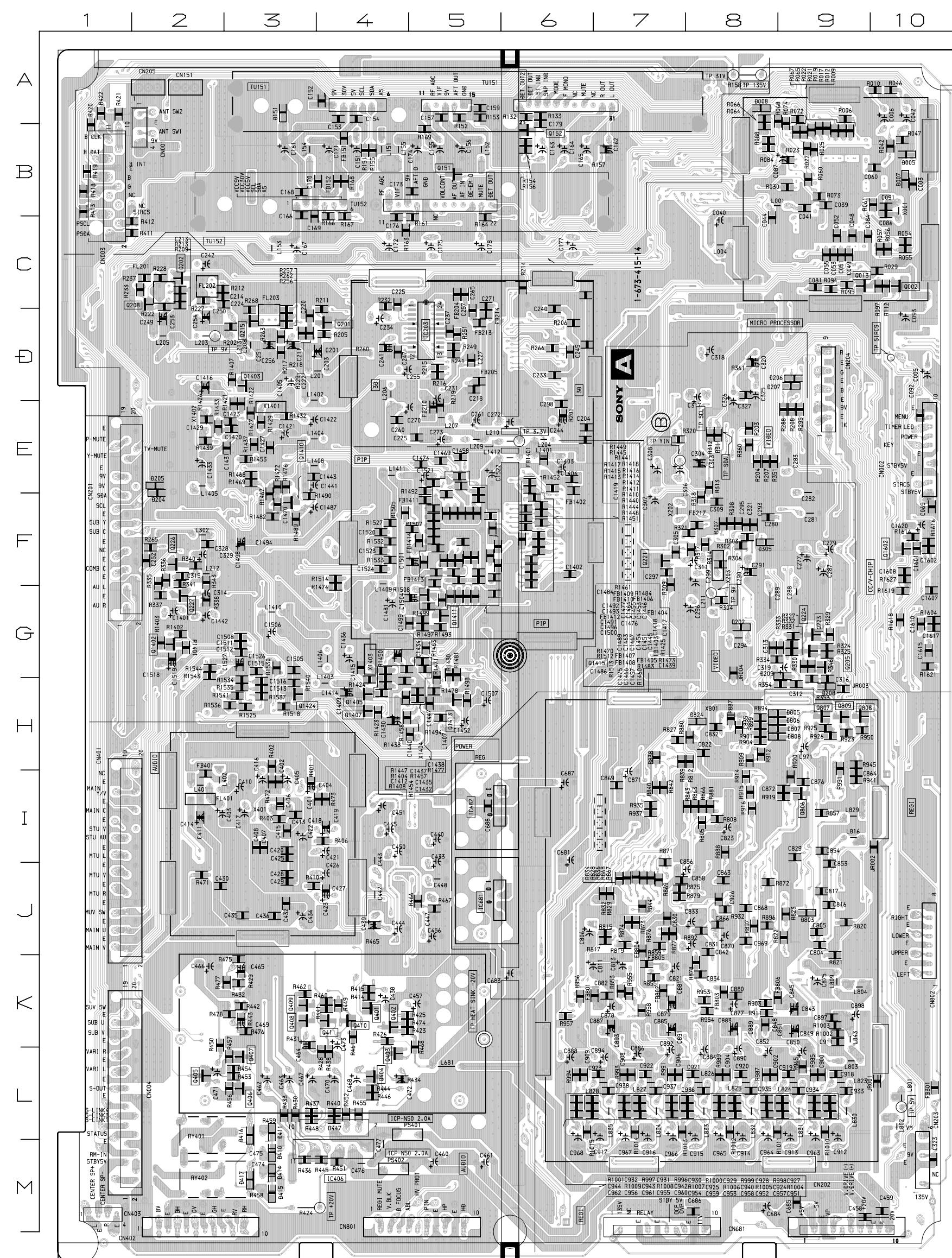
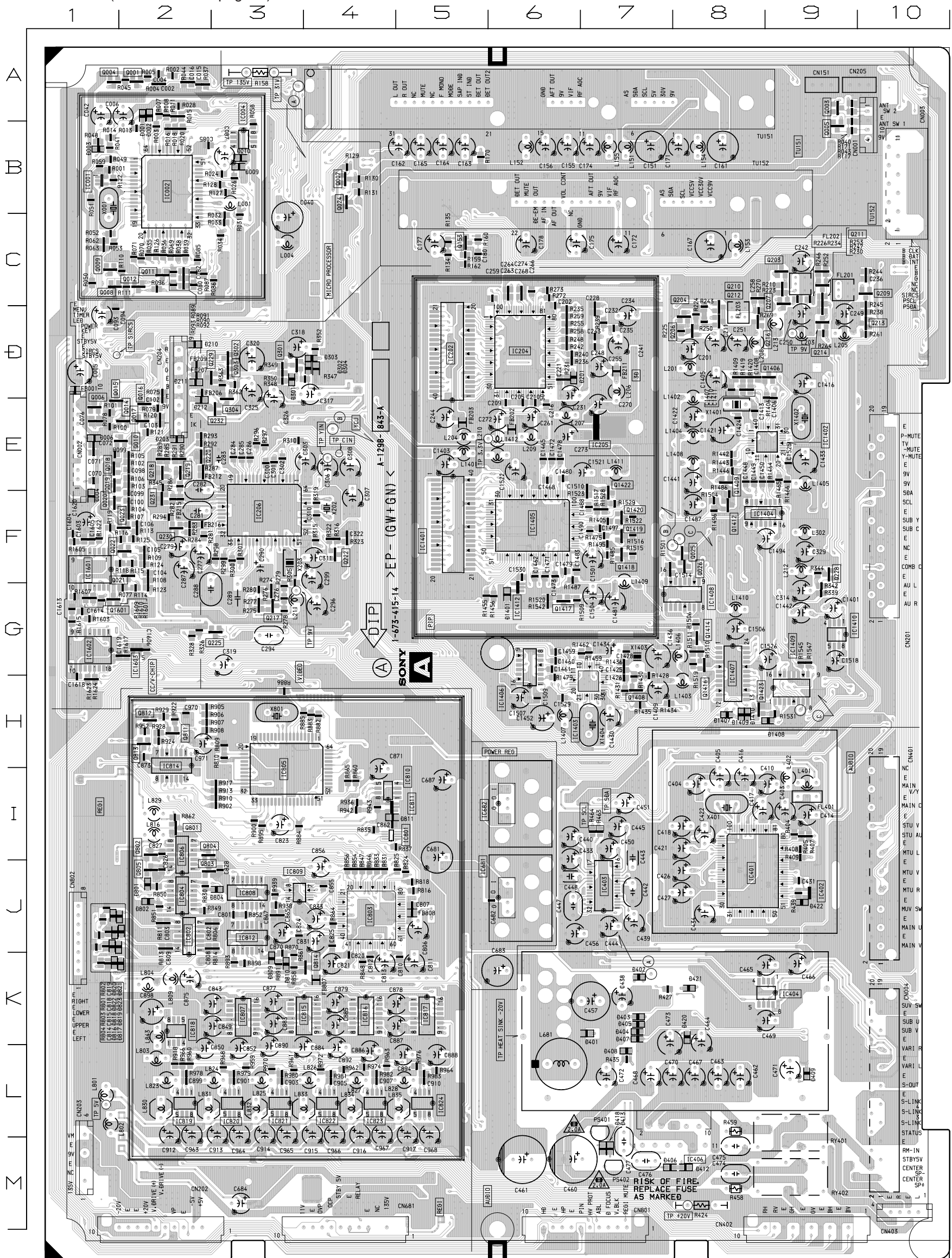


A BOARD

DIODE		D302 D-4		D418 M-7		D823 J-1		Q012 C-2		Q205 G-9		Q225 G-3		Q409 K-3		Q1407 H-4		IC		IC803 J-4		IC824 L-5	
L	R																	L	R	L	R	L	R
D001	A-2	D303	D-4	D421	K-8	D824	K-8	Q013	C-9	Q206	D-8	Q226	F-2	Q410	K-4	Q1408	H-7	IC001	B-1	IC804	J-2	IC1401	F-5
D002	A-2	D402	K-7	D802	J-2	D1407	H-8	Q014	E-2	Q207	D-8	Q227	G-2	Q411	K-4	Q1409	E-8	IC002	B-2	IC805	H-3	IC1402	E-9
D003	B-1	D403	K-7	D803	J-9	D1408	H-9	Q015	E-1	Q208	C-2	Q228	F-9	Q801	I-2	Q1410	H-7	IC003	B-1	IC806	I-2	IC1403	H-7
D004	F-1	D404	K-7	D804	J-3	D1409	H-8	Q016	E-2	Q209	C-10	Q229	D-2	Q802	I-2	Q1411	G-5	IC004	B-2	IC807	K-3	IC1404	F-8
D005	B-10	D405	K-7	D805	H-8	D1410	H-8	Q017	E-2	Q210	D-8	Q230	F-2	Q803	J-2	Q1412	F-8	IC005	B-3	IC808	J-3	IC1405	F-6
D006	E-1	D406	M-7	D806	H-8			Q018	E-1	Q211	C-9	Q231	F-2	Q804	J-2	Q1413	H-5	IC006	D-5	IC809	J-3	IC1406	G-6
D007	B10	D407	K-7	D807	H-8			Q019	E-1	Q212	D-8	Q232	E-3	Q805	J-2	Q1414	G-8	IC007	D-5	IC810	J-4	IC1407	G-8
D151	A-3	D408	L-7	D808	H-8			Q020	F-1	Q213	D-10	Q301	D-3	Q806	I-9	Q1415	G-6	IC008	D-6	IC811	I-4	IC1408	G-8
D201	D-6	D409	L-9	D809	K-3			Q003	A-9	Q214	D-9	Q302	D-3	Q807	H-9	Q1416	G-8	IC009	F-3	IC812	J-3	IC1409	H-9
D202	G-8	D410	M-3	D810	K-3			Q004	A-1	Q215	D-8	Q303	D-3	Q808	H-9	Q1417	G-6	IC010	F-3	IC813	H-2	IC1410	G-9
D204	E-2	D411	L-3	D811	K-1			Q005	A-9	Q216	D-8	Q304	E-3	Q809	H-9	Q1418	F-7	IC011	J-8	IC814	H-2	IC1411	G-6
D205	E-2	D412	M-8	D812	K-1			Q006	A-9	Q217	G-3	Q401	K-4	Q811	H-2	Q1419	F-7	IC012	F-3	IC815	K-4	IC1412	G-9
D206	D-8	D413	M-7	D813	J-1			Q007	B-4	Q218	E-2	Q402	L-4	Q812	H-2	Q1420	F-7	IC013	H-2	IC816	K-4	IC1413	G-1
D207	D-9	D414	M-3	D814	J-1			Q008	C-1	Q219	E-2	Q403	L-4	Q813	H-2	Q1421	F-7	IC014	H-2	IC817	K-4	IC1414	G-1
D208	G-9	D415	M-3	D820	J-1			Q009	C-1	Q220	E-2	Q404	L-4	Q814	K-4	Q1422	H-9	IC015	H-2	IC818	K-2	IC1415	G-1
D209	G-9	D416	L-3	D821	J-1			Q010	E-2	Q221	F-4	Q405	L-2	Q815	H-2	Q1423	H-9	IC016	H-2	IC819	L-2	IC1416	G-2
D301	D-3	D417	M-3	D822	J-1			Q011	C-2	Q222	G-9	Q406	L-3	Q816	H-2	Q1424	H-9	IC017	H-2	IC820	L-3	IC1417	G-2
										Q223	G-9	Q407	L-3	Q817	H-2	Q1425	H-9	IC018	H-2	IC821	L-3	IC1418	G-2
										Q224	G-9	Q408	K-3	Q818	H-2	Q1426	D-9	IC019	H-2	IC822	L-4	IC1419	G-2

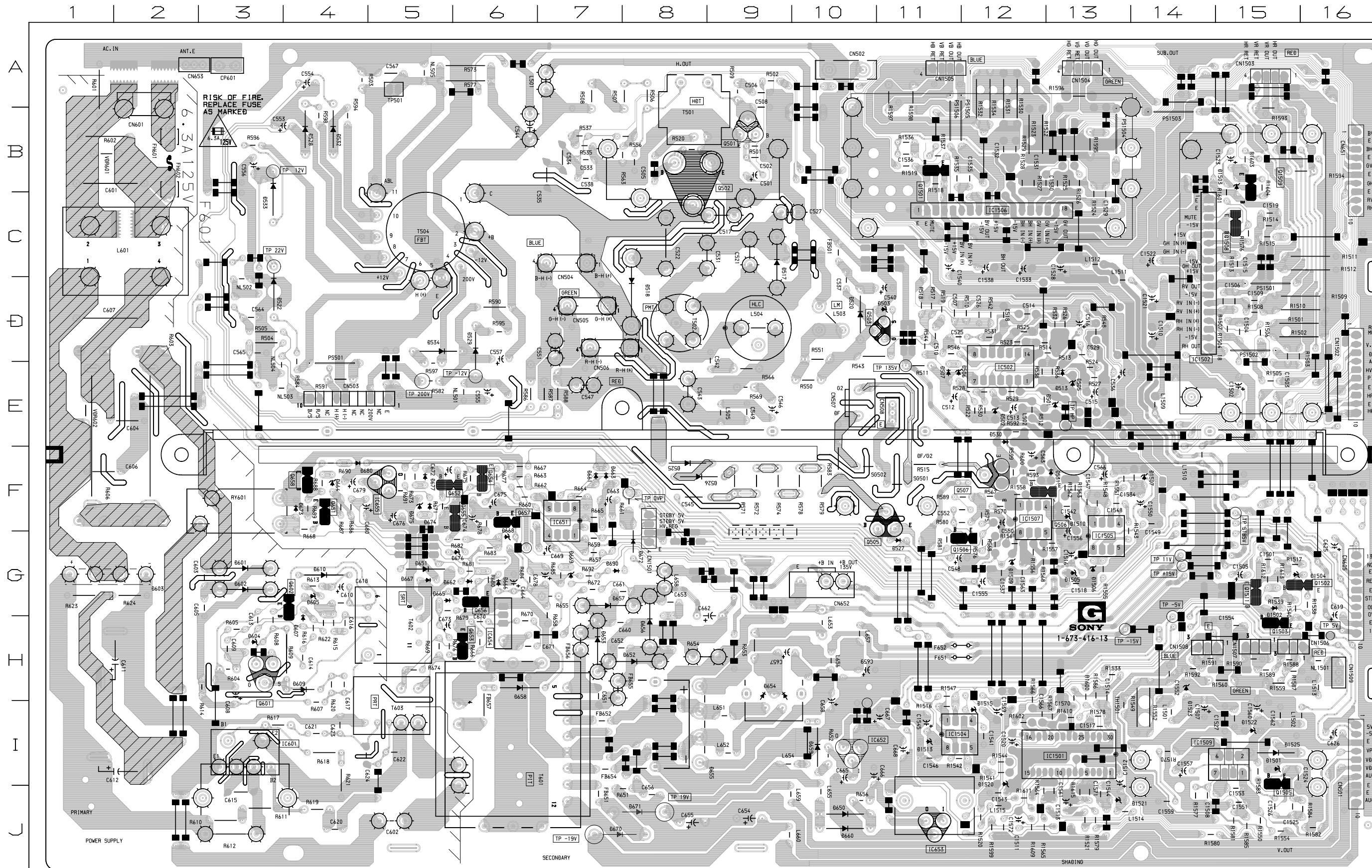
A (1/3) [TUNER, YCJ, SYSTEM] A (2/3) [P.JED, REGI-CORRECTION] A (3/3) [IP IN P, 3D COMB FILTER]

- A Board - (Service Manual page87)









**G BOARD**

DIODE		TRANSISTOR	
D501	E-13	Q501	B-9
D505	E-13	Q502	B-8
D506	E-11	Q503	D-11
D507	E-11	Q505	F-11
D513	E-13	Q506	F-12
D517	C-9	Q507	F-12
D518	D-8	Q601	H-3
D520	D-10	Q602	G-4
D522	D-3	Q651	F-4
D525	F-8	Q652	F-5
D526	F-8	Q653	H-6
D528	B-4	Q654	F-6
D529	D-6	Q655	F-5
D530	E-12	Q656	G-6
D531	F-13	Q657	F-6
D532	B-4	Q658	F-4
D533	B-6	Q1501	B-11
D534	D-5	Q1502	G-15
D601	G-3	Q1503	H-15
D602	G-3	Q1505	I-15
D603	G-2	Q1506	G-11
D604	H-3	Q1508	C-15
D605	G-4	Q1509	B-15
D607	H-4	Q1511	G-15
D609	H-4		
D610	G-4		
D650	J-10		
D651	G-5		
D652	H-8		
D653	H-7		
D654	H-9		
D655	I-8		
D656	H-8		
D657	G-7		
D658	H-6		
D659	I-10		
D660	J-10		
D661	F-7		
D662	G-6		
D663	F-7		
D664	F-4		
D665	G-5		
D666	G-6		
D667	G-5		
D668	G-6		
D669	G-7		
D670	J-7		
D671	J-8		
D672	G-8		
D673	F-4		
D674	F-5		
D675	F-5		
D676	G-6		
D677	F-5		
D680	F-4		

8. ELECTRICAL PARTS LIST

U BOARD (Page131)

REF. NO.		FORMER			NEW			REMARK
REF. NO.	PART NO.	DESCRIPTION	PART NO.	DESCRIPTION				
C1745			1-126-933-11	ELECT	100MF	20%	16V	ADDED
D2008			8-719-069-55	DIODE	UDZS-TE17-5.6B			ADDED
IC1702	8-752-066-69	IC CXA1845Q	8-752-082-87	IC CXA1845Q-TL				CHANGED

U BOARD (Page133)

REF. NO.		FORMER			NEW			REMARK
REF. NO.	PART NO.	DESCRIPTION	PART NO.	DESCRIPTION				
R1781	1-216-025-91	RES, CHIP	1-216-295-91	SHORT	0			CHANGED

CR BOARD (Page139)

REF. NO.		FORMER			NEW			REMARK
REF. NO.	PART NO.	DESCRIPTION	PART NO.	DESCRIPTION				
L702	1-414-223-11	INDUCTOR	1-412-911-11	FERRITE	0UH			CHANGED
R723			1-412-911-11	FERRITE	0UH			ADDED

CG BOARD (Page140)

REF. NO.		FORMER			NEW			REMARK
REF. NO.	PART NO.	DESCRIPTION	PART NO.	DESCRIPTION				
L732	1-414-223-11	INDUCTOR	1-412-911-11	FERRITE	0UH			CHANGED
L1301	1-414-223-11	INDUCTOR	1-412-911-11	FERRITE	0UH			CHANGED
L1302	1-414-223-11	INDUCTOR	1-412-911-11	FERRITE	0UH			CHANGED
R743	1-215-466-00	METAL	1-247-881-00	CARBON	120K	5%	1/4W	CHANGED
R753			1-412-911-11	FERRITE	0UH			ADDED
R1324	1-249-421-11	CARBON	1-249-425-11	CARBON	4.7K	5%	1/4W	CHANGED
R1325	1-249-427-11	CARBON	1-249-431-11	CARBON	15K	5%	1/4W	ADDED

CB BOARD (Page141)

REF. NO.		FORMER			NEW			REMARK
REF. NO.	PART NO.	DESCRIPTION	PART NO.	DESCRIPTION				
L762	1-414-223-11	INDUCTOR	1-412-911-11	FERRITE	0UH			CHANGED
R778			1-259-880-11	CARBON	2.2M	5%	1/4W	ADDED
R783			1-412-911-11	FERRITE	0UH			ADDED

REF. NO.	PART NO.	DESCRIPTION	REMARK
* A-1298-843-A A BOARD, COMPLETE (53/61V80) *****			
* A-1299-051-A A BOARD, COMPLETE (48V80) *****			
4-382-854-11 SCREW (M3X10), P.SW (+)			
<CAPACITOR>			
C002	1-163-259-91	CERAMIC CHIP	220pF 5% 50V
C003	1-163-038-91	CERAMIC CHIP	0.1µF 25V
C004	1-163-809-11	CERAMIC CHIP	0.047µF 10% 25V
C005	1-126-935-11	ELECT	470µF 20% 6.3V
C006	1-126-960-11	ELECT	1µF 20% 50V
C011	1-104-664-11	ELECT	47µF 20% 25V
C015	1-163-259-91	CERAMIC CHIP	220pF 5% 50V
C016	1-163-809-11	CERAMIC CHIP	0.047µF 10% 25V
C039	1-163-021-91	CERAMIC CHIP	0.01µF 10% 50V
C040	1-126-916-11	ELECT	1000µF 20% 6.3V
C041	1-163-229-11	CERAMIC CHIP	12pF 5% 50V
C042	1-126-960-11	ELECT	1µF 20% 50V
C044	1-163-231-11	CERAMIC CHIP	15pF 5% 50V
C066	1-117-720-11	CERAMIC CHIP	4.7µF 10V
C072	1-163-021-91	CERAMIC CHIP	0.01µF 10% 50V
C080	1-163-227-11	CERAMIC CHIP	10pF 0.5pF 50V
C081	1-163-227-11	CERAMIC CHIP	10pF 0.5pF 50V
C082	1-163-227-11	CERAMIC CHIP	10pF 0.5pF 50V
C085	1-163-021-91	CERAMIC CHIP	0.01µF 10% 50V
C086	1-163-229-11	CERAMIC CHIP	12pF 5% 50V
C087	1-126-964-11	ELECT	10µF 20% 50V
C091	1-163-227-11	CERAMIC CHIP	10pF 0.5pF 50V
C093	1-126-933-11	ELECT	100µF 20% 16V
C094	1-164-004-11	CERAMIC CHIP	0.1µF 10% 25V
C098	1-163-227-11	CERAMIC CHIP	10pF 0.5pF 50V
C099	1-163-227-11	CERAMIC CHIP	10pF 0.5pF 50V
C100	1-163-227-11	CERAMIC CHIP	10pF 0.5pF 50V
C102	1-163-239-11	CERAMIC CHIP	33pF 5% 50V
C103	1-163-239-11	CERAMIC CHIP	33pF 5% 50V
C104	1-163-227-11	CERAMIC CHIP	10pF 0.5pF 50V
C105	1-163-227-11	CERAMIC CHIP	10pF 0.5pF 50V
C106	1-163-227-11	CERAMIC CHIP	10pF 0.5pF 50V
C151	1-126-935-11	ELECT	470µF 20% 16V
C152	1-163-021-91	CERAMIC CHIP	0.01µF 10% 50V
C153	1-163-021-91	CERAMIC CHIP	0.01µF 10% 50V
C154	1-163-021-91	CERAMIC CHIP	0.01µF 10% 50V
C155	1-128-551-11	ELECT	22µF 20% 25V
C156	1-126-933-11	ELECT	100µF 20% 16V
C157	1-163-021-91	CERAMIC CHIP	0.01µF 10% 50V
C159	1-164-161-11	CERAMIC CHIP	0.0022µF 10% 50V
C161	1-126-968-11	ELECT	100µF 20% 50V
C162	1-126-960-11	ELECT	1µF 20% 50V
C163	1-128-551-11	ELECT	22µF 20% 25V
C164	1-128-551-11	ELECT	22µF 20% 25V
C165	1-128-551-11	ELECT	22µF 20% 25V
C166	1-163-021-91	CERAMIC CHIP	0.01µF 10% 50V
C167	1-126-935-11	ELECT	470µF 20% 16V
C168	1-163-021-91	CERAMIC CHIP	0.01µF 10% 50V
C170	1-163-021-91	CERAMIC CHIP	0.01µF 10% 50V

REF. NO.	PART NO.	DESCRIPTION	REMARK
C171	1-126-933-11	ELECT	100µF 20% 16V
C172	1-126-964-11	ELECT	10µF 20% 50V
C173	1-163-021-91	CERAMIC CHIP	0.01µF 10% 50V
C174	1-126-933-11	ELECT	100µF 20% 16V
C175	1-128-551-11	ELECT	22µF 20% 25V
C176	1-164-161-11	CERAMIC CHIP	0.0022µF 10% 50V
C177	1-128-551-11	ELECT	22µF 20% 25V
C178	1-126-960-11	ELECT	1µF 20% 50V
C179	1-163-021-91	CERAMIC CHIP	0.01µF 10% 50V
C180	1-163-021-91	CERAMIC CHIP	0.01µF 10% 50V
C201	1-104-664-11	ELECT	47µF 20% 25V
C202	1-163-249-11	CERAMIC CHIP	82pF 5% 50V
C203	1-163-038-91	CERAMIC CHIP	0.1µF 25V
C204	1-163-251-11	CERAMIC CHIP	100pF 5% 50V
C205	1-163-038-91	CERAMIC CHIP	0.1µF 25V
C209	1-163-038-91	CERAMIC CHIP	0.1µF 25V
C211	1-128-551-11	ELECT	22µF 20% 25V
C213	1-163-231-11	CERAMIC CHIP	15pF 5% 50V
C214	1-163-231-11	CERAMIC CHIP	15pF 5% 50V
C216	1-163-021-91	CERAMIC CHIP	0.01µF 10% 50V
C218	1-163-038-91	CERAMIC CHIP	0.1µF 25V
C220	1-163-133-00	CERAMIC CHIP	470pF 5% 50V
C221	1-104-760-11	CERAMIC CHIP	0.047µF 10% 50V
C222	1-109-982-11	CERAMIC CHIP	1µF 10% 10V
C224	1-163-113-00	CERAMIC CHIP	68pF 5% 50V
C224	1-163-249-11	CERAMIC CHIP	82pF 5% 50V (53/61V80) (48V80)
C227	1-163-038-91	CERAMIC CHIP	0.1µF 25V
C228	1-163-038-91	CERAMIC CHIP	0.1µF 25V
C231	1-126-933-11	ELECT	100µF 20% 16V
C232	1-163-038-91	CERAMIC CHIP	0.1µF 25V
C233	1-163-038-91	CERAMIC CHIP	0.1µF 25V
C234	1-126-964-11	ELECT	10µF 20% 50V
C235	1-163-038-91	CERAMIC CHIP	0.1µF 25V
C236	1-163-038-91	CERAMIC CHIP	0.1µF 25V
C237	1-163-038-91	CERAMIC CHIP	0.1µF 25V
C240	1-163-038-91	CERAMIC CHIP	0.1µF 25V
C241	1-126-964-11	ELECT	10µF 20% 50V
C242	1-128-551-11	ELECT	22µF 20% 25V
C243	1-163-038-91	CERAMIC CHIP	0.1µF 25V
C244	1-104-664-11	ELECT	47µF 20% 25V
C245	1-163-251-11	CERAMIC CHIP	100pF 5% 50V
C247	1-163-038-91	CERAMIC CHIP	0.1µF 25V
C248	1-163-038-91	CERAMIC CHIP	0.1µF 25V
C249	1-104-664-11	ELECT	47µF 20% 25V
C250	1-104-664-11	ELECT	47µF 20% 25V
C251	1-104-664-11	ELECT	47µF 20% 25V
C252	1-164-004-11	CERAMIC CHIP	0.1µF 10% 25V
C253	1-163-038-91	CERAMIC CHIP	0.1µF 25V
C254	1-163-038-91	CERAMIC CHIP	0.1µF 25V
C255	1-126-933-11	ELECT	100µF 20% 16V
C256	1-163-038-91	CERAMIC CHIP	0.1µF 25V
C257	1-163-038-91	CERAMIC CHIP	0.1µF 25V
C258	1-163-231-11	CERAMIC CHIP	15pF 5% 50V
C259	1-163-038-91	CERAMIC CHIP	0.1µF 25V
C260	1-163-038-91	CERAMIC CHIP	0.1µF 25V



REF. NO.	PART NO.	DESCRIPTION	REMARK
C261	1-126-933-11	ELECT	100µF 20% 16V
C263	1-163-001-11	CERAMIC CHIP	220pF 10% 50V
C264	1-163-001-11	CERAMIC CHIP	220pF 10% 50V
C265	1-163-001-11	CERAMIC CHIP	220pF 10% 50V
C266	1-163-001-11	CERAMIC CHIP	220pF 10% 50V
C268	1-163-001-11	CERAMIC CHIP	220pF 10% 50V
C271	1-163-038-91	CERAMIC CHIP	0.1µF 25V
C272	1-126-933-11	ELECT	100µF 20% 16V
C273	1-126-935-11	ELECT	470µF 20% 6.3V
C274	1-163-001-11	CERAMIC CHIP	220pF 10% 50V
C275	1-163-038-91	CERAMIC CHIP	0.1µF 25V
C276	1-163-251-11	CERAMIC CHIP	100pF 5% 50V
C277	1-126-959-11	ELECT	0.47µF 20% 50V
C279	1-126-959-11	ELECT	0.47µF 20% 50V
C280	1-163-251-11	CERAMIC CHIP	100pF 5% 50V
C281	1-130-495-00	MYLAR	0.1µF 5% 50V
C282	1-130-495-00	MYLAR	0.1µF 5% 50V
C283	1-130-495-00	MYLAR	0.1µF 5% 50V
C284	1-163-021-91	CERAMIC CHIP	0.01µF 10% 50V
C285	1-163-021-91	CERAMIC CHIP	0.01µF 10% 50V
C286	1-163-021-91	CERAMIC CHIP	0.01µF 10% 50V
C287	1-126-964-11	ELECT	10µF 20% 50V
C288	1-130-495-00	MYLAR	0.1µF 5% 50V
C289	1-137-581-11	FILM	0.1µF 5% 100V
C290	1-126-935-11	ELECT	470µF 20% 16V
C291	1-163-021-91	CERAMIC CHIP	0.01µF 10% 50V
C293	1-164-182-11	CERAMIC CHIP	0.0033µF 10% 50V
C294	1-130-495-00	MYLAR	0.1µF 5% 50V
C296	1-126-961-11	ELECT	2.2µF 20% 50V
C297	1-163-251-11	CERAMIC CHIP	100pF 5% 50V
C298	1-163-038-91	CERAMIC CHIP	0.1µF 25V
C299	1-126-959-11	ELECT	0.47µF 20% 50V
C300	1-164-004-11	CERAMIC CHIP	0.1µF 10% 25V
C301	1-164-004-11	CERAMIC CHIP	0.1µF 10% 25V
C302	1-164-004-11	CERAMIC CHIP	0.1µF 10% 25V
C303	1-126-933-11	ELECT	100µF 20% 16V
C304	1-163-021-91	CERAMIC CHIP	0.01µF 10% 50V
C305	1-163-017-00	CERAMIC CHIP	0.0047µF 10% 50V
C306	1-126-959-11	ELECT	0.47µF 20% 50V
C307	1-126-959-11	ELECT	0.47µF 20% 50V
C308	1-126-963-11	ELECT	4.7µF 20% 50V
C309	1-163-133-00	CERAMIC CHIP	470pF 5% 50V
C310	1-163-229-11	CERAMIC CHIP	12pF 5% 50V
C311	1-126-960-11	ELECT	1µF 20% 50V
C312	1-115-419-11	CERAMIC CHIP	3300pF 5% 25V



REF. NO.	PART NO.	DESCRIPTION	REMARK	REF. NO.	PART NO.	DESCRIPTION	REMARK
C467	1-104-664-11	ELECT	47μF 20% 25V	C848	1-163-038-91	CERAMIC CHIP	0.1μF 25V
C468	1-126-963-11	ELECT	4.7μF 20% 50V	C849	1-104-664-11	ELECT	47μF 20% 25V
C469	1-128-551-11	ELECT	22μF 20% 25V	C850	1-104-664-11	ELECT	47μF 20% 25V
C470	1-104-664-11	ELECT	47μF 20% 25V	C851	1-163-038-91	CERAMIC CHIP	0.1μF 25V
C471	1-126-963-11	ELECT	4.7μF 20% 50V	C852	1-104-664-11	ELECT	47μF 20% 25V
C473	1-104-665-11	ELECT	100μF 20% 25V	C853	1-163-038-91	CERAMIC CHIP	0.1μF 25V
C474	1-130-495-00	MYLAR	0.1μF 5% 50V	C854	1-163-038-91	CERAMIC CHIP	0.1μF 25V
C475	1-130-495-00	MYLAR	0.1μF 5% 50V	C855	1-163-001-11	CERAMIC CHIP	220pF 10% 50V
C476	1-130-495-00	MYLAR	0.1μF 5% 50V	C856	1-104-664-11	ELECT	47μF 20% 25V
C477	1-130-495-00	MYLAR	0.1μF 5% 50V	C858	1-163-038-91	CERAMIC CHIP	0.1μF 25V
C681	1-126-935-11	ELECT	470μF 20% 16V	C862	1-164-004-11	CERAMIC CHIP	0.1μF 10% 25V
C682	1-163-021-91	CERAMIC CHIP	0.01μF 10% 50V	C863	1-163-231-11	CERAMIC CHIP	15pF 5% 50V
C683	1-126-935-11	ELECT	470μF 20% 16V	C864	1-163-239-11	CERAMIC CHIP	33pF 5% 50V
C684	1-126-933-11	ELECT	100μF 20% 16V	C865	1-164-004-11	CERAMIC CHIP	0.1μF 10% 25V
C685	1-163-021-91	CERAMIC CHIP	0.01μF 10% 50V	C866	1-163-038-91	CERAMIC CHIP	0.1μF 25V
C686	1-163-021-91	CERAMIC CHIP	0.01μF 10% 50V	C867	1-109-982-11	CERAMIC CHIP	1μF 10% 10V
C687	1-128-551-11	ELECT	22μF 20% 25V	C868	1-163-038-91	CERAMIC CHIP	0.1μF 25V
C688	1-163-021-91	CERAMIC CHIP	0.01μF 10% 50V	C869	1-163-021-91	CERAMIC CHIP	0.01μF 10% 50V
C801	1-163-143-00	CERAMIC CHIP	0.0012μF 5% 50V	C870	1-104-664-11	ELECT	47μF 20% 25V
C802	1-163-016-00	CERAMIC CHIP	0.0039μF 10% 50V	C871	1-126-963-11	ELECT	4.7μF 20% 50V
C803	1-163-016-00	CERAMIC CHIP	0.0039μF 10% 50V	C872	1-163-239-11	CERAMIC CHIP	33pF 5% 50V
C804	1-163-038-91	CERAMIC CHIP	0.1μF 25V	C873	1-163-038-91	CERAMIC CHIP	0.1μF 25V
C805	1-163-038-91	CERAMIC CHIP	0.1μF 25V	C875	1-104-664-11	ELECT	47μF 20% 25V
C806	1-104-664-11	ELECT	47μF 20% 25V	C876	1-163-038-91	CERAMIC CHIP	0.1μF 25V
C807	1-163-038-91	CERAMIC CHIP	0.1μF 25V	C877	1-104-664-11	ELECT	47μF 20% 25V
C808	1-163-016-00	CERAMIC CHIP	0.0039μF 10% 50V	C878	1-104-664-11	ELECT	47μF 20% 25V
C809	1-163-016-00	CERAMIC CHIP	0.0039μF 10% 50V	C879	1-104-664-11	ELECT	47μF 20% 25V
C810	1-163-038-91	CERAMIC CHIP	0.1μF 25V	C880	1-163-038-91	CERAMIC CHIP	0.1μF 25V
C811	1-104-664-11	ELECT	47μF 20% 25V	C881	1-163-038-91	CERAMIC CHIP	0.1μF 25V
C812	1-163-038-91	CERAMIC CHIP	0.1μF 25V	C882	1-163-038-91	CERAMIC CHIP	0.1μF 25V
C813	1-104-664-11	ELECT	47μF 20% 25V	C883	1-104-664-11	ELECT	47μF 20% 25V
C814	1-163-259-91	CERAMIC CHIP	220pF 5% 50V	C884	1-104-664-11	ELECT	47μF 20% 25V
C815	1-163-259-91	CERAMIC CHIP	220pF 5% 50V	C885	1-104-664-11	ELECT	47μF 20% 25V
C816	1-163-038-91	CERAMIC CHIP	0.1μF 25V	C886	1-104-664-11	ELECT	47μF 20% 25V
C817	1-163-038-91	CERAMIC CHIP	0.1μF 25V	C887	1-104-664-11	ELECT	47μF 20% 25V
C818	1-163-259-91	CERAMIC CHIP	220pF 5% 50V	C888	1-104-664-11	ELECT	47μF 20% 25V
C819	1-163-259-91	CERAMIC CHIP	220pF 5% 50V	C889	1-163-038-91	CERAMIC CHIP	0.1μF 25V
C820	1-163-038-91	CERAMIC CHIP	0.1μF 25V	C890	1-104-664-11	ELECT	47μF 20% 25V
C821	1-104-664-11	ELECT	47μF 20% 25V	C891	1-163-038-91	CERAMIC CHIP	0.1μF 25V
C822	1-163-038-91	CERAMIC CHIP	0.1μF 25V	C892	1-104-664-11	ELECT	47μF 20% 25V
C823	1-104-664-11	ELECT	47μF 20% 25V	C893	1-163-038-91	CERAMIC CHIP	0.1μF 25V
C824	1-164-004-11	CERAMIC CHIP	0.1μF 10% 25V	C894	1-104-664-11	ELECT	47μF 20% 25V
C825	1-163-038-91	CERAMIC CHIP	0.1μF 25V	C897	1-163-038-91	CERAMIC CHIP	0.1μF 25V
C826	1-107-823-11	CERAMIC CHIP	0.47μF 10% 16V	C898	1-126-934-11	ELECT	220μF 20% 16V
C827	1-107-823-11	CERAMIC CHIP	0.47μF 10% 16V	C899	1-163-222-11	CERAMIC CHIP	5pF 0.25pF50V
C828	1-107-823-11	CERAMIC CHIP	0.47μF 10% 16V	C900	1-163-222-11	CERAMIC CHIP	5pF 0.25pF50V
C829	1-107-823-11	CERAMIC CHIP	0.47μF 10% 16V	C901	1-163-222-11	CERAMIC CHIP	5pF 0.25pF50V
C830	1-163-038-91	CERAMIC CHIP	0.1μF 25V	C902	1-163-222-11	CERAMIC CHIP	5pF 0.25pF50V
C831	1-104-664-11	ELECT	47μF 20% 25V	C903	1-163-222-11	CERAMIC CHIP	5pF 0.25pF50V
C832	1-163-235-11	CERAMIC CHIP	22pF 5% 50V	C904	1-163-222-11	CERAMIC CHIP	5pF 0.25pF50V
C833	1-104-664-11	ELECT	47μF 20% 25V	C905	1-163-222-11	CERAMIC CHIP	5pF 0.25pF50V
C834	1-164-161-11	CERAMIC CHIP	0.0022μF 10% 50V	C906	1-163-222-11	CERAMIC CHIP	5pF 0.25pF50V
C835	1-163-235-11	CERAMIC CHIP	22pF 5% 50V	C907	1-163-222-11	CERAMIC CHIP	5pF 0.25pF50V
C842	1-164-004-11	CERAMIC CHIP	0.1μF 10% 25V	C908	1-163-222-11	CERAMIC CHIP	5pF 0.25pF50V
C843	1-104-664-11	ELECT	47μF 20% 25V	C909	1-163-222-11	CERAMIC CHIP	5pF 0.25pF50V
C845	1-163-038-91	CERAMIC CHIP	0.1μF 25V	C910	1-163-222-11	CERAMIC CHIP	5pF 0.25pF50V
				C911	1-164-690-91	CERAMIC CHIP	0.0022μF 5% 50V



REF. NO.	PART NO.	DESCRIPTION	REMARK	REF. NO.	PART NO.	DESCRIPTION	REMARK
C912	1-104-664-11	ELECT	47μF 20%	25V	C1412	1-164-489-11	CERAMIC CHIP 0.22μF 10%
C913	1-104-664-11	ELECT	47μF 20%	25V	C1413	1-164-005-11	CERAMIC CHIP 0.47μF 16V
C914	1-104-664-11	ELECT	47μF 20%	25V	C1414	1-163-038-91	CERAMIC CHIP 0.1μF 25V
C915	1-104-664-11	ELECT	47μF 20%	25V	C1415	1-163-251-11	CERAMIC CHIP 100pF 5%
C916	1-104-664-11	ELECT	47μF 20%	25V	C1416	1-126-963-11	ELECT 4.7μF 20%
C917	1-104-664-11	ELECT	47μF 20%	25V	C1417	1-163-038-91	CERAMIC CHIP 0.1μF 25V
C918	1-163-275-11	CERAMIC CHIP	0.001μF 5%	50V	C1418	1-163-038-91	CERAMIC CHIP 0.1μF 25V
C919	1-163-275-11	CERAMIC CHIP	0.001μF 5%	50V	C1419	1-163-038-91	CERAMIC CHIP 0.1μF 25V
C920	1-163-275-11	CERAMIC CHIP	0.001μF 5%	50V	C1420	1-163-005-11	CERAMIC CHIP 470pF 10%
C921	1-163-275-11	CERAMIC CHIP	0.001μF 5%	50V	C1421	1-126-934-11	ELECT 220μF 20%
C922	1-163-275-11	CERAMIC CHIP	0.001μF 5%	50V	C1422	1-126-960-11	ELECT 1μF 20%
C923	1-163-275-11	CERAMIC CHIP	0.001μF 5%	50V	C1423	1-164-005-11	CERAMIC CHIP 0.47μF 16V
C926	1-163-021-91	CERAMIC CHIP	0.01μF 10%	50V	C1424	1-163-021-91	CERAMIC CHIP 0.01μF 10%
C927	1-163-038-91	CERAMIC CHIP	0.1μF 25V		C1425	1-163-017-00	CERAMIC CHIP 0.0047μF 10%
C928	1-163-038-91	CERAMIC CHIP	0.1μF 25V		C1426	1-164-346-11	CERAMIC CHIP 1μF 16V
C929	1-163-038-91	CERAMIC CHIP	0.1μF 25V		C1427	1-163-038-91	CERAMIC CHIP 0.1μF 25V
C930	1-163-038-91	CERAMIC CHIP	0.1μF 25V		C1428	1-164-005-11	CERAMIC CHIP 0.47μF 16V
C931	1-163-038-91	CERAMIC CHIP	0.1μF 25V		C1429	1-163-227-11	CERAMIC CHIP 10pF 0.5pF
C932	1-163-038-91	CERAMIC CHIP	0.1μF 25V		C1430	1-126-963-11	ELECT 4.7μF 20%
C933	1-163-017-00	CERAMIC CHIP	0.0047μF 10%	50V	C1431	1-163-038-91	CERAMIC CHIP 0.1μF 25V
C934	1-163-017-00	CERAMIC CHIP	0.0047μF 10%	50V	C1432	1-163-005-11	CERAMIC CHIP 470pF 10%
C935	1-163-017-00	CERAMIC CHIP	0.0047μF 10%	50V	C1433	1-126-934-11	ELECT 220μF 20%
C936	1-163-017-00	CERAMIC CHIP	0.0047μF 10%	50V	C1434	1-126-960-11	ELECT 1μF 20%
C937	1-163-017-00	CERAMIC CHIP	0.0047μF 10%	50V	C1435	1-164-005-11	CERAMIC CHIP 0.47μF 16V
C938	1-163-017-00	CERAMIC CHIP	0.0047μF 10%	50V	C1436	1-126-934-11	ELECT 220μF 20%
C951	1-163-019-00	CERAMIC CHIP	0.0068μF 10%	50V	C1437	1-163-021-91	CERAMIC CHIP 0.01μF 10%
C952	1-163-019-00	CERAMIC CHIP	0.0068μF 10%	50V	C1438	1-163-038-91	CERAMIC CHIP 0.1μF 25V
C953	1-163-019-00	CERAMIC CHIP	0.0068μF 10%	50V	C1439	1-163-038-91	CERAMIC CHIP 0.1μF 25V
C954	1-163-019-00	CERAMIC CHIP	0.0068μF 10%	50V	C1440	1-163-227-11	CERAMIC CHIP 10pF 0.5pF
C955	1-163-019-00	CERAMIC CHIP	0.0068μF 10%	50V	C1441	1-126-933-11	ELECT 100μF 20%
C956	1-163-019-00	CERAMIC CHIP	0.0068μF 10%	50V	C1442	1-128-551-11	ELECT 22μF 20%
C957	1-163-038-91	CERAMIC CHIP	0.1μF 25V		C1443	1-163-038-91	CERAMIC CHIP 0.1μF 25V
C958	1-163-038-91	CERAMIC CHIP	0.1μF 25V		C1445	1-163-038-91	CERAMIC CHIP 0.1μF 25V
C959	1-163-038-91	CERAMIC CHIP	0.1μF 25V		C1446	1-163-038-91	CERAMIC CHIP 0.1μF 25V
C960	1-163-038-91	CERAMIC CHIP	0.1μF 25V		C1447	1-163-038-91	CERAMIC CHIP 0.1μF 25V
C961	1-163-038-91	CERAMIC CHIP	0.1μF 25V		C1448	1-164-004-11	CERAMIC CHIP 0.1μF 10%
C962	1-163-038-91	CERAMIC CHIP	0.1μF 25V		C1449	1-164-004-11	CERAMIC CHIP 0.1μF 10%
C963	1-104-664-11	ELECT	47μF 20%	25V	C1450	1-164-004-11	CERAMIC CHIP 0.1μF 10%
C964	1-104-664-11	ELECT	47μF 20%	25V	C1451	1-163-038-91	CERAMIC CHIP 0.1μF 25V
C965	1-104-664-11	ELECT	47μF 20%	25V	C1452	1-126-934-11	ELECT 220μF 20%
C966	1-104-664-11	ELECT	47μF 20%	25V	C1453	1-163-038-91	CERAMIC CHIP 0.1μF 25V
C967	1-104-664-11	ELECT	47μF 20%	25V	C1454	1-163-038-91	CERAMIC CHIP 0.1μF 25V
C968	1-104-664-11	ELECT	47μF 20%	25V	C1455	1-163-038-91	CERAMIC CHIP 0.1μF 25V
C969	1-163-038-91	CERAMIC CHIP	0.1μF 25V		C1457	1-164-004-11	CERAMIC CHIP 0.1μF 10%
C970	1-163-038-91	CERAMIC CHIP	0.1μF 25V		C1458	1-164-004-11	CERAMIC CHIP 0.1μF 10%
C971	1-104-664-11	ELECT	47μF 20%	25V	C1459	1-164-004-11	CERAMIC CHIP 0.1μF 10%
C1401	1-128-551-11	ELECT	22μF 20%	25V	C1460	1-164-004-11	CERAMIC CHIP 0.1μF 10%
C1402	1-163-038-91	CERAMIC CHIP	0.1μF 25V		C1461	1-164-004-11	CERAMIC CHIP 0.1μF 10%
C1403	1-104-664-11	ELECT	47μF 20%	25V	C1462	1-163-227-11	CERAMIC CHIP 10pF 0.5pF
C1404	1-163-038-91	CERAMIC CHIP	0.1μF 25V		C1463	1-163-038-91	CERAMIC CHIP 0.1μF 25V
C1405	1-104-664-11	ELECT	47μF 20%	25V	C1464	1-163-038-91	CERAMIC CHIP 0.1μF 25V
C1406	1-164-489-11	CERAMIC CHIP	0.22μF 10%	16V	C1465	1-163-227-11	CERAMIC CHIP 10pF 0.5pF
C1407	1-163-038-91	CERAMIC CHIP	0.1μF 25V		C1466	1-164-004-11	CERAMIC CHIP 0.1μF 10%
C1408	1-163-251-11	CERAMIC CHIP	100pF 5%	50V	C1467	1-163-038-91	CERAMIC CHIP 0.1μF 25V
C1409	1-104-664-11	ELECT	47μF 20%	25V	C1468	1-163-038-91	CERAMIC CHIP 0.1μF 25V
C1410	1-163-017-00	CERAMIC CHIP	0.0047μF 10%	50V	C1469	1-164-004-11	CERAMIC CHIP 0.1μF 10%
C1411	1-164-346-11	CERAMIC CHIP	1μF 16V		C1470	1-163-259-91	CERAMIC CHIP 220pF 5%



REF. NO.	PART NO.	DESCRIPTION	REMARK	REF. NO.	PART NO.	DESCRIPTION	REMARK
C1474	1-164-004-11	CERAMIC CHIP	0.1μF 10% 25V	C1618	1-164-004-11	CERAMIC CHIP	0.1μF 10% 25V
C1475	1-164-004-11	CERAMIC CHIP	0.1μF 10% 25V	C1619	1-163-038-91	CERAMIC CHIP	0.1μF 25V
C1476	1-163-038-91	CERAMIC CHIP	0.1μF 25V	C1620	1-104-664-11	ELECT	47μF 20% 25V
C1477	1-163-038-91	CERAMIC CHIP	0.1μF 25V	<CONNECTOR>			
C1479	1-164-346-11	CERAMIC CHIP	1μF 16V	CN001	* 1-564-507-11	PLUG, CONNECTOR	4P
C1480	1-164-346-11	CERAMIC CHIP	1μF 16V	CN002	* 1-564-513-11	PLUG, CONNECTOR	10P
C1481	1-126-933-11	ELECT	100μF 20% 16V	CN003	1-573-979-21	CONNECTOR, BOARD TO BOARD	11P
C1483	1-163-038-91	CERAMIC CHIP	0.1μF 25V	CN004	1-573-298-21	CONNECTOR, BOARD TO BOARD	20P
C1484	1-163-038-91	CERAMIC CHIP	0.1μF 25V	CN151	1-695-915-11	TAB (CONTACT)	
C1486	1-163-038-91	CERAMIC CHIP	0.1μF 25V	CN201	1-573-298-21	CONNECTOR, BOARD TO BOARD	20P
C1487	1-126-964-11	ELECT	10μF 20% 50V	CN202	* 1-779-892-11	CONNECTOR, BOARD TO BOARD	10P
C1488	1-163-038-91	CERAMIC CHIP	0.1μF 25V	CN203	* 1-564-509-11	PLUG, CONNECTOR	6P
C1489	1-164-346-11	CERAMIC CHIP	1μF 16V	CN204	* 1-564-512-11	PLUG, CONNECTOR	9P
C1490	1-163-038-91	CERAMIC CHIP	0.1μF 25V	CN205	1-695-915-11	TAB (CONTACT)	
C1491	1-164-346-11	CERAMIC CHIP	1μF 16V	CN401	1-573-298-21	CONNECTOR, BOARD TO BOARD	20P
C1492	1-164-346-11	CERAMIC CHIP	1μF 16V	CN402	* 1-779-892-11	CONNECTOR, BOARD TO BOARD	10P
C1493	1-164-346-11	CERAMIC CHIP	1μF 16V	CN403	* 1-564-507-11	PLUG, CONNECTOR	4P
C1494	1-104-664-11	ELECT	47μF 20% 25V	CN681	* 1-779-892-11	CONNECTOR, BOARD TO BOARD	10P
C1496	1-163-038-91	CERAMIC CHIP	0.1μF 25V	CN801	* 1-779-892-11	CONNECTOR, BOARD TO BOARD	10P
C1497	1-163-038-91	CERAMIC CHIP	0.1μF 25V	CN802	* 1-564-511-11	PLUG, CONNECTOR	8P
C1499	1-163-259-91	CERAMIC CHIP	220pF 5% 50V	<DIODE>			
C1500	1-163-038-91	CERAMIC CHIP	0.1μF 25V	D001	8-719-988-61	DIODE	1SS355TE-17
C1501	1-104-664-11	ELECT	47μF 20% 25V	D002	8-719-988-61	DIODE	1SS355TE-17
C1504	1-126-964-11	ELECT	10μF 20% 50V	D003	8-719-988-61	DIODE	1SS355TE-17
C1506	1-104-664-11	ELECT	47μF 20% 25V	D004	8-719-069-55	DIODE	UDZS-TE17-5.6B
C1507	1-104-664-11	ELECT	47μF 20% 25V	D005	8-719-988-61	DIODE	1SS355TE-17
C1508	1-164-004-11	CERAMIC CHIP	0.1μF 10% 25V	D006	8-719-069-55	DIODE	UDZS-TE17-5.6B
C1510	1-163-245-11	CERAMIC CHIP	56pF 5% 50V	D007	8-719-069-55	DIODE	UDZS-TE17-5.6B
C1511	1-164-004-11	CERAMIC CHIP	0.1μF 10% 25V	D151	8-719-977-81	DIODE	UDZ-TE-17-33B
C1512	1-164-004-11	CERAMIC CHIP	0.1μF 10% 25V	D201	8-719-988-61	DIODE	1SS355TE-17
C1513	1-163-038-91	CERAMIC CHIP	0.1μF 25V	D202	8-719-977-28	DIODE	UDZS-TE17-10B
C1514	1-163-038-91	CERAMIC CHIP	0.1μF 25V	D204	8-719-069-55	DIODE	UDZS-TE17-5.6B
C1515	1-164-004-11	CERAMIC CHIP	0.1μF 10% 25V	D205	8-719-069-55	DIODE	UDZS-TE17-5.6B
C1516	1-163-038-91	CERAMIC CHIP	0.1μF 25V	D206	8-719-988-61	DIODE	1SS355TE-17
C1518	1-104-664-11	ELECT	47μF 20% 25V	D207	8-719-988-61	DIODE	1SS355TE-17
C1519	1-163-021-91	CERAMIC CHIP	0.01μF 10% 50V	D208	8-719-069-55	DIODE	UDZS-TE17-5.6B
C1520	1-164-004-11	CERAMIC CHIP	0.1μF 10% 25V	D209	8-719-988-61	DIODE	1SS355TE-17
C1521	1-126-933-11	ELECT	100μF 20% 16V	D301	8-719-988-61	DIODE	1SS355TE-17
C1522	1-126-933-11	ELECT	100μF 20% 16V	D302	8-719-988-61	DIODE	1SS355TE-17
C1523	1-164-004-11	CERAMIC CHIP	0.1μF 10% 25V	D303	8-719-988-61	DIODE	1SS355TE-17
C1524	1-164-004-11	CERAMIC CHIP	0.1μF 10% 25V	D304	8-719-069-59	DIODE	UDZS-TE17-8.2B
C1525	1-163-021-91	CERAMIC CHIP	0.01μF 10% 50V	D305	8-719-977-28	DIODE	UDZS-TE17-10B
C1526	1-126-964-11	ELECT	10μF 20% 50V	D402	8-719-988-61	DIODE	1SS355TE-17
C1529	1-163-021-91	CERAMIC CHIP	0.01μF 10% 50V	D403	8-719-988-61	DIODE	1SS355TE-17
C1601	1-164-004-11	CERAMIC CHIP	0.1μF 10% 25V	D404	8-719-988-61	DIODE	1SS355TE-17
C1602	1-163-133-00	CERAMIC CHIP	470pF 5% 50V	D405	8-719-988-61	DIODE	1SS355TE-17
C1603	1-164-344-11	CERAMIC CHIP	0.068μF 10% 25V	D406	8-719-056-95	DIODE	UDZ-TE-17-22B
C1604	1-163-019-00	CERAMIC CHIP	0.0068μF 10% 50V	D407	8-719-988-61	DIODE	1SS355TE-17
C1605	1-164-004-11	CERAMIC CHIP	0.1μF 10% 25V	D408	8-719-988-61	DIODE	1SS355TE-17
C1606	1-117-720-11	CERAMIC CHIP	4.7μF 10V	D409	8-719-988-61	DIODE	1SS355TE-17
C1607	1-164-004-11	CERAMIC CHIP	0.1μF 10% 25V	D410	8-719-056-95	DIODE	UDZ-TE-17-22B
C1608	1-163-239-11	CERAMIC CHIP	33pF 5% 50V	D411	8-719-056-95	DIODE	UDZ-TE-17-22B
C1610	1-164-004-11	CERAMIC CHIP	0.1μF 10% 25V	D412	8-719-056-95	DIODE	UDZ-TE-17-22B
C1613	1-164-344-11	CERAMIC CHIP	0.068μF 10% 25V				
C1614	1-163-019-00	CERAMIC CHIP	0.0068μF 10% 50V				
C1615	1-164-004-11	CERAMIC CHIP	0.1μF 10% 25V				
C1617	1-163-133-00	CERAMIC CHIP	470pF 5% 50V				

**A**

REF. NO.	PART NO.	DESCRIPTION	REMARK	REF. NO.	PART NO.	DESCRIPTION	REMARK
D413	8-719-056-95	DIODE UDZ-TE-17-22B		FB804	1-414-135-11	FERRITE	0μH
D414	8-719-056-95	DIODE UDZ-TE-17-22B		FB805	1-414-135-11	FERRITE	0μH
D415	8-719-056-95	DIODE UDZ-TE-17-22B					
D416	8-719-988-61	DIODE 1SS355TE-17		FB806	1-414-135-11	FERRITE	0μH
D417	8-719-988-61	DIODE 1SS355TE-17		FB807	1-414-135-11	FERRITE	0μH
D418	8-719-056-95	DIODE UDZ-TE-17-22B		FB808	1-414-135-11	FERRITE	0μH
D420	8-719-988-61	DIODE 1SS355TE-17		FB1401	1-414-135-11	FERRITE	0μH
D421	8-719-988-61	DIODE 1SS355TE-17		FB1402	1-414-135-11	FERRITE	0μH
D801	8-719-988-61	DIODE 1SS355TE-17		FB1403	1-414-135-11	FERRITE	0μH
D802	8-719-988-61	DIODE 1SS355TE-17		FB1404	1-414-135-11	FERRITE	0μH
D803	8-719-988-61	DIODE 1SS355TE-17		FB1405	1-414-135-11	FERRITE	0μH
D804	8-719-988-61	DIODE 1SS355TE-17		FB1406	1-414-135-11	FERRITE	0μH
D805	8-719-069-55	DIODE UDZS-TE17-5.6B		FB1407	1-414-135-11	FERRITE	0μH
D806	8-719-069-55	DIODE UDZS-TE17-5.6B		FB1408	1-414-135-11	FERRITE	0μH
D807	8-719-069-55	DIODE UDZS-TE17-5.6B		FB1409	1-414-135-11	FERRITE	0μH
D808	8-719-069-55	DIODE UDZS-TE17-5.6B		FB1410	1-414-135-11	FERRITE	0μH
D809	8-719-988-61	DIODE 1SS355TE-17		FB1411	1-414-135-11	FERRITE	0μH
D810	8-719-988-61	DIODE 1SS355TE-17		FB1412	1-414-135-11	FERRITE	0μH
D816	8-719-988-61	DIODE 1SS355TE-17		FB1413	1-414-135-11	FERRITE	0μH
D817	8-719-988-61	DIODE 1SS355TE-17		FB1414	1-414-135-11	FERRITE	0μH
D818	8-719-988-61	DIODE 1SS355TE-17					
D819	8-719-988-61	DIODE 1SS355TE-17				<FILTER>	
D820	8-719-988-61	DIODE 1SS355TE-17					
D821	8-719-988-61	DIODE 1SS355TE-17		FL201	1-239-847-11	FILTER, LOW PASS	
D822	8-719-988-61	DIODE 1SS355TE-17		FL202	1-239-847-11	FILTER, LOW PASS	
D823	8-719-988-61	DIODE 1SS355TE-17		FL203	1-239-847-11	FILTER, LOW PASS	
D824	8-719-988-61	DIODE 1SS355TE-17		FL401	1-412-911-11	FERRITE	0μH
D1407	8-719-988-61	DIODE 1SS355TE-17					
D1408	8-719-988-61	DIODE 1SS355TE-17				<IC>	
D1409	8-719-988-61	DIODE 1SS355TE-17		IC001	8-759-352-91	IC PST9143NL	
D1410	8-719-988-61	DIODE 1SS355TE-17		IC002	8-752-912-00	IC CXP750010-017Q	
		<FERRITE BEAD>		IC004	8-759-527-76	IC M24C08-MN6T	
FB001	1-414-135-11	FERRITE	0μH	IC202	8-759-568-27	IC μPD424210LE-60-E2	
FB151	1-414-135-11	FERRITE	0μH	IC203	8-759-161-24	IC μPC659AGS-E2	
FB152	1-414-135-11	FERRITE	0μH	IC204	8-759-536-12	IC μPD64081BGF-3BA	
FB202	1-414-553-11	FERRITE	0μH	IC205	8-759-583-47	IC μPC2933T-E1	
FB203	1-414-553-11	FERRITE	0μH	IC206	8-752-091-25	IC CXA2147Q	
FB204	1-216-304-11	RES-CHIP	3.3	IC401	8-759-549-74	IC TC9447F-003	
FB205	1-414-553-11	FERRITE	0μH	IC402	8-759-352-91	IC PST9143NL	
FB206	1-216-017-91	RES-CHIP	47	IC403	8-759-578-88	IC BH3868FS-E2	
FB207	1-216-017-91	RES-CHIP	47	IC404	8-759-100-96	IC NJM4558M-T2	
FB209	1-216-017-91	RES-CHIP	47	IC406	8-759-190-89	IC TDA7265	
FB210	1-414-553-11	FERRITE	0μH	IC681	8-759-459-99	IC PQ09RD11	
FB211	1-414-553-11	FERRITE	0μH	IC682	8-759-459-99	IC PQ09RD11	
FB212	1-216-295-91	SHORT	0	IC801	8-759-488-29	IC TC7W66FU(TE12R)	
FB213	1-414-553-11	FERRITE	0μH	IC802	8-759-394-80	IC NJM2058M-TE2	
FB214	1-414-553-11	FERRITE	0μH	IC803	8-759-589-66	IC CM0006CF	
FB215	1-216-295-91	SHORT	0	IC804	8-759-394-80	IC NJM2058M-TE2	
FB216	1-216-295-91	SHORT	0	IC805	8-752-903-32	IC CXP86324-024Q	
FB217	1-216-295-91	SHORT	0	IC806	8-759-394-80	IC NJM2058M-TE2	
FB301	1-216-295-91	SHORT	0	IC807	8-759-546-22	IC μPD6376GS-E2	
FB401	1-414-135-11	FERRITE	0μH	IC808	8-759-032-11	IC TC74HC04AF(EL)	
FB801	1-414-135-11	FERRITE	0μH	IC809	8-759-295-09	IC TLC2932IPW-E20	
FB802	1-414-135-11	FERRITE	0μH	IC810	8-759-468-90	IC ST24E16FM6TR	
FB803	1-414-135-11	FERRITE	0μH	IC811	8-759-352-91	IC PST9143NL	
				IC812	8-759-235-19	IC TC74HC08AF(EL)	
				IC814	8-759-032-20	IC TC74HC32AF(EL)	



REF. NO.	PART NO.	DESCRIPTION	REMARK	REF. NO.	PART NO.	DESCRIPTION	REMARK
IC815	8-759-546-22	IC μPD6376GS-E2		L803	1-414-183-41	INDUCTOR	10μH
IC816	8-759-546-22	IC μPD6376GS-E2		L804	1-410-397-21	FERRITE	1.1μH
IC817	8-759-546-22	IC μPD6376GS-E2		L809	1-414-183-41	INDUCTOR	10μH
IC818	8-759-100-96	IC NJM4558M-TE2		L816	1-410-397-21	FERRITE	1.1μH
IC819	8-759-106-02	IC μPC4570G2-E2		L823	1-410-494-11	INDUCTOR	1mH
IC820	8-759-106-02	IC μPC4570G2-E2		L824	1-410-494-11	INDUCTOR	1mH
IC821	8-759-106-02	IC μPC4570G2-E2		L825	1-410-494-11	INDUCTOR	1mH
IC822	8-759-106-02	IC μPC4570G2-E2		L826	1-410-494-11	INDUCTOR	1mH
IC823	8-759-106-02	IC μPC4570G2-E2		L827	1-410-494-11	INDUCTOR	1mH
IC824	8-759-106-02	IC μPC4570G2-E2		L828	1-410-494-11	INDUCTOR	1mH
IC1401	8-759-351-59	IC HM538253BJ-7Z		L829	1-410-397-21	FERRITE	1.1μH
IC1402	8-752-086-80	IC CXA2019AQ-T4		L830	1-407-495-00	INDUCTOR	1.8mH
IC1403	8-752-086-80	IC CXA2019AQ-T4		L831	1-407-495-00	INDUCTOR	1.8mH
IC1404	8-759-932-69	IC BU4053BCF-T2		L832	1-407-495-00	INDUCTOR	1.8mH
IC1405	8-759-498-32	IC SAB9076H/N4		L833	1-407-495-00	INDUCTOR	1.8mH
IC1406	8-759-932-69	IC BU4053BCF-T2		L834	1-407-495-00	INDUCTOR	1.8mH
IC1407	8-752-080-75	IC CXA2039M-T6		L835	1-407-495-00	INDUCTOR	1.8mH
IC1408	8-759-926-17	IC TC74HC153AF(EL)		L843	1-414-183-41	INDUCTOR	10μH
IC1409	8-752-058-68	IC CXA1315M-T4		L1401	1-410-397-21	FERRITE	1.1μH
IC1410	8-759-353-02	IC NJM2533M(TE2)		L1402	1-414-187-11	INDUCTOR	47μH
IC1412	8-759-352-91	IC PST9143NL		L1403	1-414-187-11	INDUCTOR	47μH
IC1601	8-759-638-04	IC Z8622912SSC-00TR		L1404	1-414-187-11	INDUCTOR	47μH
IC1602	8-759-638-05	IC Z8613012SSC-00TR		L1405	1-414-187-11	INDUCTOR	47μH
IC1603	8-759-352-91	IC PST9143NL		L1406	1-414-187-11	INDUCTOR	47μH
		<CHIP CONDUCTOR>		L1407	1-414-187-11	INDUCTOR	47μH
JR003	1-216-295-91	SHORT	0	L1408	1-414-187-11	INDUCTOR	47μH
JR004	1-216-295-91	SHORT	0	L1409	1-414-187-11	INDUCTOR	47μH
		<COIL>		L1410	1-414-187-11	INDUCTOR	47μH
L001	1-414-183-41	INDUCTOR	10μH	L1411	1-410-397-21	FERRITE	1.1μH
L004	1-410-397-21	FERRITE	1.1μH	L1412	1-410-397-21	FERRITE	1.1μH
L151	1-414-187-11	INDUCTOR	47μH			<IC LINK>	
L152	1-414-187-11	INDUCTOR	47μH	PS401	1-532-984-11	LINK, IC 2A/90V	
L153	1-414-187-11	INDUCTOR	47μH	PS402	1-532-984-11	LINK, IC 2A/90V	
L154	1-414-183-41	INDUCTOR	10μH			<TRANSISTOR>	
L155	1-414-187-11	INDUCTOR	47μH	Q001	8-729-216-22	TRANSISTOR 2SB709A-QRS-TX	
L201	1-412-911-11	FERRITE	0μH	Q002	8-729-422-27	TRANSISTOR 2SD601A-QRS-TX	
L203	1-414-187-11	INDUCTOR	47μH	Q003	8-729-027-38	TRANSISTOR DTA144EKA-T146	
L204	1-412-911-11	FERRITE	0μH	Q004	8-729-216-22	TRANSISTOR 2SB709A-QRS-TX	
L205	1-412-911-11	FERRITE	0μH	Q005	8-729-027-38	TRANSISTOR DTA144EKA-T146	
L206	1-412-911-11	FERRITE	0μH	Q006	8-729-027-38	TRANSISTOR DTA144EKA-T146	
L207	1-412-911-11	FERRITE	0μH	Q007	1-801-806-11	TRANSISTOR DTC144EKA-T146	
L208	1-414-187-11	INDUCTOR	47μH	Q008	8-729-422-27	TRANSISTOR 2SD601A-QRS-TX	
L209	1-412-911-11	FERRITE	0μH	Q009	8-729-422-27	TRANSISTOR 2SD601A-QRS-TX	
L210	1-412-911-11	FERRITE	0μH	Q010	8-729-422-27	TRANSISTOR 2SD601A-QRS-TX	
L211	1-414-857-11	INDUCTOR	100μH	Q011	8-729-422-27	TRANSISTOR 2SD601A-QRS-TX	
L212	1-414-856-11	INDUCTOR	10μH	Q012	8-729-422-27	TRANSISTOR 2SD601A-QRS-TX	
L213	1-414-183-41	INDUCTOR	10μH	Q013	8-729-422-27	TRANSISTOR 2SD601A-QRS-TX	
L302	1-414-187-11	INDUCTOR	47μH	Q014	8-729-422-27	TRANSISTOR 2SD601A-QRS-TX	
L401	1-412-911-11	FERRITE	0μH	Q015	8-729-422-27	TRANSISTOR 2SD601A-QRS-TX	
L402	1-412-911-11	FERRITE	0μH	Q016	8-729-422-27	TRANSISTOR 2SD601A-QRS-TX	
L681	1-406-975-21	INDUCTOR	47μH	Q017	8-729-422-27	TRANSISTOR 2SD601A-QRS-TX	
L801	1-414-183-41	INDUCTOR	10μH	Q018	8-729-422-27	TRANSISTOR 2SD601A-QRS-TX	
L802	1-414-183-41	INDUCTOR	10μH	Q019	8-729-422-27	TRANSISTOR 2SD601A-QRS-TX	
				Q020	8-729-422-27	TRANSISTOR 2SD601A-QRS-TX	



REF. NO.	PART NO.	DESCRIPTION	REMARK	REF. NO.	PART NO.	DESCRIPTION	REMARK
Q021	8-729-422-27	TRANSISTOR 2SD601A-QRS-TX		Q804	1-801-806-11	TRANSISTOR DTC144EKA-T146	
Q022	8-729-422-27	TRANSISTOR 2SD601A-QRS-TX		Q805	1-801-806-11	TRANSISTOR DTC144EKA-T146	
Q023	8-729-422-27	TRANSISTOR 2SD601A-QRS-TX		Q806	8-729-422-27	TRANSISTOR 2SD601A-QRS-TX	
Q024	1-801-806-11	TRANSISTOR DTC144EKA-T146		Q807	8-729-422-27	TRANSISTOR 2SD601A-QRS-TX	
Q151	1-801-806-11	TRANSISTOR DTC144EKA-T146		Q808	8-729-422-27	TRANSISTOR 2SD601A-QRS-TX	
Q152	8-729-422-27	TRANSISTOR 2SD601A-QRS-TX		Q809	8-729-422-27	TRANSISTOR 2SD601A-QRS-TX	
Q153	8-729-422-27	TRANSISTOR 2SD601A-QRS-TX		Q811	8-729-422-27	TRANSISTOR 2SD601A-QRS-TX	
Q201	8-729-422-27	TRANSISTOR 2SD601A-QRS-TX		Q812	8-729-422-27	TRANSISTOR 2SD601A-QRS-TX	
Q202	8-729-216-22	TRANSISTOR 2SB709A-QRS-TX		Q813	8-729-422-27	TRANSISTOR 2SD601A-QRS-TX	
Q203	8-729-216-22	TRANSISTOR 2SB709A-QRS-TX		Q814	8-729-422-27	TRANSISTOR 2SD601A-QRS-TX	
Q204	8-729-216-22	TRANSISTOR 2SB709A-QRS-TX		Q1402	8-729-422-27	TRANSISTOR 2SD601A-QRS-TX	
Q205	8-729-216-22	TRANSISTOR 2SB709A-QRS-TX		Q1403	8-729-422-27	TRANSISTOR 2SD601A-QRS-TX	
Q206	8-729-422-27	TRANSISTOR 2SD601A-QRS-TX		Q1405	8-729-422-27	TRANSISTOR 2SD601A-QRS-TX	
Q207	8-729-422-27	TRANSISTOR 2SD601A-QRS-TX		Q1406	8-729-216-22	TRANSISTOR 2SB709A-QRS-TX	
Q208	8-729-422-27	TRANSISTOR 2SD601A-QRS-TX		Q1407	8-729-422-27	TRANSISTOR 2SD601A-QRS-TX	
Q209	8-729-422-27	TRANSISTOR 2SD601A-QRS-TX		Q1408	8-729-216-22	TRANSISTOR 2SB709A-QRS-TX	
Q210	8-729-422-27	TRANSISTOR 2SD601A-QRS-TX		Q1409	8-729-422-27	TRANSISTOR 2SD601A-QRS-TX	
Q211	8-729-422-27	TRANSISTOR 2SD601A-QRS-TX		Q1410	8-729-422-27	TRANSISTOR 2SD601A-QRS-TX	
Q212	8-729-422-27	TRANSISTOR 2SD601A-QRS-TX		Q1411	8-729-422-27	TRANSISTOR 2SD601A-QRS-TX	
Q213	8-729-422-27	TRANSISTOR 2SD601A-QRS-TX		Q1412	8-729-422-27	TRANSISTOR 2SD601A-QRS-TX	
Q214	8-729-422-27	TRANSISTOR 2SD601A-QRS-TX		Q1413	8-729-216-22	TRANSISTOR 2SB709A-QRS-TX	
Q215	8-729-216-22	TRANSISTOR 2SB709A-QRS-TX		Q1414	8-729-216-22	TRANSISTOR 2SB709A-QRS-TX	
Q216	8-729-422-27	TRANSISTOR 2SD601A-QRS-TX		Q1415	8-729-422-27	TRANSISTOR 2SD601A-QRS-TX	
Q217	8-729-422-27	TRANSISTOR 2SD601A-QRS-TX		Q1416	8-729-216-22	TRANSISTOR 2SB709A-QRS-TX	
Q218	8-729-216-22	TRANSISTOR 2SB709A-QRS-TX		Q1417	8-729-422-27	TRANSISTOR 2SD601A-QRS-TX	
Q219	8-729-216-22	TRANSISTOR 2SB709A-QRS-TX		Q1418	8-729-216-22	TRANSISTOR 2SB709A-QRS-TX	
Q220	8-729-216-22	TRANSISTOR 2SB709A-QRS-TX		Q1419	8-729-216-22	TRANSISTOR 2SB709A-QRS-TX	
Q221	8-729-216-22	TRANSISTOR 2SB709A-QRS-TX		Q1420	8-729-216-22	TRANSISTOR 2SB709A-QRS-TX	
Q222	8-729-422-27	TRANSISTOR 2SD601A-QRS-TX		Q1422	8-729-422-27	TRANSISTOR 2SD601A-QRS-TX	
Q223	8-729-422-27	TRANSISTOR 2SD601A-QRS-TX		Q1423	8-729-422-27	TRANSISTOR 2SD601A-QRS-TX	
Q224	8-729-422-27	TRANSISTOR 2SD601A-QRS-TX		Q1424	8-729-216-22	TRANSISTOR 2SB709A-QRS-TX	
Q225	8-729-422-27	TRANSISTOR 2SD601A-QRS-TX		Q1601	8-729-422-27	TRANSISTOR 2SD601A-QRS-TX	
Q226	8-729-422-27	TRANSISTOR 2SD601A-QRS-TX		Q1602	8-729-900-53	TRANSISTOR DTC114EKA-T146	
Q227	8-729-422-27	TRANSISTOR 2SD601A-QRS-TX					
Q228	8-729-422-27	TRANSISTOR 2SD601A-QRS-TX					
						<RESISTOR>	
Q229	8-729-216-22	TRANSISTOR 2SB709A-QRS-TX		R001	1-216-041-00	RES-CHIP 470 5% 1/10W	
Q230	8-729-216-22	TRANSISTOR 2SB709A-QRS-TX		R002	1-216-057-00	RES-CHIP 2.2K 5% 1/10W	
Q231	8-729-216-22	TRANSISTOR 2SB709A-QRS-TX		R003	1-216-049-91	RES-CHIP 1K 5% 1/10W	
Q232	8-729-216-22	TRANSISTOR 2SB709A-QRS-TX		R004	1-216-121-91	RES-CHIP 1M 5% 1/10W	
Q301	8-729-216-22	TRANSISTOR 2SB709A-QRS-TX		R005	1-216-097-91	RES-CHIP 100K 5% 1/10W	
Q302	8-729-422-27	TRANSISTOR 2SD601A-QRS-TX		R006	1-216-033-00	RES-CHIP 220 5% 1/10W	
Q303	8-729-422-27	TRANSISTOR 2SD601A-QRS-TX		R007	1-216-073-00	RES-CHIP 10K 5% 1/10W	
Q304	8-729-422-27	TRANSISTOR 2SD601A-QRS-TX		R008	1-216-033-00	RES-CHIP 220 5% 1/10W	
Q401	8-729-216-22	TRANSISTOR 2SB709A-QRS-TX		R009	1-216-033-00	RES-CHIP 220 5% 1/10W	
Q402	8-729-216-22	TRANSISTOR 2SB709A-QRS-TX		R010	1-216-073-00	RES-CHIP 10K 5% 1/10W	
Q403	8-729-422-27	TRANSISTOR 2SD601A-QRS-TX		R011	1-216-049-91	RES-CHIP 1K 5% 1/10W	
Q404	8-729-422-27	TRANSISTOR 2SD601A-QRS-TX		R012	1-216-033-00	RES-CHIP 220 5% 1/10W	
Q405	1-801-806-11	TRANSISTOR DTC144EKA-T146		R013	1-216-073-00	RES-CHIP 10K 5% 1/10W	
Q406	8-729-422-27	TRANSISTOR 2SD601A-QRS-TX		R014	1-216-065-91	RES-CHIP 4.7K 5% 1/10W	
Q407	8-729-422-27	TRANSISTOR 2SD601A-QRS-TX		R015	1-216-065-91	RES-CHIP 4.7K 5% 1/10W	
Q408	8-729-422-27	TRANSISTOR 2SD601A-QRS-TX		R016	1-216-073-00	RES-CHIP 10K 5% 1/10W	
Q409	8-729-422-27	TRANSISTOR 2SD601A-QRS-TX		R017	1-216-033-00	RES-CHIP 220 5% 1/10W	
Q410	8-729-422-27	TRANSISTOR 2SD601A-QRS-TX		R018	1-216-033-00	RES-CHIP 220 5% 1/10W	
Q411	8-729-216-22	TRANSISTOR 2SB709A-QRS-TX		R019	1-216-033-00	RES-CHIP 220 5% 1/10W	
Q801	1-801-806-11	TRANSISTOR DTC144EKA-T146		R020	1-216-033-00	RES-CHIP 220 5% 1/10W	
Q802	1-801-806-11	TRANSISTOR DTC144EKA-T146		R021	1-216-033-00	RES-CHIP 220 5% 1/10W	
Q803	1-801-806-11	TRANSISTOR DTC144EKA-T146					





REF. NO.	PART NO.	DESCRIPTION	REMARK	REF. NO.	PART NO.	DESCRIPTION	REMARK
R022	1-216-033-00	RES-CHIP	220 5% 1/10W	R086	1-216-053-00	RES-CHIP	1.5K 5% 1/10W
R023	1-216-049-91	RES-CHIP	1K 5% 1/10W	R087	1-216-053-00	RES-CHIP	1.5K 5% 1/10W
R024	1-216-025-91	RES-CHIP	100 5% 1/10W	R088	1-216-025-91	RES-CHIP	100 5% 1/10W
R025	1-216-025-91	RES-CHIP	100 5% 1/10W	R089	1-216-055-00	RES-CHIP	1.8K 5% 1/10W
R026	1-216-025-91	RES-CHIP	100 5% 1/10W	R090	1-216-113-00	RES-CHIP	470K 5% 1/10W
R027	1-216-025-91	RES-CHIP	100 5% 1/10W	R091	1-216-017-91	RES-CHIP	47 5% 1/10W
R028	1-216-065-91	RES-CHIP	4.7K 5% 1/10W	R092	1-216-113-00	RES-CHIP	470K 5% 1/10W
R029	1-216-065-91	RES-CHIP	4.7K 5% 1/10W	R093	1-216-017-91	RES-CHIP	47 5% 1/10W
R030	1-216-033-00	RES-CHIP	220 5% 1/10W	R094	1-216-113-00	RES-CHIP	470K 5% 1/10W
R031	1-216-037-00	RES-CHIP	330 5% 1/10W	R095	1-216-017-91	RES-CHIP	47 5% 1/10W
R032	1-216-033-00	RES-CHIP	220 5% 1/10W	R096	1-216-055-00	RES-CHIP	1.8K 5% 1/10W
R033	1-216-033-00	RES-CHIP	220 5% 1/10W	R097	1-216-055-00	RES-CHIP	1.8K 5% 1/10W
R034	1-216-033-00	RES-CHIP	220 5% 1/10W	R099	1-216-041-00	RES-CHIP	470 5% 1/10W
R035	1-216-033-00	RES-CHIP	220 5% 1/10W	R100	1-216-041-00	RES-CHIP	470 5% 1/10W
R036	1-216-033-00	RES-CHIP	220 5% 1/10W	R101	1-216-041-00	RES-CHIP	470 5% 1/10W
R037	1-216-057-00	RES-CHIP	2.2K 5% 1/10W	R102	1-216-113-00	RES-CHIP	470K 5% 1/10W
R038	1-216-033-00	RES-CHIP	220 5% 1/10W	R103	1-216-113-00	RES-CHIP	470K 5% 1/10W
R039	1-216-033-00	RES-CHIP	220 5% 1/10W	R104	1-216-113-00	RES-CHIP	470K 5% 1/10W
R040	1-216-057-00	RES-CHIP	2.2K 5% 1/10W	R105	1-216-017-91	RES-CHIP	47 5% 1/10W
R041	1-216-033-00	RES-CHIP	220 5% 1/10W	R106	1-216-017-91	RES-CHIP	47 5% 1/10W
R042	1-216-033-00	RES-CHIP	220 5% 1/10W	R107	1-216-017-91	RES-CHIP	47 5% 1/10W
R043	1-216-057-00	RES-CHIP	2.2K 5% 1/10W	R108	1-216-113-00	RES-CHIP	470K 5% 1/10W
R044	1-216-121-91	RES-CHIP	1M 5% 1/10W	R109	1-216-113-00	RES-CHIP	470K 5% 1/10W
R045	1-216-097-91	RES-CHIP	100K 5% 1/10W	R110	1-216-043-91	RES-CHIP	560 5% 1/10W
R046	1-216-073-00	RES-CHIP	10K 5% 1/10W	R111	1-216-043-91	RES-CHIP	560 5% 1/10W
R047	1-216-073-00	RES-CHIP	10K 5% 1/10W	R112	1-216-043-91	RES-CHIP	560 5% 1/10W
R048	1-216-065-91	RES-CHIP	4.7K 5% 1/10W	R113	1-216-113-00	RES-CHIP	470K 5% 1/10W
R049	1-216-049-91	RES-CHIP	1K 5% 1/10W	R114	1-216-045-00	RES-CHIP	680 5% 1/10W
R050	1-216-049-91	RES-CHIP	1K 5% 1/10W	R115	1-216-045-00	RES-CHIP	680 5% 1/10W
R051	1-216-049-91	RES-CHIP	1K 5% 1/10W	R116	1-216-045-00	RES-CHIP	680 5% 1/10W
R052	1-216-049-91	RES-CHIP	1K 5% 1/10W	R117	1-216-295-91	SHORT	0
R053	1-216-049-91	RES-CHIP	1K 5% 1/10W	R118	1-216-053-00	RES-CHIP	1.5K 5% 1/10W
R054	1-216-033-00	RES-CHIP	220 5% 1/10W	R119	1-216-053-00	RES-CHIP	1.5K 5% 1/10W
R055	1-216-033-00	RES-CHIP	220 5% 1/10W	R120	1-216-061-00	RES-CHIP	3.3K 5% 1/10W
R056	1-216-049-91	RES-CHIP	1K 5% 1/10W	R121	1-216-057-00	RES-CHIP	2.2K 5% 1/10W
R057	1-216-049-91	RES-CHIP	1K 5% 1/10W	R122	1-216-295-91	SHORT	0
R058	1-216-089-91	RES-CHIP	47K 5% 1/10W	R123	1-216-017-91	RES-CHIP	47 5% 1/10W
R059	1-216-089-91	RES-CHIP	47K 5% 1/10W	R124	1-216-017-91	RES-CHIP	47 5% 1/10W
R060	1-216-049-91	RES-CHIP	1K 5% 1/10W	R125	1-216-017-91	RES-CHIP	47 5% 1/10W
R061	1-216-041-00	RES-CHIP	470 5% 1/10W	R126	1-216-033-00	RES-CHIP	220 5% 1/10W
R062	1-216-065-91	RES-CHIP	4.7K 5% 1/10W	R127	1-216-025-91	RES-CHIP	100 5% 1/10W
R063	1-216-065-91	RES-CHIP	4.7K 5% 1/10W	R128	1-216-025-91	RES-CHIP	100 5% 1/10W
R064	1-216-065-91	RES-CHIP	4.7K 5% 1/10W	R129	1-216-073-00	RES-CHIP	10K 5% 1/10W
R066	1-216-065-91	RES-CHIP	4.7K 5% 1/10W	R130	1-216-073-00	RES-CHIP	10K 5% 1/10W
R068	1-216-065-91	RES-CHIP	4.7K 5% 1/10W	R131	1-216-073-00	RES-CHIP	10K 5% 1/10W
R069	1-216-033-00	RES-CHIP	220 5% 1/10W	R132	1-216-295-91	SHORT	0
R070	1-216-033-00	RES-CHIP	220 5% 1/10W	R135	1-216-295-91	SHORT	0
R071	1-216-033-00	RES-CHIP	220 5% 1/10W	R151	1-216-025-91	RES-CHIP	100 5% 1/10W
R072	1-216-065-91	RES-CHIP	4.7K 5% 1/10W	R152	1-216-083-00	RES-CHIP	27K 5% 1/10W
R073	1-216-295-91	SHORT	0	R153	1-216-689-11	RES-CHIP	39K 5% 1/10W
R074	1-216-065-91	RES-CHIP	4.7K 5% 1/10W	R154	1-216-043-91	RES-CHIP	560 5% 1/10W
R075	1-216-061-00	RES-CHIP	3.3K 5% 1/10W	R155	1-216-025-91	RES-CHIP	100 5% 1/10W
R077	1-216-053-00	RES-CHIP	1.5K 5% 1/10W	R156	1-216-045-00	RES-CHIP	680 5% 1/10W
R078	1-216-025-91	RES-CHIP	100 5% 1/10W	R157	1-216-049-91	RES-CHIP	1K 5% 1/10W
R079	1-216-057-00	RES-CHIP	2.2K 5% 1/10W	R158	1-216-464-11	METAL OXIDE	18K 5% 2W
R084	1-216-025-91	RES-CHIP	100 5% 1/10W	R159	1-216-027-00	RES-CHIP	120 5% 1/10W
R085	1-216-053-00	RES-CHIP	1.5K 5% 1/10W	R160	1-216-025-91	RES-CHIP	100 5% 1/10W

**A**

REF. NO.	PART NO.	DESCRIPTION	REMARK	REF. NO.	PART NO.	DESCRIPTION	REMARK
R161	1-216-083-00	RES-CHIP	27K 5%	R251	1-216-025-91	RES-CHIP	100 5%
R162	1-216-027-00	RES-CHIP	120 5%	R252	1-216-075-00	RES-CHIP	12K 5%
R163	1-216-689-11	RES-CHIP	39K 5%	R253	1-216-085-00	RES-CHIP	33K 5%
R164	1-216-065-91	RES-CHIP	4.7K 5%				
R166	1-216-025-91	RES-CHIP	100 5%	R255	1-216-025-91	RES-CHIP	100 5%
				R256	1-216-049-91	RES-CHIP	1K 5%
R167	1-216-025-91	RES-CHIP	100 5%	R257	1-216-025-91	RES-CHIP	100 5%
R168	1-216-025-91	RES-CHIP	100 5%	R258	1-216-025-91	RES-CHIP	100 5%
R169	1-208-789-11	METAL CHIP	2K 0.5%	R259	1-216-025-91	RES-CHIP	100 5%
R170	1-216-025-91	RES-CHIP	100 5%				
R171	1-216-295-91	SHORT	0	R260	1-208-810-11	METAL CHIP	15K 0.5%
				R261	1-216-049-91	RES-CHIP	1K 5%
R201	1-414-135-11	FERRITE	0μH	R262	1-216-648-11	METAL CHIP	750 0.5%
R202	1-216-041-00	RES-CHIP	470 5%	R263	1-208-776-11	METAL CHIP	560 0.5%
R203	1-216-051-00	RES-CHIP	1.2K 5%	R264	1-216-049-91	RES-CHIP	1K 5%
R204	1-216-041-00	RES-CHIP	470 5%				
R205	1-216-065-91	RES-CHIP	4.7K 5%	R265	1-216-017-91	RES-CHIP	47 5%
				R266	1-216-021-00	RES-CHIP	68 5%
R207	1-216-041-00	RES-CHIP	470 5%	R268	1-208-800-11	METAL CHIP	5.6K 0.5%
R208	1-216-295-91	SHORT	0	R269	1-208-776-11	METAL CHIP	560 0.5%
R209	1-216-049-91	RES-CHIP	1K 5%	R270	1-216-049-91	RES-CHIP	1K 5%
R210	1-216-049-91	RES-CHIP	1K 5%				
R211	1-216-041-00	RES-CHIP	470 5%	R272	1-216-033-00	RES-CHIP	220 5%
				R273	1-216-033-00	RES-CHIP	220 5%
R212	1-208-776-11	METAL CHIP	560 0.5%	R274	1-216-073-00	RES-CHIP	10K 5%
R213	1-208-776-11	METAL CHIP	560 0.5%	R275	1-216-057-00	RES-CHIP	2.2K 5%
R214	1-216-304-11	RES-CHIP	3.3 5%	R276	1-216-097-91	RES-CHIP	100K 5%
R215	1-216-025-91	RES-CHIP	100 5%				
R216	1-216-025-91	RES-CHIP	100 5%	R277	1-216-089-91	RES-CHIP	47K 5%
				R278	1-216-073-00	RES-CHIP	10K 5%
R217	1-216-057-00	RES-CHIP	2.2K 5%	R279	1-216-129-00	RES-CHIP	2.2M 5%
R218	1-216-049-91	RES-CHIP	1K 5%	R280	1-216-073-00	RES-CHIP	10K 5%
R219	1-216-304-11	RES-CHIP	3.3 5%	R281	1-216-025-91	RES-CHIP	100 5%
R222	1-208-800-11	METAL CHIP	5.6K 0.5%				
R223	1-208-800-11	METAL CHIP	5.6K 0.5%	R282	1-216-065-91	RES-CHIP	4.7K 5%
				R283	1-216-065-91	RES-CHIP	4.7K 5%
R224	1-216-105-91	RES-CHIP	220K 5%	R284	1-216-025-91	RES-CHIP	100 5%
R225	1-216-071-00	RES-CHIP	8.2K 5%	R285	1-216-049-91	RES-CHIP	1K 5%
R226	1-216-041-00	RES-CHIP	470 5%	R286	1-216-025-91	RES-CHIP	100 5%
R227	1-216-025-91	RES-CHIP	100 5%				
R228	1-216-057-00	RES-CHIP	2.2K 5%	R287	1-216-025-91	RES-CHIP	100 5%
				R288	1-216-295-91	SHORT	0
R229	1-216-033-00	RES-CHIP	220 5%	R289	1-216-049-91	RES-CHIP	1K 5%
R230	1-216-025-91	RES-CHIP	100 5%	R290	1-216-049-91	RES-CHIP	1K 5%
R231	1-216-065-91	RES-CHIP	4.7K 5%	R291	1-216-049-91	RES-CHIP	1K 5%
R232	1-216-295-91	SHORT	0				
R233	1-208-776-11	METAL CHIP	560 0.5%	R292	1-216-049-91	RES-CHIP	1K 5%
				R293	1-216-049-91	RES-CHIP	1K 5%
R234	1-208-782-11	METAL CHIP	1K 0.5%	R294	1-216-049-91	RES-CHIP	1K 5%
R235	1-216-025-91	RES-CHIP	100 5%	R295	1-216-295-91	SHORT	0
R236	1-216-025-91	RES-CHIP	100 5%	R296	1-216-033-00	RES-CHIP	220 5%
R237	1-216-047-91	RES-CHIP	820 5%				
R238	1-208-790-11	METAL CHIP	2.2K 0.5%	R297	1-216-033-00	RES-CHIP	220 5%
				R298	1-216-033-00	RES-CHIP	220 5%
R239	1-208-822-11	METAL CHIP	47K 0.5%	R299	1-216-033-00	RES-CHIP	220 5%
R240	1-216-025-91	RES-CHIP	100 5%	R300	1-216-033-00	RES-CHIP	220 5%
R241	1-216-025-91	RES-CHIP	100 5%	R301	1-216-033-00	RES-CHIP	220 5%
R242	1-216-025-91	RES-CHIP	100 5%				
R243	1-216-057-00	RES-CHIP	2.2K 5%	R302	1-216-049-91	RES-CHIP	1K 5%
				R303	1-216-133-00	RES-CHIP	3.3M 5%
R244	1-216-075-00	RES-CHIP	12K 5%	R304	1-216-059-00	RES-CHIP	2.7K 5%
R245	1-216-085-00	RES-CHIP	33K 5%	R305	1-216-066-00	RES-CHIP	5.1K 5%
R246	1-216-049-91	RES-CHIP	1K 5%	R306	1-208-774-11	METAL CHIP	470 0.5%
R247	1-208-793-11	METAL CHIP	3K 0.5%				
R248	1-216-025-91	RES-CHIP	100 5%	R307	1-208-810-11	METAL CHIP	15K 0.5%
				R308	1-216-109-00	RES-CHIP	330K 5%
R249	1-216-025-91	RES-CHIP	100 5%	R309	1-216-061-00	RES-CHIP	3.3K 5%
R250	1-216-049-91	RES-CHIP	1K 5%	R310	1-216-033-00	RES-CHIP	220 5%



REF. NO.	PART NO.	DESCRIPTION		REMARK	REF. NO.	PART NO.	DESCRIPTION		REMARK		
R311	1-216-025-91	RES-CHIP	100	5%	1/10W	R410	1-216-035-00	RES-CHIP	270	5%	1/10W
R312	1-216-025-91	RES-CHIP	100	5%	1/10W	R411	1-216-025-91	RES-CHIP	100	5%	1/10W
R313	1-216-113-00	RES-CHIP	470K	5%	1/10W	R412	1-216-025-91	RES-CHIP	100	5%	1/10W
R314	1-216-025-91	RES-CHIP	100	5%	1/10W	R413	1-216-025-91	RES-CHIP	100	5%	1/10W
R315	1-216-043-91	RES-CHIP	560	5%	1/10W	R414	1-216-081-00	RES-CHIP	22K	5%	1/10W
R316	1-216-049-91	RES-CHIP	1K	5%	1/10W	R415	1-216-073-00	RES-CHIP	10K	5%	1/10W
R317	1-216-059-00	RES-CHIP	2.7K	5%	1/10W	R418	1-216-025-91	RES-CHIP	100	5%	1/10W
R318	1-216-077-91	RES-CHIP	15K	5%	1/10W	R419	1-216-025-91	RES-CHIP	100	5%	1/10W
R319	1-216-655-11	METAL CHIP	1.5K	0.5%	1/10W	R420	1-216-025-91	RES-CHIP	100	5%	1/10W
R321	1-216-033-00	RES-CHIP	220	5%	1/10W	R421	1-216-025-91	RES-CHIP	100	5%	1/10W
R322	1-216-073-00	RES-CHIP	10K	5%	1/10W	R422	1-216-025-91	RES-CHIP	100	5%	1/10W
R323	1-216-017-91	RES-CHIP	47	5%	1/10W	R423	1-216-089-91	RES-CHIP	47K	5%	1/10W
R324	1-216-049-91	RES-CHIP	1K	5%	1/10W	R424	1-215-865-11	METAL OXIDE	220	5%	1W
R325	1-216-073-00	RES-CHIP	10K	5%	1/10W	R425	1-216-025-91	RES-CHIP	100	5%	1/10W
R326	1-216-073-00	RES-CHIP	10K	5%	1/10W	R426	1-216-073-00	RES-CHIP	10K	5%	1/10W
R327	1-216-073-00	RES-CHIP	10K	5%	1/10W	R428	1-216-073-00	RES-CHIP	10K	5%	1/10W
R328	1-216-049-91	RES-CHIP	1K	5%	1/10W	R429	1-216-065-91	RES-CHIP	4.7K	5%	1/10W
R329	1-216-073-00	RES-CHIP	10K	5%	1/10W	R430	1-216-041-00	RES-CHIP	470	5%	1/10W
R330	1-216-073-00	RES-CHIP	10K	5%	1/10W	R431	1-216-073-00	RES-CHIP	10K	5%	1/10W
R331	1-216-065-91	RES-CHIP	4.7K	5%	1/10W	R432	1-216-073-00	RES-CHIP	10K	5%	1/10W
R332	1-216-073-00	RES-CHIP	10K	5%	1/10W	R433	1-216-041-00	RES-CHIP	470	5%	1/10W
R333	1-216-049-91	RES-CHIP	1K	5%	1/10W	R434	1-216-097-91	RES-CHIP	100K	5%	1/10W
R334	1-216-113-00	RES-CHIP	470K	5%	1/10W	R435	1-216-073-00	RES-CHIP	10K	5%	1/10W
R335	1-216-041-00	RES-CHIP	470	5%	1/10W	R437	1-216-033-00	RES-CHIP	220	5%	1/10W
R336	1-216-049-91	RES-CHIP	1K	5%	1/10W	R438	1-216-073-00	RES-CHIP	10K	5%	1/10W
R337	1-216-037-00	RES-CHIP	330	5%	1/10W	R439	1-216-041-00	RES-CHIP	470	5%	1/10W
R338	1-216-075-00	RES-CHIP	12K	5%	1/10W	R440	1-216-033-00	RES-CHIP	220	5%	1/10W
R339	1-216-049-91	RES-CHIP	1K	5%	1/10W	R441	1-216-049-91	RES-CHIP	1K	5%	1/10W
R340	1-216-041-00	RES-CHIP	470	5%	1/10W	R442	1-216-073-00	RES-CHIP	10K	5%	1/10W
R341	1-216-040-00	RES-CHIP	430	5%	1/10W	R443	1-216-065-91	RES-CHIP	4.7K	5%	1/10W
R342	1-208-783-11	METAL CHIP	1.1K	0.5%	1/10W	R444	1-216-077-91	RES-CHIP	15K	5%	1/10W
R343	1-216-085-00	RES-CHIP	33K	5%	1/10W	R446	1-216-085-00	RES-CHIP	33K	5%	1/10W
R344	1-216-025-91	RES-CHIP	100	5%	1/10W	R447	1-216-081-00	RES-CHIP	22K	5%	1/10W
R345	1-216-049-91	RES-CHIP	1K	5%	1/10W	R448	1-216-081-00	RES-CHIP	22K	5%	1/10W
R346	1-216-089-91	RES-CHIP	47K	5%	1/10W	R449	1-216-049-91	RES-CHIP	1K	5%	1/10W
R347	1-216-073-00	RES-CHIP	10K	5%	1/10W	R450	1-216-689-11	RES-CHIP	39K	5%	1/10W
R348	1-216-079-00	RES-CHIP	18K	5%	1/10W	R451	1-216-073-00	RES-CHIP	10K	5%	1/10W
R349	1-216-077-91	RES-CHIP	15K	5%	1/10W	R452	1-216-083-00	RES-CHIP	27K	5%	1/10W
R350	1-216-073-00	RES-CHIP	10K	5%	1/10W	R453	1-216-049-91	RES-CHIP	1K	5%	1/10W
R351	1-216-041-00	RES-CHIP	470	5%	1/10W	R454	1-216-049-91	RES-CHIP	1K	5%	1/10W
R352	1-216-081-00	RES-CHIP	22K	5%	1/10W	R455	1-216-083-00	RES-CHIP	27K	5%	1/10W
R353	1-216-113-00	RES-CHIP	470K	5%	1/10W	R456	1-216-073-00	RES-CHIP	10K	5%	1/10W
R354	1-216-065-91	RES-CHIP	4.7K	5%	1/10W	R457	1-216-073-00	RES-CHIP	10K	5%	1/10W
R360	1-216-051-00	RES-CHIP	1.2K	5%	1/10W	R458	1-249-389-11	CARBON	4.7	5%	1/4W
R361	1-208-803-11	METAL CHIP	7.5K	0.5%	1/10W	R459	1-249-389-11	CARBON	4.7	5%	1/4W
R362	1-208-774-11	METAL CHIP	470	0.5%	1/10W	R460	1-216-089-91	RES-CHIP	47K	5%	1/10W
R363	1-208-798-11	METAL CHIP	4.7K	0.5%	1/10W	R461	1-216-025-91	RES-CHIP	100	5%	1/10W
R401	1-216-057-00	RES-CHIP	2.2K	5%	1/10W	R462	1-216-075-00	RES-CHIP	12K	5%	1/10W
R402	1-216-057-00	RES-CHIP	2.2K	5%	1/10W	R463	1-216-089-91	RES-CHIP	47K	5%	1/10W
R403	1-216-121-91	RES-CHIP	1M	5%	1/10W	R464	1-216-089-91	RES-CHIP	47K	5%	1/10W
R404	1-216-065-91	RES-CHIP	4.7K	5%	1/10W	R465	1-216-121-91	RES-CHIP	1M	5%	1/10W
R405	1-216-065-91	RES-CHIP	4.7K	5%	1/10W	R466	1-216-079-00	RES-CHIP	18K	5%	1/10W
R406	1-216-035-00	RES-CHIP	270	5%	1/10W	R467	1-216-077-91	RES-CHIP	15K	5%	1/10W
R407	1-216-065-91	RES-CHIP	4.7K	5%	1/10W	R468	1-216-295-91	SHORT	0		
R408	1-216-025-91	RES-CHIP	100	5%	1/10W	R471	1-414-551-11	FERRITE	0μH		
R409	1-216-025-91	RES-CHIP	100	5%	1/10W	R472	1-216-049-91	RES-CHIP	1K	5%	1/10W
						R473	1-216-049-91	RES-CHIP	1K	5%	1/10W

**A**

REF. NO.	PART NO.	DESCRIPTION	REMARK	REF. NO.	PART NO.	DESCRIPTION	REMARK
R474	1-216-049-91	RES-CHIP	1K 5% 1/10W	R862	1-216-073-00	RES-CHIP	10K 5% 1/10W
R475	1-208-817-11	METAL CHIP	30K 0.5% 1/10W	R863	1-216-025-91	RES-CHIP	100 5% 1/10W
R476	1-208-817-11	METAL CHIP	30K 0.5% 1/10W	R864	1-208-801-11	METAL CHIP	6.2K 0.5% 1/10W
R477	1-216-089-91	RES-CHIP	47K 5% 1/10W	R865	1-216-025-91	RES-CHIP	100 5% 1/10W
R478	1-216-089-91	RES-CHIP	47K 5% 1/10W	R866	1-216-025-91	RES-CHIP	100 5% 1/10W
R801	1-500-245-11	FERRITE	0μH	R867	1-216-025-91	RES-CHIP	100 5% 1/10W
R802	1-500-245-11	FERRITE	0μH	R868	1-216-025-91	RES-CHIP	100 5% 1/10W
R803	1-500-245-11	FERRITE	0μH	R869	1-216-025-91	RES-CHIP	100 5% 1/10W
R804	1-500-245-11	FERRITE	0μH	R870	1-216-073-00	RES-CHIP	10K 5% 1/10W
R805	1-216-065-91	RES-CHIP	4.7K 5% 1/10W	R871	1-216-025-91	RES-CHIP	100 5% 1/10W
R806	1-216-113-00	RES-CHIP	470K 5% 1/10W	R872	1-216-025-91	RES-CHIP	100 5% 1/10W
R808	1-216-065-91	RES-CHIP	4.7K 5% 1/10W	R873	1-216-025-91	RES-CHIP	100 5% 1/10W
R810	1-216-295-91	SHORT	0	R874	1-216-025-91	RES-CHIP	100 5% 1/10W
R811	1-216-109-00	RES-CHIP	330K 5% 1/10W	R875	1-216-295-91	SHORT	0
R813	1-216-117-00	RES-CHIP	680K 5% 1/10W	R876	1-216-065-91	RES-CHIP	4.7K 5% 1/10W
R814	1-216-117-00	RES-CHIP	680K 5% 1/10W	R877	1-208-816-11	METAL CHIP	27K 0.5% 1/10W
R815	1-216-025-91	RES-CHIP	100 5% 1/10W	R878	1-216-049-91	RES-CHIP	1K 5% 1/10W
R816	1-216-049-91	RES-CHIP	1K 5% 1/10W	R879	1-216-295-91	SHORT	0
R817	1-216-025-91	RES-CHIP	100 5% 1/10W	R880	1-216-049-91	RES-CHIP	1K 5% 1/10W
R818	1-216-025-91	RES-CHIP	100 5% 1/10W	R881	1-216-025-91	RES-CHIP	100 5% 1/10W
R819	1-216-025-91	RES-CHIP	100 5% 1/10W	R882	1-216-033-00	RES-CHIP	220 5% 1/10W
R820	1-216-295-91	SHORT	0	R883	1-216-033-00	RES-CHIP	220 5% 1/10W
R821	1-216-295-91	SHORT	0	R884	1-216-049-91	RES-CHIP	1K 5% 1/10W
R822	1-216-295-91	SHORT	0	R885	1-216-025-91	RES-CHIP	100 5% 1/10W
R823	1-216-295-91	SHORT	0	R887	1-414-551-11	FERRITE	0μH
R824	1-216-025-91	RES-CHIP	100 5% 1/10W	R888	1-216-025-91	RES-CHIP	100 5% 1/10W
R825	1-216-025-91	RES-CHIP	100 5% 1/10W	R891	1-216-073-00	RES-CHIP	10K 5% 1/10W
R828	1-216-049-91	RES-CHIP	1K 5% 1/10W	R892	1-208-802-11	METAL CHIP	6.8K 0.5% 1/10W
R829	1-216-073-00	RES-CHIP	10K 5% 1/10W	R893	1-216-073-00	RES-CHIP	10K 5% 1/10W
R830	1-216-041-00	RES-CHIP	470 5% 1/10W	R894	1-216-033-00	RES-CHIP	220 5% 1/10W
R831	1-216-049-91	RES-CHIP	1K 5% 1/10W	R895	1-216-025-91	RES-CHIP	100 5% 1/10W
R832	1-216-073-00	RES-CHIP	10K 5% 1/10W	R896	1-216-121-91	RES-CHIP	1M 5% 1/10W
R833	1-216-049-91	RES-CHIP	1K 5% 1/10W	R897	1-216-049-91	RES-CHIP	1K 5% 1/10W
R834	1-216-049-91	RES-CHIP	1K 5% 1/10W	R898	1-216-049-91	RES-CHIP	1K 5% 1/10W
R836	1-216-049-91	RES-CHIP	1K 5% 1/10W	R899	1-216-033-00	RES-CHIP	220 5% 1/10W
R838	1-216-025-91	RES-CHIP	100 5% 1/10W	R900	1-216-025-91	RES-CHIP	100 5% 1/10W
R839	1-216-025-91	RES-CHIP	100 5% 1/10W	R901	1-216-033-00	RES-CHIP	220 5% 1/10W
R840	1-216-025-91	RES-CHIP	100 5% 1/10W	R902	1-216-033-00	RES-CHIP	220 5% 1/10W
R842	1-216-025-91	RES-CHIP	100 5% 1/10W	R903	1-216-025-91	RES-CHIP	100 5% 1/10W
R843	1-216-025-91	RES-CHIP	100 5% 1/10W	R904	1-216-033-00	RES-CHIP	220 5% 1/10W
R844	1-216-025-91	RES-CHIP	100 5% 1/10W	R905	1-216-025-91	RES-CHIP	100 5% 1/10W
R846	1-216-025-91	RES-CHIP	100 5% 1/10W	R906	1-216-025-91	RES-CHIP	100 5% 1/10W
R847	1-216-033-00	RES-CHIP	220 5% 1/10W	R907	1-216-025-91	RES-CHIP	100 5% 1/10W
R848	1-216-025-91	RES-CHIP	100 5% 1/10W	R908	1-216-025-91	RES-CHIP	100 5% 1/10W
R849	1-216-041-00	RES-CHIP	470 5% 1/10W	R910	1-216-025-91	RES-CHIP	100 5% 1/10W
R850	1-216-041-00	RES-CHIP	470 5% 1/10W	R911	1-216-025-91	RES-CHIP	100 5% 1/10W
R851	1-216-041-00	RES-CHIP	470 5% 1/10W	R912	1-216-049-91	RES-CHIP	1K 5% 1/10W
R852	1-208-814-91	METAL CHIP	22K 0.5% 1/10W	R913	1-216-025-91	RES-CHIP	100 5% 1/10W
R853	1-216-025-91	RES-CHIP	100 5% 1/10W	R914	1-216-049-91	RES-CHIP	1K 5% 1/10W
R854	1-216-025-91	RES-CHIP	100 5% 1/10W	R915	1-216-049-91	RES-CHIP	1K 5% 1/10W
R855	1-216-025-91	RES-CHIP	100 5% 1/10W	R916	1-216-049-91	RES-CHIP	1K 5% 1/10W
R856	1-216-033-00	RES-CHIP	220 5% 1/10W	R917	1-216-025-91	RES-CHIP	100 5% 1/10W
R857	1-216-025-91	RES-CHIP	100 5% 1/10W	R918	1-208-806-11	METAL CHIP	10K 0.5% 1/10W
R858	1-216-073-00	RES-CHIP	10K 5% 1/10W	R919	1-216-061-00	RES-CHIP	3.3K 5% 1/10W
R859	1-216-081-00	RES-CHIP	22K 5% 1/10W	R920	1-216-057-00	RES-CHIP	2.2K 5% 1/10W
R860	1-216-025-91	RES-CHIP	100 5% 1/10W	R922	1-216-049-91	RES-CHIP	1K 5% 1/10W
R861	1-216-073-00	RES-CHIP	10K 5% 1/10W				



REF. NO.	PART NO.	DESCRIPTION	REMARK	REF. NO.	PART NO.	DESCRIPTION	REMARK
R923	1-216-043-91	RES-CHIP	560 5% 1/10W	R1003	1-208-818-11	METAL CHIP	33K 0.5% 1/10W
R924	1-216-053-00	RES-CHIP	1.5K 5% 1/10W	R1010	1-216-295-91	SHORT	0
R925	1-216-043-91	RES-CHIP	560 5% 1/10W	R1011	1-216-295-91	SHORT	0
R926	1-216-053-00	RES-CHIP	1.5K 5% 1/10W	R1012	1-216-295-91	SHORT	0
R928	1-216-057-00	RES-CHIP	2.2K 5% 1/10W	R1013	1-216-295-91	SHORT	0
R929	1-216-049-91	RES-CHIP	1K 5% 1/10W	R1014	1-216-295-91	SHORT	0
R932	1-208-792-11	METAL CHIP	2.7K 0.5% 1/10W	R1015	1-216-295-91	SHORT	0
R935	1-216-025-91	RES-CHIP	100 5% 1/10W	R1401	1-216-025-91	RES-CHIP	100 5% 1/10W
R936	1-216-025-91	RES-CHIP	100 5% 1/10W	R1402	1-216-295-91	SHORT	0
R937	1-216-025-91	RES-CHIP	100 5% 1/10W	R1403	1-216-049-91	RES-CHIP	1K 5% 1/10W
R938	1-208-766-11	METAL CHIP	220 0.5% 1/10W	R1404	1-216-049-91	RES-CHIP	1K 5% 1/10W
R939	1-208-766-11	METAL CHIP	220 0.5% 1/10W	R1405	1-216-295-91	SHORT	0
R941	1-216-061-00	RES-CHIP	3.3K 5% 1/10W	R1406	1-216-061-00	RES-CHIP	3.3K 5% 1/10W
R942	1-216-065-91	RES-CHIP	4.7K 5% 1/10W	R1407	1-216-049-91	RES-CHIP	1K 5% 1/10W
R943	1-216-041-00	RES-CHIP	470 5% 1/10W	R1408	1-216-025-91	RES-CHIP	100 5% 1/10W
R945	1-216-057-00	RES-CHIP	2.2K 5% 1/10W	R1409	1-216-057-00	RES-CHIP	2.2K 5% 1/10W
R950	1-216-043-91	RES-CHIP	560 5% 1/10W	R1410	1-216-025-91	RES-CHIP	100 5% 1/10W
R951	1-216-053-00	RES-CHIP	1.5K 5% 1/10W	R1411	1-216-025-91	RES-CHIP	100 5% 1/10W
R952	1-216-049-91	RES-CHIP	1K 5% 1/10W	R1412	1-216-025-91	RES-CHIP	100 5% 1/10W
R953	1-216-025-91	RES-CHIP	100 5% 1/10W	R1413	1-216-025-91	RES-CHIP	100 5% 1/10W
R954	1-216-025-91	RES-CHIP	100 5% 1/10W	R1414	1-216-025-91	RES-CHIP	100 5% 1/10W
R955	1-216-025-91	RES-CHIP	100 5% 1/10W	R1415	1-216-025-91	RES-CHIP	100 5% 1/10W
R956	1-216-025-91	RES-CHIP	100 5% 1/10W	R1416	1-216-025-91	RES-CHIP	100 5% 1/10W
R957	1-216-025-91	RES-CHIP	100 5% 1/10W	R1417	1-216-025-91	RES-CHIP	100 5% 1/10W
R958	1-216-025-91	RES-CHIP	100 5% 1/10W	R1418	1-216-025-91	RES-CHIP	100 5% 1/10W
R959	1-208-806-11	METAL CHIP	10K 0.5% 1/10W	R1419	1-216-033-00	RES-CHIP	220 5% 1/10W
R960	1-208-806-11	METAL CHIP	10K 0.5% 1/10W	R1420	1-216-045-00	RES-CHIP	680 5% 1/10W
R961	1-208-806-11	METAL CHIP	10K 0.5% 1/10W	R1421	1-216-025-91	RES-CHIP	100 5% 1/10W
R962	1-208-806-11	METAL CHIP	10K 0.5% 1/10W	R1422	1-216-025-91	RES-CHIP	100 5% 1/10W
R963	1-208-806-11	METAL CHIP	10K 0.5% 1/10W	R1423	1-216-049-91	RES-CHIP	1K 5% 1/10W
R964	1-208-806-11	METAL CHIP	10K 0.5% 1/10W	R1424	1-216-061-00	RES-CHIP	3.3K 5% 1/10W
R965	1-208-806-11	METAL CHIP	10K 0.5% 1/10W	R1425	1-216-009-91	RES-CHIP	22 5% 1/10W
R966	1-208-806-11	METAL CHIP	10K 0.5% 1/10W	R1427	1-216-109-00	RES-CHIP	330K 5% 1/10W
R968	1-208-806-11	METAL CHIP	10K 0.5% 1/10W	R1428	1-216-057-00	RES-CHIP	2.2K 5% 1/10W
R970	1-208-806-11	METAL CHIP	10K 0.5% 1/10W	R1429	1-208-774-11	METAL CHIP	470 0.5% 1/10W
R972	1-208-806-11	METAL CHIP	10K 0.5% 1/10W	R1430	1-216-033-00	RES-CHIP	220 5% 1/10W
R974	1-208-806-11	METAL CHIP	10K 0.5% 1/10W	R1431	1-216-045-00	RES-CHIP	680 5% 1/10W
R976	1-208-806-11	METAL CHIP	10K 0.5% 1/10W	R1432	1-216-071-00	RES-CHIP	8.2K 5% 1/10W
R978	1-208-810-11	METAL CHIP	15K 0.5% 1/10W	R1433	1-216-077-91	RES-CHIP	15K 5% 1/10W
R979	1-208-817-11	METAL CHIP	30K 0.5% 1/10W	R1434	1-216-025-91	RES-CHIP	100 5% 1/10W
R980	1-208-817-11	METAL CHIP	30K 0.5% 1/10W	R1435	1-216-025-91	RES-CHIP	100 5% 1/10W
R981	1-208-817-11	METAL CHIP	30K 0.5% 1/10W	R1436	1-216-109-00	RES-CHIP	330K 5% 1/10W
R982	1-208-817-11	METAL CHIP	30K 0.5% 1/10W	R1437	1-216-073-00	RES-CHIP	10K 5% 1/10W
R983	1-208-817-11	METAL CHIP	30K 0.5% 1/10W	R1439	1-216-053-00	RES-CHIP	1.5K 5% 1/10W
R985	1-208-810-11	METAL CHIP	15K 0.5% 1/10W	R1440	1-216-025-91	RES-CHIP	100 5% 1/10W
R987	1-208-817-11	METAL CHIP	30K 0.5% 1/10W	R1441	1-216-025-91	RES-CHIP	100 5% 1/10W
R989	1-208-817-11	METAL CHIP	30K 0.5% 1/10W	R1442	1-216-025-91	RES-CHIP	100 5% 1/10W
R991	1-208-817-11	METAL CHIP	30K 0.5% 1/10W	R1443	1-216-025-91	RES-CHIP	100 5% 1/10W
R993	1-208-817-11	METAL CHIP	30K 0.5% 1/10W	R1444	1-216-025-91	RES-CHIP	100 5% 1/10W
R994	1-208-817-11	METAL CHIP	30K 0.5% 1/10W	R1445	1-216-025-91	RES-CHIP	100 5% 1/10W
R996	1-208-776-11	METAL CHIP	560 0.5% 1/10W	R1446	1-216-025-91	RES-CHIP	100 5% 1/10W
R997	1-208-776-11	METAL CHIP	560 0.5% 1/10W	R1447	1-208-774-11	METAL CHIP	470 0.5% 1/10W
R998	1-208-776-11	METAL CHIP	560 0.5% 1/10W	R1448	1-216-025-91	RES-CHIP	100 5% 1/10W
R999	1-208-776-11	METAL CHIP	560 0.5% 1/10W	R1449	1-216-025-91	RES-CHIP	100 5% 1/10W
R1000	1-208-776-11	METAL CHIP	560 0.5% 1/10W	R1450	1-216-071-00	RES-CHIP	8.2K 5% 1/10W
R1001	1-208-776-11	METAL CHIP	560 0.5% 1/10W	R1451	1-216-025-91	RES-CHIP	100 5% 1/10W
R1002	1-208-810-11	METAL CHIP	15K 0.5% 1/10W	R1452	1-216-025-91	RES-CHIP	100 5% 1/10W



REF. NO.	PART NO.	DESCRIPTION	REMARK	REF. NO.	PART NO.	DESCRIPTION	REMARK
R1453	1-216-025-91	RES-CHIP	100 5% 1/10W	R1517	1-216-057-00	RES-CHIP	2.2K 5% 1/10W
R1454	1-216-077-91	RES-CHIP	15K 5% 1/10W	R1518	1-216-065-91	RES-CHIP	4.7K 5% 1/10W
R1455	1-216-025-91	RES-CHIP	100 5% 1/10W	R1519	1-216-065-91	RES-CHIP	4.7K 5% 1/10W
R1456	1-216-025-91	RES-CHIP	100 5% 1/10W	R1520	1-216-049-91	RES-CHIP	1K 5% 1/10W
R1457	1-216-073-00	RES-CHIP	10K 5% 1/10W	R1522	1-208-755-11	METAL CHIP	75 0.5% 1/10W
R1458	1-216-053-00	RES-CHIP	1.5K 5% 1/10W	R1523	1-216-061-00	RES-CHIP	3.3K 5% 1/10W
R1459	1-216-025-91	RES-CHIP	100 5% 1/10W	R1525	1-216-073-00	RES-CHIP	10K 5% 1/10W
R1460	1-216-025-91	RES-CHIP	100 5% 1/10W	R1527	1-216-051-00	RES-CHIP	1.2K 5% 1/10W
R1461	1-216-025-91	RES-CHIP	100 5% 1/10W	R1528	1-216-057-00	RES-CHIP	2.2K 5% 1/10W
R1462	1-216-025-91	RES-CHIP	100 5% 1/10W	R1529	1-216-025-91	RES-CHIP	100 5% 1/10W
R1463	1-216-025-91	RES-CHIP	100 5% 1/10W	R1530	1-216-065-91	RES-CHIP	4.7K 5% 1/10W
R1464	1-216-025-91	RES-CHIP	100 5% 1/10W	R1531	1-216-073-00	RES-CHIP	10K 5% 1/10W
R1465	1-216-025-91	RES-CHIP	100 5% 1/10W	R1532	1-216-051-00	RES-CHIP	1.2K 5% 1/10W
R1466	1-216-025-91	RES-CHIP	100 5% 1/10W	R1533	1-216-051-00	RES-CHIP	1.2K 5% 1/10W
R1467	1-216-037-00	RES-CHIP	330 5% 1/10W	R1534	1-216-025-91	RES-CHIP	100 5% 1/10W
R1468	1-216-295-91	SHORT	0	R1535	1-216-025-91	RES-CHIP	100 5% 1/10W
R1470	1-216-009-91	RES-CHIP	22 5% 1/10W	R1536	1-216-073-00	RES-CHIP	10K 5% 1/10W
R1471	1-216-025-91	RES-CHIP	100 5% 1/10W	R1537	1-208-801-11	METAL CHIP	6.2K 0.5% 1/10W
R1472	1-208-774-11	METAL CHIP	470 0.5% 1/10W	R1540	1-216-053-00	RES-CHIP	1.5K 5% 1/10W
R1473	1-216-073-00	RES-CHIP	10K 5% 1/10W	R1541	1-216-073-00	RES-CHIP	10K 5% 1/10W
R1474	1-216-033-00	RES-CHIP	220 5% 1/10W	R1542	1-216-025-91	RES-CHIP	100 5% 1/10W
R1475	1-216-295-91	SHORT	0	R1543	1-216-025-91	RES-CHIP	100 5% 1/10W
R1476	1-208-780-11	METAL CHIP	820 0.5% 1/10W	R1544	1-216-025-91	RES-CHIP	100 5% 1/10W
R1477	1-216-295-91	SHORT	0	R1545	1-216-073-00	RES-CHIP	10K 5% 1/10W
R1479	1-216-025-91	RES-CHIP	100 5% 1/10W	R1547	1-216-073-00	RES-CHIP	10K 5% 1/10W
R1480	1-216-025-91	RES-CHIP	100 5% 1/10W	R1601	1-216-065-91	RES-CHIP	4.7K 5% 1/10W
R1481	1-216-025-91	RES-CHIP	100 5% 1/10W	R1603	1-216-049-91	RES-CHIP	1K 5% 1/10W
R1482	1-216-041-00	RES-CHIP	470 5% 1/10W	R1604	1-216-049-91	RES-CHIP	1K 5% 1/10W
R1483	1-216-009-91	RES-CHIP	22 5% 1/10W	R1605	1-208-802-11	METAL CHIP	6.8K 0.5% 1/10W
R1484	1-216-009-91	RES-CHIP	22 5% 1/10W	R1607	1-208-806-11	METAL CHIP	10K 0.5% 1/10W
R1485	1-216-295-91	SHORT	0	R1609	1-216-025-91	RES-CHIP	100 5% 1/10W
R1486	1-208-782-11	METAL CHIP	1K 0.5% 1/10W	R1610	1-216-025-91	RES-CHIP	100 5% 1/10W
R1487	1-216-025-91	RES-CHIP	100 5% 1/10W	R1614	1-216-049-91	RES-CHIP	1K 5% 1/10W
R1489	1-216-075-00	RES-CHIP	12K 5% 1/10W	R1615	1-208-802-11	METAL CHIP	6.8K 0.5% 1/10W
R1490	1-216-081-00	RES-CHIP	22K 5% 1/10W	R1616	1-216-049-91	RES-CHIP	1K 5% 1/10W
R1492	1-216-009-91	RES-CHIP	22 5% 1/10W	R1617	1-216-081-00	RES-CHIP	22K 5% 1/10W
R1493	1-216-037-00	RES-CHIP	330 5% 1/10W	R1618	1-216-033-00	RES-CHIP	220 5% 1/10W
R1494	1-216-025-91	RES-CHIP	100 5% 1/10W	R1619	1-216-057-00	RES-CHIP	2.2K 5% 1/10W
R1495	1-208-794-11	METAL CHIP	3.3K 0.5% 1/10W	R1621	1-208-806-11	METAL CHIP	10K 0.5% 1/10W
R1496	1-216-049-91	RES-CHIP	1K 5% 1/10W	R1622	1-216-033-00	RES-CHIP	220 5% 1/10W
R1497	1-208-774-11	METAL CHIP	470 0.5% 1/10W	R1623	1-216-025-91	RES-CHIP	100 5% 1/10W
R1498	1-216-053-00	RES-CHIP	1.5K 5% 1/10W	R1624	1-216-025-91	RES-CHIP	100 5% 1/10W
R1499	1-208-780-11	METAL CHIP	820 0.5% 1/10W	R1627	1-216-061-00	RES-CHIP	3.3K 5% 1/10W
R1501	1-216-073-00	RES-CHIP	10K 5% 1/10W			<RELAY>	
R1504	1-216-025-91	RES-CHIP	100 5% 1/10W	RY401	1-755-028-11	RELAY	
R1505	1-216-049-91	RES-CHIP	1K 5% 1/10W	RY402	1-755-028-11	RELAY	
R1506	1-216-049-91	RES-CHIP	1K 5% 1/10W			<TUNER>	
R1507	1-216-009-91	RES-CHIP	22 5% 1/10W	TU151	8-598-431-00	TUNER, FSS BTF-WA411	
R1508	1-216-041-00	RES-CHIP	470 5% 1/10W	TU152	8-598-430-00	TUNER, FSS BTF-FA401	
R1509	1-208-782-11	METAL CHIP	1K 0.5% 1/10W			<CRYSTAL>	
R1510	1-216-049-91	RES-CHIP	1K 5% 1/10W	X001	1-781-589-21	VIBRATOR, CRYSTAL 16MHz	
R1511	1-216-065-91	RES-CHIP	4.7K 5% 1/10W				
R1512	1-216-075-00	RES-CHIP	12K 5% 1/10W				
R1513	1-216-081-00	RES-CHIP	22K 5% 1/10W				
R1514	1-216-025-91	RES-CHIP	100 5% 1/10W				
R1515	1-208-806-11	METAL CHIP	10K 0.5% 1/10W				
R1516	1-208-774-11	METAL CHIP	470 0.5% 1/10W				

Les composants identifiés par une trame et une marque  $\Delta$  sont critiques pour la sécurité. Ne les remplacer que par une pièce portant le numéro spécifié.

The components identified by shading and mark  $\Delta$  are critical for safety. Replace only with part number specified.

• The components identified by  $\blacktriangle$  in this manual have been carefully factory-selected for each set in order to satisfy regulations regarding X-ray radiation. Should replacement be required, replace only with the value originally used.



REF. NO.	PART NO.	DESCRIPTION	REMARK	REF. NO.	PART NO.	DESCRIPTION	REMARK
X202	1-567-505-11	OSCILLATOR, CRYSTAL 3.58MHZ		C546	1-107-649-11	ELECT 2.2 $\mu$ F	20% 250V
X203	1-579-583-11	VIBRATOR, CERAMIC 503kHz		C547	1-126-971-11	ELECT 470 $\mu$ F	20% 50V
X401	1-781-590-21	VIBRATOR, CRYSTAL 33.8688MHZ		C548	1-104-665-11	ELECT 100 $\mu$ F	20% 25V
X801	1-767-925-21	VIBRATOR, CRYSTAL 12MHZ		C549	1-130-489-00	MYLAR 0.033 $\mu$ F	5% 50V
X1401	1-579-583-11	VIBRATOR, CERAMIC 503kHz		C550	1-104-665-11	ELECT 100 $\mu$ F	20% 25V
X1402	1-567-505-11	OSCILLATOR, CRYSTAL 3.58MHZ		C551	1-126-971-11	ELECT 470 $\mu$ F	20% 50V
X1403	1-579-583-11	VIBRATOR, CERAMIC 503kHz		C552	1-130-489-00	MYLAR 0.033 $\mu$ F	5% 50V
X1404	1-567-505-11	OSCILLATOR, CRYSTAL 3.58MHZ		C553	1-126-935-11	ELECT 470 $\mu$ F	20% 16V
				C554	1-126-935-11	ELECT 470 $\mu$ F	20% 16V
*****							
	* A-1316-437-A	G BOARD, COMPLETE (53V80)		C555	1-104-665-11	ELECT 100 $\mu$ F	20% 25V
		*****		C556	1-104-665-11	ELECT 100 $\mu$ F	20% 25V
	* A-1316-471-A	G BOARD, COMPLETE (48V80)		C557	1-128-562-11	ELECT 47 $\mu$ F	20% 100V
		*****		C563	1-104-664-11	ELECT 47 $\mu$ F	20% 25V
	* A-1316-498-A	G BOARD, COMPLETE (61V80)		C564	1-102-129-00	CERAMIC 0.01 $\mu$ F	10% 50V
		*****		C565	1-102-129-00	CERAMIC 0.01 $\mu$ F	10% 50V
	1-533-223-11	HOLDER, FUSE		C566	1-104-666-11	ELECT 220 $\mu$ F	20% 25V
	* 4-039-590-01	SHIELD, TRANSFORMER		C567	1-106-387-00	MYLAR 0.068 $\mu$ F	5% 200V
	4-382-854-11	SCREW (M3X10), P, SW (+)		C601	$\Delta$ 1-136-311-11	MYLAR 0.47 $\mu$ F	20% 125V
	7-682-952-09	SCREW +PSW 3X16		C602	1-129-722-00	FILM 0.047 $\mu$ F	5% 630V
		<CAPACITOR>		C604	$\Delta$ 1-113-920-11	CERAMIC 0.0022 $\mu$ F	20% 250V
C501	1-126-959-11	ELECT 0.47 $\mu$ F	20% 50V	C606	$\Delta$ 1-113-920-11	CERAMIC 0.0022 $\mu$ F	20% 250V
C502	1-102-002-00	CERAMIC 680pF	10% 500V	C607	$\Delta$ 1-136-311-11	MYLAR 0.47 $\mu$ F	20% 125V
C505	1-106-383-00	MYLAR 0.047 $\mu$ F	10% 200V	C608	1-107-670-11	ELECT 10 $\mu$ F	20% 400V
C506	1-102-212-00	CERAMIC 820pF	10% 500V	C609	1-130-467-00	MYLAR 470pF	5% 50V
C508	1-102-002-00	CERAMIC 680pF	10% 500V	C610	1-130-471-00	MYLAR 0.001 $\mu$ F	5% 50V
C510	1-130-471-00	MYLAR 0.001 $\mu$ F	5% 50V	C611	1-104-350-11	ELECT(BLOCK) 1000 $\mu$ F	20% 250V
C513	1-126-933-11	ELECT 100 $\mu$ F	20% 16V	C612	1-104-350-11	ELECT(BLOCK) 1000 $\mu$ F	20% 250V
C514	1-130-495-00	MYLAR 0.1 $\mu$ F	5% 50V	C613	1-136-165-00	MYLAR 0.1 $\mu$ F	5% 50V
C515	1-126-960-11	ELECT 1 $\mu$ F	20% 50V	C614	1-130-467-00	MYLAR 470pF	5% 50V
C516	1-126-965-11	ELECT 22 $\mu$ F	20% 50V	C615	1-104-331-11	CERAMIC 0.0022 $\mu$ F	10% 1KV
$\blacktriangle$ C517	$\Delta$ 1-161-754-00	CERAMIC 0.001 $\mu$ F	10% 2KV (61V80)	C616	1-130-471-00	MYLAR 0.001 $\mu$ F	5% 50V
$\blacktriangle$ C517	$\Delta$ 1-162-134-11	CERAMIC 470pF	10% 2KV (48/53V80)	C617	1-137-605-11	MYLAR 0.01 $\mu$ F	10% 250V
C518	1-130-487-00	MYLAR 0.022 $\mu$ F	5% 50V	C618	1-126-965-11	ELECT 22 $\mu$ F	20% 50V
C521	$\Delta$ 1-128-660-91	FILM 0.039 $\mu$ F	3% 630V	C619	1-104-664-11	ELECT 47 $\mu$ F	20% 16V
C522	$\Delta$ 1-117-658-11	FILM 14000pF	3% 1.2KV	C620	1-136-175-00	MYLAR 0.68 $\mu$ F	5% 50V
C525	1-136-479-11	FILM 0.001 $\mu$ F	5% 50V	C621	1-136-175-00	MYLAR 0.68 $\mu$ F	5% 50V
C526	1-130-475-00	MYLAR 0.0022 $\mu$ F	5% 50V	C622	1-136-171-00	MYLAR 0.33 $\mu$ F	5% 50V
C527	1-129-702-00	FILM 0.001 $\mu$ F	5% 630V	C623	1-136-171-00	MYLAR 0.33 $\mu$ F	5% 50V
C529	1-130-495-00	MYLAR 0.1 $\mu$ F	5% 50V	C624	1-104-330-91	CERAMIC 470pF	10% 1KV
C531	1-117-673-11	FILM 1.5 $\mu$ F	5% 250V	C625	1-104-664-11	ELECT 47 $\mu$ F	20% 16V
C533	1-106-359-00	MYLAR 0.0047 $\mu$ F	5% 100V	C626	1-104-664-11	ELECT 47 $\mu$ F	20% 16V
C534	1-162-116-00	CERAMIC 680pF	10% 2KV	C651	1-164-644-11	CERAMIC 330pF	10% 500V
C535	1-162-116-00	CERAMIC 680pF	10% 2KV	C654	1-126-953-11	ELECT 2200 $\mu$ F	20% 35V
C536	1-126-965-11	ELECT 22 $\mu$ F	20% 50V	C655	1-126-953-11	ELECT 2200 $\mu$ F	20% 35V
C537	1-102-244-00	CERAMIC 220pF	10% 500V	C656	1-102-121-00	CERAMIC 0.0022 $\mu$ F	10% 50V
C538	1-106-359-00	MYLAR 0.0047 $\mu$ F	5% 100V	C657	1-126-768-11	ELECT 2200 $\mu$ F	20% 16V
C540	1-107-645-11	ELECT 22 $\mu$ F	20% 160V	C658	1-126-943-11	ELECT 2200 $\mu$ F	20% 25V
C542	1-102-228-00	CERAMIC 470pF	10% 500V	C659	1-126-943-11	ELECT 2200 $\mu$ F	20% 25V
C543	1-117-813-11	FILM 0.75 $\mu$ F	5% 250V	C662	1-123-024-21	ELECT 33 $\mu$ F	160V
C544	1-110-626-11	ELECT 330 $\mu$ F	20% 160V	C663	1-104-665-11	ELECT 100 $\mu$ F	20% 25V
C545	1-162-114-00	CERAMIC 0.0047 $\mu$ F	2KV	C664	1-107-910-11	ELECT 100 $\mu$ F	20% 35V
				C665	1-126-934-11	ELECT 220 $\mu$ F	20% 10V
				C666	1-126-927-11	ELECT 2200 $\mu$ F	20% 10V
				C667	1-104-664-11	ELECT 47 $\mu$ F	20% 25V
				C668	1-104-664-11	ELECT 47 $\mu$ F	20% 25V
				C669	1-104-664-11	ELECT 47 $\mu$ F	20% 25V
				C670	1-106-343-00	MYLAR 0.001 $\mu$ F	10% 200V



Les composants identifiés par une trame et une marque  $\Delta$  sont critiques pour la sécurité. Ne les remplacer que par une pièce portant le numéro spécifié.

The components identified by shading and mark  $\Delta$  are critical for safety. Replace only with part number specified.

REF. NO.	PART NO.	DESCRIPTION	REMARK	REF. NO.	PART NO.	DESCRIPTION	REMARK
C671	1-106-343-00	MYLAR	0.001 $\mu$ F 10% 200V	C1560	1-126-942-61	ELECT	1000 $\mu$ F 20% 25V
C672	1-104-664-11	ELECT	47 $\mu$ F 20% 25V	C1561	1-102-121-00	CERAMIC	0.0022 $\mu$ F 10% 50V
C673	1-126-960-11	ELECT	1 $\mu$ F 20% 50V	C1562	1-102-125-00	CERAMIC	0.0047 $\mu$ F 10% 50V
C674	1-104-664-11	ELECT	47 $\mu$ F 20% 25V	C1563	1-137-370-11	MYLAR	0.01 $\mu$ F 5% 50V
C676	1-126-940-11	ELECT	330 $\mu$ F 20% 25V	C1566	1-137-370-11	MYLAR	0.01 $\mu$ F 5% 50V
C678	1-104-665-11	ELECT	100 $\mu$ F 20% 25V	C1570	1-130-471-00	MYLAR	0.001 $\mu$ F 5% 50V
C679	1-104-664-11	ELECT	47 $\mu$ F 20% 25V	C1571	1-102-074-00	CERAMIC	0.001 $\mu$ F 10% 50V
C680	1-128-551-11	ELECT	22 $\mu$ F 20% 25V	C1572	1-102-074-00	CERAMIC	0.001 $\mu$ F 10% 50V
C1501	1-130-495-00	MYLAR	0.1 $\mu$ F 5% 50V	<CONNECTOR>			
C1502	1-126-941-11	ELECT	470 $\mu$ F 20% 25V	CN501 *	1-779-890-11	CONNECTOR, BOARD TO BOARD	10P
C1504	1-102-106-00	CERAMIC	100pF 10% 50V	CN502 *	1-506-371-00	PIN, CONNECTOR	2P
C1505	1-104-664-11	ELECT	47 $\mu$ F 20% 25V	CN503 *	1-564-513-11	PLUG, CONNECTOR	10P
C1506	1-102-106-00	CERAMIC	100pF 10% 50V	CN504 *	1-580-689-11	PIN, CONNECTOR (PC BOARD)	4P
C1507	1-126-942-61	ELECT	1000 $\mu$ F 20% 25V	CN505 *	1-580-689-11	PIN, CONNECTOR (PC BOARD)	4P
C1508	1-102-121-00	CERAMIC	0.0022 $\mu$ F 10% 50V	CN506 *	1-580-689-11	PIN, CONNECTOR (PC BOARD)	4P
C1510	1-126-941-11	ELECT	470 $\mu$ F 20% 25V	CN507 *	1-691-134-11	PIN, CONNECTOR (PC BOARD)	2P
C1511	1-126-964-11	ELECT	10 $\mu$ F 20% 50V	CN508	1-695-915-11	TAB (CONTACT) (53/61V80)	
C1512	1-126-933-11	ELECT	100 $\mu$ F 20% 16V	CN601 *	1-580-843-11	PIN, CONNECTOR (POWER)	
C1513	1-126-964-11	ELECT	10 $\mu$ F 20% 50V	CN605 *	1-779-890-11	CONNECTOR, BOARD TO BOARD	10P
C1516	1-104-665-11	ELECT	100 $\mu$ F 20% 25V	CN651 *	1-779-890-11	CONNECTOR, BOARD TO BOARD	10P
C1517	1-130-471-00	MYLAR	0.001 $\mu$ F 5% 50V	CN652 *	1-573-963-11	PIN, CONNECTOR (PC BOARD)	3P
C1518	1-102-125-00	CERAMIC	0.0047 $\mu$ F 10% 50V	CN653	1-695-915-11	TAB (CONTACT)	
C1519	1-102-106-00	CERAMIC	100pF 10% 50V	CN1501 *	1-564-507-11	PLUG, CONNECTOR	4P
C1520	1-126-933-11	ELECT	100 $\mu$ F 20% 16V	CN1502 *	1-779-890-11	CONNECTOR, BOARD TO BOARD	10P
C1521	1-126-941-11	ELECT	470 $\mu$ F 20% 25V	CN1503 *	1-564-507-11	PLUG, CONNECTOR	4P
C1522	1-126-941-11	ELECT	470 $\mu$ F 20% 25V	CN1504 *	1-564-507-11	PLUG, CONNECTOR	4P
C1523	1-126-964-11	ELECT	10 $\mu$ F 20% 50V	CN1505 *	1-564-507-11	PLUG, CONNECTOR	4P
C1524	1-102-106-00	CERAMIC	100pF 10% 50V	CN1506 *	1-564-506-11	PLUG, CONNECTOR	3P
C1525	1-102-852-91	CERAMIC	47pF 5% 50V	CN1507 *	1-564-506-11	PLUG, CONNECTOR	3P
C1526	1-136-177-00	MYLAR	1 $\mu$ F 5% 50V	CN1508 *	1-564-506-11	PLUG, CONNECTOR	3P
C1527	1-102-125-00	CERAMIC	0.0047 $\mu$ F 10% 50V	<DIODE>			
C1528	1-126-941-11	ELECT	470 $\mu$ F 20% 25V	D501	8-719-109-85	DIODE MTZJ-T-77-5.1B	
C1530	1-102-106-00	CERAMIC	100pF 10% 50V	D505	8-719-110-41	DIODE MTZJ-T-77-15B	
C1531	1-102-106-00	CERAMIC	100pF 10% 50V	D506	8-719-921-63	DIODE MTZJ-T-77-7.5B	
C1533	1-126-941-11	ELECT	470 $\mu$ F 20% 25V	D507	8-719-991-33	DIODE 1SS133T-77	
C1534	1-102-125-00	CERAMIC	0.0047 $\mu$ F 10% 50V	D513	8-719-991-33	DIODE 1SS133T-77	
C1536	1-102-106-00	CERAMIC	100pF 10% 50V	D517	8-719-979-85	DIODE RGP15J-6040G23	
C1537	1-102-125-00	CERAMIC	0.0047 $\mu$ F 10% 50V	D518	8-719-945-80	DIODE ERC06-15S	
C1538	1-126-941-11	ELECT	470 $\mu$ F 20% 25V	D520	8-719-302-43	DIODE RGP10GPKG23	
C1539	1-104-665-11	ELECT	100 $\mu$ F 20% 25V	D522 $\Delta$	8-719-302-43	DIODE EL1Z-V1	
C1540	1-126-941-11	ELECT	470 $\mu$ F 20% 25V	D525	8-719-018-82	DIODE RGP02-20EL-6394	
C1541	1-102-125-00	CERAMIC	0.0047 $\mu$ F 10% 50V	D526	8-719-018-82	DIODE RGP02-20EL-6394	
C1542	1-102-125-00	CERAMIC	0.0047 $\mu$ F 10% 50V	D528	8-719-908-03	DIODE GP08DPKG23	
C1543	1-102-129-00	CERAMIC	0.01 $\mu$ F 10% 50V	D529	8-719-302-43	DIODE RGP10GPKG23	
C1544	1-102-129-00	CERAMIC	0.01 $\mu$ F 10% 50V	D530	8-719-991-33	DIODE 1SS133T-77	
C1545	1-126-933-11	ELECT	100 $\mu$ F 20% 16V	D531	8-719-991-33	DIODE 1SS133T-77	
C1546	1-102-125-00	CERAMIC	0.0047 $\mu$ F 10% 50V	D532	8-719-908-03	DIODE GP08DPKG23	
C1547	1-130-487-00	MYLAR	0.022 $\mu$ F 5% 50V	D533	8-719-302-43	DIODE RGP10GPKG23	
C1548	1-136-177-00	MYLAR	1 $\mu$ F 5% 50V	D534	8-719-302-43	DIODE RGP10GPKG23	
C1549	1-130-471-00	MYLAR	0.001 $\mu$ F 5% 50V	D601	8-719-068-00	DIODE ERC04-06SE	
C1550	1-104-665-11	ELECT	100 $\mu$ F 20% 25V	D602	8-719-068-00	DIODE ERC04-06SE	
C1551	1-102-121-00	CERAMIC	0.0022 $\mu$ F 10% 50V	D603 $\Delta$	8-719-510-53	DIODE D4SB60L-F	
C1552	1-106-220-00	MYLAR	0.1 $\mu$ F 5% 100V				
C1555	1-104-665-11	ELECT	100 $\mu$ F 20% 25V				
C1556	1-104-665-11	ELECT	100 $\mu$ F 20% 25V				
C1557	1-126-969-11	ELECT	220 $\mu$ F 20% 50V				
C1559	1-137-401-11	MYLAR	0.22 $\mu$ F 5% 100V				



Les composants identifiés par une trame et une marque  $\Delta$  sont critiques pour la sécurité. Ne les remplacer que par une pièce portant le numéro spécifié.

The components identified by shading and mark  $\Delta$  are critical for safety. Replace only with part number specified.



REF. NO.	PART NO.	DESCRIPTION	REMARK	REF. NO.	PART NO.	DESCRIPTION	REMARK
D604	8-719-110-41	DIODE MTZJ-T-77-15B				<FERRITE BEAD>	
D605	8-719-110-49	DIODE MTZJ-T-77-18B					
D607	8-719-991-33	DIODE 1SS133T-77		FB651	1-410-396-41	FERRITE 0.45μH	
D609	8-719-948-45	DIODE ERA22-08TP3		FB655	1-410-396-41	FERRITE 0.45μH	
D610	8-719-510-48	DIODE D1N20R-TA		FB656	1-410-396-41	FERRITE 0.45μH	
D650	8-719-028-45	DIODE D2L20U-F		FB657	1-410-396-41	INDUCTOR 0.45μH	
D651	8-719-063-70	DIODE D1NL20U-TA				<IC>	
D652	8-719-028-45	DIODE D2L20U-F		IC502	8-759-133-90	IC μPC339C	
D653	8-719-028-45	DIODE D2L20U-F		IC601 $\Delta$	8-729-045-39	TRANSISTOR MX0842AB-F	
D654	8-719-057-96	DIODE D10SC6M-4012		IC651	8-759-103-93	IC μPC393C	
D655	8-719-052-91	DIODE D4SBS4-F		IC652	8-759-701-84	IC NJM7905FA	
D656	8-719-028-45	DIODE D2L20U-F		IC653	8-759-701-75	IC NJM7805FA	
D657	8-719-028-45	DIODE D2L20U-F				<IC>	
D658	8-719-063-70	DIODE D1NL20U-TA		IC654 $\Delta$	8-749-012-13	IC DM-58	
D659	8-719-063-70	DIODE D1NL20U-TA		IC655	8-759-450-47	IC BA05T	
D660	8-719-028-45	DIODE D2L20U-F		IC1501	8-752-068-36	IC CXA1726AS	
D661	8-719-991-33	DIODE 1SS133T-77		IC1502	8-749-014-37	IC STK392-150	
D662	8-719-991-33	DIODE 1SS133T-77		IC1504	8-759-634-51	IC NJM4558D	
D663	8-719-991-33	DIODE 1SS133T-77				<IC>	
D664	8-719-981-94	DIODE MTZJ-T-77-2.7A		IC1505	8-759-634-51	IC NJM4558D	
D665	8-719-991-33	DIODE 1SS133T-77		IC1506	8-749-014-37	IC STK392-150	
D666	8-719-991-33	DIODE 1SS133T-77		IC1507	8-759-634-51	IC NJM4558D	
D667	8-719-032-12	DIODE D1NS6-TR		IC1509	8-759-593-33	IC LA78045	
D668	8-719-110-61	DIODE MTZJ-T-77-24A				<COIL>	
D669	8-719-921-86	DIODE MTZJ-T-77-13		L501	1-412-533-21	INDUCTOR 47μH	
D670	8-719-027-22	DIODE D3S6M-F		L502	1-414-187-11	INDUCTOR 47μH	
D671	8-719-027-22	DIODE D3S6M-F		L503	1-459-104-00	COIL, DUST CORE	
D672	8-719-200-82	DIODE 1ES2-TA2B		L504 $\Delta$	1-419-082-11	COIL, HORIZONTAL LINEARITY	
D673	8-719-991-33	DIODE 1SS133T-77		L505	1-412-552-11	INDUCTOR 2.2mH	
D674	8-719-991-33	DIODE 1SS133T-77				<COIL>	
D675	8-719-110-17	DIODE MTZJ-T-77-10B		L601 $\Delta$	1-433-900-11	TRANSFORMER, LINE FILTER	
D676	8-719-109-72	DIODE MTZJ-T-77-3.9B		L651	1-419-389-21	INDUCTOR 8.2μH	
D677	8-719-991-33	DIODE 1SS133T-77		L652	1-419-389-21	INDUCTOR 8.2μH	
D680	8-719-991-33	DIODE 1SS133T-77		L653	1-406-975-21	INDUCTOR 47μH	
D1501	8-719-109-89	DIODE MTZJ-T-77-5.6B		L654	1-410-396-41	FERRITE 0.45μH	
D1503	8-719-921-40	DIODE MTZJ-T-77-4.7B		L655	1-410-396-41	FERRITE 0.45μH	
D1504	8-719-110-08	DIODE MTZJ-T-77-8.2B		L656	1-412-525-31	INDUCTOR 10μH	
D1505	8-719-110-41	DIODE MTZJ-T-77-15B		L657	1-412-525-31	INDUCTOR 10μH	
D1506	8-719-110-41	DIODE MTZJ-T-77-15B		L658	1-412-525-31	INDUCTOR 10μH	
D1507	8-719-110-41	DIODE MTZJ-T-77-15B		L659	1-412-521-31	INDUCTOR 4.7μH	
D1509	8-719-110-41	DIODE MTZJ-T-77-15B		L660	1-412-521-31	INDUCTOR 4.7μH	
D1510	8-719-110-41	DIODE MTZJ-T-77-15B		L1501	1-412-533-21	INDUCTOR 47μH	
D1513	8-719-110-41	DIODE MTZJ-T-77-15B		L1502	1-412-533-21	INDUCTOR 47μH	
D1515	8-719-110-41	DIODE MTZJ-T-77-15B		L1509	1-412-533-21	INDUCTOR 47μH	
D1520	8-719-109-93	DIODE MTZJ-T-77-6.2B		L1510	1-412-533-21	INDUCTOR 47μH	
D1521	8-719-109-93	DIODE MTZJ-T-77-6.2B		L1511	1-412-533-21	INDUCTOR 47μH	
D1522	8-719-924-16	DIODE MTZJ-T-77-24		L1512	1-412-533-21	INDUCTOR 47μH	
D1523	8-719-924-16	DIODE MTZJ-T-77-24		L1513	1-412-525-31	INDUCTOR 10μH	
D1525	8-719-908-03	DIODE GP08DPKG23		L1514	1-412-911-11	FERRITE 0μH	
		<FUSE>		L1515	1-412-911-11	FERRITE 0μH	
F601 $\Delta$	1-576-193-11	FUSE 6.3A/125V				<NEON LAMP>	
F651 $\Delta$	1-576-360-21	FUSE, MULTIPLE 4A		NL501	1-517-778-21	LAMP, NEON	
F652 $\Delta$	1-576-360-21	FUSE, MULTIPLE 4A		NL502	1-517-778-21	LAMP, NEON	
				NL503	1-517-778-21	LAMP, NEON	
				NL504	1-517-778-21	LAMP, NEON	
				NL505	1-517-778-21	LAMP, NEON	



• The components identified by **■** in this manual have been carefully factory-selected for each set in order to satisfy regulations regarding X-ray radiation. Should replacement be required, replace only with the value originally used.

Les composants identifiés par une trame et une marque **△** sont critiques pour la sécurité. Ne les remplacer que par une pièce portant le numéro spécifique.

The components identified by shading and mark **△** are critical for safety. Replace only with part number specified.

REF. NO.	PART NO.	DESCRIPTION	REMARK	REF. NO.	PART NO.	DESCRIPTION	REMARK
		<IC LINK>		R524	1-247-863-91	CARBON	22K 5% 1/4W
PS501	1-533-593-11	LINK, IC		R525	1-249-428-11	CARBON	8.2K 5% 1/4W
PS1501	1-533-593-11	LINK, IC		R526	1-249-437-11	CARBON	47K 5% 1/4W
PS1502	1-533-593-11	LINK, IC		R527	1-249-428-11	CARBON	8.2K 5% 1/4W
PS1503	1-533-593-11	LINK, IC		R528	1-249-437-11	CARBON	47K 5% 1/4W
PS1504	1-533-593-11	LINK, IC		R529	1-249-439-11	CARBON	68K 5% 1/4W
PS1505	1-533-593-11	LINK, IC		R530	1-249-428-11	CARBON	8.2K 5% 1/4W
PS1506	1-533-593-11	LINK, IC		R531	1-249-429-11	CARBON	10K 5% 1/4W
		<TRANSISTOR>		R532	1-249-430-11	CARBON	12K 5% 1/4W
Q501	8-729-048-47	TRANSISTOR 2SC2688(5)-LK		R535	1-247-887-00	CARBON	220K 5% 1/4W
Q502	8-729-048-46	TRANSISTOR 2SD2578-RF		<b>■</b> R536 <b>△</b>		METAL	1% 1/4W
Q503	8-729-931-45	TRANSISTOR IRF614-LF		R537	1-247-863-91	CARBON	22K 5% 1/4W
Q505	8-729-032-61	TRANSISTOR 2SC5022-02		R538	1-215-443-00	METAL	8.2K 1% 1/4W
Q506	8-729-119-76	TRANSISTOR 2SA1309A-QRSTA		R542	1-249-424-11	CARBON	3.9K 5% 1/4W
Q507	8-729-032-61	TRANSISTOR 2SC5022-02		R543	1-260-135-11	CARBON	1M 5% 1/2W
Q601	8-729-046-40	TRANSISTOR 2SK2663		R544	1-249-405-11	CARBON	100 5% 1/4W
Q602	8-729-922-39	TRANSISTOR 2SD2144S-TP-V		<b>■</b> R545 <b>△</b>		METAL	1/4W
Q651	8-729-119-76	TRANSISTOR 2SA1309A-QRSTA		R546	1-215-456-00	METAL	30K 1% 1/4W
Q652	8-729-922-39	TRANSISTOR 2SD2144S-TP-V		R548	1-215-449-00	METAL	15K 1% 1/4W
Q653	8-729-119-76	TRANSISTOR 2SA1309A-QRSTA		R550	1-215-910-00	METAL OXIDE	68 5% 3W
Q654	8-729-119-76	TRANSISTOR 2SA1309A-QRSTA		R551	1-215-910-00	METAL OXIDE	68 5% 3W
Q655	8-729-119-78	TRANSISTOR 2SC3311A-QRSTA		R556	1-249-437-11	CARBON	47K 5% 1/4W
Q656	8-729-119-78	TRANSISTOR 2SC3311A-QRSTA		R563	1-247-887-00	CARBON	220K 5% 1/4W
Q657	8-729-119-76	TRANSISTOR 2SA1309A-QRSTA		R566	1-215-868-00	METAL OXIDE	680 5% 1W
Q658	8-729-119-76	TRANSISTOR 2SA1309A-RTA		R567	1-249-437-11	CARBON	47K 5% 1/4W
Q1501	8-729-119-78	TRANSISTOR 2SC3311A-QRSTA		R568	1-249-405-11	CARBON	100 5% 1/4W
Q1502	8-729-119-76	TRANSISTOR 2SA1309A-QRSTA		R569	1-260-314-11	CARBON	68 5% 1/2W
Q1503	8-729-119-78	TRANSISTOR 2SC3311A-QRSTA		R570	1-247-807-31	CARBON	100 5% 1/4W
Q1505	8-729-119-78	TRANSISTOR 2SC3311A-QRSTA		R571	1-215-917-11	METAL OXIDE	1K 5% 3W
Q1506	8-729-119-78	TRANSISTOR 2SC3311A-QRSTA		R572	1-216-490-11	METAL OXIDE	39K 5% 3W
Q1508	8-729-119-78	TRANSISTOR 2SC3311A-QRSTA		R573	1-214-912-00	METAL	91K 1% 1/2W
Q1509	8-729-119-76	TRANSISTOR 2SA1309A-QRSTA		R574	1-216-490-11	METAL OXIDE	39K 5% 3W
Q1511	8-729-119-78	TRANSISTOR 2SC3311A-QRSTA		R575	1-247-863-91	CARBON	22K 5% 1/4W
		<RESISTOR>		R576	1-247-881-00	CARBON	120K 5% 1/4W
R501	1-247-843-11	CARBON	3.3K 5% 1/4W	R577	1-214-923-00	METAL	270K 1% 1/2W
R502	1-249-419-11	CARBON	1.5K 5% 1/4W	R578	1-216-490-11	METAL OXIDE	39K 5% 3W
R503	1-260-336-11	CARBON	4.7K 5% 1/2W	R579	1-216-490-11	METAL OXIDE	39K 5% 3W
R504	1-260-087-11	CARBON	100 5% 1/2W	R580	1-249-413-11	CARBON	470 5% 1/4W
R505	1-260-087-11	CARBON	100 5% 1/2W	R581	1-247-807-31	CARBON	100 5% 1/4W
R506	1-216-481-11	METAL OXIDE	1.2K 5% 3W	R582	1-260-292-11	CARBON	1 5% 1/2W
R507	1-216-481-11	METAL OXIDE	1.2K 5% 3W	R583	1-260-117-11	CARBON	33K 5% 1/2W
R508	1-216-481-11	METAL OXIDE	1.2K 5% 3W	R584	1-249-377-11	CARBON	0.47 5% 1/4W
R509	1-260-337-11	CARBON	5.6K 5% 1/2W	R586	1-215-862-11	METAL OXIDE	68 5% 1W
R510	1-249-421-11	CARBON	2.2K 5% 1/4W	R586	1-215-864-00	METAL OXIDE	150 5% 1W
R511	1-215-879-11	METAL OXIDE	47K 5% 1W	R587	1-216-349-00	METAL OXIDE	1 5% 1W
R512	1-249-422-11	CARBON	2.7K 5% 1/4W	R588	1-215-862-11	METAL OXIDE	68 5% 1W
R513	1-249-422-11	CARBON	2.7K 5% 1/4W				(48/61V80)
R514	1-249-422-11	CARBON	2.7K 5% 1/4W	R588	1-215-864-00	METAL OXIDE	150 5% 1W
R515	1-260-131-11	CARBON	470K 5% 1/2W				(53V80)
R517	1-247-891-00	CARBON	330K 5% 1/4W	R589	1-247-807-31	CARBON	100 5% 1/4W
R519	1-215-445-00	METAL	10K 1% 1/4W	R590	1-260-127-11	CARBON	220K 5% 1/2W
R522	1-215-399-00	METAL	120 1% 1/4W	R591	1-216-391-11	METAL OXIDE	1.5 5% 3W
R523	1-247-895-91	CARBON	470K 5% 1/4W				(61V80)
				R591	1-216-392-11	METAL OXIDE	1.8 5% 3W
							(48/53V80)

Les composants identifiés par une trame et une marque  $\Delta$  sont critiques pour la sécurité. Ne les remplacer que par une pièce portant le numéro spécifié.

The components identified by shading and mark  $\Delta$  are critical for safety. Replace only with part number specified.



REF. NO.	PART NO.	DESCRIPTION		REMARK	REF. NO.	PART NO.	DESCRIPTION		REMARK		
R592	1-247-863-91	CARBON	22K	5%	1/4W	R679	1-247-807-31	CARBON	100	5%	1/4W
R593	1-249-429-11	CARBON	10K	5%	1/4W	R680	1-249-429-11	CARBON	10K	5%	1/4W
R594	1-249-377-11	CARBON	0.47	5%	1/4W	R681	1-249-429-11	CARBON	10K	5%	1/4W
R595	1-249-377-11	CARBON	0.47	5%	1/4W	R682	1-249-417-11	CARBON	1K	5%	1/4W
R596	1-249-377-11	CARBON	0.47	5%	1/4W	R683	1-249-417-11	CARBON	1K	5%	1/4W
R597	1-260-288-11	CARBON	0.47	5%	1/2W	R684	1-249-425-11	CARBON	4.7K	5%	1/4W
R598	1-249-377-11	CARBON	0.47	5%	1/4W	R685	1-249-417-11	CARBON	1K	5%	1/4W
R599	1-249-429-11	CARBON	10K	5%	1/4W	R686	1-215-445-00	METAL	10K	1%	1/4W
R600	1-247-863-91	CARBON	22K	5%	1/4W	R687	1-215-429-00	METAL	2.2K	1%	1/4W
R601 $\Delta$	1-219-776-11	CARBON	2.2M	10%	1/2W	R688	1-215-429-00	METAL	2.2K	1%	1/4W
R602 $\Delta$	1-219-759-11	CARBON	1M	5%	1/2W	R689	1-249-417-11	CARBON	1K	5%	1/4W
R603 $\Delta$	1-240-881-11	CMT-MELF	0.82	5%	20W	R690	1-215-437-00	METAL	4.7K	1%	1/4W
R604	1-260-298-51	CARBON	3.3	5%	1/2W	R691	1-249-417-11	CARBON	1K	5%	1/4W
R605	1-249-415-11	CARBON	680	5%	1/4W	R1501	1-214-800-11	METAL	2.2	1%	1/2W
R606 $\Delta$	1-240-881-11	CMT-MELF	0.82	5%	20W	R1502	1-214-800-11	METAL	2.2	1%	1/2W
R607	1-249-389-11	CARBON	4.7	5%	1/4W	R1503	1-215-421-00	METAL	1K	1%	1/4W
R608	1-247-791-91	CARBON	22	5%	1/4W	R1504	1-215-433-00	METAL	3.3K	1%	1/4W
R609	1-240-205-91	CARBON	22M	5%	1/2W	R1505	1-247-815-91	CARBON	220	5%	1/4W
R610	1-260-127-11	CARBON	220K	5%	1/2W	R1506	1-247-815-91	CARBON	220	5%	1/4W
R611	1-260-127-11	CARBON	220K	5%	1/2W	R1507	1-215-433-00	METAL	3.3K	1%	1/4W
R612 $\Delta$	1-202-933-61	FUSIBLE	0.1	10%	1/2W	R1508	1-215-421-00	METAL	1K	1%	1/4W
R613	1-249-413-11	CARBON	470	5%	1/4W	R1509	1-214-800-11	METAL	2.2	1%	1/2W
R615	1-249-437-11	CARBON	47K	5%	1/4W	R1510	1-214-800-11	METAL	2.2	1%	1/2W
R616	1-249-421-11	CARBON	2.2K	5%	1/4W	R1511	1-214-800-11	METAL	2.2	1%	1/2W
R617	1-216-349-00	METAL OXIDE	1	5%	1W	R1512	1-214-800-11	METAL	2.2	1%	1/2W
R618	1-260-127-11	CARBON	220K	5%	1/2W	R1513	1-215-421-00	METAL	1K	1%	1/4W
R619	1-216-349-00	METAL OXIDE	1	5%	1W	R1514	1-215-433-00	METAL	3.3K	1%	1/4W
R620	1-215-493-00	METAL	1M	1%	1/4W	R1515	1-247-815-91	CARBON	220	5%	1/4W
R621	1-260-127-11	CARBON	220K	5%	1/2W	R1516	1-249-429-11	CARBON	10K	5%	1/4W
R622	1-249-441-11	CARBON	100K	5%	1/4W	R1517	1-247-887-00	CARBON	220K	5%	1/4W
R623	1-260-127-11	CARBON	220K	5%	1/2W	R1518	1-249-429-11	CARBON	10K	5%	1/4W
R624	1-260-127-11	CARBON	220K	5%	1/2W	R1519	1-249-437-11	CARBON	47K	5%	1/4W
R625	1-249-377-11	CARBON	0.47	5%	1/4W	R1520	1-247-881-00	CARBON	120K	5%	1/4W
R626	1-216-365-00	METAL OXIDE	0.47	5%	2W	R1521	1-215-474-00	METAL	160K	1%	1/4W
R627	1-260-288-11	CARBON	0.47	5%	1/2W	R1522	1-214-800-11	METAL	2.2	1%	1/2W
R628	1-249-377-11	CARBON	0.47	5%	1/4W	R1523	1-214-800-11	METAL	2.2	1%	1/2W
R629	1-215-421-00	METAL	1K	1%	1/4W	R1524	1-215-421-00	METAL	1K	1%	1/4W
R630	1-249-429-11	CARBON	10K	5%	1/4W	R1525	1-215-433-00	METAL	3.3K	1%	1/4W
R631	1-215-446-00	METAL	11K	1%	1/4W	R1526	1-247-815-91	CARBON	220	5%	1/4W
R632	1-215-439-00	METAL	5.6K	1%	1/4W	R1527	1-247-815-91	CARBON	220	5%	1/4W
R633	1-215-481-00	METAL	330K	1%	1/4W	R1528	1-215-433-00	METAL	3.3K	1%	1/4W
R634	1-215-445-00	METAL	10K	1%	1/4W	R1529	1-215-421-00	METAL	1K	1%	1/4W
R635	1-215-445-00	METAL	10K	1%	1/4W	R1530	1-214-800-11	METAL	2.2	1%	1/2W
R636	1-249-425-11	CARBON	4.7K	5%	1/4W	R1531	1-214-800-11	METAL	2.2	1%	1/2W
R637	1-249-425-11	CARBON	4.7K	5%	1/4W	R1532	1-214-800-11	METAL	2.2	1%	1/2W
R638	1-247-887-00	CARBON	220K	5%	1/4W	R1533	1-249-441-11	CARBON	100K	5%	1/4W
R639	1-249-425-11	CARBON	4.7K	5%	1/4W	R1534	1-214-800-11	METAL	2.2	1%	1/2W
R640	1-249-429-11	CARBON	10K	5%	1/4W	R1535	1-215-421-00	METAL	1K	1%	1/4W
R641	1-247-807-31	CARBON	100	5%	1/4W	R1536	1-215-433-00	METAL	3.3K	1%	1/4W
R642	1-249-417-11	CARBON	1K	5%	1/4W	R1537	1-247-815-91	CARBON	220	5%	1/4W
R643	1-249-429-11	CARBON	10K	5%	1/4W	R1538	1-249-429-11	CARBON	10K	5%	1/4W
R644	1-249-417-11	CARBON	1K	5%	1/4W	R1539	1-249-428-11	CARBON	8.2K	5%	1/4W
R645	1-249-429-11	CARBON	10K	5%	1/4W	R1540	1-249-417-11	CARBON	1K	5%	1/4W
R646	1-249-417-11	CARBON	1K	5%	1/4W	R1541	1-247-843-11	CARBON	3.3K	5%	1/4W
R647	1-249-417-11	CARBON	1K	5%	1/4W	R1542	1-249-429-11	CARBON	10K	5%	1/4W
R648	1-249-417-11	CARBON	1K	5%	1/4W	R1543	1-249-429-11	CARBON	10K	5%	1/4W
R649	1-249-425-11	CARBON	4.7K	5%	1/4W	R1544	1-249-419-11	CARBON	1.5K	5%	1/4W



Les composants identifiés par une trame et une marque  $\Delta$  sont critiques pour la sécurité. Ne les remplacer que par une pièce portant le numéro spécifié.

The components identified by shading and mark  $\Delta$  are critical for safety. Replace only with part number specified.

REF. NO.	PART NO.	DESCRIPTION		REMARK
R1548	1-249-438-11	CARBON	56K	5% 1/4W
R1549	1-214-800-11	METAL	2.2	1% 1/2W
R1550	1-215-447-00	METAL	12K	1% 1/4W
R1551	1-249-428-11	CARBON	8.2K	5% 1/4W
R1552	1-214-800-11	METAL	2.2	1% 1/2W
R1554	1-215-449-00	METAL	15K	1% 1/4W
R1555	1-247-807-31	CARBON	100	5% 1/4W
R1556	1-247-863-91	CARBON	22K	5% 1/4W
R1557	1-249-429-11	CARBON	10K	5% 1/4W
R1558	1-249-429-11	CARBON	10K	5% 1/4W
R1559	1-215-857-11	METAL OXIDE	10	5% 1W
R1560	1-216-452-11	METAL OXIDE	180	5% 2W
R1561	1-249-429-11	CARBON	10K	5% 1/4W
R1562	1-249-429-11	CARBON	10K	5% 1/4W
R1563	1-249-429-11	CARBON	10K	5% 1/4W
R1564	1-215-445-00	METAL	10K	1% 1/4W
R1565	1-249-429-11	CARBON	10K	5% 1/4W
R1566	1-249-427-11	CARBON	6.8K	5% 1/4W
R1567	1-247-863-91	CARBON	22K	5% 1/4W
R1568	1-249-429-11	CARBON	10K	5% 1/4W
R1570	1-249-383-11	CARBON	1.5	5% 1/4W
R1576	1-249-429-11	CARBON	10K	5% 1/4W
R1577	1-215-447-00	METAL	12K	1% 1/4W
R1578	1-249-429-11	CARBON	10K	5% 1/4W
R1579	1-215-421-00	METAL	1K	1% 1/4W
R1580	1-215-421-00	METAL	1K	1% 1/4W
R1581	1-215-474-00	METAL	160K	1% 1/4W
R1582	1-249-421-11	CARBON	2.2K	5% 1/4W
R1583	1-247-807-31	CARBON	100	5% 1/4W
R1584	1-247-863-91	CARBON	22K	5% 1/4W
R1585	1-215-449-00	METAL	15K	1% 1/4W
R1586	1-249-441-11	CARBON	100K	5% 1/4W
R1587	1-249-414-11	CARBON	560	5% 1/4W
R1588	1-249-414-11	CARBON	560	5% 1/4W
R1589	1-249-414-11	CARBON	560	5% 1/4W
R1590	1-249-414-11	CARBON	560	5% 1/4W
R1591	1-249-414-11	CARBON	560	5% 1/4W
R1592	1-249-414-11	CARBON	560	5% 1/4W
R1593	1-216-475-11	METAL OXIDE	120	5% 3W
R1594	1-216-475-11	METAL OXIDE	120	5% 3W
R1595	1-216-475-11	METAL OXIDE	120	5% 3W
R1596	1-216-475-11	METAL OXIDE	120	5% 3W
R1597	1-216-475-11	METAL OXIDE	120	5% 3W
R1598	1-216-475-11	METAL OXIDE	120	5% 3W
R1599	1-249-429-11	CARBON	10K	5% 1/4W
R1600	1-247-807-31	CARBON	100	5% 1/4W
R1601	1-249-437-11	CARBON	47K	5% 1/4W
R1602	1-247-807-31	CARBON	100	5% 1/4W
R1603	1-249-418-11	CARBON	1.2K	5% 1/4W
R1604	1-249-429-11	CARBON	10K	5% 1/4W
R1609	1-215-445-00	METAL	10K	1% 1/4W

REF. NO.	PART NO.	DESCRIPTION		REMARK
R1610	1-247-807-31	CARBON	100	5% 1/4W
R1611	1-247-807-31	CARBON	100	5% 1/4W
R1612	1-249-429-11	CARBON	10K	5% 1/4W
R1613	1-249-429-11	CARBON	10K	5% 1/4W
R1615	1-215-445-00	METAL	10K	1% 1/4W
<RELAY>				
RY601 $\Delta$ 1-755-266-11 RELAY, AC POWER				
<SPARK GAP>				
SG501	1-519-466-11	GAP, SPARK (53/61V80)		
SG502	1-519-466-11	GAP, SPARK (53/61V80)		
<TRANSFORMER>				
T501	$\Delta$ 1-433-836-11	TRANSFORMER, HORIZONTAL DRIVE		
T502	$\Delta$ 1-433-876-11	TRANSFORMER, FERRITE (PMT)		
T504	$\Delta$ 1-453-238-21	FBT ASSY, NX-4007		
T601	$\Delta$ 1-433-871-11	TRANSFORMER, CONVERTER (PIT)		
T602	$\Delta$ 1-433-844-11	TRANSFORMER, CONVERTER		
T603	$\Delta$ 1-429-992-21	TRANSFORMER, CONVERTER (PRT)		
<THERMISTOR>				
TH1501	1-807-925-11	THERMISTOR		
<TEST PIN>				
TP501	* 1-535-881-21	TERMINAL, TP (AUTO INSERTION)		
<VARISTOR>				
VDR601	$\Delta$ 1-801-073-31	VARISTOR TNR14V471K660		