

SERVICE MANUAL

RA - 1 CHASSIS

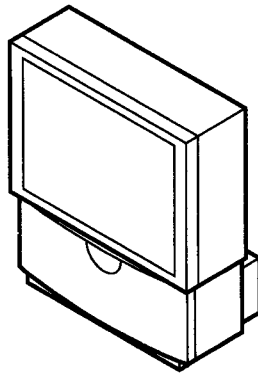
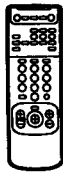
<u>MODEL</u>	<u>COMMANDER</u>	<u>DEST.</u>	<u>CHASSIS NO.</u>
KP-53XBR45	RM-Y128	US	SCC-H53G-A
KP-53XBR45	RM-Y128	Canadian	SCC-H58F-A

<u>MODEL</u>	<u>COMMANDER</u>	<u>DEST.</u>	<u>CHASSIS NO.</u>
KP-61XBR48	RM-Y128	US	SCC-H53H-A
KP-61XBR48	RM-Y128	Canadian	SCC-H58G-A

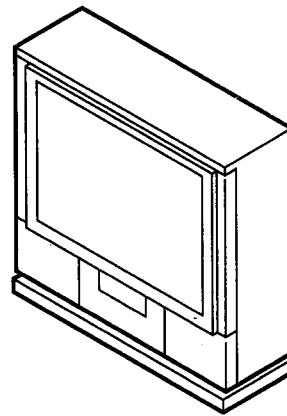
Note :

1. Adjustment Manual for this model is separately published.

Adjustment Manual	
Part No.	9-965-074-01



KP-53XBR45



KP-61XBR48



COLOR REAR VIDEO PROJECTOR

SONY®

※ Please file according to model size... ■

53

61

SPECIFICATIONS

Projection system	3 picture tubes, 3 lenses, horizontal in-line system
Picture tube	7 inch high-brightness monochrome tubes (6.3 raster size), with optical coupling and liquidcooling system
Projection lenses	High performance, large-diameter hybrid lens F1.0
Screen size (measured diagonally)	
	KP-53XBR45 53 inches
	KP-61XBR48 61 inches

Screen brightness	
	KP-53XBR45 900 cd/m ²
	KP-61XBR48 700 cd/m ²

Television system	American TV standards
Channel coverage	VHF : 2-13 / UHF : 14-69 / CATV : 1-125
Antenna	75 ohm external antenna terminal for VHF / UHF
Inputs/output	VIDEO IN1/3/4/5 INand VIDEO2 INPUT S VIDEO IN (4-pin mini DIN) : Y : 1 Vp-p, 75-ohms unbalanced, sync negative C : 0.286 Vp-p (Burst signal), 75 ohms VIDEO (phone jack) : 1 Vp-p, 75-ohms unbalanced, sync negative AUDIO (phono jacks) : 500 mVrms (100% modulation) Impedance : 47 kilohms SELECT OUT VIDEO (phono jacks) : 1 Vp-p, 75-ohms unbalanced, sync negative AUDIO (phono jacks) : 470 mVrms (100% modulation) Impedance : 47 kilohms AUDIO (VAR) OUT (phono jacks) : 950mVrms (100% modulation) AUDIO (FIX) OUT(phono jacks) : 500 mVrms (100% modulation) CONTROLS IN/OUT : mini jacks

Speaker output	Front: 20 W x 2 Center: 20W x 1 Rear: 10W x 2
Power requirement	120 V, 60 Hz
Power consumption	300 W Standby mode : 4W

	Dimensions (W/H/D)	Mass
KP-53XBR45	1,238 x 1,442 x 647 mm (48 3/4 x 56 7/8 x 25 1/2 inches)	115 kg (252 lbs 6 oz)
KP-61XBR48	1,520 x 1,550 x 778 mm (59 7/8 x 61 1/8 x 30 3/4 inches)	174 kg (383 lbs 5 oz)

Supplied accessories	Remote commander RM-Y128 (1) Size AA (R6) battery (2) Rear speakers (2) Speaker cord (2)
Optional accessories	AV rack SU-XBR1 Bottom base for AV rack SU-61BASE (for KP-61XBR48 only) U/V mixer EAC-66 Connecting cables RK-74A, VMC-810S / 820S, YC-15V / 30V

Design and specifications are subject to change without notice.

Speaker

	Front (Tweeter)	Center (Woofers)	Center	Rear
KP-53XBR45	25mm (1") x2	130mm (5") x2	100mm (4") x2	75mm (3") x2
KP-61XBR48	50mm (2") x4	160mm (6 3/8") x2	100mm (4") x2	75mm (3") x2

SAFETY CHECK-OUT (US model only)

After correcting the original service problem, perform the following safety checks before releasing the set to the customer:

1. Check the area of your repair for unsoldered or poorly-soldered connections. Check the entire board surface for solder splashes and bridges.
2. Check the interboard wiring to ensure that no wires are "pinched" or contact high-wattage resistors.
3. Check that all control knobs, shields, covers, ground straps, and mounting hardware have been replaced. Be absolutely certain that you have replaced all the insulators.
4. Look for unauthorized replacement parts, particularly transistors, that were installed during a previous repair. Point them out to the customer and recommend their replacement.
5. Look for parts which, through functioning, show obvious signs of deterioration. Point them out to the customer and recommend their replacement.
6. Check the line cords for cracks and abrasion. Recommend the replacement of any such line cord to the customer.
7. Check the condition of the monopole antenna (if any). Make sure the end is not broken off, and has the plastic cap on it. Point out the danger of impalement on a broken antenna to the customer, and recommend the antenna's replacement.
8. Check the B+ and HV to see they are at the values specified. Make sure your instruments are accurate; be suspicious of your HV meter if sets always have low HV.
9. Check the antenna terminals, metal trim, "metallized" knobs, screws, and all other exposed metal parts for AC leakage. Check leakage as described below.

LEAKAGE TEST

The AC leakage from any exposed metal part to earth ground and from all exposed metal parts to any exposed metal part having a return to chassis, must not exceed 0.5mA (500 microamperes). Leakage current can be measured by any one of three methods.

1. A commercial leakage tester, such as the Simpson 229 or RCA WT-540A. Follow the manufacturers' instructions to use these instruments.
2. A battery-operated AC milliammeter. The Data Precision 245 digital multimeter is suitable for this job.
3. Measuring the voltage drop across a resistor by means of a VOM or battery-operated AC voltmeter. The "limit" indication is 0.75V, so analog meters must have an accurate low-voltage scale. The Simpson 250 and Sanwa SH-63Trd are examples of a passive VOM that is suitable. Nearly all battery operated digital multimeters that have a 2V AC range are suitable. (See Fig. A)

HOW TO FIND A GOOD EARTH GROUND

A cold-water pipe is guaranteed earth ground; the cover-plate retaining screw on most AC outlet boxes is also at earth ground. If the retaining screw is to be used as your earth-ground, verify that it is at ground by measuring the resistance between it and a cold-water pipe with an ohmmeter. The reading should be zero ohms. If a cold-water pipe is not accessible, connect a 60-100 watt trouble light (not a neon lamp) between the hot side of the receptacle and the retaining screw. Try both slots, if necessary, to locate the hot side of the line, the lamp should light at normal brilliance if the screw is at ground potential. (See Fig. B)

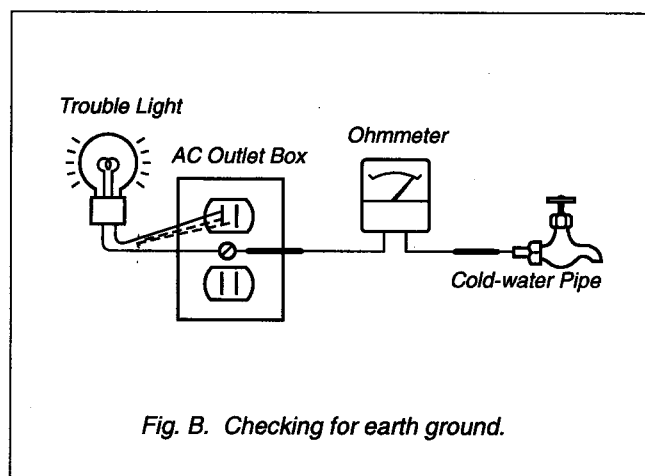
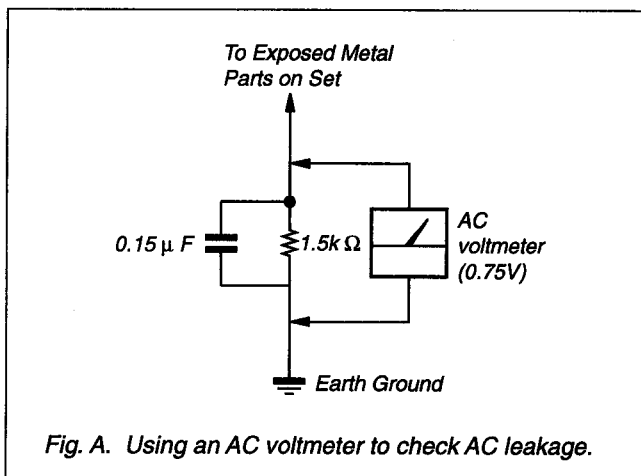


TABLE OF CONTENTS

<u>Section</u>	<u>Title</u>	<u>Page</u>	<u>Section</u>	<u>Title</u>	<u>Page</u>
1. GENERAL			3. SAFETY RELATED ADJUSTMENTS		30
Step 1 : Installing the projection TV		5	4. DIAGRAMS		
Step 2 : Connections		5	4-1. Block Diagrams (1)		35
Step 3 : Setting up the remote commander		9	Block Diagrams (2)		37
Step 4 :Setting up the projection TV automatically		9	Block Diagrams (3)		41
Selecting the cable box output channel		11	Block Diagrams (4)		45
Watching the TV		12	4-2. Circuit Boards Location		48
Watching the programs at on time – PIP/P&P		13	4-3. Printed Wiring Board and Schamatic Diagrams		48
Using the VIDEO menu		14	• AA Board		51
Using the AUDIO menu		15	• AB Board		55
Using the PROGRAM PALETTE menu		17	• D Board		63
Using the INPUT/OUTPUT menu		17	• M Board		67
Using the TIMER menu		18	• X(1/2) Board		71
Using the SET UP menu		20	• X(2/2) Board		75
Displaying Caption Vision/XDS		22	• E Board		79
Operatig video equipment		22	• GB Board		82
Operatig a cable box or DDS receiver		23	• P5 Board		84
Operatig non-preprogrammed equipment–			• U Board		86
Learning fuction		24	• K Board		91
2. DISASSEMBLY			• ZB Board		93
2-1. Rear Board Removal		25	• ZG Board		93
2-2. Chassis Assy Removal		25	• ZR Board		94
2-3. Service Position		25	• HA Board		95
2-4. G Board Removal		25	• HB Board		95
2-5. D Board Removal		26	• G Board		97
2-6. U Board Removal		26	• CB Board		100
2-7-1. M Board Removal		26	• CG Board		101
2-7-2. Extention Cable		26	• CR Board		102
2-8-1. AB and X BoardS Removal		27	4-4. Semiconductors		104
2-8-2. Extention Cable		27	5. EXPLODED VIEWS		
2-9. GB Board Removal		27	5-1. Cover (KP-53XBR45)		106
2-10-1.HB Board Removal (KP-53XBR45)		27	5-2. Cover (KP-61XBR48)		107
2-10-2.HB and HB Boards Removal (KP-61XBR48)		28	5-3. Mirror		108
2-11-1.HA Board Removal (KP-53XBR45)		28	5-4. Chassis		109
2-11-2.Screen Frame Removal (KP-61XBR48)		28	5-5. Picture Tube		110
2-12. K Board Removal		28	5-6. Speaker		111
2-13. Mirror Cover Removal		29	6. ELECTRICAL PARTS LIST		112
2-14. High-voltage Cable Installation and Removal		29			
2-15. Picture Tube Removal		29			

(CAUTION)

SHORT CIRCUIT THE ANODE OF THE PICTURE TUBE AND THE ANODE CAP TO THE METAL CHASSIS, CRT SHIELD, OR CARBON PAINTED ON THE CRT, AFTER REMOVING THE ANODE.

WARNING!!

AN ISOLATION TRANSFORMER SHOULD BE USED DURING ANY SERVICE TO AVOID POSSIBLE SHOCK HAZARD, BECAUSE OF LIVE CHASSIS.
THE CHASSIS OF THIS RECEIVER IS DIRECTLY CONNECTED TO THE AC POWER LINE.

SAFETY-RELATED COMPONENT WARNING!!

COMPONENTS IDENTIFIED BY SHADING AND MARK Δ ON THE SCHEMATIC DIAGRAMS, EXPLODED VIEWS AND IN THE PARTS LIST ARE CRITICAL TO SAFE OPERATION. REPLACE THESE COMPONENTS WITH SONY PARTS WHOSE PART NUMBERS APPEAR AS SHOWN IN THIS MANUAL OR IN SUPPLEMENTS PUBLISHED BY SONY. CIRCUIT ADJUSTMENTS THAT ARE CRITICAL TO SAFE OPERATION ARE IDENTIFIED IN THIS MANUAL. FOLLOW THESE PROCEDURES WHENEVER CRITICAL COMPONENTS ARE REPLACED OR IMPROPER OPERATION IS SUSPECTED.

(ATTENTION)

APRES AVOIR DECONNECTE LE CAP DE L'ANODE, COURT-CIRCUITER L'ANODE DU TUBE CATHODIQUE ET CELUI DE L'ANODE DU CAP AU CHASSIS METALLIQUE DE L'APPAREIL, OU AU COUCHE DE CARBONE PEINTE SUR LE TUBE CATHODIQUE OU AU BLINDAGE DU TUBE CATHODIQUE.

ATTENTION!!

AFIN D'EVITER TOUT RISQUE DELECTROCUTION PROVENANT D'UN CHÂSSIS SOUS TENSION, UN TRANSFORMATEUR D'ISOLEMENT DOIT ETRE UTILISÉ LORS DE TOUT DEPANNAGE. LE CHÂSSIS DE CE RECEPTEUR EST DIRECTEMENT RACCORDÉ À L'ALIMENTATION SECTEUR.

ATTENTION AUX COMPOSANTS RELATIFS Á LA SÉCURITÉ!!

LES COMPOSANTS IDENTIFIÉS PAR UNE TRAME ET PAR UNE MAPQUE Δ SUR LES SCHÉMAS DE PRINCIPE, LES VUES EXPLOSÉES ET LES LISTES DE PIÉCES FONT D'UNE IMPORTANCE CRITIQUE POUR LA SÉCURITÉ DU FONCTIONNEMENT. NE LES REMPLACER QUE PAR DES COMPOSANTS SONY DONT LE NUMÉRO DE PIÉCE EST INDIQUÉ DANS LE PRÉSENT MANUEL OU DANS DES SUPPLÉMENTS PUBLIÉS PAR SONY. LES RÉGLAGES DE CIRCUIT DONT L'IMPORTANCE EST CRITIQUE POUR LA SÉCURITÉ DU FONCTIONNEMENT SONT IDENTIFIÉS DANS LE PRÉSENT MANUEL. SUIVRE CES PROCÉDURES LORS DE CHAQUE REMPLACEMENT DE COMPOSANTS CRITIQUES, OU LORSQU'UN MAUVAIS FONCTIONNEMENT EST SUSPECTÉ.

SECTION 1 GENERAL

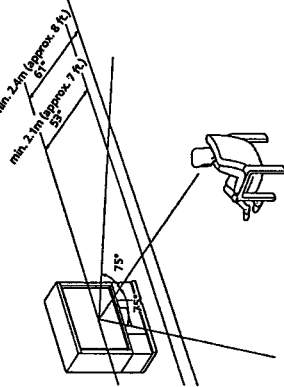
The operating instructions mentioned here are partial abstracts from the Operating Instruction Manual. The page numbers of the Operating Instruction Manual remain as in the manual.

Getting Started

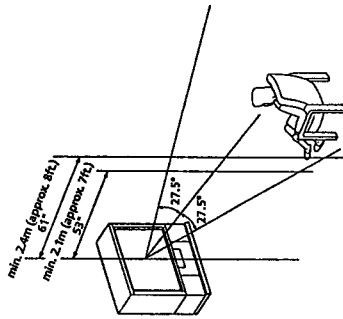
Step 1: Installing the projection TV

For the best picture quality, install the projection TV within the areas shown below.

Optimum viewing area (Horizontal)



Optimum viewing area (Vertical)



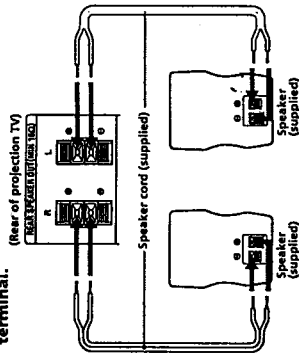
Preparing for your projection TV

Before you use your projection TV, adjust convergence. For the procedure, see "Adjusting convergence (CONVERGENCE)" on page 16.

Connecting the supplied rear speakers

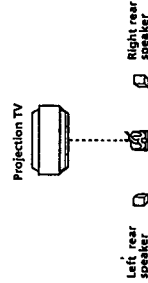
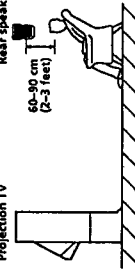
To enhance the surround effect, connect the supplied rear speakers to the REAR SPEAKER OUT terminals on the projection TV. Use the supplied speaker cords.

- 1 Connect one rear speaker to the REAR SPEAKER OUT R terminal and the other speaker to the REAR SPEAKER OUT L terminal.



- 2 Place the rear speakers as shown below to obtain optimum surround effect.

If possible, mount the speakers on the wall to the sides of the viewing area 60-90 cm (2-3 feet) above.



Note

- Be sure to match the speaker cord to the terminal colors. If the cords are reversed, the sound will be distorted.

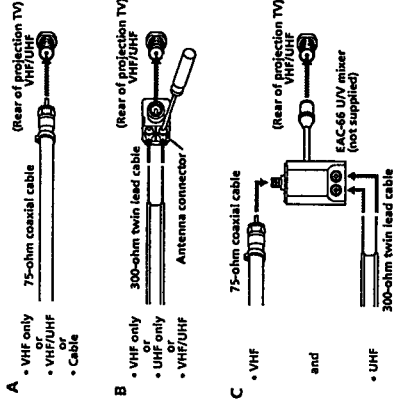
Step 2: Connections

Although you can use either an indoor antenna or outdoor antenna with your projection TV, we recommend connecting to an outdoor antenna or a cable TV system for improved picture quality.

For the customers who connect a cable box, skip "Step 4: Setting up the projection TV automatically (AUTO SET UP)" (page 14) and proceed to "Selecting the cable box output channel (TV INPUT)" (page 18).

Connecting an antenna

Connect your antenna cable to the VHF/UHF antenna terminal. If you cannot connect your antenna cable directly to the terminal, follow one of the instructions below depending on your cable type.



Notes

- Most VHF/UHF combination antennas have a signal splitter. Remove the splitter before attaching the appropriate connector.
- For better picture quality, connect an antenna by using a 75-ohm coaxial cable.

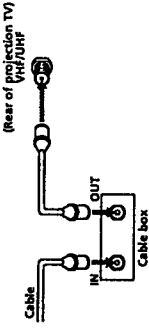
Connecting an antenna/cable TV system without a VCR

To cable or antenna



To cable box

If your cable company requires you to connect a cable box, make the connection as follows:



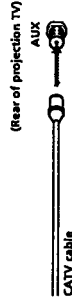
To cable box and cable



Some cable TV systems use scrambled or encoded signals requiring a cable box* in addition to the normal cable connection.

- The cable box will be supplied by the cable company.

To cable and antenna



Connecting an antenna/cable TV system with a VCR

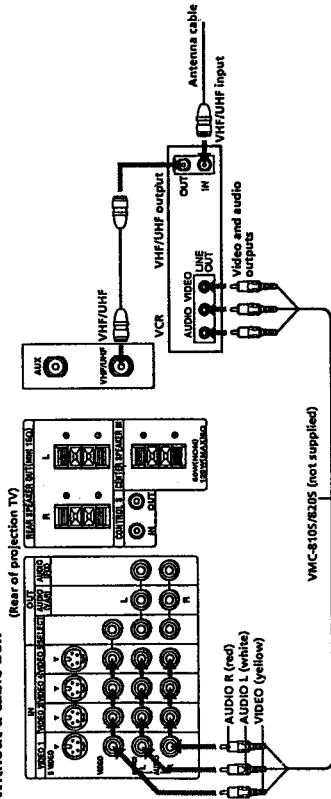
For connection details, see the instruction manual of your VCR. Before connecting, disconnect the AC power cords of the equipment to be connected.

After making these connections, you will be able to do the following:

- View the playback of video tapes
- Record one TV program while viewing another program

To a conventional VCR

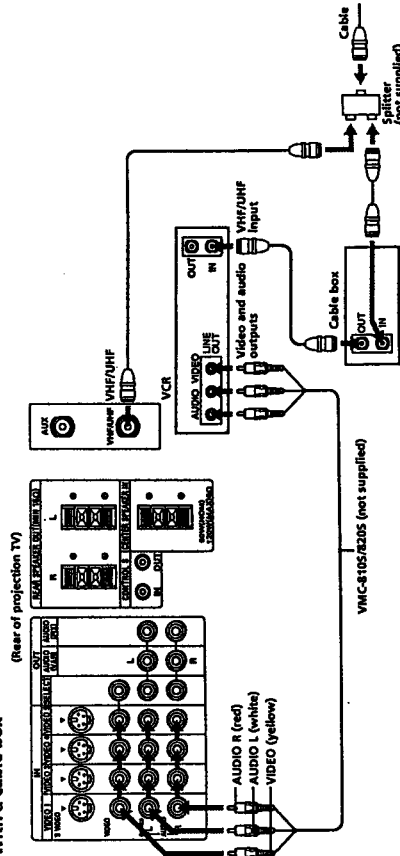
Without a cable box



Notes

- To connect a monaural VCR, connect the audio output of the VCR to AUDIO L (MONO) of VIDEO 1/3/4/5 IN on the projection TV.
- Do not connect a cable to the S VIDEO connector on the projection TV.

With a cable box

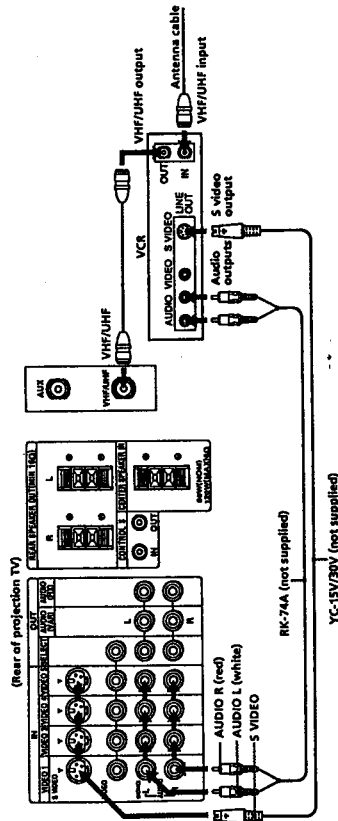


Getting Started 7-EN

To an S video equipped VCR

If your VCR has an S video output jack, make the connection as follows. Whenever you connect a cable to the S VIDEO connector, the projection TV automatically receives S video signals.

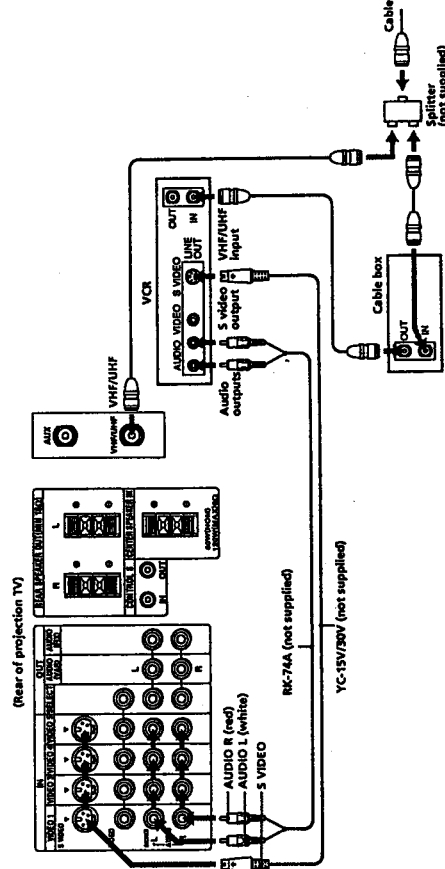
Without a cable box



Note

- Video signals are composed of Y (luminance) and C (chroma) signals. The S connection sends the two signals separately preventing degradation, and gives better picture quality compared to conventional connection.

With a cable box

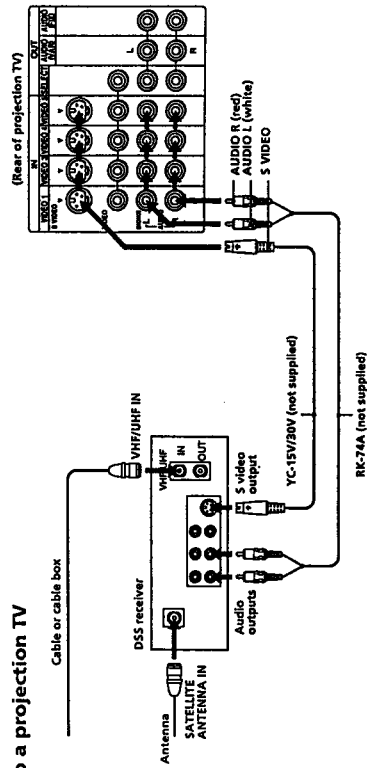


Getting Started 8-EN

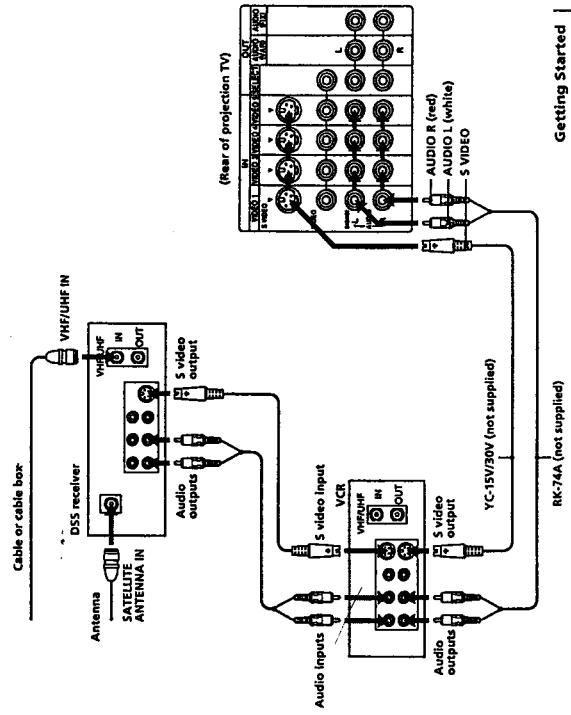
Connecting a DSS® receiver

For connection details, see the instruction manual of the DSS receiver.

To a projection TV



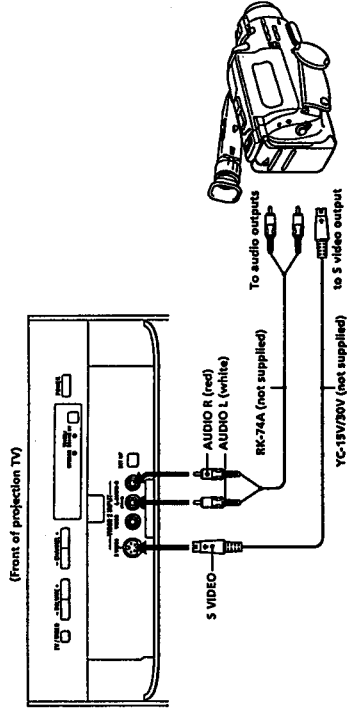
To a projection TV and VCR



Getting Started 9-EN

Connecting a camcorder

This connection is convenient for watching a picture from a camcorder.

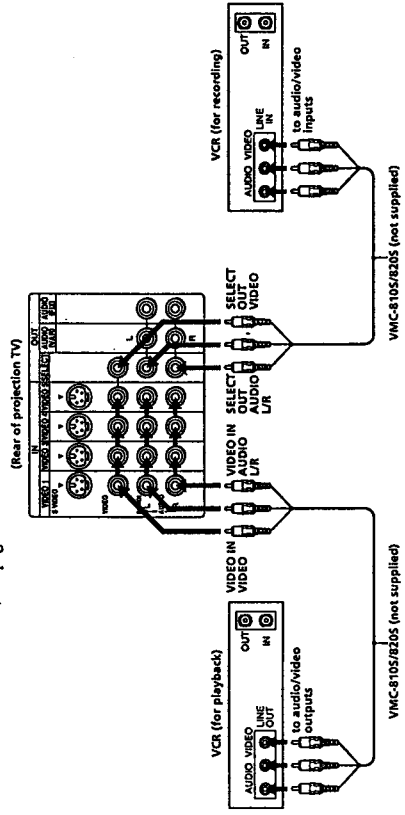


Notes

- To connect a manual camcorder, connect the audio output of the camcorder to AUDIO L (MONO) or VIDEO 2 INPUT of the projection TV.
- To connect a camcorder not equipped with the S video output, connect the video output of the camcorder to VIDEO INPUT of the projection TV.

Connecting two VCRs for tape editing

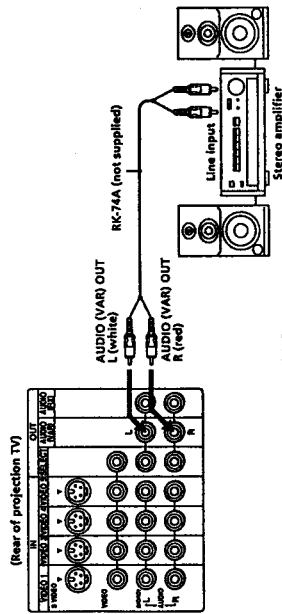
You can select the output signal from the SELECT OUT jacks. For detailed information, see page 30.



Getting Started 10-EN

Connecting an audio system

If you want to use the left and right speakers of a stereo amplifier, use AUDIO (VAR) OUT as shown below and switch off the PROJECTION TV speakers. (See "Setting the speaker switch (SPEAKER)" on page 27.) See page 27 and 28 for more information.



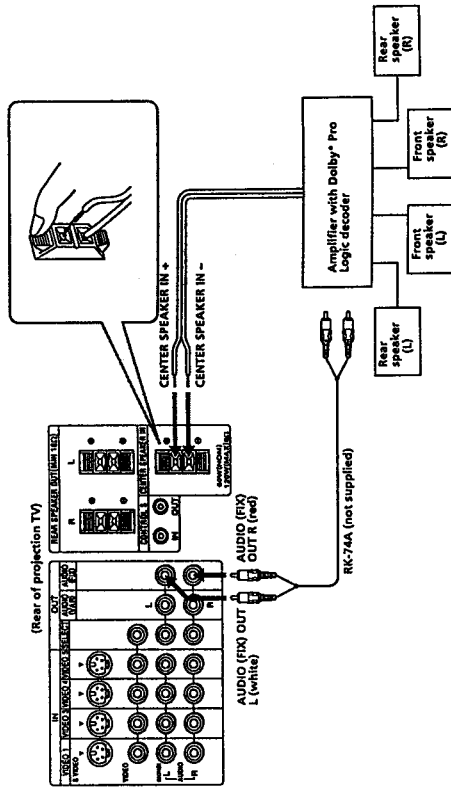
Note

- You can adjust the bass, treble and balance, or select an MTS (Multichannel TV Sound) mode with the supplied remote commander.

Connecting an amplifier with Dolby Pro Logic decoder

If you use an amplifier with Dolby Pro Logic decoder instead of the projection TV's audio system, you can still use the projection TV's center speaker. See "Setting the speaker switch (SPEAKER)" on page 27.

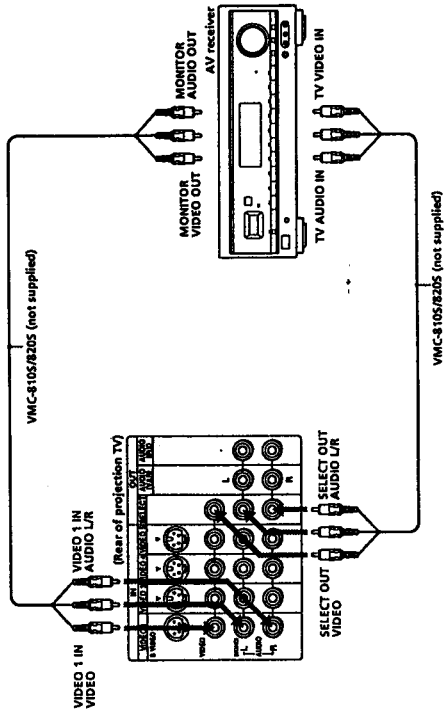
- Manufactured under license from Dolby Laboratories Licensing Corporation. Additionally licensed under Canadian patent number 1,097,877. "Dolby," the double-D symbol and "Pro Logic" are trademarks of Dolby Laboratories Licensing Corporation.



Getting Started 11-EN

Connecting an AV receiver

Connect an optional AV receiver to the VIDEO 1 IN jacks. For detailed information, see "Using the INPUT/OUTPUT menu" on page 30.

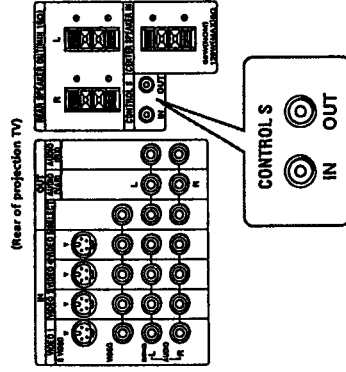


Connecting other Sony equipment with the CONTROL S jacks

This feature allows you to control your projection TV and other Sony equipment with one remote commander.

Notes

- To control other Sony equipment with the projection TV's remote commander, connect the CONTROL S input of the equipment to the CONTROL S OUT jack on the projection TV.
- To control the projection TV with the remote commander of other Sony equipment, connect the CONTROL S output of the equipment to the CONTROL S IN jack on the projection TV.



Getting Started 12-EN

Step 3: Setting up the remote commander

Inserting batteries

Insert two size AA (R6) batteries (supplied) by matching the + and - on the batteries to the diagram inside the battery compartment.

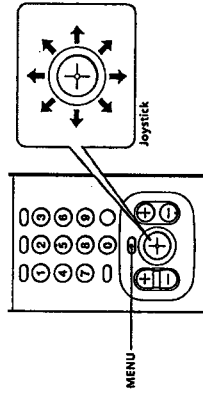


Notes

- With normal use, the batteries should last for approximately six months.
- If you do not use the remote commander for an extended period of time, remove the batteries to avoid possible damage from battery leakage.
- Do not handle the remote commander roughly. Do not drop it, step on it or let it get wet.
- Do not place the remote commander in direct sunlight, near a heater, or where the humidity is high.

Using the joystick remote commander for menu operation

The supplied remote commander has a joystick with motion in eight directions, as illustrated, to easily select the items in the menu.



How to use the menus

- 1 Press the MENU button to display the main menu.



- 2 Press the joystick up or down to move the cursor to the desired item.



- 3 Click the joystick to display the selected menu.



- 4 Press the joystick up or down to select the item, then click the joystick to go to the next menu.



For further operations, you can select the item by pressing the joystick in some of eight directions that vary according to the selected menu. Then click the joystick to store the setting.

To erase the main menu Press MENU. The original screen is displayed.

To return to the previous menu

Press the joystick up, down, right or left to move the cursor (↔) to ← of each menu, and click the joystick.

Note

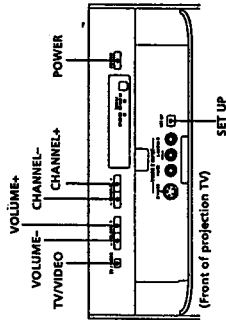
- You can select one of various kinds of cursors (page 36).

Step 4: Setting up the projection TV automatically (AUTO SET UP)

For customers who connect a cable box, skip this step and proceed to "Selecting the cable box output channel (TV INPUT)" (page 18).

You can set up your projection TV easily by using AUTO SET UP feature. It changes the on-screen menu language and presets all the receivable channels automatically. To set up the projection TV manually, see "Changing the menu language" (page 17) "Setting cable TV on or off" (page 16) and "Presetting channels" (page 17).

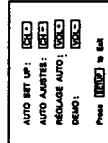
If the projection TV is set to a video input, you cannot execute AUTO SET UP. Press TV/VIDEO so that a channel number appears.



- 1 Press POWER to turn the projection TV on.

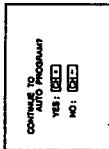


- 2 Press SET UP on the front of the projection TV.



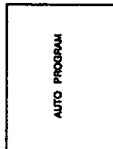
- 3 Press CHANNEL+.

If you prefer Spanish or French to English, you can change the on-screen menu language. Press CHANNEL- for Spanish or VOLUME+ for French.



All of the menus will be set to the factory preset condition in the selected language.

- 4 Press CHANNEL+.



"AUTO PROGRAM" appears on the screen and the projection TV starts scanning and presetting channels automatically. When all the receivable channels are stored, "AUTO PROGRAM" disappears and the lowest numbered channel is displayed. If the projection TV receives cable TV channels, CABLE is set to ON automatically.

Notes

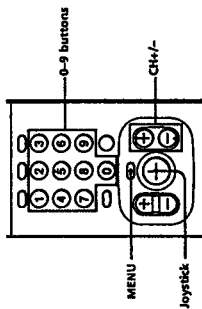
- If more than 90 seconds elapse after you press a button, the menu disappears automatically.
- In case of using the AUX connector, press the ANT/AUX button on the remote commander first so that "AUX" is displayed beside the channel number on the screen. Then follow steps 2 to 4 above to perform AUTO SET UP.

To preview the main functions (DEMO)

Press VOLUME- in step 2. The functions and menus are displayed one by one. To cancel the DEMO function, press VOLUME - again.

Erasing or adding channels

After AUTO SET UP you can erase unnecessary channels or add the channels you want. Preset channels during the day rather than late at night, when some channels may not be broadcasting.



- 1 Press MENU.

The main menu appears.



- 2 Press the joystick up or down to move the cursor (b) to SET UP and click the joystick.

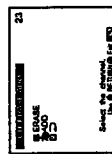
The SET UP menu appears.



- 3 Make sure the cursor (b) is beside CHANNEL ERASE/ADD and click the joystick.

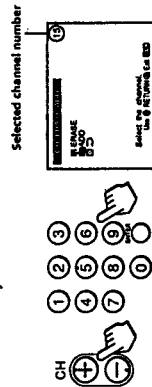
If the cursor is not beside CHANNEL ERASE/ADD, press the joystick up or down to move the cursor and click the joystick.

The CH ERASE/ADD menu appears.



- 4 Erase or add the channel you want:

(1) Press the joystick up or down to select ERASE or ADD.
 (2) Press CH +/- or 0-9 buttons to select the channel you want to erase or add.



- (3) Click the joystick.

- If you select ERASE in step (1), “-” appears beside the channel number, showing that the channel is erased from the preset memory.
- If you select ADD in step (1), “+” appears beside the channel number, showing that the channel is added to the preset memory.

- 5 To erase and/or add other channels, repeat step 4.

- 6 When you finish, press MENU.



Notes

- If you erase or add a VHF or UHF channel, the cable TV channel with the same number is also erased or added.
- If more than 90 seconds elapse after you press a button, the menu disappears automatically.
- Erasing and adding channels is also available for the AUX input.

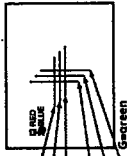
Adjusting convergence (CONVERGENCE)

The projection tube image appears on the screen in three layers (red, green and blue). If they do not converge, the color is poor and the picture blurs. To correct this, adjust convergence.

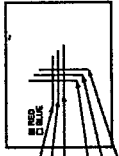
- 1 Press MENU.
- 2 Press the joystick up or down to move the cursor (b) to SET UP and click the joystick.

- 3 Press the joystick up or down to move the cursor (b) to CONVERGENCE and click the joystick.

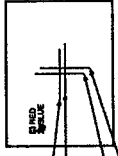
The CONVERGENCE adjustment screen appears.



- 4 Press the joystick up or down to move the cursor (b) to RED or BLUE, and click the joystick.



- 5 Press the joystick up, down, left or right to move the line until it converges with the center green line, and click the joystick.



- 6 Repeat steps 4 and 5 to adjust the other lines until all three lines converge and are seen as a white cross.

- 7 Press MENU to return to the original screen.

Note

- Convergence can be adjusted only left, right, up and down.

Setting cable TV on or off

If you have connected the projection TV to a cable TV system, set CABLE to ON, the factory setting. If not, set CABLE to OFF. You do not have to do this procedure if you execute AUTO SET UP (page 14). Do this procedure only when you want to set it manually.

- 1 Press MENU.
- 2 Press the joystick up or down to move the cursor (b) to SET UP and click the joystick.
- 3 Press the joystick up or down to move the cursor (b) to CABLE and click the joystick.



- 4 Press the joystick up or down to select ON or OFF and click the joystick.





- 5 Press MENU to return to the original screen.

Note

- If CABLE appears in grey, the projection TV is set to a video input and you cannot select CABLE. Press TV/VIDEO on the remote commander so that a channel number appears.

Presetting channels

You can preset TV channels easily by AUTO PROGRAM feature. You do not have to do this procedure if you execute AUTO SET UP (page 14). Do this procedure only when you want to set it manually.

- 1 Press MENU.
 - 2 Press the joystick up or down to move the cursor (b) to SET UP and click the joystick.
- 
- 3 Press the joystick up or down to move the cursor (b) to AUTO PROGRAM and click the joystick.
- 

"AUTO PROGRAM" appears on the screen and the projection TV starts scanning and presetting channels automatically. When all the receivable channels are stored, "AUTO PROGRAM" disappears and the lowest numbered channel is displayed.



- 4 Press MENU to return to the original screen.

Notes

- If AUTO PROGRAM appears in grey in the SET UP menu, the projection TV is set to a video input and you cannot select AUTO PROGRAM. Press TV/VIDEO on the remote commander so that a channel number appears.
- If more than 90 seconds elapse after you press a button, the menu disappears automatically.
- Presetting channels is also available for the AUX input.

Changing the menu language

If you prefer Spanish or French to English, you can change the menu language. You do not have to do this procedure if you execute AUTO SET UP (page 14). Do this procedure only when you want to set it manually.

- 1 Press MENU.
 - 2 Press the joystick up or down to move the cursor (b) to SET UP and click the joystick.
 - 3 Press the joystick up or down to move the cursor (b) to LANGUAGE and click the joystick.
 - 4 Press the joystick up or down to select the language and click the joystick.
- 
- 

The menu in the selected language appears.

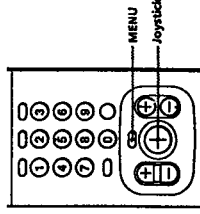
- 5 Press MENU to return to the original screen.

Note

- Even when you select Spanish or French language, certain parts of the menus remain in English.

Selecting the cable box output channel (TV INPUT)

If you use a cable box, you can select the cable box output channel on your projection TV. It is recommended that you set up your projection TV as follows when you use a cable box.



- 1 Press MENU.
- 2 Press the joystick up or down to select SET UP and click the joystick.
- 3 Press the joystick up or down to select TV INPUT and click the joystick.
The cable box output channel options are displayed.



- 4 Press the joystick up or down to select the cable box output channel and click the joystick.

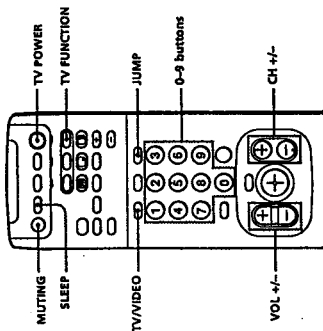


You can select the cable output channel among 2-6 channels, VIDEO 1 and AUX 2-6 channels.

Notes

- If you set TV INPUT to any option other than OFF, you cannot use the favorite channel and CH INDEX features.
- If you set TV INPUT to VIDEO 1 INPUT mode, you cannot select TV INPUT again. Press the TV/VIDEO button to select and return to TV INPUT mode. If you are unable to return to the TV INPUT mode by using the TV/VIDEO button, select TV OUT in "Using the INPUT/OUTPUT menu" on page 30, and enter NO.

Watching the TV



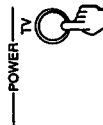
1 Press TV FUNCTION on the remote commander.

The red indicator flashes once on the remote commander, indicating that the buttons function for the projection TV.



2 Press TV POWER to turn on the projection TV.

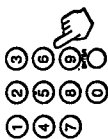
The POWER indicator lights on the projection TV.



If any of "VIDEO1 to VIDEO5" appears on the screen, press the TV/VIDEO button until a channel number appears.

3 Select the channel you want to watch:

To select a channel directly
Press the 0 - 9 buttons.
For example, to select channel 10, press 1 and 0.
You may press ENTER to immediately change the channel.



To scan through channels
Press CH +/- until the channel you want to watch appears.



4 Press VOL +/- to adjust the volume.



Switching quickly between two channels

You can use the JUMP button to switch or "jump" back and forth between two channels.

Press JUMP.



Pressing JUMP again switches back to the original channel.

Note

- You cannot jump to channels you scanned through using the CH +/- buttons.

Muting the sound

Press MUTING.
"MUTING" appears on the screen.



To restore the sound, press MUTING again, or press VOL +.

Displaying on-screen information

1 Press DISPLAY.

Channel number, the current time (if set), channel caption or logo (if set), and MTS mode (if SAP is selected) are displayed. SAP indication disappears after 4 seconds.



2 Press DISPLAY again.

XDS (Extended Data Service) is turned on. If the station provides this service, program information, program type and program length are displayed.



3 Press DISPLAY again.

Caption Vision (if set) is displayed. (See page 39.)



To cancel the display, press DISPLAY again.

Setting the Sleep Timer

The projection TV stays on for the length of time you specify and then shuts off automatically.

Press SLEEP repeatedly until the time (in minutes) you want appears.

Each time you press SLEEP, the time changes as follows: 30 → 60 → 90 → OFF.



"SLEEP" appears about one minute before the projection TV shuts off.

To cancel the Sleep Timer, press SLEEP repeatedly until "SLEEP OFF" appears, or turn off the projection TV.

The sleep timer is also canceled when you select AUTO PROGRAM under the SET UP menu.

Watching a video input picture

Press TV/VIDEO repeatedly until the desired video input appears.

Each time you press TV/VIDEO, the display changes as follows: TV → VIDEO 1 → VIDEO 2 → VIDEO 3 → VIDEO 4 → VIDEO 5.



To return to TV picture, press TV/VIDEO until a channel number appears.

Changing the VHF/UHF input to the AUX input

Press ANT/AUX.

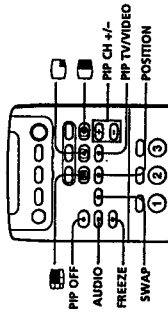
"AUX" appears beside the channel number.



Pressing ANT/AUX again switches back to VHF/UHF input.

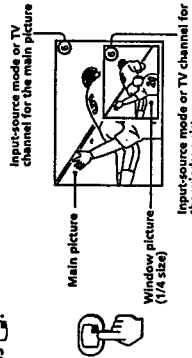
Watching two programs at one time — PIP/P&P (Twin View™)

You can watch two programs simultaneously using the Picture-In-Picture (PIP) or the Picture-and-Picture (Twin View™) feature.



Displaying a window picture (PIP)

Press **PIP OFF**.



Press **PIP OFF** repeatedly to display a smaller window picture.

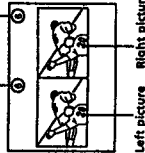
Each time you press **PIP OFF**, the size of the window picture changes as follows: 1/4 size → 1/9 size → 1/16 size.

To remove the window picture, press PIP OFF.

Displaying a left picture (P&P)

Press **PIP OFF**.

Input-source mode for the left picture.



The main picture is on the right and the window picture is on the left.

To restore the normal picture, press PIP OFF.

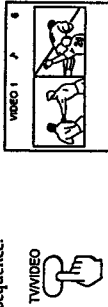
Notes

- If the main/right picture is not receiving an image, the window/left picture may become a noisy picture.
- The window/left picture sound is also output from the AUDIO (VAR) OUT jacks when you listen to it.

Changing the window/left picture input mode

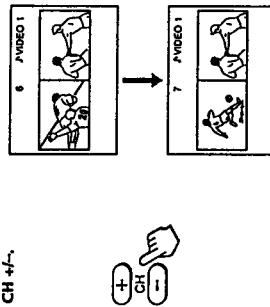
Press PIP TV/VIDEO to select the input mode.

Each time you press PIP TV/VIDEO, "TV," "VIDEO 1," "VIDEO 2," "VIDEO 3," "VIDEO 4" and "VIDEO 5" appear in sequence.



Changing TV channels in the window/left picture

Press PIP CH +/-.

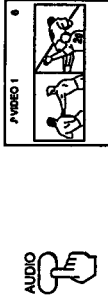


Operations

Listening to the sound of the window/left picture

Press AUDIO.

"J" appears for a few seconds on the window/left picture, indicating that the window/left picture sound is being received.



To restore the main/right picture sound, press AUDIO again.

Changing the position of the window picture

Press POSITION.

Each time you press POSITION, the window picture will move as illustrated.



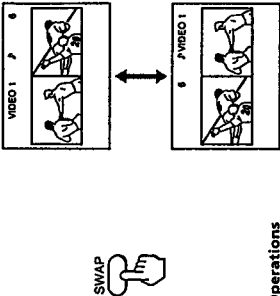
Note

- POSITION is not a P&P feature.

Swapping the main/right and window/left pictures

Press SWAP.

Each time you press SWAP, the images and sound from the main/right and window/left pictures switch places.



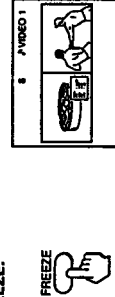
Operations

Freezing the pictures

You can freeze both the right and left pictures.

This feature is useful when you want to write down a recipe from a cooking program, a displayed address, a phone number, etc.

Press FREEZE.



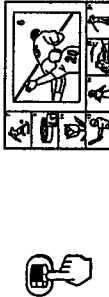
To restore the normal screen, press PIP OFF.

Watching eight TV channels at one time (CH INDEX)

You can display all the preset channels in sequence.

Press CH INDEX.

A main picture and seven window pictures are displayed. Each time you press CH INDEX or PIP CH +/-, the next seven sequential channels appear.



To return to the normal picture, press PIP OFF.

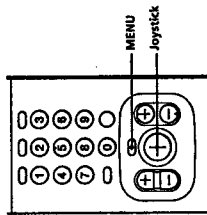
Note

- If you set TV INPUT to any option other than OFF, you cannot use the CH INDEX feature.

Using the VIDEO menu

Adjusting the picture (VIDEO)

When watching TV programs, you can adjust picture, hue, color, brightness and sharpness to suit your taste. The adjusted level is stored in PROGRAM PALETTE.



- 1 Press MENU.
- 2 Make sure the cursor is beside VIDEO and click the joystick.
If the cursor is not beside VIDEO, press the joystick up or down to move the cursor.
The VIDEO adjustment menu appears.



- 3 Select the item you want to adjust.

For example:
(1) To adjust brightness, press the joystick up or down to select BRIGHT.



(2) Click the joystick.



- 4 Adjust the selected item:

(1) Press the joystick up, down, right or left to adjust the item.



(2) Click the joystick.

The new setting appears in the VIDEO menu, and is stored in the displayed PROGRAM PALETTE mode.



For details on each item, see "Description of adjustable items" below.

- 5 To adjust other items, repeat steps 3 and 4.

Description of adjustable items

Item	Press the joystick up or right to	Press the joystick down or left to
PICTURE	Increase picture contrast for vivid color.	Decrease picture contrast for soft color.
HUE	Make overall picture greenish.	Make overall picture purplish.
COLOR	Increase color intensity.	Decrease color intensity.
BRIGHT	Brighten the picture.	Darken the picture.
SHARP	Sharpen the picture.	Soften the picture.

To restore the factory setting

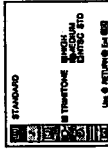
While the VIDEO menu is displayed, press the joystick up, down, right or left to select RESET and click the joystick.

The Trinitone, NR, dynamic picture and color correction are also reset to the factory settings.

Adjusting the color temperature (TRINITONE)

The TRINITONE feature controls the color temperature, permitting white balance preference adjustment without affecting skin tones.

- 1 Press MENU.
- 2 Press the joystick up or down to select VIDEO and click the joystick.
- 3 Press the joystick up or down to select TRINITONE and click the joystick.



- 4 Press the joystick up or down to select HIGH, MEDIUM or NTSC STD and click the joystick.



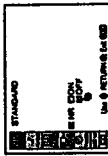
Choose	For
HIGH	a cool (bluish) white
MEDIUM	a neutral white
NTSC STD	a warm (reddish) white

Reducing picture noise (NR)

You can improve a weak or snowy picture when NR is set to ON.

- 1 Press MENU.
- 2 Press the joystick up or down to select VIDEO and click the joystick.

- 3 Press the joystick up or down to select NR and click the joystick.



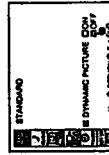
- 4 Press the joystick up or down to select ON and click the joystick.



Enhancing the picture contrast (DYNAMIC PICTURE)

The DYNAMIC PICTURE feature enhances the contrast of the picture, providing a dynamic image.

- 1 Press MENU.
- 2 Press the joystick up or down to select VIDEO and click the joystick.
- 3 Press the joystick up or down to select DYNAMIC PICTURE and click the joystick.



- 4 Press the joystick up or down to select ON and click the joystick.



Correcting the color (COLOR CORRECTION)

The COLOR CORRECTION feature emphasizes red and blue to make skin tones vivid.

- 1 Press MENU.
- 2 Press the joystick up or down to select VIDEO and click the joystick.

- 3 Press the joystick up or down to select COLOR CORRECTION and click the joystick.



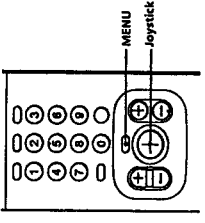
- 4 Press the joystick up or down to select ON and click the joystick.



Using the AUDIO menu

Adjusting the sound (AUDIO)

You can adjust the treble, bass and balance to suit your taste. You can adjust the sound of video input(s) as well.



- 1 Press MENU.
- 2 Press the joystick up or down to select AUDIO and click the joystick.



- 3 Select the item you want to adjust.

For example:
(1) To adjust bass, press the joystick up or down, to select BASS.



- (2) Click the joystick.



Selecting stereo or bilingual programs (MTS)

The Multichannel TV Sound (MTS) feature gives you the choice to enjoy stereo sound or Second Audio Programs (SAP) when available. The initial setting is stereo sound (MAIN).

- 1 Press MENU.
- 2 Press the joystick up or down to select AUDIO and click the joystick.
- 3 Press the joystick up or down to select MTS and click the joystick.



- 4 Press the joystick up or down to select MAIN, SAP or MONO and click the joystick.

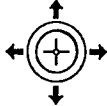


Choose	To
MAIN	Listen to stereo sound. The STEREO indicator on the projection TV lights up while a stereo broadcast is received.
SAP	Listen to bilingual programs. The sound of non-SAP programs will be muted when SAP is selected.
MONO	Reduce noise during stereo broadcasts.

Note

- Stereo and SAP sounds are subject to program sources.

- 4 Adjust the selected item:
(1) Press the joystick up, down, right or left to adjust the item.



- (2) Click the joystick.
The new setting appears in the AUDIO menu.



For details on each item, see "Description of adjustable items" below.

- 5 To adjust other items, repeat steps 3 and 4 above.

Description of adjustable items

Item	Press the joystick up or right to	Press the joystick down or left to
TREBLE	Increase the treble response.	Decrease the treble response.
BASS	Increase the bass response.	Decrease the bass response.
BALANCE	Emphasize the right speaker's volume.	Emphasize the left speaker's volume.

To restore the factory settings

While the AUDIO menu is displayed, press the joystick up, down, right or left to select RESET and then click the joystick. All the settings in the AUDIO menu are reset to the factory settings.

Setting the speaker switch (SPEAKER)

You may switch off the projection TV speakers when, for example, you want to listen to the sound through a stereo system.

If you connect an amplifier with Dolby Pro Logic decoder to the CENTER SPEAKER IN terminal, you can use the projection TV speakers as center speaker.

- 1 Press MENU.
- 2 Press the joystick up or down to select AUDIO and click the joystick.
- 3 Press the joystick up or down to select SPEAKER and click the joystick.



- 4 Press the joystick up or down to select ALL ON, L/R OFF, ALL OFF or CENTER IN and click the joystick.

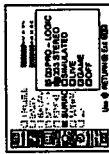


Choose	To
ALL ON	Listen to the sound from the projection TV.
L/R OFF	Turn off only the projection TV left and right speaker sound and listen to the projection TV's front left and right channel sound through the audio system speakers.
ALL OFF	Turn off the projection TV speaker sound and listen to the projection TV's sound solely through the audio system speakers.
CENTER IN	Use the projection TV center speakers as the center speaker in another surround audio system.

Selecting the surround mode

This projection TV incorporates center speakers and can be connected to the supplied rear speakers. You can take advantage of surround sound simply by selecting a surround mode according to the type of program you are watching. You can select the surround mode when the SPEAKER mode is set to ALL ON or L/R OFF.

- 1 Press MENU.
- 2 Press the joystick up or down to select AUDIO and click the joystick.
- 3 Press the joystick up or down to select SURROUND MODE and click the joystick.



- 4 Press the joystick up or down to select the surround mode you want.



Choose	To
PRO-LOGIC	Obtain superb theater-like surround effects. This mode is most effective with programs encoded in Dolby surround.
3 STEREO	Obtain the surround sound without using rear speakers. The sound of the rear channel is output from the front system speakers. Use this mode if you don't want to use the rear speakers.
SIMULATED	Create a simulated stereo sound. Use this mode for program in monaural.
LIVE	Obtain the surround sound with the atmosphere of a concert hall. Use this mode for music programs.
GAME	Obtain maximum audio impact from video game software.
OFF	Turn off the surround effects.

Adjusting the speaker volume

After selecting the surround mode, adjust the volume of each speaker to the same level so that the selected surround sound will be even and natural. For DOLBY LOGIC and D3 STEREO modes, adjust the speaker volume using the test tone feature.

- 1 Press MENU.
- 2 Press the joystick up or down to select AUDIO and click the joystick.
- 3 Press the joystick up or down to select SURROUND LEVEL and click the joystick. The speaker volume setting screen appears.



- 4 Press the joystick up or down to select CENTER, REAR or BALANCE and click the joystick. The selected speaker(s) in the menu is(are) highlighted.



Choose	To adjust
CENTER*	The level of center speaker.
REAR**	The level of rear speakers.
BALANCE	The level between the right and left speakers.

* The center level cannot be adjusted in the SIMULATED mode.
** The rear level cannot be adjusted in the D3 STEREO mode.

- 5 Press the joystick right or left to adjust the volume level and click the joystick.



- 6 Repeat steps 4 and 5 to adjust other speakers so that you hear the sound from each speaker at the same volume.

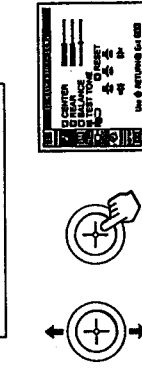
To restore the factory settings
While the volume setting screen is displayed, press the joystick up, down, right or left to select RESET then click the joystick. All of the speaker levels of the selected mode are reset to the factory setting.

Adjusting the speaker volume using the test tone

In DOLBY PRO LOGIC or D3 STEREO mode, the test tone feature makes it easy to adjust the volume level of each speaker to the same level.
After step 3 in "Adjusting the speaker volume", follow the procedure below:

- 1 Press the joystick up or down to select TEST TONE and click the joystick. You can hear the test tone output from each speaker in sequence.

The test tone is output:
Front left → Center → Front right → Rear



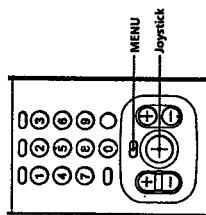
- 2 Follow steps 4 to 6 in "Adjusting the speaker volume".
- 3 Click the joystick to turn off the test tone.

(continued)

Using the PROGRAM PALETTE menu

Selecting picture effect (PROGRAM PALETTE)

You can select one of five modes for picture effect that best suits the different programs. You can also adjust the picture for each setting to suit your taste.



- 1 Press MENU.
- 2 Press the joystick up or down to select PROG PALETTE and click the joystick.
- 3 Select the item you want.

For example:

 - (1) To select MOVIE, press the joystick up or down to move the cursor to MOVIE.
 - (2) Click the joystick.

For details on each item, see "Effect of picture settings" below.

Item	Picture effect
STANDARD	Standard
MOVIE	Finely detailed picture
SPORTS	Vivid, bright picture
NEWS	Reduced noise in picture
GAME	Softer picture

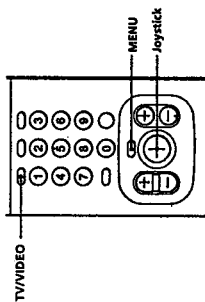
Adjusting the picture in PROGRAM PALETTE

- 1 Press MENU.
 - 2 Press the joystick up or down to select VIDEO and click the joystick.
 - 3 Press the joystick up or down to select MODE and click the joystick.
 - 4 Press the joystick up or down to select the item you want to adjust and click the joystick.
 - 5 Adjust the picture according to the steps 3 to 5 in "Adjusting the picture" on page 23.
- To restore the factory setting
While the VIDEO menu is displayed, press the joystick up, down, right or left to select RESET and click the joystick.

Using the INPUT/OUTPUT menu

Selecting an output signal (INPUT/OUTPUT)

You can select an output signal from the SELECT OUT jacks at the rear of the projection TV.



- 1 Press MENU.
 - 2 Press the joystick up or down to select INPUT/OUTPUT and click the joystick.
 - 3 Select MONITOR OUT, EDIT OUT or TV OUT.
- | Select | To |
|-------------|---|
| MONITOR OUT | Output the signal of the picture displayed on the projection TV screen. Use this option to edit tapes while watching an input image different from that being recorded. |
| EDIT OUT | Output the signal input to the projection TV regardless of the displayed picture on the screen. Use this option to edit tapes while watching an input image different from that being recorded. |
| TV OUT | Output the TV signal. Use this option when you connect an AV receiver to the VIDEO 1 IN jacks. |

- To select MONITOR OUT:
- (1) Make sure the cursor is beside MONITOR OUT and click the joystick.
 - (2) Press TV/VIDEO to select the input to the projection TV and click the joystick.



To select EDIT OUT:

- (1) Press the joystick up or down to select EDIT OUT and click the joystick.
- (2) Press the joystick up or down to select the input to be edited and click the joystick.



To select TV OUT:

- (1) Press the joystick up or down to select TV OUT and click the joystick.
- "Set up using only VIDEO1 input?" appears.



- (2) If you connect only an AV receiver to your projection TV, press the joystick up or down to select YES. Then click the joystick. You can always select the signal from the receiver by pressing TV/VIDEO once. If you connect your audio/video equipment to the projection TV, select NO. You can select any of the VIDEO 1 to VIDEO 5 inputs with the TV/VIDEO button.

Notes

- When you set INPUT/OUTPUT to TV OUT, you cannot swap the main/right and window/left pictures.
- The SELECT OUT signal is only available when the projection TV is on.

Using the TIMER menu

Setting video labels (VIDEO LABEL)

This feature allows you to label each input mode so that you can easily identify the connected equipment. For example, you can label VIDEO 2 IN as VHS.

- 1 Press MENU.
- 2 Press the joystick up or down to select INPUT/OUTPUT and click the joystick.
- 3 Press the joystick up, down, right or left to select VIDEO LABEL and click the joystick.



- 4 Press the joystick up or down to select the input mode you want to label and click the joystick.



- 5 Press the joystick up or down to select the label and click the joystick.



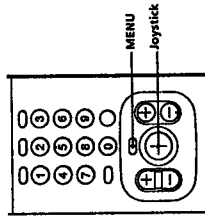
- 6 Repeat steps 4 and 5 to label other input modes.

Note

- If more than 90 seconds elapse after you press a button, the menu disappears automatically.

Setting the clock (CURRENT TIME)

Setting the clock enables you to check the time, turn the projection TV on and off with the timer, or to block a TV channel from being watched at a certain time.



- 1 Press MENU.
- 2 Press the joystick up or down to select TIMER and click the joystick.
- 3 Make sure the cursor (b) is beside CURRENT TIME, and click the joystick. If the cursor is not beside CURRENT TIME, press the joystick up or down to move the cursor.



4 Set the current time.

- (1) Press the joystick up or down to select time display and click the joystick. The item to be set is highlighted.



- (2) Press the joystick up or down to set the day and click the joystick.



- (3) Set the hour and minute in the same way as in step (2). When you click the joystick after setting the minute, the clock starts.



- 5 Press the joystick up or down to select DS (Daylight Saving) TIME, and click the joystick.



- 6 Press the joystick up or down to select YES, NO or NONE and click the joystick.



Choose To

YES	Set for daylight saving start (set after the first Sunday in April). Current time automatically moves one hour ahead.
NO	Set for daylight saving end (set after the last Sunday in October). This option is set at the factory.
NONE	Deactivate daylight saving time (if your area does not use daylight saving time).

To correct the time

While the CURRENT TIME menu is displayed, press the joystick up, down, right or left to select RESET, and then click the joystick.

To display the current time on the projection TV screen
Press DISPLAY.

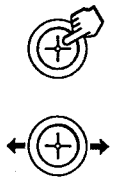
Notes

- If you unplug the projection TV or a power interruption occurs, the clock setting will be erased. Reset the current time.
- If you connect a VCR using an RF cable, the projection TV may not set up the correct current time information.

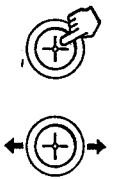
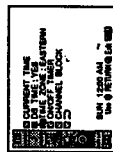
Setting your daylight saving time (DS TIME)

Make sure to set the clock before setting daylight saving time.

- 1 Press MENU.
- 2 Press the joystick up or down to select TIMER and click the joystick.
- 3 Press the joystick up or down to select DS TIME and click the joystick.



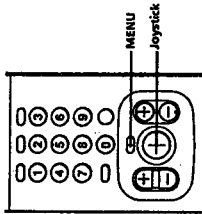
- 4 Press the joystick up or down to select YES, NO or NONE and click the joystick.



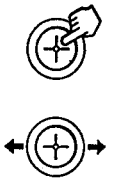
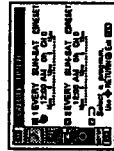
Choose	To
YES	Set for daylight saving start (set after the first Sunday in April). Current time automatically moves one hour ahead.
NO	Set for daylight saving end (set after the last Sunday in October). This option is set at the factory.
NONE	Deactivate daylight saving time (if your area does not use daylight saving time).

Setting the timer to turn the projection TV on and off (ON/OFF TIMER)

You can set the projection TV to turn on and off at the time you specify. Make sure the clock is set correctly. If it is not, set the clock first (page 31).

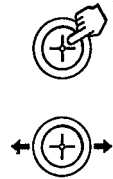
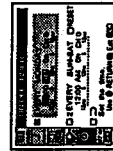


- 1 Press MENU.
- 2 Press the joystick up or down to select TIMER and click the joystick.
- 3 Press the joystick up or down to select ON/OFF TIMER and click the joystick.



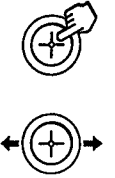
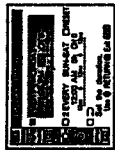
- 4 Enter the ON/OFF TIMER setting.
 - (1) Press the joystick up or down to select program 1 or 2 and click the joystick.
 - (2) Press the joystick up or down to set the day(s) and click the joystick. Each time you press the joystick up or down, the days cycle as shown below.

EVERY SUN-SAT → EVERY MON-FRI → SUNDAY → ... → SATURDAY → EVERY SUNDAY → ... → EVERY SATURDAY



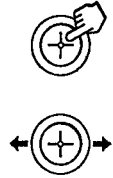
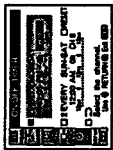
- (3) Press the joystick up or down to set the time (hour then minute) that you want to turn on the projection TV and click the joystick.

The  indicator appears indicating the turn-on time.

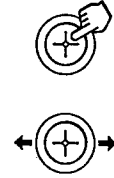
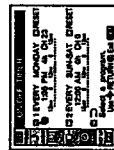


- (4) Press the joystick up or down to set the time duration and click the joystick.

Each time you click the joystick, the time duration increases by one hour up to a maximum of six hours. The bar indicator shows how long the projection TV is on.



- (5) Press the joystick up or down to select the channel and click the joystick.



The TIMER indicator on the projection TV lights.

- 5 To set another program, click the joystick and repeat step 4.

One minute before the projection TV turns off, a message "TV will turn off." is displayed on the screen.

To cancel the timer

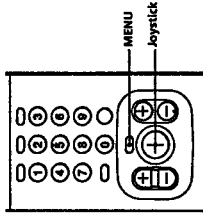
While the ON/OFF TIMER is displayed, press the joystick right or left to select RESET besides the program to be reset. Then click the joystick.

Note

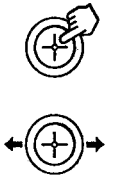
- If you unplug the projection TV or a power interruption occurs, ON/OFF TIMER settings will be erased. Reset the current time, then set the timer.

Blocking out a channel (CHANNEL BLOCK)

This feature allows you to prevent children from watching unsuitable programs. Make sure the clock is set correctly. If it is not, set the clock first (page 31).

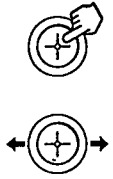
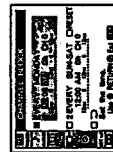


- 1 Press MENU.
- 2 Press the joystick up or down to select TIMER and click the joystick.
- 3 Press the joystick up or down to select CHANNEL BLOCK and click the joystick.



- 4 Enter a CHANNEL BLOCK setting.
 - (1) Press the joystick up or down to select program 1 or 2 and click the joystick.
 - (2) Press the joystick up or down to set the day(s) and click the joystick. Each time you press the joystick up or down, the days cycle as shown below.

EVERY SUN-SAT → EVERY MON-FRI → SUNDAY → ... → SATURDAY → EVERY SUNDAY → ... → EVERY SATURDAY



Using the SET UP menu

- (3) Press the joystick up or down to set the time (hour then minute) that you want to start blocking the channel and click the joystick.

The # indicator appears indicating the time to start blocking.



- (4) Press the joystick up or down to select the time duration you want to block and click the joystick.

Each time you click the joystick, the time duration increases by one hour up to a maximum of 12 hours. The bar indicator shows how long the projection TV is blocked out.



- (5) Press the joystick up or down to select the channel and click the joystick.



- 5 To set another program, click the joystick and repeat step 4.

If you select the blocked channel during the time you set, the message "BLOCKED" appears and the picture is blocked and the sound is muted.

To cancel a CHANNEL BLOCK setting

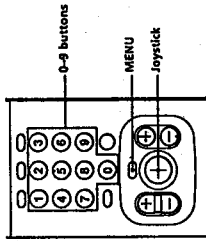
While the CHANNEL BLOCK menu is displayed, press the joystick right or left to select RESET besides the program to be reset. Then click the joystick.

Note

- If the CHANNEL BLOCK and ON/OFF TIMER settings are overlapped, the later time setting has priority over the earlier setting.

Customizing the channel names (CH CAPTION/LOGO)

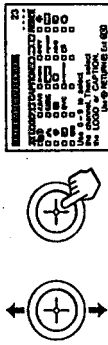
You can add a caption to up to 20 channels. This feature allows you to easily identify which channel you are watching. You can choose a broadcaster's logo (LOGO) or make your own four-letter caption (CAPTION).



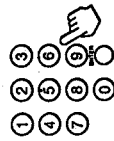
- 1 Press MENU.

- 2 Press the joystick up or down to select SET UP and click the joystick.

- 3 Press the joystick up or down to select CH CAPTION/LOGO and click the joystick.



- 4 Press the 0-9 buttons to select the channel that you want to caption.



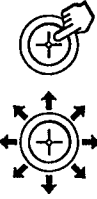
5 Select LOGO or CAPTION.

To select LOGO:

- (1) Make sure that the cursor is beside LOGO, and click the joystick.

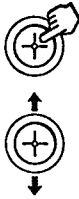
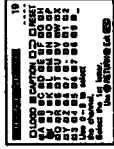


- (2) Press the joystick in any of eight directions to select the broadcaster's logo and click the joystick.

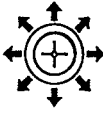


To select CAPTION

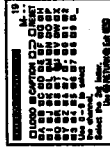
- (1) Press the joystick right or left to select CAPTION and click the joystick.



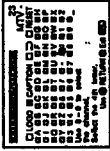
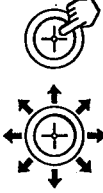
- (2) Press the joystick in any of eight directions to select the first letter.



- (3) Click the joystick.



- (4) Repeat steps (2) and (3) to select the remaining letters.



If you select fewer than three letters, move the cursor (b) to "-" after entering the letters, and click the joystick.

- 6 Repeat steps 4 and 5 to caption other channels.

To erase a caption

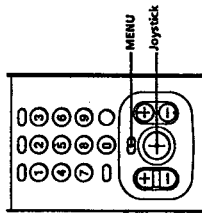
While the CH CAPTION/LOGO menu is displayed, press the joystick in any of eight directions to select RESET, then click the joystick.

Notes

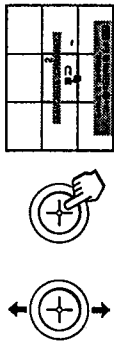
- If the CH CAPTION/LOGO menu appears in grey, the projection TV is set to a video input, and you cannot select CH CAPTION/LOGO. Press TV/VIDEO so that a channel number appears.
- If more than 90 seconds elapse after you press a button, the menu disappears automatically.
- The CH CAPTION/LOGO feature is also available for the AUX input.
- If you move the cursor to the blank spaces at the bottom of the CH CAPTION/LOGO menu when you are selecting a logo, you cannot select any logo.

Setting your favorite channels (FAVORITE CHANNEL)

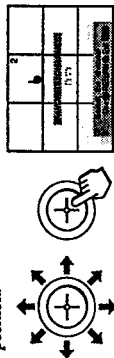
This feature allows you to select your favorite channels (up to eight channels) easily while displaying them on the screen at the same time.



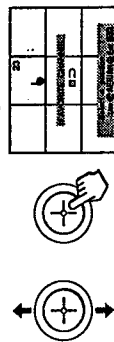
- 1 Press MENU.
- 2 Press the joystick up or down to select SET UP and click the joystick.
- 3 Press the joystick up or down to select FAVORITE CHANNEL and click the joystick.



- 4 Press the joystick in any of eight directions to select the position in the FAVORITE CHANNEL screen, then click the joystick. The current channel is displayed in the selected position.



- 5 Press the joystick up or down to select the desired channel and click the joystick. The new channel is stored in the FAVORITE CHANNEL screen in the selected position.



- 6 Repeat steps 4 and 5 to set other favorite channels.

Note

- If you set TV INPUT to any option other than OFF, you cannot use the FAVORITE CHANNEL feature.

Selecting a favorite channel

After you set your favorite channels, you can select a channel you want while displaying all your favorite channels on the projection TV screen at the same time.

- 1 Click the joystick.

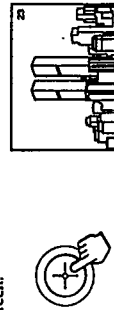
Eight window pictures of your favorite channels appear on the screen with the full-motion picture of the currently selected channel in the center.



- 2 Press the joystick to move the cursor to the channel you want to watch. The joystick of the remote commander lets you select any picture with a press.



- 3 Click the joystick. The picture of the selected channel is displayed on the screen.



Selecting a VCR input directly (DIRECT PLAY)

The DIRECT PLAY feature allows you to switch from TV input to VCR input mode by pressing the ► (playback) button on the supplied remote commander. For example, connect your VCR to the VIDEO 1 IN jacks and set the VTR1 2 3 MDP selector located beneath the lid of the remote commander to VTR2. After completing the procedure below, the input mode is switched to the VCR connected to the VIDEO 1 IN jacks when you press the ► button.

- 1 Press MENU.
- 2 Press the joystick up or down to select SET UP, and click the joystick.

- 3 Press the joystick up or down to select DIRECT PLAY and click the joystick.



- 4 Press the joystick up or down to select the input to which the video equipment is connected and click the joystick.



- 5 Press the joystick up or down to select the position of the VTR1 2 3 MDP selector and click the joystick.



Customizing the pointer (CUSTOMIZED POINTER)

You can choose the desired cursor (pointer) from among eight different designs and/or colors.

- 1 Press MENU.
- 2 Press the joystick up or down to select SET UP and click the joystick.

- 3 Press the joystick up or down to select CUSTOMIZED POINTER and click the joystick.



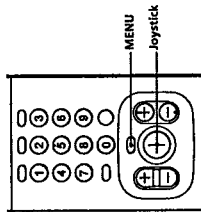
- 4 Press the joystick in any of eight directions to select the desired cursor and click the joystick.



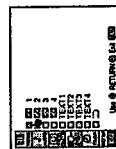
Displaying Caption Vision/XDS (CAPTION VISION/XDS)

Some programs are broadcast with Caption Vision. To display Caption Vision, select either CC1, CC2, CC3, CC4, TEXT1, TEXT2, TEXT3 or TEXT4 from the menu. CC1, CC2, CC3 or CC4 shows you a caption, that is a printed version of the dialog or sound effects of a program. (The mode should be set to CC1 for most programs.) TEXT1, TEXT2, TEXT3 or TEXT4 shows you text, that is information presented using either half or the whole screen. It is not usually related to the program.

Some programs are broadcast with XDS (Extended Data Service) which shows a network name, program name, program length, call letters and time of the show. When you select XDS with the DISPLAY button, this information will be displayed on the screen if the broadcaster offers this service.



- 1 Press MENU.
- 2 Press the joystick up or down to select and click the joystick.



- 3 Press the joystick up or down to select the caption type and click the joystick. The selected caption type is colored green.



To turn off the caption, text or XDS

Press DISPLAY on the remote commander until "DISPLAY OFF" appears on the screen. Each time you press DISPLAY, the display changes as follows:

on-screen information → XDS → Caption Vision or Text

→ DISPLAY OFF

"DISPLAY OFF" turns off after three seconds.

Note

- Captions may appear with a white box or another error instead of a certain word. Poor reception of TV programs can also cause errors in Caption Vision.

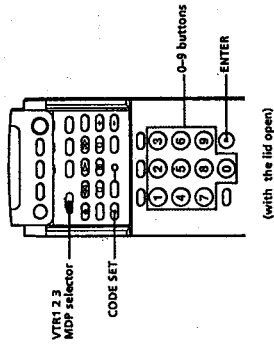
Operating video equipment

You can program the supplied remote commander to operate video equipment that have an infrared remote sensor. For programming, set the manufacturer's code number. You can set the manufacturer's code to each of four positions of the VTR1 2.3 MDP selector, so that you can operate four different pieces of equipment.

Setting the manufacturer's code

The following Sony video equipment is assigned to each position of the VTR1 2.3 MDP selector at its factory preset:

VTR1 Beta, ED Beta VCRs
VTR2 8 mm VCR
VTR3 VHS VCR
MDP Multi-disc player



(with the lid open)

Note

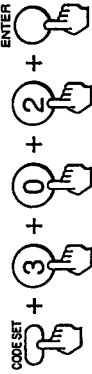
- To use another manufacturer's equipment besides a Sony VCR, set the selector to a position not being used for your Sony VCR.

- 1 Turn off the equipment you want to set up.
- 2 Open the lid, then set the VTR1 2.3 MDP selector to the position you want to set the code.

VTR1 2.3 MDP



- 3 Press CODE SET, then press 0 - 9 to enter the manufacturer's code number (see the chart below) and press ENTER. For example, to operate a Sony 8 mm VCR, press CODE SET, 3, 0, 2 and ENTER.



VCR manufacturer code numbers

Manufacturer	Code number
Sony	301, 302, 303
Aiwa	338
Audio Dynamic	314, 337
Bell & Howell (M. Wards)	330, 343
Brosnour	319
Canon	309, 308
Citizen	332
Craig	315, 302, 332
Curtis Mathis	304, 306, 309
Daewoo	341, 312, 309
DBX	314, 336, 337
Dimensia	304
Emerson	319, 320, 316, 317, 318
Fisher	330, 334, 335, 333
Funai	338
General Electric	329, 304, 309
Goldstar	332
Hilachi	306, 304, 305
Instant Replay	309, 308
JC Penney	309, 305, 304, 330, 314, 336, 337
JVC	314, 336, 337
Kenwood	314, 336, 332, 337
LXI (Sears)	332, 305, 333, 334, 330, 335
Magnavox	310, 308, 309
Marantz	314, 336, 337
Marta	332
Memorex	309, 335
Minolta	305, 304
Mitsubishi/MGA	323, 324, 325, 326
Multitech	323, 336, 321
NEC	314, 336, 337
Olympic	309, 308
Panasonic	308, 309, 306, 307
Pentax	305, 304
Philco	308, 309
Philips	310, 308, 309
Pioneer	308
Quasar	308, 309
RCA/FROSCHAN	304, 305, 308, 309, 310, 311, 312, 313

(continued)

VCR manufacturer code numbers

Manufacturer	Code number
Realistic	309, 330, 328, 335, 324, 338, 314
Sansul	314
Singer	315
Samsung	322, 313, 321
Sanyo	330, 335
Scott	312, 313, 321, 335, 323, 324, 325, 326
Sharp	327, 328
Shionon	315
Signature 2000 (M. Ward's)	338, 327
Sylvania	310, 308, 309, 338
Symphonic	338
Tashiro	332
Tatung	314, 336, 337
Teac	314, 336, 338, 337
Technics	309, 308
Toshiba	312, 311
Wards	327, 328, 335, 331, 332
Yamaha	330, 314, 336, 337
Zenith	331

MDP manufacturer code numbers

Manufacturer	Code number
Sony	701
Kenwood	707
Magnavox	703
Marantz	702
Mitsubishi	702
Panasonic	704
Phillips	703
Pioneer	702
RCA	702
Sanyo	706
Sharp	705
Yamaha	703

Notes

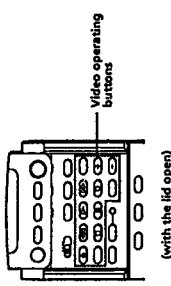
- If more than one code number is listed, try entering them one by one, until you come to the correct code for your equipment.
- In some rare cases, you may not be able to operate your non-Sony video equipment with this remote commander. This is because your equipment may use a code that is not provided with this remote commander. In this case, please use the equipment's own remote control unit or use the learning function (page 43).
- The code numbers for Sony equipment are assigned at the factory as follows:

VHS VCR	301
8 mm VCR	302
Beta, ED Beta VCRs	303
Multi-disc player	701

Caution

- Whenever you remove the batteries — to replace them, for example — if too much time is taken, the code numbers revert to the factory settings and must be reset.

Operating video equipment



1 Set the VTR1 2 3 MDP selector to the position you set for the video equipment.



2 Use the video operating buttons on the remote commander to operate the video equipment.

Operating a VCR

Buttons on the remote commander	Function
To turn on or off	Press POWER
To change channels	Press CH +/-
To record	Press ● and REC simultaneously
To play	Press ▶
To stop	Press ■
To fast forward	Press ►►
To rewind the tape	Press ◄◄
To pause	Press II
To resume normal playback, press again.	Press ►► or ◄◄ during playback
To search the picture forward or backward	To resume normal playback, release the button.
To change input mode	Press TV/VTR
To eject a cassette	Press ◀ (Used only with Sony brand products)

Operating a multi-disc player

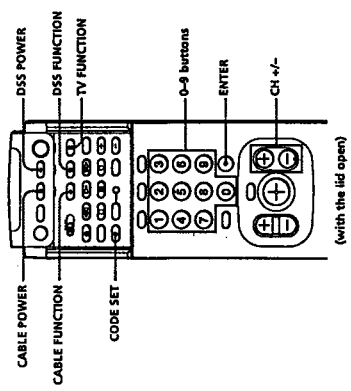
Buttons on the remote commander	Function
To turn on or off	Press POWER
To play	Press ▶
To stop	Press ■
To pause	Press II
To resume normal playback, press again.	Keep pressing ►► or ◄◄ during playback
To search the picture forward or backward	To resume normal playback, release the button.
To search the chapter forward and backward	Press CH +/-
To eject a disc	Press ◀ (Used only with Sony brand products)

Note

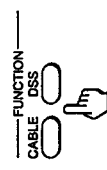
- If the video equipment does not have a certain function, the corresponding button on this remote commander will not operate.

Operating a cable box or DSS receiver

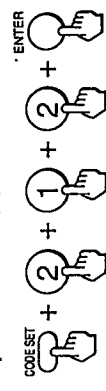
You can program the supplied remote commander to operate a cable box or DSS receiver. Follow the procedures below to set the manufacturer's code number to operate it.



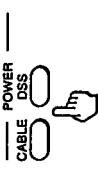
1 Turn off the equipment you want to set up and press FUNCTION of the equipment you want to set up (CABLE or DSS).



2 Press CODE SET, then press 0 - 9 to enter the manufacturer's code number (see the chart below) and press ENTER. For example, to program your remote commander to operate a Zenith cable box, press CODE SET, 2, 1, 2 and ENTER.



3 Press CABLE POWER to turn on a cable box or DSS POWER when you use a DSS receiver.



4 Use the projection TV control buttons to check if your code number works. For example, to operate a cable box, you can use the CABLE POWER, JUMP, CH +/-, 0-9 and ENTER buttons.

To operate a DSS receiver, you can use the DSS POWER, JUMP, DISPLAY, MENU and 0-9 buttons, and the joystick.

To operate the projection TV Press TV FUNCTION. Then use the projection TV control buttons to control the projection TV.

For more details on operating the cable box or DSS receiver

Refer to the operating instructions that come with the equipment.

If the remote commander doesn't work

- First, try repeating the setup procedures using the other codes listed for your equipment.
- If — after trying all the codes listed for your equipment — you still cannot get the remote commander to work properly, try the learning function described on page 43.

Manufacturer code numbers (cable box)

Manufacturer	Code number
Hamlin/Regal	222, 223, 224, 225, 226
Jerrold/G. I.	201, 202, 203, 204, 205, 206, 207, 208, 210
Oak	227, 228, 229
Panasonic	219, 220, 221
Pioneer	214, 215
Scientific Atlanta	209, 210, 211
Toocom	216, 217
Zenith	212, 213

Manufacturer code numbers (DSS receiver)

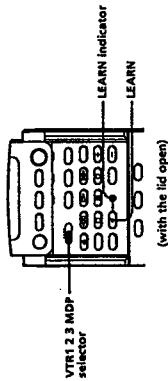
Manufacturer	Code number
Sony	801
RCA	802

Notes

- If more than one code number is listed, try entering them one by one until you come to the correct code for your equipment.
- If you enter a new code number, the code number you previously entered at that setting is erased.
- In some rare cases, your equipment may use a code that is not provided with this remote commander. In this case, you may be able to operate your equipment with the supplied remote commander. In this case, use the equipment's own remote control unit or use the learning function (page 43).
- Whenever you remove the batteries — to replace them, for example — if too much time is taken, the code numbers revert to the factory settings and must be reset.

Operating non-preprogrammed equipment — Learning function

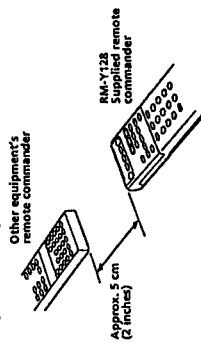
You can program the supplied remote commander to learn the functions of another remote commander. Use this function to operate equipment whose manufacturer's code is not preprogrammed, such as Sony or other manufacturers' audio equipment or other equipment whose manufacturer's code is not listed on pages 40 — 42.



1 Set the VTR1 2 3 MDP selector to VTR3 or MDP.



2 Place the supplied remote commander and the other equipment's remote commander directly facing each other, approximately 5 cm (2 inches) apart.



3 Press and release the LEARN button. The LEARN indicator lights up.



4 Press and release the button on the supplied remote commander that will learn the function. The LEARN indicator flashes off and then on again, indicating that the remote commander is ready to learn.

5 Hold down the corresponding button on the other remote commander and release the button when the LEARN indicator flashes off then on again. When the LEARN indicator flashes off and then on again, this indicates that learning is complete. If not, repeat steps 4 and 5.

6 Repeat steps 4 and 5 to learn other functions.

7 Press LEARN.

The LEARN indicator goes off, indicating that learning is complete.

Notes

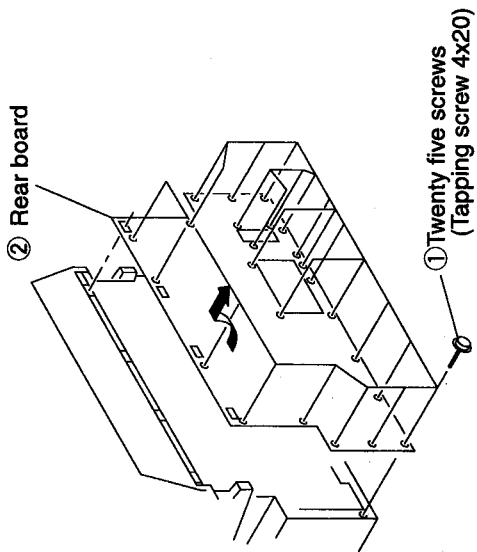
- The LEARNING function does not work in VTR1 or VTR2 setting.
- Do not move the remote commanders during learning.
- If you press a button of the supplied remote commander that cannot be used for learning in learning mode, the LEARN indicator flashes four times.
- If the other remote commander's signal cannot be learned, the LEARN indicator flashes four times.
- To clear all learned signals from memory, set the VTR1 2 3 MDP selector to MDP, press LEARN, then press TV POWER while holding down VOL \leftarrow . Then press LEARN again.

Caution

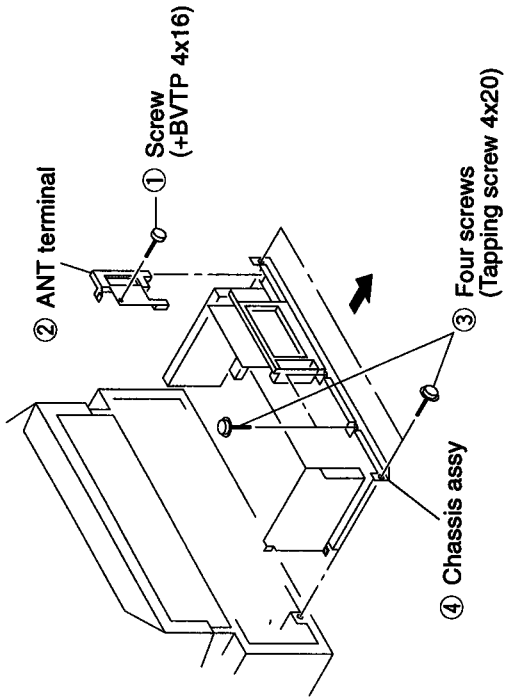
- Whenever you remove the batteries — to replace them, for example — if too much time is taken, the code numbers revert to the factory settings and must be reset.

SECTION 2 DISASSEMBLY

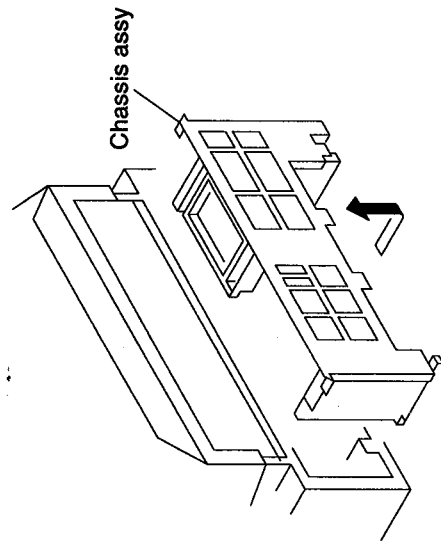
2-1. REAR BOARD REMOVAL



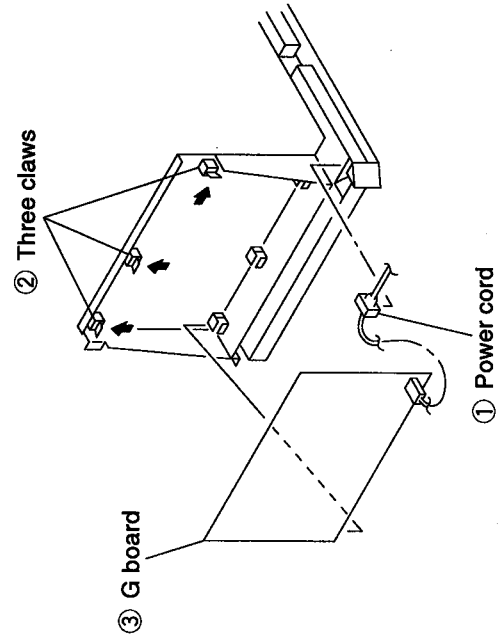
2-2. CHASSIS ASSY REMOVAL



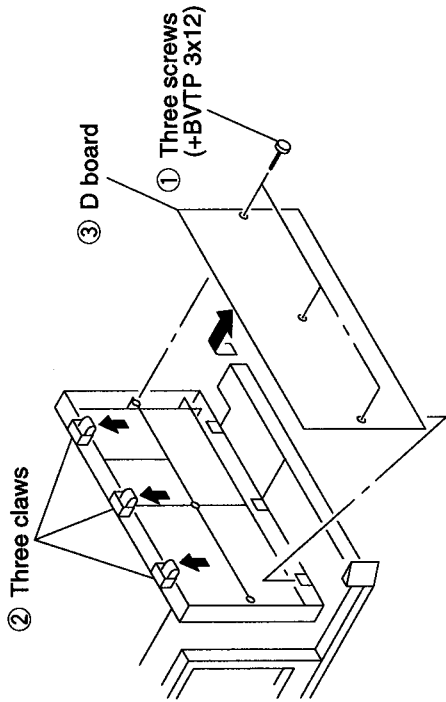
2-3. SERVICE POSITION



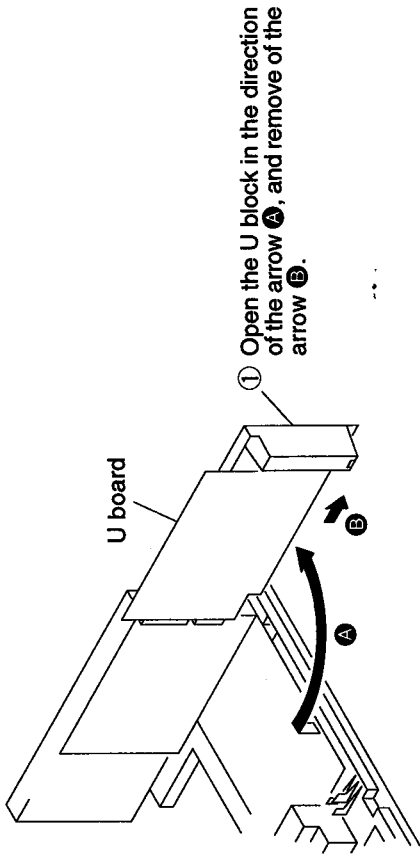
2-4. G BOARD REMOVAL



2-5. D BOARD REMOVAL

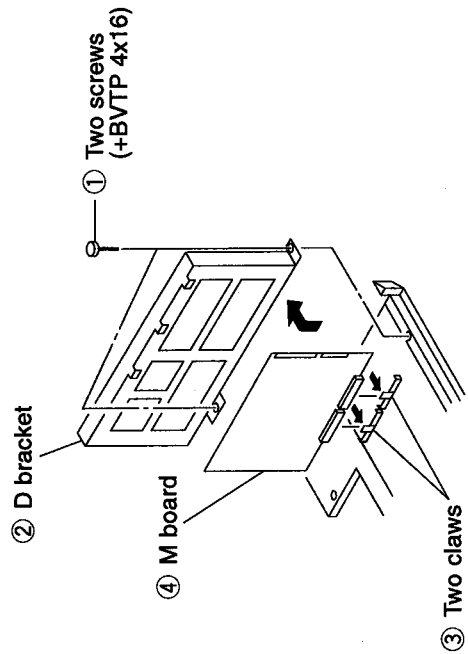


2-6. U BOARD REMOVAL

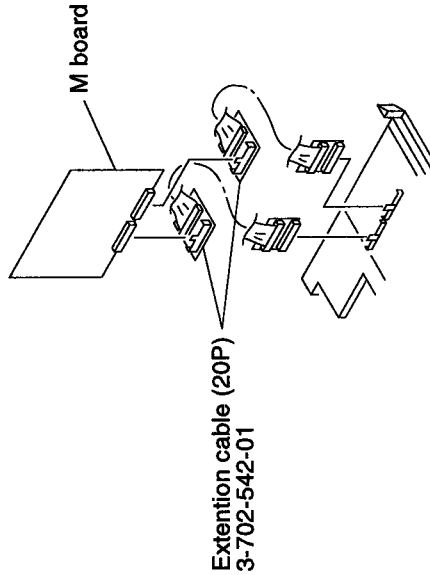


2-7-1. M BOARD REMOVAL

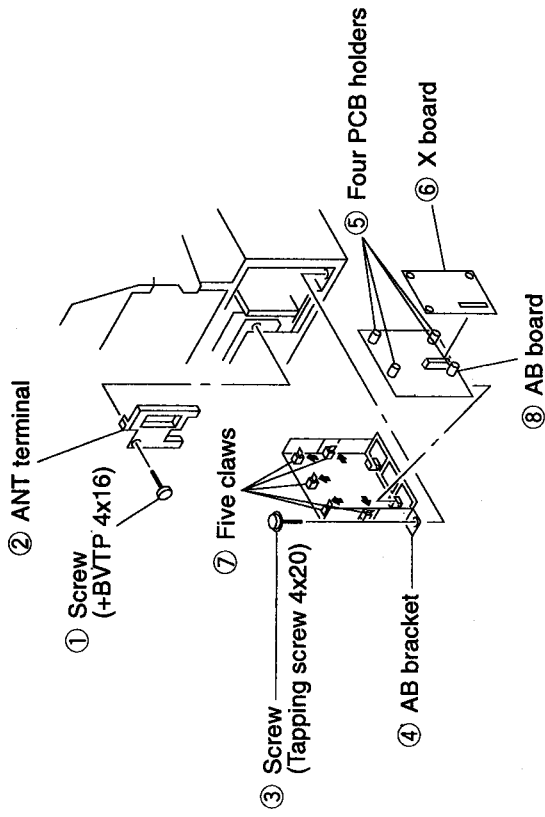
Remove the D board. (Refer to 2-5.)
Remove the U board. (Refer to 2-6.)



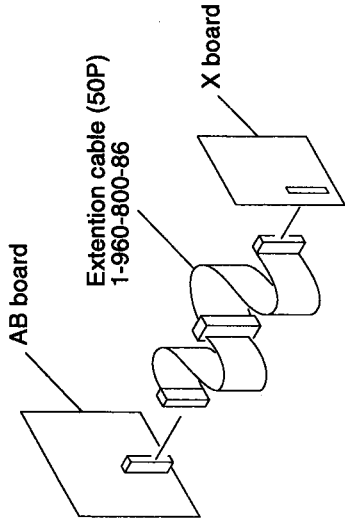
2-7-2. EXTENTION CABLE (M BOARD)



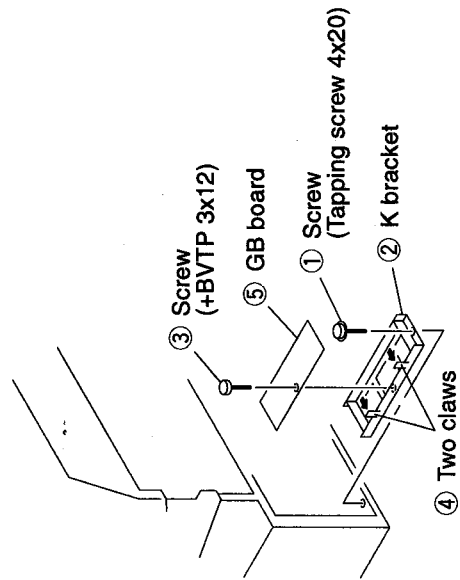
2-8-1. AB AND X BOARDS REMOVAL



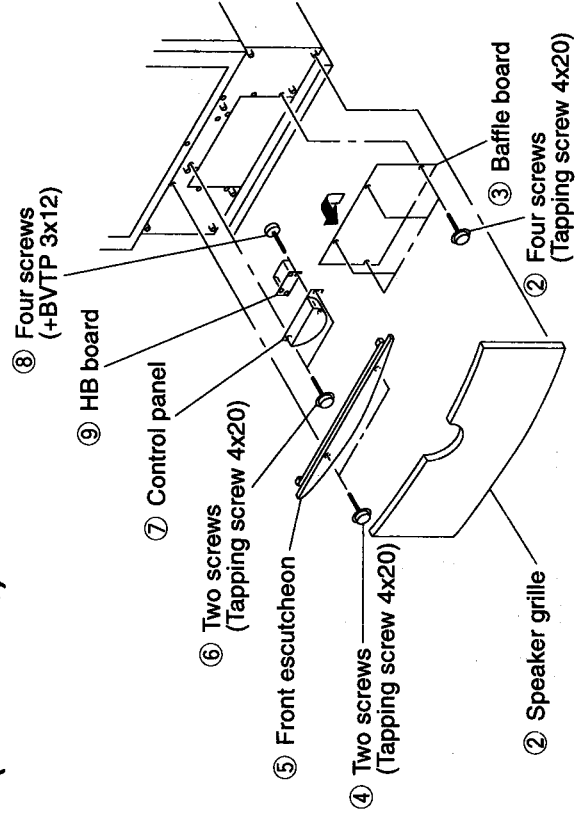
2-8-2. EXTENSION CABLE (X BOARD)



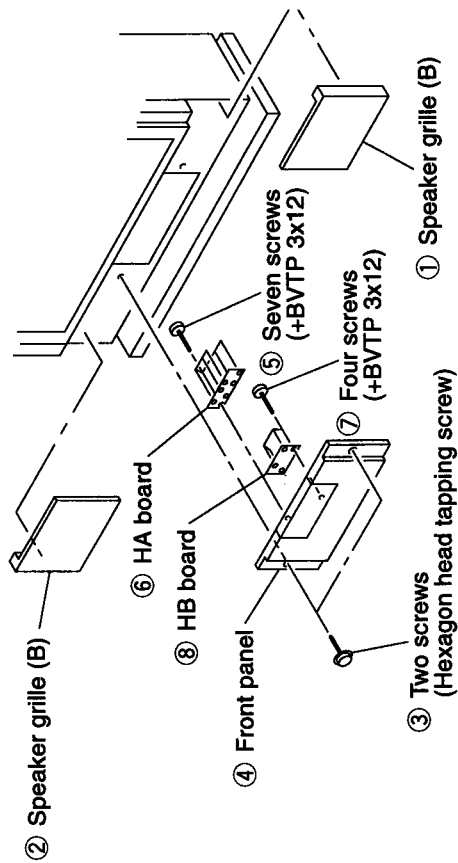
2-9. GB BOARD REMOVAL



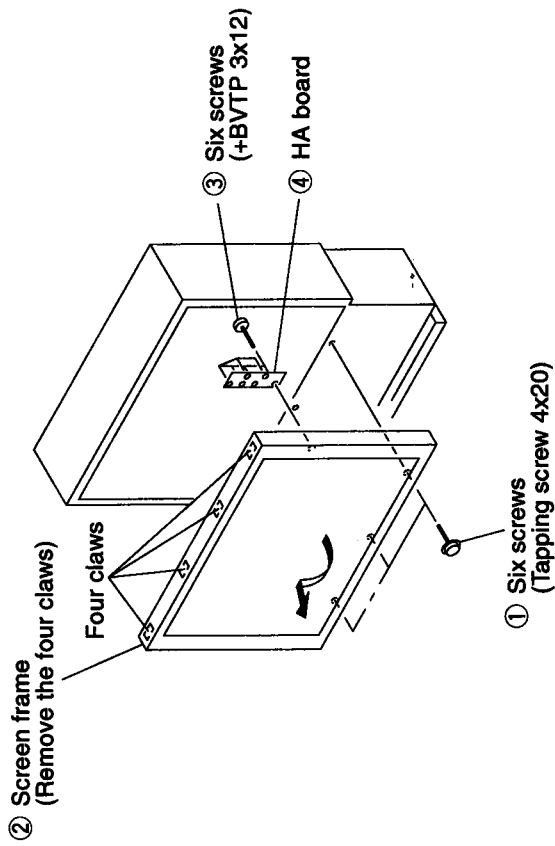
2-10-1. HB BOARD REMOVAL (KP-53XBR45)



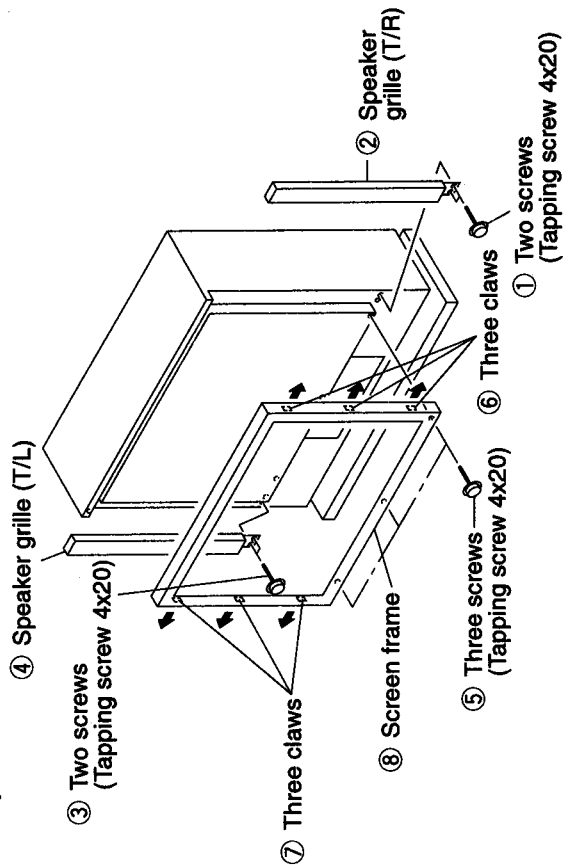
**2-10-2. HA AND HB BOARDS REMOVAL
(KP-61XBR48)**



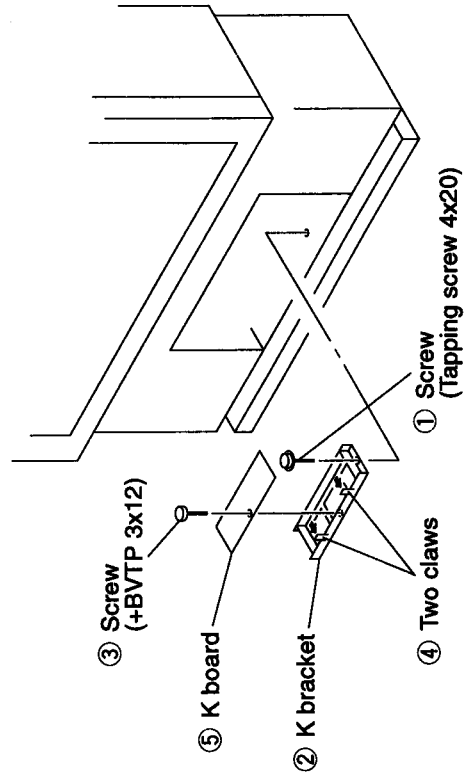
**2-11-1. HA BOARD REMOVAL
(KP-53XBR45)**



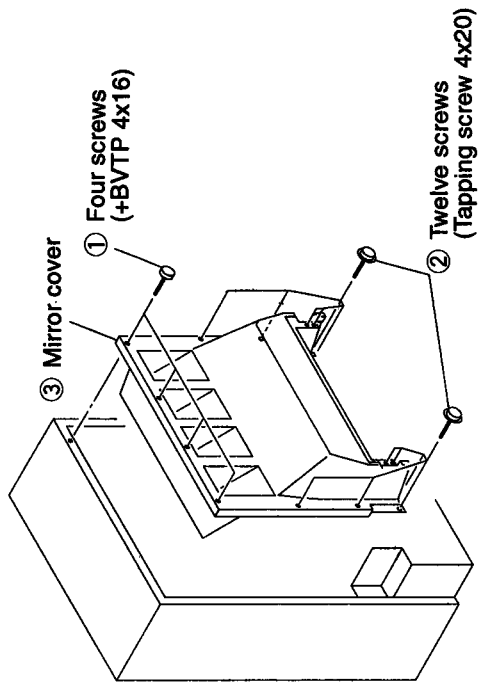
**2-11-2. SCREEN FRAME REMOVAL
(KP-61XBR48)**



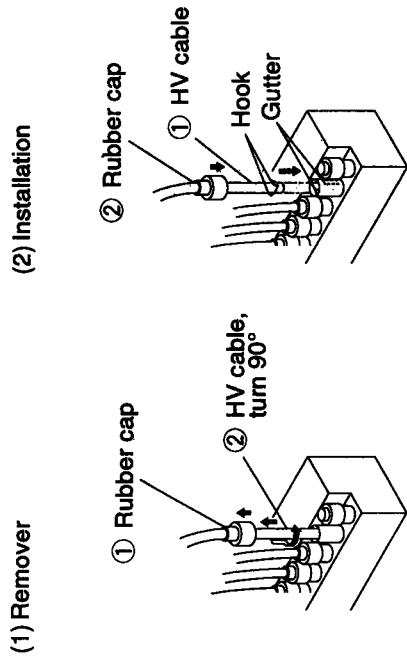
2-12. K BOARD REMOVAL



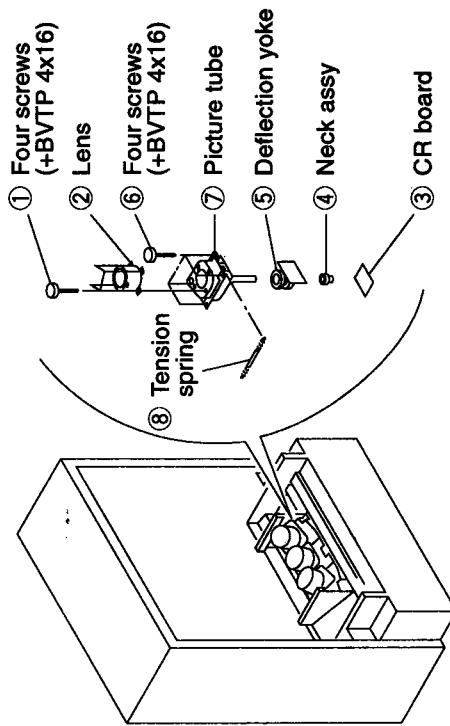
2-13. MIRROR COVER REMOVAL



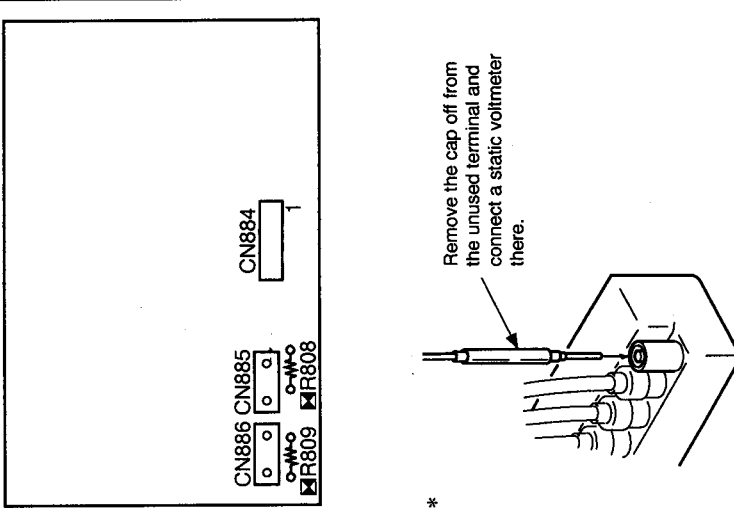
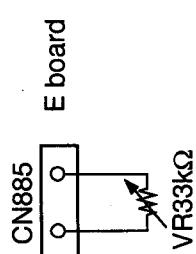
2-14. HIGH-VOLTAGE CABLE INSTALLATION AND REMOVAL

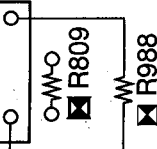
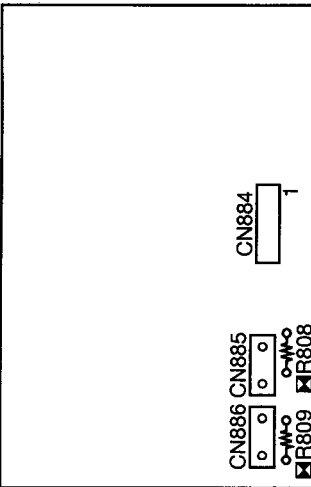


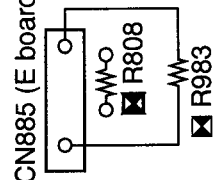
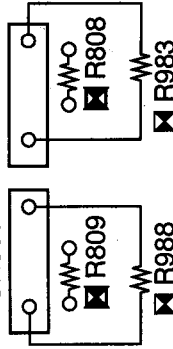
2-15. PICTURE TUBE REMOVAL

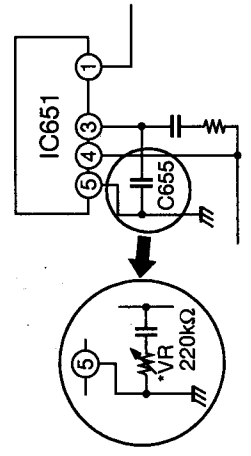
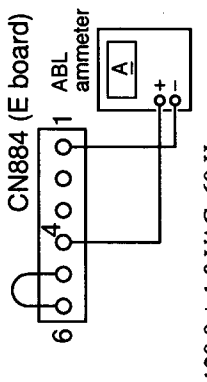


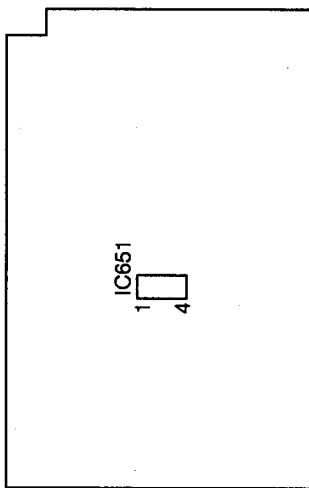
SECTION 3 SAFETY RELATED ADJUSTMENTS

ADJUSTMENT ITEM AND PROCEDURE	EQUIPMENT AND SIGNAL	MEASUREMENT POSITION	ADJUSTMENT LOCATION	ILLUSTRATION AND SHAPE AND NUMBER
<p>HV HOLD DOWN CIRCUIT OPERATIONS CHECK AND ADJUSTMENT (*RESISTOR)</p> <p>When replacing the parts marked * on the right, check the HV hold down and adjust.</p> <ol style="list-style-type: none"> 1. Remove the cap for the unconnected pin in the *high-voltage block and connect a *Static Voltmeter meter. 2. Input 130 VAC power. 3. Receive the *Dot signal and set the *PICTURE and BRIGHTNESS settings to their minimums. 4. Connect a *33 kΩ variable resistor across the E board *CN885 connector (with the variable resistor set to its maximum). 	<p>* Static Voltmeter</p> <p>* Dot pattern</p>	<p>* marked parts C818, D804, D806, D809, D909, D912, Q915, R809, R855, R856, R857, R858, R954, R955, R983, R984, R988, R991, R995, R996, R998, T803, FBT, E board HV Block * HV Block</p>	<p>* R809, R988</p> <p>* PICTURE minimum BRIGHTNESS minimum</p>	<p>E BOARD – COMPONENT SIDE –</p>  <p>* Remove the cap off from the unused terminal and connect a static voltmeter there.</p>  <p>* CN885 E board VF33KΩ</p>

ADJUSTMENT ITEM AND PROCEDURE	EQUIPMENT AND SIGNAL	MEASUREMENT POSITION	ADJUSTMENT LOCATION	ILLUSTRATION AND SHAPE AND NUMBER
<p>5. Gradually lower the value of the variable resistor and check that the hold down circuit operates at a Static Voltmeter reading of *33.70 ± 0.80 kVDC and that the rasters disappear.</p> <p>6. If the hold down circuit operates and the rasters disappear at a Static Voltmeter reading of *34.0 kVDC or higher, remove resistor *R809 and mount a *16.0 kΩ 1/4W RN at *R988. If the hold down circuit operates and the rasters disappear at a Static Voltmeter reading of *32.0 kVDC or lower, remove resistor R809 and mount *6.2 kΩ 1/4W RN at *R988.</p> <p>7. Check Item 5 again.</p>			<p>*R988</p> <p>*R988</p> <p>*R808, R983</p>	<p>*33.70 ± 0.80 kVDC</p> <p>*34.0 kVDC or higher * CN886 (E board)</p> <p>*16.0 kΩ 1/4W</p> <p>*32.0 kVDC or lower</p> <p>*6.2 kΩ 1/4W</p> 
<p>HV REGULATION CIRCUIT CHECK AND ADJUSTMENT (* RESISTOR)</p> <p>When replacing the parts marked * on the right, check the HV regulation and adjust.</p>		<p>* marked parts C918, C930, C934, C980, D902, D920, D925, Q909, R808, R851, R929, R936, R939, R942, R944, R945, R946, R947, R950, R960, R965, R967, R971, R975, R976, R982, R983, R985, R998 E Board HV Block *HV Block</p>		<p>E BOARD – COMPONENT SIDE –</p> 
<ol style="list-style-type: none"> 1. Remove the cap for the unconnected pin in the *high-voltage block and connect a *Static Voltmeter. 2. Input 120 VAC power. 3. Receive the *Monoscope signal and set the *PICTURE and BRIGHTNESS settings to their maximum. 	<p>* Static Voltmeter</p> <p>* Monoscope pattern</p>		<p>*PICTURE maximum BRIGHTNESS maximum</p>	<p>*120.0 V AC</p>

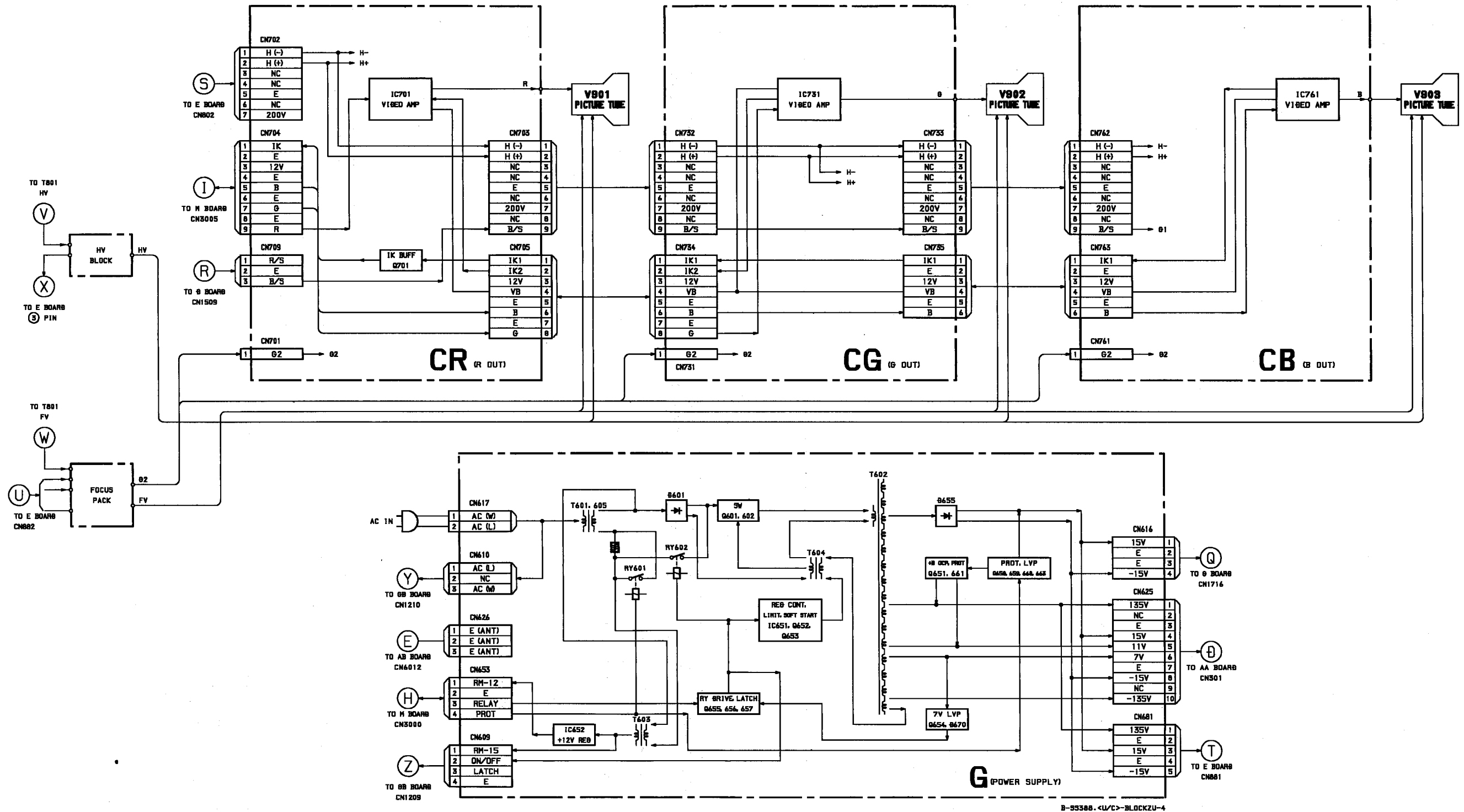
ADJUSTMENT ITEM AND PROCEDURE	EQUIPMENT AND SIGNAL	MEASUREMENT POSITION	ADJUSTMENT LOCATION	ILLUSTRATION AND SHAPE AND NUMBER
<p>4. Check that the Static Voltmeter reading is *31.00 ^{+0.5}/_{-0.7} kVDC.</p> <p>5. If the Static Voltmeter reading is *30.5 kV or lower, remove resistor *R808 and mount *5.6 kΩ 1/4W RN at *R983.</p> <p>6. If the Static Voltmeter reading is *31.4 K V or higher, remove resistor *R808 and mount *8.2 kΩ 1/4W RN at *R983.</p> <p>7. If the Static Voltmeter reading is *32.0 kV or higher, remove resistor *R808 and mount *10.0 kΩ 1/4W RN at *R983.</p> <p>8. If any of Items 5, 6 or 7 has been implemented, check Item 4 again.</p>			<p>*R983</p> <p>*R983</p> <p>*R983</p>	<p>*31.00 ^{+0.5}/_{-0.7} kVDC</p> <p>*30.5 kV or lower</p> <p>*5.6 kΩ 1/4W</p> <p>*31.4 K V or higher</p> <p>*8.2 kΩ 1/4W</p> <p>*32.0 kV or higher</p> <p>*10.0 kΩ 1/4W</p> <p>* CN885 (E board)</p> 
<p>HV HOLD DOWN AND HV REGULATOR SIMPLE ADJUSTMENT</p> <p>It is normally desirable that the HV hold down and HV regulation checks use a high-voltage meter. However, sometime one is not available, for example in the field, below is a simple adjustment method.</p> <p>When replacing parts with the <input checked="" type="checkbox"/> mark, replace both the resistors with the <input checked="" type="checkbox"/> mark *R808 (R988) and *R809 (R983) with resistors one rank lower in the E-12 series. Do not replace just one of these resistors! Always replace both with resistors one rank lower.</p>			<p>*R808 (R988)</p> <p>*R809 (R983)</p>	<p>* E board</p> 

ADJUSTMENT ITEM AND PROCEDURE	EQUIPMENT AND SIGNAL	MEASUREMENT POSITION	ADJUSTMENT LOCATION	ILLUSTRATION AND SHAPE AND NUMBER
<p>OVERVOLTAGE PROTECTION (OVP) OPERATIONS CHECK</p> <ol style="list-style-type: none"> 1. Connect a *220 kΩ variable resistance rheostat to the G board C655 (between Pins ③ and ⑤ of IC651). 2. Input *120.0 \pm 1.0 VAC, 60 Hz power. 3. Receive the *Dot signal and set the *PICTURE and BRIGHTNESS settings to their minimums. 4. Gradually lower the value of the connected variable resistance and check that when the +B line *voltage is *143.5 \pm 5.5 VDC, the overvoltage circuit operates and the rasters disappear. 5. Remove the variable resistor and check the +B line voltage. 	<p>* Dot pattern</p> <p>* Digital Multimeter</p>		<p>* PICTURE minimum</p> <p>* BRIGHTNESS minimum</p>	 <p>* 120.0 \pm 1.0 VAC, 60 Hz</p> <p>* 143.5 \pm 5.5 VDC</p>
<p>BEAM CURRENT (ΣIK) PROTECTION CIRCUIT CHECK</p> <ol style="list-style-type: none"> 1. Connect the *ABL ammeter between *Pins ① and ④ of the CN884 on the E board. Have Pins ② and ③ open. 2. Input *120.0 \pm 1.0 VAC, 60 Hz power. 3. Receive a *monoscope signal and set the *PICTURE and BRIGHTNESS settings to their minimums. 	<p>* Ammeter</p> <p>* Monoscope pattern</p>		<p>* PICTURE minimum</p> <p>* BRIGHTNESS minimum</p>	 <p>* 120.0 \pm 1.0 VAC, 60 Hz</p>

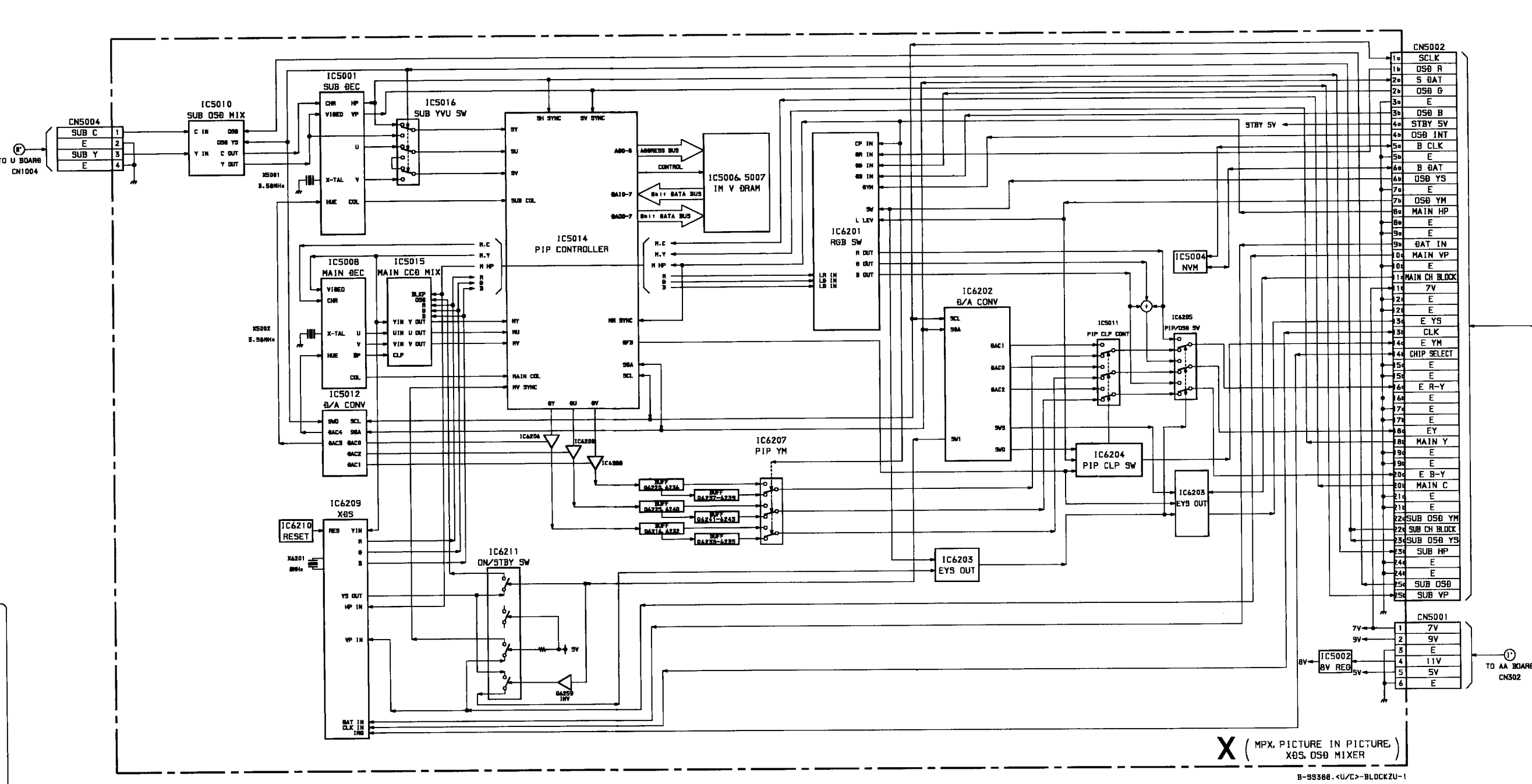
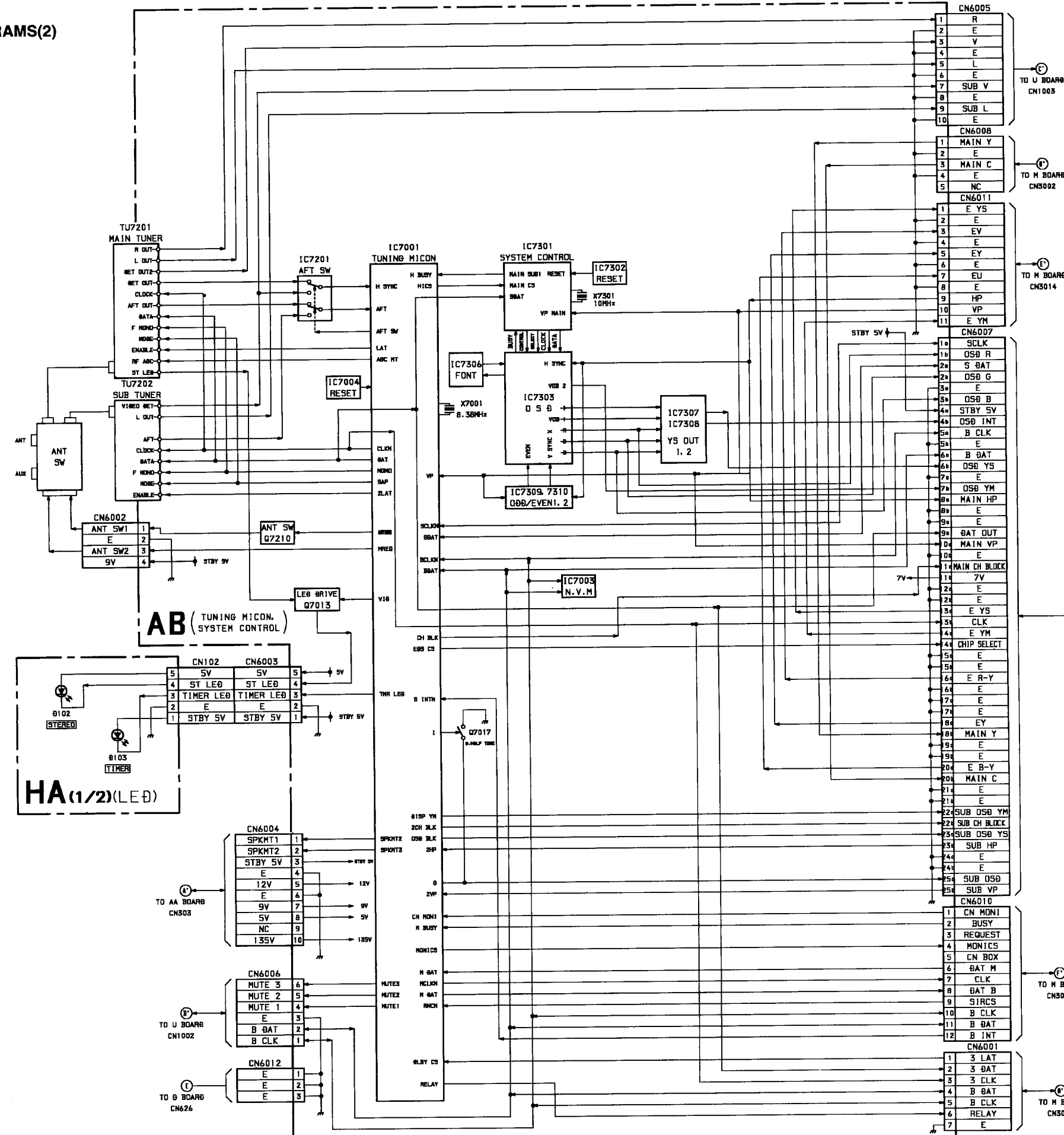
ADJUSTMENT ITEM AND PROCEDURE	EQUIPMENT AND SIGNAL	MEASUREMENT POSITION	ADJUSTMENT LOCATION	ILLUSTRATION AND SHAPE AND NUMBER
<ol style="list-style-type: none"> 4. Gradually raise the *PICTURE and BRIGHTNESS settings and check that below an *ABL current of 3.35 mA (including dark current), the beam current protection circuit operates and the rasters disappear. <p>+B, +B MAX CHECK</p> <p>When replacing the G board IC651, check the following.</p> <ol style="list-style-type: none"> 1. Input *120.0 \pm 1.0 V, 60 Hz power. 2. Receive the *Dot signal and set the *PICTURE and BRIGHTNESS settings to their minimums. 3. Check that the *+B line voltage is now *135.0 \pm 2.0 VDC. 4. Set the power supply to *130.0 $^{+2.0}$₋₀ VAC. 5. Check that the *+B line voltage is *137.0 VDC max. 6. If either 3 or 5 is not satisfied, replace IC651 again. 	<p>* Dot pattern</p>	<p>* CN681 pin ①</p> <p>* CN681 pin ①</p>	<p>* PICTURE BRIGHTNESS</p> <p>* PICTURE minimum</p> <p>* BRIGHTNESS minimum</p>	<p>* Less than 3.35 mA</p>  <p>E BOARD - COMPONENT SIDE -</p> <p>* 120.0 \pm 1.0 V, 60 Hz</p> <p>* 135.0 \pm 2.0 VDC</p> <p>* 130.0 $^{+2.0}$₋₀ VAC</p> <p>* Less than 137.0 VDC</p>

SECTION 4 DIAGRAMS

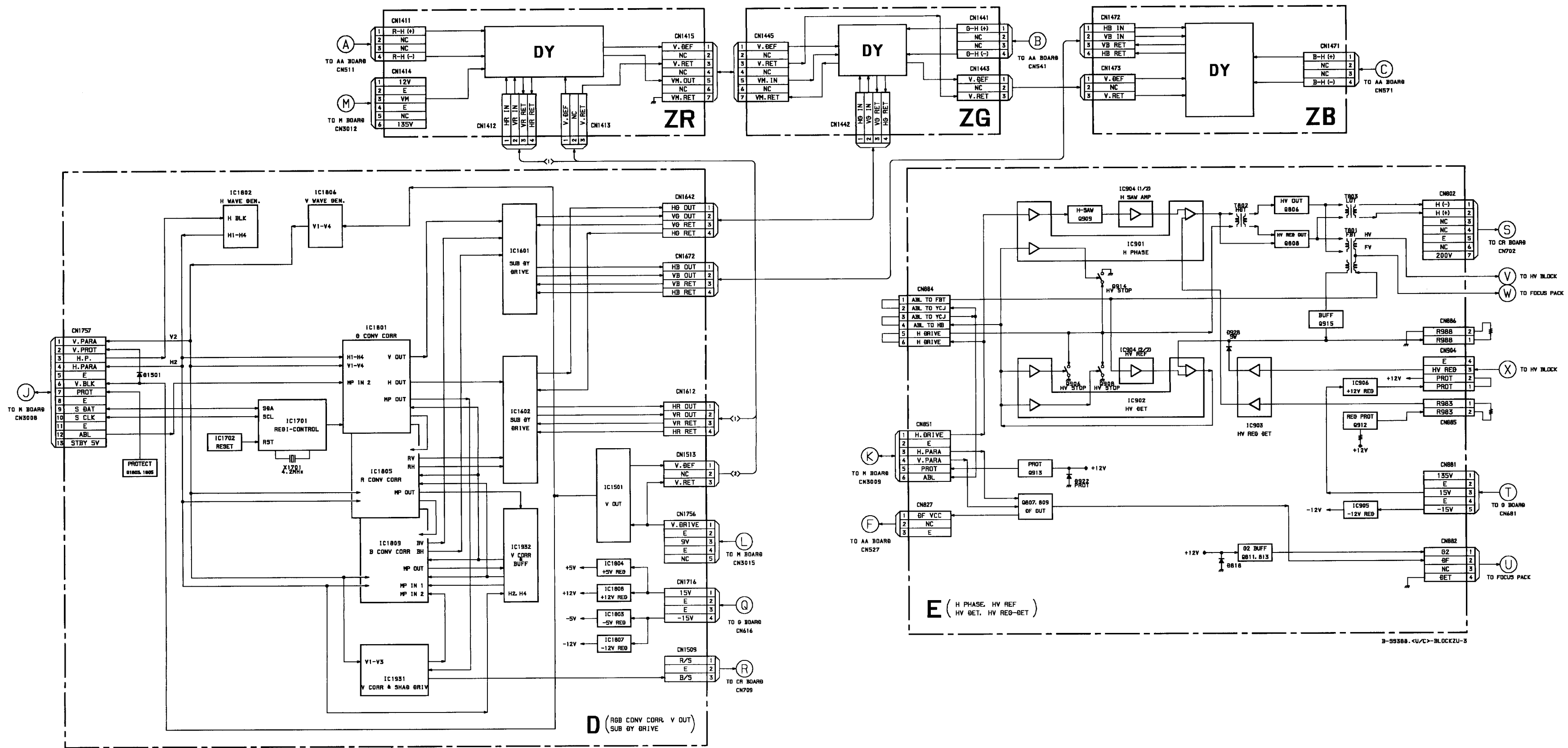
4-1. BLOCK DIAGRAMS(1)



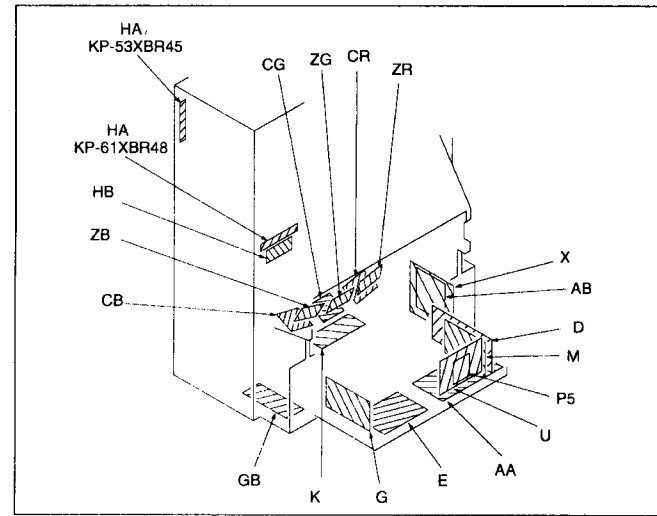
BLOCK DIAGRAMS(2)



BLOCK DIAGRAMS(4)

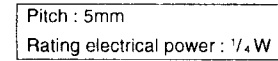


4-2. CIRCUIT BOARDS LOCATION



4-3. PRINTED WIRING BOARDS AND SCHEMATIC DIAGRAMS

- Note:
- All capacitors are in μF unless otherwise noted. pF : μF 50WV or less are not indicated except for electrolytics and tantalums.
 - All electrolytics are in 50V unless otherwise specified.
 - All resistors are in ohms.
 - $\text{k}\Omega=1000\Omega$, $\text{M}\Omega=1000\text{k}\Omega$
 - Indication of resistance, which does not have one for rating electrical power, is as follows.



- : nonflammable resistor.
- : fusible resistor.
- # mark parts are not mount.
- Δ : internal component.
- : panel designation and adjustment for repair.
- All variable and adjustable resistors have characteristic curve B, unless otherwise noted.
- The components identified by in this basic schematic diagram have been carefully factory-selected for each set in order to satisfy regulations regarding X-ray radiation.
- Should replacement be required, replace only with the value originally used.
- When replacing components identified by , make the necessary adjustments indicated. If results do not meet the specified value, change the component identified by and repeat the adjustment until the specified value is achieved. (Refer to R808, R809, R983 and R988 adjustment on Page 30 - 34.)
- When replacing the part in below table, be sure to perform the related adjustment.

Part replaced ()	Adjustment ()
HVBlock Q915, D804, D806, D809, D909, D912, C818, R809, R855, R856, R857, R858, R954, R955, R983, R984, R988, R991, R995, R996, R998, T801(FBT), T803E BOARD	HV HOLD-DOWN (R809, R988)
HV Block, Q909, D902, D920, D925, C918, C930, C934, C980, R808, R851, R929, R936, R939, R942, R944, R945, R946, R947, R950, R965, R967, R971, R975, R976, R982, R983, R985, R998.....E BOARD	HV Reagurator (R808, R983)

- As to the voltage value shown by the semiconductors on the Schematic Diagram, see the another list
- Readings are taken with a color-bar signal input.
- Readings are taken with a 10M Ω digital multimeter.
- Voltages are dc with respect to ground unless otherwise noted.
- Voltage variations may be noted due to normal production tolerances.
- All voltages are in V.
- * : Measurement impossibility.

Reference information

RESISTOR	: RN METAL FILM
	: RC SOLID
	: FPRD NONFLAMMABLE CARBON
	: FUSE NONFLAMMABLE FUSIBLE
	: RW NONFLAMMABLE WIREWOUND
	: RS NONFLAMMABLE METAL OXIDE
	: RB NONFLAMMABLE CEMENT
	: * ADJUSTMENT RESISTOR
COIL	: LF-8L MICRO INDUCTOR
CAPACITOR	: TA TANTALUM
	: PS STYROL
	: PP POLYPROPYLENE
	: PT MYLAR
	: MPS METALIZED POLYESTER
	: MPP METALIZED POLYPROPYLENE
	: ALB BIPOLAR
	: ALT HIGH TEMPERATURE
	: ALR HIGH RIPPLE

Note: The symbol display is on the component side.

The components identified by shading and mark are critical for safety. Replace only with part number specified.

The symbol indicate fast operating fuse. Replace only with fuse of same rating as maked.

Note: Les composants identifiés par un tramé et une marque sont critiques pour la sécurité. Ne les remplacer que par une pièce portant le numéro spécifié.

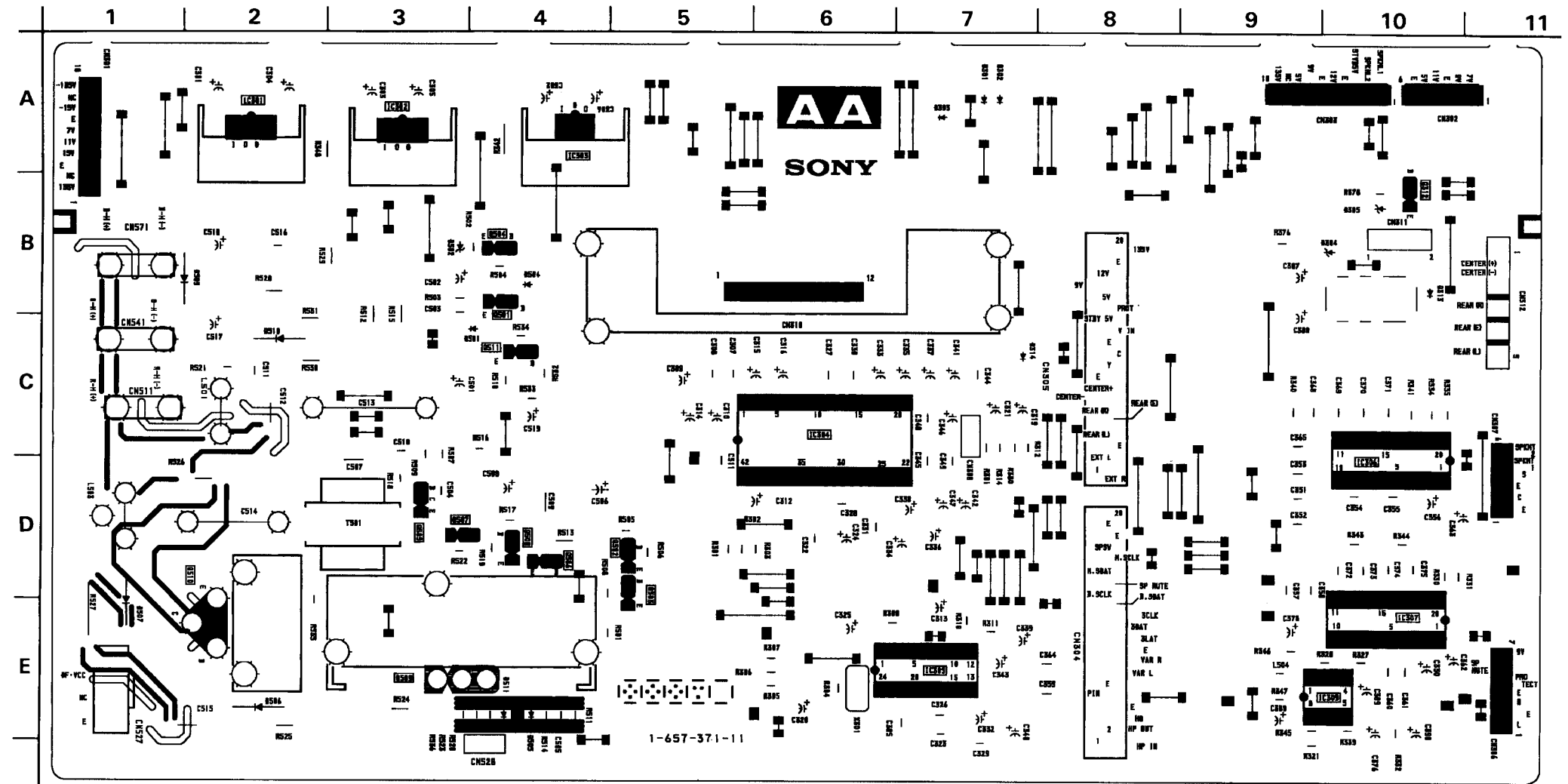
Le symbole indique une fusible a action rapide. Doit être remplacée par une fusible de meme valeur, comme maque.

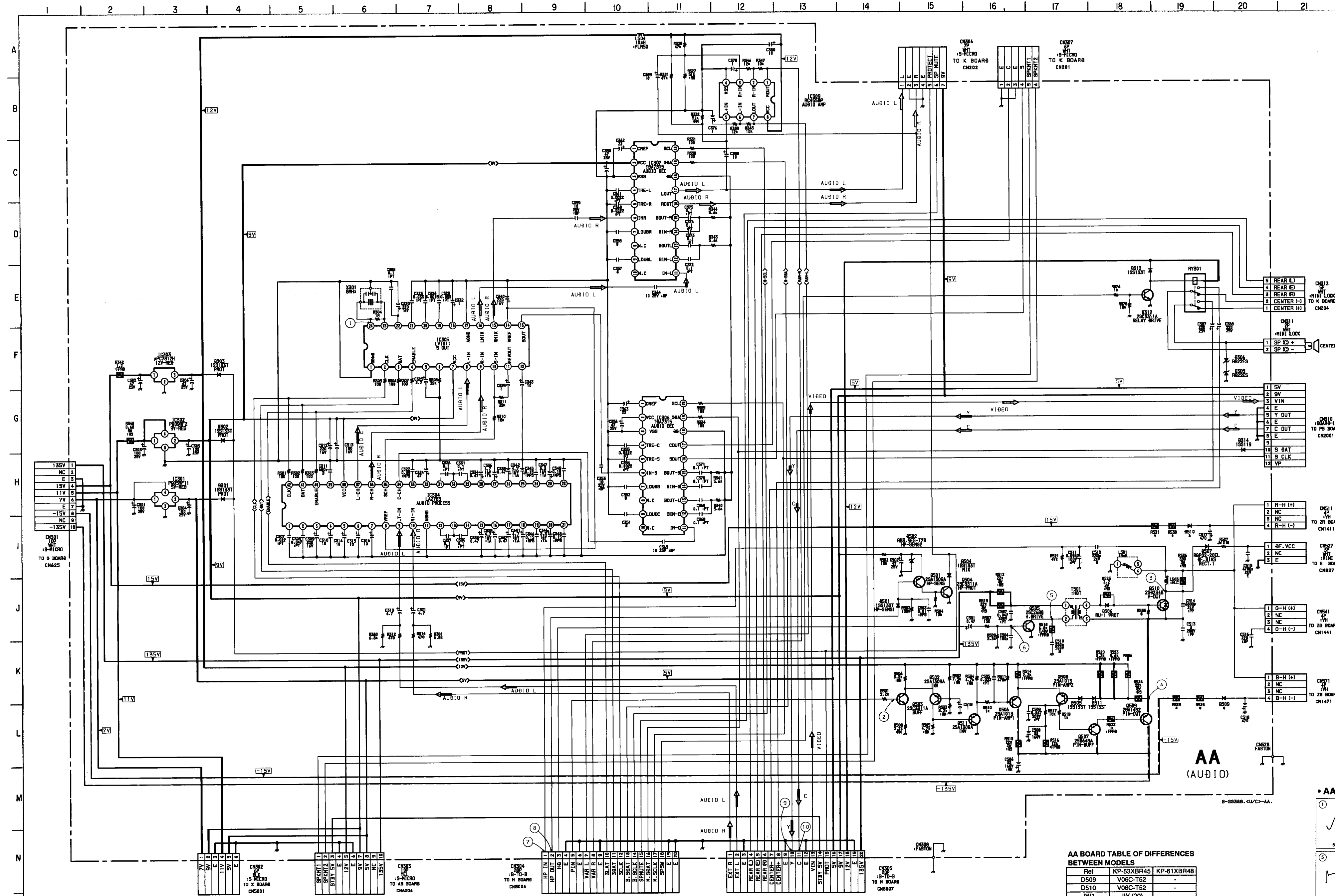
AA [AUDIO]

- AA BOARD -

AA BOARD LOCATION

IC	IC301 A-2
	IC302 A-3
	IC303 A-4
	IC304 C-6
	IC305 E-7
	IC306 C-10
	IC307 E-10
	IC309 E-10
TRANSISTOR	Q312 B-10
	Q501 B-4
	Q502 D-5
	Q503 D-5
	Q504 B-4
	Q505 D-3
	Q506 D-4
	Q507 D-3
	Q508 D-4
	Q509 E-3
	Q510 D-2
	Q511 C-4
DIODE	D301 A-7
	D302 A-7
	D303 A-7
	D304 B-9
	D305 B-10
	D313 B-10
	D314 C-7
	D501 C-3
	D502 B-3
	D504 B-4
	D505 E-4
	D506 E-2
	D507 D-1
	D509 B-1
	D510 C-2
	D511 E-4



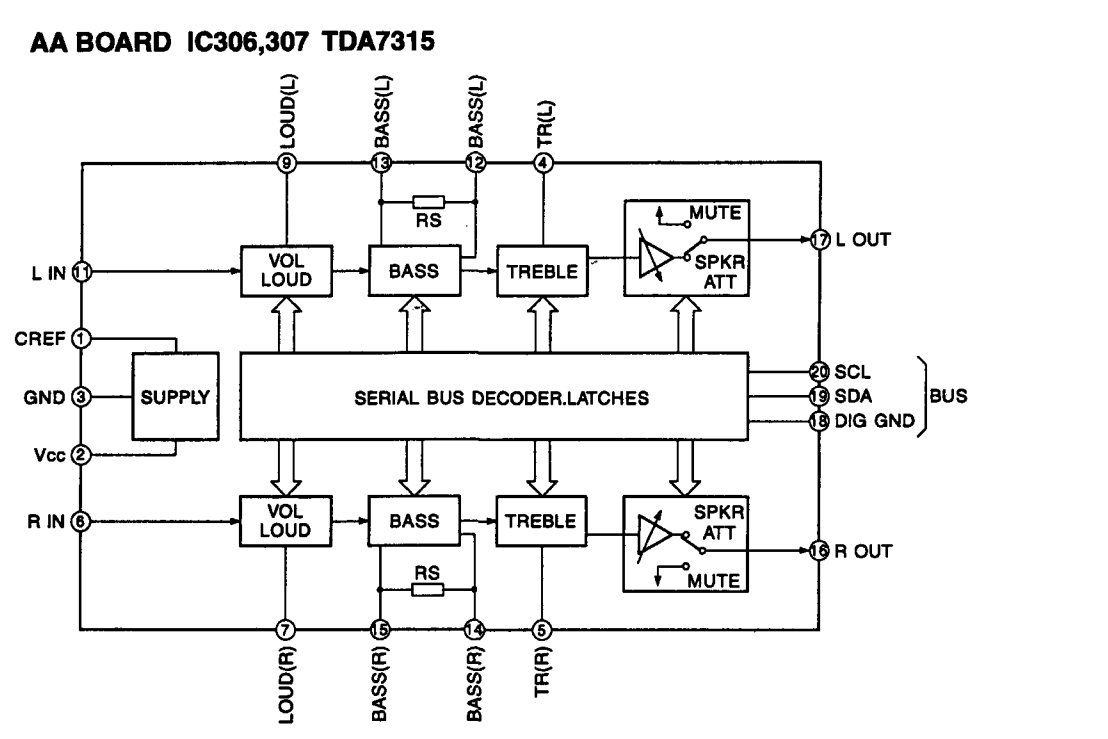
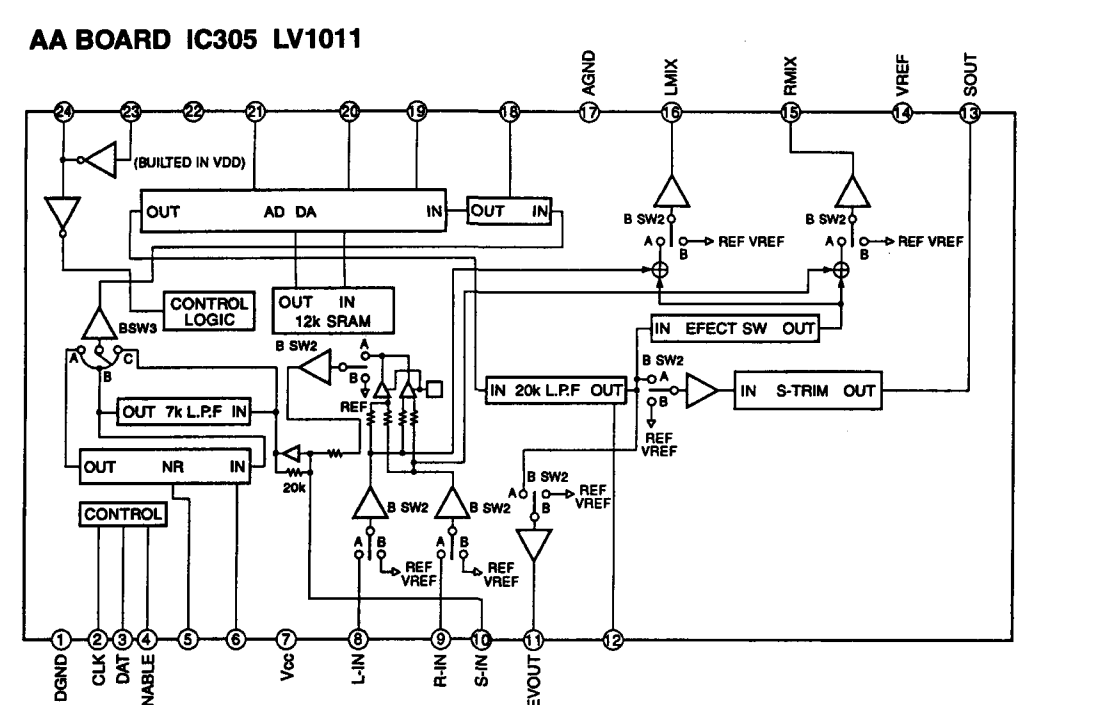
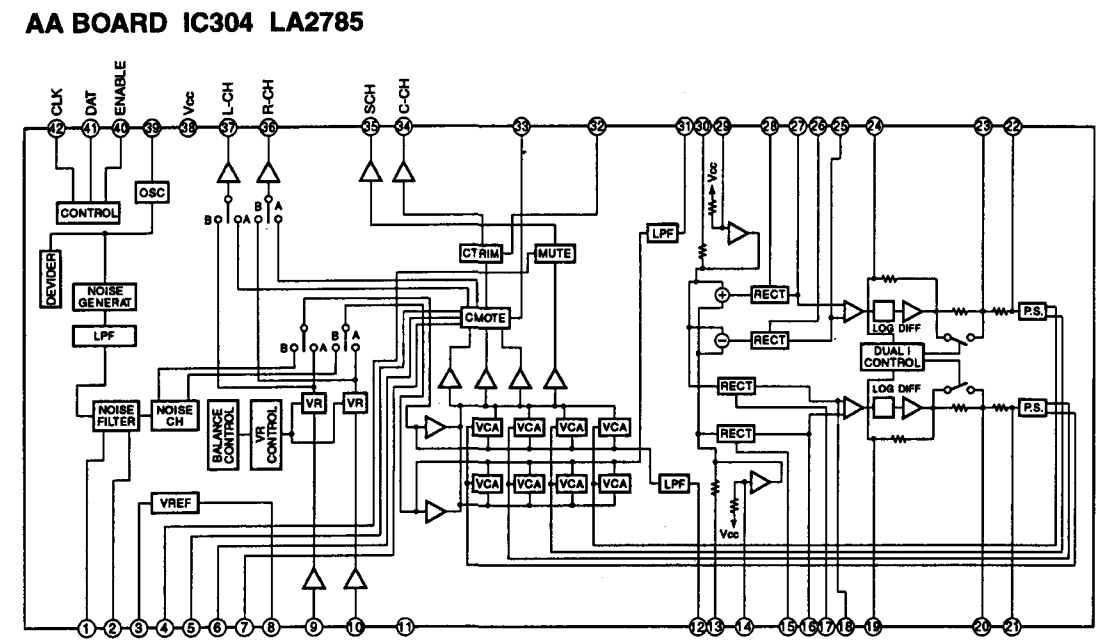


AA BOARD IC VOLTAGE LIST

IC	Pin	Volt	Pin	Volt	
IC301	1	7.5	11	4.8	
	2	5.3	12	4.7	
	3	E	13	4.7	
	4	7.5	14	4.8	
IC302	1	10.5	15	4.8	
	2	9.4	16	4.8	
	3	10.5	17	E	
	4	10.5	18	4.8	
IC303	1	15.2	19	4.8	
	2	E	20	4.8	
	3	5.5	21	4.8	
	4	4.7	22	5.0	
IC304	1	4.8	23	2.5	
	2	4.7	24	2.3	
	3	4.7	25	4.8	
	4	4.7	26	4.7	
	5	4.7	27	5.3	
	6	4.7	28	E	
	7	4.7	29	4.7	
	8	4.7	30	4.7	
	9	4.7	31	4.7	
	10	4.7	32	4.7	
	11	E	33	NC	
	12	4.7	34	4.7	
IC306	1	4.7	1	4.7	
	2	4.7	2	4.7	
	3	4.7	3	4.7	
	4	4.7	4	4.7	
	5	4.7	5	4.7	
	6	4.7	6	4.7	
	7	4.7	7	4.7	
	8	4.7	8	4.7	
	9	4.7	9	4.7	
	10	4.7	10	4.7	
	11	E	11	NC	
	12	4.7	12	4.7	
IC307	1	4.7	1	4.7	
	2	4.7	2	4.7	
	3	4.7	3	4.7	
	4	4.7	4	4.7	
	5	4.7	5	4.7	
	6	4.7	6	4.7	
	7	4.7	7	4.7	
	8	4.7	8	4.7	
	9	4.7	9	4.7	
	10	4.7	10	4.7	
	11	E	11	NC	
	12	4.7	12	4.7	
IC305	1	E	1	4.7	
	2	4.2	2	6.5	
	3	3.8	3	6.5	
	4	5.1	4	6.5	
	5	2.3	5	E	
	6	0.9	6	6.5	
	7	3.3	7	6.5	
	8	4.7	8	6.5	
	9	4.7	9	12.4	
	10	4.8	10	12.4	
	ALL VOLTAGES ARE IN V				

AA BOARD TRANSISTOR VOLTAGE LIST

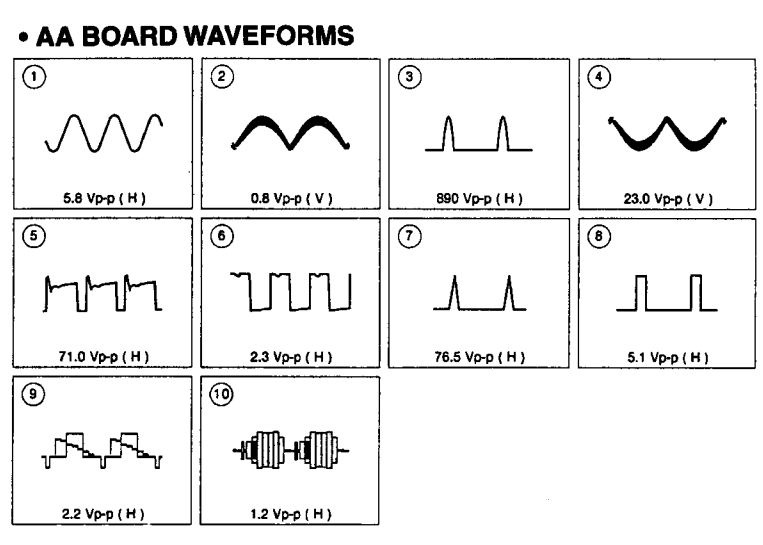
Q	B	C	E
Q212	0.2	12.4	E
Q201	4.5	3.3	E
Q202	6.6	2.0	7.2
Q203	3.4	7.2	2.7
Q204	0	5.8	E
Q205	-0.6	38.2	E
Q206	2.7	-31.4	3.3
Q207	-108.3	-141.5	-111.1
Q208	2.7	-109.3	3.2
Q209	-110.0	-141.5	109.8
Q210	-109.9	-0.3	-109.7
Q211	2.0	E	2.7
ALL VOLTAGES ARE IN V			



AA BOARD TABLE OF DIFFERENCES BETWEEN MODELS

Ref	KP-S3XBR45	KP-61XBR48
D509	V06C-T52	-
D510	V06C-T52	-
JW1	JW (20)	-
JW4	JW (10)	-
RS28	270 3W	-
RS29	270 3W	-
RS30	270 3W	-
RS31	270 3W	-

-: Not mount



AB BOARD TRANSISTOR VOLTAGE LIST

Q7001	B	C	E
Q7001	0	5.1	5.2
Q7002	5.2	-1.5	5.2
Q7003	5.2	-0.2	5.2
Q7004	5.2	*	5.2
Q7013	1.0	5.0	0.3
Q7017	0	0	E
Q7022	1.5	0.8	2.1
Q7023	1.5	0.8	2.1
Q7024	1.5	0.8	2.1
Q7025	1.5	0.8	2.1
Q7026	1.5	0.8	2.1
Q7027	1.5	0.8	2.1
Q7028	1.5	0.8	2.1
Q7029	1.5	0.8	2.1
Q7030	1.5	0.8	2.1
Q7031	1.5	0.8	2.1
Q7032	1.5	0.8	2.1
Q7033	1.5	0.8	2.1
Q7034	1.5	0.8	2.1
Q7035	1.5	0.8	2.1
Q7036	1.5	0.8	2.1
Q7037	1.5	0.8	2.1
Q7038	1.5	0.8	2.1
Q7039	1.5	0.8	2.1
Q7040	1.5	0.8	2.1
Q7041	1.5	0.8	2.1
Q7042	1.5	0.8	2.1
Q7043	1.5	0.8	2.1
Q7044	1.5	0.8	2.1
Q7045	1.5	0.8	2.1
Q7046	1.5	0.8	2.1
Q7047	1.5	0.8	2.1
Q7048	1.5	0.8	2.1
Q7049	1.5	0.8	2.1
Q7050	1.5	0.8	2.1
Q7051	1.5	0.8	2.1
Q7052	1.5	0.8	2.1
Q7053	1.5	0.8	2.1
Q7054	1.5	0.8	2.1
Q7055	1.5	0.8	2.1
Q7056	1.5	0.8	2.1
Q7057	1.5	0.8	2.1
Q7058	1.5	0.8	2.1
Q7059	1.5	0.8	2.1
Q7060	1.5	0.8	2.1
Q7061	1.5	0.8	2.1
Q7062	1.5	0.8	2.1
Q7063	1.5	0.8	2.1
Q7064	1.5	0.8	2.1
Q7065	1.5	0.8	2.1
Q7066	1.5	0.8	2.1
Q7067	1.5	0.8	2.1
Q7068	1.5	0.8	2.1
Q7069	1.5	0.8	2.1
Q7070	1.5	0.8	2.1
Q7071	1.5	0.8	2.1
Q7072	1.5	0.8	2.1
Q7073	1.5	0.8	2.1
Q7074	1.5	0.8	2.1
Q7075	1.5	0.8	2.1
Q7076	1.5	0.8	2.1
Q7077	1.5	0.8	2.1
Q7078	1.5	0.8	2.1
Q7079	1.5	0.8	2.1
Q7080	1.5	0.8	2.1
Q7081	1.5	0.8	2.1
Q7082	1.5	0.8	2.1
Q7083	1.5	0.8	2.1
Q7084	1.5	0.8	2.1
Q7085	1.5	0.8	2.1
Q7086	1.5	0.8	2.1
Q7087	1.5	0.8	2.1
Q7088	1.5	0.8	2.1
Q7089	1.5	0.8	2.1
Q7090	1.5	0.8	2.1
Q7091	1.5	0.8	2.1
Q7092	1.5	0.8	2.1
Q7093	1.5	0.8	2.1
Q7094	1.5	0.8	2.1
Q7095	1.5	0.8	2.1
Q7096	1.5	0.8	2.1
Q7097	1.5	0.8	2.1
Q7098	1.5	0.8	2.1
Q7099	1.5	0.8	2.1
Q7100	1.5	0.8	2.1

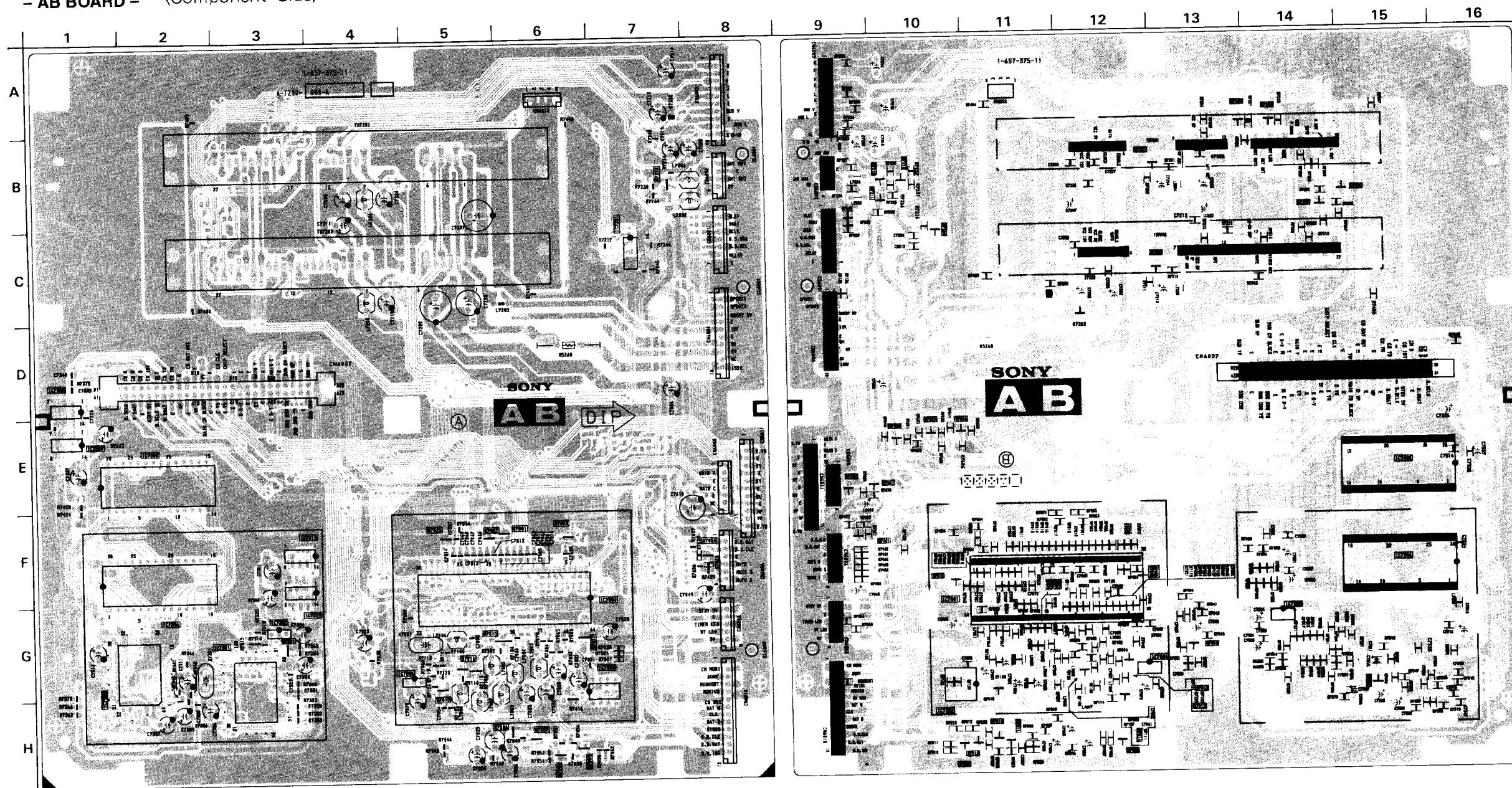
AB BOARD IC VOLTAGE LIST

IC7001	Pin	Volt	Pin	Volt	Pin	Volt	Pin	Volt
IC7001	2	0.2	6	5.2	6	NC	18	2.7
IC7001	3	5.2	7	5.2	7	5.2	19	2.6
IC7001	4	5.2	8	5.2	8	5.2	20	E
IC7001	5	5.2	9	5.2	9	5.2	21	5.2
IC7001	6	5.2	10	5.2	10	5.2	22	5.2
IC7001	7	5.2	11	2.7	11	2.7	23	4.4
IC7001	8	5.2	12	2.7	12	2.7	24	1.5
IC7001	9	5.2	13	2.7	13	2.7	25	1.2
IC7001	10	5.2	14	2.7	14	2.7	26	0.9
IC7001	11	5.2	15	2.7	15	2.7	27	5.2
IC7001	12	5.2	16	2.7	16	2.7	28	5.2
IC7001	13	5.2	17	2.6	17	2.6	29	5.2
IC7001	14	5.2	18	2.6	18	2.6	30	5.2
IC7001	15	5.2	19	2.6	19	2.6	31	5.2
IC7001	16	5.2	20	5.2	20	5.2	32	5.2
IC7001	17	5.2	21	5.2	21	5.2	33	5.2
IC7001	18	5.2	22	5.2	22	5.2	34	5.2
IC7001	19	5.2	23	5.2	23	5.2	35	5.2
IC7001	20	5.2	24	5.2	24	5.2	36	5.2
IC7001	21	5.2	25	5.2	25	5.2	37	5.2
IC7001	22	5.2	26	5.2	26	5.2	38	5.2
IC7001	23	5.2	27	5.2	27	5.2	39	5.2
IC7001	24	5.2	28	5.2	28	5.2	40	5.2
IC7001	25	5.2	29	5.2	29	5.2	41	5.2
IC7001	26	5.2	30	5.2	30	5.2	42	5.2
IC7001	27	5.2	31	5.2	31	5.2	43	5.2
IC7001	28	5.2	32	5.2	32	5.2	44	5.2
IC7001	29	5.2	33	5.2	33	5.2	45	5.2
IC7001	30	5.2	34	5.2	34	5.2	46	5.2
IC7001	31	5.2	35	5.2	35	5.2	47	5.2
IC7001	32	5.2	36	5.2	36	5.2	48	5.2
IC7001	33	5.2	37	5.2	37	5.2	49	5.2
IC7001	34	5.2	38	5.2	38	5.2	50	5.2
IC7001	35	5.2	39	5.2	39	5.2	51	5.2
IC7001	36	5.2	40	5.2	40	5.2	52	5.2
IC7001	37	5.2	41	5.2	41	5.2	53	5.2
IC7001	38	5.2	42	5.2	42	5.2	54	5.2
IC7001	39	5.2	43	5.2	43	5.2	55	5.2
IC7001	40	5.2	44	5.2	44	5.2	56	5.2
IC7001	41	5.2	45	5.2	45	5.2	57	5.2
IC7001	42	5.2	46	5.2	46	5.2	58	5.2
IC7001	43	5.2	47	5.2	47	5.2	59	5.2
IC7001	44	5.2	48	5.2	48	5.2	60	5.2
IC7001	45	5.2	49	5.2	49	5.2	61	5.2
IC7001	46	5.2	50	5.2	50	5.2	62	5.2
IC7001	47	5.2	51	5.2	51	5.2	63	5.2
IC7001	48	5.2	52	5.2	52	5.2	64	5.2
IC7001	49	5.2	53	5.2	53	5.2	65	5.2
IC7001	50	5.2	54	5.2	54	5.2	66	5.2
IC7001	51	5.2	55	5.2	55	5.2	67	5.2
IC7001	52	5.2	56	5.2	56	5.2	68	5.2
IC7001	53	5.2	57	5.2	57	5.2	69	5.2
IC7001	54	5.2	58	5.2	58	5.2	70	5.2
IC7001	55	5.2	59	5.2	59	5.2	71	5.2
IC7001	56	5.2	60	5.2	60	5.2	72	5.2
IC7001	57	5.2	61	5.2	61	5.2	73	5.2
IC7001	58	5.2	62	5.2	62	5.2	74	5.2
IC7001	59	5.2	63	5.2	63	5.2	75	5.2
IC7001	60	5.2	64	5.2	64	5.2	76	5.2
IC7001	61	5.2	65	5.2	65	5.2	77	5.2
IC7001	62	5.2	66	5.2	66	5.2	78	5.2
IC7001	63	5.2	67	5.2	67	5.2	79	5.2
IC7001	64	5.2	68	5.2	68	5.2	80	5.2
IC7001	65	5.2	69	5.2	69	5.2	81	5.2
IC7001	66	5.2	70	5.2	70	5.2	82	5.2
IC7001	67	5.2	71	5.2	71	5.2	83	5.2
IC7001	68	5.2	72	5.2	72	5.2	84	5.2
IC7001	69	5.2	73	5.2	73	5.2	85	5.2
IC7001	70	5.2	74	5.2	74	5.2	86	5.2
IC7001	71	5.2	75	5.2	75	5.2	87	5.2
IC7001	72	5.2	76	5.2	76	5.2	88	5.2
IC7001	73	5.2	77	5.2	77	5.2	89	5.2
IC7001	74	5.2	78	5.2	78	5.2	90	5.2
IC7001	75	5.2	79	5.2	79	5.2	91	5.2
IC7001	76	5.2	80	5.2	80	5.2	92	5.2
IC7001	77	5.2	81	5.2	81	5.2	93	5.2
IC7001	78	5.2	82	5.2	82	5.2	94	5.2
IC7001	79	5.2	83	5.2	83	5.2	95	5.2
IC7001	80	5.2	84	5.2	84	5.2	96	5.2
IC7001	81	5.2	85	5.2	85	5.2	97	5.2
IC7001	82	5.2	86	5.2	86	5.2	98	5.2
IC7001	83	5.2	87	5.2	87	5.2	99	5.2
IC7001	84	5.2	88	5.2	88	5.2	100	5.2
IC7001	85	5.2	89	5.2	89	5.2	101	5.2
IC7001	86	5.2	90	5.2	90	5.2	102	5.2
IC7001	87	5.2	91	5.2	91	5.2	103	5.2
IC7001	88	5.2	92	5.2	92	5.2	104	5.2
IC7001	89	5.2	93	5.2	93	5.2	105	5.2
IC7001	90	5.2	94	5.2	94	5.2	106	5.2
IC7001	91	5.2	95	5.2	95	5.2	107	5.2
IC7001	92	5.2	96	5.2	96	5.2	108	5.2
IC7001	93	5.2	97	5.2	97	5.2	109	5.2
IC7001	94	5.2	98	5.2	98	5.2	110	5.2
IC7001	95	5.2	99	5.2	99	5.2	111	5.2
IC7001	96	5.2	100	5.2	100	5.2	112	5.2
IC7001	97	5.2	101	5.2	101	5.2	113	5.2
IC7001	98	5.2	102	5.2	102	5.2	114	5.2
IC7001	99	5.2	103	5.2	103	5.2	115	5.2
IC7001	100	5.2	104	5.2	104	5.2	116	5.2
IC7001	101	5.2	105	5.2	105	5.2	117	5.2
IC7001	102	5.2	106	5.2	106	5.2	118	5.2
IC7001	103	5.2	107	5.2	107	5.2	119	5.2
IC7001	104	5.2	108	5.2	108	5.2	120	5.2
IC7001	105	5.2	109	5.2	109	5.2	121	5.2
IC7001	106	5.2	110	5.2	110	5.2	122	5.2
IC7001	107	5.2	111	5.2	111	5.2	123	5.2
IC7001	108	5.2	112	5.2	112	5.2	124	5.2
IC7001	109	5.2	113	5.2	113	5.2	125	5.2
IC7001	110	5.2	114	5.2	114	5.2	126	5.2
IC7001	111	5.2	115	5.2	115	5.2	127	5.2
IC7001	112	5.2	116	5.2	116	5.2	128	5.2
IC7001	113	5.2	117	5.2	117	5.2	129	5.2
IC7001	114	5.2	118	5.2	118	5.2	130	5.2
IC7001	115	5.2	119	5.2	119	5.2	131	5.2
IC7001	116	5.2	120	5.2	120	5.2	132	5.2
IC7001	117	5.2	121	5.2	121	5.2	133	5.2
IC7001	118	5.2	122	5.2	122	5.2		

ABMAIN CONTROLLER,
OSD U-CON, TUNER.


- AB BOARD - (Component Side)

(Conductor Side)

AB BOARD
LOCATION

IC	
IC7001	F 5, F 11
IC7003	G 7, G 10
IC7004	G 5, G 12
IC7201	C 7
IC7301	G 3
IC7302	G-3, G 14
IC7303	G 2
IC7306	F 2, F 15
IC7307	E 1
IC7308	D 1
IC7309	F 3
IC7310	F 3
TRANSISTOR	
Q7001	F 6
Q7002	F 5
Q7003	F 6
Q7004	G 13
Q7013	F 10
Q7017	H 12
Q7022	E 10
Q7023	E 10
Q7024	E 10
Q7025	F 5
Q7026	F 8
Q7027	G 6
Q7201	B 13
Q7203	A 14
Q7204	C 10
Q7205	A 13
Q7206	B 15
Q7207	B 14
Q7210	B 10
Q7301	G 3
Q7303	G 15
Q7401	F 9
Q7531	E 9
Q7532	E 9
DIODE	
D7001	F 11
D7002	F 12
D7003	F 11
D7004	G 13
D7024	G 7
D7025	G 7
D7027	G 7
D7028	F 8
D7029	F 8
D7202	D 12
D7401	F 9
D7402	F 9
D7403	F 9
D7404	F 9
D7405	F 9
D7406	F 9
D7407	F 9

Note :

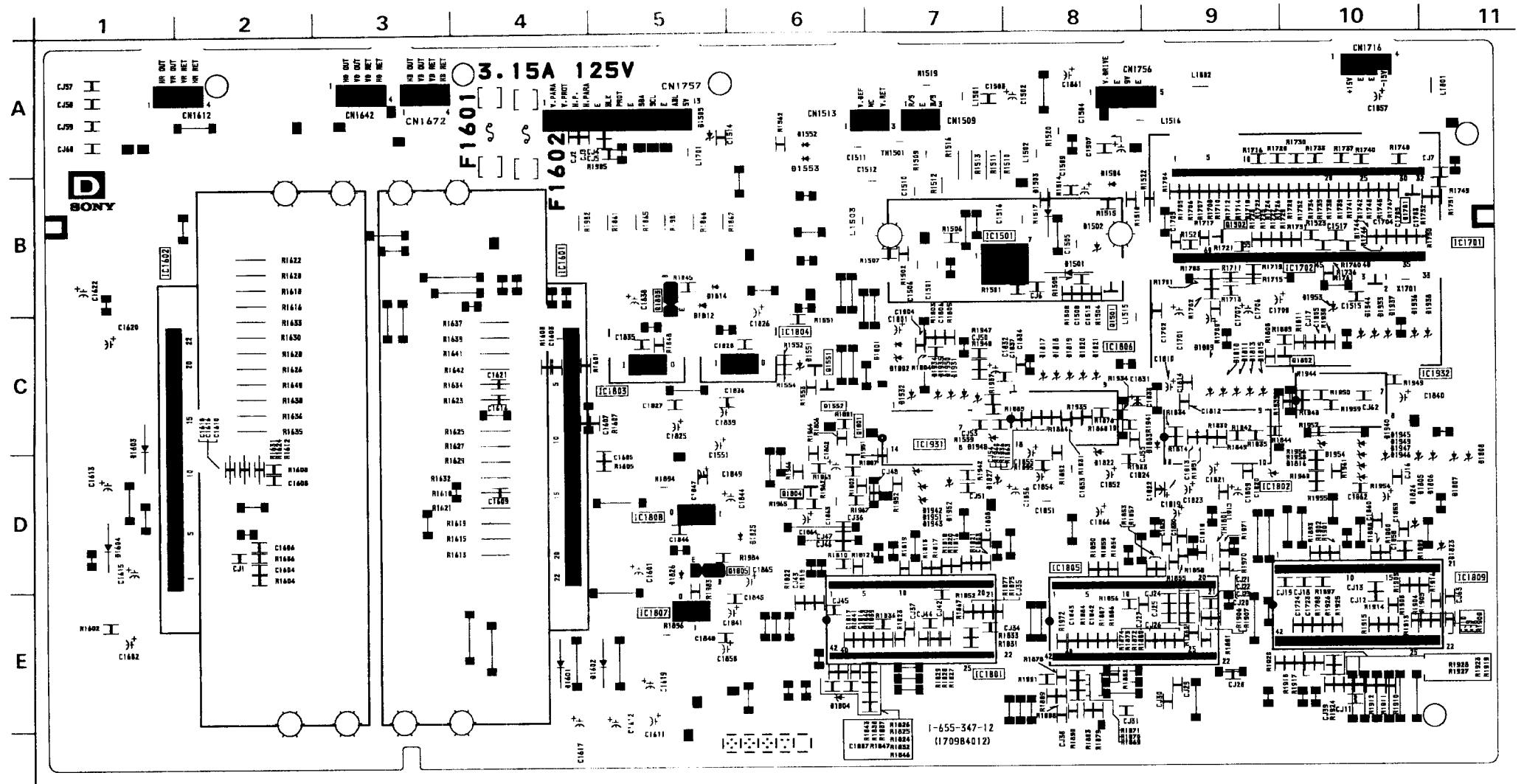
•  : Pattern of the rear side.

D RGB CONV, V OUT,
SUB DY DRIVE, H/V WAVE GEN,
REGI CONTROL

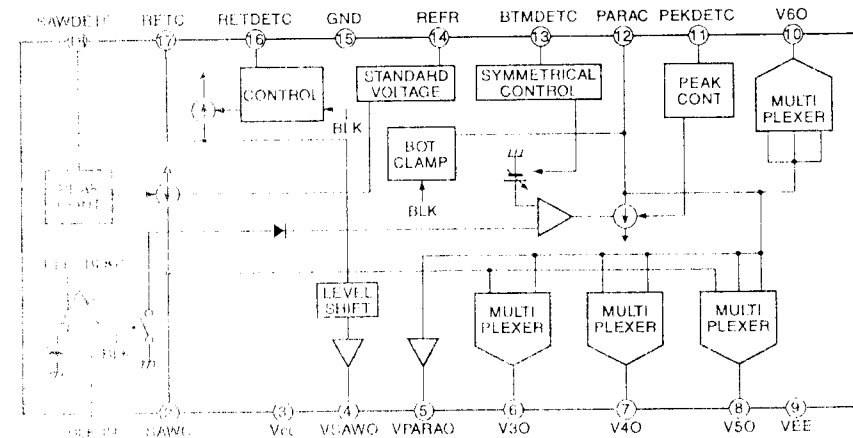
- D BOARD -

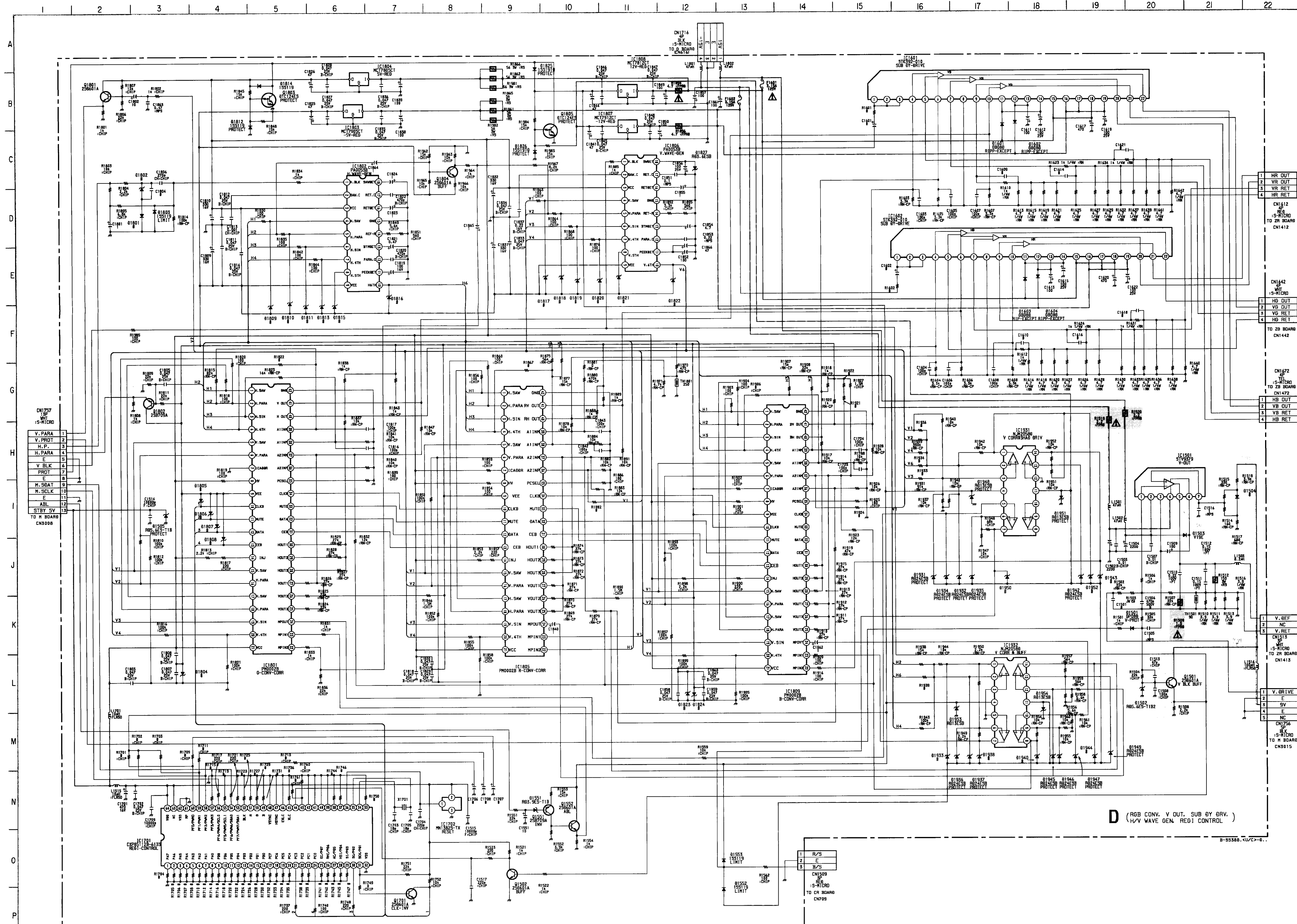
D BOARD
LOCATION

IC1501	B 7
IC1601	C 4
IC1602	C 1
IC1701	B-10
IC1702	B-10
IC1801	E 7
IC1802	C 9
IC1803	C 5
IC1804	C 6
IC1805	E 8
IC1806	C 8
IC1807	E 5
IC1808	D 5
IC1809	D 10
IC1931	C 7
IC1932	C 10
TRANSISTOR	
Q1501	B 8
Q1502	B 9
Q1551	C 6
Q1552	C 6
Q1701	B-10
Q1801	C 6
Q1802	C 9
Q1803	B 5
Q1804	D 6
Q1805	D 5
DIODE	
D1501	B 8
D1502	B 8
D1503	B 8
D1505	A 5
D1551	C 6
D1552	A 6
D1553	A 6
D1601	E 4
D1602	E 5
D1603	C 1
D1604	C 1
D1803	C 9
D1812	B 5
D1814	B 5
D1825	D 6
D1826	D 5
D1827	D 7
D1931	C 7
D1932	C 7
D1934	C 7
D1935	C 7
D1936	C 10
D1937	C 10
D1942	D 7
D1945	C 10
D1946	D-10
D1947	D-10
D1948	C 7
D1949	C 10
D1951	D 7
D1953	B 10
D1954	C 10



D BOARD IC1802 PA0053B





D BOARD IC VOLTAGE LIST

IC	Pin	Volt	Pin	Volt	Pin	Volt	
IC1501	1	1.5	47	E	17	1.3	
	2	15.0	48	E	18	-1.6	
	3	-13.8	54	4.7	IC1803	1	-5.0
	4	-15.0	55	NC	2	-15.0	
	5	0.3	56	4.6	3	5.7	
	6	15.0	61	E	IC1804	1	5.0
	7	1.5	62	E	2	E	
IC1601	1	-13.3	63	5.0	3	15.0	
	2	-13.3	64	5.0	IC1805	1	5.0
	3	-13.3	IC1702	1	5.2	2	-0.9
	4	0	2	5.0	3	0.2	
	5	0	3	0	4	-1.1	
	6	0.4	IC1801	1	0	5	0
	7	0.4	2	-0.9	6	-0.4	
	8	E	3	0	7	5.1	
	9	0	4	-1.1	8	5.2	
	10	0	5	0	9	-5.0	
	11	14.2	6	-0.4	10	3.4	
	12	-14.3	7	E	11	5.2	
	13	-14.3	8	5.2	12	0.7	
	14	14.2	9	-5.0	13	3.2	
	15	15.0	10	3.4	14	-2.1	
	16	-15.0	11	5.1	15	0	
	17	-15.0	12	0.7	16	-0.9	
	18	15.0	13	3.2	17	0	
	19	-15.0	14	-2.1	18	0.9	
	20	0	15	0	19	0	
	21	0	16	-0.9	20	-0.5	
	22	0	17	0	21	5.0	
IC1602	1	-13.3	18	-0.9	22	0	
	2	-13.3	19	0	23	0	
	3	-13.3	20	-0.5	24	0	
	4	0.2	21	5.0	25	0.4	
	5	0.2	22	0	26	0	
	6	-0.1	23	1.5	27	0	
	7	-0.1	24	0	28	0	
	8	E	25	0	29	0	
	9	-0.5	26	0	30	1.1	
	10	-0.5	27	0	31	3.2	
	11	14.2	28	0	32	0.7	
	12	-14.3	29	0	33	5.1	
	13	-14.3	30	0	34	3.4	
	14	14.2	31	3.2	35	0	
	15	15.0	32	0.7	36	0	
	16	-15.0	33	5.2	37	0	
	17	-15.0	34	3.4	38	0	
	18	15.0	35	0	39	0	
	19	-15.0	36	0	40	-0.5	
	20	-0.2	37	0	41	-0.1	
	21	-0.9	38	0	42	0	
	22	0.3	39	0	43	0	
IC1701	21	5.1	40	0.2	2	1.3	
	24	5.1	41	0	3	5.0	
	41	0	42	0	4	0	
	30	0.2	43	0	IC1802	1	0.7
	31	0.2	IC1802	1	0.8	5	-0.9
	32	E	2	1.2	6	0	
	33	NC	3	5.0	7	-1.0	
	34	2.7	4	0	8	0	
	35	2.5	5	-0.9	9	-5.0	
	36	5.2	6	0	10	0.3	
	37	NC	7	-1.1	11	0.6	
	38	NC	8	0	12	-0.9	
	39	0	9	-5.0	13	0.4	
	40	0	10	0.3	14	0.3	
	41	0	11	0.5	15	E	
	42	0	12	-0.9	16	-1.5	
	43	0	13	0.4	17	1.3	
	44	5.1	14	1.3	18	-1.6	
	45	NC	15	E	IC1807	1	-12.0
	46	E	16	-1.7	2	-15.0	

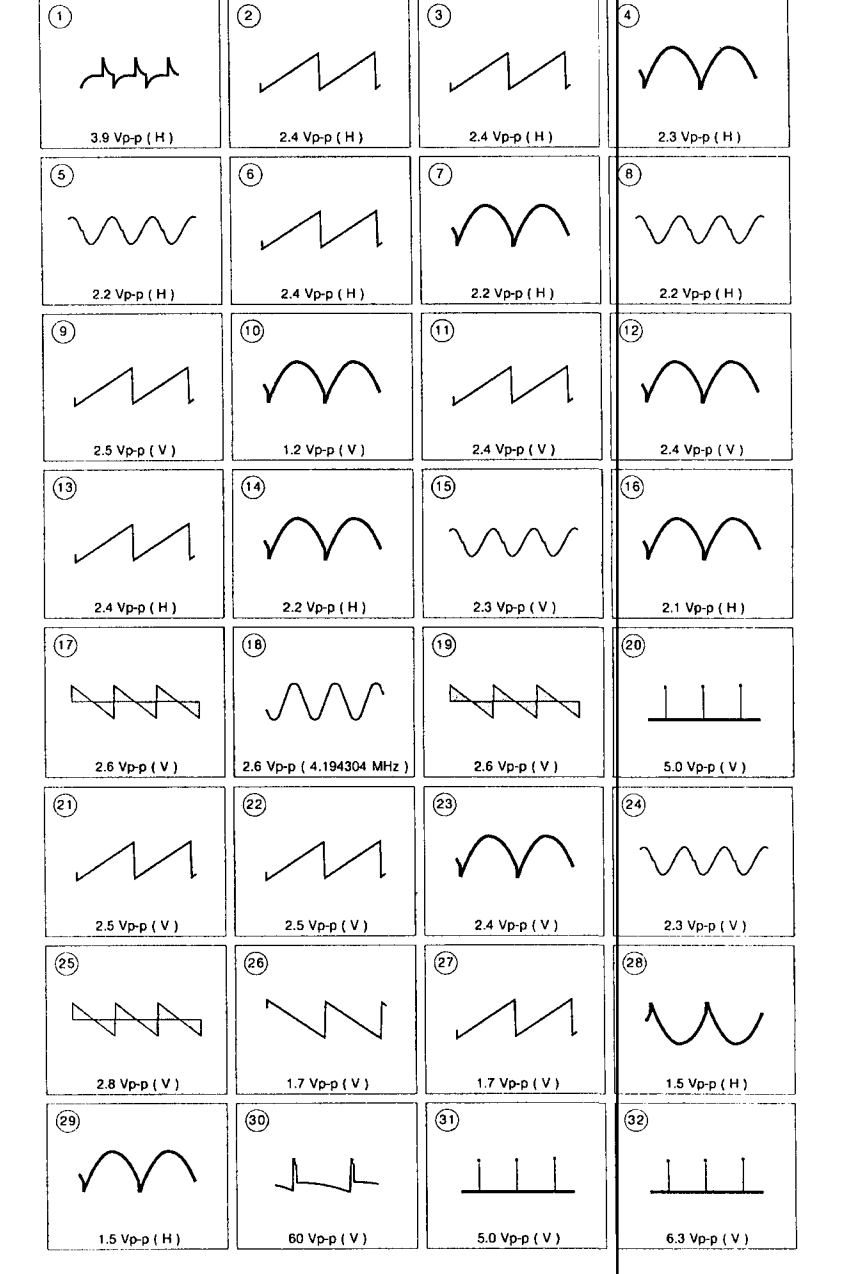
Pin numbers which are not described are not used.
ALL VOLTAGES ARE IN V

D BOARD TRANSISTOR VOLTAGE LIST

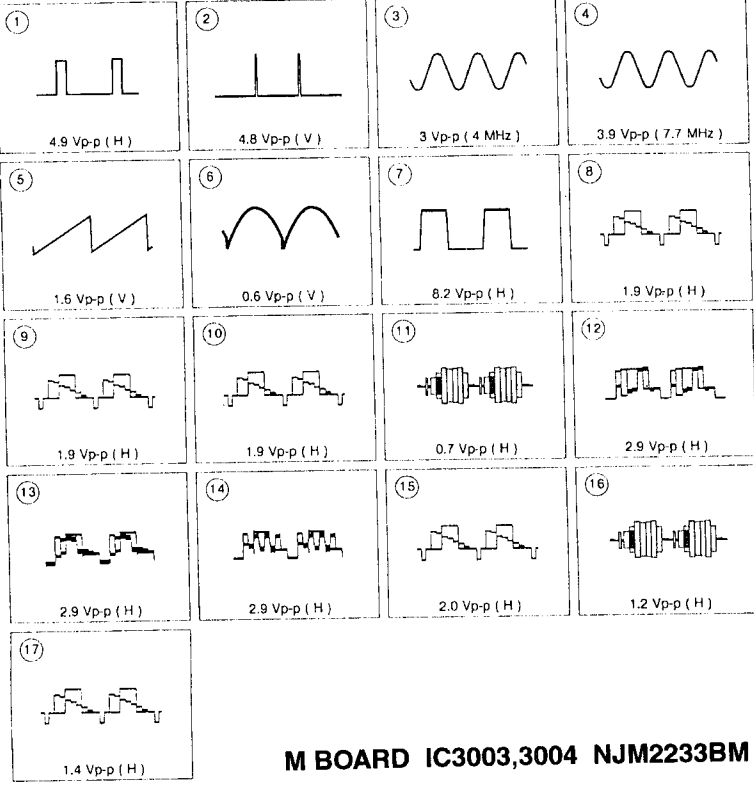
Q	B	C	E
Q1501	0.5	9.0	0.2
	0.2	5.1	E
Q1551	3.4	2.1	4.0
Q1552	2.1	12.0	1.5
Q1701	0.3	3.5	E
Q1801	3.2	5.0	2.6
Q1802	-3.1	5.0	-2.5
Q1803	0	4.8	E
Q1804	-0.9	0	-0.9
Q1805	0	4.8	E

ALL VOLTAGES ARE IN V

D BOARD WAVEFORMS



M BOARD WAVEFORMS



M BOARD TRANSISTOR VOLTAGE LIST

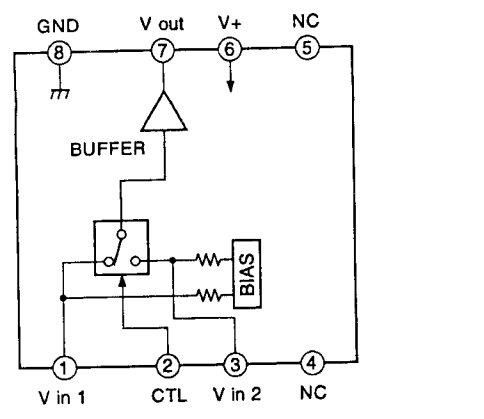
IC	Pin	Volt	Pin	Volt
Q3000	5.1	5.0	5.2	
Q3001	5.2	0	5.2	
Q3002	5.2	1.9	E	
Q3003	0	5.9	2.2	
Q3004	5.2	0.2	2.0	
Q3005	0	5.4	E	
Q3006	5.2	1.9	0.2	
Q3013	4.9	8.8	4.2	
Q3014	4.9	8.8	4.2	
Q3015	3.9	E	2.8	
Q3016	3.0	E	2.6	
Q3017	1.9	E	2.6	
Q3018	1.8	E	2.4	
Q3019	9.2	0.2	9.2	
Q3020	4.9	E	5.6	
Q3021	0.8	0.2	E	
Q3022	0	7.7	E	
Q3023	5.9	E	6.5	
Q3024	6.5	9.2	5.8	
Q3025	7.1	8.8	6.5	
Q3026	4.5	5.3	5.9	
Q3027	0.8	0.3	E	
Q3028	7.2	9.2	6.6	
Q3029	2.2	7.8	1.8	
Q3030	0.4	9.2	1.0	
Q3031	1.5	6.3	0.9	
Q3032	11.6	0.8	11.7	
Q3033	6.3	9.2	5.1	
Q3038	7.8	3.9	8.4	
Q3043	1.4	5.8	0.8	
Q3045	0	0.4	E	
Q3046	1.9	6.2	1.2	
Q3048	6.2	9.2	5.6	
Q3049	0	0.2	E	
Q3050	4.9	9.2	4.2	
Q3051	3.9	6.5	2.6	
Q3052	1.8	E	2.5	
Q3053	2.0	E	3.8	
Q3054	5.2	8.8	4.6	
Q3055	4.6	8.9	4.0	
Q3056	6.3	8.7	5.7	
Q3057	2.2	E	2.8	
Q3058	2.2	E	2.8	
Q3059	2.1	E	3.5	
	6	0.2	4.4	0
	7	5.2	45.3	3.8
	7	5.2	46.9	3.2
	7	5.2	48.9	3.2
	7	5.2	50.9	3.2
	7	5.2	52.9	3.2
	7	5.2	54.9	3.2
	7	5.2	56.9	3.2
	7	5.2	58.9	3.2
	7	5.2	60.9	3.2
	7	5.2	62.9	3.2
	7	5.2	64.9	3.2
	7	5.2	66.9	3.2
	7	5.2	68.9	3.2
	7	5.2	70.9	3.2
	7	5.2	72.9	3.2
	7	5.2	74.9	3.2
	7	5.2	76.9	3.2
	7	5.2	78.9	3.2
	7	5.2	80.9	3.2
	7	5.2	82.9	3.2
	7	5.2	84.9	3.2
	7	5.2	86.9	3.2
	7	5.2	88.9	3.2
	7	5.2	90.9	3.2
	7	5.2	92.9	3.2
	7	5.2	94.9	3.2
	7	5.2	96.9	3.2
	7	5.2	98.9	3.2
	7	5.2	100.9	3.2

M BOARD IC VOLTAGE LIST

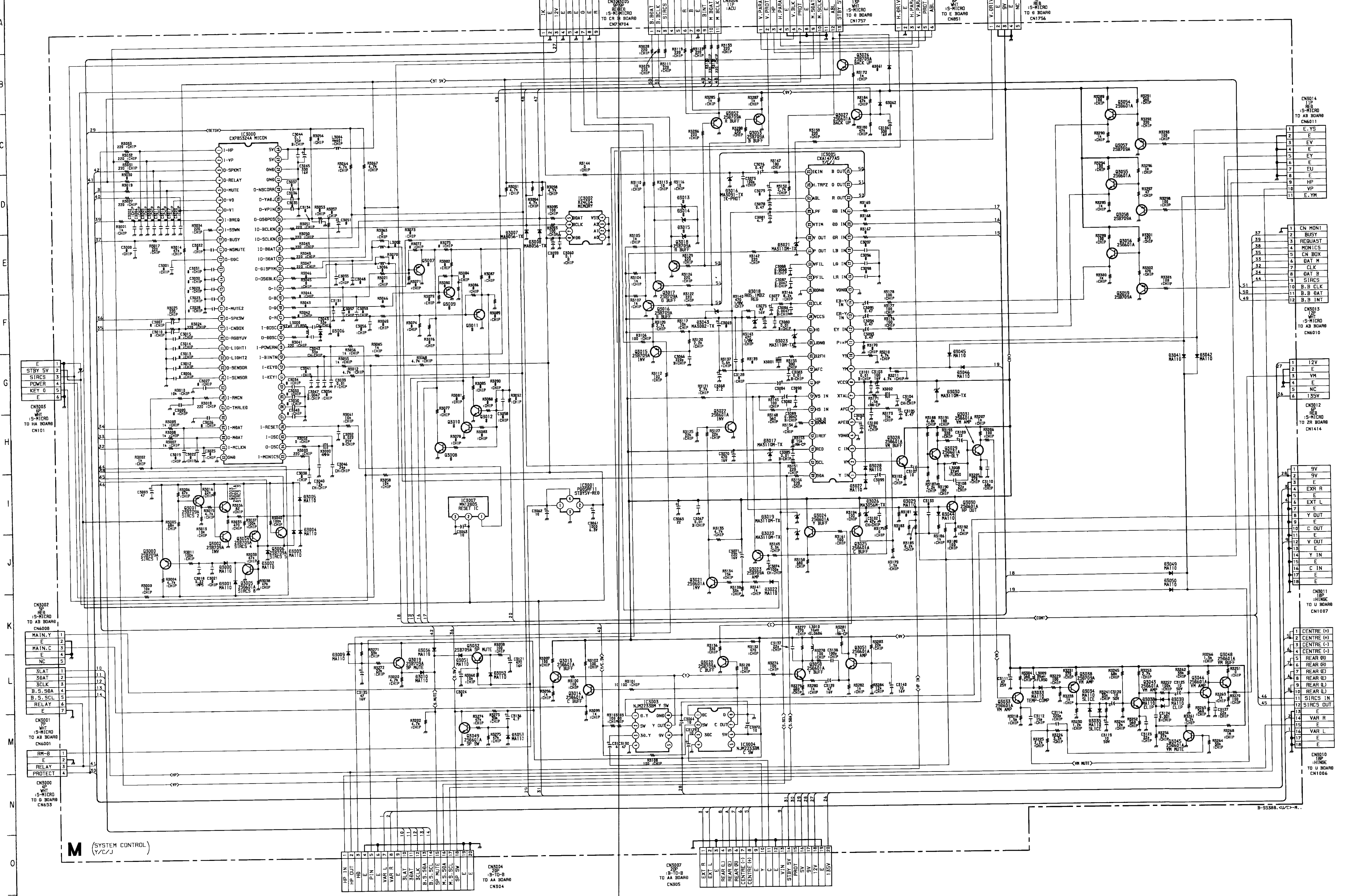
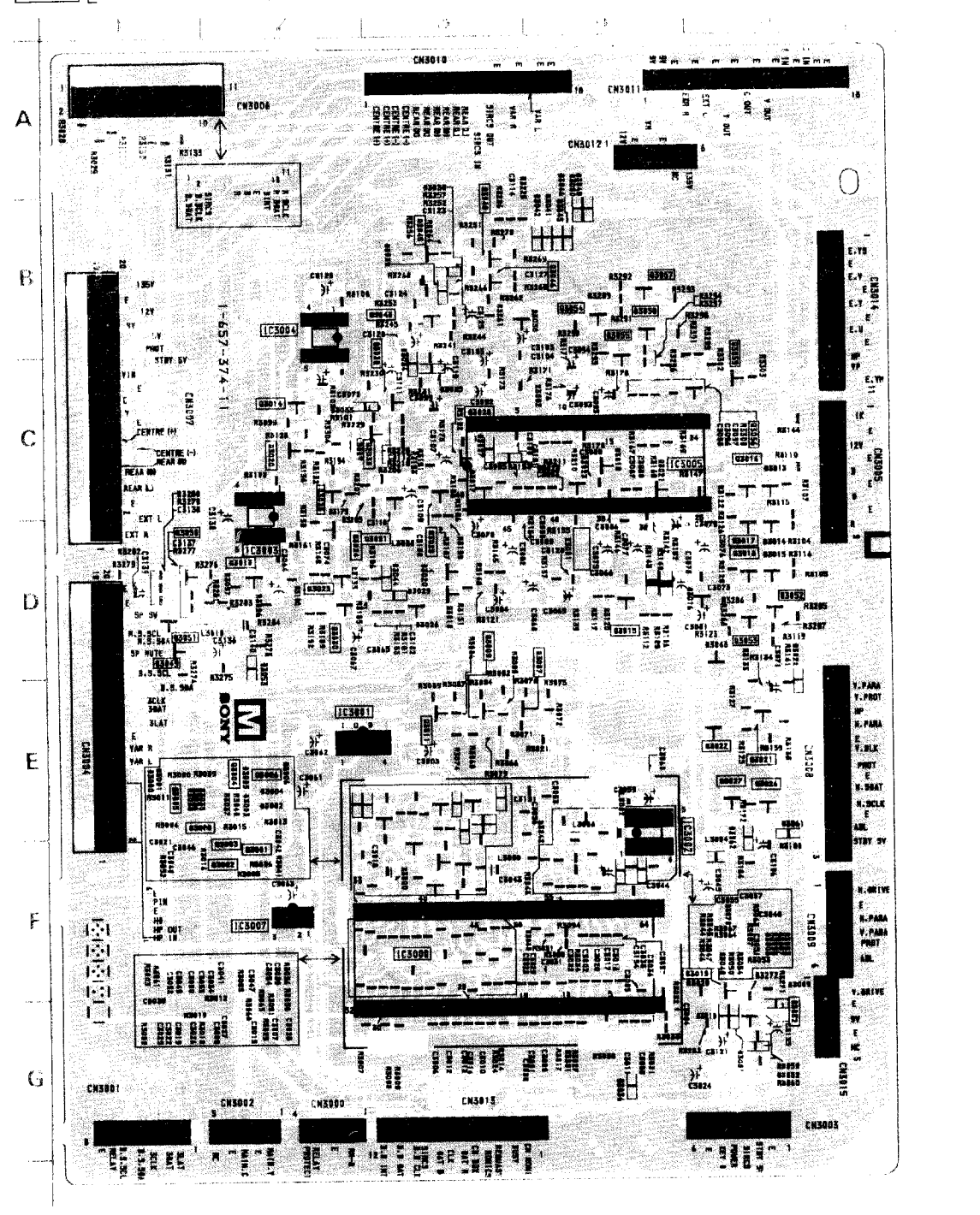
IC	Pin	Volt	Pin	Volt
IC3000	1	0.9	7	4.9
	2	0.3	8	E
	3	4.8	IC3004	
	4	5.2	2	5.0
	5	0	3	5.7
	6	5.2	4	5.7
	7	5.1	6	9.2
	8	1.5	7	4.9
	9	0	8	E
	10	0	9	E
	11	0	10	2.7
	12	0	11	0
	13	0	12	3.6
	14	0	13	4
	15	0	14	E
	16	0	15	E
	17	0	16	E
	18	0	17	E
	19	0	18	E
	20	0	19	E
	21	0	20	E
	22	0	21	E
	23	0	22	E
	24	0	23	E
	25	0	24	E
	26	0	25	E
	27	0	26	E
	28	0	27	E
	29	0	28	E
	30	0	29	E
	31	0	30	E
	32	0	31	E
	33	4.3	9	0
	34	2.7	10	0
	35	0	11	0
	36	5.2	12	5.8
	37	5.2	13	5.5
	38	5.2	14	5.5
	39	5.2	15	E
	40	5.2	16	1.8
	41	5.2	17	1.8
	42	5.2	18	1.8
	43	5.2	19	1.8
	44	5.2	20	1.8
	45	3.1	23	1.9
	46	3.1	24	1.9
	47	3.1	25	1.9
	48	3.1	26	1.9
	49	3.1	27	1.8
	50	4.8	28	7.7
	51	4.8	29	7.7
	52	0	30	3.1
	53	4.8	31	3.1
	54	4.8	32	3.1
	55	4.8	33	3.1
	56	4.8	34	3.1
	57	4.8	35	3.1
	58	4.8	36	3.1
	59	4.8	37	3.9
	60	4.8	38	E
	61	4.8	39	E
	62	4.8	40	4.4
	63	4.8	41	3.6
	64	4.8	42	4.1
	65	4.8	43	3.5
	66	0.2	44	0
	67	5.2	45	3.8
	68	5.2	46	3.2
	69	5.2	47	4.8
	70	5.2	48	4.9
	71	5.2	49	5.3
	72	5.2	50	5.3
	73	5.2	51	5.3
	74	5.2	52	5.2
	75	5.2	53	E
	76	9.2	3	E

Pin numbers which are not described are not used.

M BOARD IC3003,3004 NJM2233BM



M SYSTEM CONTROL V/C/J



X (1/2) BOARD IC VOLTAGE LIST

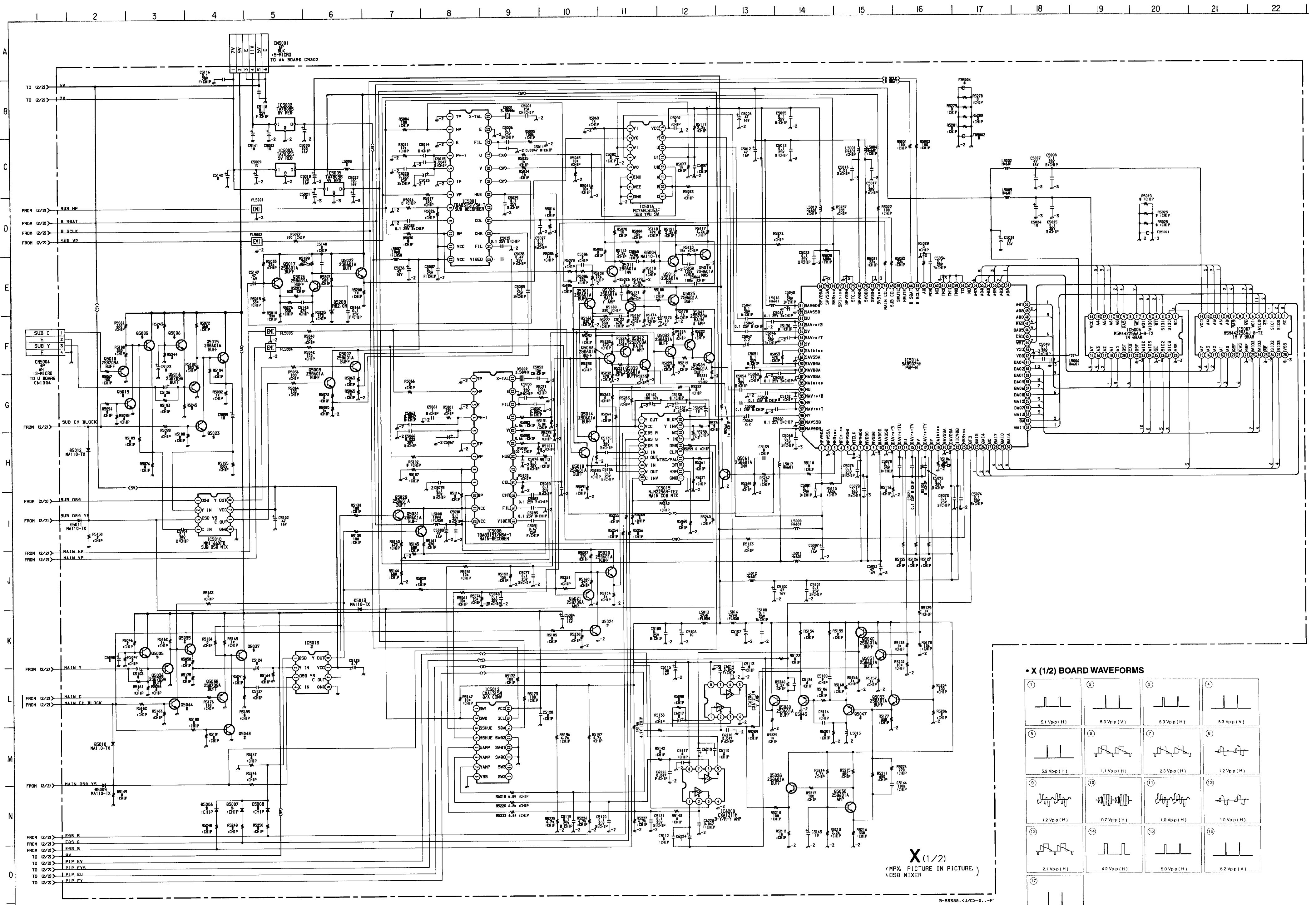
Pin	Volt	Pin	Volt	Pin	Volt	Pin	Volt	Pin	Volt
1	1.1	1	1.1	1	1.1	1	1.1	1	1.1
2	0.9	2	0.9	2	0.9	2	0.9	2	0.9
3	1.5	3	1.5	3	1.5	3	1.5	3	1.5
4	1.4	4	1.4	4	1.4	4	1.4	4	1.4
5	0.9	5	0.9	5	0.9	5	0.9	5	0.9
6	1.4	6	1.4	6	1.4	6	1.4	6	1.4
7	0.3	7	0.3	7	0.3	7	0.3	7	0.3
8	1.1	8	1.1	8	1.1	8	1.1	8	1.1
9	1.9	9	1.9	9	1.9	9	1.9	9	1.9
10	1.4	10	1.4	10	1.4	10	1.4	10	1.4
11	0.1	11	0.1	11	0.1	11	0.1	11	0.1
12	1.1	12	1.1	12	1.1	12	1.1	12	1.1
13	1.5	13	1.5	13	1.5	13	1.5	13	1.5
14	1.4	14	1.4	14	1.4	14	1.4	14	1.4
15	0.2	15	0.2	15	0.2	15	0.2	15	0.2
16	1.2	16	1.2	16	1.2	16	1.2	16	1.2
17	1.4	17	1.4	17	1.4	17	1.4	17	1.4
18	1.9	18	1.9	18	1.9	18	1.9	18	1.9
19	1.4	19	1.4	19	1.4	19	1.4	19	1.4
20	1.1	20	1.1	20	1.1	20	1.1	20	1.1
21	1.4	21	1.4	21	1.4	21	1.4	21	1.4
22	1.1	22	1.1	22	1.1	22	1.1	22	1.1
23	1.4	23	1.4	23	1.4	23	1.4	23	1.4
24	1.1	24	1.1	24	1.1	24	1.1	24	1.1
25	1.1	25	1.1	25	1.1	25	1.1	25	1.1
26	1.1	26	1.1	26	1.1	26	1.1	26	1.1
27	1.1	27	1.1	27	1.1	27	1.1	27	1.1
28	1.1	28	1.1	28	1.1	28	1.1	28	1.1
29	1.1	29	1.1	29	1.1	29	1.1	29	1.1
30	1.1	30	1.1	30	1.1	30	1.1	30	1.1
31	1.1	31	1.1	31	1.1	31	1.1	31	1.1
32	1.1	32	1.1	32	1.1	32	1.1	32	1.1
33	1.1	33	1.1	33	1.1	33	1.1	33	1.1
34	1.1	34	1.1	34	1.1	34	1.1	34	1.1
35	1.1	35	1.1	35	1.1	35	1.1	35	1.1
36	1.1	36	1.1	36	1.1	36	1.1	36	1.1
37	1.1	37	1.1	37	1.1	37	1.1	37	1.1
38	1.1	38	1.1	38	1.1	38	1.1	38	1.1
39	1.1	39	1.1	39	1.1	39	1.1	39	1.1
40	1.1	40	1.1	40	1.1	40	1.1	40	1.1
41	1.1	41	1.1	41	1.1	41	1.1	41	1.1
42	1.1	42	1.1	42	1.1	42	1.1	42	1.1
43	1.1	43	1.1	43	1.1	43	1.1	43	1.1
44	1.1	44	1.1	44	1.1	44	1.1	44	1.1
45	1.1	45	1.1	45	1.1	45	1.1	45	1.1
46	1.1	46	1.1	46	1.1	46	1.1	46	1.1
47	1.1	47	1.1	47	1.1	47	1.1	47	1.1
48	1.1	48	1.1	48	1.1	48	1.1	48	1.1
49	1.1	49	1.1	49	1.1	49	1.1	49	1.1
50	1.1	50	1.1	50	1.1	50	1.1	50	1.1

X (1/2) BOARD TRANSISTOR VOLTAGE LIST

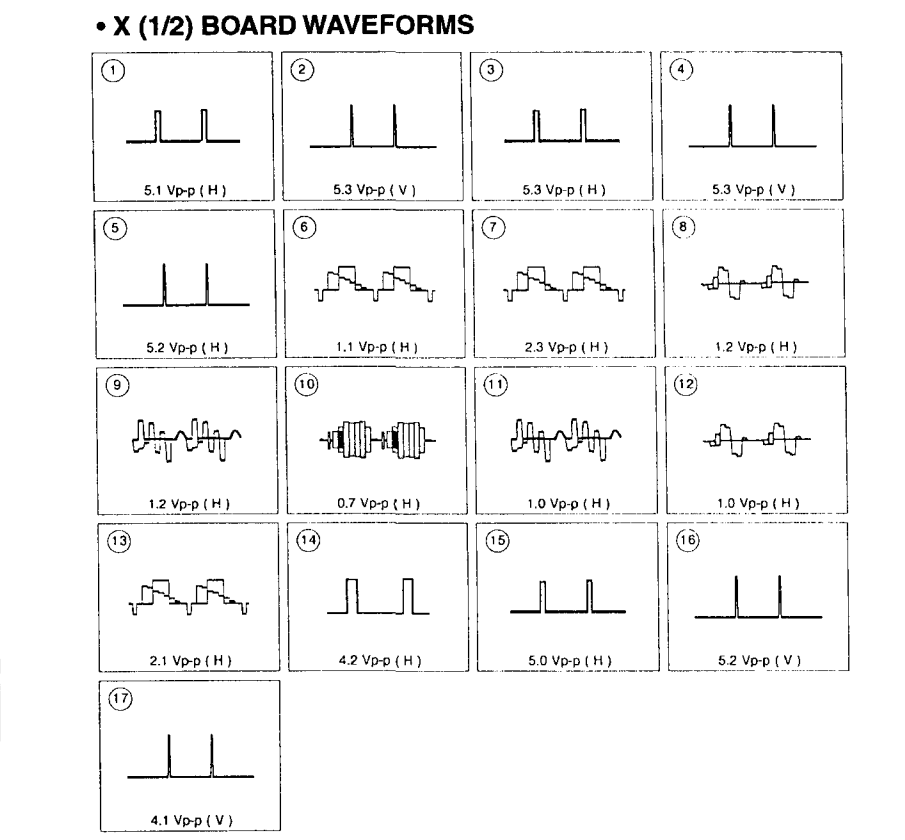
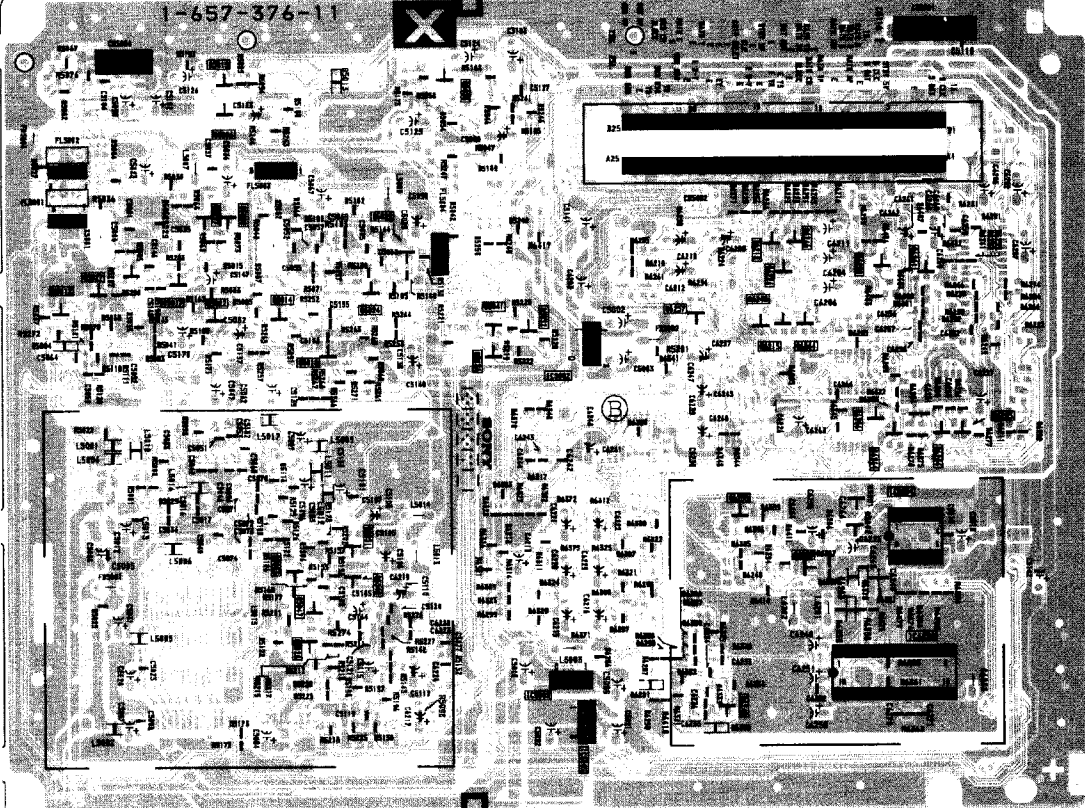
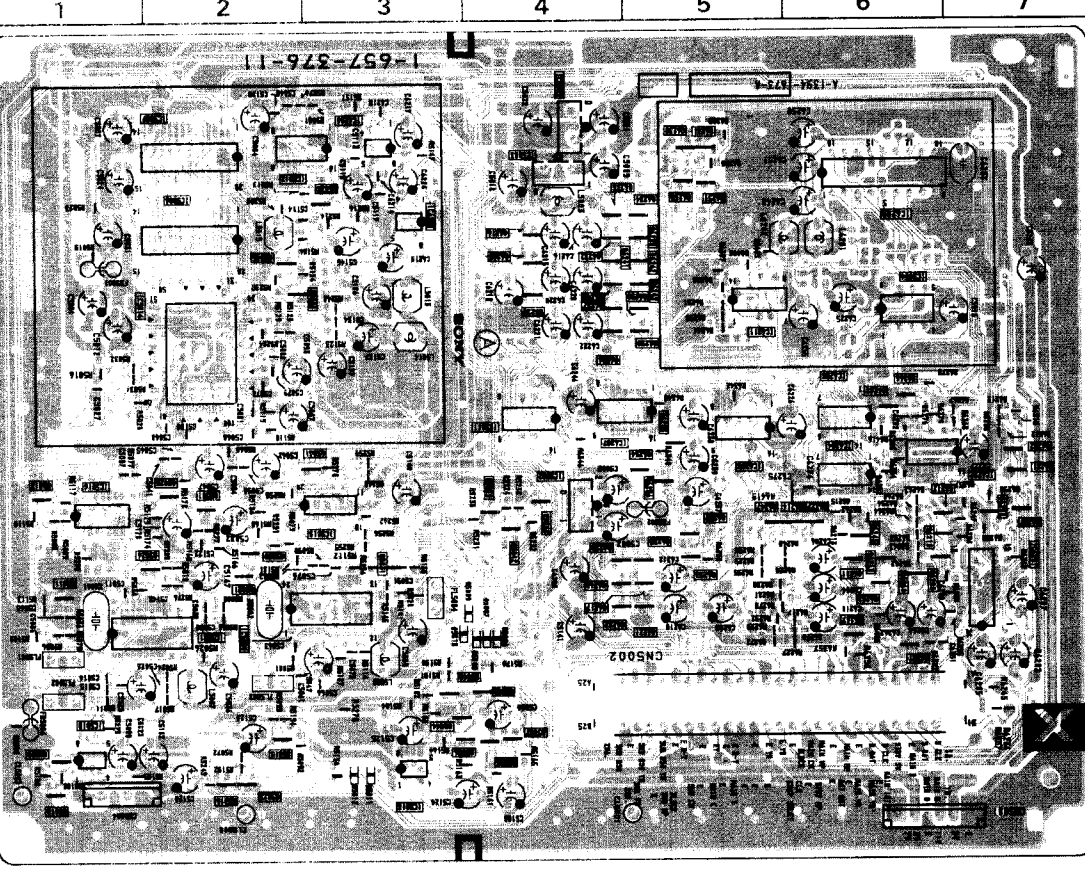
Pin	Volt	Pin	Volt	Pin	Volt	Pin	Volt	Pin	Volt
1	1.1	1	1.1	1	1.1	1	1.1	1	1.1
2	0.9	2	0.9	2	0.9	2	0.9	2	0.9
3	1.5	3	1.5	3	1.5	3	1.5	3	1.5
4	1.4	4	1.4	4	1.4	4	1.4	4	1.4
5	0.9	5	0.9	5	0.9	5	0.9	5	0.9
6	1.4	6	1.4	6	1.4	6	1.4	6	1.4
7	0.3	7	0.3	7	0.3	7	0.3	7	0.3
8	1.1	8	1.1	8	1.1	8	1.1	8	1.1
9	1.9	9	1.9	9	1.9	9	1.9	9	1.9
10	1.4	10	1.4	10	1.4	10	1.4	10	1.4
11	0.1	11	0.1	11	0.1	11	0.1	11	0.1
12	1.1	12	1.1	12	1.1	12	1.1	12	1.1
13	1.5	13	1.5	13	1.5	13	1.5	13	1.5
14	1.4	14	1.4	14	1.4	14	1.4	14	1.4
15	0.2	15	0.2	15	0.2	15	0.2	15	0.2
16	1.2	16	1.2	16	1.2	16	1.2	16	1.2
17	1.4	17	1.4	17	1.4	17	1.4	17	1.4
18	1.9	18	1.9	18	1.9	18	1.9	18	1.9
19	1.4	19	1.4	19	1.4	19	1.4	19	1.4
20	1.1	20	1.1	20	1.1	20	1.1	20	1.1
21	1.4	21	1.4	21	1.4	21	1.4	21	1.4
22	1.1	22	1.1	22	1.1	22	1.1	22	1.1
23	1.4	23	1.4	23	1.4	23	1.4	23	1.4
24	1.1	24	1.1	24	1.1	24	1.1	24	1.1
25	1.1	25	1.1	25	1.1	25	1.1	25	1.1
26	1.1	26	1.1	26	1.1	26	1.1	26	1.1
27	1.1	27	1.1	27	1.1	27	1.1	27	1.1
28	1.1	28	1.1	28	1.1	28	1.1	28	1.1
29	1.1	29	1.1	29	1.1	29	1.1	29	1.1
30	1.1	30	1.1	30	1.1	30	1.1	30	1.1
31	1.1	31	1.1	31	1.1	31	1.1	31	1.1
32	1.1	32	1.1	32	1.1	32	1.1	32	1.1
33	1.1	33	1.1	33	1.1	33	1.1	33	1.1
34	1.1	34	1.1	34	1.1	34	1.1	34	1.1
35	1.1	35	1.1	35	1.1	35	1.1	35	1.1
36	1.1	36	1.1	36	1.1	36	1.1	36	1.1
37	1.1	37	1.1	37	1.1	37	1.1	37	1.1
38	1.1	38	1.1	38	1.1	38	1.1	38	1.1
39	1.1	39	1.1	39	1.1	39	1.1	39	1.1
40	1.1	40	1.1	40	1.1	40	1.1	40	1.1
41	1.1	41	1.1	41	1.1	41	1.1	41	1.1
42	1.1	42	1.1	42	1.1	42	1.1	42	1.1
43	1.1	43	1.1	43	1.1	43	1.1	43	1.1
44	1.1	44	1.1	44	1.1	44	1.1	44	1.1
45	1.1	45	1.1	45	1.1	45	1.1	45	1.1
46	1.1	46	1.1	46	1.1	46	1.1	46	1.1
47	1.1	47	1.1	47	1.1	47	1.1	47	1.1
48	1.1	48	1.1	48	1.1	48	1.1	48	1.1
49	1.1	49	1.1	49	1.1	49	1.1	49	1.1
50	1.1	50	1.1	50	1.1	50	1.1	50	1.1

X BOARD LOCATION

IC	Location	IC	Location	IC	Location	IC	Location
IC5001	D-2	IC5007	G-2	IC5013	L-2	IC5019	M-2
IC5002	A-4	IC5008	D-3	IC5014	B-2	IC5020	A-5
IC5003	A-4	IC5009	E-1	IC5015	D-3	IC5021	C-6
IC5004	B-6	IC5010	E-1	IC5016	D-1	IC5022	C-6
IC5005	B-2	IC5011	C-4	IC5017	D-7	IC5023	C-6
IC5006	A-2	IC5012	A-2	IC5018	D-7	IC5024	C-5
IC5007	A-2	IC5013	B-2	IC5019	D-7	IC5025	A-3
IC5008	D-3	IC5014	B-2	IC5020	A-3	IC5026	B-3
IC5009	E-1	IC5015	D-3	IC5021	C-6	IC5027	A-6
IC5010	E-1	IC5016	D-1	IC5022	C-6	IC5028	E-4
IC5011	C-4	IC5017	D-7	IC5023	C-6	IC5029	D-4
IC5012	A-2	IC5018	D-7	IC5024	C-5	IC5030	A-3
IC5013	B-2	IC5019	D-7	IC5025	A-3	IC5031	I-3
IC5014	B-2	IC5020	A-3	IC5026	B-3	IC5032	J-2
IC5015	D-3	IC5021	C-6	IC5027	A-6	IC5033	K-5
IC5016	D-1	IC5022	C-6	IC5028	E-4	IC5034	D-3
IC5017	D-7	IC5023	C-6	IC5029	D-4	IC5035	E-3
IC5018	D-7	IC5024	C-5	IC5030	A-3	IC5036	F-3
IC5019	D-7	IC5025	A-3	IC5031	I-3	IC5037	H-1
IC5020	A-3	IC5026	B-3	IC5032	J-2	IC5038	H-1
IC5021	C-6	IC5027	A-6	IC5033	K-5	IC5039	J-4
IC5022	C-6	IC5028	E-4	IC5034	D-3		
IC5023	C-6	IC5029	D-4	IC5035	E-3		
IC5024	C-5	IC5030	A-3	IC5036	F-3		
IC5025	A-3	IC5031	I-3	IC5037	H-1		
IC5026	B-3	IC5032	J-2	IC5038	H-1		
IC5027	A-6	IC5033	K-5	IC5039	J-4		
IC5028	E-4						
IC5029	D-4						
IC5030	A-3						
IC5031	I-3						
IC5032	J-2						
IC5033	K-5						
IC5034	D-3						
IC5035	E-3						
IC5036	F-3						
IC5037	H-1						
IC5038	H-1						
IC5039	J-4						



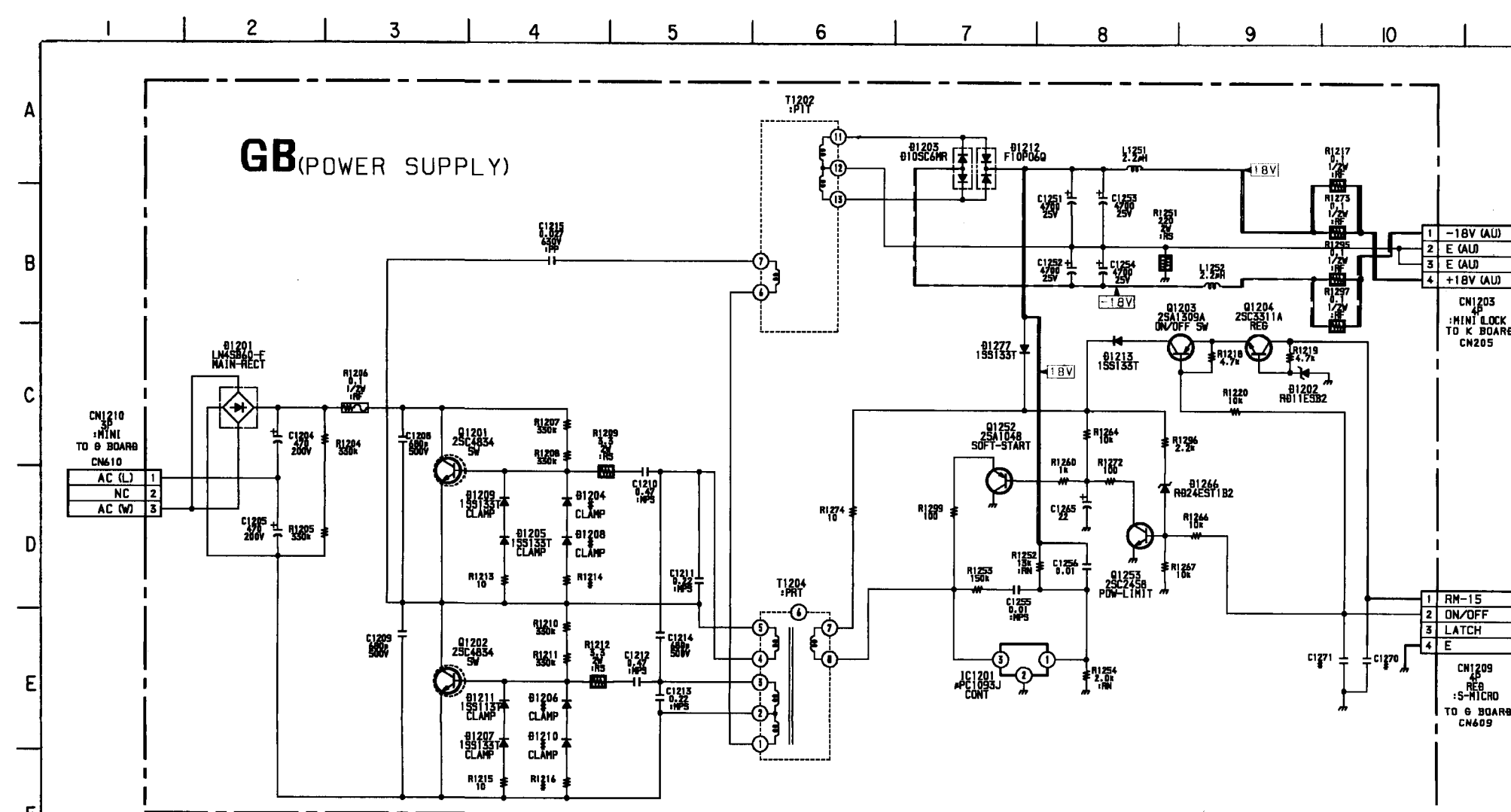
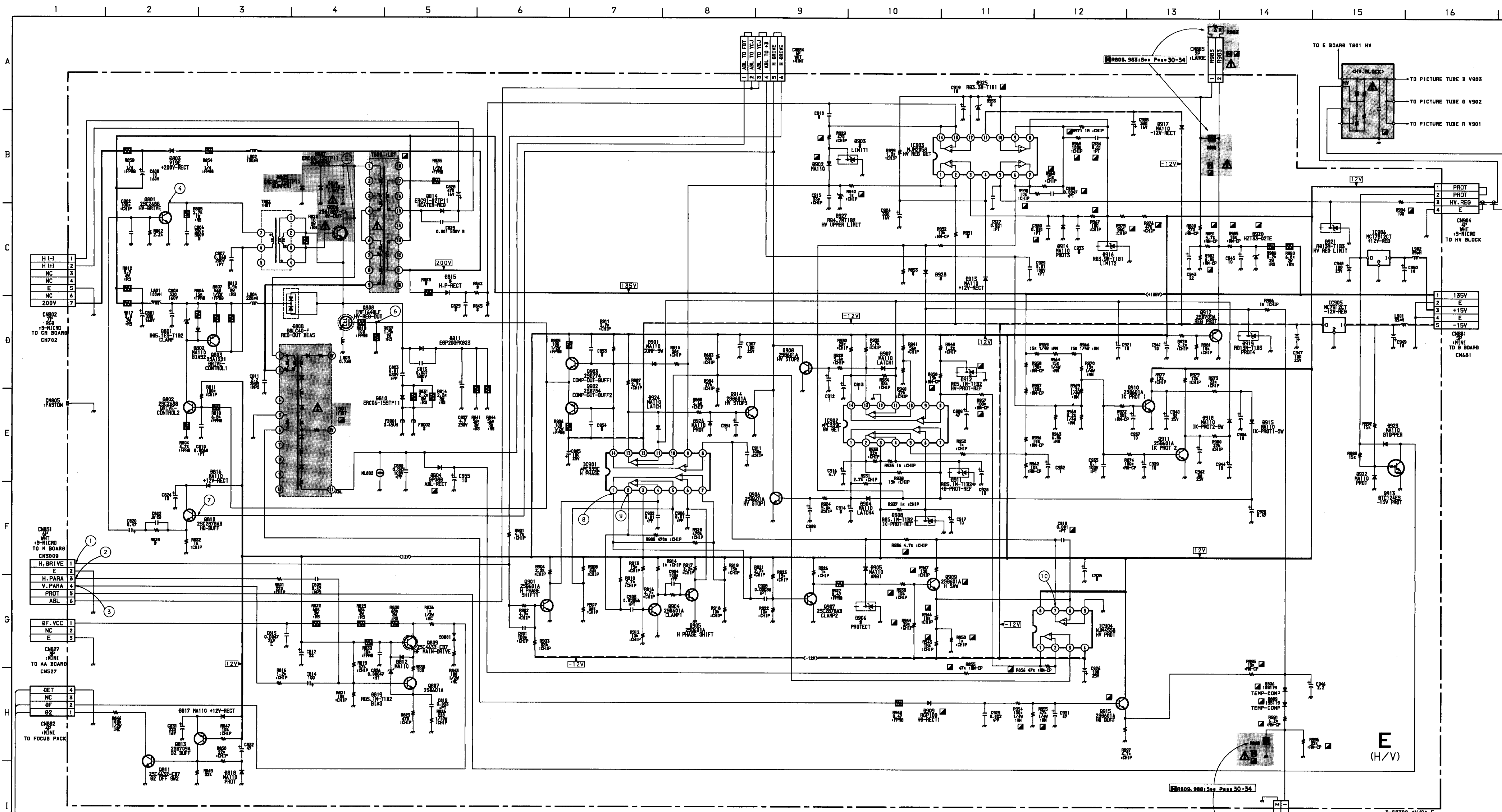
X MPX, PICTURE IN PICTURE, OSD MIXER.



Note: Pattern of the rear side.

X (2/2) BOARD TRANSISTOR VOLTAGE LIST

Q#	Pin	Volt	Q#	Pin	Volt	Q#	Pin	Volt
Q6201	0	9.2	0			Q6201	0	9.2
Q6202	0	9.2	0			Q6202	0	9.2
Q6203	0	2.6	E			Q6203	0	2.6
Q6204	2.1	5.2	1.4			Q6204	2.1	5.2
Q6205	2.5	5.2	2.1			Q6205	2.5	5.2
Q6206	2.1	5.2	1.4			Q6206	2.1	5.2
Q6207	0	9.2	0			Q6207	0	9.2
Q6208	2.7	9.2	2.1			Q6208	2.7	9.2
Q6209	2.1	9.2	1.5			Q6209	2.1	9.2
Q6210	2.7	9.2	2.1			Q6210	2.7	9.2
Q6211	1.8	9.2	1.1			Q6211	1.8	9.2
Q6212	2.7	9.2	2.1			Q6212	2.7	9.2
Q6213	2.1	6.8	1.5			Q6213	2.1	6.8
Q6214	6.8	2.7	7.4			Q6214	6.8	2.7
Q6215	2.7	9.2	2.0			Q6215	2.7	9.2
Q6216	1.9	5.2	1.3			Q6216	1.9	5.2
Q6217	2.1	9.2	1.4			Q6217	2.1	9.2
Q6218	0.4	9.2	2.1			Q6218	0.4	9.2
Q6219	2.3	5.2	1.6			Q6219	2.3	5.2
Q6221	2.1	9.2	1.5			Q6221	2.1	9.2
Q6222	0.4	9.2	2.1			Q6222	0.4	9.2
Q6223	2.3	5.2	1.6			Q6223	2.3	5.2
Q6226	2.8	5.6	2.1			Q6226	2.8	5.6
Q6227	5.6	4.3	6.3			Q6227	5.6	4.3
Q6228	2.1	9.2	1.5			Q6228	2.1	9.2
Q6229	0.4	9.2	2.1			Q6229	0.4	9.2
Q6230	0.7	0.4	E			Q6230	0.7	0.4
Q6231	0.2	0.7	E			Q6231	0.2	0.7
Q6232	2.1	5.2	1.5			Q6232	2.1	5.2
Q6233	0.4	5.2	2.1			Q6233	0.4	5.2
Q6234	0.4	5.2	2.0			Q6234	0.4	5.2
Q6235	2.0	5.2	1.4			Q6235	2.0	5.2
Q6236	2.1	5.2	1.4			Q6236	2.1	5.2
Q6237	0.4	5.2	2.1			Q6237	0.4	5.2
Q6238	0.4	5.2	2.0			Q6238	0.4	5.2
Q6239	2.0	5.2	1.4			Q6239	2.0	5.2
Q6240	2.0	5.2	1.4			Q6240	2.0	5.2
Q6241	0.4	5.2	2.1			Q6241	0.4	5.2
Q6242	0.4	5.2	2.0			Q6242	0.4	5.2
Q6243	2.0	5.2	1.4			Q6243	2.0	5.2
Q6244	4.3	9.2	3.7			Q6244	4.3	9.2
Q6245	1.8	9.2	1.1			Q6245	1.8	9.2
Q6246	1.3	7.3	1.2			Q6246	1.3	7.3
Q6247	7.3	2.0	7.9			Q6247	7.3	2.0
Q6248	2.0	9.2	1.4			Q6248	2.0	9.2
Q6249	0.2	4.8	E			Q6249	0.2	4.8
Q6250	0.6	0.6	E			Q6250	0.6	0.6
Q6251	0.2	4.3	E			Q6251	0.2	4.3
Q6252	2.1	5.2	1.4			Q6252	2.1	5.2
Q6253	0.4	5.2	2.1			Q6253	0.4	5.2
Q6254	0.4	5.2	2.1			Q6254	0.4	5.2
Q6255	2.1	5.2	1.4			Q6255	2.1	5.2
Q6256	0.4	5.2	2.1			Q6256	0.4	5.2
Q6257	2.1	5.2	1.4			Q6257	2.1	5.2
Q6258	2.4	5.2	1.8			Q6258	2.4	5.2
Q6259	0.2	5.2	E			Q6259	0.2	5.2
Q6260	4.8	7.2	4.0			Q6260	4.8	7.2
Q6261	7.2	9.2	6.6			Q6261	7.2	9.2
Q6262	4.8	2.1	5.3			Q6262	4.8	2.1
Q6263	6.6	5.3	7.2			Q6263	6.6	5.3
Q6264	2.5	6.2	2.1			Q6264	2.5	6.2
Q6265	2.1	5.2	1.5			Q6265	2.1	5.2
Q6266	2.0	5.2	2.1			Q6266	2.0	5.2
Q6267	0.9	9.2	0.6			Q6267	0.9	9.2
Q6268	0.4	9.2	0.6			Q6268	0.4	9.2
Q6269	0.4	9.2	0.6			Q6269	0.4	9.2
Q6270	0.4	9.2	0.6			Q6270	0.4	9.2
Q6271	0.4	9.2	0.6			Q6271	0.4	9.2
Q6272	0.4	9.2	0.6			Q6272	0.4	9.2
Q6273	0.4	9.2	0.6			Q6273	0.4	9.2
Q6274	0.4	9.2	0.6			Q6274	0.4	9.2
Q6275	0.4	9.2	0.6			Q6275	0.4	9.2
Q6276	0.4	9.2	0.6			Q6276	0.4	9.2
Q6277	0.4	9.2	0.6			Q6277	0.4	9.2
Q6278	0.4	9.2	0.6			Q6278	0.4	9.2
Q6279	0.4	9.2	0.6			Q6279	0.4	9.2
Q6280	0.4	9.2	0.6			Q6280	0.4	9.2
Q6281	0.4	9.2	0.6			Q6281	0.4	9.2
Q6282	0.4	9.2	0.6			Q6282	0.4	9.2
Q6283	0.4	9.2	0.6			Q6283	0.4	9.2
Q6284	0.4	9.2	0.6			Q6284	0.4	9.2
Q6285	0.4	9.2	0.6			Q6285	0.4	9.2
Q6286	0.4	9.2	0.6			Q6286	0.4	9.2
Q6287	0.4	9.2	0.6			Q6287	0.4	9.2
Q6288	0.4	9.2	0.6			Q6288	0.4	9.2
Q6289	0.4	9.2	0.6			Q6289	0.4	9.2
Q6290	0.4	9.2	0.6			Q6290	0.4	9.2
Q6291	0.4	9.2	0.6			Q6291	0.4	9.2
Q6292	0.4	9.2	0.6			Q6292	0.4	9.2
Q6293	0.4	9.2	0.6			Q6293	0.4	9.2
Q6294	0.4	9.2	0.6			Q6294	0.4	9.2
Q6295	0.4	9.2	0.6			Q6295	0.4	9.2
Q6296	0.4	9.2	0.6			Q6296	0.4	9.2
Q6297	0.4	9.2	0.6			Q6297	0.4	9.2
Q6298	0.4	9.2	0.6			Q6298	0.4	9.2
Q6299	0.4	9.2	0.6			Q6299	0.4	9.2
Q6300	0.4	9.2	0.6			Q6300	0.4	9.2
Q6301	0.4	9.2	0.6			Q6301	0.4	9.2
Q6302	0.4	9.2	0.6			Q6302	0.4	9.2
Q6303	0.4	9.2	0.6			Q6303	0.4	9.2
Q6304	0.4	9.2	0.6			Q6304	0.4	9.2
Q6305	0.4	9.2	0.6			Q6305	0.4	9.2
Q6306	0.4	9.2	0.6			Q6306	0.4	9.2
Q6307	0.4	9.2	0.6			Q6307	0.4	9.2
Q6308	0.4	9.2	0.6			Q6308	0.4	9.2
Q6309	0.4	9.2	0.6			Q6309	0.4	9.2
Q6310	0.4	9.2	0.6			Q6310	0.4	9.2
Q6311	0.4	9.2	0.6			Q6311	0.4	9.2
Q6312	0.4	9.2	0.6			Q6312	0.4	9.2
Q6313	0.4	9.2	0.6			Q6313	0.4	9.2
Q6314	0.4	9.2	0.6			Q6314	0.4	9.2
Q6315	0.4	9.2	0.6			Q6315	0.4	9.2
Q6316	0.4	9.2	0.6			Q6316	0.4	9.2
Q6317	0.4	9.2	0.6			Q6317	0.4	9.2
Q6318	0.4	9.2	0.6			Q6318	0.4	9.2
Q6319	0.4	9.2	0.6			Q6319	0.4	9.2
Q6320	0.4	9.2	0.6			Q6320	0.4	9.2
Q6321	0.4	9.2	0.6			Q6321	0.4	9.2
Q6322	0.4	9.2	0.6			Q6322	0.4	9.2
Q6323	0.4	9.2	0.6			Q6323	0.4	9.2
Q6324	0.4	9.2	0.6			Q6324	0.4	9.2
Q6325	0.4	9.2	0.6			Q6325	0.4	9.2
Q6326	0.4	9.2	0.6			Q6326	0.4	9.2
Q6327	0.4	9.2	0.6			Q6327	0.4	9.2
Q6328	0.4	9.2	0.6			Q6328	0.4	9.2
Q6329	0.4	9.2	0.6			Q6329	0.4	9.2
Q6330	0.4	9.2	0.6			Q6330	0.4	9.2
Q6331	0.4	9.2	0.6			Q6331	0.4	9.2
Q6332	0.4	9.2	0.6			Q6332	0.4	9.2
Q6333	0.4	9.2	0.6			Q6333	0.4	9.2
Q6334	0.4	9.2	0.6			Q6334	0.4	9.2
Q6335	0.4	9.2	0.6			Q6335	0.4	9.2
Q6336	0.4	9.2	0.6			Q6336	0.4	9.2
Q6337	0.4	9.2	0.6			Q6337	0.4	9.2
Q6338	0.4	9.2	0.6			Q6338	0.4	9.2
Q6339	0.4	9.2	0.6			Q6339	0.4	9.2
Q6340	0.4	9.2	0.6			Q6340	0.4	9.2
Q6341	0.4	9.2	0.6			Q6341	0.4	9.2
Q6342	0.4	9.2	0.6			Q6342	0.4	9.2
Q6343	0.4	9.2	0.6			Q6343	0.4	9.2
Q6344	0.4	9.2	0.6			Q6344	0.4	9.2
Q6345	0.4	9.2	0.6			Q6345	0.4	9.2
Q6346	0.4	9.2	0.6			Q6346	0.4	9.2
Q6347	0.4	9.2	0.6			Q6347	0.4	9.2
Q6348	0.4	9.2	0.6			Q6348	0.4	9.2
Q6349	0.4	9.2	0.6			Q6349	0.4	9.2
Q6350	0.4	9.2	0.6			Q6350	0.4	9.2
Q6351	0.4	9.2	0.6			Q6351	0.4	9.2
Q6352	0.4	9.2	0.6			Q6352	0.4	9.2
Q6353	0.4	9.2	0.6			Q6353	0.4	9.2
Q6354	0.4	9.2	0.6			Q6354	0.4	9.2
Q6355	0.4	9.2	0.6			Q6355	0.4	9.2
Q6356	0.4	9.2	0.6			Q6356	0.4	9.2
Q6357	0.4	9.2	0.6			Q6357	0.4	9.2
Q6358	0.4	9.2	0.6			Q6358	0.4	9.2
Q6359	0.4	9.2	0.6			Q6359	0.4	9.2
Q6360	0.4	9.2	0.6			Q6360	0.4	9.2
Q6361	0.4	9.2	0.6			Q6361	0.4	9.2
Q6362	0.4	9.2	0.6			Q6362	0.4	9.2
Q6363	0.4	9.2	0.6			Q6363	0.4	9.2
Q6364	0.4	9.2	0.6			Q6364	0.4	9.2
Q6365	0.4	9.2	0.6			Q6365	0.4	9.2
Q6366	0.4	9.2	0.6			Q6366	0.4	9.2
Q6367	0.4	9.2	0.6			Q6367	0.4	9.2
Q6368	0.4	9.2	0.6			Q6368	0.4	9.2
Q6369	0.4	9.2	0.6			Q6369	0.4	9.2
Q6370	0.4	9.2	0.6			Q6370	0.4	9.2
Q6371	0.4	9.2	0.6			Q6371	0.4	9.2
Q6372	0.4							



GB BOARD TRANSISTOR VOLTAGE LIST

Q	B	C	E
Q1201	137.2	270.2	138.0
Q1202	-1.7	138.0	0
Q1203	9.7	10.4	10.4
Q1204	11.0	13.8	10.4
Q1205	18.6	E	18.0
Q1206	0.2	18.6	E

ALL VOLTAGES ARE IN V

GB BOARD IC VOLTAGE LIST

IC	V _{CC}	V _E
IC1201	1	2.6
	2	E
	3	16.2

ALL VOLTAGES ARE IN V

NOTE:
The circuit indicated as left contains high voltage of over 600 Vp-p. Care must be paid to prevent an electric shock in inspection or repairing.

E BOARD IC VOLTAGE LIST

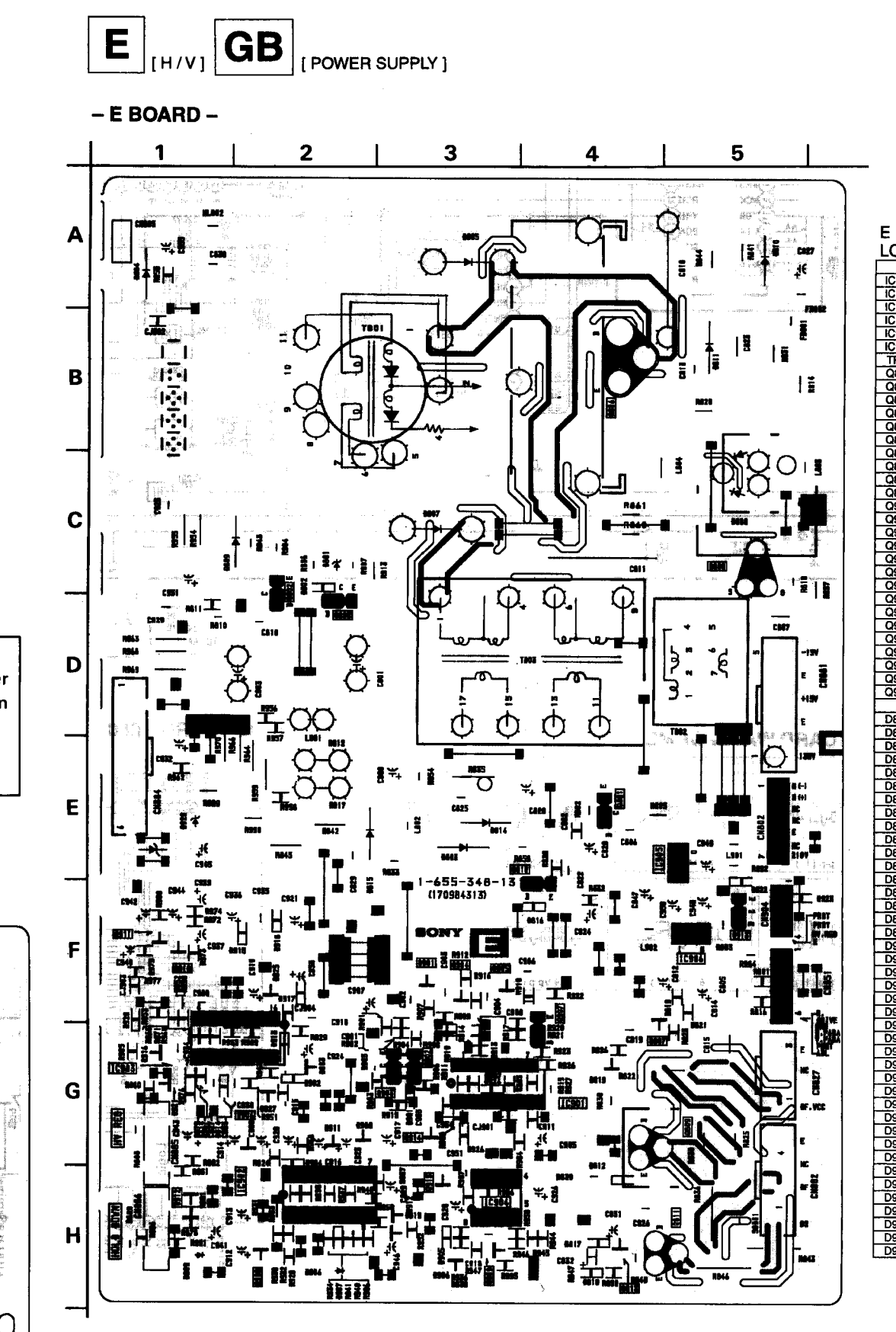
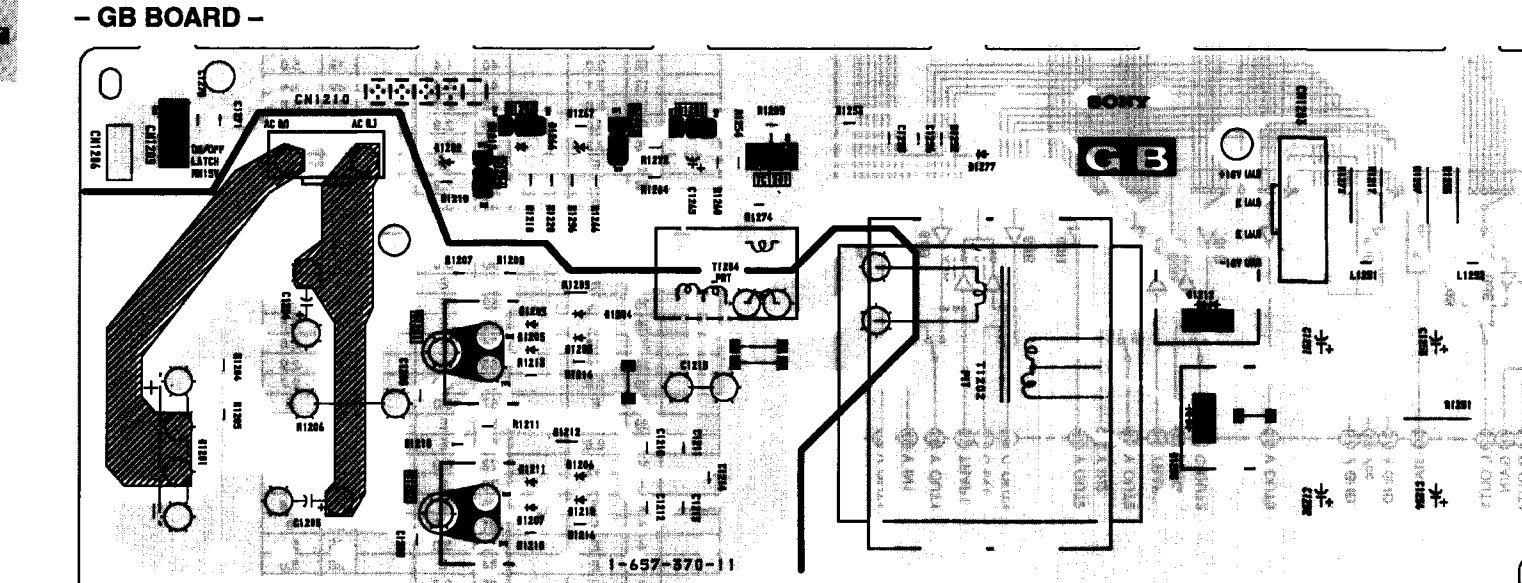
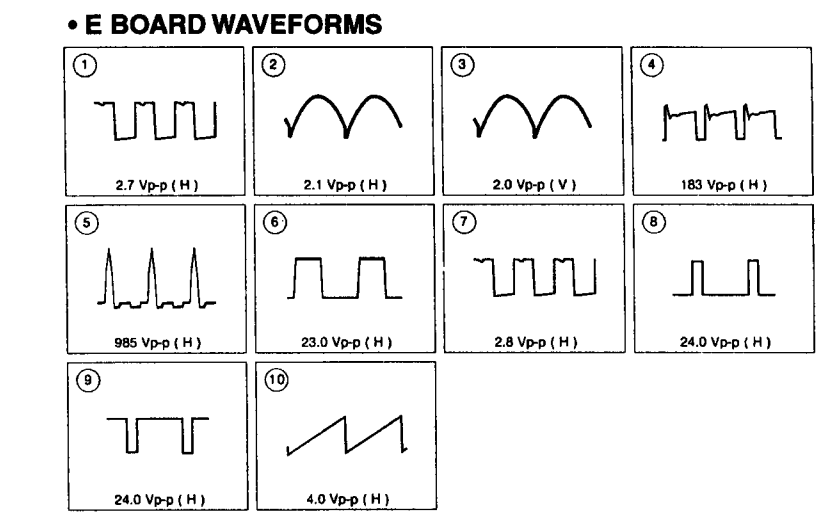
IC	Pin	V _{CC}	V _E
IC901	1	4.3	2.0
	2	6.7	2.0
	3	12.5	3.0
	4	3.9	4.1
	5	7.8	5.7
	6	7.5	6.7
	7	4.8	7.7
	8	2.8	6.0
	9	2.6	9.7
	10	4.1	10.7
	11	0.2	11.4
	12	12.2	12.3
	13	12.0	13.6
	14	1.0	14.3
IC902	1	0.2	1.0
	2	0.2	2.1
	3	12.5	3.1
	4	5.3	4.1
	5	4.9	5.1
	6	5.3	6.2
	7	0.2	7.2
	8	5.2	8.1
	9	5.0	15.6
	10	0.0	0.0
	11	0.2	11.2
	12	0.0	15.3
	13	0.2	0.0
	14	0.2	12.5

ALL VOLTAGES ARE IN V
Pin numbers which are not described are not used.

E BOARD TRANSISTOR VOLTAGE LIST

Q	B	C	E
Q801	-0.3	107.5	E
Q802	1.7	135.0	1.6
Q803	18.0	107.8	158.6
Q804	53.3	138.3	83.3
Q807	2.1	6.3	1.6
Q809	6.1	265.0	5.6
Q810	2.8	11.8	2.2
Q811	0	678.0	E
Q813	18.5	0	12.3
Q801	0.5	3.9	E
Q802	1.0	-11.8	1.0
Q803	1.1	15.0	1.0
Q804	0.6	0.6	E
Q805	0.2	7.5	E
Q806	0.2	2.8	E
Q807	0.6	0.7	E
Q808	0.2	2.7	E
Q809	-2.1	2.2	0.2
Q810	0.7	0.2	E
Q811	0.7	0.2	E
Q812	10.2	E	10.7
Q813	-0.5	4.5	E
Q814	-0.8	2.8	E
Q815	8.9	12.5	8.3
Q808	G	D	S
Q808	1.0	53.3	0.2

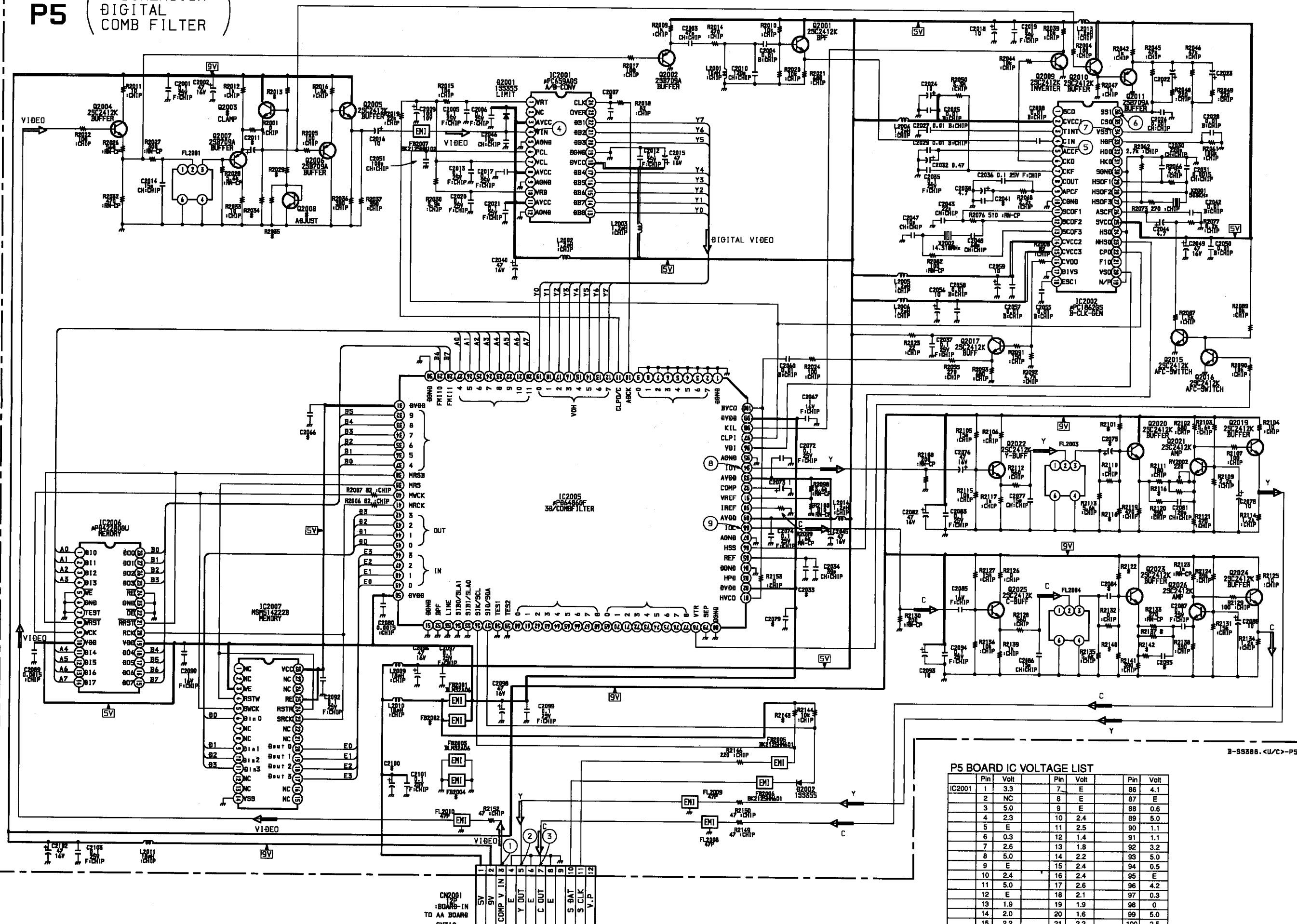
ALL VOLTAGES ARE IN V



E BOARD LOCATION

Q801	C-2
Q802	C-1
Q803	H-3
Q804	H-3
Q805	F-5
Q806	F-4
Q807	E-4
Q808	C-2
Q809	H-4
Q810	C-3
Q811	H-4
Q812	F-3
Q813	C-3
Q814	C-3
Q815	C-3
Q816	H-3
Q817	C-2
Q818	H-4
Q819	E-3
Q820	H-4
Q821	H-4
Q822	H-4
Q823	H-4
Q824	H-4
Q825	H-4
Q826	H-4
Q827	H-4
Q828	H-4
Q829	H-4
Q830	H-4
Q831	H-4
Q832	H-4
Q833	H-4
Q834	H-4
Q835	H-4
Q836	H-4
Q837	H-4
Q838	H-4
Q839	H-4
Q840	H-4
Q841	H-4
Q842	H-4
Q843	H-4
Q844	H-4
Q845	H-4
Q846	H-4
Q847	H-4
Q848	H-4
Q849	H-4
Q850	H-4
Q851	H-4
Q852	H-4
Q853	H-4
Q854	H-4
Q855	H-4
Q856	H-4
Q857	H-4
Q858	H-4
Q859	H-4
Q860	H-4
Q861	H-4
Q862	H-4
Q863	H-4
Q864	H-4
Q865	H-4
Q866	H-4
Q867	H-4
Q868	H-4
Q869	H-4
Q870	H-4
Q871	H-4
Q872	H-4
Q873	H-4
Q874	H-4
Q875	H-4
Q876	H-4
Q877	H-4
Q878	H-4
Q879	H-4
Q880	H-4
Q881	H-4
Q882	H-4
Q883	H-4
Q884	H-4
Q885	H-4
Q886	H-4
Q887	H-4
Q888	H-4
Q889	H-4
Q890	H-4
Q891	H-4
Q892	H-4
Q893	H-4
Q894	H-4
Q895	H-4
Q896	H-4
Q897	H-4
Q898	H-4
Q899	H-4
Q900	H-4

P5 (3 DIMENSION DIGITAL COMB FILTER)



P5 BOARD TRANSISTOR VOLTAGE LIST

Q2001	B	C	E
Q2001	2.5	5.0	1.8
Q2002	1.3	4.1	1.9
Q2004	3.3	5.0	2.7
Q2005	2.5	5.0	1.9
Q2006	1.8	0.2	2.5
Q2007	1.2	0.2	1.9
Q2009	0.8	0	0
Q2010	1.9	5.0	1.2
Q2011	1.2	0.2	1.9
Q2015	0.8	0	0
Q2016	0	0.8	0
Q2017	3.0	4.9	2.2
Q2019	6.4	9.0	5.8
Q2020	2.7	9.0	2.8
Q2021	2.6	6.4	2.0
Q2022	3.6	9.1	2.9
Q2023	2.6	9.0	2.0
Q2024	4.9	9.0	4.3
Q2025	3.6	2.9	2.9
Q2026	2.3	5.0	1.7

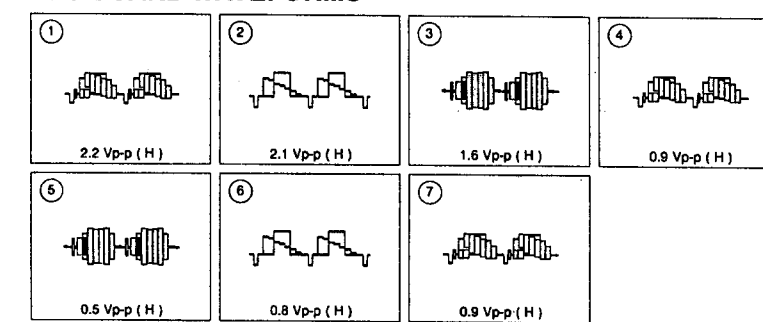
ALL VOLTAGES ARE IN V

P5 BOARD IC VOLTAGE LIST

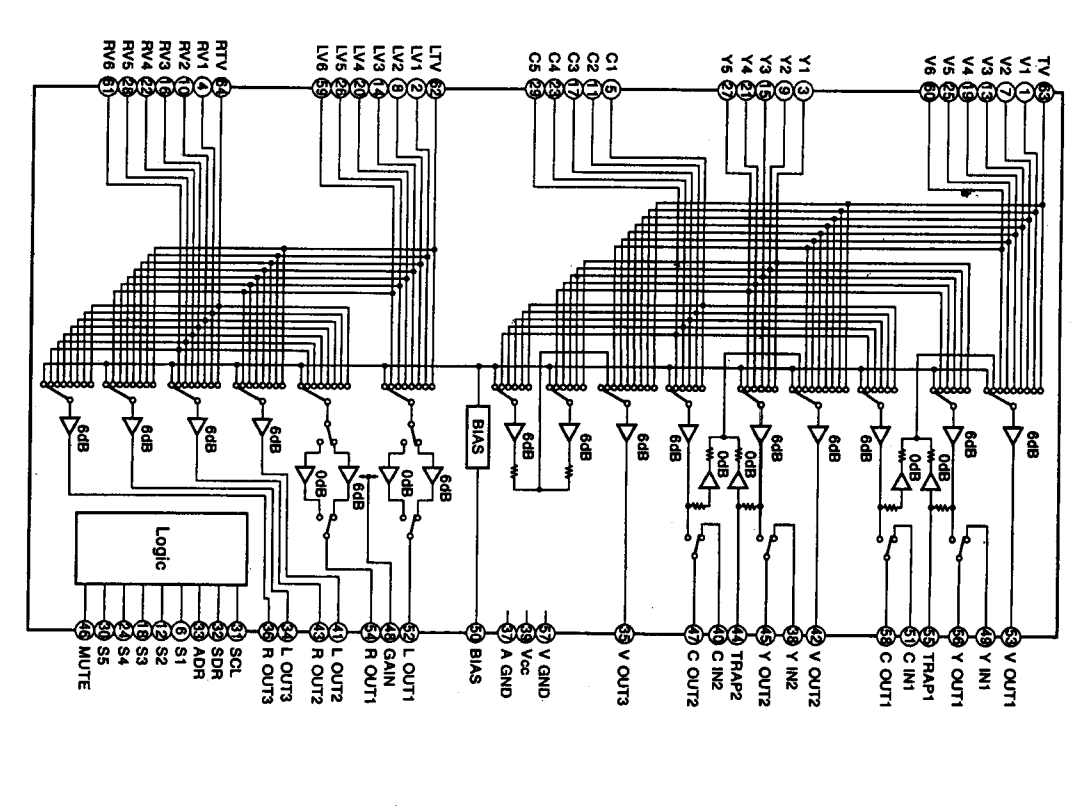
IC2001	Pin	Volt	Pin	Volt	Pin	Volt
IC2001	2	NC	8	E	87	E
	3	5.0	9	E	88	0.6
	4	2.3	10	2.4	89	5.0
	5	E	11	2.5	90	1.1
	6	0.3	12	1.4	91	1.1
	7	2.2	13	1.8	92	3.0
	8	5.0	14	2.2	93	5.0
	9	E	15	2.4	94	0.5
	10	2.4	16	2.4	95	E
	11	5.0	17	2.6	96	4.2
	12	E	18	2.1	97	0.3
	13	1.9	19	1.9	98	0
	14	2.0	20	1.6	99	5.0
	15	2.2	21	2.2	100	2.3
	16	2.4	22	2.2	IC2006	1
	17	2.4	23	2.9	2	2.5
	18	5.0	24	2.5	3	2.8
	19	E	25	2.6	4	2.6
	20	2.2	26	2.5	5	E
	21	1.7	27	2.6	6	E
	22	1.4	28	1.9	7	E
	23	NC	29	1.7	8	5.0
	24	2.3	30	0	9	1.4
	25	2.3	31	5.0	10	5.0
	26	2.5	32	2.4	11	2.9
	27	1.0	33	2.7	12	2.6
	28	1.0	34	2.2	13	2.2
	29	4.0	35	2.5	14	1.6
	30	2.2	36	2.3	15	1.3
	31	2.7	37	2.4	16	1.7
	32	NC	38	5.0	17	2.4
	33	1.7	39	0	18	2.8
	34	3.0	40	1.4	19	5.0
	35	3.1	41	1.4	20	1.4
	36	5.0	42	2.7	21	5.0
	37	5.0	43	2.9	22	E
	38	3.2	44	2.6	23	E
	39	1.7	45	2.5	24	E
	40	3.7	46	3.2	25	2.4
	41	E	47	3.3	26	2.4
	42	4.0	48	3.0	27	2.5
	43	0.3	49	2.6	28	2.4
	44	4.1	50	5.0	29	5.0
	45	E	51	E	30	4.1
	46	5.0	52	E	31	1.4
	47	3.3	53	0	32	5.5
	48	3.5	54	0	33	5.5
	49	2.8	55	E	34	5.5
	50	2.8	56	E	35	5.5
	51	5.0	57	5.0	36	E
	52	4.2	58	E	37	3.2
	53	2.8	59	E	38	3.2
	54	2.8	60	E	39	3.2
	55	2.8	61	E	40	3.2
	56	2.8	62	E	41	3.2
	57	2.8	63	E	42	3.2
	58	2.8	64	E	43	3.2
	59	2.8	65	E	44	3.2
	60	2.8	66	E	45	3.2
	61	2.8	67	E	46	3.2
	62	2.8	68	E	47	3.2
	63	2.8	69	E	48	3.2
	64	2.8	70	E	49	3.2
	65	2.8	71	E	50	3.2
	66	2.8	72	E	51	3.2
	67	2.8	73	E	52	3.2
	68	2.8	74	E	53	3.2
	69	2.8	75	E	54	3.2
	70	2.8	76	E	55	3.2
	71	2.8	77	E	56	3.2
	72	2.8	78	E	57	3.2
	73	2.8	79	E	58	3.2
	74	2.8	80	E	59	3.2
	75	2.8	81	E	60	3.2
	76	2.8	82	E	61	3.2
	77	2.8	83	E	62	3.2
	78	2.8	84	E	63	3.2
	79	2.8	85	E	64	3.2

ALL VOLTAGES ARE IN V
Pin numbers which are not described are not used.

P5 BOARD WAVEFORMS



U BOARD IC001 CXA1845Q



ALL VOLTAGES ARE IN V
Pin numbers which are not described are not used.

U BOARD TRANSISTOR VOLTAGE LIST

Q1001	B	C	E
Q1001	0	0.4	E
Q1002	0.8	0	E
Q1003	0	0.4	E
Q1004	0	0.5	E
Q1005	0	0.5	E
Q1006	0	0.5	E
Q1007	4.0	8.0	3.4
Q1008	4.2	8.9	3.6
Q1009	4.2	8.9	3.5
Q1010	4.1	8.9	3.4
Q1011	4.1	8.9	3.4
Q1012	4.1	8.9	3.4
Q1013	4.1	8.9	3.4
Q1014	4.1	9.2	3.4
Q1015	4.2	8.9	3.5
Q1016	4.1	8.9	3.4
Q1017	4.2	8.9	3.5
Q1030	3.4	9.3	2.7
Q1034	8.4	9.3	5.7

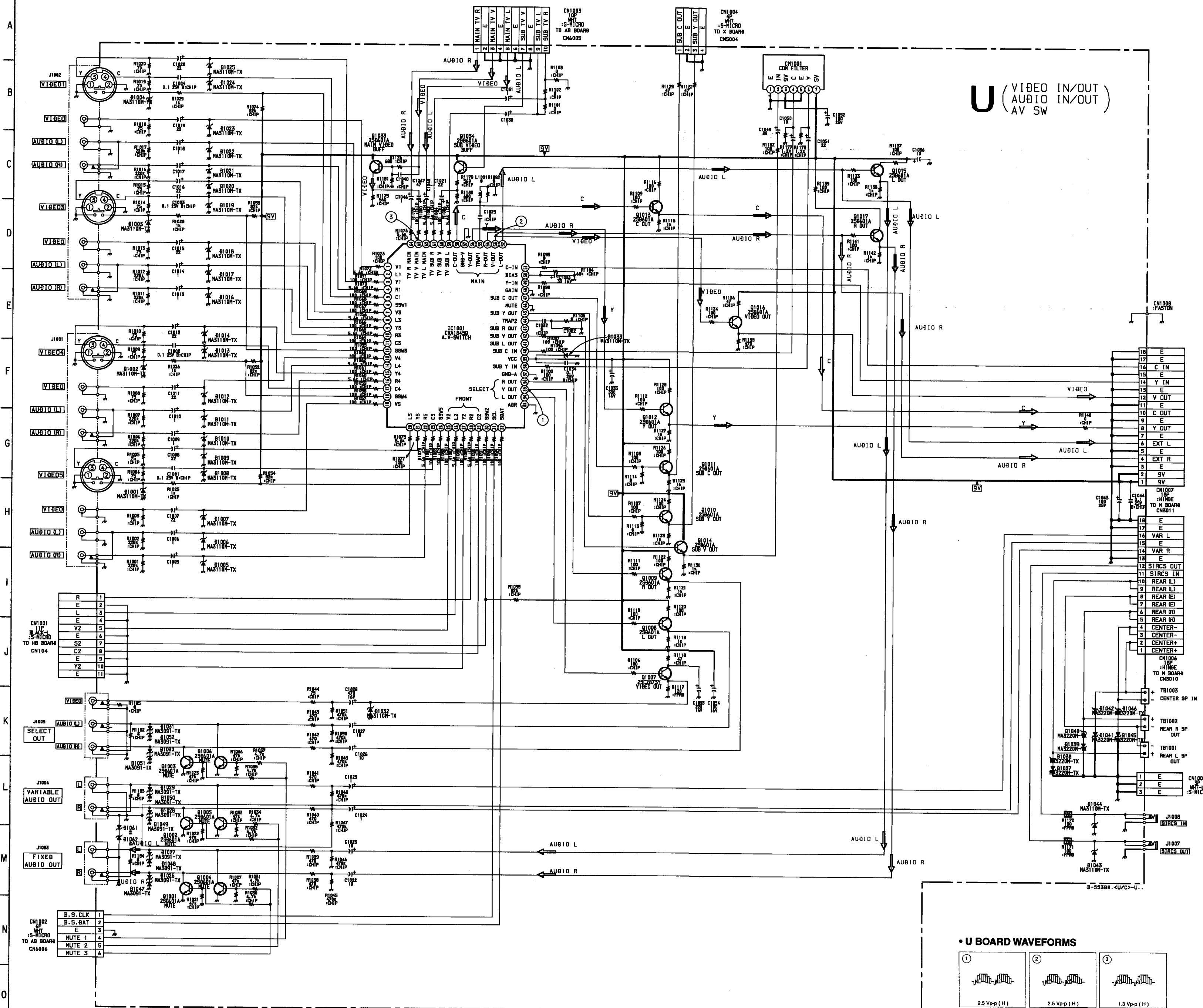
ALL VOLTAGES ARE IN V

U BOARD IC VOLTAGE LIST

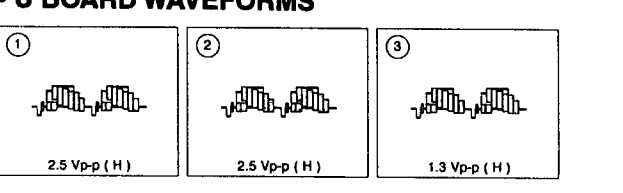
IC1001	Pin	Volt	Pin	Volt	
IC1001	1	4.2	36	4.2	
	2	4.2	37	E	
	3	4.2	38	4.1	
	4	0	39	9.3	
	5	0	40	4.1	
	6	5.2	42	4.1	
	7	0.2	44	4.1	
	8	4.2	45	4.1	
	9	4.2	46	4.1	
	10	4.2	47	4.1	
	11	4.2	48	4.1	
	12	4.1	49	4.1	
	13	4.2	50	4.2	
	14	4.2	51	4.2	
	15	4.2	52	4.2	
	16	4.2	53	4.1	
	17	4.1	54	4.2	
	18	4.2	55	4.1	
	19	4.2	56	4.1	
	20	4.2	57	E	
	21	4.2	59	4.1	
	22	4.2	59	4.2	
	23	4.2	60	4.2	
	24	4.2	61	4.2	
	25	4.1	62	4.2	
	26	4.2	64	4.2	
	27	4.1	64	4.2	
	28	4.2	CM1001	1	E
	29	4.1	2	5.5	
	30	5.2	3	9.3	
	31	5.1	4	5.4	
	32	5.1	5	E	
	33	E	6	5.4	
	34	4.2	7	9.3	
	35	4.0	8	9.3	

ALL VOLTAGES ARE IN V
Pin numbers which are not described are not used.

U (VIDEO IN/OUT AUDIO IN/OUT AV SW)



U BOARD WAVEFORMS



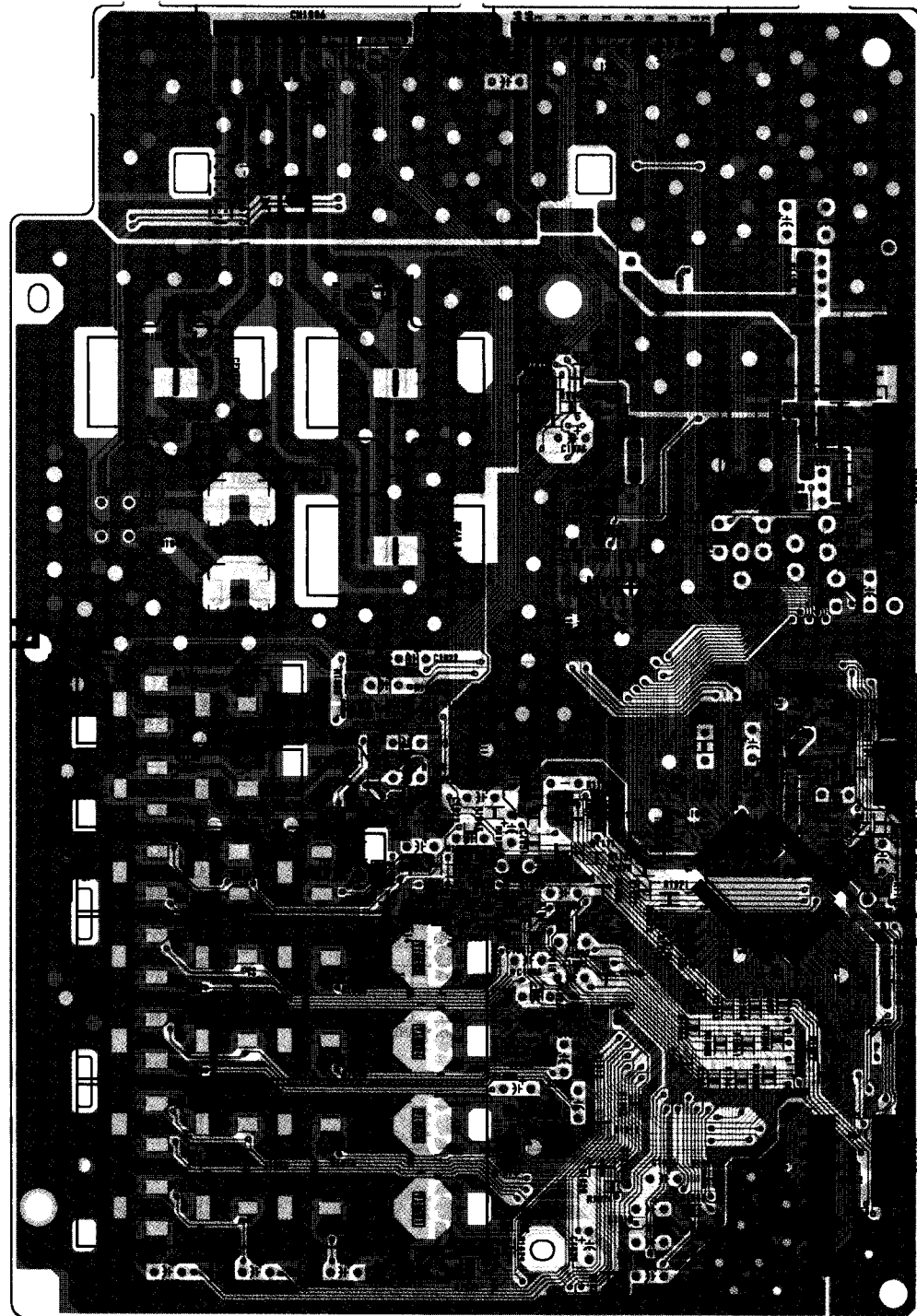
U

VIDEO IN/OUT,
AUDIO IN/OUT,
AV SW.

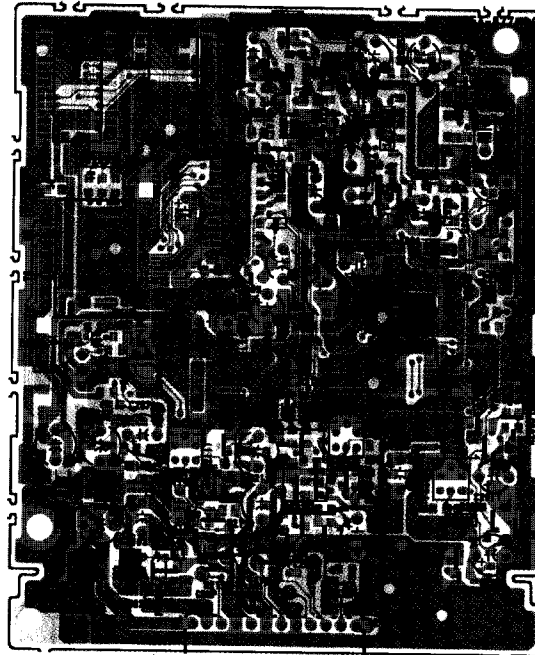
P5

3 DIMENSION,
DIGITAL COMB FILTER.

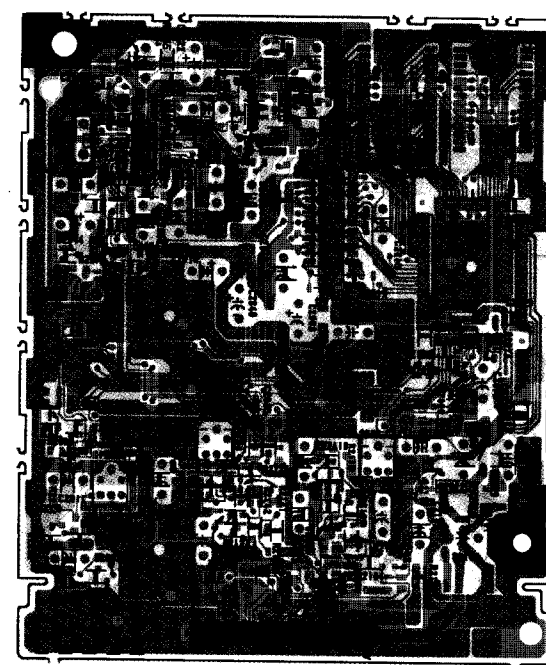
- U BOARD -



- P5 BOARD - (Component Side)



(Conductor Side)



Note :

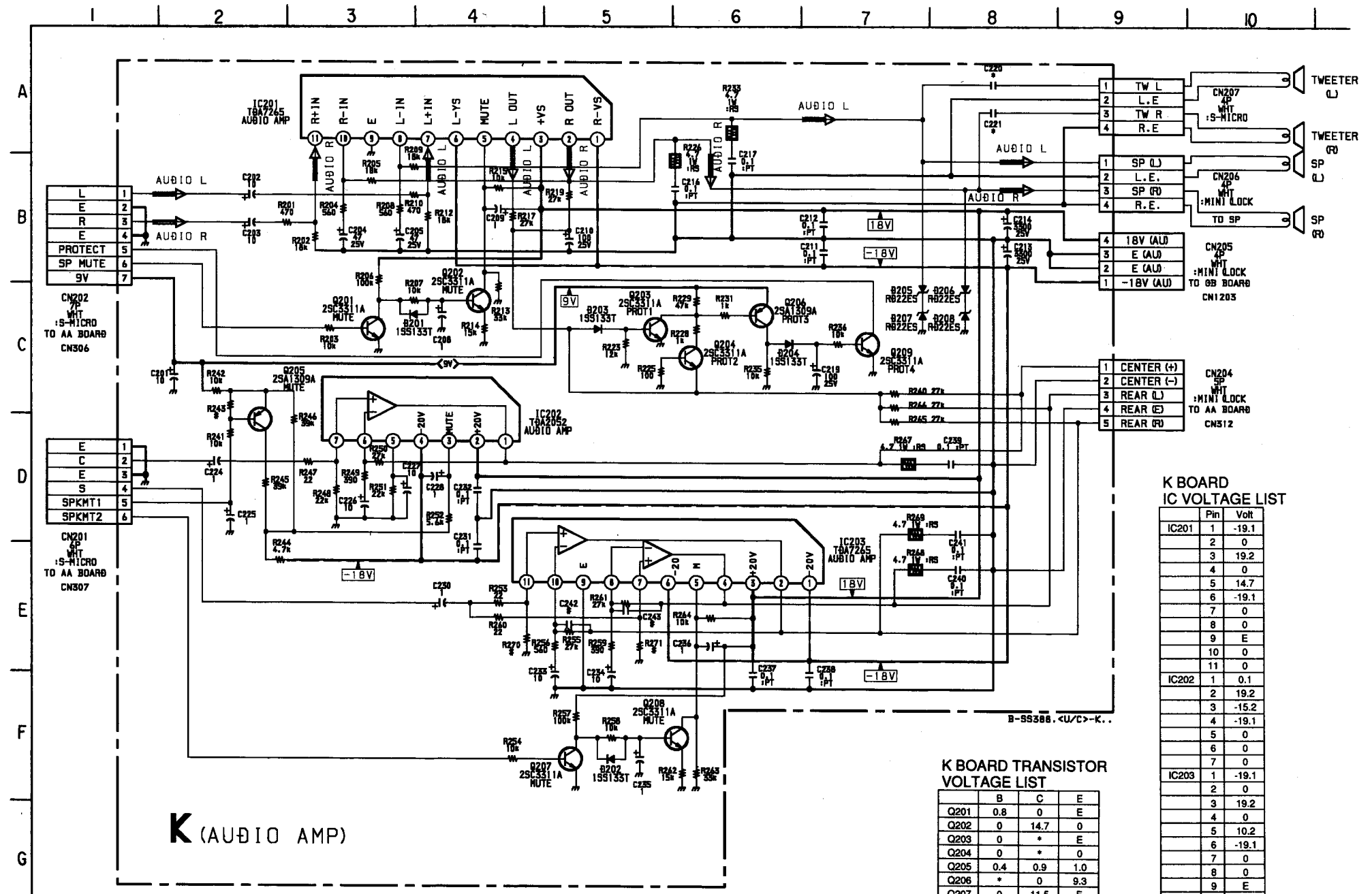
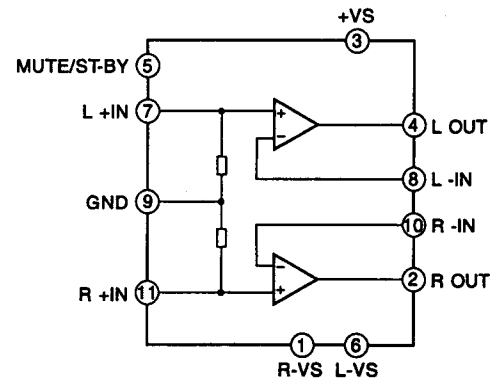
- [Pattern] : Pattern from the side which enables seeing.
- [Pattern] : Pattern of the rear side.

K BOARD BOARD TABLE OF DIFFERENCES BETWEEN MODELS

Ref	KP-53XBR45	KP-61XBR48
C220	JW (5)	-
C221	JW (5)	-

-: Not mount

K BOARD IC201 TDA7265



K BOARD IC VOLTAGE LIST

IC	Pin	Volt
IC201	1	-19.1
	2	0
	3	19.2
	4	0
	5	14.7
	6	-19.1
	7	0
	8	0
	9	E
	10	0
	11	0
IC202	1	0.1
	2	19.2
	3	-15.2
	4	-19.1
	5	0
	6	0
	7	0
IC203	1	-19.1
	2	0
	3	19.2
	4	0
	5	10.2
	6	-19.1
	7	0
8	0	
9	E	
10	0	
11	0	

ALL VOLTAGES ARE IN V

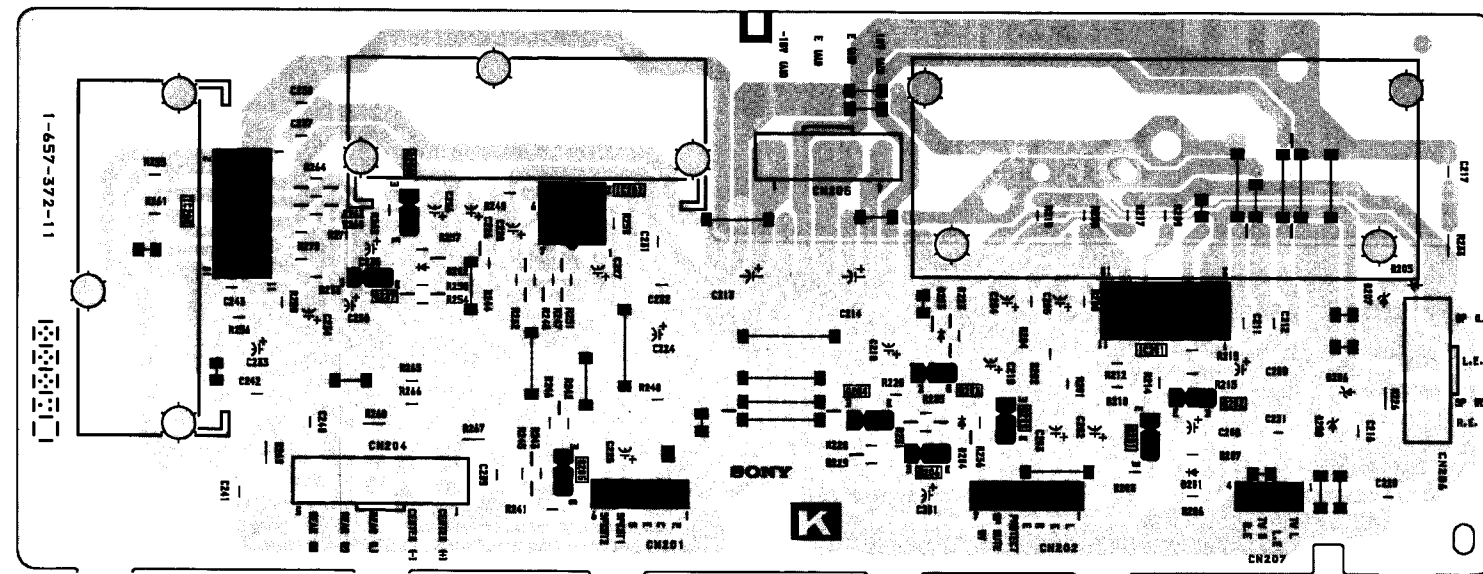
K BOARD TRANSISTOR VOLTAGE LIST

Transistor	B	C	E
Q201	0.8	0	E
Q202	0	14.7	0
Q203	0	*	E
Q204	0	*	0
Q205	0.4	0.9	1.0
Q206	*	0	9.3
Q207	0	11.5	E
Q208	10.8	10.2	10.1
Q209	*	4.3	E

ALL VOLTAGES ARE IN V

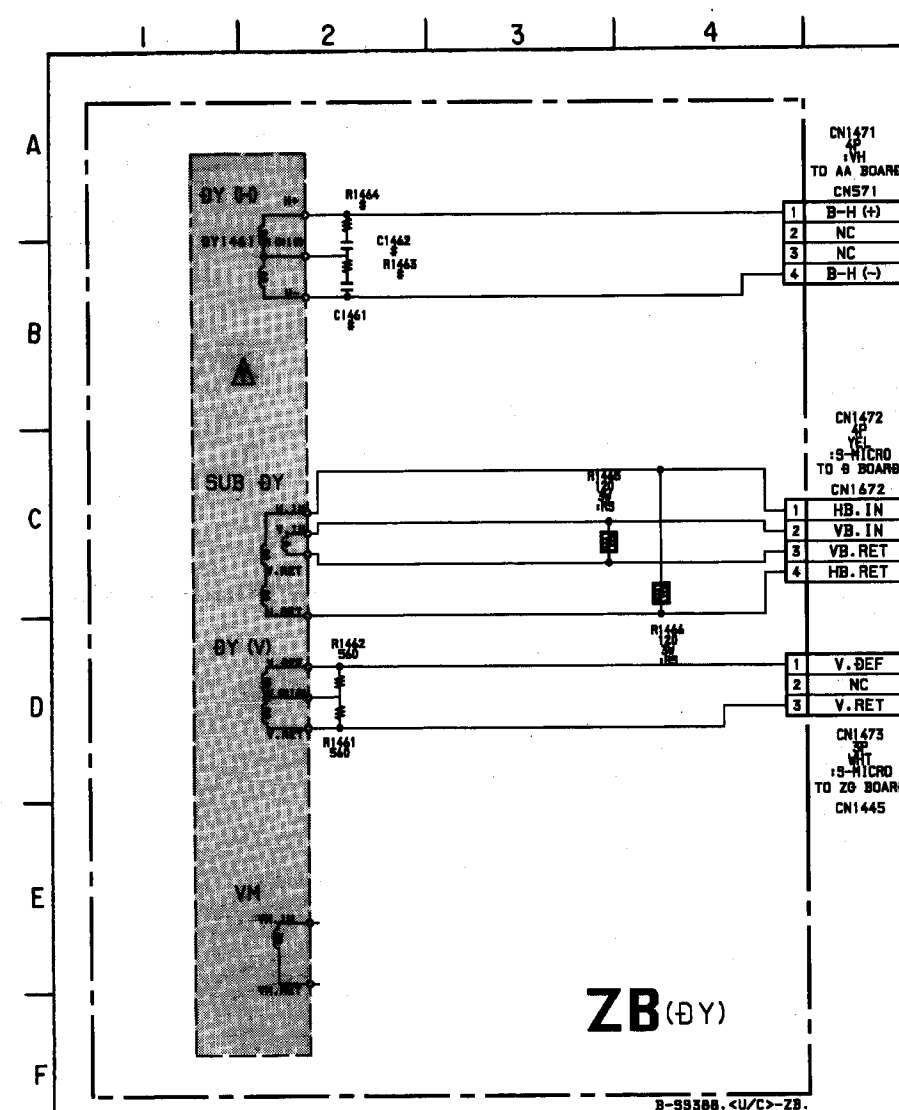
- K BOARD -

K [AUDIO AMP]



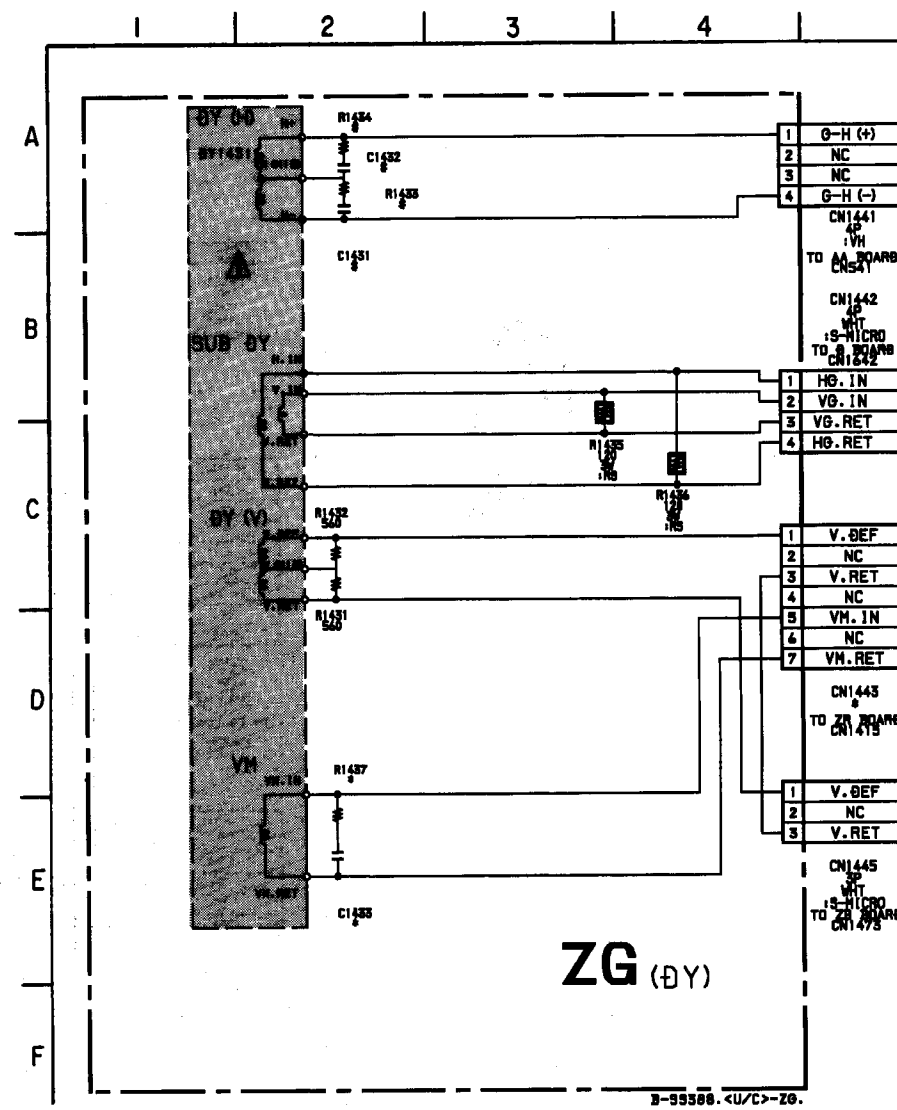
Schematic diagrams

K board



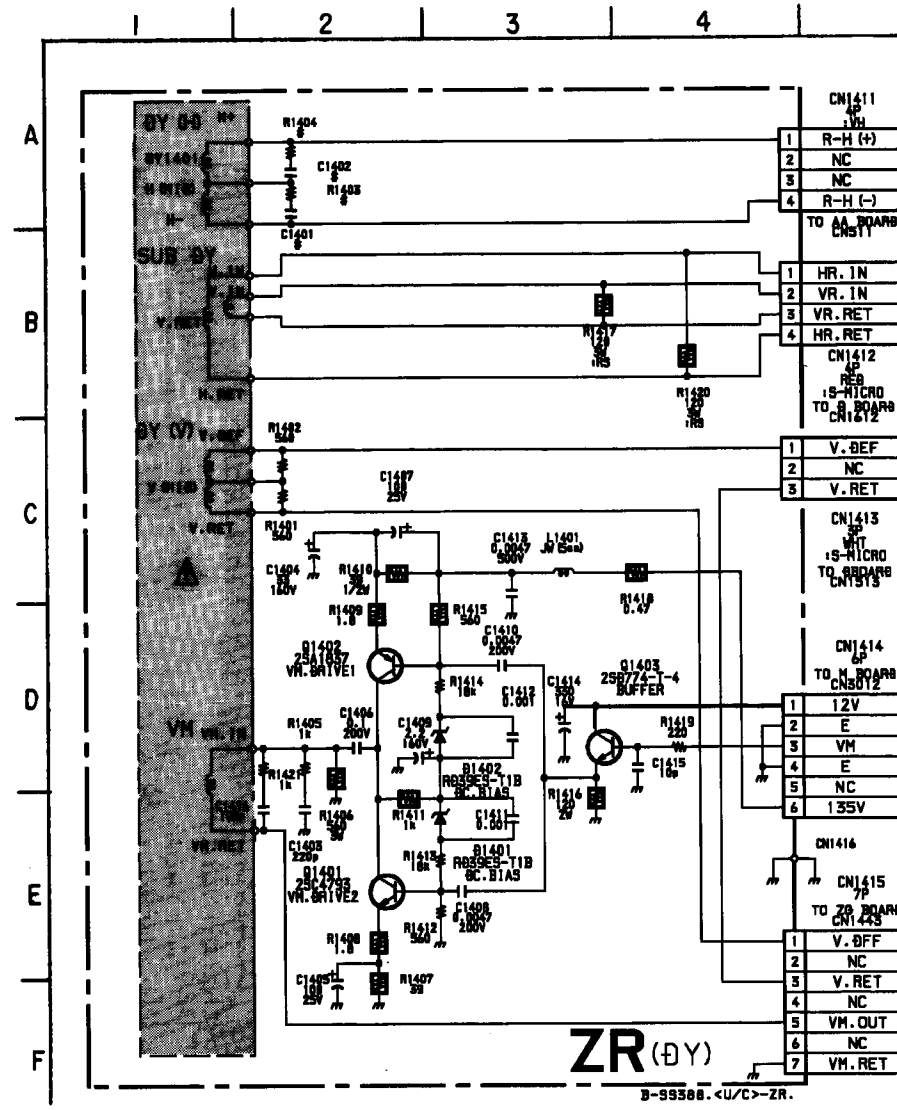
ZB (DY)

B-99588. <U/C>-ZB.



ZG (DY)

B-99588. <U/C>-ZG.



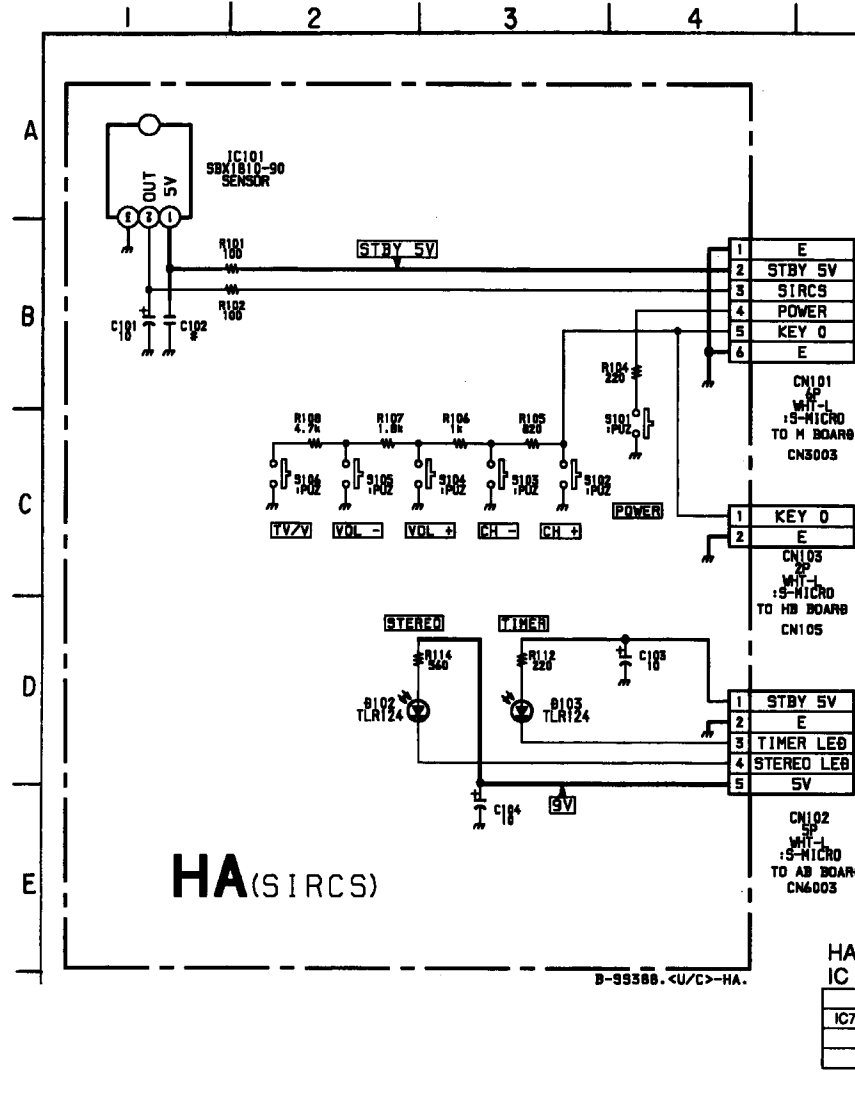
ZR BOARD TRANSISTOR VOLTAGE LIST

	B	C	E
Q1401	0	-0.5	0
Q1402	-0.9	-0.5	-1.0
Q1403	5.4	12.0	4.8

ALL VOLTAGES ARE IN V

ZR (DY)

B-99588. <U/C>-ZR.



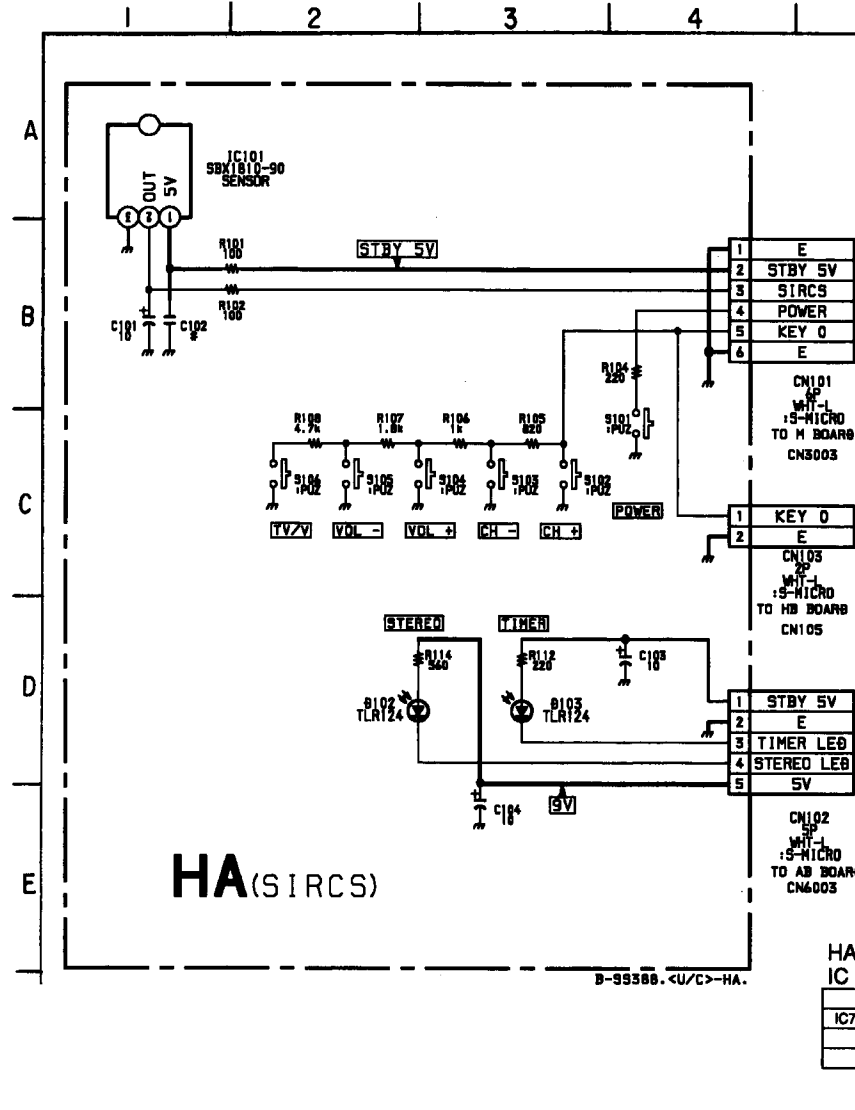
HA BOARD IC VOLTAGE LIST

Pin	Volt
IC701 1	5.0
2	5.1
3	E

ALL VOLTAGES ARE IN V

HA (SIRCS)

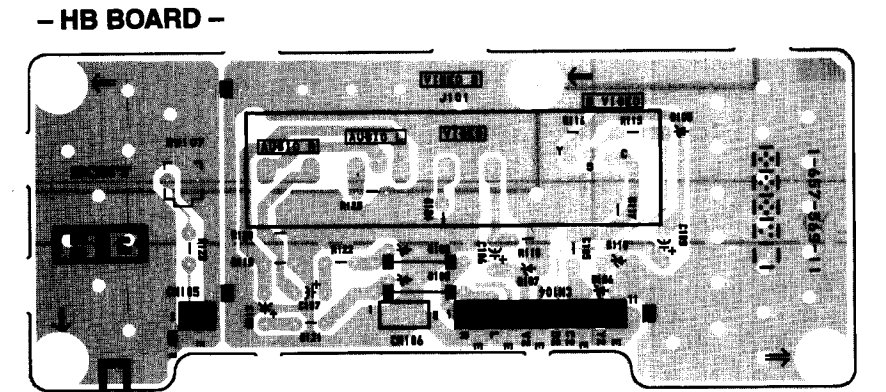
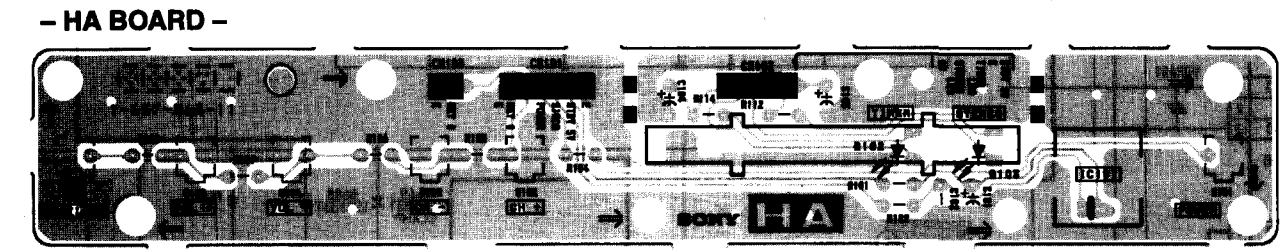
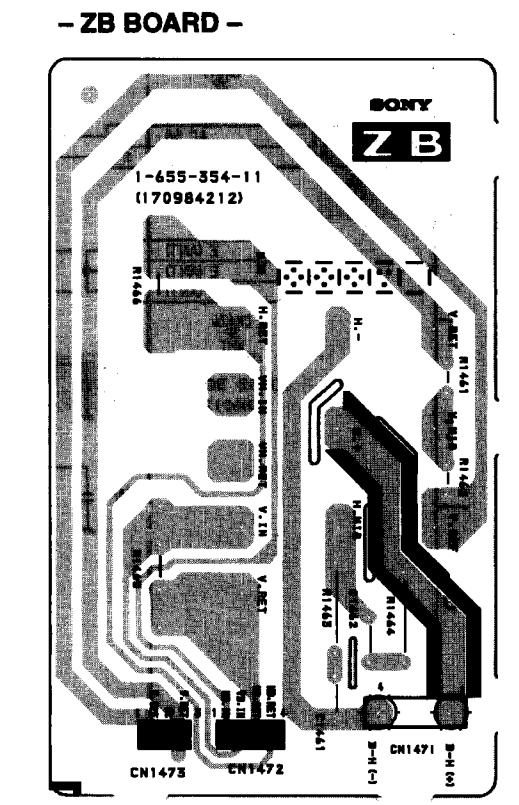
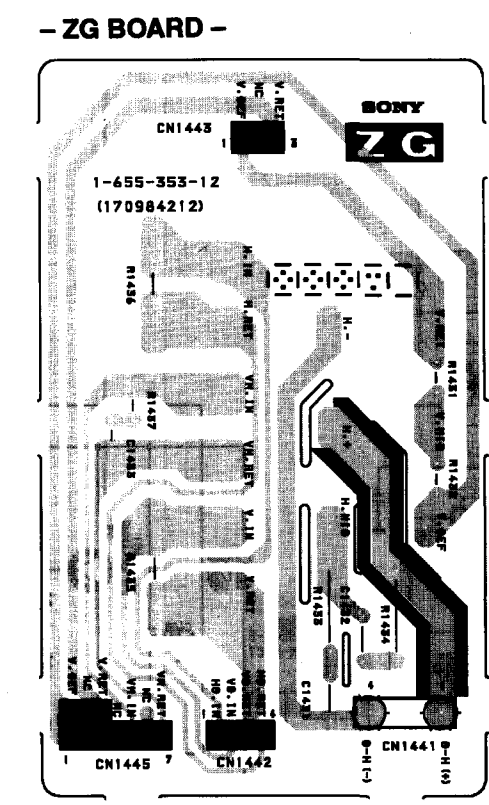
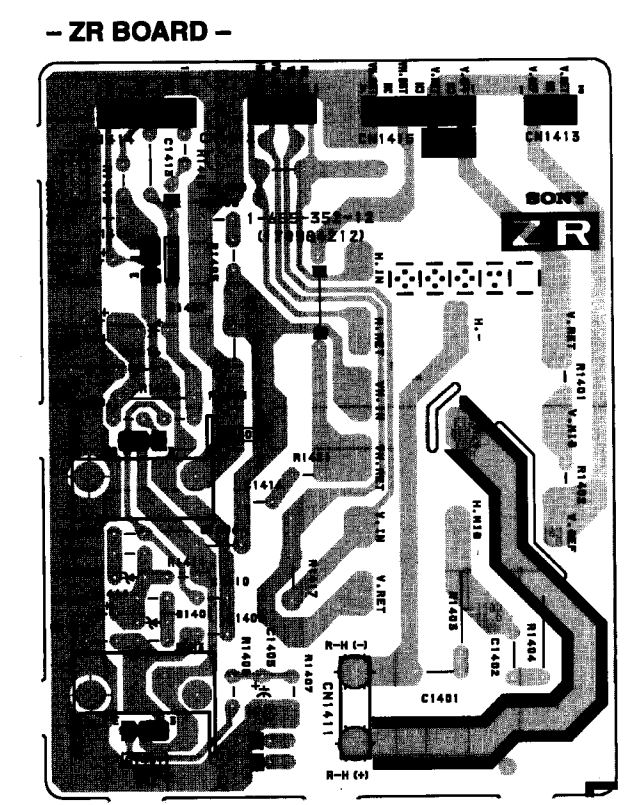
B-99588. <U/C>-HA.

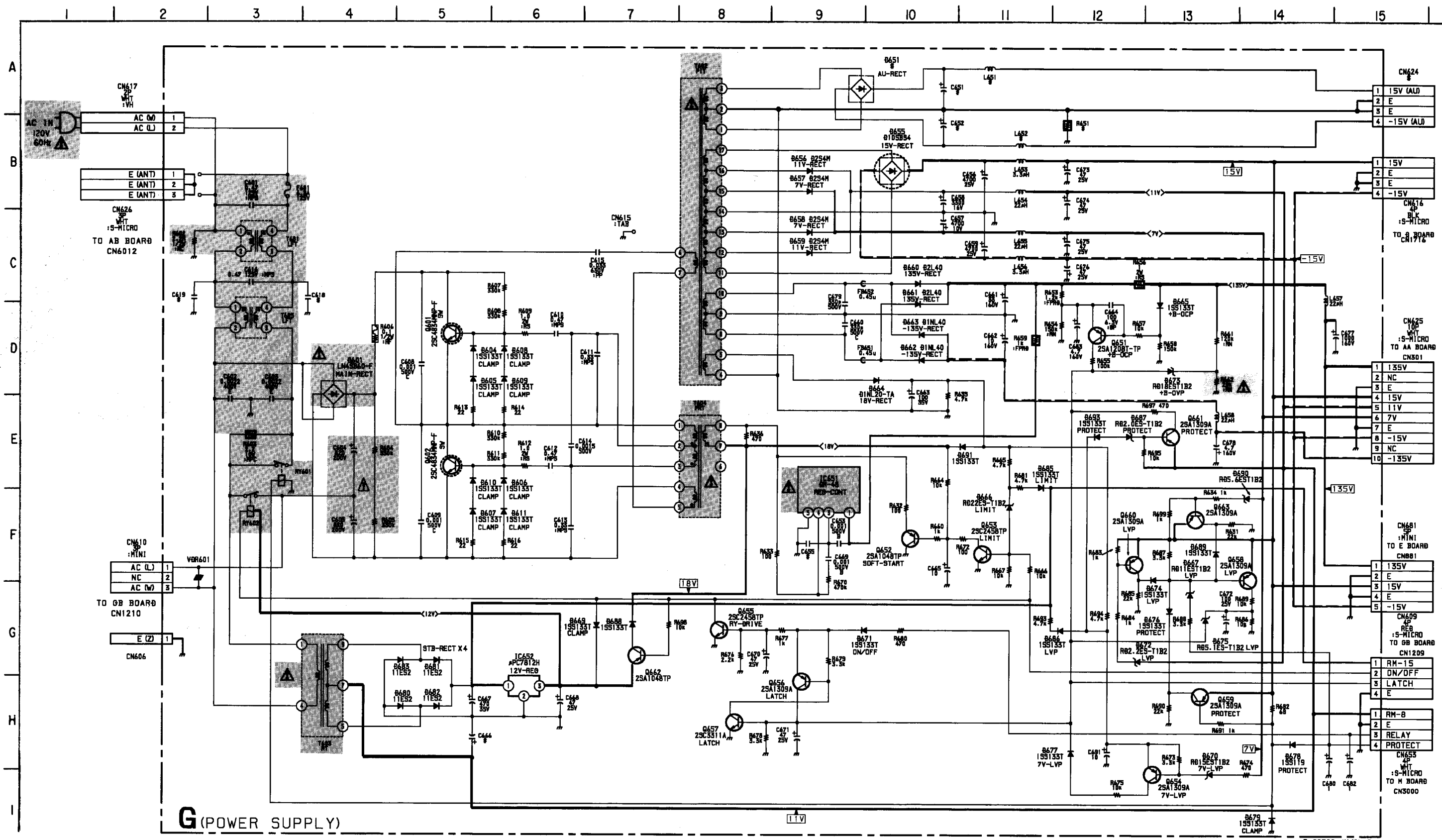


HB (VIDEO 2 IN)

B-99588. <U/C>-HB.

ZR [DY] **ZG** [DY] **ZB** [DY] **HA** [SIRCS] **HB** [VIDEO 2IN]





G BOARD TRANSISTOR VOLTAGE LIST

IC	Pin	Volt
0601	B	138.0
0601	C	262.0
0601	E	138.6
0602	1	138.6
0602	2	138.6
0602	3	138.6
0651	1	138.1
0651	2	138.2
0651	3	138.2
0652	1	17.0
0652	2	17.0
0652	3	17.0
0653	1	15.8
0653	2	15.8
0653	3	15.8
0654	1	0.9
0654	2	0.2
0654	3	0.2
0656	1	2.7
0656	2	0.2
0656	3	2.7
0657	1	0.2
0657	2	0.2
0657	3	0.2
0658	1	15.5
0658	2	15.5
0658	3	15.5
0659	1	14.7
0659	2	15.5
0659	3	15.5
0660	1	14.8
0660	2	15.5
0660	3	15.5
0661	1	11.5
0661	2	0.2
0661	3	11.5
0682	1	11.1
0682	2	11.8
0682	3	11.8
0683	1	14.8
0683	2	15.5
0683	3	15.5

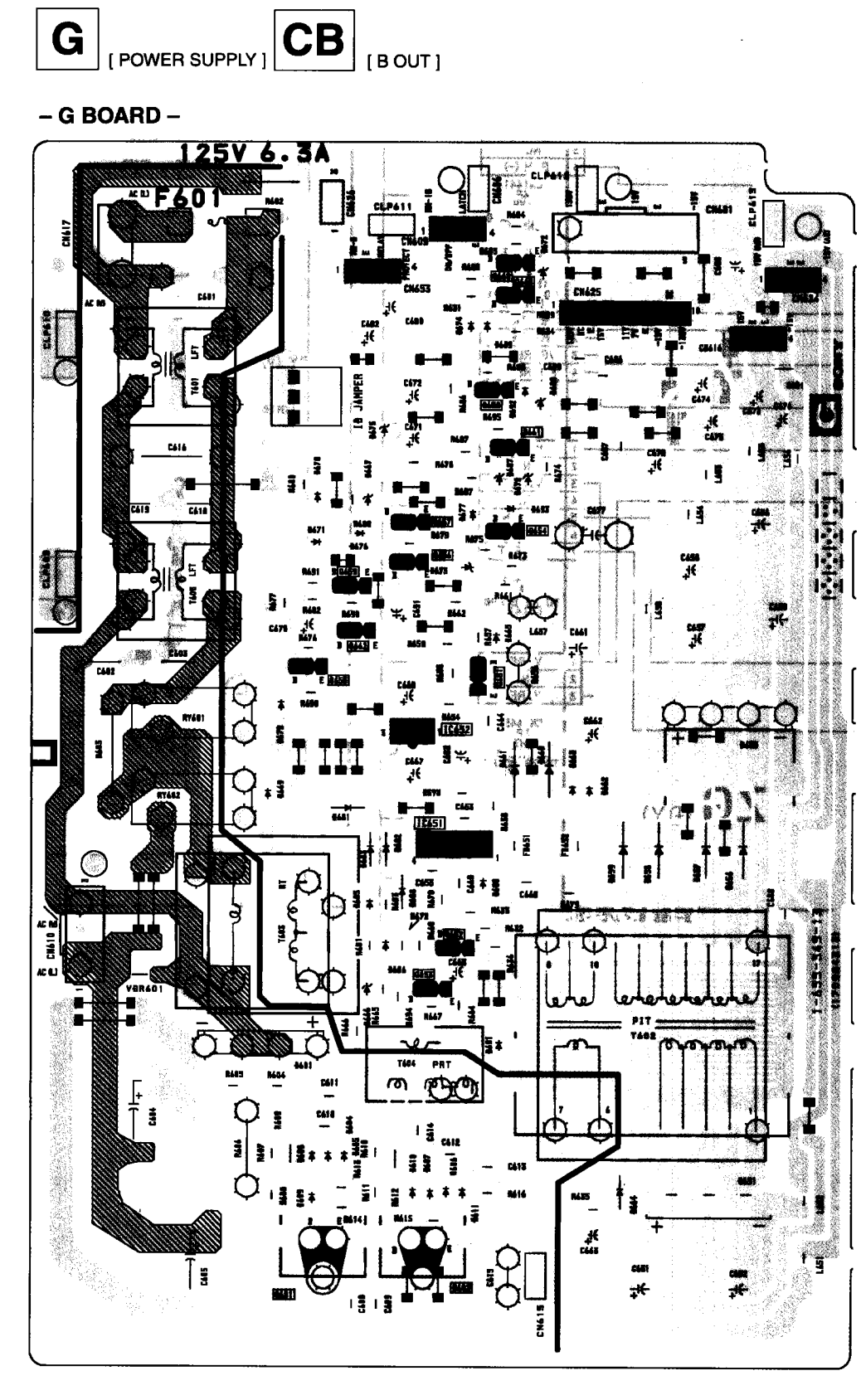
ALL VOLTAGES ARE IN V

G BOARD IC VOLTAGE LIST

IC	Pin	Volt
IC651	1	138.0
IC651	3	2.7
IC651	4	12.9
IC651	5	E
IC652	1	13.2
IC652	2	E
IC652	3	11.8

ALL VOLTAGES ARE IN V

Schematic diagrams
 HA HB ZB board
 ZG ZR



G BOARD TRANSISTOR VOLTAGE LIST

IC	Pin	Volt
0601	B	138.0
0601	C	262.0
0601	E	138.6
0602	1	138.6
0602	2	138.6
0602	3	138.6
0651	1	138.1
0651	2	138.2
0651	3	138.2
0652	1	17.0
0652	2	17.0
0652	3	17.0
0653	1	15.8
0653	2	15.8
0653	3	15.8
0654	1	0.9
0654	2	0.2
0654	3	0.2
0656	1	2.7
0656	2	0.2
0656	3	2.7
0657	1	0.2
0657	2	0.2
0657	3	0.2
0658	1	15.5
0658	2	15.5
0658	3	15.5
0659	1	14.7
0659	2	15.5
0659	3	15.5
0660	1	14.8
0660	2	15.5
0660	3	15.5
0661	1	11.5
0661	2	0.2
0661	3	11.5
0682	1	11.1
0682	2	11.8
0682	3	11.8
0683	1	14.8
0683	2	15.5
0683	3	15.5

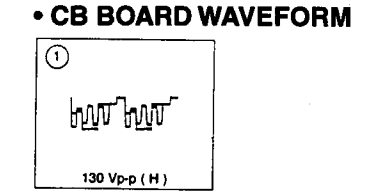
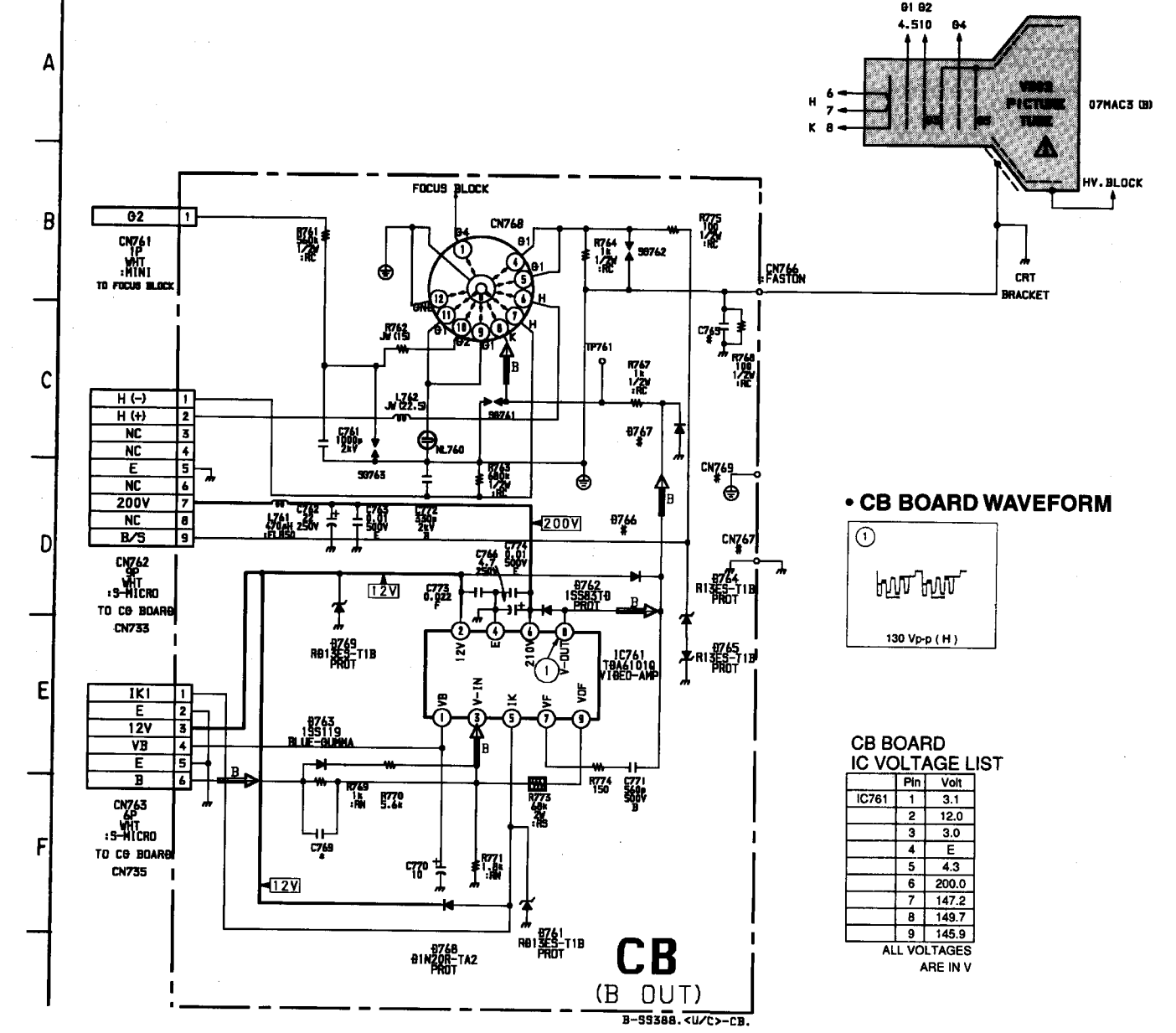
ALL VOLTAGES ARE IN V

G BOARD IC VOLTAGE LIST

IC	Pin	Volt
IC651	1	138.0
IC651	3	2.7
IC651	4	12.9
IC651	5	E
IC652	1	13.2
IC652	2	E
IC652	3	11.8

ALL VOLTAGES ARE IN V

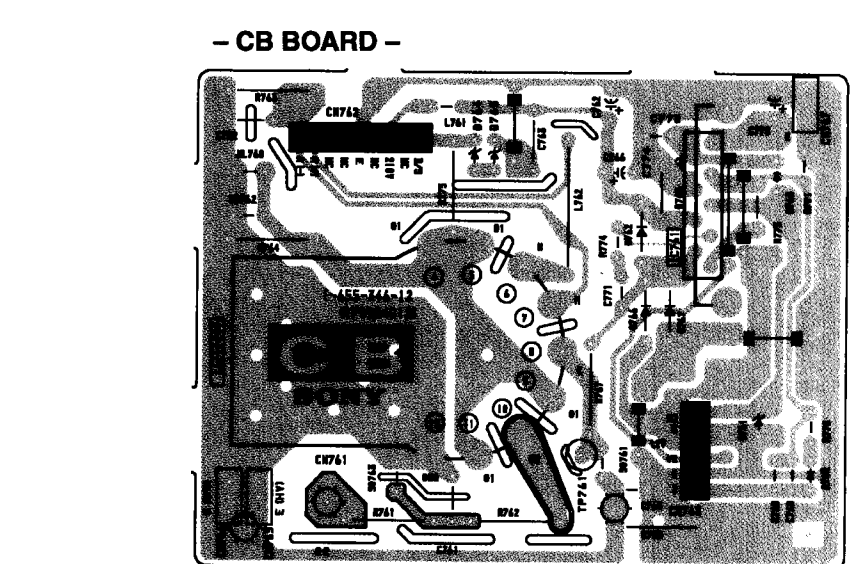
Schematic diagrams
 HA HB ZB board
 ZG ZR



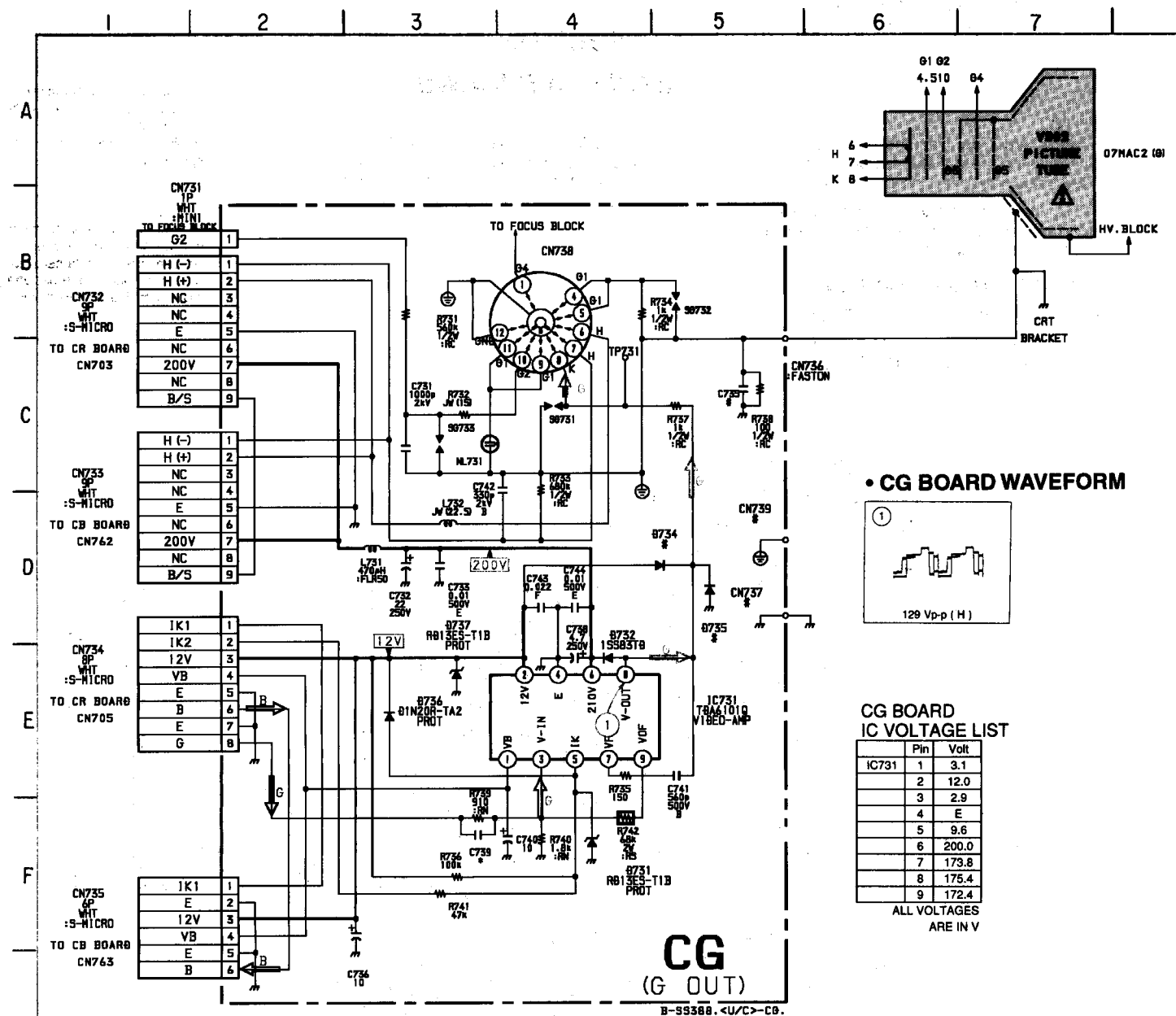
CB BOARD IC VOLTAGE LIST

IC	Pin	Volt
IC761	1	3.1
IC761	2	12.0
IC761	3	3.0
IC761	4	E
IC761	5	4.3
IC761	6	200.0
IC761	7	147.2
IC761	8	149.7
IC761	9	145.9
IC761	10	145.9

ALL VOLTAGES ARE IN V

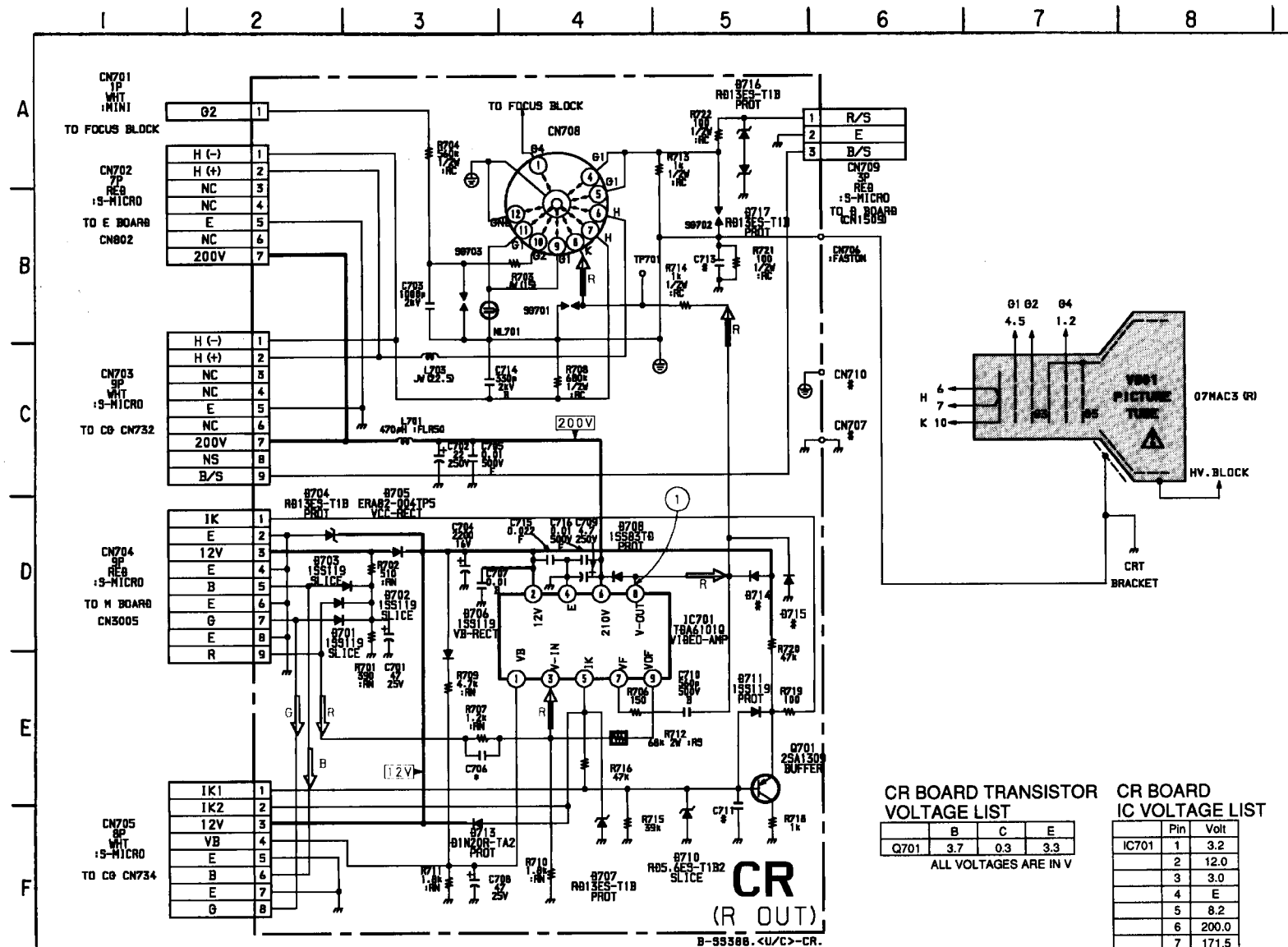
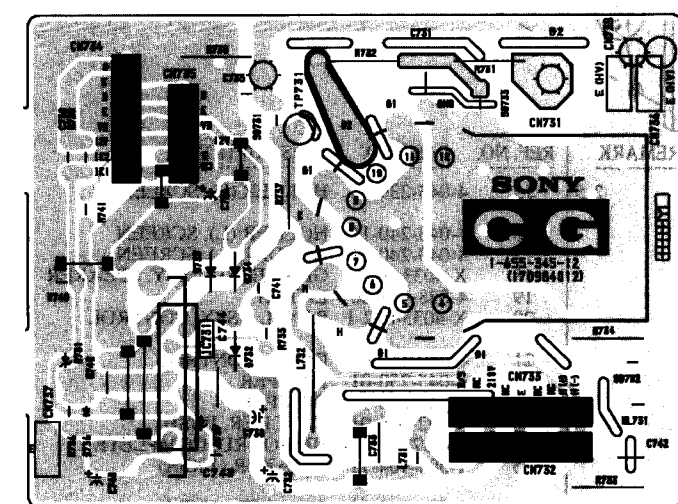


Schematic diagrams
 HA HB ZB board
 ZG ZR



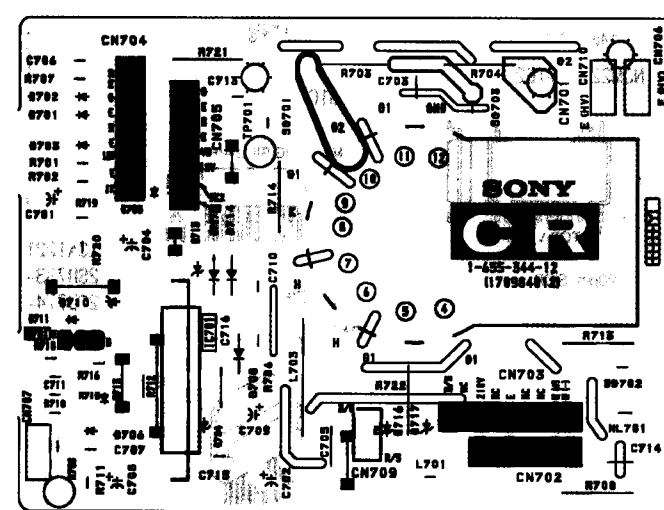
CG [G OUT]

- CG BOARD -

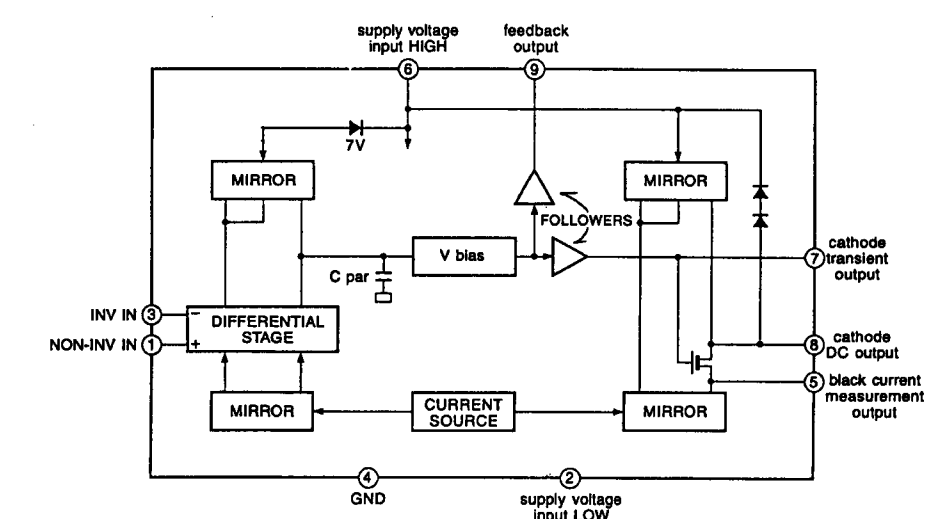


CR [R OUT]

- CR BOARD -



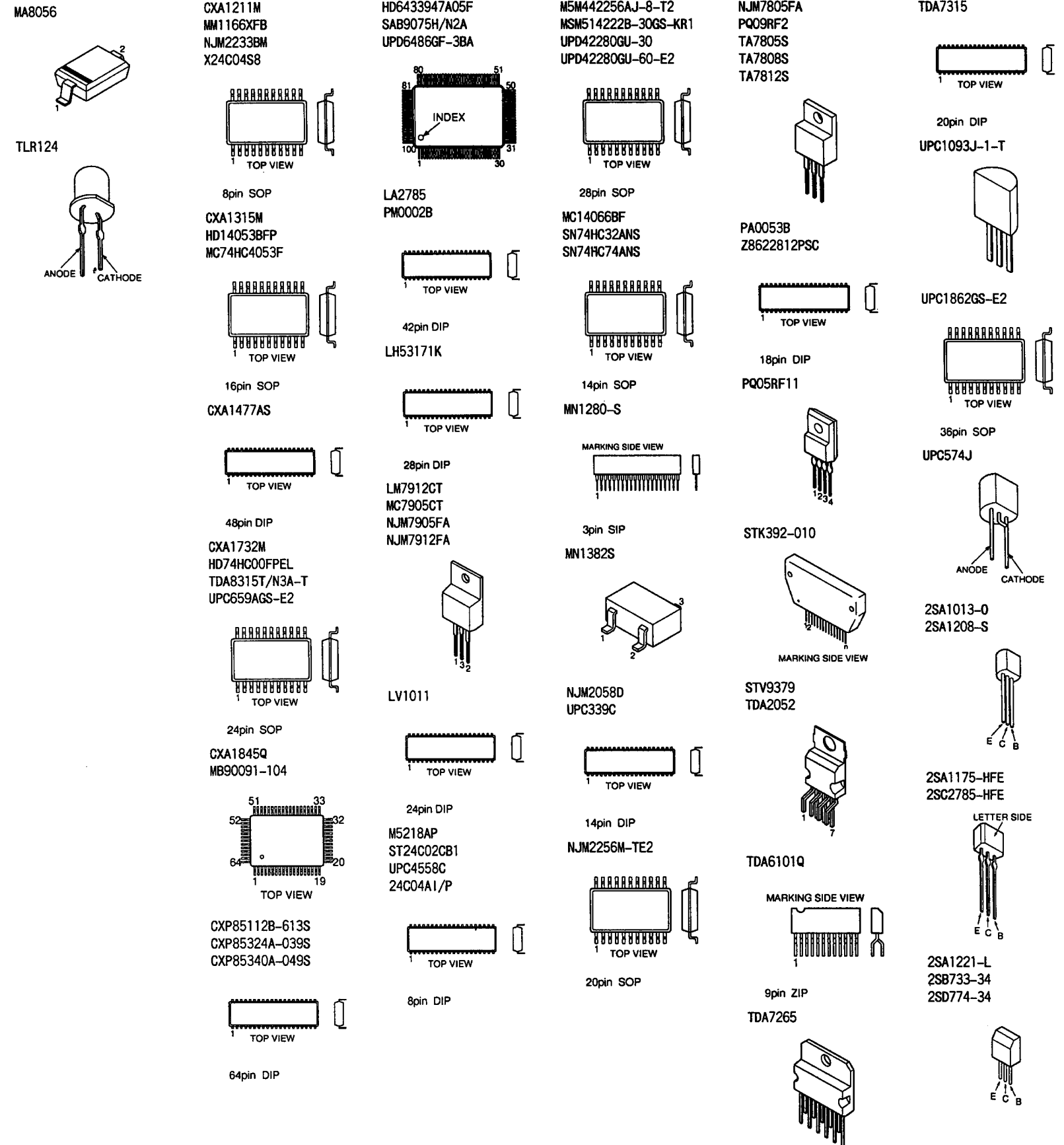
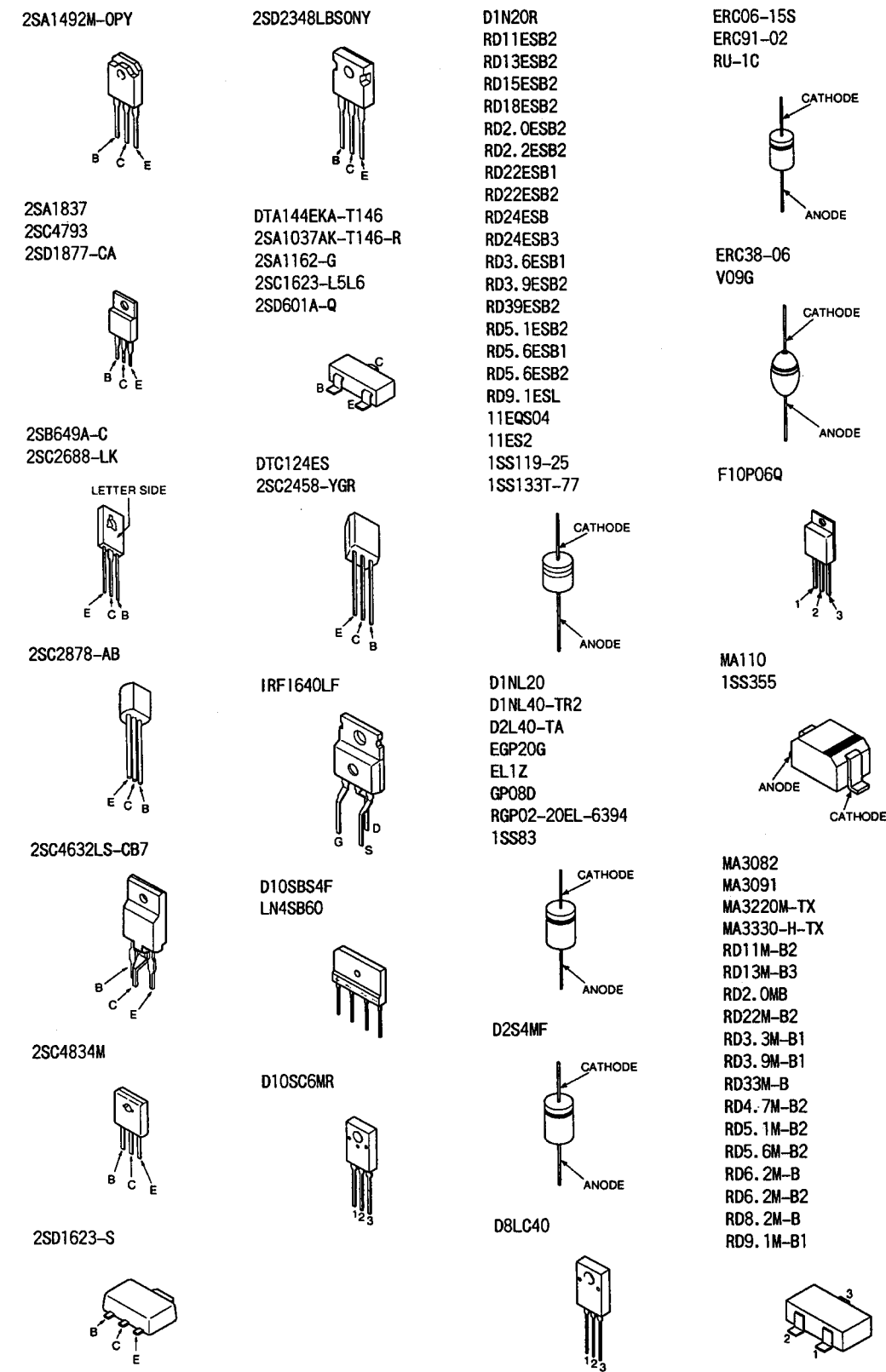
CR BOARD IC701 TDA6101Q



Schematic diagrams

← **CB** **CR** boards

4-4. SEMICONDUCTORS



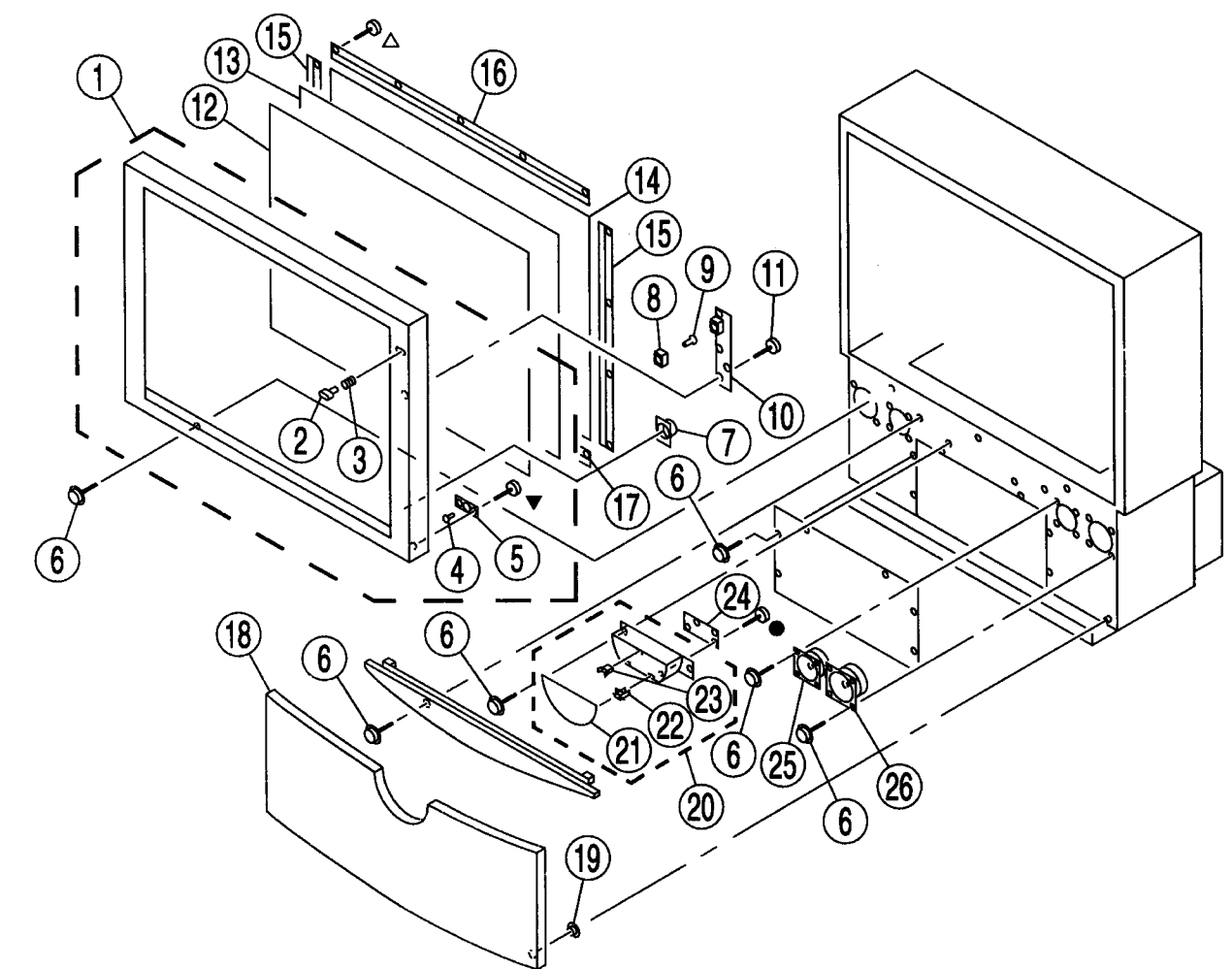
KP-53BR45/61XBR48
RM-Y128 RM-Y128

SECTION 5
EXPLODED VIEWS

NOTE:
 • Items with no part number and no description are not stocked because they are seldom required for routine service.
 • The construction parts of an assembled part are indicated with a collation number in the remark column.
 5-1. COVER (KP-53XBR45)
 ● : 7-685-648-79 +BVTP 3x12
 ▼ : 7-685-248-14 +KTP 3x12
 △ : 7-685-661-14 +BVTP 3x12

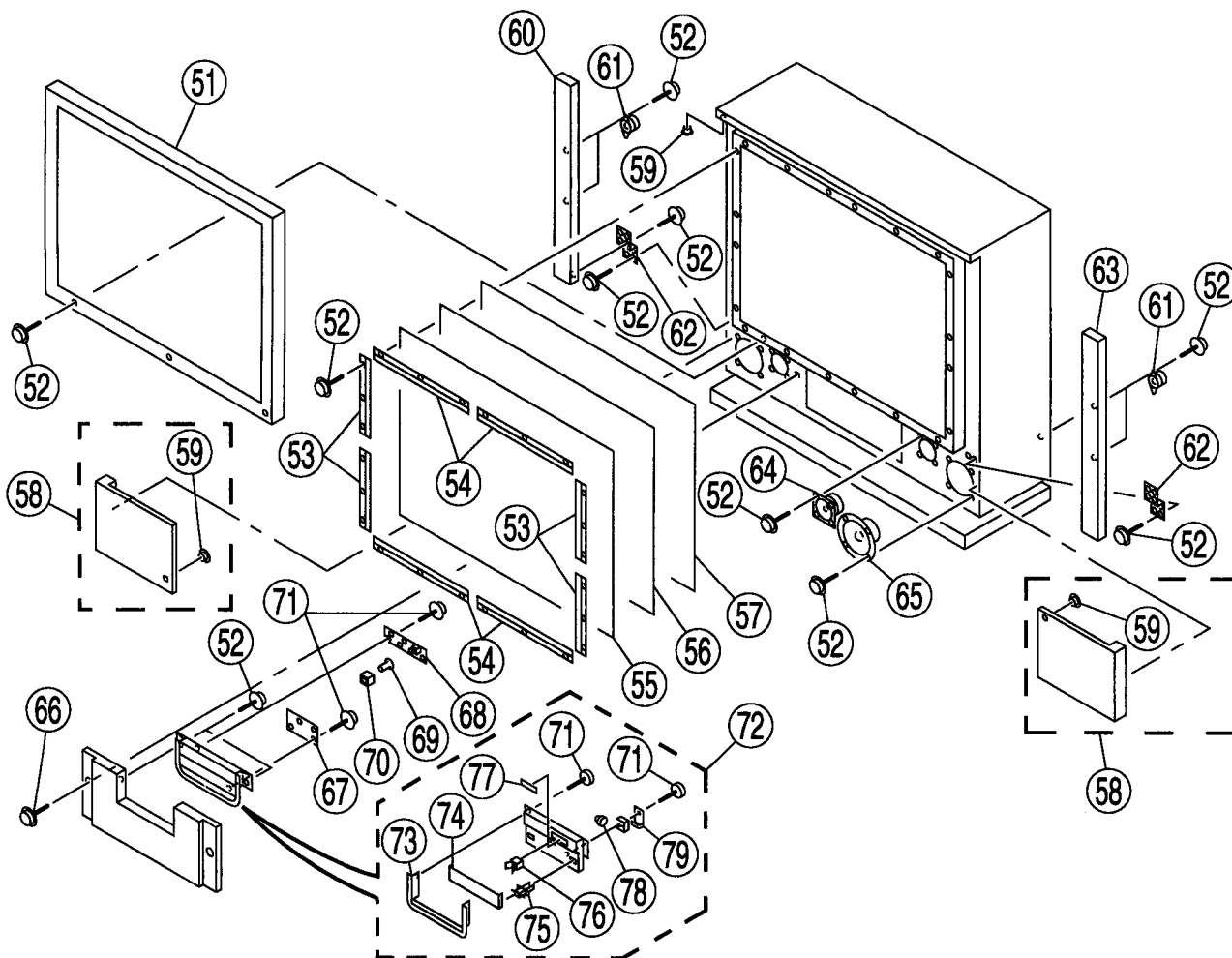
The components identified by shading and mark Δ are critical for safety. Replace only with part number specified.

Les composants identifiés par une trame et une marque Δ sont critiques pour la sécurité. Ne les remplacer que par une pièce portant le numéro spécifié.



REF. NO.	PART NO.	DESCRIPTION	REMARK	REF. NO.	PART NO.	DESCRIPTION	REMARK
1	X-4033-121-1	FRAME ASSY, SCREEN	2-5	15	4-043-239-11	HOLDER (S), SCREEN	
2	4-036-523-01	BUTTON, POWER		16	4-043-240-11	HOLDER (L), SCREEN	
3	3-566-903-02	SPRING		17	4-043-240-31	HOLDER (L), SCREEN	
4	4-838-452-00	STRIKE		18	X-4033-010-1	GRILLE (53) ASSY, SPEAKER	
5	4-838-453-00	SUPPORT		19	4-838-438-00	LATCH	
6	4-041-164-11	SCREW (4x20), TAPPING		20	X-4033-012-1	PANEL ASSY, CONTROL	21-23
7	1-544-580-21	SPEAKER (2.5CM)		21	4-050-150-01	DOOR, CONTROL	
8	4-381-686-01	BRACKET (B), LIGHT GUIDE		22	4-045-250-01	DAMPER	
9	* 4-374-987-01	GUIDE, LIGHT			4-045-250-11	DAMPER	
10	* A-1372-140-A	HA BOARD, COMPLETE		23	4-392-036-01	CATCHER, PUSH	
11	4-041-165-01	SCREW (3x12), TAPPING, +BV		24	* A-1372-141-A	HB BOARD, COMPLETE	
12	4-043-235-01	SCREEN (53), CONTRAST		25	1-504-964-11	SPEAKER (10CM)	
13	4-036-466-01	PLATE (L), DIFFUSION		26	1-504-141-11	SPEAKER (13CM)	
14	4-036-469-01	PLATE (F), DIFFUSION					

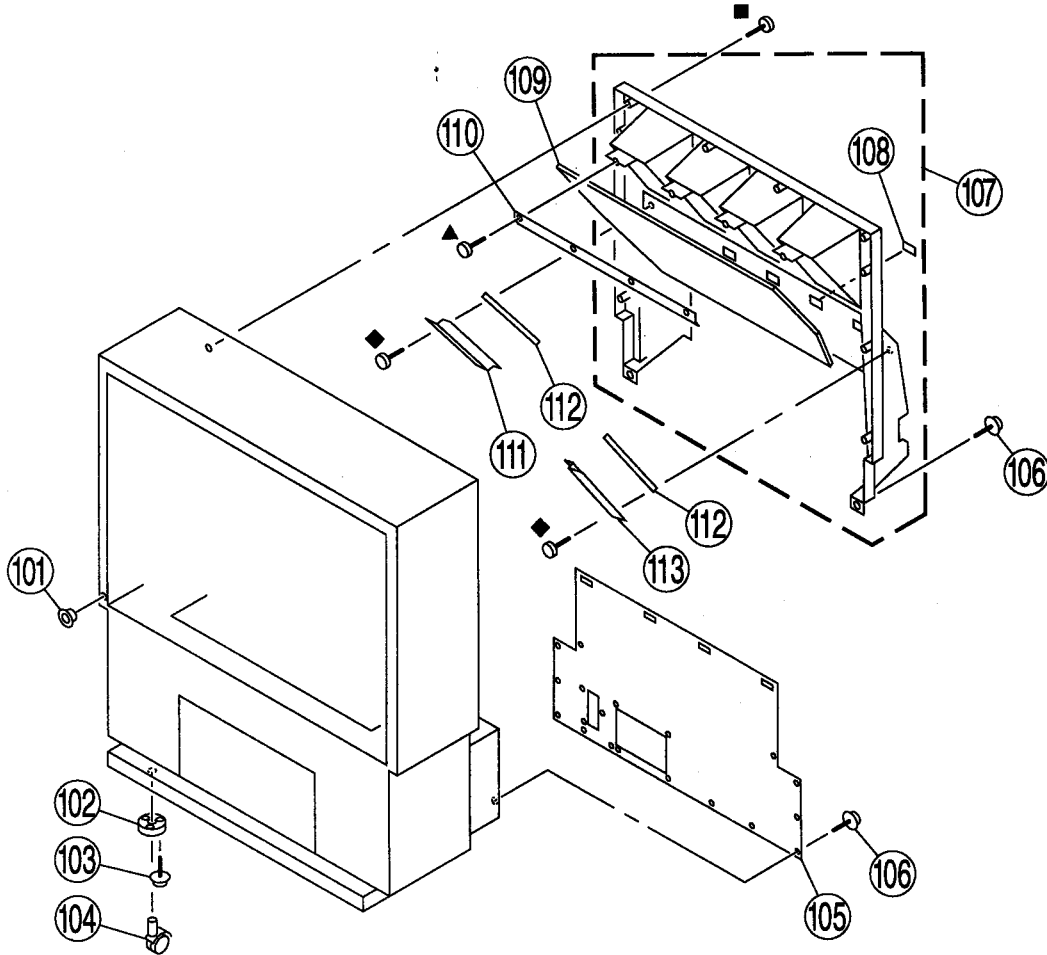
5-2. COVER (KP-61XBR48)



REF. NO.	PART NO.	DESCRIPTION	REMARK	REF. NO.	PART NO.	DESCRIPTION	REMARK
51	X-4031-177-1	FRAME ASSY, SCREEN		66	4-378-522-21	SCREW, TAPPING, HEXAGON HEAD	
52	4-041-164-11	SCREW (4x20), TAPPING		67	* A-1372-141-A	HB BOARD, COMPLETE	
53	4-044-727-01	HOLDER (S), SCREEN		68	* A-1372-140-A	HA BOARD, COMPLETE	
54	4-044-726-01	HOLDER (L), SCREEN		69	* 4-389-517-01	GUIDE (R), LIGHT	
55	4-044-725-11	SCREEN (61), CONTRAST		70	4-381-686-01	BRACKET (B), LIGHT GUIDE	
56	4-040-124-11	PLATE (L), DIFFUSION		71	4-041-165-01	SCREW (3x12), TAPPING, +BV	
57	4-040-123-11	PLATE (F), DIFFUSION		72	X-4033-120-1	PANEL ASSY, CONTROL	71, 73-79
58	X-4033-008-1	GRILLE (B) ASSY, SPEAKER	59	73	4-040-584-01	COVER, EDGE	
59	4-838-438-00	LATCH		74	4-036-511-31	LID, CONTROL	
60	X-4033-005-1	GRILLE (T/L) ASSY, SPEAKER		75	3-703-035-11	SHAFT, LID	
61	1-504-756-11	SPEAKER (5CM)		76	4-392-036-01	CATCHER, PUSH	
62	* 4-040-600-01	BRACKET, SPEAKER GRILLE		77	4-036-510-21	PANEL, INDICATOR	
63	X-4033-006-1	GRILLE (T/R) ASSY, SPEAKER		78	3-720-417-01	DAMPER, OIL	
64	1-504-964-11	SPEAKER (10CM)		79	4-036-513-01	SPRING, LID	
65	1-504-313-11	SPEAKER (16CM)					

5-3. MIRROR

- ▲ : 7-685-661-79 +BVTP 4x12
- : 7-685-663-79 +BVTP 4x16
- ◆ : 7-685-665-79 +BVTP 4x25



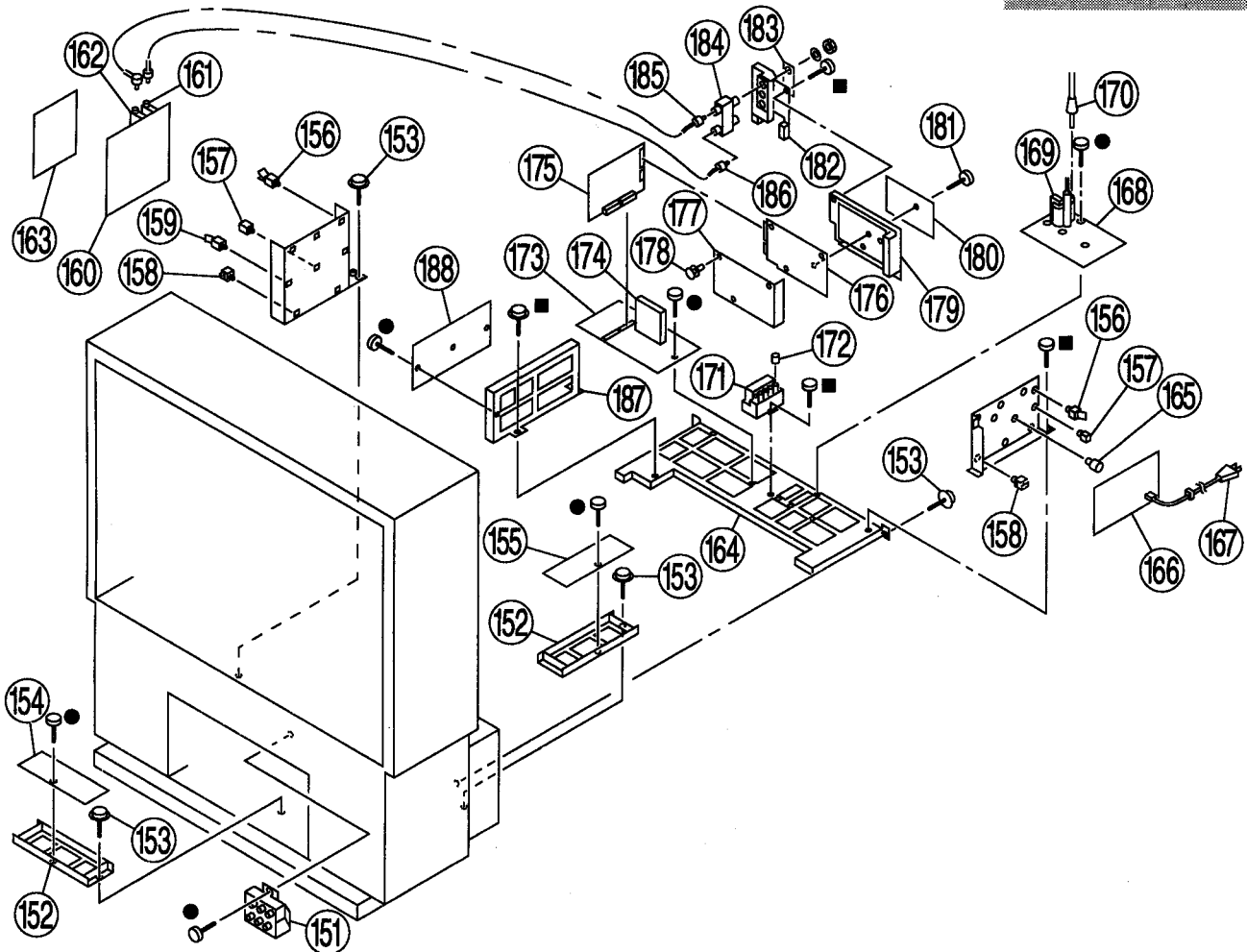
REF. NO.	PART NO.	DESCRIPTION	REMARK	REF. NO.	PART NO.	DESCRIPTION	REMARK
101	4-838-438-00	LATCH		107	X-4033-048-1	COVER ASSY, MIRROR	108
102	4-030-850-01	SOCKET, CASTER		108	4-048-150-01	CAP, HOLE	
103	4-378-522-01	SCREW, TAPPING, HEXAGON HEAD		109	4-050-388-01	MIRROR, REFLECTION	
104	4-039-546-01	CASTER (KP-53XBR45)		110	*4-037-351-01	HOLDER, MIRROR	
	4-040-508-01	CASTER (KP-61XBR48)		111	*4-049-097-01	HOLDER (LEFT), SIDE	
105	*4-050-374-01	BOARD, REAR (KP-61XBR48)		112	*4-049-098-01	CUSHION	
	*4-050-394-01	BOARD, REAR (KP-53XBR45)		113	*4-049-096-01	HOLDER (RIGHT), SIDE	
106	4-041-164-11	SCREW (4x20), TAPPING					

The components identified by shading and mark Δ are critical for safety. Replace only with part number specified.

Les composants identifiés par une trame et une marque Δ sont critiques pour la sécurité. Ne les remplacer que par une pièce portant le numéro spécifié.

5-4. CHASSIS

- : 7-685-648-79 +BVTP 3x12
- : 7-685-663-79 +BVTP 4x16



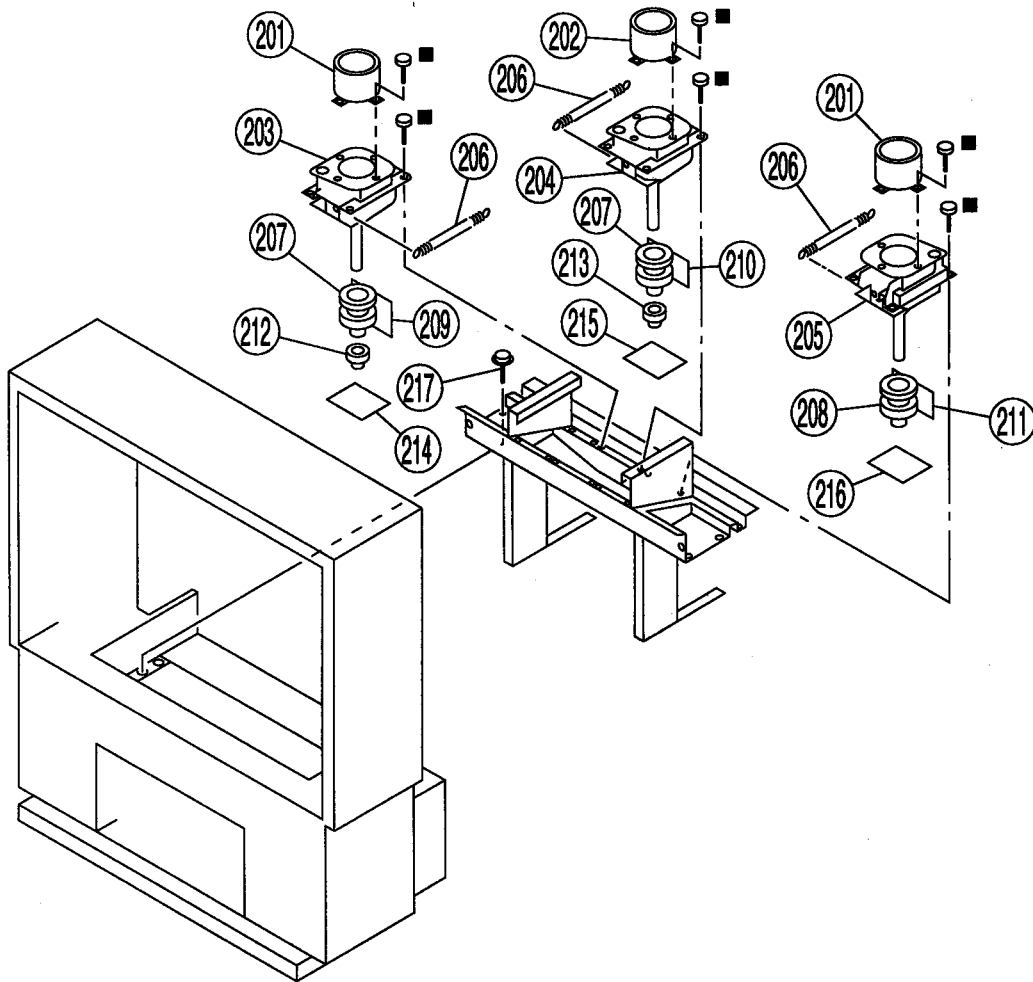
REF. NO.	PART NO.	DESCRIPTION	REMARK	REF. NO.	PART NO.	DESCRIPTION	REMARK
151	Δ 1-223-925-11	RESISTOR ASSY (HIGH-VOLTAGE)		170	Δ 1-900-211-34	LEAD ASSY, HV	
152	* 4-049-251-01	BRACKET, K		171	Δ 8-598-955-00	BLOCK ASSY, HIGH-VOLTAGE	
153	4-041-164-11	SCREW (4x20), TAPPING		172	4-373-137-01	CAP (Z), RUBBER	
154	* A-1380-498-A	K BOARD, COMPLETE (VAR) (KP-61XBR48)		173	* A-1297-540-A	AA BOARD, COMPLETE (KP-53XBR45)	174
	* A-1380-499-A	K BOARD, COMPLETE (VAR) (KP-53XBR45)			* A-1297-622-A	AA BOARD, COMPLETE (KP-61XBR48)	174
155	* A-1311-436-A	GB BOARD, COMPLETE		174	* A-1195-092-A	P5 BOARD, COMPLETE	
156	* 3-703-141-00	HOLDER, BOARD		175	* A-1306-507-A	M BOARD, COMPLETE	
157	* 4-382-848-01	HOLDER, BOARD		176	* A-1373-526-A	U BOARD, COMPLETE	
158	* 3-659-682-11	HOLDER, BOARD		177	* 4-050-387-01	PLATE, SHIELD, U	
159	* 4-321-929-00	HOLDER, BOARD		178	4-051-678-01	RIVET, T TYPE	
160	* A-1297-539-A	AB BOARD, COMPLETE		179	4-047-951-21	TERMINAL BOARD (A)	
161	Δ 8-598-254-00	TUNER (BTW-WA402)		180	4-050-390-01	LABEL (A), TERMINAL	
162	Δ 8-598-047-11	TUNER, ET (BTW-LA401)		181	4-041-165-01	SCREW (3x12), TAPPING, +BV	
163	* A-1394-673-A	X BOARD, COMPLETE		182	4-047-952-11	TERMINAL BOARD (B)	
164	* 4-047-949-01	BRACKET, MAIN BOARD		183	4-047-937-11	LABEL (B), TERMINAL	
165	* 3-687-542-41	SPACER, BOARD SPACE		184	1-251-321-11	SELECTOR, ANTENNA	
166	* A-1316-229-A	G BOARD, COMPLETE		185	* 1-751-136-11	CABLE, PIN	
167	Δ 1-769-837-11	CORD, POWER (WITH NOISE FILTER)		186	* 1-751-135-11	CABLE, PIN	
168	* A-1341-885-A	E BOARD, COMPLETE		187	* 4-047-950-01	BRACKET, D BOARD	
169	Δ 1-453-189-11	TRANSFORMER ASSY, FLYBACK (NX-2631A4S)		188	* A-1346-296-A	D BOARD, COMPLETE	

5-5. PICTURE TUBE

■ : 7-685-663-79 +BVTP 4x16

The components identified by shading and mark Δ are critical for safety. Replace only with part number specified.

Les composants identifiés par une trame et une marque Δ sont critiques pour la sécurité. Ne les remplacer que par une pièce portant le numéro spécifié.

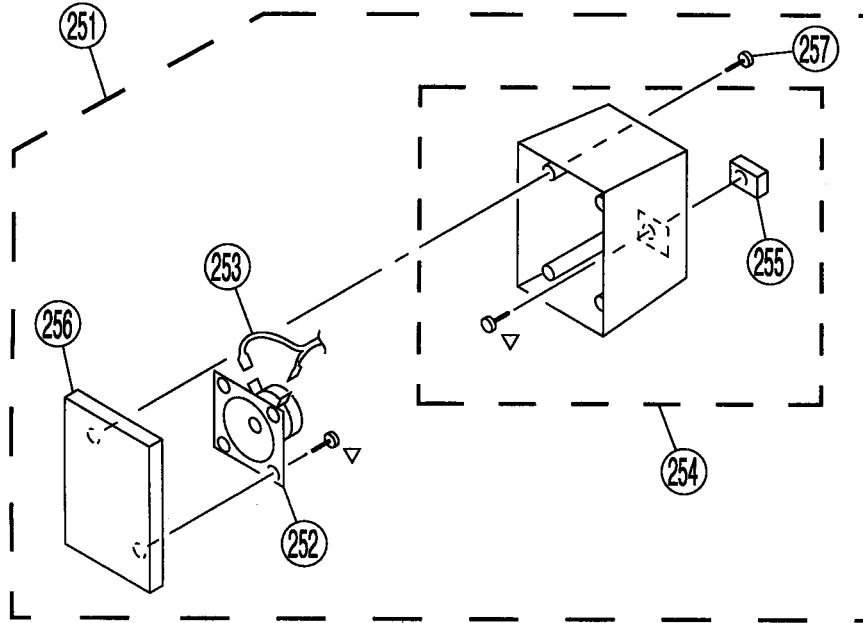


REF. NO.	PART NO.	DESCRIPTION	REMARK
201	4-040-131-01	LENS (LINNIT POINT 6)	
202	4-040-131-11	LENS (LINNIT POINT 6)	
203	Δ 8-736-644-05	PICTURE TUBE 07MAC3(R) (LONG NECK)	
204	Δ 8-736-642-05	PICTURE TUBE 07MAC2(G) (LONG NECK)	
205	Δ 8-736-643-05	PICTURE TUBE 07MAC3(B) (LONG NECK)	
206	4-048-142-01	SPRING, TENSION	
207	Δ 1-451-441-11	DEFLECTION YOKE, DY YS-35159 (R.G)	
208	Δ 1-451-441-21	DEFLECTION YOKE, DY YS-35160 (B)	
209	* A-1390-487-A	ZR BOARD, COMPLETE	

REF. NO.	PART NO.	DESCRIPTION	REMARK
210	* A-1390-489-A	ZG BOARD, COMPLETE	
211	* A-1390-491-A	ZB BOARD, COMPLETE	
212	Δ 1-452-790-21	NECK ASSY	
213	Δ 1-452-790-11	NECK ASSY	
214	* A-1331-501-A	CR BOARD, COMPLETE	
215	* A-1331-502-A	CG BOARD, COMPLETE	
216	* A-1331-503-A	CB BOARD, COMPLETE	
217	4-041-164-11	SCREW (4x20), TAPPING	

5-6. SPEAKER

▽ : 7-685-659-79 +BVTP 4x8



<u>REF. NO.</u>	<u>PART NO.</u>	<u>DESCRIPTION</u>	<u>REMARK</u>	<u>REF. NO.</u>	<u>PART NO.</u>	<u>DESCRIPTION</u>	<u>REMARK</u>
251	A-4307-748-A	SS-SR151//C(A)(U)	252-257	255	1-537-775-11	TERMINAL BOARD	
252	1-504-877-11	SPEAKER (8CM)		256	X-4946-077-1	PANEL ASSY, FRONT	
253	1-765-663-11	CORD		257	4-929-125-01	SCREW (M4x16), TAPPING	
254	X-4946-078-1	CABINET ASSY, SPEAKER	255				

SECTION 6
ELECTRICAL PARTS LIST

AB

NOTE:

Les composants identifiés par une trame et une marque Δ sont critiques pour la sécurité. Ne les remplacer que par une pièce portant le numéro spécifié.

The components identified by shading and mark Δ are critical for safety. Replace only with part number specified.

• The components identified by \boxtimes in this manual have been carefully factory-selected for each set in order to satisfy regulations regarding X-ray radiation. Should replacement be required, replace only with the value originally used.

• Items marked " * " are not stocked since they are seldom required for routine service. Some delay should be anticipated when ordering these items.

• All variable and adjustable resistors have characteristic curve B, unless otherwise noted.

RESISTORS

- All resistors are in ohms
- F : nonflammable

When indicating parts by reference number, please include the board name.

• CAPACITORS
PF : $\mu\mu F$

• There are some cases the reference number on one board overlaps on the other board. Therefore, when ordering parts by the reference number, please include the board name.

REF. NO.	PART NO.	DESCRIPTION	REMARK
* A-1297-539-A AB BOARD, COMPLETE *****			
<CAPACITOR>			
C5212	1-164-161-11	CERAMIC CHIP 0.0022 μF	10% 50V
C7003	1-163-125-00	CERAMIC CHIP 220PF	5% 50V
C7004	1-163-125-00	CERAMIC CHIP 220PF	5% 50V
C7012	1-163-125-00	CERAMIC CHIP 220PF	5% 50V
C7020	1-163-125-00	CERAMIC CHIP 220PF	5% 50V
C7021	1-163-809-11	CERAMIC CHIP 0.047 μF	10% 25V
C7022	1-124-903-11	ELECT 1 μF	20% 50V
C7023	1-163-125-00	CERAMIC CHIP 220PF	5% 50V
C7028	1-163-141-00	CERAMIC CHIP 0.001 μF	5% 50V
C7029	1-126-933-11	ELECT 100 μF	20% 16V
C7037	1-163-239-11	CERAMIC CHIP 33PF	5% 50V
C7038	1-163-239-11	CERAMIC CHIP 33PF	5% 50V
C7043	1-163-037-11	CERAMIC CHIP 0.022 μF	10% 25V
C7045	1-126-967-11	ELECT 47 μF	20% 16V
C7047	1-163-229-11	CERAMIC CHIP 12PF	5% 50V
C7048	1-163-102-00	CERAMIC CHIP 24PF	5% 50V
C7051	1-163-031-11	CERAMIC CHIP 0.01 μF	50V
C7056	1-126-964-11	ELECT 10 μF	20% 50V
C7058	1-163-038-91	CERAMIC CHIP 0.1 μF	25V
C7068	1-163-125-00	CERAMIC CHIP 220PF	5% 50V
C7070	1-126-964-11	ELECT 10 μF	20% 50V
C7203	1-164-004-11	CERAMIC CHIP 0.1 μF	10% 25V
C7204	1-126-964-11	ELECT 10 μF	20% 50V
C7205	1-126-933-11	ELECT 100 μF	20% 16V
C7206	1-164-161-11	CERAMIC CHIP 0.0022 μF	10% 50V
C7207	1-126-934-11	ELECT 220 μF	20% 16V
C7208	1-124-122-11	ELECT 100 μF	20% 50V
C7209	1-126-934-11	ELECT 220 μF	20% 16V
C7210	1-126-964-11	ELECT 10 μF	20% 50V
C7211	1-126-933-11	ELECT 100 μF	20% 16V
C7212	1-164-004-11	CERAMIC CHIP 0.1 μF	10% 25V
C7213	1-124-903-11	ELECT 1 μF	20% 50V
C7214	1-124-903-11	ELECT 1 μF	20% 50V
C7219	1-124-903-11	ELECT 1 μF	20% 50V
C7225	1-164-004-11	CERAMIC CHIP 0.1 μF	10% 25V
C7226	1-164-232-11	CERAMIC CHIP 0.01 μF	10% 50V
C7227	1-164-004-11	CERAMIC CHIP 0.1 μF	10% 25V
C7228	1-164-004-11	CERAMIC CHIP 0.1 μF	10% 25V
C7229	1-164-232-11	CERAMIC CHIP 0.01 μF	10% 50V
C7230	1-164-004-11	CERAMIC CHIP 0.1 μF	10% 25V
C7239	1-163-037-11	CERAMIC CHIP 0.022 μF	10% 25V
C7301	1-163-227-11	CERAMIC CHIP 10PF	0.5PF 50V
C7302	1-163-227-11	CERAMIC CHIP 10PF	0.5PF 50V
C7303	1-126-964-11	ELECT 10 μF	20% 50V
C7304	1-126-964-11	ELECT 10 μF	20% 50V
C7306	1-126-964-11	ELECT 10 μF	20% 50V

REF. NO.	PART NO.	DESCRIPTION	REMARK
C7307	1-126-933-11	ELECT 100 μF	20% 16V
C7309	1-124-903-11	ELECT 1 μF	20% 50V
C7310	1-163-038-91	CERAMIC CHIP 0.1 μF	25V
C7311	1-126-964-11	ELECT 10 μF	20% 50V
C7312	1-163-009-11	CERAMIC CHIP 0.001 μF	10% 50V
C7313	1-126-967-11	ELECT 47 μF	20% 16V
C7315	1-163-251-11	CERAMIC CHIP 100PF	5% 50V
C7316	1-163-251-11	CERAMIC CHIP 100PF	5% 50V
C7317	1-163-251-11	CERAMIC CHIP 100PF	5% 50V
C7320	1-164-232-11	CERAMIC CHIP 0.01 μF	10% 50V
C7321	1-126-964-11	ELECT 10 μF	20% 50V
C7323	1-164-004-11	CERAMIC CHIP 0.1 μF	10% 25V
C7324	1-163-038-91	CERAMIC CHIP 0.1 μF	25V
C7325	1-126-964-11	ELECT 10 μF	20% 50V
C7326	1-164-004-11	CERAMIC CHIP 0.1 μF	10% 25V
C7327	1-126-964-11	ELECT 10 μF	20% 50V
C7328	1-164-004-11	CERAMIC CHIP 0.1 μF	10% 25V
C7329	1-164-004-11	CERAMIC CHIP 0.1 μF	10% 25V
C7330	1-163-251-11	CERAMIC CHIP 100PF	5% 50V
C7332	1-163-141-00	CERAMIC CHIP 0.001 μF	5% 50V
C7333	1-164-695-11	CERAMIC CHIP 0.0022 μF	5% 50V
C7334	1-164-232-11	CERAMIC CHIP 0.01 μF	10% 50V
C7337	1-164-004-11	CERAMIC CHIP 0.1 μF	10% 25V
C7338	1-126-964-11	ELECT 10 μF	20% 50V
C7339	1-163-251-11	CERAMIC CHIP 100PF	5% 50V
C7418	1-126-935-11	ELECT 470 μF	20% 16V
<CONNECTOR>			
CN6001	* 1-564-510-11	PLUG, CONNECTOR 7P	
CN6002	* 1-564-507-11	PLUG, CONNECTOR 4P	
CN6003	* 1-564-508-11	PLUG, CONNECTOR 5P	
CN6004	* 1-564-513-11	PLUG, CONNECTOR 10P	
CN6005	* 1-564-513-11	PLUG, CONNECTOR 10P	
CN6006	* 1-564-509-11	PLUG, CONNECTOR 6P	
CN6007	* 1-770-680-11	CONNECTOR, BOARD TO BOARD (PLUG)	
CN6008	* 1-564-508-11	PLUG, CONNECTOR 5P	
CN6010	* 1-564-515-11	PLUG, CONNECTOR 12P	
CN6011	* 1-564-514-11	PLUG, CONNECTOR 11P	
CN6012	* 1-564-506-11	PLUG, CONNECTOR 3P	
<DIODE>			
D7001	8-719-404-46	DIODE MA110	
D7002	8-719-404-46	DIODE MA110	
D7003	8-719-404-46	DIODE MA110	
D7004	8-719-404-46	DIODE MA110	
D7024	8-719-404-46	DIODE MA110	
D7025	8-719-404-46	DIODE MA110	
D7027	8-719-404-46	DIODE MA110	
D7028	8-719-404-46	DIODE MA110	
D7029	8-719-404-46	DIODE MA110	
D7202	8-719-043-13	DIODE MA3330-H-TX	



REF. NO.	PART NO.	DESCRIPTION	REMARK	REF. NO.	PART NO.	DESCRIPTION	REMARK
D7401	8-719-404-46	DIODE MA110		R7007	1-216-033-00	METAL GLAZE 220	5% 1/10W
D7402	8-719-404-46	DIODE MA110		R7008	1-216-049-91	METAL GLAZE 1K	5% 1/10W
D7403	8-719-404-46	DIODE MA110		R7009	1-216-033-00	METAL GLAZE 220	5% 1/10W
D7404	8-719-404-46	DIODE MA110		R7010	1-216-033-00	METAL GLAZE 220	5% 1/10W
D7405	8-719-404-46	DIODE MA110		R7011	1-216-033-00	METAL GLAZE 220	5% 1/10W
D7406	8-719-404-46	DIODE MA110		R7012	1-216-033-00	METAL GLAZE 220	5% 1/10W
D7407	8-719-404-46	DIODE MA110		R7013	1-216-033-00	METAL GLAZE 220	5% 1/10W
		<IC>		R7014	1-216-033-00	METAL GLAZE 220	5% 1/10W
IC7001	8-752-869-30	IC CXP85340A-049S		R7015	1-216-033-00	METAL GLAZE 220	5% 1/10W
IC7003	8-759-280-74	IC ST24C02CB1		R7016	1-216-033-00	METAL GLAZE 220	5% 1/10W
IC7004	8-759-403-44	IC MN1280-S		R7017	1-216-033-00	METAL GLAZE 220	5% 1/10W
IC7201	8-759-300-71	IC HD14053BFP		R7018	1-216-033-00	METAL GLAZE 220	5% 1/10W
IC7301	8-759-335-14	IC HD6433947A05F		R7019	1-216-033-00	METAL GLAZE 220	5% 1/10W
IC7302	8-759-403-44	IC MN1280-S		R7020	1-216-033-00	METAL GLAZE 220	5% 1/10W
IC7303	8-759-335-18	IC MB90091-104		R7021	1-216-033-00	METAL GLAZE 220	5% 1/10W
IC7306	8-759-335-19	IC LH53171K		R7022	1-216-033-00	METAL GLAZE 220	5% 1/10W
IC7307	8-759-925-85	IC SN74HC32ANS		R7023	1-216-033-00	METAL GLAZE 220	5% 1/10W
IC7308	8-759-256-59	IC HD74HC00FPEL		R7024	1-216-033-00	METAL GLAZE 220	5% 1/10W
IC7309	8-759-925-90	IC SN74HC74ANS		R7025	1-216-033-00	METAL GLAZE 220	5% 1/10W
IC7310	8-759-256-59	IC HD74HC00FPEL		R7026	1-216-033-00	METAL GLAZE 220	5% 1/10W
		<COIL>		R7027	1-216-073-00	METAL GLAZE 10K	5% 1/10W
L5204	1-408-408-00	INDUCTOR 8.2μH		R7028	1-216-033-00	METAL GLAZE 220	5% 1/10W
L7001	1-414-234-11	INDUCTOR, FERRITE BEAD		R7029	1-216-049-91	METAL GLAZE 1K	5% 1/10W
L7006	1-408-414-00	INDUCTOR 27μH		R7030	1-216-049-91	METAL GLAZE 1K	5% 1/10W
L7208	1-408-408-00	INDUCTOR 8.2μH		R7031	1-216-049-91	METAL GLAZE 1K	5% 1/10W
L7301	1-414-234-11	INDUCTOR, FERRITE BEAD		R7032	1-216-065-00	METAL GLAZE 4.7K	5% 1/10W
L7304	1-414-234-11	INDUCTOR, FERRITE BEAD		R7033	1-216-065-00	METAL GLAZE 4.7K	5% 1/10W
		<TRANSISTOR>		R7034	1-216-065-00	METAL GLAZE 4.7K	5% 1/10W
Q7001	8-729-027-38	TRANSISTOR DTA144EKA-T146		R7035	1-216-065-00	METAL GLAZE 4.7K	5% 1/10W
Q7002	8-729-027-38	TRANSISTOR DTA144EKA-T146		R7036	1-216-073-00	METAL GLAZE 10K	5% 1/10W
Q7003	8-729-027-38	TRANSISTOR DTA144EKA-T146		R7037	1-216-045-00	METAL GLAZE 680	5% 1/10W
Q7004	8-729-216-22	TRANSISTOR 2SA1162-G		R7038	1-216-097-91	METAL GLAZE 100K	5% 1/10W
Q7013	8-729-422-27	TRANSISTOR 2SD601A-Q		R7039	1-216-121-91	METAL GLAZE 1M	5% 1/10W
Q7017	8-729-422-27	TRANSISTOR 2SD601A-Q		R7040	1-216-073-00	METAL GLAZE 10K	5% 1/10W
Q7022	8-729-216-22	TRANSISTOR 2SA1162-G		R7041	1-216-073-00	METAL GLAZE 10K	5% 1/10W
Q7023	8-729-216-22	TRANSISTOR 2SA1162-G		R7042	1-216-065-00	METAL GLAZE 4.7K	5% 1/10W
Q7024	8-729-216-22	TRANSISTOR 2SA1162-G		R7043	1-216-057-00	METAL GLAZE 2.2K	5% 1/10W
Q7025	8-729-027-38	TRANSISTOR DTA144EKA-T146		R7063	1-216-025-91	METAL GLAZE 100	5% 1/10W
Q7026	8-729-216-22	TRANSISTOR 2SA1162-G		R7064	1-216-025-91	METAL GLAZE 100	5% 1/10W
Q7027	8-729-422-27	TRANSISTOR 2SD601A-Q		R7066	1-216-033-00	METAL GLAZE 220	5% 1/10W
Q7201	8-729-422-27	TRANSISTOR 2SD601A-Q		R7067	1-216-033-00	METAL GLAZE 220	5% 1/10W
Q7203	8-729-216-22	TRANSISTOR 2SA1162-G		R7068	1-216-033-00	METAL GLAZE 220	5% 1/10W
Q7204	8-729-216-22	TRANSISTOR 2SA1162-G		R7070	1-216-033-00	METAL GLAZE 220	5% 1/10W
Q7205	8-729-216-22	TRANSISTOR 2SA1162-G		R7071	1-216-033-00	METAL GLAZE 220	5% 1/10W
Q7206	8-729-216-22	TRANSISTOR 2SA1162-G		R7072	1-216-033-00	METAL GLAZE 220	5% 1/10W
Q7207	8-729-216-22	TRANSISTOR 2SA1162-G		R7073	1-216-033-00	METAL GLAZE 220	5% 1/10W
Q7210	8-729-422-27	TRANSISTOR 2SD601A-Q		R7074	1-216-033-00	METAL GLAZE 220	5% 1/10W
Q7301	8-729-422-27	TRANSISTOR 2SD601A-Q		R7075	1-216-033-00	METAL GLAZE 220	5% 1/10W
Q7303	8-729-422-27	TRANSISTOR 2SD601A-Q		R7076	1-216-033-00	METAL GLAZE 220	5% 1/10W
Q7401	8-729-216-22	TRANSISTOR 2SA1162-G		R7078	1-216-041-00	METAL GLAZE 470	5% 1/10W
Q7531	8-729-422-27	TRANSISTOR 2SD601A-Q		R7080	1-216-033-00	METAL GLAZE 220	5% 1/10W
Q7532	8-729-422-27	TRANSISTOR 2SD601A-Q		R7082	1-216-049-91	METAL GLAZE 1K	5% 1/10W
		<RESISTOR>		R7084	1-216-033-00	METAL GLAZE 220	5% 1/10W
R5260	1-215-924-00	METAL OXIDE 15K	5% 3W F	R7085	1-216-065-00	METAL GLAZE 4.7K	5% 1/10W
R5301	1-216-295-91	CONDUCTOR, CHIP		R7086	1-216-049-91	METAL GLAZE 1K	5% 1/10W
R7001	1-216-033-00	METAL GLAZE 220	5% 1/10W	R7087	1-216-033-00	METAL GLAZE 220	5% 1/10W
R7002	1-216-033-00	METAL GLAZE 220	5% 1/10W	R7088	1-216-295-91	CONDUCTOR, CHIP	
R7004	1-216-033-00	METAL GLAZE 220	5% 1/10W	R7089	1-216-049-91	METAL GLAZE 1K	5% 1/10W
R7005	1-216-033-00	METAL GLAZE 220	5% 1/10W	R7090	1-216-033-00	METAL GLAZE 220	5% 1/10W
R7006	1-216-033-00	METAL GLAZE 220	5% 1/10W	R7091	1-216-065-00	METAL GLAZE 4.7K	5% 1/10W
				R7092	1-216-065-00	METAL GLAZE 4.7K	5% 1/10W
				R7093	1-216-065-00	METAL GLAZE 4.7K	5% 1/10W
				R7094	1-216-065-00	METAL GLAZE 4.7K	5% 1/10W
				R7096	1-216-295-91	CONDUCTOR, CHIP	
				R7097	1-216-295-91	CONDUCTOR, CHIP	
				R7099	1-216-295-91	CONDUCTOR, CHIP	
				R7100	1-216-295-91	CONDUCTOR, CHIP	
				R7106	1-216-295-91	CONDUCTOR, CHIP	

AB

Les composants identifiés par une trame et une marque Δ sont critiques pour la sécurité. Ne les remplacer que par une pièce portant le numéro spécifié.

The components identified by shading and mark Δ are critical for safety. Replace only with part number specified.

REF. NO.	PART NO.	DESCRIPTION	REMARK
R7114	1-216-295-91	CONDUCTOR, CHIP	
R7115	1-216-049-91	METAL GLAZE 1K	5% 1/10W
R7116	1-216-073-00	METAL GLAZE 10K	5% 1/10W
R7117	1-216-049-91	METAL GLAZE 1K	5% 1/10W
R7118	1-216-033-00	METAL GLAZE 220	5% 1/10W
R7119	1-216-037-00	METAL GLAZE 330	5% 1/10W
R7120	1-216-049-91	METAL GLAZE 1K	5% 1/10W
R7125	1-216-065-00	METAL GLAZE 4.7K	5% 1/10W
R7126	1-216-025-91	METAL GLAZE 100	5% 1/10W
R7127	1-216-025-91	METAL GLAZE 100	5% 1/10W
R7128	1-216-065-00	METAL GLAZE 4.7K	5% 1/10W
R7129	1-216-065-00	METAL GLAZE 4.7K	5% 1/10W
R7130	1-216-089-91	METAL GLAZE 47K	5% 1/10W
R7132	1-216-057-00	METAL GLAZE 2.2K	5% 1/10W
R7135	1-216-065-00	METAL GLAZE 4.7K	5% 1/10W
R7136	1-216-065-00	METAL GLAZE 4.7K	5% 1/10W
R7201	1-216-059-00	METAL GLAZE 2.7K	5% 1/10W
R7202	1-216-073-00	METAL GLAZE 10K	5% 1/10W
R7203	1-216-083-00	METAL GLAZE 27K	5% 1/10W
R7204	1-216-689-11	METAL GLAZE 39K	5% 1/10W
R7205	1-216-033-00	METAL GLAZE 220	5% 1/10W
R7206	1-216-033-00	METAL GLAZE 220	5% 1/10W
R7207	1-216-025-91	METAL GLAZE 100	5% 1/10W
R7208	1-216-025-91	METAL GLAZE 100	5% 1/10W
R7212	1-216-083-00	METAL GLAZE 27K	5% 1/10W
R7213	1-216-689-11	METAL GLAZE 39K	5% 1/10W
R7214	1-216-033-00	METAL GLAZE 220	5% 1/10W
R7216	1-216-025-91	METAL GLAZE 100	5% 1/10W
R7217	1-216-065-00	METAL GLAZE 4.7K	5% 1/10W
R7219	1-216-065-00	METAL GLAZE 4.7K	5% 1/10W
R7221	1-216-184-00	METAL GLAZE 270	5% 1/8W
R7222	1-216-025-91	METAL GLAZE 100	5% 1/10W
R7231	1-216-081-00	METAL GLAZE 22K	5% 1/10W
R7232	1-216-081-00	METAL GLAZE 22K	5% 1/10W
R7236	1-216-295-91	CONDUCTOR, CHIP	
R7237	1-216-295-91	CONDUCTOR, CHIP	
R7244	1-216-295-91	CONDUCTOR, CHIP	
R7245	1-216-025-91	METAL GLAZE 100	5% 1/10W
R7246	1-216-025-91	METAL GLAZE 100	5% 1/10W
R7248	1-216-184-00	METAL GLAZE 270	5% 1/8W
R7249	1-216-065-00	METAL GLAZE 4.7K	5% 1/10W
R7250	1-216-017-91	METAL GLAZE 47	5% 1/10W
R7252	1-216-025-91	METAL GLAZE 100	5% 1/10W
R7254	1-216-025-91	METAL GLAZE 100	5% 1/10W
R7259	1-216-295-91	CONDUCTOR, CHIP	
R7264	1-216-057-00	METAL GLAZE 2.2K	5% 1/10W
R7266	1-216-295-91	CONDUCTOR, CHIP	
R7267	1-216-025-91	METAL GLAZE 100	5% 1/10W
R7301	1-216-025-91	METAL GLAZE 100	5% 1/10W
R7302	1-216-025-91	METAL GLAZE 100	5% 1/10W
R7303	1-216-025-91	METAL GLAZE 100	5% 1/10W
R7304	1-216-025-91	METAL GLAZE 100	5% 1/10W
R7305	1-216-121-91	METAL GLAZE 1M	5% 1/10W
R7306	1-216-073-00	METAL GLAZE 10K	5% 1/10W
R7307	1-216-025-91	METAL GLAZE 100	5% 1/10W
R7308	1-216-025-91	METAL GLAZE 100	5% 1/10W
R7309	1-216-025-91	METAL GLAZE 100	5% 1/10W
R7310	1-216-025-91	METAL GLAZE 100	5% 1/10W
R7311	1-216-025-91	METAL GLAZE 100	5% 1/10W
R7312	1-216-025-91	METAL GLAZE 100	5% 1/10W
R7313	1-216-025-91	METAL GLAZE 100	5% 1/10W
R7314	1-216-025-91	METAL GLAZE 100	5% 1/10W
R7315	1-216-025-91	METAL GLAZE 100	5% 1/10W
R7316	1-216-025-91	METAL GLAZE 100	5% 1/10W
R7317	1-216-025-91	METAL GLAZE 100	5% 1/10W
R7318	1-216-025-91	METAL GLAZE 100	5% 1/10W
R7319	1-216-073-00	METAL GLAZE 10K	5% 1/10W
R7320	1-216-065-00	METAL GLAZE 4.7K	5% 1/10W
R7321	1-216-025-91	METAL GLAZE 100	5% 1/10W

REF. NO.	PART NO.	DESCRIPTION	REMARK
R7323	1-216-025-91	METAL GLAZE 100	5% 1/10W
R7324	1-216-033-00	METAL GLAZE 220	5% 1/10W
R7325	1-216-033-00	METAL GLAZE 220	5% 1/10W
R7330	1-216-025-91	METAL GLAZE 100	5% 1/10W
R7331	1-216-025-91	METAL GLAZE 100	5% 1/10W
R7332	1-216-025-91	METAL GLAZE 100	5% 1/10W
R7333	1-216-025-91	METAL GLAZE 100	5% 1/10W
R7334	1-216-089-91	METAL GLAZE 47K	5% 1/10W
R7335	1-216-097-91	METAL GLAZE 100K	5% 1/10W
R7336	1-216-033-00	METAL GLAZE 220	5% 1/10W
R7337	1-216-033-00	METAL GLAZE 220	5% 1/10W
R7338	1-216-033-00	METAL GLAZE 220	5% 1/10W
R7339	1-216-033-00	METAL GLAZE 220	5% 1/10W
R7340	1-216-033-00	METAL GLAZE 220	5% 1/10W
R7341	1-216-045-00	METAL GLAZE 680	5% 1/10W
R7342	1-216-035-00	METAL GLAZE 270	5% 1/10W
R7343	1-216-295-91	CONDUCTOR, CHIP	
R7345	1-216-045-00	METAL GLAZE 680	5% 1/10W
R7347	1-216-073-00	METAL GLAZE 10K	5% 1/10W
R7348	1-216-065-00	METAL GLAZE 4.7K	5% 1/10W
R7350	1-216-025-91	METAL GLAZE 100	5% 1/10W
R7352	1-216-025-91	METAL GLAZE 100	5% 1/10W
R7362	1-216-025-91	METAL GLAZE 100	5% 1/10W
R7363	1-216-025-91	METAL GLAZE 100	5% 1/10W
R7366	1-216-025-91	METAL GLAZE 100	5% 1/10W
R7370	1-216-025-91	METAL GLAZE 100	5% 1/10W
R7379	1-216-025-91	METAL GLAZE 100	5% 1/10W
R7385	1-216-033-00	METAL GLAZE 220	5% 1/10W
R7386	1-216-033-00	METAL GLAZE 220	5% 1/10W
R7387	1-216-033-00	METAL GLAZE 220	5% 1/10W
R7388	1-216-033-00	METAL GLAZE 220	5% 1/10W
R7389	1-216-033-00	METAL GLAZE 220	5% 1/10W
R7392	1-216-057-00	METAL GLAZE 2.2K	5% 1/10W
R7399	1-216-089-91	METAL GLAZE 47K	5% 1/10W
R7421	1-216-073-00	METAL GLAZE 10K	5% 1/10W
R7422	1-216-025-91	METAL GLAZE 100	5% 1/10W
R7423	1-216-045-00	METAL GLAZE 680	5% 1/10W
R7424	1-216-045-00	METAL GLAZE 680	5% 1/10W
R7605	1-216-025-91	METAL GLAZE 100	5% 1/10W
R7606	1-216-025-91	METAL GLAZE 100	5% 1/10W
R7611	1-216-049-91	METAL GLAZE 1K	5% 1/10W
R7625	1-216-025-91	METAL GLAZE 100	5% 1/10W
R7626	1-216-025-91	METAL GLAZE 100	5% 1/10W
R7631	1-216-049-91	METAL GLAZE 1K	5% 1/10W
R7645	1-216-025-91	METAL GLAZE 100	5% 1/10W
R7646	1-216-025-91	METAL GLAZE 100	5% 1/10W
R7649	1-216-025-91	METAL GLAZE 100	5% 1/10W
R7650	1-216-025-91	METAL GLAZE 100	5% 1/10W
R7651	1-216-049-91	METAL GLAZE 1K	5% 1/10W
R7652	1-216-025-91	METAL GLAZE 100	5% 1/10W
R7693	1-216-057-00	METAL GLAZE 2.2K	5% 1/10W
R7694	1-216-057-00	METAL GLAZE 2.2K	5% 1/10W
R7695	1-216-091-00	METAL GLAZE 56K	5% 1/10W
R7696	1-216-081-00	METAL GLAZE 22K	5% 1/10W
R7697	1-216-065-00	METAL GLAZE 4.7K	5% 1/10W

<TUNER>

TU7201A 8-598-254-00 TUNER BTF-WA402
 TU7202A 8-598-047-11 TUNER BTF-LA401

<CRYSTAL>

X7001 1-760-817-11 VIBRATOR, CRYSTAL
 X7301 1-567-925-11 VIBRATOR, CRYSTAL



REF. NO.	PART NO.	DESCRIPTION	REMARK
* A-1297-540-A	AA BOARD, COMPLETE	(KP-53XBR45)	*****
* A-1297-622-A	AA BOARD, COMPLETE	(KP-61XBR48)	*****
4-382-854-11	SCREW (M3X10), P, SW (+)		
<CAPACITOR>			
C301	1-104-665-11	ELECT	100μF 20% 25V
C302	1-104-664-11	ELECT	47μF 20% 25V
C303	1-104-665-11	ELECT	100μF 20% 25V
C304	1-104-665-11	ELECT	100μF 20% 25V
C305	1-104-665-11	ELECT	100μF 20% 25V
C306	1-104-664-11	ELECT	47μF 20% 25V
C307	1-137-372-11	FILM	0.022μF 5% 50V
C308	1-137-374-11	FILM	0.047μF 5% 50V
C309	1-126-934-11	ELECT	220μF 20% 16V
C310	1-126-964-11	ELECT	10μF 20% 50V
C311	1-102-116-00	CERAMIC	680PF 10% 50V
C312	1-126-934-11	ELECT	220μF 20% 16V
C313	1-126-933-11	ELECT	100μF 20% 16V
C314	1-126-964-11	ELECT	10μF 20% 50V
C315	1-126-964-11	ELECT	10μF 20% 50V
C316	1-126-964-11	ELECT	10μF 20% 50V
C319	1-124-927-11	ELECT	4.7μF 20% 50V
C320	1-126-934-11	ELECT	220μF 20% 16V
C321	1-124-927-11	ELECT	4.7μF 20% 50V
C322	1-137-193-11	FILM	0.39μF 5% 50V
C323	1-130-489-00	FILM	0.033μF 5% 50V
C324	1-126-967-11	ELECT	47μF 20% 50V
C325	1-124-925-11	ELECT	2.2μF 20% 50V
C326	1-137-365-11	FILM	0.0015μF 5% 50V
C327	1-137-399-11	FILM	0.1μF 5% 50V
C328	1-137-399-11	FILM	0.1μF 5% 50V
C329	1-130-489-00	FILM	0.033μF 5% 50V
C330	1-137-399-11	FILM	0.1μF 5% 50V
C331	1-137-399-11	FILM	0.1μF 5% 50V
C332	1-124-903-11	ELECT	1μF 20% 50V
C333	1-124-902-00	ELECT	0.47μF 20% 50V
C334	1-124-902-00	ELECT	0.47μF 20% 50V
C335	1-131-363-00	TANTALUM	4.7μF 10% 16V
C336	1-131-363-00	TANTALUM	4.7μF 10% 16V
C337	1-124-902-00	ELECT	0.47μF 20% 50V
C338	1-124-902-00	ELECT	0.47μF 20% 50V
C339	1-124-903-11	ELECT	1μF 20% 50V
C340	1-126-934-11	ELECT	220μF 20% 16V
C341	1-131-363-00	TANTALUM	4.7μF 10% 16V
C342	1-131-363-00	TANTALUM	4.7μF 10% 16V
C343	1-126-964-11	ELECT	10μF 20% 50V
C344	1-136-167-00	FILM	0.15μF 5% 50V
C345	1-136-167-00	FILM	0.15μF 5% 50V
C346	1-131-368-00	TANTALUM	3.3μF 10% 16V
C347	1-131-368-00	TANTALUM	3.3μF 10% 16V
C348	1-136-167-00	FILM	0.15μF 5% 50V
C349	1-136-167-00	FILM	0.15μF 5% 50V
C350	1-104-664-11	ELECT	47μF 20% 25V
C353	1-107-698-11	ELECT	10μF 20% 25V
C354	1-137-366-11	FILM	0.0022μF 5% 50V
C355	1-137-366-11	FILM	0.0022μF 5% 50V
C356	1-104-664-11	ELECT	47μF 20% 25V
C359	1-107-698-11	ELECT	10μF 20% 25V
C360	1-137-366-11	FILM	0.0022μF 5% 50V
C361	1-137-366-11	FILM	0.0022μF 5% 50V
C362	1-126-965-11	ELECT	22μF 20% 50V
C363	1-126-965-11	ELECT	22μF 20% 50V
C364	1-107-698-11	ELECT	10μF 20% 25V
C365	1-107-698-11	ELECT	10μF 20% 25V

REF. NO.	PART NO.	DESCRIPTION	REMARK
C368	1-137-399-11	FILM	0.1μF 5% 50V
C369	1-137-399-11	FILM	0.1μF 5% 50V
C370	1-137-399-11	FILM	0.1μF 5% 50V
C371	1-137-399-11	FILM	0.1μF 5% 50V
C372	1-137-399-11	FILM	0.1μF 5% 50V
C373	1-137-399-11	FILM	0.1μF 5% 50V
C374	1-137-399-11	FILM	0.1μF 5% 50V
C375	1-137-399-11	FILM	0.1μF 5% 50V
C376	1-124-903-11	ELECT	1μF 20% 50V
C378	1-124-903-11	ELECT	1μF 20% 50V
C380	1-126-964-11	ELECT	10μF 20% 50V
C385	1-137-399-11	FILM	0.1μF 5% 50V
C387	1-124-120-11	ELECT	220μF 20% 25V
C388	1-124-120-11	ELECT	220μF 20% 25V
C389	1-126-964-11	ELECT	10μF 20% 50V
C390	1-126-964-11	ELECT	10μF 20% 50V
C501	1-124-902-00	ELECT	0.47μF 20% 50V
C502	1-104-664-11	ELECT	47μF 20% 25V
C503	1-137-370-11	FILM	0.01μF 5% 50V
C504	1-102-973-00	CERAMIC	100PF 5% 50V
C505	1-137-372-11	FILM	0.022μF 5% 50V
C506	1-123-024-21	ELECT	33μF 160V
C507	1-107-368-11	FILM	0.047μF 200V
C508	1-107-638-11	ELECT	33μF 20% 160V
C509	1-107-368-11	FILM	0.047μF 20% 200V
C510	1-102-030-00	CERAMIC	330PF 10% 500V
C511	1-137-414-11	FILM	0.0047μF 10% 100V
C512	1-162-115-00	CERAMIC	330PF 10% 2KV
C513	1-136-598-11	FILM	3μF 5% 200V
C514	1-136-613-11	FILM	0.0068μF 3% 2KV
C515	1-162-114-00	CERAMIC	0.0047μF 2KV
C516	1-107-719-11	ELECT	220μF 20% 50V
C517	1-126-971-11	ELECT	470μF 20% 50V
C518	1-126-971-11	ELECT	470μF 20% 50V
C519	1-124-903-11	ELECT	1μF 20% 50V
<CONNECTOR>			
CN301	* 1-564-513-11	PLUG, CONNECTOR	10P
CN302	* 1-564-509-11	PLUG, CONNECTOR	6P
CN303	* 1-564-513-11	PLUG, CONNECTOR	10P
CN304	1-573-298-21	CONNECTOR, BOARD TO BOARD	20P
CN305	1-573-298-21	CONNECTOR, BOARD TO BOARD	20P
CN306	* 1-564-510-11	PLUG, CONNECTOR	7P
CN307	* 1-564-509-11	PLUG, CONNECTOR	6P
CN308	1-695-915-11	TAB (CONTACT)	
CN311	* 1-691-134-11	PIN, CONNECTOR (PC BOARD)	2P
CN312	* 1-573-986-11	PIN, CONNECTOR (PC BOARD)	5P
CN511	* 1-580-689-11	PIN, CONNECTOR (PC BOARD)	4P
CN527	* 1-573-963-11	PIN, CONNECTOR (PC BOARD)	3P
CN528	1-695-915-11	TAB (CONTACT)	
CN541	* 1-580-689-11	PIN, CONNECTOR (PC BOARD)	4P
CN571	* 1-580-689-11	PIN, CONNECTOR (PC BOARD)	4P
<DIODE>			
D301	8-719-991-33	DIODE 1SS133T-77	
D302	8-719-991-33	DIODE 1SS133T-77	
D303	8-719-991-33	DIODE 1SS133T-77	
D304	8-719-110-56	DIODE RD22ESB1	
D305	8-719-110-56	DIODE RD22ESB1	
D313	8-719-991-33	DIODE 1SS133T-77	
D501	8-719-991-33	DIODE 1SS133T-77	
D502	8-719-109-72	DIODE RD3.9ESB2	
D504	8-719-991-33	DIODE 1SS133T-77	
D505	8-719-991-33	DIODE 1SS133T-77	
D506	8-719-300-80	DIODE RU-1C	
D507	8-719-018-82	DIODE RGPO2-20EL-6394	
D509	8-719-900-95	DIODE V09G (KP-53XBR45)	



REF. NO.	PART NO.	DESCRIPTION	REMARK
D510	8-719-900-95	DIODE V09G (KP-53XBR45)	
D511	8-719-991-33	DIODE 1SS133T-77	
<IC>			
IC301	8-759-069-28	IC PQ05RF11	
IC302	8-759-095-63	IC PQ09RF2	
IC303	8-759-231-58	IC TA7812S	
IC304	8-759-248-74	IC LA2785	
IC305	8-759-341-23	IC LV1011	
IC306	8-759-264-31	IC TDA7315	
IC307	8-759-264-31	IC TDA7315	
IC309	8-759-145-58	IC uPC4558C	
<COIL>			
L501	1-411-189-11	COIL, CHOKE 15mH	
L503	1-406-832-11	COIL, HORIZONTAL LINEARITY(HLC)	
L504	1-410-470-11	INDUCTOR 10μH	
<TRANSISTOR>			
Q312	8-729-119-78	TRANSISTOR 2SC2785-HFE	
Q501	8-729-119-76	TRANSISTOR 2SA1175-HFE	
Q502	8-729-119-76	TRANSISTOR 2SA1175-HFE	
Q503	8-729-119-78	TRANSISTOR 2SC2785-HFE	
Q504	8-729-119-78	TRANSISTOR 2SC2785-HFE	
Q505	8-729-119-80	TRANSISTOR 2SC2688-LK	
Q506	8-729-201-32	TRANSISTOR 2SA1013-O	
Q507	8-729-304-92	TRANSISTOR 2SB649A-C	
Q508	8-729-201-32	TRANSISTOR 2SA1013-O	
Q509	8-729-010-98	TRANSISTOR 2SA1492M-OPY	
Q510	8-729-021-48	TRANSISTOR 2SD2348LBSOY	
Q511	8-729-119-76	TRANSISTOR 2SA1175-HFE	
<RESISTOR>			
R301	1-247-807-31	CARBON	100 5% 1/4W
R302	1-247-807-31	CARBON	100 5% 1/4W
R303	1-247-807-31	CARBON	100 5% 1/4W
R304	1-247-903-00	CARBON	1M 5% 1/4W
R305	1-247-807-31	CARBON	100 5% 1/4W
R306	1-247-807-31	CARBON	100 5% 1/4W
R307	1-247-807-31	CARBON	100 5% 1/4W
R308	1-249-436-11	CARBON	39K 5% 1/4W
R310	1-249-432-11	CARBON	18K 5% 1/4W
R311	1-249-436-11	CARBON	39K 5% 1/4W
R312	1-249-413-11	CARBON	470 5% 1/4W
R314	1-249-413-11	CARBON	470 5% 1/4W
R321	1-249-437-11	CARBON	47K 5% 1/4W
R327	1-215-462-00	METAL	51K 1% 1/4W
R328	1-249-437-11	CARBON	47K 5% 1/4W
R330	1-247-807-31	CARBON	100 5% 1/4W
R331	1-247-807-31	CARBON	100 5% 1/4W
R332	1-215-462-00	METAL	51K 1% 1/4W
R334	1-247-807-31	CARBON	100 5% 1/4W
R335	1-247-807-31	CARBON	100 5% 1/4W
R339	1-249-430-11	CARBON	12K 5% 1/4W
R340	1-249-426-11	CARBON	5.6K 5% 1/4W
R341	1-249-426-11	CARBON	5.6K 5% 1/4W
R342	1-249-448-11	CARBON	1.2 5% 1/4W
R343	1-249-426-11	CARBON	5.6K 5% 1/4W
R344	1-249-426-11	CARBON	5.6K 5% 1/4W
R345	1-249-429-11	CARBON	10K 5% 1/4W
R346	1-249-430-11	CARBON	12K 5% 1/4W
R347	1-249-429-11	CARBON	10K 5% 1/4W
R348	1-216-387-11	METAL OXIDE	0.68 5% 3W F
R376	1-249-417-11	CARBON	1K 5% 1/4W
R378	1-249-429-11	CARBON	10K 5% 1/4W

REF. NO.	PART NO.	DESCRIPTION	REMARK
R380	1-249-427-11	CARBON	6.8K 5% 1/4W
R381	1-249-427-11	CARBON	6.8K 5% 1/4W
R501	1-249-421-11	CARBON	2.2K 5% 1/4W
R502	1-249-429-11	CARBON	10K 5% 1/4W
R503	1-249-441-11	CARBON	100K 5% 1/4W
R504	1-249-429-11	CARBON	10K 5% 1/4W
R505	1-215-437-00	METAL	4.7K 1% 1/4W
R506	1-215-433-00	METAL	3.3K 1% 1/4W
R507	1-249-407-11	CARBON	150 5% 1/4W
R508	1-215-429-00	METAL	2.2K 1% 1/4W
R509	1-249-423-11	CARBON	3.3K 5% 1/4W
R510	1-249-417-11	CARBON	1K 5% 1/4W
R511	1-247-895-91	CARBON	470K 5% 1/4W
R512	1-215-925-11	METAL OXIDE	22K 5% 3W F
R513	1-215-900-11	METAL OXIDE	22K 5% 2W F
R514	1-249-421-11	CARBON	2.2K 5% 1/4W F
R515	1-215-925-11	METAL OXIDE	22K 5% 3W F
R516	1-249-430-11	CARBON	12K 5% 1/4W F
R517	1-249-429-11	CARBON	10K 5% 1/4W
R518	1-249-427-11	CARBON	6.8K 5% 1/4W F
R519	1-249-417-11	CARBON	1K 5% 1/4W
R520	1-249-423-11	CARBON	3.3K 5% 1/4W F
R521	1-249-437-11	CARBON	47K 5% 1/4W
R522	1-249-417-11	CARBON	1K 5% 1/4W F
R523	1-249-426-11	CARBON	5.6K 5% 1/4W F
R524	1-215-925-11	METAL OXIDE	22K 5% 3W F
R525	1-216-373-11	METAL OXIDE	2.2 5% 2W F
R526	1-216-478-11	METAL OXIDE	390 5% 3W F
R528	1-216-477-11	METAL OXIDE	270 5% 3W F (KP-53XBR45)
R529	1-216-477-11	METAL OXIDE	270 5% 3W F (KP-53XBR45)
R530	1-216-477-11	METAL OXIDE	270 5% 3W F (KP-53XBR45)
R531	1-216-477-11	METAL OXIDE	270 5% 3W F (KP-53XBR45)
R532	1-215-442-00	METAL	7.5K 1% 1/4W
R533	1-215-443-00	METAL	8.2K 1% 1/4W
R534	1-215-437-00	METAL	4.7K 1% 1/4W
<RELAY>			
RY301	1-755-028-11	RELAY	
<TRANSFORMER>			
T501	1-437-078-00	TRANSFORMER, HORIZONTAL DRIVE	
<CRYSTAL>			
X301	1-579-125-11	VIBRATOR, CERAMIC	

* A-1195-092-A P5 BOARD, COMPLETE *****			
3-531-576-21 RIVET			
3-741-396-01 INSULATOR			
<CAPACITOR>			
C2001	1-163-038-91	CERAMIC CHIP 0.1μF	25V
C2002	1-126-967-11	ELECT 47μF	20% 16V
C2003	1-163-243-11	CERAMIC CHIP 47PF	5% 50V
C2004	1-164-232-11	CERAMIC CHIP 0.01μF	10% 50V
C2005	1-163-038-91	CERAMIC CHIP 0.1μF	25V
C2006	1-163-038-91	CERAMIC CHIP 0.1μF	25V

P5

REF. NO.	PART NO.	DESCRIPTION	REMARK
C2008	1-164-232-11	CERAMIC CHIP 0.01μF	10% 50V
C2009	1-126-933-11	ELECT 100μF	20% 10V
C2010	1-163-253-11	CERAMIC CHIP 120PF	5% 50V
C2012	1-163-038-91	CERAMIC CHIP 0.1μF	25V
C2013	1-163-038-91	CERAMIC CHIP 0.1μF	25V
C2014	1-163-097-00	CERAMIC CHIP 15PF	5% 50V
C2015	1-126-967-11	ELECT 47μF	20% 16V
C2016	1-126-964-11	ELECT 10μF	20% 50V
C2017	1-163-038-91	CERAMIC CHIP 0.1μF	25V
C2018	1-126-964-11	ELECT 10μF	20% 50V
C2019	1-163-038-91	CERAMIC CHIP 0.1μF	25V
C2020	1-163-038-91	CERAMIC CHIP 0.1μF	25V
C2021	1-163-038-91	CERAMIC CHIP 0.1μF	25V
C2022	1-124-903-11	ELECT 1μF	20% 50V
C2023	1-124-903-11	ELECT 1μF	20% 50V
C2024	1-126-964-11	ELECT 10μF	20% 50V
C2025	1-164-232-11	CERAMIC CHIP 0.01μF	10% 50V
C2026	1-163-275-11	CERAMIC CHIP 0.001μF	5% 50V
C2027	1-164-232-11	CERAMIC CHIP 0.01μF	10% 50V
C2028	1-164-232-11	CERAMIC CHIP 0.01μF	10% 50V
C2029	1-164-232-11	CERAMIC CHIP 0.01μF	10% 50V
C2030	1-163-125-00	CERAMIC CHIP 220PF	5% 50V
C2031	1-163-145-00	CERAMIC CHIP 0.0015μF	5% 50V
C2032	1-124-902-00	ELECT 0.47μF	20% 50V
C2034	1-163-241-11	CERAMIC CHIP 39PF	5% 50V
C2035	1-163-038-91	CERAMIC CHIP 0.1μF	25V
C2036	1-163-038-91	CERAMIC CHIP 0.1μF	25V
C2037	1-163-038-91	CERAMIC CHIP 0.1μF	25V
C2038	1-124-927-11	ELECT 4.7μF	20% 50V
C2040	1-126-967-11	ELECT 47μF	20% 16V
C2042	1-164-232-11	CERAMIC CHIP 0.01μF	10% 50V
C2043	1-163-235-11	CERAMIC CHIP 22PF	5% 50V
C2044	1-124-927-11	ELECT 4.7μF	20% 50V
C2045	1-126-967-11	ELECT 47μF	20% 16V
C2046	1-163-227-11	CERAMIC CHIP 10PF	0.5PF 50V
C2047	1-163-227-11	CERAMIC CHIP 10PF	0.5PF 50V
C2048	1-163-113-00	CERAMIC CHIP 68PF	5% 50V
C2049	1-126-967-11	ELECT 47μF	20% 16V
C2050	1-164-232-11	CERAMIC CHIP 0.01μF	10% 50V
C2051	1-163-251-11	CERAMIC CHIP 100PF	5% 50V
C2055	1-164-232-11	CERAMIC CHIP 0.01μF	10% 50V
C2056	1-126-964-11	ELECT 10μF	20% 50V
C2057	1-164-232-11	CERAMIC CHIP 0.01μF	10% 50V
C2058	1-164-232-11	CERAMIC CHIP 0.01μF	10% 50V
C2059	1-126-964-11	ELECT 10μF	20% 50V
C2060	1-164-232-11	CERAMIC CHIP 0.01μF	10% 50V
C2067	1-164-346-11	CERAMIC CHIP 1μF	16V
C2072	1-163-038-91	CERAMIC CHIP 0.1μF	25V
C2073	1-124-903-11	ELECT 1μF	20% 50V
C2074	1-163-038-91	CERAMIC CHIP 0.1μF	25V
C2076	1-126-967-11	ELECT 47μF	20% 16V
C2077	1-163-097-00	CERAMIC CHIP 15PF	5% 50V
C2078	1-126-964-11	ELECT 10μF	20% 50V
C2080	1-163-145-00	CERAMIC CHIP 0.0015μF	5% 50V
C2081	1-163-253-11	CERAMIC CHIP 120PF	5% 50V
C2082	1-126-967-11	ELECT 47μF	20% 16V
C2083	1-163-038-91	CERAMIC CHIP 0.1μF	25V
C2085	1-164-346-11	CERAMIC CHIP 1μF	16V
C2086	1-163-097-00	CERAMIC CHIP 15PF	5% 50V
C2087	1-163-038-91	CERAMIC CHIP 0.1μF	25V
C2088	1-126-964-11	ELECT 10μF	20% 50V
C2089	1-163-145-00	CERAMIC CHIP 0.0015μF	5% 50V
C2090	1-164-346-11	CERAMIC CHIP 1μF	16V
C2092	1-163-038-91	CERAMIC CHIP 0.1μF	25V
C2093	1-126-964-11	ELECT 10μF	20% 50V
C2094	1-163-038-91	CERAMIC CHIP 0.1μF	25V
C2096	1-126-967-11	ELECT 47μF	20% 16V
C2097	1-163-038-91	CERAMIC CHIP 0.1μF	25V
C2098	1-126-967-11	ELECT 47μF	20% 16V

REF. NO.	PART NO.	DESCRIPTION	REMARK
C2099	1-163-038-91	CERAMIC CHIP 0.1μF	25V
C2101	1-163-038-91	CERAMIC CHIP 0.1μF	25V
C2102	1-126-967-11	ELECT 47μF	20% 16V
C2103	1-163-038-91	CERAMIC CHIP 0.1μF	25V
<CONNECTOR>			
CN2001	1-764-144-11	PIN, CONNECTOR (PC BOARD) 12P	
<DIODE>			
D2001	8-719-988-62	DIODE 1SS355	
D2002	8-719-988-62	DIODE 1SS355	
<FERRITE BEAD>			
FB2001	1-543-775-11	FILTER, EMI	
FB2003	1-543-775-11	FILTER, EMI	
FB2005	1-414-234-11	INDUCTOR, FERRITE BEAD	
FB2006	1-414-234-11	INDUCTOR, FERRITE BEAD	
FB2007	1-414-235-11	INDUCTOR, FERRITE BEAD	
<FILTER>			
FL2001	1-239-847-11	FILTER, LOW PASS	
FL2003	1-239-847-11	FILTER, LOW PASS	
FL2004	1-239-847-11	FILTER, LOW PASS	
FL2008	1-239-384-11	FILTER, EMI	
FL2009	1-239-384-11	FILTER, EMI	
FL2010	1-239-384-11	FILTER, EMI	
<IC>			
IC2001	8-759-161-24	IC uPC659AGS-E2	
IC2002	8-759-296-53	IC uPC1862GS-E2	
IC2005	8-759-296-51	IC uPD6486GF-3BA	
IC2006	8-759-161-22	IC uPD42280GU-60-E2	
IC2007	8-759-297-80	IC MSM514222B-30GS-KR1	
<COIL>			
L2001	1-410-204-31	INDUCTOR CHIP 10μH	
L2002	1-410-193-51	INDUCTOR CHIP 1.2μH	
L2003	1-410-193-51	INDUCTOR CHIP 1.2μH	
L2004	1-410-193-51	INDUCTOR CHIP 1.2μH	
L2005	1-410-193-51	INDUCTOR CHIP 1.2μH	
L2006	1-410-193-51	INDUCTOR CHIP 1.2μH	
L2009	1-414-042-21	INDUCTOR 18μH	
L2010	1-414-042-21	INDUCTOR 18μH	
L2011	1-414-042-21	INDUCTOR 18μH	
L2013	1-410-193-51	INDUCTOR CHIP 1.2μH	
L2014	1-410-193-51	INDUCTOR CHIP 1.2μH	
<TRANSISTOR>			
Q2001	8-729-120-28	TRANSISTOR 2SC1623-L5L6	
Q2002	8-729-216-22	TRANSISTOR 2SA1162-G	
Q2004	8-729-120-28	TRANSISTOR 2SC1623-L5L6	
Q2005	8-729-120-28	TRANSISTOR 2SC1623-L5L6	
Q2006	8-729-216-22	TRANSISTOR 2SA1162-G	
Q2007	8-729-216-22	TRANSISTOR 2SA1162-G	
Q2009	8-729-120-28	TRANSISTOR 2SC1623-L5L6	
Q2010	8-729-120-28	TRANSISTOR 2SC1623-L5L6	
Q2011	8-729-216-22	TRANSISTOR 2SA1162-G	
Q2015	8-729-120-28	TRANSISTOR 2SC1623-L5L6	
Q2016	8-729-120-28	TRANSISTOR 2SC1623-L5L6	
Q2017	8-729-120-28	TRANSISTOR 2SC1623-L5L6	
Q2019	8-729-120-28	TRANSISTOR 2SC1623-L5L6	
Q2020	8-729-120-28	TRANSISTOR 2SC1623-L5L6	

P5

M

REF. NO.	PART NO.	DESCRIPTION	REMARK	REF. NO.	PART NO.	DESCRIPTION	REMARK
Q2021	8-729-120-28	TRANSISTOR 2SC1623-L5L6		R2106	1-216-295-91	CONDUCTOR, CHIP	
Q2022	8-729-120-28	TRANSISTOR 2SC1623-L5L6		R2107	1-216-025-91	METAL GLAZE 100	5% 1/10W
Q2023	8-729-120-28	TRANSISTOR 2SC1623-L5L6		R2108	1-216-634-11	METAL CHIP 200	0.50% 1/10W
Q2024	8-729-120-28	TRANSISTOR 2SC1623-L5L6		R2109	1-216-057-00	METAL GLAZE 2.2K	5% 1/10W
Q2025	8-729-120-28	TRANSISTOR 2SC1623-L5L6		R2110	1-216-295-91	CONDUCTOR, CHIP	
Q2026	8-729-120-28	TRANSISTOR 2SC1623-L5L6		R2111	1-216-031-00	METAL GLAZE 180	5% 1/10W
		<RESISTOR>		R2112	1-216-043-91	METAL GLAZE 560	5% 1/10W
R2001	1-216-295-91	CONDUCTOR, CHIP		R2113	1-216-067-00	METAL GLAZE 5.6K	5% 1/10W
R2004	1-216-025-91	METAL GLAZE 100	5% 1/10W	R2114	1-216-051-00	METAL GLAZE 1.2K	5% 1/10W
R2005	1-216-025-91	METAL GLAZE 100	5% 1/10W	R2115	1-216-073-00	METAL GLAZE 10K	5% 1/10W
R2006	1-216-023-00	METAL GLAZE 82	5% 1/10W	R2117	1-216-049-91	METAL GLAZE 1K	5% 1/10W
R2007	1-216-023-00	METAL GLAZE 82	5% 1/10W	R2119	1-216-041-00	METAL GLAZE 470	5% 1/10W
R2008	1-216-023-00	METAL GLAZE 82	5% 1/10W	R2120	1-216-039-00	METAL GLAZE 390	5% 1/10W
R2009	1-216-049-91	METAL GLAZE 1K	5% 1/10W	R2121	1-216-041-00	METAL GLAZE 470	5% 1/10W
R2010	1-216-073-00	METAL GLAZE 10K	5% 1/10W	R2123	1-216-651-11	METAL CHIP 1K	0.50% 1/10W
R2011	1-216-001-00	METAL GLAZE 10	5% 1/10W	R2124	1-216-689-11	METAL GLAZE 39K	5% 1/10W
R2012	1-216-049-91	METAL GLAZE 1K	5% 1/10W	R2125	1-216-001-00	METAL GLAZE 10	5% 1/10W
R2014	1-216-041-00	METAL GLAZE 470	5% 1/10W	R2126	1-216-295-91	CONDUCTOR, CHIP	
R2015	1-216-073-00	METAL GLAZE 10K	5% 1/10W	R2127	1-216-077-00	METAL GLAZE 15K	5% 1/10W
R2016	1-216-055-00	METAL GLAZE 1.8K	5% 1/10W	R2128	1-216-043-91	METAL GLAZE 560	5% 1/10W
R2017	1-216-025-91	METAL GLAZE 100	5% 1/10W	R2129	1-216-025-91	METAL GLAZE 100	5% 1/10W
R2018	1-216-023-00	METAL GLAZE 82	5% 1/10W	R2130	1-216-634-11	METAL CHIP 200	0.50% 1/10W
R2019	1-216-081-00	METAL GLAZE 22K	5% 1/10W	R2131	1-216-077-00	METAL GLAZE 15K	5% 1/10W
R2020	1-216-073-00	METAL GLAZE 10K	5% 1/10W	R2132	1-216-295-91	CONDUCTOR, CHIP	
R2021	1-216-045-00	METAL GLAZE 680	5% 1/10W	R2133	1-216-637-11	METAL CHIP 270	0.50% 1/10W
R2022	1-216-025-91	METAL GLAZE 100	5% 1/10W	R2134	1-216-051-00	METAL GLAZE 1.2K	5% 1/10W
R2023	1-216-009-00	METAL GLAZE 22	5% 1/10W	R2135	1-216-067-00	METAL GLAZE 5.6K	5% 1/10W
R2024	1-216-025-91	METAL GLAZE 100	5% 1/10W	R2136	1-216-073-00	METAL GLAZE 10K	5% 1/10W
R2026	1-216-645-11	METAL CHIP 560	0.50% 1/10W	R2138	1-216-039-00	METAL GLAZE 390	5% 1/10W
R2027	1-216-638-11	METAL CHIP 300	0.50% 1/10W	R2139	1-216-049-91	METAL GLAZE 1K	5% 1/10W
R2028	1-208-800-11	METAL CHIP 5.6K	0.50% 1/10W	R2141	1-216-039-00	METAL GLAZE 390	5% 1/10W
R2030	1-216-063-91	METAL GLAZE 3.9K	5% 1/10W	R2144	1-216-073-00	METAL GLAZE 10K	5% 1/10W
R2032	1-208-774-11	METAL CHIP 470	0.50% 1/10W	R2146	1-216-033-00	METAL GLAZE 220	5% 1/10W
R2033	1-216-001-00	METAL GLAZE 10	5% 1/10W	R2149	1-216-017-91	METAL GLAZE 47	5% 1/10W
R2036	1-216-039-00	METAL GLAZE 390	5% 1/10W	R2150	1-216-017-91	METAL GLAZE 47	5% 1/10W
R2037	1-216-039-00	METAL GLAZE 390	5% 1/10W	R2152	1-216-017-91	METAL GLAZE 47	5% 1/10W
R2039	1-216-073-00	METAL GLAZE 10K	5% 1/10W	R2153	1-216-295-91	CONDUCTOR, CHIP	
R2042	1-216-049-91	METAL GLAZE 1K	5% 1/10W			<VARIABLE RESISTOR>	
R2044	1-216-073-00	METAL GLAZE 10K	5% 1/10W	RV2002	1-238-240-11	RES, ADJ, CERMET 220	
R2045	1-216-089-91	METAL GLAZE 47K	5% 1/10W			<CRYSTAL>	
R2046	1-216-089-91	METAL GLAZE 47K	5% 1/10W	X2001	1-579-583-11	VIBRATOR, CERAMIC	
R2047	1-216-049-91	METAL GLAZE 1K	5% 1/10W	X2002	1-527-722-00	OSCILLATOR, CRYSTAL	
R2048	1-216-033-00	METAL GLAZE 220	5% 1/10W			*****	
R2049	1-216-033-00	METAL GLAZE 220	5% 1/10W			* A-1306-507-A M BOARD, COMPLETE	
R2050	1-216-133-00	METAL GLAZE 3.3M	5% 1/10W			*****	
R2055	1-216-035-00	METAL GLAZE 270	5% 1/10W			<CAPACITOR>	
R2061	1-216-097-91	METAL GLAZE 100K	5% 1/10W	C3003	1-126-967-11	ELECT 47μF	20% 50V
R2062	1-216-059-00	METAL GLAZE 2.7K	5% 1/10W	C3018	1-136-169-00	FILM 0.22μF	5% 50V
R2066	1-216-057-00	METAL GLAZE 2.2K	5% 1/10W	C3039	1-163-031-11	CERAMIC CHIP 0.01μF	50V
R2068	1-216-057-00	METAL GLAZE 2.2K	5% 1/10W	C3040	1-163-229-11	CERAMIC CHIP 12PF	5% 50V
R2073	1-216-035-00	METAL GLAZE 270	5% 1/10W	C3042	1-163-239-11	CERAMIC CHIP 33PF	5% 50V
R2076	1-208-775-11	METAL CHIP 510	0.50% 1/10W	C3043	1-163-239-11	CERAMIC CHIP 33PF	5% 50V
R2077	1-216-071-00	METAL GLAZE 8.2K	5% 1/10W	C3044	1-164-004-11	CERAMIC CHIP 0.1μF	10% 25V
R2082	1-216-627-11	METAL CHIP 100	0.50% 1/10W	C3045	1-126-940-11	ELECT 330μF	20% 16V
R2087	1-216-053-00	METAL GLAZE 1.5K	5% 1/10W	C3046	1-163-102-00	CERAMIC CHIP 24PF	5% 50V
R2089	1-216-073-00	METAL GLAZE 10K	5% 1/10W	C3047	1-163-017-00	CERAMIC CHIP 0.0047μF	10% 50V
R2090	1-216-073-00	METAL GLAZE 10K	5% 1/10W	C3052	1-163-037-11	CERAMIC CHIP 0.022μF	10% 25V
R2091	1-216-029-00	METAL GLAZE 150	5% 1/10W	C3060	1-164-004-11	CERAMIC CHIP 0.1μF	10% 25V
R2092	1-216-065-00	METAL GLAZE 4.7K	5% 1/10W	C3061	1-126-916-11	ELECT 1000μF	20% 6.3V
R2093	1-216-045-00	METAL GLAZE 680	5% 1/10W				
R2098	1-216-664-11	METAL CHIP 3.6K	0.50% 1/10W				
R2099	1-216-656-11	METAL CHIP 1.6K	0.50% 1/10W				
R2100	1-216-650-11	METAL CHIP 910	0.50% 1/10W				
R2102	1-216-045-00	METAL GLAZE 680	5% 1/10W				
R2103	1-216-067-00	METAL GLAZE 5.6K	5% 1/10W				
R2104	1-216-001-00	METAL GLAZE 10	5% 1/10W				
R2105	1-216-077-00	METAL GLAZE 15K	5% 1/10W				



REF. NO.	PART NO.	DESCRIPTION	REMARK
C3062	1-126-964-11	ELECT 10μF	20% 50V
C3063	1-126-964-11	ELECT 10μF	20% 50V
C3064	1-126-964-11	ELECT 10μF	20% 50V
C3065	1-126-965-11	ELECT 22μF	20% 50V
C3066	1-163-125-00	CERAMIC CHIP 220PF	5% 50V
C3067	1-164-232-11	CERAMIC CHIP 0.01μF	10% 50V
C3068	1-124-925-11	ELECT 2.2μF	20% 50V
C3070	1-126-935-11	ELECT 470μF	20% 16V
C3071	1-126-934-11	ELECT 220μF	20% 16V
C3072	1-126-964-11	ELECT 10μF	20% 50V
C3073	1-163-251-11	CERAMIC CHIP 100PF	5% 50V
C3074	1-163-251-11	CERAMIC CHIP 100PF	5% 50V
C3075	1-126-967-11	ELECT 47μF	20% 16V
C3076	1-124-902-00	ELECT 0.47μF	20% 50V
C3077	1-124-925-11	ELECT 2.2μF	20% 50V
C3078	1-124-902-00	ELECT 0.47μF	20% 50V
C3080	1-164-232-11	CERAMIC CHIP 0.01μF	10% 50V
C3081	1-124-927-11	ELECT 4.7μF	20% 50V
C3082	1-124-903-11	ELECT 1μF	20% 50V
C3083	1-164-232-11	CERAMIC CHIP 0.01μF	10% 50V
C3084	1-124-903-11	ELECT 1μF	20% 50V
C3085	1-164-232-11	CERAMIC CHIP 0.01μF	10% 50V
C3086	1-163-017-00	CERAMIC CHIP 0.0047μF	10% 50V
C3087	1-163-017-00	CERAMIC CHIP 0.0047μF	10% 50V
C3088	1-163-019-00	CERAMIC CHIP 0.0068μF	10% 50V
C3089	1-163-017-00	CERAMIC CHIP 0.0047μF	10% 50V
C3092	1-124-927-11	ELECT 4.7μF	20% 50V
C3093	1-124-902-00	ELECT 0.47μF	20% 50V
C3094	1-124-902-00	ELECT 0.47μF	20% 50V
C3095	1-124-902-00	ELECT 0.47μF	20% 50V
C3099	1-124-903-11	ELECT 1μF	20% 50V
C3100	1-163-133-00	CERAMIC CHIP 470PF	5% 50V
C3101	1-164-232-11	CERAMIC CHIP 0.01μF	10% 50V
C3102	1-163-243-11	CERAMIC CHIP 47PF	5% 50V
C3103	1-126-933-11	ELECT 100μF	20% 16V
C3104	1-163-097-00	CERAMIC CHIP 15PF	5% 50V
C3105	1-124-902-00	ELECT 0.47μF	20% 50V
C3106	1-126-940-11	ELECT 330μF	20% 16V
C3107	1-126-964-11	ELECT 10μF	20% 50V
C3108	1-163-235-11	CERAMIC CHIP 22PF	5% 50V
C3109	1-126-965-11	ELECT 22μF	20% 50V
C3110	1-163-113-00	CERAMIC CHIP 68PF	5% 50V
C3111	1-104-664-11	ELECT 47μF	20% 25V
C3112	1-163-097-00	CERAMIC CHIP 15PF	5% 50V
C3114	1-163-125-00	CERAMIC CHIP 220PF	5% 50V
C3119	1-126-964-11	ELECT 10μF	20% 50V
C3120	1-126-964-11	ELECT 10μF	20% 50V
C3121	1-126-935-11	ELECT 470μF	20% 16V
C3123	1-163-235-11	CERAMIC CHIP 22PF	5% 50V
C3124	1-163-009-11	CERAMIC CHIP 0.001μF	10% 50V
C3125	1-126-964-11	ELECT 10μF	20% 50V
C3127	1-163-235-11	CERAMIC CHIP 22PF	5% 50V
C3129	1-126-964-11	ELECT 10μF	20% 50V
C3130	1-126-967-11	ELECT 47μF	20% 50V
C3135	1-126-967-11	ELECT 47μF	20% 16V
C3136	1-124-927-11	ELECT 4.7μF	20% 50V
C3137	1-163-235-11	CERAMIC CHIP 22PF	5% 50V
C3138	1-163-251-11	CERAMIC CHIP 100PF	5% 50V
C3139	1-126-967-11	ELECT 47μF	20% 16V
C3140	1-107-714-11	ELECT 10μF	20% 16V

<CONNECTOR>

CN3000	* 1-564-507-11	PLUG, CONNECTOR 4P
CN3001	* 1-564-510-11	PLUG, CONNECTOR 7P
CN3002	* 1-564-508-11	PLUG, CONNECTOR 5P
CN3003	* 1-564-509-11	PLUG, CONNECTOR 6P
CN3004	1-573-301-21	CONNECTOR, BOARD TO BOARD 20P

REF. NO.	PART NO.	DESCRIPTION	REMARK
CN3005	* 1-564-512-11	PLUG, CONNECTOR 9P	
CN3006	1-573-979-21	CONNECTOR, BOARD TO BOARD 11P	
CN3007	1-573-301-21	CONNECTOR, BOARD TO BOARD 20P	
CN3008	* 1-564-516-11	PLUG, CONNECTOR 13P	
CN3009	* 1-564-509-11	PLUG, CONNECTOR 6P	
CN3010	* 1-566-367-11	CONNECTOR, HINGE (RECEPTACLE)	
CN3011	* 1-566-367-11	CONNECTOR, HINGE (RECEPTACLE)	
CN3012	* 1-564-509-11	PLUG, CONNECTOR 6P	
CN3013	* 1-564-515-11	PLUG, CONNECTOR 12P	
CN3014	* 1-564-514-11	PLUG, CONNECTOR 11P	
CN3015	* 1-564-508-11	PLUG, CONNECTOR 5P	

<DIODE>

D3000	8-719-404-46	DIODE MA110
D3001	8-719-404-46	DIODE MA110
D3002	8-719-404-46	DIODE MA110
D3003	8-719-404-46	DIODE MA110
D3004	8-719-404-46	DIODE MA110
D3005	8-719-404-46	DIODE MA110
D3007	8-719-422-46	DIODE MA8056
D3008	8-719-422-46	DIODE MA8056
D3009	8-719-404-46	DIODE MA110
D3010	8-719-404-46	DIODE MA110
D3011	8-719-109-88	DIODE RD5.6ESB1
D3016	8-719-400-75	DIODE MA3091
D3017	8-719-106-62	DIODE RD11M-B2
D3018	8-719-105-82	DIODE RD5.1M-B2
D3019	8-719-106-62	DIODE RD11M-B2
D3020	8-719-106-62	DIODE RD11M-B2
D3021	8-719-106-62	DIODE RD11M-B2
D3022	8-719-404-46	DIODE MA110
D3023	8-719-106-62	DIODE RD11M-B2
D3026	8-719-105-91	DIODE RD5.6M-B2
D3027	8-719-404-46	DIODE MA110
D3028	8-719-404-46	DIODE MA110
D3029	8-719-404-46	DIODE MA110
D3030	8-719-106-62	DIODE RD11M-B2
D3033	8-719-404-46	DIODE MA110
D3034	8-719-404-46	DIODE MA110
D3035	8-719-404-46	DIODE MA110
D3036	8-719-404-46	DIODE MA110
D3038	8-719-404-46	DIODE MA110
D3039	8-719-404-46	DIODE MA110
D3041	8-719-404-46	DIODE MA110
D3042	8-719-404-46	DIODE MA110
D3043	8-719-400-71	DIODE MA3082
D3044	8-719-404-46	DIODE MA110
D3045	8-719-404-46	DIODE MA110
D3046	8-719-404-46	DIODE MA110
D3049	8-719-404-46	DIODE MA110
D3050	8-719-404-46	DIODE MA110
D3051	8-719-404-46	DIODE MA110
D3052	8-719-404-46	DIODE MA110

<IC>

IC3000	8-752-863-95	IC CXP85324A-039S
IC3001	8-759-069-28	IC PQ05RF11
IC3002	8-759-518-23	IC X24C04S8
IC3003	8-759-710-86	IC NJM2233BM
IC3004	8-759-710-86	IC NJM2233BM
IC3005	8-752-063-50	IC CXA1477AS
IC3007	8-759-403-44	IC MN1280-S

<COIL>



REF. NO.	PART NO.	DESCRIPTION	REMARK	REF. NO.	PART NO.	DESCRIPTION	REMARK
L3000	1-408-414-00	INDUCTOR 27μH		R3015	1-216-065-00	METAL GLAZE 4.7K	5% 1/10W
L3004	1-414-234-11	INDUCTOR, FERRITE BEAD		R3016	1-216-081-00	METAL GLAZE 22K	5% 1/10W
L3008	1-408-413-00	INDUCTOR 22μH		R3017	1-216-033-00	METAL GLAZE 220	5% 1/10W
L3009	1-408-416-00	INDUCTOR 39μH		R3018	1-216-033-00	METAL GLAZE 220	5% 1/10W
L3010	1-408-409-00	INDUCTOR 10μH		R3020	1-216-065-00	METAL GLAZE 4.7K	5% 1/10W
<TRANSISTOR>				R3024	1-216-033-00	METAL GLAZE 220	5% 1/10W
Q3000	8-729-216-22	TRANSISTOR 2SA1162-G		R3025	1-216-033-00	METAL GLAZE 220	5% 1/10W
Q3001	8-729-216-22	TRANSISTOR 2SA1162-G		R3027	1-216-033-00	METAL GLAZE 220	5% 1/10W
Q3002	8-729-216-22	TRANSISTOR 2SA1162-G		R3028	1-216-033-00	METAL GLAZE 220	5% 1/10W
Q3003	8-729-422-27	TRANSISTOR 2SD601A-Q		R3029	1-216-033-00	METAL GLAZE 220	5% 1/10W
Q3004	8-729-216-22	TRANSISTOR 2SA1162-G		R3031	1-216-033-00	METAL GLAZE 220	5% 1/10W
Q3005	8-729-422-27	TRANSISTOR 2SD601A-Q		R3032	1-216-033-00	METAL GLAZE 220	5% 1/10W
Q3006	8-729-216-22	TRANSISTOR 2SA1162-G		R3033	1-216-033-00	METAL GLAZE 220	5% 1/10W
Q3013	8-729-422-27	TRANSISTOR 2SD601A-Q		R3034	1-216-033-00	METAL GLAZE 220	5% 1/10W
Q3014	8-729-422-27	TRANSISTOR 2SD601A-Q		R3035	1-216-041-00	METAL GLAZE 470	5% 1/10W
Q3015	8-729-216-22	TRANSISTOR 2SA1162-G		R3036	1-216-023-00	METAL GLAZE 82	5% 1/10W
Q3016	8-729-216-22	TRANSISTOR 2SA1162-G		R3037	1-216-097-91	METAL GLAZE 100K	5% 1/10W
Q3017	8-729-216-22	TRANSISTOR 2SA1162-G		R3038	1-216-089-91	METAL GLAZE 47K	5% 1/10W
Q3018	8-729-216-22	TRANSISTOR 2SA1162-G		R3039	1-216-089-91	METAL GLAZE 47K	5% 1/10W
Q3019	8-729-216-22	TRANSISTOR 2SA1162-G		R3040	1-216-097-91	METAL GLAZE 100K	5% 1/10W
Q3020	8-729-216-22	TRANSISTOR 2SA1162-G		R3041	1-216-033-00	METAL GLAZE 220	5% 1/10W
Q3021	8-729-422-27	TRANSISTOR 2SD601A-Q		R3047	1-216-033-00	METAL GLAZE 220	5% 1/10W
Q3022	8-729-422-27	TRANSISTOR 2SD601A-Q		R3048	1-216-033-00	METAL GLAZE 220	5% 1/10W
Q3023	8-729-216-22	TRANSISTOR 2SA1162-G		R3049	1-216-033-00	METAL GLAZE 220	5% 1/10W
Q3024	8-729-422-27	TRANSISTOR 2SD601A-Q		R3050	1-216-033-00	METAL GLAZE 220	5% 1/10W
Q3025	8-729-422-27	TRANSISTOR 2SD601A-Q		R3051	1-216-033-00	METAL GLAZE 220	5% 1/10W
Q3026	8-729-216-22	TRANSISTOR 2SA1162-G		R3052	1-216-295-91	CONDUCTOR, CHIP	
Q3027	8-729-422-27	TRANSISTOR 2SD601A-Q		R3055	1-216-049-91	METAL GLAZE 1K	5% 1/10W
Q3028	8-729-422-27	TRANSISTOR 2SD601A-Q		R3056	1-216-049-91	METAL GLAZE 1K	5% 1/10W
Q3029	8-729-422-27	TRANSISTOR 2SD601A-Q		R3058	1-216-073-00	METAL GLAZE 10K	5% 1/10W
Q3030	8-729-422-27	TRANSISTOR 2SD601A-Q		R3059	1-216-025-91	METAL GLAZE 100	5% 1/10W
Q3031	8-729-422-27	TRANSISTOR 2SD601A-Q		R3060	1-216-073-00	METAL GLAZE 10K	5% 1/10W
Q3032	8-729-216-22	TRANSISTOR 2SA1162-G		R3061	1-216-073-00	METAL GLAZE 10K	5% 1/10W
Q3033	8-729-422-27	TRANSISTOR 2SD601A-Q		R3063	1-216-295-91	CONDUCTOR, CHIP	
Q3038	8-729-216-22	TRANSISTOR 2SA1162-G		R3064	1-216-065-00	METAL GLAZE 4.7K	5% 1/10W
Q3043	8-729-422-27	TRANSISTOR 2SD601A-Q		R3065	1-216-049-91	METAL GLAZE 1K	5% 1/10W
Q3045	8-729-422-27	TRANSISTOR 2SD601A-Q		R3067	1-216-065-00	METAL GLAZE 4.7K	5% 1/10W
Q3046	8-729-422-27	TRANSISTOR 2SD601A-Q		R3068	1-216-065-00	METAL GLAZE 4.7K	5% 1/10W
Q3048	8-729-422-27	TRANSISTOR 2SD601A-Q		R3091	1-216-065-00	METAL GLAZE 4.7K	5% 1/10W
Q3049	8-729-422-27	TRANSISTOR 2SD601A-Q		R3093	1-216-025-91	METAL GLAZE 100	5% 1/10W
Q3050	8-729-422-27	TRANSISTOR 2SD601A-Q		R3094	1-216-065-00	METAL GLAZE 4.7K	5% 1/10W
Q3051	8-729-422-27	TRANSISTOR 2SD601A-Q		R3095	1-216-025-91	METAL GLAZE 100	5% 1/10W
Q3052	8-729-216-22	TRANSISTOR 2SA1162-G		R3096	1-216-049-91	METAL GLAZE 1K	5% 1/10W
Q3053	8-729-216-22	TRANSISTOR 2SA1162-G		R3097	1-216-025-91	METAL GLAZE 100	5% 1/10W
Q3054	8-729-422-27	TRANSISTOR 2SD601A-Q		R3098	1-216-065-00	METAL GLAZE 4.7K	5% 1/10W
Q3055	8-729-422-27	TRANSISTOR 2SD601A-Q		R3099	1-216-049-91	METAL GLAZE 1K	5% 1/10W
Q3056	8-729-422-27	TRANSISTOR 2SD601A-Q		R3100	1-216-025-91	METAL GLAZE 100	5% 1/10W
Q3057	8-729-216-22	TRANSISTOR 2SA1162-G		R3101	1-216-025-91	METAL GLAZE 100	5% 1/10W
Q3058	8-729-216-22	TRANSISTOR 2SA1162-G		R3102	1-216-025-91	METAL GLAZE 100	5% 1/10W
Q3059	8-729-216-22	TRANSISTOR 2SA1162-G		R3103	1-216-025-91	METAL GLAZE 100	5% 1/10W
<RESISTOR>				R3104	1-216-049-91	METAL GLAZE 1K	5% 1/10W
R3000	1-216-073-00	METAL GLAZE 10K	5% 1/10W	R3105	1-216-049-91	METAL GLAZE 1K	5% 1/10W
R3001	1-216-049-91	METAL GLAZE 1K	5% 1/10W	R3106	1-216-025-91	METAL GLAZE 100	5% 1/10W
R3002	1-216-049-91	METAL GLAZE 1K	5% 1/10W	R3107	1-216-049-91	METAL GLAZE 1K	5% 1/10W
R3003	1-216-033-00	METAL GLAZE 220	5% 1/10W	R3108	1-216-025-91	METAL GLAZE 100	5% 1/10W
R3004	1-216-065-00	METAL GLAZE 4.7K	5% 1/10W	R3109	1-216-059-00	METAL GLAZE 2.7K	5% 1/10W
R3005	1-216-093-00	METAL GLAZE 68K	5% 1/10W	R3110	1-216-001-00	METAL GLAZE 10	5% 1/10W
R3006	1-216-089-91	METAL GLAZE 47K	5% 1/10W	R3111	1-216-033-00	METAL GLAZE 220	5% 1/10W
R3007	1-216-049-91	METAL GLAZE 1K	5% 1/10W	R3112	1-216-025-91	METAL GLAZE 100	5% 1/10W
R3008	1-216-049-91	METAL GLAZE 1K	5% 1/10W	R3113	1-216-001-00	METAL GLAZE 10	5% 1/10W
R3009	1-216-049-91	METAL GLAZE 1K	5% 1/10W	R3116	1-216-001-00	METAL GLAZE 10	5% 1/10W
R3010	1-216-073-00	METAL GLAZE 10K	5% 1/10W	R3117	1-216-073-00	METAL GLAZE 10K	5% 1/10W
R3011	1-216-097-91	METAL GLAZE 100K	5% 1/10W	R3119	1-216-033-00	METAL GLAZE 220	5% 1/10W
R3012	1-216-065-00	METAL GLAZE 4.7K	5% 1/10W	R3120	1-216-057-00	METAL GLAZE 2.2K	5% 1/10W
R3013	1-216-073-00	METAL GLAZE 10K	5% 1/10W	R3121	1-216-059-00	METAL GLAZE 2.7K	5% 1/10W
R3014	1-216-089-91	METAL GLAZE 47K	5% 1/10W	R3122	1-216-033-00	METAL GLAZE 220	5% 1/10W
				R3123	1-216-033-00	METAL GLAZE 220	5% 1/10W
				R3125	1-216-081-00	METAL GLAZE 22K	5% 1/10W



Les composants identifiés par une trame et une marque Δ sont critiques pour la sécurité. Ne les remplacer que par une pièce portant le numéro spécifié.

The components identified by shading and mark Δ are critical for safety. Replace only with part number specified.

REF. NO.	PART NO.	DESCRIPTION	REMARK
C1211	1-136-169-00	FILM 0.22μF 5%	50V
C1212	1-136-173-00	FILM 0.47μF 5%	50V
C1213	1-136-169-00	FILM 0.22μF 5%	50V
C1214	1-164-625-11	CERAMIC 680PF 10%	500V
C1215	1-129-719-00	FILM 0.027μF 5%	630V
C1251	1-128-548-11	ELECT 4700μF 20%	25V
C1252	1-128-548-11	ELECT 4700μF 20%	25V
C1253	1-128-548-11	ELECT 4700μF 20%	25V
C1254	1-128-548-11	ELECT 4700μF 20%	25V
C1255	1-136-153-00	FILM 0.01μF 5%	50V
C1256	1-136-153-00	FILM 0.01μF 5%	50V
C1265	1-126-965-11	ELECT 22μF 20%	50V
<CONNECTOR>			
CN1203	* 1-691-135-11	PIN, CONNECTOR (PC BOARD) 4P	
CN1209	* 1-564-507-11	PLUG, CONNECTOR 4P	
CN1210	* 1-573-963-11	PIN, CONNECTOR (PC BOARD) 3P	
<DIODE>			
D1201	8-719-052-84	DIODE LN4SB60	
D1202	8-719-110-22	DIODE RD1IESB2	
D1203	8-719-988-31	DIODE D10SC6MR	
D1205	8-719-991-33	DIODE 1SS133T-77	
D1207	8-719-991-33	DIODE 1SS133T-77	
D1209	8-719-991-33	DIODE 1SS133T-77	
D1211	8-719-991-33	DIODE 1SS133T-77	
D1212	8-719-053-92	DIODE F10P06Q	
D1213	8-719-991-33	DIODE 1SS133T-77	
D1266	8-719-110-63	DIODE RD24ESB3	
D1277	8-719-991-33	DIODE 1SS133T-77	
<IC>			
IC1201	8-759-198-31	IC μPC1093J-1-T	
<COIL>			
L1251	1-414-158-11	INDUCTOR 2.2μH	
L1252	1-414-158-11	INDUCTOR 2.2μH	
<TRANSISTOR>			
Q1201	8-729-019-49	TRANSISTOR 2SC4834M	
Q1202	8-729-019-49	TRANSISTOR 2SC4834M	
Q1203	8-729-119-76	TRANSISTOR 2SA1175-HFE	
Q1204	8-729-119-78	TRANSISTOR 2SC2785-HFE	
Q1252	8-729-119-76	TRANSISTOR 2SA1175-HFE	
Q1253	8-729-230-45	TRANSISTOR 2SC2458-YGR	
<RESISTOR>			
R1204	1-247-891-00	CARBON 330K 5%	1/4W
R1205	1-247-891-00	CARBON 330K 5%	1/4W
R1206	1-202-933-61	FUSIBLE 0.1 10%	1/2W F
R1207	1-247-891-00	CARBON 330K 5%	1/4W
R1208	1-247-891-00	CARBON 330K 5%	1/4W
R1209	1-216-375-00	METAL OXIDE 3.3 5%	2W F
R1210	1-247-891-00	CARBON 330K 5%	1/4W
R1211	1-247-891-00	CARBON 330K 5%	1/4W
R1212	1-216-375-00	METAL OXIDE 3.3 5%	2W F
R1213	1-249-393-11	CARBON 10 5%	1/4W
R1215	1-249-393-11	CARBON 10 5%	1/4W
R1217	1-211-761-11	FUSIBLE 0.1 10%	1/2W
R1218	1-249-425-11	CARBON 4.7K 5%	1/4W
R1219	1-249-425-11	CARBON 4.7K 5%	1/4W
R1220	1-249-429-11	CARBON 10K 5%	1/4W

REF. NO.	PART NO.	DESCRIPTION	REMARK
R1251	1-215-888-00	METAL OXIDE 220 5%	2W F
R1252	1-215-448-00	METAL 13K 1%	1/4W
R1253	1-247-883-00	CARBON 150K 5%	1/4W
R1254	1-215-428-00	METAL 2K 1%	1/4W
R1260	1-249-417-11	CARBON 1K 5%	1/4W
R1264	1-249-429-11	CARBON 10K 5%	1/4W
R1266	1-249-429-11	CARBON 10K 5%	1/4W
R1267	1-249-429-11	CARBON 10K 5%	1/4W
R1272	1-247-807-31	CARBON 100 5%	1/4W
R1273	1-211-761-11	FUSIBLE 0.1 10%	1/2W
R1274	1-249-393-11	CARBON 10 5%	1/4W F
R1295	1-211-761-11	FUSIBLE 0.1 10%	1/2W
R1296	1-249-421-11	CARBON 2.2K 5%	1/4W
R1297	1-211-761-11	FUSIBLE 0.1 10%	1/2W
R1299	1-247-807-31	CARBON 100 5%	1/4W
<TRANSFORMER>			
T1202	1-429-289-11	TRANSFORMER, CONVERTER (PIT)	
T1204	1-427-864-11	TRANSFORMER, CONVERTER (PRT)	

* A-1316-229-A G BOARD, COMPLETE *****			
* 4-047-936-01 PLATE, SHIELD, PIT 4-382-854-11 SCREW (M3X10), P, SW (+)			
<CAPACITOR>			
C601	Δ 1-136-311-51	FILM 0.47μF 20%	125V
C602	Δ 1-162-577-51	CERAMIC 0.0022μF 20%	400V
C603	Δ 1-162-577-51	CERAMIC 0.0022μF 20%	400V
C604	Δ 1-125-692-11	ELECT(BLOCK) 820μF 20%	200V
C605	Δ 1-125-692-11	ELECT(BLOCK) 820μF 20%	200V
C608	1-164-645-11	CERAMIC 1000PF 10%	500V
C609	1-164-645-11	CERAMIC 1000PF 10%	500V
C610	1-136-173-00	FILM 0.47μF 5%	50V
C611	1-136-171-00	FILM 0.33μF 5%	50V
C612	1-136-173-00	FILM 0.47μF 5%	50V
C613	1-136-171-00	FILM 0.33μF 5%	50V
C614	1-164-735-11	CAPACITOR 0.0015μF 10%	500V
C615	1-129-720-00	FILM 0.033μF 5%	630V
C616	Δ 1-136-311-51	FILM 0.47μF 20%	125V
C653	1-162-318-11	CERAMIC 0.001μF 10%	500V
C656	1-128-548-11	ELECT 4700μF 20%	25V
C657	1-126-929-11	ELECT 4700μF 20%	10V
C658	1-126-936-11	ELECT 3300μF 20%	16V
C659	1-128-548-11	ELECT 4700μF 20%	25V
C660	1-164-644-11	CERAMIC 330PF 10%	500V
C661	1-123-024-21	ELECT 33μF	160V
C662	1-107-636-11	ELECT 10μF 20%	160V
C663	1-124-122-11	ELECT 100μF 20%	50V
C664	1-126-235-11	ELECT 100μF 20%	6.3V
C665	1-126-964-11	ELECT 10μF 20%	50V
C667	1-126-971-11	ELECT 470μF 20%	50V
C668	1-104-664-11	ELECT 47μF 20%	25V
C669	1-162-318-11	CERAMIC 0.001μF 10%	500V
C670	1-104-664-11	ELECT 47μF 20%	25V
C671	1-104-664-11	ELECT 47μF 20%	25V
C672	1-104-665-11	ELECT 100μF 20%	25V
C673	1-104-664-11	ELECT 47μF 20%	25V
C674	1-104-664-11	ELECT 47μF 20%	25V
C675	1-104-664-11	ELECT 47μF 20%	25V
C676	1-104-664-11	ELECT 47μF 20%	25V
C677	1-125-473-11	ELECT(BLOCK) 1000μF 20%	160V
C678	1-107-635-11	ELECT 4.7μF 20%	160V



The components identified by shading and mark Δ are critical for safety. Replace only with part number specified.

Les composants identifiés par une trame et une marque Δ sont critiques pour la sécurité. Ne les remplacer que par une pièce portant le numéro spécifié.

REF. NO.	PART NO.	DESCRIPTION	REMARK
C679	1-164-644-11	CERAMIC 330PF 10%	500V
C680	1-124-903-11	ELECT 1 μ F 20%	50V
C682	1-124-903-11	ELECT 1 μ F 20%	50V
C683	1-107-635-11	ELECT 4.7 μ F 20%	160V
C691	1-126-964-11	ELECT 10 μ F 20%	50V
<CONNECTOR>			
CN606	1-695-915-11	TAB (CONTACT)	
CN609	* 1-564-507-11	PLUG, CONNECTOR 4P	
CN610	* 1-573-963-11	PIN, CONNECTOR (PC BOARD) 3P	
CN615	1-695-915-11	TAB (CONTACT)	
CN616	* 1-564-507-11	PLUG, CONNECTOR 4P	
CN617	* 1-580-843-11	PIN, CONNECTOR (POWER)	
CN625	* 1-564-513-11	PLUG, CONNECTOR 10P	
CN626	* 1-564-506-11	PLUG, CONNECTOR 3P	
CN653	* 1-564-507-11	PLUG, CONNECTOR 4P	
CN681	* 1-573-986-11	PIN, CONNECTOR (PC BOARD) 5P	
<DIODE>			
D601	Δ 8-719-052-29	DIODE 1N4SB60-F	
D604	8-719-991-33	DIODE 1SS133T-77	
D605	8-719-991-33	DIODE 1SS133T-77	
D606	8-719-991-33	DIODE 1SS133T-77	
D607	8-719-991-33	DIODE 1SS133T-77	
D608	8-719-991-33	DIODE 1SS133T-77	
D609	8-719-991-33	DIODE 1SS133T-77	
D610	8-719-991-33	DIODE 1SS133T-77	
D611	8-719-991-33	DIODE 1SS133T-77	
D655	8-719-052-92	DIODE D10SBS4F	
D656	8-719-022-97	DIODE D2S4MF	
D657	8-719-022-97	DIODE D2S4MF	
D658	8-719-022-97	DIODE D2S4MF	
D659	8-719-022-97	DIODE D2S4MF	
D660	8-719-052-86	DIODE D2L40-TA	
D661	8-719-052-86	DIODE D2L40-TA	
D662	8-719-052-31	DIODE D1NL40-TR2	
D663	8-719-052-31	DIODE D1NL40-TR2	
D664	8-719-510-26	DIODE D1NL20	
D665	8-719-991-33	DIODE 1SS133T-77	
D666	8-719-110-57	DIODE RD22ESB2	
D667	8-719-110-22	DIODE RD11ESB2	
D669	8-719-991-33	DIODE 1SS133T-77	
D670	8-719-110-41	DIODE RD15ESB2	
D671	8-719-991-33	DIODE 1SS133T-77	
D672	8-719-109-54	DIODE RD2.2ESB2	
D673	8-719-110-49	DIODE RD18ESB2	
D674	8-719-991-33	DIODE 1SS133T-77	
D675	8-719-109-85	DIODE RD5.1ESB2	
D676	8-719-991-33	DIODE 1SS133T-77	
D677	8-719-991-33	DIODE 1SS133T-77	
D678	8-719-991-33	DIODE 1SS133T-77	
D679	8-719-991-33	DIODE 1SS133T-77	
D680	8-719-200-82	DIODE 11ES2	
D681	8-719-200-82	DIODE 11ES2	
D682	8-719-200-82	DIODE 11ES2	
D683	8-719-200-82	DIODE 11ES2	
D685	8-719-991-33	DIODE 1SS133T-77	
D686	8-719-991-33	DIODE 1SS133T-77	
D687	8-719-109-51	DIODE RD2.0ESB2	
D688	8-719-991-33	DIODE 1SS133T-77	
D689	8-719-991-33	DIODE 1SS133T-77	
D690	8-719-109-89	DIODE RD5.6ESB2	
D691	8-719-991-33	DIODE 1SS133T-77	
D693	8-719-991-33	DIODE 1SS133T-77	
<FUSE>			

REF. NO.	PART NO.	DESCRIPTION	REMARK
F601	Δ 1-576-193-11	FUSE (6.3A/125V)	
	1-533-223-11	CLIP, FUSE; F601	
<FERRITE BEAD>			
FB651	1-410-396-41	FERRITE BEAD INDUCTOR 0.45 μ H	
FB652	1-410-396-41	FERRITE BEAD INDUCTOR 0.45 μ H	
<IC>			
IC651	Δ 1-810-051-11	POWER MODULE DM-48	
IC652	8-759-231-58	IC TA7812S	
<COIL>			
L653	1-412-519-11	INDUCTOR 3.3 μ H	
L654	1-403-588-11	CIL, CHOKE 22 μ H	
L655	1-403-588-11	CIL, CHOKE 22 μ H	
L656	1-412-519-11	INDUCTOR 3.3 μ H	
L657	1-403-588-11	CIL, CHOKE 22 μ H	
L658	1-403-588-11	CIL, CHOKE 22 μ H	
<TRANSISTOR>			
Q601	8-729-019-49	TRANSISTOR 2SC4834M	
Q602	8-729-019-49	TRANSISTOR 2SC4834M	
Q651	8-729-820-82	TRANSISTOR 2SA1208-S	
Q652	8-729-119-76	TRANSISTOR 2SA1175-HFE	
Q653	8-729-230-45	TRANSISTOR 2SC2458-YGR	
Q654	8-729-119-76	TRANSISTOR 2SA1175-HFE	
Q655	8-729-230-45	TRANSISTOR 2SC2458-YGR	
Q656	8-729-119-76	TRANSISTOR 2SA1175-HFE	
Q657	8-729-119-78	TRANSISTOR 2SC2785-HFE	
Q658	8-729-119-76	TRANSISTOR 2SA1175-HFE	
Q659	8-729-119-76	TRANSISTOR 2SA1175-HFE	
Q660	8-729-119-76	TRANSISTOR 2SA1175-HFE	
Q661	8-729-119-76	TRANSISTOR 2SA1175-HFE	
Q662	8-729-119-76	TRANSISTOR 2SA1175-HFE	
Q663	8-729-119-76	TRANSISTOR 2SA1175-HFE	
<RESISTOR>			
R602	Δ 1-219-236-91	SOLID 2.2M 20%	1/2W
R603	Δ 1-205-997-11	WIREWOUND 2.2 5%	10W
R604	Δ 1-247-891-91	CARBON 330K 5%	1/4W
R605	Δ 1-247-891-91	CARBON 330K 5%	1/4W
R606	1-202-933-61	FUSIBLE 0.1 10%	1/2W F
R607	1-247-891-00	CARBON 330K 5%	1/4W
R608	1-247-891-00	CARBON 330K 5%	1/4W
R609	1-216-369-00	METAL OXIDE 1 5%	2W F
R610	1-247-891-00	CARBON 330K 5%	1/4W
R611	1-247-891-00	CARBON 330K 5%	1/4W
R612	1-216-369-00	METAL OXIDE 1 5%	2W F
R613	1-247-791-91	CARBON 22 5%	1/4W
R614	1-247-791-91	CARBON 22 5%	1/4W
R615	1-247-791-91	CARBON 22 5%	1/4W
R616	1-247-791-91	CARBON 22 5%	1/4W
R631	1-247-863-91	CARBON 22K 5%	1/4W
R632	1-247-807-31	CARBON 100 5%	1/4W
R633	1-247-807-31	CARBON 100 5%	1/4W
R634	1-249-417-11	CARBON 1K 5%	1/4W
R635	1-249-425-11	CARBON 4.7K 5%	1/4W
R636	1-249-413-11	CARBON 470 5%	1/4W
R653	1-249-418-11	CARBON 1.2K 5%	1/4W F
R654	1-215-473-00	METAL 150K 1%	1/4W
R655	1-249-441-11	CARBON 100K 5%	1/4W
R656	1-216-369-00	METAL OXIDE 1 5%	2W F
R657	1-249-429-11	CARBON 10K 5%	1/4W
R658	1-247-883-00	CARBON 150K 5%	1/4W



Les composants identifiés par une trame et une marque Δ sont critiques pour la sécurité. Ne les remplacer que par une pièce portant le numéro spécifié.

The components identified by shading and mark Δ are critical for safety. Replace only with part number specified.

REF. NO.	PART NO.	DESCRIPTION	REMARK
R659	1-249-417-11	CARBON 1K 5%	1/4W F
R660	1-249-417-11	CARBON 1K 5%	1/4W
R661	1-215-471-00	METAL 120K 1%	1/4W
R662	Δ 1-215-452-91	METAL 20K 1%	1/4W
R664	1-249-429-11	CARBON 10K 5%	1/4W
R665	1-249-425-11	CARBON 4.7K 5%	1/4W
R666	1-249-429-11	CARBON 10K 5%	1/4W
R667	1-249-429-11	CARBON 10K 5%	1/4W
R670	1-247-895-91	CARBON 470K 5%	1/4W
R672	1-247-807-31	CARBON 100 5%	1/4W
R673	1-249-423-11	CARBON 3.3K 5%	1/4W
R674	1-249-413-11	CARBON 470 5%	1/4W
R675	1-249-429-11	CARBON 10K 5%	1/4W
R676	1-249-421-11	CARBON 2.2K 5%	1/4W
R677	1-249-417-11	CARBON 1K 5%	1/4W
R678	1-249-423-11	CARBON 3.3K 5%	1/4W
R679	1-249-423-11	CARBON 3.3K 5%	1/4W
R680	1-249-413-11	CARBON 470 5%	1/4W
R681	1-249-425-11	CARBON 4.7K 5%	1/4W
R682	1-249-403-11	CARBON 68 5%	1/4W
R683	1-249-417-11	CARBON 1K 5%	1/4W
R684	1-249-417-11	CARBON 1K 5%	1/4W
R685	1-247-863-91	CARBON 22K 5%	1/4W
R686	1-249-429-11	CARBON 10K 5%	1/4W
R687	1-249-423-11	CARBON 3.3K 5%	1/4W
R688	1-249-423-11	CARBON 3.3K 5%	1/4W
R689	1-249-429-11	CARBON 10K 5%	1/4W
R690	1-247-863-91	CARBON 22K 5%	1/4W
R691	1-249-417-11	CARBON 1K 5%	1/4W
R693	1-249-425-11	CARBON 4.7K 5%	1/4W
R694	1-249-425-11	CARBON 4.7K 5%	1/4W
R695	1-249-429-11	CARBON 10K 5%	1/4W
R697	1-249-413-11	CARBON 470 5%	1/4W
R698	1-249-429-11	CARBON 10K 5%	1/4W
R699	1-249-417-11	CARBON 1K 5%	1/4W
<RELAY>			
RY601	Δ 1-755-032-11	RELAY	
RY602	Δ 1-755-032-11	RELAY	
<TRANSFORMER>			
T601	Δ 1-424-248-11	TRANSFORMER, LINE FILTER	
T602	Δ 1-427-863-11	TRANSFORMER, CONVERTER (PIT)	
T603	Δ 1-423-665-11	TRANSFORMER, POWER	
T604	Δ 1-427-864-12	TRANSFORMER, CONVERTER (PRT)	
T605	Δ 1-424-248-11	TRANSFORMER, LINE FILTER	
<VARISTOR>			
VDR601	1-801-074-41	VARISTOR ERZV10D271	

* A-1331-501-A CR BOARD, COMPLETE			

4-382-854-11 SCREW (M3X10), P, SW (+)			
<CAPACITOR>			
C701	1-104-664-11	ELECT 47 μ F 20%	25V
C702	1-107-662-11	ELECT 22 μ F 20%	250V
C703	1-161-754-00	CERAMIC 0.001 μ F	2KV
C704	1-126-768-11	ELECT 2200 μ F	20%
C705	1-102-050-00	CERAMIC 0.01 μ F	500V
C706	1-102-949-00	CERAMIC 12PF	5%

REF. NO.	PART NO.	DESCRIPTION	REMARK
C707	1-102-129-00	CERAMIC 0.01 μ F	10% 50V
C708	1-104-664-11	ELECT 47 μ F	20% 25V
C709	1-107-651-11	ELECT 4.7 μ F	20% 250V
C710	1-102-157-00	CERAMIC 560PF	10% 500V
C714	1-162-115-00	CERAMIC 330PF	10% 2KV
C715	1-164-097-11	CERAMIC 0.022 μ F	50V
C716	1-102-050-00	CERAMIC 0.01 μ F	500V
<CONNECTOR>			
CN701	* 1-508-784-00	PIN, CONNECTOR (5mm PITCH) 1P	
CN702	* 1-564-510-11	PLUG, CONNECTOR 7P	
CN703	* 1-564-512-11	PLUG, CONNECTOR 9P	
CN704	* 1-564-512-11	PLUG, CONNECTOR 9P	
CN705	* 1-564-511-11	PLUG, CONNECTOR 8P	
CN706	1-695-915-11	TAB (CONTACT)	
CN708	1-251-179-11	SOCKET, PICTURE TUBE	
CN709	* 1-564-506-11	PLUG, CONNECTOR 3P	
<DIODE>			
D701	8-719-991-33	DIODE 1SS133T-77	
D702	8-719-991-33	DIODE 1SS133T-77	
D703	8-719-991-33	DIODE 1SS133T-77	
D704	8-719-110-36	DIODE RD13ESB2	
D705	8-719-210-21	DIODE 11EQS04	
D706	8-719-991-33	DIODE 1SS133T-77	
D707	8-719-110-36	DIODE RD13ESB2	
D708	8-719-901-83	DIODE 1SS83	
D710	8-719-109-89	DIODE RD5.6ESB2	
D711	8-719-991-33	DIODE 1SS133T-77	
D713	8-719-510-48	DIODE D1N20R	
D716	8-719-110-36	DIODE RD13ESB2	
D717	8-719-110-36	DIODE RD13ESB2	
<IC>			
IC701	8-759-168-72	IC TDA6101Q	
<COIL>			
L701	1-408-429-00	INDUCTOR 470 μ H	
<NEON LAMP>			
NL701	1-519-108-XX	LAMP, NEON	
<TRANSISTOR>			
Q701	8-729-119-76	TRANSISTOR 2SA1175-HFE	
<RESISTOR>			
R701	1-215-411-00	METAL 390	1% 1/4W
R702	1-215-414-00	METAL 510	1% 1/4W
R704	1-202-847-00	SOLID 560K	20% 1/2W
R706	1-249-407-11	CARBON 150	5% 1/4W
R707	1-215-423-00	METAL 1.2K	1% 1/4W
R708	1-202-883-11	SOLID 680K	20% 1/2W
R709	1-215-437-00	METAL 4.7K	1% 1/4W
R710	1-215-427-00	METAL 1.8K	1% 1/4W
R711	1-215-427-00	METAL 1.8K	1% 1/4W
R712	1-215-903-11	METAL OXIDE 68K	5% 2W F
R713	1-202-818-00	SOLID 1K	20% 1/2W
R714	1-202-818-00	SOLID 1K	20% 1/2W
R715	1-249-436-11	CARBON 39K	5% 1/4W
R716	1-249-437-11	CARBON 47K	5% 1/4W
R718	1-249-417-11	CARBON 1K	5% 1/4W



REF. NO.	PART NO.	DESCRIPTION	REMARK
R719	1-247-807-31	CARBON 100	5% 1/4W
R720	1-249-437-11	CARBON 47K	5% 1/4W
R721	1-202-549-00	SOLID 100	20% 1/2W
R722	1-202-549-00	SOLID 100	20% 1/2W

<SPARK GAP>

SG701	1-519-422-11	GAP, SPARK
SG702	1-519-422-11	GAP, SPARK
SG703	1-519-422-11	GAP, SPARK

* A-1331-502-A CG BOARD, COMPLETE

4-382-854-11 SCREW (M3X10), P, SW (+)

<CAPACITOR>

C731	1-161-754-00	CERAMIC	0.001μF	10%	2KV
C732	1-107-662-11	ELECT	22μF	20%	250V
C733	1-102-050-00	CERAMIC	0.01μF		500V
C736	1-126-964-11	ELECT	10μF	20%	50V
C738	1-107-651-11	ELECT	4.7μF	20%	250V
C739	1-102-953-00	CERAMIC	18PF	5%	50V
C740	1-126-964-11	ELECT	10μF	20%	50V
C741	1-102-157-00	CERAMIC	560PF	10%	500V
C742	1-162-115-00	CERAMIC	330PF	10%	2KV
C743	1-164-097-11	CERAMIC	0.022μF		50V
C744	1-102-050-00	CERAMIC	0.01μF		500V

<CONNECTOR>

CN731	* 1-508-784-00	PIN, CONNECTOR (5mm PITCH) 1P
CN732	* 1-564-512-11	PLUG, CONNECTOR 9P
CN733	* 1-564-512-11	PLUG, CONNECTOR 9P
CN734	* 1-564-511-11	PLUG, CONNECTOR 8P
CN735	* 1-564-509-11	PLUG, CONNECTOR 6P
CN736	1-695-915-11	TAB (CONTACT)
CN738	1-251-179-11	SOCKET, PICTURE TUBE

<DIODE>

D731	8-719-110-36	DIODE RD13ESB2
D732	8-719-901-83	DIODE 1SS83
D736	8-719-510-48	DIODE D1N20R
D737	8-719-110-36	DIODE RD13ESB2

<IC>

IC731	8-759-168-72	IC TDA6101Q
-------	--------------	-------------

<COIL>

L731	1-408-429-00	INDUCTOR 470μH
------	--------------	----------------

<NEON LAMP>

NL731	1-519-108-XX	LAMP, NEON
-------	--------------	------------

<RESISTOR>

R731	1-202-847-00	SOLID	560K	20%	1/2W
R733	1-202-883-11	SOLID	680K	20%	1/2W
R734	1-202-818-00	SOLID	1K	20%	1/2W
R735	1-249-407-11	CARBON	150	5%	1/4W
R736	1-249-441-11	CARBON	100K	5%	1/4W

REF. NO.	PART NO.	DESCRIPTION	REMARK
R737	1-202-818-00	SOLID 1K	20% 1/2W
R738	1-202-549-00	SOLID 100	20% 1/2W
R739	1-215-420-00	METAL 910	1% 1/4W
R740	1-215-427-00	METAL 1.8K	1% 1/4W
R741	1-249-437-11	CARBON 47K	5% 1/4W

R742	1-215-903-11	METAL OXIDE 68K	5% 2W F
------	--------------	-----------------	---------

<SPARK GAP>

SG731	1-519-422-11	GAP, SPARK
SG732	1-519-422-11	GAP, SPARK
SG733	1-519-422-11	GAP, SPARK

* A-1331-503-A CB BOARD, COMPLETE

4-382-854-11 SCREW (M3X10), P, SW (+)

<CAPACITOR>

C761	1-161-754-00	CERAMIC	0.001μF	10%	2KV
C762	1-107-662-11	ELECT	22μF	20%	250V
C763	1-102-050-00	CERAMIC	0.01μF		500V
C766	1-107-651-11	ELECT	4.7μF	20%	250V
C769	1-102-953-00	CERAMIC	18PF	5%	50V
C770	1-126-964-11	ELECT	10μF	20%	50V
C771	1-102-157-00	CERAMIC	560PF	10%	500V
C772	1-162-115-00	CERAMIC	330PF	10%	2KV
C773	1-164-097-11	CERAMIC	0.022μF		50V
C774	1-102-050-00	CERAMIC	0.01μF		500V

<CONNECTOR>

CN761	* 1-508-784-00	PIN, CONNECTOR (5mm PITCH) 1P
CN762	* 1-564-512-11	PLUG, CONNECTOR 9P
CN763	* 1-564-509-11	PLUG, CONNECTOR 6P
CN766	1-695-915-11	TAB (CONTACT)
CN768	1-251-179-11	SOCKET, PICTURE TUBE

<DIODE>

D761	8-719-110-36	DIODE RD13ESB2
D762	8-719-901-83	DIODE 1SS83
D763	8-719-991-33	DIODE 1SS133T-77
D764	8-719-110-36	DIODE RD13ESB2
D765	8-719-110-36	DIODE RD13ESB2
D768	8-719-510-48	DIODE D1N20R
D769	8-719-110-36	DIODE RD13ESB2

<IC>

IC761	8-759-168-72	IC TDA6101Q
-------	--------------	-------------

<COIL>

L761	1-408-429-00	INDUCTOR 470μH
------	--------------	----------------

<NEON LAMP>

NL760	1-519-108-XX	LAMP, NEON
-------	--------------	------------

<RESISTOR>

R761	1-202-847-00	SOLID	560K	20%	1/2W
R763	1-202-883-11	SOLID	680K	20%	1/2W
R764	1-202-818-00	SOLID	1K	20%	1/2W
R767	1-202-818-00	SOLID	1K	20%	1/2W

CB

E

Les composants identifiés par une trame et une marque Δ sont critiques pour la sécurité. Ne les remplacer que par une pièce portant le numéro spécifié.

The components identified by shading and mark Δ are critical for safety. Replace only with part number specified.

REF. NO.	PART NO.	DESCRIPTION	REMARK
R768	1-202-549-00	SOLID 100	20% 1/2W
R769	1-215-421-00	METAL 1K	1% 1/4W
R770	1-249-426-11	CARBON 5.6K	5% 1/4W
R771	1-215-427-00	METAL 1.8K	1% 1/4W
R773	1-215-903-11	METAL OXIDE 68K	5% 2W
R774	1-249-407-11	CARBON 150	5% 1/4W
R775	1-202-549-00	SOLID 100	20% 1/2W
<SPARK GAP>			
SG761	1-519-422-11	GAP, SPARK	
SG762	1-519-422-11	GAP, SPARK	
SG763	1-519-422-11	GAP, SPARK	

* A-1341-885-A E BOARD, COMPLETE			

4-382-854-11 SCREW (M3X10), P, SW (+)			
<CAPACITOR>			
C801	1-110-626-11	ELECT 330µF	20% 160V
C802	1-163-117-00	CERAMIC CHIP 100PF	5% 50V
C803	1-110-626-11	ELECT 330µF	20% 160V
C805	1-136-173-00	FILM 0.47µF	5% 50V
C806	1-102-030-00	CERAMIC 330PF	10% 500V
C807	1-106-387-00	MYLAR 0.068µF	10% 200V
C808	1-107-636-11	ELECT 10µF	20% 160V
C809	1-104-664-11	ELECT 47µF	20% 25V
C810	1-130-481-00	FILM 0.0068µF	5% 50V
C811	1-137-475-11	FILM 2.2µF	10% 250V
C812	1-126-965-11	ELECT 22µF	20% 50V
C813	1-162-318-11	CERAMIC 0.001µF	10% 500V
C814	1-124-122-11	ELECT 100µF	20% 50V
C815	1-162-114-00	CERAMIC 0.0047µF	2KV
C818	1-109-833-11	FILM 0.0145µF	3% 1.8KV
C819	1-130-489-00	FILM 0.033µF	5% 50V
C820	1-124-902-00	ELECT 0.47µF	20% 50V
C823	1-136-601-11	FILM 0.01µF	5% 630V
C824	1-126-964-11	ELECT 10µF	20% 50V
C825	1-162-318-11	CERAMIC 0.001µF	10% 500V
C826	1-130-467-00	FILM 470PF	5% 50V
C827	1-107-651-11	ELECT 4.7µF	20% 250V
C828	1-111-036-11	ELECT 470µF	20% 16V
C830	1-137-420-11	FILM 0.047µF	10% 100V
C831	1-126-934-11	ELECT 220µF	20% 16V
C832	1-126-967-11	ELECT 47µF	20% 50V
C901	1-163-117-00	CERAMIC CHIP 100PF	5% 50V
C902	1-137-370-11	FILM 0.01µF	5% 50V
C903	1-137-431-11	FILM 560PF	5% 50V
C904	1-137-358-11	FILM 0.0001µF	5% 50V
C905	1-104-665-11	ELECT 100µF	20% 25V
C906	1-137-370-11	FILM 0.01µF	5% 50V
C907	1-104-665-11	ELECT 100µF	20% 25V
C908	1-137-361-11	FILM 330PF	5% 50V
C909	1-124-903-11	ELECT 1µF	20% 50V
C911	1-163-117-00	CERAMIC CHIP 100PF	5% 50V
C912	1-124-903-11	ELECT 1µF	20% 50V
C913	1-124-903-11	ELECT 1µF	20% 50V
C915	1-163-105-00	CERAMIC CHIP 33PF	5% 50V
C916	1-124-927-11	ELECT 4.7µF	20% 50V
C917	1-126-964-11	ELECT 10µF	20% 50V
C918	1-137-364-11	FILM 0.001µF	5% 50V
C919	1-126-964-11	ELECT 10µF	20% 50V
C920	1-124-902-00	ELECT 0.47µF	20% 50V
C921	1-126-964-11	ELECT 10µF	20% 50V

REF. NO.	PART NO.	DESCRIPTION	REMARK
C923	1-126-964-11	ELECT 10µF	20% 50V
C924	1-126-940-11	ELECT 330µF	20% 16V
C925	1-137-372-11	FILM 0.022µF	5% 50V
C926	1-104-665-11	ELECT 100µF	20% 25V
C927	1-137-364-11	FILM 0.001µF	5% 50V
C929	1-137-416-11	FILM 0.01µF	10% 100V
C930	1-137-364-11	FILM 0.001µF	5% 50V
C931	1-126-967-11	ELECT 47µF	20% 50V
C932	1-124-903-11	ELECT 1µF	20% 50V
C934	1-137-370-11	FILM 0.01µF	5% 50V
C935	1-137-399-11	FILM 0.1µF	10% 100V
C936	1-126-964-11	ELECT 10µF	20% 50V
C937	1-126-964-11	ELECT 10µF	20% 50V
C938	1-126-940-11	ELECT 330µF	20% 16V
C939	1-126-964-11	ELECT 10µF	20% 50V
C940	1-104-663-11	ELECT 33µF	20% 25V
C941	1-126-964-11	ELECT 10µF	20% 50V
C942	1-104-663-11	ELECT 33µF	20% 25V
C943	1-126-965-11	ELECT 22µF	20% 50V
C944	1-126-964-11	ELECT 10µF	20% 50V
C945	1-126-964-11	ELECT 10µF	20% 50V
C946	1-124-925-11	ELECT 2.2µF	20% 50V
C947	1-104-665-11	ELECT 100µF	20% 25V
C948	1-104-665-11	ELECT 100µF	20% 25V
C949	1-126-964-11	ELECT 10µF	20% 50V
C950	1-126-964-11	ELECT 10µF	20% 50V
C951	1-109-889-11	ELECT 1µF	20% 50V
C955	1-126-964-11	ELECT 10µF	20% 50V
C980	1-137-368-11	FILM 0.0047µF	5% 50V
<CHIP CONDUCTOR>			
CJ901	1-216-295-91	CONDUCTOR, CHIP	
CJ902	1-216-295-91	CONDUCTOR, CHIP	
CJ903	1-216-295-91	CONDUCTOR, CHIP	
CJ904	1-216-295-91	CONDUCTOR, CHIP	
<CONNECTOR>			
CN802	* 1-564-510-11	PLUG, CONNECTOR 7P	
CN805	1-695-915-11	TAB (CONTACT)	
CN827	* 1-573-963-11	PIN, CONNECTOR (PC BOARD) 3P	
CN851	* 1-564-509-11	PLUG, CONNECTOR 6P	
CN881	* 1-573-986-11	PIN, CONNECTOR (PC BOARD) 5P	
CN882	* 1-691-135-11	PIN, CONNECTOR (PC BOARD) 4P	
CN884	* 1-573-964-11	PIN, CONNECTOR (PC BOARD) 6P	
CN885	* 1-506-371-00	PIN, CONNECTOR 2P	
CN886	* 1-506-371-00	PIN, CONNECTOR 2P	
CN904	* 1-564-507-11	PLUG, CONNECTOR 4P	
<DIODE>			
D801	8-719-109-85	DIODE RD5.1ESB2	
D802	8-719-404-46	DIODE MA110	
D803	8-719-971-20	DIODE ERC38-06	
D804	8-719-908-03	DIODE GP08D	
D805	* 8-719-979-40	DIODE ERC06-15STP11	
D806	8-719-991-33	DIODE 1SS133T-77	
D807	* 8-719-979-40	DIODE ERC06-15STP11	
D808	8-719-500-71	DIODE D8LC40	
D809	8-719-991-33	DIODE 1SS133T-77	
D810	8-719-945-80	DIODE ERC06-15S	
D811	8-719-979-85	DIODE EGP20G	
D812	8-719-404-46	DIODE MA110	
D814	8-719-920-67	DIODE ERC91-02	
D816	8-719-404-46	DIODE MA110	
D817	8-719-404-46	DIODE MA110	
D818	8-719-404-46	DIODE MA110	
D819	8-719-105-82	DIODE RD5.1M-2B2	

The components identified by shading and mark Δ are critical for safety. Replace only with part number specified.

Les composants identifiés par une trame et une marque Δ sont critiques pour la sécurité. Ne les remplacer que par une pièce portant le numéro spécifié.

• The components identified by \square in this manual have been carefully factory-selected for each set in order to satisfy regulations regarding X-ray radiation. Should replacement be required, replace only with the value originally used.



REF. NO.	PART NO.	DESCRIPTION	REMARK
D901	8-719-404-46	DIODE MA110	
D902	8-719-404-46	DIODE MA110	
D904	8-719-404-46	DIODE MA110	
D905	8-719-404-46	DIODE MA110	
D907	8-719-404-46	DIODE MA110	
D908	8-719-105-82	DIODE RD5.1M-B2	
D909	8-719-302-43	DIODE EL1Z	
D911	8-719-105-82	DIODE RD5.1M-B2	
D912	8-719-105-82	DIODE RD5.1M-B2	
D913	8-719-404-46	DIODE MA110	
D914	8-719-404-46	DIODE MA110	
D915	8-719-404-46	DIODE MA110	
D916	8-719-105-57	DIODE RD3.9M-B1	
D917	8-719-404-46	DIODE MA110	
D918	8-719-404-46	DIODE MA110	
D919	8-719-106-81	DIODE RD13M-B3	
D920	8-759-157-40	IC uPC574J	
D921	8-719-106-81	DIODE RD13M-B3	
D922	8-719-404-46	DIODE MA110	
D923	8-719-404-46	DIODE MA110	
D924	8-719-404-46	DIODE MA110	
D925	8-719-105-45	DIODE RD3.3M-B1	
D926	8-719-404-46	DIODE MA110	
D927	8-719-105-73	DIODE RD4.7M-B2	
<FERRITE BEAD>			
FB001	1-410-396-41	FERRITE BEAD INDUCTOR 0.45 μ H	
<IC>			
IC901	8-759-133-90	IC uPC339C	
IC902	8-759-133-90	IC uPC339C	
IC903	8-759-711-28	IC NJM2058D	
IC904	8-759-634-51	IC M5218AP	
IC905	8-759-929-65	IC LM7912CT	
IC906	8-759-231-58	IC TA7812S	
<COIL>			
L801	1-406-665-11	COIL, CHOKE 100 μ H	
L802	1-406-665-11	COIL, CHOKE 100 μ H	
L803	1-422-613-11	COIL, AIR CORE	
L804	1-411-286-11	COIL, CHOKE 220 μ H	
L901	1-408-416-00	INDUCTOR 39 μ H	
L902	1-408-416-00	INDUCTOR 39 μ H	
<NEON LAMP>			
NL802	1-519-108-XX	LAMP, NEON	
<TRANSISTOR>			
Q801	8-729-119-80	TRANSISTOR 2SC2688-LK	
Q802	8-729-119-80	TRANSISTOR 2SC2688-LK	
Q803	8-729-122-12	TRANSISTOR 2SA1221-L	
Q806	8-729-805-07	TRANSISTOR 2SD1887-CA	
Q807	8-729-422-27	TRANSISTOR 2SD601A-Q	
Q808	8-729-024-30	TRANSISTOR IRFI640LF	
Q809	8-729-823-81	TRANSISTOR 2SC4632LS-CB7	
Q810	8-729-231-55	TRANSISTOR 2SC2878-AB	
Q811	8-729-823-81	TRANSISTOR 2SC4632LS-CB7	
Q813	8-729-216-22	TRANSISTOR 2SA1162-G	
Q901	8-729-422-27	TRANSISTOR 2SD601A-Q	
Q902	8-729-140-93	TRANSISTOR 2SB733-34	
Q903	8-729-140-96	TRANSISTOR 2SD774-34	
Q904	8-729-422-27	TRANSISTOR 2SD601A-Q	
Q905	8-729-422-27	TRANSISTOR 2SD601A-Q	

REF. NO.	PART NO.	DESCRIPTION	REMARK
Q906	8-729-422-27	TRANSISTOR 2SD601A-Q	
Q907	8-729-231-55	TRANSISTOR 2SC2878-AB	
Q908	8-729-422-27	TRANSISTOR 2SD601A-Q	
Q909	8-729-422-27	TRANSISTOR 2SD601A-Q	
Q910	8-729-422-27	TRANSISTOR 2SD601A-Q	
Q911	8-729-422-27	TRANSISTOR 2SD601A-Q	
Q912	8-729-216-22	TRANSISTOR 2SA1162-G	
Q913	8-729-900-36	TRANSISTOR DTC124ES	
Q914	8-729-422-27	TRANSISTOR 2SD601A-Q	
Q915	8-729-422-27	TRANSISTOR 2SD601A-Q	
<RESISTOR>			
R800	1-216-637-11	METAL CHIP 270	0.50% 1/10W
R801	1-216-033-00	METAL GLAZE 220	5% 1/10W
R802	1-249-421-11	CARBON 2.2K	5% 1/4W
R804	1-249-425-11	CARBON 4.7K	5% 1/4W F
R805	1-216-435-11	METAL OXIDE 2.7K	5% 1W F
R806	1-249-431-11	CARBON 15K	5% 1/4W F
R807	1-260-325-11	CARBON 560	5% 1/2W
R808	Δ	CARBON	5% 1/4W F
R809	Δ	CARBON	5% 1/4W F
R810	1-249-427-11	CARBON 6.8K	5% 1/4W F
R811	1-216-097-91	METAL GLAZE 100K	5% 1/10W
R812	1-216-395-00	METAL OXIDE 3.3	5% 3W F
R813	1-216-484-00	METAL OXIDE 3.9K	5% 3W F
R814	1-215-919-11	METAL OXIDE 2.2K	5% 3W F
R816	1-216-051-00	METAL GLAZE 1.2K	5% 1/10W
R817	1-216-395-00	METAL OXIDE 3.3	5% 3W F
R818	1-249-405-11	CARBON 100	5% 1/4W F
R819	1-216-089-91	METAL GLAZE 47K	5% 1/10W
R820	1-215-905-11	METAL OXIDE 10	5% 3W F
R821	1-216-073-00	METAL GLAZE 10K	5% 1/10W
R822	1-215-928-11	METAL OXIDE 68K	5% 3W F
R823	1-216-041-00	METAL GLAZE 470	5% 1/10W
R825	1-215-928-11	METAL OXIDE 68K	5% 3W F
R826	1-216-033-00	METAL GLAZE 220	5% 1/10W
R830	1-215-928-11	METAL OXIDE 68K	5% 3W F
R831	1-215-919-11	METAL OXIDE 2.2K	5% 3W F
R832	1-216-049-91	METAL GLAZE 1K	5% 1/10W
R835	1-249-474-11	CARBON 1	5% 1/2W F
R836	1-202-818-00	SOLID 1K	20% 1/2W
R837	1-215-870-11	METAL OXIDE 1.5K	5% 1W F
R838	1-247-807-31	CARBON 100	5% 1/4W
R839	1-249-429-11	CARBON 10K	5% 1/4W F
R841	1-216-491-11	METAL OXIDE 56K	5% 3W F
R843	1-202-549-00	SOLID 100	20% 1/2W
R844	1-216-491-11	METAL OXIDE 56K	5% 3W F
R846	1-202-838-00	SOLID 100K	20% 1/2W
R847	1-216-073-00	METAL GLAZE 10K	5% 1/10W
R849	1-247-863-91	CARBON 22K	5% 1/4W
R850	1-216-081-00	METAL GLAZE 22K	5% 1/10W
R851	1-216-667-11	METAL CHIP 4.7K	0.50% 1/10W
R852	1-208-806-11	METAL CHIP 10K	0.50% 1/10W
R854	1-249-381-11	CARBON 1	5% 1/4W F
R855	1-208-822-11	METAL CHIP 47K	0.50% 1/10W
R856	1-208-822-11	METAL CHIP 47K	0.50% 1/10W
R857	1-216-699-11	METAL CHIP 100K	0.50% 1/10W
R858	1-208-810-11	METAL CHIP 15K	0.50% 1/10W
R859	1-249-381-11	CARBON 1	5% 1/4W F
R883	1-216-091-00	METAL GLAZE 56K	5% 1/10W
R888	1-216-067-00	METAL GLAZE 5.6K	5% 1/10W
R901	1-216-065-00	METAL GLAZE 4.7K	5% 1/10W
R902	1-216-065-00	METAL GLAZE 4.7K	5% 1/10W
R903	1-216-085-00	METAL GLAZE 33K	5% 1/10W
R904	1-216-057-00	METAL GLAZE 2.2K	5% 1/10W
R905	1-247-739-11	CARBON 100	5% 1/2W F
R906	1-247-739-11	CARBON 100	5% 1/2W F

E **D**

• The components identified by **☒** in this manual have been carefully factory-selected for each set in order to satisfy regulations regarding X-ray radiation. Should replacement be required, replace only with the value originally used.

Les composants identifiés par une trame et une marque **☒** sont critiques pour la sécurité. Ne les remplacer que par une pièce portant le numéro spécifique.

The components identified by shading and mark **☒** are critical for safety. Replace only with part number specified.

REF. NO.	PART NO.	DESCRIPTION	REMARK
R907	1-216-091-00	METAL GLAZE 56K	5% 1/10W
R908	1-216-085-00	METAL GLAZE 33K	5% 1/10W
R909	1-216-113-00	METAL GLAZE 470K	5% 1/10W
R910	1-216-059-00	METAL GLAZE 2.7K	5% 1/10W
R911	1-216-059-00	METAL GLAZE 2.7K	5% 1/10W
R912	1-216-073-00	METAL GLAZE 10K	5% 1/10W
R913	1-216-077-00	METAL GLAZE 15K	5% 1/10W
R914	1-216-049-91	METAL GLAZE 1K	5% 1/10W
R915	1-216-091-00	METAL GLAZE 56K	5% 1/10W
R916	1-216-065-00	METAL GLAZE 4.7K	5% 1/10W
R917	1-216-057-00	METAL GLAZE 2.2K	5% 1/10W
R918	1-216-073-00	METAL GLAZE 10K	5% 1/10W
R919	1-216-077-00	METAL GLAZE 15K	5% 1/10W
R920	1-216-113-00	METAL GLAZE 470K	5% 1/10W
R921	1-216-059-00	METAL GLAZE 2.7K	5% 1/10W
R922	1-216-073-00	METAL GLAZE 10K	5% 1/10W
R923	1-216-077-00	METAL GLAZE 15K	5% 1/10W
R924	1-216-067-00	METAL GLAZE 5.6K	5% 1/10W
R926	1-216-049-91	METAL GLAZE 1K	5% 1/10W
R927	1-249-377-11	CARBON 0.47	5% 1/4W F
R928	1-216-067-00	METAL GLAZE 5.6K	5% 1/10W
R929	1-216-041-00	METAL GLAZE 470	5% 1/10W
R930	1-216-081-00	METAL GLAZE 22K	5% 1/10W
R931	1-216-059-00	METAL GLAZE 2.7K	5% 1/10W
R932	1-216-059-00	METAL GLAZE 2.7K	5% 1/10W
R933	1-216-081-00	METAL GLAZE 22K	5% 1/10W
R934	1-216-085-00	METAL GLAZE 33K	5% 1/10W
R935	1-216-049-91	METAL GLAZE 1K	5% 1/10W
R936	1-216-065-00	METAL GLAZE 4.7K	5% 1/10W
R937	1-216-049-91	METAL GLAZE 1K	5% 1/10W
R938	1-208-810-11	METAL CHIP 15K	0.50% 1/10W
R939	1-216-073-00	METAL GLAZE 10K	5% 1/10W
R940	1-216-083-00	METAL GLAZE 27K	5% 1/10W
R941	1-216-091-00	METAL GLAZE 56K	5% 1/10W
R942	1-216-049-91	METAL GLAZE 1K	5% 1/10W
R943	1-249-377-11	CARBON 0.47	5% 1/4W F
R944	1-216-689-11	METAL GLAZE 39K	5% 1/10W
R945	1-216-077-00	METAL GLAZE 15K	5% 1/10W
R946	1-216-073-00	METAL GLAZE 10K	5% 1/10W
R947	1-216-025-91	METAL GLAZE 100	5% 1/10W
R948	1-216-051-00	METAL GLAZE 1.2K	5% 1/10W
R950	1-216-049-91	METAL GLAZE 1K	5% 1/10W
R952	1-216-049-91	METAL GLAZE 1K	5% 1/10W
R954	1-214-777-00	METAL 100K	1% 1/4W
R955	1-214-769-00	METAL 47K	1% 1/4W
R956	1-208-806-11	METAL CHIP 10K	0.50% 1/10W
R957	1-218-754-11	METAL CHIP 120K	0.50% 1/10W
R958	1-218-756-11	METAL CHIP 150K	0.50% 1/10W
R959	1-214-757-00	METAL 15K	1% 1/4W
R960	1-216-077-00	METAL GLAZE 15K	5% 1/10W
R962	1-208-806-11	METAL CHIP 10K	0.50% 1/10W
R963	1-214-749-00	METAL 6.8K	1% 1/4W
R964	1-214-757-00	METAL 15K	1% 1/4W
R965	1-216-097-91	METAL GLAZE 100K	5% 1/10W
R966	1-214-757-00	METAL 15K	1% 1/4W
R967	1-216-025-91	METAL GLAZE 100	5% 1/10W
R968	1-214-751-00	METAL 8.2K	1% 1/4W
R969	1-214-731-00	METAL 1.2K	1% 1/4W
R970	1-214-757-00	METAL 15K	1% 1/4W
R971	1-216-121-91	METAL GLAZE 1M	5% 1/10W
R972	1-216-699-11	METAL CHIP 100K	0.50% 1/10W
R973	1-216-081-00	METAL GLAZE 22K	5% 1/10W
R974	1-216-699-11	METAL CHIP 100K	0.50% 1/10W
R975	1-216-043-91	METAL GLAZE 560	5% 1/10W
R976	1-216-041-00	METAL GLAZE 470	5% 1/10W
R977	1-216-075-00	METAL GLAZE 12K	5% 1/10W
R978	1-216-057-00	METAL GLAZE 2.2K	5% 1/10W
R979	1-216-075-00	METAL GLAZE 12K	5% 1/10W
R980	1-216-081-00	METAL GLAZE 22K	5% 1/10W

REF. NO.	PART NO.	DESCRIPTION	REMARK
R981	1-216-073-00	METAL GLAZE 10K	5% 1/10W
R982	1-216-671-11	METAL CHIP 6.8K	0.50% 1/10W
R983	☒	METAL GLAZE	1/10W
R984	1-216-083-00	METAL GLAZE 27K	5% 1/10W
R985	1-208-812-11	METAL CHIP 18K	0.50% 1/10W
R986	1-216-049-91	METAL GLAZE 1K	5% 1/10W
R987	1-216-059-00	METAL GLAZE 2.7K	5% 1/10W
R988	☒	METAL GLAZE	1/10W
R989	1-216-462-00	METAL OXIDE 8.2K	5% 2W F
R990	1-215-897-11	METAL OXIDE 6.8K	5% 2W F
R991	1-208-801-11	METAL CHIP 6.2K	0.50% 1/10W
R992	1-249-431-11	CARBON 15K	5% 1/4W
R993	1-249-431-11	CARBON 15K	5% 1/4W
R994	1-247-807-31	CARBON 100	5% 1/4W
R995	1-216-677-11	METAL CHIP 12K	0.50% 1/10W
R996	1-208-814-11	METAL CHIP 22K	0.50% 1/10W
R997	1-216-065-00	METAL GLAZE 4.7K	5% 1/10W
R998	1-216-073-00	METAL GLAZE 10K	5% 1/10W
R999	1-216-051-00	METAL GLAZE 1.2K	5% 1/10W
<SPARK GAP>			
SG801	1-519-422-11	GAP, SPARK	
<TRANSFORMER>			
T801	☒ 1-453-189-11	TRANSFORMER ASSY, FLYBACK (NX-2631/A4S)	
T802	1-437-209-11	TRANSFORMER, HORIZONTAL DRIVE	
T803	☒ 1-427-986-11	TRANSFORMER, FERRITE (LOT)	

* A-1346-296-A D BOARD, COMPLETE *****			
4-382-854-11 SCREW (M3X10), P, SW (+)			
7-682-652-09 SCREW +PSW 3X16			
<CAPACITOR>			
C1502	1-126-943-11	ELECT 2200µF	20% 25V
C1503	1-164-232-11	CERAMIC CHIP 0.01µF	10% 50V
C1504	1-126-943-11	ELECT 2200µF	20% 25V
C1505	1-136-177-00	FILM 1µF	5% 50V
C1506	1-102-228-00	CERAMIC 470PF	10% 500V
C1507	1-164-232-11	CERAMIC CHIP 0.01µF	10% 50V
C1508	1-163-117-00	CERAMIC CHIP 100PF	5% 50V
C1509	1-124-122-11	ELECT 100µF	20% 50V
C1510	1-137-401-11	FILM 0.22µF	10% 100V
C1511	1-137-423-11	FILM 0.15µF	10% 100V
C1512	1-137-423-11	FILM 0.15µF	10% 100V
C1513	1-163-109-00	CERAMIC CHIP 47PF	5% 50V
C1514	1-163-031-11	CERAMIC CHIP 0.01µF	50V
C1515	1-163-031-11	CERAMIC CHIP 0.01µF	50V
C1516	1-136-177-00	FILM 1µF	5% 50V
C1517	1-163-125-00	CERAMIC CHIP 220PF	5% 50V
C1551	1-126-964-11	ELECT 10µF	20% 50V
C1603	1-163-117-00	CERAMIC CHIP 100PF	5% 50V
C1604	1-163-117-00	CERAMIC CHIP 100PF	5% 50V
C1605	1-163-117-00	CERAMIC CHIP 100PF	5% 50V
C1606	1-163-117-00	CERAMIC CHIP 100PF	5% 50V
C1607	1-163-117-00	CERAMIC CHIP 100PF	5% 50V
C1608	1-163-117-00	CERAMIC CHIP 100PF	5% 50V
C1611	1-124-122-11	ELECT 100µF	20% 50V
C1612	1-104-665-11	ELECT 100µF	20% 25V
C1613	1-124-122-11	ELECT 100µF	20% 50V
C1615	1-104-665-11	ELECT 100µF	20% 25V



REF. NO.	PART NO.	DESCRIPTION	REMARK
C1617	1-126-941-11	ELECT 470μF	20% 25V
C1619	1-104-665-11	ELECT 100μF	20% 25V
C1620	1-126-941-11	ELECT 470μF	20% 25V
C1622	1-104-665-11	ELECT 100μF	20% 25V
C1701	1-126-935-11	ELECT 470μF	20% 16V
C1702	1-163-809-11	CERAMIC CHIP 0.047μF	10% 25V
C1703	1-163-099-00	CERAMIC CHIP 18PF	5% 50V
C1704	1-163-125-00	CERAMIC CHIP 220PF	5% 50V
C1705	1-163-099-00	CERAMIC CHIP 18PF	5% 50V
C1709	1-163-031-11	CERAMIC CHIP 0.01μF	50V
C1723	1-163-117-00	CERAMIC CHIP 100PF	5% 50V
C1724	1-163-117-00	CERAMIC CHIP 100PF	5% 50V
C1801	1-124-903-11	ELECT 1μF	20% 50V
C1802	1-126-964-11	ELECT 10μF	20% 50V
C1803	1-163-809-11	CERAMIC CHIP 0.047μF	10% 25V
C1805	1-163-809-11	CERAMIC CHIP 0.047μF	10% 25V
C1806	1-163-127-00	CERAMIC CHIP 270PF	5% 50V
C1807	1-163-809-11	CERAMIC CHIP 0.047μF	10% 25V
C1808	1-163-809-11	CERAMIC CHIP 0.047μF	10% 25V
C1809	1-126-940-11	ELECT 330μF	20% 16V
C1810	1-126-940-11	ELECT 330μF	20% 16V
C1811	1-163-809-11	CERAMIC CHIP 0.047μF	10% 25V
C1812	1-163-809-11	CERAMIC CHIP 0.047μF	10% 25V
C1813	1-163-275-11	CERAMIC CHIP 0.001μF	5% 50V
C1814	1-163-809-11	CERAMIC CHIP 0.047μF	10% 25V
C1816	1-163-117-00	CERAMIC CHIP 100PF	5% 50V
C1817	1-163-117-00	CERAMIC CHIP 100PF	5% 50V
C1818	1-163-809-11	CERAMIC CHIP 0.047μF	10% 25V
C1819	1-126-933-11	ELECT 100μF	20% 16V
C1820	1-163-005-11	CERAMIC CHIP 470PF	10% 50V
C1821	1-124-902-00	ELECT 0.47μF	20% 50V
C1822	1-163-005-11	CERAMIC CHIP 470PF	10% 50V
C1823	1-124-903-11	ELECT 1μF	20% 50V
C1824	1-124-903-11	ELECT 1μF	20% 50V
C1825	1-126-967-11	ELECT 47μF	20% 50V
C1826	1-126-967-11	ELECT 47μF	20% 50V
C1827	1-163-809-11	CERAMIC CHIP 0.047μF	10% 25V
C1828	1-163-809-11	CERAMIC CHIP 0.047μF	10% 25V
C1829	1-163-809-11	CERAMIC CHIP 0.047μF	10% 25V
C1830	1-163-809-11	CERAMIC CHIP 0.047μF	10% 25V
C1831	1-126-940-11	ELECT 330μF	20% 16V
C1832	1-126-940-11	ELECT 330μF	20% 16V
C1833	1-163-809-11	CERAMIC CHIP 0.047μF	10% 25V
C1834	1-163-809-11	CERAMIC CHIP 0.047μF	10% 25V
C1835	1-163-809-11	CERAMIC CHIP 0.047μF	10% 25V
C1836	1-163-809-11	CERAMIC CHIP 0.047μF	10% 25V
C1837	1-164-489-11	CERAMIC CHIP 0.22μF	10% 16V
C1838	1-124-122-11	ELECT 100μF	20% 50V
C1839	1-124-122-11	ELECT 100μF	20% 50V
C1840	1-124-903-11	ELECT 1μF	20% 50V
C1841	1-126-967-11	ELECT 47μF	20% 50V
C1842	1-163-117-00	CERAMIC CHIP 100PF	5% 50V
C1843	1-163-117-00	CERAMIC CHIP 100PF	5% 50V
C1844	1-126-967-11	ELECT 47μF	20% 50V
C1845	1-163-809-11	CERAMIC CHIP 0.047μF	10% 25V
C1846	1-163-809-11	CERAMIC CHIP 0.047μF	10% 25V
C1847	1-163-809-11	CERAMIC CHIP 0.047μF	10% 25V
C1848	1-163-809-11	CERAMIC CHIP 0.047μF	10% 25V
C1849	1-124-122-11	ELECT 100μF	20% 50V
C1850	1-124-122-11	ELECT 100μF	20% 50V
C1851	1-137-399-11	FILM 0.1μF	5% 50V
C1852	1-124-122-11	ELECT 100μF	20% 50V
C1853	1-137-378-11	FILM 0.22μF	5% 50V
C1854	1-124-927-11	ELECT 4.7μF	20% 50V
C1855	1-124-903-11	ELECT 1μF	20% 50V
C1856	1-104-665-11	ELECT 100μF	20% 25V
C1857	1-124-122-11	ELECT 100μF	20% 50V
C1858	1-163-809-11	CERAMIC CHIP 0.047μF	10% 25V

REF. NO.	PART NO.	DESCRIPTION	REMARK
C1859	1-163-809-11	CERAMIC CHIP 0.047μF	10% 25V
C1860	1-163-809-11	CERAMIC CHIP 0.047μF	10% 25V
C1861	1-124-122-11	ELECT 100μF	20% 50V
C1862	1-124-903-11	ELECT 1μF	20% 50V
C1863	1-136-173-00	FILM 0.47μF	5% 50V
C1864	1-124-903-11	ELECT 1μF	20% 50V
C1865	1-124-903-11	ELECT 1μF	20% 50V
C1866	1-126-967-11	ELECT 47μF	20% 50V
<CHIP CONDUCTOR>			
CJ1	1-216-295-91	CONDUCTOR, CHIP	
CJ2	1-216-295-91	CONDUCTOR, CHIP	
CJ3	1-216-295-91	CONDUCTOR, CHIP	
CJ4	1-216-295-91	CONDUCTOR, CHIP	
CJ5	1-216-295-91	CONDUCTOR, CHIP	
CJ6	1-216-295-91	CONDUCTOR, CHIP	
CJ7	1-216-295-91	CONDUCTOR, CHIP	
CJ8	1-216-295-91	CONDUCTOR, CHIP	
CJ9	1-216-295-91	CONDUCTOR, CHIP	
CJ10	1-216-295-91	CONDUCTOR, CHIP	
CJ11	1-216-295-91	CONDUCTOR, CHIP	
CJ12	1-216-295-91	CONDUCTOR, CHIP	
CJ13	1-216-295-91	CONDUCTOR, CHIP	
CJ16	1-216-295-91	CONDUCTOR, CHIP	
CJ17	1-216-295-91	CONDUCTOR, CHIP	
CJ18	1-216-295-91	CONDUCTOR, CHIP	
CJ19	1-216-295-91	CONDUCTOR, CHIP	
CJ20	1-216-295-91	CONDUCTOR, CHIP	
CJ21	1-216-295-91	CONDUCTOR, CHIP	
CJ22	1-216-295-91	CONDUCTOR, CHIP	
CJ23	1-216-295-91	CONDUCTOR, CHIP	
CJ24	1-216-295-91	CONDUCTOR, CHIP	
CJ25	1-216-295-91	CONDUCTOR, CHIP	
CJ26	1-216-295-91	CONDUCTOR, CHIP	
CJ27	1-216-295-91	CONDUCTOR, CHIP	
CJ28	1-216-295-91	CONDUCTOR, CHIP	
CJ29	1-216-295-91	CONDUCTOR, CHIP	
CJ30	1-216-295-91	CONDUCTOR, CHIP	
CJ31	1-216-295-91	CONDUCTOR, CHIP	
CJ34	1-216-295-91	CONDUCTOR, CHIP	
CJ35	1-216-295-91	CONDUCTOR, CHIP	
CJ36	1-216-295-91	CONDUCTOR, CHIP	
CJ37	1-216-295-91	CONDUCTOR, CHIP	
CJ38	1-216-295-91	CONDUCTOR, CHIP	
CJ39	1-216-295-91	CONDUCTOR, CHIP	
CJ42	1-216-295-91	CONDUCTOR, CHIP	
CJ43	1-216-295-91	CONDUCTOR, CHIP	
CJ44	1-216-295-91	CONDUCTOR, CHIP	
CJ45	1-216-295-91	CONDUCTOR, CHIP	
CJ46	1-216-295-91	CONDUCTOR, CHIP	
CJ47	1-216-295-91	CONDUCTOR, CHIP	
CJ48	1-216-295-91	CONDUCTOR, CHIP	
CJ50	1-216-295-91	CONDUCTOR, CHIP	
CJ51	1-216-295-91	CONDUCTOR, CHIP	
CJ53	1-216-295-91	CONDUCTOR, CHIP	
CJ54	1-216-295-91	CONDUCTOR, CHIP	
CJ55	1-216-295-91	CONDUCTOR, CHIP	
CJ57	1-216-295-91	CONDUCTOR, CHIP	
CJ58	1-216-295-91	CONDUCTOR, CHIP	
CJ59	1-216-295-91	CONDUCTOR, CHIP	
CJ60	1-216-295-91	CONDUCTOR, CHIP	
CJ62	1-216-295-91	CONDUCTOR, CHIP	
CJ63	1-216-295-91	CONDUCTOR, CHIP	
<CONNECTOR>			
CN1509	* 1-564-506-11	PLUG, CONNECTOR 3P	
CN1513	* 1-564-506-11	PLUG, CONNECTOR 3P	



Les composants identifiés par une trame et une marque Δ sont critiques pour la sécurité. Ne les remplacer que par une pièce portant le numéro spécifié.

The components identified by shading and mark Δ are critical for safety. Replace only with part number specified.

REF. NO.	PART NO.	DESCRIPTION	REMARK
CN1612	* 1-564-507-11	PLUG, CONNECTOR 4P	
CN1642	* 1-564-507-11	PLUG, CONNECTOR 4P	
CN1672	* 1-564-507-11	PLUG, CONNECTOR 4P	
CN1716	* 1-564-507-11	PLUG, CONNECTOR 4P	
CN1756	* 1-564-508-11	PLUG, CONNECTOR 5P	
CN1757	* 1-564-516-11	PLUG, CONNECTOR 13P	
<DIODE>			
D1501	8-719-908-03	DIODE GP08D	
D1502	8-719-109-89	DIODE RD5.6ESB2	
D1503	8-719-971-20	DIODE ERC38-06	
D1505	8-719-109-88	DIODE RD5.6ESB1	
D1551	8-719-109-72	DIODE RD3.9ESB2	
D1552	8-719-991-33	DIODE 1SS133T-77	
D1553	8-719-991-33	DIODE 1SS133T-77	
D1601	8-719-908-03	DIODE GP08D	
D1602	8-719-908-03	DIODE GP08D	
D1603	8-719-908-03	DIODE GP08D	
D1604	8-719-908-03	DIODE GP08D	
D1803	8-719-991-33	DIODE 1SS133T-77	
D1812	8-719-991-33	DIODE 1SS133T-77	
D1814	8-719-991-33	DIODE 1SS133T-77	
D1825	8-719-991-33	DIODE 1SS133T-77	
D1826	8-719-991-33	DIODE 1SS133T-77	
D1827	8-719-109-68	DIODE RD3.6ESB1	
D1931	8-719-110-60	DIODE RD24ESB	
D1932	8-719-110-60	DIODE RD24ESB	
D1934	8-719-110-60	DIODE RD24ESB	
D1935	8-719-110-60	DIODE RD24ESB	
D1936	8-719-110-60	DIODE RD24ESB	
D1937	8-719-110-60	DIODE RD24ESB	
D1942	8-719-110-60	DIODE RD24ESB	
D1945	8-719-110-60	DIODE RD24ESB	
D1946	8-719-110-60	DIODE RD24ESB	
D1947	8-719-110-60	DIODE RD24ESB	
D1948	8-719-110-36	DIODE RD13ESB2	
D1949	8-719-110-60	DIODE RD24ESB	
D1951	8-719-110-36	DIODE RD13ESB2	
D1953	8-719-110-36	DIODE RD13ESB2	
D1954	8-719-110-36	DIODE RD13ESB2	
<FUSE>			
F1601	Δ 1-532-745-11	FUSE, GLASS TUBE (3.15A/125V)	
	1-532-223-11	CLIP, FUSE; F1601	
F1602	Δ 1-532-745-11	FUSE, GLASS TUBE (3.15A/125V)	
	1-532-223-11	CLIP, FUSE; F1602	
<IC>			
IC1501	8-759-192-71	IC STV9379	
IC1601	8-749-010-88	IC STK392-010	
IC1602	8-749-010-88	IC STK392-010	
IC1701	8-752-861-57	IC CXP85112B-613S	
IC1702	8-759-041-54	IC MN1382S	
IC1801	8-759-327-52	IC PM0002B	
IC1802	8-759-327-51	IC PA0053B	
IC1803	8-759-012-67	IC MC7905CT	
IC1804	8-759-231-53	IC TA7805S	
IC1805	8-759-327-52	IC PM0002B	
IC1806	8-759-327-51	IC PA0053B	
IC1807	8-759-929-65	IC LM7912CT	
IC1808	8-759-231-58	IC TA7812S	
IC1809	8-759-327-52	IC PM0002B	
IC1931	8-759-711-28	IC NJM2058D	
IC1932	8-759-711-28	IC NJM2058D	

REF. NO.	PART NO.	DESCRIPTION	REMARK
<COIL>			
L1501	1-412-533-21	INDUCTOR 47 μ H	
L1502	1-412-533-21	INDUCTOR 47 μ H	
L1503	1-412-524-11	INDUCTOR 8.2 μ H	
L1515	1-410-470-11	INDUCTOR 10 μ H	
L1516	1-410-482-31	INDUCTOR 100 μ H	
L1701	1-410-470-11	INDUCTOR 10 μ H	
L1801	1-406-975-21	COIL, CHOKE 47 μ H	
L1802	1-406-975-21	COIL, CHOKE 47 μ H	
<TRANSISTOR>			
Q1501	8-729-422-27	TRANSISTOR 2SD601A-Q	
Q1502	8-729-422-27	TRANSISTOR 2SD601A-Q	
Q1551	8-729-216-22	TRANSISTOR 2SA1162-G	
Q1552	8-729-422-27	TRANSISTOR 2SD601A-Q	
Q1701	8-729-422-27	TRANSISTOR 2SD601A-Q	
Q1801	8-729-422-27	TRANSISTOR 2SD601A-Q	
Q1802	8-729-216-22	TRANSISTOR 2SA1162-G	
Q1803	8-729-900-36	TRANSISTOR DTC124ES	
Q1804	8-729-422-27	TRANSISTOR 2SD601A-Q	
Q1805	8-729-900-36	TRANSISTOR DTC124ES	
<RESISTOR>			
R1501	1-216-049-91	METAL GLAZE 1K	5% 1/10W
R1502	1-208-814-11	METAL CHIP 22K	0.50% 1/10W
R1504	1-216-081-00	METAL GLAZE 22K	5% 1/10W
R1505	1-216-085-00	METAL GLAZE 33K	5% 1/10W
R1506	1-216-049-91	METAL GLAZE 1K	5% 1/10W
R1507	1-208-814-11	METAL CHIP 22K	0.50% 1/10W
R1508	1-216-057-00	METAL GLAZE 2.2K	5% 1/10W
R1509	Δ 1-249-383-91	CARBON 1.5	5% 1/4W F
R1510	1-214-671-11	METAL 3.9	1% 1/4W
R1511	1-214-671-11	METAL 3.9	1% 1/4W
R1512	1-215-912-11	METAL OXIDE 150	5% 3W F
R1513	1-214-671-11	METAL 3.9	1% 1/4W
R1514	1-216-632-11	METAL CHIP 160	0.50% 1/10W
R1515	1-216-639-11	METAL CHIP 330	0.50% 1/10W
R1516	1-214-671-11	METAL 3.9	1% 1/4W
R1517	1-216-647-11	METAL CHIP 680	0.50% 1/10W
R1518	1-216-665-11	METAL CHIP 3.9K	0.50% 1/10W
R1519	Δ 1-249-385-71	CARBON 2.2	5% 1/4W F
R1520	Δ 1-249-385-71	CARBON 2.2	5% 1/4W F
R1521	1-216-049-91	METAL GLAZE 1K	5% 1/10W
R1522	1-216-049-91	METAL GLAZE 1K	5% 1/10W
R1523	1-216-033-00	METAL GLAZE 220	5% 1/10W
R1551	1-216-081-00	METAL GLAZE 22K	5% 1/10W
R1552	1-216-063-91	METAL GLAZE 3.9K	5% 1/10W
R1553	1-216-077-00	METAL GLAZE 15K	5% 1/10W
R1554	1-216-049-91	METAL GLAZE 1K	5% 1/10W
R1559	1-216-073-00	METAL GLAZE 10K	5% 1/10W
R1562	1-216-025-91	METAL GLAZE 100	5% 1/10W
R1603	1-216-663-11	METAL CHIP 3.3K	0.50% 1/10W
R1604	1-216-663-11	METAL CHIP 3.3K	0.50% 1/10W
R1605	1-216-663-11	METAL CHIP 3.3K	0.50% 1/10W
R1606	1-216-663-11	METAL CHIP 3.3K	0.50% 1/10W
R1607	1-216-663-11	METAL CHIP 3.3K	0.50% 1/10W
R1608	1-216-663-11	METAL CHIP 3.3K	0.50% 1/10W
R1610	1-214-729-00	METAL 1K	1% 1/4W
R1612	1-214-729-00	METAL 1K	1% 1/4W
R1613	1-214-673-00	METAL 4.7	1% 1/4W
R1615	1-214-673-00	METAL 4.7	1% 1/4W
R1616	1-214-673-00	METAL 4.7	1% 1/4W
R1618	1-214-673-00	METAL 4.7	1% 1/4W
R1619	1-214-673-00	METAL 4.7	1% 1/4W
R1620	1-214-673-00	METAL 4.7	1% 1/4W
R1621	1-214-673-00	METAL 4.7	1% 1/4W
R1622	1-214-673-00	METAL 4.7	1% 1/4W



The components identified by shading and mark Δ are critical for safety. Replace only with part number specified.

Les composants identifiés par une trame et une marque Δ sont critiques pour la sécurité. Ne les remplacer que par une pièce portant le numéro spécifié.

REF. NO.	PART NO.	DESCRIPTION	REMARK	REF. NO.	PART NO.	DESCRIPTION	REMARK
R1623	1-214-729-00	METAL	1K 1% 1/4W	R1840	1-208-806-11	METAL CHIP 10K	0.50% 1/10W
R1624	1-214-729-00	METAL	1K 1% 1/4W	R1841	1-208-806-11	METAL CHIP 10K	0.50% 1/10W
R1625	1-214-673-00	METAL	4.7 1% 1/4W	R1842	1-216-025-91	METAL GLAZE 100	5% 1/10W
R1626	1-214-673-00	METAL	4.7 1% 1/4W	R1843	1-216-651-11	METAL CHIP 1K	0.50% 1/10W
R1627	1-214-673-00	METAL	4.7 1% 1/4W	R1844	1-216-025-91	METAL GLAZE 100	5% 1/10W
R1628	1-214-673-00	METAL	4.7 1% 1/4W	R1845	1-216-077-00	METAL GLAZE 15K	5% 1/10W
R1629	1-214-673-00	METAL	4.7 1% 1/4W	R1846	1-216-125-00	METAL GLAZE 1.5M	5% 1/10W
R1630	1-214-673-00	METAL	4.7 1% 1/4W	R1847	1-208-806-11	METAL CHIP 10K	0.50% 1/10W
R1631	1-214-729-00	METAL	1K 1% 1/4W	R1848	1-216-077-00	METAL GLAZE 15K	5% 1/10W
R1632	1-214-673-00	METAL	4.7 1% 1/4W	R1849	1-216-067-00	METAL GLAZE 5.6K	5% 1/10W
R1633	1-214-673-00	METAL	4.7 1% 1/4W	R1850	1-216-097-91	METAL GLAZE 100K	5% 1/10W
R1634	1-214-729-00	METAL	1K 1% 1/4W	R1851	1-216-043-91	METAL GLAZE 560	5% 1/10W
R1635	1-214-673-00	METAL	4.7 1% 1/4W	R1852	1-216-097-91	METAL GLAZE 100K	5% 1/10W
R1636	1-214-673-00	METAL	4.7 1% 1/4W	R1853	1-216-057-00	METAL GLAZE 2.2K	5% 1/10W
R1637	1-214-673-00	METAL	4.7 1% 1/4W	R1854	1-216-025-91	METAL GLAZE 100	5% 1/10W
R1638	1-214-673-00	METAL	4.7 1% 1/4W	R1855	1-216-097-91	METAL GLAZE 100K	5% 1/10W
R1639	1-214-673-00	METAL	4.7 1% 1/4W	R1856	1-216-025-91	METAL GLAZE 100	5% 1/10W
R1640	1-214-673-00	METAL	4.7 1% 1/4W	R1857	1-216-033-00	METAL GLAZE 220	5% 1/10W
R1641	1-214-673-00	METAL	4.7 1% 1/4W	R1858	1-216-097-91	METAL GLAZE 100K	5% 1/10W
R1642	1-214-673-00	METAL	4.7 1% 1/4W	R1859	1-216-025-91	METAL GLAZE 100	5% 1/10W
R1717	1-216-033-00	METAL GLAZE	220 5% 1/10W	R1860	1-216-025-91	METAL GLAZE 100	5% 1/10W
R1721	1-216-033-00	METAL GLAZE	220 5% 1/10W	R1861	1-216-473-11	METAL OXIDE 56	5% 3W F
R1737	1-216-033-00	METAL GLAZE	220 5% 1/10W	R1862	1-216-473-11	METAL OXIDE 56	5% 3W F
R1740	1-216-025-91	METAL GLAZE	100 5% 1/10W	R1863	1-216-025-91	METAL GLAZE 100	5% 1/10W
R1748	1-216-033-00	METAL GLAZE	220 5% 1/10W	R1864	1-216-025-91	METAL GLAZE 100	5% 1/10W
R1749	1-216-295-91	CONDUCTOR, CHIP		R1865	1-216-473-11	METAL OXIDE 56	5% 3W F
R1751	1-216-081-00	METAL GLAZE	22K 5% 1/10W	R1866	1-216-473-11	METAL OXIDE 56	5% 3W F
R1752	1-216-073-00	METAL GLAZE	10K 5% 1/10W	R1868	1-216-025-91	METAL GLAZE 100	5% 1/10W
R1760	1-216-295-91	CONDUCTOR, CHIP		R1869	1-216-685-11	METAL CHIP 27K	0.50% 1/10W
R1788	1-208-806-11	METAL CHIP	10K 0.50% 1/10W	R1870	1-216-685-11	METAL CHIP 27K	0.50% 1/10W
R1801	1-216-049-91	METAL GLAZE	1K 5% 1/10W	R1871	1-216-685-11	METAL CHIP 27K	0.50% 1/10W
R1802	1-216-049-91	METAL GLAZE	1K 5% 1/10W	R1872	1-216-685-11	METAL CHIP 27K	0.50% 1/10W
R1803	1-216-073-00	METAL GLAZE	10K 5% 1/10W	R1873	1-216-685-11	METAL CHIP 27K	0.50% 1/10W
R1804	1-216-057-00	METAL GLAZE	2.2K 5% 1/10W	R1874	1-216-685-11	METAL CHIP 27K	0.50% 1/10W
R1805	1-216-069-00	METAL GLAZE	6.8K 5% 1/10W	R1875	1-208-824-11	METAL CHIP 56K	0.50% 1/10W
R1806	1-216-081-00	METAL GLAZE	22K 5% 1/10W	R1876	1-216-025-91	METAL GLAZE 100	5% 1/10W
R1807	1-216-075-00	METAL GLAZE	12K 5% 1/10W	R1877	1-208-810-11	METAL CHIP 15K	0.50% 1/10W
R1808	1-216-049-91	METAL GLAZE	1K 5% 1/10W	R1878	1-208-806-11	METAL CHIP 10K	0.50% 1/10W
R1809	1-216-081-00	METAL GLAZE	22K 5% 1/10W	R1879	1-216-685-11	METAL CHIP 27K	0.50% 1/10W
R1810	1-216-097-91	METAL GLAZE	100K 5% 1/10W	R1880	1-218-768-11	METAL CHIP 470K	0.50% 1/10W
R1811	1-216-081-00	METAL GLAZE	22K 5% 1/10W	R1881	1-216-295-91	CONDUCTOR, CHIP	
R1812	1-216-097-91	METAL GLAZE	100K 5% 1/10W	R1883	1-216-677-11	METAL CHIP 12K	0.50% 1/10W
R1813	1-216-057-00	METAL GLAZE	2.2K 5% 1/10W	R1884	1-208-806-11	METAL CHIP 10K	0.50% 1/10W
R1814	1-216-699-11	METAL CHIP	100K 0.50% 1/10W	R1885	1-216-049-91	METAL GLAZE 1K	5% 1/10W
R1815	1-216-697-91	METAL CHIP	82K 0.50% 1/10W	R1886	1-216-031-00	METAL GLAZE 180	5% 1/10W
R1816	1-216-097-91	METAL GLAZE	100K 5% 1/10W	R1887	1-208-806-11	METAL CHIP 10K	0.50% 1/10W
R1817	1-216-033-00	METAL GLAZE	220 5% 1/10W	R1888	1-216-651-11	METAL CHIP 1K	0.50% 1/10W
R1818	1-216-025-91	METAL GLAZE	100 5% 1/10W	R1889	1-216-651-11	METAL CHIP 1K	0.50% 1/10W
R1819	1-216-025-91	METAL GLAZE	100 5% 1/10W	R1890	1-216-125-00	METAL GLAZE 1.5M	5% 1/10W
R1820	1-216-025-91	METAL GLAZE	100 5% 1/10W	R1891	1-208-806-11	METAL CHIP 10K	0.50% 1/10W
R1821	1-216-097-91	METAL GLAZE	100K 5% 1/10W	R1892	1-216-061-00	METAL GLAZE 3.3K	5% 1/10W
R1823	1-208-811-11	METAL CHIP	16K 0.50% 1/10W	R1893	1-216-097-91	METAL GLAZE 100K	5% 1/10W
R1824	1-216-685-11	METAL CHIP	27K 0.50% 1/10W	R1894	1-249-389-91	CARBON 4.7	5% 1/4W F
R1825	1-216-685-11	METAL CHIP	27K 0.50% 1/10W	R1895	1-216-043-91	METAL GLAZE 560	5% 1/10W
R1826	1-216-685-11	METAL CHIP	27K 0.50% 1/10W	R1896	1-249-389-91	CARBON 4.7	5% 1/4W F
R1827	1-216-685-11	METAL CHIP	27K 0.50% 1/10W	R1897	1-216-097-91	METAL GLAZE 100K	5% 1/10W
R1828	1-216-685-11	METAL CHIP	27K 0.50% 1/10W	R1898	1-216-057-00	METAL GLAZE 2.2K	5% 1/10W
R1829	1-216-685-11	METAL CHIP	27K 0.50% 1/10W	R1899	1-216-097-91	METAL GLAZE 100K	5% 1/10W
R1830	1-216-025-91	METAL GLAZE	100 5% 1/10W	R1900	1-216-033-00	METAL GLAZE 220	5% 1/10W
R1831	1-216-049-91	METAL GLAZE	1K 5% 1/10W	R1901	1-216-025-91	METAL GLAZE 100	5% 1/10W
R1832	1-216-677-11	METAL CHIP	12K 0.50% 1/10W	R1902	1-216-025-91	METAL GLAZE 100	5% 1/10W
R1833	1-216-049-91	METAL GLAZE	1K 5% 1/10W	R1903	1-216-025-91	METAL GLAZE 100	5% 1/10W
R1834	1-216-049-91	METAL GLAZE	1K 5% 1/10W	R1904	1-216-025-91	METAL GLAZE 100	5% 1/10W
R1835	1-216-025-91	METAL GLAZE	100 5% 1/10W	R1905	1-216-097-91	METAL GLAZE 100K	5% 1/10W
R1836	1-216-081-00	METAL GLAZE	22K 5% 1/10W	R1907	1-208-810-11	METAL CHIP 15K	0.50% 1/10W
R1837	1-208-806-11	METAL CHIP	10K 0.50% 1/10W	R1908	1-208-814-11	METAL CHIP 22K	0.50% 1/10W
R1838	1-216-651-11	METAL CHIP	1K 0.50% 1/10W	R1909	1-216-025-91	METAL GLAZE 100	5% 1/10W
R1839	1-216-031-00	METAL GLAZE	180 5% 1/10W	R1910	1-216-685-11	METAL CHIP 27K	0.50% 1/10W



REF. NO.	PART NO.	DESCRIPTION	REMARK
R1911	1-216-685-11	METAL CHIP 27K	0.50% 1/10W
R1912	1-216-685-11	METAL CHIP 27K	0.50% 1/10W
R1913	1-216-685-11	METAL CHIP 27K	0.50% 1/10W
R1914	1-216-685-11	METAL CHIP 27K	0.50% 1/10W
R1915	1-216-685-11	METAL CHIP 27K	0.50% 1/10W
R1916	1-216-025-91	METAL GLAZE 100	5% 1/10W
R1917	1-208-806-11	METAL CHIP 10K	0.50% 1/10W
R1918	1-216-651-11	METAL CHIP 1K	0.50% 1/10W
R1919	1-208-822-11	METAL CHIP 47K	0.50% 1/10W
R1920	1-216-651-11	METAL CHIP 1K	0.50% 1/10W
R1923	1-216-677-11	METAL CHIP 12K	0.50% 1/10W
R1925	1-216-031-00	METAL GLAZE 180	5% 1/10W
R1926	1-208-806-11	METAL CHIP 10K	0.50% 1/10W
R1927	1-216-125-00	METAL GLAZE 1.5M	5% 1/10W
R1928	1-208-806-11	METAL CHIP 10K	0.50% 1/10W
R1931	1-216-698-11	METAL CHIP 91K	0.50% 1/10W
R1935	1-218-766-11	METAL CHIP 390K	0.50% 1/10W
R1937	1-208-806-11	METAL CHIP 10K	0.50% 1/10W
R1938	1-208-810-11	METAL CHIP 15K	0.50% 1/10W
R1940	1-208-812-11	METAL CHIP 18K	0.50% 1/10W
R1941	1-208-806-11	METAL CHIP 10K	0.50% 1/10W
R1942	1-208-806-11	METAL CHIP 10K	0.50% 1/10W
R1943	1-216-699-11	METAL CHIP 100K	0.50% 1/10W
R1944	1-208-806-11	METAL CHIP 10K	0.50% 1/10W
R1947	1-216-073-00	METAL GLAZE 10K	5% 1/10W
R1948	1-216-093-00	METAL GLAZE 68K	5% 1/10W
R1949	1-216-659-11	METAL CHIP 2.2K	0.50% 1/10W
R1950	1-216-659-11	METAL CHIP 2.2K	0.50% 1/10W
R1951	1-208-806-11	METAL CHIP 10K	0.50% 1/10W
R1952	1-208-806-11	METAL CHIP 10K	0.50% 1/10W
R1954	1-208-806-11	METAL CHIP 10K	0.50% 1/10W
R1955	1-208-806-11	METAL CHIP 10K	0.50% 1/10W
R1956	1-208-800-11	METAL CHIP 5.6K	0.50% 1/10W
R1957	1-208-824-11	METAL CHIP 56K	0.50% 1/10W
R1958	1-208-800-11	METAL CHIP 5.6K	0.50% 1/10W
R1959	1-208-824-11	METAL CHIP 56K	0.50% 1/10W
R1960	1-208-806-11	METAL CHIP 10K	0.50% 1/10W
R1961	1-208-806-11	METAL CHIP 10K	0.50% 1/10W
R1962	1-216-077-00	METAL GLAZE 15K	5% 1/10W
R1963	1-216-073-00	METAL GLAZE 10K	5% 1/10W
R1964	1-216-049-91	METAL GLAZE 1K	5% 1/10W
R1965	1-216-073-00	METAL GLAZE 10K	5% 1/10W
R1966	1-216-073-00	METAL GLAZE 10K	5% 1/10W
R1967	1-216-071-00	METAL GLAZE 8.2K	5% 1/10W
R1970	1-208-774-11	METAL CHIP 470	0.50% 1/10W
R1971	1-216-667-11	METAL CHIP 4.7K	0.50% 1/10W
R1981	1-216-473-11	METAL OXIDE 56	5% 3W F
R1982	1-216-473-11	METAL OXIDE 56	5% 3W F
R1983	1-216-077-00	METAL GLAZE 15K	5% 1/10W
R1984	1-216-077-00	METAL GLAZE 15K	5% 1/10W
R1985	1-216-025-91	METAL GLAZE 100	5% 1/10W
<THERMISTOR>			
TH1501	1-807-925-11	THERMISTOR	
TH1801	1-808-269-11	THERMISTOR	
<CRYSTAL>			
X1701	1-579-917-11	VIBRATOR, CRYSTAL	

* A-1372-140-A HA BOARD, COMPLETE

4-033-777-01 HOLDER, LED

REF. NO.	PART NO.	DESCRIPTION	REMARK
<CAPACITOR>			
C101	1-126-964-11	ELECT 10μF	20% 50V
C103	1-126-964-11	ELECT 10μF	20% 50V
C104	1-126-964-11	ELECT 10μF	20% 50V
<CONNECTOR>			
CN101	* 1-564-521-11	PLUG, CONNECTOR 6P	
CN102	* 1-564-520-11	PLUG, CONNECTOR 5P	
CN103	1-564-517-11	PLUG, CONNECTOR 2P	
<DIODE>			
D102	8-719-812-41	DIODE TLR124	
D103	8-719-812-41	DIODE TLR124	
<IC>			
IC101	8-741-810-90	ELEMENT, RAY-CATCHER SBX1810-09	
<RESISTOR>			
R101	1-247-807-31	CARBON 100	5% 1/4W
R102	1-247-807-31	CARBON 100	5% 1/4W
R104	1-247-815-91	CARBON 220	5% 1/4W
R105	1-249-416-11	CARBON 820	5% 1/4W
R106	1-249-417-11	CARBON 1K	5% 1/4W
R107	1-249-420-11	CARBON 1.8K	5% 1/4W
R108	1-249-425-11	CARBON 4.7K	5% 1/4W
R112	1-247-815-91	CARBON 220	5% 1/4W
R114	1-249-414-11	CARBON 560	5% 1/4W
<SWITCH>			
S101	1-572-198-11	SWITCH, KEYBOARD	
S102	1-572-198-11	SWITCH, KEYBOARD	
S103	1-572-198-11	SWITCH, KEYBOARD	
S104	1-572-198-11	SWITCH, KEYBOARD	
S105	1-572-198-11	SWITCH, KEYBOARD	
S106	1-572-198-11	SWITCH, KEYBOARD	

* A-1372-141-A HB BOARD, COMPLETE *****			
<CAPACITOR>			
C105	1-164-096-11	CERAMIC 0.01μF	50V
C106	1-126-965-11	ELECT 22μF	20% 50V
C107	1-124-903-11	ELECT 1μF	20% 50V
C108	1-124-903-11	ELECT 1μF	20% 50V
C109	1-126-965-11	ELECT 22μF	20% 50V
<CONNECTOR>			
CN104	* 1-564-526-11	PLUG, CONNECTOR 11P	
CN105	1-564-517-11	PLUG, CONNECTOR 2P	
<DIODE>			
D105	8-719-121-24	DIODE RD9.1ESL	
D106	8-719-121-24	DIODE RD9.1ESL	
D107	8-719-121-24	DIODE RD9.1ESL	
D108	8-719-121-24	DIODE RD9.1ESL	
D109	8-719-121-24	DIODE RD9.1ESL	



REF. NO.	PART NO.	DESCRIPTION	REMARK
D110	8-719-121-24	DIODE RD9.1ESL	
		<JACK>	
J101	1-764-073-11	TERMINAL BLOCK, S 4P	
		<RESISTOR>	
R115	1-249-417-11	CARBON 1K	5% 1/4W
R116	1-247-804-11	CARBON 75	5% 1/4W
R117	1-247-804-11	CARBON 75	5% 1/4W
R118	1-247-804-11	CARBON 75	5% 1/4W
R119	1-247-895-91	CARBON 470K	5% 1/4W
R120	1-247-895-91	CARBON 470K	5% 1/4W
R121	1-249-417-11	CARBON 1K	5% 1/4W
R122	1-249-417-11	CARBON 1K	5% 1/4W
R123	1-249-432-11	CARBON 18K	5% 1/4W

REF. NO.	PART NO.	DESCRIPTION	REMARK
		<SWITCH>	
S107	1-572-198-11	SWITCH, KEYBOARD	

* A-1373-526-A U BOARD, COMPLETE

REF. NO.	PART NO.	DESCRIPTION	REMARK
		<CAPACITOR>	
C1001	1-164-004-11	CERAMIC CHIP 0.1μF	10% 25V
C1002	1-164-004-11	CERAMIC CHIP 0.1μF	10% 25V
C1003	1-164-004-11	CERAMIC CHIP 0.1μF	10% 25V
C1004	1-164-004-11	CERAMIC CHIP 0.1μF	10% 25V
C1005	1-124-903-11	ELECT 1μF	20% 50V
C1006	1-124-903-11	ELECT 1μF	20% 50V
C1007	1-126-965-11	ELECT 22μF	20% 50V
C1008	1-126-965-11	ELECT 22μF	20% 50V
C1009	1-124-903-11	ELECT 1μF	20% 50V
C1010	1-124-903-11	ELECT 1μF	20% 50V
C1011	1-126-965-11	ELECT 22μF	20% 50V
C1012	1-126-965-11	ELECT 22μF	20% 50V
C1013	1-124-903-11	ELECT 1μF	20% 50V
C1014	1-124-903-11	ELECT 1μF	20% 50V
C1015	1-126-965-11	ELECT 22μF	20% 50V
C1016	1-126-965-11	ELECT 22μF	20% 50V
C1017	1-124-903-11	ELECT 1μF	20% 50V
C1018	1-124-903-11	ELECT 1μF	20% 50V
C1019	1-126-965-11	ELECT 22μF	20% 50V
C1020	1-126-965-11	ELECT 22μF	20% 50V
C1021	1-126-965-11	ELECT 22μF	20% 50V
C1022	1-126-964-11	ELECT 10μF	20% 50V
C1023	1-126-964-11	ELECT 10μF	20% 50V
C1024	1-124-903-11	ELECT 1μF	20% 50V
C1025	1-124-903-11	ELECT 1μF	20% 50V
C1026	1-126-964-11	ELECT 10μF	20% 50V
C1027	1-126-964-11	ELECT 10μF	20% 50V
C1028	1-126-935-11	ELECT 470μF	20% 16V
C1030	1-124-903-11	ELECT 1μF	20% 50V
C1031	1-124-903-11	ELECT 1μF	20% 50V
C1033	1-104-664-11	ELECT 47μF	20% 25V
C1034	1-164-004-11	CERAMIC CHIP 0.1μF	10% 25V
C1035	1-126-935-11	ELECT 470μF	20% 16V
C1036	1-124-903-11	ELECT 1μF	20% 50V
C1043	1-104-665-11	ELECT 100μF	20% 25V
C1044	1-164-004-11	CERAMIC CHIP 0.1μF	10% 25V
C1046	1-124-903-11	ELECT 1μF	20% 50V
C1047	1-126-967-11	ELECT 47μF	20% 50V

REF. NO.	PART NO.	DESCRIPTION	REMARK
C1048	1-124-903-11	ELECT 1μF	20% 50V
C1049	1-126-965-11	ELECT 22μF	20% 50V
C1050	1-164-004-11	CERAMIC CHIP 0.1μF	10% 25V
C1051	1-126-965-11	ELECT 22μF	20% 50V
C1052	1-104-665-11	ELECT 100μF	20% 25V
C1053	1-126-934-11	ELECT 220μF	20% 16V
C1054	1-126-933-11	ELECT 100μF	20% 16V
		<FILTER BLOCK>	
CM1001	1-466-912-21	FILTER BLOCK, COMB	
		<CONNECTOR>	
CN1001	* 1-564-514-11	PLUG, CONNECTOR 11P	
CN1002	* 1-564-509-11	PLUG, CONNECTOR 6P	
CN1003	* 1-564-513-11	PLUG, CONNECTOR 10P	
CN1004	* 1-564-507-11	PLUG, CONNECTOR 4P	
CN1005	* 1-564-506-11	PLUG, CONNECTOR 3P	
CN1006	* 1-566-641-11	CONNECTOR, HINGE (TAB) 18P	
CN1007	* 1-566-641-11	CONNECTOR, HINGE (TAB) 18P	
CN1008	1-695-915-11	TAB (CONTACT)	

REF. NO.	PART NO.	DESCRIPTION	REMARK
		<DIODE>	
D1001	8-719-106-62	DIODE RD11M-B2	
D1002	8-719-106-62	DIODE RD11M-B2	
D1003	8-719-106-62	DIODE RD11M-B2	
D1004	8-719-106-62	DIODE RD11M-B2	
D1005	8-719-106-62	DIODE RD11M-B2	
D1006	8-719-106-62	DIODE RD11M-B2	
D1007	8-719-106-62	DIODE RD11M-B2	
D1008	8-719-106-62	DIODE RD11M-B2	
D1009	8-719-106-62	DIODE RD11M-B2	
D1010	8-719-106-62	DIODE RD11M-B2	
D1011	8-719-106-62	DIODE RD11M-B2	
D1012	8-719-106-62	DIODE RD11M-B2	
D1013	8-719-106-62	DIODE RD11M-B2	
D1014	8-719-106-62	DIODE RD11M-B2	
D1016	8-719-106-62	DIODE RD11M-B2	
D1017	8-719-106-62	DIODE RD11M-B2	
D1018	8-719-106-62	DIODE RD11M-B2	
D1019	8-719-106-62	DIODE RD11M-B2	
D1020	8-719-106-62	DIODE RD11M-B2	
D1021	8-719-106-62	DIODE RD11M-B2	
D1022	8-719-106-62	DIODE RD11M-B2	
D1023	8-719-106-62	DIODE RD11M-B2	
D1024	8-719-106-62	DIODE RD11M-B2	
D1025	8-719-106-62	DIODE RD11M-B2	
D1026	8-719-400-75	DIODE MA3091	
D1027	8-719-400-75	DIODE MA3091	
D1028	8-719-400-75	DIODE MA3091	
D1029	8-719-400-75	DIODE MA3091	
D1030	8-719-400-75	DIODE MA3091	
D1031	8-719-400-75	DIODE MA3091	
D1032	8-719-106-62	DIODE RD11M-B2	
D1033	8-719-106-62	DIODE RD11M-B2	
D1037	8-719-402-92	DIODE MA3220M-TX	
D1038	8-719-402-92	DIODE MA3220M-TX	
D1039	8-719-402-92	DIODE MA3220M-TX	
D1040	8-719-402-92	DIODE MA3220M-TX	
D1041	8-719-402-92	DIODE MA3220M-TX	
D1042	8-719-402-92	DIODE MA3220M-TX	
D1043	8-719-106-62	DIODE RD11M-B2	
D1044	8-719-106-62	DIODE RD11M-B2	
D1045	8-719-402-92	DIODE MA3220M-TX	
D1046	8-719-402-92	DIODE MA3220M-TX	
D1047	8-719-400-75	DIODE MA3091	
D1048	8-719-400-75	DIODE MA3091	



REF. NO.	PART NO.	DESCRIPTION	REMARK	REF. NO.	PART NO.	DESCRIPTION	REMARK
D1049	8-719-400-75	DIODE MA3091		R1027	1-216-089-91	METAL GLAZE 47K	5% 1/10W
D1050	8-719-400-75	DIODE MA3091		R1028	1-216-049-91	METAL GLAZE 1K	5% 1/10W
D1051	8-719-400-75	DIODE MA3091		R1029	1-216-049-91	METAL GLAZE 1K	5% 1/10W
D1052	8-719-400-75	DIODE MA3091		R1030	1-216-065-00	METAL GLAZE 4.7K	5% 1/10W
		<IC>		R1031	1-216-065-00	METAL GLAZE 4.7K	5% 1/10W
IC1001	8-752-066-69	IC CXA1845Q		R1032	1-216-065-00	METAL GLAZE 4.7K	5% 1/10W
		<JACK>		R1033	1-216-089-91	METAL GLAZE 47K	5% 1/10W
J1001	1-573-967-11	BLOCK, (S) TERMINAL		R1034	1-216-065-00	METAL GLAZE 4.7K	5% 1/10W
J1002	1-573-967-11	BLOCK, (S) TERMINAL		R1035	1-216-065-00	METAL GLAZE 4.7K	5% 1/10W
J1003	1-573-969-11	JACK BLOCK, PIN		R1036	1-216-089-91	METAL GLAZE 47K	5% 1/10W
J1004	1-573-969-11	JACK BLOCK, PIN		R1037	1-216-065-00	METAL GLAZE 4.7K	5% 1/10W
J1005	1-695-054-11	JACK BLOCK, PIN		R1038	1-216-041-00	METAL GLAZE 470	5% 1/10W
J1007	1-563-760-11	JACK, MINIATUER (DIA. 3.5)		R1039	1-216-041-00	METAL GLAZE 470	5% 1/10W
J1008	1-563-760-11	JACK, MINIATUER (DIA. 3.5)		R1040	1-216-041-00	METAL GLAZE 470	5% 1/10W
		<TRANSISTOR>		R1041	1-216-041-00	METAL GLAZE 470	5% 1/10W
Q1001	8-729-422-27	TRANSISTOR 2SD601A-Q		R1042	1-216-041-00	METAL GLAZE 470	5% 1/10W
Q1002	8-729-422-27	TRANSISTOR 2SD601A-Q		R1043	1-216-041-00	METAL GLAZE 470	5% 1/10W
Q1003	8-729-422-27	TRANSISTOR 2SD601A-Q		R1044	1-216-022-00	METAL GLAZE 75	5% 1/10W
Q1004	8-729-422-27	TRANSISTOR 2SD601A-Q		R1045	1-216-113-00	METAL GLAZE 470K	5% 1/10W
Q1005	8-729-422-27	TRANSISTOR 2SD601A-Q		R1046	1-216-113-00	METAL GLAZE 470K	5% 1/10W
Q1006	8-729-422-27	TRANSISTOR 2SD601A-Q		R1047	1-216-113-00	METAL GLAZE 470K	5% 1/10W
Q1007	8-729-807-51	TRANSISTOR 2SD1623-S		R1048	1-216-113-00	METAL GLAZE 470K	5% 1/10W
Q1008	8-729-422-27	TRANSISTOR 2SD601A-Q		R1049	1-216-113-00	METAL GLAZE 470K	5% 1/10W
Q1009	8-729-422-27	TRANSISTOR 2SD601A-Q		R1050	1-216-113-00	METAL GLAZE 470K	5% 1/10W
Q1010	8-729-422-27	TRANSISTOR 2SD601A-Q		R1051	1-216-113-00	METAL GLAZE 470K	5% 1/10W
Q1011	8-729-422-27	TRANSISTOR 2SD601A-Q		R1052	1-216-095-00	METAL GLAZE 82K	5% 1/10W
Q1012	8-729-422-27	TRANSISTOR 2SD601A-Q		R1053	1-216-095-00	METAL GLAZE 82K	5% 1/10W
Q1013	8-729-422-27	TRANSISTOR 2SD601A-Q		R1054	1-216-095-00	METAL GLAZE 82K	5% 1/10W
Q1014	8-729-422-27	TRANSISTOR 2SD601A-Q		R1055	1-216-025-91	METAL GLAZE 100	5% 1/10W
Q1015	8-729-422-27	TRANSISTOR 2SD601A-Q		R1056	1-216-067-00	METAL GLAZE 5.6K	5% 1/10W
Q1016	8-729-422-27	TRANSISTOR 2SD601A-Q		R1057	1-216-025-91	METAL GLAZE 100	5% 1/10W
Q1017	8-729-422-27	TRANSISTOR 2SD601A-Q		R1058	1-216-025-91	METAL GLAZE 100	5% 1/10W
Q1033	8-729-422-27	TRANSISTOR 2SD601A-Q		R1059	1-216-025-91	METAL GLAZE 100	5% 1/10W
Q1034	8-729-422-27	TRANSISTOR 2SD601A-Q		R1060	1-216-067-00	METAL GLAZE 5.6K	5% 1/10W
		<RESISTOR>		R1061	1-216-025-91	METAL GLAZE 100	5% 1/10W
R1001	1-216-105-91	METAL GLAZE 220K	5% 1/10W	R1062	1-216-067-00	METAL GLAZE 5.6K	5% 1/10W
R1002	1-216-105-91	METAL GLAZE 220K	5% 1/10W	R1063	1-216-025-91	METAL GLAZE 100	5% 1/10W
R1003	1-216-022-00	METAL GLAZE 75	5% 1/10W	R1064	1-216-025-91	METAL GLAZE 100	5% 1/10W
R1004	1-216-022-00	METAL GLAZE 75	5% 1/10W	R1065	1-216-067-00	METAL GLAZE 5.6K	5% 1/10W
R1005	1-216-022-00	METAL GLAZE 75	5% 1/10W	R1066	1-216-025-91	METAL GLAZE 100	5% 1/10W
R1006	1-216-105-91	METAL GLAZE 220K	5% 1/10W	R1067	1-216-025-91	METAL GLAZE 100	5% 1/10W
R1007	1-216-105-91	METAL GLAZE 220K	5% 1/10W	R1068	1-216-025-91	METAL GLAZE 100	5% 1/10W
R1008	1-216-022-00	METAL GLAZE 75	5% 1/10W	R1069	1-216-025-91	METAL GLAZE 100	5% 1/10W
R1009	1-216-022-00	METAL GLAZE 75	5% 1/10W	R1070	1-216-067-00	METAL GLAZE 5.6K	5% 1/10W
R1010	1-216-022-00	METAL GLAZE 75	5% 1/10W	R1071	1-216-025-91	METAL GLAZE 100	5% 1/10W
R1011	1-216-105-91	METAL GLAZE 220K	5% 1/10W	R1072	1-216-067-00	METAL GLAZE 5.6K	5% 1/10W
R1012	1-216-105-91	METAL GLAZE 220K	5% 1/10W	R1073	1-216-025-91	METAL GLAZE 100	5% 1/10W
R1013	1-216-022-00	METAL GLAZE 75	5% 1/10W	R1074	1-216-095-00	METAL GLAZE 82K	5% 1/10W
R1014	1-216-022-00	METAL GLAZE 75	5% 1/10W	R1075	1-216-067-00	METAL GLAZE 5.6K	5% 1/10W
R1015	1-216-022-00	METAL GLAZE 75	5% 1/10W	R1076	1-216-067-00	METAL GLAZE 5.6K	5% 1/10W
R1016	1-216-105-91	METAL GLAZE 220K	5% 1/10W	R1077	1-216-025-91	METAL GLAZE 100	5% 1/10W
R1017	1-216-105-91	METAL GLAZE 220K	5% 1/10W	R1078	1-216-025-91	METAL GLAZE 100	5% 1/10W
R1018	1-216-022-00	METAL GLAZE 75	5% 1/10W	R1079	1-216-067-00	METAL GLAZE 5.6K	5% 1/10W
R1019	1-216-022-00	METAL GLAZE 75	5% 1/10W	R1080	1-216-067-00	METAL GLAZE 5.6K	5% 1/10W
R1020	1-216-022-00	METAL GLAZE 75	5% 1/10W	R1081	1-216-025-91	METAL GLAZE 100	5% 1/10W
R1021	1-216-089-91	METAL GLAZE 47K	5% 1/10W	R1082	1-216-067-00	METAL GLAZE 5.6K	5% 1/10W
R1022	1-216-089-91	METAL GLAZE 47K	5% 1/10W	R1083	1-216-025-91	METAL GLAZE 100	5% 1/10W
R1023	1-216-089-91	METAL GLAZE 47K	5% 1/10W	R1084	1-216-025-91	METAL GLAZE 100	5% 1/10W
R1025	1-216-049-91	METAL GLAZE 1K	5% 1/10W	R1085	1-216-025-91	METAL GLAZE 100	5% 1/10W
R1026	1-216-049-91	METAL GLAZE 1K	5% 1/10W	R1086	1-216-067-00	METAL GLAZE 5.6K	5% 1/10W
				R1087	1-216-067-00	METAL GLAZE 5.6K	5% 1/10W
				R1088	1-216-025-91	METAL GLAZE 100	5% 1/10W
				R1089	1-216-067-00	METAL GLAZE 5.6K	5% 1/10W
				R1090	1-216-025-91	METAL GLAZE 100	5% 1/10W
				R1091	1-216-025-91	METAL GLAZE 100	5% 1/10W
				R1093	1-216-025-91	METAL GLAZE 100	5% 1/10W
				R1094	1-216-025-91	METAL GLAZE 100	5% 1/10W
				R1095	1-216-095-00	METAL GLAZE 82K	5% 1/10W
				R1096	1-216-025-91	METAL GLAZE 100	5% 1/10W



REF. NO.	PART NO.	DESCRIPTION	REMARK
Q206	8-729-119-76	TRANSISTOR 2SA1175-HFE	
Q207	8-729-119-78	TRANSISTOR 2SC2785-HFE	
Q208	8-729-119-78	TRANSISTOR 2SC2785-HFE	
Q209	8-729-119-78	TRANSISTOR 2SC2785-HFE	
<RESISTOR>			
R201	1-249-413-11	CARBON 470	5% 1/4W
R202	1-249-432-11	CARBON 18K	5% 1/4W
R203	1-249-429-11	CARBON 10K	5% 1/4W
R204	1-249-414-11	CARBON 560	5% 1/4W
R205	1-249-432-11	CARBON 18K	5% 1/4W
R206	1-249-441-11	CARBON 100K	5% 1/4W
R207	1-249-429-11	CARBON 10K	5% 1/4W
R208	1-249-414-11	CARBON 560	5% 1/4W
R209	1-249-432-11	CARBON 18K	5% 1/4W
R210	1-249-413-11	CARBON 470	5% 1/4W
R212	1-249-432-11	CARBON 18K	5% 1/4W
R213	1-249-435-11	CARBON 33K	5% 1/4W
R214	1-249-431-11	CARBON 15K	5% 1/4W
R215	1-249-429-11	CARBON 10K	5% 1/4W
R217	1-249-434-11	CARBON 27K	5% 1/4W
R219	1-249-434-11	CARBON 27K	5% 1/4W
R223	1-249-430-11	CARBON 12K	5% 1/4W
R225	1-247-807-31	CARBON 100	5% 1/4W
R226	1-216-357-00	METAL OXIDE 4.7	5% 1W F
R228	1-249-417-11	CARBON 1K	5% 1/4W
R229	1-249-437-11	CARBON 47K	5% 1/4W
R231	1-249-417-11	CARBON 1K	5% 1/4W
R233	1-216-357-00	METAL OXIDE 4.7	5% 1W F
R235	1-249-429-11	CARBON 10K	5% 1/4W
R236	1-249-429-11	CARBON 10K	5% 1/4W
R240	1-249-434-11	CARBON 27K	5% 1/4W
R241	1-249-429-11	CARBON 10K	5% 1/4W
R242	1-249-429-11	CARBON 10K	5% 1/4W
R244	1-249-425-11	CARBON 4.7K	5% 1/4W
R245	1-249-436-11	CARBON 39K	5% 1/4W
R246	1-249-436-11	CARBON 39K	5% 1/4W
R247	1-247-791-91	CARBON 22	5% 1/4W
R248	1-247-863-91	CARBON 22K	5% 1/4W
R249	1-249-412-11	CARBON 390	5% 1/4W
R250	1-249-434-11	CARBON 27K	5% 1/4W
R251	1-247-863-91	CARBON 22K	5% 1/4W
R252	1-249-426-11	CARBON 5.6K	5% 1/4W
R253	1-247-791-91	CARBON 22	5% 1/4W
R254	1-249-429-11	CARBON 10K	5% 1/4W
R255	1-249-434-11	CARBON 27K	5% 1/4W
R256	1-249-412-11	CARBON 390	5% 1/4W
R257	1-249-441-11	CARBON 100K	5% 1/4W
R258	1-249-429-11	CARBON 10K	5% 1/4W
R259	1-249-412-11	CARBON 390	5% 1/4W
R260	1-247-791-91	CARBON 22	5% 1/4W
R261	1-249-434-11	CARBON 27K	5% 1/4W
R262	1-249-431-11	CARBON 15K	5% 1/4W
R263	1-249-435-11	CARBON 33K	5% 1/4W
R264	1-249-429-11	CARBON 10K	5% 1/4W
R265	1-249-434-11	CARBON 27K	5% 1/4W
R266	1-249-434-11	CARBON 27K	5% 1/4W
R267	1-216-357-00	METAL OXIDE 4.7	5% 1W F
R268	1-216-357-00	METAL OXIDE 4.7	5% 1W F
R269	1-216-357-00	METAL OXIDE 4.7	5% 1W F

REF. NO.	PART NO.	DESCRIPTION	REMARK
<CAPACITOR>			
C1403	1-102-978-00	CERAMIC 220PF	5% 50V
C1404	1-107-638-11	ELECT 33μF	20% 160V
C1405	1-104-665-11	ELECT 100μF	20% 25V
C1406	1-107-370-11	FILM 0.1μF	10% 200V
C1407	1-104-665-11	ELECT 100μF	20% 25V
C1408	1-107-362-11	FILM 0.0047μF	10% 200V
C1409	1-107-667-11	ELECT 2.2μF	20% 160V
C1410	1-107-362-11	FILM 0.0047μF	10% 200V
C1411	1-137-364-11	FILM 0.001μF	5% 50V
C1412	1-137-364-11	FILM 0.001μF	5% 50V
C1413	1-161-830-00	CERAMIC 0.0047μF	500V
C1414	1-126-940-11	ELECT 330μF	20% 16V
C1415	1-164-046-11	CERAMIC 10PF	0.5PF 50V
C1416	1-102-973-00	CERAMIC 100PF	5% 50V
<CONNECTOR>			
CN1411	* 1-580-689-11	PIN, CONNECTOR (PC BOARD) 4P	
CN1412	* 1-564-507-11	PLUG, CONNECTOR 4P	
CN1413	* 1-564-506-11	PLUG, CONNECTOR 3P	
CN1414	* 1-564-509-11	PLUG, CONNECTOR 6P	
CN1415	* 1-564-510-11	PLUG, CONNECTOR 7P	
CN1416	1-695-915-11	TAB (CONTACT)	
<DIODE>			
D1401	8-719-110-88	DIODE RD39ESB2	
D1402	8-719-110-88	DIODE RD39ESB2	
<TRANSISTOR>			
Q1401	8-729-017-06	TRANSISTOR 2SC4793	
Q1402	8-729-017-05	TRANSISTOR 2SA1837	
Q1403	8-729-140-96	TRANSISTOR 2SD774-34	
<RESISTOR>			
R1401	1-249-414-11	CARBON 560	5% 1/4W
R1402	1-249-414-11	CARBON 560	5% 1/4W
R1405	1-249-417-11	CARBON 1K	5% 1/4W
R1406	1-216-479-11	METAL OXIDE 560	5% 3W F
R1407	1-249-400-11	CARBON 39	5% 1/4W F
R1408	1-249-384-11	CARBON 1.8	5% 1/4W F
R1409	1-249-384-11	CARBON 1.8	5% 1/4W F
R1410	1-247-734-11	CARBON 39	5% 1/2W F
R1411	1-249-417-11	CARBON 1K	5% 1/4W F
R1412	1-249-414-11	CARBON 560	5% 1/4W
R1413	1-249-432-11	CARBON 18K	5% 1/4W
R1414	1-249-432-11	CARBON 18K	5% 1/4W
R1415	1-249-414-11	CARBON 560	5% 1/4W F
R1416	1-216-451-11	METAL OXIDE 120	5% 2W F
R1417	1-216-475-11	METAL OXIDE 120	5% 3W F
R1418	1-249-377-11	CARBON 0.47	5% 1/4W F
R1419	1-247-815-91	CARBON 220	5% 1/4W
R1420	1-216-475-11	METAL OXIDE 120	5% 3W F
R1421	1-249-417-11	CARBON 1K	5% 1/4W

* A-1390-489-A ZG BOARD, COMPLETE

* A-1390-487-A ZR BOARD, COMPLETE

4-382-854-11 SCREW (M3X10), P, SW (+)

<CAPACITOR>



REF. NO.	PART NO.	DESCRIPTION	REMARK	REF. NO.	PART NO.	DESCRIPTION	REMARK
C1433	1-102-973-00	CERAMIC 100PF 5%	50V	C5027	1-164-004-11	CERAMIC CHIP 0.1μF	10% 25V
		<CONNECTOR>		C5028	1-164-004-11	CERAMIC CHIP 0.1μF	10% 25V
CN1441	* 1-580-689-11	PIN, CONNECTOR (PC BOARD) 4P		C5029	1-164-004-11	CERAMIC CHIP 0.1μF	10% 25V
CN1442	* 1-564-507-11	PLUG, CONNECTOR 4P		C5031	1-126-967-11	ELECT 47μF	20% 16V
CN1443	* 1-564-506-11	PLUG, CONNECTOR 3P		C5032	1-126-964-11	ELECT 10μF	20% 50V
CN1445	* 1-564-510-11	PLUG, CONNECTOR 7P		C5033	1-164-004-11	CERAMIC CHIP 0.1μF	10% 25V
		<RESISTOR>		C5034	1-164-004-11	CERAMIC CHIP 0.1μF	10% 25V
R1431	1-249-414-11	CARBON 560 5%	1/4W	C5035	1-164-004-11	CERAMIC CHIP 0.1μF	10% 25V
R1432	1-249-414-11	CARBON 560 5%	1/4W	C5036	1-126-967-11	ELECT 47μF	20% 16V
R1435	1-216-475-11	METAL OXIDE 120 5%	3W F	C5037	1-163-038-91	CERAMIC CHIP 0.1μF	25V
R1436	1-216-475-11	METAL OXIDE 120 5%	3W F	C5038	1-164-005-11	CERAMIC CHIP 0.47μF	25V
R1437	1-249-417-11	CARBON 1K 5%	1/4W	C5039	1-164-004-11	CERAMIC CHIP 0.1μF	10% 25V

	* A-1390-491-A	ZB BOARD, COMPLETE		C5040	1-164-004-11	CERAMIC CHIP 0.1μF	10% 25V
		<CONNECTOR>		C5041	1-164-004-11	CERAMIC CHIP 0.1μF	10% 25V
CN1471	* 1-580-689-11	PIN, CONNECTOR (PC BOARD) 4P		C5042	1-164-004-11	CERAMIC CHIP 0.1μF	10% 25V
CN1472	* 1-564-507-11	PLUG, CONNECTOR 4P		C5045	1-164-004-11	CERAMIC CHIP 0.1μF	10% 25V
CN1473	* 1-564-506-11	PLUG, CONNECTOR 3P		C5046	1-164-004-11	CERAMIC CHIP 0.1μF	10% 25V
		<RESISTOR>		C5047	1-124-925-11	ELECT 2.2μF	20% 50V
R1461	1-249-414-11	CARBON 560 5%	1/4W	C5048	1-164-004-11	CERAMIC CHIP 0.1μF	10% 25V
R1462	1-249-414-11	CARBON 560 5%	1/4W	C5049	1-164-004-11	CERAMIC CHIP 0.1μF	10% 25V
R1465	1-216-475-11	METAL OXIDE 120 5%	3W F	C5051	1-164-004-11	CERAMIC CHIP 0.1μF	10% 25V
R1466	1-216-475-11	METAL OXIDE 120 5%	3W F	C5052	1-163-097-00	CERAMIC CHIP 15PF	5% 50V

	* A-1394-673-A	X BOARD, COMPLETE		C5053	1-164-004-11	CERAMIC CHIP 0.1μF	10% 25V
		<CAPACITOR>		C5054	1-164-004-11	CERAMIC CHIP 0.1μF	10% 25V
C5001	1-163-097-00	CERAMIC CHIP 15PF 5%	50V	C5055	1-164-004-11	CERAMIC CHIP 0.1μF	10% 25V
C5002	1-126-964-11	ELECT 10μF 20%	50V	C5056	1-164-004-11	CERAMIC CHIP 0.1μF	10% 25V
C5003	1-126-933-11	ELECT 100μF 20%	16V	C5057	1-163-017-00	CERAMIC CHIP 0.0047μF	10% 50V
C5004	1-126-967-11	ELECT 47μF 20%	16V	C5058	1-164-004-11	CERAMIC CHIP 0.1μF	10% 25V
C5005	1-164-004-11	CERAMIC CHIP 0.1μF 10%	25V	C5059	1-163-251-11	CERAMIC CHIP 100PF	5% 50V
C5006	1-164-004-11	CERAMIC CHIP 0.1μF 10%	25V	C5060	1-164-004-11	CERAMIC CHIP 0.1μF	10% 25V
C5007	1-126-967-11	ELECT 47μF 20%	16V	C5061	1-109-982-11	CERAMIC CHIP 1μF	10% 10V
C5008	1-164-004-11	CERAMIC CHIP 0.1μF 10%	25V	C5062	1-124-925-11	ELECT 2.2μF	20% 50V
C5009	1-126-964-11	ELECT 10μF 20%	50V	C5063	1-163-017-00	CERAMIC CHIP 0.0047μF	10% 50V
C5010	1-126-933-11	ELECT 100μF 20%	16V	C5064	1-163-251-11	CERAMIC CHIP 100PF	5% 50V
C5011	1-163-017-00	CERAMIC CHIP 0.0047μF 10%	50V	C5065	1-163-133-00	CERAMIC CHIP 470PF	5% 50V
C5012	1-126-967-11	ELECT 47μF 20%	16V	C5066	1-163-037-11	CERAMIC CHIP 0.022μF	10% 25V
C5013	1-164-004-11	CERAMIC CHIP 0.1μF 10%	25V	C5067	1-124-903-11	ELECT 1μF	20% 50V
C5014	1-109-982-11	CERAMIC CHIP 1μF 10%	10V	C5068	1-164-004-11	CERAMIC CHIP 0.1μF	10% 25V
C5015	1-163-017-00	CERAMIC CHIP 0.0047μF 10%	50V	C5069	1-164-004-11	CERAMIC CHIP 0.1μF	10% 25V
C5016	1-164-232-11	CERAMIC CHIP 0.01μF 10%	50V	C5070	1-164-004-11	CERAMIC CHIP 0.1μF	10% 25V
C5017	1-164-004-11	CERAMIC CHIP 0.1μF 10%	25V	C5071	1-164-004-11	CERAMIC CHIP 0.1μF	10% 25V
C5018	1-126-967-11	ELECT 47μF 20%	16V	C5072	1-164-004-11	CERAMIC CHIP 0.1μF	10% 25V
C5019	1-164-004-11	CERAMIC CHIP 0.1μF 10%	25V	C5073	1-164-004-11	CERAMIC CHIP 0.1μF	10% 25V
C5020	1-163-037-11	CERAMIC CHIP 0.022μF 10%	25V	C5074	1-164-004-11	CERAMIC CHIP 0.1μF	10% 25V
C5021	1-126-964-11	ELECT 10μF 20%	50V	C5075	1-164-004-11	CERAMIC CHIP 0.1μF	10% 25V
C5022	1-126-933-11	ELECT 100μF 20%	16V	C5076	1-164-004-11	CERAMIC CHIP 0.1μF	10% 25V
C5023	1-124-903-11	ELECT 1μF 20%	50V	C5077	1-164-004-11	CERAMIC CHIP 0.1μF	10% 25V
C5024	1-126-964-11	ELECT 10μF 20%	50V	C5078	1-164-004-11	CERAMIC CHIP 0.1μF	10% 25V
C5025	1-164-004-11	CERAMIC CHIP 0.1μF 10%	25V	C5079	1-164-004-11	CERAMIC CHIP 0.1μF	10% 25V
		<CONNECTOR>		C5081	1-164-004-11	CERAMIC CHIP 0.1μF	10% 25V
C5101	1-164-004-11	CERAMIC CHIP 0.1μF 10%	25V	C5083	1-164-004-11	CERAMIC CHIP 0.1μF	10% 25V
C5102	1-126-967-11	ELECT 47μF 20%	16V	C5084	1-126-933-11	ELECT 100μF	20% 16V
C5104	1-164-004-11	CERAMIC CHIP 0.1μF 10%	25V	C5085	1-164-004-11	CERAMIC CHIP 0.1μF	10% 25V
C5105	1-164-004-11	CERAMIC CHIP 0.1μF 10%	25V	C5087	1-126-967-11	ELECT 47μF	20% 16V
C5106	1-126-964-11	ELECT 10μF 20%	50V	C5088	1-126-967-11	ELECT 47μF	20% 16V
C5107	1-126-964-11	ELECT 10μF 20%	50V	C5090	1-164-004-11	CERAMIC CHIP 0.1μF	10% 25V
C5108	1-164-004-11	CERAMIC CHIP 0.1μF 10%	25V	C5091	1-164-005-11	CERAMIC CHIP 0.47μF	25V
C5115	1-126-933-11	ELECT 100μF 20%	16V	C5093	1-126-967-11	ELECT 47μF	20% 16V
		<RESISTOR>		C5099	1-126-964-11	ELECT 10μF	20% 50V
R1501	1-249-414-11	CARBON 560 5%	1/4W	C5100	1-126-967-11	ELECT 47μF	20% 16V
R1502	1-249-414-11	CARBON 560 5%	1/4W	C5101	1-164-004-11	CERAMIC CHIP 0.1μF	10% 25V
R1505	1-216-475-11	METAL OXIDE 120 5%	3W F	C5102	1-126-967-11	ELECT 47μF	20% 16V
R1506	1-216-475-11	METAL OXIDE 120 5%	3W F	C5104	1-164-004-11	CERAMIC CHIP 0.1μF	10% 25V
R1507	1-249-417-11	CARBON 1K 5%	1/4W	C5105	1-164-004-11	CERAMIC CHIP 0.1μF	10% 25V
R1508	1-249-417-11	CARBON 1K 5%	1/4W	C5106	1-126-964-11	ELECT 10μF	20% 50V



REF. NO.	PART NO.	DESCRIPTION	REMARK
C5116	1-163-038-91	CERAMIC CHIP 0.1μF	25V
C5118	1-163-038-91	CERAMIC CHIP 0.1μF	25V
C5119	1-164-004-11	CERAMIC CHIP 0.1μF	10% 25V
C5120	1-164-004-11	CERAMIC CHIP 0.1μF	10% 25V
C5121	1-164-004-11	CERAMIC CHIP 0.1μF	10% 25V
C5122	1-163-133-00	CERAMIC CHIP 470PF	5% 50V
C5125	1-124-927-11	ELECT 4.7μF	20% 50V
C5135	1-164-004-11	CERAMIC CHIP 0.1μF	10% 25V
C5136	1-164-004-11	CERAMIC CHIP 0.1μF	10% 25V
C5140	1-126-933-11	ELECT 100μF	20% 16V
C5141	1-126-964-11	ELECT 10μF	20% 50V
C5143	1-163-125-00	CERAMIC CHIP 220PF	5% 50V
C5144	1-163-251-11	CERAMIC CHIP 100PF	5% 50V
C5145	1-126-964-11	ELECT 10μF	20% 50V
C5146	1-163-038-91	CERAMIC CHIP 0.1μF	25V
C5147	1-126-967-11	ELECT 47μF	20% 16V
C5170	1-126-964-11	ELECT 10μF	20% 50V
C6202	1-124-903-11	ELECT 1μF	20% 50V
C6204	1-126-964-11	ELECT 10μF	20% 50V
C6205	1-124-903-11	ELECT 1μF	20% 50V
C6206	1-126-964-11	ELECT 10μF	20% 50V
C6207	1-124-903-11	ELECT 1μF	20% 50V
C6209	1-124-903-11	ELECT 1μF	20% 50V
C6210	1-124-903-11	ELECT 1μF	20% 50V
C6211	1-126-964-11	ELECT 10μF	20% 50V
C6212	1-124-903-11	ELECT 1μF	20% 50V
C6214	1-163-035-00	CERAMIC CHIP 0.047μF	50V
C6215	1-124-903-11	ELECT 1μF	20% 50V
C6216	1-124-903-11	ELECT 1μF	20% 50V
C6218	1-163-035-00	CERAMIC CHIP 0.047μF	50V
C6219	1-124-903-11	ELECT 1μF	20% 50V
C6220	1-163-035-00	CERAMIC CHIP 0.047μF	50V
C6221	1-124-903-11	ELECT 1μF	20% 50V
C6222	1-124-903-11	ELECT 1μF	20% 50V
C6223	1-163-035-00	CERAMIC CHIP 0.047μF	50V
C6224	1-124-903-11	ELECT 1μF	20% 50V
C6225	1-124-903-11	ELECT 1μF	20% 50V
C6226	1-124-903-11	ELECT 1μF	20% 50V
C6227	1-124-903-11	ELECT 1μF	20% 50V
C6228	1-124-903-11	ELECT 1μF	20% 50V
C6229	1-124-903-11	ELECT 1μF	20% 50V
C6230	1-164-004-11	CERAMIC CHIP 0.1μF	10% 25V
C6231	1-164-004-11	CERAMIC CHIP 0.1μF	10% 25V
C6232	1-164-004-11	CERAMIC CHIP 0.1μF	10% 25V
C6234	1-163-125-00	CERAMIC CHIP 220PF	5% 50V
C6235	1-163-251-11	CERAMIC CHIP 100PF	5% 50V
C6236	1-163-251-11	CERAMIC CHIP 100PF	5% 50V
C6237	1-124-903-11	ELECT 1μF	20% 50V
C6238	1-124-903-11	ELECT 1μF	20% 50V
C6239	1-124-903-11	ELECT 1μF	20% 50V
C6242	1-164-004-11	CERAMIC CHIP 0.1μF	10% 25V
C6243	1-164-004-11	CERAMIC CHIP 0.1μF	10% 25V
C6244	1-164-004-11	CERAMIC CHIP 0.1μF	10% 25V
C6248	1-124-903-11	ELECT 1μF	20% 50V
C6249	1-163-135-00	CERAMIC CHIP 560PF	5% 50V
C6250	1-126-964-11	ELECT 10μF	20% 50V
C6251	1-126-967-11	ELECT 47μF	20% 16V
C6252	1-163-038-91	CERAMIC CHIP 0.1μF	25V
C6253	1-137-399-11	FILM 0.1μF	5% 50V
C6256	1-163-222-11	CERAMIC CHIP 5PF	0.25PF 50V
C6257	1-163-222-11	CERAMIC CHIP 5PF	0.25PF 50V
C6258	1-163-222-11	CERAMIC CHIP 5PF	0.25PF 50V
C6259	1-163-017-00	CERAMIC CHIP 0.0047μF	10% 50V
C6261	1-163-017-00	CERAMIC CHIP 0.0047μF	10% 50V
C6263	1-163-251-11	CERAMIC CHIP 100PF	5% 50V
C6264	1-163-251-11	CERAMIC CHIP 100PF	5% 50V
C6265	1-164-004-11	CERAMIC CHIP 0.1μF	10% 25V
C6270	1-164-344-11	CERAMIC CHIP 0.068μF	10% 25V

REF. NO.	PART NO.	DESCRIPTION	REMARK
C6271	1-164-699-11	CERAMIC CHIP 0.0033μF	5% 50V
C6274	1-163-251-11	CERAMIC CHIP 100PF	5% 50V
C6275	1-163-251-11	CERAMIC CHIP 100PF	5% 50V
C6352	1-164-004-11	CERAMIC CHIP 0.1μF	10% 25V
<CONNECTOR>			
CN5001	* 1-564-509-11	PLUG, CONNECTOR 6P	
CN5002	* 1-774-190-11	CONNECTOR, BOARD TO BOARD	
CN5004	* 1-564-507-11	PLUG, CONNECTOR 4P	
<DIODE>			
D5001	8-719-106-08	DIODE RD6.2M-B2	
D5002	8-719-106-08	DIODE RD6.2M-B2	
D5004	8-719-404-46	DIODE MA110	
D5005	8-719-404-46	DIODE MA110	
D5009	8-719-404-46	DIODE MA110	
D5010	8-719-404-46	DIODE MA110	
D5011	8-719-404-46	DIODE MA110	
D5012	8-719-404-46	DIODE MA110	
D5013	8-719-404-46	DIODE MA110	
D5208	8-719-159-85	DIODE RD2.0MB	
D6263	8-719-404-46	DIODE MA110	
<FERRITE BEAD>			
FB5001	1-412-911-11	INDUCTOR, FERRITE BEAD	
<FILTER>			
FL5001	1-236-129-11	ENCAPSULATED COMPONENT	
FL5002	1-236-164-11	ENCAPSULATED COMPONENT	
FL5003	1-236-129-11	ENCAPSULATED COMPONENT	
FL5004	1-236-164-11	ENCAPSULATED COMPONENT	
<IC>			
IC5001	8-759-366-24	IC TDA8315T/N3A-T	
IC5002	8-759-231-55	IC TA7808S	
IC5003	8-759-231-53	IC TA7805S	
IC5004	8-759-067-24	IC 24C04A1P	
IC5005	8-759-231-53	IC TA7805S	
IC5006	8-759-335-82	IC M5M442256AJ-8-T2	
IC5007	8-759-335-82	IC M5M442256AJ-8-T2	
IC5008	8-759-366-24	IC TDA8315T/N3A-T	
IC5010	8-759-297-81	IC MM1166XFB	
IC5011	8-759-011-65	IC MC74HC4053F	
IC5012	8-752-058-68	IC CXA1315M	
IC5014	8-759-357-39	IC SAB9075H/N2A	
IC5015	8-759-335-17	IC NJM2256M-TE2	
IC5016	8-759-011-65	IC MC74HC4053F	
IC6201	8-752-064-71	IC CXA1732M	
IC6202	8-752-058-68	IC CXA1315M	
IC6203	8-759-925-85	IC SN74HC32ANS	
IC6204	8-759-256-59	IC HD74HC00FPEL	
IC6205	8-759-011-65	IC MC74HC4053F	
IC6206	8-752-053-21	IC CXA1211M	
IC6207	8-759-011-65	IC MC74HC4053F	
IC6208	8-752-053-21	IC CXA1211M	
IC6209	8-759-328-12	IC Z8622812PSC	
IC6211	8-759-008-67	IC MC14066BF	
<COIL>			
L5001	1-414-234-11	INDUCTOR, FERRITE BEAD	
L5002	1-414-234-11	INDUCTOR, FERRITE BEAD	
L5004	1-414-234-11	INDUCTOR, FERRITE BEAD	
L5005	1-414-234-11	INDUCTOR, FERRITE BEAD	
L5006	1-414-234-11	INDUCTOR, FERRITE BEAD	



REF. NO.	PART NO.	DESCRIPTION	REMARK
L5007	1-410-470-11	INDUCTOR 10μH	
L5008	1-410-470-11	INDUCTOR 10μH	
L5009	1-414-234-11	INDUCTOR, FERRITE BEAD	
L5010	1-414-234-11	INDUCTOR, FERRITE BEAD	
L5011	1-414-234-11	INDUCTOR, FERRITE BEAD	
L5012	1-414-234-11	INDUCTOR, FERRITE BEAD	
L5013	1-410-478-11	INDUCTOR 47μH	
L5014	1-410-478-11	INDUCTOR 47μH	
L5016	1-414-234-11	INDUCTOR, FERRITE BEAD	
L5017	1-414-234-11	INDUCTOR, FERRITE BEAD	
L6201	1-410-470-11	INDUCTOR 10μH	
L6202	1-410-470-11	INDUCTOR 10μH	
<TRANSISTOR>			
Q5001	8-729-422-27	TRANSISTOR 2SD601A-Q	
Q5007	8-729-422-27	TRANSISTOR 2SD601A-Q	
Q5008	8-729-422-27	TRANSISTOR 2SD601A-Q	
Q5010	8-729-216-22	TRANSISTOR 2SA1162-G	
Q5011	8-729-422-27	TRANSISTOR 2SD601A-Q	
Q5012	8-729-422-27	TRANSISTOR 2SD601A-Q	
Q5013	8-729-422-27	TRANSISTOR 2SD601A-Q	
Q5014	8-729-422-27	TRANSISTOR 2SD601A-Q	
Q5015	8-729-422-27	TRANSISTOR 2SD601A-Q	
Q5016	8-729-216-22	TRANSISTOR 2SA1162-G	
Q5017	8-729-422-27	TRANSISTOR 2SD601A-Q	
Q5018	8-729-422-27	TRANSISTOR 2SD601A-Q	
Q5020	8-729-422-27	TRANSISTOR 2SD601A-Q	
Q5021	8-729-216-22	TRANSISTOR 2SA1162-G	
Q5022	8-729-422-27	TRANSISTOR 2SD601A-Q	
Q5025	8-729-422-27	TRANSISTOR 2SD601A-Q	
Q5026	8-729-422-27	TRANSISTOR 2SD601A-Q	
Q5027	8-729-422-27	TRANSISTOR 2SD601A-Q	
Q5028	8-729-422-27	TRANSISTOR 2SD601A-Q	
Q5029	8-729-422-27	TRANSISTOR 2SD601A-Q	
Q5030	8-729-422-27	TRANSISTOR 2SD601A-Q	
Q5031	8-729-422-27	TRANSISTOR 2SD601A-Q	
Q5032	8-729-422-27	TRANSISTOR 2SD601A-Q	
Q5033	8-729-422-27	TRANSISTOR 2SD601A-Q	
Q5034	8-729-422-27	TRANSISTOR 2SD601A-Q	
Q5036	8-729-216-22	TRANSISTOR 2SA1162-G	
Q5038	8-729-216-22	TRANSISTOR 2SA1162-G	
Q5039	8-729-422-27	TRANSISTOR 2SD601A-Q	
Q5040	8-729-422-27	TRANSISTOR 2SD601A-Q	
Q5041	8-729-216-22	TRANSISTOR 2SA1162-G	
Q5042	8-729-216-22	TRANSISTOR 2SA1162-G	
Q5051	8-729-422-27	TRANSISTOR 2SD601A-Q	
Q5053	8-729-422-27	TRANSISTOR 2SD601A-Q	
Q5060	8-729-422-27	TRANSISTOR 2SD601A-Q	
Q5061	8-729-422-27	TRANSISTOR 2SD601A-Q	
Q6201	8-729-422-27	TRANSISTOR 2SD601A-Q	
Q6202	8-729-422-27	TRANSISTOR 2SD601A-Q	
Q6203	8-729-422-27	TRANSISTOR 2SD601A-Q	
Q6204	8-729-422-27	TRANSISTOR 2SD601A-Q	
Q6205	8-729-422-27	TRANSISTOR 2SD601A-Q	
Q6206	8-729-422-27	TRANSISTOR 2SD601A-Q	
Q6207	8-729-422-27	TRANSISTOR 2SD601A-Q	
Q6208	8-729-422-27	TRANSISTOR 2SD601A-Q	
Q6209	8-729-422-27	TRANSISTOR 2SD601A-Q	
Q6210	8-729-422-27	TRANSISTOR 2SD601A-Q	
Q6211	8-729-422-27	TRANSISTOR 2SD601A-Q	
Q6212	8-729-422-27	TRANSISTOR 2SD601A-Q	
Q6213	8-729-422-27	TRANSISTOR 2SD601A-Q	
Q6214	8-729-216-22	TRANSISTOR 2SA1162-G	
Q6215	8-729-422-27	TRANSISTOR 2SD601A-Q	
Q6216	8-729-422-27	TRANSISTOR 2SD601A-Q	
Q6217	8-729-422-27	TRANSISTOR 2SD601A-Q	
Q6218	8-729-422-27	TRANSISTOR 2SD601A-Q	

REF. NO.	PART NO.	DESCRIPTION	REMARK
Q6220	8-729-422-27	TRANSISTOR 2SD601A-Q	
Q6221	8-729-422-27	TRANSISTOR 2SD601A-Q	
Q6222	8-729-422-27	TRANSISTOR 2SD601A-Q	
Q6225	8-729-422-27	TRANSISTOR 2SD601A-Q	
Q6226	8-729-422-27	TRANSISTOR 2SD601A-Q	
Q6227	8-729-216-22	TRANSISTOR 2SA1162-G	
Q6228	8-729-422-27	TRANSISTOR 2SD601A-Q	
Q6229	8-729-422-27	TRANSISTOR 2SD601A-Q	
Q6230	8-729-422-27	TRANSISTOR 2SD601A-Q	
Q6231	8-729-422-27	TRANSISTOR 2SD601A-Q	
Q6232	8-729-422-27	TRANSISTOR 2SD601A-Q	
Q6233	8-729-422-27	TRANSISTOR 2SD601A-Q	
Q6234	8-729-422-27	TRANSISTOR 2SD601A-Q	
Q6235	8-729-422-27	TRANSISTOR 2SD601A-Q	
Q6236	8-729-422-27	TRANSISTOR 2SD601A-Q	
Q6237	8-729-422-27	TRANSISTOR 2SD601A-Q	
Q6238	8-729-422-27	TRANSISTOR 2SD601A-Q	
Q6239	8-729-422-27	TRANSISTOR 2SD601A-Q	
Q6240	8-729-422-27	TRANSISTOR 2SD601A-Q	
Q6241	8-729-422-27	TRANSISTOR 2SD601A-Q	
Q6242	8-729-422-27	TRANSISTOR 2SD601A-Q	
Q6243	8-729-422-27	TRANSISTOR 2SD601A-Q	
Q6244	8-729-422-27	TRANSISTOR 2SD601A-Q	
Q6245	8-729-422-27	TRANSISTOR 2SD601A-Q	
Q6246	8-729-422-27	TRANSISTOR 2SD601A-Q	
Q6247	8-729-216-22	TRANSISTOR 2SA1162-G	
Q6248	8-729-422-27	TRANSISTOR 2SD601A-Q	
Q6249	8-729-422-27	TRANSISTOR 2SD601A-Q	
Q6250	8-729-422-27	TRANSISTOR 2SD601A-Q	
Q6251	8-729-422-27	TRANSISTOR 2SD601A-Q	
Q6252	8-729-422-27	TRANSISTOR 2SD601A-Q	
Q6253	8-729-422-27	TRANSISTOR 2SD601A-Q	
Q6254	8-729-422-27	TRANSISTOR 2SD601A-Q	
Q6255	8-729-422-27	TRANSISTOR 2SD601A-Q	
Q6256	8-729-422-27	TRANSISTOR 2SD601A-Q	
Q6257	8-729-422-27	TRANSISTOR 2SD601A-Q	
Q6258	8-729-422-27	TRANSISTOR 2SD601A-Q	
Q6259	8-729-422-27	TRANSISTOR 2SD601A-Q	
Q6260	8-729-422-27	TRANSISTOR 2SD601A-Q	
Q6261	8-729-422-27	TRANSISTOR 2SD601A-Q	
Q6262	8-729-216-22	TRANSISTOR 2SA1162-G	
Q6263	8-729-216-22	TRANSISTOR 2SA1162-G	
Q6264	8-729-422-27	TRANSISTOR 2SD601A-Q	
Q6265	8-729-422-27	TRANSISTOR 2SD601A-Q	
Q6266	8-729-422-27	TRANSISTOR 2SD601A-Q	
Q6267	8-729-422-27	TRANSISTOR 2SD601A-Q	
Q6351	8-729-216-22	TRANSISTOR 2SA1162-G	
<RESISTOR>			
R5001	1-216-025-91	METAL GLAZE 100	5% 1/10W
R5002	1-216-025-91	METAL GLAZE 100	5% 1/10W
R5004	1-216-025-91	METAL GLAZE 100	5% 1/10W
R5005	1-216-097-91	METAL GLAZE 100K	5% 1/10W
R5010	1-216-037-00	METAL GLAZE 330	5% 1/10W
R5011	1-216-075-00	METAL GLAZE 12K	5% 1/10W
R5015	1-216-085-00	METAL GLAZE 33K	5% 1/10W
R5017	1-216-025-91	METAL GLAZE 100	5% 1/10W
R5022	1-216-025-91	METAL GLAZE 100	5% 1/10W
R5024	1-216-295-91	CONDUCTOR, CHIP	
R5027	1-216-025-91	METAL GLAZE 100	5% 1/10W
R5028	1-216-117-00	METAL GLAZE 680K	5% 1/10W
R5029	1-216-295-91	CONDUCTOR, CHIP	
R5031	1-216-081-00	METAL GLAZE 22K	5% 1/10W
R5032	1-216-081-00	METAL GLAZE 22K	5% 1/10W
R5033	1-216-081-00	METAL GLAZE 22K	5% 1/10W
R5034	1-216-049-91	METAL GLAZE 1K	5% 1/10W
R5035	1-216-049-91	METAL GLAZE 1K	5% 1/10W
R5036	1-216-049-91	METAL GLAZE 1K	5% 1/10W



REF. NO.	PART NO.	DESCRIPTION	REMARK	REF. NO.	PART NO.	DESCRIPTION	REMARK
R5040	1-216-025-91	METAL GLAZE 100	5% 1/10W	R5156	1-216-049-91	METAL GLAZE 1K	5% 1/10W
R5041	1-216-073-00	METAL GLAZE 10K	5% 1/10W	R5157	1-216-049-91	METAL GLAZE 1K	5% 1/10W
R5042	1-216-025-91	METAL GLAZE 100	5% 1/10W	R5160	1-216-041-00	METAL GLAZE 470	5% 1/10W
R5045	1-216-073-00	METAL GLAZE 10K	5% 1/10W	R5161	1-216-295-91	CONDUCTOR, CHIP	
R5053	1-216-089-91	METAL GLAZE 47K	5% 1/10W	R5162	1-216-049-91	METAL GLAZE 1K	5% 1/10W
R5056	1-216-025-91	METAL GLAZE 100	5% 1/10W	R5163	1-216-295-91	CONDUCTOR, CHIP	
R5060	1-216-089-91	METAL GLAZE 47K	5% 1/10W	R5165	1-216-049-91	METAL GLAZE 1K	5% 1/10W
R5061	1-216-073-00	METAL GLAZE 10K	5% 1/10W	R5166	1-216-037-00	METAL GLAZE 330	5% 1/10W
R5062	1-216-045-00	METAL GLAZE 680	5% 1/10W	R5167	1-216-037-00	METAL GLAZE 330	5% 1/10W
R5063	1-216-295-91	CONDUCTOR, CHIP		R5169	1-216-037-00	METAL GLAZE 330	5% 1/10W
R5064	1-216-025-91	METAL GLAZE 100	5% 1/10W	R5170	1-216-049-91	METAL GLAZE 1K	5% 1/10W
R5065	1-216-049-91	METAL GLAZE 1K	5% 1/10W	R5171	1-216-648-11	METAL CHIP 750	0.50% 1/10W
R5067	1-216-025-91	METAL GLAZE 100	5% 1/10W	R5172	1-216-025-91	METAL GLAZE 100	5% 1/10W
R5068	1-216-295-91	CONDUCTOR, CHIP		R5173	1-216-025-91	METAL GLAZE 100	5% 1/10W
R5069	1-216-049-91	METAL GLAZE 1K	5% 1/10W	R5174	1-216-057-00	METAL GLAZE 2.2K	5% 1/10W
R5070	1-216-049-91	METAL GLAZE 1K	5% 1/10W	R5176	1-216-025-91	METAL GLAZE 100	5% 1/10W
R5071	1-216-097-91	METAL GLAZE 100K	5% 1/10W	R5177	1-216-037-00	METAL GLAZE 330	5% 1/10W
R5072	1-216-043-91	METAL GLAZE 560	5% 1/10W	R5178	1-216-073-00	METAL GLAZE 10K	5% 1/10W
R5073	1-216-295-91	CONDUCTOR, CHIP		R5179	1-216-063-91	METAL GLAZE 3.9K	5% 1/10W
R5074	1-216-077-00	METAL GLAZE 15K	5% 1/10W	R5180	1-216-295-91	CONDUCTOR, CHIP	
R5075	1-216-067-00	METAL GLAZE 5.6K	5% 1/10W	R5184	1-216-295-91	CONDUCTOR, CHIP	
R5077	1-216-049-91	METAL GLAZE 1K	5% 1/10W	R5188	1-216-037-00	METAL GLAZE 330	5% 1/10W
R5080	1-216-049-91	METAL GLAZE 1K	5% 1/10W	R5189	1-216-295-91	CONDUCTOR, CHIP	
R5081	1-216-075-00	METAL GLAZE 12K	5% 1/10W	R5192	1-216-037-00	METAL GLAZE 330	5% 1/10W
R5082	1-216-069-00	METAL GLAZE 6.8K	5% 1/10W	R5193	1-216-295-91	CONDUCTOR, CHIP	
R5083	1-216-295-91	CONDUCTOR, CHIP		R5195	1-216-097-91	METAL GLAZE 100K	5% 1/10W
R5085	1-216-049-91	METAL GLAZE 1K	5% 1/10W	R5196	1-216-065-00	METAL GLAZE 4.7K	5% 1/10W
R5086	1-216-295-91	CONDUCTOR, CHIP		R5197	1-216-065-00	METAL GLAZE 4.7K	5% 1/10W
R5087	1-216-037-00	METAL GLAZE 330	5% 1/10W	R5198	1-216-065-00	METAL GLAZE 4.7K	5% 1/10W
R5088	1-216-077-00	METAL GLAZE 15K	5% 1/10W	R5199	1-216-648-11	METAL CHIP 750	0.50% 1/10W
R5090	1-216-067-00	METAL GLAZE 5.6K	5% 1/10W	R5200	1-216-049-91	METAL GLAZE 1K	5% 1/10W
R5091	1-216-049-91	METAL GLAZE 1K	5% 1/10W	R5202	1-216-073-00	METAL GLAZE 10K	5% 1/10W
R5092	1-216-049-91	METAL GLAZE 1K	5% 1/10W	R5203	1-216-047-91	METAL GLAZE 820	5% 1/10W
R5096	1-216-081-00	METAL GLAZE 22K	5% 1/10W	R5204	1-216-025-91	METAL GLAZE 100	5% 1/10W
R5097	1-216-049-91	METAL GLAZE 1K	5% 1/10W	R5205	1-216-041-00	METAL GLAZE 470	5% 1/10W
R5098	1-216-295-91	CONDUCTOR, CHIP		R5207	1-216-043-91	METAL GLAZE 560	5% 1/10W
R5101	1-216-077-00	METAL GLAZE 15K	5% 1/10W	R5210	1-216-025-91	METAL GLAZE 100	5% 1/10W
R5104	1-216-049-91	METAL GLAZE 1K	5% 1/10W	R5211	1-216-045-00	METAL GLAZE 680	5% 1/10W
R5106	1-216-688-11	METAL CHIP 36K	0.50% 1/10W	R5212	1-216-049-91	METAL GLAZE 1K	5% 1/10W
R5107	1-216-295-91	CONDUCTOR, CHIP		R5213	1-216-057-00	METAL GLAZE 2.2K	5% 1/10W
R5109	1-216-081-00	METAL GLAZE 22K	5% 1/10W	R5214	1-216-065-00	METAL GLAZE 4.7K	5% 1/10W
R5110	1-216-295-91	CONDUCTOR, CHIP		R5215	1-216-045-00	METAL GLAZE 680	5% 1/10W
R5111	1-216-057-00	METAL GLAZE 2.2K	5% 1/10W	R5216	1-216-037-00	METAL GLAZE 330	5% 1/10W
R5112	1-216-049-91	METAL GLAZE 1K	5% 1/10W	R5217	1-216-025-91	METAL GLAZE 100	5% 1/10W
R5113	1-216-057-00	METAL GLAZE 2.2K	5% 1/10W	R5218	1-216-069-00	METAL GLAZE 6.8K	5% 1/10W
R5115	1-216-117-00	METAL GLAZE 680K	5% 1/10W	R5219	1-216-049-91	METAL GLAZE 1K	5% 1/10W
R5116	1-216-295-91	CONDUCTOR, CHIP		R5220	1-216-069-00	METAL GLAZE 6.8K	5% 1/10W
R5117	1-216-057-00	METAL GLAZE 2.2K	5% 1/10W	R5221	1-216-049-91	METAL GLAZE 1K	5% 1/10W
R5118	1-216-089-91	METAL GLAZE 47K	5% 1/10W	R5222	1-216-025-91	METAL GLAZE 100	5% 1/10W
R5119	1-216-077-00	METAL GLAZE 15K	5% 1/10W	R5223	1-216-069-00	METAL GLAZE 6.8K	5% 1/10W
R5120	1-216-077-00	METAL GLAZE 15K	5% 1/10W	R5224	1-216-025-91	METAL GLAZE 100	5% 1/10W
R5121	1-216-057-00	METAL GLAZE 2.2K	5% 1/10W	R5225	1-216-065-00	METAL GLAZE 4.7K	5% 1/10W
R5123	1-216-295-91	CONDUCTOR, CHIP		R5226	1-216-065-00	METAL GLAZE 4.7K	5% 1/10W
R5128	1-216-049-91	METAL GLAZE 1K	5% 1/10W	R5227	1-216-065-00	METAL GLAZE 4.7K	5% 1/10W
R5129	1-216-049-91	METAL GLAZE 1K	5% 1/10W	R5228	1-216-041-00	METAL GLAZE 470	5% 1/10W
R5130	1-216-025-91	METAL GLAZE 100	5% 1/10W	R5229	1-216-041-00	METAL GLAZE 470	5% 1/10W
R5131	1-216-063-91	METAL GLAZE 3.9K	5% 1/10W	R5230	1-216-041-00	METAL GLAZE 470	5% 1/10W
R5135	1-216-025-91	METAL GLAZE 100	5% 1/10W	R5231	1-216-043-91	METAL GLAZE 560	5% 1/10W
R5138	1-216-295-91	CONDUCTOR, CHIP		R5232	1-216-041-00	METAL GLAZE 470	5% 1/10W
R5140	1-216-041-00	METAL GLAZE 470	5% 1/10W	R5233	1-216-049-91	METAL GLAZE 1K	5% 1/10W
R5141	1-216-041-00	METAL GLAZE 470	5% 1/10W	R5237	1-216-025-91	METAL GLAZE 100	5% 1/10W
R5142	1-216-295-91	CONDUCTOR, CHIP		R5239	1-216-049-91	METAL GLAZE 1K	5% 1/10W
R5143	1-216-295-91	CONDUCTOR, CHIP		R5240	1-216-057-00	METAL GLAZE 2.2K	5% 1/10W
R5144	1-216-045-00	METAL GLAZE 680	5% 1/10W	R5254	1-216-295-91	CONDUCTOR, CHIP	
R5145	1-216-045-00	METAL GLAZE 680	5% 1/10W	R5255	1-216-295-91	CONDUCTOR, CHIP	
R5147	1-216-073-00	METAL GLAZE 10K	5% 1/10W	R5256	1-216-295-91	CONDUCTOR, CHIP	
R5151	1-216-073-00	METAL GLAZE 10K	5% 1/10W	R5258	1-216-295-91	CONDUCTOR, CHIP	
R5152	1-216-077-00	METAL GLAZE 15K	5% 1/10W	R5259	1-216-295-91	CONDUCTOR, CHIP	



REF. NO.	PART NO.	DESCRIPTION	REMARK	REF. NO.	PART NO.	DESCRIPTION	REMARK
R5260	1-216-295-91	CONDUCTOR, CHIP		R6258	1-216-049-91	METAL GLAZE 1K	5% 1/10W
R5261	1-216-295-91	CONDUCTOR, CHIP		R6259	1-216-057-00	METAL GLAZE 2.2K	5% 1/10W
R5262	1-216-295-91	CONDUCTOR, CHIP		R6260	1-216-081-00	METAL GLAZE 22K	5% 1/10W
R5263	1-216-295-91	CONDUCTOR, CHIP		R6261	1-216-025-91	METAL GLAZE 100	5% 1/10W
R5264	1-216-295-91	CONDUCTOR, CHIP		R6262	1-216-073-00	METAL GLAZE 10K	5% 1/10W
R5265	1-216-295-91	CONDUCTOR, CHIP		R6264	1-216-073-00	METAL GLAZE 10K	5% 1/10W
R5266	1-216-049-91	METAL GLAZE 1K	5% 1/10W	R6265	1-216-295-91	CONDUCTOR, CHIP	
R5267	1-216-073-00	METAL GLAZE 10K	5% 1/10W	R6266	1-216-049-91	METAL GLAZE 1K	5% 1/10W
R5268	1-216-073-00	METAL GLAZE 10K	5% 1/10W	R6269	1-216-049-91	METAL GLAZE 1K	5% 1/10W
R5274	1-216-033-00	METAL GLAZE 220	5% 1/10W	R6270	1-216-689-11	METAL GLAZE 39K	5% 1/10W
R5276	1-216-047-91	METAL GLAZE 820	5% 1/10W	R6271	1-216-057-00	METAL GLAZE 2.2K	5% 1/10W
R5277	1-216-037-00	METAL GLAZE 330	5% 1/10W	R6272	1-216-073-00	METAL GLAZE 10K	5% 1/10W
R5278	1-216-295-91	CONDUCTOR, CHIP		R6273	1-216-049-91	METAL GLAZE 1K	5% 1/10W
R5279	1-216-295-91	CONDUCTOR, CHIP		R6274	1-216-073-00	METAL GLAZE 10K	5% 1/10W
R5280	1-216-295-91	CONDUCTOR, CHIP		R6275	1-216-073-00	METAL GLAZE 10K	5% 1/10W
R5281	1-216-295-91	CONDUCTOR, CHIP		R6276	1-216-073-00	METAL GLAZE 10K	5% 1/10W
R6202	1-216-067-00	METAL GLAZE 5.6K	5% 1/10W	R6277	1-216-051-00	METAL GLAZE 1.2K	5% 1/10W
R6203	1-216-053-00	METAL GLAZE 1.5K	5% 1/10W	R6278	1-216-051-00	METAL GLAZE 1.2K	5% 1/10W
R6204	1-216-057-00	METAL GLAZE 2.2K	5% 1/10W	R6279	1-216-051-00	METAL GLAZE 1.2K	5% 1/10W
R6205	1-216-073-00	METAL GLAZE 10K	5% 1/10W	R6280	1-216-295-91	CONDUCTOR, CHIP	
R6206	1-216-089-91	METAL GLAZE 47K	5% 1/10W	R6281	1-216-049-91	METAL GLAZE 1K	5% 1/10W
R6207	1-216-089-91	METAL GLAZE 47K	5% 1/10W	R6282	1-216-295-91	CONDUCTOR, CHIP	
R6208	1-216-057-00	METAL GLAZE 2.2K	5% 1/10W	R6283	1-216-049-91	METAL GLAZE 1K	5% 1/10W
R6209	1-216-053-00	METAL GLAZE 1.5K	5% 1/10W	R6284	1-216-049-91	METAL GLAZE 1K	5% 1/10W
R6210	1-216-025-91	METAL GLAZE 100	5% 1/10W	R6285	1-216-295-91	CONDUCTOR, CHIP	
R6211	1-216-067-00	METAL GLAZE 5.6K	5% 1/10W	R6286	1-216-069-00	METAL GLAZE 6.8K	5% 1/10W
R6212	1-216-053-00	METAL GLAZE 1.5K	5% 1/10W	R6287	1-216-081-00	METAL GLAZE 22K	5% 1/10W
R6213	1-216-073-00	METAL GLAZE 10K	5% 1/10W	R6288	1-216-081-00	METAL GLAZE 22K	5% 1/10W
R6214	1-216-057-00	METAL GLAZE 2.2K	5% 1/10W	R6289	1-216-073-00	METAL GLAZE 10K	5% 1/10W
R6215	1-216-073-00	METAL GLAZE 10K	5% 1/10W	R6291	1-216-041-00	METAL GLAZE 470	5% 1/10W
R6216	1-216-049-91	METAL GLAZE 1K	5% 1/10W	R6292	1-216-041-00	METAL GLAZE 470	5% 1/10W
R6217	1-216-085-00	METAL GLAZE 33K	5% 1/10W	R6293	1-216-049-91	METAL GLAZE 1K	5% 1/10W
R6218	1-216-067-00	METAL GLAZE 5.6K	5% 1/10W	R6294	1-216-049-91	METAL GLAZE 1K	5% 1/10W
R6219	1-216-053-00	METAL GLAZE 1.5K	5% 1/10W	R6295	1-216-057-00	METAL GLAZE 2.2K	5% 1/10W
R6220	1-216-073-00	METAL GLAZE 10K	5% 1/10W	R6296	1-216-057-00	METAL GLAZE 2.2K	5% 1/10W
R6221	1-216-049-91	METAL GLAZE 1K	5% 1/10W	R6297	1-216-025-91	METAL GLAZE 100	5% 1/10W
R6222	1-216-057-00	METAL GLAZE 2.2K	5% 1/10W	R6298	1-216-025-91	METAL GLAZE 100	5% 1/10W
R6223	1-216-041-00	METAL GLAZE 470	5% 1/10W	R6299	1-216-025-91	METAL GLAZE 100	5% 1/10W
R6224	1-216-041-00	METAL GLAZE 470	5% 1/10W	R6300	1-216-033-00	METAL GLAZE 220	5% 1/10W
R6225	1-216-047-91	METAL GLAZE 820	5% 1/10W	R6301	1-216-049-91	METAL GLAZE 1K	5% 1/10W
R6226	1-216-049-91	METAL GLAZE 1K	5% 1/10W	R6302	1-216-057-00	METAL GLAZE 2.2K	5% 1/10W
R6227	1-216-081-00	METAL GLAZE 22K	5% 1/10W	R6303	1-216-057-00	METAL GLAZE 2.2K	5% 1/10W
R6228	1-216-057-00	METAL GLAZE 2.2K	5% 1/10W	R6307	1-216-025-91	METAL GLAZE 100	5% 1/10W
R6229	1-216-073-00	METAL GLAZE 10K	5% 1/10W	R6308	1-216-025-91	METAL GLAZE 100	5% 1/10W
R6230	1-216-045-00	METAL GLAZE 680	5% 1/10W	R6309	1-216-025-91	METAL GLAZE 100	5% 1/10W
R6231	1-216-025-91	METAL GLAZE 100	5% 1/10W	R6311	1-216-295-91	CONDUCTOR, CHIP	
R6232	1-216-061-00	METAL GLAZE 3.3K	5% 1/10W	R6312	1-216-033-00	METAL GLAZE 220	5% 1/10W
R6233	1-216-083-00	METAL GLAZE 27K	5% 1/10W	R6314	1-216-049-91	METAL GLAZE 1K	5% 1/10W
R6234	1-216-025-91	METAL GLAZE 100	5% 1/10W	R6317	1-216-057-00	METAL GLAZE 2.2K	5% 1/10W
R6235	1-216-025-91	METAL GLAZE 100	5% 1/10W	R6318	1-216-057-00	METAL GLAZE 2.2K	5% 1/10W
R6236	1-216-041-00	METAL GLAZE 470	5% 1/10W	R6321	1-216-025-91	METAL GLAZE 100	5% 1/10W
R6237	1-216-025-91	METAL GLAZE 100	5% 1/10W	R6322	1-216-025-91	METAL GLAZE 100	5% 1/10W
R6238	1-216-073-00	METAL GLAZE 10K	5% 1/10W	R6323	1-216-025-91	METAL GLAZE 100	5% 1/10W
R6239	1-216-025-91	METAL GLAZE 100	5% 1/10W	R6324	1-216-295-91	CONDUCTOR, CHIP	
R6240	1-216-065-00	METAL GLAZE 4.7K	5% 1/10W	R6325	1-216-033-00	METAL GLAZE 220	5% 1/10W
R6241	1-216-057-00	METAL GLAZE 2.2K	5% 1/10W	R6326	1-216-049-91	METAL GLAZE 1K	5% 1/10W
R6242	1-216-069-00	METAL GLAZE 6.8K	5% 1/10W	R6327	1-216-057-00	METAL GLAZE 2.2K	5% 1/10W
R6244	1-216-097-91	METAL GLAZE 100K	5% 1/10W	R6328	1-216-057-00	METAL GLAZE 2.2K	5% 1/10W
R6245	1-216-025-91	METAL GLAZE 100	5% 1/10W	R6329	1-216-295-91	CONDUCTOR, CHIP	
R6246	1-216-057-00	METAL GLAZE 2.2K	5% 1/10W	R6330	1-216-057-00	METAL GLAZE 2.2K	5% 1/10W
R6247	1-216-025-91	METAL GLAZE 100	5% 1/10W	R6333	1-216-077-00	METAL GLAZE 15K	5% 1/10W
R6248	1-216-041-00	METAL GLAZE 470	5% 1/10W	R6334	1-216-077-00	METAL GLAZE 15K	5% 1/10W
R6249	1-216-081-00	METAL GLAZE 22K	5% 1/10W	R6335	1-216-081-00	METAL GLAZE 22K	5% 1/10W
R6250	1-216-081-00	METAL GLAZE 22K	5% 1/10W	R6336	1-216-081-00	METAL GLAZE 22K	5% 1/10W
R6252	1-216-057-00	METAL GLAZE 2.2K	5% 1/10W	R6337	1-216-049-91	METAL GLAZE 1K	5% 1/10W
R6253	1-216-061-00	METAL GLAZE 3.3K	5% 1/10W	R6338	1-216-089-91	METAL GLAZE 47K	5% 1/10W
R6255	1-216-045-00	METAL GLAZE 680	5% 1/10W	R6339	1-216-025-91	METAL GLAZE 100	5% 1/10W
R6256	1-216-057-00	METAL GLAZE 2.2K	5% 1/10W	R6340	1-216-025-91	METAL GLAZE 100	5% 1/10W
R6257	1-216-025-91	METAL GLAZE 100	5% 1/10W				



Les composants identifiés par une trame et une marque Δ sont critiques pour la sécurité. Ne les remplacer que par une pièce portant le numéro spécifié.

The components identified by shading and mark Δ are critical for safety. Replace only with part number specified.

REF. NO.	PART NO.	DESCRIPTION	REMARK	REF. NO.	PART NO.	DESCRIPTION	REMARK
R6341	1-216-025-91	METAL GLAZE 100	5%	1/10W			
R6342	1-216-057-00	METAL GLAZE 2.2K	5%	1/10W			
R6343	1-216-057-00	METAL GLAZE 2.2K	5%	1/10W			
R6344	1-216-057-00	METAL GLAZE 2.2K	5%	1/10W			
R6345	1-216-025-91	METAL GLAZE 100	5%	1/10W			
R6348	1-216-295-91	CONDUCTOR, CHIP					
R6353	1-216-057-00	METAL GLAZE 2.2K	5%	1/10W			
R6354	1-216-057-00	METAL GLAZE 2.2K	5%	1/10W			
R6355	1-216-295-91	CONDUCTOR, CHIP					
R6356	1-216-057-00	METAL GLAZE 2.2K	5%	1/10W			
R6357	1-216-033-00	METAL GLAZE 220	5%	1/10W			
R6359	1-216-097-91	METAL GLAZE 100K	5%	1/10W			
R6362	1-216-069-00	METAL GLAZE 6.8K	5%	1/10W			
R6375	1-216-049-91	METAL GLAZE 1K	5%	1/10W			
R6376	1-216-025-91	METAL GLAZE 100	5%	1/10W			
R6377	1-216-025-91	METAL GLAZE 100	5%	1/10W			
R6378	1-216-049-91	METAL GLAZE 1K	5%	1/10W			
R6383	1-216-049-91	METAL GLAZE 1K	5%	1/10W			
R6384	1-216-051-00	METAL GLAZE 1.2K	5%	1/10W			
R6385	1-216-051-00	METAL GLAZE 1.2K	5%	1/10W			
R6386	1-216-051-00	METAL GLAZE 1.2K	5%	1/10W			
R6387	1-216-081-00	METAL GLAZE 22K	5%	1/10W			
R6391	1-216-041-00	METAL GLAZE 470	5%	1/10W			
R6393	1-216-025-91	METAL GLAZE 100	5%	1/10W			
R6394	1-216-025-91	METAL GLAZE 100	5%	1/10W			
R6395	1-216-025-91	METAL GLAZE 100	5%	1/10W			
R6396	1-216-025-91	METAL GLAZE 100	5%	1/10W			
R6397	1-216-025-91	METAL GLAZE 100	5%	1/10W			
R6398	1-216-073-00	METAL GLAZE 10K	5%	1/10W			
R6399	1-216-089-91	METAL GLAZE 47K	5%	1/10W			
R6400	1-216-057-00	METAL GLAZE 2.2K	5%	1/10W			
R6401	1-216-061-00	METAL GLAZE 3.3K	5%	1/10W			
R6402	1-216-061-00	METAL GLAZE 3.3K	5%	1/10W			
R6403	1-216-049-91	METAL GLAZE 1K	5%	1/10W			
R6404	1-216-065-00	METAL GLAZE 4.7K	5%	1/10W			
R6405	1-216-073-00	METAL GLAZE 10K	5%	1/10W			
R6406	1-216-049-91	METAL GLAZE 1K	5%	1/10W			
R6407	1-216-065-00	METAL GLAZE 4.7K	5%	1/10W			
R6408	1-216-049-91	METAL GLAZE 1K	5%	1/10W			
R6409	1-216-073-00	METAL GLAZE 10K	5%	1/10W			
R6410	1-216-025-91	METAL GLAZE 100	5%	1/10W			
R6411	1-216-025-91	METAL GLAZE 100	5%	1/10W			
R6416	1-216-073-00	METAL GLAZE 10K	5%	1/10W			
R6418	1-216-069-00	METAL GLAZE 6.8K	5%	1/10W			
R6419	1-216-025-91	METAL GLAZE 100	5%	1/10W			
<CRYSTAL>							
X5001	1-567-505-11	OSCILLATOR, CRYSTAL					
X5002	1-567-505-11	OSCILLATOR, CRYSTAL					

MISCELLANEOUS

Δ 1-451-441-11	DEFLECTION YOKE DY YS-35159 (R.G)
Δ 1-451-441-21	DEFLECTION YOKE DY YS-35160 (B)
Δ 1-223-925-11	RESISTOR ASSY (HIGH VOLTAGE)
1-251-321-11	SELECTOR, ANTENNA
Δ 1-452-790-11	NECK ASSY

REF. NO.	PART NO.	DESCRIPTION	REMARK
	Δ 1-452-790-21	NECK ASSY	
	1-504-141-11	SPEAKER (13CM)	(KP-53XBR45)
	1-504-313-11	SPEAKER (16CM)	(KP-61XBR48)
	1-504-756-11	SPEAKER (5CM)	(KP-61XBR48)
	1-504-877-11	SPEAKER (8CM)	
	1-504-964-11	SPEAKER (10CM)	
	1-537-775-11	TERMINAL BOARD	
	1-544-580-21	SPEAKER (2.5CM)	(KP-53XBR45)
*	1-751-135-11	CABLE, PIN	
*	1-751-136-11	CABLE, PIN	
	1-765-663-11	CORD	
Δ	1-769-837-11	CORD, POWER (WITH NOISE FILTER)	
Δ	1-900-211-34	LEAD ASSY, HV	
Δ	8-598-955-00	BLOCK ASSY, HIGH-VOLTAGE	
V901	Δ 8-736-642-05	PICTURE TUBE 07MAC2(G) (LONG NECK)	
V902	Δ 8-736-643-05	PICTURE TUBE 07MAC3(B) (LONG NECK)	
V903	Δ 8-736-644-05	PICTURE TUBE 07MAC3(R) (LONG NECK)	

ACCESSORIES AND PACKING MATERIALS

- X-4946-077-1 PANEL ASSY, FRONT
- X-4946-078-1 CABINET ASSY, SPEAKER
- 1-504-877-11 SPEAKER (8CM)
- 1-537-775-11 TERMINAL BOARD
- 1-765-267-11 CORD, SPEAKER
- 1-765-663-11 CORD
- 3-701-627-00 BAG, POLYETHYLENE
- 3-800-707-11 MANUAL, INSTRUCTION
- * 4-030-895-01 JOINT
- * 4-037-328-01 PLATE, TOP (KP-53XBR45)
- * 4-040-111-01 PLATE, TOP (KP-61XBR48)
- * 4-040-903-01 PLATE, BOTTOM (KP-61XBR48)
- * 4-040-906-01 TRAY (KP-61XBR48)
- * 4-041-426-01 BAG, PROTECTION (KP-53XBR45)
- * 4-041-428-01 BAG, POLYETHYLENE (KP-61XBR48)
- * 4-042-463-01 SHEET, PROTECTION
- * 4-043-800-01 FORM BLOCK (KP-61XBR48)
- * 4-048-894-01 CUSHION (UPPER) (ASSY) (KP-53XBR45)
- * 4-048-895-01 CUSHION (LOWER) (ASSY) (KP-53XBR45)
- * 4-048-900-01 INDIVIDUAL CARTON (KP-53XBR45)
- * 4-048-901-01 TRAY (KP-53XBR45)
- * 4-048-902-01 PLATE, BOTTOM (KP-53XBR45)

REMOTE COMMANDER

- 1-473-306-11 REMOTE COMMANDER (RM-Y128)
- 9-933-736-01 POCKET, COVER (FOR RM-Y128)