

SONY® SERVICE MANUAL

RA-1 CHASSIS

<u>MODEL</u>	<u>COMMANDER</u>	<u>DEST.</u>	<u>CHASSIS NO.</u>	<u>MODEL</u>	<u>COMMANDER</u>	<u>DEST.</u>	<u>CHASSIS NO.</u>
KP-53XBR45	RM-Y128	US	SCC-H53G-A	KP-61XBR48	RM-Y128	US	SCC-H53H-A
KP-53XBR45	RM-Y128	Canadian	SCC-H58F-A	KP-61XBR48	RM-Y128	Canadian	SCC-H58G-A

SUPPLEMENT-2

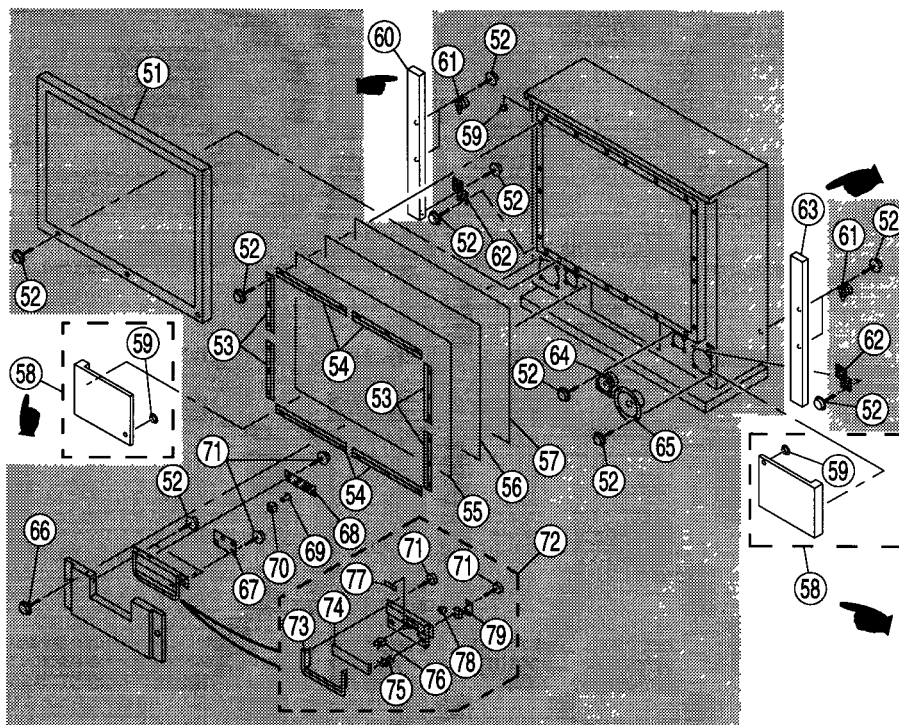
SUBJECT: ADD OF PART No

File this supplement with the Supplement and Service manual.

 : Indicates changed portion

SECTION 5. EXPLODED VIEWS

5-2. COVER (KP-61XBR48) (See page107)



996507382

<u>REF NO.</u>	<u>PART NO.</u>	<u>DESCRIPTION</u>
58	X-4033-877-1	GRILLE(B)ASSY,SPEAKER
60	X-4033-876-1	GRILLE(T/L)ASSY,SPEAKER
63	X-4033-876-1	GRILLE(T/R)ASSY,SPEAKER



9-965-073-82

Sony Corporation
Display Company

Quality Assurance Department
Service Promotion Section

※ Please file according to model size. ■



English
97EE02371-1
Printed in JAPAN
© 1997.5