

HISTORY INFORMATION FOR THE FOLLOWING MANUAL:

SERVICE MANUAL

LA-3 CHASSIS

<u>MODEL NAME</u>	<u>REMOTE COMMANDER</u>	<u>DESTINATION</u>
KDF-E55A20	RM-YD002	US/CND/MEXICO
KDF-E60A20	RM-YD002	US/CND/MEXICO

ORIGINAL MANUAL ISSUE DATE: 6/2005

 :UPDATED ITEM

<u>REVISION DATE</u>	<u>SUBJECT</u>
6/2005	No revisions or updates are applicable at this time.
6/2005	Corrected Exploded View section to show only one PN for Power Supply Block and replaced PN for Lamp with PN for Lamp Block Assembly (Replace Pg. 71 with Pg. 71)
	Removed PN for Lamp (Replace Pg. 110 with Pg. 110)
12/2005	Reissue entire manual to include information for SN ranges 9,100,001 to 9,799,999 and 9,900,001 and up

LCD PROJECTION TELEVISION

SONY®

SERVICE MANUAL

LA-3 CHASSIS

<u>MODEL NAME</u>	<u>REMOTE COMMANDER</u>	<u>DESTINATION</u>
KDF-E55A20	RM-YD002	US/CND/MEXICO
KDF-E60A20	RM-YD002	US/CND/MEXICO



KDF-E55A20



RM-YD002

LCD PROJECTION TELEVISION

SONY®

TABLE OF CONTENTS

SECTION TITLE	PAGE	SECTION TITLE	PAGE
Specifications	4	3-3. Schematics and Supporting Information	52
Warnings and Cautions	6	A1 Board Schematic Diagram (1 of 2) (SN 9,000,001 to 9,099,999 and 9,800,001 to 9,899,999 Only)	52
Safety Check-Out	7	A1 Board Schematic Diagram (2 of 2) (SN 9,000,001 to 9,099,999 and 9,800,001 to 9,899,999 Only)	53
Self-Diagnostic Function.....	8	A2 Board Schematic Diagram (1 of 2) (SN 9,100,001 to 9,799,999 and 9,900,001 and Up Only)	55
SECTION 1: DISASSEMBLY.....	14	A2 Board Schematic Diagram (2 of 2) (SN 9,100,001 to 9,799,999 and 9,900,001 and Up Only)	56
1-1. Rear Cover Removal.....	14	B1 Board Schematic Diagram (1 of 5)	58
1-2. OU Bracket Removal	14	B1 Board Schematic Diagram (2 of 5)	59
1-3. Chassis Assembly and Fan Removal	15	B1 Board Schematic Diagram (3 of 5)	60
1-4. Service Position	15	B1 Board Schematic Diagram (4 of 5)	61
1-5. RF Antenna Switch Removal	16	B1 Board Schematic Diagram (5 of 5)	62
1-6. U1 Board and H4 Board Removal.....	16	GI Board Schematic Diagram (1 of 2) (SN 9,000,001 to 9,099,999 and 9,800,001 to 9,899,999 Only)	65
1-7. GM Board Removal.....	17	GI Board Schematic Diagram (2 of 2) (SN 9,000,001 to 9,099,999 and 9,800,001 to 9,899,999 Only)	66
1-8. A1 Board (or A2 Board) and KD Board Removal	17	GK Board Schematic Diagram (1 of 3) (SN 9,100,001 to 9,799,999 and 9,900,001 and Up Only)	69
1-9. DMB Assembly (Q Box) and B1 Board Removal	18	GK Board Schematic Diagram (2 of 3) (SN 9,100,001 to 9,799,999 and 9,900,001 and Up Only)	70
1-10. GI Board (or GK Board) Removal	18	GK Board Schematic Diagram (3 of 3) (SN 9,100,001 to 9,799,999 and 9,900,001 and Up Only)	71
1-11. Fan and T Board Removal	19	GM Board Schematic Diagram	74
1-12. H1 Board Removal.....	19	H1 Board Schematic Diagram.....	77
1-13. Front Cover Assembly Removal.....	20	H2 Board Schematic Diagram.....	79
1-13-1. Replacing the Lamp.....	20	H3 Board Schematic Diagram.....	81
1-14. Power Supply Block Removal (Lamp Drive Unit).....	20	H4 Board Schematic Diagram (SN 9,000,001 to 9,099,999 and 9,800,001 to 9,899,999 Only)	82
1-15. Optics Unit Block Assembly Fan Removal	21	H5 Board Schematic Diagram.....	83
1-16. H2 Board, H3 Board, and H5 Board Removal	21	KD Board Schematic Diagram (SN 9,000,001 to 9,099,999 and 9,800,001 to 9,899,999 Only)	84
1-17. Screen Mirror Block Assembly Removal	22	T Board Schematic Diagram	86
1-18. Speaker Removal.....	22	U1 Board Schematic Diagram.....	87
Wire Dressing	23	3-4. Semiconductors	89
SECTION 2: CIRCUIT ADJUSTMENTS.....	43	SECTION 4: EXPLODED VIEWS	90
2-1. Remote Adjustment Buttons and Indicators	43	4-1. Cover.....	90
2-2. Accessing the Service Adjustment Mode	43	4-2. Bottom Cabinet	91
2-3. Changing Service Adjustment Mode Memory	43	4-3. Chassis	92
2-4. Memory Write Confirmation Method	44	SECTION 5: ELECTRICAL PARTS LIST.....	93
2-5. H/V Center Confirmation and Adjustments	45		
2-6. Adjusting On Screen Display (OSD) Position	46		
SECTION 3: DIAGRAMS.....	47		
3-1. Circuit Boards Location	47		
3-2. Printed Wiring Boards and Schematic Diagrams Information	47		
3-3. Block Diagrams	49		
Signal Flow Block Diagram (SN 9,000,001 to 9,099,999 and 9,800,000 and 9,899,999 Only)	49		
Signal Flow Block Diagram (SN 9,100,001 to 9,799,999 and 9,900,001 Up).....	50		
Audio Block Diagram.....	51		

SPECIFICATIONS

Power Requirements	120V AC, 60Hz	
Power Consumption (W)		
In Use (Max)	265W	
In Standby	Less than 15W	
Inputs/Outputs		
HDMI IN	Video - 1080i, 720p, 480p, 480i Audio - Two channel linear PCM 32, 44.1 and 48 kHz, 16, 20, and 24 bit	Audio (VAR/FIX) Out
Video (IN)	3 total (1 on front panel) 1Vp-p, 75ohms unbalanced, sync negative	1 total 500 mVrms at the maximum volume setting (Variable) 500 mVrms (Fixed) Impedance (Output):2 kilo ohm Note: Audio Out jacks are operable only when the TV's speaker is set to Off.
S Video (IN)	3 total (1 on front panel) Y: 1Vp-p, 75ohms unbalanced, sync negative C: 0.286Vp-p (Burst signal), 75ohms	Component Video Input
Audio (IN)	6 total (1 on front panel) 500 mVrms (100% modulation) Impedance:47 kilo ohms	2 (Y, P _B , P _R) Y: 1.0 Vp-p, 75 ohms unbalanced, sync negative P _B : 0.7 Vp-p, 75 ohms; P _R : 0.7 Vp-p, 75 ohms
		RF Inputs
		2 total
		Digital Audio Optical Output (PCM/Dolby Digital)
		1 total Optical Rectangular (1)
		CableCARD Slot
		1 total PCMCIA Type I/II

	KDF-E55A20	KDF-E60A20
Speaker Output (W)	12W (L), 12W (R)	
Dimensions (W x H x D)	mm	1,456 x 943 x 491 mm
	in	57 ^{3/8} x 37 ^{1/4} x 19 ^{3/8} in
Mass	kg	42 kg
	lbs	92 lbs 5 oz
		1,574 x 1,005 x 518 mm
		62 x 39 ^{5/8} x 20 ^{1/2} in
		46.1 kg
		101 lbs 5 oz

Trademark Information



As an ENERGY STAR® Partner, Sony Corporation has determined that this product meets the ENERGY STAR® guidelines for energy efficiency.
ENERGY STAR® is a U.S. registered mark.

TruSurround XT, SRS and the (●)® symbol are trademarks of SRS Labs, Inc. TruSurround XT technology is incorporated under license from SRS Labs, Inc.

WEGA, Grand WEGA, WEGA GATE, Steady Sound, Digital Reality Creation and CineMotion are registered trademarks of Sony Corporation.

BBE and BBE Symbol are trademarks of BBE Sound, Inc. and are licensed by BBE Sound, Inc. under U.S. Patent No. 4,638,258 and 4,482,866.

HDMI This TV incorporates High-Definition Multimedia Interface (HDMI™) technology. HDMI, the HDMI logo and High-Definition Multimedia Interface are trademarks or registered trademarks of HDMI Licensing LLC.

WEGA, Grand WEGA, WEGA GATE, Steady Sound, Digital Reality Creation, CineMotion, PlayStation, and BN Smoother are trademarks of Sony Corporation.

Macintosh is a trademark licensed to Apple Computer, Inc., registered in the U.S.A and other countries.

Design and specifications are subject to change without notice.

Television system

American TV standard, NTSC
ATSC compliant 8VSB, ATSC (8VSB terrestrial)
ANSI/SCTE 07 2000 QAM on cable

Channel coverage

Terrestrial 2-69/ Cable TV: 1-125 (analog)
Terrestrial: 2-69/ Cable TV: 1-135 (digital)

Screen Size (measured diagonally)

55 inches (KDF-E55A20 Only)
60 inches (KDF-E60A20 Only)

Antenna

75-ohm external antenna terminal for VHF/UHF

Projection System

3 LCD Panels, 1 lens projection system

LCD Panel

0.87 inch TFT LCD panel Approx. 3.28 million dots
(1,042,168 pixels)

Projection Lens

High Performance, large diameter hybrid lens F2.4

Lamp

132W, XL-2200

Supplied Accessories

Remote Commander RM-YD002
Two Size AA (R6) Batteries

Optional Accessories

HDMI Cable
Component Video Cable
S VIDEO Cable
A/V Cable
Audio Cable
Optical Cable
TV Stand: SU-GW12
Lamp: 132W, XL-2200

WARNINGS AND CAUTIONS


CAUTION

These servicing instructions are for use by qualified service personnel only. To reduce the risk of electric shock, do not perform any servicing other than that contained in the operating instructions unless you are qualified to do so.

WARNING!!

An isolation transformer should be used during any service to avoid possible shock hazard, because of live chassis. The chassis of this receiver is directly connected to the AC power line.

SAFETY-RELATED COMPONENT WARNING!!


Components identified by shading and  mark on the schematic diagrams, exploded views, and in the parts list are critical for safe operation. Replace these components with Sony parts whose part numbers appear as shown in this manual or in supplements published by Sony. Circuit adjustments that are critical for safe operation are identified in this manual. Follow these procedures whenever critical components are replaced or improper operation is suspected.

ATTENTION!!

Ces instructions de service sont à l'usage du personnel de service qualifié seulement. Pour prévenir le risque de choc électrique, ne pas faire l'entretien autre que celui contenu dans le Mode d'emploi à moins que vous soyez qualifié faire ainsi.

Afin d'éviter tout risque d'électrocution provenant d'un châssis sous tension, un transformateur d'isolement doit être utilisé lors de tout dépannage. Le châssis de ce récepteur est directement raccordé à l'alimentation du secteur.

ATTENTION AUX COMPOSANTS RELATIFS A LA SECURITE!!

Les composants identifiés par une trame et par une marque  sur les schémas de principe, les vues explosées et les listes de pièces sont d'une importance critique pour la sécurité du fonctionnement. Ne les remplacer que par des composants Sony dont le numéro de pièce est indiqué dans le présent manuel ou dans des suppléments publiés par Sony. Les réglages de circuit dont l'importance est critique pour la sécurité du fonctionnement sont identifiés dans le présent manuel. Suivre ces procédures lors de chaque remplacement de composants critiques, ou lorsqu'un mauvais fonctionnement suspecte.

SAFETY CHECK-OUT

After correcting the original service problem, perform the following safety checks before releasing the set to the customer:

1. Check the area of your repair for unsoldered or poorly soldered connections. Check the entire board surface for solder splashes and bridges.
2. Check the interboard wiring to ensure that no wires are "pinched" or touching high-wattage resistors.
3. Check that all control knobs, shields, covers, ground straps, and mounting hardware have been replaced. Be absolutely certain that you have replaced all the insulators.
4. Look for unauthorized replacement parts, particularly transistors, that were installed during a previous repair. Point them out to the customer and recommend their replacement.
5. Look for parts which, though functioning, show obvious signs of deterioration. Point them out to the customer and recommend their replacement.
6. Check the line cords for cracks and abrasion. Recommend the replacement of any such line cord to the customer.
7. Check the B+ and HV to see if they are specified values. Make sure your instruments are accurate; be suspicious of your HV meter if sets always have low HV.
8. Check the antenna terminals, metal trim, "metallized" knobs, screws, and all other exposed metal parts for AC leakage. Check leakage as described below.

Leakage Test

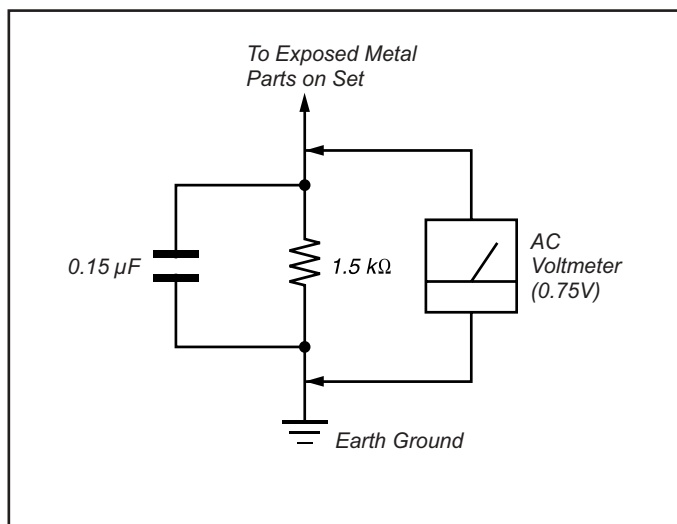


Figure A. Using an AC voltmeter to check AC leakage.

The AC leakage from any exposed metal part to earth ground and from all exposed metal parts to any exposed metal part having a return to chassis, must not exceed 0.5 mA (500 microamperes). Leakage current can be measured by any one of three methods.

1. A commercial leakage tester, such as the Simpson 229 or RCA WT-540A. Follow the manufacturers' instructions to use these instructions.
2. A battery-operated AC milliammeter. The Data Precision 245 digital multimeter is suitable for this job.
3. Measuring the voltage drop across a resistor by means of a VOM or battery-operated AC voltmeter. The "limit" indication is 0.75 V, so analog meters must have an accurate low voltage scale. The Simpson's 250 and Sanwa SH-63TRD are examples of passive VOMs that are suitable. Nearly all battery-operated digital multimeters that have a 2 VAC range are suitable (see Figure A).

How to Find a Good Earth Ground

A cold-water pipe is a guaranteed earth ground; the cover-plate retaining screw on most AC outlet boxes is also at earth ground. If the retaining screw is to be used as your earth ground, verify that it is at ground by measuring the resistance between it and a cold-water pipe with an ohmmeter. The reading should be zero ohms.

If a cold-water pipe is not accessible, connect a 60- to 100-watt trouble-light (not a neon lamp) between the hot side of the receptacle and the retaining screw. Try both slots, if necessary, to locate the hot side on the line; the lamp should light at normal brilliance if the screw is at ground potential (see Figure B).

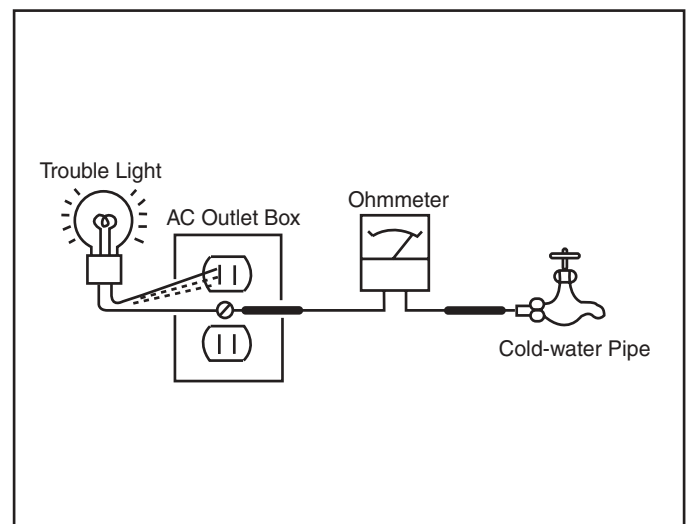


Figure B. Checking for earth ground.

SELF-DIAGNOSTIC FUNCTION



The units in this manual contain a self-diagnostic function. If an error occurs, the POWER/STANDBY or LAMP LED will automatically begin to flash. The number of times the LED flashes translates to a probable source of the problem. A definition of the POWER/STANDBY or LAMP LED flash indicators is listed in the instruction manual for the user's knowledge and reference. If an error symptom is difficult to reproduced use the Remote Commander to display the record that is stored at the internal NVM to specify the cause of the failure.

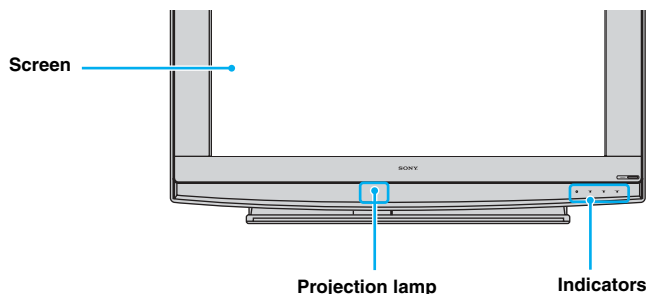
Diagnostic Test Indicators

When an error occurs, the POWER/STANDBY or LAMP LED will flash a set number of times to indicate the possible cause of the problem. If there is more than one error, the LED will identify the first of the problem areas. If the errors occur simultaneously, the one that corresponds to the fewest flashes is identified first.

Results for all of the following diagnostic items are displayed on screen. No error has occurred if the screen displays a "0".

Diagnostic Item Description	Number of times STANDBY or LAMP LED lamp	Probable Cause	Detected Symptoms
Lamp cover error	3 times	- Lamp cover is not fastened securely.	- No picture/No sound
Fan error	4 times	- Fan1-4 Power is not supplied. (GI board) - Fan connector is not seated securely. - Fan caught wires or harnesses.	- No picture/No sound
Temp error	4 times	- Internal temperature is too high. - IIC-E line connector(H4 board) is not seated properly.	- No picture/No sound
Lamp driver error	5 times	- Lamp driver defect	- No picture/No sound
Low B error	6 times	- No "DD 6V " output (GM board)	- No picture/No sound
Audio error	7 times	- Short-circuit of Audio power supply line (KD board, GM board) - Blowout of a fuse (PS4702,PS4703 on KD board) - IC failure (IC4703,IC4708,IC4710 on KD board)	- No picture/No sound
D-OVP error	8 times	- Overvoltage of +3.3V or +2.5V (A board, B board)	- No picture/No sound
ATSC-OVP error	10 times	- No "Q5V " output (GM board, GI board)	- No picture/No sound
Lamp error	LAMP-LED is ON.	- Lamp is dead	- No picture/No sound

Display of POWER/STANDBY or LAMP LED Flash Count



- One flash is not used for self-diagnosis

- Example

Diagnosis	Number of times LED Flash
Lamp cover	3 times
Fan	4 times

The timing diagram shows two rows of square waves. The first row represents 3 flashes, and the second row represents 4 flashes. Below the diagram, the following timing specifications are given:
 LED ON : 0.3sec
 LED OFF : 0.3sec
 LED OFF : 3.0sec

Releasing the POWER/STANDBY LED Flash

Unplug the power cord from the outlet to temporarily stop the POWER/STANDBY lamp from flashing.

Self-Diagnosis Screen Display

For failures that are difficult to reproduce, or accompany occasional power off and/or picture mute, the Self-Diagnosis screen display is useful to specify the cause..

To Bring Up Screen Test

In standby mode, press the buttons on the Remote Commander sequentially, in rapid succession, as shown below:

1. [DISPLAY] → Channel [5] → Sound Volume [4] → [POWER]

Self-Diagnostic Screen Display

SELF CHECK	
1 : LAMP ERR	0
3 : LAMP COVER	0
4 : FAN-E/TEMP-E	1
5 : LAMP DRIVER	0
6 : LowB-ERR	0
7 : Audio-Prot	1
8 : D-OVP	0
10 : ATSC_OVP	0
101 : WDT	0

"1" is displayed when a failure is detected one or more times
 "0" is displayed when no failure has been detected

Since the diagnostic results displayed on the screen are not automatically cleared, always check the self-diagnostic screen during repairs. When you have completed the repairs, clear the result display to "0".

Note: The self-diagnostic function will not be able to detect any subsequent faults after completion of the repairs unless the result display is cleared to "0".

Clearing the Result Display

To clear the result display to "0", press the buttons on the Remote Commander sequentially when the diagnostic screen is displayed, as shown below:

1. If the screen is already displayed, proceed to step 3. If not, Power off (Set to Standby mode).
2. Press **DISPLAY** → **Channel 5** → **Sound Volume** → **POWER**
3. Press **Channel 8** → **ENT**

Clearing the Self-Diagnostic Screen

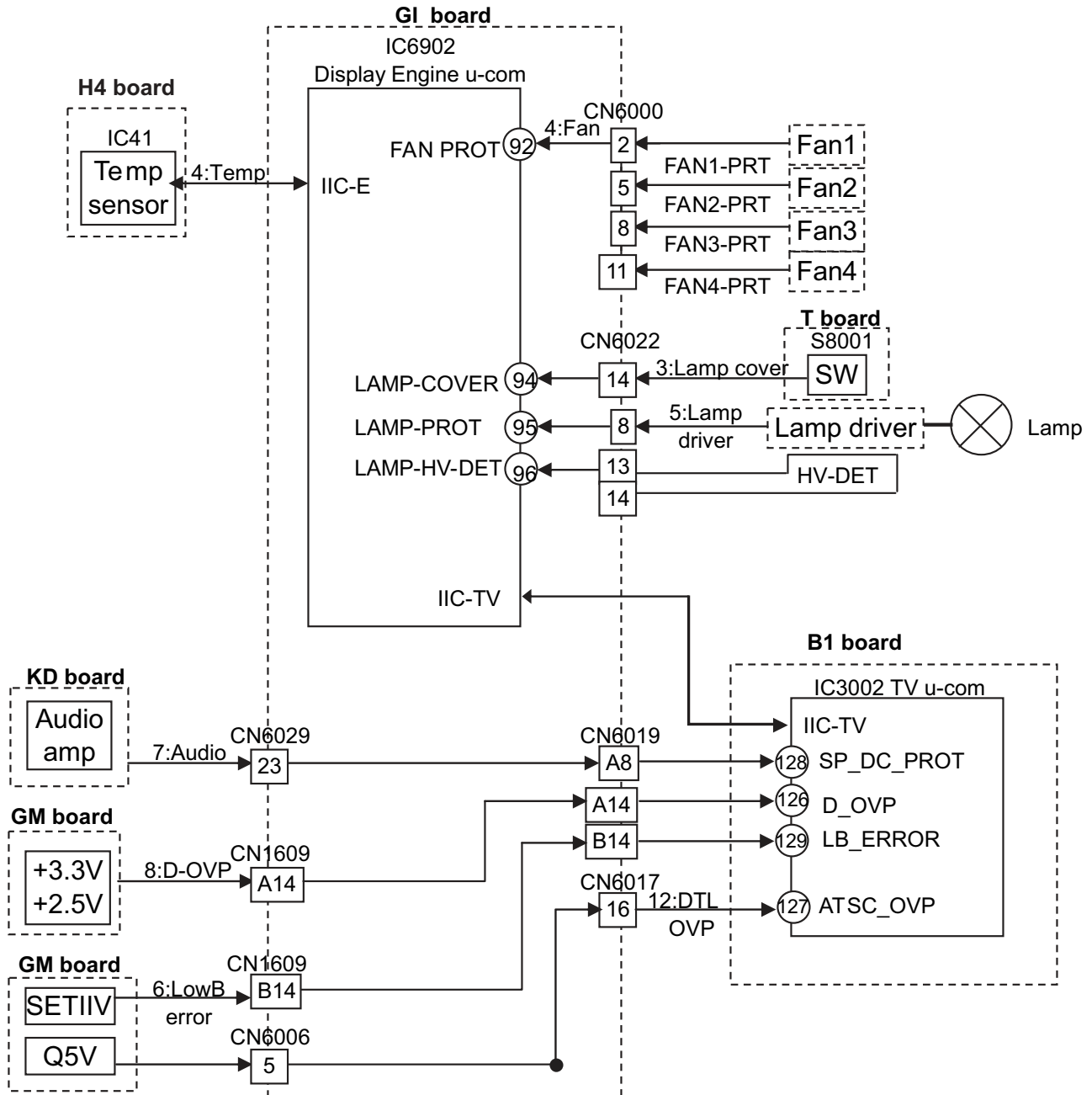
The self diagnosis screen display is cleared by turning off the set using the Remote Commander or the power switch.

Self-Diagnostic Circuit

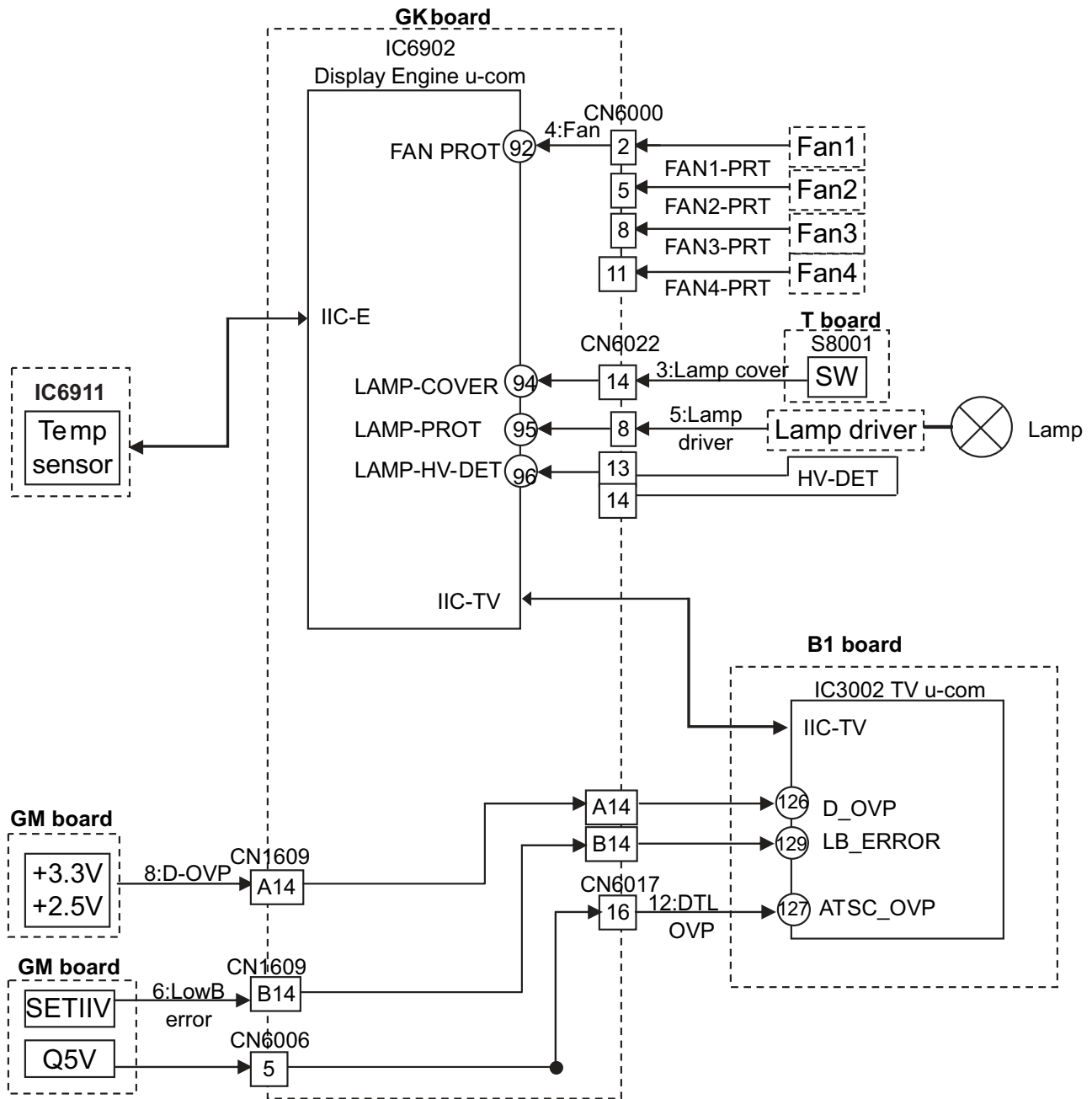
Self-Diagnosis Function Operation

3	Lamp cover	The rib at the back of the lamp cover closes the SW on the T board to ground pin 3 of CN8001. It is monitored by the DE-micro (pin 94 of IC6902) and turns off the lamp when it is opened.
4	Fan	Fan rotation is detected by "FAN-PROT" and the DE-micro (pin 92 of IC6902) turns off the lamp when it is "high".
4	Temp	When the temperature sensor on the H4 board detects high temperature, or IIC-E line connector (CN6022:G1 board, CN44:H3board/H4board) is not seated securely, the DE-micro turns off the lamp.
5	Lamp driver	When the "LAMP-PROT" (pin 95 IC6902) is low, the lamp is not turned on. If the "LAMP-HV-DET" (pin 96 IC6902) is low at the same time, it is classified as no high voltage of the lamp driver.
6	Low B error	When no "SETIIV " is detected, pin 129 of IC3002 is low and it turns off the main power.
7	Audio	When DC voltage is detected at the speaker or woofer outputs, pin 128 of IC3002 is low and it turns off the main power.
8	D-OVP	When overvoltage of "+3.3V" or "+2.5V" is detected, pin 126 of IC3002 is low and it turns off the main power.
10	DTL-OVP	When no "Q 5V" is detected, pin 127 of IC3002 is low and it turns off the main power.
LAMP	Lamp	When the "LAMP-PROT" (pin 95 IC6902) is low, the lamp is not turned on. If the "LAMP-HV-DET" (pin96 IC6902) is high at the same time, it is classified as no lamp or a dead lamp.

Self-Diagnosis Block Diagram
 (SN 9,000,001 to 9,099,999 and 9,800,001 to 9,899,999 Only)



Self-Diagnosis Block Diagram
(SN 9,100,001 to 9,799,999 and 9,900,001 and Up Only)



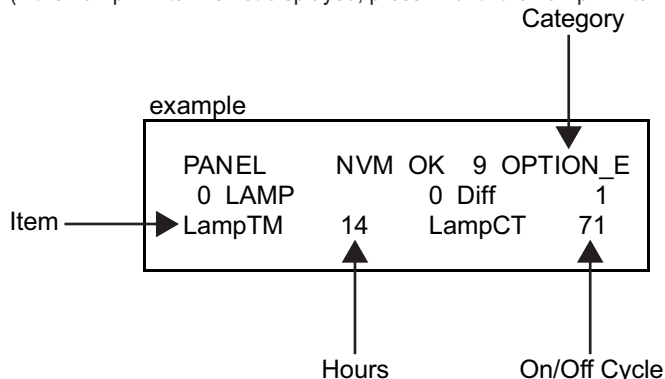
Reading Lamp and Panel time

Use the following to determine the lamp and panel time of a set.

Screen Display Method

To access service mode, press the buttons on the Remote Commander sequentially, in rapid succession, as shown below:

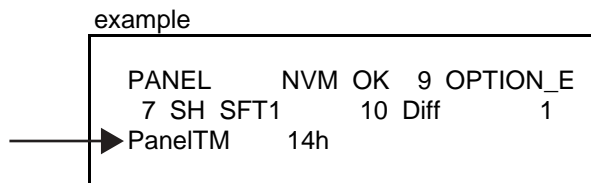
1. Press **DISPLAY** → Channel **5** → Volume **+** → **POWER**
2. Press **JUMP** until the PANEL service menu displays.
3. To display the Lamp time, press **2** until the OPTION_E category displays.
4. The LampTM is the first item in the OPTION_E category.
(If the LampTM item is not displayed, press **1** until the LampTM item displays.)



The screen displays:
 "Total lamp time is 14 hours" and "Total lamp ON/OFF cycle is 71 times"

NOTE: If replacing the lamp, reset the lamp time by pressing Channel **3** → **Mute** → **ENT**.
 WRI-EXE(Character color is Red) is momentarily displayed and LampTM is reset to "0".

5. To display the Panel time, press **1** until the PanelTM item displays.



The screen displays:
 "Total Panel time is 14 hours"

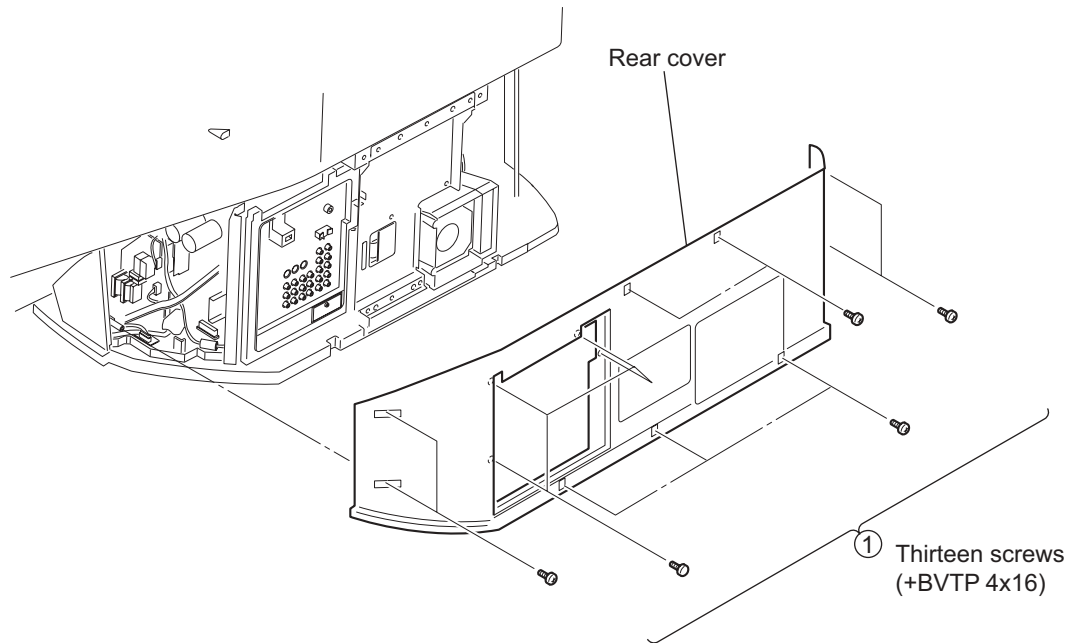
NOTE: You cannot reset the Panel time with the Service menu.

Exiting Service Mode

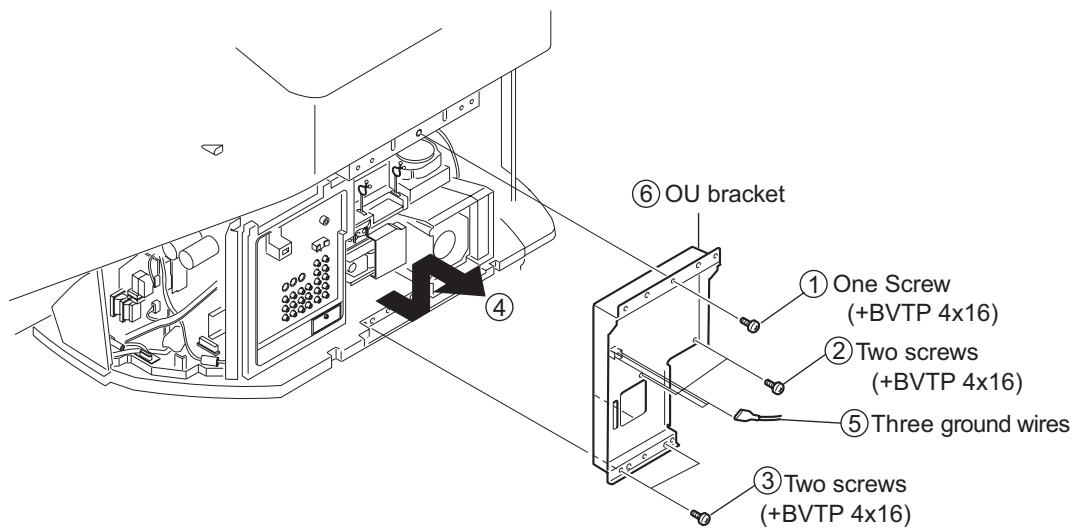
After completing the changes exit service mode by turning off the set using the Remote Commander or the power switch.

SECTION 1: DISASSEMBLY

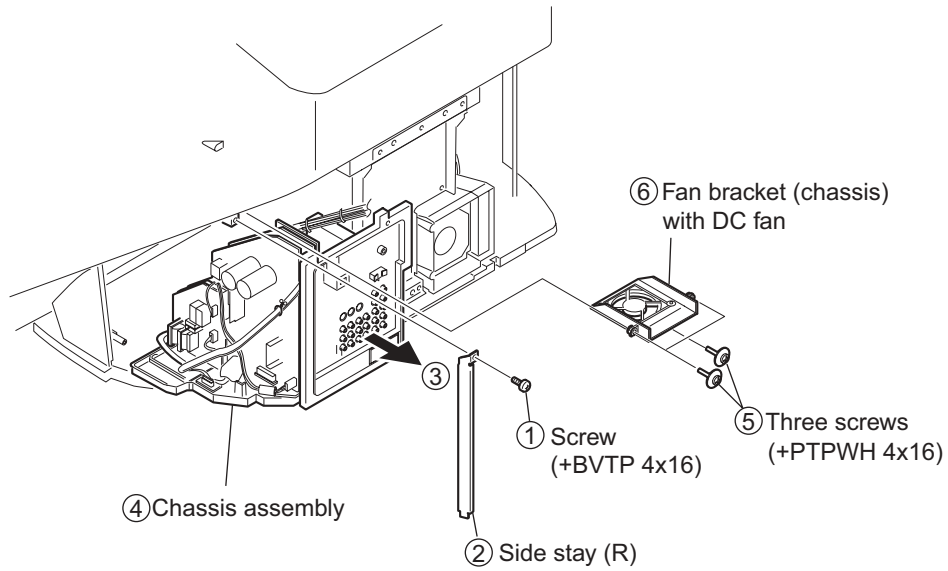
1-1. REAR COVER REMOVAL



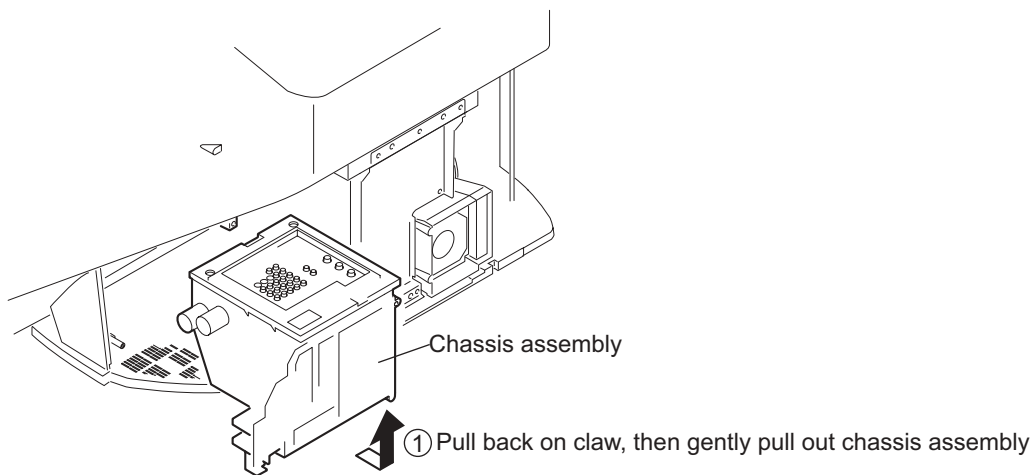
1-2. OU BRACKET REMOVAL



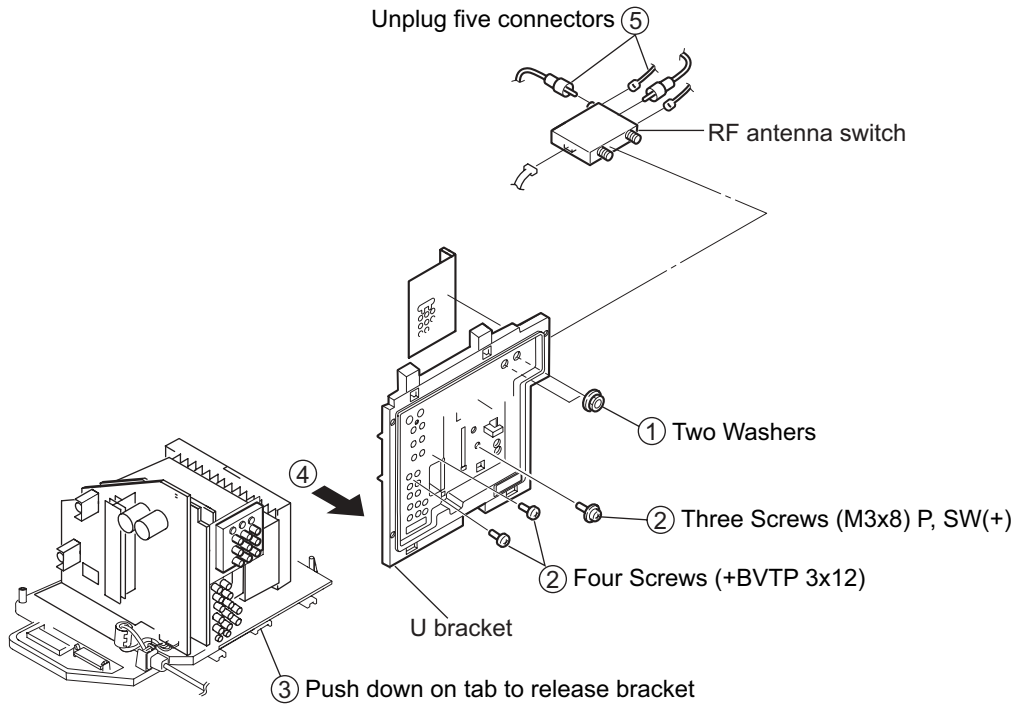
1-3. CHASSIS ASSEMBLY AND FAN REMOVAL



1-4. SERVICE POSITION

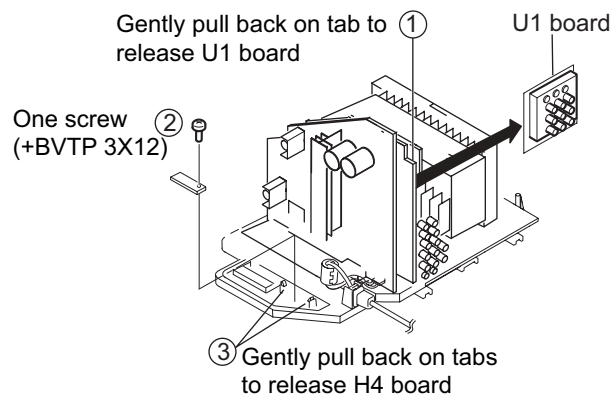


1-5. RF ANTENNA SWITCH REMOVAL

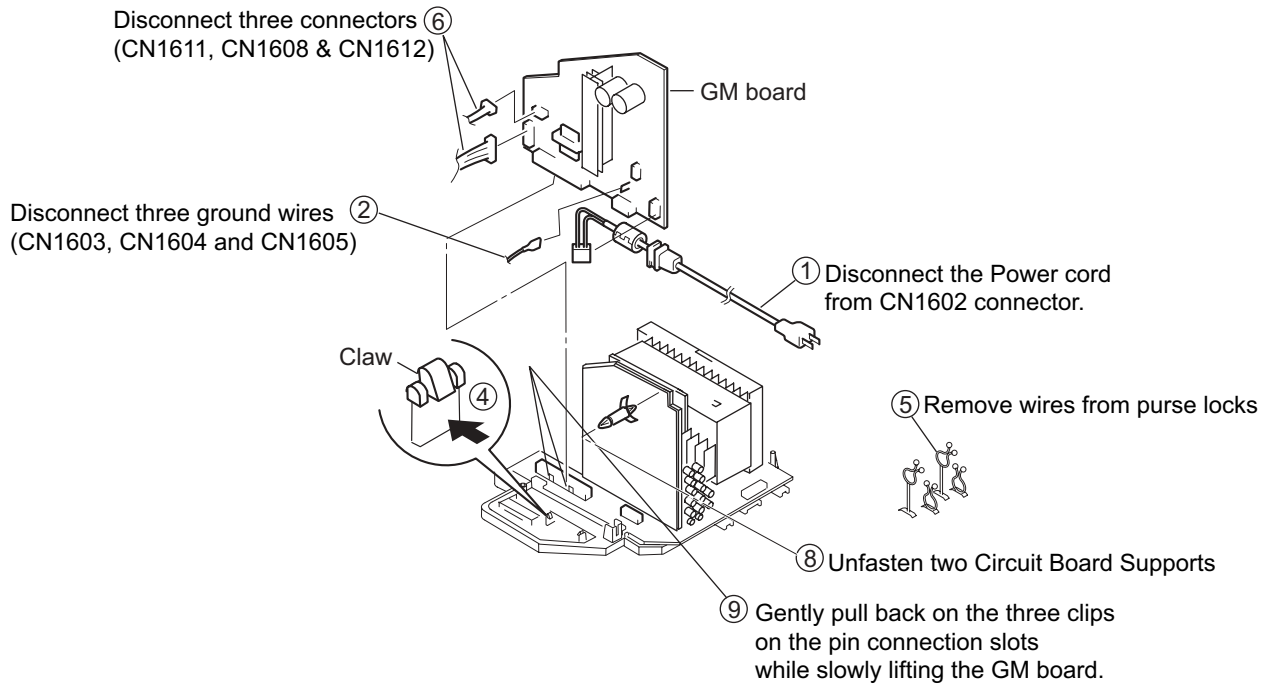


1-6. U1 BOARD AND H4 BOARD REMOVAL

The H4 Board is only in SN 9,000,001 to 9,099,999 and 9,800,001 to 9,899,999



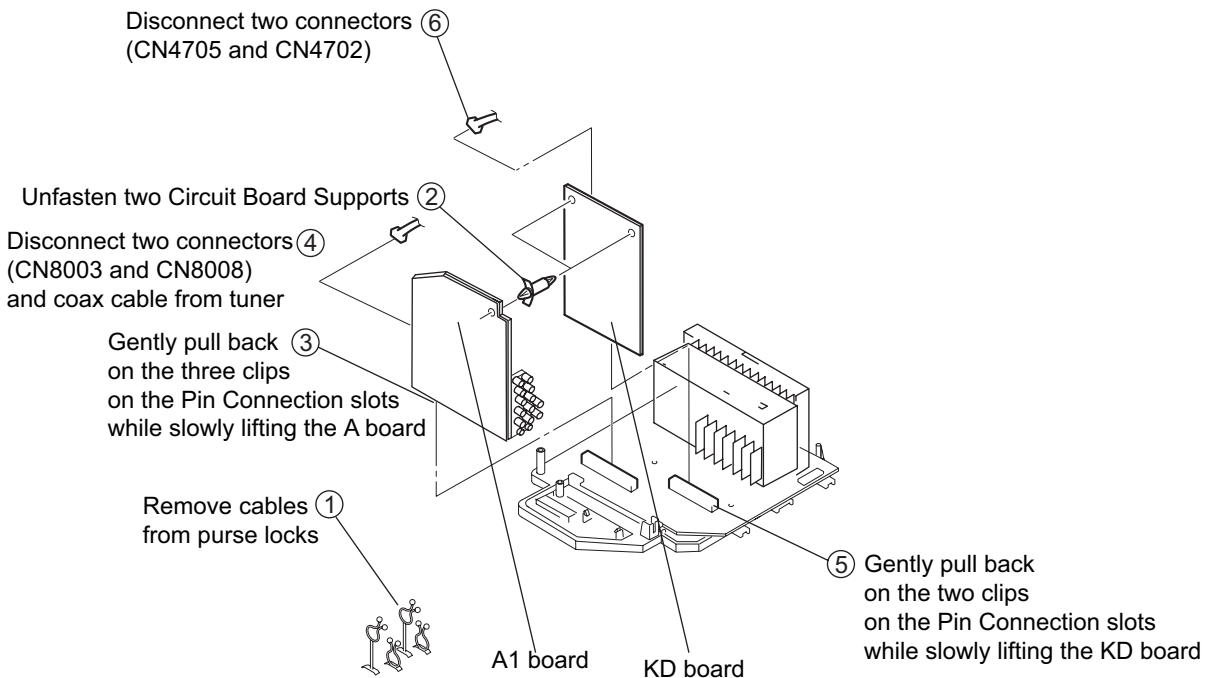
1-7. GM BOARD REMOVAL



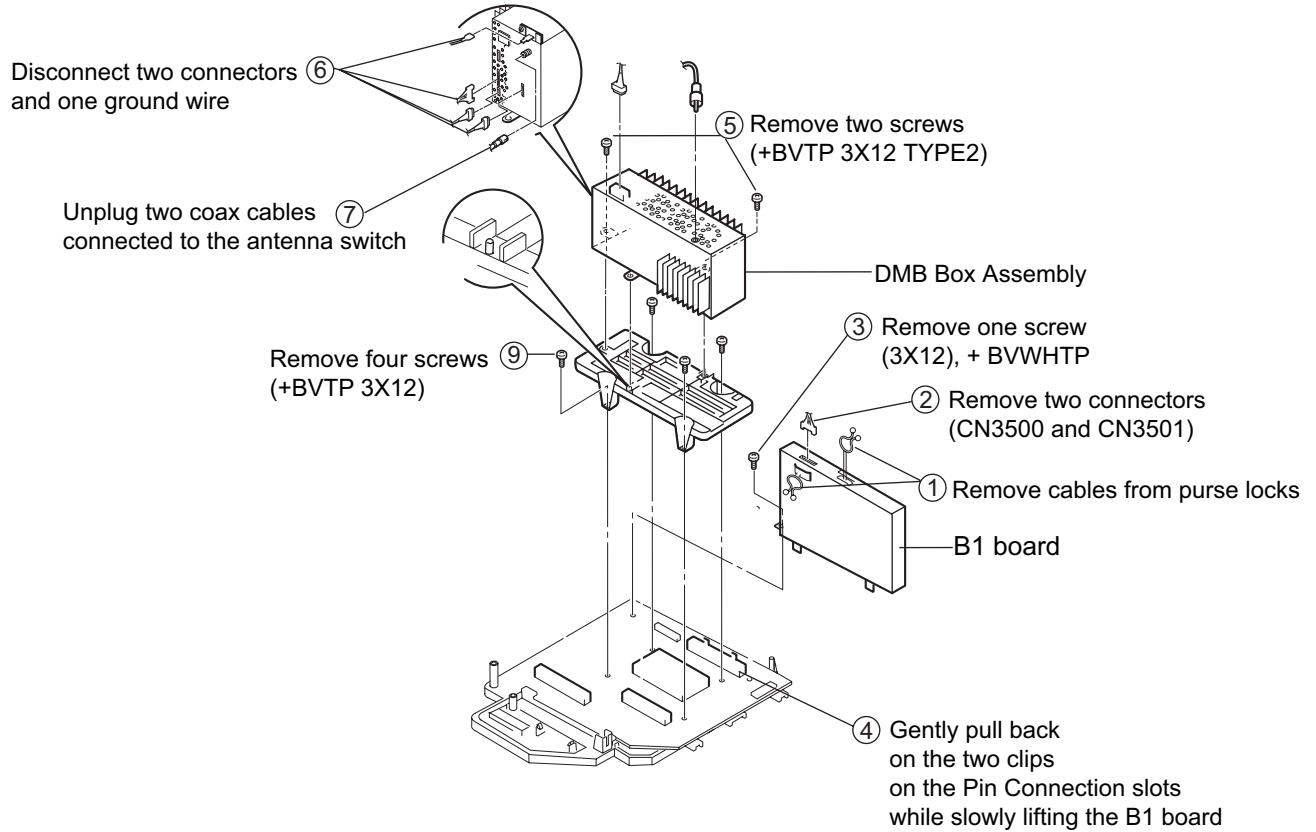
1-8. A1 BOARD (OR A2 BOARD) AND KD BOARD REMOVAL

The A1 Board and the KD Board are only in SN 9,000,001 to 9,099,999 and 9,800,001 to 9,899,999

The A2 Board is only in SN 9,100,001 to 9,799,999 and 9,900,001 and up

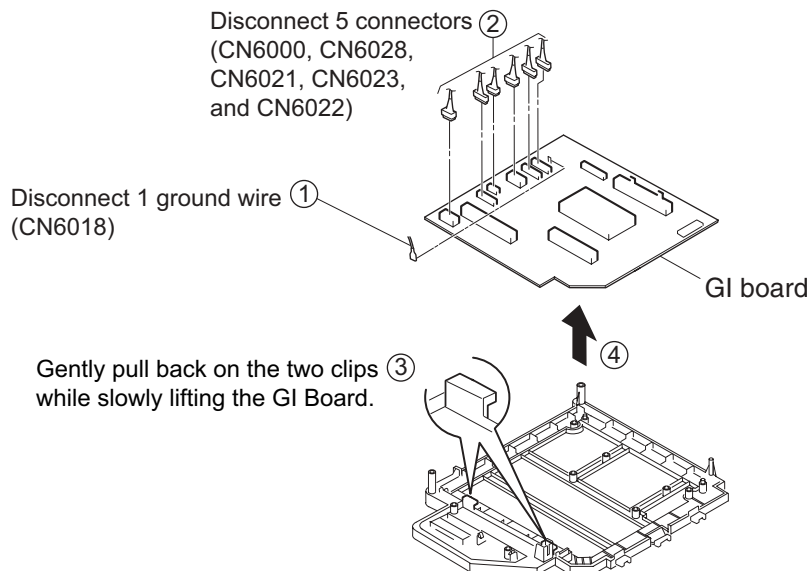


1-9. DMB ASSEMBLY (Q BOX) AND B1 BOARD REMOVAL

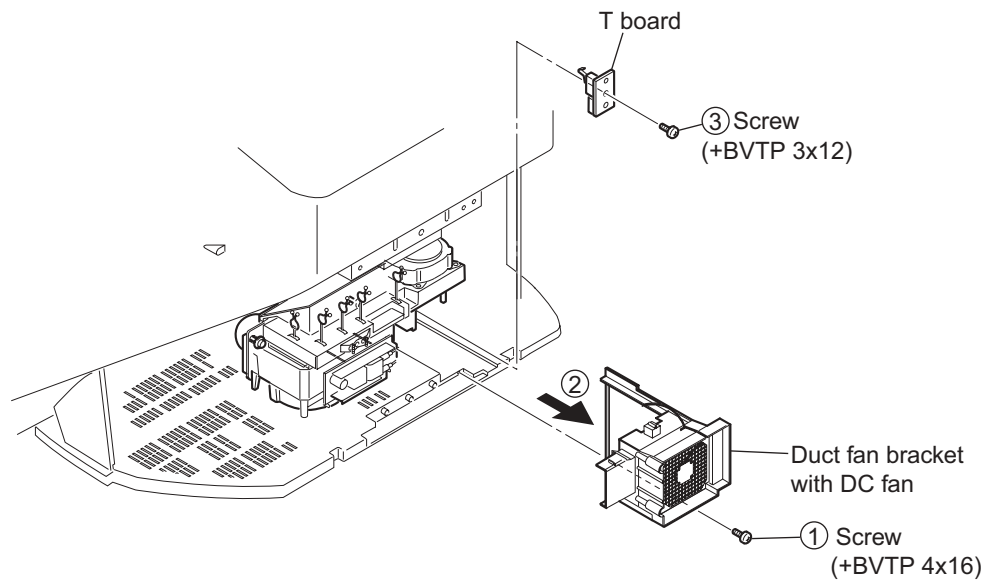


1-10. GI BOARD (OR GK BOARD) REMOVAL

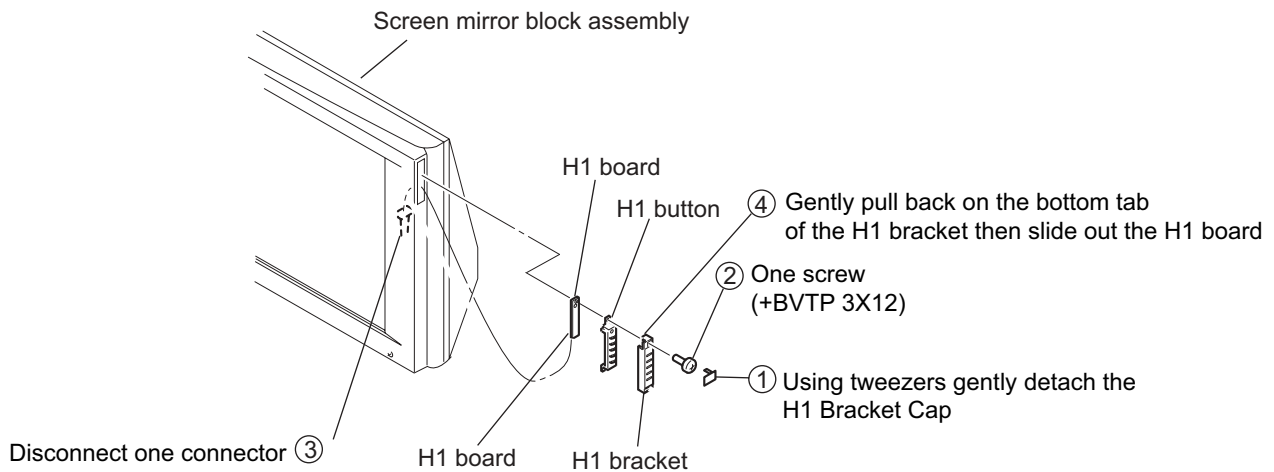
The GI Board is only in SN 9,000,001 to 9,099,999 and 9,800,001 to 9,899,999
 The GK Board is only in SN 9,100,001 to 9,799,999 and 9,900,001 and up



1-11.FAN AND T BOARD REMOVAL

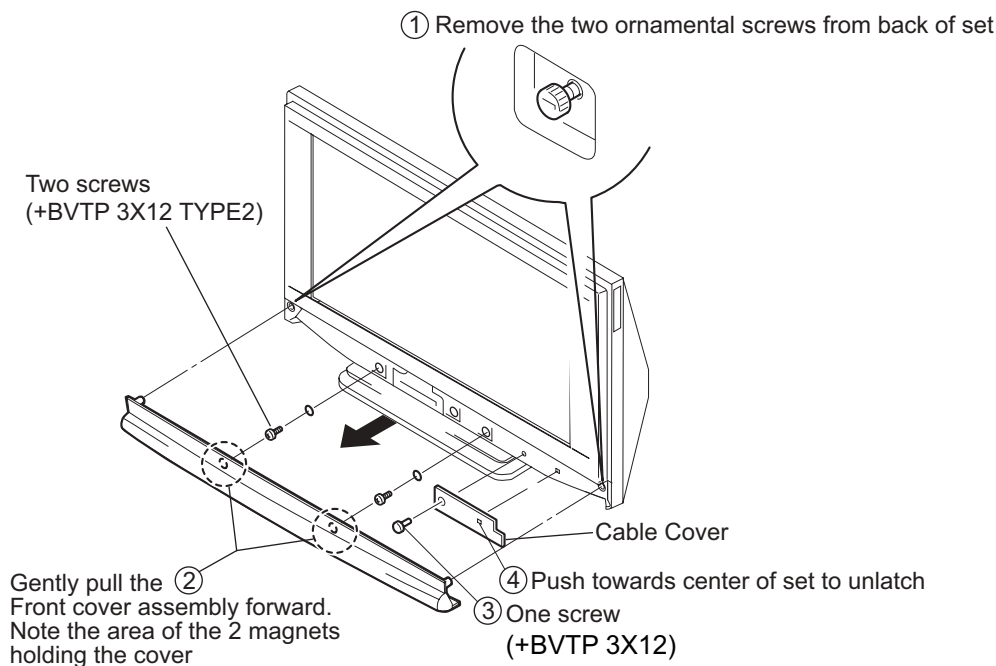


1-12.H1 BOARD REMOVAL



1-13.FRONT COVER ASSEMBLY REMOVAL

Be sure the Front Input door is closed before removing the Front Cover Assembly.

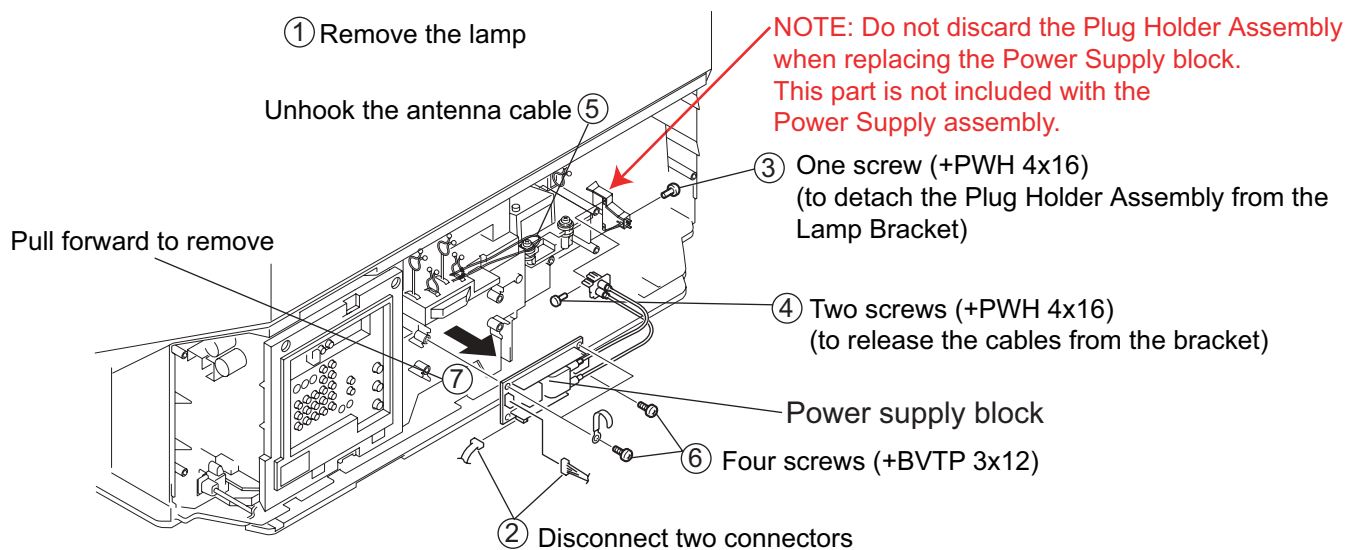


1-13-1.REPLACING THE LAMP

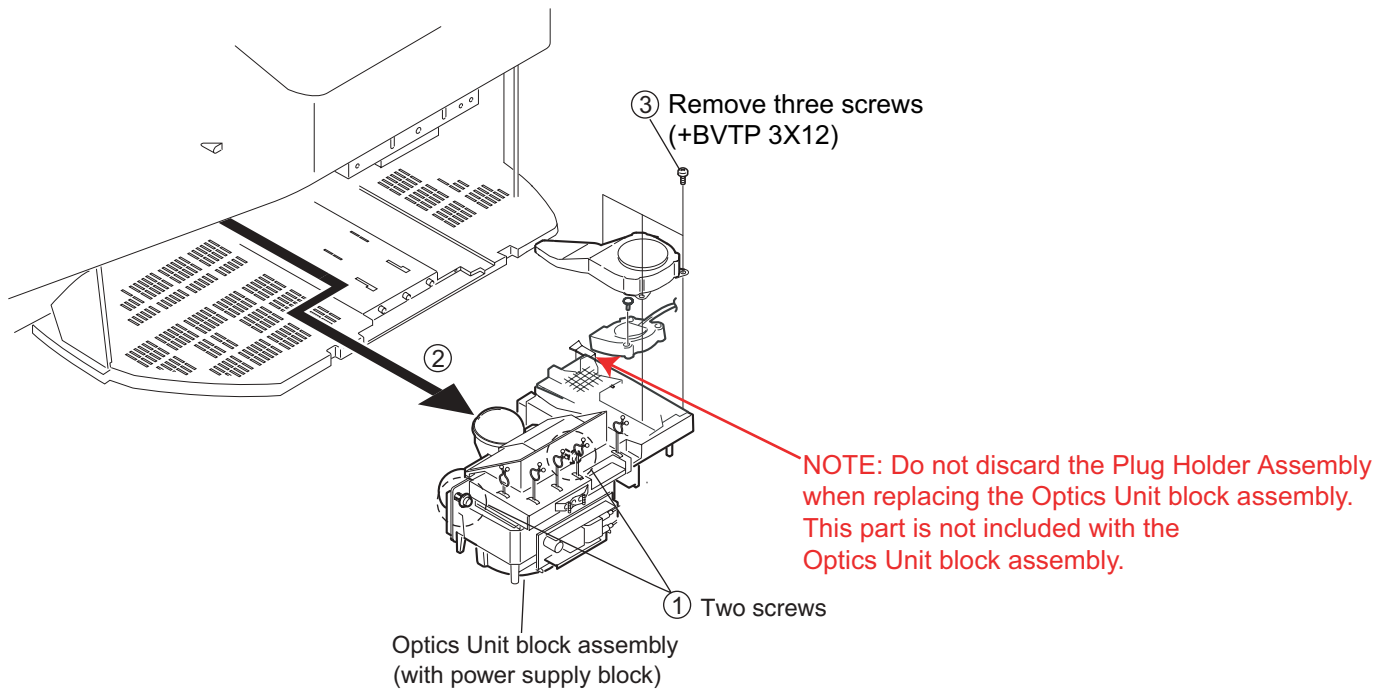
For detailed instructions on replacing the lamp, see Page 76 of the Operating Instructions manual.

1-14.POWER SUPPLY BLOCK REMOVAL (LAMP DRIVE UNIT)

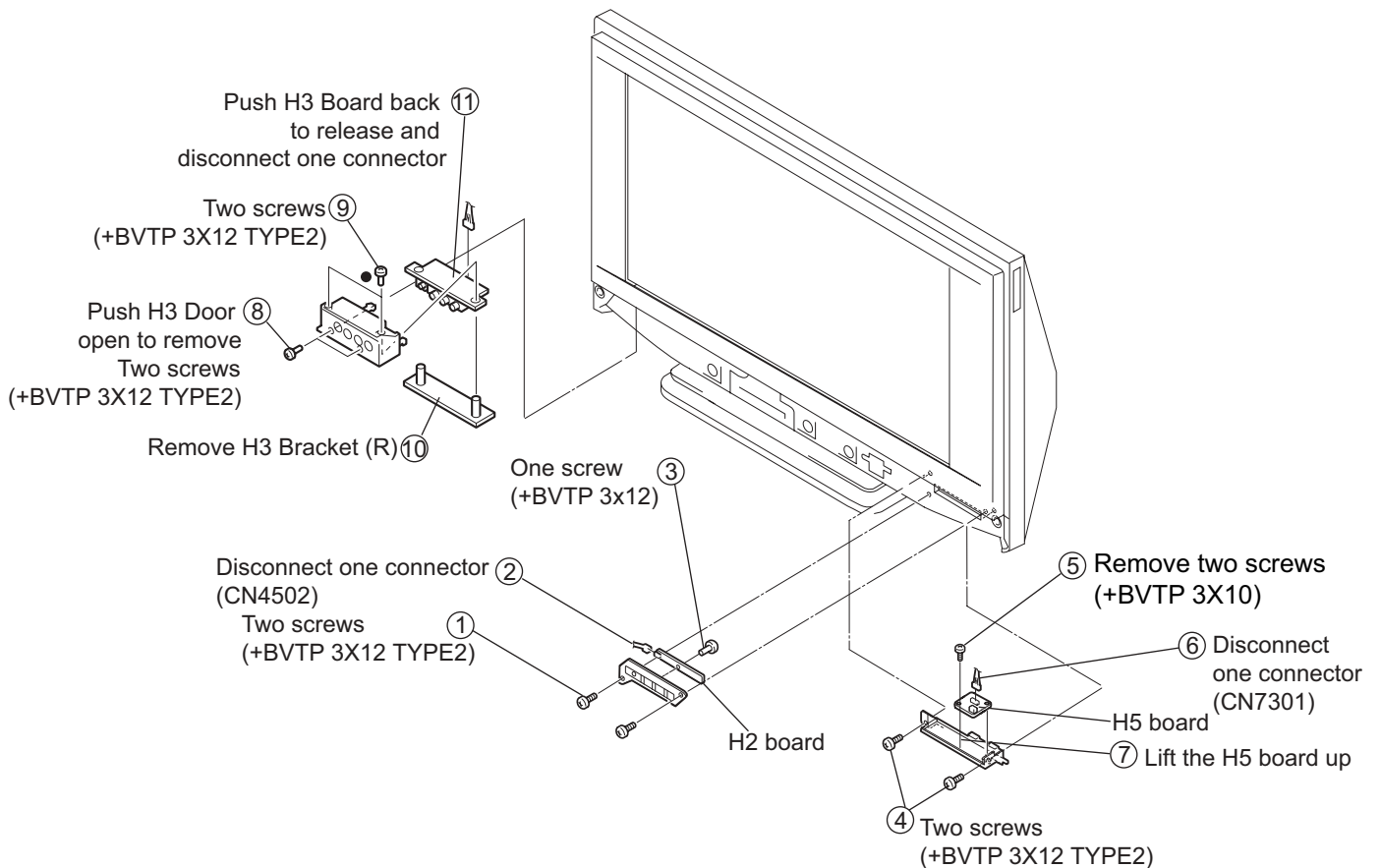
Use caution when removing the Power Supply Block to not move the Optical Unit Block



1-15.OPTICS UNIT BLOCK ASSEMBLY FAN REMOVAL



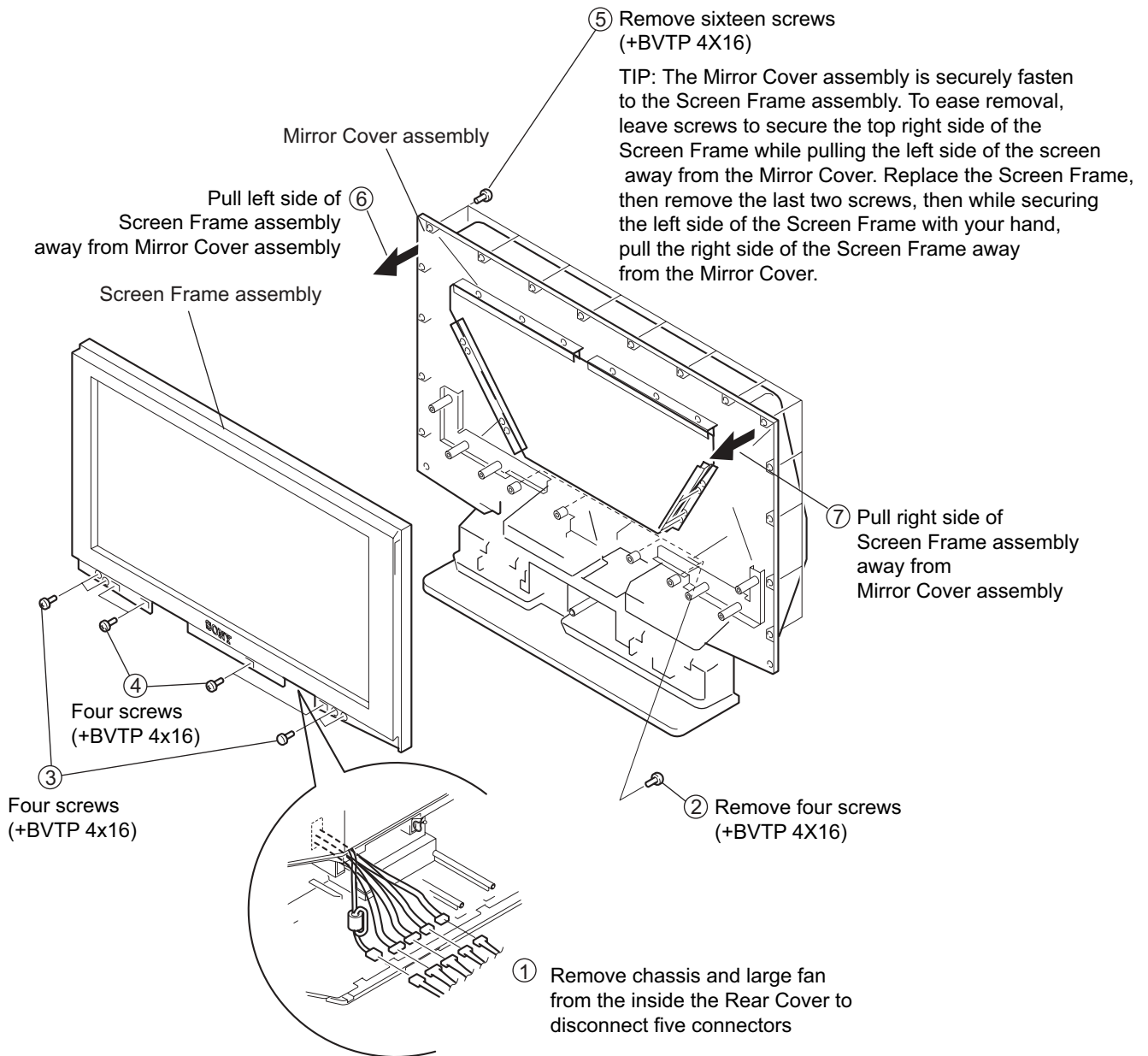
1-16.H2 BOARD, H3 BOARD, AND H5 BOARD REMOVAL



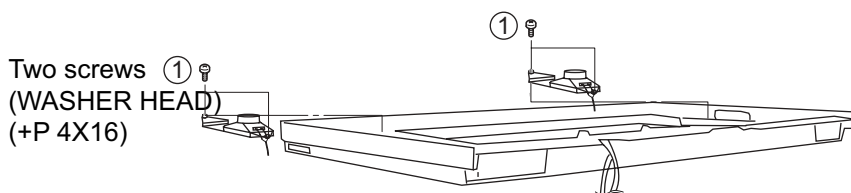
1-17. SCREEN MIRROR BLOCK ASSEMBLY REMOVAL

Caution:

When repairing anything inside the Screen Mirror Block Assembly be sure to clean the mirror and Diffusion Plate(s) to remove any dust particles.

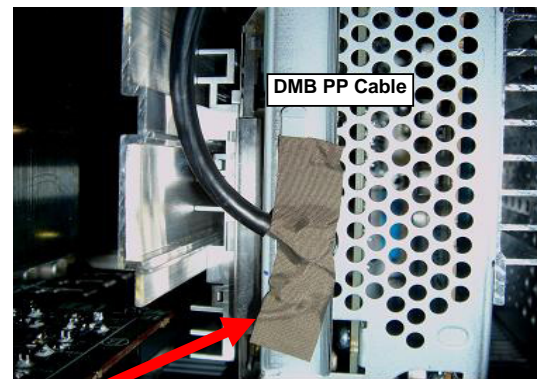
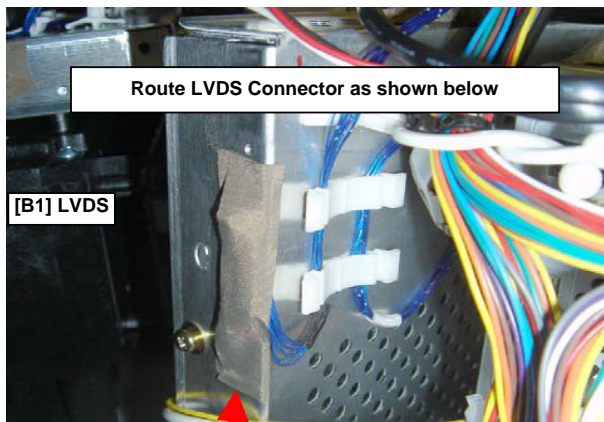
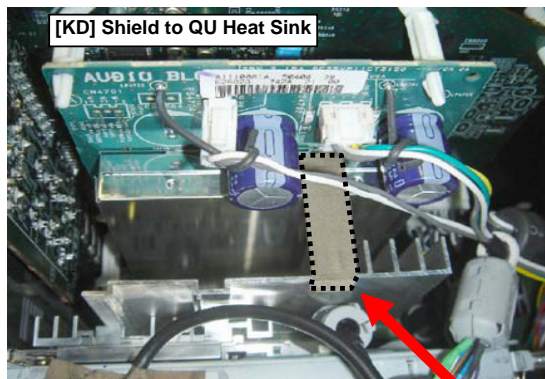


1-18. SPEAKER REMOVAL

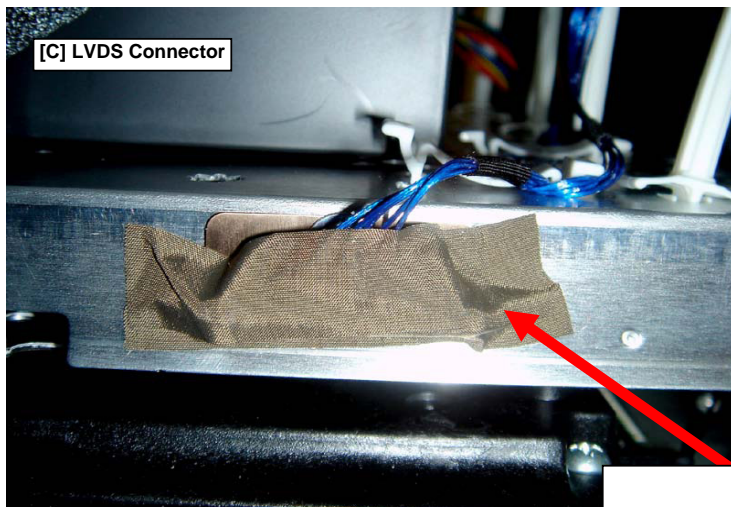


WIRE DRESSING

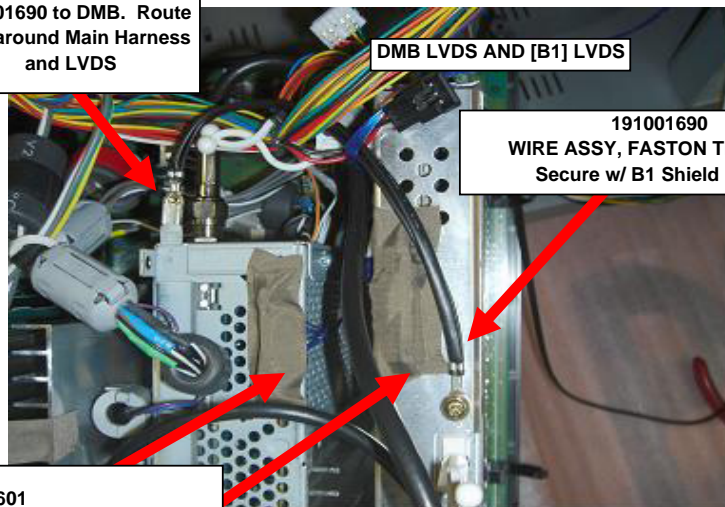
Use these instructions for SN 9,000,001 to 9,099,999 and 9,800,001 to 9,899,999
 for SN 9,100,001 to 9,799,999 and 9,900,001 and up use instructions on Page 34



231876601
 ELECTRIC CONDUCTION TAPE, A
 (1 Piece)

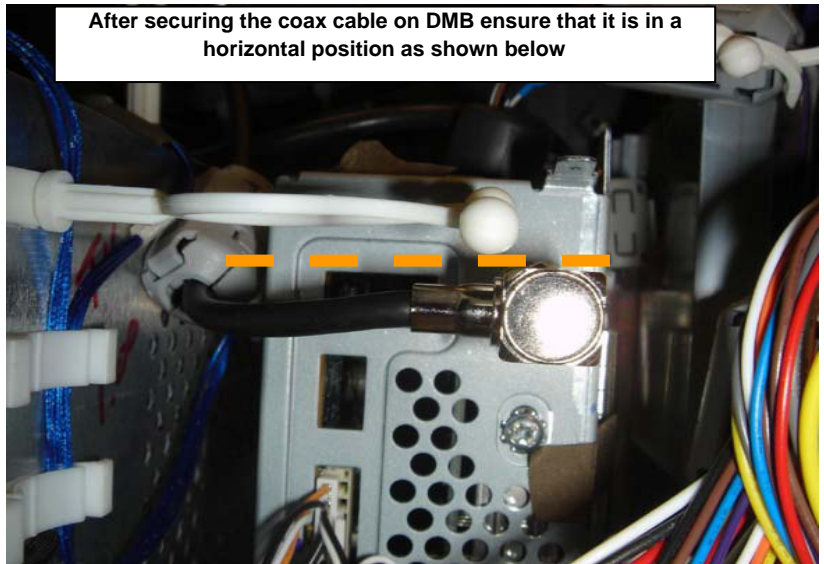
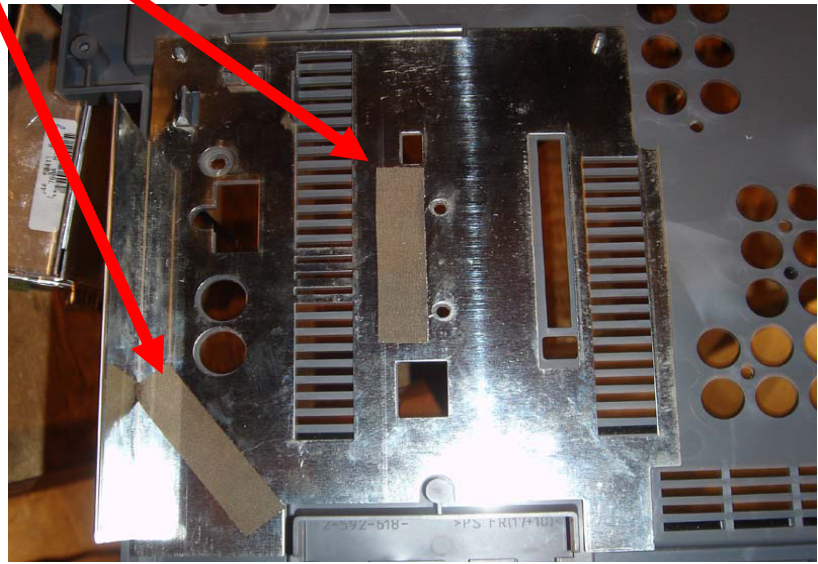
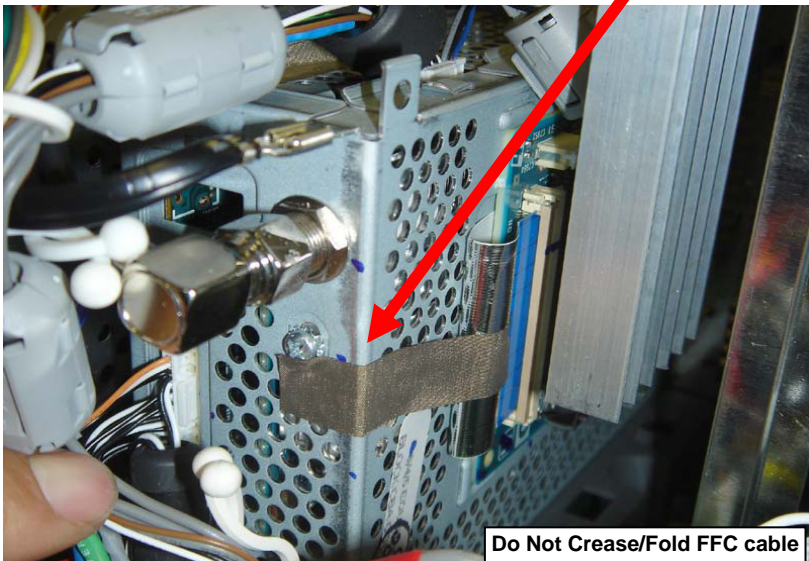


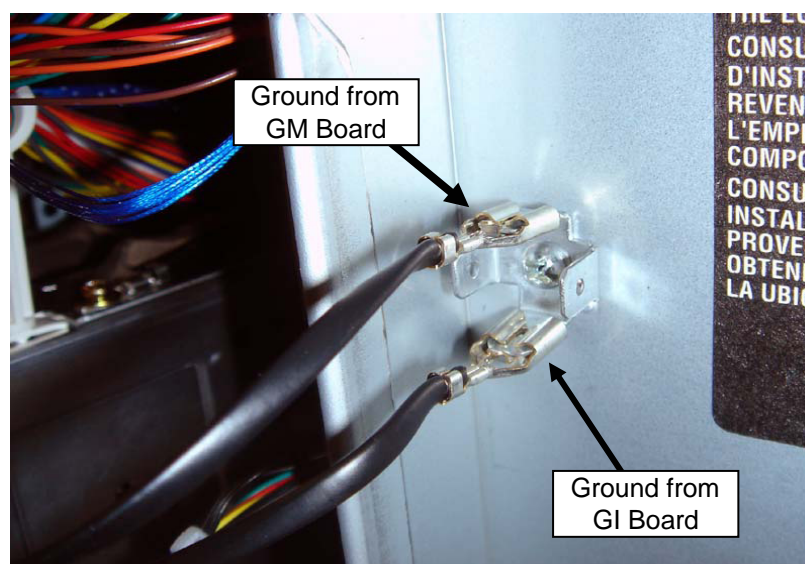
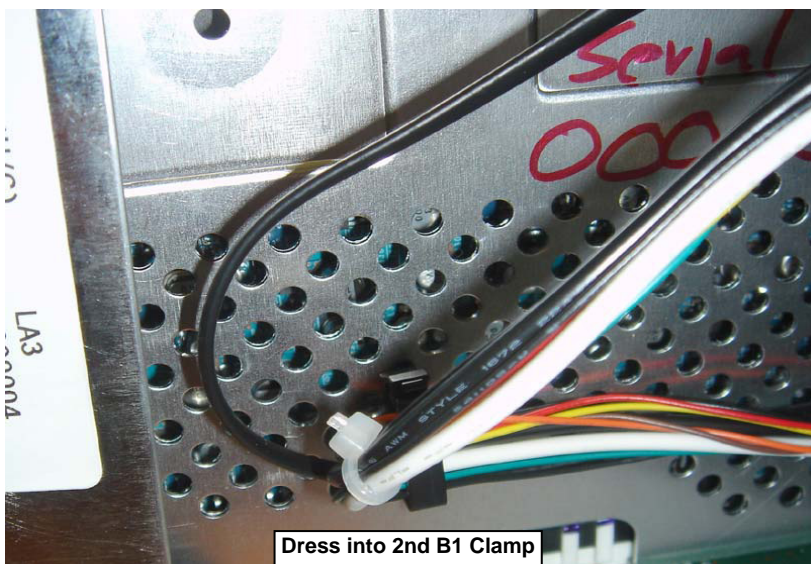
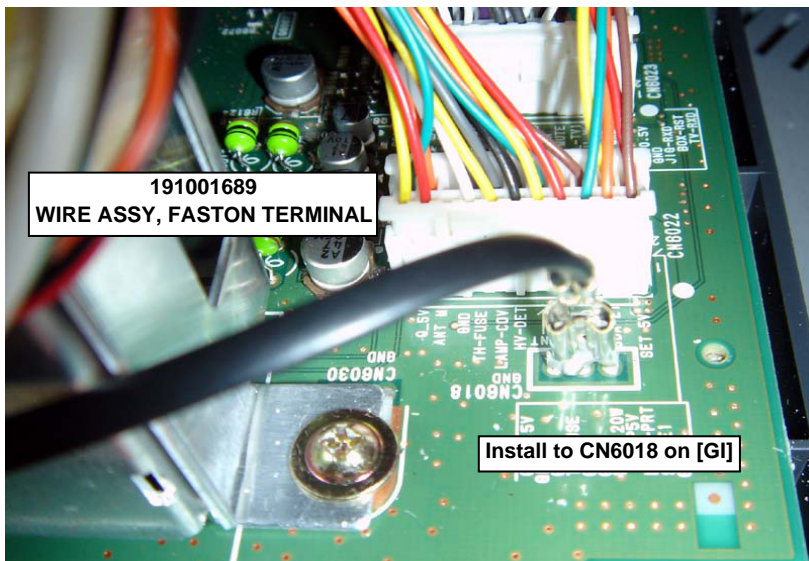
Install Faston Terminal of
 191001690 to DMB. Route
 wire around Main Harness
 and LVDS

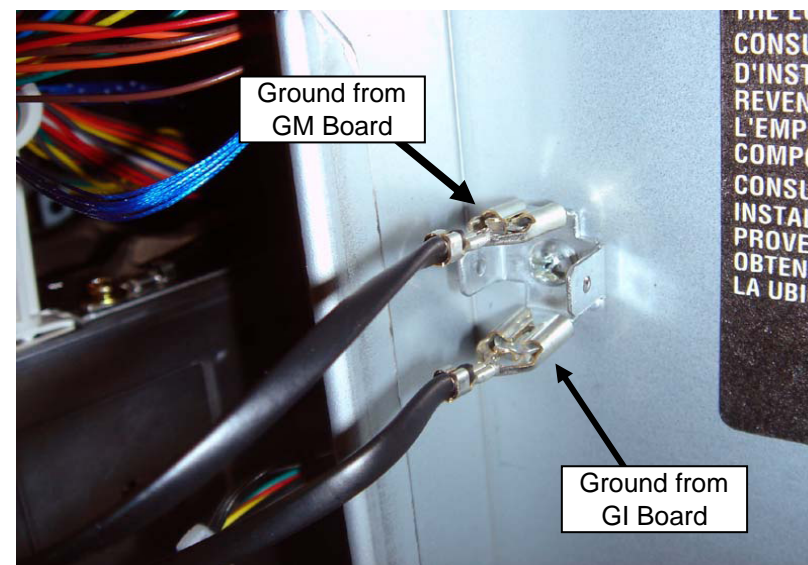
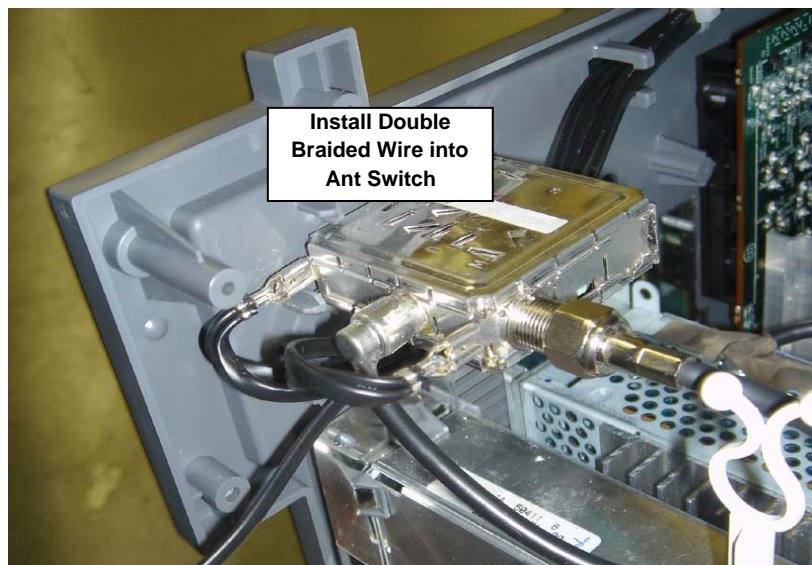
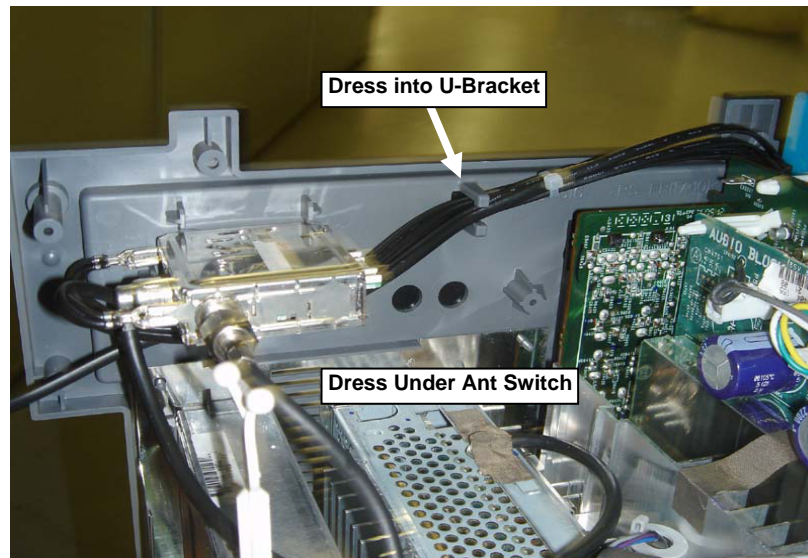
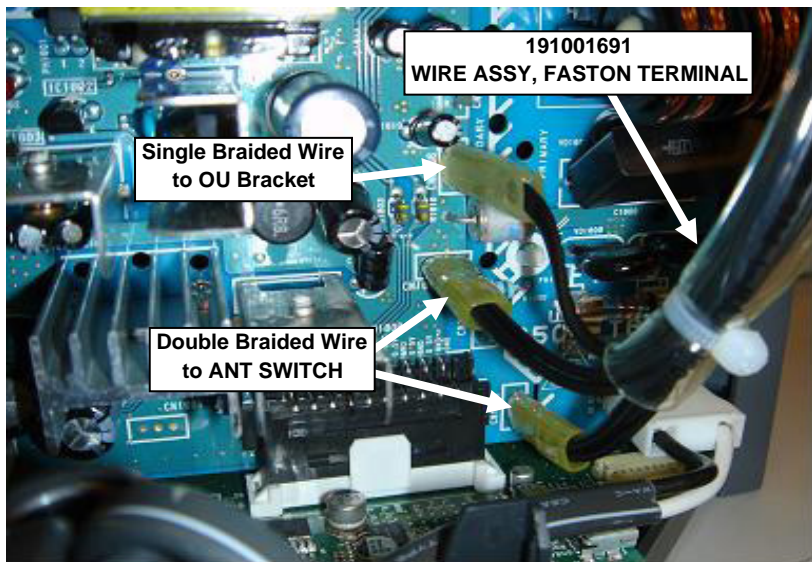


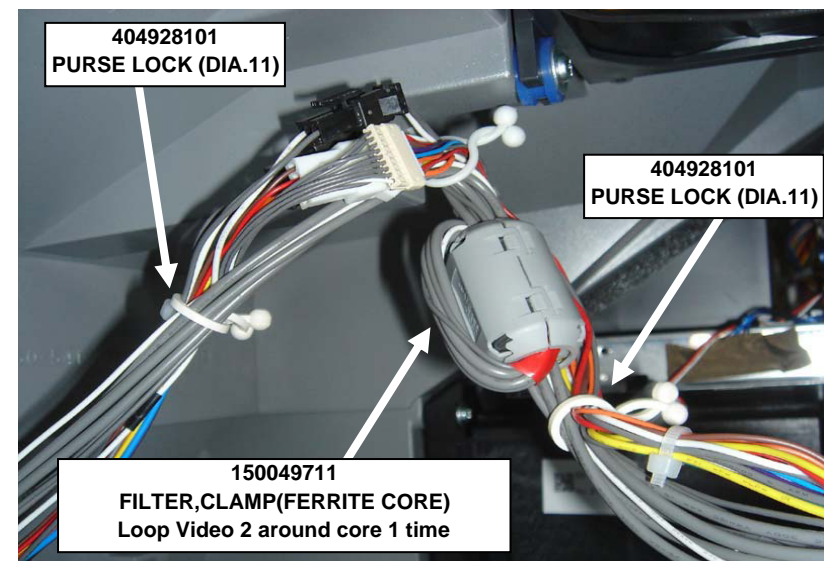
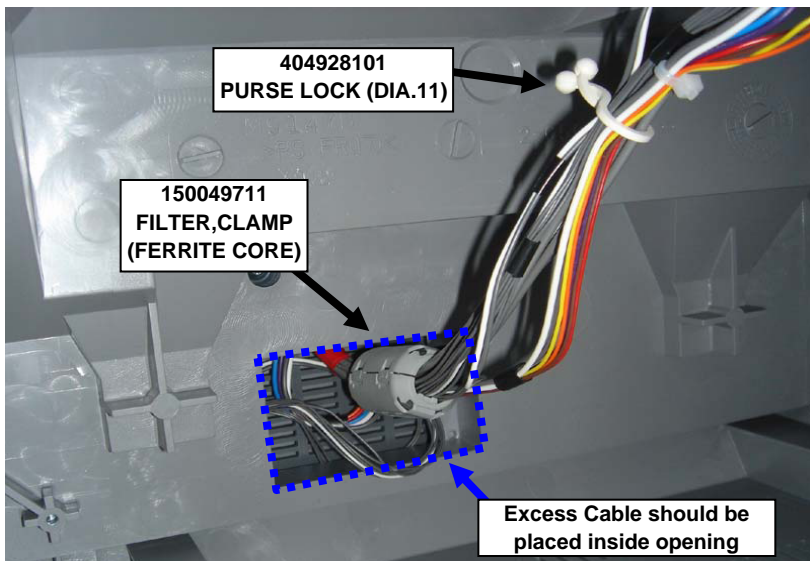
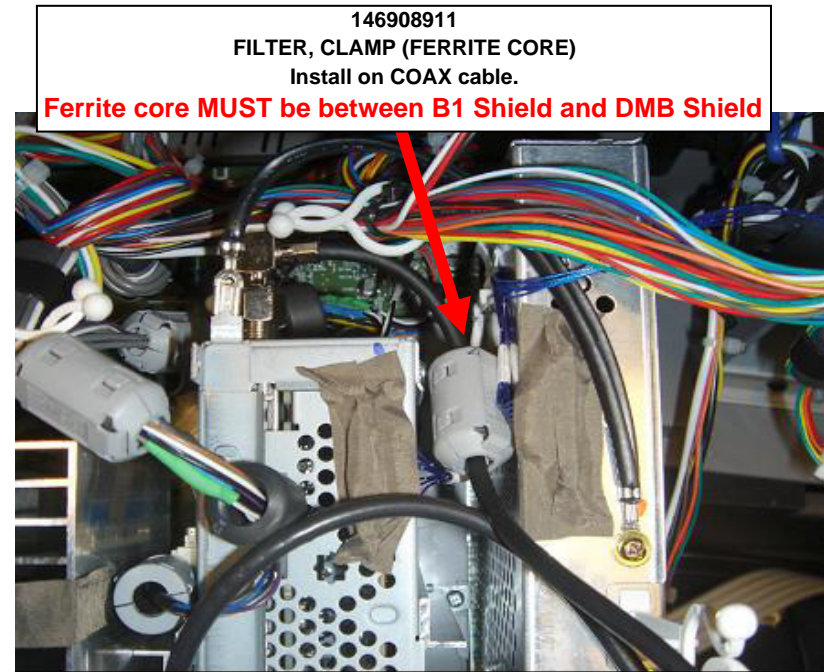
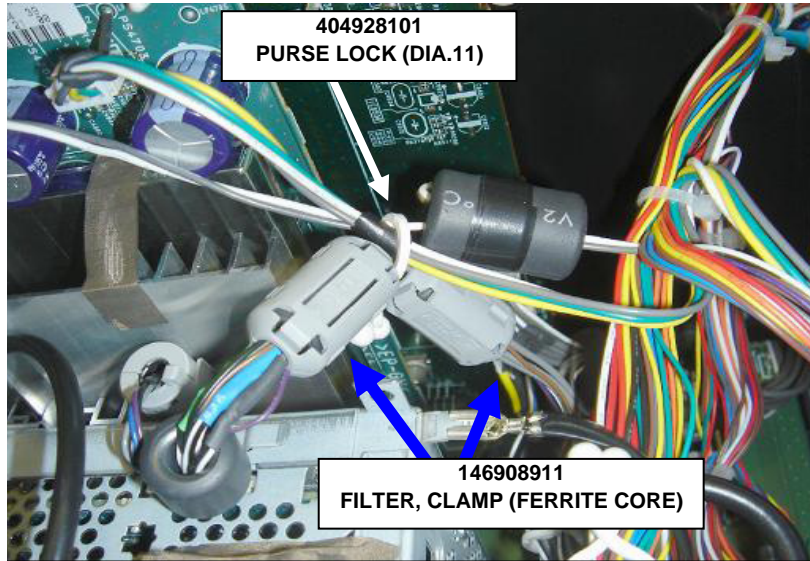
231876601
 ELECTRIC CONDUCTION TAPE, A
 (2 Pieces)
 Tape Must completely cover connector header and
 make good contact with shield

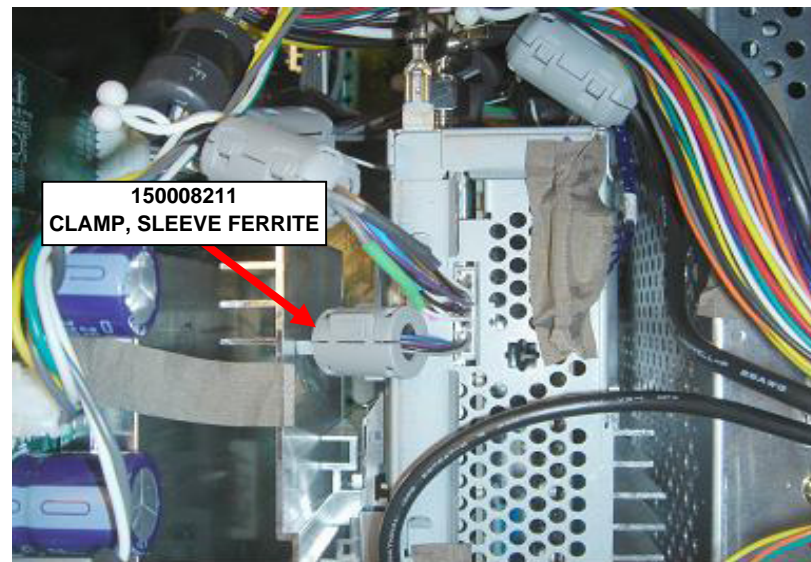
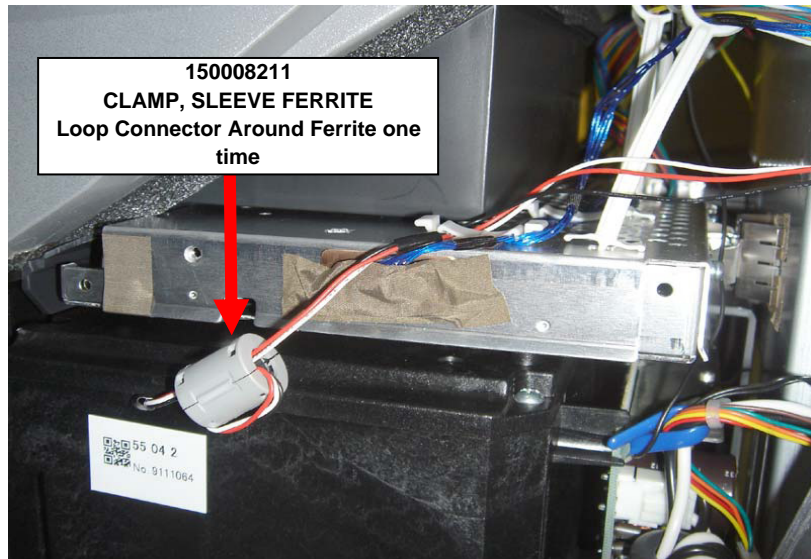
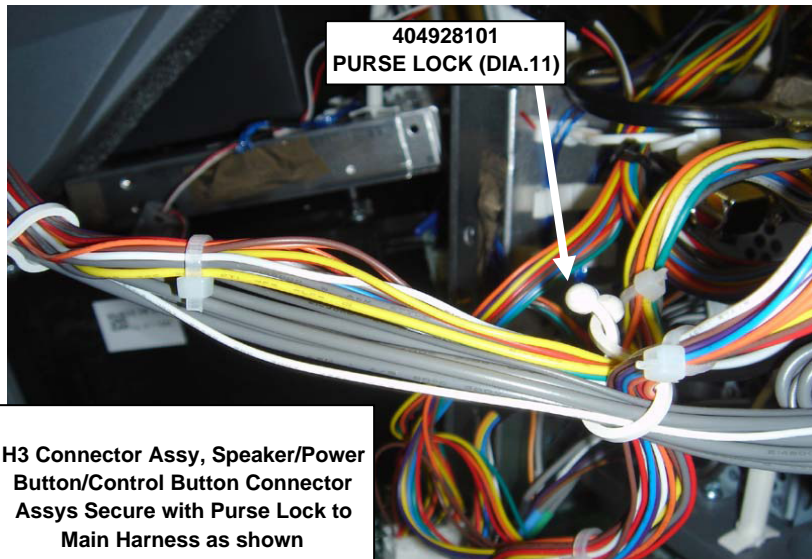
231876601
ELECTRIC CONDUCTION TAPE, A
(1 Piece)

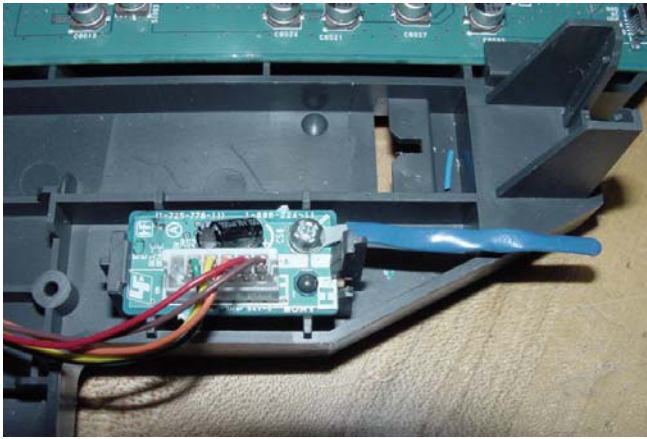








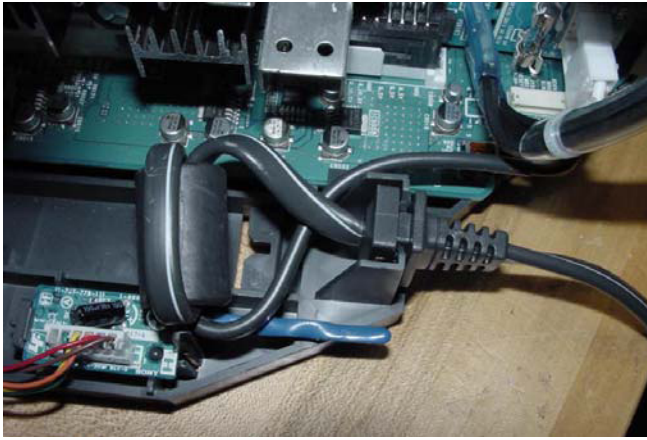




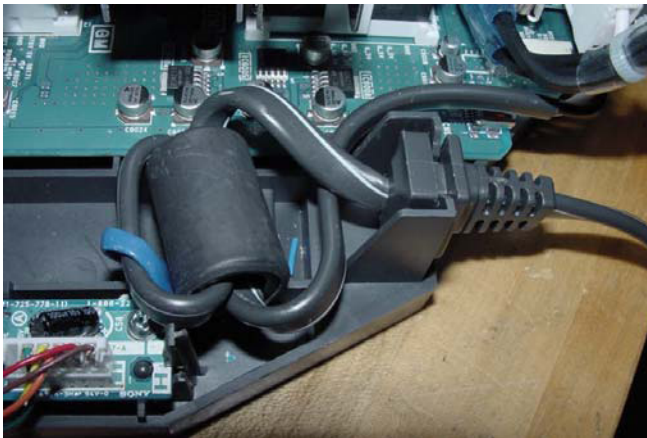
1. Install 4-662-796-01 CLIP, COACHING to H4 Board.
2. Then secure using 7-685-648-71 SCREW +BVTP 3X12 TYPE2 IT-3



1. Install AC Cord to CN1602 on [GM] Board

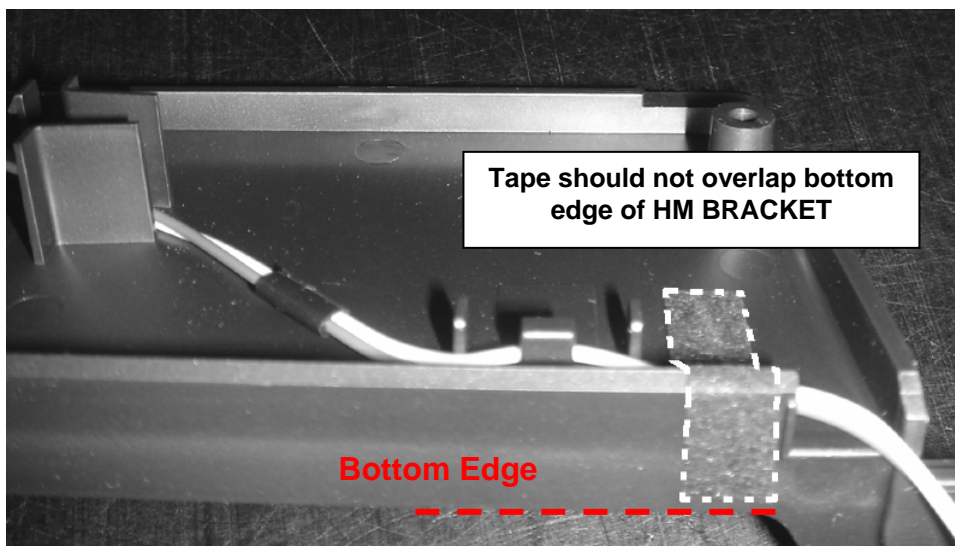
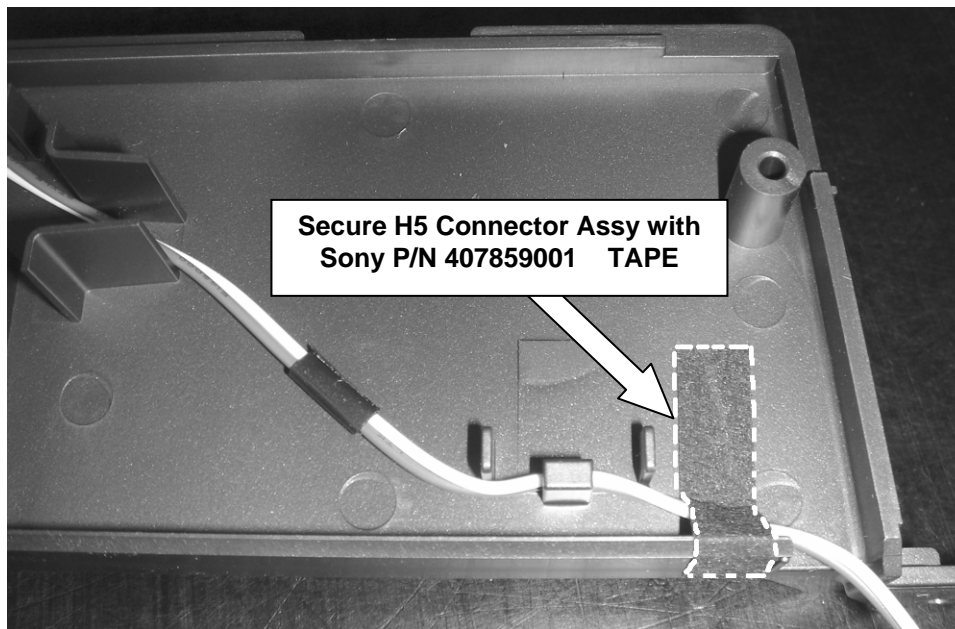


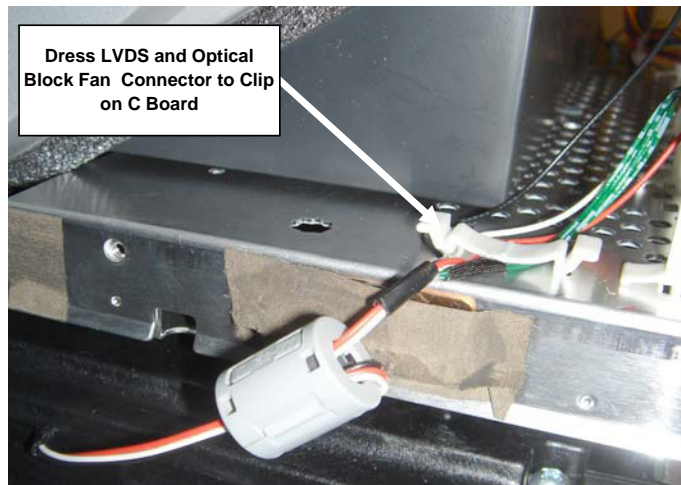
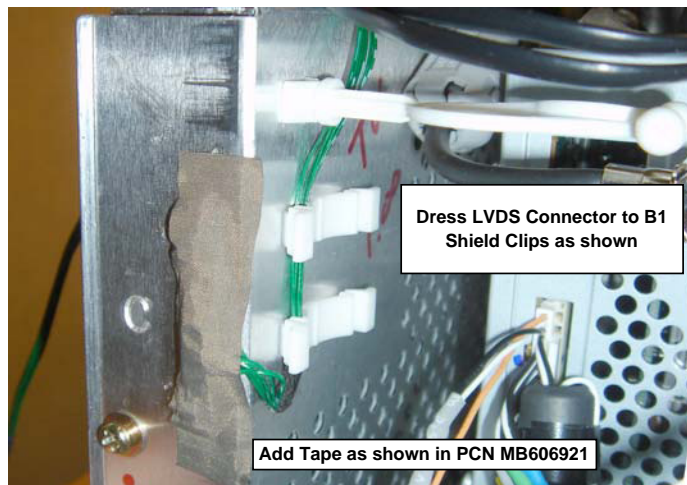
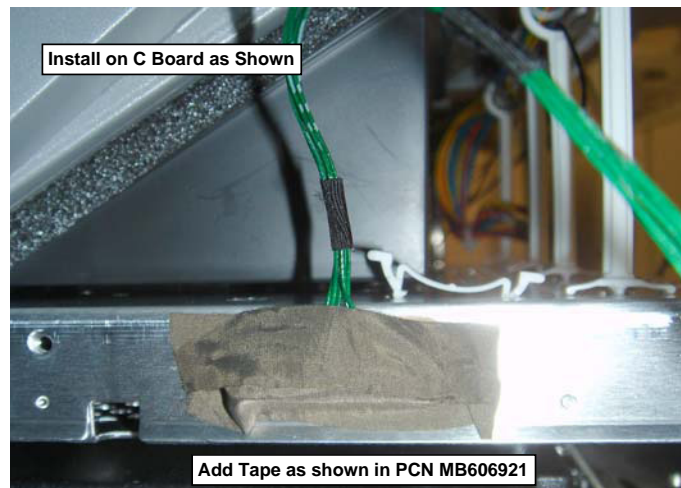
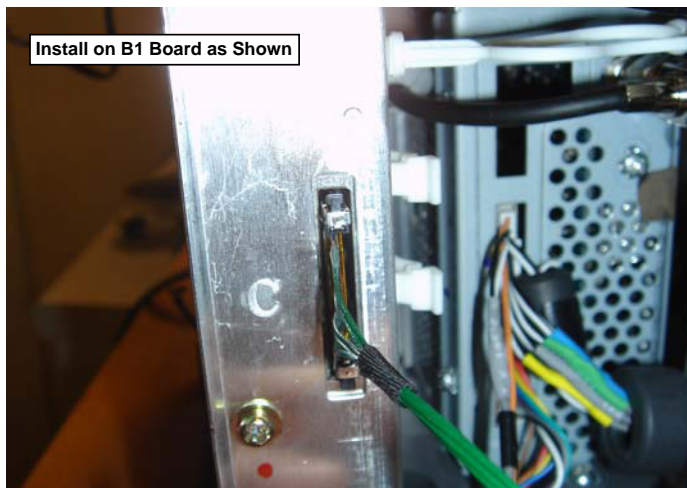
1. Twist AC Cord as shown and install into Chassis bracket.

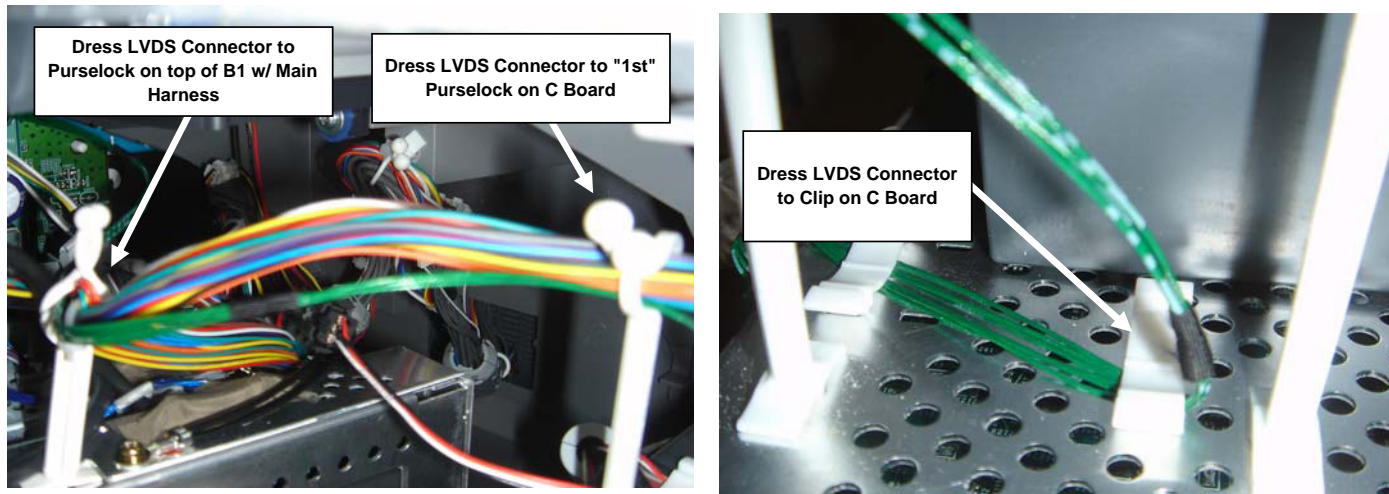


1. Secure AC cord with Clip, Coaching as shown

HM BLOCK WIRE DRESSING



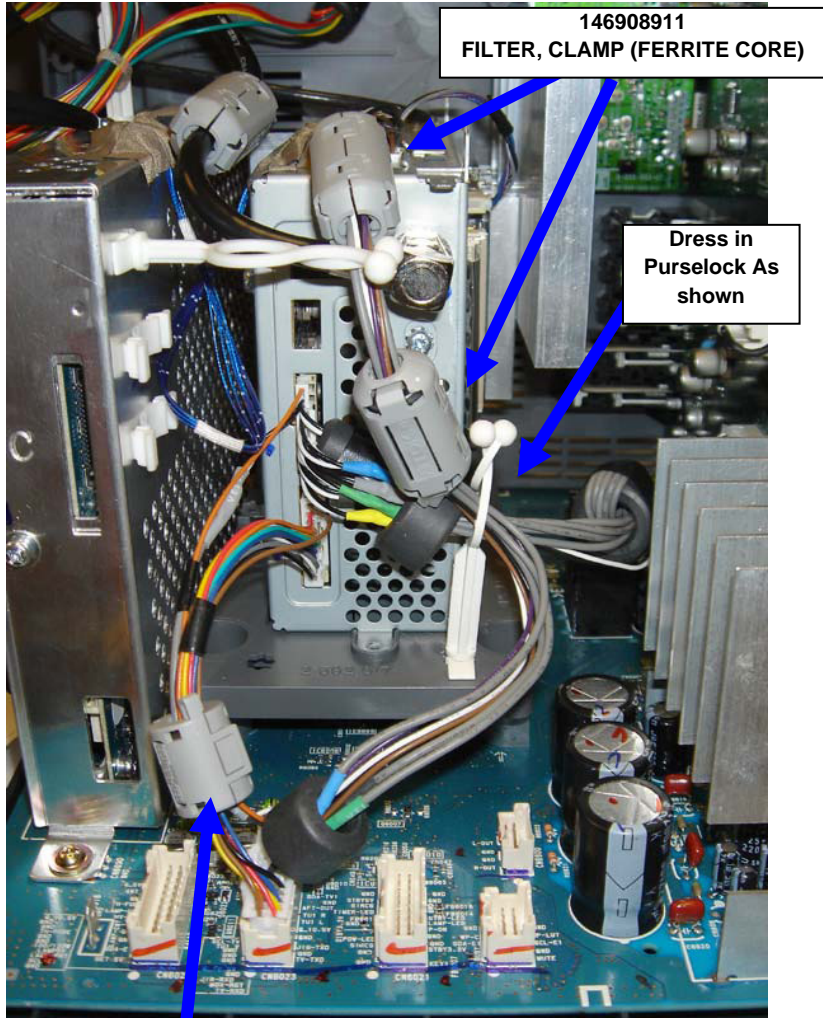




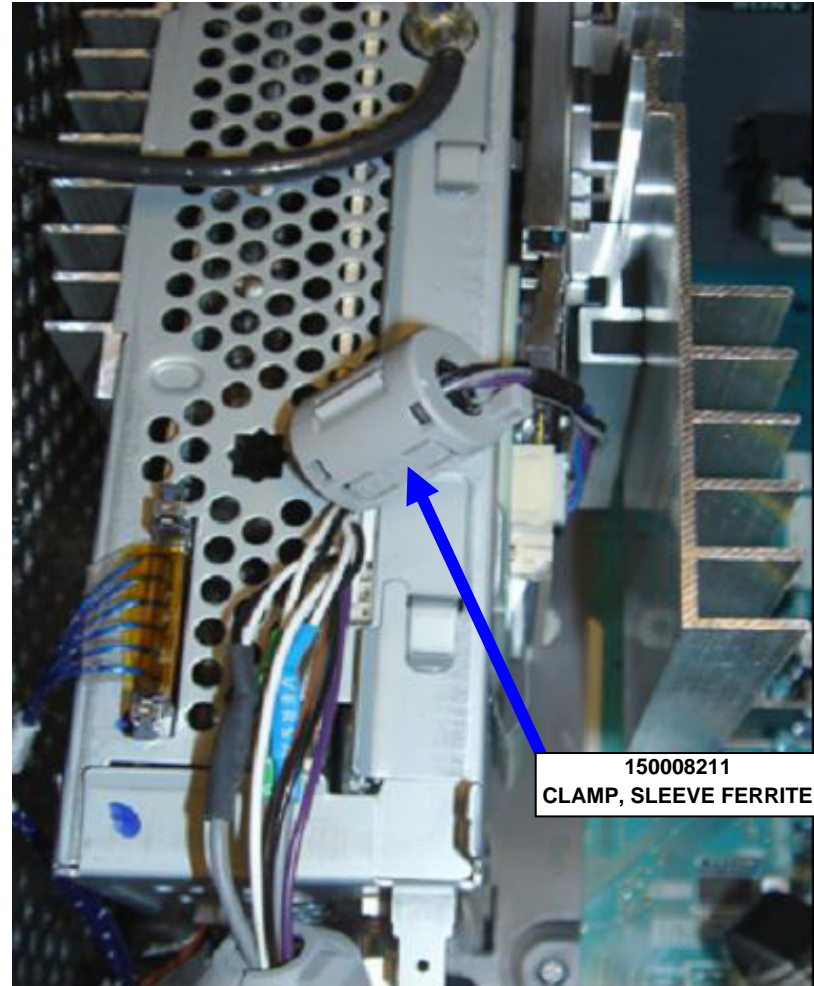
**LVDS CONNECTOR WILL CHANGE FROM SONY P/N 1-910-004-95 to 1-830-099-41
SEE RN ECB03799 AND PCN MB607037**

Use these instructions for SN 9,100,001 to 9,799,999 and 9,900,001 and up

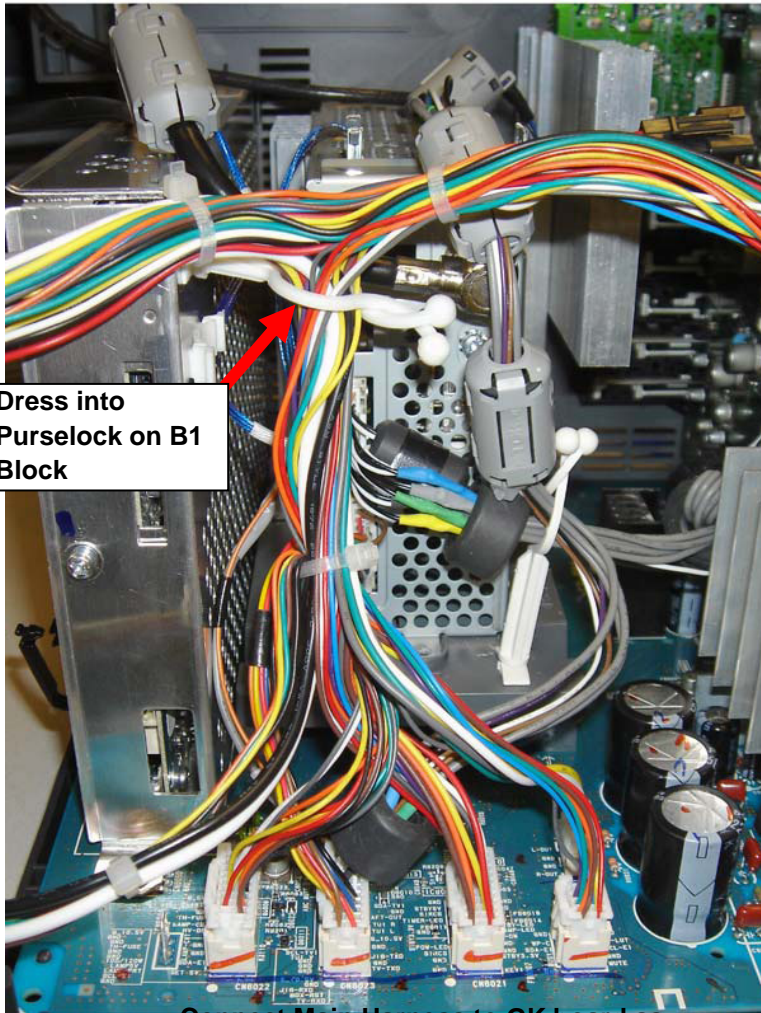
CN6023 DMB CONN ASSY
WIRE DRESSING



150008211
CLAMP, SLEEVE FERRITE

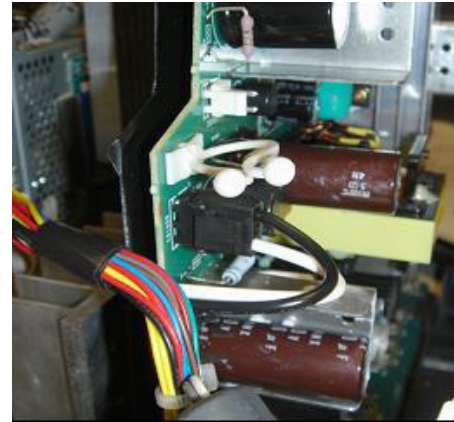


Main Harness Wire Dress

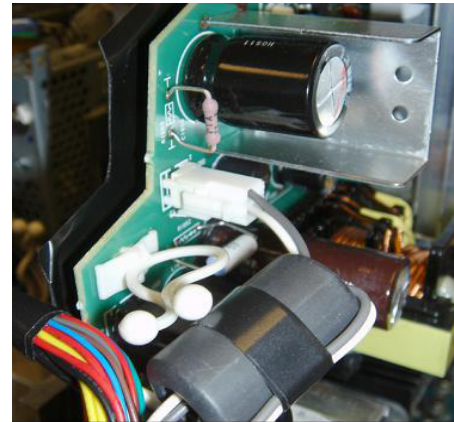


Dress into Purselock on B1 Block

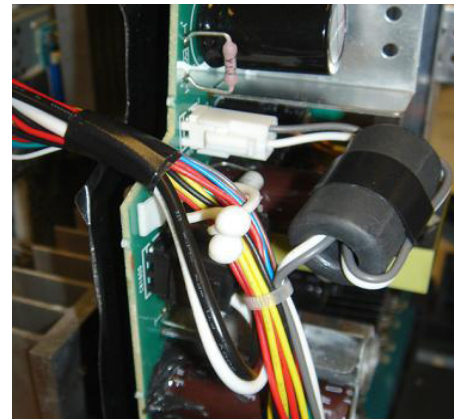
Connect Main Harness to GK board as shown



1. Install CN1608 on [GM]



2. Install CN1612 on [GM]

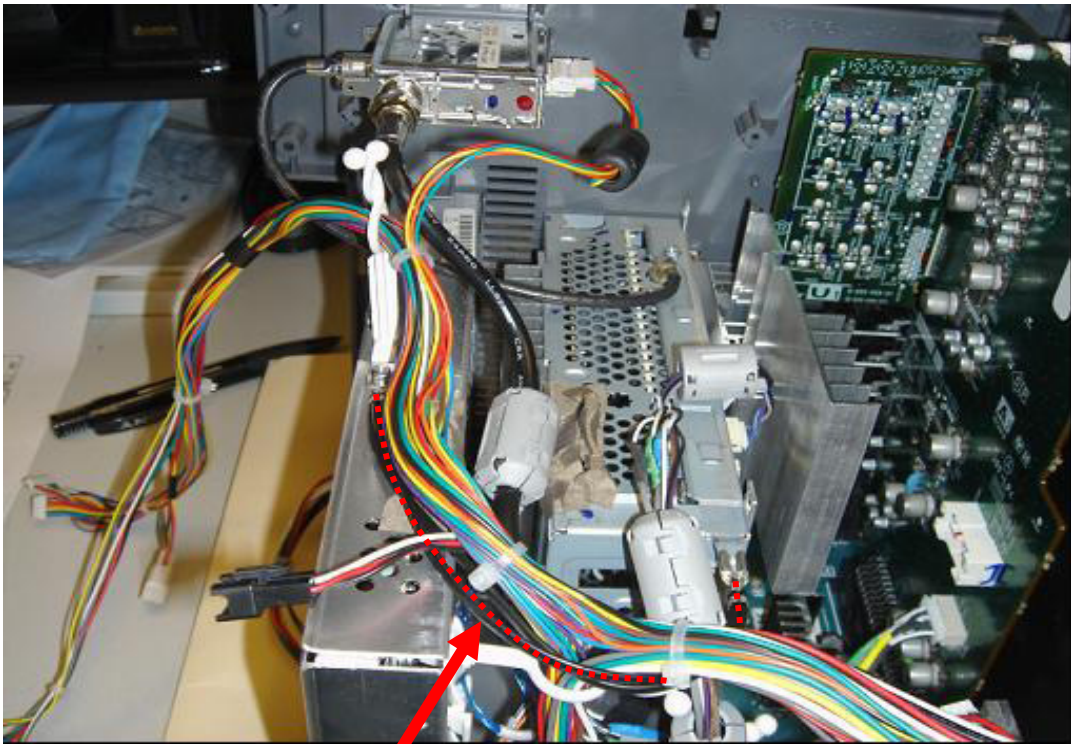


3. Dress to Purselock as shown

Note: CN1608 is not in purselock.

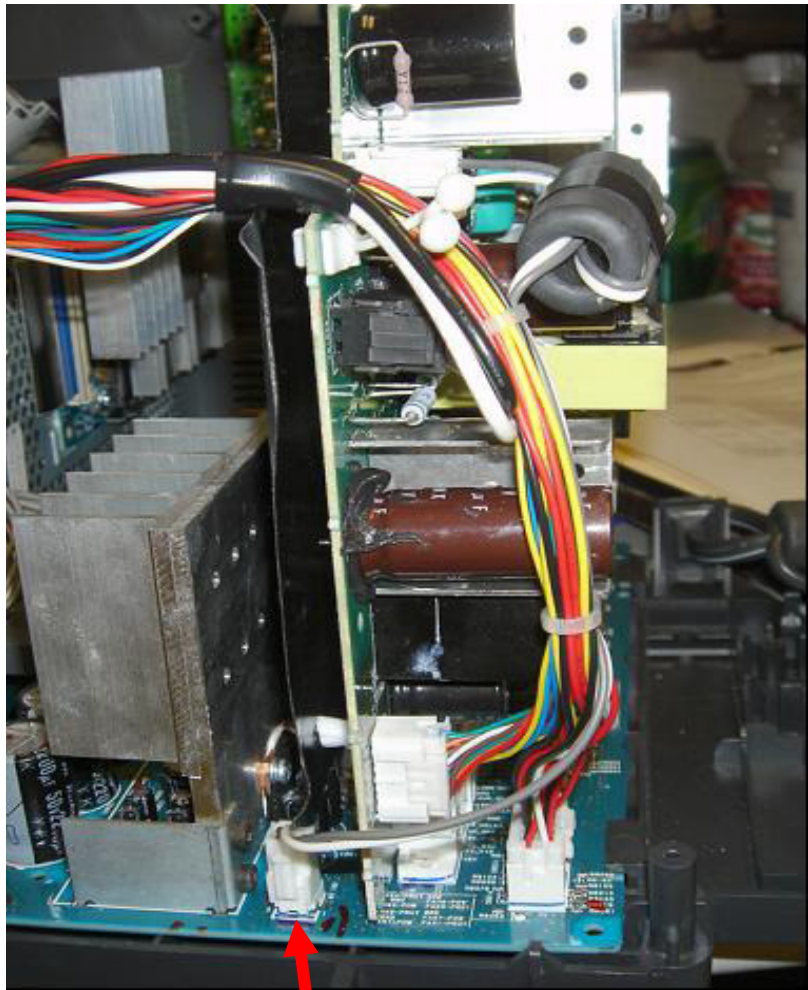
Main Harness Wire Dress (continued)

LEFT HAND SIDE OF MAIN HARNESS



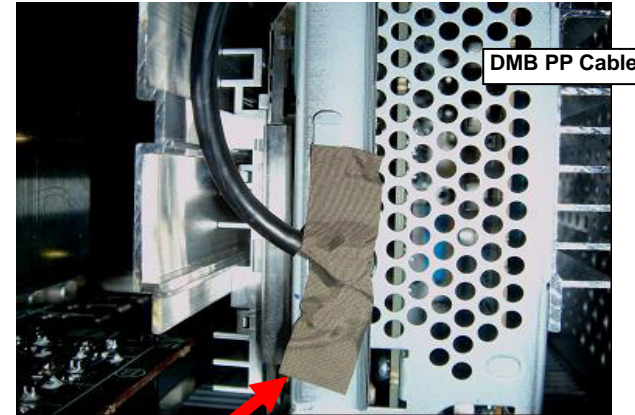
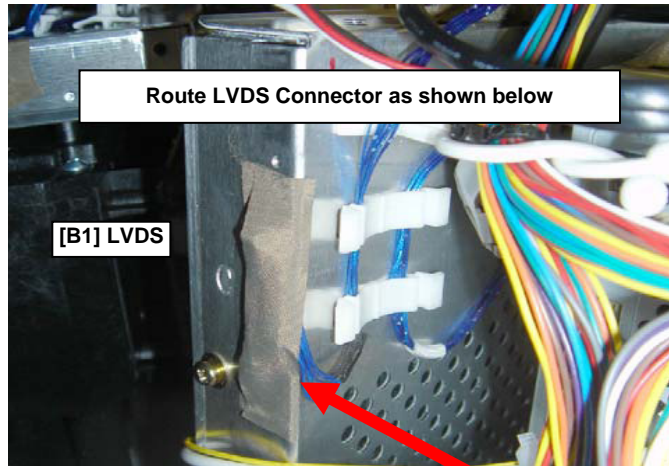
1-910-016-90 WIRE ASSY, FASTON TERMINAL SHOULD GO AROUND MAIN HARNESS AND DMB CONNECTOR

RIGHT HAND SIDE OF MAIN HARNESS

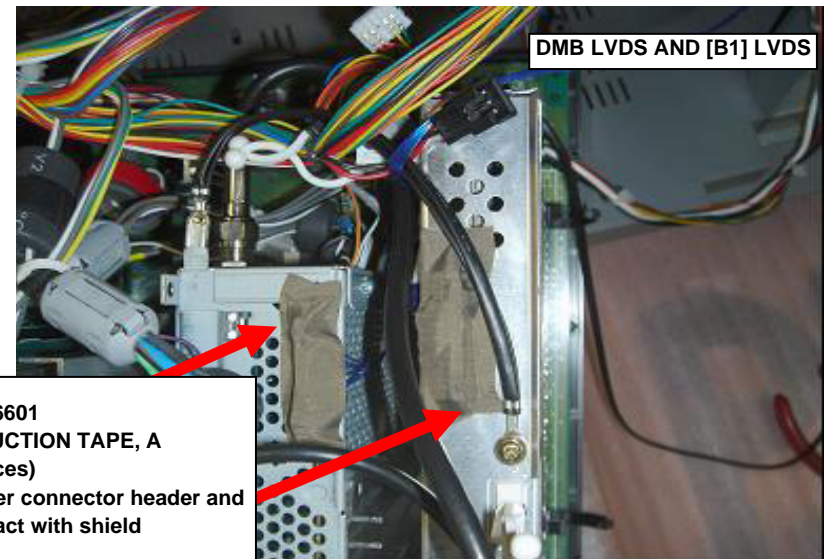
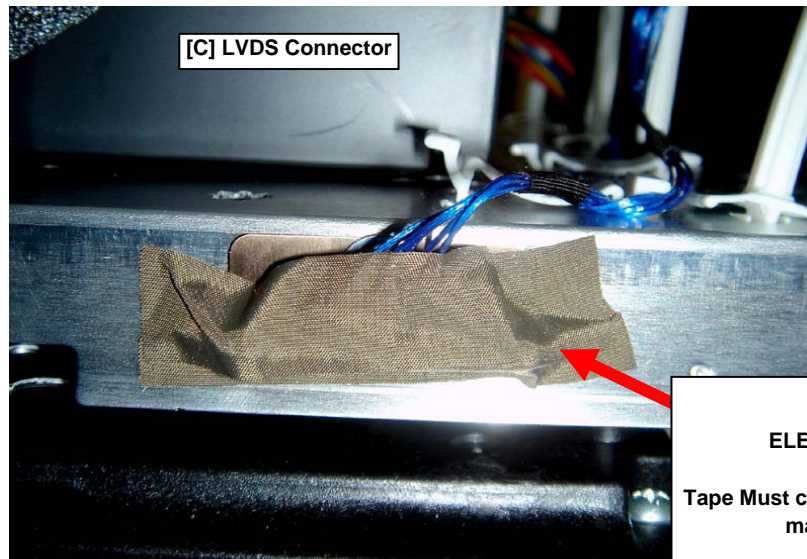


Install CN6601 on GK Board

Conductive Tape Application

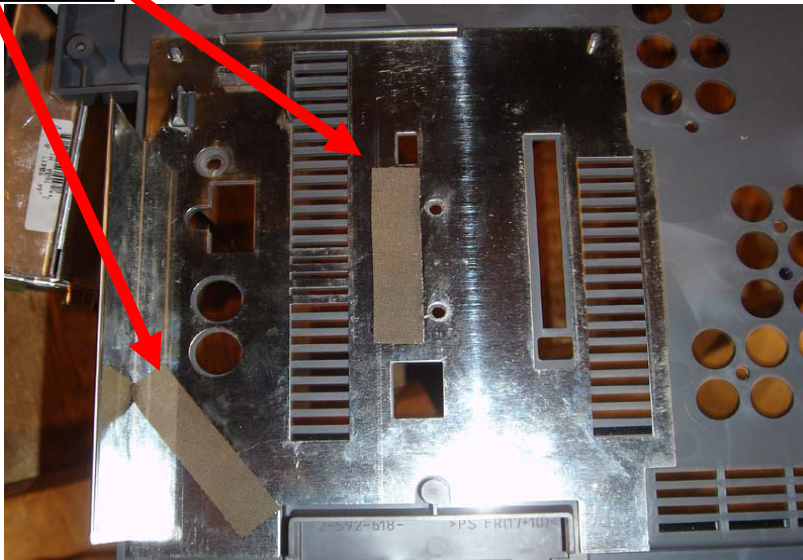
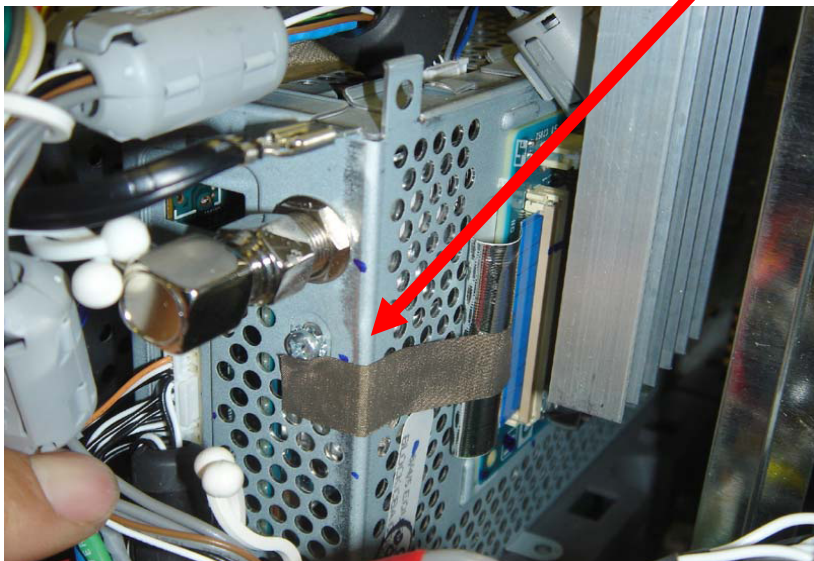


231876601
ELECTRIC CONDUCTION TAPE, A
(1 Piece)

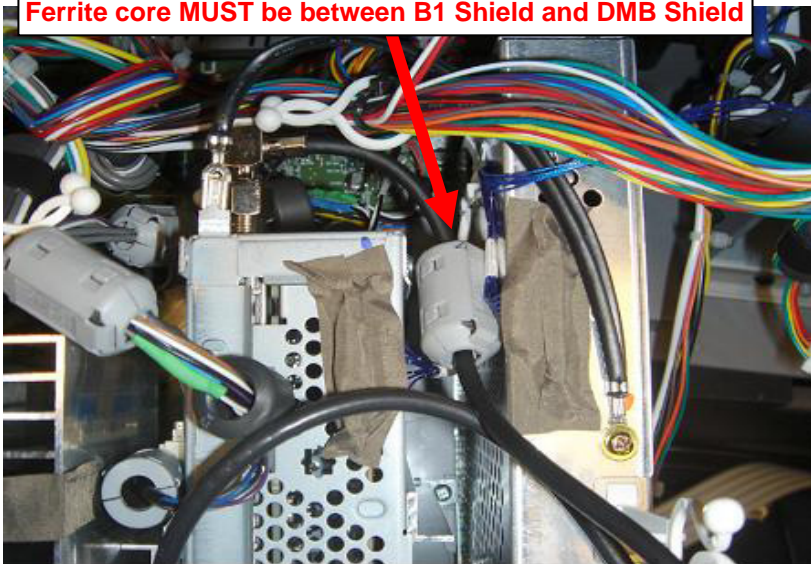


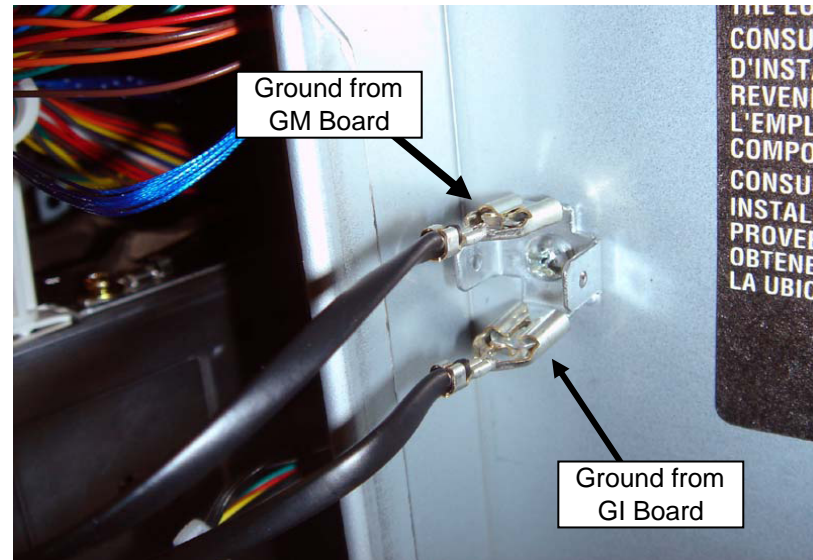
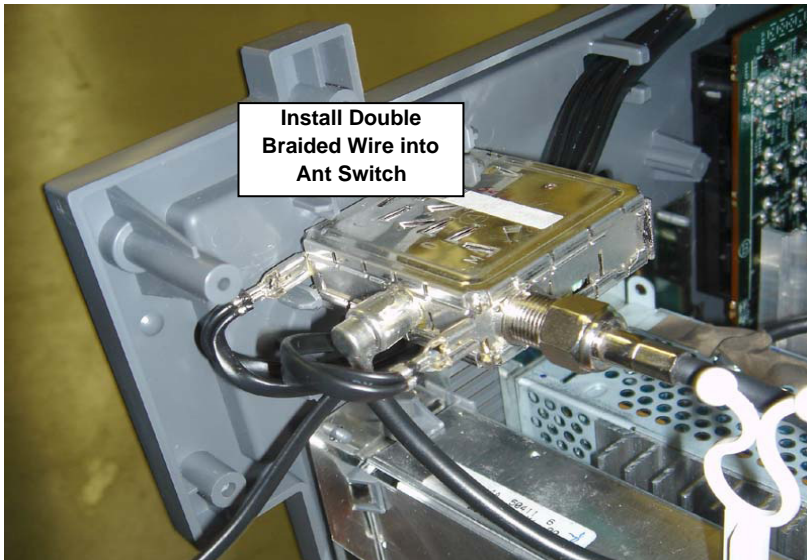
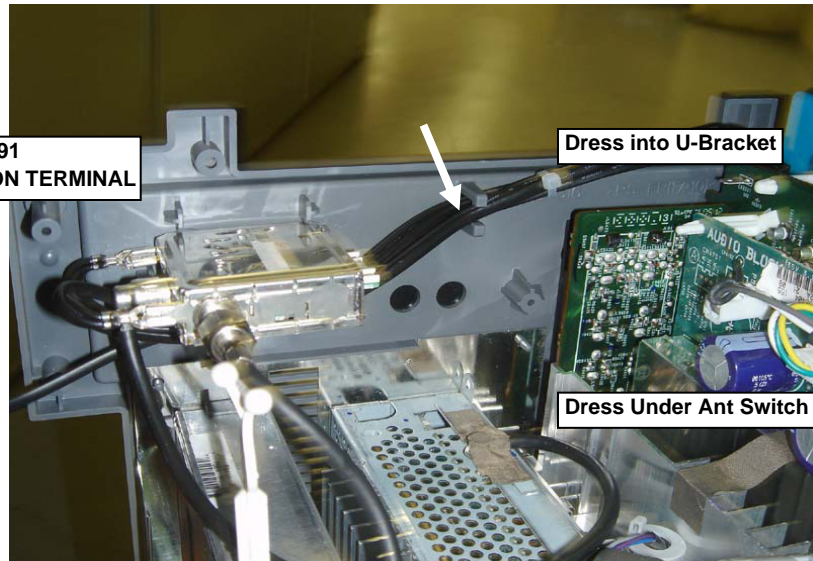
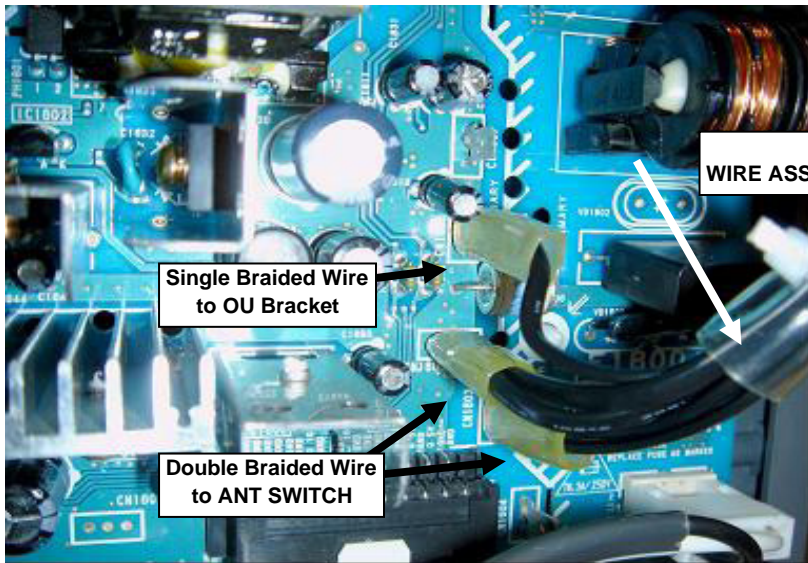
231876601
ELECTRIC CONDUCTION TAPE, A
(2 Pieces)
Tape Must completely cover connector header and
make good contact with shield

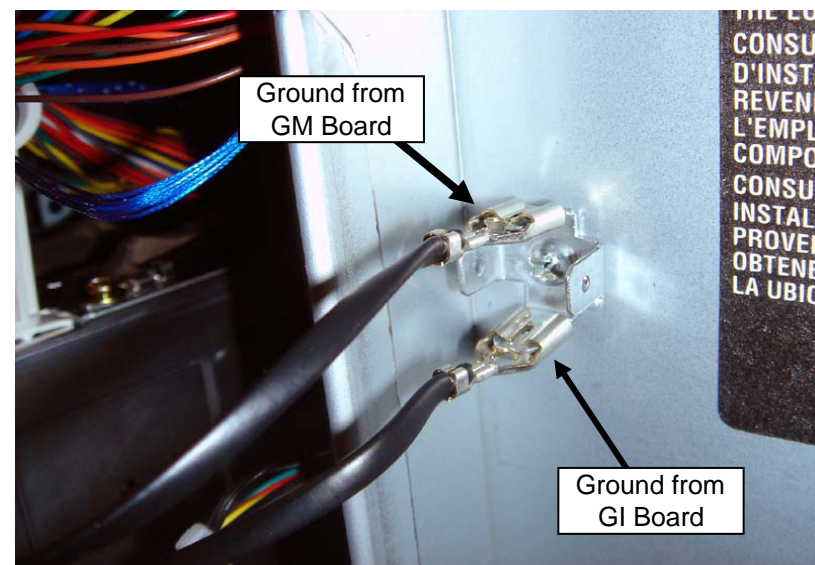
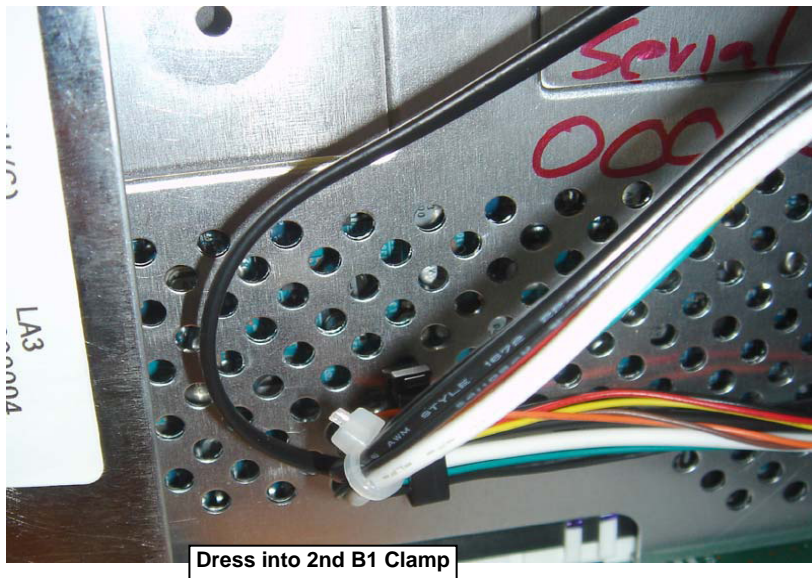
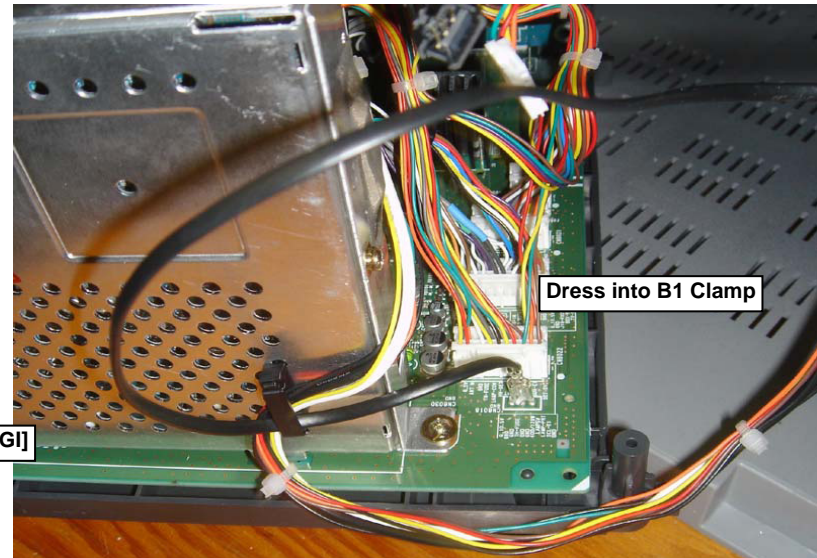
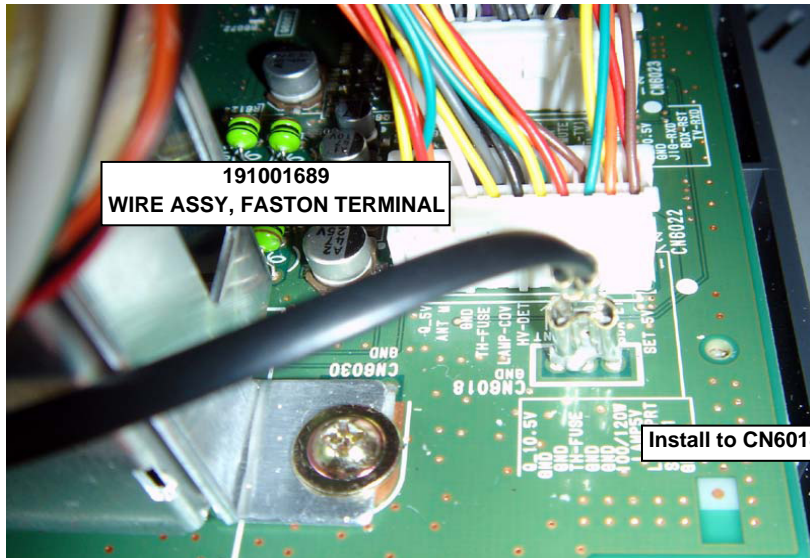
231876601
ELECTRIC CONDUCTION TAPE, A
(1 Piece)

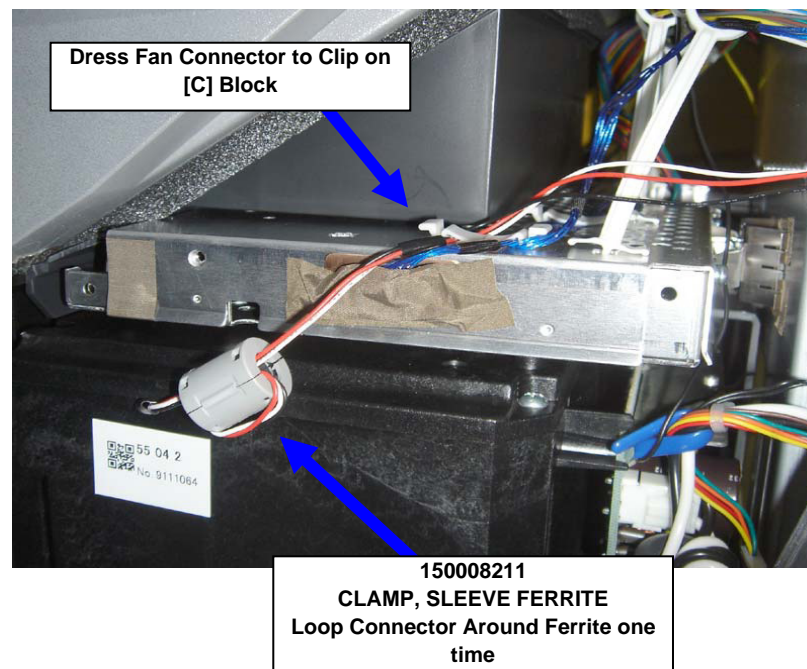
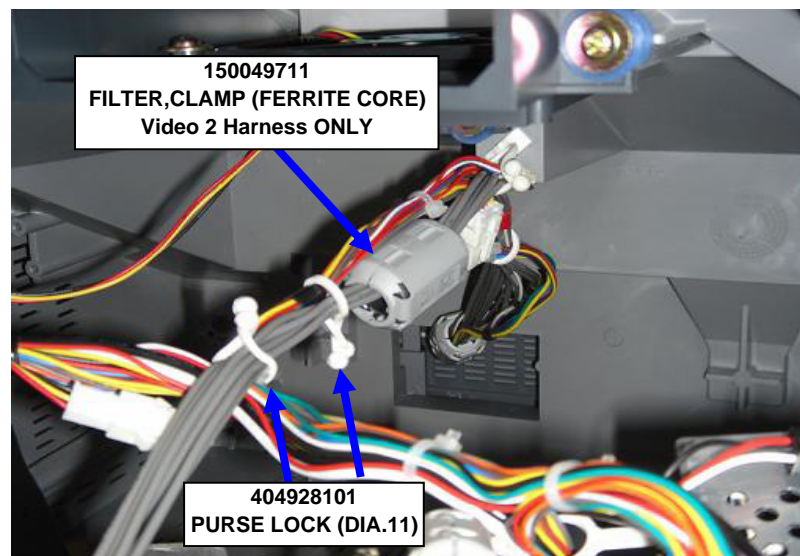
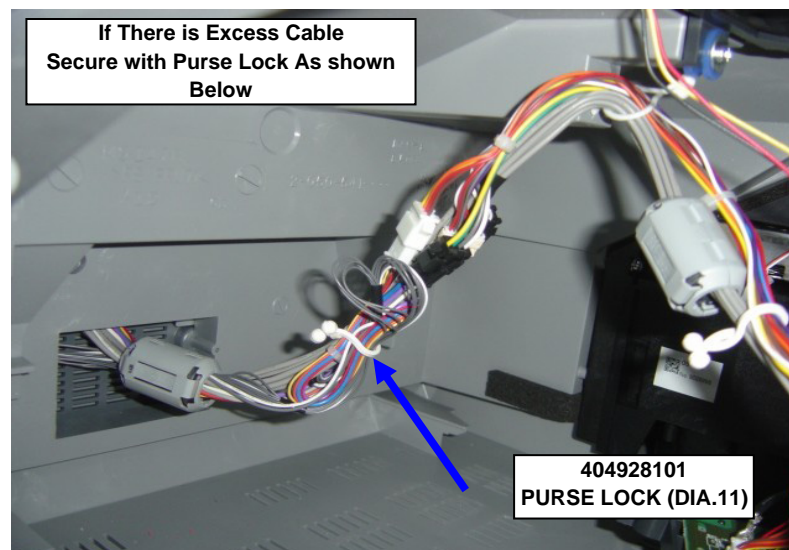
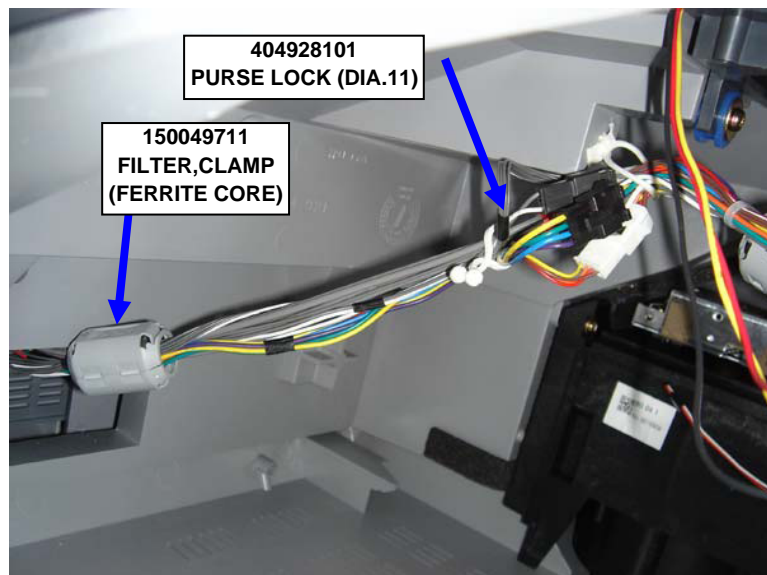


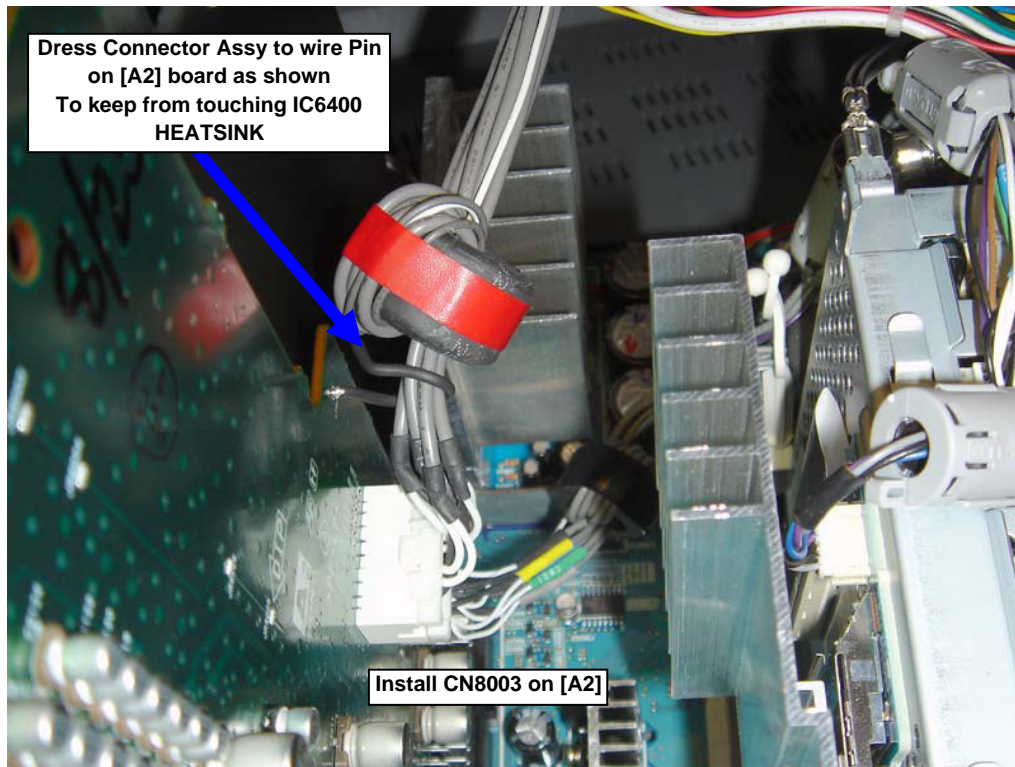
146908911
FILTER, CLAMP (FERRITE CORE)
Install on COAX cable.
Ferrite core MUST be between B1 Shield and DMB Shield





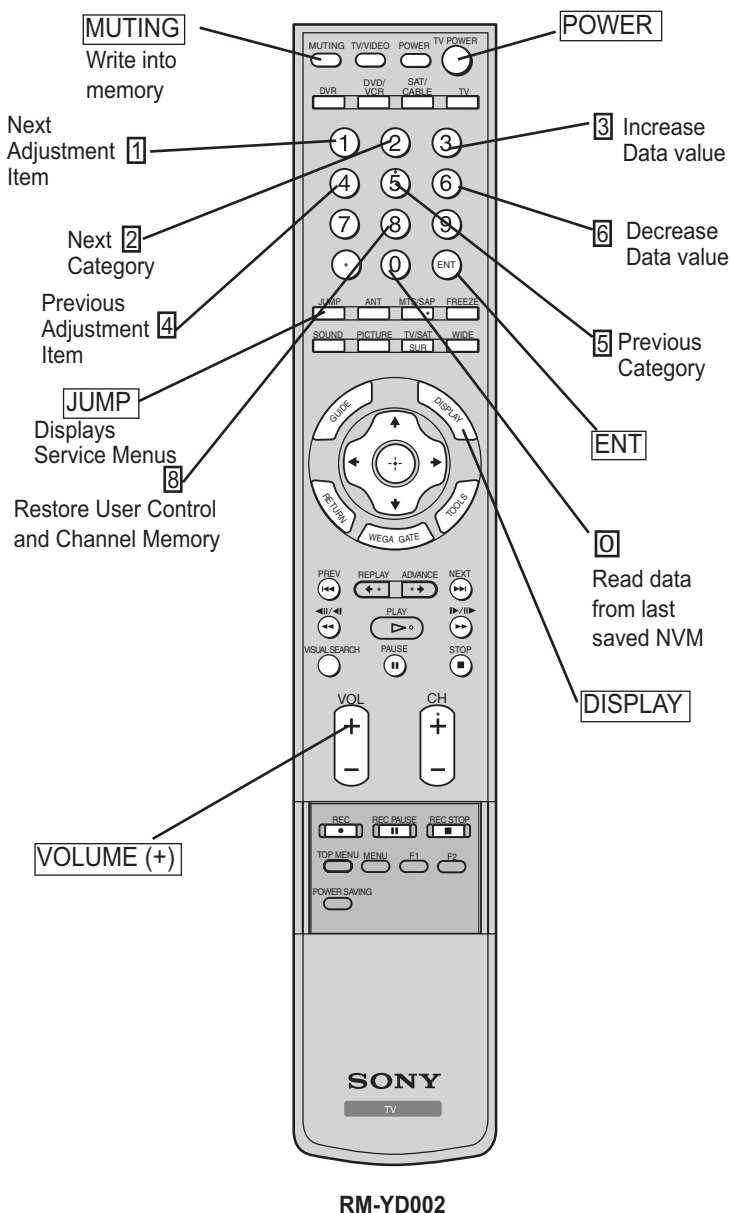






SECTION 2: CIRCUIT ADJUSTMENTS

2-1. REMOTE ADJUSTMENT BUTTONS AND INDICATORS



2-2. ACCESSING THE SERVICE ADJUSTMENT MODE

To adjust various set features, use the Remote Commander to put the set into service mode to display the service menus.

1. TV must be in standby mode. (Power off).
2. Press the following buttons on the Remote Commander within a second of each other:

[DISPLAY] → Channel [5] → Volume [+] → [POWER].

The first service menu (TV) displays.

3. To display the service menu that contains the category you want to adjust, press [JUMP] on the Remote Commander. (Refer to Service Menus)

Category	Data Value		
Item #			
VERSION	0	0	SERVICE
VERS	WIDE ZOOM		VIDEO 1
	WSL: 12		480I
F/A: 00000000	00000000		
CBA: 00000000	00000000		

Item

Sample TV Service Menu

2-3. CHANGING SERVICE ADJUSTMENT MODE MEMORY

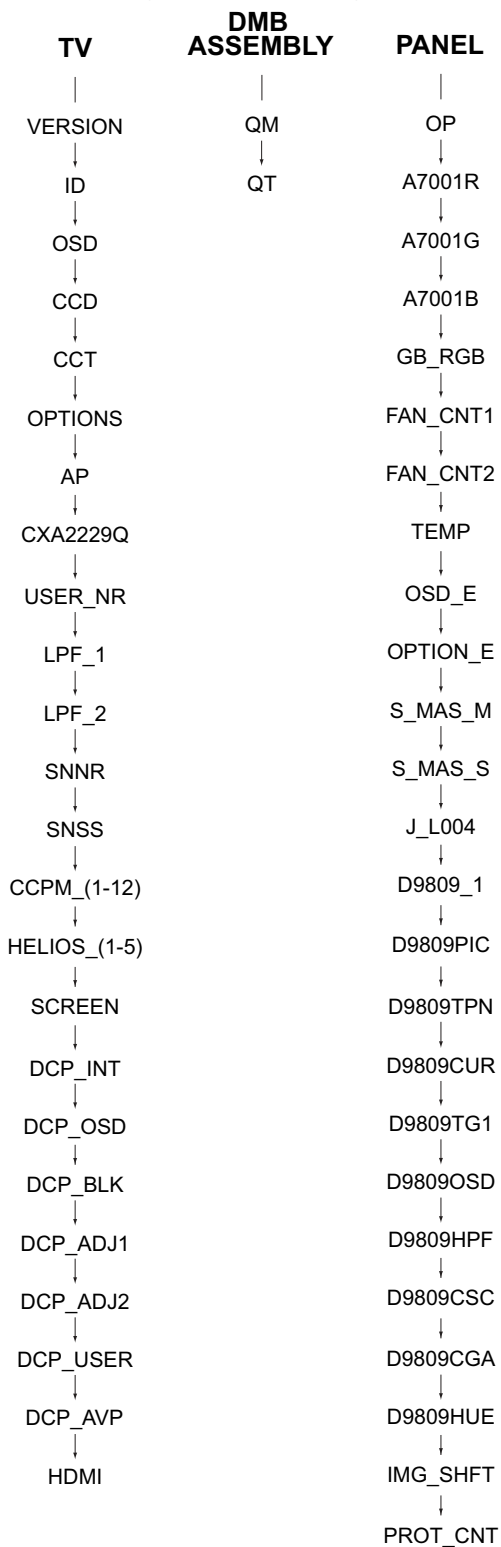
1. Access Service Adjustment Mode and select the service menu you want to adjust.
2. To change the **category**, press [2] or [5] on the Remote Commander.

Note: Pressing [2] or [5] only changes the categories within the service menu displayed. To change a category on one of the other service menus, press the [JUMP] button until the correct service menu is displayed.
3. To change the **adjustment item**, press [1] or [4] on the Remote Commander.
4. To change the **data value**, press [3] or [6] on the Remote Commander.

Note: To go back to the last saved data value, press [0] then [ENTER] on the Remote Commander to read the memory.
5. To write into memory, press [MUTING] then [ENT] on the Remote Commander.
6. To exit service mode, turn the power off.

SERVICE MENUS

(CATEGORIES ONLY)



2-4. MEMORY WRITE CONFIRMATION METHOD

1. After completing all adjustments turn the set off with the Remote Commander and **WAIT** for the fans to turn off before proceeding to the next step.

Note: It may take up to two minutes for the fans to stop.

Caution: To avoid over heating the lamp, do not unplug the set until the fans have stopped.

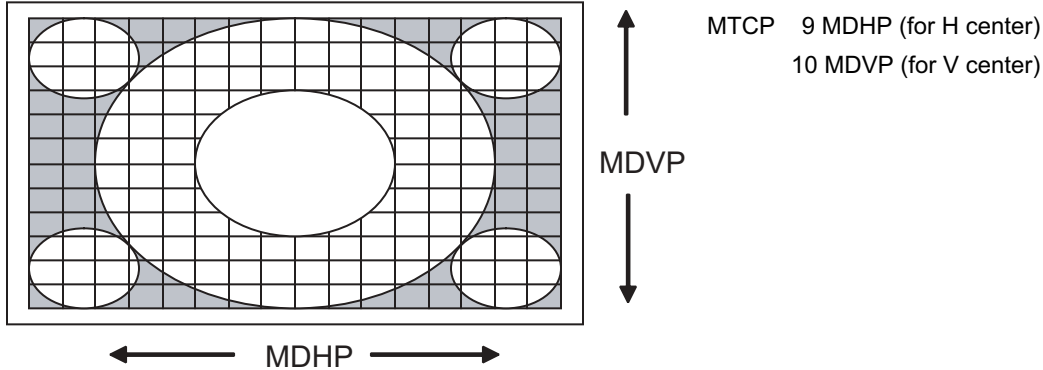
2. After the fans have stopped, unplug the set from the AC outlet, then plug the set back in the AC outlet.
3. To verify the changes repeat steps 2 through 5 from sections 2-2. Accessing the Service Adjustment Mode and 2-3. Changing Service Adjustment Mode Memory.
4. To exit service mode, turn the power off.

Note: To restore the User Controls and Channel Memory settings to the preset factory conditions, put the set into service mode (step 2 from 2-1. Accessing the Service Adjustment Mode), then press **[8] then **[ENT]** on the Remote Commander. The set will restart and display the initial setup screen.**

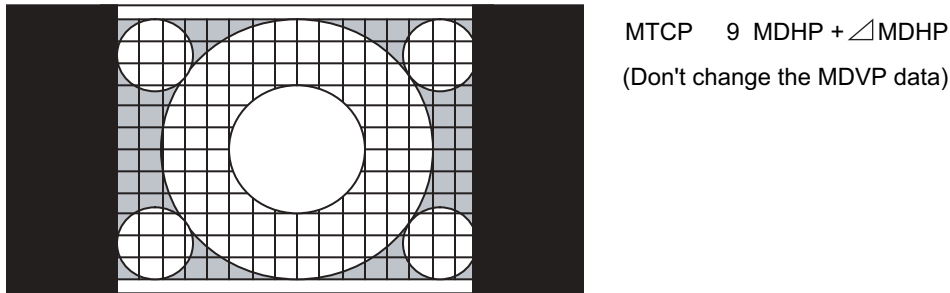
2-5. H/V CENTER CONFIRMATION AND ADJUSTMENTS

Please check the picture horizontal/vertical center after the replacement of the Optics Unit Block Assembly or any part of the Top assembly.

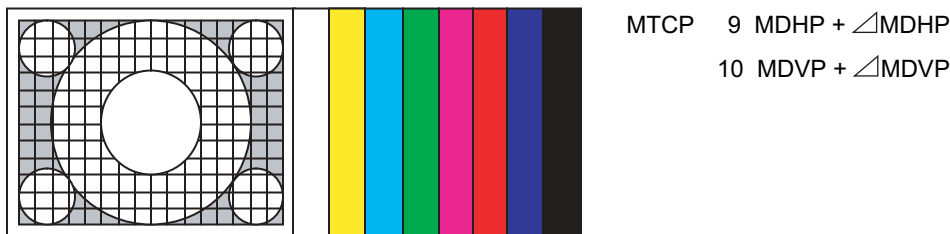
1. Check the H/V center with 480i monoscope signal in "Full" mode.
2. If the center is shifted, adjust using the following service items:
NOTE: Please record the steps shifted as \triangleleft MDHP and \triangleleft MDVP .



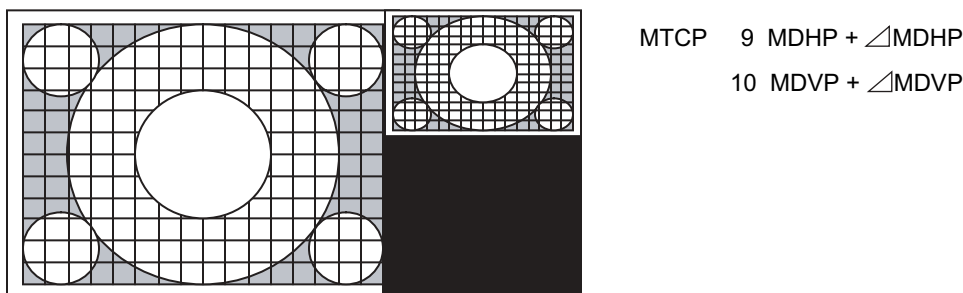
3. Change the WIDE mode to "Normal" and change the register data as follows:



4. Display the Twin Picture with the "split" button of the remote commander and change the registers data as follows:



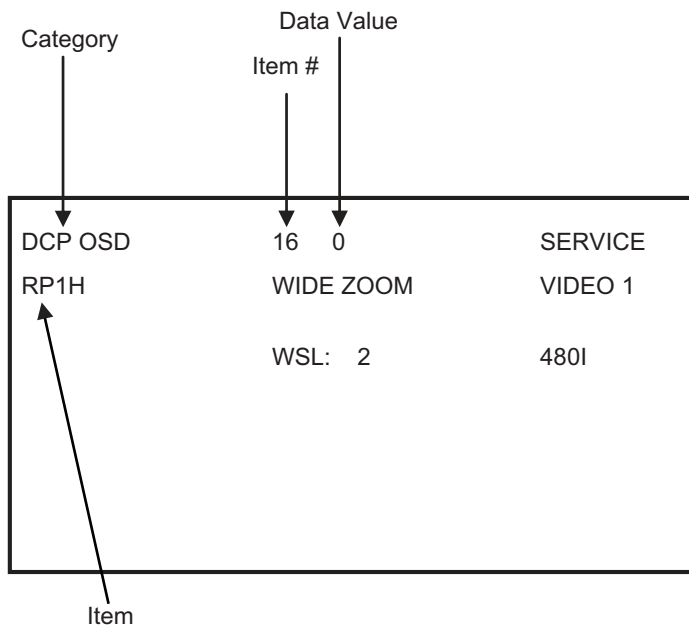
5. Press "Favorites" button and change the registers data as follows:



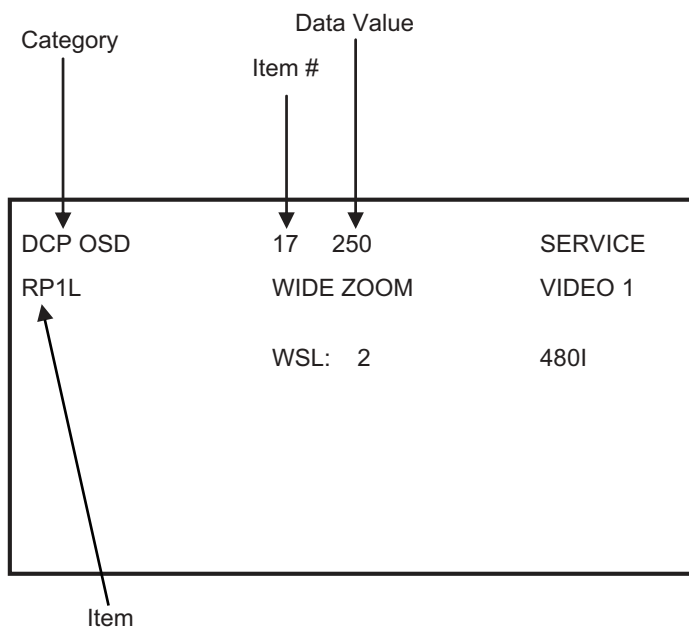
2-6. ADJUSTING ON SCREEN DISPLAY (OSD) POSITION

Use the DCP_OSD category to change the OSD.

1. Access Service Adjustment Mode and select the TV service menu.
2. Press **2** until the DCP OSD category displays.
3. Press **1** until the RP1H item (#16) displays.
4. Verify the **data value** is set to **0**.



5. Press **1** until the RP1L item (#17) displays.

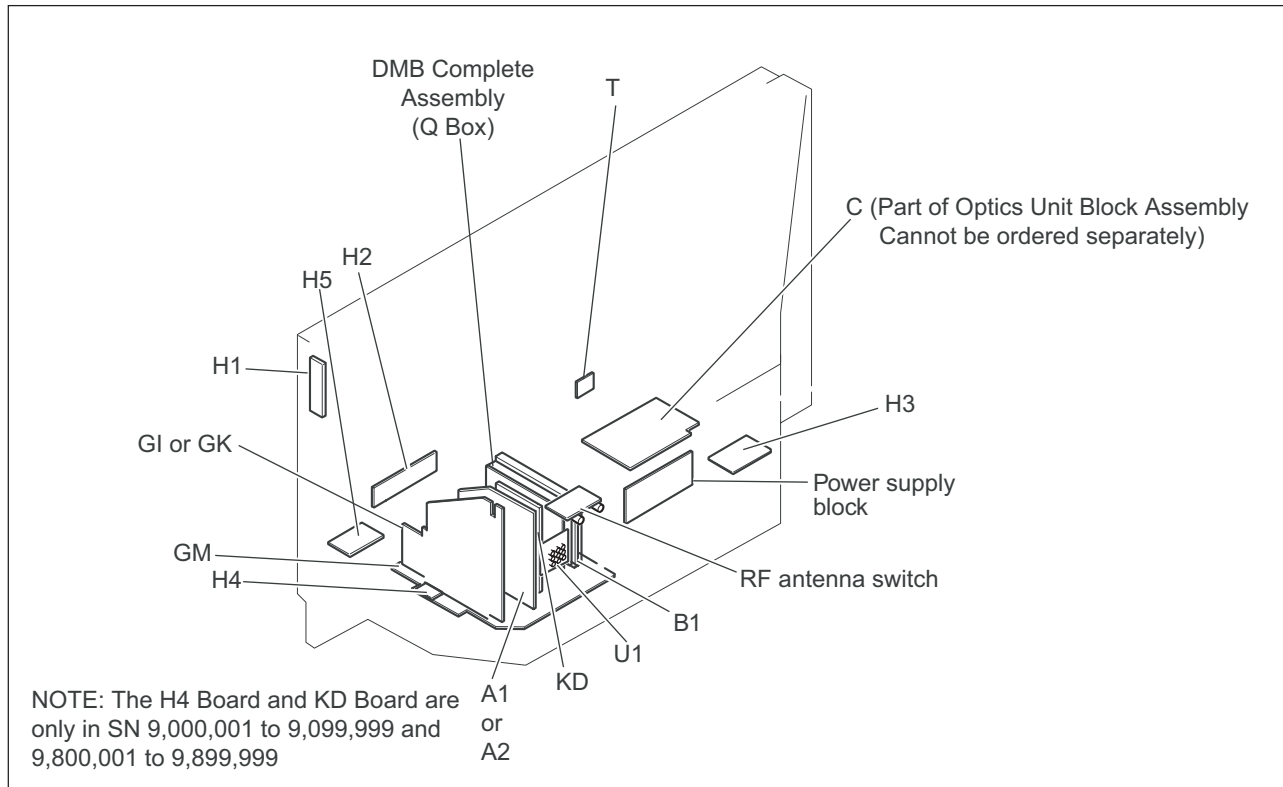


6. To move the OSD:
 - to the right, increase the **data value** by pressing **3**.
 - to the left, decrease the **data value** by pressing **6**.

Note: To go back to the last saved data value, press **0** then **ENTER** on the Remote Commander to read the memory.
7. To write into memory, press **MUTING** then **ENT** on the Remote Commander.
8. To exit service mode, turn the power off.

SECTION 3: DIAGRAMS

3-1. CIRCUIT BOARDS LOCATION



3-2. PRINTED WIRING BOARDS AND SCHEMATIC DIAGRAMS INFORMATION

All capacitors are in μF unless otherwise noted. pF : μF 50WV or less are not indicated except for electrolytics and tantalums.

All electrolytics are in 50V unless otherwise specified.

All resistors are in ohms. $\text{k}\Omega=1000\Omega$, $\text{M}\Omega=1000\text{k}\Omega$

Indication of resistance, which does not have one for rating electrical power, is as follows: Pitch : 5mm
Rating electrical power : $\frac{1}{4}$ W

- $\frac{1}{4}$ W in resistance, $\frac{1}{10}$ W and $\frac{1}{16}$ W in chip resistance.
- : nonflammable resistor
- : fusible resistor
- \triangle : internal component
- : panel designation and adjustment for repair
- \perp : earth ground
- : earth-chassis

All variable and adjustable resistors have characteristic curve B, unless otherwise noted.

Readings are taken with a color-bar signal input.

Readings are taken with a $10\text{M}\Omega$ digital multimeter.

Voltages are DC with respect to ground unless otherwise noted.

Voltage variations may be noted due to normal production tolerances.

- All voltages are in V.
- S : Measurement impossibility.
- : B+line.
- : B-line. (Actual measured value may be different).
- : signal path. (RF)
- Circled numbers are waveform references.

The components identified by shading and \triangle symbol are critical for safety. Replace only with part number specified.

The symbol indicates a fast operating fuse and is displayed on the component side of the board. Replace only with fuse of the same rating as marked.

Les composants identifiés par un trame et une marque \triangle sont critiques pour la securite. Ne les remplacer que par une piece portant le numero specifie.

Le symbole indique une fusible a action rapide. Doit etre remplace par une fusible de meme yaleur, comme maque.

REFERENCE INFORMATION

RESISTOR

- : RN METAL FILM
- : RC SOLID
- : FPRD NONFLAMMABLE CARBON
- : FUSE NONFLAMMABLE FUSIBLE
- : RW NONFLAMMABLE WIREWOUND
- : RS NONFLAMMABLE METAL OXIDE
- : RB NONFLAMMABLE CEMENT
- : ※ ADJUSTMENT RESISTOR

COIL

- : LF-8L MICRO INDUCTOR

CAPACITOR

- : TA TANTALUM
- : PS STYROL
- : PP POLYPROPYLENE
- : PT MYLAR
- : MPS METALIZED POLYESTER
- : MPP METALIZED POLYPROPYLENE
- : ALB BIPOLAR
- : ALT HIGH TEMPERATURE
- : ALR HIGH RIPPLE

Terminal name of semiconductors in silk screen printed circuit (※)

	Device	Printed symbol	Terminal name	Circuit
①	Transistor		Collector Base Emitter	
②	Transistor		Collector Base Emitter	
③	Diode		Cathode Anode	
④	Diode		Cathode Anode (NC)	
⑤	Diode		Cathode Anode (NC)	
⑥	Diode		Common Anode Cathode	
⑦	Diode		Common Anode Cathode	
⑧	Diode		Common Anode Anode	
⑨	Diode		Common Anode Anode	
⑩	Diode		Common Cathode Cathode	
⑪	Diode		Common Cathode Cathode	
⑫	Diode		Anode Anode Cathode Cathode	
⑬	Transistor (FET)		Drain Source Gate	
⑭	Transistor (FET)		Drain Source Gate	
⑮	Transistor (FET)		Source Drain Gate	
⑯	Transistor		Emitter Collector Base	
⑰	Transistor		C2 B1 E1 E2 B2 C1	
⑱	Transistor		C1 B2 E2 E1 B1 C2	
⑲	Transistor		C1 B2 E2 E1 B1 C2	
⑳	Transistor		C1 B2 E2 E1 B1 C2	
㉑	Transistor		E2 B1 E1 C2 C1(B2)	
㉒	Transistor		(B2) B1 E1 E2 C1 C2	
㉓	Transistor		(B2) E2 E1 B1 C2 C1	
—	Discrete semiconductot			

(Chip semiconductors that are not actually used are included.)

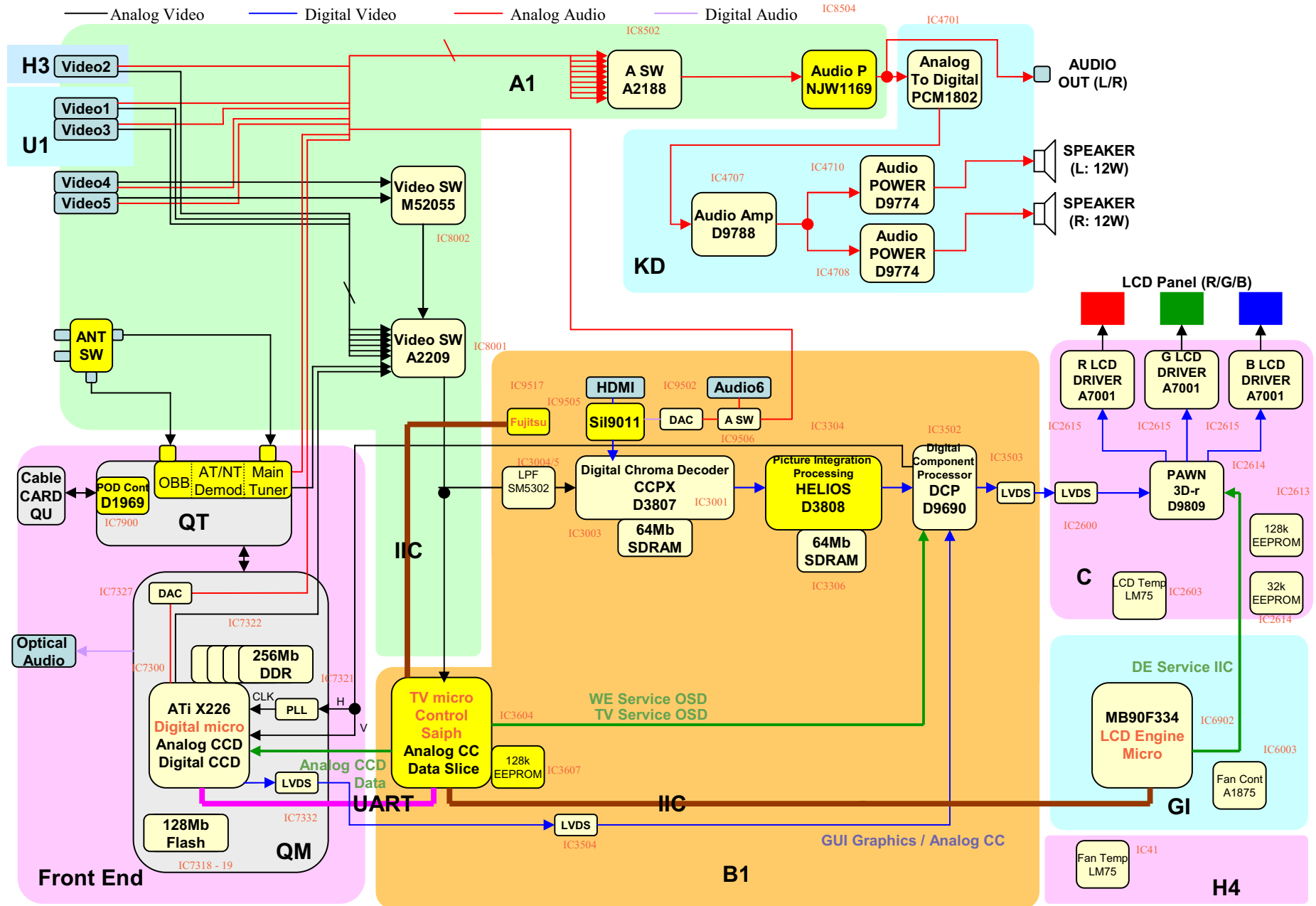
Ver.1.5

3-3. BLOCK DIAGRAMS

SIGNAL FLOW BLOCK DIAGRAM (SN 9,000,001 TO 9,099,999 AND 9,800,000 AND 9,899,999 ONLY)

WF-MARK2 GW Signal Flow

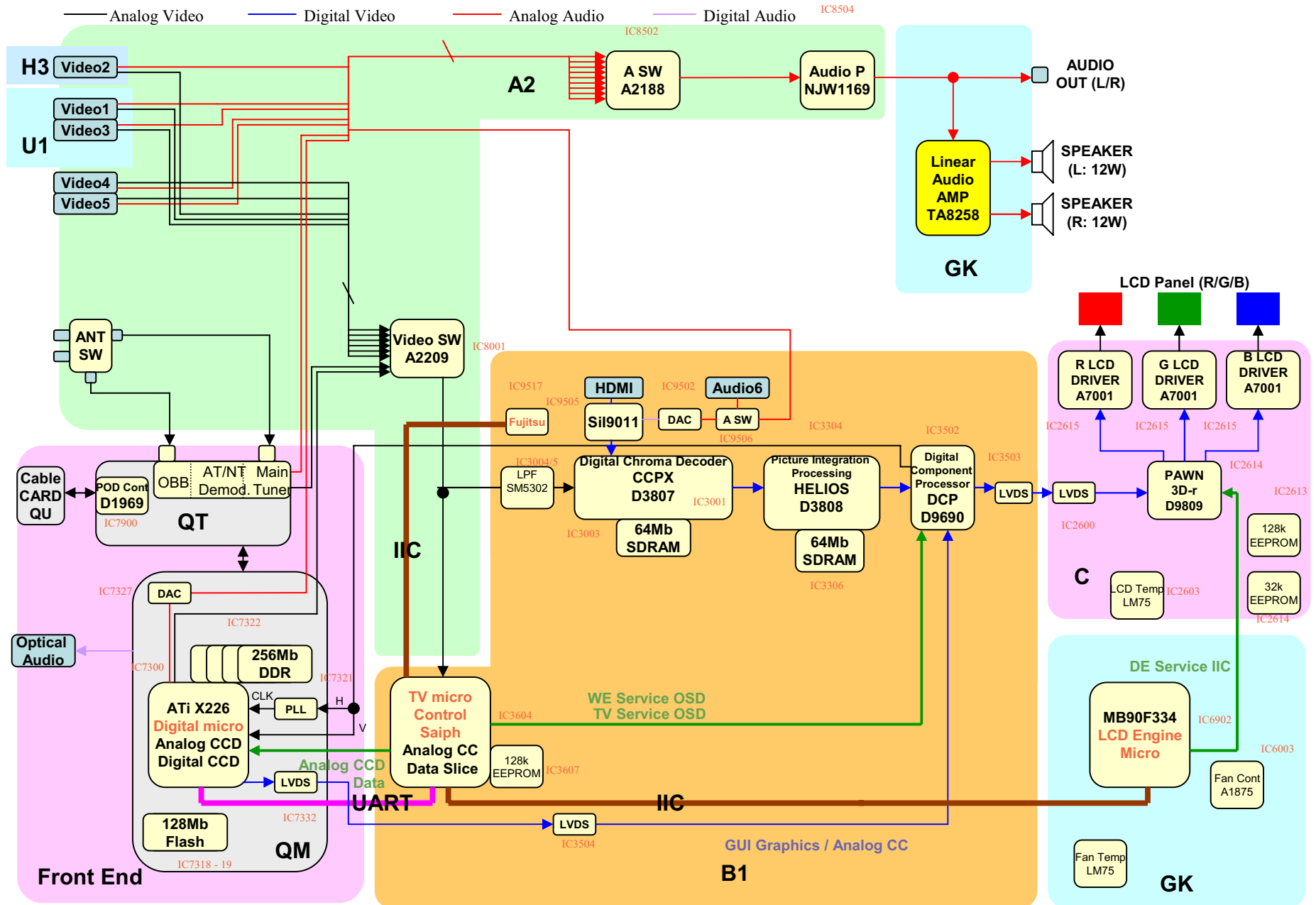
Difference from LA3



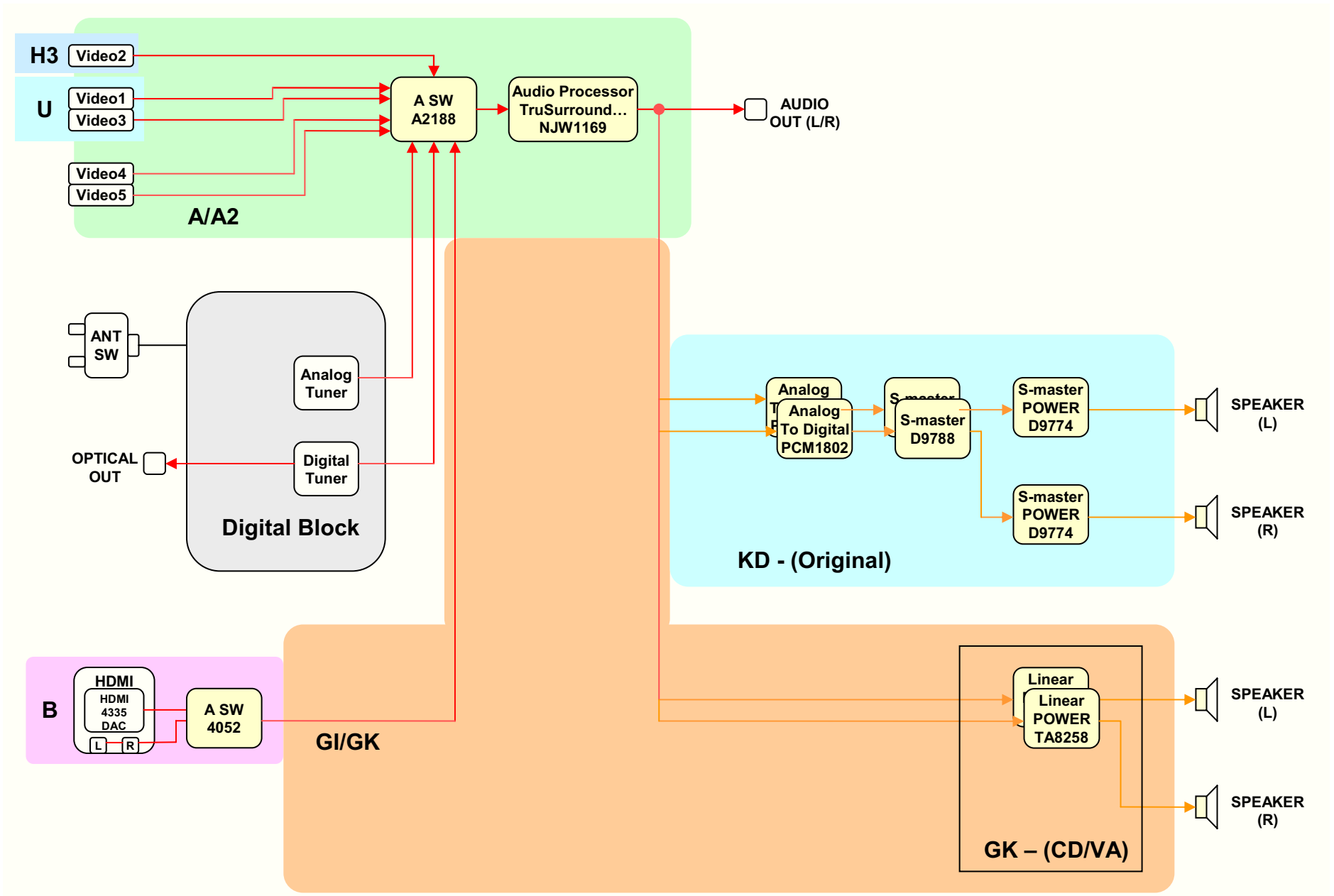
SIGNAL FLOW BLOCK DIAGRAM (SN 9,100,001 TO 9,799,999 AND 9,900,001 UP)

WF-MARK2.5 GW Signal Flow

Difference from MK2

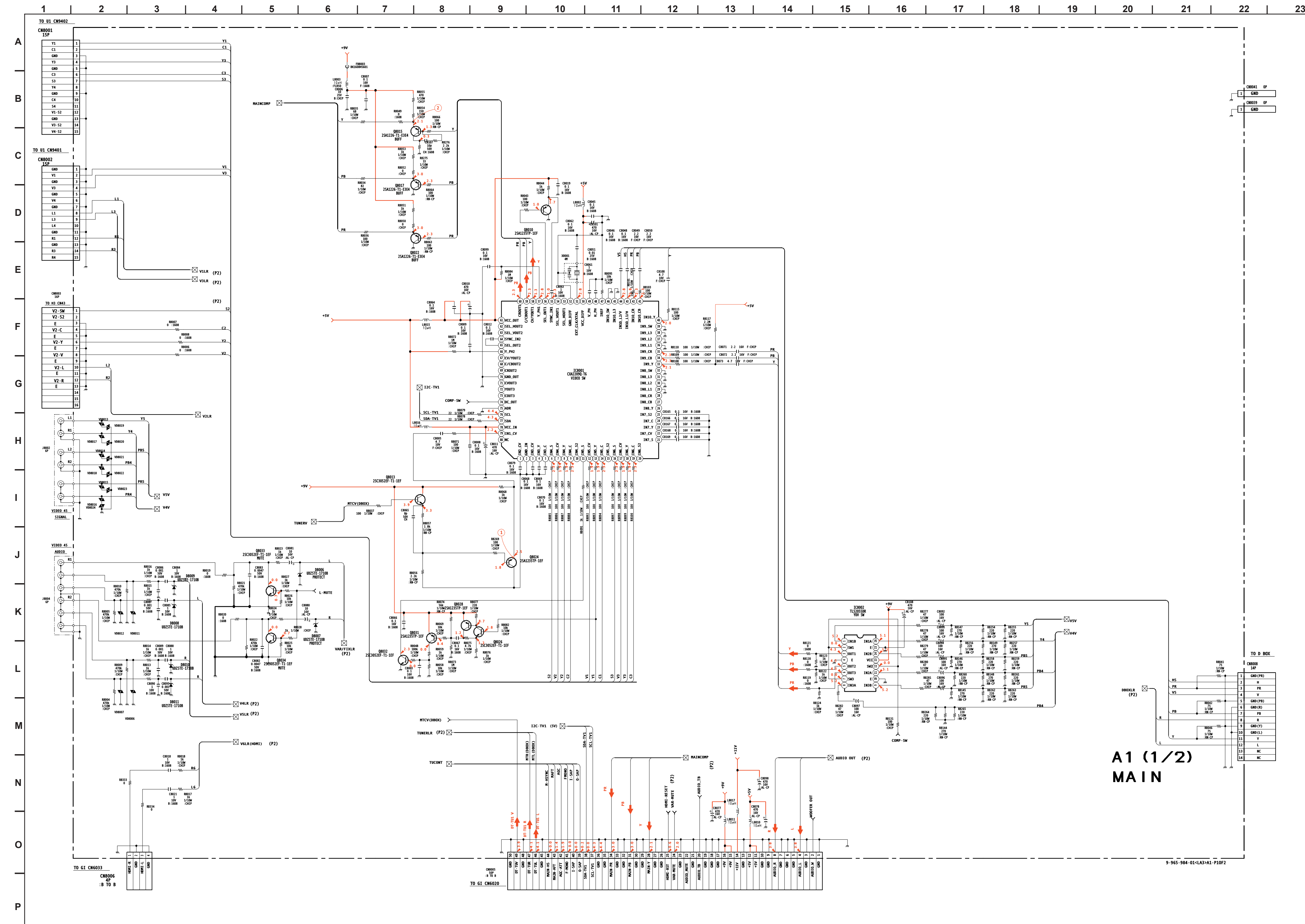


AUDIO BLOCK DIAGRAM

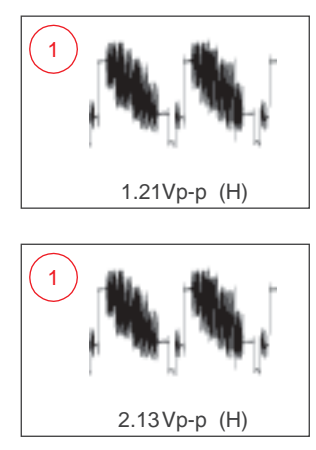


3-3. SCHEMATICS AND SUPPORTING INFORMATION

A1 BOARD SCHEMATIC DIAGRAM (1 OF 2) (SN 9,000,001 TO 9,099,999 AND 9,800,001 TO 9,899,999 ONLY)



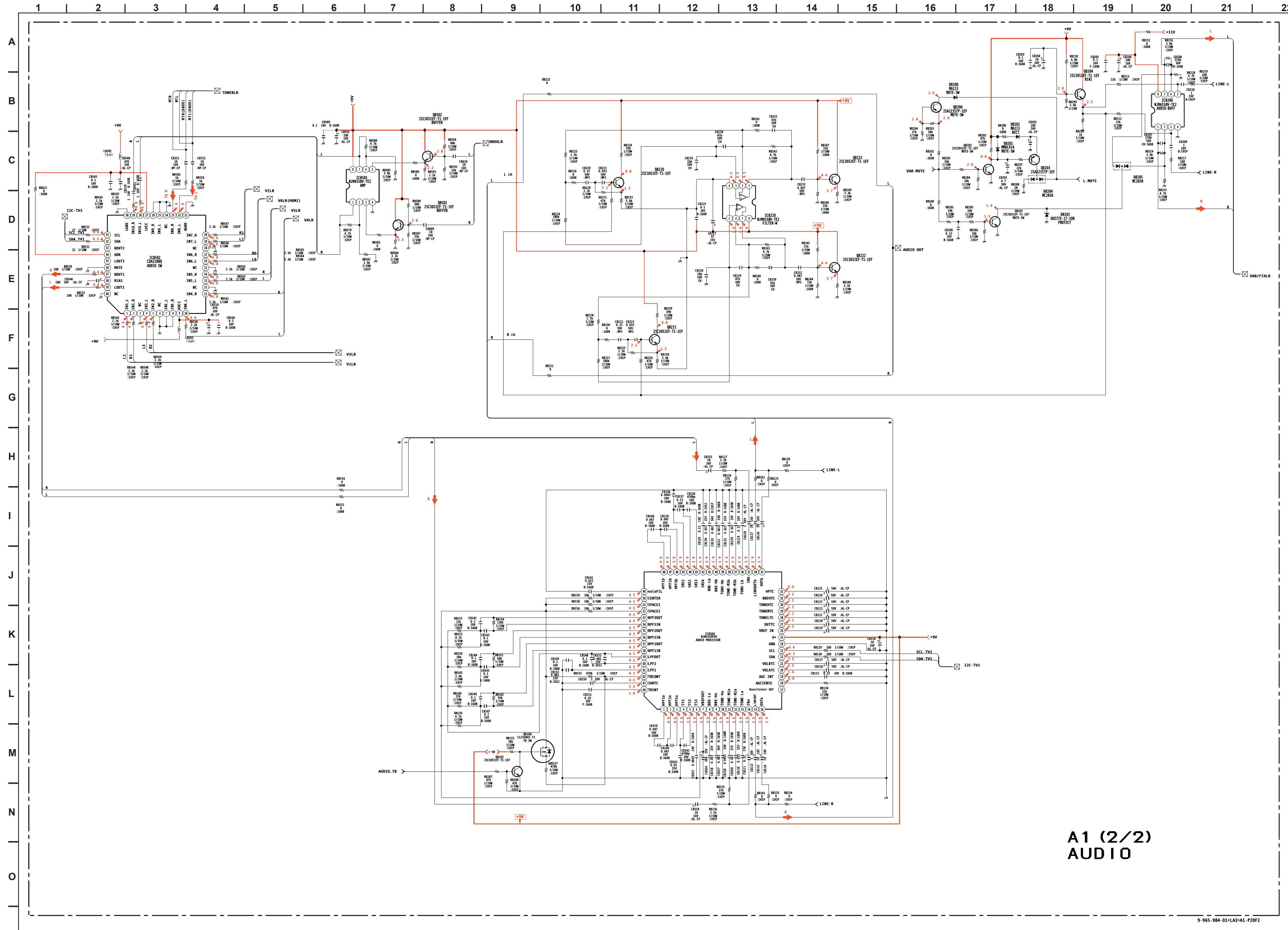
A1 BOARD WAVEFORMS



A1 (1/2)
MAIN

9-965-984-01-1A3-A1-PI0F2

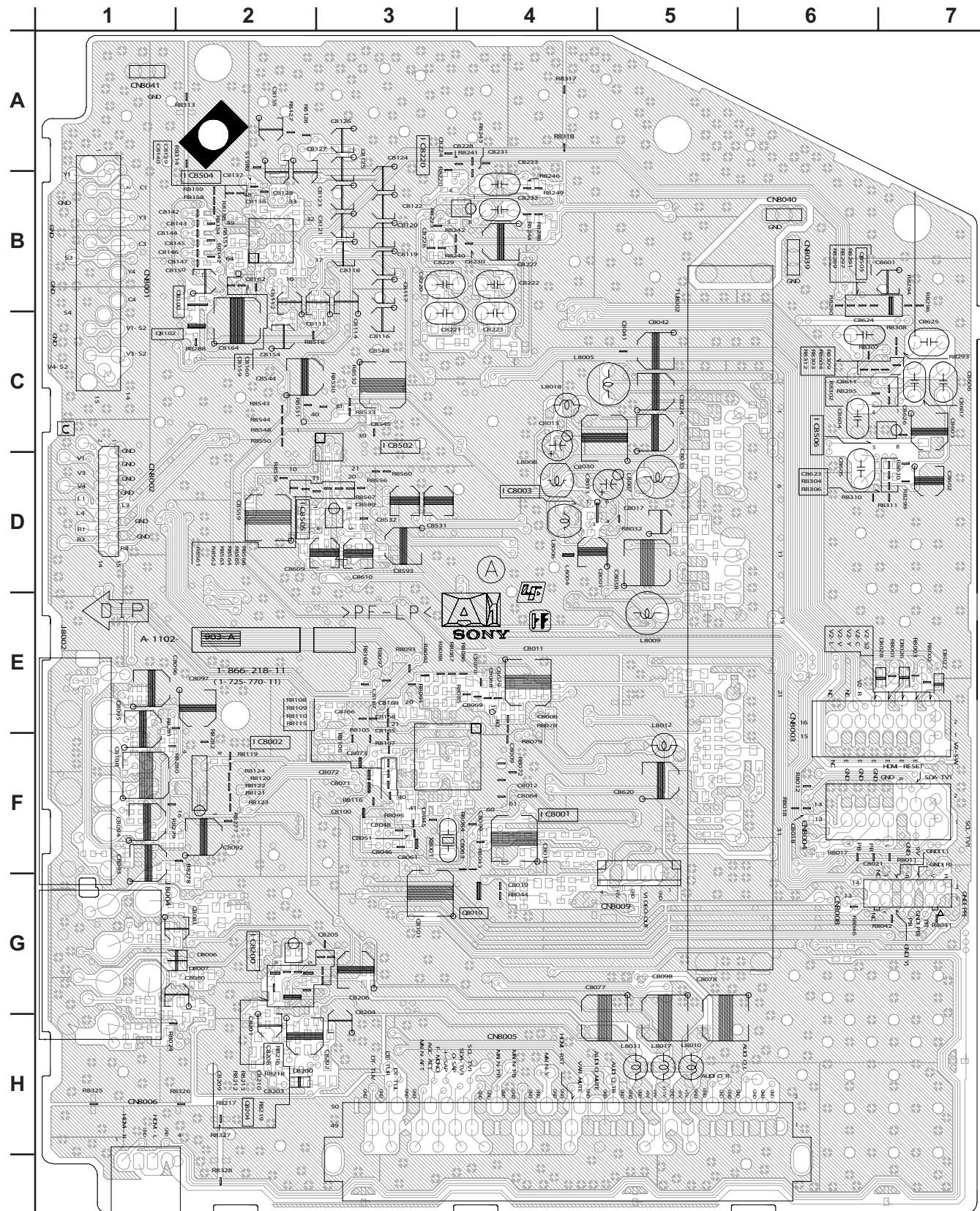
A1 BOARD SCHEMATIC DIAGRAM (2 OF 2) (SN 9,000,001 TO 9,099,999 AND 9,800,001 TO 9,899,999 ONLY)



A1 (2/2)
AUDIO

A1 [MAIN, AUDIO]

COMPONENT SIDE
(SN 9,000,001 TO 9,099,999 AND 9,800,001 TO 9,899,999 ONLY)



A1 LOCATOR LIST
COMPONENT SIDE

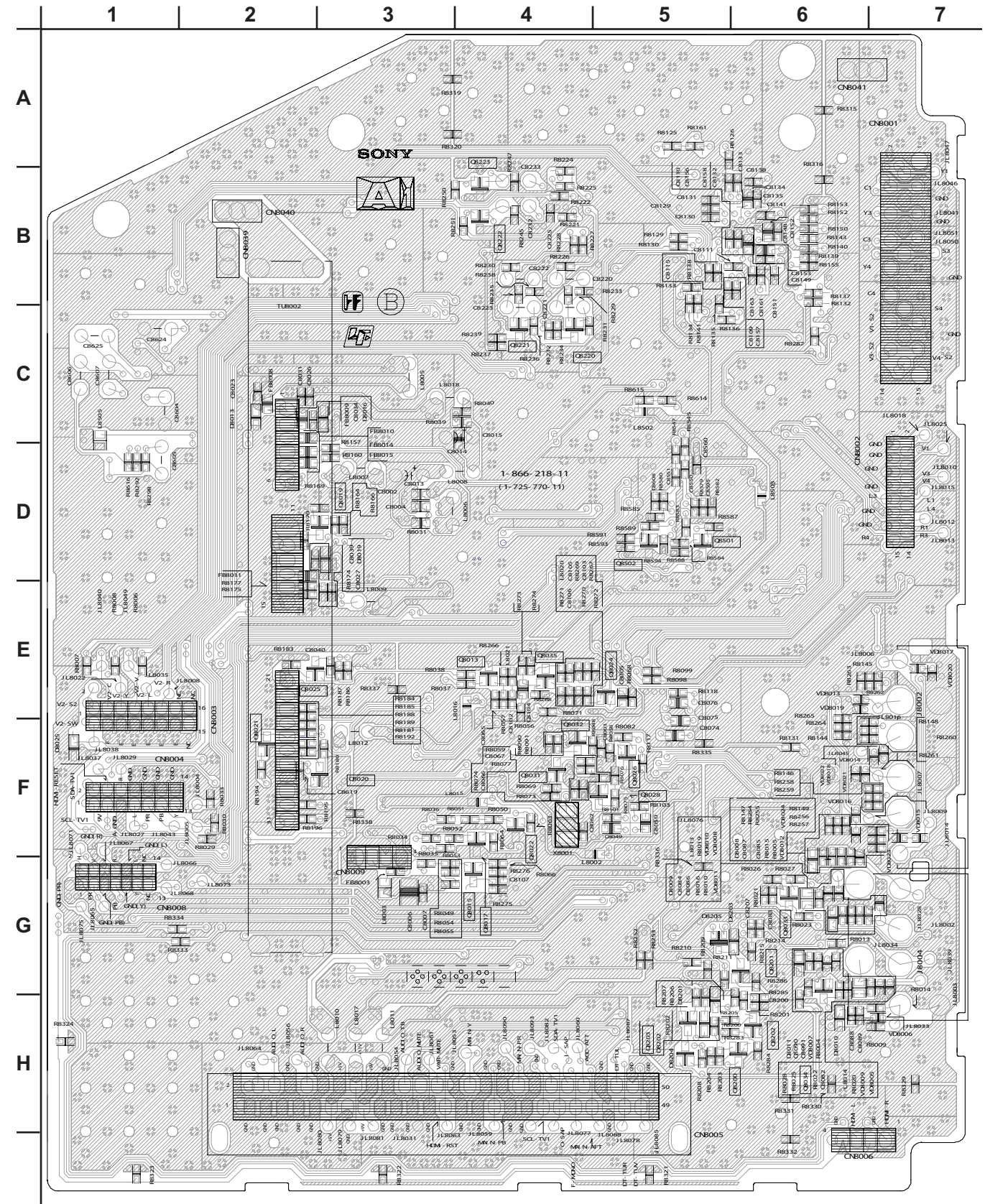
DIODE	
D8006	G-1
D8007	G-1
D8200	H-2
IC	
IC8001	F-4
IC8002	F-2
IC8200	G-2
IC8502	C-3
IC8504	B-2
IC8505	D-2
TRANSISTOR	
Q8010	G-4
Q8100	H-2
Q8102	C-1
Q8204	D-1
Q8503	B-6

A1 LOCATOR LIST
CONDUCTOR SIDE

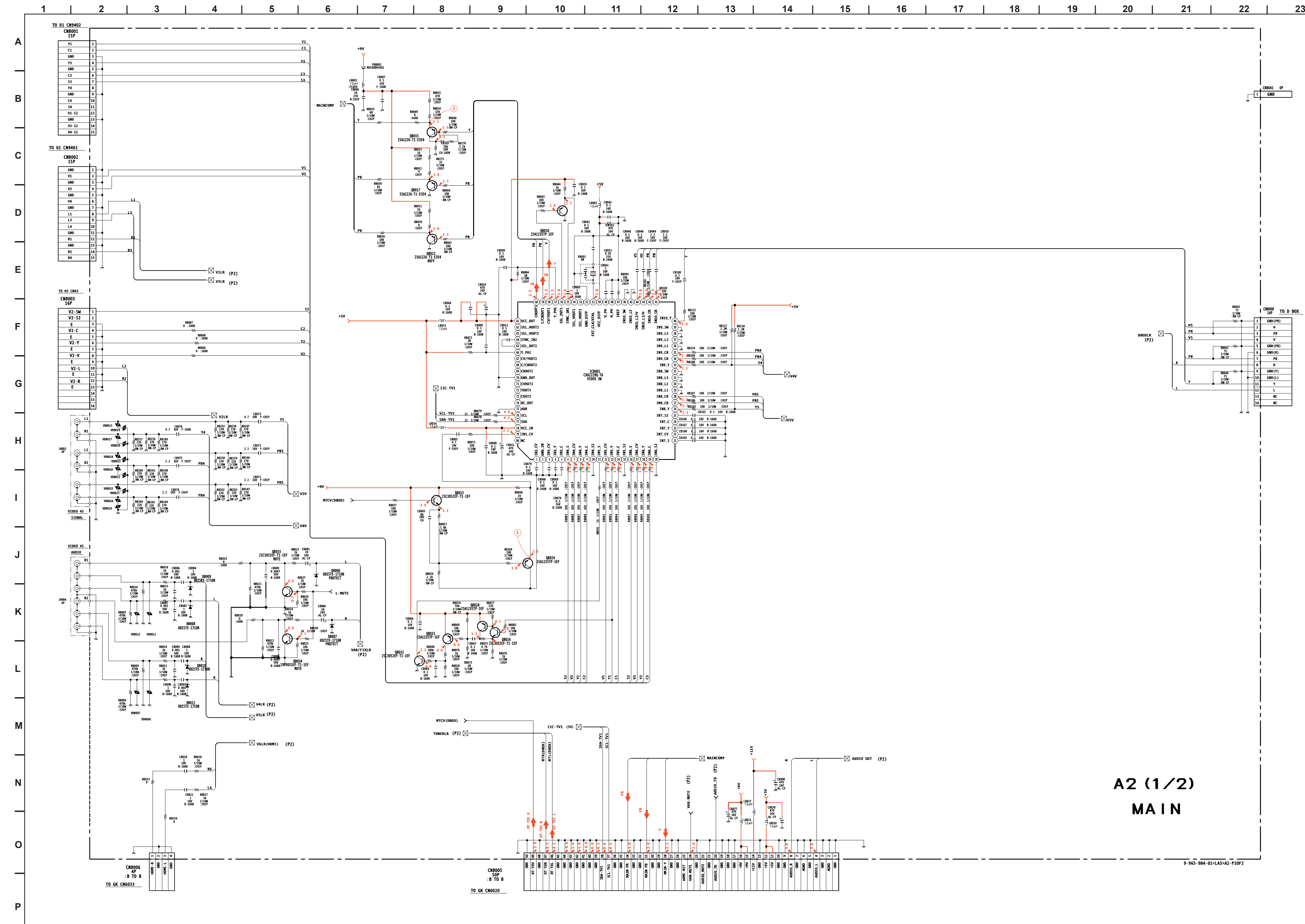
DIODE	
D8008	F-5
D8009	G-5
D8010	H-6
D8011	H-6
D8201	G-5
D8202	H-5
D8203	G-6
D8204	H-5
D8205	G-5
TRANSISTOR	
Q8013	E-4
Q8015	G-4
Q8017	G-4
Q8022	F-4
Q8024	E-5
Q8026	F-5
Q8028	F-5
Q8031	F-4
Q8032	F-4
Q8033	G-6
Q8034	H-6
Q8200	H-6
Q8201	G-6
Q8202	H-6
Q8203	H-5
Q8220	C-4
Q8221	C-4
Q8222	B-4
Q8223	B-4
Q8501	D-6
Q8502	D-5

A1 [MAIN, AUDIO]

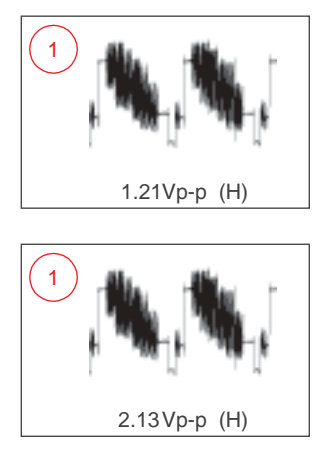
CONDUCTOR SIDE
(SN 9,000,001 TO 9,099,999 AND 9,800,001 TO 9,899,999 ONLY)



A2 BOARD SCHEMATIC DIAGRAM (1 OF 2) (SN 9,100,001 TO 9,799,999 AND 9,900,001 AND UP ONLY)



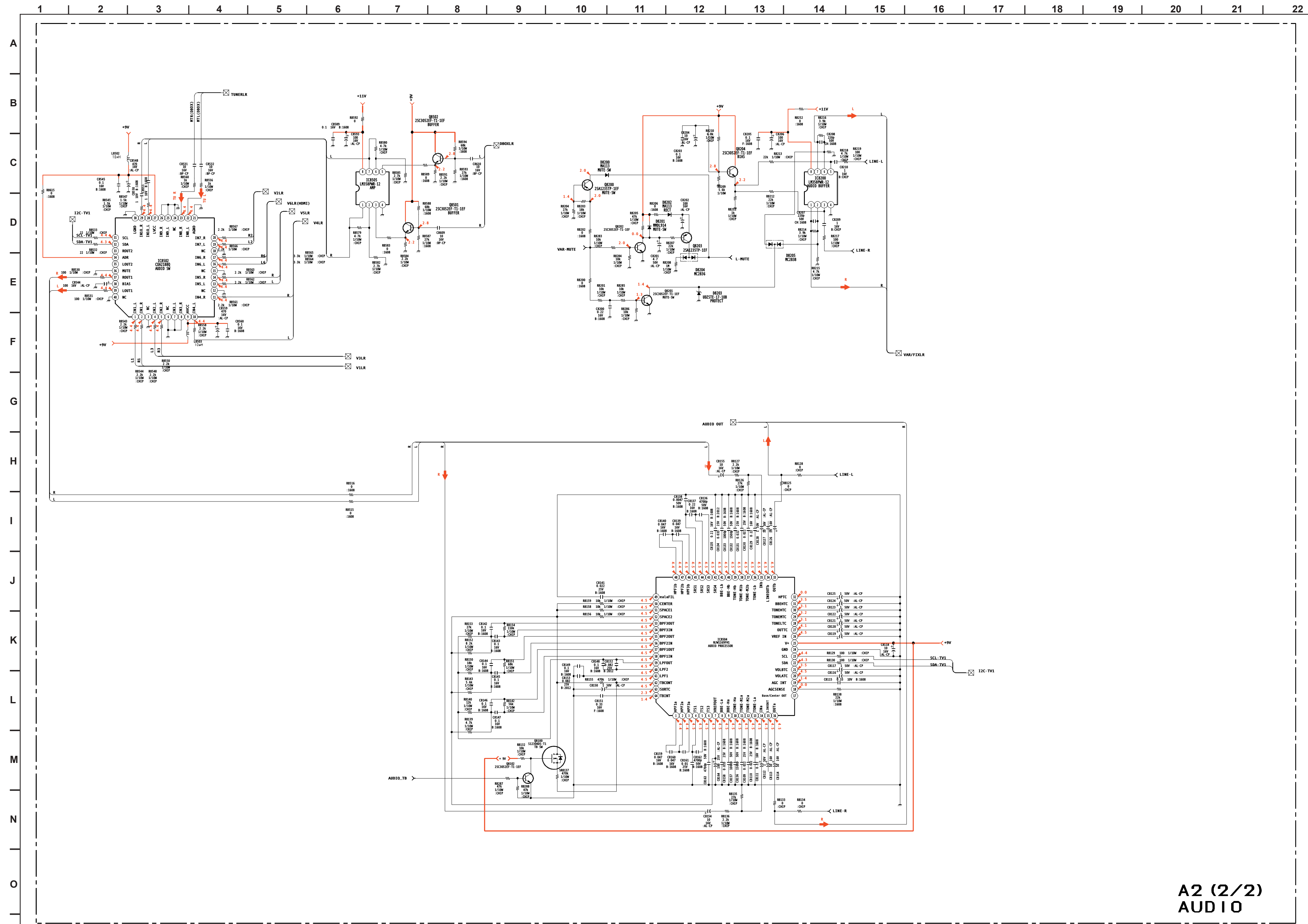
A2 BOARD WAVEFORMS



A2 (1/2)
MAIN

9-965-984-01-LA3-A2-P10F2

A2 BOARD SCHEMATIC DIAGRAM (2 OF 2) (SN 9,100,001 TO 9,799,999 AND 9,900,001 AND UP ONLY)



A2 (2/2)
AUDIO

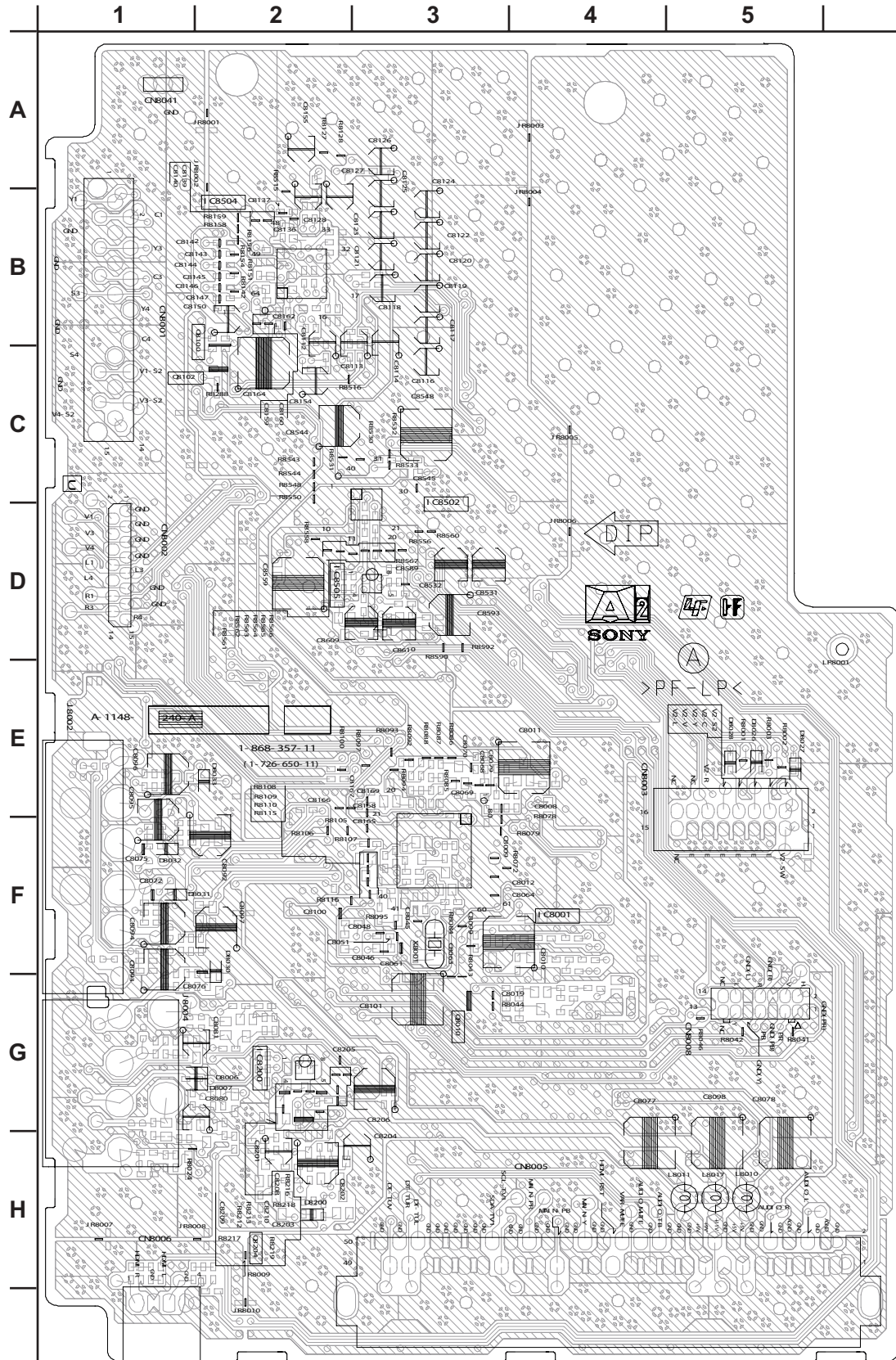
9-965-984-01(LA3)A2-72072

A2 [MAIN, AUDIO]

COMPONENT SIDE
(SN 9,100,001 TO 9,799,999 AND 9,900,001 AND UP ONLY)

A2 [MAIN, AUDIO]

CONDUCTOR SIDE
(SN 9,100,001 TO 9,799,999 AND 9,900,001 AND UP ONLY)

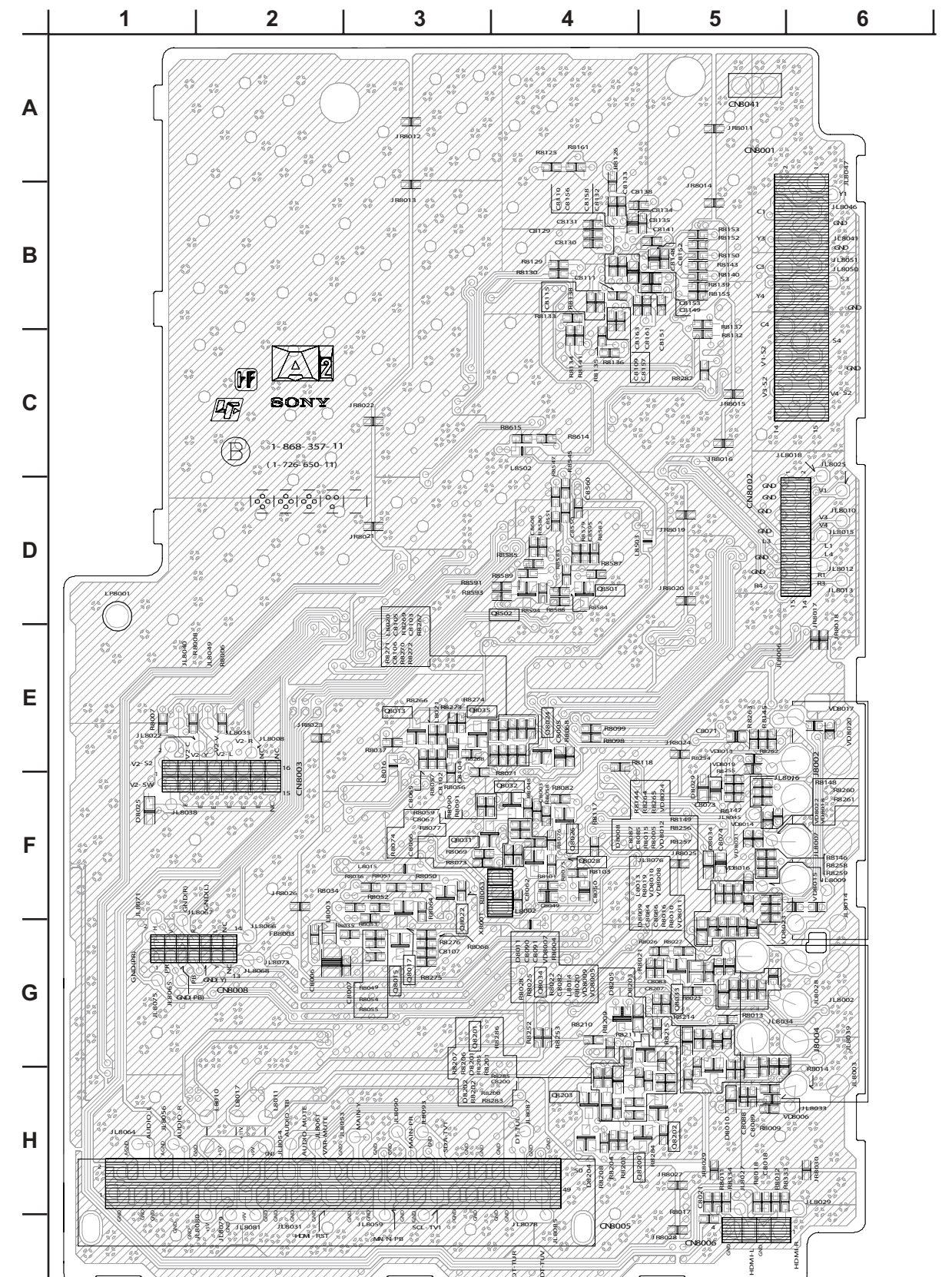


**A2 LOCATOR LIST
COMPONENT SIDE**

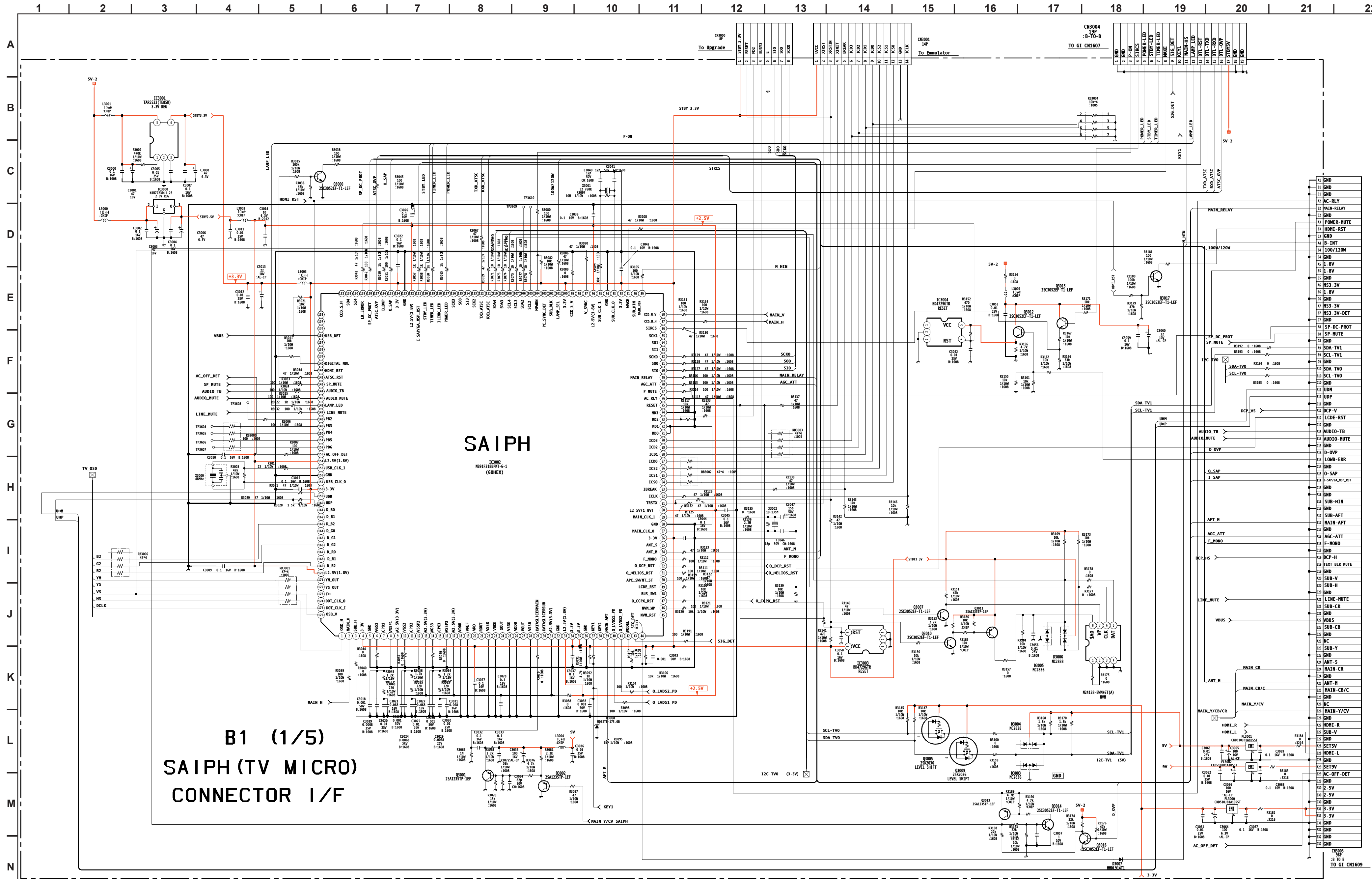
DIODE		TRANSISTOR	
D8006	G-1	Q8010	G-4
D8007	G-1	Q8100	H-2
D8200	H-2	Q8102	C-1
IC		Q8204	D-1
IC8001	F-4		
IC8200	G-2		
IC8502	C-3		
IC8504	B-2		
IC8505	D-2		

**A2 LOCATOR LIST
CONDUCTOR SIDE**

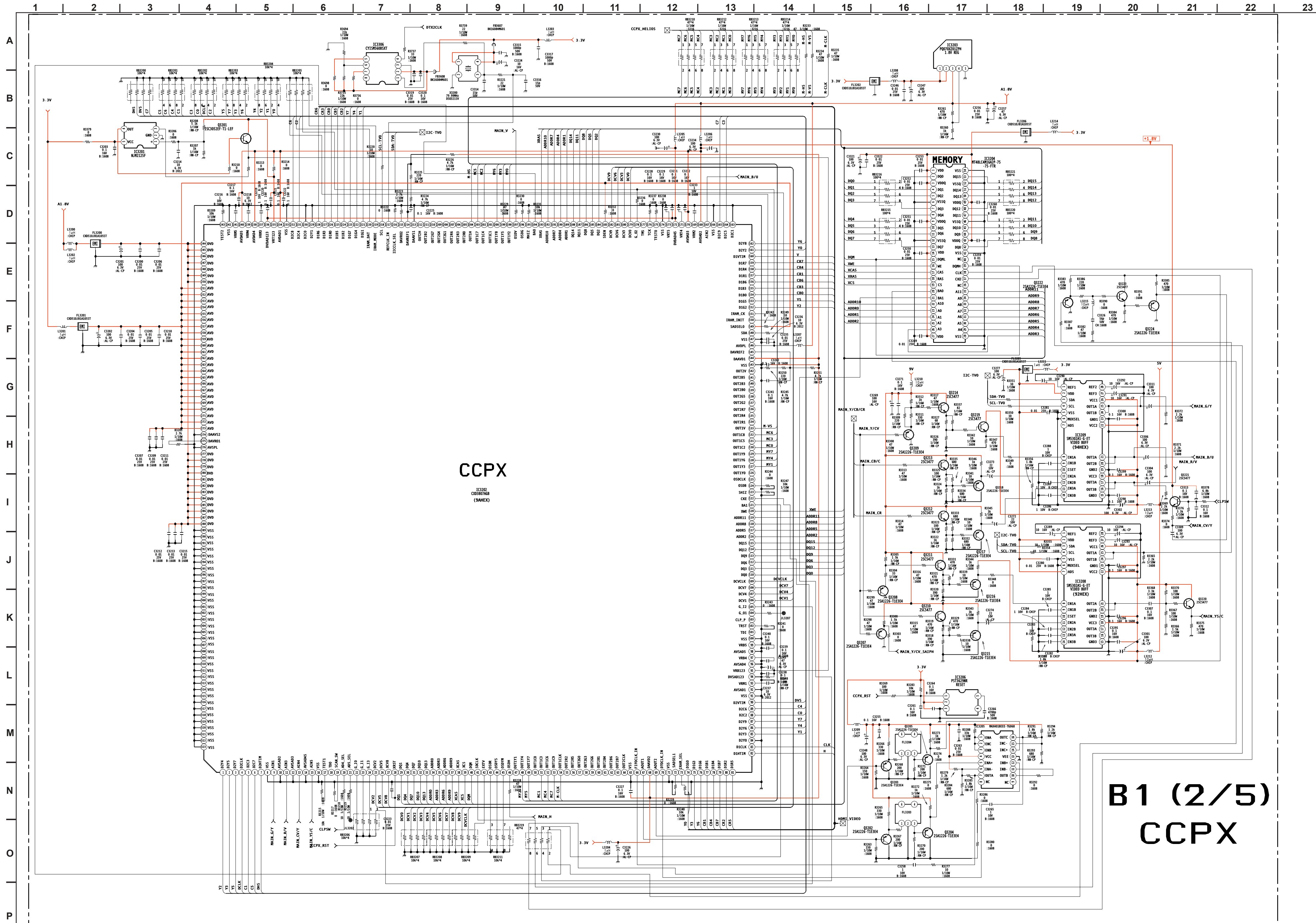
DIODE		TRANSISTOR	
D8008	F-4	Q8013	E-3
D8009	G-5	Q8015	G-3
D8010	H-5	Q8017	G-3
D8011	G-4	Q8022	F-3
D8201	G-3	Q8024	E-4
D8202	H-3	Q8026	F-4
D8203	G-4	Q8028	F-4
D8204	H-4	Q8031	F-4
D8205	G-4	Q8032	F-4
		Q8033	G-5
		Q8034	G-4
		Q8200	H-5
		Q8201	G-4
		Q8202	H-5
		Q8203	H-4
		Q8501	D-4
		Q8502	E-4



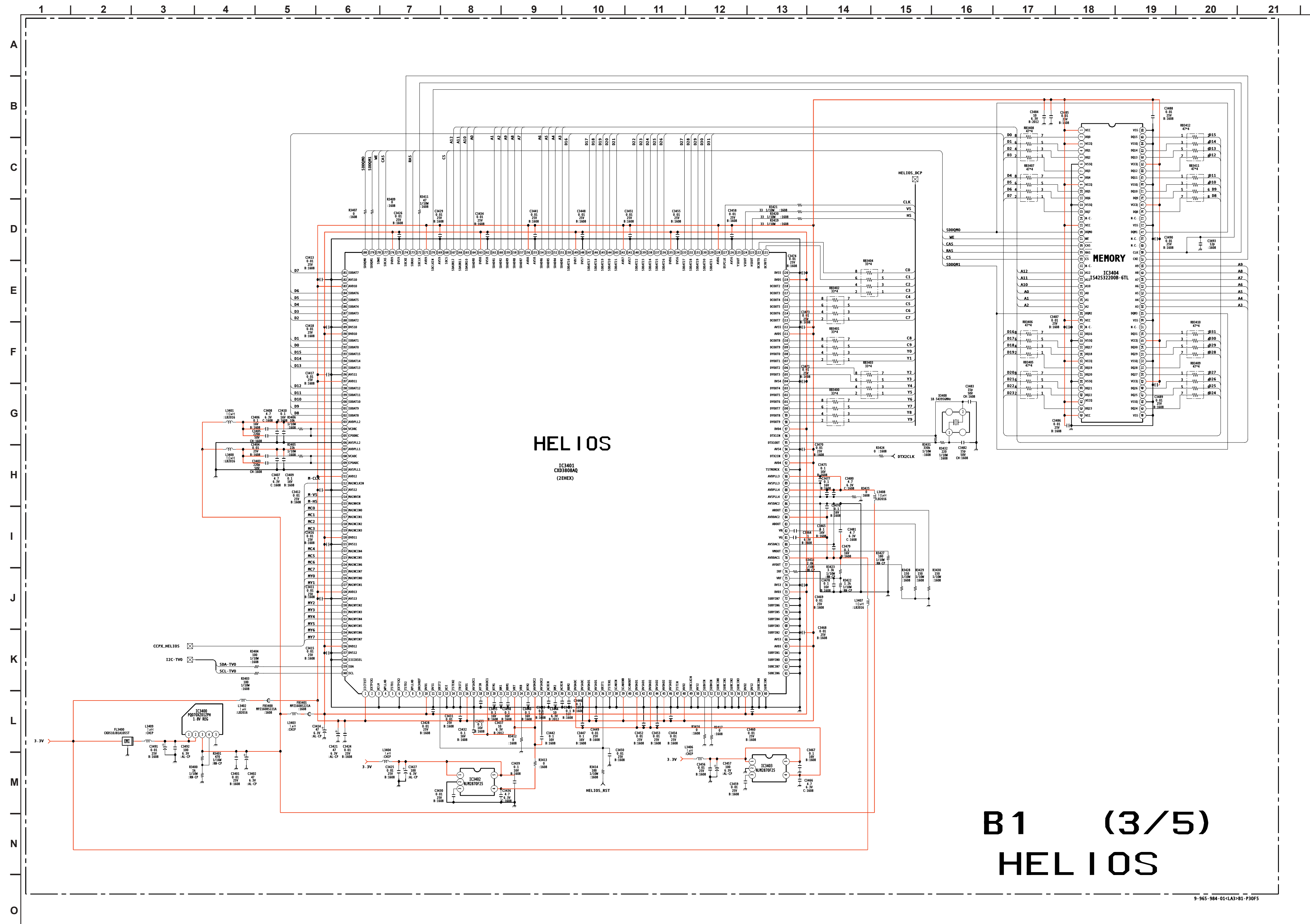
B1 BOARD SCHEMATIC DIAGRAM (1 OF 5)



B1 BOARD SCHEMATIC DIAGRAM (2 OF 5)



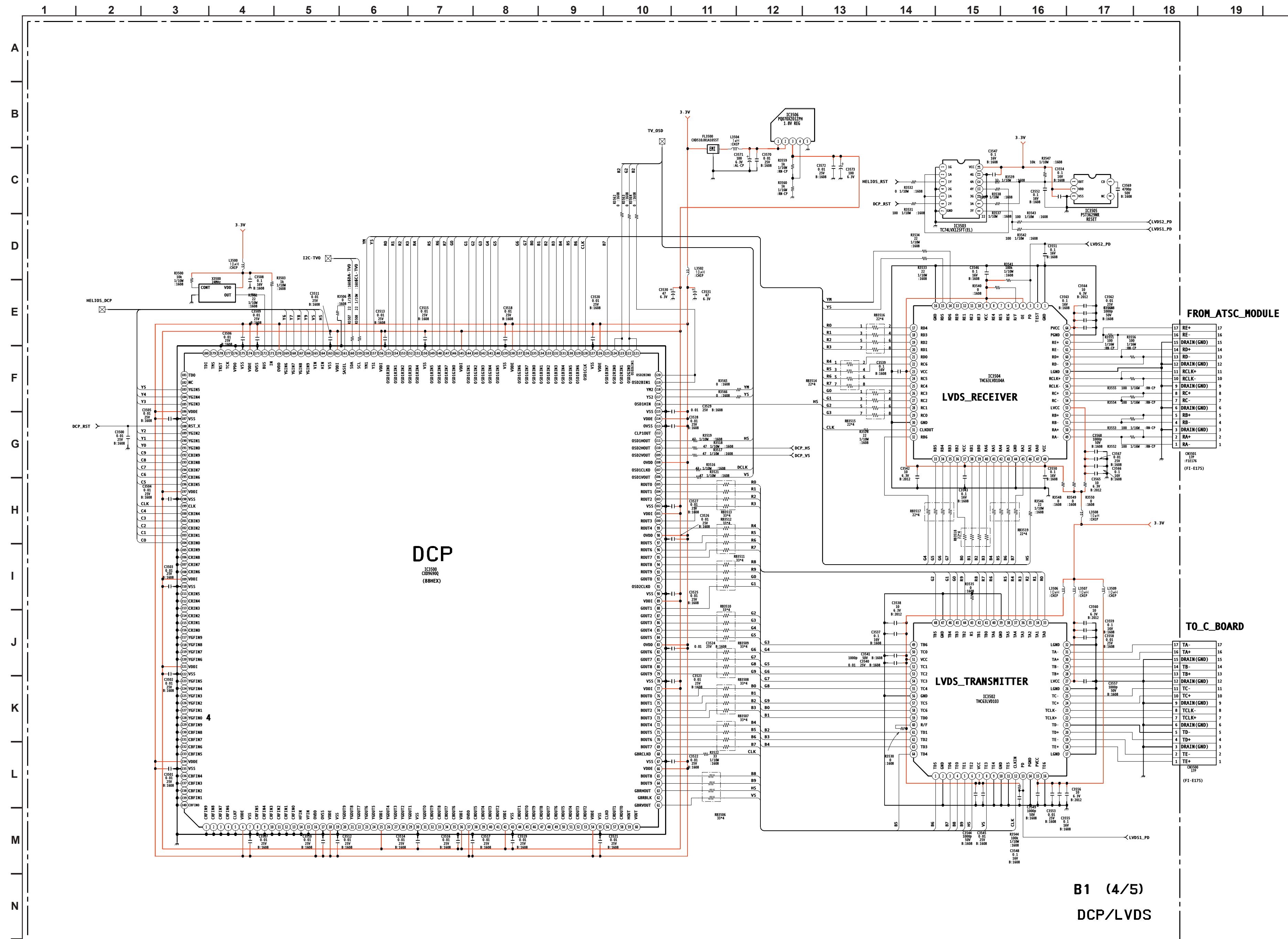
B1 BOARD SCHEMATIC DIAGRAM (3 OF 5)



B1 (3/5)
HELIOS

9-965-984-01-CA3-B1-P30F5

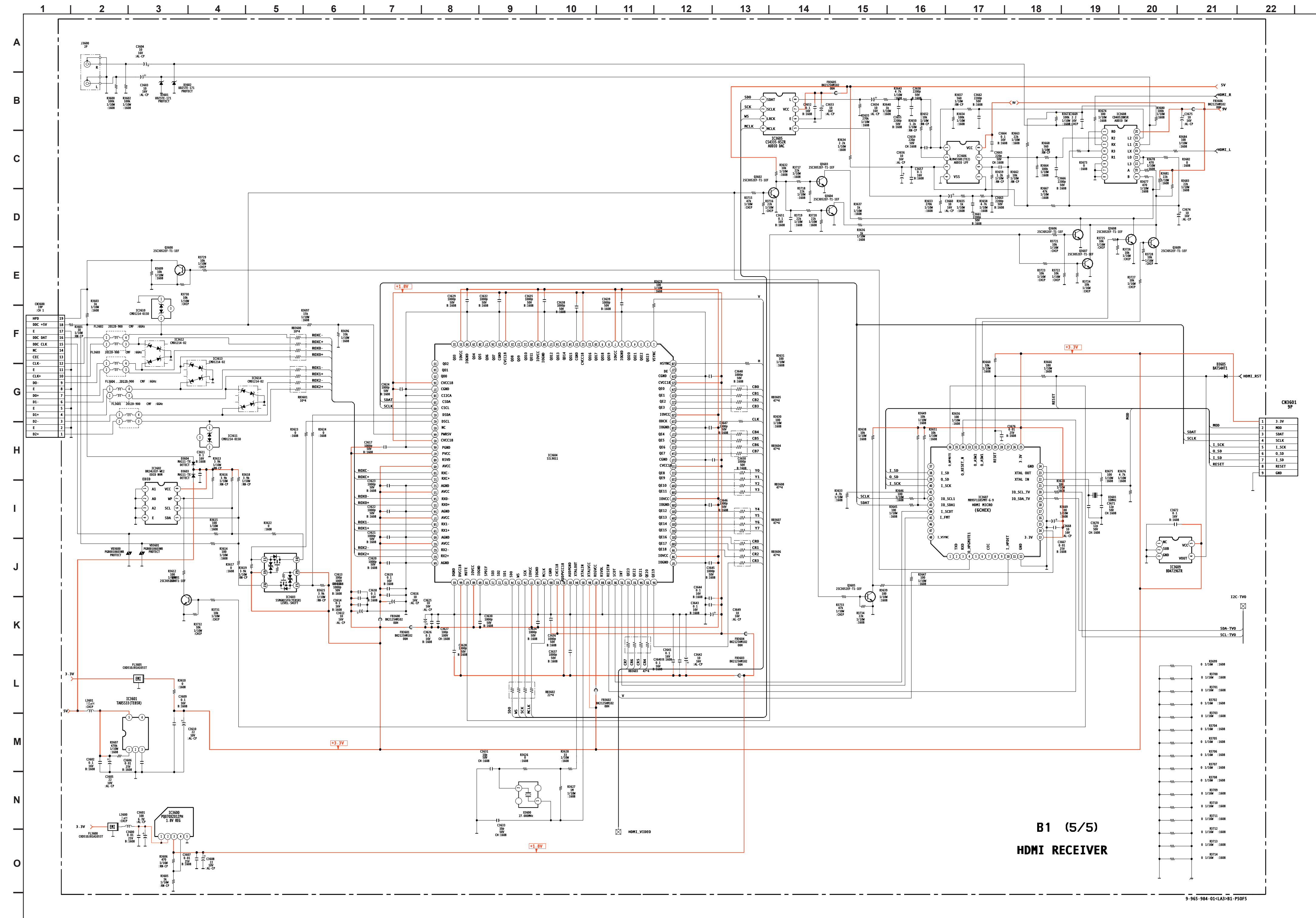
B1 BOARD SCHEMATIC DIAGRAM (4 OF 5)



B1 (4/5)
DCP/LVDS

9-965-984-01-LA3-B1-P40F5

B1 BOARD SCHEMATIC DIAGRAM (5 OF 5)



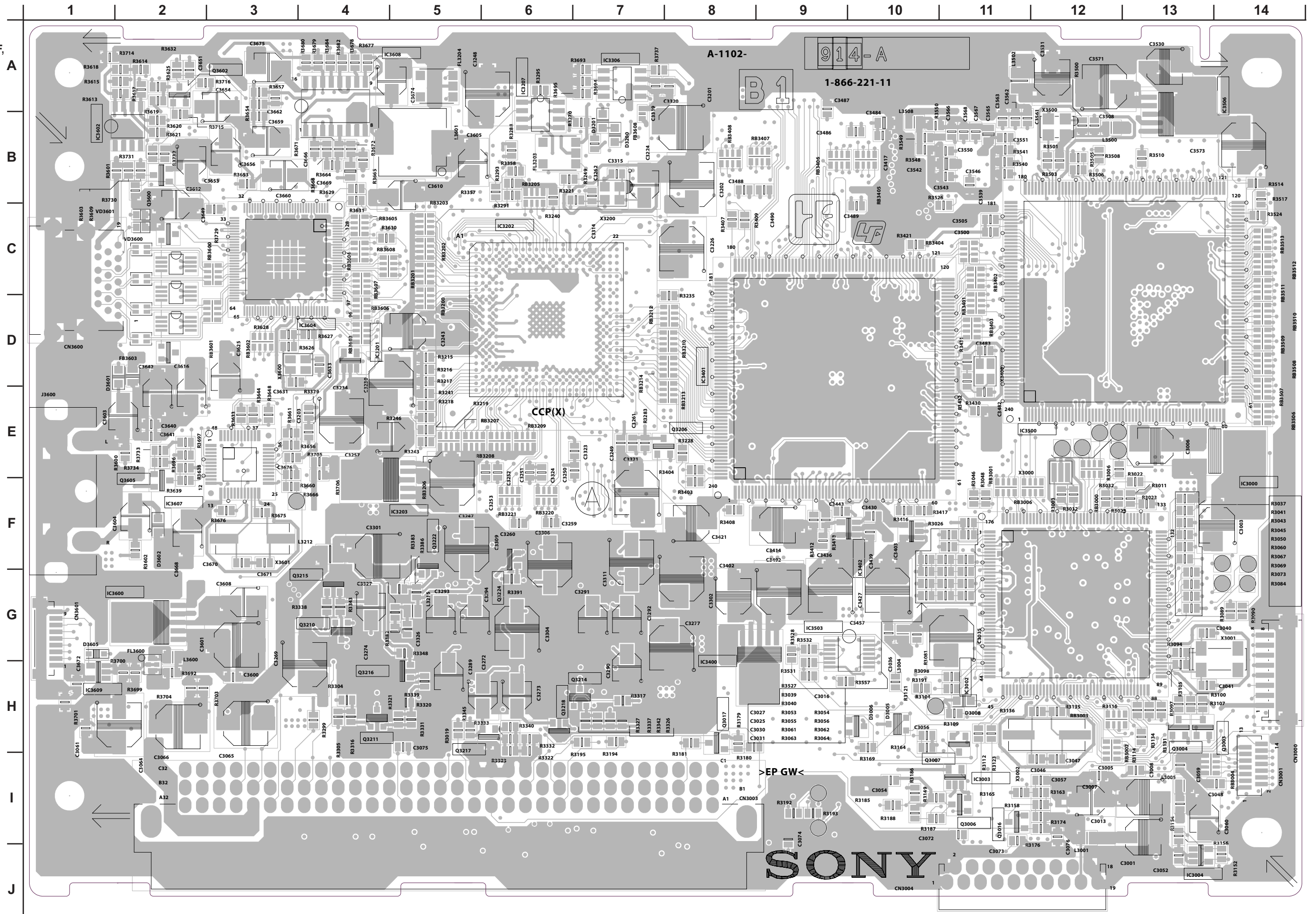
B1 (5/5)
HDMI RECEIVER

9-965-984-01<LA>B1-P50F5

B1

[SAIPH (TV MICRO) CONNECTOR I/F, CCPX, HELIOS, DCPL/LVDS, HDMI RECEIVER]

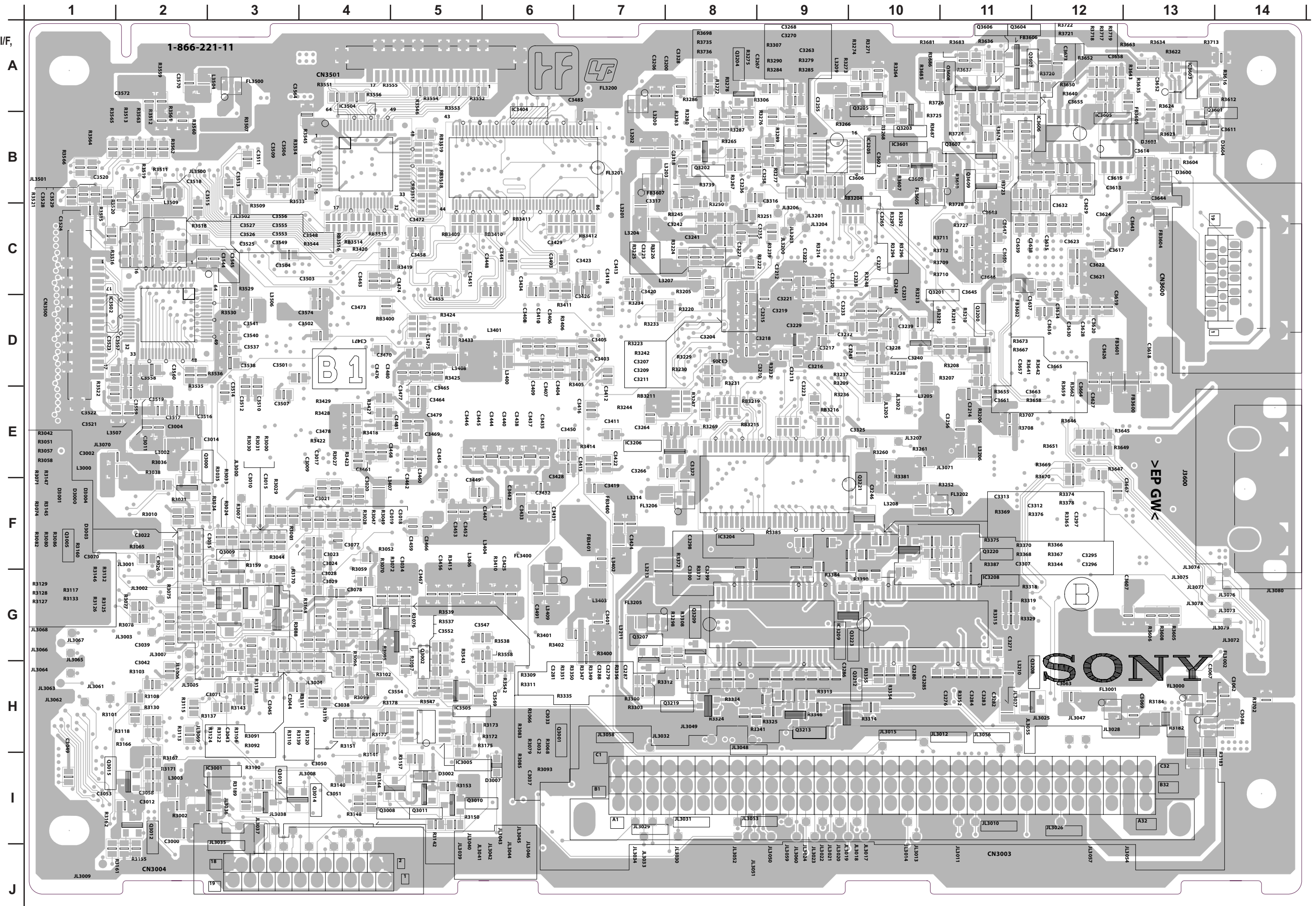
COMPONENT SIDE



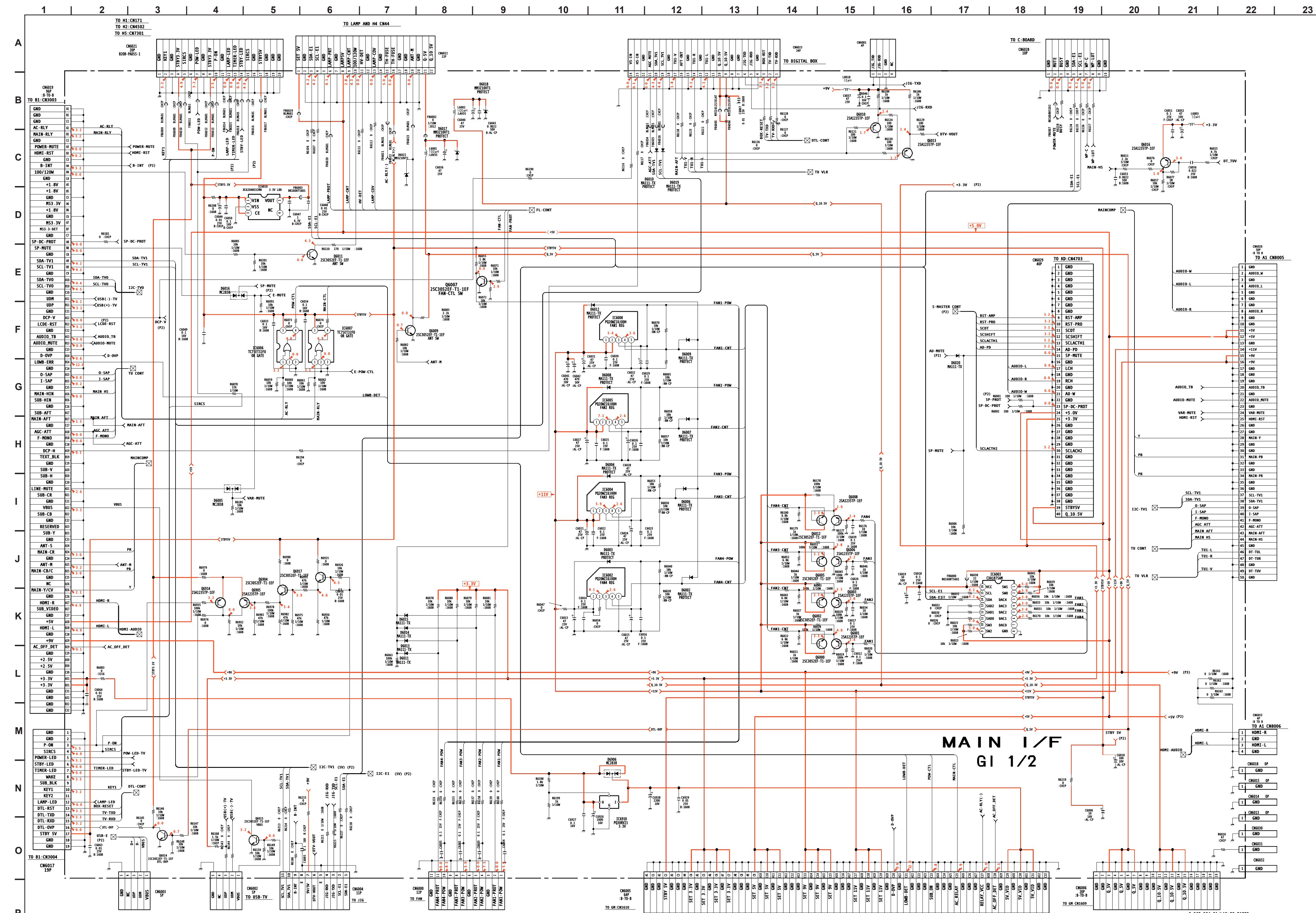
B1

[SAIPH (TV MICRO) CONNECTOR I/F,
CCPX, HELIOS, DCP/LVDS,
HDMI RECEIVER]

CONDUCTOR
SIDE

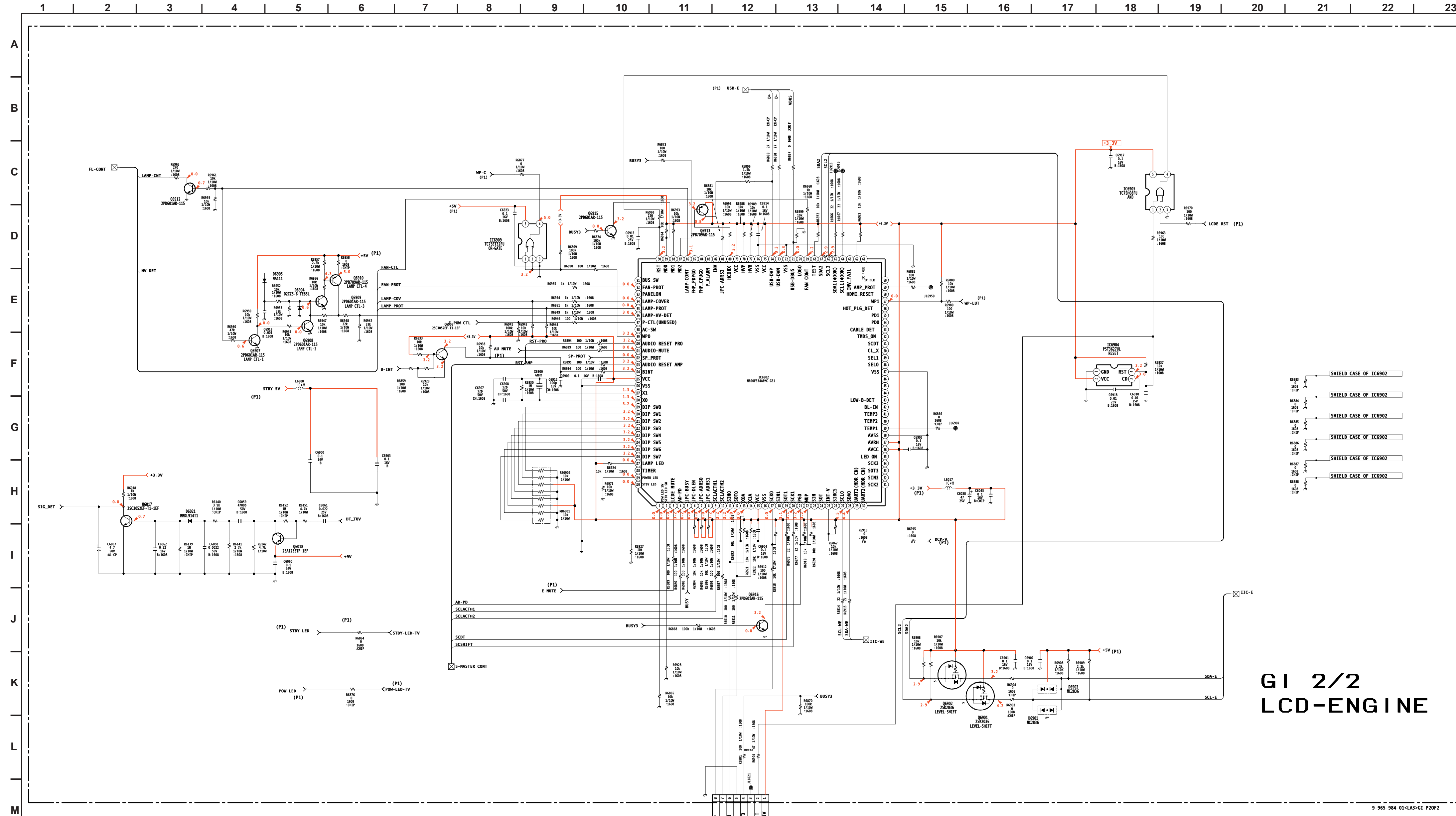


GI BOARD SCHEMATIC DIAGRAM (1 OF 2) (SN 9,000,001 TO 9,099,999 AND 9,800,001 TO 9,899,999 ONLY)



9-965-984-01(LA3)-GI-P10P2

GI BOARD SCHEMATIC DIAGRAM (2 OF 2) (SN 9,000,001 TO 9,099,999 AND 9,800,001 TO 9,899,999 ONLY)



GI 2/2
LCD-ENGINE

9-365-984-01(LA3)-GI-P20F2



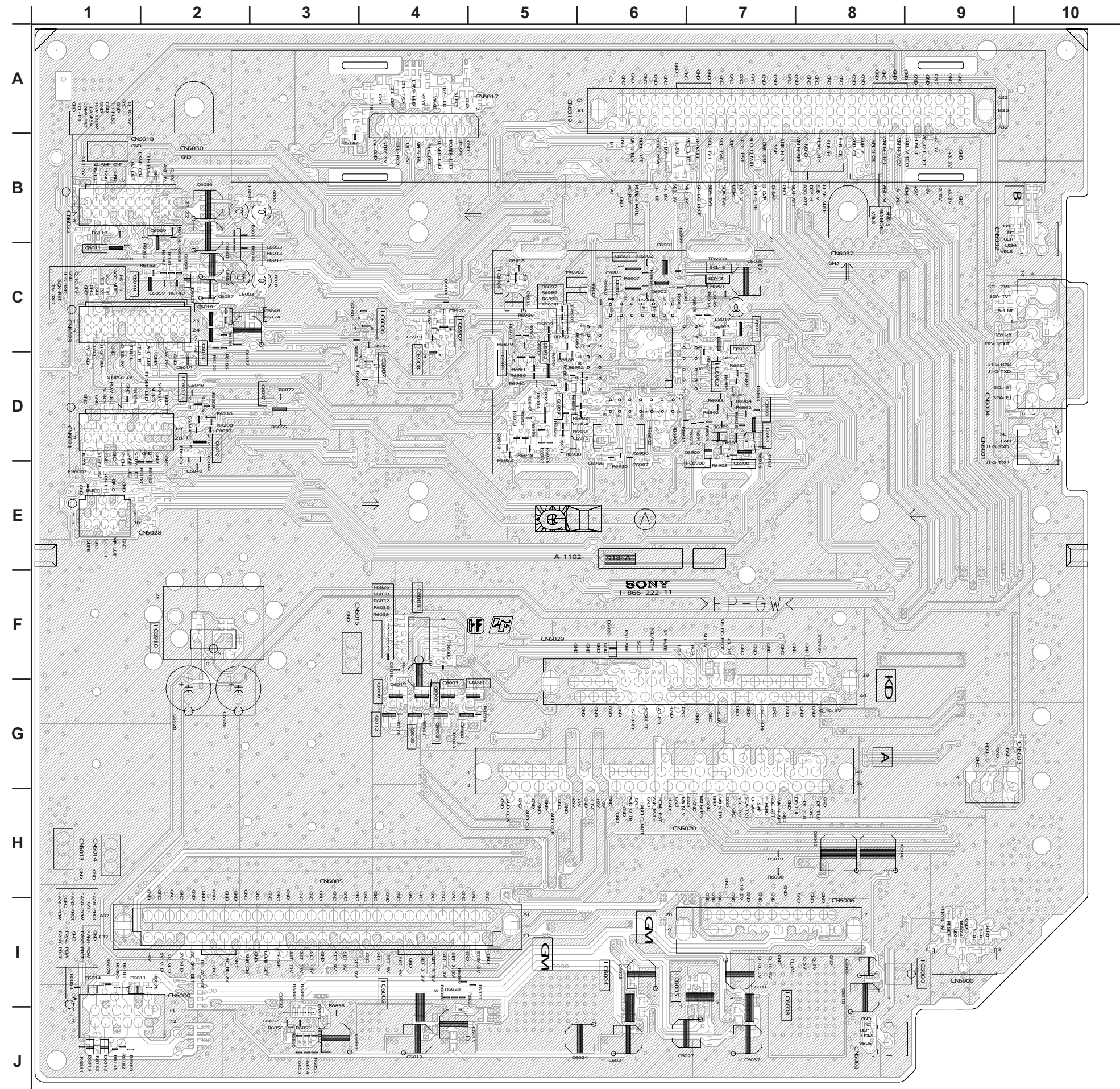
[MAIN IF, LCD-ENGINE]

COMPONENT SIDE

(SN 9,000,001 TO 9,799,999 AND
9,800,000 TO 9,899,999 ONLY)

**GI LOCATOR LIST
COMPONENT SIDE**

DIODE		TRANSISTOR	
D6010	D-2	Q6000	G-4
D6011	I-2	Q6001	F-4
D6013	J-1	Q6002	G-4
D6014	I-1	Q6003	F-4
D6015	J-1	Q6005	G-4
D6020	F-6	Q6006	G-4
D6021	C-2	Q6007	D-3
D6901	C-6	Q6008	G-4
D6902	C-6	Q6009	B-2
D6904	D-5	Q6010	C-2
IC		Q6011	C-1
IC6002	I-4	Q6012	G-4
IC6003	F-4	Q6013	D-2
IC6004	I-6	Q6018	C-1
IC6005	I-6	Q6901	C-6
IC6006	C-4	Q6902	C-6
IC6007	D-4	Q6912	C-5
IC6008	J-7	Q6916	C-7
IC6010	E-2		
IC6902	D-7		
IC6904	C-5		
IC6905	D-5		
IC6909	D-5		
IC6910	F-2		



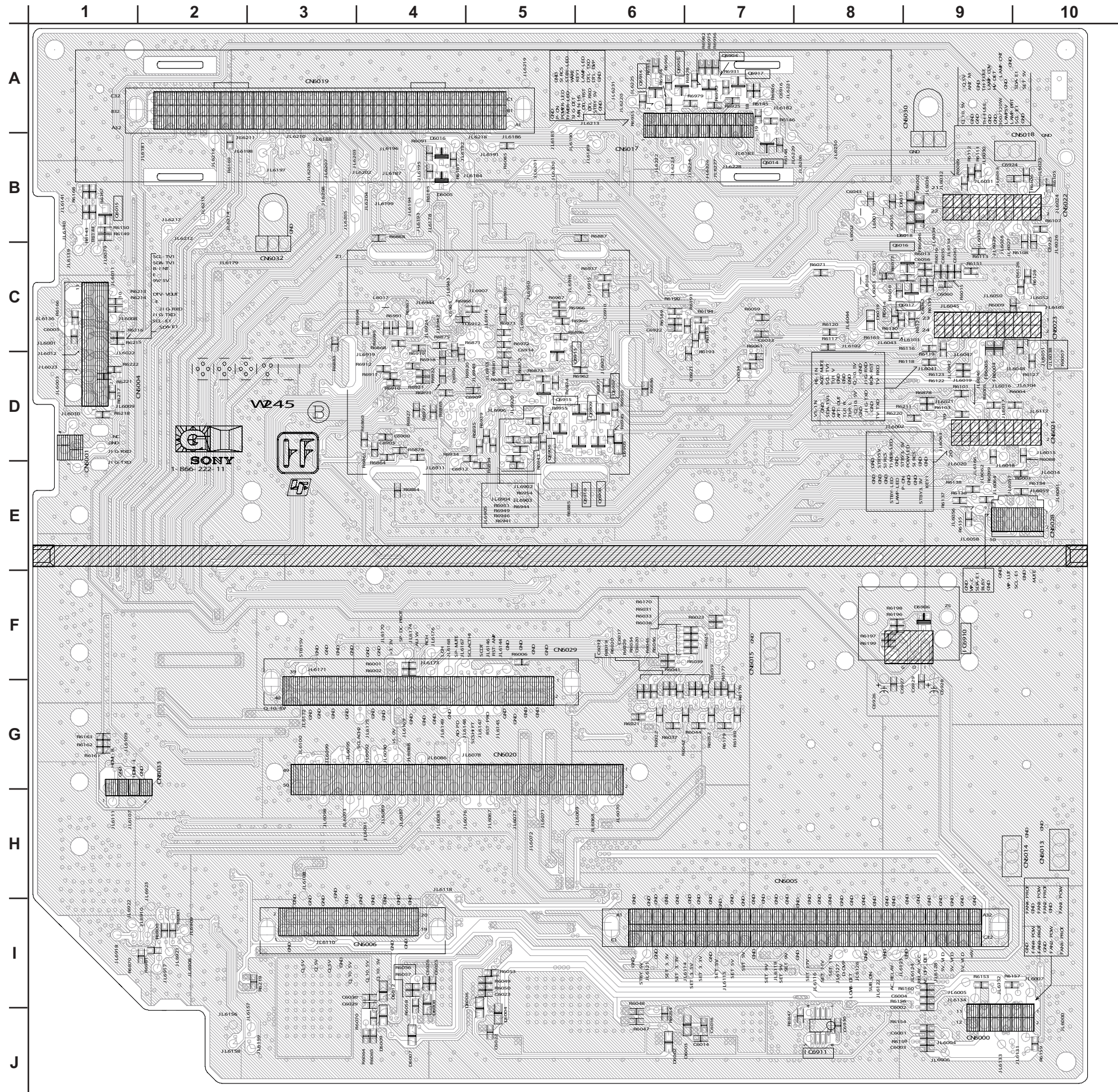


[MAIN IF, LCD-ENGINE]

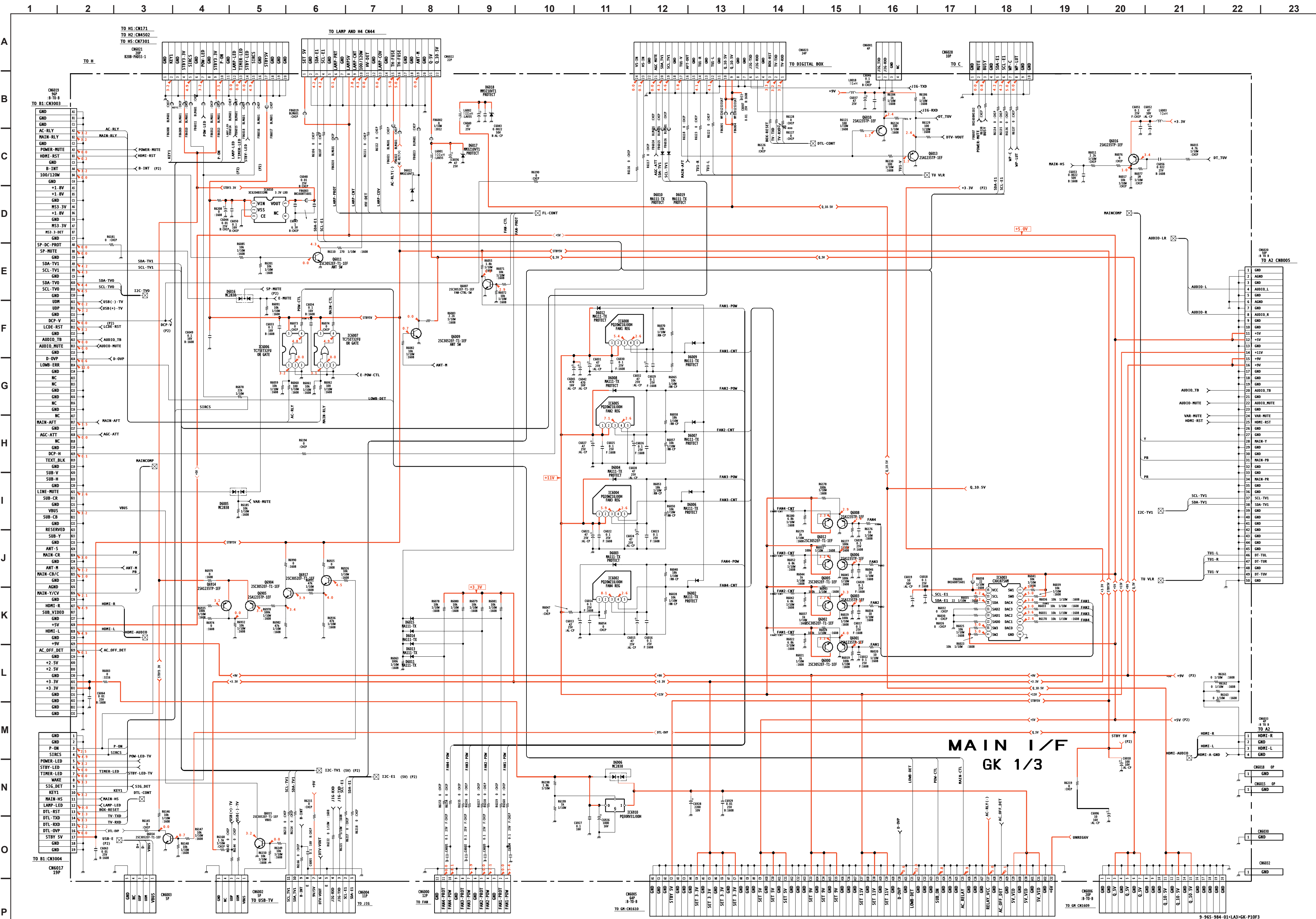
CONDUCTOR SIDE
 (SN 9,000,001 TO 9,799,999 AND
 9,800,000 TO 9,899,999 ONLY)

**GI LOCATOR LIST
 CONDUCTOR SIDE**

DIODE		TRANSISTOR	
D6002	J-6	Q6014	B-7
D6003	J-7	Q6015	B-1
D6004	J-5	Q6016	C-8
D6005	B-4	Q6017	C-8
D6006	I-5	Q6904	A-7
D6007	J-4	Q6905	A-6
D6008	I-4	Q6906	E-5
D6009	J-4	Q6907	D-6
D6012	I-4	Q6908	E-6
D6016	B-4	Q6909	D-6
D6017	B-8	Q6910	E-6
D6018	B-9	Q6913	D-6
D6019	G-8	Q6914	A-6
D6905	D-6	Q6915	D-5
D6906	F-9	Q6917	A-7

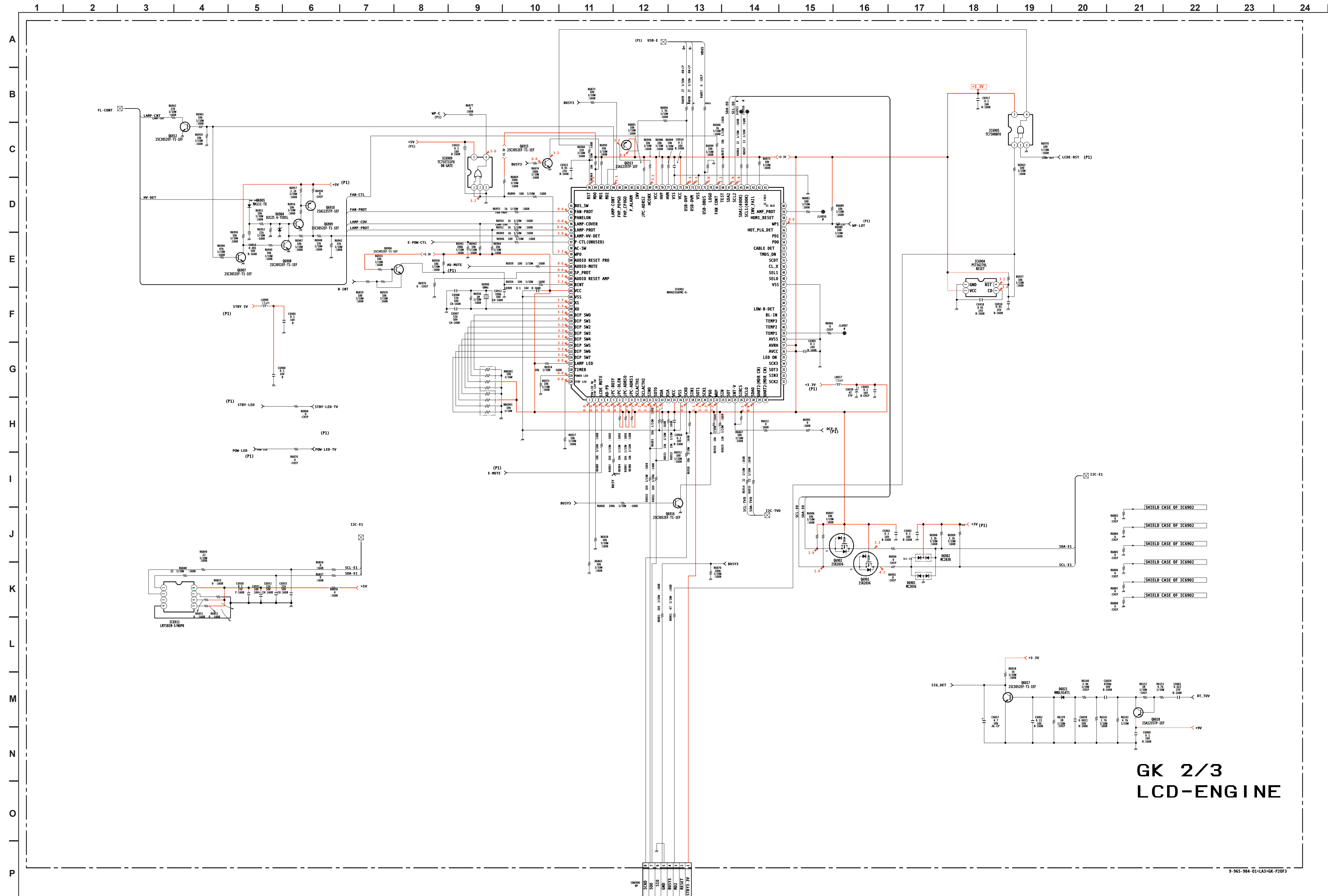


GK BOARD SCHEMATIC DIAGRAM (1 OF 3) (SN 9,100,001 TO 9,799,999 AND 9,900,001 AND UP ONLY)



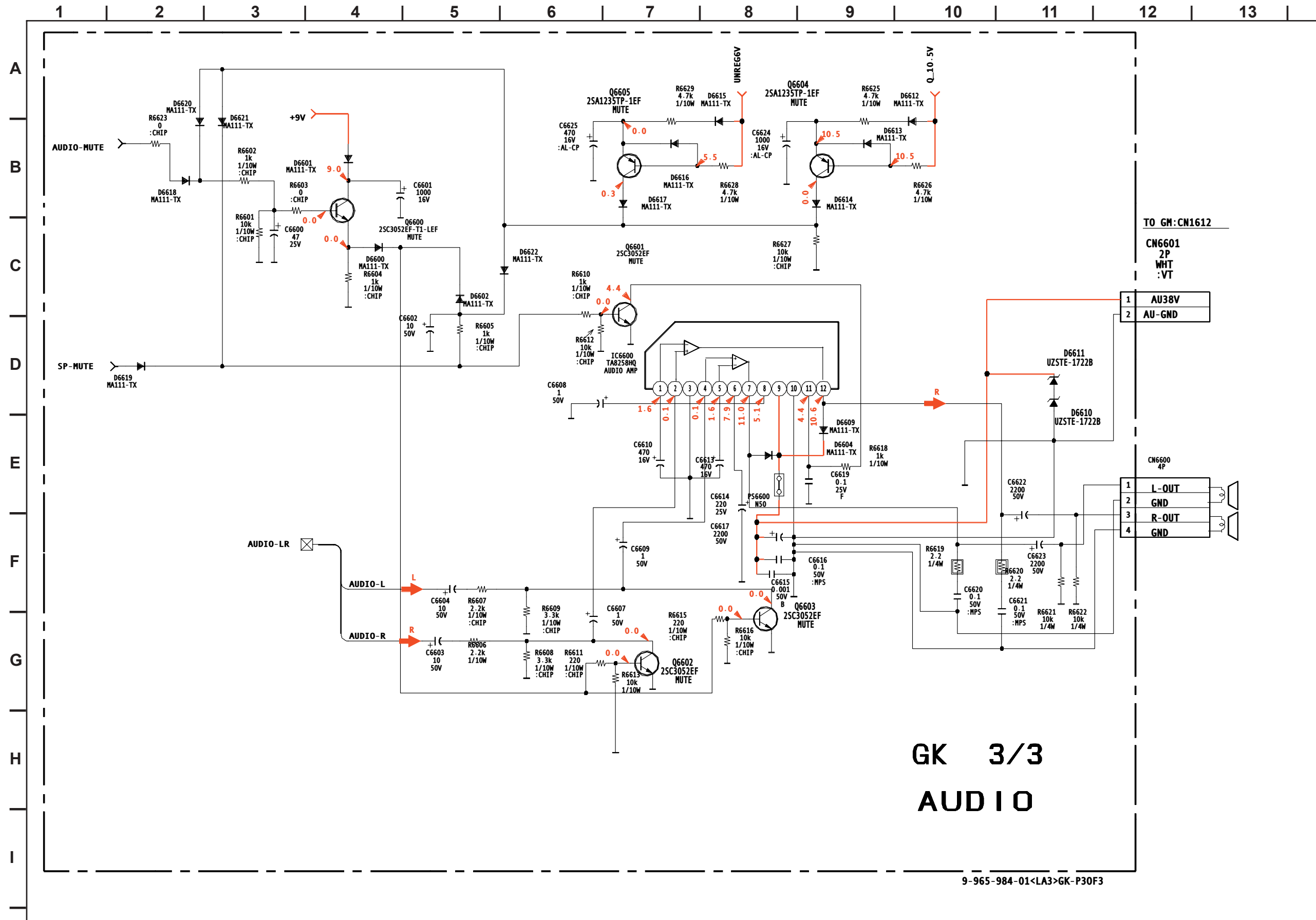
MAIN I/F
GK 1/3

GK BOARD SCHEMATIC DIAGRAM (2 OF 3) (SN 9,100,001 TO 9,799,999 AND 9,900,001 AND UP ONLY)



GK 2/3
LCD-ENGINE

GK BOARD SCHEMATIC DIAGRAM (3 OF 3) (SN 9,100,001 TO 9,799,999 AND 9,900,001 AND UP ONLY)



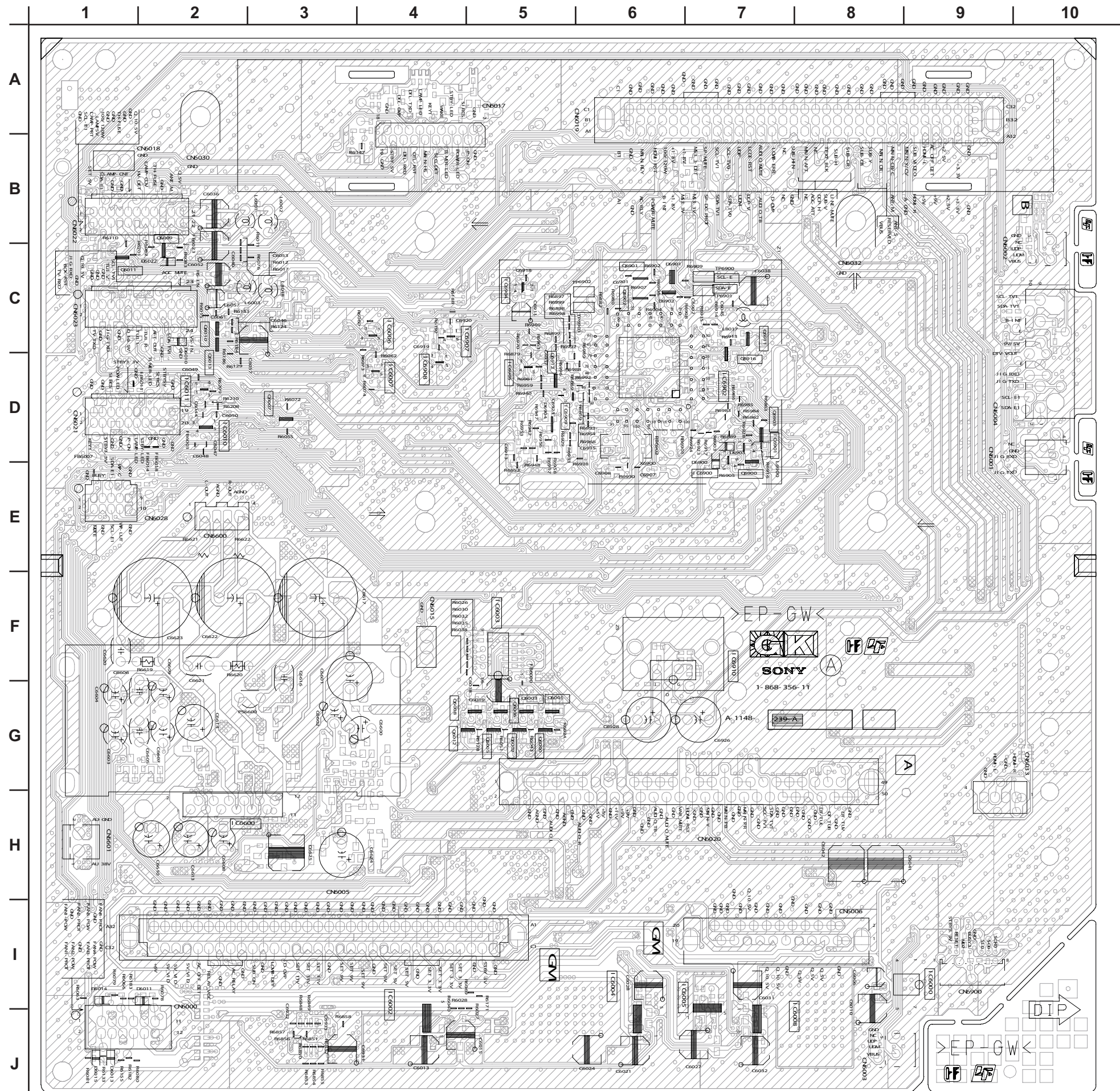


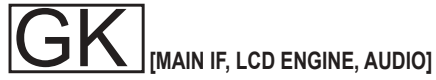
[MAIN IF, LCD ENGINE, AUDIO]

COMPONENT SIDE
 (SN 9,100,001 TO 9,799,999
 AND 9,900,001 AND UP ONLY)

GK LOCATOR LIST
COMPONENT SIDE

DIODE		TRANSISTOR	
D6010	D-2	Q6000	G-5
D6011	I-2	Q6001	G-5
D6013	J-1	Q6002	G-5
D6014	I-1	Q6003	G-5
D6015	J-1	Q6005	G-5
D6022	C-2	Q6006	G-5
D6901	C-6	Q6007	D-3
D6902	C-6	Q6008	G-4
D6904	D-5	Q6009	B-2
IC		Q6010	C-2
IC6002	I-4	Q6011	C-1
IC6003	F-5	Q6012	G-4
IC6004	I-6	Q6013	D-2
IC6005	I-6	Q6901	C-6
IC6006	C-4	Q6902	C-6
IC6007	D-4	Q6912	D-5
IC6008	J-7	Q6916	C-7
IC6010	D-2		
IC6902	D-7		
IC6904	C-5		
IC6905	D-5		
IC6909	D-5		
IC6910	F-7		

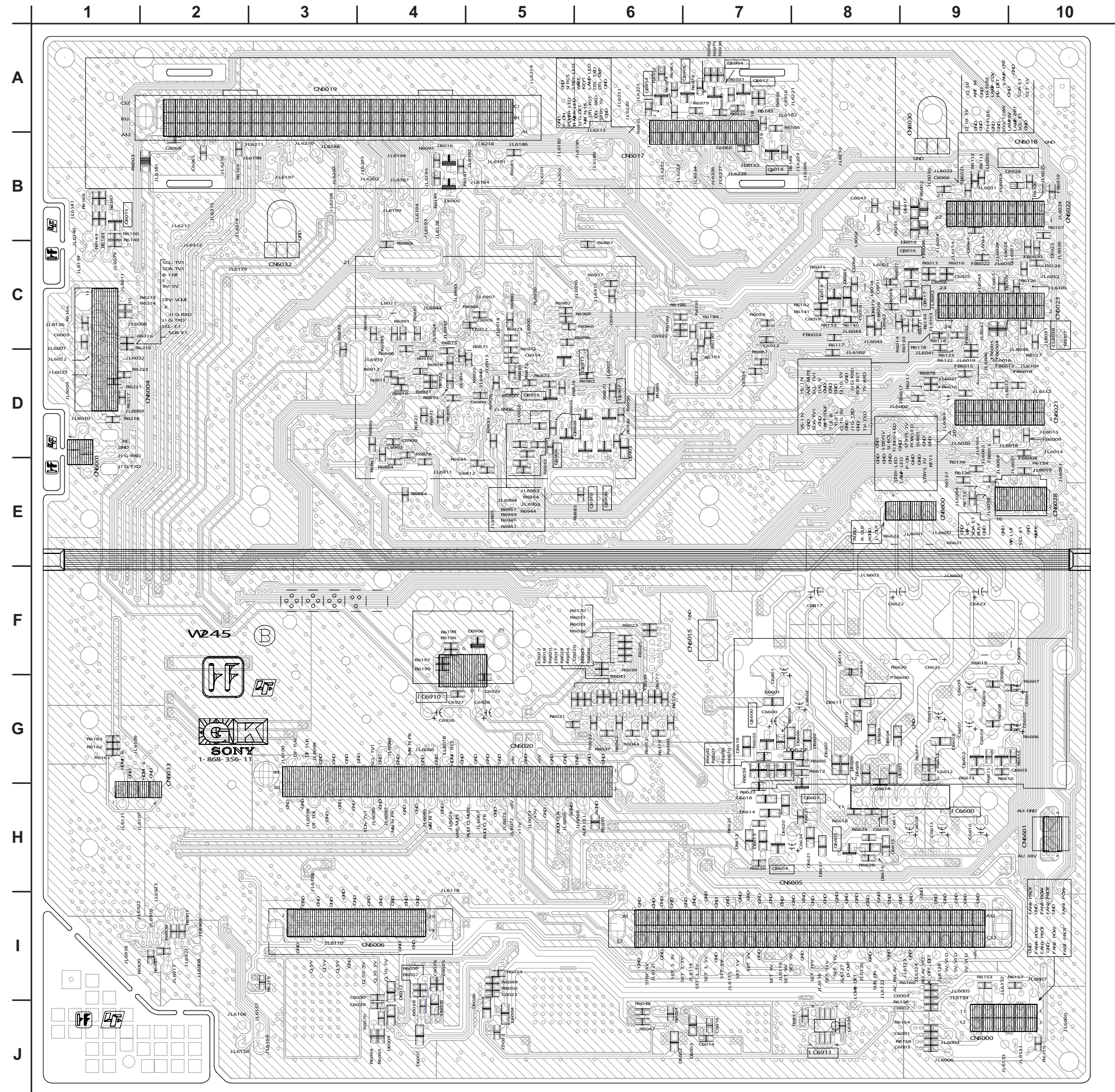




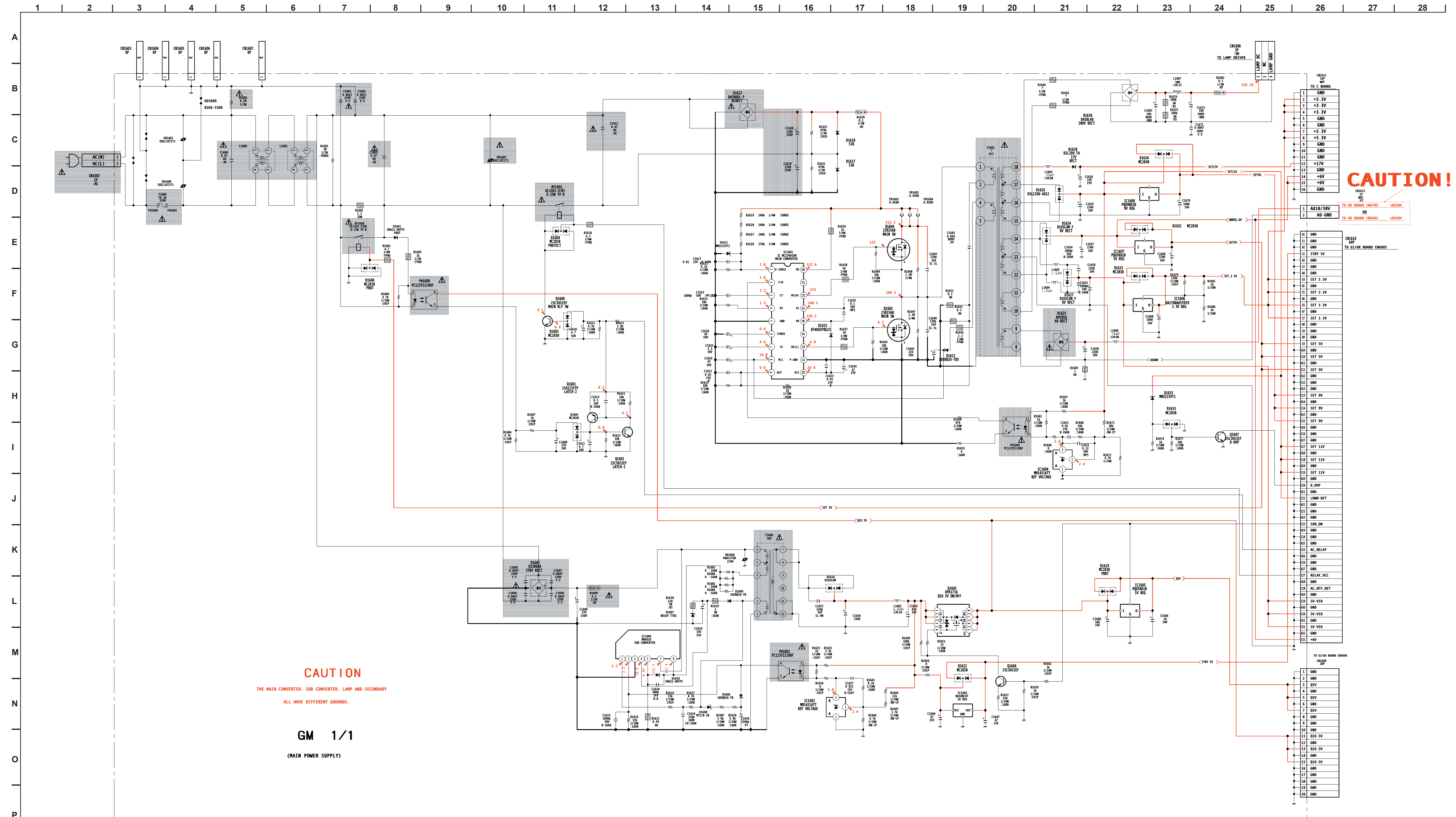
CONDUCTOR SIDE
 (SN 9,100,001 TO 9,799,999
 AND 9,900,001 AND UP ONLY)

GK LOCATOR LIST
CONDUCTOR SIDE

DIODE		TRANSISTOR	
D6002	J-6	Q6014	B-7
D6003	J-7	Q6015	B-1
D6004	J-5	Q6016	C-8
D6005	B-4	Q6017	C-8
D6006	I-5	Q6018	C-8
D6007	J-4	Q6600	G-7
D6008	I-4	Q6601	H-8
D6009	J-4	Q6602	G-9
D6012	I-4	Q6603	G-10
D6016	B-4	Q6604	H-7
D6017	B-8	Q6605	H-8
D6018	B-9	Q6904	A-7
D6019	G-8	Q6905	A-6
D6021	C-8	Q6906	E-5
D6600	G-7	Q6907	D-6
D6601	G-7	Q6908	E-6
D6602	G-7	Q6909	D-6
D6603	G-9	Q6910	E-6
D6604	G-8	Q6913	D-6
D6609	G-7	Q6914	A-6
D6610	G-8	Q6915	D-5
D6611	G-8	Q6917	A-7
D6612	H-7		
D6613	H-7		
D6614	H-7		
D6615	H-8		
D6616	H-8		
D6617	H-8		
D6618	H-7		
D6619	G-7		
D6620	H-7		
D6621	H-8		
D6905	D-6		
D6906	F-5		



GM BOARD SCHEMATIC DIAGRAM



CAUTION!

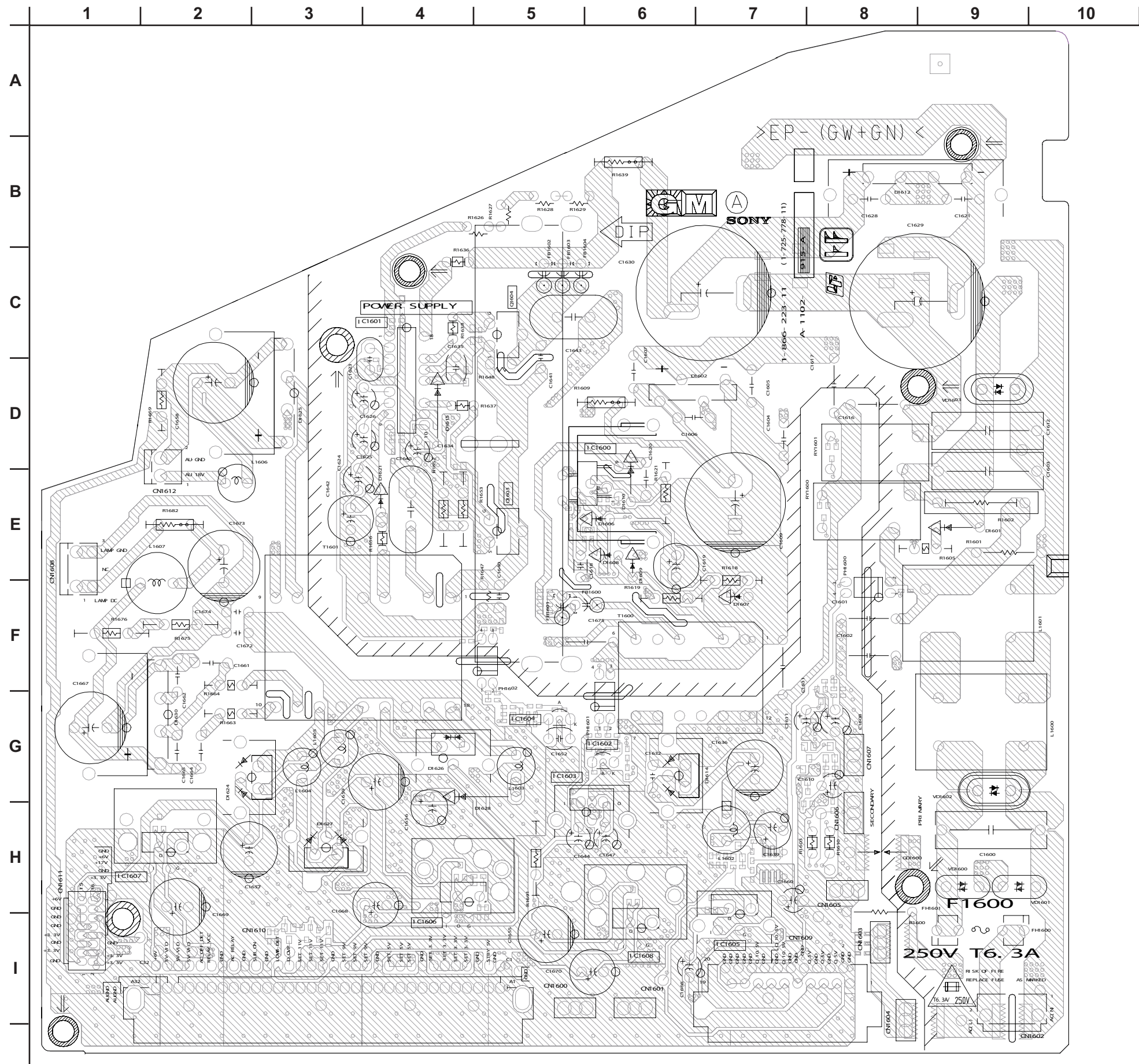
CAUTION
 THE MAIN CONVERTER, SUB CONVERTER, LAMP AID SECONDARY
 ALL HAVE DIFFERENT GROUNDS.

GM 1/1
 (MAIN POWER SUPPLY)

GM [MAIN POWER SUPPLY]
COMPONENT SIDE

**GM LOCATOR LIST
 COMPONENT SIDE**

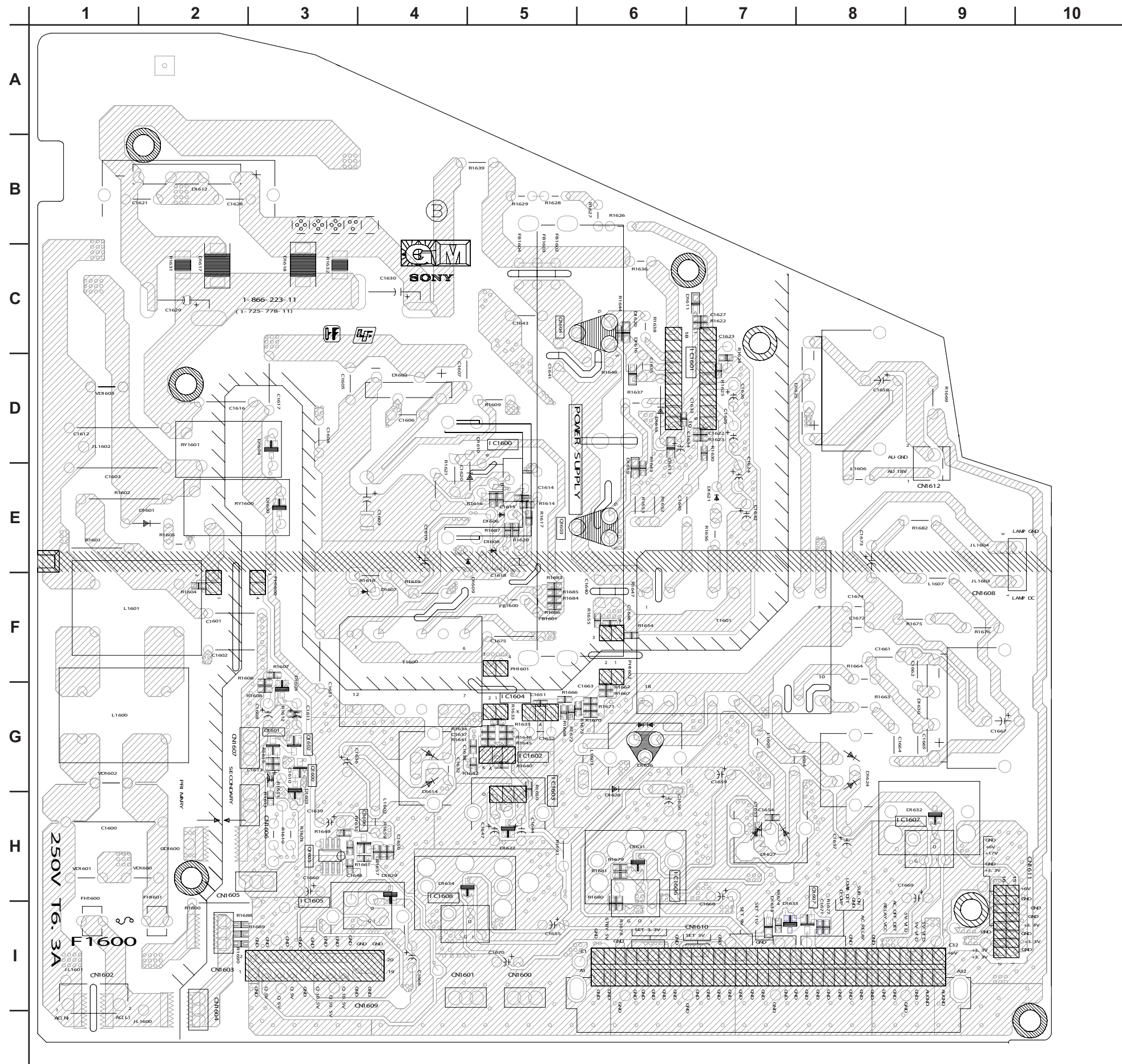
DIODE		IC	
D1601	E-9	IC1600	D-6
D1607	F-7	IC1601	C-3
D1608	E-6	IC1602	C-6
D1609	G-6	IC1605	I-7
D1610	E-6	IC1606	I-4
D1612	B-8	IC1607	D-6
D1614	G-7	IC1608	I-6
D1615	D-4	TRANSISTOR	
D1627	H-3	Q1603	E-5
D1628	H-5	Q1604	C-5
D1630	G-2		
D1625	D-3		
D1626	G-4		
D1630	G-2		



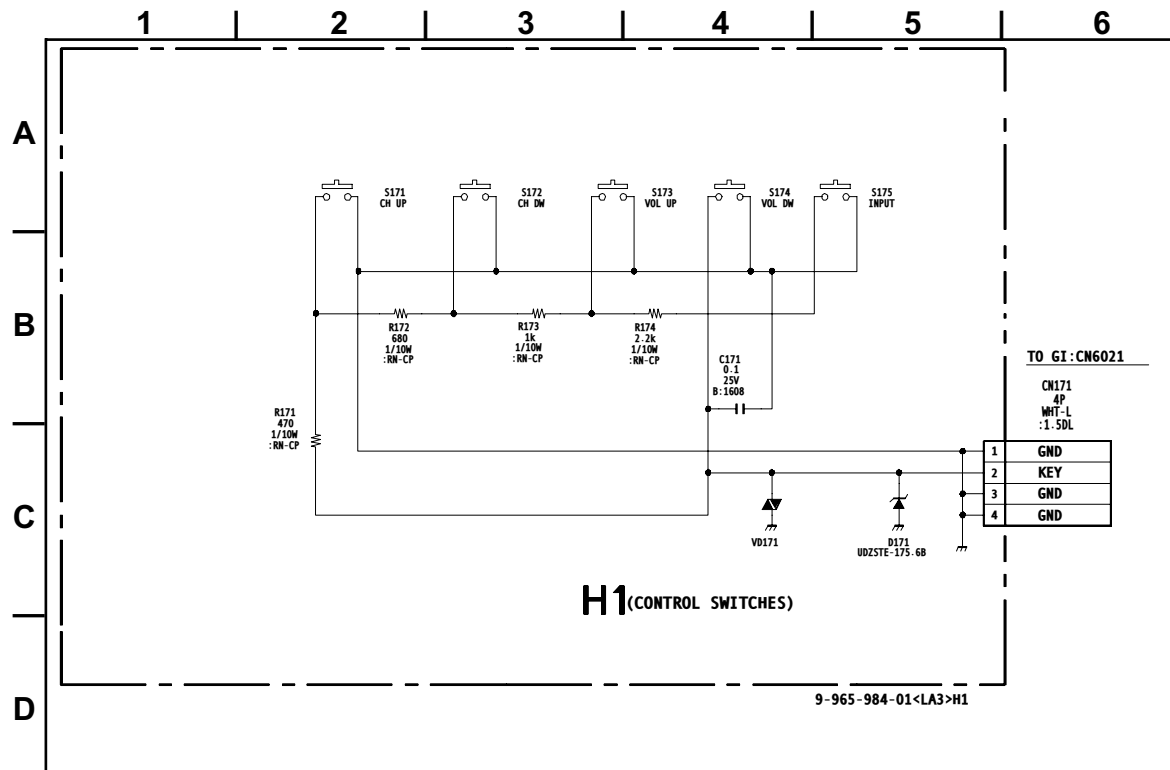
GM [MAIN POWER SUPPLY]
CONDUCTOR SIDE

**GM LOCATOR LIST
 CONDUCTOR SIDE**

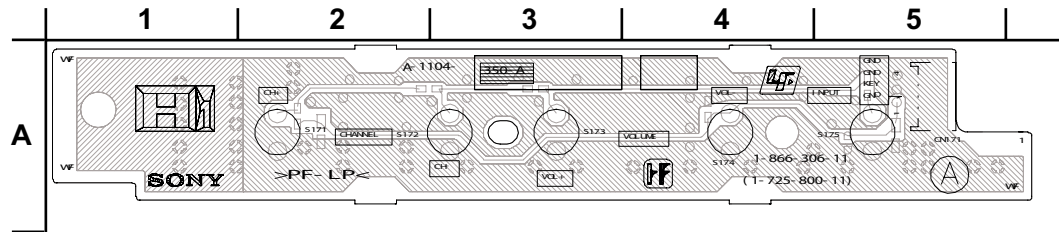
DIODE		IC	
D1600	E-3	IC1600	D-5
D1601	E-2	IC1601	D-6
D1602	D-4	IC1602	G-5
D1603	H-3	IC1605	I-3
D1604	D-3	IC1606	H-6
D1605	G-4	IC1607	H-8
D1606	E-5	IC1608	I-4
D1607	F-4	TRANSISTOR	
D1608	E-5	Q1600	G-3
D1609	F-5	Q1601	G-3
D1611	C-7	Q1602	C-3
D1617	C-2	Q1606	H-4
D1618	C-3	Q1605	H-3
D1621	E-7	Q1607	I-8
D1622	H-5		
D1624	G-8		
D1626	G-6		
D1627	H-7		
D1629	H-4		
D1630	G-9		
D1631	H-6		
D1632	H-8		
D1633	H-7		
D1634	H-4		
D1635	H-7		



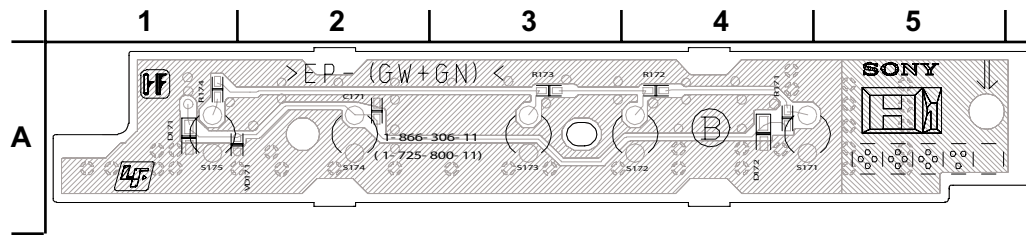
H1 BOARD SCHEMATIC DIAGRAM



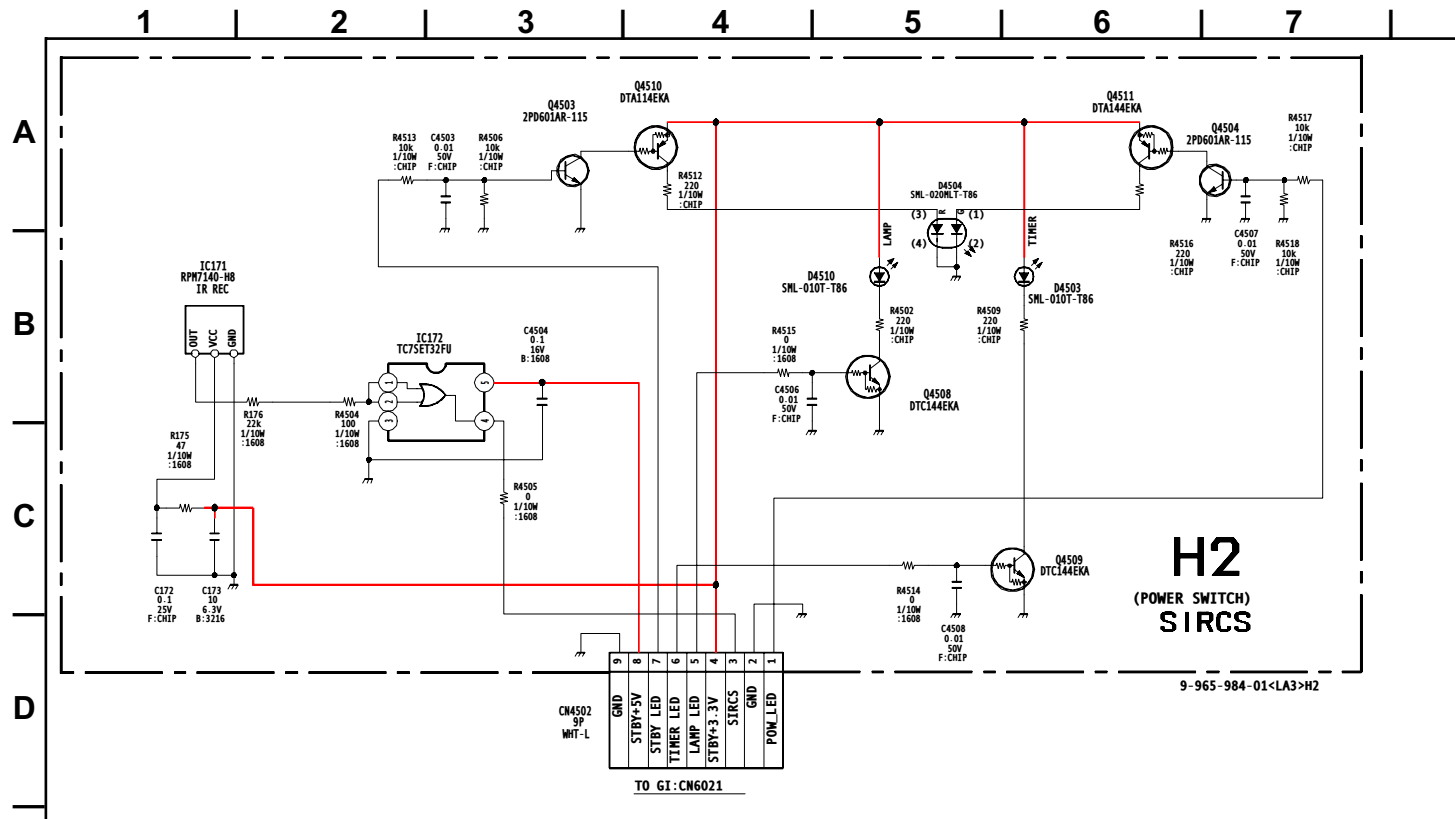
H1 [CONTROL SWITCHES]
COMPONENT SIDE



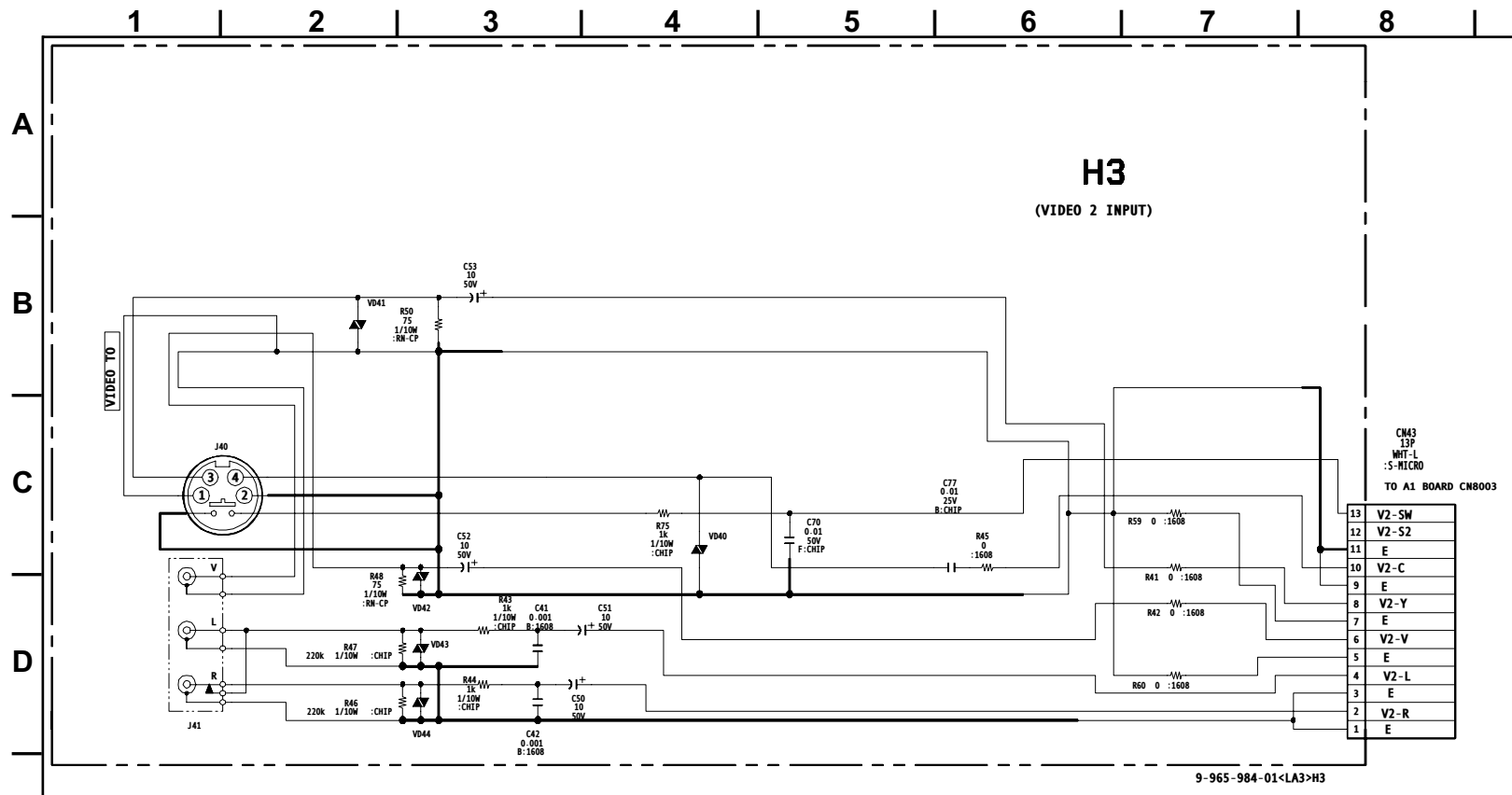
H1 [CONTROL SWITCHES]
CONDUCTOR SIDE



H2 BOARD SCHEMATIC DIAGRAM

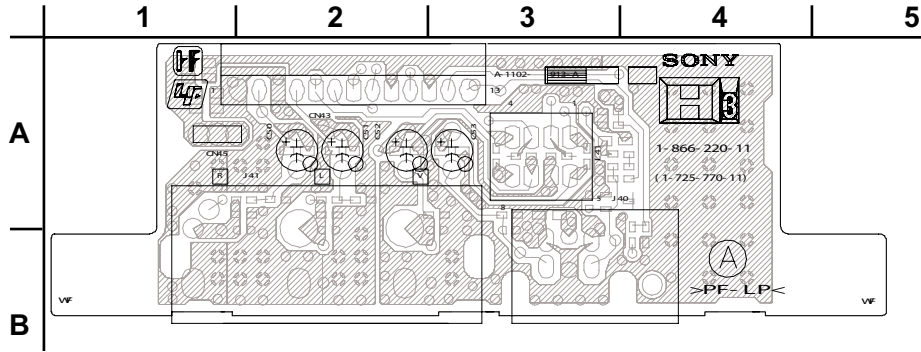


H3 BOARD SCHEMATIC DIAGRAM



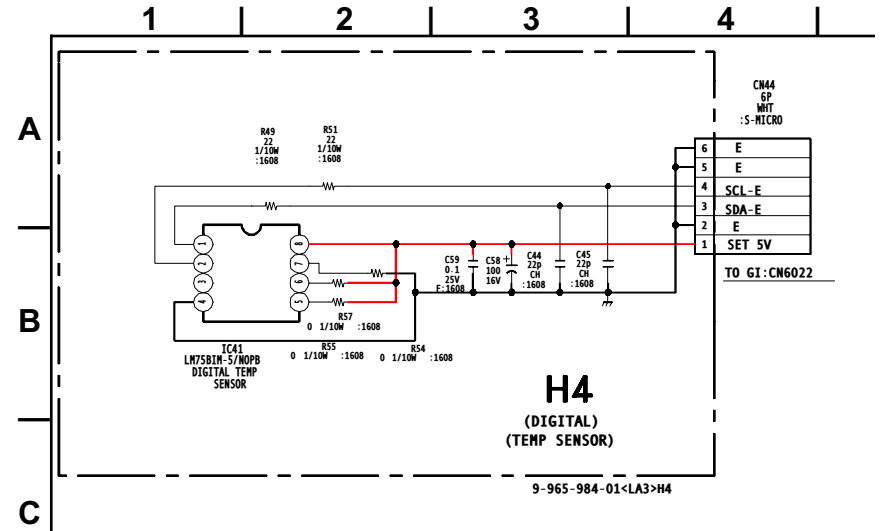
H3 [VIDEO 2 INPUT]

COMPONENT SIDE



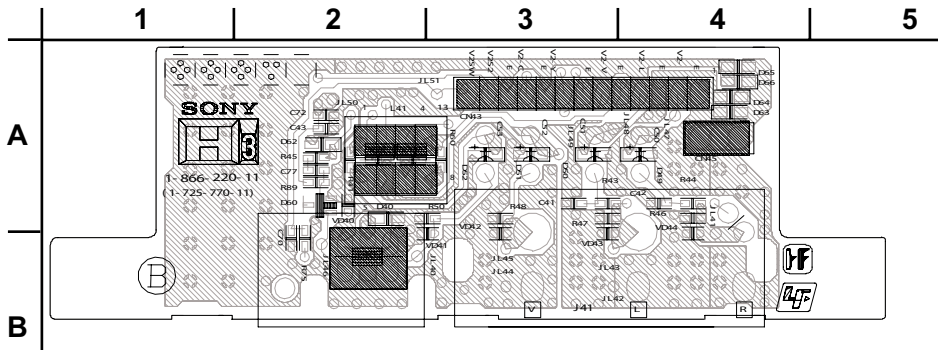
H4 BOARD SCHEMATIC DIAGRAM

(SN 9,000,001 TO 9,099,999 AND 9,800,001 TO 9,899,999 ONLY)



H3 [VIDEO 2 INPUT]

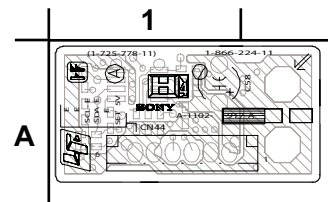
CONDUCTOR SIDE



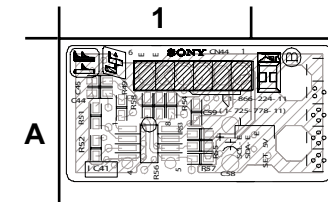
H4 [DIGITAL, TEMP SENSOR]

(SN 9,000,001 TO 9,099,999 AND 9,800,001 TO 9,899,999 ONLY)

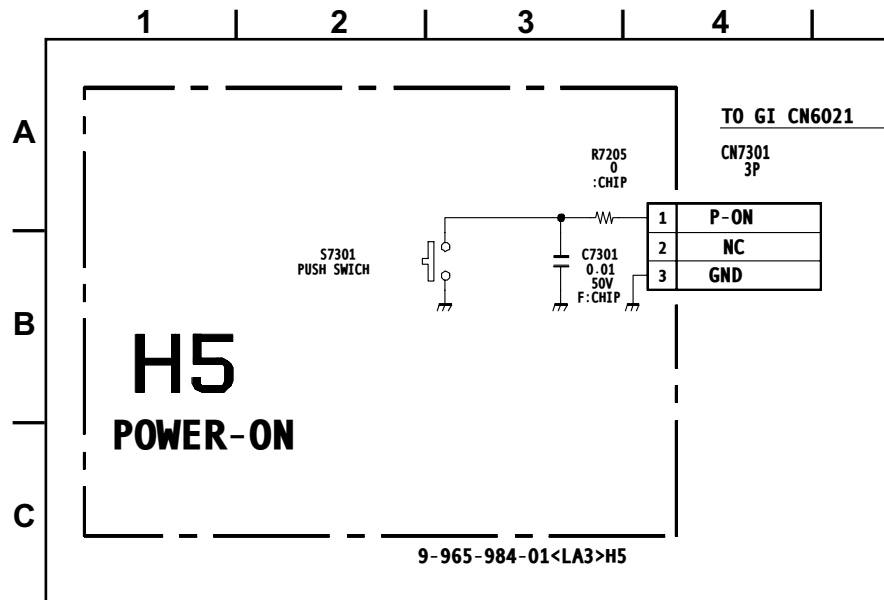
COMPONENT SIDE



CONDUCTOR SIDE



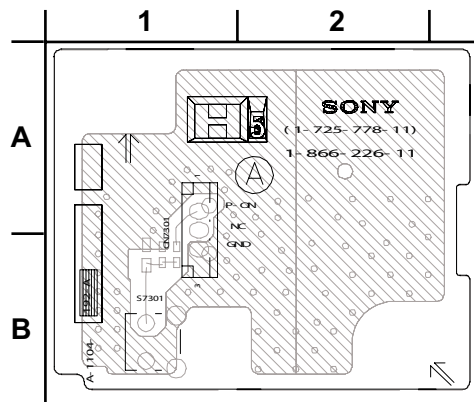
H5 BOARD SCHEMATIC DIAGRAM



H5

[POWER ON]

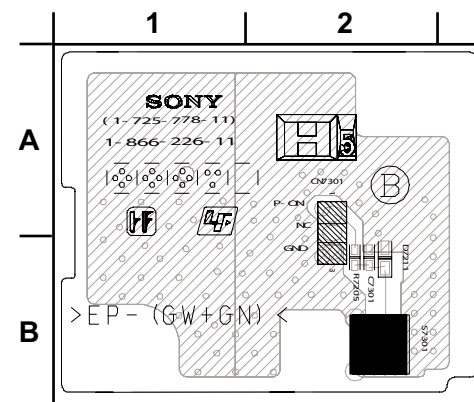
COMPONENT SIDE



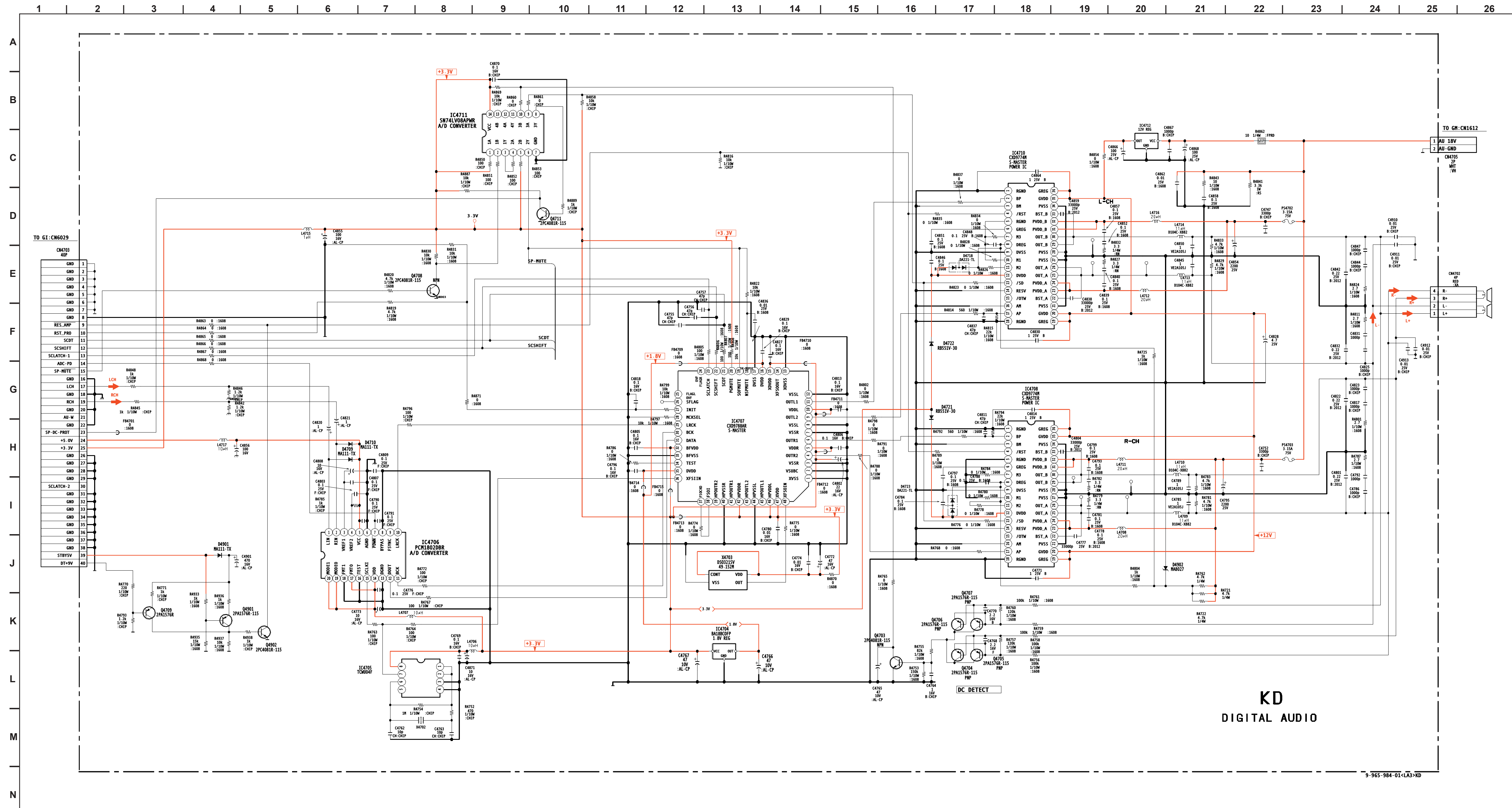
H5

[POWER ON]

CONDUCTOR SIDE



KD BOARD SCHEMATIC DIAGRAM (SN 9,000,001 TO 9,099,999 AND 9,800,001 TO 9,899,999 ONLY)

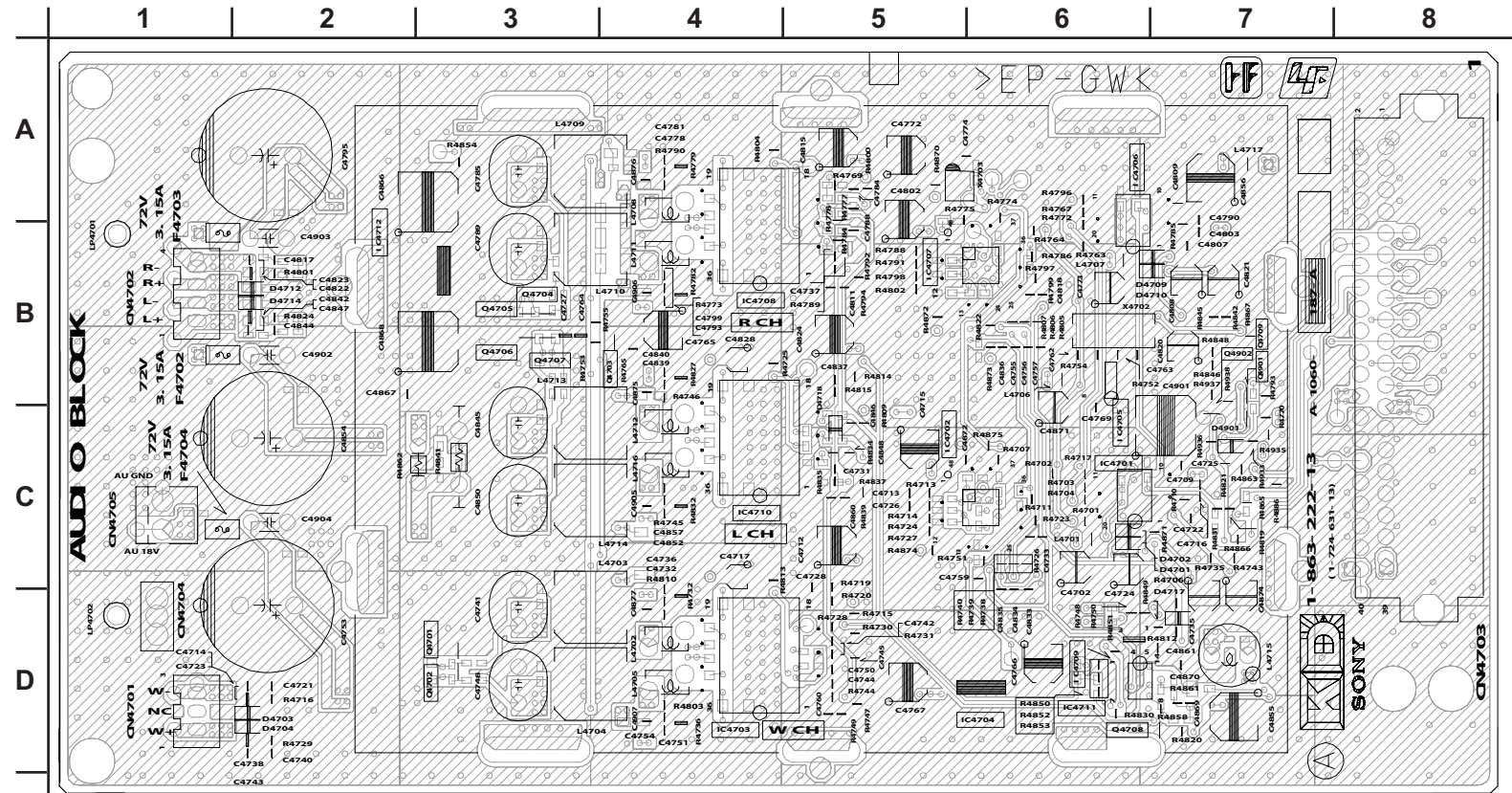


KD
DIGITAL AUDIO

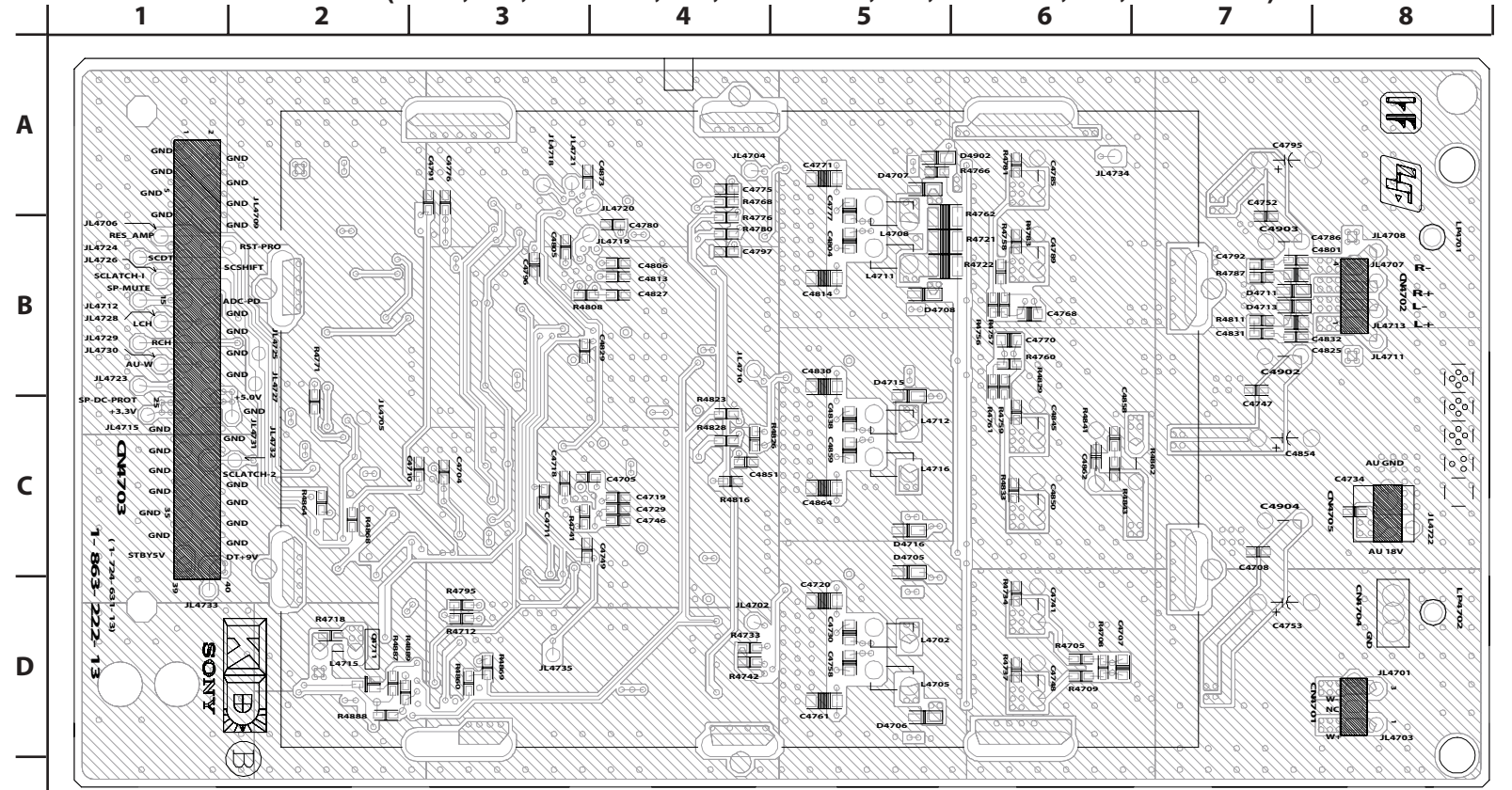
9-965-984-01-(LA3)-KD



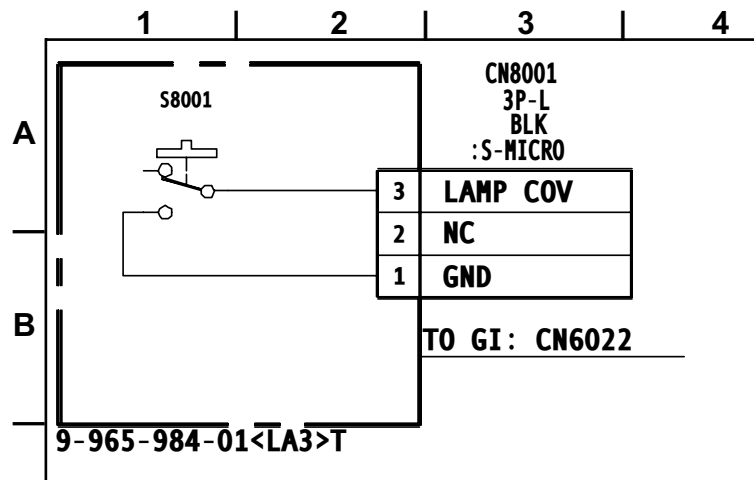
COMPONENT SIDE (SN 9,000,001 TO 9,099,999 AND 9,800,001 TO 9,899,999 ONLY)



CONDUCTOR SIDE (SN 9,000,001 TO 9,099,999 AND 9,800,001 TO 9,899,999 ONLY)

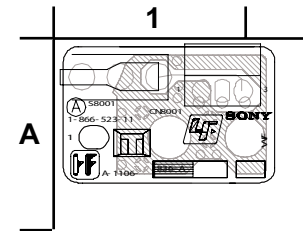


T BOARD SCHEMATIC DIAGRAM



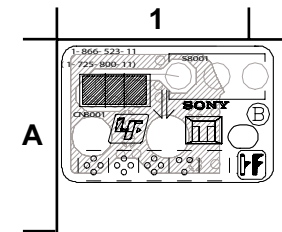
[LAMP DOOR SWITCH]

COMPONENT SIDE

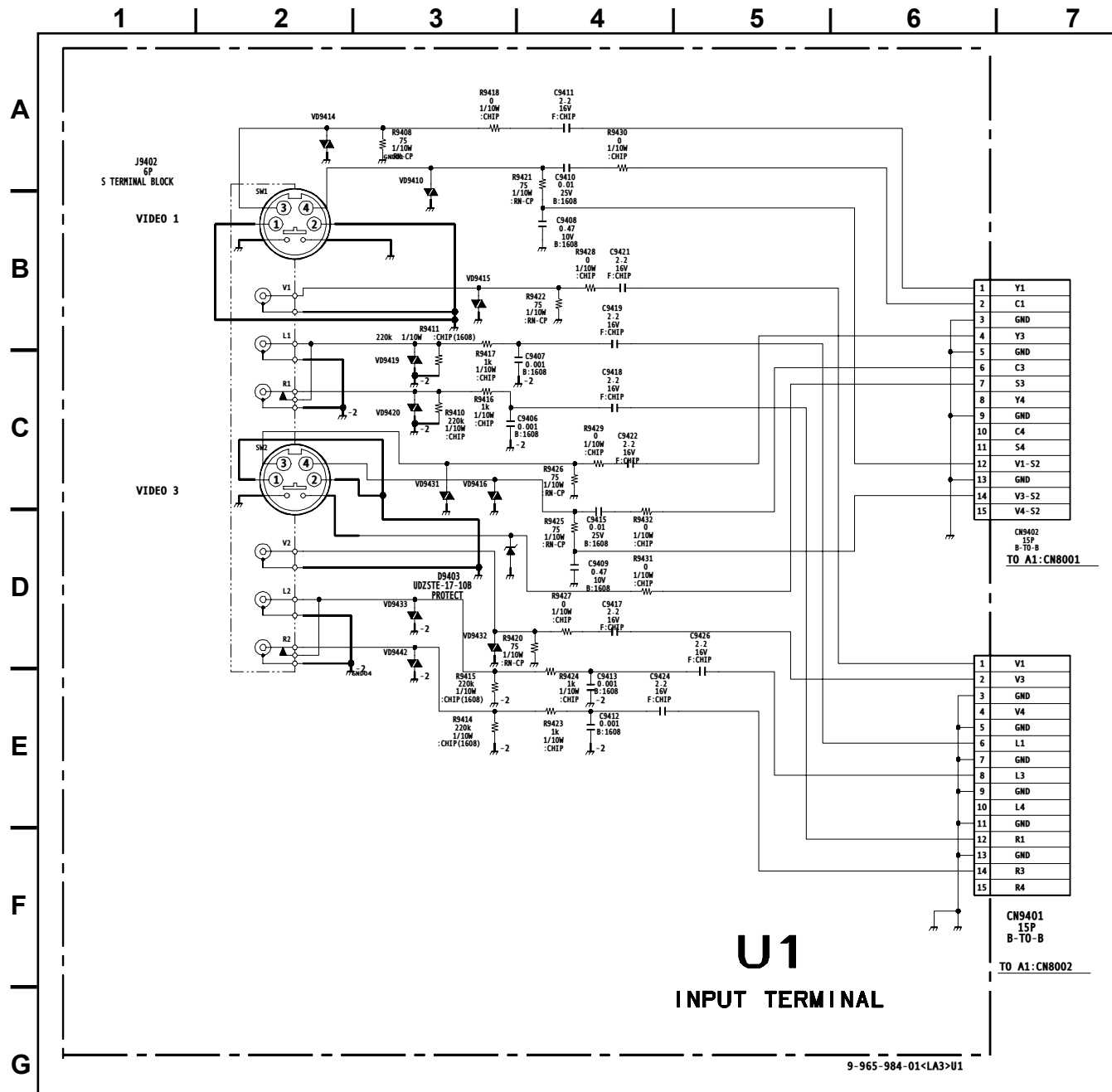


[LAMP DOOR SWITCH]

CONDUCTOR SIDE



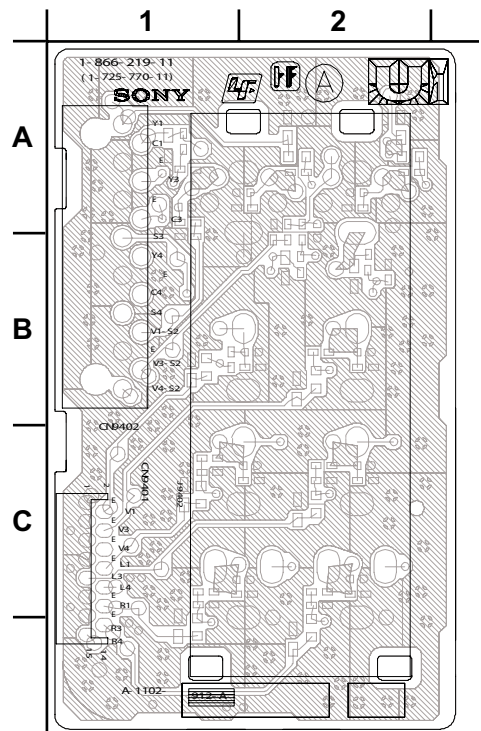
U1 BOARD SCHEMATIC DIAGRAM



9-965-984-01<LA3>U1

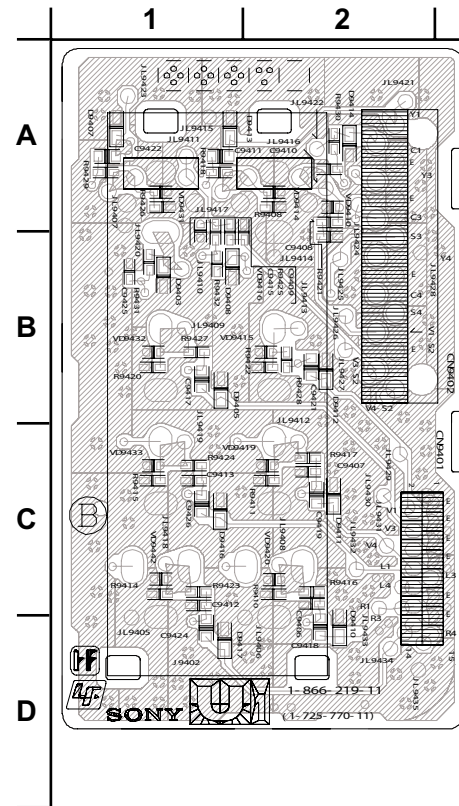
U1 [INPUT TERMINAL]

COMPONENT SIDE

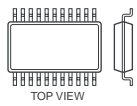


U1 [INPUT TERMINAL]

CONDUCTOR SIDE

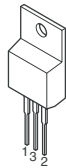


3-4. SEMICONDUCTORS



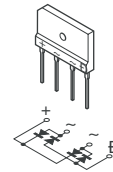
16Pin

CXA2069Q
NJW1149

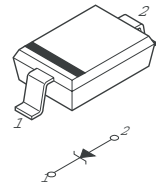


PQ07VZ012ZP

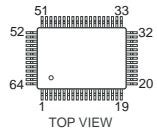
2SA1162-G
2SA1576A-T106-R
2SA1611-M5M6
2SC1623-L5L6
2SC4081-R
2SD601A-Q
DTA114EKA-T146
DTC114EK
DTC114EU
DTC143EKA-T146
DTC144EKA
DTC144EUA-T146



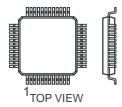
DAP202K
M1MA152WK-T1



SLR-325VCT31



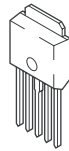
CXA2171AQ-T6



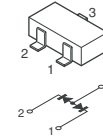
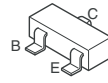
48Pin

LM75CIMX-5
M24C02-WMN6T(A)
M24C16-WMN6T(A)
MAX4451EKA-TG069
NJM4558V-TE2

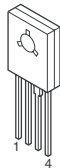
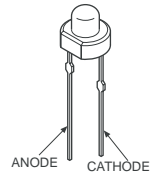
PQ30RV11
PQ30RV21
PQ30RV31



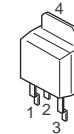
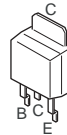
2SK2663



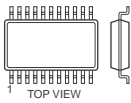
DE5SC3ML



D10SC6M



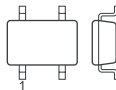
DTZ10B
HZU11B1TRF
MA111-TX
MA113-(TX)
UDZS-TE17-5.6B
UDZ-TE-17-4.3B
UDZ-TE-17-8.2B



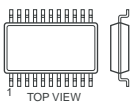
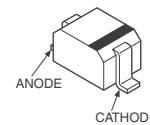
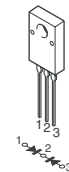
8Pin

M52055FP

SN74CBTLV1G125DCKR



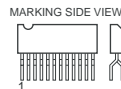
5Pin



14Pin

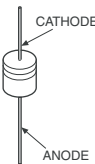
MCZ3001DA

TDA7265

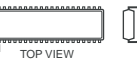
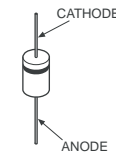


11Pin

D1N20R
D1NS4
RD12SB2
RD18SB2
RD3.3SB2



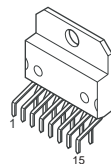
ERA22-08
ERC04-06SE



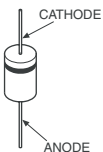
18Pin

NJM78M12DL1A-TE2

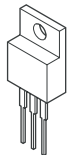
TDA7296



D1NL20J-TR



RD5.6SB2-T1
RD6.2SB2-T1
RD7.5SB2-T1



NJM79M12DL1A-TE1

UPC1093J-1-T




D2SB60A-F04
D4SBL40
D4SBS6-F
D6SB60L


SECTION 4: EXPLODED VIEWS

Components not identified by a part number or description are not stocked because they are seldom required for routine service.

The component parts of an assembly are indicated by the reference numbers in the far right column of the parts list and within the dotted lines of the diagram.

* Items marked with an asterisk are not stocked since they are seldom required for routine service. Expect some delay when ordering these components.

NOTE: The components identified by shading and  mark are critical for safety. Replace only with part number specified.

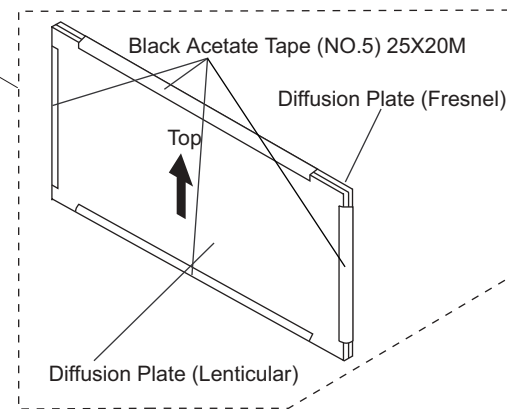
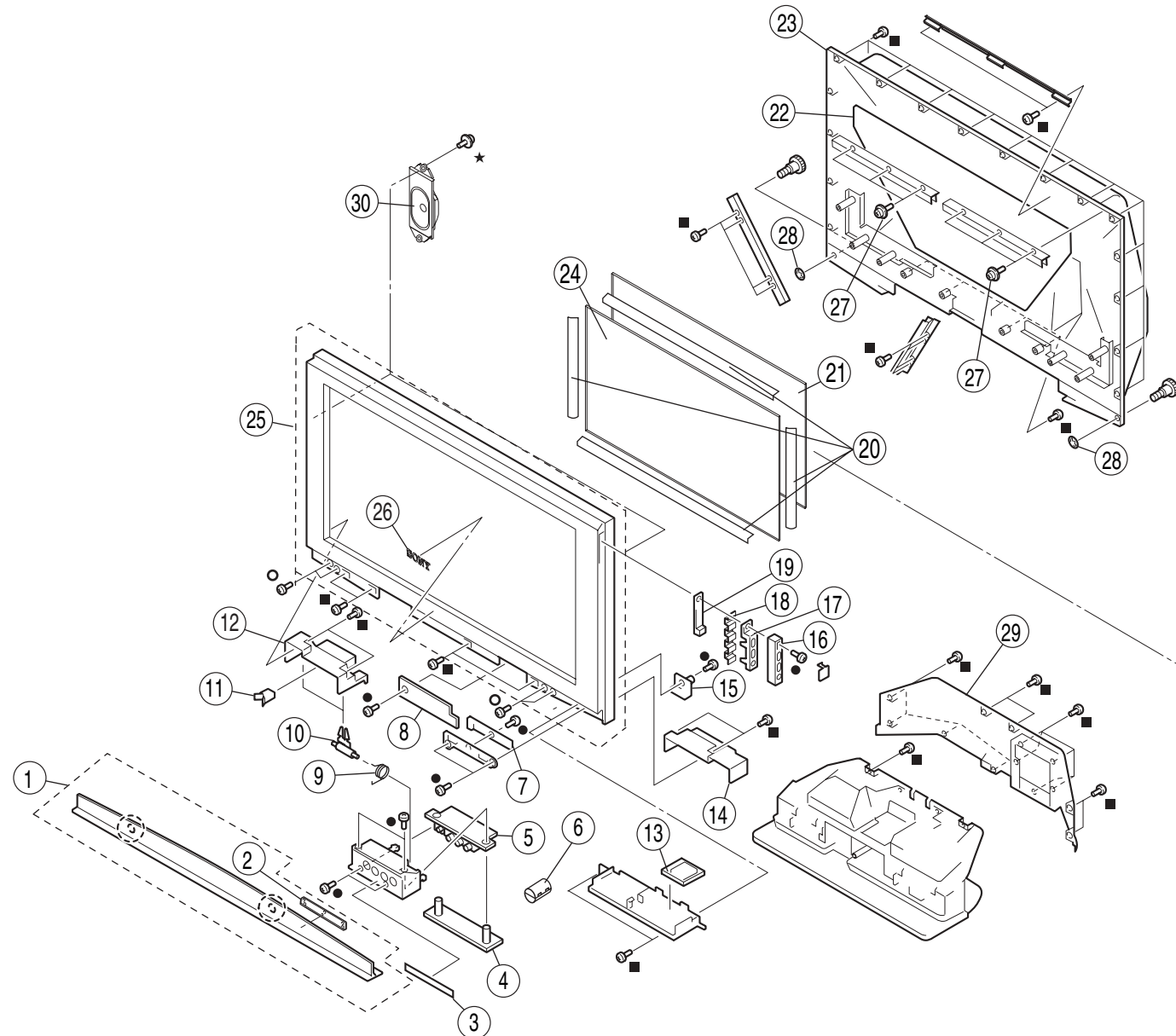
NOTE: Les composants identifiés par un trame et une marque  sont critiques pour la sécurité. Ne les remplacer que par une pièce portant le numéro spécifié.

4-1. COVER


■	7-685-648-79	SCREW +BVTP 3X12 TYPE2 IT-3
●	7-685-663-79	SCREW +BVTP 4X16 TYPE2 IT-3
★	4-302-404-03	SCREW (WASHER HEAD) (+P 4X16)
○	7-685-664-79	SCREW +BVTP 4X20 TYPE2 IT-3


Caution:

When removing the Mirror Cover Assembly or the Screen Frame Assembly, be sure to clean the mirror and Diffusion Plate(s) to remove any dust particles.



REF. NO.	PART NO.	DESCRIPTION	[ASSEMBLY INCLUDES]	REF. NO.	PART NO.	DESCRIPTION	[ASSEMBLY INCLUDES]
1	X-2055-475-1	FRONT COVER ASSY, (55) (KDF-E55A20 ONLY)	[2]	21	1-788-163-21	PLATE (55F), DIFFUSION (KDF-E55A20 ONLY)	
1	X-2055-476-1	FRONTCOVER ASSY, (60) (KDF-E60A20 ONLY)	[2]	21	1-788-164-21	PLATE (60F), DIFFUSION (KDF-E60A20 ONLY)	
2	2-595-021-01	GUIDE, LED		22	A-1087-106-A	MIRROR (55) ASSY (KDF-E55A20 ONLY)	
3	2-102-482-02	FRONT TERMINAL LABEL		22	A-1087-109-A	MIRROR (60) ASSY (KDF-E60A20 ONLY)	
4	2-055-782-01	BRACKET (R), H3		23	A-1087-105-A	MIRROR COVER ASSY (KDF-E55A20 ONLY)	
5	A-1102-913-A	H3 BOARD, MOUNTED		23	A-1087-108-A	MIRROR COVER ASSY (KDF-E60A20 ONLY)	
6	1-500-497-11	FILTER, CLAMP (FERRITE CORE)		24	2-635-877-11	PLATE (55L), DIFFUSION (KDF-E55A20 ONLY)	
7	A-1104-349-A	H2 BOARD, MOUNTED		24	2-635-878-11	PLATE (60L), DIFFUSION (KDF-E60A20 ONLY)	
* 8	2-024-426-01	COVER (55), CABLE (KDF-E55A20 ONLY)		25	A-1087-104-A	SCREEN FRAME ASSY (KDF-E55A20 ONLY)	[26]
* 8	2-024-428-01	COVER (60), CABLE (KDF-E60A20 ONLY)		25	A-1087-107-A	SCREEN FRAME ASSY (KDF-E60A20 ONLY)	[26]
* 9	2-055-626-01	SPRING (D), H3		26	3-704-179-02	EMBLEM (NO.9), SONY	
10	4-045-250-01	DAMPER		27	4-302-404-03	SCREW (WASHER HEAD) (+P 4X16)	
11	4-091-144-01	CATCH, PUSH		28	3-650-537-00	WASHER	
* 12	2-055-783-02	SHIELD, H3		29	2-592-615-01	COVER, REAR	
13	A-1109-413-A	H5 BOARD, COMPLETE		30	1-826-178-11	LOUDSPEAKER (7X13CM)	
* 14	2-024-434-01	SHIELD, HM					
15	2-024-435-21	BUTTON, POWER					
16	2-024-429-01	BRACKET, H1					
17	2-595-022-01	BUTTON PANEL					
18	2-024-430-01	BUTTON, H1					
19	A-1104-350-A	H1 BOARD, MOUNTED					
20	7-600-004-25	TAPE, ACETATE (NO.5) 25X20M BLK					

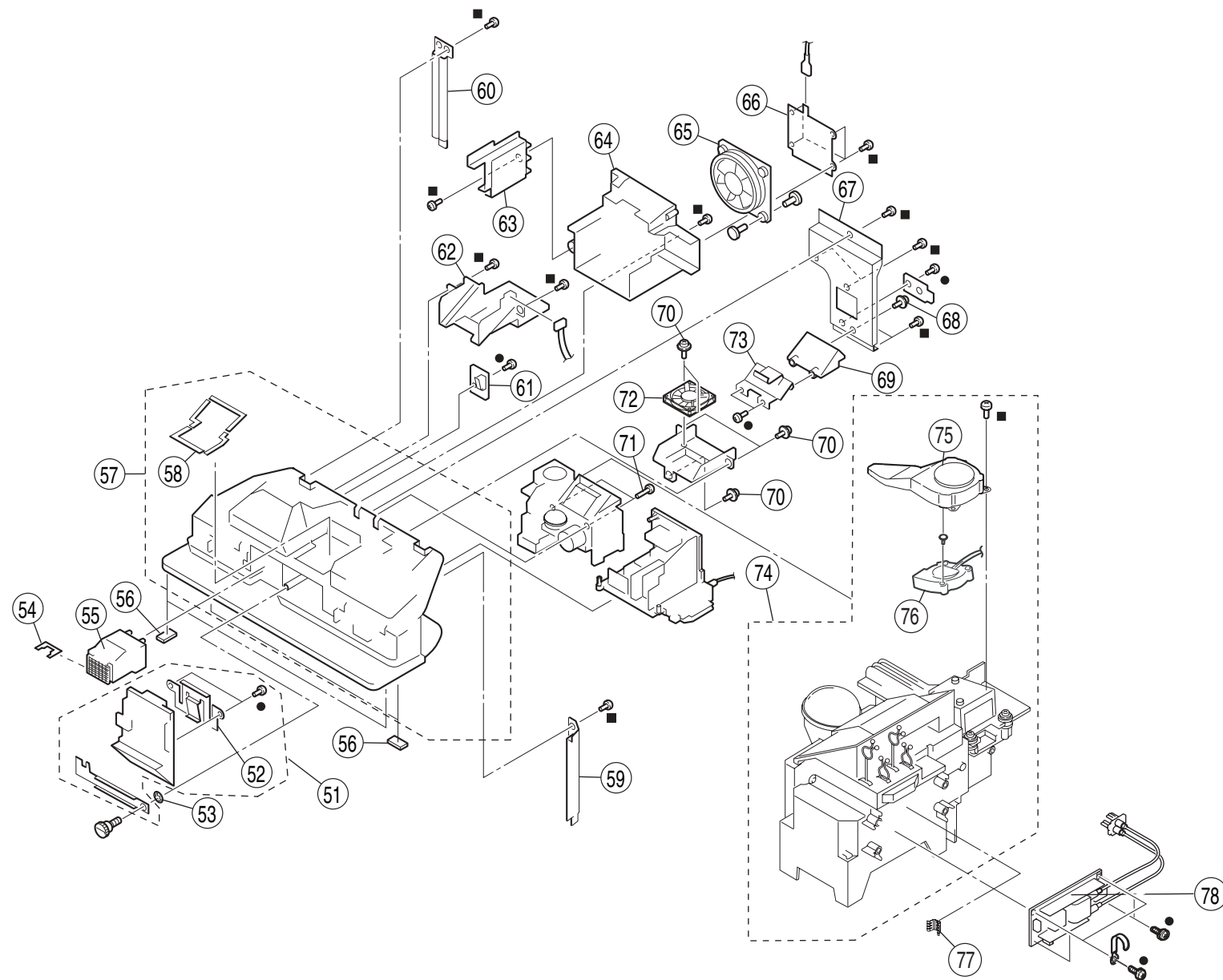
NOTE: The components identified by shading and  mark are critical for safety. Replace only with part number specified.







NOTE: Les composants identifiés par un trame et une marque  sont critiques pour la sécurité. Ne les remplacer que par une pièce portant le numéro spécifié.


4-2. BOTTOM CABINET


■	7-685-648-79	SCREW +BVTP	3X12 TYPE2 IT-3
●	7-685-663-79	SCREW +BVTP	4X16 TYPE2 IT-3

Caution:
When replacing the Optics Unit Block Assembly or the DC Fan be sure to remove any dust particles.



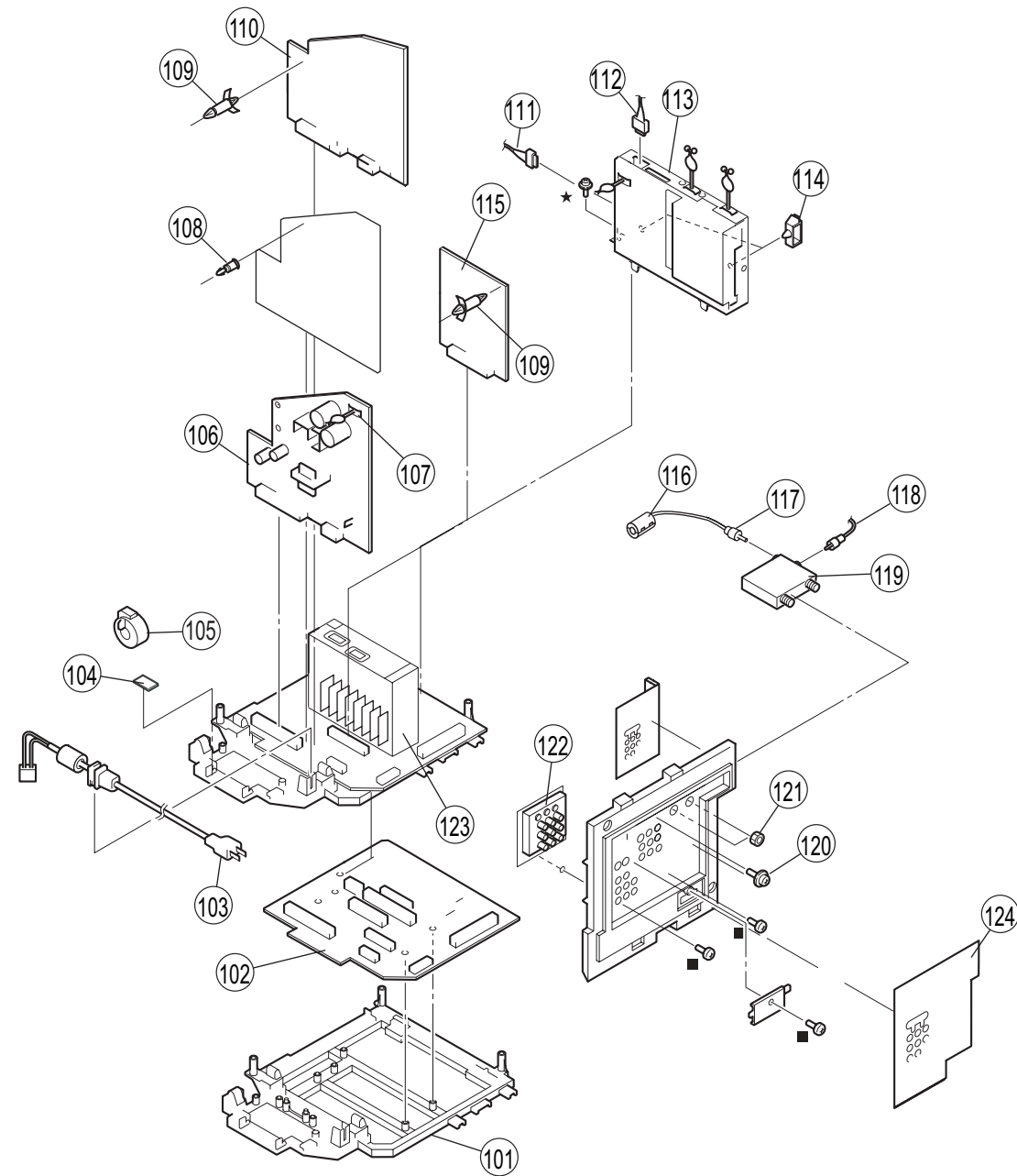
REF. NO.	PART NO.	DESCRIPTION	[ASSEMBLY INCLUDES]	REF. NO.	PART NO.	DESCRIPTION	[ASSEMBLY INCLUDES]
51	X-2021-364-3	LAMP DOOR ASSY		71	4-319-520-11	SCREW, SPECIAL (+PW4X30)	
52	2-024-926-01	SPRING, LAMP DOOR		 *72	1-787-081-11	FAN, DC	
* 53	3-650-537-00	WASHER		* 73	2-159-411-01	SPRING, OPT	
* 54	2-055-920-01	SPRING, LAMP CASE		 74	A-1132-202-A	OPTICS UNIT BLOCK ASSY (KDF-E55A20 ONLY)	[75-76]
* 55	A-1085-447-A	LAMP BLOCK ASSY		 74	A-1132-204-A	OPTICS UNIT BLOCK ASSY (KDF-E60A20 ONLY)	[75-76]
56	4-097-548-11	CUSHION, FOOT		* 75	2-055-931-02	DUCT, LAMP FAN	
57	X-2021-363-4	BOTTOM CABINET ASSY	[58]	 76	1-787-065-11	D.C. FAN (SIROCCO)	
58	4-077-652-21	CUSHION (A)		77	2-055-353-01	SPRING, EMI C	
* 59	2-024-925-01	STAY (R), SIDE		 78	1-468-875-11	POWER SUPPLY BLOCK P/21	
* 60	2-024-924-01	STAY (L), SIDE					
61	A-1106-836-A	T BOARD, MOUNTED					
62	2-055-932-02	GUIDE, LAMP CASE					
* 63	2-050-988-01	FAN BRACKET (2), DUCT					
* 64	2-055-928-01	FAN BRACKET, DUCT					
 *65	1-787-232-11	D.C. FAN					
* 66	2-055-936-01	PLATE, 120 FAN					
* 67	2-024-923-01	BRACKET, OU					
68	3-701-810-72	SCREW, TERMINAL					
* 69	X-2021-365-1	ADJUSTER ASSY					
70	4-302-404-03	SCREW (WASHER HEAD) (+P 4X16)					


NOTE: The components identified by shading and  mark are critical for safety. Replace only with part number specified.

NOTE: Les composants identifiés par un triangle et une marque  sont critiques pour la sécurité. Ne les remplacer que par une pièce portant le numéro spécifié.

4-3. CHASSIS

- 7-685-648-79 SCREW +BVTP 3X12 TYPE2 IT-3
- ★ 4-029-432-01 SCREW (3X12), (+) BVWHTP



REF. NO.	PART NO.	DESCRIPTION	[ASSEMBLY INCLUDES]	REF. NO.	PART NO.	DESCRIPTION	[ASSEMBLY INCLUDES]
* 101	4-103-435-11	BRACKET, MAIN		111	1-830-099-41	LEAD WIRE WITH CONNECTOR (LVDS)	
102	A-1109-406-A	GI BOARD, COMPLETE		112	1-910-004-95	LEAD WIRE WITH CONNECTOR (LVDS)	
(SN 9,000,001 to 9,099,999 and 9,800,001 to 9,899,999 Only)				113	A-1109-404-A	B1 BOARD, COMPLETE	
102	A-1148-239-A	GK BOARD, COMPLETE		* 114	4-098-165-01	CLAMPER	
(SN 9,100,001 to 9,799,999 and 9,900,001 and Up Only)				115	A-1110-881-A	KD BOARD, COMPLETE	
 103	1-791-192-31	CORD, NOISE FILTER WITH POWER		(SN 9,000,001 to 9,099,999 and 9,800,001 to 9,899,999 Only)			
104	A-1102-917-A	H4 BOARD, MOUNTED		116	1-469-089-11	FILTER, CLAMP (FERRITE CORE)	
(SN 9,000,001 to 9,099,999 and 9,800,001 to 9,899,999 Only)				* 117	1-555-110-00	CABLE, P-P	
105	1-500-082-11	CLAMP, SLEEVE FERRITE		118	1-829-702-11	COAXIAL CABLE WITH F-PLUG	
106	A-1109-407-A	GM BOARD, COMPLETE		119	8-597-504-00	ANTENNA SWITCHE RFD-SA811	
(SN 9,000,001 to 9,099,999 and 9,800,001 to 9,899,999 Only)				120	7-685-648-79	SCREW +BVTP 3X12 TYPE2 IT-3	
106	A-1171-842-A	GM BOARD, COMPLETE		* 121	3-682-691-00	NUT, WASHER HEXAGON	
(SN 9,100,001 to 9,799,999 and 9,900,001 and Up Only)				122	A-1102-912-A	U1 BOARD, MOUNTED	
107	4-035-160-01	PURSE LOCK (S) (DIA. 12)		123	A-1110-067-A	DMB COMPLETE ASSY	
* 108	4-091-379-11	SPACER, ROCKING CARD		124	2-597-549-01	LABEL, TERMINAL	
* 109	4-092-047-01	CIRCUIT BOARD SUPPORTS					
110	A-1109-403-A	A1 BOARD, COMPLETE					
(SN 9,000,001 to 9,099,999 and 9,800,001 to 9,899,999 Only)							
110	A-1148-240-A	A2 BOARD, COMPLETE					
(SN 9,100,001 to 9,799,999 and 9,900,001 and Up Only)							

SECTION 5: ELECTRICAL PARTS LIST

NOTE: The components identified by shading and \triangle mark are critical for safety. Replace only with part number specified.

NOTE: Les composants identifiés par un trame et une marque \triangle sont critiques pour la sécurité. Ne les remplacer que par une pièce portant le numéro spécifié.

* Items marked with an asterisk are not stocked since they are seldom required for routine service. Expect some delay when ordering these components.

RESISTORS

- All resistors are in ohms
- F : nonflammable
- All variable and adjustable resistors have characteristic curve B, unless otherwise noted.

A1

When ordering parts by reference number, please include the board name.

REF. NO.	PART NO.	DESCRIPTION	VALUES			REF. NO.	PART NO.	DESCRIPTION	VALUES		
A1											
* A-1109-403-A A1 BOARD, COMPLETE (SN 9,000,001 TO 9,099,999 AND 9,800,000 TO 9,899,999 ONLY)											
CAPACITOR											
C8003	1-107-826-11	CERAMIC CHIP	0.1 μ F	10%	16V	C8068	1-107-826-11	CERAMIC CHIP	0.1 μ F	10%	16V
C8005	1-117-720-11	CERAMIC CHIP	4.7 μ F		10V	C8069	1-107-826-11	CERAMIC CHIP	0.1 μ F	10%	16V
C8006	1-135-960-91	CERAMIC CHIP	10 μ F	10%	25V	C8070	1-107-826-11	CERAMIC CHIP	0.1 μ F	10%	16V
C8007	1-164-360-11	CERAMIC CHIP	0.1 μ F		16V	C8071	1-164-505-11	CERAMIC CHIP	2.2 μ F		16V
C8008	1-107-826-11	CERAMIC CHIP	0.1 μ F	10%	16V	C8072	1-164-505-11	CERAMIC CHIP	2.2 μ F		16V
C8009	1-107-826-11	CERAMIC CHIP	0.1 μ F	10%	16V	C8073	1-117-720-11	CERAMIC CHIP	4.7 μ F		10V
C8010	1-127-931-21	ELECT CHIP	470 μ F	20%	16V	C8077	1-127-931-21	ELECT CHIP	470 μ F	20%	16V
C8011	1-127-931-21	ELECT CHIP	470 μ F	20%	16V	C8078	1-127-931-21	ELECT CHIP	470 μ F	20%	16V
C8012	1-107-826-11	CERAMIC CHIP	0.1 μ F	10%	16V	C8079	1-107-826-11	CERAMIC CHIP	0.1 μ F	10%	16V
C8018	1-165-908-11	CERAMIC CHIP	1 μ F	10%	10V	C8080	1-124-779-00	ELECT CHIP	10 μ F	20%	16V
C8019	1-107-826-11	CERAMIC CHIP	0.1 μ F	10%	16V	C8081	1-124-779-00	ELECT CHIP	10 μ F	20%	16V
C8021	1-165-908-11	CERAMIC CHIP	1 μ F	10%	10V	C8082	1-162-968-11	CERAMIC CHIP	0.0047 μ F	10%	50V
C8045	1-107-826-11	CERAMIC CHIP	0.1 μ F	10%	16V	C8083	1-162-968-11	CERAMIC CHIP	0.0047 μ F	10%	50V
C8046	1-107-826-11	CERAMIC CHIP	0.1 μ F	10%	16V	C8084	1-165-908-11	CERAMIC CHIP	1 μ F	10%	10V
C8048	1-107-826-11	CERAMIC CHIP	0.1 μ F	10%	16V	C8085	1-165-908-11	CERAMIC CHIP	1 μ F	10%	10V
C8049	1-164-505-11	CERAMIC CHIP	2.2 μ F		16V	C8086	1-162-964-11	CERAMIC CHIP	0.001 μ F	10%	50V
C8050	1-164-505-11	CERAMIC CHIP	2.2 μ F		16V	C8087	1-162-964-11	CERAMIC CHIP	0.001 μ F	10%	50V
C8051	1-162-970-11	CERAMIC CHIP	0.01 μ F	10%	25V	C8088	1-165-908-11	CERAMIC CHIP	1 μ F	10%	10V
C8061	1-109-982-11	CERAMIC CHIP	1 μ F	10%	10V	C8089	1-162-964-11	CERAMIC CHIP	0.001 μ F	10%	50V
C8062	1-107-826-11	CERAMIC CHIP	0.1 μ F	10%	16V	C8090	1-165-908-11	CERAMIC CHIP	1 μ F	10%	10V
C8063	1-165-908-11	CERAMIC CHIP	1 μ F	10%	10V	C8091	1-162-964-11	CERAMIC CHIP	0.001 μ F	10%	50V
C8064	1-107-826-11	CERAMIC CHIP	0.1 μ F	10%	16V	C8092	1-117-681-11	ELECT CHIP	100 μ F	20%	16V
C8065	1-162-913-11	CERAMIC CHIP	8pF	0.50pF	50V	C8093	1-117-681-11	ELECT CHIP	100 μ F	20%	16V
C8066	1-107-826-11	CERAMIC CHIP	0.1 μ F	10%	16V	C8094	1-117-681-11	ELECT CHIP	100 μ F	20%	16V
C8067	1-107-826-11	CERAMIC CHIP	0.1 μ F	10%	16V	C8095	1-117-681-11	ELECT CHIP	100 μ F	20%	16V
						C8096	1-117-681-11	ELECT CHIP	100 μ F	20%	16V
						C8097	1-117-681-11	ELECT CHIP	100 μ F	20%	16V
						C8098	1-127-931-21	ELECT CHIP	470 μ F	20%	16V
						C8099	1-107-826-11	CERAMIC CHIP	0.1 μ F	10%	16V
						C8100	1-117-720-11	CERAMIC CHIP	4.7 μ F		10V
						C8101	1-127-931-21	ELECT CHIP	470 μ F	20%	16V
						C8107	1-162-915-11	CERAMIC CHIP	10pF	0.50pF	50V
						C8108	1-127-931-21	ELECT CHIP	470 μ F	20%	16V
						C8109	1-125-779-21	CERAMIC CHIP	0.022 μ F	5%	25V
						C8110	1-125-779-21	CERAMIC CHIP	0.022 μ F	5%	25V

A1

REF. NO.	PART NO.	DESCRIPTION	VALUES			REF. NO.	PART NO.	DESCRIPTION	VALUES		
C8111	1-127-715-91	CERAMIC CHIP	0.22μF	10%	16V	C8151	1-165-112-11	CERAMIC CHIP	0.33μF		16V
C8112	1-126-401-21	ELECT CHIP	1μF	20%	50V	C8152	1-164-345-11	CERAMIC CHIP	0.082μF	10%	25V
C8113	1-126-394-11	ELECT CHIP	10μF	20%	16V	C8153	1-164-345-11	CERAMIC CHIP	0.082μF	10%	25V
C8114	1-126-394-11	ELECT CHIP	10μF	20%	16V	C8154	1-124-779-00	ELECT CHIP	10μF	20%	16V
C8115	1-128-934-91	CERAMIC CHIP	0.33μF	20%	10V	C8155	1-124-779-00	ELECT CHIP	10μF	20%	16V
C8116	1-126-401-21	ELECT CHIP	1μF	20%	50V	C8156	1-162-965-11	CERAMIC CHIP	0.0015μF	10%	50V
C8117	1-126-401-21	ELECT CHIP	1μF	20%	50V	C8157	1-162-964-11	CERAMIC CHIP	0.001μF	10%	50V
C8118	1-126-394-11	ELECT CHIP	10μF	20%	16V	C8158	1-163-989-11	CERAMIC CHIP	0.033μF	10%	25V
C8119	1-126-401-21	ELECT CHIP	1μF	20%	50V	C8159	1-165-176-11	CERAMIC CHIP	0.047μF	10%	16V
C8120	1-126-401-21	ELECT CHIP	1μF	20%	50V	C8160	1-165-176-11	CERAMIC CHIP	0.047μF	10%	16V
C8121	1-126-401-21	ELECT CHIP	1μF	20%	50V	C8161	1-162-970-11	CERAMIC CHIP	0.01μF	5%	25V
C8122	1-126-401-21	ELECT CHIP	1μF	20%	50V	C8162	1-162-968-11	CERAMIC CHIP	0.0047μF	10%	50V
C8123	1-126-401-21	ELECT CHIP	1μF	20%	50V	C8163	1-162-968-11	CERAMIC CHIP	0.0047μF	10%	50V
C8124	1-126-401-21	ELECT CHIP	1μF	20%	50V	C8164	1-128-536-11	ELECT CHIP	100μF	20%	25V
C8125	1-126-401-21	ELECT CHIP	1μF	20%	50V	C8165	1-107-826-11	CERAMIC CHIP	0.1μF	10%	16V
C8126	1-126-394-11	ELECT CHIP	10μF	20%	16V	C8166	1-107-826-11	CERAMIC CHIP	0.1μF	10%	16V
C8127	1-126-394-11	ELECT CHIP	10μF	20%	16V	C8167	1-107-826-11	CERAMIC CHIP	0.1μF	10%	16V
C8128	1-126-401-21	ELECT CHIP	1μF	20%	50V	C8168	1-107-826-11	CERAMIC CHIP	0.1μF	10%	16V
C8129	1-127-715-91	CERAMIC CHIP	0.22μF	10%	16V	C8169	1-107-826-11	CERAMIC CHIP	0.1μF	10%	16V
C8130	1-125-779-21	CERAMIC CHIP	0.022μF	5%	25V	C8200	1-127-715-91	CERAMIC CHIP	0.22μF	10%	16V
C8131	1-125-779-21	CERAMIC CHIP	0.022μF	5%	25V	C8201	1-128-996-11	ELECT CHIP	4.7μF	20%	50V
C8132	1-162-965-11	CERAMIC CHIP	0.0015μF	10%	50V	C8202	1-117-681-11	ELECT CHIP	100μF	20%	16V
C8133	1-162-964-11	CERAMIC CHIP	0.001μF	10%	50V	C8203	1-107-826-11	CERAMIC CHIP	0.1μF	10%	16V
C8134	1-163-989-11	CERAMIC CHIP	0.033μF	10%	25V	C8204	1-124-779-00	ELECT CHIP	10μF	20%	16V
C8135	1-127-715-91	CERAMIC CHIP	0.22μF	10%	16V	C8205	1-164-360-11	CERAMIC CHIP	0.1μF		16V
C8136	1-162-968-11	CERAMIC CHIP	0.0047μF	10%	50V	C8206	1-117-681-11	ELECT CHIP	100μF	20%	16V
C8137	1-127-715-91	CERAMIC CHIP	0.22μF	10%	16V	C8207	1-164-230-11	CERAMIC CHIP	220pF	5%	50V
C8138	1-162-968-11	CERAMIC CHIP	0.0047μF	10%	50V	C8208	1-164-230-11	CERAMIC CHIP	220pF	5%	50V
C8139	1-165-176-11	CERAMIC CHIP	0.047μF	10%	16V	C8209	1-127-573-11	CERAMIC CHIP	1μF	10%	16V
C8140	1-165-176-11	CERAMIC CHIP	0.047μF	10%	16V	C8210	1-127-573-11	CERAMIC CHIP	1μF	10%	16V
C8141	1-125-779-21	CERAMIC CHIP	0.022μF	5%	25V	C8531	1-128-357-11	ELECT CHIP	10μF	20%	16V
C8142	1-107-826-11	CERAMIC CHIP	0.1μF	10%	16V	C8532	1-128-357-11	ELECT CHIP	10μF	20%	16V
C8143	1-107-826-11	CERAMIC CHIP	0.1μF	10%	16V	C8544	1-117-681-11	ELECT CHIP	100μF	20%	16V
C8144	1-107-826-11	CERAMIC CHIP	0.1μF	10%	16V	C8545	1-107-826-11	CERAMIC CHIP	0.1μF	10%	16V
C8145	1-107-826-11	CERAMIC CHIP	0.1μF	10%	16V	C8548	1-127-931-21	ELECT CHIP	470μF	20%	16V
C8146	1-107-826-11	CERAMIC CHIP	0.1μF	10%	16V	C8550	1-165-908-11	CERAMIC CHIP	1μF	10%	10V
C8147	1-107-826-11	CERAMIC CHIP	0.1μF	10%	16V	C8551	1-165-908-11	CERAMIC CHIP	1μF	10%	10V
C8148	1-107-826-11	CERAMIC CHIP	0.1μF	10%	16V	C8559	1-127-931-21	ELECT CHIP	470μF	20%	16V
C8149	1-107-826-11	CERAMIC CHIP	0.1μF	10%	16V	C8560	1-107-826-11	CERAMIC CHIP	0.1μF	10%	16V
C8150	1-126-401-21	ELECT CHIP	1μF	20%	50V	C8589	1-107-826-11	CERAMIC CHIP	0.1μF	10%	16V

A1

REF. NO.	PART NO.	DESCRIPTION	VALUES	REF. NO.	PART NO.	DESCRIPTION	VALUES
C8593	1-117-681-11	ELECT CHIP	100µF 20% 16V		JACK		
C8609	1-128-357-11	ELECT CHIP	10µF 20% 16V	*	J8002	1-818-708-11	JACK, PIN 6P
C8610	1-128-357-11	ELECT CHIP	10µF 20% 16V	*	J8004	1-818-709-11	PHONO JACK 6P
CONNECTOR				COIL			
* CN8001	1-691-616-21	CONNECTOR, BOARD TO BOARD	15P	L8002	1-400-397-11	INDUCTOR	10µH
* CN8002	1-580-974-11	CONNECTOR, BOARD TO BOARD		L8003	1-469-555-21	INDUCTOR	10µH
* CN8003	1-818-749-11	PIN, CONNECTOR	16P	L8010	1-414-856-11	INDUCTOR	10µH
CN8006	1-793-419-11	CONNECTOR, BOARD TO BOARD	4P	L8011	1-414-856-11	INDUCTOR	10µH
* CN8008	1-785-532-11	PIN, CONNECTOR (PC BOARD)	14P	L8015	1-400-397-11	INDUCTOR	10µH
CN8039	1-695-915-11	TAB (CONTACT)		L8016	1-400-397-11	INDUCTOR	10µH
CN8041	1-695-915-11	TAB (CONTACT)		L8017	1-414-856-11	INDUCTOR	10µH
DIODE				L8502	1-400-397-11	INDUCTOR	10µH
D8006	8-719-977-28	DIODE	DTZ10B	L8503	1-400-397-11	INDUCTOR	10µH
D8007	8-719-977-28	DIODE	DTZ10B	TRANSISTOR			
D8008	8-719-977-28	DIODE	DTZ10B	Q8010	8-729-600-22	TRANSISTOR	2SA1235-F
D8009	8-719-977-28	DIODE	DTZ10B	Q8013	8-729-120-28	TRANSISTOR	2SC1623-L5L6
D8010	8-719-977-28	DIODE	DTZ10B	Q8015	8-729-122-63	TRANSISTOR	2SA1226-E4
D8011	8-719-977-28	DIODE	DTZ10B	Q8017	8-729-122-63	TRANSISTOR	2SA1226-E4
D8200	8-719-041-97	DIODE	MA113-(TX)	Q8022	8-729-122-63	TRANSISTOR	2SA1226-E4
D8201	8-719-081-97	DIODE	MMDL914T1	Q8024	8-729-600-22	TRANSISTOR	2SA1235-F
D8202	8-719-041-97	DIODE	MA113-(TX)	Q8026	8-729-120-28	TRANSISTOR	2SC1623-L5L6
D8203	8-719-977-28	DIODE	DTZ10B	Q8028	8-729-600-22	TRANSISTOR	2SA1235-F
D8204	8-719-000-07	DIODE	MC2836	Q8031	8-729-600-22	TRANSISTOR	2SA1235-F
D8205	8-719-000-08	DIODE	MC2838	Q8032	8-729-120-28	TRANSISTOR	2SC1623-L5L6
FERRITE BEAD				Q8033	8-729-120-28	TRANSISTOR	2SC1623-L5L6
FB8003	1-414-228-11	FERRITE	0µH	Q8034	8-729-120-28	TRANSISTOR	2SC1623-L5L6
IC				Q8100	8-729-044-58	TRANSISTOR	SI2304DS-T1
IC8001	8-753-232-63	IC	CXA2229Q-T6	Q8102	8-729-120-28	TRANSISTOR	2SC1623-L5L6
IC8002	6-706-805-01	IC	TL52055DR	Q8200	8-729-600-22	TRANSISTOR	2SA1235-F
IC8200	8-759-669-46	IC	LM358PWR-12	Q8201	8-729-120-28	TRANSISTOR	2SC1623-L5L6
IC8502	8-752-107-98	IC	CXA2188Q-T4	Q8202	8-729-120-28	TRANSISTOR	2SC1623-L5L6
IC8504	6-706-456-01	IC	NJW1169FH1	Q8203	8-729-600-22	TRANSISTOR	2SA1235-F
IC8505	8-759-669-46	IC	LM358PWR-12	Q8204	8-729-120-28	TRANSISTOR	2SC1623-L5L6
				Q8501	8-729-120-28	TRANSISTOR	2SC1623-L5L6
				Q8502	8-729-120-28	TRANSISTOR	2SC1623-L5L6

A1

REF. NO.	PART NO.	DESCRIPTION	VALUES			REF. NO.	PART NO.	DESCRIPTION	VALUES		
RESISTOR						R8056	1-218-700-11	METAL CHIP	2.2K	0.50%	1/10W
R8004	1-216-853-11	METAL CHIP	470K	5%	1/10W	R8057	1-218-698-11	METAL CHIP	1.8K	0.50%	1/10W
R8005	1-216-853-11	METAL CHIP	470K	5%	1/10W	R8058	1-216-833-11	METAL CHIP	10K	5%	1/10W
R8006	1-216-864-11	SHORT CHIP				R8059	1-216-821-11	METAL CHIP	1K	5%	1/10W
R8007	1-216-864-11	SHORT CHIP				R8063	1-218-668-11	METAL CHIP	100	0.50%	1/10W
R8008	1-216-864-11	SHORT CHIP				R8064	1-218-668-11	METAL CHIP	100	0.50%	1/10W
R8009	1-216-853-11	METAL CHIP	470K	5%	1/10W	R8066	1-218-668-11	METAL CHIP	100	0.50%	1/10W
R8010	1-216-853-11	METAL CHIP	470K	5%	1/10W	R8068	1-216-821-11	METAL CHIP	1K	5%	1/10W
R8013	1-216-821-11	METAL CHIP	1K	5%	1/10W	R8069	1-216-833-11	METAL CHIP	10K	5%	1/10W
R8014	1-216-821-11	METAL CHIP	1K	5%	1/10W	R8071	1-216-809-11	METAL CHIP	100	5%	1/10W
R8015	1-216-821-11	METAL CHIP	1K	5%	1/10W	R8072	1-216-857-11	METAL CHIP	1M	5%	1/10W
R8016	1-216-821-11	METAL CHIP	1K	5%	1/10W	R8073	1-216-857-11	METAL CHIP	1M	5%	1/10W
R8017	1-216-821-11	METAL CHIP	1K	5%	1/10W	R8074	1-218-889-11	METAL CHIP	56K	0.50%	1/10W
R8018	1-216-821-11	METAL CHIP	1K	5%	1/10W	R8075	1-216-829-11	METAL CHIP	4.7K	5%	1/10W
R8019	1-216-864-11	SHORT CHIP				R8076	1-216-821-11	METAL CHIP	1K	5%	1/10W
R8020	1-216-864-11	SHORT CHIP				R8077	1-216-813-11	METAL CHIP	220	5%	1/10W
R8021	1-216-853-11	METAL CHIP	470K	5%	1/10W	R8078	1-216-801-11	METAL CHIP	22	5%	1/10W
R8022	1-216-853-11	METAL CHIP	470K	5%	1/10W	R8079	1-216-801-11	METAL CHIP	22	5%	1/10W
R8023	1-216-821-11	METAL CHIP	1K	5%	1/10W	R8082	1-216-833-11	METAL CHIP	10K	5%	1/10W
R8024	1-216-821-11	METAL CHIP	1K	5%	1/10W	R8084	1-216-857-11	METAL CHIP	1M	5%	1/10W
R8025	1-216-833-11	METAL CHIP	10K	5%	1/10W	R8085	1-216-809-11	METAL CHIP	100	5%	1/10W
R8026	1-216-833-11	METAL CHIP	10K	5%	1/10W	R8086	1-216-809-11	METAL CHIP	100	5%	1/10W
R8027	1-216-821-11	METAL CHIP	1K	5%	1/10W	R8087	1-216-809-11	METAL CHIP	100	5%	1/10W
R8028	1-216-821-11	METAL CHIP	1K	5%	1/10W	R8088	1-216-809-11	METAL CHIP	100	5%	1/10W
R8034	1-216-808-11	METAL CHIP	82	5%	1/10W	R8091	1-216-821-11	METAL CHIP	1K	5%	1/10W
R8035	1-216-807-11	METAL CHIP	68	5%	1/10W	R8092	1-216-809-11	METAL CHIP	100	5%	1/10W
R8036	1-216-809-11	METAL CHIP	100	5%	1/10W	R8093	1-216-809-11	METAL CHIP	100	5%	1/10W
R8037	1-216-809-11	METAL CHIP	100	5%	1/10W	R8094	1-216-809-11	METAL CHIP	100	5%	1/10W
R8041	1-218-665-11	METAL CHIP	75	0.50%	1/10W	R8095	1-216-833-11	METAL CHIP	10K	5%	1/10W
R8042	1-218-665-11	METAL CHIP	75	0.50%	1/10W	R8097	1-216-809-11	METAL CHIP	100	5%	1/10W
R8043	1-216-809-11	METAL CHIP	100	5%	1/10W	R8098	1-216-809-11	METAL CHIP	100	5%	1/10W
R8044	1-216-821-11	METAL CHIP	1K	5%	1/10W	R8099	1-216-809-11	METAL CHIP	100	5%	1/10W
R8046	1-218-665-11	METAL CHIP	75	0.50%	1/10W	R8100	1-216-809-11	METAL CHIP	100	5%	1/10W
R8048	1-216-845-11	METAL CHIP	100K	5%	1/10W	R8101	1-216-809-11	METAL CHIP	100	5%	1/10W
R8049	1-216-864-11	SHORT CHIP				R8103	1-216-809-11	METAL CHIP	100	5%	1/10W
R8050	1-216-864-11	SHORT CHIP				R8108	1-216-809-11	METAL CHIP	100	5%	1/10W
R8051	1-216-821-11	METAL CHIP	1K	5%	1/10W	R8109	1-216-809-11	METAL CHIP	100	5%	1/10W
R8052	1-216-864-11	SHORT CHIP				R8110	1-216-809-11	METAL CHIP	100	5%	1/10W
R8053	1-216-821-11	METAL CHIP	1K	5%	1/10W	R8115	1-216-809-11	METAL CHIP	100	5%	1/10W
R8054	1-216-811-11	METAL CHIP	150	5%	1/10W	R8117	1-216-861-11	METAL CHIP	2.2M	5%	1/10W
R8055	1-216-817-11	METAL CHIP	470	5%	1/10W						



REF. NO.	PART NO.	DESCRIPTION	VALUES			REF. NO.	PART NO.	DESCRIPTION	VALUES		
R8119	1-216-864-11	SHORT CHIP				R8201	1-216-833-11	METAL CHIP	10K	5%	1/10W
R8120	1-216-864-11	SHORT CHIP				R8202	1-216-864-11	SHORT CHIP			
R8121	1-216-864-11	SHORT CHIP				R8203	1-216-836-11	METAL CHIP	18K	5%	1/10W
R8122	1-216-821-11	METAL CHIP	1K	5%	1/10W	R8204	1-216-838-11	METAL CHIP	27K	5%	1/10W
R8123	1-216-821-11	METAL CHIP	1K	5%	1/10W	R8205	1-216-841-11	METAL CHIP	47K	5%	1/10W
R8124	1-216-821-11	METAL CHIP	1K	5%	1/10W	R8206	1-216-864-11	SHORT CHIP			
R8125	1-216-864-11	SHORT CHIP				R8207	1-216-837-11	METAL CHIP	22K	5%	1/10W
R8126	1-216-838-11	METAL CHIP	27K	5%	1/10W	R8208	1-216-857-11	METAL CHIP	1M	5%	1/10W
R8127	1-216-825-11	METAL CHIP	2.2K	5%	1/10W	R8209	1-216-830-11	METAL CHIP	5.6K	5%	1/10W
R8128	1-216-864-11	SHORT CHIP				R8210	1-218-867-11	METAL CHIP	6.8K	0.50%	1/10W
R8129	1-216-809-11	METAL CHIP	100	5%	1/10W	R8211	1-216-821-11	METAL CHIP	1K	5%	1/10W
R8130	1-216-809-11	METAL CHIP	100	5%	1/10W	R8212	1-216-837-11	METAL CHIP	22K	5%	1/10W
R8131	1-216-809-11	METAL CHIP	100	5%	1/10W	R8213	1-216-837-11	METAL CHIP	22K	5%	1/10W
R8132	1-216-833-11	METAL CHIP	10K	5%	1/10W	R8214	1-216-828-11	METAL CHIP	3.9K	5%	1/10W
R8133	1-216-864-11	SHORT CHIP				R8215	1-216-829-11	METAL CHIP	4.7K	5%	1/10W
R8134	1-216-864-11	SHORT CHIP				R8216	1-216-828-11	METAL CHIP	3.9K	5%	1/10W
R8135	1-216-838-11	METAL CHIP	27K	5%	1/10W	R8217	1-216-809-11	METAL CHIP	100	5%	1/10W
R8136	1-216-825-11	METAL CHIP	2.2K	5%	1/10W	R8218	1-216-829-11	METAL CHIP	4.7K	5%	1/10W
R8137	1-216-853-11	METAL CHIP	470K	5%	1/10W	R8219	1-216-809-11	METAL CHIP	100	5%	1/10W
R8138	1-216-837-11	METAL CHIP	22K	5%	1/10W	R8221	1-216-864-11	SHORT CHIP			
R8139	1-216-829-11	METAL CHIP	4.7K	5%	1/10W	R8222	1-216-864-11	SHORT CHIP			
R8140	1-216-834-11	METAL CHIP	12K	5%	1/10W	R8252	1-216-864-11	SHORT CHIP			
R8142	1-216-842-11	METAL CHIP	56K	5%	1/10W	R8254	1-218-676-11	METAL CHIP	220	0.50%	1/10W
R8143	1-216-830-11	METAL CHIP	5.6K	5%	1/10W	R8255	1-218-676-11	METAL CHIP	220	0.50%	1/10W
R8144	1-218-678-11	METAL CHIP	270	0.50%	1/10W	R8256	1-218-676-11	METAL CHIP	220	0.50%	1/10W
R8145	1-218-678-11	METAL CHIP	270	0.50%	1/10W	R8257	1-218-676-11	METAL CHIP	220	0.50%	1/10W
R8146	1-218-678-11	METAL CHIP	270	0.50%	1/10W	R8258	1-218-676-11	METAL CHIP	220	0.50%	1/10W
R8147	1-218-678-11	METAL CHIP	270	0.50%	1/10W	R8259	1-218-676-11	METAL CHIP	220	0.50%	1/10W
R8148	1-218-678-11	METAL CHIP	270	0.50%	1/10W	R8260	1-218-676-11	METAL CHIP	220	0.50%	1/10W
R8149	1-218-678-11	METAL CHIP	270	0.50%	1/10W	R8261	1-218-676-11	METAL CHIP	220	0.50%	1/10W
R8150	1-216-836-11	METAL CHIP	18K	5%	1/10W	R8262	1-218-676-11	METAL CHIP	220	0.50%	1/10W
R8151	1-216-843-11	METAL CHIP	68K	5%	1/10W	R8263	1-218-676-11	METAL CHIP	220	0.50%	1/10W
R8152	1-216-832-11	METAL CHIP	8.2K	5%	1/10W	R8264	1-218-676-11	METAL CHIP	220	0.50%	1/10W
R8153	1-216-838-11	METAL CHIP	27K	5%	1/10W	R8265	1-218-676-11	METAL CHIP	220	0.50%	1/10W
R8154	1-218-741-11	METAL CHIP	110K	0.50%	1/10W	R8269	1-216-809-11	METAL CHIP	100	5%	1/10W
R8155	1-216-853-11	METAL CHIP	470K	5%	1/10W	R8275	1-216-803-11	METAL CHIP	33	5%	1/10W
R8156	1-216-833-11	METAL CHIP	10K	5%	1/10W	R8276	1-216-825-11	METAL CHIP	2.2K	5%	1/10W
R8158	1-216-833-11	METAL CHIP	10K	5%	1/10W	R8277	1-216-805-11	METAL CHIP	47	5%	1/10W
R8159	1-216-833-11	METAL CHIP	10K	5%	1/10W	R8278	1-216-805-11	METAL CHIP	47	5%	1/10W
R8200	1-216-864-11	SHORT CHIP				R8279	1-216-805-11	METAL CHIP	47	5%	1/10W

A2

REF. NO.	PART NO.	DESCRIPTION	VALUES			REF. NO.	PART NO.	DESCRIPTION	VALUES		
<div style="border: 1px solid black; padding: 5px; display: inline-block; font-size: 2em; font-weight: bold; margin-bottom: 10px;">A2</div> <p>* A-1148-240-A A2 BOARD, COMPLETE (SN 9,100,001 TO 9,799,999 AND 9,900,000 AND UP ONLY)</p> <p>CAPACITOR</p>											
C8003	1-107-826-11	CERAMIC CHIP	0.1μF	10%	16V	C8078	1-127-931-21	ELECT CHIP	470μF	20%	16V
C8005	1-117-720-11	CERAMIC CHIP	4.7μF		10V	C8079	1-107-826-11	CERAMIC CHIP	0.1μF	10%	16V
C8006	1-135-960-91	CERAMIC CHIP	10μF	10%	25V	C8080	1-124-779-00	ELECT CHIP	10μF	20%	16V
C8007	1-164-360-11	CERAMIC CHIP	0.1μF		16V	C8081	1-124-779-00	ELECT CHIP	10μF	20%	16V
C8008	1-107-826-11	CERAMIC CHIP	0.1μF	10%	16V	C8082	1-162-968-11	CERAMIC CHIP	0.0047μF	10%	50V
C8009	1-107-826-11	CERAMIC CHIP	0.1μF	10%	16V	C8083	1-162-968-11	CERAMIC CHIP	0.0047μF	10%	50V
C8010	1-127-931-21	ELECT CHIP	470μF	20%	16V	C8084	1-165-908-11	CERAMIC CHIP	1μF	10%	10V
C8011	1-127-931-21	ELECT CHIP	470μF	20%	16V	C8085	1-165-908-11	CERAMIC CHIP	1μF	10%	10V
C8012	1-107-826-11	CERAMIC CHIP	0.1μF	10%	16V	C8086	1-162-964-11	CERAMIC CHIP	0.001μF	10%	50V
C8018	1-165-908-11	CERAMIC CHIP	1μF	10%	10V	C8087	1-162-964-11	CERAMIC CHIP	0.001μF	10%	50V
C8019	1-107-826-11	CERAMIC CHIP	0.1μF	10%	16V	C8088	1-165-908-11	CERAMIC CHIP	1μF	10%	10V
C8021	1-165-908-11	CERAMIC CHIP	1μF	10%	10V	C8089	1-162-964-11	CERAMIC CHIP	0.001μF	10%	50V
C8045	1-107-826-11	CERAMIC CHIP	0.1μF	10%	16V	C8090	1-165-908-11	CERAMIC CHIP	1μF	10%	10V
C8046	1-107-826-11	CERAMIC CHIP	0.1μF	10%	16V	C8091	1-162-964-11	CERAMIC CHIP	0.001μF	10%	50V
C8048	1-107-826-11	CERAMIC CHIP	0.1μF	10%	16V	C8098	1-127-931-21	ELECT CHIP	470μF	20%	16V
C8049	1-164-505-11	CERAMIC CHIP	2.2μF		16V	C8099	1-107-826-11	CERAMIC CHIP	0.1μF	10%	16V
C8050	1-164-505-11	CERAMIC CHIP	2.2μF		16V	C8100	1-117-720-11	CERAMIC CHIP	4.7μF		10V
C8051	1-162-970-11	CERAMIC CHIP	0.01μF	10%	25V	C8101	1-127-931-21	ELECT CHIP	470μF	20%	16V
C8061	1-109-982-11	CERAMIC CHIP	1μF	10%	10V	C8107	1-162-915-11	CERAMIC CHIP	10pF	0.50pF	50V
C8062	1-107-826-11	CERAMIC CHIP	0.1μF	10%	16V	C8109	1-125-779-21	CERAMIC CHIP	0.022μF	5%	25V
C8063	1-165-908-11	CERAMIC CHIP	1μF	10%	10V	C8110	1-125-779-21	CERAMIC CHIP	0.022μF	5%	25V
C8064	1-107-826-11	CERAMIC CHIP	0.1μF	10%	16V	C8111	1-127-715-91	CERAMIC CHIP	0.22μF	10%	16V
C8065	1-162-913-11	CERAMIC CHIP	8pF	0.50pF	50V	C8112	1-126-401-21	ELECT CHIP	1μF	20%	50V
C8066	1-107-826-11	CERAMIC CHIP	0.1μF	10%	16V	C8113	1-126-394-11	ELECT CHIP	10μF	20%	16V
C8067	1-107-826-11	CERAMIC CHIP	0.1μF	10%	16V	C8114	1-126-394-11	ELECT CHIP	10μF	20%	16V
C8068	1-107-826-11	CERAMIC CHIP	0.1μF	10%	16V	C8115	1-128-934-91	CERAMIC CHIP	0.33μF	20%	10V
C8069	1-107-826-11	CERAMIC CHIP	0.1μF	10%	16V	C8116	1-126-401-21	ELECT CHIP	1μF	20%	50V
C8070	1-107-826-11	CERAMIC CHIP	0.1μF	10%	16V	C8117	1-126-401-21	ELECT CHIP	1μF	20%	50V
C8071	1-164-505-11	CERAMIC CHIP	2.2μF		16V	C8118	1-126-394-11	ELECT CHIP	10μF	20%	16V
C8072	1-164-505-11	CERAMIC CHIP	2.2μF		16V	C8119	1-126-401-21	ELECT CHIP	1μF	20%	50V
C8073	1-117-720-11	CERAMIC CHIP	4.7μF		10V	C8120	1-126-401-21	ELECT CHIP	1μF	20%	50V
C8074	1-164-505-11	CERAMIC CHIP	2.2μF		16V	C8121	1-126-401-21	ELECT CHIP	1μF	20%	50V
C8075	1-164-505-11	CERAMIC CHIP	2.2μF		16V	C8122	1-126-401-21	ELECT CHIP	1μF	20%	50V
C8076	1-117-720-11	CERAMIC CHIP	4.7μF		10V	C8123	1-126-401-21	ELECT CHIP	1μF	20%	50V
C8077	1-127-931-21	ELECT CHIP	470μF	20%	16V	C8124	1-126-401-21	ELECT CHIP	1μF	20%	50V
						C8125	1-126-401-21	ELECT CHIP	1μF	20%	50V
						C8126	1-126-394-11	ELECT CHIP	10μF	20%	16V
						C8127	1-126-394-11	ELECT CHIP	10μF	20%	16V
						C8128	1-126-401-21	ELECT CHIP	1μF	20%	50V
						C8129	1-127-715-91	CERAMIC CHIP	0.22μF	10%	16V

A2

REF. NO.	PART NO.	DESCRIPTION	VALUES		REF. NO.	PART NO.	DESCRIPTION	VALUES		
C8130	1-125-779-21	CERAMIC CHIP	0.022µF 5% 25V		C8200	1-127-715-91	CERAMIC CHIP	0.22µF 10% 16V		
C8131	1-125-779-21	CERAMIC CHIP	0.022µF 5% 25V		C8201	1-128-996-11	ELECT CHIP	4.7µF 20% 50V		
C8132	1-162-965-11	CERAMIC CHIP	0.0015µF 10% 50V		C8202	1-117-681-11	ELECT CHIP	100µF 20% 16V		
C8133	1-162-964-11	CERAMIC CHIP	0.001µF 10% 50V		C8203	1-107-826-11	CERAMIC CHIP	0.1µF 10% 16V		
C8134	1-163-989-11	CERAMIC CHIP	0.033µF 10% 25V		C8204	1-124-779-00	ELECT CHIP	10µF 20% 16V		
C8135	1-127-715-91	CERAMIC CHIP	0.22µF 10% 16V		C8205	1-164-360-11	CERAMIC CHIP	0.1µF 16V		
C8136	1-162-968-11	CERAMIC CHIP	0.0047µF 10% 50V		C8206	1-117-681-11	ELECT CHIP	100µF 20% 16V		
C8137	1-127-715-91	CERAMIC CHIP	0.22µF 10% 16V		C8207	1-164-230-11	CERAMIC CHIP	220pF 5% 50V		
C8138	1-162-968-11	CERAMIC CHIP	0.0047µF 10% 50V		C8208	1-164-230-11	CERAMIC CHIP	220pF 5% 50V		
C8139	1-165-176-11	CERAMIC CHIP	0.047µF 10% 16V		C8209	1-127-573-11	CERAMIC CHIP	1µF 10% 16V		
C8140	1-165-176-11	CERAMIC CHIP	0.047µF 10% 16V		C8210	1-127-573-11	CERAMIC CHIP	1µF 10% 16V		
C8141	1-125-779-21	CERAMIC CHIP	0.022µF 5% 25V		C8531	1-128-357-11	ELECT CHIP	10µF 20% 16V		
C8142	1-107-826-11	CERAMIC CHIP	0.1µF 10% 16V		C8532	1-128-357-11	ELECT CHIP	10µF 20% 16V		
C8143	1-107-826-11	CERAMIC CHIP	0.1µF 10% 16V		C8544	1-117-681-11	ELECT CHIP	100µF 20% 16V		
C8144	1-107-826-11	CERAMIC CHIP	0.1µF 10% 16V		C8545	1-107-826-11	CERAMIC CHIP	0.1µF 10% 16V		
C8145	1-107-826-11	CERAMIC CHIP	0.1µF 10% 16V		C8548	1-127-931-21	ELECT CHIP	470µF 20% 16V		
C8146	1-107-826-11	CERAMIC CHIP	0.1µF 10% 16V		C8550	1-165-908-11	CERAMIC CHIP	1µF 10% 10V		
C8147	1-107-826-11	CERAMIC CHIP	0.1µF 10% 16V		C8551	1-165-908-11	CERAMIC CHIP	1µF 10% 10V		
C8148	1-107-826-11	CERAMIC CHIP	0.1µF 10% 16V		C8559	1-127-931-21	ELECT CHIP	470µF 20% 16V		
C8149	1-107-826-11	CERAMIC CHIP	0.1µF 10% 16V		C8560	1-107-826-11	CERAMIC CHIP	0.1µF 10% 16V		
C8150	1-126-401-21	ELECT CHIP	1µF 20% 50V		C8589	1-107-826-11	CERAMIC CHIP	0.1µF 10% 16V		
C8151	1-165-112-11	CERAMIC CHIP	0.33µF 16V		C8593	1-117-681-11	ELECT CHIP	100µF 20% 16V		
C8152	1-164-345-11	CERAMIC CHIP	0.082µF 10% 25V		C8609	1-128-357-11	ELECT CHIP	10µF 20% 16V		
C8153	1-164-345-11	CERAMIC CHIP	0.082µF 10% 25V		C8610	1-128-357-11	ELECT CHIP	10µF 20% 16V		
C8154	1-124-779-00	ELECT CHIP	10µF 20% 16V							
C8155	1-124-779-00	ELECT CHIP	10µF 20% 16V				CONNECTOR			
C8156	1-162-965-11	CERAMIC CHIP	0.0015µF 10% 50V		* CN8001	1-691-616-21	CONNECTOR, BOARD TO BOARD		15P	
C8157	1-162-964-11	CERAMIC CHIP	0.001µF 10% 50V		* CN8002	1-580-974-11	CONNECTOR, BOARD TO BOARD			
C8158	1-163-989-11	CERAMIC CHIP	0.033µF 10% 25V		* CN8003	1-818-749-11	PIN, CONNECTOR 16P			
C8159	1-165-176-11	CERAMIC CHIP	0.047µF 10% 16V		CN8006	1-793-419-11	CONNECTOR, BOARD TO BOARD		4P	
C8160	1-165-176-11	CERAMIC CHIP	0.047µF 10% 16V		* CN8008	1-785-532-11	PIN, CONNECTOR (PC BOARD)		14P	
C8161	1-162-970-11	CERAMIC CHIP	0.01µF 5% 25V		CN8041	1-695-915-11	TAB (CONTACT)			
C8162	1-162-968-11	CERAMIC CHIP	0.0047µF 10% 50V							
C8163	1-162-968-11	CERAMIC CHIP	0.0047µF 10% 50V				DIODE			
C8164	1-128-536-11	ELECT CHIP	100µF 20% 25V		D8006	8-719-977-28	DIODE		DTZ10B	
C8165	1-107-826-11	CERAMIC CHIP	0.1µF 10% 16V		D8007	8-719-977-28	DIODE		DTZ10B	
C8166	1-107-826-11	CERAMIC CHIP	0.1µF 10% 16V		D8008	8-719-977-28	DIODE		DTZ10B	
C8167	1-107-826-11	CERAMIC CHIP	0.1µF 10% 16V		D8009	8-719-977-28	DIODE		DTZ10B	
C8168	1-107-826-11	CERAMIC CHIP	0.1µF 10% 16V		D8010	8-719-977-28	DIODE		DTZ10B	
C8169	1-107-826-11	CERAMIC CHIP	0.1µF 10% 16V							

A2

REF. NO.	PART NO.	DESCRIPTION	VALUES	REF. NO.	PART NO.	DESCRIPTION	VALUES
D8011	8-719-977-28	DIODE	DTZ10B	JR8022	1-216-864-11	SHORT CHIP	
D8200	8-719-041-97	DIODE	MA113-(TX)	JR8023	1-216-864-11	SHORT CHIP	
D8201	8-719-081-97	DIODE	MMDL914T1	JR8024	1-216-864-11	SHORT CHIP	
D8202	8-719-041-97	DIODE	MA113-(TX)	JR8025	1-216-864-11	SHORT CHIP	
D8203	8-719-977-28	DIODE	DTZ10B	JR8026	1-216-864-11	SHORT CHIP	
D8204	8-719-000-07	DIODE	MC2836	JR8027	1-216-864-11	SHORT CHIP	
D8205	8-719-000-08	DIODE	MC2838	JR8028	1-216-864-11	SHORT CHIP	
<u>FERRITE BEAD</u>				<u>COIL</u>			
FB8003	1-414-228-11	FERRITE	0µH	L8002	1-400-397-11	INDUCTOR	10µH
				L8003	1-469-555-21	INDUCTOR	10µH
				L8010	1-414-856-11	INDUCTOR	10µH
				L8011	1-414-856-11	INDUCTOR	10µH
				L8015	1-400-397-11	INDUCTOR	10µH
<u>IC</u>							
IC8001	8-753-232-63	IC	CXA2229Q-T6	L8016	1-400-397-11	INDUCTOR	10µH
IC8200	8-759-669-46	IC	LM358PWR-12	L8017	1-414-856-11	INDUCTOR	10µH
IC8502	8-752-107-98	IC	CXA2188Q-T4	L8502	1-400-397-11	INDUCTOR	10µH
IC8504	6-706-456-01	IC	NJW1169FH1	L8503	1-400-397-11	INDUCTOR	10µH
IC8505	8-759-669-46	IC	LM358PWR-12	* LP8001	4-042-408-02	PIN(45), WIRE	
<u>JACK</u>				<u>TRANSISTOR</u>			
* J8002	1-818-708-11	JACK, PIN	6P	Q8010	8-729-600-22	TRANSISTOR	2SA1235-F
* J8004	1-818-709-11	PHONO JACK	6P	Q8013	8-729-120-28	TRANSISTOR	2SC1623-L5L6
				Q8015	8-729-122-63	TRANSISTOR	2SA1226-E4
				Q8017	8-729-122-63	TRANSISTOR	2SA1226-E4
				Q8022	8-729-122-63	TRANSISTOR	2SA1226-E4
<u>CHIP CONDUCTOR</u>							
JR8003	1-216-864-11	SHORT CHIP		Q8024	8-729-600-22	TRANSISTOR	2SA1235-F
JR8004	1-216-864-11	SHORT CHIP		Q8026	8-729-120-28	TRANSISTOR	2SC1623-L5L6
JR8005	1-216-864-11	SHORT CHIP		Q8028	8-729-600-22	TRANSISTOR	2SA1235-F
JR8006	1-216-864-11	SHORT CHIP		Q8031	8-729-600-22	TRANSISTOR	2SA1235-F
JR8009	1-216-864-11	SHORT CHIP		Q8032	8-729-120-28	TRANSISTOR	2SC1623-L5L6
JR8010	1-216-864-11	SHORT CHIP		Q8033	8-729-120-28	TRANSISTOR	2SC1623-L5L6
JR8012	1-216-864-11	SHORT CHIP		Q8034	8-729-120-28	TRANSISTOR	2SC1623-L5L6
JR8013	1-216-864-11	SHORT CHIP		Q8100	8-729-044-58	TRANSISTOR	SI2304DS-T1
JR8015	1-216-864-11	SHORT CHIP		Q8102	8-729-120-28	TRANSISTOR	2SC1623-L5L6
JR8016	1-216-864-11	SHORT CHIP		Q8200	8-729-600-22	TRANSISTOR	2SA1235-F
JR8017	1-216-864-11	SHORT CHIP		Q8201	8-729-120-28	TRANSISTOR	2SC1623-L5L6
JR8018	1-216-864-11	SHORT CHIP		Q8202	8-729-120-28	TRANSISTOR	2SC1623-L5L6
JR8019	1-216-864-11	SHORT CHIP		Q8203	8-729-600-22	TRANSISTOR	2SA1235-F
JR8020	1-216-864-11	SHORT CHIP		Q8204	8-729-120-28	TRANSISTOR	2SC1623-L5L6
JR8021	1-216-864-11	SHORT CHIP		Q8501	8-729-120-28	TRANSISTOR	2SC1623-L5L6
				Q8502	8-729-120-28	TRANSISTOR	2SC1623-L5L6



REF. NO.	PART NO.	DESCRIPTION	VALUES			REF. NO.	PART NO.	DESCRIPTION	VALUES		
RESISTOR						R8056	1-218-700-11	METAL CHIP	2.2K	0.50%	1/10W
R8004	1-216-853-11	METAL CHIP	470K	5%	1/10W	R8057	1-218-698-11	METAL CHIP	1.8K	0.50%	1/10W
R8005	1-216-853-11	METAL CHIP	470K	5%	1/10W	R8058	1-216-833-11	METAL CHIP	10K	5%	1/10W
R8006	1-216-864-11	SHORT CHIP				R8059	1-216-821-11	METAL CHIP	1K	5%	1/10W
R8007	1-216-864-11	SHORT CHIP				R8063	1-218-668-11	METAL CHIP	100	0.50%	1/10W
R8008	1-216-864-11	SHORT CHIP				R8064	1-218-668-11	METAL CHIP	100	0.50%	1/10W
R8009	1-216-853-11	METAL CHIP	470K	5%	1/10W	R8066	1-218-668-11	METAL CHIP	100	0.50%	1/10W
R8010	1-216-853-11	METAL CHIP	470K	5%	1/10W	R8068	1-216-821-11	METAL CHIP	1K	5%	1/10W
R8013	1-216-821-11	METAL CHIP	1K	5%	1/10W	R8069	1-216-833-11	METAL CHIP	10K	5%	1/10W
R8014	1-216-821-11	METAL CHIP	1K	5%	1/10W	R8071	1-216-809-11	METAL CHIP	100	5%	1/10W
R8015	1-216-821-11	METAL CHIP	1K	5%	1/10W	R8072	1-216-857-11	METAL CHIP	1M	5%	1/10W
R8016	1-216-821-11	METAL CHIP	1K	5%	1/10W	R8073	1-216-857-11	METAL CHIP	1M	5%	1/10W
R8017	1-216-821-11	METAL CHIP	1K	5%	1/10W	R8074	1-218-889-11	METAL CHIP	56K	0.50%	1/10W
R8018	1-216-821-11	METAL CHIP	1K	5%	1/10W	R8075	1-216-829-11	METAL CHIP	4.7K	5%	1/10W
R8019	1-216-864-11	SHORT CHIP				R8076	1-216-821-11	METAL CHIP	1K	5%	1/10W
R8020	1-216-864-11	SHORT CHIP				R8077	1-216-813-11	METAL CHIP	220	5%	1/10W
R8021	1-216-853-11	METAL CHIP	470K	5%	1/10W	R8078	1-216-801-11	METAL CHIP	22	5%	1/10W
R8022	1-216-853-11	METAL CHIP	470K	5%	1/10W	R8079	1-216-801-11	METAL CHIP	22	5%	1/10W
R8023	1-216-821-11	METAL CHIP	1K	5%	1/10W	R8082	1-216-833-11	METAL CHIP	10K	5%	1/10W
R8024	1-216-821-11	METAL CHIP	1K	5%	1/10W	R8084	1-216-857-11	METAL CHIP	1M	5%	1/10W
R8025	1-216-833-11	METAL CHIP	10K	5%	1/10W	R8085	1-216-809-11	METAL CHIP	100	5%	1/10W
R8026	1-216-833-11	METAL CHIP	10K	5%	1/10W	R8086	1-216-809-11	METAL CHIP	100	5%	1/10W
R8027	1-216-821-11	METAL CHIP	1K	5%	1/10W	R8087	1-216-809-11	METAL CHIP	100	5%	1/10W
R8028	1-216-821-11	METAL CHIP	1K	5%	1/10W	R8088	1-216-809-11	METAL CHIP	100	5%	1/10W
R8034	1-216-808-11	METAL CHIP	82	5%	1/10W	R8091	1-216-821-11	METAL CHIP	1K	5%	1/10W
R8035	1-216-807-11	METAL CHIP	68	5%	1/10W	R8092	1-216-809-11	METAL CHIP	100	5%	1/10W
R8036	1-216-809-11	METAL CHIP	100	5%	1/10W	R8093	1-216-809-11	METAL CHIP	100	5%	1/10W
R8037	1-216-809-11	METAL CHIP	100	5%	1/10W	R8094	1-216-809-11	METAL CHIP	100	5%	1/10W
R8041	1-218-665-11	METAL CHIP	75	0.50%	1/10W	R8095	1-216-833-11	METAL CHIP	10K	5%	1/10W
R8042	1-218-665-11	METAL CHIP	75	0.50%	1/10W	R8097	1-216-809-11	METAL CHIP	100	5%	1/10W
R8043	1-216-809-11	METAL CHIP	100	5%	1/10W	R8098	1-216-809-11	METAL CHIP	100	5%	1/10W
R8044	1-216-821-11	METAL CHIP	1K	5%	1/10W	R8099	1-216-809-11	METAL CHIP	100	5%	1/10W
R8046	1-218-665-11	METAL CHIP	75	0.50%	1/10W	R8100	1-216-809-11	METAL CHIP	100	5%	1/10W
R8048	1-216-845-11	METAL CHIP	100K	5%	1/10W	R8101	1-216-809-11	METAL CHIP	100	5%	1/10W
R8049	1-216-864-11	SHORT CHIP				R8103	1-216-809-11	METAL CHIP	100	5%	1/10W
R8050	1-216-864-11	SHORT CHIP				R8105	1-216-809-11	METAL CHIP	100	5%	1/10W
R8051	1-216-821-11	METAL CHIP	1K	5%	1/10W	R8106	1-216-809-11	METAL CHIP	100	5%	1/10W
R8052	1-216-864-11	SHORT CHIP				R8107	1-216-809-11	METAL CHIP	100	5%	1/10W
R8053	1-216-821-11	METAL CHIP	1K	5%	1/10W	R8108	1-216-809-11	METAL CHIP	100	5%	1/10W
R8054	1-216-811-11	METAL CHIP	150	5%	1/10W	R8109	1-216-809-11	METAL CHIP	100	5%	1/10W
R8055	1-216-817-11	METAL CHIP	470	5%	1/10W						



REF. NO.	PART NO.	DESCRIPTION	VALUES			REF. NO.	PART NO.	DESCRIPTION	VALUES		
R8110	1-216-809-11	METAL CHIP	100	5%	1/10W	R8204	1-216-838-11	METAL CHIP	27K	5%	1/10W
R8115	1-216-809-11	METAL CHIP	100	5%	1/10W	R8205	1-216-841-11	METAL CHIP	47K	5%	1/10W
R8117	1-216-861-11	METAL CHIP	2.2M	5%	1/10W	R8206	1-216-864-11	SHORT CHIP			
R8118	1-216-861-11	METAL CHIP	2.2M	5%	1/10W	R8207	1-216-837-11	METAL CHIP	22K	5%	1/10W
R8125	1-216-864-11	SHORT CHIP				R8208	1-216-857-11	METAL CHIP	1M	5%	1/10W
R8126	1-216-838-11	METAL CHIP	27K	5%	1/10W	R8209	1-216-830-11	METAL CHIP	5.6K	5%	1/10W
R8127	1-216-825-11	METAL CHIP	2.2K	5%	1/10W	R8210	1-218-867-11	METAL CHIP	6.8K	0.50%	1/10W
R8128	1-216-864-11	SHORT CHIP				R8211	1-216-821-11	METAL CHIP	1K	5%	1/10W
R8129	1-216-809-11	METAL CHIP	100	5%	1/10W	R8212	1-216-837-11	METAL CHIP	22K	5%	1/10W
R8130	1-216-809-11	METAL CHIP	100	5%	1/10W	R8213	1-216-837-11	METAL CHIP	22K	5%	1/10W
R8132	1-216-833-11	METAL CHIP	10K	5%	1/10W	R8214	1-216-828-11	METAL CHIP	3.9K	5%	1/10W
R8133	1-216-864-11	SHORT CHIP				R8215	1-216-829-11	METAL CHIP	4.7K	5%	1/10W
R8134	1-216-864-11	SHORT CHIP				R8216	1-216-828-11	METAL CHIP	3.9K	5%	1/10W
R8135	1-216-838-11	METAL CHIP	27K	5%	1/10W	R8217	1-216-809-11	METAL CHIP	100	5%	1/10W
R8136	1-216-825-11	METAL CHIP	2.2K	5%	1/10W	R8218	1-216-829-11	METAL CHIP	4.7K	5%	1/10W
R8137	1-216-853-11	METAL CHIP	470K	5%	1/10W	R8219	1-216-809-11	METAL CHIP	100	5%	1/10W
R8138	1-216-837-11	METAL CHIP	22K	5%	1/10W	R8252	1-216-864-11	SHORT CHIP			
R8139	1-216-829-11	METAL CHIP	4.7K	5%	1/10W	R8254	1-218-676-11	METAL CHIP	220	0.50%	1/10W
R8140	1-216-834-11	METAL CHIP	12K	5%	1/10W	R8255	1-218-676-11	METAL CHIP	220	0.50%	1/10W
R8142	1-216-842-11	METAL CHIP	56K	5%	1/10W	R8256	1-218-676-11	METAL CHIP	220	0.50%	1/10W
R8143	1-216-830-11	METAL CHIP	5.6K	5%	1/10W	R8257	1-218-676-11	METAL CHIP	220	0.50%	1/10W
R8144	1-218-678-11	METAL CHIP	270	0.50%	1/10W	R8258	1-218-676-11	METAL CHIP	220	0.50%	1/10W
R8145	1-218-678-11	METAL CHIP	270	0.50%	1/10W	R8259	1-218-676-11	METAL CHIP	220	0.50%	1/10W
R8146	1-218-678-11	METAL CHIP	270	0.50%	1/10W	R8260	1-218-676-11	METAL CHIP	220	0.50%	1/10W
R8147	1-218-678-11	METAL CHIP	270	0.50%	1/10W	R8261	1-218-676-11	METAL CHIP	220	0.50%	1/10W
R8148	1-218-678-11	METAL CHIP	270	0.50%	1/10W	R8262	1-218-676-11	METAL CHIP	220	0.50%	1/10W
R8149	1-218-678-11	METAL CHIP	270	0.50%	1/10W	R8263	1-218-676-11	METAL CHIP	220	0.50%	1/10W
R8150	1-216-836-11	METAL CHIP	18K	5%	1/10W	R8264	1-218-676-11	METAL CHIP	220	0.50%	1/10W
R8151	1-216-843-11	METAL CHIP	68K	5%	1/10W	R8265	1-218-676-11	METAL CHIP	220	0.50%	1/10W
R8152	1-216-832-11	METAL CHIP	8.2K	5%	1/10W	R8269	1-216-809-11	METAL CHIP	100	5%	1/10W
R8153	1-216-838-11	METAL CHIP	27K	5%	1/10W	R8275	1-216-803-11	METAL CHIP	33	5%	1/10W
R8154	1-218-741-11	METAL CHIP	110K	0.50%	1/10W	R8276	1-216-825-11	METAL CHIP	2.2K	5%	1/10W
R8155	1-216-853-11	METAL CHIP	470K	5%	1/10W	R8283	1-216-833-11	METAL CHIP	10K	5%	1/10W
R8156	1-216-833-11	METAL CHIP	10K	5%	1/10W	R8284	1-216-833-11	METAL CHIP	10K	5%	1/10W
R8158	1-216-833-11	METAL CHIP	10K	5%	1/10W	R8285	1-216-833-11	METAL CHIP	10K	5%	1/10W
R8159	1-216-833-11	METAL CHIP	10K	5%	1/10W	R8286	1-216-833-11	METAL CHIP	10K	5%	1/10W
R8200	1-216-864-11	SHORT CHIP				R8287	1-216-841-11	METAL CHIP	47K	5%	1/10W
R8201	1-216-833-11	METAL CHIP	10K	5%	1/10W	R8288	1-216-841-11	METAL CHIP	47K	5%	1/10W
R8202	1-216-864-11	SHORT CHIP				R8333	1-216-864-11	SHORT CHIP			
R8203	1-216-836-11	METAL CHIP	18K	5%	1/10W	R8334	1-216-864-11	SHORT CHIP			

A2	B1
----	----

REF. NO.	PART NO.	DESCRIPTION	VALUES			REF. NO.	PART NO.	DESCRIPTION	VALUES		
R8515	1-216-864-11	SHORT CHIP				VD8014	1-803-974-21	VARISTOR, CHIP	(1608)		
R8516	1-216-864-11	SHORT CHIP				VD8015	1-803-974-21	VARISTOR, CHIP	(1608)		
R8530	1-216-809-11	METAL CHIP	100	5%	1/10W	VD8016	1-803-974-21	VARISTOR, CHIP	(1608)		
R8531	1-216-809-11	METAL CHIP	100	5%	1/10W	VD8017	1-803-974-21	VARISTOR, CHIP	(1608)		
R8532	1-216-801-11	METAL CHIP	22	5%	1/10W	VD8018	1-803-974-21	VARISTOR, CHIP	(1608)		
R8533	1-216-801-11	METAL CHIP	22	5%	1/10W	VD8019	1-803-974-21	VARISTOR, CHIP	(1608)		
R8543	1-216-825-11	METAL CHIP	2.2K	5%	1/10W	VD8020	1-803-974-21	VARISTOR, CHIP	(1608)		
R8544	1-216-825-11	METAL CHIP	2.2K	5%	1/10W	VD8021	1-803-974-21	VARISTOR, CHIP	(1608)		
R8545	1-216-823-11	METAL CHIP	1.5K	5%	1/10W	VD8022	1-803-974-21	VARISTOR, CHIP	(1608)		
R8547	1-216-823-11	METAL CHIP	1.5K	5%	1/10W	VD8023	1-803-974-21	VARISTOR, CHIP	(1608)		
R8548	1-216-825-11	METAL CHIP	2.2K	5%	1/10W	VD8024	1-803-974-21	VARISTOR, CHIP	(1608)		
R8550	1-216-825-11	METAL CHIP	2.2K	5%	1/10W						
R8556	1-216-821-11	METAL CHIP	1K	5%	1/10W						
R8558	1-216-825-11	METAL CHIP	2.2K	5%	1/10W						
R8560	1-216-821-11	METAL CHIP	1K	5%	1/10W						
R8561	1-216-825-11	METAL CHIP	2.2K	5%	1/10W						
R8562	1-216-825-11	METAL CHIP	2.2K	5%	1/10W						
R8563	1-216-825-11	METAL CHIP	2.2K	5%	1/10W						
R8564	1-216-827-11	METAL CHIP	3.3K	5%	1/10W						
R8565	1-216-827-11	METAL CHIP	3.3K	5%	1/10W						
R8566	1-216-825-11	METAL CHIP	2.2K	5%	1/10W						
R8567	1-216-825-11	METAL CHIP	2.2K	5%	1/10W						
R8579	1-216-829-11	METAL CHIP	4.7K	5%	1/10W						
R8580	1-216-829-11	METAL CHIP	4.7K	5%	1/10W						
R8582	1-216-826-11	METAL CHIP	2.7K	5%	1/10W						
R8583	1-216-864-11	SHORT CHIP									
R8584	1-216-825-11	METAL CHIP	2.2K	5%	1/10W						
R8585	1-216-826-11	METAL CHIP	2.7K	5%	1/10W						
R8587	1-216-838-11	METAL CHIP	27K	5%	1/10W						
R8588	1-216-843-11	METAL CHIP	68K	5%	1/10W						
R8589	1-216-864-11	SHORT CHIP									
R8591	1-216-825-11	METAL CHIP	2.2K	5%	1/10W						
R8592	1-216-864-11	SHORT CHIP									
R8593	1-216-838-11	METAL CHIP	27K	5%	1/10W						
R8594	1-216-843-11	METAL CHIP	68K	5%	1/10W						
R8615	1-216-864-11	SHORT CHIP									
		VARISTOR									
VD8006	1-803-974-21	VARISTOR, CHIP	(1608)								
VD8007	1-803-974-21	VARISTOR, CHIP	(1608)								
VD8011	1-803-974-21	VARISTOR, CHIP	(1608)								
VD8012	1-803-974-21	VARISTOR, CHIP	(1608)								
VD8013	1-803-974-21	VARISTOR, CHIP	(1608)								
		CRYSTAL									
X8001	1-781-282-11	VIBRATOR, CERAMIC									
		B1									
		* A-1109-404-A B1 BOARD, COMPLETE									
		7-682-947-01									
		CAPACITOR									
		C3000	1-107-826-11	CERAMIC CHIP	0.1μF	10%	16V				
		C3001	1-128-994-21	ELECT CHIP	47μF	20%	10V				
		C3002	1-107-826-11	CERAMIC CHIP	0.1μF	10%	16V				
		C3003	1-128-994-21	ELECT CHIP	47μF	20%	10V				
		C3004	1-107-826-11	CERAMIC CHIP	0.1μF	10%	16V				
		C3005	1-162-970-11	CERAMIC CHIP	0.01μF	10%	25V				
		C3006	1-126-205-11	ELECT CHIP	47μF	20%	6.3V				
		C3007	1-107-826-11	CERAMIC CHIP	0.1μF	10%	16V				
		C3008	1-126-205-11	ELECT CHIP	47μF	20%	6.3V				
		C3009	1-107-826-11	CERAMIC CHIP	0.1μF	10%	16V				
		C3010	1-107-826-11	CERAMIC CHIP	0.1μF	10%	16V				
		C3011	1-162-970-11	CERAMIC CHIP	0.01μF	10%	25V				
		C3012	1-162-970-11	CERAMIC CHIP	0.01μF	10%	25V				
		C3013	1-128-993-21	ELECT CHIP	22μF	20%	10V				
		C3014	1-137-710-11	CERAMIC CHIP	10μF	20%	6.3V				
		C3015	1-107-826-11	CERAMIC CHIP	0.1μF	10%	16V				
		C3020	1-127-715-91	CERAMIC CHIP	0.22μF	10%	16V				
		C3021	1-107-826-11	CERAMIC CHIP	0.1μF	10%	16V				
		C3022	1-107-826-11	CERAMIC CHIP	0.1μF	10%	16V				
		C3025	1-127-715-91	CERAMIC CHIP	0.22μF	10%	16V				

B1

REF. NO.	PART NO.	DESCRIPTION	VALUES			REF. NO.	PART NO.	DESCRIPTION	VALUES		
C3026	1-107-826-11	CERAMIC CHIP	0.1μF	10%	16V	C3202	1-126-206-11	ELECT CHIP	100μF	20%	6.3V
C3027	1-107-826-11	CERAMIC CHIP	0.1μF	10%	16V	C3203	1-107-826-11	CERAMIC CHIP	0.1μF	10%	16V
C3030	1-127-715-91	CERAMIC CHIP	0.22μF	10%	16V	C3204	1-162-970-11	CERAMIC CHIP	0.01μF	10%	25V
C3031	1-107-826-11	CERAMIC CHIP	0.1μF	10%	16V	C3205	1-162-970-11	CERAMIC CHIP	0.01μF	10%	25V
C3032	1-107-826-11	CERAMIC CHIP	0.1μF	10%	16V	C3206	1-162-970-11	CERAMIC CHIP	0.01μF	10%	25V
C3033	1-107-826-11	CERAMIC CHIP	0.1μF	10%	16V	C3207	1-162-970-11	CERAMIC CHIP	0.01μF	10%	25V
C3034	1-162-926-11	CERAMIC CHIP	82pF	5%	50V	C3209	1-162-970-11	CERAMIC CHIP	0.01μF	10%	25V
C3035	1-117-681-11	ELECT CHIP	100μF	20%	16V	C3210	1-162-970-11	CERAMIC CHIP	0.01μF	10%	25V
C3036	1-162-970-11	CERAMIC CHIP	0.01μF	10%	25V	C3211	1-162-970-11	CERAMIC CHIP	0.01μF	10%	25V
C3037	1-107-826-11	CERAMIC CHIP	0.1μF	10%	16V	C3212	1-162-970-11	CERAMIC CHIP	0.01μF	10%	25V
C3038	1-162-964-11	CERAMIC CHIP	0.001μF	10%	50V	C3213	1-162-970-11	CERAMIC CHIP	0.01μF	10%	25V
C3039	1-107-826-11	CERAMIC CHIP	0.1μF	10%	16V	C3214	1-137-710-11	CERAMIC CHIP	10μF	20%	6.3V
C3040	1-162-916-11	CERAMIC CHIP	12pF	5%	50V	C3215	1-162-970-11	CERAMIC CHIP	0.01μF	10%	25V
C3041	1-162-916-11	CERAMIC CHIP	12pF	5%	50V	C3216	1-165-908-11	CERAMIC CHIP	1μF	10%	10V
C3042	1-107-826-11	CERAMIC CHIP	0.1μF	10%	16V	C3217	1-107-826-11	CERAMIC CHIP	0.1μF	10%	16V
C3043	1-162-964-11	CERAMIC CHIP	0.001μF	10%	50V	C3218	1-137-710-11	CERAMIC CHIP	10μF	20%	6.3V
C3044	1-107-826-11	CERAMIC CHIP	0.1μF	10%	16V	C3219	1-165-908-11	CERAMIC CHIP	1μF	10%	10V
C3045	1-107-826-11	CERAMIC CHIP	0.1μF	10%	16V	C3220	1-107-826-11	CERAMIC CHIP	0.1μF	10%	16V
C3046	1-162-918-11	CERAMIC CHIP	18pF	5%	50V	C3221	1-107-826-11	CERAMIC CHIP	0.1μF	10%	16V
C3047	1-162-917-11	CERAMIC CHIP	15pF	5%	50V	C3222	1-107-826-11	CERAMIC CHIP	0.1μF	10%	16V
C3050	1-107-826-11	CERAMIC CHIP	0.1μF	10%	16V	C3223	1-162-970-11	CERAMIC CHIP	0.01μF	10%	25V
C3052	1-162-970-11	CERAMIC CHIP	0.01μF	10%	25V	C3224	1-124-779-00	ELECT CHIP	10μF	20%	16V
C3053	1-162-970-11	CERAMIC CHIP	0.01μF	10%	25V	C3225	1-107-826-11	CERAMIC CHIP	0.1μF	10%	16V
C3056	1-162-970-11	CERAMIC CHIP	0.01μF	10%	25V	C3226	1-126-206-11	ELECT CHIP	100μF	20%	6.3V
C3057	1-165-908-11	CERAMIC CHIP	1μF	10%	10V	C3227	1-107-826-11	CERAMIC CHIP	0.1μF	10%	16V
C3059	1-107-826-11	CERAMIC CHIP	0.1μF	10%	16V	C3228	1-107-826-11	CERAMIC CHIP	0.1μF	10%	16V
C3060	1-128-993-21	ELECT CHIP	22μF	20%	10V	C3229	1-107-826-11	CERAMIC CHIP	0.1μF	10%	16V
C3061	1-162-970-11	CERAMIC CHIP	0.01μF	10%	25V	C3230	1-126-206-11	ELECT CHIP	100μF	20%	6.3V
C3062	1-162-970-11	CERAMIC CHIP	0.01μF	10%	25V	C3231	1-107-826-11	CERAMIC CHIP	0.1μF	10%	16V
C3063	1-162-970-11	CERAMIC CHIP	0.01μF	10%	25V	C3232	1-107-826-11	CERAMIC CHIP	0.1μF	10%	16V
C3064	1-126-206-11	ELECT CHIP	100μF	20%	6.3V	C3233	1-165-908-11	CERAMIC CHIP	1μF	10%	10V
C3065	1-117-681-11	ELECT CHIP	100μF	20%	16V	C3234	1-126-206-11	ELECT CHIP	100μF	20%	6.3V
C3066	1-117-681-11	ELECT CHIP	100μF	20%	16V	C3235	1-162-970-11	CERAMIC CHIP	0.01μF	10%	25V
C3067	1-107-826-11	CERAMIC CHIP	0.1μF	10%	16V	C3236	1-137-710-11	CERAMIC CHIP	10μF	20%	6.3V
C3068	1-107-826-11	CERAMIC CHIP	0.1μF	10%	16V	C3237	1-137-710-11	CERAMIC CHIP	10μF	20%	6.3V
C3069	1-107-826-11	CERAMIC CHIP	0.1μF	10%	16V	C3238	1-107-826-11	CERAMIC CHIP	0.1μF	10%	16V
C3077	1-107-826-11	CERAMIC CHIP	0.1μF	10%	16V	C3239	1-107-826-11	CERAMIC CHIP	0.1μF	10%	16V
C3078	1-107-826-11	CERAMIC CHIP	0.1μF	10%	16V	C3240	1-107-826-11	CERAMIC CHIP	0.1μF	10%	16V
C3200	1-162-970-11	CERAMIC CHIP	0.01μF	10%	25V	C3241	1-107-826-11	CERAMIC CHIP	0.1μF	10%	16V
C3201	1-126-206-11	ELECT CHIP	100μF	20%	6.3V	C3242	1-107-826-11	CERAMIC CHIP	0.1μF	10%	16V

B1

REF. NO.	PART NO.	DESCRIPTION	VALUES			REF. NO.	PART NO.	DESCRIPTION	VALUES		
C3243	1-126-205-11	ELECT CHIP	47μF	20%	6.3V	C3294	1-124-779-00	ELECT CHIP	10μF	20%	16V
C3246	1-162-970-11	CERAMIC CHIP	0.01μF	10%	25V	C3295	1-107-826-11	CERAMIC CHIP	0.1μF	10%	16V
C3247	1-126-206-11	ELECT CHIP	100μF	20%	6.3V	C3296	1-107-826-11	CERAMIC CHIP	0.1μF	10%	16V
C3248	1-126-206-11	ELECT CHIP	100μF	20%	6.3V	C3297	1-107-826-11	CERAMIC CHIP	0.1μF	10%	16V
C3249	1-162-970-11	CERAMIC CHIP	0.01μF	10%	25V	C3298	1-107-826-11	CERAMIC CHIP	0.1μF	10%	16V
C3250	1-162-970-11	CERAMIC CHIP	0.01μF	10%	25V	C3299	1-107-826-11	CERAMIC CHIP	0.1μF	10%	16V
C3251	1-162-970-11	CERAMIC CHIP	0.01μF	10%	25V	C3300	1-107-826-11	CERAMIC CHIP	0.1μF	10%	16V
C3252	1-162-970-11	CERAMIC CHIP	0.01μF	10%	25V	C3301	1-126-206-11	ELECT CHIP	100μF	20%	6.3V
C3253	1-162-970-11	CERAMIC CHIP	0.01μF	10%	25V	C3302	1-126-206-11	ELECT CHIP	100μF	20%	6.3V
C3255	1-107-826-11	CERAMIC CHIP	0.1μF	10%	16V	C3304	1-126-206-11	ELECT CHIP	100μF	20%	6.3V
C3256	1-162-970-11	CERAMIC CHIP	0.01μF	10%	25V	C3306	1-126-206-11	ELECT CHIP	100μF	20%	6.3V
C3257	1-126-205-11	ELECT CHIP	47μF	20%	6.3V	C3307	1-107-826-11	CERAMIC CHIP	0.1μF	10%	16V
C3258	1-165-908-11	CERAMIC CHIP	1μF	10%	10V	C3309	1-126-206-11	ELECT CHIP	100μF	20%	6.3V
C3259	1-162-970-11	CERAMIC CHIP	0.01μF	10%	25V	C3311	1-126-206-11	ELECT CHIP	100μF	20%	6.3V
C3260	1-162-970-11	CERAMIC CHIP	0.01μF	10%	25V	C3312	1-107-826-11	CERAMIC CHIP	0.1μF	10%	16V
C3261	1-107-826-11	CERAMIC CHIP	0.1μF	10%	16V	C3313	1-107-826-11	CERAMIC CHIP	0.1μF	10%	16V
C3263	1-162-970-11	CERAMIC CHIP	0.01μF	10%	25V	C3314	1-162-917-11	CERAMIC CHIP	15pF	5%	50V
C3264	1-107-826-11	CERAMIC CHIP	0.1μF	10%	16V	C3315	1-162-964-11	CERAMIC CHIP	0.001μF	10%	50V
C3265	1-165-908-11	CERAMIC CHIP	1μF	10%	10V	C3316	1-162-917-11	CERAMIC CHIP	15pF	5%	50V
C3266	1-162-968-11	CERAMIC CHIP	0.0047μF	10%	50V	C3317	1-162-964-11	CERAMIC CHIP	0.001μF	10%	50V
C3269	1-117-681-11	ELECT CHIP	100μF	20%	16V	C3319	1-162-970-11	CERAMIC CHIP	0.01μF	10%	25V
C3271	1-107-826-11	CERAMIC CHIP	0.1μF	10%	16V	C3320	1-107-826-11	CERAMIC CHIP	0.1μF	10%	16V
C3272	1-128-993-21	ELECT CHIP	22μF	20%	10V	C3321	1-126-206-11	ELECT CHIP	100μF	20%	6.3V
C3273	1-128-993-21	ELECT CHIP	22μF	20%	10V	C3322	1-162-970-11	CERAMIC CHIP	0.01μF	10%	25V
C3274	1-128-993-21	ELECT CHIP	22μF	20%	10V	C3326	1-162-924-11	CERAMIC CHIP	56pF	5%	50V
C3277	1-126-206-11	ELECT CHIP	100μF	20%	6.3V	C3401	1-162-970-11	CERAMIC CHIP	0.01μF	10%	25V
C3280	1-162-970-11	CERAMIC CHIP	0.01μF	10%	25V	C3402	1-126-205-11	ELECT CHIP	47μF	20%	6.3V
C3281	1-162-970-11	CERAMIC CHIP	0.01μF	10%	25V	C3403	1-164-230-11	CERAMIC CHIP	220pF	5%	50V
C3282	1-165-908-11	CERAMIC CHIP	1μF	10%	10V	C3404	1-162-970-11	CERAMIC CHIP	0.01μF	10%	25V
C3283	1-165-908-11	CERAMIC CHIP	1μF	10%	10V	C3405	1-164-230-11	CERAMIC CHIP	220pF	5%	50V
C3284	1-165-908-11	CERAMIC CHIP	1μF	10%	10V	C3406	1-107-826-11	CERAMIC CHIP	0.1μF	10%	16V
C3285	1-165-908-11	CERAMIC CHIP	1μF	10%	10V	C3407	1-100-507-91	CERAMIC CHIP	4.7μF	20%	6.3V
C3286	1-165-908-11	CERAMIC CHIP	1μF	10%	10V	C3408	1-100-507-91	CERAMIC CHIP	4.7μF	20%	6.3V
C3287	1-165-908-11	CERAMIC CHIP	1μF	10%	10V	C3409	1-107-826-11	CERAMIC CHIP	0.1μF	10%	16V
C3288	1-165-908-11	CERAMIC CHIP	1μF	10%	10V	C3410	1-107-826-11	CERAMIC CHIP	0.1μF	10%	16V
C3289	1-124-779-00	ELECT CHIP	10μF	20%	16V	C3411	1-162-970-11	CERAMIC CHIP	0.01μF	10%	25V
C3290	1-124-779-00	ELECT CHIP	10μF	20%	16V	C3412	1-162-970-11	CERAMIC CHIP	0.01μF	10%	25V
C3291	1-124-779-00	ELECT CHIP	10μF	20%	16V	C3413	1-162-970-11	CERAMIC CHIP	0.01μF	10%	25V
C3292	1-124-779-00	ELECT CHIP	10μF	20%	16V	C3414	1-126-205-11	ELECT CHIP	47μF	20%	6.3V
C3293	1-124-779-00	ELECT CHIP	10μF	20%	16V	C3415	1-162-970-11	CERAMIC CHIP	0.01μF	10%	25V

B1

REF. NO.	PART NO.	DESCRIPTION	VALUES			REF. NO.	PART NO.	DESCRIPTION	VALUES		
C3416	1-162-970-11	CERAMIC CHIP	0.01μF	10%	25V	C3460	1-162-970-11	CERAMIC CHIP	0.01μF	10%	25V
C3417	1-162-970-11	CERAMIC CHIP	0.01μF	10%	25V	C3464	1-125-837-91	CERAMIC CHIP	1μF	10%	6.3V
C3418	1-162-970-11	CERAMIC CHIP	0.01μF	10%	25V	C3465	1-107-826-11	CERAMIC CHIP	0.1μF	10%	16V
C3421	1-126-205-11	ELECT CHIP	47μF	20%	6.3V	C3466	1-100-507-91	CERAMIC CHIP	4.7μF	20%	6.3V
C3424	1-162-970-11	CERAMIC CHIP	0.01μF	10%	25V	C3467	1-107-826-11	CERAMIC CHIP	0.1μF	10%	16V
C3425	1-162-970-11	CERAMIC CHIP	0.01μF	10%	25V	C3468	1-162-970-11	CERAMIC CHIP	0.01μF	10%	25V
C3426	1-162-970-11	CERAMIC CHIP	0.01μF	10%	25V	C3469	1-162-970-11	CERAMIC CHIP	0.01μF	10%	25V
C3427	1-126-206-11	ELECT CHIP	100μF	20%	6.3V	C3470	1-162-970-11	CERAMIC CHIP	0.01μF	10%	25V
C3428	1-162-970-11	CERAMIC CHIP	0.01μF	10%	25V	C3471	1-162-970-11	CERAMIC CHIP	0.01μF	10%	25V
C3429	1-162-970-11	CERAMIC CHIP	0.01μF	10%	25V	C3473	1-162-970-11	CERAMIC CHIP	0.01μF	10%	25V
C3430	1-162-970-11	CERAMIC CHIP	0.01μF	10%	25V	C3474	1-162-970-11	CERAMIC CHIP	0.01μF	10%	25V
C3431	1-162-970-11	CERAMIC CHIP	0.01μF	10%	25V	C3475	1-107-826-11	CERAMIC CHIP	0.1μF	10%	16V
C3432	1-107-826-11	CERAMIC CHIP	0.1μF	10%	16V	C3476	1-107-826-11	CERAMIC CHIP	0.1μF	10%	16V
C3433	1-107-826-11	CERAMIC CHIP	0.1μF	10%	16V	C3477	1-107-826-11	CERAMIC CHIP	0.1μF	10%	16V
C3434	1-162-970-11	CERAMIC CHIP	0.01μF	10%	25V	C3478	1-107-826-11	CERAMIC CHIP	0.1μF	10%	16V
C3435	1-107-826-11	CERAMIC CHIP	0.1μF	10%	16V	C3479	1-107-826-11	CERAMIC CHIP	0.1μF	10%	16V
C3436	1-100-507-91	CERAMIC CHIP	4.7μF	20%	6.3V	C3480	1-100-507-91	CERAMIC CHIP	4.7μF	20%	6.3V
C3437	1-137-710-11	CERAMIC CHIP	10μF	20%	6.3V	C3481	1-100-507-91	CERAMIC CHIP	4.7μF	20%	6.3V
C3438	1-107-826-11	CERAMIC CHIP	0.1μF	10%	16V	C3482	1-162-917-11	CERAMIC CHIP	15pF	5%	50V
C3439	1-107-826-11	CERAMIC CHIP	0.1μF	10%	16V	C3483	1-162-917-11	CERAMIC CHIP	15pF	5%	50V
C3440	1-107-826-11	CERAMIC CHIP	0.1μF	10%	16V	C3484	1-137-710-11	CERAMIC CHIP	10μF	20%	6.3V
C3441	1-162-970-11	CERAMIC CHIP	0.01μF	10%	25V	C3485	1-162-970-11	CERAMIC CHIP	0.01μF	10%	25V
C3442	1-107-826-11	CERAMIC CHIP	0.1μF	10%	16V	C3486	1-162-970-11	CERAMIC CHIP	0.01μF	10%	25V
C3443	1-107-826-11	CERAMIC CHIP	0.1μF	10%	16V	C3487	1-162-970-11	CERAMIC CHIP	0.01μF	10%	25V
C3444	1-137-710-11	CERAMIC CHIP	10μF	20%	6.3V	C3488	1-162-970-11	CERAMIC CHIP	0.01μF	10%	25V
C3445	1-107-826-11	CERAMIC CHIP	0.1μF	10%	16V	C3489	1-162-970-11	CERAMIC CHIP	0.01μF	10%	25V
C3446	1-107-826-11	CERAMIC CHIP	0.1μF	10%	16V	C3490	1-162-970-11	CERAMIC CHIP	0.01μF	10%	25V
C3447	1-107-826-11	CERAMIC CHIP	0.1μF	10%	16V	C3491	1-162-970-11	CERAMIC CHIP	0.01μF	10%	25V
C3448	1-162-970-11	CERAMIC CHIP	0.01μF	10%	25V	C3492	1-126-206-11	ELECT CHIP	100μF	20%	6.3V
C3449	1-162-970-11	CERAMIC CHIP	0.01μF	10%	25V	C3493	1-162-916-11	CERAMIC CHIP	12pF	5%	50V
C3450	1-162-970-11	CERAMIC CHIP	0.01μF	10%	25V	C3500	1-162-970-11	CERAMIC CHIP	0.01μF	10%	25V
C3451	1-162-970-11	CERAMIC CHIP	0.01μF	10%	25V	C3501	1-162-970-11	CERAMIC CHIP	0.01μF	10%	25V
C3452	1-162-970-11	CERAMIC CHIP	0.01μF	10%	25V	C3502	1-162-970-11	CERAMIC CHIP	0.01μF	10%	25V
C3453	1-162-970-11	CERAMIC CHIP	0.01μF	10%	25V	C3503	1-162-970-11	CERAMIC CHIP	0.01μF	10%	25V
C3454	1-162-970-11	CERAMIC CHIP	0.01μF	10%	25V	C3504	1-162-970-11	CERAMIC CHIP	0.01μF	10%	25V
C3455	1-162-970-11	CERAMIC CHIP	0.01μF	10%	25V	C3505	1-162-970-11	CERAMIC CHIP	0.01μF	10%	25V
C3456	1-162-970-11	CERAMIC CHIP	0.01μF	10%	25V	C3506	1-162-970-11	CERAMIC CHIP	0.01μF	10%	25V
C3457	1-126-206-11	ELECT CHIP	100μF	20%	6.3V	C3507	1-162-970-11	CERAMIC CHIP	0.01μF	10%	25V
C3458	1-162-970-11	CERAMIC CHIP	0.01μF	10%	25V	C3508	1-107-826-11	CERAMIC CHIP	0.1μF	10%	16V
C3459	1-162-970-11	CERAMIC CHIP	0.01μF	10%	25V	C3509	1-162-970-11	CERAMIC CHIP	0.01μF	10%	25V

B1

REF. NO.	PART NO.	DESCRIPTION	VALUES			REF. NO.	PART NO.	DESCRIPTION	VALUES		
C3510	1-162-970-11	CERAMIC CHIP	0.01μF	10%	25V	C3555	1-107-826-11	CERAMIC CHIP	0.1μF	10%	16V
C3511	1-162-970-11	CERAMIC CHIP	0.01μF	10%	25V	C3556	1-137-710-11	CERAMIC CHIP	10μF	20%	6.3V
C3512	1-162-970-11	CERAMIC CHIP	0.01μF	10%	25V	C3557	1-162-964-11	CERAMIC CHIP	0.001μF	10%	50V
C3513	1-162-970-11	CERAMIC CHIP	0.01μF	10%	25V	C3558	1-162-970-11	CERAMIC CHIP	0.01μF	10%	25V
C3514	1-162-970-11	CERAMIC CHIP	0.01μF	10%	25V	C3559	1-107-826-11	CERAMIC CHIP	0.1μF	10%	16V
C3515	1-162-970-11	CERAMIC CHIP	0.01μF	10%	25V	C3560	1-137-710-11	CERAMIC CHIP	10μF	20%	6.3V
C3516	1-162-970-11	CERAMIC CHIP	0.01μF	10%	25V	C3561	1-162-964-11	CERAMIC CHIP	0.001μF	10%	50V
C3517	1-162-970-11	CERAMIC CHIP	0.01μF	10%	25V	C3562	1-162-970-11	CERAMIC CHIP	0.01μF	10%	25V
C3518	1-162-970-11	CERAMIC CHIP	0.01μF	10%	25V	C3563	1-107-826-11	CERAMIC CHIP	0.1μF	10%	16V
C3519	1-162-970-11	CERAMIC CHIP	0.01μF	10%	25V	C3564	1-137-710-11	CERAMIC CHIP	10μF	20%	6.3V
C3520	1-162-970-11	CERAMIC CHIP	0.01μF	10%	25V	C3565	1-137-710-11	CERAMIC CHIP	10μF	20%	6.3V
C3521	1-162-970-11	CERAMIC CHIP	0.01μF	10%	25V	C3566	1-107-826-11	CERAMIC CHIP	0.1μF	10%	16V
C3522	1-162-970-11	CERAMIC CHIP	0.01μF	10%	25V	C3567	1-162-970-11	CERAMIC CHIP	0.01μF	10%	25V
C3523	1-162-970-11	CERAMIC CHIP	0.01μF	10%	25V	C3568	1-162-964-11	CERAMIC CHIP	0.001μF	10%	50V
C3524	1-162-970-11	CERAMIC CHIP	0.01μF	10%	25V	C3569	1-162-968-11	CERAMIC CHIP	0.0047μF	10%	50V
C3525	1-162-970-11	CERAMIC CHIP	0.01μF	10%	25V	C3570	1-162-970-11	CERAMIC CHIP	0.01μF	10%	25V
C3526	1-162-970-11	CERAMIC CHIP	0.01μF	10%	25V	C3571	1-126-206-11	ELECT CHIP	100μF	20%	6.3V
C3527	1-162-970-11	CERAMIC CHIP	0.01μF	10%	25V	C3572	1-162-970-11	CERAMIC CHIP	0.01μF	10%	25V
C3528	1-162-970-11	CERAMIC CHIP	0.01μF	10%	25V	C3573	1-126-206-11	ELECT CHIP	100μF	20%	6.3V
C3529	1-162-970-11	CERAMIC CHIP	0.01μF	10%	25V	C3600	1-162-970-11	CERAMIC CHIP	0.01μF	10%	25V
C3530	1-126-205-11	ELECT CHIP	47μF	20%	6.3V	C3601	1-126-206-11	ELECT CHIP	100μF	20%	6.3V
C3531	1-126-205-11	ELECT CHIP	47μF	20%	6.3V	C3603	1-126-394-11	ELECT CHIP	10μF	20%	16V
C3537	1-107-826-11	CERAMIC CHIP	0.1μF	10%	16V	C3604	1-126-394-11	ELECT CHIP	10μF	20%	16V
C3538	1-137-710-11	CERAMIC CHIP	10μF	20%	6.3V	C3607	1-162-970-11	CERAMIC CHIP	0.01μF	10%	25V
C3539	1-107-826-11	CERAMIC CHIP	0.1μF	10%	16V	C3608	1-128-993-21	ELECT CHIP	22μF	20%	10V
C3540	1-162-970-11	CERAMIC CHIP	0.01μF	10%	25V	C3609	1-107-826-11	CERAMIC CHIP	0.1μF	10%	16V
C3541	1-162-964-11	CERAMIC CHIP	0.001μF	10%	50V	C3610	1-128-993-21	ELECT CHIP	22μF	20%	10V
C3542	1-137-710-11	CERAMIC CHIP	10μF	20%	6.3V	C3611	1-107-826-11	CERAMIC CHIP	0.1μF	10%	16V
C3543	1-107-826-11	CERAMIC CHIP	0.1μF	10%	16V	C3612	1-126-394-11	ELECT CHIP	10μF	20%	16V
C3544	1-162-964-11	CERAMIC CHIP	0.001μF	10%	50V	C3613	1-100-152-91	CERAMIC CHIP	100pF	5%	100V
C3545	1-162-970-11	CERAMIC CHIP	0.01μF	10%	25V	C3614	1-107-826-11	CERAMIC CHIP	0.1μF	10%	16V
C3546	1-107-826-11	CERAMIC CHIP	0.1μF	10%	16V	C3615	1-162-964-11	CERAMIC CHIP	0.001μF	10%	50V
C3547	1-107-826-11	CERAMIC CHIP	0.1μF	10%	16V	C3616	1-126-394-11	ELECT CHIP	10μF	20%	16V
C3548	1-107-826-11	CERAMIC CHIP	0.1μF	10%	16V	C3617	1-162-964-11	CERAMIC CHIP	0.001μF	10%	50V
C3549	1-162-964-11	CERAMIC CHIP	0.001μF	10%	50V	C3618	1-107-826-11	CERAMIC CHIP	0.1μF	10%	16V
C3550	1-107-826-11	CERAMIC CHIP	0.1μF	10%	16V	C3619	1-107-826-11	CERAMIC CHIP	0.1μF	10%	16V
C3551	1-107-826-11	CERAMIC CHIP	0.1μF	10%	16V	C3620	1-162-964-11	CERAMIC CHIP	0.001μF	10%	50V
C3552	1-107-826-11	CERAMIC CHIP	0.1μF	10%	16V	C3621	1-162-964-11	CERAMIC CHIP	0.001μF	10%	50V
C3553	1-162-970-11	CERAMIC CHIP	0.01μF	10%	25V	C3622	1-162-964-11	CERAMIC CHIP	0.001μF	10%	50V
C3554	1-107-826-11	CERAMIC CHIP	0.1μF	10%	16V	C3623	1-162-964-11	CERAMIC CHIP	0.001μF	10%	50V

B1

REF. NO.	PART NO.	DESCRIPTION	VALUES	REF. NO.	PART NO.	DESCRIPTION	VALUES
C3624	1-162-964-11	CERAMIC CHIP	0.001μF 10% 50V	C3664	1-107-826-11	CERAMIC CHIP	0.1μF 10% 16V
C3625	1-126-394-11	ELECT CHIP	10μF 20% 16V	C3665	1-164-230-11	CERAMIC CHIP	220pF 5% 50V
C3626	1-107-826-11	CERAMIC CHIP	0.1μF 10% 16V	C3666	1-162-966-11	CERAMIC CHIP	0.0022μF 10% 50V
C3627	1-100-152-91	CERAMIC CHIP	100pF 5% 100V	C3667	1-162-970-11	CERAMIC CHIP	0.01μF 10% 25V
C3628	1-162-964-11	CERAMIC CHIP	0.001μF 10% 50V	C3668	1-126-394-11	ELECT CHIP	10μF 20% 16V
C3629	1-162-964-11	CERAMIC CHIP	0.001μF 10% 50V	C3669	1-164-505-11	CERAMIC CHIP	2.2μF 16V
C3630	1-162-964-11	CERAMIC CHIP	0.001μF 10% 50V	C3670	1-162-916-11	CERAMIC CHIP	12pF 5% 50V
C3631	1-162-915-11	CERAMIC CHIP	10pF 0.50pF 50V	C3671	1-162-916-11	CERAMIC CHIP	12pF 5% 50V
C3632	1-162-964-11	CERAMIC CHIP	0.001μF 10% 50V	C3672	1-107-826-11	CERAMIC CHIP	0.1μF 10% 16V
C3633	1-162-915-11	CERAMIC CHIP	10pF 0.50pF 50V	C3674	1-126-394-11	ELECT CHIP	10μF 20% 16V
C3634	1-162-964-11	CERAMIC CHIP	0.001μF 10% 50V	C3675	1-126-394-11	ELECT CHIP	10μF 20% 16V
C3635	1-162-964-11	CERAMIC CHIP	0.001μF 10% 50V	C3676	1-162-970-11	CERAMIC CHIP	0.01μF 10% 25V
C3636	1-162-964-11	CERAMIC CHIP	0.001μF 10% 50V	CONNECTOR			
C3637	1-162-964-11	CERAMIC CHIP	0.001μF 10% 50V	* CN3000	1-691-551-11	PIN, CONNECTOR (SMD)	8P
C3638	1-162-964-11	CERAMIC CHIP	0.001μF 10% 50V	CN3004	1-794-087-11	CONNECTOR, BOARD TO BOARD	19P
C3639	1-162-964-11	CERAMIC CHIP	0.001μF 10% 50V	CN3500	1-818-973-11	CONNECTOR (RECEPTACLE)	17P
C3640	1-107-826-11	CERAMIC CHIP	0.1μF 10% 16V	CN3501	1-818-973-11	CONNECTOR (RECEPTACLE)	17P
C3641	1-107-826-11	CERAMIC CHIP	0.1μF 10% 16V	CN3600	1-818-812-12	HDMI CONNECTOR	
C3642	1-126-394-11	ELECT CHIP	10μF 20% 16V	DIODE			
C3643	1-107-826-11	CERAMIC CHIP	0.1μF 10% 16V	D3003	8-719-000-07	DIODE	MC2836
C3644	1-107-826-11	CERAMIC CHIP	0.1μF 10% 16V	D3004	8-719-000-08	DIODE	MC2838
C3645	1-162-964-11	CERAMIC CHIP	0.001μF 10% 50V	D3005	8-719-000-07	DIODE	MC2836
C3646	1-162-964-11	CERAMIC CHIP	0.001μF 10% 50V	D3006	8-719-000-08	DIODE	MC2838
C3647	1-162-964-11	CERAMIC CHIP	0.001μF 10% 50V	D3007	8-719-081-97	DIODE	MMDL914T1
C3648	1-162-964-11	CERAMIC CHIP	0.001μF 10% 50V	D3008	8-719-069-55	DIODE	UDZSTE-175.6B
C3649	1-126-394-11	ELECT CHIP	10μF 20% 16V	D3601	8-719-977-28	DIODE	DTZ10B
C3650	1-162-964-11	CERAMIC CHIP	0.001μF 10% 50V	D3602	8-719-977-28	DIODE	DTZ10B
C3651	1-107-826-11	CERAMIC CHIP	0.1μF 10% 16V	D3603	8-719-404-50	DIODE	MA111-TX
C3652	1-107-826-11	CERAMIC CHIP	0.1μF 10% 16V	D3604	8-719-404-50	DIODE	MA111-TX
C3653	1-126-394-11	ELECT CHIP	10μF 20% 16V	D3605	6-500-137-01	DIODE	BAT54HT1
C3654	1-126-394-11	ELECT CHIP	10μF 20% 16V	FERRITE BEAD			
C3655	1-162-966-11	CERAMIC CHIP	0.0022μF 10% 50V	FB3400	1-400-180-21	INDUCTOR	0μH
C3656	1-126-394-11	ELECT CHIP	10μF 20% 16V	FB3401	1-400-180-21	INDUCTOR	0μH
C3657	1-107-826-11	CERAMIC CHIP	0.1μF 10% 16V	FB3600	1-414-235-22	FERRITE	0μH
C3658	1-162-966-11	CERAMIC CHIP	0.0022μF 10% 50V	FB3601	1-414-235-22	FERRITE	0μH
C3659	1-164-230-11	CERAMIC CHIP	220pF 5% 50V	FB3602	1-414-235-22	FERRITE	0μH
C3660	1-126-394-11	ELECT CHIP	10μF 20% 16V				
C3661	1-162-966-11	CERAMIC CHIP	0.0022μF 10% 50V				
C3662	1-162-966-11	CERAMIC CHIP	0.0022μF 10% 50V				
C3663	1-162-966-11	CERAMIC CHIP	0.0022μF 10% 50V				

B1

REF. NO.	PART NO.	DESCRIPTION	VALUES	REF. NO.	PART NO.	DESCRIPTION	VALUES
FB3603	1-414-235-22	FERRITE	0μH	IC3400	6-705-403-01	IC	PQ070XZ01ZPH
FB3604	1-414-235-22	FERRITE	0μH	IC3401	8-753-229-46	IC	CXD3808AQ
FB3605	1-414-235-22	FERRITE	0μH	IC3402	8-759-833-72	IC	NJM2870F25-TE2
FB3606	1-414-235-22	FERRITE	0μH	IC3403	8-759-833-72	IC	NJM2870F25-TE2
				IC3404	6-705-983-01	IC	IS42S32200B-6TL-TR
FB3607	1-414-229-11	FERRITE	0μH	IC3500	6-702-973-01	IC	CXD9690Q
FB3608	1-414-229-11	FERRITE	0μH	IC3502	6-704-519-01	IC	THC63LVD103
				IC3503	8-759-677-29	IC	TC74LVX125FT(EL)
	<u>FILTER</u>			IC3504	6-704-632-01	IC	THC63LVD104A
FL3000	1-234-177-21	FERRITE	0μH	IC3505	6-701-680-01	IC	PST3629NR
FL3001	1-234-177-21	FERRITE	0μH	IC3506	6-705-403-01	IC	PQ070XZ01ZPH
FL3002	1-234-177-21	FERRITE	0μH	IC3600	6-705-403-01	IC	PQ070XZ01ZPH
FL3200	1-234-177-21	FERRITE	0μH	IC3602	6-704-001-01	IC	BR24L02F-WE2
FL3201	1-234-177-21	FERRITE	0μH	IC3603	6-550-014-01	TRANSISTOR	SSM6N15FU(TE85R)
				IC3604	6-708-170-01	IC	SI19011CLU
FL3202	1-234-177-21	FERRITE	0μH	IC3605	6-704-819-01	IC	CS4335-KSZR
FL3203	1-234-560-21	FILTER, LOW PASS		IC3606	8-759-331-71	IC	NJM4558E(TE2)
FL3204	1-234-560-21	FILTER, LOW PASS		IC3607	6-805-696-01	IC	MB95116PMT-G-104-BNDE1
FL3205	1-234-177-21	FERRITE	0μH	IC3608	6-703-042-01	IC	CD4052BNSR
FL3206	1-234-177-21	FERRITE	0μH	IC3609	6-801-402-01	IC	BD4729GTR
FL3400	1-234-177-21	FERRITE	0μH	IC3610	6-501-243-01	DIODE	CM1214-01SO
FL3500	1-234-177-21	FERRITE	0μH	IC3611	6-501-243-01	DIODE	CM1214-01SO
FL3600	1-234-177-21	FERRITE	0μH	IC3612	6-501-244-01	DIODE	CM1214-02MR
FL3605	1-234-177-21	FERRITE	0μH	IC3613	6-501-244-01	DIODE	CM1214-02MR
				IC3614	6-501-244-01	DIODE	CM1214-02MR
	<u>IC</u>						
IC3000	6-707-669-01	IC	NJU223DL1-18				
IC3001	8-759-695-94	IC	TAR5S33(TE85R)	<u>JACK</u>			
IC3002	6-805-773-01	IC	MB91316APMC-G-115E1	J3600	1-816-459-11	JACK, PIN	2P
IC3003	6-801-402-01	IC	BD4729GTR				
IC3004	6-801-402-01	IC	BD4729GTR				
				<u>COIL</u>			
IC3005	6-704-067-01	IC	M24128-BWMN6T(A)	L3000	1-469-555-21	INDUCTOR	10μH
IC3201	8-759-581-11	IC	NJM2125F(TE2)	L3001	1-469-555-21	INDUCTOR	10μH
IC3202	8-753-236-03	IC	CXD3807AGB	L3002	1-469-555-21	INDUCTOR	10μH
IC3203	6-705-403-01	IC	PQ070XZ01ZPH	L3003	1-469-555-21	INDUCTOR	10μH
IC3204	6-706-873-01	IC	MT48LC4M16A2P-75:G	L3004	1-469-555-21	INDUCTOR	10μH
IC3205	8-759-680-92	IC	MAX4018EEE-TG068	L3005	1-469-555-21	INDUCTOR	10μH
IC3206	6-701-680-01	IC	PST3629NR	L3200	1-469-549-21	INDUCTOR	1μH
IC3208	6-706-892-01	IC	SM5302AS-G-ET	L3201	1-469-549-21	INDUCTOR	1μH
IC3209	6-706-892-01	IC	SM5302AS-G-ET	L3202	1-469-549-21	INDUCTOR	1μH
IC3306	6-707-044-01	IC	CYISM560BSXT	L3203	1-469-549-21	INDUCTOR	1μH

B1

REF. NO.	PART NO.	DESCRIPTION	VALUES	REF. NO.	PART NO.	DESCRIPTION	VALUES
L3204	1-469-549-21	INDUCTOR	1 μ H	Q3014	8-729-120-28	TRANSISTOR	2SC1623-L5L6
L3205	1-469-549-21	INDUCTOR	1 μ H	Q3015	8-729-120-28	TRANSISTOR	2SC1623-L5L6
L3206	1-469-549-21	INDUCTOR	1 μ H	Q3016	8-729-120-28	TRANSISTOR	2SC1623-L5L6
L3207	1-469-549-21	INDUCTOR	1 μ H	Q3017	8-729-120-28	TRANSISTOR	2SC1623-L5L6
L3208	1-469-549-21	INDUCTOR	1 μ H	Q3201	8-729-120-28	TRANSISTOR	2SC1623-L5L6
L3209	1-469-549-21	INDUCTOR	1 μ H	Q3202	8-729-122-63	TRANSISTOR	2SA1226-E4
L3210	1-469-555-21	INDUCTOR	10 μ H	Q3203	8-729-122-63	TRANSISTOR	2SA1226-E4
L3211	1-469-549-21	INDUCTOR	1 μ H	Q3204	8-729-122-63	TRANSISTOR	2SA1226-E4
L3212	1-412-029-11	INDUCTOR	10 μ H	Q3205	8-729-122-63	TRANSISTOR	2SA1226-E4
L3213	1-412-029-11	INDUCTOR	10 μ H	Q3207	8-729-122-63	TRANSISTOR	2SA1226-E4
L3214	1-469-549-21	INDUCTOR	1 μ H	Q3208	8-729-122-63	TRANSISTOR	2SA1226-E4
L3215	1-469-555-21	INDUCTOR	10 μ H	Q3209	8-729-122-63	TRANSISTOR	2SA1226-E4
L3400	1-469-555-21	INDUCTOR	10 μ H	Q3210	6-550-304-01	TRANSISTOR	2SC5477-T122-1
L3401	1-469-555-21	INDUCTOR	10 μ H	Q3211	6-550-304-01	TRANSISTOR	2SC5477-T122-1
L3402	1-469-549-21	INDUCTOR	1 μ H	Q3212	6-550-304-01	TRANSISTOR	2SC5477-T122-1
L3403	1-412-026-11	INDUCTOR	1 μ H	Q3213	6-550-304-01	TRANSISTOR	2SC5477-T122-1
L3404	1-469-549-21	INDUCTOR	1 μ H	Q3214	6-550-304-01	TRANSISTOR	2SC5477-T122-1
L3406	1-469-549-21	INDUCTOR	1 μ H	Q3215	8-729-122-63	TRANSISTOR	2SA1226-E4
L3407	1-469-555-21	INDUCTOR	10 μ H	Q3216	8-729-122-63	TRANSISTOR	2SA1226-E4
L3408	1-469-555-21	INDUCTOR	10 μ H	Q3217	8-729-122-63	TRANSISTOR	2SA1226-E4
L3409	1-469-549-21	INDUCTOR	1 μ H	Q3218	8-729-122-63	TRANSISTOR	2SA1226-E4
L3500	1-469-555-21	INDUCTOR	10 μ H	Q3219	6-550-304-01	TRANSISTOR	2SC5477-T122-1
L3502	1-412-029-11	INDUCTOR	10 μ H	Q3220	6-550-304-01	TRANSISTOR	2SC5477-T122-1
L3504	1-469-549-21	INDUCTOR	1 μ H	Q3221	6-550-304-01	TRANSISTOR	2SC5477-T122-1
L3506	1-469-555-21	INDUCTOR	10 μ H	Q3222	8-729-122-63	TRANSISTOR	2SA1226-E4
L3507	1-469-555-21	INDUCTOR	10 μ H	Q3223	6-550-304-01	TRANSISTOR	2SC5477-T122-1
L3508	1-469-555-21	INDUCTOR	10 μ H	Q3224	8-729-122-63	TRANSISTOR	2SA1226-E4
L3509	1-469-555-21	INDUCTOR	10 μ H	Q3600	8-729-120-28	TRANSISTOR	2SC1623-L5L6
L3600	1-469-549-21	INDUCTOR	1 μ H	Q3601	8-729-120-28	TRANSISTOR	2SC1623-L5L6
	<u>TRANSISTOR</u>			Q3602	8-729-120-28	TRANSISTOR	2SC1623-L5L6
Q3000	8-729-120-28	TRANSISTOR	2SC1623-L5L6	Q3603	8-729-120-28	TRANSISTOR	2SC1623-L5L6
Q3001	8-729-600-22	TRANSISTOR	2SA1235-F	Q3604	8-729-120-28	TRANSISTOR	2SC1623-L5L6
Q3002	8-729-600-22	TRANSISTOR	2SA1235-F	Q3605	8-729-120-28	TRANSISTOR	2SC1623-L5L6
Q3005	8-729-028-28	TRANSISTOR	2SK2036(TE85L)	Q3606	8-729-120-28	TRANSISTOR	2SC1623-L5L6
Q3007	8-729-120-28	TRANSISTOR	2SC1623-L5L6	Q3607	8-729-120-28	TRANSISTOR	2SC1623-L5L6
Q3009	8-729-028-28	TRANSISTOR	2SK2036(TE85L)	Q3608	8-729-120-28	TRANSISTOR	2SC1623-L5L6
Q3010	8-729-120-28	TRANSISTOR	2SC1623-L5L6	Q3609	8-729-120-28	TRANSISTOR	2SC1623-L5L6
Q3011	8-729-600-22	TRANSISTOR	2SA1235-F				
Q3012	8-729-120-28	TRANSISTOR	2SC1623-L5L6				
Q3013	8-729-600-22	TRANSISTOR	2SA1235-F				

B1

REF. NO.	PART NO.	DESCRIPTION	VALUES			REF. NO.	PART NO.	DESCRIPTION	VALUES		
RESISTOR						R3064	1-216-827-11	METAL CHIP	3.3K	5%	1/10W
R3002	1-216-853-11	METAL CHIP	470K	5%	1/10W	R3065	1-216-821-11	METAL CHIP	1K	5%	1/10W
R3003	1-216-841-11	METAL CHIP	47K	5%	1/10W	R3066	1-216-857-11	METAL CHIP	1M	5%	1/10W
R3006	1-216-809-11	METAL CHIP	100	5%	1/10W	R3067	1-216-805-11	METAL CHIP	47	5%	1/10W
R3007	1-218-668-11	METAL CHIP	100	0.50%	1/10W	R3068	1-216-825-11	METAL CHIP	2.2K	5%	1/10W
R3011	1-216-833-11	METAL CHIP	10K	5%	1/10W	R3069	1-216-805-11	METAL CHIP	47	5%	1/10W
R3012	1-216-801-11	METAL CHIP	22	5%	1/10W	R3070	1-216-835-11	METAL CHIP	15K	5%	1/10W
R3021	1-216-833-11	METAL CHIP	10K	5%	1/10W	R3071	1-216-797-11	METAL CHIP	10	5%	1/10W
R3022	1-216-821-11	METAL CHIP	1K	5%	1/10W	R3072	1-216-842-11	METAL CHIP	56K	5%	1/10W
R3024	1-216-809-11	METAL CHIP	100	5%	1/10W	R3073	1-216-797-11	METAL CHIP	10	5%	1/10W
R3025	1-216-809-11	METAL CHIP	100	5%	1/10W	R3074	1-216-797-11	METAL CHIP	10	5%	1/10W
R3028	1-216-823-11	METAL CHIP	1.5K	5%	1/10W	R3075	1-216-797-11	METAL CHIP	10	5%	1/10W
R3029	1-216-805-11	METAL CHIP	47	5%	1/10W	R3076	1-216-829-11	METAL CHIP	4.7K	5%	1/10W
R3031	1-216-805-11	METAL CHIP	47	5%	1/10W	R3077	1-216-797-11	METAL CHIP	10	5%	1/10W
R3032	1-216-809-11	METAL CHIP	100	5%	1/10W	R3078	1-216-797-11	METAL CHIP	10	5%	1/10W
R3033	1-216-809-11	METAL CHIP	100	5%	1/10W	R3079	1-216-864-11	SHORT CHIP			
R3034	1-216-805-11	METAL CHIP	47	5%	1/10W	R3080	1-216-809-11	METAL CHIP	100	5%	1/10W
R3035	1-216-845-11	METAL CHIP	100K	5%	1/10W	R3081	1-216-825-11	METAL CHIP	2.2K	5%	1/10W
R3036	1-216-841-11	METAL CHIP	47K	5%	1/10W	R3082	1-216-833-11	METAL CHIP	10K	5%	1/10W
R3038	1-216-809-11	METAL CHIP	100	5%	1/10W	R3085	1-216-864-11	SHORT CHIP			
R3039	1-216-809-11	METAL CHIP	100	5%	1/10W	R3086	1-216-805-11	METAL CHIP	47	5%	1/10W
R3040	1-216-864-11	SHORT CHIP				R3087	1-216-805-11	METAL CHIP	47	5%	1/10W
R3041	1-216-805-11	METAL CHIP	47	5%	1/10W	R3089	1-216-864-11	SHORT CHIP			
R3042	1-216-809-11	METAL CHIP	100	5%	1/10W	R3090	1-216-805-11	METAL CHIP	47	5%	1/10W
R3044	1-100-152-91	CERAMIC CHIP	100pF	5%	100V	R3091	1-216-829-11	METAL CHIP	4.7K	5%	1/10W
R3045	1-216-809-11	METAL CHIP	100	5%	1/10W	R3092	1-216-821-11	METAL CHIP	1K	5%	1/10W
R3047	1-216-864-11	SHORT CHIP				R3094	1-216-850-11	METAL CHIP	270K	5%	1/10W
R3048	1-218-289-11	METAL CHIP	510	5%	1/10W	R3095	1-216-821-11	METAL CHIP	1K	5%	1/10W
R3049	1-216-827-11	METAL CHIP	3.3K	5%	1/10W	R3097	1-219-570-11	METAL CHIP	10M	5%	1/10W
R3050	1-216-821-11	METAL CHIP	1K	5%	1/10W	R3098	1-216-809-11	METAL CHIP	100	5%	1/10W
R3051	1-216-809-11	METAL CHIP	100	5%	1/10W	R3102	1-216-833-11	METAL CHIP	10K	5%	1/10W
R3052	1-100-152-91	CERAMIC CHIP	100pF	5%	100V	R3104	1-216-809-11	METAL CHIP	100	5%	1/10W
R3054	1-216-864-11	SHORT CHIP				R3105	1-216-809-11	METAL CHIP	100	5%	1/10W
R3055	1-218-289-11	METAL CHIP	510	5%	1/10W	R3106	1-216-833-11	METAL CHIP	10K	5%	1/10W
R3056	1-216-827-11	METAL CHIP	3.3K	5%	1/10W	R3108	1-216-805-11	METAL CHIP	47	5%	1/10W
R3057	1-216-821-11	METAL CHIP	1K	5%	1/10W	R3110	1-216-833-11	METAL CHIP	10K	5%	1/10W
R3058	1-216-821-11	METAL CHIP	1K	5%	1/10W	R3111	1-216-809-11	METAL CHIP	100	5%	1/10W
R3059	1-100-152-91	CERAMIC CHIP	100pF	5%	100V	R3112	1-216-809-11	METAL CHIP	100	5%	1/10W
R3060	1-216-821-11	METAL CHIP	1K	5%	1/10W	R3113	1-216-805-11	METAL CHIP	47	5%	1/10W
R3062	1-216-864-11	SHORT CHIP				R3114	1-216-809-11	METAL CHIP	100	5%	1/10W
R3063	1-218-289-11	METAL CHIP	510	5%	1/10W						



REF. NO.	PART NO.	DESCRIPTION	VALUES			REF. NO.	PART NO.	DESCRIPTION	VALUES		
R3115	1-216-809-11	METAL CHIP	100	5%	1/10W	R3160	1-216-864-11	SHORT CHIP			
R3116	1-216-809-11	METAL CHIP	100	5%	1/10W	R3161	1-216-833-11	METAL CHIP	10K	5%	1/10W
R3117	1-216-833-11	METAL CHIP	10K	5%	1/10W	R3162	1-216-833-11	METAL CHIP	10K	5%	1/10W
R3119	1-216-809-11	METAL CHIP	100	5%	1/10W	R3163	1-216-837-11	METAL CHIP	22K	5%	1/10W
R3120	1-216-833-11	METAL CHIP	10K	5%	1/10W	R3164	1-216-833-11	METAL CHIP	10K	5%	1/10W
R3121	1-216-809-11	METAL CHIP	100	5%	1/10W	R3165	1-216-833-11	METAL CHIP	10K	5%	1/10W
R3122	1-216-805-11	METAL CHIP	47	5%	1/10W	R3166	1-216-839-11	METAL CHIP	33K	5%	1/10W
R3123	1-216-805-11	METAL CHIP	47	5%	1/10W	R3167	1-216-833-11	METAL CHIP	10K	5%	1/10W
R3125	1-216-805-11	METAL CHIP	47	5%	1/10W	R3168	1-216-824-11	METAL CHIP	1.8K	5%	1/10W
R3126	1-216-805-11	METAL CHIP	47	5%	1/10W	R3169	1-216-833-11	METAL CHIP	10K	5%	1/10W
R3127	1-216-805-11	METAL CHIP	47	5%	1/10W	R3170	1-216-824-11	METAL CHIP	1.8K	5%	1/10W
R3128	1-216-805-11	METAL CHIP	47	5%	1/10W	R3171	1-216-833-11	METAL CHIP	10K	5%	1/10W
R3129	1-216-805-11	METAL CHIP	47	5%	1/10W	R3173	1-216-833-11	METAL CHIP	10K	5%	1/10W
R3130	1-216-805-11	METAL CHIP	47	5%	1/10W	R3174	1-216-837-11	METAL CHIP	22K	5%	1/10W
R3131	1-216-809-11	METAL CHIP	100	5%	1/10W	R3175	1-216-864-11	SHORT CHIP			
R3132	1-216-805-11	METAL CHIP	47	5%	1/10W	R3176	1-216-841-11	METAL CHIP	47K	5%	1/10W
R3133	1-216-805-11	METAL CHIP	47	5%	1/10W	R3177	1-216-864-11	SHORT CHIP			
R3134	1-216-809-11	METAL CHIP	100	5%	1/10W	R3178	1-216-864-11	SHORT CHIP			
R3135	1-216-801-11	METAL CHIP	22	5%	1/10W	R3179	1-216-841-11	METAL CHIP	47K	5%	1/10W
R3136	1-216-861-11	METAL CHIP	2.2M	5%	1/10W	R3180	1-216-845-11	METAL CHIP	100K	5%	1/10W
R3137	1-216-805-11	METAL CHIP	47	5%	1/10W	R3181	1-216-809-11	METAL CHIP	100	5%	1/10W
R3138	1-216-805-11	METAL CHIP	47	5%	1/10W	R3182	1-216-296-11	SHORT CHIP			
R3139	1-216-833-11	METAL CHIP	10K	5%	1/10W	R3183	1-216-296-11	SHORT CHIP			
R3140	1-216-805-11	METAL CHIP	47	5%	1/10W	R3184	1-216-296-11	SHORT CHIP			
R3141	1-216-817-11	METAL CHIP	470	5%	1/10W	R3185	1-216-833-11	METAL CHIP	10K	5%	1/10W
R3142	1-216-805-11	METAL CHIP	47	5%	1/10W	R3186	1-216-833-11	METAL CHIP	10K	5%	1/10W
R3143	1-216-833-11	METAL CHIP	10K	5%	1/10W	R3189	1-216-829-11	METAL CHIP	4.7K	5%	1/10W
R3145	1-216-833-11	METAL CHIP	10K	5%	1/10W	R3190	1-216-829-11	METAL CHIP	4.7K	5%	1/10W
R3146	1-216-833-11	METAL CHIP	10K	5%	1/10W	R3191	1-216-809-11	METAL CHIP	100	5%	1/10W
R3147	1-216-833-11	METAL CHIP	10K	5%	1/10W	R3192	1-216-864-11	SHORT CHIP			
R3150	1-216-833-11	METAL CHIP	10K	5%	1/10W	R3193	1-216-864-11	SHORT CHIP			
R3151	1-216-841-11	METAL CHIP	47K	5%	1/10W	R3194	1-216-864-11	SHORT CHIP			
R3152	1-216-817-11	METAL CHIP	470	5%	1/10W	R3195	1-216-864-11	SHORT CHIP			
R3153	1-216-825-11	METAL CHIP	2.2K	5%	1/10W	R3205	1-216-826-11	METAL CHIP	2.7K	5%	1/10W
R3154	1-216-864-11	SHORT CHIP				R3206	1-216-864-11	SHORT CHIP			
R3155	1-216-833-11	METAL CHIP	10K	5%	1/10W	R3207	1-218-692-11	METAL CHIP	1K	0.50%	1/10W
R3156	1-216-829-11	METAL CHIP	4.7K	5%	1/10W	R3208	1-218-709-11	METAL CHIP	5.1K	0.50%	1/10W
R3157	1-216-864-11	SHORT CHIP				R3209	1-216-833-11	METAL CHIP	10K	5%	1/10W
R3158	1-216-837-11	METAL CHIP	22K	5%	1/10W	R3210	1-216-864-11	SHORT CHIP			
R3159	1-216-864-11	SHORT CHIP				R3213	1-216-864-11	SHORT CHIP			

B1

REF. NO.	PART NO.	DESCRIPTION	VALUES			REF. NO.	PART NO.	DESCRIPTION	VALUES		
R3214	1-216-864-11	SHORT CHIP				R3266	1-216-815-11	METAL CHIP	330	5%	1/10W
R3215	1-216-833-11	METAL CHIP	10K	5%	1/10W	R3267	1-218-675-11	METAL CHIP	200	0.50%	1/10W
R3217	1-216-864-11	SHORT CHIP				R3268	1-218-675-11	METAL CHIP	200	0.50%	1/10W
R3218	1-216-797-11	METAL CHIP	10	5%	1/10W	R3269	1-216-809-11	METAL CHIP	100	5%	1/10W
R3219	1-216-797-11	METAL CHIP	10	5%	1/10W	R3270	1-218-675-11	METAL CHIP	200	0.50%	1/10W
R3220	1-216-797-11	METAL CHIP	10	5%	1/10W	R3271	1-218-675-11	METAL CHIP	200	0.50%	1/10W
R3221	1-216-801-11	METAL CHIP	22	5%	1/10W	R3272	1-216-821-11	METAL CHIP	1K	5%	1/10W
R3222	1-216-864-11	SHORT CHIP				R3273	1-216-821-11	METAL CHIP	1K	5%	1/10W
R3223	1-216-826-11	METAL CHIP	2.7K	5%	1/10W	R3274	1-216-864-11	SHORT CHIP			
R3224	1-218-708-11	METAL CHIP	4.7K	0.50%	1/10W	R3275	1-216-864-11	SHORT CHIP			
R3225	1-218-676-11	METAL CHIP	220	0.50%	1/10W	R3277	1-216-797-11	METAL CHIP	10	5%	1/10W
R3226	1-218-708-11	METAL CHIP	4.7K	0.50%	1/10W	R3279	1-218-694-11	METAL CHIP	1.2K	0.50%	1/10W
R3228	1-216-805-11	METAL CHIP	47	5%	1/10W	R3280	1-216-864-11	SHORT CHIP			
R3229	1-216-805-11	METAL CHIP	47	5%	1/10W	R3283	1-216-833-11	METAL CHIP	10K	5%	1/10W
R3230	1-216-864-11	SHORT CHIP				R3284	1-218-688-11	METAL CHIP	680	0.50%	1/10W
R3231	1-216-833-11	METAL CHIP	10K	5%	1/10W	R3285	1-218-698-11	METAL CHIP	1.8K	0.50%	1/10W
R3232	1-216-864-11	SHORT CHIP				R3286	1-216-864-11	SHORT CHIP			
R3233	1-216-805-11	METAL CHIP	47	5%	1/10W	R3288	1-216-839-11	METAL CHIP	33K	5%	1/10W
R3234	1-216-805-11	METAL CHIP	47	5%	1/10W	R3291	1-218-698-11	METAL CHIP	1.8K	0.50%	1/10W
R3235	1-216-805-11	METAL CHIP	47	5%	1/10W	R3292	1-216-864-11	SHORT CHIP			
R3236	1-216-864-11	SHORT CHIP				R3293	1-218-688-11	METAL CHIP	680	0.50%	1/10W
R3237	1-216-864-11	SHORT CHIP				R3294	1-218-694-11	METAL CHIP	1.2K	0.50%	1/10W
R3238	1-216-864-11	SHORT CHIP				R3298	1-216-805-11	METAL CHIP	47	5%	1/10W
R3239	1-216-864-11	SHORT CHIP				R3299	1-216-805-11	METAL CHIP	47	5%	1/10W
R3240	1-216-833-11	METAL CHIP	10K	5%	1/10W	R3300	1-216-823-11	METAL CHIP	1.5K	5%	1/10W
R3241	1-216-864-11	SHORT CHIP				R3303	1-216-864-11	SHORT CHIP			
R3242	1-216-864-11	SHORT CHIP				R3304	1-218-656-11	METAL CHIP	33	0.50%	1/10W
R3243	1-216-864-11	SHORT CHIP				R3305	1-218-696-11	METAL CHIP	1.5K	0.50%	1/10W
R3244	1-216-864-11	SHORT CHIP				R3308	1-216-805-11	METAL CHIP	47	5%	1/10W
R3245	1-218-708-11	METAL CHIP	4.7K	0.50%	1/10W	R3309	1-218-676-11	METAL CHIP	220	0.50%	1/10W
R3247	1-216-833-11	METAL CHIP	10K	5%	1/10W	R3311	1-218-680-11	METAL CHIP	330	0.50%	1/10W
R3248	1-218-658-11	METAL CHIP	39	0.50%	1/10W	R3312	1-218-692-11	METAL CHIP	1K	0.50%	1/10W
R3249	1-216-797-11	METAL CHIP	10	5%	1/10W	R3313	1-216-805-11	METAL CHIP	47	5%	1/10W
R3250	1-218-676-11	METAL CHIP	220	0.50%	1/10W	R3314	1-216-805-11	METAL CHIP	47	5%	1/10W
R3251	1-218-708-11	METAL CHIP	4.7K	0.50%	1/10W	R3315	1-216-805-11	METAL CHIP	47	5%	1/10W
R3260	1-218-692-11	METAL CHIP	1K	0.50%	1/10W	R3316	1-216-805-11	METAL CHIP	47	5%	1/10W
R3261	1-218-684-11	METAL CHIP	470	0.50%	1/10W	R3317	1-216-805-11	METAL CHIP	47	5%	1/10W
R3263	1-216-811-11	METAL CHIP	150	5%	1/10W	R3318	1-218-682-11	METAL CHIP	390	0.50%	1/10W
R3264	1-216-811-11	METAL CHIP	150	5%	1/10W	R3319	1-218-684-11	METAL CHIP	470	0.50%	1/10W
R3265	1-216-815-11	METAL CHIP	330	5%	1/10W	R3320	1-218-682-11	METAL CHIP	390	0.50%	1/10W

B1

REF. NO.	PART NO.	DESCRIPTION	VALUES			REF. NO.	PART NO.	DESCRIPTION	VALUES		
R3321	1-218-684-11	METAL CHIP	470	0.50%	1/10W	R3374	1-216-864-11	SHORT CHIP			
R3322	1-218-692-11	METAL CHIP	1K	0.50%	1/10W	R3375	1-216-817-11	METAL CHIP	470	5%	1/10W
R3323	1-218-668-11	METAL CHIP	100	0.50%	1/10W	R3376	1-216-827-11	METAL CHIP	3.3K	5%	1/10W
R3324	1-218-692-11	METAL CHIP	1K	0.50%	1/10W	R3378	1-218-867-11	METAL CHIP	6.8K	0.50%	1/10W
R3325	1-218-668-11	METAL CHIP	100	0.50%	1/10W	R3379	1-216-864-11	SHORT CHIP			
R3326	1-218-682-11	METAL CHIP	390	0.50%	1/10W	R3382	1-216-805-11	METAL CHIP	47	5%	1/10W
R3327	1-218-664-11	METAL CHIP	68	0.50%	1/10W	R3383	1-216-817-11	METAL CHIP	470	5%	1/10W
R3329	1-218-684-11	METAL CHIP	470	0.50%	1/10W	R3384	1-216-817-11	METAL CHIP	470	5%	1/10W
R3331	1-218-684-11	METAL CHIP	470	0.50%	1/10W	R3385	1-216-817-11	METAL CHIP	470	5%	1/10W
R3332	1-218-688-11	METAL CHIP	680	0.50%	1/10W	R3386	1-216-813-11	METAL CHIP	220	5%	1/10W
R3333	1-218-688-11	METAL CHIP	680	0.50%	1/10W	R3387	1-216-864-11	SHORT CHIP			
R3334	1-218-688-11	METAL CHIP	680	0.50%	1/10W	R3390	1-216-864-11	SHORT CHIP			
R3335	1-218-688-11	METAL CHIP	680	0.50%	1/10W	R3391	1-216-864-11	SHORT CHIP			
R3337	1-218-666-11	METAL CHIP	82	0.50%	1/10W	R3400	1-218-847-11	METAL CHIP	1K	0.50%	1/10W
R3338	1-216-797-11	METAL CHIP	10	5%	1/10W	R3401	1-218-684-11	METAL CHIP	470	0.50%	1/10W
R3339	1-216-797-11	METAL CHIP	10	5%	1/10W	R3403	1-216-809-11	METAL CHIP	100	5%	1/10W
R3340	1-216-797-11	METAL CHIP	10	5%	1/10W	R3404	1-216-809-11	METAL CHIP	100	5%	1/10W
R3341	1-216-797-11	METAL CHIP	10	5%	1/10W	R3405	1-216-837-11	METAL CHIP	22K	5%	1/10W
R3342	1-216-797-11	METAL CHIP	10	5%	1/10W	R3406	1-216-833-11	METAL CHIP	10K	5%	1/10W
R3343	1-216-821-11	METAL CHIP	1K	5%	1/10W	R3407	1-216-864-11	SHORT CHIP			
R3344	1-216-821-11	METAL CHIP	1K	5%	1/10W	R3409	1-216-864-11	SHORT CHIP			
R3345	1-216-821-11	METAL CHIP	1K	5%	1/10W	R3411	1-216-805-11	METAL CHIP	47	5%	1/10W
R3346	1-216-821-11	METAL CHIP	1K	5%	1/10W	R3412	1-216-864-11	SHORT CHIP			
R3347	1-216-817-11	METAL CHIP	470	5%	1/10W	R3413	1-216-864-11	SHORT CHIP			
R3348	1-216-864-11	SHORT CHIP				R3414	1-216-809-11	METAL CHIP	100	5%	1/10W
R3349	1-216-864-11	SHORT CHIP				R3416	1-216-864-11	SHORT CHIP			
R3350	1-216-797-11	METAL CHIP	10	5%	1/10W	R3417	1-216-864-11	SHORT CHIP			
R3351	1-216-797-11	METAL CHIP	10	5%	1/10W	R3418	1-218-854-11	METAL CHIP	2K	0.50%	1/10W
R3352	1-218-698-11	METAL CHIP	1.8K	0.50%	1/10W	R3419	1-216-803-11	METAL CHIP	33	5%	1/10W
R3354	1-216-797-11	METAL CHIP	10	5%	1/10W	R3420	1-216-803-11	METAL CHIP	33	5%	1/10W
R3355	1-216-797-11	METAL CHIP	10	5%	1/10W	R3421	1-216-803-11	METAL CHIP	33	5%	1/10W
R3356	1-218-698-11	METAL CHIP	1.8K	0.50%	1/10W	R3422	1-218-849-11	METAL CHIP	1.2K	0.50%	1/10W
R3365	1-216-825-11	METAL CHIP	2.2K	5%	1/10W	R3423	1-218-859-11	METAL CHIP	3.3K	0.50%	1/10W
R3366	1-216-823-11	METAL CHIP	1.5K	5%	1/10W	R3424	1-216-864-11	SHORT CHIP			
R3367	1-216-809-11	METAL CHIP	100	5%	1/10W	R3425	1-216-864-11	SHORT CHIP			
R3368	1-216-827-11	METAL CHIP	3.3K	5%	1/10W	R3427	1-218-829-11	METAL CHIP	180	0.50%	1/10W
R3369	1-216-825-11	METAL CHIP	2.2K	5%	1/10W	R3428	1-216-811-11	METAL CHIP	150	5%	1/10W
R3370	1-216-809-11	METAL CHIP	100	5%	1/10W	R3429	1-216-811-11	METAL CHIP	150	5%	1/10W
R3371	1-216-825-11	METAL CHIP	2.2K	5%	1/10W	R3430	1-216-811-11	METAL CHIP	150	5%	1/10W
R3372	1-216-825-11	METAL CHIP	2.2K	5%	1/10W	R3431	1-216-851-11	METAL CHIP	330K	5%	1/10W



REF. NO.	PART NO.	DESCRIPTION	VALUES			REF. NO.	PART NO.	DESCRIPTION	VALUES		
R3432	1-216-813-11	METAL CHIP	220	5%	1/10W	R3560	1-218-692-11	METAL CHIP	1K	0.50%	1/10W
R3500	1-216-833-11	METAL CHIP	10K	5%	1/10W	R3562	1-216-864-11	SHORT CHIP			
R3501	1-216-801-11	METAL CHIP	22	5%	1/10W	R3563	1-216-864-11	SHORT CHIP			
R3503	1-216-821-11	METAL CHIP	1K	5%	1/10W	R3564	1-216-864-11	SHORT CHIP			
R3506	1-216-864-11	SHORT CHIP				R3565	1-216-864-11	SHORT CHIP			
R3507	1-216-801-11	METAL CHIP	22	5%	1/10W	R3566	1-216-864-11	SHORT CHIP			
R3508	1-216-801-11	METAL CHIP	22	5%	1/10W	R3600	1-216-845-11	METAL CHIP	100K	5%	1/10W
R3516	1-216-805-11	METAL CHIP	47	5%	1/10W	R3601	1-218-644-11	METAL CHIP	10	0.50%	1/10W
R3517	1-216-805-11	METAL CHIP	47	5%	1/10W	R3602	1-216-845-11	METAL CHIP	100K	5%	1/10W
R3518	1-216-805-11	METAL CHIP	47	5%	1/10W	R3603	1-216-821-11	METAL CHIP	1K	5%	1/10W
R3519	1-216-805-11	METAL CHIP	47	5%	1/10W	R3605	1-218-692-11	METAL CHIP	1K	0.50%	1/10W
R3521	1-216-805-11	METAL CHIP	47	5%	1/10W	R3606	1-218-684-11	METAL CHIP	470	0.50%	1/10W
R3522	1-216-803-11	METAL CHIP	33	5%	1/10W	R3609	1-216-833-11	METAL CHIP	10K	5%	1/10W
R3526	1-216-801-11	METAL CHIP	22	5%	1/10W	R3610	1-216-864-11	SHORT CHIP			
R3530	1-216-864-11	SHORT CHIP				R3612	1-216-809-11	METAL CHIP	100	5%	1/10W
R3531	1-216-809-11	METAL CHIP	100	5%	1/10W	R3613	1-218-706-11	METAL CHIP	3.9K	0.50%	1/10W
R3532	1-216-864-11	SHORT CHIP				R3614	1-216-809-11	METAL CHIP	100	5%	1/10W
R3533	1-216-801-11	METAL CHIP	22	5%	1/10W	R3615	1-216-809-11	METAL CHIP	100	5%	1/10W
R3534	1-216-801-11	METAL CHIP	22	5%	1/10W	R3616	1-218-706-11	METAL CHIP	3.9K	0.50%	1/10W
R3535	1-216-864-11	SHORT CHIP				R3617	1-216-864-11	SHORT CHIP			
R3537	1-216-801-11	METAL CHIP	22	5%	1/10W	R3618	1-218-706-11	METAL CHIP	3.9K	0.50%	1/10W
R3538	1-216-809-11	METAL CHIP	100	5%	1/10W	R3619	1-218-706-11	METAL CHIP	3.9K	0.50%	1/10W
R3539	1-216-801-11	METAL CHIP	22	5%	1/10W	R3622	1-216-864-11	SHORT CHIP			
R3540	1-216-864-11	SHORT CHIP				R3623	1-216-864-11	SHORT CHIP			
R3541	1-216-845-11	METAL CHIP	100K	5%	1/10W	R3624	1-216-864-11	SHORT CHIP			
R3542	1-216-809-11	METAL CHIP	100	5%	1/10W	R3625	1-218-706-11	METAL CHIP	3.9K	0.50%	1/10W
R3543	1-216-809-11	METAL CHIP	100	5%	1/10W	R3626	1-216-864-11	SHORT CHIP			
R3544	1-216-845-11	METAL CHIP	100K	5%	1/10W	R3627	1-216-857-11	METAL CHIP	1M	5%	1/10W
R3546	1-216-801-11	METAL CHIP	22	5%	1/10W	R3628	1-216-803-11	METAL CHIP	33	5%	1/10W
R3547	1-216-833-11	METAL CHIP	10K	5%	1/10W	R3629	1-216-809-11	METAL CHIP	100	5%	1/10W
R3548	1-216-864-11	SHORT CHIP				R3630	1-216-809-11	METAL CHIP	100	5%	1/10W
R3549	1-216-864-11	SHORT CHIP				R3631	1-216-809-11	METAL CHIP	100	5%	1/10W
R3550	1-216-864-11	SHORT CHIP				R3632	1-216-833-11	METAL CHIP	10K	5%	1/10W
R3551	1-218-668-11	METAL CHIP	100	0.50%	1/10W	R3633	1-216-829-11	METAL CHIP	4.7K	5%	1/10W
R3552	1-218-668-11	METAL CHIP	100	0.50%	1/10W	R3634	1-216-825-11	METAL CHIP	2.2K	5%	1/10W
R3553	1-218-668-11	METAL CHIP	100	0.50%	1/10W	R3635	1-216-850-11	METAL CHIP	270K	5%	1/10W
R3554	1-218-668-11	METAL CHIP	100	0.50%	1/10W	R3636	1-216-821-11	METAL CHIP	1K	5%	1/10W
R3555	1-218-668-11	METAL CHIP	100	0.50%	1/10W	R3637	1-216-821-11	METAL CHIP	1K	5%	1/10W
R3556	1-218-668-11	METAL CHIP	100	0.50%	1/10W	R3638	1-216-833-11	METAL CHIP	10K	5%	1/10W
R3559	1-218-692-11	METAL CHIP	1K	0.50%	1/10W	R3639	1-216-809-11	METAL CHIP	100	5%	1/10W




REF. NO.	PART NO.	DESCRIPTION	VALUES			REF. NO.	PART NO.	DESCRIPTION	VALUES		
R3640	1-216-821-11	METAL CHIP	1K	5%	1/10W	R3698	1-216-864-11	SHORT CHIP			
R3643	1-216-829-11	METAL CHIP	4.7K	5%	1/10W	R3699	1-216-864-11	SHORT CHIP			
R3645	1-216-809-11	METAL CHIP	100	5%	1/10W	R3700	1-216-864-11	SHORT CHIP			
R3646	1-216-809-11	METAL CHIP	100	5%	1/10W	R3701	1-216-864-11	SHORT CHIP			
R3647	1-216-809-11	METAL CHIP	100	5%	1/10W	R3702	1-216-864-11	SHORT CHIP			
R3649	1-216-833-11	METAL CHIP	10K	5%	1/10W	R3703	1-216-864-11	SHORT CHIP			
R3650	1-218-694-11	METAL CHIP	1.2K	0.50%	1/10W	R3704	1-216-864-11	SHORT CHIP			
R3651	1-216-833-11	METAL CHIP	10K	5%	1/10W	R3705	1-216-864-11	SHORT CHIP			
R3652	1-218-716-11	METAL CHIP	10K	0.50%	1/10W	R3706	1-216-864-11	SHORT CHIP			
R3653	1-216-850-11	METAL CHIP	270K	5%	1/10W	R3707	1-216-864-11	SHORT CHIP			
R3654	1-216-845-11	METAL CHIP	100K	5%	1/10W	R3708	1-216-864-11	SHORT CHIP			
R3655	1-216-821-11	METAL CHIP	1K	5%	1/10W	R3709	1-216-864-11	SHORT CHIP			
R3656	1-216-809-11	METAL CHIP	100	5%	1/10W	R3710	1-216-864-11	SHORT CHIP			
R3657	1-218-686-11	METAL CHIP	560	0.50%	1/10W	R3711	1-216-864-11	SHORT CHIP			
R3658	1-216-829-11	METAL CHIP	4.7K	5%	1/10W	R3712	1-216-864-11	SHORT CHIP			
R3659	1-218-694-11	METAL CHIP	1.2K	0.50%	1/10W	R3713	1-216-864-11	SHORT CHIP			
R3660	1-216-833-11	METAL CHIP	10K	5%	1/10W	R3714	1-216-864-11	SHORT CHIP			
R3662	1-218-716-11	METAL CHIP	10K	0.50%	1/10W	R3715	1-216-841-11	METAL CHIP	47K	5%	1/10W
R3663	1-216-837-11	METAL CHIP	22K	5%	1/10W	R3716	1-216-837-11	METAL CHIP	22K	5%	1/10W
R3664	1-216-845-11	METAL CHIP	100K	5%	1/10W	R3717	1-216-837-11	METAL CHIP	22K	5%	1/10W
R3666	1-216-809-11	METAL CHIP	100	5%	1/10W	R3718	1-216-837-11	METAL CHIP	22K	5%	1/10W
R3667	1-216-841-11	METAL CHIP	47K	5%	1/10W	R3719	1-216-837-11	METAL CHIP	22K	5%	1/10W
R3668	1-218-686-11	METAL CHIP	560	0.50%	1/10W	R3720	1-216-837-11	METAL CHIP	22K	5%	1/10W
R3669	1-216-809-11	METAL CHIP	100	5%	1/10W	R3721	1-216-833-11	METAL CHIP	10K	5%	1/10W
R3670	1-216-809-11	METAL CHIP	100	5%	1/10W	R3722	1-216-833-11	METAL CHIP	10K	5%	1/10W
R3672	1-216-845-11	METAL CHIP	100K	5%	1/10W	R3723	1-216-833-11	METAL CHIP	10K	5%	1/10W
R3673	1-216-864-11	SHORT CHIP				R3724	1-216-833-11	METAL CHIP	10K	5%	1/10W
R3674	1-216-809-11	METAL CHIP	100	5%	1/10W	R3725	1-216-833-11	METAL CHIP	10K	5%	1/10W
R3675	1-216-809-11	METAL CHIP	100	5%	1/10W	R3726	1-216-833-11	METAL CHIP	10K	5%	1/10W
R3676	1-216-829-11	METAL CHIP	4.7K	5%	1/10W	R3727	1-216-833-11	METAL CHIP	10K	5%	1/10W
R3677	1-216-817-11	METAL CHIP	470	5%	1/10W	R3728	1-216-833-11	METAL CHIP	10K	5%	1/10W
R3678	1-216-817-11	METAL CHIP	470	5%	1/10W	R3729	1-216-833-11	METAL CHIP	10K	5%	1/10W
R3680	1-216-845-11	METAL CHIP	100K	5%	1/10W	R3730	1-216-833-11	METAL CHIP	10K	5%	1/10W
R3681	1-216-837-11	METAL CHIP	22K	5%	1/10W	R3731	1-216-833-11	METAL CHIP	10K	5%	1/10W
R3682	1-216-864-11	SHORT CHIP				R3732	1-216-833-11	METAL CHIP	10K	5%	1/10W
R3683	1-216-837-11	METAL CHIP	22K	5%	1/10W	R3733	1-216-841-11	METAL CHIP	47K	5%	1/10W
R3684	1-216-809-11	METAL CHIP	100	5%	1/10W	R3734	1-216-837-11	METAL CHIP	22K	5%	1/10W
R3694	1-216-837-11	METAL CHIP	22K	5%	1/10W	R3735	1-216-837-11	METAL CHIP	22K	5%	1/10W
R3696	1-216-839-11	METAL CHIP	33K	5%	1/10W	R3736	1-216-864-11	SHORT CHIP			
R3697	1-216-835-11	METAL CHIP	15K	5%	1/10W	R3737	1-216-803-11	METAL CHIP	33	5%	1/10W
						R3739	1-216-801-11	METAL CHIP	22	5%	1/10W

B1

REF. NO.	PART NO.	DESCRIPTION	VALUES	REF. NO.	PART NO.	DESCRIPTION	VALUES
<u>RESISTOR BRIDGE</u>				RB3507	1-234-524-21	RES, CHIP NETWORK	33 (3216)
RB3000	1-233-576-11	RES, CHIP NETWORK	100 (3216)	RB3508	1-234-524-21	RES, CHIP NETWORK	33 (3216)
RB3001	1-239-409-11	NETWORK RESISTOR(CHIP)	47	RB3509	1-234-524-21	RES, CHIP NETWORK	33 (3216)
RB3002	1-239-409-11	NETWORK RESISTOR(CHIP)	47	RB3510	1-234-524-21	RES, CHIP NETWORK	33 (3216)
RB3003	1-239-409-11	NETWORK RESISTOR(CHIP)	47	RB3511	1-234-524-21	RES, CHIP NETWORK	33 (3216)
RB3004	1-236-908-11	NETWORK RESISTOR(CHIP)	10K	RB3512	1-234-524-21	RES, CHIP NETWORK	33 (3216)
RB3006	1-239-409-11	NETWORK RESISTOR(CHIP)	47	RB3513	1-234-524-21	RES, CHIP NETWORK	33 (3216)
RB3200	1-236-908-11	NETWORK RESISTOR(CHIP)	10K	RB3514	1-233-575-11	RES, CHIP NETWORK	22 (3216)
RB3201	1-236-908-11	NETWORK RESISTOR(CHIP)	10K	RB3515	1-233-575-11	RES, CHIP NETWORK	22 (3216)
RB3202	1-236-908-11	NETWORK RESISTOR(CHIP)	10K	RB3516	1-233-575-11	RES, CHIP NETWORK	22 (3216)
RB3203	1-236-908-11	NETWORK RESISTOR(CHIP)	10K	RB3517	1-233-575-11	RES, CHIP NETWORK	22 (3216)
RB3204	1-236-908-11	NETWORK RESISTOR(CHIP)	10K	RB3518	1-233-575-11	RES, CHIP NETWORK	22 (3216)
RB3205	1-236-908-11	NETWORK RESISTOR(CHIP)	10K	RB3519	1-233-575-11	RES, CHIP NETWORK	22 (3216)
RB3206	1-236-908-11	NETWORK RESISTOR(CHIP)	10K	RB3600	1-233-574-11	RES, CHIP NETWORK	10 (3216)
RB3207	1-236-908-11	NETWORK RESISTOR(CHIP)	10K	RB3601	1-233-574-11	RES, CHIP NETWORK	10 (3216)
RB3208	1-236-908-11	NETWORK RESISTOR(CHIP)	10K	RB3602	1-233-575-11	RES, CHIP NETWORK	22 (3216)
RB3209	1-236-908-11	NETWORK RESISTOR(CHIP)	10K	RB3603	1-239-409-11	NETWORK RESISTOR(CHIP)	47
RB3210	1-239-409-11	NETWORK RESISTOR(CHIP)	47	RB3604	1-239-409-11	NETWORK RESISTOR(CHIP)	47
RB3211	1-236-908-11	NETWORK RESISTOR(CHIP)	10K	RB3605	1-239-409-11	NETWORK RESISTOR(CHIP)	47
RB3212	1-239-409-11	NETWORK RESISTOR(CHIP)	47	RB3606	1-239-409-11	NETWORK RESISTOR(CHIP)	47
RB3213	1-239-409-11	NETWORK RESISTOR(CHIP)	47	RB3607	1-239-409-11	NETWORK RESISTOR(CHIP)	47
RB3214	1-239-409-11	NETWORK RESISTOR(CHIP)	47	RB3608	1-239-409-11	NETWORK RESISTOR(CHIP)	47
RB3215	1-233-576-11	RES, CHIP NETWORK	100 (3216)	<u>VARISTOR</u>			
RB3216	1-233-576-11	RES, CHIP NETWORK	100 (3216)	VD3600	6-500-701-01	DIODE	PGB1010603NR
RB3219	1-239-409-11	NETWORK RESISTOR(CHIP)	47	VD3601	6-500-701-01	DIODE	PGB1010603NR
RB3220	1-233-576-11	RES, CHIP NETWORK	100 (3216)	<u>CRYSTAL</u>			
RB3221	1-233-576-11	RES, CHIP NETWORK	100 (3216)	X3000	1-795-753-21	VIBRATOR, CERAMIC	
RB3400	1-234-524-21	RES, CHIP NETWORK	33 (3216)	X3001	1-781-696-21	VIBRATOR, CRYSTAL	
RB3401	1-234-524-21	RES, CHIP NETWORK	33 (3216)	X3002	1-813-113-11	VIBRATOR, CRYSTAL	
RB3402	1-234-524-21	RES, CHIP NETWORK	33 (3216)	X3200	1-813-373-11	OSCILLATOR, CRYSTAL	
RB3403	1-234-524-21	RES, CHIP NETWORK	33 (3216)	X3400	1-813-114-21	VIBRATOR, CRYSTAL	
RB3404	1-234-524-21	RES, CHIP NETWORK	33 (3216)	X3500	1-813-546-21	QUARTZ CRISTAL OSCILLATOR	
RB3405	1-239-409-11	NETWORK RESISTOR(CHIP)	47	X3600	1-813-267-11	VIBRATOR, CRYSTAL	
RB3406	1-239-409-11	NETWORK RESISTOR(CHIP)	47	X3601	1-767-984-21	VIBRATOR, CRYSTAL	
RB3407	1-239-409-11	NETWORK RESISTOR(CHIP)	47				
RB3408	1-239-409-11	NETWORK RESISTOR(CHIP)	47				
RB3409	1-239-409-11	NETWORK RESISTOR(CHIP)	47				
RB3410	1-239-409-11	NETWORK RESISTOR(CHIP)	47				
RB3411	1-239-409-11	NETWORK RESISTOR(CHIP)	47				
RB3412	1-239-409-11	NETWORK RESISTOR(CHIP)	47				
RB3506	1-234-524-21	RES, CHIP NETWORK	33 (3216)				



REF. NO.	PART NO.	DESCRIPTION	VALUES	REF. NO.	PART NO.	DESCRIPTION	VALUES
				C6040	1-128-992-21	ELECT CHIP	47μF 20% 25V
<p>* A-1109-406-A GI BOARD, COMPLETE (SN 9,000,001 TO 9,099,999 AND 9,800,000 TO 9,899,999 ONLY)</p>				C6041	1-127-931-21	ELECT CHIP	470μF 20% 16V
<p>4-382-854-01 SCREW (M3X8), P, SW (+)</p>				C6042	1-127-931-21	ELECT CHIP	470μF 20% 16V
<p>CAPACITOR</p>				C6043	1-162-966-11	CERAMIC CHIP	0.0022μF 10% 50V
C6001	1-164-156-11	CERAMIC CHIP	0.1μF 25V	C6044	1-162-970-11	CERAMIC CHIP	0.01μF 10% 25V
C6002	1-164-156-11	CERAMIC CHIP	0.1μF 25V	C6045	1-107-826-11	CERAMIC CHIP	0.1μF 10% 16V
C6003	1-164-156-11	CERAMIC CHIP	0.1μF 25V	C6046	1-107-826-11	CERAMIC CHIP	0.1μF 10% 16V
C6004	1-164-156-11	CERAMIC CHIP	0.1μF 25V	C6047	1-125-837-91	CERAMIC CHIP	1μF 10% 6.3V
C6005	1-107-826-11	CERAMIC CHIP	0.1μF 10% 16V	C6048	1-162-970-11	CERAMIC CHIP	0.01μF 10% 25V
C6006	1-124-779-00	ELECT CHIP	10μF 20% 16V	C6049	1-107-826-11	CERAMIC CHIP	0.1μF 10% 16V
C6007	1-162-970-11	CERAMIC CHIP	0.01μF 10% 25V	C6050	1-107-826-11	CERAMIC CHIP	0.1μF 10% 16V
C6010	1-128-995-21	ELECT CHIP	100μF 20% 10V	C6051	1-164-156-11	CERAMIC CHIP	0.1μF 25V
C6012	1-164-156-11	CERAMIC CHIP	0.1μF 25V	C6052	1-128-994-21	ELECT CHIP	47μF 20% 10V
C6013	1-128-992-21	ELECT CHIP	47μF 20% 25V	C6053	1-162-966-11	CERAMIC CHIP	0.0022μF 10% 50V
C6014	1-164-156-11	CERAMIC CHIP	0.1μF 25V	C6056	1-125-779-21	CERAMIC CHIP	0.022μF 5% 25V
C6015	1-128-992-21	ELECT CHIP	47μF 20% 25V	C6057	1-128-996-11	ELECT CHIP	4.7μF 20% 50V
C6016	1-164-156-11	CERAMIC CHIP	0.1μF 25V	C6058	1-162-966-11	CERAMIC CHIP	0.0022μF 10% 50V
C6017	1-164-156-11	CERAMIC CHIP	0.1μF 25V	C6059	1-162-968-11	CERAMIC CHIP	0.0047μF 10% 50V
C6018	1-164-156-11	CERAMIC CHIP	0.1μF 25V	C6060	1-107-826-11	CERAMIC CHIP	0.1μF 10% 16V
C6019	1-128-991-21	ELECT CHIP	10μF 20% 50V	C6061	1-125-779-21	CERAMIC CHIP	0.022μF 5% 25V
C6020	1-164-156-11	CERAMIC CHIP	0.1μF 25V	C6062	1-127-715-91	CERAMIC CHIP	0.22μF 10% 16V
C6021	1-128-992-21	ELECT CHIP	47μF 20% 25V	C6063	1-162-970-11	CERAMIC CHIP	0.01μF 10% 25V
C6022	1-164-156-11	CERAMIC CHIP	0.1μF 25V	C6064	1-162-970-11	CERAMIC CHIP	0.01μF 10% 25V
C6023	1-164-156-11	CERAMIC CHIP	0.1μF 25V	C6900	1-107-826-11	CERAMIC CHIP	0.1μF 10% 16V
C6024	1-128-992-21	ELECT CHIP	47μF 20% 25V	C6901	1-107-826-11	CERAMIC CHIP	0.1μF 10% 16V
C6025	1-164-156-11	CERAMIC CHIP	0.1μF 25V	C6902	1-107-826-11	CERAMIC CHIP	0.1μF 10% 16V
C6026	1-164-156-11	CERAMIC CHIP	0.1μF 25V	C6903	1-107-826-11	CERAMIC CHIP	0.1μF 10% 16V
C6027	1-128-992-21	ELECT CHIP	47μF 20% 25V	C6904	1-107-826-11	CERAMIC CHIP	0.1μF 10% 16V
C6028	1-128-992-21	ELECT CHIP	47μF 20% 25V	C6905	1-107-826-11	CERAMIC CHIP	0.1μF 10% 16V
C6029	1-164-156-11	CERAMIC CHIP	0.1μF 25V	C6907	1-162-916-11	CERAMIC CHIP	12pF 5% 50V
C6030	1-164-156-11	CERAMIC CHIP	0.1μF 25V	C6908	1-162-916-11	CERAMIC CHIP	12pF 5% 50V
C6031	1-128-992-21	ELECT CHIP	47μF 20% 25V	C6909	1-107-826-11	CERAMIC CHIP	0.1μF 10% 16V
C6032	1-128-992-21	ELECT CHIP	47μF 20% 25V	C6910	1-162-970-11	CERAMIC CHIP	0.01μF 10% 25V
C6033	1-107-826-11	CERAMIC CHIP	0.1μF 10% 16V	C6912	1-162-927-11	CERAMIC CHIP	100pF 5% 50V
C6034	1-107-826-11	CERAMIC CHIP	0.1μF 10% 16V	C6913	1-162-964-11	CERAMIC CHIP	0.001μF 10% 50V
C6036	1-128-992-21	ELECT CHIP	47μF 20% 25V	C6914	1-107-826-11	CERAMIC CHIP	0.1μF 10% 16V
C6037	1-128-992-21	ELECT CHIP	47μF 20% 25V	C6915	1-162-970-11	CERAMIC CHIP	0.01μF 10% 25V
C6038	1-128-992-21	ELECT CHIP	47μF 20% 25V	C6917	1-107-826-11	CERAMIC CHIP	0.1μF 10% 16V
C6039	1-164-156-11	CERAMIC CHIP	0.1μF 25V	C6918	1-162-970-11	CERAMIC CHIP	0.01μF 10% 25V
				C6923	1-107-826-11	CERAMIC CHIP	0.1μF 10% 16V



REF. NO.	PART NO.	DESCRIPTION	VALUES			REF. NO.	PART NO.	DESCRIPTION	VALUES
C6926	1-126-767-11	ELECT	1000μF	20%	16V	D6017	8-719-977-28	DIODE	DTZ10B
C6927	1-107-826-11	CERAMIC CHIP	0.1μF	10%	16V	D6018	8-719-977-28	DIODE	DTZ10B
C6928	1-126-927-11	ELECT	2200μF	20%	10V	D6019	8-719-404-50	DIODE	MA111-TX
C6929	1-162-970-11	CERAMIC CHIP	0.01μF	10%	25V	D6020	8-719-404-50	DIODE	MA111-TX
						D6021	8-719-081-97	DIODE	MMDL914T1
						D6022	8-719-977-28	DIODE	DTZ10B
						D6901	8-719-000-07	DIODE	MC2836
						D6902	8-719-000-08	DIODE	MC2838
						D6904	8-719-025-31	DIODE	02CZ5.6-TE85L
						D6905	8-719-404-50	DIODE	MA111-TX
						D6906	8-719-000-08	DIODE	MC2838
<u>CONNECTOR</u>									
*	CN6000	1-818-747-11	PIN, CONNECTOR 12P						
*	CN6001	1-817-702-11	CONNECTOR, BOARD TO BOARD			4P			
	CN6002	1-816-112-11	CONNECTOR, SQUARE TYPE (USB)			5P			
*	CN6004	1-764-812-12	CONNECTOR, BOARD TO BOARD			11P			
*	CN6005	1-793-922-11	CONNECTOR, DIN (RECEPTACLE)			64P			
	CN6013	1-695-915-11	TAB (CONTACT)						
	CN6014	1-695-915-11	TAB (CONTACT)						
	CN6015	1-695-915-11	TAB (CONTACT)						
	CN6017	1-750-710-11	CONNECTOR, BOARD TO BOARD			19P			
	CN6018	1-695-915-11	TAB (CONTACT)						
	CN6019	1-816-957-11	PIN, CONNECTOR (RECEPTACLE)			96P			
*	CN6028	1-818-482-12	PIN, CONNECTOR			10P			
*	CN6029	1-823-330-11	CONNECTOR, BOARD TO BOARD			40P			
*	CN6030	1-537-738-21	TERMINAL, EARTH						
*	CN6032	1-537-738-21	TERMINAL, EARTH						
	CN6033	1-770-721-11	CONNECTOR, BOARD TO BOARD			4P			
<u>DIODE</u>									
	D6002	8-719-404-50	DIODE	MA111-TX					
	D6003	8-719-404-50	DIODE	MA111-TX					
	D6004	8-719-404-50	DIODE	MA111-TX					
	D6005	8-719-000-08	DIODE	MC2838					
	D6006	8-719-404-50	DIODE	MA111-TX					
	D6007	8-719-404-50	DIODE	MA111-TX					
	D6008	8-719-404-50	DIODE	MA111-TX					
	D6009	8-719-404-50	DIODE	MA111-TX					
	D6010	8-719-404-50	DIODE	MA111-TX					
	D6011	8-719-404-50	DIODE	MA111-TX					
	D6012	8-719-404-50	DIODE	MA111-TX					
	D6013	8-719-404-50	DIODE	MA111-TX					
	D6014	8-719-404-50	DIODE	MA111-TX					
	D6015	8-719-404-50	DIODE	MA111-TX					
	D6016	8-719-000-08	DIODE	MC2838					
						<u>FERRITE BEAD</u>			
						FB6000	1-414-921-11	FERRITE	0μH
						FB6002	1-216-295-91	SHORT CHIP	
						FB6003	1-414-921-11	FERRITE	0μH
						FB6004	1-469-869-21	FERRITE	0μH
						FB6005	1-469-869-21	FERRITE	0μH
						FB6007	1-500-329-21	FERRITE	0μH
						FB6008	1-543-949-22	FERRITE	0μH
						FB6009	1-543-949-22	FERRITE	0μH
						FB6010	1-543-949-22	FERRITE	0μH
						FB6011	1-543-949-22	FERRITE	0μH
						FB6012	1-543-949-22	FERRITE	0μH
						FB6013	1-543-949-22	FERRITE	0μH
						FB6014	1-543-949-22	FERRITE	0μH
						FB6015	1-543-949-22	FERRITE	0μH
						FB6016	1-543-949-22	FERRITE	0μH
						FB6017	1-543-949-22	FERRITE	0μH
						FB6018	1-543-949-22	FERRITE	0μH
						FB6019	1-543-949-22	FERRITE	0μH
						FB6020	1-543-949-22	FERRITE	0μH
						FB6021	1-543-949-22	FERRITE	0μH
						FB6022	1-543-949-22	FERRITE	0μH
						FB6023	1-543-949-22	FERRITE	0μH
						FB6024	1-543-949-22	FERRITE	0μH
						FB6025	1-543-949-22	FERRITE	0μH
						FB6026	1-543-949-22	FERRITE	0μH



REF. NO.	PART NO.	DESCRIPTION	VALUES	REF. NO.	PART NO.	DESCRIPTION	VALUES
<u>IC</u>				Q6016	8-729-600-22	TRANSISTOR	2SA1235-F
IC6002	6-705-025-01	IC	PQ20WZ1UJ00H	Q6017	8-729-120-28	TRANSISTOR	2SC1623-L5L6
IC6003	8-752-072-94	IC	CXA1875AM-T4	Q6018	8-729-600-22	TRANSISTOR	2SA1235-F
IC6004	6-705-025-01	IC	PQ20WZ1UJ00H	Q6901	8-729-028-28	TRANSISTOR	2SK2036(TE85L)
IC6005	6-705-025-01	IC	PQ20WZ1UJ00H	Q6902	8-729-028-28	TRANSISTOR	2SK2036(TE85L)
IC6006	6-706-481-01	IC	TC7SET32FU(T5RSOJF)	Q6904	8-729-120-28	TRANSISTOR	2SC1623-L5L6
IC6007	6-706-481-01	IC	TC7SET32FU(T5RSOJF)	Q6905	8-729-600-22	TRANSISTOR	2SA1235-F
IC6008	6-705-025-01	IC	PQ20WZ1UJ00H	Q6906	8-729-120-28	TRANSISTOR	2SC1623-L5L6
IC6010	6-703-076-01	IC	XC6204B332MR	Q6907	8-729-120-28	TRANSISTOR	2SC1623-L5L6
IC6902	6-805-095-01	IC	MB90333APMC-G-101-BNDE1	Q6908	8-729-120-28	TRANSISTOR	2SC1623-L5L6
IC6904	6-703-176-01	IC	PST3627UL	Q6909	8-729-120-28	TRANSISTOR	2SC1623-L5L6
IC6905	6-706-487-01	IC	TC7SH08FU(T5RSOYJF)	Q6910	8-729-600-22	TRANSISTOR	2SA1235-F
IC6909	6-706-481-01	IC	TC7SET32FU(T5RSOJF)	Q6912	8-729-120-28	TRANSISTOR	2SC1623-L5L6
IC6910	8-759-284-06	IC	PQ30RV31J00H	Q6913	8-729-600-22	TRANSISTOR	2SA1235-F
<u>COIL</u>				Q6914	8-729-600-22	TRANSISTOR	2SA1235-F
L6001	1-414-857-11	INDUCTOR	100μH	Q6915	8-729-120-28	TRANSISTOR	2SC1623-L5L6
L6002	1-414-857-11	INDUCTOR	100μH	Q6916	8-729-120-28	TRANSISTOR	2SC1623-L5L6
L6003	1-414-856-11	INDUCTOR	10μH	Q6917	8-729-120-28	TRANSISTOR	2SC1623-L5L6
L6900	1-469-555-21	INDUCTOR	10μH	<u>RESISTOR</u>			
L8017	1-414-856-11	INDUCTOR	10μH	R6001	1-216-809-11	METAL CHIP	100 5% 1/10W
L8018	1-414-856-11	INDUCTOR	10μH	R6002	1-216-809-11	METAL CHIP	100 5% 1/10W
<u>TRANSISTOR</u>				R6003	1-216-296-11	SHORT CHIP	
Q6000	8-729-120-28	TRANSISTOR	2SC1623-L5L6	R6006	1-216-833-11	METAL CHIP	10K 5% 1/10W
Q6001	8-729-600-22	TRANSISTOR	2SA1235-F	R6010	1-216-805-11	METAL CHIP	47 5% 1/10W
Q6002	8-729-120-28	TRANSISTOR	2SC1623-L5L6	R6011	1-216-825-11	METAL CHIP	2.2K 5% 1/10W
Q6003	8-729-600-22	TRANSISTOR	2SA1235-F	R6015	1-216-829-11	METAL CHIP	4.7K 5% 1/10W
Q6005	8-729-120-28	TRANSISTOR	2SC1623-L5L6	R6017	1-216-833-11	METAL CHIP	10K 5% 1/10W
Q6006	8-729-600-22	TRANSISTOR	2SA1235-F	R6018	1-216-821-11	METAL CHIP	1K 5% 1/10W
Q6007	8-729-120-28	TRANSISTOR	2SC1623-L5L6	R6019	1-216-845-11	METAL CHIP	100K 5% 1/10W
Q6008	8-729-600-22	TRANSISTOR	2SA1235-F	R6020	1-216-797-11	METAL CHIP	10 5% 1/10W
Q6009	8-729-120-28	TRANSISTOR	2SC1623-L5L6	R6021	1-216-821-11	METAL CHIP	1K 5% 1/10W
Q6010	8-729-600-22	TRANSISTOR	2SA1235-F	R6022	1-218-867-11	METAL CHIP	6.8K 0.50% 1/10W
Q6011	8-729-120-28	TRANSISTOR	2SC1623-L5L6	R6023	1-216-833-11	METAL CHIP	10K 5% 1/10W
Q6012	8-729-120-28	TRANSISTOR	2SC1623-L5L6	R6024	1-216-845-11	METAL CHIP	100K 5% 1/10W
Q6013	8-729-600-22	TRANSISTOR	2SA1235-F	R6025	1-216-833-11	METAL CHIP	10K 5% 1/10W
Q6014	8-729-120-28	TRANSISTOR	2SC1623-L5L6	R6026	1-216-864-11	SHORT CHIP	
Q6015	8-729-120-28	TRANSISTOR	2SC1623-L5L6	R6028	1-218-716-11	METAL CHIP	10K 0.50% 1/10W
				R6029	1-216-845-11	METAL CHIP	100K 5% 1/10W
				R6030	1-216-864-11	SHORT CHIP	



REF. NO.	PART NO.	DESCRIPTION	VALUES			REF. NO.	PART NO.	DESCRIPTION	VALUES		
R6031	1-216-833-11	METAL CHIP	10K	5%	1/10W	R6080	1-216-833-11	METAL CHIP	10K	5%	1/10W
R6032	1-216-864-11	SHORT CHIP				R6081	1-216-833-11	METAL CHIP	10K	5%	1/10W
R6033	1-216-833-11	METAL CHIP	10K	5%	1/10W	R6082	1-216-833-11	METAL CHIP	10K	5%	1/10W
R6034	1-216-797-11	METAL CHIP	10	5%	1/10W	R6083	1-216-825-11	METAL CHIP	2.2K	5%	1/10W
R6035	1-216-801-11	METAL CHIP	22	5%	1/10W	R6085	1-216-833-11	METAL CHIP	10K	5%	1/10W
R6036	1-216-833-11	METAL CHIP	10K	5%	1/10W	R6091	1-216-833-11	METAL CHIP	10K	5%	1/10W
R6037	1-216-821-11	METAL CHIP	1K	5%	1/10W	R6106	1-216-864-11	SHORT CHIP			
R6038	1-216-801-11	METAL CHIP	22	5%	1/10W	R6107	1-216-864-11	SHORT CHIP			
R6039	1-216-833-11	METAL CHIP	10K	5%	1/10W	R6110	1-216-814-11	METAL CHIP	270	5%	1/10W
R6040	1-218-722-11	METAL CHIP	18K	0.50%	1/10W	R6111	1-216-864-11	SHORT CHIP			
R6041	1-216-833-11	METAL CHIP	10K	5%	1/10W	R6112	1-216-864-11	SHORT CHIP			
R6042	1-218-867-11	METAL CHIP	6.8K	0.50%	1/10W	R6116	1-216-864-11	SHORT CHIP			
R6043	1-216-845-11	METAL CHIP	100K	5%	1/10W	R6117	1-216-864-11	SHORT CHIP			
R6044	1-216-821-11	METAL CHIP	1K	5%	1/10W	R6118	1-216-864-11	SHORT CHIP			
R6045	1-216-845-11	METAL CHIP	100K	5%	1/10W	R6121	1-216-809-11	METAL CHIP	100	5%	1/10W
R6046	1-216-797-11	METAL CHIP	10	5%	1/10W	R6122	1-216-864-11	SHORT CHIP			
R6047	1-216-864-11	SHORT CHIP				R6123	1-216-864-11	SHORT CHIP			
R6050	1-218-716-11	METAL CHIP	10K	0.50%	1/10W	R6124	1-216-809-11	METAL CHIP	100	5%	1/10W
R6051	1-216-845-11	METAL CHIP	100K	5%	1/10W	R6126	1-216-864-11	SHORT CHIP			
R6052	1-218-867-11	METAL CHIP	6.8K	0.50%	1/10W	R6127	1-216-864-11	SHORT CHIP			
R6053	1-218-722-11	METAL CHIP	18K	0.50%	1/10W	R6128	1-216-864-11	SHORT CHIP			
R6054	1-216-864-11	SHORT CHIP				R6129	1-216-809-11	METAL CHIP	100	5%	1/10W
R6055	1-216-824-11	METAL CHIP	1.8K	5%	1/10W	R6130	1-216-809-11	METAL CHIP	100	5%	1/10W
R6057	1-218-716-11	METAL CHIP	10K	0.50%	1/10W	R6134	1-216-864-11	SHORT CHIP			
R6058	1-218-722-11	METAL CHIP	18K	0.50%	1/10W	R6135	1-216-864-11	SHORT CHIP			
R6059	1-216-833-11	METAL CHIP	10K	5%	1/10W	R6136	1-216-864-11	SHORT CHIP			
R6060	1-216-809-11	METAL CHIP	100	5%	1/10W	R6137	1-216-864-11	SHORT CHIP			
R6061	1-216-833-11	METAL CHIP	10K	5%	1/10W	R6138	1-216-864-11	SHORT CHIP			
R6062	1-216-809-11	METAL CHIP	100	5%	1/10W	R6139	1-216-857-11	METAL CHIP	1M	5%	1/10W
R6063	1-216-845-11	METAL CHIP	100K	5%	1/10W	R6140	1-216-828-11	METAL CHIP	3.9K	5%	1/10W
R6065	1-218-716-11	METAL CHIP	10K	0.50%	1/10W	R6141	1-216-826-11	METAL CHIP	2.7K	5%	1/10W
R6070	1-218-722-11	METAL CHIP	18K	0.50%	1/10W	R6142	1-216-829-11	METAL CHIP	4.7K	5%	1/10W
R6071	1-216-833-11	METAL CHIP	10K	5%	1/10W	R6143	1-216-864-11	SHORT CHIP			
R6072	1-216-833-11	METAL CHIP	10K	5%	1/10W	R6144	1-216-864-11	SHORT CHIP			
R6073	1-216-864-11	SHORT CHIP				R6145	1-216-864-11	SHORT CHIP			
R6074	1-216-864-11	SHORT CHIP				R6146	1-216-833-11	METAL CHIP	10K	5%	1/10W
R6076	1-216-864-11	SHORT CHIP				R6147	1-216-833-11	METAL CHIP	10K	5%	1/10W
R6077	1-216-857-11	METAL CHIP	1M	5%	1/10W	R6148	1-216-833-11	METAL CHIP	10K	5%	1/10W
R6078	1-216-833-11	METAL CHIP	10K	5%	1/10W	R6149	1-216-833-11	METAL CHIP	10K	5%	1/10W
R6079	1-216-833-11	METAL CHIP	10K	5%	1/10W	R6150	1-216-833-11	METAL CHIP	10K	5%	1/10W



REF. NO.	PART NO.	DESCRIPTION	VALUES			REF. NO.	PART NO.	DESCRIPTION	VALUES		
R6151	1-216-829-11	METAL CHIP	4.7K	5%	1/10W	R6864	1-216-864-11	SHORT CHIP			
R6152	1-216-857-11	METAL CHIP	1M	5%	1/10W	R6865	1-216-833-11	METAL CHIP	10K	5%	1/10W
R6153	1-216-864-11	SHORT CHIP				R6866	1-216-864-11	SHORT CHIP			
R6154	1-216-864-11	SHORT CHIP				R6867	1-216-833-11	METAL CHIP	10K	5%	1/10W
R6155	1-216-864-11	SHORT CHIP				R6868	1-216-845-11	METAL CHIP	100K	5%	1/10W
R6156	1-216-864-11	SHORT CHIP				R6869	1-216-845-11	METAL CHIP	100K	5%	1/10W
R6157	1-216-864-11	SHORT CHIP				R6870	1-216-845-11	METAL CHIP	100K	5%	1/10W
R6158	1-216-864-11	SHORT CHIP				R6873	1-216-809-11	METAL CHIP	100	5%	1/10W
R6159	1-216-864-11	SHORT CHIP				R6874	1-216-845-11	METAL CHIP	100K	5%	1/10W
R6160	1-216-864-11	SHORT CHIP				R6876	1-216-864-11	SHORT CHIP			
R6161	1-216-864-11	SHORT CHIP				R6877	1-216-864-11	SHORT CHIP			
R6162	1-216-864-11	SHORT CHIP				R6878	1-216-837-11	METAL CHIP	22K	5%	1/10W
R6163	1-216-864-11	SHORT CHIP				R6880	1-216-833-11	METAL CHIP	10K	5%	1/10W
R6166	1-216-864-11	SHORT CHIP				R6881	1-216-833-11	METAL CHIP	10K	5%	1/10W
R6168	1-216-823-11	METAL CHIP	1.5K	5%	1/10W	R6882	1-216-809-11	METAL CHIP	100	5%	1/10W
R6170	1-216-833-11	METAL CHIP	10K	5%	1/10W	R6883	1-216-864-11	SHORT CHIP			
R6176	1-216-797-11	METAL CHIP	10	5%	1/10W	R6884	1-216-864-11	SHORT CHIP			
R6177	1-216-845-11	METAL CHIP	100K	5%	1/10W	R6885	1-216-864-11	SHORT CHIP			
R6178	1-216-845-11	METAL CHIP	100K	5%	1/10W	R6886	1-216-864-11	SHORT CHIP			
R6179	1-216-821-11	METAL CHIP	1K	5%	1/10W	R6887	1-216-864-11	SHORT CHIP			
R6180	1-218-867-11	METAL CHIP	6.8K	0.50%	1/10W	R6888	1-216-864-11	SHORT CHIP			
R6181	1-216-864-11	SHORT CHIP				R6889	1-216-809-11	METAL CHIP	100	5%	1/10W
R6184	1-216-821-11	METAL CHIP	1K	5%	1/10W	R6890	1-216-809-11	METAL CHIP	100	5%	1/10W
R6185	1-216-833-11	METAL CHIP	10K	5%	1/10W	R6891	1-216-809-11	METAL CHIP	100	5%	1/10W
R6186	1-216-821-11	METAL CHIP	1K	5%	1/10W	R6892	1-216-809-11	METAL CHIP	100	5%	1/10W
R6190	1-216-864-11	SHORT CHIP				R6893	1-216-833-11	METAL CHIP	10K	5%	1/10W
R6194	1-216-864-11	SHORT CHIP				R6894	1-216-809-11	METAL CHIP	100	5%	1/10W
R6198	1-218-698-11	METAL CHIP	1.8K	0.50%	1/10W	R6895	1-216-809-11	METAL CHIP	100	5%	1/10W
R6199	1-218-692-11	METAL CHIP	1K	0.50%	1/10W	R6896	1-216-823-11	METAL CHIP	1.5K	5%	1/10W
R6201	1-216-833-11	METAL CHIP	10K	5%	1/10W	R6897	1-216-864-11	SHORT CHIP			
R6208	1-216-864-11	SHORT CHIP				R6898	1-218-654-11	METAL CHIP	27	0.50%	1/10W
R6213	1-216-864-11	SHORT CHIP				R6899	1-218-654-11	METAL CHIP	27	0.50%	1/10W
R6214	1-216-864-11	SHORT CHIP				R6901	1-216-805-11	METAL CHIP	47	5%	1/10W
R6215	1-216-864-11	SHORT CHIP				R6902	1-216-864-11	SHORT CHIP			
R6217	1-216-864-11	SHORT CHIP				R6904	1-216-864-11	SHORT CHIP			
R6218	1-216-864-11	SHORT CHIP				R6905	1-216-829-11	METAL CHIP	4.7K	5%	1/10W
R6219	1-216-864-11	SHORT CHIP				R6906	1-216-833-11	METAL CHIP	10K	5%	1/10W
R6221	1-216-864-11	SHORT CHIP				R6907	1-216-833-11	METAL CHIP	10K	5%	1/10W
R6222	1-216-864-11	SHORT CHIP				R6908	1-216-825-11	METAL CHIP	2.2K	5%	1/10W
R6859	1-216-809-11	METAL CHIP	100	5%	1/10W	R6909	1-216-825-11	METAL CHIP	2.2K	5%	1/10W



REF. NO.	PART NO.	DESCRIPTION	VALUES			REF. NO.	PART NO.	DESCRIPTION	VALUES		
R6910	1-216-809-11	METAL CHIP	100	5%	1/10W	R6952	1-216-833-11	METAL CHIP	10K	5%	1/10W
R6911	1-216-809-11	METAL CHIP	100	5%	1/10W	R6953	1-216-837-11	METAL CHIP	22K	5%	1/10W
R6912	1-216-809-11	METAL CHIP	100	5%	1/10W	R6954	1-216-821-11	METAL CHIP	1K	5%	1/10W
R6913	1-216-864-11	SHORT CHIP				R6955	1-216-821-11	METAL CHIP	1K	5%	1/10W
R6914	1-216-801-11	METAL CHIP	22	5%	1/10W	R6956	1-216-833-11	METAL CHIP	10K	5%	1/10W
R6915	1-216-801-11	METAL CHIP	22	5%	1/10W	R6957	1-216-825-11	METAL CHIP	2.2K	5%	1/10W
R6916	1-216-829-11	METAL CHIP	4.7K	5%	1/10W	R6958	1-216-864-11	SHORT CHIP			
R6918	1-216-833-11	METAL CHIP	10K	5%	1/10W	R6959	1-216-833-11	METAL CHIP	10K	5%	1/10W
R6919	1-216-833-11	METAL CHIP	10K	5%	1/10W	R6960	1-216-821-11	METAL CHIP	1K	5%	1/10W
R6920	1-216-833-11	METAL CHIP	10K	5%	1/10W	R6961	1-216-833-11	METAL CHIP	10K	5%	1/10W
R6921	1-216-833-11	METAL CHIP	10K	5%	1/10W	R6962	1-216-814-11	METAL CHIP	270	5%	1/10W
R6922	1-216-833-11	METAL CHIP	10K	5%	1/10W	R6963	1-216-809-11	METAL CHIP	100	5%	1/10W
R6924	1-216-833-11	METAL CHIP	10K	5%	1/10W	R6964	1-216-833-11	METAL CHIP	10K	5%	1/10W
R6925	1-216-864-11	SHORT CHIP				R6966	1-216-801-11	METAL CHIP	22	5%	1/10W
R6926	1-216-833-11	METAL CHIP	10K	5%	1/10W	R6967	1-216-801-11	METAL CHIP	22	5%	1/10W
R6927	1-216-833-11	METAL CHIP	10K	5%	1/10W	R6968	1-216-813-11	METAL CHIP	220	5%	1/10W
R6928	1-216-833-11	METAL CHIP	10K	5%	1/10W	R6970	1-216-809-11	METAL CHIP	100	5%	1/10W
R6929	1-216-833-11	METAL CHIP	10K	5%	1/10W	R6971	1-216-833-11	METAL CHIP	10K	5%	1/10W
R6930	1-216-857-11	METAL CHIP	1M	5%	1/10W	R6972	1-216-833-11	METAL CHIP	10K	5%	1/10W
R6931	1-216-841-11	METAL CHIP	47K	5%	1/10W	R6973	1-216-833-11	METAL CHIP	10K	5%	1/10W
R6932	1-216-833-11	METAL CHIP	10K	5%	1/10W	R6974	1-216-864-11	SHORT CHIP			
R6933	1-216-833-11	METAL CHIP	10K	5%	1/10W	R6976	1-216-801-11	METAL CHIP	22	5%	1/10W
R6934	1-216-809-11	METAL CHIP	100	5%	1/10W	R6977	1-216-801-11	METAL CHIP	22	5%	1/10W
R6935	1-216-845-11	METAL CHIP	100K	5%	1/10W	R6978	1-216-845-11	METAL CHIP	100K	5%	1/10W
R6936	1-216-841-11	METAL CHIP	47K	5%	1/10W	R6979	1-216-864-11	SHORT CHIP			
R6937	1-216-833-11	METAL CHIP	10K	5%	1/10W	R6980	1-216-809-11	METAL CHIP	100	5%	1/10W
R6938	1-216-833-11	METAL CHIP	10K	5%	1/10W	R6981	1-216-809-11	METAL CHIP	100	5%	1/10W
R6939	1-216-809-11	METAL CHIP	100	5%	1/10W	R6982	1-216-841-11	METAL CHIP	47K	5%	1/10W
R6940	1-216-841-11	METAL CHIP	47K	5%	1/10W	R6983	1-216-809-11	METAL CHIP	100	5%	1/10W
R6941	1-216-845-11	METAL CHIP	100K	5%	1/10W	R6984	1-216-833-11	METAL CHIP	10K	5%	1/10W
R6942	1-216-839-11	METAL CHIP	33K	5%	1/10W	R6985	1-216-833-11	METAL CHIP	10K	5%	1/10W
R6943	1-216-833-11	METAL CHIP	10K	5%	1/10W	R6986	1-216-833-11	METAL CHIP	10K	5%	1/10W
R6944	1-216-833-11	METAL CHIP	10K	5%	1/10W	R6987	1-216-809-11	METAL CHIP	100	5%	1/10W
R6945	1-216-833-11	METAL CHIP	10K	5%	1/10W	R6988	1-216-833-11	METAL CHIP	10K	5%	1/10W
R6946	1-216-809-11	METAL CHIP	100	5%	1/10W	R6989	1-216-833-11	METAL CHIP	10K	5%	1/10W
R6947	1-216-833-11	METAL CHIP	10K	5%	1/10W	R6990	1-216-864-11	SHORT CHIP			
R6948	1-216-837-11	METAL CHIP	22K	5%	1/10W	R6993	1-216-833-11	METAL CHIP	10K	5%	1/10W
R6949	1-216-821-11	METAL CHIP	1K	5%	1/10W	R6995	1-216-864-11	SHORT CHIP			
R6950	1-216-833-11	METAL CHIP	10K	5%	1/10W	R6996	1-216-833-11	METAL CHIP	10K	5%	1/10W
R6951	1-216-821-11	METAL CHIP	1K	5%	1/10W	R6999	1-216-833-11	METAL CHIP	10K	5%	1/10W



REF. NO.	PART NO.	DESCRIPTION	VALUES	REF. NO.	PART NO.	DESCRIPTION	VALUES
<u>RESISTOR BRIDGE</u>				C6029	1-164-156-11	CERAMIC CHIP	0.1μF 25V
RB6901	1-236-908-11	NETWORK RESISTOR(CHIP)	10K	C6030	1-164-156-11	CERAMIC CHIP	0.1μF 25V
RB6902	1-236-908-11	NETWORK RESISTOR(CHIP)	10K	C6031	1-128-992-21	ELECT CHIP	47μF 20% 25V
<u>CRYSTAL</u>				C6032	1-128-992-21	ELECT CHIP	47μF 20% 25V
X6900	1-767-419-21	VIBRATOR, CRYSTAL		C6033	1-107-826-11	CERAMIC CHIP	0.1μF 10% 16V
<u>CAPACITOR</u>				C6034	1-107-826-11	CERAMIC CHIP	0.1μF 10% 16V
C6001	1-164-156-11	CERAMIC CHIP	0.1μF 25V	C6036	1-128-992-21	ELECT CHIP	47μF 20% 25V
C6002	1-164-156-11	CERAMIC CHIP	0.1μF 25V	C6037	1-128-992-21	ELECT CHIP	47μF 20% 25V
C6003	1-164-156-11	CERAMIC CHIP	0.1μF 25V	C6038	1-128-992-21	ELECT CHIP	47μF 20% 25V
C6004	1-164-156-11	CERAMIC CHIP	0.1μF 25V	C6039	1-164-156-11	CERAMIC CHIP	0.1μF 25V
C6005	1-107-826-11	CERAMIC CHIP	0.1μF 10% 16V	C6040	1-128-992-21	ELECT CHIP	47μF 20% 25V
C6006	1-124-779-00	ELECT CHIP	10μF 20% 16V	C6041	1-127-931-21	ELECT CHIP	470μF 20% 16V
C6007	1-162-970-11	CERAMIC CHIP	0.01μF 10% 25V	C6042	1-127-931-21	ELECT CHIP	470μF 20% 16V
C6010	1-128-995-21	ELECT CHIP	100μF 20% 10V	C6043	1-162-966-11	CERAMIC CHIP	0.0022μF 10% 50V
C6012	1-164-156-11	CERAMIC CHIP	0.1μF 25V	C6044	1-162-970-11	CERAMIC CHIP	0.01μF 10% 25V
C6013	1-128-992-21	ELECT CHIP	47μF 20% 25V	C6045	1-107-826-11	CERAMIC CHIP	0.1μF 10% 16V
C6014	1-164-156-11	CERAMIC CHIP	0.1μF 25V	C6046	1-107-826-11	CERAMIC CHIP	0.1μF 10% 16V
C6015	1-128-992-21	ELECT CHIP	47μF 20% 25V	C6047	1-125-837-91	CERAMIC CHIP	1μF 10% 6.3V
C6016	1-164-156-11	CERAMIC CHIP	0.1μF 25V	C6048	1-162-970-11	CERAMIC CHIP	0.01μF 10% 25V
C6017	1-164-156-11	CERAMIC CHIP	0.1μF 25V	C6049	1-107-826-11	CERAMIC CHIP	0.1μF 10% 16V
C6018	1-164-156-11	CERAMIC CHIP	0.1μF 25V	C6050	1-107-826-11	CERAMIC CHIP	0.1μF 10% 16V
C6019	1-128-991-21	ELECT CHIP	10μF 20% 50V	C6051	1-164-156-11	CERAMIC CHIP	0.1μF 25V
C6020	1-164-156-11	CERAMIC CHIP	0.1μF 25V	C6052	1-128-994-21	ELECT CHIP	47μF 20% 10V
C6021	1-128-992-21	ELECT CHIP	47μF 20% 25V	C6053	1-162-966-11	CERAMIC CHIP	0.0022μF 10% 50V
C6022	1-164-156-11	CERAMIC CHIP	0.1μF 25V	C6056	1-125-779-21	CERAMIC CHIP	0.022μF 5% 25V
C6023	1-164-156-11	CERAMIC CHIP	0.1μF 25V	C6057	1-128-996-11	ELECT CHIP	4.7μF 20% 50V
C6024	1-128-992-21	ELECT CHIP	47μF 20% 25V	C6058	1-162-966-11	CERAMIC CHIP	0.0022μF 10% 50V
C6025	1-164-156-11	CERAMIC CHIP	0.1μF 25V	C6059	1-162-968-11	CERAMIC CHIP	0.0047μF 10% 50V
C6026	1-164-156-11	CERAMIC CHIP	0.1μF 25V	C6060	1-107-826-11	CERAMIC CHIP	0.1μF 10% 16V
C6027	1-128-992-21	ELECT CHIP	47μF 20% 25V	C6061	1-125-779-21	CERAMIC CHIP	0.022μF 5% 25V
C6028	1-128-992-21	ELECT CHIP	47μF 20% 25V	C6062	1-127-715-91	CERAMIC CHIP	0.22μF 10% 16V
				C6063	1-162-970-11	CERAMIC CHIP	0.01μF 10% 25V
				C6064	1-162-970-11	CERAMIC CHIP	0.01μF 10% 25V
				C6600	1-126-947-11	ELECT	47μF 20% 35V
				C6601	1-126-767-11	ELECT	1000μF 20% 16V
				C6602	1-126-964-11	ELECT	10μF 20% 50V
				C6603	1-126-964-11	ELECT	10μF 20% 50V
				C6604	1-126-964-11	ELECT	10μF 20% 50V
				C6607	1-126-960-11	ELECT	1μF 20% 50V
				C6608	1-126-960-11	ELECT	1μF 20% 50V



* **A-1148-239-A GK BOARD, COMPLETE**
(SN 9,100,001 TO 9,799,999 AND 9,900,000 AND UP ONLY)
 4-382-854-01 SCREW (M3X8), P, SW (+)



REF. NO.	PART NO.	DESCRIPTION	VALUES			REF. NO.	PART NO.	DESCRIPTION	VALUES
C6609	1-126-960-11	ELECT	1μF	20%	50V				
C6610	1-126-935-11	ELECT	470μF	20%	16V				
C6613	1-126-935-11	ELECT	470μF	20%	16V				
C6614	1-104-666-11	ELECT	220μF	20%	25V				
C6615	1-162-964-11	CERAMIC CHIP	0.001μF	10%	50V				
C6616	1-136-497-81	FILM	0.1μF	5%	50V				
C6617	1-128-550-11	ELECT	2200μF	20%	50V				
C6619	1-164-156-11	CERAMIC CHIP	0.1μF		25V				
C6620	1-136-497-81	FILM	0.1μF	5%	50V				
C6621	1-136-497-81	FILM	0.1μF	5%	50V				
C6622	1-128-550-11	ELECT	2200μF	20%	50V				
C6623	1-128-550-11	ELECT	2200μF	20%	50V				
C6624	1-126-767-11	ELECT	1000μF	20%	16V				
C6625	1-127-931-21	ELECT CHIP	470μF	20%	16V				
C6900	1-107-826-11	CERAMIC CHIP	0.1μF	10%	16V				
C6901	1-107-826-11	CERAMIC CHIP	0.1μF	10%	16V				
C6902	1-107-826-11	CERAMIC CHIP	0.1μF	10%	16V				
C6903	1-107-826-11	CERAMIC CHIP	0.1μF	10%	16V				
C6904	1-107-826-11	CERAMIC CHIP	0.1μF	10%	16V				
C6905	1-107-826-11	CERAMIC CHIP	0.1μF	10%	16V				
C6907	1-162-916-11	CERAMIC CHIP	12pF	5%	50V				
C6908	1-162-916-11	CERAMIC CHIP	12pF	5%	50V				
C6909	1-107-826-11	CERAMIC CHIP	0.1μF	10%	16V				
C6910	1-162-970-11	CERAMIC CHIP	0.01μF	10%	25V				
C6912	1-162-927-11	CERAMIC CHIP	100pF	5%	50V				
C6913	1-162-964-11	CERAMIC CHIP	0.001μF	10%	50V				
C6914	1-107-826-11	CERAMIC CHIP	0.1μF	10%	16V				
C6915	1-162-970-11	CERAMIC CHIP	0.01μF	10%	25V				
C6917	1-107-826-11	CERAMIC CHIP	0.1μF	10%	16V				
C6918	1-162-970-11	CERAMIC CHIP	0.01μF	10%	25V				
C6923	1-107-826-11	CERAMIC CHIP	0.1μF	10%	16V				
C6926	1-126-767-11	ELECT	1000μF	20%	16V				
C6927	1-107-826-11	CERAMIC CHIP	0.1μF	10%	16V				
C6928	1-126-927-11	ELECT	2200μF	20%	10V				
C6929	1-162-970-11	CERAMIC CHIP	0.01μF	10%	25V				
C6930	1-164-156-11	CERAMIC CHIP	0.1μF		25V				
C6931	1-128-995-21	ELECT CHIP	100μF	20%	10V				
C6932	1-162-919-11	CERAMIC CHIP	22pF	5%	50V				
C6933	1-162-919-11	CERAMIC CHIP	22pF	5%	50V				
						CONNECTOR			
						*	CN6000	1-818-747-11	PIN, CONNECTOR 12P
						*	CN6001	1-817-702-11	CONNECTOR, BOARD TO BOARD 4P
							CN6002	1-816-112-11	CONNECTOR, SQUARE TYPE (USB) 5P
							CN6003	1-816-112-11	CONNECTOR, SQUARE TYPE (USB) 5P
						*	CN6004	1-764-812-12	CONNECTOR, BOARD TO BOARD 11P
						*	CN6005	1-793-922-11	CONNECTOR, DIN (RECEPTACLE) 64P
							CN6015	1-695-915-11	TAB (CONTACT)
							CN6017	1-750-710-11	CONNECTOR, BOARD TO BOARD 19P
							CN6018	1-695-915-11	TAB (CONTACT)
							CN6019	1-816-957-11	PIN CONNECTOR RECEPTACLE 96P
						*	CN6028	1-818-482-12	PIN, CONNECTOR 10P
						*	CN6030	1-537-738-21	TERMINAL, EARTH
						*	CN6032	1-537-738-21	TERMINAL, EARTH
							CN6033	1-770-721-11	CONNECTOR, BOARD TO BOARD 4P
						*	CN6600	1-779-944-11	PIN, CONNECTOR (PC BOARD) 4P
							CN6601	1-764-101-11	PIN, CONNECTOR (PC BOARD) 2P
						*	CN6900	1-691-551-11	PIN, CONNECTOR (SMD) 8P
						DIODE			
							D6002	8-719-404-50	DIODE MA111-TX
							D6003	8-719-404-50	DIODE MA111-TX
							D6004	8-719-404-50	DIODE MA111-TX
							D6005	8-719-000-08	DIODE MC2838
							D6006	8-719-404-50	DIODE MA111-TX
							D6007	8-719-404-50	DIODE MA111-TX
							D6008	8-719-404-50	DIODE MA111-TX
							D6009	8-719-404-50	DIODE MA111-TX
							D6010	8-719-404-50	DIODE MA111-TX
							D6011	8-719-404-50	DIODE MA111-TX
							D6012	8-719-404-50	DIODE MA111-TX
							D6013	8-719-404-50	DIODE MA111-TX
							D6014	8-719-404-50	DIODE MA111-TX
							D6015	8-719-404-50	DIODE MA111-TX
							D6016	8-719-000-08	DIODE MC2838
							D6017	8-719-977-28	DIODE DTZ10B
							D6018	8-719-977-28	DIODE DTZ10B
							D6019	8-719-404-50	DIODE MA111-TX
							D6021	8-719-081-97	DIODE MMDL914T1
							D6022	8-719-977-28	DIODE DTZ10B



REF. NO.	PART NO.	DESCRIPTION	VALUES	REF. NO.	PART NO.	DESCRIPTION	VALUES
TRANSISTOR				RESISTOR			
Q6000	8-729-120-28	TRANSISTOR	2SC1623-L5L6	R6003	1-216-296-11	SHORT CHIP	
Q6001	8-729-600-22	TRANSISTOR	2SA1235-F	R6011	1-216-825-11	METAL CHIP	2.2K 5% 1/10W
Q6002	8-729-120-28	TRANSISTOR	2SC1623-L5L6	R6015	1-216-829-11	METAL CHIP	4.7K 5% 1/10W
Q6003	8-729-600-22	TRANSISTOR	2SA1235-F	R6017	1-216-833-11	METAL CHIP	10K 5% 1/10W
Q6005	8-729-120-28	TRANSISTOR	2SC1623-L5L6	R6018	1-216-821-11	METAL CHIP	1K 5% 1/10W
Q6006	8-729-600-22	TRANSISTOR	2SA1235-F	R6019	1-216-845-11	METAL CHIP	100K 5% 1/10W
Q6007	8-729-120-28	TRANSISTOR	2SC1623-L5L6	R6020	1-216-797-11	METAL CHIP	10 5% 1/10W
Q6008	8-729-600-22	TRANSISTOR	2SA1235-F	R6021	1-216-821-11	METAL CHIP	1K 5% 1/10W
Q6009	8-729-120-28	TRANSISTOR	2SC1623-L5L6	R6022	1-218-867-11	METAL CHIP	6.8K 0.50% 1/10W
Q6010	8-729-600-22	TRANSISTOR	2SA1235-F	R6023	1-216-833-11	METAL CHIP	10K 5% 1/10W
Q6011	8-729-120-28	TRANSISTOR	2SC1623-L5L6	R6024	1-216-845-11	METAL CHIP	100K 5% 1/10W
Q6012	8-729-120-28	TRANSISTOR	2SC1623-L5L6	R6025	1-216-833-11	METAL CHIP	10K 5% 1/10W
Q6013	8-729-600-22	TRANSISTOR	2SA1235-F	R6026	1-216-864-11	SHORT CHIP	
Q6014	8-729-120-28	TRANSISTOR	2SC1623-L5L6	R6028	1-218-716-11	METAL CHIP	10K 0.50% 1/10W
Q6015	8-729-120-28	TRANSISTOR	2SC1623-L5L6	R6029	1-216-845-11	METAL CHIP	100K 5% 1/10W
Q6016	8-729-600-22	TRANSISTOR	2SA1235-F	R6030	1-216-864-11	SHORT CHIP	
Q6017	8-729-120-28	TRANSISTOR	2SC1623-L5L6	R6031	1-216-833-11	METAL CHIP	10K 5% 1/10W
Q6018	8-729-600-22	TRANSISTOR	2SA1235-F	R6032	1-216-864-11	SHORT CHIP	
Q6600	8-729-120-28	TRANSISTOR	2SC1623-L5L6	R6033	1-216-833-11	METAL CHIP	10K 5% 1/10W
Q6601	8-729-120-28	TRANSISTOR	2SC1623-L5L6	R6034	1-216-797-11	METAL CHIP	10 5% 1/10W
Q6602	8-729-120-28	TRANSISTOR	2SC1623-L5L6	R6035	1-216-801-11	METAL CHIP	22 5% 1/10W
Q6603	8-729-120-28	TRANSISTOR	2SC1623-L5L6	R6036	1-216-833-11	METAL CHIP	10K 5% 1/10W
Q6604	8-729-600-22	TRANSISTOR	2SA1235-F	R6037	1-216-821-11	METAL CHIP	1K 5% 1/10W
Q6605	8-729-600-22	TRANSISTOR	2SA1235-F	R6038	1-216-801-11	METAL CHIP	22 5% 1/10W
Q6901	8-729-028-28	TRANSISTOR	2SK2036(TE85L)	R6039	1-216-833-11	METAL CHIP	10K 5% 1/10W
Q6902	8-729-028-28	TRANSISTOR	2SK2036(TE85L)	R6040	1-218-722-11	METAL CHIP	18K 0.50% 1/10W
Q6904	8-729-120-28	TRANSISTOR	2SC1623-L5L6	R6041	1-216-833-11	METAL CHIP	10K 5% 1/10W
Q6905	8-729-600-22	TRANSISTOR	2SA1235-F	R6042	1-218-867-11	METAL CHIP	6.8K 0.50% 1/10W
Q6906	8-729-120-28	TRANSISTOR	2SC1623-L5L6	R6043	1-216-845-11	METAL CHIP	100K 5% 1/10W
Q6907	8-729-120-28	TRANSISTOR	2SC1623-L5L6	R6044	1-216-821-11	METAL CHIP	1K 5% 1/10W
Q6908	8-729-120-28	TRANSISTOR	2SC1623-L5L6	R6045	1-216-845-11	METAL CHIP	100K 5% 1/10W
Q6909	8-729-120-28	TRANSISTOR	2SC1623-L5L6	R6046	1-216-797-11	METAL CHIP	10 5% 1/10W
Q6910	8-729-600-22	TRANSISTOR	2SA1235-F	R6047	1-216-864-11	SHORT CHIP	
Q6912	8-729-120-28	TRANSISTOR	2SC1623-L5L6	R6050	1-218-716-11	METAL CHIP	10K 0.50% 1/10W
Q6913	8-729-600-22	TRANSISTOR	2SA1235-F	R6051	1-216-845-11	METAL CHIP	100K 5% 1/10W
Q6914	8-729-600-22	TRANSISTOR	2SA1235-F	R6052	1-218-867-11	METAL CHIP	6.8K 0.50% 1/10W
Q6915	8-729-120-28	TRANSISTOR	2SC1623-L5L6	R6053	1-218-722-11	METAL CHIP	18K 0.50% 1/10W
Q6916	8-729-120-28	TRANSISTOR	2SC1623-L5L6	R6054	1-216-864-11	SHORT CHIP	
Q6917	8-729-120-28	TRANSISTOR	2SC1623-L5L6	R6055	1-216-824-11	METAL CHIP	1.8K 5% 1/10W
				R6057	1-218-716-11	METAL CHIP	10K 0.50% 1/10W



REF. NO.	PART NO.	DESCRIPTION	VALUES			REF. NO.	PART NO.	DESCRIPTION	VALUES		
R6058	1-218-722-11	METAL CHIP	18K	0.50%	1/10W	R6135	1-216-864-11	SHORT CHIP			
R6059	1-216-833-11	METAL CHIP	10K	5%	1/10W	R6136	1-216-864-11	SHORT CHIP			
R6060	1-216-809-11	METAL CHIP	100	5%	1/10W	R6137	1-216-864-11	SHORT CHIP			
R6061	1-216-833-11	METAL CHIP	10K	5%	1/10W	R6138	1-216-864-11	SHORT CHIP			
R6062	1-216-809-11	METAL CHIP	100	5%	1/10W	R6139	1-216-857-11	METAL CHIP	1M	5%	1/10W
R6063	1-216-845-11	METAL CHIP	100K	5%	1/10W	R6140	1-216-828-11	METAL CHIP	3.9K	5%	1/10W
R6065	1-218-716-11	METAL CHIP	10K	0.50%	1/10W	R6141	1-216-826-11	METAL CHIP	2.7K	5%	1/10W
R6070	1-218-722-11	METAL CHIP	18K	0.50%	1/10W	R6142	1-216-829-11	METAL CHIP	4.7K	5%	1/10W
R6071	1-216-833-11	METAL CHIP	10K	5%	1/10W	R6143	1-216-864-11	SHORT CHIP			
R6072	1-216-833-11	METAL CHIP	10K	5%	1/10W	R6144	1-216-864-11	SHORT CHIP			
R6073	1-216-864-11	SHORT CHIP				R6145	1-216-864-11	SHORT CHIP			
R6074	1-216-864-11	SHORT CHIP				R6146	1-216-833-11	METAL CHIP	10K	5%	1/10W
R6076	1-216-864-11	SHORT CHIP				R6147	1-216-833-11	METAL CHIP	10K	5%	1/10W
R6077	1-216-857-11	METAL CHIP	1M	5%	1/10W	R6148	1-216-833-11	METAL CHIP	10K	5%	1/10W
R6078	1-216-833-11	METAL CHIP	10K	5%	1/10W	R6149	1-216-833-11	METAL CHIP	10K	5%	1/10W
R6079	1-216-833-11	METAL CHIP	10K	5%	1/10W	R6150	1-216-833-11	METAL CHIP	10K	5%	1/10W
R6080	1-216-833-11	METAL CHIP	10K	5%	1/10W	R6151	1-216-829-11	METAL CHIP	4.7K	5%	1/10W
R6081	1-216-833-11	METAL CHIP	10K	5%	1/10W	R6152	1-216-857-11	METAL CHIP	1M	5%	1/10W
R6082	1-216-833-11	METAL CHIP	10K	5%	1/10W	R6153	1-216-864-11	SHORT CHIP			
R6083	1-216-825-11	METAL CHIP	2.2K	5%	1/10W	R6154	1-216-864-11	SHORT CHIP			
R6085	1-216-833-11	METAL CHIP	10K	5%	1/10W	R6155	1-216-864-11	SHORT CHIP			
R6091	1-216-833-11	METAL CHIP	10K	5%	1/10W	R6156	1-216-864-11	SHORT CHIP			
R6106	1-216-864-11	SHORT CHIP				R6157	1-216-864-11	SHORT CHIP			
R6107	1-216-864-11	SHORT CHIP				R6158	1-216-864-11	SHORT CHIP			
R6110	1-216-814-11	METAL CHIP	270	5%	1/10W	R6159	1-216-864-11	SHORT CHIP			
R6111	1-216-864-11	SHORT CHIP				R6160	1-216-864-11	SHORT CHIP			
R6112	1-216-864-11	SHORT CHIP				R6161	1-216-864-11	SHORT CHIP			
R6116	1-216-864-11	SHORT CHIP				R6162	1-216-864-11	SHORT CHIP			
R6117	1-216-864-11	SHORT CHIP				R6163	1-216-864-11	SHORT CHIP			
R6118	1-216-864-11	SHORT CHIP				R6166	1-216-864-11	SHORT CHIP			
R6121	1-216-809-11	METAL CHIP	100	5%	1/10W	R6168	1-216-823-11	METAL CHIP	1.5K	5%	1/10W
R6122	1-216-864-11	SHORT CHIP				R6170	1-216-833-11	METAL CHIP	10K	5%	1/10W
R6123	1-216-864-11	SHORT CHIP				R6176	1-216-797-11	METAL CHIP	10	5%	1/10W
R6124	1-216-809-11	METAL CHIP	100	5%	1/10W	R6177	1-216-845-11	METAL CHIP	100K	5%	1/10W
R6126	1-216-864-11	SHORT CHIP				R6178	1-216-845-11	METAL CHIP	100K	5%	1/10W
R6127	1-216-864-11	SHORT CHIP				R6179	1-216-821-11	METAL CHIP	1K	5%	1/10W
R6128	1-216-864-11	SHORT CHIP				R6180	1-218-867-11	METAL CHIP	6.8K	0.50%	1/10W
R6129	1-216-809-11	METAL CHIP	100	5%	1/10W	R6181	1-216-864-11	SHORT CHIP			
R6130	1-216-809-11	METAL CHIP	100	5%	1/10W	R6184	1-216-821-11	METAL CHIP	1K	5%	1/10W
R6134	1-216-864-11	SHORT CHIP				R6185	1-216-833-11	METAL CHIP	10K	5%	1/10W



REF. NO.	PART NO.	DESCRIPTION	VALUES			REF. NO.	PART NO.	DESCRIPTION	VALUES		
R6186	1-216-821-11	METAL CHIP	1K	5%	1/10W	R6629	1-216-829-11	METAL CHIP	4.7K	5%	1/10W
R6190	1-216-864-11	SHORT CHIP				R6848	1-216-801-11	METAL CHIP	22	5%	1/10W
R6194	1-216-864-11	SHORT CHIP				R6849	1-216-801-11	METAL CHIP	22	5%	1/10W
R6198	1-218-698-11	METAL CHIP	1.8K	0.50%	1/10W	R6851	1-216-864-11	SHORT CHIP			
R6199	1-218-692-11	METAL CHIP	1K	0.50%	1/10W	R6852	1-216-864-11	SHORT CHIP			
R6201	1-216-833-11	METAL CHIP	10K	5%	1/10W	R6853	1-216-864-11	SHORT CHIP			
R6208	1-216-864-11	SHORT CHIP				R6856	1-216-864-11	SHORT CHIP			
R6213	1-216-864-11	SHORT CHIP				R6857	1-216-864-11	SHORT CHIP			
R6214	1-216-864-11	SHORT CHIP				R6858	1-216-864-11	SHORT CHIP			
R6215	1-216-864-11	SHORT CHIP				R6859	1-216-809-11	METAL CHIP	100	5%	1/10W
R6217	1-216-864-11	SHORT CHIP				R6864	1-216-864-11	SHORT CHIP			
R6218	1-216-864-11	SHORT CHIP				R6865	1-216-833-11	METAL CHIP	10K	5%	1/10W
R6219	1-216-864-11	SHORT CHIP				R6866	1-216-864-11	SHORT CHIP			
R6221	1-216-864-11	SHORT CHIP				R6867	1-216-833-11	METAL CHIP	10K	5%	1/10W
R6222	1-216-864-11	SHORT CHIP				R6868	1-216-845-11	METAL CHIP	100K	5%	1/10W
R6601	1-216-833-11	METAL CHIP	10K	5%	1/10W	R6869	1-216-845-11	METAL CHIP	100K	5%	1/10W
R6602	1-216-821-11	METAL CHIP	1K	5%	1/10W	R6870	1-216-845-11	METAL CHIP	100K	5%	1/10W
R6603	1-216-864-11	SHORT CHIP				R6873	1-216-809-11	METAL CHIP	100	5%	1/10W
R6604	1-216-821-11	METAL CHIP	1K	5%	1/10W	R6874	1-216-845-11	METAL CHIP	100K	5%	1/10W
R6605	1-216-821-11	METAL CHIP	1K	5%	1/10W	R6876	1-216-864-11	SHORT CHIP			
R6606	1-216-825-11	METAL CHIP	2.2K	5%	1/10W	R6877	1-216-864-11	SHORT CHIP			
R6607	1-216-825-11	METAL CHIP	2.2K	5%	1/10W	R6878	1-216-837-11	METAL CHIP	22K	5%	1/10W
R6608	1-216-827-11	METAL CHIP	3.3K	5%	1/10W	R6880	1-216-833-11	METAL CHIP	10K	5%	1/10W
R6609	1-216-827-11	METAL CHIP	3.3K	5%	1/10W	R6881	1-216-833-11	METAL CHIP	10K	5%	1/10W
R6610	1-216-821-11	METAL CHIP	1K	5%	1/10W	R6882	1-216-809-11	METAL CHIP	100	5%	1/10W
R6611	1-216-813-11	METAL CHIP	220	5%	1/10W	R6883	1-216-864-11	SHORT CHIP			
R6612	1-216-833-11	METAL CHIP	10K	5%	1/10W	R6884	1-216-864-11	SHORT CHIP			
R6613	1-216-833-11	METAL CHIP	10K	5%	1/10W	R6885	1-216-864-11	SHORT CHIP			
R6615	1-216-813-11	METAL CHIP	220	5%	1/10W	R6886	1-216-864-11	SHORT CHIP			
R6616	1-216-833-11	METAL CHIP	10K	5%	1/10W	R6887	1-216-864-11	SHORT CHIP			
R6618	1-216-821-11	METAL CHIP	1K	5%	1/10W	R6888	1-216-864-11	SHORT CHIP			
R6619	1-249-385-11	CARBON	2.2	5%	1/4W	R6889	1-216-809-11	METAL CHIP	100	5%	1/10W
R6620	1-249-385-11	CARBON	2.2	5%	1/4W	R6890	1-216-809-11	METAL CHIP	100	5%	1/10W
R6621	1-249-429-11	CARBON	10K	5%	1/4W	R6893	1-216-833-11	METAL CHIP	10K	5%	1/10W
R6622	1-249-429-11	CARBON	10K	5%	1/4W	R6896	1-216-823-11	METAL CHIP	1.5K	5%	1/10W
R6623	1-216-864-11	SHORT CHIP				R6897	1-216-864-11	SHORT CHIP			
R6625	1-216-829-11	METAL CHIP	4.7K	5%	1/10W	R6898	1-218-654-11	METAL CHIP	27	0.50%	1/10W
R6626	1-216-829-11	METAL CHIP	4.7K	5%	1/10W	R6899	1-218-654-11	METAL CHIP	27	0.50%	1/10W
R6627	1-216-833-11	METAL CHIP	10K	5%	1/10W	R6901	1-216-805-11	METAL CHIP	47	5%	1/10W
R6628	1-216-829-11	METAL CHIP	4.7K	5%	1/10W	R6902	1-216-864-11	SHORT CHIP			



REF. NO.	PART NO.	DESCRIPTION	VALUES			REF. NO.	PART NO.	DESCRIPTION	VALUES		
R6904	1-216-864-11	SHORT CHIP				R6946	1-216-809-11	METAL CHIP	100	5%	1/10W
R6905	1-216-829-11	METAL CHIP	4.7K	5%	1/10W	R6947	1-216-833-11	METAL CHIP	10K	5%	1/10W
R6906	1-216-833-11	METAL CHIP	10K	5%	1/10W	R6948	1-216-837-11	METAL CHIP	22K	5%	1/10W
R6907	1-216-833-11	METAL CHIP	10K	5%	1/10W	R6949	1-216-821-11	METAL CHIP	1K	5%	1/10W
R6908	1-216-825-11	METAL CHIP	2.2K	5%	1/10W	R6950	1-216-833-11	METAL CHIP	10K	5%	1/10W
R6909	1-216-825-11	METAL CHIP	2.2K	5%	1/10W	R6951	1-216-821-11	METAL CHIP	1K	5%	1/10W
R6910	1-216-809-11	METAL CHIP	100	5%	1/10W	R6952	1-216-833-11	METAL CHIP	10K	5%	1/10W
R6911	1-216-809-11	METAL CHIP	100	5%	1/10W	R6953	1-216-837-11	METAL CHIP	22K	5%	1/10W
R6912	1-216-809-11	METAL CHIP	100	5%	1/10W	R6954	1-216-821-11	METAL CHIP	1K	5%	1/10W
R6913	1-216-864-11	SHORT CHIP				R6955	1-216-821-11	METAL CHIP	1K	5%	1/10W
R6914	1-216-801-11	METAL CHIP	22	5%	1/10W	R6956	1-216-833-11	METAL CHIP	10K	5%	1/10W
R6915	1-216-801-11	METAL CHIP	22	5%	1/10W	R6957	1-216-825-11	METAL CHIP	2.2K	5%	1/10W
R6916	1-216-829-11	METAL CHIP	4.7K	5%	1/10W	R6958	1-216-864-11	SHORT CHIP			
R6918	1-216-833-11	METAL CHIP	10K	5%	1/10W	R6959	1-216-833-11	METAL CHIP	10K	5%	1/10W
R6919	1-216-833-11	METAL CHIP	10K	5%	1/10W	R6960	1-216-821-11	METAL CHIP	1K	5%	1/10W
R6920	1-216-833-11	METAL CHIP	10K	5%	1/10W	R6961	1-216-833-11	METAL CHIP	10K	5%	1/10W
R6921	1-216-833-11	METAL CHIP	10K	5%	1/10W	R6962	1-216-814-11	METAL CHIP	270	5%	1/10W
R6922	1-216-833-11	METAL CHIP	10K	5%	1/10W	R6963	1-216-809-11	METAL CHIP	100	5%	1/10W
R6924	1-216-833-11	METAL CHIP	10K	5%	1/10W	R6964	1-216-833-11	METAL CHIP	10K	5%	1/10W
R6925	1-216-864-11	SHORT CHIP				R6966	1-216-801-11	METAL CHIP	22	5%	1/10W
R6926	1-216-833-11	METAL CHIP	10K	5%	1/10W	R6967	1-216-801-11	METAL CHIP	22	5%	1/10W
R6927	1-216-833-11	METAL CHIP	10K	5%	1/10W	R6968	1-216-813-11	METAL CHIP	220	5%	1/10W
R6928	1-216-833-11	METAL CHIP	10K	5%	1/10W	R6970	1-216-809-11	METAL CHIP	100	5%	1/10W
R6929	1-216-833-11	METAL CHIP	10K	5%	1/10W	R6971	1-216-833-11	METAL CHIP	10K	5%	1/10W
R6930	1-216-857-11	METAL CHIP	1M	5%	1/10W	R6972	1-216-833-11	METAL CHIP	10K	5%	1/10W
R6931	1-216-841-11	METAL CHIP	47K	5%	1/10W	R6973	1-216-833-11	METAL CHIP	10K	5%	1/10W
R6932	1-216-833-11	METAL CHIP	10K	5%	1/10W	R6974	1-216-864-11	SHORT CHIP			
R6933	1-216-833-11	METAL CHIP	10K	5%	1/10W	R6976	1-216-864-11	SHORT CHIP			
R6934	1-216-809-11	METAL CHIP	100	5%	1/10W	R6978	1-216-845-11	METAL CHIP	100K	5%	1/10W
R6935	1-216-845-11	METAL CHIP	100K	5%	1/10W	R6979	1-216-864-11	SHORT CHIP			
R6936	1-216-841-11	METAL CHIP	47K	5%	1/10W	R6980	1-216-809-11	METAL CHIP	100	5%	1/10W
R6937	1-216-833-11	METAL CHIP	10K	5%	1/10W	R6981	1-216-809-11	METAL CHIP	100	5%	1/10W
R6938	1-216-833-11	METAL CHIP	10K	5%	1/10W	R6982	1-216-841-11	METAL CHIP	47K	5%	1/10W
R6939	1-216-809-11	METAL CHIP	100	5%	1/10W	R6983	1-216-809-11	METAL CHIP	100	5%	1/10W
R6940	1-216-841-11	METAL CHIP	47K	5%	1/10W	R6984	1-216-833-11	METAL CHIP	10K	5%	1/10W
R6941	1-216-845-11	METAL CHIP	100K	5%	1/10W	R6985	1-216-833-11	METAL CHIP	10K	5%	1/10W
R6942	1-216-839-11	METAL CHIP	33K	5%	1/10W	R6986	1-216-833-11	METAL CHIP	10K	5%	1/10W
R6943	1-216-833-11	METAL CHIP	10K	5%	1/10W	R6988	1-216-833-11	METAL CHIP	10K	5%	1/10W
R6944	1-216-833-11	METAL CHIP	10K	5%	1/10W	R6989	1-216-833-11	METAL CHIP	10K	5%	1/10W
R6945	1-216-833-11	METAL CHIP	10K	5%	1/10W	R6990	1-216-864-11	SHORT CHIP			

NOTE: The components identified by shading and \triangle mark are critical for safety. Replace only with part number specified.

NOTE: Les composants identifiés par un trame et une marque \triangle sont critiques pour la sécurité. Ne les remplacer que par une pièce portant le numéro spécifique.



REF. NO.	PART NO.	DESCRIPTION	VALUES			REF. NO.	PART NO.	DESCRIPTION	VALUES		
R6993	1-216-833-11	METAL CHIP	10K	5%	1/10W	C1623	1-136-479-11	FILM	0.001 μ F	5%	100V
R6995	1-216-864-11	SHORT CHIP				C1624	1-126-967-11	ELECT	47 μ F	20%	50V
R6996	1-216-833-11	METAL CHIP	10K	5%	1/10W	C1625	1-126-962-11	ELECT	3.3 μ F	20%	50V
R6999	1-216-833-11	METAL CHIP	10K	5%	1/10W	C1626	1-126-964-11	ELECT	10 μ F	20%	50V
RESISTOR BRIDGE						C1627	1-162-970-11	CERAMIC CHIP	0.01 μ F	10%	25V
RB6901	1-236-908-11	NETWORK RESISTOR(CHIP)	10K			\triangle C1629	1-131-940-11	ELECT	1200 μ F	20%	250V
RB6902	1-236-908-11	NETWORK RESISTOR(CHIP)	10K			\triangle C1630	1-131-940-11	ELECT	1200 μ F	20%	250V
CRYSTAL						C1632	1-107-824-11	CERAMIC	220pF	5%	1KV
X6900	1-767-419-21	VIBRATOR, CRYSTAL				C1633	1-162-970-11	CERAMIC CHIP	0.01 μ F	10%	25V
CAPACITOR						C1634	1-126-947-11	ELECT	47 μ F	20%	35V
\triangle C1600	1-165-530-31	MYLAR	0.47 μ F	10	0V	C1635	1-136-497-81	FILM	0.1 μ F	5%	50V
\triangle C1601	1-119-888-51	CERAMIC	2200pF	20%	250V	C1636	1-137-852-21	ELECT	3300 μ F	20%	16V
\triangle C1602	1-119-888-51	CERAMIC	2200pF	20%	250V	C1637	1-164-227-11	CERAMIC CHIP	0.022 μ F	10%	25V
\triangle C1603	1-165-530-31	MYLAR	0.47 μ F	10	0V	C1639	1-126-935-11	ELECT	470 μ F	20%	16V
\triangle C1604	1-161-964-91	CERAMIC	0.0047 μ F		250V	C1640	1-107-824-11	CERAMIC	220pF	5%	1KV
\triangle C1605	1-161-964-91	CERAMIC	0.0047 μ F		250V	C1641	1-107-824-11	CERAMIC	220pF	5%	1KV
\triangle C1606	1-161-964-91	CERAMIC	0.0047 μ F		250V	C1642	1-126-969-11	ELECT	220 μ F	20%	50V
\triangle C1607	1-161-964-91	CERAMIC	0.0047 μ F		250V	C1644	1-126-947-11	ELECT	47 μ F	20%	35V
C1608	1-126-934-11	ELECT	220 μ F	20%	16V	C1645	1-165-954-11	FILM	56000pF	3%	800V
C1609	1-100-803-11	ELECT(BLOCK)	220 μ F	20%	250V	C1647	1-126-947-11	ELECT	47 μ F	20%	35V
C1610	1-126-963-11	ELECT	4.7 μ F	20%	50V	C1651	1-162-970-11	CERAMIC CHIP	0.01 μ F	10%	25V
C1611	1-126-963-11	ELECT	4.7 μ F	20%	50V	C1652	1-137-190-91	FILM	0.22 μ F	5%	50V
\triangle C1612	1-165-530-31	MYLAR	0.47 μ F	10	0V	C1653	1-162-964-11	CERAMIC CHIP	0.001 μ F	10%	50V
C1613	1-107-826-11	CERAMIC CHIP	0.1 μ F	10%	16V	C1654	1-162-964-11	CERAMIC CHIP	0.001 μ F	10%	50V
C1614	1-164-217-11	CERAMIC CHIP	150pF	5%	50V	C1655	1-126-768-11	ELECT	2200 μ F	20%	16V
C1615	1-162-964-11	CERAMIC CHIP	0.001 μ F	10%	50V	C1656	1-126-940-11	ELECT	330 μ F	20%	25V
C1618	1-137-365-11	MYLAR	0.0015 μ F	5%	50V	C1657	1-126-768-11	ELECT	2200 μ F	20%	16V
C1619	1-126-950-11	ELECT	330 μ F	20%	35V	C1658	1-128-550-11	ELECT	2200 μ F	20%	50V
C1620	1-162-116-00	CERAMIC	680pF	10%	2KV	C1659	1-126-768-11	ELECT	2200 μ F	20%	16V
C1622	1-162-970-11	CERAMIC CHIP	0.01 μ F	10%	25V	C1660	1-126-933-11	ELECT	100 μ F	20%	16V
						C1666	1-126-964-11	ELECT	10 μ F	20%	50V
						C1667	1-100-714-11	ELECT	100 μ F	20%	400V
						C1668	1-126-767-11	ELECT	1000 μ F	20%	16V
						C1669	1-126-768-11	ELECT	2200 μ F	20%	16V
						C1670	1-126-767-11	ELECT	1000 μ F	20%	16V
						C1672	1-161-830-00	CERAMIC	0.0047 μ F		500V
						C1673	1-100-714-11	ELECT	100 μ F	20%	400V



NOTE: The components identified by shading and \triangle mark are critical for safety. Replace only with part number specified.

NOTE: Les composants identifiés par un trame et une marque \triangle sont critiques pour la sécurité. Ne les remplacer que par une pièce portant le numéro spécifique.

REF. NO.	PART NO.	DESCRIPTION	VALUES	REF. NO.	PART NO.	DESCRIPTION	VALUES
CONNECTOR							
*	CN1602	1-580-843-11	PIN, CONNECTOR (POWER)	D1622	8-719-000-08	DIODE	MC2838 (SN 9,000,001 TO 9,099,999 AND 9,800,000 TO 9,899,999 ONLY)
	CN1603	1-695-915-11	TAB (CONTACT)	D1622	6-500-335-01	DIODE	MC2838-T112-1 (SN 9,100,001 TO 9,799,999 AND 9,900,000 AND UP ONLY)
	CN1604	1-695-915-11	TAB (CONTACT)	D1624	8-719-510-12	DIODE	D10SC4M
	CN1605	1-695-915-11	TAB (CONTACT)	\triangle D1625	8-719-060-89	DIODE	D4SBS6-F
	CN1606	1-695-915-11	TAB (CONTACT)	D1626	8-719-075-66	DIODE	D5LC20U-4012
	CN1607	1-695-915-11	TAB (CONTACT)	D1627	8-719-510-12	DIODE	D10SC4M
*	CN1608	1-691-960-21	PIN, CONNECTOR (PC BOARD)	D1628	8-719-028-45	DIODE	D2L20U
*	CN1610	1-793-923-11	CONNECTOR, DIN (PLUG)	D1629	8-719-000-08	DIODE	MC2838 (SN 9,000,001 TO 9,099,999 AND 9,800,000 TO 9,899,999 ONLY)
	CN1612	1-764-101-11	PIN, CONNECTOR (PC BOARD)	D1629	6-500-335-01	DIODE	MC2838-T112-1 (SN 9,100,001 TO 9,799,999 AND 9,900,000 AND UP ONLY)
			64P	D1630	8-719-064-49	DIODE	D4SBL40
			2P	D1631	8-719-000-08	DIODE	MC2838 (SN 9,000,001 TO 9,099,999 AND 9,800,000 TO 9,899,999 ONLY)
DIODE				D1631	6-500-335-01	DIODE	MC2838-T112-1 (SN 9,100,001 TO 9,799,999 AND 9,900,000 AND UP ONLY)
	D1600	8-719-000-08	DIODE	D1632	8-719-000-08	DIODE	MC2838 (SN 9,000,001 TO 9,099,999 AND 9,800,000 TO 9,899,999 ONLY)
			MC2838	D1632	6-500-335-01	DIODE	MC2838-T112-1 (SN 9,100,001 TO 9,799,999 AND 9,900,000 AND UP ONLY)
	D1600	6-500-335-01	DIODE	D1633	8-719-082-03	DIODE	MM3Z15VT1
			MC2838-T112-1 (SN 9,100,001 TO 9,799,999 AND 9,900,000 AND UP ONLY)	D1634	8-719-000-08	DIODE	MC2838 (SN 9,000,001 TO 9,099,999 AND 9,800,000 TO 9,899,999 ONLY)
	D1601	8-719-948-45	DIODE	D1634	6-500-335-01	DIODE	MC2838-T112-1 (SN 9,100,001 TO 9,799,999 AND 9,900,000 AND UP ONLY)
\triangle	D1602	8-719-077-76	DIODE	D1635	8-719-000-08	DIODE	MC2838 (SN 9,000,001 TO 9,099,999 AND 9,800,000 TO 9,899,999 ONLY)
	D1603	8-719-000-08	DIODE	D1635	6-500-335-01	DIODE	MC2838-T112-1 (SN 9,100,001 TO 9,799,999 AND 9,900,000 AND UP ONLY)
			MC2838 (SN 9,000,001 TO 9,099,999 AND 9,800,000 TO 9,899,999 ONLY)	FUSE			
	D1603	6-500-335-01	DIODE	\triangle F1600	1-532-506-32	FUSE	6.3A 250V
			MC2838-T112-1 (SN 9,100,001 TO 9,799,999 AND 9,900,000 AND UP ONLY)	FERRITE BEAD			
	D1604	8-719-000-08	DIODE	FB1602	1-410-396-41	FERRITE	0.45 μ H
			MC2838 (SN 9,000,001 TO 9,099,999 AND 9,800,000 TO 9,899,999 ONLY)	FB1603	1-410-396-41	FERRITE	0.45 μ H
	D1604	6-500-335-01	DIODE	FB1604	1-410-396-41	FERRITE	0.45 μ H
			MC2838-T112-1 (SN 9,100,001 TO 9,799,999 AND 9,900,000 AND UP ONLY)	FUSE HOLDER			
	D1605	8-719-000-08	DIODE	\triangle FH1600	1-533-223-11	FUSE HOLDER	0A 0V
			MC2838 (SN 9,000,001 TO 9,099,999 AND 9,800,000 TO 9,899,999 ONLY)	\triangle FH1601	1-533-223-11	FUSE HOLDER	0A 0V
	D1605	6-500-335-01	DIODE				
			MC2838-T112-1 (SN 9,100,001 TO 9,799,999 AND 9,900,000 AND UP ONLY)				
	D1606	6-500-567-31	DIODE				
			10ERB20-TB3				
	D1607	8-719-160-65	DIODE				
			RD16FB2				
	D1608	8-719-110-08	DIODE				
			RD8.2ESB2				
	D1609	6-500-567-31	DIODE				
			10ERB20-TB3				
	D1610	8-719-948-45	DIODE				
			ERA22-08				
	D1611	8-719-082-03	DIODE				
			MM3Z15VT1				
\triangle	D1612	8-719-510-53	DIODE				
			D4SB60L				
	D1614	8-719-057-96	DIODE				
			D10SC6M-4012				
	D1615	8-719-979-64	DIODE				
			UF4005/23				
	D1617	6-501-223-01	DIODE				
			S3G				
	D1618	6-501-223-01	DIODE				
			S3G				
	D1621	6-500-567-31	DIODE				
			10ERB20-TB3				

NOTE: The components identified by shading and \triangle mark are critical for safety. Replace only with part number specified.

NOTE: Les composants identifiés par un trame et une marque \triangle sont critiques pour la sécurité. Ne les remplacer que par une pièce portant le numéro spécifique.



REF. NO.	PART NO.	DESCRIPTION	VALUES			REF. NO.	PART NO.	DESCRIPTION	VALUES		
R1643	1-218-871-11	METAL CHIP	10K	0.50%	1/10W	R1686	1-216-864-11	SHORT CHIP			
R1644	1-218-871-11	METAL CHIP	10K	0.50%	1/10W	R1687	1-216-828-11	METAL CHIP	3.9K	5%	1/10W
R1645	1-218-702-11	METAL CHIP	2.7K	0.50%	1/10W						
R1646	1-218-718-11	METAL CHIP	12K	0.50%	1/10W						
R1647	1-245-494-31	METAL	2.2M	2%	1/4W						
								RELAY			
R1648	1-245-494-31	METAL	2.2M	2%	1/4W	\triangle RY1600	1-755-388-11	RELAY (AC POWER)			
R1649	1-216-845-11	METAL CHIP	100K	5%	1/10W	\triangle RY1601	1-755-388-11	RELAY (AC POWER)			
R1650	1-216-864-11	SHORT CHIP									
R1651	1-216-801-11	METAL CHIP	22	5%	1/10W			TRANSFORMER			
R1652	1-243-979-71	METAL OXIDE	0.1	5%	2W						
						\triangle T1600	1-443-748-11	CONVERTER TRANSFORMER (SRT)			
R1653	1-243-979-71	METAL OXIDE	0.1	5%	2W	\triangle T1601	1-443-747-11	CONVERTER TRANSFORMER (PIT)			
R1654	1-216-817-11	METAL CHIP	470	5%	1/10W			(SN 9,000,001 TO 9,099,999 AND 9,800,000 TO 9,899,999 ONLY)			
R1655	1-216-864-11	SHORT CHIP				\triangle T1601	1-443-868-11	CONVERTER TRANSFORMER (PIT)			
R1656	1-249-385-11	CARBON	2.2	5%	1/4W			(SN 9,100,001 TO 9,799,999 AND 9,900,000 AND UP ONLY)			
R1657	1-216-815-11	METAL CHIP	330	5%	1/10W						
								VARISTOR			
R1659	1-216-821-11	METAL CHIP	1K	5%	1/10W	VD1600	1-804-991-21	VARISTOR			
R1661	1-216-821-11	METAL CHIP	1K	5%	1/10W	VD1601	1-804-991-21	VARISTOR			
R1662	1-216-821-11	METAL CHIP	1K	5%	1/10W	\triangle VD1603	1-804-992-21	VARISTOR			
R1663	1-260-288-11	CARBON	0.47	5%	1/2W	VD1604	1-804-991-21	VARISTOR			
		(SN 9,000,001 TO 9,099,999 AND 9,800,000 TO 9,899,999 ONLY)									
R1663	1-410-396-41	FERRITE	0.45 μ H								
		(SN 9,100,001 TO 9,799,999 AND 9,900,000 AND UP ONLY)									
R1664	1-260-288-11	CARBON	0.47	5%	1/2W						
		(SN 9,000,001 TO 9,099,999 AND 9,800,000 TO 9,899,999 ONLY)									
R1664	1-410-396-41	FERRITE	0.45 μ H								
		(SN 9,100,001 TO 9,799,999 AND 9,900,000 AND UP ONLY)									
R1666	1-216-864-11	SHORT CHIP									
R1667	1-216-821-11	METAL CHIP	1K	5%	1/10W						
R1668	1-216-833-11	METAL CHIP	10K	5%	1/10W						
R1669	1-216-349-00	METAL OXIDE	1	5%	1W						
R1671	1-218-722-11	METAL CHIP	18K	0.50%	1/10W						
R1672	1-218-708-11	METAL CHIP	4.7K	0.50%	1/10W						
R1674	1-216-821-11	METAL CHIP	1K	5%	1/10W						
R1675	1-215-904-11	METAL OXIDE	100K	5%	2W						
R1676	1-215-904-11	METAL OXIDE	100K	5%	2W						
R1677	1-216-833-11	METAL CHIP	10K	5%	1/10W						
R1679	1-218-742-11	METAL CHIP	120K	0.50%	1/10W						
R1680	1-218-692-11	METAL CHIP	1K	0.50%	1/10W						
R1681	1-218-692-11	METAL CHIP	1K	0.50%	1/10W						
R1682	1-202-933-61	FUSIBLE	0.1	10%	1/2W						
R1683	1-216-864-11	SHORT CHIP									
R1684	1-216-864-11	SHORT CHIP									
R1685	1-216-864-11	SHORT CHIP									



* A-1104-350-A H1 BOARD, MOUNTED

CAPACITOR

C171 1-100-597-91 CERAMIC CHIP 0.1 μ F 10% 25V

CONNECTOR

CN171 1-580-057-11 PIN, CONNECTOR (SMD) 4P

DIODE

D171 8-719-069-55 DIODE UDZSTE-175.6B

H1 H2 H3

REF. NO.	PART NO.	DESCRIPTION	VALUES			REF. NO.	PART NO.	DESCRIPTION	VALUES		
RESISTOR					IC						
R171	1-218-684-11	METAL CHIP	470	0.50%	1/10W	IC171	6-600-210-01	IC	RPM7240-H8		
R172	1-218-688-11	METAL CHIP	680	0.50%	1/10W	IC172	6-706-481-01	IC	TC7SET32FU(T5RSOJF)		
R173	1-218-692-11	METAL CHIP	1K	0.50%	1/10W	TRANSISTOR					
R174	1-218-700-11	METAL CHIP	2.2K	0.50%	1/10W	Q4503	8-729-120-28	TRANSISTOR	2SC1623-L5L6		
SWITCH					Q4504	8-729-120-28	TRANSISTOR	2SC1623-L5L6			
S171	1-762-196-21	SWITCH, TACTILE				Q4508	1-801-806-11	TR	DTC144EKA		
S172	1-762-196-21	SWITCH, TACTILE				Q4509	1-801-806-11	TR	DTC144EKA		
S173	1-762-196-21	SWITCH, TACTILE				Q4510	8-729-027-23	TRANSISTOR	DTA114EKA-T146		
S174	1-762-196-21	SWITCH, TACTILE				Q4511	8-729-027-23	TRANSISTOR	DTA114EKA-T146		
S175	1-762-196-21	SWITCH, TACTILE				RESISTOR					
VARISTOR					R175	1-216-805-11	METAL CHIP	47	5%	1/10W	
VD171	1-803-974-21	VARISTOR, CHIP	(1608)								
					R176	1-216-837-11	METAL CHIP	22K	5%	1/10W	
H2					R4502	1-216-813-11	METAL CHIP	220	5%	1/10W	
* A-1104-349-A H2 BOARD, MOUNTED					R4504	1-216-809-11	METAL CHIP	100	5%	1/10W	
CAPACITOR					R4505	1-216-864-11	SHORT CHIP				
C172	1-164-156-11	CERAMIC CHIP	0.1μF		25V	R4506	1-216-833-11	METAL CHIP	10K	5%	1/10W
C173	1-127-692-11	CERAMIC CHIP	10μF	10%	16V	R4509	1-216-813-11	METAL CHIP	220	5%	1/10W
C4503	1-162-974-11	CERAMIC CHIP	0.01μF		50V	R4512	1-216-813-11	METAL CHIP	220	5%	1/10W
C4504	1-107-826-11	CERAMIC CHIP	0.1μF	10%	16V	R4513	1-216-833-11	METAL CHIP	10K	5%	1/10W
C4506	1-162-974-11	CERAMIC CHIP	0.01μF		50V	R4514	1-216-864-11	SHORT CHIP			
C4507	1-162-974-11	CERAMIC CHIP	0.01μF		50V	R4515	1-216-864-11	SHORT CHIP			
C4508	1-162-974-11	CERAMIC CHIP	0.01μF		50V	R4516	1-216-813-11	METAL CHIP	220	5%	1/10W
					R4517	1-216-833-11	METAL CHIP	10K	5%	1/10W	
CONNECTOR					R4518	1-216-833-11	METAL CHIP	10K	5%	1/10W	
CN4502	1-770-626-21	PIN, CONNECTOR			9P	H3					
DIODE					* A-1102-913-A H3 BOARD, MOUNTED						
D4503	8-719-078-28	DIODE	SML-010LT-T86			CAPACITOR					
D4504	8-719-067-82	DIODE	SML-020MLTT86			C41	1-162-964-11	CERAMIC CHIP	0.001μF	10%	50V
D4510	8-719-078-28	DIODE	SML-010LT-T86			C42	1-162-964-11	CERAMIC CHIP	0.001μF	10%	50V
					C50	1-126-964-11	ELECT	10μF	20%	50V	
					C51	1-126-964-11	ELECT	10μF	20%	50V	
					C52	1-126-964-11	ELECT	10μF	20%	50V	

H3	H4	H5
----	----	----

REF. NO.	PART NO.	DESCRIPTION	VALUES	REF. NO.	PART NO.	DESCRIPTION	VALUES	
C53	1-126-964-11	ELECT	10µF 20% 50V	H4	* A-1102-917-A H4 BOARD, MOUNTED (SN 9,000,001 TO 9,099,999 AND 9,800,000 TO 9,899,999 ONLY)			
C70	1-162-974-11	CERAMIC CHIP	0.01µF 50V		CAPACITOR			
C77	1-162-970-11	CERAMIC CHIP	0.01µF 10% 25V		C44	1-162-919-11	CERAMIC CHIP 22pF 5% 50V	
CONNECTOR					C45	1-162-919-11	CERAMIC CHIP 22pF 5% 50V	
CN43	1-564-528-11	PLUG, CONNECTOR	13P		C58	1-126-933-11	ELECT 100µF 20% 16V	
JACK					C59	1-164-156-11	CERAMIC CHIP 0.1µF 25V	
J40	1-818-765-11	S TERMINAL CONNECTOR			CONNECTOR			
* J41	1-818-768-11	JACK, PIN	3P		* CN44	1-564-509-11	PLUG, CONNECTOR 6P	
RESISTOR					IC			
R41	1-216-864-11	SHORT CHIP			IC41	6-707-223-01	IC LM75BIM-5/NOPB	
R42	1-216-864-11	SHORT CHIP		RESISTOR				
R43	1-216-821-11	METAL CHIP	1K 5% 1/10W	R49	1-216-801-11	METAL CHIP 22 5% 1/10W		
R44	1-216-821-11	METAL CHIP	1K 5% 1/10W	R51	1-216-801-11	METAL CHIP 22 5% 1/10W		
R45	1-216-864-11	SHORT CHIP		R54	1-216-864-11	SHORT CHIP		
R46	1-216-849-11	METAL CHIP	220K 5% 1/10W	R55	1-216-864-11	SHORT CHIP		
R47	1-216-849-11	METAL CHIP	220K 5% 1/10W	R57	1-216-864-11	SHORT CHIP		
R48	1-218-665-11	METAL CHIP	75 0.50% 1/10W	H5				
R50	1-218-665-11	METAL CHIP	75 0.50% 1/10W	* A-1109-413-A H5 BOARD, COMPLETE				
R59	1-216-864-11	SHORT CHIP		CAPACITOR				
R60	1-216-864-11	SHORT CHIP		C7301	1-162-974-11	CERAMIC CHIP 0.01µF 50V		
R75	1-216-821-11	METAL CHIP	1K 5% 1/10W	CONNECTOR				
VARISTOR				* CN7301	1-564-506-11	PLUG, CONNECTOR 3P		
VD40	1-803-974-21	VARISTOR, CHIP	(1608)					
VD41	1-803-974-21	VARISTOR, CHIP	(1608)					
VD42	1-803-974-21	VARISTOR, CHIP	(1608)					
VD43	1-803-974-21	VARISTOR, CHIP	(1608)					
VD44	1-803-974-21	VARISTOR, CHIP	(1608)					



REF. NO.	PART NO.	DESCRIPTION	VALUES			REF. NO.	PART NO.	DESCRIPTION	VALUES		
RESISTOR						C4786	1-162-964-11	CERAMIC CHIP	0.001μF	10%	50V
R7205	1-216-864-11	SHORT CHIP				C4788	1-100-566-91	CERAMIC CHIP	0.1μF	10%	25V
SWITCH						C4789	1-131-704-11	FILM	1μF	5%	50V
S7301	1-692-431-21	SWITCH, TACTILE				C4790	1-164-156-11	CERAMIC CHIP	0.1μF		25V
CAPACITOR						C4791	1-164-156-11	CERAMIC CHIP	0.1μF		25V
C4747	1-162-967-11	CERAMIC CHIP	0.0033μF	10%	50V	C4792	1-162-964-11	CERAMIC CHIP	0.001μF	10%	50V
C4752	1-162-967-11	CERAMIC CHIP	0.0033μF	10%	50V	C4793	1-100-566-91	CERAMIC CHIP	0.1μF	10%	25V
C4755	1-162-923-11	CERAMIC CHIP	47pF	5%	50V	C4795	1-117-318-91	ELECT	2200μF	20%	25V
C4756	1-162-923-11	CERAMIC CHIP	47pF	5%	50V	C4796	1-107-826-11	CERAMIC CHIP	0.1μF	10%	16V
C4757	1-162-923-11	CERAMIC CHIP	47pF	5%	50V	C4797	1-100-566-91	CERAMIC CHIP	0.1μF	10%	25V
C4762	1-162-915-11	CERAMIC CHIP	10pF	0.50pF	50V	C4799	1-100-566-91	CERAMIC CHIP	0.1μF	10%	25V
C4763	1-162-915-11	CERAMIC CHIP	10pF	0.50pF	50V	C4801	1-115-340-11	CERAMIC CHIP	0.22μF	10%	25V
C4764	1-127-573-11	CERAMIC CHIP	1μF	10%	16V	C4802	1-126-395-11	ELECT CHIP	22μF	20%	16V
C4765	1-128-994-21	ELECT CHIP	47μF	20%	10V	C4803	1-164-156-11	CERAMIC CHIP	0.1μF		25V
C4766	1-128-994-21	ELECT CHIP	47μF	20%	10V	C4804	1-163-989-11	CERAMIC CHIP	0.033μF	10%	25V
C4767	1-128-994-21	ELECT CHIP	47μF	20%	10V	C4805	1-107-826-11	CERAMIC CHIP	0.1μF	10%	16V
C4768	1-100-743-91	CERAMIC CHIP	2.2μF	20%	16V	C4806	1-107-826-11	CERAMIC CHIP	0.1μF	10%	16V
C4769	1-107-826-11	CERAMIC CHIP	0.1μF	10%	16V	C4807	1-164-156-11	CERAMIC CHIP	0.1μF		25V
C4770	1-100-743-91	CERAMIC CHIP	2.2μF	20%	16V	C4808	1-124-779-00	ELECT CHIP	10μF	20%	16V
C4771	1-125-827-91	CERAMIC CHIP	1μF	10%	25V	C4809	1-164-156-11	CERAMIC CHIP	0.1μF		25V
C4772	1-128-994-21	ELECT CHIP	47μF	20%	10V	C4811	1-162-923-11	CERAMIC CHIP	47pF	5%	50V
C4773	1-124-779-00	ELECT CHIP	10μF	20%	16V	C4813	1-107-826-11	CERAMIC CHIP	0.1μF	10%	16V
C4774	1-162-970-11	CERAMIC CHIP	0.01μF	10%	25V	C4814	1-125-827-91	CERAMIC CHIP	1μF	10%	25V
C4776	1-164-156-11	CERAMIC CHIP	0.1μF		25V	C4817	1-162-964-11	CERAMIC CHIP	0.001μF	10%	50V
C4777	1-163-989-11	CERAMIC CHIP	0.033μF	10%	25V	C4818	1-107-826-11	CERAMIC CHIP	0.1μF	10%	16V
C4778	1-100-566-91	CERAMIC CHIP	0.1μF	10%	25V	C4820	1-126-193-11	ELECT CHIP	1μF	20%	50V
C4780	1-162-970-11	CERAMIC CHIP	0.01μF	10%	25V	C4821	1-126-193-11	ELECT CHIP	1μF	20%	50V
C4781	1-100-566-91	CERAMIC CHIP	0.1μF	10%	25V	C4822	1-115-340-11	CERAMIC CHIP	0.22μF	10%	25V
C4784	1-100-566-91	CERAMIC CHIP	0.1μF	10%	25V	C4823	1-162-964-11	CERAMIC CHIP	0.001μF	10%	50V
C4785	1-131-704-11	FILM	1μF	5%	50V	C4825	1-162-964-11	CERAMIC CHIP	0.001μF	10%	50V
						C4827	1-107-826-11	CERAMIC CHIP	0.1μF	10%	16V
						C4828	1-128-006-11	ELECT CHIP	4.7μF	20%	25V
						C4829	1-107-826-11	CERAMIC CHIP	0.1μF	10%	16V
						C4830	1-125-827-91	CERAMIC CHIP	1μF	10%	25V
						C4831	1-162-964-11	CERAMIC CHIP	0.001μF	10%	50V
						C4832	1-115-340-11	CERAMIC CHIP	0.22μF	10%	25V
						C4836	1-162-970-11	CERAMIC CHIP	0.01μF	10%	25V
						C4837	1-162-923-11	CERAMIC CHIP	47pF	5%	50V
						C4838	1-163-989-11	CERAMIC CHIP	0.033μF	10%	25V
						C4839	1-100-566-91	CERAMIC CHIP	0.1μF	10%	25V



* A-1110-881-A KD BOARD, COMPLETE
(SN 9,000,001 TO 9,099,999 AND 9,800,000 TO 9,899,999 ONLY)



REF. NO.	PART NO.	DESCRIPTION	VALUES			REF. NO.	PART NO.	DESCRIPTION	VALUES		
<u>IC LINK</u>						R4778	1-216-864-11	SHORT CHIP			
PS4702	1-576-488-21	FUSE	3.15A		72V	R4779	1-220-942-11	METAL CHIP	3.3	1%	1/4W
PS4703	1-576-488-21	FUSE	3.15A		72V	R4780	1-216-864-11	SHORT CHIP			
<u>TRANSISTOR</u>						R4781	1-218-708-11	METAL CHIP	4.7K	0.50%	1/10W
Q4703	6-550-585-01	TRANSISTOR	2PC4081R-115			R4782	1-220-942-11	METAL CHIP	3.3	1%	1/4W
Q4704	6-550-586-01	TRANSISTOR	2PA1576R-115			R4783	1-218-708-11	METAL CHIP	4.7K	0.50%	1/10W
Q4705	6-550-586-01	TRANSISTOR	2PA1576R-115			R4784	1-216-864-11	SHORT CHIP			
Q4706	6-550-586-01	TRANSISTOR	2PA1576R-115			R4785	1-216-821-11	METAL CHIP	1K	5%	1/10W
Q4707	6-550-586-01	TRANSISTOR	2PA1576R-115			R4786	1-216-864-11	SHORT CHIP			
Q4708	6-550-585-01	TRANSISTOR	2PC4081R-115			R4787	1-216-790-11	METAL CHIP	2.7	5%	1/10W
Q4709	6-550-586-01	TRANSISTOR	2PA1576R-115			R4788	1-216-864-11	SHORT CHIP			
Q4711	6-550-585-01	TRANSISTOR	2PC4081R-115			R4789	1-216-864-11	SHORT CHIP			
Q4901	6-550-586-01	TRANSISTOR	2PA1576R-115			R4791	1-216-864-11	SHORT CHIP			
Q4902	6-550-585-01	TRANSISTOR	2PC4081R-115			R4792	1-216-818-11	METAL CHIP	560	5%	1/10W
<u>RESISTOR</u>						R4793	1-216-822-11	METAL CHIP	1.2K	5%	1/10W
R4721	1-220-281-11	METAL CHIP	4.7K	5%	1/4W	R4794	1-216-837-11	METAL CHIP	22K	5%	1/10W
R4722	1-220-281-11	METAL CHIP	4.7K	5%	1/4W	R4796	1-216-809-11	METAL CHIP	100	5%	1/10W
R4725	1-216-821-11	METAL CHIP	1K	5%	1/10W	R4797	1-216-833-11	METAL CHIP	10K	5%	1/10W
R4752	1-216-817-11	METAL CHIP	470	5%	1/10W	R4798	1-216-864-11	SHORT CHIP			
R4753	1-216-847-11	METAL CHIP	150K	5%	1/10W	R4799	1-216-833-11	METAL CHIP	10K	5%	1/10W
R4754	1-216-857-11	METAL CHIP	1M	5%	1/10W	R4801	1-216-790-11	METAL CHIP	2.7	5%	1/10W
R4755	1-216-844-11	METAL CHIP	82K	5%	1/10W	R4802	1-216-864-11	SHORT CHIP			
R4756	1-216-845-11	METAL CHIP	100K	5%	1/10W	R4804	1-216-821-11	METAL CHIP	1K	5%	1/10W
R4757	1-216-846-11	METAL CHIP	120K	5%	1/10W	R4805	1-216-809-11	METAL CHIP	100	5%	1/10W
R4758	1-216-845-11	METAL CHIP	100K	5%	1/10W	R4806	1-216-809-11	METAL CHIP	100	5%	1/10W
R4759	1-216-845-11	METAL CHIP	100K	5%	1/10W	R4807	1-216-809-11	METAL CHIP	100	5%	1/10W
R4760	1-216-846-11	METAL CHIP	120K	5%	1/10W	R4808	1-216-833-11	METAL CHIP	10K	5%	1/10W
R4761	1-216-845-11	METAL CHIP	100K	5%	1/10W	R4811	1-216-790-11	METAL CHIP	2.7	5%	1/10W
R4762	1-220-281-11	METAL CHIP	4.7K	5%	1/4W	R4814	1-216-818-11	METAL CHIP	560	5%	1/10W
R4763	1-216-809-11	METAL CHIP	100	5%	1/10W	R4815	1-216-837-11	METAL CHIP	22K	5%	1/10W
R4764	1-216-809-11	METAL CHIP	100	5%	1/10W	R4816	1-216-833-11	METAL CHIP	10K	5%	1/10W
R4765	1-216-864-11	SHORT CHIP				R4819	1-216-829-11	METAL CHIP	4.7K	5%	1/10W
R4767	1-216-809-11	METAL CHIP	100	5%	1/10W	R4820	1-216-829-11	METAL CHIP	4.7K	5%	1/10W
R4768	1-216-864-11	SHORT CHIP				R4822	1-216-833-11	METAL CHIP	10K	5%	1/10W
R4770	1-216-813-11	METAL CHIP	220	5%	1/10W	R4823	1-216-864-11	SHORT CHIP			
R4771	1-216-821-11	METAL CHIP	1K	5%	1/10W	R4824	1-216-790-11	METAL CHIP	2.7	5%	1/10W
R4772	1-216-809-11	METAL CHIP	100	5%	1/10W	R4826	1-216-864-11	SHORT CHIP			
R4774	1-216-864-11	SHORT CHIP				R4827	1-220-942-11	METAL CHIP	3.3	1%	1/4W
R4775	1-216-864-11	SHORT CHIP				R4828	1-216-864-11	SHORT CHIP			
R4776	1-216-864-11	SHORT CHIP				R4829	1-218-708-11	METAL CHIP	4.7K	0.50%	1/10W

KD	T	U1
----	---	----

REF. NO.	PART NO.	DESCRIPTION	VALUES			REF. NO.	PART NO.	DESCRIPTION	VALUES		
R4830	1-216-833-11	METAL CHIP	10K	5%	1/10W	R4935	1-216-835-11	METAL CHIP	15K	5%	1/10W
R4831	1-216-833-11	METAL CHIP	10K	5%	1/10W	R4936	1-216-821-11	METAL CHIP	1K	5%	1/10W
R4832	1-220-942-11	METAL CHIP	3.3	1%	1/4W	R4937	1-216-833-11	METAL CHIP	10K	5%	1/10W
R4833	1-218-708-11	METAL CHIP	4.7K	0.50%	1/10W	R4938	1-216-821-11	METAL CHIP	1K	5%	1/10W
R4834	1-216-864-11	SHORT CHIP									
R4835	1-216-864-11	SHORT CHIP									
R4837	1-216-864-11	SHORT CHIP									
R4841	1-215-872-11	METAL OXIDE	3.3K	5%	1W						
R4842	1-216-822-11	METAL CHIP	1.2K	5%	1/10W	X4702	1-795-843-11	VIBRATOR, CRYSTAL			
R4843	1-216-797-11	METAL CHIP	10	5%	1/10W	X4703	1-813-388-11	OSCILLATOR, CRYSTAL			
R4845	1-216-821-11	METAL CHIP	1K	5%	1/10W						
R4846	1-216-822-11	METAL CHIP	1.2K	5%	1/10W						
R4848	1-216-821-11	METAL CHIP	1K	5%	1/10W						
R4850	1-216-809-11	METAL CHIP	100	5%	1/10W						
R4851	1-216-809-11	METAL CHIP	100	5%	1/10W						
R4852	1-216-809-11	METAL CHIP	100	5%	1/10W						
R4853	1-216-809-11	METAL CHIP	100	5%	1/10W						
R4854	1-216-864-11	SHORT CHIP									
R4858	1-216-833-11	METAL CHIP	10K	5%	1/10W						
R4860	1-216-864-11	SHORT CHIP									
R4861	1-216-864-11	SHORT CHIP									
R4862	1-249-393-11	CARBON	10	5%	1/4W						
R4863	1-216-864-11	SHORT CHIP									
R4864	1-216-864-11	SHORT CHIP									
R4865	1-216-864-11	SHORT CHIP									
R4866	1-216-864-11	SHORT CHIP									
R4867	1-216-864-11	SHORT CHIP									
R4868	1-216-864-11	SHORT CHIP									
R4869	1-216-833-11	METAL CHIP	10K	5%	1/10W						
R4870	1-216-864-11	SHORT CHIP									
R4871	1-216-864-11	SHORT CHIP									
R4872	1-216-864-11	SHORT CHIP									
R4887	1-216-833-11	METAL CHIP	10K	5%	1/10W						
R4889	1-216-821-11	METAL CHIP	1K	5%	1/10W						
R4933	1-216-821-11	METAL CHIP	1K	5%	1/10W						
						T					
						A-1106-836-A T BOARD, MOUNTED					
						CAPACITOR					
						CONNECTOR					
						*	CN8001	1-564-518-11	PLUG, CONNECTOR		3P
						SWITCH					
							S8001	1-570-245-11	SWITCH, MICRO		
						U1					
						* A-1102-912-A U1 BOARD, MOUNTED					
						CAPACITOR					
							C9406	1-162-964-11	CERAMIC CHIP	0.001μF	10% 50V
							C9407	1-162-964-11	CERAMIC CHIP	0.001μF	10% 50V
							C9408	1-125-891-11	CERAMIC CHIP	0.47μF	10% 10V
							C9409	1-125-891-11	CERAMIC CHIP	0.47μF	10% 10V
							C9410	1-162-970-11	CERAMIC CHIP	0.01μF	10% 25V
							C9411	1-164-505-11	CERAMIC CHIP	2.2μF	16V
							C9412	1-162-964-11	CERAMIC CHIP	0.001μF	10% 50V
							C9413	1-162-964-11	CERAMIC CHIP	0.001μF	10% 50V
							C9415	1-162-970-11	CERAMIC CHIP	0.01μF	10% 25V
							C9417	1-164-505-11	CERAMIC CHIP	2.2μF	16V

U1

REF. NO.	PART NO.	DESCRIPTION	VALUES	REF. NO.	PART NO.	DESCRIPTION	VALUES
C9418	1-164-505-11	CERAMIC CHIP	2.2μF				
C9419	1-164-505-11	CERAMIC CHIP	2.2μF				
C9421	1-164-505-11	CERAMIC CHIP	2.2μF				
C9422	1-164-505-11	CERAMIC CHIP	2.2μF				
C9424	1-164-505-11	CERAMIC CHIP	2.2μF				
C9426	1-164-505-11	CERAMIC CHIP	2.2μF				
		CONNECTOR					
CN9401	1-778-398-11	CONNECTOR, BOARD TO BOARD	15P				
* CN9402	1-691-632-22	CONNECTOR, BOARD TO BOARD	15P				
		DIODE					
D9403	8-719-977-28	DIODE	DTZ10B				
		JACK					
J9402	1-573-967-12	BLOCK, (S) TERMINAL					
		RESISTOR					
R9408	1-218-665-11	METAL CHIP	75	0.50%	1/10W		
R9410	1-216-849-11	METAL CHIP	220K	5%	1/10W		
R9411	1-216-849-11	METAL CHIP	220K	5%	1/10W		
R9414	1-216-849-11	METAL CHIP	220K	5%	1/10W		
R9415	1-216-849-11	METAL CHIP	220K	5%	1/10W		
R9416	1-216-821-11	METAL CHIP	1K	5%	1/10W		
R9417	1-216-821-11	METAL CHIP	1K	5%	1/10W		
R9418	1-216-864-11	SHORT CHIP					
R9420	1-218-665-11	METAL CHIP	75	0.50%	1/10W		
R9421	1-218-665-11	METAL CHIP	75	0.50%	1/10W		
R9422	1-218-665-11	METAL CHIP	75	0.50%	1/10W		
R9423	1-216-821-11	METAL CHIP	1K	5%	1/10W		
R9424	1-216-821-11	METAL CHIP	1K	5%	1/10W		
R9425	1-218-665-11	METAL CHIP	75	0.50%	1/10W		
R9426	1-218-665-11	METAL CHIP	75	0.50%	1/10W		
R9427	1-216-864-11	SHORT CHIP					
R9428	1-216-864-11	SHORT CHIP					
R9429	1-216-864-11	SHORT CHIP					
R9430	1-216-864-11	SHORT CHIP					
R9431	1-216-864-11	SHORT CHIP					
R9432	1-216-864-11	SHORT CHIP					
		VARISTOR					
VD9410	1-803-974-21	VARISTOR, CHIP				(1608)	
VD9414	1-803-974-21	VARISTOR, CHIP				(1608)	
VD9415	1-803-974-21	VARISTOR, CHIP				(1608)	
VD9416	1-803-974-21	VARISTOR, CHIP				(1608)	
VD9419	1-803-974-21	VARISTOR, CHIP				(1608)	
VD9420	1-803-974-21	VARISTOR, CHIP				(1608)	
VD9431	1-803-974-21	VARISTOR, CHIP				(1608)	
VD9432	1-803-974-21	VARISTOR, CHIP				(1608)	
VD9433	1-803-974-21	VARISTOR, CHIP				(1608)	
VD9442	1-803-974-21	VARISTOR, CHIP				(1608)	
		ACCESSORIES AND PACKING					
* 4-041-426-01		BAG, PROTECTION				(KDF-E55A20 ONLY)	
* 4-097-659-01		BAG, PROTECTION				(KDF-E60A20 ONLY)	
* 2-023-276-03		CUSHION (LOWER)				(KDF-E55A20 ONLY)	
* 2-023-606-03		CUSHION (LOWER)				(KDF-E60A20 ONLY)	
* 2-023-275-02		CUSHION (UPPER)				(KDF-E55A20 ONLY)	
* 2-023-605-02		CUSHION (UPPER)				(KDF-E60A20 ONLY)	
2-597-550-11		GUIDE, QUICK SETUP					
2-597-550-21		GUIDE, QUICK SETUP					
2-597-550-31		GUIDE, QUICK SETUP					
* 2-629-468-01		INDIVIDUAL CARTON				(KDF-E55A20 ONLY)	
* 2-629-469-01		INDIVIDUAL CARTON				(KDF-E60A20 ONLY)	
2-593-962-11		MANUAL, INSTRUCTION					
2-593-962-21		MANUAL, INSTRUCTION					
2-593-962-31		MANUAL, INSTRUCTION					
* 4-097-660-01		SHEET, PROTECTION					
		MISCELLANEOUS					
1-519-775-12		LAMP					
* A-1085-447-A		LAMP BLOCK(IRP) ASSY					
1-417-507-11		POD-HOST CERT,D-CABLE READY					
7-600-004-25		TAPE,ACETATE (NO.5) 25X20M BLK					

REF. NO.	PART NO.	DESCRIPTION	VALUES	REF. NO.	PART NO.	DESCRIPTION	VALUES
	4-084-345-02	(+)P TAPPING SCREW B-O (W)			REMOTE CONTROL		
	7-684-024-04	N 4, TYPE 2		1-479-327-11		REMOTE COMANDER (RM-YD002)	
	3-682-691-00	NUT, WASHER HEXAGON		9-885-083-76		COVER, SLIDE (BATTERY COVER FOR RM-YD002)	
	3-669-145-02	SCREW					
	4-029-432-01	SCREW (3X12), (+) BVWHTP					
	4-382-854-01	SCREW (M3X8), P, SW (+)					
	4-302-404-03	SCREW (WASHER HEAD) (+P 4X16)					
	7-685-647-79	SCREW +BVTP 3X10 TYPE2 IT-3					
	7-685-648-79	SCREW +BVTP 3X12 TYPE2 IT-3					
	7-685-646-79	SCREW +BVTP 3X8 TYPE2 IT-3					
	7-685-661-14	SCREW +BVTP 4X12 TYPE2 IT-3					
	7-685-663-79	SCREW +BVTP 4X16 TYPE2 IT-3					
	7-685-664-79	SCREW +BVTP 4X20 TYPE2 IT-3					
	7-621-555-50	SCREW +K 2X8					
	7-685-146-11	SCREW +P 3X8 TYPE2 NON-SLIT					
	7-682-148-09	SCREW +P 3X8					
	7-682-660-09	SCREW +PS 4X6					
	7-685-903-21	SCREW +PTPWH 3X8 (TYPE2)					
	7-681-000-00	SCREW +PWH M2X5					
	4-319-520-11	SCREW, SPECIAL (+PW4X30)					
	3-701-810-72	SCREW, TERMINAL					
*	3-650-537-00	WASHER					

In an effort to reduce the size of this pdf file the tiled schematics are not attached to this Service Manual. To receive a complete set of the tiled schematics for this manual please submit a request to the Service Promotion Department at Service_Promotion@am.sony.com.