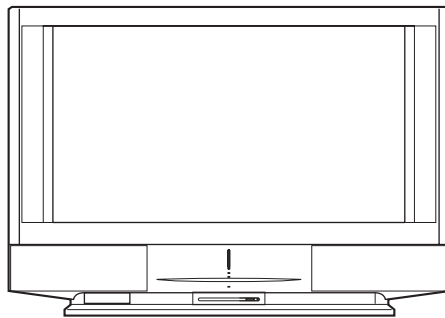




# SERVICE MANUAL LA-2 CHASSIS

<u>MODEL</u>	<u>COMMANDER</u>	<u>DEST.</u>	<u>CHASSIS NO.</u>	<u>MODEL</u>	<u>COMMANDER</u>	<u>DEST.</u>	<u>CHASSIS NO.</u>
<i>KF-42WE610</i>	<i>RM-Y913</i>	<i>US</i>					
<i>KF-42WE610</i>	<i>RM-Y913</i>	<i>Canadian</i>					
<i>KF-50WE610</i>	<i>RM-Y913</i>	<i>US</i>					
<i>KF-50WE610</i>	<i>RM-Y913</i>	<i>Canadian</i>					
<i>KF-60WE610</i>	<i>RM-Y913</i>	<i>US</i>					
<i>KF-60WE610</i>	<i>RM-Y913</i>	<i>Canadian</i>					



KF-42WE610/50WE610/60WE610



RM-Y913

LCD PROJECTION TV

**SONY**®

## Specifications

Projection System	3 LCD Panels, 1 lens projection system	
LCD Panel	0.87 inch TFT LCD panel Approx. 3.28 million dots (1,092,168 pixels)	
Projection Lens	High Performance, large diameter hybrid lens F2.4	
Antenna	75 ohm external terminal for VHF/UHF	
Lamp	UHP lamp, 100W XL-2100U	
Television System	NTSC, American TV Standard	
Screen Size (measured diagonally)	KF-42WE610: 42 inches, KF-50WE610: 50 inches, KF-60WE610: 60 inches	
Channel Coverage		
VHF	2-13	
UHF	14-69	
CATV	1-125	
Power Requirements	120V, 60 Hz	
Number of Inputs/Outputs		
DVI-HDTV	1 terminal, 3.3 V T.M.D.S., 50 ohms The DVI-HDTV input terminal is compliant with the EIA-861 standard and is not intended for use with personal computers.	
Video (IN)	4	1 Vp-p, 75 ohms unbalanced, sync negative
S Video (IN)	4	Y: 1 Vp-p, 75 ohms unbalanced, sync negative C: 0.286 Vp-p (Burst signal), 75 ohms
Audio (IN)	6	500 mVrms (100% modulation) Impedance: 47 kilohms
AUDIO (VAR/FIX)	1	500 mVrms at the maximum volume setting (Variable) 500 mVrms (Fixed) Impedance (output): 2 kilohms
CONTROL S (IN/OUT)	1	minijacks
Component Video Input	2 (Y, P <sub>B</sub> , P <sub>R</sub> )	Y: 1.0 Vp-p, 75 ohms unbalanced, sync negative P <sub>B</sub> : 0.7 Vp-p, 75 ohms P <sub>R</sub> : 0.7 Vp-p, 75 ohms
RF Inputs	2	
Converter	1	
Speaker Output	5W (L), 5W (R), 20W (Woofer)	
Dimensions (W ◊ H ◊ D)	KF-42WE610: 1,201 x 819 x 371 mm (47 1/4 x 32 1/4 x 14 1/2 inches) KF-50WE610: 1,377 x 928 x 452 mm (54 1/4 x 36 1/2 x 17 3/4 inches) KF-60WE610: 1,619 x 1,067 x 541 mm (63 3/4 x 42 x 21 1/4 inches)	
Mass	KF-42WE610: 32 Kg (70 lb 12 oz) KF-50WE610: 39.5 kg (87 lb 1 oz), KF-60WE610: 49.5 kg (109 lb 2 oz)	
Power Consumption		
In Use	210 W	
In Standby	Under 1 W	

Supplied Accessories	
Remote Control	RM-Y913
AA Batteries	2 supplied for remote control
Cleaning Cloth	1
Optional Accessories	
TV Stand	SU-GW1 (for KF-50/60WE610), SU-GW2 (for KF-42WE610)
Lamp	XL-2100U
AV Cable	VC-810S/820S/830S
Control S Cable	RK-G69
Component Video Cable	VMC-10/30
AV Receiver	STR series or equivalent
Memory Stick media	8MB (MSA-8A), 16MB (MSA-16A), 32MB (MSA-32A), 64MB (MSA-64A), 128MB (MSA-128A)

Design and specifications are subject to change without notice.

## SAFETY CHECK-OUT

( US model only )

After correcting the original service problem, perform the following safety checks before releasing the set to the customer:

1. Check the area of your repair for unsoldered or poorly-soldered connections. Check the entire board surface for solder splashes and bridges.
2. Check the interboard wiring to ensure that no wires are "pinched" or contact high-wattage resistors.
3. Check that all control knobs, shields, covers, ground straps, and mounting hardware have been replaced. Be absolutely certain that you have replaced all the insulators.
4. Look for unauthorized replacement parts, particularly transistors, that were installed during a previous repair. Point them out to the customer and recommend their replacement.
5. Look for parts which, through functioning, show obvious signs of deterioration. Point them out to the customer and recommend their replacement.
6. Check the line cords for cracks and abrasion. Recommend the replacement of any such line cord to the customer.
7. Check the condition of the monopole antenna (if any). Make sure the end is not broken off, and has the plastic cap on it. Point out the danger of impalement on a broken antenna to the customer, and recommend the antenna's replacement.
8. Check the B+ and HV to see they are at the values specified. Make sure your instruments are accurate; be suspicious of your HV meter if sets always have low HV.
9. Check the antenna terminals, metal trim, "metallized" knobs, screws, and all other exposed metal parts for AC leakage. Check leakage as described below.

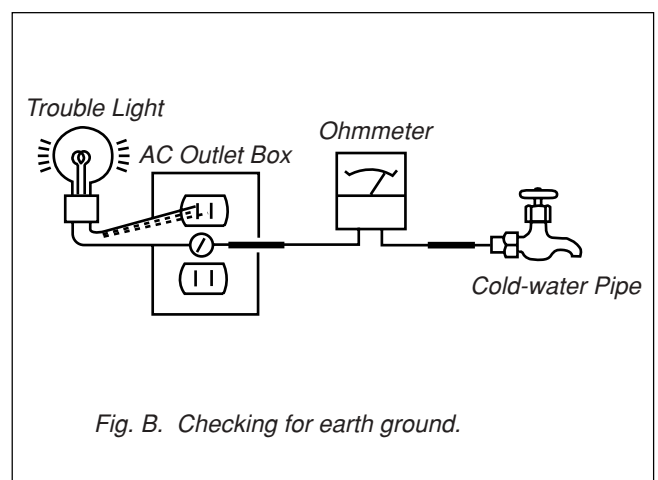
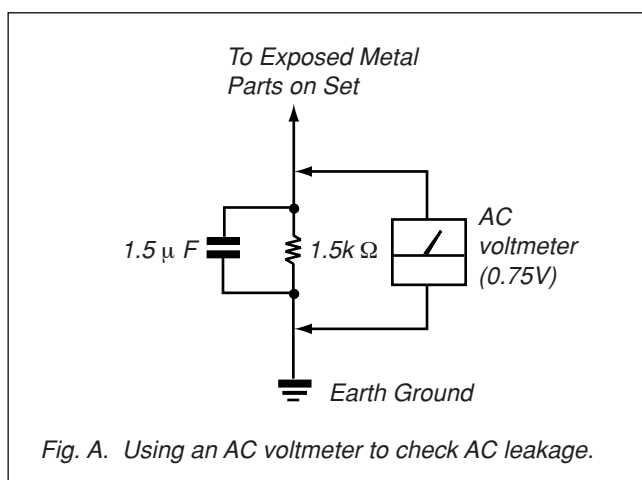
### LEAKAGE TEST

The AC leakage from any exposed metal part to earth ground and from all exposed metal parts to any exposed metal part having a return to chassis, must not exceed 0.5mA (500 microampers). Leakage current can be measured by any one of three methods.

1. A commercial leakage tester, such as the Simpson 229 or RCA WT-540A. Follow the manufacturers' instructions to use these instruments.
2. A battery-operated AC milliammeter. The Data Precision 245 digital multimeter is suitable for this job.
3. Measuring the voltage drop across a resistor by means of a VOM or battery-operated AC voltmeter. The "limit" indication is 0.75V, so analog meters must have an accurate low-voltage scale. The Simpson 250 and Sanwa SH-63Trd are examples of a passive VOM that is suitable. Nearly all battery-operated digital multimeters that have a 2V AC range are suitable. (See Fig. A)

### HOW TO FIND A GOOD EARTH GROUND

A cold-water pipe is guaranteed earth ground; the cover-plate retaining screw on most AC outlet boxes is also at earth ground. If the retaining screw is to be used as your earth-ground, verify that it is at ground by measuring the resistance between it and a cold-water pipe with an ohmmeter. The reading should be zero ohms. If a cold-water pipe is not accessible, connect a 60-100 watt trouble light (not a neon lamp) between the hot side of the receptacle and the retaining screw. Try both slots, if necessary, to locate the hot side of the line, the lamp should light at normal brilliance if the screw is at ground potential. (See Fig. B)



**(CAUTION)**

SHORT CIRCUIT THE ANODE OF THE PICTURE TUBE AND THE ANODE CAP TO THE METAL CHASSIS, CRT SHIELD, OR CARBON PAINTED ON THE CRT, AFTER REMOVING THE ANODE.

**WARNING!!**

AN ISOLATION TRANSFORMER SHOULD BE USED DURING ANY SERVICE TO AVOID POSSIBLE SHOCK HAZARD, BECAUSE OF LIVE CHASSIS. THE CHASSIS OF THIS RECEIVER IS DIRECTLY CONNECTED TO THE AC POWER LINE.

**SAFETY-RELATED COMPONENT WARNING!!**

COMPONENTS IDENTIFIED BY SHADING AND MARK  $\triangle$  ON THE SCHEMATIC DIAGRAMS, EXPLODED VIEWS AND IN THE PARTS LIST ARE CRITICAL TO SAFE OPERATION. REPLACE THESE COMPONENTS WITH SONY PARTS WHOSE PART NUMBERS APPEAR AS SHOWN IN THIS MANUAL OR IN SUPPLEMENTS PUBLISHED BY SONY. CIRCUIT ADJUSTMENTS THAT ARE CRITICAL TO SAFE OPERATION ARE IDENTIFIED IN THIS MANUAL. FOLLOW THESE PROCEDURES WHENEVER CRITICAL COMPONENTS ARE REPLACED OR IMPROPER OPERATION IS SUSPECTED.

**(ATTENTION)**

APRES AVOIR DECONNECTE LE CAP DE L'ANODE, COURT-CIRCUITER L'ANODE DU TUBE CATHODIQUE ET CELUI DE L'ANODE DU CAP AU CHASSIS METALLIQUE DE L'APPAREIL, OU AU COUCHE DE CARBONE PEINTE SUR LE TUBE CATHODIQUE OU AU BLINDAGE DU TUBE CATHODIQUE.

**ATTENTION!!**

AFIN D'EVITER TOUT RISQUE DELECTROCUTION PROVENANT D'UN CHÂSSIS SOUS TENSION, UN TRANSFORMATEUR D'ISOLEMENT DOIT ETRE UTILISÉ LORS DE TOUT DEPANNAGE. LE CHÂSSIS DE CE RECEPTEUR EST DIRECTEMENT RACCORDÉ À L'ALIMENTATION SECTEUR.

**ATTENTION AUX COMPOSANTS RELATIFS Á LA SÉCURITÉ!!**

LES COMPOSANTS IDENTIFIÉS PAR UNE TRAME ET PAR UNE MAPQUE  $\triangle$  SUR LES SCHÉMAS DE PRINCIPE, LES VUES EXPLOSÉES ET LES LISTES DE PIÉCES CONT D'UNE IMPORTANCE CRITIQUE POUR LA SÉCURITÉ DU FONCTIONNEMENT. NE LES REMPLACER QUE PAR DES COMPOSANTS SONY DONT LE NUMÉRO DE PIÉCE EST INDIQUÉ DANS LE PRÉSENT MANUEL OU DANS DES SUPPLÉMENTS PUBLIÉS PAR SONY. LES RÉGLAGES DE CIRCUIT DONT L'IMPORTANCE EST CRITIQUE POUR LA SÉCURITÉ DU FONCTIONNEMENT SONT IDENTIFIÉS DANS LE PRÉSENT MANUEL. SUIVRE CES PROCÉDURES LORS DE CHAQUE REMPLACEMENT DE COMPOSANTS CRITIQUES, OU LORSQU'UN MAUVAIS FONCTIONNEMENT EST SUSPECTÉ.

**TABLE OF CONTENTS**

<u>Section</u>	<u>Title</u>	<u>Page</u>	<u>Section</u>	<u>Title</u>	<u>Page</u>
<b>1. SELF DIAGNOSIS FUNCTION</b>		8	4-4.	Schematic Diagrams	99
			(1)	Schematic Diagram of A (1/4) Board	100
			(2)	Schematic Diagram of A (2/4) Board	101
			(3)	Schematic Diagram of A (3/4) Board	102
			(4)	Schematic Diagram of A (4/4) Board	103
			(5)	Schematic Diagram of AU (1/2) Board	104
			(6)	Schematic Diagram of AU (2/2) Board	105
			(7)	Schematic Diagram of F Board	106
			(8)	Schematic Diagram of G1 Board	107
			(9)	Schematic Diagram of H1, H2 Board	108
			(10)	Schematic Diagram of H3 Board	109
			(11)	Schematic Diagram of HM Board	110
			(12)	Schematic Diagram of T Board	111
			(13)	Schematic Diagram of U (1/3) Board	112
			(14)	Schematic Diagram of U (2/3) Board	113
			(15)	Schematic Diagram of U (3/3) Board	114
			(16)	Schematic Diagram of UD (1/2) Board	115
			(17)	Schematic Diagram of UD (2/2) Board	116
			4-5.	Printed Wiring Boards	117
				• A Board (Side A)	117
				• A Board (Side B)	118
				• AU Board	119
				• F Board	120
				• G1 Board (Side A)	121
				• G1 Board (Side B)	122
				• H1 Board	123
				• H2 Board	124
				• H3 Board	125
				• HM Board	126
				• T Board	127
				• U Board (Side A)	128
				• U Board (Side B)	129
				• UD Board	130
			4-6	IC Block Diagrams	131
			4-7	Semiconductors	132
<b>2. DISASSEMBLY</b>			<b>5. EXPLODED VIEWS</b>		
2-1.	Rear Cover	12	5-1.	Screen Mirror Block Section	134
2-2.	Center Pillar	12	5-2.	Bottom Block	135
2-3.	Service Position	12	5-3.	Shassis-1	136
2-4.	Chassis Assembly, Optical Unit Block, D.C.Fan	13	5-4.	Shassis-2	137
2-5.	UD Board, RF Antenna Switch	13	5-4.	Optical Unit Block	138
2-6.	U Board	13			
2-7.	F and G1 Boards	14			
2-8.	DIC Block, AU and C2 Boards	14			
2-9.	A Board	15			
2-10.	Power Supply Block	15			
2-11.	T Board	15			
2-12.	H3 Board (42WE610)	15			
2-13.	Front Cover Assembly	16			
2-14.	HM and H3 Boards (50WE610/60WE610)	16			
2-15.	H2 Board	17			
2-16.	HM Board (42WE610)	17			
2-17.	Screen Mirror Block Assembly	18			
2-18.	H1 Board	18			
<b>3. ELECTRICAL ADJUSTMENTS</b>					
3-1.	Electrical Adjustment by Remote Commander	19			
3-1-1.	Method of Setting the Service Adjustment Mode	19			
3-1-2.	Service Mode Adjustment	19			
3-1-3.	Memory Write Confirmation Method	19			
3-1-4.	Adjusting Buttons and Indicator	19			
3-1-5.	Service Mode List	21			
3-2.	Sub Color/Sub Hue Adjustment	90			
<b>4. DIAGRAMS</b>					
4-1.	Block Diagram (1)	91			
	Block Diagram (2)	92			
	Block Diagram (3)	93			
	Block Diagram (4)	94			
	Block Diagram (5)	95			
	Block Diagram (6)	96			
	Block Diagram (7)	97			
4-2.	Frame Schematic Diagram	98			
4-3.	Circuit Boards Location	99			

<u>Section</u>	<u>Title</u>	<u>Page</u>
<b>6. ELECTRICAL PARTS LIST</b>		139
	• A Board	139
	• AU Board	143
	• F Board	144
	• G1 Board	145
	• H1 Board	147
	• H2 Board	147
	• H3 Board	148
	• HM Board	148
	• T Board	149
	• U Board	149
	• UD Board	153



**SECTION 1****SELF DIAGNOSIS FUNCTION****1. Summary of Self-Diagnosis Function**

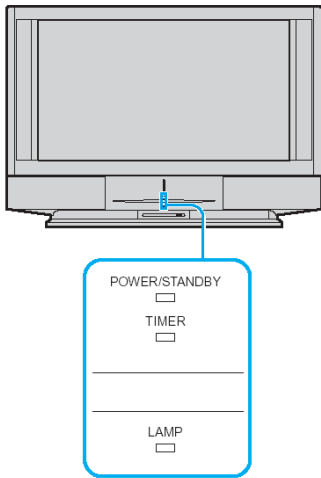
- This device includes a self-diagnosis function.
- In case of abnormalities, the POWER/STANDBY indicator automatically blinks. It is possible to predict the abnormality location by the number of blinks. The Instruction Manual describes blinking of the POWER/STANDBY indicator.
- If the symptom is not reproduced sometimes in case of a malfunction, there is recording of whether a malfunction was generated or not. Operate the remote command to confirm the matter on the screen and to predict the location of the abnormality.

**2. Diagnosis Items and Prediction of Malfunction Location**

- When a malfunction occurs the POWER/STANDBY indicator only blinks for one of the following diagnosis items. In case of two or more malfunctions, the item which first occurred blinks. If the malfunctions occurred simultaneously, the item with the lower blink count blinks first.
- The screen display displays the results regarding all the diagnosis items listed below. The display "0" means that no malfunctions occurred.

<b>Diagnosis Item</b>	<b>Number of times POWER/STANDBY indicator blinks</b>	<b>Probable Cause Location</b>	<b>Defected symptoms</b>
Power does not turn on	0	- Power cord is not plugged in. - Fuse is burned out. (F1901:F board)	- Power does not come on. - No power is supplied to the unit. - AC power supply is faulty.
Lamp cover error	3 times	- Lamp cover is not attached securely.	- No picture/No sound
Fan stopped	4 times	- Fan1 or Fan2 or Fan3 power is not supplied.(A board) - Fan connector is not attached securely.	- No picture/No sound
Temp error	4 times	- Temperature is high. - IIC-E line connector (CN8023:A board,CN44:H3 board) is not attached securely.	- No picture/No sound
Lamp driver error	5 times	- Lamp driver is faulty.	- No picture/No sound
+B OVP error	6 times	- +17V is not supplied.(G1 board)	- No picture/No sound
Audio error	7 times	- Audio line is shorted.(A,G1 board) - IC8504(A board) or IC4704(AU board) is faulty. - PS1601 or 1602 is opened.(G1 board)	- No picture/No sound
D-OVP error	8 times	- +3.3V or +2.5V or +1.8V is over voltage.(G3 board)	- No picture/No sound
Lamp error	LAMP-LED flashes	- Lamp for the light source burns out.	- No picture/No sound

### 3. Blinking count display of POWER/STANDBY indicator



- One blink is not used for self-diagnosis.

- Example

Diagnosis item      LED blinks

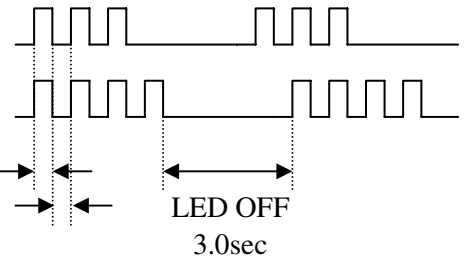
Lamp cover      3 times

Fan      4 times

LED ON : 0.3sec

LED OFF : 0.3sec

LED OFF  
3.0sec



#### - Release of POWER/STANDBY indicator blinking

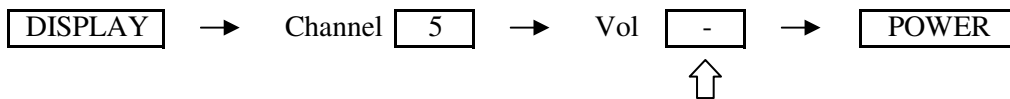
The POWER/STANDBY indicator blinking display is released by removing the plug from the power or leaving for 2 minutes.

### 4. Self-diagnosis screen displays

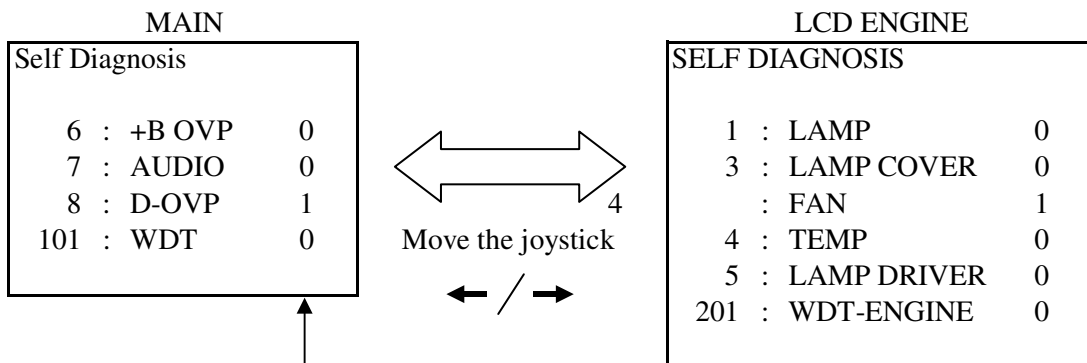
- In cases of malfunctions where it is not possible to determine the symptom such as when the power goes off occasionally or when the screen disappears occasionally, there is a screen display on whether the malfunction occurred or not in the past (and whether the detection circuit operated or not) in order to allow confirmation.

#### <Screen Display Method>

- Quickly press the remote command button in the following order from the standby state.



Be aware that this differs from the method of entering the service mode (Vol +).



- Numeral "1" means a fault was detected one time or more.
- Numeral "0" means that no fault was detected.

- The results display is not automatically cleared. In case of repairs and after repairs, check the self-diagnosis screen and be sure to return the results display to "0".
- If the results display is not returned to "0" it will not be possible to judge a new malfunction after completing repairs.

#### <Method of Clearing Results Display>

1. Power off (Set to the standby mode)
2. **DISPLAY** → Channel **5** → Vol **-** → **POWER**
3. Channel **8** → **ENTER**
4. Wait until appearing the initial setup display.
5. Disconnect AC plug and connect it again.

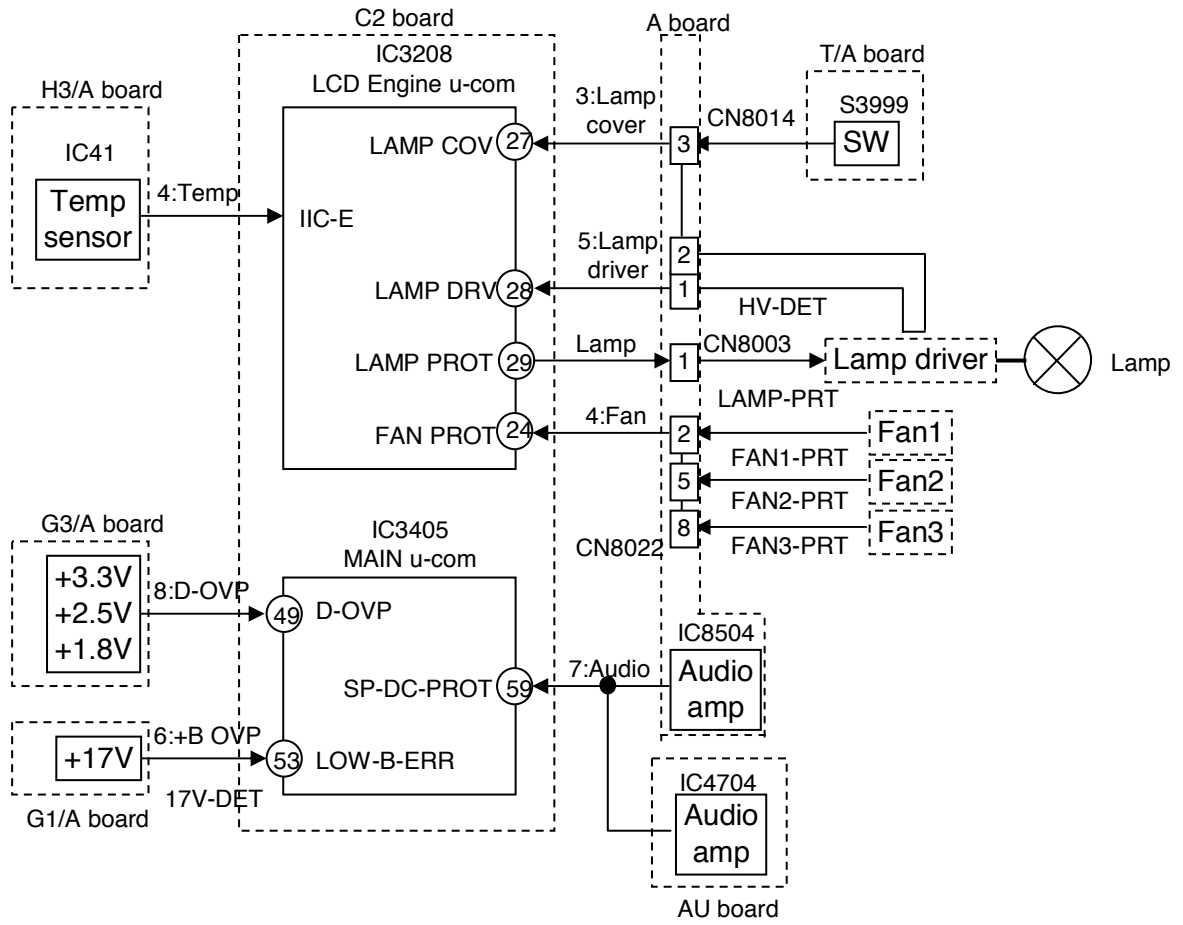
#### <Method of Ending Self-Diagnosis Screen>

- When ending the self-diagnosis screen completely, turn the power switch OFF on the remote commander or the main unit.

### 5. Self-Diagnosis function operation

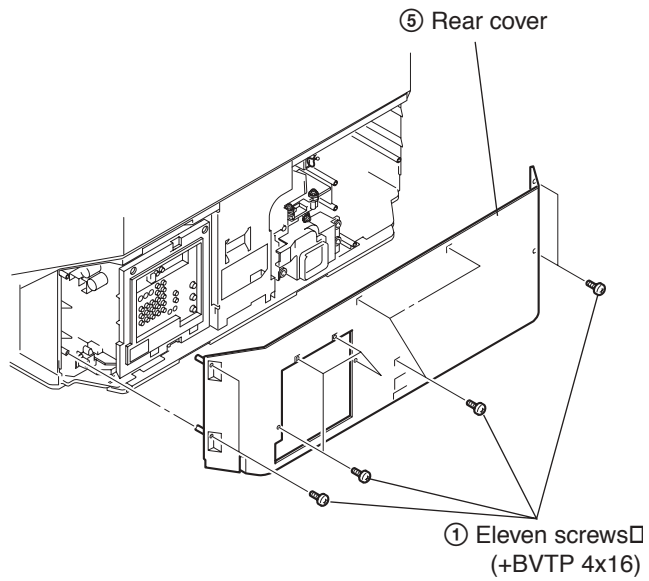
- 3 : Lamp cover      When lamp cover SW is opened then pin 3 of CN8014 on the A board is high, LCD Engine u-com (pin 27 of IC3208 on the C2 board) detects it and make turn off the lamp.
- 4 : Fan              When Fan1 or Fan2 or Fan3 is stopped then pin 2 or 5 or 8 of CN8022 on the A board is high, LCD Engine u-com (pin 24 of IC3208 on the C2 board) detects it and make turn off the lamp.
- 4 : Temp             When a temperature sensor on the H3 board detects a high temperature or IIC-E line connector (CN8023:A board,CN44:H3 board) is not attached securely, LCD Engine u-com IIC-E line detects it and make turn off the lamp.
- 5 : Lamp driver      When lamp is not turned on then pin 29 of LCD Engine u-com (IC3208 on the C2 board) is high, checks pin 28 of LCD Engine u-com. If pin 28 is low, it is judged no high voltage.
- 6 : +B OVP          When +17V line drop then pin 53 of MAIN u-com (IC3405 on the C2 board) is low, it turns off the main power.
- 7 : Audio            When DC is appeared by audio amp failure at speaker line. Then it is detected by MAIN u-com (pin 59 of IC3405 on the C2 board) and it turns off the main power.
- 8 : D-OVP            When +3.3V or +2.5V or +1.8V line over then pin 49 of MAIN u-com (IC3405 on the C2 board) is low, it turns off the main power.
- LAMP : Lamp        When lamp is not turned on then pin 29 of LCD Engine u-com (IC3208 on the C2 board) is high, checks pin 28 of LCD Engine u-com. If pin 28 is high, it is judged lamp is burned out.

<Self-Diagnosis block diagram>



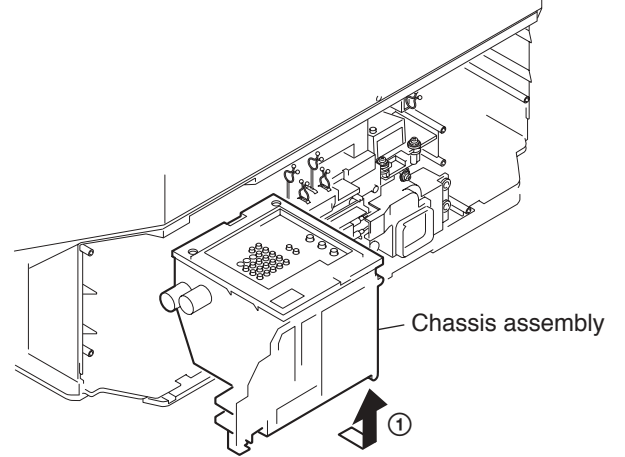
## SECTION 2 DISASSEMBLY

### 2-1. REAR COVER

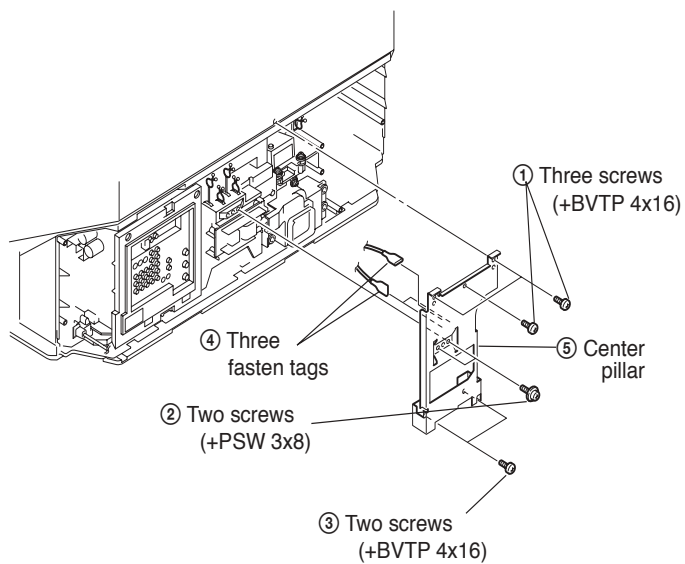


### 2-3. SERVICE POSITION

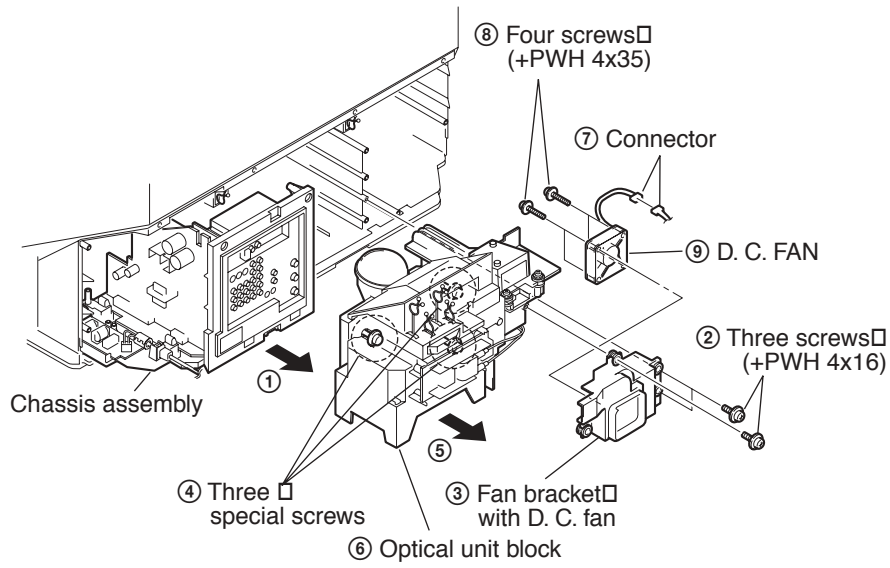
Note: In case of the model 60WE610,  
first remove reinforcement plates (R)/(L).



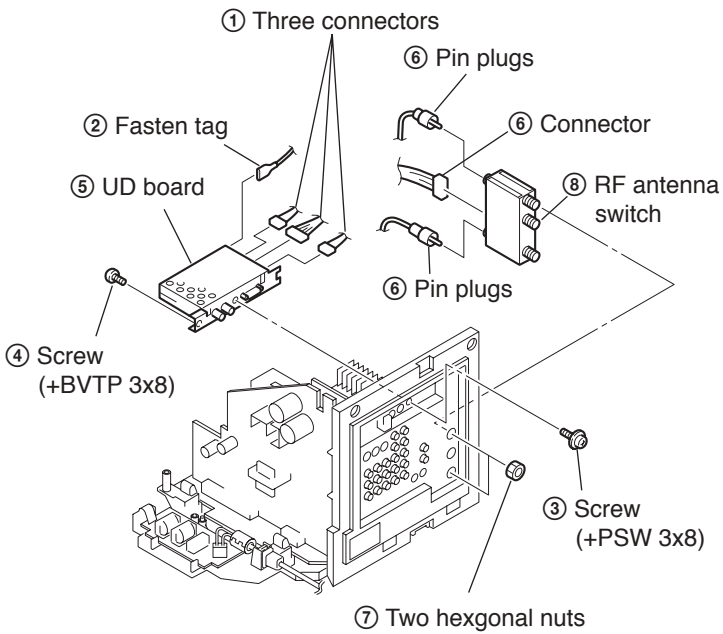
### 2-2. CENTER PILLAR



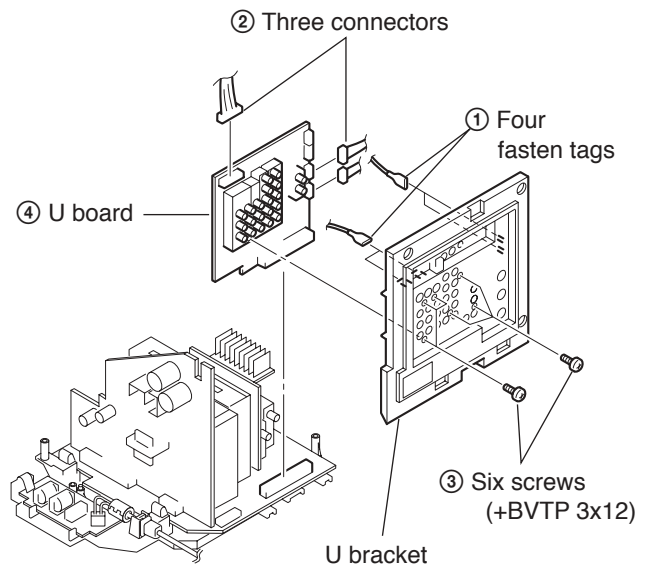
**2-4. CHASSIS ASSEMBLY, OPTICAL UNIT BLOCK, D. C. FAN**



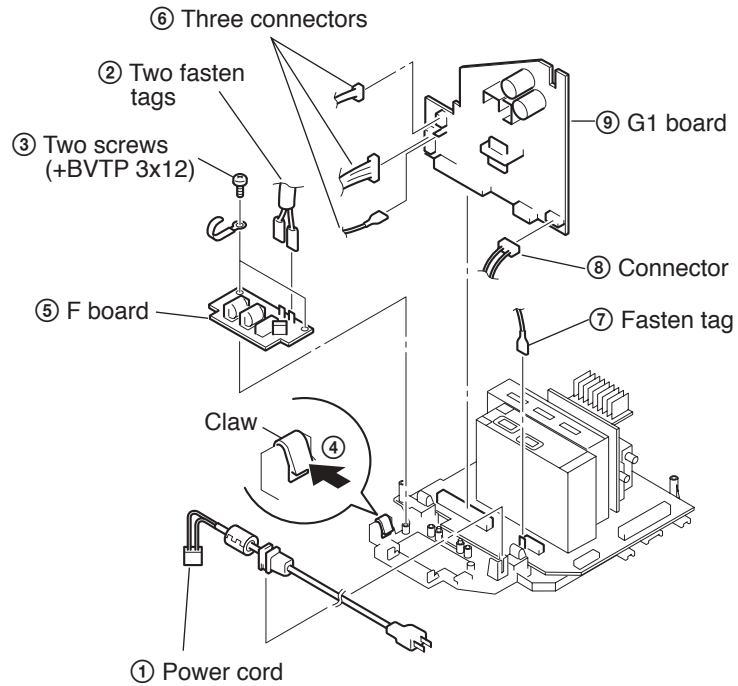
**2-5. UD BOARD, RF ANTENNA SWITCH**



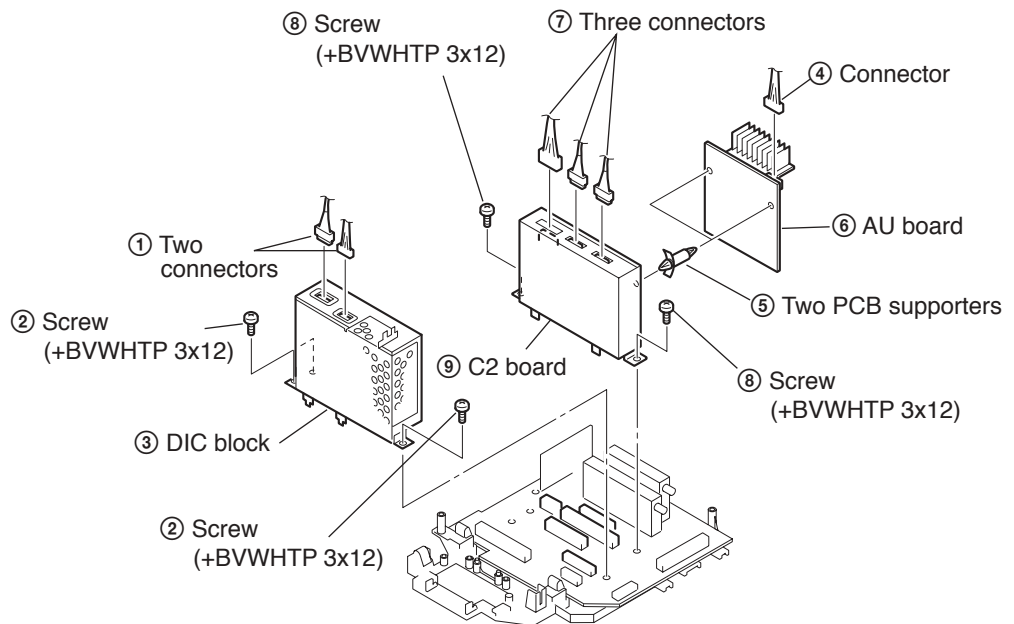
**2-6. U BOARD**



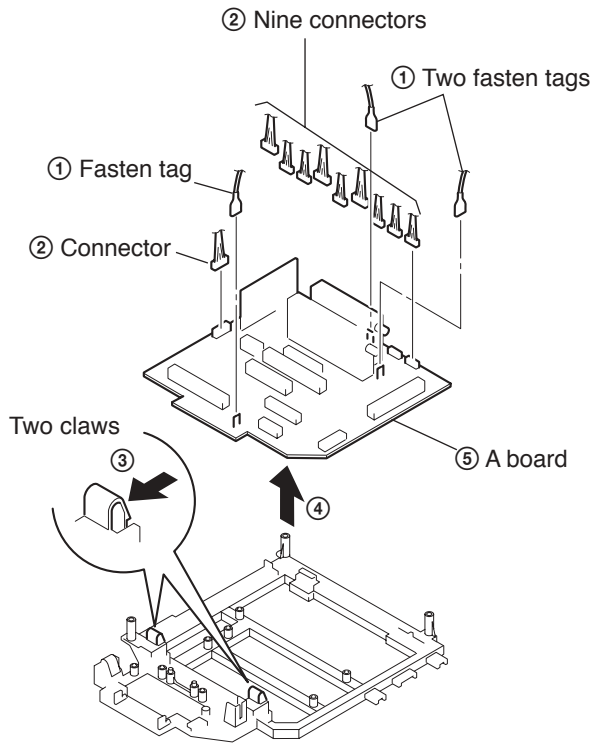
2-7. F AND G1 BOARDS



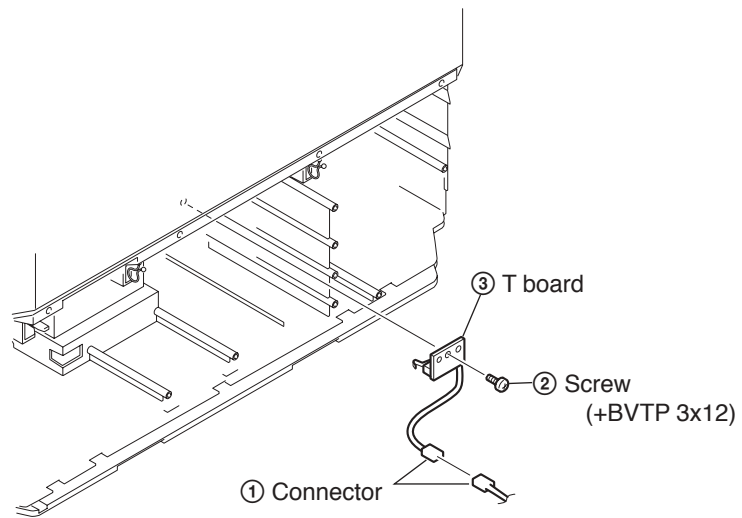
2-8. DIC BLOCK, AU AND C2 BOARDS



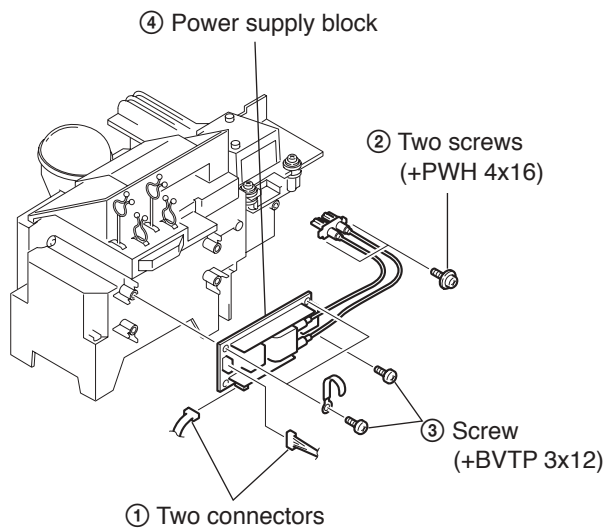
2-9. A BOARD



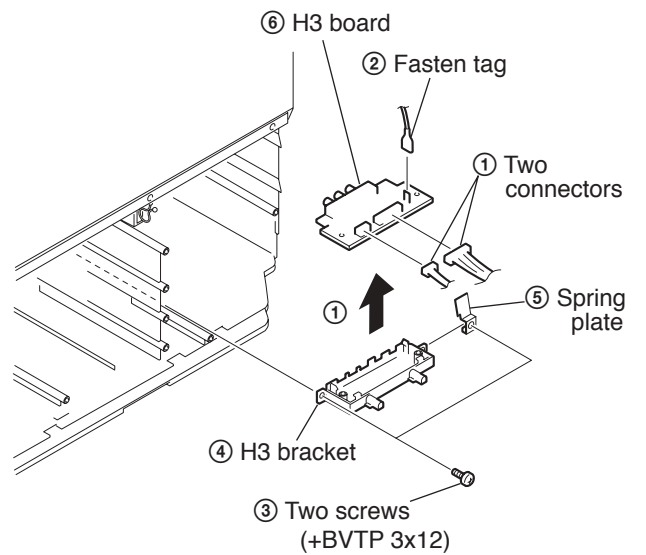
2-11. T BOARD



2-10. POWER SUPPLY BLOCK

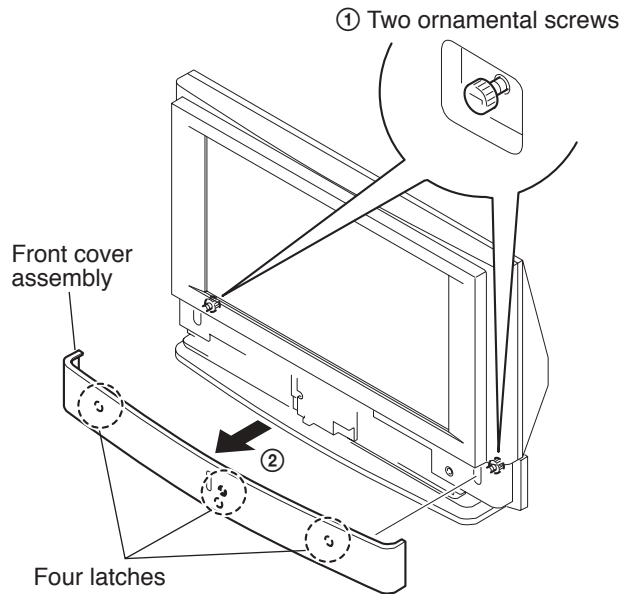


2-12. H3 BOARD (42WE610)

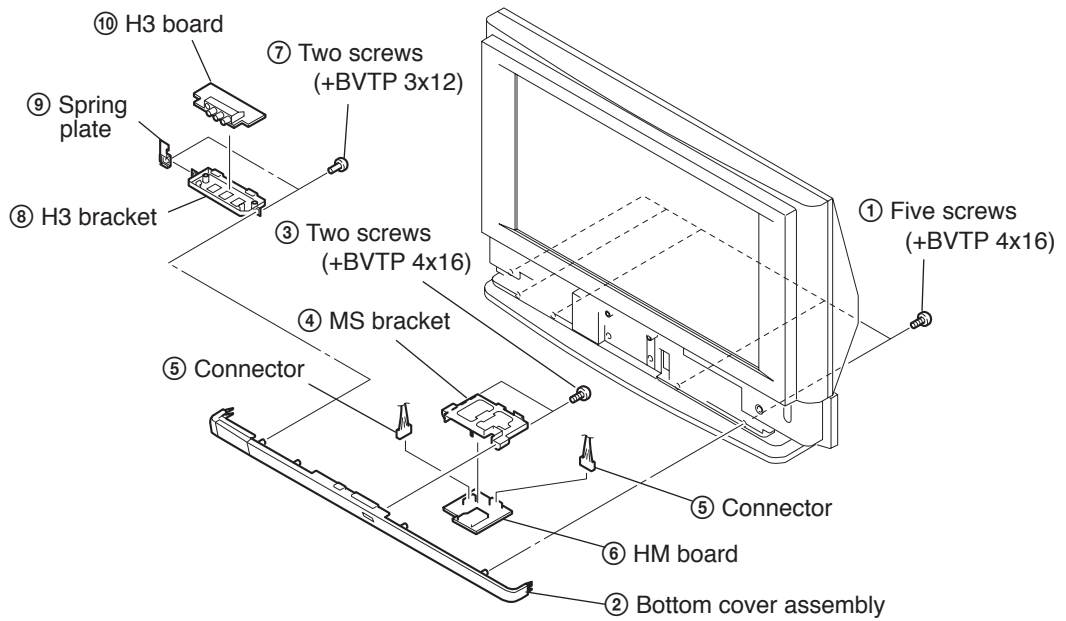




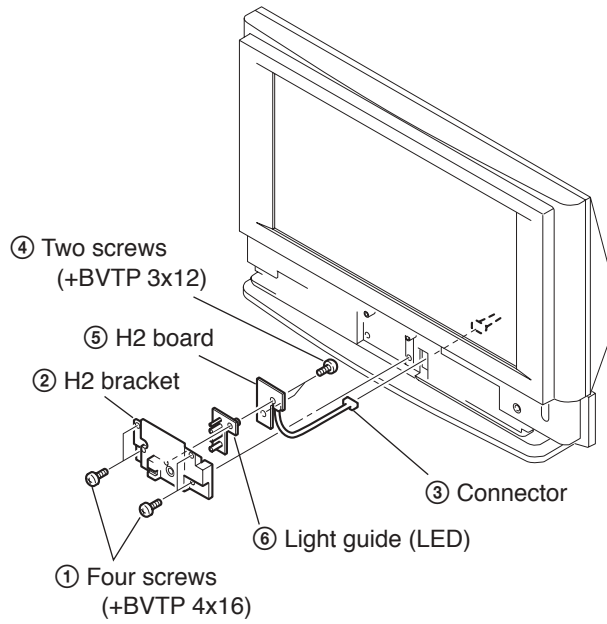
2-13. FRONT COVER ASSEMBLY



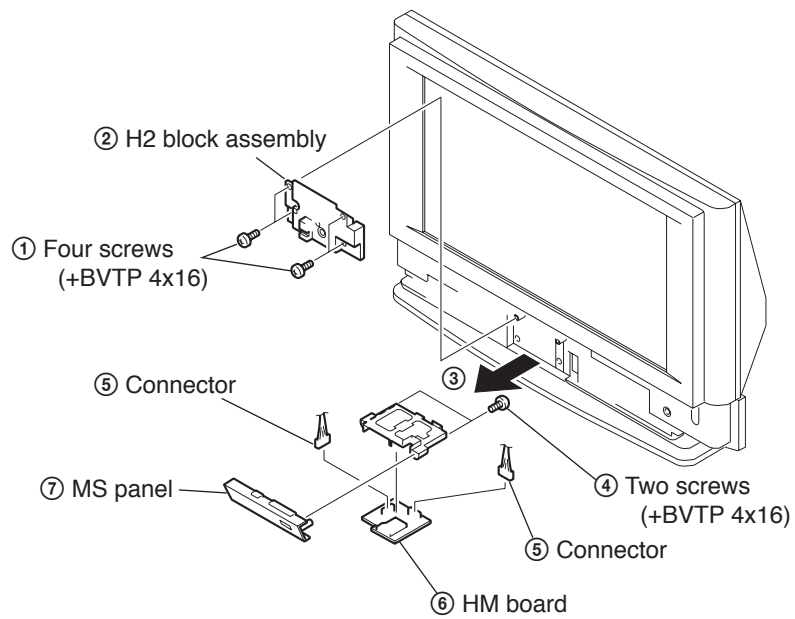
2-14. HM AND H3 BOARDS (50WE610/60WE610)



2-15. H2 BOARD

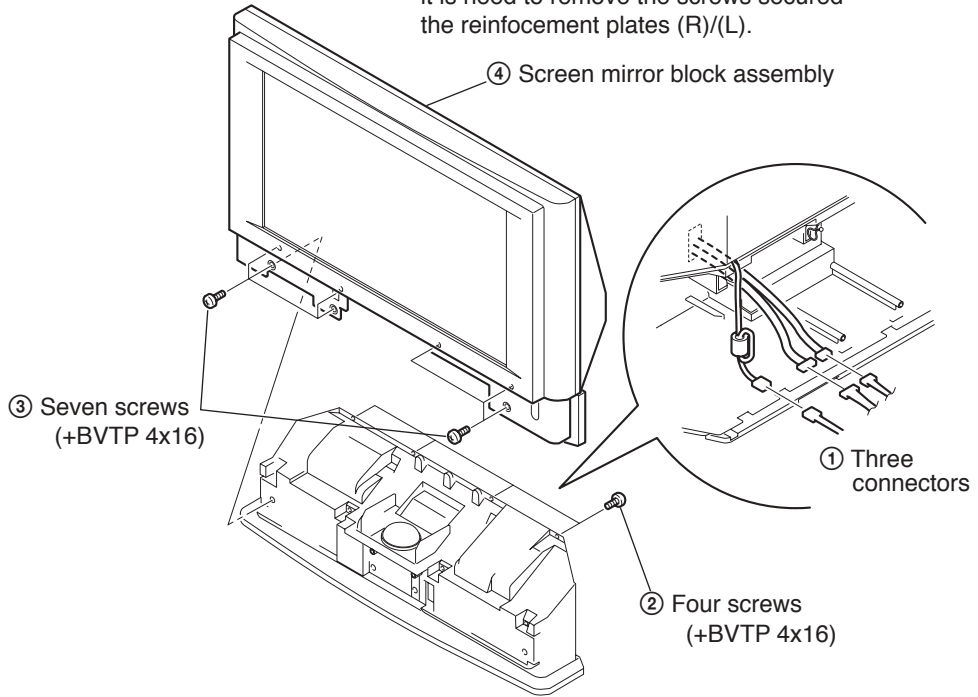


2-16. HM BOARD (42WE610)

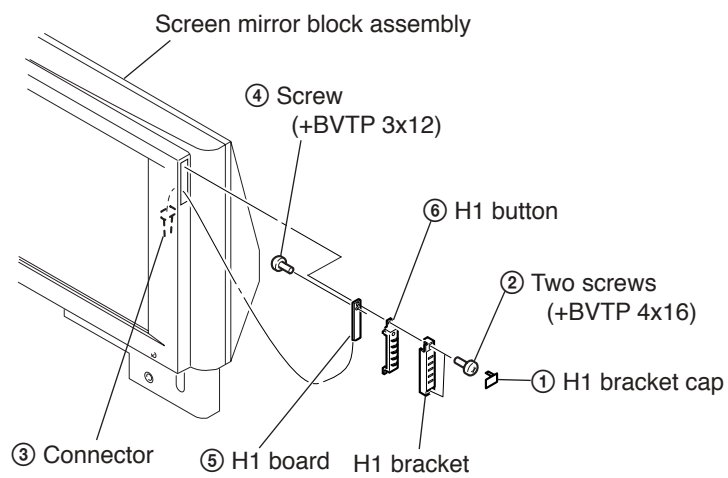


2-17. SCREEN MIRROR BLOCK ASSEMBLY

Note: In case of the model 50WE610/60WE610, it is need to remove the screws secured the reinforcement plates (R)/(L).



2-18. H1 BOARD



**SECTION 3**

**ELECTRICAL ADJUSTMENTS**

**3-1. ELECTRICAL ADJUSTMENT BY REMOTE COMMANDER**

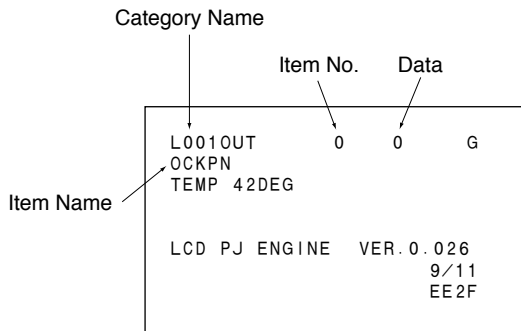
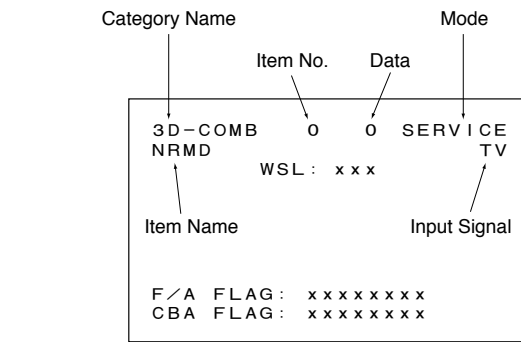
By using remote commander (RM-Y910K), all circuit adjustments can be made.

**NOTE : Test Equipment Required.**

1. Pattern Generator (with component outputs)
2. Oscilloscope
3. Digital multimeter

**3-1-1. Method of Setting the Service Adjustment Mode**

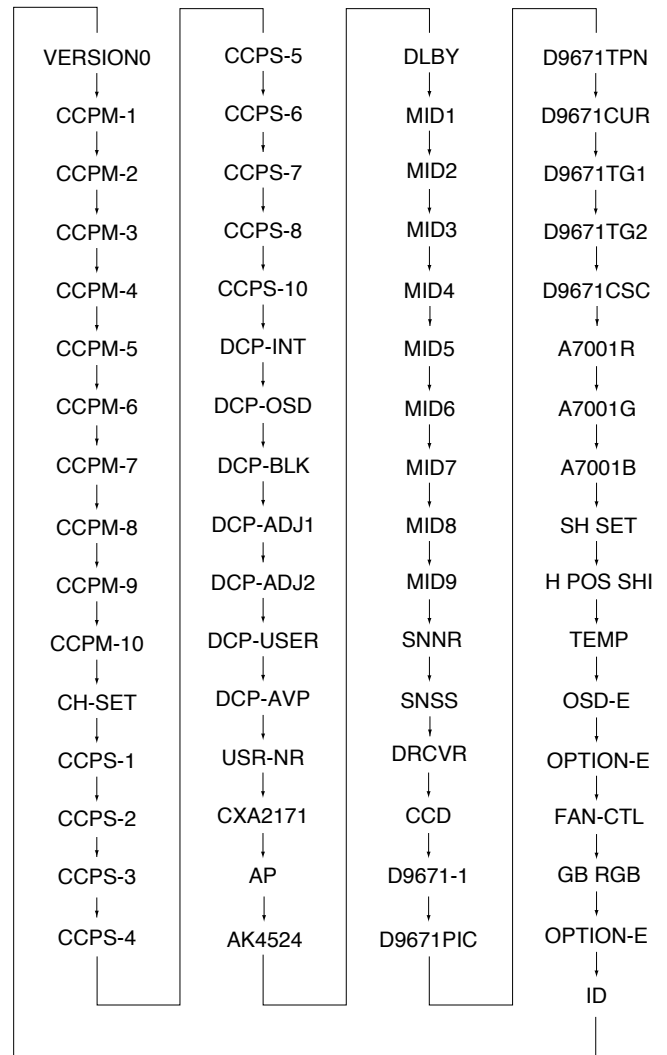
1. Standby mode. (Power off)
2. **DISPLAY** → **5** → **VOL (+)** → **TV POWER** on the remote commander.  
(Press each button within a second.)  
The following service screen will appear.



<LCD PROJECTOR ENGINE>

**3-1-2. Service Mode Adjustment**

1. The SCREEN displays the item being adjusted.
2. Press “①” or “④” on the remote commander to select the adjustment item.
3. Press “③” or “⑥” on the remote commander to change the data.
4. Press “②” or “⑤” on the remote commander to select the category.  
Every time you press “②” (Category up), Service mode changes in the order as shown below.



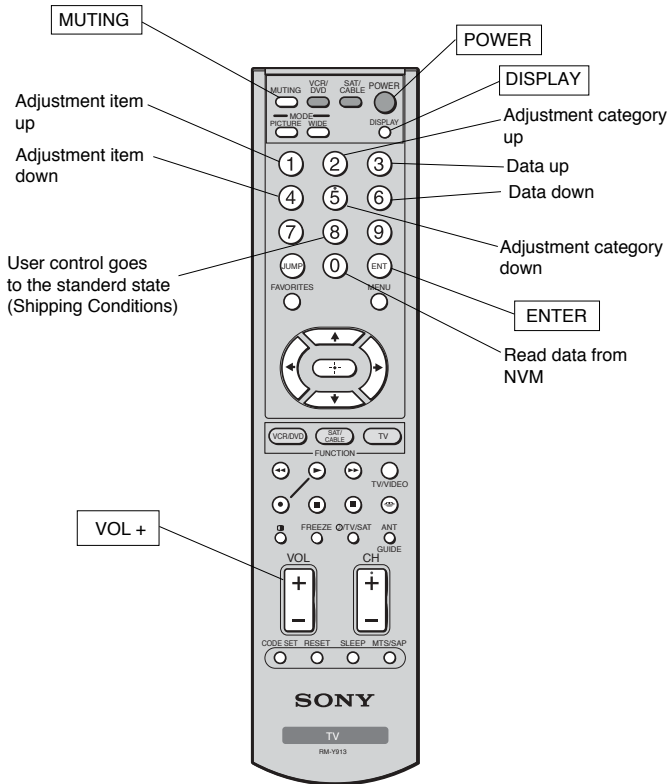
5. If you want to recover the latest values press “⑩” then “**ENTER**” to read the memory.
6. Press “**MUTING**” then “**ENTER**” to write into memory.
7. Turn power off.

Note: Press “⑧” then “**ENTER**” on the remote commander to set the shipping conditions or turn set off and on to exit.

**3-1-3. Memory Write Confirmation Method**

1. After adjustment, turn power off with the remote commander.
2. Turn power on and set to service mode.
3. Call the adjusted items again and confirm they were adjusted.

3-1-4. Adjusting Buttons and Indicator



RM-Y913

FUNCTION OF KEYS ON COMMANDER

- ① : Changes adjustment item. (item No. moves up)
- ④ : Changes adjustment item. (item No. moves down)
- ② : Changes adjustment category. (category moves up)
- ⑤ : Changes adjustment category. (category moves down)
- ③ : Changes data value. (up)
- ⑥ : Changes data value. (down)

Commander Function

Button	Mode	Description
MUTING + ENTER	WRITE	Writes data to NVM.
0 + ENTER	READ	Reads data from NVM.
8 + ENTER	RESET	Set the shipping condition.

(Be sure not to use usually)

### 3-1-5. Service Mode List

Note: •  shaded items are fixed. There is no need to change data. Others are different a little in the sets individually. Basically, there is no need to change data, too.

**CCPM-1**

Functionality No.	Name	Data	Remarks
0	SHPC	*1	
1	FUP2	*1	
2	YNR	*1	
3	CNR	*1	
4	SSHP	*1	
5	YEQ	*1	
6	SHF0	*1	
7	SECA	*2	
8	YCDL	*3	
9	YLEV	*3	
10	CLEV	*3	
11	SHUE	*4	
12	CEQ	*4	
13	CBPF	*4	
14	CBPA	*4	
15	KILV	*4	
16	APGA	*4	
17	NCOM	*4	

**Standards \*1**

No.	Name	UV				Video			
		Vivid	Standard	Pro	Reserved	Vivid	Standard	Pro	Reserved
0	SHPC	1	1	1	0	1	1	1	0
1	FUP2	0	0	0	0	0	0	0	0
2	YNR	0	0	0	0	0	0	0	0
3	CNR	0	0	0	0	0	0	0	0
4	SSHP	2	1	1	7	5	5	5	7
5	YEQ	3	1	1	3	1	1	1	3
6	SHF0	1	1	1	1	1	1	1	1

No.	Name	Component(AVM(YCbCr))							
		480i				480p			
		Vivid	Standard	Pro	Reserved	Vivid	Standard	Pro	Reserved
0	SHPC	0	0	0	0	0	0	0	0
1	FUP2	0	0	0	0	0	0	0	0
2	YNR	0	0	0	0	0	0	0	0
3	CNR	0	0	0	0	0	0	0	0
4	SSHP	7	7	7	7	7	7	7	7
5	YEQ	3	3	3	3	3	3	3	3
6	SHF0	1	1	1	1	1	1	1	1

No.	Name	Component(AVM(YCbCr))							
		1080i				720p			
		Vivid	Standard	Pro	Reserved	Vivid	Standard	Pro	Reserved
0	SHPC	0	0	0	0	0	0	0	0
1	FUP2	0	0	0	0	0	0	0	0
2	YNR	0	0	0	0	0	0	0	0
3	CNR	0	0	0	0	0	0	0	0
4	SSHP	7	7	7	7	7	7	7	7
5	YEQ	3	3	3	3	3	3	3	3
6	SHF0	1	1	1	1	1	1	1	1

No.	Name	DVI(AVM(RGB)/DVI)							
		480i				480p			
		Vivid	Standard	Pro	Reserved	Vivid	Standard	Pro	Reserved
0	SHPC	0	0	0	0	0	0	0	0
1	FUP2	0	0	0	0	0	0	0	0
2	YNR	0	0	0	0	0	0	0	0
3	CNR	0	0	0	0	0	0	0	0
4	SSHP	7	7	7	7	7	7	7	7
5	YEQ	3	3	3	3	3	3	3	3
6	SHF0	1	1	1	1	1	1	1	1

No.	Name	DVI(AVM(RGB)/DVI)							
		1080i				720p			
		Vivid	Standard	Pro	Reserved	Vivid	Standard	Pro	Reserved
0	SHPC	0	0	0	0	0	0	0	0
1	FUP2	0	0	0	0	0	0	0	0
2	YNR	0	0	0	0	0	0	0	0
3	CNR	0	0	0	0	0	0	0	0
4	SSHP	7	7	7	7	7	7	7	7
5	YEQ	3	3	3	3	3	3	3	3
6	SHF0	1	1	1	1	1	1	1	1

No.	Name	DVI(AVM(RGB)/DVI)			
		VGA(VGA/OTHER)			
		Vivid	Standard	Pro	Reserved
0	SHPC	0	0	0	0
1	FUP2	0	0	0	0
2	YNR	0	0	0	0
3	CNR	0	0	0	0
4	SSHP	7	7	7	7
5	YEQ	3	3	3	3
6	SHF0	1	1	1	1

No.	Name	i.LINK(ex DV) for XBR/BS/CS/i.LINK(ex DV)							
		480i(ex DV Format)(480i)				480p			
		Vivid	Standard	Pro	Reserved	Vivid	Standard	Pro	Reserved
0	SHPC	0	0	0	0	0	0	0	0
1	FUP2	0	0	0	0	0	0	0	0
2	YNR	0	0	0	0	0	0	0	0
3	CNR	0	0	0	0	0	0	0	0
4	SSHP	7	7	7	7	7	7	7	7
5	YEQ	3	3	3	3	3	3	3	3
6	SHF0	1	1	1	1	1	1	1	1

No.	Name	i.LINK(ex DV) for XBR(BS/CS/i.LINK(ex DV))							
		1080i				720p			
		Vivid	Standard	Pro	Reserved	Vivid	Standard	Pro	Reserved
0	SHPC	0	0	0	0	0	0	0	0
1	FUP2	0	0	0	0	0	0	0	0
2	YNR	0	0	0	0	0	0	0	0
3	CNR	0	0	0	0	0	0	0	0
4	SSHP	7	7	7	7	7	7	7	7
5	YEQ	3	3	3	3	3	3	3	3
6	SHF0	1	1	1	1	1	1	1	1

No.	Name	i.LINK for XBR(BS/CS/i.LINK(ex DV))				i.LINK(DV)			
		480i(DV Format)Lower							
		Vivid	Standard	Pro	Mild	Vivid	Standard	Pro	Reserved
0	SHPC	0	0	0	0	0	0	0	0
1	FUP2	0	0	0	0	0	0	0	0
2	YNR	0	0	0	0	0	0	0	0
3	CNR	0	0	0	0	0	0	0	0
4	SSHP	7	7	7	7	7	7	7	7
5	YEQ	3	3	3	3	3	3	3	3
6	SHF0	1	1	1	1	1	1	1	1

No.	Name	ATSC for XBR(DTT/ATSC)							
		480i				480p			
		Vivid	Standard	Pro	Reserved	Vivid	Standard	Pro	Reserved
0	SHPC	0	0	0	0	0	0	0	0
1	FUP2	0	0	0	0	0	0	0	0
2	YNR	0	0	0	0	0	0	0	0
3	CNR	0	0	0	0	0	0	0	0
4	SSHP	7	7	7	7	7	7	7	7
5	YEQ	3	3	3	3	3	3	3	3
6	SHF0	1	1	1	1	1	1	1	1

No.	Name	ATSC for XBR(DTT/ATSC)							
		1080i				720p			
		Vivid	Standard	Pro	Reserved	Vivid	Standard	Pro	Reserved
0	SHPC	0	0	0	0	0	0	0	0
1	FUP2	0	0	0	0	0	0	0	0
2	YNR	0	0	0	0	0	0	0	0
3	CNR	0	0	0	0	0	0	0	0
4	SSHP	7	7	7	7	7	7	7	7
5	YEQ	3	3	3	3	3	3	3	3
6	SHF0	1	1	1	1	1	1	1	1

No.	Name	ATSC(DTT/ATSC)			
		Lower			
		Vivid	Standard	Pro	Mild
0	SHPC	0	0	0	0
1	FUP2	0	0	0	0
2	YNR	0	0	0	0
3	CNR	0	0	0	0
4	SSHP	7	7	7	7
5	YEQ	3	3	3	3
6	SHF0	1	1	1	1

No.	Name	MS for XBR(DATA(ADD))							
		STILL(1080i)(480i)				MOVIE(CONT-PANEL) (OTHER)			
		Vivid	Standard	Pro	Reserved	Vivid	Standard	Pro	Reserved
0	SHPC	0	0	0	0	0	0	0	0
1	FUP2	0	0	0	0	0	0	0	0
2	YNR	0	0	0	0	0	0	0	0
3	CNR	0	0	0	0	0	0	0	0
4	SSHP	7	7	7	7	7	7	7	7
5	YEQ	3	3	3	3	3	3	3	3
6	SHF0	1	1	1	1	1	1	1	1

No.	Name	MS for XBR(DATA(INDEPENDENT))							
		MOVIE(LOW) (480i)				MOVIE(HIGH) OTHER			
		Vivid	Standard	Pro	Reserved	Vivid	Standard	Pro	Mild
0	SHPC	0	0	0	0	0	0	0	0
1	FUP2	0	0	0	0	0	0	0	0
2	YNR	0	0	0	0	0	0	0	0
3	CNR	0	0	0	0	0	0	0	0
4	SSHP	7	7	7	7	7	7	7	7
5	YEQ	3	3	3	3	3	3	3	3
6	SHF0	1	1	1	1	1	1	1	1

Standards \*2

No.	Name	UV	Video
7	SECA	10	10

No.	Name	Component(AVM(YCbCr))				DVI(AVM(RGB)/DVI)				
		480i	480p	1080i	720p	480i	480p	1080i	720p	VGA(VGA/OTHER)
7	SECA	0	0	0	0	0	0	0	0	0

No.	Name	i.LINK(ex DV) for XBR(BS/CS/i.LINK(ex DV))				i.LINK(DV)	
		480i(ex DV)	480p	1080i	720p	Lower	
7	SECA	0	0	0	0	0	0

No.	Name	ATSC(DTT/ATSC)				
		480i	480p	1080i	720p	Lower
7	SECA	0	0	0	0	0

No.	Name	DATA(ADD)		DATA(INDEPENDENT)	
		480i	OTHER	480i	OTHER
7	SECA	0	0	0	0

**Standards \*3**

No.	Name	UV	Video	Component (not 480i)	ATSC for XBR (not 480i)(AVM(Y/Cb/Cr))	DVI (not 480i) (AVM(RGB)/DVI)	i.LINK (480i and ex DV) for XBR	i.LINK(DV)	MS for XBR (DTT/ATSC)
8	YCDL	8	8	7	7	7	7	7	7
9	YLEV	175	175	175	175	175	175	175	175
10	CLEV	97	97	185	185	185	185	185	185

No.	Name	Component (480i)	ATSC for XBR (480i) (AVM(Y/Cb/Cr))	DVI (480i) (AVM(RGB)/DVI)	i.LINK (not 480i and ex DV) for XBR
8	YCDL	7	7	7	7
9	YLEV	175	175	175	175
10	CLEV	185	185	185	185

**Standards \*4**

No.	Name	UV			Video
		UV(GR OFF)	GR ON		
			GCR ON	GCR OFF	
11	SHUE	7	7	7	7
12	CEQ	3	1	1	0
13	CBPF	3	2	2	0
14	CBPA	0	1	1	0
15	KILV	2	2	2	2
16	APGA	0	0	0	0
17	NCOM	0	0	0	0



CCPM-2

Functionality		Data	Remarks
No.	Name		
0	PACK	*1	
1	CLPP	*2	
2	SSEP	*2	
3	CLPG	*2	
4	CLPA	*2	
5	AFCV	*2	
6	HSSL	*2	
7	VSSL	*2	
8	STIP	*2	
9	SYLP	*2	
10	SYFI	*2	
11	AFCG	*2	
12	LOWG	*2	
13	AFCM	*2	
14	LOCO	*2	
15	HICO	*2	
16	CDM1	*2	
17	CDM2	*2	
18	CDM3	*2	
19	BGPS	*2	
20	VINT	*2	
21	HSPO	*2	
22	MVSW	*2	
23	MVCT	*2	
24	MVHC	*2	
25	CLAL	*2	
26	ADPS	*2	
27	CLGA	*2	
28	YTRP	*2	
29	CTRP	*2	
30	CROF	*2	
31	SDLP	*2	
32	ROM2	*2	

Standards \*1

No.	Name	UV	Video1	Video2	Video3	Video4
0	PACK	0	4	4	4	4

No.	Name	Video5(COMPLEMENT1)				Video6(COMPLEMENT2)			
		480i	480p	1080i	720p	480i	480p	1080i	720p
0	PACK	5	6	7	8	5	6	7	8

No.	Name	i.LINK/ATSC/MS for XBR(AVM(YCbCr))				DVI(AVM(RGB)/DVI)				
		480i	480p	1080i	720p	480i	480p	1080i	720p	VGA/OTHER
0	PACK	5	6	7	8	5	6	7	8	13

Standards \*2

No.	Name	PACK = 0	PACK = 1	PACK = 2	PACK = 3	PACK = 4	PACK = 5	PACK = 6	PACK = 7	PACK = 8
1	CLPP	28	28	28	28	28	28	28	28	28
2	SSEP	0	0	0	0	0	0	0	0	0
3	CLPG	0	0	0	0	0	0	0	0	0
4	CLPA	0	0	0	0	0	0	0	0	0
5	AFCV	1	1	1	1	1	1	1	1	1
6	HSSL	2	2	2	2	0	0	0	3	3
7	VSSL	2	2	2	2	2	2	2	3	3
8	STIP	2	2	2	2	2	2	2	2	2
9	SYLP	0	0	0	0	0	0	0	0	0
10	SYFI	1	0	1	0	1	1	0	0	0
11	AFCG	1	1	2	2	0	1	1	1	1
12	LOWG	0	0	0	0	0	0	0	0	0
13	AFCM	0	0	0	0	0	0	0	0	0
14	LOCO	0	0	0	0	0	0	0	0	0
15	HICO	0	0	0	0	0	0	0	0	0
16	CDM1	2	2	2	2	2	2	2	2	2
17	CDM2	0	0	0	0	0	0	0	0	0
18	CDM3	0	0	0	0	0	0	0	0	0
19	BGPS	10	10	10	10	10	10	10	10	10
20	VINT	7	7	7	7	7	7	7	3	7
21	HSPO	7	7	7	7	7	7	7	7	7
22	MVSW	2	2	2	2	2	2	2	2	2
23	MVCT	7	7	7	7	7	7	7	7	7
24	MVHC	4	4	4	4	4	4	4	4	4
25	CLAL	0	0	0	0	0	0	0	0	0
26	ADPS	0	0	0	0	0	0	0	0	0
27	CLGA	2	2	2	2	2	2	2	2	2
28	YTRP	1	1	1	1	1	0	0	0	0
29	CTRP	1	1	1	1	1	0	0	0	0
30	CROF	1	1	1	1	1	1	1	1	1
31	SDLP	1	1	1	1	1	0	0	0	0
32	ROM2	0	0	0	0	0	0	0	0	0

No.	Name	PACK = 9	PACK = 10	PACK = 11	PACK = 12	PACK = 13	PACK = 14	PACK = 15
1	CLPP	28	28	28	28	28	28	28
2	SSEP	0	0	0	0	0	0	0
3	CLPG	0	0	0	0	0	0	0
4	CLPA	0	0	0	0	0	0	0
5	AFCV	1	1	1	1	1	1	1
6	HSSL	1	1	1	1	0	2	2
7	VSSL	2	2	2	2	2	2	2
8	STIP	2	2	2	2	2	2	2
9	SYLP	0	0	0	0	0	0	0
10	SYFI	1	0	1	0	0	1	1
11	AFCG	1	1	2	2	1	2	3
12	LOWG	0	0	0	0	0	1	3
13	AFCM	0	0	0	0	0	0	0
14	LOCO	0	0	0	0	0	0	0
15	HICO	0	0	0	0	0	0	0
16	CDM1	2	2	2	2	2	2	2
17	CDM2	0	0	0	0	0	0	0
18	CDM3	0	0	0	0	0	0	0
19	BGPS	10	10	10	10	10	10	10
20	VINT	7	7	7	7	7	7	7
21	HSPO	7	7	7	7	7	7	7
22	MVSW	2	2	2	2	2	2	2
23	MVCT	7	7	7	7	7	7	7
24	MVHC	4	4	4	4	4	4	4
25	CLAL	0	0	0	0	0	0	0
26	ADPS	0	0	0	0	0	0	0
27	CLGA	2	2	2	2	2	2	2
28	YTRP	1	1	1	1	0	1	1
29	CTRP	1	1	1	1	0	1	1
30	CROF	1	1	1	1	1	1	1
31	SDLP	1	1	1	1	0	1	1
32	ROM2	0	0	0	0	0	0	0

CCPM-3

Functionality		Data	Remarks
No.	Name		
0	AD1E	0	
1	APED	*1	
2	AATK	*2	
3	AHLD	*2	
4	AARE	*2	
5	AHIS	*2	
6	DCTR	*1	
7	DCTC	*3	
8	IDIW	*4	
9	WSSO	*4	
10	SLIC	*4	
11	AWOF	*5	
12	UPAR	*5	
13	UPTH	*5	
14	X149	*5	
15	DMST	*5	
16	INST	*5	
17	UPRL	*5	
18	OFSL	*5	
19	SLOF	*5	
20	FR43	*5	
21	FRWI	*5	
22	FRTI	*5	
23	LPFL	*5	
24	4CNT	*5	
25	REFP	*5	
26	REFM	*5	
27	AWSN	*5	
28	AWRE	*5	

Standards \*1

No.	Name	AD1E = 1 Or MULTI(TWIN,FAVORITES)						
		480i(RF/Video/Component480i)						
		Vivid	Standard	Pro				Reserved
BLK Correction Off	BLK Correction L			BLK Correction M	BLK Correction H			
1	APED	2	1	0	1	2	3	1
6	DCTR	2	1	0	1	2	3	1

No.	Name	AD1E = 1 Or MULTI(TWIN,FAVORITES)						
		480p						
		Vivid	Standard	Pro				Reserved
BLK Correction Off	BLK Correction L			BLK Correction M	BLK Correction H			
1	APED	2	1	0	1	2	3	1
6	DCTR	2	1	0	1	2	3	1

No.	Name	AD1E = 1 Or MULTI(TWIN,FAVORITES)						
		1080i/60						
		Vivid	Standard	Pro				Reserved
BLK Correction Off	BLK Correction L			BLK Correction M	BLK Correction H			
1	APED	2	1	0	1	2	3	1
6	DCTR	2	1	0	1	2	3	1

No.	Name	AD1E = 1 Or MULTI(TWIN,FAVORITES)						
		720p/60						
		Vivid	Standard	Pro				Reserved
BLK Correction Off	BLK Correction L			BLK Correction M	BLK Correction H			
1	APED	2	1	0	1	2	3	1
6	DCTR	2	1	0	1	2	3	1

No.	Name	AD1E = 1 Or MULTI(TWIN,FAVORITES)						
		576i						
		Vivid	Standard	Pro				Reserved
BLK Correction Off	BLK Correction L			BLK Correction M	BLK Correction H			
1	APED	3	2	0	1	2	3	1
6	DCTR	3	2	0	1	2	3	1

No.	Name	AD1E = 1 Or MULTI(TWIN,FAVORITES)						
		576p						
		Vivid	Standard	Pro				Reserved
BLK Correction Off	BLK Correction L			BLK Correction M	BLK Correction H			
1	APED	3	2	0	1	2	3	1
6	DCTR	3	2	0	1	2	3	1

No.	Name	AD1E = 1 Or MULTI(TWIN,FAVORITES)						
		1080i/50						
		Vivid	Standard	Pro				Reserved
BLK Correction Off	BLK Correction L			BLK Correction M	BLK Correction H			
1	APED	3	2	0	1	2	3	1
6	DCTR	3	2	0	1	2	3	1

No.	Name	AD1E = 1 Or MULTI(TWIN.FAVORITES)						
		720p/50						
		Vivid	Standard	Pro				Reserved
				BLK Correction Off	BLK Correction L	BLK Correction M	BLK Correction H	
1	APED	3	2	0	1	2	3	1
6	DCTR	3	2	0	1	2	3	1

Standards \*2

No.	Name	APED = 0	APED = 1	APED = 2	APED = 3
2	AATK	2	2	2	2
3	AHLD	2	2	2	2
4	AARE	2	2	2	2
5	AHIS	0	0	0	0

Standards \*3

No.	Name	DCTR = 0	DCTR = 1	DCTR = 2	DCTR = 3
7	DCTC	2	2	2	2

Standards \*4

No.	Name	UV	Video1	Video2	Video3	Video4
8	IDIW	1	1	1	1	1
9	WSSO	0	0	0	0	0
10	SLIC	5	5	5	5	5

No.	Name	Video5(COMPONENT1)		Video6(COMPONENT2)		i.LINK/ATSC for XBR(AVM(YCbCr))	
		480i	480p	480i	480p	480i	480p
8	IDIW	1	1	1	1	1	1
9	WSSO	0	0	0	0	0	0
10	SLIC	5	5	5	5	5	5

Standards \*5

No.	Name	UV	Video1	Video2	Video3	Video4
11	AWOF	0	0	0	0	0
12	UPAR	0	0	0	0	0
13	UPTH	0	0	0	0	0
14	X149	0	0	0	0	0
15	DMST	1	1	1	1	1
16	INST	0	0	0	0	0
17	UPRL	1	1	1	1	1
18	OFSL	0	0	0	0	0
19	SLOF	0	0	0	0	0
20	FR43	2	2	2	2	2
21	FRWI	2	2	2	2	2
22	FRTI	2	2	2	2	2
23	LPFL	1	1	1	1	1
24	4CNT	1	1	1	1	1
25	REFP	1	1	1	1	1
26	REFM	5	5	5	5	5
27	AWSN	0	0	0	0	0
28	AWRE	0	0	0	0	0

No.	Name	Video5 480i(COMPONENT1 480i)	Video6 480i(COMPONENT2 480i)	i.LINK/ATSC for XBR 480i (AVM(YCbCr) 480i)	DVI 480i(AVM(RGB) 480i)
11	AWOF	0	0	0	0
12	UPAR	0	0	0	0
13	UPTH	0	0	0	0
14	X149	0	0	0	0
15	DMST	1	1	1	1
16	INST	0	0	0	0
17	UPRL	1	1	1	1
18	OFSL	0	0	0	0
19	SLOF	0	0	0	0
20	FR43	2	2	2	2
21	FRWI	2	2	2	2
22	FRTI	2	2	2	2
23	LPFL	1	1	1	1
24	4CNT	1	1	1	1
25	REFP	1	1	1	1
26	REFM	5	5	5	5
27	AWSN	0	0	0	0
28	AWRE	0	0	0	0

CCPM-4

Functionality		Data	Remarks
No.	Name		
0	CLKS	*1	
1	REFC	*1	
2	SYMD	*1	
3	SIFM	*1	
4	DTO1	*1	
5	DTO2	*1	
6	DTO3	*1	
7	PIX1	*1	
8	PIX2	*1	
9	VLN1	*1	
10	VLN2	*1	
11	SYSC	*1	
12	DSPC	*1	
13	PLLD	*1	
14	PLLR	*1	
15	DCLP	*1	
16	DCON	*1	
17	CO2P	*1	
18	CONV	*1	
19	HO2O	*1	
20	BLKM	*1	
21	OSDL	*1	
22	OSDR	*1	
23	CO2O	*1	
24	COLS	*1	
25	VFRQ	*1	
26	PLLS	*1	
27	PIFW	*1	
28	PIBW	*1	
29	PLL4	*1	
30	CDAD	*1	
31	CDAS	*1	
32	PLD1	*1	
33	PLTS	*1	
34	PLOL	*1	
35	YRND	*1	
36	CRND	*1	

Standards \*1

No.	Name	UV		Video				Component, ATSC, DVI				
		3-D	2-D	3-D	2-D	YC	YC	480i	480p	1080i	720p	VGA(DVI)
0	CLKS	0	0	0	0	0	0	0	0	0	0	0
1	REFC	1	1	1	1	1	1	1	1	1	1	1
2	SYMD	0	0	0	0	5	5	8	8	8	8	8
3	SIFM	0	0	0	0	0	0	0	2	3	4	2
4	DTO1	63	63	63	63	63	63	63	63	63	63	63
5	DTO2	254	254	254	254	254	254	254	254	254	254	254
6	DTO3	86	86	86	86	86	86	86	86	86	86	86
7	PIX1	0	0	0	0	0	0	0	0	0	0	0
8	PIX2	0	0	0	0	0	0	0	0	0	0	0
9	VLN1	0	0	0	0	0	0	0	0	0	0	0
10	VLN2	0	0	0	0	0	0	0	0	0	0	0
11	SYSC	1	1	1	1	1	1	1	0	0	0	0
12	DSPC	3	3	3	3	3	3	3	1	1	1	1
13	PLLD	0	0	0	0	0	0	0	0	0	0	0
14	PLLR	1	1	1	1	1	1	1	1	1	1	1
15	DCLP	2	2	2	2	2	2	2	2	2	2	2
16	DCON	0	0	0	0	0	0	0	0	0	0	0
17	CO2P	0	0	0	0	0	0	0	0	0	0	0
18	CONV	0	0	0	0	0	0	0	0	0	0	0
19	HO2O	1	1	1	1	1	1	1	0	0	0	0
20	BLKM	1	1	1	1	1	1	1	1	1	1	1
21	OSDL	3	3	3	3	3	3	3	3	3	3	3
22	OSDR	1	1	1	1	1	1	1	1	1	1	1
23	CO2O	1	1	1	1	1	1	1	0	0	0	0
24	COLS	0	0	0	0	0	0	0	0	0	0	0
25	VFRQ	3	3	3	3	3	3	3	3	3	3	3
26	PLLS	0	0	0	0	0	0	0	0	0	0	0
27	PIFW	0	0	0	0	0	0	0	0	0	0	0
28	PIBW	0	0	0	0	0	0	0	0	0	0	0
29	PLL4	0	0	0	0	0	0	0	0	0	0	0
30	CDAD	0	0	0	0	0	0	0	0	0	0	0
31	CDAS	0	0	0	0	0	0	0	0	0	0	0
32	PLD1	0	0	0	0	0	0	0	0	0	0	0
33	PLTS	0	0	0	0	0	0	0	0	0	0	0
34	PLOL	0	0	0	0	0	0	0	0	0	0	0
35	YRND	1	1	1	1	1	1	1	1	1	1	1
36	CRND	1	1	1	1	1	1	1	1	1	1	1

No.	Name	BS/DTT YC	BS/DTT				MS/CNM for XBR	MS/CNM for WE to CCPS
			480i	480p	1080i	720p		
0	CLKS	0	5	5	5	5	0	4
1	REFC	1	1	1	1	1	1	1
2	SYMD	5	14	14	14	14	8	12
3	SIFM	0	0	2	3	4	3	15
4	DTO1	63	63	63	63	63	63	63
5	DTO2	254	254	254	254	254	254	254
6	DTO3	86	86	86	86	86	86	86
7	PIX1	0	0	0	0	0	0	255
8	PIX2	0	0	0	0	0	0	15
9	VLN1	0	0	0	0	0	0	0
10	VLN2	0	0	0	0	0	0	64
11	SYSC	1	1	0	0	0	0	0
12	DSPC	3	2	0	0	0	1	0
13	PLLD	0	0	0	0	0	0	0
14	PLLR	1	2	1	1	1	1	1
15	DCLP	2	2	2	2	2	2	2
16	DCON	0	0	0	0	0	0	0
17	CO2P	0	0	0	0	0	0	0
18	CONV	0	0	0	0	0	0	0
19	HO2O	0	0	0	0	0	0	0
20	BLKM	1	1	1	1	1	1	1
21	OSDL	3	3	3	3	3	3	3
22	OSDR	1	1	1	1	1	1	1
23	CO2O	0	0	0	0	0	0	0
24	COLS	0	0	0	0	0	0	0
25	VFRQ	3	3	3	3	3	3	3
26	PLLS	0	0	0	0	0	0	0
27	PIFW	0	0	0	0	0	0	0
28	PIBW	0	0	0	0	0	0	0
29	PLL4	0	0	0	0	0	0	0
30	CDAD	0	0	0	0	0	0	0
31	CDAS	0	0	0	0	0	0	0
32	PLD1	0	0	0	0	0	0	0
33	PLTS	0	0	0	0	0	0	0
34	PLOL	0	0	0	0	0	0	0
35	YRND	1	1	1	1	1	1	1
36	CRND	1	1	1	1	1	1	1

CCPM-5

Functionality		Data		Remarks
No.	Name	UV	Video	
0	NSS	8	8	
1	TESS	0	0	
2	NSC	15	15	
3	NSV	1	1	
4	STDH	2	2	
5	SHH	1	1	

CCPM-6

Functionality		Data		Remarks
No.	Name	UV	Video	
0	MC1	4	4	
1	MC2	3	3	
2	CR1	1	1	
3	CR2	1	1	
4	CR3	0	0	
5	CR4	1	1	
6	CCR	2	2	
7	CHED	2	2	
8	CVED	3	3	
9	CR5	4	4	
10	YFLT	4	4	
11	C3LE	1	1	
12	YMFH	3	3	
13	YMFV	1	1	
14	F2SW	0	0	
15	MO1	15	15	
16	MO2	3	3	
17	MNNR	1	1	
18	DTH	2	2	
19	DTV	2	2	
20	DT2D	2	2	
21	DTHP	3	3	
22	DTCR	4	4	
23	D2FC	3	3	
24	D2F	9	9	
25	D2F2	1	1	
26	D2FL	0	0	
27	DC	0	0	
28	CVFT	3	3	
29	HC2F	1	1	
30	MNSW	0	0	
31	MDYB	0	0	
32	LCBP	2	2	
33	BPSE	1	1	
34	CR2H	0	0	
35	IMPR	3	3	
36	IMPS	1	1	
37	IMPL	0	0	
38	PLPL	1	1	
39	MDYE	3	3	
40	PLCL	1	1	
41	BPL2	1	1	
42	HPL	1	1	
43	CVFP	0	0	
44	BPL3	7	7	
45	D2F3	2	2	
46	LPSW	1	1	
47	LCR	1	1	
48	F2CR	1	1	
49	YIR	1	1	
50	MOMO	0	0	

CCPM-7

Functionality		Data		Remarks
No.	Name	UV/Video		
		STANDARD	NOT STANDARD	
0	SCTP	0	2	
1	CYBP	0	0	
2	Y2BP	0	0	
3	C2LE	1	1	
4	DTCN	1	2	
5	VEDL	3	3	
6	HP	2	2	
7	PNR	0	0	
8	NCDT	0	0	
9	H2DD	0	0	
10	THRU	0	0	
11	MCH	15	15	
12	MCV	1	1	
13	PEDS	0	0	
14	MMK	7	7	
15	MKAM	0	0	
16	HGLT	0	0	
17	TESL	0	0	
18	SDOF	0	0	
19	BPOF	1	1	
20	C1L	1	1	
21	CYV	0	0	
22	PAL3	0	0	

CCPM-8

Functionality		Data	Remarks
No.	Name		
0	VECR	*1	
1	VECL	*1	
2	VECN	*1	
3	VEGA	*1	

Standards \*1

No.	Name	UV				Video			
		Vivid	Standard	Pro	Reserved	Vivid	Standard	Pro	Reserved
0	VECR	0	0	0	0	0	0	0	0
1	VECL	0	0	0	0	0	0	0	0
2	VECN	2	2	2	2	2	2	2	2
3	VEGA	0	0	0	0	0	0	0	0



CCPM-9

Functionality		Data	Remarks
No.	Name		
0	RNRL	*1	
1	NYLP	*2	
2	NYG	*2	
3	NYPH	*2	
4	NYLM	*2	
5	NCLP	*2	
6	NGC	*2	
7	NCPH	*2	
8	NCLM	*2	
9	RNRM	*1	

Standards \*1

No.	Name	UV				Video			
		Vivid	Standard	Pro	Mild	Vivid	Standard	Pro	Mild
0	RNRL	0	0	0	0	0	0	0	0
9	RNRM	0	0	0	0	0	0	0	0

No.	Name	Component(AVM(YCbCr))							
		480i				480p			
		Vivid	Standard	Pro	Mild	Vivid	Standard	Pro	Mild
0	RNRL	0	0	0	0	0	0	0	0
9	RNRM	0	0	0	0	0	0	0	0

No.	Name	Component(AVM(YCbCr))							
		1080i				720p			
		Vivid	Standard	Pro	Mild	Vivid	Standard	Pro	Mild
0	RNRL	0	0	0	0	0	0	0	0
9	RNRM	0	0	0	0	0	0	0	0

No.	Name	DVI(AVM(RGB)/DVI)							
		480i				480p			
		Vivid	Standard	Pro	Mild	Vivid	Standard	Pro	Mild
0	RNRL	0	0	0	0	0	0	0	0
9	RNRM	0	0	0	0	0	0	0	0

No.	Name	DVI(AVM(RGB)/DVI)							
		1080i				720p			
		Vivid	Standard	Pro	Mild	Vivid	Standard	Pro	Mild
0	RNRL	0	0	0	0	0	0	0	0
9	RNRM	0	0	0	0	0	0	0	0

No.	Name	DVI(AVM(RGB)/DVI)			
		VGA(VGA/OTHER)			
		Vivid	Standard	Pro	Mild
0	RNRL	0	0	0	0
9	RNRM	0	0	0	0

No.	Name	i.LINK(ex DV) for XBR(BS/CS/i.LINK(ex DV))							
		480i				480p			
		Vivid	Standard	Pro	Mild	Vivid	Standard	Pro	Mild
0	RNRL	0	0	0	0	0	0	0	0
9	RNRM	0	0	0	0	0	0	0	0

No.	Name	i.LINK(ex DV) for XBR(BS/CS/i.LINK(ex DV))							
		1080i				720p			
		Vivid	Standard	Pro	Mild	Vivid	Standard	Pro	Mild
0	RNRL	0	0	0	0	0	0	0	0
9	RNRM	0	0	0	0	0	0	0	0

No.	Name	BS/CS/i.LINK(ex DV)				i.LINK(DV)			
		Lower				Vivid	Standard	Pro	Mild
		Vivid	Standard	Pro	Mild				
0	RNRL	0	0	0	0	0	0	0	0
9	RNRM	0	0	0	0	0	0	0	0

No.	Name	ATSC(DTT/ATSC)							
		480i				480p			
		Vivid	Standard	Pro	Mild	Vivid	Standard	Pro	Mild
0	RNRL	0	0	0	0	0	0	0	0
9	RNRM	0	0	0	0	0	0	0	0

No.	Name	ATSC(DTT/ATSC)							
		1080i				720p			
		Vivid	Standard	Pro	Mild	Vivid	Standard	Pro	Mild
0	RNRL	0	0	0	0	0	0	0	0
9	RNRM	0	0	0	0	0	0	0	0

No.	Name	ATSC(DTT/ATSC)			
		Lower			
		Vivid	Standard	Pro	Mild
0	RNRL	0	0	0	0
9	RNRM	0	0	0	0

No.	Name	MS for XBR(DATA(ADD))							
		STILL(1080i)(480i)				MOVIE(CONT-PANEL)(OTHER)			
		Vivid	Standard	Pro	Mild	Vivid	Standard	Pro	Mild
0	RNRL	0	0	0	0	0	0	0	0
9	RNRM	0	0	0	0	0	0	0	0

No.	Name	MS for XBR(DATA(IND.))							
		MOVIE(LQ)(480i)				MOVIE(HQ)(OTHER)			
		Vivid	Standard	Pro	Mild	Vivid	Standard	Pro	Mild
0	RNRL	0	0	0	0	0	0	0	0
9	RNRM	0	0	0	0	0	0	0	0

Standards \*2

No.	Name	RNRL = 0	RNRL = 1	RNRL = 2	RNRL = 3	RNRL = 4	RNRL = 5	RNRL = 6	RNRL = 7
1	NYLP	0	0	0	0	0	0	0	0
2	NYG	1	1	1	1	1	1	1	1
3	NYPH	13	13	13	13	13	13	13	13
4	NYLM	0	1	4	6	8	10	12	14
5	NCLP	0	0	0	0	0	0	0	0
6	NGC	1	1	1	1	1	1	1	1
7	NCPH	13	13	13	13	13	13	13	13
8	NCLM	0	1	4	6	8	10	12	14

CCPM-10

Functionality		Data	Remarks
No.	Name		
0	BNRL	*1	
1	EDL	*2	
2	LFL	*2	
3	DCT	*2	
4	BLEV	*2	
5	DNE	*2	
6	MRON	*2	
7	FMOD	*2	
8	BNRM	*1	

Standards \*1

No.	Name	UV				Video			
		Vivid	Standard	Pro	Mild	Vivid	Standard	Pro	Mild
0	BNRL	0	0	0	0	0	0	0	0
8	BNRM	0	0	0	0	0	0	0	0

No.	Name	Component(AVM(YCbCr))							
		480i				480p			
		Vivid	Standard	Pro	Mild	Vivid	Standard	Pro	Mild
0	BNRL	0	0	0	0	0	0	0	0
8	BNRM	0	0	0	0	0	0	0	0

No.	Name	Component(AVM(YCbCr))							
		1080i				720p			
		Vivid	Standard	Pro	Mild	Vivid	Standard	Pro	Mild
0	BNRL	0	0	0	0	0	0	0	0
8	BNRM	0	0	0	0	0	0	0	0

No.	Name	DVI(AVM(RGB)/DVI)							
		480i				480p			
		Vivid	Standard	Pro	Mild	Vivid	Standard	Pro	Mild
0	BNRL	0	0	0	0	0	0	0	0
8	BNRM	0	0	0	0	0	0	0	0

No.	Name	DVI(AVM(RGB)/DVI)							
		1080i				720p			
		Vivid	Standard	Pro	Mild	Vivid	Standard	Pro	Mild
0	BNRL	0	0	0	0	0	0	0	0
8	BNRM	0	0	0	0	0	0	0	0

No.	Name	DVI(AVM(RGB)/DVI)			
		VGA(VGA/OTHER)			
		Vivid	Standard	Pro	Mild
0	BNRL	0	0	0	0
8	BNRM	0	0	0	0

No.	Name	i.LINK(ex DV) for XBR(BS/CS/i.LINK(ex DV))							
		480i				480p			
		Vivid	Standard	Pro	Mild	Vivid	Standard	Pro	Mild
0	BNRL	0	0	0	0	0	0	0	0
8	BNRM	0	0	0	0	0	0	0	0

No.	Name	i.LINK(ex DV) for XBR(BS/CS/i.LINK(ex DV))							
		1080i				720p			
		Vivid	Standard	Pro	Mild	Vivid	Standard	Pro	Mild
0	BNRL	0	0	0	0	0	0	0	0
8	BNRM	0	0	0	0	0	0	0	0

No.	Name	BS/CS/i.LINK(ex DV)				i.LINK(DV)			
		Lower				Vivid	Standard	Pro	Mild
		Vivid	Standard	Pro	Mild				
0	BNRL	0	0	0	0	0	0	0	0
8	BNRM	0	0	0	0	0	0	0	0

No.	Name	ATSC(DTT/ATSC)							
		480i				480p			
		Vivid	Standard	Pro	Mild	Vivid	Standard	Pro	Mild
0	BNRL	0	0	0	0	0	0	0	0
8	BNRM	0	0	0	0	0	0	0	0

No.	Name	ATSC(DTT/ATSC)							
		1080i				720p			
		Vivid	Standard	Pro	Mild	Vivid	Standard	Pro	Mild
0	BNRL	0	0	0	0	0	0	0	0
8	BNRM	0	0	0	0	0	0	0	0

No.	Name	ATSC(DTT/ATSC)			
		Lower			
		Vivid	Standard	Pro	Mild
0	BNRL	0	0	0	0
8	BNRM	0	0	0	0

No.	Name	MS for XBR(DATA(ADD))							
		STILL(1080i)(480i)				MOVIE(CONT-PANEL)(OTHER)			
		Vivid	Standard	Pro	Mild	Vivid	Standard	Pro	Mild
0	BNRL	0	0	0	0	0	0	0	0
8	BNRM	0	0	0	0	0	0	0	0

No.	Name	MS for XBR(DATA(IND.))							
		MOVIE(LQ)(480i)				MOVIE(HQ)(OTHER)			
		Vivid	Standard	Pro	Mild	Vivid	Standard	Pro	Mild
0	BNRL	0	0	0	0	0	0	0	0
8	BNRM	0	0	0	0	0	0	0	0

**Standards \*2**

No.	Name	BNRL = 0	BNRL = 1	BNRL = 2	BNRL = 3	BNRL = 4	BNRL = 5	BNRL = 6	BNRL = 7
1	EDL	2	2	2	2	2	2	2	2
2	LFL	2	2	2	2	2	2	2	2
3	DCT	2	2	2	2	2	2	2	2
4	BLEV	0	1	2	3	4	5	6	7
5	DNE	1	1	1	1	1	1	1	1
6	MRON	0	0	0	0	0	0	0	0
7	FMOD	0	0	0	0	0	0	0	0

**CH-SET**

Functionality	Data	Remarks
No. Name		
0 PKNO	*1	
1 CHNL	*1	
2 HOF5	*1	
3 PACK	*1	

**Standards \*1**

No.	Name	PKNO = 0	PKNO = 1	PKNO = 2	PKNO = 3	PKNO = 4	PKNO = 5	PKNO = 6	PKNO = 7
0	PKNO	0	1	2	3	4	5	6	7
1	CHNL	0	0	0	0	0	0	0	0
2	HOF5	7	7	7	7	7	7	7	7
3	PACK	0	0	0	0	0	0	0	0

CCPS-1

Functionality		Data	Remarks
No.	Name		
0	SHPC	*1	
1	FUP2	*1	
2	YNR	*1	
3	CNR	*1	
4	SSHP	*1	
5	YEQ	*1	
6	SHF0	*1	
7	SECA	*2	
8	YCDL	*3	
9	YLEV	*3	
10	CLEV	*3	
11	SHUE	*4	
12	CEQ	*4	
13	CBPF	*4	
14	CBPA	*4	
15	KILV	*4	
16	APGA	*4	
17	NCOM	*4	

Standards \*1

No.	Name	UV				Video			
		Vivid	Standard	Pro	Reserved	Vivid	Standard	Pro	Reserved
0	SHPC	0	0	0	0	0	0	0	0
1	FUP2	0	0	0	0	0	0	0	0
2	YNR	0	0	0	0	0	0	0	0
3	CNR	0	0	0	0	0	0	0	0
4	SSHP	4	4	4	7	7	7	7	7
5	YEQ	3	3	3	3	3	3	3	3
6	SHF0	1	1	1	1	1	1	1	1

No.	Name	BS(ANALOG)				DTT(ANALOG)			
		Vivid	Standard	Pro	Mild	Vivid	Standard	Pro	Mild
0	SHPC	0	0	0	0	0	0	0	0
1	FUP2	0	0	0	0	0	0	0	0
2	YNR	0	0	0	0	0	0	0	0
3	CNR	0	0	0	0	0	0	0	0
4	SSHP	7	7	7	7	7	7	7	7
5	YEQ	3	3	3	3	3	3	3	3
6	SHF0	1	1	1	1	1	1	1	1

No.	Name	MS for WE(MS/CNM)							
		STILL(1080i)				MOVIE(CONT-PANEL)			
		Vivid	Standard	Pro	Reserved	Vivid	Standard	Pro	Reserved
0	SHPC	0	0	0	0	0	0	0	0
1	FUP2	0	0	0	0	0	0	0	0
2	YNR	0	0	0	0	0	0	0	0
3	CNR	0	0	0	0	0	0	0	0
4	SSHP	7	7	7	7	7	7	7	7
5	YEQ	3	3	3	3	3	3	3	3
6	SHF0	1	1	1	1	1	1	1	1

No.	Name	MS for WE(MS/CNM)							
		MOVIE(LQ)				MOVIE(HQ)			
		Vivid	Standard	Pro	Reserved	Vivid	Standard	Pro	Mild
0	SHPC	0	0	0	0	0	0	0	0
1	FUP2	0	0	0	0	0	0	0	0
2	YNR	0	0	0	0	0	0	0	0
3	CNR	0	0	0	0	0	0	0	0
4	SSHP	7	7	7	7	7	7	7	7
5	YEQ	3	3	3	3	3	3	3	3
6	SHF0	1	1	1	1	1	1	1	1

Standards \*2

No.	Name	UV	Video
7	SECA	10	10

No.	Name	COMPONENT/AVM(YCbCr)				AVM(RGB)/DVI				
		480i	480p	1080i	720p	480i	480p	1080i	720p	VGA/OTHER
7	SECA	0	0	0	0	0	0	0	0	0

No.	Name	BS/i.LINK					i.LINK(DV)
		480i	480p	1080i	720p	Lower	
7	SECA	0	0	0	0	0	0

No.	Name	DTT/ATSC				
		480i	480p	1080i	720p	Lower
7	SECA	0	0	0	0	0

No.	Name	DATA(ADD)		DATA(IND.)	
		480i	OTHER	480i	OTHER
7	SECA	0	0	0	0

**Standards \*3**

No.	Name	UV	Video	BS(ANALOG)	DTT(ANALOG)	MS for WE(MS/CNM)			
						STILL(1080i)	MOVIE(CONT-PANEL)	MOVIE(LQ)	MOVIE(HQ)
8	YCDL	8	8	7	7	7	7	7	7
9	YLEV	175	175	194	194	128	128	128	160
10	CLEV	97	97	100	100	128	128	128	100

**Standards \*4**

No.	Name	UV	Video	BS(ANALOG)	DTT(ANALOG)
11	SHUE	7	7	7	7
12	CEQ	3	0	0	0
13	CBPF	3	0	0	0
14	CBPA	0	1	1	1
15	KILV	2	2	2	2
16	APGA	0	0	0	0
17	NCOM	0	0	0	0

**CCPS-2**

Functionality		Data	Remarks
No.	Name		
0	SHPC	*1	

**Standards \*1**

No.	Name	UV	Video1	Video2	Video3	Video4	BS	DTT
0	PACK	0	4	4	4	4	14	15

CCPS-3

Functionality		Data	Remarks
No.	Name		
0	ADIE	0	
1	APED	*1	
2	AATK	*2	
3	AHLD	*2	
4	AARE	*2	
5	AHIS	*2	
6	DCTR	*1	
7	DCTC	*3	
8	ID1W	*4	
9	WSSO	*4	
10	SLIC	*4	
11	AWOF	*5	
12	UPAR	*5	
13	UPTH	*5	
14	X149	*5	
15	DMST	*5	
16	INST	*5	
17	UPRL	*5	
18	OFSL	*5	
19	SLOF	*5	
20	FR43	*5	
21	FRWI	*5	
22	FRTI	*5	
23	LPFL	*5	
24	4CNT	*5	
25	REFP	*5	
26	REFM	*5	
27	AWSN	*5	
28	AWRE	*5	

Standards \*1

		ADIE = 1 Or MULTI(TWIN,FAVORITES) 480i (RF/Video/Component480i)						
No.	Name	Vivid	Standard	Pro				Reserved
				BLK Correction Off	BLK Correction L	BLK Correction M	BLK Correction H	
1	APED	2	1	0	1	2	3	1
6	DCTR	2	1	0	1	2	3	1

		ADIE = 1 Or MULTI(TWIN,FAVORITES) 480p						
No.	Name	Vivid	Standard	Pro				Reserved
				BLK Correction Off	BLK Correction L	BLK Correction M	BLK Correction H	
1	APED	2	1	0	1	2	3	1
6	DCTR	2	1	0	1	2	3	1

		ADIE = 1 Or MULTI(TWIN,FAVORITES) 1080i/60						
No.	Name	Vivid	Standard	Pro				Reserved
				BLK Correction Off	BLK Correction L	BLK Correction M	BLK Correction H	
1	APED	2	1	0	1	2	3	1
6	DCTR	2	1	0	1	2	3	1

		ADIE = 1 Or MULTI(TWIN,FAVORITES) 720p/60						
No.	Name	Vivid	Standard	Pro				Reserved
				BLK Correction Off	BLK Correction L	BLK Correction M	BLK Correction H	
1	APED	2	1	0	1	2	3	1
6	DCTR	2	1	0	1	2	3	1

		ADIE = 1 Or MULTI(TWIN,FAVORITES) 576i						
No.	Name	Vivid	Standard	Pro				Reserved
				BLK Correction Off	BLK Correction L	BLK Correction M	BLK Correction H	
1	APED	3	2	0	1	2	3	1
6	DCTR	3	2	0	1	2	3	1

		ADIE = 1 Or MULTI(TWIN,FAVORITES) 576p						
No.	Name	Vivid	Standard	Pro				Reserved
				BLK Correction Off	BLK Correction L	BLK Correction M	BLK Correction H	
1	APED	3	2	0	1	2	3	1
6	DCTR	3	2	0	1	2	3	1

		ADIE = 1 Or MULTI(TWIN,FAVORITES) 1080i/50						
No.	Name	Vivid	Standard	Pro				Reserved
				BLK Correction Off	BLK Correction L	BLK Correction M	BLK Correction H	
1	APED	3	2	0	1	2	3	1
6	DCTR	3	2	0	1	2	3	1

No.	Name	AD1E = 1 Or MULTI(TWIN,FAVORITES)						Reserved
		720p/50						
		Vivid	Standard	Pro				
BLK Correction Off	BLK Correction L			BLK Correction M	BLK Correction H			
1	APED	3	2	0	1	2	3	1
6	DCTR	3	2	0	1	2	3	1

Standards \*2

No.	Name	APED = 0	APED = 1	APED = 2	APED = 3
2	AATK	2	2	2	2
3	AHLD	2	2	2	2
4	AARE	2	2	2	2
5	AHIS	0	0	0	0

Standards \*3

No.	Name	DCTR = 0	DCTR = 1	DCTR = 2	DCTR = 3
7	DCTC	2	2	2	2

Standards \*4

No.	Name	UV	Video1	Video2	Video3	Video4
8	ID1W	1	1	1	1	1
9	WSSO	0	0	0	0	0
10	SLIC	5	5	5	5	5

No.	Name	Video5(COMPONENT1)		Video6(COMPONENT2)		i.LINK/ATSC for XBR (AVM(YCb Cr))	
		480i	480p	480i	480p	480i	480p
8	ID1W	1	1	1	1	1	1
9	WSSO	0	0	0	0	0	0
10	SLIC	5	5	5	5	5	5

Standards \*5

No.	Name	UV	Video1	Video2	Video3	Video4	Video5 480i(COMPONE NT1 480i)	Video6 480i(COMPONE NT2 480i)	i.LINK/ATSC for XBR 480i (AVM(YCbCr) 480i)
11	AWOF	0	0	0	0	0	0	0	0
12	UPAR	0	0	0	0	0	0	0	0
13	UPTH	0	0	0	0	0	0	0	0
14	X149	0	0	0	0	0	0	0	0
15	DMST	1	1	1	1	1	1	1	1
16	INST	0	0	0	0	0	0	0	0
17	UPRL	0	1	1	1	1	0	0	0
18	OFSL	0	0	0	0	0	0	0	0
19	SLOF	0	0	0	0	0	0	0	0
20	FR43	2	2	2	2	2	2	2	2
21	FRWI	2	2	2	2	2	2	2	2
22	FRTI	2	2	2	2	2	2	2	2
23	LPFL	1	1	1	1	1	1	1	1
24	4CNT	1	1	1	1	1	1	1	1
25	REFP	7	7	7	7	7	7	7	7
26	REFM	7	7	7	7	7	7	7	7
27	AWSN	0	0	0	0	0	0	0	0
28	AWRE	0	0	0	0	0	0	0	0



CCPS-4

Functionality		Data	Remarks
No.	Name		
0	CLKS	*1	
1	REFC	*1	
2	SYMD	*1	
3	SIFM	*1	
4	DTO1	*1	
5	DTO2	*1	
6	DTO3	*1	
7	PIX1	*1	
8	PIX2	*1	
9	VLN1	*1	
10	VLN2	*1	
11	SYSC	*1	
12	DSPC	*1	
13	PLLD	*1	
14	PLLR	*1	
15	DCLP	*1	
16	DCON	*1	
17	CO2P	*1	
18	CONV	*1	
19	HO2O	*1	
20	BLKM	*1	
21	OSDL	*1	
22	OSDR	*1	
23	CO2O	*1	
24	COLS	*1	
25	VFRQ	*1	
26	PLLS	*1	
27	PIFW	*1	
28	PIBW	*1	
29	PLL4	*1	
30	CDAD	*1	
31	CDAS	*1	
32	PLD1	*1	
33	PLTS	*1	
34	PLOL	*1	
35	YRND	*1	
36	CRND	*1	

Standards \*1

No.	Name	UV		VIDEO				ANALOG COMPONENT				
		3-D	2-D	3-D	2-D	YC	YC	480i	480p	1080i	720p	VGA(DVI)
0	CLKS	0	0	0	0	0	0	0	0	0	0	0
1	REFC	1	1	1	1	1	1	1	1	1	1	1
2	SYMD	0	0	0	0	5	5	8	8	8	8	8
3	SIFM	0	0	0	0	0	0	0	2	3	4	6
4	DTO1	63	63	63	63	63	63	63	63	63	63	63
5	DTO2	254	254	254	254	254	254	254	254	254	254	254
6	DTO3	86	86	86	86	86	86	86	86	86	86	86
7	PIX1	0	0	0	0	0	0	0	0	0	0	49
8	PIX2	0	0	0	0	0	0	0	0	0	0	15
9	VLN1	0	0	0	0	0	0	0	0	0	0	2
10	VLN2	0	0	0	0	0	0	0	0	0	0	13
11	SYSC	1	1	1	1	1	1	1	0	0	0	0
12	DSPC	3	3	3	3	3	3	3	1	1	1	1
13	PLLD	0	0	0	0	0	0	0	0	0	0	0
14	PLLR	1	1	1	1	1	1	1	1	1	1	1
15	DCLP	2	2	2	2	2	2	2	2	2	2	2
16	DCON	0	0	0	0	0	0	0	0	0	0	0
17	CO2P	0	0	0	0	0	0	0	0	0	0	0
18	CONV	0	0	0	0	0	0	0	0	0	0	0
19	HO2O	1	1	1	1	1	1	1	0	0	0	0
20	BLKM	1	1	1	1	1	1	1	1	1	1	1
21	OSDL	3	3	3	3	3	3	3	3	3	3	3
22	OSDR	1	1	1	1	1	1	1	1	1	1	1
23	CO2O	1	1	1	1	1	1	1	0	0	0	0
24	COLS	0	0	0	0	0	0	0	0	0	0	0
25	VFRQ	3	3	3	3	3	3	3	3	3	3	3
26	PLLS	0	0	0	0	0	0	0	0	0	0	0
27	PIFW	0	0	0	0	0	0	0	0	0	0	0
28	PIBW	0	0	0	0	0	0	0	0	0	0	0
29	PLL4	0	0	0	0	0	0	0	0	0	0	0
30	CDAD	0	0	0	0	0	0	0	0	0	0	0
31	CDAS	0	0	0	0	0	0	0	0	0	0	0
32	PLD1	0	0	0	0	0	0	0	0	0	0	0
33	PLTS	0	0	0	0	0	0	0	0	0	0	0
34	PLOL	0	0	0	0	0	0	0	0	0	0	0
35	YRND	1	1	1	1	1	1	1	1	1	1	1
36	CRND	1	1	1	1	1	1	1	1	1	1	1

No.	Name	BS/DTT YC	BS/DTT DIGITAL COMPONENT				MS/CNM for WE
			480i	480p	1080i	720p	
0	CLKS	0	5	5	5	5	4
1	REFC	1	1	1	1	1	1
2	SYMD	5	14	14	14	14	12
3	SIFM	0	0	2	3	4	15
4	DT01	63	63	63	63	63	63
5	DT02	254	254	254	254	254	254
6	DT03	86	86	86	86	86	86
7	PIX1	0	0	0	0	0	255
8	PIX2	0	0	0	0	0	15
9	VLN1	0	0	0	0	0	0
10	VLN2	0	0	0	0	0	64
11	SYSC	1	1	0	0	0	0
12	DSPC	3	2	0	0	0	0
13	PLLD	0	0	0	0	0	0
14	PLLR	1	2	1	1	1	1
15	DCLP	2	2	2	2	2	2
16	DCON	0	0	0	0	0	0
17	CO2P	0	0	0	0	0	0
18	CONV	0	0	0	0	0	0
19	HO2O	0	0	0	0	0	0
20	BLKM	1	1	1	1	1	1
21	OSDL	3	3	3	3	3	3
22	OSDR	1	1	1	1	1	1
23	CO2O	0	0	0	0	0	0
24	COLS	0	0	0	0	0	0
25	VFRQ	3	3	3	3	3	3
26	PLLS	0	0	0	0	0	0
27	PIFW	0	0	0	0	0	0
28	PIBW	0	0	0	0	0	0
29	PLL4	0	0	0	0	0	0
30	CDAD	0	0	0	0	0	0
31	CDAS	0	0	0	0	0	0
32	PLD1	0	0	0	0	0	0
33	PLTS	0	0	0	0	0	0
34	PLOL	0	0	0	0	0	0
35	YRND	1	1	1	1	1	1
36	CRND	1	1	1	1	1	1

CCPS-5

Functionality		Data		Remarks
No.	Name	UV	Video	
0	NSS	8	8	
1	TESS	0	0	
2	NSC	15	15	
3	NSV	1	1	
4	STDH	2	2	
5	SHH	1	1	

CCPS-6

Functionality		Data		Remarks
No.	Name	UV	Video	
0	MC1	4	4	
1	MC2	3	3	
2	CR1	1	1	
3	CR2	1	1	
4	CR3	0	0	
5	CR4	1	1	
6	CCR	2	2	
7	CHED	2	2	
8	CVED	3	3	
9	CR5	4	4	
10	YFLT	4	4	
11	C3LE	1	1	
12	YMFH	3	3	
13	YMFV	1	1	
14	F2SW	0	0	
15	MO1	15	15	
16	MO2	3	3	
17	MNNR	1	1	
18	DTH	2	2	
19	DTV	2	2	
20	DT2D	2	2	
21	DTHP	3	3	
22	DTCR	4	4	
23	D2FC	3	3	
24	D2F	9	9	
25	D2F2	1	1	
26	D2FL	0	0	
27	DC	0	0	
28	CVFT	3	3	
29	HC2F	1	1	
30	MNSW	0	0	
31	MDYB	0	0	
32	LCBP	2	2	
33	BPSE	1	1	
34	CR2H	0	0	
35	IMPR	3	3	
36	IMPS	1	1	
37	IMPL	0	0	
38	PLPL	1	1	
39	MDYE	3	3	
40	PLCL	1	1	
41	BPL2	1	1	
42	HPL	1	1	
43	CVFP	0	0	
44	BPL3	7	7	
45	D2F3	2	2	
46	LPSW	1	1	
47	LCR	1	1	
48	F2CR	1	1	
49	YIR	1	1	
50	MOMO	0	0	

CCPS-7

Functionality		Data	Remarks
No.	Name		
0	SCTP	0	
1	CYBP	0	
2	Y2BP	0	
3	C2LE	1	
4	DTCN	1	
5	VEDL	3	
6	HP	2	
7	PNR	0	
8	NCDT	0	
9	H2DD	0	
10	THRU	0	
11	MCH	15	
12	MCV	1	
13	PEDS	0	
14	MMK	7	
15	MKAM	1	
16	HGLT	0	
17	TESL	0	
18	SDOF	1	
19	BPOF	1	
20	CIL	1	
21	CYV	0	
22	PAL3	0	

CCPS-8

Functionality		Data	Remarks
No.	Name		
0	VECR	*1	
1	VECL	*1	
2	VECN	*1	
3	VEGA	*1	

Standards \*1

No.	Name	UV				Video			
		Vivid	Standard	Pro	Reserved	Vivid	Standard	Pro	Reserved
0	VECR	0	0	0	0	0	0	0	0
1	VECL	0	0	0	0	0	0	0	0
2	VECN	2	2	2	2	2	2	2	2
3	VEGA	0	0	0	0	0	0	0	0

No.	Name	BS(ANALOG)				DTT(ANALOG)			
		Vivid	Standard	Pro	Reserved	Vivid	Standard	Pro	Reserved
0	VECR	0	0	0	0	0	0	0	0
1	VECL	0	0	0	0	0	0	0	0
2	VECN	2	2	2	2	2	2	2	2
3	VEGA	0	0	0	0	0	0	0	0

CCPS-10

Functionality		Data	Remarks
No.	Name		
0	BNRL	*1	
1	EDL	*2	
2	LFL	*2	
3	DCT	*2	
4	BLEV	*2	
5	DNE	*2	
6	MRON	*2	
7	FMOD	*2	
8	BNRM	*1	

Standards \*1

No.	Name	UV				Video			
		Vivid	Standard	Pro	Mild	Vivid	Standard	Pro	Mild
0	BNRL	0	0	0	0	0	0	0	0
8	BNRM	0	0	0	0	0	0	0	0

No.	Name	BS				DTT			
		Vivid	Standard	Pro	Mild	Vivid	Standard	Pro	Mild
0	BNRL	0	0	0	0	0	0	0	0
8	BNRM	0	0	0	0	0	0	0	0

No.	Name	MS for WE(MS/CNM)							
		STILL(1080i)				MOVIE(CONT-PANEL)			
		Vivid	Standard	Pro	Mild	Vivid	Standard	Pro	Mild
0	BNRL	0	0	0	0	0	0	0	0
8	BNRM	0	0	0	0	0	0	0	0

No.	Name	MS for WE(MS/CNM)							
		MOVIE(LQ)				M	OVIE(HQ)		
		Vivid	Standard	Pro	Mild	Vivid	Standard	Pro	Mild
0	BNRL	0	0	0	0	0	0	0	0
8	BNRM	0	0	0	0	0	0	0	0

Standards \*2

No.	Name	BNRL = 0	BNRL = 1	BNRL = 2	BNRL = 3	BNRL = 4	BNRL = 5	BNRL = 6	BNRL = 7
1	EDL	2	2	2	2	2	2	2	2
2	LFL	2	2	2	2	2	2	2	2
3	DCT	2	2	2	2	2	2	2	2
4	BLEV	0	1	2	3	4	5	6	7
5	DNE	1	1	1	1	1	1	1	1
6	MRON	0	0	0	0	0	0	0	0
7	FMOD	0	0	0	0	0	0	0	0

DCP-INT

Functionality		Data	Remarks
No.	Name		
0	DENC	1	
1	DENG	0	
2	EO1C	1	
3	EO2C	1	
4	EO1H	0	
5	EO2H	1	
6	POFF	0	
7	O1TM	0	
8	YCFS	0	
9	RN8Y	0	
10	HINV	0	
11	VINV	0	
12	CDEM	1	
13	CPOL	0	
14	OFST	*1	
15	TCOF	0	
16	CINT	0	
17	RN8C	0	
18	DMTR	0	
19	MTRX	1	
20	OSDE	1	
21	MUX	1	
22	EXMT	1	
23	EXOF	0	
24	GON	1	
25	BON	1	
26	RON	1	
27	BKOF	1	
28	AGIW	0	
29	AGIB	0	
30	HFIN	0	
31	VFIN	0	
32	CFDM	0	
33	CFCP	0	
34	YFOF	0	
35	CFOF	0	
36	CFIP	0	
37	R8CF	0	
38	MATF	1	
39	GLMT	15	
40	WBSW	0	
41	OENG	0	
42	RFRM	1	
43	GHPL	1	
44	GVPL	1	
45	GBPL	1	

Standards \*1

No.	Name	MS/MPEG 4	CNM(not MPEG4)	Others	Standby
14	OFST	0	0	0	0

DCP-OSD

Functionality		Data	Remarks
No.	Name		
0	HPL1	0	
1	VPL1	0	
2	HPL2	0	
3	VPL2	0	
4	HP1H	0	
5	HP1L	0	
6	HWD1	134	
7	CP1P	128	
8	CP1W	32	
9	HIN1	0	
10	WOF1	0	
11	O1WD	0	
12	WP1H	0	
13	WP1L	67	
14	WS1H	2	
15	WS1L	36	
16	RP1H	1	
17	RP1L	63	
18	RS1H	4	
19	RS1L	185	
20	MOD1	1	
21	GEN1	1	
22	GAI1	22	
23	YSD1	6	
24	YSW1	2	
25	YMD1	6	
26	YMW1	2	
27	GEN2	0	
28	GAI2	31	
29	YSD2	6	
30	YSW2	2	
31	YMD2	6	
32	YMW2	2	
33	MP1H	1	
34	MP1L	64	
35	MS1H	2	
36	MS1L	171	
37	FP1H	2	
38	FP1L	195	
39	FS1H	3	
40	FS1L	150	

DCP-BLK

Functionality		Data	Remarks
No.	Name		
0	PSCL	*1	
1	LHBH	*1	
2	RHBH	*1	
3	LHBL	*1	
4	RHBL	*1	
5	UVBH	0	
6	UVBL	3	
7	UVBL	22	
8	LVBL	22	
9	LHPH	*1	
10	RHPH	*1	
11	LHPL	*1	
12	RHPL	*1	
13	UVPH	0	
14	LVPH	2	
15	UVPL	75	
16	LVPL	126	
17	LHKH	*1	
18	RHKL	*1	
19	LHKL	*1	
20	RHKH	*1	
21	UVKH	0	
22	LVKH	3	
23	UVKL	8	
24	LVKL	36	

Standards \*1

No.	Name	Normal	Wide
0	PSCL	186	134
1	LHBH	1	0
2	RHBH	5	6
3	LHBL	166	232
4	RHBL	128	62
9	LHPH	1	1
10	RHPH	5	5
11	LHPL	230	80
12	RHPL	80	224
17	LHKH	0	0
18	RHKL	6	6
19	LHKL	217	217
20	RHKH	95	95

DCP-ADJ1

Functionality		Data	Remarks
No.	Name		
0	CBOF	*1	
1	CROF	*1	
2	SCON	*1	
3	RDRV	*2	
4	GDRV	*2	
5	BDRV	*2	
6	RCUT	*2	
7	GCUT	*2	
8	BCUT	*2	
9	SBRT	132	
10	SPIC	63	
11	SCOL	*1	
12	SCNF	128	
13	SCLF	128	

Standards \*1

No.	Name	UV	Video	Component	Component	Component	Component
				(480i)	(480p)	(1080i)	(720p)
0	CBOF	130	128	130	134	129	129
1	CROF	130	128	130	133	130	130
2	SCON	175	175	175	185	185	185
11	SCOL	185	185	170	185	185	185

No.	Name	ATSC	ATSC	ATSC	ATSC	DTT/ATSC	DTT/ATSC
		(480i)	(480p)	(1080i)	(720p)	(Data)	(Lower)
0	CBOF	128	128	128	128	128	128
1	CROF	128	128	128	128	128	128
2	SCON	175	185	185	185	185	170
11	SCOL	170	185	185	185	176	176

No.	Name	DVI	DVI	DVI	DVI	DVI
		(480i)	(480p)	(1080i)	(720p)	(VGA etc)
0	CBOF	129	128	124	124	124
1	CROF	129	128	125	124	122
2	SCON	175	185	185	185	185
11	SCOL	170	185	185	185	185

No.	Name	iLINK	iLINK (480p)	iLINK (1080i)	iLINK (720p)	BS/CS-d/	BS/CS-d/
		(480i Except DV)				iLINK (Data)	iLINK (Lower)
0	CBOF	128	128	128	128	128	128
1	CROF	128	128	128	128	128	128
2	SCON	175	185	185	185	185	185
11	SCOL	170	185	185	185	176	176

No.	Name	iLINK(DV)	Memory Stick	Memory Stick	MS/CNM	Memory Stick	Twin/Freeze/
			(Still)	(Movie:Console)	MOVIE(HQ)	(Movie:Lower)	INDEX/FAVORITE
0	CBOF	126	128	128	128	128	128
1	CROF	126	128	128	128	128	128
2	SCON	175	126	126	100	126	175
11	SCOL	170	125	125	176	125	170

Standards \*2

No.	Name	Color Temperature			
		4(Used)	3(Reserved)	2(Reserved)	1(Reserved)
3	RDRV	140	140	140	140
4	GDRV	140	140	140	140
5	BDRV	140	140	140	140
6	RCUT	255	255	255	255
7	GCUT	255	255	255	255
8	BCUT	255	255	255	255



DCP-ADJ2

Functionality No.	Name	Data	Remarks
0	SHOF	*1	
1	SHF0	*1	
2	SHPC	*1	
3	PROV	*1	
4	HFBT	*1	
5	ULTI	*1	
6	LTSL	*2	
7	LTLV	*2	
8	LTDL	*2	
9	LTMD	*2	
10	LTCD	*2	
11	UCTI	*1	
12	CTLV	*3	
13	CTDL	*3	
14	CTMD	*3	
15	CTCR	*3	
16	MIDE	*1	
17	APCD	*1	
18	NRLV	*1	

Standards \*1

No.	Name	Normal									
		UV					Video				
		VIVID	STANDARD MILD OFF	STANDARD MILD ON	PRO MILD OFF	PRO MILD ON	VIVID	STANDARD MILD OFF	STANDARD MILD ON	PRO MILD OFF	PRO MILD ON
0	SHOF	31	31	31	31	20	23	23	23	23	23
1	SHF0	13	13	13	13	13	13	13	13	13	13
2	SHPC	6	6	6	6	6	4	4	4	4	4
3	PROV	8	8	8	8	8	8	8	8	8	8
4	HFBT	0	0	0	0	0	0	0	0	0	0
5	ULTI	0	0	0	0	0	0	0	0	0	0
11	UCTI	0	0	0	0	0	0	0	0	0	0
16	MIDE	7	6	6	4	4	11	10	10	8	8
17	APCD	2	2	2	2	2	2	2	2	2	2
18	NRLV	0	0	0	0	0	6	5	7	0	0

No.	Name	Normal									
		ATSC (480i)					ATSC (480p)				
		VIVID	STANDARD MILD OFF	STANDARD MILD ON	PRO MILD OFF	PRO MILD ON	VIVID	STANDARD MILD OFF	STANDARD MILD ON	PRO MILD OFF	PRO MILD ON
0	SHOF	31	31	20	20	10	31	31	20	20	10
1	SHF0	14	14	14	14	14	13	13	13	13	13
2	SHPC	0	0	0	0	0	0	0	0	0	0
3	PROV	8	8	8	8	8	8	8	8	8	8
4	HFBT	0	0	0	0	0	0	0	0	0	0
5	ULTI	0	0	0	0	0	0	0	0	0	0
11	UCTI	6	6	0	0	0	6	6	0	0	0
16	MIDE	19	18	18	16	16	23	22	22	20	20
17	APCD	2	2	2	2	2	2	2	2	2	2
18	NRLV	6	5	7	0	0	6	5	7	0	0

No.	Name	Normal									
		ATSC (1080i)					ATSC (720p)				
		VIVID	STANDARD MILD OFF	STANDARD MILD ON	PRO MILD OFF	PRO MILD ON	VIVID	STANDARD MILD OFF	STANDARD MILD ON	PRO MILD OFF	PRO MILD ON
0	SHOF	31	31	20	31	20	31	31	20	31	20
1	SHF0	15	15	15	15	15	15	15	15	15	15
2	SHPC	0	0	0	0	0	0	0	0	0	0
3	PROV	8	8	8	8	8	8	8	8	8	8
4	HFBT	0	0	0	0	0	0	0	0	0	0
5	ULTI	0	0	0	0	0	0	0	0	0	0
11	UCTI	0	0	0	0	0	0	0	0	0	0
16	MIDE	27	26	26	24	24	31	30	30	28	28
17	APCD	2	2	2	2	2	2	2	2	2	2
18	NRLV	5	5	6	0	0	5	5	6	0	0

No.	Name	Normal DTT/ATSC (LOWER)				
		VIVID	STANDARD MILD OFF	STANDARD MILD ON	PRO MILD OFF	PRO MILD ON
		0	SHOF	31	31	31
1	SHF0	15	15	15	15	15
2	SHPC	0	0	0	0	0
3	PROV	8	8	8	8	8
4	HFBT	15	15	15	15	15
5	ULTI	0	0	0	0	0
11	UCTI	6	6	6	6	6
16	MIDE	31	31	31	31	31
17	APCD	2	2	2	2	2
18	NRLV	6	6	6	6	6

No.	Name	Normal									
		i.LINK (480i : Except DV)					i.LINK (480p)				
		VIVID	STANDARD MILD OFF	STANDARD MILD ON	PRO MILD OFF	PRO MILD ON	VIVID	STANDARD MILD OFF	STANDARD MILD ON	PRO MILD OFF	PRO MILD ON
0	SHOF	31	31	20	20	10	31	31	20	20	10
1	SHF0	14	14	14	14	14	13	13	13	13	13
2	SHPC	0	0	0	0	0	0	0	0	0	0
3	PROV	8	8	8	8	8	8	8	8	8	8
4	HFBT	0	0	0	0	0	0	0	0	0	0
5	ULTI	0	0	0	0	0	0	0	0	0	0
11	UCTI	6	6	0	0	0	6	6	0	0	0
16	MIDE	35	34	34	32	32	39	38	38	36	36
17	APCD	2	2	2	2	2	2	2	2	2	2
18	NRLV	6	5	7	0	0	6	5	7	0	0

No.	Name	Normal									
		i.LINK (1080i)					i.LINK (720p)				
		VIVID	STANDARD MILD OFF	STANDARD MILD ON	PRO MILD OFF	PRO MILD ON	VIVID	STANDARD MILD OFF	STANDARD MILD ON	PRO MILD OFF	PRO MILD ON
0	SHOF	31	31	20	31	20	31	31	20	31	20
1	SHF0	15	15	15	15	15	15	15	15	15	15
2	SHPC	0	0	0	0	0	0	0	0	0	0
3	PROV	8	8	8	8	8	8	8	8	8	8
4	HFBT	0	0	0	0	0	0	0	0	0	0
5	ULTI	0	0	0	0	0	0	0	0	0	0
11	UCTI	0	0	0	0	0	0	0	0	0	0
16	MIDE	43	42	42	40	40	47	46	46	44	44
17	APCD	2	2	2	2	2	2	2	2	2	2
18	NRLV	5	5	6	0	0	5	5	6	0	0

No.	Name	Normal									
		BS/CS-d/i.LINK (LOWER)					i.LINK(DV)				
		VIVID	STANDARD MILD OFF	STANDARD MILD ON	PRO MILD OFF	PRO MILD ON	VIVID	STANDARD MILD OFF	STANDARD MILD ON	PRO MILD OFF	PRO MILD ON
0	SHOF	31	31	31	31	31	31	31	20	20	10
1	SHF0	15	15	15	15	15	14	14	14	14	14
2	SHPC	0	0	0	0	0	0	0	0	0	0
3	PROV	8	8	8	8	8	8	8	8	8	8
4	HFBT	15	15	15	15	15	15	15	15	15	15
5	ULTI	0	0	0	0	0	0	0	0	0	0
11	UCTI	6	6	6	6	6	0	0	0	0	0
16	MIDE	31	31	31	31	31	15	14	14	12	12
17	APCD	2	2	2	2	2	2	2	2	2	2
18	NRLV	6	6	6	6	6	5	5	5	5	5

No.	Name	Normal									
		IND. DATA (480i)					IND. DATA (ex 480i)				
		VIVID	STANDARD MILD OFF	STANDARD MILD ON	PRO MILD OFF	PRO MILD ON	VIVID	STANDARD MILD OFF	STANDARD MILD ON	PRO MILD OFF	PRO MILD ON
0	SHOF	31	31	31	31	31	20	31	20	31	31
1	SHF0	15	15	15	15	15	15	15	15	15	15
2	SHPC	0	0	0	0	0	0	0	0	0	0
3	PROV	8	8	8	8	8	8	8	8	8	8
4	HFBT	15	15	15	15	15	15	15	15	15	15
5	ULTI	0	0	0	0	0	0	0	0	0	0
11	UCTI	6	6	6	6	6	0	0	0	6	6
16	MIDE	31	31	31	31	31	14	12	12	31	31
17	APCD	2	2	2	2	2	2	2	2	2	2
18	NRLV	6	6	6	6	6	5	5	5	6	6

No.	Name	Normal									
		ADD DATA (480i)					ADD DATA (ex 480i)				
		VIVID	STANDARD MILD OFF	STANDARD MILD ON	PRO MILD OFF	PRO MILD ON	VIVID	STANDARD MILD OFF	STANDARD MILD ON	PRO MILD OFF	PRO MILD ON
0	SHOF	31	31	31	20	31	20	31	31	31	31
1	SHF0	15	15	15	15	15	15	15	15	15	15
2	SHPC	0	0	0	0	0	0	0	0	0	0
3	PROV	8	8	8	8	8	8	8	8	8	8
4	HFBT	15	15	15	15	15	15	15	15	15	15
5	ULTI	0	0	0	0	0	0	0	0	0	0
11	UCTI	6	6	6	0	0	0	6	6	6	6
16	MIDE	31	31	31	14	12	12	31	31	31	31
17	APCD	2	2	2	2	2	2	2	2	2	2
18	NRLV	6	6	6	5	5	5	6	6	6	6

No.	Name	Normal									
		Component (480i)					Component (480p)				
		VIVID	STANDARD MILD OFF	STANDARD MILD ON	PRO MILD OFF	PRO MILD ON	VIVID	STANDARD MILD OFF	STANDARD MILD ON	PRO MILD OFF	PRO MILD ON
0	SHOF	31	31	20	20	10	31	31	20	20	10
1	SHF0	14	14	14	14	14	13	13	13	13	13
2	SHPC	0	0	0	0	0	0	0	0	0	0
3	PROV	8	8	8	8	8	8	8	8	8	8
4	HFBT	0	0	0	0	0	0	0	0	0	0
5	ULTI	0	0	0	0	0	0	0	0	0	0
11	UCTI	6	6	0	0	0	6	6	0	0	0
16	MIDE	51	50	50	48	48	55	54	54	52	52
17	APCD	2	2	2	2	2	2	2	2	2	2
18	NRLV	6	5	7	0	0	6	5	7	0	0

No.	Name	Normal									
		Component (1080i)					Component (720p)				
		VIVID	STANDARD MILD OFF	STANDARD MILD ON	PRO MILD OFF	PRO MILD ON	VIVID	STANDARD MILD OFF	STANDARD MILD ON	PRO MILD OFF	PRO MILD ON
0	SHOF	31	31	20	31	20	31	31	20	31	20
1	SHF0	15	15	15	15	15	15	15	15	15	15
2	SHPC	0	0	0	0	0	0	0	0	0	0
3	PROV	8	8	8	8	8	8	8	8	8	8
4	HFBT	0	0	0	0	0	0	0	0	0	0
5	ULTI	0	0	0	0	0	0	0	0	0	0
11	UCTI	0	0	0	0	0	0	0	0	0	0
16	MIDE	59	58	58	56	56	63	62	62	60	60
17	APCD	2	2	2	2	2	2	2	2	2	2
18	NRLV	5	5	6	0	0	5	5	6	0	0

No.	Name	Normal									
		DVI (480i)					DVI (480p)				
		VIVID	STANDARD MILD OFF	STANDARD MILD ON	PRO MILD OFF	PRO MILD ON	VIVID	STANDARD MILD OFF	STANDARD MILD ON	PRO MILD OFF	PRO MILD ON
0	SHOF	31	31	20	20	10	31	31	20	20	10
1	SHF0	14	14	14	14	14	13	13	13	13	13
2	SHPC	0	0	0	0	0	0	0	0	0	0
3	PROV	8	8	8	8	8	8	8	8	8	8
4	HFBT	0	0	0	0	0	0	0	0	0	0
5	ULTI	0	0	0	0	0	0	0	0	0	0
11	UCTI	6	6	0	0	0	6	6	0	0	0
16	MIDE	67	66	66	64	64	71	70	70	68	68
17	APCD	2	2	2	2	2	2	2	2	2	2
18	NRLV	6	5	7	0	0	6	5	7	0	0

No.	Name	Normal									
		DVI (1080i)					DVI (720p)				
		VIVID	STANDARD MILD OFF	STANDARD MILD ON	PRO MILD OFF	PRO MILD ON	VIVID	STANDARD MILD OFF	STANDARD MILD ON	PRO MILD OFF	PRO MILD ON
0	SHOF	31	31	20	31	20	31	31	20	31	20
1	SHF0	15	15	15	15	15	15	15	15	15	15
2	SHPC	0	0	0	0	0	0	0	0	0	0
3	PROV	8	8	8	8	8	8	8	8	8	8
4	HFBT	0	0	0	0	0	0	0	0	0	0
5	ULTI	0	0	0	0	0	0	0	0	0	0
11	UCTI	0	0	0	0	0	0	0	0	0	0
16	MIDE	75	74	74	72	72	79	78	78	76	76
17	APCD	2	2	2	2	2	2	2	2	2	2
18	NRLV	5	5	6	0	0	5	5	6	0	0

No.	Name	Normal				
		DVI (VGA etc)				
		VIVID	STANDARD MILD OFF	STANDARD MILD ON	PRO MILD OFF	PRO MILD ON
0	SHOF	31	31	20	20	10
1	SHF0	13	13	13	13	13
2	SHPC	0	0	0	0	0
3	PROV	8	8	8	8	8
4	HFBT	0	0	0	0	0
5	ULTI	0	0	0	0	0
11	UCTI	6	6	0	0	0
16	MIDE	83	82	82	80	80
17	APCD	2	2	2	2	2
18	NRLV	6	5	7	0	0

No.	Name	Normal									
		MS (STILL)					MS (MOVIE(CONT-PANEL))				
		VIVID	STANDARD MILD OFF	STANDARD MILD ON	PRO MILD OFF	PRO MILD ON	VIVID	STANDARD MILD OFF	STANDARD MILD ON	PRO MILD OFF	PRO MILD ON
0	SHOF	31	31	10	31	10	31	31	10	31	10
1	SHF0	15	15	15	15	15	15	15	15	15	15
2	SHPC	0	0	0	0	0	0	0	0	0	0
3	PROV	8	8	8	8	8	8	8	8	8	8
4	HFBT	0	0	0	0	0	0	0	0	0	0
5	ULTI	0	0	0	0	0	0	0	0	0	0
11	UCTI	0	0	0	0	0	0	0	0	0	0
16	MIDE	87	86	86	84	84	91	90	90	88	88
17	APCD	2	2	2	2	2	2	2	2	2	2
18	NRLV	5	5	6	0	0	5	5	6	0	0

No.	Name	Normal									
		MS (MOVIE(HQ))					MS (MOVIE(LQ))				
		VIVID	STANDARD MILD OFF	STANDARD MILD ON	PRO MILD OFF	PRO MILD ON	VIVID	STANDARD MILD OFF	STANDARD MILD ON	PRO MILD OFF	PRO MILD ON
0	SHOF	31	31	10	31	31	31	31	10	31	10
1	SHF0	15	15	15	15	15	15	15	15	15	15
2	SHPC	0	0	0	0	0	0	0	0	0	0
3	PROV	8	8	8	8	8	8	8	8	8	8
4	HFBT	0	0	0	0	0	0	0	0	0	0
5	ULTI	0	0	0	0	0	0	0	0	0	0
11	UCTI	0	0	0	0	0	0	0	0	0	0
16	MIDE	95	84	84	91	90	99	98	98	96	96
17	APCD	2	2	2	2	2	2	2	2	2	2
18	NRLV	5	5	6	5	5	5	5	6	0	0

No.	Name	Full/Widezoom/Zoom									
		UV					Video				
		VIVID	STANDARD MILD OFF	STANDARD MILD ON	PRO MILD OFF	PRO MILD ON	VIVID	STANDARD MILD OFF	STANDARD MILD ON	PRO MILD OFF	PRO MILD ON
0	SHOF	50	45	38	38	31	39	28	28	28	28
1	SHF0	13	13	13	13	13	13	13	13	13	13
2	SHPC	6	6	6	6	6	4	4	4	4	4
3	PROV	8	8	8	8	8	8	8	8	8	8
4	HFBT	0	0	0	0	0	0	0	0	0	0
5	ULTI	2	0	0	0	0	1	0	0	0	0
11	UCTI	6	6	6	6	6	6	6	6	6	6
16	MIDE	7	6	6	4	4	11	10	10	8	8
17	APCD	2	2	2	2	2	2	2	2	2	2
18	NRLV	6	0	0	0	0	6	5	7	0	0

No.	Name	Full/Widezoom/Zoom									
		ATSC (480i)					ATSC (480p)				
		VIVID	STANDARD MILD OFF	STANDARD MILD ON	PRO MILD OFF	PRO MILD ON	VIVID	STANDARD MILD OFF	STANDARD MILD ON	PRO MILD OFF	PRO MILD ON
0	SHOF	31	31	20	20	10	41	41	20	31	10
1	SHF0	14	14	14	14	14	13	13	13	13	13
2	SHPC	0	0	0	0	0	0	0	0	0	0
3	PROV	8	8	8	8	8	8	8	8	8	8
4	HFBT	15	15	0	0	0	15	15	0	0	0
5	ULTI	1	0	0	0	0	1	0	0	0	0
11	UCTI	6	6	0	0	0	6	6	0	0	0
16	MIDE	19	18	18	16	16	23	22	22	20	20
17	APCD	2	2	2	2	2	2	2	2	2	2
18	NRLV	6	5	7	0	0	6	5	7	0	0

No.	Name	Full/Widezoom/Zoom									
		ATSC (1080i)					ATSC (720p)				
		VIVID	STANDARD MILD OFF	STANDARD MILD ON	PRO MILD OFF	PRO MILD ON	VIVID	STANDARD MILD OFF	STANDARD MILD ON	PRO MILD OFF	PRO MILD ON
0	SHOF	31	31	20	31	20	31	31	20	31	20
1	SHF0	15	15	15	15	15	15	15	15	15	15
2	SHPC	0	0	0	0	0	0	0	0	0	0
3	PROV	8	8	8	8	8	8	8	8	8	8
4	HFBT	15	15	0	0	0	15	15	15	15	15
5	ULTI	0	0	0	0	0	0	0	0	0	0
11	UCTI	0	0	0	0	0	0	0	0	0	0
16	MIDE	27	26	26	24	24	31	30	30	28	28
17	APCD	2	2	2	2	2	2	2	2	2	2
18	NRLV	5	5	6	0	0	5	5	6	0	0

No.	Name	ex NORMAL				
		DTT/ATSC (LOWER)				
		VIVID	STANDARD MILD OFF	STANDARD MILD ON	PRO MILD OFF	PRO MILD ON
0	SHOF	31	31	20	31	31
1	SHF0	15	15	15	15	15
2	SHPC	0	0	0	0	0
3	PROV	8	8	8	8	8
4	HFBT	15	0	0	15	15
5	ULTI	0	0	0	0	0
11	UCTI	6	0	0	0	0
16	MIDE	31	24	24	31	30
17	APCD	2	2	2	2	2
18	NRLV	6	6	6	5	5

No.	Name	Full/Widezoom/Zoom									
		i.LINK (480i : Except DV)					i.LINK (480p)				
		VIVID	STANDARD MILD OFF	STANDARD MILD ON	PRO MILD OFF	PRO MILD ON	VIVID	STANDARD MILD OFF	STANDARD MILD ON	PRO MILD OFF	PRO MILD ON
0	SHOF	31	31	20	20	10	41	41	20	31	10
1	SHF0	14	14	14	14	14	13	13	13	13	13
2	SHPC	0	0	0	0	0	0	0	0	0	0
3	PROV	8	8	8	8	8	8	8	8	8	8
4	HFBT	15	15	0	0	0	15	15	0	0	0
5	ULTI	1	0	0	0	0	1	0	0	0	0
11	UCTI	6	6	0	0	0	6	6	0	0	0
16	MIDE	35	34	34	32	32	39	38	38	36	36
17	APCD	2	2	2	2	2	2	2	2	2	2
18	NRLV	6	5	7	0	0	6	5	7	0	0

No.	Name	Full/Widezoom/Zoom									
		i.LINK (1080i)					i.LINK (720p)				
		VIVID	STANDARD MILD OFF	STANDARD MILD ON	PRO MILD OFF	PRO MILD ON	VIVID	STANDARD MILD OFF	STANDARD MILD ON	PRO MILD OFF	PRO MILD ON
0	SHOF	31	31	20	31	20	31	31	20	31	20
1	SHF0	15	15	15	15	15	15	15	15	15	15
2	SHPC	0	0	0	0	0	0	0	0	0	0
3	PROV	8	8	8	8	8	8	8	8	8	8
4	HFBT	15	15	0	0	0	15	15	15	15	15
5	ULTI	0	0	0	0	0	0	0	0	0	0
11	UCTI	0	0	0	0	0	0	0	0	0	0
16	MIDE	43	42	42	40	40	47	46	46	44	44
17	APCD	2	2	2	2	2	2	2	2	2	2
18	NRLV	5	5	6	0	0	5	5	6	0	0

No.	Name	Full/Widezoom/Zoom									
		BS/CS-d/i.LINK (LOWER)					i.LINK(DV)				
		VIVID	STANDARD MILD OFF	STANDARD MILD ON	PRO MILD OFF	PRO MILD ON	VIVID	STANDARD MILD OFF	STANDARD MILD ON	PRO MILD OFF	PRO MILD ON
0	SHOF	31	31	20	31	31	31	31	20	20	10
1	SHF0	15	15	15	15	15	14	14	14	14	14
2	SHPC	0	0	0	0	0	0	0	0	0	0
3	PROV	8	8	8	8	8	8	8	8	8	8
4	HFBT	15	0	0	15	15	15	15	15	15	15
5	ULTI	0	0	0	0	0	1	0	0	0	0
11	UCTI	6	0	0	0	0	6	6	0	0	0
16	MIDE	31	40	40	47	46	15	14	14	12	12
17	APCD	2	2	2	2	2	2	2	2	2	2
18	NRLV	6	6	6	5	5	5	5	5	5	5

No.	Name	ex NORMAL									
		IND. DATA (480i)					IND. DATA (ex 480i)				
		VIVID	STANDARD MILD OFF	STANDARD MILD ON	PRO MILD OFF	PRO MILD ON	VIVID	STANDARD MILD OFF	STANDARD MILD ON	PRO MILD OFF	PRO MILD ON
0	SHOF	31	31	31	31	31	20	31	20	20	31
1	SHF0	15	15	15	15	15	15	15	15	15	15
2	SHPC	0	0	0	0	0	0	0	0	0	0
3	PROV	8	8	8	8	8	8	8	8	8	8
4	HFBT	15	15	15	15	15	15	15	15	15	15
5	ULTI	0	0	0	0	0	0	0	0	0	0
11	UCTI	6	0	0	0	0	0	0	0	0	0
16	MIDE	31	47	46	15	14	14	12	12	12	47
17	APCD	2	2	2	2	2	2	2	2	2	2
18	NRLV	6	6	6	6	6	6	6	6	6	6

No.	Name	ex NORMAL									
		ADD DATA (480i)					ADD DATA (ex 480i)				
		VIVID	STANDARD MILD OFF	STANDARD MILD ON	PRO MILD OFF	PRO MILD ON	VIVID	STANDARD MILD OFF	STANDARD MILD ON	PRO MILD OFF	PRO MILD ON
0	SHOF	31	31	31	20	31	20	31	31	31	31
1	SHF0	15	15	15	15	15	15	15	15	15	15
2	SHPC	0	0	0	0	0	0	0	0	0	0
3	PROV	8	8	8	8	8	8	8	8	8	8
4	HFBT	15	15	15	15	15	15	15	15	15	15
5	ULTI	0	0	0	0	0	0	0	0	0	0
11	UCTI	6	0	0	0	0	0	0	0	0	0
16	MIDE	31	15	14	14	12	12	47	47	47	15
17	APCD	2	2	2	2	2	2	2	2	2	2
18	NRLV	6	5	5	5	5	5	6	6	6	5

No.	Name	Full/Widezoom/Zoom									
		Component (480i)					Component (480p)				
		VIVID	STANDARD MILD OFF	STANDARD MILD ON	PRO MILD OFF	PRO MILD ON	VIVID	STANDARD MILD OFF	STANDARD MILD ON	PRO MILD OFF	PRO MILD ON
0	SHOF	31	31	20	20	10	41	41	20	31	10
1	SHF0	14	14	14	14	14	13	13	13	13	13
2	SHPC	0	0	0	0	0	0	0	0	0	0
3	PROV	8	8	8	8	8	8	8	8	8	8
4	HFBT	15	15	0	0	0	15	15	0	0	0
5	ULTI	1	0	0	0	0	1	0	0	0	0
11	UCTI	6	6	0	0	0	6	6	0	0	0
16	MIDE	51	50	50	48	48	55	54	54	52	52
17	APCD	2	2	2	2	2	2	2	2	2	2
18	NRLV	6	5	7	0	0	6	5	7	0	0

No.	Name	Full/Widezoom/Zoom									
		Component (1080i)					Component (720p)				
		VIVID	STANDARD MILD OFF	STANDARD MILD ON	PRO MILD OFF	PRO MILD ON	VIVID	STANDARD MILD OFF	STANDARD MILD ON	PRO MILD OFF	PRO MILD ON
0	SHOF	31	31	20	31	20	31	31	20	31	20
1	SHF0	15	15	15	15	15	15	15	15	15	15
2	SHPC	0	0	0	0	0	0	0	0	0	0
3	PROV	8	8	8	8	8	8	8	8	8	8
4	HFBT	15	15	0	0	0	15	15	15	15	15
5	ULTI	0	0	0	0	0	0	0	0	0	0
11	UCTI	0	0	0	0	0	0	0	0	0	0
16	MIDE	59	58	58	56	56	63	62	62	60	60
17	APCD	2	2	2	2	2	2	2	2	2	2
18	NRLV	5	5	6	0	0	5	5	6	0	0

No.	Name	Full/Widezoom/Zoom									
		DVI (480i)					DVI (480p)				
		VIVID	STANDARD MILD OFF	STANDARD MILD ON	PRO MILD OFF	PRO MILD ON	VIVID	STANDARD MILD OFF	STANDARD MILD ON	PRO MILD OFF	PRO MILD ON
0	SHOF	31	31	20	20	10	41	41	20	31	10
1	SHF0	14	14	14	14	14	13	13	13	13	13
2	SHPC	0	0	0	0	0	0	0	0	0	0
3	PROV	8	8	8	8	8	8	8	8	8	8
4	HFBT	15	15	0	0	0	15	15	0	0	0
5	ULTI	1	0	0	0	0	1	0	0	0	0
11	UCTI	6	6	0	0	0	6	6	0	0	0
16	MIDE	67	66	66	64	64	71	70	70	68	68
17	APCD	2	2	2	2	2	2	2	2	2	2
18	NRLV	6	5	7	0	0	6	5	7	0	0

No.	Name	Full/Widezoom/Zoom									
		DVI (1080i)					DVI (720p)				
		VIVID	STANDARD MILD OFF	STANDARD MILD ON	PRO MILD OFF	PRO MILD ON	VIVID	STANDARD MILD OFF	STANDARD MILD ON	PRO MILD OFF	PRO MILD ON
0	SHOF	31	31	20	31	20	31	31	20	31	20
1	SHF0	15	15	15	15	15	15	15	15	15	15
2	SHPC	0	0	0	0	0	0	0	0	0	0
3	PROV	8	8	8	8	8	8	8	8	8	8
4	HFBT	15	15	0	0	0	15	15	15	15	15
5	ULTI	0	0	0	0	0	0	0	0	0	0
11	UCTI	0	0	0	0	0	0	0	0	0	0
16	MIDE	75	74	74	72	72	79	78	78	76	76
17	APCD	2	2	2	2	2	2	2	2	2	2
18	NRLV	5	5	6	0	0	5	5	6	0	0

No.	Name	Full/Widezoom/Zoom				
		DVI (VGA etc)				
		VIVID	STANDARD MILD OFF	STANDARD MILD ON	PRO MILD OFF	PRO MILD ON
0	SHOF	41	41	20	31	10
1	SHF0	13	13	13	13	13
2	SHPC	0	0	0	0	0
3	PROV	8	8	8	8	8
4	HFBT	15	15	0	0	0
5	ULTI	1	0	0	0	0
11	UCTI	6	6	0	0	0
16	MIDE	83	82	82	80	80
17	APCD	2	2	2	2	2
18	NRLV	6	5	7	0	0

No.	Name	Full/Widezoom/Zoom									
		MS (STILL)					MS (MOVIE(CONT-PANEL))				
		VIVID	STANDARD MILD OFF	STANDARD MILD ON	PRO MILD OFF	PRO MILD ON	VIVID	STANDARD MILD OFF	STANDARD MILD ON	PRO MILD OFF	PRO MILD ON
0	SHOF	31	31	10	31	10	31	31	10	31	10
1	SHF0	15	15	15	15	15	15	15	15	15	15
2	SHPC	0	0	0	0	0	0	0	0	0	0
3	PROV	8	8	8	8	8	8	8	8	8	8
4	HFBT	0	0	0	0	0	0	0	0	0	0
5	ULTI	0	0	0	0	0	0	0	0	0	0
11	UCTI	0	0	0	0	0	0	0	0	0	0
16	MIDE	87	86	86	84	84	91	90	90	88	88
17	APCD	2	2	2	2	2	2	2	2	2	2
18	NRLV	5	5	6	0	0	5	5	6	0	0

No.	Name	Full/Widezoom/Zoom									
		MS (MOVIE(HQ))					MS (MOVIE(LQ))				
		VIVID	STANDARD MILD OFF	STANDARD MILD ON	PRO MILD OFF	PRO MILD ON	VIVID	STANDARD MILD OFF	STANDARD MILD ON	PRO MILD OFF	PRO MILD ON
0	SHOF	31	31	10	31	31	31	31	10	31	10
1	SHF0	15	15	15	15	15	15	15	15	15	15
2	SHPC	0	0	0	0	0	0	0	0	0	0
3	PROV	8	8	8	8	8	8	8	8	8	8
4	HFBT	0	0	0	0	0	0	0	0	0	0
5	ULTI	0	0	0	0	0	0	0	0	0	0
11	UCTI	0	0	0	0	0	0	0	0	0	0
16	MIDE	95	84	84	91	90	99	98	98	96	96
17	APCD	2	2	2	2	2	2	2	2	2	2
18	NRLV	5	5	6	5	5	5	5	6	0	0

No.	Name	Multi Window									
		Twin/Freeze					Index				
		VIVID	STANDARD MILD OFF	STANDARD MILD ON	PRO MILD OFF	PRO MILD ON	VIVID	STANDARD MILD OFF	STANDARD MILD ON	PRO MILD OFF	PRO MILD ON
0	SHOF	31	31	20	31	20	31	31	20	31	20
1	SHF0	14	14	14	14	14	14	14	14	14	14
2	SHPC	0	0	0	0	0	0	0	0	0	0
3	PROV	8	8	8	8	8	8	8	8	8	8
4	HFBT	0	0	0	0	0	0	0	0	0	0
5	ULTI	0	0	0	0	0	0	0	0	0	0
11	UCTI	0	0	0	0	0	0	0	0	0	0
16	MIDE	0	0	0	0	0	0	0	0	0	0
17	APCD	2	2	2	2	2	2	2	2	2	2
18	NRLV	0	0	0	0	0	0	0	0	0	0

No.	Name	Multi Window				
		Favorites				
		VIVID	STANDARD MILD OFF	STANDARD MILD ON	PRO MILD OFF	PRO MILD ON
0	SHOF	31	31	20	31	20
1	SHF0	14	14	14	14	14
2	SHPC	0	0	0	0	0
3	PROV	8	8	8	8	8
4	HFBT	0	0	0	0	0
5	ULTI	0	0	0	0	0
11	UCTI	0	0	0	0	0
16	MIDE	0	0	0	0	0
17	APCD	2	2	2	2	2
18	NRLV	0	0	0	0	0

Standards \*2

No.	Name	ULTI=0	ULTI=1	ULTI=2	ULTI=3	ULTI=4	ULTI=5	ULTI=6	ULTI=7
6	LTSL	0	0	1	3	1	2	3	1
7	LTLV	0	1	3	3	1	1	1	2
8	LTDL	0	12	12	15	14	14	14	14
9	LTMD	0	0	0	1	1	1	1	0
10	LTCR	0	0	0	0	0	0	0	0

No.	Name	ULTI=8	ULTI=9	ULTI=10	ULTI=11	ULTI=12	ULTI=13	ULTI=14	ULTI=15
6	LTSL	2	2	2	2	2	1	1	2
7	LTLV	2	3	1	2	3	1	3	3
8	LTDL	14	14	14	14	14	14	14	14
9	LTMD	0	0	1	1	1	0	0	0
10	LTCR	0	0	0	0	0	0	0	0

No.	Name	UCTI=0	UCTI=1	UCTI=2	UCTI=3	UCTI=4	UCTI=5	UCTI=6	UCTI=7
12	CTLV	0	1	2	3	4	5	6	7
13	CTDL	0	6	6	6	6	6	6	6
14	CTMD	0	0	0	0	0	0	0	0
15	CTCR	0	0	0	0	0	0	0	0

No.	Name	UCTI=8	UCTI=9	UCTI=10	UCTI=11	UCTI=12	UCTI=13	UCTI=14	UCTI=15
12	CTLV	8	9	10	11	12	13	14	15
13	CTDL	6	6	6	6	6	6	6	6
14	CTMD	0	0	0	0	0	0	0	0
15	CTCR	0	0	0	0	0	0	0	0



DCP-USER

Functionality		Data	Remarks
No.	Name		
0	UPIC	*1	
1	UBRT	*1	
2	UCOL	*1	
3	UHUE	*1	
4	USHP	*1	
5	UTMP	*1	
6	UDCL	*1	
7	UNRT	*1	
8	UBNR	*1	
9	UDRC	*1	
10	UBLT	*1	
11	UPOF	*2	
12	UBOF	*2	
13	UCOF	*2	
14	UHOF	*2	
15	AXIS	*2	
16	RYB	*3	
17	RYS	*3	
18	GYB	*3	
19	GYR	*3	
20	UGAM	*2	
21	RGAM	*4	
22	GGAM	*4	
23	BGAM	*4	
24	UDCT	*2	
25	DCTR	*5	
26	DCT1	*5	
27	DCT2	*5	
28	UAPD	*2	
29	APDL	*6	
30	APDK	*6	
31	APDD	*6	
32	APDA	*6	
33	APDH	*6	
34	LSCL	*2	
35	UDCI	*2	
36	DCIE	*7	
37	DAUT	*7	
38	DGAI	*7	
39	DLPF	*7	
40	DINF	*7	
41	DPIC	255	
42	DBRT	202	
43	LPSW	0	

Standards \*1

No.	Name	WE 42", 50"				WE 60"			
		Vivid	Standard	Pro	Reserved	Vivid	Standard	Pro	Reserved
0	UPIC	63	50	46	48	63	50	46	48
1	UBRT	25	35	31	31	25	35	31	31
2	UCOL	37	34	31	31	37	34	31	31
3	UHUE	31	31	31	31	31	31	31	31
4	USHP	37	35	31	31	42	40	36	31
5	UTMP	2	1	1	3	2	1	1	3
6	UDCL	0	0	0	0	0	0	0	0
7	UNRT	1	2	0	0	1	2	0	0
8	UBNR	0	0	0	0	0	0	0	0
9	UDRC	2	3	1	0	2	3	1	0
10	UBLT	0	0	0	0	0	0	0	0

Standards \*2

No.	Name	UV				Video			
		Vivid	Standard	Pro	Reserved	Vivid	Standard	Pro	Reserved
11	UPOF	31	31	31	31	31	31	31	31
12	UBOF	55	37	29	47	55	37	29	47
13	UCOF	32	32	31	34	31	32	31	34
14	UHOF	31	31	31	31	31	31	31	31
15	AXIS	0	0	0	2	0	0	0	2
20	UGAM	6	3	0	5	6	3	0	5
24	UDCT	8	8	0	6	8	8	0	6
28	UAPD	8	4	0	6	8	4	0	6
34	LSCL	60	60	60	60	60	60	60	60
35	UDCI	4	2	0	3	4	2	0	3

No.	Name	ATSC (480i)				ATSC (480p)			
		Vivid	Standard	Pro	Reserved	Vivid	Standard	Pro	Reserved
11	UPOF	31	31	31	31	31	31	31	31
12	UBOF	55	37	29	41	55	37	29	41
13	UCOF	31	32	31	34	31	32	31	34
14	UHOF	31	31	31	31	31	31	31	31
15	AXIS	0	0	0	2	0	0	0	2
20	UGAM	6	3	0	5	6	3	0	5
24	UDCT	8	8	0	8	8	8	0	8
28	UAPD	8	4	0	6	8	4	0	6
34	LSCL	60	60	60	60	60	60	60	60
35	UDCI	4	2	0	3	4	2	0	3

No.	Name	ATSC (1080i)				ATSC (720p)			
		Vivid	Standard	Pro	Reserved	Vivid	Standard	Pro	Reserved
11	UPOF	31	31	31	31	31	31	31	31
12	UBOF	31	31	35	47	31	31	35	47
13	UCOF	31	31	31	31	31	31	31	31
14	UHOF	31	31	31	31	31	31	31	31
15	AXIS	2	2	2	2	2	2	2	2
20	UGAM	10	8	0	7	10	8	0	7
24	UDCT	8	8	0	8	8	8	0	8
28	UAPD	6	3	0	5	6	3	0	5
34	LSCL	60	60	60	60	60	60	60	60
35	UDCI	0	0	0	0	0	0	0	0

No.	Name	DTT/ATSC (LOWER)			
		Vivid	Standard	Pro	Reserved
11	UPOF	31	31	31	31
12	UBOF	31	31	31	31
13	UCOF	31	31	31	31
14	UHOF	31	31	31	31
15	AXIS	2	2	2	2
20	UGAM	8	7	0	7
24	UDCT	8	8	0	8
28	UAPD	10	5	0	5
34	LSCL	60	60	60	60
35	UDCI	0	0	0	0

No.	Name	i.LINK (480i : Except DV)				i.LINK (480p)			
		Vivid	Standard	Pro	Reserved	Vivid	Standard	Pro	Reserved
11	UPOF	31	31	31	31	31	31	31	31
12	UBOF	55	37	29	41	55	37	29	41
13	UCOF	31	32	31	34	31	32	31	34
14	UHOF	31	31	31	31	31	31	31	31
15	AXIS	0	0	0	2	0	0	0	2
20	UGAM	6	3	0	5	6	3	0	5
24	UDCT	8	8	0	8	8	8	0	8
28	UAPD	8	4	0	6	8	4	0	6
34	LSCL	60	60	60	60	60	60	60	60
35	UDCI	4	2	0	3	4	2	0	3

No.	Name	i.LINK (1080i)				i.LINK (720p)			
		Vivid	Standard	Pro	Reserved	Vivid	Standard	Pro	Reserved
11	UPOF	31	31	31	31	31	31	31	31
12	UBOF	31	31	35	47	31	31	35	47
13	UCOF	31	31	31	31	31	31	31	31
14	UHOF	31	31	31	31	31	31	31	31
15	AXIS	2	2	2	2	2	2	2	2
20	UGAM	10	8	0	7	10	8	0	7
24	UDCT	8	8	0	8	8	8	0	8
28	UAPD	6	3	0	5	6	3	0	5
34	LSCL	60	60	60	60	60	60	60	60
35	UDCI	0	0	0	0	0	0	0	0

No.	Name	BS/CS-d/i.LINK (LOWER)				i.LINK (DV)			
		Vivid	Standard	Pro	Reserved	Vivid	Standard	Pro	Reserved
11	UPOF	31	31	31	31	31	31	31	31
12	UBOF	31	47	35	47	55	37	29	41
13	UCOF	31	31	31	31	31	32	31	34
14	UHOF	31	31	31	31	31	31	31	31
15	AXIS	2	2	2	2	0	0	0	2
20	UGAM	8	7	0	7	6	3	0	5
24	UDCT	8	8	0	8	8	8	0	8
28	UAPD	10	5	0	5	8	4	0	6
34	LSCL	60	60	60	60	60	60	60	60
35	UDCI	0	0	0	0	4	2	0	3

No.	Name	IND. DATA (480i)				IND. DATA (ex 480i)			
		Vivid	Standard	Pro	Reserved	Vivid	Standard	Pro	Reserved
11	UPOF	31	31	31	31	31	31	31	31
12	UBOF	31	31	31	31	31	31	31	31
13	UCOF	31	31	31	31	31	31	31	31
14	UHOF	31	31	31	31	31	31	31	31
15	AXIS	2	2	2	2	2	2	2	2
20	UGAM	8	7	0	7	8	7	0	7
24	UDCT	8	8	0	8	8	8	0	8
28	UAPD	10	5	0	5	10	5	0	5
34	LSCL	60	60	60	60	60	60	60	60
35	UDCI	0	0	0	0	0	0	0	0

No.	Name	ADD DATA (480i)				ADD DATA (ex 480i)			
		Vivid	Standard	Pro	Reserved	Vivid	Standard	Pro	Reserved
11	UPOF	31	31	31	31	31	31	31	31
12	UBOF	31	31	31	31	31	31	31	31
13	UCOF	31	31	31	31	31	31	31	31
14	UHOF	31	31	31	31	31	31	31	31
15	AXIS	2	2	2	2	2	2	2	2
20	UGAM	8	7	0	7	8	7	0	7
24	UDCT	8	8	0	8	8	8	0	8
28	UAPD	10	5	0	5	10	5	0	5
34	LSCL	60	60	60	60	60	60	60	60
35	UDCI	0	0	0	0	0	0	0	0

No.	Name	Component (480i)				Component (480p)			
		Vivid	Standard	Pro	Reserved	Vivid	Standard	Pro	Reserved
11	UPOF	31	31	31	31	31	31	31	31
12	UBOF	55	37	29	41	55	37	29	41
13	UCOF	31	32	31	34	31	32	31	34
14	UHOF	31	31	31	31	31	31	31	31
15	AXIS	0	0	0	2	0	0	0	2
20	UGAM	6	3	0	5	6	3	0	5
24	UDCT	8	8	0	8	8	8	0	8
28	UAPD	8	4	0	6	8	4	0	6
34	LSCL	60	60	60	60	60	60	60	60
35	UDCI	4	2	0	3	4	2	0	3

No.	Name	Component (1080i)				Component (720p)			
		Vivid	Standard	Pro	Reserved	Vivid	Standard	Pro	Reserved
11	UPOF	31	31	31	31	31	31	31	31
12	UBOF	31	31	35	47	31	31	35	47
13	UCOF	31	31	31	31	31	31	31	31
14	UHOF	31	31	31	31	31	31	31	31
15	AXIS	2	2	2	2	2	2	2	2
20	UGAM	10	8	0	7	10	8	0	7
24	UDCT	8	8	0	8	8	8	0	8
28	UAPD	6	3	0	5	6	3	0	5
34	LSCL	60	60	60	60	60	60	60	60
35	UDCI	0	0	0	0	0	0	0	0

No.	Name	DVI (480i)				DVI (480p)			
		Vivid	Standard	Pro	Reserved	Vivid	Standard	Pro	Reserved
11	UPOF	31	31	31	31	31	31	31	31
12	UBOF	55	37	29	41	55	37	29	41
13	UCOF	31	32	31	34	31	32	31	34
14	UHOF	31	31	31	31	31	31	31	31
15	AXIS	0	0	0	2	0	0	0	2
20	UGAM	6	3	0	5	6	3	0	5
24	UDCT	8	8	0	8	8	8	0	8
28	UAPD	8	4	0	6	8	4	0	6
34	LSCL	60	60	60	60	60	60	60	60
35	UDCI	4	2	0	3	4	2	0	3

No.	Name	DVI (1080i)				DVI (720p)			
		Vivid	Standard	Pro	Reserved	Vivid	Standard	Pro	Reserved
11	UPOF	31	31	31	31	31	31	31	31
12	UBOF	31	31	35	47	31	31	35	47
13	UCOF	31	31	31	31	31	31	31	31
14	UHOF	31	31	31	31	31	31	31	31
15	AXIS	2	2	2	2	2	2	2	2
20	UGAM	10	8	0	7	10	8	0	7
24	UDCT	8	8	0	8	8	8	0	8
28	UAPD	6	3	0	5	6	3	0	5
34	LSCL	60	60	60	60	60	60	60	60
35	UDCI	0	0	0	0	0	0	0	0

No.	Name	DVI (VGA etc)			
		Vivid	Standard	Pro	Reserved
11	UPOF	31	31	31	31
12	UBOF	55	37	29	41
13	UCOF	31	32	31	34
14	UHOF	31	31	31	31
15	AXIS	0	0	0	2
20	UGAM	6	3	0	5
24	UDCT	8	8	0	8
28	UAPD	8	4	0	6
34	LSCL	60	60	60	60
35	UDCI	4	2	0	3

No.	Name	MS (STILL)				MS (MOVIE(CONT-PANEL))			
		Vivid	Standard	Pro	Reserved	Vivid	Standard	Pro	Reserved
11	UPOF	31	31	31	31	31	31	31	31
12	UBOF	31	31	35	47	31	31	35	47
13	UCOF	31	31	31	31	31	31	31	31
14	UHOF	31	31	31	31	31	31	31	31
15	AXIS	2	2	2	2	2	2	2	2
20	UGAM	10	8	0	7	10	8	0	7
24	UDCT	8	8	0	8	8	8	0	8
28	UAPD	6	3	0	5	6	3	0	5
34	LSCL	60	60	60	60	60	60	60	60
35	UDCI	0	0	0	0	0	0	0	0

No.	Name	MS (MOVIE(HQ))				MS (MOVIE(LQ))			
		Vivid	Standard	Pro	Reserved	Vivid	Standard	Pro	Reserved
11	UPOF	31	31	31	31	31	31	31	31
12	UBOF	31	31	35	47	31	31	35	47
13	UCOF	31	31	31	31	31	31	31	31
14	UHOF	31	31	31	31	31	31	31	31
15	AXIS	2	2	2	2	2	2	2	2
20	UGAM	8	7	0	7	10	8	0	7
24	UDCT	8	8	0	8	8	8	0	8
28	UAPD	10	5	0	5	6	3	0	5
34	LSCL	60	60	60	60	60	60	60	60
35	UDCI	0	0	0	0	0	0	0	0

No.	Name	Multi Window							
		Twin/Freeze				Index			
		Vivid	Standard	Pro	Reserved	Vivid	Standard	Pro	Reserved
11	UPOF	31	31	31	31	31	31	31	31
12	UBOF	31	31	35	47	31	31	35	47
13	UCOF	31	31	31	31	31	31	31	31
14	UHOF	31	31	31	31	31	31	31	31
15	AXIS	2	2	2	2	2	2	2	2
20	UGAM	6	3	0	3	6	3	0	3
24	UDCT	0	0	0	0	0	0	0	0
28	UAPD	0	0	0	0	0	0	0	0
34	LSCL	60	60	60	60	60	60	60	60
35	UDCI	0	0	0	0	0	0	0	0

No.	Name	Multi Window Favorites			
		Vivid	Standard	Pro	Reserved
		11	UPOF	31	31
12	UBOF	31	31	35	47
13	UCOF	31	31	31	31
14	UHOF	31	31	31	31
15	AXIS	2	2	2	2
20	UGAM	6	3	0	3
24	UDCT	0	0	0	0
28	UAPD	0	0	0	0
34	LSCL	60	60	60	60
35	UDCI	0	0	0	0

**Standards \*3**

No.	Name	AXIS=0	AXIS=1	AXIS=2	AXIS=3
16	RYB	24	68	35	70
17	RYR	91	103	130	160
18	GYB	91	69	91	91
19	GYR	127	122	127	127

**Standards \*4**

No.	Name	UGAM=0	UGAM=1	UGAM=2	UGAM=3	UGAM=4	UGAM=5	UGAM=6	UGAM=7
21	RGAM	0	1	2	3	4	5	6	7
22	GGAM	0	1	2	3	4	5	6	7
23	BGAM	0	1	2	3	4	5	6	7

No.	Name	UGAM=8	UGAM=9	UGAM=10	UGAM=11	UGAM=12	UGAM=13	UGAM=14	UGAM=15
21	RGAM	8	9	10	11	12	13	14	15
22	GGAM	8	9	10	11	12	13	14	15
23	BGAM	8	9	10	11	12	13	14	15

**Standards \*5**

No.	Name	UDCT=0	UDCT=1	UDCT=2	UDCT=3	UDCT=4	UDCT=5	UDCT=6	UDCT=7
25	DCTR	0	1	2	3	4	5	6	7
26	DCT1	0	0	0	0	0	0	0	0
27	DCT2	2	2	2	2	2	2	2	2

No.	Name	UDCT=8	UDCT=9	UDCT=10	UDCT=11	UDCT=12	UDCT=13	UDCT=14	UDCT=15
25	DCTR	8	9	10	11	12	13	14	15
26	DCT1	0	0	0	0	0	0	0	0
27	DCT2	2	2	2	2	2	2	2	2

**Standards \*6**

No.	Name	UAPD=0	UAPD=1	UAPD=2	UAPD=3	UAPD=4	UAPD=5	UAPD=6	UAPD=7
29	APDL	0	1	2	3	4	5	6	7
30	APDK	0	16	16	16	16	16	16	16
31	APDD	0	8	8	8	8	8	8	8
32	APDA	0	15	15	15	15	15	15	15
33	APDH	0	0	0	0	0	0	0	0

No.	Name	UAPD=8	UAPD=9	UAPD=10	UAPD=11	UAPD=12	UAPD=13	UAPD=14	UAPD=15
29	APDL	8	9	10	11	12	13	14	15
30	APDK	16	16	16	16	16	16	16	16
31	APDD	8	8	8	8	8	8	8	8
32	APDA	15	15	15	15	15	15	15	15
33	APDH	0	0	0	0	0	0	0	0

**Standards \*7**

No.	Name	UDCI=0	UDCI=1	UDCI=2	UDCI=3	UDCI=4	UDCI=5	UDCI=6	UDCI=7
36	DCIE	0	1	1	1	1	1	1	1
37	DAUT	0	1	1	1	1	1	1	1
38	DGAI	0	4	8	12	16	20	24	28
39	DLPF	0	2	2	2	2	2	2	2
40	DINF	0	38	38	38	38	38	38	38

No.	Name	UDCI=8	UDCI=9	UDCI=10	UDCI=11	UDCI=12	UDCI=13	UDCI=14	UDCI=15
36	DCIE	1	1	1	1	1	1	1	1
37	DAUT	1	1	1	1	1	1	1	1
38	DGAI	32	36	40	44	48	52	56	60
39	DLPF	2	2	2	2	2	2	2	2
40	DINF	38	38	38	38	38	38	38	38

DCP-AVP

Functionality		Data	Remarks
No.	Name		
0	AGAM	*1	
1	ADCI	*2	
2	AAPD	*2	
3	ADCT	*2	
4	AAXI	*3	
5	UNRL	*4	
6	BNRL	*5	

Standards \*1

No.	Name	Gamma Correction		
		Low	Middle	High
0	AGAM	5	7	9

Standards \*2

No.	Name	Dark Correction		
		Low	Middle	High
1	ADCI	2	4	6
2	AAPD	4	8	12
3	ADCT	4	6	8

Standards \*3

No.	Name	Color Correction
		On
4	AAXI	3

Standards \*4

No.	Name	User NR Level			
		Off : UNRT = 0	Low : UNRT = 1	Middle : UNRT = 2	High : UNRT = 3
5	UNRL	4	5	6	7

Standards \*5

No.	Name	User BNR Level			
		Off : UBNR = 0	Low : UBNR = 1	Middle : UBNR = 2	High : UBNR = 3
6	BNRL	0	1	2	3

USR-NR

Functionality		Data	Remarks
No.	Name		
1	NRLV	*1	
2	RNRP	*1	

Standards \*1

No.	Name	UNRL = 0	UNRL = 1	UNRL = 2	UNRL = 3	UNRL = 4	UNRL = 5	UNRL = 6	UNRL = 7
1	NRLV	0	1	2	3	4	5	6	7
2	RNRP	0	0	0	0	0	0	0	0

CXA2171

Functionality		Data	Remarks
No.	Name		
0	MTRX	*1	
1	GAIN	*2	
2	CBGN	*2	
3	VTC	1	
4	HWID	1	
5	HSEP	*2	
6	FRGB	0	
7	HMSK	0	
8	DMST	*2	
9	CLGT	*2	

Standards \*1

No.	Name	VIDEO5				VIDEO6			
		480i	480p	1080i	720p	480i	480p	1080i	720p
0	MTRX	0	0	1	1	0	0	1	1

No.	Name	ATSC					DVI
		480i	480p	1080i	720p	MS	
0	MTRX	0	0	1	1	1	0

Standards \*2

No.	Name	VIDEO5				VIDEO6			
		480i	480p	1080i	720p	480i	480p	1080i	720p
1	GAIN	0	0	0	0	0	0	0	0
2	CBGN	7	7	7	7	7	7	7	7
5	HSEP	1	1	0	0	1	1	0	0
8	DMST	0	0	0	0	0	0	0	0
9	CLGT	0	0	1	1	0	0	1	1

No.	Name	ATSC					DVI			
		480i	480p	1080i	720p	MS	480i	480p	1080i	720p
1	GAIN	0	0	0	0	0	0	0	0	0
2	CBGN	7	7	7	7	7	7	7	7	7
5	HSEP	1	1	0	0	0	1	1	0	0
8	DMST	0	0	0	0	0	0	0	0	0
9	CLGT	0	0	1	1	1	0	0	1	1

AP

Functionality		Data	Remarks
No.	Name		
0	SVOL	*1	
1	STRE	*1	
2	SBAS	*1	
3	BBE	*1	
4	BBEL	*1	
5	BBEH	*1	
6	MOD1	*2	
7	MOD2	*2	
8	MOD3	*2	
9	AGCL	*2	

Standards \*2

No.	Name	42/50inch	60inch
6	MOD1	0	0
7	MOD2	0	0
8	MOD3	0	1
9	AGCL	0	0

Standards \*1

No.	Name	Virtual Dolby			TruSurround			Simulated			Others		
		UV	ATSC	Others	UV	ATSC	Others	UV	ATSC	Others	UV	ATSC	Others
0	SVOL	6	6	6	3	7	3	4	7	4	4	7	4
1	STRE	7	7	10		7	11	12	7	13	12	7	13
2	SBAS	7	7	3	10	7	10	10	7	9	10	7	9
3	BBE	1	1	1	1	1	1	1	1	1	1	1	1
4	BBEL	4	4	7	7	4	10	5	4	8	5	4	8
5	BBEH	2	2	4	10	2	10	12	2	13	10	2	13

AK4524

Functionality		Data	Remarks
No.	Name		
0	ATTL	64	
1	ATTR	64	

**DLBY**

Functionality		Data	Remarks
No.	Name		
0	DBMD	0	
1	SCH	0	
2	ADSW	0	
3	CECH	0	
4	DELY	7	
5	SSEL	0	

**SNNR**

Functionality		Data	Remarks
No.	Name		
0	SNNR	0	
1	SNFX	0	
2	YNLV	*1	
3	HIST	*1	
4	PSCH	*1	
5	PFUP	*1	
6	PSHP	*1	
7	PYNR	*1	
8	PCNR	*1	
9	PVGA	*1	
10	PRNR	*1	
11	DSHP	*1	
12	DSF0	*1	
13	DLTI	*1	
14	DCTI	*1	
15	DHFB	*1	
16	MINR	*1	
17	VRAO	*1	
18	VRBO	*1	

**Standards #1**

No.	Name	SNNR0	SNNR1	SNNR2	SNNR3
2	YNLV	-	30	60	80
3	HIST	-	4	4	4
4	PSCH	0	0	1	1
5	PFUP	0	0	1	2
6	PSHP	0	0	0	1
7	PYNR	0	0	0	1
8	PCNR	0	0	0	1
9	PVGA	0	0	0	0
10	PRNR	1	1	1	1
11	DSHP	0	1	2	3
12	DSF0	0	0	1	1
13	DLTI	0	0	1	1
14	DCTI	0	3	7	15
15	DHFB	0	3	7	15
16	MINR	0	1	2	3
17	VRAO	0	3	7	15
18	VRBO	0	0	1	3

**SNSS**

Functionality		Data	Remarks
No.	Name		
0	SNSS	0	
1	SSFX	0	
2	YNLV	*1	
3	HIST	*1	
4	PSYF	*1	
5	PAFG	*1	
6	PLOG	*1	
7	PHSL	*1	
8	PVSL	*1	

**Standards #1**

No.	Name	SNSS0	SNSS1	SNSS2
2	YNLV	-	20	255
3	HIST	-	7	7
4	PSYF	0	0	0
5	PAFG	0	1	3
6	PLOG	0	0	3
7	PHSL	0	0	0
8	PVSL	0	0	0

**DRCVR**

Functionality		Data	Remarks
No.	Name		
0	23PD	*1	
1	MFVR	0	
2	RESO	*2	
3	NOCT	*2	
4	FMAT	0	
5	FMTH	*1	
6	FSEL	*1	
7	CDLY	*1	
8	LMIT	0	
9	LMLV	*3	
10	LMSL	1	
11	VDLY	1	
12	VDPR	3	
13	WPLL	2	
14	CRCT	0	
15	CHG1	2	
16	CHG2	4	
17	CHG3	6	
18	STP1	1	
19	STP2	2	
20	STP3	3	
21	STP4	4	
22	RSOF	*4	
23	NCOF	*4	

**Standards \*1**

No.	Name	UV	Video1	Video2	Video3	Video4	Video5 (Component1)	Video6 (Component2)	ATSC
0	23PD	1	1	1	1	1	1	1	1
5	FMTH	1	1	1	1	1	1	1	1
6	FSEL	1	1	1	1	1	1	1	1
7	CDLY	2	2	2	2	2	2	2	2

No.	Name	Video7 (DVI)	AV-MULTI (YCbCr)	i.LINK (Except DV)	i.LINK (DV)
0	23PD	1	1	1	1
5	FMTH	1	1	1	1
6	FSEL	1	0	1	1
7	CDLY	2	1	2	2

**Standards \*2**

No.	Name	Vivid						
		UV	ATSC	Video	Component	DVI	i.LINK (Except DV)	i.LINK (DV)
2	RESO	59	72	35	72	72	72	72
3	NOCT	218	128	203	128	128	128	128

No.	Name	Standard (Mild Off)						
		UV	ATSC	Video	Component	DVI	i.LINK (Except DV)	i.LINK (DV)
2	RESO	0	72	0	72	72	72	72
3	NOCT	155	128	141	128	128	128	128

No.	Name	Standard (Mild On)						
		UV	ATSC	Video	Component	DVI	i.LINK (Except DV)	i.LINK (DV)
2	RESO	190	190	95	190	190	190	190
3	NOCT	155	128	141	128	128	128	128

No.	Name	Pro (Mild Off)						
		UV	ATSC	Video	Component	DVI	i.LINK (Except DV)	i.LINK (DV)
2	RESO	63	128	89	128	128	128	128
3	NOCT	218	128	201	128	128	128	128

No.	Name	Pro (Mild On)						
		UV	ATSC	Video	Component	DVI	i.LINK (Except DV)	i.LINK (DV)
2	RESO	190	190	190	190	190	190	190
3	NOCT	218	190	201	190	190	190	190

**Standards \*3**

No.	Name	UV				Except UV			
		Vivid	Standard	Pro	Reserved	Vivid	Home	Pro	Reserved
9	LMLV	2	2	2	2	2	2	2	2

**Standards \*4**

No.	Name	DRC Palette		
		Custom1	Custom2	Custom3
22	RSOF	24	49	24
23	NCOF	0	0	24



CCD

Functionality		Data	Remarks
No.	Name		
0	HPRM	58	
1	HPRS	58	
2	YSYM	0	
3	CCDI	3	
4	CRIP	4	
5	PHLD	0	
6	CHMK	52	
7	LANG	2	
8	DATA	0	
9	VCHP	0	
10	CLMP	0	
11	SYSV	3	
12	ID1	1	
13	ID1M	3	
14	FPOL	0	
15	BWHT	0	
16	MESH	0	
17	BNBB	1	
18	BNBG	0	
19	BNBR	0	
20	CMP1	2	
21	CMP2	5	
22	CMP3	3	
23	CWHT	3	
24	VSDW	1	
25	BFRQ	0	
26	BPOS	0	
27	BFRM	1	
28	BTIM	0	

ID

Functionality		Data	Remarks
No.	Name		
0	ID0	89	
1	ID1	247	
2	ID2	239	
3	ID3	107	
4	ID4	0	
5	ID5	99	
6	ID6	54	
7	ID7	23	
8	ID8	34	

OP

Functionality		Data	Remarks
No.	Name		
0	DLY1	4	
1	DLY2	0	
2	DLY3	0	
3	DLY4	4	
4	DLY5	0	
5	DLY6	4	
6	ADLY	15	
7	OSDV	30	
8	OSDH	6	
9	HDPT	1	
10	MSBG	0	
11	RAMW	0	
12	SNON	1	
13	SNO2	0	
14	SSON	1	
15	HLCK	0	
16	XUES	1	
17	AFSO	*1	
18	LIND	*2	
19	MSPR	0	
20	CR68	2	
21	INCH	0	
22	ILLU	1	
23	OSVL	0	
24	OBIT	1	
25	OSMV	70	
26	OSFV	30	

Standards \*1

No.	Name	UV	VIDEO1	VIDEO2	VIDEO3	VIDEO4 480i	VIDEO5 480i	DV1 480i
17	AFSO	1	1	1	1	1	1	1

Standards \*2

No.	Name	Vivid						
		UV	VIDEO1	VIDEO2	VIDEO3	VIDEO4 480i	VIDEO5 480i	DV1 480i
18	LIND	0	0	0	0	0	0	0

No.	Name	Standard						
		UV	VIDEO1	VIDEO2	VIDEO3	VIDEO4 480i	VIDEO5 480i	DV1 480i
18	LIND	0	0	0	0	0	0	0

No.	Name	Pro						
		UV	VIDEO1	VIDEO2	VIDEO3	VIDEO4 480i	VIDEO5 480i	DV1 480i
18	LIND	0	0	0	0	0	0	0

No.	Name	Mild						
		UV	VIDEO1	VIDEO2	VIDEO3	VIDEO4 480i	VIDEO5 480i	DV1 480i
18	LIND	0	0	0	0	0	0	0

MIDI

Functionality		Data	Remarks
No.	Name		
0	DHPH	*1	
1	DVPH	*1	
2	DHAR	*1	
3	DVAR	*1	
4	DHPW	*1	
5	DVPW	*1	
6	DYCD	*2	
7	DYSD	*3	
8	DYST	*3	
9	MDHP	*4	
10	MDVP	*5	
11	MDHS	*4	
12	MDHO	*4	
13	MDVS	*5	
14	MDVO	*5	
15	MLDT	*6	
16	MLRA	*6	
17	DBCY	*7	
18	DYSS	*8	
19	MDLO	5	
20	DDGO	1	
21	DANO	0	
22	MPIC	3	
23	MPFB	24	
24	MRIN	1	
25	DCSL	1	
26	DRPD	5	
27	NOFR	0	

Standards \*1

No.	Name	Panel-0	Panel-1	Panel-2	Panel-3	Panel-4(ex)
0	DHPH	255	255	103	255	255
1	DVPH	255	255	13	255	255
2	DHAR	255	255	177	255	255
3	DVAR	255	255	199	255	255
4	DHPW	255	255	50	255	255
5	DVPW	255	255	3	255	255

Standards \*2

No.	Name	Single			
		Analog 480i	Analog other	Digital 480i	Digital other
6	DYCD	0	0	0	0

No.	Name	Twin	Memo	Favorite	Index
6	DYCD	0	0	0	0

Standards \*3

No.	Name	Single			
		YSDLY = 0	YSDLY = 1	YSDLY = 2	YSDLY = 3
7	DYSD	8	7	4	4
8	DYST	9	10	6	8

No.	Name	Single			
		YSDLY = 4	YSDLY = 5	YSDLY = 6	YSDLY = 7
7	DYSD	2	0	0	0
8	DYST	5	3	0	0

No.	Name	Single			
		YSDLY = 8	YSDLY = 9	YSDLY = 10	YSDLY = 11
7	DYSD	0	0	0	0
8	DYST	0	0	0	0

No.	Name	Single			
		YSDLY = 12	YSDLY = 13	YSDLY = 14	YSDLY = 15
7	DYSD	0	0	0	0
8	DYST	0	0	0	0

No.	Name	Other			
		YSDLY = 0	YSDLY = 1	YSDLY = 2	YSDLY = 3
7	DYSD	7	6	4	3
8	DYST	8	7	5	4

No.	Name	Other			
		YSDLY = 4	YSDLY = 5	YSDLY = 6	YSDLY = 7
7	DYSD	2	1	0	0
8	DYST	4	3	0	0

No.	Name	Other			
		YSDLY = 8	YSDLY = 9	YSDLY = 10	YSDLY = 11
7	DYSD	0	0	0	0
8	DYST	0	0	0	0

No.	Name	Other			
		YSDLY = 12	YSDLY = 13	YSDLY = 14	YSDLY = 15
7	DYSD	0	0	0	0
8	DYST	0	0	0	0

Standards \*4

No.	Name	Panel-0					
		SidePanel	Window SidePanel	Twin(Center)	Favorite	Index	other
9	MDHP	255	255	255	255	255	255
11	MDHS	255	255	255	255	255	255
12	MDHO	255	255	255	255	255	255

No.	Name	Panel-1					
		SidePanel	Window SidePanel	Twin(Center)	Favorite	Index	other
9	MDHP	255	255	255	255	255	255
11	MDHS	255	255	255	255	255	255
12	MDHO	255	255	255	255	255	255

No.	Name	Panel-2 (42")					
		SidePanel	Window SidePanel	Twin(Center)	Favorite	Index	other
9	MDHP	107	255	17	21	255	12
11	MDHS	33	255	33	33	255	224
12	MDHO	46	255	30	46	255	46

No.	Name	42" Default Panel-2					
		SidePanel	Window SidePanel	Twin(Center)	Favorite	Index	other
9	MDHP	107		17	21		12
11	MDHS						
12	MDHO						

No.	Name	Panel-2 (50")					
		SidePanel	Window SidePanel	Twin(Center)	Favorite	Index	other
9	MDHP	104	255	13	18	255	8
11	MDHS	38	255	37	38	255	231
12	MDHO	46	255	30	46	255	46

No.	Name	50" Default Panel-2					
		SidePanel	Window SidePanel	Twin(Center)	Favorite	Index	other
9	MDHP	104		13	18		8
11	MDHS						
12	MDHO						

No.	Name	Panel-2 (60")					
		SidePanel	Window SidePanel	Twin(Center)	Favorite	Index	other
9	MDHP	105	255	13	16	255	7
11	MDHS	39	255	37	39	255	233
12	MDHO	46	255	30	46	255	46

No.	Name	60" Default Panel-2					
		SidePanel	Window SidePanel	Twin(Center)	Favorite	Index	other
9	MDHP	105		13	16		7
11	MDHS						
12	MDHO						

No.	Name	Panel-3					
		SidePanel	Window SidePanel	Twin(Center)	Favorite	Index	other
9	MDHP	255	255	255	255	255	255
11	MDHS	255	255	255	255	255	255
12	MDHO	255	255	255	255	255	255

No.	Name	Panel-4					
		SidePanel	Window SidePanel	Twin(Center)	Favorite	Index	other
9	MDHP	255	255	255	255	255	255
11	MDHS	255	255	255	255	255	255
12	MDHO	255	255	255	255	255	255

Standards \*5

No.	Name	Panel-0			
		Single	Twin(Center)	Favorite	Index
10	MDVP	255	255	255	255
13	MDVS	255	255	255	255
14	MDVO	255	255	255	255

No.	Name	Panel-1			
		Single	Twin(Center)	Favorite	Index
10	MDVP	255	255	255	255
13	MDVS	255	255	255	255
14	MDVO	255	255	255	255

No.	Name	Panel-2 (42")			
		Single	Twin(Center)	Favorite	Index
10	MDVP	20	152	14	255
13	MDVS	116	92	128	255
14	MDVO	64	40	64	255

No.	Name	Panel-2 (42") Default			
		Single	Twin(Center)	Favorite	Index
10	MDVP	14	152	14	
13	MDVS				
14	MDVO				

Panel-2 (50")					
No.	Name	Single	Twin(Center)	Favorite	Index
10	MDVP	14	152	14	255
13	MDVS	128	92	128	255
14	MDVO	64	40	64	255

Panel-2 (50")					
Default					
No.	Name	Single	Twin(Center)	Favorite	Index
10	MDVP	14	152	14	
13	MDVS				
14	MDVO				

Panel-2 (60")					
No.	Name	Single	Twin(Center)	Favorite	Index
10	MDVP	20	156	20	255
13	MDVS	116	84	116	255
14	MDVO	64	40	64	255

Panel-2 (60")					
Default					
No.	Name	Single	Twin(Center)	Favorite	Index
10	MDVP	20	156	20	
13	MDVS				
14	MDVO				

Panel-3					
No.	Name	Single	Twin(Center)	Favorite	Index
10	MDVP	255	255	255	255
13	MDVS	255	255	255	255
14	MDVO	255	255	255	255

Panel-4						
( CRT use )						
No.	Name	Single 480i-input	Twin(Center)	Favorite	Index	Single 540p-input
10	MDVP	255	255	255	255	255
13	MDVS	255	255	255	255	255
14	MDVO	255	255	255	255	255

Standards \*6

Panel-0						Panel-1			
No.	Name	TWIN/MEMO	Favorite	Index	MS	TWIN/MEMO	Favorite	Index	MS
15	MLDT	255	255	255	255	255	255	255	255
16	MLRA	255	255	255	255	255	255	255	255

Panel-2					Panel-3				
No.	Name	TWIN/MEMO	Favorite	Index	MS	TWIN/MEMO	Favorite	Index	MS
15	MLDT	7	10	255	32	255	255	255	255
16	MLRA	72	98	255	54	255	255	255	255

Panel-2 (Default)					Panel-3				
No.	Name	TWIN/MEMO	Favorite	Index	MS	TWIN/MEMO	Favorite	Index	MS
15	MLDT				32				
16	MLRA				0				

Panel-4					
No.	Name	TWIN/MEMO	Favorite	Index	MS
15	MLDT	255	255	255	255
16	MLRA	255	255	255	255

Standards \*7

No.	Name	Single		Free	MS
		SidePanel	other		
17	DBCY	4	4	16	4

No.	Name	other	AutoProgram	All Black	All White
17	DBCY	4	16	1	62

Standards \*8

No.	Name	Favorite	Single	Twin/Memo	MS	MS-Movie
18	DYSS	3	3	3	3	3

MID2

Functionality		Data	Remarks
No.	Name		
0	RHPL	*1	
1	RHSL	*1	
2	RVPL	*1	
3	RVSL	*1	
4	RHPR	*1	
5	RHSR	*1	
6	RVPR	*1	
7	RVSR	*1	
8	PABY	1	
9	PACB	0	
10	PAON	0	
11	PANP	0	
12	PACU	0	

Standards \*1

No.	Name	Single Component 480i				
		SidePanel	Full	Widezoom	Zoom	Caption
		0	RHPL	159	145	145
1	RHSL	163	170	170	170	255
2	RVPL	49	49	69	105	255
3	RVSL	115	115	105	87	255

No.	Name	Single Composite 480i(CV)				
		SidePanel	Full	Widezoom	Zoom	Caption
		0	RHPL	156	141	141
1	RHSL	163	170	170	170	255
2	RVPL	49	49	69	105	255
3	RVSL	115	115	105	87	255

No.	Name	Single DVI 480i				
		SidePanel	Full	Widezoom	Zoom	Caption
		0	RHPL	160	146	146
1	RHSL	163	170	170	170	255
2	RVPL	48	48	68	104	255
3	RVSL	115	115	105	87	255

No.	Name	Single AVM 480i(YCbCr)				
		SidePanel	Full	Widezoom	Zoom	Caption
		0	RHPL	255	255	255
1	RHSL	255	255	255	255	255
2	RVPL	255	255	255	255	255
3	RVSL	255	255	255	255	255

No.	Name	Single Digital 480i				
		SidePanel	Full	Widezoom	Zoom	Caption
		0	RHPL	255	255	255
1	RHSL	255	255	255	255	255
2	RVPL	255	255	255	255	255
3	RVSL	255	255	255	255	255

No.	Name	Single ATSC 480i				
		SidePanel	Full	Widezoom	Zoom	Caption
		0	RHPL	157	143	143
1	RHSL	164	171	171	171	255
2	RVPL	48	48	70	106	255
3	RVSL	115	115	104	86	255

No.	Name	TWIN/MEMO						
		Component 480i	Composite 480i	DVI 480i	AVM 480i (YCbCr)	Digital 480i	Digital 480i (Side Panel)	ATSC 480i
0	RHPL	143	136	143	143	255	255	141
1	RHSL	167	168	167	167	255	255	168
2	RVPL	56	56	59	59	255	255	55
3	RVSL	111	111	111	111	255	255	111
4	RHPR	159	153	159	159	255	255	156
5	RHSR	167	168	167	167	255	255	168
6	RVPR	56	56	59	59	255	255	55
7	RVSR	111	111	111	111	255	255	111

No.	Name	INDEX	
		Composite 480i	Digital 480i
0	RHPL	255	255
1	RHSL	255	255
2	RVPL	255	255
3	RVSL	255	255

No.	Name	Favorite						
		Component 480i	Composite 480i	DVI 480i	AVM 480i (YCbCr)	Digital 480i	Digital 480i (Side Panel)	ATSC 480i
0	RHPL	152	147	152	255	255	255	152
1	RHSL	165	165	165	255	255	255	165
2	RVPL	48	48	50	255	255	255	49
3	RVSL	115	115	115	255	255	255	115
4	RHPR	255	255	255	255	255	255	
5	RHSR	255	255	255	255	255	255	
6	RVPR	255	255	255	255	255	255	
7	RVSR	255	255	255	255	255	255	

MID3

Functionality		Data	Remarks
No.	Name		
0	VHPL	*1	
1	VHSL	*1	
2	VVPL	*1	
3	VVSL	*1	
4	VHPR	*1	
5	VHSR	*1	
6	VVPR	*1	
7	VVSR	*1	
8	VCPO	*2	
9	VCWD	*2	
10	VYCD	*2	
11	VSTP	*2	
12	VSTT	*2	
13	VFRV	*2	

Standards \*1

No.	Name	TWIN/MEMO				
		Digital 1080i other	Digital 1080i SP	Digital 1035i other	Digital 1035i SP	Component 720p
0	VHPL	255				255
1	VHSL	255				255
2	VVPL	255				255
3	VVSL	255				255
4	VHPR	255	255	255	255	255
5	VHSR	255	255	255	255	255
6	VVPR	255	255	255	255	255
7	VVSR	255	255	255	255	255

No.	Name	TWIN/MEMO			
		AVM 720p(RGB)	AVM 720p(YCbCr)	Digital 720p other	Digital 720p SP
0	VHPL	255	255	255	
1	VHSL	255	255	255	
2	VVPL	255	255	255	
3	VVSL	255	255	255	
4	VHPR	255	255	255	255
5	VHSR	255	255	255	255
6	VVPR	255	255	255	255
7	VVSR	255	255	255	255

No.	Name	TWIN/MEMO			
		Component 480p	AVM 480p(RGB)	AVM 480p(YCbCr)	Digital 480p other
0	VHPL	255	255	255	255
1	VHSL	255	255	255	255
2	VVPL	255	255	255	255
3	VVSL	255	255	255	255
4	VHPR	255	255	255	255
5	VHSR	255	255	255	255
6	VVPR	255	255	255	255
7	VVSR	255	255	255	255

No.	Name	TWIN/MEMO			
		Digital 480p SP	Component 1035i	AVM 1035i(RGB)	AVM 1035i(YCbCr)
0	VHPL	255	255	255	255
1	VHSL	255	255	255	255
2	VVPL	255	255	255	255
3	VVSL	255	255	255	255
4	VHPR	255	255	255	255
5	VHSR	255	255	255	255
6	VVPR	255	255	255	255
7	VVSR	255	255	255	255

No.	Name	TWIN/MEMO				
		Component 480i	Composite 480i	AVM 480i(RGB)	AVM 480i(YCbCr)	DTT 480i other
0	VHPL	255	255	255	255	255
1	VHSL	255	255	255	255	255
2	VVPL	255	255	255	255	255
3	VVSL	255	255	255	255	255
4	VHPR	255	76	255	255	255
5	VHSR	255	84	255	255	255
6	VVPR	255	26	255	255	255
7	VVSR	255	56	255	255	255

No.	Name	TWIN/MEMO			Favorite Composite 480i
		DTT 480i SP	Digital 240p	Digital 120p	
0	VHPL		255	255	
1	VHSL		255	255	
2	VVPL		255	255	
3	VVSL		255	255	
4	VHPR				77
5	VHSR				83
6	VVPR				14
7	VVSR				59

Standards \*2

No.	Name	Component 1080i	AVM 1080i(RGB)	AVM 1080i(YCbCr)	Digital 1080i
8	VCPO	0	0	0	0
9	VCWD	0	0	0	0
10	VYCD	0	0	0	0
11	VSTP	0	0	0	0
12	VSTT	0	0	0	0
13	VFRV	0	0	0	0

No.	Name	Component 480p	AVM 480p(RGB)	AVM 480p(YCbCr)	Digital 480p
8	VCPO	0	0	0	0
9	VCWD	0	0	0	0
10	VYCD	0	0	0	0
11	VSTP	0	0	0	0
12	VSTT	0	0	0	0
13	VFRV	0	0	0	0

No.	Name	Component 480i	Composite 480i	AVM 480i(RGB)	AVM 480i(YCbCr)	Analog(DTT)480i
8	VCPO	0	0	0	0	0
9	VCWD	0	0	0	0	0
10	VYCD	0	0	0	0	0
11	VSTP	0	0	0	0	0
12	VSTT	0	0	0	0	0
13	VFRV	0	0	0	0	0

No.	Name	Component 720p	AVM 720p(RGB)	AVM 720p(YCbCr)	Digital 720p
8	VCPO	0	0	0	0
9	VCWD	0	0	0	0
10	VYCD	0	0	0	0
11	VSTP	0	0	0	0
12	VSTT	0	0	0	0
13	VFRV	0	0	0	0

No.	Name	Component 1035i	AVM 1035i(RGB)	AVM 1035i(YCbCr)	Digital 1035i
8	VCPO	0	0	0	0
9	VCWD	0	0	0	0
10	VYCD	0	0	0	0
11	VSTP	0	0	0	0
12	VSTT	0	0	0	0
13	VFRV	0	0	0	0

No.	Name	Digital 480i	Digital 240p	Digital 120p	VGA
8	VCPO	0	0	0	0
9	VCWD	0	0	0	0
10	VYCD	0	0	0	0
11	VSTP	0	0	0	0
12	VSTT	0	0	0	0
13	VFRV	0	0	0	0



MID4

Functionality		Data	Remarks
No.	Name		
0	DHPL	*1	
1	DHSL	*1	
2	DVPL	*1	
3	DVSL	*1	
4	DHPR	*1	
5	DHSR	*1	
6	DVPR	*1	
7	DVSR	*1	
8	DCPO	*2	
9	DCWD	*2	
10	DYCD	*2	
11	DSTP	*2	
12	DSTT	*2	
13	DFRV	*2	

Standards \*1

No.	Name	Single									
		Component 1080i					DVI 1080i(RGB)				
		SidePanel	Full	WideZoom	Zoom	Caption	SidePanel	Full	WideZoom	Zoom	Caption
0	DHPL	255	138	255	255	255	255	137	255	255	255
1	DHSL	255	230	255	255	255	255	230	255	255	255
2	DVPL	255	36	255	255	255	255	36	255	255	255
3	DVSL	255	129	255	255	255	255	129	255	255	255

No.	Name	Single									
		AVM 1080i(YCbCr)					Digital 1080i				
		SidePanel	Full	WideZoom	Zoom	Caption	Full (1920)	Full (1440)	Full (1280)	SidePanel	
0	DHPL	255	255	255	255	255	255	255	255	255	
1	DHSL	255	255	255	255	255	255	255	255	255	
2	DVPL	255	255	255	255	255	255	255	255	255	
3	DVSL	255	255	255	255	255	255	255	255	255	

No.	Name	Single									
		Component 720p					DVI 720p(RGB)				
		SidePanel	Full	WideZoom	Zoom	Caption	SidePanel	Full	WideZoom	Zoom	Caption
0	DHPL	255	165	255	255	255	255	164	255	255	255
1	DHSL	255	153	255	255	255	255	153	255	255	255
2	DVPL	255	43	255	255	255	255	47	255	255	255
3	DVSL	255	171	255	255	255	255	171	255	255	255

No.	Name	Single							
		AVM 720p(YCbCr)					Digital 720p		
		SidePanel	Full	WideZoom	Zoom	Caption	Full	SidePanel	
0	DHPL	255	255	255	255	255	255	255	
1	DHSL	255	255	255	255	255	255	255	
2	DVPL	255	255	255	255	255	255	255	
3	DVSL	255	255	255	255	255	255	255	

No.	Name	Single									
		Component 480p					VGA				
		SidePanel	Full	Widezoom	Zoom	Caption	SidePanel	Full	Widezoom	Zoom	Caption
0	DHPL	211	191	191	191	255	196	177	177	177	255
1	DHSL	217	227	227	227	255	220	229	229	229	255
2	DVPL	45	45	69	105	255	35	35	59	95	255
3	DVSL	116	116	104	86	255	120	120	108	90	255

No.	Name	Single									
		Digital 480p (720)					Digital 480p (640)				
		SidePanel	Full	Widezoom	Zoom	Caption	SidePanel	Full	Widezoom	Zoom	Caption
0	DHPL	255	255	255	255	255	255	255	255	255	
1	DHSL	255	255	255	255	255	255	255	255	255	
2	DVPL	255	255	255	255	255	255	255	255	255	
3	DVSL	255	255	255	255	255	255	255	255	255	

No.	Name	Single		
		Digital 240p		Digital 120p
		SidePanel	Full (other)	Full (other)
0	DHPL	255	255	255
1	DHSL	255	255	255
2	DVPL	255	255	255
3	DVSL	255	255	255

No.	Name	Single									
		DVI 480p					AVM 480p(YCbCr)				
		SidePanel	Full	Widezoom	Zoom	Caption	SidePanel	Full	Widezoom	Zoom	Caption
0	DHPL	208	188	188	188	255	255	255	255	255	255
1	DHSL	217	227	227	227	255	255	255	255	255	255
2	DVPL	43	43	67	103	255	255	255	255	255	255
3	DVSL	116	116	104	86	255	255	255	255	255	255

No.	Name	Single									
		Component 480i					Composite 480i(CV)				
		SidePanel	Full (other)	Widezoom	Zoom	Caption	SidePanel	Full (other)	Widezoom	Zoom	Caption
0	DHPL	255	255	255	255	255	255	255	255	255	255
1	DHSL	255	255	255	255	255	255	255	255	255	255
2	DVPL	255	255	255	255	255	255	255	255	255	255
3	DVSL	255	255	255	255	255	255	255	255	255	255

No.	Name	Single									
		AVM 480i(RGB)					AVM 480i(YCbCr)				
		SidePanel	Full (other)	Widezoom	Zoom	Caption	SidePanel	Full (other)	Widezoom	Zoom	Caption
0	DHPL	255	255	255	255	255	255	255	255	255	255
1	DHSL	255	255	255	255	255	255	255	255	255	255
2	DVPL	255	255	255	255	255	255	255	255	255	255
3	DVSL	255	255	255	255	255	255	255	255	255	255

No.	Name	Single				
		Digital 480i				
		SidePanel	Full (other)	Widezoom	Zoom	Caption
0	DHPL	255	255	255	255	255
1	DHSL	255	255	255	255	255
2	DVPL	255	255	255	255	255
3	DVSL	255	255	255	255	255

No.	Name	Single									
		ATSC 1080i					ATSC 720p				
		SidePanel	Full (other)	Widezoom	Zoom	Caption	SidePanel	Full (other)	Widezoom	Zoom	Caption
0	DHPL	255	138	255	255	255	255	165	255	255	255
1	DHSL	255	230	255	255	255	255	153	255	255	255
2	DVPL	255	36	255	255	255	255	43	255	255	255
3	DVSL	255	129	255	255	255	255	171	255	255	255

No.	Name	Single									
		ATSC 480p					ATSC 480i(not DRC)				
		SidePanel	Full (other)	Widezoom	Zoom	Caption	SidePanel	Full (other)	Widezoom	Zoom	Caption
0	DHPL	202	184	184	184	255	255	255	255	255	255
1	DHSL	220	229	229	229	255	255	255	255	255	255
2	DVPL	48	48	70	104	255	255	255	255	255	255
3	DVSL	114	114	103	86	255	255	255	255	255	255

No.	Name	Single				
		ATSC MS(1080i)				
		SidePanel	Full (other)	Widezoom	Zoom	Caption
0	DHPL		138			
1	DHSL		230			
2	DVPL		36			
3	DVSL		129			

No.	Name	Single				
		Component 1035i	AVM 1035i(RGB)	AVM 1035i(YCbCr)	Digital 1035i	SidePanel
		Full	Full	Full	Full	SidePanel
0	DHPL	255	255	255	255	
1	DHSL	255	255	255	255	
2	DVPL	255	255	255	255	
3	DVSL	255	255	255	255	

No.	Name	TWIN/MEMO									
		Component 1080i	DVI 1080i(RGB)	AVM 1080i(YCbCr)	Digital 1080i(Full)	Digital 1080i(SidePanel)	Component 720p	DVI 720p	AVM 720p(YCbCr)	Digital 720p(Full)	Digital 720p(SidePanel)
0	DHPL	135	135	255	255	255	162	162	255	255	255
1	DHSL	226	226	255	255	255	151	151	255	255	255
2	DVPL	43	43	255	255	255	55	61	255	255	255
3	DVSL	124	124	255	255	255	165	165	255	255	255
4	DHPR	157	157	255	255	255	177	177	255	255	255
5	DHSR	226	226	255	255	255	151	151	255	255	255
6	DVPR	43	43	255	255	255	55	61	255	255	255
7	DVSR	124	124	255	255	255	165	165	255	255	255

No.	Name	TWIN/MEMO									
		Component 480p	AVM 480p(RGB)	AVM 480p(YCbCr)	Digital 480p(Full)	Digital 480p(SidePanel)	Component 1035i	AVM 1035i(RGB)	AVM 1035i(YCbCr)	Digital 1035i	Digital 1035i(SidePanel)
0	DHPL	186	184	255	255	255	255	255	255	255	255
1	DHSL	224	224	255	255	255	255	255	255	255	255
2	DVPL	53	53	255	255	255	255	255	255	255	255
3	DVSL	112	112	255	255	255	255	255	255	255	255
4	DHPR	208	206	255	255	255	255	255	255	255	255
5	DHSR	224	224	255	255	255	255	255	255	255	255
6	DVPR	53	53	255	255	255	255	255	255	255	255
7	DVSR	112	112	255	255	255	255	255	255	255	255

No.	Name	TWIN/MEMO						
		Component 480i	Composite 480i	AVM 480i(RGB)	AVM 480i(YCbCr)	Digital 480i(Full)	Digital 480i(SidePanel)	VGA
0	DHPL	255	255	255	255	255	255	169
1	DHSL	255	255	255	255	255	255	227
2	DVPL	255	255	255	255	255	255	51
3	DVSL	255	255	255	255	255	255	112
4	DHPR	255	255	255	255	255	255	193
5	DHSR	255	255	255	255	255	255	227
6	DVPR	255	255	255	255	255	255	51
7	DVSR	255	255	255	255	255	255	112

No.	Name	TWIN/MEMO			
		ATSC 1080i	ATSC 720p	ATSC 480p	ATSC 480i
0	DHPL	135	162	179	255
1	DHSL	226	151	226	255
2	DVPL	43	55	57	255
3	DVSL	124	165	110	255
4	DHPR	157	177	202	255
5	DHSR	226	151	226	255
6	DVPR	43	55	57	255
7	DVSR	124	165	110	255

No.	Name	INDEX					
		Component 480i	Digital 1080i	Digital 1035i	Digital 720p	Digital 480p	Digital 480i
0	DHPL	255	255	255	255	255	255
1	DHSL	255	255	255	255	255	255
2	DVPL	255	255	255	255	255	255
3	DVSL	255	255	255	255	255	255
4	DHPR						
5	DHSR						
6	DVPR						
7	DVSR						

No.	Name	Favorite									
		Component 1080i	DVI 1080i	AVM 1080i YCbCr	Digital 1080i(other)	Digital 1080i(SidePanel)	Component 1035i	AVM 1035i RGB	AVM 1035i YCbCr	Digital 1035i(other)	Digital 1035i(SidePanel)
0	DHPL	150	150	255	255	255	255	255	255	255	255
1	DHSL	222	222	255	255	255	255	255	255	255	255
2	DVPL	43	43	255	255	255	255	255	255	255	255
3	DVSL	124	124	255	255	255	255	255	255	255	255

No.	Name	Favorite									
		Component 720p	DVI 720p RGB	AVM 720p YCbCr	Digital 720p(other)	Digital 720p(SidePanel)	Component 480p	DVI 480p	AVM 480p(YCbCr)	Digital 480p(Full)	Digital 480p(SidePanel)
0	DHPL	173	172	255	255	255	200	198	255	255	255
1	DHSL	148	148	255	255	255	220	220	255	255	255
2	DVPL	55	61	255	255	255	45	46	255	255	255
3	DVSL	165	165	255	255	255	116	116	255	255	255

No.	Name	Favorite						
		Component 480i	Composite 480i	AVM 480i(RGB)	AVM 480i(YCbCr)	Digital 480i(Full)	Digital 480i(SidePanel)	VGA
0	DHPL	255	255	255	255	255	255	189
1	DHSL	255	255	255	255	255	255	222
2	DVPL	255	255	255	255	255	255	33
3	DVSL	255	255	255	255	255	255	121

No.	Name	Favorite			
		ATSC 1080i	ATSC 720p	ATSC 480p	ATSC 480i
0	DHPL	150	173	194	255
1	DHSL	222	148	222	255
2	DVPL	43	55	55	255
3	DVSL	124	165	111	255

Standards \*2

No.	Name	Component 1080i	AVM 1080i(RGB)	AVM 1080i(YCbCr)	Digital 1080i	Component 720p	AVM 720p(RGB)	AVM 720p(YCbCr)	Digital 720p
8	DCPO	0	0	0	0	0	0	0	0
9	DCWD	0	0	0	0	0	0	0	0
10	DYCD	0	0	0	0	0	0	0	0
11	DSTP	0	0	0	0	0	0	0	0
12	DSTT	0	0	0	0	0	0	0	0
13	DFRV	0	0	0	0	0	0	0	0

No.	Name	Component 480p	AVM 480p(RGB)	AVM 480p(YCbCr)	Digital 480p	Component 1035i	AVM 1035i(RGB)	AVM 1035i(YCbCr)	Digital 1035i
8	DCPO	0	0	0	0	0	0	0	0
9	DCWD	0	0	0	0	0	0	0	0
10	DYCD	0	0	0	0	0	0	0	0
11	DSTP	0	0	0	0	0	0	0	0
12	DSTT	0	0	0	0	0	0	0	0
13	DFRV	0	0	0	0	0	0	0	0

No.	Name	Component 480i	Composite 480i	AVM 480i(RGB)	AVM 480i(YCbCr)	Digital 480i	Digital 240p	Digital 120p	VGA
8	DCPO	0	0	0	0	0	0	0	0
9	DCWD	0	0	0	0	0	0	0	0
10	DYCD	0	0	0	0	0	0	0	0
11	DSTP	0	0	0	0	0	0	0	0
12	DSTT	0	0	0	0	0	0	0	0
13	DFRV	0	0	0	0	0	0	0	0

No.	Name	ATSC 1080i	ATSC 720p	ATSC 480p	ATSC 480i	ATSC MS
8	DCPO	0	0	0	0	0
9	DCWD	0	0	0	0	0
10	DYCD	0	0	0	0	0
11	DSTP	0	0	0	0	0
12	DSTT	0	0	0	0	0
13	DFRV	0	0	0	0	0

MID5

Functionality		Data	Remarks
No.	Name		
0	POP		
1	MHFM	*1	
2	MVFM	*1	
3	MVLS	*1	
4	MHLC	*1	
5	MVLC	*1	
6	MVEC	*1	
7	MXCO	*1	
8	MXHI	*1	
9	MXMO	*1	
10	MXCR	*1	
11	MXCL	*1	
12	MXEN	*1	
13	MXLT	*1	
14	MYCO	*1	
15	MYHI	*1	
16	MYMO	*1	
17	MYCR	*1	
18	MYCL	*1	
19	MYEN	*1	
20	MYLT	*1	
21	MKMO	*1	
22	MKCO	*1	
23	MKCL	*1	
24	MKEN	*1	
25	MKLT	*1	
26	MKTH	*1	
27	MKDW	*1	

Standards \*1

No.	Name	Reserved				UV			
		Pro	Pro+	Standard	Vivid	Pro	Pro+	Standard	Vivid
		POP=0	POP=1	POP=2	POP=3	POP=4	POP=5	POP=6	POP=7
1	MHFM	3	3	3	3	3	3	3	3
2	MVFM	3	3	3	3	3	3	3	3
3	MVLS	0	0	0	0	1	1	0	0
4	MHLC	2	2	2	2	3	3	3	3
5	MVLC	0	0	0	0	3	3	2	2
6	MVEC	0	0	0	0	1	1	1	1
7	MXCO	0	0	0	0	1	1	1	1
8	MXHI	0	0	0	0	0	0	0	0
9	MXMO	1	1	1	1	0	0	0	0
10	MXCR	2	2	2	2	2	2	2	2
11	MXCL	3	3	3	3	3	3	3	3
12	MXEN	0	3	5	7	2	4	6	7
13	MXLT	2	2	2	2	3	3	3	3
14	MYCO	0	0	0	0	5	5	5	5
15	MYHI	0	0	0	0	0	0	0	0
16	MYMO	1	1	1	1	0	0	0	0
17	MYCR	2	2	2	2	2	2	2	2
18	MYCL	3	3	3	3	3	3	3	3
19	MYEN	0	3	5	7	0	0	0	0
20	MYLT	2	2	2	2	3	3	3	3
21	MKMO	1	1	1	1	0	0	0	0
22	MKCO	2	2	2	2	1	1	1	1
23	MKCL	3	3	3	3	0	0	0	0
24	MKEN	0	2	3	4	0	0	0	0
25	MKLT	2	2	2	2	3	3	3	3
26	MKTH	0	0	0	0	0	0	0	0
27	MKDW	0	0	0	0	0	0	0	0

No.	Name	Video				iLINK(DV)			
		Pro	Pro+	Standard	Vivid	Pro	Pro+	Standard	Vivid
		POP=8	POP=9	POP=10	POP=11	POP=12	POP=13	POP=14	POP=15
1	MHFM	3	3	3	3	3	3	3	3
2	MVFM	3	3	3	3	3	3	3	3
3	MVLS	1	1	0	0	1	1	0	0
4	MHLC	3	3	3	3	3	3	3	3
5	MVLC	3	3	2	2	1	1	0	0
6	MVEC	1	1	1	1	1	1	1	1
7	MXCO	1	1	1	1	3	3	3	3
8	MXHI	0	0	0	0	0	0	0	0
9	MXMO	0	0	0	0	1	1	1	1
10	MXCR	2	2	2	2	1	1	1	1
11	MXCL	3	3	3	3	2	2	2	2
12	MXEN	2	4	6	7	2	4	6	7
13	MXLT	3	3	3	3	2	2	2	2
14	MYCO	5	5	5	5	0	0	0	0
15	MYHI	0	0	0	0	0	0	0	0
16	MYMO	0	0	0	0	1	1	1	1
17	MYCR	2	2	2	2	1	1	1	1
18	MYCL	3	3	3	3	2	2	2	2
19	MYEN	0	1	2	3	2	4	6	7
20	MYLT	3	3	3	3	2	2	2	2
21	MKMO	0	0	0	0	0	0	1	1
22	MKCO	1	1	1	1	0	0	1	1
23	MKCL	0	0	0	0	0	0	3	3
24	MKEN	0	0	0	0	0	0	7	7
25	MKLT	3	3	3	3	0	0	3	3
26	MKTH	0	0	0	0	0	0	0	0
27	MKDW	0	0	0	0	0	0	0	0

No.	Name	ATSC(480i)				ATSC(480p)			
		Pro	Pro+	Standard	Vivid	Pro	Pro+	Standard	Vivid
		POP=16	POP=17	POP=18	POP=19	POP=20	POP=21	POP=22	POP=23
1	MHFM	3	3	3	3	3	3	3	3
2	MVFM	3	3	3	3	3	3	3	3
3	MVLS	1	1	0	0	1	1	0	0
4	MHLC	3	3	3	3	3	3	3	3
5	MVLC	1	1	0	0	2	2	0	0
6	MVEC	1	1	1	1	1	1	1	1
7	MXCO	3	3	3	3	3	3	3	3
8	MXHI	0	0	0	0	0	0	0	0
9	MXMO	1	1	1	1	1	1	1	1
10	MXCR	1	1	1	1	1	1	1	1
11	MXCL	2	2	2	2	2	2	2	2
12	MXEN	2	4	6	7	2	4	6	7
13	MXLT	2	2	2	2	2	2	2	2
14	MYCO	0	0	0	0	0	0	0	0
15	MYHI	0	0	0	0	0	0	0	0
16	MYMO	1	1	1	1	1	1	1	1
17	MYCR	1	1	1	1	1	1	1	1
18	MYCL	2	2	2	2	2	2	2	2
19	MYEN	2	4	6	7	2	4	6	7
20	MYLT	2	2	2	2	2	2	2	2
21	MKMO	0	0	1	1	0	0	1	1
22	MKCO	0	0	1	1	0	0	1	1
23	MKCL	0	0	3	3	0	0	3	3
24	MKEN	0	0	7	7	0	0	7	7
25	MKLT	0	0	3	3	0	0	3	3
26	MKTH	0	0	0	0	0	0	0	0
27	MKDW	0	0	0	0	0	0	0	0

No.	Name	ATSC(1080i)				ATSC(720p)			
		Pro	Pro+	Standard	Vivid	Pro	Pro+	Standard	Vivid
		POP=24	POP=25	POP=26	POP=27	POP=28	POP=29	POP=30	POP=31
1	MHFM	2	2	2	2	2	2	2	2
2	MVFM	2	2	2	2	2	2	2	2
3	MVLS	0	0	0	0	0	0	0	0
4	MHLC	2	2	2	2	2	2	2	2
5	MVLC	0	0	0	0	0	0	0	0
6	MVEC	1	1	1	1	1	1	1	1
7	MXCO	1	1	1	1	1	1	1	1
8	MXHI	0	0	0	0	0	0	0	0
9	MXMO	1	1	1	1	1	1	1	1
10	MXCR	1	1	1	1	1	1	1	1
11	MXCL	2	2	2	2	2	2	2	2
12	MXEN	2	4	6	7	2	4	6	7
13	MXLT	3	3	3	3	3	3	3	3
14	MYCO	0	0	0	0	0	0	0	0
15	MYHI	0	0	0	0	0	0	0	0
16	MYMO	1	1	1	1	1	1	1	1
17	MYCR	1	1	1	1	1	1	1	1
18	MYCL	2	2	2	2	2	2	2	2
19	MYEN	2	2	4	7	2	2	4	7
20	MYLT	3	3	3	3	3	3	3	3
21	MKMO	0	0	1	1	0	0	1	1
22	MKCO	0	0	1	1	0	0	1	1
23	MKCL	0	0	2	2	0	0	2	2
24	MKEN	0	2	4	7	0	2	4	7
25	MKLT	0	0	3	3	0	0	3	3
26	MKTH	0	0	0	0	0	0	0	0
27	MKDW	0	0	0	0	0	0	0	0

No.	Name	iLINK(480i)				i LINK(480p)			
		Pro	Pro+	Standard	Vivid	Pro	Pro+	Standard	Vivid
		POP=32	POP=33	POP=34	POP=35	POP=36	POP=37	POP=38	POP=39
1	MHFM	3	3	3	3	3	3	3	3
2	MVFM	3	3	3	3	3	3	3	3
3	MVLS	1	1	0	0	1	1	0	0
4	MHLC	3	3	3	3	3	3	3	3
5	MVLC	1	1	0	0	2	2	0	0
6	MVEC	1	1	1	1	1	1	1	1
7	MXCO	3	3	3	3	3	3	3	3
8	MXHI	0	0	0	0	0	0	0	0
9	MXMO	1	1	1	1	1	1	1	1
10	MXCR	1	1	1	1	1	1	1	1
11	MXCL	2	2	2	2	2	2	2	2
12	MXEN	2	4	6	7	2	4	6	7
13	MXLT	2	2	2	2	2	2	2	2
14	MYCO	0	0	0	0	0	0	0	0
15	MYHI	0	0	0	0	0	0	0	0
16	MYMO	1	1	1	1	1	1	1	1
17	MYCR	1	1	1	1	1	1	1	1
18	MYCL	2	2	2	2	2	2	2	2
19	MYEN	2	4	6	7	2	4	6	7
20	MYLT	2	2	2	2	2	2	2	2
21	MKMO	0	0	1	1	0	0	1	1
22	MKCO	0	0	1	1	0	0	1	1
23	MKCL	0	0	3	3	0	0	3	3
24	MKEN	0	0	7	7	0	0	7	7
25	MKLT	0	0	3	3	0	0	3	3
26	MKTH	0	0	0	0	0	0	0	0
27	MKDW	0	0	0	0	0	0	0	0

No.	Name	iLINK(1080i)				iLINK(720p)			
		Pro	Pro+	Standard	Vivid	Pro	Pro+	Standard	Vivid
		POP=40	POP=41	POP=42	POP=43	POP=44	POP=45	POP=46	POP=47
1	MHFM	2	2	2	2	2	2	2	2
2	MVFM	2	2	2	2	2	2	2	2
3	MVLS	0	0	0	0	0	0	0	0
4	MHLC	2	2	2	2	2	2	2	2
5	MVLC	0	0	0	0	0	0	0	0
6	MVEC	1	1	1	1	1	1	1	1
7	MXCO	1	1	1	1	1	1	1	1
8	MXHI	0	0	0	0	0	0	0	0
9	MXMO	1	1	1	1	1	1	1	1
10	MXCR	1	1	1	1	1	1	1	1
11	MXCL	2	2	2	2	2	2	2	2
12	MXEN	2	4	6	7	2	4	6	7
13	MXLT	3	3	3	3	3	3	3	3
14	MYCO	0	0	0	0	0	0	0	0
15	MYHI	0	0	0	0	0	0	0	0
16	MYMO	1	1	1	1	1	1	1	1
17	MYCR	1	1	1	1	1	1	1	1
18	MYCL	2	2	2	2	2	2	2	2
19	MYEN	2	2	4	7	2	2	4	7
20	MYLT	3	3	3	3	3	3	3	3
21	MKMO	0	0	1	1	0	0	1	1
22	MKCO	0	0	1	1	0	0	1	1
23	MKCL	0	0	2	2	0	0	2	2
24	MKEN	0	2	4	7	0	2	4	7
25	MKLT	0	0	3	3	0	0	3	3
26	MKTH	0	0	0	0	0	0	0	0
27	MKDW	0	0	0	0	0	0	0	0

No.	Name	Component(480i)				Component(480p)			
		Pro	Pro+	Standard	Vivid	Pro	Pro+	Standard	Vivid
		POP=48	POP=49	POP=50	POP=51	POP=52	POP=53	POP=54	POP=55
1	MHFM	3	3	3	3	3	3	3	3
2	MVFM	3	3	3	3	3	3	3	3
3	MVLS	1	1	0	0	1	1	0	0
4	MHLC	3	3	3	3	3	3	3	3
5	MVLC	1	1	0	0	2	2	0	0
6	MVEC	1	1	1	1	1	1	1	1
7	MXCO	3	3	3	3	3	3	3	3
8	MXHI	0	0	0	0	0	0	0	0
9	MXMO	1	1	1	1	1	1	1	1
10	MXCR	1	1	1	1	1	1	1	1
11	MXCL	2	2	2	2	2	2	2	2
12	MXEN	2	4	6	7	2	4	6	7
13	MXLT	2	2	2	2	2	2	2	2
14	MYCO	0	0	0	0	0	0	0	0
15	MYHI	0	0	0	0	0	0	0	0
16	MYMO	1	1	1	1	1	1	1	1
17	MYCR	1	1	1	1	1	1	1	1
18	MYCL	2	2	2	2	2	2	2	2
19	MYEN	2	4	6	7	2	4	6	7
20	MYLT	2	2	2	2	2	2	2	2
21	MKMO	0	0	1	1	0	0	1	1
22	MKCO	0	0	1	1	0	0	1	1
23	MKCL	0	0	3	3	0	0	3	3
24	MKEN	0	0	7	7	0	0	7	7
25	MKLT	0	0	3	3	0	0	3	3
26	MKTH	0	0	0	0	0	0	0	0
27	MKDW	0	0	0	0	0	0	0	0

No.	Name	Component(1080i)				Component(720p)			
		Pro	Pro+	Standard	Vivid	Pro	Pro+	Standard	Vivid
		POP=56	POP=57	POP=58	POP=59	POP=60	POP=61	POP=62	POP=63
1	MHFM	2	2	2	2	2	2	2	2
2	MVFM	2	2	2	2	2	2	2	2
3	MVLS	0	0	0	0	0	0	0	0
4	MHLC	2	2	2	2	2	2	2	2
5	MVLC	0	0	0	0	0	0	0	0
6	MVEC	1	1	1	1	1	1	1	1
7	MXCO	1	1	1	1	1	1	1	1
8	MXHI	0	0	0	0	0	0	0	0
9	MXMO	1	1	1	1	1	1	1	1
10	MXCR	1	1	1	1	1	1	1	1
11	MXCL	2	2	2	2	2	2	2	2
12	MXEN	2	4	6	7	2	4	6	7
13	MXLT	3	3	3	3	3	3	3	3
14	MYCO	0	0	0	0	0	0	0	0
15	MYHI	0	0	0	0	0	0	0	0
16	MYMO	1	1	1	1	1	1	1	1
17	MYCR	1	1	1	1	1	1	1	1
18	MYCL	2	2	2	2	2	2	2	2
19	MYEN	2	2	4	7	2	2	4	7
20	MYLT	3	3	3	3	3	3	3	3
21	MKMO	0	0	1	1	0	0	1	1
22	MKCO	0	0	1	1	0	0	1	1
23	MKCL	0	0	2	2	0	0	2	2
24	MKEN	0	2	4	7	0	2	4	7
25	MKLT	0	0	3	3	0	0	3	3
26	MKTH	0	0	0	0	0	0	0	0
27	MKDW	0	0	0	0	0	0	0	0

No.	Name	DVI(480i)				DVI(480p)			
		Pro	Pro+	Standard	Vivid	Pro	Pro+	Standard	Vivid
		POP=64	POP=65	POP=66	POP=67	POP=68	POP=69	POP=70	POP=71
1	MHFM	3	3	3	3	3	3	3	3
2	MVFM	3	3	3	3	3	3	3	3
3	MVLS	1	1	0	0	1	1	0	0
4	MHLC	3	3	3	3	3	3	3	3
5	MVLC	1	1	0	0	2	2	0	0
6	MVEC	1	1	1	1	1	1	1	1
7	MXCO	3	3	3	3	3	3	3	3
8	MXHI	0	0	0	0	0	0	0	0
9	MXMO	1	1	1	1	1	1	1	1
10	MXCR	1	1	1	1	1	1	1	1
11	MXCL	2	2	2	2	2	2	2	2
12	MXEN	2	4	6	7	2	4	6	7
13	MXLT	2	2	2	2	2	2	2	2
14	MYCO	0	0	0	0	0	0	0	0
15	MYHI	0	0	0	0	0	0	0	0
16	MYMO	1	1	1	1	1	1	1	1
17	MYCR	1	1	1	1	1	1	1	1
18	MYCL	2	2	2	2	2	2	2	2
19	MYEN	2	4	6	7	2	4	6	7
20	MYLT	2	2	2	2	2	2	2	2
21	MKMO	0	0	1	1	0	0	1	1
22	MKCO	0	0	1	1	0	0	1	1
23	MKCL	0	0	3	3	0	0	3	3
24	MKEN	0	0	7	7	0	0	7	7
25	MKLT	0	0	3	3	0	0	3	3
26	MKTH	0	0	0	0	0	0	0	0
27	MKDW	0	0	0	0	0	0	0	0

No.	Name	DVI(1080i)				DVI(720p)			
		Pro	Pro+	Standard	Vivid	Pro	Pro+	Standard	Vivid
		POP=72	POP=73	POP=74	POP=75	POP=76	POP=77	POP=78	POP=79
1	MHFM	2	2	2	2	2	2	2	2
2	MVFM	2	2	2	2	2	2	2	2
3	MVLS	0	0	0	0	0	0	0	0
4	MHLC	2	2	2	2	2	2	2	2
5	MVLC	0	0	0	0	0	0	0	0
6	MVEC	1	1	1	1	1	1	1	1
7	MXCO	1	1	1	1	1	1	1	1
8	MXHI	0	0	0	0	0	0	0	0
9	MXMO	1	1	1	1	1	1	1	1
10	MXCR	1	1	1	1	1	1	1	1
11	MXCL	2	2	2	2	2	2	2	2
12	MXEN	2	4	6	7	2	4	6	7
13	MXLT	3	3	3	3	3	3	3	3
14	MYCO	0	0	0	0	0	0	0	0
15	MYHI	0	0	0	0	0	0	0	0
16	MYMO	1	1	1	1	1	1	1	1
17	MYCR	1	1	1	1	1	1	1	1
18	MYCL	2	2	2	2	2	2	2	2
19	MYEN	2	2	4	7	2	2	4	7
20	MYLT	3	3	3	3	3	3	3	3
21	MKMO	0	0	1	1	0	0	1	1
22	MKCO	0	0	1	1	0	0	1	1
23	MKCL	0	0	2	2	0	0	2	2
24	MKEN	0	2	4	7	0	2	4	7
25	MKLT	0	0	3	3	0	0	3	3
26	MKTH	0	0	0	0	0	0	0	0
27	MKDW	0	0	0	0	0	0	0	0



No.	Name	DVI(VGA)				Memory Strick(Still)			
		Pro	Pro+	Standard	Vivid	Pro	Pro+	Standard	Vivid
		POP=80	POP=81	POP=82	POP=83	POP=84	POP=85	POP=86	POP=87
1	MHFM	3	3	3	3	2	2	2	2
2	MVFM	3	3	3	3	2	2	2	2
3	MVLS	1	1	0	0	0	0	0	0
4	MHLC	3	3	3	3	2	2	2	2
5	MVLC	2	2	0	0	0	0	0	0
6	MVEC	1	1	1	1	1	1	1	1
7	MXCO	3	3	3	3	0	0	0	0
8	MXHI	0	0	0	0	0	0	0	0
9	MXMO	1	1	1	1	0	0	0	0
10	MXCR	1	1	1	1	0	0	0	0
11	MXCL	2	2	2	2	0	0	0	0
12	MXEN	2	4	6	7	0	0	0	0
13	MXLT	2	2	2	2	0	0	0	0
14	MYCO	0	0	0	0	0	0	0	0
15	MYHI	0	0	0	0	0	0	0	0
16	MYMO	1	1	1	1	0	0	0	0
17	MYCR	1	1	1	1	0	0	0	0
18	MYCL	2	2	2	2	0	0	0	0
19	MYEN	2	4	6	7	0	0	0	0
20	MYLT	2	2	2	2	0	0	0	0
21	MKMO	0	0	1	1	0	0	0	0
22	MKCO	0	0	1	1	0	0	0	0
23	MKCL	0	0	3	3	0	0	0	0
24	MKEN	0	0	7	7	0	0	0	0
25	MKLT	0	0	3	3	0	0	0	0
26	MKTH	0	0	0	0	0	0	0	0
27	MKDW	0	0	0	0	0	0	0	0

No.	Name	Memory Strick(Movie : Control Panel)				Reserved			
		Pro	Pro+	Standard	Vivid	Pro	Pro+	Standard	Vivid
		POP=88	POP=89	POP=90	POP=91	POP=92	POP=93	POP=94	POP=95
1	MHFM	2	2	2	2	0	0	0	0
2	MVFM	2	2	2	2	0	0	0	0
3	MVLS	0	0	0	0	0	0	0	0
4	MHLC	2	2	2	2	0	0	0	0
5	MVLC	0	0	0	0	0	0	0	0
6	MVEC	1	1	1	1	0	0	0	0
7	MXCO	0	0	0	0	0	0	0	0
8	MXHI	0	0	0	0	0	0	0	0
9	MXMO	0	0	0	0	0	0	0	0
10	MXCR	0	0	0	0	0	0	0	0
11	MXCL	0	0	0	0	0	0	0	0
12	MXEN	0	0	0	0	0	0	0	0
13	MXLT	0	0	0	0	0	0	0	0
14	MYCO	0	0	0	0	0	0	0	0
15	MYHI	0	0	0	0	0	0	0	0
16	MYMO	0	0	0	0	0	0	0	0
17	MYCR	0	0	0	0	0	0	0	0
18	MYCL	0	0	0	0	0	0	0	0
19	MYEN	0	0	0	0	0	0	0	0
20	MYLT	0	0	0	0	0	0	0	0
21	MKMO	0	0	0	0	0	0	0	0
22	MKCO	0	0	0	0	0	0	0	0
23	MKCL	0	0	0	0	0	0	0	0
24	MKEN	0	0	0	0	0	0	0	0
25	MKLT	0	0	0	0	0	0	0	0
26	MKTH	0	0	0	0	0	0	0	0
27	MKDW	0	0	0	0	0	0	0	0

No.	Name	Memory Strick(Movie : Low Quality)				Reserved			
		Pro	Pro+	Standard	Vivid	Pro	Pro+	Standard	Vivid
		POP=96	POP=97	POP=98	POP=99	POP=100	POP=101	POP=102	POP=103
1	MHFM	2	2	2	2	0	0	0	0
2	MVFM	2	2	2	2	0	0	0	0
3	MVLS	0	0	0	0	0	0	0	0
4	MHLC	2	2	2	2	0	0	0	0
5	MVLC	0	0	0	0	0	0	0	0
6	MVEC	1	1	1	1	0	0	0	0
7	MXCO	0	0	0	0	0	0	0	0
8	MXHI	0	0	0	0	0	0	0	0
9	MXMO	0	0	0	0	0	0	0	0
10	MXCR	0	0	0	0	0	0	0	0
11	MXCL	0	0	0	0	0	0	0	0
12	MXEN	0	0	0	0	0	0	0	0
13	MXLT	0	0	0	0	0	0	0	0
14	MYCO	0	0	0	0	0	0	0	0
15	MYHI	0	0	0	0	0	0	0	0
16	MYMO	0	0	0	0	0	0	0	0
17	MYCR	0	0	0	0	0	0	0	0
18	MYCL	0	0	0	0	0	0	0	0
19	MYEN	0	0	0	0	0	0	0	0
20	MYLT	0	0	0	0	0	0	0	0
21	MKMO	0	0	0	0	0	0	0	0
22	MKCO	0	0	0	0	0	0	0	0
23	MKCL	0	0	0	0	0	0	0	0
24	MKEN	0	0	0	0	0	0	0	0
25	MKLT	0	0	0	0	0	0	0	0
26	MKTH	0	0	0	0	0	0	0	0
27	MKDW	0	0	0	0	0	0	0	0

No.	Name	Reserved							
		Pro	Pro+	Standard	Vivid	Pro	Pro+	Standard	Vivid
		POP=104	POP=105	POP=106	POP=107	POP=108	POP=109	POP=110	POP=111
1	MHFM	0	0	0	0	0	0	0	0
2	MVFM	0	0	0	0	0	0	0	0
3	MVLS	0	0	0	0	0	0	0	0
4	MHLC	0	0	0	0	0	0	0	0
5	MVLC	0	0	0	0	0	0	0	0
6	MVEC	0	0	0	0	0	0	0	0
7	MXCO	0	0	0	0	0	0	0	0
8	MXHI	0	0	0	0	0	0	0	0
9	MXMO	0	0	0	0	0	0	0	0
10	MXCR	0	0	0	0	0	0	0	0
11	MXCL	0	0	0	0	0	0	0	0
12	MXEN	0	0	0	0	0	0	0	0
13	MXLT	0	0	0	0	0	0	0	0
14	MYCO	0	0	0	0	0	0	0	0
15	MYHI	0	0	0	0	0	0	0	0
16	MYMO	0	0	0	0	0	0	0	0
17	MYCR	0	0	0	0	0	0	0	0
18	MYCL	0	0	0	0	0	0	0	0
19	MYEN	0	0	0	0	0	0	0	0
20	MYLT	0	0	0	0	0	0	0	0
21	MKMO	0	0	0	0	0	0	0	0
22	MKCO	0	0	0	0	0	0	0	0
23	MKCL	0	0	0	0	0	0	0	0
24	MKEN	0	0	0	0	0	0	0	0
25	MKLT	0	0	0	0	0	0	0	0
26	MKTH	0	0	0	0	0	0	0	0
27	MKDW	0	0	0	0	0	0	0	0

No.	Name	Reserved							
		Pro	Pro+	Standard	Vivid	Pro	Pro+	Standard	Vivid
		POP=112	POP=113	POP=114	POP=115	POP=116	POP=117	POP=118	POP=119
1	MHFM	0	0	0	0	0	0	0	0
2	MVFM	0	0	0	0	0	0	0	0
3	MVLS	0	0	0	0	0	0	0	0
4	MHLC	0	0	0	0	0	0	0	0
5	MVLC	0	0	0	0	0	0	0	0
6	MVEC	0	0	0	0	0	0	0	0
7	MXCO	0	0	0	0	0	0	0	0
8	MXHI	0	0	0	0	0	0	0	0
9	MXMO	0	0	0	0	0	0	0	0
10	MXCR	0	0	0	0	0	0	0	0
11	MXCL	0	0	0	0	0	0	0	0
12	MXEN	0	0	0	0	0	0	0	0
13	MXLT	0	0	0	0	0	0	0	0
14	MYCO	0	0	0	0	0	0	0	0
15	MYHI	0	0	0	0	0	0	0	0
16	MYMO	0	0	0	0	0	0	0	0
17	MYCR	0	0	0	0	0	0	0	0
18	MYCL	0	0	0	0	0	0	0	0
19	MYEN	0	0	0	0	0	0	0	0
20	MYLT	0	0	0	0	0	0	0	0
21	MKMO	0	0	0	0	0	0	0	0
22	MKCO	0	0	0	0	0	0	0	0
23	MKCL	0	0	0	0	0	0	0	0
24	MKEN	0	0	0	0	0	0	0	0
25	MKLT	0	0	0	0	0	0	0	0
26	MKTH	0	0	0	0	0	0	0	0
27	MKDW	0	0	0	0	0	0	0	0

No.	Name	Reserved							
		Pro	Pro+	Standard	Vivid	Pro	Pro+	Standard	Vivid
		POP=120	POP=121	POP=122	POP=123	POP=124	POP=125	POP=126	POP=127
1	MHFM	0	0	0	0	0	0	0	0
2	MVFM	0	0	0	0	0	0	0	0
3	MVLS	0	0	0	0	0	0	0	0
4	MHLC	0	0	0	0	0	0	0	0
5	MVLC	0	0	0	0	0	0	0	0
6	MVEC	0	0	0	0	0	0	0	0
7	MXCO	0	0	0	0	0	0	0	0
8	MXHI	0	0	0	0	0	0	0	0
9	MXMO	0	0	0	0	0	0	0	0
10	MXCR	0	0	0	0	0	0	0	0
11	MXCL	0	0	0	0	0	0	0	0
12	MXEN	0	0	0	0	0	0	0	0
13	MXLT	0	0	0	0	0	0	0	0
14	MYCO	0	0	0	0	0	0	0	0
15	MYHI	0	0	0	0	0	0	0	0
16	MYMO	0	0	0	0	0	0	0	0
17	MYCR	0	0	0	0	0	0	0	0
18	MYCL	0	0	0	0	0	0	0	0
19	MYEN	0	0	0	0	0	0	0	0
20	MYLT	0	0	0	0	0	0	0	0
21	MKMO	0	0	0	0	0	0	0	0
22	MKCO	0	0	0	0	0	0	0	0
23	MKCL	0	0	0	0	0	0	0	0
24	MKEN	0	0	0	0	0	0	0	0
25	MKLT	0	0	0	0	0	0	0	0
26	MKTH	0	0	0	0	0	0	0	0
27	MKDW	0	0	0	0	0	0	0	0

MID6

Functionality		Data	Remarks
No.	Name		
1	MBT1	*1	
2	MNHF	*1	
3	MNON	*1	
4	MNOF	*1	
5	MNMO	*1	
6	MNFB	*1	
7	MNGR	*1	
8	MNLR	*1	
9	MNCR	*1	
10	MNCC	*1	
11	MNFL	*1	
12	MNCO	*1	
13	MNMV	*1	

Standards \*1

No.	Name	other							
		NRTBL=0	NRTBL=1	NRTBL=2	NRTBL=3	NRTBL=4	NRTBL=5	NRTBL=6	NRTBL=7
1	MBT1	5	5	5	5	5	5	5	5
2	MNHF	0	0	0	0	0	0	0	0
3	MNON	1	1	1	1	1	1	1	1
4	MNOF	1	1	1	1	1	1	1	1
5	MNMO	0	0	0	0	0	0	0	0
6	MNFB	1	2	2	2	0	1	2	2
7	MNGR	1	2	3	3	0	2	3	3
8	MNLR	1	0	1	0	0	1	3	0
9	MNCR	0	0	0	0	0	0	0	0
10	MNCC	0	0	0	0	0	0	0	0
11	MNFL	0	0	0	0	0	0	0	0
12	MNCO	0	0	0	0	0	0	0	0
13	MNMV	0	0	0	0	0	0	0	0

No.	Name	720p							
		NRTBL=0	NRTBL=1	NRTBL=2	NRTBL=3	NRTBL=4	NRTBL=5	NRTBL=6	NRTBL=7
1	MBT1	5	5	5	5	5	5	5	5
2	MNHF	0	0	0	0	0	0	0	0
3	MNON	1	1	1	1	1	1	1	1
4	MNOF	1	1	1	1	1	1	1	1
5	MNMO	0	0	0	0	0	0	0	0
6	MNFB	1	2	2	2	0	1	2	2
7	MNGR	1	2	3	3	0	2	3	3
8	MNLR	1	0	1	0	0	1	3	0
9	MNCR	0	0	0	0	0	0	0	0
10	MNCC	0	0	0	0	0	0	0	0
11	MNFL	0	0	0	0	0	0	0	0
12	MNCO	0	0	0	0	0	0	0	0
13	MNMV	0	0	0	0	0	0	0	0

MID7

Functionality		Data	Remarks
No.	Name		
0	MION	*1	
1	MIWR	*1	
2	MIMO	*1	
3	MSTA	*1	
4	MF22	*1	
5	MFPH	*1	
6	MIBM	*1	
7	MIUP	*1	
8	MSTP	*1	
9	MSOF	*1	
10	MSTY	*1	
11	MSTC	*1	
12	MIFL	*1	
13	MIHC	*1	
14	MISO	*1	
15	MIMX	*1	
16	MILC	*1	
17	MIRA	*1	
18	MIOR	*1	
19	MIFB	*1	
20	MIVC	*1	
21	MFIF	*1	
22	DIPM	*1	
23	MFOC	*1	
24	MCPA	*1	
25	MSTE	*1	
26	MFLM	*1	
27	MCED	*1	
28	MCCO	*1	
29	MFSL	*1	
30	MVAL	*1	
31	MVIG	*1	

Standards \*1

No.	Name	Other	VIVID			STANDARD		
			Single 1080i/1035i	Single 480i(not DRC)	Single other	Single 1080i/1035i	Single 480i(not DRC)	Single other
0	MION	1	1	1	1	1	1	1
1	MIWR	1	1	1	1	1	1	1
2	MIMO	0	0	0	0	0	0	0
3	MSTA	0	0	0	0	0	0	0
4	MF22	0	0	0	0	0	0	0
5	MFPH	0	0	0	0	0	0	0
6	MIBM	1	1	1	1	1	1	1
7	MIUP	1	1	1	1	1	1	1
8	MSTP	1	1	1	1	1	1	1
9	MSOF	4	4	4	4	4	4	4
10	MSTY	4	4	4	4	4	4	4
11	MSTC	4	4	4	4	4	4	4
12	MIFL	0	0	0	0	0	0	0
13	MIHC	4	4	4	4	4	4	4
14	MISO	1	1	1	1	1	1	1
15	MIMX	3	3	3	3	3	3	3
16	MILC	2	2	2	2	2	2	2
17	MIRA	3	3	3	3	3	3	3
18	MIOR	1	1	1	1	1	1	1
19	MIFB	2	2	2	2	2	2	2
20	MIVC	3	3	3	3	3	3	3
21	MFIF	1	1	1	1	1	1	1
22	DIPM	0	0	0	0	0	0	0
23	MFOC	3	3	3	3	3	3	3
24	MCPA	10	10	10	10	10	10	10
25	MSTE	1	1	1	1	1	1	1
26	MFLM	0	0	0	0	0	0	0
27	MCED	8	8	8	8	8	8	8
28	MCCO	8	8	8	8	8	8	8
29	MFSL	0	0	0	0	0	0	0
30	MVAL	0	0	0	0	0	0	0
31	MVIG	0	0	0	0	0	0	0

No.	Name	MILD			PRO		
		Single 1080i/1035i	Single 480i(not DRC)	Single other	Single 1080i/1035i	Single 480i(not DRC)	Single other
0	MION	1	1	1	1	1	1
1	MIWR	1	1	1	1	1	1
2	MIMO	0	0	0	0	0	0
3	MSTA	0	0	0	0	0	0
4	MF22	0	0	0	0	0	0
5	MFPH	0	0	0	0	0	0
6	MIBM	1	1	1	1	1	1
7	MIUP	1	1	1	1	1	1
8	MSTP	1	1	1	1	1	1
9	MSOF	4	4	4	4	4	4
10	MSTY	4	4	4	4	4	4
11	MSTC	4	4	4	4	4	4
12	MIFL	0	0	0	0	0	0
13	MIHC	4	4	4	4	4	4
14	MISO	1	1	1	1	1	1
15	MIMX	3	3	3	3	3	3
16	MILC	2	2	2	2	2	2
17	MIRA	3	3	3	3	3	3
18	MIOR	1	1	1	1	1	1
19	MIFB	2	2	2	2	2	2
20	MIVC	3	3	3	3	3	3
21	MFIF	1	1	1	1	1	1
22	DIPM	0	0	0	0	0	0
23	MFOC	3	3	3	3	3	3
24	MCPA	10	10	10	10	10	10
25	MSTE	1	1	1	1	1	1
26	MFLM	0	0	0	0	0	0
27	MCED	8	8	8	8	8	8
28	MCCO	8	8	8	8	8	8
29	MFSL	0	0	0	0	0	0
30	MVAL	0	0	0	0	0	0
31	MVIG	0	0	0	0	0	0

MID8

Functionality		Data	Remarks
No.	Name		
0	SHFM	2	
1	SVFM	2	
2	SHLC	0	
3	SVLC	0	
4	SHMO	0	
5	SHLT	0	
6	SHCR	0	
7	SHCL	0	
8	SHEN	0	
9	SHCO	0	
10	SVMO	0	
11	SVLT	0	
12	SVCR	0	
13	SVCL	0	
14	SVEN	0	

MID9

Functionality		Data	Remarks
No.	Name		
0	SION	1	
1	SISL	2	
2	SIWR	1	
3	SIMV	1	
4	SFIF	1	
5	STLD	1	
6	PAFL	1	
7	SCOU	2	
8	SSTA	1	
9	SSTP	1	
10	IPFL	0	
11	IPFS	0	
12	PATS	0	
13	PASE	2	
14	PAR0	0	
15	PAR1	0	
16	PAT1	41	
17	PAT2	81	
18	PAT3	106	
19	PAT5	120	

D9671-1

Functionality		Data	Remarks
No.	Name		
0	I2CSCAL	49	
1	LUTPERM	1	
2	COPYENAB	1	
3	REFPERM	1	
4	REFLENGT	0	
5	SLAVE	87	
6	INSWAP	5	
7	RINBSWAP	1	
8	GINBSWAP	1	
9	BINBSWAP	1	
10	OUTSWAP	5	
11	ROUTBSWAP	1	
12	GOUTBSWAP	1	
13	BOUTBSWAP	0	
14	OSDTHRU	0	
15	MUTE	0	
16	3DGSW	1	
17	LUTTHRU	0	
18	DOTLINE	9	
19	CSCMODE	0	
20	PWIDTHH	86	
21	PWIDTHL	9	
22	PHEIGHTH	3	
23	PHEIGHTL	19	
24	3DGOFFSET	0	
25	3DGNONL	0	
26	3DGWEGT	2	
27	ROSDGAIN	0	
28	GOSDGAINH	0	
29	GOSDGAINL	0	
30	BOSDGAIN	0	
31	YMOSD	0	
32	IOSD	0	

D9671PIC

Functionality		Data	Remarks
No.	Name		
0	APCMODE	0	
1	APCSW	*1	
2	APCGAIN	*1	
3	APCCORE	*1	
4	APCLIMIT	*1	
5	CONTRAST	0	
6	SCON	18	
7	BRT	0	
8	SBRT	50	
9	RGAIN	127	
10	GGAIN	127	
11	BGAIN	127	
12	RBIAS	127	
13	GBIAS	127	
14	BBIAS	127	
15	BLK-LEFH	*2	
16	BLK-LEFL	*2	
17	BLK-RIH	*2	
18	BLK-RIL	*2	
19	BLK-TOH	0	
20	BLK-TOL	0	
21	BLK-BOH	0	
22	BLK-BOL	0	
23	BLK-LEVEL	0	
24	SCONOF	*3	
25	SBRTOF	*3	
26	RGAINOF	*3	
27	GGAINOF	*3	
28	BGAINOF	*3	
29	RBIASOF	*3	
30	GBIASOF	*3	
31	BBIASOF	*3	

Standards \*1

No.	Name	APCMODE=0	APCMODE=1	APCMODE=2	APCMODE=3
1	APCSW	0	1	1	1
2	APCGAIN	64	80	40	45
3	APCCORE	127	63	63	10
4	APCLIMIT	64	30	30	30

No.	Name	APCMODE=4	APCMODE=5	APCMODE=6	APCMODE=7
1	APCSW	0	0	0	0
2	APCGAIN	64	64	64	64
3	APCCORE	127	127	127	127
4	APCLIMIT	64	64	64	64

Standards \*2

No.	Name	normal	wide
15	BLK-LEFH	0	0
16	BLK-LEFL	0	0
17	BLK-RIH	0	0
18	BLK-RIL	0	0

Standards \*3

No.	Name	Color temp3(Neutral)	Color temp1(Warm)
24	SCONOF	128	128
25	SBRTOF	128	128
26	RGAINOF	135	145
27	GGAINOF	124	124
28	BGAINOF	110	90
29	RBIASOF	128	130
30	GBIASOF	126	126
31	BBIASOF	122	122

D9671TPN

Functionality		Data	Remarks
No.	Name		
0	TPNSW	0	
1	TRNRGB	7	
2	TPNMODE	0	
3	TPNHV	0	
4	TPNINV	0	
5	TPNREP	0	
6	TPNSLANT	0	
7	TPNWIDTH	80	
8	WINPOSHH	32	
9	WINPOSHL	1	
10	WINPOSVH	1	
11	WINPOSVL	18	
12	RHLVLH	63	
13	RHLVLL	15	
14	GHLVLH	15	
15	GHLVLL	63	
16	BHLVLH	3	
17	BHLVLL	255	
18	RLVLH	0	
19	RLVLL	0	
20	GLVLH	0	
21	GLVLL	0	
22	BLVLH	0	
23	BLVLL	0	

D9671TG1

Functionality		Data	Remarks
No.	Name		
0	MSB-STPH	0	
1	STAPOSH	216	
2	STAPOSV	16	
3	TGOFF	0	
4	HSTPOL	0	
5	VSTPOL	0	
6	HCKPOL	0	
7	VCKPOL	0	
8	BLKPOL	0	
9	PSTPOL	0	
10	DCKPOL	0	
11	CLRPOL	1	
12	ENBPOL	1	
13	SHSTPOL	1	
14	AUX2POL	0	
15	HCKWIDTH	2	
16	HSTPHASE	9	
17	HSTPOSH	0	
18	HSTPOL	7	
19	VSTPHASH	0	
20	VSTPHASL	0	
21	VSTPOS	11	
22	PCGPHASE	0	
23	PCGWIDTH	31	
24	PRGPHASE	0	
25	PRGWIDTH	18	
26	TGPOSHH	1	
27	TGPOSHL	4	
28	TGPHASVH	0	
29	TGPHASVL	0	
30	TGPOSV	44	

D9671CUR

Functionality		Data	Remarks
No.	Name		
0	CURBOLD	0	
1	FRMECLIP	1	
2	CROSSIZE	3	
3	CROSON	0	
4	RCROSON	1	
5	GCROSON	1	
6	BCROSON	1	
7	TOPON	0	
8	RTOPON	1	
9	GTOPON	1	
10	BTOPON	1	
11	BTOMON	0	
12	RBTO MON	1	
13	GBTOMON	1	
14	BBTOMON	1	
15	LEFTON	0	
16	RLEFTON	1	
17	GLEFTON	1	
18	BLEFTON	1	
19	RIGTON	0	
20	RRIGTON	1	
21	GRIGTON	1	
22	BRIGTON	1	
23	CRPOSHH	43	
24	CRPOSHL	5	
25	CRPOSVH	1	
26	CRPOSVL	137	
27	FRLEFTH	2	
28	FRLEFTL	3	
29	FRRIGTH	5	
30	FRRIGTL	71	
31	FRTOPH	1	
32	FRTOPL	7	
33	FRBOTMH	2	
34	FRBOTML	251	
35	RCURLVL	31	
36	GCURLVLH	3	
37	GCURLVLL	7	
38	BCURLVL	31	
39	RSMPSW	0	
40	RSMPPH	0	
41	RSMPPHPL	0	
42	RSMPPHVP	0	
43	RSMPPVPL	0	
44	RSMPSIZE	0	
45	RSMPPRIM	0	
46	RSMPCYCL	0	
47	RSMPPRILV	0	
48	RSMPPHLVR	0	
49	RSMPPHLVG	0	
50	RSMPPHLVB	0	
51	RSMPLLVR	0	
52	RSMPLLVG	0	
53	RSMPLLVB	0	

D9671TG2

Functionality		Data	Remarks
No.	Name		
0	FRPPHASE	255	
1	ENBPITCH	0	
2	CLRPTITCH	0	
3	SHSTPITCH	0	
4	AUX2PITCH	0	
5	ENBPHASE	248	
6	ENBWIDTH	96	
7	PSTPOS	12	
8	PSTPHASE	2	
9	PSTWIDTH	11	
10	DCKPHASE	0	
11	DCKWIDTH	0	
12	CLRPHASE	232	
13	CLRWIDTH	47	
14	BLKPOS	0	
15	BLKWIDTH	0	
16	SHSTPHAS	217	
17	SHSTWIDT	128	
18	AUX2PHA	0	
19	AUX2WIDT	0	



D9671CSC

Functionality		Data	Remarks
No.	Name		
0	CSC00H	9	
1	CSC00L	145	
2	CSC01H	38	
3	CSC01L	15	
4	CSC02H	2	
5	CSC02L	65	
6	CSC10H	32	
7	CSC10L	7	
8	CSC11H	9	
9	CSC11L	240	
10	CSC12H	31	
11	CSC12L	5	
12	CSC20H	2	
13	CSC20L	34	
14	CSC21H	42	
15	CSC21L	9	
16	CSC22H	9	
17	CSC22L	29	
18	CSCCOR0H	63	
19	CSCCOR0L	189	
20	CSCCOR1H	0	
21	CSCCOR1L	17	
22	CSCCOR2H	0	
23	CSCCOR2L	22	
24	ASLSW	0	
25	ASLMODE	0	
26	ASLSLPR	0	
27	ASLSLPO	0	
28	ASLARP	0	
29	ASLARB	0	
30	ASLWAP	0	
31	ASLWAB	0	
32	ASLPLVLR	0	
33	ASLBLVLR	0	
34	ASLPLVLG	0	
35	ASLBLVLG	0	
36	ASLPLVLB	0	
37	ASLBLVLB	0	

A7001R

Functionality		Data	Remarks
No.	Name		
0	RGAINA	204	
1	RGAINB	32	
2	ROFSETA	165	
3	ROFSETB	32	
4	RCALLVL	12	
5	SHPOS	2	
6	RVCOM	43	
7	RSIDLVL	8	
8	S-RGAINA	204	
9	S-RGAINB	0	
10	S-ROFSETA	165	
11	S-ROFSETB	0	

A7001G

Functionality		Data	Remarks
No.	Name		
0	GGAINA	191	
1	GGAINB	32	
2	GOFSETA	144	
3	GOFSETB	32	
4	GCALLVL	12	
5	SHPOS	2	
6	GVCOM	43	
7	GSIDLVL	8	
8	S-GGAINA	191	
9	S-GGAINB	0	
10	S-GOFSETA	144	
11	S-GOFSETB	0	

A7001B

Functionality		Data	Remarks
No.	Name		
0	BGAINA	191	
1	BGAINB	32	
2	BOFSETA	144	
3	BOFSETB	32	
4	BCALLVL	12	
5	SHPOS	2	
6	BVCOM	40	
7	BSIDLVL	8	
8	S-BGAINA	191	
9	S-BGAINB	0	
10	S-BOFSETA	144	
11	S-BOFSETB	0	

SH SET

Functionality		Data	Remarks
No.	Name		
0	SH	0	
1	SHIFT SET	*1	

Standards \*1

No.	Name	SH = 0	SH = 1	SH = 2	SH = 3	SH = 4	SH = 5	SH = 6
1	SHIFT SET	15	16	17	18	16	16	16

H POS SHI

Functionality		Data	Remarks
No.	Name		
0	VAR POS CTL	0	
1	SHPOS	*1	

Standards \*1

No.	Name	VAR POS CTL = 0	VAR POS CTL = 1	VAR POS CTL = 2	VAR POS CTL = 3
1	SHPOS	8	6	6	4

No.	Name	VAR POS CTL = 4	VAR POS CTL = 5	VAR POS CTL = 6	VAR POS CTL = 7
1	SHPOS	4	2	2	0

No.	Name	VAR POS CTL = 8	VAR POS CTL = 9	VAR POS CTL = 10	VAR POS CTL = 11
1	SHPOS	0	10	10	8

No.	Name	VAR POS CTL = 12	VAR POS CTL = 13	VAR POS CTL = 14	VAR POS CTL = 15
1	SHPOS	8	6	6	4

TEMP

Functionality		Data	Remarks
No.	Name		
0	SET	59	
1	TIME	10	
2	PON-TIME	0	
3	PON-TEMP	*1	
4	TEMP	0	
5	OFFSET	*2	

Standards \*1

No.	Name	PON-TIME=0	PON-TIME=1	PON-TIME=2	PON-TIME=3
3	PON-TEMP	141	141	141	141

No.	Name	PON-TIME=4	PON-TIME=5	PON-TIME=6	PON-TIME=7
3	PON-TEMP	141	140	140	138

No.	Name	PON-TIME=8	PON-TIME=9	PON-TIME=10	PON-TIME=11
3	PON-TEMP	138	136	136	135

No.	Name	PON-TIME=12	PON-TIME=13	PON-TIME=14	PON-TIME=15
3	PON-TEMP	135	134	134	134

No.	Name	PON-TIME=16	PON-TIME=17	PON-TIME=18	PON-TIME=19
3	PON-TEMP	133	133	133	132

No.	Name	PON-TIME=20	PON-TIME=21	PON-TIME=22	PON-TIME=23
3	PON-TEMP	132	131	131	131

No.	Name	PON-TIME=24	PON-TIME=25	PON-TIME=26	PON-TIME=27
3	PON-TEMP	131	130	130	130

No.	Name	PON-TIME=28	PON-TIME=29	PON-TIME=30
3	PON-TEMP	129	128	128

Standards \*2

No.	Name	TEMP=0	TEMP=1	TEMP=2	TEMP=3
5	OFFSET	113	113	113	113

No.	Name	TEMP=4	TEMP=5	TEMP=6	TEMP=7
5	OFFSET	113	113	113	113

No.	Name	TEMP=8	TEMP=9	TEMP=10	TEMP=11
5	OFFSET	113	113	113	113

No.	Name	TEMP=12	TEMP=13	TEMP=14	TEMP=15
5	OFFSET	113	113	113	113

No.	Name	TEMP=16	TEMP=17	TEMP=18	TEMP=19
5	OFFSET	113	113	113	113

No.	Name	TEMP=20	TEMP=21	TEMP=22	TEMP=23
5	OFFSET	113	113	113	113

No.	Name	TEMP=24	TEMP=25	TEMP=26	TEMP=27
5	OFFSET	113	113	113	114

No.	Name	TEMP=28	TEMP=29	TEMP=30	TEMP=31
5	OFFSET	115	115	116	117

No.	Name	TEMP=32	TEMP=33	TEMP=34	TEMP=35
5	OFFSET	117	118	119	119

No.	Name	TEMP=36	TEMP=37	TEMP=38	TEMP=39
5	OFFSET	120	121	121	122

No.	Name	TEMP=40	TEMP=41	TEMP=42	TEMP=43
5	OFFSET	123	123	124	125

No.	Name	TEMP=44	TEMP=45	TEMP=46	TEMP=47
5	OFFSET	125	126	127	127

No.	Name	TEMP=48	TEMP=49	TEMP=50	TEMP=51
5	OFFSET	128	129	129	130

No.	Name	TEMP=52	TEMP=53	TEMP=54	TEMP=55
5	OFFSET	131	131	132	133

No.	Name	TEMP=56	TEMP=57	TEMP=58	TEMP=59
5	OFFSET	133	134	135	135

No.	Name	TEMP=60	TEMP=61	TEMP=62	TEMP=63
5	OFFSET	136	137	138	138

No.	Name	TEMP=64	TEMP=65	TEMP=66	TEMP=67
5	OFFSET	139	140	140	141

No.	Name	TEMP=68	TEMP=69	TEMP=70	TEMP=71
5	OFFSET	142	142	143	143

No.	Name	TEMP=72	TEMP=73	TEMP=74	TEMP=75
5	OFFSET	143	143	143	143

No.	Name	TEMP=76	TEMP=77	TEMP=78	TEMP=79
5	OFFSET	143	143	143	143

No.	Name	TEMP=80
5	OFFSET	143

OSD-E

Functionality		Data		Remarks
No.	Name	NORMAL	WIDE	
0	VPOS	21	21	
1	HPOS	4	4	

OPTION-E

Functionality		Data	Remarks
No.	Name		
0	LAMP TIME	-	
1	LAMP OFF	1	
2	FAN OFF	0	
3	FAN1 RPM	0	
4	FAN2 RPM	0	
5	FAN3 RPM	0	
6	FAN4 RPM	0	
7	FAN5 RPM	0	
8	FLAG1	0	
9	AGING PT	0	
10	TEMP SHIFT	1	
11	ADJ	0	
12	P CTL SHT1	10	
13	P CTL SHT2	0	
14	P CTL SHT3	0	
15	P CTL ADD	0	
16	LVDS-WAIT	0	
17	GAM-WAIT	1	

FAN-CTL

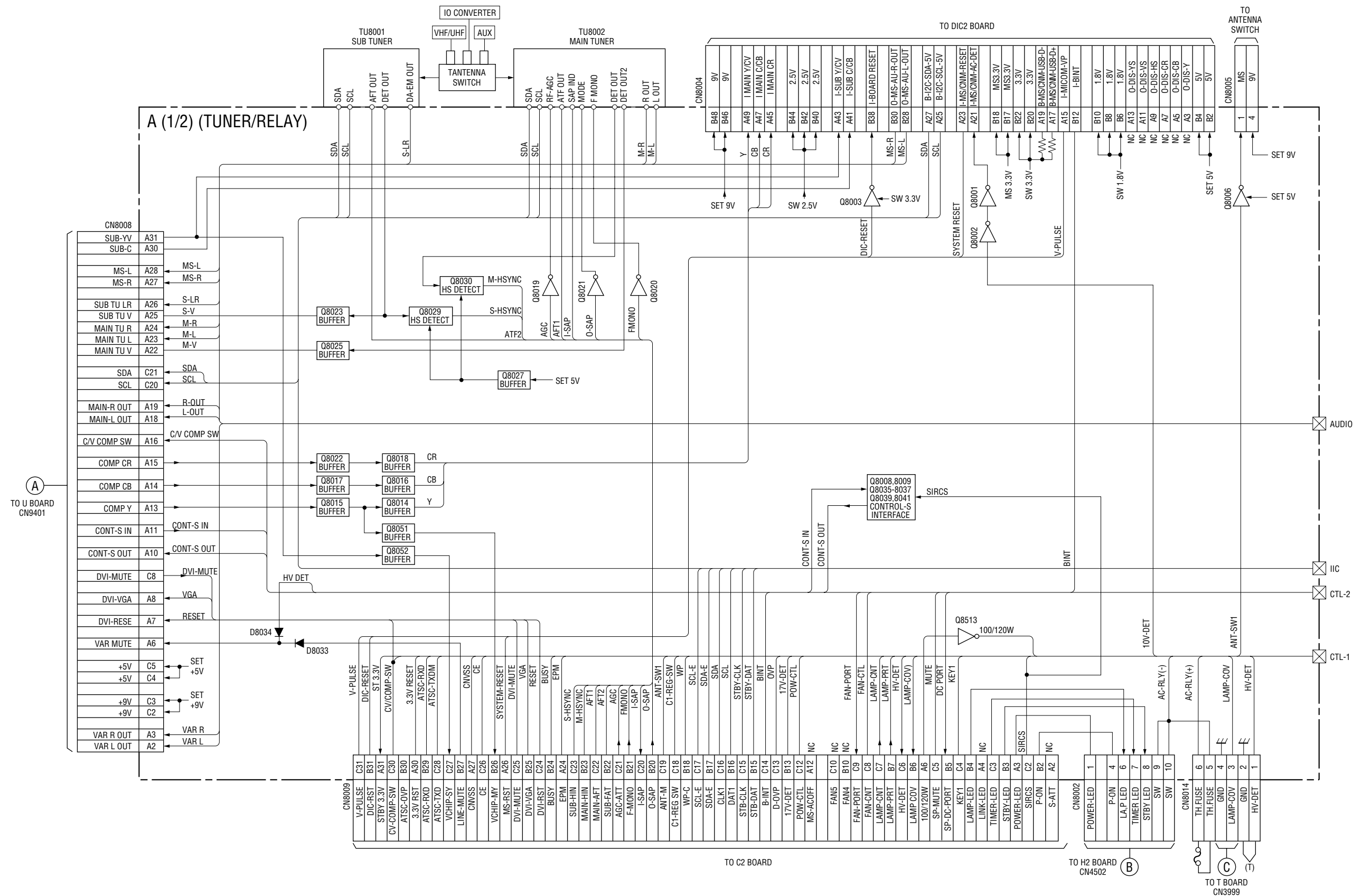
Functionality		Data	Remarks
No.	Name		
0	TEMP-ERR	70	
1	FAN1-KICK	186	
2	FAN2-KICK	239	
3	FAN3-KICK	255	
4	FAN10-START	27	
5	FAN10-END	32	
6	FAN10-VMAX	252	
7	FAN10-VMIN	125	
8	FAN11-START	27	
9	FAN11-END	32	
10	FAN11-VMAX	252	
11	FAN11-VMIN	125	
12	FAN12-START	27	
13	FAN12-END	32	
14	FAN12-VMAX	235	
15	FAN12-VMIN	125	
16	FAN13-START	27	
17	FAN13-END	32	
18	FAN13-VMAX	235	
19	FAN13-VMIN	125	
20	FAN20-START	27	
21	FAN20-END	32	
22	FAN20-VMAX	179	
23	FAN20-VMIN	10	
24	FAN21-START	27	
25	FAN21-END	32	
26	FAN21-VMAX	179	
27	FAN21-VMIN	10	
28	FAN22-START	27	
29	FAN22-END	32	
30	FAN22-VMAX	125	
31	FAN22-VMIN	10	
32	FAN23-START	27	
33	FAN23-END	32	
34	FAN23-VMAX	125	
35	FAN23-VMIN	10	
36	FAN30-START	27	
37	FAN30-END	32	
38	FAN30-VMAX	252	
39	FAN30-VMIN	125	
40	FAN31-START	27	
41	FAN31-END	32	
42	FAN31-VMAX	252	
43	FAN31-VMIN	125	
44	FAN32-START	27	
45	FAN32-END	32	
46	FAN32-VMAX	204	
47	FAN32-VMIN	125	
48	FAN33-START	27	
49	FAN33-END	32	
50	FAN33-VMAX	204	
51	FAN33-VMIN	125	

GB RGB

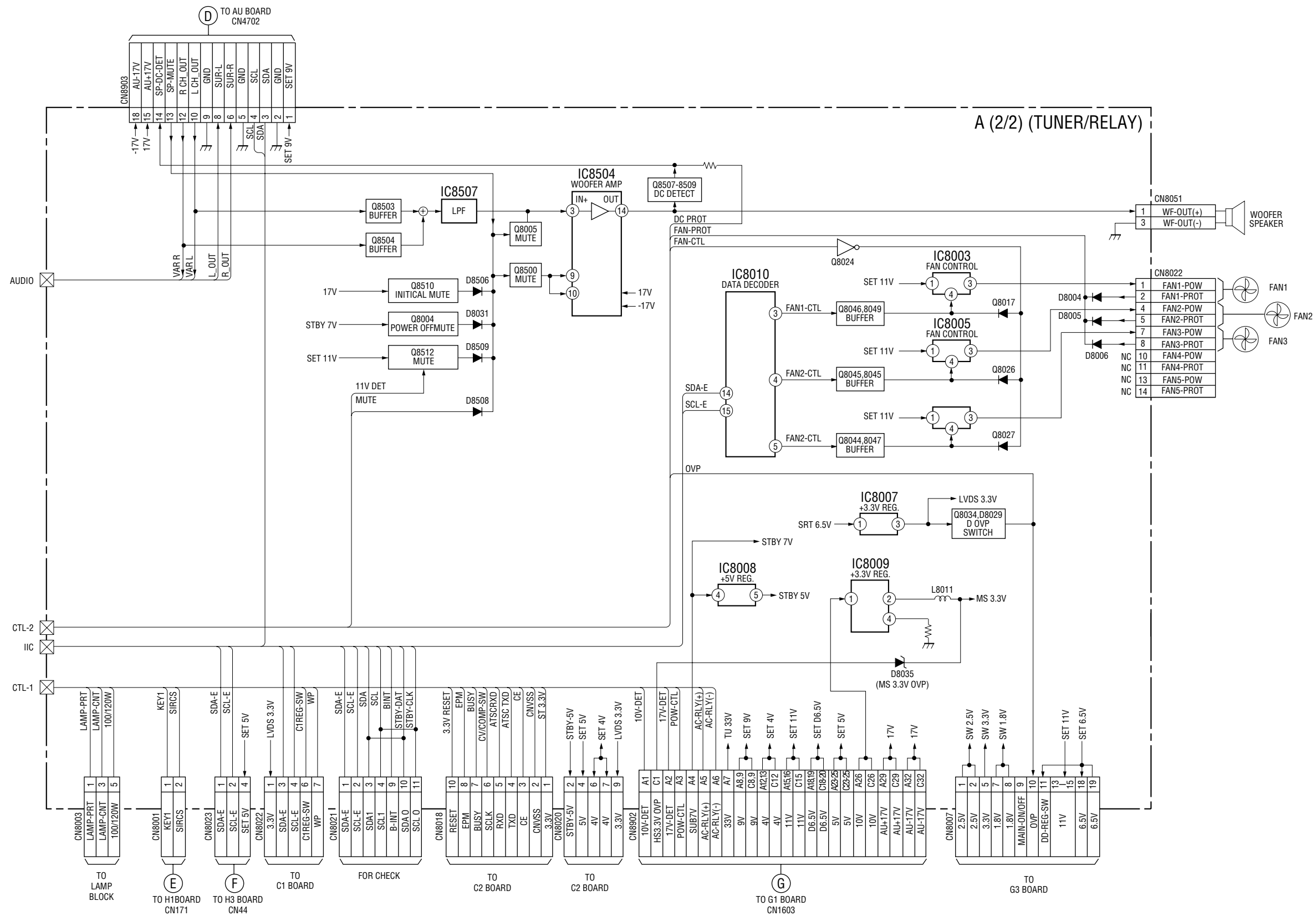
Functionality		Data	Remarks
No.	Name		
0	KURG	0	
1	KUGG	0	
2	KUBG	0	
3	KURB	0	
4	KUGB	0	
5	KUBB	0	

SECTION 4  
DIAGRAMS

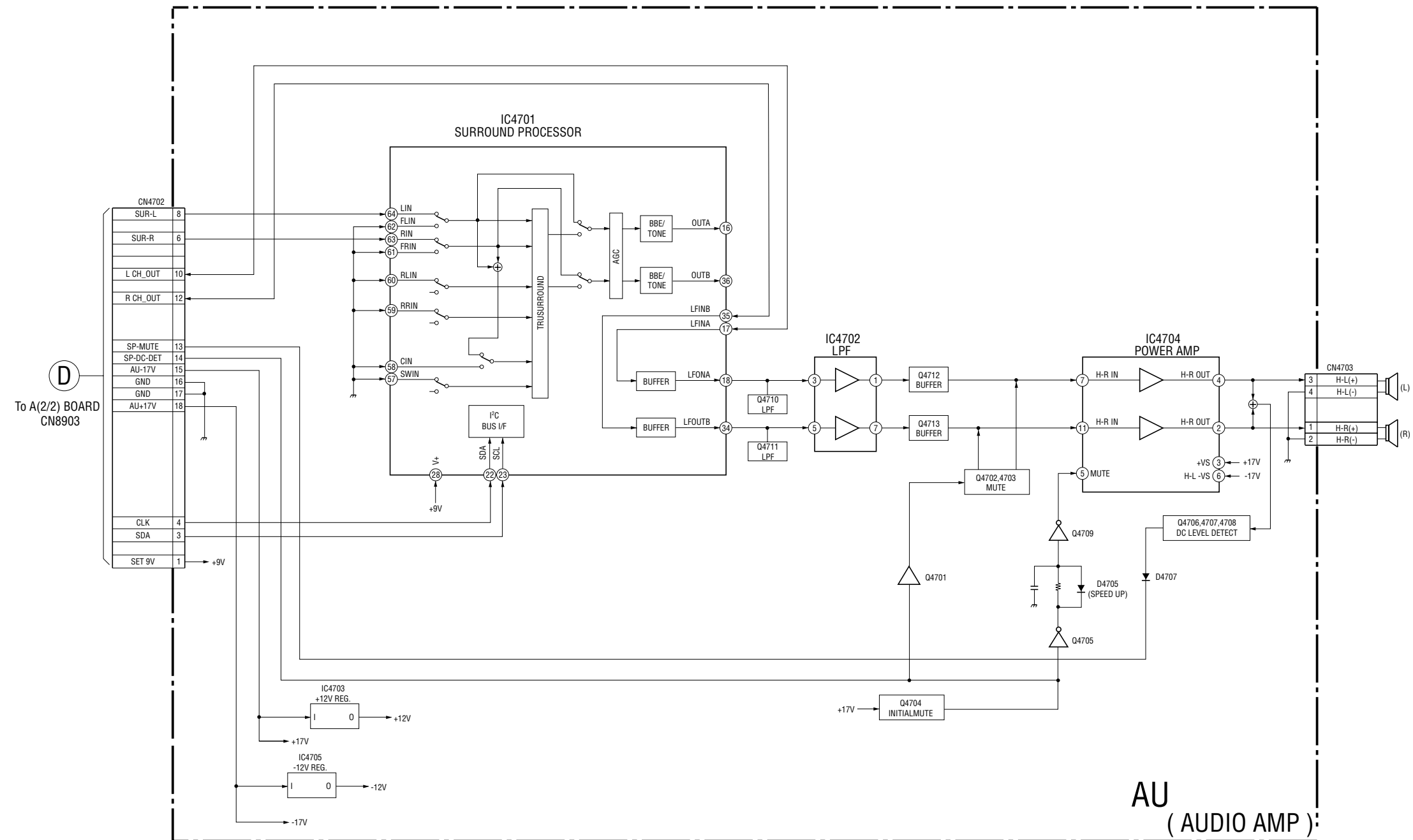
4-1. BLOCK DIAGRAM (1)



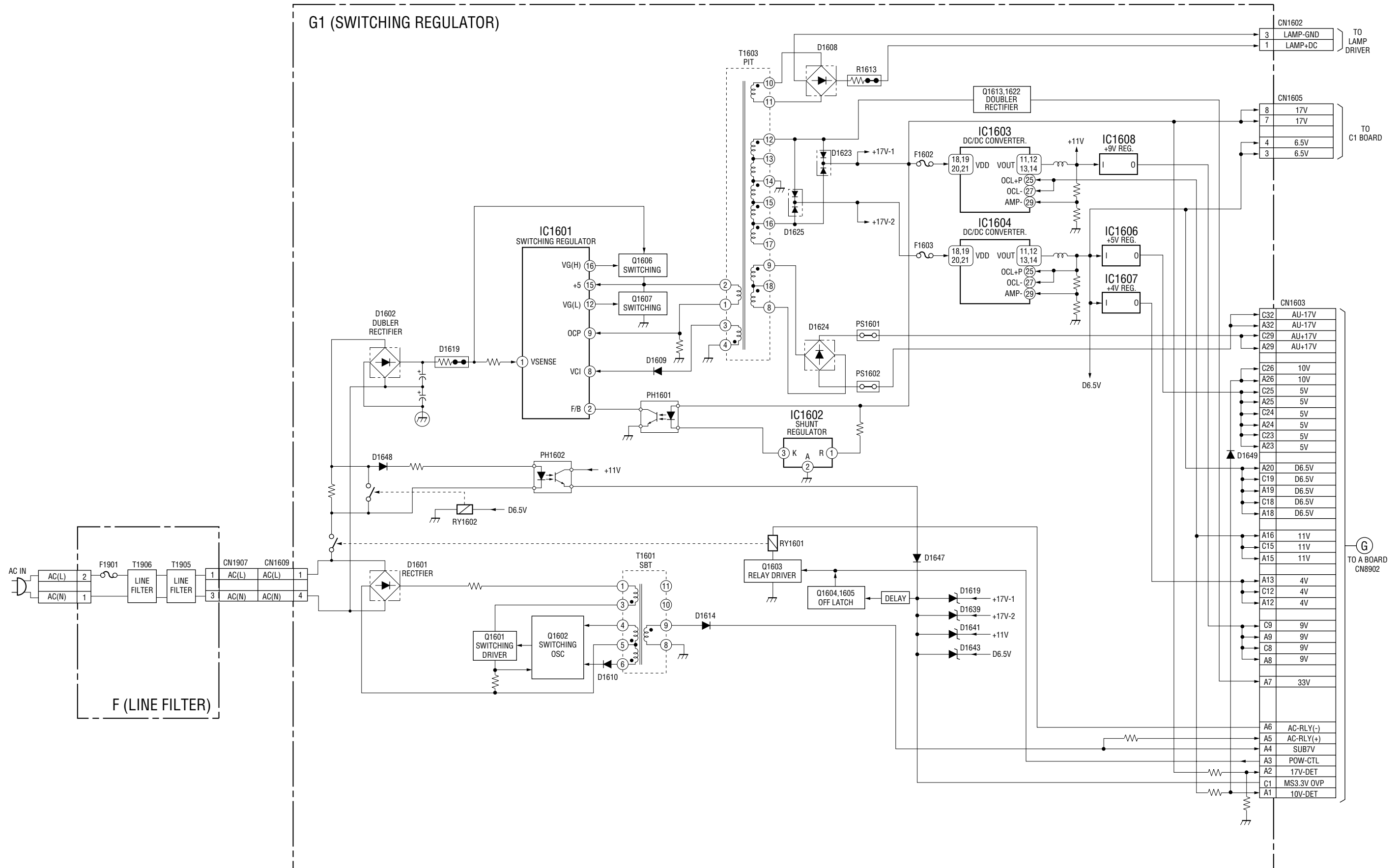
BLOCK DIAGRAM (2)



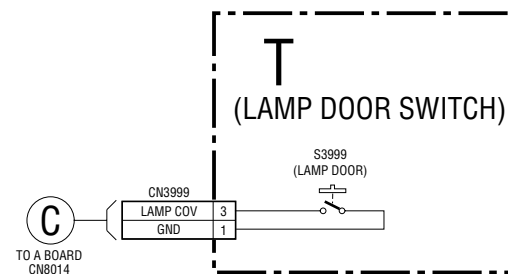
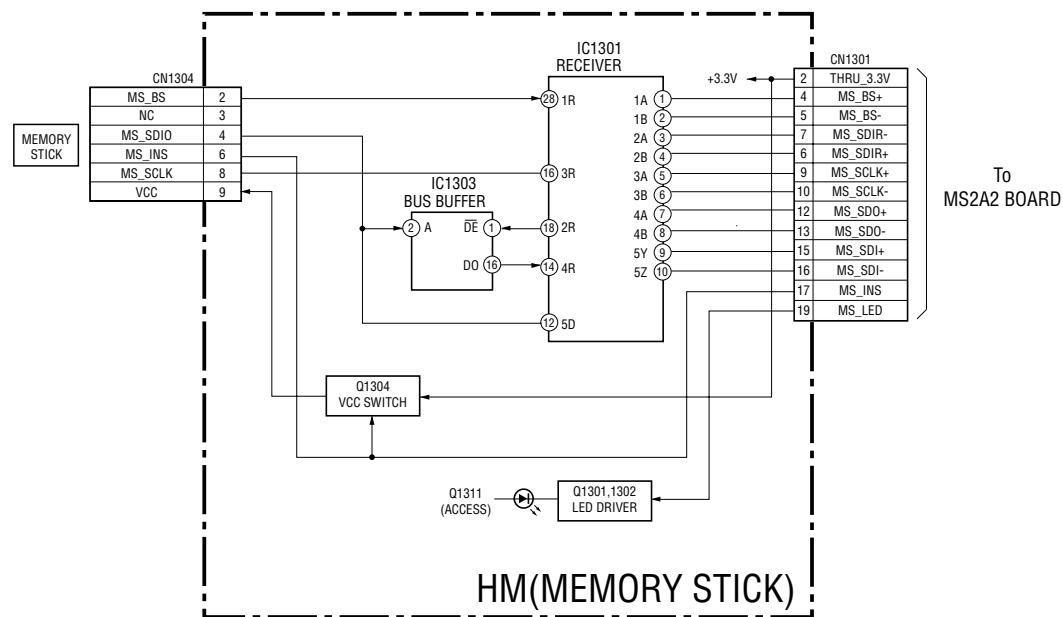
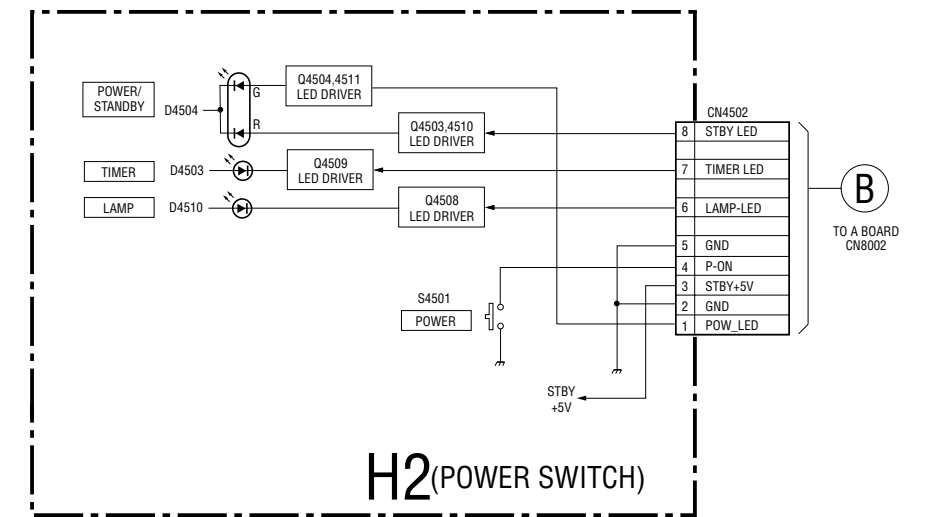
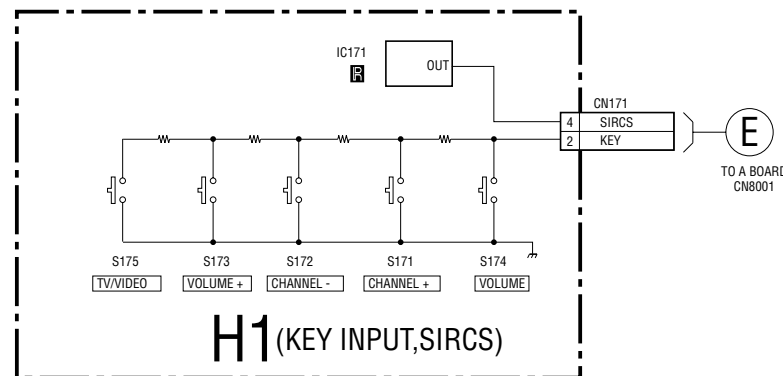
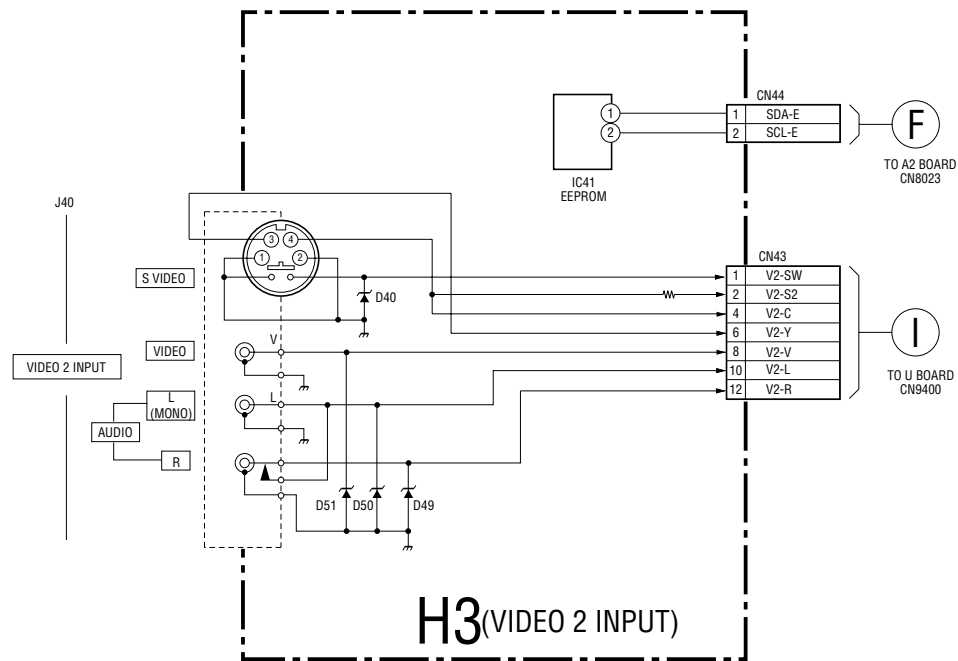
BLOCK DIAGRAM (3)



BLOCK DIAGRAM (4)

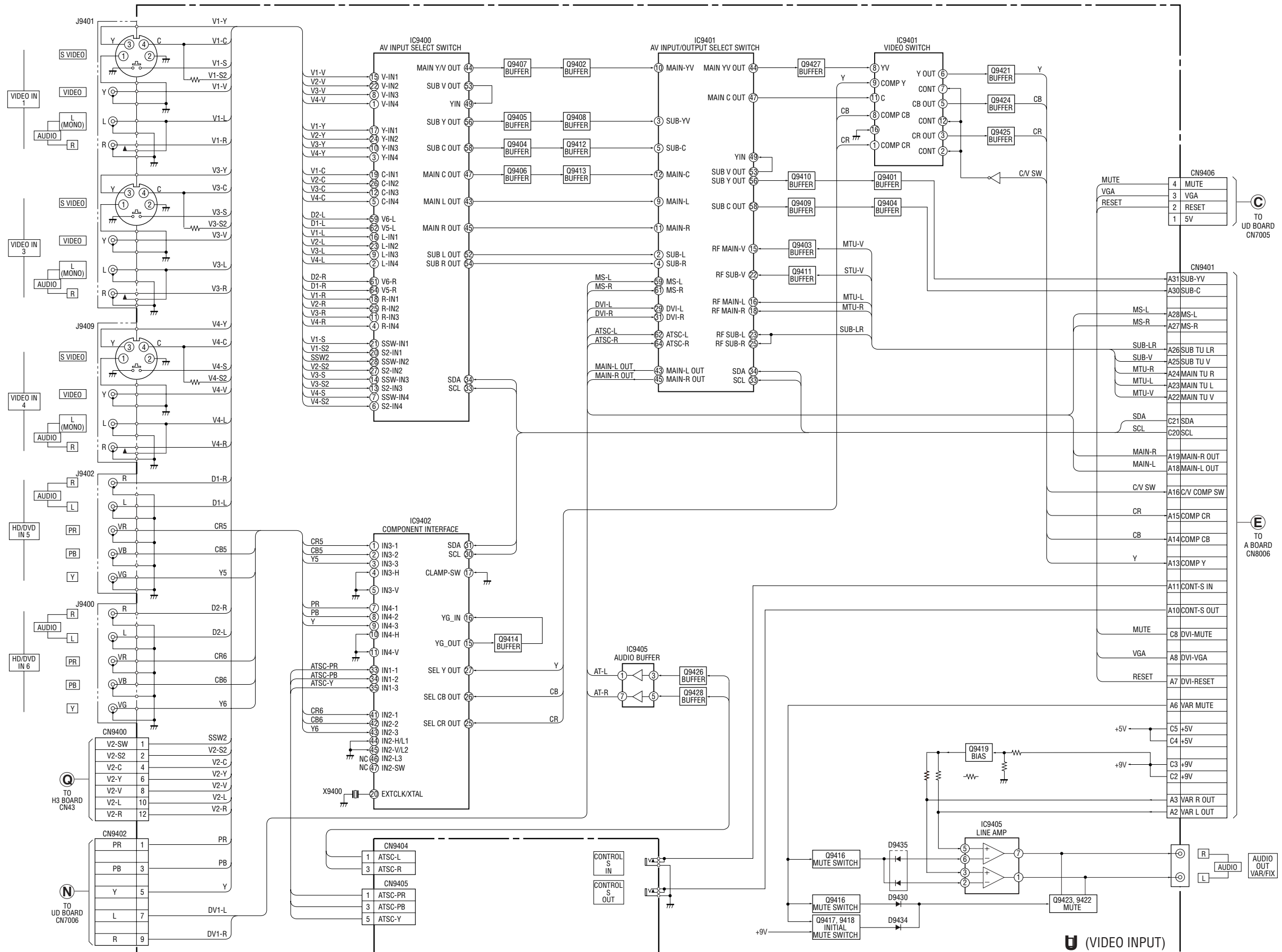


BLOCK DIAGRAM (5)

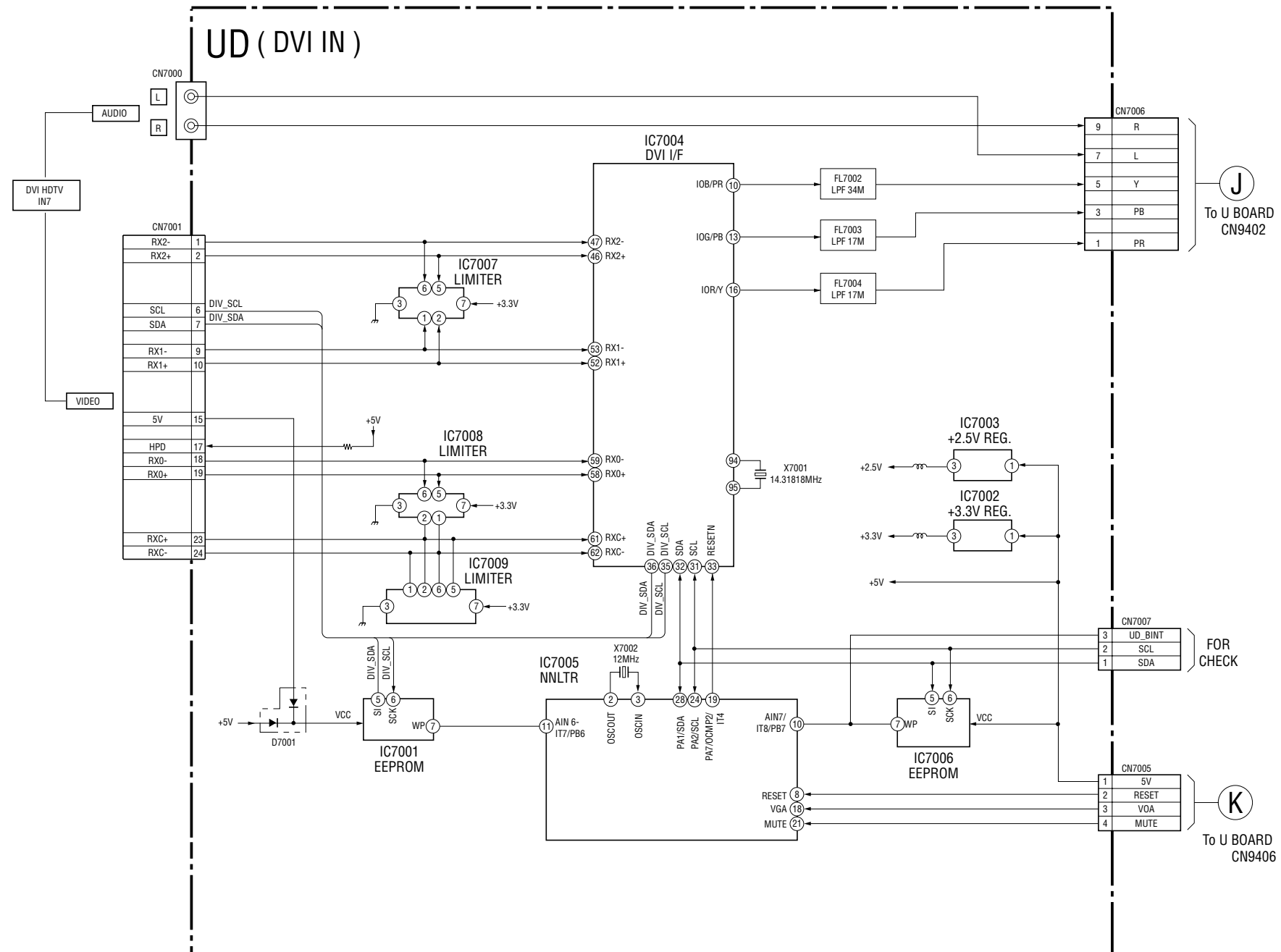




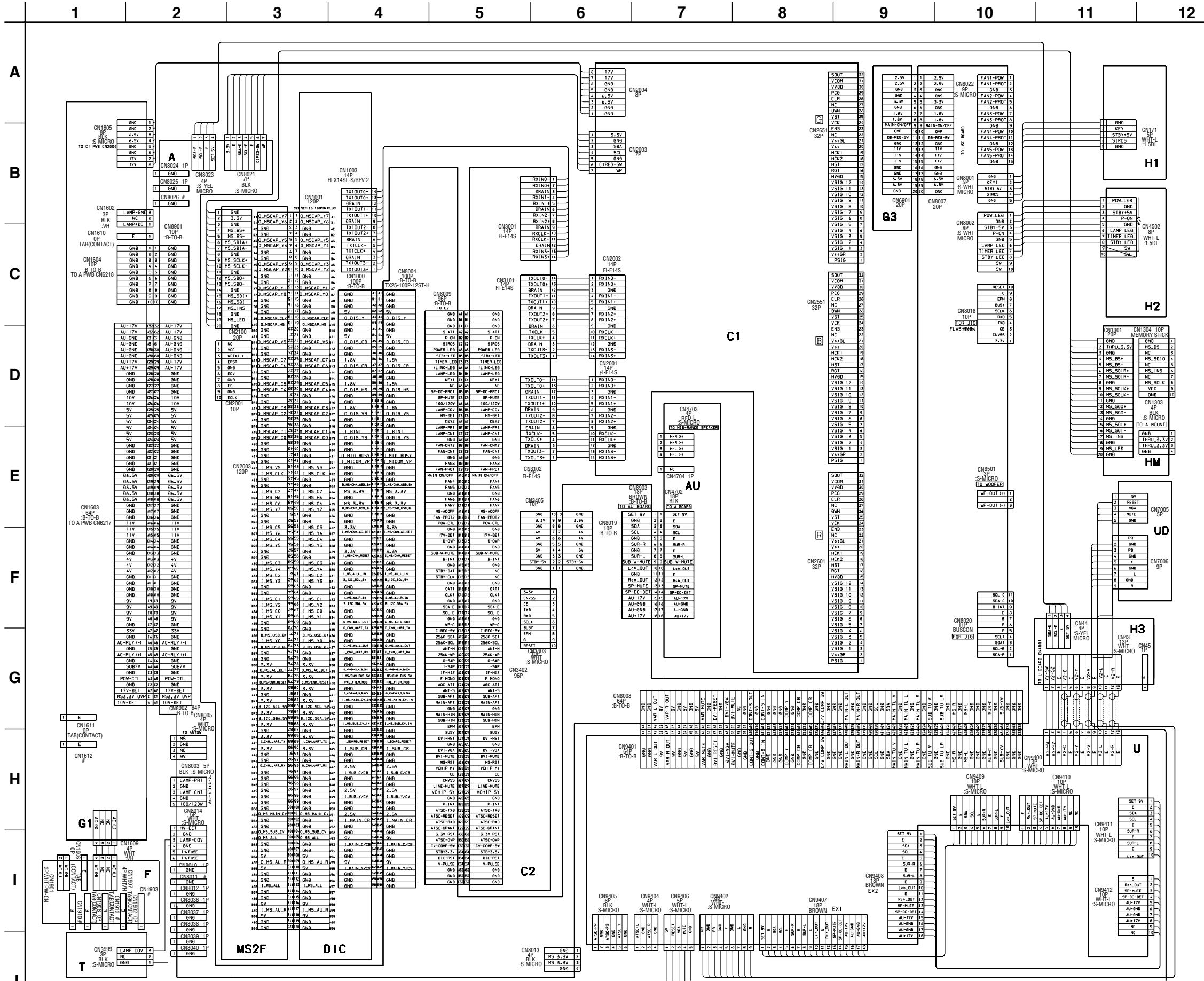
BLOCK DIAGRAM (6)



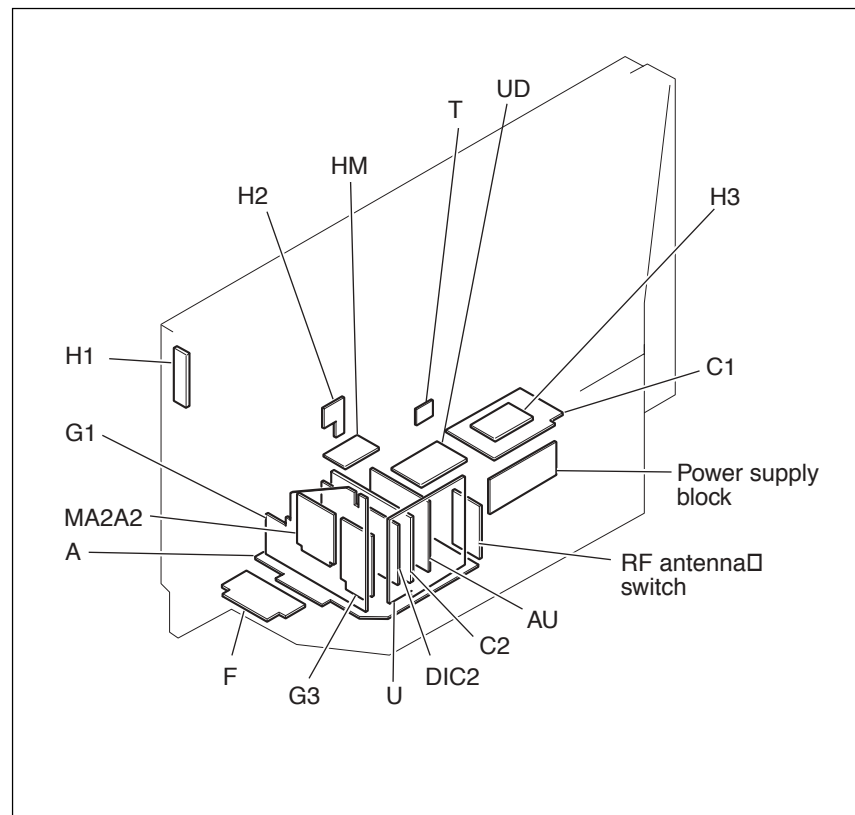
BLOCK DIAGRAM (7)



4-2. FRAME SCHEMATIC DIAGRAM



### 4-3. CIRCUIT BOARDS LOCATION



### 4-4. SCHEMATIC DIAGRAMS

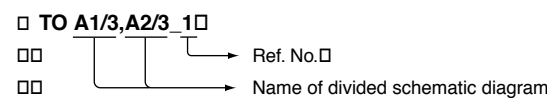
**Note:**

- The parts marked “#” on schematic diagrams are not mounted.
- All capacitors are in  $\mu\text{F}$  unless otherwise noted. (pF:  $\mu\text{pF}$ ) Capacitors without voltage indication are all 50 V.
- Indication of resistance, which does not have one for rating electrical power, is as follows.

Pitch: 5 mm  
Rating electrical power 1/4 W (CHIP : 1/10 W)

- All resistors are in ohms.
- : nonflammable resistor.
- : fusible resistor.
- : internal component.
- : panel designation, and adjustment for repair.
- All variable and adjustable resistors have characteristic curve B, unless otherwise noted.
- : earth-ground.
- : earth-chassis.
- All voltages are in V.
- Readings are taken with a 10 M $\Omega$  digital multimeter.
- Readings are taken with a color-bar signal input.
- Voltage variations may be noted due to normal production tolerances.
- \* : Can not be measured.
- Circled numbers are waveform references.
- : B + bus.
- : B - bus.
- : Signal path.

- Divided schematic diagram
- Schematic diagrams of A, BB, BC, M and U boards are divided into several pieces. Information to where the line is to be connected is printed at the end of each line.
- For example, [ TO A1/3,A2/3\_1 ] means the line is connected to Ref. No. 1 of A (1/3) and A (2/3) schematic diagrams.



**Reference information**

RESISTOR	: RN	METAL FILM
	: RC	SOLID
	: FPRD	NONFLAMMABLE CARBON
	: FUSE	NONFLAMMABLE FUSIBLE
	: RW	NONFLAMMABLE WIREWOUND
	: RS	NONFLAMMABLE METAL OXIDE
	: RB	NONFLAMMABLE CEMENT
COIL	: LF-8L	MICRO INDUCTOR
CAPACITOR	: TA	TANTALUM
	: PS	STYROL
	: PP	POLYPROPYLENE
	: PT	MYLAR
	: MPS	METALIZED POLYESTER
	: MPP	METALIZED POLYPROPYLENE
	: ALB	BIPOLAR
	: ALT	HIGH TEMPERATURE
	: ALR	HIGH RIPPLE

**Note: The components identified by shading and mark are critical for safety. Replace only with part number specified.**

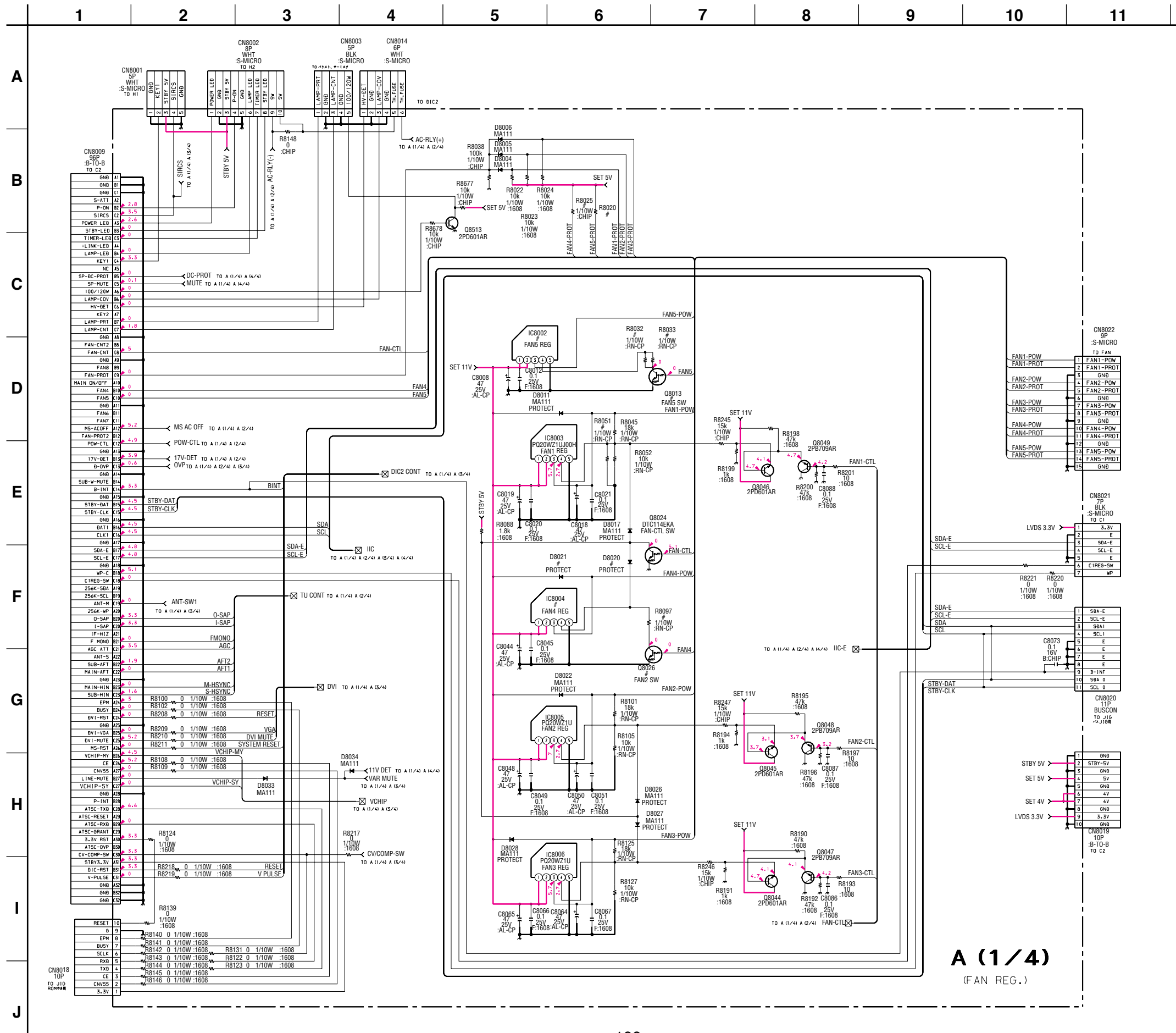
### Terminal name of semiconductors in silk screen printed circuit (※)

Device	Printed symbol	Terminal name	Circuit
① Transistor		Collector Base Emitter	
② Transistor		Collector Base Emitter	
③ Diode		Cathode Anode	
④ Diode		Cathode Anode (NC)	
⑤ Diode		Cathode Anode (NC)	
⑥ Diode		Common Anode Cathode	
⑦ Diode		Common Anode Cathode	
⑧ Diode		Common Anode Anode	
⑨ Diode		Common Anode Anode	
⑩ Diode		Common Cathode Cathode	
⑪ Diode		Common Cathode Cathode	
⑫ Diode		Anode Cathode Anode Cathode	
⑬ Transistor (FET)		Drain Source Gate	
⑭ Transistor (FET)		Drain Source Gate	
⑮ Transistor (FET)		Source Drain Gate	
⑯ Transistor		Emitter Collector Base	
⑰ Transistor		C2/B1/E1 E2/B2/C1	
⑱ Transistor		C1/B2/E2 E1/B1/C2	
⑲ Transistor		C1/B2/E2 E1/B1/C2	
⑳ Transistor		C1/B2/E2 E1/B1/C2	
㉑ Transistor		E2/B1/E1 C2/C1(B2)	
㉒ Transistor		(B2) B1/E1/E2 C1/C2	
㉓ Transistor		(B2) E2/E1/B1 C2/C1	
-	Discrete semiconductor		

(Chip semiconductors that are not actually used are included.)

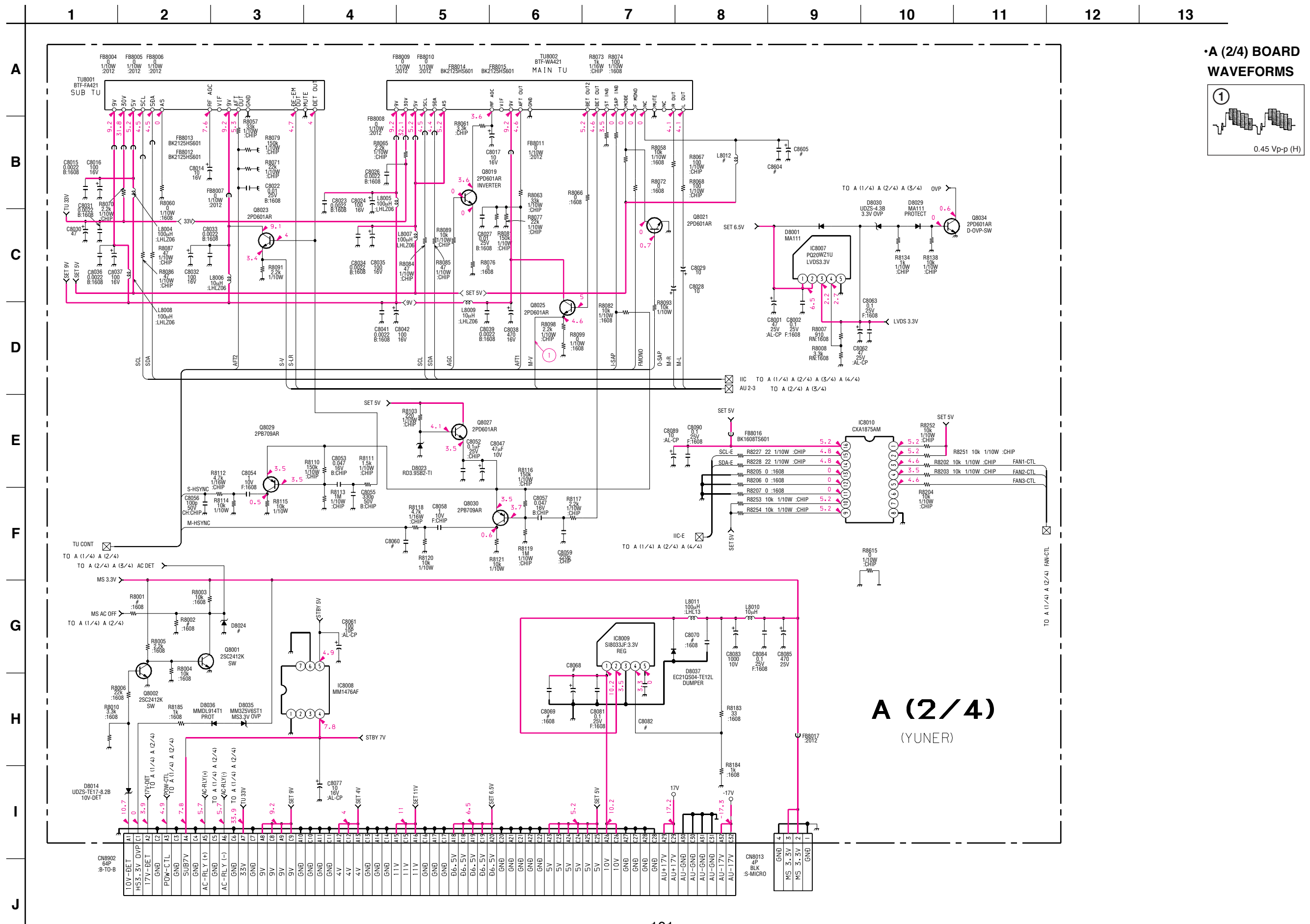
Ver.1.5

(1) Schematic Diagram of A (1/4) Board

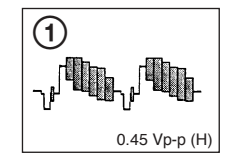


A (1/4)  
(FAN REG.)

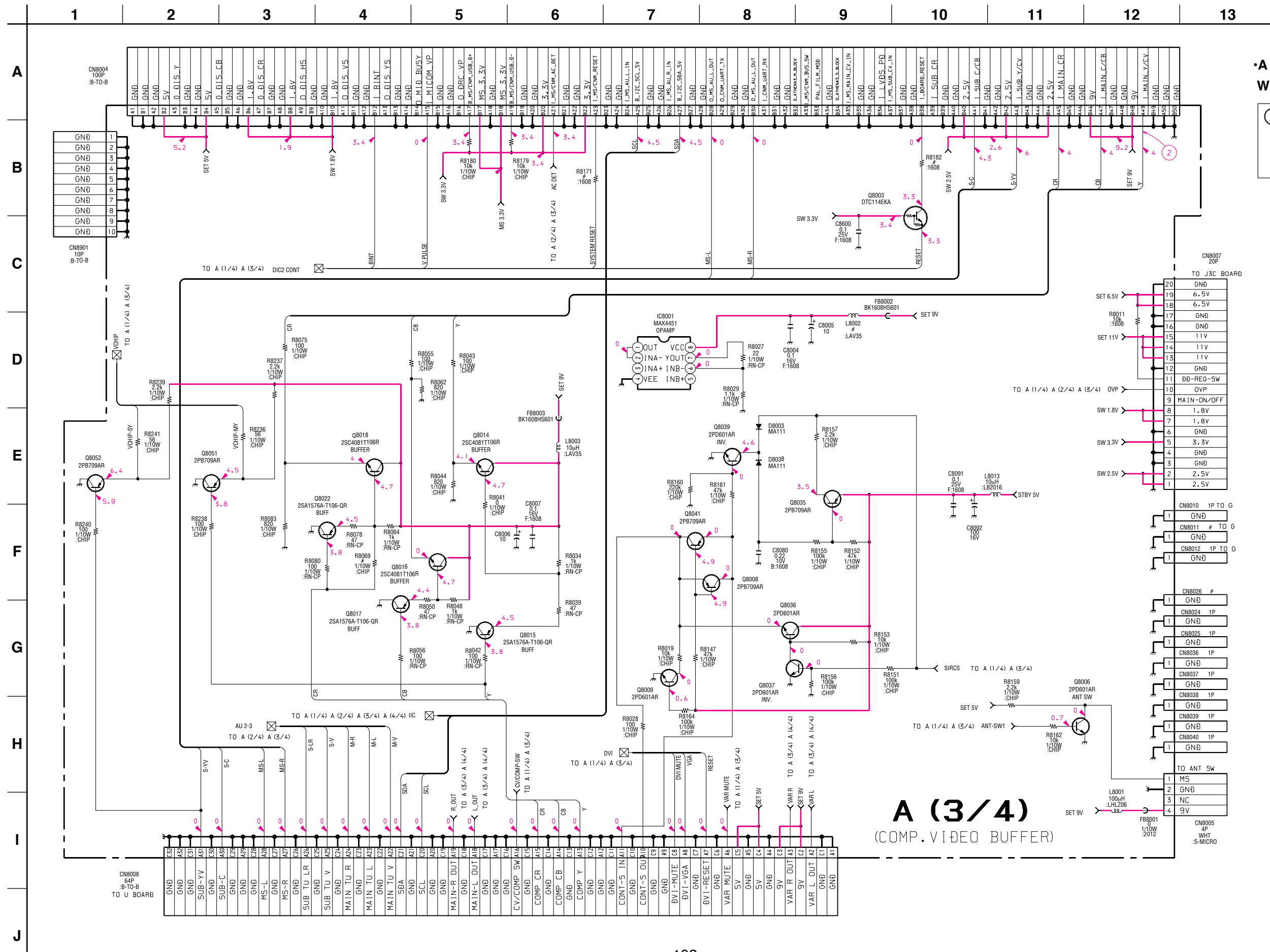
(2) Schematic Diagram of A (2/4) Board



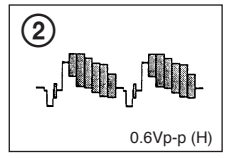
•A (2/4) BOARD WAVEFORMS



(3) Schematic Diagram of A (3/4) Board

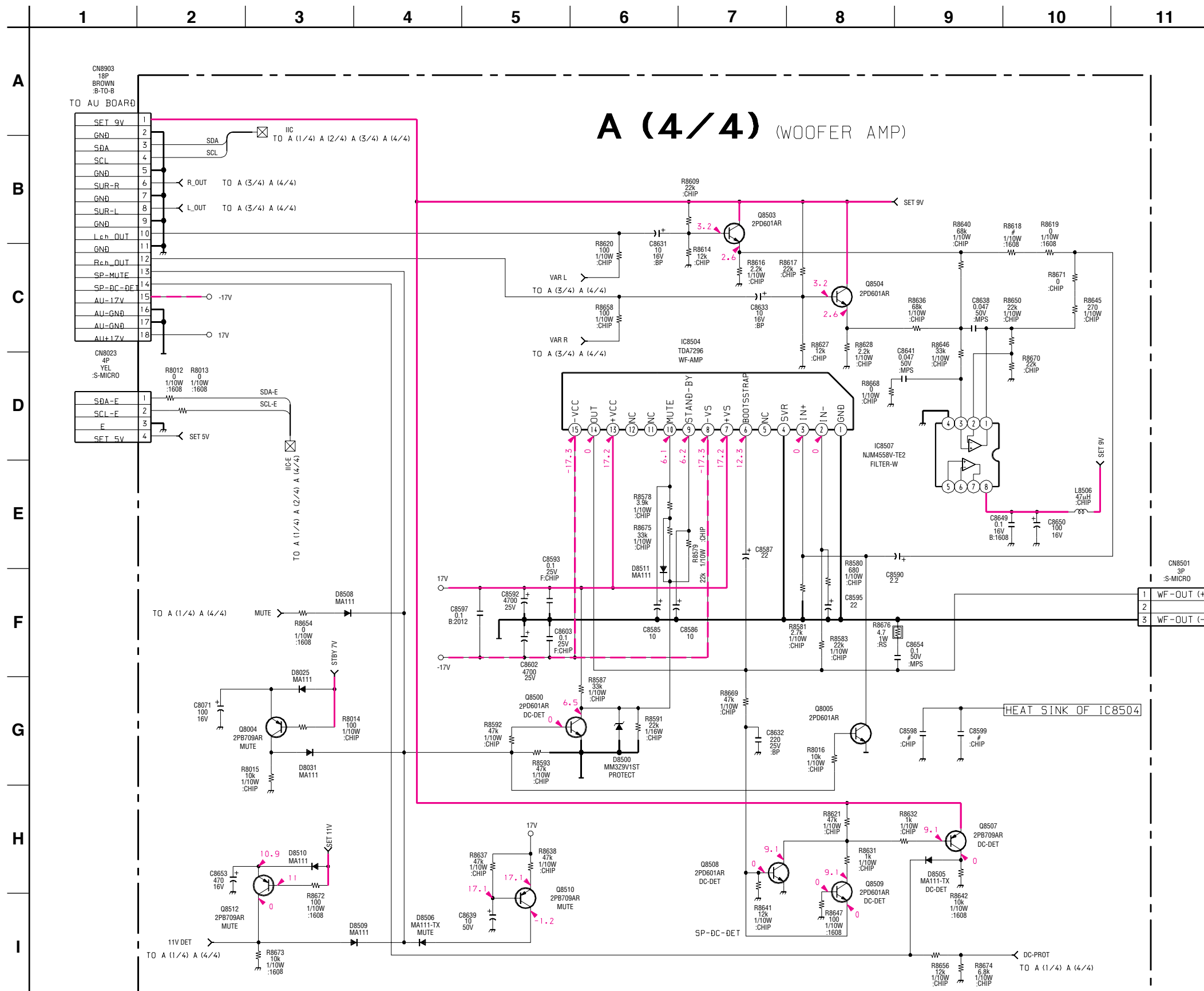


· A (3/4) BOARD WAVEFORMS



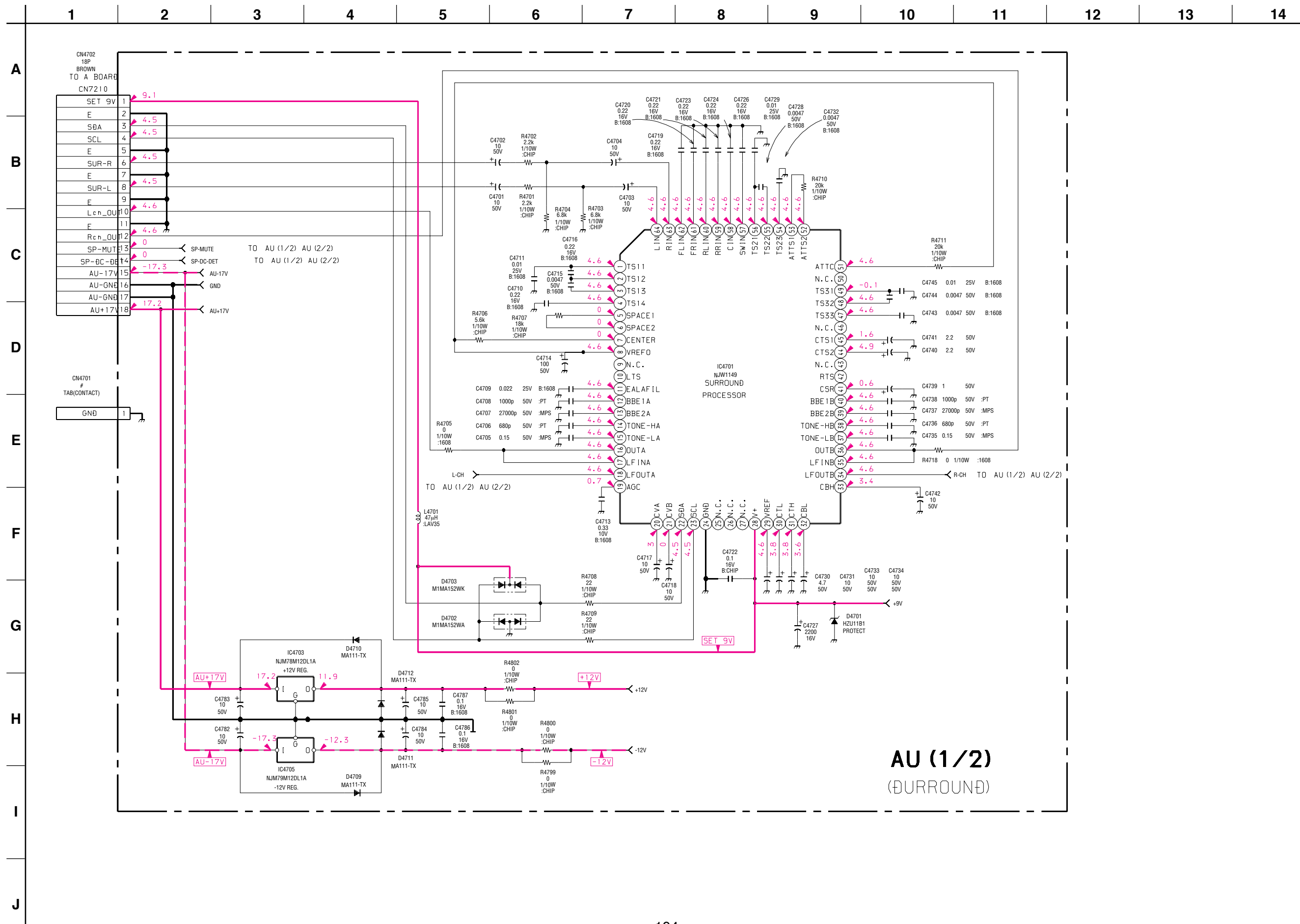
A (3/4)  
(COMP. VIDEO BUFFER)

(4) Schematic Diagram of A (4/4) Board

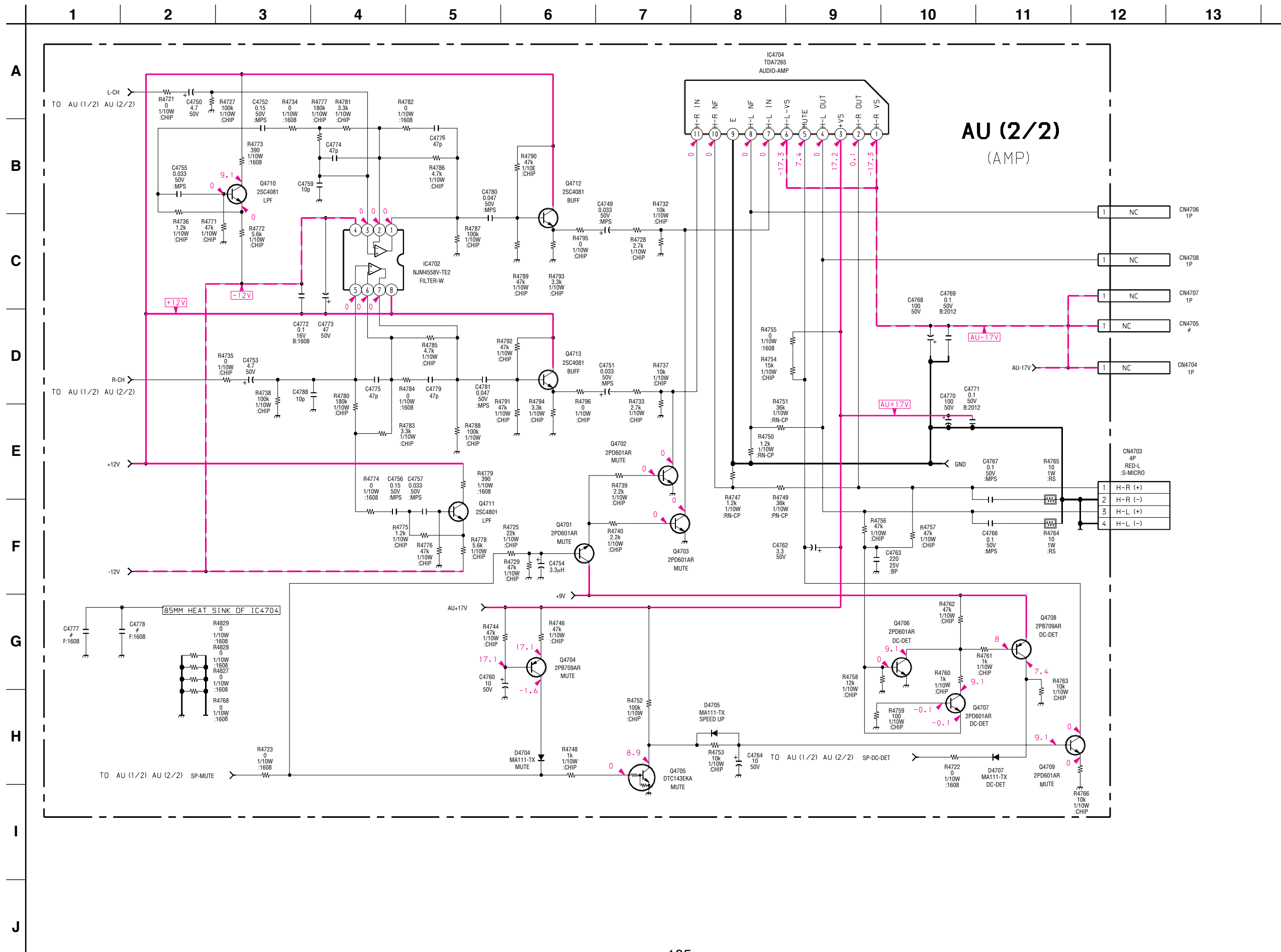




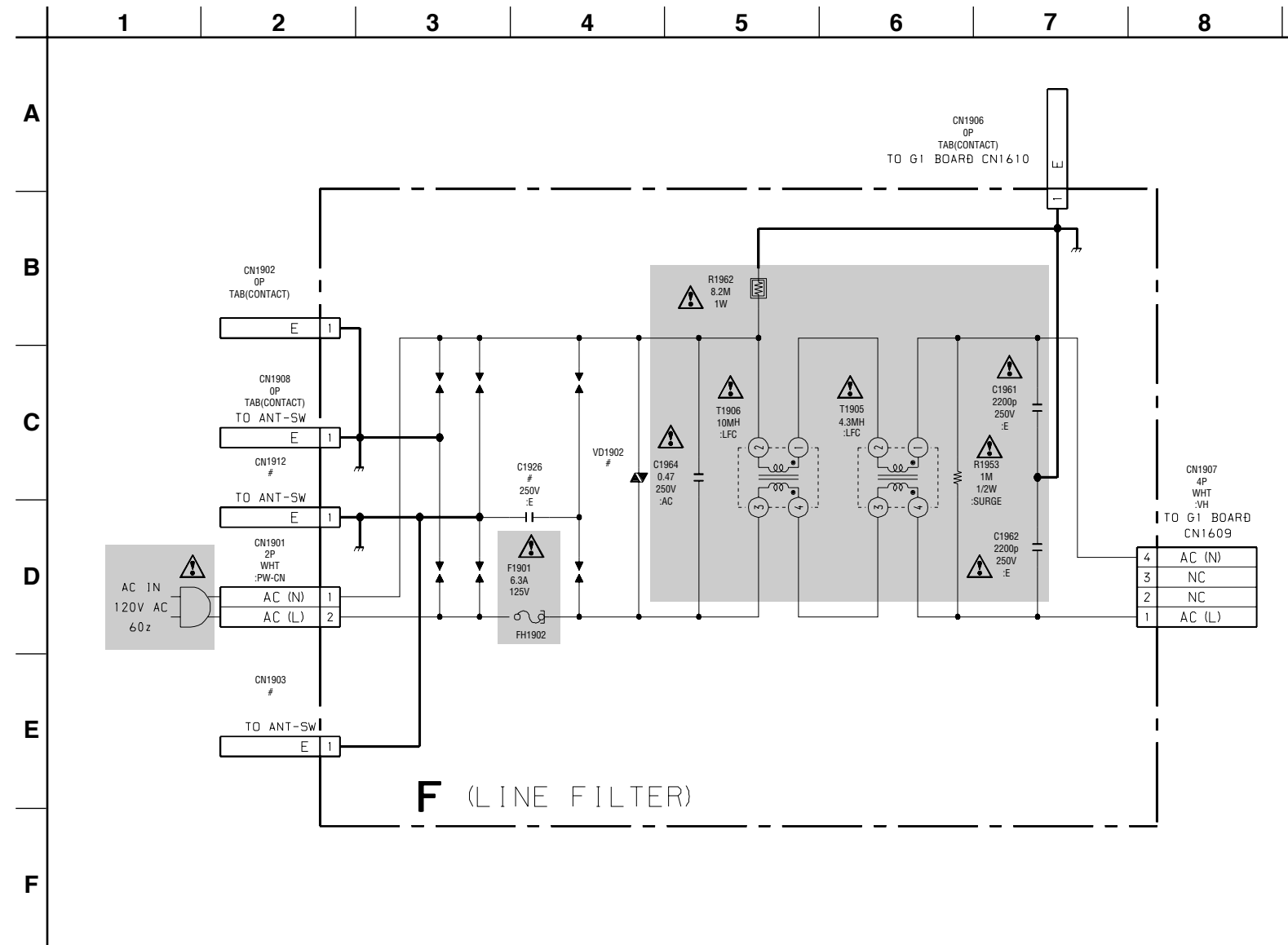
(5) Schematic Diagram of AU (1/2) Board



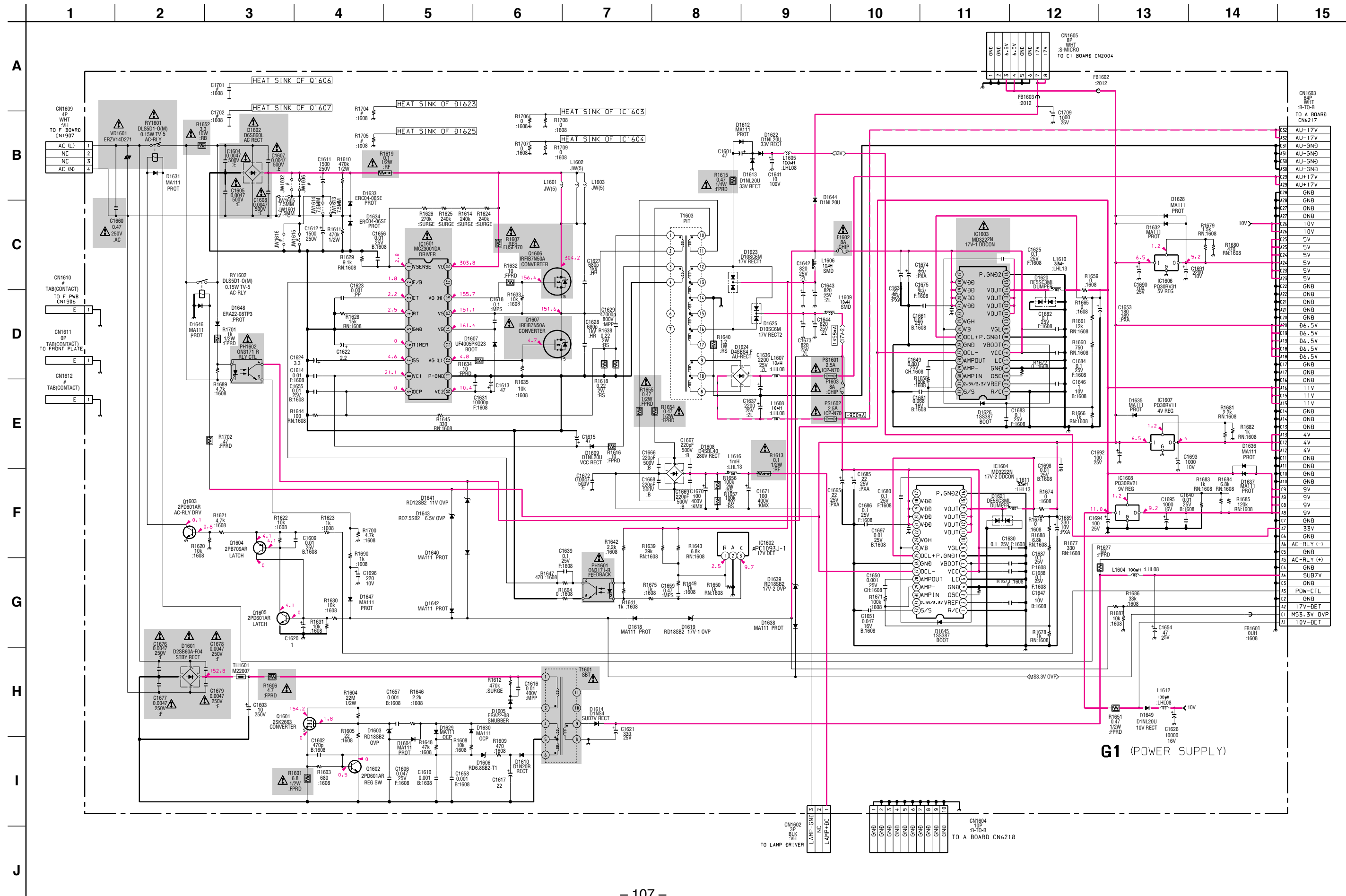
(6) Schematic Diagram of AU (2/2) Board



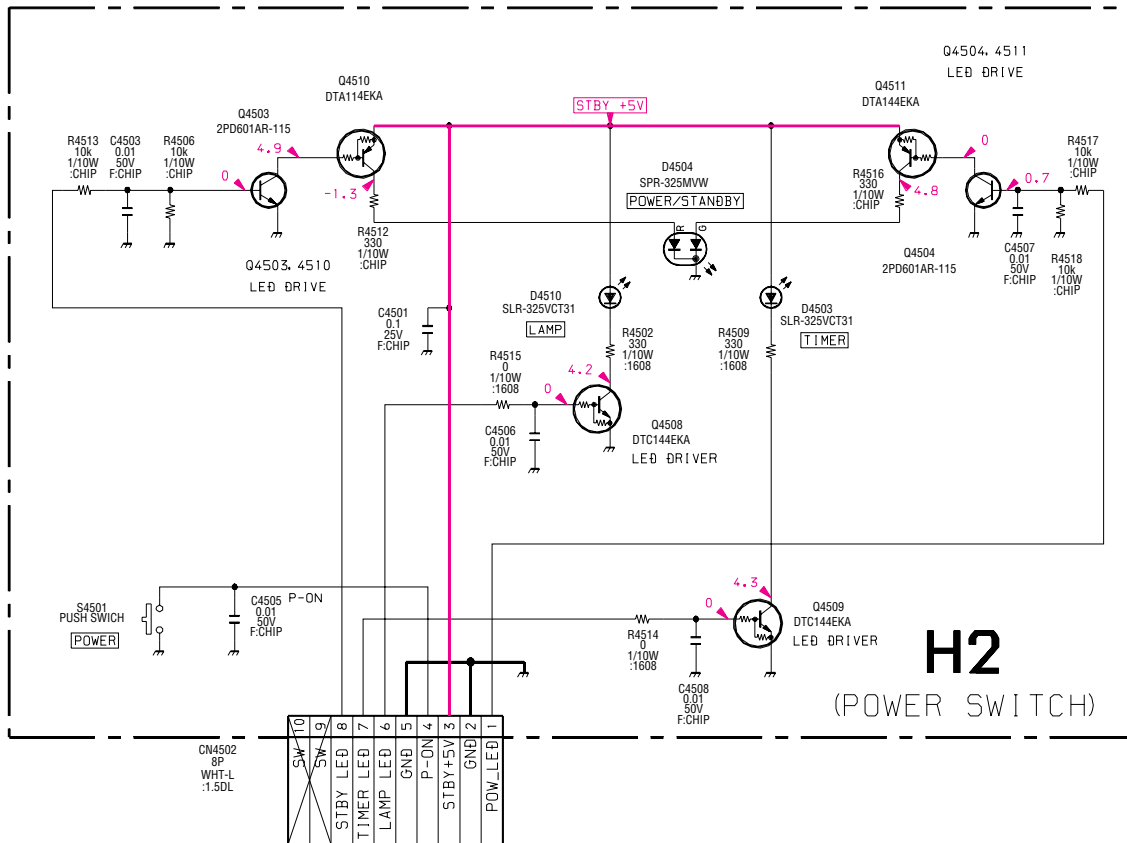
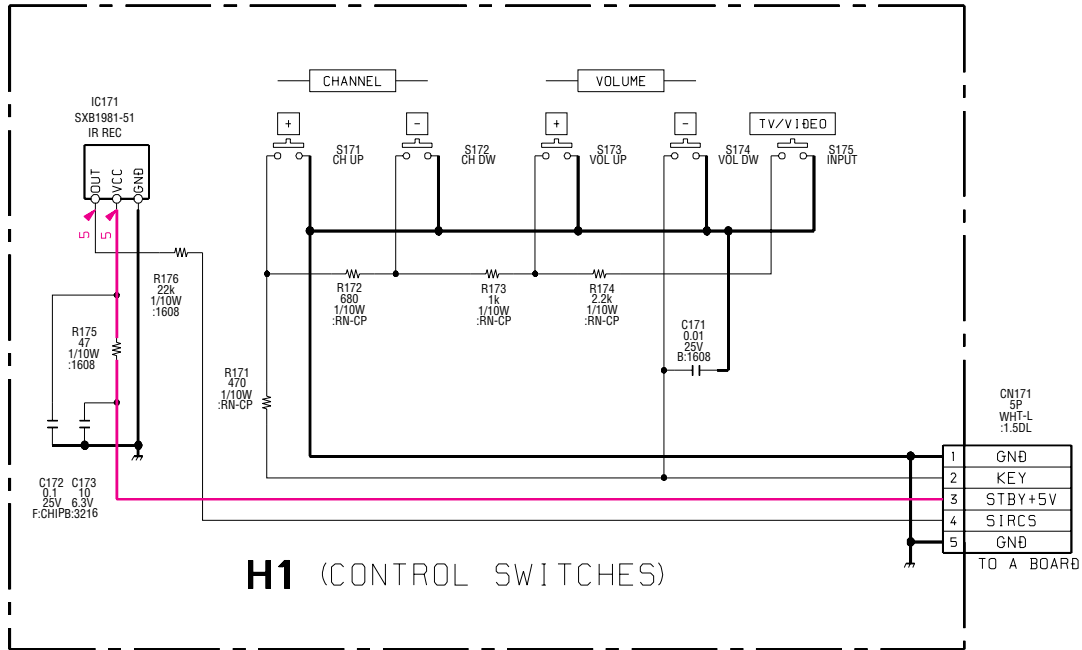
(7) Schematic Diagram of F Board



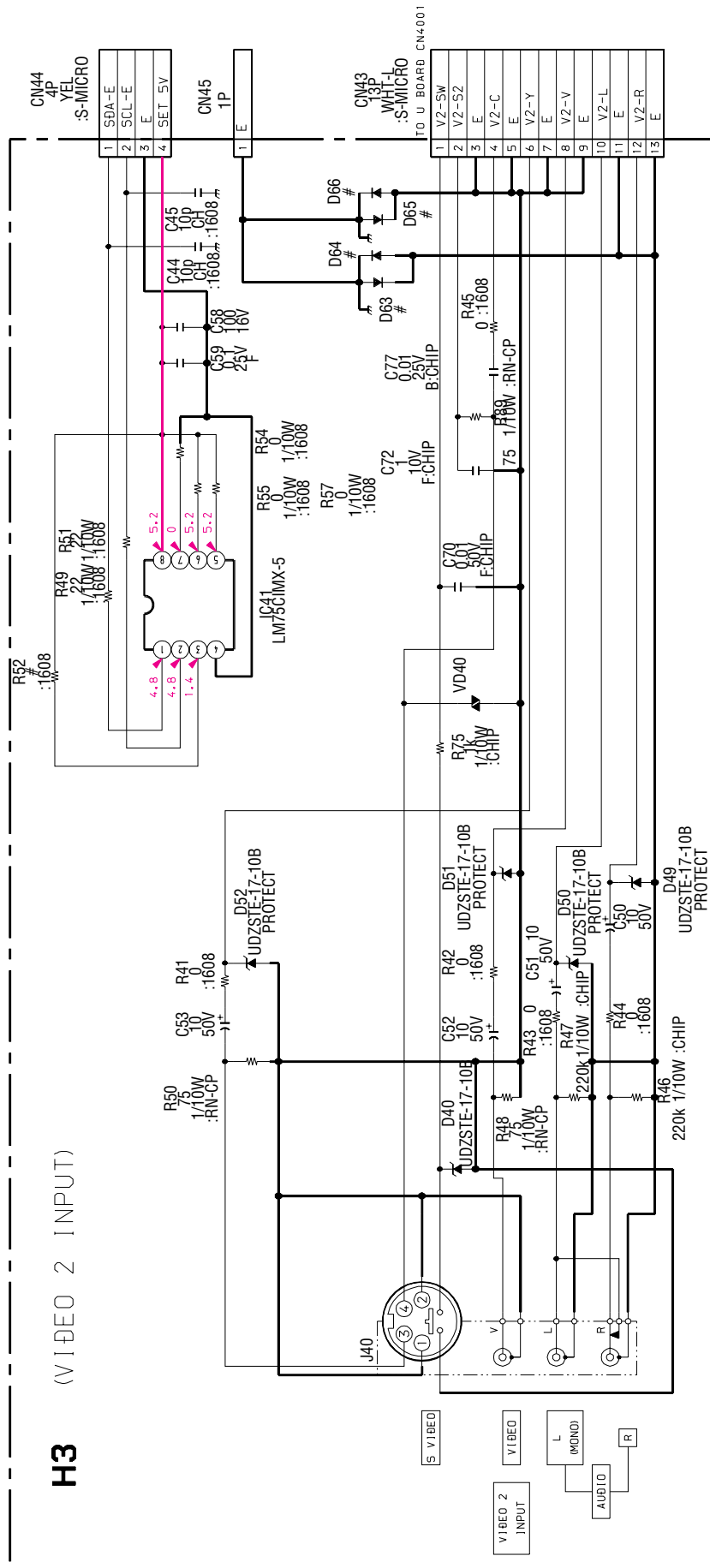
(8) Schematic Diagram of G1 Board



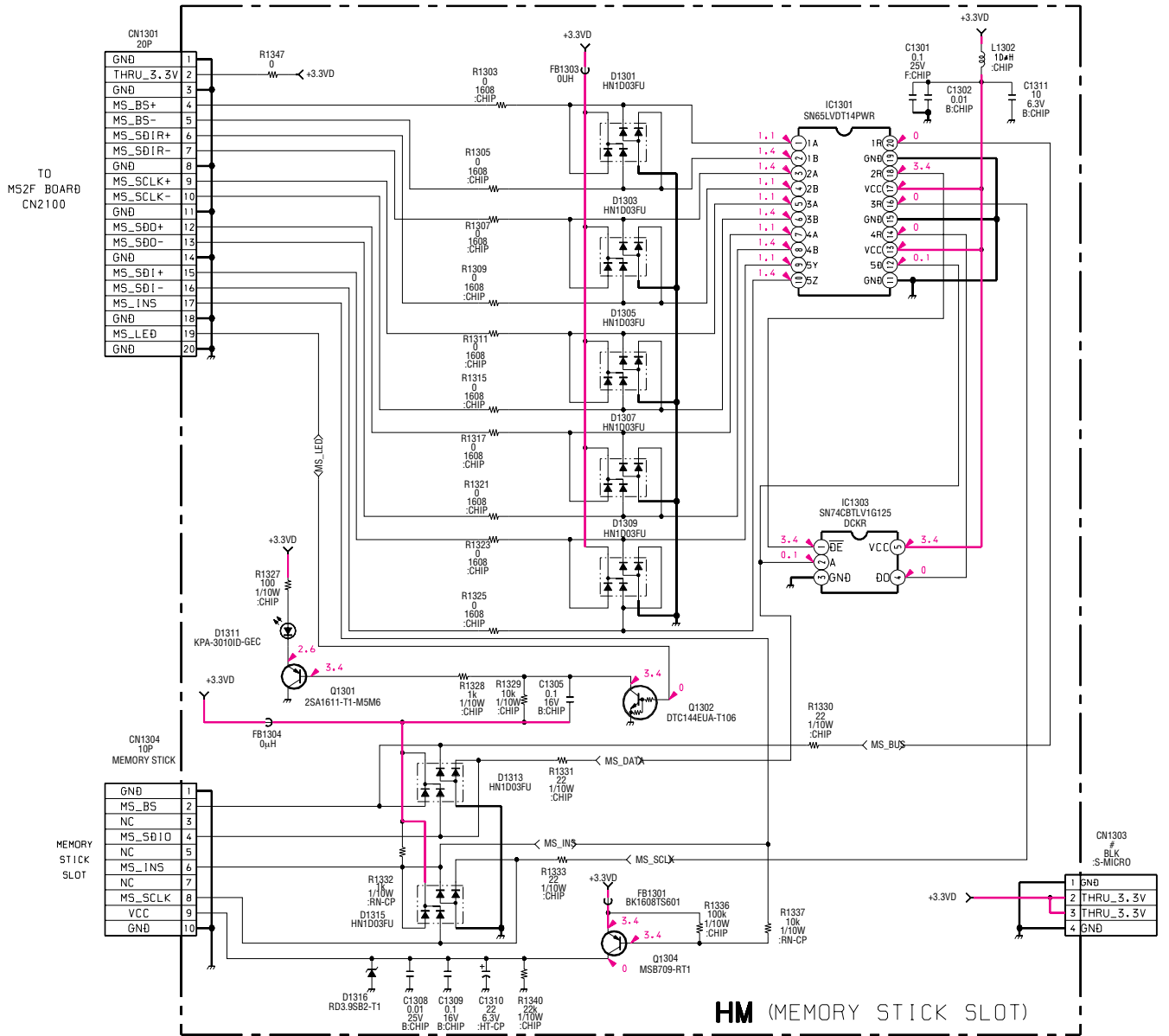
(9) Schematic Diagram of H1, H2 Board



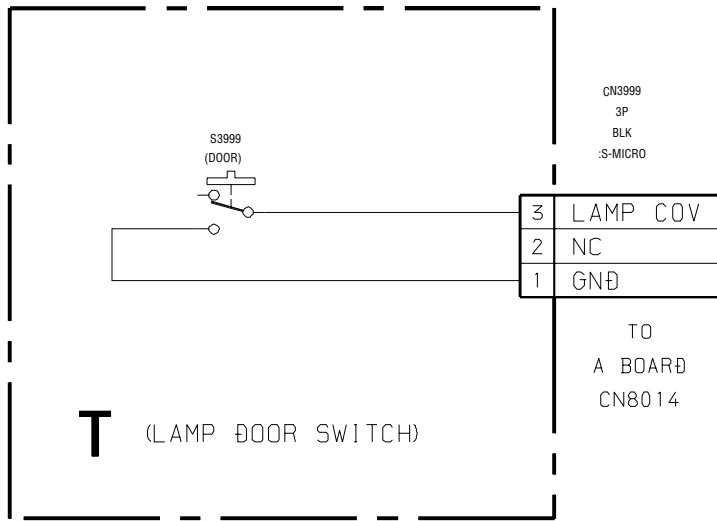
(10) Schematic Diagram of H3 Board



(11) Schematic Diagram of HM Board

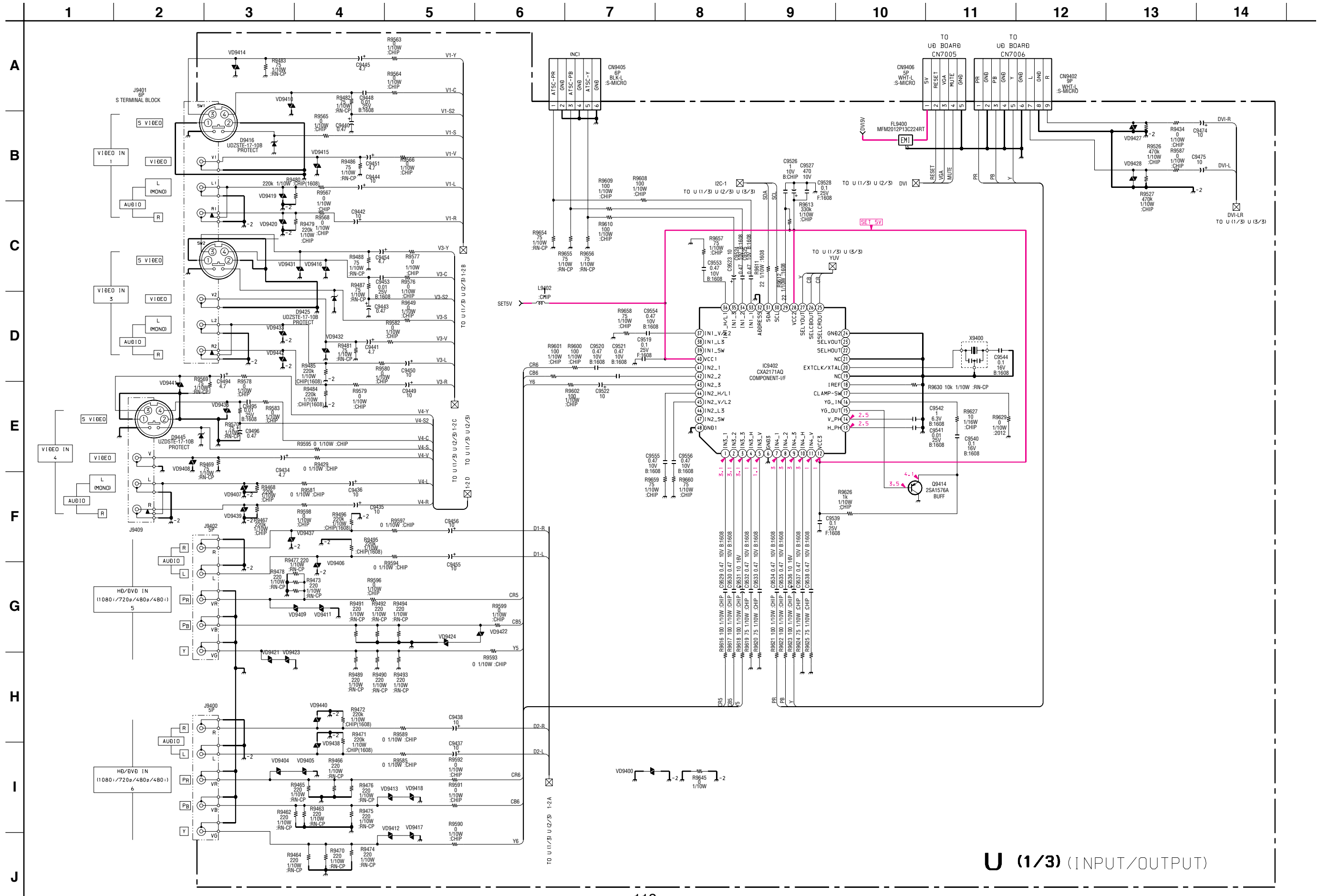


(12) Schematic Diagram of T Board

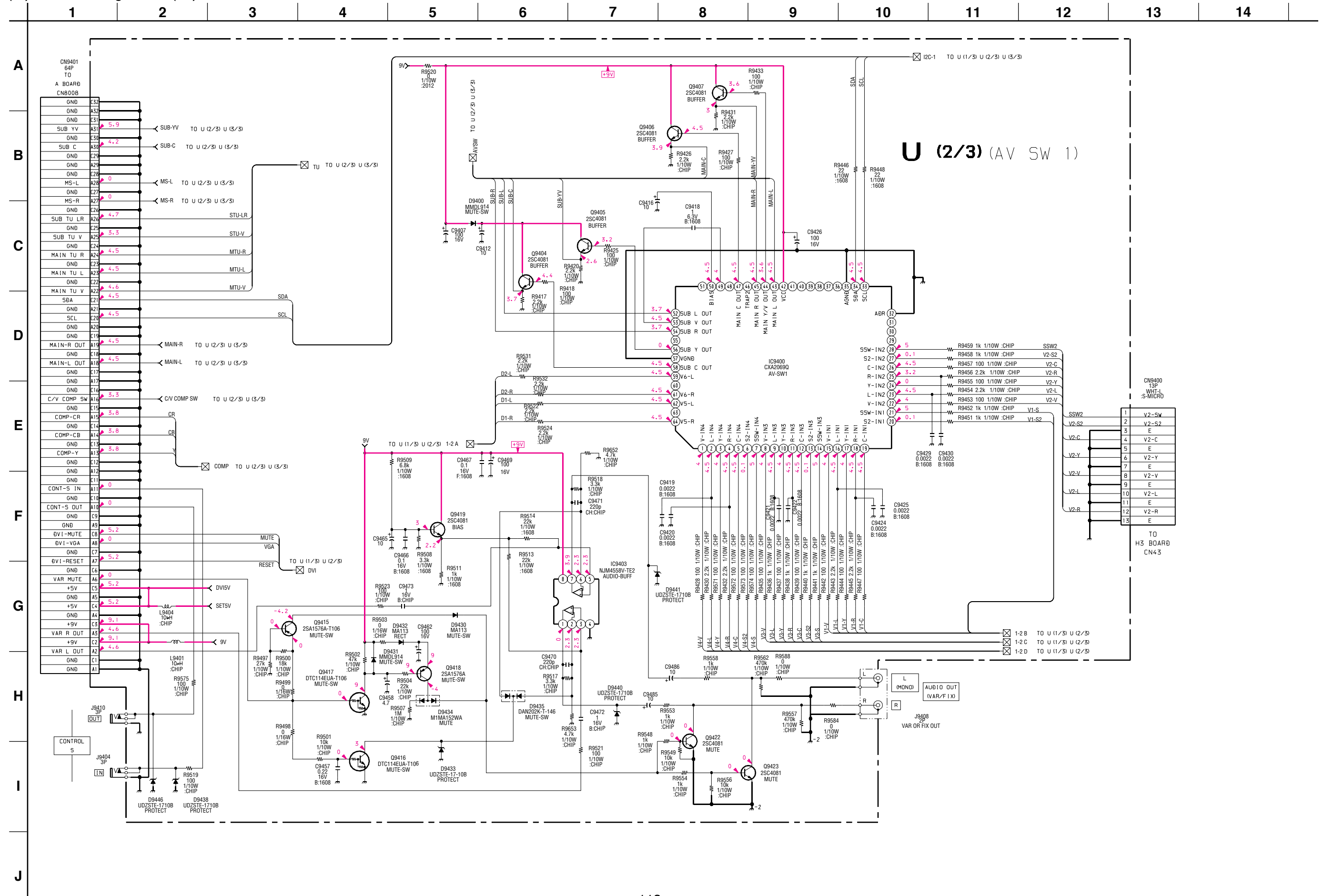




(13) Schematic Diagram of U (1/3) Board

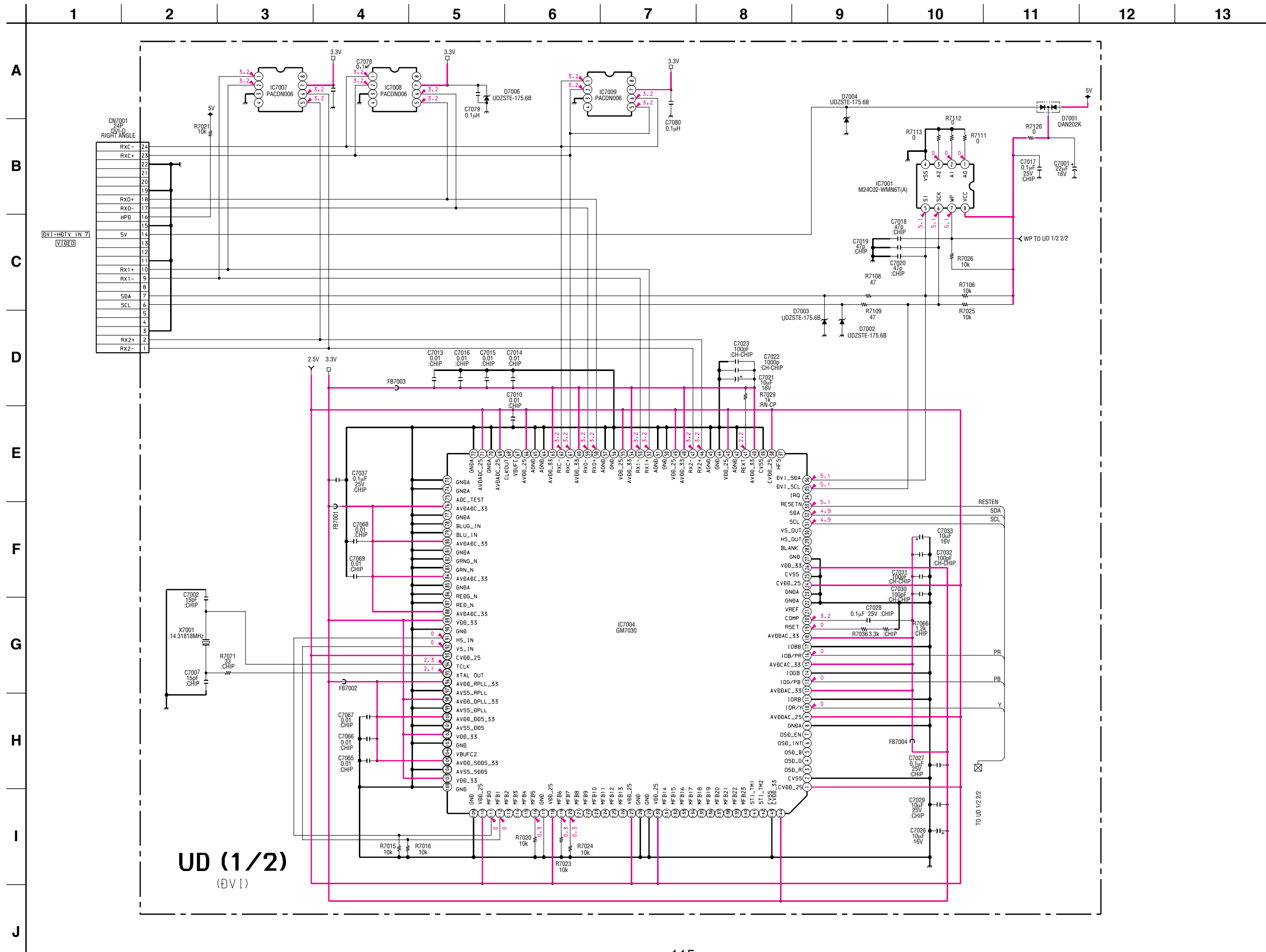


(14) Schematic Diagram of U (2/3) Board

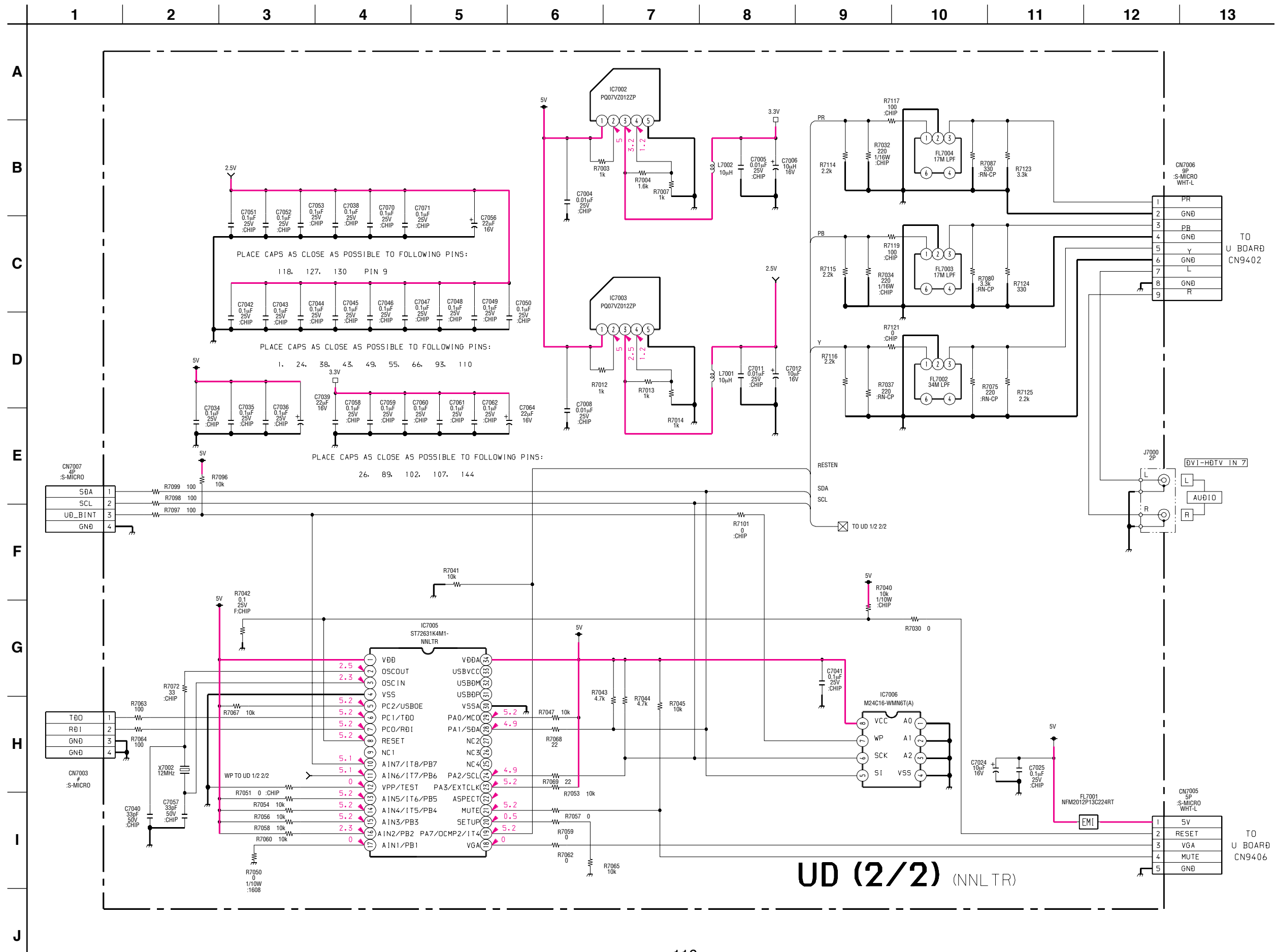




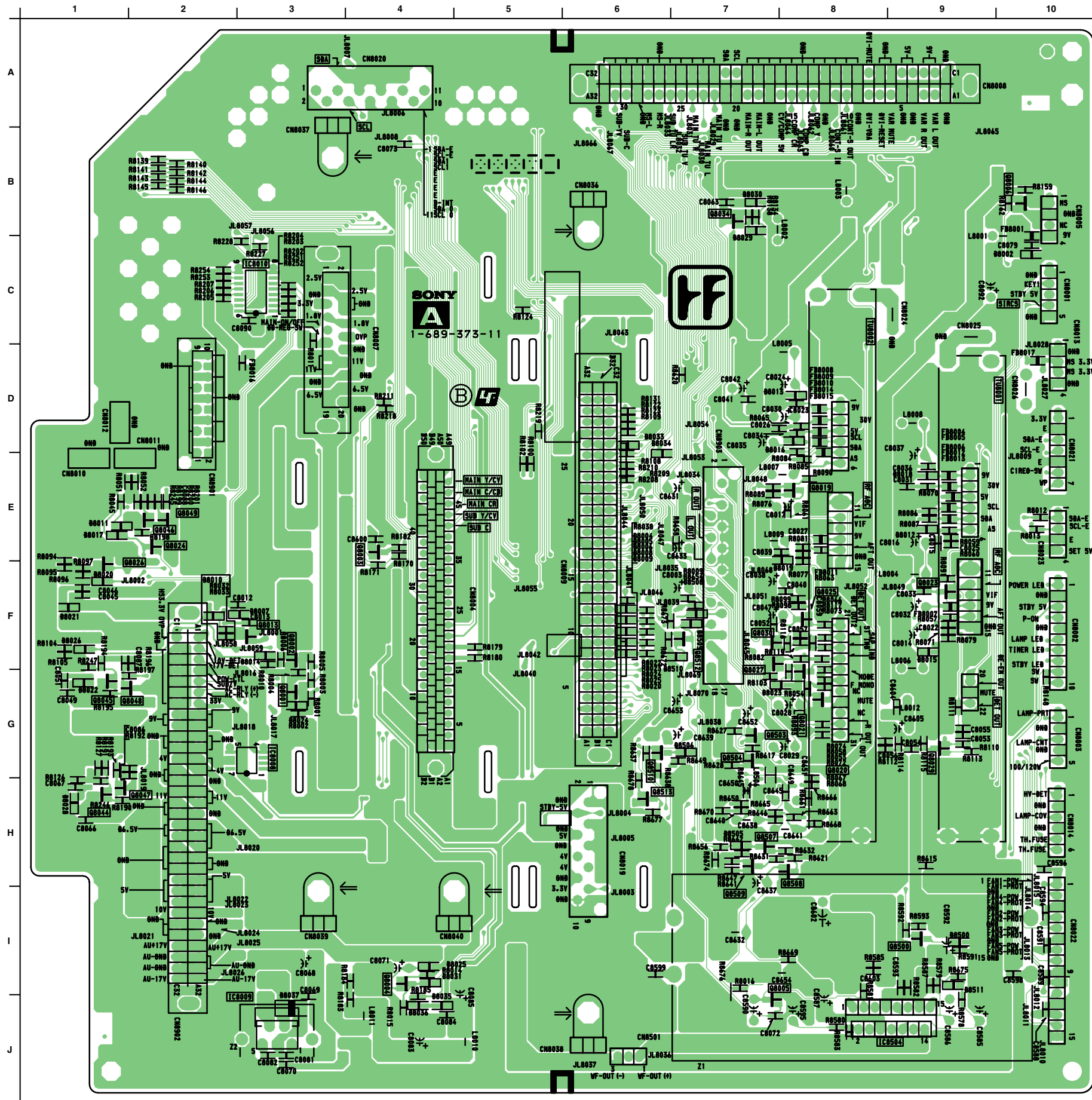
(16) Schematic Diagram of UD (1/2) Board



(17) Schematic Diagram of UD (2/2) Board



4-5. PRINTED WIRING BOARDS — A BOARD (A Side) —



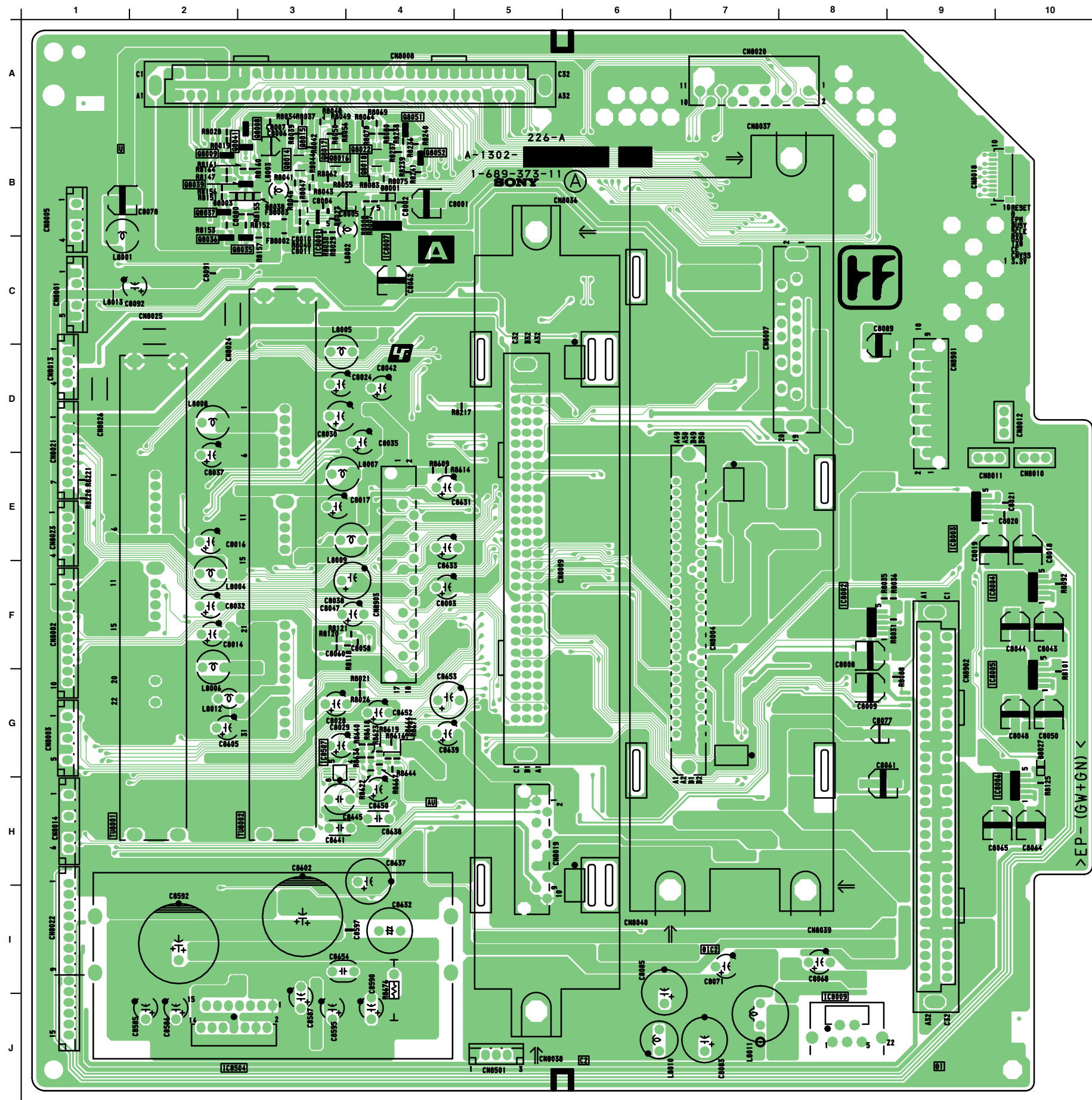
• A BOARD SEMICONDUCTOR LOCATION

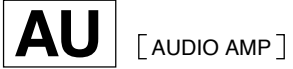
IC		DIODE	
Side A	Side B	Side A	Side B
IC8001	B-3	D8001	B-4
IC8003	E-9	D8003	B-3
IC8005	G-10	D8004	F-6
IC8006	H-9	D8005	F-6
IC8007	B-4	D8006	F-6
IC8008	G-3	D8011	E-1
IC8009	J-8	D8014	F-3
IC8010	C-3	D8017	E-1
IC8504	J-8	D8022	G-1
IC8507	G-3	D8023	G-7
TRANSISTOR		D8025	I-4
Side A	Side B	D8026	F-1
Q8001	G-3	D8027	G-9
Q8002	F-3	D8028	H-1
Q8003	E-4	D8029	B-7
Q8004	I-4	D8030	B-7
Q8005	J-7	D8031	I-4
Q8006	B-10	D8033	D-6
Q8008	A-3	D8034	E-6
Q8009	B-2	D8035	J-4
Q8014	B-3	D8036	J-4
Q8015	B-3	D8037	J-3
Q8016	B-3	D8038	B-3
Q8017	B-3	D8500	I-9
Q8018	B-4	D8505	H-7
Q8019	E-8	D8506	G-7
Q8021	G-7	D8508	F-7
Q8022	B-4	D8509	F-7
Q8023	F-9	D8510	F-7
Q8024	E-2	D8511	I-93
Q8025	F-8		
Q8027	F-7		
Q8029	G-9		
Q8030	F-7		
Q8034	B-7		
Q8035	C-3		
Q8036	C-2		
Q8037	B-2		
Q8039	B-3		
Q8041	B-3		
Q8044	H-1		
Q8045	G-1		
Q8046	E-2		
Q8047	H-2		
Q8048	G-2		
Q8049	E-2		
Q8051	A-4		
Q8052	B-4		
Q8500	I-9		
Q8503	G-7		
Q8504	G-7		
Q8507	H-7		
Q8508	H-8		
Q8509	H-7		
Q8510	G-6		
Q8512	F-7		
Q8513	H-6		

\*: Refer to Terminal name of semiconductors in silk screen printed circuit (see page 99)

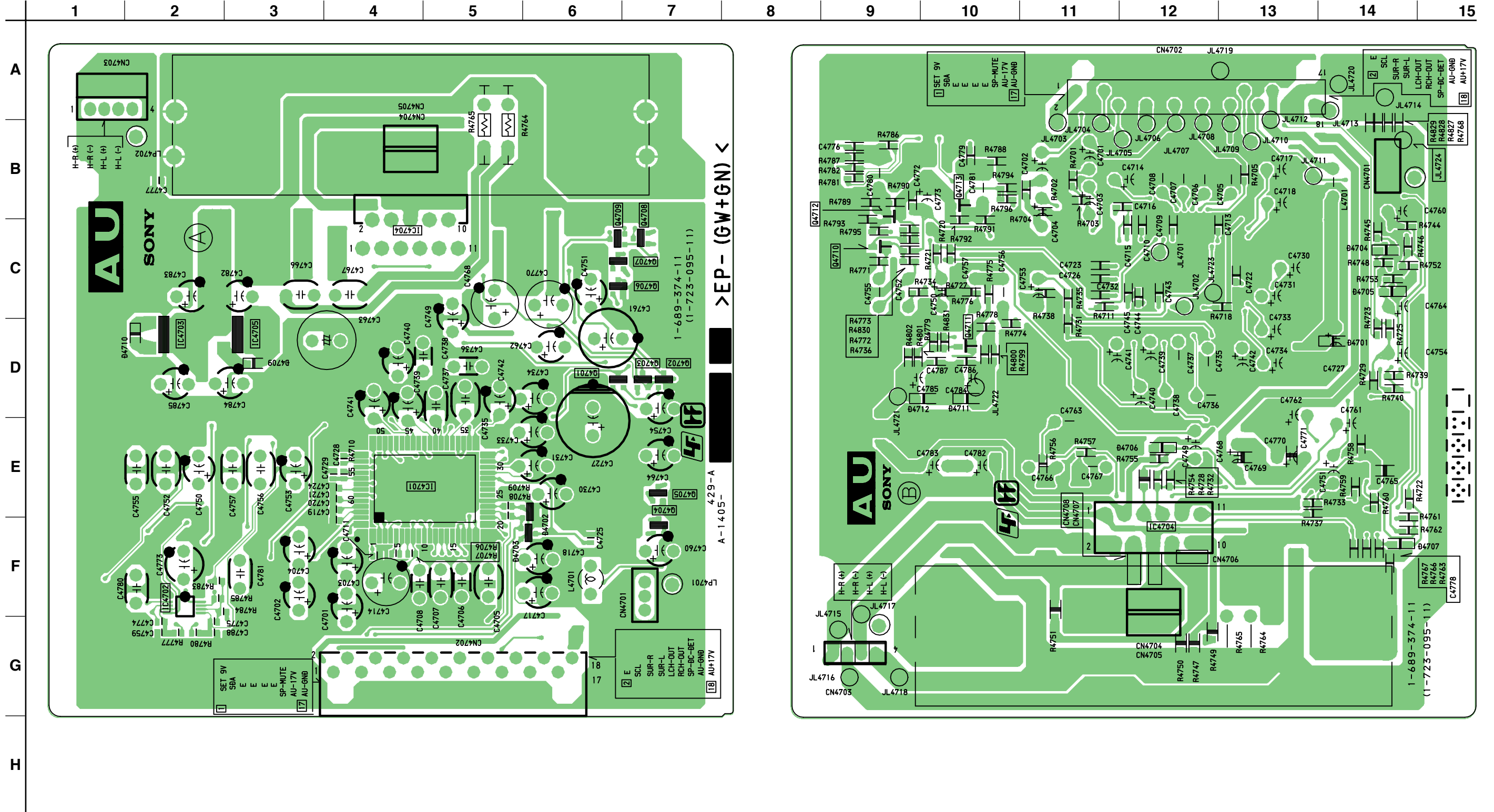
- A BOARD (B Side) -

**A** [ TUNER/RELAY ]





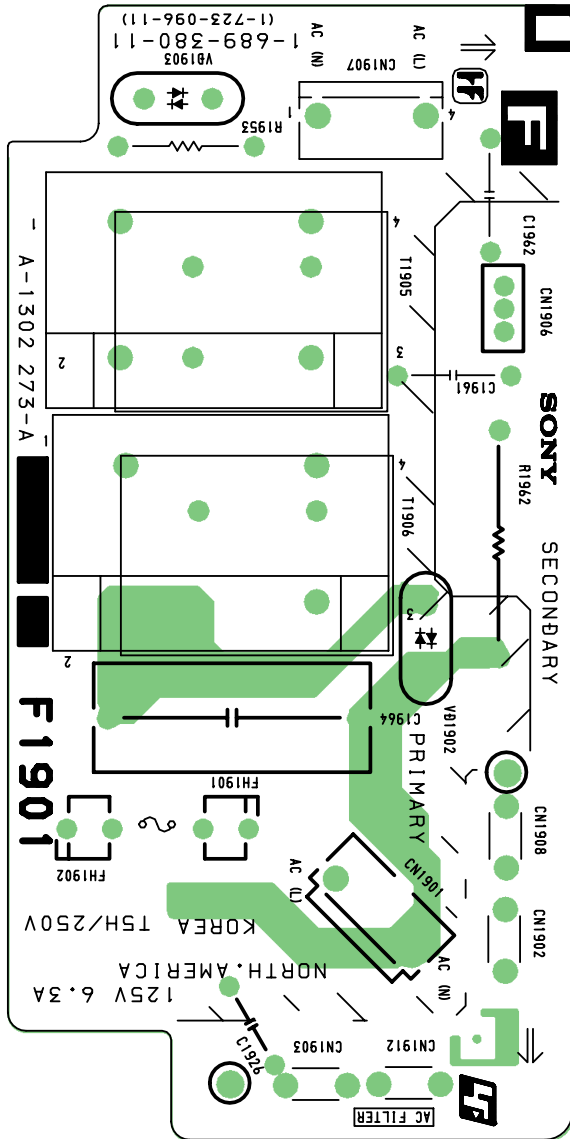
- AU BOARD -



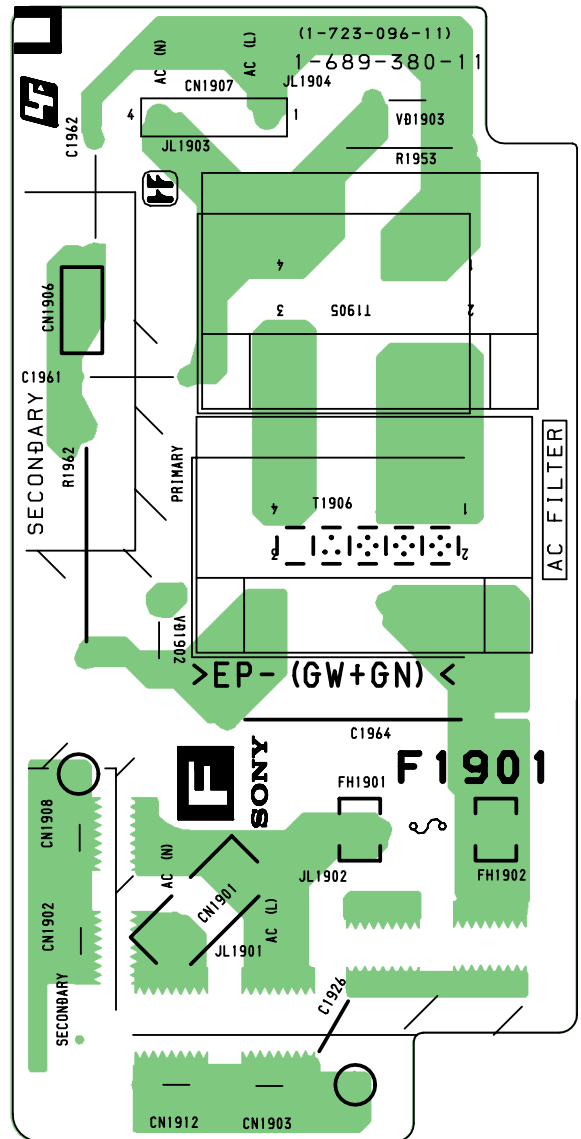




— F BOARD (A Side) —

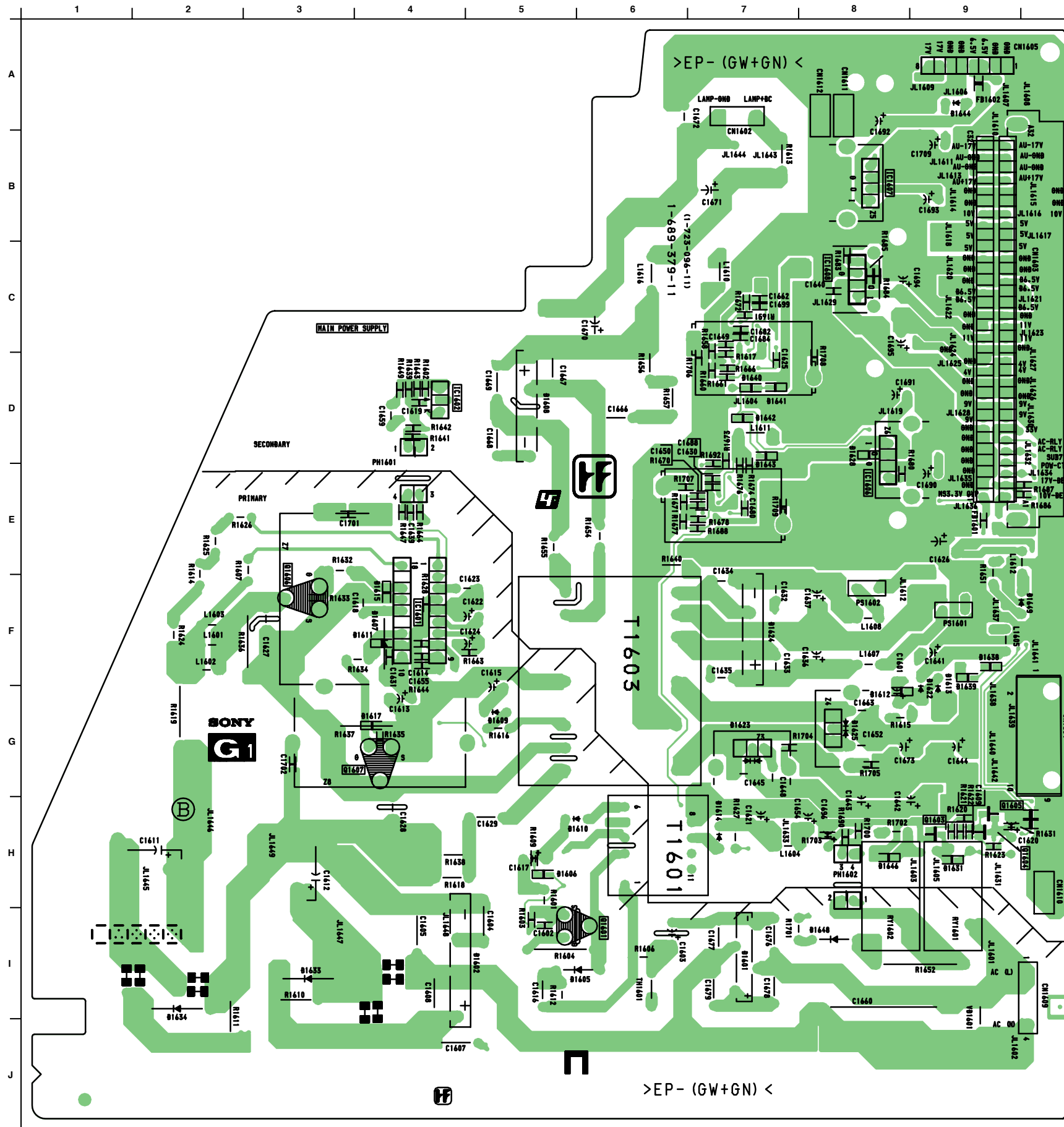


— F BOARD (B Side) —



- G1 BOARD (A Side) -

**G1** [ SWITCH REGULATOR ]



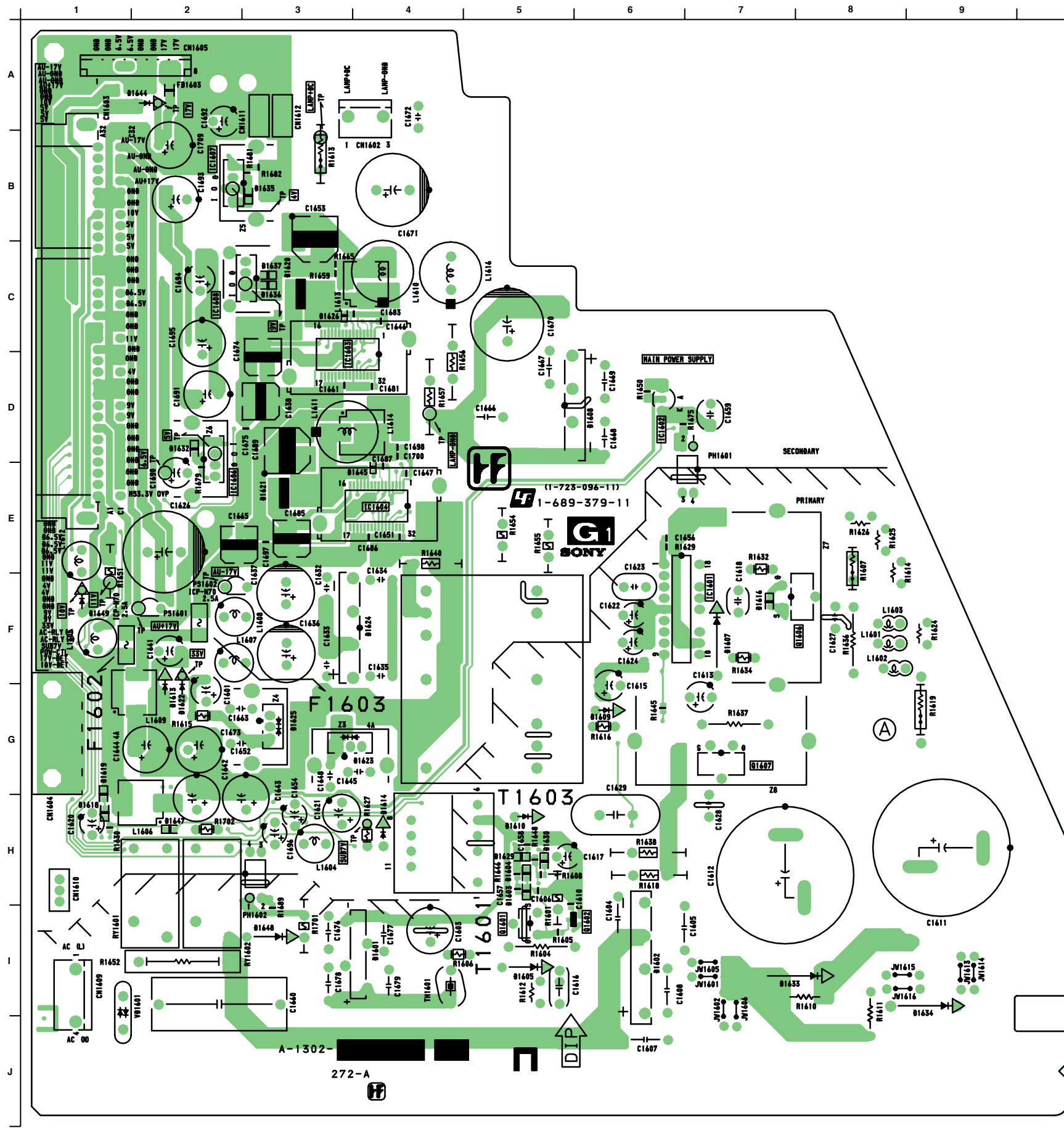
• G1 BOARD SEMICONDUCTOR LOCATION

IC	Side		*
	A	B	
IC1601	F-7	F-4	
IC1602	D-6		
IC1603	D-3		
IC1604	E-4		
IC1606	D-2	D-8	
IC1607	B-2	B-8	
IC1608	C-3	C-8	
TRANSISTOR			
Side			
A	B		*
Q1601	I-5	I-6	②
Q1602	I-6		①
Q1603		H-9	①
Q1604		H-9	①
Q1605		H-9	①
Q1606	F-8	F-3	
Q1607	G-7	G-4	
DIODE			
Side			
A	B		*
D1601	I-4	I-7	
D1602	I-6	I-4	
D1603	H-5		③
D1604	H-5		③
D1605	I-5		
D1606		H-5	③
D1607	F-7		
D1608	D-6	D-5	
D1609	G-6	G-5	
D1610	H-5	H-6	
D1612		G-8	③
D1613	G-2		
D1614	H-4	H-7	
D1618	G-1		③
D1619	G-1		③
D1620	C-3		
D1621	E-3		
D1622	G-2		
D1623	G-3	G-7	
D1624	F-4	F-7	
D1625	G-3	G-8	
D1626	C-3		③
D1628		D-8	③
D1629	H-5		③
D1630	H-5		③
D1631		H-9	③
D1632	D-2		
D1633	I-8	I-3	
D1634	I-9	I-2	
D1635	B-3		③
D1636	C-3		③
D1637	C-3		③
D1638		F-9	③
D1639		F-9	③
D1640		D-7	③
D1641		D-7	③
D1642		D-7	③
D1643		D-7	③
D1644	A-2	A-9	
D1645	E-4		③
D1646		H-8	③
D1647	H-2		③
D1648	I-3		
D1649	F-1		

\*: Refer to Terminal name of semiconductors in silk screen printed circuit (see page 99)

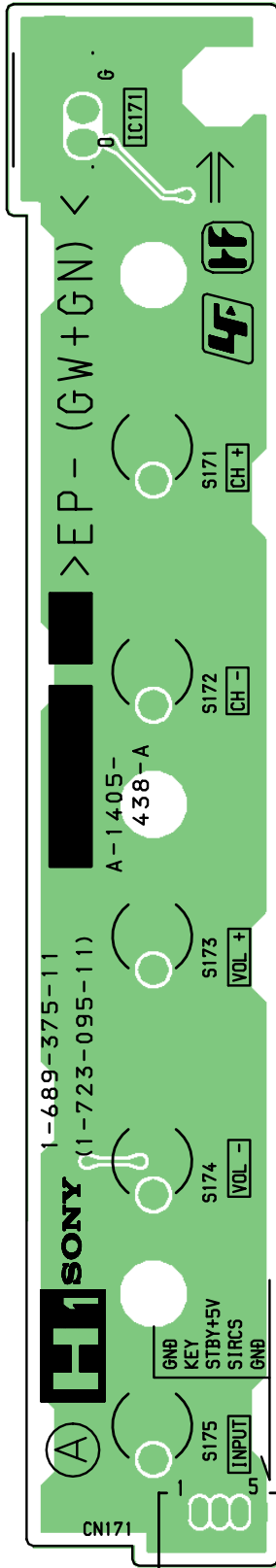
- G1 BOARD (B Side) -

G1 [ SWITCH REGULATOR ]

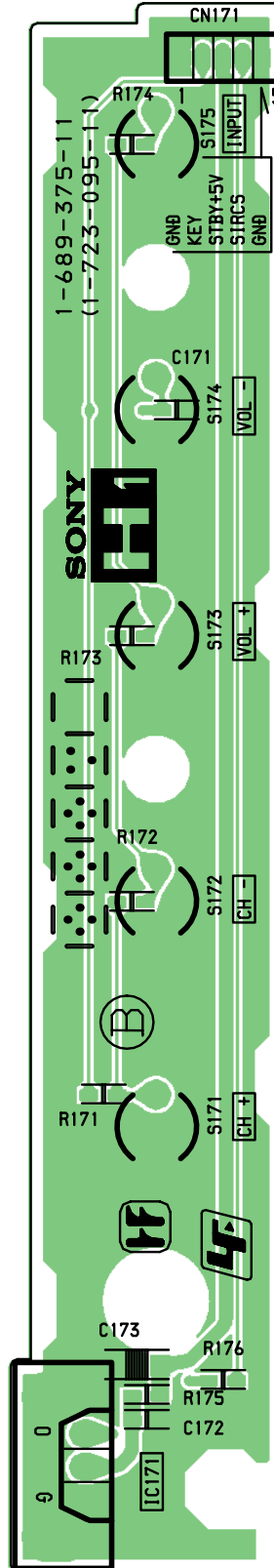


**H1** [ KEY INPUT, SIRCS ]

— H1 BOARD (A Side) —

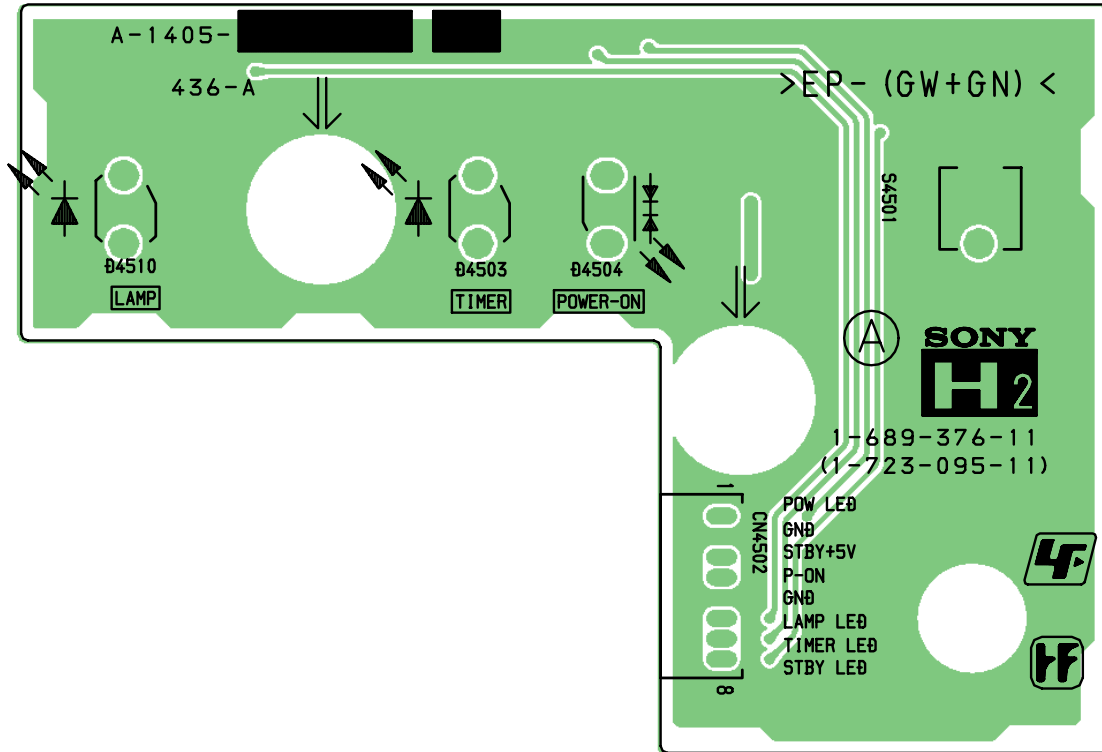


— H1 BOARD (B Side) —

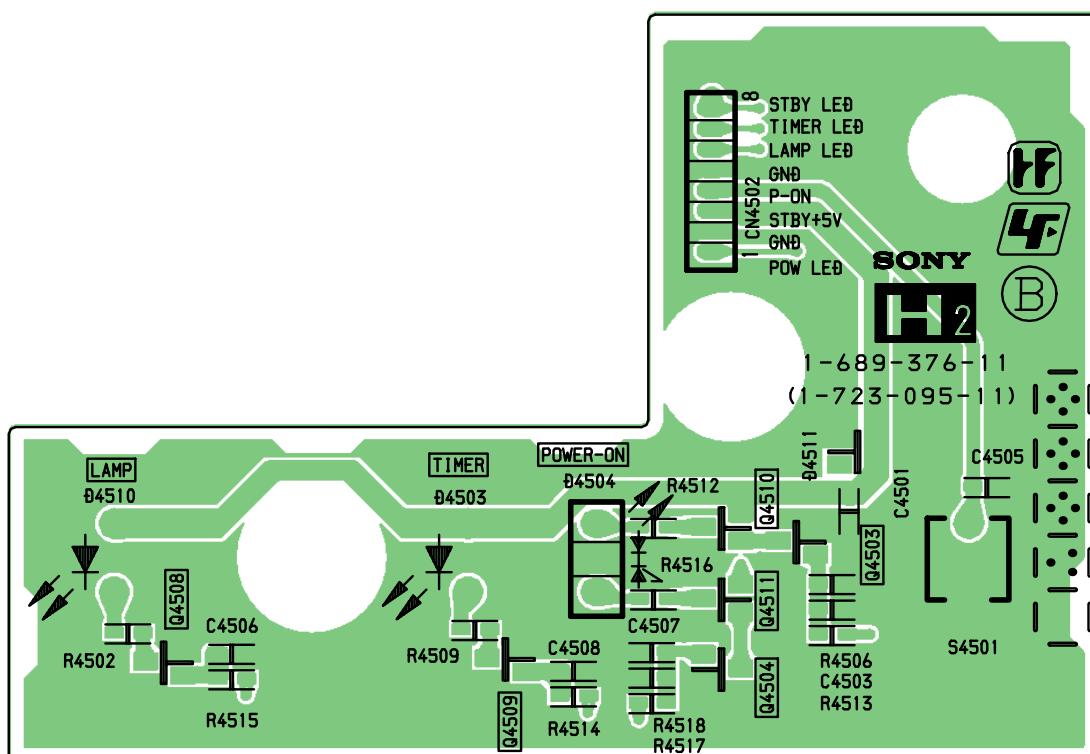


**H2** [POWER SWITCH]

— H2 BOARD (A Side) —



— H2 BOARD (B Side) —



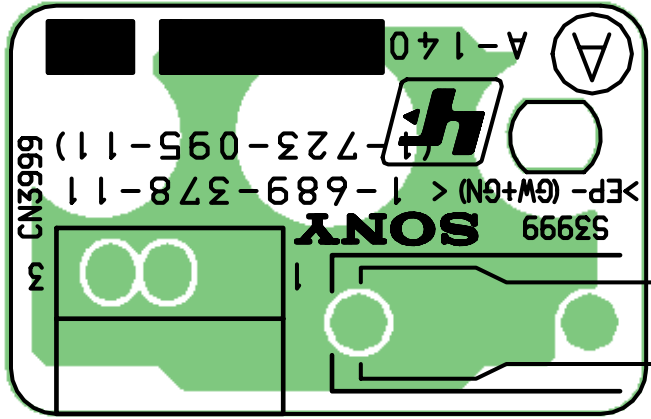




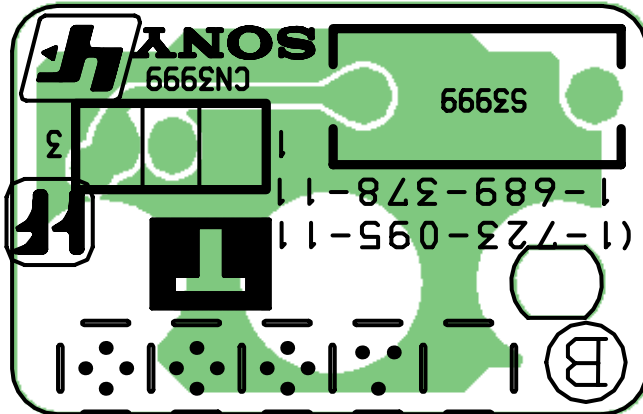
**T**

[ LAMP DOOR SWITCH ]

— T BOARD (A Side) —

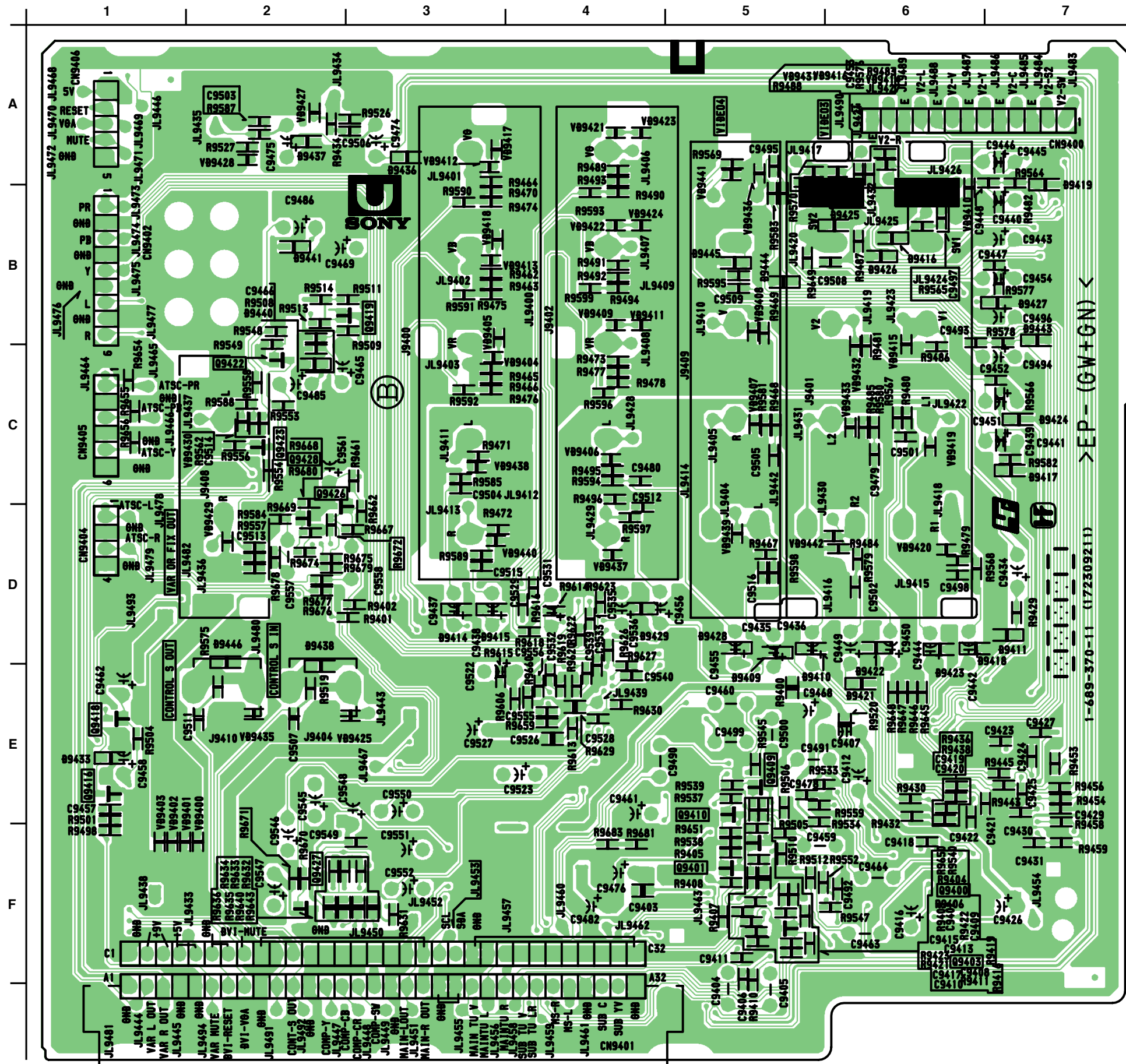


— T BOARD (B Side) —





- U BOARD (A Side) -



U BOARD SEMICONDUCTOR LOCATION

IC			
Side A	Side B		*
IC9400	E-1		
IC9401	F-3		
IC9402	E-4		
IC9403	B-6		
IC9404	F-5		
IC9405	D-6		
TRANSISTOR			
Side A	Side B		*
Q9400	F-5		①
Q9401	F-5		①
Q9402	F-2		②
Q9403	F-5		①
Q9404	E-2		②
Q9405	F-2		②
Q9406	F-2		②
Q9407	F-2		②
Q9408	E-3		②
Q9409	E-5		①
Q9410	E-5		①
Q9411	F-3		①
Q9412	E-3		②
Q9413	F-3		②
Q9414	D-2		②
Q9415	E-7		②
Q9416	E-1		①
Q9417	E-5		②
Q9418	E-1		①
Q9419	B-3		①
Q9420	F-5		②
Q9421	F-6		②
Q9422	C-2		①
Q9423	C-2		①
Q9424	F-6		②
Q9425	F-5		②
Q9426	C-2		①
Q9427	F-2		①
Q9428	C-2		①
DIODE			
Side A	Side B		*
D9400	E-2		③
D9401	F-4		③
D9416	B-6		③
D9425	B-6		③
D9430	E-5		③
D9431	E-5		③
D9432	D-7		③
D9433	E-1		③
D9434	E-7		③
D9435	B-6		③
D9438	E-2		③
D9440	C-2		③
D9441	B-2		③
D9445	B-5		③
D9446	D-2		③

\*: Refer to Terminal name of semiconductors in silk screen printed circuit (see page 99)



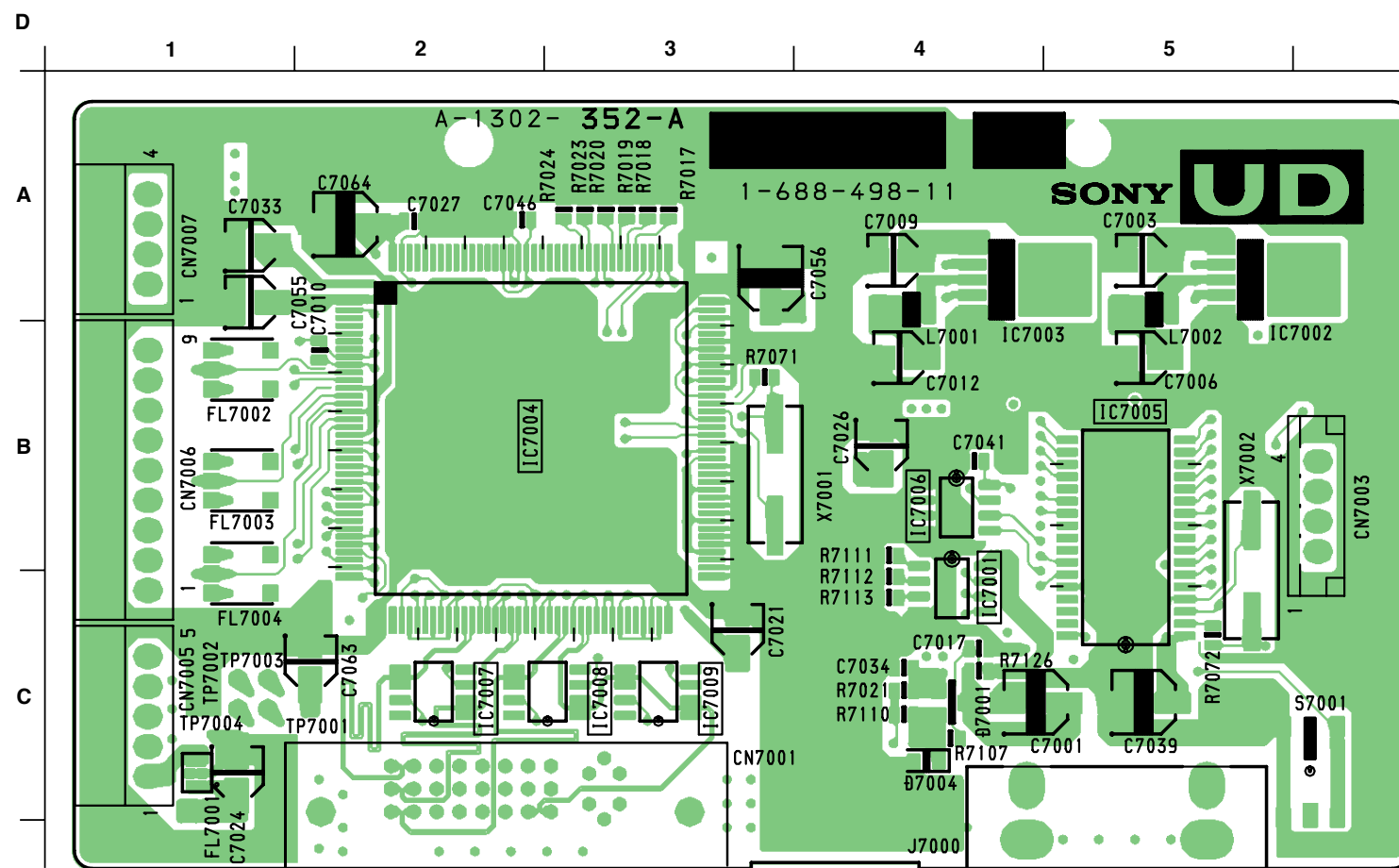
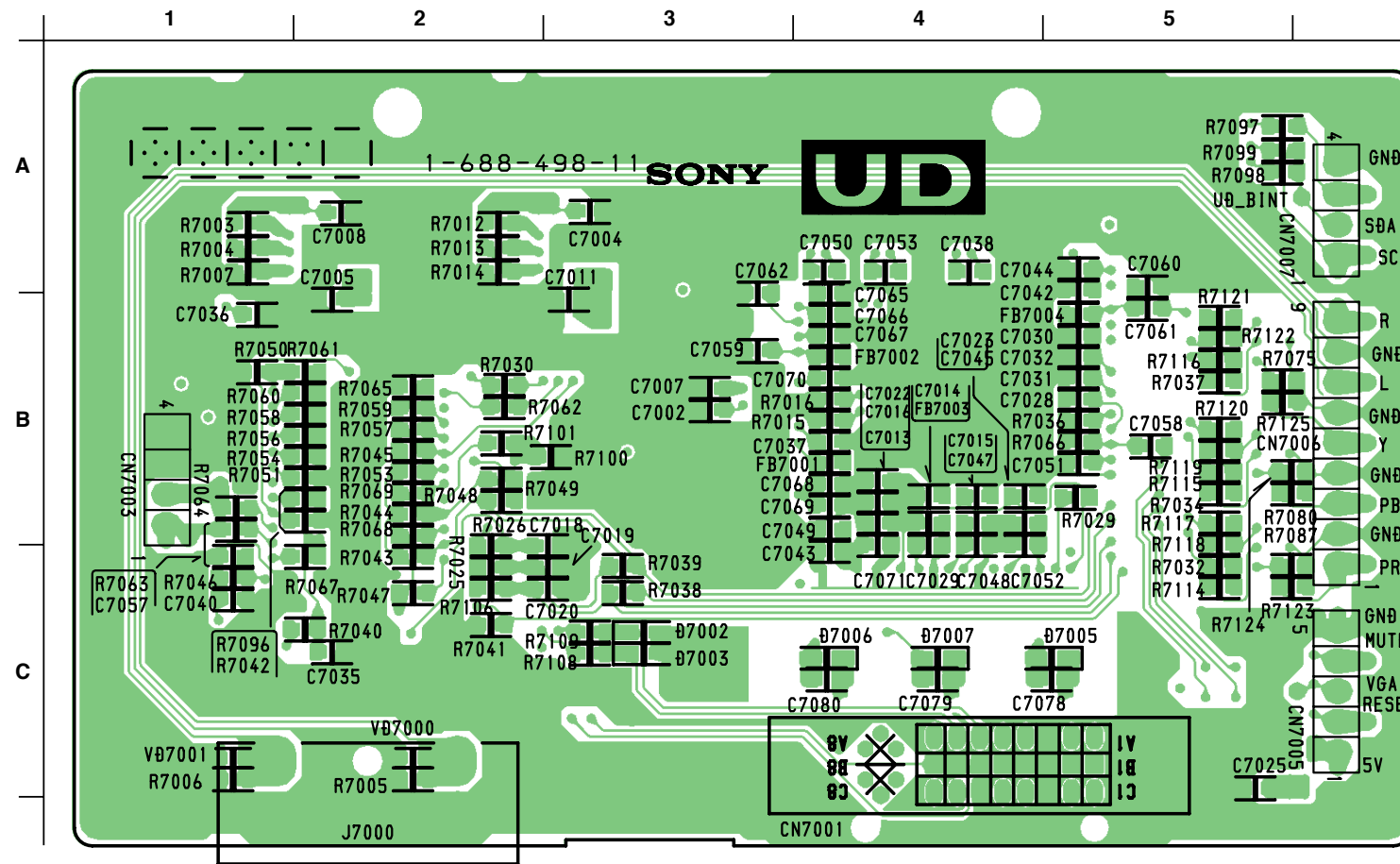
— UD BOARD —

**UD** [DVI IN]

• U BOARD SEMICONDUCTOR LOCATION

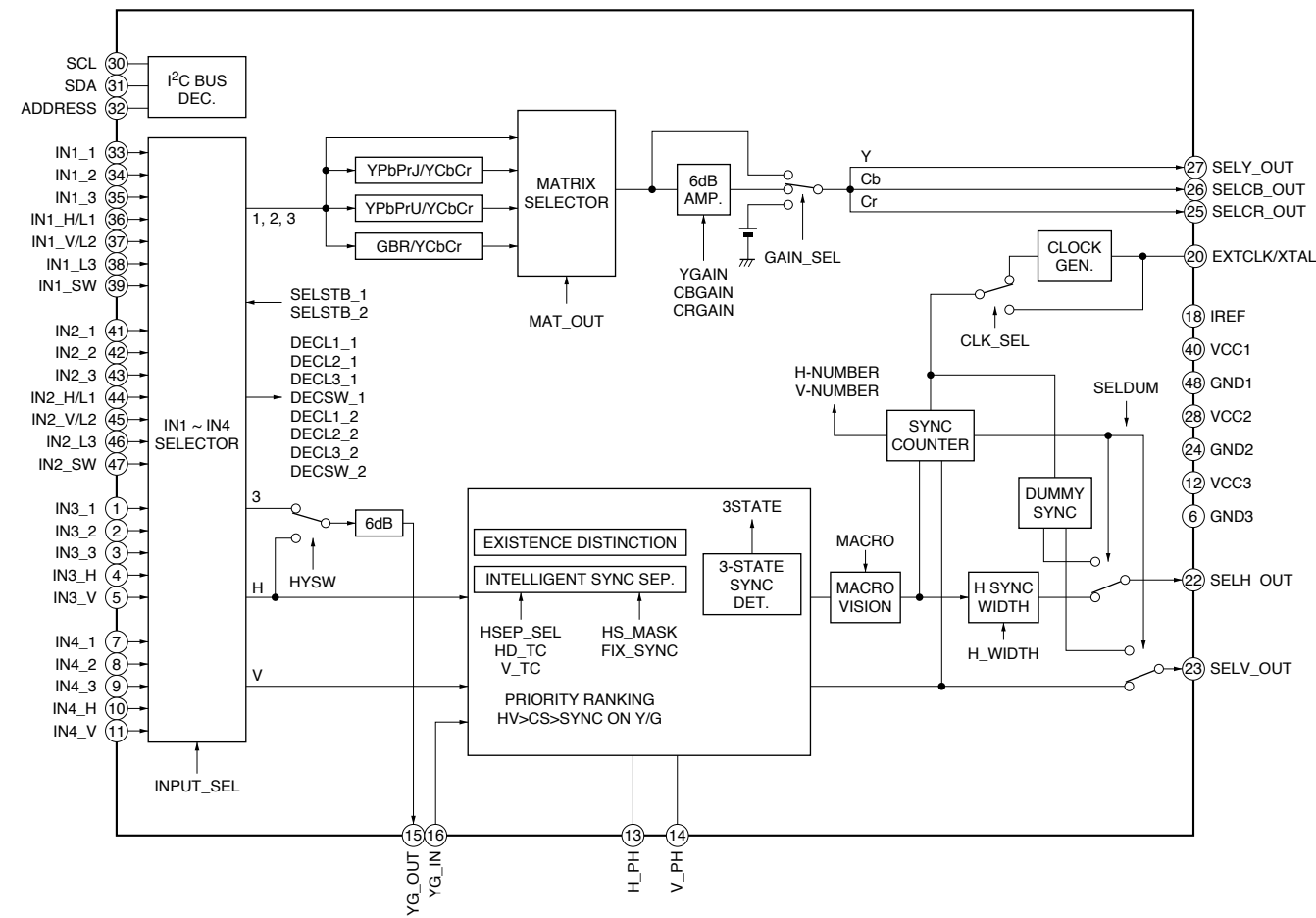
IC			
	Side A	Side B	*
IC7001	C-4		
IC7002	A-5		
IC7003	A-4		
IC7004	B-2		
IC7005	B-5		
IC7006	B-4		
IC7007	C-2		
IC7008	C-3		
IC7009	C-3		
DIODE			
	Side A	Side B	*
D7001	C-4		⑨
D7002		C-3	⑩
D7003		C-3	⑪
D7004	C-4		⑫
D7006		C-4	⑬

\*: Refer to Terminal name of semiconductors in silk screen printed circuit (see page 99)

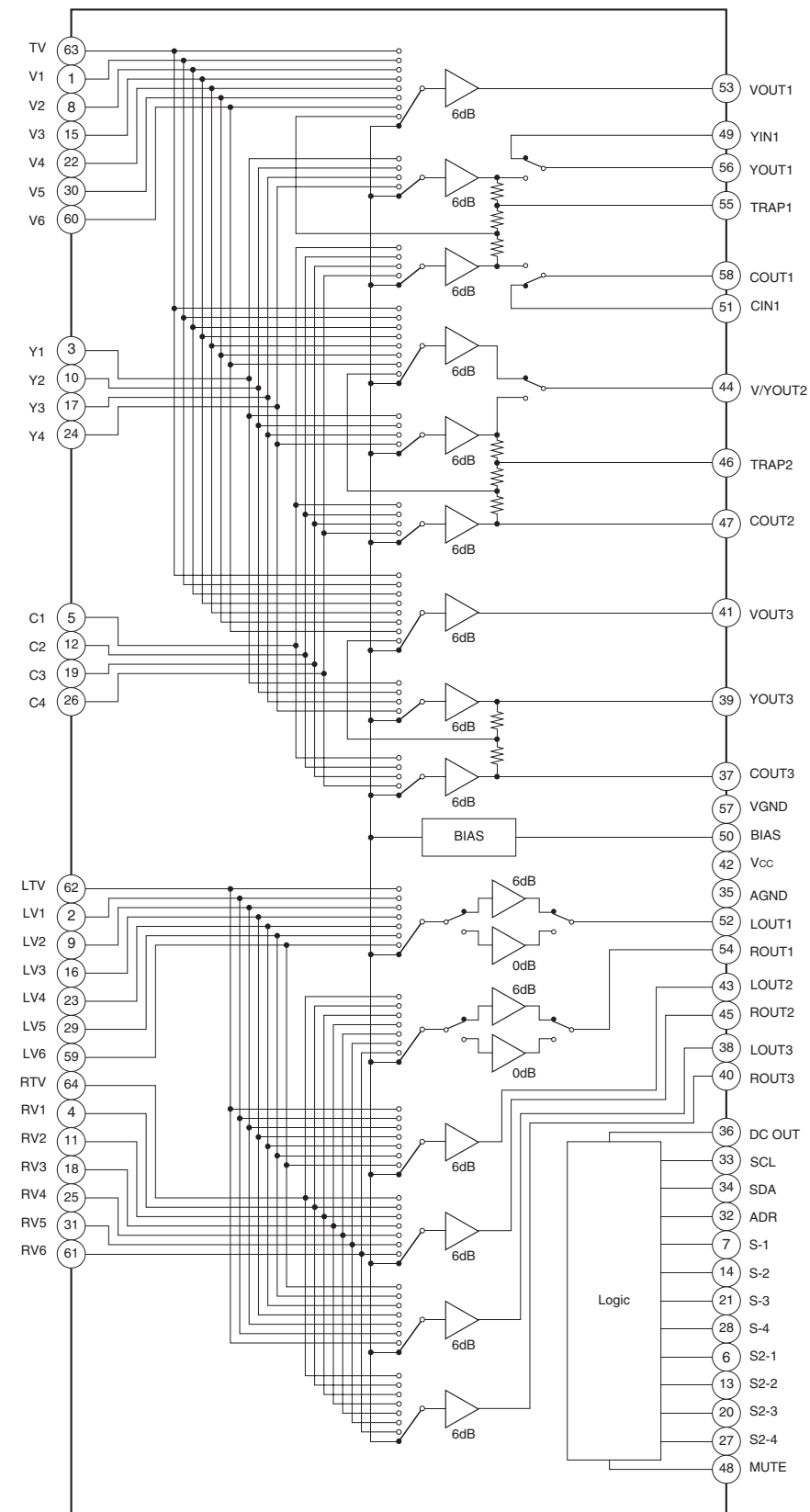


4-6. IC BLOCK DIAGRAMS

• U (1/3) BOARD IC9402  
CXA2171AQ

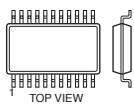


• U (2/3) BOARD IC9400  
• U (3/3) BOARD IC9401  
CXA2069Q



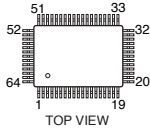
4-7. SEMICONDUCTORS

CXA1875AM-T4 C1S  
SN65LVDT14PWR C1S

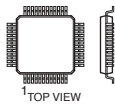


16Pin

CXA2069Q  
NJW1149

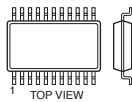


CXA2171AQ-T6



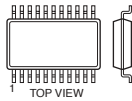
48Pin

LM75CIMX-5  
M24C02-WMN6T(A)  
M24C16-WMN6T(A)  
MAX4451EKA-TG069  
NJM4558V-TE2



8Pin

M52055FP



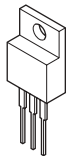
14Pin

MCZ3001DA

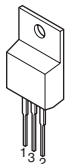


18Pin

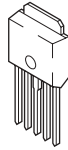
NJM78M12DL1A-TE2



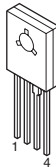
NJM79M12DL1A-TE1



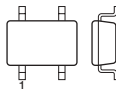
PQ07VZ012ZP



PQ30RV11  
PQ30RV21  
PQ30RV31

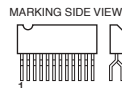


SN74CBTLV1G125DCKR



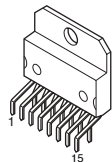
5Pin

TDA7265



11Pin

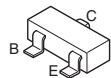
TDA7296



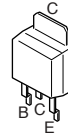
UPC1093J-1-T



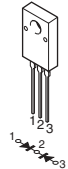
2SA1162-G  
2SA1576A-T106-R  
2SA1611-M5M6  
2SC1623-L5L6  
2SC4081-R  
2SD601A-Q  
DTA114EKA-T146  
DTC114EK  
DTC114EU  
DTC143EKA-T146  
DTC144EKA  
DTC144EUA-T146



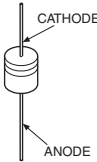
2SK2663



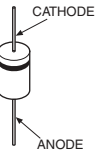
D10SC6M



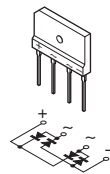
D1N20R  
D1NS4  
RD12SB2  
RD18SB2  
RD3.3SB2



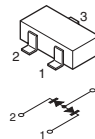
D1NL20J-TR



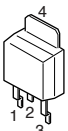
D2SB60A-F04  
D4SBL40  
D4SBS6-F  
D6SB60L



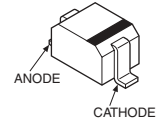
DAP202K  
M1MA152WK-T1



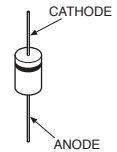
DE5SC3ML



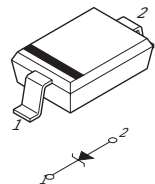
DTZ10B  
HZU11B1TRF  
MA111-TX  
MA113-(TX)  
UDZS-TE17-5.6B  
UDZ-TE-17-4.3B  
UDZ-TE-17-8.2B



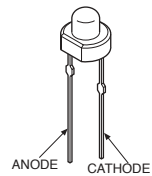
ERA22-08  
ERC04-06SE



RD5.6SB2-T1  
RD6.2SB2-T1  
RD7.5SB2-T1



SLR-325VCT31





SECTION 5

EXPLODED VIEWS

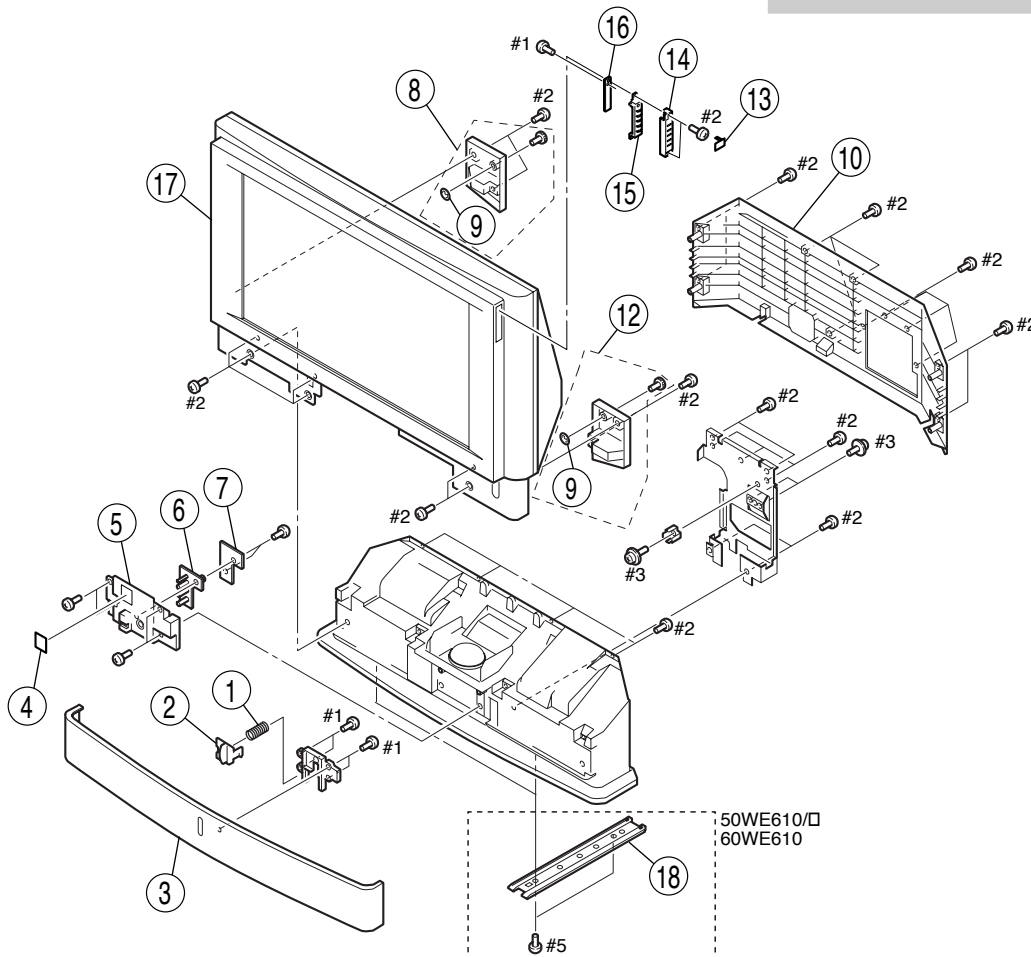
NOTE:

- Items with no part number and no description are not stocked because they are seldom required for routine service
- The construction parts of an assembled part are indicated with a collation number in the remark column.
- Items marked " \* " are not stocked since they are seldom required for routine service. Some delay should be anticipated when ordering these items.

The components identified by shading and mark  $\Delta$  are critical for safety. Replace only with part number specified.

Les composants identifiés par une trame et une marque  $\Delta$  sont critiques pour la sécurité. Ne les remplacer que par une pièce portant le numéro spécifié.

1. SCREEN MIRROR BLOCK, COVERS



REF. NO.	PART NO.	DESCRIPTION	REMARK	REF. NO.	PART NO.	DESCRIPTION	REMARK
1	4-036-405-01	SPRING, COMPRESSION		12	X-4042-018-1	CAP (R) ASSY, REAR	(50WE610)
2	4-094-706-01	BUTTON, POWER		12	X-4042-025-1	CAP (R) ASSY, REAR	(60WE610)
3	X-4041-688-1	FRONT COVER ASSY	(42WE610)	13	4-094-713-01	CAP, H1 BRACKET	
3	X-4042-017-1	COVER ASSY (50), FRONT	(50WE610)	14	4-094-711-01	BRACKET, H1	
3	X-4042-024-1	COVER ASSY (60), FRONT	(60WE610)	15	4-094-712-01	BUTTON, H1	
4	4-097-613-01	SHEET, H2		16	* A-1405-438-A	H1 BOARD, COMPLETE	
5	4-094-719-01	BRACKET, H2	(42WE610)	17	A-1606-007-A	SCREEN MIRROR BLOCK (IRP) ASSY	(NEW)(42WE610)
5	4-095-607-01	BRACKET, H2	(50WE610)	17	A-1606-009-A	SCREEN MIRROR BLOCK (IRP) ASSY	(NEW)(50WE610)
5	4-095-608-01	BRACKET, H2	(60WE610)	17	A-1606-011-A	SCREEN MIRROR BLOCK (IRP) ASSY	(NEW)(60WE610)
6	4-094-707-01	GUIDE (LED), LIGHT		18	X-4042-014-2	PLATE (50) ASSY, FOOT	(50WE610)
7	* A-1405-436-A	H2 BOARD, COMPLETE		18	X-4042-015-2	PLATE (60) ASSY, FOOT	(60WE610)
8	X-4042-010-1	CAP (L) ASSY, REAR	(42WE610)	#1	7-685-648-79	SCREW +BVTP 3X12 TYPE2 IT-3	
8	X-4042-019-1	CAP (L) ASSY, REAR	(50WE610)	#2	7-685-663-79	SCREW +BVTP 4X16 TYPE2 IT-3	
8	X-4042-026-1	CAP (L) ASSY, REAR	(60WE610)	#3	7-682-948-01	SCREW +PSW 3X8	
9	* 3-650-537-00	WASHER		#5	7-685-661-71	SCREW +BVTP 4X12 TYPE2 IT-3	(50WE610/60WE610)
10	4-094-695-01	COVER, REAR	(42WE610)				
10	4-094-695-11	COVER, REAR	(50WE610)				
10	4-094-695-21	COVER, REAR	(60WE610)				
12	X-4042-009-1	CAP (R) ASSY, REAR	(42WE610)				

Les composants identifiés par une trame et une marque  $\triangle$  sont critiques pour la sécurité. Ne les remplacer que par une pièce portant le numéro spécifié.

The components identified by shading and mark  $\triangle$  are critical for safety. Replace only with part number specified.

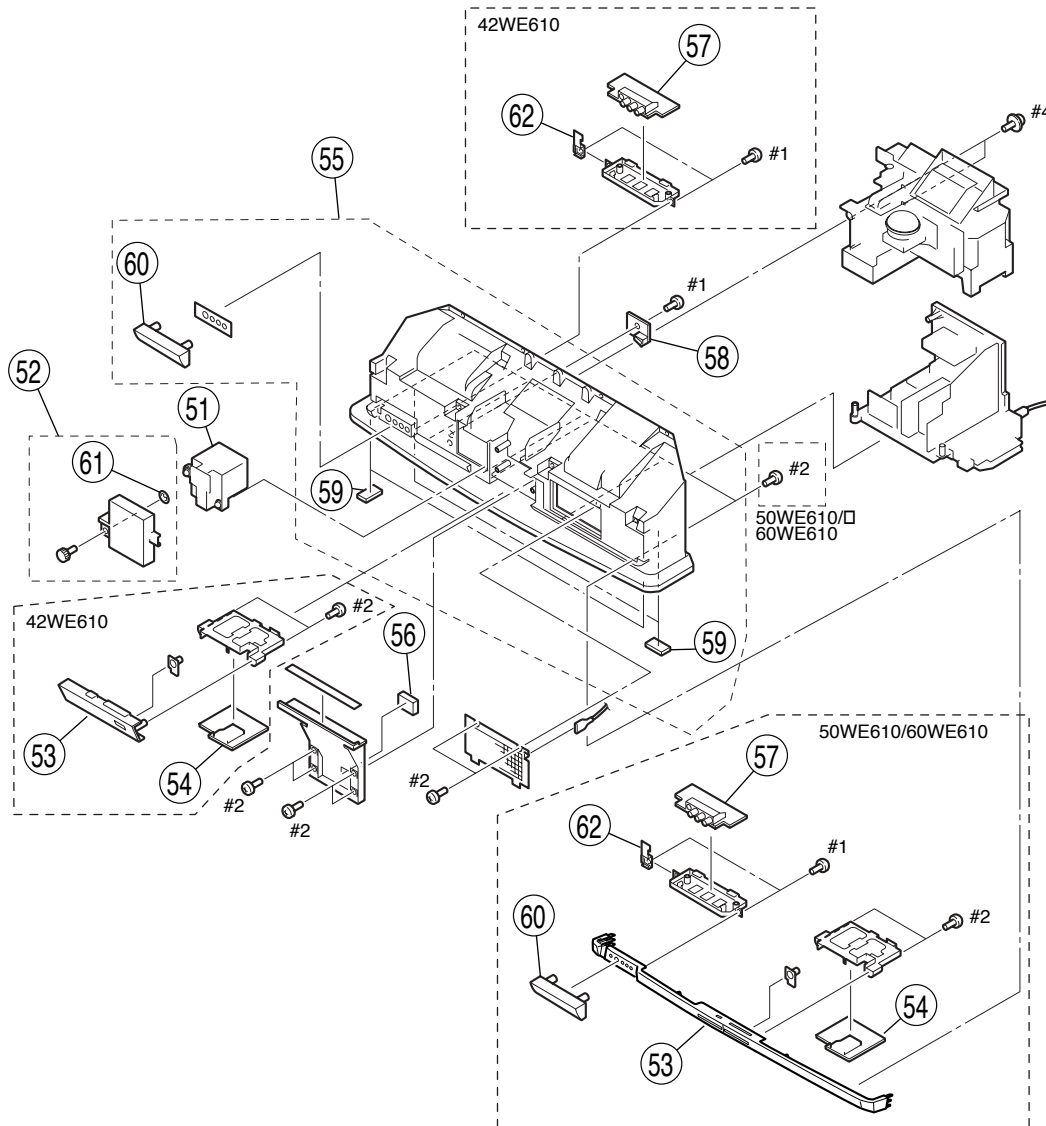
## KF-42WE610/50WE610/60WE610

RM-Y913

RM-Y913

RM-Y913

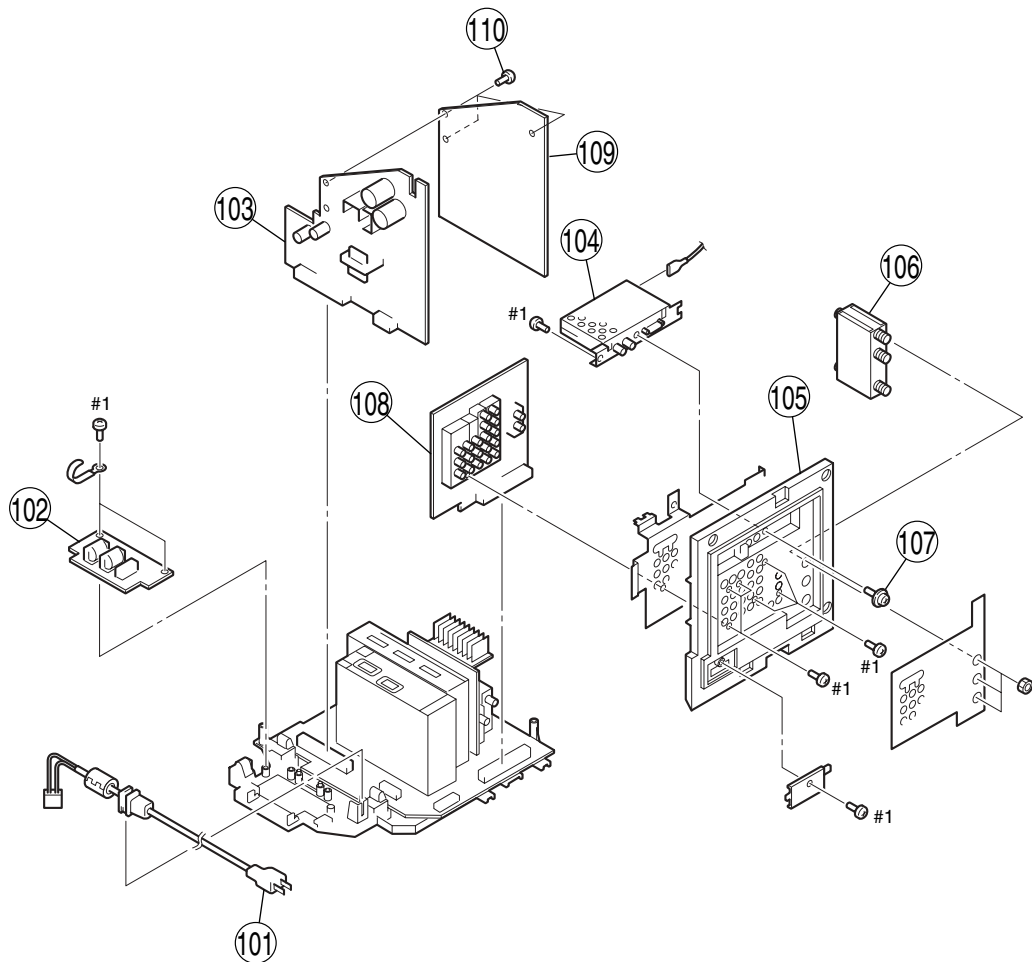
### 2. BOTTOM BLOCK



REF. NO.	PART NO.	DESCRIPTION	REMARK	REF. NO.	PART NO.	DESCRIPTION	REMARK
51	$\triangle$ * A-1606-034-A	LAMP BLOCK (RP) ASSY		57	* A-1405-433-A	H3 BOARD, COMPLETE	
52	X-4042-011-1	DOOR ASSY, LAMP		58	* A-1405-434-A	T BOARD, COMPLETE	
53	X-4042-022-1	COVER ASSY (50), BOTTOM (50WE610)		59	4-097-548-01	CUSHION, FOOT	
53	X-4042-029-1	COVER ASSY (60), BOTTOM (60WE610)		60	4-094-721-01	DOOR, H3	
53	4-094-716-01	PANEL, MS (42WE610)		61	* 3-650-537-00	WASHER	
54	* A-1302-276-A	HM BOARD, COMPLETE		62	4-094-757-01	SPRING, PLATE	
55	X-4041-687-1	BOTTOM CABINET ASSY (42WE610)		#1	7-685-648-79	SCREW +BVTP 3X12 TYPE2 IT-3	
55	X-4042-023-1	BOTTOM CABINET ASSY (50) (50WE610)		#2	7-685-663-79	SCREW +BVTP 4X16 TYPE2 IT-3	
55	X-4042-027-1	BOTTOM CABINET ASSY (60) (60WE610)		#4	7-685-167-19	SCREW (WASHER HEAD) (+P 4X35)	
56	4-077-664-01	SHIELD CUSHION (HARNES)					

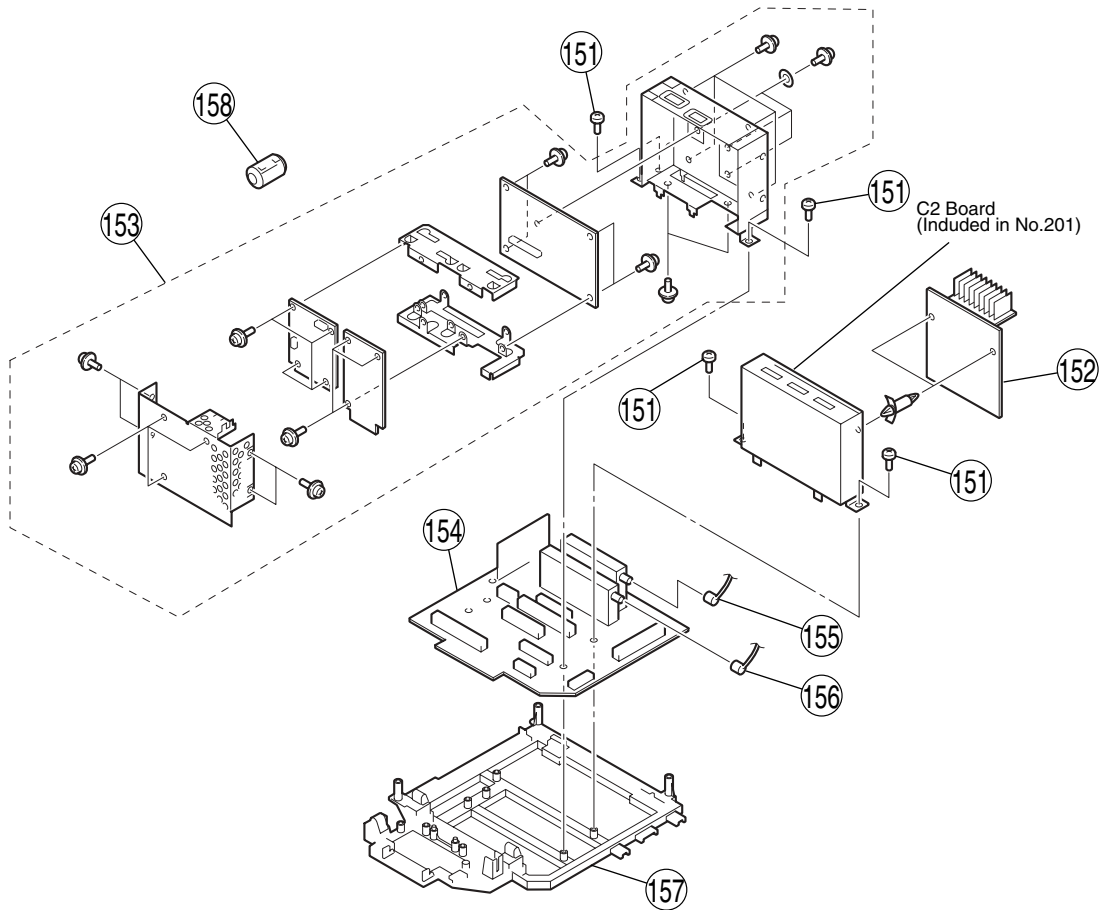


3. CHASSIS-1



<u>REF. NO.</u>	<u>PART NO.</u>	<u>DESCRIPTION</u>	<u>REMARK</u>	<u>REF. NO.</u>	<u>PART NO.</u>	<u>DESCRIPTION</u>	<u>REMARK</u>
101	1-769-837-11	CORD, POWER(WITH NOISE FILTER)		106	1-771-787-13	SWITCH, RF ANTENNA	
102	* A-1302-273-A	F BOARD, COMPLETE		107	4-382-854-01	SCREW (M3X8), P, SW (+)	
103	* A-1302-272-A	G1 BOARD, COMPLETE		108	* A-1302-270-A	U BOARD, COMPLETE	
104	* A-1604-652-A	UD BLOCK		109	4-100-346-01	SHEET G1	
105	4-096-935-01	BRACKET, U		110	4-100-521-01	REVERSE LOCK	
				#1	7-685-648-79	SCREW +BVTP 3X12 TYPE2 IT-3	

4. CHASSIS-2



<u>REF. NO.</u>	<u>PART NO.</u>	<u>DESCRIPTION</u>	<u>REMARK</u>	<u>REF. NO.</u>	<u>PART NO.</u>	<u>DESCRIPTION</u>	<u>REMARK</u>
151	4-029-432-01	SCREW (3X12), (+) BVWHTP		154	* A-1302-266-A	A BOARD, COMPLETE	
152	* A-1302-271-A	AU BOARD, COMPLETE		155	* 1-555-110-00	CABLE, P-P	
153	* A-1605-842-A	DIC BLOCK BOARD, COMPLETE ASSY	(60WE610)	156	* 1-557-056-31	CABLE, P-P	
153	* A-1605-853-A	DIC BLOCK BOARD, COMPLETE ASSY	(50WE610)	157	* 4-096-934-01	BRACKET, MAIN	
153	* A-1605-864-A	DIC BLOCK BOARD, COMPLETE ASSY	(42WE610)	158	1-500-603-11	CLAMP, FERRITE	

Les composants identifiés par une trame et une marque  $\triangle$  sont critiques pour la sécurité. Ne les remplacer que par une pièce portant le numéro spécifié.

The components identified by shading and mark  $\triangle$  are critical for safety. Replace only with part number specified.

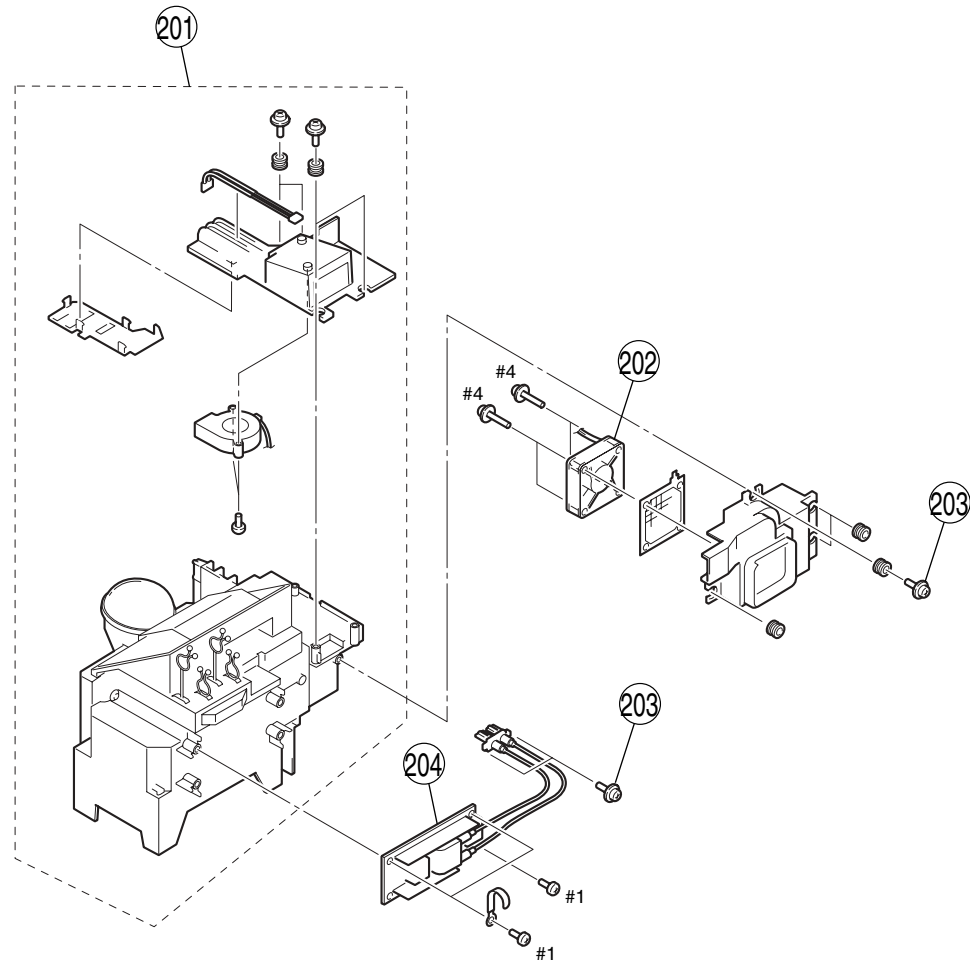
# KF-42WE610/50WE610/60WE610

RM-Y913

RM-Y913

RM-Y913

## 5. OPTICAL UNIT BLOCK



REF. NO.	PART NO.	DESCRIPTION	REMARK	REF. NO.	PART NO.	DESCRIPTION	REMARK
201	$\triangle$ * A-1606-006-A	OPTICAL UNIT BLOCK ASSY (42WE610)		204	$\triangle$ 1-468-798-11	POWER SUPPLY BLOCK	
201	$\triangle$ * A-1606-008-A	OPTICAL UNIT BLOCK ASSY (50WE610)		#1	7-685-648-79	SCREW +BVTP 3X12 TYPE2 IT-3	
201	$\triangle$ * A-1606-010-A	OPTICAL UNIT BLOCK ASSY (60WE610)		#4	7-685-167-19	SCREW (WASHER HEAD) (+P 4X35)	
202	1-787-057-11	D.C. FAN					
203	4-302-404-03	SCREW (WASHER HEAD) (+P 4X16)					

SECTION 6

ELECTRICAL PARTS LIST



The components identified by shading and mark  $\Delta$  are critical for safety. Replace only with part number specified.

Les composants identifiés par une trame et une marque  $\Delta$  sont critiques pour la sécurité. Ne les remplacer que par une pièce portant le numéro spécifié.

When indicating parts by reference number, please include the board name.

- Items marked " \* " are not stocked since they are seldom required for routine service. Some delay should be anticipated when ordering these items.
- All variable and adjustable resistors have characteristic curve B, unless otherwise noted.

- RESISTORS  
All resistors are in ohms  
F : nonflammable
- CAPACITORS  
PF :  $\mu\mu\text{F}$
- There are some cases the reference number on one board overlaps on the other board. Therefore, when ordering parts by the reference number, please include the board name.

REF. NO.	PART NO.	DESCRIPTION	REMARK	REF. NO.	PART NO.	DESCRIPTION	REMARK
*	A-1302-266-A	A BOARD, COMPLETE *****		C8050	1-128-992-21	ELECT CHIP 47 $\mu\text{F}$	20% 25V
	4-382-854-01	SCREW (M3X8), P, SW (+)		C8051	1-164-156-11	CERAMIC CHIP 0.1 $\mu\text{F}$	25V
		< CAPACITOR >		C8052	1-164-156-11	CERAMIC CHIP 0.1 $\mu\text{F}$	25V
C8001	1-128-992-21	ELECT CHIP 47 $\mu\text{F}$	20% 25V	C8053	1-165-176-11	CERAMIC CHIP 0.047 $\mu\text{F}$	10% 16V
C8002	1-164-156-11	CERAMIC CHIP 0.1 $\mu\text{F}$	25V	C8054	1-115-156-11	CERAMIC CHIP 1 $\mu\text{F}$	10V
C8004	1-164-360-11	CERAMIC CHIP 0.1 $\mu\text{F}$	16V	C8055	1-164-230-11	CERAMIC CHIP 220pF	5% 50V
C8005	1-124-779-00	ELECT CHIP 10 $\mu\text{F}$	20% 16V	C8056	1-127-804-91	CERAMIC CHIP 100pF	1% 50V
C8006	1-124-779-00	ELECT CHIP 10 $\mu\text{F}$	20% 16V	C8057	1-165-176-11	CERAMIC CHIP 0.047 $\mu\text{F}$	10% 16V
C8007	1-164-360-11	CERAMIC CHIP 0.1 $\mu\text{F}$	16V	C8058	1-115-156-11	CERAMIC CHIP 1 $\mu\text{F}$	10V
C8008	1-128-992-21	ELECT CHIP 47 $\mu\text{F}$	20% 25V	C8059	1-164-230-11	CERAMIC CHIP 220pF	5% 50V
C8012	1-164-156-11	CERAMIC CHIP 0.1 $\mu\text{F}$	25V	C8061	1-128-995-21	ELECT CHIP 100 $\mu\text{F}$	20% 10V
C8013	1-164-156-11	CERAMIC CHIP 0.1 $\mu\text{F}$	25V	C8062	1-128-992-21	ELECT CHIP 47 $\mu\text{F}$	20% 25V
C8014	1-126-157-11	ELECT 10 $\mu\text{F}$	20% 16V	C8063	1-164-156-11	CERAMIC CHIP 0.1 $\mu\text{F}$	25V
C8015	1-162-966-11	CERAMIC CHIP 0.0022 $\mu\text{F}$	10% 50V	C8064	1-128-992-21	ELECT CHIP 47 $\mu\text{F}$	20% 25V
C8016	1-126-933-11	ELECT 100 $\mu\text{F}$	20% 16V	C8065	1-128-992-21	ELECT CHIP 47 $\mu\text{F}$	20% 25V
C8017	1-126-157-11	ELECT 10 $\mu\text{F}$	20% 16V	C8066	1-164-156-11	CERAMIC CHIP 0.1 $\mu\text{F}$	25V
C8018	1-128-992-21	ELECT CHIP 47 $\mu\text{F}$	20% 25V	C8067	1-164-156-11	CERAMIC CHIP 0.1 $\mu\text{F}$	25V
C8019	1-128-992-21	ELECT CHIP 47 $\mu\text{F}$	20% 25V	C8071	1-126-933-11	ELECT 100 $\mu\text{F}$	20% 16V
C8020	1-164-156-11	CERAMIC CHIP 0.1 $\mu\text{F}$	25V	C8073	1-107-826-11	CERAMIC CHIP 0.1 $\mu\text{F}$	10% 16V
C8021	1-164-156-11	CERAMIC CHIP 0.1 $\mu\text{F}$	25V	C8077	1-124-779-00	ELECT CHIP 10 $\mu\text{F}$	20% 16V
C8022	1-162-970-11	CERAMIC CHIP 0.01 $\mu\text{F}$	10% 25V	C8080	1-115-467-11	CERAMIC CHIP 0.22 $\mu\text{F}$	10% 10V
C8023	1-162-966-11	CERAMIC CHIP 0.0022 $\mu\text{F}$	10% 50V	C8081	1-164-156-11	CERAMIC CHIP 0.1 $\mu\text{F}$	25V
C8024	1-126-933-11	ELECT 100 $\mu\text{F}$	20% 16V	C8083	1-126-926-11	ELECT 1000 $\mu\text{F}$	20% 10V
C8026	1-162-966-11	CERAMIC CHIP 0.0022 $\mu\text{F}$	10% 50V	C8084	1-164-156-11	CERAMIC CHIP 0.1 $\mu\text{F}$	25V
C8027	1-162-970-11	CERAMIC CHIP 0.01 $\mu\text{F}$	10% 25V	C8085	1-126-941-11	ELECT 470 $\mu\text{F}$	20% 25V
C8028	1-126-964-11	ELECT 10 $\mu\text{F}$	20% 50V	C8086	1-164-156-11	CERAMIC CHIP 0.1 $\mu\text{F}$	25V
C8029	1-126-964-11	ELECT 10 $\mu\text{F}$	20% 50V	C8087	1-164-156-11	CERAMIC CHIP 0.1 $\mu\text{F}$	25V
C8030	1-126-967-11	ELECT 47 $\mu\text{F}$	20% 50V	C8088	1-164-156-11	CERAMIC CHIP 0.1 $\mu\text{F}$	25V
C8031	1-162-966-11	CERAMIC CHIP 0.0022 $\mu\text{F}$	10% 50V	C8089	1-128-991-21	ELECT CHIP 10 $\mu\text{F}$	20% 50V
C8032	1-126-933-11	ELECT 100 $\mu\text{F}$	20% 16V	C8090	1-164-156-11	CERAMIC CHIP 0.1 $\mu\text{F}$	25V
C8033	1-162-966-11	CERAMIC CHIP 0.0022 $\mu\text{F}$	10% 50V	C8091	1-164-156-11	CERAMIC CHIP 0.1 $\mu\text{F}$	25V
C8034	1-162-966-11	CERAMIC CHIP 0.0022 $\mu\text{F}$	10% 50V	C8092	1-126-933-11	ELECT 100 $\mu\text{F}$	20% 16V
C8035	1-126-933-11	ELECT 100 $\mu\text{F}$	20% 16V	C8585	1-126-964-11	ELECT 10 $\mu\text{F}$	20% 50V
C8036	1-162-966-11	CERAMIC CHIP 0.0022 $\mu\text{F}$	10% 50V	C8586	1-126-964-11	ELECT 10 $\mu\text{F}$	20% 50V
C8037	1-126-933-11	ELECT 100 $\mu\text{F}$	20% 16V	C8587	1-126-965-91	ELECT 22 $\mu\text{F}$	20% 50V
C8038	1-126-935-11	ELECT 470 $\mu\text{F}$	20% 16V	C8590	1-126-965-91	ELECT 22 $\mu\text{F}$	20% 50V
C8039	1-162-966-11	CERAMIC CHIP 0.0022 $\mu\text{F}$	10% 50V	C8592	1-127-729-51	ELECT 4700 $\mu\text{F}$	20% 25V
C8041	1-162-966-11	CERAMIC CHIP 0.0022 $\mu\text{F}$	10% 50V	C8593	1-164-156-11	CERAMIC CHIP 0.1 $\mu\text{F}$	25V
C8042	1-126-933-11	ELECT 100 $\mu\text{F}$	20% 16V	C8595	1-126-965-91	ELECT 22 $\mu\text{F}$	20% 50V
C8044	1-128-992-21	ELECT CHIP 47 $\mu\text{F}$	20% 25V	C8597	1-115-339-11	CERAMIC CHIP 0.1 $\mu\text{F}$	10% 50V
C8045	1-164-156-11	CERAMIC CHIP 0.1 $\mu\text{F}$	25V	C8600	1-164-156-11	CERAMIC CHIP 0.1 $\mu\text{F}$	25V
C8046	1-164-156-11	CERAMIC CHIP 0.1 $\mu\text{F}$	25V	C8602	1-127-729-51	ELECT 4700 $\mu\text{F}$	20% 25V
C8047	1-126-947-11	ELECT 47 $\mu\text{F}$	20% 10V	C8603	1-164-156-11	CERAMIC CHIP 0.1 $\mu\text{F}$	25V
C8048	1-128-992-21	ELECT CHIP 47 $\mu\text{F}$	20% 25V	C8631	1-107-714-11	ELECT 10 $\mu\text{F}$	20% 50V
C8049	1-164-156-11	CERAMIC CHIP 0.1 $\mu\text{F}$	25V	C8632	1-107-703-11	ELECT 220 $\mu\text{F}$	20% 25V
				C8633	1-107-714-11	ELECT 10 $\mu\text{F}$	20% 50V
				C8638	1-136-161-00	FILM 0.047 $\mu\text{F}$	5% 50V
				C8639	1-126-964-11	ELECT 10 $\mu\text{F}$	20% 50V



REF. NO.	PART NO.	DESCRIPTION	REMARK
C8641	1-136-161-00	FILM	0.047μF 5% 50V
C8649	1-107-826-11	CERAMIC CHIP	0.1μF 10% 16V
C8650	1-126-933-11	ELECT	100μF 20% 16V
C8653	1-126-935-11	ELECT	470μF 20% 16V
C8654	1-136-165-00	FILM	0.1μF 5% 50V
< CONNECTOR >			
*CN8001	1-564-508-11	PLUG, CONNECTOR 5P	
*CN8002	1-564-511-11	PLUG, CONNECTOR 8P	
*CN8003	1-564-508-11	PLUG, CONNECTOR 5P	
*CN8005	1-564-507-11	PLUG, CONNECTOR 4P	
*CN8008	1-793-922-11	CONNECTOR, DIN (RECEPTACLE)64P	
CN8009	1-816-957-11	DIN CONNECTOR (RECEPTACLE) 96P	
CN8010	1-695-915-11	TAB (CONTACT)	
CN8012	1-695-915-11	TAB (CONTACT)	
*CN8013	1-564-507-11	PLUG, CONNECTOR 4P	
*CN8014	1-564-509-11	PLUG, CONNECTOR 6P	
CN8018	1-770-627-21	PIN, CONNECTOR 10P	
*CN8019	1-573-296-21	CONNECTOR, BOARD TO BOARD 10P	
*CN8020	1-764-812-12	CONNECTOR, BOARD TO BOARD 11P	
*CN8021	1-564-510-11	PLUG, CONNECTOR 7P	
*CN8022	1-564-512-11	PLUG, CONNECTOR 9P	
*CN8023	1-564-507-11	PLUG, CONNECTOR 4P	
*CN8024	1-537-711-11	TAB, FASTEN (PCB)	
*CN8025	1-537-711-11	TAB, FASTEN (PCB)	
*CN8036	1-537-738-21	TERMINAL, EARTH	
*CN8037	1-537-738-21	TERMINAL, EARTH	
*CN8038	1-537-738-21	TERMINAL, EARTH	
*CN8039	1-537-738-21	TERMINAL, EARTH	
*CN8040	1-537-738-21	TERMINAL, EARTH	
*CN8501	1-564-506-11	PLUG, CONNECTOR 3P	
CN8901	1-764-610-11	CONNECTOR, BOARD TO BOARD 10P	
*CN8902	1-793-922-11	CONNECTOR, DIN (RECEPTACLE)64P	
CN8903	1-766-388-11	CONNECTOR, BOARD TO BOARD 18P	
< DIODE >			
D8001	8-719-404-50	DIODE MA111-TX	
D8003	8-719-404-50	DIODE MA111-TX	
D8004	8-719-404-50	DIODE MA111-TX	
D8005	8-719-404-50	DIODE MA111-TX	
D8006	8-719-404-50	DIODE MA111-TX	
D8011	8-719-404-50	DIODE MA111-TX	
D8014	8-719-056-85	DIODE UZD-TE-17-8.2B	
D8017	8-719-404-50	DIODE MA111-TX	
D8022	8-719-404-50	DIODE MA111-TX	
D8023	8-719-158-02	DIODE RD3.9SB2	
D8025	8-719-404-50	DIODE MA111-TX	
D8026	8-719-404-50	DIODE MA111-TX	
D8027	8-719-404-50	DIODE MA111-TX	
D8028	8-719-404-50	DIODE MA111-TX	
D8029	8-719-404-50	DIODE MA111-TX	
D8030	8-719-056-78	DIODE UZD-TE-17-4.3B	
D8031	8-719-404-50	DIODE MA111-TX	
D8033	8-719-404-50	DIODE MA111-TX	
D8034	8-719-404-50	DIODE MA111-TX	
D8035	8-719-036-94	DIODE RD5.6SB-T	
D8036	8-719-081-97	DIODE MMDL914T1	
D8037	6-500-527-01	DIODE EC21QS04-TE12L	
D8038	8-719-404-50	DIODE MA111-TX	
D8500	8-719-071-74	DIODE HZU11B1TRF	
D8505	8-719-404-50	DIODE MA111-TX	
D8506	8-719-404-50	DIODE MA111-TX	

REF. NO.	PART NO.	DESCRIPTION	REMARK
D8508	8-719-404-50	DIODE MA111-TX	
D8509	8-719-404-50	DIODE MA111-TX	
D8510	8-719-404-50	DIODE MA111-TX	
D8511	8-719-404-50	DIODE MA111-TX	
< FERRITE BEAD >			
FB8001	1-216-295-91	SHORT CHIP	0
FB8002	1-414-228-11	FERRITE	0μH
FB8003	1-414-228-11	FERRITE	0μH
FB8004	1-216-295-91	SHORT CHIP	0
FB8005	1-216-295-91	SHORT CHIP	0
FB8006	1-216-295-91	SHORT CHIP	0
FB8007	1-216-295-91	SHORT CHIP	0
FB8008	1-216-295-91	SHORT CHIP	0
FB8009	1-216-295-91	SHORT CHIP	0
FB8010	1-216-295-91	SHORT CHIP	0
FB8011	1-216-295-91	SHORT CHIP	0
FB8012	1-414-233-22	FERRITE	0μH
FB8013	1-414-233-22	FERRITE	0μH
FB8014	1-414-233-22	FERRITE	0μH
FB8015	1-414-233-22	FERRITE	0μH
FB8016	1-414-921-11	FERRITE	0μH
FB8017	1-469-869-21	FERRITE	0μH
< IC >			
IC8001	8-759-687-14	IC MAX4451EKA-TG069	
IC8003	6-705-025-01	IC PQ20WZ1UJ00H	
IC8005	6-705-025-01	IC PQ20WZ1UJ00H	
IC8006	6-705-025-01	IC PQ20WZ1UJ00H	
IC8007	6-705-025-01	IC PQ20WZ1UJ00H	
IC8008	8-759-663-29	IC MM1476AF(TP)	
IC8009	6-700-813-01	IC SI-8033JF	
IC8010	8-752-072-94	IC CXA1875AM-T4	
IC8504	8-759-584-38	IC TDA7296	
IC8507	8-759-278-58	IC NJM4558V-TE2	
< COIL >			
L8001	1-469-320-21	INDUCTOR	100μH
L8003	1-414-183-41	INDUCTOR	10μH
L8004	1-469-320-21	INDUCTOR	100μH
L8005	1-469-320-21	INDUCTOR	100μH
L8006	1-469-317-21	INDUCTOR	10μH
L8007	1-469-320-21	INDUCTOR	100μH
L8008	1-469-320-21	INDUCTOR	100μH
L8009	1-469-317-21	INDUCTOR	10μH
L8010	1-412-525-31	INDUCTOR	10μH
L8011	1-456-214-11	COIL, CHOPPER	
L8013	1-469-555-21	INDUCTOR	10μH
L8506	1-469-559-21	INDUCTOR	47μH
< TRANSISTOR >			
Q8001	8-729-120-28	TRANSISTOR 2SC1623-L5L6	
Q8002	8-729-120-28	TRANSISTOR 2SC1623-L5L6	
Q8003	8-729-900-53	TRANSISTOR DTC114EK	
Q8004	8-729-216-22	TRANSISTOR 2SA1162-G	
Q8005	8-729-422-27	TRANSISTOR 2SD601A-Q	
Q8006	8-729-422-27	TRANSISTOR 2SD601A-Q	
Q8008	8-729-216-22	TRANSISTOR 2SA1162-G	
Q8009	8-729-422-27	TRANSISTOR 2SD601A-Q	
Q8014	8-729-905-35	TRANSISTOR 2SC4081-R	
Q8015	8-729-026-53	TRANSISTOR 2SA1576A-T106-QR	



REF. NO.	PART NO.	DESCRIPTION	REMARK
Q8016	8-729-905-35	TRANSISTOR 2SC4081-R	
Q8017	8-729-026-53	TRANSISTOR 2SA1576A-T106-QR	
Q8018	8-729-905-35	TRANSISTOR 2SC4081-R	
Q8019	8-729-422-27	TRANSISTOR 2SD601A-Q	
Q8021	8-729-422-27	TRANSISTOR 2SD601A-Q	
Q8022	8-729-026-53	TRANSISTOR 2SA1576A-T106-QR	
Q8023	8-729-422-27	TRANSISTOR 2SD601A-Q	
Q8024	8-729-900-53	TRANSISTOR DTC114EK	
Q8025	8-729-422-27	TRANSISTOR 2SD601A-Q	
Q8027	8-729-422-27	TRANSISTOR 2SD601A-Q	
Q8029	8-729-216-22	TRANSISTOR 2SA1162-G	
Q8030	8-729-216-22	TRANSISTOR 2SA1162-G	
Q8034	8-729-422-27	TRANSISTOR 2SD601A-Q	
Q8035	8-729-216-22	TRANSISTOR 2SA1162-G	
Q8036	8-729-422-27	TRANSISTOR 2SD601A-Q	
Q8037	8-729-422-27	TRANSISTOR 2SD601A-Q	
Q8039	8-729-422-27	TRANSISTOR 2SD601A-Q	
Q8041	8-729-216-22	TRANSISTOR 2SA1162-G	
Q8044	8-729-422-27	TRANSISTOR 2SD601A-Q	
Q8045	8-729-422-27	TRANSISTOR 2SD601A-Q	
Q8046	8-729-422-27	TRANSISTOR 2SD601A-Q	
Q8047	8-729-216-22	TRANSISTOR 2SA1162-G	
Q8048	8-729-216-22	TRANSISTOR 2SA1162-G	
Q8049	8-729-216-22	TRANSISTOR 2SA1162-G	
Q8051	8-729-216-22	TRANSISTOR 2SA1162-G	
Q8052	8-729-216-22	TRANSISTOR 2SA1162-G	
Q8500	8-729-422-27	TRANSISTOR 2SD601A-Q	
Q8503	8-729-422-27	TRANSISTOR 2SD601A-Q	
Q8504	8-729-422-27	TRANSISTOR 2SD601A-Q	
Q8507	8-729-216-22	TRANSISTOR 2SA1162-G	
Q8508	8-729-422-27	TRANSISTOR 2SD601A-Q	
Q8509	8-729-422-27	TRANSISTOR 2SD601A-Q	
Q8510	8-729-216-22	TRANSISTOR 2SA1162-G	
Q8512	8-729-216-22	TRANSISTOR 2SA1162-G	
Q8513	8-729-422-27	TRANSISTOR 2SD601A-Q	
< RESISTOR >			
R8003	1-216-833-11	METAL CHIP 10K	5% 1/10W
R8004	1-216-833-11	METAL CHIP 10K	5% 1/10W
R8005	1-216-825-11	METAL CHIP 2.2K	5% 1/10W
R8006	1-216-837-11	METAL CHIP 22K	5% 1/10W
R8007	1-218-691-11	METAL CHIP 910	0.5% 1/10W
R8008	1-218-704-11	METAL CHIP 3.3K	0.5% 1/10W
R8010	1-216-827-11	METAL CHIP 3.3K	5% 1/10W
R8011	1-216-833-11	METAL CHIP 10K	5% 1/10W
R8012	1-216-864-11	SHORT CHIP 0	
R8013	1-216-864-11	SHORT CHIP 0	
R8014	1-216-809-11	METAL CHIP 100	5% 1/10W
R8015	1-216-833-11	METAL CHIP 10K	5% 1/10W
R8016	1-216-833-11	METAL CHIP 10K	5% 1/10W
R8019	1-216-833-11	METAL CHIP 10K	5% 1/10W
R8022	1-216-833-11	METAL CHIP 10K	5% 1/10W
R8023	1-216-833-11	METAL CHIP 10K	5% 1/10W
R8024	1-216-833-11	METAL CHIP 10K	5% 1/10W
R8027	1-218-652-11	METAL CHIP 22	0.5% 1/10W
R8028	1-216-809-11	METAL CHIP 100	5% 1/10W
R8029	1-218-693-11	METAL CHIP 1.1K	0.5% 1/10W
R8034	1-218-692-11	METAL CHIP 1K	0.5% 1/10W
R8038	1-216-845-11	METAL CHIP 100K	5% 1/10W
R8039	1-218-660-91	METAL CHIP 47	0.5% 1/10W
R8041	1-216-864-11	SHORT CHIP 0	
R8042	1-218-668-11	METAL CHIP 100	0.5% 1/10W
R8043	1-216-809-11	METAL CHIP 100	5% 1/10W

REF. NO.	PART NO.	DESCRIPTION	REMARK
R8044	1-216-820-11	METAL CHIP 820	5% 1/10W
R8045	1-218-722-11	METAL CHIP 18K	0.5% 1/10W
R8048	1-218-692-11	METAL CHIP 1K	0.5% 1/10W
R8050	1-218-660-91	METAL CHIP 47	0.5% 1/10W
R8052	1-218-716-11	METAL CHIP 10K	0.5% 1/10W
R8055	1-216-809-11	METAL CHIP 100	5% 1/10W
R8056	1-218-668-11	METAL CHIP 100	0.5% 1/10W
R8057	1-216-839-11	METAL CHIP 33K	5% 1/10W
R8058	1-216-833-11	METAL CHIP 10K	5% 1/10W
R8060	1-216-864-11	SHORT CHIP 0	
R8061	1-216-827-11	METAL CHIP 3.3K	5% 1/10W
R8062	1-216-820-11	METAL CHIP 820	5% 1/10W
R8063	1-216-839-11	METAL CHIP 33K	5% 1/10W
R8064	1-218-692-11	METAL CHIP 1K	0.5% 1/10W
R8065	1-216-825-11	METAL CHIP 2.2K	5% 1/10W
R8066	1-216-864-11	SHORT CHIP 0	
R8067	1-216-809-11	METAL CHIP 100	5% 1/10W
R8068	1-216-809-11	METAL CHIP 100	5% 1/10W
R8070	1-216-825-11	METAL CHIP 2.2K	5% 1/10W
R8071	1-216-837-11	METAL CHIP 22K	5% 1/10W
R8072	1-216-864-11	SHORT CHIP 0	
R8073	1-216-821-11	METAL CHIP 1K	5% 1/10W
R8074	1-216-809-11	METAL CHIP 100	5% 1/10W
R8075	1-216-809-11	METAL CHIP 100	5% 1/10W
R8076	1-216-864-11	SHORT CHIP 0	
R8077	1-216-837-11	METAL CHIP 22K	5% 1/10W
R8078	1-218-660-91	METAL CHIP 47	0.5% 1/10W
R8079	1-216-847-11	METAL CHIP 150K	5% 1/10W
R8080	1-218-668-11	METAL CHIP 100	0.5% 1/10W
R8081	1-216-847-11	METAL CHIP 150K	5% 1/10W
R8082	1-216-833-11	METAL CHIP 10K	5% 1/10W
R8083	1-216-820-11	METAL CHIP 820	5% 1/10W
R8084	1-216-805-11	METAL CHIP 47	5% 1/10W
R8085	1-216-805-11	METAL CHIP 47	5% 1/10W
R8086	1-216-805-11	METAL CHIP 47	5% 1/10W
R8087	1-216-805-11	METAL CHIP 47	5% 1/10W
R8088	1-216-824-11	METAL CHIP 1.8K	5% 1/10W
R8089	1-216-833-11	METAL CHIP 10K	5% 1/10W
R8091	1-216-825-11	METAL CHIP 2.2K	5% 1/10W
R8093	1-216-833-11	METAL CHIP 10K	5% 1/10W
R8098	1-216-825-11	METAL CHIP 2.2K	5% 1/10W
R8099	1-216-864-11	SHORT CHIP 0	
R8100	1-216-864-11	SHORT CHIP 0	
R8101	1-218-722-11	METAL CHIP 18K	0.5% 1/10W
R8102	1-216-864-11	SHORT CHIP 0	
R8103	1-216-813-11	METAL CHIP 220	5% 1/10W
R8105	1-218-716-11	METAL CHIP 10K	0.5% 1/10W
R8108	1-216-864-11	SHORT CHIP 0	
R8109	1-216-864-11	SHORT CHIP 0	
R8110	1-216-847-11	METAL CHIP 150K	5% 1/10W
R8111	1-216-823-11	METAL CHIP 1.5K	5% 1/10W
R8112	1-216-829-11	METAL CHIP 4.7K	5% 1/10W
R8113	1-216-857-11	METAL CHIP 1M	5% 1/10W
R8114	1-216-833-11	METAL CHIP 10K	5% 1/10W
R8115	1-216-833-11	METAL CHIP 10K	5% 1/10W
R8116	1-216-847-11	METAL CHIP 150K	5% 1/10W
R8117	1-216-825-11	METAL CHIP 2.2K	5% 1/10W
R8118	1-216-829-11	METAL CHIP 4.7K	5% 1/10W
R8119	1-216-857-11	METAL CHIP 1M	5% 1/10W
R8120	1-216-833-11	METAL CHIP 10K	5% 1/10W
R8121	1-216-833-11	METAL CHIP 10K	5% 1/10W
R8122	1-216-864-11	SHORT CHIP 0	
R8123	1-216-864-11	SHORT CHIP 0	
R8124	1-216-864-11	SHORT CHIP 0	



REF. NO.	PART NO.	DESCRIPTION		REMARK
R8125	1-218-722-11	METAL CHIP	18K	0.5% 1/10W
R8127	1-218-716-11	METAL CHIP	10K	0.5% 1/10W
R8131	1-216-864-11	SHORT CHIP	0	
R8134	1-216-821-11	METAL CHIP	1K	5% 1/10W
R8138	1-216-833-11	METAL CHIP	10K	5% 1/10W
R8139	1-216-864-11	SHORT CHIP	0	
R8140	1-216-864-11	SHORT CHIP	0	
R8141	1-216-864-11	SHORT CHIP	0	
R8142	1-216-864-11	SHORT CHIP	0	
R8143	1-216-864-11	SHORT CHIP	0	
R8144	1-216-864-11	SHORT CHIP	0	
R8145	1-216-864-11	SHORT CHIP	0	
R8146	1-216-864-11	SHORT CHIP	0	
R8147	1-216-845-11	METAL CHIP	100K	5% 1/10W
R8148	1-216-864-11	SHORT CHIP	0	
R8151	1-216-845-11	METAL CHIP	100K	5% 1/10W
R8152	1-216-841-11	METAL CHIP	47K	5% 1/10W
R8153	1-216-833-11	METAL CHIP	10K	5% 1/10W
R8155	1-216-845-11	METAL CHIP	100K	5% 1/10W
R8156	1-216-845-11	METAL CHIP	100K	5% 1/10W
R8157	1-216-825-11	METAL CHIP	2.2K	5% 1/10W
R8159	1-216-825-11	METAL CHIP	2.2K	5% 1/10W
R8160	1-216-849-11	METAL CHIP	220K	5% 1/10W
R8161	1-216-841-11	METAL CHIP	47K	5% 1/10W
R8162	1-216-833-11	METAL CHIP	10K	5% 1/10W
R8164	1-216-845-11	METAL CHIP	100K	5% 1/10W
R8179	1-216-833-11	METAL CHIP	10K	5% 1/10W
R8180	1-216-833-11	METAL CHIP	10K	5% 1/10W
R8183	1-216-803-11	METAL CHIP	33	5% 1/10W
R8184	1-216-821-11	METAL CHIP	1K	5% 1/10W
R8185	1-216-821-11	METAL CHIP	1K	5% 1/10W
R8190	1-216-845-11	METAL CHIP	100K	5% 1/10W
R8191	1-216-821-11	METAL CHIP	1K	5% 1/10W
R8192	1-216-845-11	METAL CHIP	100K	5% 1/10W
R8193	1-216-797-11	METAL CHIP	10	5% 1/10W
R8194	1-216-821-11	METAL CHIP	1K	5% 1/10W
R8195	1-216-845-11	METAL CHIP	100K	5% 1/10W
R8196	1-216-845-11	METAL CHIP	100K	5% 1/10W
R8197	1-216-797-11	METAL CHIP	10	5% 1/10W
R8198	1-216-845-11	METAL CHIP	100K	5% 1/10W
R8199	1-216-821-11	METAL CHIP	1K	5% 1/10W
R8200	1-216-845-11	METAL CHIP	100K	5% 1/10W
R8201	1-216-797-11	METAL CHIP	10	5% 1/10W
R8202	1-216-833-11	METAL CHIP	10K	5% 1/10W
R8203	1-216-833-11	METAL CHIP	10K	5% 1/10W
R8204	1-216-833-11	METAL CHIP	10K	5% 1/10W
R8205	1-216-864-11	SHORT CHIP	0	
R8206	1-216-864-11	SHORT CHIP	0	
R8207	1-216-864-11	SHORT CHIP	0	
R8208	1-216-864-11	SHORT CHIP	0	
R8209	1-216-864-11	SHORT CHIP	0	
R8210	1-216-864-11	SHORT CHIP	0	
R8211	1-216-864-11	SHORT CHIP	0	
R8217	1-216-864-11	SHORT CHIP	0	
R8218	1-216-864-11	SHORT CHIP	0	
R8219	1-216-864-11	SHORT CHIP	0	
R8220	1-216-864-11	SHORT CHIP	0	
R8221	1-216-864-11	SHORT CHIP	0	
R8227	1-216-801-11	METAL CHIP	22	5% 1/10W
R8228	1-216-801-11	METAL CHIP	22	5% 1/10W
R8236	1-216-806-11	METAL CHIP	56	5% 1/10W
R8237	1-216-825-11	METAL CHIP	2.2K	5% 1/10W
R8238	1-216-809-11	METAL CHIP	100	5% 1/10W
R8239	1-216-825-11	METAL CHIP	2.2K	5% 1/10W

REF. NO.	PART NO.	DESCRIPTION		REMARK
R8240	1-216-809-11	METAL CHIP	100	5% 1/10W
R8241	1-216-806-11	METAL CHIP	56	5% 1/10W
R8245	1-216-835-11	METAL CHIP	15K	5% 1/10W
R8246	1-216-835-11	METAL CHIP	15K	5% 1/10W
R8247	1-216-835-11	METAL CHIP	15K	5% 1/10W
R8251	1-216-833-11	METAL CHIP	10K	5% 1/10W
R8252	1-216-833-11	METAL CHIP	10K	5% 1/10W
R8253	1-216-833-11	METAL CHIP	10K	5% 1/10W
R8254	1-216-833-11	METAL CHIP	10K	5% 1/10W
R8578	1-216-828-11	METAL CHIP	3.9K	5% 1/10W
R8579	1-216-837-11	METAL CHIP	22K	5% 1/10W
R8580	1-216-819-11	METAL CHIP	680	5% 1/10W
R8581	1-216-826-11	METAL CHIP	2.7K	5% 1/10W
R8583	1-216-837-11	METAL CHIP	22K	5% 1/10W
R8587	1-216-839-11	METAL CHIP	33K	5% 1/10W
R8591	1-216-837-11	METAL CHIP	22K	5% 1/10W
R8592	1-216-841-11	METAL CHIP	47K	5% 1/10W
R8593	1-216-841-11	METAL CHIP	47K	5% 1/10W
R8609	1-216-837-11	METAL CHIP	22K	5% 1/10W
R8614	1-216-834-11	METAL CHIP	12K	5% 1/10W
R8615	1-216-864-11	SHORT CHIP	0	
R8616	1-216-825-11	METAL CHIP	2.2K	5% 1/10W
R8617	1-216-837-11	METAL CHIP	22K	5% 1/10W
R8619	1-216-864-11	SHORT CHIP	0	
R8620	1-216-809-11	METAL CHIP	100	5% 1/10W
R8621	1-216-841-11	METAL CHIP	47K	5% 1/10W
R8627	1-216-834-11	METAL CHIP	12K	5% 1/10W
R8628	1-216-825-11	METAL CHIP	2.2K	5% 1/10W
R8631	1-216-821-11	METAL CHIP	1K	5% 1/10W
R8632	1-216-821-11	METAL CHIP	1K	5% 1/10W
R8636	1-216-843-11	METAL CHIP	68K	5% 1/10W
R8637	1-216-841-11	METAL CHIP	47K	5% 1/10W
R8638	1-216-841-11	METAL CHIP	47K	5% 1/10W
R8640	1-216-843-11	METAL CHIP	68K	5% 1/10W
R8641	1-216-834-11	METAL CHIP	12K	5% 1/10W
R8642	1-216-833-11	METAL CHIP	10K	5% 1/10W
R8645	1-216-814-11	METAL CHIP	270	5% 1/10W
R8646	1-216-839-11	METAL CHIP	33K	5% 1/10W
R8647	1-216-809-11	METAL CHIP	100	5% 1/10W
R8650	1-216-837-11	METAL CHIP	22K	5% 1/10W
R8654	1-216-864-11	SHORT CHIP	0	
R8656	1-216-834-11	METAL CHIP	12K	5% 1/10W
R8658	1-216-809-11	METAL CHIP	100	5% 1/10W
R8668	1-216-864-11	SHORT CHIP	0	
R8669	1-216-841-11	METAL CHIP	47K	5% 1/10W
R8670	1-216-837-11	METAL CHIP	22K	5% 1/10W
R8671	1-216-864-11	SHORT CHIP	0	
R8672	1-216-809-11	METAL CHIP	100	5% 1/10W
R8673	1-216-833-11	METAL CHIP	10K	5% 1/10W
R8674	1-218-867-11	METAL CHIP	6.8K	0.5% 1/10W
R8675	1-216-839-11	METAL CHIP	33K	5% 1/10W
R8676	1-216-357-00	METAL OXIDE	4.7	5% 1W
R8677	1-216-833-11	METAL CHIP	10K	5% 1/10W
R8678	1-216-833-11	METAL CHIP	10K	5% 1/10W

< TUNER >

TU8001 8-598-594-10 TUNER, FSS BTF-FA421  
 TU8002 8-598-593-20 TUNER, FSS BTF-WA421

\*\*\*\*\*



REF. NO.	PART NO.	DESCRIPTION	REMARK
*	A-1302-271-A	AU BOARD, COMPLETE *****	
*	4-042-408-01	PIN, COATING LEAD	
	4-382-854-01	SCREW (M3X8), P, SW (+)	
< CAPACITOR >			
C4701	1-126-964-11	ELECT	10µF 20% 50V
C4702	1-126-964-11	ELECT	10µF 20% 50V
C4703	1-126-964-11	ELECT	10µF 20% 50V
C4704	1-126-964-11	ELECT	10µF 20% 50V
C4705	1-136-167-00	FILM	0.15µF 5% 50V
C4706	1-130-469-00	MYLAR	680pF 5% 50V
C4707	1-136-158-00	FILM	0.027µF 5% 50V
C4708	1-130-471-00	MYLAR	0.001µF 5% 50V
C4709	1-164-227-11	CERAMIC CHIP	0.022µF 10% 25V
C4710	1-127-715-91	CERAMIC CHIP	0.22µF 10% 16V
C4711	1-162-970-11	CERAMIC CHIP	0.01µF 10% 25V
C4713	1-128-934-91	CERAMIC CHIP	0.33µF 20% 10V
C4714	1-126-968-11	ELECT	100µF 20% 50V
C4715	1-162-968-11	CERAMIC CHIP	0.0047µF 10% 50V
C4716	1-127-715-91	CERAMIC CHIP	0.22µF 10% 16V
C4717	1-126-964-11	ELECT	10µF 20% 50V
C4718	1-126-964-11	ELECT	10µF 20% 50V
C4719	1-127-715-91	CERAMIC CHIP	0.22µF 10% 16V
C4720	1-127-715-91	CERAMIC CHIP	0.22µF 10% 16V
C4721	1-127-715-91	CERAMIC CHIP	0.22µF 10% 16V
C4722	1-107-826-11	CERAMIC CHIP	0.1µF 10% 16V
C4723	1-127-715-91	CERAMIC CHIP	0.22µF 10% 16V
C4724	1-127-715-91	CERAMIC CHIP	0.22µF 10% 16V
C4726	1-127-715-91	CERAMIC CHIP	0.22µF 10% 16V
C4727	1-127-722-91	ELECT	2200µF 20% 16V
C4728	1-162-968-11	CERAMIC CHIP	0.0047µF 10% 50V
C4729	1-162-970-11	CERAMIC CHIP	0.01µF 10% 25V
C4730	1-126-963-11	ELECT	4.7µF 20% 50V
C4731	1-126-964-11	ELECT	10µF 20% 50V
C4732	1-162-968-11	CERAMIC CHIP	0.0047µF 10% 50V
C4733	1-126-964-11	ELECT	10µF 20% 50V
C4734	1-126-964-11	ELECT	10µF 20% 50V
C4735	1-136-167-00	FILM	0.15µF 5% 50V
C4736	1-130-469-00	MYLAR	680pF 5% 50V
C4737	1-136-158-00	FILM	0.027µF 5% 50V
C4738	1-130-471-00	MYLAR	0.001µF 5% 50V
C4739	1-126-960-11	ELECT	1µF 20% 50V
C4740	1-126-961-11	ELECT	2.2µF 20% 50V
C4741	1-126-961-11	ELECT	2.2µF 20% 50V
C4742	1-126-964-11	ELECT	10µF 20% 50V
C4743	1-162-968-11	CERAMIC CHIP	0.0047µF 10% 50V
C4744	1-162-968-11	CERAMIC CHIP	0.0047µF 10% 50V
C4745	1-162-970-11	CERAMIC CHIP	0.01µF 10% 25V
C4749	1-136-159-00	FILM	0.033µF 5% 50V
C4750	1-126-963-11	ELECT	4.7µF 20% 50V
C4751	1-136-159-00	FILM	0.033µF 5% 50V
C4752	1-136-167-00	FILM	0.15µF 5% 50V
C4753	1-126-963-11	ELECT	4.7µF 20% 50V
C4754	1-126-962-11	ELECT	3.3µF 20% 50V
C4755	1-136-159-00	FILM	0.033µF 5% 50V
C4756	1-136-167-00	FILM	0.15µF 5% 50V
C4757	1-136-159-00	FILM	0.033µF 5% 50V
C4759	1-162-915-11	CERAMIC CHIP	10pF 0.50pF 50V
C4760	1-126-964-11	ELECT	10µF 20% 50V
C4762	1-126-962-11	ELECT	3.3µF 20% 50V
C4763	1-107-703-11	ELECT	220µF 20% 25V

REF. NO.	PART NO.	DESCRIPTION	REMARK
C4764	1-126-964-11	ELECT	10µF 20% 50V
C4766	1-136-165-00	FILM	0.1µF 5% 50V
C4767	1-136-165-00	FILM	0.1µF 5% 50V
C4768	1-126-968-11	ELECT	100µF 20% 50V
C4769	1-115-339-11	CERAMIC CHIP	0.1µF 10% 50V
C4770	1-126-968-11	ELECT	100µF 20% 50V
C4771	1-115-339-11	CERAMIC CHIP	0.1µF 10% 50V
C4772	1-107-826-11	CERAMIC CHIP	0.1µF 10% 16V
C4773	1-126-967-11	ELECT	47µF 20% 50V
C4774	1-162-923-11	CERAMIC CHIP	47pF 5% 50V
C4775	1-162-923-11	CERAMIC CHIP	47pF 5% 50V
C4776	1-162-923-11	CERAMIC CHIP	47pF 5% 50V
C4779	1-162-923-11	CERAMIC CHIP	47pF 5% 50V
C4780	1-136-161-00	FILM	0.047µF 5% 50V
C4781	1-136-161-00	FILM	0.047µF 5% 50V
C4782	1-126-964-11	ELECT	10µF 20% 50V
C4783	1-126-964-11	ELECT	10µF 20% 50V
C4784	1-126-964-11	ELECT	10µF 20% 50V
C4785	1-126-964-11	ELECT	10µF 20% 50V
C4786	1-107-826-11	CERAMIC CHIP	0.1µF 10% 16V
C4787	1-107-826-11	CERAMIC CHIP	0.1µF 10% 16V
C4788	1-162-915-11	CERAMIC CHIP	10pF 0.50pF 50V
< CONNECTOR >			
CN4702	1-766-391-11	CONNECTOR, BOARD TO BOARD 18P	
*CN4703	1-564-519-11	PLUG, CONNECTOR 4P	
CN4704	1-695-915-11	TAB (CONTACT)	
CN4706	1-535-877-22	CHIP, CHECKER	
CN4707	1-535-877-22	CHIP, CHECKER	
CN4708	1-535-877-22	CHIP, CHECKER	
< DIODE >			
D4701	8-719-071-74	DIODE HZU11B1TRF	
D4702	8-719-050-37	DIODE M1MA152WA-T1	
D4703	8-719-050-38	DIODE M1MA152WK-T1	
D4704	8-719-404-50	DIODE MA111-TX	
D4705	8-719-404-50	DIODE MA111-TX	
D4707	8-719-404-50	DIODE MA111-TX	
D4709	8-719-404-50	DIODE MA111-TX	
D4710	8-719-404-50	DIODE MA111-TX	
D4711	8-719-404-50	DIODE MA111-TX	
D4712	8-719-404-50	DIODE MA111-TX	
< IC >			
IC4701	6-702-716-01	IC NJW1149	
IC4702	8-759-278-58	IC NJM4558V-TE2	
IC4703	6-702-295-01	IC NJM78M12DL1A-TE1	
IC4704	8-759-190-89	IC TDA7265	
IC4705	6-702-297-01	IC NJM79M12DL1A-TE1	
< COIL >			
L4701	1-414-187-11	INDUCTOR	47µH
< TRANSISTOR >			
Q4701	8-729-422-27	TRANSISTOR 2SD601A-Q	
Q4702	8-729-422-27	TRANSISTOR 2SD601A-Q	
Q4703	8-729-422-27	TRANSISTOR 2SD601A-Q	
Q4704	8-729-216-22	TRANSISTOR 2SA1162-G	
Q4705	8-729-027-55	TRANSISTOR DTC143EKA-T146	



Les composants identifiés par une trame et une marque  $\Delta$  sont critiques pour la sécurité. Ne les remplacer que par une pièce portant le numéro spécifique.

The components identified by shading and mark  $\Delta$  are critical for safety. Replace only with part number specified.

# KF-42WE610/50WE610/60WE610

RM-Y913

RM-Y913

RM-Y913

**AU** **F**

REF. NO.	PART NO.	DESCRIPTION	REMARK		
Q4706	8-729-422-27	TRANSISTOR	2SD601A-Q		
Q4707	8-729-422-27	TRANSISTOR	2SD601A-Q		
Q4708	8-729-216-22	TRANSISTOR	2SA1162-G		
Q4709	8-729-422-27	TRANSISTOR	2SD601A-Q		
Q4710	8-729-905-35	TRANSISTOR	2SC4081-R		
Q4711	8-729-905-35	TRANSISTOR	2SC4081-R		
Q4712	8-729-905-35	TRANSISTOR	2SC4081-R		
Q4713	8-729-905-35	TRANSISTOR	2SC4081-R		
< RESISTOR >					
R4701	1-216-825-11	METAL CHIP	2.2K	5%	1/10W
R4702	1-216-825-11	METAL CHIP	2.2K	5%	1/10W
R4703	1-218-867-11	METAL CHIP	6.8K	0.5%	1/10W
R4704	1-218-867-11	METAL CHIP	6.8K	0.5%	1/10W
R4705	1-216-864-11	SHORT CHIP	0		
R4706	1-216-830-11	METAL CHIP	5.6K	5%	1/10W
R4707	1-216-836-11	METAL CHIP	18K	5%	1/10W
R4708	1-216-801-11	METAL CHIP	22	5%	1/10W
R4709	1-216-801-11	METAL CHIP	22	5%	1/10W
R4710	1-218-292-11	METAL CHIP	20K	5%	1/10W
R4711	1-218-292-11	METAL CHIP	20K	5%	1/10W
R4718	1-216-864-11	SHORT CHIP	0		
R4721	1-216-864-11	SHORT CHIP	0		
R4722	1-216-864-11	SHORT CHIP	0		
R4723	1-216-864-11	SHORT CHIP	0		
R4725	1-216-837-11	METAL CHIP	22K	5%	1/10W
R4727	1-216-845-11	METAL CHIP	100K	5%	1/10W
R4728	1-216-826-11	METAL CHIP	2.7K	5%	1/10W
R4729	1-216-841-11	METAL CHIP	47K	5%	1/10W
R4732	1-216-833-11	METAL CHIP	10K	5%	1/10W
R4733	1-216-826-11	METAL CHIP	2.7K	5%	1/10W
R4734	1-216-864-11	SHORT CHIP	0		
R4735	1-216-864-11	SHORT CHIP	0		
R4736	1-216-822-11	METAL CHIP	1.2K	5%	1/10W
R4737	1-216-833-11	METAL CHIP	10K	5%	1/10W
R4738	1-216-845-11	METAL CHIP	100K	5%	1/10W
R4739	1-216-825-11	METAL CHIP	2.2K	5%	1/10W
R4740	1-216-825-11	METAL CHIP	2.2K	5%	1/10W
R4744	1-216-841-11	METAL CHIP	47K	5%	1/10W
R4746	1-216-841-11	METAL CHIP	47K	5%	1/10W
R4747	1-216-653-11	METAL CHIP	1.2K	0.5%	1/10W
R4748	1-216-821-11	METAL CHIP	1K	5%	1/10W
R4749	1-216-688-11	METAL CHIP	36K	0.5%	1/10W
R4750	1-216-653-11	METAL CHIP	1.2K	0.5%	1/10W
R4751	1-216-688-11	METAL CHIP	36K	0.5%	1/10W
R4752	1-216-845-11	METAL CHIP	100K	5%	1/10W
R4753	1-216-833-11	METAL CHIP	10K	5%	1/10W
R4754	1-216-077-91	RES-CHIP	15K	5%	1/10W
R4755	1-216-864-11	SHORT CHIP	0		
R4756	1-216-841-11	METAL CHIP	47K	5%	1/10W
R4757	1-216-841-11	METAL CHIP	47K	5%	1/10W
R4758	1-216-834-11	METAL CHIP	12K	5%	1/10W
R4759	1-216-809-11	METAL CHIP	100	5%	1/10W
R4760	1-216-821-11	METAL CHIP	1K	5%	1/10W
R4761	1-216-821-11	METAL CHIP	1K	5%	1/10W
R4762	1-216-841-11	METAL CHIP	47K	5%	1/10W
R4763	1-216-833-11	METAL CHIP	10K	5%	1/10W
R4764	1-215-857-71	METAL OXIDE	10	5%	1W
R4765	1-215-857-71	METAL OXIDE	10	5%	1W
R4766	1-216-833-11	METAL CHIP	10K	5%	1/10W
R4768	1-216-864-11	SHORT CHIP	0		
R4771	1-216-841-11	METAL CHIP	47K	5%	1/10W
R4772	1-216-830-11	METAL CHIP	5.6K	5%	1/10W

REF. NO.	PART NO.	DESCRIPTION	REMARK		
R4773	1-216-816-11	METAL CHIP	390	5%	1/10W
R4774	1-216-864-11	SHORT CHIP	0		
R4775	1-216-822-11	METAL CHIP	1.2K	5%	1/10W
R4776	1-216-841-11	METAL CHIP	47K	5%	1/10W
R4777	1-216-848-11	METAL CHIP	180K	5%	1/10W
R4778	1-216-830-11	METAL CHIP	5.6K	5%	1/10W
R4779	1-216-816-11	METAL CHIP	390	5%	1/10W
R4780	1-216-848-11	METAL CHIP	180K	5%	1/10W
R4781	1-216-827-11	METAL CHIP	3.3K	5%	1/10W
R4782	1-216-864-11	SHORT CHIP	0		
R4783	1-216-827-11	METAL CHIP	3.3K	5%	1/10W
R4784	1-216-864-11	SHORT CHIP	0		
R4785	1-216-829-11	METAL CHIP	4.7K	5%	1/10W
R4786	1-216-829-11	METAL CHIP	4.7K	5%	1/10W
R4787	1-216-845-11	METAL CHIP	100K	5%	1/10W
R4788	1-216-845-11	METAL CHIP	100K	5%	1/10W
R4789	1-216-841-11	METAL CHIP	47K	5%	1/10W
R4790	1-216-841-11	METAL CHIP	47K	5%	1/10W
R4791	1-216-841-11	METAL CHIP	47K	5%	1/10W
R4792	1-216-841-11	METAL CHIP	47K	5%	1/10W
R4793	1-216-827-11	METAL CHIP	3.3K	5%	1/10W
R4794	1-216-827-11	METAL CHIP	3.3K	5%	1/10W
R4795	1-216-864-11	SHORT CHIP	0		
R4796	1-216-864-11	SHORT CHIP	0		
R4799	1-216-864-11	SHORT CHIP	0		
R4800	1-216-864-11	SHORT CHIP	0		
R4801	1-216-864-11	SHORT CHIP	0		
R4802	1-216-864-11	SHORT CHIP	0		
R4827	1-216-864-11	SHORT CHIP	0		
R4828	1-216-864-11	SHORT CHIP	0		
R4829	1-216-864-11	SHORT CHIP	0		
*****					
*	A-1302-273-A	F BOARD, COMPLETE			
*****					
	1-533-223-11	FUSE HOLDER		0A	0V
< CAPACITOR >					
$\Delta$	C1961	1-119-888-51	CERAMIC	2200pF	20% 250V
$\Delta$	C1962	1-119-888-51	CERAMIC	2200pF	20% 250V
$\Delta$	C1964	1-104-708-11	MYLAR	0.47 $\mu$ F	20% 250V
< CONNECTOR >					
$\Delta$	*CN1901	1-580-843-11	PIN, CONNECTOR (POWER)		
	*CN1902	1-537-711-11	TAB, FASTEN (PCB)		
	CN1906	1-695-915-11	TAB (CONTACT)		
	*CN1907	1-580-689-11	PIN, CONNECTOR (PC BOARD) 4P		
	*CN1908	1-537-711-11	TAB, FASTEN (PCB)		
< FUSE >					
$\Delta$	F1901	1-576-193-11	FUSE	6.3A	125V
< RESISTOR >					
$\Delta$	R1953	1-219-759-11	METAL	1M	5% 1/2W
$\Delta$	R1962	1-218-265-11	METAL	8.2M	5% 1W
< TRANSFORMER >					
$\Delta$	T1905	1-435-617-11	TRANSFORMER, LINE FILTER		

Les composants identifiés par une trame et une marque  $\Delta$  sont critiques pour la sécurité. Ne les remplacer que par une pièce portant le numéro spécifié.

The components identified by shading and mark  $\Delta$  are critical for safety. Replace only with part number specified.

**KF-42WE610/50WE610/60WE610**

RM-Y913

RM-Y913

RM-Y913

**F**

**G1**

REF. NO.	PART NO.	DESCRIPTION	REMARK
$\Delta$ T1906	1-435-617-11	TRANSFORMER, LINE FILTER	
*****			
*	A-1302-272-A	G1 BOARD, COMPLETE	*****
*	4-374-846-01	COVER, CAPACITOR, CAP TYPE	
	4-382-854-01	SCREW (M3X8), P, SW (+)	
< CAPACITOR >			
	C1601	1-126-967-11 ELECT	47 $\mu$ F 20% 50V
	C1602	1-162-962-11 CERAMIC CHIP	470pF 10% 50V
	C1603	1-107-652-11 ELECT	10 $\mu$ F 20% 250V
$\Delta$	C1604	1-161-830-00 CERAMIC	0.0047 $\mu$ F 99% 500V
$\Delta$	C1605	1-161-830-00 CERAMIC	0.0047 $\mu$ F 99% 500V
	C1606	1-164-361-11 CERAMIC CHIP	0.047 $\mu$ F 25V
$\Delta$	C1607	1-161-830-00 CERAMIC	0.0047 $\mu$ F 99% 500V
$\Delta$	C1608	1-161-830-00 CERAMIC	0.0047 $\mu$ F 99% 500V
	C1609	1-162-970-11 CERAMIC CHIP	0.01 $\mu$ F 10% 25V
	C1610	1-162-964-11 CERAMIC CHIP	0.001 $\mu$ F 10% 50V
$\Delta$	C1611	1-137-750-11 ELECT	1500 $\mu$ F 20% 250V
$\Delta$	C1612	1-137-750-11 ELECT	1500 $\mu$ F 20% 250V
	C1613	1-126-967-11 ELECT	47 $\mu$ F 20% 50V
	C1614	1-162-974-11 CERAMIC CHIP	0.01 $\mu$ F 50V
	C1615	1-126-967-11 ELECT	47 $\mu$ F 20% 50V
	C1616	1-119-876-11 MYLAR	0.01 $\mu$ F 10% 400V
	C1617	1-126-965-11 ELECT	22 $\mu$ F 20% 50V
	C1618	1-136-165-00 FILM	0.1 $\mu$ F 5% 50V
	C1620	1-126-960-11 ELECT	1 $\mu$ F 20% 50V
	C1621	1-126-940-11 ELECT	330 $\mu$ F 20% 25V
	C1622	1-126-961-11 ELECT	2.2 $\mu$ F 20% 50V
	C1623	1-136-479-11 FILM	0.001 $\mu$ F 2% 100V
	C1624	1-126-962-11 ELECT	3.3 $\mu$ F 20% 50V
	C1625	1-164-156-11 CERAMIC CHIP	0.1 $\mu$ F 25V
	C1626	1-126-939-11 ELECT	10000 $\mu$ F 20% 16V
	C1627	1-125-969-91 CERAMIC	680pF 10% 1KV
	C1628	1-125-969-91 CERAMIC	680pF 10% 1KV
	C1629	1-165-953-11 FILM	47000pF 3% 800V
	C1630	1-164-156-11 CERAMIC CHIP	0.1 $\mu$ F 25V
	C1631	1-162-974-11 CERAMIC CHIP	0.01 $\mu$ F 50V
	C1632	1-102-244-00 CERAMIC	220pF 10% 500V
	C1633	1-102-244-00 CERAMIC	220pF 10% 500V
	C1634	1-102-244-00 CERAMIC	220pF 10% 500V
	C1635	1-102-244-00 CERAMIC	220pF 10% 500V
	C1636	1-128-955-31 ELECT	2200 $\mu$ F 20% 25V
	C1637	1-128-955-31 ELECT	2200 $\mu$ F 20% 25V
	C1638	1-100-309-21 ELECT CHIP	22 $\mu$ F 20% 25V
	C1639	1-164-156-11 CERAMIC CHIP	0.1 $\mu$ F 25V
	C1640	1-162-970-11 CERAMIC CHIP	0.01 $\mu$ F 10% 25V
	C1641	1-128-582-11 ELECT	10 $\mu$ F 20% 100V
	C1642	1-131-976-11 ELECT	820 $\mu$ F 20% 25V
	C1643	1-131-976-11 ELECT	820 $\mu$ F 20% 25V
	C1644	1-131-976-11 ELECT	820 $\mu$ F 20% 25V
	C1646	1-165-908-11 CERAMIC CHIP	1 $\mu$ F 10% 10V
	C1647	1-165-908-11 CERAMIC CHIP	1 $\mu$ F 10% 10V
	C1649	1-115-416-11 CERAMIC CHIP	0.001 $\mu$ F 5% 25V
	C1650	1-115-416-11 CERAMIC CHIP	0.001 $\mu$ F 5% 25V
	C1651	1-165-176-11 CERAMIC CHIP	0.047 $\mu$ F 10% 16V
	C1653	1-165-681-21 ELECT CHIP	180 $\mu$ F 20% 16V
	C1654	1-126-947-11 ELECT	47 $\mu$ F 20% 35V
	C1655	1-162-970-11 CERAMIC CHIP	0.01 $\mu$ F 10% 25V
	C1656	1-162-970-11 CERAMIC CHIP	0.01 $\mu$ F 10% 25V
	C1657	1-162-964-11 CERAMIC CHIP	0.001 $\mu$ F 10% 50V

REF. NO.	PART NO.	DESCRIPTION	REMARK
	C1658	1-162-964-11 CERAMIC CHIP	0.001 $\mu$ F 10% 50V
	C1659	1-137-194-81 FILM	0.47 $\mu$ F 5% 50V
$\Delta$	C1660	1-104-708-11 MYLAR	0.47 $\mu$ F 20% 250V
	C1661	1-162-970-11 CERAMIC CHIP	0.01 $\mu$ F 10% 25V
	C1665	1-100-309-21 ELECT CHIP	22 $\mu$ F 20% 25V
	C1670	1-100-714-11 ELECT	100 $\mu$ F 20% 400V
	C1671	1-100-714-11 ELECT	100 $\mu$ F 20% 400V
	C1672	1-161-830-00 CERAMIC	0.0047 $\mu$ F 500V
	C1673	1-131-976-11 ELECT	820 $\mu$ F 20% 25V
	C1674	1-100-309-21 ELECT CHIP	22 $\mu$ F 20% 25V
	C1675	1-164-156-11 CERAMIC CHIP	0.1 $\mu$ F 25V
$\Delta$	C1676	1-161-964-91 CERAMIC	0.0047 $\mu$ F 250V
$\Delta$	C1677	1-161-964-91 CERAMIC	0.0047 $\mu$ F 250V
$\Delta$	C1678	1-161-964-91 CERAMIC	0.0047 $\mu$ F 250V
$\Delta$	C1679	1-161-964-91 CERAMIC	0.0047 $\mu$ F 250V
	C1680	1-164-156-11 CERAMIC CHIP	0.1 $\mu$ F 25V
	C1681	1-110-563-11 CERAMIC CHIP	0.068 $\mu$ F 10% 16V
	C1682	1-164-156-11 CERAMIC CHIP	0.1 $\mu$ F 25V
	C1683	1-164-156-11 CERAMIC CHIP	0.1 $\mu$ F 25V
	C1684	1-164-156-11 CERAMIC CHIP	0.1 $\mu$ F 25V
	C1685	1-100-309-21 ELECT CHIP	22 $\mu$ F 20% 25V
	C1686	1-164-156-11 CERAMIC CHIP	0.1 $\mu$ F 25V
	C1687	1-164-156-11 CERAMIC CHIP	0.1 $\mu$ F 25V
	C1688	1-164-156-11 CERAMIC CHIP	0.1 $\mu$ F 25V
	C1689	1-165-677-21 ELECT CHIP	330 $\mu$ F 20% 10V
	C1690	1-104-665-11 ELECT	100 $\mu$ F 20% 25V
	C1691	1-126-927-11 ELECT	2200 $\mu$ F 20% 10V
	C1692	1-104-665-11 ELECT	100 $\mu$ F 20% 25V
	C1693	1-126-926-11 ELECT	1000 $\mu$ F 20% 10V
	C1694	1-104-665-11 ELECT	100 $\mu$ F 20% 25V
	C1695	1-126-767-11 ELECT	1000 $\mu$ F 20% 16V
	C1696	1-126-934-11 ELECT	220 $\mu$ F 20% 16V
	C1697	1-162-970-11 CERAMIC CHIP	0.01 $\mu$ F 10% 25V
	C1698	1-162-970-11 CERAMIC CHIP	0.01 $\mu$ F 10% 25V
	C1709	1-126-942-61 ELECT	1000 $\mu$ F 20% 25V
< CONNECTOR >			
*	CN1602	1-691-960-21 PIN, CONNECTOR (PC BOARD) 3P	
*	CN1603	1-793-923-11 CONNECTOR, DIN (PLUG) 64P	
	CN1604	1-764-612-11 CONNECTOR, BOARD TO BOARD 10P	
*	CN1605	1-564-511-61 PLUG, CONNECTOR 8P	
*	CN1609	1-580-689-11 PIN, CONNECTOR (PC BOARD) 4P	
	CN1611	1-695-915-11 TAB (CONTACT)	
< DIODE >			
$\Delta$	D1601	8-719-077-76 DIODE D2SB60A-F04	
$\Delta$	D1602	8-719-022-99 DIODE D6SB60L	
	D1603	8-719-037-39 DIODE RD18SB2-T1	
	D1604	8-719-404-50 DIODE MA111-TX	
	D1605	8-719-948-45 DIODE ERA22-08	
	D1606	8-719-033-53 DIODE RD6.8SB2-T1	
	D1607	8-719-979-64 DIODE $\mu$ F4005PKG23	
	D1608	8-719-064-49 DIODE D4SBL40	
	D1609	8-719-063-73 DIODE D1NL20U-TR	
	D1610	8-719-510-48 DIODE D1N20R	
	D1612	8-719-404-50 DIODE MA111-TX	
	D1613	8-719-063-73 DIODE D1NL20U-TR	
	D1614	8-719-510-02 DIODE D1NS4	
	D1618	8-719-404-50 DIODE MA111-TX	
	D1619	8-719-037-39 DIODE RD18SB2-T1	
	D1620	8-719-064-40 DIODE DE5SC3ML-TA	

Les composants identifiés par une trame et une marque  $\Delta$  sont critiques pour la sécurité. Ne les remplacer que par une pièce portant le numéro spécifique.

The components identified by shading and mark  $\Delta$  are critical for safety. Replace only with part number specified.

**KF-42WE610/50WE610/60WE610**

RM-Y913

RM-Y913

RM-Y913

**G1**

REF. NO.	PART NO.	DESCRIPTION	REMARK
D1621	8-719-064-40	DIODE DE5SC3ML-TA	
D1622	8-719-063-73	DIODE D1NL20U-TR	
D1623	8-719-510-09	DIODE D10SC6M	
D1624	8-719-060-89	DIODE D4SBS6-F	
D1625	8-719-510-09	DIODE D10SC6M	
D1626	8-719-056-23	DIODE MA2S111-(K8).SO	
D1628	8-719-404-50	DIODE MA111-TX	
D1629	8-719-404-50	DIODE MA111-TX	
D1630	8-719-404-50	DIODE MA111-TX	
D1631	8-719-404-50	DIODE MA111-TX	
D1632	8-719-404-50	DIODE MA111-TX	
D1633	8-719-068-00	DIODE ERC04-06SE	
D1634	8-719-068-00	DIODE ERC04-06SE	
D1635	8-719-404-50	DIODE MA111-TX	
D1636	8-719-404-50	DIODE MA111-TX	
D1637	8-719-404-50	DIODE MA111-TX	
D1638	8-719-404-50	DIODE MA111-TX	
D1639	8-719-037-39	DIODE RD18SB2-T1	
D1640	8-719-404-50	DIODE MA111-TX	
D1641	8-719-158-49	DIODE RD12SB2-T1	
D1642	8-719-404-50	DIODE MA111-TX	
D1643	8-719-037-07	DIODE RD7.5SB2-T1	
D1644	8-719-063-73	DIODE D1NL20U-TR	
D1645	8-719-056-23	DIODE MA2S111-(K8).SO	
D1646	8-719-404-50	DIODE MA111-TX	
D1647	8-719-404-50	DIODE MA111-TX	
D1648	8-719-948-45	DIODE ERA22-08	
D1649	8-719-063-73	DIODE D1NL20U-TR	
< FUSE >			
$\Delta$ F1602	1-533-272-21	FUSE	4A 125V
$\Delta$ F1603	1-533-272-21	FUSE	4A 125V
< FERRITE BEAD >			
FB1601	1-414-229-11	FERRITE	0 $\mu$ H
FB1602	1-469-869-21	FERRITE	0 $\mu$ H
FB1603	1-469-869-21	FERRITE	0 $\mu$ H
< IC >			
$\Delta$ IC1601	6-703-355-01	IC MCZ3001DA	
IC1602	8-759-198-31	IC $\mu$ PC1093J-1-T	
$\Delta$ IC1603	6-704-852-01	IC MD3222N	
IC1604	6-704-852-01	IC MD3222N	
IC1606	8-759-284-06	IC PQ30RV31	
IC1607	8-759-098-24	IC PQ30RV11	
IC1608	8-759-520-49	IC PQ30RV21	
< COIL >			
L1604	1-412-537-31	INDUCTOR	100 $\mu$ H
L1605	1-412-537-31	INDUCTOR	100 $\mu$ H
L1606	1-424-789-41	INDUCTOR	10 $\mu$ H
L1607	1-412-525-31	INDUCTOR	10 $\mu$ H
L1608	1-412-525-31	INDUCTOR	10 $\mu$ H
L1609	1-424-789-41	INDUCTOR	10 $\mu$ H
L1610	1-406-974-41	INDUCTOR	33 $\mu$ H
L1611	1-406-974-41	INDUCTOR	33 $\mu$ H
L1612	1-412-537-31	INDUCTOR	100 $\mu$ H
L1616	1-406-983-11	INDUCTOR	1mH

REF. NO.	PART NO.	DESCRIPTION	REMARK
< PHOTOCOUPLER >			
$\Delta$ PH1601	8-749-924-35	PHOTOCOUPLER	ON3171-R
$\Delta$ PH1602	8-749-924-35	PHOTOCOUPLER	ON3171-R
< IC LINK >			
$\Delta$ PS1601	1-576-390-91	IC LINK	2.5A 50V
$\Delta$ PS1602	1-576-390-91	IC LINK	2.5A 50V
< TRANSISTOR >			
Q1601	8-729-046-40	TRANSISTOR	2SK2663
Q1602	8-729-422-27	TRANSISTOR	2SD601A-Q
Q1603	8-729-422-27	TRANSISTOR	2SD601A-Q
Q1604	8-729-216-22	TRANSISTOR	2SA1162-G
Q1605	8-729-422-27	TRANSISTOR	2SD601A-Q
$\Delta$ Q1606	8-729-052-32	TRANSISTOR	IRFIB7N50A-LF31
$\Delta$ Q1607	8-729-052-32	TRANSISTOR	IRFIB7N50A-LF31
< RESISTOR >			
$\Delta$ R1601	1-260-302-71	CARBON	6.8 5% 1/2W
R1603	1-216-819-11	METAL CHIP	680 5% 1/10W
R1604	1-240-205-91	METAL	22M 5% 1/2W
R1605	1-216-801-11	METAL CHIP	22 5% 1/10W
$\Delta$ R1606	1-249-389-91	CARBON	4.7 5% 1/4W
$\Delta$ R1607	1-211-795-71	FUSIBLE	470 5% 1/4W
R1608	1-216-833-11	METAL CHIP	10K 5% 1/10W
R1609	1-216-817-11	METAL CHIP	470 5% 1/10W
R1610	1-260-131-11	CARBON	470K 5% 1/2W
R1611	1-260-131-11	CARBON	470K 5% 1/2W
R1612	1-245-478-21	METAL	470K 1% 1/4W
$\Delta$ R1613	1-202-933-61	FUSIBLE	0.1 10% 1/2W
R1614	1-245-471-21	METAL	240K 1% 1/4W
$\Delta$ R1615	1-249-377-91	CARBON	0.47 5% 1/4W
R1616	1-249-393-11	CARBON	10 5% 1/4W
R1618	1-216-361-00	METAL OXIDE	0.22 5% 2W
$\Delta$ R1619	1-220-778-21	FUSIBLE	0.1 10% 1/2W
R1620	1-216-833-11	METAL CHIP	10K 5% 1/10W
R1621	1-216-829-11	METAL CHIP	4.7K 5% 1/10W
R1622	1-216-833-11	METAL CHIP	10K 5% 1/10W
R1623	1-216-821-11	METAL CHIP	1K 5% 1/10W
R1624	1-245-471-21	METAL	240K 1% 1/4W
R1625	1-245-471-21	METAL	240K 1% 1/4W
R1626	1-245-472-21	METAL	270K 1% 1/4W
R1627	1-249-403-11	CARBON	68 5% 1/4W
R1628	1-218-720-11	METAL CHIP	15K 0.5% 1/10W
R1629	1-218-715-11	METAL CHIP	9.1K 0.5% 1/10W
R1630	1-216-833-11	METAL CHIP	10K 5% 1/10W
R1631	1-216-833-11	METAL CHIP	10K 5% 1/10W
R1632	1-249-393-11	CARBON	10 5% 1/4W
R1633	1-216-833-11	METAL CHIP	10K 5% 1/10W
R1634	1-249-393-11	CARBON	10 5% 1/4W
R1635	1-216-833-11	METAL CHIP	10K 5% 1/10W
R1638	1-216-361-00	METAL OXIDE	0.22 5% 2W
R1639	1-218-730-11	METAL CHIP	39K 0.5% 1/10W
R1640	1-216-350-11	METAL OXIDE	1.2 5% 1W
R1641	1-216-821-11	METAL CHIP	1K 5% 1/10W
R1642	1-216-825-11	METAL CHIP	2.2K 5% 1/10W
R1643	1-218-712-11	METAL CHIP	6.8K 0.5% 1/10W
R1644	1-218-668-11	METAL CHIP	100 0.5% 1/10W
R1645	1-218-680-11	METAL CHIP	330 0.5% 1/10W
R1646	1-216-825-11	METAL CHIP	2.2K 5% 1/10W

Les composants identifiés par une trame et une marque  $\Delta$  sont critiques pour la sécurité. Ne les remplacer que par une pièce portant le numéro spécifié.

The components identified by shading and mark  $\Delta$  are critical for safety. Replace only with part number specified.

**KF-42WE610/50WE610/60WE610**

RM-Y913

RM-Y913

RM-Y913

**G1**

**H1**

**H2**

REF. NO.	PART NO.	DESCRIPTION	REMARK
R1647	1-216-817-11	METAL CHIP	470 5% 1/10W
R1648	1-216-841-11	METAL CHIP	47K 5% 1/10W
R1649	1-216-821-11	METAL CHIP	1K 5% 1/10W
R1650	1-218-692-11	METAL CHIP	1K 0.5% 1/10W
R1651	1-260-288-11	CARBON	0.47 5% 1/2W
$\Delta$ R1652	1-202-962-11	CEMENTED	3.3 5% 10W
$\Delta$ R1654	1-260-288-11	CARBON	0.47 5% 1/2W
$\Delta$ R1655	1-260-288-11	CARBON	0.47 5% 1/2W
R1656	1-215-904-11	METAL OXIDE	100K 5% 2W
R1657	1-215-904-11	METAL OXIDE	100K 5% 2W
R1658	1-216-845-11	METAL CHIP	100K 5% 1/10W
R1659	1-216-864-11	SHORT CHIP	0
R1660	1-218-689-11	METAL CHIP	750 0.5% 1/10W
R1661	1-218-718-11	METAL CHIP	12K 0.5% 1/10W
R1664	1-216-864-11	SHORT CHIP	0
R1665	1-216-864-11	SHORT CHIP	0
R1666	1-218-692-11	METAL CHIP	1K 0.5% 1/10W
R1671	1-216-845-11	METAL CHIP	100K 5% 1/10W
R1672	1-216-864-11	SHORT CHIP	0
R1673	1-216-864-11	SHORT CHIP	0
R1674	1-216-864-11	SHORT CHIP	0
R1675	1-216-821-11	METAL CHIP	1K 5% 1/10W
R1676	1-216-864-11	SHORT CHIP	0
R1677	1-218-680-11	METAL CHIP	330 0.5% 1/10W
R1678	1-218-692-11	METAL CHIP	1K 0.5% 1/10W
R1679	1-218-696-11	METAL CHIP	1.5K 0.5% 1/10W
R1680	1-218-684-11	METAL CHIP	470 0.5% 1/10W
R1681	1-218-700-11	METAL CHIP	2.2K 0.5% 1/10W
R1682	1-218-692-11	METAL CHIP	1K 0.5% 1/10W
R1683	1-218-692-11	METAL CHIP	1K 0.5% 1/10W
R1684	1-218-712-11	METAL CHIP	6.8K 0.5% 1/10W
R1685	1-218-742-11	METAL CHIP	120K 0.5% 1/10W
R1686	1-216-839-11	METAL CHIP	33K 5% 1/10W
R1687	1-216-833-11	METAL CHIP	10K 5% 1/10W
R1688	1-218-712-11	METAL CHIP	6.8K 0.5% 1/10W
R1689	1-216-829-11	METAL CHIP	4.7K 5% 1/10W
R1690	1-216-821-11	METAL CHIP	1K 5% 1/10W
R1700	1-216-829-11	METAL CHIP	4.7K 5% 1/10W
R1701	1-260-328-11	CARBON	1K 5% 1/2W
R1702	1-249-401-11	CARBON	47 5% 1/4W
R1706	1-216-864-11	SHORT CHIP	0
R1707	1-216-864-11	SHORT CHIP	0
R1708	1-216-864-11	SHORT CHIP	0
R1709	1-216-864-11	SHORT CHIP	0
< RELAY >			
$\Delta$ RY1601	1-755-407-11	RELAY (AC POWER)	
RY1602	1-755-407-11	RELAY (AC POWER)	
< TRANSFORMER >			
$\Delta$ T1601	1-431-852-11	TRANSFORMER, CONVERTER (SRT)	
$\Delta$ T1603	1-443-102-11	CONVERTER TRANSFORMER (PIT)	
< THERMISTOR >			
TH1601	1-803-586-41	THERMISTOR	
< VARISTOR >			
$\Delta$ VD1601	1-804-922-21	VARISTOR ERZLIOT 431CA	

REF. NO.	PART NO.	DESCRIPTION	REMARK
*	A-1405-438-A	H1 BOARD, COMPLETE	*****
< CAPACITOR >			
C171	1-162-970-11	CERAMIC CHIP	0.01 $\mu$ F 10% 25V
C172	1-164-156-11	CERAMIC CHIP	0.1 $\mu$ F 25V
C173	1-127-692-11	CERAMIC CHIP	10 $\mu$ F 10% 16V
< CONNECTOR >			
CN171	1-565-877-11	PIN, CONNECTOR (PC BOARD) 5P	
< IC >			
IC171	8-742-134-01	HYB IC SBX1981-51P	
< RESISTOR >			
R171	1-218-684-11	METAL CHIP	470 0.5% 1/10W
R172	1-218-688-11	METAL CHIP	680 0.5% 1/10W
R173	1-218-692-11	METAL CHIP	1K 0.5% 1/10W
R174	1-218-700-11	METAL CHIP	2.2K 0.5% 1/10W
R175	1-216-805-11	METAL CHIP	47 5% 1/10W
R176	1-216-837-11	METAL CHIP	22K 5% 1/10W
< SWITCH >			
S171	1-762-196-21	SWITCH, TACT (CHANNEL +)	
S172	1-762-196-21	SWITCH, TACT (CHANNEL -)	
S173	1-762-196-21	SWITCH, TACT (VOLUME +)	
S174	1-762-196-21	SWITCH, TACT (VOLUME -)	
S175	1-762-196-21	SWITCH, TACT (TV/VIDEO)	
*****			
*	A-1405-436-A	H2 BOARD, COMPLETE	*****
< CAPACITOR >			
C4501	1-164-156-11	CERAMIC CHIP	0.1 $\mu$ F 25V
C4503	1-162-974-11	CERAMIC CHIP	0.01 $\mu$ F 50V
C4505	1-162-974-11	CERAMIC CHIP	0.01 $\mu$ F 50V
C4506	1-162-974-11	CERAMIC CHIP	0.01 $\mu$ F 50V
C4507	1-162-974-11	CERAMIC CHIP	0.01 $\mu$ F 50V
C4508	1-162-974-11	CERAMIC CHIP	0.01 $\mu$ F 50V
< CONNECTOR >			
CN4502	1-565-880-11	PIN, CONNECTOR (PC BOARD) 8P	
< DIODE >			
D4503	8-719-053-43	DIODE SLR-325VCT31	
D4504	8-719-064-11	DIODE SPR-325MVW	
D4510	8-719-053-43	DIODE SLR-325VCT31	
< TRANSISTOR >			
Q4503	8-729-422-27	TRANSISTOR 2SD601A-Q	
Q4504	8-729-422-27	TRANSISTOR 2SD601A-Q	
Q4508	1-801-806-11	TRANSISTOR DTC144EKA	
Q4509	1-801-806-11	TRANSISTOR DTC144EKA	
Q4510	8-729-027-23	TRANSISTOR DTA114EKA-T146	

\*\*\*\*\*

RM-Y913

RM-Y913

RM-Y913

**H2**

**H3**

**HM**

REF. NO.	PART NO.	DESCRIPTION	REMARK		
Q4511	8-729-027-23	TRANSISTOR DTA114EKA-T146			
		< RESISTOR >			
R4502	1-216-815-11	METAL CHIP	330	5%	1/10W
R4506	1-216-833-11	METAL CHIP	10K	5%	1/10W
R4509	1-216-815-11	METAL CHIP	330	5%	1/10W
R4512	1-216-815-11	METAL CHIP	330	5%	1/10W
R4513	1-216-833-11	METAL CHIP	10K	5%	1/10W
R4514	1-216-864-11	SHORT CHIP	0		
R4515	1-216-864-11	SHORT CHIP	0		
R4516	1-216-815-11	METAL CHIP	330	5%	1/10W
R4517	1-216-833-11	METAL CHIP	10K	5%	1/10W
R4518	1-216-833-11	METAL CHIP	10K	5%	1/10W
		< SWITCH >			
S4501	1-572-198-11	SWITCH, KEYBOARD (POWER)			
*****					
*	A-1405-433-A	H3 BOARD, COMPLETE	*****		
		< CAPACITOR >			
C44	1-162-915-11	CERAMIC CHIP	10pF	0.50pF	50V
C45	1-162-915-11	CERAMIC CHIP	10pF	0.50pF	50V
C50	1-126-964-11	ELECT	10μF	20%	50V
C51	1-126-964-11	ELECT	10μF	20%	50V
C52	1-126-964-11	ELECT	10μF	20%	50V
C53	1-126-964-11	ELECT	10μF	20%	50V
C58	1-126-933-11	ELECT	100μF	20%	16V
C59	1-164-156-11	CERAMIC CHIP	0.1μF		25V
C70	1-162-974-11	CERAMIC CHIP	0.01μF		50V
C72	1-115-156-11	CERAMIC CHIP	1μF		10V
C77	1-162-970-11	CERAMIC CHIP	0.01μF	10%	25V
		< CONNECTOR >			
CN43	1-564-528-11	PLUG, CONNECTOR 13P			
* CN44	1-564-519-11	PLUG, CONNECTOR 4P			
CN45	1-695-915-11	TAB (CONTACT)			
		< DIODE >			
D40	8-719-977-28	DIODE DTZ10B			
D49	8-719-977-28	DIODE DTZ10B			
D50	8-719-977-28	DIODE DTZ10B			
D51	8-719-977-28	DIODE DTZ10B			
D52	8-719-977-28	DIODE DTZ10B			
		< IC >			
IC41	8-759-442-07	IC LM75CIMX-5			
		< JACK >			
J40	1-770-053-12	TERMINAL BLOCK, S (LIGHT ANGLE) (VIDEO 2 IN)			
		< RESISTOR >			
R41	1-216-864-11	SHORT CHIP	0		

REF. NO.	PART NO.	DESCRIPTION	REMARK		
R42	1-216-864-11	SHORT CHIP	0		
R43	1-216-864-11	SHORT CHIP	0		
R44	1-216-864-11	SHORT CHIP	0		
R45	1-216-864-11	SHORT CHIP	0		
R46	1-216-849-11	METAL CHIP	220K	5%	1/10W
R47	1-216-849-11	METAL CHIP	220K	5%	1/10W
R48	1-218-665-11	METAL CHIP	75	0.5%	1/10W
R49	1-216-801-11	METAL CHIP	22	5%	1/10W
R50	1-218-665-11	METAL CHIP	75	0.5%	1/10W
R51	1-216-801-11	METAL CHIP	22	5%	1/10W
R54	1-216-864-11	SHORT CHIP	0		
R55	1-216-864-11	SHORT CHIP	0		
R57	1-216-864-11	SHORT CHIP	0		
R75	1-216-821-11	METAL CHIP	1K	5%	1/10W
R89	1-218-665-11	METAL CHIP	75	0.5%	1/10W
		< VARISTOR >			
VD40	1-803-974-21	VARISTOR, CHIP (1608)			
*****					
*	A-1302-276-A	HM BOARD, COMPLETE	*****		
		< CAPACITOR >			
C1301	1-164-156-11	CERAMIC CHIP	0.1μF		25V
C1302	1-163-021-91	CERAMIC CHIP	0.01μF	10%	50V
C1305	1-107-826-11	CERAMIC CHIP	0.1μF	10%	16V
C1308	1-162-970-11	CERAMIC CHIP	0.01μF	10%	25V
C1309	1-107-826-11	CERAMIC CHIP	0.1μF	10%	16V
C1310	1-126-390-11	ELECT CHIP	22μF	20%	6.3V
C1311	1-137-710-11	CERAMIC CHIP	10μF	20%	6.3V
		< CONNECTOR >			
*CN1301	1-793-807-21	PIN, CONNECTOR (WITH PWB) 20P			
*CN1303	1-564-507-11	PLUG, CONNECTOR 4P			
*CN1304	1-816-402-12	CONNECTOR, MEMORY STICK			
		< DIODE >			
D1301	8-719-024-77	DIODE HN1D03FU-TE85R			
D1303	8-719-024-77	DIODE HN1D03FU-TE85R			
D1305	8-719-024-77	DIODE HN1D03FU-TE85R			
D1307	8-719-024-77	DIODE HN1D03FU-TE85R			
D1309	8-719-024-77	DIODE HN1D03FU-TE85R			
D1311	6-500-348-01	DIODE KPA-3010ID-GEC			
D1313	8-719-024-77	DIODE HN1D03FU-TE85R			
D1315	8-719-024-77	DIODE HN1D03FU-TE85R			
D1316	8-719-158-02	DIODE RD3.9SB2			
		< FERRITE BEAD >			
FB1301	1-414-921-11	FERRITE	0μH		
FB1303	1-469-152-11	FERRITE	0μH		
FB1304	1-469-152-11	FERRITE	0μH		
		< IC >			
IC1301	6-702-952-01	IC SN65LVDT14PWR			
IC1303	8-759-698-08	IC SN74CBTLV1G125DCKR			



REF. NO.	PART NO.	DESCRIPTION	REMARK
		< COIL >	
L1302	1-469-555-21	INDUCTOR 10μH	
		< TRANSISTOR >	
Q1301	8-729-140-63	TRANSISTOR 2SA1611T1-M5M6	
Q1302	8-729-029-14	TRANSISTOR DTC144EUA-T106	
Q1304	8-729-216-22	TRANSISTOR 2SA1162-G	
		< RESISTOR >	
R1303	1-216-864-11	SHORT CHIP 0	
R1305	1-216-864-11	SHORT CHIP 0	
R1307	1-216-864-11	SHORT CHIP 0	
R1309	1-216-864-11	SHORT CHIP 0	
R1311	1-216-864-11	SHORT CHIP 0	
R1315	1-216-864-11	SHORT CHIP 0	
R1317	1-216-864-11	SHORT CHIP 0	
R1321	1-216-864-11	SHORT CHIP 0	
R1323	1-216-864-11	SHORT CHIP 0	
R1325	1-216-864-11	SHORT CHIP 0	
R1327	1-216-809-11	METAL CHIP 100 5% 1/10W	
R1328	1-216-821-11	METAL CHIP 1K 5% 1/10W	
R1329	1-216-833-11	METAL CHIP 10K 5% 1/10W	
R1330	1-216-801-11	METAL CHIP 22 5% 1/10W	
R1331	1-216-801-11	METAL CHIP 22 5% 1/10W	
R1332	1-218-692-11	METAL CHIP 1K 0.5% 1/10W	
R1333	1-216-801-11	METAL CHIP 22 5% 1/10W	
R1336	1-216-845-11	METAL CHIP 100K 5% 1/10W	
R1337	1-218-871-11	METAL CHIP 10K 0.5% 1/10W	
R1340	1-216-837-11	METAL CHIP 22K 5% 1/10W	
*****			
*	A-1405-434-A	T BOARD, COMPLETE *****	
		< CONNECTOR >	
*CN3999	1-564-518-11	PLUG, CONNECTOR 3P	
		< SWITCH >	
S3999	1-570-245-11	SWITCH, MICRO (DOOR)	
*****			
*	A-1302-270-A	U BOARD, COMPLETE *****	
		< CAPACITOR >	
C9401	1-162-974-11	CERAMIC CHIP 0.01μF 50V	
C9402	1-164-346-11	CERAMIC CHIP 1μF 16V	
C9403	1-164-346-11	CERAMIC CHIP 1μF 16V	
C9404	1-107-714-11	ELECT 10μF 20% 50V	
C9405	1-107-714-11	ELECT 10μF 20% 50V	
C9407	1-126-933-11	ELECT 100μF 20% 16V	
C9410	1-162-966-11	CERAMIC CHIP 0.0022μF 10% 50V	
C9411	1-162-966-11	CERAMIC CHIP 0.0022μF 10% 50V	
C9412	1-126-964-11	ELECT 10μF 20% 50V	
C9413	1-125-837-91	CERAMIC CHIP 1μF 10% 6.3V	
C9414	1-125-837-91	CERAMIC CHIP 1μF 10% 6.3V	
C9415	1-162-966-11	CERAMIC CHIP 0.0022μF 10% 50V	
C9416	1-126-964-11	ELECT 10μF 20% 50V	

REF. NO.	PART NO.	DESCRIPTION	REMARK
C9417	1-162-966-11	CERAMIC CHIP 0.0022μF 10% 50V	
C9418	1-125-837-91	CERAMIC CHIP 1μF 10% 6.3V	
C9419	1-162-966-11	CERAMIC CHIP 0.0022μF 10% 50V	
C9420	1-162-966-11	CERAMIC CHIP 0.0022μF 10% 50V	
C9421	1-162-966-11	CERAMIC CHIP 0.0022μF 10% 50V	
C9422	1-162-966-11	CERAMIC CHIP 0.0022μF 10% 50V	
C9424	1-162-966-11	CERAMIC CHIP 0.0022μF 10% 50V	
C9425	1-162-966-11	CERAMIC CHIP 0.0022μF 10% 50V	
C9426	1-126-933-11	ELECT 100μF 20% 16V	
C9429	1-162-966-11	CERAMIC CHIP 0.0022μF 10% 50V	
C9430	1-162-966-11	CERAMIC CHIP 0.0022μF 10% 50V	
C9432	1-162-966-11	CERAMIC CHIP 0.0022μF 10% 50V	
C9433	1-162-966-11	CERAMIC CHIP 0.0022μF 10% 50V	
C9434	1-126-963-11	ELECT 4.7μF 20% 50V	
C9435	1-126-964-11	ELECT 10μF 20% 50V	
C9436	1-126-964-11	ELECT 10μF 20% 50V	
C9437	1-126-964-11	ELECT 10μF 20% 50V	
C9438	1-126-964-11	ELECT 10μF 20% 50V	
C9440	1-126-959-11	ELECT 0.47μF 20% 50V	
C9441	1-126-963-11	ELECT 4.7μF 20% 50V	
C9442	1-126-964-11	ELECT 10μF 20% 50V	
C9443	1-126-959-11	ELECT 0.47μF 20% 50V	
C9444	1-126-964-11	ELECT 10μF 20% 50V	
C9445	1-126-963-11	ELECT 4.7μF 20% 50V	
C9448	1-162-970-11	CERAMIC CHIP 0.01μF 10% 25V	
C9449	1-126-964-11	ELECT 10μF 20% 50V	
C9450	1-126-964-11	ELECT 10μF 20% 50V	
C9451	1-126-963-11	ELECT 4.7μF 20% 50V	
C9453	1-162-970-11	CERAMIC CHIP 0.01μF 10% 25V	
C9454	1-126-963-11	ELECT 4.7μF 20% 50V	
C9455	1-126-964-11	ELECT 10μF 20% 50V	
C9456	1-126-964-11	ELECT 10μF 20% 50V	
C9457	1-127-715-91	CERAMIC CHIP 0.22μF 10% 16V	
C9458	1-126-963-11	ELECT 4.7μF 20% 50V	
C9459	1-107-714-11	ELECT 10μF 20% 50V	
C9460	1-107-714-11	ELECT 10μF 20% 50V	
C9461	1-126-964-11	ELECT 10μF 20% 50V	
C9462	1-126-933-11	ELECT 100μF 20% 16V	
C9463	1-107-714-11	ELECT 10μF 20% 50V	
C9464	1-107-714-11	ELECT 10μF 20% 50V	
C9465	1-126-964-11	ELECT 10μF 20% 50V	
C9466	1-107-826-11	CERAMIC CHIP 0.1μF 10% 16V	
C9467	1-164-360-11	CERAMIC CHIP 0.1μF 16V	
C9468	1-126-964-11	ELECT 10μF 20% 50V	
C9469	1-126-933-11	ELECT 100μF 20% 16V	
C9470	1-164-230-11	CERAMIC CHIP 220pF 5% 50V	
C9471	1-164-230-11	CERAMIC CHIP 220pF 5% 50V	
C9472	1-127-573-11	CERAMIC CHIP 1μF 10% 16V	
C9473	1-127-573-11	CERAMIC CHIP 1μF 10% 16V	
C9474	1-126-964-11	ELECT 10μF 20% 50V	
C9475	1-126-964-11	ELECT 10μF 20% 50V	
C9476	1-126-934-11	ELECT 220μF 20% 16V	
C9482	1-126-964-11	ELECT 10μF 20% 50V	
C9484	1-127-573-11	CERAMIC CHIP 1μF 10% 16V	
C9485	1-126-964-11	ELECT 10μF 20% 50V	
C9486	1-126-964-11	ELECT 10μF 20% 50V	
C9487	1-127-573-11	CERAMIC CHIP 1μF 10% 16V	
C9488	1-125-837-91	CERAMIC CHIP 1μF 10% 6.3V	
C9489	1-125-837-91	CERAMIC CHIP 1μF 10% 6.3V	
C9490	1-107-714-11	ELECT 10μF 20% 50V	
C9491	1-107-714-11	ELECT 10μF 20% 50V	
C9494	1-126-963-11	ELECT 4.7μF 20% 50V	
C9495	1-162-970-11	CERAMIC CHIP 0.01μF 10% 25V	



REF. NO.	PART NO.	DESCRIPTION	REMARK
C9496	1-126-959-11	ELECT	0.47µF 20% 50V
C9499	1-107-714-11	ELECT	10µF 20% 50V
C9500	1-107-714-11	ELECT	10µF 20% 50V
C9518	1-125-837-91	CERAMIC CHIP	1µF 10% 6.3V
C9519	1-164-156-11	CERAMIC CHIP	0.1µF 25V
C9520	1-125-891-11	CERAMIC CHIP	0.47µF 10% 10V
C9521	1-125-891-11	CERAMIC CHIP	0.47µF 10% 10V
C9522	1-126-964-11	ELECT	10µF 20% 50V
C9523	1-126-964-11	ELECT	10µF 20% 50V
C9524	1-125-891-11	CERAMIC CHIP	0.47µF 10% 10V
C9525	1-125-891-11	CERAMIC CHIP	0.47µF 10% 10V
C9526	1-109-982-11	CERAMIC CHIP	1µF 10% 10V
C9527	1-126-935-11	ELECT	470µF 20% 16V
C9528	1-164-156-11	CERAMIC CHIP	0.1µF 25V
C9529	1-125-891-11	CERAMIC CHIP	0.47µF 10% 10V
C9530	1-125-891-11	CERAMIC CHIP	0.47µF 10% 10V
C9531	1-126-964-11	ELECT	10µF 20% 50V
C9532	1-125-891-11	CERAMIC CHIP	0.47µF 10% 10V
C9533	1-125-891-11	CERAMIC CHIP	0.47µF 10% 10V
C9534	1-125-891-11	CERAMIC CHIP	0.47µF 10% 10V
C9535	1-125-891-11	CERAMIC CHIP	0.47µF 10% 10V
C9536	1-126-964-11	ELECT	10µF 20% 50V
C9537	1-125-891-11	CERAMIC CHIP	0.47µF 10% 10V
C9538	1-125-891-11	CERAMIC CHIP	0.47µF 10% 10V
C9539	1-164-156-11	CERAMIC CHIP	0.1µF 25V
C9540	1-107-826-11	CERAMIC CHIP	0.1µF 10% 16V
C9541	1-162-970-11	CERAMIC CHIP	0.01µF 10% 25V
C9542	1-125-837-91	CERAMIC CHIP	1µF 10% 6.3V
C9544	1-107-826-11	CERAMIC CHIP	0.1µF 10% 16V
C9545	1-126-964-11	ELECT	10µF 20% 50V
C9546	1-126-964-11	ELECT	10µF 20% 50V
C9547	1-126-964-11	ELECT	10µF 20% 50V
C9548	1-126-964-11	ELECT	10µF 20% 50V
C9549	1-164-360-11	CERAMIC CHIP	0.1µF 16V
C9550	1-126-964-11	ELECT	10µF 20% 50V
C9551	1-126-964-11	ELECT	10µF 20% 50V
C9552	1-126-964-11	ELECT	10µF 20% 50V
C9553	1-125-891-11	CERAMIC CHIP	0.47µF 10% 10V
C9554	1-125-891-11	CERAMIC CHIP	0.47µF 10% 10V
C9555	1-125-891-11	CERAMIC CHIP	0.47µF 10% 10V
C9556	1-125-891-11	CERAMIC CHIP	0.47µF 10% 10V
C9557	1-107-714-11	ELECT	10µF 20% 50V
C9558	1-107-714-11	ELECT	10µF 20% 50V
C9561	1-126-933-11	ELECT	100µF 20% 16V
C9564	1-107-826-11	CERAMIC CHIP	0.1µF 10% 16V
< CONNECTOR >			
CN9400	1-564-528-11	PLUG, CONNECTOR 13P	
*CN9401	1-793-923-11	CONNECTOR, DIN (PLUG) 64P	
*CN9402	1-564-524-11	PLUG, CONNECTOR 9P	
*CN9404	1-564-519-11	PLUG, CONNECTOR 4P	
*CN9405	1-564-521-11	PLUG, CONNECTOR 6P	
*CN9406	1-564-520-11	PLUG, CONNECTOR 5P	
< DIODE >			
D9400	8-719-081-97	DIODE MMDL914T1	
D9401	8-719-081-97	DIODE MMDL914T1	
D9416	8-719-977-28	DIODE DTZ10B	
D9425	8-719-977-28	DIODE DTZ10B	
D9430	8-719-041-97	DIODE MA113-(TX)	
D9431	8-719-081-97	DIODE MMDL914T1	

REF. NO.	PART NO.	DESCRIPTION	REMARK
D9432	8-719-041-97	DIODE MA113-(TX)	
D9433	8-719-977-28	DIODE DTZ10B	
D9434	8-719-050-37	DIODE M1MA152WA-T1	
D9435	8-719-914-43	DIODE DAN202K	
D9438	8-719-977-28	DIODE DTZ10B	
D9440	8-719-977-28	DIODE DTZ10B	
D9441	8-719-977-28	DIODE DTZ10B	
D9445	8-719-977-28	DIODE DTZ10B	
D9446	8-719-977-28	DIODE DTZ10B	
< FERRITE BEAD >			
FB9400	1-414-228-11	FERRITE	0µH
< FILTER >			
FL9400	1-400-087-21	FILTER, EMI REMOVAL (SMD)	
< IC >			
IC9400	8-752-080-04	IC CXA2069Q	
IC9401	8-752-080-04	IC CXA2069Q	
IC9402	8-752-108-36	IC CXA2171AQ-T6	
IC9403	8-759-278-58	IC NJM4558V-TE2	
IC9404	8-759-548-56	IC M52055FP	
IC9405	8-759-278-58	IC NJM4558V-TE2	
< JACK >			
J9400	1-815-015-11	JACK BLOCK, PIN (HD/DVD IN 6)	
J9401	1-573-967-12	BLOCK, (S) TERMINAL (VIDEO IN 1/3)	
J9402	1-815-015-11	JACK BLOCK, PIN (HD/DVD IN 5)	
J9404	1-764-143-11	JACK (CONTROL S IN)	
J9408	1-793-725-11	JACK BLOCK, PIN 2P (AUDIO OUT (VAR/FIX))	
J9409	1-774-748-11	TERMINAL BLOCK, S (VIDEO IN 4)	
J9410	1-764-143-11	JACK (CONTROL S OUT)	
< COIL >			
L9401	1-469-856-21	INDUCTOR	10µH
L9402	1-469-856-21	INDUCTOR	10µH
L9403	1-412-058-11	INDUCTOR	10µH
L9404	1-469-856-21	INDUCTOR	10µH
< TRANSISTOR >			
Q9400	8-729-026-53	TRANSISTOR 2SA1576A-T106-QR	
Q9401	8-729-026-53	TRANSISTOR 2SA1576A-T106-QR	
Q9402	8-729-026-53	TRANSISTOR 2SA1576A-T106-QR	
Q9403	8-729-026-53	TRANSISTOR 2SA1576A-T106-QR	
Q9404	8-729-905-35	TRANSISTOR 2SC4081-R	
Q9405	8-729-905-35	TRANSISTOR 2SC4081-R	
Q9406	8-729-905-35	TRANSISTOR 2SC4081-R	
Q9407	8-729-905-35	TRANSISTOR 2SC4081-R	
Q9408	8-729-026-53	TRANSISTOR 2SA1576A-T106-QR	
Q9409	8-729-905-35	TRANSISTOR 2SC4081-R	
Q9410	8-729-905-35	TRANSISTOR 2SC4081-R	
Q9411	8-729-026-53	TRANSISTOR 2SA1576A-T106-QR	
Q9412	8-729-026-53	TRANSISTOR 2SA1576A-T106-QR	
Q9413	8-729-026-53	TRANSISTOR 2SA1576A-T106-QR	
Q9414	8-729-026-53	TRANSISTOR 2SA1576A-T106-QR	
Q9415	8-729-026-53	TRANSISTOR 2SA1576A-T106-QR	
Q9416	8-729-907-00	TRANSISTOR DTC114EU	



REF. NO.	PART NO.	DESCRIPTION	REMARK	REF. NO.	PART NO.	DESCRIPTION	REMARK
Q9417	8-729-907-00	TRANSISTOR DTC114EU		R9451	1-216-821-11	METAL CHIP	1K 5% 1/10W
Q9418	8-729-026-53	TRANSISTOR 2SA1576A-T106-QR		R9452	1-216-821-11	METAL CHIP	1K 5% 1/10W
Q9419	8-729-905-35	TRANSISTOR 2SC4081-R		R9453	1-216-809-11	METAL CHIP	100 5% 1/10W
Q9420	8-729-907-00	TRANSISTOR DTC114EU		R9454	1-216-825-11	METAL CHIP	2.2K 5% 1/10W
Q9421	8-729-026-53	TRANSISTOR 2SA1576A-T106-QR		R9455	1-216-809-11	METAL CHIP	100 5% 1/10W
Q9422	8-729-905-35	TRANSISTOR 2SC4081-R		R9456	1-216-825-11	METAL CHIP	2.2K 5% 1/10W
Q9423	8-729-905-35	TRANSISTOR 2SC4081-R		R9457	1-216-809-11	METAL CHIP	100 5% 1/10W
Q9424	8-729-026-53	TRANSISTOR 2SA1576A-T106-QR		R9458	1-216-821-11	METAL CHIP	1K 5% 1/10W
Q9425	8-729-026-53	TRANSISTOR 2SA1576A-T106-QR		R9459	1-216-821-11	METAL CHIP	1K 5% 1/10W
Q9426	8-729-905-35	TRANSISTOR 2SC4081-R		R9462	1-218-676-11	METAL CHIP	220 0.5% 1/10W
Q9427	8-729-905-35	TRANSISTOR 2SC4081-R		R9463	1-218-676-11	METAL CHIP	220 0.5% 1/10W
Q9428	8-729-905-35	TRANSISTOR 2SC4081-R		R9464	1-218-676-11	METAL CHIP	220 0.5% 1/10W
		< RESISTOR >		R9465	1-218-676-11	METAL CHIP	220 0.5% 1/10W
R9400	1-216-295-91	SHORT CHIP	0	R9466	1-218-676-11	METAL CHIP	220 0.5% 1/10W
R9403	1-216-295-91	SHORT CHIP	0	R9467	1-216-849-11	METAL CHIP	220K 5% 1/10W
R9404	1-216-809-11	METAL CHIP	100 5%	R9468	1-216-849-11	METAL CHIP	220K 5% 1/10W
R9405	1-216-809-11	METAL CHIP	100 5%	R9469	1-218-665-11	METAL CHIP	75 0.5% 1/10W
R9406	1-216-821-11	METAL CHIP	1K 5%	R9470	1-218-676-11	METAL CHIP	220 0.5% 1/10W
R9407	1-216-821-11	METAL CHIP	1K 5%	R9471	1-216-849-11	METAL CHIP	220K 5% 1/10W
R9408	1-216-805-11	METAL CHIP	47 5%	R9472	1-216-849-11	METAL CHIP	220K 5% 1/10W
R9409	1-216-805-11	METAL CHIP	47 5%	R9473	1-218-676-11	METAL CHIP	220 0.5% 1/10W
R9410	1-218-692-11	METAL CHIP	1K 0.5%	R9474	1-218-676-11	METAL CHIP	220 0.5% 1/10W
R9411	1-218-692-11	METAL CHIP	1K 0.5%	R9475	1-218-676-11	METAL CHIP	220 0.5% 1/10W
R9412	1-216-825-11	METAL CHIP	2.2K 5%	R9476	1-218-676-11	METAL CHIP	220 0.5% 1/10W
R9413	1-216-825-11	METAL CHIP	2.2K 5%	R9477	1-218-676-11	METAL CHIP	220 0.5% 1/10W
R9414	1-218-695-11	METAL CHIP	1.3K 0.5%	R9478	1-218-676-11	METAL CHIP	220 0.5% 1/10W
R9415	1-216-821-11	METAL CHIP	1K 5%	R9479	1-216-849-11	METAL CHIP	220K 5% 1/10W
R9416	1-218-695-11	METAL CHIP	1.3K 0.5%	R9480	1-216-849-11	METAL CHIP	220K 5% 1/10W
R9417	1-216-825-11	METAL CHIP	2.2K 5%	R9481	1-218-665-11	METAL CHIP	75 0.5% 1/10W
R9418	1-216-809-11	METAL CHIP	100 5%	R9482	1-218-665-11	METAL CHIP	75 0.5% 1/10W
R9419	1-216-821-11	METAL CHIP	1K 5%	R9483	1-218-665-11	METAL CHIP	75 0.5% 1/10W
R9420	1-216-825-11	METAL CHIP	2.2K 5%	R9484	1-216-849-11	METAL CHIP	220K 5% 1/10W
R9421	1-216-825-11	METAL CHIP	2.2K 5%	R9485	1-216-849-11	METAL CHIP	220K 5% 1/10W
R9422	1-216-809-11	METAL CHIP	100 5%	R9486	1-218-665-11	METAL CHIP	75 0.5% 1/10W
R9423	1-216-825-11	METAL CHIP	2.2K 5%	R9487	1-218-665-11	METAL CHIP	75 0.5% 1/10W
R9424	1-216-809-11	METAL CHIP	100 5%	R9488	1-218-665-11	METAL CHIP	75 0.5% 1/10W
R9425	1-216-809-11	METAL CHIP	100 5%	R9489	1-218-676-11	METAL CHIP	220 0.5% 1/10W
R9426	1-216-825-11	METAL CHIP	2.2K 5%	R9490	1-218-676-11	METAL CHIP	220 0.5% 1/10W
R9427	1-216-809-11	METAL CHIP	100 5%	R9491	1-218-676-11	METAL CHIP	220 0.5% 1/10W
R9428	1-216-809-11	METAL CHIP	100 5%	R9492	1-218-676-11	METAL CHIP	220 0.5% 1/10W
R9429	1-216-864-11	SHORT CHIP	0	R9493	1-218-676-11	METAL CHIP	220 0.5% 1/10W
R9430	1-216-825-11	METAL CHIP	2.2K 5%	R9494	1-218-676-11	METAL CHIP	220 0.5% 1/10W
R9431	1-216-825-11	METAL CHIP	2.2K 5%	R9495	1-216-849-11	METAL CHIP	220K 5% 1/10W
R9432	1-216-825-11	METAL CHIP	2.2K 5%	R9496	1-216-849-11	METAL CHIP	220K 5% 1/10W
R9433	1-216-809-11	METAL CHIP	100 5%	R9497	1-216-838-11	METAL CHIP	27K 5% 1/10W
R9434	1-216-864-11	SHORT CHIP	0	R9498	1-216-864-11	SHORT CHIP	0
R9435	1-216-809-11	METAL CHIP	100 5%	R9499	1-216-864-11	SHORT CHIP	0
R9436	1-216-821-11	METAL CHIP	1K 5%	R9500	1-216-836-11	METAL CHIP	18K 5% 1/10W
R9437	1-216-809-11	METAL CHIP	100 5%	R9501	1-216-833-11	METAL CHIP	10K 5% 1/10W
R9438	1-216-821-11	METAL CHIP	1K 5%	R9502	1-216-841-11	METAL CHIP	47K 5% 1/10W
R9439	1-216-809-11	METAL CHIP	100 5%	R9503	1-216-864-11	SHORT CHIP	0
R9440	1-216-821-11	METAL CHIP	1K 5%	R9504	1-216-837-11	METAL CHIP	22K 5% 1/10W
R9441	1-216-821-11	METAL CHIP	1K 5%	R9505	1-216-825-11	METAL CHIP	2.2K 5% 1/10W
R9442	1-216-809-11	METAL CHIP	100 5%	R9506	1-216-825-11	METAL CHIP	2.2K 5% 1/10W
R9443	1-216-825-11	METAL CHIP	2.2K 5%	R9507	1-216-857-11	METAL CHIP	1M 5% 1/10W
R9444	1-216-809-11	METAL CHIP	100 5%	R9508	1-216-827-11	METAL CHIP	3.3K 5% 1/10W
R9445	1-216-825-11	METAL CHIP	2.2K 5%	R9509	1-218-867-11	METAL CHIP	6.8K 0.5% 1/10W
R9446	1-216-801-11	METAL CHIP	22 5%	R9510	1-216-825-11	METAL CHIP	2.2K 5% 1/10W
R9447	1-216-809-11	METAL CHIP	100 5%	R9511	1-216-821-11	METAL CHIP	1K 5% 1/10W
R9448	1-216-801-11	METAL CHIP	22 5%	R9512	1-216-825-11	METAL CHIP	2.2K 5% 1/10W
R9449	1-216-825-11	METAL CHIP	2.2K 5%	R9513	1-216-837-11	METAL CHIP	22K 5% 1/10W
R9450	1-216-825-11	METAL CHIP	2.2K 5%	R9514	1-216-837-11	METAL CHIP	22K 5% 1/10W
				R9515	1-216-809-11	METAL CHIP	100 5% 1/10W





REF. NO.	PART NO.	DESCRIPTION	REMARK	REF. NO.	PART NO.	DESCRIPTION	REMARK
R9516	1-216-809-11	METAL CHIP	100 5% 1/10W	R9579	1-216-864-11	SHORT CHIP	0
R9517	1-216-827-11	METAL CHIP	3.3K 5% 1/10W	R9580	1-216-864-11	SHORT CHIP	0
R9518	1-216-827-11	METAL CHIP	3.3K 5% 1/10W	R9581	1-216-864-11	SHORT CHIP	0
R9519	1-216-809-11	METAL CHIP	100 5% 1/10W	R9582	1-216-864-11	SHORT CHIP	0
R9520	1-216-295-91	SHORT CHIP	0	R9583	1-216-864-11	SHORT CHIP	0
R9521	1-216-809-11	METAL CHIP	100 5% 1/10W	R9584	1-216-864-11	SHORT CHIP	0
R9522	1-216-825-11	METAL CHIP	2.2K 5% 1/10W	R9585	1-216-864-11	SHORT CHIP	0
R9523	1-216-809-11	METAL CHIP	100 5% 1/10W	R9587	1-216-864-11	SHORT CHIP	0
R9524	1-216-825-11	METAL CHIP	2.2K 5% 1/10W	R9588	1-216-864-11	SHORT CHIP	0
R9525	1-216-801-11	METAL CHIP	22 5% 1/10W	R9589	1-216-864-11	SHORT CHIP	0
R9526	1-216-853-11	METAL CHIP	470K 5% 1/10W	R9590	1-216-864-11	SHORT CHIP	0
R9527	1-216-853-11	METAL CHIP	470K 5% 1/10W	R9591	1-216-864-11	SHORT CHIP	0
R9528	1-216-801-11	METAL CHIP	22 5% 1/10W	R9592	1-216-864-11	SHORT CHIP	0
R9529	1-216-821-11	METAL CHIP	1K 5% 1/10W	R9593	1-216-864-11	SHORT CHIP	0
R9530	1-218-685-11	METAL CHIP	510 0.5% 1/10W	R9594	1-216-864-11	SHORT CHIP	0
R9531	1-216-825-11	METAL CHIP	2.2K 5% 1/10W	R9595	1-216-864-11	SHORT CHIP	0
R9532	1-216-825-11	METAL CHIP	2.2K 5% 1/10W	R9596	1-216-864-11	SHORT CHIP	0
R9533	1-218-684-11	METAL CHIP	470 0.5% 1/10W	R9597	1-216-864-11	SHORT CHIP	0
R9534	1-216-821-11	METAL CHIP	1K 5% 1/10W	R9598	1-216-864-11	SHORT CHIP	0
R9535	1-218-685-11	METAL CHIP	510 0.5% 1/10W	R9599	1-216-864-11	SHORT CHIP	0
R9536	1-218-684-11	METAL CHIP	470 0.5% 1/10W	R9600	1-216-809-11	METAL CHIP	100 5% 1/10W
R9537	1-216-809-11	METAL CHIP	100 5% 1/10W	R9601	1-216-809-11	METAL CHIP	100 5% 1/10W
R9538	1-218-684-11	METAL CHIP	470 0.5% 1/10W	R9602	1-216-809-11	METAL CHIP	100 5% 1/10W
R9539	1-216-809-11	METAL CHIP	100 5% 1/10W	R9608	1-216-809-11	METAL CHIP	100 5% 1/10W
R9540	1-218-684-11	METAL CHIP	470 0.5% 1/10W	R9609	1-216-809-11	METAL CHIP	100 5% 1/10W
R9541	1-216-809-11	METAL CHIP	100 5% 1/10W	R9610	1-216-809-11	METAL CHIP	100 5% 1/10W
R9542	1-216-864-11	SHORT CHIP	0	R9611	1-216-801-11	METAL CHIP	22 5% 1/10W
R9543	1-216-809-11	METAL CHIP	100 5% 1/10W	R9612	1-216-801-11	METAL CHIP	22 5% 1/10W
R9544	1-216-864-11	SHORT CHIP	0	R9613	1-216-851-11	METAL CHIP	330K 5% 1/10W
R9545	1-216-825-11	METAL CHIP	2.2K 5% 1/10W	R9616	1-216-809-11	METAL CHIP	100 5% 1/10W
R9546	1-216-825-11	METAL CHIP	2.2K 5% 1/10W	R9617	1-216-809-11	METAL CHIP	100 5% 1/10W
R9547	1-216-821-11	METAL CHIP	1K 5% 1/10W	R9618	1-216-809-11	METAL CHIP	100 5% 1/10W
R9548	1-216-821-11	METAL CHIP	1K 5% 1/10W	R9619	1-218-285-11	METAL CHIP	75 5% 1/10W
R9549	1-216-833-11	METAL CHIP	10K 5% 1/10W	R9620	1-218-285-11	METAL CHIP	75 5% 1/10W
R9550	1-218-685-11	METAL CHIP	510 0.5% 1/10W	R9621	1-216-809-11	METAL CHIP	100 5% 1/10W
R9551	1-218-684-11	METAL CHIP	470 0.5% 1/10W	R9622	1-216-809-11	METAL CHIP	100 5% 1/10W
R9552	1-216-821-11	METAL CHIP	1K 5% 1/10W	R9623	1-216-809-11	METAL CHIP	100 5% 1/10W
R9553	1-216-821-11	METAL CHIP	1K 5% 1/10W	R9624	1-218-285-11	METAL CHIP	75 5% 1/10W
R9554	1-216-821-11	METAL CHIP	1K 5% 1/10W	R9625	1-218-285-11	METAL CHIP	75 5% 1/10W
R9555	1-218-685-11	METAL CHIP	510 0.5% 1/10W	R9626	1-216-821-11	METAL CHIP	1K 5% 1/10W
R9556	1-216-833-11	METAL CHIP	10K 5% 1/10W	R9627	1-216-797-11	METAL CHIP	10 5% 1/10W
R9557	1-216-853-11	METAL CHIP	470K 5% 1/10W	R9629	1-216-295-91	SHORT CHIP	0
R9558	1-216-821-11	METAL CHIP	1K 5% 1/10W	R9630	1-218-716-11	METAL CHIP	10K 0.5% 1/10W
R9559	1-218-684-11	METAL CHIP	470 0.5% 1/10W	R9631	1-216-833-11	METAL CHIP	10K 5% 1/10W
R9560	1-216-825-11	METAL CHIP	2.2K 5% 1/10W	R9632	1-216-821-11	METAL CHIP	1K 5% 1/10W
R9561	1-216-825-11	METAL CHIP	2.2K 5% 1/10W	R9633	1-216-821-11	METAL CHIP	1K 5% 1/10W
R9562	1-216-853-11	METAL CHIP	470K 5% 1/10W	R9634	1-216-821-11	METAL CHIP	1K 5% 1/10W
R9563	1-216-864-11	SHORT CHIP	0	R9635	1-216-041-00	RES-CHIP	470 5% 1/10W
R9564	1-216-864-11	SHORT CHIP	0	R9637	1-218-668-11	METAL CHIP	100 0.5% 1/10W
R9565	1-216-864-11	SHORT CHIP	0	R9638	1-216-806-11	METAL CHIP	56 5% 1/10W
R9566	1-216-864-11	SHORT CHIP	0	R9639	1-218-668-11	METAL CHIP	100 0.5% 1/10W
R9567	1-216-864-11	SHORT CHIP	0	R9640	1-216-053-00	RES-CHIP	1.5K 5% 1/10W
R9568	1-216-864-11	SHORT CHIP	0	R9641	1-216-806-11	METAL CHIP	56 5% 1/10W
R9569	1-218-665-11	METAL CHIP	75 0.5% 1/10W	R9642	1-218-668-11	METAL CHIP	100 0.5% 1/10W
R9570	1-218-665-11	METAL CHIP	75 0.5% 1/10W	R9643	1-216-053-00	RES-CHIP	1.5K 5% 1/10W
R9571	1-216-809-11	METAL CHIP	100 5% 1/10W	R9644	1-216-806-11	METAL CHIP	56 5% 1/10W
R9572	1-216-809-11	METAL CHIP	100 5% 1/10W	R9645	1-216-864-11	SHORT CHIP	0
R9573	1-216-809-11	METAL CHIP	100 5% 1/10W	R9649	1-216-864-11	SHORT CHIP	0
R9574	1-216-809-11	METAL CHIP	100 5% 1/10W	R9650	1-218-658-11	METAL CHIP	39 0.5% 1/10W
R9575	1-216-809-11	METAL CHIP	100 5% 1/10W	R9651	1-218-658-11	METAL CHIP	39 0.5% 1/10W
R9576	1-216-864-11	SHORT CHIP	0	R9652	1-216-829-11	METAL CHIP	4.7K 5% 1/10W
R9577	1-216-864-11	SHORT CHIP	0	R9653	1-216-829-11	METAL CHIP	4.7K 5% 1/10W
R9578	1-216-864-11	SHORT CHIP	0	R9654	1-218-665-11	METAL CHIP	75 0.5% 1/10W
				R9655	1-218-665-11	METAL CHIP	75 0.5% 1/10W



REF. NO.	PART NO.	DESCRIPTION	REMARK
R9656	1-218-665-11	METAL CHIP	75 0.5% 1/10W
R9657	1-218-285-11	METAL CHIP	75 5% 1/10W
R9658	1-218-285-11	METAL CHIP	75 5% 1/10W
R9659	1-218-285-11	METAL CHIP	75 5% 1/10W
R9660	1-218-285-11	METAL CHIP	75 5% 1/10W
R9661	1-218-867-11	METAL CHIP	6.8K 0.5% 1/10W
R9662	1-216-827-11	METAL CHIP	3.3K 5% 1/10W
R9663	1-218-271-11	METAL CHIP	2K 5% 1/10W
R9664	1-218-271-11	METAL CHIP	2K 5% 1/10W
R9665	1-216-828-11	METAL CHIP	3.9K 5% 1/10W
R9666	1-216-828-11	METAL CHIP	3.9K 5% 1/10W
R9667	1-216-825-11	METAL CHIP	2.2K 5% 1/10W
R9668	1-218-867-11	METAL CHIP	6.8K 0.5% 1/10W
R9669	1-216-827-11	METAL CHIP	3.3K 5% 1/10W
R9670	1-216-809-11	METAL CHIP	100 5% 1/10W
R9671	1-216-821-11	METAL CHIP	1K 5% 1/10W
R9672	1-216-864-11	SHORT CHIP	0
R9673	1-216-864-11	SHORT CHIP	0
R9674	1-216-864-11	SHORT CHIP	0
R9675	1-216-864-11	SHORT CHIP	0
R9677	1-216-864-11	SHORT CHIP	0
R9678	1-216-864-11	SHORT CHIP	0
R9680	1-216-825-11	METAL CHIP	2.2K 5% 1/10W
R9681	1-218-867-11	METAL CHIP	6.8K 0.5% 1/10W
R9682	1-218-867-11	METAL CHIP	6.8K 0.5% 1/10W
R9683	1-216-825-11	METAL CHIP	2.2K 5% 1/10W
R9684	1-216-825-11	METAL CHIP	2.2K 5% 1/10W
< VARISTOR >			
VD9400	1-803-974-21	VARISTOR, CHIP	(1608)
VD9404	1-803-974-21	VARISTOR, CHIP	(1608)
VD9405	1-803-974-21	VARISTOR, CHIP	(1608)
VD9406	1-803-974-21	VARISTOR, CHIP	(1608)
VD9407	1-803-974-21	VARISTOR, CHIP	(1608)
VD9408	1-803-974-21	VARISTOR, CHIP	(1608)
VD9409	1-803-974-21	VARISTOR, CHIP	(1608)
VD9410	1-803-974-21	VARISTOR, CHIP	(1608)
VD9411	1-803-974-21	VARISTOR, CHIP	(1608)
VD9412	1-803-974-21	VARISTOR, CHIP	(1608)
VD9413	1-803-974-21	VARISTOR, CHIP	(1608)
VD9414	1-803-974-21	VARISTOR, CHIP	(1608)
VD9415	1-803-974-21	VARISTOR, CHIP	(1608)
VD9416	1-803-974-21	VARISTOR, CHIP	(1608)
VD9417	1-803-974-21	VARISTOR, CHIP	(1608)
VD9418	1-803-974-21	VARISTOR, CHIP	(1608)
VD9419	1-803-974-21	VARISTOR, CHIP	(1608)
VD9420	1-803-974-21	VARISTOR, CHIP	(1608)
VD9421	1-803-974-21	VARISTOR, CHIP	(1608)
VD9422	1-803-974-21	VARISTOR, CHIP	(1608)
VD9423	1-803-974-21	VARISTOR, CHIP	(1608)
VD9424	1-803-974-21	VARISTOR, CHIP	(1608)
VD9427	1-803-974-21	VARISTOR, CHIP	(1608)
VD9428	1-803-974-21	VARISTOR, CHIP	(1608)
VD9431	1-803-974-21	VARISTOR, CHIP	(1608)
VD9432	1-803-974-21	VARISTOR, CHIP	(1608)
VD9433	1-803-974-21	VARISTOR, CHIP	(1608)
VD9436	1-803-974-21	VARISTOR, CHIP	(1608)
VD9437	1-803-974-21	VARISTOR, CHIP	(1608)
VD9438	1-803-974-21	VARISTOR, CHIP	(1608)
VD9439	1-803-974-21	VARISTOR, CHIP	(1608)
VD9440	1-803-974-21	VARISTOR, CHIP	(1608)
VD9441	1-803-974-21	VARISTOR, CHIP	(1608)

REF. NO.	PART NO.	DESCRIPTION	REMARK
VD9442	1-803-974-21	VARISTOR, CHIP	(1608)
< VIBRATOR >			
X9400	1-795-214-21	VIBRATOR, CERAMIC	(4MHz)
*****			
A-1604-652-A UD BOARD, COMPLETE *****			
< CAPACITOR >			
C7001	1-126-395-11	ELECT CHIP	22µF 20% 16V
C7002	1-162-917-11	CERAMIC CHIP	15pF 5% 50V
C7004	1-162-970-11	CERAMIC CHIP	0.01µF 10% 25V
C7005	1-162-970-11	CERAMIC CHIP	0.01µF 10% 25V
C7006	1-124-779-00	ELECT CHIP	10µF 20% 16V
C7007	1-162-917-11	CERAMIC CHIP	15pF 5% 50V
C7008	1-162-970-11	CERAMIC CHIP	0.01µF 10% 25V
C7010	1-162-970-11	CERAMIC CHIP	0.01µF 10% 25V
C7011	1-162-970-11	CERAMIC CHIP	0.01µF 10% 25V
C7012	1-124-779-00	ELECT CHIP	10µF 20% 16V
C7013	1-162-970-11	CERAMIC CHIP	0.01µF 10% 25V
C7014	1-162-970-11	CERAMIC CHIP	0.01µF 10% 25V
C7015	1-162-970-11	CERAMIC CHIP	0.01µF 10% 25V
C7016	1-162-970-11	CERAMIC CHIP	0.01µF 10% 25V
C7017	1-164-156-11	CERAMIC CHIP	0.1µF 25V
C7018	1-162-923-11	CERAMIC CHIP	47pF 5% 50V
C7019	1-162-923-11	CERAMIC CHIP	47pF 5% 50V
C7020	1-162-923-11	CERAMIC CHIP	47pF 5% 50V
C7021	1-124-779-00	ELECT CHIP	10µF 20% 16V
C7022	1-115-416-11	CERAMIC CHIP	0.001µF 5% 25V
C7023	1-162-927-11	CERAMIC CHIP	100pF 5% 50V
C7024	1-124-779-00	ELECT CHIP	10µF 20% 16V
C7025	1-164-156-11	CERAMIC CHIP	0.1µF 25V
C7026	1-124-779-00	ELECT CHIP	10µF 20% 16V
C7027	1-164-156-11	CERAMIC CHIP	0.1µF 25V
C7028	1-164-156-11	CERAMIC CHIP	0.1µF 25V
C7029	1-164-156-11	CERAMIC CHIP	0.1µF 25V
C7030	1-162-927-11	CERAMIC CHIP	100pF 5% 50V
C7031	1-162-927-11	CERAMIC CHIP	100pF 5% 50V
C7032	1-162-927-11	CERAMIC CHIP	100pF 5% 50V
C7033	1-124-779-00	ELECT CHIP	10µF 20% 16V
C7034	1-164-156-11	CERAMIC CHIP	0.1µF 25V
C7035	1-164-156-11	CERAMIC CHIP	0.1µF 25V
C7036	1-164-156-11	CERAMIC CHIP	0.1µF 25V
C7037	1-164-156-11	CERAMIC CHIP	0.1µF 25V
C7038	1-164-156-11	CERAMIC CHIP	0.1µF 25V
C7039	1-126-395-11	ELECT CHIP	22µF 20% 16V
C7040	1-162-921-11	CERAMIC CHIP	33pF 5% 50V
C7041	1-164-156-11	CERAMIC CHIP	0.1µF 25V
C7042	1-164-156-11	CERAMIC CHIP	0.1µF 25V
C7043	1-164-156-11	CERAMIC CHIP	0.1µF 25V
C7044	1-164-156-11	CERAMIC CHIP	0.1µF 25V
C7045	1-164-156-11	CERAMIC CHIP	0.1µF 25V
C7046	1-164-156-11	CERAMIC CHIP	0.1µF 25V
C7047	1-164-156-11	CERAMIC CHIP	0.1µF 25V
C7048	1-164-156-11	CERAMIC CHIP	0.1µF 25V
C7049	1-164-156-11	CERAMIC CHIP	0.1µF 25V
C7050	1-164-156-11	CERAMIC CHIP	0.1µF 25V
C7051	1-164-156-11	CERAMIC CHIP	0.1µF 25V
C7052	1-164-156-11	CERAMIC CHIP	0.1µF 25V
C7053	1-164-156-11	CERAMIC CHIP	0.1µF 25V



REF. NO.	PART NO.	DESCRIPTION	REMARK
C7056	1-126-395-11	ELECT CHIP 22μF	20% 16V
C7057	1-162-921-11	CERAMIC CHIP 33pF	5% 50V
C7058	1-164-156-11	CERAMIC CHIP 0.1μF	25V
C7059	1-164-156-11	CERAMIC CHIP 0.1μF	25V
< RESISTOR >			
C7060	1-164-156-11	CERAMIC CHIP 0.1μF	25V
C7061	1-164-156-11	CERAMIC CHIP 0.1μF	25V
C7062	1-164-156-11	CERAMIC CHIP 0.1μF	25V
C7064	1-126-395-11	ELECT CHIP 22μF	20% 16V
C7065	1-162-970-11	CERAMIC CHIP 0.01μF	10% 25V
C7066	1-162-970-11	CERAMIC CHIP 0.01μF	10% 25V
C7067	1-162-970-11	CERAMIC CHIP 0.01μF	10% 25V
C7068	1-162-970-11	CERAMIC CHIP 0.01μF	10% 25V
C7069	1-162-970-11	CERAMIC CHIP 0.01μF	10% 25V
C7070	1-164-156-11	CERAMIC CHIP 0.1μF	25V
C7071	1-164-156-11	CERAMIC CHIP 0.1μF	25V
C7078	1-164-156-11	CERAMIC CHIP 0.1μF	25V
C7079	1-164-156-11	CERAMIC CHIP 0.1μF	25V
C7080	1-164-156-11	CERAMIC CHIP 0.1μF	25V
< CONNECTOR >			
*CN7001	1-816-228-31	CONNECTOR, DVI (DVI-HDTV IN 7 VIDEO)	
*CN7005	1-564-520-11	PLUG, CONNECTOR 5P	
*CN7006	1-564-524-11	PLUG, CONNECTOR 9P	
*CN7007	1-564-519-11	PLUG, CONNECTOR 4P	
< DIODE >			
D7001	8-719-914-43	DIODE DAN202K	
D7002	8-719-069-55	DIODE UDZSTE-175.6B	
D7003	8-719-069-55	DIODE UDZSTE-175.6B	
D7004	8-719-069-55	DIODE UDZSTE-175.6B	
D7006	8-719-069-55	DIODE UDZSTE-175.6B	
< FERRITE BEAD >			
FB7001	1-414-760-21	FERRITE 0μH	
FB7002	1-414-760-21	FERRITE 0μH	
FB7003	1-414-760-21	FERRITE 0μH	
FB7004	1-414-760-21	FERRITE 0μH	
< FILTER >			
FL7001	1-400-087-21	FILTER, EMI REMOVAL (SMD)	
FL7002	1-234-560-21	FILTER, LOW PASS	
FL7003	1-234-559-21	FILTER, LOW PASS	
FL7004	1-234-559-21	FILTER, LOW PASS	
< IC >			
IC7001	8-759-672-79	IC M24C02-WMN6T(A)	
IC7002	8-749-015-18	IC PQ07VZ012ZP	
IC7003	8-749-015-18	IC PQ07VZ012ZP	
IC7004	6-702-080-01	IC GM7030-H	
IC7005	6-802-346-01	IC ST72631K4M1/NNLTR	
IC7006	8-759-714-06	IC M24C16-WMN6T(A)	
IC7007	6-702-170-01	IC PACDN006S	
IC7008	6-702-170-01	IC PACDN006S	
IC7009	6-702-170-01	IC PACDN006S	
< JACK >			
J7000	1-580-441-51	JACK, PIN 2P (DVI-HDTV IN 7 AUDIO)	
< COIL >			
L7001	1-412-058-11	INDUCTOR 10μH	

REF. NO.	PART NO.	DESCRIPTION	REMARK
L7002	1-412-058-11	INDUCTOR 10μH	
< RESISTOR >			
R7003	1-216-821-11	METAL CHIP 1K	5% 1/10W
R7004	1-218-852-11	METAL CHIP 1.6K	0.5% 1/10W
R7007	1-216-821-11	METAL CHIP 1K	5% 1/10W
R7012	1-216-821-11	METAL CHIP 1K	5% 1/10W
R7013	1-216-821-11	METAL CHIP 1K	5% 1/10W
R7014	1-216-821-11	METAL CHIP 1K	5% 1/10W
R7015	1-216-833-11	METAL CHIP 10K	5% 1/10W
R7016	1-216-833-11	METAL CHIP 10K	5% 1/10W
R7020	1-216-833-11	METAL CHIP 10K	5% 1/10W
R7021	1-216-833-11	METAL CHIP 10K	5% 1/10W
R7023	1-216-833-11	METAL CHIP 10K	5% 1/10W
R7024	1-216-833-11	METAL CHIP 10K	5% 1/10W
R7025	1-216-833-11	METAL CHIP 10K	5% 1/10W
R7026	1-216-833-11	METAL CHIP 10K	5% 1/10W
R7029	1-218-692-11	METAL CHIP 1K	0.5% 1/10W
R7030	1-216-864-11	SHORT CHIP 0	
R7032	1-218-676-11	METAL CHIP 220	0.5% 1/10W
R7034	1-218-676-11	METAL CHIP 220	0.5% 1/10W
R7036	1-218-704-11	METAL CHIP 3.3K	0.5% 1/10W
R7037	1-218-676-11	METAL CHIP 220	0.5% 1/10W
R7040	1-216-833-11	METAL CHIP 10K	5% 1/10W
R7041	1-216-833-11	METAL CHIP 10K	5% 1/10W
R7042	1-164-156-11	CERAMIC CHIP 0.1μF	25V
R7043	1-216-829-11	METAL CHIP 4.7K	5% 1/10W
R7044	1-216-829-11	METAL CHIP 4.7K	5% 1/10W
R7045	1-216-833-11	METAL CHIP 10K	5% 1/10W
R7047	1-216-833-11	METAL CHIP 10K	5% 1/10W
R7050	1-216-864-11	SHORT CHIP 0	
R7051	1-216-864-11	SHORT CHIP 0	
R7053	1-216-833-11	METAL CHIP 10K	5% 1/10W
R7054	1-216-833-11	METAL CHIP 10K	5% 1/10W
R7056	1-216-833-11	METAL CHIP 10K	5% 1/10W
R7057	1-216-864-11	SHORT CHIP 0	
R7058	1-216-833-11	METAL CHIP 10K	5% 1/10W
R7059	1-216-864-11	SHORT CHIP 0	
R7060	1-216-833-11	METAL CHIP 10K	5% 1/10W
R7062	1-216-864-11	SHORT CHIP 0	
R7063	1-216-809-11	METAL CHIP 100	5% 1/10W
R7064	1-216-809-11	METAL CHIP 100	5% 1/10W
R7065	1-216-833-11	METAL CHIP 10K	5% 1/10W
R7066	1-218-694-11	METAL CHIP 1.2K	0.5% 1/10W
R7067	1-216-833-11	METAL CHIP 10K	5% 1/10W
R7068	1-216-801-11	METAL CHIP 22	5% 1/10W
R7069	1-216-801-11	METAL CHIP 22	5% 1/10W
R7071	1-216-803-11	METAL CHIP 33	5% 1/10W
R7072	1-216-803-11	METAL CHIP 33	5% 1/10W
R7075	1-218-676-11	METAL CHIP 220	0.5% 1/10W
R7080	1-218-704-11	METAL CHIP 3.3K	0.5% 1/10W
R7087	1-218-680-11	METAL CHIP 330	0.5% 1/10W
R7096	1-216-833-11	METAL CHIP 10K	5% 1/10W
R7097	1-216-809-11	METAL CHIP 100	5% 1/10W
R7098	1-216-809-11	METAL CHIP 100	5% 1/10W
R7099	1-216-809-11	METAL CHIP 100	5% 1/10W
R7101	1-216-864-11	SHORT CHIP 0	
R7106	1-216-833-11	METAL CHIP 10K	5% 1/10W
R7108	1-216-805-11	METAL CHIP 47	5% 1/10W
R7109	1-216-805-11	METAL CHIP 47	5% 1/10W
R7111	1-216-864-11	SHORT CHIP 0	
R7112	1-216-864-11	SHORT CHIP 0	
R7113	1-216-864-11	SHORT CHIP 0	

Les composants identifiés par une trame et une marque  $\Delta$  sont critiques pour la sécurité. Ne les remplacer que par une pièce portant le numéro spécifié.

The components identified by shading and mark  $\Delta$  are critical for safety. Replace only with part number specified.

**KF-42WE610/50WE610/60WE610**

RM-Y913

RM-Y913

RM-Y913



REF. NO.	PART NO.	DESCRIPTION	REMARK
R7114	1-218-700-11	METAL CHIP	2.2K 0.5% 1/10W
R7115	1-218-700-11	METAL CHIP	2.2K 0.5% 1/10W
R7116	1-218-700-11	METAL CHIP	2.2K 0.5% 1/10W
R7117	1-218-668-11	METAL CHIP	100 0.5% 1/10W
R7119	1-218-668-11	METAL CHIP	100 0.5% 1/10W
R7121	1-216-864-11	SHORT CHIP	0
R7123	1-218-704-11	METAL CHIP	3.3K 0.5% 1/10W
R7124	1-218-680-11	METAL CHIP	330 0.5% 1/10W
R7125	1-218-700-11	METAL CHIP	2.2K 0.5% 1/10W
R7126	1-216-864-11	SHORT CHIP	0

< VIBRATOR >

X7001 1-795-568-21 VIBRATOR, CRYSTAL 14.31818MHZ  
X7002 1-795-567-21 VIBRATOR, CRYSTAL 12MHZ

\*\*\*\*\*

MISCELLANEOUS  
\*\*\*\*\*

$\Delta$ 1-468-798-11	POWER SUPPLY BLOCK
1-500-603-11	CLAMP, FERRITE
* 1-555-110-00	CABLE, P-P
* 1-557-056-31	CABLE, P-P
1-769-837-11	CORD, POWER(WITH NOISE FILTER)
1-771-787-13	SWITCH, RF ANTENNA
1-787-057-11	D.C. FAN
1-900-277-35	CONNECTOR ASSY 14P LVDS (YEL) C2-DIC
1-900-277-36	CONNECTOR ASSY 14P LVDS (BLK) C2-C1
1-900-277-37	CONNECTOR ASSY 14P LVDS (RED) C2-C1
X-4041-687-1	BOTTOM CABINET ASSY (42WE610)
X-4041-688-1	FRONT COVER ASSY (42WE610)
X-4042-009-1	CAP (R) ASSY, REAR (42WE610)
X-4042-010-1	CAP (L) ASSY, REAR (42WE610)
X-4042-011-1	DOOR ASSY, LAMP
X-4042-017-1	COVER ASSY (50), FRONT (50WE610)
X-4042-018-1	CAP (R) ASSY, REAR (50WE610)
X-4042-019-1	CAP (L) ASSY, REAR (50WE610)
X-4042-022-1	COVER ASSY (50), BOTTOM (50WE610)
X-4042-023-1	BOTTOM CABINET ASSY (50)(50WE610)
X-4042-024-1	COVER ASSY (60), FRONT (60WE610)
X-4042-025-1	CAP (R) ASSY, REAR (60WE610)
X-4042-026-1	CAP (L) ASSY, REAR (60WE610)
X-4042-027-1	BOTTOM CABINET ASSY (60)(60WE610)
X-4042-029-1	COVER ASSY (60), BOTTOM (60WE610)
X-4042-226-1	CENTER PILLAR ASSY (42WE610)

\*\*\*\*\*

REF. NO.	PART NO.	DESCRIPTION	REMARK
ACCESSORIES & PACKING MATERIALS *****			
	3-704-046-31	BAG,PREVENTION,ELECTRIFICATION	
*	4-041-423-01	SHEET, PROTECTION (42WE610)	
*	4-042-463-01	SHEET, PROTECTION (50WE610/60WE610)	
*	4-049-155-01	BAG, PROTECTION (42WE610)	
*	4-095-594-02	INDIVIDUAL CARTON (42WE610)	
*	4-095-595-01	TRAY (42WE610)	
*	4-095-597-01	CUSHION, UPPER (42WE610)	
*	4-095-598-01	CUSHION LOWER (42WE610)	
*	4-095-632-02	INDIVIDUAL CARTON (50WE610)	
*	4-095-633-01	TRAY (50WE610)	
*	4-095-635-01	CUSHION UPPER (50WE610)	
*	4-095-636-01	CUSHION LOWER (50WE610)	
*	4-095-637-02	INDIVIDUAL CARTON (60WE610)	
*	4-095-638-01	TRAY (60WE610)	
*	4-098-862-01	BOARD, TOP (50WE610)	
*	4-095-640-01	BOARD, TOP (60WE610)	
*	4-095-634-01	BOARD, BOTTOM (50WE610)	
*	4-095-641-01	CUSHION, UPPER (60WE610)	
*	4-095-642-01	CUSHION UPPER (CENTER) (60WE610)	
*	4-095-643-01	CUSHION, LOWER (60WE610)	
	4-097-546-11	MANUAL, INSTRUCTION	
	4-097-546-21	MANUAL, INSTRUCTION	
	4-097-546-31	MANUAL, INSTRUCTION	
	X-4040-886-1	ASSY, CLEANING CLOTH	

\*\*\*\*\*

REMOTE COMMANDER  
\*\*\*\*\*

1-478-295-11 REMOTE COMMANDER (RM-Y913)  
9-885-042-69 COVER,BATTERY  
(FOR REMOTE COMMANDER)