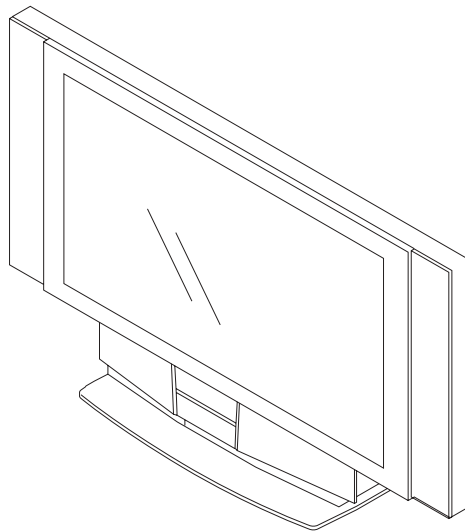


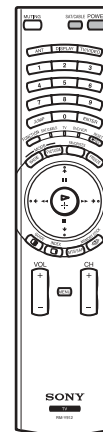


# SERVICE MANUAL LA-1A CHASSIS

<u>MODEL</u>	<u>COMMANDER</u>	<u>DEST.</u>	<u>CHASSIS NO.</u>	<u>MODEL</u>	<u>COMMANDER</u>	<u>DEST.</u>	<u>CHASSIS NO.</u>
<i>KF-50XBR800</i>	<i>RM-Y912</i>	<i>US</i>					
<i>KF-50XBR800</i>	<i>RM-Y912</i>	<i>Canadian</i>					
<i>KF-60XBR800</i>	<i>RM-Y912</i>	<i>US</i>					
<i>KF-60XBR800</i>	<i>RM-Y912</i>	<i>Canadian</i>					



KF-50XBR800/KF-60XBR800



RM-Y912

## SPECIFICATIONS

Projection System	3 LCD Panels, 1 lens projection system	
LCD Panel	1.35 inch TFT LCD panel Approx. 3.15 million dots (1,049,088 pixels)	
Projection Lens	High Performance, large diameter hybrid lens F2.4	
Antenna	75 ohm external terminal for VHF/UHF	
Lamp	UHP lamp, 100W XL-2000U	
Television System	NTSC, American TV Standard	
Screen Size (measured diagonally)	KF-50XBR800: 50 inches, KF-60XBR800: 60 inches	
Channel Coverage		
VHF	2-13	
UHF	14-69	
CATV	1-125	
Power Requirements	120V, 60 Hz	
Number of Inputs/Outputs		
DVI-HDTV 1 terminal	3.3 V T.M.D.S., 50 ohms	
	The DVI-HDTV input terminal is compliant with the EIA-861 standard and is not intended for use with personal computers.	
Video (IN)	4	1 Vp-p, 75 ohms unbalanced, sync negative
S Video (IN)	3	Y: 1 Vp-p, 75 ohms unbalanced, sync negative C: 0.286 Vp-p (Burst signal), 75 ohms
Audio (IN)	6	500 mVrms (100% modulation) Impedance: 47 kilohms
AUDIO (VAR/FIX)	1	500 mVrms at the maximum volume setting (Variable) 500 mVrms (Fixed) Impedance (output): 2 kilohms
MONITOR OUT	1	Video: 1 Vp-p 75 ohms unbalanced, Sync negative Audio: 500 mVrms (100% modulation) Impedance (output): 1 kilohms
CONTROL S (IN/OUT)	1	minijacks
Component Video Input	2 (Y, P <sub>B</sub> , P <sub>R</sub> )	Y: 1.0 Vp-p, 75 ohms unbalanced, sync negative P <sub>B</sub> : 0.7 Vp-p, 75 ohms P <sub>R</sub> : 0.7 Vp-p, 75 ohms
RF Inputs	2	
Converter	1	
Speaker Output	15 W × 2	
Dimensions (W × H × D)	KF-50XBR800: 1,376 × 964 × 415 mm (54 1/4 × 38 × 16 3/8 inches) KF-60XBR800: 1,618 × 1,103 × 542 mm (63 3/4 × 43 1/2 × 21 3/8 inches)	
Mass	KF-50XBR800: 50 kg (110 lb 4 oz), KF-60XBR800: 66 kg (145 lb 8 oz)	
Power Consumption		
In Use	220 W	
In Standby	Under 1 W	
Supplied Accessories		
Remote Control	RM-Y912	
AAA Batteries	2 supplied for remote control	
Cleaning Cloth	1	
Hex key wrench	1	
Brackets with screws	2	
Optional Accessories		

TV Stand	SU-GW1
Lamp	XL-2000U
AV Cable	VMC-810/820/830 HG
Audio Cable	RKC-515HG
Control S Cable	RK-G69HG
Component Video Cable	VMC-10/30 HG
AV Receiver	STR-V555ES or equivalent
Memory Stick media	8MB (MSA-8A), 16MB (MSA-16A), 32MB (MSA-32A), 64MB (MSA-64A), 128MB (MSA-128A)

Design and specifications are subject to change without notice.

## SAFETY CHECK-OUT

( US model only )

After correcting the original service problem, perform the following safety checks before releasing the set to the customer:

1. Check the area of your repair for unsoldered or poorly-soldered connections. Check the entire board surface for solder splashes and bridges.
2. Check the interboard wiring to ensure that no wires are "pinched" or contact high-wattage resistors.
3. Check that all control knobs, shields, covers, ground straps, and mounting hardware have been replaced. Be absolutely certain that you have replaced all the insulators.
4. Look for unauthorized replacement parts, particularly transistors, that were installed during a previous repair. Point them out to the customer and recommend their replacement.
5. Look for parts which, through functioning, show obvious signs of deterioration. Point them out to the customer and recommend their replacement.
6. Check the line cords for cracks and abrasion. Recommend the replacement of any such line cord to the customer.
7. Check the condition of the monopole antenna (if any). Make sure the end is not broken off, and has the plastic cap on it. Point out the danger of impalement on a broken antenna to the customer, and recommend the antenna's replacement.
8. Check the B+ and HV to see they are at the values specified. Make sure your instruments are accurate; be suspicious of your HV meter if sets always have low HV.
9. Check the antenna terminals, metal trim, "metallized" knobs, screws, and all other exposed metal parts for AC leakage. Check leakage as described below.

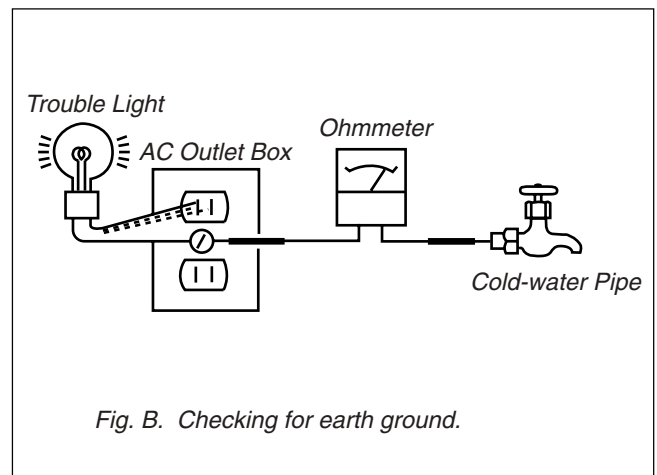
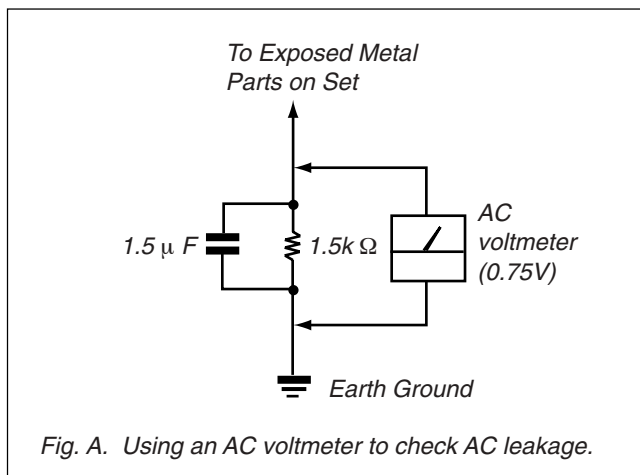
### LEAKAGE TEST

The AC leakage from any exposed metal part to earth ground and from all exposed metal parts to any exposed metal part having a return to chassis, must not exceed 0.5mA (500 microampers). Leakage current can be measured by any one of three methods.

1. A commercial leakage tester, such as the Simpson 229 or RCA WT-540A. Follow the manufacturers' instructions to use these instruments.
2. A battery-operated AC milliammeter. The Data Precision 245 digital multimeter is suitable for this job.
3. Measuring the voltage drop across a resistor by means of a VOM or battery-operated AC voltmeter. The "limit" indication is 0.75V, so analog meters must have an accurate low-voltage scale. The Simpson 250 and Sanwa SH-63Trd are examples of a passive VOM that is suitable. Nearly all battery operated digital multimeters that have a 2V AC range are suitable. (See Fig. A)

### HOW TO FIND A GOOD EARTH GROUND

A cold-water pipe is guaranteed earth ground; the cover-plate retaining screw on most AC outlet boxes is also at earth ground. If the retaining screw is to be used as your earth-ground, verify that it is at ground by measuring the resistance between it and a cold-water pipe with an ohmmeter. The reading should be zero ohms. If a cold-water pipe is not accessible, connect a 60-100 watt trouble light (not a neon lamp) between the hot side of the receptacle and the retaining screw. Try both slots, if necessary, to locate the hot side of the line, the lamp should light at normal brilliance if the screw is at ground potential. (See Fig. B)



**(CAUTION)**

SHORT CIRCUIT THE ANODE OF THE PICTURE TUBE AND THE ANODE CAP TO THE METAL CHASSIS, CRT SHIELD, OR CARBON PAINTED ON THE CRT, AFTER REMOVING THE ANODE.

**WARNING!!**

AN ISOLATION TRANSFORMER SHOULD BE USED DURING ANY SERVICE TO AVOID POSSIBLE SHOCK HAZARD, BECAUSE OF LIVE CHASSIS.  
THE CHASSIS OF THIS RECEIVER IS DIRECTLY CONNECTED TO THE AC POWER LINE.

**SAFETY-RELATED COMPONENT WARNING!!**

COMPONENTS IDENTIFIED BY SHADING AND MARK  $\triangle$  ON THE SCHEMATIC DIAGRAMS, EXPLODED VIEWS AND IN THE PARTS LIST ARE CRITICAL TO SAFE OPERATION. REPLACE THESE COMPONENTS WITH SONY PARTS WHOSE PART NUMBERS APPEAR AS SHOWN IN THIS MANUAL OR IN SUPPLEMENTS PUBLISHED BY SONY. CIRCUIT ADJUSTMENTS THAT ARE CRITICAL TO SAFE OPERATION ARE IDENTIFIED IN THIS MANUAL. FOLLOW THESE PROCEDURES WHENEVER CRITICAL COMPONENTS ARE REPLACED OR IMPROPER OPERATION IS SUSPECTED.

**(ATTENTION)**

APRES AVOIR DECONNECTE LE CAP DE L'ANODE, COURT-CIRCUITER L'ANODE DU TUBE CATHODIQUE ET CELUI DE L'ANODE DU CAP AU CHASSIS METALLIQUE DE L'APPAREIL, OU AU COUCHE DE CARBONE PEINTE SUR LE TUBE CATHODIQUE OU AU BLINDAGE DU TUBE CATHODIQUE.

**ATTENTION!!**

AFIN D'EVITER TOUT RISQUE DELECTROCUTION PROVENANT D'UN CHÂSSIS SOUS TENSION, UN TRANSFORMATEUR D'ISOLEMENT DOIT ETRE UTILISÉ LORS DE TOUT DEPANNAGE.  
LE CHÂSSIS DE CE RECEPTEUR EST DIRECTEMENT RACCORDÉ À L'ALIMENTATION SECTEUR.

**ATTENTION AUX COMPOSANTS RELATIFS À LA SÉCURITÉ!!**

LES COMPOSANTS IDENTIFIÉS PAR UNE TRAME ET PAR UNE MAPQUE  $\triangle$  SUR LES SCHÉMAS DE PRINCIPE, LES VUES EXPLOSÉES ET LES LISTES DE PIÈCES CONT D'UNE IMPORTANCE CRITIQUE POUR LA SÉCURITÉ DU FONCTIONNEMENT. NE LES REMPLACER QUE PAR DES COMPOSANTS SONY DONT LE NUMÉRO DE PIÈCE EST INDIQUÉ DANS LE PRÉSENT MANUEL OU DANS DES SUPPLÉMENTS PUBLIÉS PAR SONY. LES RÉGLAGES DE CIRCUIT DONT L'IMPORTANCE EST CRITIQUE POUR LA SÉCURITÉ DU FONCTIONNEMENT SONT IDENTIFIÉS DANS LE PRÉSENT MANUEL. SUIVRE CES PROCÉDURES LORS DE CHAQUE REMPLACEMENT DE COMPOSANTS CRITIQUES, OU LORSQU'UN MAUVAIS FONCTIONNEMENT EST SUSPECTÉ.

**TABLE OF CONTENTS**

<u>Section</u>	<u>Title</u>	<u>Page</u>	<u>Section</u>	<u>Title</u>	<u>Page</u>
<b>1. SELF DIAGNOSIS FUNCTION</b>		8	<b>4. DIAGRAMS</b>		
<b>2. DISASSEMBLY</b>			4-1. Block Diagram (1)		70
2-1. Rear Cover Assembly		11	Block Diagram (2)		71
2-2. OU Bracket Removal		11	Block Diagram (3)		72
2-3. Service Position		11	Block Diagram (4)		73
2-4. Power Block Removal		11	Block Diagram (5)		74
2-5. Optical Unit Block Assembly Removal		12	Block Diagram (6)		75
2-6. UD Board, Terminal Board			Block Diagram (7)		76
Assembly Removal		12	Block Diagram (8)		77
2-7. U, M, BB, BC Boards Removal		13	Block Diagram (9)		78
2-8. G Board Removal		13	Block Diagram (10)		79
2-9. A Board Removal		14	4-2. Frame Schematic Diagram		80
2-10. T Board Removal		14	4-3. Circuit Boards Location		81
2-11. Control Panel Block Assembly Removal		14	4-4. Schematic Diagrams and Printed Wiring		
2-12. H3 Board Removal		14	Boards		81
2-13. H2 Board Removal		15	(1) Schematic Diagram of A (1/4) Board		82
2-14. Screen Mirror Block Assembly Removal		15	(2) Schematic Diagram of A (2/4) Board		83
2-15. H1 Board Removal		15	(3) Schematic Diagram of A (3/4) Board		84
			(4) Schematic Diagram of A (4/4) Board		85
			(5) Schematic Diagram of BB (1/10) Board		86
			(6) Schematic Diagram of BB (2/10) Board		87
			(7) Schematic Diagram of BB (3/10) Board		88
			(8) Schematic Diagram of BB (4/10) Board		89
			(9) Schematic Diagram of BB (5/10) Board		90
			(10) Schematic Diagram of BB (6/10) Board		91
			(11) Schematic Diagram of BB (7/10) Board		92
			(12) Schematic Diagram of BB (8/10) Board		93
			(13) Schematic Diagram of BB (9/10) Board		94
			(14) Schematic Diagram of BB (10/10) Board		95
			(15) Schematic Diagram of BC (1/5) Board		96
			(16) Schematic Diagram of BC (2/5) Board		97
			(17) Schematic Diagram of BC (3/5) Board		98
			(18) Schematic Diagram of BC (4/5) Board		99
			(19) Schematic Diagram of BC (5/5) Board		100
			(20) Schematic Diagram of BF Board		101
			(21) Schematic Diagram of BM-1C (1/3) Board		102
			(22) Schematic Diagram of BM-1C (2/3) Board		103
			(23) Schematic Diagram of BM-1C (3/3) Board		104
			(24) Schematic Diagram of G Board		105
			(25) Schematic Diagrams of H1, H2, H3 and		
			T Boards		106
<b>3. ELECTRICAL ADJUSTMENTS</b>					
3-1. Electrical Adjustment by Remote Commander		16			
3-1-1. Method of Setting the Service Adjustment Mode		16			
3-1-2. Service Mode Adjustment		16			
3-1-3. Memory Write Confirmation Method		16			
3-1-4. Adjusting Buttons and Indicator		17			
3-1-5. Service Mode List		18			
3-2. Chassis Picture Quality Adjustment		65			
3-2-1. White Level Adjustment		65			
3-2-2. Sub Color/Sub Hue Adjustment		66			
3-2-3. Hi-Level/Cut-Off Adjustment		68			
3-3. Vertical Stripe Adjustment		68			
3-4. Sub Bright Adjustment		69			
3-5. Screen Center Adjustment		69			
3-6. Favorites Adjustment		69			

<u>Section</u>	<u>Title</u>	<u>Page</u>
(26)	Schematic Diagram of M (1/4) Board .....	107
(27)	Schematic Diagram of M (2/4) Board .....	108
(28)	Schematic Diagram of M (3/4) Board .....	109
(29)	Schematic Diagram of M (4/4) Board .....	110
(30)	Schematic Diagram of U (1/3) Board .....	111
(31)	Schematic Diagram of U (2/3) Board .....	112
(32)	Schematic Diagram of U (3/3) Board .....	113
(33)	Schematic Diagram of UD (1/2) Board .....	114
(34)	Schematic Diagram of UD (2/2) Board .....	115
	Printed Wiring Boards	
	• A Board .....	116
	• BB Board .....	118
	• BC Board .....	120
	• BM-1C Board .....	120
	• G Board .....	122
	• H1 and T Boards .....	124
	• H2 Board .....	125
	• H3 Board .....	126
	• M Board .....	127
	• U Board .....	128
	• UD Board .....	130
4-5	Waveforms .....	131
4-6	IC Block Diagrams .....	132
4-7	Semiconductors .....	134
<b>5.</b>	<b>EXPLODED VIEWS</b>	
5-1.	Screen Mirror Block Section .....	136
5-2.	Cabinet Section .....	137
5-3.	Main Section .....	138
5-4.	Optical Unit Section .....	139
<b>6.</b>	<b>ELECTRICAL PARTS LIST .....</b>	<b>140</b>



## SECTION 1

# SELF DIAGNOSIS FUNCTION

### 1. Summary of Self-Diagnosis Function

- This device includes a self-diagnosis function.
- In case of abnormalities, the STANDBY indicator automatically blinks. It is possible to predict the abnormality location by the number of blinks. The Instruction Manual describes blinking of the STANDBY indicator.
- If the symptom is not reproduced sometimes in case of a malfunction, there is recording of whether a malfunction was generated or not. Operate the remote command to confirm the matter on the screen and to predict the location of the abnormality.

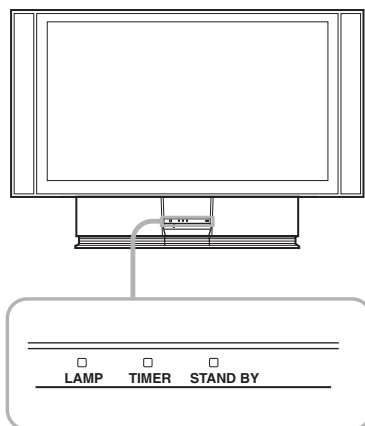
### 2. Diagnosis Items and Prediction of Malfunction Location

- When a malfunction occurs the STANDBY indicator only blinks for one of the following diagnosis items. In case of two or more malfunctions, the item which first occurred blinks. If the malfunctions occurred simultaneously, the item with the lower blink count blinks first.
- The screen display displays the results regarding all the diagnosis items listed below. The display “ 0 ” means that no malfunctions occurred.

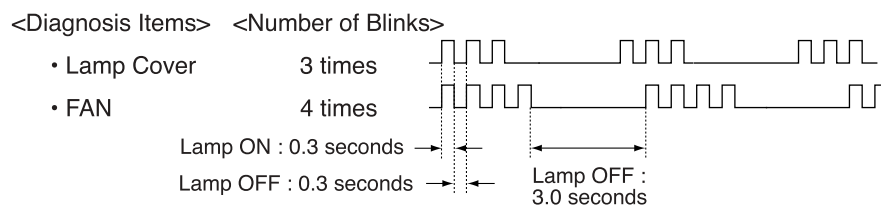
Diagnosis Item	No. of times STANDBY/STEREO indicator blinks	Probable Cause Location	Detected symptoms
Power does not turn on	0	<ul style="list-style-type: none"> <li>• Power cord is not plugged in.</li> <li>• Fuse is burned out (F1601) (G board)</li> </ul>	<ul style="list-style-type: none"> <li>• Power does not come on.</li> <li>• No power is supplied to the unit.</li> <li>• AC power supply is faulty.</li> </ul>
Lamp cover error	3 times	<ul style="list-style-type: none"> <li>• Lamp cover is not attached securely.</li> </ul>	<ul style="list-style-type: none"> <li>• No picture/No sound</li> </ul>
FAN stopped	4 times	<ul style="list-style-type: none"> <li>• FAN1 or FAN2 power is not supplied. (A board)</li> <li>• FAN connector is not attached securely.</li> </ul>	<ul style="list-style-type: none"> <li>• No picture/No sound</li> </ul>
Lamp driver error	5 times	<ul style="list-style-type: none"> <li>• Lamp driver is faulty.</li> </ul>	<ul style="list-style-type: none"> <li>• No picture/No sound</li> </ul>
Low B error	6 times	<ul style="list-style-type: none"> <li>• +5 V is not supplied. (G board)</li> </ul>	<ul style="list-style-type: none"> <li>• No picture/No sound</li> </ul>
Audio error	9 times	<ul style="list-style-type: none"> <li>• Audio <math>\pm 15</math> V line is shorted. (A, G board)</li> <li>• IC1203 or IC1204 is faulty. (A board)</li> <li>• PS1601 or 1602 is opened. (G board)</li> </ul>	<ul style="list-style-type: none"> <li>• No picture/No sound</li> </ul>
Lamp error	LAMP LED flashes	<ul style="list-style-type: none"> <li>• Lamp for the light source burns out.</li> </ul>	<ul style="list-style-type: none"> <li>• No picture/No sound</li> </ul>

### 3. Blinking count display of STANDBY indicator

\* One blink is not used for self-diagnosis.



•EXAMPLE



#### Release of STANDBY indicator blinking.

- The STANDBY indicator blinking display is released by removing the plug from the power or leaving for 2 minutes.

#### 4. Self-Diagnosis screen displays

- In cases of malfunctions where it is not possible to determine the symptom such as when the power goes off occasionally or when the screen disappears occasionally, there is a screen display on whether the malfunction occurred or not in the past (and whether the detection circuit operated or not) in order to allow confirmation.

##### <Screen Display Method>

- Quickly press the remote command button in the following order from the standby state.



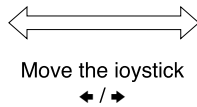
Be aware that this differs from the method of entering the service mode (volume +).

##### Self-Diagnosis screen display MAIN

Self Diagnosis	
6:Low B	0
9:AUDIO	1
101:WDT	0

##### LCD ENGINE

SELF DIAGNOSIS	
1:LAMP	1
3:LAMP COVER	0
4:FAN	0
5:LAMP DRIVER	0
201:WDT-ENGINE	0



Numeral "1" means a fault was detected one time or more.

Numeral "0" means that no fault was detected.

#### 5. Self-Diagnosis Screen Display

- The results display is not automatically cleared. In case of repairs and after repairs, check the self-diagnosis screen and be sure to return the results display to "0".
- If the results display is not returned to "0" it will not be possible to judge a new malfunction after completing repairs.

##### <Method of Clearing Results Display>

1. Power off (Set to the standby mode)
2. DISPLAY → Channel 5 → VOL + → POWER (Service Mode)
3. Channel 8 → ENTER (Test reset = Factory preset condition)

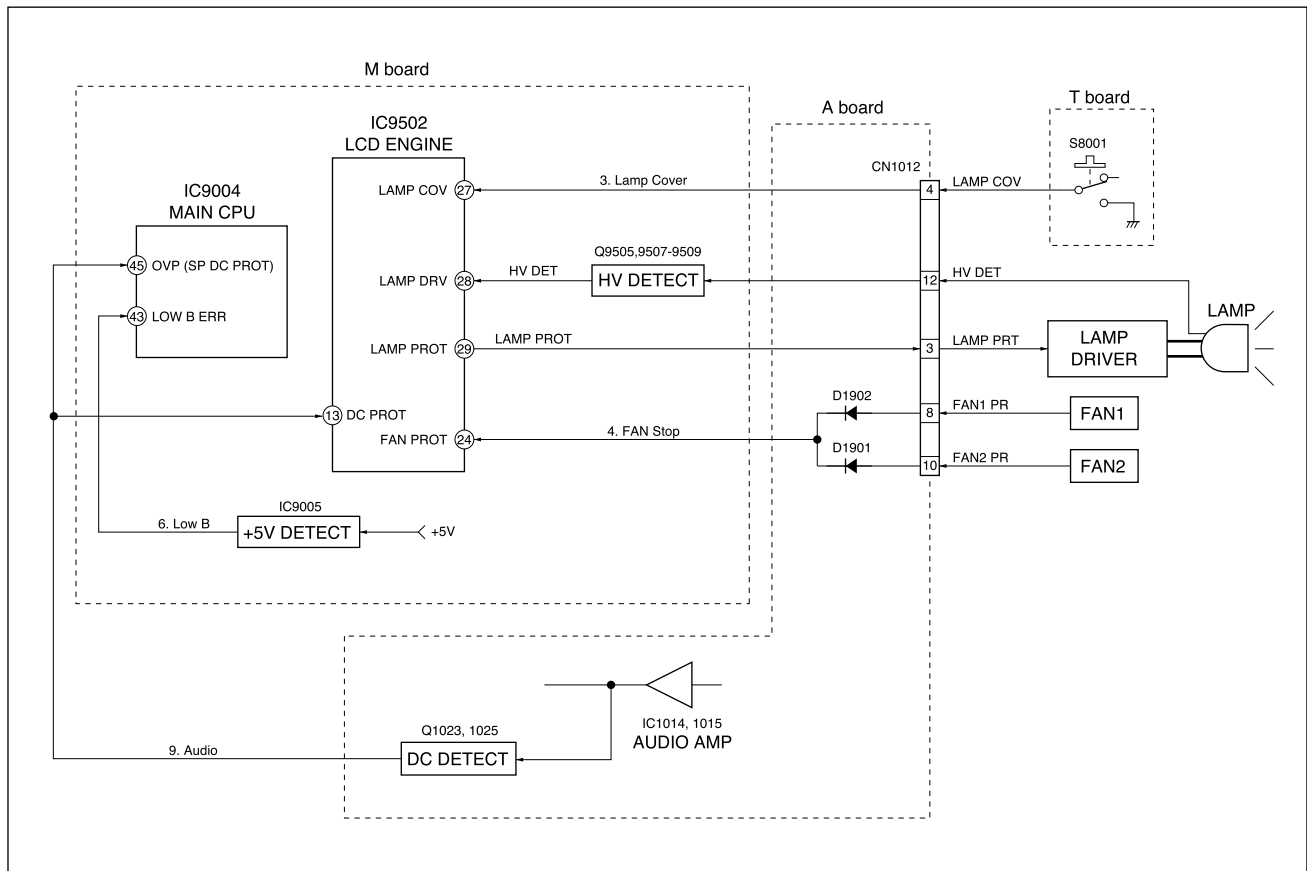
##### <Method of Ending Self-Diagnosis Screen>

- When ending the self-diagnosis screen completely, turn the power switch OFF on the remote commander or the main unit.

### 6. Self-Diagnosis function operation

- 3 : Lamp Cover      When lamp cover SW is opened then pin ④ of CN1012 on the A board is high, LCD Engine  $\mu$ -com (IC9502) detects it and make turn off the lamp.
- 4 : FAN Stop        When FAN1 or FAN2 is stopped then pin ⑧ or ⑩ of CN1012 on the A board is high, LCD Engine  $\mu$ -com (IC9502) detects it and make turn off the lamp.
- 5 : Lamp Driver     When lamp is not turned on then pin ⑲ of LCD Engine  $\mu$ -com (IC9502) is high, checks pin ⑳ of LCD Engine  $\mu$ -com . If pin ⑳ is low, it is judged no High Voltage.
- 6 : Low B            Detect +5 V line failure.
- 9 : Audio            When DC is appeared by audio amp failure at speaker line.  
Then it is detected by MAIN  $\mu$ -com (IC9004) and it turns off the main power.
- LAMP : Lamp error    When lamp is not turned on then pin ⑲ of LCD Engine  $\mu$ -com (IC9502) is high, checks pin ⑳ of LCD Engine  $\mu$ -com. If pin ⑳ is high, it is judged lamp is burned out.

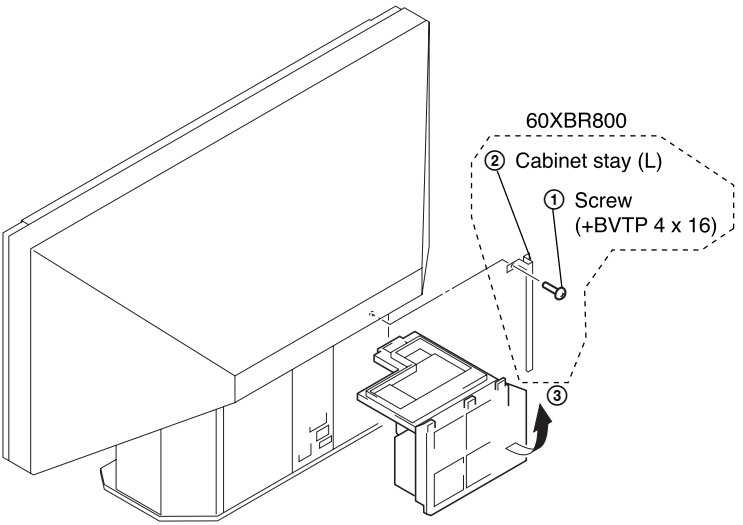
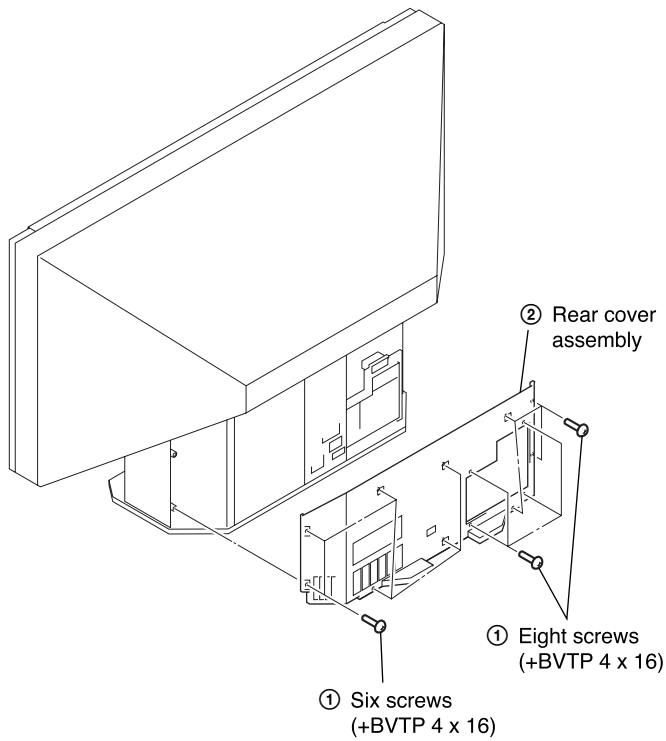
### Self-Diagnosis block diagram



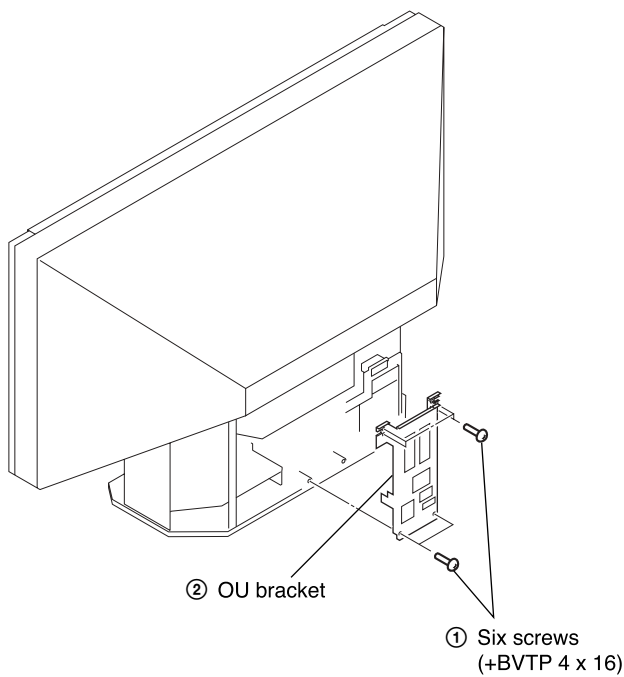
## SECTION 2

### DISASSEMBLY

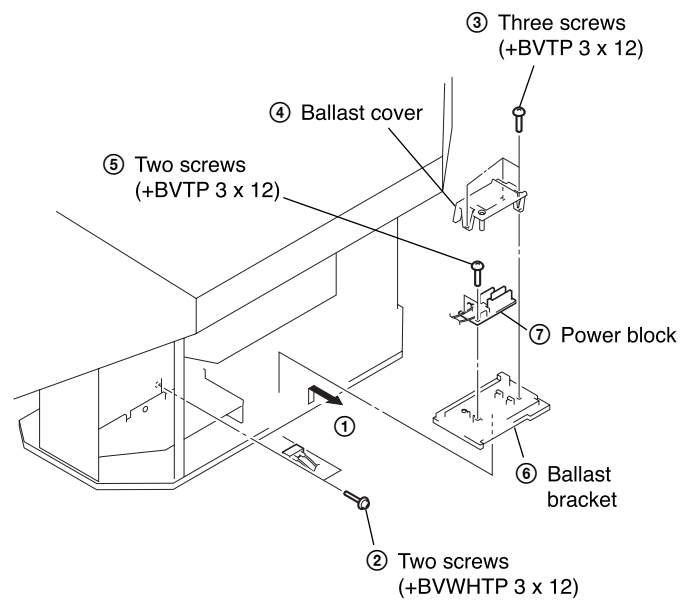
#### 2-1. REAR COVER ASSEMBLY



#### 2-2. OU BRACKET REMOVAL



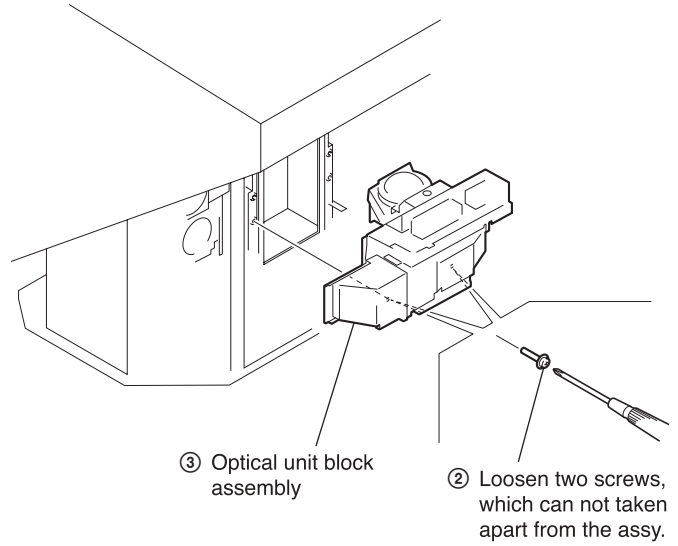
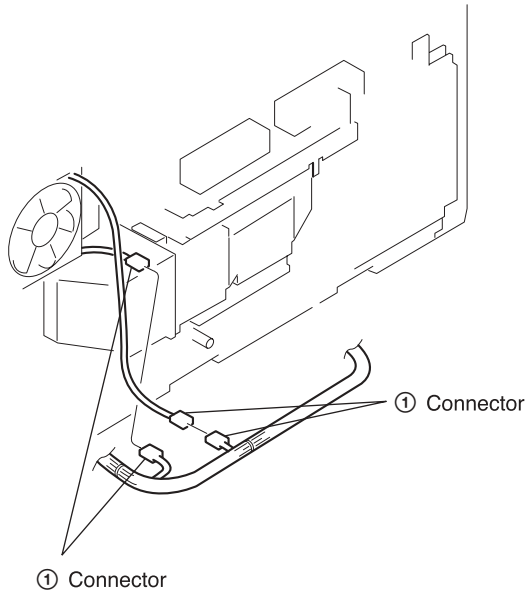
#### 2-4. POWER BLOCK REMOVAL



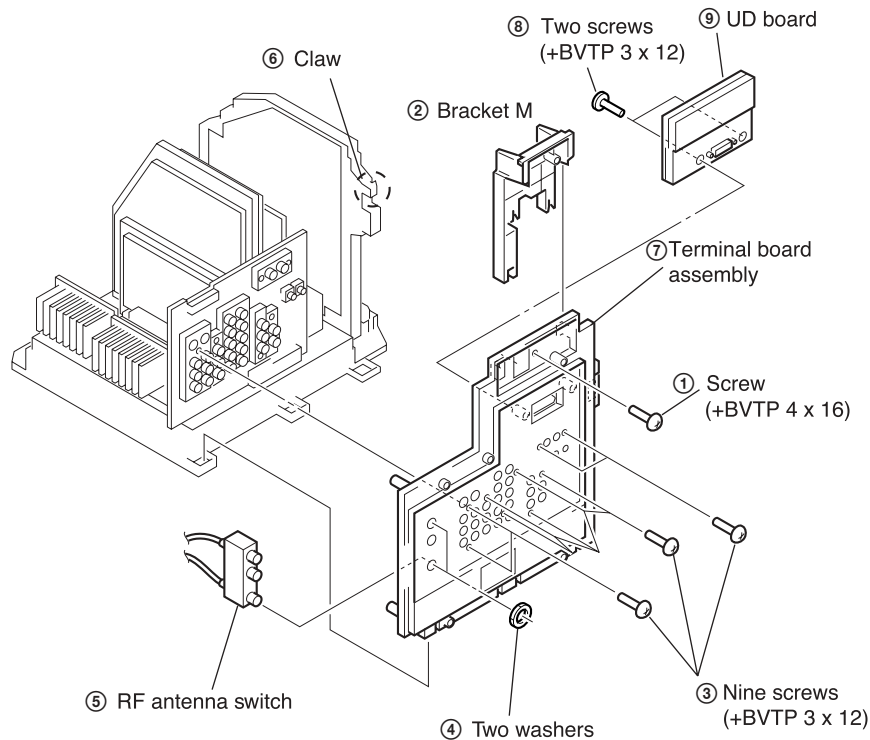
**2-5. OPTICAL UNIT BLOCK ASSEMBLY REMOVAL**

Note: Be careful about the no dust or dirt are on the surface contacts the optical unit block assembly.

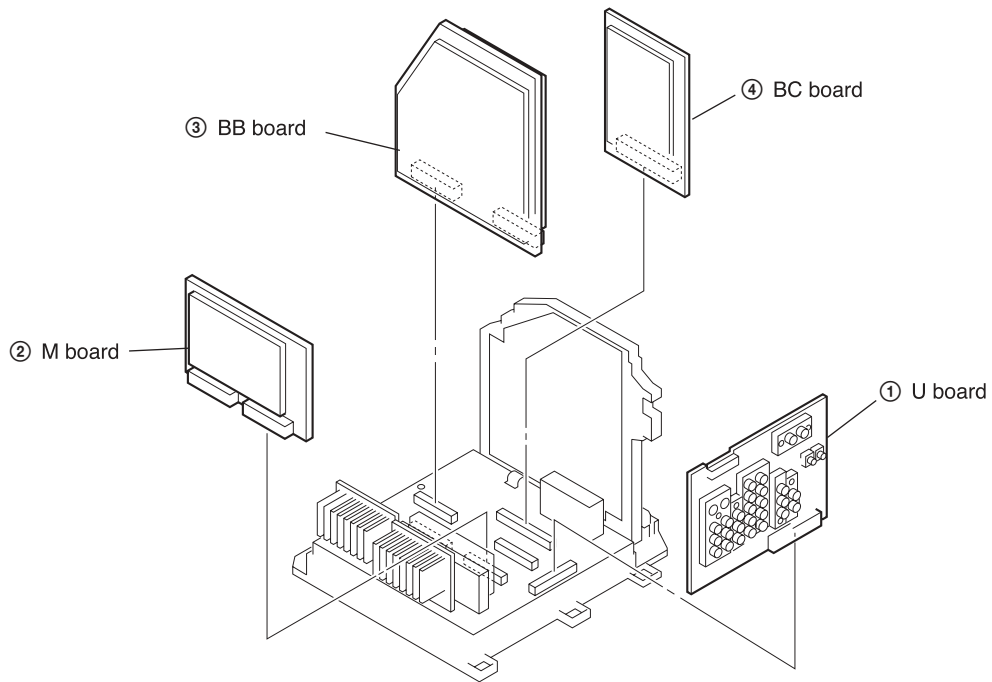
- Clean the periphery of the set.
- Clean the periphery of the optical unit block assembly in the set (the inside of the control panel, the surface contacts between the optical unit block assembly and the bottom cabinet and periphery).



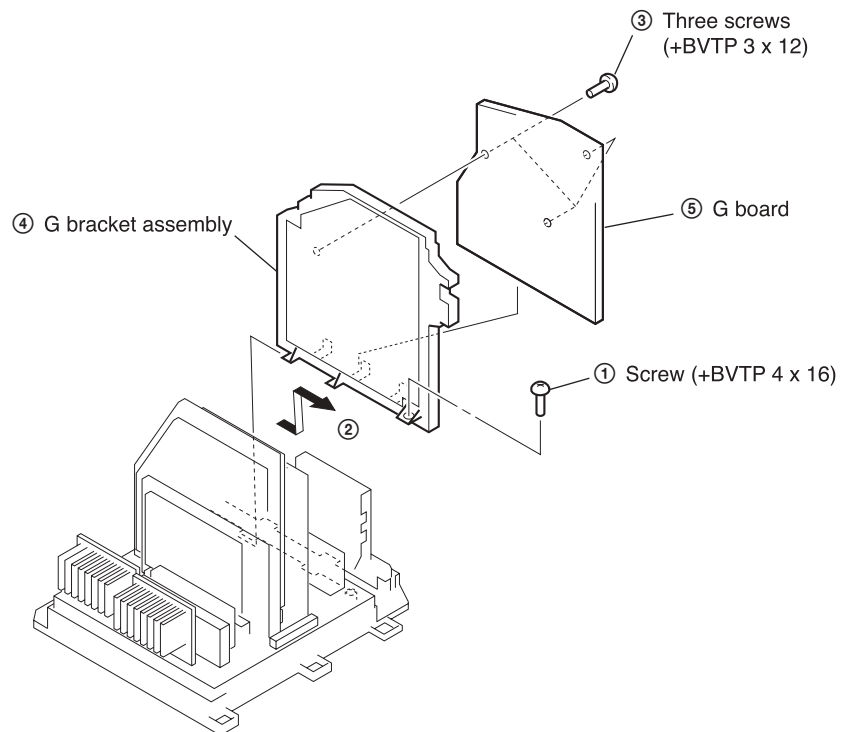
**2-6. UD BOARD, TERMINAL BOARD ASSEMBLY REMOVAL**



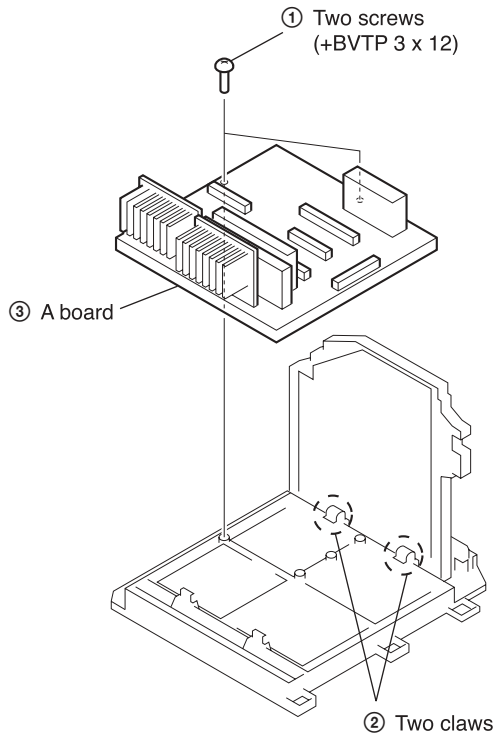
**2-7. U, M, BB, BC BOARDS REMOVAL**



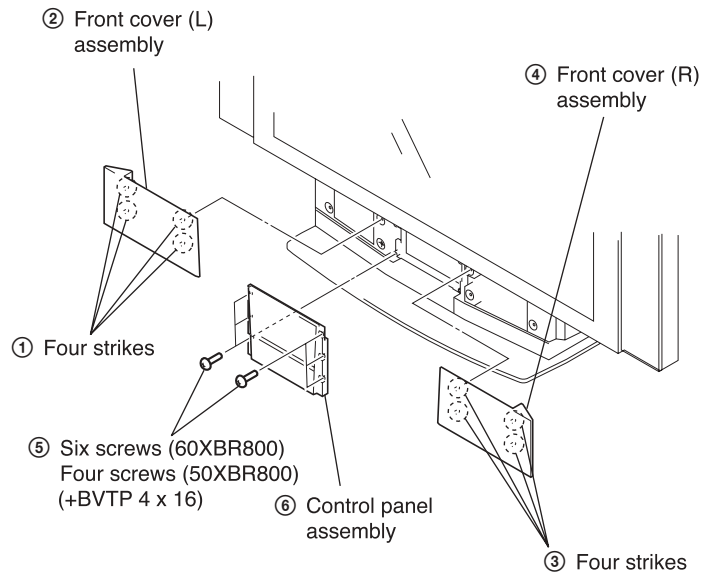
**2-8. G BOARD REMOVAL**



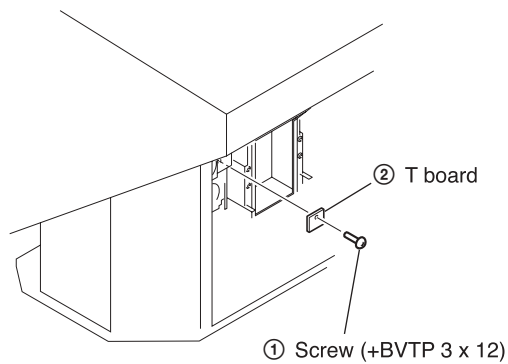
**2-9. A BOARD REMOVAL**



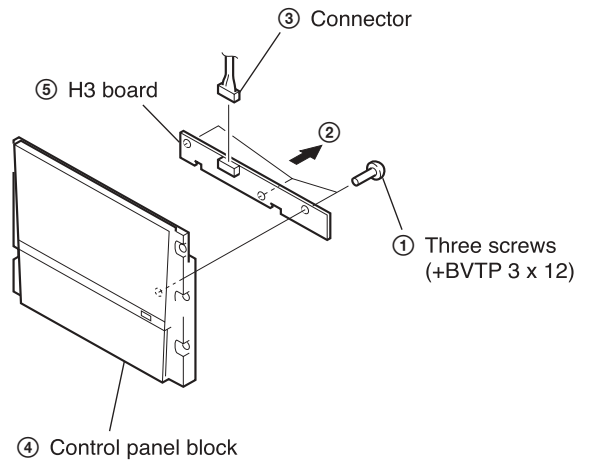
**2-11. CONTROL PANEL BLOCK ASSEMBLY REMOVAL**



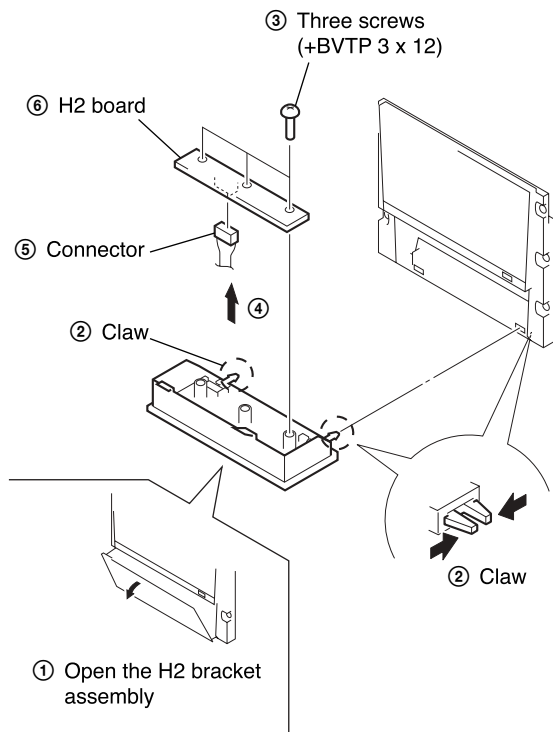
**2-10. T BOARD REMOVAL**



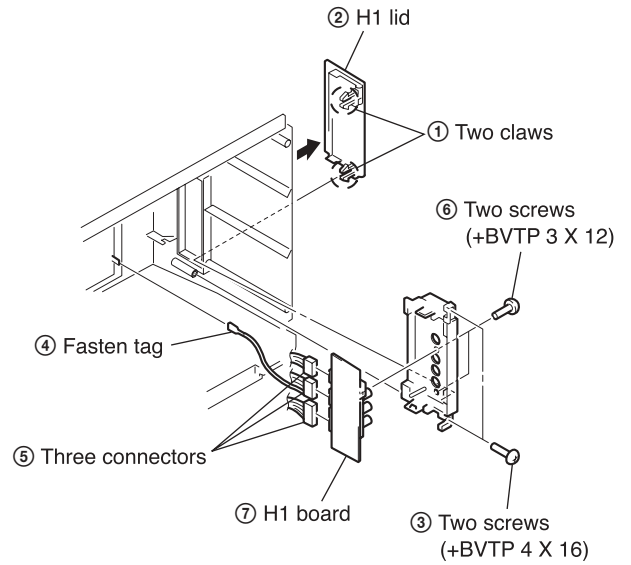
**2-12. H3 BOARD REMOVAL**



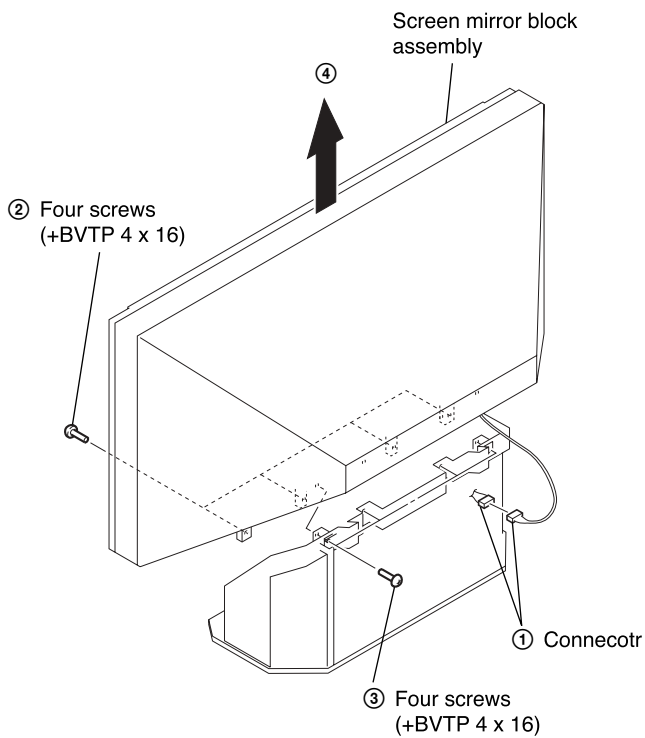
**2-13. H2 BOARD REMOVAL**



**2-15. H1 BOARD REMOVAL**



**2-14. SCREEN MIRROR BLOCK ASSEMBLY REMOVAL**





### SECTION 3

## ELECTRICAL ADJUSTMENTS

### 3-1. ELECTRICAL ADJUSTMENT BY REMOTE COMMANDER

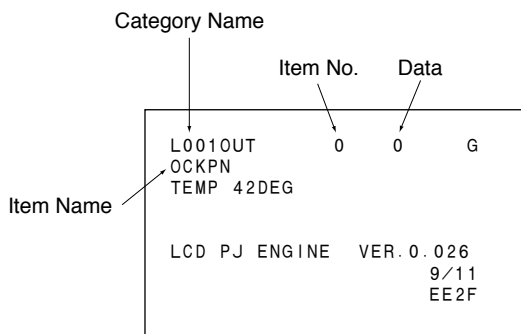
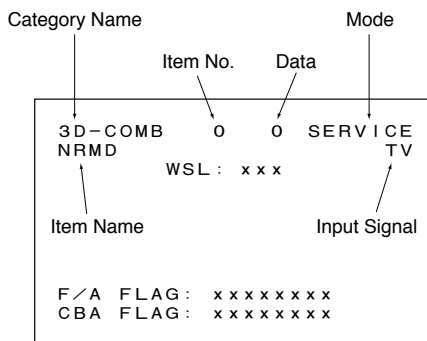
By using remote commander (RM-Y910K), all circuit adjustments can be made.

**NOTE : Test Equipment Required.**

1. Pattern Generator (with component outputs)
2. Oscilloscope
3. Digital multimeter

#### 3-1-1. Method of Setting the Service Adjustment Mode

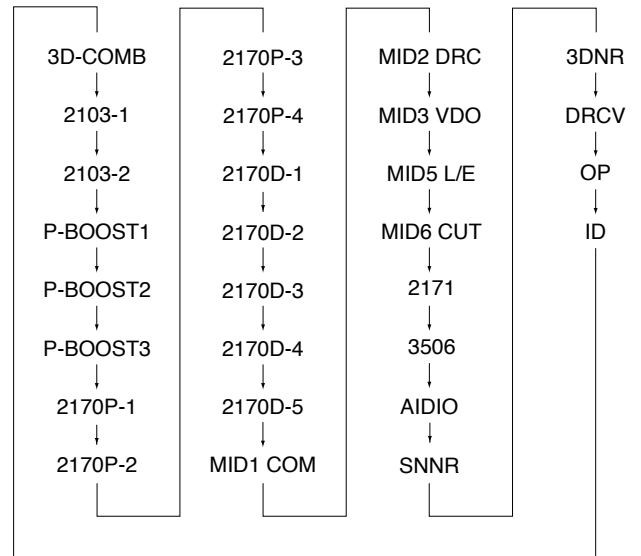
1. Standby mode. (Power off)
2. **DISPLAY** → **5** → **VOL (+)** → **TV POWER** on the remote commander.  
(Press each button within a second.)  
The following service screen will appear.



<LCD PROJECTOR ENGINE>

#### 3-1-2. Service Mode Adjustment

1. The SCREEN displays the item being adjusted.
2. Press “①” or “④” on the remote commander to select the adjustment item.
3. Press “③” or “⑥” on the remote commander to change the data.
4. Press “②” or “⑤” on the remote commander to select the category.  
Every time you press “②” (Category up), Service mode changes in the order as shown below.



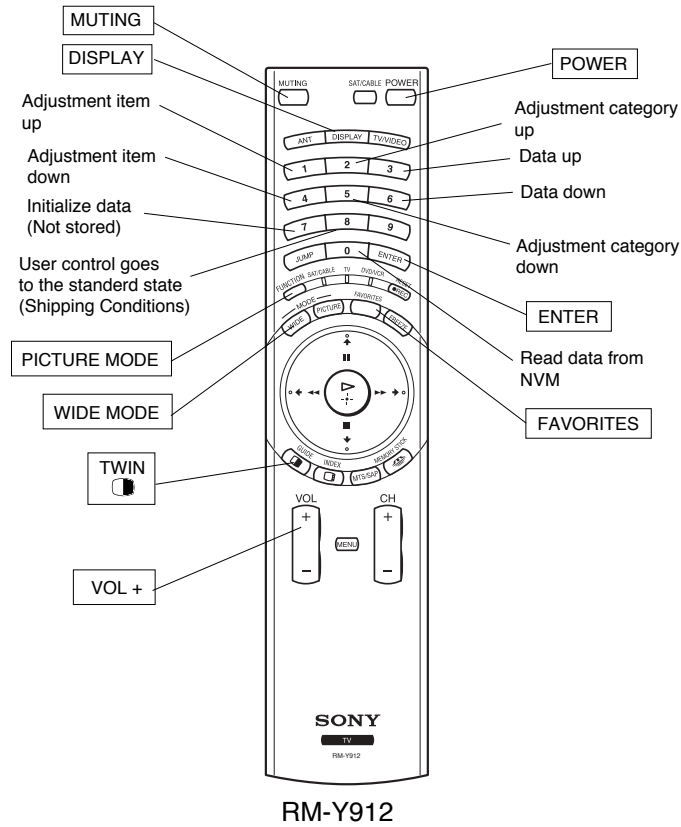
5. If you want to recover the latest values press “⑧” then “**ENTER**” to read the memory.
6. Press “**MUTING**” then “**ENTER**” to write into memory.
7. Turn power off.

Note: Press “⑧” then “**ENTER**” on the remote commander to set the shipping conditions or turn set off and on to exit.

#### 3-1-3. Memory Write Confirmation Method

1. After adjustment, turn power off with the remote commander.
2. Turn power on and set to service mode.
3. Call the adjusted items again and confirm they were adjusted.

### 3-1-4. Adjusting Buttons and Indicator



### FUNCTION OF KEYS ON COMMANDER

- ① : Changes adjustment item. (item No. moves up)
- ④ : Changes adjustment item. (item No. moves down)
- ② : Changes adjustment category. (category moves up)
- ⑤ : Changes adjustment category. (category moves down)
- ③ : Changes data value. (up)
- ⑥ : Changes data value. (down)

### Commander Function

Button	Mode	Description
<b>MUTING</b> + <b>ENTER</b>	WRITE	Writes data to NVM.
① + <b>ENTER</b>	READ	Reads data from NVM.
⑧ + <b>ENTER</b>	RESET	Set the shipping condition.
⑦ + <b>ENTER</b>	INT-	Service data initialization. Not stored.

(Be sure not to use usually)

### 3-1-5. Service Mode List

Note: •  shaded items are fixed. There is no need to change data. Others are different a little in the sets individually. Basically, there is no need to change data, too.

#### 3D-COMB

No.	Item	Function	Data range	Data	Remarks
0	NRMD	Noise reduction mode setting	0 - 3	Table 1	
1	CLKS	System clock setting	0 - 3	1	
2	NSDS	Selection for standard/non-standard signal processing	0 - 3	0	
3	MSS	Selection for inter-frame/inter-line processing	0 - 3	0	
4	KILS	Killer processing selection	0 - 3	Table 2	
5	FRZE			0	
6	EXCS			1	
7	CDL	C-signal phase with respect to the Y-signal	0 - 7	4	
8	DYCO	DY detection coring level (Y motion detection coring)	0 - 15	Table 3	
9	DYGA	DY detection gain (Y motion detection gain)	0 - 15	Table 3	
10	DCCO	DC detection coring level (C motion detection coring)	0 - 15	Table 3	
11	DCGA	DC detection gain (C motion detection gain)	0 - 15	Table 3	
12	WSC	Amount of noise detection coring	0 - 3	1	
13	WSS			0	
14	VAPG	V aperture compensation gain	0 - 7	Table 4	
15	VAPI	V aperture compensation convergence point	0 - 31	Table 4	
16	TEST	Test bit (0: Normal mode, 1: Test mode) (*forbidden setting)	0, 1	0	
17	YPFT	Y peaking filter (BPF) center frequency	0 - 3	Table 5	
18	YPPG	Y peaking filter (BPF) gain	0 - 15	Table 5	
19	SEDC			0	
20	SEDY			1	
21	YHCO	Y output high frequency component coring	0 - 3	1	
22	YHCG	Y output high frequency component coring gain	0, 1	1	
23	SYSP			0	
24	TES2			0	

Table 1

No.	Item	RF	CV		YC	
			STANDARD/NONSTANDERD SIGNAL	Others	STANDARD/NONSTANDERD SIGNAL	Others
0	NRMD	0	0	1	2	3

Table 2

No.	Item	RF/CV/YC		Others
		CXA2103-1		
		1	0	
4	KILS	2	1	1

Table 3

No.	Item	NRMD=0	NRMD=1	NRMD=2	NRMD=3
8	DYCO	2	2	2	2
9	DYGA	10	10	10	10
10	DCCO	5	5	5	5
11	DCGA	5	5	5	5

Table 4

No.	Item	VIVID	STANDARD	PRO	Mild
14	VAPG	0	0	0	0
15	VAPI	0	0	0	0

Table 5

No.	Item	RF				VIDEO1-4				TWIN
		VIVID	STANDARD	PRO	Mild	VIVID	STANDARD	PRO	Mild	
17	YPFT	3	3	3	3	3	3	3	3	3
18	YPFG	7	7	7	7	8	8	8	8	6

## 2103-1

No.	Item	Function	Data range	Data	Remarks
0	YLEV	Y out gain	0 - 63	Table 1	
1	CLEV	Cb & Cr out gain	0 - 63	Table 1	
2	SCON	Sub contrast	0 - 15	Table 2	
3	SCOL	Sub color	0 - 15	Table 2	
4	SHUE	Sub hue	0 - 15	Table 2	
5	YDLY	Y/C delay time	0 - 3	Table 2	
6	SHAP	Sharpness	0 - 15	Table 3	
7	SHFO	Sharpness f0 selector	0 - 3	Table 3	
8	PREO	Sharpness pre/over-shoot ratio	0 - 3	Table 3	
9	BPFO	Chroma band filter f0 setting	0 - 3	Table 4	
10	BPFQ	Chroma band filter Q setting	0 - 3	Table 4	
11	BPSW	Chroma band filter on/off	0, 1	Table 2	
12	TRAP	Y block chroma trap filter on/off	0, 1	Table 4	
13	LPF	Y/Cb/Cr output LPF on/off	0, 1	Table 4	
14	AFCG	AFC loop gain (PLL between H sync & H VCO)	0, 1	Table 5	
15	CDMD	V count down system mode selector	0 - 3	Table 5	
16	SSMD	H & V sync slide level setting	0 - 3	Table 5	
17	HMSK	Masking of macrovision signal on/off	0, 1	Table 6	
18	HALI	H automatic adjustment on/off	0, 1	Table 7	
19	PPHA	H TIM phase adjustment video	0 - 15	Table 6	
20	CBOF	Cb/EXT Cb offset	0 - 63	Table 1	
21	CROF	Cr/EXT Cr offset	0 - 63	Table 1	
22	CBO2			Table 8	
23	CRO2			Table 8	
24	ATPD	Auto-pedestal inflection point	0 - 3	Table 9	
25	DCTR	DC transmission ratio	0 - 3	Table 9	

Table 1

No.	Item	other		Single/Mild	
		RF/Video1-4	Video5-7	RF/Video1-4	Video5-7
0	YLEV	25	29	42	46
1	CLEV	7	20	43	58
20	CBOF	39	38	31	35
21	CROF	27	34	28	35

Table 2

No.	Item	RF	Others
2	SCON	7	9
3	SCOL	5	6
4	SHUE	4	6
5	YDLY	0	0
11	BPSW	1	0

Table 3

No.	Item	Others	CV/YC	V5/V6	DVI-480i
6	SHAP	6	8	5	5
7	SHFO	1	3	3	3
8	PREO	0	3	0	0

Table 4

No.	Item	RF	C Video	S Video	Component-480i
9	BPFO	3	0	0	0
10	BPFQ	0	0	0	0
12	TRAP	0	0	0	0
13	LPF	1	1	1	1

Table 5

No.	Item	RF	Video1-4	Others
14	AFCG	1	0	0
15	CDMD	3	3	3
16	SSMD	0	0	0

Table 6

No.	Item	RF	Video1-4	Video5-6	DVI
17	HMSK	0	1	1	0
19	PPHA	7	7	7	7

Table 7

No.	Item	RF
18	HALI	0

Table 8

No.	Item	DVI	DVI-mild
22	CBO2	38	32
23	CRO2	34	32

Table 9

No.	Item	Single	Twin			
			BLK0	BLK1	BLK2	BLK3
24	ATPD	0	0	1	0	0
25	DCTR	0	0	2	0	0

No.	Item	Function	Data range	Data	Remarks
0	YLEV	Y out gain		Table 1	
1	CLEV	Cb & Cr out gain		Table 1	
2	SCON	Sub contrast		Table 2	
3	SCOL	Sub color		Table 2	
4	SHUE	Sub hue		Table 2	
5	YDLY	Y/C delay time		Table 2	
6	SHAP	Sharpness		Table 3	
7	SHFO	Sharpness f0 selector		Table 3	
8	PREO	Sharpness pre/over-shoot ratio		Table 3	
9	BPF0	Chroma band filter f0 setting		Table 3	
10	BPFQ	Chroma band filter Q setting		Table 3	
11	BPSW	Chroma band filter on/off		Table 3	
12	TRAP	Y block chroma trap filter on/off		Table 3	
13	LPF	Y/Cb/Cr output LPF on/off		Table 3	
14	AFCG	AFC loop gain (PLL between H sync & H VCO)		Table 4	
15	CDMD	V count down system mode selector		Table 4	
16	SSMD	H & V sync slide level setting		Table 4	
17	HMSK	Masking of macrovision signal on/off		Table 4	
18	HALI	H automatic adjustment on/off		Table 4	
19	PPHA	H TIM phase adjustment video		Table 4	
20	CBO1			Table 1	
21	CRO1			Table 1	

Table 1

No.	Item	RF/Video	
		VDO	DRC
0	YLEV	28	35
1	CLEV	15	20
20	CBO1	36	26
21	CRO1	37	36

Table 2

No.	Item	RF	Video
2	SCON	7	8
3	SCOL	8	8
4	SHUE	5	8
5	YDLY	0	0

Table 3

No.	Item	RF	C Video	S Video
6	SHAP	6	6	8
7	SHFO	0	1	0
8	PREO	3	3	3
9	BPF0	0	0	0
10	BPFQ	0	0	0
11	BPSW	0	0	0
12	TRAP	0	0	0
13	LPF	1	1	1

Table 4

No.	Item	RF	Video
14	AFCG	1	0
15	CDMD	3	3
16	SSMD	0	0
17	HMSK	0	1
18	HALI	0	0
19	PPHA	7	7

PIC-BOOST1

No.	Item	Function	Data range	Data	Remarks
0	BSET	Data table selection	0 - 15	Table 1	
1	AMS	Amplitude mode selection	0, 1	1	
2	DEMO	Demonstration mode on/off	0, 1	0	
3	SN	Steepness correction	0 - 63	0	

Table 1-1

No.	Item	Single											
		RF				Video				Component			
		Vivid	Standard	Movie	Mild	Vivid	Standard	Movie	Mild	Vivid	Standard	Movie	Mild
0	BSET	2	4	6	10	5	7	8	11	1	3	9	12

Table 1-2

No.	Item	Single				Twin			
		DVI				-			
		Vivid	Standard	Movie	Mild	Vivid	Standard	Movie	Mild
0	BSET	1	3	9	12	0	0	0	0

PIC-BOOST2

No.	Item	Function	Data range	Data	Remarks
0	LWID	Line width correction	0 - 63	Table 1	
1	STEP	Steeness correction	0 - 63	Table 1	
2	CRNG	Coring level	0 - 63	Table 1	
3	VDC	Video dependent coring on/off	0, 1	Table 1	
4	OSP	Overrule smart peaking	0, 1	Table 1	
5	BOST	Black offset compensation on/off	0, 1	Table 1	
6	ABST	Adaptive black stretch	0 - 63	Table 1	
7	VGAM	Variable gamma	0 - 63	Table 1	
8	NLMP	Non-linearity amplifier	0 - 63	Table 1	
9	PKNG	Peaking amplitude	0 - 63	Table 1	
10	CFS	Color filter selection	0, 1	Table 1	
11	FHS	Line frequency selection	0, 1	Table 1	
12	LDH	Luminance determined histogram	0, 1	Table 1	
13	SNOW	Snow color adjustment by green stretch	0, 1	Table 1	
14	WLB	Window letterbox format	0, 1	0	

Table 1

No.	Item	BSET:0	BSET:1	BSET:2	BSET:3	EST:4	BSET:5	BSET:6	BSET:7	BSET:8	BSET:9	BSET:10	BSET:11	BSET:12	BSET:13	BSET:14	BSET:15
0	LWID	0	31	31	31	31	31	31	31	31	31	31	31	31	31	31	31
1	STEP	0	0	0	0	0	0	0	0	0	0	0	0	0	0	0	0
2	CRNG	0	15	15	12	10	10	10	5	5	5	20	10	10	15	5	15
3	VDC	0	1	1	1	1	1	1	1	1	1	1	1	1	1	1	1
4	OSP	0	0	1	0	0	0	0	0	0	0	0	0	0	0	0	0
5	BOST	0	0	0	0	0	0	0	0	0	0	0	0	0	0	0	0
6	ABST	0	0	0	0	0	0	0	0	0	0	0	0	0	0	0	0
7	VGAM	32	28	31	24	31	26	28	25	28	28	31	25	24	27	31	22
8	NLMP	0	26	27	21	18	24	10	28	10	10	18	28	21	22	7	18
9	PKNG	0	31	10	32	20	36	25	31	25	25	10	32	32	35	20	42
10	CFS	0	1	1	1	1	1	1	1	1	1	1	1	1	1	1	1
11	FHS	0	0	0	0	0	0	0	0	0	0	0	0	0	0	0	0
12	LDH	0	1	1	1	1	1	1	1	1	1	1	1	1	1	1	1
13	SNOW	1	1	1	1	1	1	1	1	1	1	1	1	1	1	1	1

PIC-BOOST3

No.	Item	Function	Data range	BSET:0	BSET:1	BSET:2	BSET:3	EST:4	BSET:5	BSET:6	BSET:7	BSET:8
0	CDS	Color dependent sharpness on/off	0, 1	1	1	1	1	1	1	1	1	1
1	CTI	Color transient improvement on/off	0, 1	0	0	0	0	0	0	0	0	0
2	WPO	White-point stretch on/off	0, 1	1	1	1	1	1	1	1	1	1
3	DBL	Blue stretch on/off	0, 1	0	0	0	0	0	0	0	0	0
4	GBL	Blue stretch gain	0, 1	0	0	0	0	0	0	0	0	0
5	SBL	Blue stretch size	0, 1	0	0	0	0	0	0	0	0	0
6	DSK	Dynamic skin tone on/off	0, 1	0	0	0	0	0	0	0	0	0
7	ASK	Dynamic skin tone angle	0, 1	0	0	0	0	0	0	0	0	0
8	WSK	Dynamic skin tone width	0, 1	0	0	0	0	0	0	0	0	0
9	SSK	Dynamic skin tone size	0, 1	0	0	0	0	0	0	0	0	0
10	DGR	Green enhancement on/off	0, 1	0	1	1	0	0	1	0	0	0
11	GGR	Green enhancement gain	0, 1	0	0	0	0	0	0	0	0	0
12	WGR	Green enhancement width	0, 1	0	0	0	0	0	0	0	0	0
13	SGR	Green enhancement size	0, 1	0	0	0	0	0	0	0	0	0
14	CDLY	Chrominance delay	0 - 7	4	7	7	7	7	4	7	4	4

No.	Item	Function	Data range	BSET:9	BSET:10	BSET:11	BSET:12	BSET:13	BSET:14	BSET:15
0	CDS	Color dependent sharpness on/off	0, 1	1	1	1	1	1	1	1
1	CTI	Color transient improvement on/off	0, 1	0	0	0	0	0	0	0
2	WPO	White-point stretch on/off	0, 1	1	1	1	1	1	1	1
3	DBL	Blue stretch on/off	0, 1	0	0	0	0	0	0	0
4	GBL	Blue stretch gain	0, 1	0	0	0	0	0	0	0
5	SBL	Blue stretch size	0, 1	0	0	0	0	0	0	0
6	DSK	Dynamic skin tone on/off	0, 1	0	0	0	0	0	0	0
7	ASK	Dynamic skin tone angle	0, 1	0	0	0	0	0	0	0
8	WSK	Dynamic skin tone width	0, 1	0	0	0	0	0	0	0
9	SSK	Dynamic skin tone size	0, 1	0	0	0	0	0	0	0
10	DGR	Green enhancement on/off	0, 1	0	0	0	0	1	0	0
11	GGR	Green enhancement gain	0, 1	0	0	0	0	0	0	0
12	WGR	Green enhancement width	0, 1	0	0	0	0	0	0	0
13	SGR	Green enhancement size	0, 1	0	0	0	0	0	0	0
14	CDLY	Chrominance delay	0 - 7	7	7	7	7	4	5	4



2170P-1 (KF-50XBR800)

No.	Item	Function	Data range	Data	Remarks
0	RDRV			Table 1	
1	GDRV			Table 1	
2	BDRV			Table 1	
3	RCUT			Table 1	
4	GCUT			Table 1	
5	BCUT			Table 1	
6	YOSW			Table 2	
7	TCOF			0	
8	YOF			Table 2	
9	CBOF			Table 1	
10	CROF			Table 1	
11	SBRT			31	
12	WBSW			0	
13	DCOL			Table 3	

Table 1

No.	Item	other		VIDEO 1-4		VIDEO 5-7					Twin	MS
		NOT Mild	Mild	NOT Mild	Mild	480I		480P,VGA	720P	1080I		
						NOT Mild	Mild					
0	RDRV	45	45	45	45	45	45	45	46	45	45	45
1	GDRV	45	45	45	45	45	45	45	46	45	45	45
2	BDRV	45	45	45	45	45	45	45	46	45	45	45
3	RCUT	31	31	31	31	31	31	31	31	31	31	31
4	GCUT	28	28	28	28	28	28	28	28	28	28	28
5	BCUT	30	30	30	30	30	30	30	30	30	30	30
9	CBOF	33	33	33	33	33	33	40	38	37	33	33
10	CROF	32	32	32	32	32	32	39	38	37	32	32

Table 2

No.	Item	RF/V1-V4	DVI	OTHER
6	YOSW	1	1	0
8	YOF	0	0	7

Table 3

No.	Item	COOL	NEUTRAL	WARM
13	DCOL	0	0	0

2170P-2 (KF-50XBR800)

No.	Item	Function	Data range	Data	Remarks
0	UPCG			Table 1	
1	UBRG			Table 1	
2	UCOL			Table 1	
3	UHUE			Table 1	
4	USHP			Table 1	
5	UTMP			Table 1	
6	UPOG			Table 2	
7	UBOG			Table 2	
8	UCOF			Table 2	
9	UHOF			Table 2	
10	SHOF			Table 2	
11	PICO			Table 3	
12	RGBS			Table 3	
13	BLKB			3	
14	RGBL			0	
15	YLMT			3	
16	AGNG			Table 4	
17	AKBO			0	
18	CLPP			3	
19	CLPG			0	
20	CLPS			0	
21	PPAD			3	
22	SYNP			0	
23	HVBT			0	

Table 1

No.	Item	Vivid	Standard	PRO	Mild
0	UPCG	63	55	31	43
1	UBRG	27	31	31	31
2	UCOL	35	31	31	31
3	UHUE	31	31	31	31
4	USHP	35	33	31	25
5	UTMP	2	1	1	1

Table 2-1

No.	Item	RF				Video				Component 480i			
		Vivid	Standard	PRO	Mild	Vivid	Standard	PRO	Mild	Vivid	Standard	PRO	Mild
6	UPOG	31	31	38	36	31	33	38	36	31	31	38	36
7	UBOG	33	35	19	33	33	28	16	28	32	32	31	32
8	UCOF	31	33	31	32	32	34	31	34	31	31	32	30
9	UHOF	31	31	31	31	32	31	31	31	31	30	30	30
10	SHOF	27	30	31	37	26	27	31	35	24	26	31	37

Table 2-2

No.	Item	Component 480p				Component 720p				Component 1080i			
		Vivid	Standard	PRO	Mild	Vivid	Standard	PRO	Mild	Vivid	Standard	PRO	Mild
6	UPOG	31	34	38	32	31	31	38	33	31	31	38	33
7	UBOG	33	32	30	31	23	31	31	31	23	31	31	31
8	UCOF	31	31	31	31	28	28	31	28	28	28	31	28
9	UHOF	32	31	31	31	33	33	31	33	33	33	31	33
10	SHOF	31	33	29	31	29	33	31	34	29	33	31	34

Table 2-3

No.	Item	Twin				MS1,2				VGA
		Vivid	Standard	PRO	Mild	Vivid	Standard	PRO	Mild	
6	UPOG	31	31	38	31	31	31	38	33	31
7	UBOG	36	31	29	31	23	31	31	31	31
8	UCOF	26	29	31	28	28	28	31	28	31
9	UHOF	31	31	31	31	33	33	31	33	31
10	SHOF	31	37	31	24	29	33	31	34	31

Table 3

No.	Item	Blanking		Power OFF
		ON	OFF	
11	PICO	1	1	0
12	RGBS	0	7	0

Table 4

No.	Item	AGING	
		ON	OFF
16	AGNG	2	0

2170P-3 (KF-50XBR800)

No.	Item	Function	Data range	Data	Remarks
0	SYSM			Table 1	
1	VMLV			7	
2	VMCR			Table 1	
3	VMLM			Table 1	
4	VMFO			Table 1	
5	VMDL			Table 1	
6	SHFO			Table 1	
7	PROV			Table 1	
8	F1LV			Table 1	
9	LTLV			Table 1	
10	LTMD			Table 1	
11	CTLV			Table 1	
12	UBOF			Table 1	
13	MIDE			Table 3	
14	VM			Table 2	
15	VMH			Table 2	
16	VMM			Table 2	
17	VML			Table 2	
18	VGAP			Table 2	
19	VGAS			0	
20	VGAB			0	
21	VGAC			0	
22	VGAV			5	

Table 1-1

No.	Item	RF				VIDEO1-4				VIDEO 5-7			
		480i											
		Vivid	Standard	PRO	Mild	Vivid	Standard	PRO	Mild	Vivid	Standard	PRO	Mild
0	SYSM	1	1	1	1	1	1	1	1	1	1	1	1
2	VMCR	0	0	0	0	0	0	0	0	0	0	0	0
3	VMLM	0	0	0	0	0	0	0	0	0	0	0	0
4	VMFO	0	0	0	0	0	0	0	0	0	0	0	0
5	VMDL	0	0	0	0	0	0	0	0	0	0	0	0
6	SHFO	1	1	1	1	1	1	1	1	1	1	1	1
7	PROV	3	3	3	3	0	0	0	0	3	3	3	3
8	F1LV	0	0	0	0	0	0	0	0	0	0	0	0
9	LTLV	3	1	0	2	2	1	0	2	2	1	0	2
10	LTMD	1	1	0	1	1	1	0	1	1	1	0	1
11	CTLV	0	0	0	0	0	0	0	0	1	1	0	0
12	UBOF	0	0	0	0	0	0	0	0	0	0	0	0

Table 1-2

No.	Item	VIDEO 5-7											
		480P				720P				1080I			
		Vivid	Standard	PRO	Mild	Vivid	Standard	PRO	Mild	Vivid	Standard	PRO	Mild
0	SYSM	1	1	1	1	3	3	3	3	3	3	3	3
2	VMCR	0	0	0	0	0	0	0	0	0	0	0	0
3	VMLM	0	0	0	0	0	0	0	0	0	0	0	0
4	VMFO	0	0	0	0	0	0	0	0	0	0	0	0
5	VMDL	0	0	0	0	0	0	0	0	0	0	0	0
6	SHFO	1	1	1	1	1	1	1	1	1	1	1	1
7	PROV	0	0	0	0	0	0	0	0	0	0	0	0
8	F1LV	0	0	0	0	0	0	0	0	0	0	0	0
9	LTLV	2	1	0	2	0	0	0	0	0	0	0	0
10	LTMD	1	1	0	1	0	0	0	0	0	0	0	0
11	CTLV	0	0	0	0	1	1	0	0	1	1	0	0
12	UBOF	0	0	0	0	0	0	0	0	0	0	0	0

Table 1-3

No.	Item	MS1, 2				Twin				VGA
		Vivid	Standard	PRO	Mild	Vivid	Standard	PRO	Mild	
0	SYSM	3	3	3	3	2	2	2	2	1
2	VMCR	0	0	0	0	0	0	0	0	0
3	VMLM	3	0	0	0	0	0	0	0	0
4	VMFO	0	0	0	0	0	0	0	0	0
5	VMDL	0	0	0	0	0	0	0	0	0
6	SHFO	1	1	1	1	1	1	1	1	1
7	PROV	3	3	3	3	2	2	2	2	3
8	F1LV	0	0	0	0	0	0	0	0	0
9	LTLV	0	0	0	0	2	2	0	0	0
10	LTMD	0	0	0	0	1	1	0	0	0
11	CTLV	0	0	0	0	0	0	0	0	0
12	UBOF	0	0	0	0	0	0	0	0	0

Table 2

No.	Item	Vivid	Standard	PRO	Mild
14	VM	3	0	0	1
15	VMH	15	0	13	13
16	VMM	10	0	8	8
17	VML	6	0	4	4

Table 3-1

No.	Item	other				VIDEO1-4				VIDEO5,6			
		Vivid	Standard	PRO	Mild	Vivid	Standard	PRO	Mild	480I			
										Vivid	Standard	PRO	Mild
13	MIDE	7	5	0	2	12	11	8	9	17	16	13	14

Table 3-2

No.	Item	VIDEO5,6				VIDEO5,6				VIDEO5,6			
		480P				720P				1080I			
		Vivid	Standard	PRO	Mild	Vivid	Standard	PRO	Mild	Vivid	Standard	PRO	Mild
13	MIDE	22	21	18	19	32	31	28	29	27	26	23	20

Table 3-3

No.	Item	DVI				DVI				DVI			
		480I				480P				720P			
		Vivid	Standard	PRO	Mild	Vivid	Standard	PRO	Mild	Vivid	Standard	PRO	Mild
13	MIDE	17	16	13	14	22	21	18	19	32	31	28	29

Table 3-4

No.	Item	DVI 1080i				MS1				MS2			
		Vivid	Standard	PRO	Mild	Vivid	Standard	PRO	Mild	Vivid	Standard	PRO	Mild
13	MIDE	27	26	23	20	27	26	23	20	54	54	54	54

Table 3-5

No.	Item	Twin				VGA
		Vivid	Standard	PRO	Mild	
13	MIDE	57	56	53	54	1

## 2170P-4 (KF-50XBR800)

No.	Item	Function	Data range	Data	Remarks
0	SCOL			Table 1	
1	SHUE			Table 1	
2	YCON			Table 2	
3	SPIC			Table 1	
4	SPIO			7	
5	SCLO			7	
6	SHUO			7	
7	PIC			Table 3	
8	BRT			Table 3	
9	RYR			Table 4	
10	RYB			Table 4	
11	GYR			Table 4	
12	GYB			Table 4	
13	GAMM			Table 5	
14	GAMS			Table 6	
15	GAMR			Table 6	
16	GAMG			Table 6	
17	GAMB			Table 6	
18	BLK			Table 5	
19	DCTR			Table 7	
20	APED			Table 7	
21	DSBO			Table 7	
22	IDSW			0	
23	ABLM			Table 7	
24	ABLT			Table 9	
25	SPOF			0	
26	DPSQ			Table 7	
27	LRGB			0	
28	RROF			Table 8	
29	RBOF			Table 8	
30	GROF			Table 8	
31	GBOF			Table 8	

Table 1

No.	Item	other	Video1-4	VIDEO5,6		DVI		Twin	MS
				480i	Others	480i	Others		
0	SCOL	31	31	29	32	30	30	31	31
1	SHUE	31	31	30	30	30	31	31	31
3	SPIC	7	8	11	10	11	10	2	10

Table 2

No.	Item	MS	Others
2	YCON	0	0

Table 3

No.	Item	Vivid	Standard	PRO	Mild
7	PIC	55	55	55	63
8	BRT	31	31	31	31

Table 4

No.	Item	other	Video1-4	VIDEO5,6		VIDEO5,6		DVI				Twin	MS	
				480i	480P	720P	1080I	480i	480P	720P	1080I			VGA
9	RYR	2	10	2	10	4	4	8	8	6	6	8	8	6
10	RYB	10	10	10	10	12	12	13	13	13	13	13	13	13
11	GYR	8	11	11	12	10	10	11	8	8	8	8	8	8
12	GYB	4	3	3	5	5	5	3	2	4	4	2	4	4

Table 5-1

No.	Item	other				VIDEO1- 4				VIDEO5,6 480I			
		Vivid	Standard	PRO	Mild		Standard	PRO	Mild	Vivid	Standard	PRO	Mild
13	GAMM	9	6	6	6	2	2	6	2	6	2	4	2
18	BLK	11	12	0	12	5	7	0	7	4	6	0	6

Table 5-2

No.	Item	VIDEO5,6											
		480P				720P				1080I			
		Vivid	Standard	PRO	Mild	Vivid	Standard	PRO	Mild	Vivid	Standard	PRO	Mild
13	GAMM	4	2	4	4	8	2	4	2	8	2	4	2
18	BLK	8	9	0	10	3	4	0	4	3	4	0	4

Table 5-3

No.	Item	DVI											
		480I				480P				720P			
		Vivid	Standard	PRO	Mild	Vivid	Standard	PRO	Mild	Vivid	Standard	PRO	Mild
13	GAMM	6	2	4	2	4	2	4	4	8	4	4	4
18	BLK	4	6	0	6	8	9	0	10	3	2	0	2

Table 5-4

No.	Item	DVI 1080I				MS				Twin				VGA
		Vivid	Standard	PRO	Mild	Vivid	Standard	PRO	Mild	Vivid	Standard	PRO	Mild	
13	GAMM	8	4	4	4	8	4	4	4	8	4	4	4	0
18	BLK	3	2	0	2	3	2	0	2	1	1	0	1	0

Table 6-1

No.	Item	GAMM								
		0	1	2	3	4	5	6	7	
14	GAMS	7	7	7	7	7	7	7	7	
15	GAMR	0	1	2	3	4	5	6	7	
16	GAMG	0	1	2	3	4	5	6	7	
17	GAMB	0	1	2	3	4	5	6	7	

Table 6-2

No.	Item	GAMM							
		8	9	10	11	12	13	14	15
14	GAMS	7	7	7	7	7	7	7	7
15	GAMR	8	9	10	11	12	13	14	14
16	GAMG	8	9	10	11	12	13	14	14
17	GAMB	8	9	10	11	12	13	14	14

Table 7-1

No.	Item	BLK							
		0	1	2	3	4	5	6	7
19	DCTR	0	5	4	8	8	8	5	5
20	APED	0	1	1	2	1	3	1	2
21	DSBO	7	7	7	7	7	7	7	7
23	ABLM	0	1	0	0	0	0	0	0
26	DPSQ	0	0	0	0	0	0	0	0

Table 7-2

No.	Item	BLK							
		8	9	10	11	12	13	14	15
19	DCTR	8	4	4	8	5	0	0	0
20	APED	2	1	1	1	1	0	0	0
21	DSBO	7	7	7	7	7	7	7	7
23	ABLM	0	0	0	0	0	0	0	0
26	DPSQ	0	0	0	0	0	0	0	0

Table 8

No.	Item	NT/SHIFT		HD/SHIFT	
		Neutral	Warm	Neutral	Warm
28	RROF	10	15	9	15
29	RBOF	8	9	7	9
30	GROF	7	4	7	5
31	GBOF	7	10	7	9

Table 9

No.	Item	SINGLE	Others
24	ABLT	0	0



2170D-1 (KF-50XBR800)

No.	Item	Function	Data range	Data	Remarks
0	VPOS			26	
1	VSIZ			19	
2	VSZO			Table 1	
3	VLIN			Table 2	
4	VSCO			Table 2	
5	VCEN			31	
6	VPIN			Table 3	
7	MVPN			0	
8	NSCO			31	
9	HTPZ			15	
10	MHTZ			0	
11	ZOOM			Table 4	
12	APSW			Table 5	
13	ASPT			Table 5	
14	SCRL			Table 5	
15	UVLN			Table 2	
16	LVLN			Table 2	

Table 1

No.	Item	HD_FULL/VC 1080I	Others
2	VSZO	2	0

Table 2

No.	Item	Wide Zoom	Others
3	VLIN	7	7
4	VSCO	10	10
15	UVLN	4	4
16	LVLN	4	4

Table 3

No.	Item	Normal	Others
6	VPIN	15	15

Table 4

No.	Item	Wide Zoom	Zoom	Others
11	ZOOM	0	0	0

Table 5

No.	Item	Wide Zoom	Zoom	Full	HD_FULL	VC 1080	Normal
12	APSW	1	1	1	0	0	1
13	ASPT	24	47	47	47	47	47
14	SCRL	31	31	31	31	31	31

2170D-2 (KF-50XBR800)

No.	Item	Function	Data range	Data	Remarks
0	HCNT			31	
1	HPOS			Table 1	
2	HSIZ			Table 2	
3	SLIN			Table 2	
4	MPIN			Table 2	
5	PIN			Table 2	
6	PINO			Table 3	
7	UCP			Table 2	
8	LCP			Table 2	
9	UXCG			1	
10	LXCG			1	
11	UXCP			2	
12	LXCP			2	
13	XCPP			0	
14	PPHA			Table 2	
15	VANG			31	
16	LANG			31	
17	VBOW			31	
18	LBOW			31	

Table 1

No.	Item	HD_FULL/VC_1080I	Others
1	HPOS	35	27

Table 2

No.	Item	Wide Zoom	Others
2	HSIZ	49	40
3	SLIN	10	5
4	MPIN	10	7
5	PIN	40	35
7	UCP	31	35
8	LCP	31	35
14	PPHA	20	20

Table 3

No.	Item	Wide Zoom	Zoom	HD_FULL	FULL	Normal/VC1080I
6	PINO	7	7	7	7	7

2170D-3 (KF-50XBR800)

No.	Item	Function	Data range	Data	Remarks
0	HBLK			1	
1	LBLK			Table 1	
2	RBLK			Table 1	
3	VBLK			Table 4	
4	TBLK			Table 2	
4	TBLK			Table 3	
5	BBLK			Table 2	
5	BBLK			Table 3	
6	AFCM			Table 1	
7	JUMP			Table 5	
8	VDJP			Table 6	
9	VDST			Table 1	
10	AKBT			Table 6	

Table 1

No.	Item	HD_FULL/VC1080I	Others
1	LBLK	57	63
2	RBLK	20	20
6	AFCM	2	3
9	VDST	1	0

Table 2

No.	Item	Wide Zoom	Zoom	Full	HD_FULL	VC 1080
4	TBLK	7	7	4	4	12
5	BBLK	7	7	8	6	13

Table 3

No.	Item	Normal
4	TBLK	8
5	BBLK	13

Table 4

No.	Item	Wide Zoom	Zoom	Full	Normal VC1080I
3	VBLK	0	0	1	1

Table 5

No.	Item	Normal/VC 1080I	Others
7	JUMP	1	1

Table 6

No.	Item	Wide Zoom	Zoom	Full/Normal	HD_Full/ VC1080I
8	VDJP	1	1	0	1
10	AKBT	15	15	15	10

2170D-4 (KF-50XBR800)

No.	Item	Function	Data range	Data	Remarks
0	QPAM			Table 1	
1	QPAV			Table 1	
2	QPAP			Table 1	
3	QPDC			Table 1	
4	QPDV			Table 1	
5	QDPD			Table 1	
6	CPY1			0	
7	DF			31	
8	DQP			31	
9	DHMT			0	

Table 1

No.	Item	Normal/VC 1080I	Others
0	QPAM	17	17
1	QPAV	31	31
2	QPAP	7	7
3	QPDC	20	20
4	QPDV	60	60
5	QDPD	7	5

2170D-5 (KF-50XBR800)

No.	Item	Function	Data range	Data	Remarks
0	VFRQ			1	
1	VON			1	
2	EWDC			0	
3	MS15			0	
4	HFRQ			Table 1	
5	HFRX			Table 1	
6	VMPS			Table 1	
7	INTR			Table 1	
8	VLNL			Table 1	
9	VLNH			Table 1	
10	AGCS			0	

Table 1

No.	Item	Single 720P/1080I	Others
4	HFRQ	80	90
5	HFRX	38	41
6	VMPS	0	0
7	INTR	0	1
8	VLNL	1	2
9	VLNH	70	62

2170P-1 (KF-60XBR800)

No.	Item	Function	Data range	Data	Remarks
0	RDRV			Table 1	
1	GDRV			Table 1	
2	BDRV			Table 1	
3	RCUT			Table 1	
4	GCUT			Table 1	
5	BCUT			Table 1	
6	YOSW			Table 2	
7	TCOF			0	
8	YOF			Table 2	
9	CBOF			Table 1	
10	CROF			Table 1	
11	SBRT			31	
12	WBSW			0	
13	DCOL			Table 3	

Table 1

No.	Item	other		VIDEO 1-4		VIDEO 5-7					Twin	MS
		NOT Mild	Mild	NOT Mild	Mild	480I		480P,VGA	720P	1080I		
						NOT Mild	Mild					
0	RDRV	45	45	45	45	45	45	45	45	45	45	45
1	GDRV	45	45	45	45	45	45	45	45	45	45	45
2	BDRV	45	45	45	45	45	45	45	45	45	45	45
3	RCUT	31	31	31	31	31	31	31	31	31	31	31
4	GCUT	28	28	28	28	28	28	28	28	28	28	28
5	BCUT	30	30	30	30	30	30	30	30	30	30	30
9	CBOF	33	33	33	33	33	33	40	38	37	33	33
10	CROF	32	32	32	32	32	32	39	38	37	32	32

Table 2

No.	Item	RF/V1-V4	DVI	OTHER
6	YOSW	1	1	0
8	YOF	0	0	7

Table 3

No.	Item	COOL	NEUTRAL	WARM
13	DCOL	3	0	0

2170P-2 (KF-60XBR800)

No.	Item	Function	Data range	Data	Remarks
0	UPCG			Table 1	
1	UBRG			Table 1	
2	UCOL			Table 1	
3	UHUE			Table 1	
4	USHP			Table 1	
5	UTMP			Table 1	
6	UPOG			Table 2	
7	UBOG			Table 2	
8	UCOF			Table 2	
9	UHOF			Table 2	
10	SHOF			Table 2	
11	PICO			Table 3	
12	RGBS			Table 3	
13	BLKB			3	
14	RGBL			0	
15	YLMT			3	
16	AGNG			Table 4	
17	AKBO			0	
18	CLPP			3	
19	CLPG			0	
20	CLPS			0	
21	PPAD			3	
22	SYNP			0	
23	HVBT			0	

Table 1

No.	Item	Vivid	Standard	PRO	Mild
0	UPCG	63	55	31	43
1	UBRG	27	31	31	31
2	UCOL	35	31	31	31
3	UHUE	31	31	31	31
4	USHP	35	33	31	25
5	UTMP	2	1	1	1

Table 2-1

No.	Item	RF				Video				Component			
										480i			
		Vivid	Standard	PRO	Mild	Vivid	Standard	PRO	Mild	Vivid	Standard	PRO	Mild
6	UPOG	31	31	38	36	31	33	38	36	31	31	38	36
7	UBOG	33	32	19	33	34	31	18	31	32	33	31	33
8	UCOF	31	31	31	32	32	32	31	32	31	31	31	29
9	UHOF	31	31	31	31	31	31	31	31	31	31	31	31
10	SHOF	27	30	31	37	26	27	31	35	24	26	31	37

Table 2-2

No.	Item	Component											
		480p				720p				1080i			
		Vivid	Standard	PRO	Mild	Vivid	Standard	PRO	Mild	Vivid	Standard	PRO	Mild
6	UPOG	31	34	38	32	31	31	38	33	31	31	38	33
7	UBOG	33	32	30	31	22	31	31	31	22	31	31	31
8	UCOF	31	31	31	31	30	28	31	28	30	28	31	28
9	UHOF	32	31	31	31	32	33	31	33	32	33	31	33
10	SHOF	31	33	29	31	29	33	31	34	29	33	31	34

Table 2-3

No.	Item	Twin				MS1,2				VGA
		Vivid	Standard	PRO	Mild	Vivid	Standard	PRO	Mild	
6	UPOG	31	31	38	31	31	31	38	33	31
7	UBOG	36	31	29	31	22	31	31	31	31
8	UCOF	26	29	31	28	30	28	31	28	31
9	UHOF	31	31	31	31	32	33	31	33	31
10	SHOF	31	37	31	24	29	33	31	34	31

Table 3

No.	Item	Blanking		Power OFF
		ON	OFF	
11	PICO	1	1	0
12	RGBS	0	7	0

Table 4

No.	Item	AGING	
		ON	OFF
16	AGNG	2	0

2170P-3 (KF-60XBR800)

No.	Item	Function	Data range	Data	Remarks
0	SYSM			Table 1	
1	VMLV			7	
2	VMCR			Table 1	
3	VMLM			Table 1	
4	VMFO			Table 1	
5	VMDL			Table 1	
6	SHFO			Table 1	
7	PROV			Table 1	
8	F1LV			Table 1	
9	LTLV			Table 1	
10	LTMD			Table 1	
11	CTLV			Table 1	
12	UBOF			Table 1	
13	MIDE			Table 3	
14	VM			Table 2	
15	VMH			Table 2	
16	VMM			Table 2	
17	VML			Table 2	
18	VGAP			5	
19	VGAS			0	
20	VGAB			0	
21	VGAC			0	
22	VGAV			5	

Table 1-1

No.	Item	RF				VIDEO 1-4				VIDEO 5-7			
										480i			
		Vivid	Standard	PRO	Mild	Vivid	Standard	PRO	Mild	Vivid	Standard	PRO	Mild
0	SYSM	1	1	1	1	1	1	1	1	1	1	1	1
2	VMCR	0	0	0	0	0	0	0	0	0	0	0	0
3	VMLM	0	0	0	0	0	0	0	0	0	0	0	0
4	VMFO	0	1	0	0	0	0	0	0	0	0	0	0
5	VMDL	0	1	0	0	0	0	0	0	0	0	0	0
6	SHFO	1	1	1	1	1	1	1	1	1	1	1	1
7	PROV	3	3	3	3	0	0	0	0	3	3	3	3
8	F1LV	0	0	0	0	0	0	0	0	0	0	0	0
9	LTLV	3	1	0	2	2	1	0	2	2	1	0	2
10	LTMD	1	1	0	1	1	1	0	1	1	1	0	1
11	CTLV	0	0	0	0	0	0	0	0	1	1	0	0
12	UBOF	0	0	0	0	0	0	0	0	0	0	0	0

Table 1-2

No.	Item	VIDEO 5-7								MS 1, 2			
		720P				1080I				Vivid	Standard	PRO	Mild
		Vivid	Standard	PRO	Mild	Vivid	Standard	PRO	Mild				
0	SYSM	3	3	3	3	3	3	3	3	3	3	3	3
2	VMCR	0	0	0	0	0	0	0	0	0	0	0	0
3	VMLM	0	0	0	0	0	0	0	0	3	0	0	0
4	VMFO	0	0	0	0	0	0	0	0	0	0	0	0
5	VMDL	0	0	0	0	0	0	0	0	0	0	0	0
6	SHFO	1	1	1	1	1	1	1	1	1	1	1	1
7	PROV	0	0	0	0	0	0	0	0	3	3	3	3
8	F1LV	0	0	0	0	0	0	0	0	0	0	0	0
9	LTLV	0	0	0	0	0	0	0	0	0	0	0	0
10	LTMD	0	0	0	0	0	0	0	0	0	0	0	0
11	CTLV	1	1	0	0	1	1	0	0	0	0	0	0
12	UBOF	0	0	0	0	0	0	0	0	0	0	0	0

Table 1-3

No.	Item	Twin				VGA
		Vivid	Standard	PRO	Mild	
0	SYSM	2	2	2	2	1
2	VMCR	0	0	0	0	0
3	VMLM	0	0	0	0	0
4	VMFO	0	0	0	0	0
5	VMDL	0	0	0	0	0
6	SHFO	1	1	1	1	1
7	PROV	2	2	2	2	3
8	F1LV	0	0	0	0	0
9	LTLV	2	2	0	0	0
10	LTMD	1	1	0	0	0
11	CTLV	0	0	0	0	0
12	UBOF	0	0	0	0	0

Table 2

No.	Item	Vivid	Standard	PRO	Mild
14	VM	3	0	0	1
15	VMH	15	0	13	13
16	VMM	10	0	8	8
17	VML	6	0	4	4



Table 3-1

No.	Item	other				VIDE01-4				VIDE05,6			
										480I			
		Vivid	Standard	PRO	Mild	Vivid	Standard	PRO	Mild	Vivid	Standard	PRO	Mild
13	MIDE	7	5	0	2	12	11	8	9	17	16	13	14

Table 3-2

No.	Item	VIDE05,6											
		480P				720P				1080I			
		Vivid	Standard	PRO	Mild	Vivid	Standard	PRO	Mild	Vivid	Standard	PRO	Mild
13	MIDE	22	21	18	19	32	31	28	29	27	26	23	20

Table 3-3

No.	Item	DVI												
		480I				480P				720P				
		Vivid	Standard	PRO	Mild	Vivid	Standard	PRO	Mild	Vivid	Standard	PRO	Mild	
13	MIDE	17	16	13	14	22	21	18	19	32	31	28	29	

Table 3-4

No.	Item	DVI					MS1				MS2			
		1080I												
		Vivid	Standard	PRO	Mild	Vivid	Standard	PRO	Mild	Vivid	Standard	PRO	Mild	
13	MIDE	27	26	23	20	27	26	23	20	54	54	54	54	

Table 3-5

No.	Item	Twin				VGA
		Vivid	Standard	PRO	Mild	
13	MIDE	57	56	53	54	1

2170P-4 (KF-60XBR800)

No.	Item	Function	Data range	Data	Remarks
0	SCOL			Table 1	
1	SHUE			Table 1	
2	YCON			Table 2	
3	SPIC			Table 1	
4	SPIO			7	
5	SCLO			7	
6	SHUO			7	
7	PIC			Table 3	
8	BRT			Table 3	
9	RYR			Table 4	
10	RYB			Table 4	
11	GYR			Table 4	
12	GYB			Table 4	
13	GAMM			Table 5	
14	GAMS			Table 6	
15	GAMR			Table 6	
16	GAMG			Table 6	
17	GAMB			Table 6	
18	BLK			Table 5	
19	DCTR			Table 7	
20	APED			Table 7	
21	DSBO			Table 7	
22	IDSW			0	
23	ABLM			Table 7	
24	ABLT			Table 9	
25	SPOF			0	
26	DPSQ			Table 7	
27	LRGB			0	
28	RROF			Table 8	
29	RBOF			Table 8	
30	GROF			Table 8	
31	GBOF			Table 8	

Table 1

No.	Item	other	Video1-4	VIDEO5,6		DVI		Twin	MS
				480i	Others	480I	Others		
0	SCOL	31	31	29	32	30	30	31	31
1	SHUE	31	31	30	30	30	31	31	31
3	SPIC	7	8	11	10	11	10	2	10

Table 2

No.	Item	MS	Others
2	YCON	0	0

Table 3

No.	Item	Vivid	Standard	PRO	Mild
7	PIC	55	55	55	63
8	BRT	31	31	31	31

Table 4

No.	Item	other	Video1-4	VIDEO5,6				DVI				DVI VGA	Twin	MS
				480i	480P	720P	1080I	480i	480P	720P	1080I			
9	RYR	10	10	10	10	6	6	8	8	6	6	8	8	6
10	RYB	13	13	13	13	13	13	13	13	13	13	13	13	13
11	GYR	8	11	11	8	8	8	11	8	8	8	8	8	8
12	GYB	4	3	3	2	4	4	3	2	4	4	2	4	4

Table 5-1

No.	Item	other				VIDEO1-4				VIDEO5,6			
		480I				480I				480I			
		Vivid	Standard	PRO	Mild	Vivid	Standard	PRO	Mild	Vivid	Standard	PRO	Mild
13	GAMM	7	6	6	6	2	0	6	0	4	0	4	0
18	BLK	11	12	0	12	5	7	0	7	4	6	0	6

Table 5-2

No.	Item	VIDEO5,6											
		480P				720P				1080I			
		Vivid	Standard	PRO	Mild	Vivid	Standard	PRO	Mild	Vivid	Standard	PRO	Mild
13	GAMM	4	2	4	4	8	2	4	2	8	2	4	2
18	BLK	8	9	0	10	3	2	0	2	3	2	0	2

Table 5-3

No.	Item	DVI											
		480I				480P				720P			
		Vivid	Standard	PRO	Mild	Vivid	Standard	PRO	Mild	Vivid	Standard	PRO	Mild
13	GAMM	4	0	4	0	4	2	4	4	8	2	4	2
18	BLK	4	6	0	6	8	9	0	10	3	2	0	2

Table 5-4

No.	Item	DVI				MS				Twin				VGA
		1080I				1080I				1080I				
		Vivid	Standard	PRO	Mild	Vivid	Standard	PRO	Mild	Vivid	Standard	PRO	Mild	
13	GAMM	8	2	4	2	8	2	4	2	8	4	4	4	0
18	BLK	3	2	0	2	3	2	0	2	1	1	0	1	0

Table 6-1

No.	Item	GAMM							
		0	1	2	3	4	5	6	7
14	GAMS	7	7	7	7	7	7	7	7
15	GAMR	0	1	2	3	4	5	6	7
16	GAMG	0	1	2	3	4	5	6	7
17	GAMB	0	1	2	3	4	5	6	7

Table 6-2

No.	Item	GAMM							
		8	9	10	11	12	13	14	15
14	GAMS	7	7	7	7	7	7	7	7
15	GAMR	8	9	10	11	12	13	14	14
16	GAMG	8	9	10	11	12	13	14	14
17	GAMB	8	9	10	11	12	13	14	14

Table 7-1

No.	Item	BLK							
		0	1	2	3	4	5	6	7
19	DCTR	0	5	4	8	8	8	5	5
20	APED	0	1	1	2	1	3	1	2
21	DSBO	7	7	7	7	7	7	7	7
23	ABLM	0	1	0	0	0	0	0	0
26	DPSQ	0	0	0	0	0	0	0	0

Table 7-2

No.	Item	BLK							
		8	9	10	11	12	13	14	15
19	DCTR	8	4	4	8	5	0	0	0
20	APED	2	1	1	1	1	0	0	0
21	DSBO	7	7	7	7	7	7	7	7
23	ABLM	0	0	0	0	0	0	0	0
26	DPSQ	0	0	0	0	0	0	0	0

Table 8

No.	Item	NT/SHIFT		HD/SHIFT	
		Neutral	Warm	Neutral	Warm
28	RROF	10	15	9	15
29	RBOF	8	9	7	9
30	GROF	7	4	7	5
31	GBOF	7	10	7	9

Table 9

No.	Item	SINGLE	Others
24	ABLT	0	0

2170D-1 (KF-60XBR800)

No.	Item	Function	Data range	Data	Remarks
0	VPOS			26	
1	VSIZ			19	
2	VSZO			Table 1	
3	VLIN			Table 2	
4	VSCO			Table 2	
5	VCEN			31	
6	VPIN			Table 3	
7	MVPN			0	
8	NSCO			31	
9	HTPZ			15	
10	MHTZ			0	
11	ZOOM			Table 4	
12	APSW			Table 5	
13	ASPT			Table 5	
14	SCRL			Table 5	
15	UVLN			Table 2	
16	LVLN			Table 2	

Table 1

No.	Item	HD_FULL/VC 1080i	Others
2	VSZO	2	0

Table 2

No.	Item	Wide Zoom	Others
3	VLIN	7	7
4	VSCO	10	10
15	UVLN	4	4
16	LVLN	4	4

Table 3

No.	Item	Normal	Others
6	VPIN	15	15

Table 4

No.	Item	Wide Zoom	Zoom	Others
11	ZOOM	0	0	0

Table 5

No.	Item	Wide Zoom	Zoom	Full	HD_FULL	VC 1080	Normal
12	APSW	1	1	1	0	0	1
13	ASPT	24	47	47	47	47	47
14	SCRL	31	31	31	31	31	31

2170D-2 (KF-60XBR800)

No.	Item	Function	Data range	Data	Remarks
0	HCNT			31	
1	HPOS			Table 1	
2	HSIZ			Table 2	
3	SLIN			Table 2	
4	MPIN			Table 2	
5	PIN			Table 2	
6	PINO			Table 3	
7	UCP			Table 2	
8	LCP			Table 2	
9	UXCG			1	
10	LXCG			1	
11	UXCP			2	
12	LXCP			2	
13	XCPP			0	
14	PPHA			Table 2	
15	VANG			31	
16	LANG			31	
17	VBOW			31	
18	LBOW			31	

Table 1

No.	Item	HD_FULL/VC_1080I	Others
1	HPOS	35	27

Table 2

No.	Item	Wide Zoom	Others
2	HSIZ	49	40
3	SLIN	10	5
4	MPIN	10	7
5	PIN	40	35
7	UCP	31	35
8	LCP	31	35
14	PPHA	20	20

Table 3

No.	Item	Wide Zoom	Zoom	HD_FULL	FULL	Normal/VC1080I
6	PINO	7	7	7	7	7

2170D-3 (KF-60XBR800)

No.	Item	Function	Data range	Data	Remarks
0	HBLK			1	
1	LBLK			Table 1	
2	RBLK			Table 1	
3	VBLK			Table 3	
4	TBLK			Table 2	
5	BBLK			Table 2	
6	AFCM			Table 1	
7	JUMP			Table 4	
8	VDJP			Table 5	
9	VDST			Table 1	
10	AKBT			Table 5	

Table 1

No.	Item	HD_FULL/VC1080I	Others
1	LBLK	57	63
2	RBLK	20	20
6	AFCM	2	3
9	VDST	1	0

Table 2

No.	Item	Wide Zoom	Zoom	Full	HD_FULL	VC 1080	Normal
4	TBLK	7	7	4	4	12	8
5	BBLK	7	7	8	6	13	13

Table 3

No.	Item	Wide Zoom	Zoom	Full	Normal VC1080I
3	VBLK	0	0	1	1

Table 4

No.	Item	Normal/VC 1080I	Others
7	JUMP	1	1

Table 5

No.	Item	Wide Zoom	Zoom	Full/Normal	HD_Full/ VC1080I
8	VDJP	1	1	0	1
10	AKBT	15	15	15	10

2170D-4 (KF-60XBR800)

No.	Item	Function	Data range	Data	Remarks
0	QPAM			Table 1	
1	QPAV			Table 1	
2	QPAP			Table 1	
3	QPDC			Table 1	
4	QPDV			Table 1	
5	QPDP			Table 1	
6	CPY1			0	
7	DF			31	
8	DQP			31	
9	DHMT			0	

Table 1

No.	Item	Normal/VC 1080I	Others
0	QPAM	17	17
1	QPAV	31	31
2	QPAP	7	7
3	QPDC	20	20
4	QPDV	60	60
5	QPDP	7	5

2170D-5 (KF-60XBR800)

No.	Item	Function	Data range	Data	Remarks
0	VFRQ			1	
1	VON			1	
2	EWDC			0	
3	MS15			0	
4	HFRQ			Table 1	
5	HFRX			Table 1	
6	VMPS			Table 1	
7	INTR			Table 1	
8	VLNL			Table 1	
9	VLNH			Table 1	
10	AGCS			0	

Table 1

No.	Item	Single 720P/1080I	Others
4	HFRQ	80	90
5	HFRX	38	41
6	VMPS	0	0
7	INTR	0	1
8	VLNL	1	2
9	VLNH	70	62



MID1 COM

No.	Item	Function	Data range	Data	Remarks
0	DHPH			Table 1	
1	DVPH			Table 1	
2	DHAR			Table 1	
3	DVAR			Table 1	
4	DHPW			Table 1	
5	DVPW			Table 1	
6	DYCD			Table 2	
7	DYSD			Table 3	
8	MDHP			Table 4	
9	MDVP			Table 5	
10	MDHS			Table 4	
11	MDVS			Table 5	
12	MLHP			Table 6	
13	MLVP			Table 6	
14	SDHP			Table 7	
15	SDVP			Table 7	
16	SDHS			Table 7	
17	SDVS			Table 7	
18	PDHP			Table 8	
19	PDVP			Table 8	
20	PDHS			Table 8	
21	PDVS			Table 8	
22	DPSW			Table 9	
23	MDLO			Table 10	
24	BCOL			Table 11	
25	DYSS			Table 12	
26	OSDH			Table 12	
27	OSDV			Table 12	

Table 1

No.	Item	1920	1440/1840
0	DHPH	111	119
1	DVPH	21	17
2	DHAR	240	230
3	DVAR	135	120
4	DHPW	55	59
5	DVPW	5	5

Table 2

No.	Item	Single		Twin	Freeze	Favorite	INDEX
		480I	Other				
6	DYCD	2	0	1	0	0	0

Table 3

No.	Item	1920				1840			
		Table-0	Table-1	Table-2	Table-3	Table-0	Table-1	Table-2	Table-3
7	DYSD	7	4	2	1	7	4	2	1

Table 4

No.	Item	Single					Favorite	INDEX
		1920		Other	1840			
		VGA			Other	Side Panel	Other	
		Side Panel	Other	Side Panel				Other
8	MDHP	156	0	0	137	0	17	0
10	MDHS	162	240	240	163	230	167	168

Table 5

No.	Item	Single			FAVORITE	INDEX
		480I/480P	VGA	Other	VGA	VGA
		Other				
9	MDVP	0	0	0	16	0
11	MDVS	120	120	135	111	116

Table 6

No.	Item	Twin/Freeze	Favorite	INDEX
12	MLHP	15	0	19
13	MLVP	1	0	8

Table 7

No.	Item	Favorite
14	SDHP	174
15	SDVP	8
16	SDHS	104
17	SDVS	70

Table 8

No.	Item	case nothing
18	PDHP	99
19	PDVP	55
20	PDHS	117
21	PDVS	60

Table 9

No.	Item	Single		Other
		1080I	Other	
22	DPSW	0	0	←

Table 10

No.	Item	case nothing
23	MDLO	12

Table 11

No.	Item	Single		MS	Other
		Side Panel	Other		
24	BCOL	1	1	1	0

Table 12

No.	Item	case nothing
25	DYSS	1
26	OSDH	39
27	OSDV	16

MID2 DRC

No.	Item	Function	Data range	Data	Remarks
0	DRHP			Table 1	
1	DRHS			Table 1	
2	DRVP			Table 1	
3	DRVS			Table 1	

Table 1-1

No.	Item	Single						Twin-Left			Twin-Right
		480I		YC		DVI		480I	YC	DVI	YC
		Side Panel	Others	Side Panel	Others	Side Panel	Others			Others	
0	DRHP	153	129	154	130	157	134	135	138	145	151
1	DRHS	164	174	164	174	165	175	168	168	168	168
2	DRVP	37	37	37	37	37	37	55	55	55	55
3	DRVS	120	120	120	120	120	120	111	111	111	111

Table 1-2

No.	Item	Freeze			Favorite-Main						Favorite-Sub
		480I	YC	DVI	480I		YC		DVI		YC
					DSP-4:3	DSP-16:9	DSP-4:3	DSP-16:9	DSP-4:3	DSP-16:9	
0	DRHP	149	150	156	133	137	136	136	143	131	144
1	DRHS	164	164	164	168	165	168	168	168	165	167
2	DRVP	55	55	55	55	57	55	54	55	37	55
3	DRVS	111	111	111	111	110	111	111	111	120	111

Table 1-3

No.	Item	INDEX-Main						INDEX-Sub
		480I		YC		DVI		YC
		DSP-4:3	DSP-16:9	DSP-4:3	DSP-16:9	DSP-4:3	DSP-16:9	
0	DRHP	135	138	138	138	145	131	144
1	DRHS	168	165	168	168	168	165	167
2	DRVP	46	57	46	55	46	57	55
3	DRVS	116	110	116	111	116	110	111

MID3 VDO

No.	Item	Function	Data range	Data	Remarks
0	VDHP			Table 1	
1	VDHS			Table 1	
2	VDVE			Table 1	
3	VDVS			Table 1	
4	VDVO			Table 2	
5	VCPO			Table 2	
6	VCWD			Table 2	
7	VYCD			Table 2	
8	VSTP			Table 2	
9	VSTT			Table 2	
10	VHSC			Table 2	
11	VFRV			Table 2	

Table 1-1

No.	Item	Single											
		1080I	720P	480P		480I		VGA		DVI 1080I	DVI 720P	DVI 480P	
				Side Panel	Others	Side Panel	Others	Side Panel	Others			Side Panel	Others
0	VDHP	107	139	189	157	77	65	185	153	103	145	185	154
1	VDHS	240	160	222	236	164	174	221	235	240	160	222	236
2	VDVE	21	24	37	37	17	17	26	26	19	24	38	37
3	VDVS	135	180	120	120	60	60	125	125	135	180	120	120

Table 1-2

No.	Item	Single		Twin-Left							Twin-Right	Freeze	
		DVI 480I		1080I	720P	480P	VGA	DVI 1080I	DVI 720P	DVI 480P	YC	1080I	720P
		Side Panel	Others										
0	VDHP	79	67	124	150	170	163	122	158	170	73	141	163
1	VDHS	165	175	226	151	225	226	226	151	225	169	222	147
2	VDVE	17	17	41	54	57	42	41	54	57	27	43	54
3	VDVS	60	60	124	165	110	116	124	165	110	55	123	165

Table 1-3

No.	Item	Freeze							Favorite-Main				
		480P	480I	VGA	DVI 1080I	DVI 720P	DVI 480P	DVI 480I	1080I	720P	480P		
											DSP-4:3	DSP-16:9	
0	VDHP	193	74	186	133	167	186	77	116	146	164	161	
1	VDHS	219	165	220	222	147	219	165	228	152	228	229	
2	VDVE	57	28	42	43	54	57	27	41	54	55	53	
3	VDVS	110	55	116	123	165	110	55	124	165	111	111	

Table 1-4

No.	Item	Favorite-Main				Favorite-Sub	INDEX-Main					
		VGA		DVI 1080I	DVI 720P	YC	1080I	720P	480P			
		DSP-4:3	DSP-16:9						DSP-4:3	DSP-16:9		
0	VDHP	160	198	115	153	71	124	147	169	168		
1	VDHS	227	209	228	152	167	226	152	227	227		
2	VDVE	43	45	41	54	25	41	54	46	53		
3	VDVS	116	110	124	165	56	124	165	116	111		

Table 1-5

No.	Item	INDEX-Main						INDEX-Sub
		VGA		DVI 1080I	DVI 720P	DVI 480P		YC
		DSP-4:3	DSP-16:9			DSP-4:3	DSP-16:9	
0	VDHP	165	198	123	155	167	184	76
1	VDHS	226	209	226	152	227	220	162
2	VDVE	35	45	41	54	45	57	25
3	VDVS	120	110	124	165	116	110	56

Table 2

No.	Item	YC	480I	1080I	720P	480P	VGA
4	VDVO	0	0	0	0	0	0
5	VCPO	42	42	72	88	122	122
6	VCWD	1	1	2	2	2	2
7	VYCD	0	0	0	0	0	0
8	VSTP	62	62	137	186	129	129
9	VSTT	0	0	0	0	0	0
10	VHSC	130	←	-	-	-	-
11	VFRV	0	0	0	0	0	0

MID5 L/E

No.	Item	Function	Data range	Data	Remarks
0	POP			Table 1	
1	MHLY			Table 2	
2	MHLC			Table 2	
3	MVLY			Table 2	
4	MVLC			Table 2	
5	MHYR			Table 2	
6	MHYL			Table 2	
7	MHYE			Table 2	
8	MHYO			Table 2	
9	MHCR			Table 2	
10	MHCL			Table 2	
11	MHCE			Table 2	
12	MHCO			Table 2	
13	MVYR			Table 2	
14	MVYL			Table 2	
15	MVYE			Table 2	
16	MVCR			Table 2	
17	MVCL			Table 2	
18	MVCE			Table 2	
19	SHLY			Table 1	
20	SHLC			Table 1	
21	SVLY			Table 1	
22	SVLC			Table 1	
23	SHYR			Table 1	
24	SHYL			Table 1	
25	SHYE			Table 1	
26	SHYO			Table 1	
27	SHCR			Table 1	
28	SHCL			Table 1	
29	SHCE			Table 1	
30	SHCO			Table 1	
31	SVYR			Table 1	
32	SVYL			Table 1	
33	SVYE			Table 1	
34	SVCR			Table 1	
35	SVCL			Table 1	
36	SVCE			Table 1	

Table 1

No.	Item	case nothing
0	POP	—
19	SHLY	0
20	SHLC	0
21	SVLY	0
22	SVLC	0
23	SHYR	0
24	SHYL	0
25	SHYE	0
26	SHYO	0
27	SHCR	0
28	SHCL	0
29	SHCE	0
30	SHCO	0
31	SVYR	0
32	SVYL	0
33	SVYE	0
34	SVCR	0
35	SVCL	0
36	SVCE	0

Table 2-1

No.	Item	POP=0	POP=1	POP=2	POP=3	POP=4	POP=5	POP=6	POP=7	POP=8	POP=9	POP=10	POP=11	POP=12	POP=13	POP=14
1	MHLY	2	0	0	2	1	2	1	2	2	0	1	2	2	0	0
2	MHLC	0	0	1	3	3	0	3	0	1	1	3	1	1	1	1
3	MVLY	1	0	0	0	0	1	0	1	0	0	0	0	0	0	0
4	MVLC	0	0	2	0	0	0	0	2	2	0	0	2	2	2	2
5	MHYR	1	0	2	0	2	2	3	2	1	1	0	0	1	1	2
6	MHYL	1	0	1	0	1	1	2	1	1	1	0	1	1	1	1
7	MHYE	4	0	3	0	6	4	7	4	4	7	0	3	7	7	7
8	MHYO	1	0	1	1	1	1	1	1	1	1	1	1	1	1	1
9	MHCR	0	0	0	0	0	0	0	0	0	0	0	0	0	0	0
10	MHCL	0	0	0	0	0	0	0	0	0	0	0	0	0	0	0
11	MHCE	0	0	0	0	0	0	0	0	0	0	0	0	0	0	0
12	MHCO	0	0	0	1	0	0	0	0	0	0	0	0	0	0	0
13	MVYR	0	0	1	0	1	1	2	2	0	1	0	1	1	0	2
14	MVYL	0	0	1	0	1	1	1	1	0	1	0	1	1	0	1
15	MVYE	0	0	5	0	1	7	3	7	0	5	0	5	5	0	5
16	MVCR	0	0	0	0	0	0	0	0	0	0	0	0	0	0	0
17	MVCL	0	0	0	0	0	0	0	0	0	0	0	0	0	0	0
18	MVCE	0	0	0	0	0	0	0	0	0	0	0	0	0	0	0

Table 2-2

No.	Item	POP=15	POP=16	POP=17	POP=18	POP=19	POP=20	POP=21	POP=22	POP=23	POP=24	POP=25	POP=26	POP=27	POP=28	POP=29
1	MHLY	2	0	0	2	1	0	2	2	0	1	0	0	0	0	0
2	MHLC	3	1	1	1	1	1	1	1	0	3	2	0	2	2	1
3	MVLY	0	0	0	0	1	0	0	0	0	0	0	0	0	0	1
4	MVLC	0	2	2	2	2	2	2	2	0	0	0	0	1	1	2
5	MHYR	0	0	1	0	1	0	1	1	1	0	0	1	1	1	1
6	MHYL	0	1	1	1	1	0	1	1	1	0	0	1	2	1	1
7	MHYE	0	7	5	5	3	0	7	5	3	0	0	3	5	4	7
8	MHYO	0	1	1	1	1	1	1	1	1	1	1	1	1	1	1
9	MHCR	0	0	0	0	0	0	0	0	0	0	0	0	3	0	0
10	MHCL	0	0	0	0	0	0	0	0	0	0	0	0	0	0	0
11	MHCE	0	0	0	0	0	0	0	0	0	0	0	0	4	0	0
12	MHCO	0	0	0	0	1	0	0	0	1	0	1	0	1	0	0
13	MVYR	0	1	1	0	0	0	1	1	0	0	0	1	1	0	0
14	MVYL	0	2	1	0	0	0	1	1	0	0	0	2	2	0	0
15	MVYE	0	7	7	0	0	0	5	7	0	0	0	7	7	0	0
16	MVCR	0	0	0	0	0	0	0	0	0	0	0	0	3	0	0
17	MVCL	0	0	0	0	0	0	0	0	0	0	0	0	0	0	0
18	MVCE	0	0	0	0	0	0	0	0	0	0	0	0	4	0	0

Table 2-3

No.	Item	POP=30	POP=31	POP=32	POP=33	POP=34	POP=35	POP=36	POP=37	POP=38	POP=39	POP=40	POP=41	POP=42	POP=43	POP=44
1	MHLY	0	0	0	1	3	1	1	1	1	3	1	1	1	0	3
2	MHLC	0	2	2	3	3	3	3	3	3	3	3	3	3	0	3
3	MVLY	0	0	0	0	1	0	0	0	0	1	0	0	0	0	1
4	MVLC	0	1	1	0	1	0	0	0	0	1	0	0	0	0	1
5	MHYR	0	1	1	0	0	1	1	1	1	0	1	1	1	0	0
6	MHYL	0	2	2	0	1	2	2	2	1	0	1	2	2	1	0
7	MHYE	0	5	5	0	0	2	2	7	7	0	3	2	7	2	0
8	MHYO	1	1	1	1	0	1	1	1	1	0	1	1	1	0	0
9	MHCR	0	0	0	0	0	0	0	0	0	0	0	0	0	0	0
10	MHCL	0	0	0	0	0	0	0	0	0	0	0	0	0	0	0
11	MHCE	0	0	0	0	0	0	0	0	0	0	0	0	0	0	0
12	MHCO	1	0	0	0	0	0	0	0	0	0	0	0	0	0	0
13	MVYR	0	1	1	0	0	1	1	2	0	0	1	1	1	0	0
14	MVYL	0	1	1	0	0	1	1	1	0	0	1	1	1	0	0
15	MVYE	0	5	7	0	0	5	7	5	0	0	4	7	5	0	0
16	MVCR	0	0	0	0	0	0	0	0	0	0	0	0	0	0	0
17	MVCL	0	0	0	0	0	0	0	0	0	0	0	0	0	0	0
18	MVCE	0	0	0	0	0	0	0	0	0	0	0	0	0	0	0

Table 2-4

No.	Item	POP=45	POP=46	POP=47	POP=48	POP=49	POP=50	POP=51	POP=52	POP=53	POP=54	POP=55	POP=56	POP=57	POP=58	POP=59
1	MHLY	0	0	0	0	0	0	0	0	0	0	0	0	0	0	0
2	MHLC	0	0	0	0	0	0	0	0	0	0	0	0	0	0	0
3	MVLY	0	0	0	0	0	0	0	0	0	0	0	0	0	0	0
4	MVLC	0	0	0	0	0	0	0	0	0	0	0	0	0	0	0
5	MHYR	0	0	0	0	0	0	0	0	0	0	0	0	0	0	0
6	MHYL	1	1	1	1	1	1	1	1	0	0	0	0	0	0	0
7	MHYE	4	7	7	2	2	4	7	7	0	0	0	0	0	0	0
8	MHYO	0	0	0	0	0	0	0	0	0	0	0	0	0	0	0
9	MHCR	0	1	1	0	0	0	1	1	0	0	0	0	0	0	0
10	MHCL	0	1	1	0	0	0	1	1	0	0	0	0	0	0	0
11	MHCE	0	4	4	0	0	0	4	4	0	0	0	0	0	0	0
12	MHCO	0	1	1	0	0	0	1	1	0	0	0	0	0	0	0
13	MVYR	0	0	0	0	0	0	0	0	0	0	0	0	0	0	0
14	MVYL	1	1	1	0	0	1	1	1	0	0	1	0	0	0	0
15	MVYE	4	4	4	0	0	4	4	4	0	0	0	0	0	0	0
16	MVCR	0	1	1	0	0	0	1	1	0	0	0	0	0	0	0
17	MVCL	0	1	1	0	0	0	1	1	0	0	0	0	0	0	0
18	MVCE	0	4	4	0	0	0	4	4	0	0	0	0	0	0	0

Table 2-5

No.	Item	POP=60	POP=61	POP=62	POP=63
1	MHLY	0	0	0	0
2	MHLC	0	0	0	0
3	MVLY	0	0	0	0
4	MVLC	0	0	0	0
5	MHYR	0	0	0	0
6	MHYL	0	0	0	0
7	MHYE	0	0	0	0
8	MHYO	0	0	0	0
9	MHCR	0	0	0	0
10	MHCL	0	0	0	0
11	MHCE	0	0	0	0
12	MHCO	0	0	0	0
13	MVYR	0	0	0	0
14	MVYL	0	0	0	0
15	MVYE	0	0	0	0
16	MVCR	0	0	0	0
17	MVCL	0	0	0	0
18	MVCE	0	0	0	0



MID6 CUT

No.	Item	Function	Data range	Data	Remarks
0	MCUT			Table 1	
1	MWHS			Table 1	
2	MWVS			Table 1	
3	MRHP			Table 1	
4	MRVP			Table 1	
5	MRHS			Table 1	
6	MRVS			Table 1	

Table 1-1

No.	Item	480i NOT Mild(ANLFM=3 or 4)			480i Mild(ANLFM=7)			480p (ANLFM=2)			VGA(ANLFM=D)		
		FULL/NORMAL	ZOOM	W-ZOOM	FULL/NORMAL	ZOOM	W-ZOOM	FULL/NORMAL	ZOOM	W-ZOOM	FULL/NORMAL	ZOOM	W-ZOOM
0	MCUT	0	1	1	0	1	1	0	1	1	0	1	1
1	MWHS	-	174	174	-	87	87	-	230	230	-	230	230
2	MWVS	-	120	120	-	60	60	-	120	120	-	120	120
3	MRHP	-	0	0	-	0	0	-	0	0	-	0	0
4	MRVP	-	30	11	-	30	11	-	30	11	-	31	12
5	MRHS	-	174	174	-	87	87	-	230	230	-	230	230
6	MRVS	-	90	109	-	90	109	-	90	109	-	94	113

Table 1-2

No.	Item	DVI 480i NOT Mild(ANLFM=5)			DVI 480i Mild(ANLFM=C)			DVI 480p (ANLFM=A)		480p (ANLFM=A)
		FULL/NORMAL	ZOOM	W-ZOOM	FULL/NORMAL	ZOOM	W-ZOOM	FULL/NORMAL	ZOOM	W-ZOOM
0	MCUT	0	1	1	0	1	1	0	1	1
1	MWHS	-	175	175	-	87	87	-	230	230
2	MWVS	-	120	120	-	60	60	-	120	120
3	MRHP	-	0	0	-	0	0	-	0	0
4	MRVP	-	30	11	-	15	6	-	30	11
5	MRHS	-	175	175	-	87	87	-	230	230
6	MRVS	-	90	109	-	45	54	-	90	109

2171

No.	Item	Function	Data range	Data	Remarks
0	MTRX			Table 1	
1	GAIN			Table 2	
2	FIXS			Table 3	
3	CBGN			Table 2	
4	CRGN			Table 2	
5	YGN			Table 2	
6	VTC			0	
7	FRGB			Table 3	
7	HTC			Table 4	
8	HWID			1	
9	HSEP			2	
10	HMSK			Table 5	

Table 1

No.	Item	FRGB=1	Video5-6 720P/1080I NORMAL	others
0	MTRX	3	1	0

Table 2

No.	Item	Others	Analog 1080i
1	GAIN	0	0
3	CBGN	9	7
4	CRGN	9	8
5	YGN	9	8

Table 3

No.	Item	Video5-6	DVI	Others
2	FIXS	0	0	0
7	FRGB	0	0	0

Table 4

No.	Item	Status-tristate=1	Others(Status-tristate=1)
7	HTC	0	1

Table 5

No.	Item	Others	Video5-7 1080i
10	HMSK	1	0

3506

No.	Item	Function	Data range	Data	Remarks
0	MCON			Table 1	
1	SCOR			Table 1	
2	SCOG			Table 1	
3	SCOB			Table 1	
4	RGB			Table 1	

Table 1

No.	Item	480I/S VIDEO	OTHERS
0	MCON	64	64
1	SCOR	128	128
2	SCOG	128	128
3	SCOB	128	128
4	RGB	0	0

# AUDIO

No.	Item	Function	Data range	Data	Remarks
0	ASYS			0	
1	TRCV			0	
2	BACV			2	
3	MDCV			0	
4	SVHI			5	
5	SVLO			0	50XBR
				1	60XBR
6	MIDL			7	
7	LOFQ			2	50XBR
				3	60XBR
8	SBAS			8	
9	BSFQ			7	
10	STRE			5	
11	TRFQ			7	
12	PSEF			5	
13	AGCL			0	
14	BBE			Table 1	
15	BBEP			Table 1	
16	BBEL			Table 1	
17	BB2P			Table 1	
18	BB2L			Table 1	
19	TRS1			4	
20	TRS2			5	

Table 1

No.	Item	SURR_OFF		TRUSURR	SIMULAT
		AGC_OFF	AGC_AUTO		
14	BBE	1	1	1	1
15	BBEP	4	4	4	4
16	BBEL	1	1	1	1
17	BB2P	0	0	0	0
18	BB2L	0	0	0	0

SNNR

No.	Item	Function	Data range	Data	Remarks
0	MODE			Table 1	
1	SNNR			Table 1	
2	WSLT			Table 2	
3	CPFG			Table 3	
4	CPFT			Table 3	
5	CCOR			Table 3	
6	CHCG			Table 3	
7	CAPG			Table 3	
8	3SHP			Table 3	
9	NYNR			Table 3	
10	NCNR			Table 3	
11	NYMG			Table 3	
12	NCMG			Table 3	
13	NYLT			Table 3	
14	NYNC			Table 3	
15	NYCO			Table 3	
16	7SHP			Table 3	
17	7YF1			Table 3	
18	7LTI			Table 3	
19	7CTI			Table 3	
20	7VML			Table 3	
21	7VMC			Table 3	
22	MIDD			Table 3	
23	USHS			Table 3	
24	NLMP			Table 3	
25	PKNG			Table 3	
26	CRNG			Table 3	

Table 1

No.	Item	case nothing
0	MODE	0
1	SNNR	0

Table 2

No.	Item	A	B	C	D	E	F	G
2	WSLT	15	31	45	63	85	127	180

Table 3

No.	Item	SNNR:0	SNNR:1	SNNR:2	SNNR3	SNNR4	SNNR:5	SNNR:6	SNNR:7
3	CPFG	0	0	0	0	0	0	1	2
4	CPFT	0	0	1	2	2	3	3	3
5	CCOR	0	1	1	2	2	2	3	3
6	CHCG	0	0	0	0	0	0	0	0
7	CAPG	0	0	0	0	0	0	0	0
8	3SHP	0	0	0	0	0	0	1	2
9	NYNR	0	1	1	1	2	2	2	2
10	NCNR	0	1	1	1	2	2	2	2
11	NYMG	0	0	0	0	0	0	0	0
12	NCMG	0	0	0	0	0	0	0	0
13	NYLT	0	1	1	2	3	4	6	8
14	NYNC	0	1	1	1	2	2	2	2
15	NYCO	0	0	0	0	0	0	0	0
16	7SHP	0	0	0	0	0	0	0	0
17	7YF1	0	0	0	0	0	0	0	0
18	7LTI	0	1	2	3	3	3	3	3
19	7CTI	0	0	0	0	0	0	0	0
20	7VML	0	0	0	0	0	0	0	0
21	7VMC	0	0	0	0	0	0	0	0
22	MIDD	0	0	0	0	0	0	0	0
23	USHS	0	1	2	3	4	5	6	7
24	NLMP	0	1	2	3	4	5	6	7
25	PKNG	0	0	0	0	0	0	0	0
26	CRNG	0	1	2	3	4	5	6	7

3DNR

No.	Item	Function	Data range	Data	Remarks
0	WHCT			Table 1	
1	NIQM			Table 1	
2	CLPW			Table 1	
3	CLPP			Table 1	
4	YHBW			Table 1	
5	YBKL			Table 1	
6	YBKO			Table 1	
7	MUTE			Table 1	
8	YHBS			Table 1	
9	CHBW			Table 1	
10	CBKO			Table 1	
11	CHBO			Table 1	
12	VHBL			Table 1	
13	UHBL			Table 1	
14	UVDL			Table 1	
15	YDL			Table 1	
16	PVDI			Table 1	
17	PHDI			Table 1	
18	HDW			Table 1	
19	PVDO			Table 1	
20	PHDO			Table 1	
21	HST			Table 1	
22	VDL			Table 1	
23	VDW			Table 1	
24	NDET			Table 1	
25	NVP			Table 1	
26	NDTS			Table 1	
27	HROF			Table 1	
28	NDGW			Table 1	
29	UOFS			Table 1	
30	POT			Table 1	
31	UVF			Table 1	
32	APC			Table 1	
33	DAP			Table 1	
34	YLV			Table 2	
35	YST			Table 1	
36	YNT			Table 1	
37	YPL			Table 1	
38	YMV			Table 1	
39	YCR			Table 2	
40	VOS			Table 1	
41	YMG			Table 2	
42	YEG			Table 1	
43	YEL			Table 2	
44	YLM			Table 2	
45	CLV			Table 2	
46	CNT			Table 1	
47	CPL			Table 1	
48	CMG			Table 2	
49	CCR			Table 2	
50	CLM			Table 2	
51	NVSL			Table 1	
52	NVSH			Table 1	
53	NHS			Table 1	
54	NVEL			Table 1	
55	NVEH			Table 1	
56	NHE			Table 1	
57	YNG			Table 2	
58	COR			Table 2	
59	LPF			Table 2	
60	YLT			Table 2	
61	YNC			Table 2	
62	YCO			Table 2	
63	ADTH			Table 1	

Table 1

No.	Item	case nothing
0	WHCT	44
1	NIQM	1
2	CLPW	30
3	CLPP	80
4	YHBW	138
5	YBKL	0
6	YBKO	0
7	MUTE	0
8	YHBS	40
9	CHBW	138
10	CBKO	40
11	CHBO	0
12	VHBL	0
13	UHBL	0
14	UVDL	0
15	YDL	0
16	PVDI	0
17	PHDI	0
18	HDW	16
19	PVDO	0
20	PHDO	0
21	HST	54
22	VDL	0
23	VDW	3
24	NDET	0
25	NVP	2
26	NDTS	3
27	HROF	0
28	NDGW	9
29	UOFS	1
30	POT	0
31	UVF	0
32	APC	1
33	DAP	0
35	YST	0
36	YNT	1
37	YPL	1
38	YMV	0
40	VOS	0
42	YEG	0
46	CNT	1
47	CPL	1
51	NVSL	20
52	NVSH	0
53	NHS	16
54	NVEL	248
55	NVEH	0
56	NHE	120
63	ADTH	0

Table 2

No.	Item	OTHER				VIDEO 5~7(480i)			
		Vivid	Standard	PRO	Mild	Vivid	Standard	PRO	Mild
34	YLV	8	8	8	8	8	8	8	8
39	YCR	3	3	3	3	3	0	0	0
41	YMG	3	3	3	3	3	3	3	3
43	YEL	6	6	6	6	6	6	6	6
44	YLM	6	6	6	6	6	6	6	6
45	CLV	8	8	8	8	8	8	8	8
48	CMG	3	3	3	3	3	3	3	3
49	CCR	3	3	3	3	3	0	0	0
50	CLM	6	6	6	6	6	6	6	6
57	YNG	3	3	3	3	3	3	3	3
58	COR	0	0	0	0	0	0	0	0
59	LPF	0	0	0	0	0	0	0	0
60	YLT	6	6	6	6	6	6	6	6
61	YNC	8	8	8	8	8	8	8	8
62	YCO	0	0	0	0	0	0	0	0

## DRCV

No.	Item	Function	Data range	Data	Remarks
0	MFVR			Table 1	
1	ISEL			Table 1	
2	ORES			Table 2	
2	LMLV			Table 5	
3	ONCT			Table 2	
4	AINI			Table 3	
5	BINI			Table 3	
6	FMAT			Table 1	
7	FMTH			Table 4	
8	FSEL			Table 1	
9	CDLY			Table 1	
10	LMIT			Table 1	
12	LMLV			Table 1	
13	VDLY			Table 1	
14	VDPR			Table 1	
15	WPPL			Table 1	
16	CRCT			Table 1	
17	NRA			Table 6	
18	NRB			Table 6	

Table 1

No.	Item	case nothing
0	MFVR	0
1	ISEL	1
6	FMAT	0
8	FSEL	1
9	CDLY	2
10	LMIT	0
12	LMLV	1
13	VDLY	1
14	VDPR	3
15	WPPL	2
16	CRCT	0

Table 2-1

No.	Item	RF				VIDEO 1-4				VIDEO 5-6			
		Vivid	Standard	PRO	Mild	Vivid	Standard	PRO	Mild	Vivid	Standard	PRO	Mild
2	ORES	128	128	128	128	128	128	128	128	128	128	128	128
3	ONCT	128	128	128	128	128	128	128	128	128	128	128	128

Table 2-2

No.	Item	DVI			
		Vivid	Standard	PRO	Mild
2	ORES	128	128	128	128
3	ONCT	128	128	128	128

Table 3

No.	Item	Custom1	Custom2	Custom3
4	AINI	0	49	79
5	BINI	24	54	89

Table 4

No.	Item	RF	OTHERS
7	FMTH	1	1

Table 5

No.	Item	Vivid	Standard	PRO	Mild
2	LMLV	2	2	2	2

Table 6

No.	Item	SNNR LEVEL							
		0	1	2	3	4	5	6	7
17	NRA	0	0	0	0	0	0	0	0
18	NRB	128	128	128	128	128	128	128	128



OP

No.	Item	Function	Data range	Data	Remarks
0	DLY1			Table 1	
1	DLY2			Table 1	
2	DLY3			Table 1	
3	OSDH			Table 1	
4	HPOF			Table 1	
5	VPOS			Table 1	
6	VPOT			Table 1	
7	HDPT			Table 1	
8	MSBG			Table 1	
9	AACK			Table 1	
10	SLFC			Table 1	
11	RAMW			Table 1	

Table 1

No.	Item	case nothing
0	DLY1	4
1	DLY2	12
2	DLY3	7
3	OSDH	17
4	HPOF	11
5	VPOS	12
6	VPOT	33
7	HDPT	1
8	MSBG	0
9	AACK	2
10	SLFC	0
11	RAMW	0

ID

No.	Item	Function	Data range	Data	Remarks
0	ID0			Table 1	
1	ID1			Table 1	
2	ID2			Table 1	
3	ID3			Table 1	
4	ID4			Table 1	
5	ID5			Table 1	
6	ID6			Table 1	
7	ID7			Table 1	

Table 1

No.	Item	case nothing
0	ID0	89
1	ID1	255
2	ID2	239
3	ID3	107
4	ID4	75
5	ID5	243
6	ID6	126
7	ID7	27

### 3-2. CHASSIS PICTURE QUALITY ADJUSTMENT

#### 3-2-1. Sub Color/Sub Hue Adjustment

##### 1. Preparation

- 1) Before adjustment, set the following adjustment conditions in each mode.

Note: After the adjustment in 3-2-2. Sub Color/Sub Hue Adjustment, restore original data in each mode.

Adjustment conditions

PICTURE MODE: Vivid

Category	Item	Data
MCP-ADJ1	2 GDRV	50
	3 GCUT	40
VID ADJ	1 GAM	0
	2 DCTN	0
	3 DPIC	0
USER STD	2 UCOL	31
	3 UHUE	31
	9 UCOF	31
	10 UHOF	31

- 2) Connect an oscilloscope to the CN702 pin ① (TP744) on the BB board.

##### 2. RF Input Adjustment

- 1) Enter the RF color bar (75%) signal.
- 2) Set the adjustment conditions in 1. Preparation, and further set the following data.

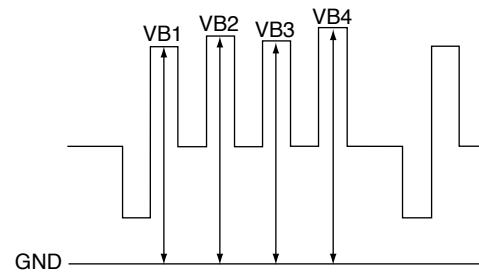
Adjustment conditions

Category	Item	Data
P-BOOST1	0 BSET	0
2103-1	22 ATPD	0
	23 DCTR	0
2103-2	22 ATPD	0
	23 DCTR	0

- 3) Press the **[TWIN]** button on the remote commander to display color bar on the left and right two screens.
- 4) Measure the waveform, and repeat the SCOL and SHUE adjustments so that VB1 = VB4, and VB2 = VB3.

Adjustment positions

	Category	tem
Left screen	2103-1	3 SCOL
		4 SHUE
Right screen	2103-2	3 SCOL
		4 SHUE



- 5) After the adjustment finished, return the data set in 2) to original values, and write the data by pressing the **[MUTE]** + **[ENTER]** buttons on the remote commander.

##### 3. Video Input Adjustment

- 1) Enter the Video color bar (100%) signal.
- 2) Set the adjustment conditions in 1. Preparation, and further set the following data.

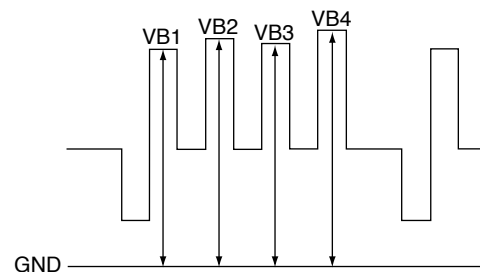
Adjustment conditions

Category	Item	Data
P-BOOST1	0 BSET	0
2103-1	22 ATPD	0
	23 DCTR	0
2103-2	22 ATPD	0
	23 DCTR	0

- 3) Press the **[TWIN]** button on the remote commander to display color bar on the left and right two screens.
- 4) Measure the waveform, and repeat the SCOL and SHUE adjustments so that VB1 = VB4, and VB2 = VB3.

Adjustment positions

	Category	tem
Left screen	2103-1	3 SCOL
		4 SHUE
Right screen	2103-2	3 SCOL
		4 SHUE



- 5) After the adjustment finished, return the data set in 2) to original values, and write the data by pressing the **[MUTE]** + **[ENTER]** buttons on the remote commander.

#### 4. Component Input Adjustment

- 1) Enter the Component 480i color bar (100%) signal.
- 2) Set the adjustment conditions in 1. Preparation, and further set the following data.

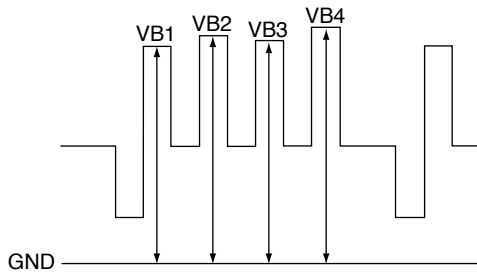
Adjustment conditions

Category	Item	Data
P-BOOST1	0 BSET	0
2103-1	22 ATPD	0
	23 DCTR	0

- 3) Measure the waveform, and repeat the SCOL and SHUE adjustments so that VB1 = VB4, and VB2 = VB3.

Adjustment position

Category	Item
2170P-4	0 COL
	1 HUE



- 4) After the adjustment finished, return the data set in 2) to original values, and write the data by pressing the **[MUTE]** + **[ENTER]** buttons on the remote commander.
- 5) Enter the Component 1080i color bar (100%) signal.
- 6) Set the adjustment conditions in 1. Preparation, and perform adjustment in step 3).
- 7) After the adjustment finished, return the data set in 6) to original values, and write the data by pressing the **[MUTE]** + **[ENTER]** buttons on the remote commander.
- 8) Enter the Component 480p signal. Set same values as those adjusted in 6) and write the data by pressing the **[MUTE]** + **[ENTER]** buttons on the remote commander.
- 9) Enter the Component 720p signal. Set same values as those adjusted in 6) and write the data by pressing the **[MUTE]** + **[ENTER]** buttons on the remote commander.
- 10) Enter the Component 1080i signal. Set same values as those adjusted in 6) and write the data by pressing the **[MUTE]** + **[ENTER]** buttons on the remote commander.

#### 3-2-2. Hi-Level/Cut-Off Adjustment

- 1) Enter the Video window signal, and set the PICTURE MODE to "Vivid".
- 2) Connect an oscilloscope to the CN702 on the BB board.

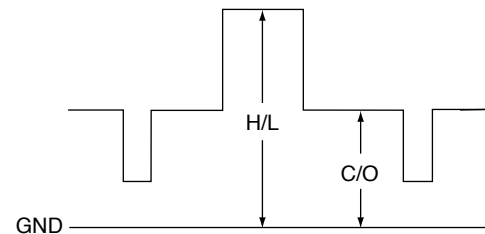
Measurement positions

R	pin ⑤ (TP742)
G	pin ③ (TP743)
B	pin ① (TP744)

- 3) For each output waveform of R, G, and B, repeat respective adjustment items so as to attain H/L = 3.90 V ±1 STEP and C/O = 2.20 V ±1 STEP.

Adjustment position

Category	Item
MCP ADJ1	0 RDRV
	1 RCUT
	2 GDRV
	3 GCUT
	4 BDRV
5 BCUT	



- 4) After the adjustment finished, write the data by pressing the **[MUTE]** + **[ENTER]** buttons on the remote commander.
- 5) Change over the PICTURE MODE to "Mild", and perform the steps 3) and 4).
- 6) Enter the Component 480i window signal, and change over the PICTURE MODE to "Vivid".
- 7) Perform the steps 3) to 5).
- 8) Enter the Component 1080i window signal, and change over the PICTURE MODE to "Vivid".
- 9) Perform the steps 3) and 4).
- 10) Enter the Component 480p signal. Set same values as those adjusted in 9) and write the data by pressing the **[MUTE]** + **[ENTER]** buttons on the remote commander.
- 11) Enter the Component 720p signal. Set same values as those adjusted in 9) and write the data by pressing the **[MUTE]** + **[ENTER]** buttons on the remote commander.

### 3-2-3. White Level Adjustment

#### 1. Preparation

- 1) Before adjustment, set the following adjustment conditions in each mode.

Note: After the adjustment in 3-2-1. White Level Adjustment, restore original data in each mode.

Adjustment conditions

Category	Item	Data
P-BOOST1	0 BSET	0
MCP-ADJ1	2 GDRV	45
	3 GCUT	30
VID ADJ	1 GAM	0
	2 DCTN	0
	3 DPIC	0

- 2) Connect an oscilloscope to the CN702 pin ③ (TP743) on the BB board.

#### 2. RF Input Adjustment

- 1) Enter the RF color bar (75%) signal, and set the PICTURE MODE to “Vivid”.
- 2) Set the adjustment conditions in 1. Preparation, and further set the following data.

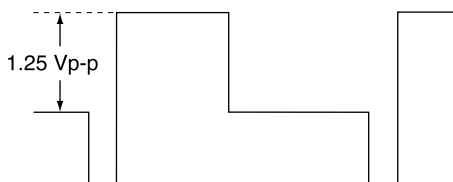
Adjustment conditions

Category	Item	Data
2103-1	22 ATPD	0
	23 DCTR	0
2103-2	22 ATPD	0
	23 DCTR	0

- 3) Press the **TWIN** button on the remote commander to display color bar on the left and right two screens.
- 4) Measure the waveform, and adjust so that a difference between black level and white level is 1.25 Vp-p ±1 STEP.

Adjustment positions

	Category	tem
Left screen	2103-1	2 SCON
Right screen	2103-2	2 SCON



- 5) After the adjustment finished, return the data set in 2) to original values, and write the data by pressing the **MUTE** + **ENTER** buttons on the remote commander.

#### 3. Video Input Adjustment

- 1) Enter the 1/2 window signal, and set the PICTURE MODE to “Vivid”.
- 2) Set the adjustment conditions in 1. Preparation, and further set the following data.

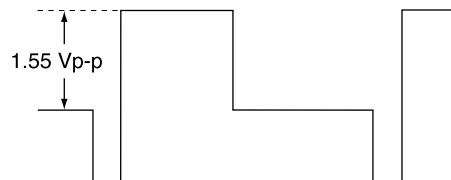
Adjustment conditions

Category	Item	Data
2103-1	22 ATPD	0
	23 DCTR	0
2103-2	22 ATPD	0
	23 DCTR	0

- 3) Press the **TWIN** button on the remote commander to display the STEP signal on the left and right two screens.
- 4) Measure the waveform, and adjust so that a difference between black level and white level is 1.55 Vp-p ±1 STEP.

Adjustment positions

	Category	tem
Left screen	2103-1	2 SCON
Right screen	2103-2	2 SCON



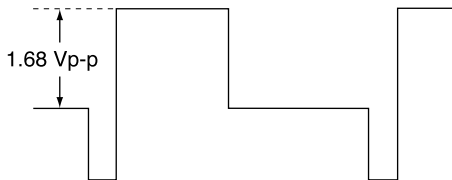
- 5) After the adjustment finished, return the data set in 2) to original values, and write the data by pressing the **MUTE** + **ENTER** buttons on the remote commander.

**4. Component Input Adjustment**

- 1) Enter the 1/2 window signal, and set the PICTURE MODE to “Vivid”.
- 2) Set the adjustment conditions in 1. Preparation.
- 3) Measure the waveform, and adjust so that a difference between black level and white level is 1.68 Vp-p ±1 STEP.

Adjustment position

Category	Item
2103-1	0 YLEV



- 4) After the adjustment finished, return the data set in 2) to original values, and write the data by pressing the **[MUTE]** + **[ENTER]** buttons on the remote commander.
- 5) Change over the PICTURE MODE to “Mild”, and perform the steps 2) to 4).

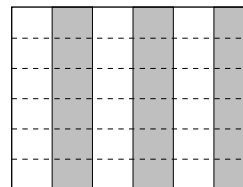
**3-3. VERTICAL STRIPE ADJUSTMENT**

1. Set the following adjustment conditions, and display the test pattern.

Adjustment conditions

Category	Item	Data
D-GM TEST	2 G-LUT SW	0
D-GM TPN	0 T-PATN SW	1
	1 T-SIG SEL	0
	2 PATN DIR	1
	3 SIG LV DIR	0
	5 B-LV	15
	6 G-LV	15
	7 R-LV	15

2. Set the test pattern to red color, and adjust the EVEN VR so as to minimize vertical stripes (difference in brightness of vertical lines every two dots).



• **Screen Magnify**  
 Should be minimize bright difference every two dots.

Category	Item	Data
D-GM TPN	8 T-PATN RGB	1 (R)
LCD-DR	2 R ODD VR	ADJ*
LCD-DR	3 R EVEN VR	ADJ

\*: Fundamentally, this item is adjusted with the EVEN VR only, but if the adjustment range is not enough, the ODD VR may also be adjusted.

Test pattern color combination

DATA=	1	2	3	4	5	6	7
R	○	-	○	-	○	-	○
G	-	○	○	-	-	○	○
B	-	-	-	○	○	○	○

3. Adjust the green in the same manner.

Category	Item	Data
D-GM TPN	8 T-PATN RGB	2 (G)
LCD-DR	7 G ODD VR	ADJ*
LCD-DR	8 G EVEN VR	ADJ

\*: Fundamentally, this item is adjusted with the EVEN VR only, but if the adjustment range is not enough, the ODD VR may also be adjusted.

- Adjust the blue in the same manner.

Category	Item	Data
D-GM TPN	8 T-PATN RGB	4 (B)
LCD-DR	12 B ODD VR	ADJ*
LCD-DR	13 B EVEN VR	ADJ

\*: Fundamentally, this item is adjusted with the EVEN VR only, but if the adjustment range is not enough, the ODD VR may also be adjusted.

- Write the data by pressing the **[MUTE]** + **[ENTER]** buttons on the remote commander.

### 3-4. SUB BRIGHT ADJUSTMENT

- Enter the monoscope signal to the VIDEO 5 input, and set the PICTURE MODE to “Vivid” and the WIDE MODE to “Full”.
- Adjust the SUB BRT so that the borderline of 0IRE and 10IRE becomes distinctive.

Adjustment positions

Category	Item	Standard value
D-GM IM	2 SUB CON	25*
D-GM IM	3 SUB BRT	20

\*: If the adjustment is imperfect though the SUB BRT value is 0, lower the SUB CON value and make further adjustment.

Note: If the SUB BRT value exceeds 32, make sure that there is no noisy black of 0IRE.

Though the SUB CON value is generally lowered only, if it is to be raised, take care not to cause the white blurring.

- If the SUB CON value was changed, check the white balance and repeat adjustment to attain best sub brightness, sub contrast, and white balance.
- After the adjustment finished, write the data by pressing the **[MUTE]** + **[ENTER]** buttons on the remote commander.

### 3-5. SCREEN CENTER ADJUSTMENT

- Enter the RF monoscope signal.
- Adjust so that the picture is displayed in the center of the screen.

Adjustment position

Category	Item
HV POS AD	0 H POS ADJ
	1 V POS ADJ

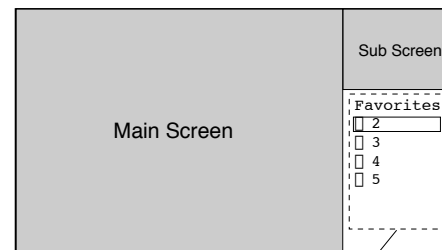
- Make sure that a difference in horizontal graduations is below 0.1 frame, and a difference in vertical graduations is below 0.1 frame, and then write the data by pressing the **[MUTE]** + **[ENTER]** buttons on the remote commander.

### 3-6. FAVORITES ADJUSTMENT

- Enter the RF signal, and press the **[FAVORITES]** button on the remote commander.
- Adjust so that the “Favorites” displayed on the right side of the screen comes to the center of the display area.

Adjustment position

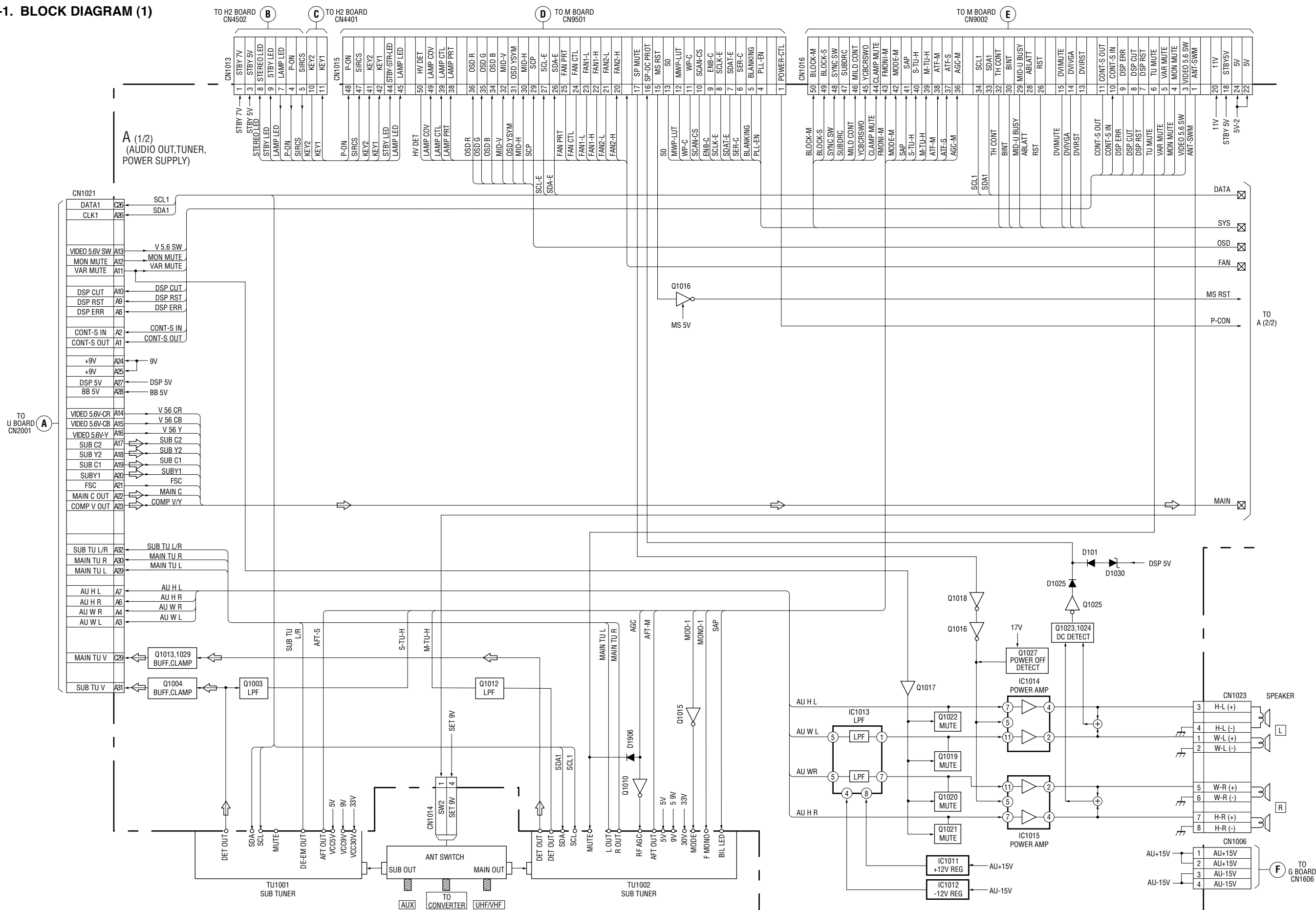
Category	Item
OSD	1 HPOF



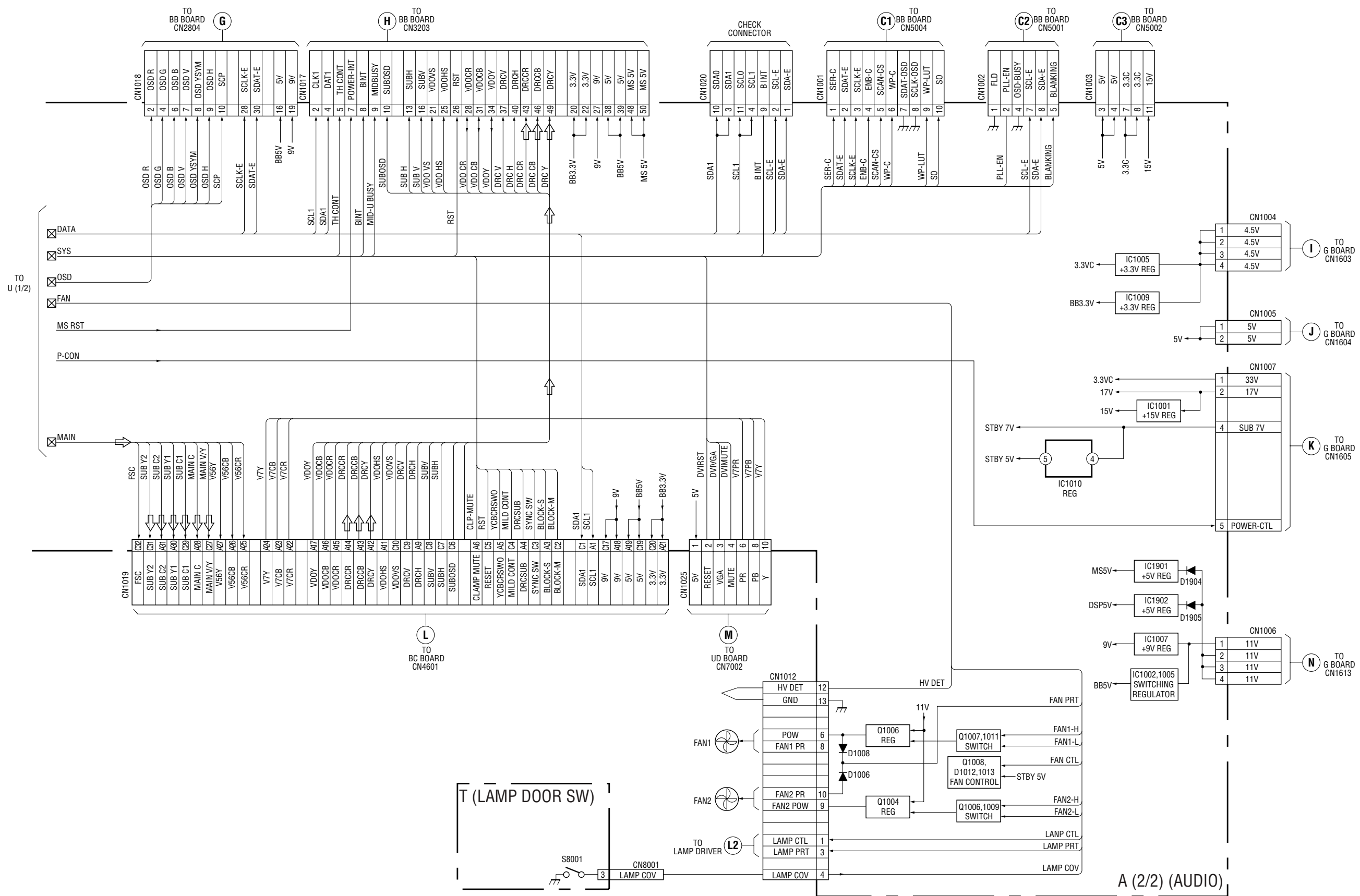
- After the adjustment finished, write the data by pressing the **[MUTE]** + **[ENTER]** buttons on the remote commander.

SECTION 4  
DIAGRAMS

4-1. BLOCK DIAGRAM (1)

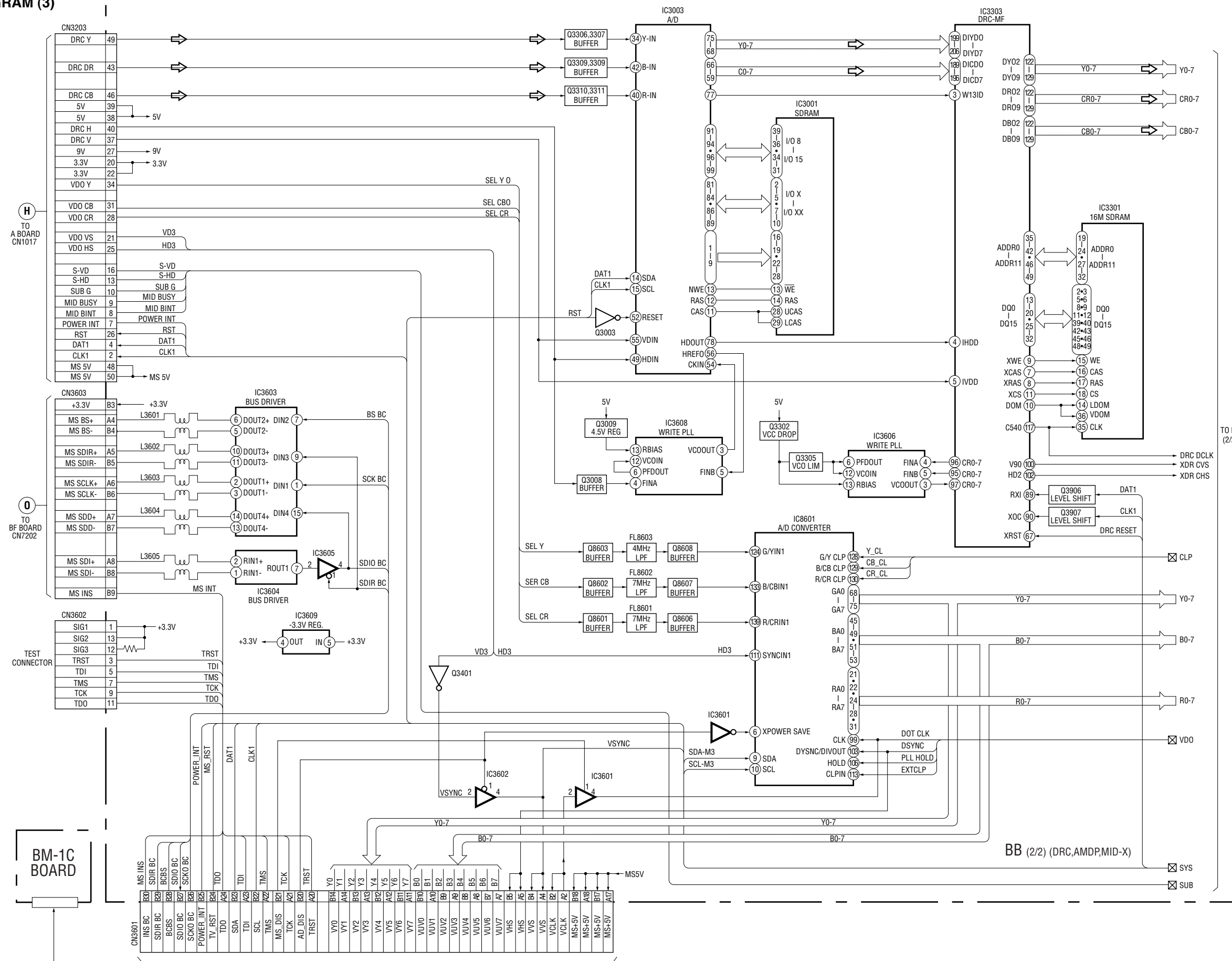


BLOCK DIAGRAM (2)

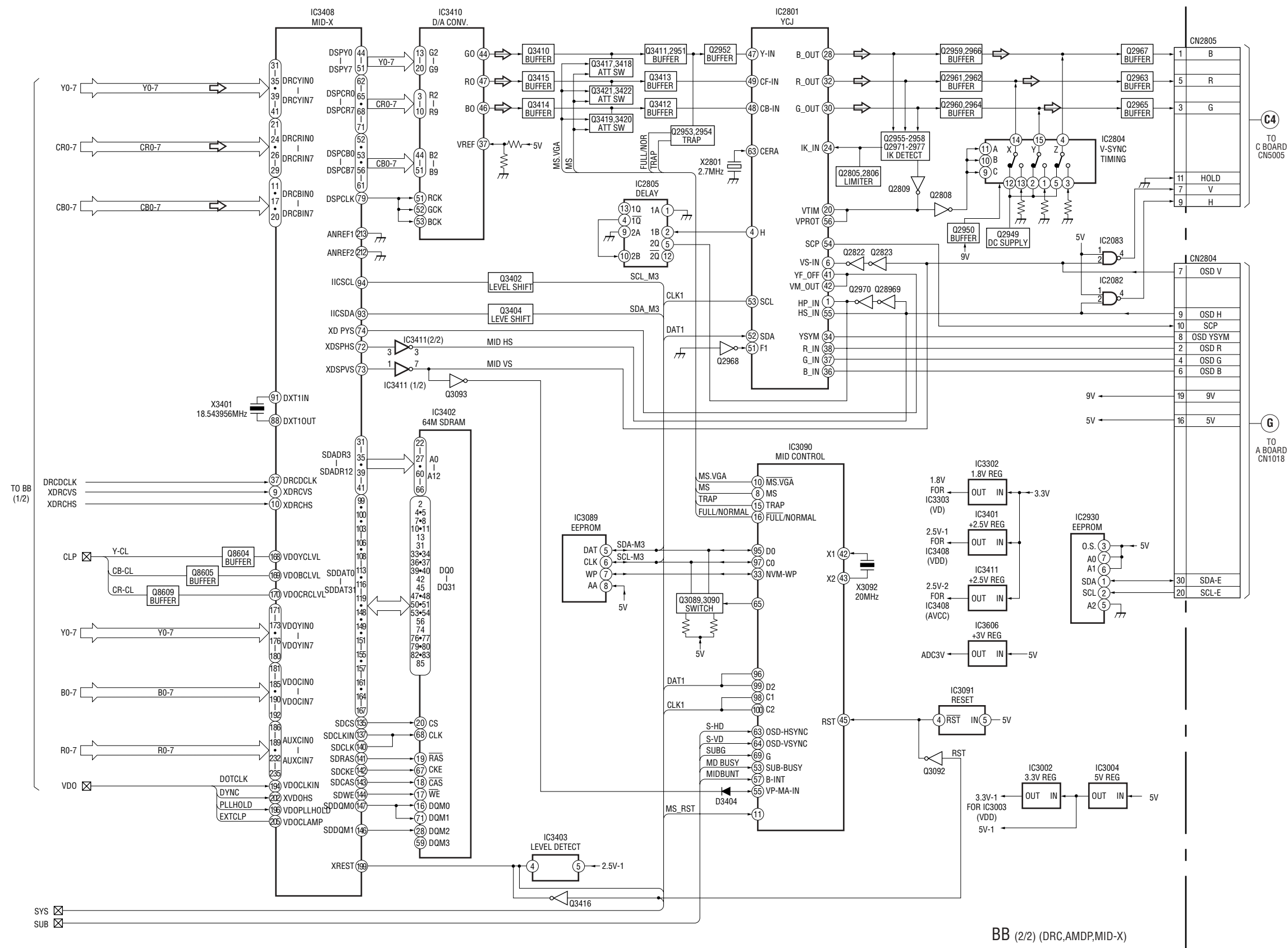




BLOCK DIAGRAM (3)

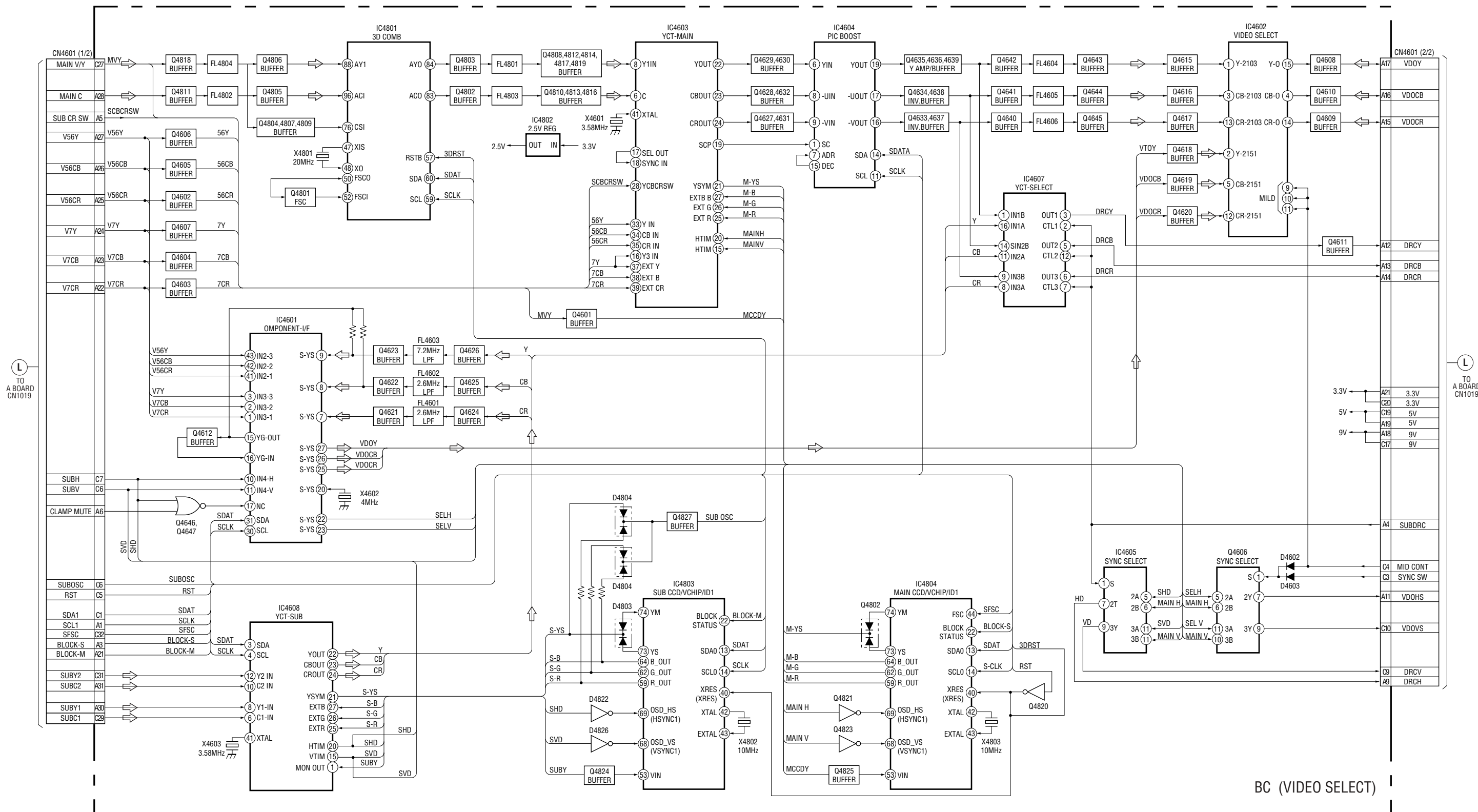


BLOCK DIAGRAM (4)



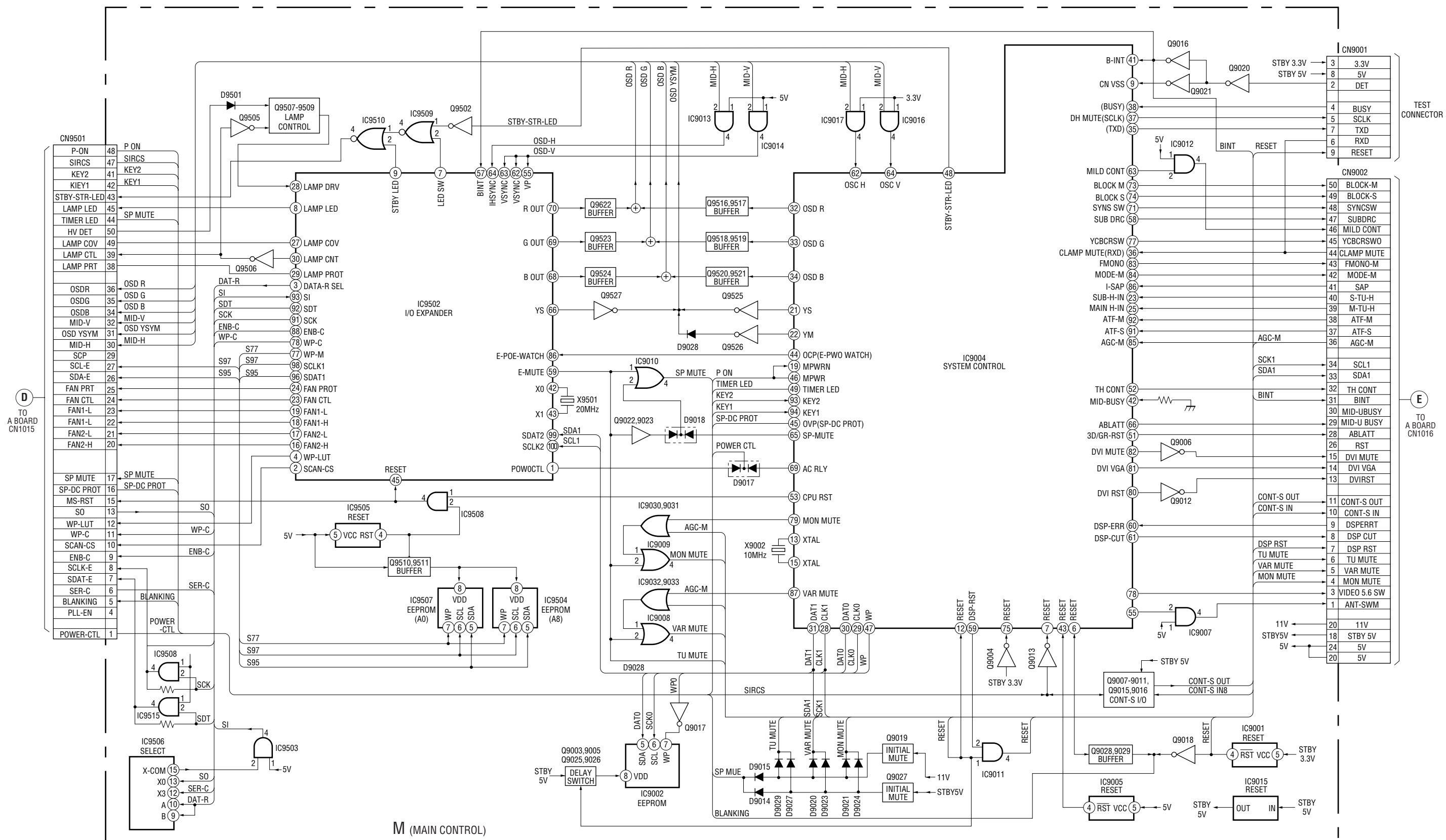
BB (2/2) (DRC,AMDP,MID-X)

BLOCK DIAGRAM (5)



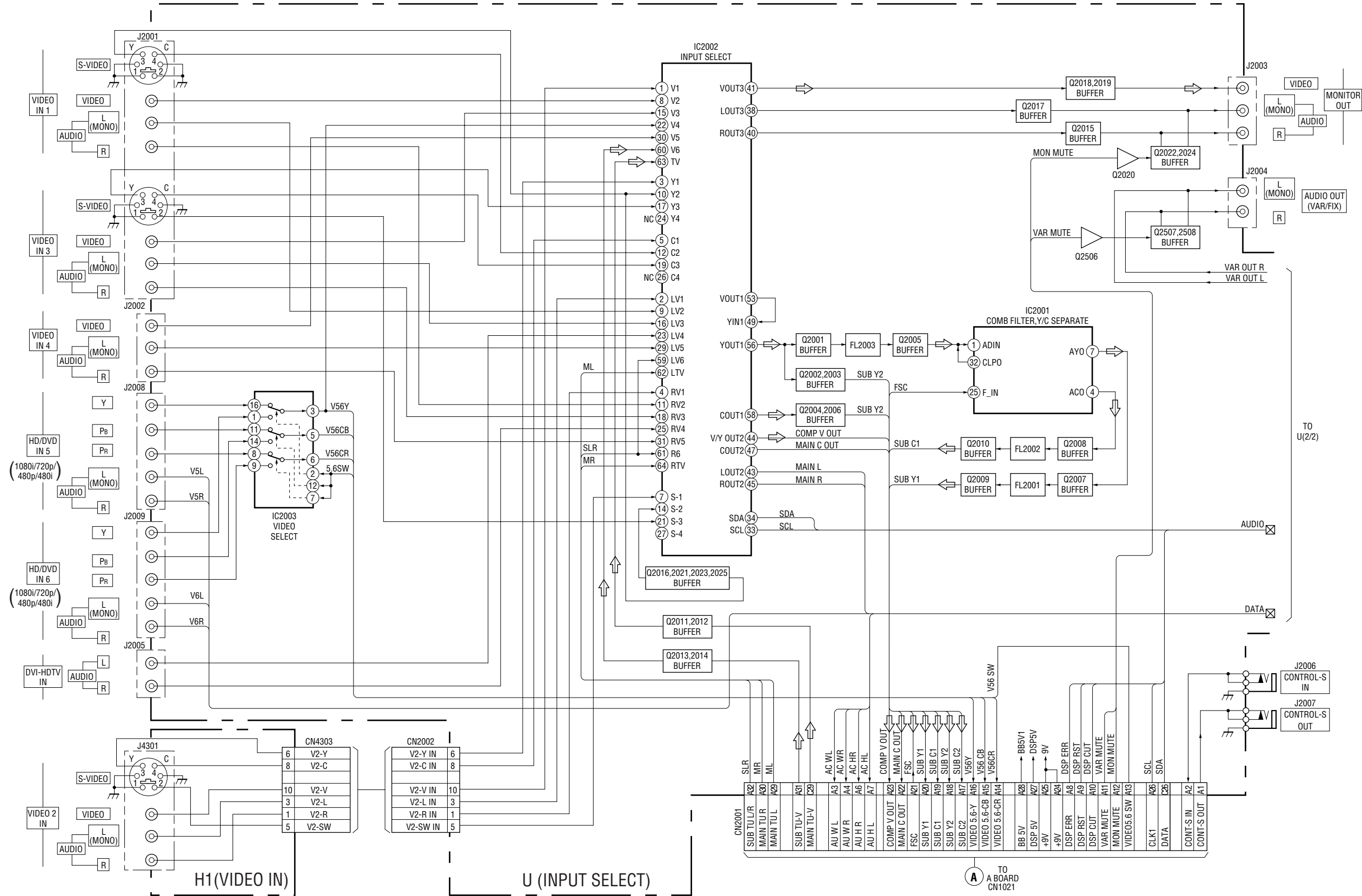
BC (VIDEO SELECT)

BLOCK DIAGRAM (6)

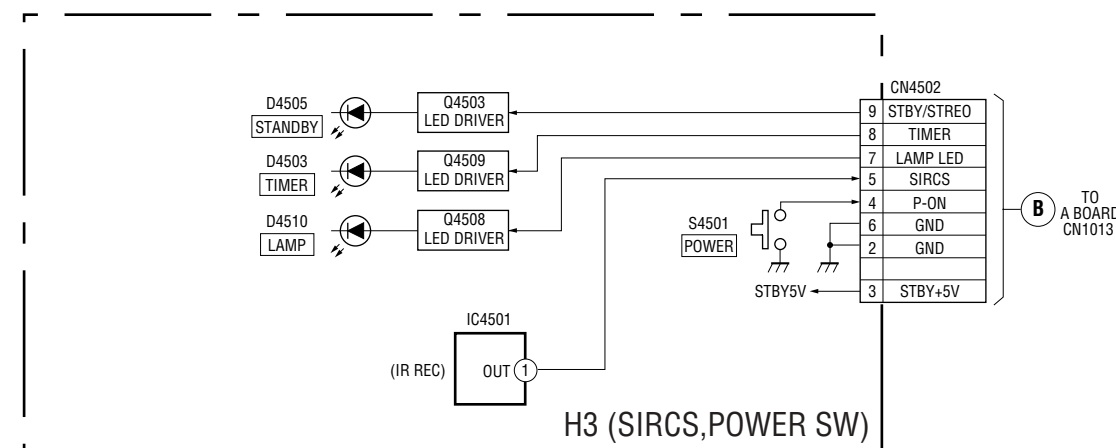
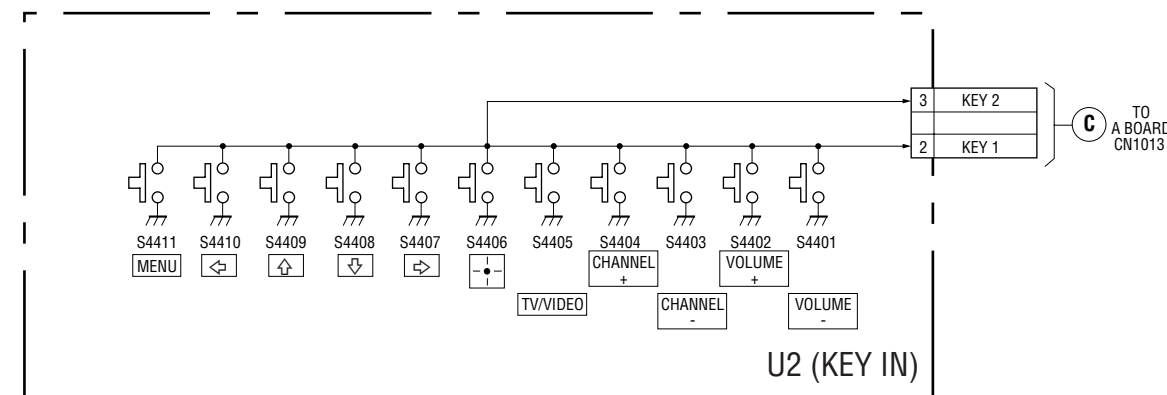
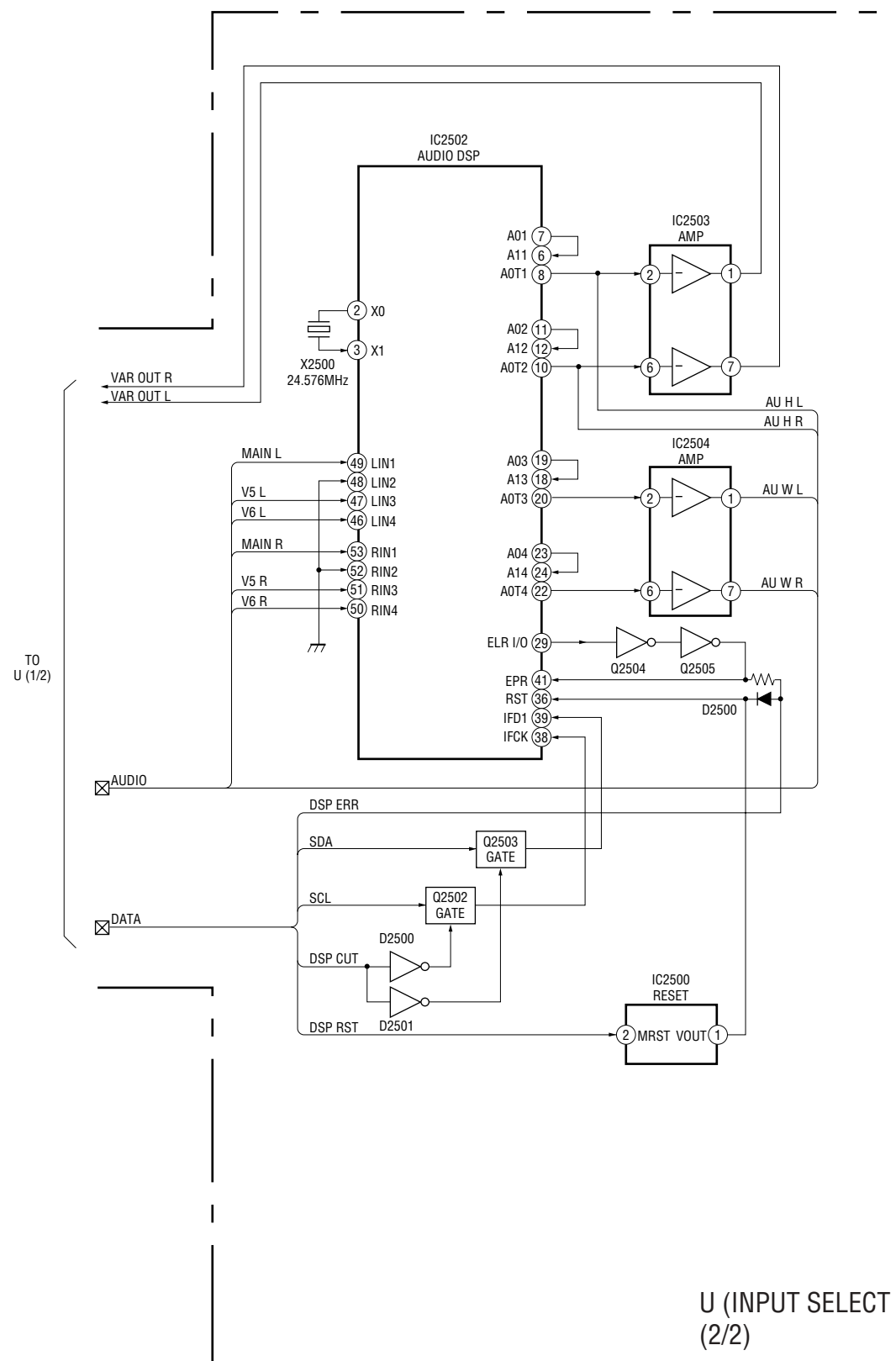


M (MAIN CONTROL)

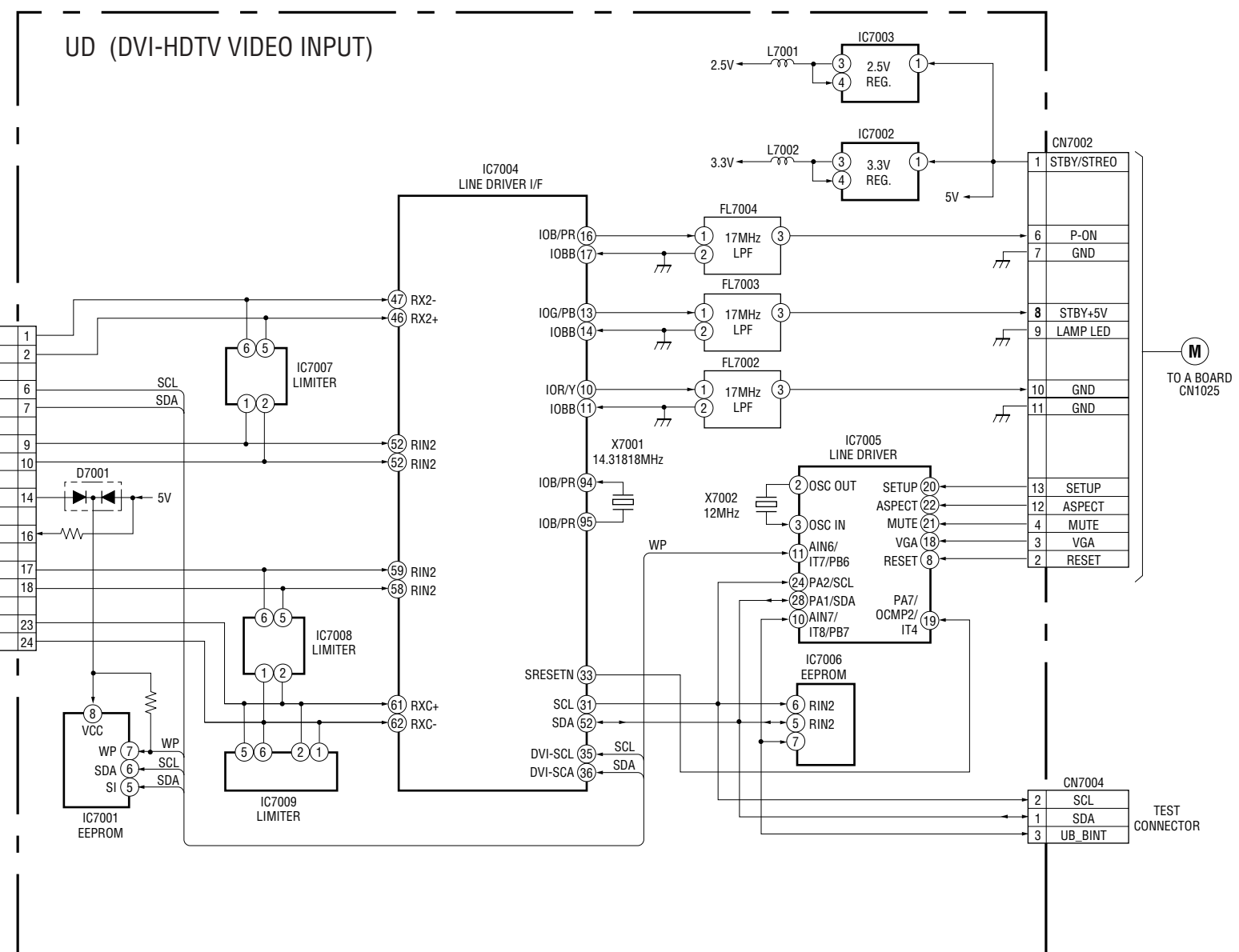
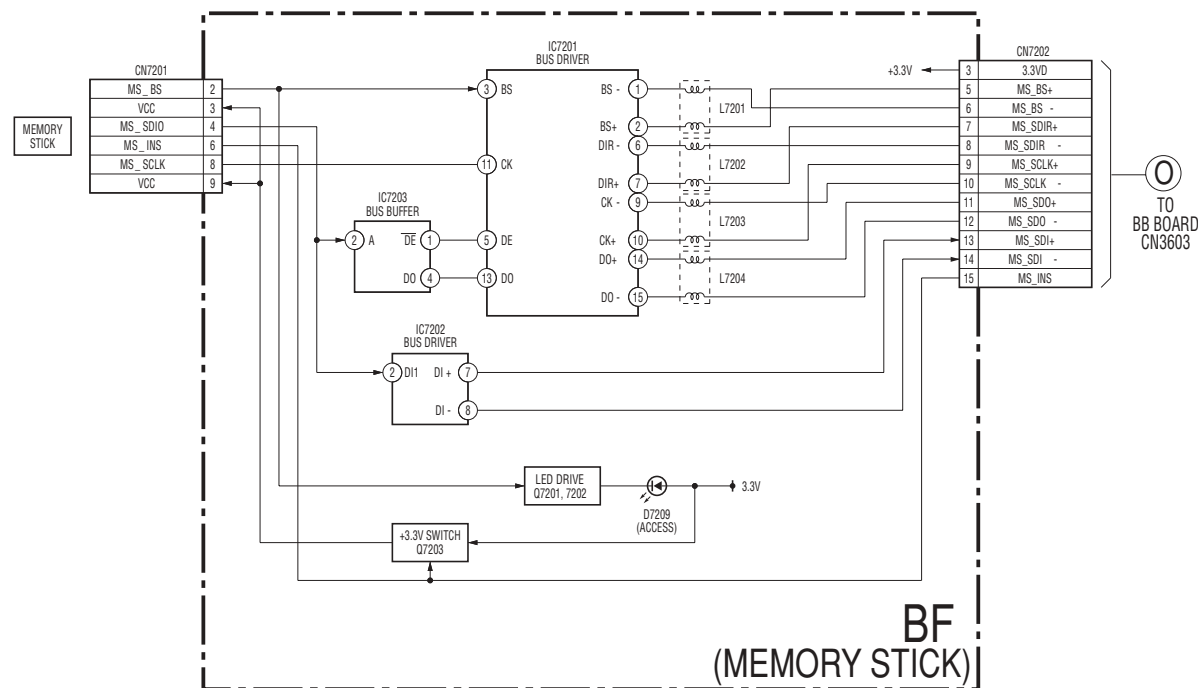
BLOCK DIAGRAM (7)



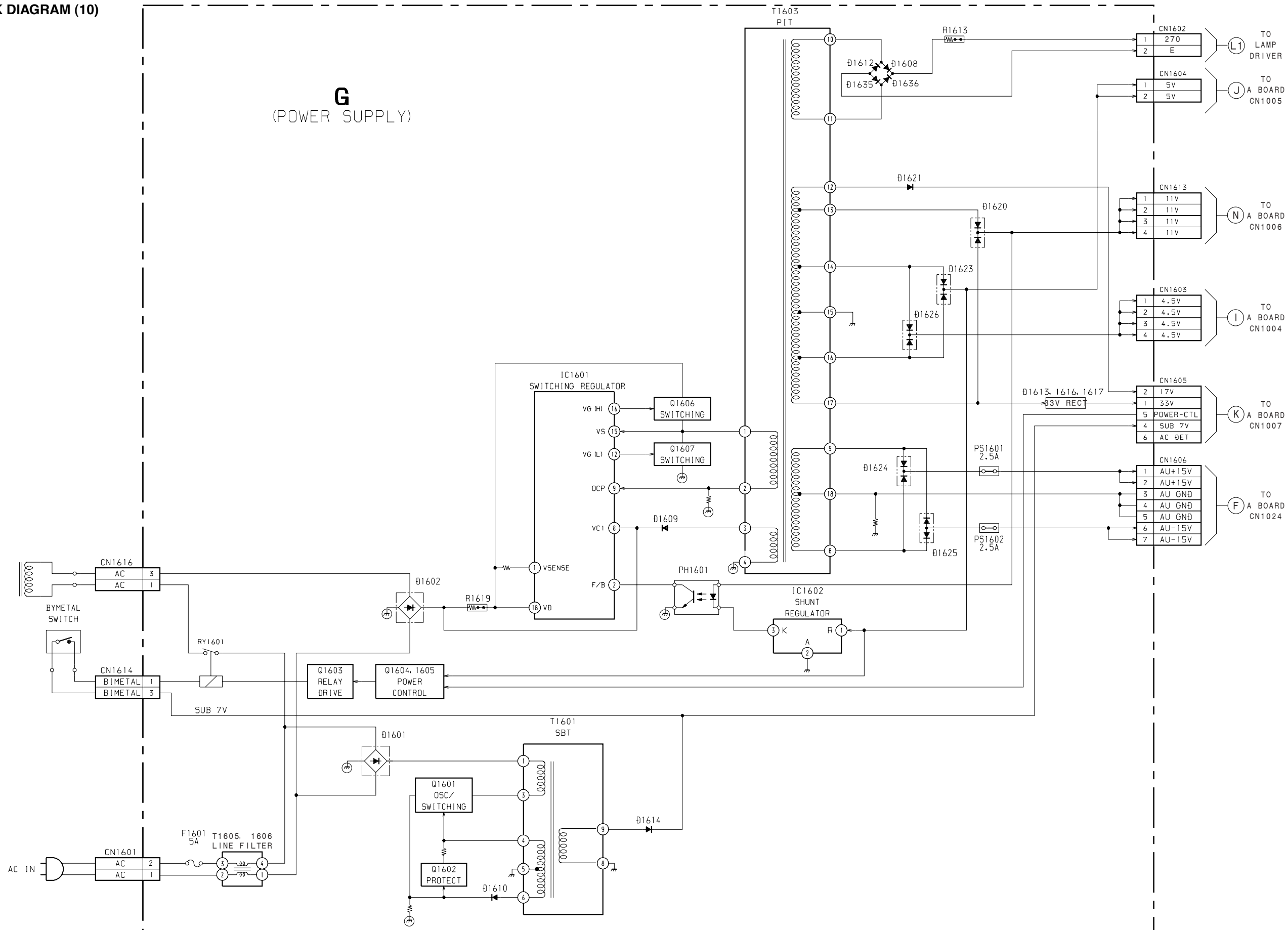
BLOCK DIAGRAM (8)



BLOCK DIAGRAM (9)

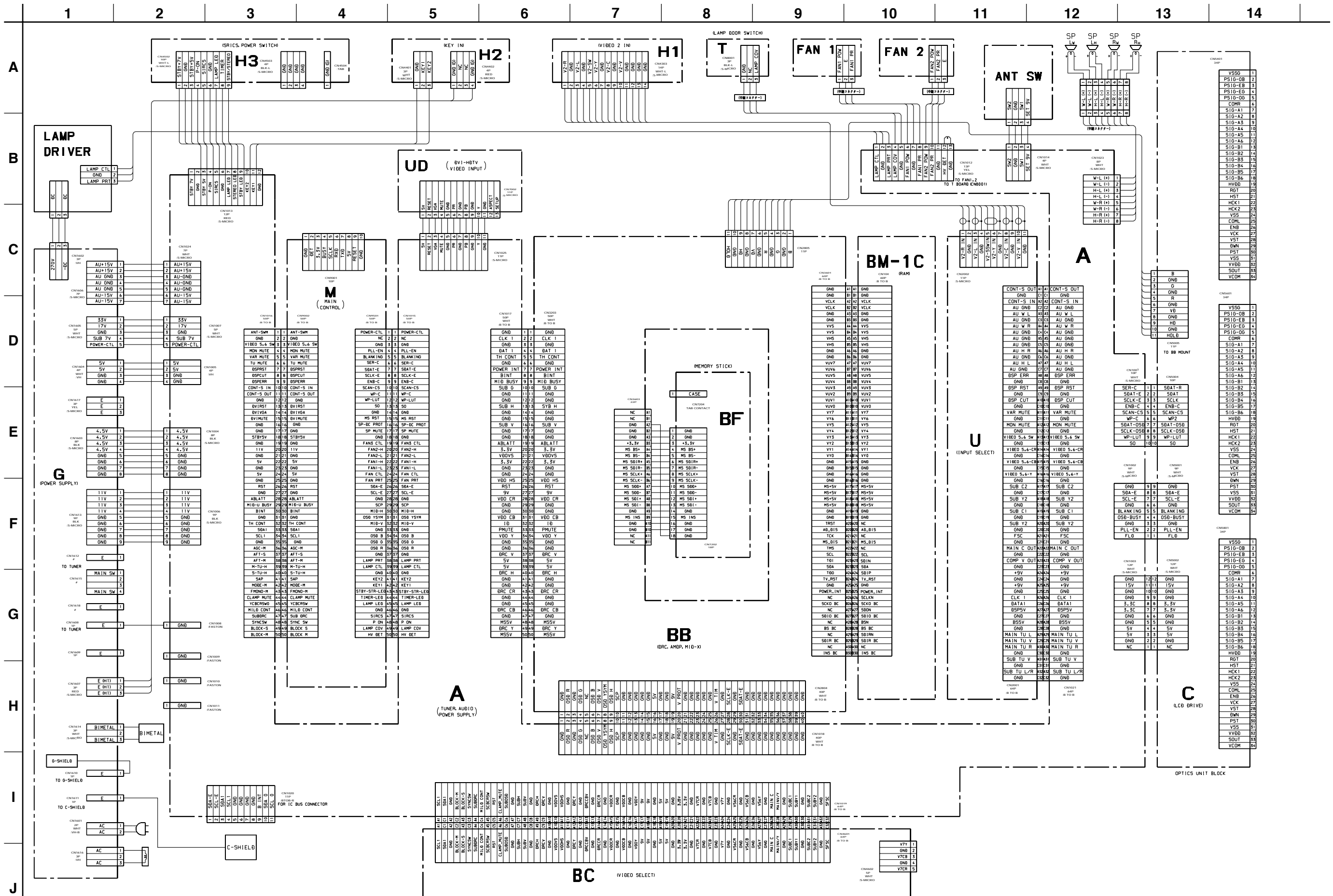


BLOCK DIAGRAM (10)

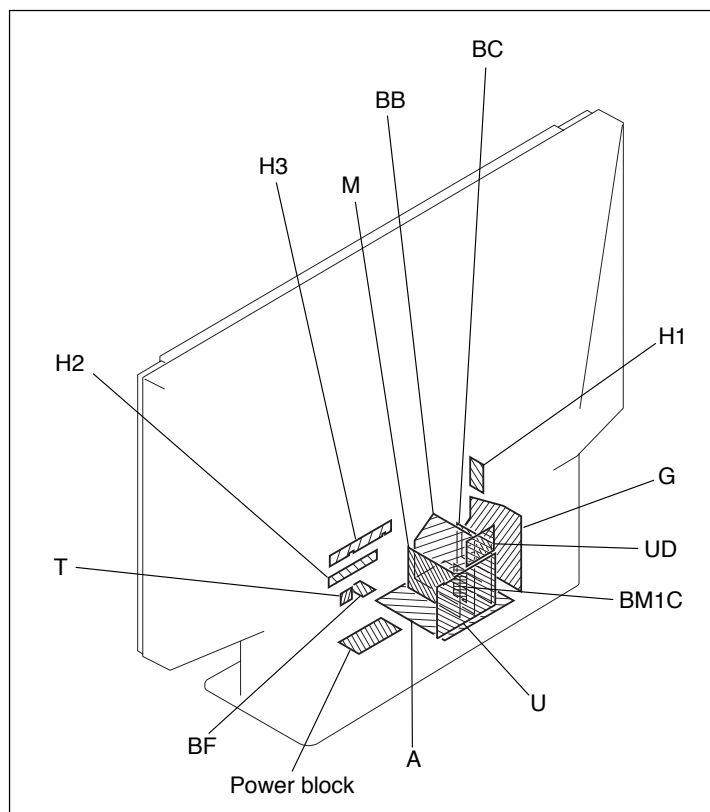




4-2. FRAME SCHEMATIC DIAGRAM



### 4-3. CIRCUIT BOARDS LOCATION



### 4-4. SCHEMATIC DIAGRAMS AND PRINTED WIRING BOARDS

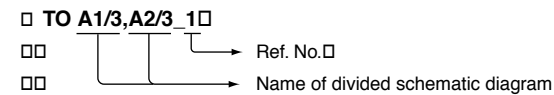
**Note:**

- The parts marked “#” on schematic diagrams are not mounted.
- All capacitors are in  $\mu\text{F}$  unless otherwise noted. (pF:  $\mu\mu\text{F}$ ) Capacitors without voltage indication are all 50 V.
- Indication of resistance, which does not have one for rating electrical power, is as follows.

Pitch: 5 mm  
Rating electrical power 1/4 W (CHIP : 1/10 W)

- All resistors are in ohms.
- : nonflammable resistor.
- : fusible resistor.
- $\Delta$  : internal component.
- : panel designation, and adjustment for repair.
- All variable and adjustable resistors have characteristic curve B, unless otherwise noted.
- $\perp$  : earth-ground.
- : earth-chassis.
- All voltages are in V.
- Readings are taken with a 10 M $\Omega$  digital multimeter.
- Readings are taken with a color-bar signal input.
- Voltage variations may be noted due to normal production tolerances.
- \* : Can not be measured.
- Circled numbers are waveform references.
- : B + bus.
- : B - bus.
- : Signal path.

- Divided schematic diagram
- Schematic diagrams of A, BB, BC, M and U boards are divided □ into several pieces. Information to where the line is to be connected □ is printed at the end of each line.□
- For example, [ TO A1/3,A2/3\_1 ] means the line is connected to □ Ref. No. 1 of A (1/3) and A (2/3) schematic diagrams.□



**Reference information**

RESISTOR	: RN	METAL FILM
	: RC	SOLID
	: FPRD	NONFLAMMABLE CARBON
	: FUSE	NONFLAMMABLE FUSIBLE
	: RW	NONFLAMMABLE WIREWOUND
	: RS	NONFLAMMABLE METAL OXIDE
	: RB	NONFLAMMABLE CEMENT
COIL	: LF-8L	MICRO INDUCTOR
CAPACITOR	: TA	TANTALUM
	: PS	STYROL
	: PP	POLYPROPYLENE
	: PT	MYLAR
	: MPS	METALIZED POLYESTER
	: MPP	METALIZED POLYPROPYLENE
	: ALB	BIPOLAR
	: ALT	HIGH TEMPERATURE
	: ALR	HIGH RIPPLE

**Note: The components identified by shading and mark  $\Delta$  are critical for safety. Replace only with part number specified.**

### Terminal name of semiconductors in silk screen printed circuit (\* )

Device	Printed symbol	Terminal name	Circuit
① Transistor		Collector Base Emitter	
② Transistor		Collector Base Emitter	
③ Diode		Cathode Anode	
④ Diode		Cathode Anode (NC)	
⑤ Diode		Cathode Anode (NC)	
⑥ Diode		Common Anode Cathode	
⑦ Diode		Common Anode Cathode	
⑧ Diode		Common Anode Anode	
⑨ Diode		Common Anode Anode	
⑩ Diode		Common Cathode Cathode	
⑪ Diode		Common Cathode Cathode	
⑫ Diode		Anode Cathode Cathode Anode	
⑬ Transistor (FET)		Drain Source Gate	
⑭ Transistor (FET)		Drain Source Gate	
⑮ Transistor (FET)		Source Drain Gate	
⑯ Transistor		Emitter Collector Base	
⑰ Transistor		C2/B1/E1 E2/B2/C1	
⑱ Transistor		C1/B2/E2 E1/B1/C2	
⑲ Transistor		C1 B2 E2 E1 B1 C2	
⑳ Transistor		C1 B2 E2 E1 B1 C2	
㉑ Transistor		E2 B1 E1 C2 C1(B2)	
㉒ Transistor		(B2)Q B1 E1 E2 C1 C2	
㉓ Transistor		(B2)Q E2 E1 B1 C2 C1	
-	Discrete semiconductot		

(Chip semiconductors that are not actually used are included.) Ver.1.5



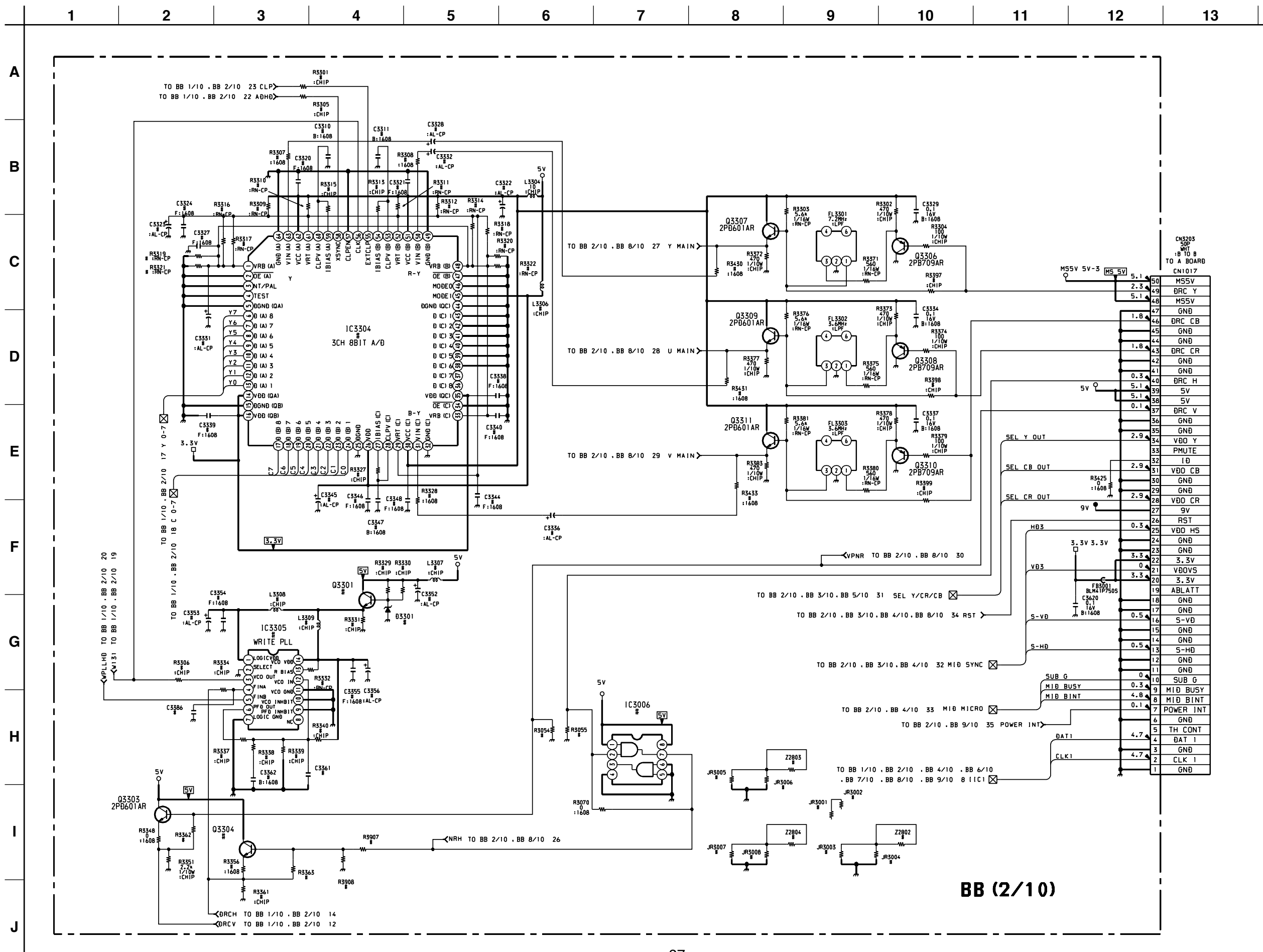








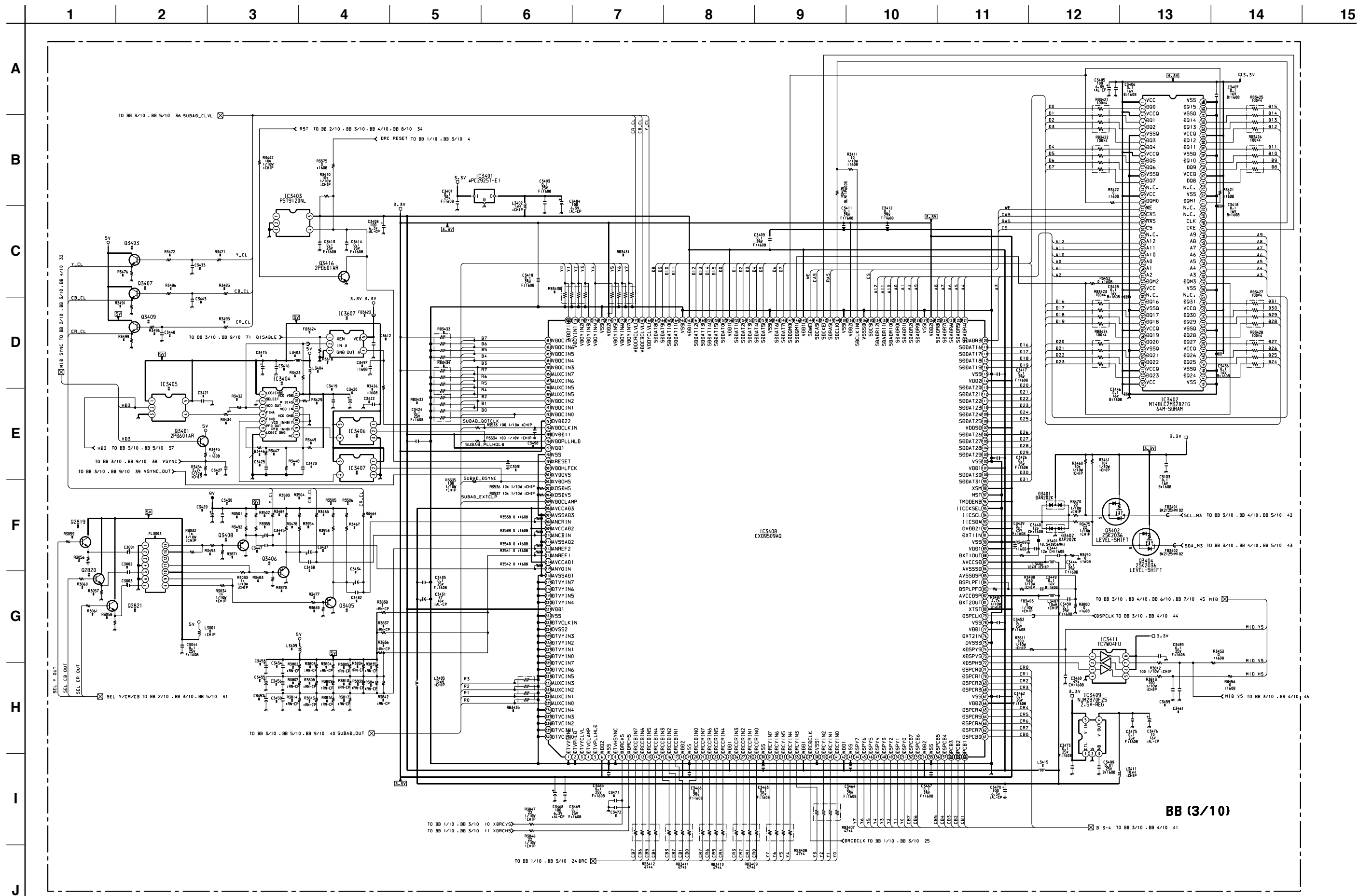
(6) Schematic Diagram of BB (2/10) Board



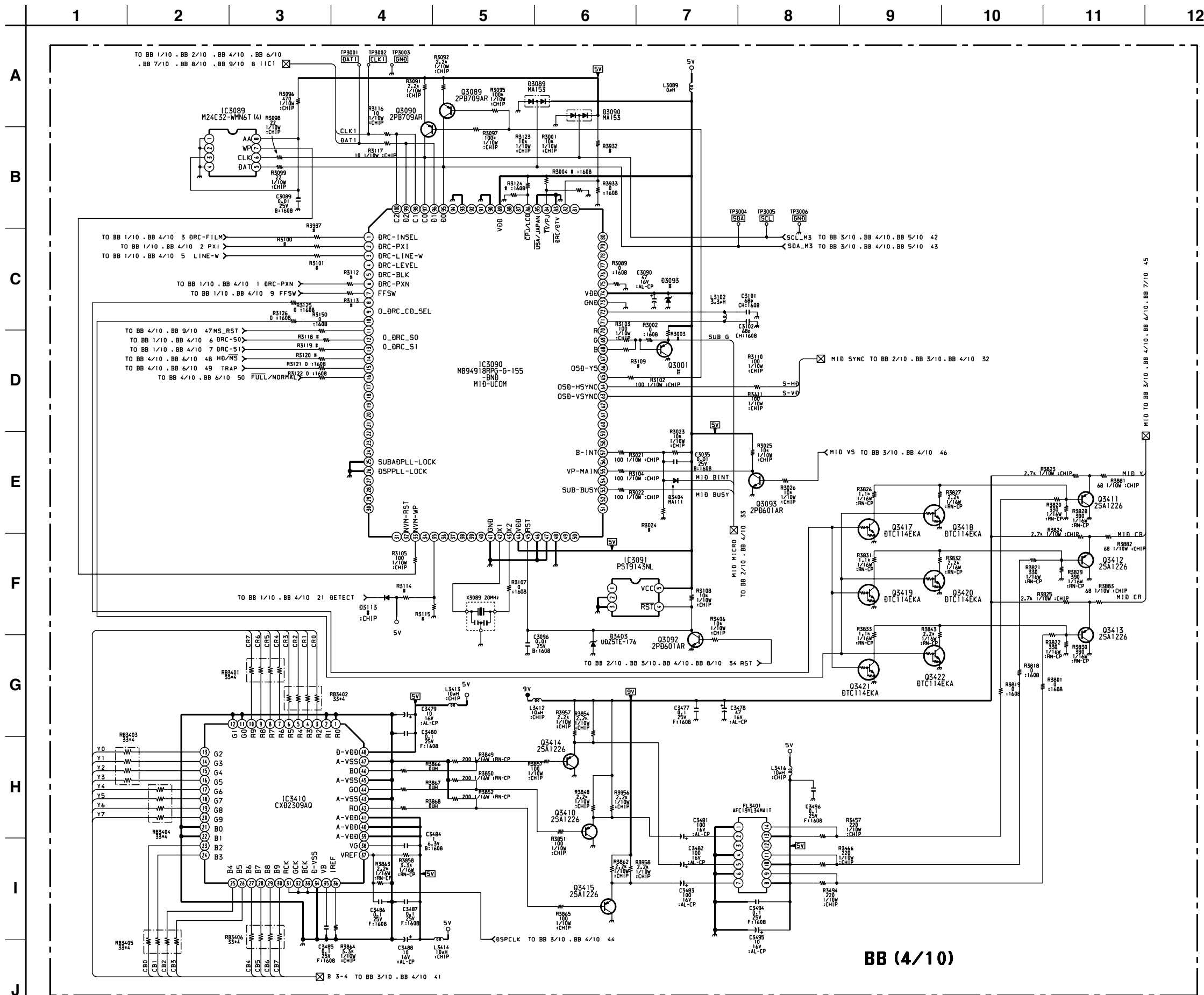
BB (2/10)



(7) Schematic Diagram of BB (3/10) Board



(8) Schematic Diagram of BB (4/10) Board



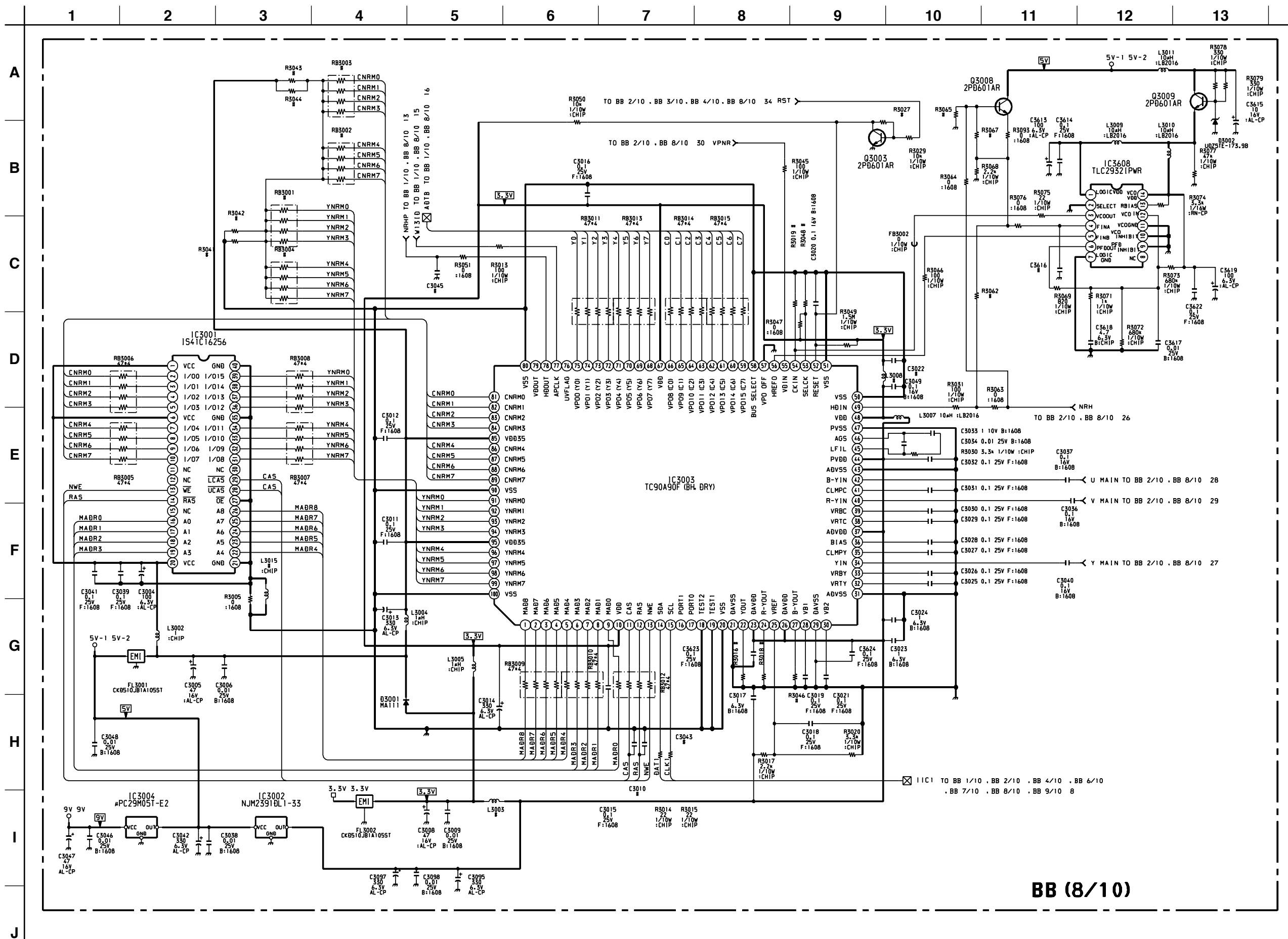
BB (4/10)





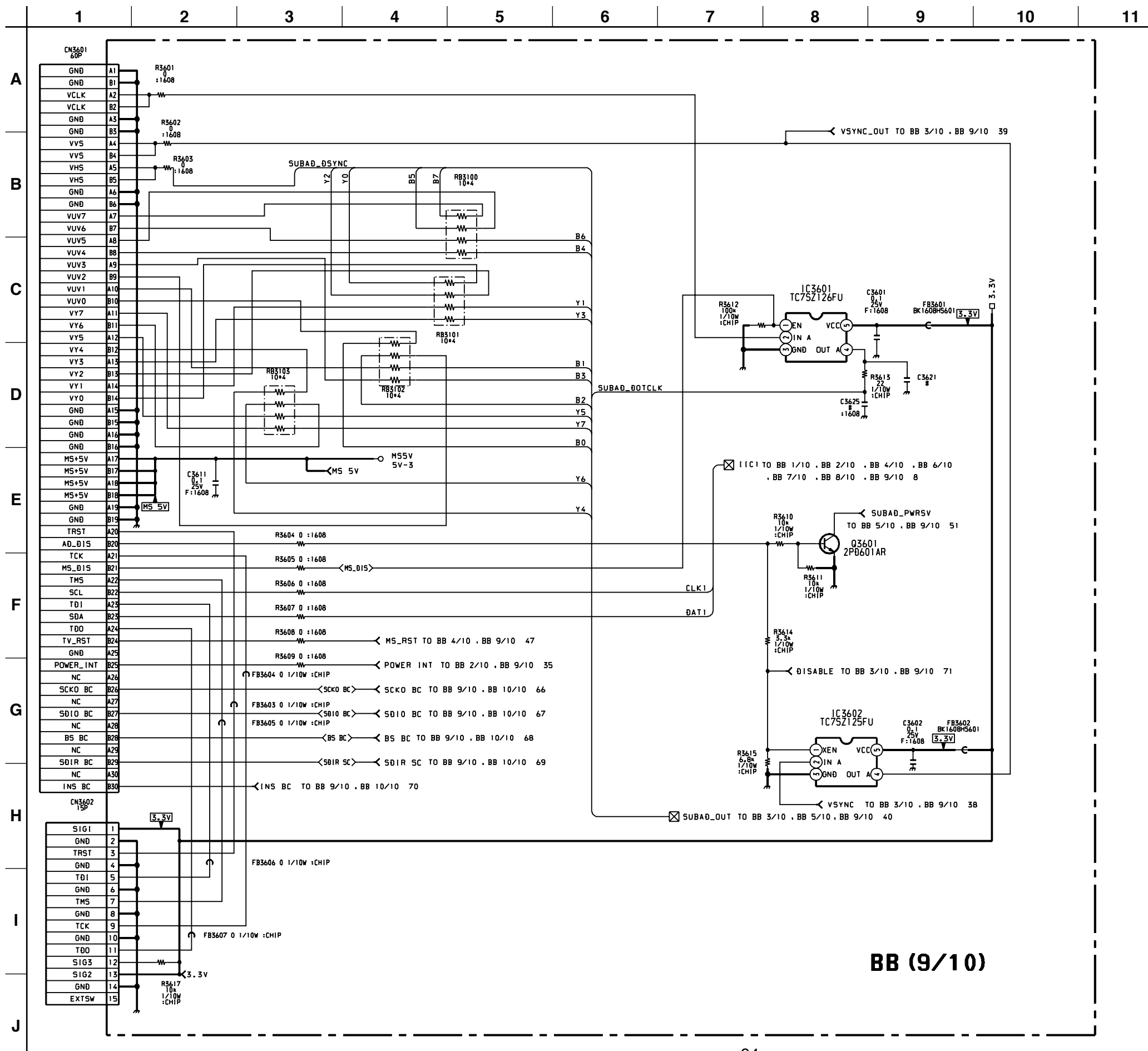


(12) Schematic Diagram of BB (8/10) Board



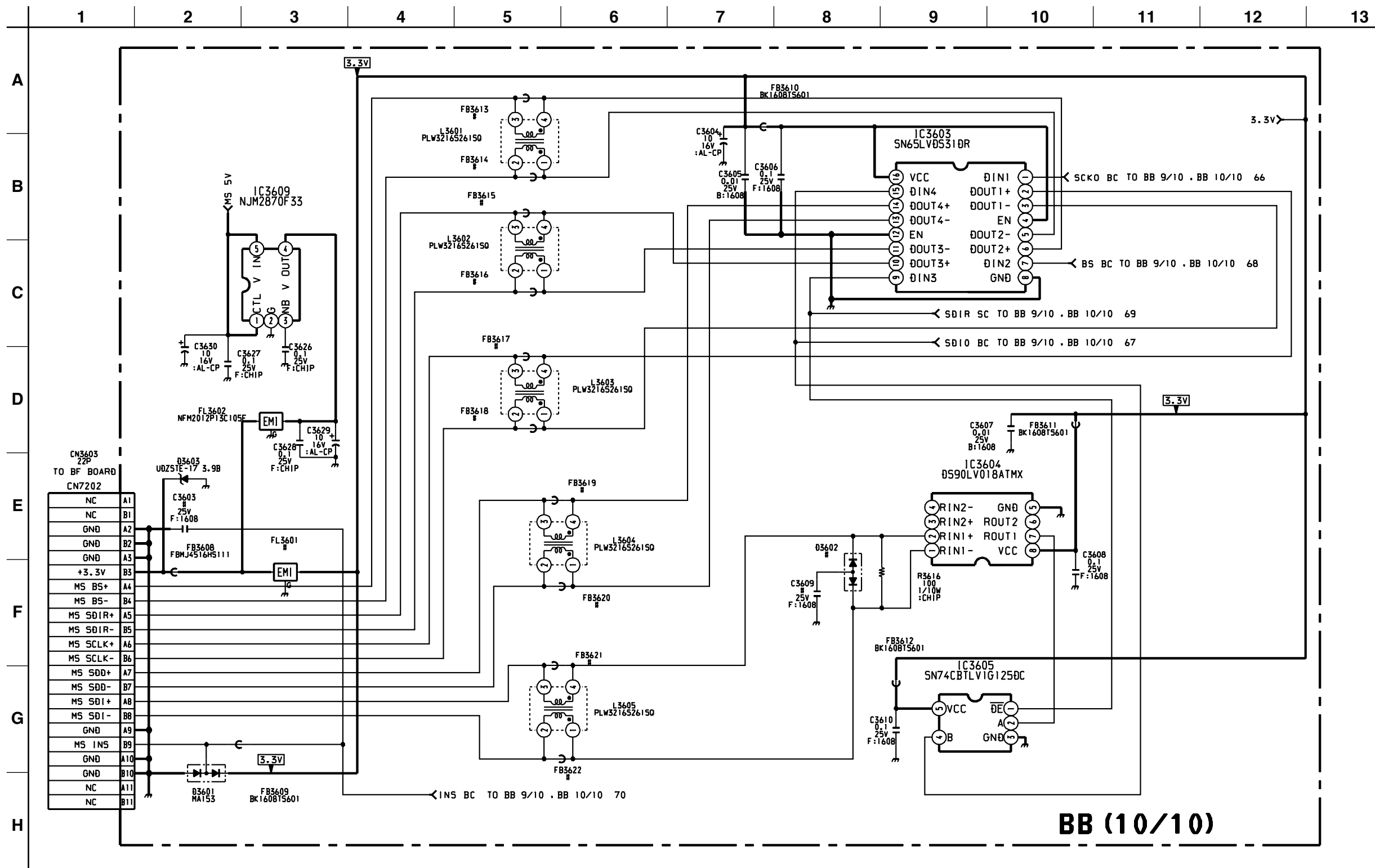
BB (8/10)

(13) Schematic Diagram of BB (9/10) Board



**BB (9/10)**

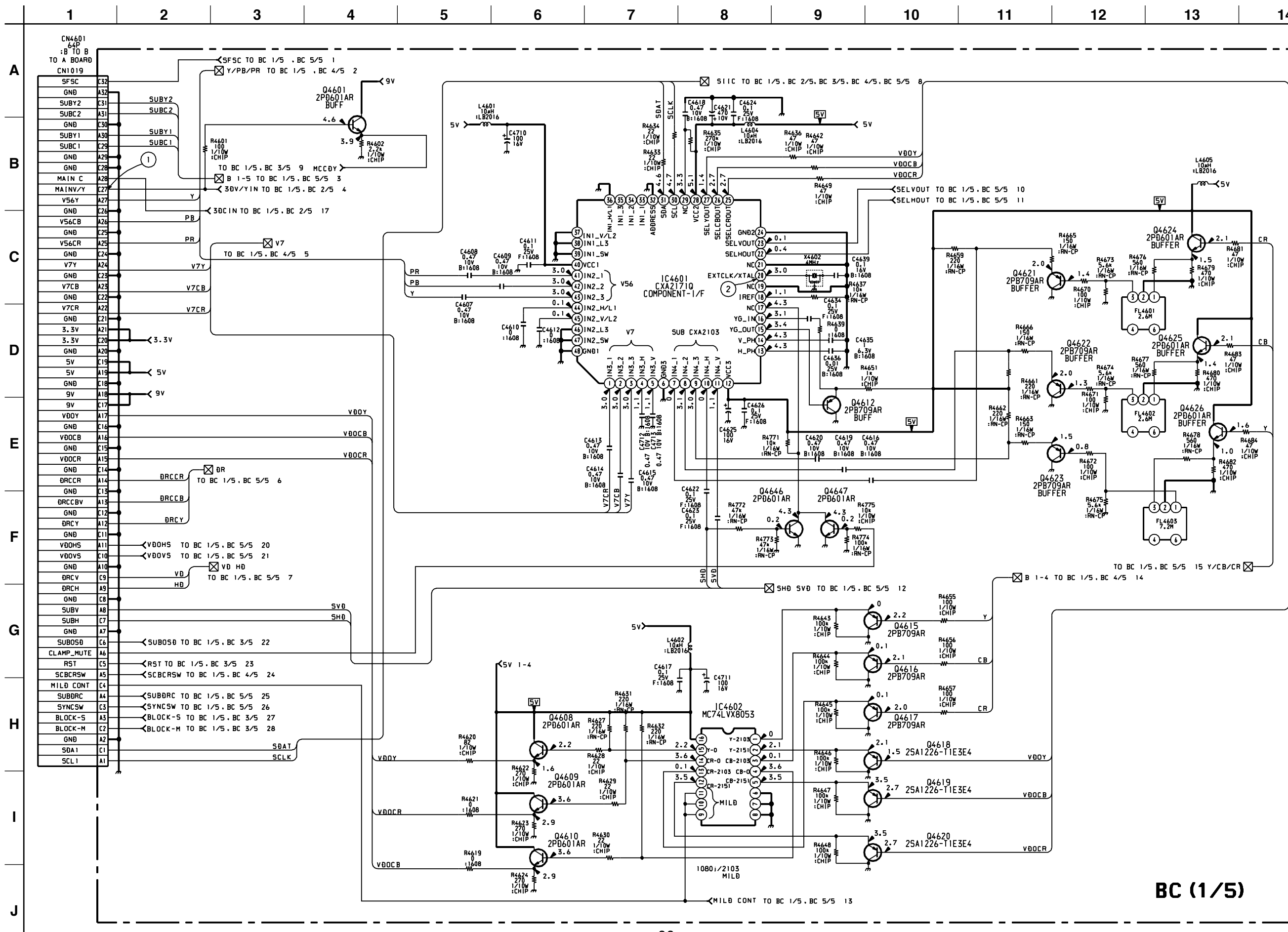
(14) Schematic Diagram of BB (10/10) Board



**BB (10/10)**



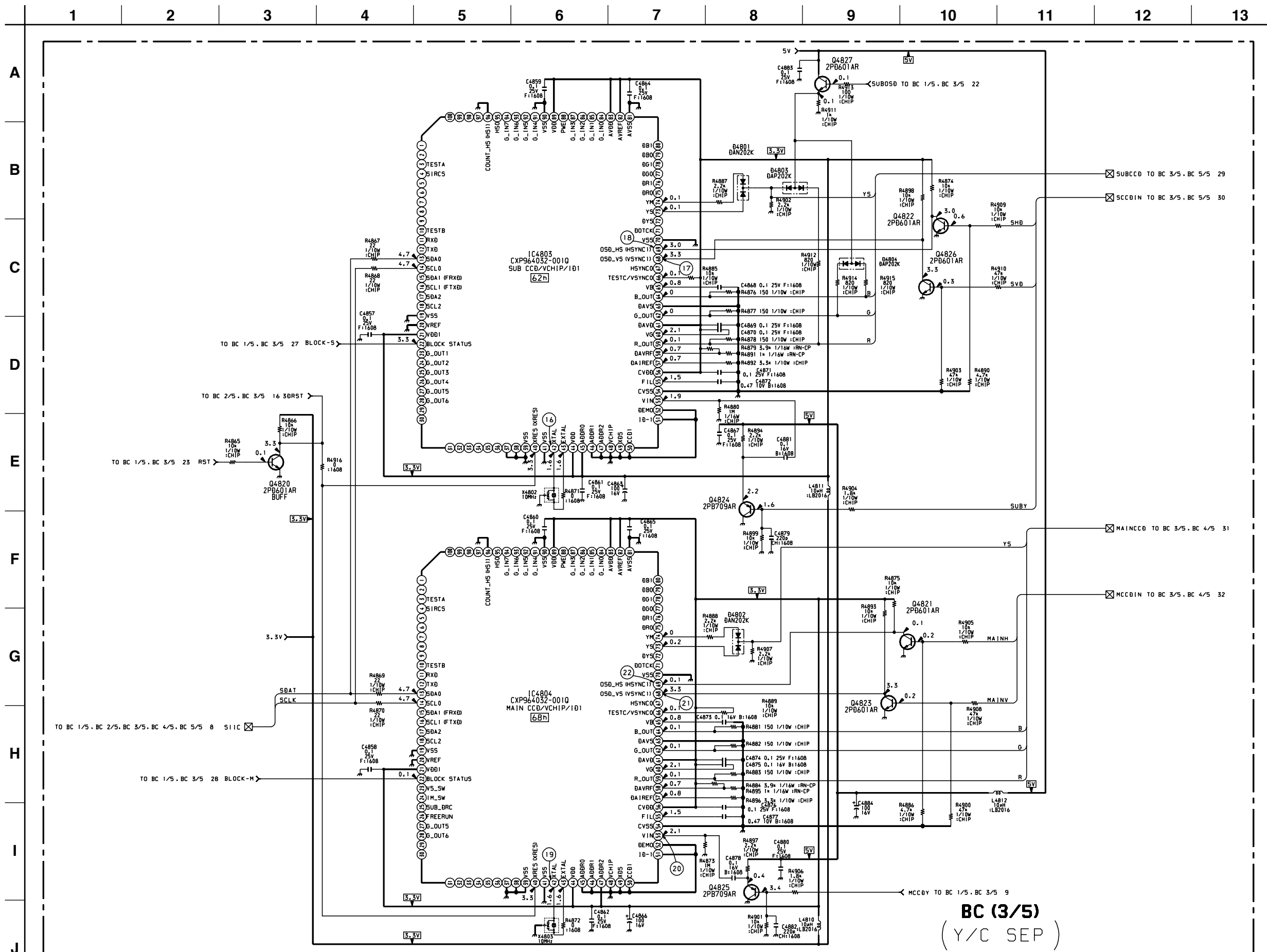
(15) Schematic Diagram of BC (1/5) Board



BC (1/5)



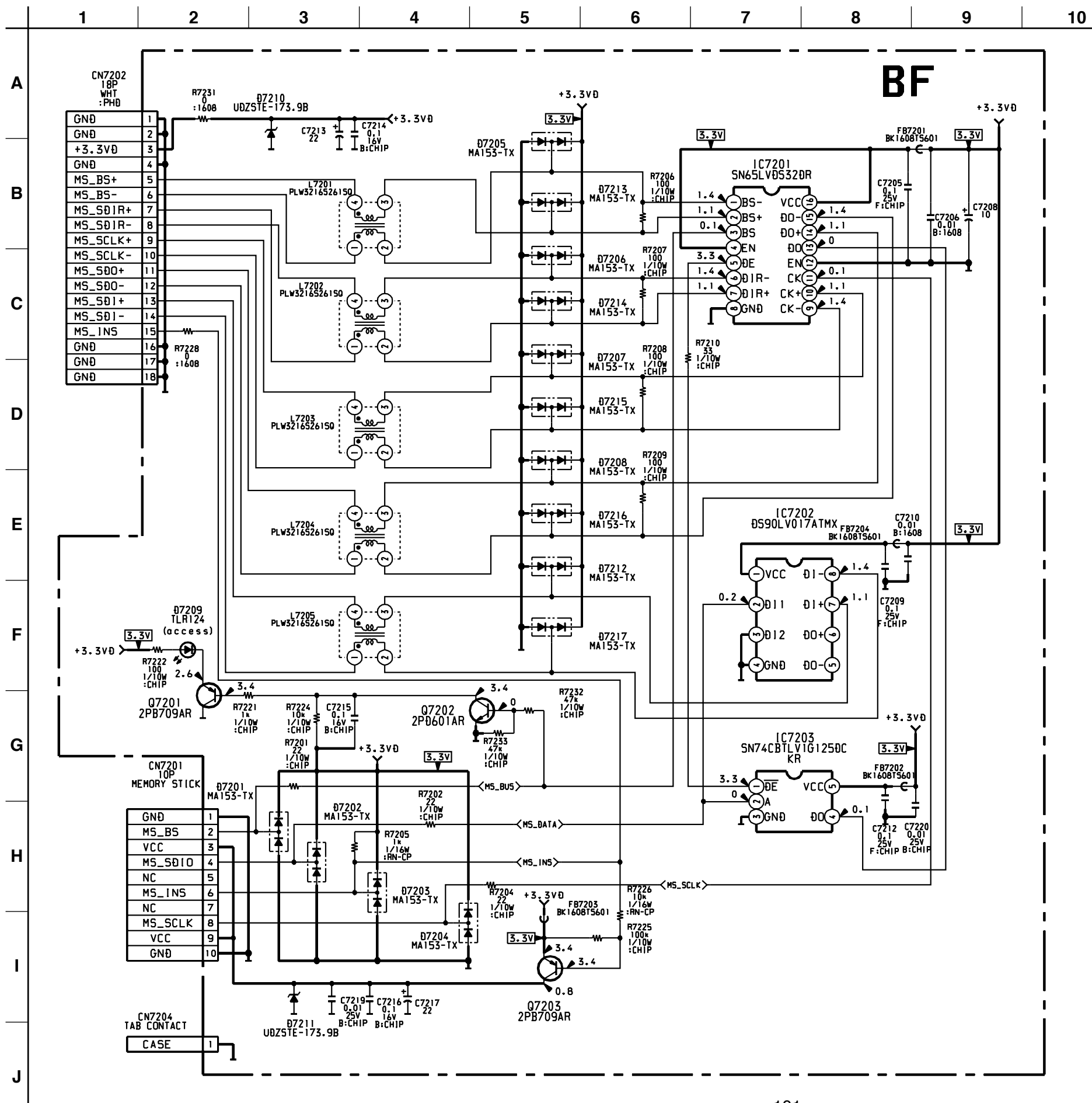
(17) Schematic Diagram of BC (3/5) Board





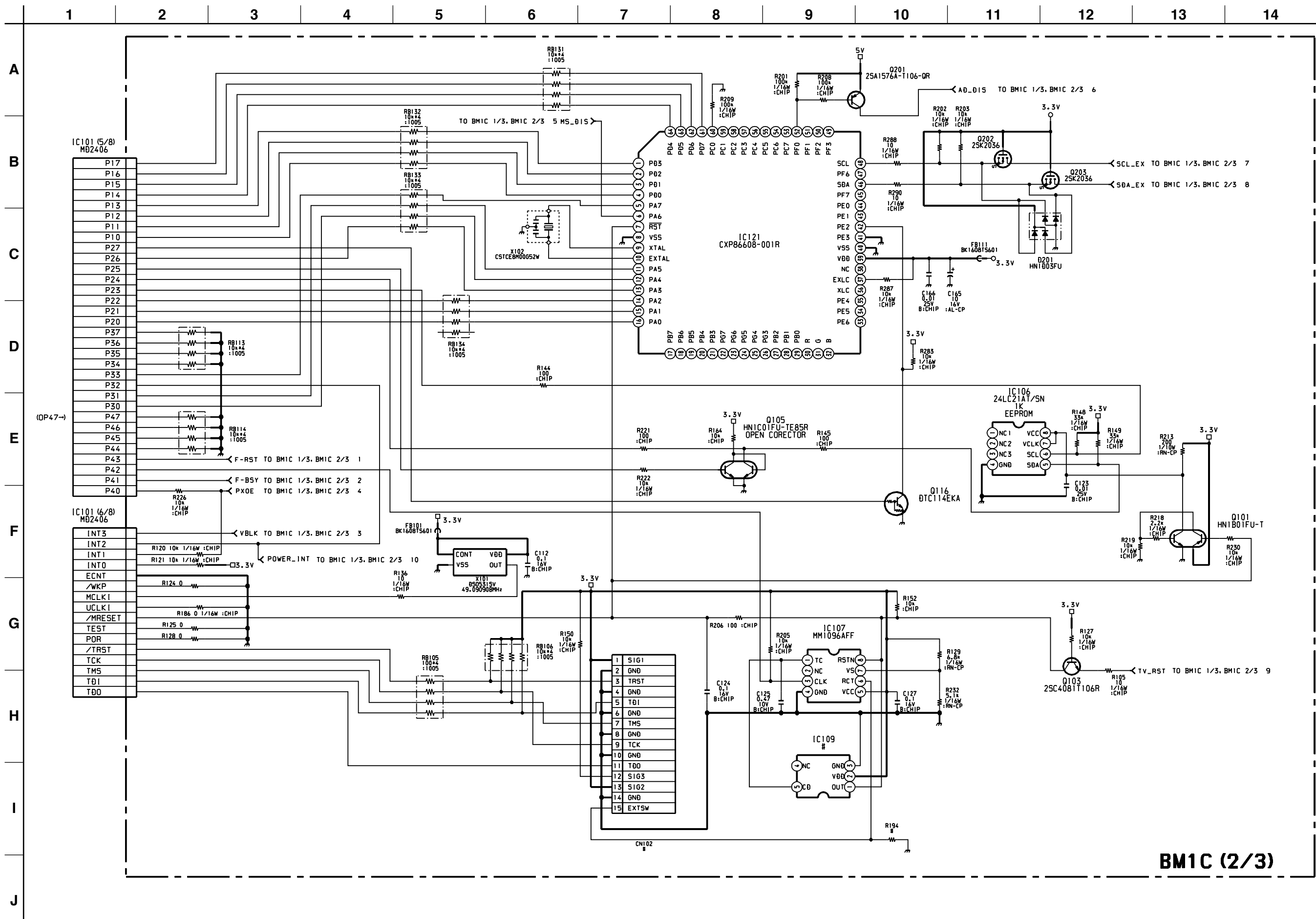


(20) Schematic Diagram of BF Board





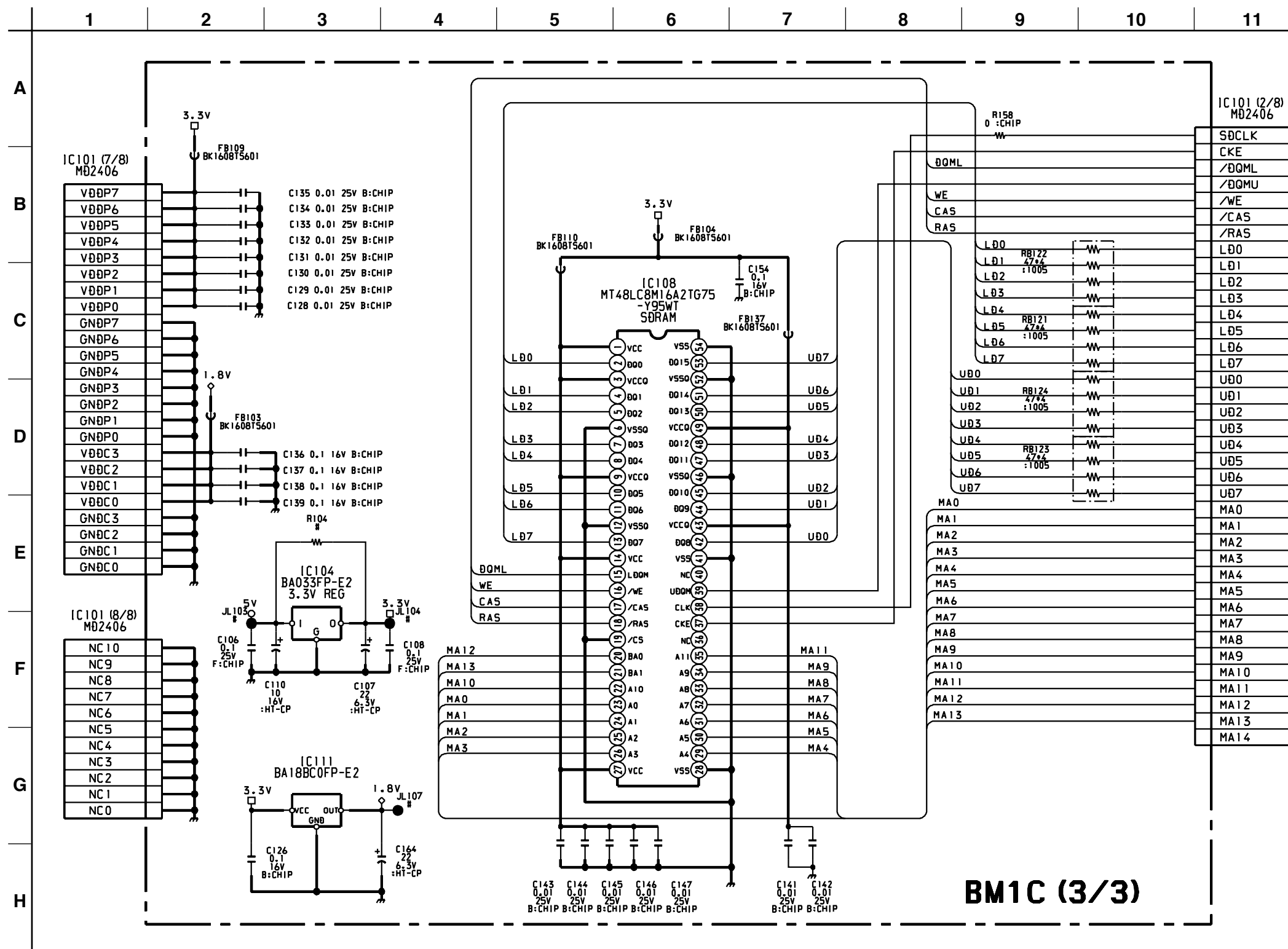
(22) Schematic Diagram of BM-1C (2/3) Board



BM1C (2/3)



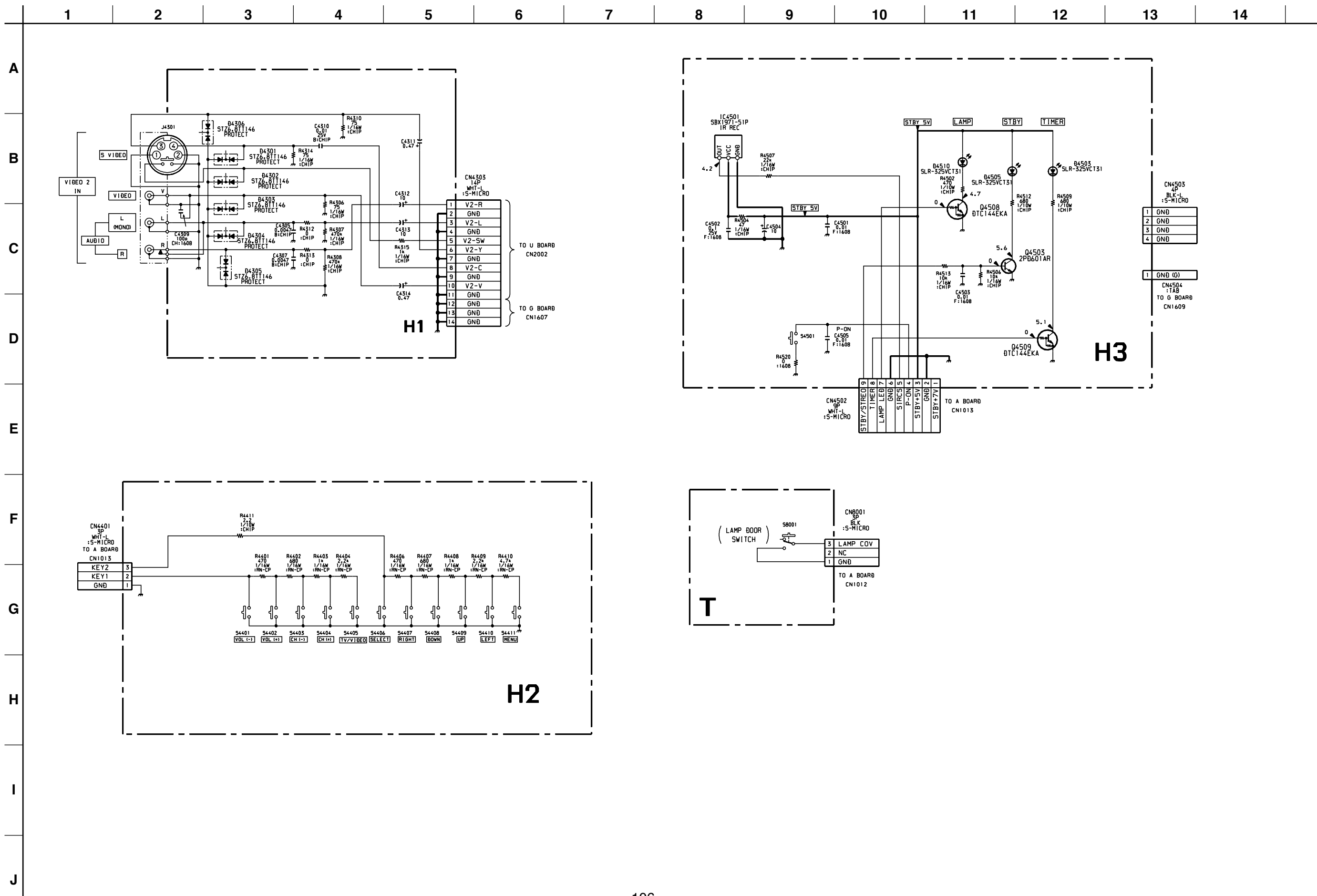
(23) Schematic Diagram of BM-1C (3/3) Board



**BM1C (3/3)**



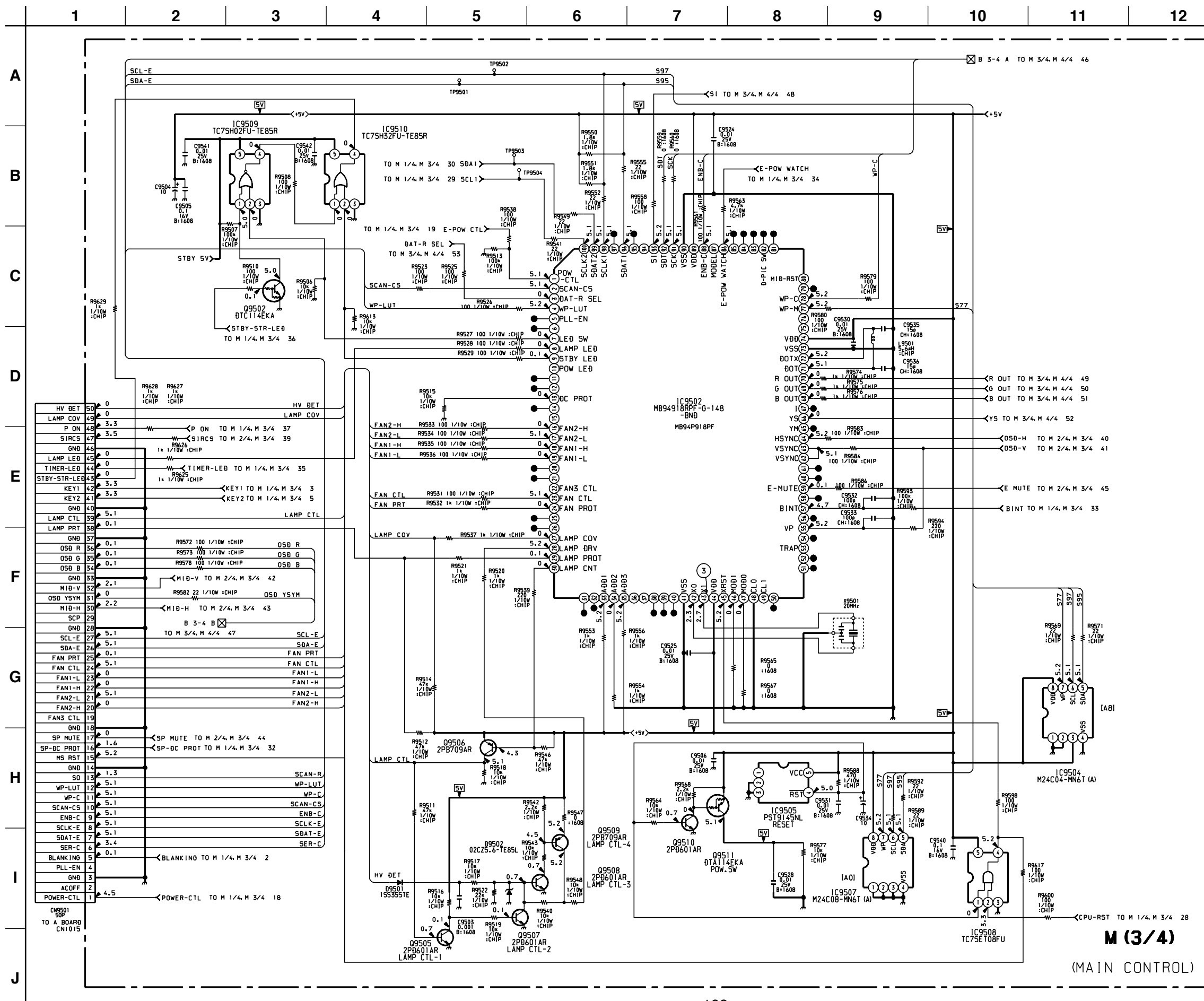
(25) Schematic Diagram of H1, H2, H3 and T Board





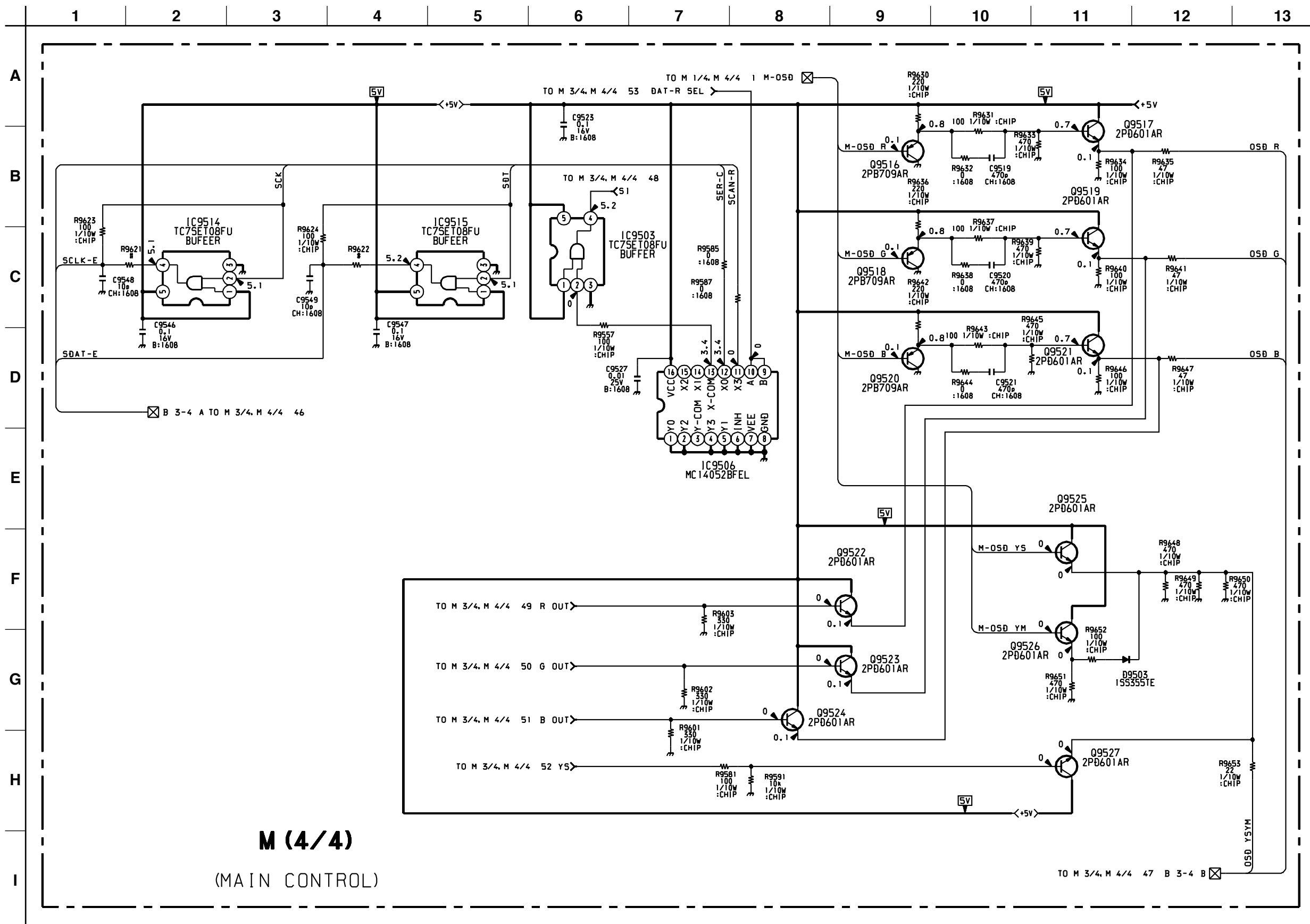


(28) Schematic Diagram of M (3/4) Board



**M (3/4)**  
(MAIN CONTROL)

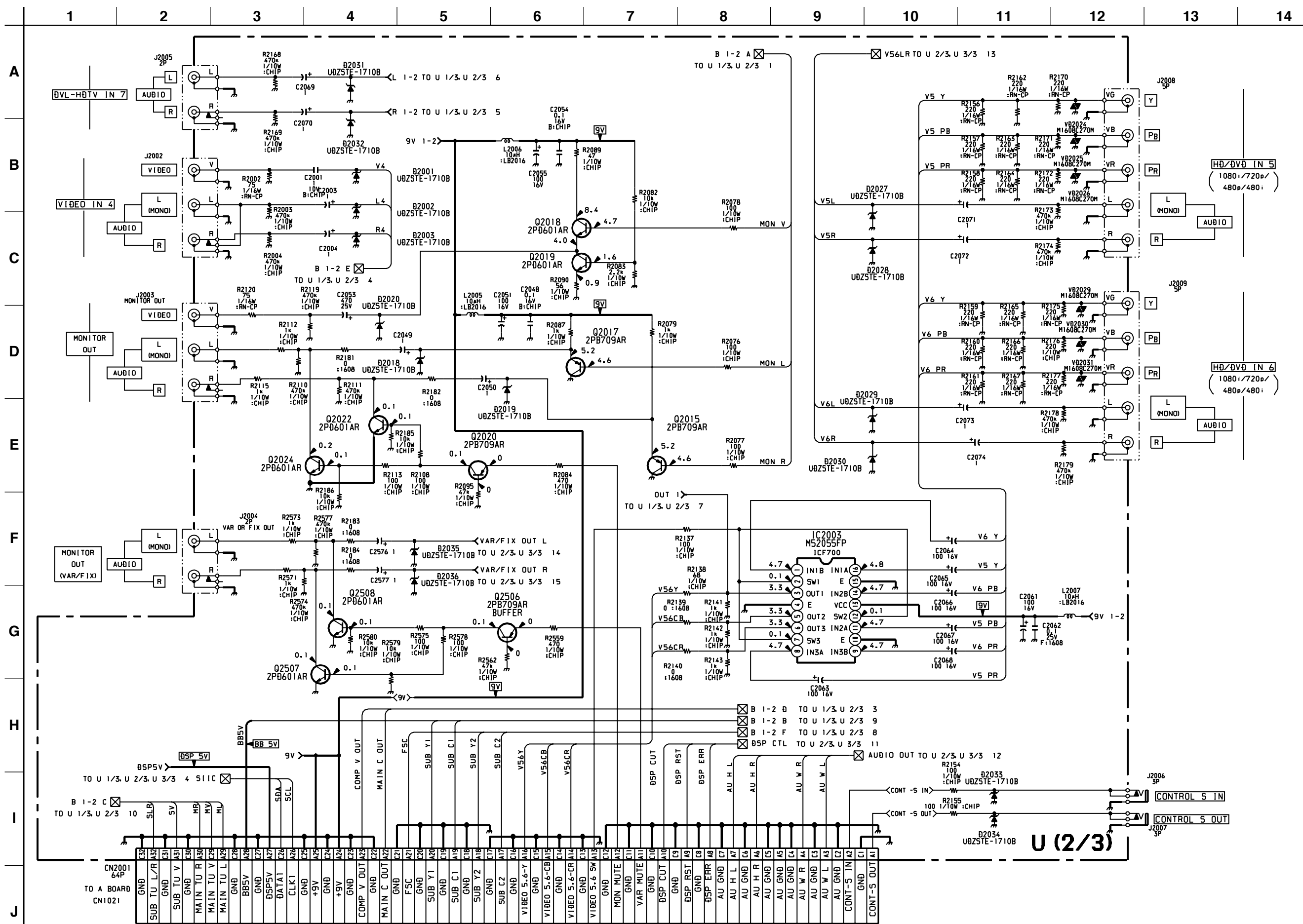
(29) Schematic Diagram of M (4/4) Board





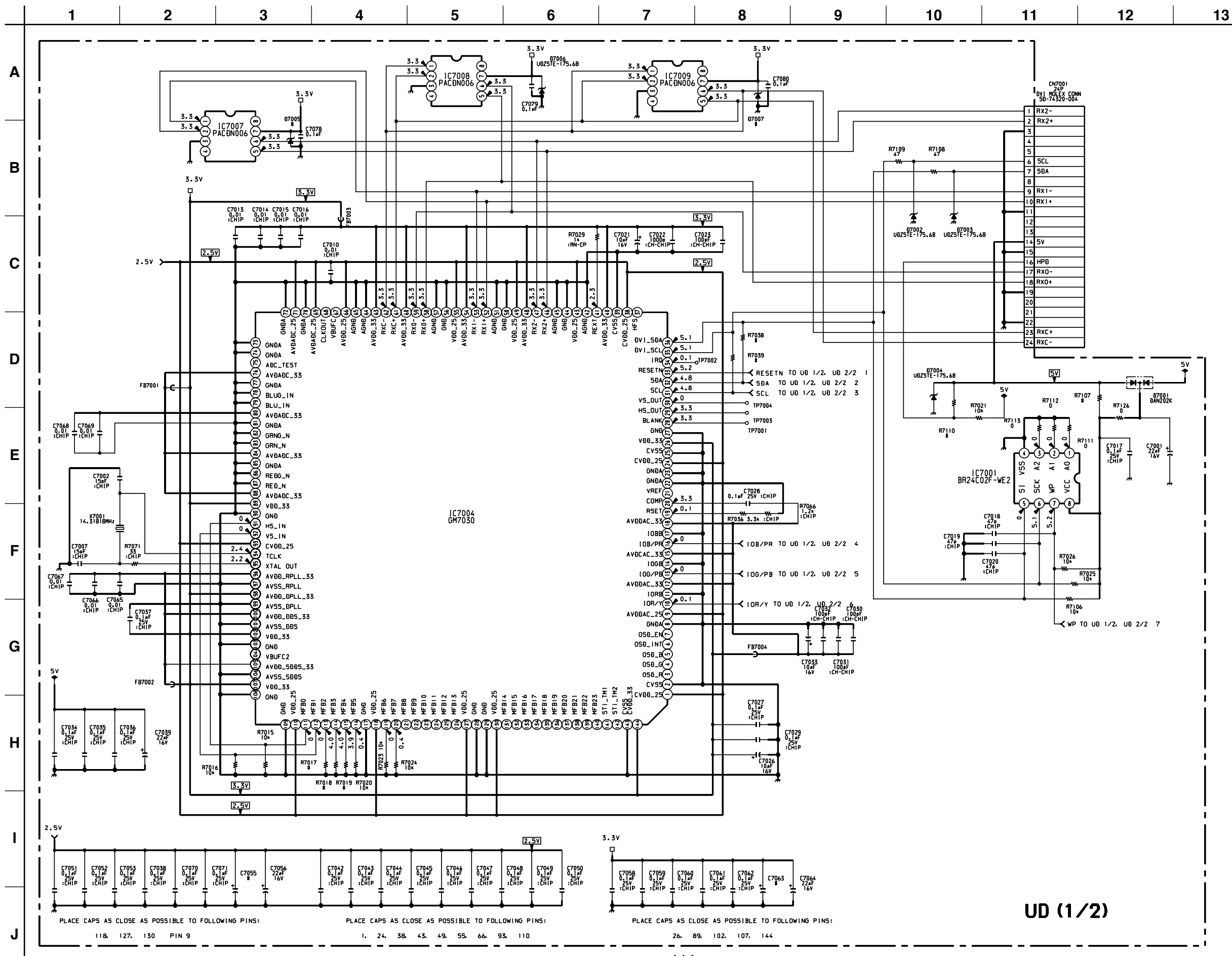


(31) Schematic Diagrams of U (2/3) Boards



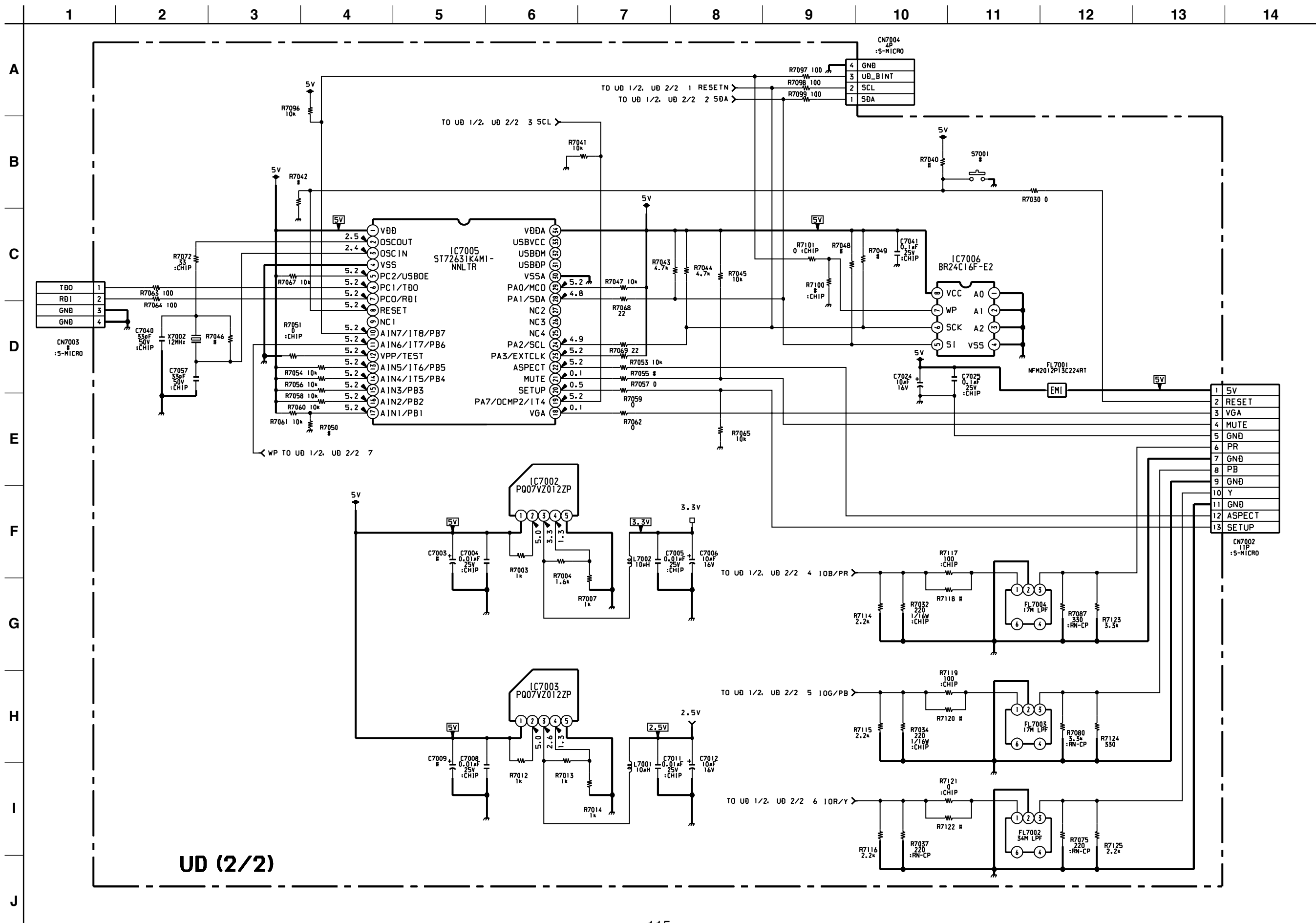


(33) Schematic Diagram of UD (1/2) Board

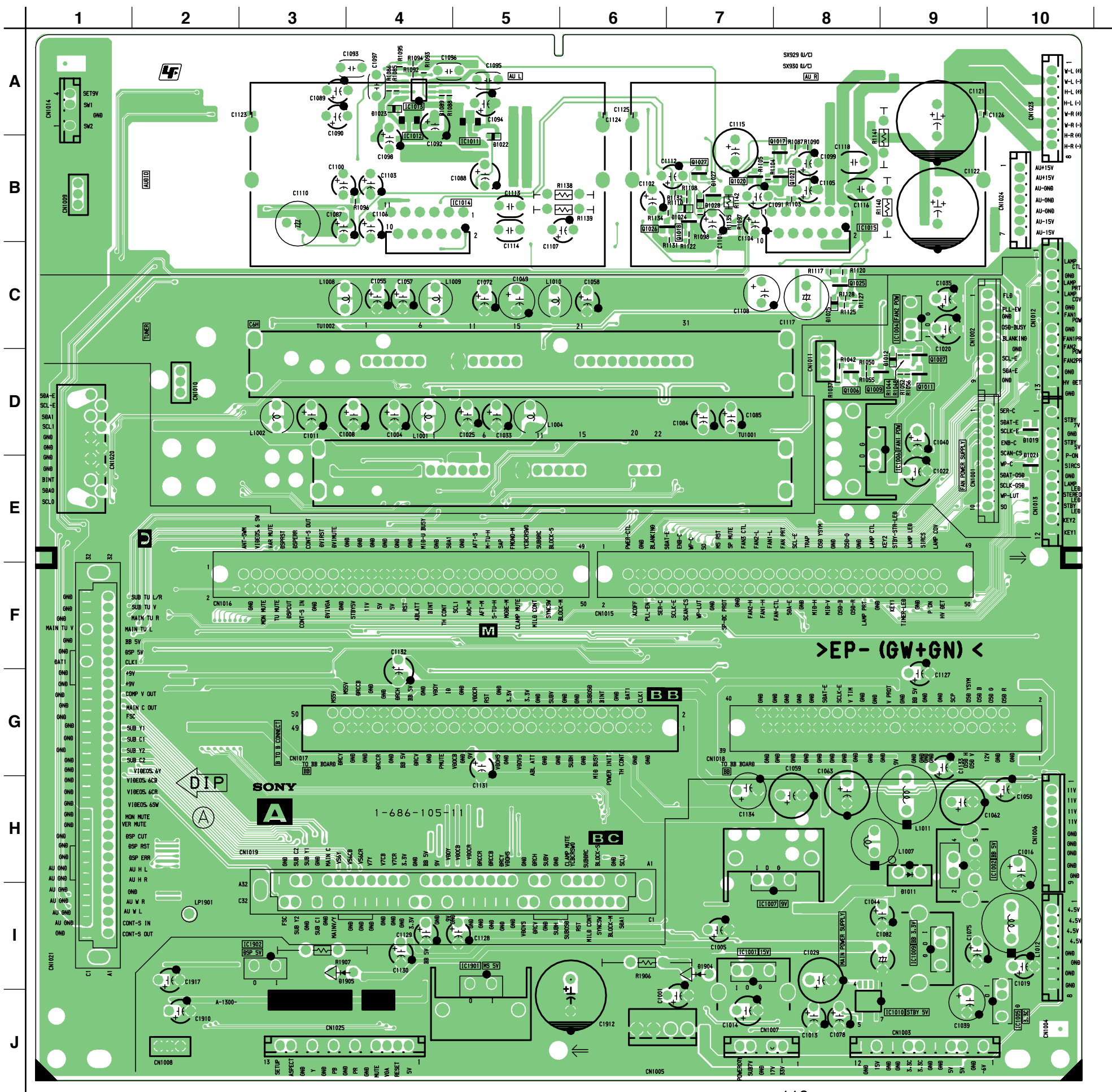


UD (1/2)

(34) Schematic Diagram of UD (2/2) Board



— A BOARD (Component Side) —



**A** [AUDIO OUT, TUNER, POWER SUPPLY]

• A BOARD SEMICONDUCTOR LOCATION (Component Side)

IC		
IC1001	I-7	
IC1002	H-9	
IC1004	C-9	
IC1005	J-10	
IC1006	D-8	
IC1007	H-8	
IC1009	I-9	
IC1010	J-8	
IC1011	A-5	
IC1012	A-4	
IC1013	A-4	
IC1014	I-9	
IC1015	H-9	
IC1901	C-9	
IC1902	I-3	

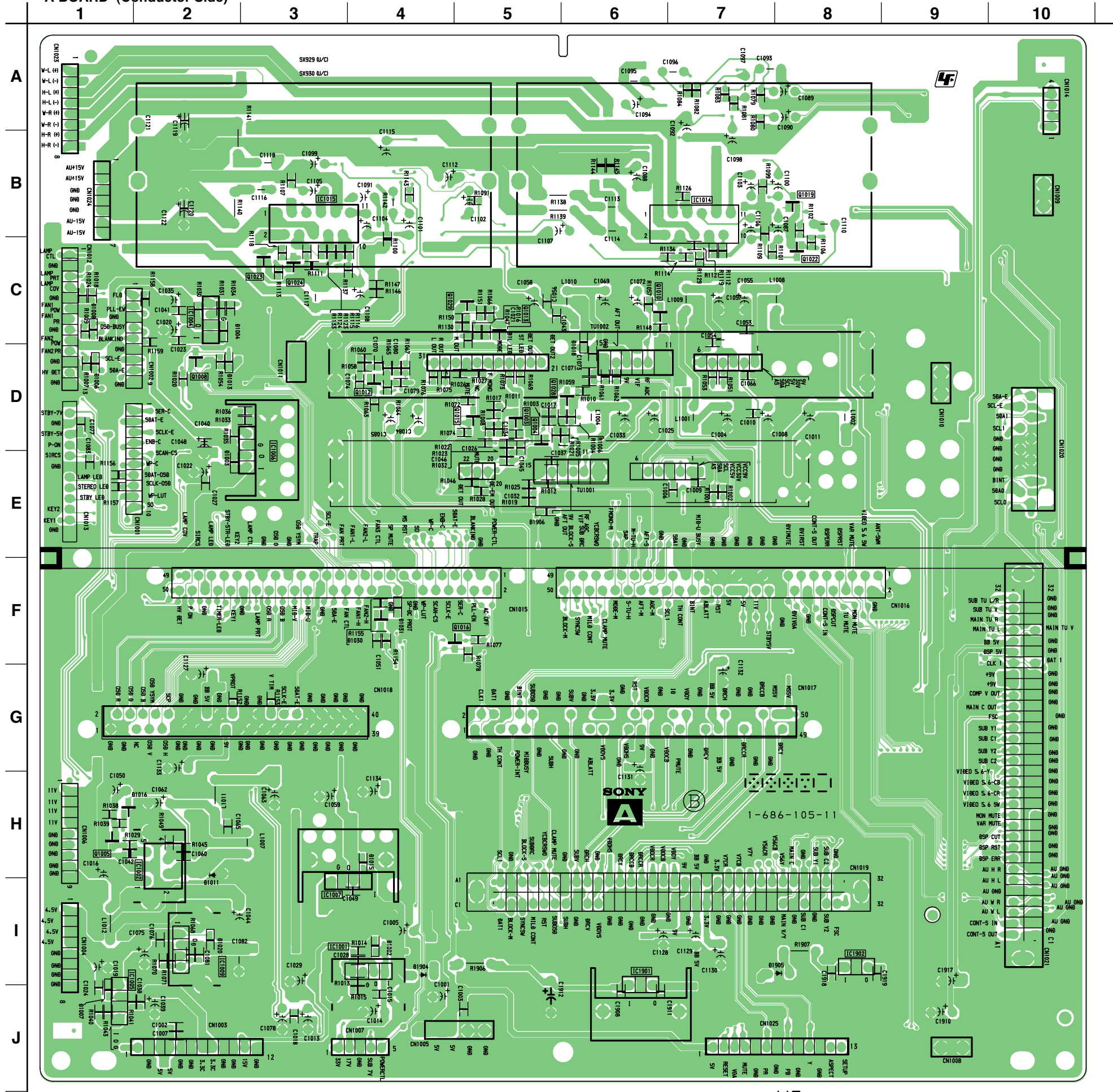
TRANSISTOR		
Q1006	D-8	② *
Q1007	D-9	② *
Q1009	D-8	② *
Q1011	D-9	② *
Q1017	B-8	② *
Q1018	B-7	② *
Q1020	B-7	② *
Q1021	B-8	② *
Q1025	C-8	② *
Q1026	B-6	② *
Q1027	B-7	② *

DIODE		
D1011	H-9	③ *
D1012	D-9	③ *
D1022	A-5	③ *
D1023	A-4	③ *
D1025	C-8	③ *
D1027	B-7	③ *
D1028	B-7	③ *
D1904	I-7	③ *
D1905	I-5	③ *

\*: Refer to Terminal name of semiconductors in silk screen printed circuit (see page 81)

A BOARD (Conductor Side)



**A** [AUDIO OUT, TUNER, POWER SUPPLY]

**A BOARD SEMICONDUCTOR LOCATION (Conductor Side)**

IC	
IC1001	I-4
IC1002	H-2
IC1004	C-2
IC1005	J-1
IC1006	D-3
IC1009	I-2
IC1014	B-7
IC1015	B-2
IC1902	I-8

TRANSISTOR	
Q1003	D-5
Q1004	D-5
Q1005	H-1
Q1008	D-2
Q1010	C-6
Q1012	D-4
Q1013	C-5
Q1015	D-5
Q1016	F-5
Q1019	B-8
Q1022	C-8
Q1023	C-3
Q1024	C-3
Q1028	D-6
Q1029	C-5

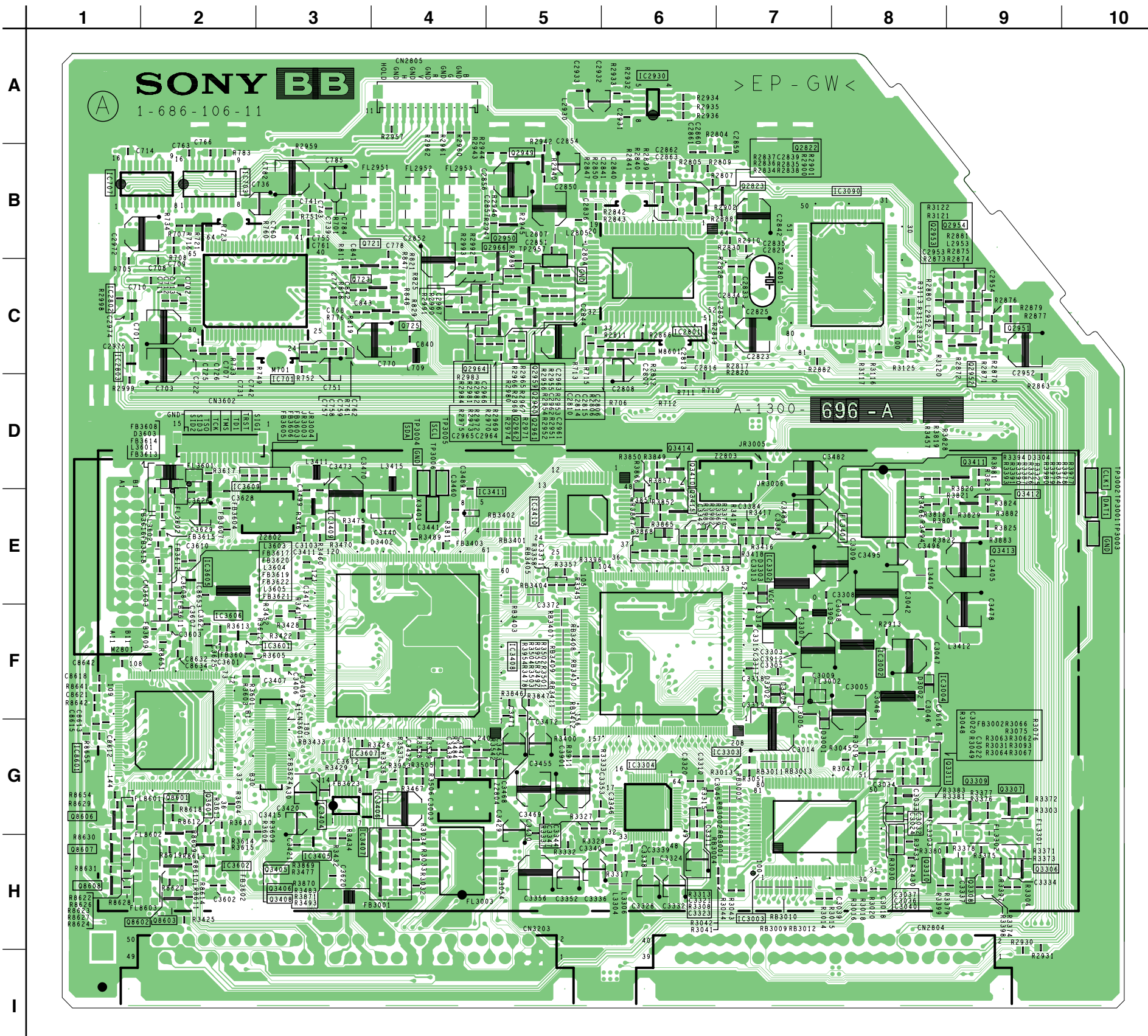
  

DIODE	
D1003	E-2
D1004	C-2
D1006	D-1
D1007	J-1
D1008	C-1
D1011	H-3
D1013	D-2
D1015	H-4
D1020	I-2
D1030	F-4
D1031	F-4
D1904	I-4
D1905	I-8
D1906	E-6

\*: Refer to Terminal name of semiconductors in silk screen printed circuit (see page 81)

**BB** [DRC, AMDP, MID-X]

— BB BOARD (Component Side) —



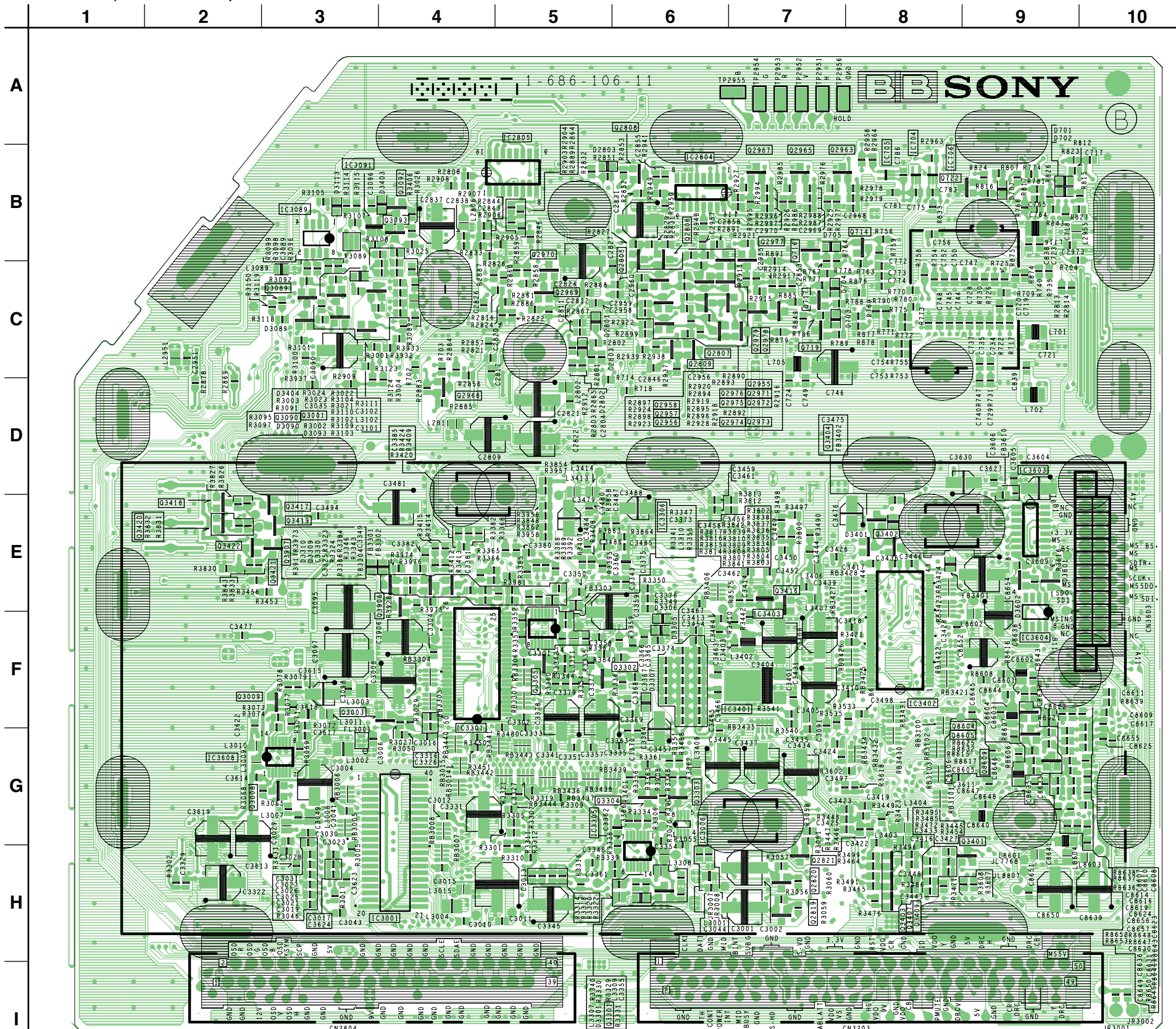
• BB BOARD SEMICONDUCTOR LOCATION (Component Side)

IC		
IC2801	C-6	
IC2802	C-1	
IC2803	C-1	
IC2805	B-5	
IC2930	A-6	
IC3002	F-8	
IC3003	G-7	
IC3004	F-8	
IC3090	C-8	
IC3302	F-8	
IC3303	F-6	
IC3408	F-4	
IC3409	E-3	
IC3410	E-5	
IC3411	E-4	
IC3601	F-2	
IC3602	H-2	
IC3605	E-2	
IC3606	F-2	
IC3609	E-2	
IC8601	G-2	
TRANSISTOR		
Q2822	B-6	Ⓣ*
Q2823	B-7	Ⓣ*
Q2949	B-5	Ⓣ*
Q2950	B-5	Ⓣ*
Q2951	C-9	Ⓣ*
Q2952	C-9	Ⓣ*
Q2953	C-9	Ⓣ*
Q2954	C-9	Ⓣ*
Q2959	C-5	Ⓣ*
Q2960	C-5	Ⓣ*
Q2961	C-5	Ⓣ*
Q2962	C-5	Ⓣ*
Q2964	C-4	Ⓣ*
Q2966	C-5	Ⓣ*
Q3306	H-9	Ⓣ*
Q3307	G-9	Ⓣ*
Q3308	H-9	Ⓣ*
Q3309	G-9	Ⓣ*
Q3310	H-8	Ⓣ*
Q3311	G-8	Ⓣ*
Q3410	D-6	Ⓣ*
Q3411	D-9	Ⓣ*
Q3412	E-9	Ⓣ*
Q3413	E-9	Ⓣ*
Q3414	D-6	Ⓣ*
Q3415	E-6	Ⓣ*
Q3601	H-2	Ⓣ*
Q8601	G-2	Ⓣ*
Q8602	H-2	Ⓣ*
Q8603	H-2	Ⓣ*
Q8606	G-1	Ⓣ*
Q8607	H-1	Ⓣ*
Q8608	H-1	Ⓣ*
DIODE		
D3001	G-7	Ⓣ*
D3002	F-8	Ⓣ*
D3402	E-4	Ⓣ*
D3603	D-2	Ⓣ*

\*: Refer to Terminal name of semiconductors in silk screen printed circuit (see page 81)

**BB** [DRC, AMDP, MID-X]

— BB BOARD (Conductor Side) —



• BB BOARD SEMICONDUCTOR LOCATION (Conductor Side)

IC	Q2978	C-7	②
IC2804	Q2979	C-7	②
IC3001	Q3003	F-4	②
IC3089	Q3008	G-3	②
IC3091	Q3009	F-2	②
IC3301	Q3089	C-3	②
IC3306	Q3090	C-3	②
IC3401	Q3092	B-4	②
IC3402	Q3093	B-4	②
IC3403	Q3302	F-5	②
IC3405	Q3303	G-6	②
IC3603	Q3305	F-5	②
IC3604	Q3401	H-9	②
IC3608	Q3402	E-8	⑫
	Q3404	E-8	⑫
	Q3416	E-7	⑫
	Q3417	E-3	⑫
	Q3418	E-2	⑫
	Q3419	E-3	⑫
	Q3420	E-2	⑫
	Q3421	E-3	⑫
	Q3422	E-2	⑫
	Q3906	E-4	⑫
	Q3907	E-4	⑫
	Q8604	F-9	②
	Q8605	G-9	②
	Q8609	G-9	②
TRANSISTOR			
Q2805	B-6	②	*
Q2806	B-6	②	②
Q2807	C-6	②	②
Q2808	B-6	②	②
Q2809	C-6	②	②
Q2955	C-6	②	②
Q2956	C-6	②	②
Q2957	C-6	②	②
Q2958	C-6	②	②
Q2963	B-7	②	②
Q2965	B-7	②	②
Q2967	B-7	②	②
Q2968	D-4	②	②
Q2969	C-5	②	②
Q2970	C-5	②	②
Q2971	C-6	②	②
Q2972	C-6	②	②
Q2973	C-7	②	②
Q2974	C-6	②	②
Q2975	C-6	②	②
Q2976	C-6	②	②
DIODE			
D2803	B-5	③	*
D3089	C-3	⑥	⑥
D3090	C-3	⑥	⑥
D3309	E-4	⑧	⑧
D3310	E-4	⑩	⑩
D3401	E-8	⑧	⑧
D3403	B-4	②	②
D3404	C-3	②	②
D3601	E-9	⑦	⑦

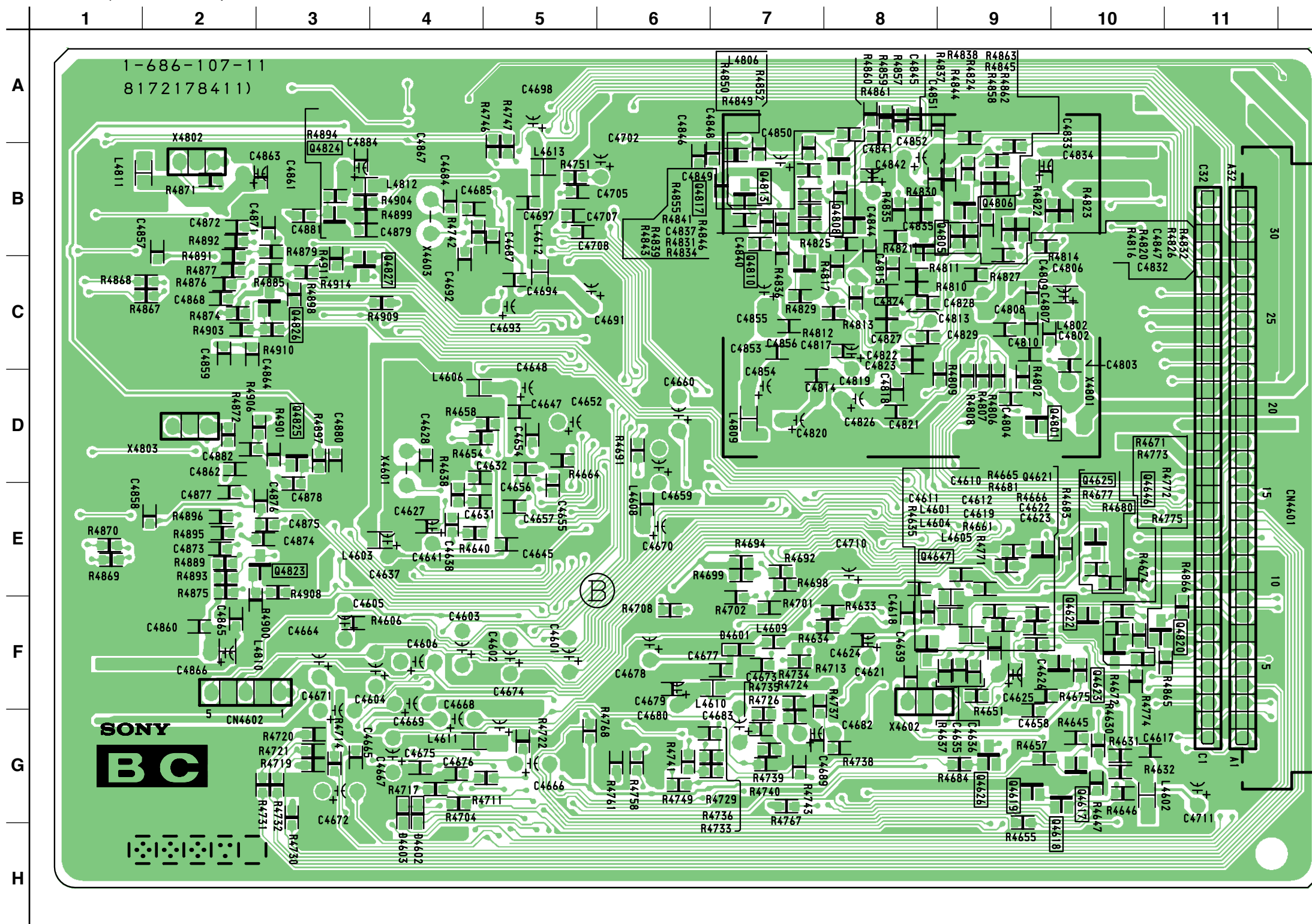
\*: Refer to Terminal name of semiconductors in silk screen printed circuit (see page 81)







— BC BOARD (Conductor Side) —



• BC BOARD SEMICONDUCTOR LOCATION (Conductor Side)

TRANSISTOR		
Q4617	G-10	*
Q4618	G-10	⊙
Q4619	G-9	⊙
Q4621	D-9	⊙
Q4622	F-10	⊙
Q4623	F-10	⊙
Q4625	D-10	⊙
Q4626	G-9	⊙
Q4646	F-10	⊙
Q4647	F-8	⊙
Q4801	D-9	⊙
Q4805	B-8	⊙
Q4806	B-9	⊙
Q4808	B-4	⊙
Q4810	C-7	⊙
Q4813	B-7	⊙
Q4817	B-8	⊙
Q4820	F-10	⊙
Q4823	E-3	⊙
Q4824	B-3	⊙
Q4825	D-3	⊙
Q4826	C-3	⊙
Q4827	C-3	⊙

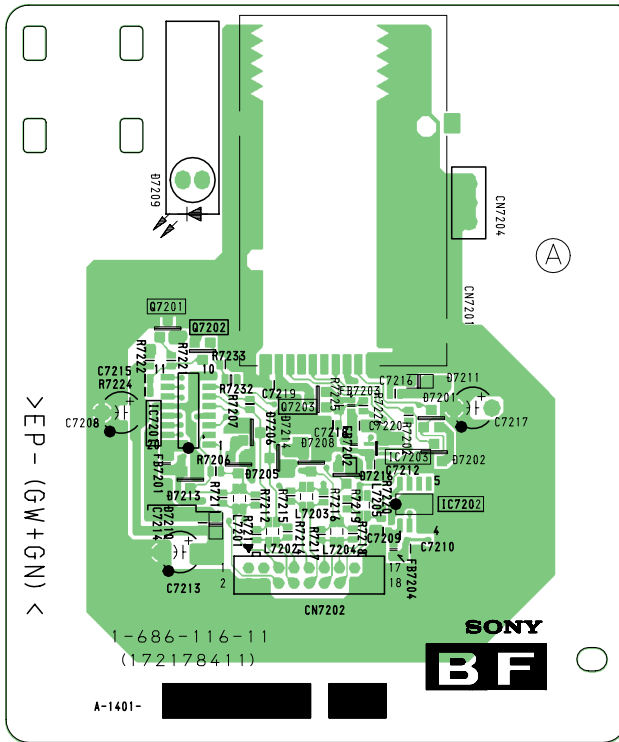
DIODE		
D4601	F-7	*
D4602	G-4	⊙
D4603	G-4	⊙

\*: Refer to Terminal name of semiconductors in silk screen printed circuit (see page 81)

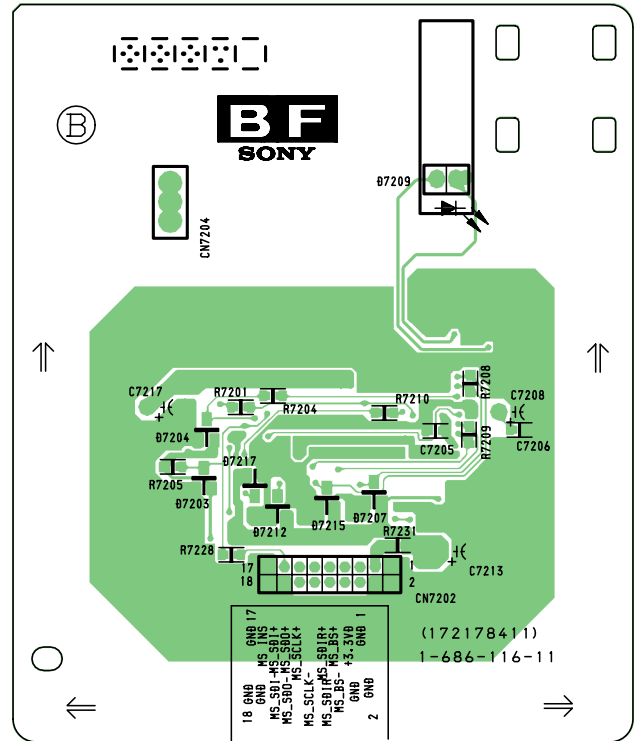


[ MEMORY STICK ]

— BF BOARD (Component Side) —



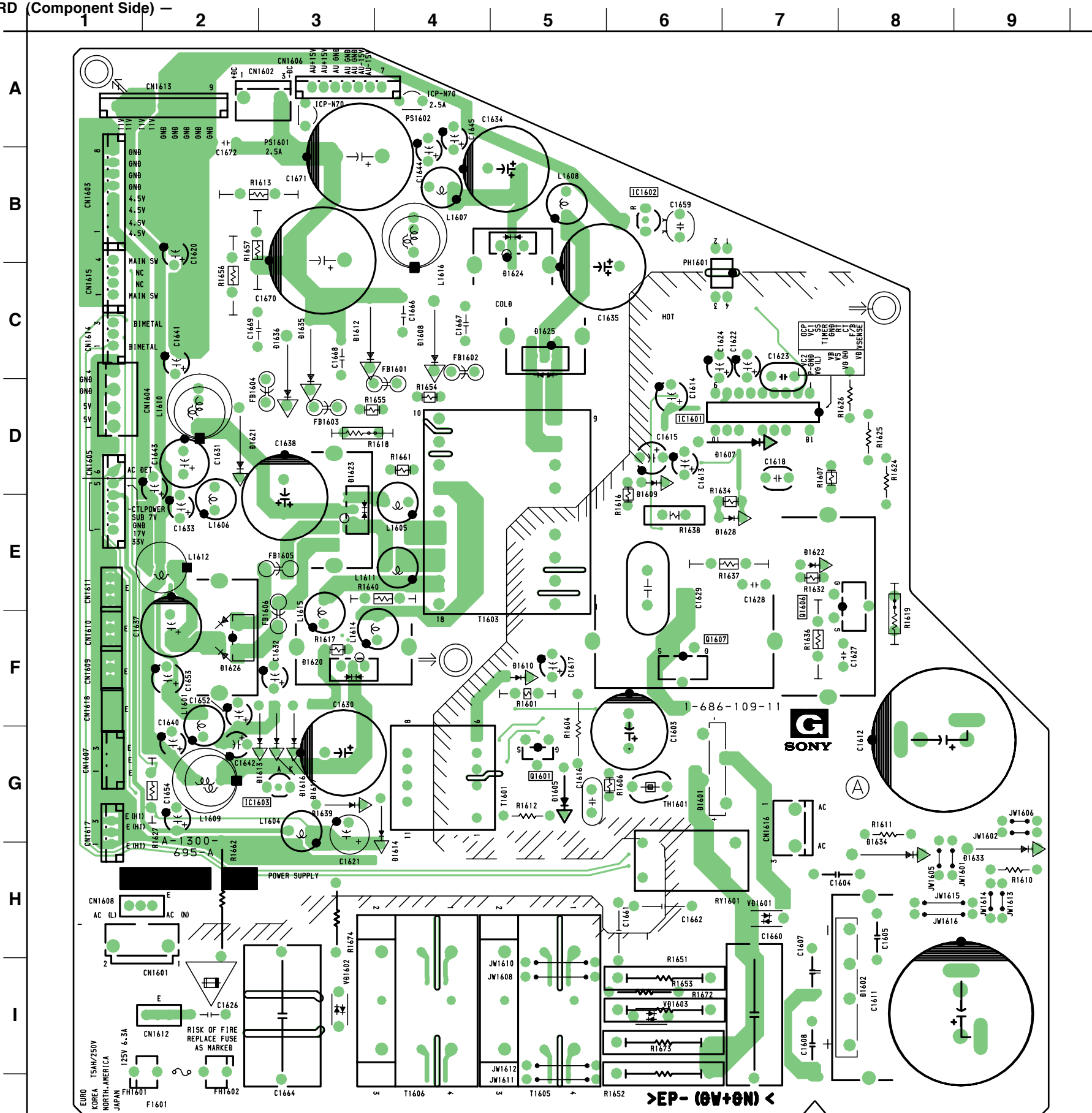
— BF BOARD (Conductor Side) —





**G** [POWER SUPPLY]

— G BOARD (Component Side) —

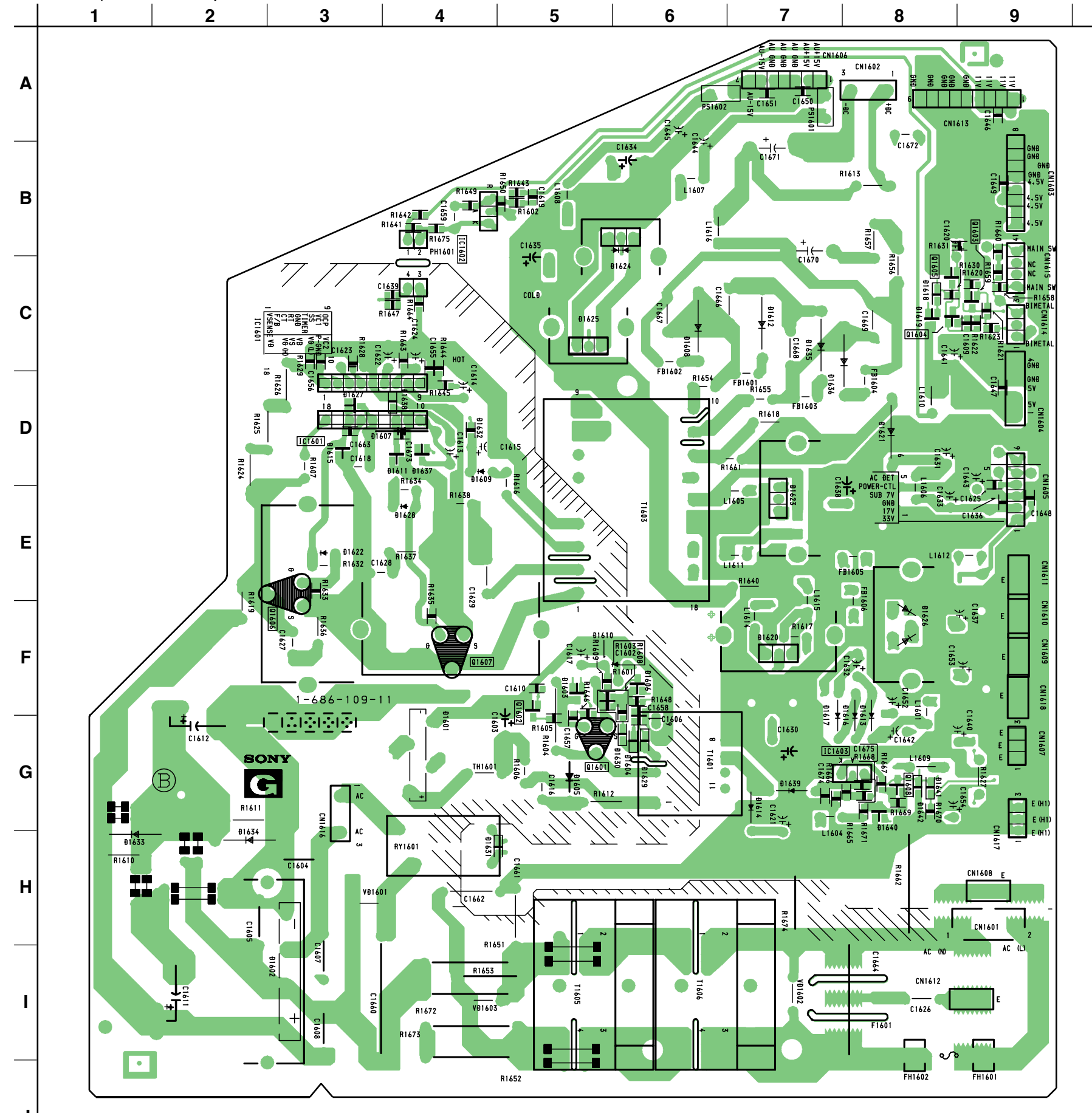


• G BOARD SEMICONDUCTOR LOCATION (Component Side)

IC	
IC1601	D-7
IC1602	B-6
PHOTOCOUPLER	
PH1601	C-6
TRANSISTOR	
Q1601	G-5
Q1606	E-8
Q1607	F-6
DIODE	
D1601	G-6
D1602	I-8
D1605	G-5
D1607	D-7
D1608	C-3
D1609	D-6
D1610	F-5
D1612	C-3
D1613	G-3
D1614	G-4
D1616	G-3
D1617	G-3
D1620	F-3
D1621	D-2
D1623	E-3
D1624	B-5
D1625	C-5
D1626	F-2
D1633	H-9
D1634	H-8
D1635	C-3
D1636	C-3

**G** [POWER SUPPLY]

— G BOARD (Conductor Side) —



• G BOARD SEMICONDUCTOR LOCATION (Conductor Side)

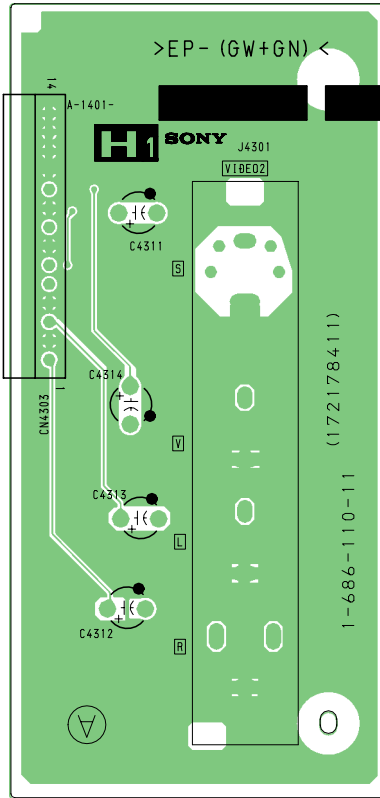
IC	
IC1601	D-7
IC1602	B-6
PHOTOCOUPLER	
PH1601	B-4
TRANSISTOR	
Q1601	G-5
Q1602	F-5
Q1603	C-9
Q1604	C-8
Q1605	C-8
Q1606	E-3
Q1607	F-4
DIODE	
D1601	G-4
D1602	I-3
D1603	F-5
D1604	G-6
D1605	G-5
D1606	F-6
D1607	D-4
D1608	C-6
D1609	D-4
D1610	F-5
D1612	C-7
D1613	F-8
D1614	G-7
D1616	F-8
D1617	F-7
D1618	C-8
D1619	C-8
D1620	F-7
D1621	D-8
D1623	E-7
D1624	B-6
D1625	C-5
D1626	F-8
D1629	G-6
D1630	G-6
D1631	H-4
D1632	D-4
D1633	H-1
D1634	H-2
D1635	C-7
D1636	C-8
D1638	D-4

※: Refer to Terminal name of semiconductors in silk screen printed circuit (see page 81)

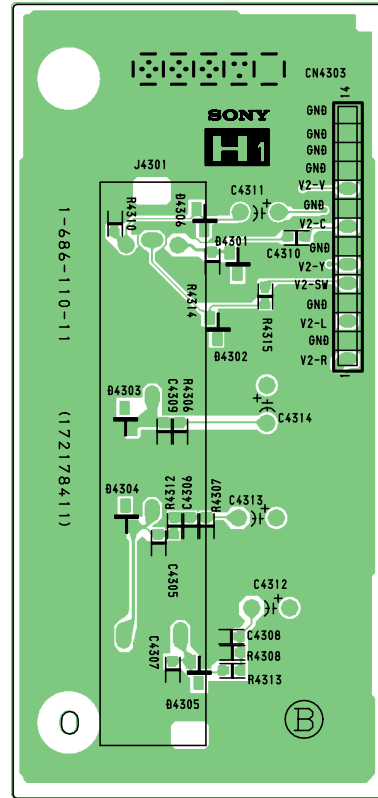
**H1**

[ VIDEO 2 IN ]

— H1 BOARD (Component Side) —



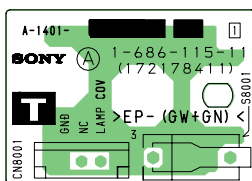
— H1 BOARD (Conductor Side) —



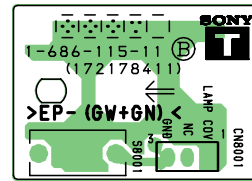
**T**

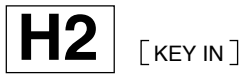
[ LAMP DOOR SWITCH ]

— T BOARD (Component Side) —



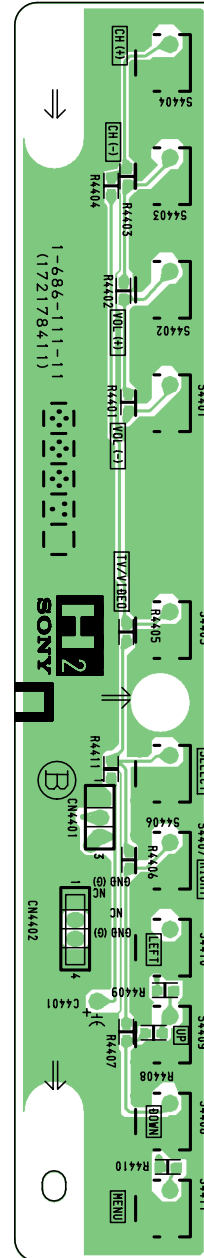
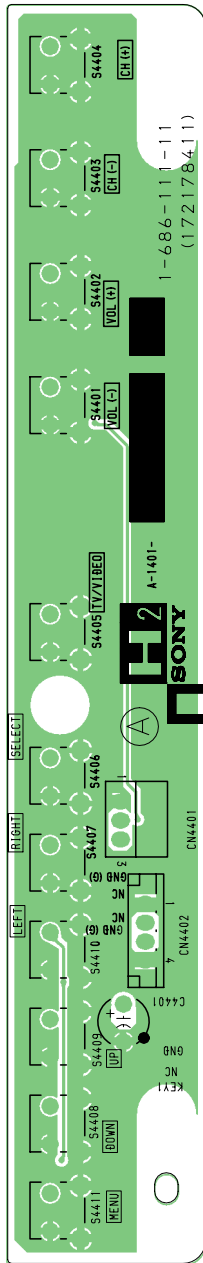
— T BOARD (Conductor Side) —





— H2 BOARD (Component Side) —

— H2 BOARD (Conductor Side) —

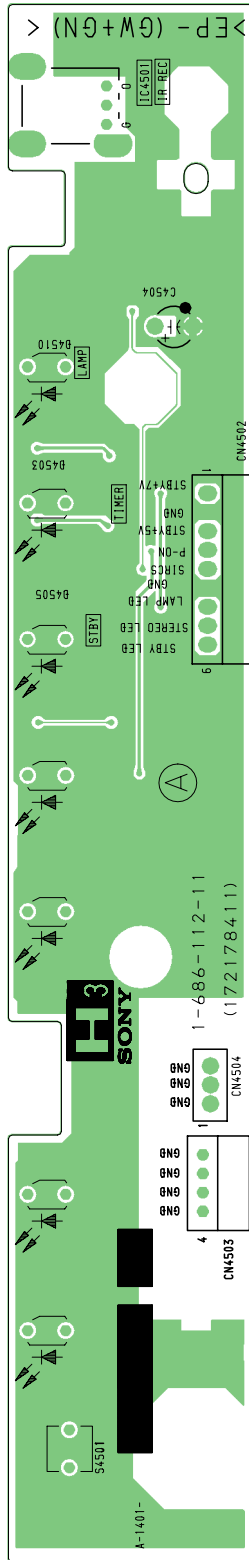




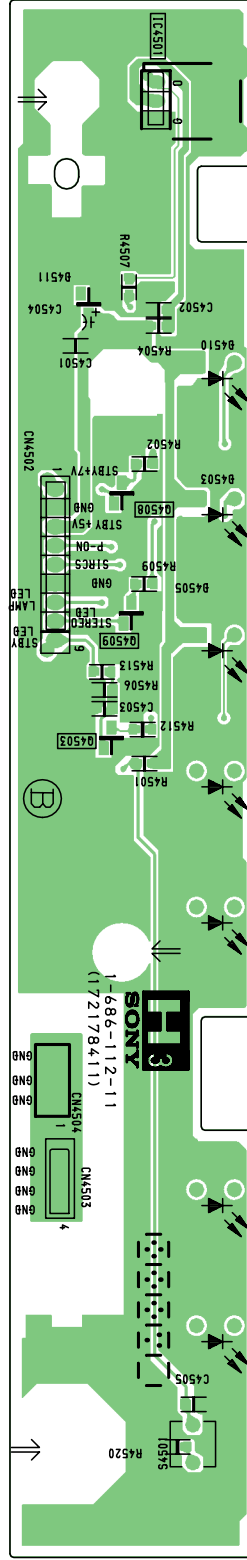
**H3**

[ SIRCS, POWER SWITCH ]

— H3 BOARD (Component Side) —



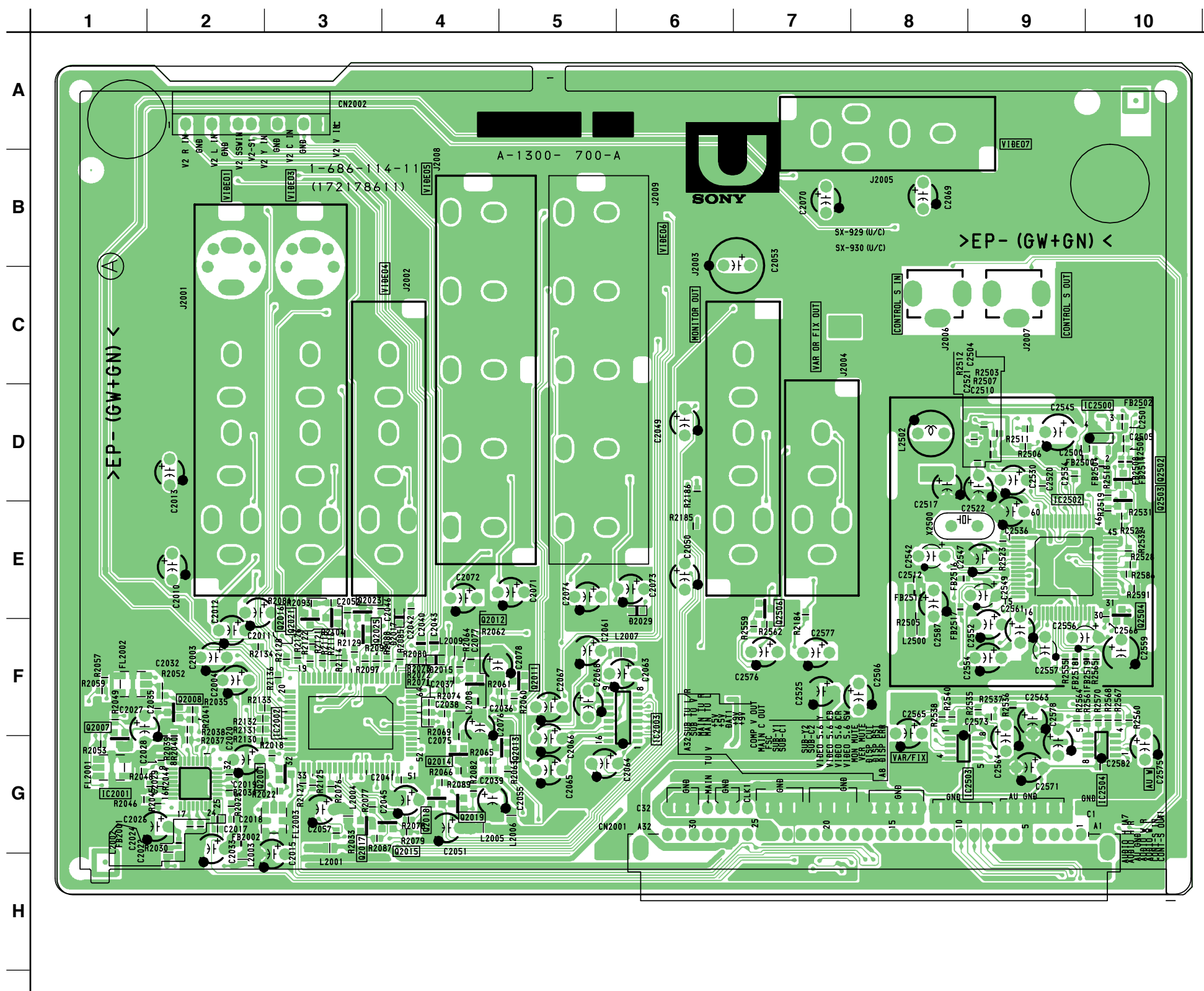
— H3 BOARD (Conductor Side) —





**U** [ INPUT SELECT ]

— U BOARD (Component Side) —



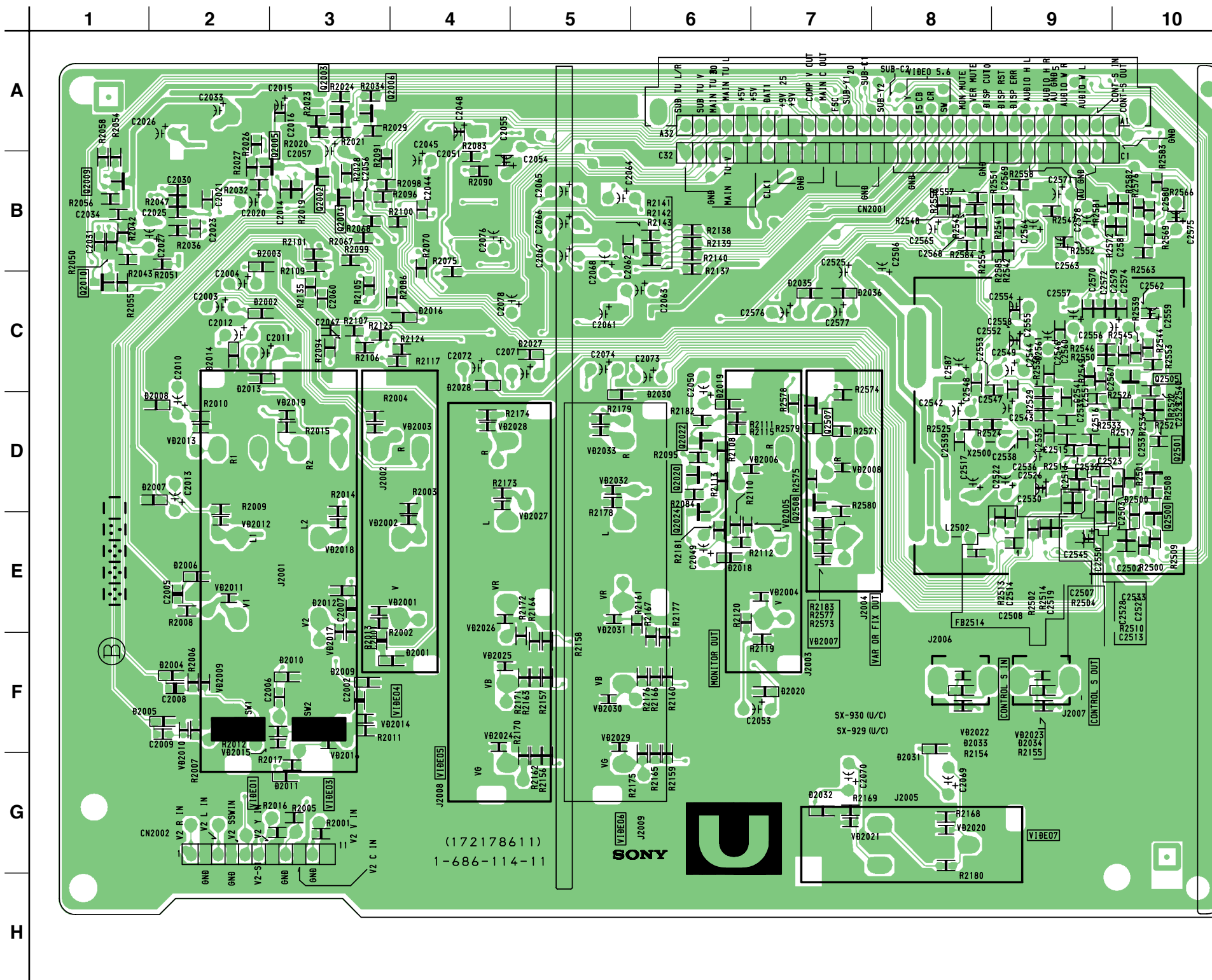
• U BOARD SEMICONDUCTOR LOCATION (Component Side)

IC	
IC2001	G-2
IC2002	F-3
IC2003	F-6
IC2500	E-10
IC2502	E-9
IC2503	G-8
IC2504	G-10
TRANSISTOR	
Q2001	G-3
Q2007	F-1
Q2008	F-2
Q2011	F-5
Q2012	F-4
Q2013	G-5
Q2014	G-4
Q2015	G-4
Q2016	F-3
Q2017	G-3
Q2018	G-4
Q2019	G-4
Q2021	F-3
Q2023	F-3
Q2025	E-3
Q2502	D-10
Q2503	D-10
Q2504	E-10
Q2506	E-7
DIODE	
D2015	F-4
D2017	F-4
D2029	E-6

\*: Refer to Terminal name of semiconductors in silk screen printed circuit (see page 81)

**U** [ INPUT SELECT ]

— U BOARD (Conductor Side) —



• U BOARD SEMICONDUCTOR LOCATION (Conductor Side)

TRANSISTOR		
Q2002	B-3	⊙*
Q2003	A-3	⊙
Q2004	B-3	⊙
Q2005	B-3	⊙
Q2006	A-3	⊙
Q2009	B-1	⊙
Q2010	C-1	⊙
Q2020	D-6	⊙
Q2022	D-6	⊙
Q2024	D-6	⊙
Q2500	D-10	⊙
Q2501	D-10	⊙
Q2505	C-10	⊙
Q2507	D-7	⊙
Q2508	D-7	⊙

DIODE		
D2001	F-4	⊙*
D2002	C-2	⊙
D2003	B-2	⊙
D2004	F-2	⊙
D2005	F-2	⊙
D2006	E-2	⊙
D2007	D-1	⊙
D2008	D-1	⊙
D2009	F-3	⊙
D2010	F-3	⊙
D2011	G-3	⊙
D2012	E-3	⊙
D2013	C-2	⊙
D2014	C-2	⊙
D2016	C-4	⊙
D2018	E-6	⊙
D2019	D-6	⊙
D2020	F-7	⊙
D2027	C-5	⊙
D2028	C-4	⊙
D2030	D-5	⊙
D2031	F-8	⊙
D2032	G-7	⊙
D2033	F-8	⊙
D2034	F-9	⊙
D2035	C-7	⊙
D2036	C-7	⊙
D2500	D-10	⊙

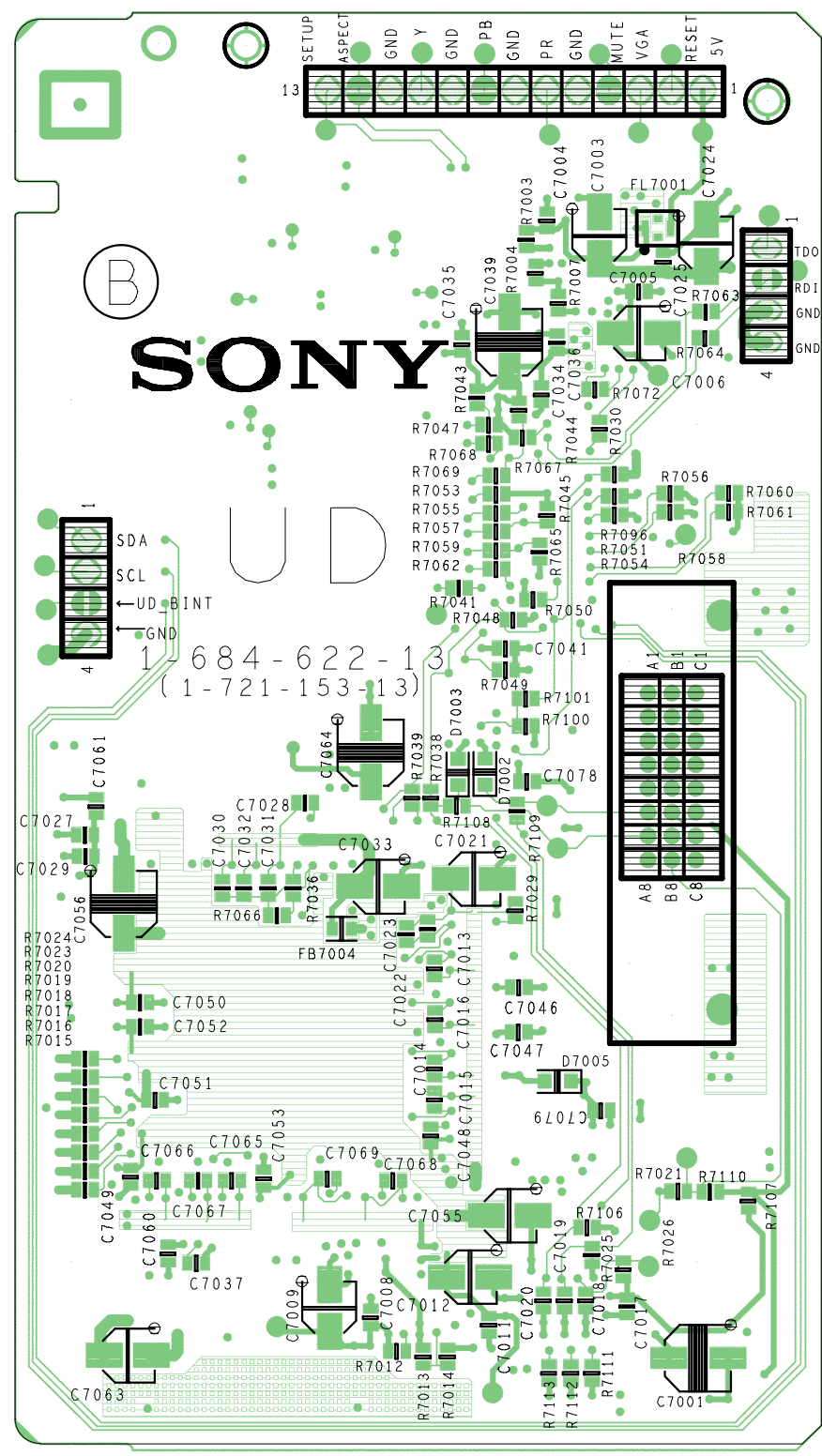
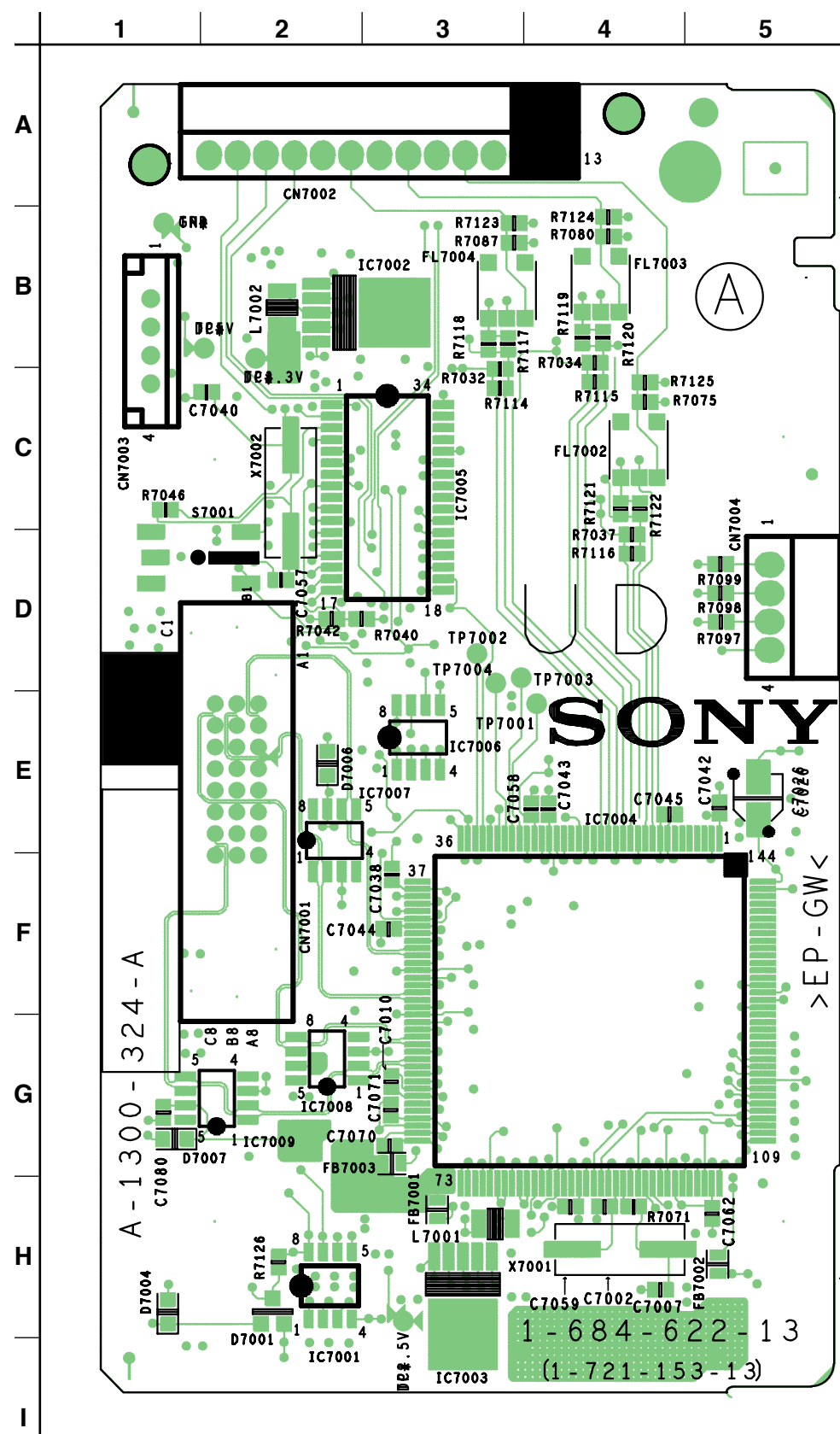
\*: Refer to Terminal name of semiconductors in silk screen printed circuit (see page 81)



[ DVI-HDTV VIDEO INPUT ]

— UD BOARD (Component Side) —

— UD BOARD (Conductor Side) —



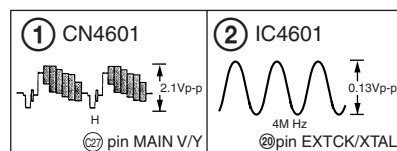
• U BOARD SEMICONDUCTOR LOCATION (Component Side)

IC		
IC7001	H-2	
IC7002	B-3	
IC7003	H-3	
IC7004	F-4	
IC7005	C-3	
IC7006	E-3	
IC7007	E-2	
IC7008	G-2	
IC7009	G-2	
DIODE		
D7001	H-2	⊗
D7002	E-10	⊗
D7003	E-9	⊗
D7004	H-1	⊗
D7006	E-2	⊗

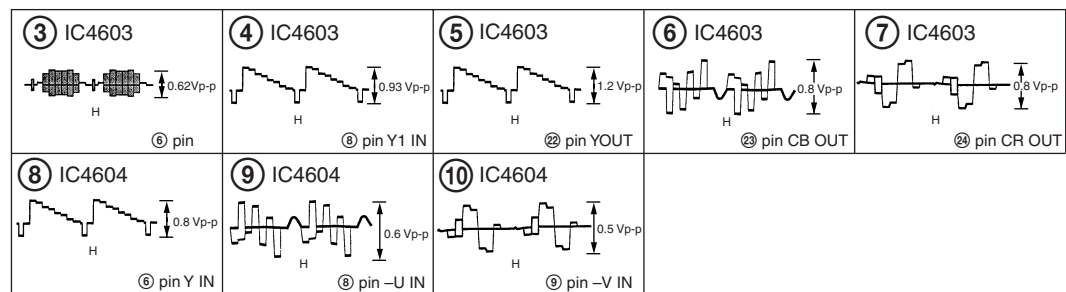
※: Refer to Terminal name of semiconductors in silk screen printed circuit (see page 81)

### 4-5. WAVEFORMS

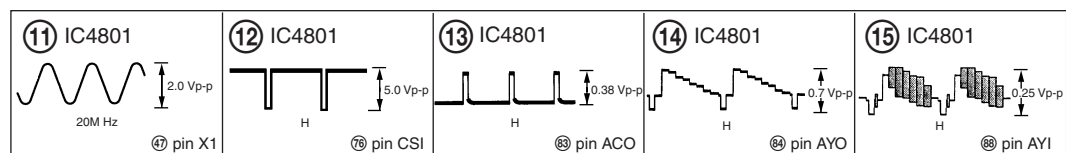
#### • BC (1/5) BOARD WAVEFORMS



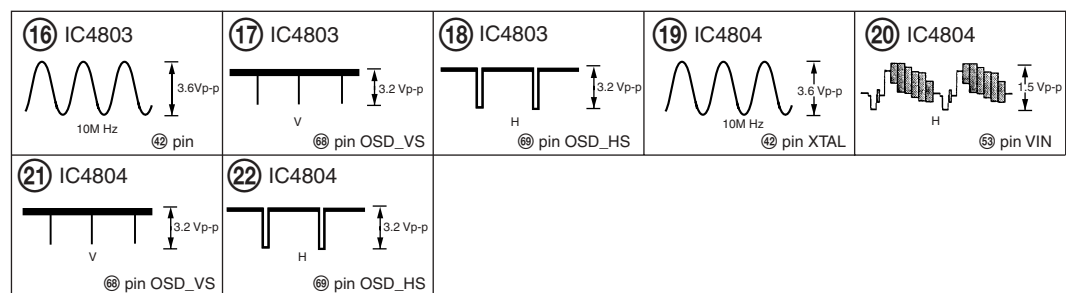
#### • BC (4/5) BOARD WAVEFORMS



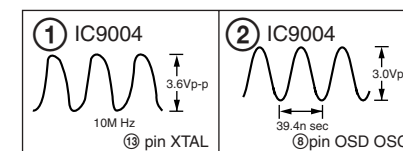
#### • BC (2/5) BOARD WAVEFORMS



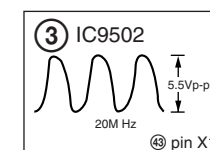
#### • BC (3/5) BOARD WAVEFORMS



#### • M (1/4) BOARD WAVEFORMS

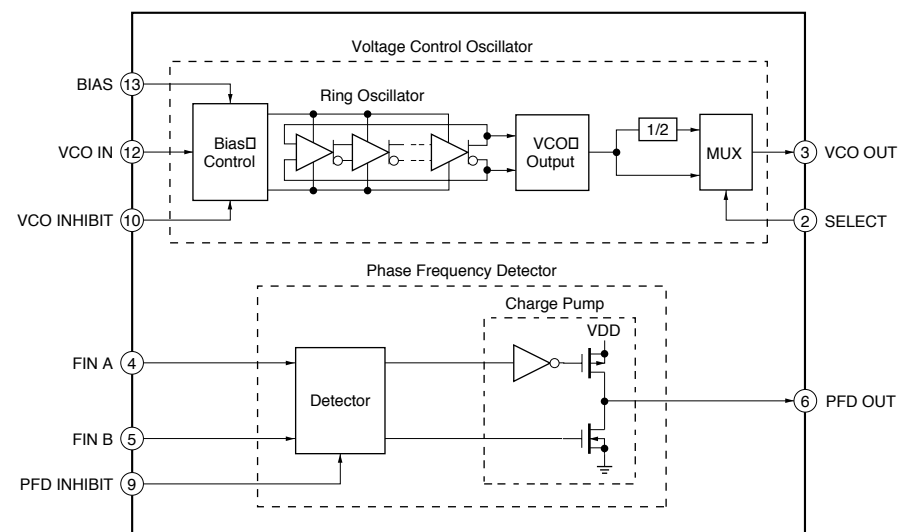


#### • M (3/4) BOARD WAVEFORMS

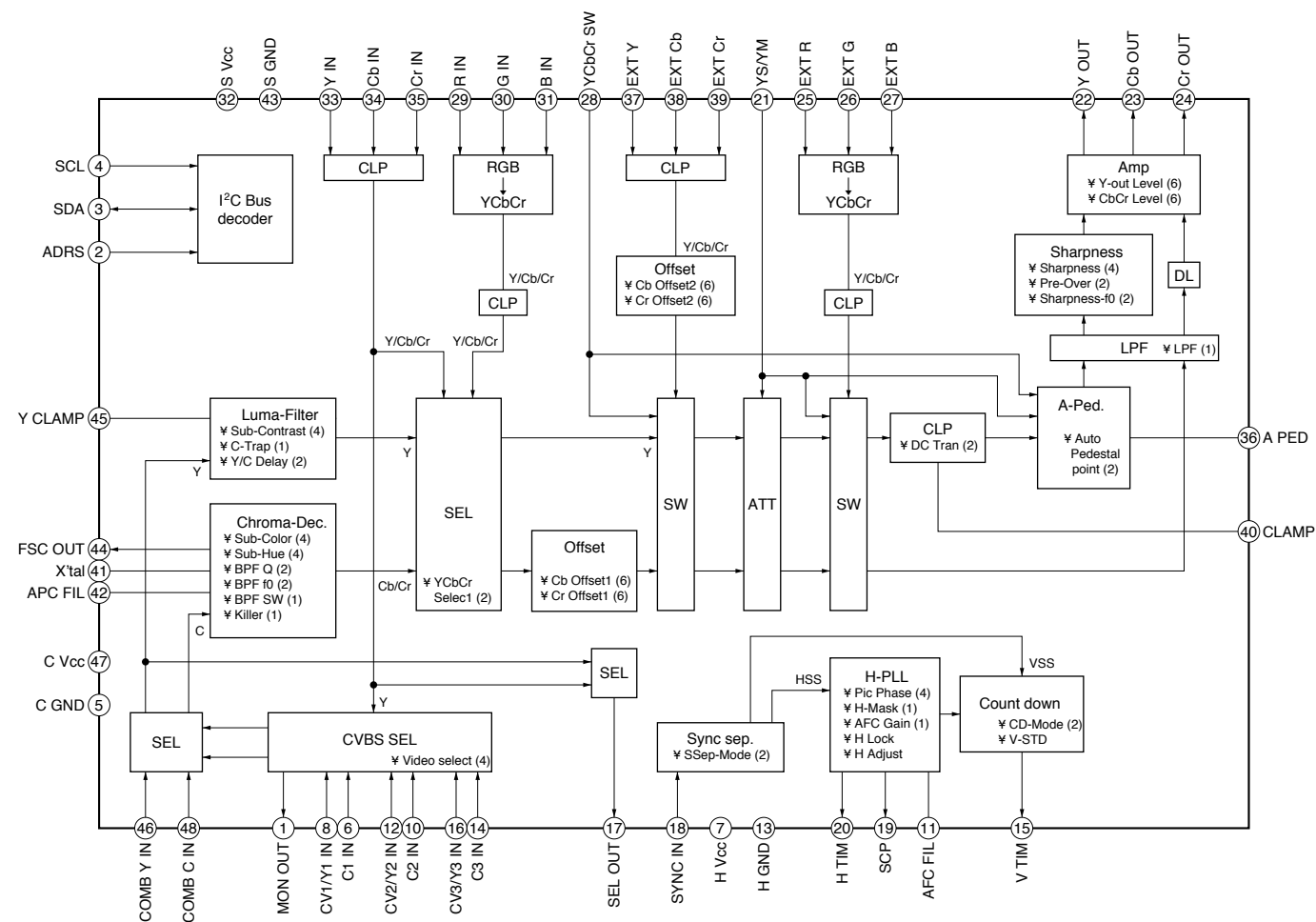


4-6. IC BLOCK DIAGRAMS

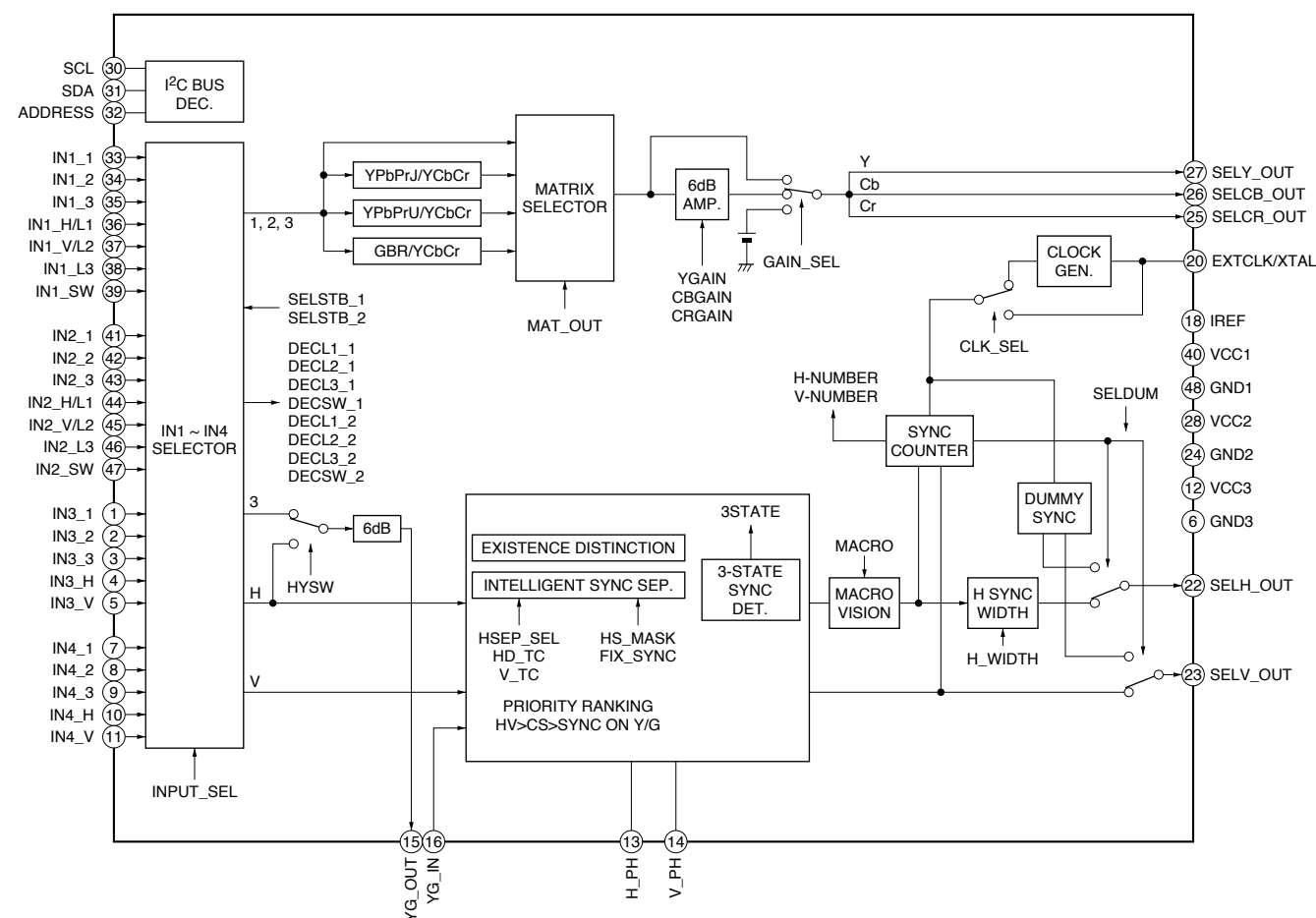
- BB (8/10) BOARD IC3608  
TLC2932IPWR



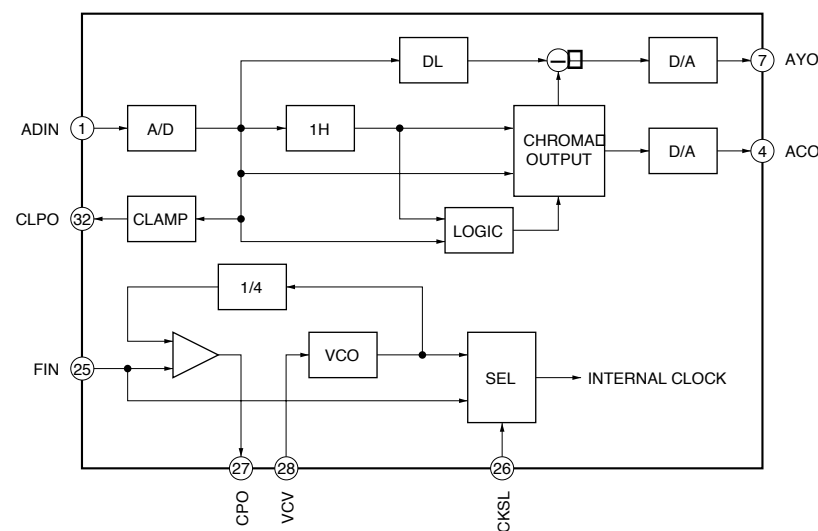
- BC (4/5) BOARD IC4603  
CXA2103AQ



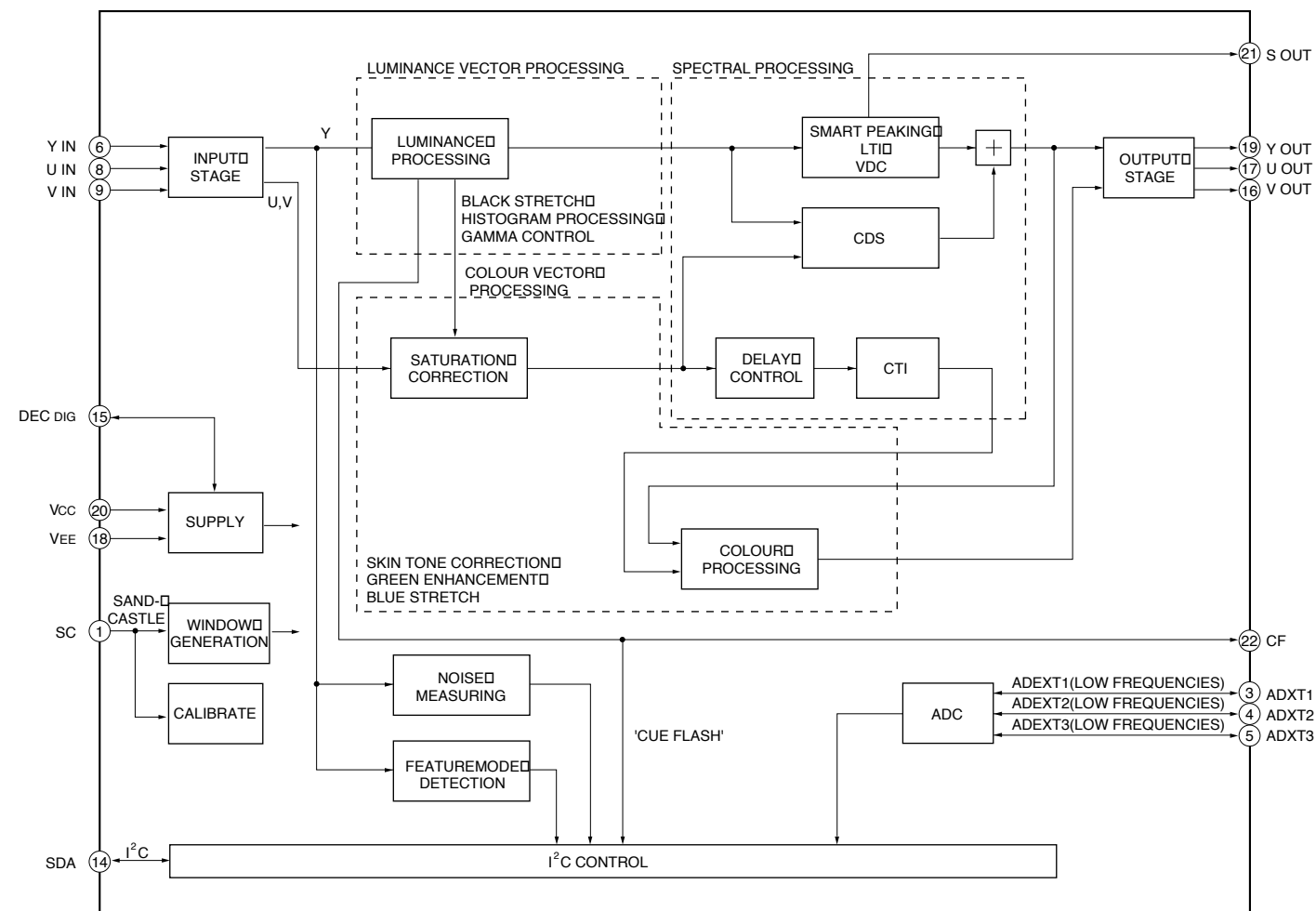
- BC (1/5) BOARD IC4601  
CXA2171Q



- U (1/3) BOARD IC2001  
CXD2073Q



• BC (4/5) BOARD IC4604  
TDA9178T





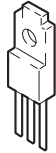
4-7 SEMICONDUCTORS

74VHC123ASJX

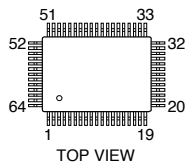


16 pins SOP

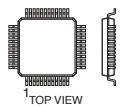
BA05T



CXA2069Q  
CXA2170Q

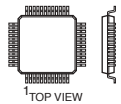


CXA2103Q  
CXA2171Q  
CXD2309AQ



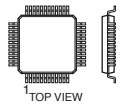
48 pins QFP

CXA3506R



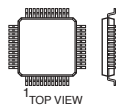
144 pins QFP

CXD2073Q



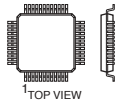
32 pins QFP

CXD2097Q



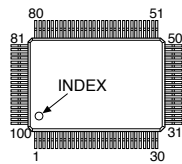
208 pins QFP

CXD9509AQ

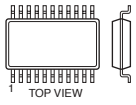


240 pins QFP

CXP964032-001Q  
M306VSMG-501FP  
MB94918RPF-G-148-BND  
MB94918RPF-G-155-BND  
TC90A90F(BH, DLY)  
UPD64083GF-3BA

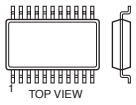


DS90LV028ATMX  
LM75CIMX-5  
M24C04-MN6T  
M24C08-MN6T  
M24C32-WMN6T(A)  
NJM4558E(TE2)  
TC7W04FU-TE12R  
UPC4558G2



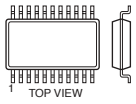
8 pins SOP

HY57V161610DTC-7TR



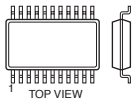
50pins SOJ

IS41C16256-35K



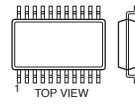
40 pins SOP

M52055FP  
TLC2932IPWR  
TLC2933IPWR-12



14 pins SOP

MC14052BFEL  
MC74LVX8053DR2  
NJM2283V-TE1  
SN65LVDS31DR  
TC74LVX157FT (EL)



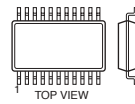
16pins SOP

MCZ3001D



18 pins DIP

MT48LC2M32B2TG-7

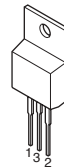


86pins SOP

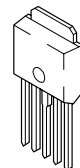
NJM78L12AUA-TE1



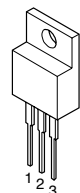
NJM79L12UA(TE1)



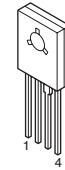
PQ07VZ012ZP



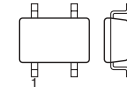
PQ09RF21



PQ30RV11  
PQ30RV31

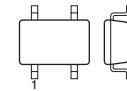


PST593C-MMP-4P



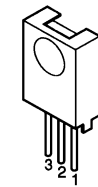
4 pins CHIP

PST9129NL  
PST9143NL  
PST9145NL  
SN74CBTLV1G125DCKR  
TC7SET00FU(TE85L)  
TC7SET08FU(TE85L)  
TC7SET32FU(TE85L)  
TC7SH02FU  
TC7SH08FU(TE85L)  
TC7SH32FU(TE85R)  
TC7SZ125FU(TE85R)  
TC7SZ126FU(TE85R)

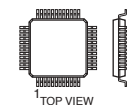


5 pins CHIP

SBX1971-51P

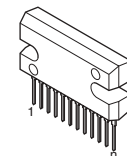


TC94A04F014

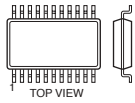


60 pins QFP

TDA7269A

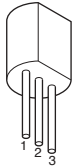


**TDA9178T/N1.118**

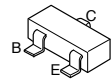


24 pins SOP

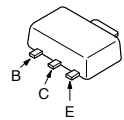
**UPC1093J-1-T**



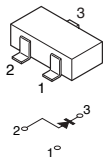
**2SA1037AK-T146-QR**  
**2SA1162-G**  
**2SA1226**  
**2SA1576A-T106-R**  
**2SC2223-F13**  
**2SC4081T106R**  
**2SD601A-Q-TX**  
**DTA114EKA-T146**  
**DTC114EK**  
**DTC144EKA**



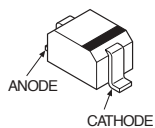
**2SK2036(TE85L)**



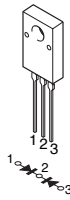
**02CZ5.6-TE85L**  
**RD15M-T1B2**  
**RD5.1M-T1B2**  
**RD5.6M-B2**  
**RD6.8M-B2**  
**RD6.8M-T1B2**



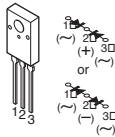
**1SS355TE-17**  
**DTZ-TT11-6.8B**  
**MA111-TX**  
**MA113-(TX)**  
**UDZS-TE17-5.6B**  
**UDZ-TE-17-10B**  
**UDZ-TE-17-3.9B**



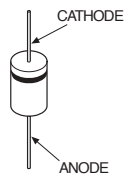
**D10SC4M**  
**D10SC6M**  
**D5S4M**



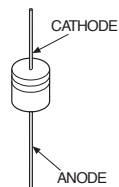
**D10SC6MR**



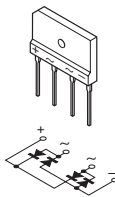
**D1NL20U-TR**  
**D2S6MTA1**



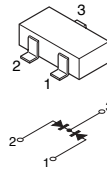
**D1NS4-TA2**



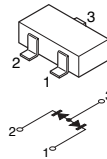
**D2SB60A**  
**D6SB60L**



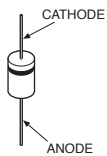
**DAN202K**  
**DAN202U**



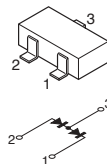
**DAP202K**  
**DAP202U**



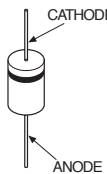
**ERA22-08**  
**ERC04-06SE**



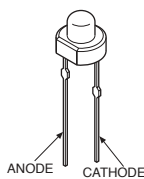
**MA153-TX**



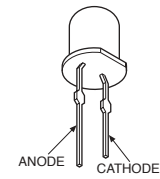
**S2L60F**  
**UF4005PKG23**



**SLR-325VCT31**



**TLR124**



## SECTION 5 EXPLODED VIEWS

**NOTE:**

- Items with no part number and no description are not stocked because they are seldom required for routine service.
- The construction parts of an assembled part are indicated with a collation number in the remark column.

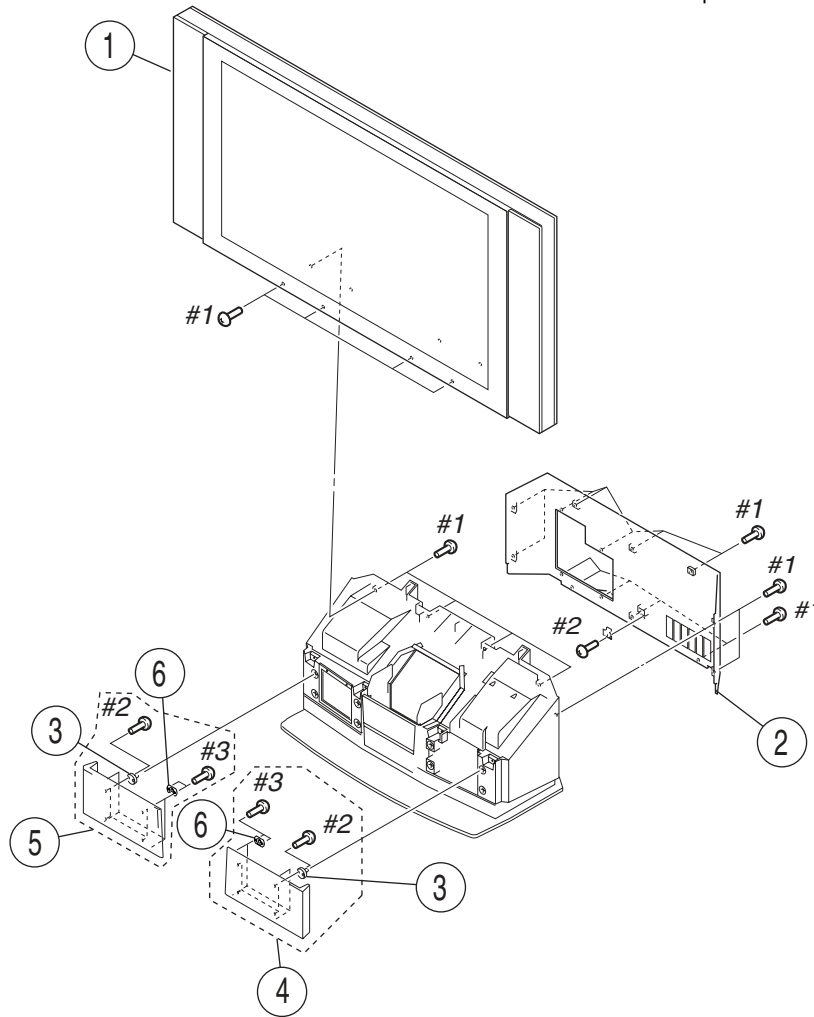
- Items marked " \* " are not stocked since they are seldom required for routine service. Some delay should be anticipated when ordering these items.

The components identified by shading and mark [!] are critical for safety. Replace only with part number specified.

Les composants identifiés par un trait et une marque [!] sont critiques pour la sécurité. Ne les remplacer que par une pièce portant le numéro spécifique.

### 5-1. SCREEN MIRROR BLOCK SECTION

- The mark  $\Delta$  is shown as the letter "!" in the parts list.



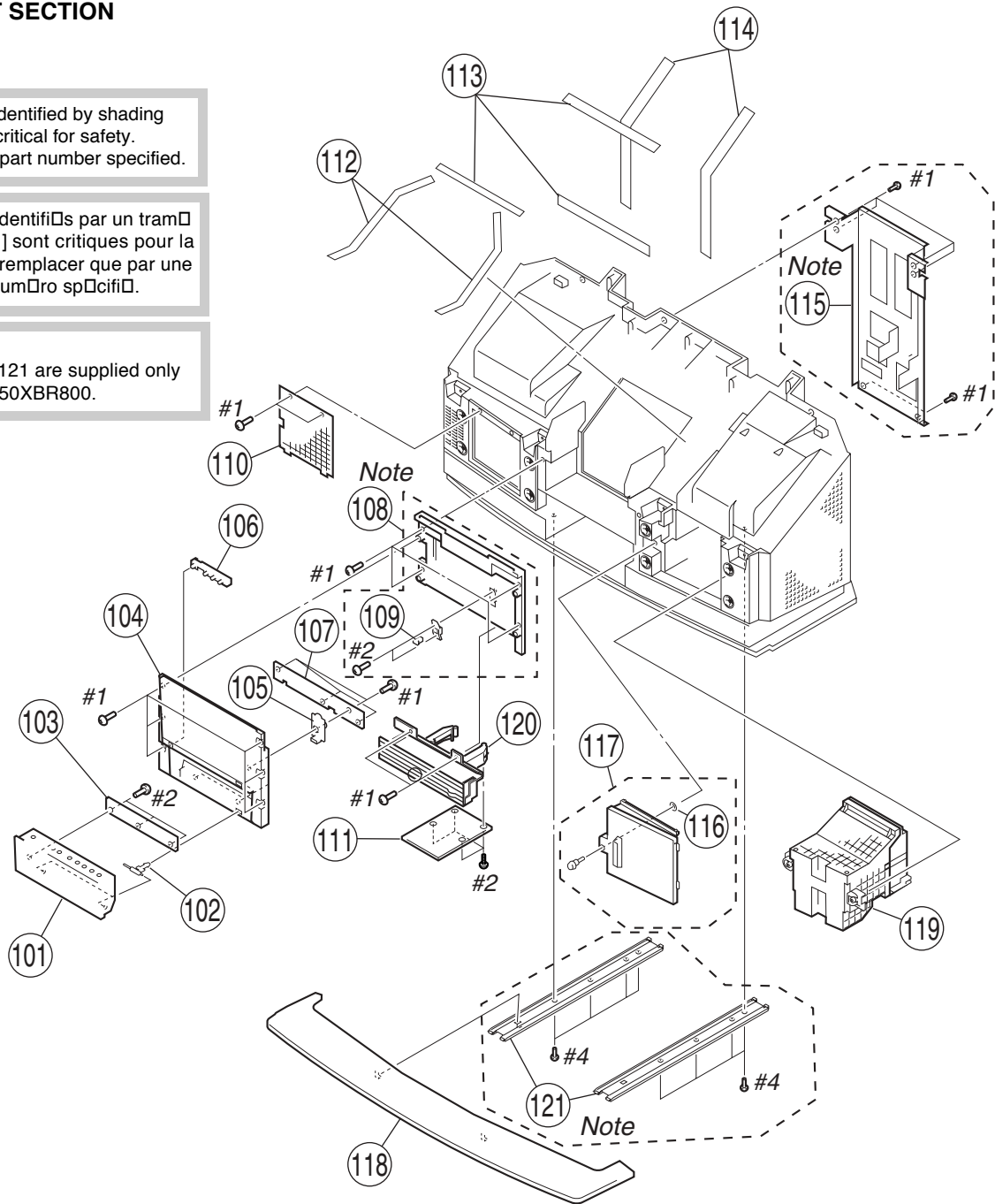
REF. NO.	PART NO.	DESCRIPTION	REMARK	REF. NO.	PART NO.	DESCRIPTION	REMARK
1	* A-1603-612-A	SCREEN MIRROR BLOCK ASSY (IRP)	(60XBR800)	4	* X-4040-046-3	COVER (R) ASSY, FRONT (50XBR800)	
1	* A-1603-626-A	SCREEN MIRROR BLOCK ASSY (IRP)	(50XBR800)	5	* X-4039-924-1	COVER (L) ASSY, FRONT (60XBR800)	
2	* X-4040-879-1	COVER (60) ASSY, REAR (60XBR800)		5	* X-4040-045-3	COVER (L) ASSY, FRONT (50XBR800)	
2	* X-4040-882-1	COVER (50) ASSY, REAR (50XBR800)		6	4-838-453-00	SUPPORT (50XBR800)	
3	4-054-709-01	STRIKE (60XBR800)		#1	7-685-663-79	SCREW +BVTP 4X16 TYPE2 IT-3	
3	4-083-567-01	STRIKE (50XBR800)		#2	7-685-648-79	SCREW +BVTP 3X12 TYPE2 IT-3	
4	* X-4039-925-1	COVER (R) ASSY, FRONT (60XBR800)		#3	7-685-247-19	SCREW +KTP 3X10 TYPE2 NON-SLIT	(50XBR800)

5-2. CABINET SECTION

The components identified by shading and mark [!] are critical for safety. Replace only with part number specified.

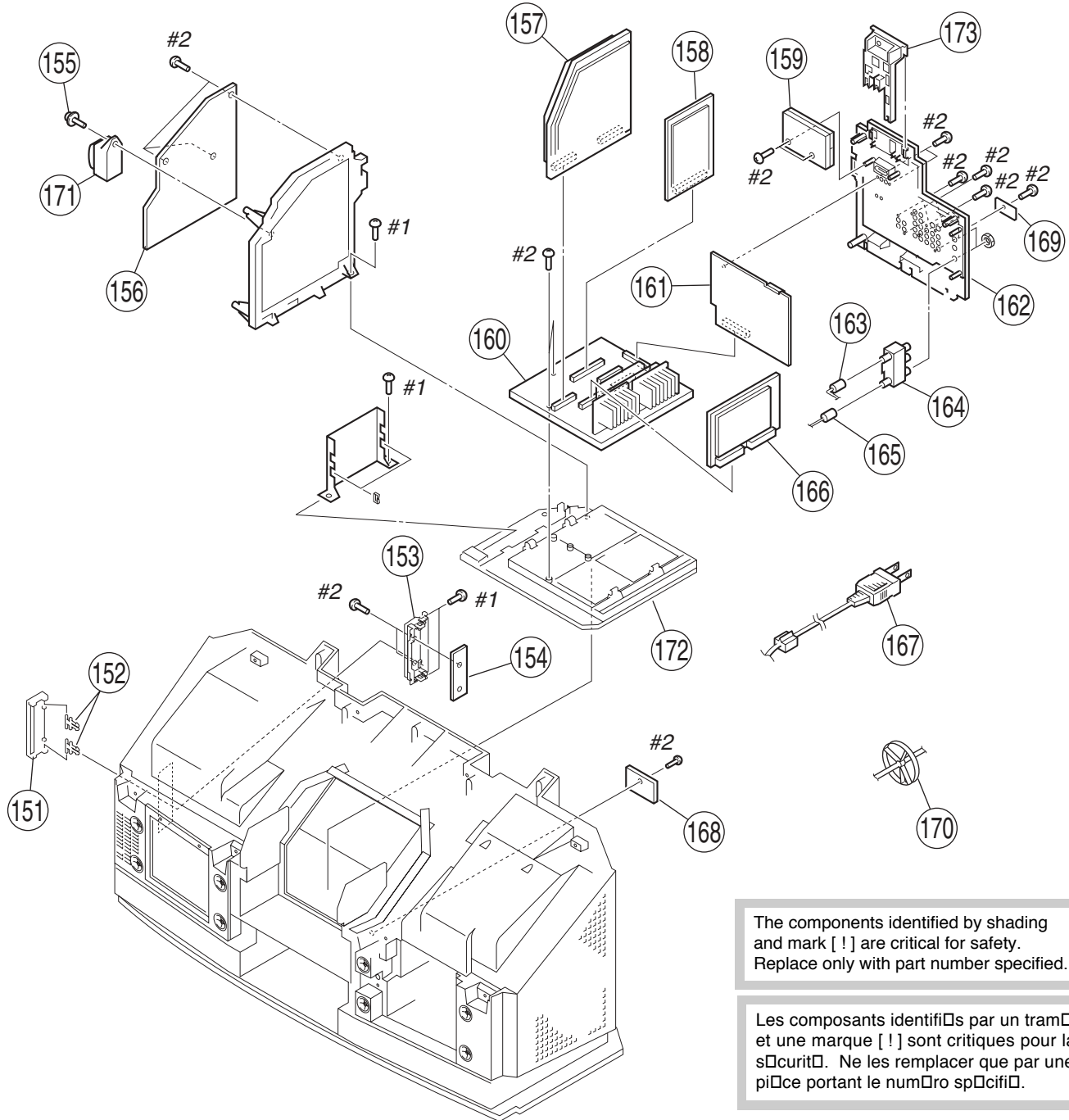
Les composants identifiés par un triangle et une marque [!] sont critiques pour la sécurité. Ne les remplacer que par une pièce portant le numéro spécifique.

Note :  
No.108, 115 and 121 are supplied only for the model KF-50XBR800.



REF. NO.	PART NO.	DESCRIPTION	REMARK	REF. NO.	PART NO.	DESCRIPTION	REMARK
101	* X-4040-877-2	BRACKET ASSY, H2 (60XBR800)		113	4-077-654-01	CUSHION (C)	
101	* X-4040-880-2	DOOR ASSY, CONTROL (50XBR800)		114	4-077-653-01	CUSHION (B)	
102	4-045-250-01	DAMPER		115	* 4-082-940-03	BRACKET, OU (50XBR800)	
103	* A-1401-407-A	H2 BOARD, COMPLETE		116	* 3-650-537-00	WASHER	
104	* X-4040-878-1	BRACKET ASSY, H3 (60XBR800)		117	* X-4040-874-1	DOOR ASSY, LAMP	
104	* X-4040-881-3	BRACKET ASSY, CONTROL (50XBR800)		118	4-082-951-12	PEDESTAL (50XBR800)	
105	4-086-268-02	BUTTON, POWER		118	* 4-086-252-11	PEDESTAL (60F) (60XBR800)	
106	* 4-086-269-01	GUIDE, LED		119	! A-1601-753-A	LAMP BLOCK ASSY (RP)	
107	* A-1401-408-A	H3 BOARD, COMPLETE		120	* X-4040-876-1	BRACKET ASSY, BF	
108	X-4041-056-1	COVER ASSY, FRONT PANEL (50XBR800)		121	* X-4038-931-1	PLATE ASSY, FOOT (50XBR800)	
109	4-091-144-01	CATCH, PUSH (50XBR800)		#1	7-685-663-79	SCREW +BVTP 4X16 TYPE2 IT-3	
109	4-374-714-01	CATCH, PUSH (60XBR800)		#2	7-685-648-79	SCREW +BVTP 3X12 TYPE2 IT-3	
110	* 4-082-919-02	PLATE, FRONT		#4	7-685-661-14	SCREW +BVTP 4X12 TYPE2 IT-3	
111	* A-1401-410-A	BF BOARD, COMPLETE					
112	4-077-652-01	CUSHION (A)					

5-3. MAIN SECTION

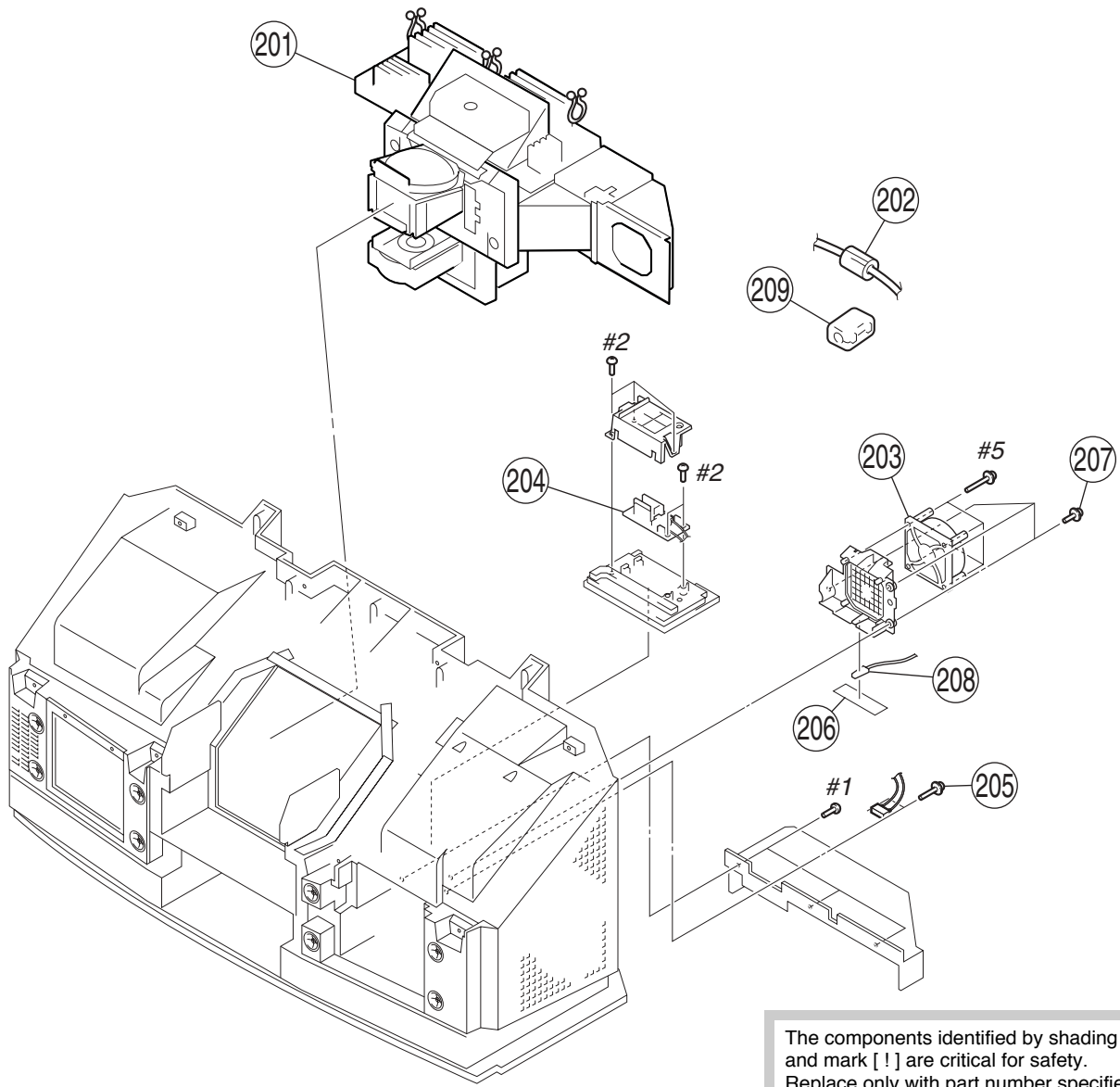


The components identified by shading and mark [!] are critical for safety. Replace only with part number specified.

Les composants identifiés par un trame et une marque [!] sont critiques pour la sécurité. Ne les remplacer que par une pièce portant le numéro spécifique.

REF. NO.	PART NO.	DESCRIPTION	REMARK	REF. NO.	PART NO.	DESCRIPTION	REMARK
151	X-4040-875-1	LID ASSY, H1		165	* 1-557-056-31	CABLE, P-P	
152	3-703-035-11	SHAFT, LID		166	* A-1300-699-A	M BOARD, COMPLETE	
153	X-4039-767-1	BRACKET ASSY, H1		167	! 1-769-837-11	CORD, POWER (WITH NOISE FILTER)	
154	* A-1401-405-A	H1 BOARD, COMPLETE		168	* A-1401-406-A	T BOARD, COMPLETE	
155	4-029-432-01	SCREW (3X12), (+) BVWHTP		169	4-069-675-01	CAP, TERMINAL BOARD	
156	* A-1300-695-A	G BOARD, COMPLETE		170	* 4-034-856-01	HOLDER, HV CABLE	
157	* A-1300-696-A	BB BOARD, COMPLETE		171	1-419-661-11	COIL, CHOKE 4.0MMH	
158	* A-1300-697-A	BC BOARD, COMPLETE		172	* 4-089-698-01	BRACKET, MAIN	
159	* A-1300-324-A	UD BOARD, COMPLETE		173	* 4-089-700-01	BRACKET, M	
160	* A-1300-698-A	A BOARD, COMPLETE		174	* A-1300-650-A	BM1C BOARD, COMPLETE	
161	* A-1300-700-A	U BOARD, COMPLETE		#1	7-685-663-79	SCREW +BVTP 4X16 TYPE2 IT-3	
162	4-089-699-02	BOARD, TERMINAL		#2	7-685-648-79	SCREW +BVTP 3X12 TYPE2 IT-3	
164	1-771-787-13	SWITCH, RF ANTENNA					

5-4. OPTICAL UNIT SECTION



The components identified by shading and mark [ ! ] are critical for safety. Replace only with part number specified.

Les composants identifiés par un trame et une marque [ ! ] sont critiques pour la sécurité. Ne les remplacer que par une pièce portant le numéro spécifique.

REF. NO.	PART NO.	DESCRIPTION	REMARK	REF. NO.	PART NO.	DESCRIPTION	REMARK
201	! * A-1603-611-A	OPTICS UNIT BLOCK ASSY (IRP)		207	4-314-843-02	SCREW, TAPPING, +4X12	
			(60XBR800)	208	! 1-900-253-70	CONNECTOR ASSY, SMP-B 2P	
201	! * A-1603-624-A	OPTICS UNIT BLOCK ASSY (IRP)		209	1-500-603-11	CLAMP, FERRITE (50XBR800)	
			(50XBR800)	209	1-543-653-11	CORE ASSY, BEAD(DIVISION TYPE) (60XBR800)	
202	1-500-386-11	FILTER, CLAMP (FERRITE CORE)		#1	7-685-663-79	SCREW +BVTP 4X16 TYPE2 IT-3	
203	! 1-698-696-21	FAN, DC		#2	7-685-648-79	SCREW +BVTP 3X12 TYPE2 IT-3	
204	! 1-468-510-13	POWER BLOCK		#5	7-685-167-19	SCREW (WASHER HEAD) (+P 4X35)	
205	4-029-432-01	SCREW (3X12), (+) BVWHTP					
206	* 4-078-590-01	TAPE					

SECTION 6

ELECTRICAL PARTS LIST



The components identified by shading and mark [!] are critical for safety. Replace only with part number specified.

Les composants identifiés par un tram et une marque [!] sont critiques pour la sécurité. Ne les remplacer que par une pièce portant le numéro spécifique.

The mark Δ is shown as the letter "!" in the parts list.

When indicating parts by reference number, please include the board name.

• Items marked " \* " are not stocked since they are seldom required for routine service. Some delay should be anticipated when ordering these items.

• All variable and adjustable resistors have characteristic curve B, unless otherwise noted.

• RESISTORS  
All resistors are in ohms  
F : nonflammable

• CAPACITORS  
PF : μμF

• There are some cases the reference number on one board overlaps on the other board. Therefore, when ordering parts by the reference number, please include the board name.

REF. NO.	PART NO.	DESCRIPTION	REMARK	REF. NO.	PART NO.	DESCRIPTION	REMARK
	* A-1300-698-A	A BOARD, COMPLETE *****		C1054	1-162-966-11	CERAMIC CHIP	0.0022μF 10% 50V
	* 4-032-770-81	HEAT SINK, V-OUT		C1055	1-126-933-11	ELECT	100μF 20% 16V
	4-382-854-01	SCREW (M3X8), P, SW (+)		C1056	1-162-966-11	CERAMIC CHIP	0.0022μF 10% 50V
		<CAPACITOR>		C1057	1-126-933-11	ELECT	100μF 20% 16V
C1004	1-104-665-11	ELECT	100μF 20% 25V	C1058	1-126-933-11	ELECT	100μF 20% 16V
C1005	1-126-964-11	ELECT	10μF 20% 50V	C1059	1-126-767-11	ELECT	1000μF 20% 16V
C1006	1-162-966-11	CERAMIC CHIP	0.0022μF 10% 50V	C1062	1-126-926-11	ELECT	1000μF 20% 10V
C1008	1-126-967-11	ELECT	47μF 20% 50V	C1063	1-126-942-61	ELECT	1000μF 20% 25V
C1009	1-162-966-11	CERAMIC CHIP	0.0022μF 10% 50V	C1065	1-162-970-11	CERAMIC CHIP	0.01μF 10% 16V
C1010	1-162-966-11	CERAMIC CHIP	0.0022μF 10% 50V	C1066	1-162-966-11	CERAMIC CHIP	0.0022μF 10% 50V
C1011	1-104-665-11	ELECT	100μF 20% 25V	C1069	1-126-935-11	ELECT	470μF 20% 16V
C1013	1-126-964-11	ELECT	10μF 20% 50V	C1070	1-162-927-11	CERAMIC CHIP	100pF 5% 50V
C1014	1-104-665-11	ELECT	100μF 20% 25V	C1071	1-162-970-11	CERAMIC CHIP	0.01μF 10% 25V
C1016	1-126-935-11	ELECT	470μF 20% 16V	C1072	1-126-964-11	ELECT	10μF 20% 50V
C1019	1-126-933-11	ELECT	100μF 20% 16V	C1073	1-162-966-11	CERAMIC CHIP	0.0022μF 10% 50V
C1020	1-104-665-11	ELECT	100μF 20% 25V	C1074	1-115-156-11	CERAMIC CHIP	1μF 10V
C1022	1-104-665-11	ELECT	100μF 20% 25V	C1075	1-126-933-11	ELECT	100μF 20% 16V
C1023	1-107-826-11	CERAMIC CHIP	0.1μF 10% 16V	C1078	1-126-933-11	ELECT	100μF 20% 16V
C1025	1-126-964-11	ELECT	10μF 20% 50V	C1079	1-165-176-11	CERAMIC CHIP	0.047μF 10% 16V
C1026	1-162-927-11	CERAMIC CHIP	100pF 5% 50V	C1080	1-162-961-11	CERAMIC CHIP	330pF 10% 50V
C1027	1-107-826-11	CERAMIC CHIP	0.1μF 10% 16V	C1082	1-126-926-11	ELECT	1000μF 20% 10V
C1029	1-126-941-11	ELECT	470μF 20% 25V	C1084	1-126-960-11	ELECT	1μF 20% 50V
C1032	1-162-970-11	CERAMIC CHIP	0.01μF 10% 25V	C1085	1-126-960-11	ELECT	1μF 20% 50V
C1033	1-104-665-11	ELECT	100μF 20% 25V	C1087	1-126-964-11	ELECT	10μF 20% 50V
C1034	1-115-156-11	CERAMIC CHIP	1μF 10V	C1088	1-104-665-11	ELECT	100μF 20% 25V
C1035	1-126-947-11	ELECT	47μF 20% 25V	C1089	1-126-964-11	ELECT	10μF 20% 50V
C1037	1-162-966-11	CERAMIC CHIP	0.0022μF 10% 50V	C1090	1-126-964-11	ELECT	10μF 20% 50V
C1039	1-126-916-11	ELECT	1000μF 20% 6.3V	C1091	1-126-964-11	ELECT	10μF 20% 50V
C1040	1-126-947-11	ELECT	47μF 20% 25V	C1092	1-104-665-11	ELECT	100μF 20% 25V
C1041	1-107-826-11	CERAMIC CHIP	0.1μF 10% 16V	C1093	1-137-374-11	MYLAR	0.047μF 5% 50V
C1042	1-164-344-11	CERAMIC CHIP	0.068μF 10% 25V	C1094	1-126-964-11	ELECT	10μF 20% 50V
C1043	1-162-966-11	CERAMIC CHIP	0.0022μF 10% 50V	C1095	1-137-374-11	MYLAR	0.047μF 5% 50V
C1044	1-126-933-11	ELECT	100μF 20% 16V	C1096	1-137-374-11	MYLAR	0.047μF 5% 50V
C1045	1-165-176-11	CERAMIC CHIP	0.047μF 10% 16V	C1097	1-137-374-11	MYLAR	0.047μF 5% 50V
C1046	1-162-961-11	CERAMIC CHIP	330pF 10% 50V	C1098	1-126-964-11	ELECT	10μF 20% 50V
C1048	1-107-826-11	CERAMIC CHIP	0.1μF 10% 16V	C1099	1-126-964-11	ELECT	10μF 20% 50V
C1050	1-126-960-11	ELECT	1μF 20% 50V	C1100	1-126-965-91	ELECT	22μF 20% 50V
C1051	1-107-826-11	CERAMIC CHIP	0.1μF 10% 16V	C1101	1-126-965-91	ELECT	22μF 20% 50V
C1053	1-162-966-11	CERAMIC CHIP	0.0022μF 10% 50V	C1102	1-126-947-11	ELECT	47μF 20% 16V
				C1105	1-126-964-11	ELECT	10μF 20% 50V
				C1106	1-126-964-11	ELECT	10μF 20% 50V
				C1107	1-126-964-11	ELECT	10μF 20% 50V



REF. NO.	PART NO.	DESCRIPTION	REMARK	REF. NO.	PART NO.	DESCRIPTION	REMARK
C1110	1-107-703-11	ELECT	220 $\mu$ F 20%			<DIODE>	
C1112	1-126-960-11	ELECT	1 $\mu$ F 20%				
C1113	1-136-165-00	FILM	0.1 $\mu$ F 5%				
C1114	1-136-165-00	FILM	0.1 $\mu$ F 5%				
C1115	1-126-942-61	ELECT	1000 $\mu$ F 20%				
C1116	1-136-165-00	FILM	0.1 $\mu$ F 5%				
C1117	1-107-703-11	ELECT	220 $\mu$ F 20%				
C1118	1-136-165-00	FILM	0.1 $\mu$ F 5%				
C1119	1-164-156-11	CERAMIC CHIP	0.1 $\mu$ F 25V				
C1120	1-164-156-11	CERAMIC CHIP	0.1 $\mu$ F 25V				
C1121	1-128-548-11	ELECT	4700 $\mu$ F 20%				
C1122	1-128-548-11	ELECT	4700 $\mu$ F 20%				
C1123	1-107-826-11	CERAMIC CHIP	0.1 $\mu$ F 10%				
C1124	1-107-826-11	CERAMIC CHIP	0.1 $\mu$ F 10%				
C1125	1-107-826-11	CERAMIC CHIP	0.1 $\mu$ F 10%				
C1126	1-107-826-11	CERAMIC CHIP	0.1 $\mu$ F 10%				
C1127	1-126-933-11	ELECT	100 $\mu$ F 20%				
C1128	1-126-933-11	ELECT	100 $\mu$ F 20%				
C1129	1-126-933-11	ELECT	100 $\mu$ F 20%				
C1130	1-126-933-11	ELECT	100 $\mu$ F 20%				
C1131	1-126-933-11	ELECT	100 $\mu$ F 20%				
C1132	1-127-515-11	ELECT	47 $\mu$ F 20%				
C1908	1-107-826-11	CERAMIC CHIP	0.1 $\mu$ F 10%				
C1910	1-126-933-11	ELECT	100 $\mu$ F 20%				
C1911	1-107-826-11	CERAMIC CHIP	0.1 $\mu$ F 10%				
C1912	1-126-937-11	ELECT	4700 $\mu$ F 20%				
C1917	1-126-933-11	ELECT	100 $\mu$ F 20%				
C1918	1-107-826-11	CERAMIC CHIP	0.1 $\mu$ F 10%				
C1919	1-107-826-11	CERAMIC CHIP	0.1 $\mu$ F 10%				
		<CONNECTOR>					
CN1001 *	1-764-333-11	PLUG, CONNECTOR 10P					
CN1002 *	1-564-512-11	PLUG, CONNECTOR 9P					
CN1003 *	1-564-515-11	PLUG, CONNECTOR 12P					
CN1004	1-564-511-11	PLUG, CONNECTOR 8P					
CN1005 *	1-580-838-11	PIN, CONNECTOR (PC BOARD) 4P					
CN1006 *	1-564-512-11	PLUG, CONNECTOR 9P					
CN1007 *	1-564-508-11	PLUG, CONNECTOR 5P					
CN1008	1-695-915-11	TAB (CONTACT)					
CN1009	1-695-915-11	TAB (CONTACT)					
CN1010	1-695-915-11	TAB (CONTACT)					
CN1011	1-695-915-11	TAB (CONTACT)					
CN1012 *	1-564-516-11	PLUG, CONNECTOR 13P					
CN1013 *	1-564-515-11	PLUG, CONNECTOR 12P					
CN1014 *	1-564-507-11	PLUG, CONNECTOR 4P					
CN1015 *	1-793-495-11	CONNECTOR, BOARD TO BOARD 50P					
CN1016 *	1-793-495-11	CONNECTOR, BOARD TO BOARD 50P					
CN1017 *	1-793-495-11	CONNECTOR, BOARD TO BOARD 50P					
CN1018 *	1-793-494-11	CONNECTOR, BOARD TO BOARD 40P					
CN1019 *	1-793-922-11	CONNECTOR, DIN (RECEPTACLE)64P					
CN1020	1-764-812-11	CONNECTOR, BOARD TO BOARD 11P					
CN1021 *	1-793-922-11	CONNECTOR, DIN (RECEPTACLE)64P					
CN1023 *	1-564-511-11	PLUG, CONNECTOR 8P					
CN1024 *	1-564-510-11	PLUG, CONNECTOR 7P					
CN1025 *	1-764-334-11	PLUG, CONNECTOR 11P					
D1003	8-719-404-50	DIODE MA111-TX					
D1004	8-719-404-50	DIODE MA111-TX					
D1006	8-719-404-50	DIODE MA111-TX					
D1007	8-719-404-50	DIODE MA111-TX					
D1008	8-719-404-50	DIODE MA111-TX					
D1011	8-719-500-70	DIODE D5S4M					
D1012	8-719-404-50	DIODE MA111-TX					
D1013	8-719-404-50	DIODE MA111-TX					
D1015	8-719-404-50	DIODE MA111-TX					
D1016	8-719-106-17	DIODE RD6.8M-T1B2					
D1020	8-719-404-50	DIODE MA111-TX					
D1022	8-719-404-50	DIODE MA111-TX					
D1023	8-719-404-50	DIODE MA111-TX					
D1025	8-719-404-50	DIODE MA111-TX					
D1027	8-719-404-50	DIODE MA111-TX					
D1028	8-719-914-43	DIODE DAN202K					
D1030	8-719-105-91	DIODE RD5.6M-T1B2					
D1031	8-719-404-50	DIODE MA111-TX					
D1904	8-719-063-73	DIODE D1NL20U-TR					
D1905	8-719-063-73	DIODE D1NL20U-TR					
D1906	8-719-404-50	DIODE MA111-TX					
		<IC>					
IC1001	8-759-098-24	IC PQ30RV11					
IC1002	8-759-640-19	IC PQ1CG2032FZ					
IC1004	8-759-098-24	IC PQ30RV11					
IC1005	8-759-284-06	IC PQ30RV31					
IC1006	8-759-098-24	IC PQ30RV11					
IC1007	8-759-198-03	IC PQ09RF21					
IC1009	8-759-284-06	IC PQ30RV31					
IC1010	8-759-663-29	IC MM1476AF(TP)					
IC1011	8-759-712-00	IC NJM79L12UA(Te1)					
IC1012	8-759-175-30	IC NJM78L12UA-TE1					
IC1013	8-759-100-96	IC $\mu$ PC4558G2					
IC1014	8-759-590-05	IC TDA7269A					
IC1015	8-759-590-05	IC TDA7269A					
IC1901	8-759-450-47	IC BA05T					
IC1902	8-759-450-47	IC BA05T					
		<COIL>					
L1001	1-469-320-21	INDUCTOR 100 $\mu$ H					
L1002	1-469-320-21	INDUCTOR 100 $\mu$ H					
L1004	1-469-317-21	INDUCTOR 10 $\mu$ H					
L1007	1-406-662-11	INDUCTOR 33 $\mu$ H					
L1008	1-469-320-21	INDUCTOR 100 $\mu$ H					
L1009	1-469-320-21	INDUCTOR 100 $\mu$ H					
L1010	1-469-317-21	INDUCTOR 10 $\mu$ H					
L1011	1-406-975-21	INDUCTOR 47 $\mu$ H					
L1012	1-406-977-21	INDUCTOR 100 $\mu$ H					
		<TRANSISTOR>					
Q1003	8-729-216-22	TRANSISTOR 2SA1162-G					
Q1004	8-729-216-22	TRANSISTOR 2SA1162-G					



A

REF. NO.	PART NO.	DESCRIPTION	REMARK	REF. NO.	PART NO.	DESCRIPTION	REMARK
Q1005	8-729-422-33	TRANSISTOR	2SD601A-Q-TX	R1036	1-218-718-11	METAL CHIP	12K 0.5% 1/10W
Q1006	8-729-900-53	TRANSISTOR	DTC114EK	R1039	1-216-821-11	METAL CHIP	1K 5% 1/10W
Q1007	8-729-900-53	TRANSISTOR	DTC114EK	R1040	1-218-718-11	METAL CHIP	12K 0.5% 1/10W
Q1008	8-729-900-53	TRANSISTOR	DTC114EK	R1041	1-218-722-11	METAL CHIP	18K 0.5% 1/10W
Q1009	8-729-900-53	TRANSISTOR	DTC114EK	R1042	1-218-724-11	METAL CHIP	22K 0.5% 1/10W
Q1010	8-729-422-33	TRANSISTOR	2SD601A-Q-TX	R1043	1-218-742-11	METAL CHIP	120K 0.5% 1/10W
Q1011	8-729-900-53	TRANSISTOR	DTC114EK	R1045	1-218-697-11	METAL CHIP	1.6K 0.5% 1/10W
Q1012	8-729-216-22	TRANSISTOR	2SA1162-G	R1046	1-216-864-11	SHORT CHIP	0
Q1013	8-729-422-33	TRANSISTOR	2SD601A-Q-TX	R1047	1-216-821-11	METAL CHIP	1K 5% 1/10W
Q1015	8-729-422-33	TRANSISTOR	2SD601A-Q-TX	R1048	1-218-724-11	METAL CHIP	22K 0.5% 1/10W
Q1016	8-729-422-33	TRANSISTOR	2SD601A-Q-TX	R1049	1-218-685-11	METAL CHIP	510 0.5% 1/10W
Q1017	8-729-422-33	TRANSISTOR	2SD601A-Q-TX	R1051	1-216-801-11	METAL CHIP	22 5% 1/10W
Q1018	8-729-422-33	TRANSISTOR	2SD601A-Q-TX	R1053	1-216-801-11	METAL CHIP	22 5% 1/10W
Q1019	8-729-422-33	TRANSISTOR	2SD601A-Q-TX	R1055	1-218-720-11	METAL CHIP	15K 0.5% 1/10W
Q1020	8-729-422-33	TRANSISTOR	2SD601A-Q-TX	R1056	1-218-718-11	METAL CHIP	12K 0.5% 1/10W
Q1021	8-729-422-33	TRANSISTOR	2SD601A-Q-TX	R1057	1-216-827-11	METAL CHIP	3.3K 5% 1/10W
Q1022	8-729-422-33	TRANSISTOR	2SD601A-Q-TX	R1058	1-216-829-11	METAL CHIP	4.7K 5% 1/10W
Q1023	8-729-422-33	TRANSISTOR	2SD601A-Q-TX	R1059	1-216-847-11	METAL CHIP	150K 5% 1/10W
Q1024	8-729-422-33	TRANSISTOR	2SD601A-Q-TX	R1060	1-216-833-11	METAL CHIP	10K 5% 1/10W
Q1025	8-729-216-22	TRANSISTOR	2SA1162-G	R1061	1-216-837-11	METAL CHIP	22K 5% 1/10W
Q1026	8-729-422-33	TRANSISTOR	2SD601A-Q-TX	R1062	1-216-839-11	METAL CHIP	33K 5% 1/10W
Q1027	8-729-216-22	TRANSISTOR	2SA1162-G	R1063	1-216-833-11	METAL CHIP	10K 5% 1/10W
Q1028	8-729-422-33	TRANSISTOR	2SD601A-Q-TX	R1064	1-216-847-11	METAL CHIP	150K 5% 1/10W
Q1029	8-729-216-22	TRANSISTOR	2SA1162-G	R1065	1-216-857-11	METAL CHIP	1M 5% 1/10W
		<RESISTOR>		R1066	1-216-825-11	METAL CHIP	2.2K 5% 1/10W
R1001	1-216-801-11	METAL CHIP	22 5% 1/10W	R1067	1-216-823-11	METAL CHIP	1.5K 5% 1/10W
R1002	1-216-801-11	METAL CHIP	22 5% 1/10W	R1068	1-218-722-11	METAL CHIP	18K 0.5% 1/10W
R1003	1-216-864-11	SHORT CHIP	0	R1069	1-216-821-11	METAL CHIP	1K 5% 1/10W
R1005	1-216-864-11	SHORT CHIP	0	R1070	1-218-742-11	METAL CHIP	120K 0.5% 1/10W
R1007	1-216-833-11	METAL CHIP	10K 5% 1/10W	R1071	1-218-718-11	METAL CHIP	12K 0.5% 1/10W
R1008	1-216-829-11	METAL CHIP	4.7K 5% 1/10W	R1072	1-216-833-11	METAL CHIP	10K 5% 1/10W
R1009	1-216-833-11	METAL CHIP	10K 5% 1/10W	R1073	1-216-833-11	METAL CHIP	10K 5% 1/10W
R1010	1-216-825-11	METAL CHIP	2.2K 5% 1/10W	R1074	1-216-833-11	METAL CHIP	10K 5% 1/10W
R1011	1-216-833-11	METAL CHIP	10K 5% 1/10W	R1075	1-216-809-11	METAL CHIP	100 5% 1/10W
R1012	1-216-839-11	METAL CHIP	33K 5% 1/10W	R1076	1-216-809-11	METAL CHIP	100 5% 1/10W
R1013	1-218-738-11	METAL CHIP	82K 0.5% 1/10W	R1077	1-216-841-11	METAL CHIP	47K 5% 1/10W
R1014	1-218-742-11	METAL CHIP	120K 0.5% 1/10W	R1078	1-216-821-11	METAL CHIP	1K 5% 1/10W
R1015	1-218-718-11	METAL CHIP	12K 0.5% 1/10W	R1079	1-218-776-11	RES-CHIP	1M 5% 1/10W
R1016	1-216-864-11	SHORT CHIP	0	R1080	1-218-776-11	RES-CHIP	1M 5% 1/10W
R1017	1-216-833-11	METAL CHIP	10K 5% 1/10W	R1081	1-240-090-21	RES-CHIP	39K 5% 1/10W
R1018	1-216-841-11	METAL CHIP	47K 5% 1/10W	R1082	1-240-090-21	RES-CHIP	39K 5% 1/10W
R1019	1-216-837-11	METAL CHIP	22K 5% 1/10W	R1083	1-240-091-21	RES-CHIP	47K 5% 1/10W
R1020	1-216-829-11	METAL CHIP	4.7K 5% 1/10W	R1084	1-240-091-21	RES-CHIP	47K 5% 1/10W
R1021	1-216-825-11	METAL CHIP	2.2K 5% 1/10W	R1085	1-216-832-11	METAL CHIP	8.2K 5% 1/10W
R1022	1-216-847-11	METAL CHIP	150K 5% 1/10W	R1086	1-216-833-11	METAL CHIP	10K 5% 1/10W
R1023	1-216-857-11	METAL CHIP	1M 5% 1/10W	R1087	1-216-833-11	METAL CHIP	10K 5% 1/10W
R1025	1-216-847-11	METAL CHIP	150K 5% 1/10W	R1088	1-216-833-11	METAL CHIP	10K 5% 1/10W
R1026	1-216-833-11	METAL CHIP	10K 5% 1/10W	R1089	1-216-832-11	METAL CHIP	8.2K 5% 1/10W
R1027	1-216-809-11	METAL CHIP	100 5% 1/10W	R1090	1-216-841-11	METAL CHIP	47K 5% 1/10W
R1029	1-216-829-11	METAL CHIP	4.7K 5% 1/10W	R1091	1-216-837-11	METAL CHIP	22K 5% 1/10W
R1030	1-218-728-11	METAL CHIP	33K 0.5% 1/10W	R1092	1-216-813-11	METAL CHIP	220 5% 1/10W
R1031	1-218-712-11	METAL CHIP	6.8K 0.5% 1/10W	R1093	1-216-833-11	METAL CHIP	10K 5% 1/10W
R1032	1-216-823-11	METAL CHIP	1.5K 5% 1/10W	R1094	1-216-813-11	METAL CHIP	220 5% 1/10W
R1033	1-218-724-11	METAL CHIP	22K 0.5% 1/10W	R1095	1-216-833-11	METAL CHIP	10K 5% 1/10W
R1035	1-218-726-11	METAL CHIP	27K 0.5% 1/10W	R1096	1-216-813-11	METAL CHIP	220 5% 1/10W
				R1097	1-216-813-11	METAL CHIP	220 5% 1/10W
				R1098	1-216-837-11	METAL CHIP	22K 5% 1/10W



BB

REF. NO.	PART NO.	DESCRIPTION		REMARK	REF. NO.	PART NO.	DESCRIPTION		REMARK
C2931	1-107-826-11	CERAMIC CHIP	0.1μF	10% 16V	C3041	1-164-156-11	CERAMIC CHIP	0.1μF	25V
C2932	1-124-779-00	ELECT CHIP	10μF	20% 16V	C3042	1-128-391-11	ELECT CHIP	330μF	20% 6.3V
C2951	1-164-156-11	CERAMIC CHIP	0.1μF	25V	C3044	1-164-156-11	CERAMIC CHIP	0.1μF	25V
C2952	1-126-204-11	ELECT CHIP	47μF	20% 16V	C3046	1-162-970-11	CERAMIC CHIP	0.01μF	10% 25V
C2953	1-162-925-11	CERAMIC CHIP	68pF	5% 50V	C3047	1-126-204-11	ELECT CHIP	47μF	20% 16V
C2954	1-162-922-11	CERAMIC CHIP	39pF	5% 50V	C3048	1-162-970-11	CERAMIC CHIP	0.01μF	10% 25V
C2955	1-162-970-11	CERAMIC CHIP	0.01μF	10% 25V	C3049	1-107-826-11	CERAMIC CHIP	0.1μF	10% 16V
C2956	1-165-176-11	CERAMIC CHIP	0.047μF	10% 16V	C3089	1-162-970-11	CERAMIC CHIP	0.01μF	10% 25V
C2957	1-162-968-11	CERAMIC CHIP	0.0047μF	10% 50V	C3090	1-126-204-11	ELECT CHIP	47μF	20% 16V
C2958	1-107-826-11	CERAMIC CHIP	0.1μF	10% 16V	C3095	1-128-391-11	ELECT CHIP	330μF	20% 6.3V
C2959	1-107-826-11	CERAMIC CHIP	0.1μF	10% 16V	C3096	1-162-970-11	CERAMIC CHIP	0.01μF	10% 25V
C2960	1-107-826-11	CERAMIC CHIP	0.1μF	10% 16V	C3097	1-128-391-11	ELECT CHIP	330μF	20% 6.3V
C2964	1-162-970-11	CERAMIC CHIP	0.01μF	10% 25V	C3098	1-162-970-11	CERAMIC CHIP	0.01μF	10% 25V
C2965	1-162-970-11	CERAMIC CHIP	0.01μF	10% 25V	C3101	1-162-925-11	CERAMIC CHIP	68pF	5% 50V
C2966	1-162-970-11	CERAMIC CHIP	0.01μF	10% 25V	C3102	1-162-925-11	CERAMIC CHIP	68pF	5% 50V
C2967	1-162-970-11	CERAMIC CHIP	0.01μF	10% 25V	C3103	1-107-826-11	CERAMIC CHIP	0.1μF	10% 16V
C2968	1-162-970-11	CERAMIC CHIP	0.01μF	10% 25V	C3301	1-164-156-11	CERAMIC CHIP	0.1μF	25V
C2969	1-162-970-11	CERAMIC CHIP	0.01μF	10% 25V	C3302	1-164-156-11	CERAMIC CHIP	0.1μF	25V
C2970	1-162-970-11	CERAMIC CHIP	0.01μF	10% 25V	C3303	1-126-206-11	ELECT CHIP	100μF	20% 6.3V
C2972	1-117-681-11	ELECT CHIP	100μF	20% 16V	C3304	1-164-156-11	CERAMIC CHIP	0.1μF	25V
C2973	1-164-156-11	CERAMIC CHIP	0.1μF	25V	C3305	1-164-156-11	CERAMIC CHIP	0.1μF	25V
C2974	1-162-970-11	CERAMIC CHIP	0.01μF	10% 25V	C3307	1-164-156-11	CERAMIC CHIP	0.1μF	25V
C2975	1-162-970-11	CERAMIC CHIP	0.01μF	10% 25V	C3308	1-164-156-11	CERAMIC CHIP	0.1μF	25V
C3004	1-126-206-11	ELECT CHIP	100μF	20% 6.3V	C3309	1-126-206-11	ELECT CHIP	100μF	20% 6.3V
C3005	1-126-204-11	ELECT CHIP	47μF	20% 16V	C3313	1-164-156-11	CERAMIC CHIP	0.1μF	25V
C3006	1-162-970-11	CERAMIC CHIP	0.01μF	10% 25V	C3314	1-164-156-11	CERAMIC CHIP	0.1μF	25V
C3008	1-126-204-11	ELECT CHIP	47μF	20% 16V	C3315	1-164-156-11	CERAMIC CHIP	0.1μF	25V
C3009	1-162-970-11	CERAMIC CHIP	0.01μF	10% 25V	C3316	1-164-156-11	CERAMIC CHIP	0.1μF	25V
C3011	1-164-156-11	CERAMIC CHIP	0.1μF	25V	C3317	1-164-156-11	CERAMIC CHIP	0.1μF	25V
C3012	1-164-156-11	CERAMIC CHIP	0.1μF	25V	C3318	1-164-156-11	CERAMIC CHIP	0.1μF	25V
C3013	1-128-391-11	ELECT CHIP	330μF	20% 6.3V	C3319	1-164-156-11	CERAMIC CHIP	0.1μF	25V
C3014	1-128-391-11	ELECT CHIP	330μF	20% 6.3V	C3325	1-164-156-11	CERAMIC CHIP	0.1μF	25V
C3015	1-164-156-11	CERAMIC CHIP	0.1μF	25V	C3326	1-164-156-11	CERAMIC CHIP	0.1μF	25V
C3016	1-164-156-11	CERAMIC CHIP	0.1μF	25V	C3329	1-107-826-11	CERAMIC CHIP	0.1μF	10% 16V
C3017	1-125-837-91	CERAMIC CHIP	1μF	10% 6.3V	C3333	1-164-156-11	CERAMIC CHIP	0.1μF	25V
C3018	1-164-156-11	CERAMIC CHIP	0.1μF	25V	C3334	1-107-826-11	CERAMIC CHIP	0.1μF	10% 16V
C3019	1-164-156-11	CERAMIC CHIP	0.1μF	25V	C3335	1-164-156-11	CERAMIC CHIP	0.1μF	25V
C3020	1-107-826-11	CERAMIC CHIP	0.1μF	10% 16V	C3337	1-107-826-11	CERAMIC CHIP	0.1μF	10% 16V
C3021	1-164-156-11	CERAMIC CHIP	0.1μF	25V	C3341	1-164-156-11	CERAMIC CHIP	0.1μF	25V
C3023	1-125-837-91	CERAMIC CHIP	1μF	10% 6.3V	C3343	1-164-156-11	CERAMIC CHIP	0.1μF	25V
C3024	1-125-837-91	CERAMIC CHIP	1μF	10% 6.3V	C3349	1-164-156-11	CERAMIC CHIP	0.1μF	25V
C3025	1-164-156-11	CERAMIC CHIP	0.1μF	25V	C3350	1-164-156-11	CERAMIC CHIP	0.1μF	25V
C3026	1-164-156-11	CERAMIC CHIP	0.1μF	25V	C3351	1-164-156-11	CERAMIC CHIP	0.1μF	25V
C3027	1-164-156-11	CERAMIC CHIP	0.1μF	25V	C3357	1-164-156-11	CERAMIC CHIP	0.1μF	25V
C3028	1-164-156-11	CERAMIC CHIP	0.1μF	25V	C3358	1-164-156-11	CERAMIC CHIP	0.1μF	25V
C3029	1-164-156-11	CERAMIC CHIP	0.1μF	25V	C3359	1-126-204-11	ELECT CHIP	47μF	20% 16V
C3030	1-164-156-11	CERAMIC CHIP	0.1μF	25V	C3360	1-164-156-11	CERAMIC CHIP	0.1μF	25V
C3031	1-164-156-11	CERAMIC CHIP	0.1μF	25V	C3363	1-126-204-11	ELECT CHIP	47μF	20% 16V
C3032	1-164-156-11	CERAMIC CHIP	0.1μF	25V	C3364	1-164-156-11	CERAMIC CHIP	0.1μF	25V
C3033	1-109-982-11	CERAMIC CHIP	1μF	10% 10V	C3365	1-164-156-11	CERAMIC CHIP	0.1μF	25V
C3034	1-162-970-11	CERAMIC CHIP	0.01μF	10% 25V	C3366	1-164-156-11	CERAMIC CHIP	0.1μF	25V
C3035	1-162-970-11	CERAMIC CHIP	0.01μF	10% 25V	C3367	1-164-156-11	CERAMIC CHIP	0.1μF	25V
C3036	1-107-826-11	CERAMIC CHIP	0.1μF	10% 16V	C3368	1-164-156-11	CERAMIC CHIP	0.1μF	25V
C3037	1-107-826-11	CERAMIC CHIP	0.1μF	10% 16V	C3369	1-164-156-11	CERAMIC CHIP	0.1μF	25V
C3038	1-162-970-11	CERAMIC CHIP	0.01μF	10% 25V	C3370	1-164-156-11	CERAMIC CHIP	0.1μF	25V
C3039	1-164-156-11	CERAMIC CHIP	0.1μF	25V	C3371	1-164-156-11	CERAMIC CHIP	0.1μF	25V
C3040	1-107-826-11	CERAMIC CHIP	0.1μF	10% 16V					

BB
----

REF. NO.	PART NO.	DESCRIPTION		REMARK	REF. NO.	PART NO.	DESCRIPTION		REMARK
C3372	1-164-156-11	CERAMIC CHIP	0.1μF	25V	C3485	1-164-156-11	CERAMIC CHIP	0.1μF	25V
C3374	1-164-156-11	CERAMIC CHIP	0.1μF	25V	C3486	1-164-156-11	CERAMIC CHIP	0.1μF	25V
C3375	1-127-760-11	CERAMIC CHIP	4.7μF	10% 6.3V	C3487	1-164-156-11	CERAMIC CHIP	0.1μF	25V
C3376	1-164-156-11	CERAMIC CHIP	0.1μF	25V	C3488	1-124-779-00	ELECT CHIP	10μF	20% 16V
C3377	1-162-970-11	CERAMIC CHIP	0.01μF	10% 25V	C3489	1-164-156-11	CERAMIC CHIP	0.1μF	25V
C3378	1-126-204-11	ELECT CHIP	47μF	20% 16V	C3494	1-164-156-11	CERAMIC CHIP	0.1μF	25V
C3379	1-164-156-11	CERAMIC CHIP	0.1μF	25V	C3495	1-124-779-00	ELECT CHIP	10μF	20% 16V
C3401	1-164-156-11	CERAMIC CHIP	0.1μF	25V	C3496	1-164-156-11	CERAMIC CHIP	0.1μF	25V
C3403	1-164-156-11	CERAMIC CHIP	0.1μF	25V	C3499	1-162-970-11	CERAMIC CHIP	0.01μF	10% 25V
C3404	1-126-206-11	ELECT CHIP	100μF	20% 6.3V	C3601	1-164-156-11	CERAMIC CHIP	0.1μF	25V
C3405	1-126-206-11	ELECT CHIP	100μF	20% 6.3V	C3602	1-164-156-11	CERAMIC CHIP	0.1μF	25V
C3406	1-107-826-11	CERAMIC CHIP	0.1μF	10% 16V	C3604	1-124-779-00	ELECT CHIP	10μF	20% 16V
C3407	1-107-826-11	CERAMIC CHIP	0.1μF	10% 16V	C3605	1-162-970-11	CERAMIC CHIP	0.01μF	10% 25V
C3408	1-126-206-11	ELECT CHIP	100μF	20% 6.3V	C3606	1-164-156-11	CERAMIC CHIP	0.1μF	25V
C3409	1-164-156-11	CERAMIC CHIP	0.1μF	25V	C3607	1-162-970-11	CERAMIC CHIP	0.01μF	10% 25V
C3410	1-164-156-11	CERAMIC CHIP	0.1μF	25V	C3608	1-164-156-11	CERAMIC CHIP	0.1μF	25V
C3411	1-164-156-11	CERAMIC CHIP	0.1μF	25V	C3610	1-164-156-11	CERAMIC CHIP	0.1μF	25V
C3412	1-164-156-11	CERAMIC CHIP	0.1μF	25V	C3611	1-164-156-11	CERAMIC CHIP	0.1μF	25V
C3413	1-164-156-11	CERAMIC CHIP	0.1μF	25V	C3613	1-126-206-11	ELECT CHIP	100μF	20% 6.3V
C3414	1-164-156-11	CERAMIC CHIP	0.1μF	25V	C3614	1-164-156-11	CERAMIC CHIP	0.1μF	25V
C3417	1-164-156-11	CERAMIC CHIP	0.1μF	25V	C3615	1-124-779-00	ELECT CHIP	10μF	20% 16V
C3418	1-107-826-11	CERAMIC CHIP	0.1μF	10% 16V	C3617	1-162-970-11	CERAMIC CHIP	0.01μF	10% 25V
C3424	1-164-156-11	CERAMIC CHIP	0.1μF	25V	C3618	1-127-760-11	CERAMIC CHIP	4.7μF	10% 6.3V
C3426	1-164-156-11	CERAMIC CHIP	0.1μF	25V	C3619	1-126-206-11	ELECT CHIP	100μF	20% 6.3V
C3428	1-107-826-11	CERAMIC CHIP	0.1μF	10% 16V	C3620	1-107-826-11	CERAMIC CHIP	0.1μF	10% 16V
C3431	1-126-204-11	ELECT CHIP	47μF	20% 16V	C3622	1-164-156-11	CERAMIC CHIP	0.1μF	25V
C3435	1-164-156-11	CERAMIC CHIP	0.1μF	25V	C3623	1-164-156-11	CERAMIC CHIP	0.1μF	25V
C3436	1-107-826-11	CERAMIC CHIP	0.1μF	10% 16V	C3624	1-164-156-11	CERAMIC CHIP	0.1μF	25V
C3439	1-164-156-11	CERAMIC CHIP	0.1μF	25V	C3626	1-164-156-11	CERAMIC CHIP	0.1μF	25V
C3440	1-162-916-11	CERAMIC CHIP	12pF	5% 50V	C3627	1-164-156-11	CERAMIC CHIP	0.1μF	25V
C3441	1-162-916-11	CERAMIC CHIP	12pF	5% 50V	C3628	1-164-156-11	CERAMIC CHIP	0.1μF	25V
C3444	1-164-156-11	CERAMIC CHIP	0.1μF	25V	C3629	1-124-779-00	ELECT CHIP	10μF	20% 16V
C3446	1-107-826-11	CERAMIC CHIP	0.1μF	10% 16V	C3630	1-124-779-00	ELECT CHIP	10μF	20% 16V
C3449	1-107-826-11	CERAMIC CHIP	0.1μF	10% 16V	C3906	1-126-204-11	ELECT CHIP	47μF	20% 16V
C3450	1-164-156-11	CERAMIC CHIP	0.1μF	25V	C3912	1-126-206-11	ELECT CHIP	100μF	20% 6.3V
C3452	1-164-156-11	CERAMIC CHIP	0.1μF	25V	C8601	1-162-970-11	CERAMIC CHIP	0.01μF	10% 25V
C3460	1-162-923-11	CERAMIC CHIP	47pF	5% 50V	C8602	1-127-692-11	CERAMIC CHIP	10μF	10% 6.3V
C3462	1-164-156-11	CERAMIC CHIP	0.1μF	25V	C8603	1-162-970-11	CERAMIC CHIP	0.01μF	10% 25V
C3463	1-164-156-11	CERAMIC CHIP	0.1μF	25V	C8604	1-127-692-11	CERAMIC CHIP	10μF	10% 6.3V
C3464	1-164-156-11	CERAMIC CHIP	0.1μF	25V	C8605	1-162-970-11	CERAMIC CHIP	0.01μF	10% 25V
C3465	1-164-156-11	CERAMIC CHIP	0.1μF	25V	C8606	1-127-692-11	CERAMIC CHIP	10μF	10% 6.3V
C3466	1-164-156-11	CERAMIC CHIP	0.1μF	25V	C8607	1-164-156-11	CERAMIC CHIP	0.1μF	25V
C3467	1-164-156-11	CERAMIC CHIP	0.1μF	25V	C8608	1-128-934-91	CERAMIC CHIP	0.33μF	20% 10V
C3468	1-126-206-11	ELECT CHIP	100μF	20% 6.3V	C8609	1-162-967-11	CERAMIC CHIP	0.0033μF	10% 50V
C3469	1-164-156-11	CERAMIC CHIP	0.1μF	25V	C8610	1-162-927-11	CERAMIC CHIP	100pF	5% 50V
C3470	1-126-206-11	ELECT CHIP	100μF	20% 6.3V	C8611	1-162-927-11	CERAMIC CHIP	100pF	5% 50V
C3473	1-164-156-11	CERAMIC CHIP	0.1μF	25V	C8612	1-107-826-11	CERAMIC CHIP	0.1μF	10% 16V
C3475	1-164-156-11	CERAMIC CHIP	0.1μF	25V	C8613	1-107-826-11	CERAMIC CHIP	0.1μF	10% 16V
C3476	1-124-779-00	ELECT CHIP	10μF	20% 16V	C8615	1-107-826-11	CERAMIC CHIP	0.1μF	10% 16V
C3477	1-164-156-11	CERAMIC CHIP	0.1μF	25V	C8617	1-107-826-11	CERAMIC CHIP	0.1μF	10% 16V
C3478	1-126-204-11	ELECT CHIP	47μF	20% 16V	C8621	1-107-826-11	CERAMIC CHIP	0.1μF	10% 16V
C3479	1-124-779-00	ELECT CHIP	10μF	20% 16V	C8622	1-164-156-11	CERAMIC CHIP	0.1μF	25V
C3480	1-164-156-11	CERAMIC CHIP	0.1μF	25V	C8623	1-164-156-11	CERAMIC CHIP	0.1μF	25V
C3481	1-117-681-11	ELECT CHIP	100μF	20% 16V	C8624	1-164-156-11	CERAMIC CHIP	0.1μF	25V
C3482	1-117-681-11	ELECT CHIP	100μF	20% 16V	C8625	1-164-156-11	CERAMIC CHIP	0.1μF	25V
C3483	1-117-681-11	ELECT CHIP	100μF	20% 16V	C8630	1-164-156-11	CERAMIC CHIP	0.1μF	25V
C3484	1-125-837-91	CERAMIC CHIP	1μF	10% 6.3V	C8631	1-125-837-91	CERAMIC CHIP	1μF	10% 6.3V



REF. NO.	PART NO.	DESCRIPTION	REMARK	REF. NO.	PART NO.	DESCRIPTION	REMARK
C8632	1-164-156-11	CERAMIC CHIP	0.1µF 25V	FB3302	1-414-235-22	FERRITE	0µH
C8633	1-164-156-11	CERAMIC CHIP	0.1µF 25V	FB3303	1-216-809-11	METAL CHIP	100 5% 1/10W
C8634	1-125-837-91	CERAMIC CHIP	1µF 10% 6.3V	FB3304	1-469-110-21	FERRITE	0µH
C8635	1-125-837-91	CERAMIC CHIP	1µF 10% 6.3V	FB3401	1-414-235-22	FERRITE	0µH
C8636	1-164-156-11	CERAMIC CHIP	0.1µF 25V	FB3402	1-414-235-22	FERRITE	0µH
C8637	1-164-156-11	CERAMIC CHIP	0.1µF 25V	FB3403	1-216-864-11	SHORT CHIP	0
C8638	1-128-994-21	ELECT CHIP	47µF 20% 10V	FB3601	1-414-228-11	FERRITE	0µH
C8639	1-135-599-11	ELECT CHIP	39µF 20% 16V	FB3602	1-414-228-11	FERRITE	0µH
C8640	1-117-370-11	CERAMIC CHIP	10µF 10V	FB3603	1-216-864-11	SHORT CHIP	0
C8641	1-117-370-11	CERAMIC CHIP	10µF 10V	FB3604	1-216-864-11	SHORT CHIP	0
C8642	1-164-156-11	CERAMIC CHIP	0.1µF 25V	FB3605	1-216-864-11	SHORT CHIP	0
C8643	1-164-156-11	CERAMIC CHIP	0.1µF 25V	FB3606	1-216-864-11	SHORT CHIP	0
C8644	1-164-156-11	CERAMIC CHIP	0.1µF 25V	FB3607	1-216-864-11	SHORT CHIP	0
C8645	1-164-156-11	CERAMIC CHIP	0.1µF 25V	FB3608	1-469-568-21	FERRITE	0µH
C8646	1-164-156-11	CERAMIC CHIP	0.1µF 25V	FB3609	1-414-921-11	FERRITE	0µH
C8647	1-164-156-11	CERAMIC CHIP	0.1µF 25V	FB3610	1-414-921-11	FERRITE	0µH
C8648	1-164-156-11	CERAMIC CHIP	0.1µF 25V	FB3611	1-414-921-11	FERRITE	0µH
C8649	1-164-156-11	CERAMIC CHIP	0.1µF 25V	FB3612	1-414-921-11	FERRITE	0µH
C8650	1-126-204-11	ELECT CHIP	47µF 20% 16V			<FILTER>	
C8651	1-164-156-11	CERAMIC CHIP	0.1µF 25V	FL2951	1-234-113-21	FILTER, LOW PASS	
C8652	1-128-994-21	ELECT CHIP	47µF 20% 10V	FL2952	1-234-113-21	FILTER, LOW PASS	
C8653	1-164-156-11	CERAMIC CHIP	0.1µF 25V	FL2953	1-234-113-21	FILTER, LOW PASS	
C8654	1-126-206-11	ELECT CHIP	100µF 20% 6.3V	FL3001	1-234-177-21	FERRITE	0µH
C8655	1-164-156-11	CERAMIC CHIP	0.1µF 25V	FL3002	1-234-177-21	FERRITE	0µH
C8656	1-164-156-11	CERAMIC CHIP	0.1µF 25V	FL3301	1-234-558-21	FILTER, LOW PASS	
C8657	1-164-156-11	CERAMIC CHIP	0.1µF 25V	FL3302	1-234-557-21	FILTER, LOW PASS	
		<CONNECTOR>		FL3303	1-234-557-21	FILTER, LOW PASS	
CN2804	1-815-871-11	CONNECTOR, BOARD TO BOARD 40P		FL3401	1-781-923-11	FILTER, LOW PASS (SMD)	
CN2805 *	1-764-643-21	PIN, CONNECTOR (SMD) 11P		FL3602	1-234-494-21	FILTER, EMI REMOVAL (SMD)	
CN3203	1-815-870-11	CONNECTOR, BOARD TO BOARD 50P		FL8601	1-234-559-21	FILTER, LOW PASS	
CN3601 *	1-816-070-21	CONNECTOR, BOARD TO BOARD 60P		FL8602	1-234-559-21	FILTER, LOW PASS	
CN3602 *	1-793-141-21	PIN, CONNECTOR (PC BOARD) 15P		FL8603	1-234-560-21	FILTER, LOW PASS	
CN3603 *	1-815-177-12	PIN, CONNECTOR(WITH SHIELD)22P				<IC>	
		<DIODE>		IC2801	8-752-102-68	IC CXA2170Q	
D2803	8-719-404-50	DIODE MA111-TX		IC2802	8-759-547-54	IC TC7SET00FU(TE85R)	
D3001	8-719-404-50	DIODE MA111-TX		IC2803	8-759-547-54	IC TC7SET00FU(TE85R)	
D3002	8-719-083-58	DIODE UDZSTE-173.9B		IC2804	8-759-831-53	IC MC74LVX8053DR2	
D3089	8-719-800-76	DIODE MA153-TX		IC2805	8-759-272-74	IC 74VHC123ASJX	
D3090	8-719-800-76	DIODE MA153-TX		IC2930	8-759-442-07	IC LM75CIMX-5	
D3309	8-719-914-43	DIODE DAN202K		IC3001	6-700-188-01	IC IS41C16256-35K	
D3310	8-719-914-44	DIODE DAP202K		IC3002	8-759-641-26	IC NJM2391DL1-33(TE1)	
D3401	8-719-914-43	DIODE DAN202K		IC3003	6-701-892-01	IC TC90A90F(BH,DRY)	
D3402	8-719-914-44	DIODE DAP202K		IC3004	8-759-642-22	IC µPC29M05T-E2	
D3403	8-719-978-33	DIODE DTZ-TT11-6.8B		IC3089	8-759-682-41	IC M24C32-WMN6T(A)	
D3404	8-719-404-50	DIODE MA111-TX		IC3090	6-802-467-01	IC MB94918RpF-G-155-BND	
D3601	8-719-800-76	DIODE MA153-TX		IC3091	8-759-352-91	IC PST9143NL	
D3603	8-719-083-58	DIODE UDZSTE-173.9B		IC3301	8-759-663-74	IC HY57V161610DTC-7TR	
		<FERRITE BEAD>		IC3301	8-759-832-53	IC W981616AH-7-EL10	
FB3001	1-500-451-11	FERRITE	0µH	IC3302	6-700-398-01	IC µPC2918T-E1	
FB3002	1-216-864-11	SHORT CHIP	0	IC3302	8-759-832-05	IC BA18BC0FP-E2	
FB3301	1-414-235-22	FERRITE	0µH	IC3303	8-752-417-57	IC CXD2097Q	
				IC3303	8-752-419-58	IC CXD2097AQ	
				IC3306	8-759-669-78	IC TLC29331PWR-12	

BB

REF. NO.	PART NO.	DESCRIPTION	REMARK	REF. NO.	PART NO.	DESCRIPTION	REMARK
IC3401	6-700-394-01	IC BA25BC0FP-E2		L3903	1-412-052-21	INDUCTOR	1 $\mu$ H
IC3402	8-759-677-37	IC MT48LC2M32B2TG-7		L8601	1-469-555-21	INDUCTOR	10 $\mu$ H
IC3402	8-759-677-39	IC MB81F643242B-D		L8602	1-469-553-21	INDUCTOR	4.7 $\mu$ H
IC3403	8-759-460-29	IC PST9120NL					
IC3408	8-759-672-57	IC CXD9509AQ		L8603	1-469-555-21	INDUCTOR	10 $\mu$ H
				L8604	1-469-555-21	INDUCTOR	10 $\mu$ H
IC3409	8-759-833-72	IC NJM2870F25-TE2					
IC3410	8-752-409-20	IC CXD2309AQ					
IC3411	8-759-082-57	IC TC7W04FU(TE12R)				<TRANSISTOR>	
IC3601	8-759-592-50	IC TC7SZ126FU(TE85R)					
IC3602	8-759-592-49	IC TC7SZ125FU(TE85R)		Q2805	8-729-216-22	TRANSISTOR	2SA1162-G
				Q2806	8-729-422-33	TRANSISTOR	2SD601A-Q-TX
IC3603	8-759-639-85	IC SN65LVDS31DR		Q2807	8-729-422-33	TRANSISTOR	2SD601A-Q-TX
IC3604	6-701-762-11	IC DS90LV028ATMX		Q2808	8-729-900-53	TRANSISTOR	DTC114EK
IC3605	8-759-698-08	IC SN74CBTLV1G125DCKR		Q2809	8-729-900-53	TRANSISTOR	DTC114EK
IC3606	8-759-641-26	IC NJM2391DL1-33(TE1)					
IC3608	8-759-669-75	IC TLC2932IPWR		Q2822	8-729-422-33	TRANSISTOR	2SD601A-Q-TX
				Q2823	8-729-422-33	TRANSISTOR	2SD601A-Q-TX
IC3609	8-759-828-44	IC NJM2870F33(TE2)		Q2949	8-729-422-33	TRANSISTOR	2SD601A-Q-TX
IC8601	8-752-093-03	IC CXA3506R		Q2950	8-729-422-33	TRANSISTOR	2SD601A-Q-TX
				Q2951	8-729-102-07	TRANSISTOR	2SC2223-F13
		<COIL>					
L2803	1-469-555-21	INDUCTOR	10 $\mu$ H	Q2952	8-729-122-63	TRANSISTOR	2SA1226
L2804	1-469-555-21	INDUCTOR	10 $\mu$ H	Q2953	8-729-900-53	TRANSISTOR	DTC114EK
L2805	1-469-555-21	INDUCTOR	10 $\mu$ H	Q2954	8-729-900-53	TRANSISTOR	DTC114EK
L2807	1-469-555-21	INDUCTOR	10 $\mu$ H	Q2955	8-729-216-22	TRANSISTOR	2SA1162-G
L2811	1-469-557-21	INDUCTOR	22 $\mu$ H	Q2956	8-729-216-22	TRANSISTOR	2SA1162-G
L2930	1-469-555-21	INDUCTOR	10 $\mu$ H	Q2957	8-729-216-22	TRANSISTOR	2SA1162-G
L2951	1-469-555-21	INDUCTOR	10 $\mu$ H	Q2958	8-729-216-22	TRANSISTOR	2SA1162-G
L2952	1-410-993-42	INDUCTOR	1 $\mu$ H	Q2959	8-729-122-63	TRANSISTOR	2SA1226
L2953	1-410-993-42	INDUCTOR	1 $\mu$ H	Q2960	8-729-122-63	TRANSISTOR	2SA1226
L2955	1-469-555-21	INDUCTOR	10 $\mu$ H	Q2961	8-729-122-63	TRANSISTOR	2SA1226
L3001	1-216-295-91	SHORT CHIP	0	Q2962	8-729-102-07	TRANSISTOR	2SC2223-F13
L3002	1-412-026-11	INDUCTOR	1 $\mu$ H	Q2963	8-729-122-63	TRANSISTOR	2SA1226
L3004	1-412-026-11	INDUCTOR	1 $\mu$ H	Q2964	8-729-102-07	TRANSISTOR	2SC2223-F13
L3005	1-412-026-11	INDUCTOR	1 $\mu$ H	Q2965	8-729-122-63	TRANSISTOR	2SA1226
L3007	1-469-555-21	INDUCTOR	10 $\mu$ H	Q2966	8-729-102-07	TRANSISTOR	2SC2223-F13
L3009	1-469-555-21	INDUCTOR	10 $\mu$ H	Q2967	8-729-122-63	TRANSISTOR	2SA1226
L3010	1-469-555-21	INDUCTOR	10 $\mu$ H	Q2968	8-729-422-33	TRANSISTOR	2SD601A-Q-TX
L3011	1-469-555-21	INDUCTOR	10 $\mu$ H	Q2969	8-729-422-33	TRANSISTOR	2SD601A-Q-TX
L3089	1-414-233-22	FERRITE	0 $\mu$ H	Q2970	8-729-422-33	TRANSISTOR	2SD601A-Q-TX
L3102	1-469-552-21	INDUCTOR	3.3 $\mu$ H	Q2971	8-729-422-33	TRANSISTOR	2SD601A-Q-TX
L3304	1-469-555-21	INDUCTOR	10 $\mu$ H	Q2972	8-729-422-33	TRANSISTOR	2SD601A-Q-TX
L3310	1-469-561-21	INDUCTOR	100 $\mu$ H	Q2973	8-729-422-33	TRANSISTOR	2SD601A-Q-TX
L3311	1-469-561-21	INDUCTOR	100 $\mu$ H	Q2974	8-729-422-33	TRANSISTOR	2SD601A-Q-TX
L3402	1-412-052-21	INDUCTOR	1 $\mu$ H	Q2975	8-729-422-33	TRANSISTOR	2SD601A-Q-TX
L3405	1-469-555-21	INDUCTOR	10 $\mu$ H	Q2976	8-729-422-33	TRANSISTOR	2SD601A-Q-TX
L3406	1-469-555-21	INDUCTOR	10 $\mu$ H	Q2978	8-729-216-22	TRANSISTOR	2SA1162-G
L3407	1-469-555-21	INDUCTOR	10 $\mu$ H	Q2979	8-729-216-22	TRANSISTOR	2SA1162-G
L3411	1-412-058-11	INDUCTOR	10 $\mu$ H	Q3003	8-729-422-33	TRANSISTOR	2SD601A-Q-TX
L3412	1-469-555-21	INDUCTOR	10 $\mu$ H	Q3008	8-729-422-33	TRANSISTOR	2SD601A-Q-TX
L3413	1-469-555-21	INDUCTOR	10 $\mu$ H	Q3009	8-729-422-33	TRANSISTOR	2SD601A-Q-TX
L3414	1-469-555-21	INDUCTOR	10 $\mu$ H	Q3089	8-729-216-22	TRANSISTOR	2SA1162-G
L3416	1-469-555-21	INDUCTOR	10 $\mu$ H	Q3090	8-729-216-22	TRANSISTOR	2SA1162-G
L3601	1-419-370-21	INDUCTOR	0 $\mu$ H	Q3092	8-729-422-33	TRANSISTOR	2SD601A-Q-TX
L3602	1-419-370-21	INDUCTOR	0 $\mu$ H	Q3093	8-729-422-33	TRANSISTOR	2SD601A-Q-TX
L3603	1-419-370-21	INDUCTOR	0 $\mu$ H	Q3302	8-729-422-33	TRANSISTOR	2SD601A-Q-TX
L3604	1-419-370-21	INDUCTOR	0 $\mu$ H	Q3303	8-729-422-33	TRANSISTOR	2SD601A-Q-TX
L3605	1-419-370-21	INDUCTOR	0 $\mu$ H	Q3305	8-729-216-22	TRANSISTOR	2SA1162-G
				Q3306	8-729-216-22	TRANSISTOR	2SA1162-G
				Q3307	8-729-422-33	TRANSISTOR	2SD601A-Q-TX



REF. NO.	PART NO.	DESCRIPTION	REMARK	REF. NO.	PART NO.	DESCRIPTION	REMARK
Q3308	8-729-216-22	TRANSISTOR 2SA1162-G		R2833	1-216-864-11	SHORT CHIP	0
Q3309	8-729-422-33	TRANSISTOR 2SD601A-Q-TX		R2835	1-216-809-11	METAL CHIP	100 5% 1/10W
Q3310	8-729-216-22	TRANSISTOR 2SA1162-G		R2852	1-216-833-11	METAL CHIP	10K 5% 1/10W
Q3311	8-729-422-33	TRANSISTOR 2SD601A-Q-TX		R2857	1-216-829-11	METAL CHIP	4.7K 5% 1/10W
Q3401	8-729-422-33	TRANSISTOR 2SD601A-Q-TX		R2858	1-216-829-11	METAL CHIP	4.7K 5% 1/10W
Q3402	8-729-028-28	TRANSISTOR 2SK2036(TE85L)		R2859	1-216-829-11	METAL CHIP	4.7K 5% 1/10W
Q3404	8-729-028-28	TRANSISTOR 2SK2036(TE85L)		R2860	1-216-864-11	SHORT CHIP	0
Q3410	8-729-122-63	TRANSISTOR 2SA1226		R2863	1-216-864-11	SHORT CHIP	0
Q3411	8-729-122-63	TRANSISTOR 2SA1226		R2865	1-216-864-11	SHORT CHIP	0
Q3412	8-729-122-63	TRANSISTOR 2SA1226		R2866	1-216-864-11	SHORT CHIP	0
Q3413	8-729-122-63	TRANSISTOR 2SA1226		R2868	1-216-833-11	METAL CHIP	10K 5% 1/10W
Q3414	8-729-122-63	TRANSISTOR 2SA1226		R2869	1-216-809-11	METAL CHIP	100 5% 1/10W
Q3415	8-729-122-63	TRANSISTOR 2SA1226		R2870	1-216-822-11	METAL CHIP	1.2K 5% 1/10W
Q3416	8-729-422-33	TRANSISTOR 2SD601A-Q-TX		R2871	1-216-822-11	METAL CHIP	1.2K 5% 1/10W
Q3417	8-729-900-53	TRANSISTOR DTC114EK		R2872	1-216-801-11	METAL CHIP	22 5% 1/10W
Q3418	8-729-900-53	TRANSISTOR DTC114EK		R2873	1-216-864-11	SHORT CHIP	0
Q3419	8-729-900-53	TRANSISTOR DTC114EK		R2874	1-216-864-11	SHORT CHIP	0
Q3420	8-729-900-53	TRANSISTOR DTC114EK		R2875	1-216-864-11	SHORT CHIP	0
Q3421	8-729-900-53	TRANSISTOR DTC114EK		R2876	1-216-806-11	METAL CHIP	56 5% 1/10W
Q3422	8-729-900-53	TRANSISTOR DTC114EK		R2877	1-216-821-11	METAL CHIP	1K 5% 1/10W
Q3601	8-729-422-33	TRANSISTOR 2SD601A-Q-TX		R2878	1-216-864-11	SHORT CHIP	0
Q3906	8-729-028-28	TRANSISTOR 2SK2036(TE85L)		R2879	1-216-821-11	METAL CHIP	1K 5% 1/10W
Q3907	8-729-028-28	TRANSISTOR 2SK2036(TE85L)		R2882	1-216-841-11	METAL CHIP	47K 5% 1/10W
Q8601	8-729-102-07	TRANSISTOR 2SC2223-F13		R2883	1-216-841-11	METAL CHIP	47K 5% 1/10W
Q8602	8-729-102-07	TRANSISTOR 2SC2223-F13		R2884	1-216-821-11	METAL CHIP	1K 5% 1/10W
Q8603	8-729-102-07	TRANSISTOR 2SC2223-F13		R2886	1-216-864-11	SHORT CHIP	0
Q8604	8-729-216-22	TRANSISTOR 2SA1162-G		R2887	1-216-864-11	SHORT CHIP	0
Q8605	8-729-216-22	TRANSISTOR 2SA1162-G		R2889	1-216-833-11	METAL CHIP	10K 5% 1/10W
Q8606	8-729-122-63	TRANSISTOR 2SA1226		R2890	1-216-809-11	METAL CHIP	100 5% 1/10W
Q8607	8-729-122-63	TRANSISTOR 2SA1226		R2891	1-216-833-11	METAL CHIP	10K 5% 1/10W
Q8608	8-729-122-63	TRANSISTOR 2SA1226		R2892	1-218-728-11	METAL CHIP	33K 0.5% 1/10W
Q8609	8-729-216-22	TRANSISTOR 2SA1162-G		R2893	1-218-714-11	METAL CHIP	8.2K 0.5% 1/10W
		<RESISTOR>		R2894	1-216-833-11	METAL CHIP	10K 5% 1/10W
R2801	1-218-867-11	METAL CHIP 6.8K	5% 1/10W	R2895	1-216-833-11	METAL CHIP	10K 5% 1/10W
R2803	1-216-829-11	METAL CHIP 4.7K	5% 1/10W	R2896	1-216-833-11	METAL CHIP	10K 5% 1/10W
R2804	1-218-716-11	METAL CHIP 10K	0.5% 1/10W	R2897	1-216-809-11	METAL CHIP	100 5% 1/10W
R2805	1-216-809-11	METAL CHIP 100	5% 1/10W	R2898	1-216-809-11	METAL CHIP	100 5% 1/10W
R2806	1-216-863-11	METAL CHIP 3.3M	5% 1/10W	R2899	1-216-809-11	METAL CHIP	100 5% 1/10W
R2807	1-218-716-11	METAL CHIP 10K	0.5% 1/10W	R2900	1-216-829-11	METAL CHIP	4.7K 5% 1/10W
R2808	1-216-809-11	METAL CHIP 100	5% 1/10W	R2901	1-216-829-11	METAL CHIP	4.7K 5% 1/10W
R2811	1-216-809-11	METAL CHIP 100	5% 1/10W	R2902	1-216-829-11	METAL CHIP	4.7K 5% 1/10W
R2812	1-218-708-11	METAL CHIP 4.7K	0.5% 1/10W	R2907	1-216-864-11	SHORT CHIP	0
R2817	1-216-801-11	METAL CHIP 22	5% 1/10W	R2908	1-216-864-11	SHORT CHIP	0
R2819	1-216-801-11	METAL CHIP 22	5% 1/10W	R2913	1-216-864-11	SHORT CHIP	0
R2820	1-216-809-11	METAL CHIP 100	5% 1/10W	R2914	1-218-716-11	METAL CHIP	10K 0.5% 1/10W
R2821	1-216-809-11	METAL CHIP 100	5% 1/10W	R2915	1-216-833-11	METAL CHIP	10K 5% 1/10W
R2824	1-216-864-11	SHORT CHIP 0		R2916	1-216-833-11	METAL CHIP	10K 5% 1/10W
R2826	1-218-716-11	METAL CHIP 10K	0.5% 1/10W	R2917	1-218-700-11	METAL CHIP	2.2K 0.5% 1/10W
R2827	1-216-830-11	METAL CHIP 5.6K	5% 1/10W	R2918	1-216-815-11	METAL CHIP	330 5% 1/10W
R2828	1-216-832-11	METAL CHIP 8.2K	5% 1/10W	R2919	1-216-815-11	METAL CHIP	330 5% 1/10W
R2829	1-216-824-11	METAL CHIP 1.8K	5% 1/10W	R2920	1-216-815-11	METAL CHIP	330 5% 1/10W
R2830	1-216-818-11	METAL CHIP 560	5% 1/10W	R2921	1-216-864-11	SHORT CHIP	0
R2831	1-216-826-11	METAL CHIP 2.7K	5% 1/10W	R2925	1-218-690-11	METAL CHIP	820 0.5% 1/10W
R2832	1-216-809-11	METAL CHIP 100	5% 1/10W	R2926	1-218-690-11	METAL CHIP	820 0.5% 1/10W
				R2927	1-218-690-11	METAL CHIP	820 0.5% 1/10W
				R2928	1-216-809-11	METAL CHIP	100 5% 1/10W
				R2930	1-216-864-11	SHORT CHIP	0



REF. NO.	PART NO.	DESCRIPTION	REMARK	REF. NO.	PART NO.	DESCRIPTION	REMARK
R2931	1-216-864-11	SHORT CHIP	0	R2998	1-216-809-11	METAL CHIP	100 5% 1/10W
R2932	1-216-864-11	SHORT CHIP	0	R2999	1-216-809-11	METAL CHIP	100 5% 1/10W
R2935	1-216-801-11	METAL CHIP	22 5% 1/10W	R3001	1-216-833-11	METAL CHIP	10K 5% 1/10W
R2936	1-216-801-11	METAL CHIP	22 5% 1/10W	R3002	1-216-864-11	SHORT CHIP	0
R2937	1-216-829-11	METAL CHIP	4.7K 5% 1/10W	R3005	1-216-864-11	SHORT CHIP	0
R2938	1-216-829-11	METAL CHIP	4.7K 5% 1/10W	R3013	1-216-809-11	METAL CHIP	100 5% 1/10W
R2939	1-216-829-11	METAL CHIP	4.7K 5% 1/10W	R3014	1-216-801-11	METAL CHIP	22 5% 1/10W
R2940	1-218-704-11	METAL CHIP	3.3K 0.5% 1/10W	R3015	1-216-801-11	METAL CHIP	22 5% 1/10W
R2941	1-218-710-11	METAL CHIP	5.6K 0.5% 1/10W	R3017	1-216-825-11	METAL CHIP	2.2K 5% 1/10W
R2942	1-216-829-11	METAL CHIP	4.7K 5% 1/10W	R3020	1-216-827-11	METAL CHIP	3.3K 5% 1/10W
R2943	1-216-849-11	METAL CHIP	220K 5% 1/10W	R3021	1-216-809-11	METAL CHIP	100 5% 1/10W
R2944	1-216-849-11	METAL CHIP	220K 5% 1/10W	R3022	1-216-809-11	METAL CHIP	100 5% 1/10W
R2945	1-218-704-11	METAL CHIP	3.3K 0.5% 1/10W	R3023	1-216-833-11	METAL CHIP	10K 5% 1/10W
R2946	1-218-710-11	METAL CHIP	5.6K 0.5% 1/10W	R3025	1-216-833-11	METAL CHIP	10K 5% 1/10W
R2947	1-216-825-11	METAL CHIP	2.2K 5% 1/10W	R3026	1-216-833-11	METAL CHIP	10K 5% 1/10W
R2948	1-216-849-11	METAL CHIP	220K 5% 1/10W	R3029	1-216-833-11	METAL CHIP	10K 5% 1/10W
R2949	1-216-809-11	METAL CHIP	100 5% 1/10W	R3030	1-216-827-11	METAL CHIP	3.3K 5% 1/10W
R2950	1-216-833-11	METAL CHIP	10K 5% 1/10W	R3031	1-216-809-11	METAL CHIP	100 5% 1/10W
R2951	1-216-809-11	METAL CHIP	100 5% 1/10W	R3032	1-216-821-11	METAL CHIP	1K 5% 1/10W
R2953	1-216-809-11	METAL CHIP	100 5% 1/10W	R3033	1-216-821-11	METAL CHIP	1K 5% 1/10W
R2955	1-216-809-11	METAL CHIP	100 5% 1/10W	R3034	1-216-821-11	METAL CHIP	1K 5% 1/10W
R2957	1-216-864-11	SHORT CHIP	0	R3045	1-216-809-11	METAL CHIP	100 5% 1/10W
R2958	1-216-805-11	METAL CHIP	47 5% 1/10W	R3047	1-216-864-11	SHORT CHIP	0
R2959	1-216-809-11	METAL CHIP	100 5% 1/10W	R3049	1-216-859-11	METAL CHIP	1.5M 5% 1/10W
R2960	1-216-864-11	SHORT CHIP	0	R3050	1-216-833-11	METAL CHIP	10K 5% 1/10W
R2961	1-216-864-11	SHORT CHIP	0	R3051	1-216-864-11	SHORT CHIP	0
R2962	1-216-864-11	SHORT CHIP	0	R3063	1-216-864-11	SHORT CHIP	0
R2966	1-216-821-11	METAL CHIP	1K 5% 1/10W	R3064	1-216-864-11	SHORT CHIP	0
R2968	1-216-821-11	METAL CHIP	1K 5% 1/10W	R3066	1-216-809-11	METAL CHIP	100 5% 1/10W
R2970	1-216-821-11	METAL CHIP	1K 5% 1/10W	R3068	1-216-825-11	METAL CHIP	2.2K 5% 1/10W
R2971	1-216-864-11	SHORT CHIP	0	R3069	1-216-820-11	METAL CHIP	820 5% 1/10W
R2972	1-216-817-11	METAL CHIP	470 5% 1/10W	R3070	1-216-864-11	SHORT CHIP	0
R2973	1-216-817-11	METAL CHIP	470 5% 1/10W	R3071	1-216-821-11	METAL CHIP	1K 5% 1/10W
R2974	1-218-678-11	METAL CHIP	270 0.5% 1/10W	R3072	1-216-855-11	METAL CHIP	680K 5% 1/10W
R2975	1-218-690-11	METAL CHIP	820 0.5% 1/10W	R3073	1-216-855-11	METAL CHIP	680K 5% 1/10W
R2976	1-216-864-11	SHORT CHIP	0	R3074	1-218-704-11	METAL CHIP	3.3K 0.5% 1/10W
R2977	1-218-700-11	METAL CHIP	2.2K 0.5% 1/10W	R3075	1-216-801-11	METAL CHIP	22 5% 1/10W
R2978	1-216-820-11	METAL CHIP	820 5% 1/10W	R3076	1-216-864-11	SHORT CHIP	0
R2979	1-216-820-11	METAL CHIP	820 5% 1/10W	R3077	1-216-841-11	METAL CHIP	47K 5% 1/10W
R2980	1-216-864-11	SHORT CHIP	0	R3078	1-216-815-11	METAL CHIP	330 5% 1/10W
R2981	1-216-817-11	METAL CHIP	470 5% 1/10W	R3079	1-216-815-11	METAL CHIP	330 5% 1/10W
R2982	1-216-817-11	METAL CHIP	470 5% 1/10W	R3089	1-216-864-11	SHORT CHIP	0
R2983	1-218-678-11	METAL CHIP	270 0.5% 1/10W	R3091	1-216-825-11	METAL CHIP	2.2K 5% 1/10W
R2984	1-218-690-11	METAL CHIP	820 0.5% 1/10W	R3092	1-216-825-11	METAL CHIP	2.2K 5% 1/10W
R2985	1-216-864-11	SHORT CHIP	0	R3093	1-216-864-11	SHORT CHIP	0
R2986	1-218-700-11	METAL CHIP	2.2K 0.5% 1/10W	R3095	1-216-845-11	METAL CHIP	100K 5% 1/10W
R2987	1-216-820-11	METAL CHIP	820 5% 1/10W	R3096	1-216-817-11	METAL CHIP	470 5% 1/10W
R2988	1-216-820-11	METAL CHIP	820 5% 1/10W	R3097	1-216-845-11	METAL CHIP	100K 5% 1/10W
R2989	1-216-864-11	SHORT CHIP	0	R3098	1-216-801-11	METAL CHIP	22 5% 1/10W
R2990	1-216-817-11	METAL CHIP	470 5% 1/10W	R3099	1-216-801-11	METAL CHIP	22 5% 1/10W
R2991	1-216-817-11	METAL CHIP	470 5% 1/10W	R3102	1-216-809-11	METAL CHIP	100 5% 1/10W
R2992	1-218-678-11	METAL CHIP	270 0.5% 1/10W	R3103	1-216-809-11	METAL CHIP	100 5% 1/10W
R2993	1-218-690-11	METAL CHIP	820 0.5% 1/10W	R3104	1-216-809-11	METAL CHIP	100 5% 1/10W
R2994	1-216-864-11	SHORT CHIP	0	R3105	1-216-809-11	METAL CHIP	100 5% 1/10W
R2995	1-218-700-11	METAL CHIP	2.2K 0.5% 1/10W	R3107	1-216-864-11	SHORT CHIP	0
R2996	1-216-820-11	METAL CHIP	820 5% 1/10W	R3108	1-216-833-11	METAL CHIP	10K 5% 1/10W
R2997	1-216-820-11	METAL CHIP	820 5% 1/10W	R3110	1-216-809-11	METAL CHIP	100 5% 1/10W





REF. NO.	PART NO.	DESCRIPTION	REMARK	REF. NO.	PART NO.	DESCRIPTION	REMARK
R3111	1-216-809-11	METAL CHIP	100 5% 1/10W	R3411	1-216-797-11	METAL CHIP	10 5% 1/10W
R3116	1-216-797-11	METAL CHIP	10 5% 1/10W	R3421	1-216-864-11	SHORT CHIP	0
R3117	1-216-797-11	METAL CHIP	10 5% 1/10W	R3422	1-216-864-11	SHORT CHIP	0
R3121	1-216-864-11	SHORT CHIP	0	R3425	1-216-864-11	SHORT CHIP	0
R3122	1-216-864-11	SHORT CHIP	0	R3428	1-469-094-21	FERRITE	0μH
R3123	1-216-833-11	METAL CHIP	10K 5% 1/10W	R3442	1-216-833-11	METAL CHIP	10K 5% 1/10W
R3125	1-216-864-11	SHORT CHIP	0	R3445	1-216-864-11	SHORT CHIP	0
R3126	1-216-864-11	SHORT CHIP	0	R3451	1-216-809-11	METAL CHIP	100 5% 1/10W
R3150	1-216-864-11	SHORT CHIP	0	R3452	1-216-864-11	SHORT CHIP	0
R3302	1-216-817-11	METAL CHIP	470 5% 1/10W	R3453	1-216-864-11	SHORT CHIP	0
R3303	1-218-710-11	METAL CHIP	5.6K 0.5% 1/10W	R3454	1-216-825-11	METAL CHIP	2.2K 5% 1/10W
R3304	1-216-809-11	METAL CHIP	100 5% 1/10W	R3456	1-216-864-11	SHORT CHIP	0
R3325	1-216-864-11	SHORT CHIP	0	R3457	1-216-813-11	METAL CHIP	220 5% 1/10W
R3335	1-216-833-11	METAL CHIP	10K 5% 1/10W	R3460	1-216-833-11	METAL CHIP	10K 5% 1/10W
R3341	1-216-813-11	METAL CHIP	220 5% 1/10W	R3461	1-216-833-11	METAL CHIP	10K 5% 1/10W
R3342	1-218-705-11	METAL CHIP	3.6K 0.5% 1/10W	R3466	1-216-813-11	METAL CHIP	220 5% 1/10W
R3343	1-216-809-11	METAL CHIP	100 5% 1/10W	R3470	1-216-801-11	METAL CHIP	22 5% 1/10W
R3344	1-216-853-11	METAL CHIP	470K 5% 1/10W	R3475	1-216-801-11	METAL CHIP	22 5% 1/10W
R3345	1-218-704-11	METAL CHIP	3.3K 0.5% 1/10W	R3480	1-216-809-11	METAL CHIP	100 5% 1/10W
R3346	1-216-809-11	METAL CHIP	100 5% 1/10W	R3489	1-216-864-11	SHORT CHIP	0
R3347	1-216-815-11	METAL CHIP	330 5% 1/10W	R3490	1-216-864-11	SHORT CHIP	0
R3348	1-216-864-11	SHORT CHIP	0	R3494	1-216-813-11	METAL CHIP	220 5% 1/10W
R3349	1-216-819-11	METAL CHIP	680 5% 1/10W	R3497	1-216-829-11	METAL CHIP	4.7K 5% 1/10W
R3350	1-216-814-11	METAL CHIP	270 5% 1/10W	R3498	1-216-818-11	METAL CHIP	560 5% 1/10W
R3351	1-216-825-11	METAL CHIP	2.2K 5% 1/10W	R3533	1-216-809-11	METAL CHIP	100 5% 1/10W
R3352	1-216-853-11	METAL CHIP	470K 5% 1/10W	R3534	1-216-809-11	METAL CHIP	100 5% 1/10W
R3353	1-216-837-11	METAL CHIP	22K 5% 1/10W	R3535	1-216-809-11	METAL CHIP	100 5% 1/10W
R3354	1-216-813-11	METAL CHIP	220 5% 1/10W	R3536	1-216-833-11	METAL CHIP	10K 5% 1/10W
R3355	1-216-821-11	METAL CHIP	1K 5% 1/10W	R3537	1-216-833-11	METAL CHIP	10K 5% 1/10W
R3357	1-218-676-11	METAL CHIP	220 0.5% 1/10W	R3538	1-216-864-11	SHORT CHIP	0
R3358	1-218-676-11	METAL CHIP	220 0.5% 1/10W	R3539	1-216-864-11	SHORT CHIP	0
R3359	1-218-676-11	METAL CHIP	220 0.5% 1/10W	R3540	1-216-864-11	SHORT CHIP	0
R3360	1-216-827-11	METAL CHIP	3.3K 5% 1/10W	R3541	1-216-864-11	SHORT CHIP	0
R3365	1-216-827-11	METAL CHIP	3.3K 5% 1/10W	R3542	1-216-864-11	SHORT CHIP	0
R3367	1-216-805-11	METAL CHIP	47 5% 1/10W	R3575	1-216-864-11	SHORT CHIP	0
R3368	1-216-864-11	SHORT CHIP	0	R3601	1-216-864-11	SHORT CHIP	0
R3370	1-216-833-11	METAL CHIP	10K 5% 1/10W	R3602	1-216-864-11	SHORT CHIP	0
R3371	1-218-686-11	METAL CHIP	560 0.5% 1/10W	R3603	1-216-864-11	SHORT CHIP	0
R3372	1-216-817-11	METAL CHIP	470 5% 1/10W	R3604	1-216-864-11	SHORT CHIP	0
R3373	1-216-817-11	METAL CHIP	470 5% 1/10W	R3605	1-216-864-11	SHORT CHIP	0
R3374	1-216-809-11	METAL CHIP	100 5% 1/10W	R3606	1-216-864-11	SHORT CHIP	0
R3375	1-218-686-11	METAL CHIP	560 0.5% 1/10W	R3607	1-216-864-11	SHORT CHIP	0
R3376	1-218-710-11	METAL CHIP	5.6K 0.5% 1/10W	R3608	1-216-864-11	SHORT CHIP	0
R3377	1-216-817-11	METAL CHIP	470 5% 1/10W	R3609	1-216-864-11	SHORT CHIP	0
R3378	1-216-817-11	METAL CHIP	470 5% 1/10W	R3610	1-216-833-11	METAL CHIP	10K 5% 1/10W
R3379	1-216-809-11	METAL CHIP	100 5% 1/10W	R3611	1-216-833-11	METAL CHIP	10K 5% 1/10W
R3380	1-218-686-11	METAL CHIP	560 0.5% 1/10W	R3612	1-216-845-11	METAL CHIP	100K 5% 1/10W
R3381	1-218-710-11	METAL CHIP	5.6K 0.5% 1/10W	R3613	1-216-801-11	METAL CHIP	22 5% 1/10W
R3383	1-216-817-11	METAL CHIP	470 5% 1/10W	R3614	1-216-827-11	METAL CHIP	3.3K 5% 1/10W
R3395	1-216-864-11	SHORT CHIP	0	R3615	1-218-867-11	METAL CHIP	6.8K 5% 1/10W
R3396	1-216-864-11	SHORT CHIP	0	R3616	1-216-809-11	METAL CHIP	100 5% 1/10W
R3400	1-216-864-11	SHORT CHIP	0	R3617	1-216-833-11	METAL CHIP	10K 5% 1/10W
R3401	1-216-864-11	SHORT CHIP	0	R3800	1-216-864-11	SHORT CHIP	0
R3406	1-216-833-11	METAL CHIP	10K 5% 1/10W	R3801	1-216-864-11	SHORT CHIP	0
R3407	1-216-864-11	SHORT CHIP	0	R3811	1-216-809-11	METAL CHIP	100 5% 1/10W
R3409	1-216-864-11	SHORT CHIP	0	R3812	1-216-809-11	METAL CHIP	100 5% 1/10W
R3410	1-216-833-11	METAL CHIP	10K 5% 1/10W				



REF. NO.	PART NO.	DESCRIPTION	REMARK	REF. NO.	PART NO.	DESCRIPTION	REMARK
R3813	1-216-809-11	METAL CHIP	100 5% 1/10W	R8615	1-218-668-11	METAL CHIP	100 0.5% 1/10W
R3818	1-216-864-11	SHORT CHIP	0	R8616	1-218-668-11	METAL CHIP	100 0.5% 1/10W
R3819	1-216-864-11	SHORT CHIP	0	R8617	1-218-668-11	METAL CHIP	100 0.5% 1/10W
R3820	1-218-680-11	METAL CHIP	330 0.5% 1/10W	R8618	1-218-679-11	METAL CHIP	300 0.5% 1/10W
R3821	1-218-680-11	METAL CHIP	330 0.5% 1/10W	R8619	1-218-679-11	METAL CHIP	300 0.5% 1/10W
R3822	1-218-680-11	METAL CHIP	330 0.5% 1/10W	R8620	1-218-675-11	METAL CHIP	200 0.5% 1/10W
R3823	1-216-826-11	METAL CHIP	2.7K 5% 1/10W	R8621	1-216-821-11	METAL CHIP	1K 5% 1/10W
R3824	1-216-826-11	METAL CHIP	2.7K 5% 1/10W	R8622	1-218-679-11	METAL CHIP	300 0.5% 1/10W
R3825	1-216-826-11	METAL CHIP	2.7K 5% 1/10W	R8623	1-218-679-11	METAL CHIP	300 0.5% 1/10W
R3826	1-218-693-11	METAL CHIP	1.1K 0.5% 1/10W	R8624	1-218-675-11	METAL CHIP	200 0.5% 1/10W
R3827	1-218-700-11	METAL CHIP	2.2K 0.5% 1/10W	R8625	1-216-821-11	METAL CHIP	1K 5% 1/10W
R3828	1-218-682-11	METAL CHIP	390 0.5% 1/10W	R8626	1-216-809-11	METAL CHIP	100 5% 1/10W
R3829	1-218-682-11	METAL CHIP	390 0.5% 1/10W	R8627	1-216-809-11	METAL CHIP	100 5% 1/10W
R3830	1-218-682-11	METAL CHIP	390 0.5% 1/10W	R8628	1-216-809-11	METAL CHIP	100 5% 1/10W
R3831	1-218-693-11	METAL CHIP	1.1K 0.5% 1/10W	R8629	1-216-817-11	METAL CHIP	470 5% 1/10W
R3832	1-218-700-11	METAL CHIP	2.2K 0.5% 1/10W	R8630	1-216-817-11	METAL CHIP	470 5% 1/10W
R3833	1-218-693-11	METAL CHIP	1.1K 0.5% 1/10W	R8631	1-216-817-11	METAL CHIP	470 5% 1/10W
R3840	1-216-805-11	METAL CHIP	47 5% 1/10W	R8632	1-216-821-11	METAL CHIP	1K 5% 1/10W
R3843	1-218-700-11	METAL CHIP	2.2K 0.5% 1/10W	R8636	1-216-821-11	METAL CHIP	1K 5% 1/10W
R3846	1-216-801-11	METAL CHIP	22 5% 1/10W	R8637	1-216-821-11	METAL CHIP	1K 5% 1/10W
R3847	1-216-801-11	METAL CHIP	22 5% 1/10W	R8638	1-216-821-11	METAL CHIP	1K 5% 1/10W
R3848	1-216-825-11	METAL CHIP	2.2K 5% 1/10W	R8639	1-218-704-11	METAL CHIP	3.3K 0.5% 1/10W
R3849	1-218-675-11	METAL CHIP	200 0.5% 1/10W	R8641	1-216-821-11	METAL CHIP	1K 5% 1/10W
R3850	1-218-675-11	METAL CHIP	200 0.5% 1/10W	R8642	1-218-703-11	METAL CHIP	3K 0.5% 1/10W
R3851	1-216-809-11	METAL CHIP	100 5% 1/10W	R8643	1-216-821-11	METAL CHIP	1K 5% 1/10W
R3852	1-218-675-11	METAL CHIP	200 0.5% 1/10W	R8645	1-216-821-11	METAL CHIP	1K 5% 1/10W
R3854	1-216-825-11	METAL CHIP	2.2K 5% 1/10W	R8646	1-216-821-11	METAL CHIP	1K 5% 1/10W
R3857	1-216-809-11	METAL CHIP	100 5% 1/10W	R8647	1-216-833-11	METAL CHIP	10K 5% 1/10W
R3858	1-218-704-11	METAL CHIP	3.3K 0.5% 1/10W	R8648	1-216-830-11	METAL CHIP	5.6K 5% 1/10W
R3862	1-216-825-11	METAL CHIP	2.2K 5% 1/10W	R8650	1-216-833-11	METAL CHIP	10K 5% 1/10W
R3863	1-218-700-11	METAL CHIP	2.2K 0.5% 1/10W	R8651	1-216-801-11	METAL CHIP	22 5% 1/10W
R3864	1-216-827-11	METAL CHIP	3.3K 5% 1/10W	R8652	1-216-833-11	METAL CHIP	10K 5% 1/10W
R3865	1-216-809-11	METAL CHIP	100 5% 1/10W	R8653	1-216-833-11	METAL CHIP	10K 5% 1/10W
R3866	1-414-234-22	FERRITE	0μH	R8654	1-216-864-11	SHORT CHIP	0
R3867	1-414-234-22	FERRITE	0μH	R8655	1-216-864-11	SHORT CHIP	0
R3868	1-414-234-22	FERRITE	0μH				
R3881	1-216-807-11	METAL CHIP	68 5% 1/10W			<NETWORK RESISTOR>	
R3882	1-216-807-11	METAL CHIP	68 5% 1/10W				
R3883	1-216-807-11	METAL CHIP	68 5% 1/10W				
R3911	1-216-821-11	METAL CHIP	1K 5% 1/10W	RB3005	1-239-409-11	RES, CHIP NETWORK 47 (3216)	
R3917	1-216-801-11	METAL CHIP	22 5% 1/10W	RB3006	1-239-409-11	RES, CHIP NETWORK 47 (3216)	
R3928	1-216-833-11	METAL CHIP	10K 5% 1/10W	RB3007	1-239-409-11	RES, CHIP NETWORK 47 (3216)	
R3933	1-216-864-11	SHORT CHIP	0	RB3008	1-239-409-11	RES, CHIP NETWORK 47 (3216)	
R3956	1-216-825-11	METAL CHIP	2.2K 5% 1/10W	RB3009	1-239-409-11	RES, CHIP NETWORK 47 (3216)	
R3957	1-216-825-11	METAL CHIP	2.2K 5% 1/10W	RB3010	1-239-409-11	RES, CHIP NETWORK 47 (3216)	
R3958	1-216-825-11	METAL CHIP	2.2K 5% 1/10W	RB3011	1-239-409-11	RES, CHIP NETWORK 47 (3216)	
R3973	1-216-801-11	METAL CHIP	22 5% 1/10W	RB3012	1-239-409-11	RES, CHIP NETWORK 47 (3216)	
R3974	1-216-833-11	METAL CHIP	10K 5% 1/10W	RB3013	1-239-409-11	RES, CHIP NETWORK 47 (3216)	
R8606	1-216-819-11	METAL CHIP	680 5% 1/10W	RB3014	1-239-409-11	RES, CHIP NETWORK 47 (3216)	
R8607	1-216-819-11	METAL CHIP	680 5% 1/10W	RB3015	1-239-409-11	RES, CHIP NETWORK 47 (3216)	
R8608	1-216-819-11	METAL CHIP	680 5% 1/10W	RB3100	1-233-574-11	RES, CHIP NETWORK 10	
R8609	1-216-809-11	METAL CHIP	100 5% 1/10W	RB3101	1-233-574-11	RES, CHIP NETWORK 10	
R8610	1-216-809-11	METAL CHIP	100 5% 1/10W	RB3102	1-233-574-11	RES, CHIP NETWORK 10	
R8611	1-216-809-11	METAL CHIP	100 5% 1/10W	RB3103	1-233-574-11	RES, CHIP NETWORK 10	
R8612	1-216-820-11	METAL CHIP	820 5% 1/10W	RB3304	1-233-576-11	RES, CHIP NETWORK 100	
R8613	1-216-820-11	METAL CHIP	820 5% 1/10W	RB3305	1-233-576-11	RES, CHIP NETWORK 100	
R8614	1-216-820-11	METAL CHIP	820 5% 1/10W	RB3306	1-233-576-11	RES, CHIP NETWORK 100	
				RB3307	1-233-576-11	RES, CHIP NETWORK 100	



REF. NO.	PART NO.	DESCRIPTION	REMARK	REF. NO.	PART NO.	DESCRIPTION	REMARK
RB3401	1-234-524-21	RES, CHIP NETWORK 33		C4618	1-125-891-11	CERAMIC CHIP	0.47µF 10% 10V
RB3402	1-234-524-21	RES, CHIP NETWORK 33		C4619	1-125-891-11	CERAMIC CHIP	0.47µF 10% 10V
RB3403	1-234-524-21	RES, CHIP NETWORK 33		C4620	1-125-891-11	CERAMIC CHIP	0.47µF 10% 10V
RB3404	1-234-524-21	RES, CHIP NETWORK 33		C4621	1-126-935-11	ELECT	470µF 20% 10V
RB3405	1-234-524-21	RES, CHIP NETWORK 33		C4622	1-164-156-11	CERAMIC CHIP	0.1µF 25V
RB3406	1-234-524-21	RES, CHIP NETWORK 33		C4623	1-164-156-11	CERAMIC CHIP	0.1µF 25V
RB3407	1-239-409-11	RES, CHIP NETWORK 47 (3216)		C4624	1-164-156-11	CERAMIC CHIP	0.1µF 25V
RB3408	1-239-409-11	RES, CHIP NETWORK 47 (3216)		C4625	1-126-933-11	ELECT	100µF 20% 16V
RB3409	1-239-409-11	RES, CHIP NETWORK 47 (3216)		C4626	1-164-156-11	CERAMIC CHIP	0.1µF 25V
RB3410	1-239-409-11	RES, CHIP NETWORK 47 (3216)		C4627	1-107-826-11	CERAMIC CHIP	0.1µF 10% 16V
RB3411	1-239-409-11	RES, CHIP NETWORK 47 (3216)		C4628	1-162-916-11	CERAMIC CHIP	12pF 5% 50V
RB3412	1-239-409-11	RES, CHIP NETWORK 47 (3216)		C4629	1-107-826-11	CERAMIC CHIP	0.1µF 10% 16V
RB3421	1-233-576-11	RES, CHIP NETWORK 100		C4630	1-107-826-11	CERAMIC CHIP	0.1µF 10% 16V
RB3422	1-233-576-11	RES, CHIP NETWORK 100		C4631	1-125-891-11	CERAMIC CHIP	0.47µF 10% 10V
RB3423	1-233-576-11	RES, CHIP NETWORK 100		C4632	1-164-315-11	CERAMIC CHIP	470pF 5% 50V
RB3424	1-233-576-11	RES, CHIP NETWORK 100		C4633	1-107-826-11	CERAMIC CHIP	0.1µF 10% 16V
RB3425	1-233-576-11	RES, CHIP NETWORK 100		C4634	1-164-156-11	CERAMIC CHIP	0.1µF 25V
RB3426	1-233-576-11	RES, CHIP NETWORK 100		C4635	1-125-837-91	CERAMIC CHIP	1µF 10% 6.3V
RB3427	1-233-576-11	RES, CHIP NETWORK 100		C4636	1-162-970-11	CERAMIC CHIP	0.01µF 10% 25V
RB3428	1-233-576-11	RES, CHIP NETWORK 100		C4637	1-126-935-11	ELECT	470µF 20% 10V
RB3436	1-234-523-21	RES, CHIP NETWORK 0	(3216)	C4638	1-107-826-11	CERAMIC CHIP	0.1µF 10% 16V
RB3437	1-234-523-21	RES, CHIP NETWORK 0	(3216)	C4639	1-107-826-11	CERAMIC CHIP	0.1µF 10% 16V
RB3438	1-234-523-21	RES, CHIP NETWORK 0	(3216)	C4640	1-164-156-11	CERAMIC CHIP	0.1µF 25V
RB3439	1-234-523-21	RES, CHIP NETWORK 0	(3216)	C4641	1-126-963-11	ELECT	4.7µF 20% 50V
		<CRYSTAL>		C4642	1-107-826-11	CERAMIC CHIP	0.1µF 10% 16V
X2801	1-760-895-21	VIBRATOR, CERAMIC 2.7MHz		C4643	1-107-826-11	CERAMIC CHIP	0.1µF 10% 16V
X3089	1-781-945-21	VIBRATOR, CERAMIC 20MHz		C4644	1-107-826-11	CERAMIC CHIP	0.1µF 10% 16V
X3401	1-781-887-21	VIBRATOR, CRYSTAL 18.543956MHz		C4645	1-164-156-11	CERAMIC CHIP	0.1µF 25V
				C4646	1-162-970-11	CERAMIC CHIP	0.01µF 10% 25V
				C4647	1-164-156-11	CERAMIC CHIP	0.1µF 25V
				C4648	1-126-935-11	ELECT	470µF 20% 10V
				C4649	1-125-891-11	CERAMIC CHIP	0.47µF 10% 10V
				C4650	1-107-826-11	CERAMIC CHIP	0.1µF 10% 16V
				C4651	1-107-826-11	CERAMIC CHIP	0.1µF 10% 16V
				C4652	1-126-963-11	ELECT	4.7µF 20% 50V
				C4653	1-107-826-11	CERAMIC CHIP	0.1µF 10% 16V
				C4654	1-162-970-11	CERAMIC CHIP	0.01µF 10% 25V
				C4655	1-125-891-11	CERAMIC CHIP	0.47µF 10% 10V
				C4656	1-125-891-11	CERAMIC CHIP	0.47µF 10% 10V
				C4657	1-162-927-11	CERAMIC CHIP	100pF 5% 50V
				C4659	1-126-947-11	ELECT	47µF 20% 16V
				C4660	1-126-947-11	ELECT	47µF 20% 16V
				C4664	1-126-933-11	ELECT	100µF 20% 16V
				C4665	1-164-156-11	CERAMIC CHIP	0.1µF 25V
				C4666	1-126-964-11	ELECT	10µF 20% 50V
				C4667	1-126-964-11	ELECT	10µF 20% 50V
				C4668	1-126-964-11	ELECT	10µF 20% 50V
				C4669	1-126-964-11	ELECT	10µF 20% 50V
				C4671	1-126-964-11	ELECT	10µF 20% 50V
				C4672	1-126-964-11	ELECT	10µF 20% 50V
				C4673	1-107-826-11	CERAMIC CHIP	0.1µF 10% 16V
				C4674	1-126-933-11	ELECT	100µF 20% 16V
				C4675	1-164-156-11	CERAMIC CHIP	0.1µF 25V
				C4676	1-164-156-11	CERAMIC CHIP	0.1µF 25V
				C4677	1-164-156-11	CERAMIC CHIP	0.1µF 25V
				C4678	1-126-947-11	ELECT	47µF 20% 16V
				C4679	1-164-156-11	CERAMIC CHIP	0.1µF 25V
C4601	1-126-964-11	ELECT	10µF 20% 50V				
C4602	1-126-964-11	ELECT	10µF 20% 50V				
C4603	1-126-964-11	ELECT	10µF 20% 50V				
C4604	1-126-964-11	ELECT	10µF 20% 50V				
C4605	1-126-964-11	ELECT	10µF 20% 50V				
C4606	1-126-964-11	ELECT	10µF 20% 50V				
C4607	1-125-891-11	CERAMIC CHIP	0.47µF 10% 10V				
C4608	1-125-891-11	CERAMIC CHIP	0.47µF 10% 10V				
C4609	1-125-891-11	CERAMIC CHIP	0.47µF 10% 10V				
C4610	1-216-864-11	SHORT CHIP	0				
C4611	1-164-156-11	CERAMIC CHIP	0.1µF 25V				
C4612	1-216-864-11	SHORT CHIP	0				
C4613	1-125-891-11	CERAMIC CHIP	0.47µF 10% 10V				
C4614	1-125-891-11	CERAMIC CHIP	0.47µF 10% 10V				
C4615	1-125-891-11	CERAMIC CHIP	0.47µF 10% 10V				
C4616	1-125-891-11	CERAMIC CHIP	0.47µF 10% 10V				
C4617	1-164-156-11	CERAMIC CHIP	0.1µF 25V				

\*\*\*\*\*

\* A-1300-697-A BC BOARD, COMPLETE  
\*\*\*\*\*

<CAPACITOR>

BC

REF. NO.	PART NO.	DESCRIPTION		REMARK	REF. NO.	PART NO.	DESCRIPTION		REMARK
C4680	1-126-947-11	ELECT	47 $\mu$ F	20% 25V	C4828	1-164-156-11	CERAMIC CHIP	0.1 $\mu$ F	25V
C4681	1-107-826-11	CERAMIC CHIP	0.1 $\mu$ F	10% 16V	C4829	1-125-837-91	CERAMIC CHIP	1 $\mu$ F	10% 6.3V
C4682	1-126-947-11	ELECT	47 $\mu$ F	20% 16V	C4830	1-162-917-11	CERAMIC CHIP	15pF	5% 50V
C4683	1-126-947-11	ELECT	47 $\mu$ F	20% 16V	C4831	1-162-917-11	CERAMIC CHIP	15pF	5% 50V
C4684	1-162-916-11	CERAMIC CHIP	12pF	5% 50V	C4832	1-115-156-11	CERAMIC CHIP	1 $\mu$ F	10V
C4685	1-164-315-11	CERAMIC CHIP	470pF	5% 50V	C4833	1-164-156-11	CERAMIC CHIP	0.1 $\mu$ F	25V
C4686	1-107-826-11	CERAMIC CHIP	0.1 $\mu$ F	10% 16V	C4834	1-126-933-11	ELECT	100 $\mu$ F	20% 16V
C4687	1-125-891-11	CERAMIC CHIP	0.47 $\mu$ F	10% 10V	C4835	1-162-917-11	CERAMIC CHIP	15pF	5% 50V
C4688	1-164-156-11	CERAMIC CHIP	0.1 $\mu$ F	25V	C4836	1-162-915-11	CERAMIC CHIP	10pF	0.50pF 50V
C4691	1-126-935-11	ELECT	470 $\mu$ F	20% 10V	C4837	1-162-923-11	CERAMIC CHIP	47pF	5% 50V
C4692	1-107-826-11	CERAMIC CHIP	0.1 $\mu$ F	10% 16V	C4838	1-125-837-91	CERAMIC CHIP	1 $\mu$ F	10% 6.3V
C4693	1-126-963-11	ELECT	4.7 $\mu$ F	20% 50V	C4839	1-164-156-11	CERAMIC CHIP	0.1 $\mu$ F	25V
C4694	1-164-156-11	CERAMIC CHIP	0.1 $\mu$ F	25V	C4840	1-162-913-11	CERAMIC CHIP	8pF	0.50pF 50V
C4695	1-162-970-11	CERAMIC CHIP	0.01 $\mu$ F	10% 25V	C4841	1-126-933-11	ELECT	100 $\mu$ F	20% 16V
C4696	1-125-891-11	CERAMIC CHIP	0.47 $\mu$ F	10% 10V	C4843	1-164-156-11	CERAMIC CHIP	0.1 $\mu$ F	25V
C4697	1-164-156-11	CERAMIC CHIP	0.1 $\mu$ F	25V	C4844	1-164-156-11	CERAMIC CHIP	0.1 $\mu$ F	25V
C4698	1-126-935-11	ELECT	470 $\mu$ F	20% 10V	C4846	1-162-921-11	CERAMIC CHIP	33pF	5% 50V
C4699	1-107-826-11	CERAMIC CHIP	0.1 $\mu$ F	10% 16V	C4847	1-162-917-11	CERAMIC CHIP	15pF	5% 50V
C4700	1-162-970-11	CERAMIC CHIP	0.01 $\mu$ F	10% 25V	C4848	1-164-156-11	CERAMIC CHIP	0.1 $\mu$ F	25V
C4701	1-107-826-11	CERAMIC CHIP	0.1 $\mu$ F	10% 16V	C4849	1-162-919-11	CERAMIC CHIP	22pF	5% 50V
C4702	1-126-963-11	ELECT	4.7 $\mu$ F	20% 50V	C4850	1-126-933-11	ELECT	100 $\mu$ F	20% 16V
C4703	1-107-826-11	CERAMIC CHIP	0.1 $\mu$ F	10% 16V	C4851	1-164-156-11	CERAMIC CHIP	0.1 $\mu$ F	25V
C4704	1-125-891-11	CERAMIC CHIP	0.47 $\mu$ F	10% 10V	C4852	1-126-933-11	ELECT	100 $\mu$ F	20% 16V
C4705	1-162-970-11	CERAMIC CHIP	0.01 $\mu$ F	10% 25V	C4853	1-107-826-11	CERAMIC CHIP	0.1 $\mu$ F	10% 16V
C4706	1-125-891-11	CERAMIC CHIP	0.47 $\mu$ F	10% 10V	C4854	1-126-934-11	ELECT	220 $\mu$ F	20% 16V
C4708	1-162-927-11	CERAMIC CHIP	100pF	5% 50V	C4855	1-126-934-11	ELECT	220 $\mu$ F	20% 16V
C4710	1-126-933-11	ELECT	100 $\mu$ F	20% 16V	C4856	1-107-826-11	CERAMIC CHIP	0.1 $\mu$ F	10% 16V
C4711	1-126-933-11	ELECT	100 $\mu$ F	20% 16V	C4857	1-164-156-11	CERAMIC CHIP	0.1 $\mu$ F	25V
C4712	1-125-891-11	CERAMIC CHIP	0.47 $\mu$ F	10% 10V	C4858	1-164-156-11	CERAMIC CHIP	0.1 $\mu$ F	25V
C4713	1-125-891-11	CERAMIC CHIP	0.47 $\mu$ F	10% 10V	C4859	1-164-156-11	CERAMIC CHIP	0.1 $\mu$ F	25V
C4801	1-164-156-11	CERAMIC CHIP	0.1 $\mu$ F	25V	C4860	1-164-156-11	CERAMIC CHIP	0.1 $\mu$ F	25V
C4802	1-162-975-11	CERAMIC CHIP	24pF	5% 50V	C4861	1-164-156-11	CERAMIC CHIP	0.1 $\mu$ F	25V
C4803	1-162-975-11	CERAMIC CHIP	24pF	5% 50V	C4862	1-164-156-11	CERAMIC CHIP	0.1 $\mu$ F	25V
C4804	1-164-392-11	CERAMIC CHIP	390pF	5% 50V	C4863	1-126-933-11	ELECT	100 $\mu$ F	20% 16V
C4805	1-164-156-11	CERAMIC CHIP	0.1 $\mu$ F	25V	C4864	1-164-156-11	CERAMIC CHIP	0.1 $\mu$ F	25V
C4806	1-126-947-11	ELECT	47 $\mu$ F	20% 25V	C4865	1-164-156-11	CERAMIC CHIP	0.1 $\mu$ F	25V
C4807	1-164-156-11	CERAMIC CHIP	0.1 $\mu$ F	25V	C4866	1-126-933-11	ELECT	100 $\mu$ F	20% 16V
C4808	1-164-156-11	CERAMIC CHIP	0.1 $\mu$ F	25V	C4867	1-164-156-11	CERAMIC CHIP	0.1 $\mu$ F	25V
C4809	1-164-156-11	CERAMIC CHIP	0.1 $\mu$ F	25V	C4868	1-164-156-11	CERAMIC CHIP	0.1 $\mu$ F	25V
C4810	1-164-156-11	CERAMIC CHIP	0.1 $\mu$ F	25V	C4869	1-164-156-11	CERAMIC CHIP	0.1 $\mu$ F	25V
C4812	1-164-156-11	CERAMIC CHIP	0.1 $\mu$ F	25V	C4870	1-164-156-11	CERAMIC CHIP	0.1 $\mu$ F	25V
C4813	1-164-156-11	CERAMIC CHIP	0.1 $\mu$ F	25V	C4871	1-164-156-11	CERAMIC CHIP	0.1 $\mu$ F	25V
C4814	1-164-156-11	CERAMIC CHIP	0.1 $\mu$ F	25V	C4872	1-125-891-11	CERAMIC CHIP	0.47 $\mu$ F	10% 10V
C4815	1-164-156-11	CERAMIC CHIP	0.1 $\mu$ F	25V	C4873	1-107-826-11	CERAMIC CHIP	0.1 $\mu$ F	10% 16V
C4816	1-164-156-11	CERAMIC CHIP	0.1 $\mu$ F	25V	C4874	1-164-156-11	CERAMIC CHIP	0.1 $\mu$ F	25V
C4817	1-164-156-11	CERAMIC CHIP	0.1 $\mu$ F	25V	C4875	1-107-826-11	CERAMIC CHIP	0.1 $\mu$ F	10% 16V
C4818	1-164-156-11	CERAMIC CHIP	0.1 $\mu$ F	25V	C4876	1-164-156-11	CERAMIC CHIP	0.1 $\mu$ F	25V
C4819	1-126-947-11	ELECT	47 $\mu$ F	20% 25V	C4877	1-125-891-11	CERAMIC CHIP	0.47 $\mu$ F	10% 10V
C4820	1-126-933-11	ELECT	100 $\mu$ F	20% 16V	C4878	1-107-826-11	CERAMIC CHIP	0.1 $\mu$ F	10% 16V
C4821	1-164-156-11	CERAMIC CHIP	0.1 $\mu$ F	25V	C4879	1-164-230-11	CERAMIC CHIP	220pF	5% 50V
C4822	1-164-156-11	CERAMIC CHIP	0.1 $\mu$ F	25V	C4880	1-164-156-11	CERAMIC CHIP	0.1 $\mu$ F	25V
C4823	1-164-156-11	CERAMIC CHIP	0.1 $\mu$ F	25V	C4881	1-107-826-11	CERAMIC CHIP	0.1 $\mu$ F	10% 16V
C4824	1-164-156-11	CERAMIC CHIP	0.1 $\mu$ F	25V	C4882	1-164-230-11	CERAMIC CHIP	220pF	5% 50V
C4825	1-164-156-11	CERAMIC CHIP	0.1 $\mu$ F	25V	C4883	1-164-156-11	CERAMIC CHIP	0.1 $\mu$ F	25V
C4826	1-126-933-11	ELECT	100 $\mu$ F	20% 16V	C4884	1-126-933-11	ELECT	100 $\mu$ F	20% 16V
C4827	1-164-156-11	CERAMIC CHIP	0.1 $\mu$ F	25V					



REF. NO.	PART NO.	DESCRIPTION	REMARK	REF. NO.	PART NO.	DESCRIPTION	REMARK
		<CONNECTOR>					
CN4601 *	1-793-923-11	CONNECTOR, IN (PLUG) 64P		L4610	1-469-555-21	INDUCTOR	10µH
		<DIODE>		L4611	1-469-555-21	INDUCTOR	10µH
D4601	8-719-041-97	DIODE MA113-(TX)		L4612	1-469-555-21	INDUCTOR	10µH
D4602	8-719-041-97	DIODE MA113-(TX)		L4613	1-469-555-21	INDUCTOR	10µH
D4603	8-719-041-97	DIODE MA113-(TX)		L4801	1-469-553-21	INDUCTOR	4.7µH
D4801	8-719-914-43	DIODE DAN202K		L4802	1-469-555-21	INDUCTOR	10µH
D4802	8-719-914-43	DIODE DAN202K					
D4803	8-719-914-44	DIODE DAP202K		L4803	1-469-555-21	INDUCTOR	10µH
D4804	8-719-914-44	DIODE DAP202K		L4804	1-469-555-21	INDUCTOR	10µH
		<FERRITE BEAD>		L4805	1-469-555-21	INDUCTOR	10µH
FB4801	1-414-229-11	FERRITE	0µH	L4806	1-412-005-11	INDUCTOR	8.2µH
FB4802	1-414-229-11	FERRITE	0µH	L4807	1-469-555-21	INDUCTOR	10µH
		<FILTER>		L4808	1-469-555-21	INDUCTOR	10µH
FL4601	1-234-557-21	FILTER, LOW PASS		L4809	1-469-555-21	INDUCTOR	10µH
FL4602	1-234-557-21	FILTER, LOW PASS		L4810	1-469-555-21	INDUCTOR	10µH
FL4603	1-234-558-21	FILTER, LOW PASS		L4811	1-469-555-21	INDUCTOR	10µH
FL4604	1-234-558-21	FILTER, LOW PASS		L4812	1-469-555-21	INDUCTOR	10µH
FL4605	1-234-557-21	FILTER, LOW PASS					
FL4606	1-234-557-21	FILTER, LOW PASS					
FL4801	1-239-848-21	FILTER, LOW PASS					
FL4802	1-239-848-21	FILTER, LOW PASS					
FL4803	1-239-848-21	FILTER, LOW PASS					
FL4804	1-239-848-21	FILTER, LOW PASS					
		<IC>					
IC4601	8-752-103-44	IC CXA2171Q					
IC4602	8-759-831-53	IC MC74LVX8053DR2					
IC4603	8-752-102-21	IC CXA2103AQ					
IC4604	8-759-572-04	IC TDA9178T/N1.118					
IC4605	6-700-205-01	IC TC74LVX157FT(EL)					
IC4606	6-700-205-01	IC TC74LVX157FT(EL)					
IC4607	8-759-448-68	IC NJM2283V-TE1					
IC4608	8-752-102-21	IC CXA2103AQ					
IC4801	6-700-960-01	IC µPD64083GF-3BA					
IC4802	6-700-399-01	IC µPC2925T-E1					
IC4803	8-752-930-68	IC CXP964032-001Q					
IC4804	8-752-930-68	IC CXP964032-001Q					
		<COIL>					
L4601	1-469-555-21	INDUCTOR	10µH				
L4602	1-469-555-21	INDUCTOR	10µH				
L4603	1-469-555-21	INDUCTOR	10µH				
L4604	1-469-555-21	INDUCTOR	10µH				
L4605	1-469-555-21	INDUCTOR	10µH				
L4606	1-469-555-21	INDUCTOR	10µH				
L4607	1-469-555-21	INDUCTOR	10µH				
L4608	1-216-864-11	SHORT CHIP	0				
L4609	1-216-864-11	SHORT CHIP	0				



REF. NO.	PART NO.	DESCRIPTION	REMARK	REF. NO.	PART NO.	DESCRIPTION	REMARK
Q4641	8-729-422-33	TRANSISTOR	2SD601A-Q-TX	R4620	1-216-808-11	METAL CHIP	82 5% 1/10W
Q4642	8-729-422-33	TRANSISTOR	2SD601A-Q-TX	R4621	1-216-864-11	SHORT CHIP	0
Q4643	8-729-216-22	TRANSISTOR	2SA1162-G	R4622	1-216-814-11	METAL CHIP	270 5% 1/10W
Q4644	8-729-216-22	TRANSISTOR	2SA1162-G	R4623	1-216-814-11	METAL CHIP	270 5% 1/10W
Q4645	8-729-216-22	TRANSISTOR	2SA1162-G	R4624	1-216-814-11	METAL CHIP	270 5% 1/10W
Q4646	8-729-422-33	TRANSISTOR	2SD601A-Q-TX	R4625	1-216-821-11	METAL CHIP	1K 5% 1/10W
Q4647	8-729-422-33	TRANSISTOR	2SD601A-Q-TX	R4626	1-216-821-11	METAL CHIP	1K 5% 1/10W
Q4801	8-729-216-22	TRANSISTOR	2SA1162-G	R4627	1-218-676-11	METAL CHIP	220 0.5% 1/10W
Q4802	8-729-216-22	TRANSISTOR	2SA1162-G	R4628	1-216-801-11	METAL CHIP	22 5% 1/10W
Q4803	8-729-216-22	TRANSISTOR	2SA1162-G	R4629	1-216-801-11	METAL CHIP	22 5% 1/10W
Q4804	8-729-422-33	TRANSISTOR	2SD601A-Q-TX	R4630	1-216-801-11	METAL CHIP	22 5% 1/10W
Q4805	8-729-216-22	TRANSISTOR	2SA1162-G	R4631	1-218-676-11	METAL CHIP	220 0.5% 1/10W
Q4806	8-729-422-33	TRANSISTOR	2SD601A-Q-TX	R4632	1-218-676-11	METAL CHIP	220 0.5% 1/10W
Q4807	8-729-216-22	TRANSISTOR	2SA1162-G	R4633	1-216-801-11	METAL CHIP	22 5% 1/10W
Q4808	8-729-422-33	TRANSISTOR	2SD601A-Q-TX	R4634	1-216-801-11	METAL CHIP	22 5% 1/10W
Q4809	8-729-422-33	TRANSISTOR	2SD601A-Q-TX	R4635	1-216-850-11	METAL CHIP	270K 5% 1/10W
Q4810	8-729-422-33	TRANSISTOR	2SD601A-Q-TX	R4636	1-216-805-11	METAL CHIP	47 5% 1/10W
Q4811	8-729-422-33	TRANSISTOR	2SD601A-Q-TX	R4637	1-218-716-11	METAL CHIP	10K 0.5% 1/10W
Q4812	8-729-422-33	TRANSISTOR	2SD601A-Q-TX	R4638	1-216-835-11	METAL CHIP	15K 5% 1/10W
Q4813	8-729-422-33	TRANSISTOR	2SD601A-Q-TX	R4639	1-216-864-11	SHORT CHIP	0
Q4814	8-729-422-33	TRANSISTOR	2SD601A-Q-TX	R4640	1-216-864-11	SHORT CHIP	0
Q4815	8-729-216-22	TRANSISTOR	2SA1162-G	R4642	1-216-805-11	METAL CHIP	47 5% 1/10W
Q4816	8-729-422-33	TRANSISTOR	2SD601A-Q-TX	R4643	1-216-845-11	METAL CHIP	100K 5% 1/10W
Q4817	8-729-216-22	TRANSISTOR	2SA1162-G	R4644	1-216-845-11	METAL CHIP	100K 5% 1/10W
Q4818	8-729-422-33	TRANSISTOR	2SD601A-Q-TX	R4645	1-216-845-11	METAL CHIP	100K 5% 1/10W
Q4819	8-729-422-33	TRANSISTOR	2SD601A-Q-TX	R4646	1-216-845-11	METAL CHIP	100K 5% 1/10W
Q4820	8-729-422-33	TRANSISTOR	2SD601A-Q-TX	R4647	1-216-845-11	METAL CHIP	100K 5% 1/10W
Q4821	8-729-422-33	TRANSISTOR	2SD601A-Q-TX	R4648	1-216-845-11	METAL CHIP	100K 5% 1/10W
Q4822	8-729-422-33	TRANSISTOR	2SD601A-Q-TX	R4649	1-216-805-11	METAL CHIP	47 5% 1/10W
Q4823	8-729-422-33	TRANSISTOR	2SD601A-Q-TX	R4651	1-216-821-11	METAL CHIP	1K 5% 1/10W
Q4824	8-729-216-22	TRANSISTOR	2SA1162-G	R4653	1-216-833-11	METAL CHIP	10K 5% 1/10W
Q4825	8-729-216-22	TRANSISTOR	2SA1162-G	R4654	1-216-801-11	METAL CHIP	22 5% 1/10W
Q4826	8-729-422-33	TRANSISTOR	2SD601A-Q-TX	R4655	1-216-809-11	METAL CHIP	100 5% 1/10W
Q4827	8-729-422-33	TRANSISTOR	2SD601A-Q-TX	R4656	1-216-809-11	METAL CHIP	100 5% 1/10W
		<RESISTOR>		R4657	1-216-809-11	METAL CHIP	100 5% 1/10W
R4601	1-216-809-11	METAL CHIP	100 5% 1/10W	R4658	1-216-801-11	METAL CHIP	22 5% 1/10W
R4602	1-216-825-11	METAL CHIP	2.2K 5% 1/10W	R4659	1-218-676-11	METAL CHIP	220 0.5% 1/10W
R4603	1-216-837-11	METAL CHIP	22K 5% 1/10W	R4660	1-216-828-11	METAL CHIP	3.9K 5% 1/10W
R4604	1-216-837-11	METAL CHIP	22K 5% 1/10W	R4661	1-218-676-11	METAL CHIP	220 0.5% 1/10W
R4605	1-216-837-11	METAL CHIP	22K 5% 1/10W	R4662	1-218-676-11	METAL CHIP	220 0.5% 1/10W
R4606	1-216-837-11	METAL CHIP	22K 5% 1/10W	R4663	1-218-672-11	METAL CHIP	150 0.5% 1/10W
R4607	1-216-821-11	METAL CHIP	1K 5% 1/10W	R4664	1-216-833-11	METAL CHIP	10K 5% 1/10W
R4608	1-216-821-11	METAL CHIP	1K 5% 1/10W	R4665	1-218-672-11	METAL CHIP	150 0.5% 1/10W
R4609	1-216-837-11	METAL CHIP	22K 5% 1/10W	R4666	1-218-672-11	METAL CHIP	150 0.5% 1/10W
R4610	1-216-837-11	METAL CHIP	22K 5% 1/10W	R4667	1-216-809-11	METAL CHIP	100 5% 1/10W
R4611	1-216-837-11	METAL CHIP	22K 5% 1/10W	R4668	1-216-864-11	SHORT CHIP	0
R4612	1-216-837-11	METAL CHIP	22K 5% 1/10W	R4669	1-216-864-11	SHORT CHIP	0
R4613	1-216-821-11	METAL CHIP	1K 5% 1/10W	R4670	1-216-809-11	METAL CHIP	100 5% 1/10W
R4614	1-216-821-11	METAL CHIP	1K 5% 1/10W	R4671	1-216-809-11	METAL CHIP	100 5% 1/10W
R4615	1-216-837-11	METAL CHIP	22K 5% 1/10W	R4672	1-216-809-11	METAL CHIP	100 5% 1/10W
R4616	1-216-837-11	METAL CHIP	22K 5% 1/10W	R4673	1-218-710-11	METAL CHIP	5.6K 0.5% 1/10W
R4617	1-216-837-11	METAL CHIP	22K 5% 1/10W	R4674	1-218-710-11	METAL CHIP	5.6K 0.5% 1/10W
R4618	1-216-837-11	METAL CHIP	22K 5% 1/10W	R4675	1-218-710-11	METAL CHIP	5.6K 0.5% 1/10W
R4619	1-216-864-11	SHORT CHIP	0	R4676	1-218-686-11	METAL CHIP	560 0.5% 1/10W
				R4677	1-218-686-11	METAL CHIP	560 0.5% 1/10W
				R4678	1-218-686-11	METAL CHIP	560 0.5% 1/10W



REF. NO.	PART NO.	DESCRIPTION	REMARK	REF. NO.	PART NO.	DESCRIPTION	REMARK
R4679	1-216-817-11	METAL CHIP	470 5% 1/10W	R4741	1-216-813-11	METAL CHIP	220 5% 1/10W
R4680	1-216-817-11	METAL CHIP	470 5% 1/10W	R4742	1-216-835-11	METAL CHIP	15K 5% 1/10W
R4681	1-216-805-11	METAL CHIP	47 5% 1/10W	R4743	1-216-817-11	METAL CHIP	470 5% 1/10W
R4682	1-216-817-11	METAL CHIP	470 5% 1/10W	R4744	1-216-817-11	METAL CHIP	470 5% 1/10W
R4683	1-216-805-11	METAL CHIP	47 5% 1/10W	R4745	1-216-817-11	METAL CHIP	470 5% 1/10W
R4684	1-216-805-11	METAL CHIP	47 5% 1/10W	R4746	1-216-801-11	METAL CHIP	22 5% 1/10W
R4685	1-216-841-11	METAL CHIP	47K 5% 1/10W	R4747	1-216-801-11	METAL CHIP	22 5% 1/10W
R4686	1-216-809-11	METAL CHIP	100 5% 1/10W	R4748	1-216-809-11	METAL CHIP	100 5% 1/10W
R4687	1-216-838-11	METAL CHIP	27K 5% 1/10W	R4749	1-216-809-11	METAL CHIP	100 5% 1/10W
R4688	1-216-841-11	METAL CHIP	47K 5% 1/10W	R4750	1-216-809-11	METAL CHIP	100 5% 1/10W
R4689	1-216-809-11	METAL CHIP	100 5% 1/10W	R4751	1-216-828-11	METAL CHIP	3.9K 5% 1/10W
R4690	1-216-838-11	METAL CHIP	27K 5% 1/10W	R4752	1-216-817-11	METAL CHIP	470 5% 1/10W
R4691	1-216-809-11	METAL CHIP	100 5% 1/10W	R4753	1-216-817-11	METAL CHIP	470 5% 1/10W
R4692	1-218-692-11	METAL CHIP	1K 0.5% 1/10W	R4754	1-216-864-11	SHORT CHIP	0
R4693	1-218-696-11	METAL CHIP	1.5K 0.5% 1/10W	R4755	1-216-817-11	METAL CHIP	470 5% 1/10W
R4694	1-218-689-11	METAL CHIP	750 0.5% 1/10W	R4756	1-218-841-11	METAL CHIP	560 0.5% 1/10W
R4695	1-218-690-11	METAL CHIP	820 0.5% 1/10W	R4757	1-216-864-11	SHORT CHIP	0
R4696	1-218-676-11	METAL CHIP	220 0.5% 1/10W	R4758	1-218-841-11	METAL CHIP	560 0.5% 1/10W
R4697	1-218-688-11	METAL CHIP	680 0.5% 1/10W	R4759	1-218-841-11	METAL CHIP	560 0.5% 1/10W
R4698	1-218-732-11	METAL CHIP	47K 0.5% 1/10W	R4760	1-218-675-11	METAL CHIP	200 0.5% 1/10W
R4699	1-218-724-11	METAL CHIP	22K 0.5% 1/10W	R4761	1-218-710-11	METAL CHIP	5.6K 0.5% 1/10W
R4700	1-216-825-11	METAL CHIP	2.2K 5% 1/10W	R4762	1-218-675-11	METAL CHIP	200 0.5% 1/10W
R4701	1-216-825-11	METAL CHIP	2.2K 5% 1/10W	R4763	1-218-710-11	METAL CHIP	5.6K 0.5% 1/10W
R4702	1-216-825-11	METAL CHIP	2.2K 5% 1/10W	R4764	1-218-710-11	METAL CHIP	5.6K 0.5% 1/10W
R4703	1-216-801-11	METAL CHIP	22 5% 1/10W	R4765	1-218-668-11	METAL CHIP	100 0.5% 1/10W
R4704	1-216-809-11	METAL CHIP	100 5% 1/10W	R4766	1-218-668-11	METAL CHIP	100 0.5% 1/10W
R4705	1-216-809-11	METAL CHIP	100 5% 1/10W	R4767	1-218-668-11	METAL CHIP	100 0.5% 1/10W
R4706	1-216-809-11	METAL CHIP	100 5% 1/10W	R4768	1-218-675-11	METAL CHIP	200 0.5% 1/10W
R4707	1-216-809-11	METAL CHIP	100 5% 1/10W	R4769	1-216-833-11	METAL CHIP	10K 5% 1/10W
R4708	1-216-809-11	METAL CHIP	100 5% 1/10W	R4770	1-216-837-11	METAL CHIP	22K 5% 1/10W
R4709	1-216-809-11	METAL CHIP	100 5% 1/10W	R4771	1-218-716-11	METAL CHIP	10K 0.5% 1/10W
R4710	1-216-809-11	METAL CHIP	100 5% 1/10W	R4772	1-218-732-11	METAL CHIP	47K 0.5% 1/10W
R4711	1-216-809-11	METAL CHIP	100 5% 1/10W	R4773	1-218-732-11	METAL CHIP	47K 0.5% 1/10W
R4712	1-216-809-11	METAL CHIP	100 5% 1/10W	R4774	1-218-740-11	METAL CHIP	100K 0.5% 1/10W
R4713	1-216-801-11	METAL CHIP	22 5% 1/10W	R4775	1-216-833-11	METAL CHIP	10K 5% 1/10W
R4714	1-216-809-11	METAL CHIP	100 5% 1/10W	R4776	1-218-672-11	METAL CHIP	150 0.5% 1/10W
R4715	1-216-809-11	METAL CHIP	100 5% 1/10W	R4777	1-216-817-11	METAL CHIP	470 5% 1/10W
R4716	1-216-809-11	METAL CHIP	100 5% 1/10W	R4801	1-216-833-11	METAL CHIP	10K 5% 1/10W
R4717	1-216-809-11	METAL CHIP	100 5% 1/10W	R4802	1-216-817-11	METAL CHIP	470 5% 1/10W
R4718	1-216-809-11	METAL CHIP	100 5% 1/10W	R4803	1-216-817-11	METAL CHIP	470 5% 1/10W
R4719	1-218-696-11	METAL CHIP	1.5K 0.5% 1/10W	R4804	1-216-821-11	METAL CHIP	1K 5% 1/10W
R4724	1-218-695-11	METAL CHIP	1.3K 0.5% 1/10W	R4806	1-216-821-11	METAL CHIP	1K 5% 1/10W
R4725	1-218-688-11	METAL CHIP	680 0.5% 1/10W	R4807	1-216-801-11	METAL CHIP	22 5% 1/10W
R4726	1-218-694-11	METAL CHIP	1.2K 0.5% 1/10W	R4808	1-216-801-11	METAL CHIP	22 5% 1/10W
R4727	1-218-690-11	METAL CHIP	820 0.5% 1/10W	R4809	1-216-821-11	METAL CHIP	1K 5% 1/10W
R4728	1-218-680-11	METAL CHIP	330 0.5% 1/10W	R4810	1-216-864-11	SHORT CHIP	0
R4729	1-218-686-11	METAL CHIP	560 0.5% 1/10W	R4811	1-216-864-11	SHORT CHIP	0
R4730	1-216-805-11	METAL CHIP	47 5% 1/10W	R4812	1-216-809-11	METAL CHIP	100 5% 1/10W
R4731	1-216-805-11	METAL CHIP	47 5% 1/10W	R4813	1-216-809-11	METAL CHIP	100 5% 1/10W
R4732	1-216-805-11	METAL CHIP	47 5% 1/10W	R4814	1-216-829-11	METAL CHIP	4.7K 5% 1/10W
R4733	1-218-670-11	METAL CHIP	120 0.5% 1/10W	R4815	1-216-821-11	METAL CHIP	1K 5% 1/10W
R4734	1-218-728-11	METAL CHIP	33K 0.5% 1/10W	R4816	1-216-821-11	METAL CHIP	1K 5% 1/10W
R4735	1-218-720-11	METAL CHIP	15K 0.5% 1/10W	R4817	1-216-821-11	METAL CHIP	1K 5% 1/10W
R4737	1-216-842-11	METAL CHIP	56K 5% 1/10W	R4818	1-216-818-11	METAL CHIP	560 5% 1/10W
R4738	1-216-838-11	METAL CHIP	27K 5% 1/10W	R4819	1-216-818-11	METAL CHIP	560 5% 1/10W
R4739	1-216-842-11	METAL CHIP	56K 5% 1/10W	R4820	1-216-821-11	METAL CHIP	1K 5% 1/10W
R4740	1-216-838-11	METAL CHIP	27K 5% 1/10W	R4821	1-216-830-11	METAL CHIP	5.6K 5% 1/10W



REF. NO.	PART NO.	DESCRIPTION	REMARK	REF. NO.	PART NO.	DESCRIPTION	REMARK
R4822	1-216-817-11	METAL CHIP	470 5% 1/10W	R4879	1-218-706-11	METAL CHIP	3.9K 0.5% 1/10W
R4823	1-216-817-11	METAL CHIP	470 5% 1/10W	R4880	1-216-857-11	METAL CHIP	1M 5% 1/10W
R4824	1-216-809-11	METAL CHIP	100 5% 1/10W	R4881	1-216-811-11	METAL CHIP	150 5% 1/10W
R4825	1-216-830-11	METAL CHIP	5.6K 5% 1/10W	R4882	1-216-811-11	METAL CHIP	150 5% 1/10W
R4826	1-216-833-11	METAL CHIP	10K 5% 1/10W	R4883	1-216-811-11	METAL CHIP	150 5% 1/10W
R4827	1-216-825-11	METAL CHIP	2.2K 5% 1/10W	R4884	1-218-706-11	METAL CHIP	3.9K 0.5% 1/10W
R4828	1-216-815-11	METAL CHIP	330 5% 1/10W	R4885	1-216-833-11	METAL CHIP	10K 5% 1/10W
R4829	1-216-830-11	METAL CHIP	5.6K 5% 1/10W	R4886	1-216-829-11	METAL CHIP	4.7K 5% 1/10W
R4830	1-216-818-11	METAL CHIP	560 5% 1/10W	R4887	1-216-825-11	METAL CHIP	2.2K 5% 1/10W
R4831	1-216-817-11	METAL CHIP	470 5% 1/10W	R4888	1-216-825-11	METAL CHIP	2.2K 5% 1/10W
R4832	1-216-841-11	METAL CHIP	47K 5% 1/10W	R4889	1-216-833-11	METAL CHIP	10K 5% 1/10W
R4833	1-216-849-11	METAL CHIP	220K 5% 1/10W	R4890	1-216-829-11	METAL CHIP	4.7K 5% 1/10W
R4834	1-216-816-11	METAL CHIP	390 5% 1/10W	R4891	1-218-692-11	METAL CHIP	1K 0.5% 1/10W
R4835	1-216-821-11	METAL CHIP	1K 5% 1/10W	R4892	1-216-827-11	METAL CHIP	3.3K 5% 1/10W
R4836	1-216-825-11	METAL CHIP	2.2K 5% 1/10W	R4893	1-216-833-11	METAL CHIP	10K 5% 1/10W
R4837	1-216-821-11	METAL CHIP	1K 5% 1/10W	R4894	1-216-825-11	METAL CHIP	2.2K 5% 1/10W
R4838	1-216-821-11	METAL CHIP	1K 5% 1/10W	R4895	1-218-692-11	METAL CHIP	1K 0.5% 1/10W
R4839	1-216-819-11	METAL CHIP	680 5% 1/10W	R4896	1-216-827-11	METAL CHIP	3.3K 5% 1/10W
R4840	1-216-813-11	METAL CHIP	220 5% 1/10W	R4897	1-216-825-11	METAL CHIP	2.2K 5% 1/10W
R4841	1-216-819-11	METAL CHIP	680 5% 1/10W	R4898	1-216-833-11	METAL CHIP	10K 5% 1/10W
R4842	1-216-820-11	METAL CHIP	820 5% 1/10W	R4899	1-216-833-11	METAL CHIP	10K 5% 1/10W
R4843	1-216-817-11	METAL CHIP	470 5% 1/10W	R4900	1-216-841-11	METAL CHIP	47K 5% 1/10W
R4844	1-218-680-11	METAL CHIP	330 0.5% 1/10W	R4901	1-216-833-11	METAL CHIP	10K 5% 1/10W
R4845	1-218-684-11	METAL CHIP	470 0.5% 1/10W	R4902	1-216-825-11	METAL CHIP	2.2K 5% 1/10W
R4846	1-216-839-11	METAL CHIP	33K 5% 1/10W	R4903	1-216-841-11	METAL CHIP	47K 5% 1/10W
R4847	1-216-834-11	METAL CHIP	12K 5% 1/10W	R4904	1-216-824-11	METAL CHIP	1.8K 5% 1/10W
R4848	1-216-822-11	METAL CHIP	1.2K 5% 1/10W	R4905	1-216-833-11	METAL CHIP	10K 5% 1/10W
R4849	1-216-820-11	METAL CHIP	820 5% 1/10W	R4906	1-216-824-11	METAL CHIP	1.8K 5% 1/10W
R4850	1-216-839-11	METAL CHIP	33K 5% 1/10W	R4907	1-216-825-11	METAL CHIP	2.2K 5% 1/10W
R4851	1-216-834-11	METAL CHIP	12K 5% 1/10W	R4908	1-216-841-11	METAL CHIP	47K 5% 1/10W
R4852	1-216-821-11	METAL CHIP	1K 5% 1/10W	R4909	1-216-833-11	METAL CHIP	10K 5% 1/10W
R4853	1-216-830-11	METAL CHIP	5.6K 5% 1/10W	R4910	1-216-841-11	METAL CHIP	47K 5% 1/10W
R4854	1-216-821-11	METAL CHIP	1K 5% 1/10W	R4911	1-216-821-11	METAL CHIP	1K 5% 1/10W
R4855	1-216-813-11	METAL CHIP	220 5% 1/10W	R4912	1-216-820-11	METAL CHIP	820 5% 1/10W
R4856	1-216-805-11	METAL CHIP	47 5% 1/10W	R4913	1-216-809-11	METAL CHIP	100 5% 1/10W
R4858	1-216-818-11	METAL CHIP	560 5% 1/10W	R4914	1-216-820-11	METAL CHIP	820 5% 1/10W
R4859	1-218-688-11	METAL CHIP	680 0.5% 1/10W	R4915	1-216-820-11	METAL CHIP	820 5% 1/10W
R4860	1-218-688-11	METAL CHIP	680 0.5% 1/10W	R4916	1-216-864-11	SHORT CHIP	0
R4861	1-218-699-11	METAL CHIP	2K 0.5% 1/10W				
R4862	1-216-821-11	METAL CHIP	1K 5% 1/10W			<CRYSTAL>	
R4863	1-216-809-11	METAL CHIP	100 5% 1/10W	X4601	1-567-505-11	OSCILLATOR, CRYSTAL 3.58MHz	
R4864	1-218-692-11	METAL CHIP	1K 0.5% 1/10W	X4602	1-781-282-11	VIBRATOR, CERAMIC 4MHz	
R4865	1-216-833-11	METAL CHIP	10K 5% 1/10W	X4603	1-567-505-11	OSCILLATOR, CRYSTAL 3.58MHz	
R4866	1-216-833-11	METAL CHIP	10K 5% 1/10W	X4801	1-767-606-11	VIBRATOR, CRYSTAL 20MHz	
R4867	1-216-801-11	METAL CHIP	22 5% 1/10W	X4802	1-795-565-21	VIBRATOR, CERAMIC 10MHz	
R4868	1-216-801-11	METAL CHIP	22 5% 1/10W	X4803	1-795-565-21	VIBRATOR, CERAMIC 10MHz	
R4869	1-216-801-11	METAL CHIP	22 5% 1/10W				
R4870	1-216-801-11	METAL CHIP	22 5% 1/10W				
R4871	1-216-864-11	SHORT CHIP	0				
R4872	1-216-864-11	SHORT CHIP	0				
R4873	1-216-857-11	METAL CHIP	1M 5% 1/10W				
R4874	1-216-833-11	METAL CHIP	10K 5% 1/10W				
R4875	1-216-833-11	METAL CHIP	10K 5% 1/10W				
R4876	1-216-811-11	METAL CHIP	150 5% 1/10W				
R4877	1-216-811-11	METAL CHIP	150 5% 1/10W				
R4878	1-216-811-11	METAL CHIP	150 5% 1/10W				

\*\*\*\*\*



**BF**

**BM1C**

REF. NO.	PART NO.	DESCRIPTION	REMARK	REF. NO.	PART NO.	DESCRIPTION	REMARK
* A-1401-410-A	BF BOARD, COMPLETE			IC7202	6-701-763-11	IC DS90LV017ATMX	
	*****			IC7203	8-759-698-08	IC SN74CBTLV1G125DCKR	
* 4-374-906-01	HOLDER (TV/V), LED					<COIL>	
		<CAPACITOR>		L7201	1-419-370-21	INDUCTOR	0μH
C7205	1-164-156-11	CERAMIC CHIP	0.1μF 25V	L7202	1-419-370-21	INDUCTOR	0μH
C7206	1-162-970-11	CERAMIC CHIP	0.01μF 10% 25V	L7203	1-419-370-21	INDUCTOR	0μH
C7208	1-126-964-11	ELECT	10μF 20% 50V	L7204	1-419-370-21	INDUCTOR	0μH
C7209	1-164-156-11	CERAMIC CHIP	0.1μF 25V	L7205	1-419-370-21	INDUCTOR	0μH
C7210	1-162-970-11	CERAMIC CHIP	0.01μF 10% 25V			<TRANSISTOR>	
C7212	1-164-156-11	CERAMIC CHIP	0.1μF 25V	Q7201	8-729-216-22	TRANSISTOR	2SA1162-G
C7213	1-126-965-91	ELECT	22μF 20% 50V	Q7202	8-729-422-33	TRANSISTOR	2SD601A-Q-TX
C7214	1-107-826-11	CERAMIC CHIP	0.1μF 10% 16V	Q7203	8-729-216-22	TRANSISTOR	2SA1162-G
C7215	1-107-826-11	CERAMIC CHIP	0.1μF 10% 16V			<RESISTOR>	
C7216	1-107-826-11	CERAMIC CHIP	0.1μF 10% 16V	R7201	1-216-801-11	METAL CHIP	22 5% 1/10W
C7217	1-126-965-91	ELECT	22μF 20% 50V	R7202	1-216-801-11	METAL CHIP	22 5% 1/10W
C7219	1-162-970-11	CERAMIC CHIP	0.01μF 10% 25V	R7204	1-216-801-11	METAL CHIP	22 5% 1/10W
C7220	1-162-970-11	CERAMIC CHIP	0.01μF 10% 25V	R7205	1-218-692-11	METAL CHIP	1K 0.5% 1/10W
		<CONNECTOR>		R7206	1-216-809-11	METAL CHIP	100 5% 1/10W
CN7201	* 1-816-402-12	CONNECTOR, MEMORY STICK (MEMORY STICK)		R7207	1-216-809-11	METAL CHIP	100 5% 1/10W
CN7202	* 1-816-124-11	PIN, CONNECTOR (FOR PWB) 18P		R7208	1-216-809-11	METAL CHIP	100 5% 1/10W
CN7204	1-695-915-11	TAB (CONTACT)		R7209	1-216-809-11	METAL CHIP	100 5% 1/10W
		<DIODE>		R7210	1-216-803-11	METAL CHIP	33 5% 1/10W
D7201	8-719-800-76	DIODE MA153-TX		R7221	1-216-821-11	METAL CHIP	1K 5% 1/10W
D7202	8-719-800-76	DIODE MA153-TX		R7222	1-216-809-11	METAL CHIP	100 5% 1/10W
D7203	8-719-800-76	DIODE MA153-TX		R7224	1-216-833-11	METAL CHIP	10K 5% 1/10W
D7204	8-719-800-76	DIODE MA153-TX		R7225	1-216-845-11	METAL CHIP	100K 5% 1/10W
D7205	8-719-800-76	DIODE MA153-TX		R7226	1-218-716-11	METAL CHIP	10K 0.5% 1/10W
D7206	8-719-800-76	DIODE MA153-TX		R7228	1-216-864-11	SHORT CHIP	0
D7207	8-719-800-76	DIODE MA153-TX		R7231	1-216-864-11	SHORT CHIP	0
D7208	8-719-800-76	DIODE MA153-TX		R7232	1-216-841-11	METAL CHIP	47K 5% 1/10W
D7209	8-719-069-94	DIODE TLR124		R7233	1-216-841-11	METAL CHIP	47K 5% 1/10W
D7210	8-719-056-77	DIODE UZD-TE-17-3.9B				*****	
D7211	8-719-056-77	DIODE UZD-TE-17-3.9B				* A-1300-650-A	BM1C BOARD, COMPLETE
D7212	8-719-800-76	DIODE MA153-TX				*****	
D7213	8-719-800-76	DIODE MA153-TX				<CAPACITOR>	
D7214	8-719-800-76	DIODE MA153-TX		C103	1-162-970-11	CERAMIC CHIP	0.01μF 10% 25V
D7215	8-719-800-76	DIODE MA153-TX		C105	1-107-826-11	CERAMIC CHIP	0.1μF 10% 16V
D7216	8-719-800-76	DIODE MA153-TX		C106	1-164-156-11	CERAMIC CHIP	0.1μF 25V
D7217	8-719-800-76	DIODE MA153-TX		C107	1-126-390-11	ELECT CHIP	22μF 20% 6.3V
		<FERRITE BEAD>		C108	1-164-156-11	CERAMIC CHIP	0.1μF 25V
FB7201	1-414-921-11	FERRITE	0μH	C110	1-126-394-11	ELECT CHIP	10μF 20% 16V
FB7202	1-414-921-11	FERRITE	0μH	C112	1-107-826-11	CERAMIC CHIP	0.1μF 10% 16V
FB7203	1-414-921-11	FERRITE	0μH	C118	1-107-826-11	CERAMIC CHIP	0.1μF 10% 16V
FB7204	1-414-921-11	FERRITE	0μH	C123	1-162-970-11	CERAMIC CHIP	0.01μF 10% 25V
		<IC>		C124	1-107-826-11	CERAMIC CHIP	0.1μF 10% 16V
IC7201	8-759-639-86	IC SN65LVDS32DR		C125	1-125-891-11	CERAMIC CHIP	0.47μF 10% 10V
				C126	1-107-826-11	CERAMIC CHIP	0.1μF 10% 16V

**BM1C**

REF. NO.	PART NO.	DESCRIPTION	REMARK	REF. NO.	PART NO.	DESCRIPTION	REMARK
C127	1-107-826-11	CERAMIC CHIP	0.1 $\mu$ F 10% 16V	FB149	1-414-921-11	FERRITE	0 $\mu$ H
C128	1-162-970-11	CERAMIC CHIP	0.01 $\mu$ F 10% 25V				
C129	1-162-970-11	CERAMIC CHIP	0.01 $\mu$ F 10% 25V				
C130	1-162-970-11	CERAMIC CHIP	0.01 $\mu$ F 10% 25V				
C131	1-162-970-11	CERAMIC CHIP	0.01 $\mu$ F 10% 25V	IC101	6-702-978-01	IC MD2406	
C132	1-162-970-11	CERAMIC CHIP	0.01 $\mu$ F 10% 25V	IC102	6-802-277-11	IC SST39VF800A70E-11300-T	
C133	1-162-970-11	CERAMIC CHIP	0.01 $\mu$ F 10% 25V	IC104	8-759-460-72	IC BA033FP-E2	
C134	1-162-970-11	CERAMIC CHIP	0.01 $\mu$ F 10% 25V	IC106	8-759-661-55	IC 24LC21AT/SN	
C135	1-162-970-11	CERAMIC CHIP	0.01 $\mu$ F 10% 25V	IC107	8-759-331-27	IC MM1096AFF	
C136	1-107-826-11	CERAMIC CHIP	0.1 $\mu$ F 10% 16V	IC108	6-702-511-01	IC MT48LC8M16A2TG-75-Y95W	
C137	1-107-826-11	CERAMIC CHIP	0.1 $\mu$ F 10% 16V	IC111	8-759-832-05	IC BA18BC0FP-E2	
C138	1-107-826-11	CERAMIC CHIP	0.1 $\mu$ F 10% 16V	IC121	8-752-932-19	IC CXP86608-001R	
C139	1-107-826-11	CERAMIC CHIP	0.1 $\mu$ F 10% 16V				
C141	1-162-970-11	CERAMIC CHIP	0.01 $\mu$ F 10% 25V				
C142	1-162-970-11	CERAMIC CHIP	0.01 $\mu$ F 10% 25V				
C143	1-162-970-11	CERAMIC CHIP	0.01 $\mu$ F 10% 25V	L106	1-469-555-21	INDUCTOR	10 $\mu$ H
C144	1-162-970-11	CERAMIC CHIP	0.01 $\mu$ F 10% 25V	L107	1-469-561-21	INDUCTOR	100 $\mu$ H
C145	1-162-970-11	CERAMIC CHIP	0.01 $\mu$ F 10% 25V				
C146	1-162-970-11	CERAMIC CHIP	0.01 $\mu$ F 10% 25V				
C147	1-162-970-11	CERAMIC CHIP	0.01 $\mu$ F 10% 25V				
C148	1-107-826-11	CERAMIC CHIP	0.1 $\mu$ F 10% 16V				
C151	1-107-826-11	CERAMIC CHIP	0.1 $\mu$ F 10% 16V				
C154	1-107-826-11	CERAMIC CHIP	0.1 $\mu$ F 10% 16V				
C162	1-126-394-11	ELECT CHIP	10 $\mu$ F 20% 16V				
C163	1-126-394-11	ELECT CHIP	10 $\mu$ F 20% 16V				
C164	1-126-390-11	ELECT CHIP	22 $\mu$ F 20% 6.3V				
C165	1-124-779-00	ELECT CHIP	10 $\mu$ F 20% 16V				
C166	1-162-970-11	CERAMIC CHIP	0.01 $\mu$ F 10% 25V				
		<CONNECTOR>					
CN104	* 1-816-933-21	CONNECTOR,BOARDTOBOARD 60P					
		<DIODE>					
D101	8-719-024-77	DIODE HN1D03FU-TE85R					
D102	8-719-024-77	DIODE HN1D03FU-TE85R					
D201	8-719-024-77	DIODE HN1D03FU-TE85R					
		<FERRITE BEAD>					
FB101	1-414-921-11	FERRITE	0 $\mu$ H				
FB102	1-414-921-11	FERRITE	0 $\mu$ H				
FB103	1-414-921-11	FERRITE	0 $\mu$ H				
FB104	1-414-921-11	FERRITE	0 $\mu$ H				
FB106	1-500-451-11	FERRITE	0 $\mu$ H				
FB109	1-414-921-11	FERRITE	0 $\mu$ H				
FB110	1-414-921-11	FERRITE	0 $\mu$ H				
FB111	1-414-921-11	FERRITE	0 $\mu$ H				
FB120	1-414-921-11	FERRITE	0 $\mu$ H				
FB121	1-414-921-11	FERRITE	0 $\mu$ H				
FB122	1-414-921-11	FERRITE	0 $\mu$ H				
FB123	1-414-921-11	FERRITE	0 $\mu$ H				
FB124	1-414-921-11	FERRITE	0 $\mu$ H				
FB137	1-414-921-11	FERRITE	0 $\mu$ H				
FB141	1-414-921-11	FERRITE	0 $\mu$ H				
FB143	1-414-921-11	FERRITE	0 $\mu$ H				
		<RESISTOR>					
				R101	1-216-797-11	METAL CHIP	10 5% 1/10W
				R102	1-216-797-11	METAL CHIP	10 5% 1/10W
				R103	1-216-797-11	METAL CHIP	10 5% 1/10W
				R105	1-216-797-11	METAL CHIP	10 5% 1/10W
				R110	1-216-833-11	METAL CHIP	10K 5% 1/10W
				R111	1-216-833-11	METAL CHIP	10K 5% 1/10W
				R112	1-216-833-11	METAL CHIP	10K 5% 1/10W
				R113	1-216-833-11	METAL CHIP	10K 5% 1/10W
				R120	1-216-833-11	METAL CHIP	10K 5% 1/10W
				R121	1-216-833-11	METAL CHIP	10K 5% 1/10W
				R124	1-216-864-11	SHORT CHIP	0
				R125	1-216-864-11	SHORT CHIP	0
				R127	1-216-833-11	METAL CHIP	10K 5% 1/10W
				R128	1-216-864-11	SHORT CHIP	0
				R129	1-218-712-11	METAL CHIP	6.8K 0.5% 1/10W
				R136	1-216-797-11	METAL CHIP	10 5% 1/10W
				R137	1-216-864-11	SHORT CHIP	0
				R143	1-216-833-11	METAL CHIP	10K 5% 1/10W
				R144	1-216-809-11	METAL CHIP	100 5% 1/10W
				R145	1-216-809-11	METAL CHIP	100 5% 1/10W
				R148	1-216-839-11	METAL CHIP	33K 5% 1/10W
				R149	1-216-839-11	METAL CHIP	33K 5% 1/10W
				R150	1-216-833-11	METAL CHIP	10K 5% 1/10W
				R152	1-216-833-11	METAL CHIP	10K 5% 1/10W
				R155	1-216-833-11	METAL CHIP	10K 5% 1/10W
				R158	1-216-864-11	SHORT CHIP	0

The components identified by shading and mark [!] are critical for safety. Replace only with part number specified.

Les composants identifiés par un tramé et une marque [!] sont critiques pour la sécurité. Ne les remplacer que par une pièce portant le numéro spécifié.

**BM1C**

**G**

REF. NO.	PART NO.	DESCRIPTION	REMARK
R161	1-216-801-11	METAL CHIP	22 5% 1/10W
R164	1-216-833-11	METAL CHIP	10K 5% 1/10W
R186	1-216-864-11	SHORT CHIP	0
R189	1-216-864-11	SHORT CHIP	0
R190	1-216-864-11	SHORT CHIP	0
R201	1-216-845-11	METAL CHIP	100K 5% 1/10W
R202	1-216-833-11	METAL CHIP	10K 5% 1/10W
R203	1-216-833-11	METAL CHIP	10K 5% 1/10W
R205	1-216-833-11	METAL CHIP	10K 5% 1/10W
R206	1-216-809-11	METAL CHIP	100 5% 1/10W
R208	1-216-845-11	METAL CHIP	100K 5% 1/10W
R209	1-216-845-11	METAL CHIP	100K 5% 1/10W
R213	1-218-830-11	METAL CHIP	200 0.5% 1/10W
R217	1-216-833-11	METAL CHIP	10K 5% 1/10W
R218	1-216-825-11	METAL CHIP	2.2K 5% 1/10W
R219	1-216-833-11	METAL CHIP	10K 5% 1/10W
R221	1-216-809-11	METAL CHIP	100 5% 1/10W
R222	1-216-833-11	METAL CHIP	10K 5% 1/10W
R226	1-216-833-11	METAL CHIP	10K 5% 1/10W
R230	1-216-833-11	METAL CHIP	10K 5% 1/10W
R232	1-218-709-11	METAL CHIP	5.1K 0.5% 1/10W
R238	1-216-864-11	SHORT CHIP	0
R239	1-216-833-11	METAL CHIP	10K 5% 1/10W
R240	1-216-833-11	METAL CHIP	10K 5% 1/10W
R283	1-216-833-11	METAL CHIP	10K 5% 1/10W
R287	1-216-833-11	METAL CHIP	10K 5% 1/10W
R288	1-216-797-11	METAL CHIP	10 5% 1/10W
R290	1-216-797-11	METAL CHIP	10 5% 1/10W
<NETWORK RESISTOR>			
RB101	1-234-381-21	RES, NETWORK 100KX4	(1005)
RB102	1-234-381-21	RES, NETWORK 100KX4	(1005)
RB103	1-234-381-21	RES, NETWORK 100KX4	(1005)
RB104	1-234-381-21	RES, NETWORK 100KX4	(1005)
RB105	1-234-372-21	RES, NETWORK 100X4	(1005)
RB106	1-234-378-21	RES, NETWORK 10KX4	(1005)
RB107	1-234-370-21	RES, NETWORK 22X4	(1005)
RB108	1-234-370-21	RES, NETWORK 22X4	(1005)
RB109	1-234-370-21	RES, NETWORK 22X4	(1005)
RB110	1-234-370-21	RES, NETWORK 22X4	(1005)
RB111	1-234-370-21	RES, NETWORK 22X4	(1005)
RB112	1-234-370-21	RES, NETWORK 22X4	(1005)
RB113	1-234-378-21	RES, NETWORK 10KX4	(1005)
RB114	1-234-378-21	RES, NETWORK 10KX4	(1005)
RB115	1-234-378-21	RES, NETWORK 10KX4	(1005)
RB121	1-234-371-21	RES, NETWORK 47X4	(1005)
RB122	1-234-371-21	RES, NETWORK 47X4	(1005)
RB123	1-234-371-21	RES, NETWORK 47X4	(1005)
RB124	1-234-371-21	RES, NETWORK 47X4	(1005)
RB131	1-234-378-21	RES, NETWORK 10KX4	(1005)
RB132	1-234-378-21	RES, NETWORK 10KX4	(1005)
RB133	1-234-378-21	RES, NETWORK 10KX4	(1005)
RB134	1-234-378-21	RES, NETWORK 10KX4	(1005)

REF. NO.	PART NO.	DESCRIPTION	REMARK
<CRYSTAL>			
X101	1-795-725-21	CRYSTAL OSCILLATOR (SMD) 49.090908MHz	
X102	1-795-313-21	VIBRATOR, CERAMIC	
*****			
* A-1300-695-A G BOARD, COMPLETE			
*****			
1-533-223-11 FUSE HOLDER 0A 0V			
* 4-374-846-11 COVER, CAPACITOR, CAP TYPE			
4-382-854-01 SCREW (M3X8), P, SW (+)			
<CAPACITOR>			
C1602	1-163-005-91	CERAMIC CHIP	470pF 10% 50V
C1603	1-107-679-91	ELECT	10µF 20% 450V
C1604	! 1-161-830-00	CERAMIC	0.0047µF 99% 500V
C1605	! 1-161-830-00	CERAMIC	0.0047µF 99% 500V
C1606	1-163-809-11	CERAMIC CHIP	0.047µF 10% 25V
C1607	! 1-161-830-00	CERAMIC	0.0047µF 99% 500V
C1608	! 1-161-830-00	CERAMIC	0.0047µF 99% 500V
C1609	1-163-021-91	CERAMIC CHIP	0.01µF 10% 50V
C1610	1-163-009-91	CERAMIC CHIP	0.001µF 10% 50V
C1611	1-137-750-11	ELECT	1500µF 20% 250V
C1612	1-137-750-11	ELECT	1500µF 20% 250V
C1613	1-126-964-11	ELECT	10µF 20% 50V
C1614	1-126-967-11	ELECT	47µF 20% 50V
C1615	1-126-948-11	ELECT	100µF 20% 35V
C1616	1-137-605-11	MYLAR	0.01µF 10% 250V
C1617	1-126-965-91	ELECT	22µF 20% 50V
C1618	1-136-165-00	FILM	0.1µF 5% 50V
C1620	1-126-960-11	ELECT	1µF 20% 50V
C1621	1-126-940-11	ELECT	330µF 20% 25V
C1622	1-126-961-11	ELECT	2.2µF 20% 50V
C1623	1-136-479-11	FILM	0.001µF 2% 50V
C1624	1-126-962-11	ELECT	3.3µF 20% 50V
C1625	1-164-004-11	CERAMIC CHIP	0.1µF 10% 25V
C1627	1-125-969-91	CERAMIC	680pF 10% 1KV
C1628	1-125-969-91	CERAMIC	680pF 10% 1KV
C1629	1-165-953-11	FILM	47000pF 3% 800V
C1630	1-126-939-11	ELECT	10000µF 20% 16V
C1631	1-126-942-61	ELECT	1000µF 20% 25V
C1632	1-126-964-11	ELECT	10µF 20% 50V
C1633	1-126-947-11	ELECT	47µF 20% 25V
C1634	1-128-548-11	ELECT	4700µF 20% 25V
C1635	1-128-548-11	ELECT	4700µF 20% 25V
C1636	1-163-021-91	CERAMIC CHIP	0.01µF 10% 50V
C1637	1-126-929-11	ELECT	4700µF 20% 10V
C1638	1-128-546-11	ELECT	10000µF 20% 10V
C1639	1-164-004-11	CERAMIC CHIP	0.1µF 10% 25V
C1640	1-126-947-11	ELECT	47µF 20% 25V
C1641	1-126-947-11	ELECT	47µF 20% 25V
C1642	1-126-964-11	ELECT	10µF 20% 50V
C1643	1-126-947-11	ELECT	47µF 20% 25V
C1644	1-126-947-11	ELECT	47µF 20% 25V

The components identified by shading and mark [!] are critical for safety. Replace only with part number specified.

Les composants identifiés par un tramé et une marque [!] sont critiques pour la sécurité. Ne les remplacer que par une pièce portant le numéro spécifié.



REF. NO.	PART NO.	DESCRIPTION	REMARK	REF. NO.	PART NO.	DESCRIPTION	REMARK
C1645	1-126-947-11	ELECT	47µF 20% 25V	D1612	8-719-060-90	DIODE S2L60F	
C1646	1-163-021-91	CERAMIC CHIP	0.01µF 10% 50V	D1613	8-719-510-02	DIODE D1NS4-TA2	
C1647	1-163-021-91	CERAMIC CHIP	0.01µF 10% 50V	D1614	8-719-510-02	DIODE D1NS4-TA2	
C1648	1-163-021-91	CERAMIC CHIP	0.01µF 10% 50V	D1616	8-719-510-02	DIODE D1NS4-TA2	
C1649	1-163-021-91	CERAMIC CHIP	0.01µF 10% 50V	D1617	8-719-510-02	DIODE D1NS4-TA2	
C1650	1-163-021-91	CERAMIC CHIP	0.01µF 10% 50V	D1618	8-719-404-50	DIODE MA111-TX	
C1651	1-163-021-91	CERAMIC CHIP	0.01µF 10% 50V	D1619	8-719-105-91	DIODE RD5.6M-B2	
C1652	1-126-964-11	ELECT	10µF 20% 50V	D1620	8-719-055-40	DIODE FCQ30A04	
C1653	1-126-967-11	ELECT	47µF 20% 50V	D1621	8-719-018-84	DIODE D2S6MTA1	
C1654	1-126-947-11	ELECT	47µF 20% 25V	D1623	8-719-055-40	DIODE FCQ30A04	
C1655	1-163-009-91	CERAMIC CHIP	0.001µF 10% 50V	D1624	8-719-510-09	DIODE D10SC6M	
C1656	1-163-009-91	CERAMIC CHIP	0.001µF 10% 50V	D1625	8-719-988-31	DIODE D10SC6MR	
C1657	1-163-009-91	CERAMIC CHIP	0.001µF 10% 50V	D1626	8-719-510-12	DIODE D10SC4M	
C1658	1-163-009-91	CERAMIC CHIP	0.001µF 10% 50V	D1629	8-719-404-50	DIODE MA111-TX	
C1659	1-137-194-81	FILM	0.47µF 5% 50V	D1630	8-719-404-50	DIODE MA111-TX	
C1660	! 1-104-708-11	MYLAR	0.47µF 20% 250V	D1631	8-719-404-50	DIODE MA111-TX	
C1661	! 1-119-888-51	CERAMIC	2200pF 20% 250V	D1632	1-216-295-91	SHORT CHIP 0	
C1662	! 1-119-888-51	CERAMIC	2200pF 20% 250V	D1633	8-719-068-00	DIODE ERC04-06SE	
C1664	! 1-107-533-11	MYLAR	1µF 20% 250V	D1634	8-719-068-00	DIODE ERC04-06SE	
C1666	1-109-843-11	CERAMIC	33pF 5% 2KV	D1635	8-719-060-90	DIODE S2L60F	
C1667	1-109-843-11	CERAMIC	33pF 5% 2KV	D1636	8-719-060-90	DIODE S2L60F	
C1668	1-109-843-11	CERAMIC	33pF 5% 2KV	D1638	8-719-404-50	DIODE MA111-TX	
C1669	1-109-843-11	CERAMIC	33pF 5% 2KV			<FUSE>	
C1670	1-125-497-11	ELECT(BLOCK)	100µF 20% 400V	F1601	! 1-576-193-11	FUSE 6.3A 125V 6.3	
C1671	1-125-497-11	ELECT(BLOCK)	100µF 20% 400V			<FERRITE BEAD>	
C1672	1-161-830-00	CERAMIC	0.0047µF 500V	FB1601	1-410-397-21	FERRITE 1.1µH	
		<CONNECTOR>		FB1602	1-410-397-21	FERRITE 1.1µH	
CN1601	* 1-580-843-11	PIN, CONNECTOR (POWER)		FB1603	1-410-397-21	FERRITE 1.1µH	
CN1602	* 1-691-960-21	PIN, CONNECTOR (PC BOARD) 3P		FB1604	1-410-397-21	FERRITE 1.1µH	
CN1603	* 1-564-511-61	PLUG, CONNECTOR 8P		FB1605	1-410-397-21	FERRITE 1.1µH	
CN1604	* 1-580-838-11	PIN, CONNECTOR (PC BOARD) 4P		FB1606	1-410-397-21	FERRITE 1.1µH	
CN1605	* 1-564-508-11	PLUG, CONNECTOR 5P				<IC>	
CN1606	* 1-564-510-11	PLUG, CONNECTOR 7P		IC1601	8-759-670-30	IC MCZ3001D	
CN1607	* 1-564-506-11	PLUG, CONNECTOR 3P		IC1602	8-759-198-31	IC µPC1093J-1-T	
CN1608	1-695-915-11	TAB (CONTACT)				<COIL>	
CN1609	1-695-915-11	TAB (CONTACT)		L1601	1-412-525-31	INDUCTOR 10µH	
CN1610	1-695-915-11	TAB (CONTACT)		L1604	1-412-525-31	INDUCTOR 10µH	
CN1611	1-695-915-11	TAB (CONTACT)		L1606	1-412-525-31	INDUCTOR 10µH	
CN1613	* 1-564-512-11	PLUG, CONNECTOR 9P		L1607	1-412-525-31	INDUCTOR 10µH	
CN1614	* 1-564-506-11	PLUG, CONNECTOR 3P		L1608	1-412-525-31	INDUCTOR 10µH	
CN1616	* 1-691-960-11	PIN, CONNECTOR (PC BOARD) 3P		L1609	1-406-659-11	INDUCTOR 10µH	
CN1617	* 1-564-506-11	PLUG, CONNECTOR 3P		L1610	1-406-971-21	INDUCTOR 10µH	
		<DIODE>		L1612	1-406-659-11	INDUCTOR 10µH	
D1601	! 8-719-077-76	DIODE D2SB60A-F04		L1616	1-406-984-21	INDUCTOR 1.5mH	
D1602	! 8-719-022-99	DIODE D6SB60L				<PHOTO COUPLER>	
D1603	8-719-106-89	DIODE RD15M-T1B2		PH1601	! 8-749-924-35	PHOTO COUPLER ON3171-R	
D1604	8-719-404-50	DIODE MA111-TX					
D1605	8-719-948-45	DIODE ERA22-08					
D1606	8-719-106-17	DIODE RD6.8M-B2					
D1607	8-719-979-64	DIODE µF4005PKG23					
D1608	8-719-060-90	DIODE S2L60F					
D1609	8-719-063-73	DIODE D1NL20U-TR					
D1610	8-719-510-48	DIODE D1N20R					

The components identified by shading and mark [!] are critical for safety. Replace only with part number specified.

Les composants identifiés par un tramé et une marque [!] sont critiques pour la sécurité. Ne les remplacer que par une pièce portant le numéro spécifié.



REF. NO.	PART NO.	DESCRIPTION	REMARK	REF. NO.	PART NO.	DESCRIPTION	REMARK
		<IC LINK>					
PS1601 !	1-576-390-91	IC LINK 2.5A 50V		R1647	1-216-041-00	RES-CHIP 470	5% 1/10W
PS1602 !	1-576-390-91	IC LINK 2.5A 50V		R1648	1-216-089-91	RES-CHIP 47K	5% 1/10W
		<TRANSISTOR>		R1649	1-216-049-11	RES-CHIP 1K	5% 1/10W
Q1601	8-729-046-40	TRANSISTOR 2SK2663		R1650	1-216-658-11	METAL CHIP 2K	0.5% 1/10W
Q1602	8-729-422-33	TRANSISTOR 2SD601A-Q-TX		R1651 !	1-240-303-11	CEMENTED 0.22	5% 10W
Q1603	8-729-422-33	TRANSISTOR 2SD601A-Q-TX		R1652 !	1-240-303-11	CEMENTED 0.22	5% 10W
Q1604	8-729-216-22	TRANSISTOR 2SA1162-G		R1653 !	1-202-844-00	SOLID 330K	20% 1/2W
Q1605	8-729-422-33	TRANSISTOR 2SD601A-Q-TX		R1654 !	1-260-288-11	CARBON 0.47	5% 1/2W
Q1606	8-729-052-32	TRANSISTOR IRFIB7N50A		R1655 !	1-260-288-11	CARBON 0.47	5% 1/2W
Q1607	8-729-052-32	TRANSISTOR IRFIB7N50A		R1656	1-215-904-11	METAL OXIDE 100K	5% 2W
		<RESISTOR>		R1657	1-215-904-11	METAL OXIDE 100K	5% 2W
R1601	1-260-302-51	CARBON 6.8	5% 1/2W	R1659	1-216-295-91	SHORT CHIP 0	
R1603	1-216-045-00	RES-CHIP 680	5% 1/10W	R1662 !	1-218-265-11	METAL 8.2M	5% 1W
R1604	1-240-205-91	METAL 22M	5% 1/2W	R1664	1-216-295-91	SHORT CHIP 0	
R1605	1-216-009-91	RES-CHIP 22	5% 1/10W	R1675	1-216-049-11	RES-CHIP 1K	5% 1/10W
R1606	1-249-389-11	CARBON 4.7	5% 1/4W			<RELAY>	
R1607	1-249-417-11	CARBON 1K	5% 1/4W	RY1601 !	1-755-388-11	RELAY (AC POWER)	
R1608	1-216-073-91	RES-CHIP 10K	5% 1/10W			<TRANSFORMER>	
R1609	1-216-041-00	RES-CHIP 470	5% 1/10W	T1601 !	1-431-852-11	TRANSFORMER, CONVERTER (SRT)	
R1610	1-260-131-11	CARBON 470K	5% 1/2W	T1603 !	1-435-512-12	TRANSFORMER, CONVERTER (PIT)	
R1611	1-260-131-11	CARBON 470K	5% 1/2W	T1605 !	1-433-900-11	TRANSFORMER, LINE FILTER	
R1612	1-215-485-00	METAL 470K	1% 1/4W	T1606 !	1-433-900-11	TRANSFORMER, LINE FILTER	
R1613 !	1-202-933-61	FUSIBLE 0.1	10% 1/2W			<THERMISTOR>	
R1616	1-249-393-11	CARBON 10	5% 1/4W	TH1601	1-803-586-41	THERMISTOR	
R1617 !	1-249-377-11	CARBON 0.47	5% 1/4W			<VARISTOR>	
R1618 !	1-202-933-61	FUSIBLE 0.1	10% 1/2W	VD1601 !	1-801-074-41	VARISTOR ERZV10D271	
R1619 !	1-202-933-61	FUSIBLE 0.1	10% 1/2W			*****	
R1620	1-216-073-91	RES-CHIP 10K	5% 1/10W			* A-1401-405-A H1 BOARD, COMPLETE	
R1621	1-216-065-91	RES-CHIP 4.7K	5% 1/10W			*****	
R1622	1-216-073-91	RES-CHIP 10K	5% 1/10W			<CAPACITOR>	
R1623	1-216-049-11	RES-CHIP 1K	5% 1/10W	C4305	1-162-968-11	CERAMIC CHIP 0.0047µF	10% 50V
R1624	1-215-481-00	METAL 330K	1% 1/4W	C4307	1-162-968-11	CERAMIC CHIP 0.0047µF	10% 50V
R1625	1-215-481-00	METAL 330K	1% 1/4W	C4309	1-162-927-11	CERAMIC CHIP 100pF	5% 50V
R1626	1-215-481-00	METAL 330K	1% 1/4W	C4310	1-162-970-11	CERAMIC CHIP 0.01µF	10% 25V
R1627	1-215-859-00	METAL OXIDE 22	5% 1W	C4311	1-126-959-11	ELECT 0.47µF	20% 50V
R1628	1-216-679-11	METAL CHIP 15K	0.5% 1/10W	C4312	1-126-964-11	ELECT 10µF	20% 50V
R1629	1-216-674-11	METAL CHIP 9.1K	0.5% 1/10W	C4313	1-126-964-11	ELECT 10µF	20% 50V
R1630	1-216-073-91	RES-CHIP 10K	5% 1/10W	C4314	1-126-959-11	ELECT 0.47µF	20% 50V
R1631	1-216-073-91	RES-CHIP 10K	5% 1/10W			<CONNECTOR>	
R1632	1-249-393-11	CARBON 10	5% 1/4W	CN4303	1-564-593-11	PLUG, CONNECTOR 14P	
R1633	1-216-073-91	RES-CHIP 10K	5% 1/10W				
R1634	1-249-393-11	CARBON 10	5% 1/4W				
R1635	1-216-073-91	RES-CHIP 10K	5% 1/10W				
R1638	1-202-965-11	METAL 0.02	10% 2W				
R1640	1-216-350-11	METAL OXIDE 1.2	5% 1W				
R1641	1-216-049-11	RES-CHIP 1K	5% 1/10W				
R1642	1-216-051-00	RES-CHIP 1.2K	5% 1/10W				
R1643	1-216-659-11	METAL CHIP 2.2K	0.5% 1/10W				
R1644	1-216-025-11	RES-CHIP 100	5% 1/10W				
R1645	1-216-017-91	RES-CHIP 47	5% 1/10W				
R1646	1-216-057-00	RES-CHIP 2.2K	5% 1/10W				



REF. NO.	PART NO.	DESCRIPTION	REMARK	REF. NO.	PART NO.	DESCRIPTION	REMARK
		<DIODE>					
D4301	8-719-016-73	DIODE STZ6.8TT146		S4409	1-692-431-21	SWITCH, TACTILE (UP)	
D4302	8-719-016-73	DIODE STZ6.8TT146		S4410	1-692-431-21	SWITCH, TACTILE (LEFT)	
D4303	8-719-016-73	DIODE STZ6.8TT146					
D4304	8-719-016-73	DIODE STZ6.8TT146		S4411	1-692-431-21	SWITCH, TACTILE (MENU)	
D4305	8-719-016-73	DIODE STZ6.8TT146					
				*****			
D4306	8-719-016-73	DIODE STZ6.8TT146		* A-1401-408-A H3 BOARD, COMPLETE			
				*****			
		<JACK>					
J4301	1-750-515-11	TERMINAL BLOCK, S 3P (VIDEO 2 IN)				<CAPACITOR>	
		<RESISTOR>		C4501	1-162-974-11	CERAMIC CHIP	0.01µF 50V
R4306	1-218-285-11	METAL CHIP	75 5% 1/10W	C4502	1-164-156-11	CERAMIC CHIP	0.1µF 25V
R4307	1-216-853-11	METAL CHIP	470K 5% 1/10W	C4503	1-162-974-11	CERAMIC CHIP	0.01µF 50V
R4308	1-216-853-11	METAL CHIP	470K 5% 1/10W	C4504	1-126-964-11	ELECT	10µF 20% 50V
R4310	1-218-285-11	METAL CHIP	75 5% 1/10W	C4505	1-162-974-11	CERAMIC CHIP	0.01µF 50V
R4312	1-216-864-11	SHORT CHIP	0				
						<CONNECTOR>	
R4313	1-216-864-11	SHORT CHIP	0	CN4502 *	1-564-524-11	PLUG, CONNECTOR 9P	
R4314	1-218-285-11	METAL CHIP	75 5% 1/10W	CN4503 *	1-564-519-11	PLUG, CONNECTOR 4P	
R4315	1-216-821-11	METAL CHIP	1K 5% 1/10W	CN4504	1-695-915-11	TAB (CONTACT)	
*****						<DIODE>	
				D4503	8-719-053-43	DIODE SLR-325VCT31 (TIMER)	
				D4505	8-719-053-43	DIODE SLR-325VCT31 (STANDBY/STEREO)	
				D4510	8-719-053-43	DIODE SLR-325VCT31 (LAMP)	
						<IC>	
				IC4501	8-742-129-00	HYB IC SBX1971-51P	
						<TRANSISTOR>	
				Q4503	8-729-422-33	TRANSISTOR 2SD601A-Q-TX	
				Q4508	1-801-806-11	TRANSISTOR DTC144EKA	
				Q4509	1-801-806-11	TRANSISTOR DTC144EKA	
						<RESISTOR>	
R4401	1-218-684-11	METAL CHIP	470 0.5% 1/10W	R4502	1-216-817-11	METAL CHIP	470 5% 1/10W
R4402	1-218-688-11	METAL CHIP	680 0.5% 1/10W	R4504	1-216-805-11	METAL CHIP	47 5% 1/10W
R4403	1-218-692-11	METAL CHIP	1K 0.5% 1/10W	R4506	1-216-833-11	METAL CHIP	10K 5% 1/10W
R4404	1-218-700-11	METAL CHIP	2.2K 0.5% 1/10W	R4507	1-216-837-11	METAL CHIP	22K 5% 1/10W
R4406	1-218-684-11	METAL CHIP	470 0.5% 1/10W	R4509	1-216-819-11	METAL CHIP	680 5% 1/10W
R4407	1-218-688-11	METAL CHIP	680 0.5% 1/10W				
R4408	1-218-692-11	METAL CHIP	1K 0.5% 1/10W	R4512	1-216-819-11	METAL CHIP	680 5% 1/10W
R4409	1-218-700-11	METAL CHIP	2.2K 0.5% 1/10W	R4513	1-216-833-11	METAL CHIP	10K 5% 1/10W
R4410	1-218-708-11	METAL CHIP	4.7K 0.5% 1/10W	R4520	1-216-864-11	SHORT CHIP	0
R4411	1-216-789-11	METAL CHIP	2.2 5% 1/10W				
						<SWITCH>	
S4401	1-692-431-21	SWITCH, TACTILE (VOLUME -)					
S4402	1-692-431-21	SWITCH, TACTILE (VOLUME +)					
S4403	1-692-431-21	SWITCH, TACTILE (CHANNEL -)					
S4404	1-692-431-21	SWITCH, TACTILE (CHANNEL +)					
S4405	1-692-431-21	SWITCH, TACTILE (TV/VIDEO)					
S4406	1-692-431-21	SWITCH, TACTILE (SELECT)					
S4407	1-692-431-21	SWITCH, TACTILE (RIGHT)					
S4408	1-692-431-21	SWITCH, TACTILE (DOWN)		S4501	1-572-198-11	SWITCH, KEYBOARD (POWER)	
*****				*****			



REF. NO.	PART NO.	DESCRIPTION	REMARK	REF. NO.	PART NO.	DESCRIPTION	REMARK
* A-1300-699-A	M BOARD, COMPLETE	*****		C9527	1-162-970-11	CERAMIC CHIP	0.01μF 10% 25V
* 4-042-408-01	PIN, COATING LEAD			C9528	1-162-970-11	CERAMIC CHIP	0.01μF 10% 25V
	<CAPACITOR>			C9530	1-162-970-11	CERAMIC CHIP	0.01μF 10% 25V
C9001	1-162-970-11	CERAMIC CHIP	0.01μF 10% 25V	C9531	1-162-970-11	CERAMIC CHIP	0.01μF 10% 25V
C9002	1-126-964-11	ELECT	10μF 20% 50V	C9532	1-162-927-11	CERAMIC CHIP	100pF 5% 50V
C9004	1-107-826-11	CERAMIC CHIP	0.1μF 10% 16V	C9533	1-162-927-11	CERAMIC CHIP	100pF 5% 50V
C9007	1-162-970-11	CERAMIC CHIP	0.01μF 10% 25V	C9534	1-126-964-11	ELECT	10μF 20% 50V
C9008	1-126-933-11	ELECT	100μF 20% 16V	C9535	1-162-917-11	CERAMIC CHIP	15pF 5% 50V
C9009	1-107-826-11	CERAMIC CHIP	0.1μF 10% 16V	C9536	1-162-917-11	CERAMIC CHIP	15pF 5% 50V
C9010	1-126-933-11	ELECT	100μF 20% 16V	C9540	1-107-826-11	CERAMIC CHIP	0.1μF 10% 16V
C9011	1-162-919-11	CERAMIC CHIP	22pF 5% 50V	C9541	1-162-970-11	CERAMIC CHIP	0.01μF 10% 25V
C9012	1-162-919-11	CERAMIC CHIP	22pF 5% 50V	C9542	1-162-970-11	CERAMIC CHIP	0.01μF 10% 25V
C9013	1-107-826-11	CERAMIC CHIP	0.1μF 10% 16V	C9546	1-107-826-11	CERAMIC CHIP	0.1μF 10% 16V
C9014	1-162-915-11	CERAMIC CHIP	10pF 0.50pF 50V	C9547	1-107-826-11	CERAMIC CHIP	0.1μF 10% 16V
C9015	1-162-915-11	CERAMIC CHIP	10pF 0.50pF 50V	C9548	1-162-915-11	CERAMIC CHIP	10pF 0.50pF 50V
C9017	1-162-970-11	CERAMIC CHIP	0.01μF 10% 25V	C9549	1-162-915-11	CERAMIC CHIP	10pF 0.50pF 50V
C9018	1-107-826-11	CERAMIC CHIP	0.1μF 10% 16V		<CONNECTOR>		
C9019	1-162-970-11	CERAMIC CHIP	0.01μF 10% 25V	CN9001	1-766-382-21	PIN, CONNECTOR (1.5mm)(SMD)10P	
C9020	1-162-970-11	CERAMIC CHIP	0.01μF 10% 25V	CN9002	1-815-870-11	CONNECTOR, BOARD TO BOARD 50P	
C9021	1-126-964-11	ELECT	10μF 20% 50V	CN9501	1-815-870-11	CONNECTOR, BOARD TO BOARD 50P	
C9022	1-128-499-11	ELECT	220μF 20% 16V		<DIODE>		
C9023	1-162-915-11	CERAMIC CHIP	10pF 0.50pF 50V	D9001	8-719-941-86	DIODE DAN202U	
C9024	1-162-915-11	CERAMIC CHIP	10pF 0.50pF 50V	D9002	8-719-941-09	DIODE DAP202U	
C9025	1-115-467-11	CERAMIC CHIP	0.22μF 10% 10V	D9004	8-719-941-86	DIODE DAN202U	
C9035	1-128-499-11	ELECT	220μF 20% 16V	D9005	8-719-941-09	DIODE DAP202U	
C9037	1-126-964-11	ELECT	10μF 20% 50V	D9008	8-719-941-86	DIODE DAN202U	
C9038	1-126-947-11	ELECT	47μF 20% 16V	D9012	8-719-404-50	DIODE MA111-TX	
C9039	1-107-826-11	CERAMIC CHIP	0.1μF 10% 16V	D9013	8-719-404-50	DIODE MA111-TX	
C9040	1-126-947-11	ELECT	47μF 20% 16V	D9014	8-719-404-50	DIODE MA111-TX	
C9041	1-107-826-11	CERAMIC CHIP	0.1μF 10% 16V	D9015	8-719-404-50	DIODE MA111-TX	
C9042	1-128-499-11	ELECT	220μF 20% 16V	D9016	8-719-404-50	DIODE MA111-TX	
C9043	1-128-499-11	ELECT	220μF 20% 16V	D9017	8-719-941-86	DIODE DAN202U	
C9044	1-115-156-11	CERAMIC CHIP	1μF 10V	D9018	8-719-941-86	DIODE DAN202U	
C9045	1-162-970-11	CERAMIC CHIP	0.01μF 10% 25V	D9019	8-719-404-50	DIODE MA111-TX	
C9047	1-162-970-11	CERAMIC CHIP	0.01μF 10% 25V	D9020	8-719-404-50	DIODE MA111-TX	
C9048	1-162-970-11	CERAMIC CHIP	0.01μF 10% 25V	D9021	8-719-404-50	DIODE MA111-TX	
C9049	1-162-970-11	CERAMIC CHIP	0.01μF 10% 25V	D9022	8-719-404-50	DIODE MA111-TX	
C9050	1-162-970-11	CERAMIC CHIP	0.01μF 10% 25V	D9023	8-719-404-50	DIODE MA111-TX	
C9051	1-162-970-11	CERAMIC CHIP	0.01μF 10% 25V	D9024	8-719-404-50	DIODE MA111-TX	
C9052	1-162-970-11	CERAMIC CHIP	0.01μF 10% 25V	D9025	8-719-404-50	DIODE MA111-TX	
C9053	1-162-970-11	CERAMIC CHIP	0.01μF 10% 25V	D9026	8-719-404-50	DIODE MA111-TX	
C9054	1-162-970-11	CERAMIC CHIP	0.01μF 10% 25V	D9027	8-719-404-50	DIODE MA111-TX	
C9055	1-162-970-11	CERAMIC CHIP	0.01μF 10% 25V	D9028	8-719-404-50	DIODE MA111-TX	
C9503	1-162-964-11	CERAMIC CHIP	0.001μF 10% 50V	D9029	8-719-404-50	DIODE MA111-TX	
C9504	1-126-964-11	ELECT	10μF 20% 50V	D9030	8-719-404-50	DIODE MA111-TX	
C9505	1-107-826-11	CERAMIC CHIP	0.1μF 10% 16V	D9031	8-719-404-50	DIODE MA111-TX	
C9506	1-162-970-11	CERAMIC CHIP	0.01μF 10% 25V	D9032	8-719-404-50	DIODE MA111-TX	
C9519	1-164-315-11	CERAMIC CHIP	470pF 5% 50V	D9033	8-719-404-50	DIODE MA111-TX	
C9520	1-164-315-11	CERAMIC CHIP	470pF 5% 50V	D9501	8-719-404-50	DIODE MA111-TX	
C9521	1-164-315-11	CERAMIC CHIP	470pF 5% 50V	D9502	8-719-025-31	DIODE 02CZ5.6-TE85L	
C9523	1-107-826-11	CERAMIC CHIP	0.1μF 10% 16V	D9503	8-719-404-50	DIODE MA111-TX	
C9524	1-162-970-11	CERAMIC CHIP	0.01μF 10% 25V				
C9525	1-162-970-11	CERAMIC CHIP	0.01μF 10% 25V				



REF. NO.	PART NO.	DESCRIPTION	REMARK	REF. NO.	PART NO.	DESCRIPTION	REMARK
		<FILTER>					
FL9001	1-233-736-21	FILTER, EMI		Q9018	1-801-806-11	TRANSISTOR DTC144EKA	
FL9002	1-233-736-21	FILTER, EMI		Q9019	8-729-216-22	TRANSISTOR 2SA1162-G	
		<IC>		Q9020	8-729-027-23	TRANSISTOR DTA114EKA-T146	
IC9001	6-801-375-01	IC PST9129NL		Q9021	1-801-806-11	TRANSISTOR DTC144EKA	
IC9002	8-759-682-41	IC M24C32-WMN6T(A)		Q9022	8-729-216-22	TRANSISTOR 2SA1162-G	
IC9004	6-802-464-01	IC M306VSMG-501FP					
IC9005	8-759-349-11	IC PST9145NL		Q9023	8-729-422-33	TRANSISTOR 2SD601A-Q-TX	
IC9007	8-759-547-54	IC TC7SET00FU(TE85R)		Q9025	8-729-027-23	TRANSISTOR DTA114EKA-T146	
IC9008	8-759-570-08	IC TC7SET32FU(TE85R)		Q9026	8-729-422-33	TRANSISTOR 2SD601A-Q-TX	
IC9009	8-759-570-08	IC TC7SET32FU(TE85R)		Q9027	8-729-216-22	TRANSISTOR 2SA1162-G	
IC9010	8-759-570-08	IC TC7SET32FU(TE85R)		Q9028	8-729-422-33	TRANSISTOR 2SD601A-Q-TX	
IC9011	8-759-196-96	IC TC7SH08FU-TE85R					
IC9012	8-759-485-79	IC TC7SET08FU(TE85R)		Q9029	8-729-216-22	TRANSISTOR 2SA1162-G	
IC9013	8-759-547-54	IC TC7SET00FU(TE85R)		Q9502	8-729-900-53	TRANSISTOR DTC114EK	
IC9014	8-759-547-54	IC TC7SET00FU(TE85R)		Q9505	8-729-422-33	TRANSISTOR 2SD601A-Q-TX	
IC9015	8-759-641-26	IC NJM2391DL1-33(TE1)		Q9506	8-729-216-22	TRANSISTOR 2SA1162-G	
IC9016	8-759-485-79	IC TC7SET08FU(TE85R)		Q9507	8-729-422-33	TRANSISTOR 2SD601A-Q-TX	
IC9017	8-759-485-79	IC TC7SET08FU(TE85R)					
IC9502	6-801-725-01	IC MB94918RpF-G-148-BND		Q9508	8-729-422-33	TRANSISTOR 2SD601A-Q-TX	
IC9503	8-759-485-79	IC TC7SET08FU(TE85R)		Q9509	8-729-216-22	TRANSISTOR 2SA1162-G	
IC9504	6-700-149-01	IC M24C04-MN6T(A)		Q9510	8-729-422-33	TRANSISTOR 2SD601A-Q-TX	
IC9505	8-759-349-11	IC PST9145NL		Q9511	8-729-027-23	TRANSISTOR DTA114EKA-T146	
IC9506	8-759-009-06	IC MC14052BFEL		Q9516	8-729-216-22	TRANSISTOR 2SA1162-G	
IC9507	8-759-675-64	IC M24C08-MN6T(A)					
IC9508	8-759-485-79	IC TC7SET08FU(TE85R)		Q9517	8-729-422-33	TRANSISTOR 2SD601A-Q-TX	
IC9509	8-759-271-84	IC TC7SH02FU		Q9518	8-729-216-22	TRANSISTOR 2SA1162-G	
IC9510	8-759-196-97	IC TC7SH32FU-TE85R		Q9519	8-729-422-33	TRANSISTOR 2SD601A-Q-TX	
IC9514	8-759-485-79	IC TC7SET08FU(TE85R)		Q9520	8-729-216-22	TRANSISTOR 2SA1162-G	
IC9515	8-759-485-79	IC TC7SET08FU(TE85R)		Q9521	8-729-422-33	TRANSISTOR 2SD601A-Q-TX	
		<COIL>					
L9001	1-412-943-11	INDUCTOR 2.2μH		Q9522	8-729-422-33	TRANSISTOR 2SD601A-Q-TX	
L9002	1-412-058-11	INDUCTOR 10μH		Q9523	8-729-422-33	TRANSISTOR 2SD601A-Q-TX	
L9501	1-412-003-21	INDUCTOR 5.6μH		Q9524	8-729-422-33	TRANSISTOR 2SD601A-Q-TX	
		<TRANSISTOR>		Q9525	8-729-422-33	TRANSISTOR 2SD601A-Q-TX	
Q9003	8-729-422-33	TRANSISTOR 2SD601A-Q-TX		Q9526	8-729-422-33	TRANSISTOR 2SD601A-Q-TX	
Q9004	8-729-422-33	TRANSISTOR 2SD601A-Q-TX					
Q9005	8-729-027-23	TRANSISTOR DTA114EKA-T146		Q9527	8-729-422-33	TRANSISTOR 2SD601A-Q-TX	
Q9006	8-729-422-33	TRANSISTOR 2SD601A-Q-TX					
Q9007	8-729-216-22	TRANSISTOR 2SA1162-G					
Q9008	8-729-422-33	TRANSISTOR 2SD601A-Q-TX					
Q9009	8-729-216-22	TRANSISTOR 2SA1162-G					
Q9010	8-729-422-33	TRANSISTOR 2SD601A-Q-TX					
Q9011	8-729-216-22	TRANSISTOR 2SA1162-G					
Q9012	8-729-422-33	TRANSISTOR 2SD601A-Q-TX					
Q9013	8-729-422-33	TRANSISTOR 2SD601A-Q-TX					
Q9014	8-729-422-33	TRANSISTOR 2SD601A-Q-TX					
Q9015	8-729-422-33	TRANSISTOR 2SD601A-Q-TX					
Q9016	8-729-422-33	TRANSISTOR 2SD601A-Q-TX					
Q9017	8-729-422-33	TRANSISTOR 2SD601A-Q-TX					
		<RESISTOR>					
				R9002	1-216-809-11	METAL CHIP 100 5% 1/10W	
				R9004	1-216-809-11	METAL CHIP 100 5% 1/10W	
				R9005	1-216-809-11	METAL CHIP 100 5% 1/10W	
				R9006	1-216-809-11	METAL CHIP 100 5% 1/10W	
				R9007	1-216-841-11	METAL CHIP 47K 5% 1/10W	
				R9008	1-216-809-11	METAL CHIP 100 5% 1/10W	
				R9009	1-216-825-11	METAL CHIP 2.2K 5% 1/10W	
				R9011	1-218-708-11	METAL CHIP 4.7K 0.5% 1/10W	
				R9012	1-216-821-11	METAL CHIP 1K 5% 1/10W	
				R9013	1-216-809-11	METAL CHIP 100 5% 1/10W	
				R9014	1-216-801-11	METAL CHIP 22 5% 1/10W	
				R9015	1-216-801-11	METAL CHIP 22 5% 1/10W	
				R9016	1-216-833-11	METAL CHIP 10K 5% 1/10W	
				R9017	1-216-809-11	METAL CHIP 100 5% 1/10W	
				R9018	1-216-845-11	METAL CHIP 100K 5% 1/10W	
				R9019	1-216-841-11	METAL CHIP 47K 5% 1/10W	
				R9020	1-216-833-11	METAL CHIP 10K 5% 1/10W	
				R9021	1-216-864-11	SHORT CHIP 0	
				R9022	1-216-841-11	METAL CHIP 47K 5% 1/10W	
				R9023	1-216-809-11	METAL CHIP 100 5% 1/10W	
				R9024	1-216-809-11	METAL CHIP 100 5% 1/10W	
				R9025	1-216-827-11	METAL CHIP 3.3K 5% 1/10W	
				R9026	1-216-827-11	METAL CHIP 3.3K 5% 1/10W	





<u>REF. NO.</u>	<u>PART NO.</u>	<u>DESCRIPTION</u>		<u>REMARK</u>	<u>REF. NO.</u>	<u>PART NO.</u>	<u>DESCRIPTION</u>		<u>REMARK</u>
R9027	1-216-841-11	METAL CHIP	47K	5%	1/10W	R9087	1-216-809-11	METAL CHIP	100 5% 1/10W
R9028	1-216-809-11	METAL CHIP	100	5%	1/10W	R9088	1-216-845-11	METAL CHIP	100K 5% 1/10W
R9029	1-216-864-11	SHORT CHIP	0			R9089	1-216-845-11	METAL CHIP	100K 5% 1/10W
R9030	1-216-805-11	METAL CHIP	47	5%	1/10W	R9090	1-216-833-11	METAL CHIP	10K 5% 1/10W
R9031	1-216-805-11	METAL CHIP	47	5%	1/10W	R9091	1-216-833-11	METAL CHIP	10K 5% 1/10W
R9032	1-216-805-11	METAL CHIP	47	5%	1/10W	R9092	1-216-833-11	METAL CHIP	10K 5% 1/10W
R9033	1-216-809-11	METAL CHIP	100	5%	1/10W	R9093	1-216-833-11	METAL CHIP	10K 5% 1/10W
R9034	1-216-809-11	METAL CHIP	100	5%	1/10W	R9094	1-216-833-11	METAL CHIP	10K 5% 1/10W
R9036	1-216-864-11	SHORT CHIP	0			R9096	1-216-809-11	METAL CHIP	100 5% 1/10W
R9037	1-216-823-11	METAL CHIP	1.5K	5%	1/10W	R9097	1-216-845-11	METAL CHIP	100K 5% 1/10W
R9038	1-216-823-11	METAL CHIP	1.5K	5%	1/10W	R9098	1-216-833-11	METAL CHIP	10K 5% 1/10W
R9039	1-216-833-11	METAL CHIP	10K	5%	1/10W	R9099	1-216-809-11	METAL CHIP	100 5% 1/10W
R9041	1-216-833-11	METAL CHIP	10K	5%	1/10W	R9100	1-216-833-11	METAL CHIP	10K 5% 1/10W
R9042	1-216-809-11	METAL CHIP	100	5%	1/10W	R9101	1-216-845-11	METAL CHIP	100K 5% 1/10W
R9043	1-216-825-11	METAL CHIP	2.2K	5%	1/10W	R9102	1-216-849-11	METAL CHIP	220K 5% 1/10W
R9044	1-218-867-11	METAL CHIP	6.8K	5%	1/10W	R9103	1-216-809-11	METAL CHIP	100 5% 1/10W
R9045	1-216-835-11	METAL CHIP	15K	5%	1/10W	R9105	1-216-833-11	METAL CHIP	10K 5% 1/10W
R9046	1-216-815-11	METAL CHIP	330	5%	1/10W	R9107	1-216-829-11	METAL CHIP	4.7K 5% 1/10W
R9047	1-216-833-11	METAL CHIP	10K	5%	1/10W	R9108	1-216-821-11	METAL CHIP	1K 5% 1/10W
R9048	1-216-833-11	METAL CHIP	10K	5%	1/10W	R9109	1-216-821-11	METAL CHIP	1K 5% 1/10W
R9049	1-216-809-11	METAL CHIP	100	5%	1/10W	R9110	1-216-829-11	METAL CHIP	4.7K 5% 1/10W
R9050	1-216-809-11	METAL CHIP	100	5%	1/10W	R9112	1-216-845-11	METAL CHIP	100K 5% 1/10W
R9051	1-216-809-11	METAL CHIP	100	5%	1/10W	R9113	1-216-809-11	METAL CHIP	100 5% 1/10W
R9052	1-216-833-11	METAL CHIP	10K	5%	1/10W	R9114	1-216-821-11	METAL CHIP	1K 5% 1/10W
R9053	1-216-821-11	METAL CHIP	1K	5%	1/10W	R9115	1-216-833-11	METAL CHIP	10K 5% 1/10W
R9054	1-216-809-11	METAL CHIP	100	5%	1/10W	R9116	1-216-825-11	METAL CHIP	2.2K 5% 1/10W
R9055	1-216-841-11	METAL CHIP	47K	5%	1/10W	R9117	1-216-833-11	METAL CHIP	10K 5% 1/10W
R9056	1-216-845-11	METAL CHIP	100K	5%	1/10W	R9118	1-216-841-11	METAL CHIP	47K 5% 1/10W
R9057	1-216-809-11	METAL CHIP	100	5%	1/10W	R9119	1-216-833-11	METAL CHIP	10K 5% 1/10W
R9058	1-216-825-11	METAL CHIP	2.2K	5%	1/10W	R9120	1-216-845-11	METAL CHIP	100K 5% 1/10W
R9059	1-216-845-11	METAL CHIP	100K	5%	1/10W	R9121	1-216-845-11	METAL CHIP	100K 5% 1/10W
R9061	1-216-842-11	METAL CHIP	56K	5%	1/10W	R9122	1-216-833-11	METAL CHIP	10K 5% 1/10W
R9062	1-216-809-11	METAL CHIP	100	5%	1/10W	R9123	1-216-809-11	METAL CHIP	100 5% 1/10W
R9063	1-216-821-11	METAL CHIP	1K	5%	1/10W	R9124	1-216-809-11	METAL CHIP	100 5% 1/10W
R9064	1-216-809-11	METAL CHIP	100	5%	1/10W	R9125	1-216-829-11	METAL CHIP	4.7K 5% 1/10W
R9065	1-216-809-11	METAL CHIP	100	5%	1/10W	R9126	1-216-845-11	METAL CHIP	100K 5% 1/10W
R9066	1-216-841-11	METAL CHIP	47K	5%	1/10W	R9129	1-216-829-11	METAL CHIP	4.7K 5% 1/10W
R9067	1-216-845-11	METAL CHIP	100K	5%	1/10W	R9130	1-216-833-11	METAL CHIP	10K 5% 1/10W
R9068	1-216-809-11	METAL CHIP	100	5%	1/10W	R9131	1-216-821-11	METAL CHIP	1K 5% 1/10W
R9069	1-216-809-11	METAL CHIP	100	5%	1/10W	R9132	1-216-809-11	METAL CHIP	100 5% 1/10W
R9070	1-216-809-11	METAL CHIP	100	5%	1/10W	R9133	1-216-825-11	METAL CHIP	2.2K 5% 1/10W
R9071	1-216-833-11	METAL CHIP	10K	5%	1/10W	R9134	1-216-817-11	METAL CHIP	470 5% 1/10W
R9072	1-216-809-11	METAL CHIP	100	5%	1/10W	R9135	1-216-841-11	METAL CHIP	47K 5% 1/10W
R9073	1-216-809-11	METAL CHIP	100	5%	1/10W	R9136	1-216-833-11	METAL CHIP	10K 5% 1/10W
R9074	1-216-833-11	METAL CHIP	10K	5%	1/10W	R9137	1-216-809-11	METAL CHIP	100 5% 1/10W
R9075	1-216-833-11	METAL CHIP	10K	5%	1/10W	R9138	1-216-829-11	METAL CHIP	4.7K 5% 1/10W
R9076	1-216-833-11	METAL CHIP	10K	5%	1/10W	R9139	1-216-837-11	METAL CHIP	22K 5% 1/10W
R9077	1-216-833-11	METAL CHIP	10K	5%	1/10W	R9140	1-216-825-11	METAL CHIP	2.2K 5% 1/10W
R9078	1-216-833-11	METAL CHIP	10K	5%	1/10W	R9141	1-216-809-11	METAL CHIP	100 5% 1/10W
R9079	1-216-845-11	METAL CHIP	100K	5%	1/10W	R9142	1-216-833-11	METAL CHIP	10K 5% 1/10W
R9080	1-216-809-11	METAL CHIP	100	5%	1/10W	R9143	1-216-864-11	SHORT CHIP	0
R9081	1-216-809-11	METAL CHIP	100	5%	1/10W	R9145	1-216-833-11	METAL CHIP	10K 5% 1/10W
R9082	1-216-809-11	METAL CHIP	100	5%	1/10W	R9146	1-216-845-11	METAL CHIP	100K 5% 1/10W
R9083	1-216-833-11	METAL CHIP	10K	5%	1/10W	R9147	1-216-821-11	METAL CHIP	1K 5% 1/10W
R9084	1-216-833-11	METAL CHIP	10K	5%	1/10W	R9148	1-216-821-11	METAL CHIP	1K 5% 1/10W
R9085	1-216-845-11	METAL CHIP	100K	5%	1/10W	R9149	1-216-821-11	METAL CHIP	1K 5% 1/10W
R9086	1-216-809-11	METAL CHIP	100	5%	1/10W	R9150	1-216-821-11	METAL CHIP	1K 5% 1/10W



<u>REF. NO.</u>	<u>PART NO.</u>	<u>DESCRIPTION</u>		<u>REMARK</u>		<u>REF. NO.</u>	<u>PART NO.</u>	<u>DESCRIPTION</u>		<u>REMARK</u>
R9151	1-216-836-11	METAL CHIP	18K	5%	1/10W	R9546	1-216-841-11	METAL CHIP	47K	5% 1/10W
R9152	1-216-845-11	METAL CHIP	100K	5%	1/10W	R9547	1-216-864-11	SHORT CHIP	0	
R9153	1-216-833-11	METAL CHIP	10K	5%	1/10W	R9548	1-216-833-11	METAL CHIP	10K	5% 1/10W
R9154	1-216-845-11	METAL CHIP	100K	5%	1/10W	R9549	1-216-801-11	METAL CHIP	22	5% 1/10W
R9155	1-216-833-11	METAL CHIP	10K	5%	1/10W	R9550	1-216-824-11	METAL CHIP	1.8K	5% 1/10W
R9158	1-216-833-11	METAL CHIP	10K	5%	1/10W	R9551	1-216-824-11	METAL CHIP	1.8K	5% 1/10W
R9160	1-216-841-11	METAL CHIP	47K	5%	1/10W	R9552	1-216-801-11	METAL CHIP	22	5% 1/10W
R9161	1-216-833-11	METAL CHIP	10K	5%	1/10W	R9553	1-216-821-11	METAL CHIP	1K	5% 1/10W
R9162	1-216-845-11	METAL CHIP	100K	5%	1/10W	R9554	1-216-821-11	METAL CHIP	1K	5% 1/10W
R9164	1-216-833-11	METAL CHIP	10K	5%	1/10W	R9555	1-216-801-11	METAL CHIP	22	5% 1/10W
R9165	1-216-845-11	METAL CHIP	100K	5%	1/10W	R9556	1-216-821-11	METAL CHIP	1K	5% 1/10W
R9168	1-216-833-11	METAL CHIP	10K	5%	1/10W	R9557	1-216-809-11	METAL CHIP	100	5% 1/10W
R9169	1-216-821-11	METAL CHIP	1K	5%	1/10W	R9558	1-216-809-11	METAL CHIP	100	5% 1/10W
R9171	1-216-809-11	METAL CHIP	100	5%	1/10W	R9559	1-216-864-11	SHORT CHIP	0	
R9172	1-216-821-11	METAL CHIP	1K	5%	1/10W	R9560	1-216-864-11	SHORT CHIP	0	
R9173	1-216-821-11	METAL CHIP	1K	5%	1/10W	R9561	1-216-809-11	METAL CHIP	100	5% 1/10W
R9174	1-216-809-11	METAL CHIP	100	5%	1/10W	R9563	1-216-829-11	METAL CHIP	4.7K	5% 1/10W
R9175	1-216-833-11	METAL CHIP	10K	5%	1/10W	R9564	1-216-833-11	METAL CHIP	10K	5% 1/10W
R9176	1-216-836-11	METAL CHIP	18K	5%	1/10W	R9565	1-216-864-11	SHORT CHIP	0	
R9177	1-216-833-11	METAL CHIP	10K	5%	1/10W	R9567	1-216-864-11	SHORT CHIP	0	
R9178	1-216-864-11	SHORT CHIP	0		R9568	1-216-825-11	METAL CHIP	2.2K	5% 1/10W	
R9179	1-216-864-11	SHORT CHIP	0		R9569	1-216-801-11	METAL CHIP	22	5% 1/10W	
R9506	1-216-833-11	METAL CHIP	10K	5%	1/10W	R9571	1-216-801-11	METAL CHIP	22	5% 1/10W
R9507	1-216-845-11	METAL CHIP	100K	5%	1/10W	R9572	1-216-809-11	METAL CHIP	100	5% 1/10W
R9508	1-216-809-11	METAL CHIP	100	5%	1/10W	R9573	1-216-809-11	METAL CHIP	100	5% 1/10W
R9510	1-216-809-11	METAL CHIP	100	5%	1/10W	R9574	1-216-821-11	METAL CHIP	1K	5% 1/10W
R9511	1-216-841-11	METAL CHIP	47K	5%	1/10W	R9575	1-216-821-11	METAL CHIP	1K	5% 1/10W
R9512	1-216-841-11	METAL CHIP	47K	5%	1/10W	R9576	1-216-821-11	METAL CHIP	1K	5% 1/10W
R9513	1-216-845-11	METAL CHIP	100K	5%	1/10W	R9577	1-216-833-11	METAL CHIP	10K	5% 1/10W
R9514	1-216-841-11	METAL CHIP	47K	5%	1/10W	R9578	1-216-809-11	METAL CHIP	100	5% 1/10W
R9515	1-216-833-11	METAL CHIP	10K	5%	1/10W	R9579	1-216-809-11	METAL CHIP	100	5% 1/10W
R9516	1-216-833-11	METAL CHIP	10K	5%	1/10W	R9580	1-216-809-11	METAL CHIP	100	5% 1/10W
R9517	1-216-833-11	METAL CHIP	10K	5%	1/10W	R9581	1-216-809-11	METAL CHIP	100	5% 1/10W
R9518	1-216-833-11	METAL CHIP	10K	5%	1/10W	R9582	1-216-801-11	METAL CHIP	22	5% 1/10W
R9519	1-216-833-11	METAL CHIP	10K	5%	1/10W	R9583	1-216-809-11	METAL CHIP	100	5% 1/10W
R9520	1-216-821-11	METAL CHIP	1K	5%	1/10W	R9584	1-216-809-11	METAL CHIP	100	5% 1/10W
R9521	1-216-821-11	METAL CHIP	1K	5%	1/10W	R9585	1-216-864-11	SHORT CHIP	0	
R9522	1-216-837-11	METAL CHIP	22K	5%	1/10W	R9586	1-216-809-11	METAL CHIP	100	5% 1/10W
R9523	1-216-809-11	METAL CHIP	100	5%	1/10W	R9587	1-216-864-11	SHORT CHIP	0	
R9525	1-216-809-11	METAL CHIP	100	5%	1/10W	R9588	1-216-817-11	METAL CHIP	470	5% 1/10W
R9526	1-216-809-11	METAL CHIP	100	5%	1/10W	R9589	1-216-801-11	METAL CHIP	22	5% 1/10W
R9527	1-216-809-11	METAL CHIP	100	5%	1/10W	R9591	1-216-833-11	METAL CHIP	10K	5% 1/10W
R9528	1-216-809-11	METAL CHIP	100	5%	1/10W	R9592	1-216-801-11	METAL CHIP	22	5% 1/10W
R9529	1-216-809-11	METAL CHIP	100	5%	1/10W	R9593	1-216-845-11	METAL CHIP	100K	5% 1/10W
R9531	1-216-809-11	METAL CHIP	100	5%	1/10W	R9594	1-216-813-11	METAL CHIP	220	5% 1/10W
R9532	1-216-821-11	METAL CHIP	1K	5%	1/10W	R9598	1-216-809-11	METAL CHIP	100	5% 1/10W
R9533	1-216-809-11	METAL CHIP	100	5%	1/10W	R9600	1-216-809-11	METAL CHIP	100	5% 1/10W
R9534	1-216-809-11	METAL CHIP	100	5%	1/10W	R9601	1-216-815-11	METAL CHIP	330	5% 1/10W
R9535	1-216-809-11	METAL CHIP	100	5%	1/10W	R9602	1-216-815-11	METAL CHIP	330	5% 1/10W
R9536	1-216-809-11	METAL CHIP	100	5%	1/10W	R9603	1-216-815-11	METAL CHIP	330	5% 1/10W
R9537	1-216-821-11	METAL CHIP	1K	5%	1/10W	R9613	1-216-833-11	METAL CHIP	10K	5% 1/10W
R9538	1-216-809-11	METAL CHIP	100	5%	1/10W	R9617	1-216-809-11	METAL CHIP	100	5% 1/10W
R9539	1-216-813-11	METAL CHIP	220	5%	1/10W	R9623	1-216-809-11	METAL CHIP	100	5% 1/10W
R9540	1-216-833-11	METAL CHIP	10K	5%	1/10W	R9624	1-216-809-11	METAL CHIP	100	5% 1/10W
R9541	1-216-801-11	METAL CHIP	22	5%	1/10W	R9625	1-216-821-11	METAL CHIP	1K	5% 1/10W
R9542	1-216-825-11	METAL CHIP	2.2K	5%	1/10W	R9626	1-216-821-11	METAL CHIP	1K	5% 1/10W
R9543	1-216-833-11	METAL CHIP	10K	5%	1/10W					



REF. NO.	PART NO.	DESCRIPTION	REMARK	REF. NO.	PART NO.	DESCRIPTION	REMARK
R9627	1-216-821-11	METAL CHIP	1K 5% 1/10W	* A-1300-700-A	U BOARD, COMPLETE		
R9628	1-216-821-11	METAL CHIP	1K 5% 1/10W		*****		
R9629	1-216-821-11	METAL CHIP	1K 5% 1/10W				
R9630	1-216-813-11	METAL CHIP	220 5% 1/10W				
R9631	1-216-809-11	METAL CHIP	100 5% 1/10W				
					<CAPACITOR>		
R9632	1-216-864-11	SHORT CHIP	0	C2001	1-109-982-11 CERAMIC CHIP	1μF 10%	10V
R9633	1-216-817-11	METAL CHIP	470 5% 1/10W	C2002	1-109-982-11 CERAMIC CHIP	1μF 10%	10V
R9634	1-216-809-11	METAL CHIP	100 5% 1/10W	C2003	1-126-960-11 ELECT	1μF 20%	50V
R9635	1-216-805-11	METAL CHIP	47 5% 1/10W	C2004	1-126-960-11 ELECT	1μF 20%	50V
R9636	1-216-813-11	METAL CHIP	220 5% 1/10W	C2005	1-109-982-11 CERAMIC CHIP	1μF 10%	10V
R9637	1-216-809-11	METAL CHIP	100 5% 1/10W	C2006	1-107-826-11 CERAMIC CHIP	0.1μF 10%	16V
R9638	1-216-864-11	SHORT CHIP	0	C2007	1-109-982-11 CERAMIC CHIP	1μF 10%	10V
R9639	1-216-817-11	METAL CHIP	470 5% 1/10W	C2008	1-109-982-11 CERAMIC CHIP	1μF 10%	10V
R9640	1-216-809-11	METAL CHIP	100 5% 1/10W	C2009	1-107-826-11 CERAMIC CHIP	0.1μF 10%	16V
R9641	1-216-805-11	METAL CHIP	47 5% 1/10W	C2010	1-126-960-11 ELECT	1μF 20%	50V
R9642	1-216-813-11	METAL CHIP	220 5% 1/10W	C2011	1-126-960-11 ELECT	1μF 20%	50V
R9643	1-216-809-11	METAL CHIP	100 5% 1/10W	C2012	1-126-960-11 ELECT	1μF 20%	50V
R9644	1-216-864-11	SHORT CHIP	0	C2013	1-126-960-11 ELECT	1μF 20%	50V
R9645	1-216-817-11	METAL CHIP	470 5% 1/10W	C2014	1-162-917-11 CERAMIC CHIP	15pF 5%	50V
R9646	1-216-809-11	METAL CHIP	100 5% 1/10W	C2015	1-126-933-11 ELECT	100μF 20%	16V
R9647	1-216-805-11	METAL CHIP	47 5% 1/10W	C2016	1-164-156-11 CERAMIC CHIP	0.1μF	25V
R9648	1-216-817-11	METAL CHIP	470 5% 1/10W	C2017	1-162-964-11 CERAMIC CHIP	0.001μF 10%	50V
R9649	1-216-817-11	METAL CHIP	470 5% 1/10W	C2018	1-164-227-11 CERAMIC CHIP	0.022μF 10%	25V
R9650	1-216-817-11	METAL CHIP	470 5% 1/10W	C2019	1-164-156-11 CERAMIC CHIP	0.1μF	25V
R9651	1-216-817-11	METAL CHIP	470 5% 1/10W	C2020	1-126-964-11 ELECT	10μF 20%	50V
R9652	1-216-809-11	METAL CHIP	100 5% 1/10W	C2021	1-164-156-11 CERAMIC CHIP	0.1μF	25V
R9653	1-216-801-11	METAL CHIP	22 5% 1/10W	C2022	1-164-156-11 CERAMIC CHIP	0.1μF	25V
		<CRYSTAL>		C2023	1-107-826-11 CERAMIC CHIP	0.1μF 10%	16V
X9002	1-579-358-11	VIBLATOR, CRYSTAL 10MHZ		C2024	1-164-156-11 CERAMIC CHIP	0.1μF	25V
X9501	1-760-014-11	VIBRATOR, CERAMIC 20MHZ		C2025	1-164-156-11 CERAMIC CHIP	0.1μF	25V
*****							
		* A-1401-406-A T BOARD, COMPLETE		C2026	1-126-933-11 ELECT	100μF 20%	16V
		*****		C2027	1-126-933-11 ELECT	100μF 20%	16V
		<CONNECTOR>		C2028	1-164-156-11 CERAMIC CHIP	0.1μF	25V
CN8001	* 1-564-506-11	PLUG, CONNECTOR 3P		C2029	1-107-826-11 CERAMIC CHIP	0.1μF 10%	16V
		<SWITCH>		C2030	1-107-826-11 CERAMIC CHIP	0.1μF 10%	16V
S8001	1-570-245-11	SWITCH, MICRO (LAMP COVER)		C2031	1-162-917-11 CERAMIC CHIP	15pF 5%	50V
*****							
				C2032	1-162-917-11 CERAMIC CHIP	15pF 5%	50V
				C2033	1-126-933-11 ELECT	100μF 20%	16V
				C2034	1-164-156-11 CERAMIC CHIP	0.1μF	25V
				C2035	1-164-156-11 CERAMIC CHIP	0.1μF	25V
				C2036	1-162-913-11 CERAMIC CHIP	8pF 0.50pF	50V
				C2037	1-125-837-91 CERAMIC CHIP	1μF 10%	6.3V
				C2038	1-125-837-91 CERAMIC CHIP	1μF 10%	6.3V
				C2039	1-162-913-11 CERAMIC CHIP	8pF 0.50pF	50V
				C2040	1-109-982-11 CERAMIC CHIP	1μF 10%	10V
				C2041	1-164-156-11 CERAMIC CHIP	0.1μF	25V
				C2042	1-107-826-11 CERAMIC CHIP	0.1μF 10%	16V
				C2043	1-109-982-11 CERAMIC CHIP	1μF 10%	10V
				C2044	1-125-837-91 CERAMIC CHIP	1μF 10%	6.3V
				C2045	1-126-933-11 ELECT	100μF 20%	16V
				C2046	1-107-826-11 CERAMIC CHIP	0.1μF 10%	16V
				C2047	1-107-826-11 CERAMIC CHIP	0.1μF 10%	16V
				C2048	1-107-826-11 CERAMIC CHIP	0.1μF 10%	16V
				C2049	1-126-960-11 ELECT	1μF 20%	50V
				C2050	1-126-960-11 ELECT	1μF 20%	50V
				C2051	1-126-933-11 ELECT	100μF 20%	16V



REF. NO.	PART NO.	DESCRIPTION	REMARK	REF. NO.	PART NO.	DESCRIPTION	REMARK
C2052	1-107-826-11	CERAMIC CHIP	0.1μF 10% 16V	C2542	1-126-794-11	ELECT	4.7μF 20% 25V
C2053	1-126-941-11	ELECT	470μF 20% 25V	C2543	1-162-966-11	CERAMIC CHIP	0.0022μF 10% 50V
C2054	1-107-826-11	CERAMIC CHIP	0.1μF 10% 16V	C2544	1-162-966-11	CERAMIC CHIP	0.0022μF 10% 50V
C2055	1-126-933-11	ELECT	100μF 20% 16V	C2545	1-126-382-11	ELECT	100μF 20% 16V
C2056	1-164-156-11	CERAMIC CHIP	0.1μF 25V	C2546	1-107-826-11	CERAMIC CHIP	0.1μF 10% 16V
C2057	1-126-933-11	ELECT	100μF 20% 16V	C2547	1-126-786-11	ELECT	47μF 20% 16V
C2060	1-125-837-91	CERAMIC CHIP	1μF 10% 6.3V	C2549	1-126-794-11	ELECT	4.7μF 20% 25V
C2061	1-126-933-11	ELECT	100μF 20% 16V	C2550	1-164-156-11	CERAMIC CHIP	0.1μF 25V
C2062	1-164-156-11	CERAMIC CHIP	0.1μF 25V	C2551	1-107-826-11	CERAMIC CHIP	0.1μF 10% 16V
C2063	1-126-933-11	ELECT	100μF 20% 16V	C2552	1-126-786-11	ELECT	47μF 20% 16V
C2064	1-126-933-11	ELECT	100μF 20% 16V	C2554	1-126-786-11	ELECT	47μF 20% 16V
C2065	1-126-933-11	ELECT	100μF 20% 16V	C2556	1-126-794-11	ELECT	4.7μF 20% 25V
C2066	1-126-933-11	ELECT	100μF 20% 16V	C2557	1-126-794-11	ELECT	4.7μF 20% 25V
C2067	1-126-933-11	ELECT	100μF 20% 16V	C2559	1-126-382-11	ELECT	100μF 20% 16V
C2068	1-126-933-11	ELECT	100μF 20% 16V	C2561	1-126-786-11	ELECT	47μF 20% 16V
C2069	1-126-960-11	ELECT	1μF 20% 50V	C2563	1-126-933-11	ELECT	100μF 20% 16V
C2070	1-126-960-11	ELECT	1μF 20% 50V	C2564	1-126-961-11	ELECT	2.2μF 20% 50V
C2071	1-126-960-11	ELECT	1μF 20% 50V	C2565	1-126-961-11	ELECT	2.2μF 20% 50V
C2072	1-126-960-11	ELECT	1μF 20% 50V	C2566	1-125-837-91	CERAMIC CHIP	1μF 10% 6.3V
C2073	1-126-960-11	ELECT	1μF 20% 50V	C2567	1-107-826-11	CERAMIC CHIP	0.1μF 10% 16V
C2074	1-126-960-11	ELECT	1μF 20% 50V	C2570	1-162-966-11	CERAMIC CHIP	0.0022μF 10% 50V
C2075	1-107-826-11	CERAMIC CHIP	0.1μF 10% 16V	C2571	1-126-961-11	ELECT	2.2μF 20% 50V
C2076	1-126-933-11	ELECT	100μF 20% 16V	C2573	1-164-156-11	CERAMIC CHIP	0.1μF 25V
C2077	1-107-826-11	CERAMIC CHIP	0.1μF 10% 16V	C2574	1-162-966-11	CERAMIC CHIP	0.0022μF 10% 50V
C2078	1-126-933-11	ELECT	100μF 20% 16V	C2575	1-126-964-11	ELECT	10μF 20% 50V
C2500	1-162-966-11	CERAMIC CHIP	0.0022μF 10% 50V	C2576	1-126-960-11	ELECT	1μF 20% 50V
C2501	1-162-966-11	CERAMIC CHIP	0.0022μF 10% 50V	C2577	1-126-960-11	ELECT	1μF 20% 50V
C2502	1-107-826-11	CERAMIC CHIP	0.1μF 10% 16V	C2578	1-126-964-11	ELECT	10μF 20% 50V
C2503	1-107-826-11	CERAMIC CHIP	0.1μF 10% 16V	C2582	1-107-826-11	CERAMIC CHIP	0.1μF 10% 16V
C2506	1-126-933-11	ELECT	100μF 20% 16V	C2587	1-126-786-11	ELECT	47μF 20% 16V
C2507	1-162-960-11	CERAMIC CHIP	220pF 10% 50V	<CONNECTOR>			
C2510	1-162-966-11	CERAMIC CHIP	0.0022μF 10% 50V	CN2001	* 1-793-923-11	CONNECTOR, DIN (PLUG) 64P	
C2511	1-135-834-91	CERAMIC CHIP	2.2E+06pF 6.3V	CN2002	* 1-564-526-11	PLUG, CONNECTOR 11P	
C2512	1-162-966-11	CERAMIC CHIP	0.0022μF 10% 50V	<DIODE>			
C2513	1-162-960-11	CERAMIC CHIP	220pF 10% 50V	D2001	8-719-977-28	DIODE UDZSTE-1710B	
C2514	1-162-966-11	CERAMIC CHIP	0.0022μF 10% 50V	D2002	8-719-977-28	DIODE UDZSTE-1710B	
C2515	1-107-826-11	CERAMIC CHIP	0.1μF 10% 16V	D2003	8-719-977-28	DIODE UDZSTE-1710B	
C2516	1-107-826-11	CERAMIC CHIP	0.1μF 10% 16V	D2004	8-719-977-28	DIODE UDZSTE-1710B	
C2517	1-126-786-11	ELECT	47μF 20% 16V	D2005	8-719-977-28	DIODE UDZSTE-1710B	
C2519	1-162-960-11	CERAMIC CHIP	220pF 10% 50V	D2006	8-719-977-28	DIODE UDZSTE-1710B	
C2520	1-135-834-91	CERAMIC CHIP	2.2E+06pF 6.3V	D2007	8-719-977-28	DIODE UDZSTE-1710B	
C2522	1-126-786-11	ELECT	47μF 20% 16V	D2008	8-719-977-28	DIODE UDZSTE-1710B	
C2523	1-162-962-11	CERAMIC CHIP	470pF 10% 50V	D2009	8-719-977-28	DIODE UDZSTE-1710B	
C2525	1-126-933-11	ELECT	100μF 20% 16V	D2010	8-719-977-28	DIODE UDZSTE-1710B	
C2527	1-135-834-91	CERAMIC CHIP	2.2E+06pF 6.3V	D2011	8-719-977-28	DIODE UDZSTE-1710B	
C2528	1-135-834-91	CERAMIC CHIP	2.2E+06pF 6.3V	D2012	8-719-977-28	DIODE UDZSTE-1710B	
C2530	1-126-786-11	ELECT	47μF 20% 16V	D2013	8-719-977-28	DIODE UDZSTE-1710B	
C2531	1-162-960-11	CERAMIC CHIP	220pF 10% 50V	D2014	8-719-977-28	DIODE UDZSTE-1710B	
C2532	1-162-962-11	CERAMIC CHIP	470pF 10% 50V	D2015	8-719-977-28	DIODE UDZSTE-1710B	
C2533	1-135-834-91	CERAMIC CHIP	2.2E+06pF 6.3V	D2016	8-719-977-28	DIODE UDZSTE-1710B	
C2534	1-135-834-91	CERAMIC CHIP	2.2E+06pF 6.3V	D2017	8-719-977-28	DIODE UDZSTE-1710B	
C2536	1-126-786-11	ELECT	47μF 20% 16V	D2018	8-719-977-28	DIODE UDZSTE-1710B	
C2537	1-107-826-11	CERAMIC CHIP	0.1μF 10% 16V	D2019	8-719-977-28	DIODE UDZSTE-1710B	
C2538	1-162-915-11	CERAMIC CHIP	10pF 0.50pF 50V				
C2539	1-162-915-11	CERAMIC CHIP	10pF 0.50pF 50V				
C2540	1-107-826-11	CERAMIC CHIP	0.1μF 10% 16V				
C2541	1-107-826-11	CERAMIC CHIP	0.1μF 10% 16V				



REF. NO.	PART NO.	DESCRIPTION	REMARK	REF. NO.	PART NO.	DESCRIPTION	REMARK
D2020	8-719-977-28	DIODE UDZSTE-1710B				<COIL>	
D2027	8-719-977-28	DIODE UDZSTE-1710B		L2001	1-469-555-21	INDUCTOR	10μH
D2028	8-719-977-28	DIODE UDZSTE-1710B		L2002	1-469-555-21	INDUCTOR	10μH
D2029	8-719-977-28	DIODE UDZSTE-1710B		L2003	1-469-555-21	INDUCTOR	10μH
D2030	8-719-977-28	DIODE UDZSTE-1710B		L2004	1-469-555-21	INDUCTOR	10μH
D2031	8-719-977-28	DIODE UDZSTE-1710B		L2005	1-469-555-21	INDUCTOR	10μH
D2032	8-719-977-28	DIODE UDZSTE-1710B		L2006	1-469-555-21	INDUCTOR	10μH
D2033	8-719-977-28	DIODE UDZSTE-1710B		L2007	1-469-555-21	INDUCTOR	10μH
D2034	8-719-977-28	DIODE UDZSTE-1710B		L2008	1-469-555-21	INDUCTOR	10μH
D2035	8-719-977-28	DIODE UDZSTE-1710B		L2009	1-469-555-21	INDUCTOR	10μH
D2036	8-719-977-28	DIODE UDZSTE-1710B		L2502	1-412-537-31	INDUCTOR	100μH
D2500	8-719-404-50	DIODE MA111-TX				<TRANSISTOR>	
D2500	8-719-988-61	DIODE 1SS355TE-17					
		<FERRITE BEAD>		Q2001	8-729-422-33	TRANSISTOR	2SD601A-Q-TX
FB2001	1-414-229-11	FERRITE	0μH	Q2002	8-729-422-33	TRANSISTOR	2SD601A-Q-TX
FB2002	1-414-229-11	FERRITE	0μH	Q2003	8-729-216-22	TRANSISTOR	2SA1162-G
FB2500	1-414-229-11	FERRITE	0μH	Q2004	8-729-422-33	TRANSISTOR	2SD601A-Q-TX
FB2502	1-414-229-11	FERRITE	0μH	Q2005	8-729-422-33	TRANSISTOR	2SD601A-Q-TX
FB2504	1-414-229-11	FERRITE	0μH	Q2006	8-729-216-22	TRANSISTOR	2SA1162-G
FB2508	1-414-229-11	FERRITE	0μH	Q2007	8-729-422-33	TRANSISTOR	2SD601A-Q-TX
FB2511	1-414-229-11	FERRITE	0μH	Q2008	8-729-422-33	TRANSISTOR	2SD601A-Q-TX
FB2512	1-414-229-11	FERRITE	0μH	Q2009	8-729-422-33	TRANSISTOR	2SD601A-Q-TX
FB2514	1-414-229-11	FERRITE	0μH	Q2010	8-729-422-33	TRANSISTOR	2SD601A-Q-TX
FB2516	1-414-229-11	FERRITE	0μH	Q2011	8-729-422-33	TRANSISTOR	2SD601A-Q-TX
FB2517	1-414-229-11	FERRITE	0μH	Q2012	8-729-216-22	TRANSISTOR	2SA1162-G
FB2518	1-414-229-11	FERRITE	0μH	Q2013	8-729-422-33	TRANSISTOR	2SD601A-Q-TX
FB2519	1-414-229-11	FERRITE	0μH	Q2014	8-729-216-22	TRANSISTOR	2SA1162-G
		<FILTER>		Q2015	8-729-216-22	TRANSISTOR	2SA1162-G
FL2001	1-239-848-21	FILTER, LOW PASS		Q2016	8-729-422-33	TRANSISTOR	2SD601A-Q-TX
FL2002	1-239-848-21	FILTER, LOW PASS		Q2017	8-729-216-22	TRANSISTOR	2SA1162-G
FL2003	1-239-848-21	FILTER, LOW PASS		Q2018	8-729-422-33	TRANSISTOR	2SD601A-Q-TX
		<IC>		Q2019	8-729-422-33	TRANSISTOR	2SD601A-Q-TX
IC2001	8-752-394-69	IC CXD2073Q-T4		Q2020	8-729-216-22	TRANSISTOR	2SA1162-G
IC2002	8-752-080-04	IC CXA2069Q		Q2021	8-729-216-22	TRANSISTOR	2SA1162-G
IC2003	8-759-548-56	IC M52055FP		Q2022	8-729-422-33	TRANSISTOR	2SD601A-Q-TX
IC2500	8-759-394-57	IC PST593C-MMP-4P		Q2023	8-729-216-22	TRANSISTOR	2SA1162-G
IC2502	6-801-750-01	IC TC94A04F-014		Q2024	8-729-422-33	TRANSISTOR	2SD601A-Q-TX
IC2503	8-759-331-71	IC NJM4558E(TE2)		Q2025	8-729-422-33	TRANSISTOR	2SD601A-Q-TX
IC2504	8-759-331-71	IC NJM4558E(TE2)		Q2500	8-729-422-33	TRANSISTOR	2SD601A-Q-TX
		<JACK>		Q2501	8-729-422-33	TRANSISTOR	2SD601A-Q-TX
J2001	1-573-967-12	BLOCK, (S) TERMINAL (VIDEO IN 1/3)		Q2502	8-729-422-33	TRANSISTOR	2SD601A-Q-TX
J2002	1-750-517-21	JACK BLOCK, PIN 3P (VIDEO IN 4)		Q2503	8-729-422-33	TRANSISTOR	2SD601A-Q-TX
J2003	1-750-517-21	JACK BLOCK, PIN 3P (MONITOR OUT)		Q2504	8-729-422-33	TRANSISTOR	2SD601A-Q-TX
J2004	1-750-516-21	JACK BLOCK, PIN 2P (AUDIO OUT (VAR/FIX))		Q2505	8-729-422-33	TRANSISTOR	2SD601A-Q-TX
J2005	1-750-516-21	JACK BLOCK, PIN 2P (DVI-HDTV IN: AUDIO)		Q2506	8-729-216-22	TRANSISTOR	2SA1162-G
J2006	1-764-143-11	JACK (CONTROL S IN)		Q2507	8-729-422-33	TRANSISTOR	2SD601A-Q-TX
J2007	1-764-143-11	JACK (CONTROL S OUT)		Q2508	8-729-422-33	TRANSISTOR	2SD601A-Q-TX
J2008	1-815-015-11	JACK BLOCK, PIN (HD/DVD IN 5)				<RESISTOR>	
J2009	1-815-015-11	JACK BLOCK, PIN (HD/DVD IN 6)		R2002	1-218-665-11	METAL CHIP	75 0.5% 1/10W
				R2003	1-216-853-11	METAL CHIP	470K 5% 1/10W
				R2004	1-216-853-11	METAL CHIP	470K 5% 1/10W
				R2006	1-218-665-11	METAL CHIP	75 0.5% 1/10W
				R2007	1-218-665-11	METAL CHIP	75 0.5% 1/10W
				R2008	1-218-665-11	METAL CHIP	75 0.5% 1/10W



<u>REF. NO.</u>	<u>PART NO.</u>	<u>DESCRIPTION</u>		<u>REMARK</u>		<u>REF. NO.</u>	<u>PART NO.</u>	<u>DESCRIPTION</u>		<u>REMARK</u>	
R2009	1-216-853-11	METAL CHIP	470K	5%	1/10W	R2070	1-216-830-11	METAL CHIP	5.6K	5% 1/10W	
R2010	1-216-853-11	METAL CHIP	470K	5%	1/10W	R2071	1-216-830-11	METAL CHIP	5.6K	5%	1/10W
R2011	1-218-665-11	METAL CHIP	75	0.5%	1/10W						
R2012	1-218-665-11	METAL CHIP	75	0.5%	1/10W	R2072	1-216-809-11	METAL CHIP	100	5%	1/10W
						R2073	1-216-830-11	METAL CHIP	5.6K	5%	1/10W
R2013	1-218-665-11	METAL CHIP	75	0.5%	1/10W	R2074	1-216-809-11	METAL CHIP	100	5%	1/10W
R2014	1-216-853-11	METAL CHIP	470K	5%	1/10W	R2075	1-216-830-11	METAL CHIP	5.6K	5%	1/10W
R2015	1-216-853-11	METAL CHIP	470K	5%	1/10W	R2076	1-216-809-11	METAL CHIP	100	5%	1/10W
R2017	1-216-821-11	METAL CHIP	1K	5%	1/10W						
R2018	1-216-809-11	METAL CHIP	100	5%	1/10W	R2077	1-216-809-11	METAL CHIP	100	5%	1/10W
						R2078	1-216-809-11	METAL CHIP	100	5%	1/10W
R2019	1-216-821-11	METAL CHIP	1K	5%	1/10W	R2079	1-216-821-11	METAL CHIP	1K	5%	1/10W
R2020	1-216-821-11	METAL CHIP	1K	5%	1/10W	R2080	1-216-809-11	METAL CHIP	100	5%	1/10W
R2021	1-216-821-11	METAL CHIP	1K	5%	1/10W	R2081	1-216-845-11	METAL CHIP	100K	5%	1/10W
R2022	1-218-686-11	METAL CHIP	560	0.5%	1/10W						
R2023	1-216-825-11	METAL CHIP	2.2K	5%	1/10W	R2082	1-216-833-11	METAL CHIP	10K	5%	1/10W
						R2083	1-216-825-11	METAL CHIP	2.2K	5%	1/10W
R2024	1-216-805-11	METAL CHIP	47	5%	1/10W	R2084	1-216-817-11	METAL CHIP	470	5%	1/10W
R2025	1-218-686-11	METAL CHIP	560	0.5%	1/10W	R2085	1-216-830-11	METAL CHIP	5.6K	5%	1/10W
R2026	1-218-692-11	METAL CHIP	1K	0.5%	1/10W	R2086	1-216-809-11	METAL CHIP	100	5%	1/10W
R2027	1-218-708-11	METAL CHIP	4.7K	0.5%	1/10W						
R2028	1-216-821-11	METAL CHIP	1K	5%	1/10W	R2087	1-216-821-11	METAL CHIP	1K	5%	1/10W
						R2088	1-216-830-11	METAL CHIP	5.6K	5%	1/10W
R2029	1-216-821-11	METAL CHIP	1K	5%	1/10W	R2089	1-216-805-11	METAL CHIP	47	5%	1/10W
R2030	1-216-821-11	METAL CHIP	1K	5%	1/10W	R2090	1-216-806-11	METAL CHIP	56	5%	1/10W
R2031	1-218-734-11	METAL CHIP	56K	0.5%	1/10W	R2091	1-216-809-11	METAL CHIP	100	5%	1/10W
R2032	1-216-821-11	METAL CHIP	1K	5%	1/10W						
R2033	1-216-825-11	METAL CHIP	2.2K	5%	1/10W	R2092	1-216-809-11	METAL CHIP	100	5%	1/10W
						R2093	1-216-821-11	METAL CHIP	1K	5%	1/10W
R2034	1-216-805-11	METAL CHIP	47	5%	1/10W	R2094	1-216-833-11	METAL CHIP	10K	5%	1/10W
R2035	1-216-837-11	METAL CHIP	22K	5%	1/10W	R2095	1-216-841-11	METAL CHIP	47K	5%	1/10W
R2036	1-216-839-11	METAL CHIP	33K	5%	1/10W	R2096	1-216-809-11	METAL CHIP	100	5%	1/10W
R2037	1-216-812-11	METAL CHIP	180	5%	1/10W						
R2039	1-216-811-11	METAL CHIP	150	5%	1/10W	R2097	1-216-809-11	METAL CHIP	100	5%	1/10W
						R2098	1-216-809-11	METAL CHIP	100	5%	1/10W
R2041	1-216-817-11	METAL CHIP	470	5%	1/10W	R2099	1-216-809-11	METAL CHIP	100	5%	1/10W
R2042	1-216-837-11	METAL CHIP	22K	5%	1/10W	R2100	1-216-809-11	METAL CHIP	100	5%	1/10W
R2043	1-216-839-11	METAL CHIP	33K	5%	1/10W	R2101	1-216-830-11	METAL CHIP	5.6K	5%	1/10W
R2044	1-218-704-11	METAL CHIP	3.3K	0.5%	1/10W						
R2046	1-216-864-11	SHORT CHIP	0			R2104	1-216-833-11	METAL CHIP	10K	5%	1/10W
						R2105	1-216-809-11	METAL CHIP	100	5%	1/10W
R2047	1-218-704-11	METAL CHIP	3.3K	0.5%	1/10W	R2106	1-216-842-11	METAL CHIP	56K	5%	1/10W
R2048	1-218-700-11	METAL CHIP	2.2K	0.5%	1/10W	R2107	1-216-857-11	METAL CHIP	1M	5%	1/10W
R2049	1-216-817-11	METAL CHIP	470	5%	1/10W	R2108	1-216-809-11	METAL CHIP	100	5%	1/10W
R2050	1-216-817-11	METAL CHIP	470	5%	1/10W						
R2051	1-216-817-11	METAL CHIP	470	5%	1/10W	R2109	1-216-830-11	METAL CHIP	5.6K	5%	1/10W
						R2110	1-216-853-11	METAL CHIP	470K	5%	1/10W
R2052	1-218-686-11	METAL CHIP	560	0.5%	1/10W	R2111	1-216-853-11	METAL CHIP	470K	5%	1/10W
R2053	1-218-686-11	METAL CHIP	560	0.5%	1/10W	R2112	1-216-864-11	SHORT CHIP	0		
R2054	1-218-710-11	METAL CHIP	5.6K	0.5%	1/10W	R2113	1-216-809-11	METAL CHIP	100	5%	1/10W
R2055	1-218-710-11	METAL CHIP	5.6K	0.5%	1/10W						
R2056	1-216-817-11	METAL CHIP	470	5%	1/10W	R2114	1-216-809-11	METAL CHIP	100	5%	1/10W
						R2115	1-216-864-11	SHORT CHIP	0		
R2057	1-216-817-11	METAL CHIP	470	5%	1/10W	R2116	1-216-821-11	METAL CHIP	1K	5%	1/10W
R2058	1-216-805-11	METAL CHIP	47	5%	1/10W	R2117	1-216-829-11	METAL CHIP	4.7K	5%	1/10W
R2059	1-216-805-11	METAL CHIP	47	5%	1/10W	R2118	1-216-809-11	METAL CHIP	100	5%	1/10W
R2060	1-216-809-11	METAL CHIP	100	5%	1/10W						
R2061	1-216-824-11	METAL CHIP	1.8K	5%	1/10W	R2119	1-216-853-11	METAL CHIP	470K	5%	1/10W
						R2120	1-218-665-11	METAL CHIP	75	0.5%	1/10W
R2062	1-216-825-11	METAL CHIP	2.2K	5%	1/10W	R2121	1-216-830-11	METAL CHIP	5.6K	5%	1/10W
R2063	1-216-809-11	METAL CHIP	100	5%	1/10W	R2122	1-216-809-11	METAL CHIP	100	5%	1/10W
R2064	1-216-821-11	METAL CHIP	1K	5%	1/10W	R2123	1-216-813-11	METAL CHIP	220	5%	1/10W
R2065	1-216-824-11	METAL CHIP	1.8K	5%	1/10W						
R2066	1-216-825-11	METAL CHIP	2.2K	5%	1/10W	R2124	1-216-821-11	METAL CHIP	1K	5%	1/10W
						R2125	1-216-801-11	METAL CHIP	22	5%	1/10W
R2067	1-216-809-11	METAL CHIP	100	5%	1/10W	R2126	1-216-830-11	METAL CHIP	5.6K	5%	1/10W
R2068	1-216-809-11	METAL CHIP	100	5%	1/10W	R2127	1-216-801-11	METAL CHIP	22	5%	1/10W
R2069	1-216-821-11	METAL CHIP	1K	5%	1/10W	R2128	1-216-809-11	METAL CHIP	100	5%	1/10W



REF. NO.	PART NO.	DESCRIPTION	REMARK	REF. NO.	PART NO.	DESCRIPTION	REMARK
R2129	1-216-833-11	METAL CHIP	10K 5% 1/10W	R2510	1-218-723-11	METAL CHIP	20K 0.5% 1/10W
R2130	1-216-830-11	METAL CHIP	5.6K 5% 1/10W	R2511	1-216-836-11	METAL CHIP	18K 5% 1/10W
R2131	1-216-809-11	METAL CHIP	100 5% 1/10W	R2512	1-218-708-11	METAL CHIP	4.7K 0.5% 1/10W
R2132	1-216-830-11	METAL CHIP	5.6K 5% 1/10W	R2513	1-218-696-11	METAL CHIP	1.5K 0.5% 1/10W
R2133	1-216-830-11	METAL CHIP	5.6K 5% 1/10W	R2514	1-218-723-11	METAL CHIP	20K 0.5% 1/10W
R2134	1-216-830-11	METAL CHIP	5.6K 5% 1/10W	R2516	1-216-836-11	METAL CHIP	18K 5% 1/10W
R2135	1-216-809-11	METAL CHIP	100 5% 1/10W	R2517	1-218-723-11	METAL CHIP	20K 0.5% 1/10W
R2136	1-216-809-11	METAL CHIP	100 5% 1/10W	R2518	1-216-833-11	METAL CHIP	10K 5% 1/10W
R2137	1-216-809-11	METAL CHIP	100 5% 1/10W	R2519	1-216-833-11	METAL CHIP	10K 5% 1/10W
R2138	1-216-807-11	METAL CHIP	68 5% 1/10W	R2521	1-216-833-11	METAL CHIP	10K 5% 1/10W
R2139	1-216-864-11	SHORT CHIP	0	R2522	1-216-825-11	METAL CHIP	2.2K 5% 1/10W
R2140	1-216-864-11	SHORT CHIP	0	R2523	1-216-857-11	METAL CHIP	1M 5% 1/10W
R2141	1-216-821-11	METAL CHIP	1K 5% 1/10W	R2524	1-216-864-11	SHORT CHIP	0
R2142	1-216-821-11	METAL CHIP	1K 5% 1/10W	R2525	1-216-864-11	SHORT CHIP	0
R2143	1-216-821-11	METAL CHIP	1K 5% 1/10W	R2526	1-216-829-11	METAL CHIP	4.7K 5% 1/10W
R2154	1-216-809-11	METAL CHIP	100 5% 1/10W	R2527	1-216-833-11	METAL CHIP	10K 5% 1/10W
R2155	1-216-809-11	METAL CHIP	100 5% 1/10W	R2528	1-216-801-11	METAL CHIP	22 5% 1/10W
R2156	1-218-676-11	METAL CHIP	220 0.5% 1/10W	R2529	1-216-813-11	METAL CHIP	220 5% 1/10W
R2157	1-218-676-11	METAL CHIP	220 0.5% 1/10W	R2530	1-216-813-11	METAL CHIP	220 5% 1/10W
R2158	1-218-676-11	METAL CHIP	220 0.5% 1/10W	R2531	1-216-833-11	METAL CHIP	10K 5% 1/10W
R2159	1-218-676-11	METAL CHIP	220 0.5% 1/10W	R2532	1-216-801-11	METAL CHIP	22 5% 1/10W
R2160	1-218-676-11	METAL CHIP	220 0.5% 1/10W	R2534	1-216-864-11	SHORT CHIP	0
R2161	1-218-676-11	METAL CHIP	220 0.5% 1/10W	R2535	1-216-809-11	METAL CHIP	100 5% 1/10W
R2162	1-218-676-11	METAL CHIP	220 0.5% 1/10W	R2536	1-216-845-11	METAL CHIP	100K 5% 1/10W
R2163	1-218-676-11	METAL CHIP	220 0.5% 1/10W	R2539	1-216-821-11	METAL CHIP	1K 5% 1/10W
R2164	1-218-676-11	METAL CHIP	220 0.5% 1/10W	R2540	1-216-809-11	METAL CHIP	100 5% 1/10W
R2165	1-218-676-11	METAL CHIP	220 0.5% 1/10W	R2541	1-216-837-11	METAL CHIP	22K 5% 1/10W
R2166	1-218-676-11	METAL CHIP	220 0.5% 1/10W	R2544	1-216-821-11	METAL CHIP	1K 5% 1/10W
R2167	1-218-676-11	METAL CHIP	220 0.5% 1/10W	R2546	1-216-829-11	METAL CHIP	4.7K 5% 1/10W
R2168	1-216-853-11	METAL CHIP	470K 5% 1/10W	R2547	1-216-864-11	SHORT CHIP	0
R2169	1-216-853-11	METAL CHIP	470K 5% 1/10W	R2548	1-216-837-11	METAL CHIP	22K 5% 1/10W
R2170	1-218-676-11	METAL CHIP	220 0.5% 1/10W	R2549	1-216-864-11	SHORT CHIP	0
R2171	1-218-676-11	METAL CHIP	220 0.5% 1/10W	R2550	1-216-864-11	SHORT CHIP	0
R2172	1-218-676-11	METAL CHIP	220 0.5% 1/10W	R2551	1-216-841-11	METAL CHIP	47K 5% 1/10W
R2173	1-216-853-11	METAL CHIP	470K 5% 1/10W	R2552	1-216-845-11	METAL CHIP	100K 5% 1/10W
R2174	1-216-853-11	METAL CHIP	470K 5% 1/10W	R2553	1-216-829-11	METAL CHIP	4.7K 5% 1/10W
R2175	1-218-676-11	METAL CHIP	220 0.5% 1/10W	R2554	1-216-841-11	METAL CHIP	47K 5% 1/10W
R2176	1-216-813-11	METAL CHIP	220 5% 1/10W	R2555	1-216-813-11	METAL CHIP	220 5% 1/10W
R2177	1-218-676-11	METAL CHIP	220 0.5% 1/10W	R2556	1-216-864-11	SHORT CHIP	0
R2178	1-216-853-11	METAL CHIP	470K 5% 1/10W	R2559	1-216-817-11	METAL CHIP	470 5% 1/10W
R2179	1-216-853-11	METAL CHIP	470K 5% 1/10W	R2561	1-216-809-11	METAL CHIP	100 5% 1/10W
R2181	1-216-821-11	METAL CHIP	1K 5% 1/10W	R2562	1-216-841-11	METAL CHIP	47K 5% 1/10W
R2182	1-216-821-11	METAL CHIP	1K 5% 1/10W	R2565	1-216-813-11	METAL CHIP	220 5% 1/10W
R2183	1-216-864-11	SHORT CHIP	0	R2567	1-216-809-11	METAL CHIP	100 5% 1/10W
R2184	1-216-864-11	SHORT CHIP	0	R2569	1-216-837-11	METAL CHIP	22K 5% 1/10W
R2185	1-216-833-11	METAL CHIP	10K 5% 1/10W	R2570	1-216-837-11	METAL CHIP	22K 5% 1/10W
R2186	1-216-833-11	METAL CHIP	10K 5% 1/10W	R2571	1-216-821-11	METAL CHIP	1K 5% 1/10W
R2500	1-216-833-11	METAL CHIP	10K 5% 1/10W	R2572	1-216-841-11	METAL CHIP	47K 5% 1/10W
R2501	1-216-829-11	METAL CHIP	4.7K 5% 1/10W	R2573	1-216-821-11	METAL CHIP	1K 5% 1/10W
R2502	1-216-836-11	METAL CHIP	18K 5% 1/10W	R2574	1-216-853-11	METAL CHIP	470K 5% 1/10W
R2503	1-218-708-11	METAL CHIP	4.7K 0.5% 1/10W	R2575	1-216-809-11	METAL CHIP	100 5% 1/10W
R2504	1-218-723-11	METAL CHIP	20K 0.5% 1/10W	R2576	1-216-841-11	METAL CHIP	47K 5% 1/10W
R2505	1-216-864-11	SHORT CHIP	0	R2577	1-216-853-11	METAL CHIP	470K 5% 1/10W
R2506	1-216-836-11	METAL CHIP	18K 5% 1/10W	R2578	1-216-809-11	METAL CHIP	100 5% 1/10W
R2507	1-218-696-11	METAL CHIP	1.5K 0.5% 1/10W	R2579	1-216-833-11	METAL CHIP	10K 5% 1/10W
R2508	1-216-833-11	METAL CHIP	10K 5% 1/10W	R2580	1-216-833-11	METAL CHIP	10K 5% 1/10W
R2509	1-216-833-11	METAL CHIP	10K 5% 1/10W	R2581	1-216-809-11	METAL CHIP	100 5% 1/10W



REF. NO.	PART NO.	DESCRIPTION	REMARK
R2583	1-216-809-11	METAL CHIP	100 5% 1/10W
R2584	1-216-809-11	METAL CHIP	100 5% 1/10W
R2585	1-216-809-11	METAL CHIP	100 5% 1/10W
R2591	1-216-809-11	METAL CHIP	100 5% 1/10W
<VARISTOR>			
VD2024	1-803-974-21	VARISTOR, CHIP	(1608)
VD2025	1-803-974-21	VARISTOR, CHIP	(1608)
VD2026	1-803-974-21	VARISTOR, CHIP	(1608)
VD2029	1-803-974-21	VARISTOR, CHIP	(1608)
VD2030	1-803-974-21	VARISTOR, CHIP	(1608)
VD2031	1-803-974-21	VARISTOR, CHIP	(1608)
<CRYSTAL>			
X2500	1-767-639-21	VIBRATOR, CRYSTAL 24.576MHZ	
*****			
* A-1300-324-A UD BOARD, COMPLETE			
*****			
<CAPACITOR>			
C7001	1-126-395-11	ELECT CHIP	22µF 20% 16V
C7002	1-162-917-11	CERAMIC CHIP	15pF 5% 50V
C7004	1-162-970-11	CERAMIC CHIP	0.01µF 10% 25V
C7005	1-162-970-11	CERAMIC CHIP	0.01µF 10% 25V
C7006	1-124-779-00	ELECT CHIP	10µF 20% 16V
C7007	1-162-917-11	CERAMIC CHIP	15pF 5% 50V
C7008	1-162-970-11	CERAMIC CHIP	0.01µF 10% 25V
C7010	1-162-970-11	CERAMIC CHIP	0.01µF 10% 25V
C7011	1-162-970-11	CERAMIC CHIP	0.01µF 10% 25V
C7012	1-124-779-00	ELECT CHIP	10µF 20% 16V
C7013	1-162-970-11	CERAMIC CHIP	0.01µF 10% 25V
C7014	1-162-970-11	CERAMIC CHIP	0.01µF 10% 25V
C7015	1-162-970-11	CERAMIC CHIP	0.01µF 10% 25V
C7016	1-162-970-11	CERAMIC CHIP	0.01µF 10% 25V
C7017	1-164-156-11	CERAMIC CHIP	0.1µF 25V
C7018	1-162-923-11	CERAMIC CHIP	47pF 5% 50V
C7019	1-162-923-11	CERAMIC CHIP	47pF 5% 50V
C7020	1-162-923-11	CERAMIC CHIP	47pF 5% 50V
C7021	1-124-779-00	ELECT CHIP	10µF 20% 16V
C7022	1-115-416-11	CERAMIC CHIP	0.001µF 5% 25V
C7023	1-162-927-11	CERAMIC CHIP	100pF 5% 50V
C7024	1-124-779-00	ELECT CHIP	10µF 20% 16V
C7025	1-164-156-11	CERAMIC CHIP	0.1µF 25V
C7026	1-124-779-00	ELECT CHIP	10µF 20% 16V
C7027	1-164-156-11	CERAMIC CHIP	0.1µF 25V
C7028	1-164-156-11	CERAMIC CHIP	0.1µF 25V
C7029	1-164-156-11	CERAMIC CHIP	0.1µF 25V
C7030	1-162-927-11	CERAMIC CHIP	100pF 5% 50V
C7031	1-162-927-11	CERAMIC CHIP	100pF 5% 50V
C7032	1-162-927-11	CERAMIC CHIP	100pF 5% 50V

REF. NO.	PART NO.	DESCRIPTION	REMARK
C7033	1-124-779-00	ELECT CHIP	10µF 20% 16V
C7034	1-164-156-11	CERAMIC CHIP	0.1µF 25V
C7035	1-164-156-11	CERAMIC CHIP	0.1µF 25V
C7036	1-164-156-11	CERAMIC CHIP	0.1µF 25V
C7037	1-164-156-11	CERAMIC CHIP	0.1µF 25V
C7038	1-164-156-11	CERAMIC CHIP	0.1µF 25V
C7039	1-126-395-11	ELECT CHIP	22µF 20% 16V
C7040	1-162-921-11	CERAMIC CHIP	33pF 5% 50V
C7041	1-164-156-11	CERAMIC CHIP	0.1µF 25V
C7042	1-164-156-11	CERAMIC CHIP	0.1µF 25V
C7043	1-164-156-11	CERAMIC CHIP	0.1µF 25V
C7044	1-164-156-11	CERAMIC CHIP	0.1µF 25V
C7045	1-164-156-11	CERAMIC CHIP	0.1µF 25V
C7046	1-164-156-11	CERAMIC CHIP	0.1µF 25V
C7047	1-164-156-11	CERAMIC CHIP	0.1µF 25V
C7048	1-164-156-11	CERAMIC CHIP	0.1µF 25V
C7049	1-164-156-11	CERAMIC CHIP	0.1µF 25V
C7050	1-164-156-11	CERAMIC CHIP	0.1µF 25V
C7051	1-164-156-11	CERAMIC CHIP	0.1µF 25V
C7052	1-164-156-11	CERAMIC CHIP	0.1µF 25V
C7053	1-164-156-11	CERAMIC CHIP	0.1µF 25V
C7056	1-126-395-11	ELECT CHIP	22µF 20% 16V
C7057	1-162-921-11	CERAMIC CHIP	33pF 5% 50V
C7058	1-164-156-11	CERAMIC CHIP	0.1µF 25V
C7059	1-164-156-11	CERAMIC CHIP	0.1µF 25V
C7060	1-164-156-11	CERAMIC CHIP	0.1µF 25V
C7061	1-164-156-11	CERAMIC CHIP	0.1µF 25V
C7062	1-164-156-11	CERAMIC CHIP	0.1µF 25V
C7064	1-126-395-11	ELECT CHIP	22µF 20% 16V
C7065	1-162-970-11	CERAMIC CHIP	0.01µF 10% 25V
C7066	1-162-970-11	CERAMIC CHIP	0.01µF 10% 25V
C7067	1-162-970-11	CERAMIC CHIP	0.01µF 10% 25V
C7068	1-162-970-11	CERAMIC CHIP	0.01µF 10% 25V
C7069	1-162-970-11	CERAMIC CHIP	0.01µF 10% 25V
C7070	1-164-156-11	CERAMIC CHIP	0.1µF 25V
C7071	1-164-156-11	CERAMIC CHIP	0.1µF 25V
C7078	1-164-156-11	CERAMIC CHIP	0.1µF 25V
C7079	1-164-156-11	CERAMIC CHIP	0.1µF 25V
C7080	1-164-156-11	CERAMIC CHIP	0.1µF 25V
<CONNECTOR>			
CN7001	* 1-816-228-21	CONNECTOR, DIV (DVI/HDTV IN: VIDEO)	
CN7002	* 1-564-526-11	PLUG, CONNECTOR 11P	
CN7004	* 1-564-519-11	PLUG, CONNECTOR 4P	
<DIODE>			
D7001	8-719-914-43	DIODE DAN202K	
D7002	8-719-036-94	DIODE MM3Z5V6ST1	
D7002	8-719-069-55	DIODE UDZSTE-175.6B	
D7003	8-719-036-94	DIODE MM3Z5V6ST1	
D7003	8-719-069-55	DIODE UDZSTE-175.6B	
D7004	8-719-036-94	DIODE MM3Z5V6ST1	
D7004	8-719-069-55	DIODE UDZSTE-175.6B	
D7006	8-719-036-94	DIODE MM3Z5V6ST1	
D7006	8-719-069-55	DIODE UDZSTE-175.6B	





REF. NO.	PART NO.	DESCRIPTION	REMARK	REF. NO.	PART NO.	DESCRIPTION	REMARK
		<FERRITE BEAD>					
FB7001	1-414-760-21	FERRITE	0μH	R7045	1-216-833-11	METAL CHIP	10K 5% 1/10W
FB7002	1-414-760-21	FERRITE	0μH	R7047	1-216-833-11	METAL CHIP	10K 5% 1/10W
FB7003	1-414-760-21	FERRITE	0μH	R7051	1-216-864-11	SHORT CHIP	0
FB7004	1-414-760-21	FERRITE	0μH	R7053	1-216-833-11	METAL CHIP	10K 5% 1/10W
		<FILTER>		R7054	1-216-833-11	METAL CHIP	10K 5% 1/10W
FL7001	1-400-087-21	FILTER, EMI REMOVAL (SMD)		R7056	1-216-833-11	METAL CHIP	10K 5% 1/10W
FL7002	1-234-560-21	FILTER, LOW PASS		R7057	1-216-864-11	SHORT CHIP	0
FL7003	1-234-559-21	FILTER, LOW PASS		R7058	1-216-833-11	METAL CHIP	10K 5% 1/10W
FL7004	1-234-559-21	FILTER, LOW PASS		R7059	1-216-864-11	SHORT CHIP	0
		<IC>		R7060	1-216-833-11	METAL CHIP	10K 5% 1/10W
IC7001	8-759-640-39	IC BR24C02F-WE2		R7061	1-216-833-11	METAL CHIP	10K 5% 1/10W
IC7002	8-749-015-18	IC PQ07VZ012ZP		R7062	1-216-864-11	SHORT CHIP	0
IC7003	8-749-015-18	IC PQ07VZ012ZP		R7063	1-216-809-11	METAL CHIP	100 5% 1/10W
IC7004	6-702-080-01	IC GM7030-H		R7064	1-216-809-11	METAL CHIP	100 5% 1/10W
IC7005	6-802-346-01	IC ST72631K4M1/NNLTR		R7065	1-216-833-11	METAL CHIP	10K 5% 1/10W
IC7006	8-759-641-86	IC BR24C16F-E2		R7066	1-218-694-11	METAL CHIP	1.2K 0.5% 1/10W
IC7007	6-500-224-01	DIODE I06LC-T13		R7067	1-216-833-11	METAL CHIP	10K 5% 1/10W
IC7007	6-702-170-01	IC PACDN006S		R7068	1-216-801-11	METAL CHIP	22 5% 1/10W
IC7008	6-500-224-01	DIODE I06LC-T13		R7069	1-216-801-11	METAL CHIP	22 5% 1/10W
IC7008	6-702-170-01	IC PACDN006S		R7071	1-216-803-11	METAL CHIP	33 5% 1/10W
IC7009	6-702-170-01	IC PACDN006S		R7072	1-216-803-11	METAL CHIP	33 5% 1/10W
		<COIL>		R7075	1-218-676-11	METAL CHIP	220 0.5% 1/10W
L7001	1-412-058-11	INDUCTOR	10μH	R7080	1-218-704-11	METAL CHIP	3.3K 0.5% 1/10W
L7002	1-412-058-11	INDUCTOR	10μH	R7087	1-218-680-11	METAL CHIP	330 0.5% 1/10W
		<RESISTOR>		R7096	1-216-833-11	METAL CHIP	10K 5% 1/10W
R7003	1-216-821-11	METAL CHIP	1K 5% 1/10W	R7097	1-216-809-11	METAL CHIP	100 5% 1/10W
R7004	1-218-852-11	METAL CHIP	1.6K 5% 1/10W	R7098	1-216-809-11	METAL CHIP	100 5% 1/10W
R7007	1-216-821-11	METAL CHIP	1K 5% 1/10W	R7099	1-216-809-11	METAL CHIP	100 5% 1/10W
R7012	1-216-821-11	METAL CHIP	1K 5% 1/10W	R7101	1-216-864-11	SHORT CHIP	0
R7013	1-216-821-11	METAL CHIP	1K 5% 1/10W	R7106	1-216-833-11	METAL CHIP	10K 5% 1/10W
R7014	1-216-821-11	METAL CHIP	1K 5% 1/10W	R7108	1-216-805-11	METAL CHIP	47 5% 1/10W
R7015	1-216-833-11	METAL CHIP	10K 5% 1/10W	R7109	1-216-805-11	METAL CHIP	47 5% 1/10W
R7016	1-216-833-11	METAL CHIP	10K 5% 1/10W	R7111	1-216-864-11	SHORT CHIP	0
R7020	1-216-833-11	METAL CHIP	10K 5% 1/10W	R7112	1-216-864-11	SHORT CHIP	0
R7021	1-216-833-11	METAL CHIP	10K 5% 1/10W	R7113	1-216-864-11	SHORT CHIP	0
R7023	1-216-833-11	METAL CHIP	10K 5% 1/10W	R7114	1-218-700-11	METAL CHIP	2.2K 0.5% 1/10W
R7024	1-216-833-11	METAL CHIP	10K 5% 1/10W	R7115	1-218-700-11	METAL CHIP	2.2K 0.5% 1/10W
R7025	1-216-833-11	METAL CHIP	10K 5% 1/10W	R7116	1-218-700-11	METAL CHIP	2.2K 0.5% 1/10W
R7026	1-216-833-11	METAL CHIP	10K 5% 1/10W	R7117	1-218-668-11	METAL CHIP	100 0.5% 1/10W
R7029	1-218-692-11	METAL CHIP	1K 0.5% 1/10W	R7119	1-218-668-11	METAL CHIP	100 0.5% 1/10W
R7030	1-216-864-11	SHORT CHIP	0	R7121	1-216-864-11	SHORT CHIP	0
R7032	1-218-676-11	METAL CHIP	220 0.5% 1/10W	R7123	1-218-704-11	METAL CHIP	3.3K 0.5% 1/10W
R7034	1-218-676-11	METAL CHIP	220 0.5% 1/10W	R7124	1-218-680-11	METAL CHIP	330 0.5% 1/10W
R7036	1-218-704-11	METAL CHIP	3.3K 0.5% 1/10W	R7125	1-218-700-11	METAL CHIP	2.2K 0.5% 1/10W
R7037	1-218-676-11	METAL CHIP	220 0.5% 1/10W	R7126	1-216-864-11	SHORT CHIP	0
R7041	1-216-833-11	METAL CHIP	10K 5% 1/10W			<CRYSTAL>	
R7043	1-216-829-11	METAL CHIP	4.7K 5% 1/10W	X7001	1-795-568-21	VIBRATOR, CRYSTAL	
R7044	1-216-829-11	METAL CHIP	4.7K 5% 1/10W	X7002	1-795-567-21	VIBRATOR, CRYSTAL	

\*\*\*\*\*

The components identified by shading and mark [ ! ] are critical for safety. Replace only with part number specified.

Les composants identifiés par un tram et une marque [ ! ] sont critiques pour la sécurité. Ne les remplacer que par une pièce portant le numéro spécifique.

REF. NO.	PART NO.	DESCRIPTION	REMARK	REF. NO.	PART NO.	DESCRIPTION	REMARK
		MISCELLANEOUS *****				REMOTE COMMANDER *****	
	1-419-661-11	COIL, CHOKER 4.0mH					
	! 1-468-510-13	POWER BLOCK			1-477-670-11	REMOTE COMMANDER (RM-Y912)	
	1-500-386-11	FILTER, CLAMP (FERRITE CORE)					
	1-500-603-11	CLAMP, FERRITE					
	1-543-653-11	CORE ASSY, BEAD(DIVISION TYPE) (60XBR800)					
	* 1-557-056-31	CABLE, P-P					
	! 1-698-696-21	FAN, DC					
	! 1-769-837-11	CORD, POWER (WITH NOISE FILTER)					
	1-771-787-13	SWITCH, RF ANTENNA					
	! 1-900-253-70	CONNECTOR ASSY, SMP-B 2P					
	! A-1601-753-A	LAMP BLOCK ASSY (RP)					
	! * A-1603-611-A	OPTICS UNIT BLOCK ASSY (IRP) (60XBR800)					
	! * A-1603-624-A	OPTICS UNIT BLOCK ASSY (IRP) (50XBR800)					
*****							
ACCESSORIES & PACKING MATERIALS *****							
	3-701-910-00	SCREW, SPECIAL (DIA. 3.8X20)					
	* 4-030-895-01	JOINT					
	* 4-042-463-01	SHEET, PROTECTION					
	* 4-090-860-01	INDIVIDUAL CARTON (60XBR800)					
	* 4-090-861-01	TRAY (60XBR800)					
	* 4-090-862-01	BOARD, TOP (60XBR800)					
	* 4-090-863-01	BOARD, BOTTOM (60XBR800)					
	* 4-090-864-01	CUSHION, UPPER (60XBR800)					
	* 4-090-865-01	CUSHION, LOWER (60XBR800)					
	* 4-090-866-01	CUSHION, FRONT (60XBR800)					
	* 4-091-040-01	PAD (50XBR800)					
	* 4-091-041-01	CUSHION (UPPER MIDDLE) (60XBR800)					
	* 4-091-048-01	CUSHION, UPPER (50XBR800)					
	* 4-091-049-01	CUSHION, LOWER (50XBR800)					
	* 4-091-050-01	CUSHION, FRONT (50XBR800)					
	* 4-091-051-01	INDIVIDUAL CARTON (50XBR800)					
	* 4-091-052-01	TRAY (50XBR800)					
	* 4-091-131-01	BOARD, BOTTOM (50XBR800)					
	4-091-169-11	MANUAL, INSTRUCTION					
	4-091-169-21	MANUAL, INSTRUCTION					
	4-091-169-31	MANUAL, INSTRUCTION					
	* 4-091-526-01	BAG, PROTECTION (50XBR800)					
	4-392-004-01	CLIP					
	X-403-343-01	WRENCH, HEXAGON					
	X-4033-430-1	WRENCH ASSY					
	X-4040-886-1	ASSY, CLEANING CLOTH					
*****							

**SONY**<sup>®</sup>

4-091-169-12(1)

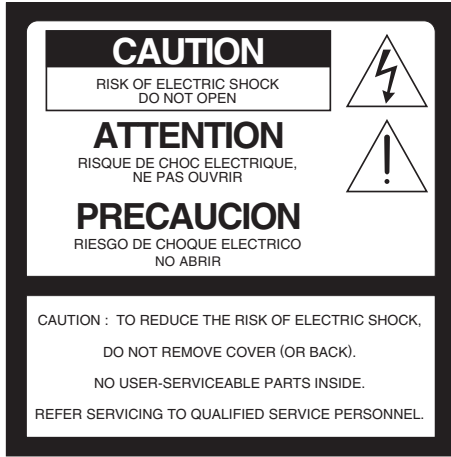
# GRAND WEGA

LCD Projection TV  
HD-Monitor  
Operating Instructions

**KF-50XBR800**  
**KF-60XBR800**

## WARNING

To prevent fire or shock hazard, do not expose the LCD Projection TV to rain or moisture.



This symbol is intended to alert the user to the presence of uninsulated “dangerous voltage” within the product’s enclosure that may be of sufficient magnitude to constitute a risk of electric shock to persons.



This symbol is intended to alert the user to the presence of important operating and maintenance (servicing) instructions in the literature accompanying the appliance.

## CAUTION

To prevent electric shock, do not use this polarized AC plug with an extension cord, receptacle or other outlet unless the blades can be fully inserted to prevent blade exposure.

## Note on Caption Vision

This television receiver provides display of television closed captioning in accordance with §15.119 of the FCC rules.

## Note to CATV system installer

This reminder is provided to call the CATV system installer’s attention to Article 820-40 of the NEC that provides guidelines for proper grounding and, in particular, specifies that the cable ground shall be connected to the grounding system of the building, as close to the point of cable entry as practical.

Use of this television receiver for other than private viewing of programs broadcast on UHF, VHF, transmitted by cable companies or satellite for the use of the general public may require authorization from the broadcaster/cable company and/or program owner.

## NOTIFICATION

This equipment has been tested and found to comply with the limits for a Class B digital device pursuant to Part 15 of the FCC Rules. These limits are designed to provide reasonable protection against harmful interference in a residential installation. This equipment generates, uses, and can radiate radio frequency energy and, if not installed and used in accordance with the instructions, may cause harmful interference with radio communications. However, there is no guarantee that interference will not occur in a particular installation. If this equipment does cause harmful interference to radio or television reception, which can be determined by turning the equipment off and on, the user is encouraged to try to correct the interference by one or more of the following measures:

- Reorient or relocate the receiving antennas.
- Increase the separation between the equipment and receiver.
- Connect the equipment into an outlet on a circuit different from that to which the receiver is connected.
- Consult the dealer or an experienced radio/TV technician for help.

You are cautioned that any changes or modifications not expressly approved in this manual could void your warranty and your authority to operate this equipment.

This document is for the remote control RM-Y912.  
MODEL: KF-50XBR800, KF-60XBR800  
Please keep this notice with the instruction manual.

## Safety

- ❑ Operate the LCD Projection TV only on 120 V AC.
- ❑ The plug is designed, for safety purposes, to fit into the wall outlet only one way. If you are unable to insert the plug fully into the outlet, contact your dealer.
- ❑ If any liquid or solid object should fall inside the cabinet, unplug the LCD Projection TV immediately and have it checked by qualified service personnel before operating it further.
- ❑ If you will not be using the LCD Projection TV for several days, disconnect the power by pulling the plug itself. Never pull on the cord.

For details concerning safety precautions, see “Important Safeguards” on page 4.

## Installing

- ❑ To prevent internal heat buildup, do not block the ventilation openings.
- ❑ Do not install the LCD Projection TV in a hot or humid place, or in a place subject to excessive dust or mechanical vibration.
- ❑ Avoid operating the LCD Projection TV at temperature below 41°F (5°C).
- ❑ If the LCD Projection TV is transported directly from a cold to a warm location, or if the room temperature changes suddenly, the picture may be blurred or show poor color. In this case, please wait a few hours to let the moisture evaporate before turning on the LCD Projection TV.
- ❑ To obtain the best picture, do not expose the screen to direct illumination or direct sunlight. It is recommended to use spot lighting directed down from the ceiling or to cover the windows that face the screen with opaque drapery. It is desirable to install the LCD Projection TV in a room where the floor and walls are not of a reflective material.



As an ENERGY STAR® Partner, Sony Corporation has determined that this product meets the ENERGY STAR® guidelines for energy efficiency.

ENERGY STAR® is a U.S. registered mark.

TruSurround and the ( ● ) symbol are trademarks of SRS Labs, Inc.

TruSurround technology is incorporated under license from SRS Labs, Inc.

BBE and BBE Symbol are trademarks of BBE Sound, Inc. and are licensed by BBE Sound, Inc. under U.S. Patent No. 4,638,258 and 4,482,866.

## ATTENTION

Pour prévenir les chocs électriques, ne pas utiliser cette fiche polarisée avec un prolongateur, une prise de courant ou une autre sortie de courant, sauf si les lames peuvent être insérées à fond sans en laisser aucune partie à découvert.

## Owner's Record

The model and serial numbers are located at the rear of the LCD Projection TV, below the Sony logo, on the sticker, and also on the TV box (white label). Record these numbers in the spaces provided below. Refer to them whenever you call upon your Sony dealer regarding this product.

Model No. \_\_\_\_\_

Serial No. \_\_\_\_\_

## Important Safety Instruction

- 1) Read these instructions.
- 2) Keep these instructions.
- 3) Heed all warnings.
- 4) Following all instructions.
- 5) Do not use this apparatus near water.
- 6) Clean only with dry cloth.
- 7) Do not block any ventilation openings. Install in accordance with the manufacturer's instructions.
- 8) Do not install near any heat sources such as radiators, heat registers, stoves, or other apparatus (including amplifiers) that produce heat.
- 9) Do not defeat the safety purpose of the polarized or grounding-type plug. A polarized plug has two blades with one wider than the other. A grounding type plug has two blades and a third grounding prong. The wide blade or the third prong are provided for your safety. If the provided plug does not fit into your outlet, consult an electrician for replacement of the obsolete outlet.
- 10) Protect the power cord from being walked on or pinched particularly at plugs, convenience receptacles, and the point where they exit from the apparatus.
- 11) Only use attachments/accessories specified by the manufacturer.
- 12) Use only with the cart stand, tripod, bracket, or table specified by the manufacturer, or sold with the apparatus. When a cart is used, use caution when moving the cart/apparatus combination to avoid injury from tip-over.
- 13) Unplug this apparatus during lightning storms or when unused for long periods of time.
- 14) Refer all servicing to qualified service personnel. Servicing is required when the apparatus has been damaged in any way, such as power-supply cord or plug is damaged, liquid has been spilled or objects have fallen into the apparatus, the apparatus has been exposed to rain or moisture, does not operate normally, or has been dropped.
- 15) Apparatus shall not be exposed to dripping or splashing and no objects filled with liquids, such as vases, shall be placed on the apparatus.

## Important Safeguards

For your protection, please read these instructions completely, and keep this manual for future reference. Carefully observe and comply with all warnings, cautions and instructions placed on the set or described in the operating instructions or service manual.

### WARNING

To guard against injury, the following basic safety precautions should be observed in the installation, use and servicing of the set.

### Use

#### Power Sources

This set should be operated only from the type of power source indicated on the serial/model plate. If you are not sure of the type of electrical power supplied to your home, consult your dealer or local power company. For those sets designed to operate from battery power, refer to the operating instructions.

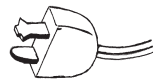


#### Grounding or Polarization

This set is equipped with a polarized AC power cord plug (a plug having one blade wider than the other), or with a three-wire grounding type plug (a plug having a third pin for grounding). Follow the instructions below:

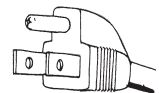
#### For the set with a polarized AC power cord plug

This plug will fit into the power outlet only one way. This is a safety feature. If you are unable to insert the plug fully into the outlet, try reversing the plug. If the plug still fails to fit, contact your electrician to have a suitable outlet installed. Do not defeat the safety purpose of the polarized plug by forcing it in.



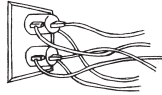
#### Alternate Warning for the set with a three-wire grounding type AC plug

This plug will only fit into a grounding-type power outlet. This is a safety feature. If you are unable to insert the plug into the outlet, contact your electrician to have a suitable outlet installed. Do not defeat the safety purpose of the grounding plug.



## Overloading

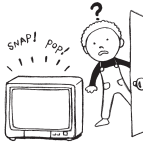
Do not overload wall outlets, extension cords or convenience receptacles beyond their capacity, since this can result in fire or electric shock.



Always turn the set off when it is not being used. When the set is left unattended and unused for long periods of time, unplug it from the wall outlet as a precaution against the possibility of an internal malfunction that could create a fire hazard.



If a snapping or popping sound from a TV set is continuous or frequent while the TV is operating, unplug the TV and consult your dealer or service technician. It is normal for some TV sets to make occasional snapping or popping sounds, particularly when being turned on or off.



## Object and Liquid Entry

Never push objects of any kind into the set through the cabinet slots as they may touch dangerous voltage points or short out parts that could result in a fire or electric shock. Never spill liquid of any kind on the set.



## Attachments

Do not use attachments not recommended by the manufacturer, as they may cause hazards.



## Cleaning

Clean the cabinet of the LCD Projection TV with a dry soft cloth. To remove dust from the screen, wipe it gently with a soft cloth. Stubborn stains may be removed with a cloth slightly dampened with solution of mild soap and warm water. Never use strong solvents such as thinner or benzine for cleaning.



If the picture becomes dark after using the LCD Projection TV for a long period of time, it may be necessary to clean the inside of the LCD Projection TV. Consult qualified service personnel.

## On contamination on the screen surface

The screen surface has a special coating to reduce a picture displayed by reflecting. If you clean the screen surface in the wrong way, the screen may be damaged. To clean the screen, do as follows:

- ❑ Clean the screen with a soft cloth, such as the supplied cleaning cloth or a glass cleaning cloth.
- ❑ To remove hard contamination, use the supplied cleaning cloth or a glass cleaning cloth moistened with a solution of mild detergent and water.
- ❑ Do not use any type of abrasive pad, alkaline cleaner, acid cleaner, scouring powder, chemical cloth, or solvent such as alcohol, benzene or thinner, as these may scratch the screen's coating.

## Installation

### Water and Moisture

Do not use power-line operated sets near water — for example, near a bathtub, washbowl, kitchen sink, or laundry tub, in a wet basement, or near a swimming pool, etc.



### Accessories

Do not place the set on an unstable cart, stand, table or shelf. The set may fall, causing serious injury to a child or an adult and serious damage to the set. Use only a cart or stand recommended by the manufacturer for the specific model of LCD Projection TV. An appliance and cart combination should be moved with care. Quick stops, excessive force, and uneven surfaces may cause the appliance and cart combination to overturn.



### Ventilation

The slots and openings in the cabinet and in the back or bottom are provided for necessary ventilation. To ensure reliable operation of the set, and to protect it from overheating, these slots and openings must never be blocked or covered.

- ❑ Never cover the slots and openings with a cloth or other materials.



- ❑ Never block the slots and openings by placing the set on a bed, sofa, rug or other similar surface.



- ❑ Never place the set in a confined space, such as a bookcase or built-in cabinet, unless proper ventilation is provided.



- ❑ Do not place the set near or over a radiator or heat register, or where it is exposed to direct sunlight.



## Power-Cord Protection

Do not allow anything to rest on or roll over the power cord, and do not place the set where the power cord is subject to wear or abuse.



## Antennas

### Outdoor Antenna Grounding

If an outdoor antenna is installed, follow the precautions below. An outdoor antenna system should not be located in the vicinity of overhead power lines or other electric light or power circuits, or where it can come in contact with such power lines or circuits.

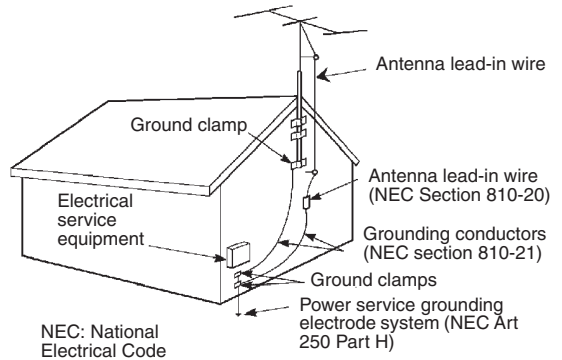
**WHEN INSTALLING AN OUTDOOR ANTENNA SYSTEM, EXTREME CARE SHOULD BE TAKEN TO KEEP FROM CONTACTING SUCH POWER LINES OR CIRCUITS AS CONTACT WITH THEM IS ALMOST INVARIABLY FATAL.**

Be sure the antenna system is grounded so as to provide some protection against voltage surges and built-up static charges.

Section 810 of the National Electrical Code (NEC) in USA and Section 54 of the Canadian Electrical Code in Canada provides information with respect to proper grounding of the mast and supporting structure, grounding of the lead-in wire to an antenna discharge unit, size of grounding conductors, location of antenna discharge unit, connection to grounding electrodes, and requirements for the grounding electrode.

## Antenna Grounding According to the NEC

Refer to section 54-300 of Canadian Electrical Code for Antenna Grounding.



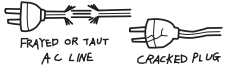




## Lightning

For added protection for this television receiver during a lightning storm, or when it is left unattended and unused for long periods of time, unplug it from the wall outlet and disconnect the antenna. This will prevent damage to the receiver due to lightning and power-line surges.

## Service

### Damage Requiring Service

Unplug the set from the wall outlet and refer servicing to qualified service personnel under the following conditions:

- ❑ When the power cord or plug is damaged or frayed. 
- ❑ If liquid has been spilled into the set. 
- ❑ If the set has been exposed to rain or water. 
- ❑ If the set has been subject to excessive shock by being dropped, or the cabinet has been damaged. 
- ❑ If the set does not operate normally when following the operating instructions. Adjust only those controls that are specified in the operating instructions. Improper adjustment of other controls may result in damage and will often require extensive work by a qualified technician to restore the set to normal operation. 
- ❑ When the set exhibits a distinct change in performance, it indicates a need for service.



## Servicing

Do not attempt to service the set by yourself since opening the cabinet may expose you to dangerous voltage or other hazards. Refer all servicing to qualified service personnel.



## Replacement Parts

When replacement parts are required, be sure the service technician certifies in writing that he has used replacement parts specified by the manufacturer that have the same characteristics as the original parts.

Unauthorized substitutions may result in fire, electric shock or other hazards.

## Safety Check

Upon completion of any service or repairs to the set, ask the service technician to perform routine safety checks (as specified by the manufacturer) to determine that the set is in safe operating condition, and to so certify. When the set reaches the end of its useful life, improper disposal could result in a picture tube implosion. Ask a qualified service technician to dispose of the set.

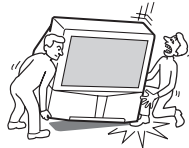


## For Safety

### Be careful when moving the LCD Projection TV

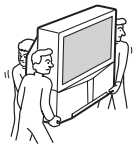
When you place the LCD Projection TV in position, be careful not to drop it on your foot or fingers.

Watch your footing while installing the LCD Projection TV.



### Carry the LCD Projection TV in the specified manner

If you carry the LCD Projection TV in a manner other than the specified manner and without the specified number of persons, it may drop and a serious injury may be caused. Be sure to follow the instructions mentioned below.



- ❑ Carry the LCD Projection TV with the specified number of persons (see page 18).
- ❑ Do not carry the LCD Projection TV holding the speaker grill.
- ❑ Hold the LCD Projection TV tightly when carrying it.

## About the LCD Projection TV

Although the LCD projection TV is made with high-precision technology, black dots may appear or bright points of light (red, blue, or green) may appear constantly on the LCD screen. This is a structural property of the LCD panel and is not a malfunction.

## Installation

- ❑ If direct sunlight or other strong illumination shines on the screen, part of the screen appears white due to reflections from behind the screen. This is a structural property of the LCD Projection TV. Do not expose the screen to direct illumination or direct sunlight.
- ❑ The picture quality may be affected by your viewing position. If you view the TV close to you, you may suffer from eye fatigue. For the best picture quality, install your LCD projection TV according to the operating instructions. Sit at least 1.8 m (approx. 6 ft.) for KF-50XBR800 or 2.2 m (approx. 7 ft.) for KF-60XBR800 away from your LCD projection TV, and within 60° of the vertical viewing area, and 130° of the horizontal viewing area.
- ❑ When installing your LCD Projection TV against a wall, keep it at least 10 cm (4 inches) from the wall.

## Projection lamp

- ❑ Your LCD projection TV uses a projection lamp as its light source. When the projection lamp wears out after using the LCD projection TV for a long period of time, the screen image becomes dark, or no image will appear on the display. If the lamp replacement indicator of the front panel blinks in red, replace the lamp with a new one (not supplied). In some cases, the lamp bursts inside the lamp unit noisily, but the lamp unit is securely designed so that the pieces of broken glass remain inside the lamp unit. (See "Replacing the Lamp" on page 13.)

## Cooling fan

- ❑ This LCD projection TV uses a cooling fan to prevent the internal temperature from heating up. You might hear the noise from the cooling fan, depending on the place you install the LCD projection TV.

# Contents

## Introducing the Sony LCD Projection TV

Presenting the Sony LCD Projection TV .....	9
Using This Manual.....	10
Enjoying Your LCD Projection TV .....	11
Replacing the Lamp .....	13

## Installing and Connecting the LCD Projection TV

Contents .....	17
Inserting Batteries into the Remote Control .....	17
Carrying Your LCD Projection TV .....	18
To Prevent the LCD Projection TV from Falling Down.....	19
When Installing Your LCD Projection TV Against a Wall.....	19
Recommended Viewing Area.....	20
LCD Projection TV Controls and Connectors .....	21
Connector Types .....	24
Basic Connections (Connecting Cable TV or Antenna).....	25
Connecting a VCR and Cable.....	29
Connecting a VCR and Cable Box .....	30
Connecting Two VCRs for Tape Editing .....	32
Connecting a Satellite Receiver.....	33
Connecting a Satellite Receiver with a VCR.....	34
Connecting an Audio Receiver .....	36
Connecting a DVD Player with Component Video Connectors .....	37
Connecting a DVD Player with A/V Connectors ..	38
Connecting a Digital TV Receiver with component connectors .....	39
Connecting a Digital TV Receiver with DVI-HDTV connector.....	40
Connecting a Camcorder .....	41
Connecting Two VCRs for Tape Editing .....	42
Using the CONTROL S Feature.....	43
Setting Up the LCD projection TV Automatically.....	44

## Using the Features

Using the Remote Control .....	45
Watching the TV .....	47

Watching Digital TV .....	49
Using Favorite Channels.....	50
Using Twin View™.....	51
Using the Freeze Function .....	54
Using Scrolling Channel Index.....	55
Using Wide Screen Mode.....	57
Using the Memory Stick Picture Viewer.....	58

## Using the Menus

Overview.....	66
Using the Video Menu .....	67
Using the Audio Menu.....	69
Using the Screen Menu.....	71
Using the Channel Menu .....	73
Using the Parent Menu .....	75
Using the Setup Menu .....	79

## Other Information

Programming the Remote Control.....	82
Operating Other Components with Your LCD Projection TV Remote Control.....	84
Notes on Using Memory Stick Media .....	86
Troubleshooting.....	87
Flashing Indicators on the Front of the Monitor....	90
Specifications.....	91

# Introducing the Sony LCD Projection TV

## Presenting the Sony LCD Projection TV

Thank you for purchasing the Sony LCD Projection TV.  
This manual is for models KF-50XBR800 and KF-60XBR800.

### Features

Some of the features that you will enjoy with your new LCD projection TV include:

- ❑ **HD-Monitor:** Enables you to receive the 1080i, 720p, 480p and 480i digital TV format signals.  
By using the HD/DVD IN jacks, you can connect a DTV (digital television) receiver to view DTV programs.
- ❑ **DRC™ (Digital Reality Creation) Multifunction UI:** Unlike conventional line doublers, the DRC feature converts frames reproduced every 1/60th of a second in real time, minimizing the blur or ghost of the motion images (for NTSC signals only).
- ❑ **CineMotion™:** Using the reverse 3-2 pull down technology, the CineMotion feature allows you to obtain a smooth picture movement when playing back movies or other video sources on film.
- ❑ **Twin View™:** Using Multi-Image Driver (MID-X), Twin View allows you to watch two programs side by side with the ability to zoom in on one picture and listen to the program in the selected window. You can watch pictures from two different sources (1080i, 720p, 480p or 480i) simultaneously.
- ❑ **Memory Stick® Picture Viewer:** Allows you to view on your LCD Projection TV screen digital images that are stored on Memory Stick media.
- ❑ **Parental Control:** V-Chip technology allows parents to block unsuitable programming for younger viewers.
- ❑ **Digital Visual Interface (DVI):** Can accommodate a copy-protected digital connection (HDCP\*) to other devices (such as digital set-top boxes) that have compatible interfaces. The DVI-HDTV input terminal is compliant with the EIA-861 standard and is not intended for use with personal computers.

\* High-bandwidth Digital Content Protection

(Continued)

- ❑ **Component Video Inputs:** Offers the best video quality for DVD (480p, 480i) and Digital Set-top box (1080i, 720p, 480p, 480i) connections.
- ❑ **S-VIDEO Inputs:** Provides a high-quality image for connected equipment.
- ❑ **Favorite Channel Preview:** Preview up to eight favorite channels without leaving the current channel.
- ❑ **Scrolling Channel Index:** Allows you to view and choose channels from scrolling pictures without leaving the current channel.
- ❑ **Wide Screen Mode:** Allows you to watch 4:3 normal broadcasts in wide screen mode (16:9 aspect ratio).
- ❑ **Auto Wide:** Allows you to select the wide screen mode automatically.

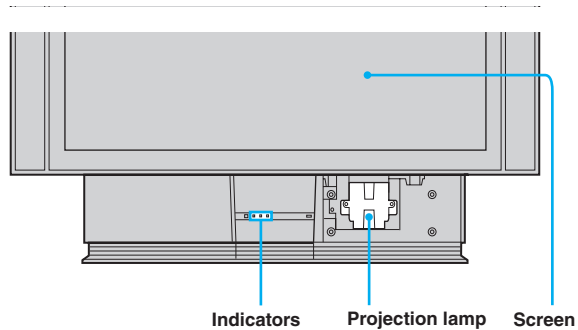
## *Using This Manual*

We recommend that you carefully review the contents of the following three sections in the order shown to ensure that you fully understand the operation of your new LCD projection TV.

- 1** **Installing and Connecting the LCD Projection TV**  
This section guides you through your initial setup. It shows you how to install your LCD projection TV, to connect your new components and to connect the antenna and cable.
- 2** **Using the Features**  
This section shows you how to begin using your new LCD projection TV. It also shows you how to use your remote control functions.
- 3** **Using the menus**  
This section teaches you how to access on-screen menus and adjust your LCD projection TV settings.

Instructions in this manual are written for the remote control. Similar controls are also found on the LCD projection TV console.

## Enjoying Your LCD Projection TV



### Indicators

The indicators show the current status of your LCD projection TV. If the LAMP indicator flashes, see “Flashing Indicators on the Front of the Monitor” on page 90.

### Screen

To minimize screen reflection, its surface has a special coating. Read the instructions “Use of the Cleaning Cloth” on page 12 carefully before cleaning.

Inappropriate cleaning methods could damage the finishing.

### Projection lamp

Your LCD projection TV uses a projection lamp as its light source. Note the following:

- ❑ After turning on your LCD projection TV, it may take a while before the picture appears (1 minute or less).
  - ❑ When the projection lamp wears out, the screen image becomes dark. Replace the lamp with a new Sony XL-2000U replacement lamp (not supplied).
- 🔧 Be sure to attach the lamp cover securely; otherwise, your LCD projection TV will not turn on. For details on lamp replacement, see “Replacing the Lamp” on page 13.
  - 🔧 The light emitted from the lamp is quite bright when your LCD projection TV is in use. To avoid eye discomfort or injury, do not look into the housing when the power is on.

---

## Notes on the LCD Projection TV

### To enjoy clear pictures

- ❑ Be sure not to allow sunlight or light from a lamp to shine directly onto the screen.
- ❑ The screen surface is easily scratched. Do not rub, touch, or tap it with a sharp or abrasive object (see “Use of the Cleaning Cloth” below).

### On moisture condensation

- ❑ If your LCD projection TV is transported directly from a cold to a warm location, is placed in a humid room, or if the room temperature changes suddenly, the picture may be blurred or show poor color. This is because moisture has condensed on the lenses inside. If this happens, leave the power on and let the moisture evaporate before using your LCD projection TV.

### When the LCD projection TV will not be used for a long period of time

- ❑ Turn off the main power on the front of your LCD projection TV before going to sleep or going out. Disconnect the AC plug if idle for more than 7 days.

### When turning off the power

- ❑ Be sure to turn off the power switch on the main unit or on the remote control. After turning off the power, the fan will continue to blow for about two minutes. Be sure to wait for several minutes after turning the power off when unplugging from the outlet or switching the breaker off.

---

## Use of the Cleaning Cloth

To remove dust from the front of the screen, wipe with the supplied Cleaning Cloth.

- ✎ Do not use any type of abrasive pad, alkaline cleaner, scouring powder, window cleaners or solvent such as alcohol or benzene. Otherwise, this type of contact may result in a damaged screen.
- ✎ To clean the screen, please use the supplied Cleaning Cloth lightly moistened with water diluted mild detergent solution. Do not apply heavy press when cleaning.
- ✎ The supplied Cleaning Cloth is washable with warm water and a mild detergent solution, and can be used repeatedly.

## Replacing the Lamp

The projection lamp has a limited life which illuminates the picture.

If the screen becomes dark, the color looks unusual, or the LAMP indicator on the front of the LCD projection TV flashes, it is time to replace the lamp with a new one (not supplied).



### WARNING

Electric appliances can cause fire or high temperature, resulting in injury or death. Be sure to follow the instructions below.

- ❑ Use a Sony XL-2000U replacement lamp (not supplied) for replacement. Failure to do so may damage the LCD projection TV.
- ❑ Do not remove the lamp for any purpose other than replacement. Failure to do so may cause fire or a skin burn.
- ❑ Before replacing the lamp, turn the power off on the main unit, then several minutes later, unplug the power cord. (The cooling fan will continue to blow for about two minutes after turning the power off.)
- ❑ Before replacing the lamp, let it cool down completely, as the surface of the lamp remains extremely hot for at least 30 minutes after the power has been turned off.
- ❑ Do not leave the removed lamp near flammable materials or within the reach of children.
- ❑ Do not pour water onto the removed lamp, or put any object inside the lamp. Doing so may cause the lamp to burst.
- ❑ Do not put flammable materials and metal objects inside the lamp receptacle of the LCD projection TV after removing the lamp. Doing so may cause fire or electrical shock. Also, be sure not to touch the receptacle, because it may cause a skin burn.
- ❑ Mount the new lamp securely, otherwise the screen may become dark, or it may cause a fire.
- ❑ Do not touch the glass with your fingers on the new lamp.

### Collecting the used lamp


For environmental conservation, Sony collects the used lamps. Please put the used lamp in the lamp box and give it to your Sony dealer where you bought the lamp.



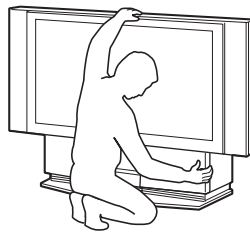
Do not touch the front glass of a new lamp or the glass of the lamp receptacle. This may reduce picture quality or lamp life.

(Continued)

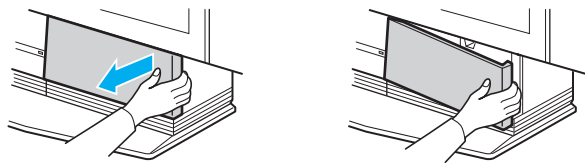
- 1 Turn off the power switch on the LCD projection TV and after several minutes, unplug the power cord.  
(The cooling fan will continue to blow for about two minutes after turning the power off.)

 Do not touch the front glass of a new lamp or the glass of the lamp receptacle. This may reduce picture quality or lamp life.

- 2 Unplug the power cord after turning off the main power. Wait at least 30 minutes to allow the lamp to cool down before replacing it. Take the new lamp out of the box.
- 3 Remove the front panel.

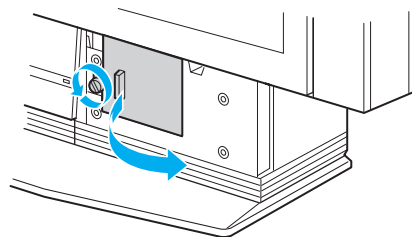


Hold the LCD projection TV firmly so that it does not move.



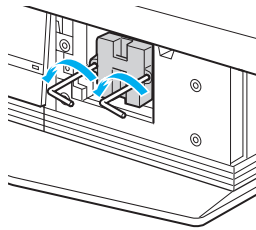
Grasping the right end of the front panel with your fingers, pull the panel towards you.

- 4 Loosen the screw with a coin or similar object to remove the lamp cover.

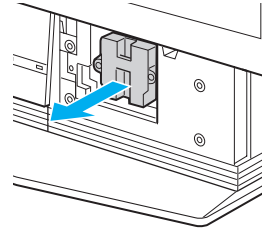





- 5** Loosen the two screws that secure the lamp, then pull out the lamp. The lamp is very hot immediately after use. Never touch the front glass of the lamp or the surrounding parts.



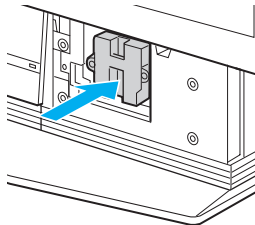
Loosen the two screws with the hex key supplied with the lamp.



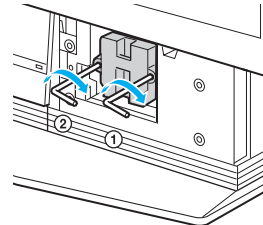
Hold the handle and pull straight out.

 After it has cooled, place the removed lamp into the empty box of the replacement lamp. Never put the removed lamp into a plastic bag.

- 6** Mount the new lamp. Be sure to attach the new lamp securely.

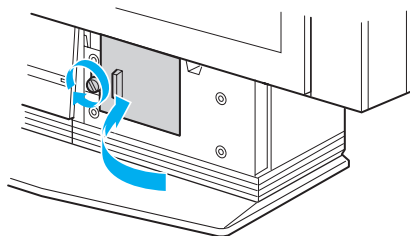


Mount the new lamp securely into the lamp receptacle.




Tighten the two screws securely in the order of ① to ②, as shown in the illustration using the supplied hex key.

- 7** Mount the lamp cover and tighten the screw. Make sure that the lamp cover is mounted securely, otherwise the power will not turn on.



Match the projection of the right side of the lamp cover with the hole of the unit, and replace the lamp cover as it was.

 If the lamp cover is not mounted securely, the self-diagnostic function works and the STAND BY indicator flashes for three times (See page 90).

(Continued)

- 8 Mount the front panel in the order of ① to ②, as shown in the illustration.



- ✎ Consult your Sony dealer for a Sony XL-2000U replacement lamp.
- ✎ Take great care when replacing the lamp or plugging in/unplugging the connecting cords. If you handle them roughly, the LCD projection TV may fall or be moved, and the TV stand or floor surfaces may be scratched.

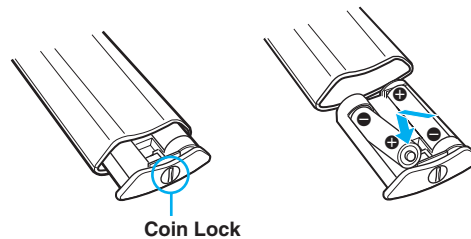
# Installing and Connecting the LCD Projection TV

## Contents

The box contains your new LCD projection TV, a remote control and two AAA batteries. No peripheral cables are included. If you intend to add additional equipment to your LCD projection TV, please check the hookup instructions for your desired setup before you begin. You may need to purchase cables and/or splitters to complete the hookup properly.

## Inserting Batteries into the Remote Control

Insert two size AAA batteries (supplied) by matching the + and – on the batteries to the diagram inside the battery compartment.

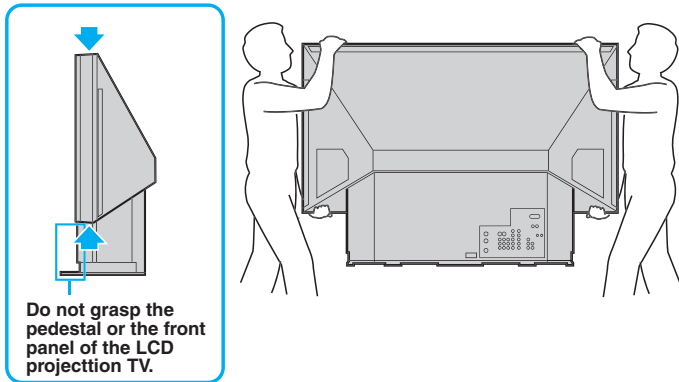


- ✎ Remove the batteries to avoid damage from possible battery leakage whenever you anticipate that the remote control will not be used for an extended period.
- ✎ Handle the remote control with care. Avoid dropping it, getting it wet, or placing it in direct sunlight, near a heater, or where the humidity is high.
- ✎ Your remote control can be programmed to operate most video equipment. (See “Programming the Remote Control” on page 82.)

## Carrying Your LCD Projection TV

Carrying the LCD projection TV requires at least two people. Do not grasp the pedestal or the front panel of the LCD projection TV, otherwise these parts might break off.

When moving the LCD projection TV, support the screen bottom with one hand while grasping the top part with the other hand, as shown in the illustration below.



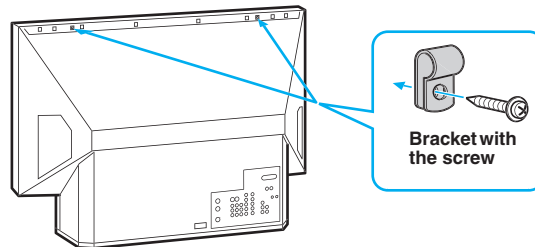
## To Prevent the LCD Projection TV from Falling Down

Pay special attention to children around the LCD projection TV. If children should climb onto or push the LCD projection TV or its stand, it may fall down.

As a protective measure, secure the LCD projection TV as follows.

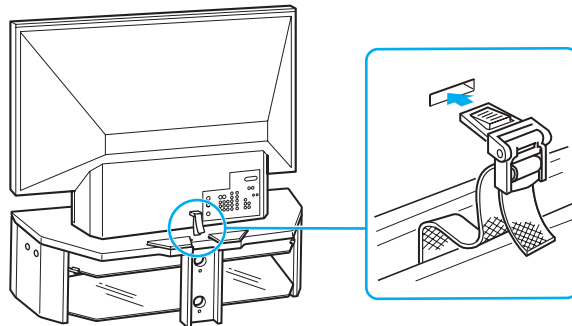
### Using supplied brackets

- 1** Mount the two brackets with the screws (supplied) to the upper rear sides of the LCD projection TV (left and right sides).
- 2** Pass a strong cord or chain (not supplied) through each bracket and then secure it to a wall or a pillar, etc.



### Using the LCD projection TV stand with support belts

- You can also use the LCD projection TV stand SU-GW1 (not supplied) with support belts.



## When Installing Your LCD Projection TV Against a Wall

Keep your LCD projection TV at least 10 cm (4 inches) from the wall.

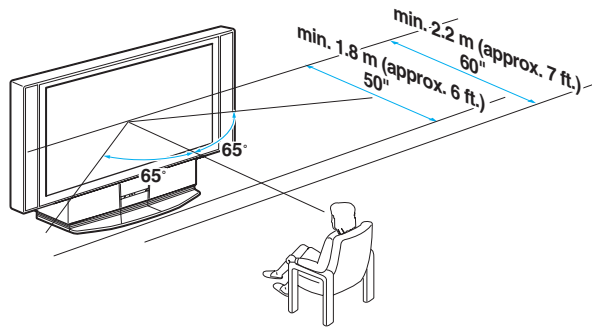
## Recommended Viewing Area

The picture quality may be affected by your viewing position.

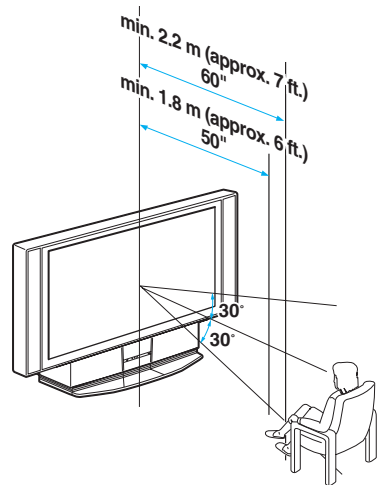
For the best picture quality, install your LCD projection TV within the areas shown below.

Sit at least 1.8 m (approx. 6 ft.) for KF-50XBR800 or 2.2 m (approx. 7 ft.) for KF-60XBR800 away from your LCD projection TV, and within 60° of the vertical viewing area, and 130° of the horizontal viewing area.

### Horizontal Viewing Area




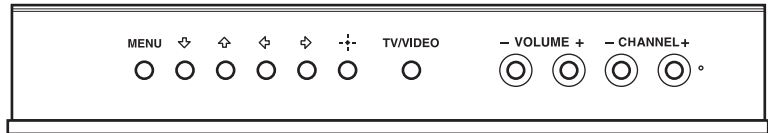
### Vertical Viewing Area



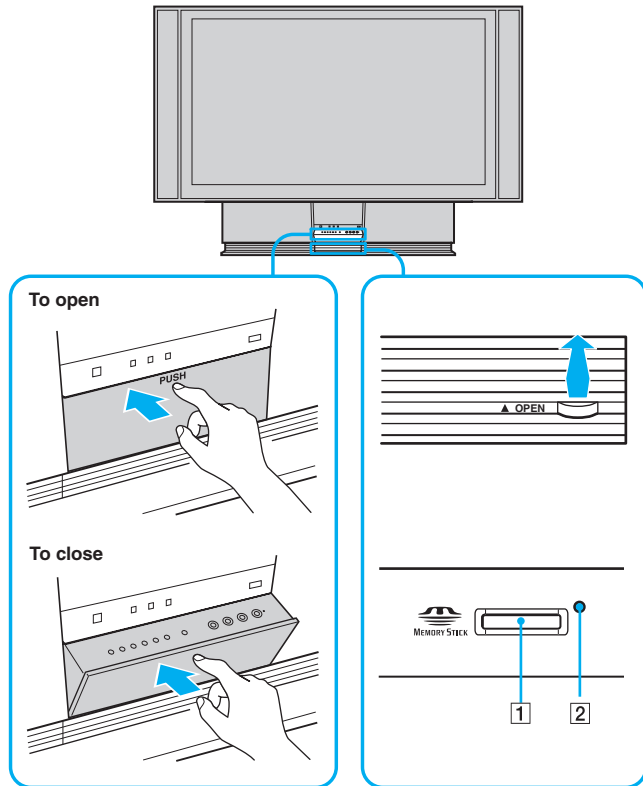
## LCD Projection TV Controls and Connectors

### Front Panel Menu Controls

The front panel menu controls allow access to the on-screen menus without the use of a remote control. Pressing MENU brings up the on-screen menus. The arrow buttons move the on-screen cursor in the menus and by pressing the  button selects the menu item.



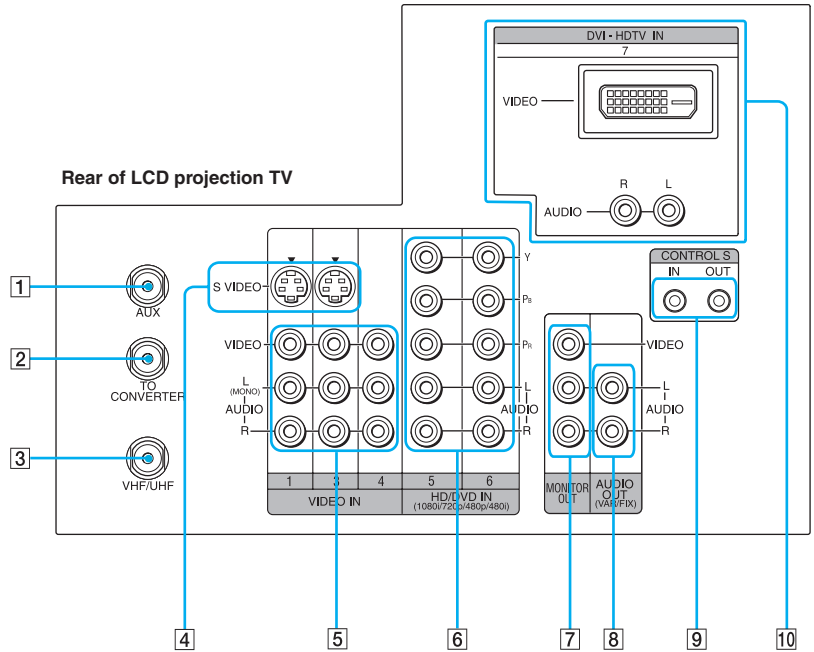
### How to open and close the front panel



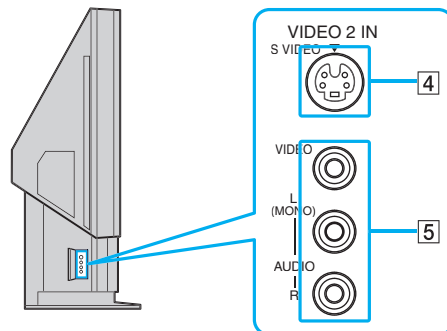
(Continued)

Item	Description
1 MEMORY STICK	Memory Stick insertion slot. For details, see “Inserting and Removing a Memory Stick” on page 60.
2 MEMORY STICK ACCESS LED	When lit, indicates that the Memory Stick is being read. (Do not remove the Memory Stick when the indicator is lit.)

### LCD Projection TV Rear and Side Panel Connectors



Left side of LCD projection TV





Connection	Description
1 AUX	Allows you to view local and cable channels if your cable provider does not feature local channels. You can switch between local and cable channels easily by pressing ANT on the remote control. Devices connected to the AUX input cannot be viewed in Twin View.
2 TO CONVERTER	This is a VHF/UHF OUT jack that lets you set up your LCD projection TV to switch between scrambled channels (through a cable box) and normal cable channels (CATV). Use this jack instead of a splitter to get better picture quality when switching between scrambled and unscrambled cable channels.
3 VHF/UHF (Primary RF input)	Connects to your VHF/UHF antenna or cable.
4 S VIDEO (Rear and side)	Connects to the S VIDEO OUT jack of your VCR or other S VIDEO-equipped video component. Provides better picture quality than the VHF/UHF jacks or the Video IN jack.
5 VIDEO/ (L/R) AUDIO (Rear and side)	Connects to the audio and video OUT jacks on your VCR or other video component. A fourth video input (VIDEO 2) is located on the side panel of the LCD projection TV.
6 HD/DVD IN (1080i, 720p, 480p, 480i)	Connects to your DVD player's or Digital Set-top box's component video (Y, PB, PR) and audio (L/R) jacks.
7 MONITOR OUT	Lets you record the program you are watching to a VCR. When two VCRs are connected, you can use the TV as a monitor for tape-to-tape editing (not available with 480p, 720p, or 1080i when the input is set to VIDEO 5-7).
8 AUDIO OUT (VAR/FIX) L (MONO)/R	Connects to the left and right audio inputs of your audio or video component.
9 CONTROL S IN/OUT	<p>To control other Sony equipment with the LCD projection TV's remote control, connect the CONTROL S IN jack of the equipment to the CONTROL S OUT jack on the LCD projection TV with the CONTROL S cable.</p> <p>To control the LCD projection TV with a remote control for another Sony product, connect the CONTROL S OUT jack of the equipment to the CONTROL S IN jack on the LCD projection TV with the CONTROL S cable.</p>
10 DVI-HDTV VIDEO AUDIO R/L (VIDEO 7 IN)	Can accommodate a copy-protected digital connection (HDCP <sup>*</sup> ) to other devices (such as digital set-top boxes) that have compatible interfaces. The DVI-HDTV input terminal is compliant with the EIA-861 standard and is not intended for use with personal computers. See the instruction manual that came with your equipment for details about connecting and using it with the LCD projection TV.

\* High-bandwidth Digital Content Protection

## Connector Types

You may find it necessary to use some of the following connector types during set up.

### Coaxial cable

Standard TV cable and antenna cable

#### Plug Type



#### Screw-on Type



### S Video cable

High quality video cable for enhanced picture quality



### Audio/Video cable



Video - Yellow

Audio (Left) - White

Audio (Right) - Red

Some DVD Players are equipped with the following three video connectors:

Y - Green

P<sub>B</sub> (C<sub>B</sub>, C<sub>b</sub> or B-Y) - Blue

P<sub>R</sub> (C<sub>R</sub>, C<sub>r</sub> or R-Y) - Red

### CONTROL S cable

CONTROL S connections are exclusive to Sony products and allow greater control of all Sony equipment.



## Basic Connections (Connecting Cable TV or Antenna)

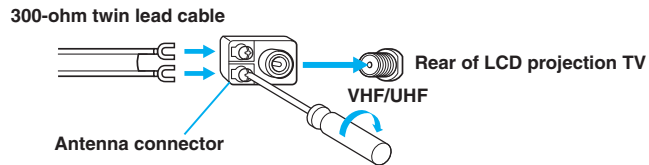
### Connecting Directly to Cable or an Antenna

The connection you choose depends on the cable found in your home. Newer homes are equipped with standard coaxial cable (see **A**); older homes probably have 300-ohm twin lead cable (see **B**); other homes may contain both (see **C**).

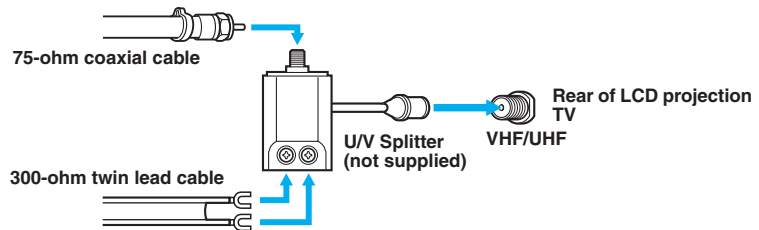
#### **A** VHF Only or VHF/UHF or Cable





#### **B** VHF Only or UHF Only or VHF/UHF



#### **C** VHF and UHF

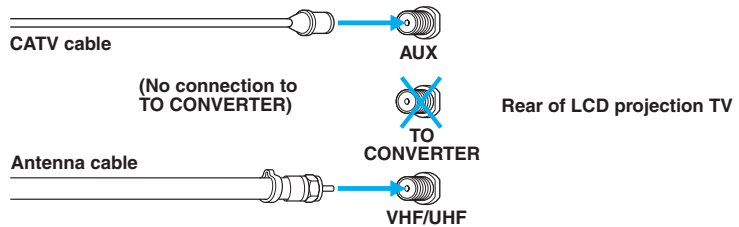


 It is highly recommended to connect the antenna using a 75-ohm coaxial cable to get optimum picture quality. A 300-ohm twin lead cable can be easily affected by radio noise and the like, resulting in signal deterioration. If you use a 300-ohm twin lead cable, keep it away as far as possible from the LCD projection TV.


 Do not use an indoor antenna because it is especially susceptible to radio noise.

### Cable and Antenna

If your cable provider does not feature local channels, you may find this set up convenient.



Select CABLE or antenna (ANT) mode by pressing ANT on the remote control.

 To receive channels with an antenna, you need to turn your Cable to OFF (see page 73) and perform the Auto Program function (see page 73).

### Cable Box Connections

#### Cable Box and Cable

This is the preferred basic cable TV hookup to use if:

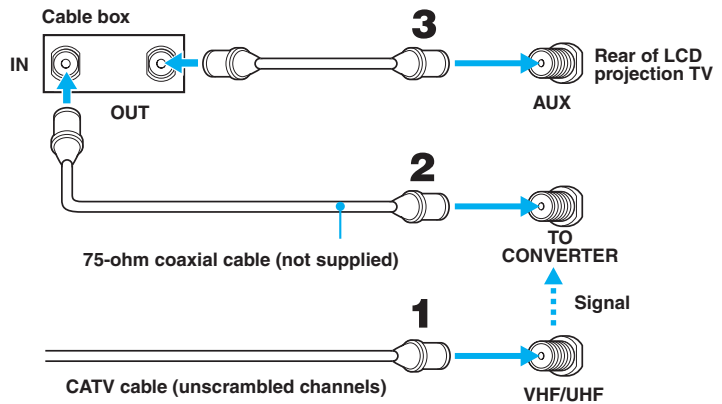
- ❑ Your cable TV company scrambles some channels, but not all of them (pay channels vs. regular cable channels) and you need to use a cable box, and
- ❑ You want to enjoy the Twin View feature.


With this setup you can:

- ❑ Use the LCD projection TV remote control to change channels using your cable box when the signal is scrambled.
- ❑ Use the LCD projection TV remote control to change channels using your LCD projection TV when the signal is not scrambled. (Your LCD projection TV's tuner provides a better signal than the cable box.)
- ❑ Use the Twin View feature. (When all channels are routed through your cable box, only one channel is sent to the LCD projection TV, so you can not use the Twin View or Channel Index features for your cable box.)

- 1** Connect the Cable TV cable to the LCD projection TV's VHF/UHF jack.
- 2** Using a coaxial cable, connect the LCD projection TV's TO CONVERTER jack to the cable box's IN jack. The LCD projection TV's internal converter allows you to switch between unscrambled signals coming straight into the LCD projection TV and scrambled signals coming in through the cable box, eliminating the need for an external splitter.

- Using a coaxial cable, connect the cable box's OUT jack to the LCD projection TV's AUX jack.



 Pressing ANT on the remote control switches between the channels coming in through the cable box (scrambled) and those coming directly to the TV (unscrambled).

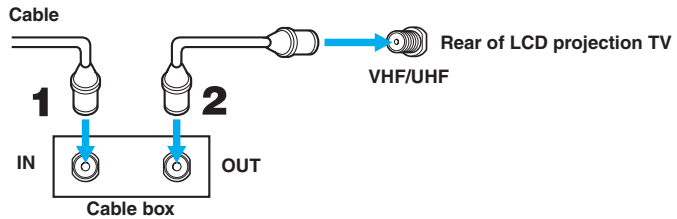
**Cable Box Only**

Use this hookup if:




- ❑ You subscribe to a cable TV system that uses scrambled or encoded signals requiring a cable box to view all channels, and
- ❑ You do not intend to hook up any other audio or video equipment to your LCD projection TV.

When all channels are routed through your cable box, only one unscrambled channel is sent to the LCD projection TV, so you cannot use the Twin View feature. If some channels are scrambled, but others are not, consider using the hookup on page 26 instead.

- 1** Connect the coaxial connector from your cable service to the cable box's IN jack.
- 2** Using a coaxial cable, connect the cable box's OUT jack to the LCD projection TV's VHF/UHF jack.



Also, set Cable to ON in the Channel menu (see page 73).

-  Your Sony remote control can be programmed to operate your cable box (see “Programming the Remote Control” on page 82).
-  To change channels using the cable box, set your LCD projection TV to channel 3 or 4 depending on the cable box channel output. If you will be controlling all channel selection through your cable box, consider using the Channel Fix feature to set your LCD projection TV to channel 3 or 4 (see page 73).
-  **Setting the Channel Fix feature in the Channel menu (see “Using the Channel Menu” on page 73), ensures that you do not accidentally switch the channels using your LCD projection TV.**

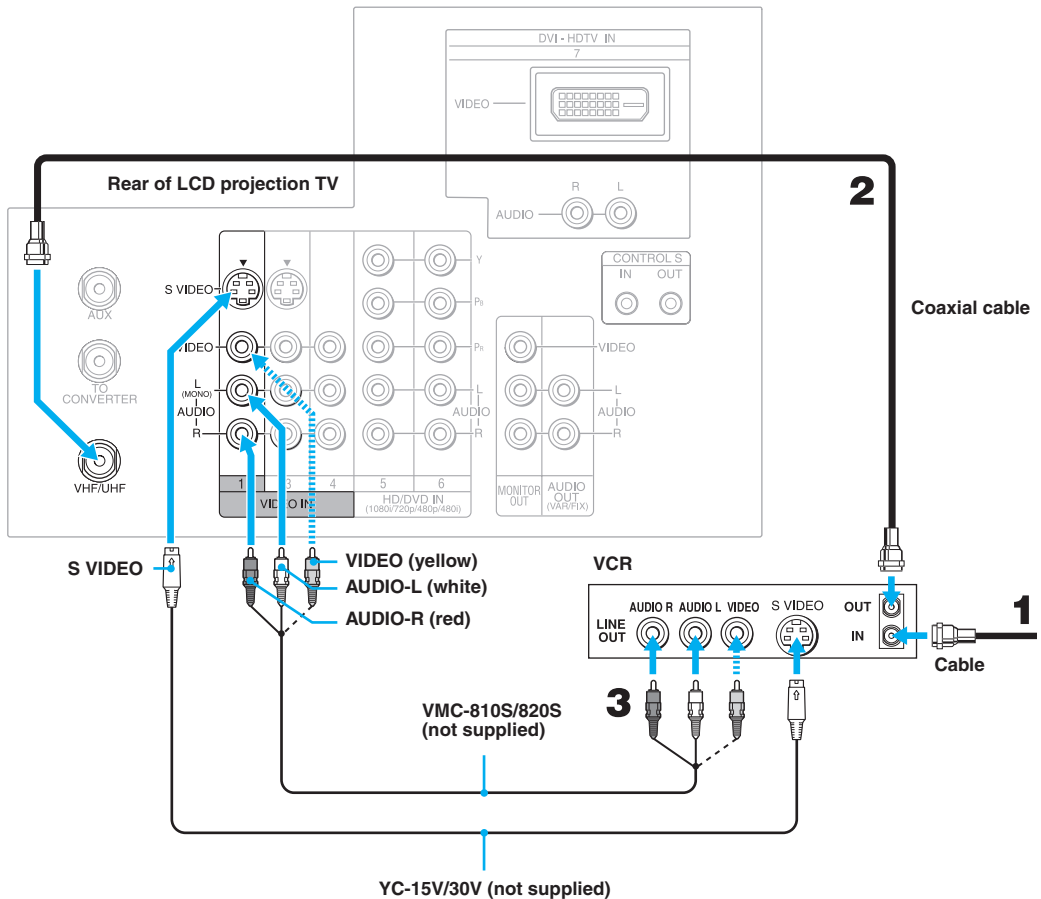
## Connecting a VCR and Cable

Use this hookup if:

- You have cable TV that does not require a cable box.

**Disconnect all power sources before making any connections.**

- 1** Connect the cable TV cable to the VCR's IN jack.
- 2** Using a coaxial cable, connect the VCR's OUT jack to the LCD projection TV's VHF/UHF jack.
- 3** Using AUDIO and S VIDEO cables, connect the VCR's Audio and S Video OUT jacks to the LCD projection TV's AUDIO and S VIDEO IN jacks.



⚠ If your VCR is not equipped with S VIDEO, use a VIDEO cable (yellow) instead of the S VIDEO cable.

## Connecting a VCR and Cable Box

Use this hookup if:


- ❑ Your cable TV company scrambles some channels, but not all of them (pay channels vs. regular cable channels) and you need to use a cable box, and
- ❑ You want to enjoy the Twin View feature.

With this setup you can:

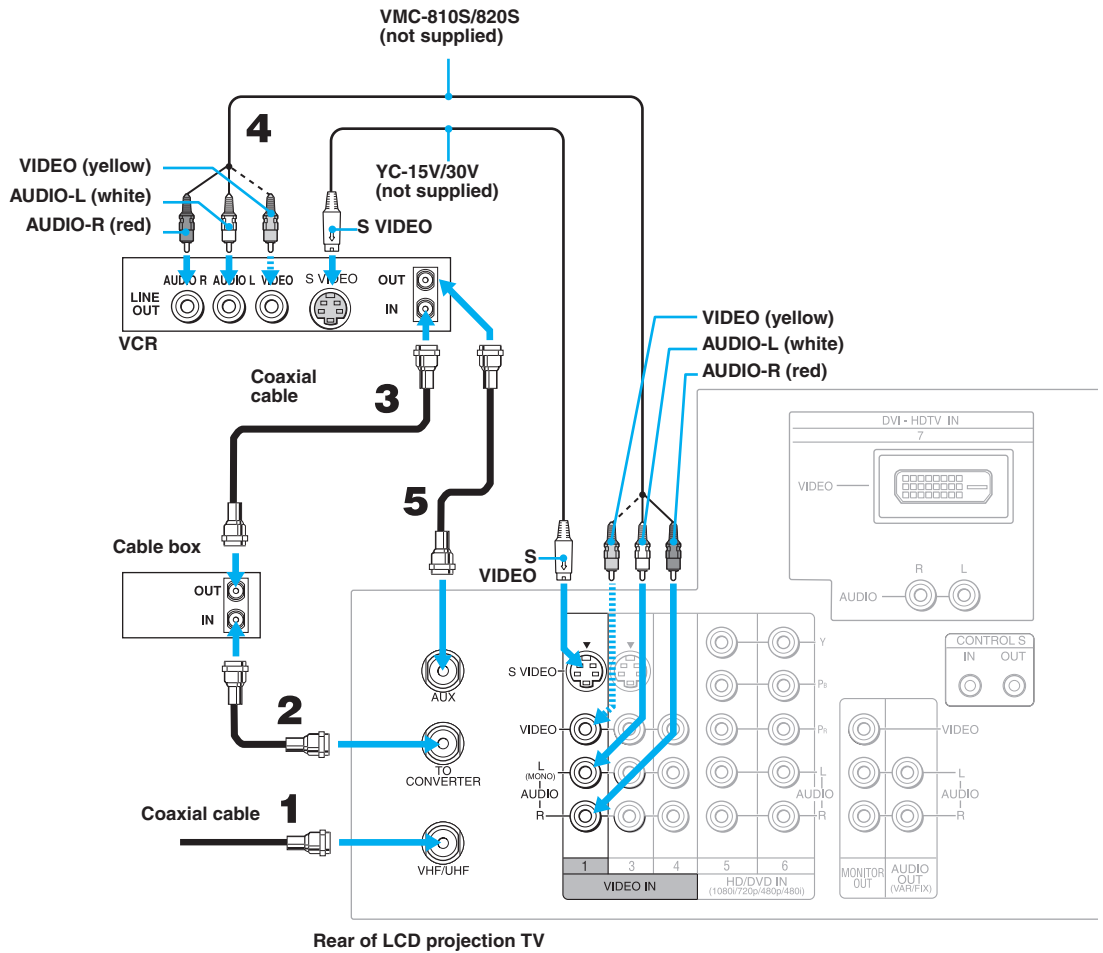
- ❑ Use the LCD projection TV remote control to change channels on your cable box when the signal is scrambled. To program your Sony remote control to operate your cable box, see “Programming the Remote Control” on page 82.
- ❑ Use the LCD projection TV remote control to change channels using your LCD projection TV when the signal is not scrambled. Your LCD projection TV’s tuner provides a better signal than the cable box.
- ❑ Use the Twin View feature. (When all channels are routed through your cable box, only one signal is sent to the LCD projection TV, so you cannot use the Twin View feature.)

### Disconnect all power sources before making any connections.

- 1** Connect the Cable TV cable to the LCD projection TV’s VHF/UHF jack.
- 2** Using a coaxial cable, connect the LCD projection TV’s TO CONVERTER jack to the cable box’s IN jack. The LCD projection TV’s internal converter allows you to switch between unscrambled signals coming straight into the LCD projection TV and scrambled signals coming in through the cable box, eliminating the need for an external splitter.
- 3** Using a coaxial cable, connect the cable box’s OUT jack to the VCR’s IN jack.
- 4** Using AUDIO and S VIDEO cables, connect the VCR’s AUDIO and S VIDEO OUT jacks to the LCD projection TV’s AUDIO and S VIDEO IN jacks.
- 5** Using a coaxial cable, connect the VCR’s OUT jack to the LCD projection TV’s AUX jack.

 To view scrambled channels, set your LCD projection TV to AUX 3 or 4 (depending on your cable box output). Change channels using your cable box.





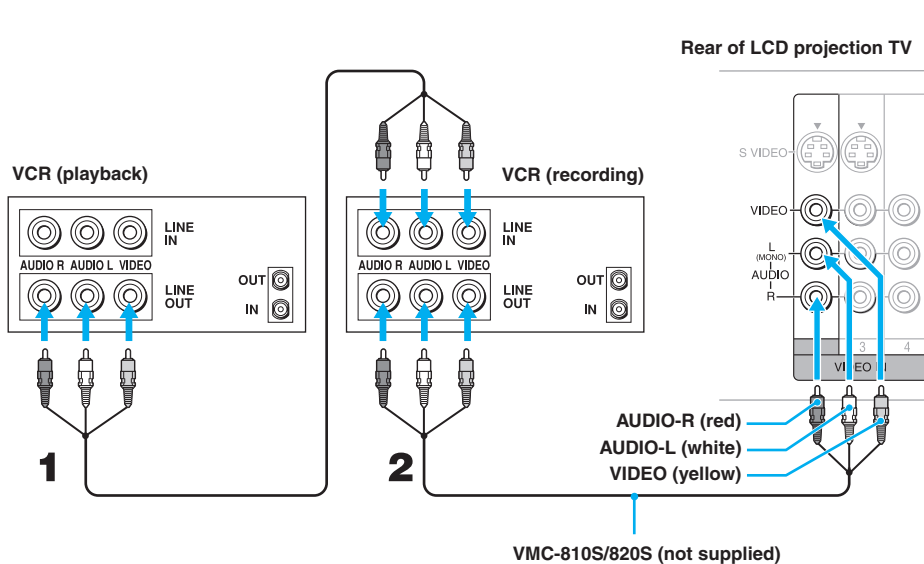
- ✎ If your VCR is not equipped with S VIDEO, use a VIDEO cable (yellow) instead of the S VIDEO cable.
- ✎ You will not be able to change channels on the VCR. Set your LCD projection TV and VCR to channel 3 or 4, depending on your cable box channel output.
- ✎ Pressing ANT on the remote control switches between the channels coming in through the cable box (scrambled) and those coming directly to the LCD projection TV (unscrambled).

## Connecting Two VCRs for Tape Editing

If you connect two VCRs, you can record from one VCR to the other while using your LCD projection TV to monitor what is being recorded.

**Disconnect all power sources before making any connections.**

- 1** Using AUDIO and VIDEO cables, connect the playback VCR's Audio and Video OUT jacks to the recording VCR's Audio and Video IN jacks.
- 2** Using AUDIO and VIDEO cables, connect the recording VCR's AUDIO and Video OUT jacks to the LCD projection TV's AUDIO and VIDEO IN jacks.




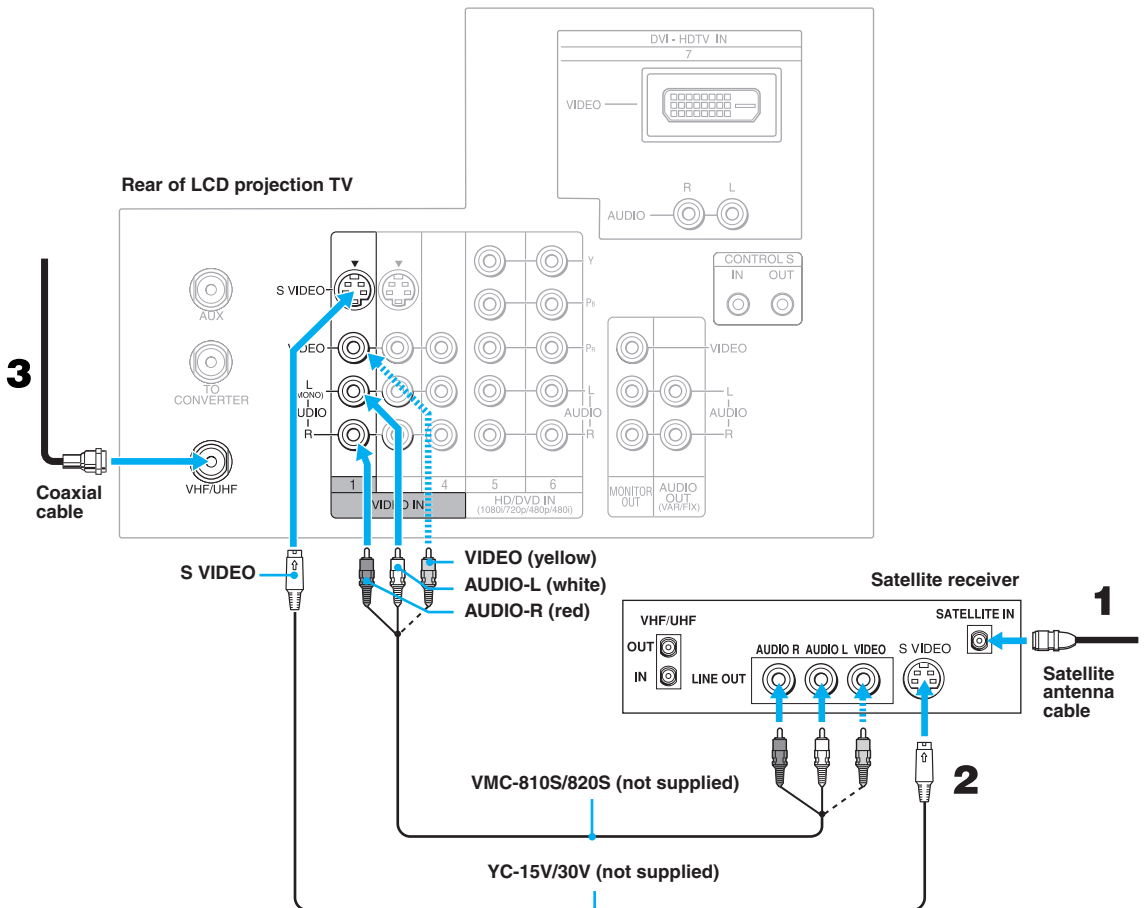
- To perform tape editing, set the LCD projection TV to the video input intended for playback by pressing TV/VIDEO on the remote control.
- You may need to change the video input on your VCR. Consult your VCR's operating manual for instructions.
- If your VCRs have an S VIDEO jack: For best picture quality, use an S VIDEO connection instead of the yellow video cable on your combined A/V cable.  
Using an S VIDEO cable, connect the playback VCR's S VIDEO OUT jack to the recording VCR's S VIDEO IN jack. S VIDEO does not provide audio, so audio cables must be connected to provide sound.
- You cannot record signals from equipment connected to the Y, P<sub>B</sub>, P<sub>R</sub> input.

## Connecting a Satellite Receiver

Disconnect all power sources before making any connections.

- 1** Connect the satellite antenna cable to the satellite receiver's SATELLITE IN jack.
- 2** Using AUDIO and S VIDEO cables, connect the satellite receiver's AUDIO and S VIDEO OUT jacks to the LCD projection TV's AUDIO and S VIDEO IN jacks.
- 3** Connect a coaxial cable from your cable or antenna to the LCD projection TV's VHF/UHF jack.

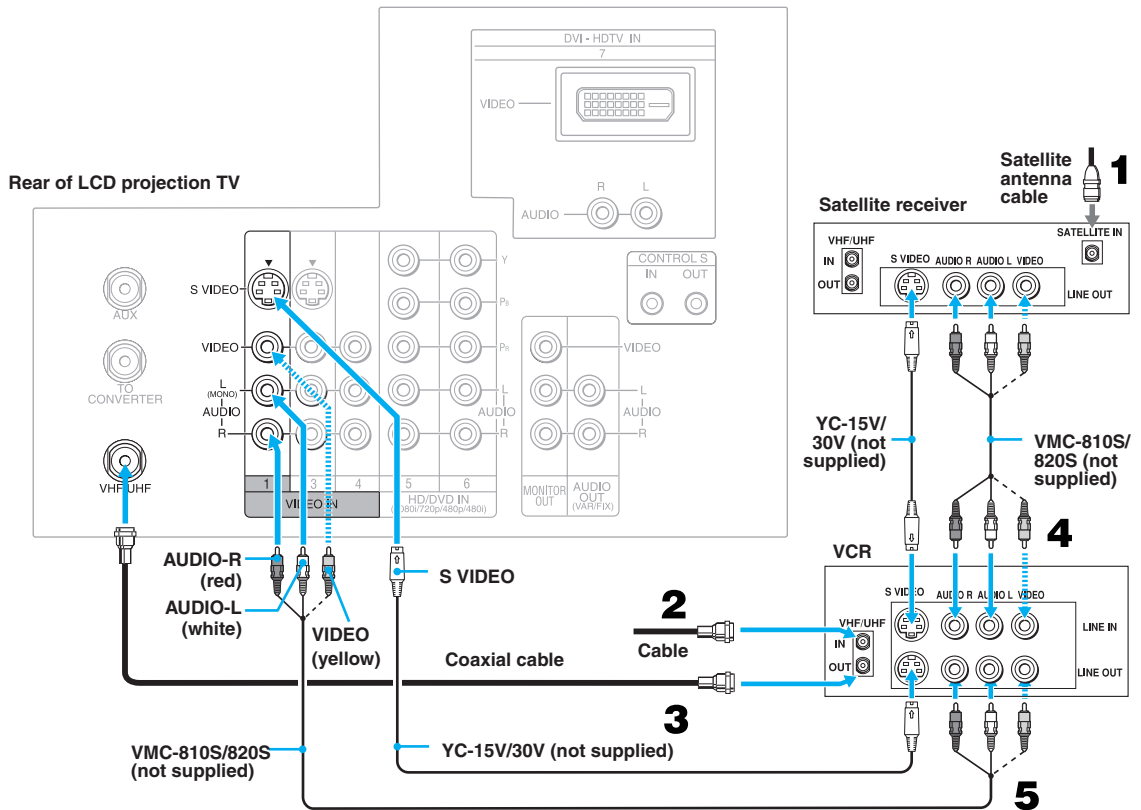
 If your satellite receiver is not equipped with S VIDEO, use a VIDEO cable (yellow) instead of the S VIDEO cable.






## Connecting a Satellite Receiver with a VCR

**Disconnect all power sources before making any connections.**

- 1** Connect the satellite antenna cable to the satellite receiver's SATELLITE IN jack.
- 2** Connect the CATV cable to the VCR's VHF/UHF IN jack.
- 3** Using a coaxial cable, connect the VCR's OUT jack to the LCD projection TV's VHF/UHF jack.
- 4** Using AUDIO and S VIDEO cables, connect the satellite receiver's AUDIO and S VIDEO OUT jacks to the VCR's AUDIO and S VIDEO IN jacks.
- 5** Using AUDIO and S VIDEO cables, connect the VCR's AUDIO and S VIDEO OUT jacks to the LCD projection TV's AUDIO and S VIDEO IN jacks.

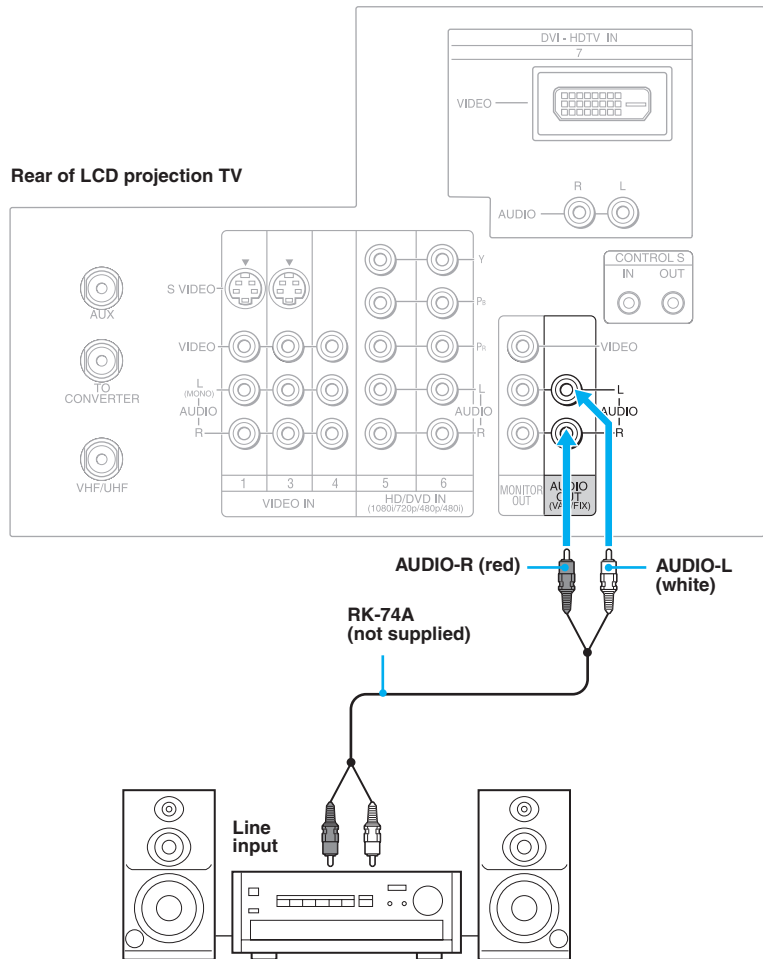


-  Be sure your VCR's video input is set correctly. Consult your VCR's operating manual for instructions.
-  Use TV/VIDEO to select
  - VIDEO 1 to watch satellite TV or the VCR (your VCR must be turned on).
  - VHF/UHF to watch cable TV.
-  If your VCR or satellite receiver is not equipped with S VIDEO, use a VIDEO cable (yellow) instead of the S VIDEO cable.

## Connecting an Audio Receiver

Disconnect all power sources before making any connections.

Using audio cables, connect the LCD projection TV's AUDIO OUT (VAR/FIX) jacks to the audio receiver's audio LINE IN jacks.




## Connecting a DVD Player with Component Video Connectors

This is the preferred hookup to use if:

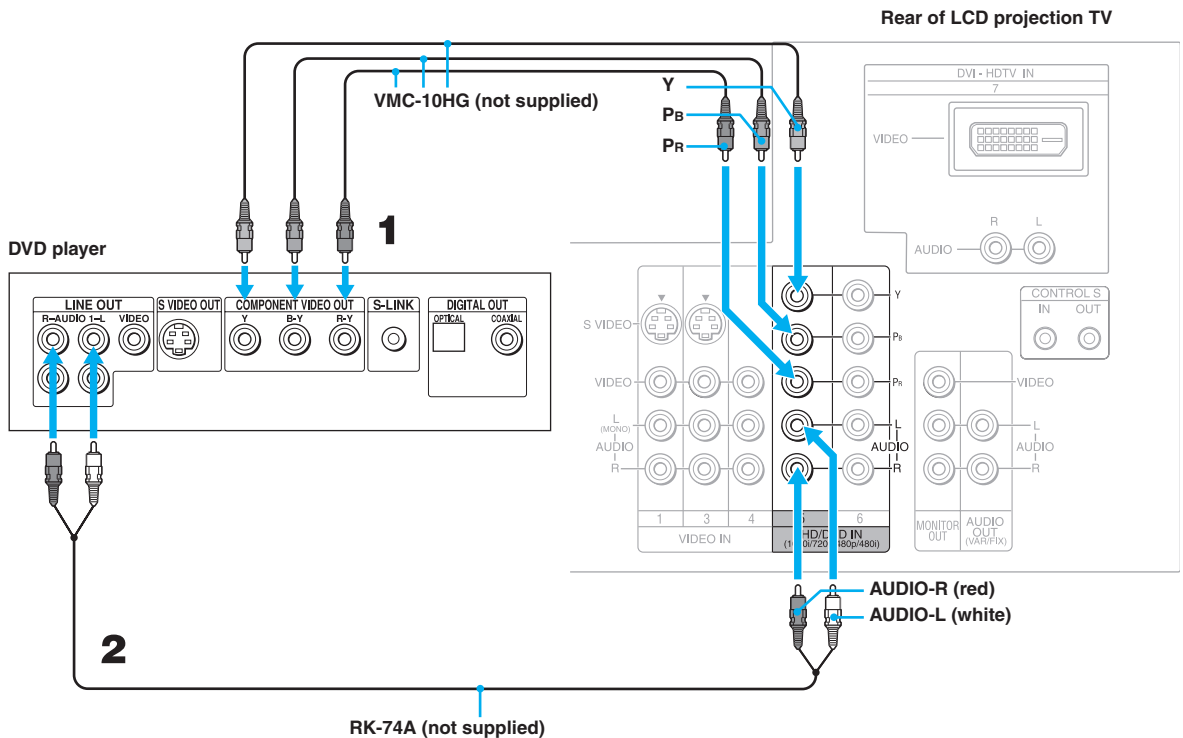
- ❑ Your DVD player has component (Y, B-Y, R-Y) jacks.


**Disconnect all power sources before making any connections.**

- 1 Using three separate component video cables, connect the DVD player's Y, B-Y and R-Y jacks to the Y, PB and PR jacks on the LCD projection TV. Use the HD/DVD IN 5 or 6 connections.

 The Y, B-Y and R-Y jacks on your DVD player are sometimes labeled Y, C<sub>B</sub> and C<sub>R</sub>, or Y, P<sub>B</sub> and P<sub>R</sub>. If so, connect the cables to like colors.

- 2 Using an audio cable, connect the DVD player's Audio OUT jacks to the LCD projection TV's AUDIO IN jacks. Be sure to use the same row of inputs that you used for the video connection (HD/DVD IN 5 or 6).




 To take advantage of the Wide Screen modes, set the TV's aspect ratio to 16:9 on your DVD player. For details, refer to the operating instructions supplied with your DVD player.

## Connecting a DVD Player with A/V Connectors

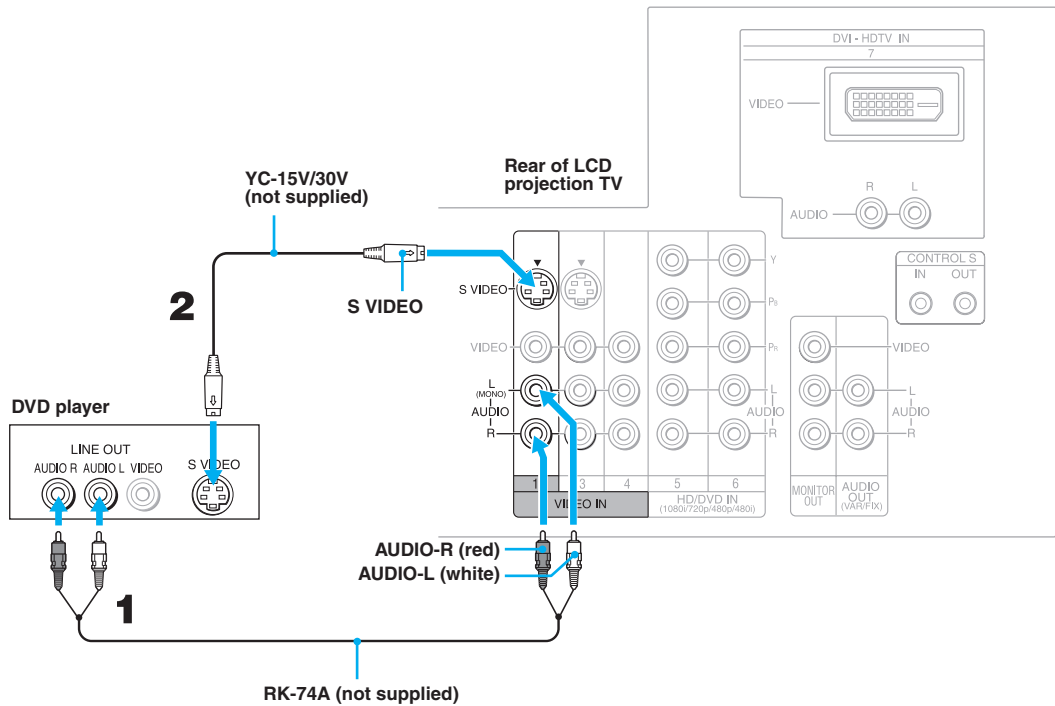
Use this hookup if:


- Your DVD player does not have component (Y, PB, PR) jacks.


 If your DVD player has video component output connectors: for best picture quality use the connection described on page 37.


**Disconnect all power sources before making any connections.**

- 1** Using audio cables, connect the DVD player's Audio OUT jacks to the LCD projection TV's AUDIO IN jacks.
- 2** Using an S VIDEO cable, connect the DVD player's S VIDEO jack to the LCD projection TV's S VIDEO jack.



 To take advantage of the Wide Screen modes, set the TV's aspect ratio to 16:9 on your DVD player. For details, refer to the operating instructions supplied with your DVD player.

 Use TV/VIDEO on the remote control to switch between the VCR, DVD player and cable TV inputs.

 If your VCR is not equipped with S VIDEO, use a VIDEO cable (yellow) instead of the S VIDEO cable.





## Connecting a Digital TV Receiver with component connectors

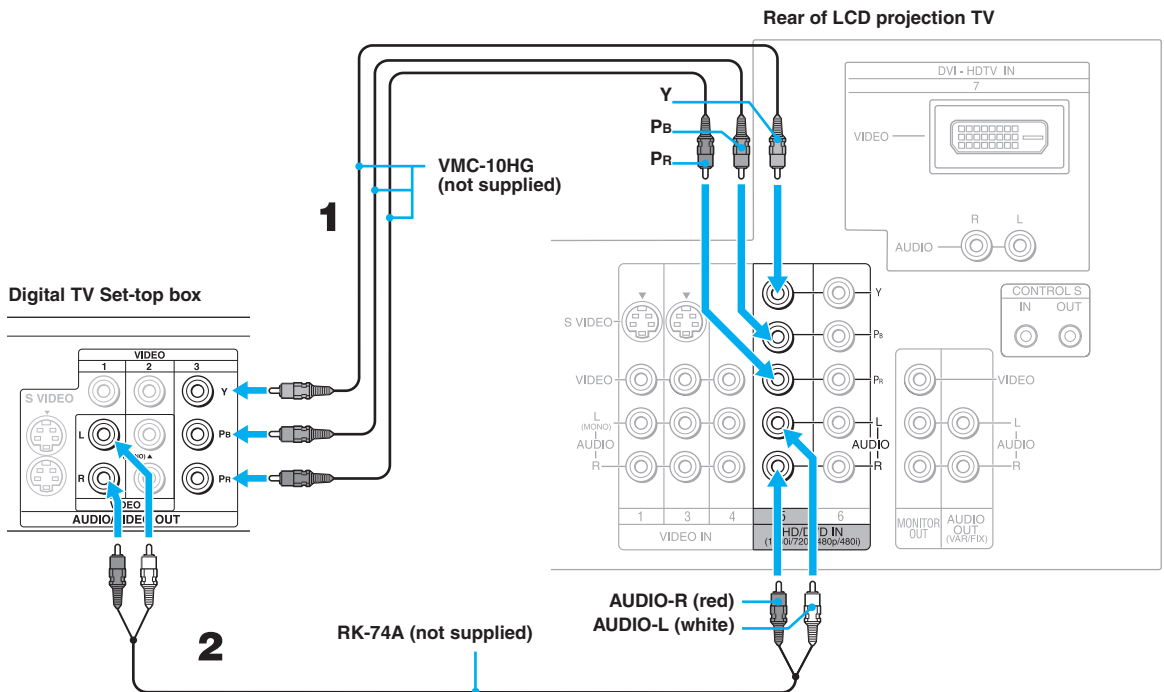
Disconnect all power sources before making any connections.



 Be sure to read the Set-top box manual.

**1** Using three separate component video cables, connect the Digital TV Set-top box's Y, P<sub>B</sub> and P<sub>R</sub> jacks to the LCD projection TV.

-  The Y, P<sub>B</sub> and P<sub>R</sub> jacks do not provide audio, so audio cables must be connected to provide sound.
-  Component video connection is necessary to view 480i, 480p, 720p, and 1080i formats. You may also use the S VIDEO or Composite Video connections, however, component video (Y, P<sub>B</sub>, P<sub>R</sub>) will provide the best picture quality for all format types.


**2** Using an audio cable, connect the Digital TV Set-top box's Audio OUT jacks to the LCD projection TV's AUDIO IN jacks.




-  You cannot record the signal from any equipment connected into the Y, P<sub>B</sub> and P<sub>R</sub> connectors.
-  This LCD projection TV is not compatible with digital TV receivers configured with RGB or VGA output connectors.

## Connecting a Digital TV Receiver with DVI-HDTV connector

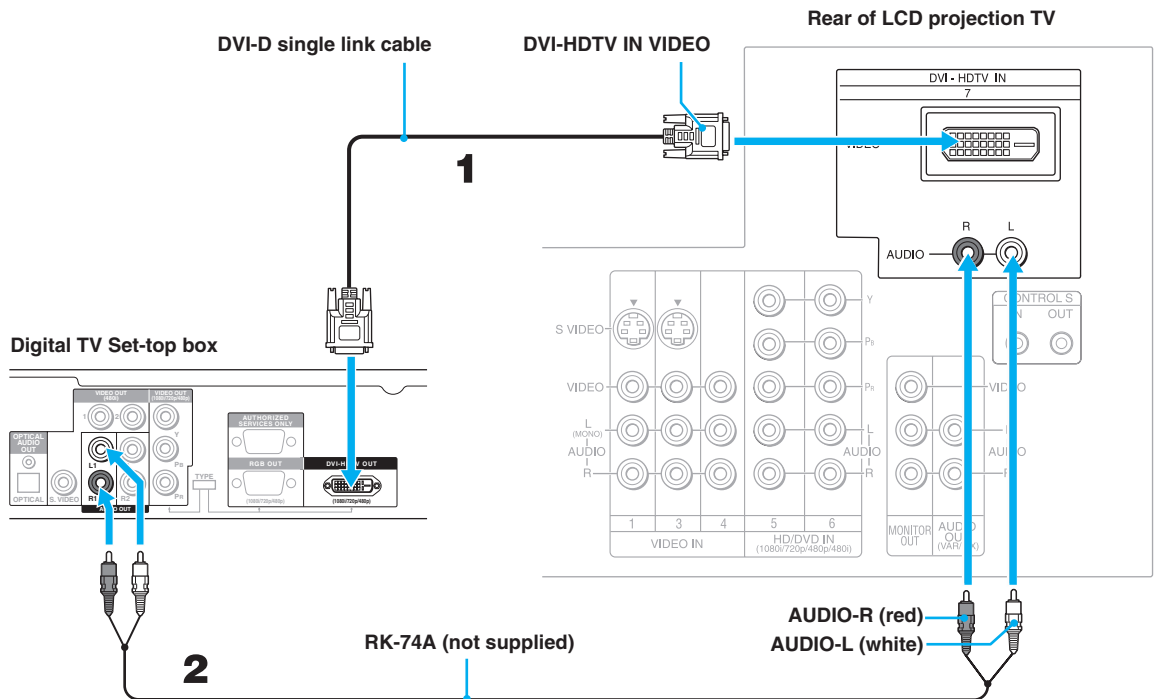
Disconnect all power sources before making any connections.

 Be sure to read the Set-top box manual.

**1** Using a DVI-D single link cable, connect the Digital TV Set-top box's DVI-HDTV connector to the LCD projection TV.

 The DVI-HDTV VIDEO connector does not provide audio, so audio cables must be connected to provide sound.

**2** Using an audio cable, connect the Digital TV Set-top box's Audio OUT jacks to the LCD projection TV's DVI-HDTV AUDIO jacks.

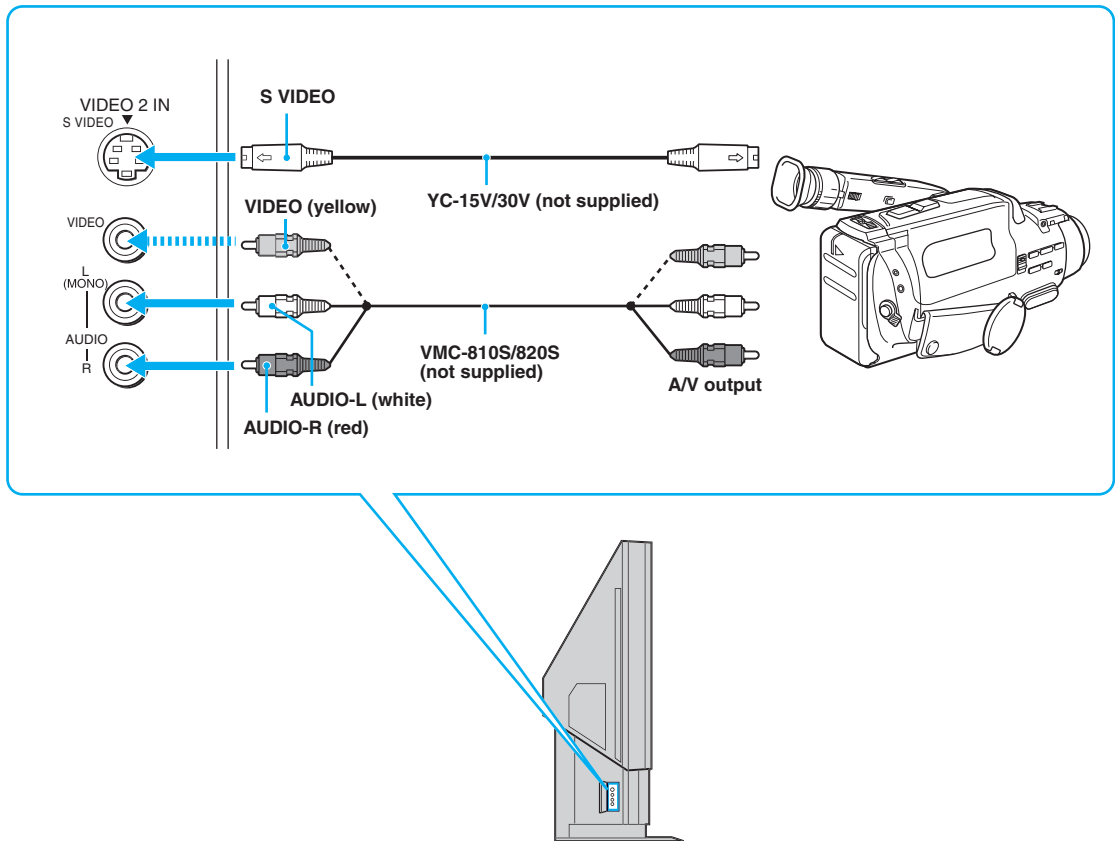


## Connecting a Camcorder

For easy connection of the camcorder, the LCD projection TV has side Audio and Video inputs (shown below). However, if you prefer, you can also connect the camcorder to the LCD projection TV's rear Audio and Video IN jacks.

Using AUDIO and S VIDEO cables, connect the camcorder's Audio and S VIDEO OUT jacks to the LCD projection TV's AUDIO and S VIDEO IN jacks.

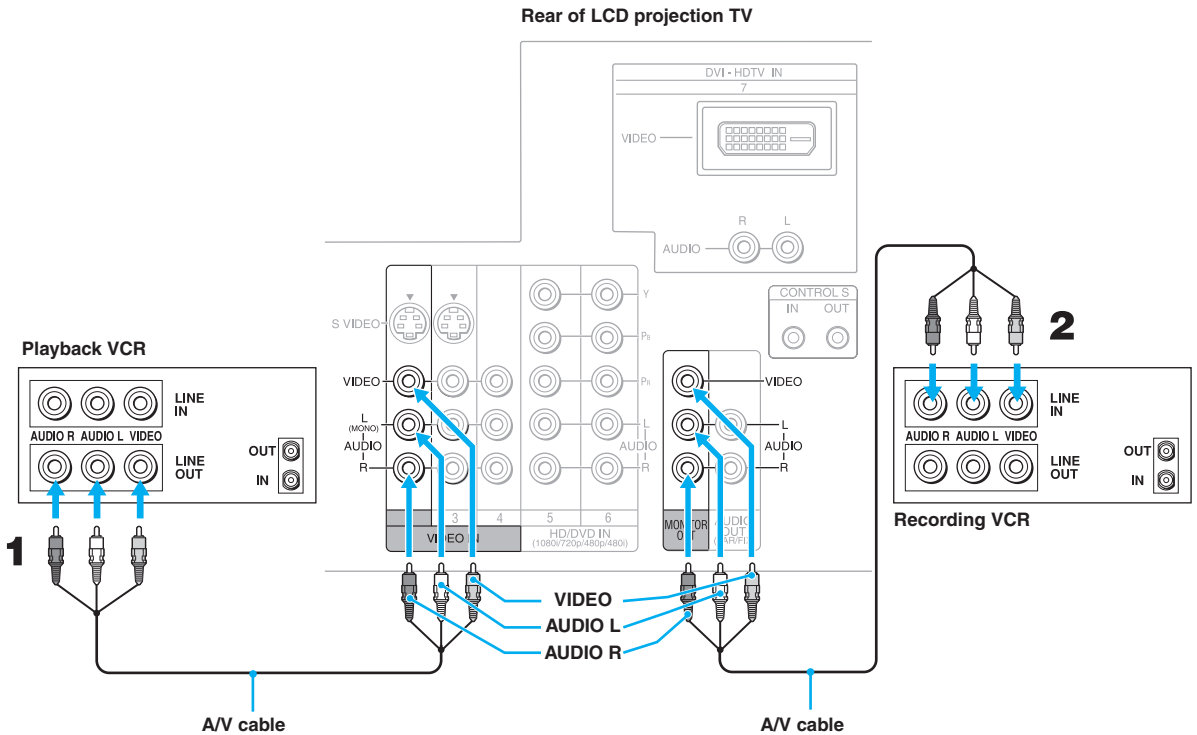
- ✎ If you have a mono camcorder, connect its left audio output to the LCD projection TV's AUDIO L (MONO) jack.
- ✎ If your camcorder is not equipped with S VIDEO, use a VIDEO cable (yellow) instead of the S VIDEO cable.



## Connecting Two VCRs for Tape Editing

Connecting two VCRs lets you record from one VCR to the other. By connecting them as shown below, you can view (monitor) what is being recorded.

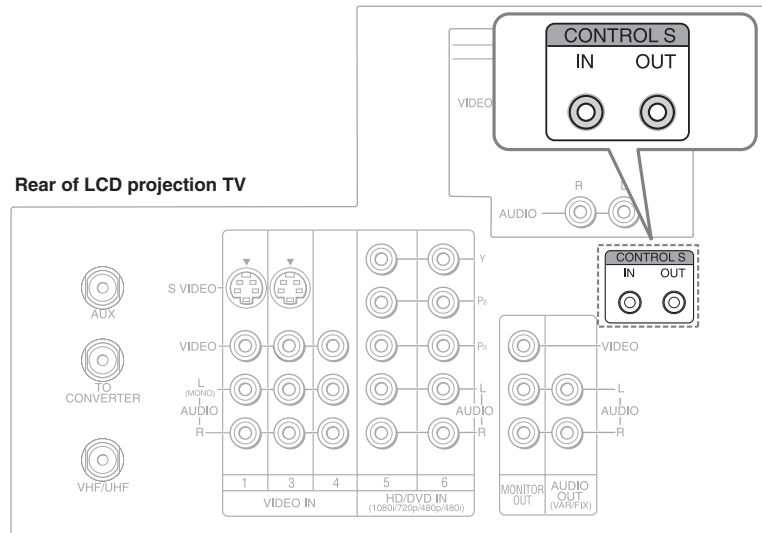
- 1 Using the AUDIO and VIDEO cable, connect the AUDIO and VIDEO IN jacks to the playback VCR's AUDIO and VIDEO OUT jacks.
- 2 Using the AUDIO and VIDEO cable, connect the MONITOR OUT jacks to the recording VCR's AUDIO and VIDEO IN jacks.



When the playback VCR is equipped with the S VIDEO OUT jack, connect the S VIDEO jack to the playback VCR's S VIDEO OUT jack.


## Using the CONTROL S Feature

CONTROL S allows you to control your LCD projection TV system and other Sony equipment with one remote control. In addition to allowing you to control multiple devices with one remote control, the CONTROL S feature allows you to always point your remote control at your LCD projection TV, instead of having to point it at the other equipment, which might be hidden or out of direct line of sight.




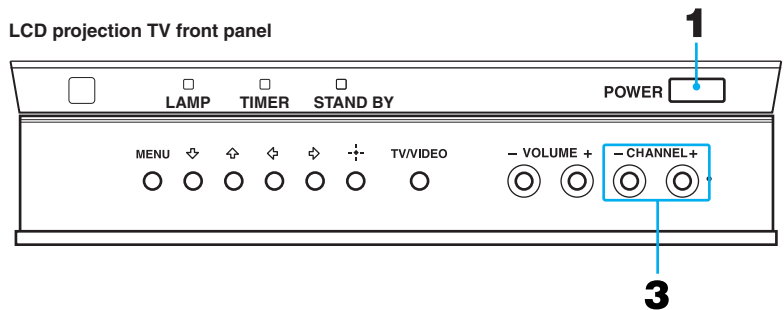
## Setting Up the LCD projection TV Automatically


After you finish connecting your LCD projection TV, you can run Auto Setup to set up your channels. The Auto Setup screen appears when you turn your LCD projection TV on for the first time after installing it. If you do not want to set up the channels at this time, you can do it later by using the Auto Program feature in the Channel menu (see page 73).

 The Auto Setup feature does not apply for installations that use a cable box for all channel selection.

### Using Auto Setup

- 1** Press POWER on the front panel of your LCD projection TV or on the remote control to turn on the LCD projection TV.
- 2** Press FUNCTION on the remote control until the TV indicator lights up.
- 3** Press CH+ on your LCD projection TV to run Auto Setup, or press CH- to exit. If you use the channel buttons on your remote control, be sure to use .



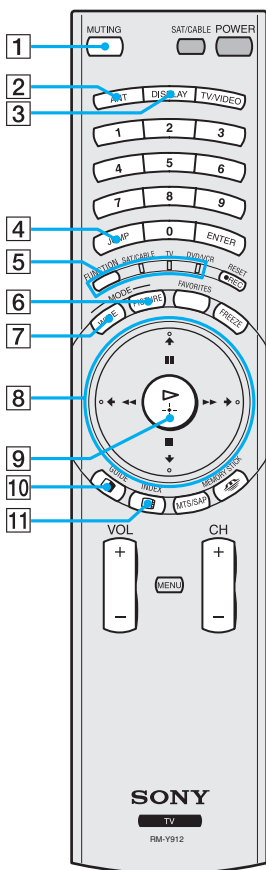
 You can run Auto Program by selecting it in the Channel menu, as described on page 73.

# Using the Features

## Using the Remote Control

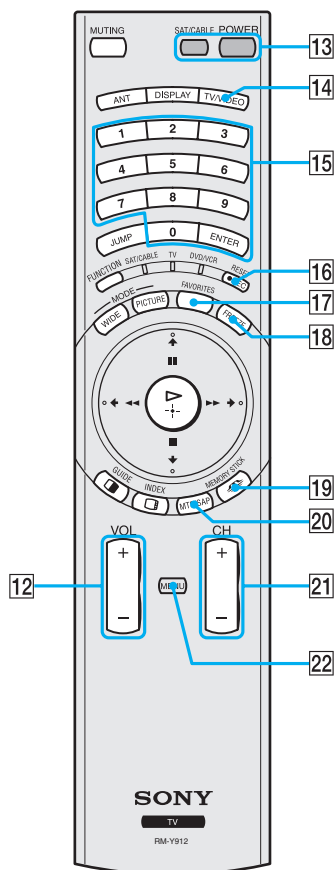
The following table describes the buttons on the remote control that are for more advanced functions.



### Button Descriptions



Button	Description
1 MUTING	Press to mute the sound. Press again or press VOL + to restore the sound.
2 ANT	Changes between the VHF/UHF input and the AUX input.
3 DISPLAY	Press once to display the current time and channel label (if set) and channel number. Press again to turn Display off. See page 81 for details on setting the time.
4 JUMP	Press to jump back and forth between two channels. The LCD projection TV alternates between the current channel and the last channel that was selected.
5 FUNCTION	Select the equipment (TV, SAT/CABLE, DVD/VCR) that you want to operate. The indicator lights up momentarily when pushed to show which device the remote control is operating.
6 PICTURE MODE	Press repeatedly to step through the available video picture modes: Vivid, Standard, Pro and Mild. Also available in the Video menu. For details, see “Selecting Video Options” on page 67.
7 WIDE MODE	Press to step through the wide screen modes: Wide Zoom, Normal, Full and Zoom. For details, see “Using Wide Screen Mode” on page 57.
8	When the menu is displayed, move the on-screen cursor. : Pause : Stop : Rewind : Fast-Forward
9	: Playback : When the menu is displayed, select the item.
10	Turns on/off Twin View. For details, see “Using Twin View™” on page 51.
GUIDE	Displays the program guide of your satellite.
11  INDEX	Press to enter the Scrolling Channel Index mode. You can view and select from all receivable channels scrolling on the screen without leaving the current one.

(Continued)

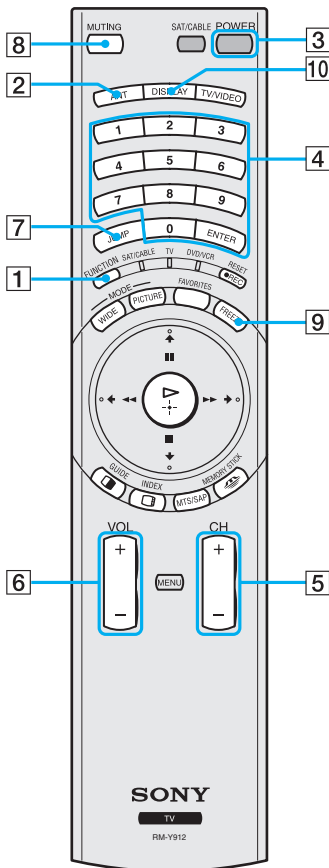


Button	Description
12 VOL +/-	Adjusts the volume.
13 POWER buttons (GREEN)	Turn on and off the LCD projection TV and other audio/video equipment you have programmed into the remote control. For instructions, see “Programming the Remote Control” on page 82.
14 TV/VIDEO	Cycles through the video equipment connected to your LCD projection TV’s video inputs: TV, VIDEO 1, VIDEO 2, VIDEO 3, VIDEO 4, VIDEO 5, VIDEO 6 and VIDEO 7.
15 0 – 9 and ENTER	Press 0 - 9 to select a channel, the channel changes after 2 seconds. Press ENTER to select immediately.
16 ● REC RESET	Record Press when in a menu to reset the settings to the factory defaults.
17 FAVORITES	Displays the Favorite Channels list. For details, see “Using Favorite Channels” on page 50.
18 FREEZE	Freezes the window picture. Press again to restore the picture.
19 MEMORY STICK 	Press to display the Memory Stick Menu. For details, see “Using the Memory Stick Picture Viewer” on page 58
20 MTS/SAP	Press to scroll through the Multi-channel TV Sound (MTS) options: Stereo, Auto SAP, and Mono.
21 CH +/-	Scan through channels.  To scan rapidly through the channels, press and hold down CH+ or CH-.
22 MENU	Press to display the LCD projection TV on-screen menu. Press again to exit from the menu.



## Watching the TV

### Buttons for LCD Projection TV Operations



#### 1 FUNCTION

Press until the TV indicator lights up.

This activates the remote control for use with the LCD projection TV.

#### 2 ANT— (AUX input)

Press to change between the VHF/UHF input and the AUX input.

#### 3 POWER

Turns the LCD projection TV on and off. If a video input indication (e.g., VIDEO 1, VIDEO 2) appears on the screen, press TV/VIDEO or CH +/- until a channel number appears.

#### 4 0-9 and ENTER

Use for direct channel selection. Press 0-9 to select a channel (for example, to select channel 10, press 1 and 0). The channel will change after 2 seconds, or you can press ENTER for immediate selection.

#### 5 CH +/-

Press to scan through the channels (+ up or – down).

#### 6 VOL +/-

Press to adjust the volume (+ up or – down).

#### 7 JUMP

Press to alternate or jump back and forth between two channels. The LCD projection TV will jump between the current channel and the last channel selected.

#### 8 MUTING

Press to mute the sound. “MUTING” will appear on the screen and will dim three seconds later. To restore the sound, press again or press VOL +.

#### 9 FREEZE

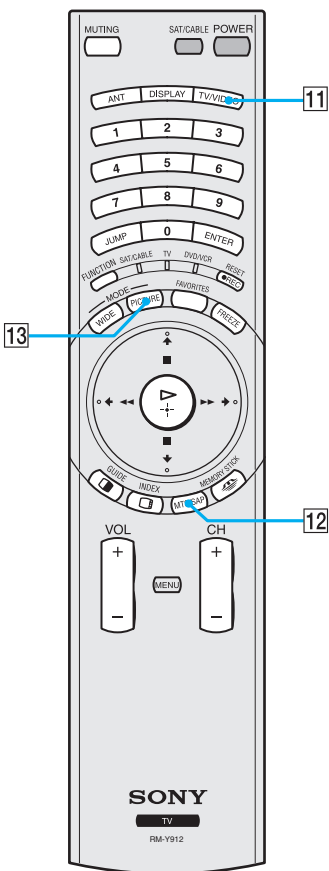
This is useful when you need to copy down information that appears on the LCD projection TV’s screen (see “Using the Freeze Function” on page 54).

#### 10 DISPLAY

Press to display the channel number, current time and channel label (if set).

To turn the display off, press DISPLAY again.

(Continued)



**11 TV/VIDEO**

Press repeatedly to scroll through available video inputs: TV, VIDEO 1, VIDEO 2, VIDEO 3, VIDEO 4, VIDEO 5, VIDEO 6 and VIDEO 7.

If you select Skip as a Video Label in the Setup menu, your LCD projection TV will skip the video input you selected (see “Video Label” on page 80).

**12 MTS/SAP**

Press to scroll through the Multi-channel TV Sound (MTS) options (see “MTS” on page 69).

**13 PICTURE MODE**

Press PICTURE MODE repeatedly to directly choose one of four different video modes that best suits the program you are watching.

Vivid: Select for enhanced picture contrast and sharpness.

Standard: Select to display a standard picture for normal viewing environments.

Pro: Select to display a picture with minimum enhancements.

Mild: Select to smooth the outline of digital image.

When you select each mode, you can also adjust the picture quality (such as Brightness, Color, etc.) to suit your taste. For details, see “Mode” on page 67.

## Watching Digital TV

When you have connected the DTV receiver, you can enjoy digital TV programs. This LCD projection TV is capable of receiving the 1080i, 720p, 480p and 480i digital TV formats.







### To view a digital TV program

- 1** Connect the DTV receiver to HD/DVD IN 5 or 6 on the LCD projection TV (for details, see page 39).
- 2** Press TV/VIDEO to select HD/DVD IN 5 or 6.
- 3** Select a digital channel on the DTV receiver. For details, see the Operating Manual of the DTV receiver.
- 4** Adjust the volume of the LCD projection TV as necessary.

## Using Favorite Channels

The Favorite Channel feature lets you select programs from a list of favorite channels that you preset.

### Creating a List of Favorite Channels


- 1 Press MENU to display the Menu.
  - 2 Press ◀ or ▶ to highlight the Channel icon and press .
  - 3 Press  to select Favorite Channels.
  - 4 Press ▲ or ▼ to highlight a Favorite Channel number (1-8) and press .
  - 5 Press ▲ or ▼ to highlight a channel you want to assign to the Favorite Channel number. A preview of the highlighted channel appears in the upper right of the screen.  
Press  to select that channel as a Favorite Channel.
  - 6 To add more channels to your favorites list, repeat steps 4-5.  
To clear a Favorite Channel, press ▲ or ▼ to highlight the channel you want to clear. Press  and then press RESET.
  - 7 Press MENU to exit the Menu.
-  For details on using the Channel Menu, see page 73.


### Displaying a List of Favorite Channels

- 1 Press FAVORITES.  
The Favorite Channel options appear.



- 2 Press ▲ or ▼ to highlight the channel you want to watch. The program of that channel appears in the preview window. Press  to select.

 When the remote control mode is set to other than TV mode, you can display the Favorite Channels. However, you cannot select the channel by using ▲ or ▼.

-  To assign Channel Labels (e.g., ABC, HBO, MTV, etc.) to channel numbers, as shown at right, use the Channel Label feature in the Channel Menu (see page 74).

## Using Twin View™

Twin View enables you to watch two programs at the same time. You can also change the size of both the left and right pictures.

### Activating Twin Pictures

#### To display twin pictures



- 1 Make sure your LCD projection TV is tuned to a working channel.
- 2 Press .



#### To cancel twin pictures

- Press  again (or press .

### Activating the Picture

Although two pictures appear on the screen at the same time, only one picture is active. Change the picture size by using the  or  button. For an active picture, you can:

- Change channels.
- Adjust the volume.
- Switch the input sources from VHF/UHF to cable by pressing ANT or TV/VIDEO to switch the video input.


#### To activate the right picture

- Press .




#### To activate the left picture

- Press .

 Hookups that affect your ability to use Twin View:

- If you are viewing all channels through the cable box, the Twin View feature will not work. The cable box only unscrambles one signal at a time, so the right picture will be the same as the left picture.
- You can watch a scrambled cable channel and another video source. Be sure your DVD player, VCR or satellite receiver are connected to one of the VIDEO IN 1-7 and AUX inputs on the rear of the LCD projection TV. Pictures from equipment connected to HD/DVD IN 5 and 6, DVI-HDTV IN 7, and AUX will only appear in the left picture, not in the right.

 The active picture is highlighted in cyan.

### Factors Affecting Twin View

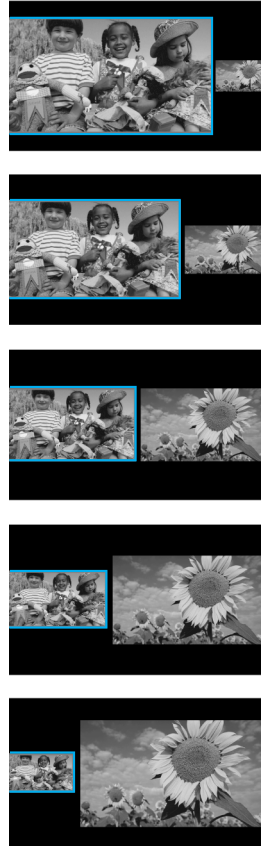
- ❑ If you use a cable box to view all channels, the same channel appears in both windows because the cable box unscrambles only one channel at a time.
- ❑ If you use a cable box, you can view the cable box output in one window and view a different source (such as a VCR or DVD player) in the second window by using the TV/VIDEO button.
- ❑ Sources connected to the AUX, VIDEO 5, VIDEO 6, and VIDEO 7 inputs display in the left window, but not the right.
- ❑ If you are viewing a 4:3 source and a 16:9 enhanced source (such as a DVD) side by side, the 4:3 source appears larger.
- ❑ Twin View does not display channels that are blocked by parental settings (see page 75).

## Changing the Picture Size

The zoom feature lets you change the size of the left and right pictures.


### To enlarge the left picture (reduce the right)

- 1** Press **←** to activate the left picture (if not already activated).
- 2** Press **↑** to enlarge the picture and **↓** to reduce the picture.



### To enlarge the right picture (reduce the left)

- 1** Press **→** to activate the right picture (if not already activated).
- 2** Press **↑** to enlarge the picture and **↓** to reduce the picture.

 When you adjust the twin screen sizes, the LCD projection TV memorizes the change. The next time you use the Twin View function, the memorized sizes appear.

## Using the Freeze Function


The FREEZE button allows you to temporarily capture a program's picture. You can use this feature to write down information such as phone numbers, recipes, etc.

### To use the Freeze function

- 1** When the program information you want to capture is displayed, press FREEZE.
- 2** The LCD projection TV switches to Twin View mode and displays the "frozen" picture on the right, while the current program continues on the left.




- 3** To cancel and return to normal viewing, press FREEZE.

 Freeze feature is not available if you are already in Favorite Channel (see page 50), Twin View™ (see page 51), or Channel Index (see page 55) mode.



## Using Scrolling Channel Index

Scrolling Channel Index allows you to view and select from all receivable channels scrolling on the screen without leaving the current channel.






 Scrolling Channel Index will not function when Parental Lock is activated.

### To use the Scrolling Channel Index function






**1** Press .


The current channel will be reduced in size and displayed on the left in normal motion picture format. The first channel is briefly displayed on the bottom-right side of the screen, then frozen. It scrolls up and the next channel appears on the bottom-right, and the process is repeated with the other channels.



**2** Press  and  so that the channel you wish to view is displayed in the cyan frame, and press . To return to scrolling, press  and  again.




 To change the direction of scrolling, press  or  once. To increase scrolling speed, hold pressing  or .

**3** To enlarge the selected channel into the left frame, press  again. The selected channel will be displayed in normal motion picture, and the sound also switches to this channel.



(Continued)

- 4** Press  .  
The selected channel will be enlarged for normal viewing.




**To cancel Scrolling Channel Index**

Press  again to resume normal viewing.

## Using Wide Screen Mode

Wide Screen Mode lets you watch 4:3 normal broadcasts in several Wide Screen Modes (16:9 aspect ratio).

- Press **WIDE MODE** repeatedly to toggle through the following Screen Mode settings.

 You can also access the Screen Mode settings in the Screen menu. For details, see page 71.



Wide Zoom



Normal



Full




Zoom

Wide Zoom enlarges the 4:3 picture to fill the 16:9 screen, keeping the original image as much as possible.

Normal returns the 4:3 picture to its original size.

Full Mode stretches the 4:3 picture horizontally only, to fill the 16:9 screen.

Zoom Mode enlarges the 4:3 picture horizontally and vertically to an equal aspect ratio that fills the 16:9 screen. Useful for watching Letterbox movies.


 When you change channels or inputs, the Screen Mode settings revert to Wide Zoom (or the 4:3 Default setting in the Wide menu). To retain the current Screen Mode setting as channels and inputs are changed, set 4:3 Default to Off. For details, see page 72.

## Using the Memory Stick Picture Viewer

### About Memory Stick



Memory Stick (sold separately) is a new, compact, portable, and versatile Integrated Circuit recording medium with a data capacity that exceeds that of a floppy disk. Memory Stick is specially designed for exchanging and sharing digital data among Memory Stick compatible products such as digital cameras and digital video cameras. Because it is removable, Memory Stick can also be used for external data storage.


 You cannot write to Memory Stick media using the LCD projection TV.

Memory Stick technology allows you to view on your TV screen digital (jpeg) images that are stored on Memory Stick media. You can choose from an index of the images stored on the Memory Stick, or you can run a slideshow of those images. You can also customize the features of the slideshow by selecting the length of time that each image is displayed, toggling the display of file information, and rotating each image.

For more information about the using Memory Stick media, see “Notes on Using Memory Stick Media” on page 86.


### Supported Image Types

This LCD projection TV's Memory Stick viewer can display only still images that have been recorded on Memory Stick media by Sony brand digital still and video cameras.

 The LCD projection TV's Memory Stick viewer is compatible with Memory Sticks up to and including 128MB. It is not compatible with Memory Sticks that exceed 128MB.

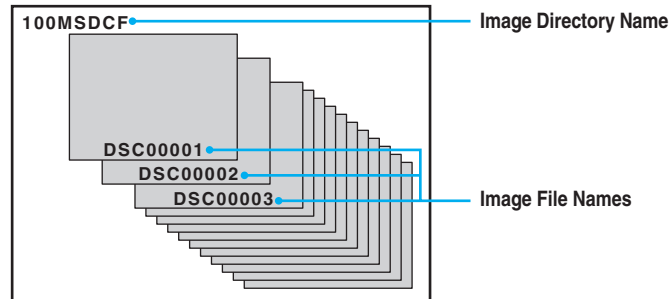
Recorded images must also meet the following specifications:


- Compression format: JPEG
- File name format: DCF compliant

 JPEG stands for "Joint Photographic Experts Group," which is the organization that implemented this format. DCF stands for "Design Rules for Camera File Systems," which are specifications established by the Japan Electronic Industry Development Association (JEIDA).

### About DCF File Names

Most Sony brand digital still and video cameras automatically record still images using DCF compliant directory and file names, as shown in the following example:



 Do not rename directories. If the names are changed, the still images cannot be displayed on your LCD projection TV.

### Unsupported Image Types

This LCD projection TV's Memory Stick viewer cannot display any of the following:

- Images recorded on digital still cameras and digital video cameras that are not Sony brand
- Images recorded using products that are not DCF compliant, including the following Sony products:

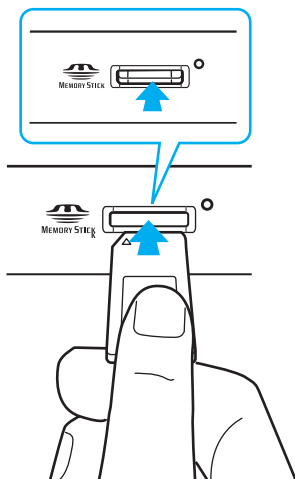
Digital still	DSC-D700, DSC-D770
Digital video cameras	DCR-TRV900/DSR-PD100A


- Images stored on a Memory Stick that has a capacity that exceeds 128MB
- Images stored in TIFF or any other non-JPEG compression format
- Images in directories that were modified or renamed on a computer
- Images with less than 16 horizontal and/or vertical lines per dot
- Images with more than 4096 horizontal and/or vertical lines per dot
- Movie clips

## Inserting and Removing a Memory Stick

### To insert a Memory Stick

- 1 Locate the Memory Stick slot (see pages 21-22) and insert the Memory Stick into the Memory Stick slot as illustrated below. When inserted properly, it should slide in with little resistance and click into place.

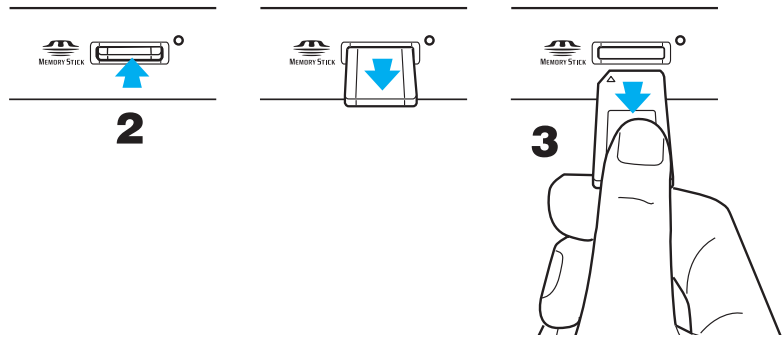


 Be sure to insert the Memory Stick in the correct direction. If the Memory Stick is forced in the wrong way, it may become damaged. Insert only Memory Stick media into the Memory Stick slot. Attempting to insert other objects into the slot may damage the LCD projection TV.


### To remove a Memory Stick

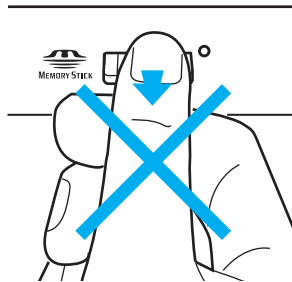
- 1 Check that the Memory Stick indicator is off. (When the light is on, this indicates that the LCD projection TV is reading data from the Memory Stick.)


- 2** Push the Memory Stick gently into the slot, and then release it. The Memory Stick media is ejected.




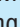




- 3** Pull the Memory Stick completely out of the slot.

-  When removing the Memory Stick, do not attempt to just pull it from its slot.



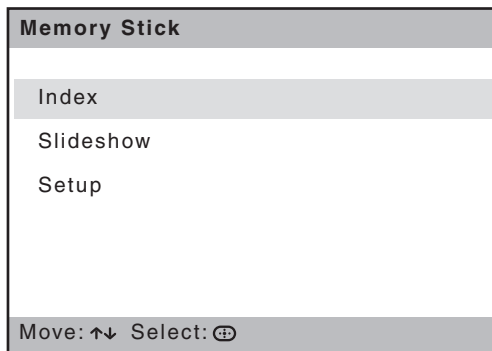
 To protect small children from injury from Memory Stick Media, remove all Memory Stick media from the LCD projection TV's Memory Stick slot and store it in a safe location when it is not in use.

## Displaying the Memory Stick Menu

 When the remote control mode is set to other than TV mode, you can display the Memory Stick Menu. However, you cannot select the menu item by using /// or .

- 1** Insert a Memory Stick that contains the images you want to view. For details, see page 60.

- 2 Press MEMORY STICK on the remote control. The Memory Stick Menu appears.



- 3 To select an option, press ↑ or ↓ to highlight the option and press Ⓞ

Option	Description
Index	Displays an index of thumbnail images that are on the Memory Stick. For details, see “Using the Memory Stick Index” on page 62.
Slideshow	Displays a slideshow of images that are on the Memory Stick. For details, see “Using the Memory Stick Slideshow” on page 64.
Setup	Allows you to change slideshow options and rotate images. For details, see “Changing the Memory Stick Setup Options” on page 64.

- 4 To exit the Memory Stick Menu, press CH +/-, TV/VIDEO, ANT, or use the 0-9 buttons and ENTER (or wait 3 seconds) to select a channel.

Memory Stick functions are not available while using Twin View, Freeze or Favorite Channel functions.

## Using the Memory Stick Index

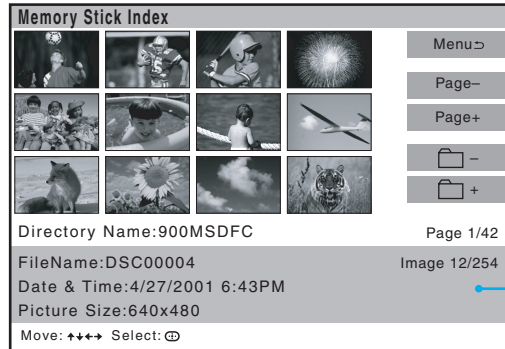
The Memory Stick Index lets you view images that are on the Memory Stick in an index of thumbnail images.

There is no audio signal available while viewing images on Memory Stick.

- 1 Insert a Memory Stick that contains the images you want to view. For details, see page 60.
- 2 Press MEMORY STICK on the remote control. The Memory Stick Menu appears.



- 3 Press  $\uparrow$  or  $\downarrow$  to highlight Index and press  $\odot$ . The Memory Stick Index appears.



The selected image is highlighted in yellow

Information about the selected image

- The Page and folder ( $\square$ ) buttons are available only if the Memory Stick contains more images or folders than can be displayed on one screen.
- 4 Press  $\uparrow\downarrow\leftarrow\rightarrow$  to highlight an image and press  $\odot$  to select the image. Selecting an image displays that image at full size. While an image is displayed full size, you can do any of the following:

To Do This ...	Do This ...
Display the previous image	Press $\leftarrow$ .
Display the next image	Press $\rightarrow$ . If you press $\rightarrow$ while viewing the last image, the first image is displayed. If you press $\leftarrow$ while viewing the first image, the last image is displayed.
Display the Memory Stick Index	Press $\odot$ .

Larger images will take longer to display on screen.

- 5 To return to the Memory Stick Menu, press the arrow button to Menu  $\rightarrow$  and press  $\odot$ .

If a blank square appears instead of a thumbnail image, this indicates that the image does not support a thumbnail view. Selecting the icon, however, displays the full-size image on the screen. It could also indicate that both the thumbnail and full-size images are corrupted or not supported.

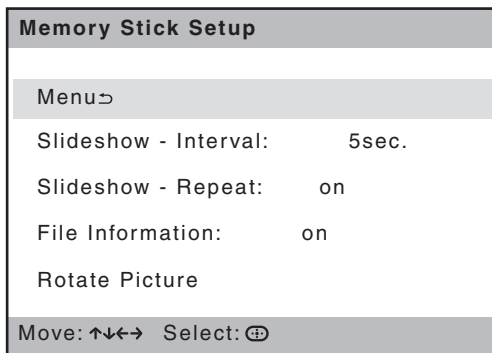
### Using the Memory Stick Slideshow

The Memory Stick Slideshow lets you watch a slideshow of the images that are on the Memory Stick.

- 1** Insert a Memory Stick that contains the images you want to view. For details, see page 60.
- 2** Press MEMORY STICK on the remote control. The Memory Stick Menu appears.
- 3** Press **▲** or **▼** to highlight Slideshow and press **⊞**. The slideshow starts.
- 4** To end the slideshow, press **⊞**. The Memory Stick Menu is displayed.

### Changing the Memory Stick Setup Options

- 1** Press MEMORY STICK on the remote control. The Memory Stick Menu appears.
- 2** Press **▲** or **▼** to highlight Setup and press **⊞**. The Memory Stick Setup Menu appears.




- 3** Press the arrow button to highlight an option and press **⊞**

<i>Option</i>	<i>Description</i>
Menu	Returns to the Memory Stick Menu.
Slideshow - Interval	Decrease or increase the length of time that each image is displayed: 5 seconds, 10 seconds, 1 minute, 5 minutes, or 15 minutes.
Slideshow - Repeat	Select On to set the slideshow to repeat after displaying all the images recorded on the Memory Stick. Select Off to not repeat the slideshow.
File Information	Select On to show file information of each image while that image is being displayed.
Rotate Picture	Displays the Rotate Picture screen. For details, see “Using the Rotate Picture Screen” on page 65.

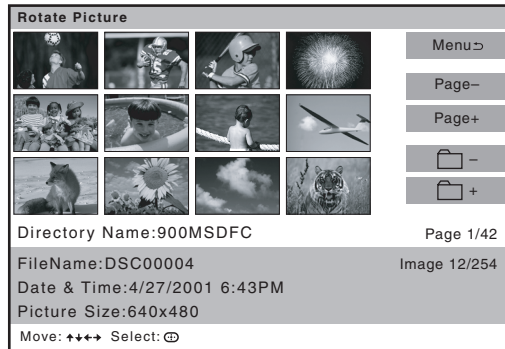
- 4 Press  $\rightarrow$  (or press  $\odot$ ), and then  $\uparrow$  or  $\downarrow$  to change setting.
- 5 Press  $\odot$  to enter the setting, and then  $\leftarrow$ .
- 6 To exit the Memory Stick Setup Menu, press the arrow button to Menu  $\rightarrow$  and press  $\odot$ .


## Using the Rotate Picture Screen

The Rotate Picture Screen lets you rotate an image from an index of thumbnails.


 You cannot rotate images if the LOCK switch on the Memory Stick is on. To rotate the images, first set the LOCK switch to off.

- 1 In the Memory Stick Setup Menu, press  $\uparrow$  or  $\downarrow$  to highlight Rotate Picture and press  $\odot$ . The Rotate Picture screen appears.



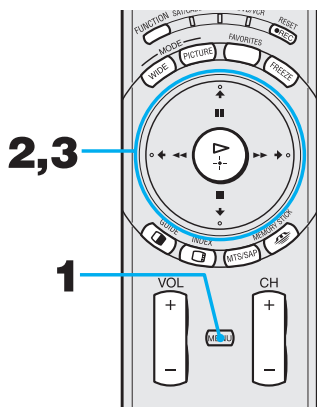
 The Page and folder ( $\square$ ) buttons are available only if the Memory Stick contains more images or folders than can be displayed on one screen.

- 2 Press  $\uparrow \downarrow \leftarrow \rightarrow$  to highlight an image that you want to rotate.
- 3 Press  $\odot$  to rotate an image 90 degrees in a clockwise direction.
- 4 To return to the Memory Stick Setup Menu, press the arrow button to highlight Menu  $\rightarrow$  and press  $\odot$ .


 If a blank square appears instead of the thumbnail image, this indicates that the image does not support a thumbnail view and cannot be rotated.

# Using the Menu

## Overview



### Opening and choosing a menu

- 1 Press MENU to display the menu screen.
- 2 Press ◀ or ▶ to highlight the desired menu icon and press  to select it.
- 3 Use the arrow button to scroll through the features.
- 4 See the specific menu page for instructions on moving through the menu.







### To end a menu session

- ❑ Press MENU again.

### To end one menu session and move to another

- ❑ Press ▲ to return to the menu icons.  
Press ◀ or ▶ to choose the next menu icon and press  to select it.





The menu gives you access to the following features:

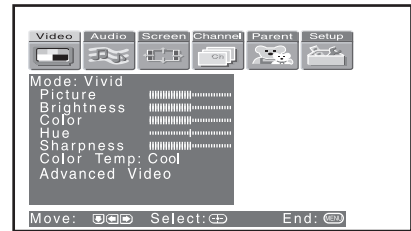
Menu Icon	Description	Page
	Allows you to make adjustments to your picture settings. It also allows you to customize the Picture Mode based on the type of program you are viewing.	67
	Offers enhanced audio options such as listening to second audio programming (SAP), or customizing the Effect of the sound on your LCD projection TV.	69
	Allows you to set the wide screen mode, adjust the vertical center in wide mode, and set the 4:3 Default mode.	71
	Allows you to set up a Favorite Channel list, run the Auto Program function, and more.	73
	Lets you control the viewing of programs based on their ratings.	75
	Provides several options for setting up your channels, labeling your Video inputs, and selecting the language of the on-screen menus.	79



## Using the Video Menu

### To select the Video Menu

- 1 Press MENU.
- 2 Press ← or → to highlight the Video icon  and press .
- 3 Use the arrow button to scroll through the features.
- 4 Press  to select a feature. That feature's adjustment appears.
- 5 Use the arrow button to make the desired adjustments.
- 6 Press  to select/set.
- 7 Press MENU to exit the menu screen.





### To restore the factory default settings for Picture, Brightness, Color, Hue, Sharpness and Color Temp

- Press RESET on the remote control when in the Video menu.

## Selecting Video Options

The Video menu includes the following options.

Option	Description
Mode	Vivid Select for enhanced picture contrast and sharpness.
<i>Customized picture viewing</i>	Standard Recommended for Normal viewing conditions.
	Pro Select to display a picture with minimum enhancements.
	Mild Select to smooth the outline of digital image.
	 You can alter the Video menu settings (Picture, Brightness, Color, etc.) for each Mode.
	 To quickly and easily change from one Video Mode to another, use PICTURE MODE on the remote control.
Picture	Adjust to increase picture contrast and deepen the color or decrease picture contrast and soften the color.
Brightness	Adjust to brighten or darken the picture.
Color	Adjust to increase or decrease color intensity.
Hue	Adjust to increase or decrease the green tones.
Sharpness	Adjust to sharpen or soften the picture.
Color Temp	Choose from three color temperatures:
<i>White intensity adjustment</i>	Cool Select to give the white colors a blue tint.
	Neutral Select to give the white colors a neutral tint.
	Warm Select to give the white colors a red tint.

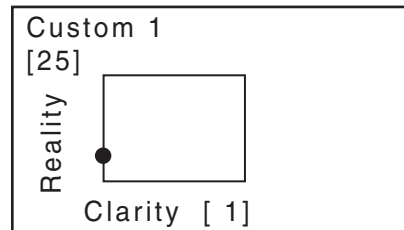
(Continued)

Option	Description
Advanced Video	<p><b>CineMotion</b> Obtains a smooth picture movement that approaches the original film-like quality when reproducing movies or other video sources on 24 frame per second films.</p> <p><b>On</b> The LCD projection TV automatically detects the signal type of a film and processes it appropriately.</p> <p><b>Off</b> Select to turn off the CineMotion mode.</p>

When the Video Mode is set to Mild (page 67), you cannot set CineMotion to On.

**DRC Palette** Allows you to customize the level of detail (Reality) and smoothness (Clarity) for up to three input sources. For example, you can create one Custom setting to optimize your cable input's picture, and create another to optimize your DVD player's picture. You can switch among the three Custom settings.

- 1 Press the arrow button to highlight Custom 1, Custom 2, or Custom 3 and then press . The DRC palette appears.



- 2 Press the arrow button to adjust the position of the marker (●). As you move the ● higher along the Reality axis, the picture becomes more detailed. As you move the ● to the right along the Clarity axis, the picture becomes smoother.

- 3 To save the setting, press .





To return the Custom options to the default factory settings, press the RESET button.

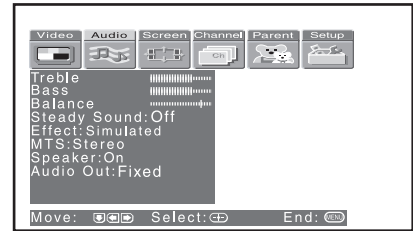
Advanced Video is unavailable when you have selected Mild picture mode, or you are watching 1080i, 720p and 480p sources with Video 5 to 7 inputs.



## Using the Audio Menu

### To select the Audio Menu

- 1 Press MENU.
- 2 Press ← or → to highlight the Audio icon  and press .
- 3 Use the arrow button to scroll through the options.
- 4 Press  to select an option. That option's settings appear.
- 5 Use the arrow button to scroll through the settings.
- 6 Press  to select the desired setting.
- 7 Press MENU to exit the menu screen.



### To restore the factory default settings for Treble, Bass and Balance

- Press RESET on the remote control when in the Audio menu.

## Selecting Audio Options

The Audio menu includes the following options:

Option	Description
Treble	Adjust to increase or decrease higher-pitched sounds.
Bass	Adjust to increase or decrease lower-pitched sounds.
Balance	Adjust to emphasize left or right speaker balance.
Steady Sound	Auto      Select to stabilize the volume.
	Off        Select to turn off Steady Sound.
Effect	TruSurround      Select for surround sound (for stereo programs only).
	Simulated        Adds a surround-like effect to mono programs.
	Off                Normal stereo or mono reception.
MTS <i>Enjoy stereo, bilingual and mono programs</i>	Stereo            Select for stereo reception when viewing a program broadcast in stereo.
	Auto SAP        Select to automatically switch the LCD projection TV to second audio programs when a signal is received. (If no SAP signal is present, the LCD projection TV remains in Stereo mode.)
	Mono             Select for mono reception. (Use to reduce noise during weak stereo broadcasts.)

(Continued)





<i>Option</i>	<i>Description</i>	
Speaker	On	Select to turn on the LCD projection TV speakers.
	Off	Select to turn off the LCD projection TV speakers and listen to the LCD projection TV's sound only through your external audio system speakers.
Audio Out <i>Easy control of volume adjustments</i>	Variable	The LCD projection TV's speakers are turned off, but the volume output from your audio system can still be controlled by the LCD projection TV's remote control.
	Fixed	The LCD projection TV's speakers are turned off and the volume, bass and treble output of the LCD projection TV is fixed. Use your audio receiver's volume control to adjust the volume through your audio system.

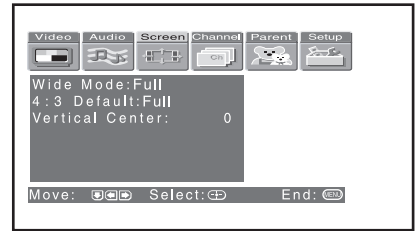




## Using the Screen Menu


### To select the Screen menu



- 1 Press MENU.
- 2 Press ← or → to highlight the Screen icon  and press .
- 3 Use the arrow button to scroll through the features.
- 4 Press  to select a feature. That feature's options appear.
- 5 Use the arrow button to scroll through the options.
- 6 Press  to select the desired option.
- 7 Press MENU to exit the menu screen.






## Selecting Screen Options

The Screen menu includes the following options:

-  To change from one Wide Mode to another, use WIDE MODE on the remote control.





Option	Description
Wide Mode	Wide Zoom
<i>Select a Screen Mode to use for 4:3 sources.</i>	Select to enlarge the 4:3 picture, to fill the 16:9 screen, keeping the original image as much as possible.
	Normal
	Select to return the 4:3 picture to normal mode.
	Full
	Select to enlarge the 4:3 picture horizontally only, to fill the wide screen.
	Zoom
	Select to enlarge the 4:3 picture horizontally and vertically to an equal aspect ratio that fills the wide screen.
	Wide Mode is unavailable while in Twin View (page 51), Freeze (page 54), or Channel Index (page 55) mode.
	Wide mode is unavailable when you are watching 720p and 1080i sources, and when viewing photos from your memory stick media.

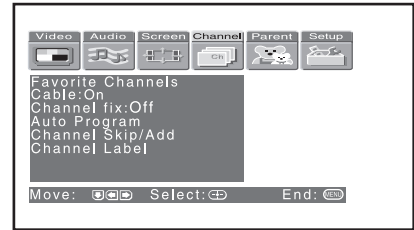
Option	Description										
<b>4:3 Default</b> <i>Select the default Screen Mode to use for 4:3 sources.</i>	<table border="0"> <tr> <td data-bbox="622 184 776 274"><b>Wide Zoom</b></td> <td data-bbox="783 184 1233 274">Select to enlarge the 4:3 picture, to fill the 16:9 screen, keeping the original image as much as possible.</td> </tr> <tr> <td data-bbox="622 282 776 331"><b>Normal</b></td> <td data-bbox="783 282 1233 331">Select to return the 4:3 picture to normal mode.</td> </tr> <tr> <td data-bbox="622 340 776 406"><b>Full</b></td> <td data-bbox="783 340 1233 406">Select to enlarge the 4:3 picture horizontally only, to fill the wide screen.</td> </tr> <tr> <td data-bbox="622 414 776 498"><b>Zoom</b></td> <td data-bbox="783 414 1233 498">Select to enlarge the 4:3 picture horizontally and vertically to an equal aspect ratio that fills the wide screen.</td> </tr> <tr> <td data-bbox="622 506 776 600"><b>Off</b></td> <td data-bbox="783 506 1233 600">Select to continue using the current Screen Mode setting when the channel or input is changed.</td> </tr> </table> <p data-bbox="622 609 1233 664"> The 4:3 Default functions only when the LCD projection TV receives 480i and 480p signals.</p> <p data-bbox="622 673 1233 843"> If 4:3 Default is set to anything but Off, the Wide Mode setting changes only for the current channel. When you change channels (or inputs), Wide Mode is automatically replaced with the 4:3 Default setting. To retain the current Wide Mode setting as channels and inputs are changed, set 4:3 Default to Off.</p>	<b>Wide Zoom</b>	Select to enlarge the 4:3 picture, to fill the 16:9 screen, keeping the original image as much as possible.	<b>Normal</b>	Select to return the 4:3 picture to normal mode.	<b>Full</b>	Select to enlarge the 4:3 picture horizontally only, to fill the wide screen.	<b>Zoom</b>	Select to enlarge the 4:3 picture horizontally and vertically to an equal aspect ratio that fills the wide screen.	<b>Off</b>	Select to continue using the current Screen Mode setting when the channel or input is changed.
<b>Wide Zoom</b>	Select to enlarge the 4:3 picture, to fill the 16:9 screen, keeping the original image as much as possible.										
<b>Normal</b>	Select to return the 4:3 picture to normal mode.										
<b>Full</b>	Select to enlarge the 4:3 picture horizontally only, to fill the wide screen.										
<b>Zoom</b>	Select to enlarge the 4:3 picture horizontally and vertically to an equal aspect ratio that fills the wide screen.										
<b>Off</b>	Select to continue using the current Screen Mode setting when the channel or input is changed.										
<b>Vertical Center</b>	Allows you to move the position of the picture up and down in the window. (Available only in Wide Zoom and Zoom modes.) Press <b>▲</b> or <b>▼</b> to choose a position and press  .										



## Using the Channel Menu


### To select the Channel Menu
















- 1 Press MENU.
- 2 Press ← or → to highlight the Channel icon  and press .
- 3 Use the arrow button to scroll through the features.
- 4 Press  to select a feature. That feature's options appear.
- 5 Use the arrow button to scroll through the options.
- 6 Press  to select the desired option.
- 7 Press MENU to exit the menu screen.



## Selecting Channel Options

The Channel menu includes the following options:

Option	Description
Favorite Channels	Let you set up a list of your favorite channels. For details, see “Using Favorite Channels” on page 50..
Cable	<p>On Select if you are receiving cable channels with a CATV cable.</p> <p>Off Select if you are using an antenna.</p> <p> You should run Auto Program after changing the Cable setting.</p>
Channel Fix	<p>2-6 “Fix” your LCD projection TV’s channel setting to 3 or 4 and use the cable box, VCR or satellite receiver to change channels. Select one of these settings if you have connected the device to the VHF/UHF jack.</p> <p><i>Useful when you have a cable box or satellite receiver connected</i></p>
	<p>AUX 2-6 Same as 2-6, except you select one of these settings if you have connected the device to the AUX jack (see page 23).</p> <p>Video 1 Use when connecting a cable box. TV output should be connected through the cable box.</p>
Auto Program	Automatically programs the LCD projection TV for all receivable channels.




<i>Option</i>	<i>Description</i>
Channel Skip/Add	<p>Removes and adds viewable channels.</p> <ol style="list-style-type: none"><li>1 Use the arrow button to scroll through the channels until you find the channel you want to skip/add.</li><li>2 Press  to select it.</li><li>3 Press  or  to toggle between “Add” and “Skip.”</li><li>4 Press  to select.</li></ol> <p> Channels that you set to be skipped can be accessed only with the 0-9 buttons.</p>
Channel Label	<p>Allows you to assign labels (such as station call letters) to channel numbers. You can label up to 20 channels.</p> <ol style="list-style-type: none"><li>1 Press the arrow button to highlight Channel and press .</li><li>2 Press  or  to scroll through the channel numbers (1-125). Then press  to select the channel number that you want to assign a label.</li><li>3 Press the arrow button to highlight Label and press .</li><li>4 Press  or  to scroll through the label characters (A-Z, 0-9, etc.). Then press  to select the highlighted character.</li><li>5 Repeat to add up to 5 characters to the label.</li><li>6 To assign labels to more channels, repeat steps 1-4.</li><li>7 Press  to return to the Channel Menu, or press MENU to exit the Menus.</li></ol> <p> Channel Label is not available (grayed out) when watching the AUX and VIDEO inputs.</p>

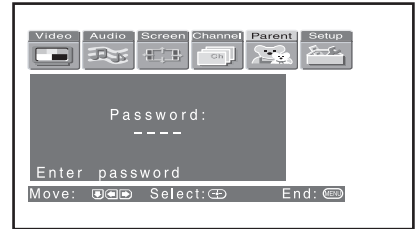



## Using the Parent Menu

The Parent Menu allows you to set up the TV to block programs according to their content and rating levels.

### To select the Parent Menu

- 1** Press MENU.
- 2** Press ◀ or ▶ to highlight the Parent icon  and press .
- 3** Use the 0-9 buttons on the remote control to enter a four-digit password.
- 4** If this is the first time you are creating this password, confirm the password by entering it again. (The Parent Menu options appear.)
- 5** Press ↑ ↓ ◀ ▶ to change settings. Press  to select the changed setting.
- 6** Press MENU to exit the Menu.





 You need your password for any future access into the Parent Menu. If you lose your password, see “Lost password” on page 88.

## Selecting Parent Options

The Parent Menu includes the following options:

Option	Description
Parental Lock <i>Turn ratings on/off and select a rating system</i>	Off      Parental lock is off. No programs are blocked from viewing.
	Child      Maximum ratings permitted are: US: TV-Y, TV-G, G Canada: C, G, TV-Y
	Youth      Maximum ratings permitted are: US: TV-PG, PG Canada: C8+, PG, 8 ans+, TV-PG
	Y. Adult      Maximum ratings permitted are: US: TV-14, PG-13 Canada: 14+, 13 ans+, TV-14
	Custom      Select to set ratings manually. US: See page 77 for details. Canada: See page 78 for details.


(Continued)

Option	Description
	 If you are not familiar with the Parental Guideline rating system, you should select Child, Youth, or Young Adult to help simplify the rating selection. To set more restrictive ratings, select Custom.
	 For descriptions of Child, Youth, and Young Adult ratings, see page 77.
Change Password	For changing your password.
Select Country	U.S.A. Select to use USA ratings (see page 77).
	Canada Select to use Canadian ratings (see page 78).

**To deactivate the Parental Control feature**

- Set Parental Lock to OFF when in the Parent menu.

**To change the password**

- 1** Select Change Password option when in the Parent menu using the arrow button, and press .
- 2** Enter a new four-digit password using the 0-9 buttons.
- 3** Confirm the new password by entering it again.
- 4** Press MENU to exit the menu screen.

---

**Viewing Blocked Programs**


You can view a blocked program by entering the password.


- 1** Press ENTER when tuned to a blocked program.
- 2** Enter your password using the 0-9 buttons.  
Parental Control will be canceled temporarily until you turn your LCD projection TV off.


## Selecting Custom Rating Options

### US custom rating options

If you selected U.S.A. as the country of residence on page 76, the Custom Rating Menu includes the following options. (If you selected Canada, see page 78.)

 To ensure maximum blocking capability, the age-based ratings should be blocked.

<i>Option</i>	<i>Description</i>	
Movie Rating	G All children and General Audience.	
	PG Parental Guidance suggested.	
	PG-13 Parental Guidance for children under 13.	
	R Restricted viewing, parental guidance is suggested for children under 17.	
	NC-17 and X No one 17 and under allowed.	
TV Rating	Age-Based Options	
<i>Block programs by their rating, content or both</i>	TV-Y All children.	
	TV-Y7 Directed to older children.	
	TV-G General Audience.	
	TV-PG Parental Guidance suggested.	
	TV-14 Parents Strongly cautioned.	
	TV-MA Mature Audience only.	
	Content-Based Options	
	FV Fantasy Violence.	
	D Suggestive Dialogue.	
	L Strong Language.	
S Sexual situations.		
V Violence.		
Unrated	Block Blocks all programs and movies that are broadcast without a rating.	
	Allow Allows programs and movies that are broadcast without a rating.	
	 If you select “Block,” please be aware that the following programs may be blocked: emergency broadcasts, political programs, sports, news, public service announcements, religious programs and weather.	

 The content ratings will increase depending on the level of the age-based rating. For example, a program with a TV-PG V (Violence) rating may contain moderate violence, while a TV-14 V (Violence) rating may contain more intense violence.

**Canadian custom rating options**

If you selected Canada as the country of residence on page 76, the Custom Rating Menu includes the following options. (If you selected U.S.A., see page 77.)





<i>Option</i>	<i>Description</i>	
English Rating	C	All children.
	C8+	Children 8 years and older.
	G	General programming.
	PG	Parental Guidance.
	14+	Viewers 14 and older.
	18+	Adult programming.
French Rating	G	General programming.
	8 ans+	Not recommended for young children.
	13 ans+	Not recommended for ages under 13.
	16 ans+	Not recommended for ages under 16.
	18 ans+	Programming restricted to adults.
USA Rating	See “TV Rating” on page 77 for details.	





## Using the Setup Menu

### To select the Setup Menu

- 1** Press MENU.
- 2** Press ← or → to highlight the Setup icon  and press .
- 3** Use the arrow button to scroll through the features.
- 4** Press  to select a feature. That feature's options appear.
- 5** Use the arrow button to scroll through the options.
- 6** Press  to select the desired option.
- 7** Press MENU to exit the menu screen.









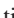


















### Selecting Setup Options

The Setup menu includes the following options:

<i>Option</i>	<i>Description</i>
Caption Vision	Allows you to select from three closed caption modes (for programs that are broadcast with closed captioning).
CC1, CC2, CC3, CC4	Displays a printed version of the dialog or sound effects of a program. (Should be set to CC1 for most programs.)
Text1, Text2, Text3, Text4	Displays network/station information presented using either half or the whole screen (if available). For closed captioning, set to CC1.
Info	Displays the program name and the time remaining in the program (if the broadcaster offers this service). Displays when the channel is changed or the DISPLAY button is pressed.
Off	Turns off Caption Vision.

(Continued)


<i>Option</i>	<i>Description</i>
Video Label	<p>Allows you to label the audio/video components you connected to the LCD projection TV so you can identify them when using TV/VIDEO. When in the Setup menu's Video Label feature, press  or  to highlight an input to label, then press  to select it. Use the arrow button to scroll through the labels. Press  to select the component you connected to each of the input jacks on the back of your LCD projection TV. Select "Skip" if you do not have a component connected to a particular set of input jacks.</p>
Video 1/2/3/4	VHS, DVD, Receiver, Satellite, Cable Box, 8mm, DTV, Game, LD, Web, Beta, Skip
Video 5/6/7	DVD, Satellite, Cable Box, DTV, HD, Skip
<p>If you select "Skip," your LCD projection TV skips this connection when you press TV/VIDEO.</p>	
<p> When you select "Receiver" on Video Label, your LCD projection TV's input is fixed (for Video 1 only).</p>	
Language	<p>Select to display all on-screen menus in your language of choice: English, Español, Français.</p>

<i>Option</i>	<i>Description</i>
Clock/Timers	Select to set the clock and to program your TV to turn on and off at two scheduled viewing times.
Timer 1	You can use the Timers to program the
Timer 2	TV to turn on and off and tune to a specific channel at two scheduled viewing times.
Timer 1 and Timer 2 are not available to be set until you set the Current Time.	
<b>1</b> Press  or  to highlight Timer 1 or Timer 2. To set the timer, press  .	
<b>2</b> Press  or  to highlight one of the following options, then press  .	
Program	Select to set the Timer by day, time, duration, and channel.
Off	Select to turn off the Timer. (Your previous settings are saved.)
<b>3</b> If you selected Program in step 2, press  and  to set the day(s), hour, minute, duration, and channel number. Press  or press  to confirm each setting and move to the next setting. Press  to go back to the previous setting.	
<b>4</b> Press MENU to exit the Menu. An LED on the front panel will light, indicating the timer has been set.	
 To go directly to programming Timer 1 or 2, press  instead of pressing  .	
Current Time	
<b>1</b> Press  to select Current Time.	
<b>2</b> Press  and  to set the current time (day, hour, and minute). Press  (or press  ) to confirm each setting and move to the next setting. Press  to go back the previous setting.	
<b>3</b> Press MENU to exit the Menu.	
Image Revision	Adjusts the Image on your LCD projection TV. Auto: (Factory setting) Automatically adjust double images or ghosts. 0-3 (manual): Select the value with which double images or ghosts are improved.
Demo	Runs a demonstration of on-screen Menus.

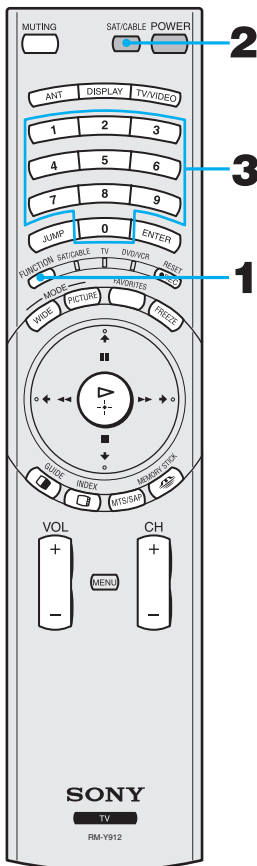
# Other Information

## Programming the Remote Control

If you have video equipment that you want to control with the LCD projection TV's remote control, use the following procedures to program the remote control.

 The equipment must have infrared (IR) remote capability in order to be used with the remote control.


From the “Manufacturer’s Codes” listed on page 83, select the three-digit code number for the manufacturer’s code for your component. If more than one code number is listed, start with the number listed first. Use the code number to complete the following procedure.






**1** Press **FUNCTION** repeatedly to select your desired input.

**2** Press **SAT/CABLE** for five seconds.  
The indicator of the selected input flashes.

**3** Input the three-digit manufacturer's code number.

 When no code number is input for 30 seconds or invalid or incorrect numbers are input, the remote control is reset to the normal TV remote control mode.

### Tips

-  If more than one code number is listed, try entering them one by one until you come to the correct code for your component.
-  If you enter a new code number, the code number you previously entered at that setting is erased.
-  In some rare cases, you may not be able to operate your component with the Sony remote control. In this case, use the component's own remote control unit.

**Manufacturer's Codes**

**VCRs**

<i>Manufacturer</i>	<i>Code</i>
Sony	301
Admiral (M. Ward)	327
Aiwa	338, 344
Audio Dynamic	314, 337
Broksonic	319, 317
Canon	309, 308
Citizen	332
Craig	302, 332
Criterion	315
Curtis Mathes	304, 338, 309
Daewoo	341, 312, 309
DBX	314, 336, 337
Dimensia	304
Emerson	319, 320, 316, 317, 318, 341
Fisher	330, 335
Funai	338
General Electric	329, 304, 309
Go Video	322, 339, 340
Goldstar	332
Hitachi	306, 304, 305, 338
Instant Replay	309, 308
JC Penney	309, 305, 304, 330, 314, 336, 337
JVC	314, 336, 337, 345, 346, 347
Kenwood	314, 336, 332, 337
LXI (Sears)	332, 305, 330, 335, 338
Magnavox	308, 309, 310
Marantz	314, 336, 337
Marta	332
Memorex	309, 335

<i>Manufacturer</i>	<i>Code</i>
Minolta	305, 304
Mitsubishi/ MGA	323, 324, 325, 326
Multitech	325, 338, 321
NEC	314, 336, 337
Olympic	309, 308
Optimus	327
Panasonic	308, 309, 306, 307
Pentax	305, 304
Philco	308, 309
Philips	308, 309, 310
Pioneer	308
Quasar	308, 309, 306
RCA/ PROSCAN	304, 305, 308, 309, 311, 312, 313, 310, 329
Realistic	309, 330, 328, 335, 324, 338
Sansui	314
Samsung	322, 313, 321
Sanyo	330, 335
Scott	312, 313, 321, 335, 323, 324, 325, 326
Sharp	327, 328
Shintom	315
Signature 2000 (M. Ward)	338, 327
SV2000	338
Sylvania	308, 309, 338, 310
Symphonic	338
Tashiro	332
Tatung	314, 336, 337
Teac	314, 336, 338, 337
Technics	309, 308
Toshiba	312, 311

<i>Manufacturer</i>	<i>Code</i>
Wards	327, 328, 335, 331, 332
Yamaha	314, 330, 336, 337
Zenith	331

**DVD Players**

<i>Manufacturer</i>	<i>Code</i>
Sony	751
Panasonic	753
Pioneer	752
RCA	755
Toshiba	754

**Cable Boxes**

<i>Manufacturer</i>	<i>Code</i>
Hamlin/Regal	222, 223, 224, 225, 226
Jerrold/G. I.	201, 202, 203, 204, 205, 206, 207, 208, 218
Oak	227, 228, 229
Panasonic	219, 220, 221
Pioneer	214, 215
Scientific Atlanta	209, 210, 211
Tocom	216, 217
Zenith	212, 213

**Satellite Receivers**

<i>Manufacturer</i>	<i>Code</i>
Sony	801
General Electric	802
Hitachi	805
Hughes	804
Panasonic	803
RCA/ PROSCAN	802, 808
Toshiba	806, 807

## Operating Other Components with Your LCD Projection TV Remote Control

### Operating a VCR

Press FUNCTION until the DVD/VCR indicator lights up.

<i>To Do This ...</i>	<i>Press</i>
Turn on/off	SAT/CABLE (POWER)
Change channels	CH +/-
Record	▶ and REC simultaneously
Play	▶
Stop	■
Fast forward	▶▶
Rewind the tape	◀◀
Pause	(press again to resume normal playback)
Search the picture forward or backward	▶▶ or ◀◀ during playback (release to resume normal playback)

### Operating a DVD Player

Press FUNCTION until the DVD/VCR indicator lights up.

<i>To Do This ...</i>	<i>Press</i>
Turn on/off	SAT/CABLE (POWER)
Play	▶
Stop	■
Pause	(press again to resume normal playback)
Step through different tracks of an audio disc	▶▶ to step forward or ◀◀ to step backward
Step through different chapters of a video disc	CH+ to step forward or CH- to step backward


### Operating a Cable Box

Press **FUNCTION** until the SAT/CABLE indicator lights up.

<i>To Do This ...</i>	<i>Press</i>
Turn on/off	SAT/CABLE (POWER)
Select Cable Box	SAT/CABLE (FUNCTION)
Select a channel	0-9 buttons, ENTER
Change channels	CH +/-
Back to previous channel	JUMP

### Operating a Satellite Receiver

Press **FUNCTION** until the SAT/CABLE indicator lights up.

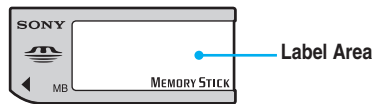
<i>To Do This ...</i>	<i>Press</i>
Turn on/off	SAT/CABLE (POWER)
Select Satellite Receiver	SAT/CABLE (FUNCTION)
Select a channel	0-9 buttons, ENTER
Change channels	CH +/-
Back to previous channel	JUMP
Display channel number	DISPLAY
Display DBS menu	MENU
Select item	

## Notes on Using Memory Stick Media

### Memory Stick Precautions

When using Memory Stick media, follow these precautions:

- ❑ To avoid permanent damage to still image data, do not turn off the TV or remove Memory Stick media from the insertion slot while data is being read (as indicated by the Memory Stick indicator light being on).
- ❑ Avoid touching the terminal of Memory Stick media or bringing it into contact with a metal object.
- ❑ Do not drop, bend, or submit Memory Stick media to external shock.
- ❑ Do not disassemble or modify Memory Stick media.
- ❑ Avoid getting liquid on Memory Stick media.
- ❑ Apply labels only within the designated label area.



- ❑ To avoid permanent damage to still image data, do not use or store Memory Stick media in a location subject to:
  - ❑ High temperature (such as near a heater or inside a hot car)
  - ❑ High humidity
  - ❑ Direct sunlight
  - ❑ Corrosive substances
  - ❑ Magnetic fields
  - ❑ Excessive dust
  - ❑ Static electricity or electric noise
- ❑ Store and carry Memory Stick media in its original case to ensure protection of stored data.
- ❑ Save a backup of stored data.



## Troubleshooting

If, after reading these operating instructions, you have additional questions related to the use of your Sony television, please call our Customer Information Services Center at 1-800-222-SONY (7669) (U.S. residents only) or (416) 499-SONY (7669) (Canadian residents only).

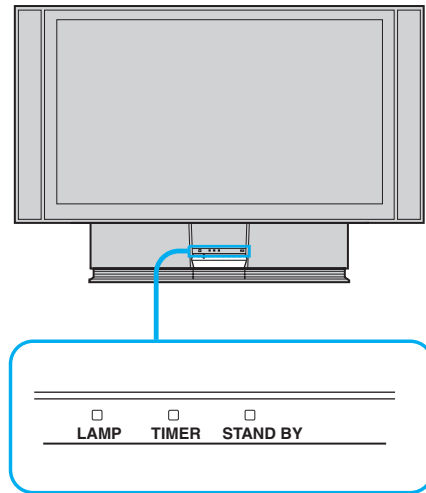
Problem	Possible Remedies
No picture (screen not lit), no sound	<ul style="list-style-type: none"> <li><input type="checkbox"/> Make sure the LCD projection TV's power cord is connected securely to the wall outlet.</li> <li><input type="checkbox"/> Push the power button on the front of the LCD projection TV.</li> <li><input type="checkbox"/> Check to see if the TV/VIDEO setting is correct: when watching TV, set to TV, and when watching connected equipment, set to VIDEO 1, 2, 3, 4, 5, 6 or 7.</li> <li><input type="checkbox"/> Try another channel. It could be station trouble.</li> <li><input type="checkbox"/> The Parental Control feature is activated (see "Using the Parent Menu" on page 75).</li> <li><input type="checkbox"/> If your LCD projection TV's power is on, and LAMP (red) indication is flashing, the lamp for the light source burns out. Replace it with new Sony XL-2000U replacement lamp (see page 13).</li> <li><input type="checkbox"/> If your LCD projection TV does not turn on, and a red light keeps flashing, your LCD projection TV may need service. Call your local Sony Service Center.</li> </ul>
Remote control does not operate	<ul style="list-style-type: none"> <li><input type="checkbox"/> Batteries could be weak. Replace the batteries.</li> <li><input type="checkbox"/> Press FUNCTION until the TV indicator lights up when operating your LCD projection TV.</li> <li><input type="checkbox"/> Make sure the LCD projection TV's power cord is connected securely to the wall outlet.</li> <li><input type="checkbox"/> Locate the LCD projection TV at least 3-4 feet away from fluorescent lights.</li> <li><input type="checkbox"/> Check the orientation of the batteries.</li> </ul>
Dark, poor or no picture (screen lit), good sound	<ul style="list-style-type: none"> <li><input type="checkbox"/> Adjust the Picture setting in the Video menu (see page 67).</li> <li><input type="checkbox"/> Adjust the Brightness setting in the Video menu (see page 67).</li> <li><input type="checkbox"/> Check antenna/cable connections.</li> </ul> <p>It is strongly recommended to connect the antenna using a 75-ohm coaxial cable to get optimum picture quality. A 300-ohm twin lead cable can be easily affected by radio noise and the like, resulting in signal deterioration. If you use a 300-ohm twin lead cable, keep it away as far as possible from the LCD projection TV. Do not use an indoor antenna because it is especially susceptible to radio noise (see page 25).</p>
Good picture, no sound	<ul style="list-style-type: none"> <li><input type="checkbox"/> Press MUTING so that "MUTING" disappears from the screen (see page 45).</li> <li><input type="checkbox"/> Make sure Speaker is set to ON in the Audio menu (see page 70).</li> <li><input type="checkbox"/> Check the MTS setting in the Audio menu (see "MTS" on page 69).</li> </ul>
Cannot receive digital channels (when a DTV receiver is connected)	<ul style="list-style-type: none"> <li><input type="checkbox"/> Check the connections between the DTV receiver and the LCD projection TV (see page 39).</li> <li><input type="checkbox"/> Check your local listings to find out if you can receive digital broadcasts in your area.</li> </ul>
Cannot receive upper channels (UHF) when using an antenna	<ul style="list-style-type: none"> <li><input type="checkbox"/> Change Cable to OFF (see page 73).</li> <li><input type="checkbox"/> Use Auto Program in the Channel menu to add receivable channels that are not presently in TV memory (see page 73).</li> </ul>

## Other Information

<b>Problem</b>	<b>Possible Remedies</b>
No color	<input type="checkbox"/> Adjust the <b>Color</b> settings in the Video menu (see page 67).
Only snow and noise appear on the screen	<input type="checkbox"/> Check the Cable setting in the Channel menu (see “Cable” on page 73). <input type="checkbox"/> Check the antenna/cable connections. <input type="checkbox"/> Make sure the channel is broadcasting programs. <input type="checkbox"/> Press <b>ANT</b> to change the input mode (see page 47).
Dotted lines or stripes	<input type="checkbox"/> Adjust the antenna. <input type="checkbox"/> Move the LCD projection TV away from noise sources such as cars, neon signs, or hair-dryers.
LCD projection TV is fixed to one channel	<input type="checkbox"/> Use <b>Auto Program</b> in the Channel menu to add receivable channels that are not presently in TV memory (see page 73). <input type="checkbox"/> Check your Channel Fix settings (see page 73).
Double images, ghosts, or merged colors	<input type="checkbox"/> Use a highly directional outdoor antenna or a cable (when the problem is caused by reflections from nearby mountains or tall buildings). <input type="checkbox"/> Set the Image Revision to an appropriate value. The default setting is Auto. If ghosts, doubled images, or merged colors appear with Auto, select the best value from 0 to 3 (see page 81).
Cannot operate menu	<input type="checkbox"/> If the item you want to choose appears in gray, you cannot select it. <input type="checkbox"/> Turn the LCD projection TV’s power off and on again.
Cannot receive any channels when using cable TV	<input type="checkbox"/> Use <b>Auto Program</b> in the Channel menu to add receivable channels that are not presently in TV memory (see page 73). <input type="checkbox"/> Check your cable settings. <input type="checkbox"/> Make sure <b>Cable</b> is set to <b>ON</b> in the Channel menu (see page 73).
Cannot gain enough volume when using a cable box	<input type="checkbox"/> Increase the volume of the cable box using the cable box’s remote control. Then press <b>FUNCTION</b> until the TV indicator lights up and adjust the LCD projection TV’s volume.
Channel Index does not display all available channels	<input type="checkbox"/> Make sure Cable is set to <b>ON</b> in the Channel menu (see “Cable” on page 73). <input type="checkbox"/> Use <b>Auto Program</b> in the Channel menu to add receivable TV channels that are not presently in TV memory (see page 73).
Cannot receive channels Unable to select a channel	<input type="checkbox"/> Use <b>Auto Program</b> in the Channel menu to add receivable TV channels that are not presently in TV memory (see page 73).
Lost password	<input type="checkbox"/> In the password screen (see page 75), enter the following master password: 4357. The master password clears your previous password; it cannot be used to temporarily unblock channels.
Cannot change channels with the remote control	<input type="checkbox"/> Be sure you have not inadvertently switched your LCD projection TV from channel 3 or 4 setting if you are using another device to change channels. <input type="checkbox"/> If you are using another device to control channels, be sure the “function” button for that device has been pressed, or the slide switch is set correctly. For example, if you are using your cable to control channels, be sure to press <b>SAT/CABLE</b> .
Cannot cycle through the other video equipment connected to the LCD projection TV	<input type="checkbox"/> Be sure the <b>Video Label</b> feature has not been set to <b>Skip</b> (see page 80).

Problem	Possible Remedies
There is a black box on the screen	<ul style="list-style-type: none"> <li><input type="checkbox"/> You have selected a text option in the Setup menu and no text is available. (see page 79 to reset Setup selections) To turn this feature off, select <b>OFF</b> in the <b>Caption Vision</b> option. If you were trying to get closed captioning, select <b>CC1</b> instead of <b>Text 1-4</b>.</li> </ul>
There is no twin picture or it is just static	<ul style="list-style-type: none"> <li><input type="checkbox"/> Be sure your twin picture is set to a video source/channel that has a program airing.</li> <li><input type="checkbox"/> You may be tuned to a video input with nothing connected to it. Try cycling through your video inputs using <b>TV/VIDEO</b>.</li> <li><input type="checkbox"/> Twin View is not set to receive a signal from the AUX input. If you have connected a VCR, DVD player or satellite receiver to the AUX input on the LCD projection TV, it will not show in the second picture.</li> </ul>
You get the same program in the window picture as in the main picture	<ul style="list-style-type: none"> <li><input type="checkbox"/> Both may be set to the same channel. Try changing channels in either the main picture or the window picture.</li> <li><input type="checkbox"/> You may be running all your channels through a cable box. The cable box will only unscramble one signal at a time, so you cannot use the Twin View feature. If possible, run a direct cable to your LCD projection TV's VHF/UHF input (this will only work if your cable system provides an unscrambled signal.)</li> </ul>
You cannot get anything but TV channels in your second picture	<ul style="list-style-type: none"> <li><input type="checkbox"/> Be sure the video label has not been set to skip your video inputs. See the Setup menu on page 80.</li> </ul>
Some video sources do not appear when you press <b>TV/VIDEO</b>	<ul style="list-style-type: none"> <li><input type="checkbox"/> Ensure that Video Label is not set to "Skip" (see "Video Label" on page 80).</li> </ul>
Image does not display	<ul style="list-style-type: none"> <li><input type="checkbox"/> Make sure the image is supported by the LCD projection TV (see page 58).</li> <li><input type="checkbox"/> Make sure the Memory Stick is inserted properly (see page 60).</li> <li><input type="checkbox"/> Memory Stick functions are not available while using Twin View, Freeze or Favorite Channel functions.</li> </ul>
Blank square appears instead of a thumbnail image	<ul style="list-style-type: none"> <li><input type="checkbox"/> This indicates that the image does not support a thumbnail view. Selecting the icon, however, displays the full-size image on the screen. It could also indicate that both the thumbnail and full-size images are corrupted or not supported</li> </ul>
Cannot rotate image, no thumbnail appears	<ul style="list-style-type: none"> <li><input type="checkbox"/> Be sure the LOCK switch on the Memory Stick is set to off.</li> <li><input type="checkbox"/> If a blank square appears instead of the thumbnail image, this indicates that the image does not support a thumbnail view and cannot be rotated.</li> </ul>
Cannot hear audio while using Memory Stick	<ul style="list-style-type: none"> <li><input type="checkbox"/> There is no audio available while using Memory Stick.</li> </ul>
Image file name does not appear; instead, dashes (---) appear	<ul style="list-style-type: none"> <li><input type="checkbox"/> Dashes appear instead of the file name if the image was recorded using equipment that is not DCF-compliant. Dashes also appear if a DCF-compliant file was renamed.</li> </ul>

## Flashing Indicators on the Front of the Monitor



The STAND BY (red) and/or LAMP (red) indicators indicate the conditions of the LCD projection TV and warnings by lighting or flashing, as follows.

### The STAND BY indicator flashes.

- ❑ The lamp for the light source is ready to turn on.

### The STAND BY indicator flashes three times.

- ❑ The lamp cover is not attached securely. When you correct, the STAND BY indicator goes out and the LCD projection TV enters the standby mode (see page 13).

### The LAMP indicator flashes.

- ❑ The lamp for the light source burns out.  
Replace it with new one (see page 13).

If the LCD projection TV is not recovered after correcting the problems, contact with qualified Sony personnel.

## Specifications

Projection System	3 LCD Panels, 1 lens projection system	
LCD Panel	1.35 inch TFT LCD panel Approx. 3.15 million dots (1,049,088 pixels)	
Projection Lens	High Performance, large diameter hybrid lens F2.4	
Antenna	75 ohm external terminal for VHF/UHF	
Lamp	UHP lamp, 100W XL-2000U	
Television System	NTSC, American TV Standard	
Screen Size (measured diagonally)	KF-50XBR800: 50 inches, KF-60XBR800: 60 inches	
Channel Coverage		
VHF	2-13	
UHF	14-69	
CATV	1-125	
Power Requirements	120V, 60 Hz	
Number of Inputs/Outputs		
DVI-HDTV	1 terminal, 3.3 V T.M.D.S., 50 ohms The DVI-HDTV input terminal is compliant with the EIA-861 standard and is not intended for use with personal computers.	
Video (IN)	4	1 Vp-p, 75 ohms unbalanced, sync negative
S Video (IN)	3	Y: 1 Vp-p, 75 ohms unbalanced, sync negative C: 0.286 Vp-p (Burst signal), 75 ohms
Audio (IN)	6	500 mVrms (100% modulation) Impedance: 47 kilohms
AUDIO (VAR/FIX)	1	500 mVrms at the maximum volume setting (Variable) 500 mVrms (Fixed) Impedance (output): 2 kilohms
MONITOR OUT	1	Video: 1 Vp-p 75 ohms unbalanced, Sync negative Audio: 500 mVrms (100% modulation) Impedance (output): 1 kilohms
CONTROL S (IN/OUT)	1	minijacks
Component Video Input	2 (Y, P <sub>B</sub> , P <sub>R</sub> )	Y: 1.0 Vp-p, 75 ohms unbalanced, sync negative P <sub>B</sub> : 0.7 Vp-p, 75 ohms P <sub>R</sub> : 0.7 Vp-p, 75 ohms
RF Inputs	2	
Converter	1	
Speaker Output	15 W × 2	
Dimensions (W × H × D)	KF-50XBR800: 1,376 × 964 × 415 mm (54 1/4 × 38 × 16 3/8 inches) KF-60XBR800: 1,618 × 1,103 × 542 mm (63 3/4 × 43 1/2 × 21 3/8 inches)	
Mass	KF-50XBR800: 50 kg (110 lb 4 oz), KF-60XBR800: 66 kg (145 lb 8 oz)	
Power Consumption		
In Use	220 W	

---

## Other Information

In Standby	Under 1 W
Supplied Accessories	
Remote Control	RM-Y912
AAA Batteries	2 supplied for remote control
Cleaning Cloth	1
Hex key wrench	1
Brackets with screws	2
Optional Accessories	
TV Stand	SU-GW1
Lamp	XL-2000U
AV Cable	VMC-810/820/830 HG
Audio Cable	RKC-515HG
Control S Cable	RK-G69HG
Component Video Cable	VMC-10/30 HG
AV Receiver	STR-V555ES or equivalent
Memory Stick media	8MB (MSA-8A), 16MB (MSA-16A), 32MB (MSA-32A), 64MB (MSA-64A), 128MB (MSA-128A)

Design and specifications are subject to change without notice.

# Index

- A**
  - Activating a Twin View screen **51**
  - Adding channels to the channel list **73**
  - Adjusting audio, Steady Sound **69**
  - ANT button **45**
  - Antenna, connecting **25**
  - Audio menu **66, 69**
  - Audio receiver, connecting **36**
  - Audio/Video cable **24**
  - Auto Program (channel setup) **44, 73**
  - Auto Setup **44, 73**
  - AV receiver, connecting to MONITOR OUT **23**
- B**
  - Balance, adjusting **69**
  - Bass, adjusting **69**
  - Batteries, inserting in remote **17**
  - Bilingual audio **69**
  - Brightness, adjusting **67**
- C**
  - Cable
    - connecting **25–28**
    - setting ON/OFF **73**
    - with VCR, connecting **29**
  - Cable box
    - connecting with VCR **30**
    - using with TV remote control **85**
  - Camcorder, connecting **41**
  - Caption Vision **79**
  - CATV. See Cable.
  - Channel list, adding channels **73**
  - Channel menu **66, 73**
  - Channel Skip/Add **74**
  - Channels
    - Auto Program **73**
    - creating labels **74**
    - setting up **44**
  - CineMotion **68**
  - Cleaning Cloth **12**
  - Closed caption modes **79**
  - Color temperature, adjusting **68**
  - Color, adjusting **67**
  - Connecting
    - Audio receiver **36**
    - Cable box **26–28, 30–31**
    - Cable or antenna **25**
    - Camcorder **41**
    - Digital TV Receiver **39**
    - DVD player **37, 38**
    - Satellite receiver **33–35**
    - VCR **30–32, 34**
  - Connector Types **24**
  - Contents of box **17**
  - CONTROL S **43**
- D**
  - Digital TV
    - connecting **39**
    - watching **49**
  - Digital TV program **49**
  - Digital TV receiver, connecting **39**
  - DISPLAY button **45**
  - Display, turning off **45**
  - DRC (Digital Reality Creation) Mode, described **9**
  - DVD player
    - using with TV remote control **84**
    - with A/V connectors, connecting **38**
    - with component video connectors, connecting **37**
- E**
  - Enlarging pictures, in Twin View **53**
- F**
  - Favorite Channel
    - described **10**
    - setting up **73**
    - using **50**
  - FAVORITES button **46**
  - Features **9**
  - FREEZE button **46**
  - Freeze, using **47, 54**
  - Front Panel Controls **21**
  - FUNCTION button **45**
- H**
  - Hookups **25**
  - Hue, adjusting **67**

- I**
  - Image Revision **81**
  - Inputs, labeling **80**
  - Installation of the projection TV **25–43**
- J**
  - JUMP button **45**
  - Jump, using **47**
- L**
  - Label
    - Channels **74**
    - video inputs **80**
  - Lamp, replacing **13–16**
- M**
  - Memory Stick
    - Index **62**
    - indicator (LED) **22**
    - inserting **60**
    - insertion slot **22**
    - Menu **61**
    - precautions **86**
    - Rotate Picture **65**
    - Setup Options **64**
    - Slideshow **64**
    - supported and unsupported Images **58**
  - MEMORY STICK button **46**
  - MENU button **46**
  - Menus
    - Audio **66, 69**
    - Channel **66, 73**
    - Screen **71**
    - Setup **66, 79**
    - Timer **81**
    - Video **66, 67**
  - MODE
    - Mild **48**
    - Movie **48**
    - Standard **48**
    - Vivid **48**
  - MTS/SAP button **46**
  - MTS/SAP, using **48**
  - Muting, using **47**
- P**
  - Parental control, described **9**
  - Password, changing **76**
  - Picture contrast, adjusting **67**
  - PICTURE MODE button **45**
- Picture size, adjusting in Twin View **53**
- POWER buttons (GREEN) **46**
- Presetting channels **44**
- Problems, troubleshooting **87–90**
- R**
  - Ratings
    - setting **76**
    - viewing blocked programs **76**
  - Rear panel controls and connections **23**
  - Remote control
    - Function of buttons **47**
    - inserting batteries **17**
    - programming **82–83**
  - Remote control, operating other components with
    - Cable box **85**
    - DVD player **84**
    - Satellite receiver **85**
    - VCR **84**
  - Removing channels from the channel list **74**
  - RESET button **46**
  - Resetting
    - Audio options **69**
    - Video options **67**
- S**
  - S Video cable **24**
  - SAT/CABLE function button **45**
  - SAT/CABLE power button **46**
  - Satellite receiver
    - connecting **33**
    - using with TV remote control **85**
  - Screen menu **71**
  - Setting up channels **44**
  - Setup menu **66, 79**
  - Sharpness, adjusting **67**
  - Specifications **91–92**
  - Steady Sound
    - adjusting **69**
  - Surround sound **69**
- T**
  - Timer
    - set current **81**
  - Timer menu **81**
  - Timer setting **81**
  - Treble, adjusting **69**
  - Troubleshooting **87–90**
  - TV function button **45**



TV power button **46**  
TV/VIDEO button **46**  
Twin View™  
    activating a picture **51**  
    described **9**  
    using **51**

## **V**

VCR  
    using with TV remote control **84**  
    with cable box, connecting **30**  
    with cable, connecting **29**  
    with satellite receiver, connecting **34**

Video inputs, labeling **80**

Video menu **66, 67**

Video Modes, selecting **67**

Viewing area, recommended **20**

VOL +/- button **46**

## **W**

WIDE MODE button **45**

## **Z**

Zoom feature, with Twin View **53**

If, after reading this instruction manual, you have additional questions related to the use of your Sony projection TV, please call one of the following numbers (English only).

**Customers in the continental United States**

**contact the Direct Response Center at:**

**1-800-222-SONY (7669)**

**Customers in Canada contact the**

**Customer Relations Center at:**

**(416) 499-SONY (7669)**

<http://www.sony.net/>

Printed in U.S.A.