

HISTORY INFORMATION FOR THE FOLLOWING MANUAL:

SERVICE MANUAL

RA-3B CHASSIS

<i>MODEL NAME</i>	<i>REMOTE COMMANDER</i>	<i>DESTINATION</i>	<i>CHASSIS NO.</i>
KP-43T85T	RM-Y906	E	SCC-P24C-A
KP-53SV85T	RM-Y906	E	SCC-P24D-A
KP-61SV85T	RM-Y906	E	SCC-P24E-A

ORIGINAL MANUAL ISSUE DATE: 6/2001

ALL REVISIONS AND UPDATES TO THE ORIGINAL MANUAL ARE APPENDED TO THE END OF THE PDF FILE.

<u>REVISION DATE</u>	<u>REVISION TYPE</u>	<u>SUBJECT</u>
6/2001	No revisions or updates are applicable at this time.	

COLOR REAR VIDEO PROJECTOR
SONY®

SERVICE MANUAL

RA-3B CHASSIS

<u>MODEL NAME</u>	<u>REMOTE COMMANDER</u>	<u>DESTINATION</u>	<u>CHASSIS NO.</u>
KP-43T85T	RM-Y906	E	SCC-P24C-A
KP-53SV85T	RM-Y906	E	SCC-P24D-A
KP-61SV85T	RM-Y906	E	SCC-P24E-A



KV-53SV85T



RM-Y906

COLOR REAR VIDEO PROJECTOR

SONY®

TABLE OF CONTENTS

SECTION TITLE	PAGE	SECTION TITLE	PAGE
Specifications.....	4		
Warnings and Cautions.....	5		
Safety Check-out	6		
Self-Diagnostic Function.....	7		
1. Disassembly		5. Diagrams	
1-1. Rear Board Removal	10	5-1. Circuit Boards Location.....	30
1-2. Chassis Assembly Removal	10	5-2. PWB and Schematic Diagrams Information.....	30
1-3. Service Position	10	5-3. Block Diagrams.....	32
1-4. HA and HB Board Removal (All Except KP-43T85T)	11	5-4. Frame Schematic Diagram	40
1-5. HA and HB Board Removal (KP-43T85T only).....	11		
1-6. Beznets Assembly Removal.....	11	Schematics and Supporting Information	
1-7. Mirror Cover Removal.....	12	A Board.....	41
1-8. HC Board and S Board Removal.....	12	CB Board	46
1-9. A and G Board Removal.....	12	CG Board.....	47
1-10. HV Cable Installation and Removal	13	CR Board.....	48
1-11. Picture Tube Removal.....	13	FA Board.....	49
		FB Board.....	49
2. Set-up Adjustments		G Board.....	51
2-1. Screen Voltage Adjustment.....	14	HA Board	53
2-2. Screen (G2) Adjustment	14	HB Board	54
2-3. Deflection Yoke Tilt Adjustment	14	HC Board.....	55
2-4. Focus Lens Adjustment	14	S Board.....	55
2-5. Focus Control Adjustment.....	15		
2-6. 2-Pole Magnet Adjustment.....	15	5-5. Semiconductors	56
2-7. 4-Pole Magnet Adjustment.....	16		
2-8. Defocus Adjustment.....	16	6. Exploded Views	
2-9. Electrical Adjustments By Remote Commander.....	16	6-1. Cover (KP-43T85T).....	58
2-10. Registration Adjustment (PJE mode only)	22	6-2. Chassis (KP-43T85T)	59
2-11. Green Registration Adjustment.....	23	6-3. Picture Tube (KP-43T85T)	60
2-12. Red Registration Adjustment	24		
2-13. Blue Registration Adjustment.....	24	6-4. Cover (KP-53SV85T).....	61
2-14. Auto Registration Adjustment	25	6-5. Chassis (KP-53SV85T).....	62
		6-6. Picture Tube (KP-53SV85T).....	63
3. Safety Related Adjustments (G Board)			
3-1. HV Regulation Circuit Check and Adjustment	26	6-7. Cover (KP-61SV85T).....	64
3-2. HV Hold Down Circuit Operation Check and Adjustment ...	26	6-8. Chassis (KP-61SV85T).....	65
3-3. +B Max Voltage Confirmation	27	6-9. Picture Tube (KP-61SV85T).....	66
3-4. +B OVP Confirmation	27		
4. Circuit Adjustments		7. Electrical Parts List	67
4-1. TV Input Sub Contrast Adjustment	28		
4-2. Video Input Sub-Hue and Sub Color Adjustment	28		
4-3. Component Input Sub-Hue and Sub-Color Adjustment.....	28		
4-4. PIP Sub-Contrast Adjustment.....	28		
4-5. PIP Sub-Hue, Sub-Color Adjustment.....	29		
4-6. User Control Bar Graph Display Position Adjustment.....	29		
4-7. PIP Position Adjustment	29		

SPECIFICATIONS

Power Requirements 110-220V AC, 50/60Hz

Power Consumption (W)

In Use (Max) 160W
In Standby 1 W

Inputs/Outputs Video 1 IN

Video 2 INPUT (front)

Video 3 IN

S Video IN (4-pin mini DIN)
 Y: 1 Vp-p 75 ohms unbalanced, sync negative
 C: 0.286 Vp-p (Burst signal), 75 ohms,

Video (phono jack)
 1.0 Vp-p, 75 ohms, sync negative;

Audio (phono jacks)
 500 mVrms (100% modulation), Impedance: 47 kilohms

Video 4 IN

Y: 1 Vp-p, 75 ohms, sync negative
 PB: 0.7 Vp-p, 75 ohms
 PR: 0.7 Vp-p, 75 ohms

Audio (phono jacks)
 500 mVrms (100% modulation), Impedance: 47 kilohms

Audio (VAR/FIX) Out (phono jacks)
 500 mVrms (100% modulation), Impedance: 470 ohms

Control S Out
 minijack

	KP-43T85T	KP-53SV85T	KP-61SV85T
Speaker Woofer (2) Tweeter (2)	100 mm (4 in)	100 mm (4 in)	160 mm (6 ⁷ / ₈ in) 66 mm (2 ⁵ / ₈ in)
Speaker Output (W)	17W x 2	17W x 2	17W x 2
Dimensions (W x H x D)			
mm	965 x 1058 x 570 mm	1,216 x 1,417 x 632 mm	1,370 x 1,560 x 670 mm
in	38 x 41 ⁵ / ₈ x 22 ¹ / ₂ in	47 ⁷ / ₈ x 55 ³ / ₄ x 24 ⁷ / ₈ in	54 x 61 ³ / ₈ x 26 ³ / ₈ in
Mass kg	65 kg	77 kg	94 kg
lbs	143 lbs. 5 oz.	169 lbs. 12 oz.	207 lbs 4 oz.

Television system

PAL-M, PAL-N, NTSC

Channel coverage

VHF: 2-13/ UHF: 14-69/ CATV: 1-125

Picture tube

7-inch high-brightness monochrome tubes (6.3 raster size), with optical coupling and liquid cooling system.

Screen size (measured diagonally)

43 inches (KP-43T85T)
 53 inches (KP-53SV85T)
 61 inches (KP-61SV85T)

Antenna

75 ohm external terminal for VHF/UHF

Supplied Accessories

Remote Control RM-Y906
 Batteries (2) size AA (R6)

Optional Accessories

Connecting Cables
 RK-G34, RK-74A, RK-G69HG, VMC-10HG, VMC-720M,
 VMC-810S/820S, YC-15V/30V
 U/V mixer EAC-66

WARNINGS AND CAUTIONS

CAUTION


Short circuit the anode of the picture tube and the anode cap to the metal chassis, CRT shield, or carbon painted on the CRT, after removing the anode.

WARNING!!

An isolation transformer should be used during any service to avoid possible shock hazard, because of live chassis. The chassis of this receiver is directly connected to the ac power line.



SAFETY-RELATED COMPONENT WARNING!!

Components identified by shading and  mark on the schematic diagrams, exploded views, and in the parts list are critical for safe operation. Replace these components with Sony parts whose part numbers appear as shown in this manual or in supplements published by Sony. Circuit adjustments that are critical for safe operation are identified in this manual. Follow these procedures whenever critical components are replaced or improper operation is suspected.


ATTENTION!!

Après avoir déconnecté le cap de l'anode, court-circuiter l'anode du tube cathodique et celui de l'anode du cap au châssis métallique de l'appareil, ou la couche de carbone peinte sur le tube cathodique ou au blindage du tube cathodique.

Afin d'éviter tout risque d'électrocution provenant d'un châssis sous tension, un transformateur d'isolement doit être utilisé lors de tout dépannage. Le châssis de ce récepteur est directement raccordé à l'alimentation du secteur.



ATTENTION AUX COMPOSANTS RELATIFS A LA SECURITE!!

Les composants identifiés par une trame et par une marque  sur les schémas de principe, les vues explosées et les listes de pièces sont d'une importance critique pour la sécurité du fonctionnement. Ne les remplacer que par des composants Sony dont le numéro de pièce est indiqué dans le présent manuel ou dans des suppléments publiés par Sony. Les réglages de circuit dont l'importance est critique pour la sécurité du fonctionnement sont identifiés dans le présent manuel. Suivre ces procédures lors de chaque remplacement de composants critiques, ou lorsqu'un mauvais fonctionnement suspecte.

SAFETY CHECK-OUT

After correcting the original service problem, perform the following safety checks before releasing the set to the customer:

1. Check the area of your repair for unsoldered or poorly soldered connections. Check the entire board surface for solder splashes and bridges.
2. Check the interboard wiring to ensure that no wires are “pinched” or touching high-wattage resistors.
3. Check that all control knobs, shields, covers, ground straps, and mounting hardware have been replaced. Be absolutely certain that you have replaced all the insulators.
4. Look for unauthorized replacement parts, particularly transistors, that were installed during a previous repair. Point them out to the customer and recommend their replacement.
5. Look for parts which, though functioning, show obvious signs of deterioration. Point them out to the customer and recommend their replacement.
6. Check the line cords for cracks and abrasion. Recommend the replacement of any such line cord to the customer.
7. Check the B+ and HV to see if they are specified values. Make sure your instruments are accurate; be suspicious of your HV meter if sets always have low HV.
8. Check the antenna terminals, metal trim, “metallized” knobs, screws, and all other exposed metal parts for AC leakage. Check

leakage as described below.

Leakage Test

The AC leakage from any exposed metal part to earth ground and from all exposed metal parts to any exposed metal part having a return to chassis, must not exceed 0.5 mA (500 microamperes). Leakage current can be measured by any one of three methods.

1. A commercial leakage tester, such as the Simpson 229 or RCA WT-540A. Follow the manufacturers' instructions to use these instructions.
2. A battery-operated AC milliammeter. The Data Precision 245 digital multimeter is suitable for this job.
3. Measuring the voltage drop across a resistor by means of a VOM or battery-operated AC voltmeter. The “limit” indication is 0.75 V, so analog meters must have an accurate low voltage scale. The Simpson's 250 and Sanwa SH-63TRD are examples of passive VOMs that are suitable. Nearly all battery-operated digital multimeters that have a 2 VAC range are suitable (see Figure A).

How to Find a Good Earth Ground

A cold-water pipe is a guaranteed earth ground; the cover-plate retaining screw on most AC outlet boxes is also at earth ground. If the retaining screw is to be used as your earth ground, verify that it is at ground by measuring the resistance between it and a cold-water pipe with an ohmmeter. The reading should be zero ohms.

If a cold-water pipe is not accessible, connect a 60- to 100-watt trouble-light (not a neon lamp) between the hot side of the receptacle and the retaining screw. Try both slots, if necessary, to locate the hot side on the line; the lamp should light at normal brilliance if the screw is at ground potential (see Figure B).

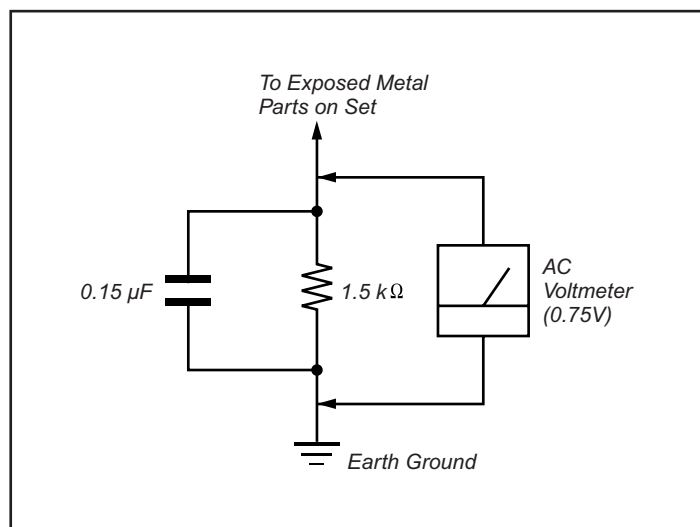


Figure A. Using an AC voltmeter to check AC leakage.

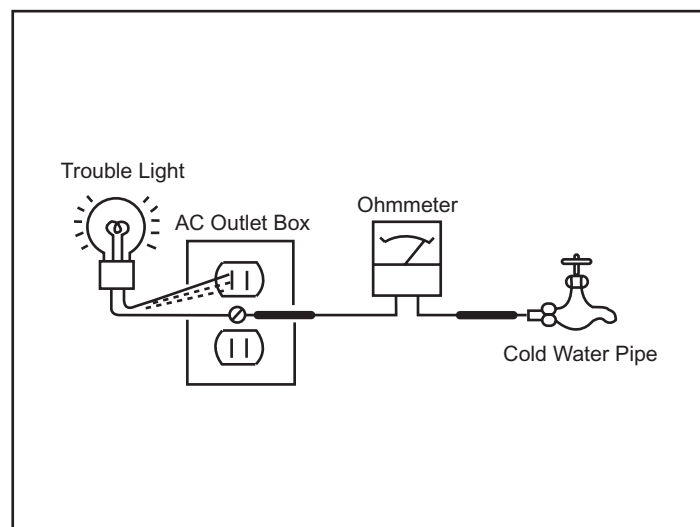


Figure B. Checking for earth ground.

SELF-DIAGNOSTIC FUNCTION



The units in this manual contain a self-diagnostic function. If an error occurs, the STANDBY/TIMER LED will automatically begin to flash. The number of times the LED flashes translates to a probable source of the problem. A definition of the STANDBY/TIMER LED flash indicators is listed in the instruction manual for the user's knowledge and reference. If an error symptom cannot be reproduced, the Remote Commander can be used to review the failure occurrence data stored in memory to reveal past problems and how often these problems occur.

Diagnostic Test Indicators

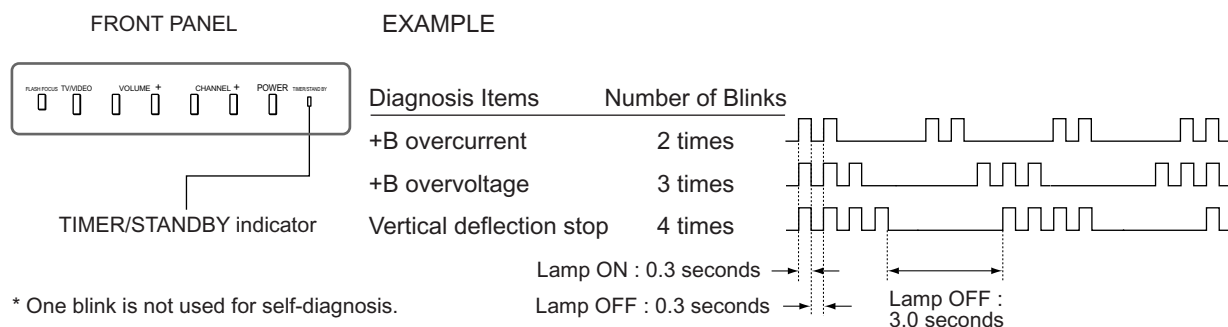
When an error occurs, the STANDBY/TIMER LED will flash a set number of times to indicate the possible cause of the problem. If there is more than one error, the LED will identify the first of the problem areas.

Results for all of the following diagnostic items are displayed on screen. If the screen displays a "0", no error has occurred.

Diagnostic Item	STANDBY/TIMER flashes	Possible Problem Location	Condition	Detected Symptoms
Power not On	0	[Standby Power Supply System] F601 open R607 open Q601 short circuit [Main Power Supply System] IC601 and R612 are broken VDR601 short-circuit	Cannot turn on the power LED doesn't blink	
+B OCP Detection	2 times	Short circuit of power supply in each circuit	Goes to the standby mode Short circuit of the +B line	2: +B OCP 000
+B OVP Detection	3 times	T603 pin 7 to pin 8 is open	Goes to the standby mode	3: +B OVP 000
Vertical Deflection Stop	4 times	IC 1509 (V OUT) is broken Q1505 (V Pulse Buffer) is broken	Raster goes to one line horizontally A and then video signal is muted.	4: V Stop 000
Video Out Abnormality Detection	5 times	Video Out, Q705, 732, 761, and others in C board	STANDBY/TIMER LED blinks approx. 30 secs, then blinks for the diagnosis	5: AKB 000
Horizontal Deflection Stop	6 times	C515, 516 open. IC206 (YC Jungle) is broken.	Raster does not appear.	6: H Stop 000
Audio Abnormality Detection	8 times	IC 406 (Audio amp.) is broken. PS401, 402 open	The sound is not out. Goes to the standby mode	8: Audio 000

Note: 000 the range of values for number of operations is 000 - 255. For 256 or higher, the number remains as 255.

Display of Standby/Timer LED Flash Count



Release of TIMER/STANDBY indicator blinking.

The TIMER/STANDBY indicator blinking display is released by turning OFF the power switch on the TV main unit or removing the plug from the power.

Self-diagnosis screen displays

In cases of malfunctions where it is not possible to determine the symptom such as when the power goes off occasionally or when the screen disappears occasionally, there is a screen display on whether the malfunction occurred or not in the past (and whether the detection circuit operated or not) in order to allow confirmation.

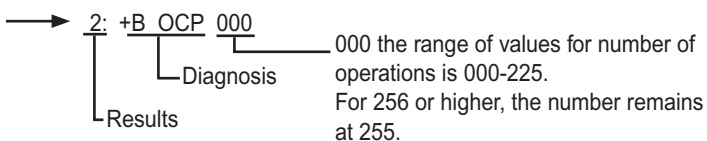
Screen Display Method

Quickly press the remote command button in the following order from the standby state.

[Display] → Channel [5] → Sound Volume* [] → Power ON

*Note that this differs from entering the service mode (sound volume [+])

SELF DIAGNOSIS	
2: +B OCP	000
3: +B OVP	000
4: VSTOP	000
5: AKB	000
101:WDT	000



Self-Diagnosis Screen Display

The results display is not automatically cleared. In case of repairs and after repairs, check the self-diagnosis screen and be sure to return the results display to " 0 ".

If the results display is not returned to " 0 " it will not be possible to judge a new malfunction after completing repairs.

Method of Clearing Results Display

1. Power off (Set to the standby mode.)
2. [Display] → Channel [5] → Sound Volume [+] → Power ON (Service Mode)
3. Channel [8] → [ENTER] (Test reset = Factory preset condition)

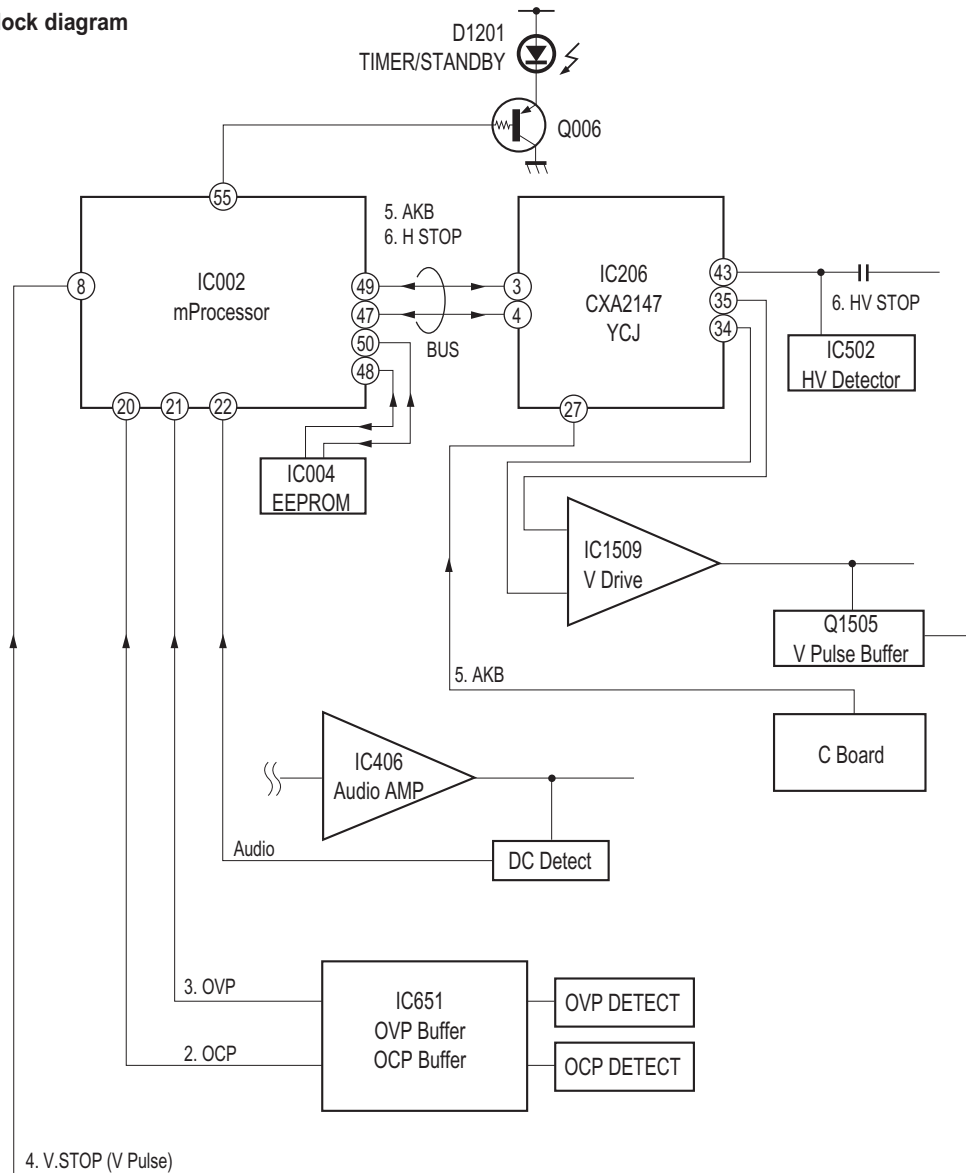
Method of Ending Self Diagnosis Screen

When ending the self-diagnosis screen completely, turn the power switch OFF on the remote commander or the main unit.

Self-diagnosis function operation

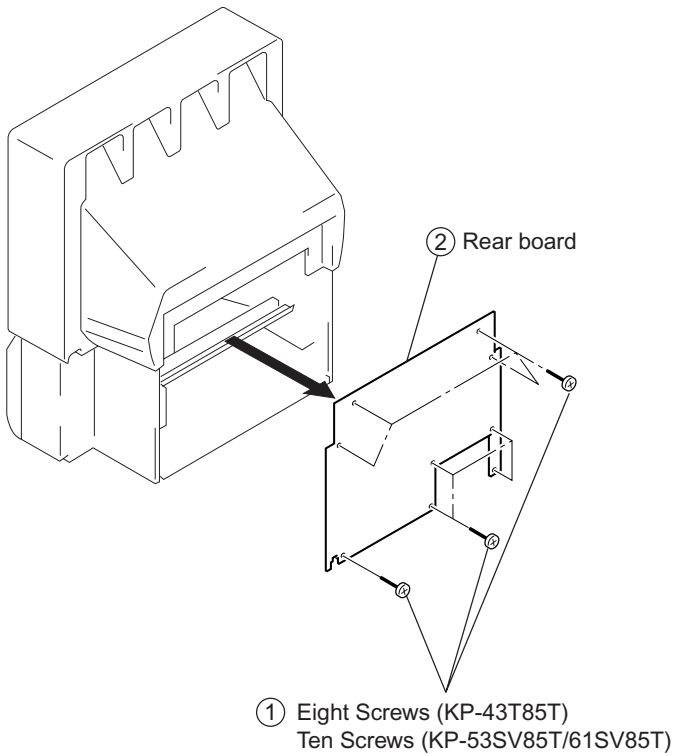
- OCP Low B and +B line detect DET SHORT, and shut-down POWER ON RELAY.
Reset by turning power on/off.
In case of +B is loaded approx. 1.3A or more, microcomputer detects it via IC651.
- OVP In case of +B becomes approx. 150V or more, POWER ON RELAY shuts down and microcomputer detects it via IC651.
Reset by turning power on/off just the same as OCP.
- V Stop In case of microcomputer detects 2 seconds or more interval of V Pulse, Reference Pulse turns off by turning off the picture signal in YC Jungle IC (IC206).
After the picture signal turns off, V Pulse is regenerated 2 seconds or more, the picture signal turns on.
- AKB IK detection. Makes LED blinking in case of microcomputer doesn't detect IK returns of IC206 CXA2147Q 30 seconds or more.
- H Stop In case of HV becomes 33kV or more, IC502 detects it and shut-down H Drive Pulse.
Microcomputer receives H Stop data from IC206 and makes LED blinking.
- Audio In case of DC component overlaps the output of Audio Amp., microcomputer detects it and makes LED blinking.
Microcomputer forces to shut down the power.

Self-diagnosis block diagram

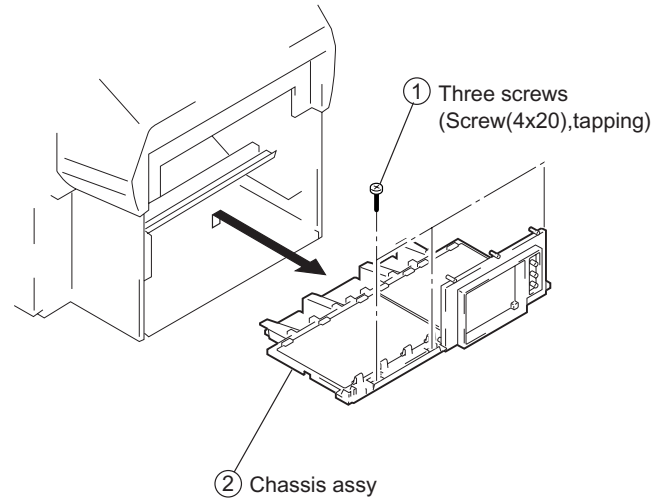


SECTION 1: DISASSEMBLY

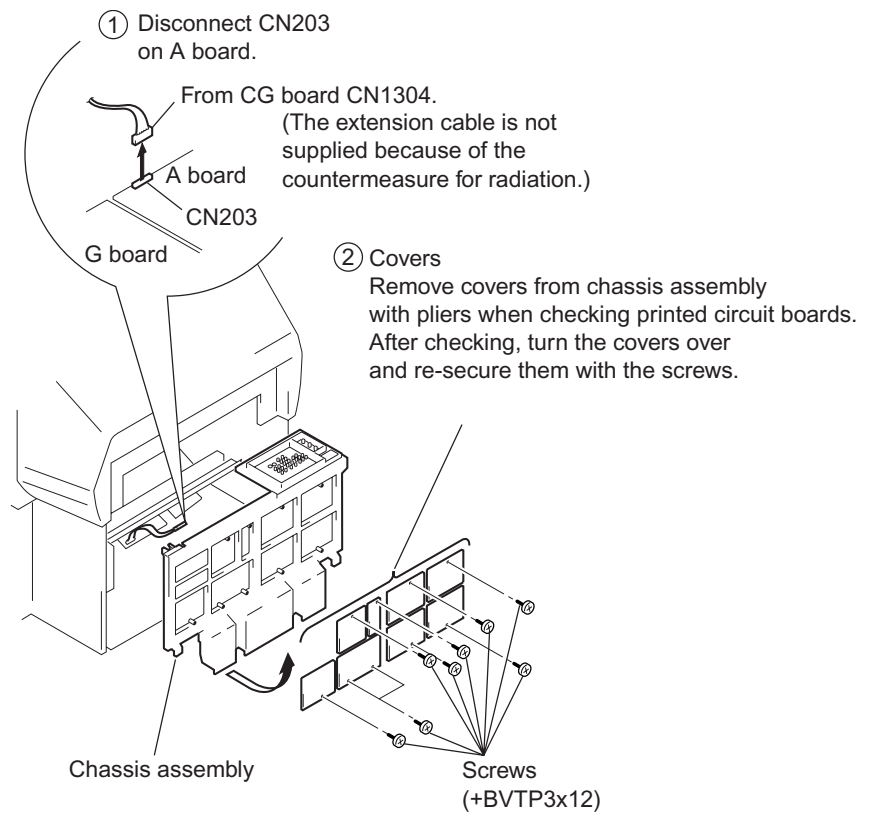
1-1. REAR BOARD REMOVAL



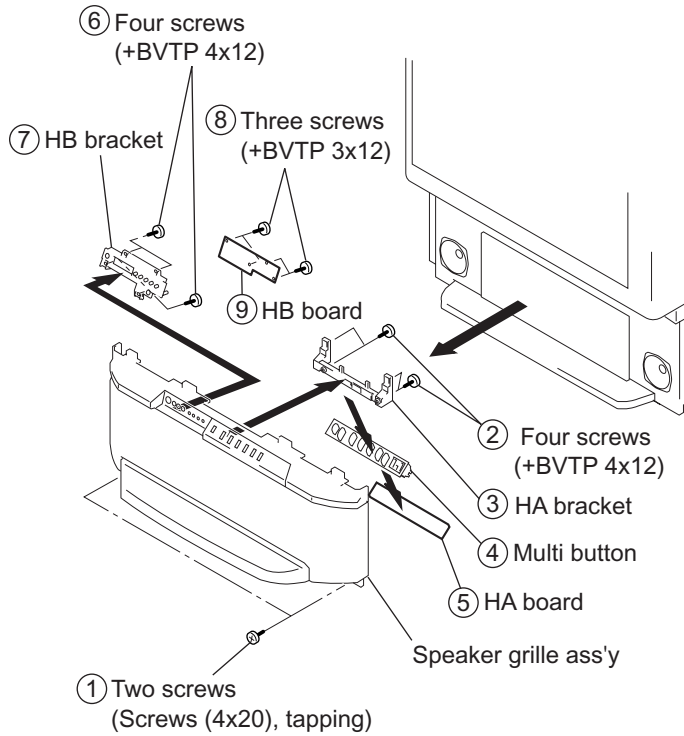
1-2. CHASSIS ASSEMBLY REMOVAL



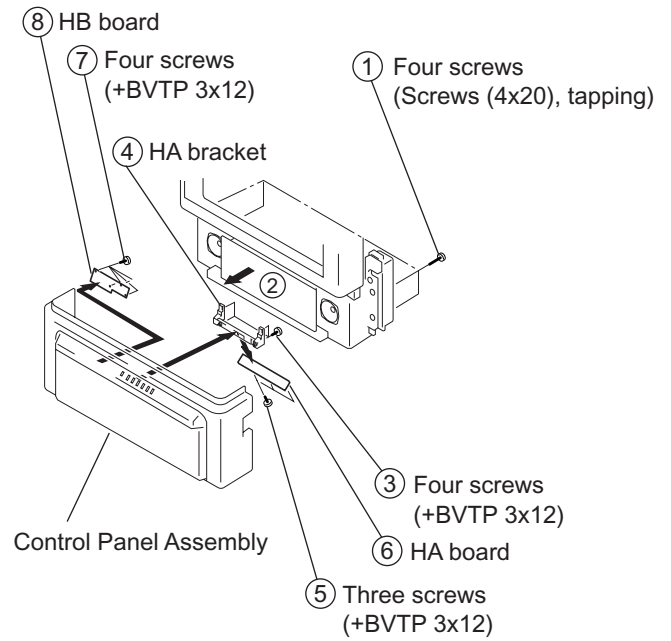
1-3. SERVICE POSITION



1-4. HA AND HB BOARD REMOVAL (ALL EXCEPT KP-43T85T)

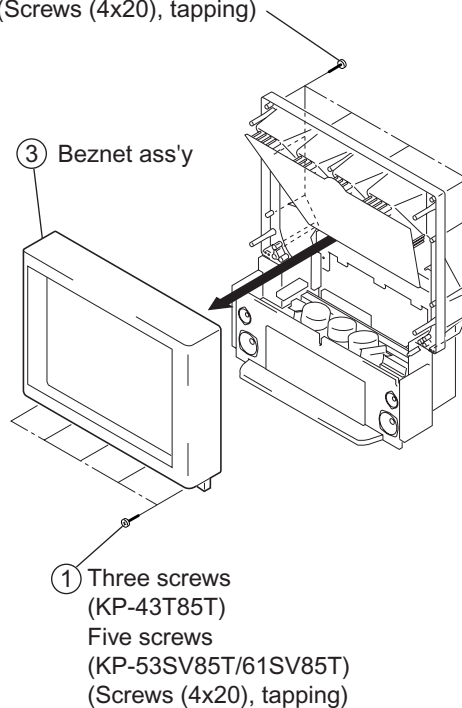


1-5. HA AND HB BOARD REMOVAL (KP-43T85T ONLY)

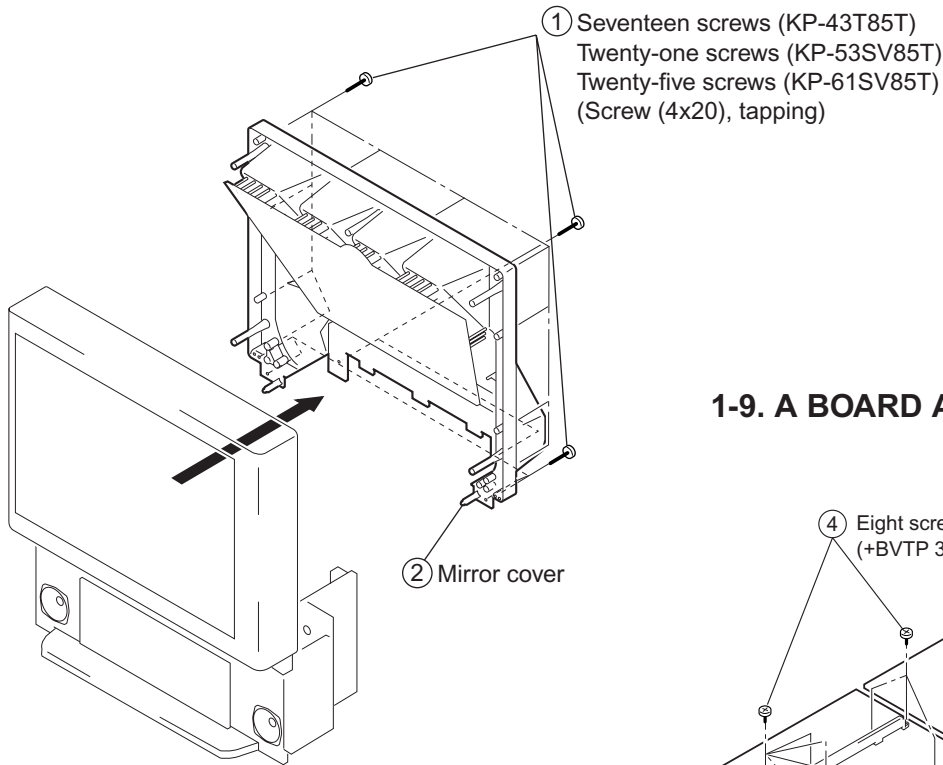


1-6. BEZNET ASSY REMOVAL

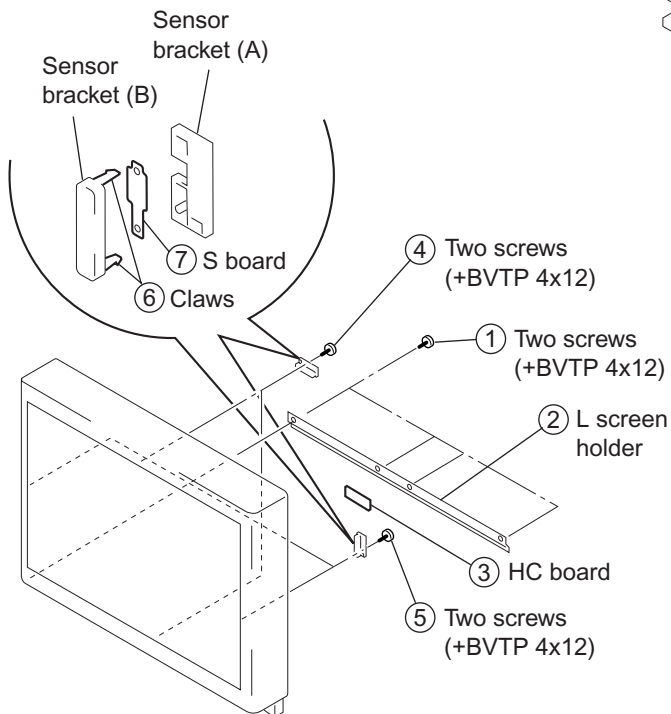
- ② Eleven screws (KP-43T85T)
Fifteen screws (KP-53SV85T)
Fourteen screws (KP-61SV85T)
(Screws 4x20, tapping)



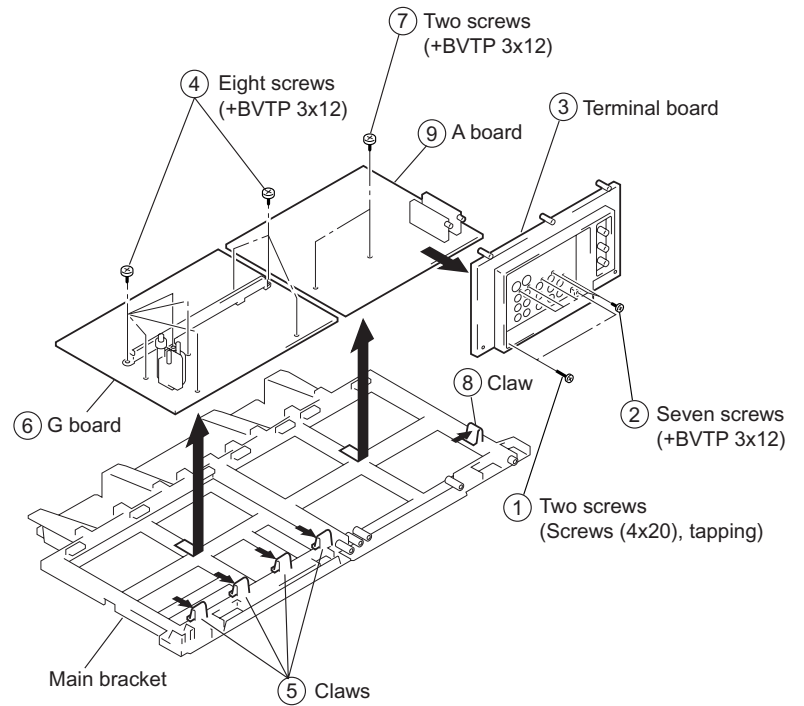
1-7. MIRROR COVER REMOVAL



1-8. HC BOARD AND S BOARD REMOVAL

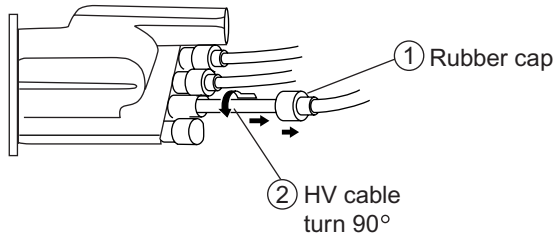


1-9. A BOARD AND G BOARD REMOVAL

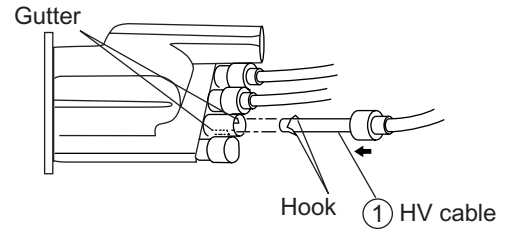


1-10. HIGH-VOLTAGE CABLE INSTALLATION AND REMOVAL

(1) Removal

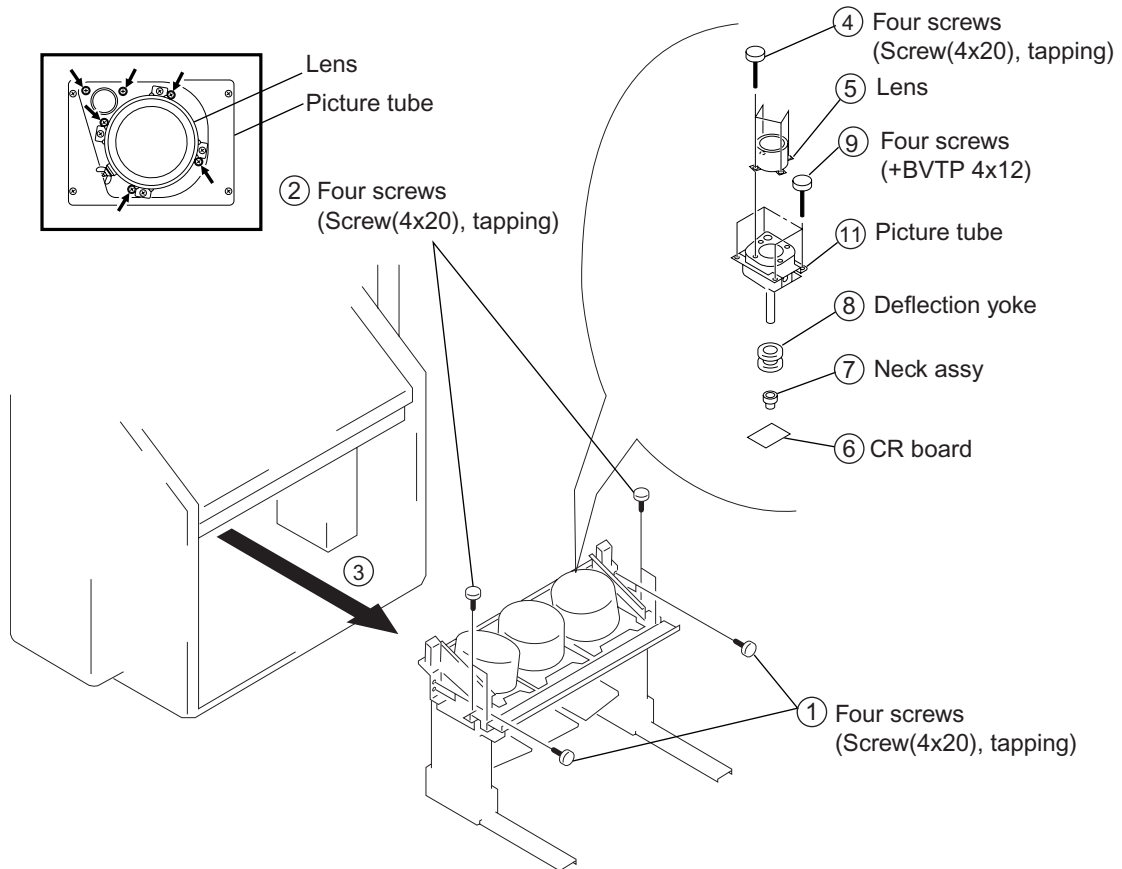


(2) Installation



1-11. PICTURE TUBE REMOVAL

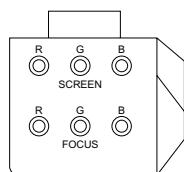
CAUTION: Removing the arrow-marked screws is strictly prohibited. If removed, it may cause liquid to spill.



SECTION 2: SET-UP ADJUSTMENTS

2-1. SCREEN VOLTAGE ADJUSTMENT (COARSE ADJUSTMENT)

1. Select a video input with no signal applied (the screen must be black, and the room must be as dark as possible. You may use a heavy blanket over the screen to block out ambient light).
2. Select picture mode "Personal 1" or "Personal 2", and set BRIGHTNESS to 50% and PICTURE to minimum.
3. Turn the green SCREEN control on the focus block all the way to the left and then gradually turn it to the right until the retrace line is barely visible.
4. Gradually turn the control to the left until the retrace line just disappears.
5. Repeat steps 1 through 4 for the red and blue CRTs.

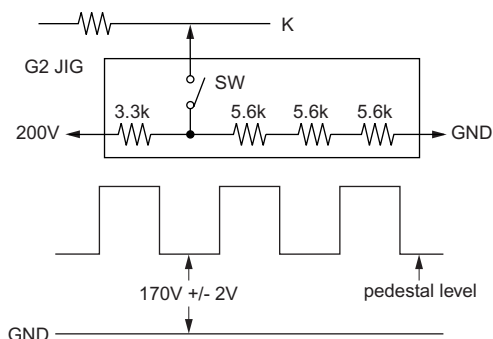


FOCUS block

2-2. SCREEN (G2) ADJUSTMENT (FINE ADJUSTMENT)

If the jig described below is available, it is recommended that the G2 Fine Mode Adjustment be performed to set the screen controls to their optimal condition. If desired, you can build the jig illustrated below, using 3-watt resistors. Please note that if the proper voltage is not obtained with the listed resistor's values, then increase or decrease one of the values in the resistor network to obtain the correct voltage.

1. Select VIDEO-1 mode no signal applied (the screen must be black).
2. Connect the G2 JIG.
3. Switch on the JIG.
4. Connect an oscilloscope to the TP701(KR), TP732(KG) and TP761(KB) of CR board, CG board and CB board.
5. Adjust red, green, and blue screen voltage to 168-172V with SCREEN controls on the focus block, as shown below.



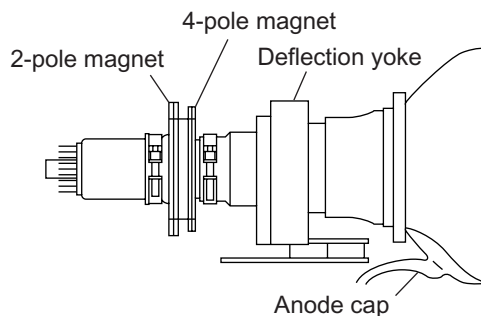
2-3. DEFLECTION YOKE TILT ADJUSTMENT

1. Display a cross-hatch pattern
2. Enter the service mode.
3. Cover the red and blue CRT lenses with lens caps to allow only green to show (or use the method shown in the note below for turning off the CRTs individually without using lens caps).
4. Loosen the green CRT's deflection yoke set screw and align the tilt of the deflection yoke so that the horizontal bars at the center of the cross-hatch pattern are parallel to the top and bottom edges of the screen.
5. After aligning the deflection yoke fasten it securely, making sure it is fully forward on the neck of the CRT.
6. The tilt of the deflection yoke for red and blue are aligned the same way as the green CRT.

Cover the green and blue CRT lenses with lens caps (or use the method shown in the note below for turning off the CRTs individually without using lens caps), then repeat steps 4 and 5 for the red CRT.

Cover the green and red CRT lenses with lens caps (or use the method shown in the note below for turning off the CRTs individually without using lens caps), then repeat steps 4 and 5 for the blue CRT.

Note: If lens caps are unavailable, you can cut off the unnecessary color beams in the service mode by individually changing the data from "1" to "0" in category VPNT, item 28 RON (red), item 29 GON (green), or item 30 BON (blue).



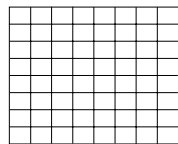
2-4. FOCUS LENS ADJUSTMENT

In this adjustment, use the remote commander while in service mode. For details on the usage of the service mode and the remote commander, please refer the item 2-9. ELECTRICAL ADJUSTMENTS BY REMOTE COMMANDER.

1. Loosen the lens wing nut.
2. Enter the service mode.
3. Display a white raster.
4. Cover the red and blue CRT lenses with lens caps to allow only green to show (or use the method shown in the note below for turning off the CRTs individually without using lens caps).
5. Select adjustment category "PJE", then press 6 to display the test signal (crosshatch)*.

* Every time 6 is pressed, the test signal changes to: "crosshatch+video signal" → "dots+video signal" → "crosshatch only" → "dots only" → black screen → "crosshatch+video signal" →etc.

6. Rotate the green lens assembly to adjust to the optimum focus point with the test signal being displayed
7. Tighten the lens wing nut.
8. Cover the green and blue CRT lenses with the lens caps to allow only red to show (or use the method shown in the note below for turning off the CRTs individually without using lens caps).
9. Make sure the cross-hatch is still being displayed; if not, follow step 5 above.
10. Adjust the red CRT lens the same way as the green CRT lens.
11. Cover the green and red CRT lenses with the lens caps to allow only blue to show (or use the method shown in the note below for turning off the CRTs individually without using lens caps).



Test Signal

12. Make sure the cross-hatch is still being displayed; if not, follow step # 5 above.
13. Adjust the blue CRT lens the same way as the green and red CRT lenses.
14. After adjusting the items 2-5 "Focus VR Adjustment", 2-6 "2-Pole Magnet Adjustment" and 2-7 "4-Pole Magnet Adjustment", reconfirm the optimum focus point and adjust again if necessary.

Note: If lens caps are unavailable, you can cut off the unnecessary color beams in the service mode by individually changing the data from "1" to "0" in category VPNT, item 28 RON (red), item 29 GON (green), or item 30 BON (blue).

2-5. FOCUS CONTROL ADJUSTMENT

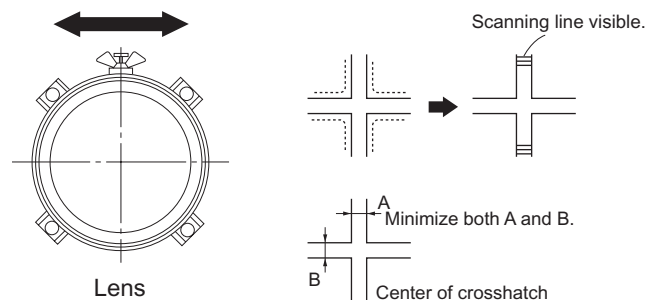
1. Enter the service mode.
2. Display a white raster.
3. Cover the red and blue CRT lenses with lens caps to allow only green to show (or use the method shown in the note below for turning off the CRTs individually without using lens caps).
4. Select adjustment category "PJE", then press 6 to display the test signal (crosshatch)*.

* Every time 6 is pressed, the test signal changes to: "crosshatch+video signal" → "dots+video signal" → "crosshatch only" → "dots only" → black screen → "crosshatch+video signal" →etc.

5. Adjust the green focus control on the focus block to achieve the optimum focus point with the test signal being displayed.
6. Cover the green and blue picture lenses with lens caps to allow only red to show (or use the method shown in the note below for turning off the CRTs individually without using lens caps).

7. Make sure the cross-hatch is still being displayed; if not, follow step 4 above.
8. Adjust the red focus control on the focus block to achieve the optimum focus point with the test signal being displayed.
9. Cover the green and red picture lenses with lens caps to allow only blue to show (or use the method shown in the note below for turning off the CRTs individually without using lens caps).
10. Make sure the cross-hatch is still being displayed; if not, follow step # 4 above.
11. Adjust the blue focus control on the focus block to achieve the optimum focus point with the test signal being displayed.
12. Repeat steps 1 through 11 after adjusting items 2-4. "Focus Lens Adjustment", 2-6 "2-pole Magnet Adjustment", 2-7 "4-Pole Magnet Adjustment"

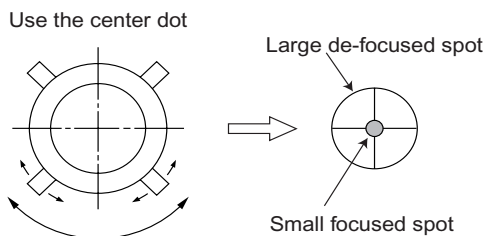
Note: If lens caps are unavailable, you can cut off the unnecessary color beams in the service mode by individually changing the data from "" to "0" in category VPNT, item 28 RON (red), item 29 GON (green), or item 30 BON (blue).



2-6. 2-POLE MAGNET ADJUSTMENT (GREEN, RED)

1. Display a dot pattern (see the details of using the internal test patterns at the end of the previous section).
2. Enter the service mode.
3. Cover the red and blue CRT lenses with lens caps to allow only green to show (or use the method shown in the note below for turning off the CRTs individually without using lens caps).
4. Turn the green focus control on the focus block to the right and set it to overfocus to enlarge the spot (the dot). See figure at the end of Section 2-3 for the location of the 2-pole magnet adjusting tabs.
5. Adjust the green CRT's 2-pole magnet so that the small bright spot is in the center of the large defocused spot.
6. Adjust the green focus control on the focus block and set it for the best focus.
7. Repeat steps 1 through 6 for the red CRT, except now you will cover the green and blue CRT lenses with lens caps to allow only red to show (or use the method shown in the note below for turning off the CRTs individually without using lens caps) and you will adjust the red focus control on the focus block.

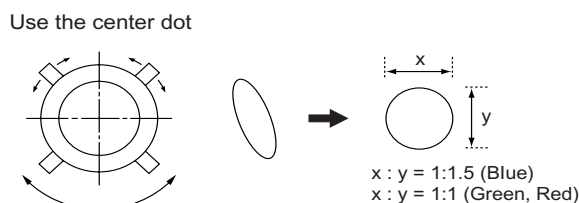
Note: If lens caps are unavailable, you can cut off the unnecessary color beams in the service mode by individually changing the data from "1" to "0" in category VPNT, item 28 RON (red), item 29 GON (green), or item 30 BON (blue).



2-7. 4-POLE MAGNET ADJUSTMENT (GREEN, RED, BLUE)

1. Display a dot pattern (see the details of using the internal test patterns at the end of section 2-5, item 4).
2. Enter the service mode.
3. Cover the red and blue CRT lenses with lens caps to allow only green to show (or use the method shown in the note below for turning off the CRTs individually without using lens caps).
4. Turn the green focus control on the focus block to the left and set it to under-focus to enlarge the spot.
5. Adjust the 4-pole magnet so that the enlarged spot in the center of the screen becomes a perfect circle.
6. Adjust the green focus control on the focus block and set it for the best focus.
7. Repeat steps 1 through 6 for the red CRT, except now you will cover the green and blue CRT lenses with lens caps to allow only red to show (or use the method shown in the note below for turning off the CRTs individually without using lens caps) and you will adjust the red focus control on the focus block.
8. Repeat steps 1 through 6 for the blue CRT, except now cover the green and red CRT lenses with lens caps to allow only blue to show. Adjust the blue focus control on the focus block (or use the method shown in the note below for turning off the CRTs individually without using lens caps). However, for the blue CRT do not make the enlarged spot a perfect circle as indicated in step 5; instead, adjust the 4-pole magnet so that the height of the enlarged blue spot in the center of the screen is approx. 1.5 times the width of the spot.

Note: If lens caps are unavailable, you can cut off the unnecessary color beams in the service mode by individually changing the data from "1" to "0" in category VPNT, item 28 RON (red), item 29 GON (green), or item 30 BON (blue).



2-8. DEFOCUS ADJUSTMENT (BLUE)

Note: Adjust the blue dot to be slightly larger than red and green dots. This adjustment provides a more pleasing picture to the customer.

1. Select the video menu and set the picture mode to "VIVID".
2. Enter service mode.

3. Change TV mode to the video-1 input mode.
4. Select adjustment category "PJE", and press 6 as many times as necessary to display the dot pattern on the screen.
5. Adjust the blue focus control on the focus block to adjust the diameter of the dots in the center of the screen as shown in the figure below.

FOCUS ADJUSTMENT POINT:



Screen Size	43"	53"	61"
Diameter	6mm	8mm	9mm

2-9. ELECTRICAL ADJUSTMENTS BY REMOTE COMMANDER

By using Remote Commander (RM-Y906), all circuit adjustments can be made.

Note : The following test equipment is required:

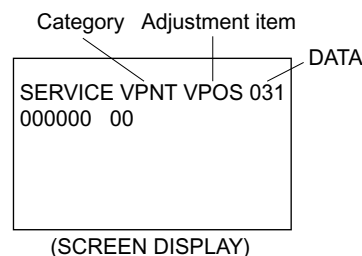
1. Pattern Generator (with RF, composite, and component outputs)
2. Digital multimeter

2-9-1. METHOD OF ENTERING THE SERVICE ADJUSTMENT MODE

SERVICE MODE PROCEDURE

1. TV must be in Standby mode. (Power off)
2. Press "DISPLAY", 5, "Volume +", then "TV Power" on the Remote Commander.
(Press each button within 1 second of pressing the previous button.)

SERVICE MODE ADJUSTMENT



3. The screen displays the adjustment category and the item being adjusted within that category.
4. Press 1 or 4 to select the adjustment item
5. Press 3 or 6 to change the data
6. Press 2 or 5 to select the adjustment category
7. If you want to go back to the most recently saved value, press "0" then "ENTER" to read the memory.
8. Press "MUTING" then "ENTER" to write the new adjustment data into memory.
9. Turn power off when you want to exit the service mode.

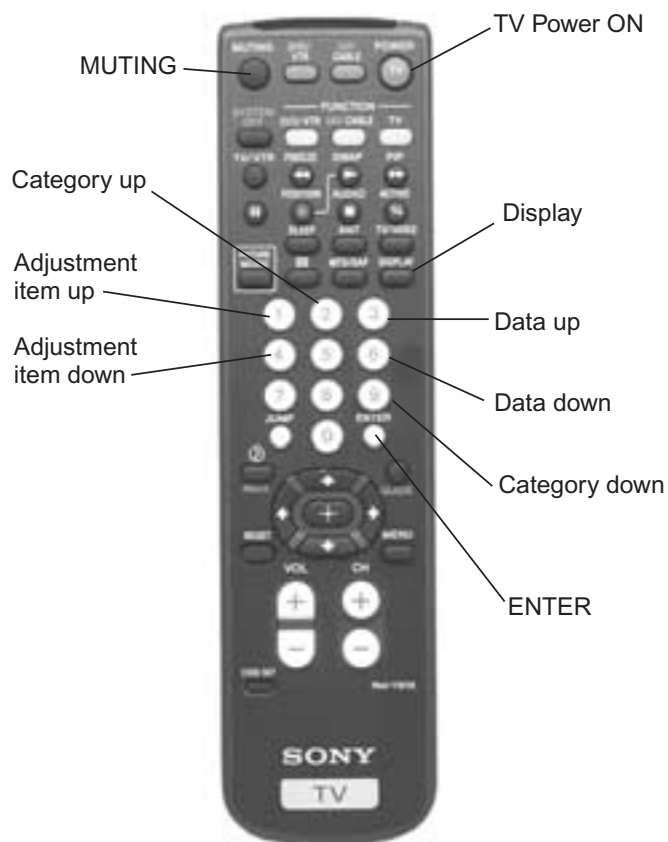
Note: Press “8” then “ENTER” to restore the factory settings for user controls and channel memories (this will also turn set off and then on to exit the service mode).

2-9-2. MEMORY WRITE CONFIRMATION METHOD

1. After adjustment, remove the plug from the AC outlet, and then replace the plug in the AC outlet again.
2. Turn the power switch ON and enter the Service Mode.
3. Cycle through the adjusted items again and confirm that the adjustments were saved.

2-9-3. ADJUSTING BUTTONS AND INDICATOR

Note: When the PJE mode (which displays an internally generated signal) is activated, several buttons on the remote commander will have different functions than the ones listed above. Therefore, when in the PJE mode, refer to section 2-10 for button functions.



RM-Y906

2-9-4. SERVICE MODE LISTS

VPNT (Video Processor NTSC)

ITEM NUMBER	ADJUSTMENT ITEM	DATA RANGE	STANDARD DATA	SERVICE DATA NAME	ADJUSTMT SETTING
0	VPOS	0-63	(24)	V POSITION	VARIABLE
1	VSIZ	0-63	(30)	V SIZE	VARIABLE
2	VCOM	0-3	0	V COMP	FIXED
3	VLIN	0-15	(10)	V LINEARITY	VARIABLE
4	VSCO	0-15	7	V SCURVE CORRECTION	FIXED
5	HPOS	0-15	7	H POSITION	FIXED
6	HSIZ	0-63	(26)	H SIZE	VARIABLE
7	PAMP	0-63	(20)	PIN AMP	VARIABLE
8	UPIN	0-15	(7)	UPPER CORNER PIN DISTORTION	VARIABLE
9	LPIN	0-15	(7)	LOWER CORNER PIN DISTORTION	VARIABLE
10	PPHA	0-15	(7)	PIN PHASE	VARIABLE
11	AFC	0-3	2	AFC LOOP GAIN	FIXED
12	VBOW	0-15	7	V BOW	FIXED
13	VANG	0-15	7	V ANGLE	FIXED
14	REF	0-3	3	REFERENCE PULSE POSITION	FIXED
15	RDRV	0-63	(31)	RED DRIVE GAIN	VARIABLE
16	BDRV	0-63	(31)	BLUE DRIVE GAIN	VARIABLE
17	RCUT	0-15	(7)	RED CUTOFF	VARIABLE
18	BCUT	0-15	(7)	BLUE CUTOFF	VARIABLE
19	SCON	0-15	(7)	SUB CONTRAST	VARIABLE
20	SHUE	0-15	(9)	SUB HUE	VARIABLE
21	SCOL	0-15	(9)	SUB COLOR	VARIABLE
22	CDM2	0,1	0	COUNT DOWN MODE2	FIXED
23	DPIX	0,1	1	DYNAMIC PICTURE	FIXED
24	NOTC	0,1	0	Y CHROMA TRAP	FIXED
25	CROM	0-15	7	CHROMA TRAP F0	FIXED
26	TOT	0,1	0	CHROMA TOT FILTER	FIXED
27	SHPF	0-3	2	SHARPNESS F0	FIXED
28	RON	0,1	1	RED ON	FIXED
29	GON	0,1	1	GREEN ON	FIXED
30	BON	0,1	1	BLUE ON	FIXED
31	DCOL	0,1	1	DYNAMIC COLOR	FIXED
32	CDMD	0,1	0	V COUNT DOWN	FIXED
33	LBLK	0-15	13	LEFT-SIDE BLANK WIDTH	FIXED
34	RBLK	0-15	13	RIGHT-SIDE BLANK WIDTH	FIXED
35	PREC	0-3	1	PRE OVER LEVEL FOR COMP .V IN	FIXED
36	PREY	0-3	1	PRE OVER LEVEL FOR Y IN	FIXED

() = PREWRITE DATA

VPNV (Video Processor NTSC Vivid)

ITEM NUMBER	ADJUSTMENT ITEM	DATA RANGE	STANDARD DATA	SERVICE DATA NAME	ADJUSTMT SETTING
0	SBRV	0-63	(35)	SUB BRIGHTNESS FOR VIVID	VARIABLE
1	GMMV	0-3	2	GAMMA LEVEL FOR VIVID	FIXED
2	YDCV	0,1	1	Y-DC TRANSFER RATIO FOR VIVID	FIXED
3	ABLV	0,1	1	ABL MODE FOR VIVID	FIXED
4	AXIV	0,1	0	AXIS R-Y,G-Y FOR VIVID	FIXED

() = PREWRITE DATA

VPNS (Video Processor NTSC Standard)

ITEM NUMBER	ADJUSTMENT ITEM	DATA RANGE	STANDARD DATA	SERVICE DATA NAME	ADJUSTMT SETTING
0	SBRS	0-63	43T (29), 48V (23) 53V (30), 61V (27)	SUB BRIGHTNESS FOR STANDARD	VARIABLE
1	GMMS	0-3	0	GAMMA LEVEL FOR STANDARD	FIXED
2	YDCS	0,1	0	Y-DC TRANSFER RATIO FOR STANDARD	FIXED
3	ABLS	0,1	1	ABL MODE FOR STANDARD	FIXED
4	AXIS	0,1	0	AXIS R-Y,G-Y FOR STANDARD	FIXED

() = PREWRITE DATA

PJED (Projection TV Engine)

ITEM NUMBER	ADJUSTMENT ITEM	DATA RANGE	STANDARD DATA	SERVICE DATA NAME	ADJUSTM'T SETTING
0	FDIS	0,1	0	SELECT REGI DATA DISPLAY OF FINE ADJ	FIXED
1	OSDH	1-255	32	PJED SERVICE MENU H POSITION	FIXED
2	OSDV	1-255	25	PJED SERVICE MENU V POSITION	FIXED
3	FVST	0-255	29	LINE NUMBER OF FINE ADJUST START	FIXED
4	V1ST	0-255	0	V1 START DATA	FIXED
5	V1CU	0-255	62	V1 COUNT UP DATA	FIXED
6	COHP	0-255	0	H-PHASE OF ROUGH ADJ	FIXED
7	FIHP	0-255	194	H-PHASE OF FINE ADJ	FIXED
8	TPHP	0-255	61	H-PHASE OF TEST PATTERN	FIXED
9	DFHP	0-255	225	H-PHASE OF DYNAMIC FOCUS	FIXED
10	DFHG	-128-127	-80	H-2 GAIN OF DYNAMIC FOCUS	FIXED
11	DFVG	-128-127	-30	V-2 GAIN OF DYNAMIC FOCUS	FIXED
12	PWM I	0-255	0	PWM I	FIXED
13	PWM2	0-255	30	H-PHASE OF AUTO REGI TEST PATTERN	FIXED
14	HBLD	0-255	238	H-PHASE OF RETURNED BLUE V LINE	FIXED
15	HBLW	0-63	23	PULSE WIDTH OF RETURNED BLUE V LINE	FIXED
16	BLKP	0-255	27	START BLANK PULSE	FIXED
17	COGV	-128-127	0	GREEN V CENT OFFSET DATA OF AUTO REGI	FIXED
18	CORV	-128-127	0	RED V CENT OFFSET DATA OF AUTO REGI	FIXED
19	COBV	-128-127	0	BLUE V CENT OFFSET DATA OF AUTO REGI	FIXED
20	COGH	-128-127	0	GREEN H CENT OFFSET DATA OF AUTO REGI	FIXED
21	CORH	-128-127	0	RED H CENT OFFSET DATA OF AUTO REGI	FIXED
22	COBH	-128-127	0	BLUE H CENT OFFSET DATA OF AUTO REGI	FIXED
23	SOGV	-128-127	0	GREEN V SKEW OFFSET DATA OF AUTO REGI	FIXED
24	SORV	-128-127	0	RED V SKEW OFFSET DATA OF AUTO REGI	FIXED
25	SOBV	-128-127	0	BLUE V SKEW OFFSET DATA OF AUTO REGI	FIXED
26	SOGH	-128-127	0	GREEN H SKEW OFFSET DATA OF AUTO REGI	FIXED
27	SORH	-128-127	0	RED H SKEW OFFSET DATA OF AUTO REGI	FIXED
28	SOBH	-128-127	0	BLUE H SKEW OFFSET DATA OF AUTO REGI	FIXED
29	ERR	FIXED	0	AUTO REGI ERROR CODE	FIXED
30	ADTM	0-255	144	TIMING TO GET A/D DATA OF AUTO REGI	FIXED
31	VUP	1-255	1	AUTO REGI PATTERN UPPER V POSITION	FIXED
32	VMID	1-255	104	AUTO REGI PATTERN MIDDLE V POSITION	FIXED
33	VLOW	1-255	208	AUTO REGI PATTERN LOWER V POSITION	FIXED
34	HPR	1-510	1	AUTO REGI PATTERN H POSITION	FIXED
GRN	CENT	-512-511	(000 / 000)	GREEN H/V CENT	VARIABLE
	SKEW	-512-511	(000 / 000)	GREEN H/V SKEW	VARIABLE
	SIZE	-512-511	(-50/-200)	GREEN H/V SIZE	VARIABLE
	LIN	-512-511	(xxx / xxx)	GREEN H/V LIN	VARIABLE
	KEY	-512-511	(xxx / xxx)	GREEN H/V KEY	VARIABLE
PIN	-512-511	(xxx / 230)	GREEN H/V PIN	VARIABLE	
BLU	CENT	-512-511	(000 / 000)	BLUE H/V CENT	VARIABLE
	SKEW	-512-511	(000 / -000)	BLUE H/V SKEW	VARIABLE
	SIZE	-512-511	(-050/-225)	BLUE H/V SIZE	VARIABLE
	LIN	-512-511	(-150/xxx)	BLUE H/V LIN	VARIABLE
	KEY	-512-511	(xxx/-100)	BLUE H/V KEY	VARIABLE
PIN	-512-511	(xxx/200)	BLUE H/V PIN	VARIABLE	
RED	CENT	-512-511	(000/000)	RED H/V CENT	VARIABLE
	SKEW	-512-511	(000/000)	RED H/V SKEW	VARIABLE
	SIZE	-512-511	(-050/-210)	RED H/V SIZE	VARIABLE
	LIN	-512-511	(150/xxx)	RED H/V LIN	VARIABLE
	KEY	-512-511	(xxx/100)	RED H/V KEY	VARIABLE
PIN	-512-511	(xxx/225)	RED H/V PIN	VARIABLE	

() = PREWRITE DATA
 XXX: CANNOT CHANGE

ID (Identification)

ITEM NUMBER	ADJUSTMENT ITEM	DATA RANGE	STANDARD DATA	SERVICE DATA NAME	ADJUSTM'T SETTING
0	SERS	0-3	1	SERIES ID	FIXED
1	LPWR	0-3	0	LAST POWER MEMORY	FIXED
2	LANG	0-3	0	LANGUAGE	FIXED

CCD (Closed Caption Decoder)

ITEM NUMBER	ADJUSTMENT ITEM	DATA RANGE	STANDARD DATA	SERVICE DATA NAME	ADJUSTM'T SETTING
0	CCHP	0-63	38	OSD H POSI INDEX & CC/XD	FIXED
1	CCHN	0-63	29	NO FUNCTION	FIXED

OP (Option)

ITEM NUMBER	ADJUSTMENT ITEM	DATA RANGE	STANDARD DATA	SERVICE DATA NAME	ADJUSTM'T SETTING
0	DISP	0-63	(9)	OSD H POSITION	VARIABLE
1	FWI	0-7	2	FIELD1 WINDOW	FIXED
2	FW2	0-7	3	FIELD2 WINDOW	FIXED
3	IDXT	0-255	2	MOTION PERIOD /INDEX	FIXED

3DCM (3D Comb Filter)

ITEM NUMBER	ADJUSTMENT ITEM	DATA RANGE	STANDARD DATA	SERVICE DATA NAME	ADJUSTM'T SETTING
0	NRMD	0-3	0	NOISE REDUCER MODE	FIXED
1	DYCO	0-15	2	DY CORING LEVEL SETTING	FIXED
2	DYGA	0-15	10	DY GAIN SETTING	FIXED
3	DCCO	0-15	5	DC CORING LEVEL SETTING	FIXED
4	DCGA	0-15	5	DC GAIN SETTING	FIXED
5	SELD	0,1	1	SELECT DY SIGNAL FILTER	FIXED
6	D2GA	0-7	4	DY/C 2nd GAIN SETTING	FIXED
7	VTRH	0-3	1	VTR HSYNC HYSTERESIS SETTING	FIXED
8	VTRR	0-3	1	VTR HSYNC REFERENCE SETTING	FIXED
9	LDSR	0-3	2	LD SIGNAL REFERENCE	FIXED
10	VAPG	0-7	5	V APERTURE GAIN	FIXED
11	VAPI	0-31	11	V APERTURE INVERT POINT	FIXED
12	YPFT	0-3	0	Y PEAKING FILTER TAP	FIXED
13	YPPG	0-15	9	Y PEAKING FILTER GAIN	FIXED
14	V1PS	0-3	2	VERTICAL 1-LINE SELECTOR	FIXED
15	VEGS	0-3	1	VERTICAL EDGE SELECTOR	FIXED
16	CC3N	0,1	0	C SIGNAL 3-LINE COM FILTER	FIXED
17	HDP	0-7	4	HD HORIZONTAL PHASE	FIXED
18	CDL	0-7	5	C DELAY	FIXED
19	HSSL	0-15	12	H SYNC SLICE LEVEL	FIXED
20	VSSL	0-15	8	V SYNC SLICE LEVEL	FIXED
21	HPLF	0,1	1	H PLL FILTER	FIXED
22	BPLF	0,1	0	BURST PLL FILTER	FIXED
23	FSCF	0,1	1	FSC FILTER GAIN	FIXED
24	PLFG	0,1	1	PLL FILTER GAIN	FIXED
25	EXAD	0,1	0	EXTERNAL AD IN	FIXED
26	MSS	0,1	0	FORCED MOTION SIGNAL	FIXED
27	COUT	0-3	3	C SIGNAL OUTPUT	FIXED
28	YAPS	0-3	1	Y APERTURE	FIXED
29	NSDS	0-3	0	NON STD SIGNAL DETECT.	FIXED
30	CPP	0-3	2	CLAMP PULSE & AD RANGE	FIXED
31	YHCO	0-3	1	Y HIGH FREQ.SIGNAL CORING	FIXED
32	KILR	0-15	3	KILLER REFERENCE	FIXED
33	BGPS	0-15	4	BGP START POSITION	FIXED
34	BGPW	0-15	10	BGP WIDTH	FIXED
35	ADCL	0-3	1	AD CLOCK DELAY	FIXED
36	PWRF	0,1	0	PULSE WIDTH REFERENCE	FIXED
37	YHCG	0,1	0	Y HIGH FREQ.SIGNAL CORING 1/2 GAI	FIXED
38	CKG2	0,1	1	CLOCK GENERATOR TEST BIT N	FIXED
39	CKGE	0,1	0	CLOCK GENERATOR TEST BIT	FIXED
40	NSDS	0,1	0	NON STD SIGNAL DETECT	FIXED
41	SYPD	0,1	0	MEMORY POWER DOWN	FIXED
42	CNRO	0,1	0	CHROMA NOISE REDUCT TEST BIT	FIXED
43	YNRK	0,1	0	Y NOISE REDUCT FILTER GAIN	FIXED
44	YNRI	0,1	0	Y NOISE REDUCT FILTER CONV.	FIXED
45	YNRL	0-3	1	Y NOISE REDUCT FILTER LIMIT	FIXED
46	CNRK	0,1	0	CHR. NOISE REDUCT FILTER GAIN	FIXED
47	CNRI	0,1	0	CHR. NOISE REDUCT FILTER CONV.	FIXED
48	CNRL	0-3	1	CHROMA NOISE REDUCT LIMIT	FIXED
49	WSC	0-3	1	NOISE DETECTION CORING	FIXED

TONE (Tone Control)

ITEM NUMBER	ADJUSTMENT ITEM	DATA RANGE	STANDARD DATA	SERVICE DATA NAME	ADJUSTM'T SETTING
0	RBAS	0-63	61V (39) Others (31)	RESET VALUE BASS DATA	VARIABLE
1	RTRE	0-63	61V (35) Others (31)	RESET VALUE TREBLE DATA	VARIABLE
2	BBEH	0-15	10	BBE HIGH FREQUENCY	FIXED
3	BBEL	0-11	6	BBE LOW FREQUENCY	FIXED
4	LOOP	7	1	LOOP EFFECT	FIXED
5	SUFE	7	1	SURROUND EFFECT	FIXED

DAC (D/A Converter)

ITEM NUMBER	ADJUSTMENT ITEM	DATA RANGE	STANDARD DATA	SERVICE DATA NAME	ADJUSTM'T SETTING
0	UVSH	0-63	31	YUV SUB HUE	FIXED
1	UVSC	0-63	31	YUV SUB COLOR	FIXED

PIP (Picture In Picture)

ITEM NUMBER	ADJUSTMENT ITEM	DATA RANGE	STANDARD DATA	SERVICE DATA NAME	ADJUSTMT SETTING
0	FSEL	0-3	0	FIELD SELECT	FIXED
1	VACQ	0-15	2	VERTICAL ACQUISITION	VARIABLE
2	HACQ	0-15	4	HORIZONTAL ACQUISITION	VARIABLE
3	ISYS	0-3	0	INSET DISPLAY SYSTEM	FIXED
4	PSYS	0-3	0	PARENT SYSTEM	FIXED
5	FACT	0,1	0	FRAME MODE ACTIVATION	FIXED
6	HZM	0-7	0	HORIZONTAL ZOOM	FIXED
7	VPNR	0,1	0	V SYNC PULSE NOISE REDUCT	FIXED
8	VPDL	0-31	8	VERT SYNC PULSE DELAY	FIXED
9	FRSL	0,1	0	FRAME SELECT	FIXED
10	FRWH	0-7	2	FRAME WIDTH HORIZONTAL	FIXED
11	FRVW	0-3	1	FRAME WIDTH VERTICAL	FIXED
12	VERB	0,1	0	VERTICAL BLANKING MODE	FIXED
13	SELD	0-15	0	SELECT DELAY	FIXED
14	PCOR	0,1	1	POSITION CORRECTION	FIXED
15	CLDL	0-31	0	CLAMPING DELAY	FIXED
16	CLMD	0-3	3	CLAMPING DURATION	FIXED
17	CLMS	0-3	2	CLAMPING PULSE START	FIXED
18	POFV	0-7	(1)	POS. OFFSET FINE V VAR.	VARIABLE
19	POFH	0-31	(2)	POS. OFFSET FINE H VAR.	VARIABLE
20	VSHK	0-31	0	VERTICAL SHRINK	FIXED
21	HSHK	0-31	0	HORIZONTAL SHRINK	FIXED
22	CLPL	0-3	0	CLAMPING PULSE LENGTH	FIXED
23	REFI	0,1	0	REFRESH INTERVAL	FIXED

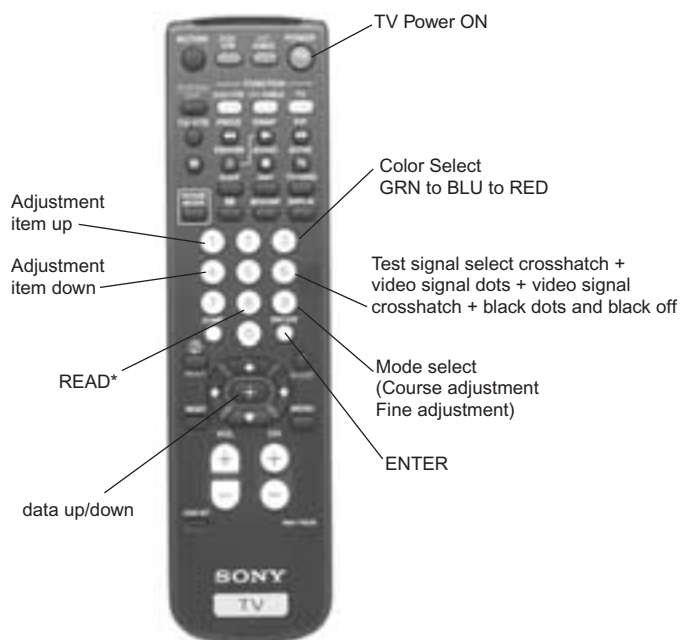
() = PREWRITE DATA

PYC

ITEM NUMBER	ADJUSTMENT ITEM	DATA RANGE	STD DATA	SERVICE DATA NAME	ADJ. SETTING
0	PSCN	0-15	(8)	PIP SUB CONTRAST	VARIABLE
1	PSC4	0-15	5	PIP SUB CONTRAST FOR VIDEO 4	FIXED
2	PHUE	0-63	(32)	PIP SUB HUE	VARIABLE
3	PCOL	0-15	(8)	PIP SUB COLOR	VARIABLE
4	PCL4	0-15	9	PIP SUB COLOR FOR VIDEO 4	FIXED
5	PBRT	0-15	1	PIP BRIGHTNESS	FIXED
6	PBT4	0-15	1	PIP BRIGHTNESS FOR VIDEO 4	FIXED
7	PYDR	0-255	192	PIP Y DRIVE	FIXED
8	PYD4	0-255	192	PIP Y DRIVE FOR VIDEO 4	FIXED
9	PUDR	0-255	180	PIP U DRIVE	FIXED
10	PUD4	0-255	180	PIP U DRIVE FOR VIDEO 4	FIXED
11	PVDR	0-255	120	PIP V DRIVE	FIXED
12	PVD4	0-255	120	PIP V DRIVE FOR VIDEO 4	FIXED
13	PYPD	0-15	1	PIP Y PEDESTAL	FIXED
14	PUPD	0-31	(15)	PIP U PEDESTAL	VARIABLE
15	PVPD	0-31	(15)	PIP V PEDESTAL	VARIABLE
16	AGCR	0,1	0	AUTO GAIN CONTROL RESET	FIXED
17	AGCM	0-3	3	AUTO GAIN CONTROL MODE	FIXED
18	AGCV	0-15	12	AUTO GAIN CONTROL VALUE	FIXED
19	AGC4	0-15	12	AUTO GAIN CNTRL FOR VIDEO 4	FIXED
20	LMOF	0-3	3	LUMINANCE OFFSET	FIXED
21	PLLI	0-3	0	INSET PLL TIME CONSTANT	FIXED
22	NRPL	0-3	0	NOISE REDUCTION INSET PLL	FIXED
23	PYDL	0-15	0	PIP Y/C DELAY	FIXED
24	CSTD	0-7	1	COLOR STANDARD	FIXED
25	CEXC	0-3	1	COLOR STANDARD EXCLUSION	FIXED
26	LKSP	0,1	0	STANDARD ID SPEED	FIXED
27	CKIL	0-3	0	COLOR KILLER THRESHOLD	FIXED
28	BGPS	0,1	0	BURST GATE PULSE START POS.	FIXED
29	CLON	0,1	0	COLOR ON	FIXED
30	ACCF	0,1	0	DISABLE AUTO CHROMA CONTROL	FIXED
31	IFFL	0-3	0	IF-COMPENSTATION FILTER	FIXED
32	STNR	0,1	0	SATELLITE NOISE REDUCTION	FIXED
33	FMAC	0,1	0	FRAME MODE ACTIVATION INSET	FIXED
34	CPLL	0,1	0	CHROMA PLL OFF	FIXED
35	SCAD	0-31	7	COLOR SUBCARRIER ADJ.	FIXED
36	FRMY	0-15	5	FRAME Y LEVEL	FIXED
37	YPEK	0-7	7	Y PEAKING ADJUSTMENT	FIXED
38	YCOR	0,1	0	Y CORING ENABLE	FIXED
39	CHBW	0-3	1	CHROMA BANDWIDTH	FIXED

() = PREWRITE DATA

2-10. REGISTRATION ADJUSTMENT (PJE) FUNCTION OF BUTTONS OF REMOTE COMMANDER FOR PJE MODE ONLY.

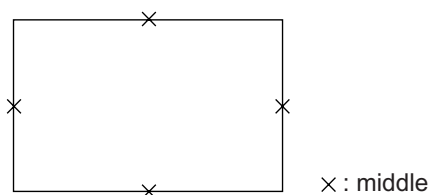


Resetting the set to the factory shipping condition: Press 8. "RESET" appears in green letters on the screen. Then press ENTER. This resets all customer adjustments, channel memories, and channel labels to the factory shipping settings.

Note: Internal patterns are used for geometry and convergence adjustments. However, sizing and centering must be done with the use of an external generator. The recommended pattern would be a monoscope, or equivalent pattern, which would provide the means to adjust both the linearity and the sizing of the picture. A cross-hatch pattern with sizing markers can be used in place of a monoscope.

SETUP FOR ADJUSTMENT

- Current flow in circuit should be stable before attempting adjustment. Wait 5 minutes after turning on power to the set.
- At the 4 sides of the screen, locate the middle. Use a tape measure to identify the middle.



NOTE: The following steps # 1 through 8 are "main" deflection adjustments for sizing and centering. "Main" deflection adjustments affect all three CRTs at the same time. The "sub"-deflection adjustments that follow are made for each CRT individually. If the centering and sizing is performed correctly in "main" deflection adjustments, only minor touchups may be required for the green CRT in "sub"-deflection adjustment mode.

A pattern from an external pattern generator **must** be used for the main deflection adjustments.

1. Enter the service mode by quickly pressing the keys on the remote commander in the standby mode in the following order:
Press "DISPLAY," 5, Volume +, and then "TV POWER"
2. Change from TV mode to video input mode.
3. Input a cross-hatch pattern from an external generator that allows you to properly center and size (over-scan) the pattern.
4. Select adjustment category "VPNT", adjustment item 0 "VPOS". Adjust the data so that the external pattern is centered vertically.
5. Select adjustment category "VPNT", adjustment item 1 "VSIZ". Adjust the data so that the external pattern is correctly sized vertically. "Correctly sized" means that the picture is overscanned by 7.5%, i.e. only 92.5% of the picture is on the viewable area of the screen. Confirm that the pattern is still correctly centered vertically.
6. Select adjustment category "VPNT", adjustment item 5 "HPOS". Adjust the data so that the external pattern is centered horizontally.
7. Select adjustment category "VPNT", adjustment item 6 "VSIZ". Adjust the data so that the external pattern is correctly sized horizontally. "Correctly sized" means that the picture is overscanned by 7.5%, i.e. only 92.5% of the picture is on the viewable area of the screen. Confirm that the pattern is still correctly centered horizontally.
8. Write the new sizing and centering data to memory by pressing "MUTING" and then "ENTER".
9. Change the VPNT mode to "PJE 00 FDIS" (press "2" on the remote until "PJE" appears on the top left corner of the screen). If "FDIS" is not displayed below "PJE", press "4" until it does appear.

PJE	00	00
FDIS		

10. Press the remote joystick button up arrow to set the FDIS data to "01" to display the registration data of each area of the screen in the fine adjustment mode.

PJE	00	01
FDIS		

11. Press 6 to display the test signal (crosshatch) on the screen.
12. Select GRN CENT(*) with the 1 and 4 keys on the remote commander.

	(H)	(V)
GRN	###	###
CENT		

- *: In the factory preset, "GRN CENT" appears on the screen first. To change the color to red or blue, press the 3 key.
- 13. Cover the red and blue picture lenses with lens caps to allow only green to show, or use the method shown in the note below to turn the CRTs off individually.

Display	Adjustment item	Adjustment type		
		G	R	B
		H/V*	H/V*	H/V*
CENT	CENTER	-/-	O/O	O/O
SKEW	SKEW	O/O	O/O	O/O
SIZE	SIZE	-/-	O/O	O/O
LIN	LINEARITY	-/-	O/-	O/-
KEY	KEY STONE	-/-	-/O	-/O
PIN	PIN CUSHION	-/O	-/O	-/O

* H = Horizontal V = Vertical O = Yes - = No

Note: If lens caps are unavailable, you can cut off the unnecessary color beams in the service mode by individually changing the data from "1" to "0" in category VPNT, item 28 RON (red), item 29 GON (green), or item 30 BON (blue).

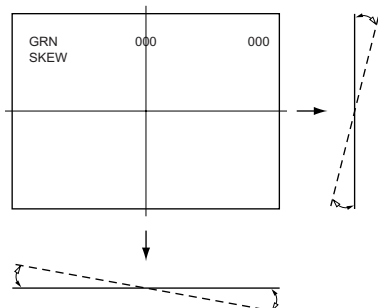
2-11. GREEN REGISTRATION ADJUSTMENT

GREEN CENTER, GREEN SIZE

The sizing and centering that was performed in the previous section (section 2-10) should have correctly sized and centered the green CRT. The sizing and centering (coarse adjustment mode) of the red and blue CRTs in following sections are performed so that the red and blue patterns overlay the green pattern as close as possible prior to the fine mode adjustments. The fine-mode adjustments are made for all 3 colors so that the cross-hatch lines are straight vertically and horizontally, and the linearity and convergence is correct.

GREEN SKEW

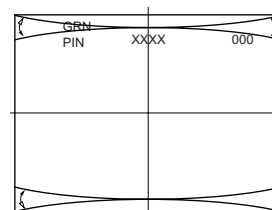
1. Display a cross-hatch pattern from an external generator.
2. Confirm that category "PJE" is selected (refer to step 9 in the previous section, section 2-10).
3. Make sure that only the external pattern is displayed. If the internal cross-hatch is displayed, press the 6 button on the remote until only the external pattern is displayed.
4. Select GRN SKEW with the 1 and 4 buttons on the remote commander.
5. Using the joystick buttons on the remoter commander, adjust the crosshatch lines so that they go straight vertically and horizontally, not slanting.



6. Press "MUTING" then "ENTER" to write the new adjustment data into memory.

GREEN PINCUSHION

1. Select GRN PIN with the 1 and 4 buttons on the remote commander.
2. Adjust the top and bottom crosshatch lines so that they are straight.



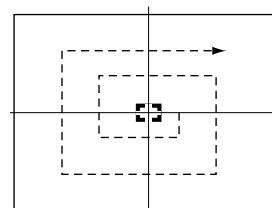
Note: These are required when either severe misadjustment or data loss has occurred.

3. Press "MUTING" then "ENTER" to write the new adjustment data into memory.

GREEN FINE ADJUSTMENT

Press "MUTING" then "ENTER" often during the fine adjustment mode to save the adjustment data.

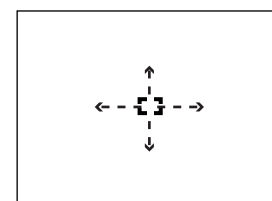
1. Press the 6 button until the external pattern disappears and the TV's internal cross-hatch pattern appears.
2. Press the 9 button on the remote commander to shift to the fine adjustment mode. The green cursor will appear in the center of the screen.
3. Use the 1 and 4 buttons on the joystick on the remote commander to move the cursor (see below) to each area of the screen that you want to adjust, and adjust with the joystick arrow buttons on the remote.



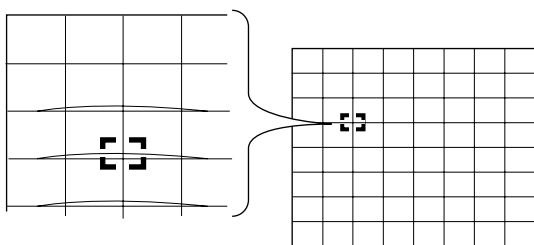
Cursor movement by the 1 and 4 keys:

Alternative method of moving the cursor.

Press the joystick center button once which will cause the cursor to change from green to white. When the cursor is white you can move it up or down, left or right, by using the joystick arrow buttons.



4. Press the joystick center button once; the cursor will return to green (or red or blue, depending on the previously selected color). When the cursor is green, you can adjust the geometry of the area surrounding the cursor by using the joystick arrow buttons.



5. Press the 9 button on the remote commander to return to the coarse adjustment mode. If you need to return to the fine mode, just press the 9 button again, and the cursor will change from white to green or blue or red.
6. After the green lines are all straight, press “MUTING” and then “ENTER” to save the adjustment data.

2-12. RED REGISTRATION ADJUSTMENT

RED CENTER, SKEW

1. Cover the blue picture lens with a lens cap to allow green and red to show (or use the method shown in the note below).
2. Press the 3 button on the remote commander to change the GRN mode to the RED mode.
3. Select RED CENT or RED SKEW with the 1 and 4 buttons on the remote commander and adjust while tracking each one alternately.
4. Adjust the red crosshatch lines using the joystick arrow buttons, so that they are straight vertically and horizontally, and overlap the green lines.
5. Press “MUTING” and then “ENTER” to save the adjustment data.

Note: If lens caps are unavailable, you can cut off the unnecessary color beams in the service mode by individually changing the data from “1” to “0” in category VPNT, item 28 RON (red), item 29 GON (green), or item 30 BON (blue).

RED SIZE, LINEARITY

1. Alternately select RED SIZE (vertically and horizontally) or RED LIN (vertically) with the 1 and 4 buttons on the remote commander and adjust while tracking each one alternately.
2. Adjust the red crosshatch lines with the joystick on the remote commander until they are straight vertically and horizontally and they overlap the green lines.

RED KEY, PINCUSHION

1. Select RED KEY or PINCUSHION with the 1 and 4 buttons on the remote commander and adjust each one while tracking each other.
2. Using the joystick arrow buttons, adjust the red crosshatch lines so that they are straight horizontally and vertically, and they overlap the green lines.

Note: These are required when either severe mis-adjustment or data loss occurred.

3. Press “MUTING” and then “ENTER” to save the adjustment data.

FINE ADJUSTMENT

1. Press the 9 button on the remote commander to shift to the fine adjustment mode; the red cursor appears at the center of the screen. If the cursor is not red, press the 3 button until it is red.
2. Use the 1 and 4 buttons on the remote commander to move the cursor to each area of the screen you want to adjust.
3. Press “MUTING” and then “ENTER” to save the adjustment data.

2-13. BLUE REGISTRATION ADJUSTMENT

1. Remove the lens cap from the blue picture lens to show all colors (or use the method shown in the note above to turn on all 3 CRTs).
2. Press the 3 button on the remote commander to shift the RED mode to the BLU mode.
3. Adjust BLU CENT, BLU SKEW, BLU SIZE, BLU LIN, BLU KEY and BLU PIN the same way as the red registration adjustment.

FINAL CHECK- IMPORTANT

This must be performed before leaving the service mode!

1. Store the final adjustment data by pressing MUTING and then ENTER.
2. Press the FLASH FOCUS button on the front panel.
3. If an error message appears, refer to the following.

If an error code is displayed after the set has been correctly adjusted, check the following items: position, tilt and sizing. If any of these adjustments are off, even slightly, the auto-registration pattern will not hit the four sensors properly. This occurs when the internal generator patterns are being flashed on the screen for the sensors to read. Therefore, auto registration (called auto-focus) cannot operate properly, causing an error code to be displayed. In order for this function to operate properly, position, tilt and size must be adjusted properly.

Note: In case of replacing CRTs, adjust the set-up adjustments (items 2-1 to 2-8) and the registration adjustment (item 2-10). In the case of replacing multiple CRTs at the same time, replace and adjust them individually.

2-14. AUTO REGISTRATION ERROR CODE LIST

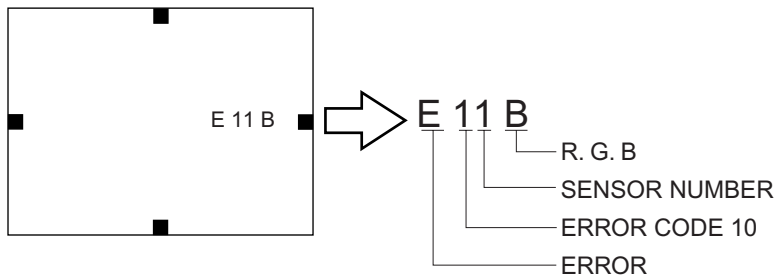
If an error code is displayed after the set has been correctly adjusted, check the following items: position, tilt and sizing. If any of these adjustments are off, even slightly, the auto-registration pattern will not hit the four sensors properly. This occurs when the internal generator patterns are being flashed on the screen for the sensors to read. Therefore, auto registration (called auto-focus) cannot operate properly, causing an error code to be displayed. In order for this function to operate properly, position, tilt and size must be adjusted properly.

ERROR CODE LIST

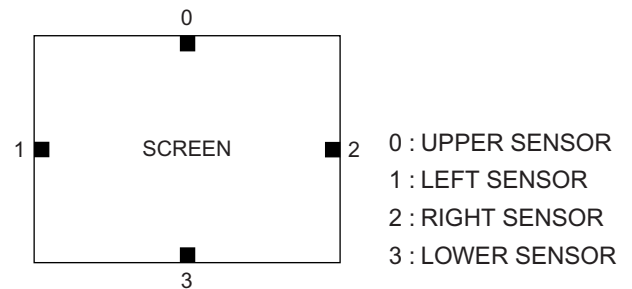
ERROR CODE	DESCRIPTION	NOTE
00	No Error	
10	Sensor Output Level Low	* Check wiring, beam position, sensor 0 : Upper Center 1 : Middle Left 2 : Middle Right 3 : Lower Center
20	Sensor Output Level High	* Check OP-amp circuit 0 : Upper Center 1 : Middle Left 2 : Middle Right 3 : Lower Center
30	Adjustment Loop Counter Overflow	* Check the registering information on the convergence board
40	Regi Data Overflow	* Check the convergence yoke driver ICs.
50	Regi Data Overflow	
60	Offset Overflow	* Convergence patterns displayed are out of normal range.
70	Offset Overflow	

* In the case of multiple errors, last error is displayed.

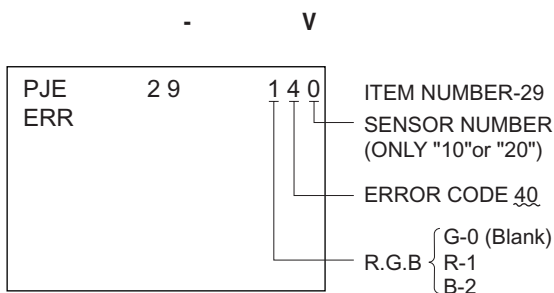
• ERROR CODE SCREEN DISPLAY



SENSOR POSITION




* Error code will be displayed at the center of screen for 3





SECTION 3: SAFETY-RELATED ADJUSTMENTS

G BOARD

3-1. HV REGULATION CIRCUIT CHECK AND ADJUSTMENT

When replacing the following components marked with a  on the schematic diagram always check the HV regulation, and if necessary re-adjust.

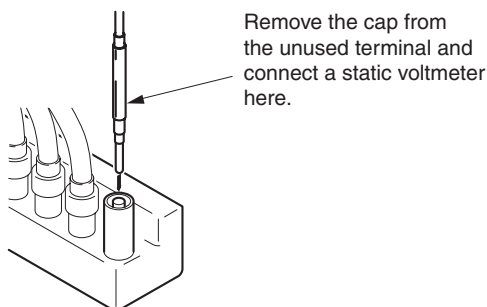
-  : C517
-  : C517, C521, C522, IC654, L504, T502, T504 (FBT), DY, A board, G board

OPERATION CHECK of 31.0KV +1.0 KV DC/ -2.5 KV DC


1. Connect an HV static voltmeter to the unused socket of the high-voltage block. (Fig. 3-1)
2. Power on the set.
3. Display a dot pattern through the VHF/UHF input (PICTURE and BRIGHTNESS set to minimum)
4. Check that the HV static voltmeter is reading 31.00 KV +1.0 KV DC / -2.5 KV DC.



HV Regulation adjustment

1. Connect a HV static voltmeter to the unused socket of the high-voltage block.
2. Power on the set.
3. Display a dot pattern through the VHF/UHF input (PICTURE and BRIGHTNESS to minimum).
4. If anode voltage is 31.95kV or higher, change the value of C517 from 470pF/2kV to 1,000pF/2kV, and confirm that the high voltage is within the range specified above.
5. If anode voltage is 29.45kV or lower, change the value of C517 from 470pF/2kV to 100pF/2kV, and confirm that the high voltage is within the range specified above.



3-2. HV HOLD DOWN CIRCUIT OPERATION CHECK AND ADJUSTMENT

When replacing the following components marked with a  on the schematic diagram always check the hold-down voltage and re-adjust when necessary.

-  : R536, R545
-  : C516, C536, D506, D507, D522, IC206, IC502, IC654, L504, R511, R522, R536, R538, R545, R548, R584, T502, T504 (FBT), DY, A board, G board

OPERATION CHECK

1. Unplug connector CN652.
2. Connect an HV static voltmeter to the unused socket of the high-voltage block.
3. Connect a 220Ω/200W resistor, across pin 2 and pin 1 of CN652, and connect an external DC power supply (200V, class 2A) to pin 3 of CN652.
4. First, turn on the external power supply (+B=135V), then turn on the power to the set.
5. Display a dot pattern through the VHF/UHF input (PICTURE and BRIGHTNESS to minimum).
6. Gradually increase the value of the external DC power supply and check that the hold-down circuit operates at a static HV voltmeter reading of 33.5±1.0kVdc when the set shuts down.
7. Remove AC power from the set, then remove the 220Ω/200W resistor and reconnect CN652.

HV HOLD-DOWN ADJUSTMENT

1. Repeat steps 1-8 above.
2. If hold-down voltage is 34.5kV or higher, remove R536, mount a resistor (150kΩ, 1/4W : RN) onto R545 instead, and check again if the hold-down voltage is within the standard range.
3. If hold-down voltage is 32.5kV or lower, mount a resistor (220kΩ, 1/4W : RN) onto R536 and check again if the hold-down voltage is within the standard range.

NOTE: Finish the adjustment as soon as possible.

3-3.+B MAX VOLTAGE CONFIRMATION

The following adjustments should always be performed when replacing IC654.

1. Supply 130V +/- 2V AC to the set.
2. Display a dot pattern through the video-1 input.
3. Set the PICTURE control and the BRIGHTNESS control to minimum.
4. Confirm the voltage of G BOARD test point TP135V is less than 137.0Vdc.
5. If step 4 is not satisfied, replace IC654 and repeat above steps.

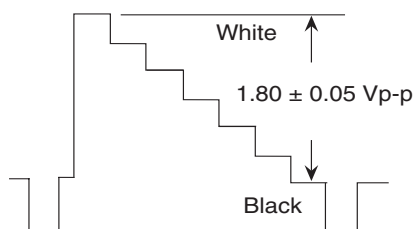
3-4.+B OVP CONFIRMATION

1. Connect the voltmeter between test point TP OVP and ground.
2. Supply 120VAC to the set using an isolation transformer.
3. Set an adjustable external 150-Volt DC power supply to 120 VDC, and connect it to test point OVP.
4. Power on the set.
5. Set PICTURE and BRIGHTNESS controls to minimum.
6. Gradually adjust the external DC supply towards 150 VDC, and make sure the set shuts down when the external supply's voltage is between 139 VDC and 159 VDC.

SECTION 4: CIRCUIT ADJUSTMENTS

4-1.TV INPUT SUB CONTRAST ADJUSTMENT (VPNT-SCON)

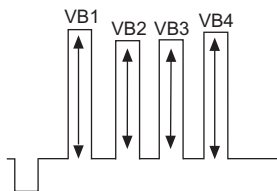
1. Display a color bar signal through the TV's VHF/UHF input.
2. Mode: Personal 1 or 2
 PICTURE:..... maximum COLOR:.....minimum
 BRIGHTNESS:..... center COLORTEMP:.....neutral
3. Enter the service mode.
4. Turn off the blue and red CRTs by changing the data from "1" to "0" in category VPNT item 28 RON (red), and item 30 BON (blue). If this step is not followed, the ABL circuit may prevent you from adjusting the peak-to-peak amplitude to 1.8 V.
5. Connect an oscilloscope between pin 7 of CN204 (A board) and ground.
6. Select adjustment category "VPNT" adjustment item 19 "SCON", and adjust using the 3 or 6 button on the remote so that the wave form level is 1.80 ± 0.05 Vp-p.



7. Press "MUTING" and then "ENTER" to save the adjustment data.

4-2.VIDEO INPUT SUB-HUE AND SUB-COLOR ADJUSTMENT (VPNT-SHUE, SCOL)

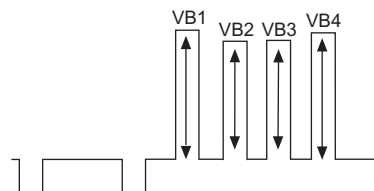
1. Display a color bar signal through a video input.
2. Mode: Personal 1 or 2
 PICTURE:..... maximum COLOR:.....center
 BRIGHTNESS:..... center COLORTEMP:.....neutral
3. Enter the service mode.
4. Connect an oscilloscope between pin 5 of CN204 (A board) and ground.
5. Alternately select adjustment category "VPNT" adjustment item #20 "SHUE" and item #21 "SCOL", and adjust them so that VB1 = VB4, and VB2 = VB3 as shown below.



6. Add 2 to the adjusted value of "SCOL".
7. Press "MUTING" and then "ENTER" to save the adjustment data.

4-3.COMPONENT INPUT SUB-HUE AND SUB-COLOR ADJUSTMENT (DAC-UVSH, UVSC)

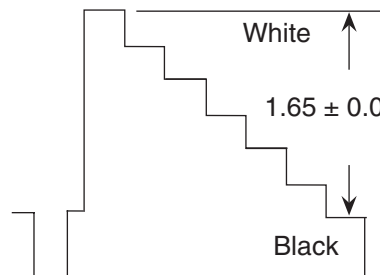
1. Select VIDEO 4 and display a color bar signal.
2. Mode: Personal 1 or 2
 PICTURE:..... maximum COLOR:.....center
 BRIGHTNESS:..... center COLORTEMP:.....neutral
3. Enter the service mode.
4. Connect an oscilloscope between pin 5 of CN204 (A board) and ground.
5. Alternately select adjustment category "DAC", adjustment item # 0 "UVSH" and item #1 "UVSC" and adjust them so that VB1 = VB4 and VB2 = VB3 as shown below.



6. Press "MUTING" and then "ENTER" to save the adjustment data.

4-4.PIP SUB CONTRAST ADJUSTMENT (PYC-PSCN)

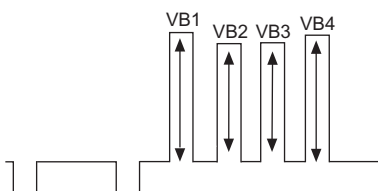
1. Display a color bar signal through the TV's VHF/UHF input.
2. Mode: Personal 1 or 2
 PICTURE:..... maximum COLOR:.....minimum
 BRIGHTNESS:..... center COLORTEMP:.....neutral
3. Enter the service mode, and then select the PIP (Picture-in-Picture) mode.
4. Select an unused video input for the main picture (it must be black), and select the tuner for the small picture (it must be showing colorbars).
5. Connect an oscilloscope between pin 7 of CN204 (A board) and ground.
6. Select adjustment category "PYC", adjustment item # 0 "PSCN" and adjust so that the peak-to-peak voltage is 1.65 ± 0.05 Vp-p as shown below.



7. Press "MUTING" and then "ENTER" to save the adjustment data.

4-5.PIP SUB-HUE , SUB-COLOR ADJUSTMENT (PYC-PHUE, PYC-PCOL)

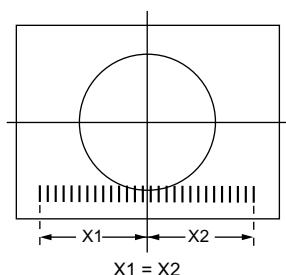
1. Display a color bar signal through the TV's VHF/UHF input.
2. Mode: Personal 1 or 2.
 PICTURE:..... maximum COLOR:.....center
 BRIGHTNESS:..... center COLORTEMP:.....neutral
3. Enter the service mode and select the PIP mode.
4. Connect an oscilloscope between pin 5 of CN204 (A board) and ground.
5. Select an unused video input for the main picture (it **must** be black), and select the tuner for the small picture (it **must** be showing colorbars).
6. Alternately select adjustment category "PYC", adjustment item # 2 "PHUE" and item #3 "PCOL" and adjust them so that VB1 = VB4 and VB2 = VB3 as shown below.



7. Press "MUTING" and then "ENTER" to save the adjustment data.

4-6.USER-CONTROL BAR GRAPH DISPLAY POSITION ADJUSTMENT (OP-DISP)

1. Select the video-1 input with no signal applied (the screen should be black).
2. Enter the service mode.
3. Press the "Volume +" button so that the volume bar graph is displayed.
4. Check to make sure the bar graph is centered on the screen horizontally. If necessary, select adjustment category "OP", adjustment item # 0 "DISP", and adjust so that the bar graph is centered. Adjust the data 1 step at a time, and then display the bar graph again to check its position.



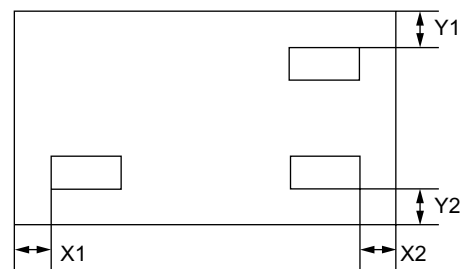
5. Write the data into memory, press "MUTING" and then "ENTER".

4-7.PIP POSITION ADJUSTMENT (PIP-POFV, POFH)

1. Select the PIP mode.
2. Display any signal in the PIP window.
3. Alternately select adjustment category "PIP", adjustment item # 18 "POFV" and item #19 "POFH" and adjust so that the PIP window is equally spaced from the screen edge in each position on the screen as shown below. Use the POSITION button on the remote to change the screen position of the PIP window.

$$X1-X2 \leq 0.25 \text{ sq}$$

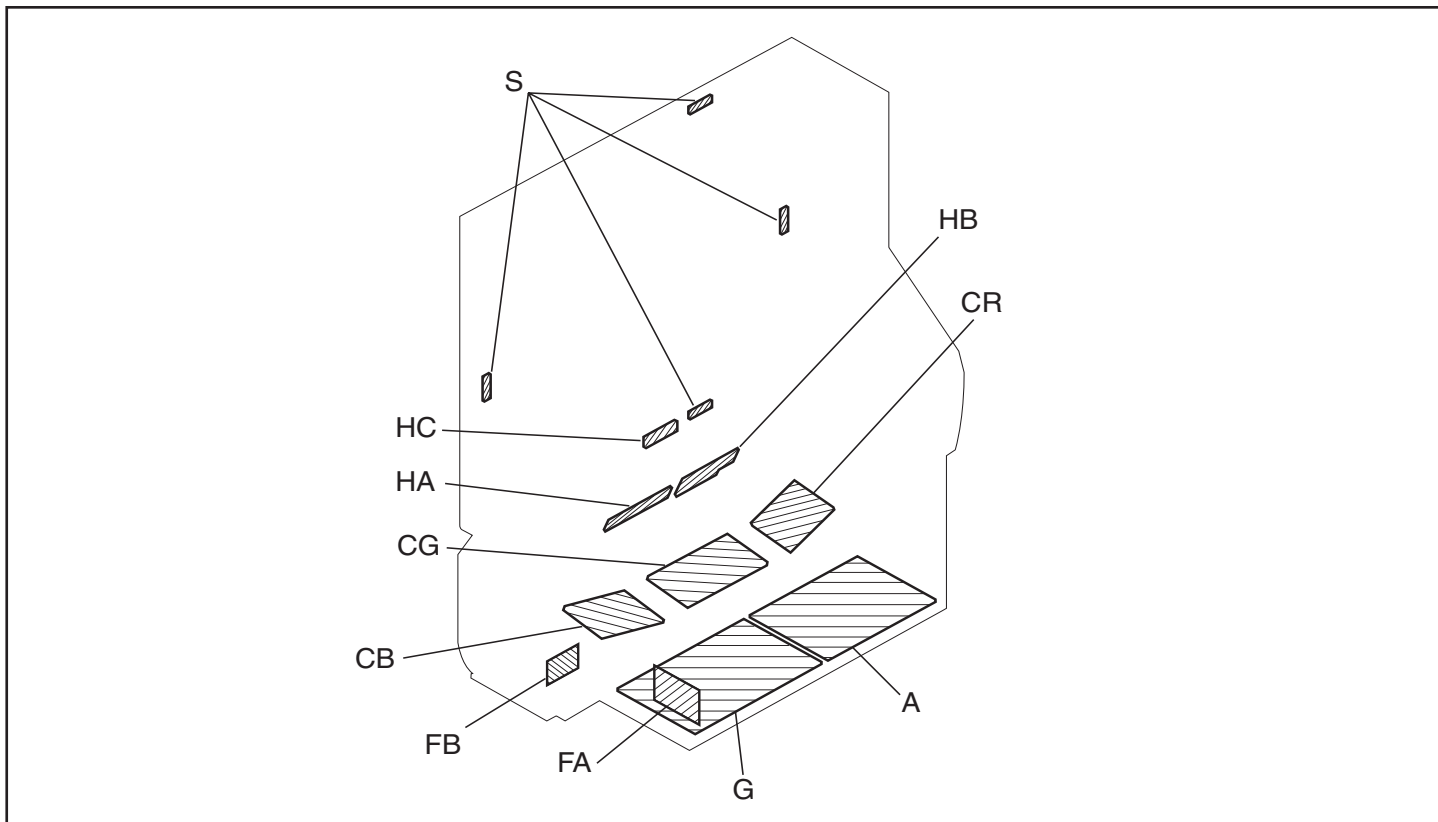
$$Y1-Y2 \leq 0.25 \text{ sq}$$



4. Write the data into memory, press "MUTING" and then "ENTER".

SECTION 5: DIAGRAMS

5-1. CIRCUIT BOARDS LOCATION



5-2. PRINTED WIRING BOARDS AND SCHEMATIC DIAGRAMS INFORMATION

All capacitors are in μF unless otherwise noted. pF : μF 50VV or less are not indicated except for electrolytics and tantalums.

All electrolytics are in 50V unless otherwise specified.

All resistors are in ohms. K=1000, M=1000k

Indication of resistance, which does not have one for rating electrical power, is as follows: Pitch : 5mm

Rating electrical power : $\frac{1}{4}$ W

$\frac{1}{4}$ W in resistance, $\frac{1}{10}$ W and $\frac{1}{8}$ W in chip resistance.

: nonflammable resistor.

: fusible resistor.

: internal component.

: panel designation and adjustment for repair.

All variable and adjustable resistors have characteristic curve B, unless otherwise noted.

Readings are taken with a NTSC color-bar signal input.

Readings are taken with a 10M digital multimeter.

Voltages are DC with respect to ground unless otherwise noted.

Voltage variations may be noted due to normal production tolerances.

All voltages are in V.

S : Measurement impossibility.

: B+ line

: B-line. (Actual measured value may be different).

: signal path. (RF)

Circled numbers are waveform references.

The components identified by in this basic schematic diagram have been carefully factory-selected for each set in order to satisfy regulations regarding X-ray radiation. Should replacement be necessary, replace only with the value originally used.

When replacing components identified by , make the necessary adjustments as indicated. If the results do not meet the specified value, change the component identified by and repeat the adjustment until the specified value is achieved.

(Refer to adjustments in Sections 3-1 and 3-2.)

When replacing the parts listed in the table below, it is important to perform the related adjustments.


Part Replaced ()		Adjustment ()
A BOARD & G BOARD:	C517, C521, C522, IC654, L504, T502, T504, DY	HV Regulator: (C517)
A BOARD & G BOARD:	C516, C536, D506, D507, D522, IC206, IC502, IC654, L504, R511, R522, R536, R538, R545, R548, R584, T502, T504, DY	HV HOLD-DOWN: (R536, R545)

REFERENCE INFORMATION


RESISTOR	: RN	METAL FILM
	: RC	SOLID
	: FPRD	NONFLAMMABLE CARBON
	: FUSE	NONFLAMMABLE FUSIBLE
	: RW	NONFLAMMABLE WIREWOUND
	: RS	NONFLAMMABLE METAL OXIDE
	: RB	NONFLAMMABLE CEMENT
: ⓧ	ADJUSTMENT RESISTOR	
COIL	: LF-8L	MICRO INDUCTOR

CAPACITOR	: TA	TANTALUM
	: PS	STYROL
	: PP	POLYPROPYLENE
	: PT	MYLAR
	: MPS	METALIZED POLYESTER
	: MPP	METALIZED POLYPROPYLENE
	: ALB	BIPOLAR
: ALT	HIGH TEMPERATURE	
: ALR	HIGH RIPPLE	

The components identified by shading and ⚠ symbol are critical for safety. Replace only with part number specified.

The symbol  indicates a fast operating fuse and is displayed on the component side of the board. Replace only with fuse of the same rating as marked.

Les composants identifiés par un trame et une marque ⚠ sont critiques pour la securite. Ne les remplacer que par une piece portant le numero specifique.

Le symbole  indique une fusible a action rapide. Doit etre remplace par une fusible de meme yaleur, comme maque.

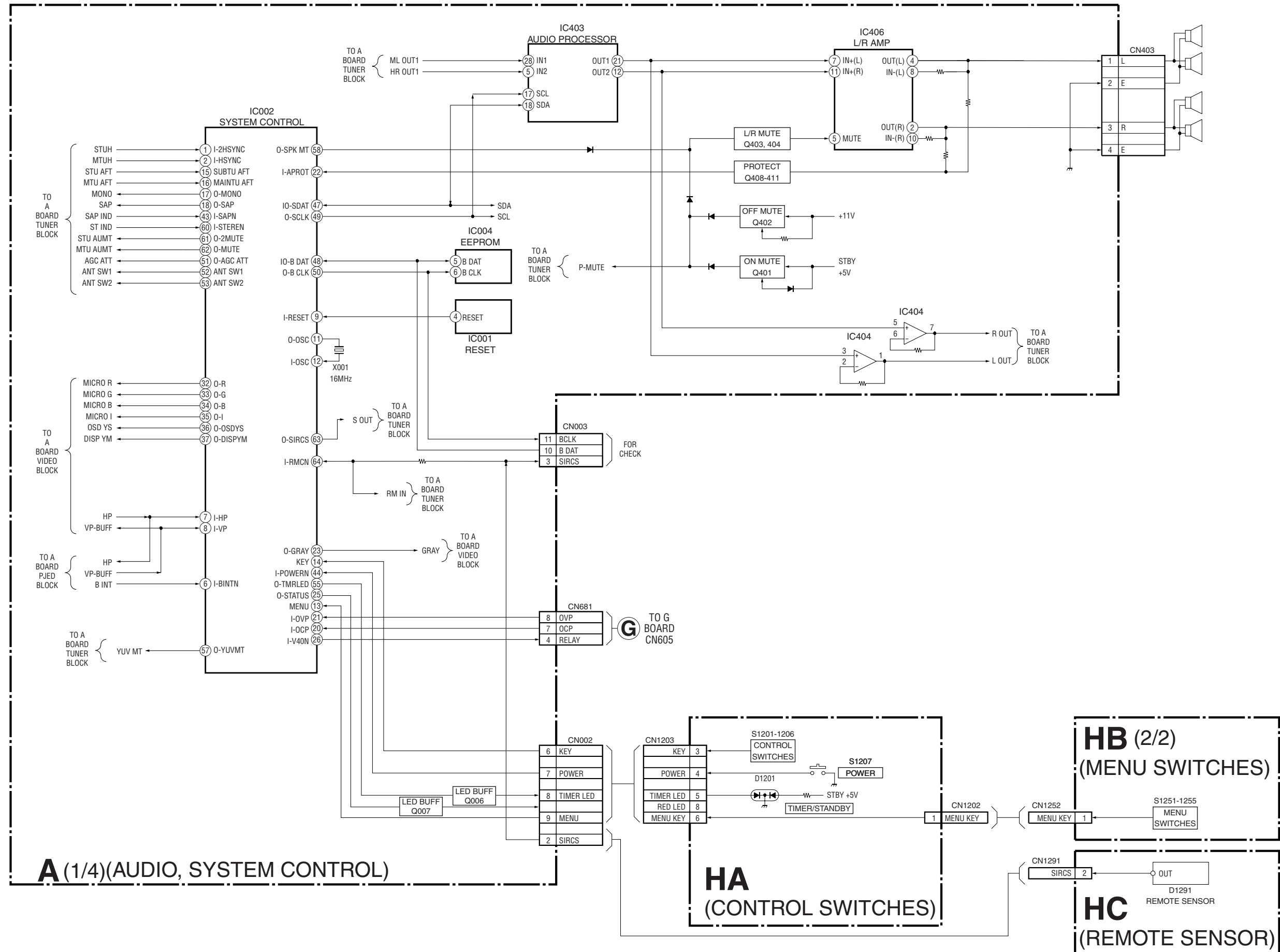
TERMINAL NAME OF SEMICONDUCTORS IN SILK SCREEN PRINTED CIRCUIT (*)

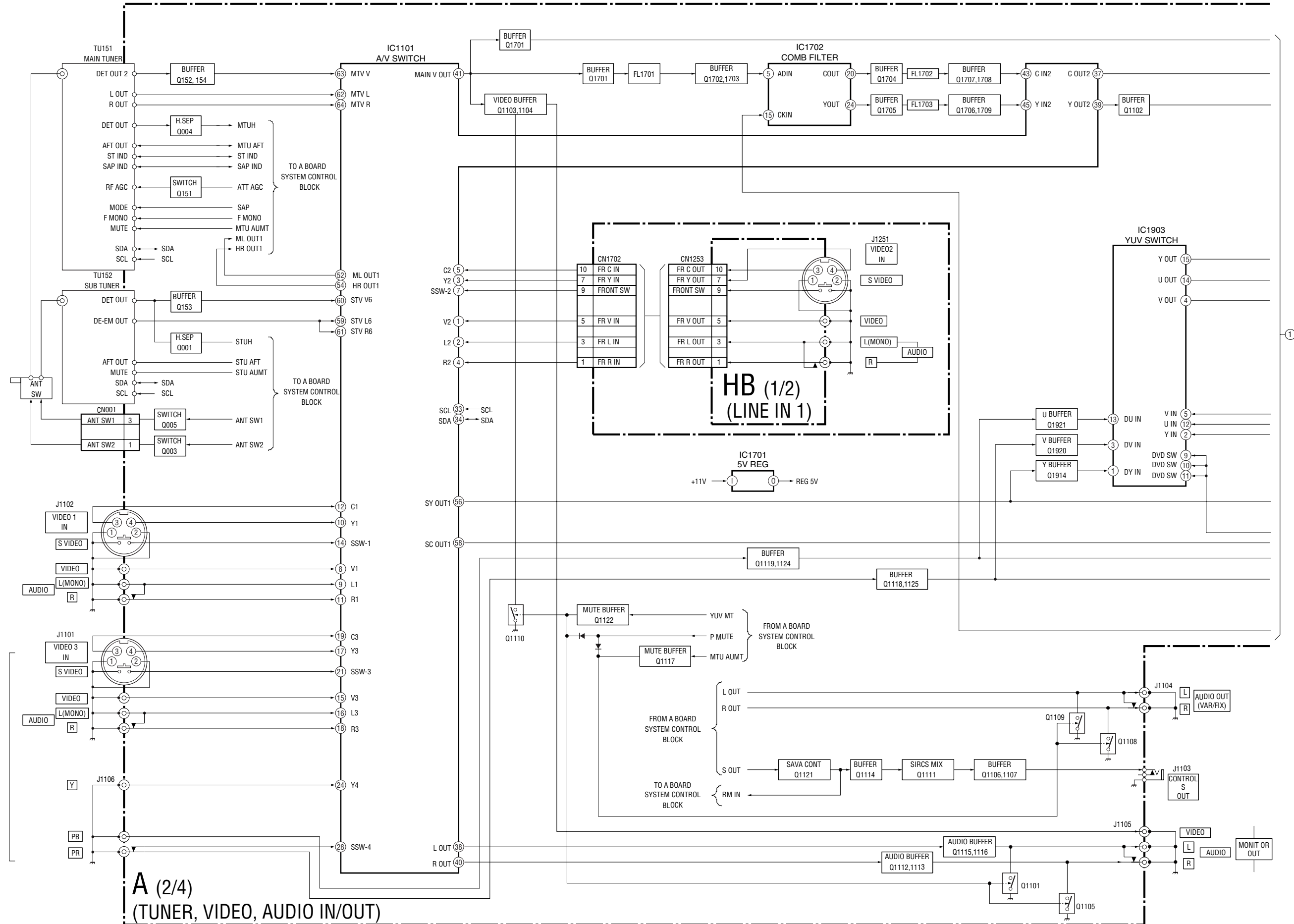
	Device	Printed symbol	Terminal name	Circuit
①	Transistor		Collector Base Emitter	
②	Transistor		Collector Base Emitter	
③	Diode		Cathode Anode	
④	Diode		Cathode Anode (NC)	
⑤	Diode		Cathode Anode (NC)	
⑥	Diode		Common Anode Cathode	
⑦	Diode		Common Anode Cathode	
⑧	Diode		Common Anode Anode	
⑨	Diode		Common Anode Anode	
⑩	Diode		Common Cathode Cathode	
⑪	Diode		Common Cathode Cathode	
⑫	Diode		Anode Cathode Anode Anode Cathode Anode	

	Device	Printed symbol	Terminal name	Circuit
⑬	Transistor (FET)		Drain Source Gate	
⑭	Transistor (FET)		Drain Source Gate	
⑮	Transistor (FET)		Source Drain Gate	
⑯	Transistor		Emitter Collector Base	
⑰	Transistor		C2(B1)E1 E2(B2)C1	
⑱	Transistor		C1(B2)E2 E1(B1)C2	
⑲	Transistor		C1 B2 E2 E1 B1 C2	
⑳	Transistor		C1 B2 E2 E1 B1 C2	
㉑	Transistor		E2 B1 E1 C2 C1(B2)	
㉒	Transistor		(B2) B1 E1 E2 C1 C2	
㉓	Transistor		(B2) E2 E1 B1 C2 C1	
-	Discrete semiconductor			

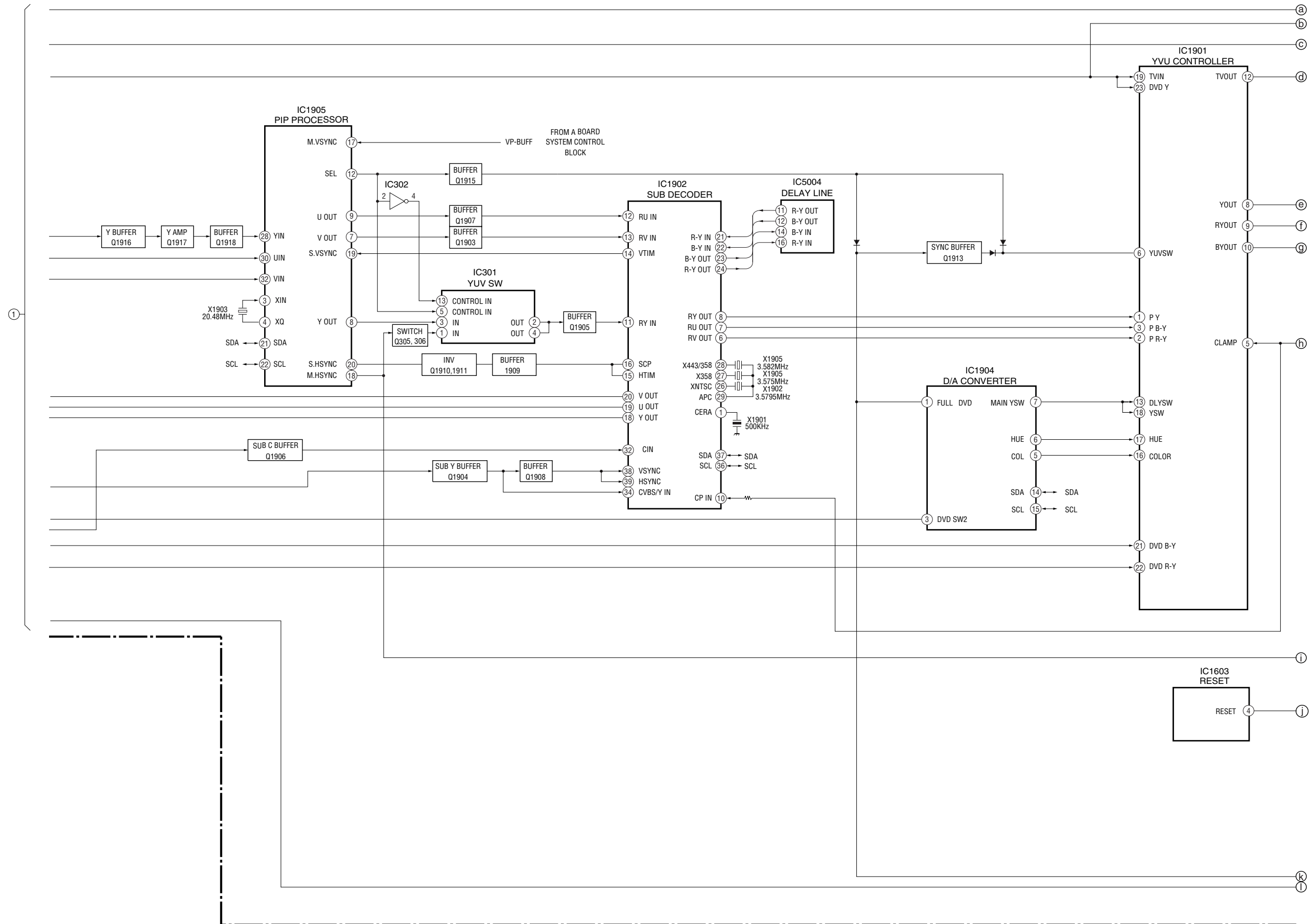
(Chip semiconductors that are not actually used are included.)

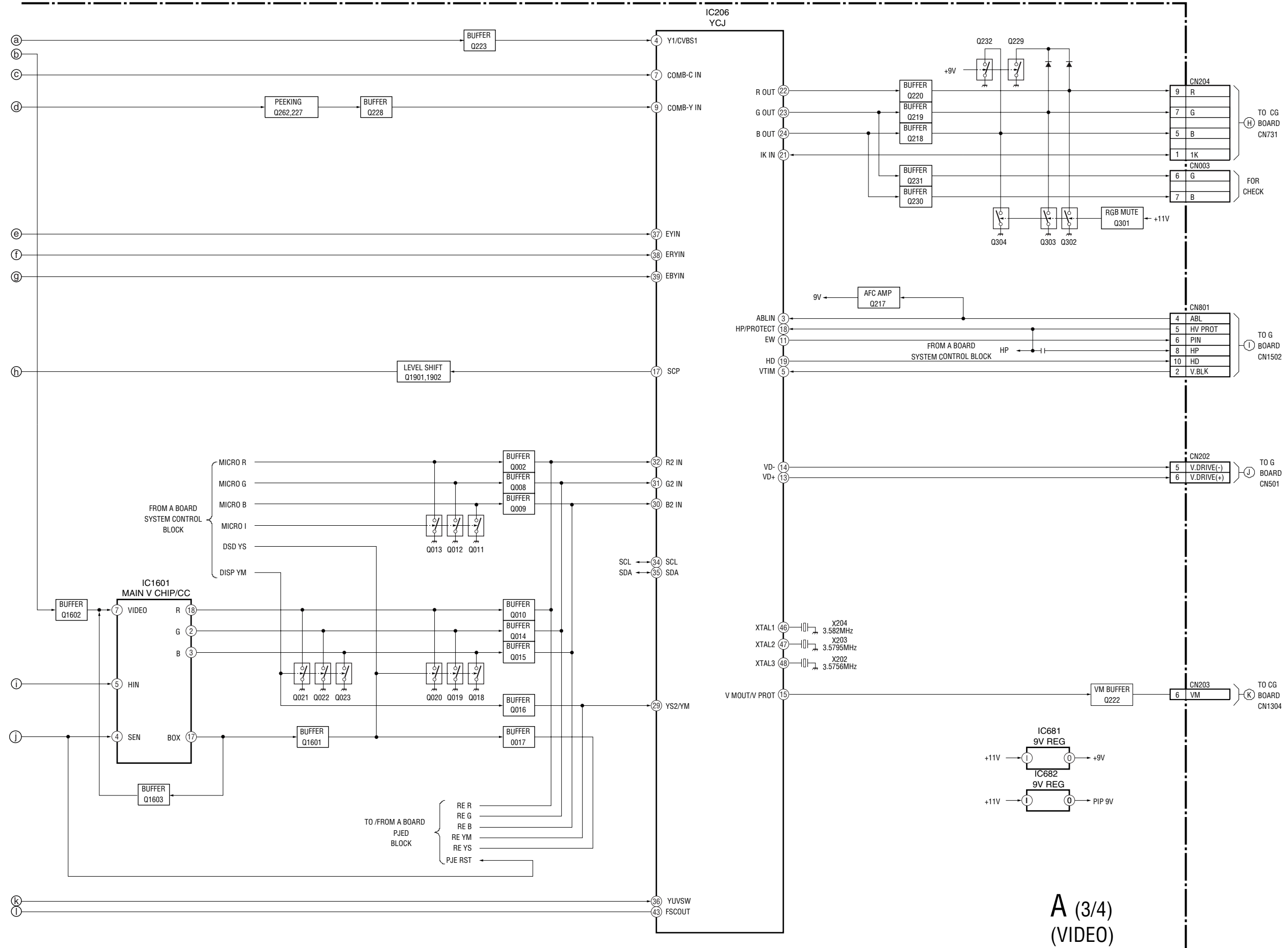
Ver.1.7





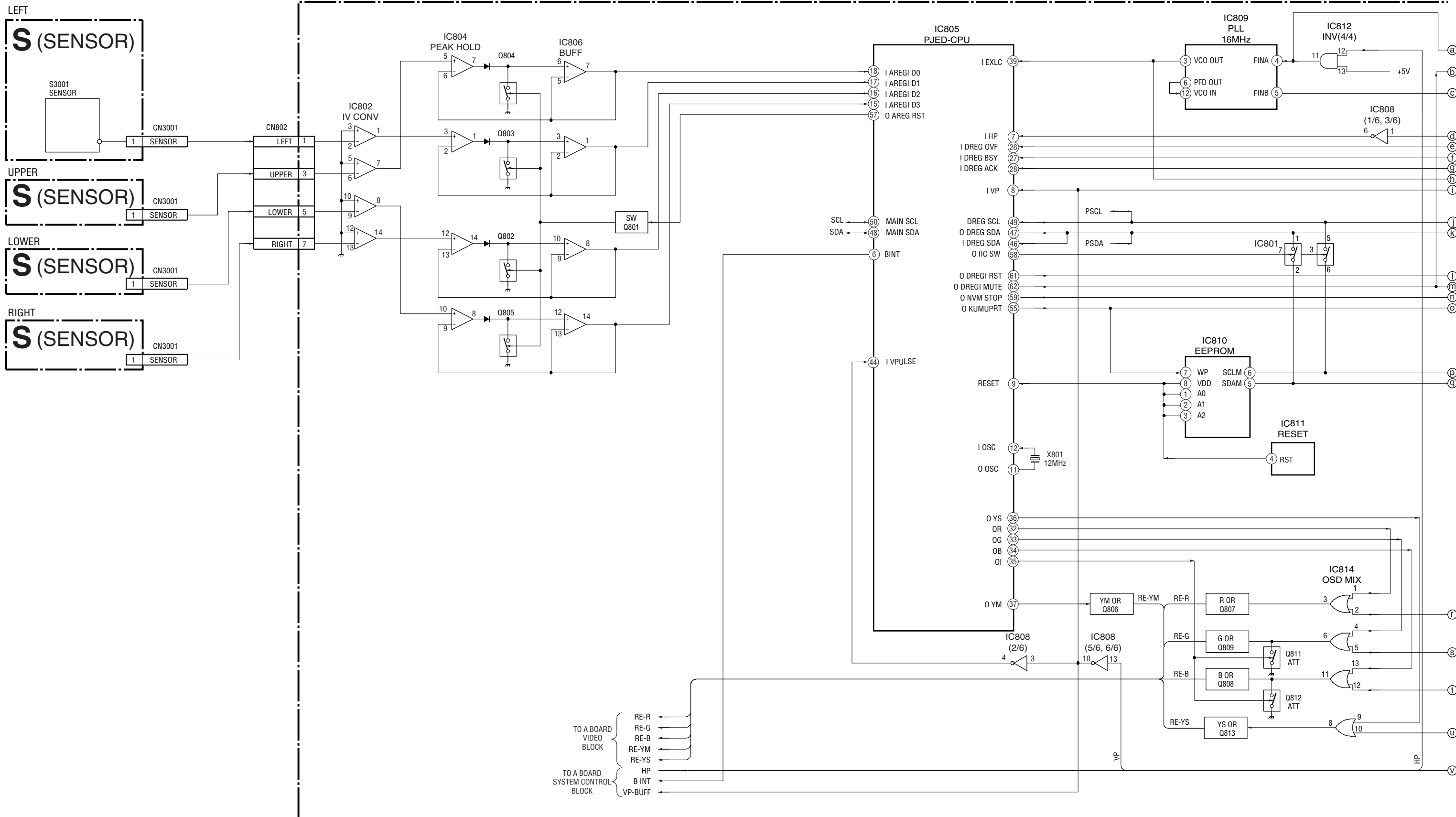
A (2/4)
(TUNER, VIDEO, AUDIO IN/OUT)

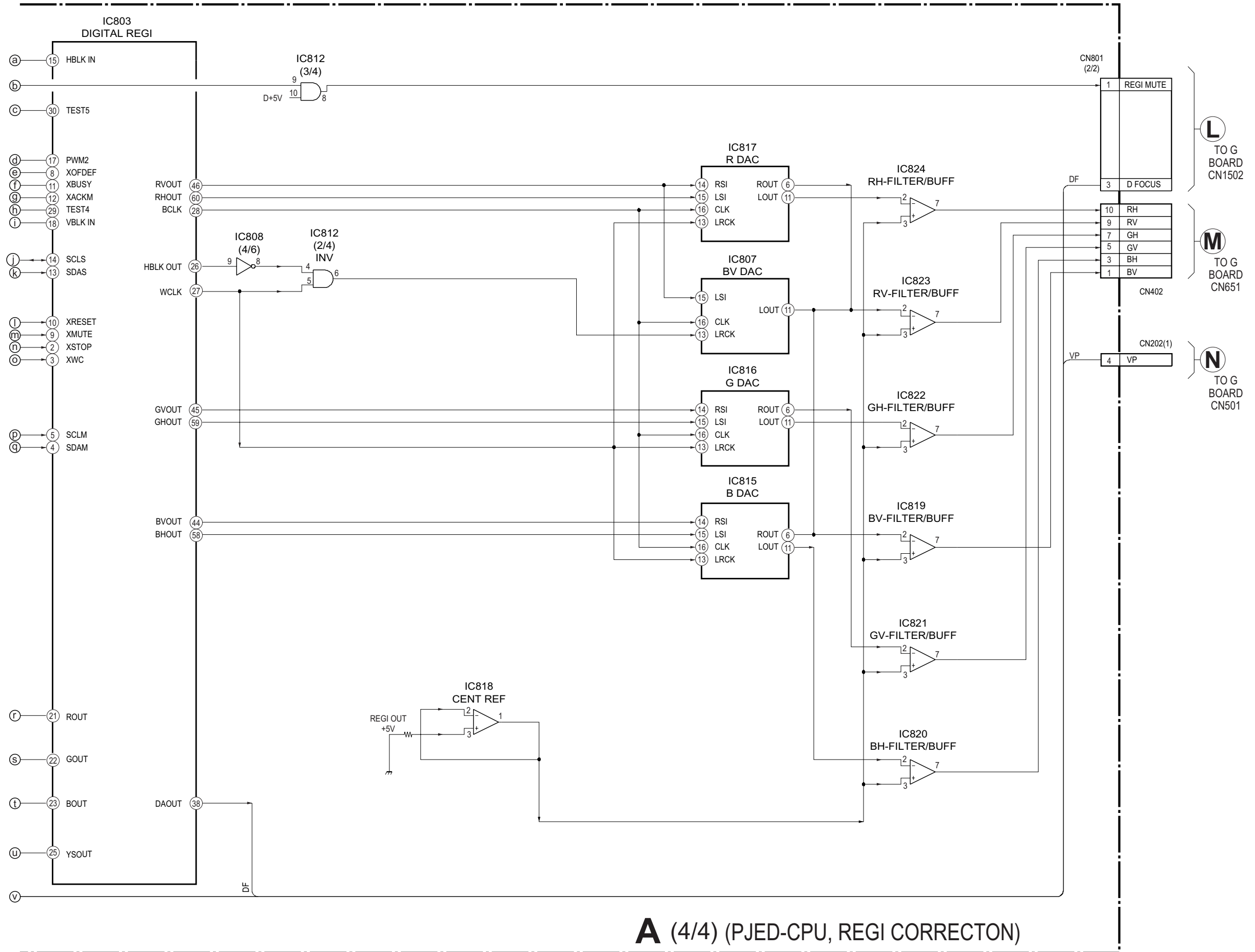




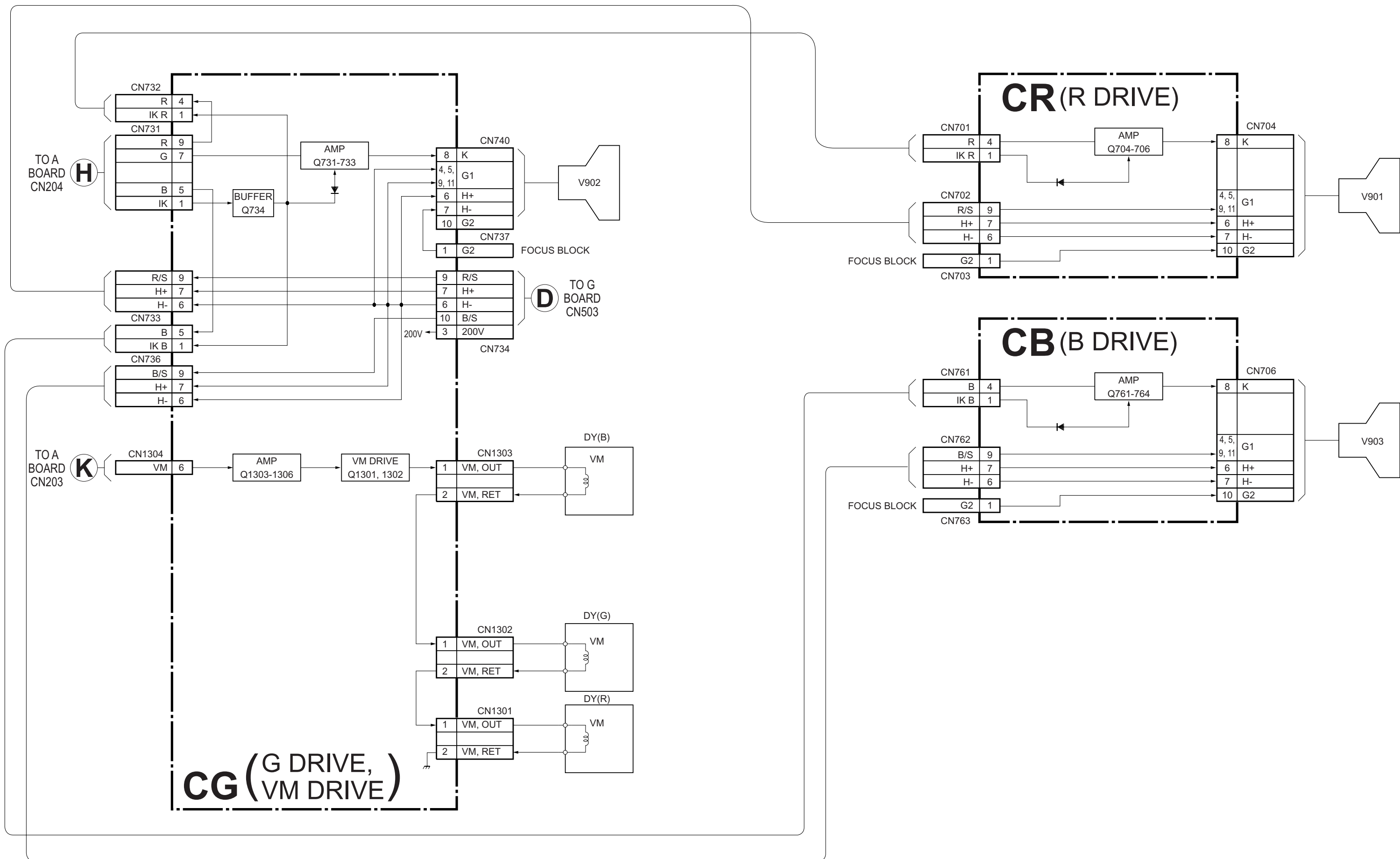
A (3/4)
(VIDEO)

BLOCK DIAGRAM (5 OF 8)

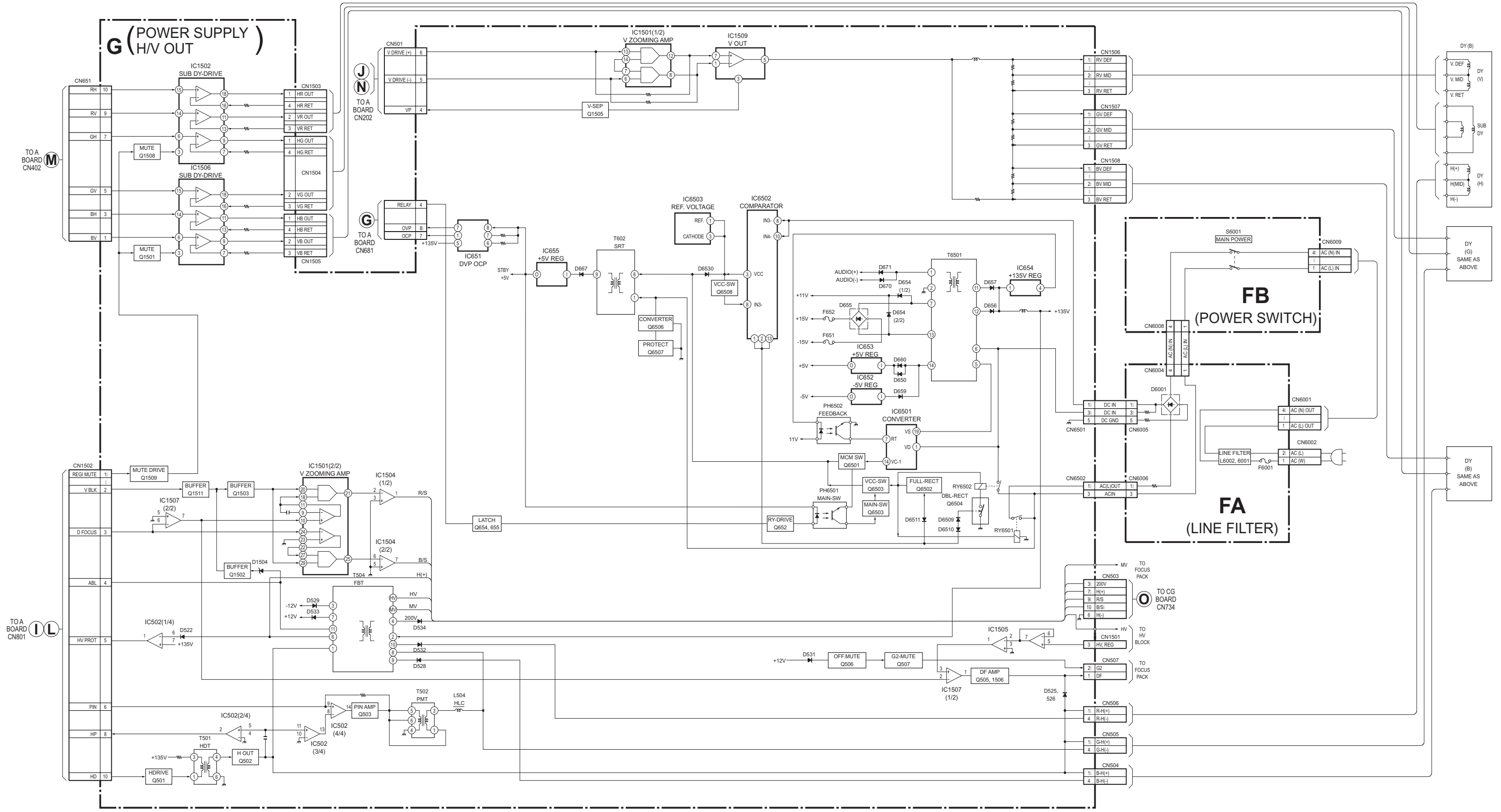




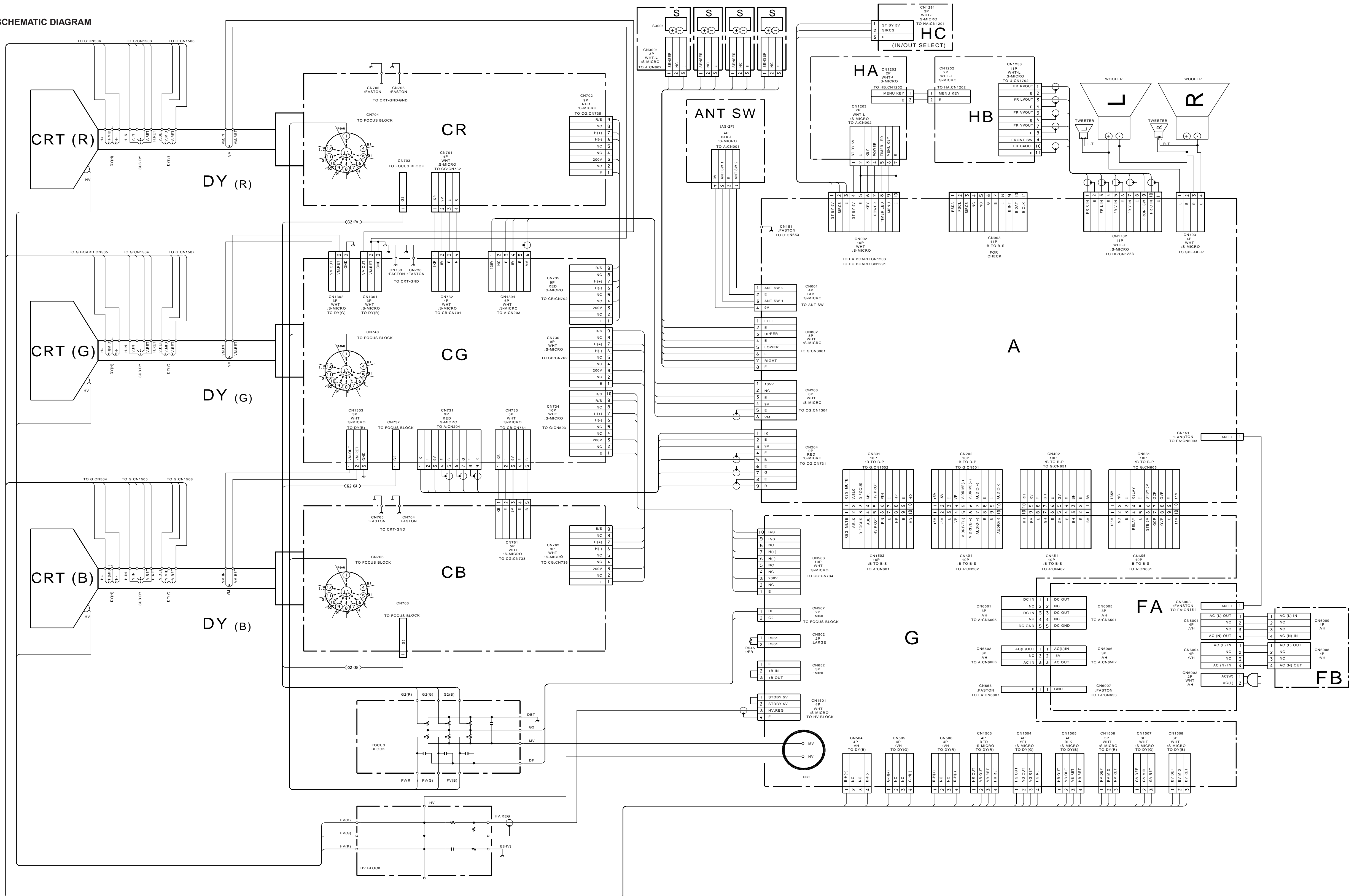
BLOCK DIAGRAM (7 OF 8)



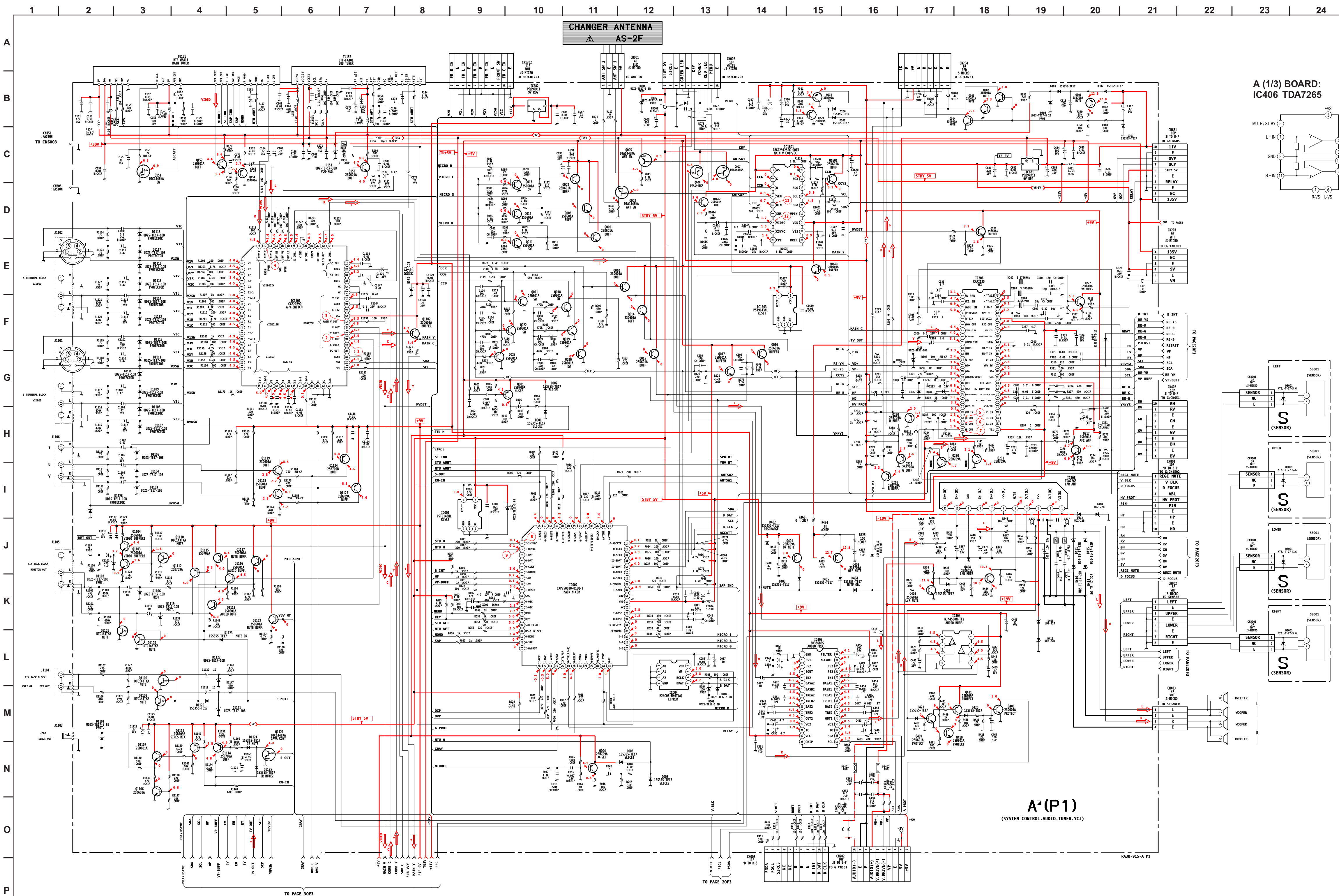
BLOCK DIAGRAM (8 OF 8)



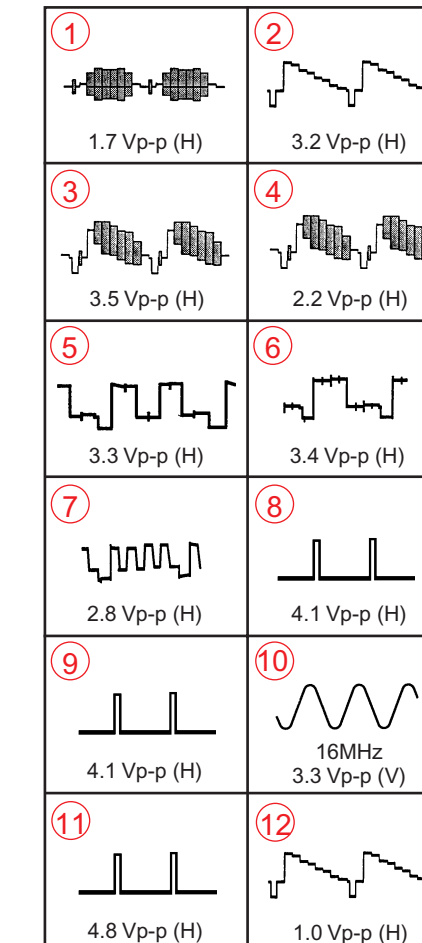
5-4. FRAME SCHEMATIC DIAGRAM



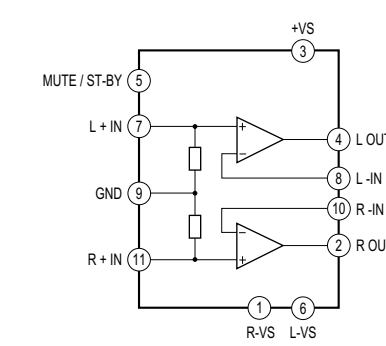
A BOARD SCHEMATIC DIAGRAM (1 OF 3)



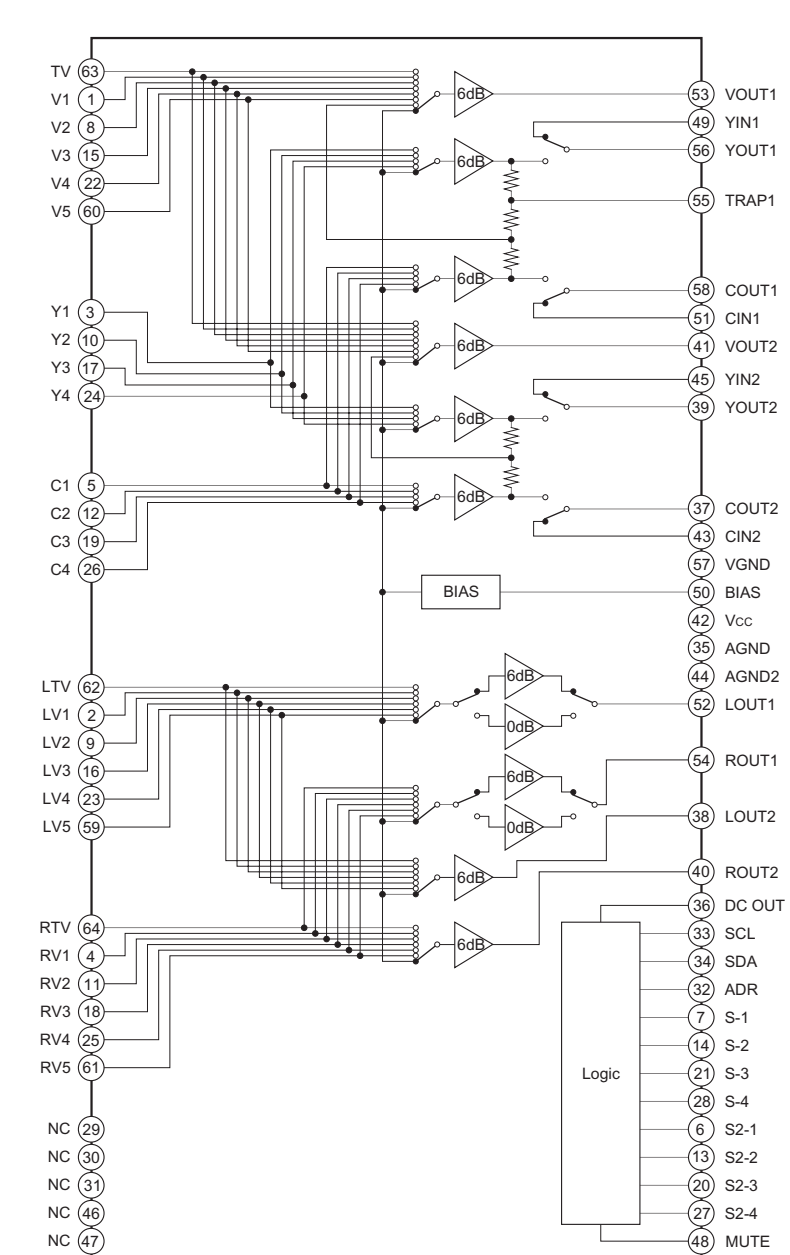
A (1/3) BOARD WAVEFORMS

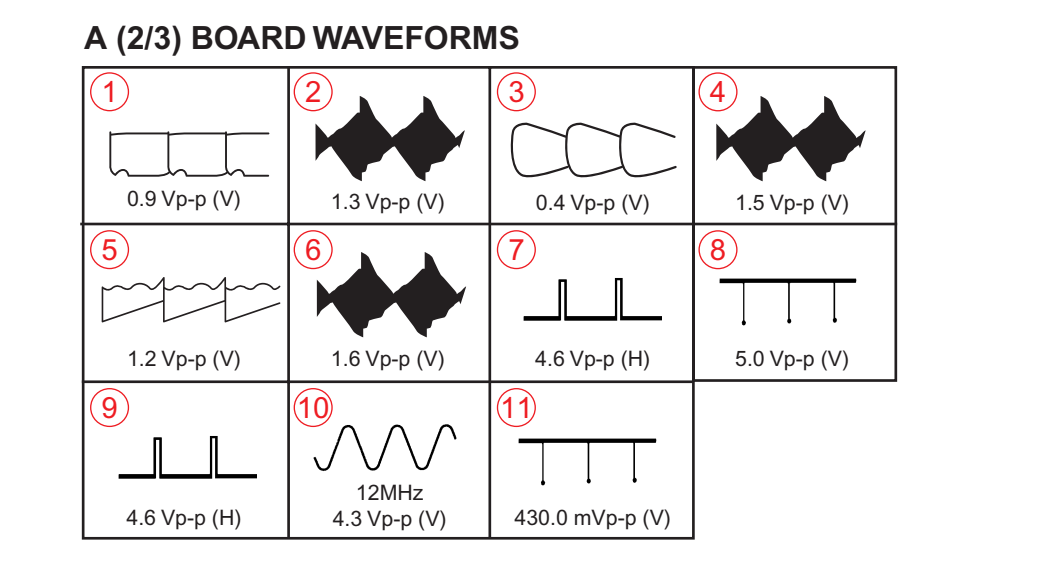
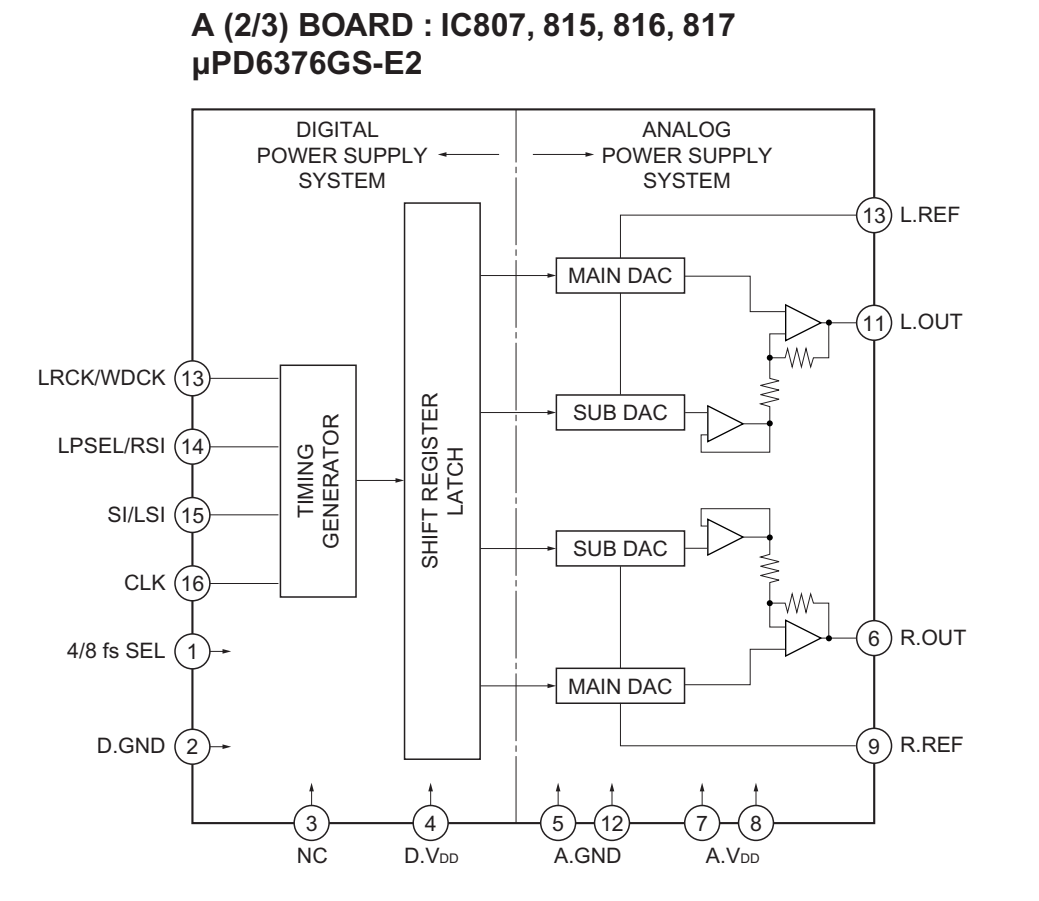
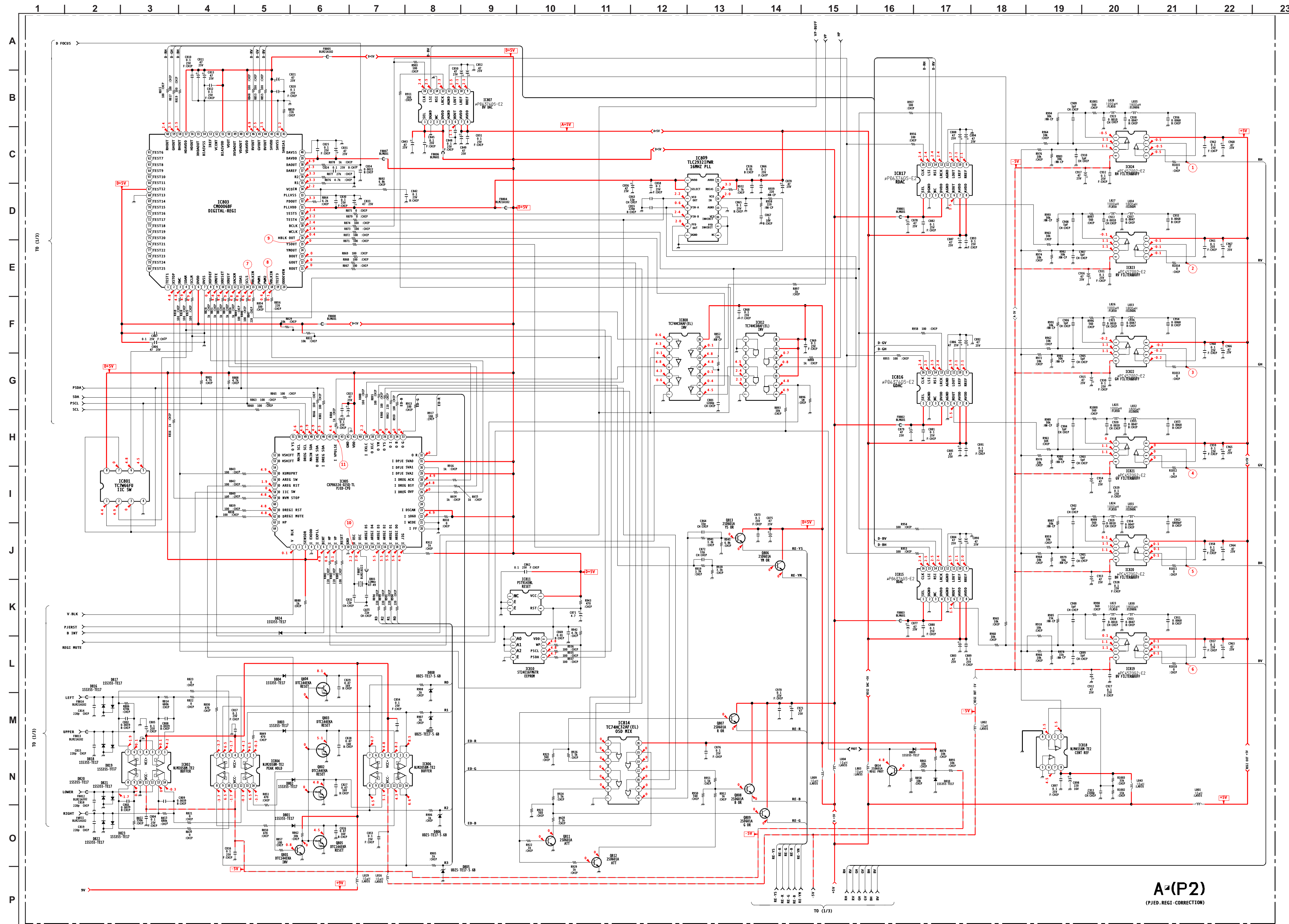


A (1/3) BOARD: IC406 TDA7265

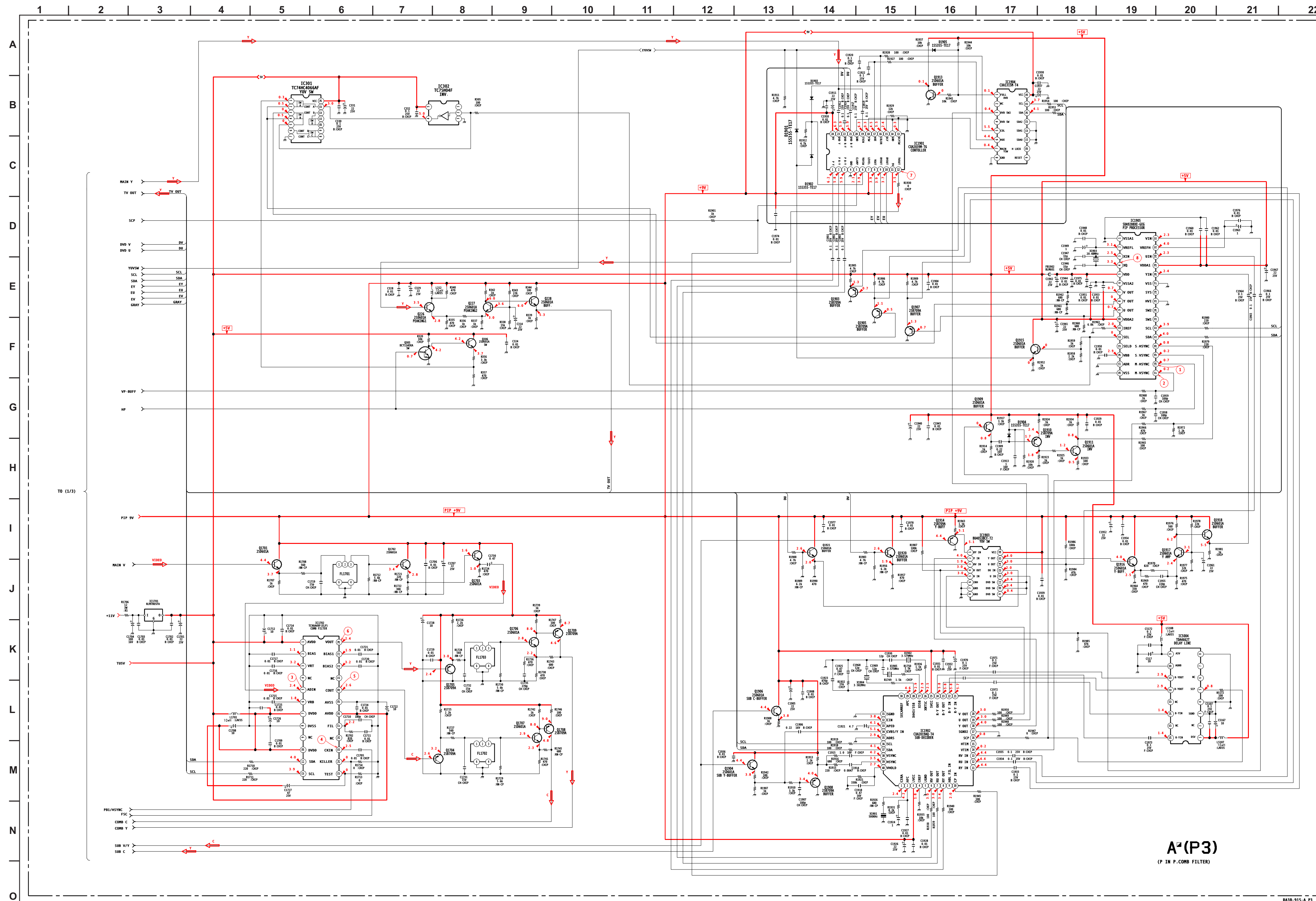


A (1/3) BOARD : IC1011 CXA2079Q

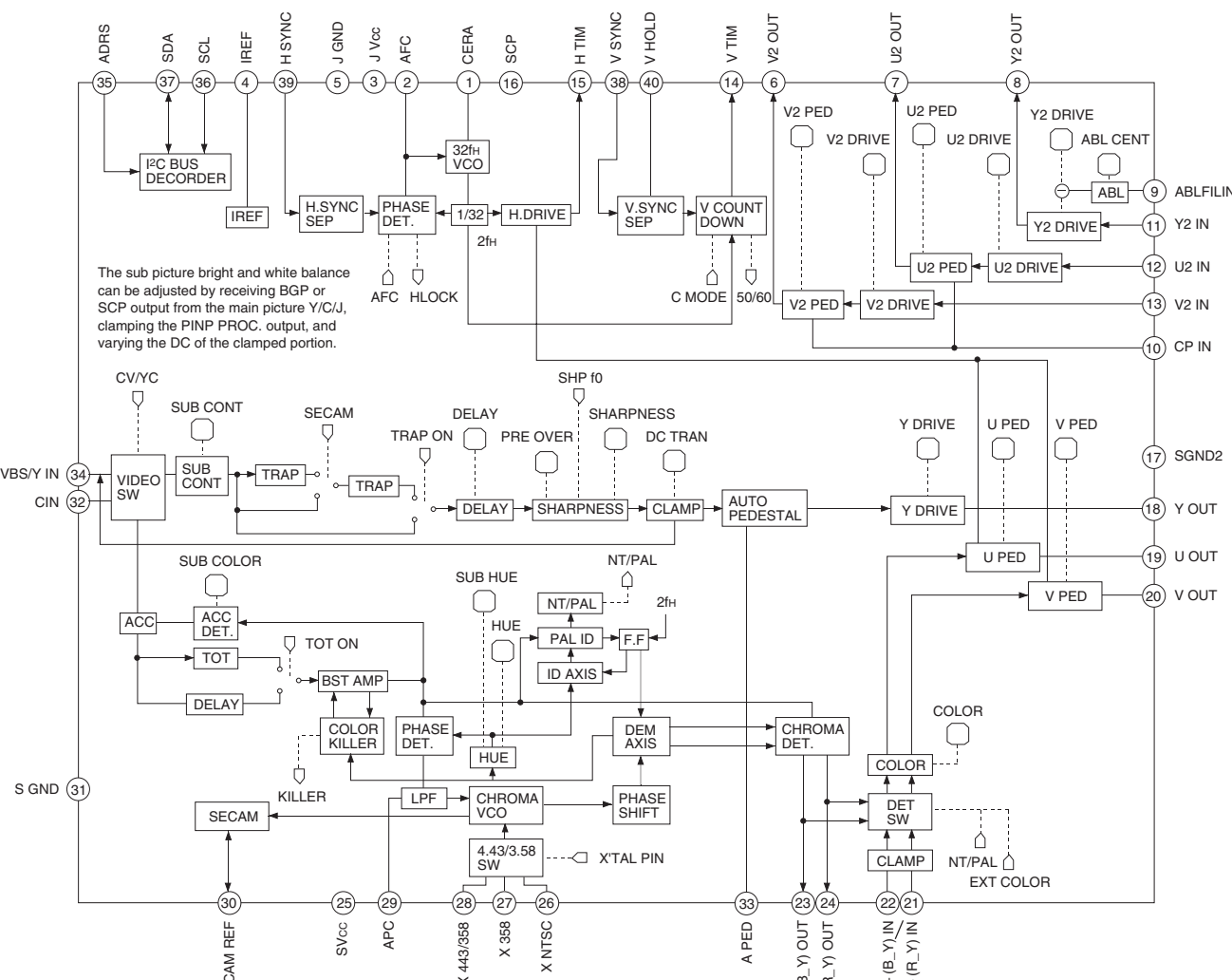




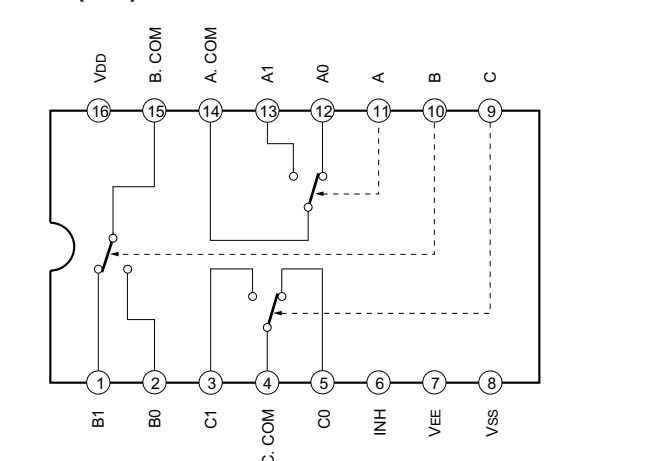
A-(P2)
(P.JED. REGI-CORRECTION)



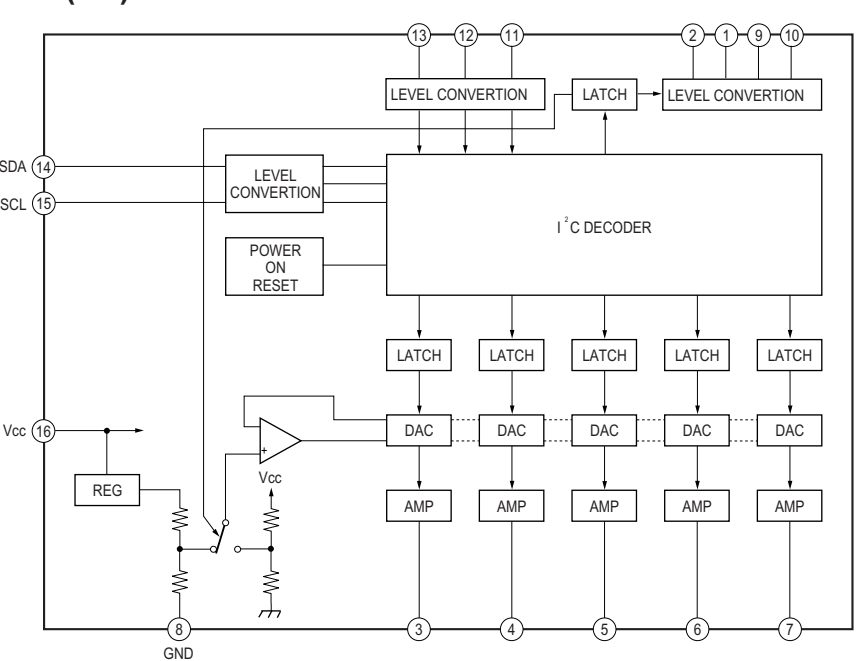
A (3/3) BOARD : IC1902 2019AQ-T4



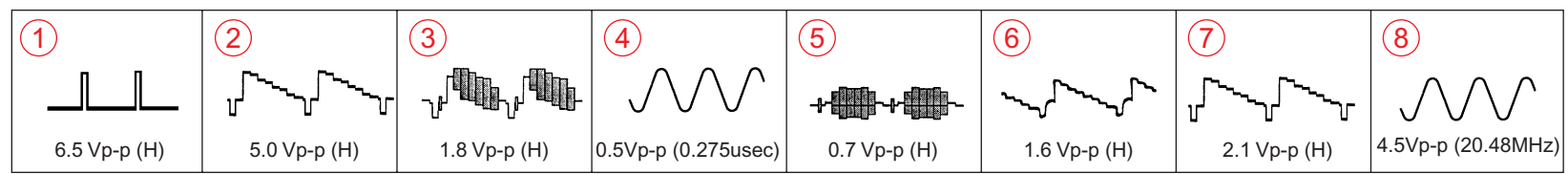
A (3/3) BOARD : IC1903 BU4053BCF-T2



A (3/3) BOARD : IC1904 CXA1315M-T4



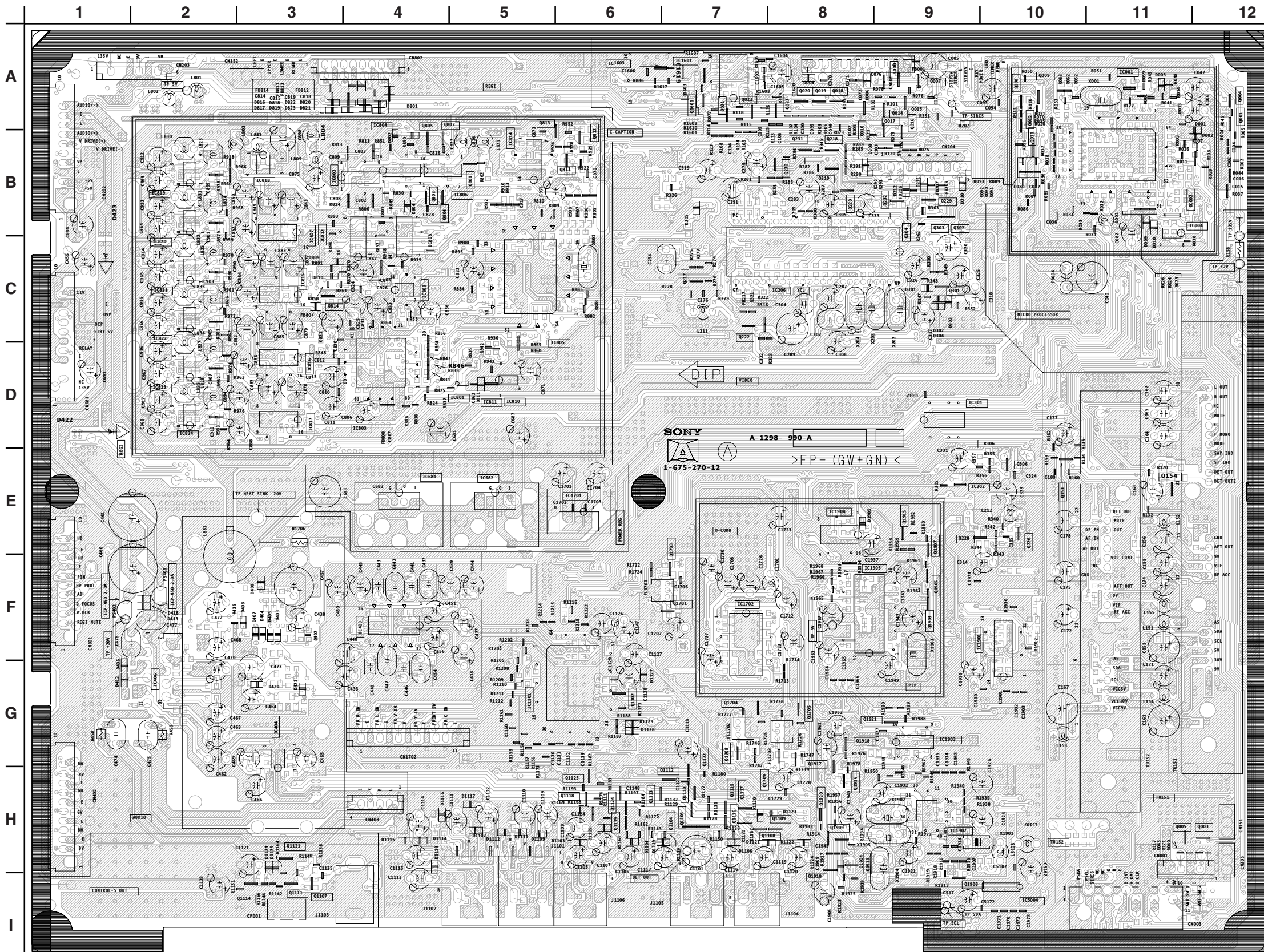
A (3/3) BOARD WAVEFORMS



A

[TUNER, YCJ, SYSTEM CONTROL, AUDIO, PJED, REGI-CORRECTION, P in P, COMB FILTER]

COMPONENT SIDE

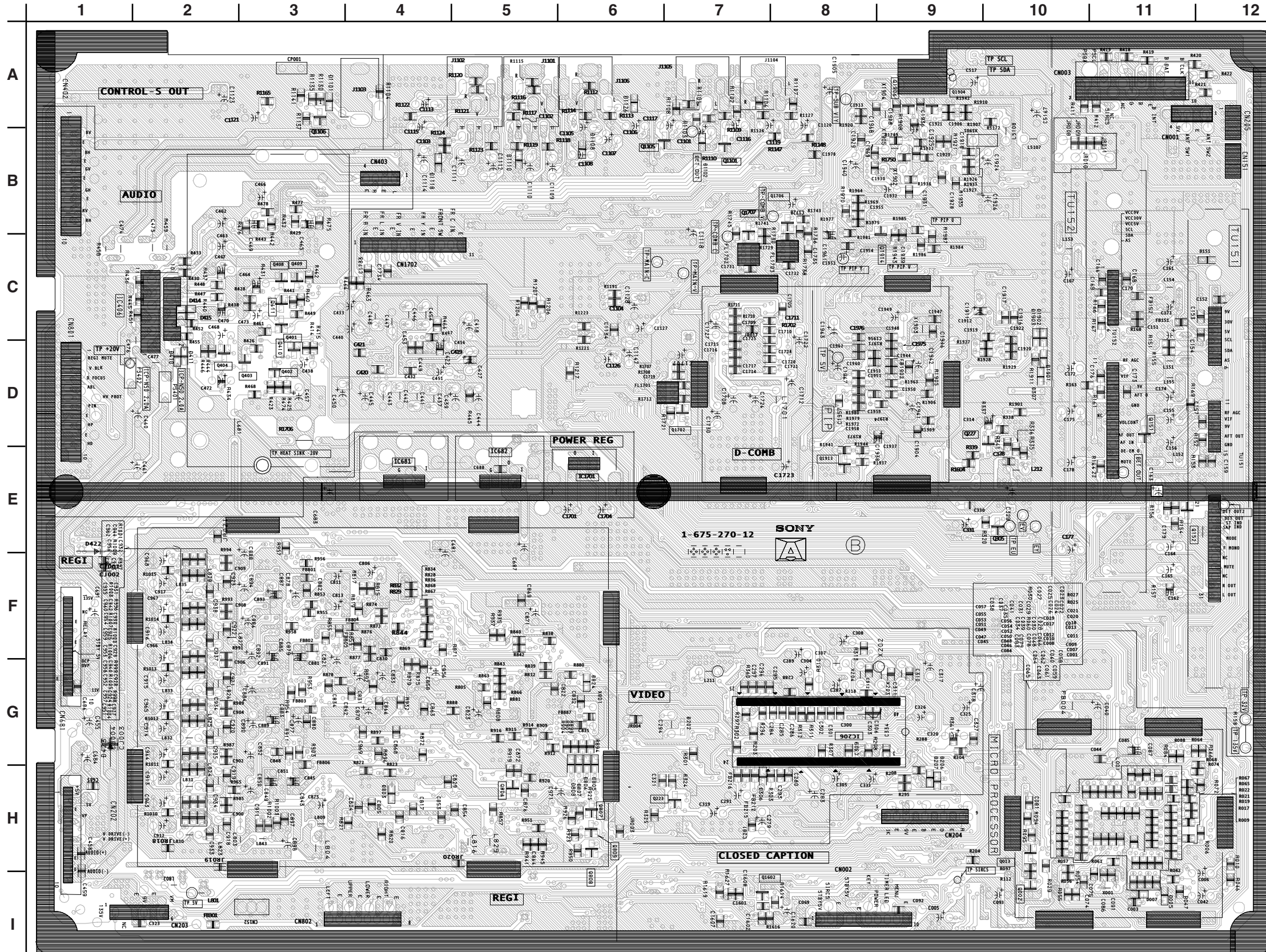


**A BOARD LOCATOR LIST
(COMPONENT SIDE)**

DIODE	IC206	C-8	Q154	E-11	
D001	B-12	IC301	D-9	Q217	C-6
D002	B-12	IC302	E-9	Q218	B-8
D003	A-11	IC403	F-4	Q219	B-8
D004	A-8	IC404	G-3	Q220	B-8
D006	A-8	IC406	G-2	Q222	C-7
D009	C-11	IC681	E-4	Q226	E-10
D010	C-11	IC682	E-5	Q228	E-9
D301	C-9	IC801	D-5	Q229	B-9
D302	C-9	IC802	B-4	Q230	B-8
D303	C-9	IC803	D-4	Q231	B-8
D304	C-9	IC804	B-4	Q232	B-9
D402	F-3	IC805	D-6	Q301	C-9
D403	F-3	IC806	B-5	Q302	C-9
D404	F-3	IC807	C-3	Q303	C-9
D405	F-3	IC808	C-4	Q304	C-9
D406	G-2	IC809	C-4	Q306	E-10
D407	F-3	IC810	D-5	Q811	B-6
D408	F-3	IC811	D-5	Q812	A-6
D412	G-2	IC812	C-3	Q813	A-6
D413	F-2	IC814	B-5	Q814	C-3
D418	F-2	IC815	C-3	Q1102	G-6
D420	G-3	IC816	D-3	Q1103	H-6
D421	G-3	IC817	D-3	Q1104	H-6
D801	A-4	IC818	B-3	Q1107	I-3
D802	B-4	IC819	B-2	Q1108	H-8
D803	B-4	IC820	C-2	Q1109	H-8
D804	B-4	IC821	C-2	Q1110	H-6
D809	C-3	IC822	D-2	Q1111	I-3
D810	C-3	IC823	D-2	Q1112	H-3
D816	A-3	IC824	D-2	Q1113	H-4
D817	A-3	IC1101	G-6	Q1114	I-2
D818	A-3	IC1601	A-7	Q1115	H-4
D819	A-3	IC1603	A-6	Q1116	H-7
D820	A-3	IC1701	D-9	Q1117	H-8
D821	A-3	IC1702	E-8	Q1118	I-8
D822	A-3	IC1703	E-8	Q1119	H-8
D823	A-3	IC1704	E-8	Q1121	H-3
D1103	H-6	IC1901	F-9	Q1122	G-7
D1104	H-6	IC1902	H-9	Q1124	H-8
D1105	H-6	IC1903	G-9	Q1125	H-8
D1106	H-4	IC1904	F-9	Q1601	A-7
D1107	H-5	IC1905	H-10	Q1602	I-7
D1109	H-6	IC5004	I-10	Q1603	B-7
D1111	H-5	TRANSISTOR	Q1701	D-7	
D1112	H-5	Q001	A-12	Q1702	D-7
D1113	H-4	Q004	A-12	Q1703	E-7
D1114	H-4	Q006	A-9	Q1704	E-7
D1115	H-4	Q007	G-10	Q1705	E-7
D1116	H-4	Q008	A-10	Q1706	F-6
D1117	H-5	Q009	A-10	Q1708	G-7
D1119	H-6	Q010	B-8	Q1709	H-7
D1120	H-7	Q011	B-10	Q1903	G-9
D1121	H-7	Q012	A-10	Q1904	G-9
D1122	H-7	Q014	B-9	Q1905	G-9
D1123	H-8	Q015	B-9	Q1907	F-9
D1124	H-3	Q016	B-9	Q1908	I-9
D1125	H-3	Q017	B-9	Q1909	H-8
D1126	G-6	Q018	A-8	Q1910	I-8
D1127	G-6	Q019	A-8	Q1914	G-10
D1904	H-8	Q020	A-8	Q1915	G-10
D1905	F-9	Q021	B-7	Q1916	H-8
IC	Q022	B-7	Q1917	G-8	
IC001	A-11	Q023	B-8	Q1918	G-9
IC002	B-11	Q151	E-10	Q1920	H-8
IC004	B-12	Q153	E-10	Q1921	G-8

A [TUNER, YCJ, SYSTEM CONTROL, AUDIO, PJED, REGI-CORRECTION, P in P, COMB FILTER]

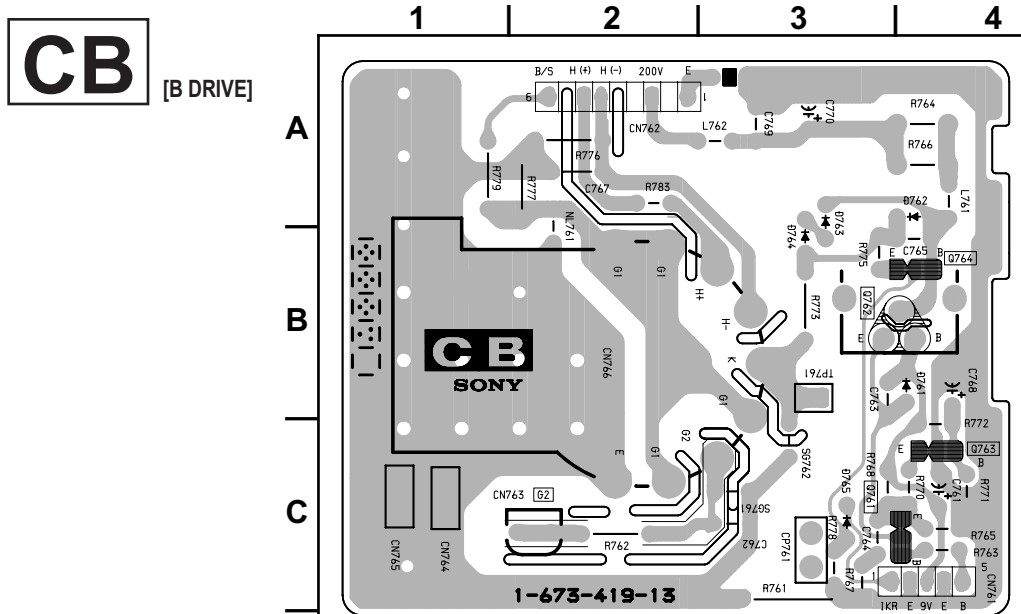
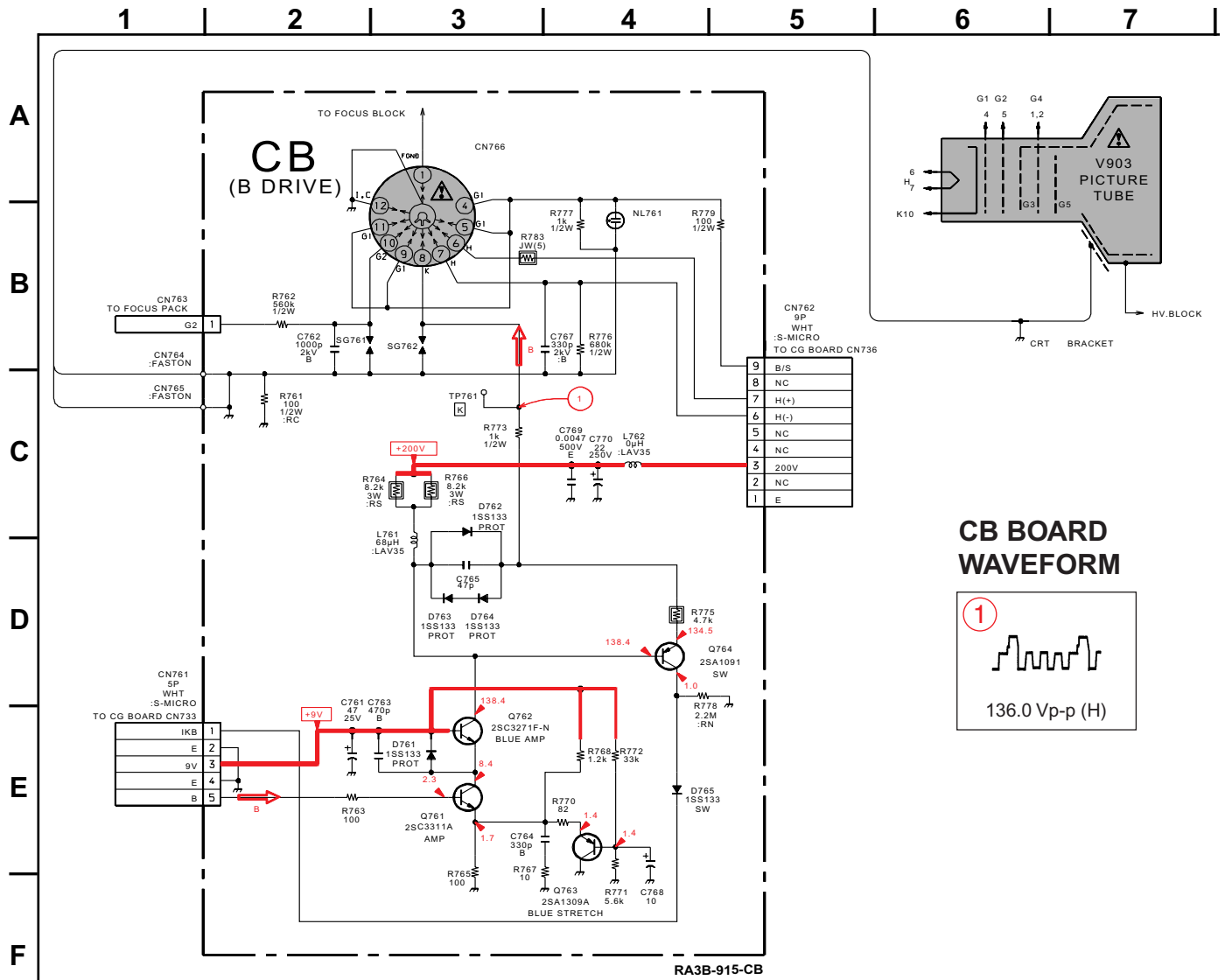
CONDUCTOR SIDE

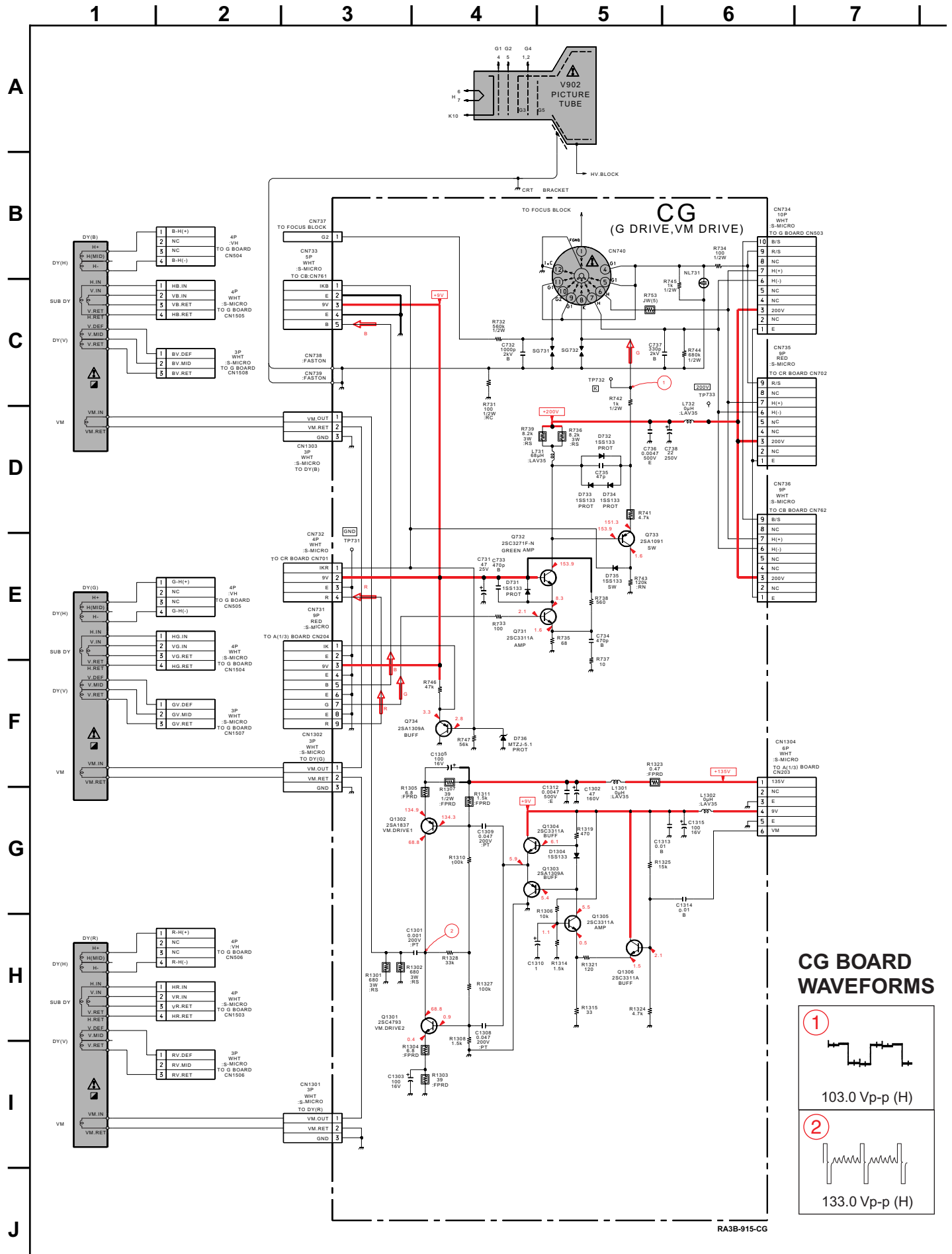


A BOARD LOCATOR LIST (CONDUCTOR SIDE)

DIODE		TRANSISTOR	
D005	I-11	Q002	I-10
D007	I-11	Q003	H-12
D151	C-12	Q005	H-11
D202	G-7	Q013	H-9
D206	G-9	Q152	E-12
D207	G-9	Q223	H-6
D305	G-7	Q227	D-9
D306	G-7	Q305	E-9
D307	G-7	Q402	D-3
D410	D-3	Q403	D-2
D411	C-3	Q404	D-2
D414	C-2	Q408	C-3
D415	C-2	Q409	C-3
D805	H-6	Q410	D-3
D806	H-6	Q411	C-3
D807	H-6	Q806	H-5
D808	H-6	Q807	H-6
D824	G-6	Q808	H-6
D1101	A-3	Q809	H-6
D1102	B-7	Q1101	B-7
D1108	B-6	Q1105	B-6
D1110	B-5	Q1106	B-3
D1118	B-4	Q1707	D-7
D1901	D-10	Q1906	B-8
D1902	D-10	Q1911	C-10
D1903	D-10	Q1912	C-10
		Q1913	D-9

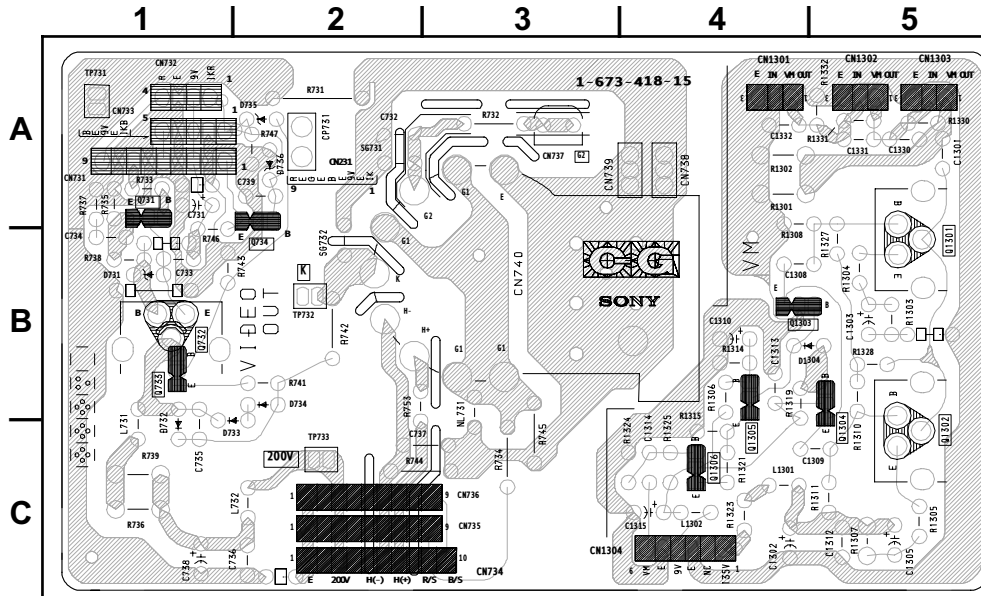
CB BOARD SCHEMATIC DIAGRAM



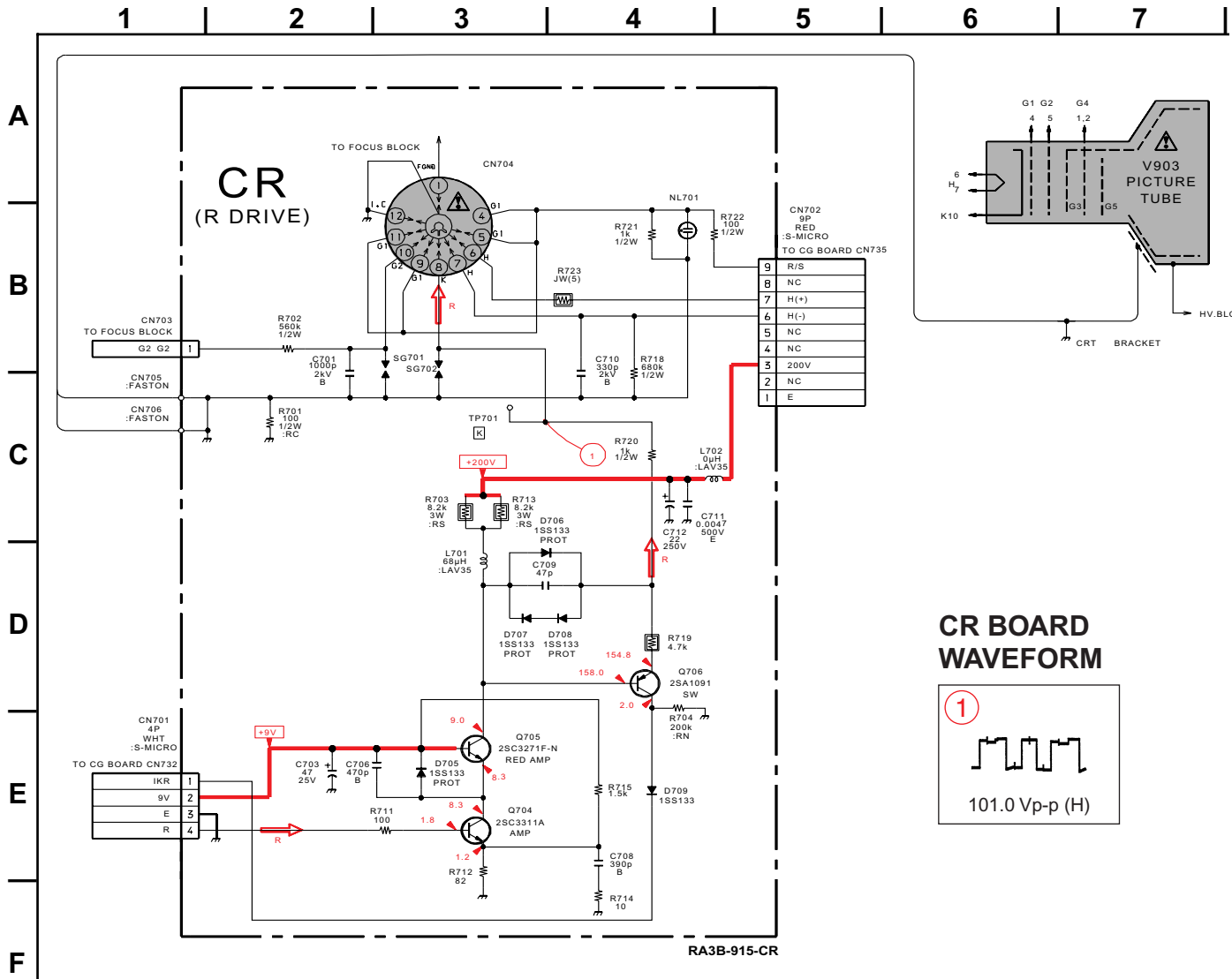


RA3B-915-CG

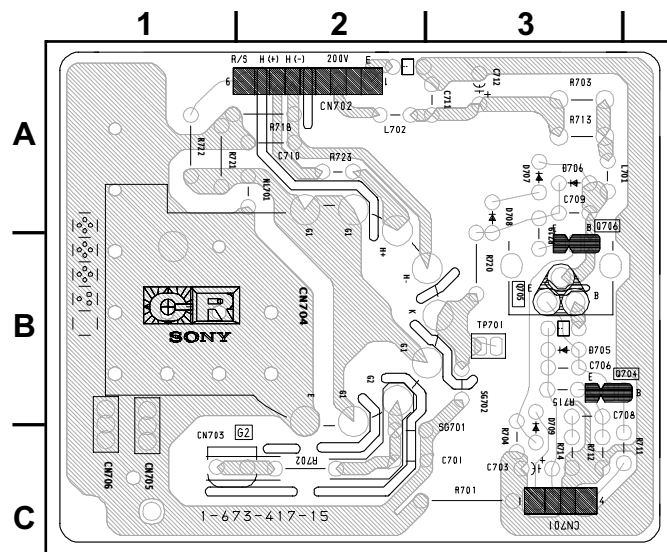
CG [G DRIVE, VM DRIVE]



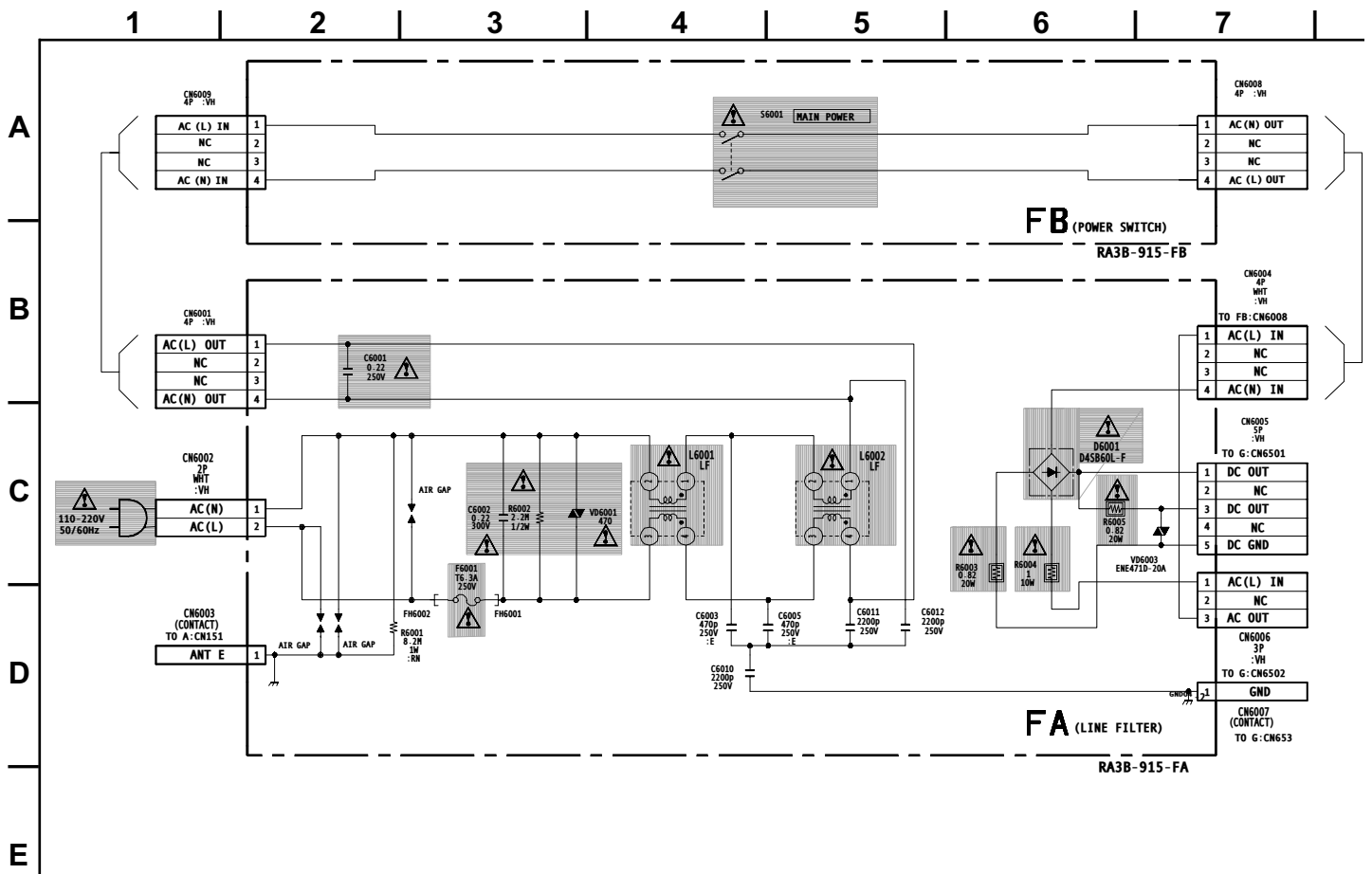
CR BOARD SCHEMATIC DIAGRAM



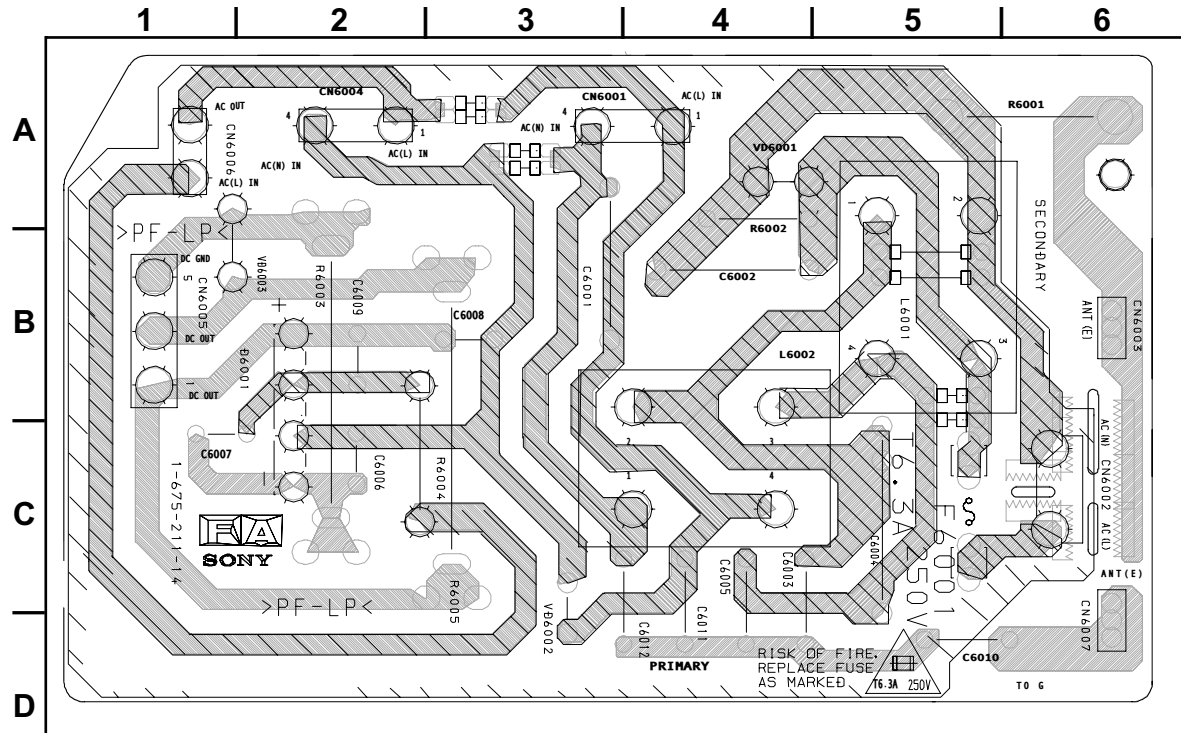
CR [R DRIVE]



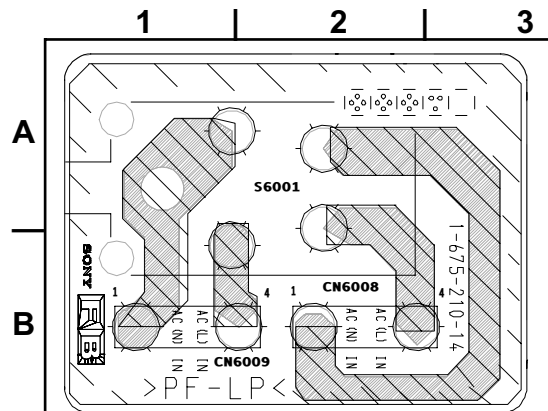
FA AND FB BOARD SCHEMATIC DIAGRAMS



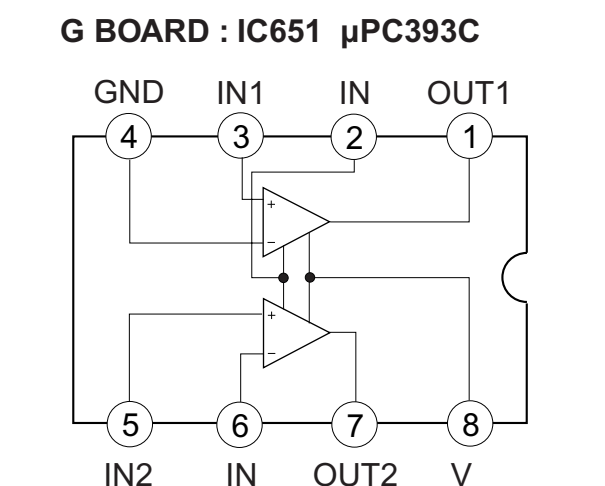
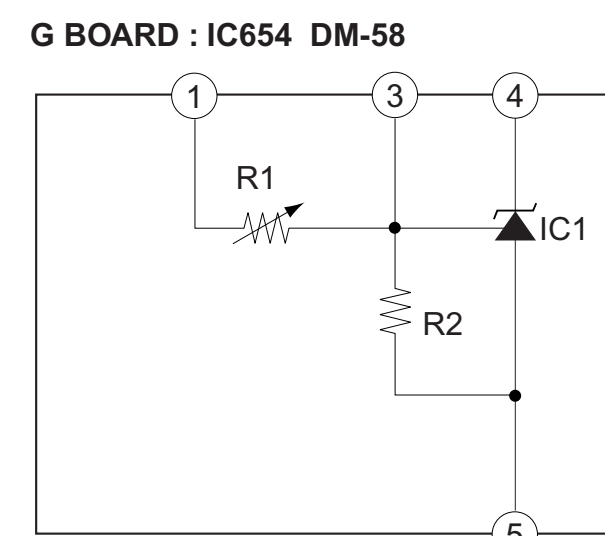
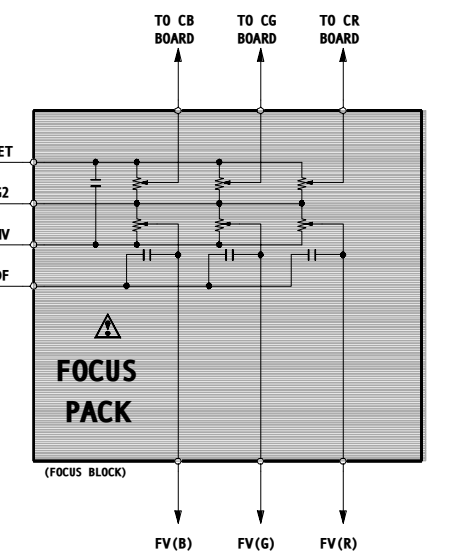
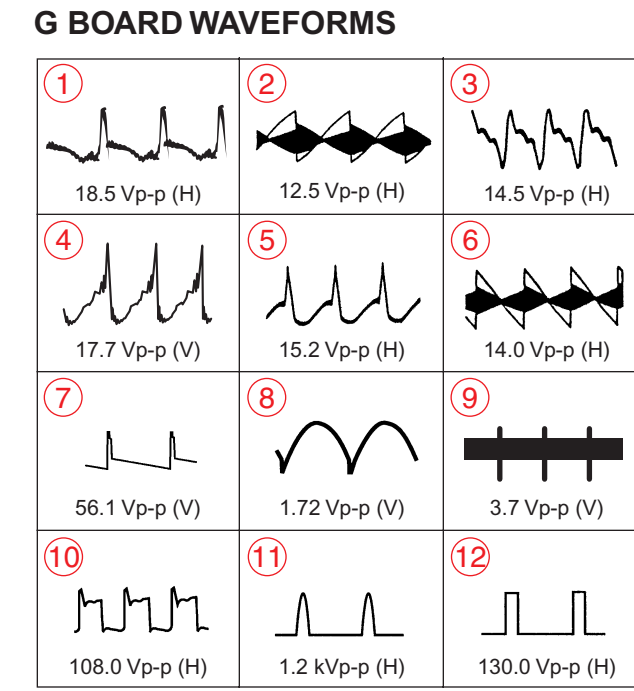
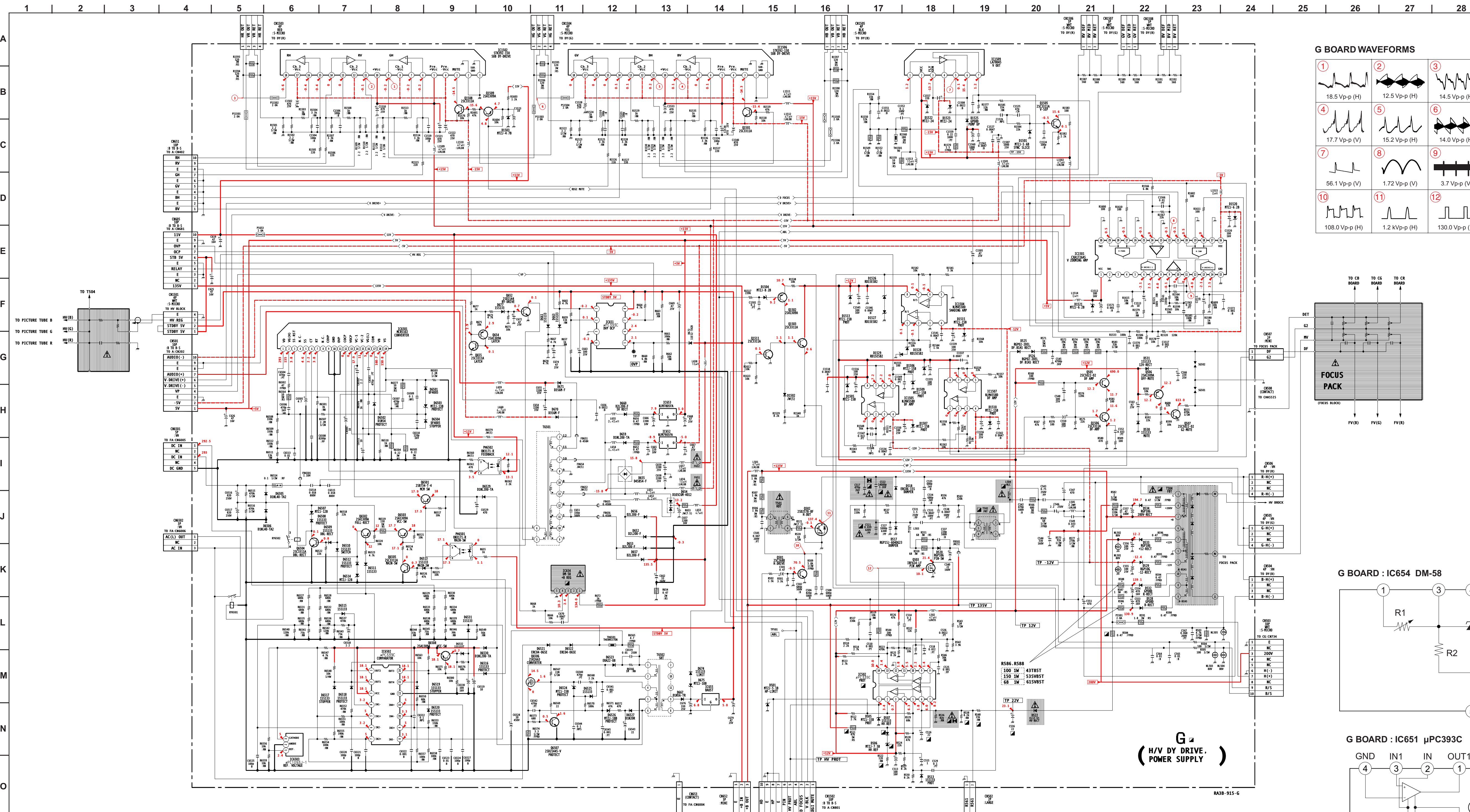
FA [LINE FILTER]



FB [POWER SWITCH]



G BOARD SCHEMATIC DIAGRAM



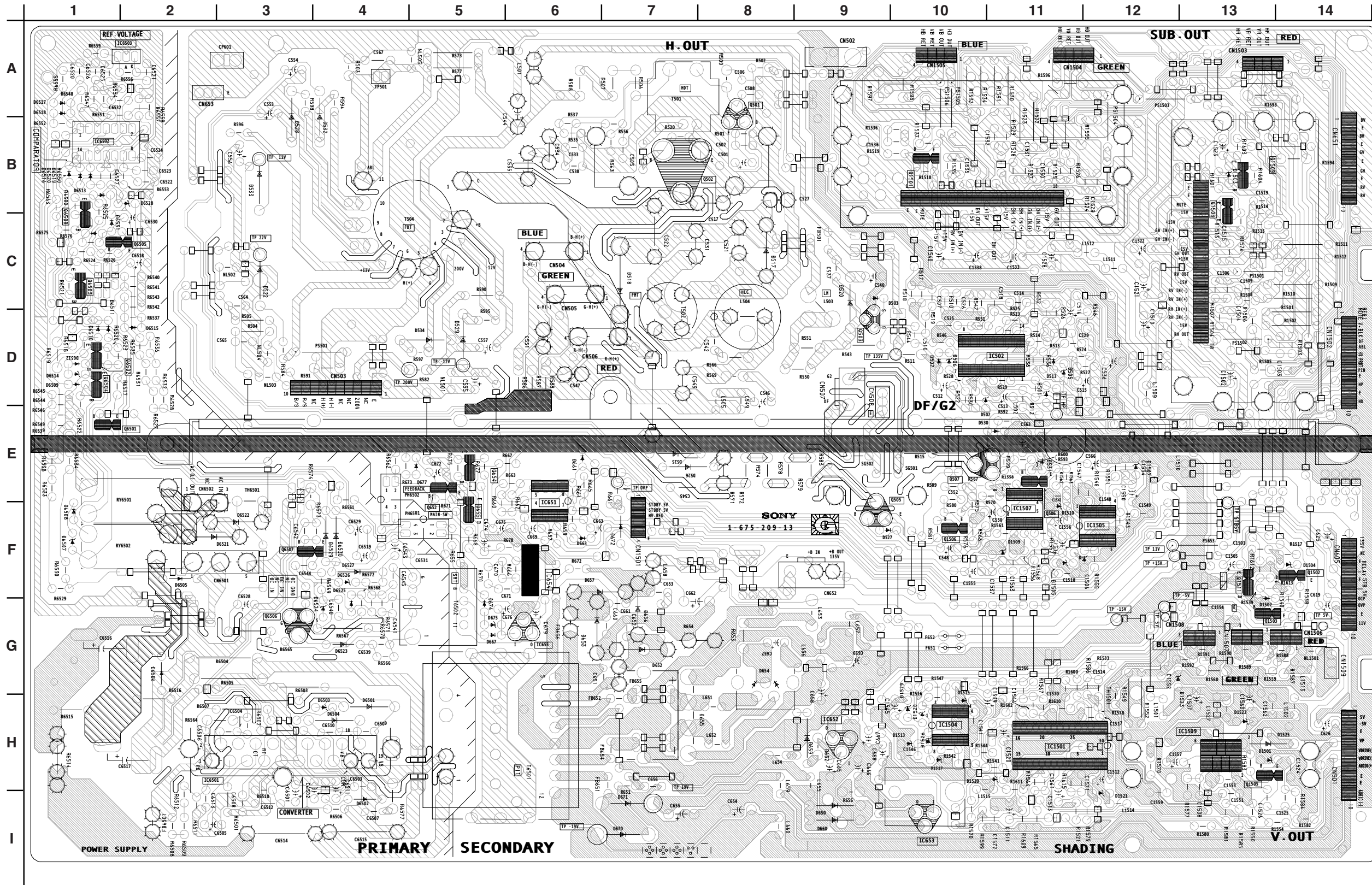
G
(H/V DY DRIVE POWER SUPPLY)

(*) G BOARD VARIANT MODEL LIST

REF NO.	LOC.	KV-43T85T	KV-53SV85T	KV-61SV85T
R586	L-22	100 1W	150 1W	68 1W
R588	L-22	100 1W	150 1W	68 1W

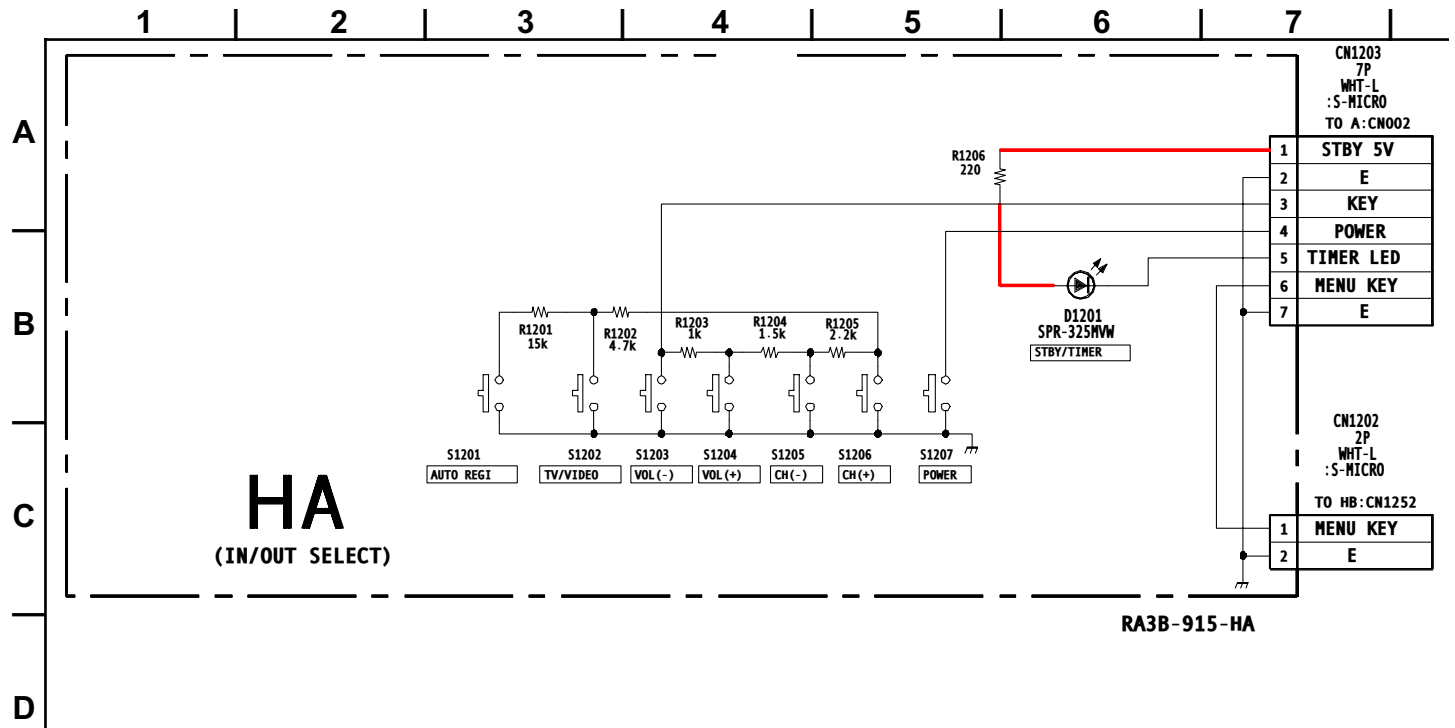
**G BOARD
LOCATOR LIST**

G [HV, DY DRIVE, POWER SUPPLY]

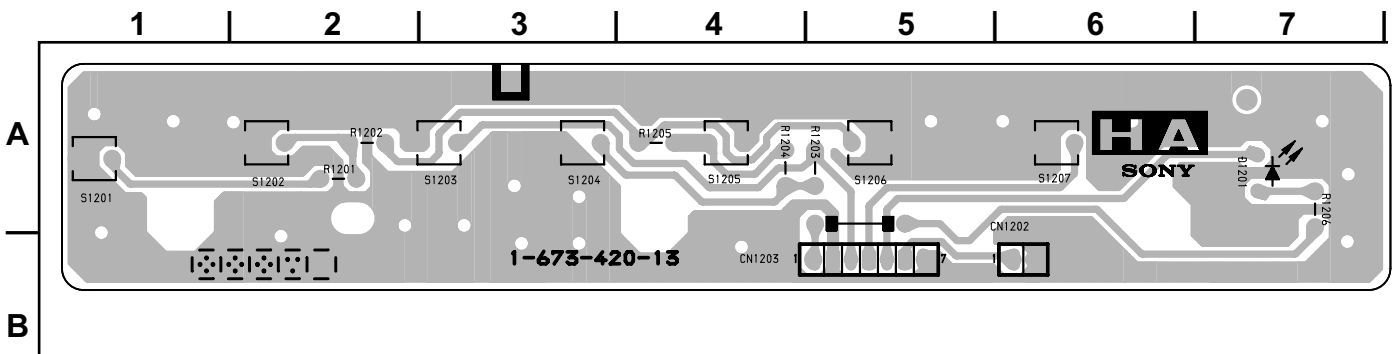


DIODE	D6511	C-1	
D501	D-11	D6512	D-1
D505	D-11	D6513	B-1
D506	D-10	D6514	D-1
D507	D-10	D6515	D-2
D513	D-11	D6516	B-1
D517	C-8	D6517	A-1
D518	C-7	D6518	A-1
D520	C-9	D6519	B-1
D522	C-3	D6520	B-1
D525	E-7	D6521	F-3
D526	E-7	D6522	F-3
D528	B-3	D6523	G-4
D529	D-5	D6524	G-4
D530	E-11	D6525	F-4
D531	E-11	D6526	F-4
D532	B-4	D6527	F-4
D533	B-3	D6529	F-4
D534	D-5	D6530	F-4
D652	G-7	D6531	C-1
D653	G-6	D6532	C-1
D654	G-8		IC
D655	H-7	IC502	D-10
D656	G-7	IC651	E-6
D657	G-6	IC652	H-9
D659	H-9	IC653	I-10
D660	I-9	IC654	F-6
D661	E-6	IC655	G-6
D663	F-6	IC1501	H-11
D667	G-5	IC1502	C-13
D670	I-7	IC1504	H-10
D671	I-7	IC1505	F-12
D672	F-7	IC1506	B-10
D674	G-5	IC1507	F-11
D675	G-5	IC1509	H-13
D677	E-5	IC6501	H-2
D1501	H-13	IC6502	B-1
D1503	B-13	IC6503	A-2
D1504	F-14	TRANSISTOR	
D1505	F-11	Q501	B-8
D1506	F-12	Q502	B-7
D1507	E-12	Q503	D-9
D1509	F-11	Q505	E-9
D1510	F-11	Q506	F-11
D1513	H-10	Q507	E-10
D1515	H-10	Q652	E-5
D1520	H-11	Q654	E-5
D1521	H-12	Q655	E-5
D1522	H-13	Q1501	B-10
D1523	G-12	Q1502	F-14
D1525	H-13	Q1503	F-14
D1526	H-10	Q1505	H-13
D1527	H-10	Q1506	F-10
D1528	H-10	Q1508	C-13
D1529	H-10	Q1509	B-13
D6501	H-4	Q1511	F-14
D6502	I-4	Q6501	E-2
D6503	H-4	Q6502	D-1
D6504	H-4	Q6503	C-1
D6505	F-2	Q6504	D-1
D6506	G-2	Q6505	C-2
D6507	F-11	Q6506	G-3
D6508	F-11	Q6507	F-3
D6509	D-1	Q6508	B-1
D6510	D-1		

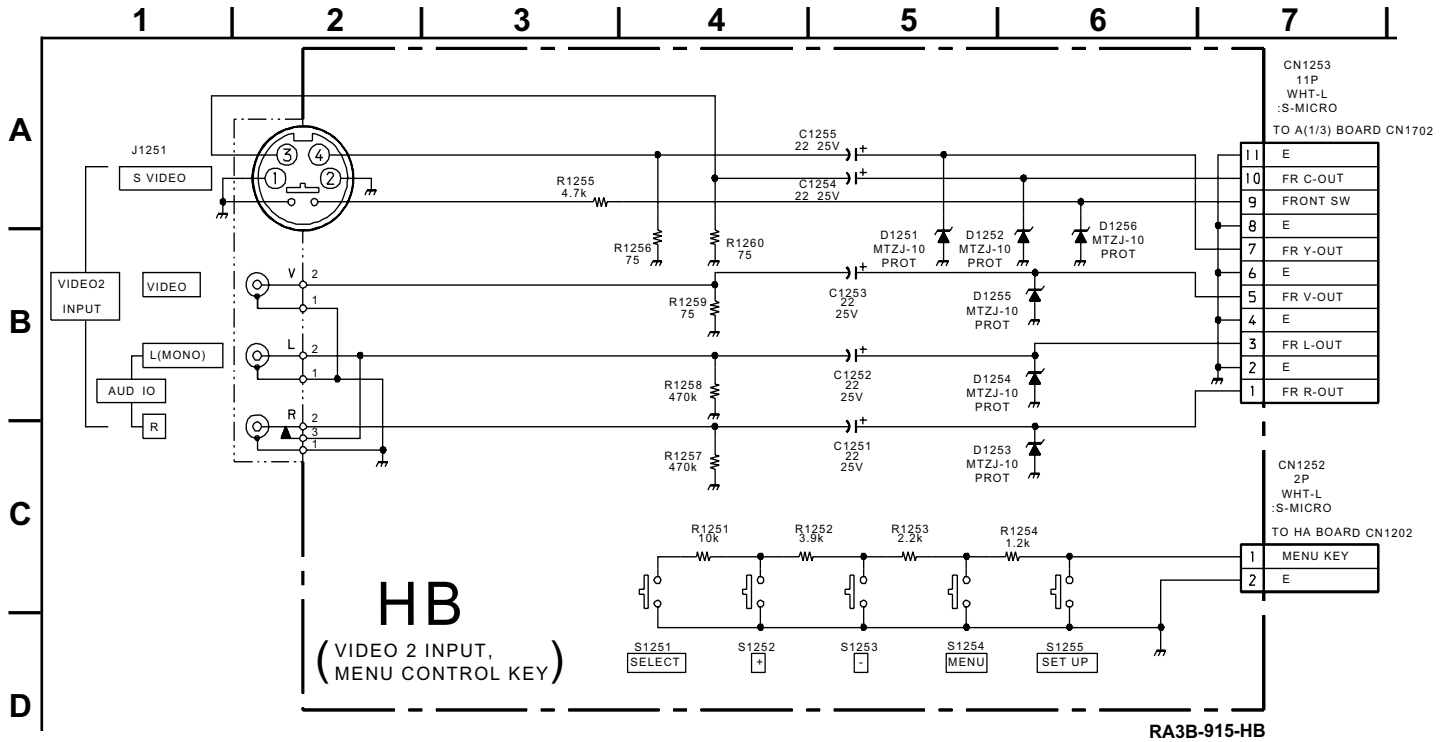
HA BOARD SCHEMATIC DIAGRAM



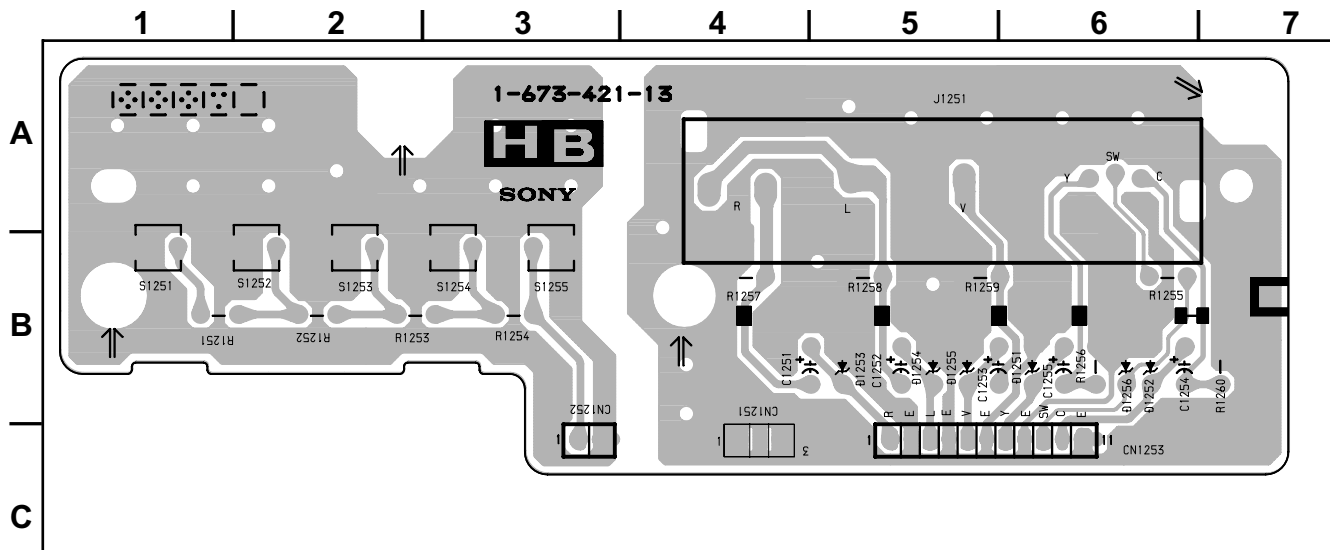
HA [FUNCTION KEY]



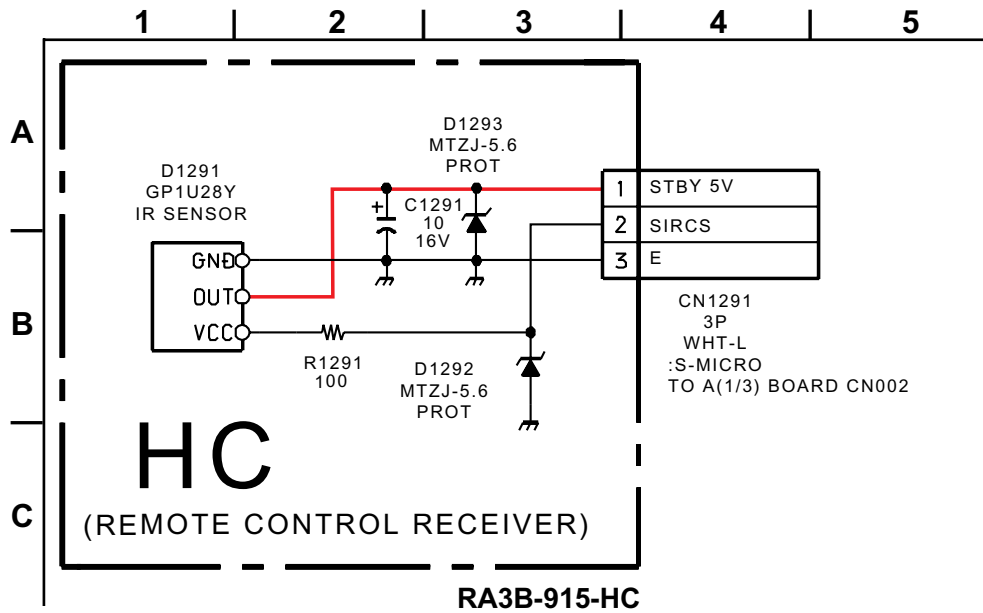
HB BOARD SCHEMATIC DIAGRAM



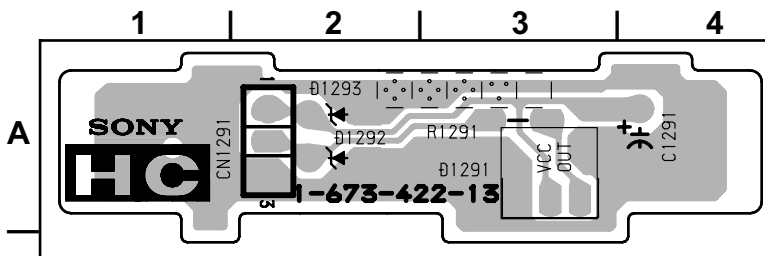
HB [VIDEO-2 INPUT, MENU CONTROL KEYS]



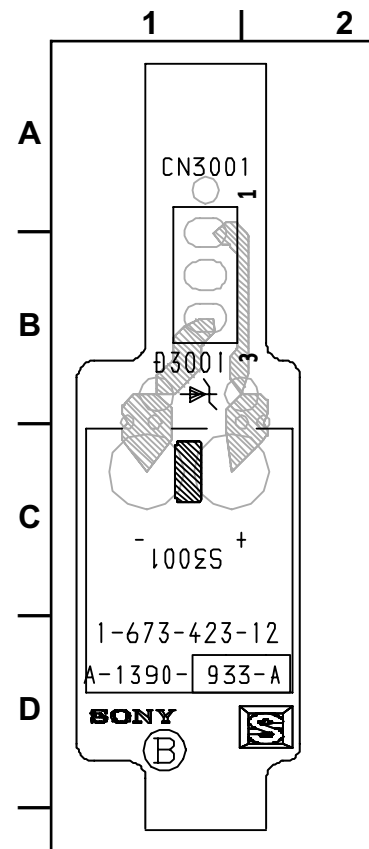
HC BOARD SCHEMATIC DIAGRAM



HC [REMOTE CONTROL RECEIVER]

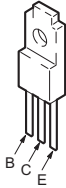


S [P in P, 3D COMB FILTER]

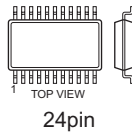


5-5. SEMICONDUCTORS

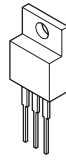
BA05T



CXA2039M-T6



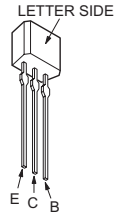
NJM7805FA



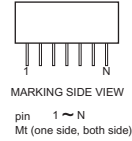
UPC339C



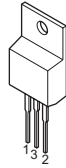
2SA1175-HFE
2SA1309A
2SC2785-HFE
2SC3311A



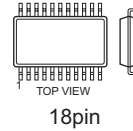
DM-58



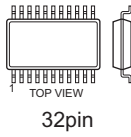
NJM7905FA



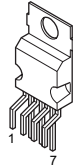
Z8613012SSC-00TR
Z8622912SSC-00TR



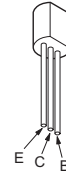
BH3868FS-E2
SDA9288XE



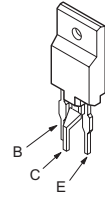
LA78045



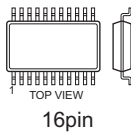
2SA1091-O



2SC5022-02



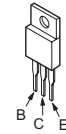
BU4053BCF-T2
CXA1315M
UPD6376GS-E2



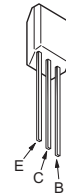
PQ09RD11



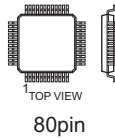
2SA1837
2SC4793
IRF614



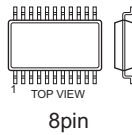
2SD2144S-UVW
2SD2144S-V



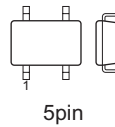
CM0006CF



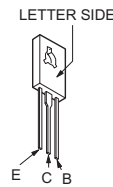
M24C08-MN6T
NJM2533M(TE2)
NJM4558M-T2
ST24E16FM6TR
TC7W66FU(TE12R)
UPCM4570G2



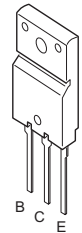
PST9143NL



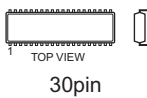
2SC2611
2SC2688-(5)LK



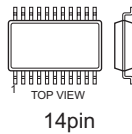
2SD2578-RF



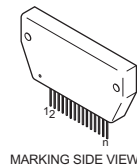
CXA1726AS



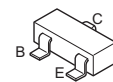
MC74HC04AF
MC74HC32AF
NJM2058M-TE2
TC74HC08AF(EL)
TLC2932IPW



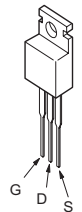
STK392-150



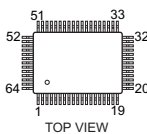
2SA1162-G
2SD601A-Q
DTC143TKA-T146
DTC144EKA-T146



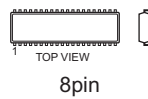
2SK2663



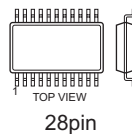
CXA2079Q
CXA2147Q
CXP750010-026Q
CXP86324-024Q



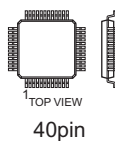
NJM4558D
UPC393C



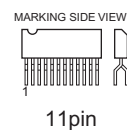
TC90A53F



CXA2019AQ-T4

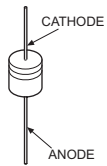


TDA7265

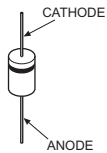


5-5. SEMICONDUCTORS (continued)

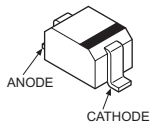
11ES2
 D1N20R
 D1NL20U
 D2L20U
 MTZJ-10B
 MTZJ-13
 MTZJ-15B
 MTZJ-2.7A
 MTZJ-3.9B
 MTZJ-4.7C
 MTZJ-5.1B
 MTZJ-7.5B
 MTZJ-T-77-15B
 MTZJ-T-77-18B
 MTZJ-T-77-24A
 MTZJ-T-77-5.6B
 MTZJ-T-77-6.2B
 MTZJ-T-77-8.2B



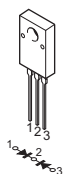
1SS133-T17
 D3S6M-F
 ERA22-08
 ERC04-06SE
 ERC06-15S
 ERC91-02



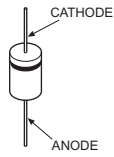
1SS355TE-17
 UDZ-TE17-10B
 UDZ-TE17-22B
 UDZ-TE17-33B
 UDZS-TE17-5.6B
 UDZS-TE17-8.2B



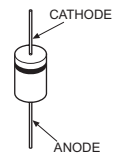
D10SC6M-4012



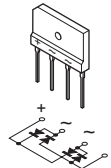
D1NL20U



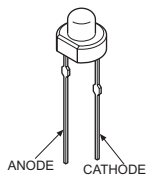
D1NS6
 EL1Z
 GP08DPKG23
 RGP02-20EL-6394
 RGP10GPKG23
 RGP15J-6040G23



D4SBS4-F



SLR-325VCT31





SECTION 6: EXPLODED VIEWS

Components not identified by a part number or description are not stocked because they are seldom required for routine service.

The component parts of an assembly are indicated by the reference numbers in the far right column of the parts list and within the dotted lines of the diagram.

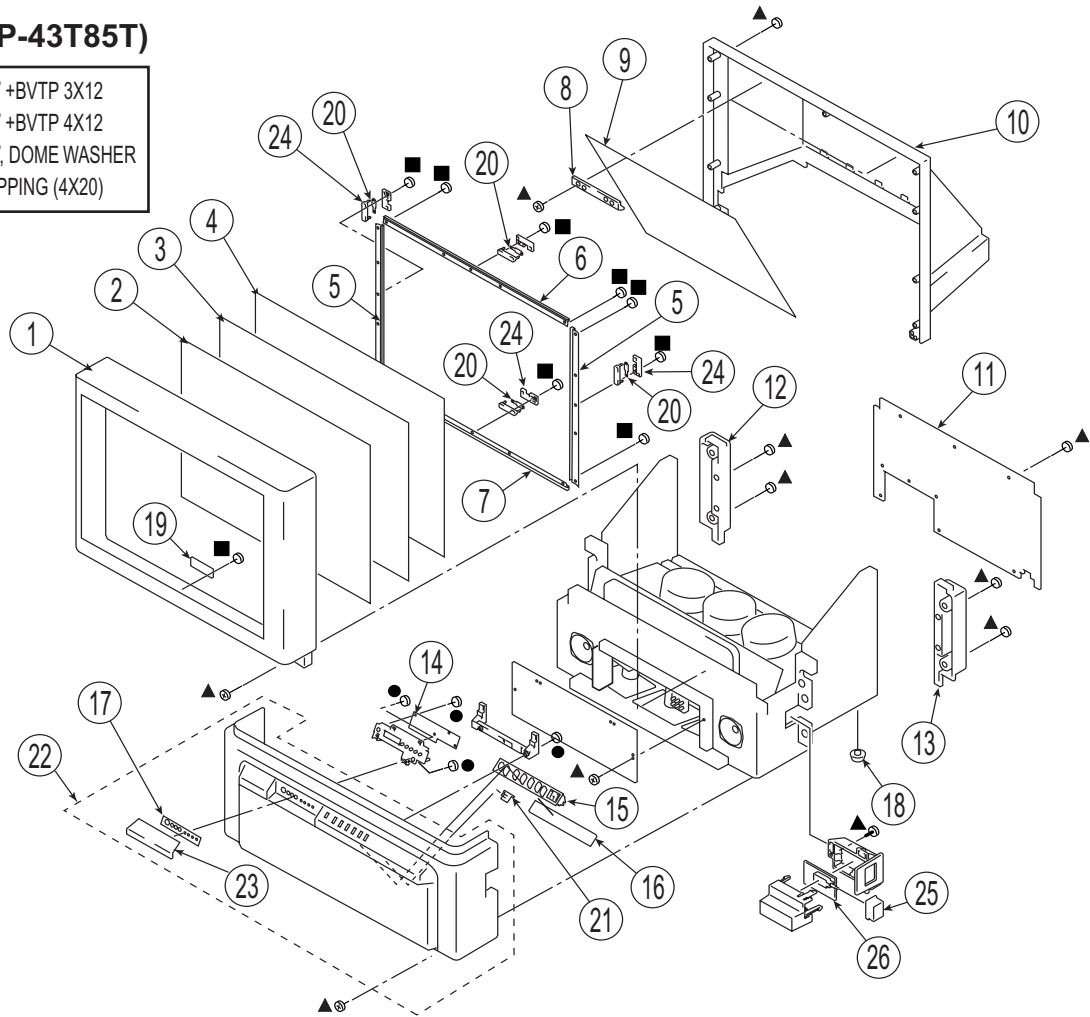
* Items marked with an asterisk are not stocked since they are seldom required for routine service. Expect some delay when ordering these components.

NOTE: The components identified by shading and  mark are critical for safety. Replace only with part number specified.


NOTE: Les composants identifiés par un trame et une marque  sont critiques pour la sécurité. Ne les remplacer que par une pièce portant le numéro spécifié.


6-1. COVER (KP-43T85T)

- 7-685-648-79 SCREW +BVTP 3X12
- 7-685-661-14 SCREW +BVTP 4X12
- ▲ 4-081-063-01 SCREW, DOME WASHER HEX TAPPING (4X20)



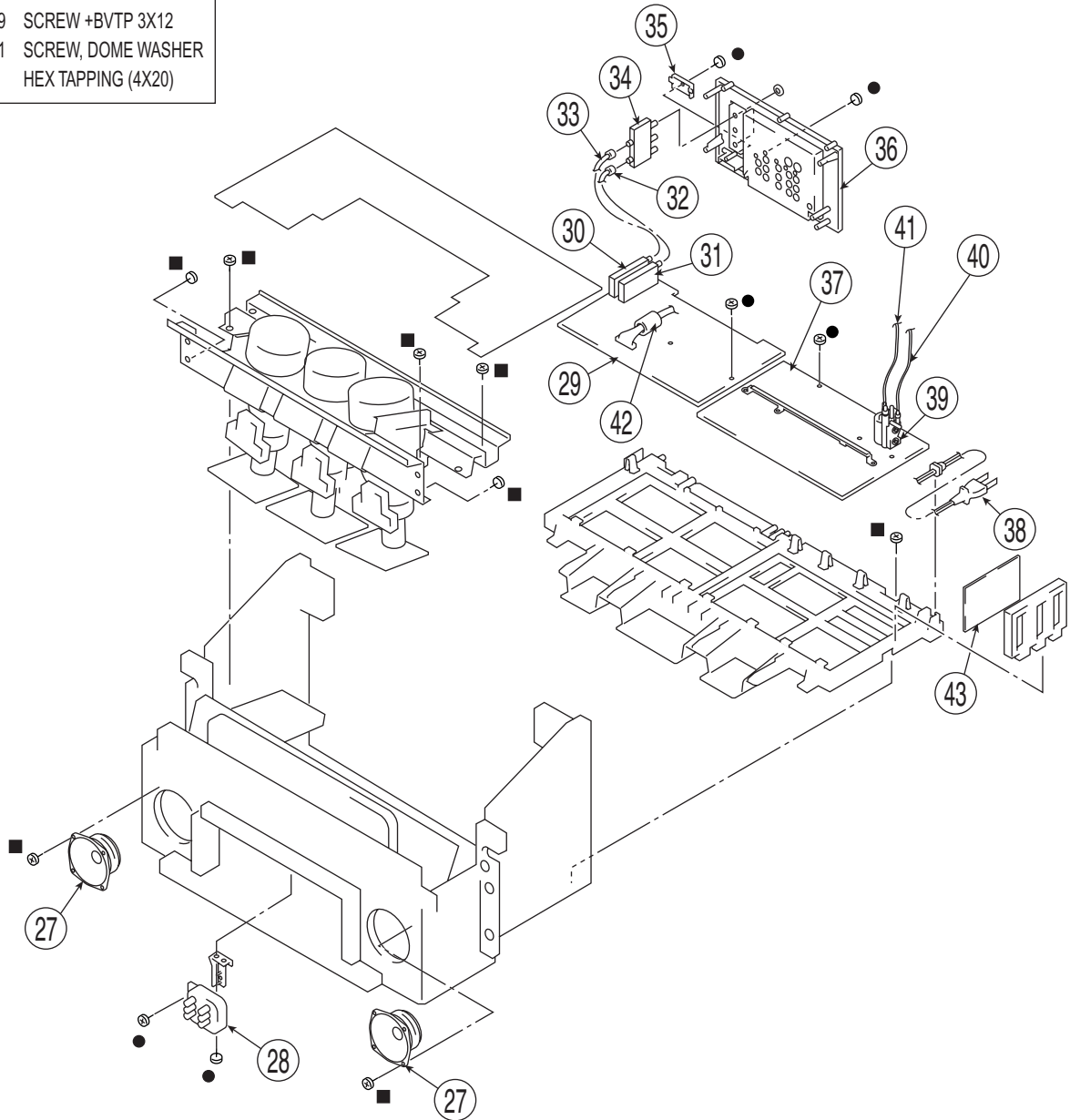
REF.NO.	PART NO.	DESCRIPTION	REF.NO.	PART NO.	DESCRIPTION	[ASS'Y INCLUDES]
1	X-4038-924-1	BEZNET -43 ASSY	*	14	A-1372-620-A	HB BOARD, MOUNTED
2	4-081-064-11	SCREEN (43), CONTRAST		15	4-069-681-21	BUTTON, MULTI
3	4-070-284-11	PLATE (L), DIFFUSION	*	16	A-1372-762-A	HA BOARD, MOUNTED
4	4-070-285-11	PLATE (43F), DIFFUSION		17	4-072-529-01	LABEL (2), SPEAKER GRILLE
* 5	4-070-332-31	HOLDER (L), SCREEN NC		18	4-057-611-01	FOOT
* 6	4-070-333-21	HOLDER (S), SCREEN NC	*	19	A-1372-618-A	HC BOARD, MOUNTED
* 7	4-070-333-31	HOLDER (S), SCREEN NC	*	20	A-1390-933-A	S BOARD, MOUNTED
* 8	4-081-501-01	HOLDER, MIRROR		21	4-069-682-01	GUIDE, LED
9	4-082-889-01	MIRROR -43	*	22	X-4039-200-1	PANEL ASSY, CONTROL [23]
* 10	4-081-500-01	COVER (43), MIRROR		23	4-073-437-31	DOOR, CONTROL
* 11	4-082-892-01	BOARD, REAR	*	24	4-069-680-01	BRACKET (B), SENSOR
12	4-069-703-01	CAP (L), CONTROL		25	4-048-200-11	BUTTON, MAIN POWER
13	4-069-704-01	CAP (R), CONTROL	*	26	A-1241-389-A	FB BOARD, MOUNTED








NOTE: The components identified by shading and  mark are critical for safety. Replace only with part number specified.

NOTE: Les composants identifiés par un trame et une marque  sont critiques pour la sécurité. Ne les remplacer que par une pièce portant le numéro spécifié.

6-2. CHASSIS (KP-43T85T)

- 7-685-648-79 SCREW +BVTP 3X12
- 4-081-063-01 SCREW, DOME WASHER
HEX TAPPING (4X20)



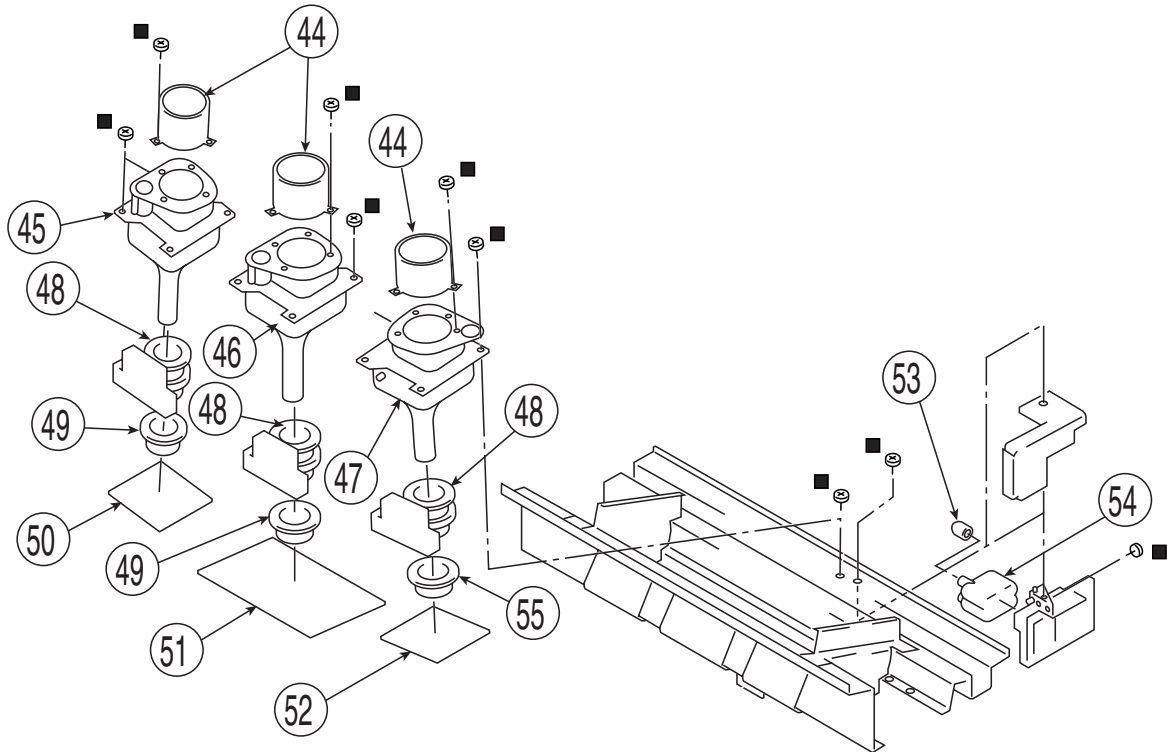
REF.NO.	PART NO.	DESCRIPTION	REF.NO.	PART NO.	DESCRIPTION		
	27	1-529-396-12	SPEAKER (10CM)		36	4-069-674-12	TERMINAL BOARD
	28	1-223-925-81	RESISTOR ASSY (HIGH-VOLTAGE)	*	37	A-1316-478-A	G BOARD, COMPLETE The high voltage leads associated with the FBT on this board are not included and must be ordered separately (see 40-41).
*	29	A-1298-990-A	A BOARD, COMPLETE		38	1-783-838-71	CORD, POWER (WITH CONNECTOR)
	30	8-598-431-20	TUNER, FSS BTF-WA411		39	1-453-238-31	FBT ASSY, NX-4007//X4P4
	31	8-598-430-50	TUNER, FSS BTF-FA401		40	1-900-249-96	HARNESS ASSY, FOCUS PACK -2
*	32	1-557-056-31	CABLE, P-P		41	1-779-095-23	LEAD ASSY, HIGH-VOLTAGE
	33	1-556-945-21	CABLE, P-P		42	1-500-021-11	CLAMP, SLEEVE FERRITE
	34	8-598-414-20	CHANGER, ANTENNA AS-2F	*	43	A-1241-390-A	FA BOARD, MOUNTED
	35	4-069-675-01	CAP, TERMINAL BOARD				

NOTE: The components identified by shading and ⚠ mark are critical for safety. Replace only with part number specified.


NOTE: Les composants identifiés par un trame et une marque ⚠ sont critiques pour la sécurité. Ne les remplacer que par une pièce portant le numéro spécifié.


6-3. PICTURE TUBE (KP-43T85T)

■ 4-052-894-01 SCREW (4X20), HEAD TAPPING



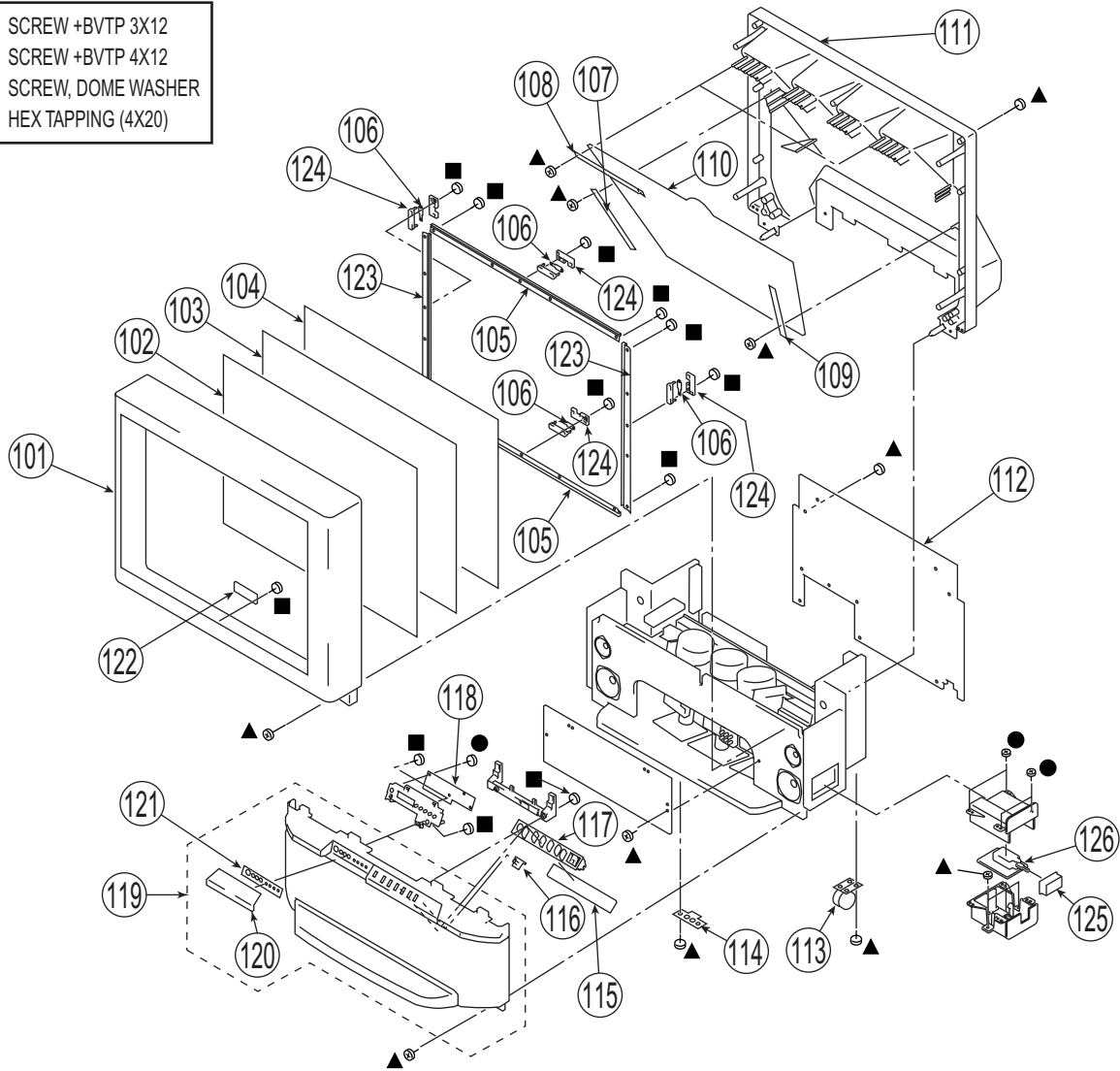
REF.NO.	PART NO.	DESCRIPTION
	44	4-056-258-11 LENS (DELTA 78)
⚠	45	8-733-571-31 CRT 07MXC2(R)(NEW GUN)
⚠	46	8-733-570-31 CRT 07MXC2(G)(NEW GUN)
⚠	47	8-733-574-21 CRT 07MAC2(B)(C/D CPL)
⚠	48	1-451-496-11 DEFLECTION YOKE
⚠	49	1-452-790-31 NECK ASSY
*	50	A-1331-922-A CR BOARD, MOUNTED
*	51	A-1331-923-A CG BOARD, MOUNTED
*	52	A-1331-924-A CB BOARD, MOUNTED
	53	4-373-137-01 CAP (Z), RUBBER
⚠	54	8-598-955-31 BLOCK ASSY, HV HVB-1031
⚠	55	1-452-909-41 MAGNET ASSY, 4 POLE

NOTE: The components identified by shading and  mark are critical for safety. Replace only with part number specified.

NOTE: Les composants identifiés par un trame et une marque  sont critiques pour la sécurité. Ne les remplacer que par une pièce portant le numéro spécifique.

6-4. COVER (KP-53SV85T)

- 7-685-648-79 SCREW +BVTP 3X12
- 7-685-661-14 SCREW +BVTP 4X12
- ▲ 4-081-063-01 SCREW, DOME WASHER
HEX TAPPING (4X20)



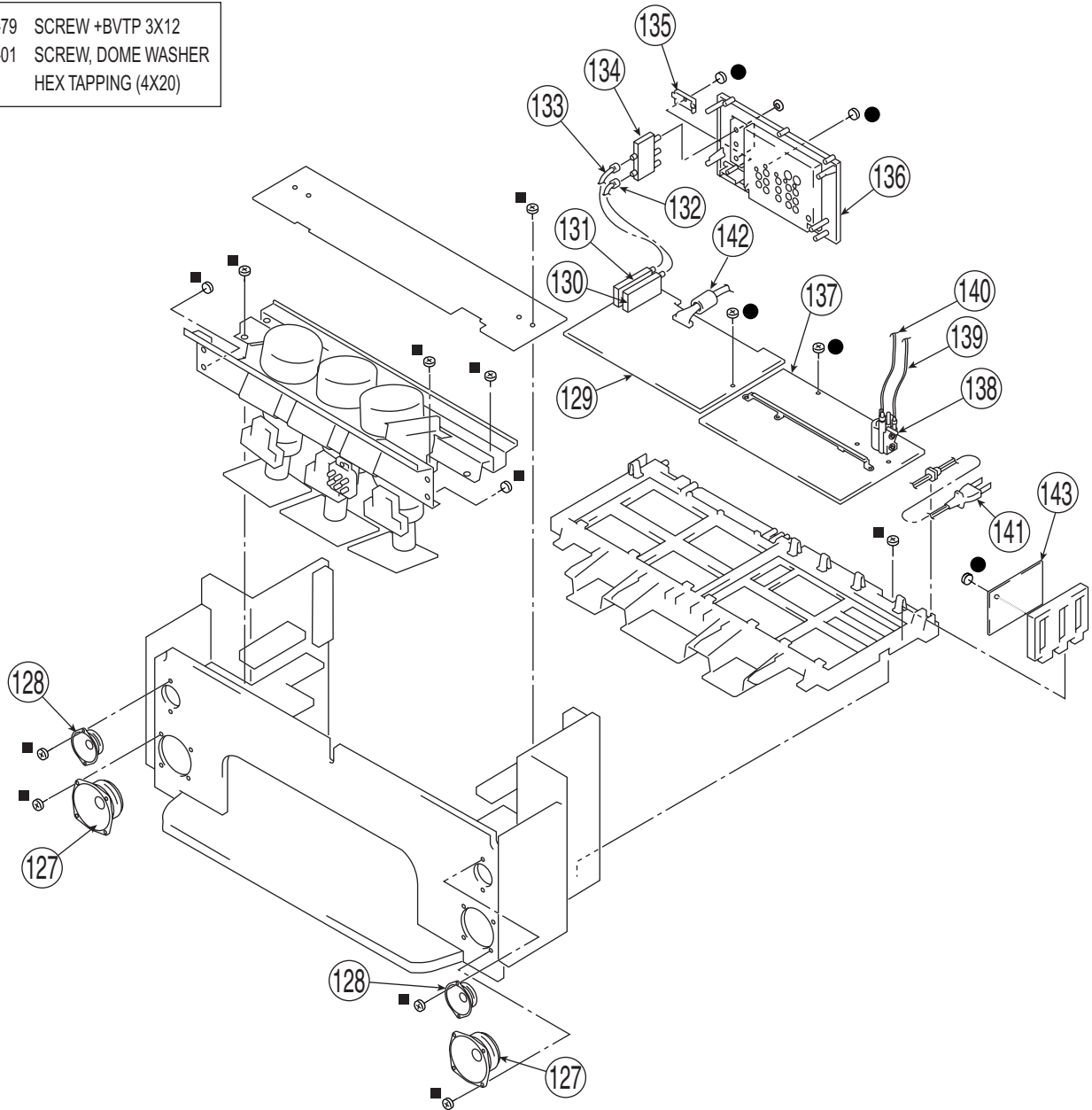
REF.NO.	PART NO.	DESCRIPTION	REF.NO.	PART NO.	DESCRIPTION	[ASS'Y INCLUDES]
101	X-4039-199-1	BEZNET ASSY	114	4-075-020-01	FOOT, PLASTIC	
102	4-081-065-11	SCREEN (53), CONTRAST	* 115	A-1372-762-A	HA BOARD, MOUNTED	
103	4-070-525-11	PLATE (L), DIFFUSION	116	4-069-682-01	GUIDE, LED	
104	4-070-602-11	PLATE (F), DIFFUSION	117	4-069-681-21	BUTTON, MULTI	
* 105	4-070-328-12	HOLDER (L), SCREEN YC	* 118	A-1372-620-A	HB BOARD, MOUNTED	
* 106	A-1390-933-A	S BOARD, MOUNTED	119	X-4039-197-1	GRILLE ASSY, SPEAKER	[120]
* 107	4-081-504-01	HOLDER (SL), MIRROR	120	4-069-671-41	DOOR (V), CONTROL	
* 108	4-070-345-11	HOLDER (TOP), MIRROR	121	4-072-529-01	LABEL (2), SPEAKER GRILLE	
* 109	4-081-505-01	HOLDER (SR), MIRROR	* 122	A-1372-618-A	HC BOARD, MOUNTED	
110	4-070-344-01	MIRROR, REFLECTION	* 123	4-070-330-02	HOLDER (S), SCREEN YC	
* 111	4-081-503-01	COVER, MIRROR	* 124	4-069-680-01	BRACKET (B), SENSOR	
* 112	4-082-770-01	BOARD -53 REAR	125	4-048-200-02	BUTTON, MAIN POWER	
113	4-040-755-01	CASTER (DIA. 30)	* 126	A-1241-389-A	FB BOARD, MOUNTED	

NOTE: The components identified by shading and ⚠ mark are critical for safety. Replace only with part number specified.


NOTE: Les composants identifiés par un trame et une marque ⚠ sont critiques pour la sécurité. Ne les remplacer que par une pièce portant le numéro spécifié.


6-5. CHASSIS (KP-53SV85T)

- 7-685-648-79 SCREW +BVTP 3X12
- 4-081-063-01 SCREW, DOME WASHER
HEX TAPPING (4X20)



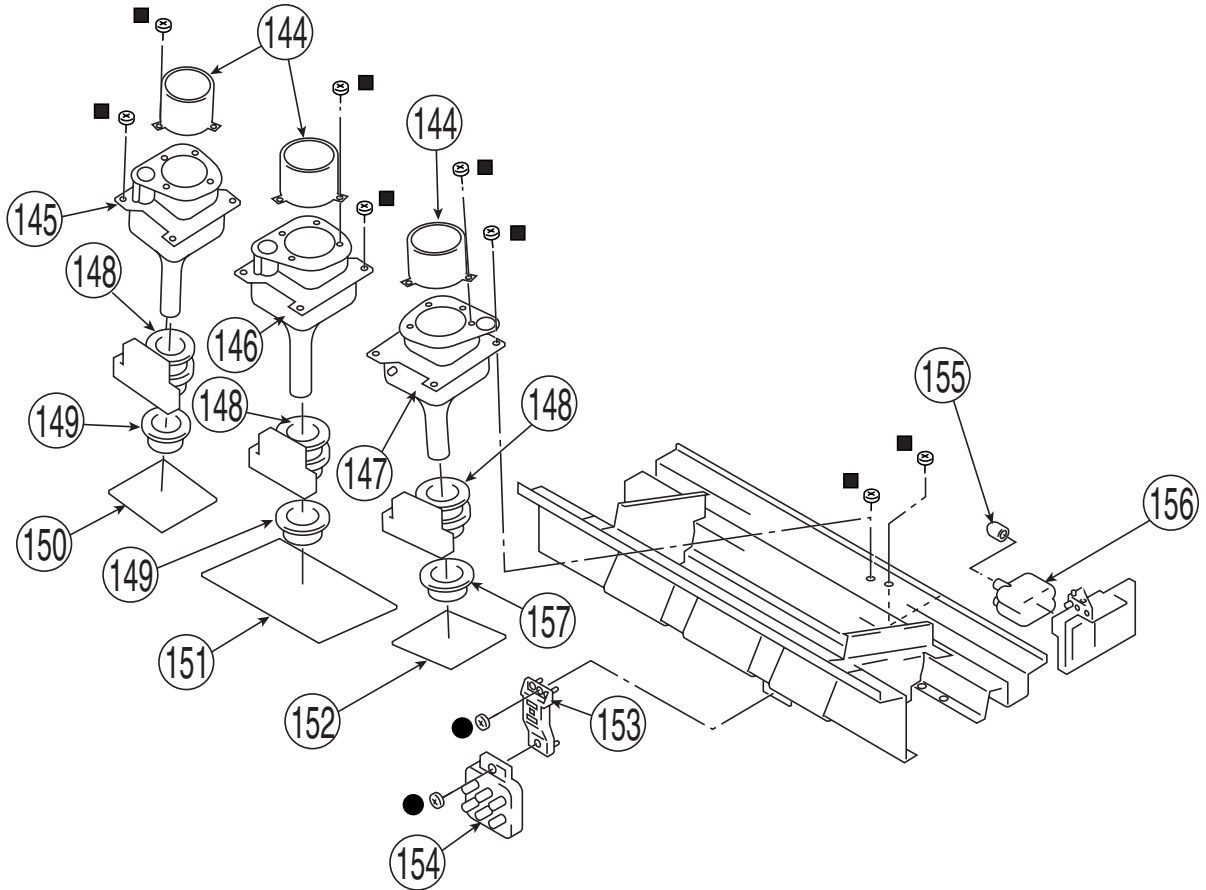
REF.NO.	PART NO.	DESCRIPTION	REF.NO.	PART NO.	DESCRIPTION		
	127	1-544-849-11	SPEAKER (13CM)				
	128	1-529-403-11	SPEAKER (6.6CM)				
*	129	A-1298-990-A	A BOARD, COMPLETE				
	130	8-598-430-50	TUNER, FSS BTF-FA401				
	131	8-598-431-20	TUNER, FSS BTF-WA411				
*	132	1-557-056-31	CABLE, P-P				
	133	1-556-945-21	CABLE, P-P				
⚠	134	8-598-414-20	CHANGER, ANTENNA AS-2F				
	135	4-069-675-01	CAP, TERMINAL BOARD				
				⚠ 136	4-069-674-12	TERMINAL BOARD	
				*	137	A-1316-479-A	G BOARD, COMPLETE
						The high voltage leads associated with the FBT on this board are not included and must be ordered separately (see 139-140).	
				⚠ 138	1-453-238-31	FBT ASSY, NX-4007//X4P4	
				⚠ 139	1-900-249-96	HARNESS ASSY, FOCUS PACK -2	
				⚠ 140	1-779-095-23	LEAD ASSY, HIGH-VOLTAGE	
				⚠ 141	1-783-838-71	CORD, POWER (WITH CONNECTOR)	
				142	1-500-021-11	CLAMP, SLEEVE FERRITE	
				*	143	A-1241-390-A	FA BOARD, MOUNTED










NOTE: The components identified by shading and  mark are critical for safety. Replace only with part number specified.

NOTE: Les composants identifiés par un trame et une marque  sont critiques pour la sécurité. Ne les remplacer que par une pièce portant le numéro spécifié.

6-6. PICTURE TUBE (KP-53SV85T)

- 7-685-648-79 SCREW +BVTP 3X12
- 4-052-894-01 SCREW (4X20), HEAD TAPPING



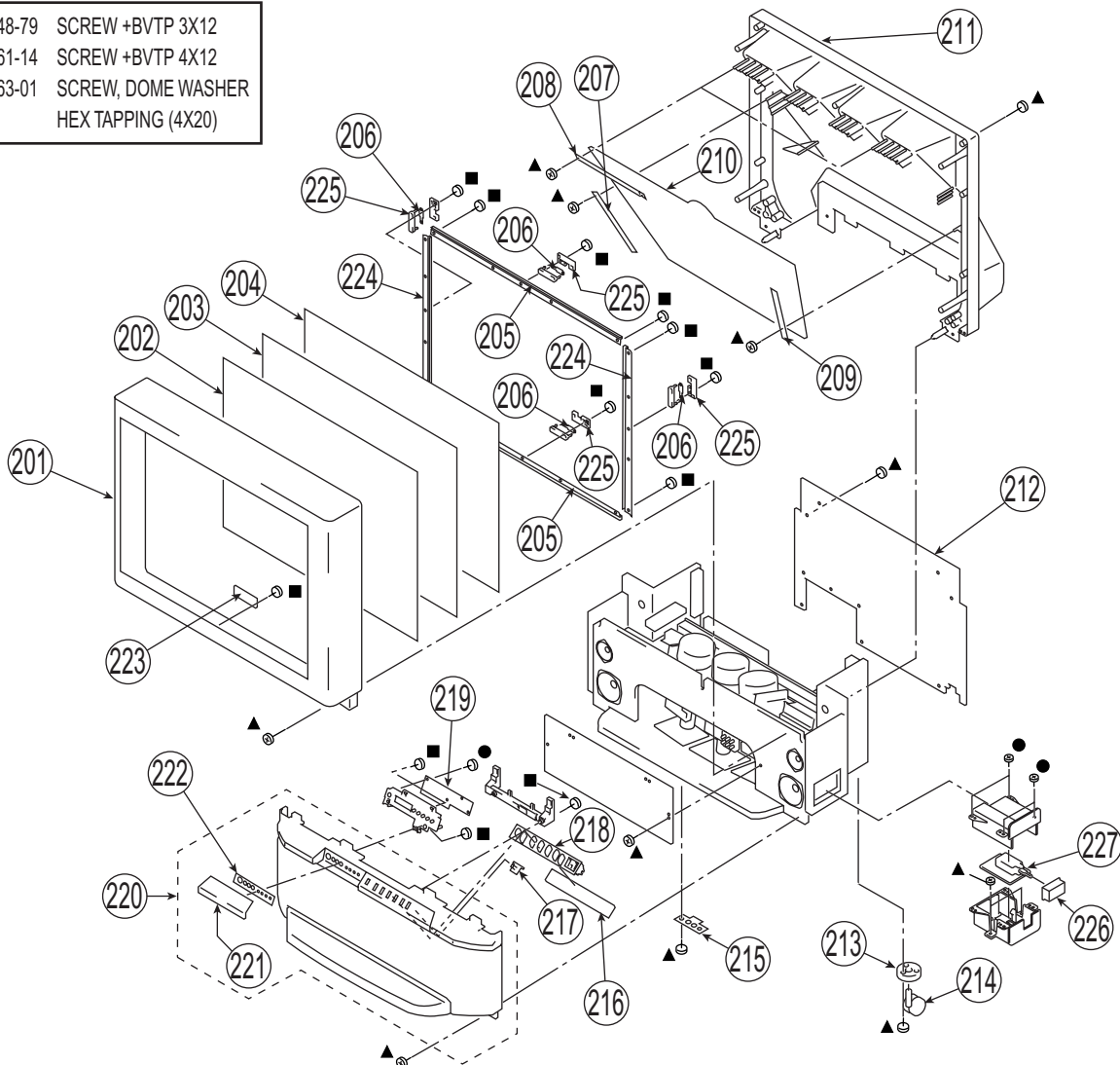
REF.NO.	PART NO.	DESCRIPTION
	144	4-056-258-11 LENS (DELTA 78)
	145	8-733-572-31 CRT 07MXC3(R)(NEW GUN)
	146	8-733-570-31 CRT 07MXC2(G)(NEW GUN)
	147	8-733-575-21 CRT 07MAC3(B)(C/D CPL)
	148	1-451-496-11 DEFLECTION YOKE
	149	1-452-790-31 NECK ASSY
*	150	A-1331-922-A CR BOARD, MOUNTED
*	151	A-1331-923-A CG BOARD, MOUNTED
*	152	A-1331-924-A CB BOARD, MOUNTED
	* 153	4-063-403-01 BRACKET, FOCUS PACK
	154	1-223-925-81 RESISTOR ASSY (HIGH-VOLTAGE)
	155	4-373-137-01 CAP (Z), RUBBER
	156	8-598-955-31 BLOCK ASSY, HV HVB-1031
	157	1-452-909-41 MAGNET ASSY, 4 POLE

NOTE: The components identified by shading and \blacktriangle mark are critical for safety. Replace only with part number specified.

NOTE: Les composants identifiés par un trame et une marque \blacktriangle sont critiques pour la sécurité. Ne les remplacer que par une pièce portant le numéro spécifié.

6-7. COVER (KP-61SV85T)

- 7-685-648-79 SCREW +BVTP 3X12
- 7-685-661-14 SCREW +BVTP 4X12
- ▲ 4-081-063-01 SCREW, DOME WASHER
HEX TAPPING (4X20)



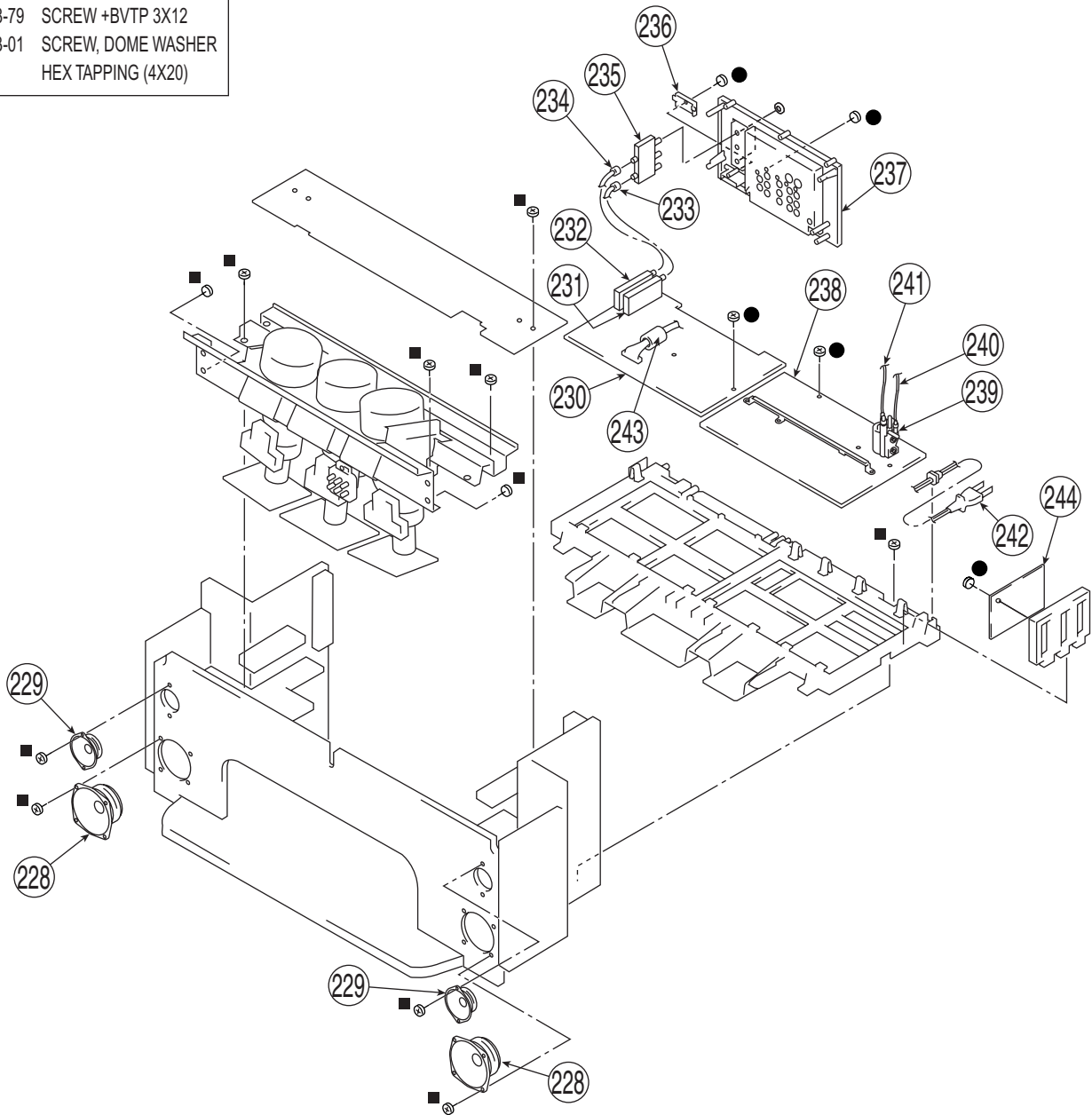
REF.NO.	PART NO.	DESCRIPTION	REF.NO.	PART NO.	DESCRIPTION	[ASS'Y INCLUDES]
201	X-4039-194-1	BEZNET ASSY	215	4-075-020-01	FOOT, PLASTIC	
202	4-081-067-11	SCREEN (61), CONTRAST	*	216	A-1372-762-A	HA BOARD, MOUNTED
203	4-070-283-11	PLATE (L), DIFFUSION	217	4-069-682-01	GUIDE, LED	
204	4-079-449-11	PLATE (61FV), DIFFUSION	218	4-069-681-21	BUTTON, MULTI	
* 205	4-070-329-02	HOLDER (L), SCREEN YC	* 219	A-1372-620-A	HB BOARD, MOUNTED	
* 206	A-1390-933-A	S BOARD, MOUNTED	220	X-4039-196-1	GRILLE ASSY, SPEAKER	[221]
* 207	4-069-689-01	HOLDER (L), MIRROR	221	4-069-671-41	DOOR (V), CONTROL	
* 208	4-070-345-01	HOLDER (TOP), MIRROR	222	4-072-529-01	LABEL (2), SPEAKER GRILLE	
* 209	4-069-690-01	HOLDER (R), MIRROR	* 223	A-1372-618-A	HC BOARD, MOUNTED	
210	4-070-922-01	MIRROR, REFLECTION	* 224	4-070-334-02	HOLDER (S), SCREEN YC	
* 211	4-069-695-01	COVER, MIRROR	* 225	4-069-680-01	BRACKET (B), SENSOR	
* 212	4-070-920-02	BOARD, REAR	226	4-048-200-02	BUTTON, MAIN POWER	
213	4-030-850-01	SOCKET, CASTER	* 227	A-1241-389-A	FB BOARD, MOUNTED	
214	4-039-546-01	CASTER				

NOTE: The components identified by shading and ⚠ mark are critical for safety. Replace only with part number specified.

NOTE: Les composants identifiés par un trame et une marque ⚠ sont critiques pour la sécurité. Ne les remplacer que par une pièce portant le numéro spécifique.

6-8. CHASSIS (KP-61SV85T)

- 7-685-648-79 SCREW +BVTP 3X12
- 4-081-063-01 SCREW, DOME WASHER
HEX TAPPING (4X20)



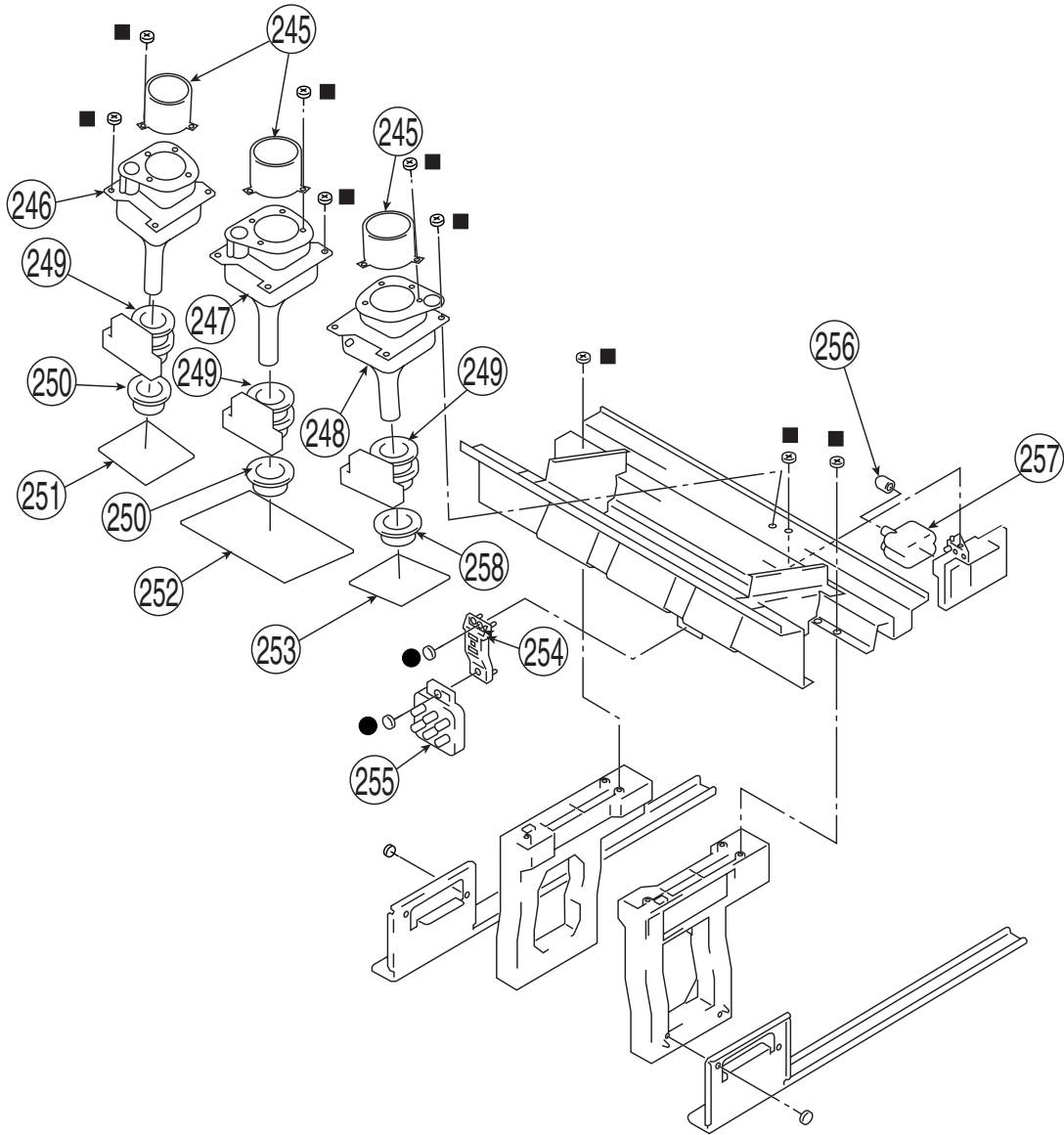
REF.NO.	PART NO.	DESCRIPTION	REF.NO.	PART NO.	DESCRIPTION	
	228	1-529-402-11	SPEAKER (16CM)	⚠ 237	4-069-674-12	TERMINAL BOARD
	229	1-529-403-21	SPEAKER (6.6CM)	* 238	A-1316-489-A	G BOARD, COMPLETE The high voltage leads associated with the FBT on this board are not included and must be ordered separately (see 139-140).
*	230	A-1298-990-A	A BOARD, COMPLETE	⚠ 239	1-453-238-31	FBT ASSY, NX-4007//X4P4
	231	8-598-430-50	TUNER, FSS BTF-FA401	⚠ 240	1-900-249-96	HARNESS ASSY, FOCUS PACK -2
	232	8-598-431-20	TUNER, FSS BTF-WA411	⚠ 241	1-779-095-23	LEAD ASSY, HIGH-VOLTAGE
*	233	1-557-056-31	CABLE, P-P	⚠ 242	1-790-001-11	CORD, AC POWER (WITH CONNECTOR)
	234	1-556-945-21	CABLE, P-P	243	1-500-021-11	CLAMP, SLEEVE FERRITE
⚠	235	8-598-414-20	CHANGER, ANTENNA AS-2F	* 244	A-1241-390-A	FA BOARD, MOUNTED
	236	4-069-675-01	CAP, TERMINAL BOARD			

NOTE: The components identified by shading and ⚠ mark are critical for safety. Replace only with part number specified.

NOTE: Les composants identifiés par un trame et une marque ⚠ sont critiques pour la sécurité. Ne les remplacer que par une pièce portant le numéro spécifié.

6-9. PICTURE TUBE (KP-61SV85T)

- 7-685-648-79 SCREW +BVTP 3X12
- 4-052-894-01 SCREW (4X20), HEAD TAPPING



REF.NO.	PART NO.	DESCRIPTION	REF.NO.	PART NO.	DESCRIPTION
	245	4-040-131-21 LENS (LINNIT POINT 6)	*	252	A-1331-923-A CG BOARD, MOUNTED
⚠	246	8-733-573-31 CRT 07MXC4(R)(NEW GUN)	*	253	A-1331-924-A CB BOARD, MOUNTED
⚠	247	8-733-570-31 CRT 07MXC2(G)(NEW GUN)	⚠*	254	4-063-403-01 BRACKET, FOCUS PACK
⚠	248	8-733-576-21 CRT 07MAC4(B)(E)(C/D CPL)	⚠	255	1-223-925-81 RESISTOR ASSY (HIGH-VOLTAGE)
⚠	249	1-451-496-11 DEFLECTION YOKE		256	4-373-137-01 CAP (Z), RUBBER
⚠	250	1-452-790-31 NECK ASSY	⚠	257	8-598-955-31 BLOCK ASSY, HV HVB-1031
*	251	A-1331-922-A CR BOARD, MOUNTED	⚠	258	1-452-909-41 MAGNET ASSY, 4 POLE

SECTION 7: ELECTRICAL PARTS LIST

NOTE: The components identified by shading and \triangle mark are critical for safety. Replace only with part number specified.

NOTE: Les composants identifiés par un trame et une marque \triangle sont critiques pour la sécurité. Ne les remplacer que par une pièce portant le numéro spécifié.

The components in this manual identified by the following symbol: \boxtimes indicate parts that have been carefully factory-selected to satisfy regulations regarding X-ray radiation for each set.

Should replacement be required for one of these components, replace only with the value originally used.

* Items marked with an asterisk are not stocked since they are seldom required for routine service. Expect some delay when ordering these components.

CR

RESISTORS

- All resistors are in ohms
- F : nonflammable
- All variable and adjustable resistors have characteristic curve B, unless otherwise noted.

When ordering parts by reference number, please include the board name.

REF.NO.	PART NO.	DESCRIPTION	VALUES	REF.NO.	PART NO.	DESCRIPTION	VALUES
CR				NEON LAMP			
	* A-1331-922-A	CR BOARD, MOUNTED		NL701	1-517-778-21	LAMP, NEON	
	4-382-854-11	SCREW	(M3X10), P, SW (+)	TRANSISTOR			
	CAPACITOR			Q704	8-729-423-33	TRANSISTOR 2SC3311A-QRSTA	
C701	1-104-570-11	CERAMIC	0.001 μ F 10% 2KV	Q705	8-729-326-11	TRANSISTOR 2SC3271F-N	
C703	1-126-947-11	ELECT	47 μ F 20% 25V	Q706	8-729-200-17	TRANSISTOR 2SA10910-TPE2	
C706	1-102-114-00	CERAMIC	470pF 10% 50V	RESISTOR			
C708	1-102-113-00	CERAMIC	390pF 10% 50V	R701	1-219-743-11	CARBON	100 5% 1/2W
C709	1-101-880-00	CERAMIC	47pF 5% 50V	R702	1-260-132-11	CARBON	560K 5% 1/2W
C710	1-162-115-00	CERAMIC	330pF 10% 2KV	R703	1-216-486-00	METAL OXIDE	8.2K 5% 3W
C711	1-161-830-00	CERAMIC	.0047 μ F 500V	R704	1-215-476-00	METAL	200K 1% 1/4W
C712	1-107-662-11	ELECT	22 μ F 20% 250V	R711	1-247-807-31	CARBON	100 5% 1/4W
	CONNECTOR			R712	1-249-404-00	CARBON	82 5% 1/4W
* CN701	1-564-507-11	PLUG,CONNECTOR 4P		R713	1-216-486-00	METAL OXIDE	8.2K 5% 3W
* CN702	1-564-512-11	PLUG,CONNECTOR 9P		R714	1-249-393-11	CARBON	10 5% 1/4W
CN703	1-785-879-11	CONNECTOR, ONE TOUCH		R715	1-249-419-11	CARBON	1.5K 5% 1/4W
\triangle CN704	1-251-182-11	SOCKET, CRT		R718	1-260-133-11	CARBON	680K 5% 1/2W
CN705	1-695-915-11	TAB (CONTACT)		R719	1-249-425-11	CARBON	4.7K 5% 1/4W
CN706	1-695-915-11	TAB (CONTACT)		R720	1-260-328-11	CARBON	1K 5% 1/2W
	DIODE			R721	1-260-328-11	CARBON	1K 5% 1/2W
D705	8-719-991-33	DIODE 1SS133T-77		R722	1-260-087-11	CARBON	100 5% 1/2W
D706	8-719-991-33	DIODE 1SS133T-77		R723	1-412-911-11	FERRITE	0 μ H
D707	8-719-991-33	DIODE 1SS133T-77		SPARK GAP			
D708	8-719-991-33	DIODE 1SS133T-77		SG701	1-519-422-11	GAP, SPARK	
D709	8-719-991-33	DIODE 1SS133T-77		SG702	1-517-729-31	GAP, SPARK	
	COIL						
L701	1-414-188-41	INDUCTOR	68 μ H				
L702	1-412-911-11	FERRITE	0 μ H				



NOTE: The components identified by shading and \triangle mark are critical for safety. Replace only with part number specified.

NOTE: Les composants identifiés par un trame et une marque \triangle sont critiques pour la sécurité. Ne les remplacer que par une pièce portant le numéro spécifique.

REF.NO.	PART NO.	DESCRIPTION	VALUES			REF.NO.	PART NO.	DESCRIPTION	VALUES		
<div style="border: 1px solid black; padding: 5px; display: inline-block;"> CG </div>						<u>DIODE</u>					
	* A-1331-923-A	CG BOARD, MOUNTED				D731	8-719-991-33	DIODE 1SS133T-77			
	4-382-854-11	SCREW (M3X10), P, SW (+)				D732	8-719-991-33	DIODE 1SS133T-77			
	<u>CAPACITOR</u>					D733	8-719-991-33	DIODE 1SS133T-77			
C731	1-126-947-11	ELECT	47 μ F	20%	25V	D734	8-719-991-33	DIODE 1SS133T-77			
C732	1-104-570-11	CERAMIC	0.001 μ F	10%	2KV	D735	8-719-991-33	DIODE 1SS133T-77			
C733	1-102-114-00	CERAMIC	470pF	10%	50V	D736	8-719-109-85	DIODE MTZJ-T-77-5.1B			
C734	1-102-114-00	CERAMIC	470pF	10%	50V	D1304	8-719-991-33	DIODE 1SS133T-77			
C735	1-101-880-00	CERAMIC	47pF	5%	50V	<u>COIL</u>					
						L731	1-414-188-41	INDUCTOR		68 μ H	
C736	1-161-830-00	CERAMIC	.0047 μ F		500V	L732	1-412-911-11	FERRITE		0 μ H	
C737	1-162-115-00	CERAMIC	330pF	10%	2KV	L1301	1-412-911-11	FERRITE		0 μ H	
C738	1-107-662-11	ELECT	22 μ F	20%	250V	L1302	1-412-911-11	FERRITE		0 μ H	
C1301	1-104-987-11	MYLAR	0.001 μ F	10%	200V	<u>NEON LAMP</u>					
C1302	1-107-639-11	ELECT	47 μ F	20%	160V	NL731	1-517-778-21	LAMP, NEON			
						<u>TRANSISTOR</u>					
C1303	1-126-933-11	ELECT	100 μ F	20%	16V	Q731	8-729-423-33	TRANSISTOR 2SC3311A-QRSTA			
C1305	1-126-933-11	ELECT	100 μ F	20%	16V	Q732	8-729-326-11	TRANSISTOR 2SC3271F-N			
C1308	1-106-383-00	MYLAR	0.047 μ F	10%	200V	Q733	8-729-200-17	TRANSISTOR 2SA10910-TPE2			
C1309	1-106-383-00	MYLAR	0.047 μ F	10%	200V	Q734	8-729-119-76	TRANSISTOR 2SA1309A-QRSTA			
C1310	1-126-960-11	ELECT	1 μ F	20%	50V	Q1301	8-729-017-06	TRANSISTOR 2SC4793			
						Q1302	8-729-017-05	TRANSISTOR 2SA1837			
C1312	1-161-830-00	CERAMIC	.0047 μ F		500V	Q1303	8-729-119-76	TRANSISTOR 2SA1309A-QRSTA			
C1313	1-102-129-00	CERAMIC	0.01 μ F	10%	50V	Q1304	8-729-423-33	TRANSISTOR 2SC3311A-QRSTA			
C1314	1-102-129-00	CERAMIC	0.01 μ F	10%	50V	Q1305	8-729-423-33	TRANSISTOR 2SC3311A-QRSTA			
C1315	1-126-933-11	ELECT	100 μ F	20%	16V	Q1306	8-729-423-33	TRANSISTOR 2SC3311A-QRSTA			
						<u>RESISTOR</u>					
	<u>CONNECTOR</u>					R731	1-219-743-11	CARBON	100	5%	1/2W
*	CN731	1-564-512-11	PLUG,CONNECTOR 9P			R732	1-260-132-11	CARBON	560K	5%	1/2W
*	CN732	1-564-507-11	PLUG,CONNECTOR 4P			R733	1-247-807-31	CARBON	100	5%	1/4W
*	CN733	1-564-508-11	PLUG,CONNECTOR 5P			R734	1-260-087-11	CARBON	100	5%	1/2W
*	CN734	1-764-333-11	PLUG,CONNECTOR 10P			R735	1-249-403-11	CARBON	68	5%	1/4W
*	CN735	1-564-512-11	PLUG,CONNECTOR 9P			R736	1-216-486-00	METAL OXIDE	8.2K	5%	3W
						R737	1-249-393-11	CARBON	10	5%	1/4W
*	CN736	1-564-512-11	PLUG,CONNECTOR 9P			R738	1-249-414-11	CARBON	560	5%	1/4W
	CN737	1-785-879-11	CONNECTOR, ONE TOUCH			R739	1-216-486-00	METAL OXIDE	8.2K	5%	3W
	CN738	1-695-915-11	TAB (CONTACT)			R741	1-249-425-11	CARBON	4.7K	5%	1/4W
	CN739	1-695-915-11	TAB (CONTACT)			R742	1-260-328-11	CARBON	1K	5%	1/2W
\triangle	CN740	1-251-182-11	SOCKET, CRT			R743	1-247-881-00	CARBON	120K	5%	1/4W
*	CN1301	1-564-506-11	PLUG,CONNECTOR 3P			R744	1-260-133-11	CARBON	680K	5%	1/2W
*	CN1302	1-564-506-11	PLUG,CONNECTOR 3P								
*	CN1303	1-564-506-11	PLUG,CONNECTOR 3P								
*	CN1304	1-564-509-11	PLUG,CONNECTOR 6P								

NOTE: The components identified by shading and \triangle mark are critical for safety. Replace only with part number specified.

NOTE: Les composants identifiés par un triangle et une marque \triangle sont critiques pour la sécurité. Ne les remplacer que par une pièce portant le numéro spécifique.





REF.NO.	PART NO.	DESCRIPTION	VALUES			REF.NO.	PART NO.	DESCRIPTION	VALUES		
R745	1-260-328-11	CARBON	1K	5%	1/2W						
R746	1-249-437-11	CARBON	47K	5%	1/4W						
R747	1-249-438-11	CARBON	56K	5%	1/4W						
R753	1-412-911-11	FERRITE	0 μ H								
R1301	1-215-916-00	METAL OXIDE	680	5%	3W						
R1302	1-215-916-00	METAL OXIDE	680	5%	3W						
R1303	1-249-400-11	CARBON	39	5%	1/4W						
R1304	1-249-391-11	CARBON	6.8	5%	1/4W						
R1305	1-249-391-11	CARBON	6.8	5%	1/4W						
R1306	1-249-429-11	CARBON	10K	5%	1/4W						
R1307	1-260-311-11	CARBON	39	5%	1/2W						
R1308	1-249-419-11	CARBON	1.5K	5%	1/4W						
R1310	1-249-441-11	CARBON	100K	5%	1/4W						
R1311	1-249-419-11	CARBON	1.5K	5%	1/4W						
R1314	1-249-419-11	CARBON	1.5K	5%	1/4W						
R1315	1-249-399-11	CARBON	33	5%	1/4W						
R1319	1-249-413-11	CARBON	470	5%	1/4W						
R1321	1-249-406-11	CARBON	120	5%	1/4W						
R1323	1-249-377-11	CARBON	0.47	5%	1/4W						
R1324	1-249-425-11	CARBON	4.7K	5%	1/4W						
R1325	1-249-431-11	CARBON	15K	5%	1/4W						
R1327	1-249-441-11	CARBON	100K	5%	1/4W						
R1328	1-249-435-11	CARBON	33K	5%	1/4W						
SPARK GAP											
SG731	1-519-422-11	GAP, SPARK									
SG732	1-517-729-31	GAP, SPARK									
CAPACITOR											
C761	1-126-947-11	ELECT	47 μ F	20%	25V						
C762	1-104-570-11	CERAMIC	0.001 μ F	10%	2KV						
C763	1-102-114-00	CERAMIC	470pF	10%	50V						
C764	1-102-112-00	CERAMIC	330pF	10%	50V						
C765	1-101-880-00	CERAMIC	47pF	5%	50V						
C767	1-162-115-00	CERAMIC	330pF	10%	2KV						
C768	1-126-964-11	ELECT	10 μ F	20%	50V						
C769	1-161-830-00	CERAMIC	.0047 μ F		500V						
C770	1-107-662-11	ELECT	22 μ F	20%	250V						
CONNECTOR											
*	CN761	1-564-508-11	PLUG,CONNECTOR 5P								
*	CN762	1-564-512-11	PLUG,CONNECTOR 9P								
	CN763	1-785-879-11	CONNECTOR, ONE TOUCH								
	CN764	1-695-915-11	TAB (CONTACT)								
	CN765	1-695-915-11	TAB (CONTACT)								
\triangle	CN766	1-251-182-11	SOCKET, CRT								
DIODE											
D761	8-719-991-33	DIODE 1SS133T-77									
D762	8-719-991-33	DIODE 1SS133T-77									
D763	8-719-991-33	DIODE 1SS133T-77									
D764	8-719-991-33	DIODE 1SS133T-77									
D765	8-719-991-33	DIODE 1SS133T-77									
COIL											
L761	1-414-188-41	INDUCTOR			68 μ H						
L762	1-412-911-11	FERRITE			0 μ H						
NEON LAMP											
NL761	1-517-778-21	LAMP, NEON									
TRANSISTOR											
Q761	8-729-423-33	TRANSISTOR 2SC3311A-QRSTA									
Q762	8-729-326-11	TRANSISTOR 2SC3271F-N									
Q763	8-729-119-76	TRANSISTOR 2SA1309A-QRSTA									
Q764	8-729-200-17	TRANSISTOR 2SA10910-TPE2									
RESISTOR											
R761	1-219-743-11	CARBON	100	5%	1/2W						
R762	1-260-132-11	CARBON	560K	5%	1/2W						
R763	1-247-807-31	CARBON	100	5%	1/4W						
R764	1-216-486-00	METAL OXIDE	8.2K	5%	3W						
R765	1-247-807-31	CARBON	100	5%	1/4W						
R766	1-216-486-00	METAL OXIDE	8.2K	5%	3W						
R767	1-249-393-11	CARBON	10	5%	1/4W						
R768	1-249-418-11	CARBON	1.2K	5%	1/4W						
R770	1-249-404-00	CARBON	82	5%	1/4W						
R771	1-249-426-11	CARBON	5.6K	5%	1/4W						
R772	1-249-435-11	CARBON	33K	5%	1/4W						
R773	1-260-328-11	CARBON	1K	5%	1/2W						
R775	1-249-425-11	CARBON	4.7K	5%	1/4W						
R776	1-260-133-11	CARBON	680K	5%	1/2W						
R777	1-260-328-11	CARBON	1K	5%	1/2W						
R778	1-259-880-11	CARBON	2.2M	5%	1/4W						








* A-1331-924-A **CB BOARD, MOUNTED**







4-382-854-11 SCREW (M3X10), P, SW (+)

NOTE: The components identified by shading and  mark are critical for safety. Replace only with part number specified.

NOTE: Les composants identifiés par un trame et une marque  sont critiques pour la sécurité. Ne les remplacer que par une pièce portant le numéro spécifique.



REF.NO.	PART NO.	DESCRIPTION	VALUES		
R779	1-260-087-11	CARBON	100	5%	1/2W
R783	1-412-911-11	FERRITE	0μH		
SPARK GAP					
SG761	1-519-422-11	GAP, SPARK			
SG762	1-517-729-31	GAP, SPARK			
FA					
	* A-1241-390-A	FA BOARD, MOUNTED			
CAPACITOR					
	C6001	1-104-706-11	MYLAR	0.22μF	20% 250V
	C6002	1-104-706-11	MYLAR	0.22μF	20% 250V
	C6003	1-119-886-51	CERAMIC	470pF	10% 250V
	C6005	1-119-886-51	CERAMIC	470pF	10% 250V
	C6010	1-119-894-51	CERAMIC	2200pF	20% 250V
	C6011	1-119-894-51	CERAMIC	2200pF	20% 250V
	C6012	1-119-894-51	CERAMIC	2200pF	20% 250V
CONNECTOR					
*	CN6001	1-580-689-11	PIN,CONNECTOR (PC BOARD)	4P	
	CN6002	1-580-843-11	PIN,CONNECTOR (POWER)		
	CN6003	1-695-915-11	TAB (CONTACT)		
*	CN6004	1-580-689-11	PIN,CONNECTOR (PC BOARD)	4P	
*	CN6005	1-691-291-11	PIN,CONNECTOR (PC BOARD)	5P	
*	CN6006	1-691-960-11	PIN,CONNECTOR (PC BOARD)	3P	
	CN6007	1-695-915-11	TAB (CONTACT)		
DIODE					
	D6001	8-719-510-53	DIODE D4SB60L-F		
FUSE					
	F6001	1-532-506-51	FUSE 6.3A/250V		
FUSE HOLDER					
	FH6001	1-533-223-11	HOLDER, FUSE		
	FH6002	1-533-223-11	HOLDER, FUSE		
COIL					
	L6001	1-424-248-11	TRANSFORMER, LINE FILTER		

REF.NO.	PART NO.	DESCRIPTION	VALUES		
	L6002	1-424-248-11	TRANSFORMER, LINE FILTER		
RESISTOR					
	R6001	1-218-265-11	METAL	8.2M	5% 1W
	R6002	1-219-512-11	CARBON	2.2M	5% 1/2W
	R6003	1-240-881-11	CMT-	0.82	5% 20W
	R6004	1-205-998-11	CEMENTED	1	5% 10W
	R6005	1-240-881-11	CMT-	0.82	5% 20W
VARISTOR					
	VD6001	1-801-073-31	VARISTOR TNR14V471K660		
	VD6003	1-803-614-11	VARISTOR		
A					
	* A-1298-990-A	A BOARD, COMPLETE			
	4-382-854-11	SCREW (M3X10), P, SW (+)			
CAPACITOR					
	C002	1-163-259-91	CERAMIC CHIP	220pF	5% 50V
	C003	1-164-004-11	CERAMIC CHIP	0.1μF	10% 25V
	C004	1-163-809-11	CERAMIC CHIP	0.047μF	10% 25V
	C005	1-126-935-11	ELECT	470μF	20% 6.3V
	C006	1-126-960-11	ELECT	1μF	20% 50V
	C015	1-163-259-91	CERAMIC CHIP	220pF	5% 50V
	C016	1-163-809-11	CERAMIC CHIP	0.047μF	10% 25V
	C039	1-163-021-91	CERAMIC CHIP	0.01μF	10% 50V
	C040	1-126-916-11	ELECT	1000μF	20% 6.3V
	C041	1-163-229-11	CERAMIC CHIP	12pF	5% 50V
	C042	1-126-960-11	ELECT	1μF	20% 50V
	C044	1-163-231-11	CERAMIC CHIP	15pF	5% 50V
	C066	1-117-720-11	CERAMIC CHIP	4.7μF	10V
	C072	1-163-021-91	CERAMIC CHIP	0.01μF	10% 50V
	C080	1-163-227-11	CERAMIC CHIP	10pF	0.50pF 50V
	C081	1-163-227-11	CERAMIC CHIP	10pF	0.50pF 50V
	C082	1-163-227-11	CERAMIC CHIP	10pF	0.50pF 50V
	C085	1-163-021-91	CERAMIC CHIP	0.01μF	10% 50V
	C086	1-163-229-11	CERAMIC CHIP	12pF	5% 50V
	C087	1-126-964-11	ELECT	10μF	20% 50V
	C091	1-163-227-11	CERAMIC CHIP	10pF	0.50pF 50V
	C093	1-104-665-11	ELECT	100μF	20% 25V
	C094	1-164-004-11	CERAMIC CHIP	0.1μF	10% 25V
	C098	1-163-227-11	CERAMIC CHIP	10pF	0.50pF 50V



REF.NO.	PART NO.	DESCRIPTION	VALUES			REF.NO.	PART NO.	DESCRIPTION	VALUES		
C099	1-163-227-11	CERAMIC CHIP	10pF	0.50pF	50V	C291	1-126-961-11	ELECT	2.2μF	20%	50V
C100	1-163-227-11	CERAMIC CHIP	10pF	0.50pF	50V	C293	1-163-017-00	CERAMIC CHIP	.0047μF	10%	50V
C102	1-163-239-11	CERAMIC CHIP	33pF	5%	50V	C294	1-136-177-00	FILM	1μF	5%	50V
C103	1-163-239-11	CERAMIC CHIP	33pF	5%	50V	C300	1-163-021-91	CERAMIC CHIP	0.01μF	10%	50V
C104	1-163-227-11	CERAMIC CHIP	10pF	0.50pF	50V	C301	1-163-021-91	CERAMIC CHIP	0.01μF	10%	50V
C105	1-163-227-11	CERAMIC CHIP	10pF	0.50pF	50V	C302	1-163-021-91	CERAMIC CHIP	0.01μF	10%	50V
C106	1-163-227-11	CERAMIC CHIP	10pF	0.50pF	50V	C303	1-163-021-91	CERAMIC CHIP	0.01μF	10%	50V
C151	1-126-935-11	ELECT	470μF	20%	16V	C304	1-126-933-11	ELECT	100μF	20%	16V
C152	1-163-021-91	CERAMIC CHIP	0.01μF	10%	50V	C305	1-126-960-11	ELECT	1μF	20%	50V
C153	1-163-021-91	CERAMIC CHIP	0.01μF	10%	50V	C306	1-163-259-91	CERAMIC CHIP	220pF	5%	50V
C154	1-163-021-91	CERAMIC CHIP	0.01μF	10%	50V	C307	1-136-169-00	FILM	0.22μF	5%	50V
C155	1-128-551-11	ELECT	22μF	20%	25V	C308	1-126-959-11	ELECT	0.47μF	20%	50V
C156	1-126-933-11	ELECT	100μF	20%	16V	C309	1-163-038-91	CERAMIC CHIP	0.1μF		25V
C157	1-163-021-91	CERAMIC CHIP	0.01μF	10%	50V	C310	1-163-233-91	CERAMIC CHIP	18pF	5%	50V
C159	1-164-161-11	CERAMIC CHIP	0.0022μF	10%	50V	C311	1-163-233-91	CERAMIC CHIP	18pF	5%	50V
C161	1-126-968-11	ELECT	100μF	20%	50V	C312	1-163-233-91	CERAMIC CHIP	18pF	5%	50V
C162	1-126-960-11	ELECT	1μF	20%	50V	C314	1-128-551-11	ELECT	22μF	20%	25V
C163	1-126-959-11	ELECT	0.47μF	20%	50V	C317	1-126-947-11	ELECT	47μF	20%	16V
C164	1-128-551-11	ELECT	22μF	20%	25V	C318	1-126-933-11	ELECT	100μF	20%	16V
C165	1-128-551-11	ELECT	22μF	20%	25V	C319	1-126-960-11	ELECT	1μF	20%	50V
C166	1-163-021-91	CERAMIC CHIP	0.01μF	10%	50V	C320	1-126-934-11	ELECT	220μF	20%	16V
C167	1-126-935-11	ELECT	470μF	20%	16V	C323	1-164-004-11	CERAMIC CHIP	0.1μF	10%	25V
C168	1-163-021-91	CERAMIC CHIP	0.01μF	10%	50V	C324	1-163-021-91	CERAMIC CHIP	0.01μF	10%	50V
C170	1-163-021-91	CERAMIC CHIP	0.01μF	10%	50V	C325	1-126-964-11	ELECT	10μF	20%	50V
C171	1-126-933-11	ELECT	100μF	20%	16V	C326	1-126-947-11	ELECT	47μF	20%	25V
C172	1-126-964-11	ELECT	10μF	20%	50V	C327	1-164-004-11	CERAMIC CHIP	0.1μF	10%	25V
C173	1-163-021-91	CERAMIC CHIP	0.01μF	10%	50V	C328	1-163-021-91	CERAMIC CHIP	0.01μF	10%	50V
C174	1-126-933-11	ELECT	100μF	20%	16V	C329	1-128-551-11	ELECT	22μF	20%	25V
C175	1-128-551-11	ELECT	22μF	20%	25V	C330	1-164-004-11	CERAMIC CHIP	0.1μF	10%	25V
C176	1-164-161-11	CERAMIC CHIP	0.0022μF	10%	50V	C331	1-128-551-11	ELECT	22μF	20%	25V
C177	1-126-959-11	ELECT	0.47μF	20%	50V	C332	1-164-004-11	CERAMIC CHIP	0.1μF	10%	25V
C178	1-126-960-11	ELECT	1μF	20%	50V	C333	1-126-963-11	ELECT	4.7μF	20%	50V
C179	1-163-021-91	CERAMIC CHIP	0.01μF	10%	50V	C334	1-163-021-91	CERAMIC CHIP	0.01μF	10%	50V
C180	1-163-021-91	CERAMIC CHIP	0.01μF	10%	50V	C418	1-126-964-11	ELECT	10μF	20%	50V
C276	1-163-251-11	CERAMIC CHIP	100pF	5%	50V	C427	1-126-964-11	ELECT	10μF	20%	50V
C279	1-126-959-11	ELECT	0.47μF	20%	50V	C433	1-126-963-11	ELECT	4.7μF	20%	50V
C280	1-163-251-11	CERAMIC CHIP	100pF	5%	50V	C437	1-130-489-00	MYLAR	0.033μF	5%	50V
C283	1-126-947-11	ELECT	47μF	20%	25V	C438	1-126-947-11	ELECT	47μF	20%	25V
C284	1-163-021-91	CERAMIC CHIP	0.01μF	10%	50V	C439	1-126-960-11	ELECT	1μF	20%	50V
C285	1-163-021-91	CERAMIC CHIP	0.01μF	10%	50V	C440	1-126-963-11	ELECT	4.7μF	20%	50V
C286	1-163-021-91	CERAMIC CHIP	0.01μF	10%	50V	C441	1-130-477-00	MYLAR	0.0033μF	5%	50V
C287	1-126-963-11	ELECT	4.7μF	20%	50V	C442	1-130-489-00	MYLAR	0.033μF	5%	50V
C288	1-164-004-11	CERAMIC CHIP	0.1μF	10%	25V	C443	1-130-471-00	MYLAR	0.001μF	5%	50V
C289	1-126-935-11	ELECT	470μF	20%	16V	C444	1-126-963-11	ELECT	4.7μF	20%	50V



REF.NO.	PART NO.	DESCRIPTION	VALUES			REF.NO.	PART NO.	DESCRIPTION	VALUES		
C445	1-126-963-11	ELECT	4.7µF	20%	50V	C807	1-163-038-91	CERAMIC CHIP	0.1µF		25V
C446	1-130-477-00	MYLAR	0.0033µF	5%	50V	C808	1-163-016-00	CERAMIC CHIP	0.0039µF	10%	50V
C447	1-130-489-00	MYLAR	0.033µF	5%	50V	C809	1-163-016-00	CERAMIC CHIP	0.0039µF	10%	50V
C448	1-130-471-00	MYLAR	0.001µF	5%	50V	C810	1-163-038-91	CERAMIC CHIP	0.1µF		25V
C449	1-164-004-11	CERAMIC CHIP	0.1µF	10%	25V	C811	1-126-947-11	ELECT	47µF	20%	25V
C450	1-126-963-11	ELECT	4.7µF	20%	50V	C812	1-163-038-91	CERAMIC CHIP	0.1µF		25V
C451	1-126-933-11	ELECT	100µF	20%	16V	C813	1-126-947-11	ELECT	47µF	20%	25V
C453	1-164-004-11	CERAMIC CHIP	0.1µF	10%	25V	C814	1-163-259-91	CERAMIC CHIP	220pF	5%	50V
C454	1-130-489-00	MYLAR	0.033µF	5%	50V	C815	1-163-259-91	CERAMIC CHIP	220pF	5%	50V
C456	1-126-933-11	ELECT	100µF	20%	16V	C816	1-163-038-91	CERAMIC CHIP	0.1µF		25V
C457	1-126-934-11	ELECT	220µF	20%	16V	C817	1-163-038-91	CERAMIC CHIP	0.1µF		25V
C458	1-164-004-11	CERAMIC CHIP	0.1µF	10%	25V	C818	1-163-259-91	CERAMIC CHIP	220pF	5%	50V
C459	1-164-004-11	CERAMIC CHIP	0.1µF	10%	25V	C819	1-163-259-91	CERAMIC CHIP	220pF	5%	50V
C460	1-126-943-11	ELECT	2200µF	20%	25V	C820	1-163-038-91	CERAMIC CHIP	0.1µF		25V
C461	1-126-943-11	ELECT	2200µF	20%	25V	C821	1-126-947-11	ELECT	47µF	20%	25V
C462	1-126-961-11	ELECT	2.2µF	20%	50V	C822	1-163-038-91	CERAMIC CHIP	0.1µF		25V
C463	1-126-961-11	ELECT	2.2µF	20%	50V	C823	1-126-947-11	ELECT	47µF	20%	25V
C464	1-126-933-11	ELECT	100µF	20%	16V	C824	1-164-004-11	CERAMIC CHIP	0.1µF	10%	25V
C465	1-128-551-11	ELECT	22µF	20%	25V	C825	1-163-038-91	CERAMIC CHIP	0.1µF		25V
C466	1-128-551-11	ELECT	22µF	20%	25V	C826	1-107-823-11	CERAMIC CHIP	0.47µF	10%	16V
C467	1-126-947-11	ELECT	47µF	20%	25V	C827	1-107-823-11	CERAMIC CHIP	0.47µF	10%	16V
C468	1-126-963-11	ELECT	4.7µF	20%	50V	C828	1-107-823-11	CERAMIC CHIP	0.47µF	10%	16V
C469	1-128-551-11	ELECT	22µF	20%	25V	C829	1-107-823-11	CERAMIC CHIP	0.47µF	10%	16V
C470	1-126-947-11	ELECT	47µF	20%	25V	C830	1-163-038-91	CERAMIC CHIP	0.1µF		25V
C473	1-104-665-11	ELECT	100µF	20%	25V	C831	1-126-947-11	ELECT	47µF	20%	25V
C474	1-130-495-00	MYLAR	0.1µF	5%	50V	C832	1-163-235-11	CERAMIC CHIP	22pF	5%	50V
C475	1-130-495-00	MYLAR	0.1µF	5%	50V	C833	1-126-947-11	ELECT	47µF	20%	25V
C476	1-130-495-00	MYLAR	0.1µF	5%	50V	C834	1-164-161-11	CERAMIC CHIP	0.0022µF	10%	50V
C477	1-130-495-00	MYLAR	0.1µF	5%	50V	C835	1-163-235-11	CERAMIC CHIP	22pF	5%	50V
C517	1-126-964-11	ELECT	10µF	20%	50V	C842	1-164-004-11	CERAMIC CHIP	0.1µF	10%	25V
C681	1-126-935-11	ELECT	470µF	20%	16V	C843	1-126-947-11	ELECT	47µF	20%	25V
C682	1-163-021-91	CERAMIC CHIP	0.01µF	10%	50V	C845	1-163-038-91	CERAMIC CHIP	0.1µF		25V
C683	1-126-935-11	ELECT	470µF	20%	16V	C848	1-163-038-91	CERAMIC CHIP	0.1µF		25V
C684	1-126-933-11	ELECT	100µF	20%	16V	C849	1-126-947-11	ELECT	47µF	20%	25V
C685	1-163-021-91	CERAMIC CHIP	0.01µF	10%	50V	C850	1-126-947-11	ELECT	47µF	20%	25V
C686	1-163-021-91	CERAMIC CHIP	0.01µF	10%	50V	C851	1-163-038-91	CERAMIC CHIP	0.1µF		25V
C687	1-128-551-11	ELECT	22µF	20%	25V	C852	1-126-947-11	ELECT	47µF	20%	25V
C688	1-163-021-91	CERAMIC CHIP	0.01µF	10%	50V	C853	1-163-038-91	CERAMIC CHIP	0.1µF		25V
C801	1-163-143-00	CERAMIC CHIP	0.0012µF	5%	50V	C854	1-163-038-91	CERAMIC CHIP	0.1µF		25V
C802	1-163-016-00	CERAMIC CHIP	0.0039µF	10%	50V	C855	1-163-001-11	CERAMIC CHIP	220pF	10%	50V
C803	1-163-016-00	CERAMIC CHIP	0.0039µF	10%	50V	C856	1-126-947-11	ELECT	47µF	20%	25V
C804	1-163-038-91	CERAMIC CHIP	0.1µF		25V	C858	1-163-038-91	CERAMIC CHIP	0.1µF		25V
C805	1-163-038-91	CERAMIC CHIP	0.1µF		25V	C862	1-164-004-11	CERAMIC CHIP	0.1µF	10%	25V
C806	1-126-947-11	ELECT	47µF	20%	25V	C863	1-163-231-11	CERAMIC CHIP	15pF	5%	50V



REF.NO.	PART NO.	DESCRIPTION	VALUES			REF.NO.	PART NO.	DESCRIPTION	VALUES		
C864	1-163-239-11	CERAMIC CHIP	33pF	5%	50V	C911	1-164-690-91	CERAMIC CHIP	0.0022μF	5%	50V
C865	1-164-004-11	CERAMIC CHIP	0.1μF	10%	25V	C912	1-126-947-11	ELECT	47μF	20%	25V
C866	1-163-038-91	CERAMIC CHIP	0.1μF		25V	C913	1-126-947-11	ELECT	47μF	20%	25V
C867	1-109-982-11	CERAMIC CHIP	1μF	10%	10V	C914	1-126-947-11	ELECT	47μF	20%	25V
C868	1-163-038-91	CERAMIC CHIP	0.1μF		25V	C915	1-126-947-11	ELECT	47μF	20%	25V
C869	1-163-021-91	CERAMIC CHIP	0.01μF	10%	50V	C916	1-126-947-11	ELECT	47μF	20%	25V
C870	1-126-947-11	ELECT	47μF	20%	25V	C917	1-126-947-11	ELECT	47μF	20%	25V
C871	1-126-963-11	ELECT	4.7μF	20%	50V	C918	1-163-275-11	CERAMIC CHIP	0.001μF	5%	50V
C872	1-163-239-11	CERAMIC CHIP	33pF	5%	50V	C919	1-163-275-11	CERAMIC CHIP	0.001μF	5%	50V
C873	1-163-038-91	CERAMIC CHIP	0.1μF		25V	C920	1-163-275-11	CERAMIC CHIP	0.001μF	5%	50V
C875	1-126-947-11	ELECT	47μF	20%	25V	C921	1-163-275-11	CERAMIC CHIP	0.001μF	5%	50V
C876	1-163-038-91	CERAMIC CHIP	0.1μF		25V	C922	1-163-275-11	CERAMIC CHIP	0.001μF	5%	50V
C877	1-126-947-11	ELECT	47μF	20%	25V	C923	1-163-275-11	CERAMIC CHIP	0.001μF	5%	50V
C878	1-126-947-11	ELECT	47μF	20%	25V	C926	1-163-021-91	CERAMIC CHIP	0.01μF	10%	50V
C879	1-126-947-11	ELECT	47μF	20%	25V	C927	1-163-038-91	CERAMIC CHIP	0.1μF		25V
C880	1-163-038-91	CERAMIC CHIP	0.1μF		25V	C928	1-163-038-91	CERAMIC CHIP	0.1μF		25V
C881	1-163-038-91	CERAMIC CHIP	0.1μF		25V	C929	1-163-038-91	CERAMIC CHIP	0.1μF		25V
C882	1-163-038-91	CERAMIC CHIP	0.1μF		25V	C930	1-163-038-91	CERAMIC CHIP	0.1μF		25V
C883	1-126-947-11	ELECT	47μF	20%	25V	C931	1-163-038-91	CERAMIC CHIP	0.1μF		25V
C884	1-126-947-11	ELECT	47μF	20%	25V	C932	1-163-038-91	CERAMIC CHIP	0.1μF		25V
C885	1-126-947-11	ELECT	47μF	20%	25V	C933	1-163-017-00	CERAMIC CHIP	.0047μF	10%	50V
C886	1-126-947-11	ELECT	47μF	20%	25V	C934	1-163-017-00	CERAMIC CHIP	.0047μF	10%	50V
C887	1-126-947-11	ELECT	47μF	20%	25V	C935	1-163-017-00	CERAMIC CHIP	.0047μF	10%	50V
C888	1-126-947-11	ELECT	47μF	20%	25V	C936	1-163-017-00	CERAMIC CHIP	.0047μF	10%	50V
C889	1-163-038-91	CERAMIC CHIP	0.1μF		25V	C937	1-163-017-00	CERAMIC CHIP	.0047μF	10%	50V
C890	1-126-947-11	ELECT	47μF	20%	25V	C938	1-163-017-00	CERAMIC CHIP	.0047μF	10%	50V
C891	1-163-038-91	CERAMIC CHIP	0.1μF		25V	C951	1-163-019-00	CERAMIC CHIP	0.0068μF	10%	50V
C892	1-126-947-11	ELECT	47μF	20%	25V	C952	1-163-019-00	CERAMIC CHIP	0.0068μF	10%	50V
C893	1-163-038-91	CERAMIC CHIP	0.1μF		25V	C953	1-163-019-00	CERAMIC CHIP	0.0068μF	10%	50V
C894	1-126-947-11	ELECT	47μF	20%	25V	C954	1-163-019-00	CERAMIC CHIP	0.0068μF	10%	50V
C897	1-163-038-91	CERAMIC CHIP	0.1μF		25V	C955	1-163-019-00	CERAMIC CHIP	0.0068μF	10%	50V
C898	1-126-934-11	ELECT	220μF	20%	16V	C956	1-163-019-00	CERAMIC CHIP	0.0068μF	10%	50V
C899	1-163-222-11	CERAMIC CHIP	5pF	0.25pF	50V	C957	1-163-038-91	CERAMIC CHIP	0.1μF		25V
C900	1-163-222-11	CERAMIC CHIP	5pF	0.25pF	50V	C958	1-163-038-91	CERAMIC CHIP	0.1μF		25V
C901	1-163-222-11	CERAMIC CHIP	5pF	0.25pF	50V	C959	1-163-038-91	CERAMIC CHIP	0.1μF		25V
C902	1-163-222-11	CERAMIC CHIP	5pF	0.25pF	50V	C960	1-163-038-91	CERAMIC CHIP	0.1μF		25V
C903	1-163-222-11	CERAMIC CHIP	5pF	0.25pF	50V	C961	1-163-038-91	CERAMIC CHIP	0.1μF		25V
C904	1-163-222-11	CERAMIC CHIP	5pF	0.25pF	50V	C962	1-163-038-91	CERAMIC CHIP	0.1μF		25V
C905	1-163-222-11	CERAMIC CHIP	5pF	0.25pF	50V	C963	1-126-947-11	ELECT	47μF	20%	25V
C906	1-163-222-11	CERAMIC CHIP	5pF	0.25pF	50V	C964	1-126-947-11	ELECT	47μF	20%	25V
C907	1-163-222-11	CERAMIC CHIP	5pF	0.25pF	50V	C965	1-126-947-11	ELECT	47μF	20%	25V
C908	1-163-222-11	CERAMIC CHIP	5pF	0.25pF	50V	C966	1-126-947-11	ELECT	47μF	20%	25V
C909	1-163-222-11	CERAMIC CHIP	5pF	0.25pF	50V	C967	1-126-947-11	ELECT	47μF	20%	25V
C910	1-163-222-11	CERAMIC CHIP	5pF	0.25pF	50V	C968	1-126-947-11	ELECT	47μF	20%	25V



REF.NO.	PART NO.	DESCRIPTION	VALUES			REF.NO.	PART NO.	DESCRIPTION	VALUES		
C969	1-163-038-91	CERAMIC CHIP	0.1μF		25V	C1607	1-164-004-11	CERAMIC CHIP	0.1μF	10%	25V
C970	1-163-038-91	CERAMIC CHIP	0.1μF		25V	C1608	1-163-239-11	CERAMIC CHIP	33pF	5%	50V
C971	1-126-947-11	ELECT	47μF	20%	25V	C1619	1-163-021-91	CERAMIC CHIP	0.01μF	10%	50V
C1101	1-126-935-11	ELECT	470μF	20%	16V	C1620	1-126-947-11	ELECT	47μF	20%	25V
C1102	1-164-004-11	CERAMIC CHIP	0.1μF	10%	25V	C1701	1-128-551-11	ELECT	22μF	20%	25V
C1103	1-164-004-11	CERAMIC CHIP	0.1μF	10%	25V	C1702	1-163-021-91	CERAMIC CHIP	0.01μF	10%	50V
C1104	1-164-004-11	CERAMIC CHIP	0.1μF	10%	25V	C1703	1-163-021-91	CERAMIC CHIP	0.01μF	10%	50V
C1105	1-128-551-11	ELECT	22μF	20%	25V	C1704	1-126-933-11	ELECT	100μF	20%	16V
C1106	1-128-551-11	ELECT	22μF	20%	25V	C1705	1-163-021-91	CERAMIC CHIP	0.01μF	10%	50V
C1107	1-126-959-11	ELECT	0.47μF	20%	50V	C1706	1-163-021-91	CERAMIC CHIP	0.01μF	10%	50V
C1108	1-128-551-11	ELECT	22μF	20%	25V	C1707	1-128-551-11	ELECT	22μF	20%	25V
C1109	1-126-959-11	ELECT	0.47μF	20%	50V	C1708	1-126-964-11	ELECT	10μF	20%	50V
C1110	1-126-959-11	ELECT	0.47μF	20%	50V	C1709	1-163-021-91	CERAMIC CHIP	0.01μF	10%	50V
C1111	1-126-959-11	ELECT	0.47μF	20%	50V	C1710	1-163-257-11	CERAMIC CHIP	180pF	5%	50V
C1112	1-128-551-11	ELECT	22μF	20%	25V	C1711	1-163-021-91	CERAMIC CHIP	0.01μF	10%	50V
C1113	1-128-551-11	ELECT	22μF	20%	25V	C1712	1-126-964-11	ELECT	10μF	20%	50V
C1114	1-128-551-11	ELECT	22μF	20%	25V	C1714	1-163-021-91	CERAMIC CHIP	0.01μF	10%	50V
C1115	1-126-959-11	ELECT	0.47μF	20%	50V	C1715	1-163-021-91	CERAMIC CHIP	0.01μF	10%	50V
C1116	1-126-964-11	ELECT	10μF	20%	50V	C1716	1-163-021-91	CERAMIC CHIP	0.01μF	10%	50V
C1117	1-126-964-11	ELECT	10μF	20%	50V	C1717	1-163-021-91	CERAMIC CHIP	0.01μF	10%	50V
C1118	1-128-551-11	ELECT	22μF	20%	25V	C1719	1-163-231-11	CERAMIC CHIP	15pF	5%	50V
C1119	1-126-964-11	ELECT	10μF	20%	50V	C1720	1-163-021-91	CERAMIC CHIP	0.01μF	10%	50V
C1120	1-126-964-11	ELECT	10μF	20%	50V	C1721	1-163-021-91	CERAMIC CHIP	0.01μF	10%	50V
C1121	1-126-960-11	ELECT	1μF	20%	50V	C1722	1-126-964-11	ELECT	10μF	20%	50V
C1122	1-163-021-91	CERAMIC CHIP	0.01μF	10%	50V	C1724	1-163-021-91	CERAMIC CHIP	0.01μF	10%	50V
C1123	1-128-551-11	ELECT	22μF	20%	25V	C1725	1-163-021-91	CERAMIC CHIP	0.01μF	10%	50V
C1124	1-163-021-91	CERAMIC CHIP	0.01μF	10%	50V	C1726	1-126-964-11	ELECT	10μF	20%	50V
C1125	1-163-021-91	CERAMIC CHIP	0.01μF	10%	50V	C1727	1-126-947-11	ELECT	47μF	20%	25V
C1126	1-128-551-11	ELECT	22μF	20%	25V	C1728	1-126-964-11	ELECT	10μF	20%	50V
C1127	1-126-959-11	ELECT	0.47μF	20%	50V	C1729	1-163-021-91	CERAMIC CHIP	0.01μF	10%	50V
C1128	1-128-551-11	ELECT	22μF	20%	25V	C1730	1-126-959-11	ELECT	0.47μF	20%	50V
C1129	1-163-021-91	CERAMIC CHIP	0.01μF	10%	50V	C1731	1-163-231-11	CERAMIC CHIP	15pF	5%	50V
C1130	1-163-021-91	CERAMIC CHIP	0.01μF	10%	50V	C1732	1-163-231-11	CERAMIC CHIP	15pF	5%	50V
C1131	1-163-021-91	CERAMIC CHIP	0.01μF	10%	50V	C1735	1-163-127-00	CERAMIC CHIP	270pF	5%	50V
C1132	1-163-021-91	CERAMIC CHIP	0.01μF	10%	50V	C1901	1-164-004-11	CERAMIC CHIP	0.1μF	10%	25V
C1133	1-163-021-91	CERAMIC CHIP	0.01μF	10%	50V	C1902	1-164-004-11	CERAMIC CHIP	0.1μF	10%	25V
C1134	1-163-021-91	CERAMIC CHIP	0.01μF	10%	50V	C1903	1-164-004-11	CERAMIC CHIP	0.1μF	10%	25V
C1147	1-126-959-11	ELECT	0.47μF	20%	50V	C1904	1-163-021-91	CERAMIC CHIP	0.01μF	10%	50V
C1148	1-163-021-91	CERAMIC CHIP	0.01μF	10%	50V	C1905	1-128-551-11	ELECT	22μF	20%	25V
C1601	1-164-004-11	CERAMIC CHIP	0.1μF	10%	25V	C1906	1-164-489-11	CERAMIC CHIP	0.22μF	10%	16V
C1602	1-163-133-00	CERAMIC CHIP	470pF	5%	50V	C1907	1-163-251-11	CERAMIC CHIP	100pF	5%	50V
C1603	1-164-344-11	CERAMIC CHIP	0.068μF	10%	25V	C1908	1-163-021-91	CERAMIC CHIP	0.01μF	10%	50V
C1604	1-163-019-00	CERAMIC CHIP	0.0068μF	10%	50V	C1909	1-164-489-11	CERAMIC CHIP	0.22μF	10%	16V
C1605	1-164-004-11	CERAMIC CHIP	0.1μF	10%	25V	C1910	1-163-021-91	CERAMIC CHIP	0.01μF	10%	50V



REF.NO.	PART NO.	DESCRIPTION	VALUES	REF.NO.	PART NO.	DESCRIPTION	VALUES
* CN802	1-564-511-11	PLUG,CONNECTOR 8P		D805	8-719-069-55	DIODE UDZSTE-175.6B	
CN1702	1-764-334-11	PLUG,CONNECTOR 11P		D806	8-719-069-55	DIODE UDZSTE-175.6B	
	DIODE			D807	8-719-069-55	DIODE UDZSTE-175.6B	
D001	8-719-988-61	DIODE 1SS355TE-17		D808	8-719-069-55	DIODE UDZSTE-175.6B	
D002	8-719-988-61	DIODE 1SS355TE-17		D809	8-719-988-61	DIODE 1SS355TE-17	
D003	8-719-988-61	DIODE 1SS355TE-17		D810	8-719-988-61	DIODE 1SS355TE-17	
D004	8-719-069-55	DIODE UDZSTE-175.6B		D816	8-719-988-61	DIODE 1SS355TE-17	
D005	8-719-988-61	DIODE 1SS355TE-17		D817	8-719-988-61	DIODE 1SS355TE-17	
D006	8-719-069-55	DIODE UDZSTE-175.6B		D818	8-719-988-61	DIODE 1SS355TE-17	
D007	8-719-069-55	DIODE UDZSTE-175.6B		D819	8-719-988-61	DIODE 1SS355TE-17	
D009	8-719-069-55	DIODE UDZSTE-175.6B		D820	8-719-988-61	DIODE 1SS355TE-17	
D010	8-719-069-55	DIODE UDZSTE-175.6B		D821	8-719-988-61	DIODE 1SS355TE-17	
D151	8-719-977-81	DIODE UDZ-TE-17-33B		D822	8-719-988-61	DIODE 1SS355TE-17	
D202	8-719-977-28	DIODE UDZSTE-1710B		D823	8-719-988-61	DIODE 1SS355TE-17	
D206	8-719-988-61	DIODE 1SS355TE-17		D824	8-719-988-61	DIODE 1SS355TE-17	
D207	8-719-988-61	DIODE 1SS355TE-17		D1101	8-719-069-55	DIODE UDZSTE-175.6B	
D301	8-719-988-61	DIODE 1SS355TE-17		D1102	8-719-977-28	DIODE UDZSTE-1710B	
D302	8-719-988-61	DIODE 1SS355TE-17		D1103	8-719-977-28	DIODE UDZSTE-1710B	
D303	8-719-988-61	DIODE 1SS355TE-17		D1104	8-719-977-28	DIODE UDZSTE-1710B	
D304	8-719-056-85	DIODE UDZSTE-178.2B		D1105	8-719-977-28	DIODE UDZSTE-1710B	
D305	8-719-977-28	DIODE UDZSTE-1710B		D1106	8-719-977-28	DIODE UDZSTE-1710B	
D306	8-719-056-77	DIODE UDZ-TE-17-3.9B		D1107	8-719-977-28	DIODE UDZSTE-1710B	
D307	8-719-988-61	DIODE 1SS355TE-17		D1108	8-719-977-28	DIODE UDZSTE-1710B	
D402	8-719-988-61	DIODE 1SS355TE-17		D1109	8-719-977-28	DIODE UDZSTE-1710B	
D403	8-719-988-61	DIODE 1SS355TE-17		D1110	8-719-977-28	DIODE UDZSTE-1710B	
D404	8-719-988-61	DIODE 1SS355TE-17		D1111	8-719-977-28	DIODE UDZSTE-1710B	
D405	8-719-988-61	DIODE 1SS355TE-17		D1112	8-719-977-28	DIODE UDZSTE-1710B	
D406	8-719-056-95	DIODE UDZ-TE-17-22B		D1113	8-719-977-28	DIODE UDZSTE-1710B	
D407	8-719-988-61	DIODE 1SS355TE-17		D1114	8-719-977-28	DIODE UDZSTE-1710B	
D408	8-719-988-61	DIODE 1SS355TE-17		D1115	8-719-977-28	DIODE UDZSTE-1710B	
D410	8-719-056-95	DIODE UDZ-TE-17-22B		D1116	8-719-977-28	DIODE UDZSTE-1710B	
D411	8-719-056-95	DIODE UDZ-TE-17-22B		D1117	8-719-977-28	DIODE UDZSTE-1710B	
D412	8-719-056-95	DIODE UDZ-TE-17-22B		D1118	8-719-977-28	DIODE UDZSTE-1710B	
D413	8-719-056-95	DIODE UDZ-TE-17-22B		D1119	8-719-977-28	DIODE UDZSTE-1710B	
D414	8-719-056-95	DIODE UDZ-TE-17-22B		D1120	8-719-988-61	DIODE 1SS355TE-17	
D415	8-719-056-95	DIODE UDZ-TE-17-22B		D1121	8-719-977-28	DIODE UDZSTE-1710B	
D418	8-719-056-95	DIODE UDZ-TE-17-22B		D1122	8-719-977-28	DIODE UDZSTE-1710B	
D420	8-719-988-61	DIODE 1SS355TE-17		D1123	8-719-988-61	DIODE 1SS355TE-17	
D421	8-719-988-61	DIODE 1SS355TE-17		D1124	8-719-988-61	DIODE 1SS355TE-17	
D801	8-719-988-61	DIODE 1SS355TE-17		D1125	8-719-988-61	DIODE 1SS355TE-17	
D802	8-719-988-61	DIODE 1SS355TE-17		D1126	8-719-977-28	DIODE UDZSTE-1710B	
D803	8-719-988-61	DIODE 1SS355TE-17		D1127	8-719-977-28	DIODE UDZSTE-1710B	
D804	8-719-988-61	DIODE 1SS355TE-17		D1901	8-719-988-61	DIODE 1SS355TE-17	
				D1902	8-719-988-61	DIODE 1SS355TE-17	



REF.NO.	PART NO.	DESCRIPTION	VALUES	REF.NO.	PART NO.	DESCRIPTION	VALUES
D1903	8-719-988-61	DIODE 1SS355TE-17		IC404	8-759-100-96	IC NJM4558M-TE2	
D1904	8-719-988-61	DIODE 1SS355TE-17		IC406	8-759-190-89	IC TDA7265	
D1905	8-719-988-61	DIODE 1SS355TE-17		IC681	8-759-459-99	IC PQ09RD11	
FERRITE BEAD				IC682	8-759-459-99	IC PQ09RD11	
FB001	1-414-135-11	FERRITE	0μH	IC801	8-759-488-29	IC TC7W66FU(TE12R)	
FB004	1-410-397-21	FERRITE	1.1μH	IC802	8-759-394-80	IC NJM2058M-TE2	
FB151	1-414-135-11	FERRITE	0μH	IC803	8-759-589-66	IC CM0006CF	
FB152	1-414-135-11	FERRITE	0μH	IC804	8-759-394-80	IC NJM2058M-TE2	
FB206	1-216-017-91	RES-CHIP	47 5% 1/10W	IC805	8-752-911-98	IC CXP86324-025Q	
FB207	1-216-017-91	RES-CHIP	47 5% 1/10W	IC806	8-759-394-80	IC NJM2058M-TE2	
FB209	1-216-017-91	RES-CHIP	47 5% 1/10W	IC807	8-759-546-22	IC UPD6376GS-E2	
FB212	1-216-295-00	SHORT		IC808	8-759-032-11	IC TC74HC04AF(EL)	
FB215	1-216-295-00	SHORT		IC809	8-759-669-75	IC TLC2932IPWR	
FB216	1-216-295-00	SHORT		IC810	8-759-468-90	IC ST24E16FM6TR	
FB217	1-216-295-00	SHORT		IC811	8-759-352-91	IC PST9143NL	
FB301	1-216-295-00	SHORT		IC812	8-759-235-19	IC TC74HC08AF(EL)	
FB801	1-414-135-11	FERRITE	0μH	IC814	8-759-032-20	IC TC74HC32AF(EL)	
FB802	1-414-135-11	FERRITE	0μH	IC815	8-759-546-22	IC UPD6376GS-E2	
FB803	1-414-135-11	FERRITE	0μH	IC816	8-759-546-22	IC UPD6376GS-E2	
FB804	1-500-245-11	FERRITE	0μH	IC817	8-759-546-22	IC UPD6376GS-E2	
FB805	1-500-245-11	FERRITE	0μH	IC818	8-759-100-96	IC NJM4558M-TE2	
FB806	1-414-135-11	FERRITE	0μH	IC819	8-759-106-02	IC UPC4570G2-E2	
FB807	1-414-135-11	FERRITE	0μH	IC820	8-759-106-02	IC UPC4570G2-E2	
FB808	1-414-135-11	FERRITE	0μH	IC821	8-759-106-02	IC UPC4570G2-E2	
FB811	1-500-245-11	FERRITE	0μH	IC822	8-759-106-02	IC UPC4570G2-E2	
FB812	1-500-245-11	FERRITE	0μH	IC823	8-759-106-02	IC UPC4570G2-E2	
FB813	1-500-245-11	FERRITE	0μH	IC824	8-759-106-02	IC UPC4570G2-E2	
FB814	1-500-245-11	FERRITE	0μH	IC1101	8-752-081-32	IC CXA2079Q	
FB887	1-414-551-11	FERRITE	0μH	IC1601	8-759-638-04	IC Z8622912SSC-00TR	
FB1902	1-414-135-11	FERRITE	0μH	IC1603	8-759-352-91	IC PST9143NL	
FILTER				IC1701	8-759-701-75	IC NJM7805FA	
FL1701	1-239-847-11	FILTER, LOW PASS		IC1702	8-759-655-52	IC TC90A49F(ELP)	
FL1702	1-239-847-11	FILTER, LOW PASS		IC1901	8-752-080-75	IC CXA2039M-T6	
FL1703	1-239-847-11	FILTER, LOW PASS		IC1902	8-752-086-80	IC CXA2019AQ-T4	
IC				IC1903	8-759-932-69	IC BU4053BCF-T2	
IC001	8-759-352-91	IC PST9143NL		IC1904	8-752-058-68	IC CXA1315M-T4	
IC002	8-752-911-96	IC CXP750010-016Q		IC1905	8-759-655-57	IC SDA9288XE-B0121-GEG	
IC004	8-759-675-64	IC M24C08-MN6T(A)		IC5004	8-759-378-17	IC TDA4662T-V3	
IC206	8-752-090-40	IC CXA2135S		JACK			
IC301	8-759-239-25	IC TC74HC4066AF(EL)		J1101	1-774-751-11	TERMINAL BLOCK, S	
IC302	8-759-398-25	IC TC7SH04F(TE85L)		J1102	1-774-751-11	TERMINAL BLOCK, S	
IC403	8-759-678-92	IC BH3868AFS-E2		J1103	1-507-667-00	JACK, MIC	
				J1104	1-774-750-11	JACK BLOCK, PIN	



REF.NO.	PART NO.	DESCRIPTION	VALUES	REF.NO.	PART NO.	DESCRIPTION	VALUES
J1105	1-774-749-11	JACK BLOCK, PIN					
J1106	1-785-082-11	JACK BLOCK, PIN 3P					
	CHIP CONDUCTOR				IC LINK		
JR003	1-216-295-00	SHORT		PS401	1-532-984-11	LINK, IC 2A/90V	
JR004	1-216-295-00	SHORT		PS402	1-532-984-11	LINK, IC 2A/90V	
JR018	1-216-295-00	SHORT					
JR019	1-216-295-00	SHORT					
JR020	1-216-295-00	SHORT					
JR021	1-216-295-00	SHORT					
	COIL				TRANSISTOR		
L001	1-414-856-11	INDUCTOR	10μH	Q001	8-729-424-02	TRANSISTOR 2SB709A-QRS-TX	
L151	1-414-187-11	INDUCTOR	47μH	Q002	8-729-422-27	TRANSISTOR 2SD601A-QRS-TX	
L152	1-414-187-11	INDUCTOR	47μH	Q003	8-729-027-38	TRANSISTOR DTA144EKA-T146	
L153	1-414-187-11	INDUCTOR	47μH	Q004	8-729-424-02	TRANSISTOR 2SB709A-QRS-TX	
L154	1-414-856-11	INDUCTOR	10μH	Q005	8-729-027-38	TRANSISTOR DTA144EKA-T146	
L155	1-414-187-11	INDUCTOR	47μH	Q006	8-729-027-38	TRANSISTOR DTA144EKA-T146	
L211	1-414-189-31	INDUCTOR	100μH	Q007	8-729-027-38	TRANSISTOR DTA144EKA-T146	
L212	1-414-856-11	INDUCTOR	10μH	Q008	8-729-422-27	TRANSISTOR 2SD601A-QRS-TX	
L681	1-406-975-21	INDUCTOR	47μH	Q009	8-729-422-27	TRANSISTOR 2SD601A-QRS-TX	
L801	1-414-856-11	INDUCTOR	10μH	Q010	8-729-422-27	TRANSISTOR 2SD601A-QRS-TX	
L802	1-414-856-11	INDUCTOR	10μH	Q011	8-729-422-27	TRANSISTOR 2SD601A-QRS-TX	
L803	1-414-856-11	INDUCTOR	10μH	Q012	8-729-422-27	TRANSISTOR 2SD601A-QRS-TX	
L804	1-414-856-11	INDUCTOR	10μH	Q013	8-729-422-27	TRANSISTOR 2SD601A-QRS-TX	
L809	1-414-856-11	INDUCTOR	10μH	Q014	8-729-422-27	TRANSISTOR 2SD601A-QRS-TX	
L816	1-414-856-11	INDUCTOR	10μH	Q015	8-729-422-27	TRANSISTOR 2SD601A-QRS-TX	
L823	1-410-494-11	INDUCTOR	1mH	Q016	8-729-422-27	TRANSISTOR 2SD601A-QRS-TX	
L824	1-410-494-11	INDUCTOR	1mH	Q017	8-729-422-27	TRANSISTOR 2SD601A-QRS-TX	
L825	1-410-494-11	INDUCTOR	1mH	Q018	8-729-422-27	TRANSISTOR 2SD601A-QRS-TX	
L826	1-410-494-11	INDUCTOR	1mH	Q019	8-729-422-27	TRANSISTOR 2SD601A-QRS-TX	
L827	1-410-494-11	INDUCTOR	1mH	Q020	8-729-422-27	TRANSISTOR 2SD601A-QRS-TX	
L828	1-410-494-11	INDUCTOR	1mH	Q021	8-729-422-27	TRANSISTOR 2SD601A-QRS-TX	
L829	1-414-856-11	INDUCTOR	10μH	Q022	8-729-422-27	TRANSISTOR 2SD601A-QRS-TX	
L830	1-407-495-00	INDUCTOR	1.8mH	Q023	8-729-422-27	TRANSISTOR 2SD601A-QRS-TX	
L831	1-407-495-00	INDUCTOR	1.8mH	Q151	1-801-806-11	TRANSISTOR DTC144EKA-T146	
L832	1-407-495-00	INDUCTOR	1.8mH	Q152	8-729-422-27	TRANSISTOR 2SD601A-QRS-TX	
L833	1-407-495-00	INDUCTOR	1.8mH	Q153	8-729-422-27	TRANSISTOR 2SD601A-QRS-TX	
L834	1-407-495-00	INDUCTOR	1.8mH	Q154	8-729-424-02	TRANSISTOR 2SB709A-QRS-TX	
L835	1-407-495-00	INDUCTOR	1.8mH	Q217	8-729-422-27	TRANSISTOR 2SD601A-QRS-TX	
L843	1-414-856-11	INDUCTOR	10μH	Q218	8-729-424-02	TRANSISTOR 2SB709A-QRS-TX	
L1701	1-414-856-11	INDUCTOR	10μH	Q219	8-729-424-02	TRANSISTOR 2SB709A-QRS-TX	
L5107	1-414-856-11	INDUCTOR	10μH	Q220	8-729-424-02	TRANSISTOR 2SB709A-QRS-TX	
L5108	1-414-856-11	INDUCTOR	10μH	Q222	8-729-422-27	TRANSISTOR 2SD601A-QRS-TX	
				Q223	8-729-422-27	TRANSISTOR 2SD601A-QRS-TX	
				Q226	8-729-422-27	TRANSISTOR 2SD601A-QRS-TX	
				Q227	8-729-422-27	TRANSISTOR 2SD601A-QRS-TX	
				Q228	8-729-422-27	TRANSISTOR 2SD601A-QRS-TX	
				Q229	8-729-424-02	TRANSISTOR 2SB709A-QRS-TX	
				Q230	8-729-424-02	TRANSISTOR 2SB709A-QRS-TX	



REF.NO.	PART NO.	DESCRIPTION	VALUES			REF.NO.	PART NO.	DESCRIPTION	VALUES		
R006	1-216-033-00	RES-CHIP	220	5%	1/10W	R053	1-216-049-11	RES-CHIP	1K	5%	1/10W
R007	1-216-073-91	RES-CHIP	10K	5%	1/10W	R054	1-216-033-00	RES-CHIP	220	5%	1/10W
R008	1-216-033-00	RES-CHIP	220	5%	1/10W	R055	1-216-033-00	RES-CHIP	220	5%	1/10W
R009	1-216-033-00	RES-CHIP	220	5%	1/10W	R056	1-216-049-11	RES-CHIP	1K	5%	1/10W
R010	1-216-073-91	RES-CHIP	10K	5%	1/10W	R057	1-216-049-11	RES-CHIP	1K	5%	1/10W
R011	1-216-049-11	RES-CHIP	1K	5%	1/10W	R059	1-216-089-91	RES-CHIP	47K	5%	1/10W
R012	1-216-033-00	RES-CHIP	220	5%	1/10W	R060	1-216-049-11	RES-CHIP	1K	5%	1/10W
R013	1-216-073-91	RES-CHIP	10K	5%	1/10W	R061	1-216-041-00	RES-CHIP	470	5%	1/10W
R014	1-216-065-91	RES-CHIP	4.7K	5%	1/10W	R062	1-216-065-91	RES-CHIP	4.7K	5%	1/10W
R016	1-216-033-00	RES-CHIP	220	5%	1/10W	R063	1-216-065-91	RES-CHIP	4.7K	5%	1/10W
R017	1-216-033-00	RES-CHIP	220	5%	1/10W	R064	1-216-065-91	RES-CHIP	4.7K	5%	1/10W
R018	1-216-033-00	RES-CHIP	220	5%	1/10W	R066	1-216-065-91	RES-CHIP	4.7K	5%	1/10W
R019	1-216-033-00	RES-CHIP	220	5%	1/10W	R068	1-216-065-91	RES-CHIP	4.7K	5%	1/10W
R020	1-216-033-00	RES-CHIP	220	5%	1/10W	R070	1-216-033-00	RES-CHIP	220	5%	1/10W
R021	1-216-033-00	RES-CHIP	220	5%	1/10W	R071	1-216-033-00	RES-CHIP	220	5%	1/10W
R022	1-216-033-00	RES-CHIP	220	5%	1/10W	R072	1-216-065-91	RES-CHIP	4.7K	5%	1/10W
R023	1-216-049-11	RES-CHIP	1K	5%	1/10W	R073	1-216-295-00	SHORT			
R024	1-216-025-11	RES-CHIP	100	5%	1/10W	R074	1-216-065-91	RES-CHIP	4.7K	5%	1/10W
R025	1-216-025-11	RES-CHIP	100	5%	1/10W	R075	1-216-061-91	RES-CHIP	3.3K	5%	1/10W
R026	1-216-025-11	RES-CHIP	100	5%	1/10W	R076	1-216-037-00	RES-CHIP	330	5%	1/10W
R027	1-216-025-11	RES-CHIP	100	5%	1/10W	R077	1-216-053-00	RES-CHIP	1.5K	5%	1/10W
R028	1-216-065-91	RES-CHIP	4.7K	5%	1/10W	R078	1-216-025-11	RES-CHIP	100	5%	1/10W
R029	1-216-065-91	RES-CHIP	4.7K	5%	1/10W	R079	1-216-061-91	RES-CHIP	3.3K	5%	1/10W
R030	1-216-033-00	RES-CHIP	220	5%	1/10W	R084	1-216-025-11	RES-CHIP	100	5%	1/10W
R031	1-216-037-00	RES-CHIP	330	5%	1/10W	R085	1-216-053-00	RES-CHIP	1.5K	5%	1/10W
R032	1-216-033-00	RES-CHIP	220	5%	1/10W	R086	1-216-053-00	RES-CHIP	1.5K	5%	1/10W
R033	1-216-017-91	RES-CHIP	47	5%	1/10W	R087	1-216-053-00	RES-CHIP	1.5K	5%	1/10W
R034	1-216-033-00	RES-CHIP	220	5%	1/10W	R088	1-216-025-11	RES-CHIP	100	5%	1/10W
R035	1-216-033-00	RES-CHIP	220	5%	1/10W	R089	1-216-055-00	RES-CHIP	1.8K	5%	1/10W
R037	1-216-057-00	RES-CHIP	2.2K	5%	1/10W	R090	1-216-113-00	RES-CHIP	470K	5%	1/10W
R038	1-216-089-91	RES-CHIP	47K	5%	1/10W	R091	1-216-017-91	RES-CHIP	47	5%	1/10W
R040	1-216-057-00	RES-CHIP	2.2K	5%	1/10W	R092	1-216-113-00	RES-CHIP	470K	5%	1/10W
R041	1-216-033-00	RES-CHIP	220	5%	1/10W	R093	1-216-017-91	RES-CHIP	47	5%	1/10W
R042	1-216-033-00	RES-CHIP	220	5%	1/10W	R094	1-216-113-00	RES-CHIP	470K	5%	1/10W
R043	1-216-057-00	RES-CHIP	2.2K	5%	1/10W	R095	1-216-017-91	RES-CHIP	47	5%	1/10W
R044	1-216-121-11	RES-CHIP	1M	5%	1/10W	R096	1-216-055-00	RES-CHIP	1.8K	5%	1/10W
R045	1-216-097-11	RES-CHIP	100K	5%	1/10W	R097	1-216-055-00	RES-CHIP	1.8K	5%	1/10W
R046	1-216-073-91	RES-CHIP	10K	5%	1/10W	R099	1-216-041-00	RES-CHIP	470	5%	1/10W
R047	1-216-073-91	RES-CHIP	10K	5%	1/10W	R100	1-216-041-00	RES-CHIP	470	5%	1/10W
R048	1-216-065-91	RES-CHIP	4.7K	5%	1/10W	R101	1-216-041-00	RES-CHIP	470	5%	1/10W
R049	1-216-049-11	RES-CHIP	1K	5%	1/10W	R102	1-216-113-00	RES-CHIP	470K	5%	1/10W
R050	1-216-049-11	RES-CHIP	1K	5%	1/10W	R103	1-216-113-00	RES-CHIP	470K	5%	1/10W
R051	1-216-049-11	RES-CHIP	1K	5%	1/10W	R104	1-216-113-00	RES-CHIP	470K	5%	1/10W
R052	1-216-049-11	RES-CHIP	1K	5%	1/10W	R105	1-216-017-91	RES-CHIP	47	5%	1/10W



REF.NO.	PART NO.	DESCRIPTION	VALUES			REF.NO.	PART NO.	DESCRIPTION	VALUES		
R106	1-216-017-91	RES-CHIP	47	5%	1/10W	R207	1-216-041-00	RES-CHIP	470	5%	1/10W
R107	1-216-017-91	RES-CHIP	47	5%	1/10W	R208	1-216-295-00	SHORT			
R108	1-216-113-00	RES-CHIP	470K	5%	1/10W	R274	1-216-073-91	RES-CHIP	10K	5%	1/10W
R109	1-216-113-00	RES-CHIP	470K	5%	1/10W	R275	1-216-057-00	RES-CHIP	2.2K	5%	1/10W
R110	1-216-042-00	RES-CHIP	510	5%	1/10W	R276	1-216-097-11	RES-CHIP	100K	5%	1/10W
R111	1-216-042-00	RES-CHIP	510	5%	1/10W	R277	1-216-089-91	RES-CHIP	47K	5%	1/10W
R112	1-216-042-00	RES-CHIP	510	5%	1/10W	R278	1-216-073-91	RES-CHIP	10K	5%	1/10W
R113	1-216-113-00	RES-CHIP	470K	5%	1/10W	R279	1-216-129-00	RES-CHIP	2.2M	5%	1/10W
R114	1-216-045-00	RES-CHIP	680	5%	1/10W	R281	1-216-094-00	RES-CHIP	75K	5%	1/10W
R115	1-216-045-00	RES-CHIP	680	5%	1/10W	R282	1-216-065-91	RES-CHIP	4.7K	5%	1/10W
R116	1-216-045-00	RES-CHIP	680	5%	1/10W	R283	1-216-065-91	RES-CHIP	4.7K	5%	1/10W
R117	1-216-295-00	SHORT				R284	1-216-025-11	RES-CHIP	100	5%	1/10W
R118	1-216-053-00	RES-CHIP	1.5K	5%	1/10W	R285	1-216-049-11	RES-CHIP	1K	5%	1/10W
R119	1-216-053-00	RES-CHIP	1.5K	5%	1/10W	R286	1-216-025-11	RES-CHIP	100	5%	1/10W
R120	1-216-033-00	RES-CHIP	220	5%	1/10W	R287	1-216-025-11	RES-CHIP	100	5%	1/10W
R121	1-216-057-00	RES-CHIP	2.2K	5%	1/10W	R288	1-216-295-00	SHORT			
R122	1-216-025-11	RES-CHIP	100	5%	1/10W	R289	1-216-049-11	RES-CHIP	1K	5%	1/10W
R123	1-216-017-91	RES-CHIP	47	5%	1/10W	R290	1-216-049-11	RES-CHIP	1K	5%	1/10W
R124	1-216-017-91	RES-CHIP	47	5%	1/10W	R291	1-216-049-11	RES-CHIP	1K	5%	1/10W
R125	1-216-017-91	RES-CHIP	47	5%	1/10W	R292	1-216-049-11	RES-CHIP	1K	5%	1/10W
R132	1-216-065-91	RES-CHIP	4.7K	5%	1/10W	R293	1-216-049-11	RES-CHIP	1K	5%	1/10W
R135	1-216-295-00	SHORT				R294	1-216-049-11	RES-CHIP	1K	5%	1/10W
R151	1-216-025-11	RES-CHIP	100	5%	1/10W	R295	1-216-295-00	SHORT			
R152	1-216-083-00	RES-CHIP	27K	5%	1/10W	R296	1-216-033-00	RES-CHIP	220	5%	1/10W
R153	1-216-689-11	RES-CHIP	39K	5%	1/10W	R297	1-216-295-00	SHORT			
R154	1-216-043-91	RES-CHIP	560	5%	1/10W	R299	1-216-049-11	RES-CHIP	1K	5%	1/10W
R155	1-216-025-11	RES-CHIP	100	5%	1/10W	R300	1-216-049-11	RES-CHIP	1K	5%	1/10W
R156	1-216-045-00	RES-CHIP	680	5%	1/10W	R301	1-216-033-00	RES-CHIP	220	5%	1/10W
R157	1-216-049-11	RES-CHIP	1K	5%	1/10W	R302	1-216-049-11	RES-CHIP	1K	5%	1/10W
R158	1-216-464-11	METAL OXIDE	18K	5%	2W	R303	1-216-075-00	RES-CHIP	12K	5%	1/10W
R159	1-216-041-00	RES-CHIP	470	5%	1/10W	R304	1-216-045-00	RES-CHIP	680	5%	1/10W
R160	1-216-025-11	RES-CHIP	100	5%	1/10W	R305	1-216-025-11	RES-CHIP	100	5%	1/10W
R161	1-216-083-00	RES-CHIP	27K	5%	1/10W	R307	1-208-806-11	METAL CHIP	10K	0.50%	1/10W
R162	1-216-041-00	RES-CHIP	470	5%	1/10W	R310	1-216-033-00	RES-CHIP	220	5%	1/10W
R163	1-216-689-11	RES-CHIP	39K	5%	1/10W	R311	1-216-025-11	RES-CHIP	100	5%	1/10W
R164	1-216-065-91	RES-CHIP	4.7K	5%	1/10W	R312	1-216-025-11	RES-CHIP	100	5%	1/10W
R166	1-216-025-11	RES-CHIP	100	5%	1/10W	R313	1-216-073-91	RES-CHIP	10K	5%	1/10W
R167	1-216-025-11	RES-CHIP	100	5%	1/10W	R316	1-216-049-11	RES-CHIP	1K	5%	1/10W
R168	1-216-025-11	RES-CHIP	100	5%	1/10W	R318	1-216-073-91	RES-CHIP	10K	5%	1/10W
R169	1-208-789-11	METAL CHIP	2K	0.50%	1/10W	R320	1-216-073-91	RES-CHIP	10K	5%	1/10W
R170	1-216-025-11	RES-CHIP	100	5%	1/10W	R321	1-216-033-00	RES-CHIP	220	5%	1/10W
R171	1-216-295-00	SHORT				R322	1-216-073-91	RES-CHIP	10K	5%	1/10W
R203	1-216-059-00	RES-CHIP	2.7K	5%	1/10W	R323	1-216-017-91	RES-CHIP	47	5%	1/10W
R204	1-216-041-00	RES-CHIP	470	5%	1/10W	R324	1-216-061-91	RES-CHIP	3.3K	5%	1/10W



REF.NO.	PART NO.	DESCRIPTION	VALUES			REF.NO.	PART NO.	DESCRIPTION	VALUES		
R325	1-216-061-91	RES-CHIP	3.3K	5%	1/10W	R436	1-216-079-00	RES-CHIP	18K	5%	1/10W
R326	1-216-049-11	RES-CHIP	1K	5%	1/10W	R437	1-216-046-00	RES-CHIP	750	5%	1/10W
R335	1-216-041-00	RES-CHIP	470	5%	1/10W	R438	1-216-073-91	RES-CHIP	10K	5%	1/10W
R336	1-216-049-11	RES-CHIP	1K	5%	1/10W	R440	1-216-046-00	RES-CHIP	750	5%	1/10W
R337	1-216-049-11	RES-CHIP	1K	5%	1/10W	R441	1-216-049-11	RES-CHIP	1K	5%	1/10W
R338	1-216-077-91	RES-CHIP	15K	5%	1/10W	R442	1-216-041-00	RES-CHIP	470	5%	1/10W
R339	1-216-049-11	RES-CHIP	1K	5%	1/10W	R443	1-216-073-91	RES-CHIP	10K	5%	1/10W
R340	1-216-041-00	RES-CHIP	470	5%	1/10W	R444	1-216-077-91	RES-CHIP	15K	5%	1/10W
R342	1-216-049-11	RES-CHIP	1K	5%	1/10W	R445	1-216-079-00	RES-CHIP	18K	5%	1/10W
R343	1-216-081-00	RES-CHIP	22K	5%	1/10W	R446	1-216-085-91	RES-CHIP	33K	5%	1/10W
R344	1-216-025-11	RES-CHIP	100	5%	1/10W	R447	1-216-079-00	RES-CHIP	18K	5%	1/10W
R345	1-216-049-11	RES-CHIP	1K	5%	1/10W	R448	1-216-079-00	RES-CHIP	18K	5%	1/10W
R347	1-216-073-91	RES-CHIP	10K	5%	1/10W	R449	1-216-049-11	RES-CHIP	1K	5%	1/10W
R348	1-216-079-00	RES-CHIP	18K	5%	1/10W	R451	1-216-073-91	RES-CHIP	10K	5%	1/10W
R349	1-216-077-91	RES-CHIP	15K	5%	1/10W	R452	1-216-083-00	RES-CHIP	27K	5%	1/10W
R350	1-216-073-91	RES-CHIP	10K	5%	1/10W	R455	1-216-083-00	RES-CHIP	27K	5%	1/10W
R351	1-216-041-00	RES-CHIP	470	5%	1/10W	R458	1-249-389-11	CARBON	4.7	5%	1/4W
R352	1-216-081-00	RES-CHIP	22K	5%	1/10W	R459	1-249-389-11	CARBON	4.7	5%	1/4W
R356	1-216-061-91	RES-CHIP	3.3K	5%	1/10W	R460	1-216-089-91	RES-CHIP	47K	5%	1/10W
R357	1-216-041-00	RES-CHIP	470	5%	1/10W	R461	1-216-025-11	RES-CHIP	100	5%	1/10W
R361	1-208-803-11	METAL CHIP	7.5K	0.50%	1/10W	R462	1-216-075-00	RES-CHIP	12K	5%	1/10W
R362	1-208-774-11	METAL CHIP	470	0.50%	1/10W	R463	1-216-089-91	RES-CHIP	47K	5%	1/10W
R363	1-208-798-11	METAL CHIP	4.7K	0.50%	1/10W	R464	1-216-089-91	RES-CHIP	47K	5%	1/10W
R411	1-216-025-11	RES-CHIP	100	5%	1/10W	R465	1-216-121-11	RES-CHIP	1M	5%	1/10W
R412	1-216-025-11	RES-CHIP	100	5%	1/10W	R466	1-216-079-00	RES-CHIP	18K	5%	1/10W
R413	1-216-025-11	RES-CHIP	100	5%	1/10W	R467	1-216-077-91	RES-CHIP	15K	5%	1/10W
R414	1-216-081-00	RES-CHIP	22K	5%	1/10W	R468	1-216-295-00	SHORT			
R415	1-216-073-91	RES-CHIP	10K	5%	1/10W	R474	1-216-049-11	RES-CHIP	1K	5%	1/10W
R418	1-216-025-11	RES-CHIP	100	5%	1/10W	R805	1-216-065-91	RES-CHIP	4.7K	5%	1/10W
R419	1-216-025-11	RES-CHIP	100	5%	1/10W	R806	1-216-113-00	RES-CHIP	470K	5%	1/10W
R420	1-216-025-11	RES-CHIP	100	5%	1/10W	R808	1-216-065-91	RES-CHIP	4.7K	5%	1/10W
R421	1-216-025-11	RES-CHIP	100	5%	1/10W	R810	1-216-295-00	SHORT			
R422	1-216-025-11	RES-CHIP	100	5%	1/10W	R811	1-216-109-00	RES-CHIP	330K	5%	1/10W
R423	1-216-089-91	RES-CHIP	47K	5%	1/10W	R813	1-216-117-00	RES-CHIP	680K	5%	1/10W
R425	1-216-025-11	RES-CHIP	100	5%	1/10W	R814	1-216-117-00	RES-CHIP	680K	5%	1/10W
R426	1-216-073-91	RES-CHIP	10K	5%	1/10W	R815	1-216-025-11	RES-CHIP	100	5%	1/10W
R428	1-216-073-91	RES-CHIP	10K	5%	1/10W	R816	1-216-049-11	RES-CHIP	1K	5%	1/10W
R429	1-216-073-91	RES-CHIP	10K	5%	1/10W	R817	1-216-025-11	RES-CHIP	100	5%	1/10W
R430	1-216-041-00	RES-CHIP	470	5%	1/10W	R818	1-216-025-11	RES-CHIP	100	5%	1/10W
R431	1-216-073-91	RES-CHIP	10K	5%	1/10W	R819	1-216-025-11	RES-CHIP	100	5%	1/10W
R432	1-216-041-00	RES-CHIP	470	5%	1/10W	R820	1-216-295-00	SHORT			
R433	1-216-041-00	RES-CHIP	470	5%	1/10W	R821	1-216-295-00	SHORT			
R434	1-216-097-11	RES-CHIP	100K	5%	1/10W	R822	1-216-295-00	SHORT			
R435	1-216-073-91	RES-CHIP	10K	5%	1/10W	R823	1-216-295-00	SHORT			



REF.NO.	PART NO.	DESCRIPTION	VALUES			REF.NO.	PART NO.	DESCRIPTION	VALUES		
R824	1-216-025-11	RES-CHIP	100	5%	1/10W	R874	1-216-025-11	RES-CHIP	100	5%	1/10W
R825	1-216-025-11	RES-CHIP	100	5%	1/10W	R875	1-216-295-00	SHORT			
R828	1-216-049-11	RES-CHIP	1K	5%	1/10W	R876	1-216-065-91	RES-CHIP	4.7K	5%	1/10W
R829	1-216-073-91	RES-CHIP	10K	5%	1/10W	R877	1-208-816-11	METAL CHIP	27K	0.50%	1/10W
R830	1-216-041-00	RES-CHIP	470	5%	1/10W	R878	1-216-049-11	RES-CHIP	1K	5%	1/10W
R831	1-216-049-11	RES-CHIP	1K	5%	1/10W						
						R879	1-216-295-00	SHORT			
R832	1-216-073-91	RES-CHIP	10K	5%	1/10W	R880	1-216-049-11	RES-CHIP	1K	5%	1/10W
R833	1-216-049-11	RES-CHIP	1K	5%	1/10W	R881	1-216-025-11	RES-CHIP	100	5%	1/10W
R834	1-216-049-11	RES-CHIP	1K	5%	1/10W	R882	1-216-033-00	RES-CHIP	220	5%	1/10W
R836	1-216-049-11	RES-CHIP	1K	5%	1/10W	R883	1-216-033-00	RES-CHIP	220	5%	1/10W
R838	1-216-025-11	RES-CHIP	100	5%	1/10W						
						R884	1-216-049-11	RES-CHIP	1K	5%	1/10W
R839	1-216-025-11	RES-CHIP	100	5%	1/10W	R885	1-216-025-11	RES-CHIP	100	5%	1/10W
R840	1-216-025-11	RES-CHIP	100	5%	1/10W	R888	1-216-025-11	RES-CHIP	100	5%	1/10W
R842	1-216-025-11	RES-CHIP	100	5%	1/10W	R891	1-216-073-91	RES-CHIP	10K	5%	1/10W
R843	1-216-025-11	RES-CHIP	100	5%	1/10W	R892	1-208-802-11	METAL CHIP	6.8K	0.50%	1/10W
R844	1-216-025-11	RES-CHIP	100	5%	1/10W						
						R893	1-216-073-91	RES-CHIP	10K	5%	1/10W
R846	1-216-025-11	RES-CHIP	100	5%	1/10W	R894	1-216-033-00	RES-CHIP	220	5%	1/10W
R847	1-216-033-00	RES-CHIP	220	5%	1/10W	R895	1-216-025-11	RES-CHIP	100	5%	1/10W
R848	1-216-025-11	RES-CHIP	100	5%	1/10W	R896	1-216-121-11	RES-CHIP	1M	5%	1/10W
R849	1-216-041-00	RES-CHIP	470	5%	1/10W	R897	1-216-049-11	RES-CHIP	1K	5%	1/10W
R850	1-216-041-00	RES-CHIP	470	5%	1/10W						
						R898	1-216-049-11	RES-CHIP	1K	5%	1/10W
R851	1-216-041-00	RES-CHIP	470	5%	1/10W	R899	1-216-033-00	RES-CHIP	220	5%	1/10W
R852	1-208-814-91	METAL CHIP	22K	0.50%	1/10W	R900	1-216-025-11	RES-CHIP	100	5%	1/10W
R853	1-216-025-11	RES-CHIP	100	5%	1/10W	R901	1-216-033-00	RES-CHIP	220	5%	1/10W
R854	1-216-025-11	RES-CHIP	100	5%	1/10W	R902	1-216-033-00	RES-CHIP	220	5%	1/10W
R855	1-216-025-11	RES-CHIP	100	5%	1/10W						
						R903	1-216-025-11	RES-CHIP	100	5%	1/10W
R856	1-216-033-00	RES-CHIP	220	5%	1/10W	R904	1-216-033-00	RES-CHIP	220	5%	1/10W
R857	1-216-025-11	RES-CHIP	100	5%	1/10W	R905	1-216-049-11	RES-CHIP	1K	5%	1/10W
R858	1-216-073-91	RES-CHIP	10K	5%	1/10W	R906	1-216-049-11	RES-CHIP	1K	5%	1/10W
R859	1-216-081-00	RES-CHIP	22K	5%	1/10W	R907	1-216-049-11	RES-CHIP	1K	5%	1/10W
R860	1-216-025-11	RES-CHIP	100	5%	1/10W						
						R908	1-216-049-11	RES-CHIP	1K	5%	1/10W
R861	1-216-073-91	RES-CHIP	10K	5%	1/10W	R910	1-216-025-11	RES-CHIP	100	5%	1/10W
R862	1-216-073-91	RES-CHIP	10K	5%	1/10W	R911	1-216-025-11	RES-CHIP	100	5%	1/10W
R863	1-216-025-11	RES-CHIP	100	5%	1/10W	R912	1-216-049-11	RES-CHIP	1K	5%	1/10W
R864	1-208-801-11	METAL CHIP	6.2K	0.50%	1/10W	R913	1-216-025-11	RES-CHIP	100	5%	1/10W
R865	1-216-025-11	RES-CHIP	100	5%	1/10W						
						R914	1-216-049-11	RES-CHIP	1K	5%	1/10W
R866	1-216-025-11	RES-CHIP	100	5%	1/10W	R915	1-216-049-11	RES-CHIP	1K	5%	1/10W
R867	1-216-025-11	RES-CHIP	100	5%	1/10W	R916	1-216-049-11	RES-CHIP	1K	5%	1/10W
R868	1-216-025-11	RES-CHIP	100	5%	1/10W	R917	1-216-025-11	RES-CHIP	100	5%	1/10W
R869	1-216-025-11	RES-CHIP	100	5%	1/10W	R918	1-208-806-11	METAL CHIP	10K	0.50%	1/10W
R870	1-216-073-91	RES-CHIP	10K	5%	1/10W						
						R919	1-216-061-91	RES-CHIP	3.3K	5%	1/10W
R871	1-216-025-11	RES-CHIP	100	5%	1/10W	R920	1-216-061-91	RES-CHIP	3.3K	5%	1/10W
R872	1-216-025-11	RES-CHIP	100	5%	1/10W	R922	1-216-049-11	RES-CHIP	1K	5%	1/10W
R873	1-216-025-11	RES-CHIP	100	5%	1/10W	R923	1-216-043-91	RES-CHIP	560	5%	1/10W



REF.NO.	PART NO.	DESCRIPTION	VALUES			REF.NO.	PART NO.	DESCRIPTION	VALUES		
R924	1-216-053-00	RES-CHIP	1.5K	5%	1/10W	R987	1-208-817-11	METAL CHIP	30K	0.50%	1/10W
R925	1-216-043-91	RES-CHIP	560	5%	1/10W	R989	1-208-817-11	METAL CHIP	30K	0.50%	1/10W
R926	1-216-053-00	RES-CHIP	1.5K	5%	1/10W	R991	1-208-817-11	METAL CHIP	30K	0.50%	1/10W
R928	1-216-057-00	RES-CHIP	2.2K	5%	1/10W	R993	1-208-817-11	METAL CHIP	30K	0.50%	1/10W
R929	1-216-049-11	RES-CHIP	1K	5%	1/10W	R994	1-208-817-11	METAL CHIP	30K	0.50%	1/10W
R932	1-208-792-11	METAL CHIP	2.7K	0.50%	1/10W	R996	1-208-776-11	METAL CHIP	560	0.50%	1/10W
R935	1-216-025-11	RES-CHIP	100	5%	1/10W	R997	1-208-776-11	METAL CHIP	560	0.50%	1/10W
R936	1-216-025-11	RES-CHIP	100	5%	1/10W	R998	1-208-776-11	METAL CHIP	560	0.50%	1/10W
R937	1-216-025-11	RES-CHIP	100	5%	1/10W	R999	1-208-776-11	METAL CHIP	560	0.50%	1/10W
R938	1-216-635-11	METAL CHIP	220	0.50%	1/10W	R1000	1-208-776-11	METAL CHIP	560	0.50%	1/10W
R939	1-216-635-11	METAL CHIP	220	0.50%	1/10W	R1001	1-208-776-11	METAL CHIP	560	0.50%	1/10W
R941	1-216-061-91	RES-CHIP	3.3K	5%	1/10W	R1002	1-208-810-11	METAL CHIP	15K	0.50%	1/10W
R942	1-216-065-91	RES-CHIP	4.7K	5%	1/10W	R1003	1-208-818-11	METAL CHIP	33K	0.50%	1/10W
R943	1-216-041-00	RES-CHIP	470	5%	1/10W	R1010	1-216-295-00	SHORT			
R945	1-216-069-00	RES-CHIP	6.8K	5%	1/10W	R1011	1-216-295-00	SHORT			
R950	1-216-043-91	RES-CHIP	560	5%	1/10W	R1012	1-216-295-00	SHORT			
R951	1-216-053-00	RES-CHIP	1.5K	5%	1/10W	R1013	1-216-295-00	SHORT			
R952	1-216-049-11	RES-CHIP	1K	5%	1/10W	R1014	1-216-295-00	SHORT			
R953	1-216-025-11	RES-CHIP	100	5%	1/10W	R1015	1-216-295-00	SHORT			
R954	1-216-025-11	RES-CHIP	100	5%	1/10W	R1101	1-216-041-00	RES-CHIP	470	5%	1/10W
R955	1-216-025-11	RES-CHIP	100	5%	1/10W	R1102	1-216-041-00	RES-CHIP	470	5%	1/10W
R956	1-216-025-11	RES-CHIP	100	5%	1/10W	R1103	1-216-022-00	RES-CHIP	75	5%	1/10W
R957	1-216-025-11	RES-CHIP	100	5%	1/10W	R1106	1-216-041-00	RES-CHIP	470	5%	1/10W
R958	1-216-025-11	RES-CHIP	100	5%	1/10W	R1107	1-216-041-00	RES-CHIP	470	5%	1/10W
R959	1-208-806-11	METAL CHIP	10K	0.50%	1/10W	R1108	1-216-113-00	RES-CHIP	470K	5%	1/10W
R960	1-208-806-11	METAL CHIP	10K	0.50%	1/10W	R1109	1-216-113-00	RES-CHIP	470K	5%	1/10W
R961	1-208-806-11	METAL CHIP	10K	0.50%	1/10W	R1110	1-216-089-91	RES-CHIP	47K	5%	1/10W
R962	1-208-806-11	METAL CHIP	10K	0.50%	1/10W	R1111	1-216-025-11	RES-CHIP	100	5%	1/10W
R963	1-208-806-11	METAL CHIP	10K	0.50%	1/10W	R1112	1-216-022-00	RES-CHIP	75	5%	1/10W
R964	1-208-806-11	METAL CHIP	10K	0.50%	1/10W	R1113	1-216-022-00	RES-CHIP	75	5%	1/10W
R965	1-208-806-11	METAL CHIP	10K	0.50%	1/10W	R1114	1-216-022-00	RES-CHIP	75	5%	1/10W
R966	1-208-806-11	METAL CHIP	10K	0.50%	1/10W	R1115	1-216-113-00	RES-CHIP	470K	5%	1/10W
R968	1-208-806-11	METAL CHIP	10K	0.50%	1/10W	R1116	1-216-113-00	RES-CHIP	470K	5%	1/10W
R970	1-208-806-11	METAL CHIP	10K	0.50%	1/10W	R1117	1-216-022-00	RES-CHIP	75	5%	1/10W
R972	1-208-806-11	METAL CHIP	10K	0.50%	1/10W	R1118	1-216-022-00	RES-CHIP	75	5%	1/10W
R974	1-208-806-11	METAL CHIP	10K	0.50%	1/10W	R1119	1-216-022-00	RES-CHIP	75	5%	1/10W
R976	1-208-806-11	METAL CHIP	10K	0.50%	1/10W	R1120	1-216-113-00	RES-CHIP	470K	5%	1/10W
R978	1-208-810-11	METAL CHIP	15K	0.50%	1/10W	R1121	1-216-113-00	RES-CHIP	470K	5%	1/10W
R979	1-208-817-11	METAL CHIP	30K	0.50%	1/10W	R1122	1-216-022-00	RES-CHIP	75	5%	1/10W
R980	1-208-817-11	METAL CHIP	30K	0.50%	1/10W	R1123	1-216-022-00	RES-CHIP	75	5%	1/10W
R981	1-208-817-11	METAL CHIP	30K	0.50%	1/10W	R1124	1-216-022-00	RES-CHIP	75	5%	1/10W
R982	1-208-817-11	METAL CHIP	30K	0.50%	1/10W	R1126	1-216-113-00	RES-CHIP	470K	5%	1/10W
R983	1-208-817-11	METAL CHIP	30K	0.50%	1/10W	R1127	1-216-113-00	RES-CHIP	470K	5%	1/10W
R985	1-208-810-11	METAL CHIP	15K	0.50%	1/10W	R1128	1-216-019-00	RES-CHIP	56	5%	1/10W



REF.NO.	PART NO.	DESCRIPTION	VALUES			REF.NO.	PART NO.	DESCRIPTION	VALUES		
R1129	1-216-017-91	RES-CHIP	47	5%	1/10W	R1191	1-216-025-11	RES-CHIP	100	5%	1/10W
R1130	1-216-025-11	RES-CHIP	100	5%	1/10W	R1193	1-216-041-00	RES-CHIP	470	5%	1/10W
R1131	1-216-057-00	RES-CHIP	2.2K	5%	1/10W	R1197	1-216-041-00	RES-CHIP	470	5%	1/10W
R1132	1-216-073-91	RES-CHIP	10K	5%	1/10W	R1202	1-216-025-11	RES-CHIP	100	5%	1/10W
R1135	1-216-041-00	RES-CHIP	470	5%	1/10W	R1203	1-216-065-91	RES-CHIP	4.7K	5%	1/10W
R1136	1-216-041-00	RES-CHIP	470	5%	1/10W	R1204	1-216-025-11	RES-CHIP	100	5%	1/10W
R1137	1-216-073-91	RES-CHIP	10K	5%	1/10W	R1205	1-216-065-91	RES-CHIP	4.7K	5%	1/10W
R1138	1-216-089-91	RES-CHIP	47K	5%	1/10W	R1206	1-216-025-11	RES-CHIP	100	5%	1/10W
R1139	1-216-041-00	RES-CHIP	470	5%	1/10W	R1207	1-216-049-11	RES-CHIP	1K	5%	1/10W
R1140	1-216-065-91	RES-CHIP	4.7K	5%	1/10W	R1208	1-216-025-11	RES-CHIP	100	5%	1/10W
R1141	1-216-073-91	RES-CHIP	10K	5%	1/10W	R1209	1-216-065-91	RES-CHIP	4.7K	5%	1/10W
R1142	1-216-089-91	RES-CHIP	47K	5%	1/10W	R1210	1-216-025-11	RES-CHIP	100	5%	1/10W
R1143	1-216-049-11	RES-CHIP	1K	5%	1/10W	R1211	1-216-065-91	RES-CHIP	4.7K	5%	1/10W
R1144	1-216-057-00	RES-CHIP	2.2K	5%	1/10W	R1212	1-216-025-11	RES-CHIP	100	5%	1/10W
R1147	1-216-041-00	RES-CHIP	470	5%	1/10W	R1213	1-216-025-11	RES-CHIP	100	5%	1/10W
R1148	1-216-041-00	RES-CHIP	470	5%	1/10W	R1214	1-216-025-11	RES-CHIP	100	5%	1/10W
R1150	1-216-049-11	RES-CHIP	1K	5%	1/10W	R1215	1-216-025-11	RES-CHIP	100	5%	1/10W
R1151	1-216-105-91	RES-CHIP	220K	5%	1/10W	R1216	1-216-025-11	RES-CHIP	100	5%	1/10W
R1156	1-216-025-11	RES-CHIP	100	5%	1/10W	R1217	1-216-025-11	RES-CHIP	100	5%	1/10W
R1157	1-216-065-91	RES-CHIP	4.7K	5%	1/10W	R1218	1-216-025-11	RES-CHIP	100	5%	1/10W
R1158	1-216-025-11	RES-CHIP	100	5%	1/10W	R1221	1-216-025-11	RES-CHIP	100	5%	1/10W
R1159	1-216-065-91	RES-CHIP	4.7K	5%	1/10W	R1222	1-216-025-11	RES-CHIP	100	5%	1/10W
R1160	1-216-025-11	RES-CHIP	100	5%	1/10W	R1223	1-216-025-11	RES-CHIP	100	5%	1/10W
R1161	1-216-049-11	RES-CHIP	1K	5%	1/10W	R1601	1-216-065-91	RES-CHIP	4.7K	5%	1/10W
R1162	1-216-081-00	RES-CHIP	22K	5%	1/10W	R1603	1-216-033-00	RES-CHIP	220	5%	1/10W
R1163	1-216-089-91	RES-CHIP	47K	5%	1/10W	R1605	1-208-802-11	METAL CHIP	6.8K	0.50%	1/10W
R1164	1-216-093-91	RES-CHIP	68K	5%	1/10W	R1607	1-208-806-11	METAL CHIP	10K	0.50%	1/10W
R1165	1-216-065-91	RES-CHIP	4.7K	5%	1/10W	R1609	1-216-025-11	RES-CHIP	100	5%	1/10W
R1166	1-216-097-11	RES-CHIP	100K	5%	1/10W	R1610	1-216-025-11	RES-CHIP	100	5%	1/10W
R1167	1-216-065-91	RES-CHIP	4.7K	5%	1/10W	R1614	1-216-049-11	RES-CHIP	1K	5%	1/10W
R1168	1-216-081-00	RES-CHIP	22K	5%	1/10W	R1616	1-216-049-11	RES-CHIP	1K	5%	1/10W
R1169	1-216-089-91	RES-CHIP	47K	5%	1/10W	R1617	1-216-081-00	RES-CHIP	22K	5%	1/10W
R1170	1-216-089-91	RES-CHIP	47K	5%	1/10W	R1619	1-216-057-00	RES-CHIP	2.2K	5%	1/10W
R1171	1-216-049-11	RES-CHIP	1K	5%	1/10W	R1627	1-216-061-91	RES-CHIP	3.3K	5%	1/10W
R1172	1-216-065-91	RES-CHIP	4.7K	5%	1/10W	R1702	1-216-047-91	RES-CHIP	820	5%	1/10W
R1173	1-216-049-11	RES-CHIP	1K	5%	1/10W	R1706	1-216-469-11	METAL OXIDE	12	5%	3W
R1174	1-208-774-11	METAL CHIP	470	0.50%	1/10W	R1707	1-216-049-11	RES-CHIP	1K	5%	1/10W
R1175	1-208-774-11	METAL CHIP	470	0.50%	1/10W	R1708	1-208-776-11	METAL CHIP	560	0.50%	1/10W
R1180	1-216-089-91	RES-CHIP	47K	5%	1/10W	R1710	1-216-033-00	RES-CHIP	220	5%	1/10W
R1182	1-216-049-11	RES-CHIP	1K	5%	1/10W	R1711	1-216-033-00	RES-CHIP	220	5%	1/10W
R1183	1-216-648-11	METAL CHIP	750	0.50%	1/10W	R1712	1-208-800-11	METAL CHIP	5.6K	0.50%	1/10W
R1184	1-216-648-11	METAL CHIP	750	0.50%	1/10W	R1713	1-216-295-00	SHORT			
R1187	1-216-025-11	RES-CHIP	100	5%	1/10W	R1714	1-216-295-00	SHORT			
R1188	1-216-025-11	RES-CHIP	100	5%	1/10W	R1721	1-216-635-11	METAL CHIP	220	0.50%	1/10W



REF.NO.	PART NO.	DESCRIPTION	VALUES			REF.NO.	PART NO.	DESCRIPTION	VALUES		
R1722	1-208-769-11	METAL CHIP	300	0.50%	1/10W	R1930	1-216-295-00	SHORT			
R1724	1-216-041-00	RES-CHIP	470	5%	1/10W	R1931	1-216-071-00	RES-CHIP	8.2K	5%	1/10W
R1725	1-216-057-00	RES-CHIP	2.2K	5%	1/10W	R1932	1-216-077-91	RES-CHIP	15K	5%	1/10W
R1726	1-216-057-00	RES-CHIP	2.2K	5%	1/10W	R1933	1-216-025-11	RES-CHIP	100	5%	1/10W
R1727	1-208-776-11	METAL CHIP	560	0.50%	1/10W	R1934	1-216-049-11	RES-CHIP	1K	5%	1/10W
R1728	1-208-776-11	METAL CHIP	560	0.50%	1/10W	R1935	1-208-806-11	METAL CHIP	10K	0.50%	1/10W
R1729	1-208-800-11	METAL CHIP	5.6K	0.50%	1/10W	R1936	1-216-053-00	RES-CHIP	1.5K	5%	1/10W
R1730	1-208-800-11	METAL CHIP	5.6K	0.50%	1/10W	R1937	1-216-073-91	RES-CHIP	10K	5%	1/10W
R1736	1-216-041-00	RES-CHIP	470	5%	1/10W	R1938	1-216-025-11	RES-CHIP	100	5%	1/10W
R1738	1-216-041-00	RES-CHIP	470	5%	1/10W	R1939	1-216-025-11	RES-CHIP	100	5%	1/10W
R1739	1-216-049-11	RES-CHIP	1K	5%	1/10W	R1940	1-216-025-11	RES-CHIP	100	5%	1/10W
R1741	1-216-041-00	RES-CHIP	470	5%	1/10W	R1941	1-216-073-91	RES-CHIP	10K	5%	1/10W
R1742	1-216-049-11	RES-CHIP	1K	5%	1/10W	R1942	1-216-025-11	RES-CHIP	100	5%	1/10W
R1743	1-216-045-00	RES-CHIP	680	5%	1/10W	R1943	1-216-053-00	RES-CHIP	1.5K	5%	1/10W
R1745	1-216-045-00	RES-CHIP	680	5%	1/10W	R1944	1-216-073-91	RES-CHIP	10K	5%	1/10W
R1746	1-216-025-11	RES-CHIP	100	5%	1/10W	R1945	1-216-025-11	RES-CHIP	100	5%	1/10W
R1747	1-216-025-11	RES-CHIP	100	5%	1/10W	R1947	1-216-295-00	SHORT			
R1749	1-216-053-00	RES-CHIP	1.5K	5%	1/10W	R1948	1-216-025-11	RES-CHIP	100	5%	1/10W
R1750	1-216-053-00	RES-CHIP	1.5K	5%	1/10W	R1949	1-216-025-11	RES-CHIP	100	5%	1/10W
R1901	1-216-049-11	RES-CHIP	1K	5%	1/10W	R1950	1-216-025-11	RES-CHIP	100	5%	1/10W
R1905	1-216-065-91	RES-CHIP	4.7K	5%	1/10W	R1952	1-216-049-11	RES-CHIP	1K	5%	1/10W
R1906	1-216-065-91	RES-CHIP	4.7K	5%	1/10W	R1953	1-216-025-11	RES-CHIP	100	5%	1/10W
R1907	1-216-049-11	RES-CHIP	1K	5%	1/10W	R1954	1-216-025-11	RES-CHIP	100	5%	1/10W
R1908	1-216-049-11	RES-CHIP	1K	5%	1/10W	R1956	1-216-670-11	METAL CHIP	6.2K	0.50%	1/10W
R1909	1-216-065-91	RES-CHIP	4.7K	5%	1/10W	R1957	1-216-041-00	RES-CHIP	470	5%	1/10W
R1910	1-216-061-91	RES-CHIP	3.3K	5%	1/10W	R1958	1-216-057-00	RES-CHIP	2.2K	5%	1/10W
R1911	1-216-065-91	RES-CHIP	4.7K	5%	1/10W	R1959	1-216-049-11	RES-CHIP	1K	5%	1/10W
R1912	1-216-065-91	RES-CHIP	4.7K	5%	1/10W	R1960	1-208-778-11	METAL CHIP	680	0.50%	1/10W
R1913	1-216-057-00	RES-CHIP	2.2K	5%	1/10W	R1961	1-208-778-11	METAL CHIP	680	0.50%	1/10W
R1914	1-216-049-11	RES-CHIP	1K	5%	1/10W	R1962	1-208-778-11	METAL CHIP	680	0.50%	1/10W
R1915	1-216-033-00	RES-CHIP	220	5%	1/10W	R1963	1-216-069-00	RES-CHIP	6.8K	5%	1/10W
R1916	1-216-045-00	RES-CHIP	680	5%	1/10W	R1964	1-216-037-00	RES-CHIP	330	5%	1/10W
R1917	1-216-061-91	RES-CHIP	3.3K	5%	1/10W	R1965	1-216-025-11	RES-CHIP	100	5%	1/10W
R1918	1-216-025-11	RES-CHIP	100	5%	1/10W	R1966	1-216-041-00	RES-CHIP	470	5%	1/10W
R1919	1-216-025-11	RES-CHIP	100	5%	1/10W	R1967	1-216-049-11	RES-CHIP	1K	5%	1/10W
R1920	1-216-073-91	RES-CHIP	10K	5%	1/10W	R1968	1-216-049-11	RES-CHIP	1K	5%	1/10W
R1921	1-216-109-00	RES-CHIP	330K	5%	1/10W	R1969	1-208-774-11	METAL CHIP	470	0.50%	1/10W
R1923	1-216-049-11	RES-CHIP	1K	5%	1/10W	R1970	1-208-780-11	METAL CHIP	820	0.50%	1/10W
R1924	1-216-049-11	RES-CHIP	1K	5%	1/10W	R1972	1-216-057-00	RES-CHIP	2.2K	5%	1/10W
R1925	1-216-049-11	RES-CHIP	1K	5%	1/10W	R1975	1-216-041-00	RES-CHIP	470	5%	1/10W
R1926	1-208-778-11	METAL CHIP	680	0.50%	1/10W	R1976	1-208-776-11	METAL CHIP	560	0.50%	1/10W
R1927	1-216-025-11	RES-CHIP	100	5%	1/10W	R1977	1-216-075-00	RES-CHIP	12K	5%	1/10W
R1928	1-216-025-11	RES-CHIP	100	5%	1/10W	R1978	1-216-081-00	RES-CHIP	22K	5%	1/10W
R1929	1-216-075-00	RES-CHIP	12K	5%	1/10W	R1979	1-216-033-00	RES-CHIP	220	5%	1/10W



NOTE: The components identified by shading and \triangle mark are critical for safety. Replace only with part number specified.


A component identified by this \boxtimes symbol indicates that it has been carefully factory-selected to satisfy regulations regarding X-ray radiation. Should replacement be required, replace only with the value originally used.


REF.NO.	PART NO.	DESCRIPTION	VALUES			REF.NO.	PART NO.	DESCRIPTION	VALUES		
R1980	1-216-033-00	RES-CHIP	220	5%	1/10W	C505	1-106-383-00	MYLAR	0.047 μ F	10%	200V
R1981	1-216-049-11	RES-CHIP	1K	5%	1/10W	C506	1-102-212-00	CERAMIC	820pF	10%	500V
R1983	1-208-798-11	METAL CHIP	4.7K	0.50%	1/10W	C508	1-102-002-00	CERAMIC	680pF	10%	500V
R1984	1-216-089-91	RES-CHIP	47K	5%	1/10W	C510	1-130-471-00	MYLAR	0.001 μ F	5%	50V
R1985	1-216-089-91	RES-CHIP	47K	5%	1/10W	C513	1-126-933-11	ELECT	100 μ F	20%	16V
R1986	1-216-097-11	RES-CHIP	100K	5%	1/10W	C514	1-130-495-00	MYLAR	0.1 μ F	5%	50V
R1987	1-216-097-11	RES-CHIP	100K	5%	1/10W	C515	1-126-960-11	ELECT	1 μ F	20%	50V
R1988	1-208-798-11	METAL CHIP	4.7K	0.50%	1/10W	C516	1-126-965-91	ELECT	22 μ F	20%	50V
R1989	1-216-670-11	METAL CHIP	6.2K	0.50%	1/10W	\boxtimes \triangle C517	1-162-134-11	CERAMIC	470pF	10%	2KV
R1990	1-216-041-00	RES-CHIP	470	5%	1/10W	C518	1-130-487-00	MYLAR	0.022 μ F	5%	50V
R5172	1-216-025-11	RES-CHIP	100	5%	1/10W	\triangle C521	1-128-660-91	FILM	0.039 μ F	3%	630V
TUNER						\triangle C522	1-117-658-11	FILM	14000pF	3%	1.2KV
TU151	8-598-431-20	TUNER, FSS BTF-WA411				C525	1-136-479-11	FILM	0.001 μ F	5%	50V
TU152	8-598-430-50	TUNER, FSS BTF-FA401				C526	1-130-475-00	MYLAR	0.0022 μ F	5%	50V
CRYSTAL						C527	1-129-702-00	FILM	0.001 μ F	5%	630V
X001	1-781-589-21	VIBRATOR, CRYSTAL				C529	1-130-495-00	MYLAR	0.1 μ F	5%	50V
X202	1-579-973-11	VIBRATOR, CRYSTAL				C531	1-117-673-11	FILM	1.5 μ F	5%	250V
X203	1-781-132-21	VIBRATOR, CRYSTAL				C533	1-106-359-00	MYLAR	.0047 μ F	5%	100V
X204	1-579-972-11	VIBRATOR, CRYSTAL				C534	1-162-116-00	CERAMIC	680pF	10%	2KV
X801	1-767-925-21	VIBRATOR, CRYSTAL				C535	1-162-116-00	CERAMIC	680pF	10%	2KV
X1901	1-577-611-11	OSCILALTOR, CERAMIC				C536	1-126-965-91	ELECT	22 μ F	20%	50V
X1902	1-781-132-21	VIBRATOR, CRYSTAL				C537	1-102-244-00	CERAMIC	220pF	10%	500V
X1903	1-760-095-21	VIBRATOR, CRYSTAL				C538	1-106-359-00	MYLAR	.0047 μ F	5%	100V
X1904	1-579-972-11	VIBRATOR, CRYSTAL				C540	1-107-645-11	ELECT	22 μ F	20%	160V
X1905	1-579-973-11	VIBRATOR, CRYSTAL				C542	1-102-228-00	CERAMIC	470pF	10%	500V
						C543	1-117-813-11	FILM	0.75 μ F	5%	250V
						C544	1-110-626-11	ELECT	330 μ F	20%	160V
						C545	1-162-114-00	CERAMIC	.0047 μ F		2KV
						C546	1-107-649-11	ELECT	2.2 μ F	20%	250V
						C547	1-126-971-11	ELECT	470 μ F	20%	50V
						C548	1-104-665-11	ELECT	100 μ F	20%	25V
						C549	1-130-489-00	MYLAR	0.033 μ F	5%	50V
						C550	1-104-665-11	ELECT	100 μ F	20%	25V
						C551	1-126-971-11	ELECT	470 μ F	20%	50V
						C552	1-130-489-00	MYLAR	0.033 μ F	5%	50V
						C553	1-126-935-11	ELECT	470 μ F	20%	16V
						C554	1-126-935-11	ELECT	470 μ F	20%	16V
						C555	1-104-665-11	ELECT	100 μ F	20%	25V
						C556	1-104-665-11	ELECT	100 μ F	20%	25V
						C557	1-128-562-11	ELECT	47 μ F	20%	100V
						C563	1-126-947-11	ELECT	47 μ F	20%	25V
						C564	1-102-129-00	CERAMIC	0.01 μ F	10%	50V
						C565	1-102-129-00	CERAMIC	0.01 μ F	10%	50V
						C566	1-104-666-11	ELECT	220 μ F	20%	25V
* A-1316-478-A G BOARD, COMPLETE (KP-43T85T ONLY)											
* A-1316-479-A G BOARD, COMPLETE (KP-53SV85T ONLY)											
* A-1316-489-A G BOARD, COMPLETE (KP-61SV85T ONLY)											
The high voltage leads associated with the FBT on this board are not included and must be ordered separately. Order the following leads when requesting this board.											
\triangle	1-900-249-96	HARNESS ASSY, FOCUS PACK -2									
\triangle	1-779-095-23	LEAD ASSY, HIGH VOLTAGE									
	4-382-854-11	SCREW (M3X10), P, SW (+)									
	7-682-952-09	SCREW (+BVTP) 3X16									
CAPACITOR											
C501	1-126-959-11	ELECT	0.47 μ F	20%	50V						
C502	1-102-002-00	CERAMIC	680pF	10%	500V						







REF.NO.	PART NO.	DESCRIPTION	VALUES	REF.NO.	PART NO.	DESCRIPTION	VALUES
C567	1-106-387-00	MYLAR	0.068µF 5% 200V	C1526	1-136-177-00	FILM	1µF 5% 50V
C619	1-126-947-11	ELECT	47µF 20% 16V	C1527	1-102-125-00	CERAMIC	.0047µF 10% 50V
C625	1-126-947-11	ELECT	47µF 20% 16V	C1528	1-126-941-11	ELECT	470µF 20% 25V
C626	1-126-947-11	ELECT	47µF 20% 16V	C1530	1-102-106-00	CERAMIC	100pF 10% 50V
C651	1-164-644-11	CERAMIC	330pF 10% 500V	C1531	1-102-106-00	CERAMIC	100pF 10% 50V
C654	1-126-953-11	ELECT	2200µF 20% 35V	C1533	1-126-941-11	ELECT	470µF 20% 25V
C655	1-126-953-11	ELECT	2200µF 20% 35V	C1534	1-102-125-00	CERAMIC	.0047µF 10% 50V
C656	1-102-121-00	CERAMIC	0.0022µF 10% 50V	C1536	1-102-106-00	CERAMIC	100pF 10% 50V
C657	1-126-768-11	ELECT	2200µF 20% 16V	C1537	1-102-125-00	CERAMIC	.0047µF 10% 50V
C658	1-126-943-11	ELECT	2200µF 20% 25V	C1538	1-126-941-11	ELECT	470µF 20% 25V
C659	1-126-943-11	ELECT	2200µF 20% 25V	C1539	1-104-665-11	ELECT	100µF 20% 25V
C662	1-123-024-21	ELECT	33µF 160V	C1540	1-126-941-11	ELECT	470µF 20% 25V
C663	1-104-665-11	ELECT	100µF 20% 25V	C1541	1-102-125-00	CERAMIC	.0047µF 10% 50V
C665	1-126-934-11	ELECT	220µF 20% 10V	C1542	1-102-125-00	CERAMIC	.0047µF 10% 50V
C666	1-126-927-11	ELECT	2200µF 20% 10V	C1545	1-126-933-11	ELECT	100µF 20% 16V
C667	1-126-947-11	ELECT	47µF 20% 25V	C1546	1-102-125-00	CERAMIC	.0047µF 10% 50V
C668	1-126-947-11	ELECT	47µF 20% 25V	C1547	1-130-487-00	MYLAR	0.022µF 5% 50V
C669	1-126-947-11	ELECT	47µF 20% 25V	C1548	1-136-177-00	FILM	1µF 5% 50V
C670	1-137-368-11	MYLAR	.0047µF 5% 50V	C1549	1-130-471-00	MYLAR	0.001µF 5% 50V
C672	1-126-947-11	ELECT	47µF 20% 25V	C1550	1-104-665-11	ELECT	100µF 20% 25V
C674	1-126-947-11	ELECT	47µF 20% 25V	C1551	1-102-121-00	CERAMIC	0.0022µF 10% 50V
C676	1-126-940-11	ELECT	330µF 20% 25V	C1552	1-106-220-00	MYLAR	0.1µF 10% 100V
C679	1-126-947-11	ELECT	47µF 20% 25V	C1555	1-104-665-11	ELECT	100µF 20% 25V
C1501	1-130-495-00	MYLAR	0.1µF 5% 50V	C1556	1-104-665-11	ELECT	100µF 20% 25V
C1502	1-126-941-11	ELECT	470µF 20% 25V	C1557	1-126-969-11	ELECT	220µF 20% 50V
C1504	1-102-106-00	CERAMIC	100pF 10% 50V	C1559	1-137-401-11	MYLAR	0.22µF 5% 100V
C1505	1-126-947-11	ELECT	47µF 20% 25V	C1560	1-126-942-61	ELECT	1000µF 20% 25V
C1506	1-102-106-00	CERAMIC	100pF 10% 50V	C1561	1-102-121-00	CERAMIC	0.0022µF 10% 50V
C1507	1-126-942-61	ELECT	1000µF 20% 25V	C1562	1-102-125-00	CERAMIC	.0047µF 10% 50V
C1508	1-102-121-00	CERAMIC	0.0022µF 10% 50V	C1563	1-137-150-11	MYLAR	0.01µF 5% 50V
C1510	1-126-941-11	ELECT	470µF 20% 25V	C1566	1-137-150-11	MYLAR	0.01µF 5% 50V
C1511	1-126-964-11	ELECT	10µF 20% 50V	C1570	1-130-471-00	MYLAR	0.001µF 5% 50V
C1512	1-126-933-11	ELECT	100µF 20% 16V	C1571	1-102-074-00	CERAMIC	0.001µF 10% 50V
C1513	1-126-964-11	ELECT	10µF 20% 50V	C1572	1-102-074-00	CERAMIC	0.001µF 10% 50V
C1516	1-104-665-11	ELECT	100µF 20% 25V	C6501	1-126-964-11	ELECT	10µF 20% 50V
C1517	1-130-471-00	MYLAR	0.001µF 5% 50V	C6502	1-126-961-11	ELECT	2.2µF 20% 50V
C1518	1-102-125-00	CERAMIC	.0047µF 10% 50V	C6503	1-130-467-00	MYLAR	470pF 5% 50V
C1519	1-102-106-00	CERAMIC	100pF 10% 50V	C6504	1-130-467-00	MYLAR	470pF 5% 50V
C1520	1-126-933-11	ELECT	100µF 20% 16V	C6505	1-126-963-11	ELECT	4.7µF 20% 50V
C1521	1-126-941-11	ELECT	470µF 20% 25V	C6506	1-104-330-91	CERAMIC	470pF 10% 1KV
C1522	1-126-941-11	ELECT	470µF 20% 25V	C6507	1-104-330-91	CERAMIC	470pF 10% 1KV
C1523	1-126-964-11	ELECT	10µF 20% 50V	C6508	1-130-029-00	FILM	0.0082µF 5% 50V
C1524	1-102-106-00	CERAMIC	100pF 10% 50V	C6509	1-136-165-00	FILM	0.1µF 5% 50V
C1525	1-102-852-91	CERAMIC	47pF 5% 50V	C6510	1-107-824-11	CERAMIC	220pF 5% 1KV


NOTE: The components identified by shading and  mark are critical for safety. Replace only with part number specified.

NOTE: Les composants identifiés par un trame et une marque  sont critiques pour la sécurité. Ne les remplacer que par une pièce portant le numéro spécifique.







REF.NO.	PART NO.	DESCRIPTION	VALUES			REF.NO.	PART NO.	DESCRIPTION	VALUES
C6511	1-126-964-11	ELECT	10µF	20%	50V	*	CN1506	1-564-506-11	PLUG,CONNECTOR 3P
C6513	1-102-129-00	CERAMIC	0.01µF	10%	50V	*	CN1507	1-564-506-11	PLUG,CONNECTOR 3P
C6514	1-115-389-11	FILM	0.018µF	3%	800V	*	CN1508	1-564-506-11	PLUG,CONNECTOR 3P
C6515	1-115-389-11	FILM	0.018µF	3%	800V	*	CN6501	1-691-291-11	PIN,CONNECTOR (PC BOARD) 5P
C6516	1-113-611-11	ELECT(BLOCK)	820µF	20%	250V	*	CN6502	1-691-960-11	PIN,CONNECTOR (PC BOARD) 3P
C6517	1-113-611-11	ELECT(BLOCK)	820µF	20%	250V				
C6518	1-126-961-11	ELECT	2.2µF	20%	50V				
C6519	1-126-964-11	ELECT	10µF	20%	50V				
C6520	1-102-106-00	CERAMIC	100pF	10%	50V				
C6521	1-102-106-00	CERAMIC	100pF	10%	50V				
C6522	1-102-074-00	CERAMIC	0.001µF	10%	50V				
C6523	1-102-129-00	CERAMIC	0.01µF	10%	50V				
C6524	1-102-106-00	CERAMIC	100pF	10%	50V				
C6525	1-102-106-00	CERAMIC	100pF	10%	50V				
C6527	1-102-106-00	CERAMIC	100pF	10%	50V				
C6528	1-107-679-91	ELECT	10µF	20%	450V				
C6529	1-126-971-11	ELECT	470µF	20%	50V				
C6530	1-126-933-11	ELECT	100µF	20%	16V				
C6532	1-136-165-00	FILM	0.1µF	5%	50V				
C6539	1-137-605-11	MYLAR	0.01µF	10%	250V				
C6540	1-130-467-00	MYLAR	470pF	5%	50V				
C6541	1-130-471-00	MYLAR	0.001µF	5%	50V				
C6542	1-130-467-00	MYLAR	470pF	5%	50V				
C6543	1-126-965-91	ELECT	22µF	20%	50V				
C6544	1-136-165-00	FILM	0.1µF	5%	50V				
C6545	1-130-471-00	MYLAR	0.001µF	5%	50V				
		CONNECTOR							
*	CN501	1-779-890-11	CONNECTOR, BOARD TO BOARD 10P						
*	CN502	1-506-371-00	PIN,CONNECTOR 2P						
*	CN503	1-764-333-11	PLUG,CONNECTOR 10P						
*	CN504	1-580-689-11	PIN,CONNECTOR (PC BOARD) 4P						
*	CN505	1-580-689-11	PIN,CONNECTOR (PC BOARD) 4P						
*	CN506	1-580-689-11	PIN,CONNECTOR (PC BOARD) 4P						
*	CN507	1-691-134-11	PIN,CONNECTOR (PC BOARD) 2P						
	CN508	1-695-915-11	TAB (CONTACT)						
*	CN605	1-779-890-11	CONNECTOR, BOARD TO BOARD 10P						
*	CN651	1-779-890-11	CONNECTOR, BOARD TO BOARD 10P						
*	CN652	1-573-963-11	PIN,CONNECTOR (PC BOARD) 3P						
	CN653	1-695-915-11	TAB (CONTACT)						
*	CN1501	1-564-507-11	PLUG,CONNECTOR 4P						
*	CN1502	1-779-890-11	CONNECTOR, BOARD TO BOARD 10P						
*	CN1503	1-564-507-11	PLUG,CONNECTOR 4P						
*	CN1504	1-564-507-11	PLUG,CONNECTOR 4P						
*	CN1505	1-564-507-11	PLUG,CONNECTOR 4P						
		DIODE							
	D501	8-719-109-85	DIODE MTZJ-T-77-5.1B						
	D505	8-719-110-41	DIODE MTZJ-T-77-15B						
	D506	8-719-921-63	DIODE MTZJ-T-77-7.5B						
	D507	8-719-991-33	DIODE 1SS133T-77						
	D513	8-719-991-33	DIODE 1SS133T-77						
	D517	8-719-979-85	DIODE RGP15J-6040G23						
	D518	8-719-945-80	DIODE ERC06-15S						
	D520	8-719-302-43	DIODE RGP10GPKG23						
	D522	8-719-302-43	DIODE EL1Z-V1						
	D525	8-719-031-34	DIODE RGP02-20EG23						
	D526	8-719-031-34	DIODE RGP02-20EG23						
	D528	8-719-908-03	DIODE GP08DPKG23						
	D529	8-719-302-43	DIODE RGP10GPKG23						
	D530	8-719-991-33	DIODE 1SS133T-77						
	D531	8-719-991-33	DIODE 1SS133T-77						
	D532	8-719-908-03	DIODE GP08DPKG23						
	D533	8-719-302-43	DIODE RGP10GPKG23						
	D534	8-719-302-43	DIODE RGP10GPKG23						
	D652	8-719-028-45	DIODE D2L20U-TA						
	D653	8-719-028-45	DIODE D2L20U-TA						
	D654	8-719-057-96	DIODE D10SC6M-4012						
	D655	8-719-052-91	DIODE D4SBS4-F						
	D656	8-719-028-45	DIODE D2L20U-TA						
	D657	8-719-028-45	DIODE D2L20U-TA						
	D659	8-719-063-70	DIODE D1NL20U-TA						
	D660	8-719-028-45	DIODE D2L20U-TA						
	D661	8-719-991-33	DIODE 1SS133T-77						
	D663	8-719-991-33	DIODE 1SS133T-77						
	D667	8-719-032-12	DIODE D1NS6-TR						
	D670	8-719-027-22	DIODE D3S6M-F						
	D671	8-719-027-22	DIODE D3S6M-F						
	D672	8-719-200-82	DIODE 11ES2-TA2B						
	D674	8-719-991-33	DIODE 1SS133T-77						
	D675	8-719-110-17	DIODE MTZJ-T-77-10B						
	D677	8-719-991-33	DIODE 1SS133T-77						
	D1501	8-719-109-89	DIODE MTZJ-T-77-5.6B						
	D1503	8-719-921-40	DIODE MTZJ-T-77-4.7B						

NOTE: The components identified by shading and  mark are critical for safety. Replace only with part number specified.


NOTE: Les composants identifiés par un trame et une  sont critiques pour la sécurité. Ne les remplacer que par une pièce portant le numéro spécifique.




REF.NO.	PART NO.	DESCRIPTION	VALUES	REF.NO.	PART NO.	DESCRIPTION	VALUES
D1504	8-719-110-08	DIODE MTZJ-T-77-8.2B		D6529	8-719-063-70	DIODE D1NL20U-TA	
D1505	8-719-110-41	DIODE MTZJ-T-77-15B		D6530	8-719-063-70	DIODE D1NL20U-TA	
D1506	8-719-110-41	DIODE MTZJ-T-77-15B		D6531	8-719-991-33	DIODE 1SS133T-77	
D1507	8-719-110-41	DIODE MTZJ-T-77-15B		D6532	8-719-991-33	DIODE 1SS133T-77	
D1509	8-719-110-41	DIODE MTZJ-T-77-15B					
						FUSE	
D1510	8-719-110-41	DIODE MTZJ-T-77-15B		 F651	1-576-360-21	FUSE, MULTIPLE	
D1513	8-719-110-41	DIODE MTZJ-T-77-15B		 F652	1-576-360-21	FUSE, MULTIPLE	
D1515	8-719-110-41	DIODE MTZJ-T-77-15B					
D1520	8-719-109-93	DIODE MTZJ-T-77-6.2B				FERRITE BEAD	
D1521	8-719-109-93	DIODE MTZJ-T-77-6.2B					
D1522	8-719-924-16	DIODE MTZJ-T-77-24		FB651	1-410-396-41	FERRITE	0.45µH
D1523	8-719-924-16	DIODE MTZJ-T-77-24		FB655	1-410-396-41	FERRITE	0.45µH
D1525	8-719-908-03	DIODE GP08DPKG23		FB656	1-410-396-41	FERRITE	0.45µH
D1526	8-719-110-41	DIODE MTZJ-T-77-15B		FB6501	1-410-397-21	FERRITE	1.1µH
D1527	8-719-110-41	DIODE MTZJ-T-77-15B					
						IC	
D1528	8-719-110-41	DIODE MTZJ-T-77-15B		IC502	8-759-133-90	IC UPC339C	
D1529	8-719-110-41	DIODE MTZJ-T-77-15B		IC651	8-759-103-93	IC UPC393C	
D6501	8-719-979-58	DIODE EGP10GPKG23		IC652	8-759-701-84	IC NJM7905FA	
D6502	8-719-510-02	DIODE D1NS4-TA2		IC653	8-759-701-75	IC NJM7805FA	
D6503	8-719-921-88	DIODE MTZJ-T-77-13B		 IC654	8-749-012-13	IC DM-58	
D6504	8-719-979-64	DIODE µF4005PKG23		IC655	8-759-450-47	IC BA05T	
D6505	8-719-052-90	DIODE D1NL40-TA2		IC1501	8-752-068-36	IC CXA1726AS	
D6506	8-719-052-90	DIODE D1NL40-TA2		IC1502	8-749-014-37	IC STK392-150	
D6507	8-719-110-31	DIODE MTZJ-T-77-12B		IC1504	8-759-634-51	IC NJM4558D	
D6508	8-719-991-33	DIODE 1SS133T-77		IC1505	8-759-634-51	IC NJM4558D	
D6509	8-719-991-33	DIODE 1SS133T-77		IC1506	8-749-014-37	IC STK392-150	
D6510	8-719-991-33	DIODE 1SS133T-77		IC1507	8-759-634-51	IC NJM4558D	
D6511	8-719-991-33	DIODE 1SS133T-77		IC1509	8-759-593-33	IC LA78045	
D6512	8-719-991-33	DIODE 1SS133T-77		IC6501	8-749-013-78	IC MCR5102	
D6513	8-719-991-33	DIODE 1SS133T-77		IC6502	8-759-133-90	IC UPC339C	
D6514	8-719-110-31	DIODE MTZJ-T-77-12B		IC6503	8-759-198-31	IC UPC1093J-1-T	
D6515	8-719-991-33	DIODE 1SS133T-77				COIL	
D6516	8-719-991-33	DIODE 1SS133T-77		L501	1-412-533-21	INDUCTOR	47µH
D6517	8-719-991-33	DIODE 1SS133T-77		L502	1-414-187-11	INDUCTOR	47µH
D6518	8-719-991-33	DIODE 1SS133T-77		L503	1-459-104-00	COIL, DUST CORE	
D6519	8-719-991-33	DIODE 1SS133T-77		 L504	1-419-082-11	COIL, HORIZONTAL LINEARITY	
D6520	8-719-991-33	DIODE 1SS133T-77		L505	1-412-552-11	INDUCTOR	2.2mH
D6521	8-719-068-00	DIODE ERC04-06SE		L651	1-419-389-21	INDUCTOR	8.2µH
D6522	8-719-068-00	DIODE ERC04-06SE		L652	1-419-389-21	INDUCTOR	8.2µH
D6523	8-719-948-45	DIODE ERA22-08TP3		L653	1-406-975-21	INDUCTOR	47µH
D6524	8-719-110-41	DIODE MTZJ-T-77-15B		L654	1-410-396-41	FERRITE	0.45µH
D6525	8-719-991-33	DIODE 1SS133T-77		L655	1-410-396-41	FERRITE	0.45µH
D6526	8-719-110-49	DIODE MTZJ-T-77-18B		L656	1-412-525-31	INDUCTOR	10µH
D6527	8-719-510-48	DIODE D1N20R-TA		L657	1-412-525-31	INDUCTOR	10µH







REF.NO.	PART NO.	DESCRIPTION	VALUES	REF.NO.	PART NO.	DESCRIPTION	VALUES
L658	1-412-525-31	INDUCTOR	10μH	Q1502	8-729-119-76	TRANSISTOR 2SA1309A-QRSTA	
L659	1-412-521-31	INDUCTOR	4.7μH	Q1503	8-729-423-33	TRANSISTOR 2SC3311A-QRSTA	
L660	1-412-521-31	INDUCTOR	4.7μH	Q1505	8-729-423-33	TRANSISTOR 2SC3311A-QRSTA	
L1501	1-412-533-21	INDUCTOR	47μH	Q1506	8-729-423-33	TRANSISTOR 2SC3311A-QRSTA	
L1502	1-412-533-21	INDUCTOR	47μH	Q1508	8-729-423-33	TRANSISTOR 2SC3311A-QRSTA	
L1509	1-412-533-21	INDUCTOR	47μH	Q1509	8-729-119-76	TRANSISTOR 2SA1309A-QRSTA	
L1510	1-412-533-21	INDUCTOR	47μH	Q1511	8-729-423-33	TRANSISTOR 2SC3311A-QRSTA	
L1511	1-412-533-21	INDUCTOR	47μH	Q6501	8-729-140-93	TRANSISTOR 2SB734-T-4	
L1512	1-412-533-21	INDUCTOR	47μH	Q6502	8-729-119-76	TRANSISTOR 2SA1309A-QRSTA	
L1513	1-412-525-31	INDUCTOR	10μH	Q6503	8-729-119-76	TRANSISTOR 2SA1309A-QRSTA	
L1514	1-412-911-11	FERRITE	0μH	Q6504	8-729-423-33	TRANSISTOR 2SC3311A-QRSTA	
L1515	1-412-911-11	FERRITE	0μH	Q6505	8-729-423-33	TRANSISTOR 2SC3311A-QRSTA	
NEON LAMP				Q6506	8-729-046-40	TRANSISTOR 2SK2663	
NL501	1-517-778-21	LAMP, NEON		Q6507	8-729-922-39	TRANSISTOR 2SD2144S-TP-V	
NL502	1-517-778-21	LAMP, NEON		Q6508	8-729-119-76	TRANSISTOR 2SA1309A-QRSTA	
NL503	1-517-778-21	LAMP, NEON		RESISTOR			
NL504	1-517-778-21	LAMP, NEON		R501	1-247-843-11	CARBON	3.3K 5% 1/4W
NL505	1-517-778-21	LAMP, NEON		R502	1-249-419-11	CARBON	1.5K 5% 1/4W
PHOTO COUPLER				R503	1-260-336-11	CARBON	4.7K 5% 1/2W
PH6501	8-749-924-35	PHOTO COUPLER ON3171-R		R504	1-260-087-11	CARBON	100 5% 1/2W
PH6502	8-749-924-35	PHOTO COUPLER ON3171-R		R505	1-260-087-11	CARBON	100 5% 1/2W
IC LINK				R506	1-216-482-11	METAL OXIDE	1.8K 5% 3W
PS501	1-533-593-31	LINK, IC		R507	1-216-482-11	METAL OXIDE	1.8K 5% 3W
PS653	1-533-593-31	LINK, IC		R508	1-216-482-11	METAL OXIDE	1.8K 5% 3W
PS1501	1-533-593-31	LINK, IC		R509	1-260-337-11	CARBON	5.6K 5% 1/2W
PS1502	1-533-593-31	LINK, IC		R510	1-249-421-11	CARBON	2.2K 5% 1/4W
PS1503	1-533-593-31	LINK, IC		R511	1-215-879-11	METAL OXIDE	47K 5% 1W
PS1504	1-533-593-31	LINK, IC		R512	1-249-422-11	CARBON	2.7K 5% 1/4W
PS1505	1-533-593-31	LINK, IC		R513	1-249-422-11	CARBON	2.7K 5% 1/4W
PS1506	1-533-593-31	LINK, IC		R514	1-249-422-11	CARBON	2.7K 5% 1/4W
TRANSISTOR				R515	1-260-131-11	CARBON	470K 5% 1/2W
Q501	8-729-048-47	TRANSISTOR 2SC2688(5)-LK		R517	1-247-891-00	CARBON	330K 5% 1/4W
Q502	8-729-048-46	TRANSISTOR 2SD2578-RF		R519	1-215-445-00	METAL	10K 1% 1/4W
Q503	8-729-931-45	TRANSISTOR IRF614-LF		R520	1-260-304-51	CARBON	10 5% 1/2W
Q505	8-729-046-80	TRANSISTOR 2SC4634LS-CB11		R522	1-215-399-00	METAL	120 1% 1/4W
Q506	8-729-119-76	TRANSISTOR 2SA1309A-QRSTA		R523	1-247-895-91	CARBON	470K 5% 1/4W
Q507	8-729-046-80	TRANSISTOR 2SC4634LS-CB11		R524	1-249-433-11	CARBON	22K 5% 1/4W
Q652	8-729-922-39	TRANSISTOR 2SD2144S-TP-V		R525	1-249-428-11	CARBON	8.2K 5% 1/4W
Q654	8-729-119-76	TRANSISTOR 2SA1309A-QRSTA		R526	1-249-437-11	CARBON	47K 5% 1/4W
Q655	8-729-423-33	TRANSISTOR 2SC3311A-QRSTA		R527	1-249-428-11	CARBON	8.2K 5% 1/4W
Q1501	8-729-423-33	TRANSISTOR 2SC3311A-QRSTA		R528	1-249-437-11	CARBON	47K 5% 1/4W
				R529	1-249-439-11	CARBON	68K 5% 1/4W
				R530	1-249-428-11	CARBON	8.2K 5% 1/4W

NOTE: The components identified by shading and  mark are critical for safety. Replace only with part number specified.


A component identified by this  symbol indicates that it has been carefully factory-selected to satisfy regulations regarding X-ray radiation. Should replacement be required, replace only with the value originally used.




REF.NO.	PART NO.	DESCRIPTION	VALUES			REF.NO.	PART NO.	DESCRIPTION	VALUES		
R531	1-249-429-11	CARBON	10K	5%	1/4W	R588	1-215-864-00	METAL OXIDE	150	5%	1W
R532	1-249-430-11	CARBON	12K	5%	1/4W			(KP-53SV85T ONLY)			
R535	1-247-887-00	CARBON	220K	5%	1/4W	R588	1-215-862-11	METAL OXIDE	68	5%	1W
  R536	1-215-467-00	METAL	82K	1%	1/4W			(KP-61SV85T ONLY)			
R537	1-249-433-11	CARBON	22K	5%	1/4W	R589	1-247-807-31	CARBON	100	5%	1/4W
R538	1-215-443-00	METAL	8.2K	1%	1/4W	R590	1-260-127-11	CARBON	220K	5%	1/2W
R542	1-249-424-11	CARBON	3.9K	5%	1/4W	R591	1-216-392-11	METAL OXIDE	1.8	5%	3W
R543	1-260-135-11	CARBON	1M	5%	1/2W	R592	1-249-433-11	CARBON	22K	5%	1/4W
R544	1-249-405-11	CARBON	100	5%	1/4W	R593	1-249-429-11	CARBON	10K	5%	1/4W
  R545		METAL			1/4W	R594	1-249-377-11	CARBON	0.47	5%	1/4W
R546	1-215-456-00	METAL	30K	1%	1/4W	R595	1-249-377-11	CARBON	0.47	5%	1/4W
R548	1-215-449-00	METAL	15K	1%	1/4W	R596	1-249-377-11	CARBON	0.47	5%	1/4W
R550	1-215-910-00	METAL OXIDE	68	5%	3W	R597	1-260-288-11	CARBON	0.47	5%	1/2W
R551	1-215-910-00	METAL OXIDE	68	5%	3W	R598	1-249-377-11	CARBON	0.47	5%	1/4W
R556	1-249-437-11	CARBON	47K	5%	1/4W	R599	1-249-429-11	CARBON	10K	5%	1/4W
R563	1-247-887-00	CARBON	220K	5%	1/4W	R600	1-249-433-11	CARBON	22K	5%	1/4W
R566	1-215-868-00	METAL OXIDE	680	5%	1W	R652	1-249-377-11	CARBON	0.47	5%	1/4W
R567	1-249-437-11	CARBON	47K	5%	1/4W	R654	1-216-365-00	METAL OXIDE	0.47	5%	2W
R568	1-249-405-11	CARBON	100	5%	1/4W	R655	1-249-417-11	CARBON	1K	5%	1/4W
R569	1-260-314-11	CARBON	68	5%	1/2W	R656	1-249-377-11	CARBON	0.47	5%	1/4W
R570	1-247-807-31	CARBON	100	5%	1/4W	R657	1-215-421-00	METAL	1K	1%	1/4W
R571	1-215-917-11	METAL OXIDE	1K	5%	3W	R659	1-215-446-00	METAL	11K	1%	1/4W
R572	1-216-490-11	METAL OXIDE	39K	5%	3W	R660	1-215-441-00	METAL	6.8K	1%	1/4W
R573	1-214-912-00	METAL	91K	1%	1/2W	R661	1-215-483-00	METAL	390K	1%	1/4W
R574	1-216-490-11	METAL OXIDE	39K	5%	3W	R662	1-215-445-00	METAL	10K	1%	1/4W
R575	1-249-433-11	CARBON	22K	5%	1/4W	R663	1-215-445-00	METAL	10K	1%	1/4W
R576	1-247-881-00	CARBON	120K	5%	1/4W	R664	1-249-425-11	CARBON	4.7K	5%	1/4W
R577	1-214-923-00	METAL	270K	1%	1/2W	R665	1-249-425-11	CARBON	4.7K	5%	1/4W
R578	1-216-490-11	METAL OXIDE	39K	5%	3W	R666	1-249-429-11	CARBON	10K	5%	1/4W
R579	1-216-490-11	METAL OXIDE	39K	5%	3W	R667	1-249-425-11	CARBON	4.7K	5%	1/4W
R580	1-249-413-11	CARBON	470	5%	1/4W	R668	1-249-417-11	CARBON	1K	5%	1/4W
R581	1-247-807-31	CARBON	100	5%	1/4W	R671	1-249-429-11	CARBON	10K	5%	1/4W
R582	1-260-292-11	CARBON	1	5%	1/2W	R672	1-249-417-11	CARBON	1K	5%	1/4W
R583	1-260-117-11	CARBON	33K	5%	1/2W	R673	1-249-425-11	CARBON	4.7K	5%	1/4W
R584	1-249-377-11	CARBON	0.47	5%	1/4W	R675	1-249-429-11	CARBON	10K	5%	1/4W
R586	1-215-863-11	METAL OXIDE	100	5%	1W	R677	1-249-417-11	CARBON	1K	5%	1/4W
		(KP-43T85T ONLY)				R678	1-249-425-11	CARBON	4.7K	5%	1/4W
R586	1-215-864-00	METAL OXIDE	150	5%	1W	R1501	1-214-800-11	METAL	2.2	1%	1/2W
		(KP-53SV85T ONLY)				R1502	1-214-800-11	METAL	2.2	1%	1/2W
R586	1-215-862-11	METAL OXIDE	68	5%	1W	R1503	1-215-421-00	METAL	1K	1%	1/4W
		(KP-61SV85T ONLY)				R1504	1-215-433-00	METAL	3.3K	1%	1/4W
R587	1-216-349-00	METAL OXIDE	1	5%	1W	R1505	1-249-409-11	CARBON	220	5%	1/4W
R588	1-215-863-11	METAL OXIDE	100	5%	1W	R1506	1-249-409-11	CARBON	220	5%	1/4W
		(KP-43T85T ONLY)				R1507	1-215-433-00	METAL	3.3K	1%	1/4W







REF.NO.	PART NO.	DESCRIPTION	VALUES			REF.NO.	PART NO.	DESCRIPTION	VALUES		
R1508	1-215-421-00	METAL	1K	1%	1/4W	R1556	1-249-433-11	CARBON	22K	5%	1/4W
R1509	1-214-800-11	METAL	2.2	1%	1/2W	R1557	1-249-429-11	CARBON	10K	5%	1/4W
R1510	1-214-800-11	METAL	2.2	1%	1/2W	R1558	1-249-429-11	CARBON	10K	5%	1/4W
R1511	1-214-800-11	METAL	2.2	1%	1/2W	R1559	1-215-857-71	METAL OXIDE	10	5%	1W
R1512	1-214-800-11	METAL	2.2	1%	1/2W	R1560	1-216-452-11	METAL OXIDE	180	5%	2W
R1513	1-215-421-00	METAL	1K	1%	1/4W	R1561	1-249-429-11	CARBON	10K	5%	1/4W
R1514	1-215-433-00	METAL	3.3K	1%	1/4W	R1562	1-249-429-11	CARBON	10K	5%	1/4W
R1515	1-249-409-11	CARBON	220	5%	1/4W	R1563	1-249-429-11	CARBON	10K	5%	1/4W
R1516	1-249-429-11	CARBON	10K	5%	1/4W	R1564	1-215-445-00	METAL	10K	1%	1/4W
R1517	1-247-887-00	CARBON	220K	5%	1/4W	R1565	1-249-429-11	CARBON	10K	5%	1/4W
R1518	1-249-429-11	CARBON	10K	5%	1/4W	R1566	1-249-427-11	CARBON	6.8K	5%	1/4W
R1519	1-249-437-11	CARBON	47K	5%	1/4W	R1567	1-249-433-11	CARBON	22K	5%	1/4W
R1520	1-247-881-00	CARBON	120K	5%	1/4W	R1568	1-249-429-11	CARBON	10K	5%	1/4W
R1521	1-215-474-00	METAL	160K	1%	1/4W	R1570	1-249-383-11	CARBON	1.5	5%	1/4W
R1522	1-214-800-11	METAL	2.2	1%	1/2W	R1576	1-249-429-11	CARBON	10K	5%	1/4W
R1523	1-214-800-11	METAL	2.2	1%	1/2W	R1577	1-215-447-00	METAL	12K	1%	1/4W
R1524	1-215-421-00	METAL	1K	1%	1/4W	R1578	1-249-429-11	CARBON	10K	5%	1/4W
R1525	1-215-433-00	METAL	3.3K	1%	1/4W	R1579	1-215-421-00	METAL	1K	1%	1/4W
R1526	1-249-409-11	CARBON	220	5%	1/4W	R1580	1-215-421-00	METAL	1K	1%	1/4W
R1527	1-249-409-11	CARBON	220	5%	1/4W	R1581	1-215-474-00	METAL	160K	1%	1/4W
R1528	1-215-433-00	METAL	3.3K	1%	1/4W	R1582	1-249-421-11	CARBON	2.2K	5%	1/4W
R1529	1-215-421-00	METAL	1K	1%	1/4W	R1583	1-247-807-31	CARBON	100	5%	1/4W
R1530	1-214-800-11	METAL	2.2	1%	1/2W	R1584	1-249-433-11	CARBON	22K	5%	1/4W
R1531	1-214-800-11	METAL	2.2	1%	1/2W	R1585	1-215-449-00	METAL	15K	1%	1/4W
R1532	1-214-800-11	METAL	2.2	1%	1/2W	R1586	1-249-441-11	CARBON	100K	5%	1/4W
R1533	1-249-441-11	CARBON	100K	5%	1/4W	R1587	1-249-414-11	CARBON	560	5%	1/4W
R1534	1-214-800-11	METAL	2.2	1%	1/2W	R1588	1-249-414-11	CARBON	560	5%	1/4W
R1535	1-215-421-00	METAL	1K	1%	1/4W	R1589	1-249-414-11	CARBON	560	5%	1/4W
R1536	1-215-433-00	METAL	3.3K	1%	1/4W	R1590	1-249-414-11	CARBON	560	5%	1/4W
R1537	1-249-409-11	CARBON	220	5%	1/4W	R1591	1-249-414-11	CARBON	560	5%	1/4W
R1538	1-249-429-11	CARBON	10K	5%	1/4W	R1592	1-249-414-11	CARBON	560	5%	1/4W
R1539	1-249-428-11	CARBON	8.2K	5%	1/4W	R1593	1-216-475-11	METAL OXIDE	120	5%	3W
R1540	1-249-417-11	CARBON	1K	5%	1/4W	R1594	1-216-475-11	METAL OXIDE	120	5%	3W
R1541	1-247-843-11	CARBON	3.3K	5%	1/4W	R1595	1-216-475-11	METAL OXIDE	120	5%	3W
R1542	1-249-429-11	CARBON	10K	5%	1/4W	R1596	1-216-475-11	METAL OXIDE	120	5%	3W
R1543	1-249-429-11	CARBON	10K	5%	1/4W	R1597	1-216-475-11	METAL OXIDE	120	5%	3W
R1544	1-249-419-11	CARBON	1.5K	5%	1/4W	R1598	1-216-475-11	METAL OXIDE	120	5%	3W
R1548	1-249-438-11	CARBON	56K	5%	1/4W	R1599	1-249-429-11	CARBON	10K	5%	1/4W
R1549	1-214-800-11	METAL	2.2	1%	1/2W	R1600	1-247-807-31	CARBON	100	5%	1/4W
R1550	1-215-447-00	METAL	12K	1%	1/4W	R1601	1-249-437-11	CARBON	47K	5%	1/4W
R1551	1-249-428-11	CARBON	8.2K	5%	1/4W	R1602	1-247-807-31	CARBON	100	5%	1/4W
R1552	1-214-800-11	METAL	2.2	1%	1/2W	R1603	1-249-418-11	CARBON	1.2K	5%	1/4W
R1554	1-215-449-00	METAL	15K	1%	1/4W	R1604	1-249-429-11	CARBON	10K	5%	1/4W
R1555	1-247-807-31	CARBON	100	5%	1/4W	R1609	1-215-445-00	METAL	10K	1%	1/4W

NOTE: The components identified by shading and  mark are critical for safety. Replace only with part number specified.

NOTE: Les composants identifiés par un trame et une marque  sont critiques pour la sécurité. Ne les remplacer que par une pièce portant le numéro spécifique.

G **FB** **HC**
S **HB**

REF.NO.	PART NO.	DESCRIPTION	VALUES	REF.NO.	PART NO.	DESCRIPTION	VALUES
SPARK GAP				RESISTOR			
SG501	1-519-466-11	GAP, SPARK		R1291	1-247-807-31	CARBON	100 5% 1/4W
SG502	1-519-466-11	GAP, SPARK		<div style="border: 1px solid black; padding: 5px; display: inline-block; font-size: 2em; margin-bottom: 10px;">S</div> <p>* A-1390-933-A S BOARD, MOUNTED</p> <p>CONNECTOR</p> <p>* CN3001 1-564-506-11 PLUG,CONNECTOR 3P</p> <p>DIODE</p> <p>D3001 8-719-109-89 DIODE MTZJ-T-77-5.6</p> <p>SWITCH</p> <p>S3001 1-528-911-21 BATTERY, SOLAR</p> <div style="border: 1px solid black; padding: 5px; display: inline-block; font-size: 2em; margin-top: 10px;">HB</div> <p>* A-1372-620-A HB BOARD, MOUNTED</p> <p>CAPACITOR</p> <p>C1251 1-128-551-11 ELECT 22µF 20% 25V</p> <p>C1252 1-128-551-11 ELECT 22µF 20% 25V</p> <p>C1253 1-128-551-11 ELECT 22µF 20% 25V</p> <p>C1254 1-128-551-11 ELECT 22µF 20% 25V</p> <p>C1255 1-128-551-11 ELECT 22µF 20% 25V</p> <p>CONNECTOR</p> <p>* CN1252 1-564-517-11 PLUG,CONNECTOR 2P</p> <p>* CN1253 1-564-526-11 PLUG,CONNECTOR 11P</p> <p>DIODE</p> <p>D1251 8-719-110-17 DIODE MTZJ-T-77-10</p> <p>D1252 8-719-110-17 DIODE MTZJ-T-77-10</p> <p>D1253 8-719-110-17 DIODE MTZJ-T-77-10</p> <p>D1254 8-719-110-17 DIODE MTZJ-T-77-10</p> <p>D1255 8-719-110-17 DIODE MTZJ-T-77-10</p> <p>D1256 8-719-110-17 DIODE MTZJ-T-77-10</p> <p>JACK</p> <p>J1251 1-770-361-11 TERMINAL BLOCK, S</p>			
TRANSFORMER							
	T501	1-433-836-11	TRANSFORMER, HORIZONTAL DRIVE				
	T502	1-433-876-11	TRANSFORMER, FERRITE (PMT)				
	T504	1-453-238-31	FBT ASSY, NX-4007//X4P4				
	T6501	1-433-871-11	TRANSFORMER, CONVERTER (PIT)				
*	T6501	4-077-126-01	SHIELD, TRANS				
	T6502	1-433-844-11	TRANSFORMER, CONVERTER				
THERMISTOR							
	TH1501	1-807-925-11	THERMISTOR				
	TH6501	1-803-586-11	THERMISTOR, NTC				
<div style="border: 1px solid black; padding: 5px; display: inline-block; font-size: 2em; margin-bottom: 10px;">FB</div> <p>* A-1241-389-A FB BOARD, MOUNTED</p> <p>CONNECTOR</p> <p>* CN6008 1-580-689-11 PIN,CONNECTOR (PC BOARD) 4P</p> <p>* CN6009 1-580-689-11 PIN,CONNECTOR (PC BOARD) 4P</p> <p>SWITCH</p> <p> S6001 1-571-433-21 SWITCH PUSH (AC POWER)</p> <p>S6001 1-571-433-21 SWITCH PUSH (AC POWER)</p> <div style="border: 1px solid black; padding: 5px; display: inline-block; font-size: 2em; margin-top: 10px;">HC</div> <p>* A-1372-618-A HC BOARD, MOUNTED</p> <p>CAPACITOR</p> <p>C1291 1-126-791-11 ELECT 10µF 20% 16V</p> <p>CONNECTOR</p> <p>* CN1291 1-564-518-11 PLUG,CONNECTOR 3P</p> <p>DIODE</p> <p>D1291 8-719-066-43 DIODE GP1U28Y</p> <p>D1292 8-719-109-89 DIODE MTZJ-T-77-5.6</p> <p>D1293 8-719-109-89 DIODE MTZJ-T-77-5.6</p>							

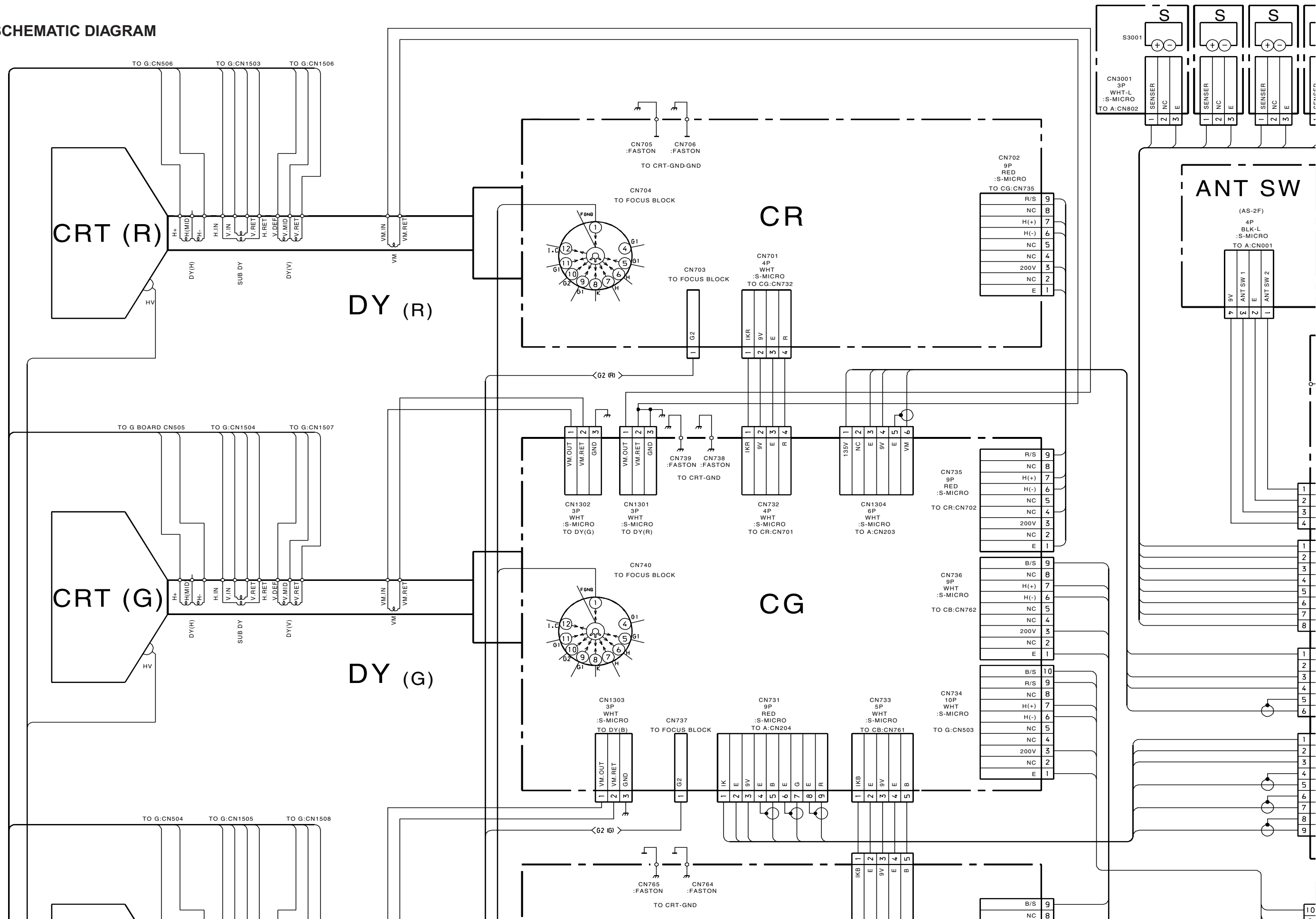


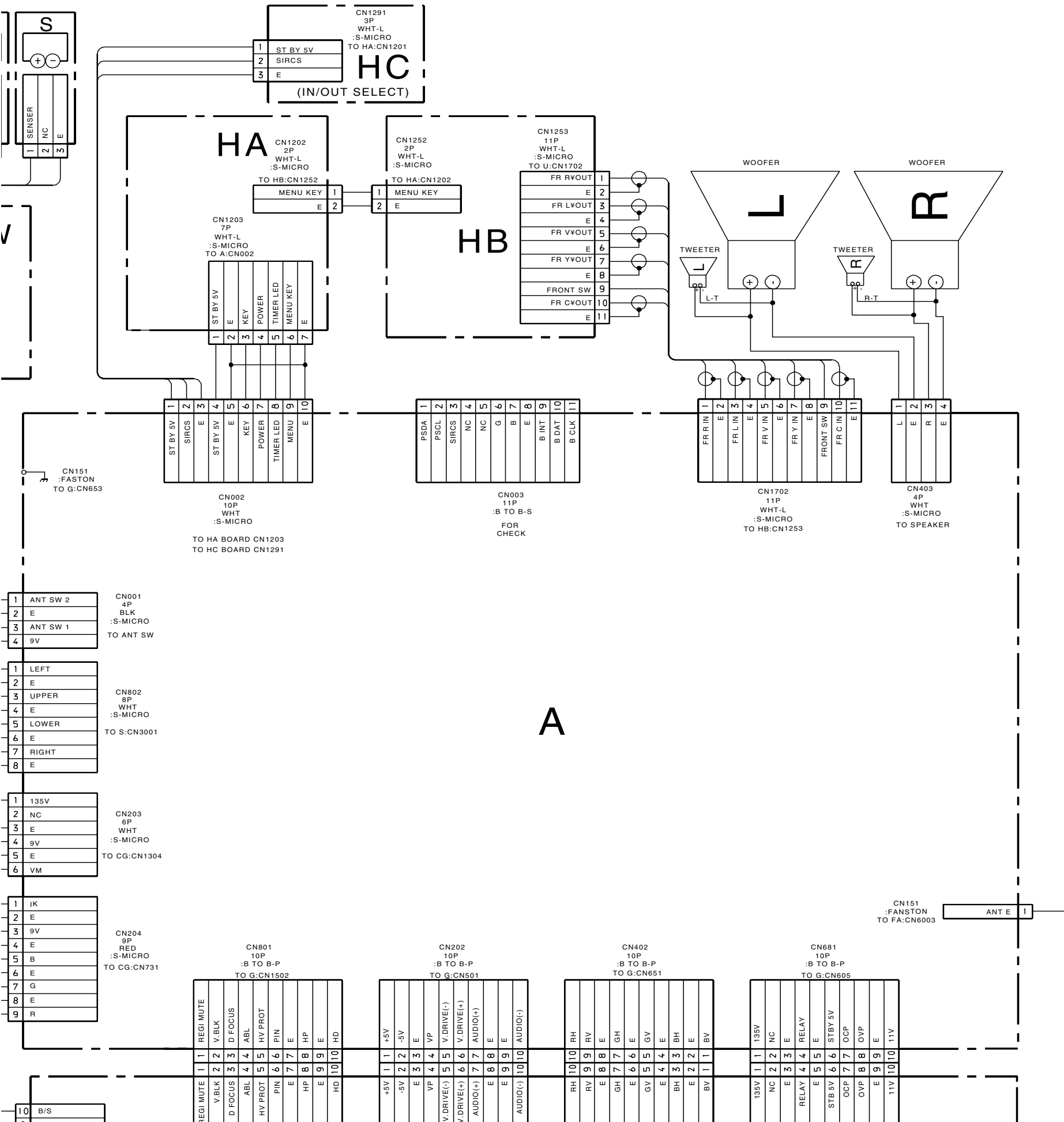
REF.NO.	PART NO.	DESCRIPTION	VALUES			REF.NO.	PART NO.	DESCRIPTION	VALUES
RESISTOR					ACCESSORIES AND PACKING MATERIALS				
R1251	1-249-429-11	CARBON	10K	5%	1/4W	4-049-155-01	BAG, PROTECTION (KP-43T85T ONLY)		
R1252	1-249-424-11	CARBON	3.9K	5%	1/4W	4-041-426-01	BAG, PROTECTION (KP-53SV85T ONLY)		
R1253	1-249-421-11	CARBON	2.2K	5%	1/4W	4-076-420-01	BAG, PROTECTION (KP-61SV85T ONLY)		
R1254	1-249-418-11	CARBON	1.2K	5%	1/4W	4-080-867-01	CUSHION LOWER (ASSY) (KP-43T85T ONLY)		
R1255	1-249-425-11	CARBON	4.7K	5%	1/4W	4-080-861-01	CUSHION LOWER (ASSY) (KP-53SV85T ONLY)		
R1256	1-247-804-11	CARBON	75	5%	1/4W	4-080-866-01	CUSHION UPPER (ASSY) (KP-43T85T ONLY)		
R1257	1-247-895-91	CARBON	470K	5%	1/4W	4-080-860-01	CUSHION UPPER (ASSY) (KP-53SV85T ONLY)		
R1258	1-247-895-91	CARBON	470K	5%	1/4W	4-069-586-03	CUSHION (LOWER) (ASSY) (KP-61SV85T ONLY)		
R1259	1-247-804-11	CARBON	75	5%	1/4W	4-069-585-02	CUSHION (UPPER) (ASSY) (KP-61SV85T ONLY)		
R1260	1-247-804-11	CARBON	75	5%	1/4W	4-081-590-01	INDIVIDUAL CARTON (KP-43T85T ONLY)		
SWITCH					4-069-573-02 INDIVIDUAL CARTON (KP-53SV85T ONLY)				
S1251	1-572-198-11	SWITCH KEYBOARD				4-069-582-03	INDIVIDUAL CARTON (KP-61SV85T ONLY)		
S1252	1-572-198-11	SWITCH KEYBOARD				4-084-122-11	MANUAL, INSTRUCTION (SPANISH)		
S1253	1-572-198-11	SWITCH KEYBOARD				4-042-463-01	SHEET, PROTECTION (ALL EXCEPT KP-43T85T)		
S1254	1-572-198-11	SWITCH KEYBOARD				4-041-423-01	SHEET, PROTECTION (KP-43T85T ONLY)		
S1255	1-572-198-11	SWITCH KEYBOARD				4-081-591-01	TRAY (KP-43T85T ONLY)		
CONNECTOR					4-069-575-02 TRAY (KP-53SV85T ONLY)				
* CN1202	1-564-517-11	PLUG,CONNECTOR 2P				4-069-584-01	TRAY (KP-61SV85T ONLY)		
* CN1203	1-564-522-11	PLUG,CONNECTOR 7P				REMOTE COMMANDER			
DIODE					1-418-469-11 REMOTE COMMANDER (RM-Y906)				
D1201	8-719-064-11	DIODE SPR-325MVW				4-978-977-01	REMOTE BATTERY COVER FOR RM-Y906		
RESISTOR									
R1201	1-249-431-11	CARBON	15K	5%	1/4W				
R1202	1-249-425-11	CARBON	4.7K	5%	1/4W				
R1203	1-249-417-11	CARBON	1K	5%	1/4W				
R1204	1-249-419-11	CARBON	1.5K	5%	1/4W				
R1205	1-249-421-11	CARBON	2.2K	5%	1/4W				
R1206	1-249-409-11	CARBON	220	5%	1/4W				
SWITCH									
S1201	1-572-198-11	SWITCH KEYBOARD							
S1202	1-572-198-11	SWITCH KEYBOARD							
S1203	1-572-198-11	SWITCH KEYBOARD							
S1204	1-572-198-11	SWITCH KEYBOARD							
S1205	1-572-198-11	SWITCH KEYBOARD							
S1206	1-572-198-11	SWITCH KEYBOARD							
S1207	1-572-198-11	SWITCH KEYBOARD							

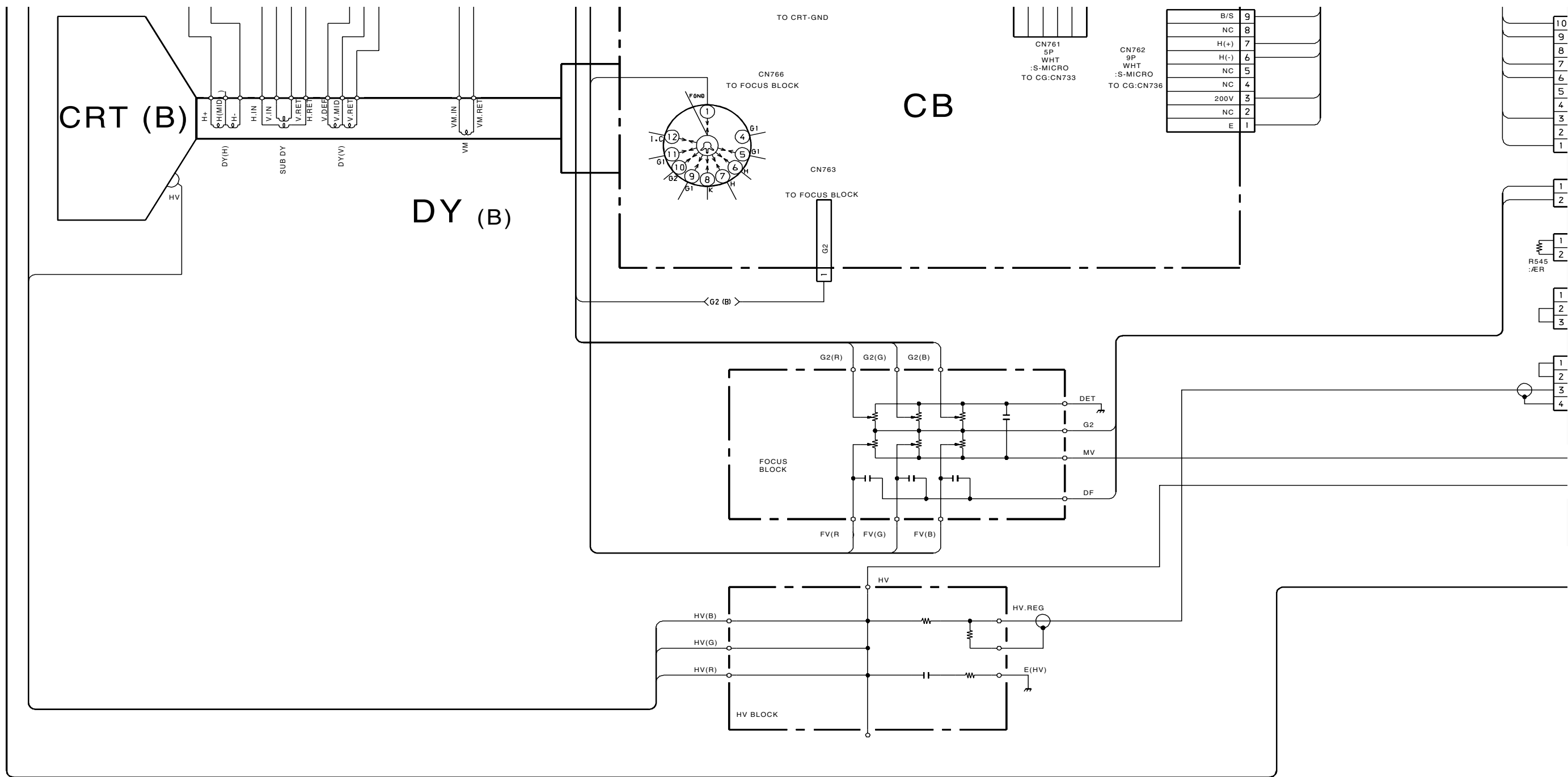


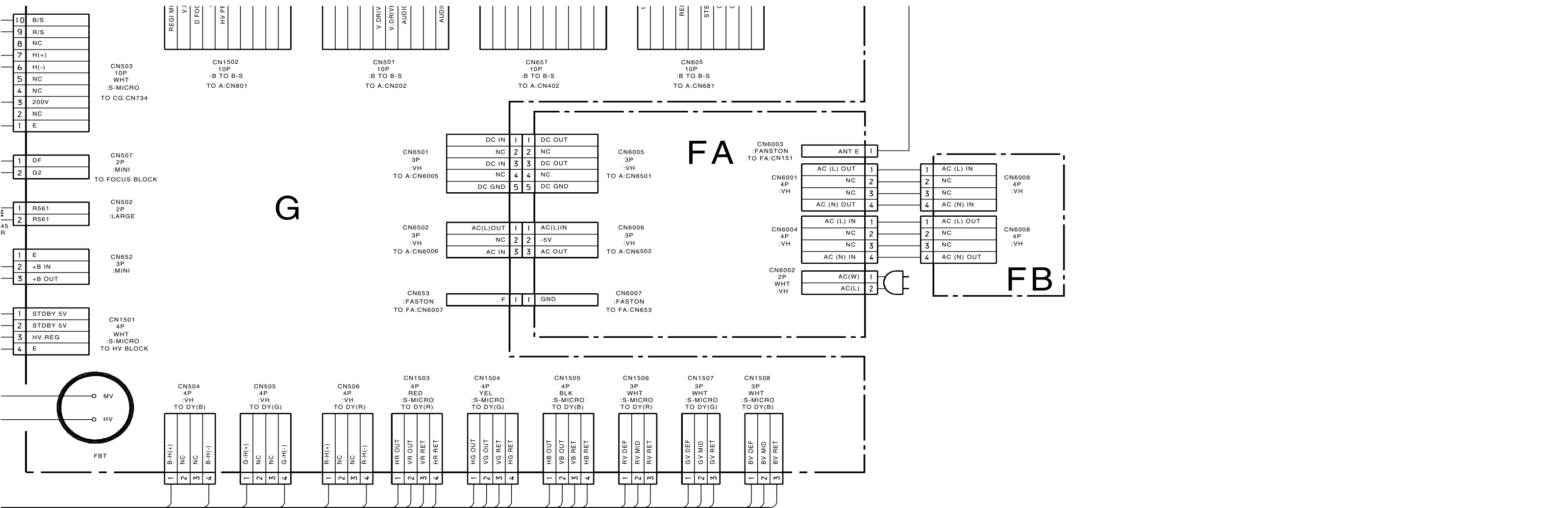
* A-1372-762-A HA BOARD, MOUNTED

5-4. FRAME SCHEMATIC DIAGRAM

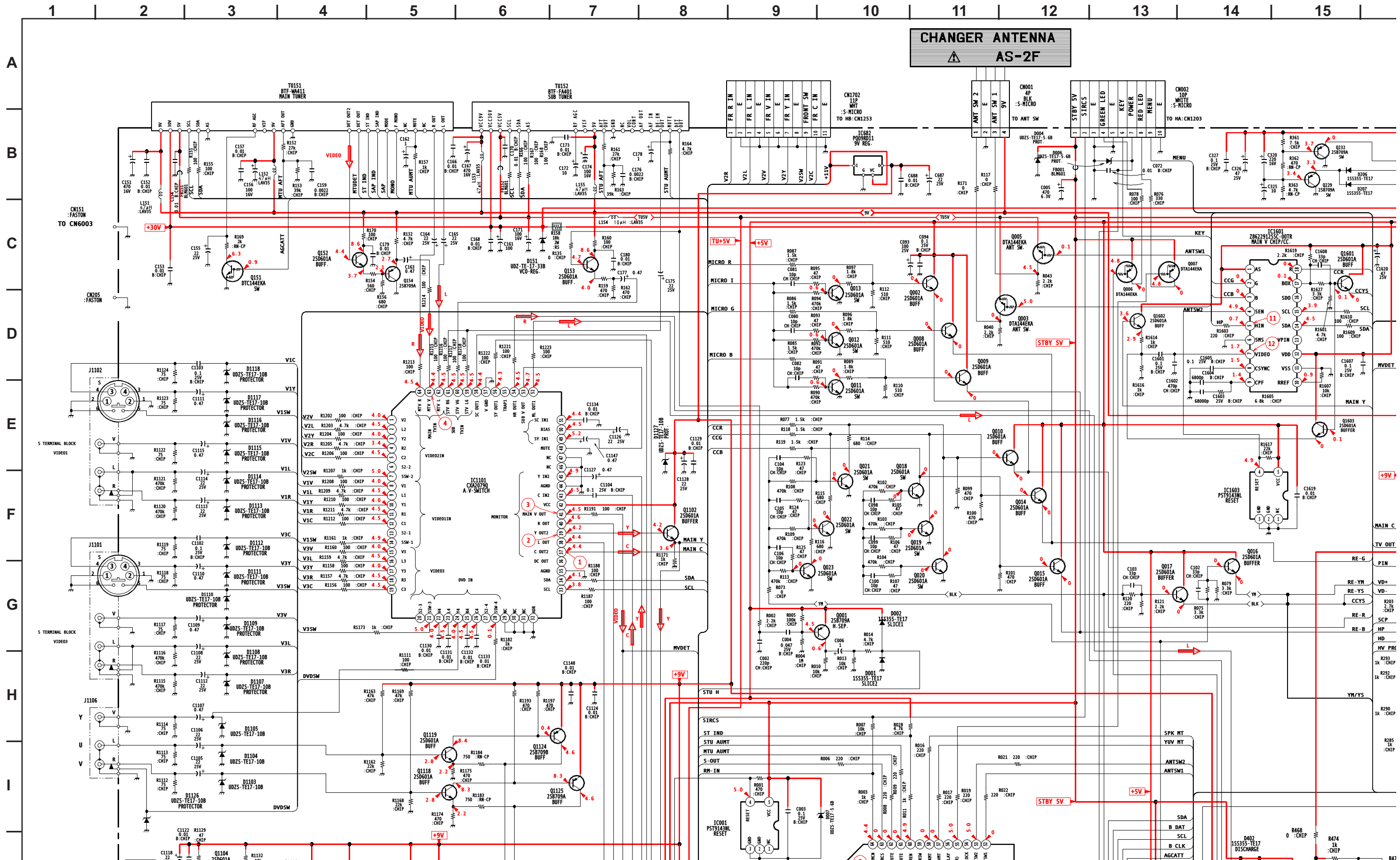






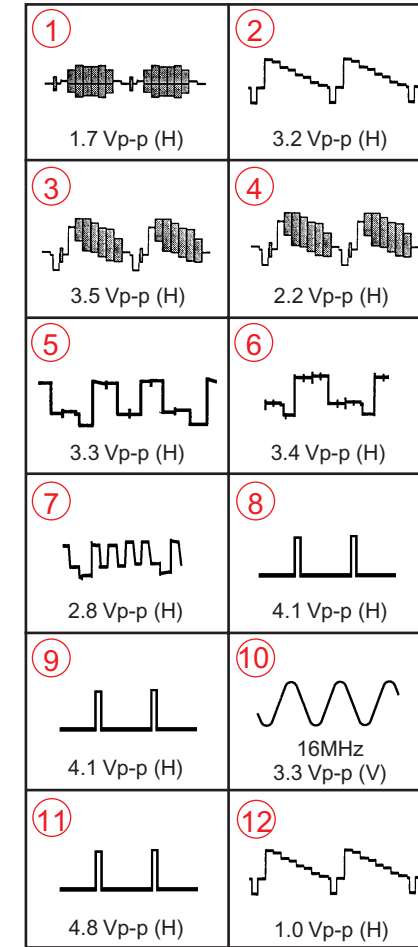


A BOARD SCHEMATIC DIAGRAM (1 OF 3)

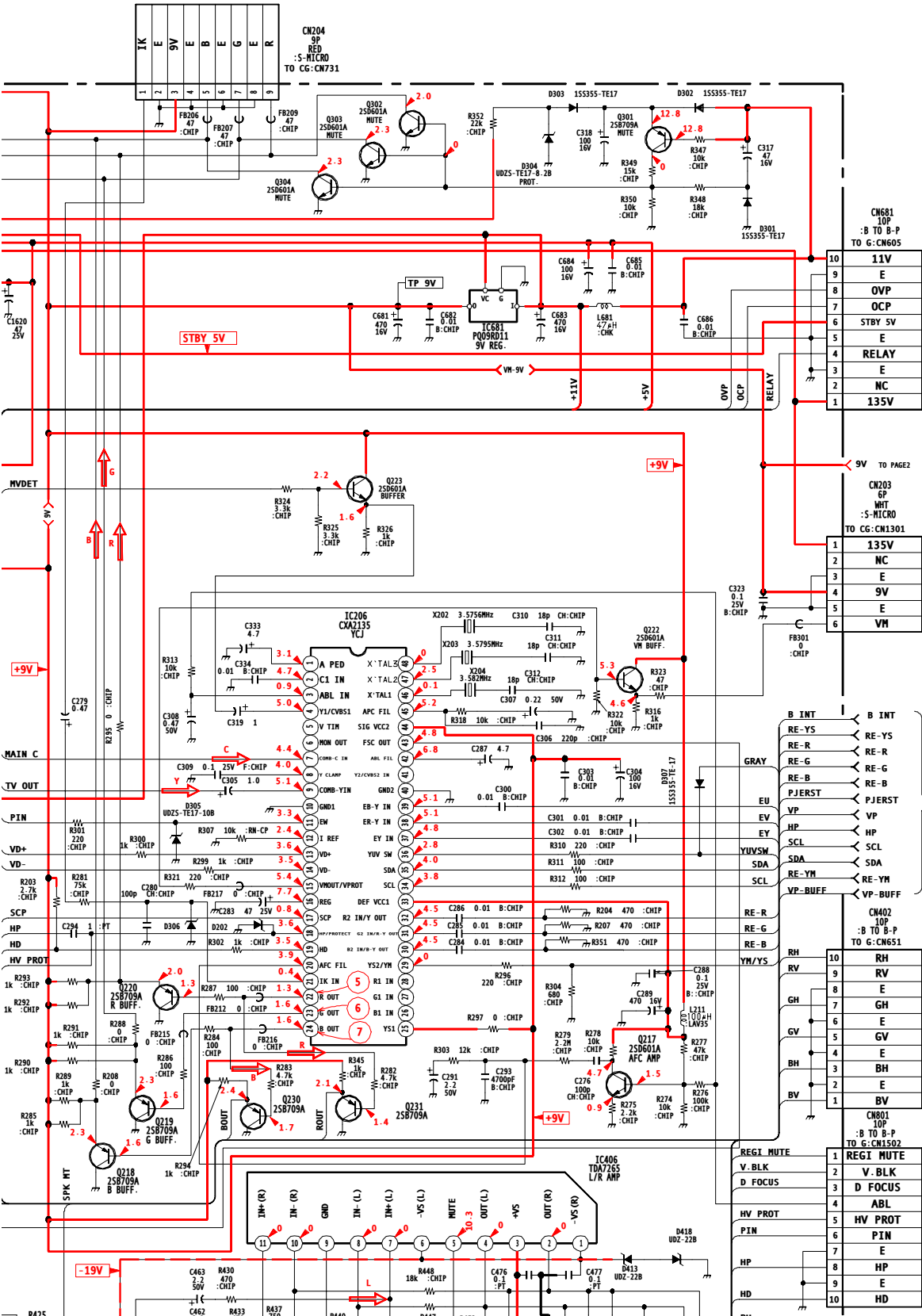
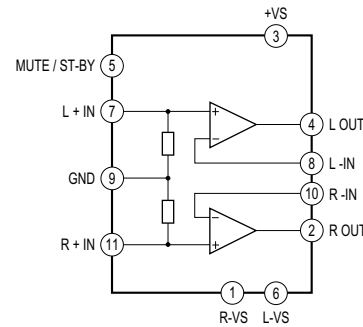


16 | 17 | 18 | 19 | 20 | 21 | 22 | 23 | 24

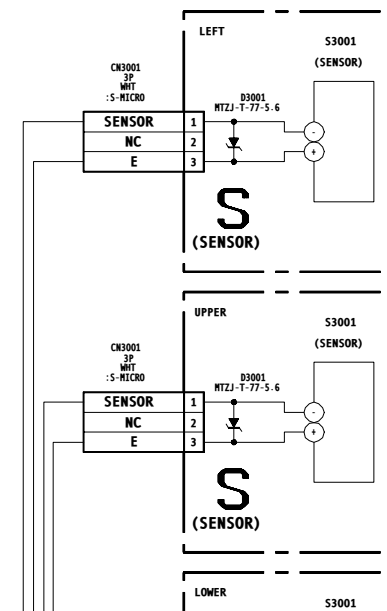
A (1/3) BOARD WAVEFORMS



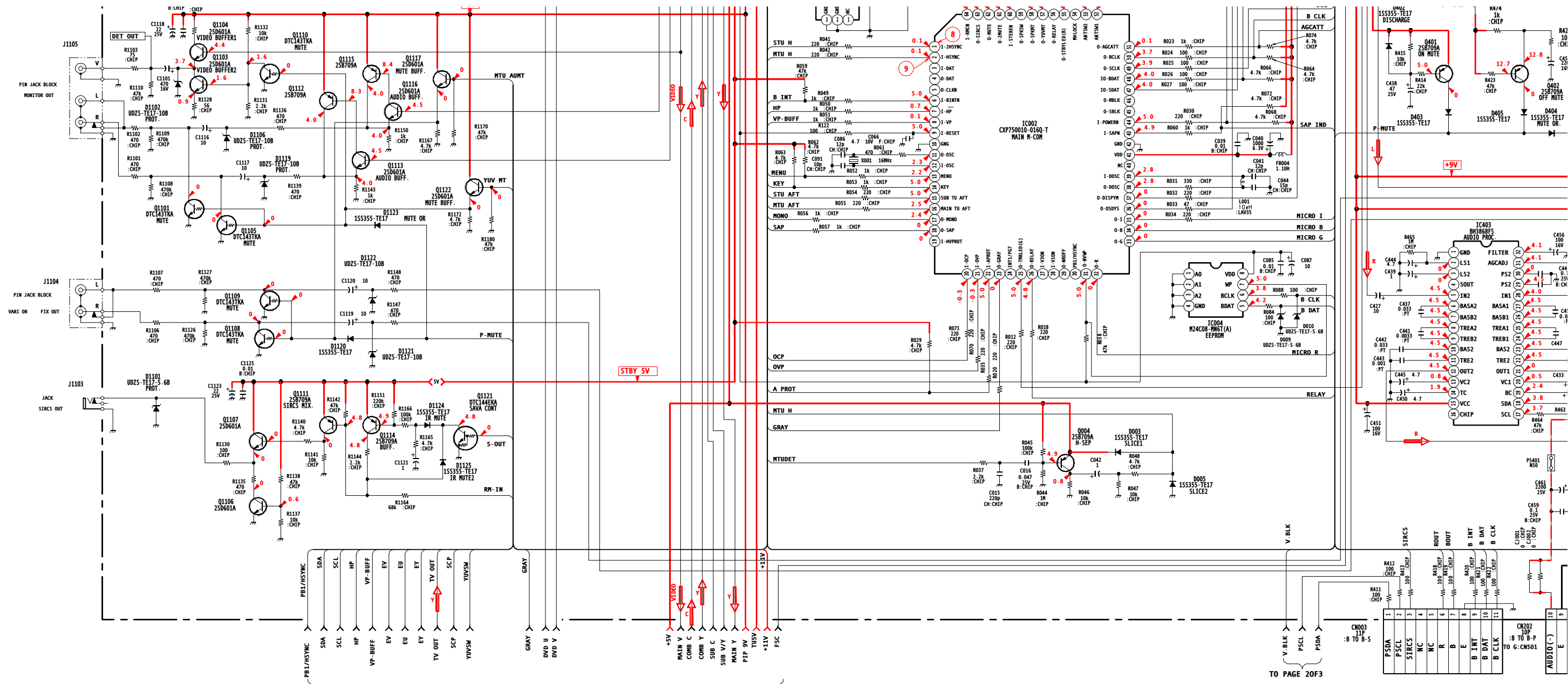
A (1/3) BOARD:
IC406 TDA7265



TO PAGE 013

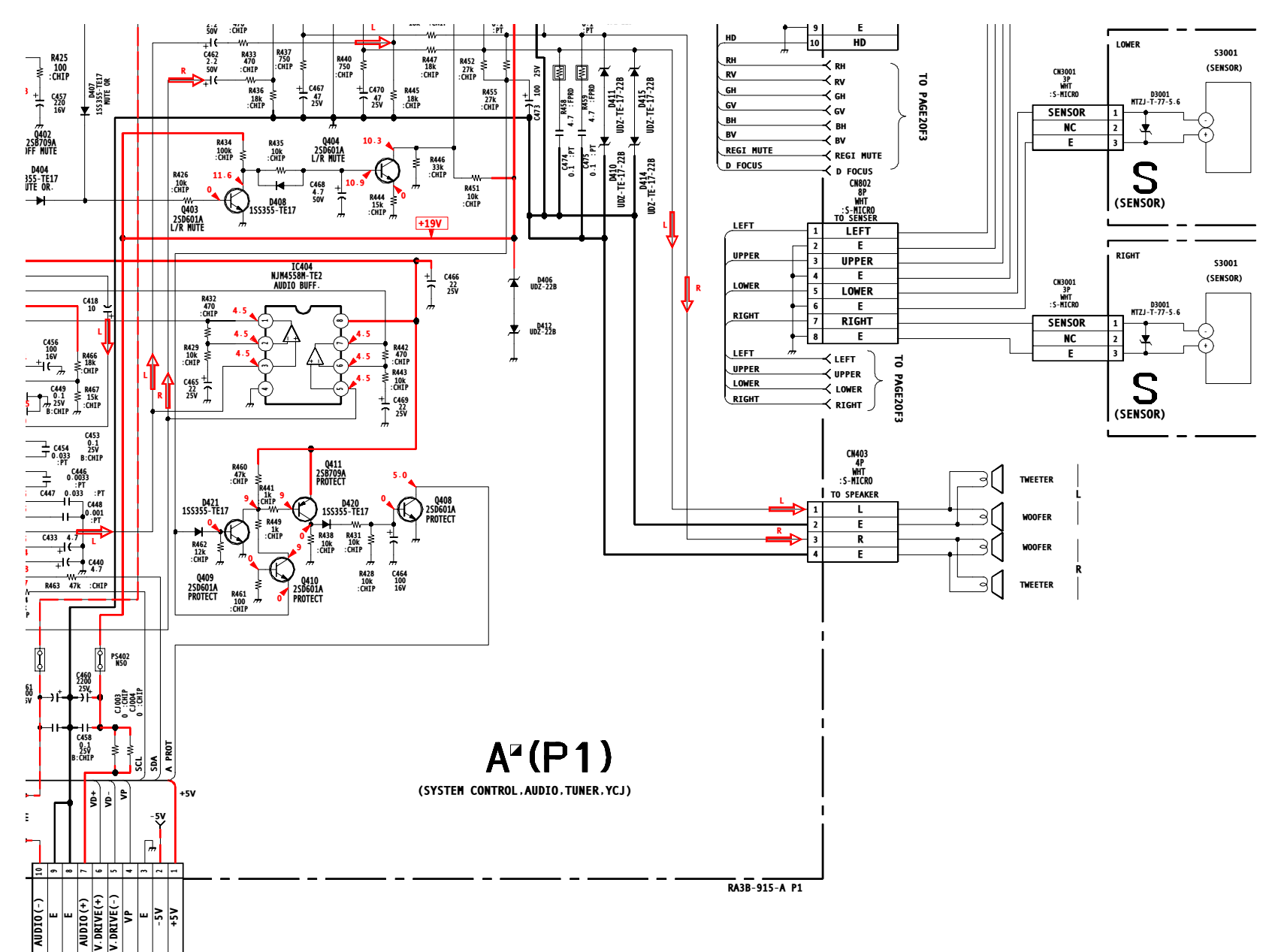


J
K
L
M
N
O
P

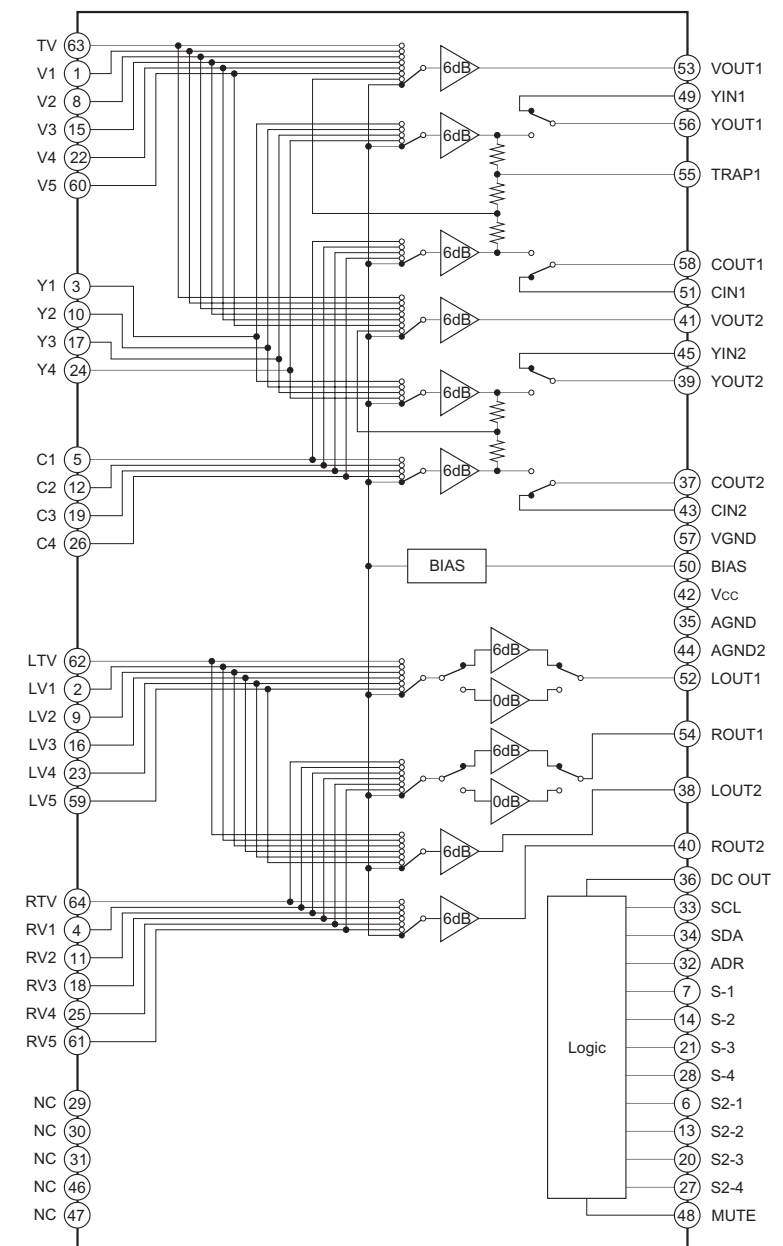


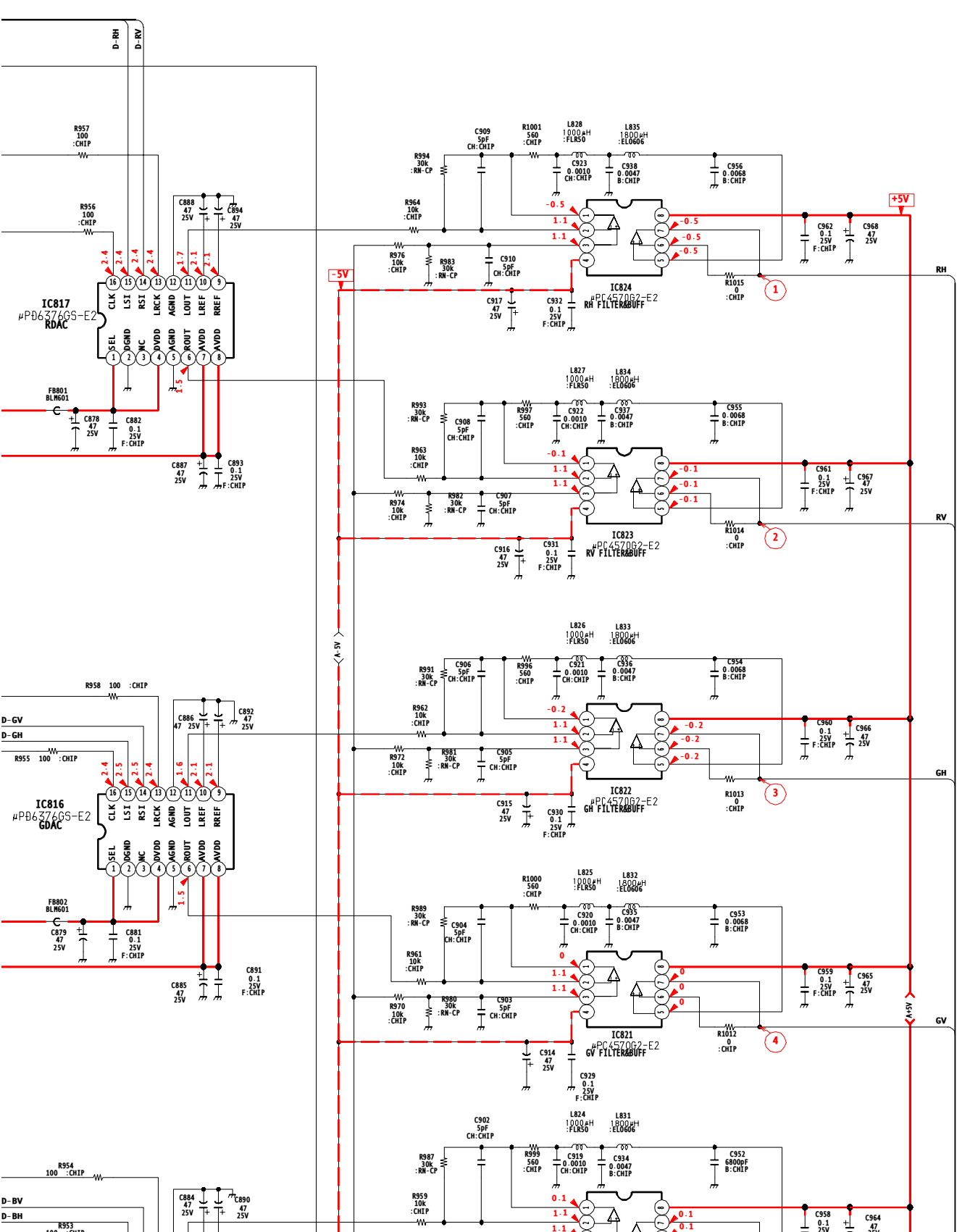
TO PAGE 30F3

TO PAGE 20F3

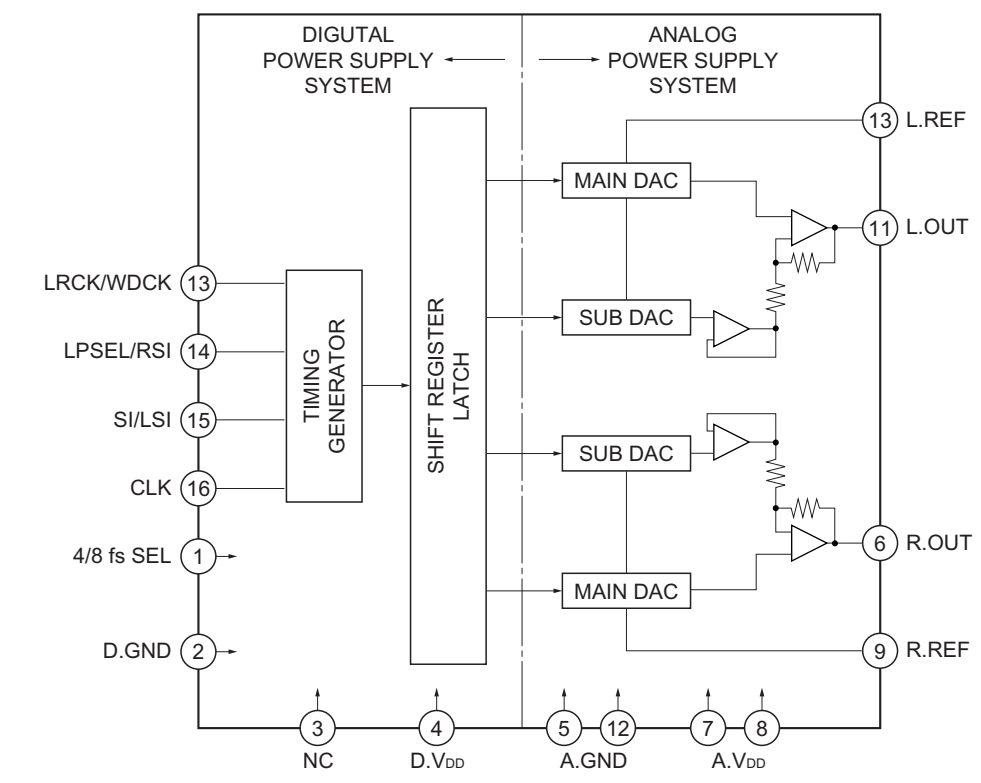


A (1/3) BOARD : IC1011 CXA2079Q

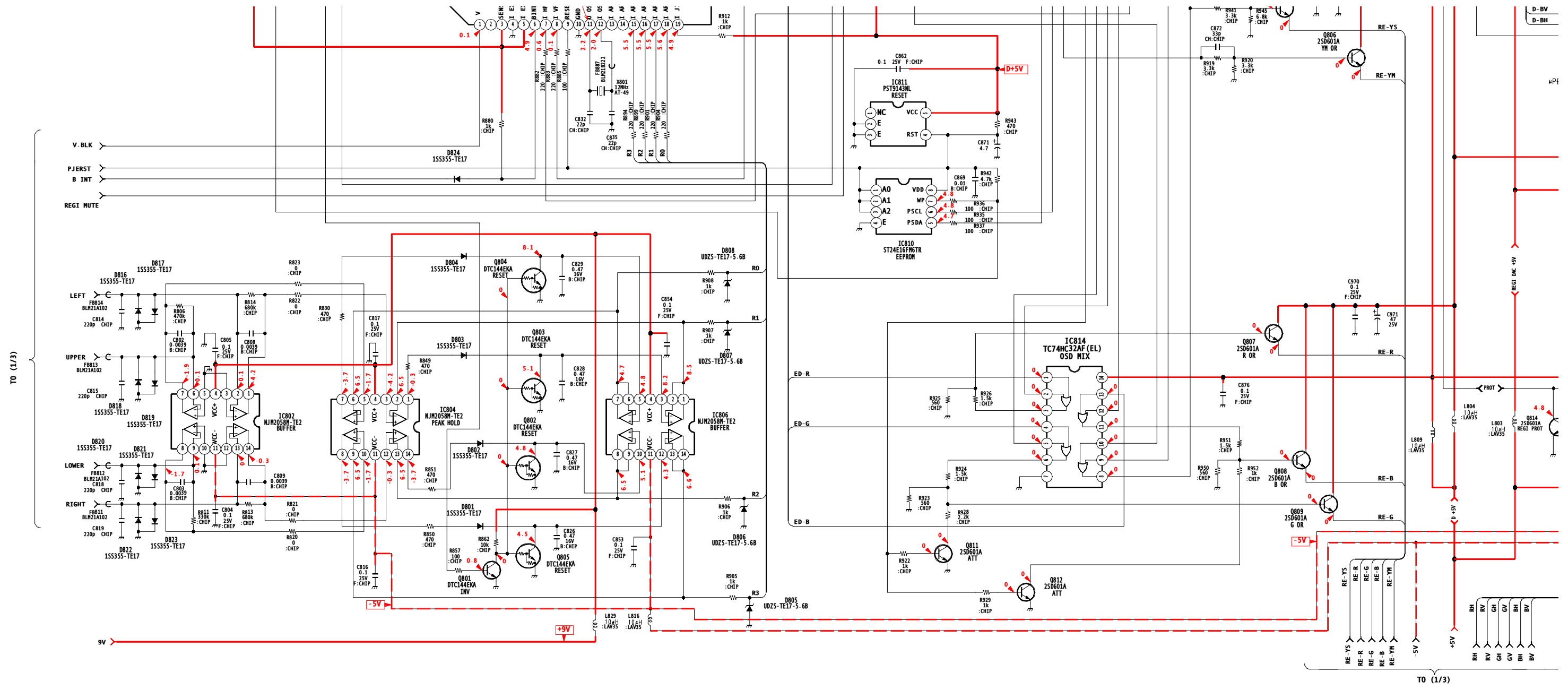




**A (2/3) BOARD : IC807, 815, 816, 817
μPD6376GS-E2**

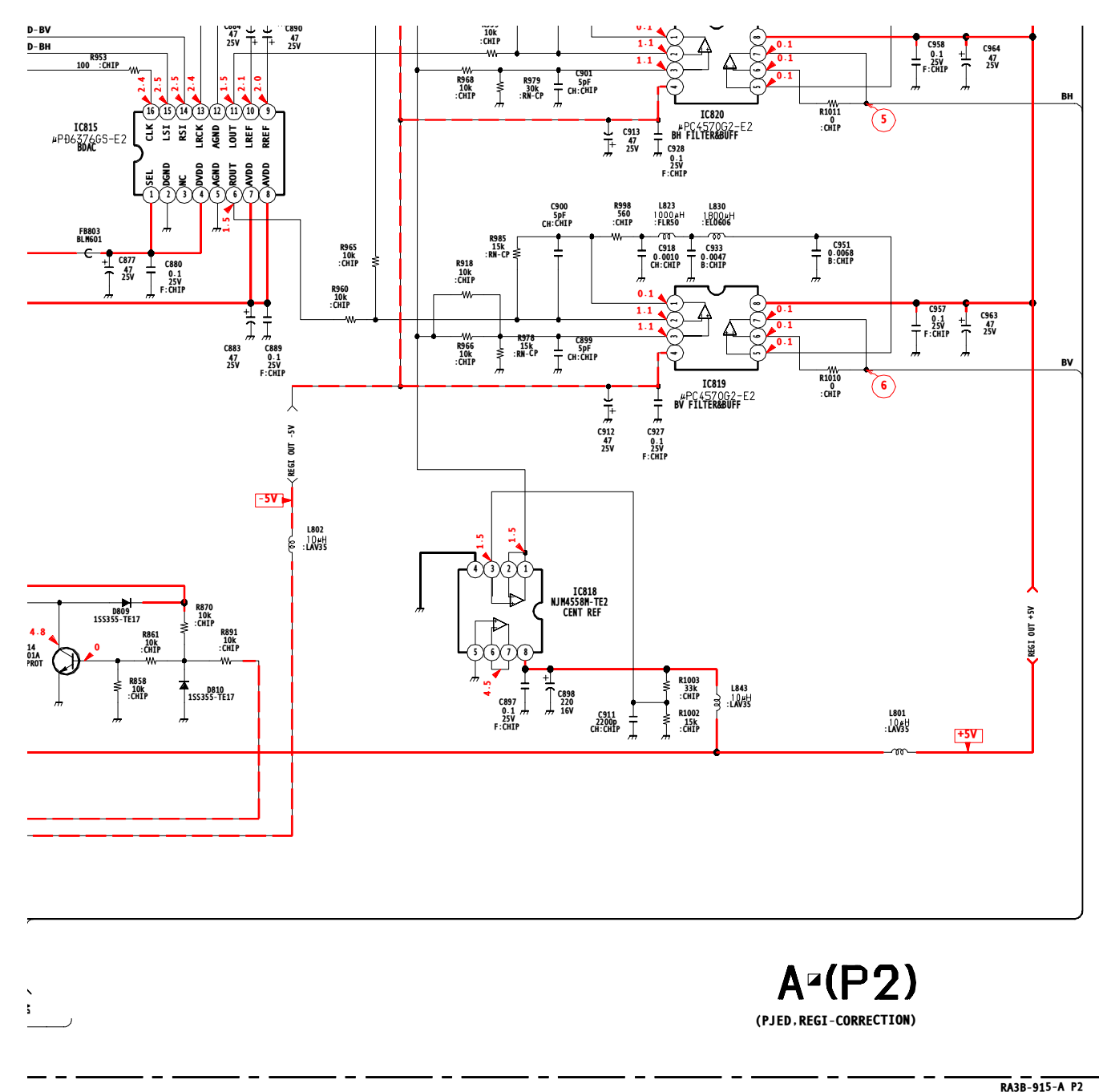


J
K
L
M
N
O
P



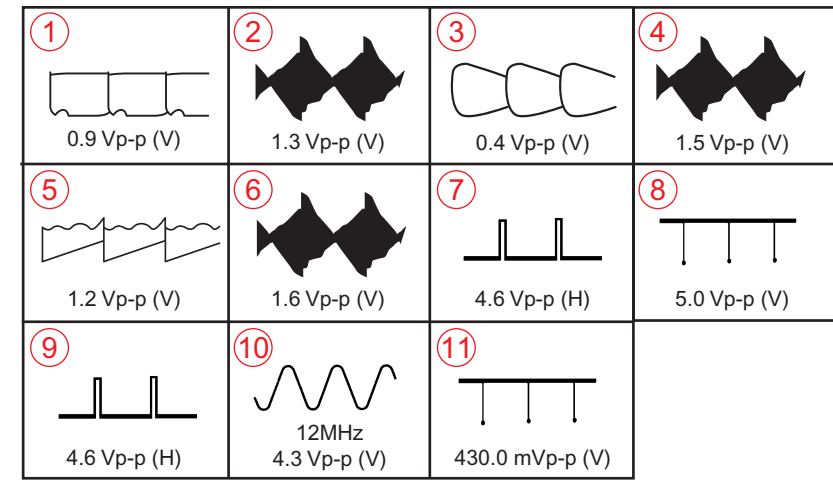
TO (1/3)

TO (1/3)

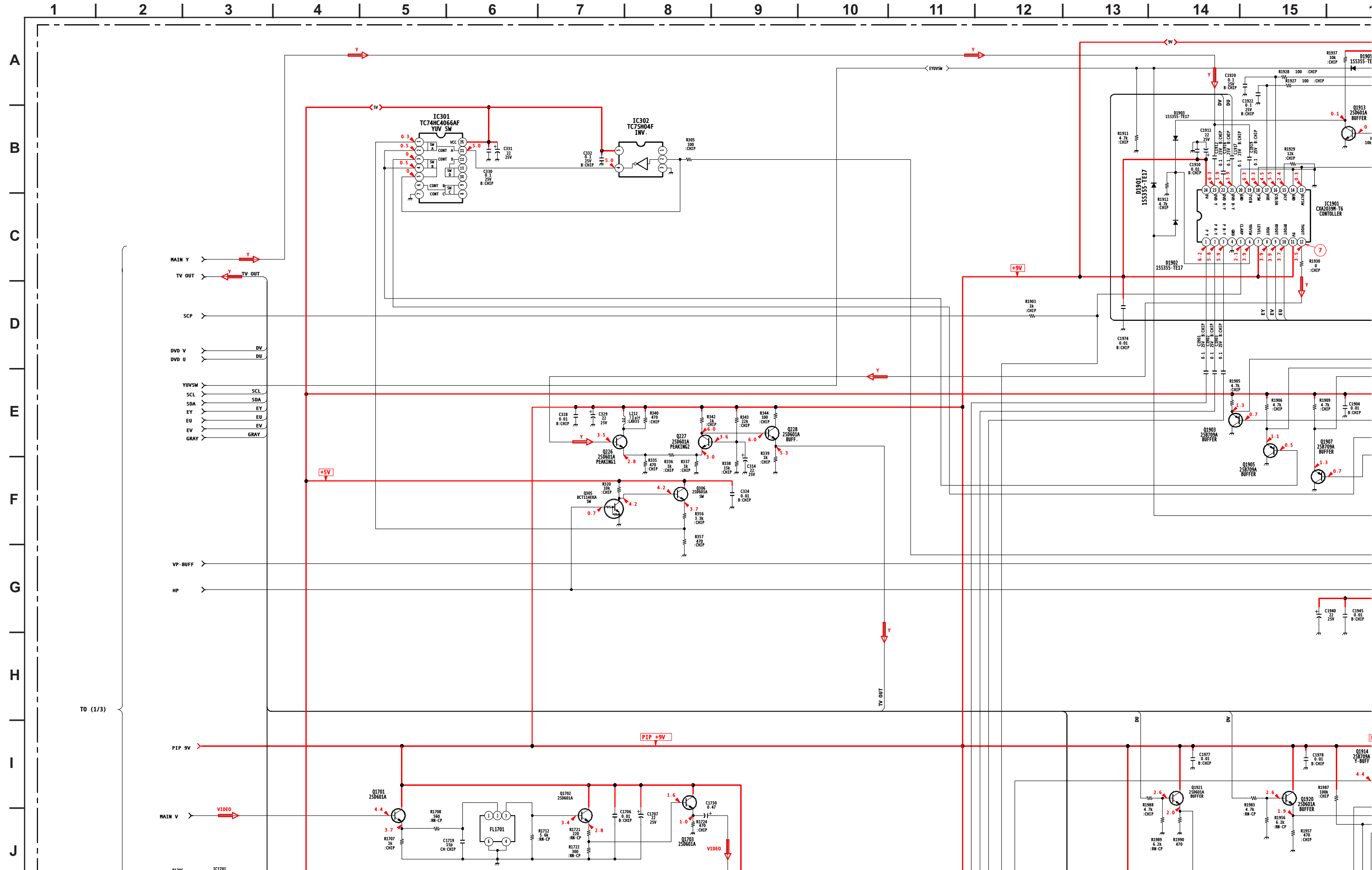


RA3B-915-A P2

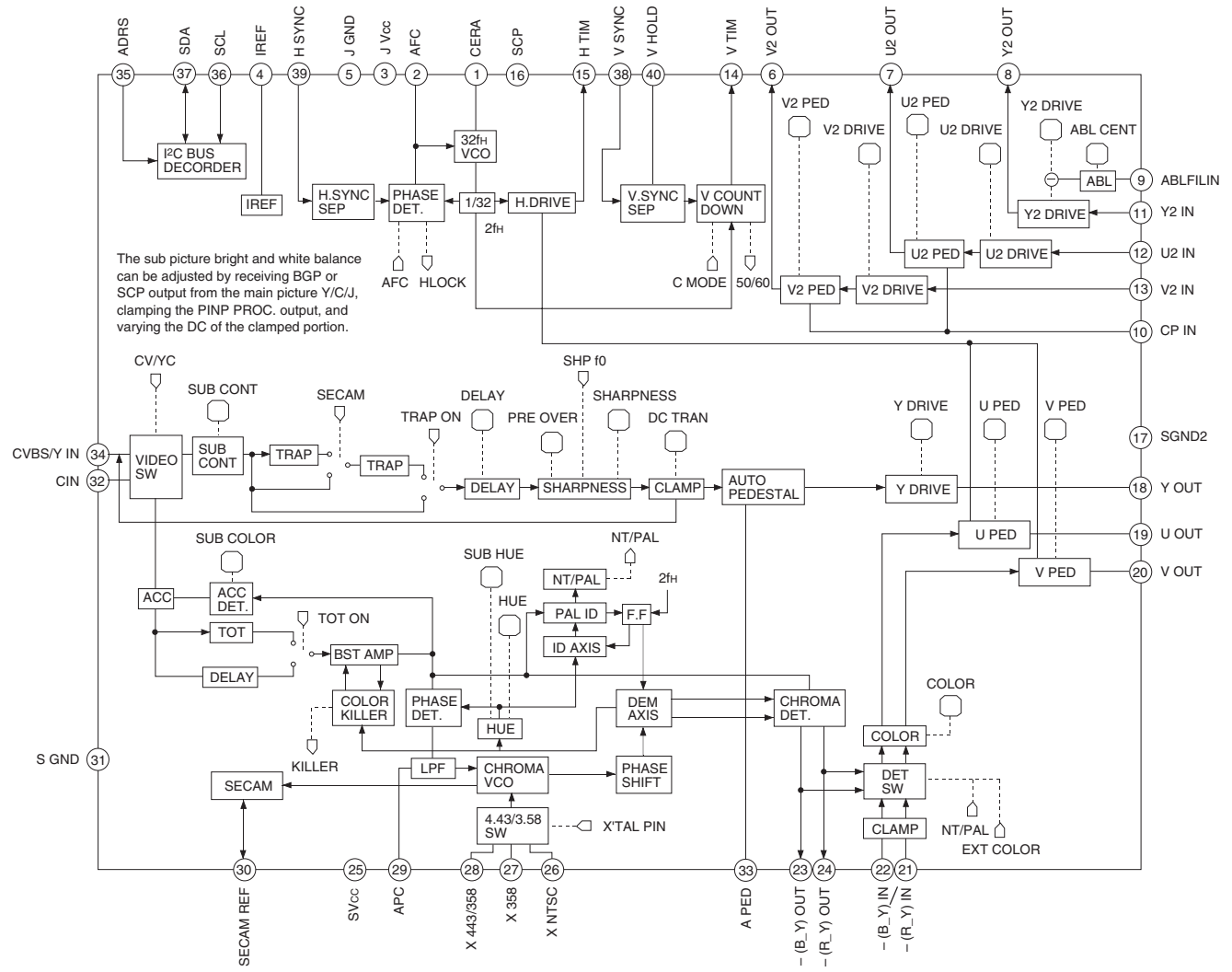
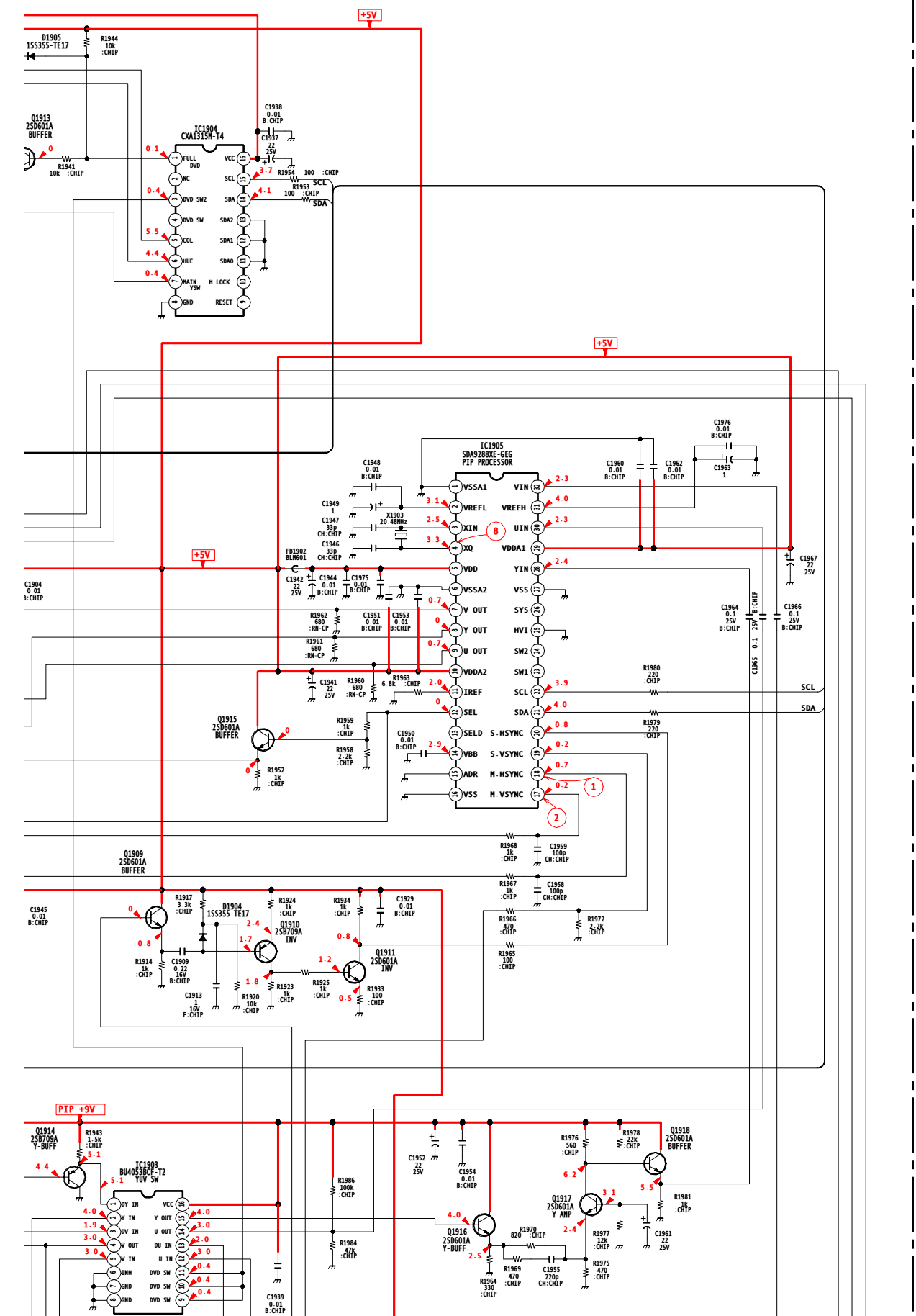
A (2/3) BOARD WAVEFORMS



A BOARD SCHEMATIC DIAGRAM (3 OF 3)

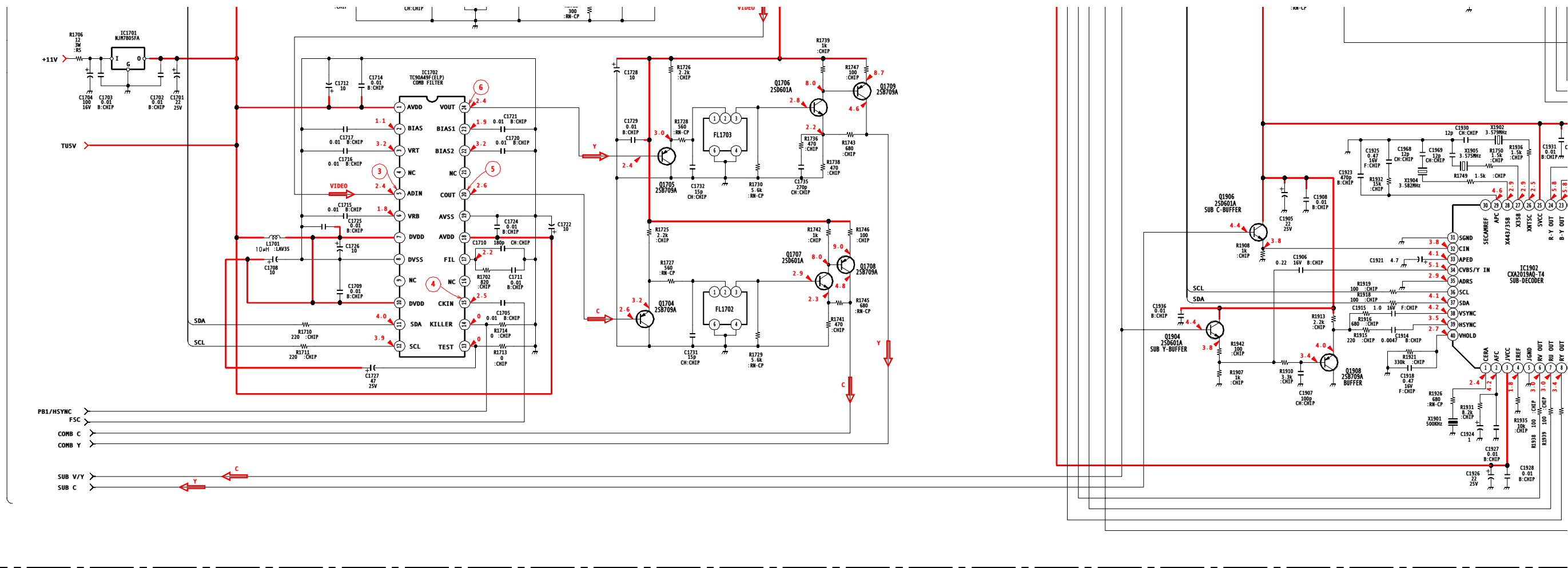


A (3/3) BOARD : IC1902 SDA9588X

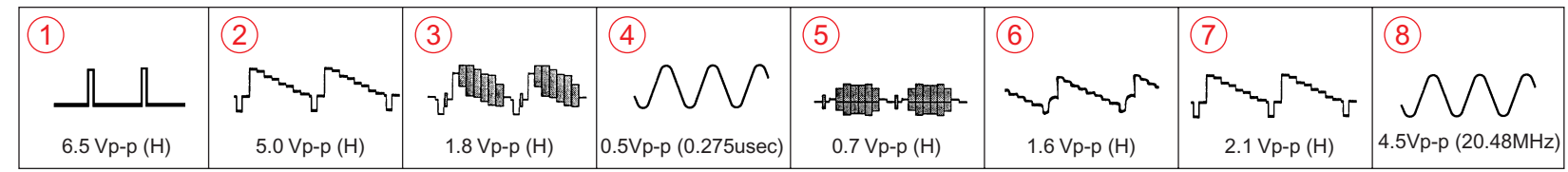


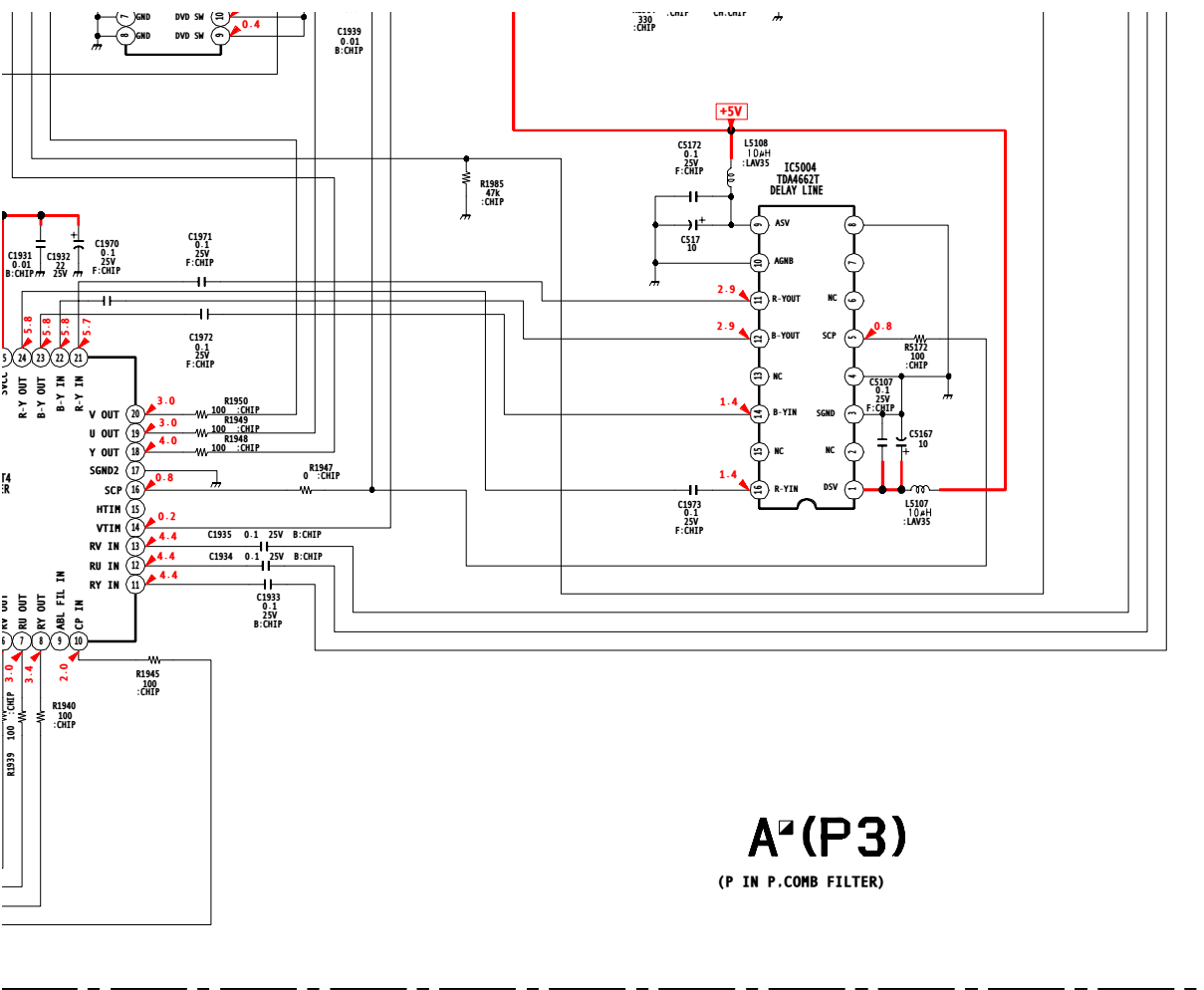
The sub picture bright and white balance can be adjusted by receiving BGP or SCP output from the main picture Y/C/J, clamping the PINP PROC. output, and varying the DC of the clamped portion.

J
K
L
M
N
O



A (3/3) BOARD WAVEFORMS

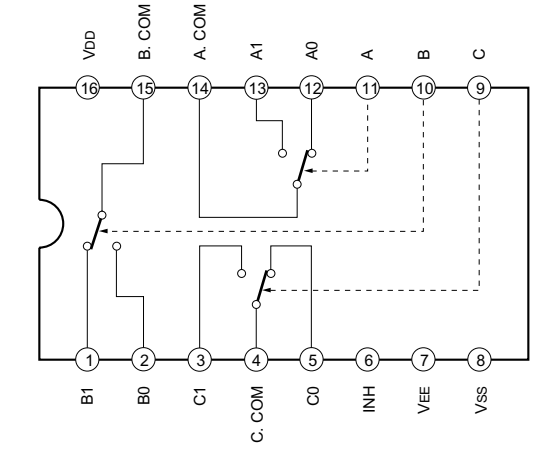




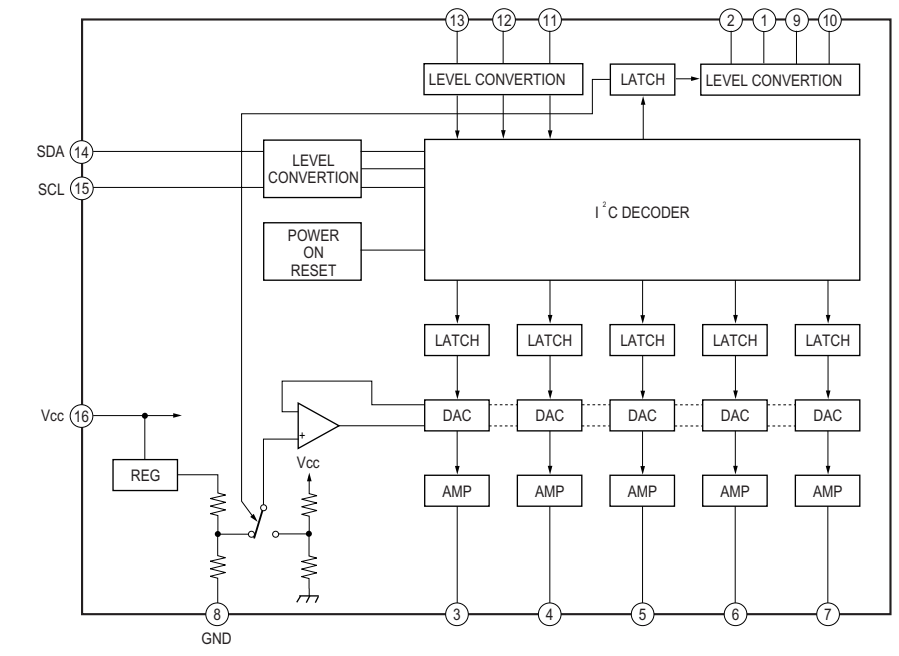
A²(P3)
(P IN P.COMB FILTER)

RA3B-915-A P3

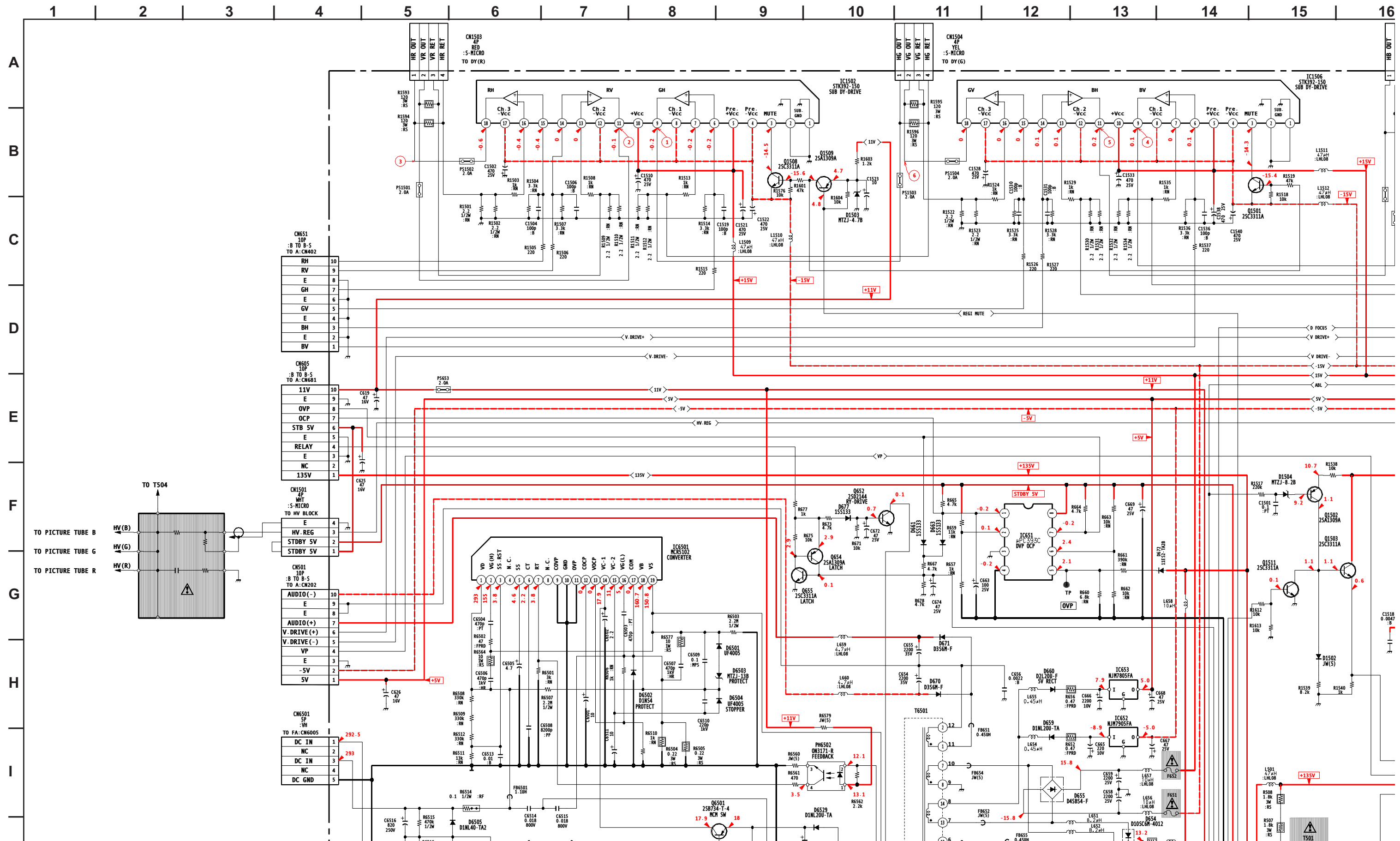
A (3/3) BOARD : IC1903 BU4053BCF-T2

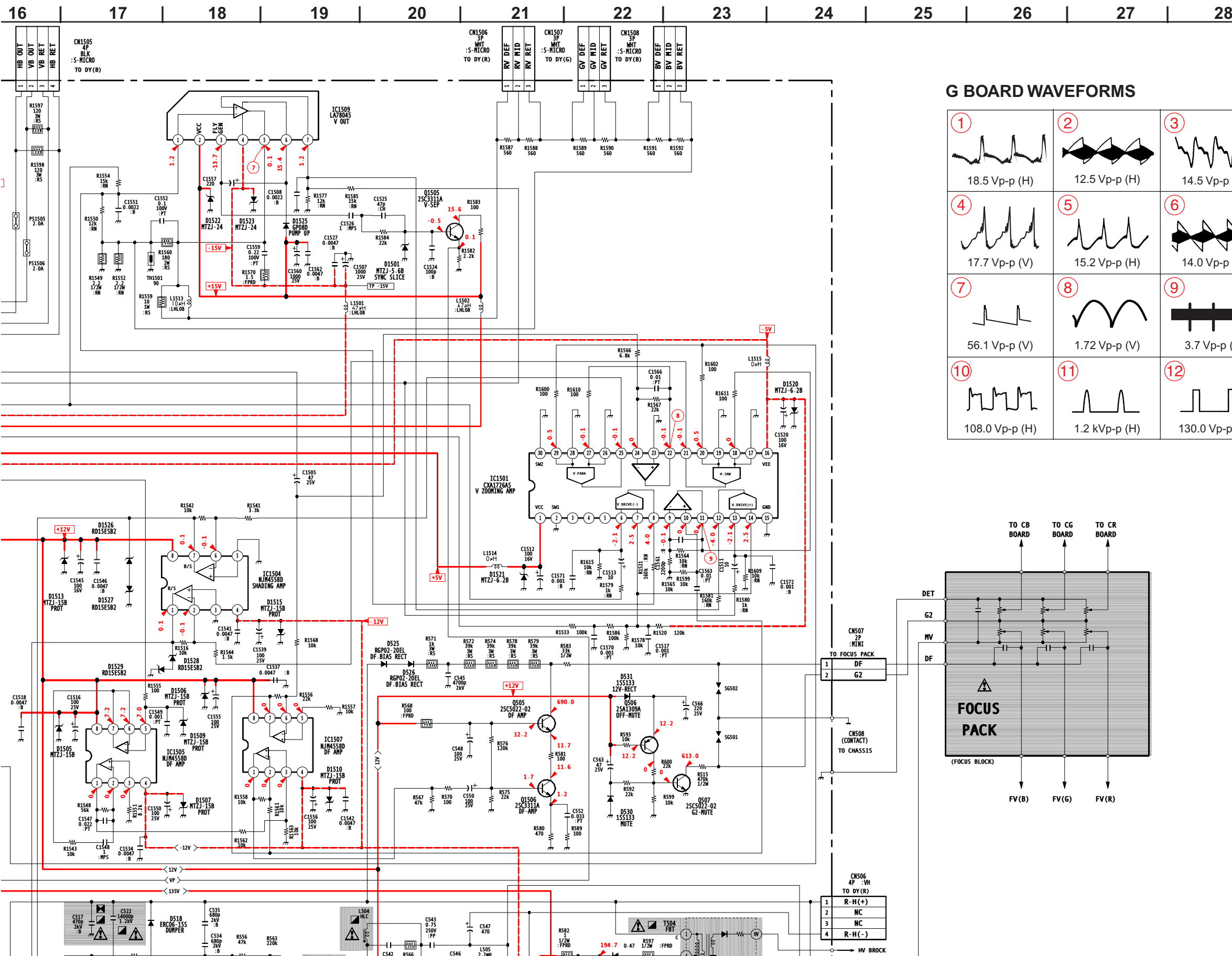


A (3/3) BOARD : IC1904 CXA1315M-T4

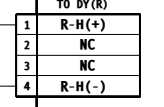
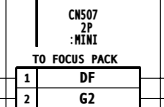
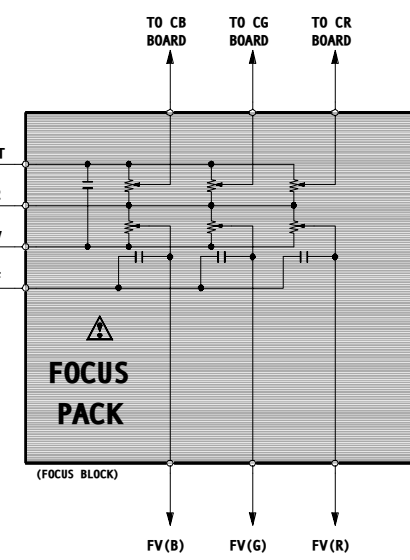
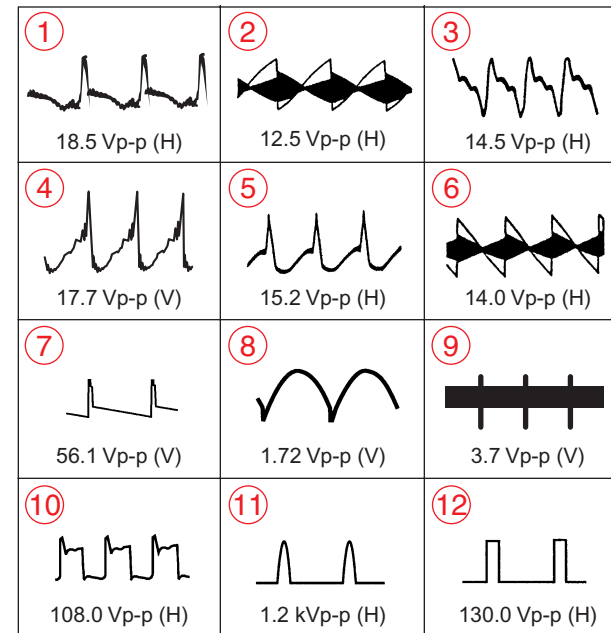


G BOARD SCHEMATIC DIAGRAM

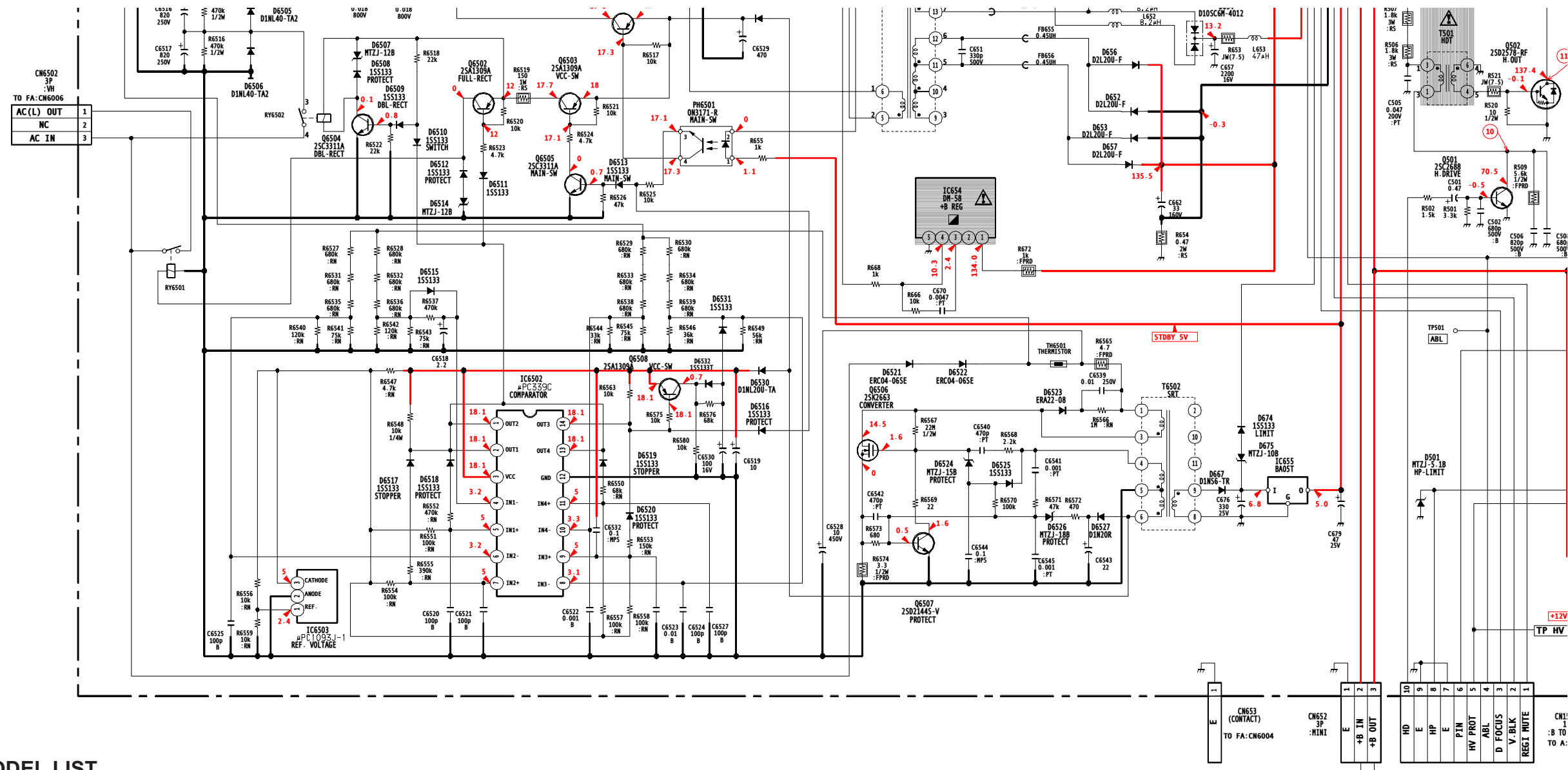




G BOARD WAVEFORMS

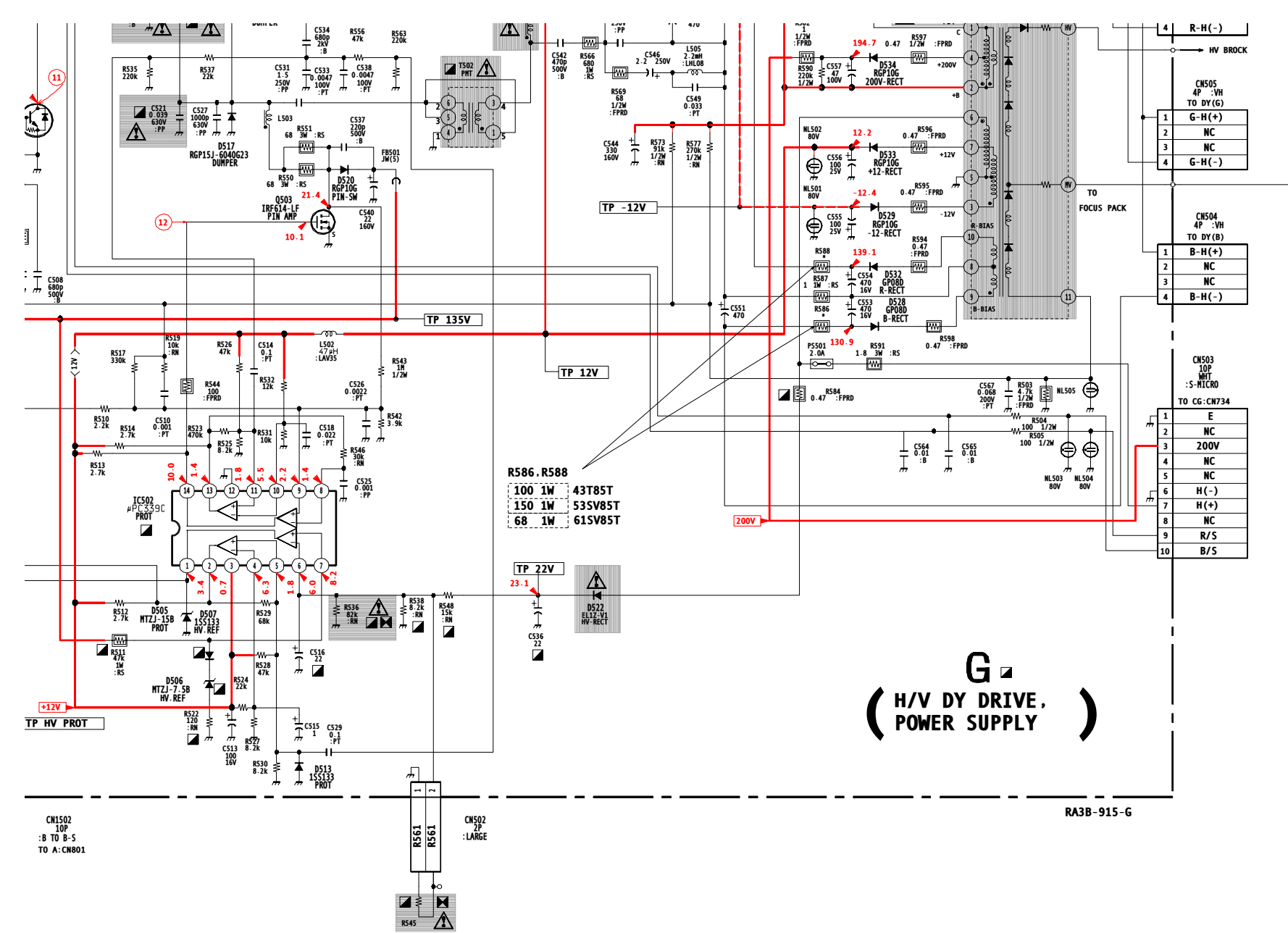


J
K
L
M
N
O



(*) G BOARD VARIANT MODEL LIST

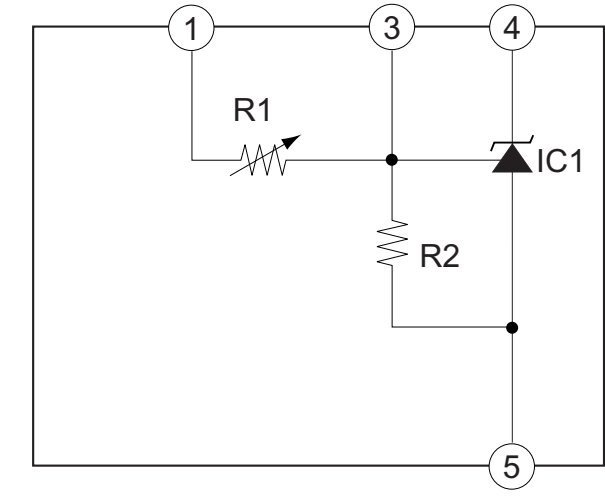
REF NO.	LOC.	KV-43T85T	KV-53SV85T	KV-61SV85T
R586	L-22	100 1W	150 1W	68 1W
R588	L-22	100 1W	150 1W	68 1W



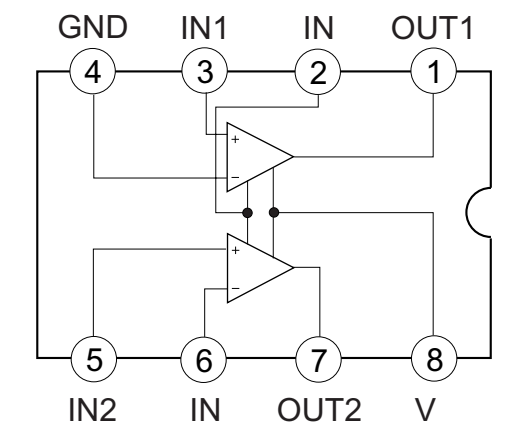
R586, R588

100 1W	43T85T
150 1W	53SV85T
68 1W	61SV85T

G BOARD : IC654 DM-58



G BOARD : IC651 μPC393C



PRINTING THE SERVICE MANUAL

The PDF of this service manual is not designed to be printed from cover to cover. The pages vary in size, and must therefore be printed in sections based on page dimensions.

NON-SCHEMATIC PAGES

Data that does NOT INCLUDE schematic diagrams are formatted to 8.5 x 11 inches and can be printed on standard letter-size and/or A4-sized paper.

SCHEMATIC DIAGRAMS

The schematic diagram pages are provided in two ways, full size and tiled. The full-sized schematic diagrams are formatted on paper sizes between 8.5" x 11" and 18" x 30" depending upon each individual diagram size. Those diagrams that are LARGER than 11" x 17" in full-size mode have been tiled for your convenience and can be printed on standard 11" x 17" (tabloid-size) paper, and reassembled.

TO PRINT FULL SIZE SCHEMATIC DIAGRAMS

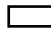
If you have access to a large paper plotter or printer capable of outputting the full-sized diagrams, output as follows:

- 1) Note the page size(s) of the schematics you want to output as indicated in the middle window at the bottom of the viewing screen.
- 2) Go to the File menu and select Print Set-up. Choose the printer name and driver for your large format printer. Confirm that the printer settings are set to output the indicated page size or larger.
- 3) Close the Print Set Up screen and return to the File menu. Select "Print..." Input the page number of the schematic(s) you want to print in the print range window. Choose OK.

TO PRINT TILED VERSION OF SCHEMATICS

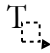

Schematic pages that are larger than 11" x 17" full-size are provided in a 11" x 17" printable tiled format near the end of the document. These can be printed to tabloid-sized paper and assembled to full-size for easy viewing.

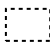
If you have access to a printer capable of outputting the tabloid size (11" x 17") paper, then output the tiled version of the diagram as follows:

- 1) Note the page number(s) of the schematics you want to output as indicated in the middle window at the bottom of the viewing screen.
- 2) Go to the File menu and select Print Set-up. Choose the printer name and driver for your printer. Confirm that the plotter settings are set to output 11" x 17", or tabloid size paper in landscape () mode.
- 3) Close the Print Set Up screen and return to the File menu. Select "Print..." Input the page number of the schematic(s) you want to print in the print range window. Choose OK.

TO PRINT SPECIFIC SECTIONS OF A SCHEMATIC

To print just a particular section of a PDF, rather than a full page, access the Graphics Select tool in the Acrobat Reader tool bar.

- 1) To view the Graphics Select Tool, press the mouse button over the Text Select Tool which looks like: .
This tool will expand to reveal to additional tools.
Choose the Graphics Select tool by placing the cursor over the button on of the far right that looks like: .
- 2) After selecting the Graphics Select Tool, place your cursor in the document window and the cursor will change to a plus (+) symbol. Click and drag the cursor over the area you want to print. When you release the mouse button, a marquee (or dotted lined box) will be displayed outlining the area you selected.
- 3) With the marquee in place, go to the file menu and select the "Print..." option. When the print window appears, choose the option under the section called "Print Range" which says "Selected Graphic".

Select OK and the output will print only the area that you outlined with the marquee. 

(continued >)

ON-SCREEN SEARCH OPTION

All of the text within the service manual PDF is content searchable. This means that you can enter any text, word, phrase or reference number that appears in the manual, and the PDF software will search, find and move the cursor to the location where you requested text first appears. This feature can be particularly useful in locating components on a specific schematic or printed wire circuit board (PWB) diagrams.

Follow these steps to effectively locate a component on a schematic diagram:

- 1) Locate the schematic you want to search by clicking on the corresponding bookmark on the left side of the screen. The view on the right of the screen will then jump to the desired schematic page.
- 2) Magnify the diagram to at least 400% before conducting a component search. This will enable you to easily view the reference number when it is highlighted on screen. To do this, click on the magnifying glass button on the tool bar at the top of the screen. Move the cursor over the diagram and RIGHT click you mouse. Select the 400% magnification option on the pop-up menu. Click on the button with the icon of the open hand to deactivate the magnification tool
- 3) Search the diagram (or the entire manual) by clicking on the binocular button tool at the top of the screen. The "Find" window will appear and allow you to type in your desired text. Type in a reference designator, such as R502, and click on the "Find" button. If the component is not on the diagram, but is listed anywhere else in the manual, the cursor will jump to the first location the text is found in the file. To find another instance of that same text, click on the binocular button again and select "Find Again."

Color Rear Video Projector

Manual de instrucciones

FLASH FOCUS

***Free Layout Picture-
in-Picture (PIP)***

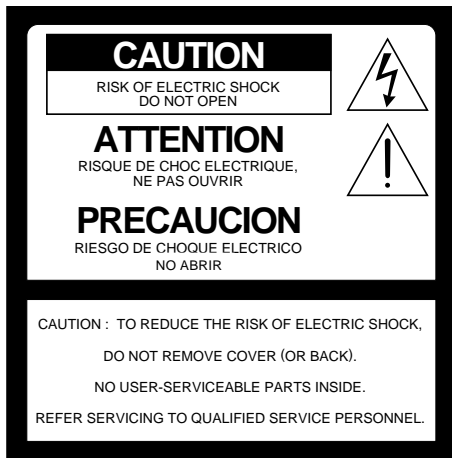
Glowing Remote

BBE[®]

KP-43T85T
KP-53SV85T
KP-61SV85T

ADVERTENCIA

Para evitar incendios o el riesgo de electrocución, no exponga la unidad a la lluvia ni a la humedad.



Este símbolo sirve para indicar al usuario la presencia de tensiones peligrosas. Sin aislar dentro de la caja de este producto, que pueden ser de suficiente magnitud como para constituir un riesgo de electrocución.



Este símbolo sirve para indicar al usuario la presencia de instrucciones de operación y mantenimiento importantes en los documentos que acompañan al producto.

PRECAUCIÓN

Para evitar descargas eléctricas, no emplee esta clavija de alimentación de CA polarizada con un cable prolongador, receptáculo u otro tomacorriente, a menos que las clavijas puedan insertarse completamente a fin de que no queden al descubierto.

PRECAUCIÓN

Al utilizar juegos de video, computadoras y productos similares con el TV de proyección, o al visualizar emisoras de TV cuyo logotipo permanece siempre en pantalla, mantenga las funciones de brillo y contraste ajustadas en un valor bajo. Si un patrón fijo (sin movimiento), como un logotipo de una emisora, permanece en pantalla durante largos periodos de tiempo, la imagen puede quedar impresa en la pantalla permanentemente, en especial cuando se utilizan valores de brillo y contraste altos. La garantía no ofrece cobertura para este tipo de problema.

Nota sobre la visualización de subtítulos

Este receptor de TV ofrece la visualización de subtítulos de televisión de acuerdo con el párrafo 15.119 de las normas de la FCC.

Nota sobre el ajuste de convergencia

Antes de utilizar el TV de proyección, no se olvide de ajustar la convergencia. Para conocer el procedimiento, consulte la página 17.

Nota para el instalador del sistema de cable

Esta nota tiene el propósito de llamar la atención del instalador del sistema de cable sobre el Artículo 820-40 de NEC, que contiene las directrices para la puesta a tierra y, en particular, especifica que el cable de puesta a tierra debe estar conectado al sistema de puesta a tierra del edificio, lo más cerca posible de la entrada de cable.

El empleo de este receptor de TV para fines que no sean la visualización en privado de programas de televisión de UHF, VHF, o transmitidos por compañías de cablevisión para uso del público en general, puede requerir la autorización de la emisora/compañía de cable y/o del propietario del programa.

NOTIFICACIÓN

Este aparato ha sido debidamente probado, comprobándose que cumple con los límites impuestos a dispositivos digitales Clase B de acuerdo con la Sección 15 de las normas de la FCC. Estos límites se establecieron para ofrecer protección razonable contra interferencias perjudiciales en las instalaciones residenciales. Este aparato genera, usa y puede emitir energía radioeléctrica. De no instalarse y utilizarse de acuerdo con las instrucciones correspondientes, podrá producir interferencias perjudiciales en las radiocomunicaciones. No obstante, no puede garantizarse que no se produzcan estas interferencias en una instalación determinada. Si este aparato llega a interferir en la recepción por radio o televisión, lo que podrá comprobarse encendiendo y apagando el aparato, se recomienda al usuario intentar corregir la interferencia mediante una o más de las siguientes medidas:

- Reoriente o cambie de lugar las antenas receptoras. Aumente la distancia que separa este aparato y el receptor afectado.
- Enchufe el aparato en una toma de corriente de un circuito distinto al que está enchufado el receptor afectado.
- Consulte con el distribuidor o solicite los servicios de un técnico capacitado en radio y televisión.

Cualquier cambio o modificación que no se detalle expresamente en el presente manual podrá invalidar su autorización para emplear este aparato.

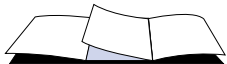
Este documento se refiere al control remoto RM-Y906
MODELOS: KP-43T85T, KP-53SV85T, KP-61SV85T
Guarde este aviso con el manual de instrucciones.



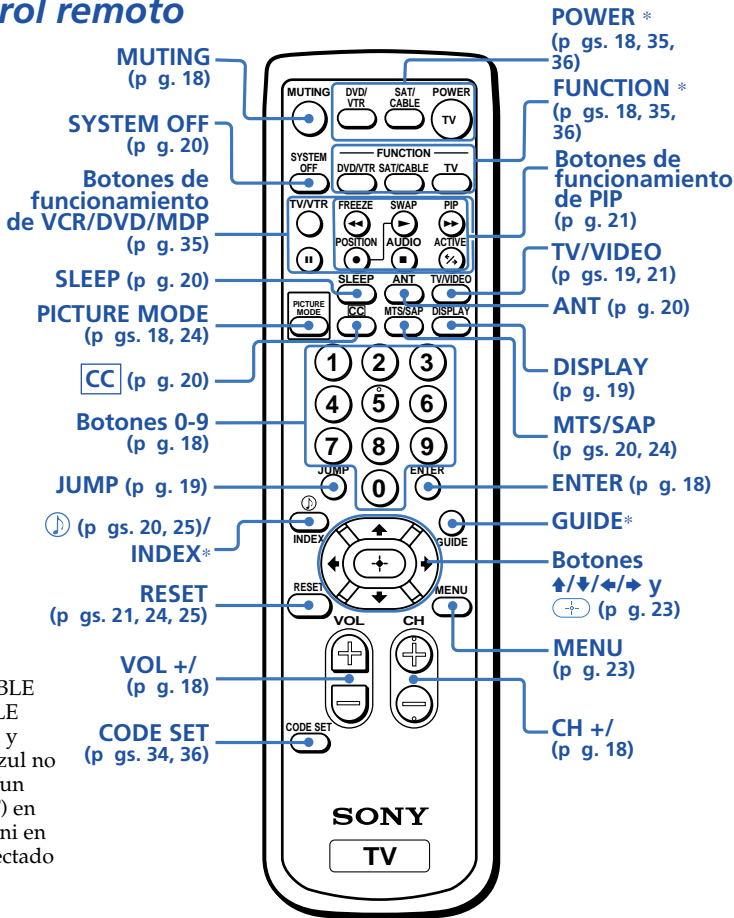
Como miembro de ENERGY STAR, Sony Corporation ha determinado que este producto cumple las directrices de ENERGY STAR sobre eficacia energética.

Control remoto

Las siguientes instrucciones se refieren a los botones de su control remoto. Mantenga extendida esta hoja y consúltela al leer las demás páginas del manual.



* Los botones SAT/CABLE (POWER), SAT/CABLE (FUNCTION), INDEX y GUIDE con etiqueta azul no pueden utilizarse con un receptor satelital (SAT) en Argentina ni en Chile ni en Perú aunque esté conectado al TV de proyección.



Conozca los botones del control remoto

Los nombres de los botones del control remoto aparecen en distintos colores para facilitar la identificación de sus funciones.

Color del botón

Transparente... Oprima para seleccionar el componente que desee controlar; por ejemplo, VTR (videocasetera)/reproductor de DVD/MDP/reproductor de DVD, CABLE (sistema de televisión por cable) o TV de proyección.
Verde Botones relacionados con las operaciones de alimentación, como la activación o desactivación del TV de proyección, CABLE o VTR (VCR)/MDP/reproductor de DVD.

Color de la etiqueta

Blanco Botones para usar TV/VTR (VCR)/MDP/reproductor de DVD/CABLE.
Amarillo Botones de funcionamiento de PIP.
Azul Botones para usar el receptor satelital.*
Verde Botones de la función S-Link.
Rosa Botones para el empleo de reproductor de DVD.

Para obtener una descripción detallada sobre la mayoría de los botones, consulte "Visualización de TV" en la página 18.

Índice

¡Bienvenido!	1
Uso de este manual	1
Precauciones	2
Normas importantes sobre seguridad	3
Seguridad	6
Instalación y conexión del TV de proyección	7
Transporte del TV de proyección	7
Instalación del TV de proyección	7
Tipos de conectores	8
Conexiones	8
Conexión directa a cable o a antena	8
Cable o antena	9
Cable y antena	9
Conexión a decodificador de cable	9
Decodificador y cable	9
Conexión de sistema de cable/antena a videocasetera	10
Conexión de videocasetera y TV de proyección a decodificador	10

Conexión de cámara de video	11
Conexión de dos videocaseteras para edición de cintas	12
Conexión de reproductor DVD	13
Conexión de reproductor DVD con conectores de salida de video de componente	13
Conexión de sistema de sonido	14
Conexión de sistema de bocinas de la serie SAVA de Sony	14

Indicaciones básicas..... 15






Uso del control remoto	15
Programación automática del TV de proyección	15
Ajuste automático de la convergencia (FLASH FOCUS)	17

Uso del TV de proyección..... 18

Visualización de TV	18
Para ver dos programas a la vez — Imagen en imagen (PIP)	21

Realización de ajustes (menús).... 23

Uso de los menús	23
------------------------	----

 Uso del menú de Video	24
 Uso del menú de Audio	25
 Uso de menú de Reloj	27
 Uso del menú de Ajuste de canal	28
Ajuste y selección de Canal favorito	30
 Uso del menú de Ajustes	32

Uso de equipos de video..... 34

Ajuste del código del fabricante	34
--	----

Uso de un decodificador..... 36

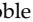
Ajuste del código del fabricante	36
--	----

Solución de problemas..... 37

Especificaciones..... 39

Índice alfabético..... 40

Fabricado bajo licencia de Dolby Laboratories Licensing Corporation.

Dolby, el símbolo de la doble D  y PRO LOGIC son marcas de Dolby Laboratories Licensing Corporation.

¡Bienvenido!

Gracias por adquirir el televisor de proyección Sony.

Este manual es para los modelos KP-43T85T, KP-53SV85T y KP-61SV85T.

El modelo utilizado en las ilustraciones es el KP-53SV85T.

A continuación se enumeran las características de las que podrá disfrutar:

- FLASH FOCUS, que permite ajustar la convergencia automáticamente.
- Imagen en imagen (PIP), que permite ver otro canal de TV, video o imágenes por cable como imagen de ventana.
- Canal favorito, que permite ver y elegir entre ocho de sus programas favoritos
- Entradas Y/P_B/P_R para conectar un reproductor DVD.
- Tres entradas AUDIO/VIDEO/S VIDEO.

Uso de este manual

Este manual está dividido en cuatro secciones. Recomendamos que lea cada una detenidamente en el orden en que aparecen para tener la seguridad de que comprende perfectamente el funcionamiento de su nuevo TV de proyección.

1 Instalación y conexión del TV de proyección

En esta sección se muestra cómo realizar los ajustes iniciales. Se describe cómo instalar el TV de proyección, cómo conectar los nuevos componentes y cómo realizar la conexión a la antena y al sistema de cable.

2 Indicaciones básicas

En esta sección se muestran los conocimientos básicos necesarios para emplear el TV de proyección, incluida la función Auto Set Up. También se muestra cómo utilizar las funciones especiales del control remoto.

3 Uso del TV de proyección

En esta sección se muestra cómo comenzar a utilizar el TV de proyección. También se describe cómo emplear las funciones del control remoto.

4 Realización de ajustes (menús)

En esta sección se muestra cómo acceder a los menús en pantalla y cómo ajustar el TV de proyección.

Las instrucciones que aparecen en este manual corresponden al uso del control remoto. Se encuentran controles similares en el TV de proyección mismo.

Precauciones

Seguridad

- Alimente el TV de proyección únicamente con corriente alterna de 110-220 V.
- Por motivos de seguridad, la clavija entrará en el tomacorriente en una sola posición. Si no entra totalmente, consulte con el centro de servicio autorizado de Sony.
- Si algún líquido u objeto cae dentro del TV de proyección, desconecte el aparato inmediatamente y llévelo a revisar al centro de servicio autorizado de Sony antes de volver a utilizarlo.
- Desconecte el TV de proyección si no va a utilizarlo durante varios días. Para desenchufar el cable eléctrico, sujételo por la clavija. Nunca tire del cable mismo.

Nota sobre la limpieza

Limpie el TV de proyección con un paño seco y suave. Para quitar el polvo de la pantalla, pásele un paño suavemente. Las manchas resistentes pueden limpiarse con un paño ligeramente humedecido con una solución detergente suave y agua templada. Nunca emplee disolventes tales como diluidor de pintura o bencina.

Si la imagen se oscurece al utilizar el TV de proyección durante mucho tiempo, puede ser necesario limpiar su interior. Consulte a personal calificado.

Instalación

- Para evitar el sobrecalentamiento interno, no tape las rejillas de ventilación.
- No instale el TV de proyección en un lugar caliente o húmedo, ni donde quede expuesto a cantidades excesivas de polvo o a vibraciones mecánicas.
- Evite emplear el TV de proyección con temperaturas inferiores a 5°C (41°F).
- Si el TV de proyección pasa directamente de un ambiente frío a uno cálido, o si la temperatura de la habitación cambia repentinamente, la nitidez de la imagen puede desaparecer o los colores pueden perder intensidad. En este caso, espere unas horas para que la humedad se evapore antes de encender el TV de proyección.
- Para obtener una mejor calidad de imagen, no exponga la pantalla a la luz directa del sol ni a iluminación directa. Se recomienda utilizar una luz fija dirigida hacia abajo desde el techo o cubrir las ventanas situadas frente a la pantalla con tela opaca. Asimismo, se recomienda instalar el TV de proyección en una habitación cuyo suelo y paredes no sean de material reflectante.

Normas importantes sobre seguridad

Para su protección, lea detenidamente estas instrucciones, y guarde este manual para futuras referencias.

Lea cuidadosamente todas las advertencias y precauciones, y siga las instrucciones inscritas en el televisor o descritas en el manual de instrucciones o de reparación.

ADVERTENCIA

Para protegerse contra daños personales, siga las precauciones de seguridad básicas durante la instalación, la utilización y el mantenimiento del televisor indicadas a continuación.

Utilización



Fuentes de alimentación

Este televisor solamente deberá alimentarse con el tipo de fuente de alimentación indicado en la etiqueta de serie/modelo.

Si no está seguro sobre el tipo de red eléctrica de su hogar, consulte a su proveedor o a la compañía de suministro eléctrico local. En caso de un televisor diseñado para alimentarse con pilas, consulte su manual de instrucciones.

Conexión a tierra o polarización

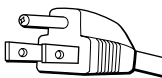
Este aparato dispone de una clavija del cable de alimentación polarizado (una cuchilla de la clavija es más ancha que la otra), o con tres terminales (el tercero es para puesta a tierra).

Siga las instrucciones indicadas a continuación:



Para un televisor con clavija del cable de alimentación polarizado

Esta clavija solamente encajará en la toma de alimentación de una sola forma. Ésta es una medida de seguridad. Si no es capaz de insertar completamente la clavija en la toma de alimentación, pruebe invirtiéndola. Si la clavija sigue sin poder insertarse, póngase en contacto con un electricista para que le instale una toma adecuada. No elimine la finalidad de seguridad del enchufe polarizado insertándolo con fuerza.



Advertencia alternativa

Para un televisor con clavija de tres terminales con conexión a tierra

Esta clavija solamente podrá insertarse en una toma de la red con conexión a tierra. Ésta es una medida de seguridad. Si no es capaz de insertar completamente la clavija en la toma de alimentación, póngase en contacto con un electricista para que le instale una toma adecuada. No elimine la finalidad de seguridad de la clavija de 3 terminales insertándolo con fuerza.



Sobrecarga

No sobrecargue las tomas de alimentación, los cables prolongadores, ni tomacorrientes de derivación sobrepasando su capacidad, porque esto podría resultar en incendios o cortocircuitos.

Cuando vaya a dejar el televisor sin usar durante mucho tiempo, desconéctelo de la alimentación como protección contra la posibilidad de un mal funcionamiento interno que pudiese provocar el peligro de incendios.

Introducción de objetos y líquidos

No introduzca nunca objetos de ningún tipo a través de las ranuras del gabinete, ya que podrían tocar puntos de tensión peligrosa o cortocircuitar partes, lo que podría resultar en incendios o descargas eléctricas. No vierta nunca ningún tipo de líquido sobre el televisor.

(continúa)

Normas importantes sobre seguridad (continuación)



Accesorios

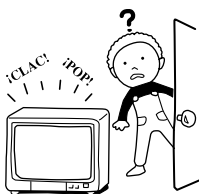
No utilice nunca ningún accesorio no recomendado por el fabricante, ya que podría ser peligroso.



Limpieza

Antes de limpiar el televisor, desconéctelo de la alimentación. No utilice limpiadores líquidos ni aerosoles. Para limpiar el exterior del televisor, emplee un paño ligeramente humedecido en agua.

Si un televisor en funcionamiento emite crujidos o detonaciones continuos o frecuentes, desconéctelo y consulte a su proveedor o a un radiotécnico. Es normal que algunos televisores produzcan estos ruidos, especialmente al conectar o desconectar su alimentación.



Instalación



televisor. Utilice solamente la mesita de ruedas o soporte recomendado por el fabricante para el modelo específico.



desiguales podrían hacer que se cayese tal combinación.

Agua y humedad

No utilice aparatos que requieran de alimentación eléctrica cerca del agua, por ejemplo, cerca de una bañera, un lavabo, un fregadero, o una lavadora en un sótano húmedo, ni cerca de una piscina, etc.

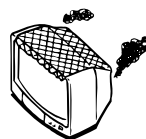
Colocación

No coloque el televisor sobre una mesita con ruedas, un pedestal, una mesa, o un estante inestable. El televisor podría caer causando daños serios a niños, adultos, y al propio

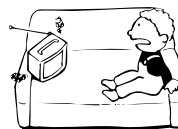
televisor y un mueble con ruedas deberá moverse con cuidado. Las paradas repentinas, la fuerza excesiva, y las superficies

Ventilación

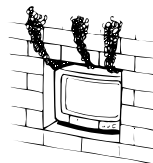
Las ranuras y aberturas de la caja y de la parte posterior o inferior son para permitir la ventilación necesaria. Para asegurar la operación fiable del televisor, y protegerlo contra el recalentamiento, estas ranuras y aberturas no deberán cubrirse ni bloquearse nunca.



- No bloquee nunca las ranuras ni aberturas con paños ni otros materiales.



- No bloquee nunca las ranuras ni aberturas colocando el televisor sobre una cama, sofá, alfombra, u otras superficies similares.



- No coloque nunca el televisor en un lugar cerrado, como en un librero o un mueble empotrado, a menos que esté adecuadamente ventilado.



- No coloque el televisor cerca ni sobre un radiador o una salida de aire caliente, ni expuesto a la luz solar directa.



Protección del cable de alimentación

No permita que ningún objeto quede sobre el cable de alimentación, ni coloque el televisor donde el cable pueda quedar sometido a desgaste o presión.

Antenas

Conexión a tierra de la antena exterior

— Cuando instale una antena exterior, tenga en cuenta las precauciones siguientes.

Un sistema de antena exterior no deberá colocarse cerca de líneas de alta tensión ni otros circuitos de iluminación o alimentación, ni donde pueda entrar en contacto con tales líneas o circuitos.

CUANDO INSTALE UN SISTEMA DE ANTENA EXTERIOR, TENGA EXTREMADO CUIDADO PARA EVITAR QUE ENTRE EN CONTACTO CON TALES LÍNEAS DE ALIMENTACIÓN O CIRCUITOS, YA QUE TAL CONTACTO PODRÍA RESULTAR INVARIABLEMENTE FATAL.

Cerciórese de que el sistema de antena esté puesto a tierra a fin de que proporcione cierta protección contra sobretensiones y cargas estáticas.

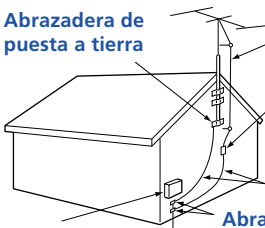
La Sección 810 del Código Eléctrico Nacional

(NEC) de E.E.U.U. y la Sección 54 del Código Eléctrico Canadiense ofrecen información con respecto a la puesta a tierra adecuada del poste y la estructura de soporte, la unidad de descarga de antena, el tamaño de los conductores de conexión a tierra, la ubicación de la unidad de descarga de la antena, la conexión de los electrodos de conexión a tierra, y los requisitos de tales electrodos.

Conexión a tierra de la antena de acuerdo con el Código Eléctrico Nacional

— Con respecto a la conexión a tierra de la antena, consulte la Sección 54-300 del Código Eléctrico Canadiense.

Abrazadera de puesta a tierra



Equipo de servicio eléctrico

Cable de entrada de antena

Unidad de descarga de antena (Sección 810-20 del NEC)

Conductores de puesta a tierra (Sección 810-21 del NEC)

Abrazaderas de puesta a tierra

Sistema de electrodos de puesta a tierra de servicio eléctrico (Artículo 250 Parte H del NEC)

NEC: National Electrical Code

En caso de descarga eléctrica

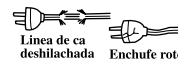
Para evitar daños al televisor debido a una descarga eléctrica o a una sobretensión de

corriente durante una tormenta, o cuando no se encuentre en uso por largos períodos de tiempo, desconecte el cable de la toma de corriente de la pared y desconecte la antena. Esto impedirá que el receptor se dañe.

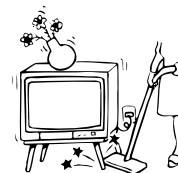
Mantenimiento

Daños que requieren reparación

Desconecte el televisor de la toma de alimentación y solicite los servicios de personal de reparación calificado en las condiciones siguientes:



- Cuando el cable o la clavija de alimentación esté dañado.



- Si dentro del televisor se ha derramado líquido.



- Si el televisor ha estado expuesto a la lluvia o al agua.

(continúa)

Normas importantes sobre seguridad (continuación)



- Si el televisor ha recibido un golpe fuerte al caer, o se daña el gabinete.



- Si el televisor no funciona normalmente al seguir las instrucciones de operación. Ajuste solamente los controles especificados en el manual de instrucciones.

El ajuste inadecuado de otros controles podría resultar en daños que podrían requerir la intervención costosa de un técnico calificado a fin de devolver el televisor a su funcionamiento normal.

- Cuando el rendimiento del televisor haya cambiado notablemente, significará que es necesario repararlo.

Reparación

No intente reparar por sí mismo el aparato, ya que al abrir el gabinete se vería expuesto a tensiones peligrosas y

otros riesgos. Solicite los servicios de personal de reparación calificado.

Piezas de reemplazo

Cuando se haya requerido el reemplazo de piezas, solicite al técnico de reparación un certificado por escrito de que ha utilizado las

piezas de repuesto con las mismas características que las originales, especificadas por el fabricante.

La sustitución no autorizada de piezas podría resultar en incendios, descargas eléctricas, u otros peligros.

Comprobación de seguridad

Después de haber finalizado cualquier servicio de mantenimiento o reparación, solicite al técnico de reparación que realice y certifique las comprobaciones de seguridad rutinarias

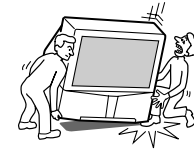


(como especifica el fabricante) para determinar si el televisor se encuentra en condiciones de funcionar con seguridad.

Cuando finalice la vida útil del televisor, el deshacerse inadecuadamente de él podría provocar la implosión del tubo de imagen. Solicite este servicio a un técnico calificado.



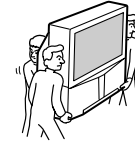
Seguridad



Tenga cuidado al mover el TV de proyección

Al apoyar el TV de proyección, tenga cuidado de no dejarlo caer sobre el pie o los dedos.

Preste atención a no dañarse los pies al instalar el TV de proyección.



Transporte el TV de proyección de la forma especificada

Si transporta el TV de una forma que no sea la especificada y sin el número de personas especificado, puede

caerse y causar lesiones graves. Asegúrese de seguir las instrucciones mencionadas a continuación.

- Transporte el TV de proyección de la forma de sujeción especificada

- No transporte el TV de proyección agarrando la rejilla de la bocina.

- Agarre firmemente el TV de proyección cuando lo transporte.

Instalación y conexión del TV de proyección

Transporte del TV de proyección

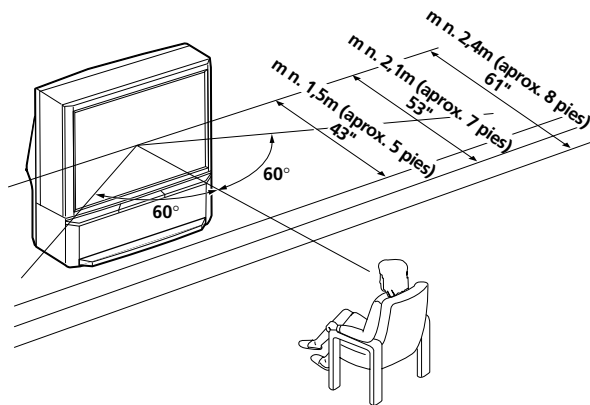
Son precisas tres o más personas para transportar el TV de proyección.

Para KP-53SV85T/61SV85T

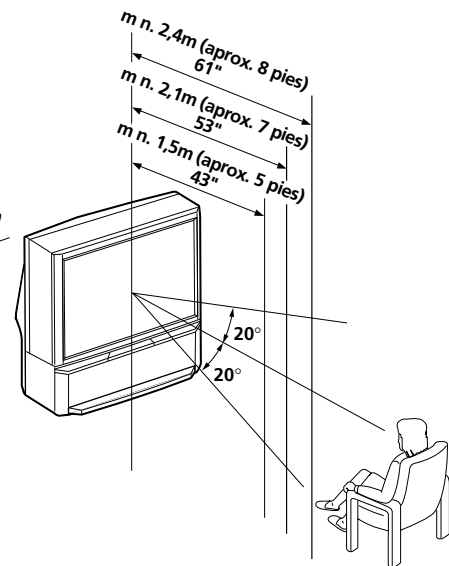
El TV de proyección dispone de ruedecillas para desplazarlo fácilmente sobre superficies duras, por lo que conviene usarlas durante el transporte.

Instalación del TV de proyección

Área de visualización recomendada (horizontal)



Área de visualización recomendada (vertical)



Instalación y conexión del TV de proyección (continuación)

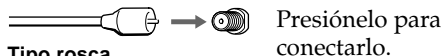
Tipos de conectores

Es posible que durante la instalación tenga que utilizar algunos de los siguientes tipos de conectores.

Cable coaxial

Cable de TV estándar y cable de antena

Tipo enchufe



Tipo rosca



Cable de S Video

Cable de video de alta calidad para realizar la calidad de la imagen



Cable de Audio/Video



Video - Amarillo
Audio (izquierdo) - Blanco
Audio (derecho) - Rojo

Ciertos reproductores DVD están equipados con los siguientes conectores de video

Y - Verde
P_B (C_B, C_b o B-Y) - Azul
P_R (C_R, C_r o R-Y) - Rojo

Cable CONTROL S

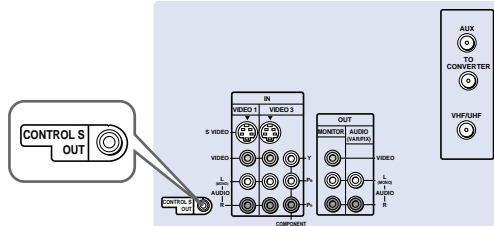
Cable Sony para realizar la conexión CONTROL S. Esta función es exclusiva de los productos Sony, y permite un mayor control de todos los equipos Sony.



Acerca de la toma CONTROL S OUT

Para controlar otro equipo Sony con el control remoto del TV de proyección, conecte la toma CONTROL S IN del equipo a la toma CONTROL S OUT del TV con el cable CONTROL S.

(Parte posterior del TV de proyección)

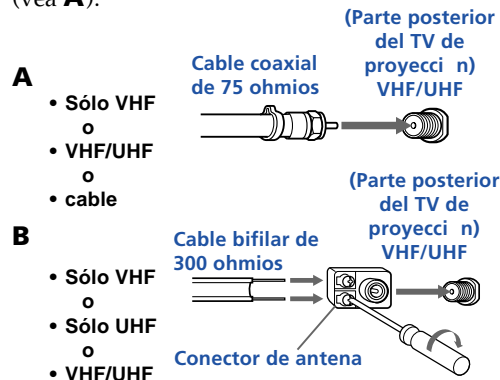


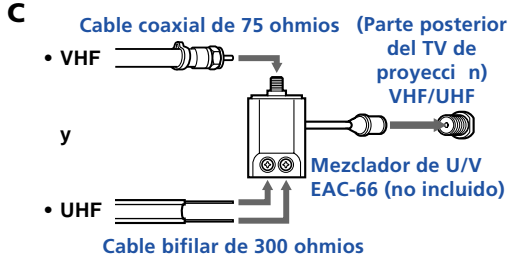
Conexiones

Conexión directa a cable o a antena

La conexión que escoja dependerá del tipo de cable con que cuente su casa. Las casas más nuevas están equipadas con cable coaxial (vea **A**), mientras que es probable que casas más viejas cuenten con cable bifilar de 300-ohmios (vea **B**). Algunas casas tienen los dos tipos (vea **C**).

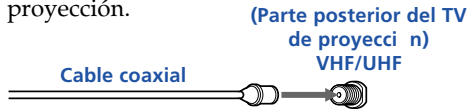
Utilice un cable coaxial de 75 ohmios para obtener una calidad de imagen mejorada (vea **A**).





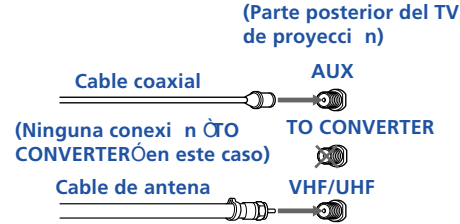
Cable o antena

Es la conexión más sencilla. Se conecta el cable o la antena directamente al TV de proyección.



Cable y antena

La siguiente conexión podría resultar práctica si su compañía de televisión por cable no incluye canales locales que puede recibir a través de una antena.

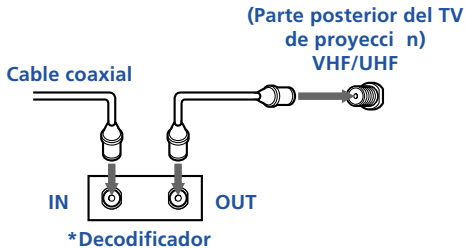


Oprima el botón ANT del control remoto para seleccionar el cable o la antena (ANT).

Conexión a decodificador de cable

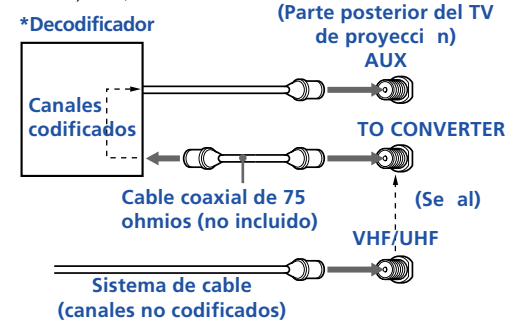
Algunos sistemas de televisión por cable de pago usan señales deformadas o codificadas que requieren un decodificador* para poder ver todos los canales.

Igualmente, ajuste "Cable" en "Sí" en el menú de Ajuste de canal (página 29).



Decodificador y cable

Algunos sistemas de televisión por cable de pago usan señales deformadas o codificadas que requieren un decodificador* para poder ver sólo determinados canales (p.ej. HBO, CNN, etc.).



Con esta conexión, puede cambiar entre los canales codificados (a través del decodificador) y los canales normales (CATV). Para ello, oprima el botón ANT del control remoto.

Notas:

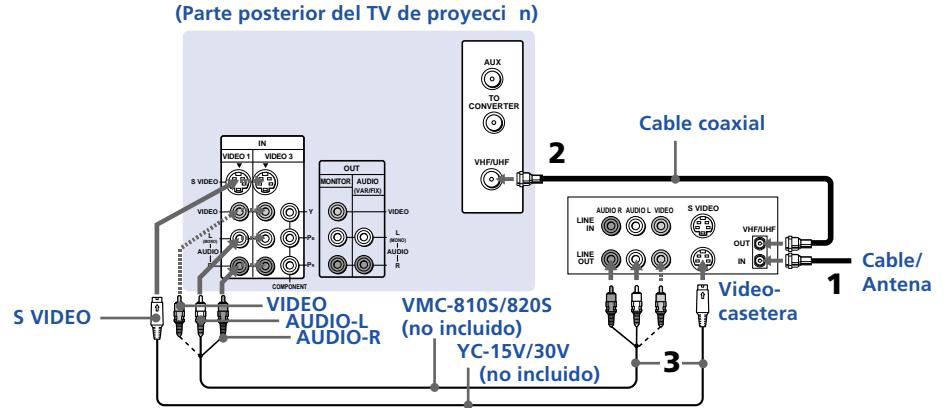
- Es posible programar el control remoto Sony para emplear el decodificador (consulte "Uso de un decodificador" en la página 36).
- Durante la visualización de la imagen con la función PIP o Canal favorito, la entrada AUX sólo puede verse en la imagen principal.

Instalación y conexión del TV de proyección (continuación)

Desconecte todas las fuentes de alimentación antes de realizar conexión alguna.

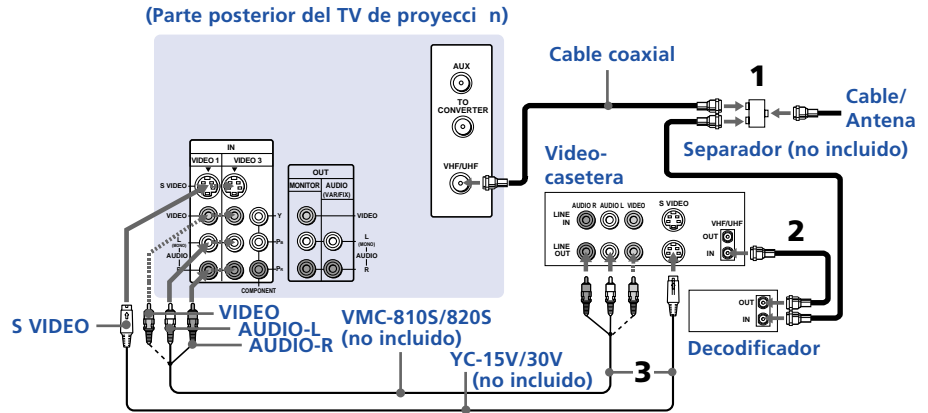
Conexión de sistema de cable/antena a videocasetera

- 1 Fije el cable coaxial del sistema de cable entrante o de la antena a VHF/UHF IN de la videocasetera.
- 2 Con un cable coaxial, conecte VHF/UHF OUT de la videocasetera a VHF/UHF del TV de proyección.
- 3 Con cables de AUDIO y S VIDEO*, conecte AUDIO y S VIDEO OUT de la videocasetera a AUDIO y S VIDEO IN del TV de proyección (blanco-AUDIO izquierdo, rojo-AUDIO derecho**).



Conexión de videocasetera y TV de proyección a decodificador

- 1 Conecte la toma única (de entrada) del separador a la conexión de cable entrante, y conecte las otras dos tomas (de salida) (con el cable coaxial) a IN del decodificador y a VHF/UHF del TV de proyección.
- 2 Con un cable coaxial, conecte OUT del decodificador a VHF/UHF IN de la videocasetera.
- 3 Con cables de AUDIO y S VIDEO*, conecte AUDIO y S VIDEO OUT de la videocasetera a AUDIO y S VIDEO IN del TV de proyección (blanco-AUDIO izquierdo, rojo-AUDIO derecho**).



Desconecte todas las fuentes de alimentación antes de realizar conexión alguna.

Nota:

- Para ver canales codificados mediante el decodificador, seleccione la entrada de video a la que esté conectado dicho decodificador; para ello, oprima TV/VIDEO.
- * Si la videocasetera no dispone de S VIDEO, utilice un cable de VIDEO (amarillo) en lugar del cable de S VIDEO.
- ** Si pretende conectar una videocasetera monofónica, conecte sólo la salida única de audio de la videocasetera a la entrada izquierda (MONO) de su TV de proyección.

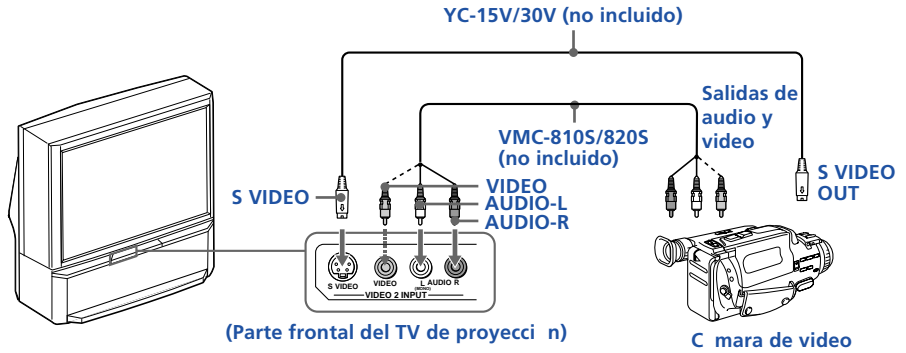
Conexión de cámara de video

Emplee esta conexión para ver directamente la imagen de la cámara de video.

1 Con cables de AUDIO y de S VIDEO*, conecte AUDIO y S VIDEO OUT de la cámara de video a AUDIO y S VIDEO IN del interior de la puerta de la parte frontal del TV de proyección (Blanco-AUDIO izquierdo, Rojo-AUDIO derecho**).

2 Oprima VIDEO 2 para seleccionar las entradas de video de una cámara de video.

- * Si la cámara de video no dispone de toma de S VIDEO, utilice un cable de VIDEO (amarillo) en lugar del cable de S VIDEO.
- ** Si pretende conectar una cámara de video monofónica, conecte sólo la salida única de audio a la entrada izquierda (MONO) de su TV de proyección.



Instalación y conexión del TV de proyección (continuación)

Desconecte todas las fuentes de alimentación antes de realizar conexión alguna.

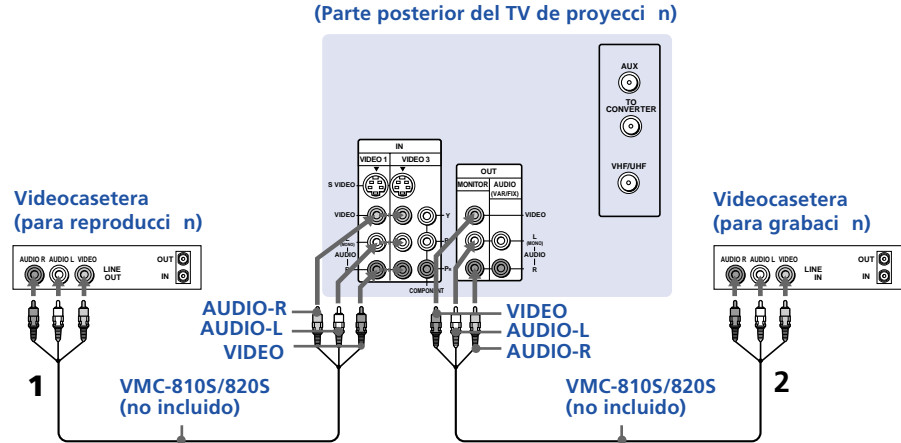
Conexión de dos videocasetas para edición de cintas

Mediante la conexión de una segunda videocasetera a MONITOR OUT, podrá grabar en ésta un programa que esté reproduciendo la videocasetera principal o realizar ediciones y copias de cintas.

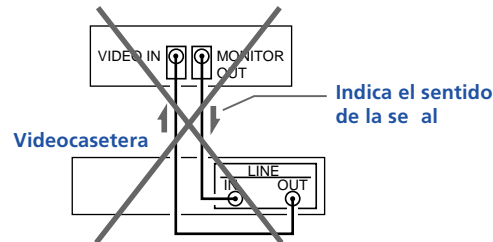
- 1 Conecte la videocasetera que vaya a utilizar para reproducir siguiendo las instrucciones de conexión de la página 10 de este manual.
- 2 Con un cable de AUDIO/VIDEO, conecte AUDIO y VIDEO IN de la videocasetera de grabación a AUDIO y VIDEO OUT de MONITOR OUT del TV de proyección.

Notas:

- No modifique la señal de entrada mientras realice trabajos de edición a través de MONITOR OUT.
- Al conectar una sola videocasetera al TV de proyección, si la línea de salida LINE OUT de la videocasetera se encuentra conectada a la línea de entrada VIDEO IN del TV de proyección, **no** conecte las salidas MONITOR OUT del TV de proyección a la línea de entrada LINE INPUT de la videocasetera (véase dibujo a la derecha), ya que esto provocaría interferencia y otros problemas de visualización.



(Parte posterior del TV de proyección)



Conexión de reproductor DVD (Ilustración superior)

Con cables de AUDIO y S VIDEO, conecte AUDIO y S VIDEO IN del TV de proyección a AUDIO y S VIDEO OUT del reproductor DVD (blanco-AUDIO izquierdo, rojo-AUDIO derecho).

Conexión de reproductor DVD con conectores de salida de video de componente (Ilustración inferior)

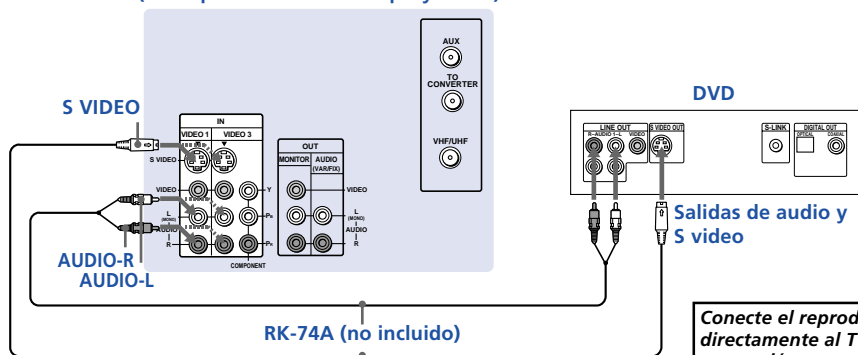
- 1 Con un cable de AUDIO, conecte AUDIO de LINE OUT del reproductor DVD a AUDIO de VIDEO 3 IN del TV de proyección (blanco-AUDIO izquierdo, rojo-AUDIO derecho).
- 2 Con tres cables amarillos de VIDEO, conecte Y, P_B y P_R de COMPONENT VIDEO OUT del reproductor DVD a Y, P_B y P_R de VIDEO 3 IN del TV de proyección.

Notas:

- Es posible que se produzca ruido en la imagen debido a que las imágenes de alta calidad de los discos DVD contienen mucha información. En este caso, ajuste "Reducción de ruido" en el menú de Video (consulte "Reducción de ruido" en la página 24).
- Ciertos terminales de reproductores DVD pueden tener nombres diferentes. En este caso, realice la conexión de la siguiente forma:
 - Conecte Y (verde) a Y.
 - Conecte P_B (azul) a C_B, C_b o B-Y.
 - Conecte P_R (rojo) a C_R, C_r o R-Y.

Desconecte todas las fuentes de alimentación antes de realizar conexión alguna.

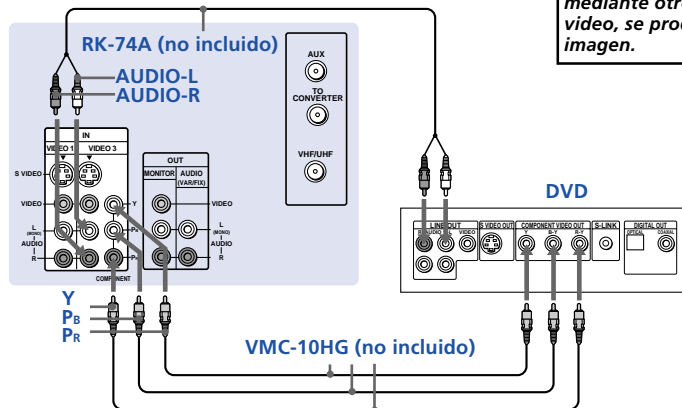
(Parte posterior del TV de proyeci n)



RK-74A (no incluido)

YC-15V/30V (no incluido)

(Parte posterior del TV de proyeci n)



VMC-10HG (no incluido)

Conecte el reproductor DVD directamente al TV de proyección. Si conecta el reproductor DVD mediante otro equipo de video, se producirá ruido en la imagen.

Instalación y conexión del TV de proyección (continuación)

Desconecte todas las fuentes de alimentación antes de realizar conexión alguna.

Conexión de sistema de sonido (Ilustración superior)

Para obtener un sonido más dinámico, conecte un sistema de audio al TV de proyección.

- 1 Con un cable de AUDIO, conecte AUDIO (VAR/FIX) OUT del TV de proyección a la entrada de línea que no se utilice (p.ej., Tape-2, AUX1, etc.) del sistema estéreo.
- 2 Ajuste el sistema estéreo en la entrada de línea elegida y utilice el menú de Audio para ajustar la salida de audio y desactivar las bocinas del TV. (Consulte "Salida de audio" y "Bocinas" en la página 26.)

Nota:

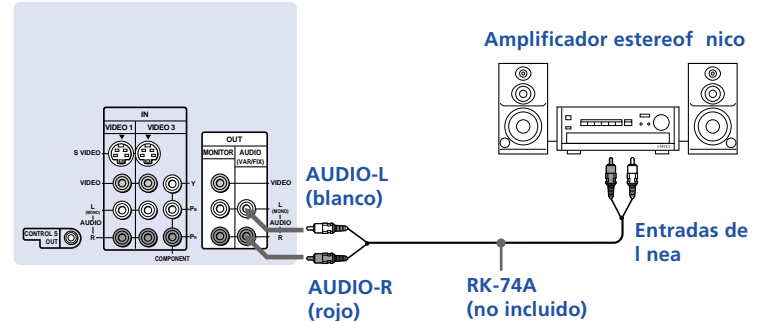
- Es posible ajustar VOLUMEN, "Graves", "Agudos", "Balance", "MTS/SAP" y "Efecto" con el control remoto suministrado. Las opciones de control, excepto VOLUMEN, pueden ajustarse solamente cuando "Salida de audio" está ajustado en "Variable" en el menú de Audio. (Consulte "Salida de audio" en la página 26.)

Conexión de sistema de bocinas de la serie SAVA de Sony (Ilustración inferior)

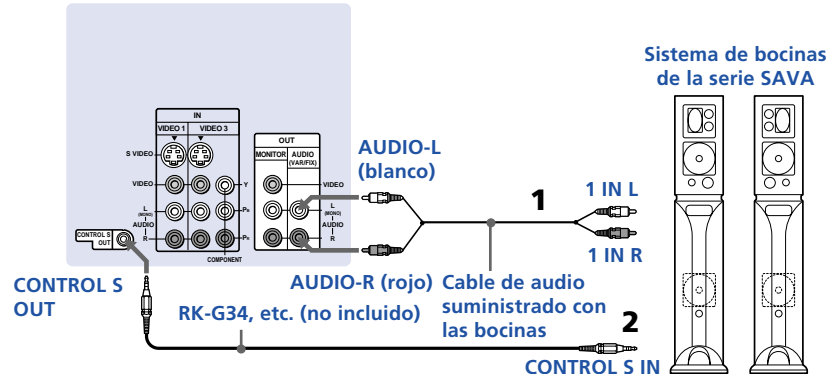
Utilice esta conexión para controlar el sistema de sonido envolvente Dolby Pro Logic de las bocinas y el modo superwoofer con el control remoto. (Consulte "Control SAVA SP" en la página 26.)

- 1 Conecte el cable de AUDIO suministrado con la bocina a AUDIO (VAR/FIX) OUT del TV de proyección.
- 2 Con el cable de CONTROL S, conecte CONTROL S IN de la bocina a CONTROL S OUT del TV de proyección.

(Parte posterior del TV de proyección)



(Parte posterior del TV de proyección)

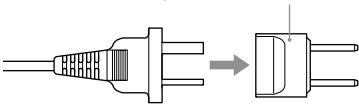


Indicaciones básicas

Para los clientes de la República de Chile y la República del Perú

Este TV de proyección se suministra con un adaptador de enchufe de CA. Conéctelo al cable de alimentación de CA, y enchúfelo en un tomacorriente de CA.

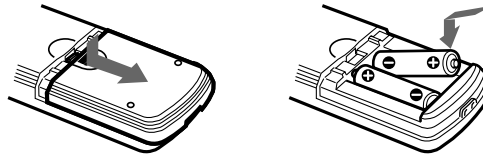
Adaptador de enchufe de CA



Uso del control remoto

Colocación de las pilas

Inserte dos pilas tamaño AA (R6) (suministradas), asegurándose que las polaridades + y - en las mismas coinciden con las del diagrama ubicado dentro del compartimiento de pilas del control remoto.



Notas:

- Cuando el control remoto no vaya a utilizarse durante un período prolongado, quite las pilas para evitar daños provocados por fugas de electrolito.
- Maneje el control remoto con cuidado. Procure no dejarlo caer ni mojarlo. No lo coloque en luz solar directa, cerca de un calefactor o donde exista elevada humedad.
- Su control remoto puede programarse para hacer funcionar la mayor parte de equipos de video. (Consulte "Uso de equipos de video" en la página 34.)

Programación automática del TV de proyección

La función AUTO SET UP permite definir el idioma en pantalla y ajustar todos los canales que se pueden recibir.

La función AUTO SET UP no se aplica a las instalaciones que utilicen un decodificador para la selección de todos los canales.

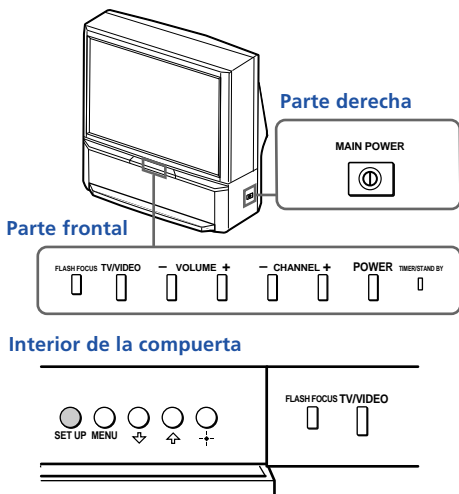
También es posible ajustar manualmente el TV de proyección (consulte "Uso del menú de Ajuste de canal" en las páginas 28 y 29).

Notas:

- Antes de utilizar AUTO SET UP de nuevo, compruebe que ha seleccionado la entrada de ANT (no AUX) oprimiendo ANT hasta que "AUX" no aparezca junto al número de canal.
- Lleve a cabo esta operación durante el día, con la antena/cable debidamente conectado, a fin de asegurar que todos los canales disponibles se encuentren transmitiendo y puedan recibirse.
- Al realizar la operación AUTO SET UP, todos los ajustes de los menús de Video y Audio recuperarán los valores de fábrica.

(continúa)

Indicaciones básicas (continuación)



1 Encienda el TV de proyección.

① Compruebe que el interruptor MAIN POWER en la parte derecha del TV de proyección está en la posición de encendido (ON).

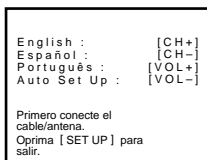
El TV de proyección entrará en el modo de espera y el indicador TIMER/STANDBY se iluminará en rojo.

2 Oprima POWER del TV de proyección.

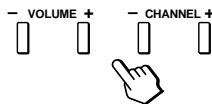


2 Oprima SET UP en el interior de la compuerta.

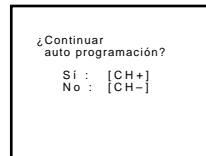
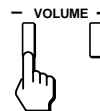
Aparecerá la pantalla AUTO SET UP.



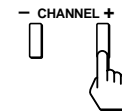
3 Oprima CHANNEL +, CHANNEL - o VOLUME + para seleccionar el idioma en pantalla que desee: English, Español o Portugués.



4 Oprima VOLUME - para continuar.



5 Oprima CHANNEL + para programar canales automáticamente.



Aparece “auto programación” y el TV de proyección comienza a explorar y a programar canales automáticamente. Durante la exploración, el canal recibido aparecerá en la pantalla secundaria. Una vez almacenados todos los canales que se pueden recibir, aparecerá el canal de número más bajo.

Para volver a realizar la operación AUTO SET UP

Oprima SET UP en el interior de la compuerta del TV de proyección, y realice los pasos 3 a 5 en las páginas 16 y 17.

Oprima SET UP de nuevo para salir.

Ajuste automático de la convergencia (FLASH FOCUS)

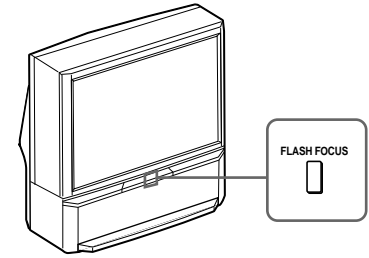
La imagen del tubo de proyección aparece en la pantalla en tres estratos (rojo, verde y azul). Si no convergen, el color será de mala calidad y la imagen borrosa.

Antes de utilizar el TV de proyección, asegúrese de ajustar la convergencia.

La función FLASH FOCUS (enfoque automático) permite ajustar la convergencia automáticamente.

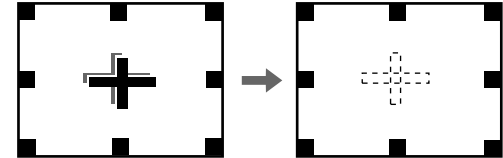
Consejos

- Se recomienda emplear la función FLASH FOCUS aproximadamente 30 minutos después de haber encendido el TV de proyección.
- También es posible realizar la operación FLASH FOCUS mediante el menú de Ajustes de la página 33.



Oprima FLASH FOCUS.

Aparece el patrón de cruz y se activa la función FLASH FOCUS. El ajuste se completará cuando dicho patrón se muestre en blanco.



Nota:

- FLASH FOCUS se cancela si realiza otra operación mientras ésta está funcionando.

Visualización de TV

Es posible acceder directamente a muchas funciones de TV mediante el control remoto. En la siguiente tabla se describe la función de algunos botones del control remoto.

Uso de los botones de etiqueta blanca para realizar operaciones del TV de proyección	
MAIN POWER <i>(parte derecha del TV de proyección)</i>	Enciende y apaga el TV de proyección.
TV (FUNCTION)	Activa el control remoto para su uso con el TV de proyección.
TV POWER	Enciende y apaga el TV. Si aparece en pantalla una indicación de entrada de video (p. ej., VIDEO 1, VIDEO 2), oprima TV/VIDEO hasta que aparezca un número de canal.
0 - 9 y ENTER	Utilícelos para seleccionar canales directamente. Use los botones numéricos 0-9 para seleccionar un canal (p.ej. para seleccionar el canal 10, oprima 1 y 0). El cambio se efectuará en dos segundos. Si prefiere, puede oprimir ENTER para que cambie sin demora.
CH +/-	Oprima estos botones para recorrer los canales (+ para subir o – para bajar). Exploración rápida 1 Mantenga oprimido CH + o – para cambiar rápidamente el número de canal. 2 Deje de oprimirlo para visualizar el canal deseado.
VOL +/-	Oprima estos botones para ajustar el volumen (+ para aumentarlo o – para reducirlo).
MUTING	Oprima este botón para suprimir el sonido. “Suprimir el sonido” aparecerá en pantalla y se atenuará transcurridos tres segundos. Para restaurar el sonido, vuelva a oprimirlo u oprima VOL +.

PICTURE MODE (Modo de imagen)

Oprima PICTURE MODE repetidamente para elegir directamente uno de los cinco modos de video diferentes que mejor se adapte al programa que está visualizando.

Vívido: Selecciónelo para aumentar el contraste y la nitidez de la imagen.

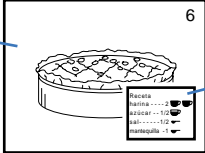
Estándar: Selecciónelo para mostrar la imagen estándar en entornos normales de visualización.

Películas: Selecciónelo para mostrar imágenes con gran detalle en entornos de poca iluminación.

Personal 1, Personal 2: Selecciónelo para personalizar el “Ajuste de imagen” del menú de Video según sus preferencias personales.

Si selecciona “Películas”, “Personal 1” o “Personal 2”, también podrá realizar el “Ajuste de imagen” (como el “Brillo”, “Color”, etc.) según sus preferencias. Para obtener detalles, consulte “Modo” en la página 24.

Uso de los botones de etiqueta blanca para realizar operaciones del TV de proyección

TV/VIDEO	<p>Oprímalo repetidamente para recorrer todas las entradas de video disponibles: TV, VIDEO 1, VIDEO 2 y VIDEO 3.</p> <p>Si selecciona "Omitir" como una "Etiqueta de video" en el menú de Ajustes, el TV de proyección omitirá la entrada de video que ha seleccionado. (Consulte "Etiqueta de video" en la página 33.)</p>
JUMP	<p>Oprímalo para alternar o <i>cambiar</i> entre dos canales. El TV de proyección cambiará entre el canal actual y el último canal seleccionado utilizando los botones 0-9.</p>
<p>FREEZE <i>(botón de etiqueta amarilla)</i></p>	<p>Este botón resulta útil cuando desee anotar información que aparezca en la pantalla del TV.</p> <p>Oprímalo para <i>congelar</i> la imagen. La imagen congelada aparece en la de ventana mientras se visualiza la imagen normal del canal actual en la principal.</p> <div style="text-align: center;">  </div> <p>Para cambiar la ubicación de la imagen de ventana, oprima ↑, ↓, ← o →. Oprima FREEZE de nuevo para visualizar la imagen normal.</p>
DISPLAY	<p>Oprima este botón para mostrar el número de canal, la hora actual, el subtítulo de canales (si se ha ajustado) y el modo MTS/SAP (si se ha seleccionado SAP). La indicación SAP desaparece y el resto de indicaciones se atenúan transcurridos tres segundos.</p> <p>Para desactivar la indicación, vuelva a oprimir DISPLAY.</p>





**AL LEER ESTA TABLA,
CONSULTE LA ILUSTRACION
DEL CONTROL REMOTO QUE
APARECE EN EL INTERIOR DE
LA PORTADA DE ESTE
MANUAL.**

(continúa)

Uso del TV de proyección (continuación)






**AL LEER ESTA TABLA,
CONSULTE LA ILUSTRACION
DEL CONTROL REMOTO QUE
APARECE EN EL INTERIOR DE
LA PORTADA DE ESTE
MANUAL.**

Uso de los botones de etiqueta blanca para realizar operaciones del TV de proyección	
	<p>Oprímalo repetidamente para desplazarse por las indicaciones disponibles: XDS (Extended Data Service) Muestra el nombre de la red y el nombre, tipo, duración y descripción del programa, así como las siglas del canal y hora del programa, si la emisora ofrece este servicio.</p> <p>Ninguna indicación Aparece "Off" y la indicación se cancela.</p> <p>Caption Vision Mostrado en pantalla si la emisora ofrece este servicio (consulte "Caption Vision" en la página 32).</p>
SLEEP	<p>Oprímalo varias veces hasta que el TV de proyección muestre el espacio de tiempo aproximado en minutos (30, 60 o 90) que desee que dicho TV permanezca encendido antes de que se apague automáticamente. Para cancelar esta operación, oprímalo hasta que aparezca "Sleep No".</p>
ANT <i>(entrada AUX)</i>	<p>Oprímalo para alternar entre las entradas VHF/UHF y AUX. (consulte "Cable y antena" o "Decodificador y cable" en la página 9 para más información sobre la conexión.)</p>
MTS/SAP	<p>Oprímalo para desplazarse por las opciones Multi-channel TV Sound (MTS): Estéreo, SAP, Mono y SAP auto. (Consulte "MTS/SAP" en la página 25.)</p>
	<p>Oprímalo para seleccionar una opción de audio: Simulado, No, BBE y Surround. (Consulte "Efecto" en la página 25.)</p>
TV/VTR	<p>Oprímalo cuando deje de utilizar la videocasetera y desee cambiar a la entrada del TV. La alimentación de la videocasetera permanecerá activada.</p>
SYSTEM OFF	<p>Oprímalo para apagar el TV de proyección y todos los equipos Sony.</p>

Para ver dos programas a la vez — Imagen en imagen (PIP)

La función de imagen en imagen (PIP) le permite ver dos canales simultáneamente, uno a tamaño normal como imagen principal, y el otro en una imagen más pequeña conocida como “ventana”.

Es posible mover la imagen de ventana a cualquier parte de la pantalla.

El símbolo    indica el canal de TV o la fuente de entrada de imagen que puede cambiarse.

El símbolo   indica el sonido de la imagen que se recibe.

Imagen principal

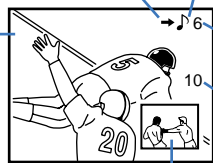


Imagen de ventana

Canal de TV o modo de fuente de entrada de la imagen principal* (color amarillo-verde)

Canal de TV o modo de fuente de entrada de la imagen de ventana* (color blanco)

* Se atenuará unos 3 segundos después.

Consejo

Si oprime RESET en el modo PIP, la imagen de ventana se desplazará a la parte inferior derecha (ubicación predefinida de fábrica).

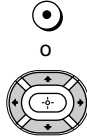
Uso de los botones de etiqueta amarilla para operaciones PIP





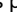

Oprímalo para que aparezca una imagen de ventana. Cada vez que oprima este botón, el tamaño de la imagen cambiará (1/9 → 1/16 → ninguna indicación).

Para cerrar la imagen de ventana, oprima PIP varias veces hasta que desaparezca.

POSITION





Oprima POSITION varias veces para cambiar la ubicación de la imagen de ventana (sentido contrario a las agujas del reloj) alrededor de la imagen principal.

También es posible cambiar la ubicación oprimiendo el botón , ,  o . La imagen de ventana se desplaza en la dirección de la flecha indicada en el botón oprimido.

ACTIVE





Oprímalo para seleccionar la imagen principal o la de ventana con el fin de cambiar el canal de TV o la fuente de video mediante los botones de etiqueta blanca situados debajo. Aparecerá el símbolo  (o ) para indicar el canal o modo de entrada de imagen que puede cambiarse.

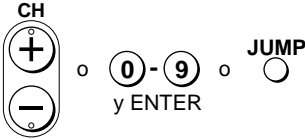




TV/VIDEO



(botón de etiqueta blanca)

Oprímalo varias veces para recorrer las entradas de video disponibles para la imagen en la que aparece el símbolo  (o ). (Consulte “TV/VIDEO” en la página 19.)

Use del TV de proyección (continuación)

Uso de los botones de etiqueta amarilla para realizar operaciones PIP	
<p>CH</p>  <p>(botón de etiqueta blanca)</p>	<p>Oprímalo para seleccionar el canal de TV en el que aparece el símbolo "➔" (para más información, consulte "Visualización de TV" en la página 18).</p> <p>Exploración rápida</p> <ol style="list-style-type: none"> Mantenga oprimido CH + o – para cambiar rápidamente el número de canal. Deje de oprimirlo para visualizar el canal deseado.
<p>ANT</p>  <p>(botón de etiqueta blanca)</p>	<p>Oprímalo para cambiar entre las entradas VHF/UHF y AUX de la imagen en la que aparezca el símbolo "➔" (o "↔").</p>
<p>AUDIO</p> 	<p>Oprímalo para alternar entre el sonido de la imagen principal y el de la de ventana. El símbolo "♪" aparecerá durante unos segundos para indicar el sonido de la imagen que se recibe.</p>
<p>FREEZE</p> 	<p>Resulta útil cuando se desea anotar información de la imagen principal. Oprímalo para congelar la escena deseada de la imagen principal. La imagen congelada aparece en la de ventana mientras se visualiza la imagen normal en la principal. El tamaño de la imagen de ventana cambia automáticamente a 1/9 si era 1/16. Oprímalo de nuevo para recuperar la visualización PIP normal.</p>
<p>SWAP</p> 	<p>Oprímalo para cambiar la recepción de audio y video de la imagen principal y de la imagen de ventana. Cada vez que oprima SWAP, la imagen y el sonido de las dos imágenes se intercambiarán.</p>



AL LEER ESTA TABLA, CONSULTE LA ILUSTRACION DEL CONTROL REMOTO QUE APARECE EN EL INTERIOR DE LA PORTADA DE ESTE MANUAL.

Nota:

- Si alguna de las imágenes recibidas por medio de PIP muestra nieve, es posible que toda la pantalla se muestre inestable. En este caso, borre el canal que presenta nieve. (Consulte "Canal Omitir/ Agregar" en la página 29.)

Realización de ajustes (menús)

Uso de los menús

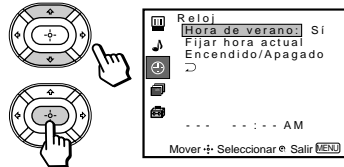
Use el botón MENU para tener acceso a un menú y utilice los botones ↑, ↓, ←, → y (+) para modificar las opciones. Para aprender a hacer los cambios, siga el ejemplo que aparece en esta página.

1 Oprima el botón MENU.

Aparecerá el menú principal.

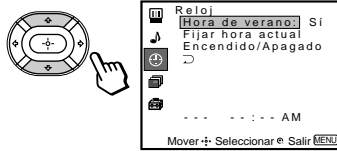


2 Oprima ↑ o ↓ para resaltar el menú deseado y oprima (+) para activarlo.



También es posible oprimir → para activar la selección.

3 Oprima ↑ o ↓ para resaltar la opción que desee.



4 Oprima (+).

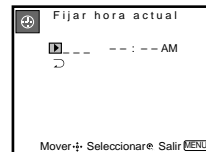
Aparecerán las opciones correspondientes a su selección (menú de ventana o de ajuste).



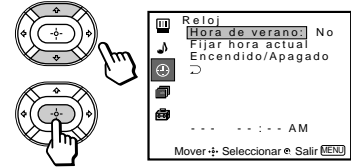
Men de ventana



Men de ajuste



5 Oprima ↑ o ↓ para realizar la selección y oprima (+) para activarla. Volverá a aparecer la pantalla anterior.



Ciertos menús de ajuste pueden requerir otras operaciones. Para más información, consulte las opciones de cada menú.

Para volver a la pantalla anterior (excepto para los menús de ajuste con deslizadores), elija "↵" en la parte inferior del menú y oprima (+) o ←.

6 Una vez finalizadas todas las correcciones de menú, oprima MENU para salir de las pantallas de menú.



Para salir de los menús cuando lo desee

Oprima MENU.

Consejo

También puede utilizar los botones MENU, ↑/↓ y ←/→ del interior de la pequeña compuerta del TV de proyección para realizar la selección de menús.

Realización de ajustes (menús) (continuación)

Uso del menú de Video

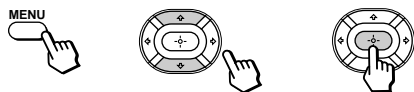


Para más información sobre el uso del control remoto para modificar las opciones del menú, consulte “Uso de los menús” en la página 23.

Para seleccionar el menú de Video

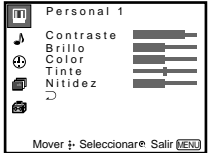


Mostrar → Resaltar → Seleccionar



Para restablecer los ajustes de fábrica

Oprima RESET en el control remoto mientras el menú de Video se encuentra seleccionado. Para recuperar los ajustes de fábrica de cada “Modo”, oprima RESET después de seleccionar el modo que desee restaurar.

<p>Modo <i>Visualización personalizada de imagen</i></p>	<p>Puede elegir el modo de video de los cinco existentes que mejor se adapte al programa que esté viendo. También es posible realizar el “Ajuste de imagen” (como el “Brillo”, “Color”, etc.) para “Películas”, “Personal 1” o “Personal 2” según sus preferencias.</p> <p>Vívido: Selecciónelo para aumentar el contraste y la nitidez de la imagen.</p> <p>Estándar: Selecciónelo para mostrar la imagen estándar en entornos normales de visualización.</p> <p>Películas: Selecciónelo para mostrar imágenes con gran detalle en entornos de poca iluminación.</p> <p>Personal 1, Personal 2: Selecciónelo para personalizar el “Ajuste de imagen” del menú de video según sus preferencias personales.</p> <p><i>Oprima PICTURE MODE en el control remoto para seleccionar directamente de un ajuste de Modo.</i></p>
<p>Ajuste de imagen <i>Ajuste de imagen</i></p>	<p>Primero seleccione “Películas”, “Personal 1” o “Personal 2” en “Modo” y, a continuación, resalte la opción deseada mediante el botón y oprima para que aparezca el deslizador de ajuste de la opción seleccionada.</p> <p>Contraste: Ajuste el deslizador hacia la derecha (arriba) para aumentar el contraste de la imagen; a la izquierda (abajo) para disminuirlo.</p> <p>Brillo: Ajuste el deslizador hacia la derecha (arriba) para aumentar el brillo de la imagen; a la izquierda (abajo) para disminuirlo.</p> <p>Color: Ajuste el deslizador hacia la derecha (arriba) para aumentar la intensidad del color; a la izquierda (abajo) para disminuirla.</p> <p>Tinte: Ajuste el deslizador hacia la derecha (arriba) para aumentar los tonos verdosos; a la izquierda (abajo) para aumentar los tonos rojizos.</p> <p>Nitidez: Ajuste el deslizador hacia la derecha (arriba) para aumentar la nitidez de la imagen; a la izquierda (abajo) para suavizarla.</p> 
<p>Trinitone <i>Ajuste de intensidad del blanc</i></p>	<p>Alto: Selecciónelo para proporcionar un matiz azulado a los colores blancos.</p> <p>Medio: Selecciónelo para proporcionar un matiz neutro a los colores blancos.</p> <p>Normal: Selecciónelo para proporcionar un matiz rojo a los colores blancos.</p>
<p>Reducción de ruido <i>Reducción de ruido</i></p>	<p>La opción “Reducción de ruido” sólo podrá ajustarse si la entrada de TV está seleccionada y “Modo” del menú de Video está ajustado en “Películas”, “Personal 1” o “Personal 2”. Seleccione Sí para reducir el ruido en la imagen. Seleccione No para cancelar esta función.</p>

🎵 Uso del menú de Audio



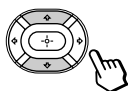
Deslizadores

Para más información sobre el uso del control remoto para modificar las opciones del menú, consulte “Uso de los menús” en la página 23.

Para seleccionar el menú de Audio





Mostrar → Resaltar → Seleccionar



Para restablecer los ajustes de fábrica

Oprima RESET en el control remoto mientras el menú de Audio se encuentra seleccionado.

* El BBE está fabricado por Sony Corporation bajo licencia de BBE Sound, Inc. Está cubierto por la patente de EE.UU. n.º 4.638.258 y 4.482.866. La palabra “BBE” y el símbolo BBE son marcas comerciales de BBE Sound, Inc.

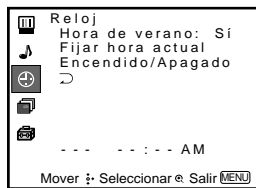
Agudos <i>Ajuste de sonido</i>	Ajuste el deslizador hacia la derecha (arriba) para aumentar los tonos agudos. Ajuste el deslizador hacia la izquierda (abajo) para reducir los tonos agudos.
Graves <i>Ajuste de sonido</i>	Ajuste el deslizador hacia la derecha (arriba) para aumentar los tonos bajos. Ajuste el deslizador hacia la izquierda (abajo) para reducir los tonos bajos.
Balance <i>Ajuste de sonido</i>	Ajuste el deslizador hacia la derecha (arriba) para realzar el volumen de la bocina derecha. Ajuste el deslizador hacia la izquierda (abajo) para realzar el volumen de la bocina izquierda.
MTS/SAP <i>Programas en estéreo, bilingües y monofónicos</i>	Si el sonido se oye de forma intermitente debido a malas condiciones de recepción, seleccione “Estéreo” o “SAP”. Estéreo: Selección para recepción en estéreo al ver un programa transmitido en estéreo. SAP: Selección para escuchar una transmisión bilingüe. (Al escogerse esta función, se suprimirá el sonido en los programas que no disponen de SAP.) Mono: Selección para recepción monofónica. (Use esta opción para reducir el ruido durante transmisiones estereofónicas.) SAP auto: Selección para escuchar sonido SAP cuando se emita un programa SAP y volver a la recepción estéreo automáticamente cuando no se trate de programas SAP. Acceso rápido a MTS: Oprima  en el control remoto para recorrer las opciones “MTS/SAP” en el siguiente orden: Estéreo → SAP → Mono → SAP auto
Auto volumen <i>Ajuste del nivel de sonido</i>	Sí: La salida de sonido procedente de las bocinas del TV presentará un nivel de volumen ecualizado para las entradas de audio de todos los canales cuando las emisiones tengan niveles de transmisión de sonido diferentes. No: La salida de sonido procedente de las bocinas del TV varía en función del canal recibido.
Efecto <i>Personalización de los efectos de sonido envolvente basados en el tipo de audio del programa</i>	La opción “Efecto” sólo puede ajustarse si “Bocinas” está ajustado en “Sí” o en “No”. Simulado: Añade un efecto similar al envolvente en programas monofónicos. Surround: Simula sonido con la atmósfera de una sala de cine o de una sala de conciertos para programas en estéreo. BBE*: Centra la intensidad del sonido en la parte delantera, creando un efecto que el usuario siente la sensación de encontrarse enfrente de una orquesta. No: Recepción normal estéreo o monofónica. Acceso rápido a los efectos: Oprima  en el control remoto para recorrer cíclicamente las opciones de “Efecto” de la siguiente forma: Simulado → Surround → BBE → No.

(continúa)

Realización de ajustes (menús) (continuación)

<p>Bocinas <i>Selección personalizada de la fuente de salida de audio</i></p>	<p>Sí: Selecciónela para escuchar sólo el sonido de las bocinas del TV de proyección.</p> <p>No: Selecciónela para desactivar las bocinas del TV de proyección y escuchar el sonido de éste sólo mediante las bocinas de un sistema externo de audio.</p> <p>SAVA SP: Selecciónela para desactivar las bocinas del TV de proyección y escuchar el sonido de éste sólo a través del sistema de bocinas de la serie SAVA de Sony. Es posible ajustar el volumen, el modo de silenciamiento, “Modo surround” y “Modo superwoofer” con el control remoto del TV de proyección (consulte “Control SAVA SP” más abajo).</p>
<p>Salida de audio <i>Control fácil del ajuste de volumen</i></p>	<p>La opción “Salida de audio” sólo podrá ajustarse si “Bocinas” está ajustada en “No”.</p> <p>Fija: La salida de sonido se mantiene en un nivel fijo a través del sistema de audio. Utilice el control remoto del receptor AV para ajustar el volumen.</p> <p>Variable: La salida de sonido varía en función de los ajustes del TV. Resulta útil cuando se quiere emplear el control remoto para controlar la salida de un sistema de audio independiente.</p>
<p>Control SAVA SP <i>Control del modo de bocinas SAVA de Sony</i></p>	<p>La opción “Control SAVA SP” sólo podrá ajustarse si el sistema de bocinas SAVA de Sony está conectado a los conectores AUDIO (VAR/FIX) OUT y la opción “Bocinas” está ajustada en “SAVA SP” (consulte “Bocinas” más arriba). También puede ajustar el volumen de las bocinas SAVA utilizando el botón VOL +/- del control remoto del TV de proyección.</p> <p>Modo surround: Selecciónelo para activar el modo de sonido envolvente de bocinas SAVA.</p> <p>Modo superwoofer: Selecciónelo para activar el modo de potenciación de graves (superwoofer) de bocinas SAVA.</p>

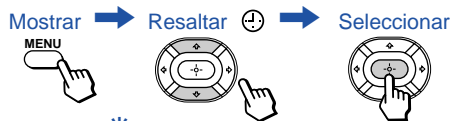
⌚ Uso de menú de Reloj



Una vez fijada la hora, podrá usar el reloj para encender y apagar el TV de proyección.

Para más información sobre el uso del control remoto para modificar las opciones del menú, consulte "Uso de los menús" en la página 23.

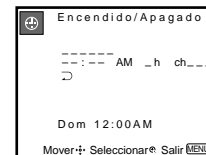
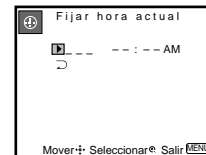
Para seleccionar el menú de Reloj



Consejos 💡

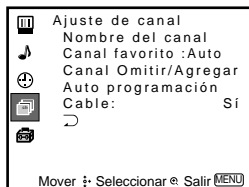
- Fije la hora de verano antes de poner el reloj a la hora. Cualquier falla de corriente hará que se borren estos ajustes.
- Para mantener las configuraciones del reloj y el encendido/apagado, MAIN POWER se debe dejar en la posición de encendido (ON).

<p>Hora de verano <i>Ajuste automático de la hora</i></p>	<p>Primavera: Seleccione Sí para hacer el cambio de hora de verano. La hora actual automáticamente se adelanta una hora.</p> <p>Otoño: Seleccione No al concluir los meses de hora de verano. La hora actual se atrasará una hora.</p>
<p>Fijar hora actual <i>Necesario para activar el Reloj</i></p>	<ol style="list-style-type: none"> 1 Oprima (+) y, a continuación, oprima ▲ o ▼ hasta que aparezca el día actual (Dom-Sáb) y oprima (+). 2 Oprima ▲ o ▼ hasta que aparezca la hora actual (1-12), así como AM/PM y oprima (+). 3 Oprima ▲ o ▼ hasta que aparezca el minuto actual (00-59) y oprima (+). <p>El reloj se encuentra ya funcionando. Oprima MENU para salir de esta función.</p>
<p>Encendido/ Apagado <i>Visualización programada</i></p>	<ol style="list-style-type: none"> 1 Oprima (+) y, a continuación, oprima ▲ o ▼ hasta que aparezca el día o el margen de días deseado (Cada dom-sáb, Cada lun-vie, Domingo, Lunes, ...Sábado, Cada domingo, ...Cada sábado), y oprima (+). 2 Oprima ▲ o ▼ hasta que aparezca el tiempo (hora y minutos) que desee que el TV de proyección permanezca encendido; a continuación, oprima (+). 3 Oprima ▲ o ▼ para ajustar el espacio de tiempo (máximo de 6 horas) y oprima (+). 4 Oprima ▲ o ▼ para escoger el canal deseado y oprima (+). <p>El reloj ya se ha programado. Se encenderá el indicador TIMER/STAND BY en su TV de proyección.</p> <p>Oprima MENU para salir de esta función. Para cancelar los ajustes del Reloj, oprima RESET mientras se encuentre en la ventana Encendido/Apagado. El empleo de Auto programación borrará todos los ajustes del "Reloj".</p>



Realización de ajustes (menús) (continuación)

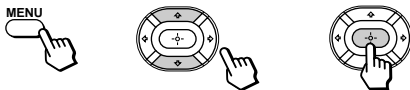
Uso del menú de Ajuste de canal



Para más información sobre el uso del control remoto para modificar las opciones del menú, consulte "Uso de los menús" en la página 23.

Para seleccionar el menú de Ajuste de canal :

Mostrar  Resaltar   Seleccionar



Nombre del canal

Fácil

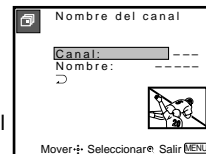
reconocimiento del canal que visualice

Es posible añadir un nombre a un máximo de 32 canales de la entrada VHF/UHF.

Con la ventana "Nombre del canal" abierta:

- 1 Oprima (+) y, a continuación, oprima \uparrow o \downarrow para seleccionar el canal que desee. Es posible ver el canal seleccionado con el menú de Nombre del canal en la pantalla secundaria.
- 2 Oprima (+).
- 3 Oprima \uparrow o \downarrow para visualizar la primera letra o el número del nombre y oprima (+) para seleccionarlo. Repita la operación hasta seleccionar un máximo de cinco dígitos.
- 4 Oprima (+).

Para borrar un nombre, oprima RESET.



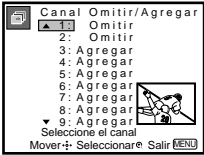
Canal favorito

Canales favoritos de usuario

La función de "Canal favorito" permite acceder con facilidad a los ocho canales que predefina (o al último canal que estaba mirando).

(Para más detalles sobre la definición de esta función, consulte "Ajuste y selección de Canal favorito" en la página 30.)

<p>Canal Omitir/ Agregar <i>Omisión de canales innecesarios</i></p>	<p>Una vez realizada la función AUTO SET UP, puede eliminar los canales de TV innecesarios de la memoria de canales programados.</p> <p>Con la ventana “Canal Omitir/Agregar” abierta:</p> <ol style="list-style-type: none"> Oprima ▲ o ▼ para seleccionar el canal que desee. Es posible ver el canal seleccionado con el menú de Canal Omitir/Agregar en la pantalla secundaria. También puede utilizar los botones CH +/- ó 0-9 y ENTER. Oprima (+). Oprima ▲ o ▼ para seleccionar Omitir, y oprima (+). El canal seleccionado se borrará. Si desea volver a introducir el canal omitido, realice los pasos anteriores y seleccione Agregar.
<p>Auto programación <i>Programación automática de canales</i></p>	<p>Seleccione Sí para que el TV de proyección programe automáticamente todos los canales que se reciban. Una vez almacenados todos los canales, aparecerá el canal de número inferior.</p> <p>Seleccione No para cancelar la función de Auto programación.</p>
<p>Cable <i>Ajuste del sistema de televisión por cable</i></p>	<p>Seleccione Sí si el TV de proyección está conectado a un sistema de televisión por cable.</p> <p>Seleccione No si el TV de proyección está conectado a una antena.</p>



Realización de ajustes (menús) (continuación)

Ajuste y selección de Canal favorito

La función de Canal favorito de su TV de proyección permite acceder con facilidad a los ocho canales que predefina (o al último canal que estaba mirando).

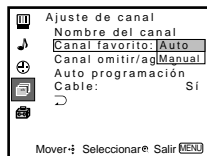
Las opciones de Canal favorito pueden definirse automática o manualmente.

El ajuste de fábrica de "Canal favorito" es "Auto".

Si "Canal favorito" está ajustado en "Auto", los últimos ocho canales seleccionados con los botones 0-9 se definirán como opciones de Canal favorito. Si desea introducir su propia selección como ajuste de Canal favorito, defínalo en "Manual".

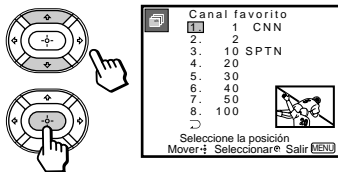
Ajuste manual de Canal favorito

- 1 Seleccione "Canal favorito" en el menú de Ajuste de canal. (Consulte la página 28.)

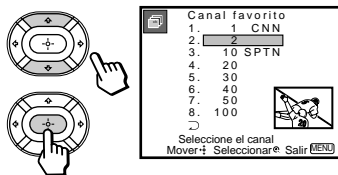


- 2 Oprima \uparrow o \downarrow para seleccionar "Manual" y oprima (+).

Aparecerá el menú de Canal favorito. Si define nombres en Nombre del canal, también aparecerán. (Consulte "Nombre del canal" en la página 28.)

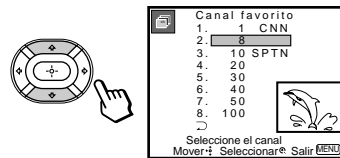


- 3 Oprima \uparrow o \downarrow para seleccionar una posición (1-8) y oprima (+).



- 4 Oprima \uparrow o \downarrow para seleccionar un canal y oprima (+).

Ya se ha seleccionado el canal favorito.



- 5 Utilice \uparrow y \downarrow para programar otros canales favoritos. (Realice los pasos 3 y 4.)

- 6 Oprima MENU cuando finalice.

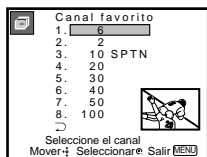
Los canales favoritos ya están preparados para utilizarse.

Cambio de las opciones de Canal favorito

Es posible volver a la pantalla de Canal favorito para ajustar cualquier opción de canal favorito.

Basta con seguir el procedimiento descrito en “Ajuste manual de Canal favorito” (no realice el paso 2 si ya ha seleccionado “Manual”).

Al llegar al paso 3, seleccione la posición que desee cambiar y oprima (+). Oprima ↑ o ↓ para seleccionar un canal nuevo.



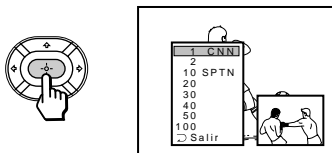
Oprima MENU cuando finalice la operación.

Uso de Canal favorito

Puede emplear la función de Canal favorito para seleccionar directamente el canal que desee ver.

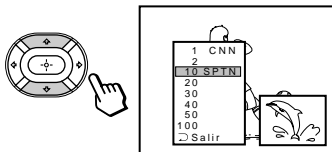
1 Oprima (+) una vez.

El menú de canal favorito y una imagen de ventana se superpondrán sobre el canal actual. La imagen de ventana muestra el canal seleccionado en el menú.



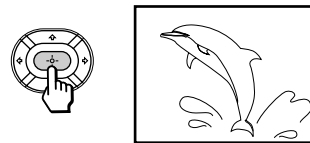
2 Oprima ↑ o ↓ para seleccionar en el menú el canal que desee ver.

La imagen del canal seleccionado aparecerá en la imagen de ventana.



3 Oprima (+) para seleccionar el canal.

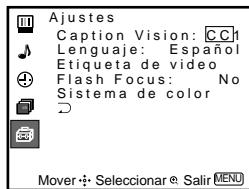
El canal seleccionado aparecerá para visualizarlo normalmente.



Para cancelar el menú de Canal favorito antes de seleccionar un canal, oprima ↑ o ↓ para seleccionar “Salir” en la parte inferior del menú y oprima (+).

Realización de ajustes (menús) (continuación)

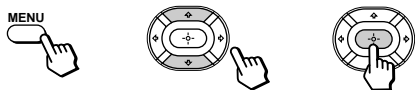
Uso del menú de Ajustes



Para más información sobre el uso del control remoto para modificar las opciones del menú, consulte “Uso de los menús” en la página 19.

Para seleccionar el menú de Ajustes:

Mostrar → Resaltar → Seleccionar



Caption Vision

Visualización de subtítulos de televisión

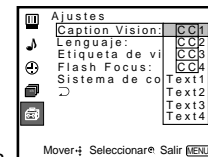
Ciertos programas se emiten con subtítulos.

Para utilizar esta función, seleccione **CC**1, **CC**2, **CC**3, **CC**4, TEXT1, TEXT2, TEXT3 o TEXT4 en el menú. Luego oprima el botón **CC** hasta que

aparezca “Caption Vision”. **CC**1, **CC**2, **CC**3 o **CC**4 muestra una versión impresa del diálogo o de los efectos de sonido de los programas (para la mayoría de los programas, debe ajustarse en **CC**1). TEXT1, TEXT2, TEXT3 o TEXT4 muestra información sobre la red/emisora mostrada utilizando la pantalla completa o parte de ésta.

Notas:

- Una mala recepción de los programas de televisión podría provocar errores en Caption Vision y en XDS. Los subtítulos podrían aparecer dentro de un marco blanco o con otros errores, en lugar del texto correcto.
- No podrán utilizarse simultáneamente la indicación de estado, XDS y Caption Vision.



Lenguaje

Idioma preferido del usuario

Seleccione el idioma que desee para que todos los menús aparezcan en el idioma elegido:

English, Español y Portugués

Etiqueta de video

Fácil reconocimiento del equipo conectado (p. ej. DVD, VHS, etc.).

Esta función permite etiquetar cada modo de entrada para que pueda identificar fácilmente el equipo conectado. (Por ejemplo, puede identificar VIDEO 1 IN como VHS).

Con la ventana "Etiqueta de video" abierta:

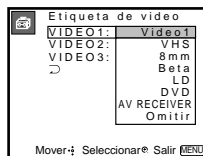
- 1 Oprima **▲** o **▼** para seleccionar el modo de entrada que desee etiquetar. Luego oprima **+**.
- 2 Oprima **▲** o **▼** para seleccionar la etiqueta y luego oprima **+**.

Opciones de Etiqueta de video:

VIDEO 1: VIDEO 1, VHS, 8mm, Beta, LD, DVD, AV RECEIVER, Omitir

VIDEO 2/3: VIDEO 2/VIDEO 3, VHS, 8mm, Beta, LD, DVD, Omitir

Si selecciona "Omitir", el TV de proyección omitirá esta conexión cuando explore las fuentes de video con el botón TV/VIDEO.



Flash Focus

Ajuste automático de convergencia

Seleccione **Sí** y oprima **+** para iniciar el ajuste de enfoque automático (Flash Focus). Una vez finalizado el ajuste, el patrón de cruz en pantalla aparecerá en color blanco (para más información, consulte la página 17). Seleccione **No** para cancelar la función Flash Focus.

Sistema de color

Seleccione el sistema de color de TV.

Esta función permite ajustar el sistema de color de TV para cada modo de entrada. Normalmente, ajústelo en "Auto". Si la imagen no aparece con nitidez, ajuste el sistema de color en "PAL-N" manualmente.

Con la ventana "Sistema de color" abierta:

- 1 Oprima **▲** o **▼** para seleccionar el modo de entrada y oprima **+**.
- 2 Oprima **▲** o **▼** para seleccionar el sistema de color de TV (**Auto** → **PAL-M** → **PAL-N** → **NTSC**) y oprima **+**.



Ajuste del código del fabricante

Se puede emplear el control remoto suministrado para utilizar equipos de video Sony o de otras marcas que dispongan de sensor infrarrojo.

Oprima CODE SET, DVD/VTR (FUNCTION) y los botones 0 a 9 para introducir el código del fabricante (consulte la siguiente tabla); a continuación, oprima ENTER.

Por ejemplo, para emplear una videocasetera Sony de 8 mm:



Si el control remoto no funciona

- Consulte los consejos en la página 36.

Códigos de los fabricantes de videocaseteras

Fabricante	Código
Sony (Videocasetera de VHS)	301
Sony (Videocasetera de 8mm)	302
Sony (Videocaseteras Beta, ED Beta)	303
Aiwa	338
Admiral (M. Ward)	327
Audio Dynamic	314, 337
Bell & Howell (M. Ward)	330
Broksonic	319, 317
Canon	309, 308
Citizen	332
Craig	302, 332
Curtis Mathis	304, 338, 309
Daewoo	341, 312, 309
DBX	314, 336, 337
Dimensia	304
Emerson	319, 320, 316, 317, 318, 341
Fisher	330, 335
Funai	338
General Electric	329, 304, 309
Go Video	340, 339, 322
Goldstar	332
Hitachi	306, 304, 305, 338
Instant Replay	309, 308
JC Penney	309, 305, 304, 330, 314, 336, 337
JVC	314, 336, 337
Kenwood	314, 336, 332, 337
LXI (Sears)	332, 305, 330, 335, 338
Magnavox	308, 309, 310
Marantz	314, 336, 337
Marta	332
Memorex	309, 335
Minolta	305, 304
Mitsubishi/MGA	323, 324, 325, 326
Multitech	325, 338, 321
NEC	314, 336, 337
Olympic	309, 308
Optimus	327
Panasonic	308, 309, 306, 307
Pentax	305, 304
Philco	308, 309
Philips	308, 309, 310
Pioneer	308
Quasar	308, 309, 306
RCA/PROSCAN	304, 305, 308, 309, 311, 329, 312, 313, 310
Realistic	309, 330, 328, 335, 324, 338
Sansui	314
Samsung	322, 313, 321
Sanyo	330, 335
Scott	312, 313, 321, 335, 323, 324, 325, 326
Sharp	327, 328
Signature 2000 (M. Ward)	338, 327
Sylvania	308, 309, 338, 310
Symphonic	338
SV2000	338
Tashiro	332
Tatung	314, 336, 337
Teac	314, 336, 338, 337
Technics	309, 308
Teknica	338
Toshiba	312, 311
Wards	327, 328, 335, 331, 332
Yamaha	330, 314, 336, 337
Zenith	331

Códigos de los fabricantes de reproductores de MDP

Fabricante	Código
Sony	701
Panasonic	704, 710
Mitsubishi	702

Códigos de los fabricantes de reproductores de DVD

Fabricante	Código
Sony	751
Panasonic	753
Pioneer	752
RCA	755
Toshiba	754










Consejos

- En casos excepcionales, es posible que no pueda emplear equipos de video que no sean Sony con el control remoto suministrado. En este caso, emplee el control remoto del equipo.
- Al extraer las pilas, es posible que el código recupere el ajuste de fábrica.



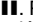
Para emplear equipos de video

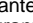
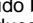
- 1 Oprima DVD/VTR (FUNCTION).
- 2 Emplee los botones de funcionamiento de VCR/DVD/MDP que se indican en las siguientes tablas.

Uso de una videocasetera con el control remoto

Encendido/apagado	Oprima DVD/VTR (POWER). [Botón verde]
Selección directa de canal	Oprima los botones de 0-9.
Cambio de canal	Oprima CH +/-.
Grabación	Oprima  mientras oprime  .
Reproducción	Oprima  .
Detención	Oprima  .
Avance rápido	Oprima  .
Rebobinado	Oprima  .
Pausa	Oprima  . Para reanudar la reproducción normal, vuelva a oprimirlo.
Búsqueda de imagen hacia adelante o hacia atrás	Mantenga oprimido  o  durante la reproducción. Para reanudar la reproducción normal, suelte el botón.
Cambio del modo de entrada	Oprima TV/VTR.






Uso de un reproductor de MDP con el control remoto

Encendido/apagado	Oprima DVD/VTR (POWER). [Botón verde]
Reproducción	Oprima  .
Detención	Oprima  .
Pausa	Oprima  . Para reanudar la reproducción normal, vuelva a oprimirlo.

Búsqueda de imagen hacia adelante o hacia atrás	Mantenga oprimido  o  durante la reproducción. Para reanudar la reproducción normal, suelte el botón.
---	---

Búsqueda del capítulo siguiente o anterior	Oprima CH +/-.
--	----------------

Uso de un reproductor de DVD con el control remoto

Encendido/apagado	Oprima DVD/VTR (POWER). [Botón verde]
Reproducción	Oprima  .
Detención	Oprima  .
Pausa	Oprima  . Vuelva a oprimirlo para reanudar la reproducción normal.
Exploración de diferentes pistas de un disco de audio	Oprima  para avanzar o  para retroceder.
Exploración de diferentes capítulos de un videodisco	Oprima CH + para avanzar o CH - para retroceder.
Selección de pistas directamente	Oprima los botones 0-9.
Selección del menú (de ajustes)	Oprima MENU.

Uso de un decodificador

Ajuste del código del fabricante

Es posible programar el control remoto suministrado para emplear un decodificador.

Oprima CODE SET, SAT/CABLE (FUNCTION)* y los botones 0 a 9 para introducir el código del fabricante (consulte la siguiente tabla); a continuación, oprima ENTER.

Por ejemplo, para emplear un decodificador de Pioneer:



Códigos de los fabricantes (decodificador)

Fabricante	Código
Hamlin/Regal	222, 223, 224, 225, 226
Jerrold/G. I.	201, 202, 203, 204, 205, 222, 206, 207, 208, 218
Oak	227, 228, 229
Panasonic	219, 220, 221
Pioneer	214, 125
Scientific Atlanta	209, 210, 211
Tocom	216, 217
Zenith	212, 213

Para emplear el decodificador

- 1 Oprima SAT/CABLE (POWER)* [Botón Verde] para encender/apagar el decodificador.
- 2 Oprima SAT/CABLE (FUNCTION)*.
- 3 Con respecto a otras operaciones, consulte el manual de instrucciones suministrado con el equipo.

* Los botones SAT/CABLE (POWER) y SAT/CABLE (FUNCTION) no pueden utilizarse con un receptor satelital (SAT) en Argentina ni en Chile ni en Perú aunque esté conectado al TV de proyección.

Si el control remoto no funciona

- Intente repetir la programación del control remoto, utilizando los demás códigos correspondientes al equipo.

Para usar el TV de proyección

Oprima TV (FUNCTION). Luego, utilice los botones de control del TV de proyección para controlarlo.

Consejos 💡

- Si aparece más de un código, introdúzcalos uno por uno hasta encontrar el que corresponda a su equipo.
- Al introducir un código nuevo, el que antes estaba programado para ese aparato se borrará.
- En algunos casos excepcionales, no será posible utilizar el equipo con el control remoto suministrado. En tal caso, emplee el control remoto incluido con el equipo.
- Al quitar las pilas del control remoto — para cambiarlas, por ejemplo — si pasa mucho tiempo, se restablece el código de fábrica, y será necesario programarlo de nuevo.

Solución de problemas

Si después de leer las siguientes instrucciones, desea realizar consultas adicionales relacionadas con el uso del TV de proyección de Sony, Si después de leer las siguientes instrucciones, desea realizar consultas adicionales en relación con el uso del TV de proyección Sony, póngase en contacto con el centro de servicio autorizado de Sony más próximo.

La imagen se apaga y el indicador TIMER/STAND BY de la parte frontal parpadea (función de autodiagnóstico)	<ul style="list-style-type: none">• El TV de proyección está provisto de una función de autodiagnóstico. Si tiene problemas con su TV, el indicador TIMER/STAND BY de la parte frontal parpadeará repetidamente. Cuente el número de parpadeos e indíquelo al centro de servicio autorizado de Sony para informarle sobre el estado del TV de proyección.• Oprima el interruptor de alimentación (POWER) del TV de proyección para apagarlo y luego indique el número de parpadeos al centro de servicio autorizado de Sony.
Ausencia de imagen (pantalla apagada) y de sonido	<ul style="list-style-type: none">• Asegúrese de que el cable de corriente esté bien enchufado.• Accione los botones del TV de proyección y del control remoto.• Compruebe si el ajuste TV/VIDEO es correcto: TV para ver televisión y VIDEO 1, 2 o 3 para ver videocassettes.• Pruebe otro canal. <i>Es posible que el problema se deba a la emisora.</i>• Vuelva a realizar la operación AUTO SET UP empleando el botón SET UP con el fin de recuperar los ajustes de fábrica (consulte "Para volver a realizar la operación AUTO SET UP" en la página 17).
El control remoto no funciona	<ul style="list-style-type: none">• Las pilas podrían estar agotadas. Sustitúyalas.• Oprima TV (FUNCTION) al utilizar el TV de proyección.• Compruebe que el cable de alimentación del TV de proyección esté firmemente enchufado en el tomacorriente de la pared.• Mantenga una distancia de al menos 3 a 4 pies entre el TV de proyección y las lámparas fluorescentes.• Compruebe la polaridad de las pilas.
Imagen oscura, de mala calidad o ausencia de imagen (pantalla iluminada); sonido de buena calidad	<ul style="list-style-type: none">• Ajuste "Contraste" en el menú de Video (consulte "Ajuste de imagen" en la página 24).• Ajuste "Brillo" en el menú de Video (consulte "Ajuste de imagen" en la página 24).• Revise las conexiones de la antena y del sistema de cable.• Vuelva a realizar la operación AUTO SET UP empleando el botón SET UP con el fin de recuperar los ajustes de fábrica (consulte "Para volver a realizar la operación AUTO SET UP" en la página 17).• Vuelva a ajustar la convergencia con el botón FLASH FOCUS. (Consulte "Ajuste automático de la convergencia (FLASH FOCUS)" en la página 17.)
Buena imagen, ausencia de sonido	<ul style="list-style-type: none">• Oprima MUTING hasta que "Suprimir el sonido" desaparezca de la pantalla (consulte "MUTING" en la página 18).• Revise MTS/SAP en el menú de Audio (consulte "MTS/SAP" en la página 25).• Compruebe que "Bocinas" se ha ajustado en "SI" en el menú de Audio (consulte "Bocinas" en la página 26).• Vuelva a realizar la operación AUTO SET UP empleando el botón SET UP con el fin de recuperar los ajustes de fábrica (consulte "Para volver a realizar la operación AUTO SET UP" en la página 17).• Defina el sistema de color de TV apropiado en el menú Ajustes (consulte "Sistema de color" en la página 33).

(continúa)

Solución de problemas (continúa)

No se reciben los canales superiores (UHF) mediante la antena

- Compruebe que “Cable” se encuentra en “No” en el menú de Ajuste de canal (consulte “Cable” en la página 29).
- Utilice “Auto programación” para añadir canales que no se encuentren en la memoria del TV de proyección (consulte “Auto programación” en la página 29).

Ausencia de color

- Ajuste “Color” en el menú de Vídeo (consulte “Ajuste de imagen” en la página 24).
- Puede tratarse de un programa en blanco y negro.
- Vuelva a realizar la operación AUTO SET UP empleando el botón SET UP con el fin de recuperar los ajustes de fábrica (consulte “Para volver a realizar la operación AUTO SET UP” en la página 17).
- Defina el sistema de color de TV apropiado en el menú Ajustes (consulte “Sistema de color” en la página 33).

En pantalla sólo aparece nieve acompañada de ruido

- Revise el ajuste de “Cable” en el menú de Ajuste de canal (consulte “Cable” en la página 29).
- Revise las conexiones de la antena y del sistema de cable.
- Compruebe si el canal transmite en este momento.
- Oprima el botón ANT para cambiar el modo de entrada (consulte “ANT” en la página 20).
- Defina el sistema de color de TV apropiado en el menú Ajustes (consulte “Sistema de color” en la página 33).

Líneas de puntos o rayas

- Ajuste la antena.
- Aleje el TV de proyección de fuentes de interferencias, como automóviles, letreros de neón o secadores de pelo.

No se puede cambiar el canal

- Utilice “Auto programación” para añadir canales que no se encuentren en la memoria del TV de proyección (consulte “Auto programación” en la página 29).

Imágenes dobles o “fantasmas”

- Una antena exterior altamente direccionable o un sistema de cable puede mejorar la imagen (si el problema se debe a reflejos de montañas o edificios cercanos).

No puede utilizarse el menú

- Si la opción que desea aparece en color gris, no es posible seleccionarla.
- Oprima el botón de alimentación del TV de proyección para desactivarlo y activarlo.

No se recibe canal alguno mediante el sistema de cable

- Compruebe que “Cable” se encuentra en “Si” en el menú de Ajuste de canal (consulte “Cable” en la página 29).
- Utilice “Auto programación” para añadir canales que no se encuentren en la memoria del TV de proyección (consulte “Auto programación” en la página 29).

Volumen insuficiente al utilizar un decodificador

- Aumente el volumen en el decodificador. A continuación, oprima TV (FUNCTION) y ajuste el volumen del TV de proyección.

Canal favorito no muestra su selección

- Compruebe que “Canal favorito” está ajustado en “Manual” en el menú de Ajuste de canal (consulte “Ajuste y selección de Canal favorito” en la página 30).

Determinadas fuentes de video no aparecen al oprimir TV/VIDEO

- Asegúrese de que “Etiqueta de video” no está ajustada en “Omitir” (consulte “Etiqueta de video” en la página 33).

La grabación mediante MONITOR OUT no se realiza correctamente al grabar en el modo PIP.

- MONITOR OUT no graba ambas imágenes en PIP. Sólo se graba la imagen principal.
- Si está grabando la imagen principal y cambia al sonido de la imagen secundaria con el botón AUDIO, la imagen principal se grabará con el sonido del otro programa.

No es posible realizar juegos de tiro

- Algunos juegos de tiro, en los que se apunta con un haz de luz a la pantalla del TV mediante una pistola o rifle electrónico, no pueden utilizarse con este TV de proyección. Para más información, consulte el manual de instrucciones suministrado con el software de videojuegos.

Especificaciones

Sistema de proyección

3 tubos de imagen, 3 objetivos, sistema en línea horizontal

Tubo de imagen

Tubos monocromo de alto brillo de 7 pulgadas (tamaño de la trama de 6,3), con sistema de refrigeración por líquido y acoplamiento óptico

Objetivos de proyección

F1,05, híbridos de gran diámetro y alto rendimiento

Sistema de televisión

PAL-N, PAL-M, NTSC

Cobertura de canales

VHF: 2 a 13/UHF: 14 a 69/CATV: 1 a 125

Antena

Terminal exterior de 75 ohmios para VHF/UHF

Tamaño de la pantalla (medida diagonalmente)

43 pulgadas (KP-43T85T)

53 pulgadas (KP-53SV85T)

61 pulgadas (KP-61SV85T)

Entradas/salidas

VIDEO IN

VIDEO 2 INPUT

S VIDEO IN (mini DIN de 4 pines):

Y: 1 Vp-p, 75 ohmios no equilibrado, sincronización negativa

C: 0,286 Vp-p (señal de sincronismo), 75 ohmios

VIDEO (toma fono): 1 Vp-p, 75 ohmios

no equilibrado, sincronización negativa

AUDIO (tomas fono): 500 mVrms (100% de modulación), impedancia: 47 kilohmios

VIDEO 3 IN

S VIDEO IN (mini DIN de 4 pines):

Y: 1 Vp-p, 75 ohmios no equilibrado, sincronización negativa

C: 0,286 Vp-p (señal de sincronismo), 75 ohmios

VIDEO (toma fono): 1 Vp-p, 75 ohmios no equilibrado, sincronización negativa

Y: 1 Vp-p, 75 ohmios, sincronización negativa

P_B: 0,7 Vp-p, 75 ohmios

P_R: 0,7 Vp-p, 75 ohmios

AUDIO (tomas fono): 500 mVrms

(100% de modulación), impedancia: 47 kilohmios

MONITOR OUT

VIDEO (toma fono): 1 Vp-p, 75 ohmios no equilibrado, sincronización negativa

AUDIO (tomas fono): 500 mVrms

(100% de modulación), impedancia: 470 ohmios

AUDIO (VAR/FIX) OUT (tomas fono): 500 mVrms (100% de modulación), impedancia: 470 ohmios

CONTROL S OUT: minitoma

Bocina

Gama completa:

100 mm (4") × 2 (KP-43T85T)

Agudos:

66 mm (2⁵/₈") × 2 (KP-53SV85T/61SV85T)

Graves:

160 mm (6³/₈") × 2 (KP-61SV85T)

130 mm (5¹/₈") × 2 (KP-53SV85T)

Salida de bocinas

17 W × 2

Requisitos de alimentación

110-220 V CA, 50/60 Hz

Consumo de energía

Durante el uso (Máx.): 160W

En modo de espera: 1 W

Dimensiones (an/al/prf)

965 × 1,058 × 570 mm (38 × 41⁵/₈ × 22¹/₂ pulgadas) (KP-43T85T)

1,216 × 1,417 × 632 mm (47⁷/₈ × 55³/₄ × 24⁷/₈ pulgadas) (KP-53SV85T)

1,370 × 1,560 × 670 mm (54 × 61³/₈ × 26³/₈ pulgadas) (KP-61SV85T)

Peso

65 kg (143 lbs 5 oz) (KP-43T85T)

77 kg (169 lbs 12 oz) (KP-53SV85T)

94 kg (207 lbs 4 oz) (KP-61SV85T)

Accesorios suministrados

Control remoto RM-Y906 (1)

Pilas (2) tamaño AA (R6)

Accesorios opcionales

Cables de conexión





RK-G34, RK-74A, RK-G69HG, VMC-10HG, VMC-720M, VMC-810S/820S, YC-15V/30V

Mezclador de U/V EAC-66

Diseño y especificaciones sujetos a cambios sin previo aviso.

Índice alfabético


A

Agudos	25
Ajuste de canal (operaciones de menú) 	28, 29
Ajustes (operaciones de menú) 	32, 33
Ajustes de fábrica	24, 25
Ajuste de imagen (Contraste/Brillo/Color/Tinte/Nitidez)	24
ANT (botón)	20, 22
 (botón de audio)	20
Audio (operaciones de menú) 	25, 26
Auto programación	17, 29
AUTO SET UP	15
Auto volumen	25
AUX (conexión)	9, 22
Aprendizaje de los menús	
Ajuste de canal	28
Ajustes	32
Audio	25
Reloj	27
Video	24

B

Balance	25
Bocinas (Sí/No/SAVA SP)	26
Brillo	24

C

Cable	29
Cable coaxial	8, 9, 10
Cable de antena	9
Cable de audio/video	8
Cable de S Video	8
Canal favorito	
ajuste	30
selección	31
Canal Omitir/Agregar	29
Caption Vision 	20, 32
CATV (cable)	9
CH +/- (botones)	18, 22
CHANNEL +/- (botones)	15
Códigos de los fabricantes	34-36
Color	24
Conector de antena	8
Conexiones	8
Conexión de TV de proyección a:	
antena	8
cable	8
cámara de video	11
decodificador	9
decodificador y videocasetera ...	10
dos videocaseteras	12
reproductor DVD	13
sistema de audio	14
sistema de bocinas de la serie SAVA de Sony	14
una videocasetera	10

Contraste	24
Control remoto	15
dibujo (interior de la portada)	
CONTROL S OUT (toma)	8
Convergencia	17

D

Decodificador de cable	
conexión	9, 10
uso	36
Deslizadores	24, 25
DISPLAY (botón)	19
DVD	
conexión	13
uso	35
DVD/VTR (FUNCTION) (botón)	35

E

Edición con MONITOR OUT	12
Efecto (Simulado/No/BBE/Surround)	25
Encendido/Apagado	27
Equipos de video (uso)	34
Especificaciones	39
Etiqueta de video	33

F

Fijar hora actual	27
FLASH FOCUS	17, 33
FREEZE (botón)	19, 22



G

Graves	25
--------------	----

H

Hora actual	27
Hora de verano	27

I

Imagen en imagen (PIP)	21
Imagen en imagen (PIP) (operaciones)	
ACTIVE  	21
AUDIO	22
CH +/-	22
FREEZE	22
PIP	21
POSITION	21
SWAP	22
TV/VIDEO	21
Instalación de las pilas	15

J, K



JUMP (botón)	19
--------------------	----

L

Lenguaje	32
----------------	----

M

MDP (operación)	35
MENU (botón)	23
Modo (Vívido/Estándar/Película/Personal 1/Personal 2)	18, 24

MTS/SAP (Estéreo/SAP/Mono/SAP auto)	20, 25	Solución de problemas	37, 38
MUTING (botón)	18	Surround	25
N		SWAP (botón)	22
Nitidez	24	SYSTEM OFF (botón)	20
Nombre del canal	28	T, U	
O		Tinte	24
Omitir/Agregar	29	TV (FUNCTION) (botón)	18
P, Q		TV POWER (botón)	18
PICTURE MODE (botón)	18	TV/VIDEO (botón)	19, 21
Programación automática del TV de proyección	15	TV/VTR (botón)	20
R		V, W	
Reducción de ruido	24	Video (operaciones de menú) 	24
Reloj (operaciones de menú) 	27	Videocasetera	
RESET (botón)	24, 25	conexión	10, 12
S		operación	35
SAP	25	VOL +/- (botones)	18
SAT/CABLE (FUNCTION) (botón)	36	VOLUME +/- (botones)	16
Seguridad	6	X	
Salida de audio (Fija/Variable)	26	XDS	20
Selección de los menús	23	Y, Z	
Separador	10	Y/P _B /P _R	13
SET UP (botón)	16		
SLEEP (botón)	20		

Sony **on** line <http://www.world.sony.com/>
<http://www.latin.sony.com/>

Printed in U.S.A.