

HISTORY INFORMATION FOR THE FOLLOWING MANUAL:

# SERVICE MANUAL

# RA-4A CHASSIS

<u>MODEL NAME</u>	<u>REMOTE COMMANDER</u>	<u>DESTINATION</u>	<u>CHASSIS NO.</u>
<b>KP-53XBR300</b>	RM-Y902	US	SCC-P21A-A
<b>KP-53XBR300</b>	RM-Y902	Canadian	SCC-P21A-A
<b>KP-61XBR300</b>	RM-Y902	US	SCC-P21B-A
<b>KP-61XBR300</b>	RM-Y902	Canadian	SCC-P40B-A

**ORIGINAL MANUAL ISSUE DATE: 9/1999**

ALL REVISIONS AND UPDATES TO THE ORIGINAL MANUAL ARE APPENDED TO THE END OF THE PDF FILE.

<u>REVISION DATE</u>	<u>REVISION TYPE</u>	<u>SUBJECT</u>
9/1999	No revisions or updates are applicable at this time.	
6/2002	Correction - 1	D Board Corrections - Q5031 Voltage; Waveforms

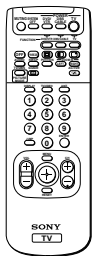
**COLOR REAR VIDEO PROJECTOR**

# SONY®

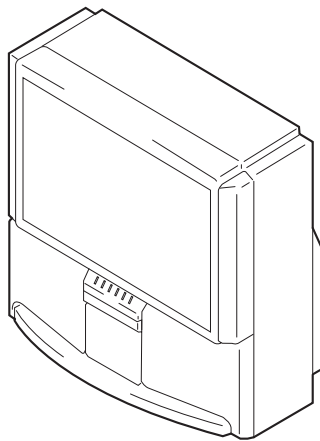
# SERVICE MANUAL RA-4A CHASSIS

<u>MODEL</u>	<u>COMMANDER</u>	<u>DEST.</u>	<u>CHASSIS NO.</u>
<i>KP-53XBR300</i>	<i>RM-Y902</i>	<i>US</i>	<i>SCC-P21A-A</i>
<i>KP-53XBR300</i>	<i>RM-Y902</i>	<i>Canadian</i>	<i>SCC-P21A-A</i>
<i>KP-61XBR300</i>	<i>RM-Y902</i>	<i>US</i>	<i>SCC-P21B-A</i>
<i>KP-61XBR300</i>	<i>RM-Y902</i>	<i>Canadian</i>	<i>SCC-P21B-A</i>

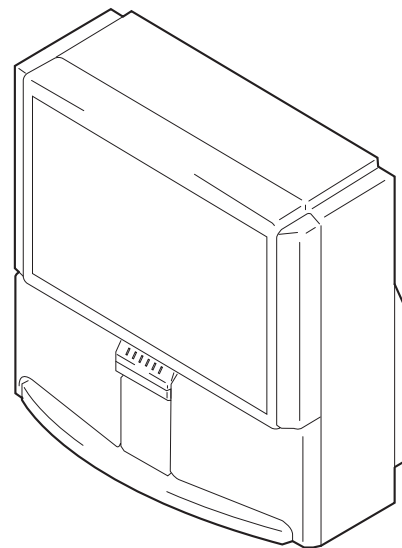
<u>MODEL</u>	<u>COMMANDER</u>	<u>DEST.</u>	<u>CHASSIS NO.</u>



RM-Y902



KP-53XBR300



KP-61XBR300



\* Please file according to model size. ....

53 61

COLOR REAR VIDEO PROJECTOR  
**SONY**<sup>®</sup>

## SPECIFICATIONS

### Projection system

3 picture tubes, 3 lenses, horizontal in-line system

### Picture tube

7-inch high-brightness monochrome tubes (6.3 raster size)  
with optical coupling and liquid cooling system

### Projection lenses

High performance, large diameter hybrid lens F1.1

### Television system

American TV standard

### Channel coverage

VHF: 2-13/UHF: 14-69/CATV: 1-125

### Antenna

75 ohm external terminal for VHF/UHF

### Screen size (measured diagonally)

53 inches (KP-53XBR300)

61 inches (KP-61XBR300)

### Inputs/outputs

#### VIDEO 1/3 IN

#### VIDEO 2 INPUT

S VIDEO IN (4-pin mini DIN):

Y: 1 Vp-p, 75-ohms unbalanced, sync negative

C: 0.286 Vp-p (Burst signal), 75 ohms

VIDEO (phono jack): 1 Vp-p, 75-ohms unbalanced, sync negative

AUDIO (phono jacks): 500 mVrms (100% modulation),  
Impedance: 47 kilohms

#### VIDEO 4 IN

S VIDEO IN (4-pin mini DIN):

Y: 1 Vp-p, 75-ohms unbalanced, sync negative

C: 0.286 Vp-p (Burst signal), 75 ohms

VIDEO (phono jack): 1 Vp-p, 75-ohms unbalanced, sync negative

AUDIO (phono jacks): 500 mVrms (100% modulation),  
Impedance: 47 kilohms

Y: 1 Vp-p, 75 ohms, sync negative

Pb: 0.7 Vp-p, 75 ohms

Pr: 0.7 Vp-p, 75 ohms

#### VIDEO 5 (DTV) IN

#### Maximum scanning rate: 1080i

Y: 1 Vp-p, 75 ohms, negative or tri-level sync

Pb: 0.7 Vp-p, 75 ohms

Pr: 0.7 Vp-p, 75 ohms

or

G: 0.7 Vp-p

B: 0.7 Vp-p

R: 0.7 Vp-p

HD: 0.5-5 Vp-p, 2.2 kilohms

VD: 0.6-5 Vp-p, 2.2 kilohms

#### Note:

The VIDEO 5 (DTV) IN jacks are not compatible with a computer's 5BNC (R/G/B/HD/VD) video output connectors.

AUDIO (phono jacks): 500 mVrms (100% modulation),

Impedance: 47 kilohms

#### SELECT OUT

VIDEO (phono jack): 1 Vp-p, 75-ohms unbalanced, sync negative

AUDIO (phono jacks): 470 mVrms (100% modulation),  
Impedance: 47 kilohms

AUDIO (VAR) OUT (phono jacks): 950 mVrms (100% modulation)

AUDIO (FIX) OUT (phono jacks): 500 mVrms (100% modulation)

CONTROL S IN/OUT: minijacks

### Speaker

Front (Tweeter): 50 mm (2") × 2

Front (Woofer):

130 mm (5") × 2 (KP-53XBR300)

160 mm (6 3/8") × 2 (KP-61XBR300)

Front (Center): 100 mm (4") × 2

Rear: 70 mm (2 3/4") × 4

### Speaker output

Front: 20 W × 2

Center: 20 W × 1

Rear: 10 W × 2

### Power requirement

120 V AC, 60 Hz

### Power consumption

In use (Max.): 300 W

In standby: 1 W

### Dimensions (W/H/D)

1,322 × 1,439 × 621 mm (52 1/8 × 56 3/4 × 24 1/2 inches)  
(KP-53XBR300)

1,573 × 1,533 × 702 mm (62 × 60 3/8 × 27 3/4 inches)  
(KP-61XBR300)

### Mass

127 kg (282 lbs) (KP-53XBR300)

160 kg (355 lbs) (KP-61XBR300)

### Supplied accessories

Remote control RM-Y902 (1)

Batteries size AA (R6) (2)

Rear speakers (2)

Speaker cords (2)

### Optional accessories

Connecting cables

RK-G34, RK-74A, RKG-69HG, VMC-10HG,

VMC-720M, VMC-810S/820S, YC-15V/30V

U/V mixer EAC-66

Side rack

SU-53XBR200 (for KP-53XBR300)

SU-61XBR200 (for KP-61XBR300)

*Design and specifications are subject to change without notice.*

## SAFETY CHECK-OUT ( US model only )

After correcting the original service problem, perform the following safety checks before releasing the set to the customer:

1. Check the area of your repair for unsoldered or poorly-soldered connections. Check the entire board surface for solder splashes and bridges.
2. Check the interboard wiring to ensure that no wires are “pinched” or contact high-wattage resistors.
3. Check that all control knobs, shields, covers, ground straps, and mounting hardware have been replaced. Be absolutely certain that you have replaced all the insulators.
4. Look for unauthorized replacement parts, particularly transistors, that were installed during a previous repair. Point them out to the customer and recommend their replacement.
5. Look for parts which, through functioning, show obvious signs of deterioration. Point them out to the customer and recommend their replacement.
6. Check the line cords for cracks and abrasion. Recommend the replacement of any such line cord to the customer.
7. Check the condition of the monopole antenna (if any). Make sure the end is not broken off, and has the plastic cap on it. Point out the danger of impalement on a broken antenna to the customer, and recommend the antenna’s replacement.
8. Check the B+ and HV to see they are at the values specified. Make sure your instruments are accurate; be suspicious of your HV meter if sets always have low HV.
9. Check the antenna terminals, metal trim, “metallized” knobs, screws, and all other exposed metal parts for AC leakage. Check leakage as described below.

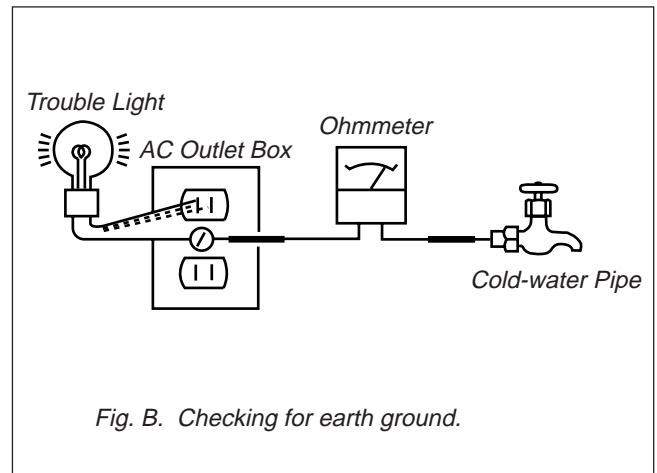
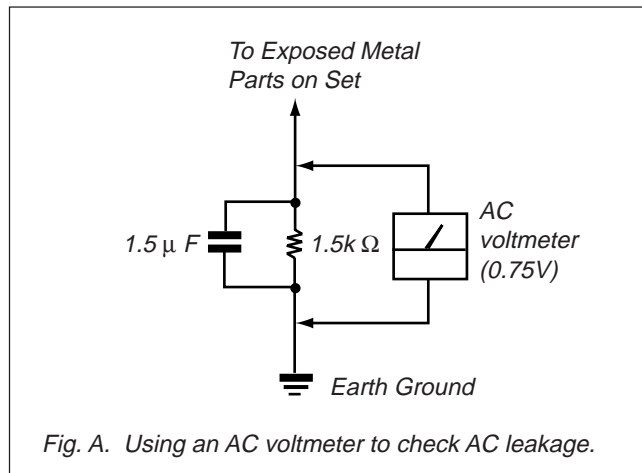
### LEAKAGE TEST

The AC leakage from any exposed metal part to earth ground and from all exposed metal parts to any exposed metal part having a return to chassis, must not exceed 0.5mA (500 microamperes) . Leakage current can be measured by any one of three methods.

1. A commercial leakage tester, such as the Simpson 229 or RCA WT-540A. Follow the manufacturers’ instructions to use these instruments.
2. A battery-operated AC milliammeter. The Data Precision 245 digital multimeter is suitable for this job.
3. Measuring the voltage drop across a resistor by means of a VOM or battery-operated AC voltmeter. The “limit” indication is 0.75V, so analog meters must have an accurate low-voltage scale. The Simpson 250 and Sanwa SH-63Trd are examples of a passive VOM that is suitable. Nearly all battery operated digital multimeters that have a 2V AC range are suitable. (See Fig. A)

### HOW TO FIND A GOOD EARTH GROUND

A cold-water pipe is guaranteed earth ground; the cover-plate retaining screw on most AC outlet boxes is also at earth ground. If the retaining screw is to be used as your earth-ground, verify that it is at ground by measuring the resistance between it and a cold-water pipe with an ohmmeter. The reading should be zero ohms. If a cold-water pipe is not accessible, connect a 60-100 watts trouble light (not a neon lamp) between the hot side of the receptacle and the retaining screw. Try both slots, if necessary, to locate the hot side of the line, the lamp should light at normal brilliance if the screw is at ground potential. (See Fig. B)



## SELF DIAGNOSIS FUNCTION

### 1. Summary of Self-Diagnosis Function

- This device includes a self-diagnosis function.
- In case of abnormalities, the TIMER/STANDBY indicator automatically blinks. It is possible to predict the abnormality location by the number of blinks. The Instruction Manual describes blinking of the TIMER/STANDBY indicator.
- If the symptom is not reproduced sometimes in case of a malfunction, there is recording of whether a malfunction was generated or not. Operate the remote command to confirm the matter on the screen and to predict the location of the abnormality.

### 2. Diagnosis Items and Prediction of Malfunction Location

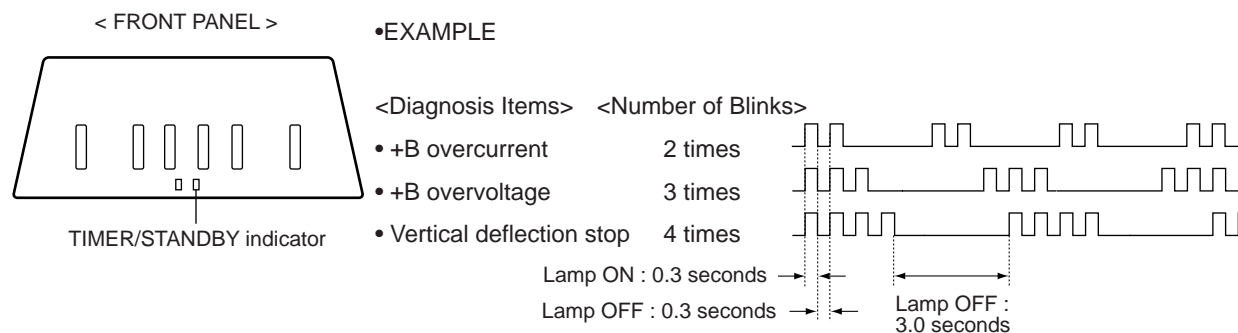
- When a malfunction occurs the TIMER/STANDBY indicator only blinks for one of the following diagnosis items. In case of two or more malfunctions, the item which first occurred blinks. If the malfunctions occurred simultaneously, the item with the lower blink count blinks first.
- The screen display displays the results regarding all the diagnosis items listed below. The display “ 0 ” means that no malfunctions occurred.

Diagnosis item	TIMER/STANDBY Indicator Number of blinks	Supposed malfunction	Condition	Self-diagnosis screen display, Diagnosis item: Results
• Power not ON	0	[Standby Power Supply System] F601 open. R607 open. Q601 short circuit [Main Power Supply System] IC601 and R612 are broken. VDR601 short-circuit	Cannot turn on the power. LED doesn't blink.	
+B OCP detection	2 times	Short circuit of power supply system in each circuit.	Goes to the standby mode Short circuit of +B line	2 : +B OCP 000
+B OVP detection	3 times	IC6005 is broken. IC6101 is broken.	Goes to the standby mode Malfunction of power supply circuit	3 : +B OVP 000
Vertical deflection stop	4 times	IC5004(V out) is broken. IC512 (VDSP) is broken.	Raster goes to one line horizontally.	4 : V Stop 000
Video out abnormality detection	5 times	Video out, IC7101, 7201, 7301 and others in C board circuit. Q510,516,524 (A board)	TIMER/STANDBY LED blinks approx. 30 seconds, and then blinks for the self diagnosis.	5 : AKB 000
Horizontal deflection stop	6 times	Q5013 (H OUT) is broken. IC507 (H Jungle) is broken.	Raster doesn't appear.	6 : H Stop 000
High voltage abnormality detection	7 times	Q8008 is broken	Raster doesn't appear.	7 : HV 000
Audio abnormality detection	8 times	IC2601, 2602, 2603 are broken. PS6103, 6104 are broken.	The sound is not out. Goes to the standby mode	8 : Audio 000

\* : 000 the range of values for number of operations is 000-255. For 256 or higher there is no count up and the number remains at 255.

### 3. Blinking count display of TIMER/STANDBY indicator

\* One blink is not used for self-diagnosis.



#### Release of TIMER/STANDBY indicator blinking.

- The TIMER/STANDBY indicator blinking display is released by turning OFF the power switch on the TV main unit or removing the plug from the power.

#### 4. Self-diagnosis screen displays

- In cases of malfunctions where it is not possible to determine the symptom such as when the power goes off occasionally or when the screen disappears occasionally, there is a screen display on whether the malfunction occurred or not in the past (and whether the detection circuit operated or not) in order to allow confirmation.

##### <Screen Display Method>

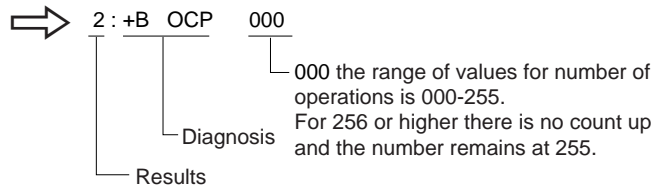
- Quickly press the remote command button in the following order from the standby state.



Be aware that this differs from the method of entering the service mode (volume +).

##### Self-diagnosis screen display

Self Check		
2 : +B	OCP	000
3 : +B	OVP	000
4 : V	Stop	000
5 : AKB		000
6 : H	Stop	000
7 : HV		000
8 : Audio		000
9 : WDT		000



#### 5. Self-Diagnosis Screen Display

- The results display is not automatically cleared. In case of repairs and after repairs, check the self-diagnosis screen and be sure to return the results display to “0”.
- If the results display is not returned to “0” it will not be possible to judge a new malfunction after completing repairs.

##### <Method of Clearing Results Display>

1. Power off (Set to the standby mode)
2. DISPLAY → Channel 5 → VOL + → POWER (Service Mode)
3. Channel 8 → ENTER (Test reset = Factory preset condition)

##### <Method of Ending Self Diagnosis Screen>

- When ending the self-diagnosis screen completely, turn the power switch OFF on the remote commander or the main unit.

**6. Self-diagnosis function operation**

- OCP** Low B and +B line detect DET SHORT, and shut-down POWER ON RELAY.  
 Reset by turning power on/off.  
 In case of +B is loaded approx. 1.5A or more, microcomputer detects it via IC6102.
- OVP** In case of +B becomes approx. 150V or more, POWER ON RELAY shuts down and microcomputer detects it via IC6102.  
 Reset by turning power on/off just the same as OCP.
- V Stop** In case of V Drive disappeared, Q5005 detects it and shut-down POWER ON RELAY. Microcomputer detects it and makes LED blinking.
- AKB** IK detection. Makes LED blinking in case of microcomputer doesn't detect IK returns of IC511 (CXA2101AQ) 30 seconds or more.
- H Stop** In case of H DRIVE is disappeared, Q5006 detects it and shut-down POWER ON RELAY shuts down.  
 Microcomputer receives H Stop data from Q5006 and makes LED blinking.
- HV Stop** In case of HV becomes 33KV or more. IC8006 and IC8010 detect it and shut-down POWER ON RELAY. Microcomputer makes LED blinking.
- Audio** In case of DC component overlaps the output of Audio Amp., POWER ON RELAY shuts down.  
 Microcomputer detects it and makes LED blinking.

**Self-diagnosis block diagram**

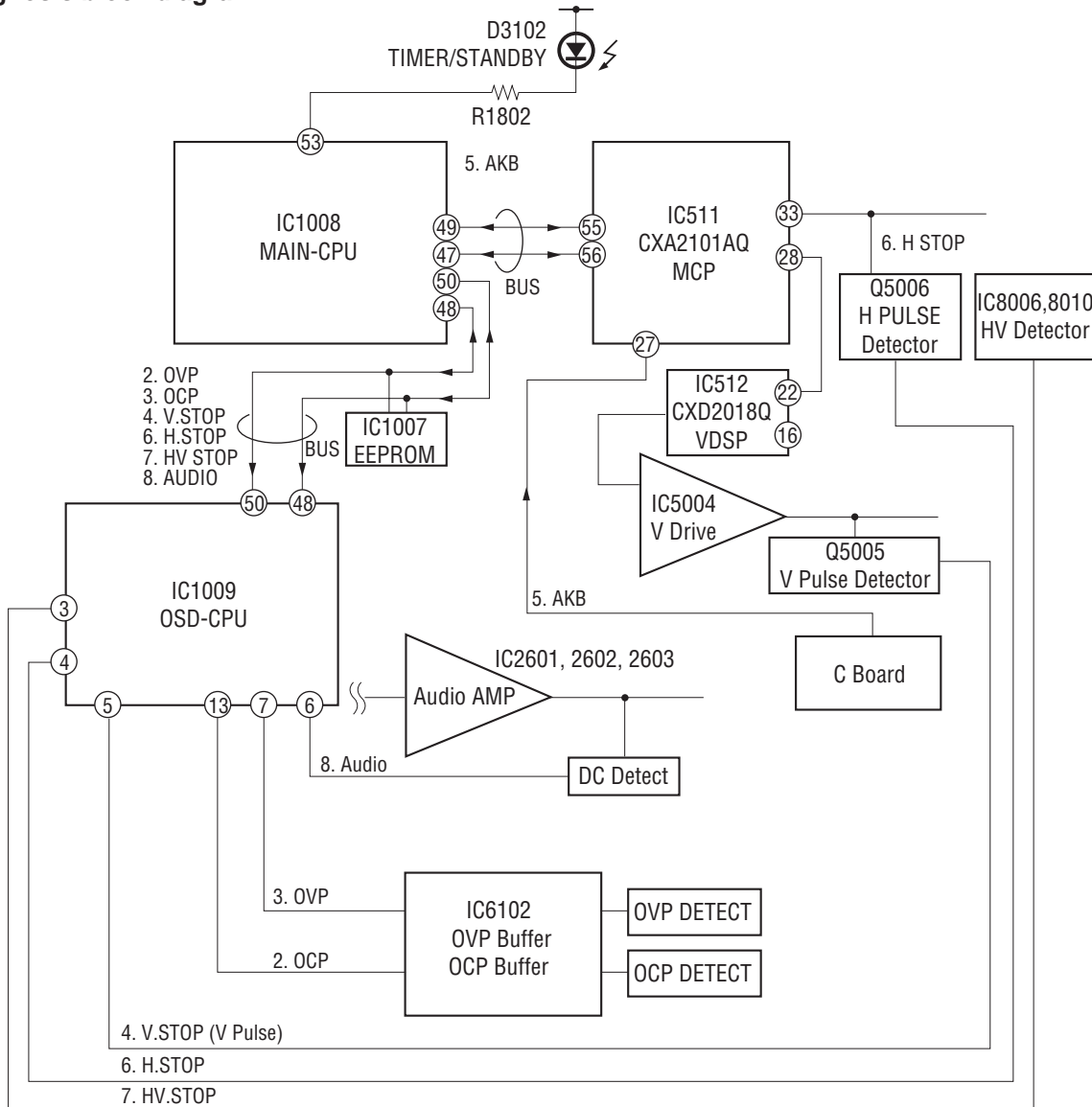


TABLE OF CONTENTS

Section	Title	Page	Section	Title	Page
	SELF DIAGNOSIS FUNCTION .....	4			
<b>1. GENERAL</b>					
	Remote Control .....	9			
	Installing and Connecting the Projection TV .....	9			
	Basic Set Up .....	18			
	Using Your New Projection TV .....	19			
	Adjusting Your SET UP (menus) .....	23			
	Operating Video Equipment .....	34			
	Operating a Cable Box or DBS Receiver .....	35			
<b>2. DISASSEMBLY</b>					
2-1.	Screen Frame Assy and HC Board Removal .....	37			
2-2.	Rear Board Removal .....	37			
2-3.	Main Bracket Removal .....	37			
2-4.	Service Position .....	37			
2-5.	G Board Removal .....	38			
2-6.	Terminal Board and U Board Removal .....	38			
2-7.	K Board Removal .....	38			
2-8.	BM, BR and BD Board Removal .....	38			
2-9.	BA Board Removal .....	39			
2-10.	DS Board Removal .....	39			
2-11.	A and D Board Removal .....	39			
2-12.	Reflection Mirror Removal .....	40			
2-13.	HA and HB Board Removal .....	40			
2-14.	Picture Tube Removal .....	41			
2-15.	High-Voltage Cable Installation and Removal .....	41			
<b>3. SET-UP ADJUSTMENTS</b>					
3-1.	Screen Voltage Adjustment (Rough Alignment) .....	42			
3-2.	Focus Lens Adjustment .....	42			
3-3.	Screen (G2) Adjustment .....	42			
3-4.	Focus VR Adjustment .....	42			
3-5.	Deflection York Tilt Adjustment .....	43			
3-6.	2-Pole Magnet Adjustment (Green, Red) .....	43			
3-7.	4-Pole Magnet Adjustment .....	43			
3-8.	Defocus Adjustment (Blue) .....	43			
3-9.	Electrical Adjustment by Remote Commander .....	44			
3-10.	Registration Adjustment .....	50			
3-11.	Auto Registration Error Code List .....	53			
<b>4. SAFETY RELATED ADJUSTMENTS</b>					
4-1.	HV Regulation Circuit Check and Adjustment .....	54			
4-2.	HV Hold Down Circuit Operation and Adjustment ..	54			
4-3.	+B OVP Confirmation .....	54			
<b>5. CIRCUIT ADJUSTMENTS</b>					
5-1.	TV Input Sub Contrast Adjustment (MCD1 SCON) .....	55			
5-2.	Video Input Sub-Contrast Adjustment (MCD3-SCON) .....	55			
5-3.	P & P Sub-Contrast Adjustment (MCD2-SCON) .....	55			
5-4.	P & P Sub-Contrast Adjustment (MCD4-SCON) .....	55			
5-5.	480 I Sub-Contrast Adjustment(MCP2-SCON) .....	56			
5-6.	Video 5 Input Sub-Contrast Adjustment (MCP3-scon) .....	56			
5-7.	Sub-HUE and Sub-Color Adjustment (MCD1-SHUE,SCOL) .....	56			
5-8.	Video Input Sub-HUE and Sub-Color Adjustment (MCD3-SHUE,SCOL) .....	56			
5-9.	P & P Sub-HUE and Sub-Color Adjustment (MCD2-SHUE,SCOL) .....	57			
			5-10.	P & P Sub-HUE and Sub-Color Adjustment (MCD4-SHUE,SCOL) .....	57
			5-11.	P & P Sub Contrast Adjustment (MCD1-SCON) .....	57
			5-12.	P & P Sub Contrast Adjustment (MCD2-SCON) .....	57
			5-13.	Sub-HUE and Sub-Color Adjustment (SCD1-SHUE,SCOL) .....	58
			5-14.	Sub-HUE and Sub-Color Adjustment (SCD2-SHUE,SCOL) .....	58
			5-15.	Video 5 Input Sub-HUE and Sub-Color Adjustment (MCP3-SHUE,SCOL) .....	58
			5-16.	Display Position Adjustment (OSD-HPOS) .....	59
			5-17.	Caption Vision Position Adjustment (MCCD-CCDH) .....	59
			5-18.	Mid Display Position Adjustment (MID-HPOS) .....	59
			<b>6. DIAGRAMS</b>		
			6-1.	Block Diagram (1) .....	61
				Block Diagram (2) .....	64
				Block Diagram (3) .....	67
				Block Diagram (4) .....	69
				Block Diagram (5) .....	71
				Block Diagram (6) .....	74
				Block Diagram (7) .....	77
				Block Diagram (8) .....	79
			6-2.	Frame Schematic Diagram .....	81
			6-3.	Circuit Boards Location .....	84
			6-4.	Printed Wiring Boards and Schematic Diagrams .....	84
				• A (1/4)Board .....	89
				• A (2/4)Board .....	93
				• A (3/4)Board .....	97
				• A (4/4)Board .....	100
				• BA Board .....	104
				• BM Board .....	107
				• BR Board .....	115
				• BD Board .....	120
				• DS Board .....	123
				• D(1/2) Board .....	127
				• D(2/2) Board .....	130
				• K Board .....	139
				• CR Board .....	143
				• CG Board .....	144
				• CB Board .....	145
				• ZR Board .....	147
				• ZG Board .....	148
				• ZB Board .....	150
				• U Board .....	151
				• HA Board .....	153
				• HB Board .....	153
				• HC Board .....	153
				• G Board .....	157
			6-5.	Semiconductors .....	160
			<b>7. EXPLODED VIEWS</b>		
			7-1.	Cover (KP-53XBR300) .....	162
			7-2.	Cover (KP-61XBR300) .....	163
			7-3.	Chassis .....	164
			7-4.	Picture Tube .....	165
			<b>8. ELECTRICAL PARTS LIST</b> .....	166	



(CAUTION)

SHORT CIRCUIT THE ANODE OF THE PICTURE TUBE AND THE ANODE CAP TO THE METAL CHASSIS, CRT SHIELD, OR CARBON PAINTED ON THE CRT, AFTER REMOVING THE ANODE.

WARNING!!

AN ISOLATION TRANSFORMER SHOULD BE USED DURING ANY SERVICE TO AVOID POSSIBLE SHOCK HAZARD, BECAUSE OF LIVE CHASSIS. THE CHASSIS OF THIS RECEIVER IS DIRECTLY CONNECTED TO THE AC POWER LINE.

SAFETY-RELATED COMPONENT WARNING!!

COMPONENTS IDENTIFIED BY SHADING AND MARK  $\triangle$  ON THE SCHEMATIC DIAGRAMS, EXPLODED VIEWS AND IN THE PARTS LIST ARE CRITICAL TO SAFE OPERATION. REPLACE THESE COMPONENTS WITH SONY PARTS WHOSE PART NUMBERS APPEAR AS SHOWN IN THIS MANUAL OR IN SUPPLEMENTS PUBLISHED BY SONY. CIRCUIT ADJUSTMENTS THAT ARE CRITICAL TO SAFE OPERATION ARE IDENTIFIED IN THIS MANUAL. FOLLOW THESE PROCEDURES WHENEVER CRITICAL COMPONENTS ARE REPLACED OR IMPROPER OPERATION IS SUSPECTED.

(ATTENTION)

APRES AVOIR DECONNECTE LE CAP DE L'ANODE, COURT-CIRCUITER L'ANODE DU TUBE CATHODIQUE ET CELUI DE L'ANODE DU CAP AU CHASSIS METALLIQUE DE L'APPAREIL, OU AU COUCHE DE CARBONE PEINTE SUR LE TUBE CATHODIQUE OU AU BLINDAGE DU TUBE CATHODIQUE.

ATTENTION!!

AFIN D'EVITER TOUT RISQUE DE ELECTROCUTION PROVENANT D'UN CHÂSSIS SOUS TENSION, UN TRANSFORMATEUR D'ISOLEMENT DOIT ETRE UTILISÉ LORS DE TOUT DEPANNAGE. LE CHÂSSIS DE CE RECEPTEUR EST DIRECTEMENT RACCORDÉ À L'ALIMENTATION SECTEUR.

ATTENTION AUX COMPOSANTS RELATIFS À LA SÉCURITÉ!!

LES COMPOSANTS IDENTIFIÉS PAR UNE TRAME ET PAR UNE MAPQUE  $\triangle$  SUR LES SCHÉMAS DE PRINCIPE, LES VUES EXPLOSÉES ET LES LISTES DE PIÈCES CONT D'UNE IMPORTANCE CRITIQUE POUR LA SÉCURITÉ DU FONCTIONNEMENT. NE LES REMPLACER QUE PAR DES COMPOSANTS SONY DONT LE NUMÉRO DE PIÈCE EST INDIQUÉ DANS LE PRÉSENT MANUEL OU DANS DES SUPPLÉMENTS PUBLIÉS PAR SONY. LES RÉGLAGES DE CIRCUIT DONT L'IMPORTANCE EST CRITIQUE POUR LA SÉCURITÉ DU FONCTIONNEMENT SONT IDENTIFIÉS DANS LE PRÉSENT MANUEL. SUIVRE CES PROCÉDURES LORS DE CHAQUE REMPLACEMENT DE COMPOSANTS CRITIQUES, OU LORSQU'UN MAUVAIS FONCTIONNEMENT EST SUSPECTÉ.

# SECTION 1 GENERAL

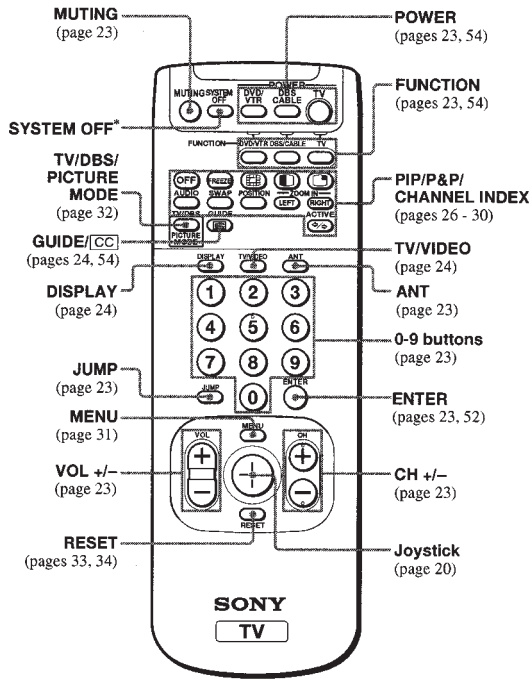
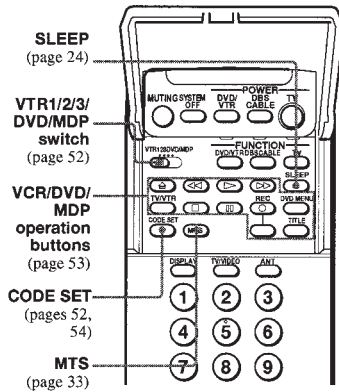
The operating instructions mentioned here are partial abstracts from the Operating Instructions Manual. The page numbers of the Operating Instruction Manual remain as in the manual. (Part no : 3-867-651-11)

## Remote Control



In the instructions that follow, we will refer to the buttons on your remote control. Keep this flap unfolded and use this page for reference.

For a detailed explanation of most buttons, see "Watching the TV" on page 23.



## Getting to know the buttons on the remote control

Names of the buttons on the remote control are presented in different colors to represent the available functions.

### Button color

**Transparent:** Press to select the component you want to control; e.g. VTR (VCR)/MDP/DVD Player, DBS (Direct Broadcast Satellite)/CABLE, or projection TV.

**Green:** Buttons relevant to power operations, like turning the projection TV, DBS/CABLE, or VTR (VCR)/MDP/DVD Player on or off

### Label color

**White:** TV/VTR (VCR)/MDP/DVD Player/DBS (Direct Broadcast Satellite)/CABLE operation buttons

**Yellow:** PIP, P&P, and CHANNEL INDEX operation buttons

**Blue:** DBS operation buttons

**Pink:** DVD Player operation buttons

\* The SYSTEM OFF button does not function with this projection TV.

## Installing and Connecting the Projection TV

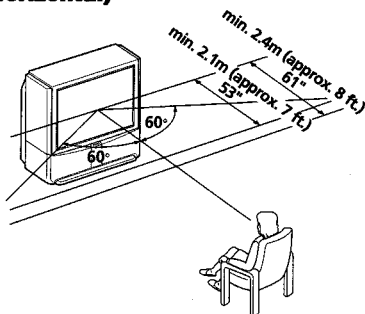
### Carrying Your Projection TV

Carrying the projection TV requires three or more people.

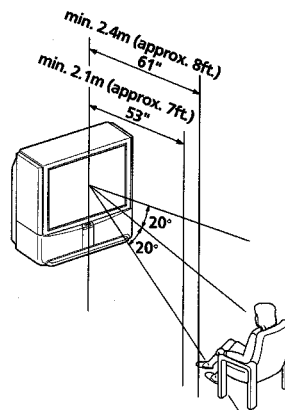
The projection TV has been equipped with casters for easy movement on a hard surface. Please move your projection TV using the casters.

### Installing the Projection TV

#### Recommended viewing area (Horizontal)



#### Recommended viewing area (Vertical)

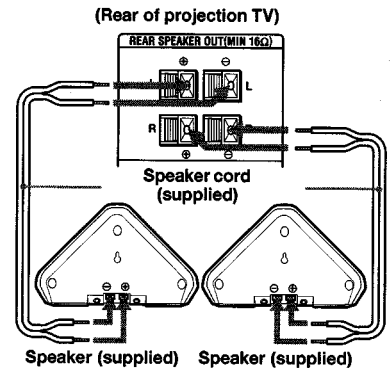


## Mounting the Supplied Rear Speakers

For enhanced surround effect, connect the supplied rear speakers to your projection TV.

### Connecting the rear speakers

Using the supplied speaker cords, connect REAR SPEAKER OUT L on your projection TV to the speaker terminal on one rear speaker, and connect REAR SPEAKER OUT R to the terminal on the other one.



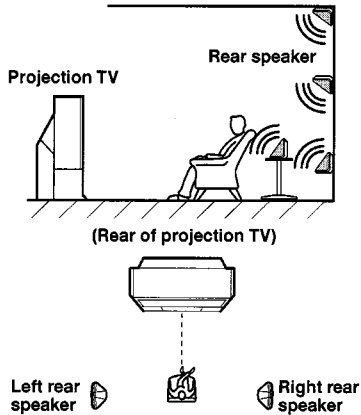
(continued)

Installing and Connecting the Projection TV

## Installation

For optimum surround effect, mount the rear speakers in the following places (as shown in the illustration):

- on a wall, a little higher or lower than the listener's ears.
- on a table, a little lower than the listener's ears.
- at the corner where the wall and ceiling meet.



### Note:

- Match the colors of the speaker cords and the terminals. If the colors are reversed, sound will be distorted.

## Connector Types

You may find it necessary to use some of the following connector types during set up.

### Coaxial cable

Standard TV cable and antenna cable

#### Plug Type



#### Screw-on Type



### S Video cable

High quality video cable for enhanced picture quality



### Audio/Video cable



Video - Yellow  
Audio (Left) - White  
Audio (Right) - Red

Some DVD Players are equipped with the following three video connectors.

Y - Green  
Pb (Cb, Cb or B-Y) - Blue  
Pr (Cr, Cr or R-Y) - Red

### Composite video cable for a DTV receiver



G/Y - Green  
B/Pb - Blue  
R/Pr - Red  
HD - Gray  
VD - Black

### CONTROL S cable

Sony cable for CONTROL S connections. These features are exclusive to Sony products and allow greater control of all Sony equipment.

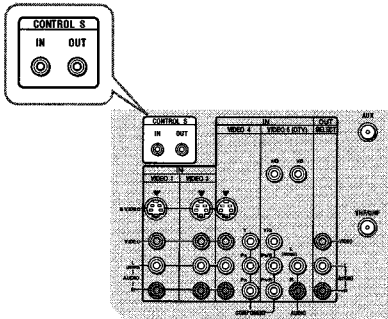


4

## About the CONTROL S IN/OUT jacks

To control other Sony equipment with the projection TV's remote control, connect the CONTROL S IN jack of the equipment to the CONTROL S OUT jack on the projection TV with the CONTROL S cable.

To control the projection TV with a remote control for another Sony product, connect the CONTROL S OUT jack of the equipment to the CONTROL S IN jack on the projection TV with the CONTROL S cable.

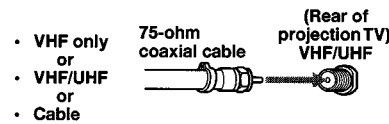


## Making Connections.

### Connecting Directly to a Cable or an Antenna

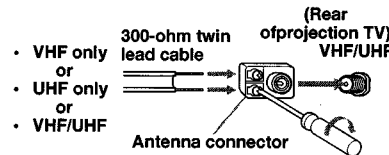
The connection you choose will depend on the cable found in your home. Newer homes will be equipped with standard coaxial cable (see **A**); older homes will probably have 300-ohm twin lead cable (see **B**); still other homes may contain both (see **C**).

#### A



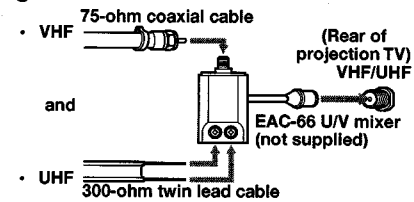
- VHF only
- or
- VHF/UHF
- or
- Cable

#### B



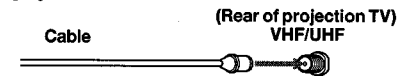
- VHF only
- or
- UHF only
- or
- VHF/UHF

#### C



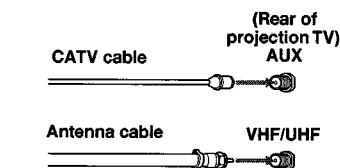
### Cable or antenna

This is the simplest connection. Connection is made directly from the cable or antenna to the projection TV.



### Cable and antenna

You may find it convenient to use the following set up if your cable provider does not feature local channels that you are able to receive using an antenna.



Select Cable or ANT mode by pressing ANT on the remote control.

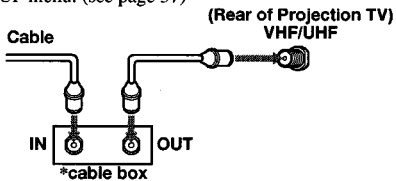
Installing and Connecting the Projection TV

(continued) 5

## Connecting a Cable Box

Some pay cable TV systems use scrambled or encoded signals that require a cable box\* to view all channels.

Also, set CABLE to ON in the CHANNEL SET UP menu. (see page 37)

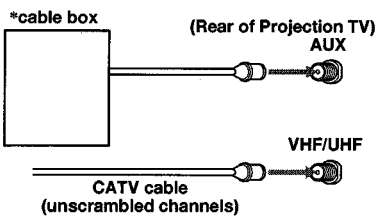


### Note:

- If you will be controlling all channel selection through your cable box, you should consider using the CHANNEL FIX feature. (see "CHANNEL FIX" on page 37)

## Cable box and cable

Some pay cable TV systems use scrambled or encoded signals requiring a cable box\* only for certain channels (e.g. HBO, SHOWTIME, etc.)



6

For this set up, you can switch between scrambled channels (through your cable box), and normal (CATV) channels by pressing ANT on your remote control.

### Notes:

- You may be able to program your Sony remote control to operate your cable box. (see "Operating a Cable Box or DBS Receiver" on page 54)
- During PIP, P&P, CHANNEL INDEX or FAVORITE CHANNEL viewing, the AUX input can only be viewed in the main picture.
- If you are connecting a cable box through the AUX input and would like to switch between the AUX and normal (CATV) input, you should consider using CHANNEL FIX. (see "CHANNEL FIX" on page 37)

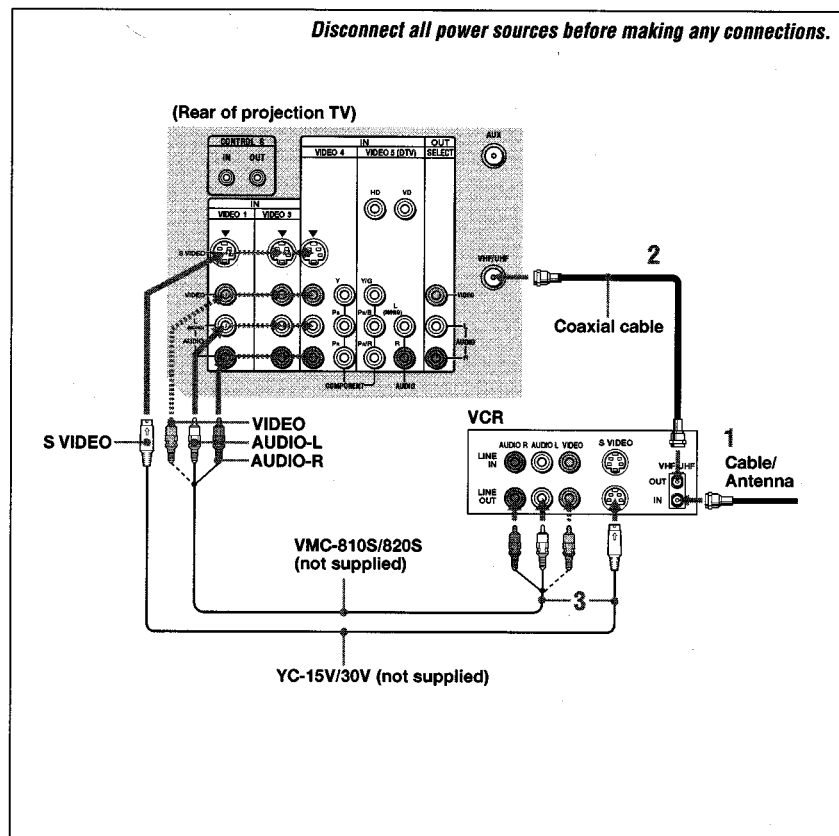
## Connecting an Antenna/Cable TV System to a VCR

- 1 Attach the coaxial cable from the incoming cable connection or antenna to IN on the VCR.
- 2 Using a coaxial cable, connect OUT on the VCR to VHF/UHF on the projection TV.
- 3 Using AUDIO and S VIDEO\* cables, connect AUDIO and S VIDEO OUT on the VCR to AUDIO and S VIDEO IN on the projection TV (White-AUDIO Left, Red-AUDIO Right).

\* If your VCR is not equipped with S VIDEO, use a VIDEO cable (yellow) instead of the S VIDEO cable.

### Note:

- If you are connecting a monaural VCR, connect only the single audio output to the left (MONO) input on the projection TV.



Installing and Connecting the Projection TV

7

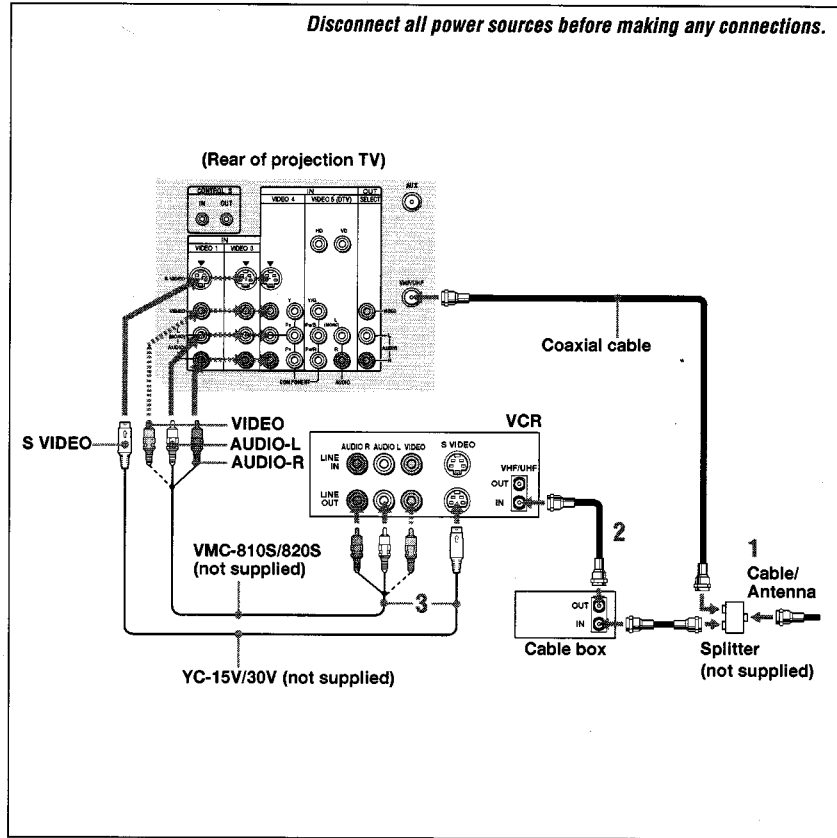
## Connecting a VCR and Projection TV to a Cable Box

- 1 Connect the single (input) jack of the splitter to the incoming cable connection, and connect the other two (output) jacks (using the coaxial cable) to IN on the cable box and VHF/UHF on the projection TV.
- 2 Using a coaxial cable, connect OUT on the cable box to IN on the VCR.
- 3 Using AUDIO and S VIDEO\* cables, connect AUDIO and S VIDEO OUT on the VCR to AUDIO and S VIDEO IN on the projection TV (White-AUDIO Left, Red-AUDIO Right).

\* If your VCR is not equipped with S VIDEO, use a VIDEO cable (yellow) instead of the S VIDEO cable.

### Note:

- To view scrambled channels through the cable box, select the video input which the cable box is connected to by pressing TV/VIDEO.



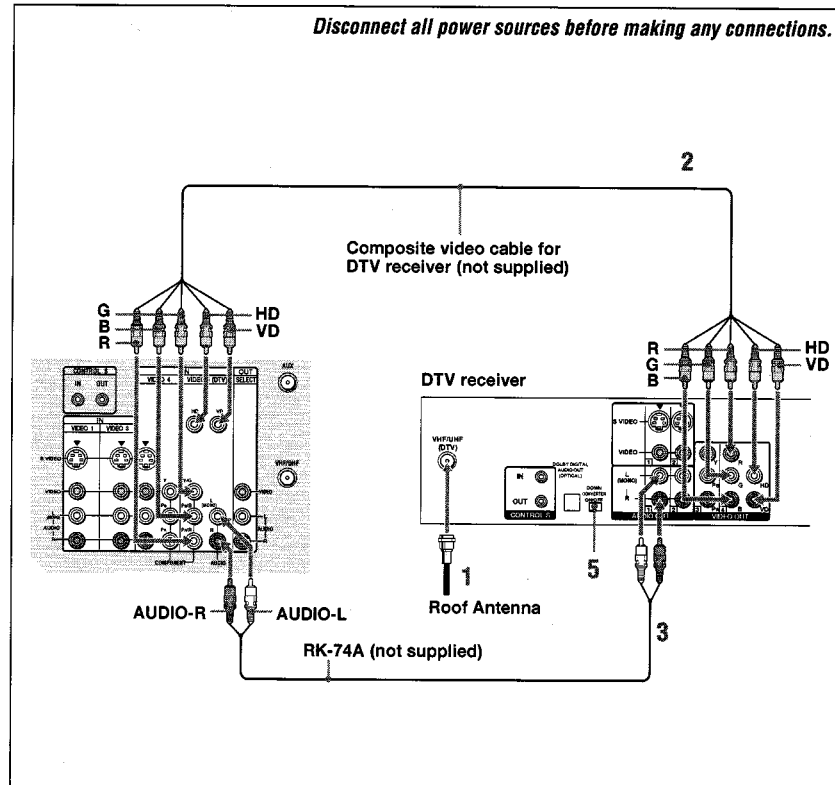
8

## Connecting a DTV (Digital Television) Receiver

Before connecting, be sure to read the Operating Instructions of the DTV receiver.

### Connecting a DTV (digital television) receiver with the G/B/R/HD/VD jacks

- 1 Attach the coaxial cable from the roof antenna to VHF/UHF on the DTV receiver.
- 2 Using a composite video cable for DTV receiver, connect G, B, R, HD and VD of VIDEO OUT on the DTV receiver to G, B, R, HD and VD respectively of VIDEO 5 (DTV) IN on the projection TV. If the composite video cable is not available, proceed to step 2 in "Connecting a DTV receiver with the Y/Pb/Pr (component video input) jacks" on page 10.
- 3 Using an AUDIO cable, connect AUDIO OUT on the DTV receiver to AUDIO of VIDEO 5 (DTV) IN on the projection TV (White-AUDIO Left, Red-AUDIO Right).
- 4 Select the SET UP menu and set DTV INPUT to R.G.B. (see "DTV INPUT" on page 42)
- 5 Set the DOWN CONVERTER ON/OFF switch on the DTV receiver to OFF.



Installing and Connecting the Projection TV

(continued)

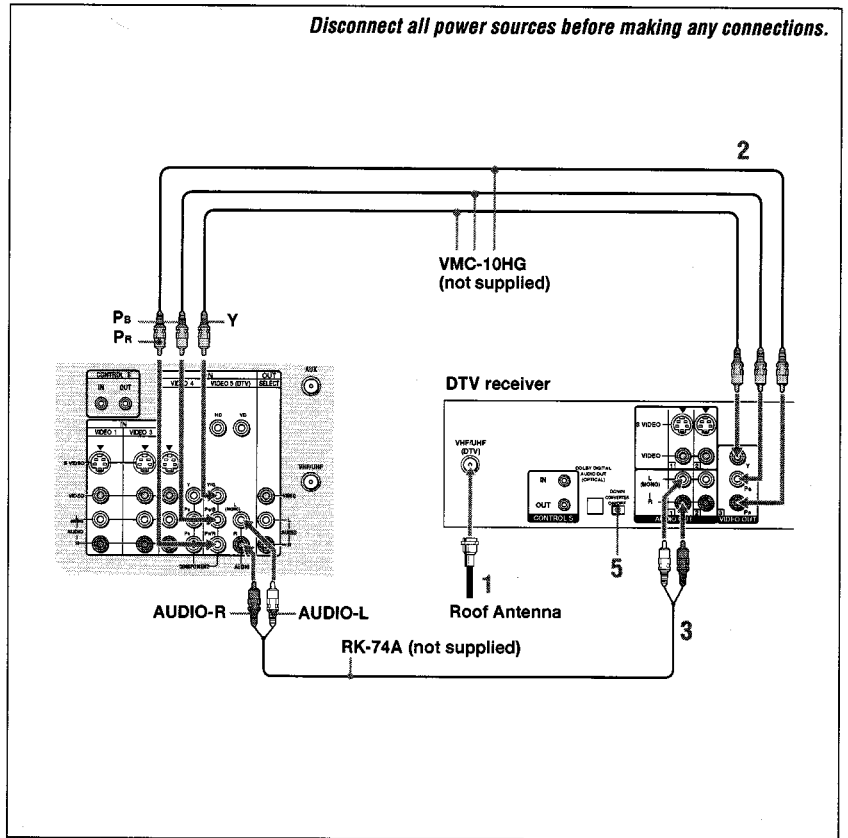
9

**Connecting a DTV (digital television) receiver with the Y/P<sub>B</sub>/P<sub>R</sub> (component video input) jacks**

- 1 Attach the coaxial cable from the roof antenna to VHF/UHF on the DTV receiver.
- 2 Using three VIDEO cables, connect Y, P<sub>B</sub> and P<sub>R</sub> of COMPONENT VIDEO OUT on the DTV receiver to Y, P<sub>B</sub> and P<sub>R</sub> of VIDEO 5 (DTV) IN on the projection TV.
- 3 Using an AUDIO cable, connect LINE OUT on the DTV receiver to AUDIO of VIDEO 5 (DTV) IN on the projection TV (White-AUDIO Left, Red-AUDIO Right).
- 4 Select the SET UP menu and set DTV INPUT to Y PB PR. (see "DTV INPUT" on page 42)
- 5 Set the DOWN CONVERTER ON/OFF switch on the DTV receiver to OFF.

**Note:**

- Some DTV receiver terminals may be labeled differently. If so, connect as follows:  
 Connect Y (green) to Y.  
 Connect P<sub>B</sub> (blue) to C<sub>B</sub>, C<sub>b</sub> or B-Y.  
 Connect P<sub>R</sub> (red) to C<sub>R</sub>, C<sub>r</sub> or R-Y.

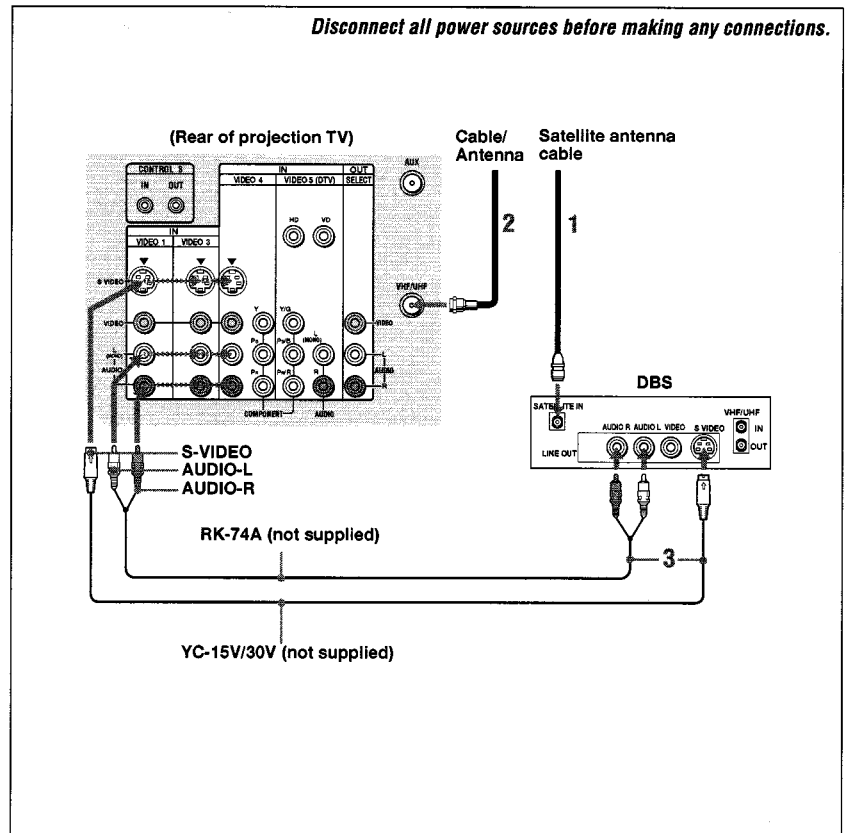


**Connecting a DBS (Direct Broadcast Satellite) Receiver**

- 1 Connect the cable from the satellite antenna to the DBS receiver.
- 2 Attach the coaxial cable from the incoming cable connection or antenna to VHF/UHF on the projection TV.
- 3 Using AUDIO and S VIDEO cables, connect AUDIO and S VIDEO OUT on the DBS receiver to AUDIO and S VIDEO IN on the projection TV (White-AUDIO Left, Red-AUDIO Right).

**Note:**

- To view input from the DBS, select the video input which the DBS receiver is connected to by pressing TV/VIDEO on the remote control.

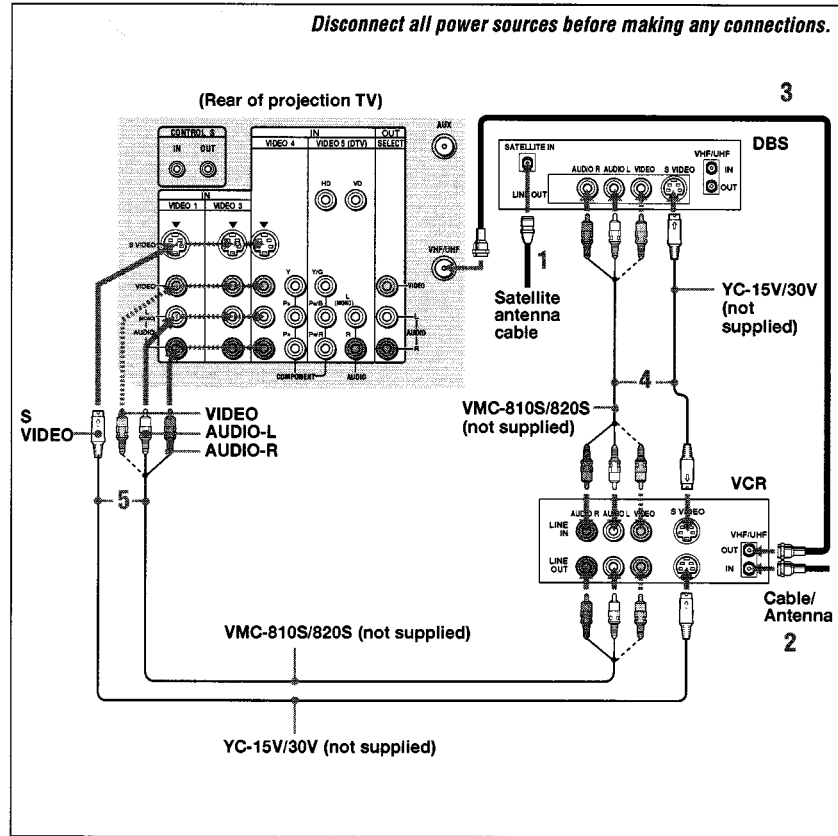


## Connecting a DBS (Direct Broadcast Satellite) Receiver and VCR

- 1 Connect the cable from the satellite antenna to the satellite receiver.
  - 2 Attach the coaxial cable from the incoming cable connection or antenna to VHF/UHF IN on the VCR.
  - 3 Using a coaxial cable, connect VHF/UHF OUT on the VCR to VHF/UHF on the projection TV.
  - 4 Using AUDIO and S VIDEO\* cables, connect AUDIO and S VIDEO OUT on the DBS receiver to AUDIO and S VIDEO IN on the VCR.
  - 5 Using AUDIO and S VIDEO\* cables, connect AUDIO and S VIDEO OUT on the VCR to AUDIO and S VIDEO IN on the projection TV (White-AUDIO Left, Red-AUDIO Right).
- \* If your VCR or DBS receiver is not equipped with S VIDEO, use a VIDEO cable (yellow) instead of the S VIDEO cable.

### Note:

- To view input from the DBS or VCR, select the video input which your DBS receiver or VCR is connected to by pressing TV/VIDEO on the remote control.

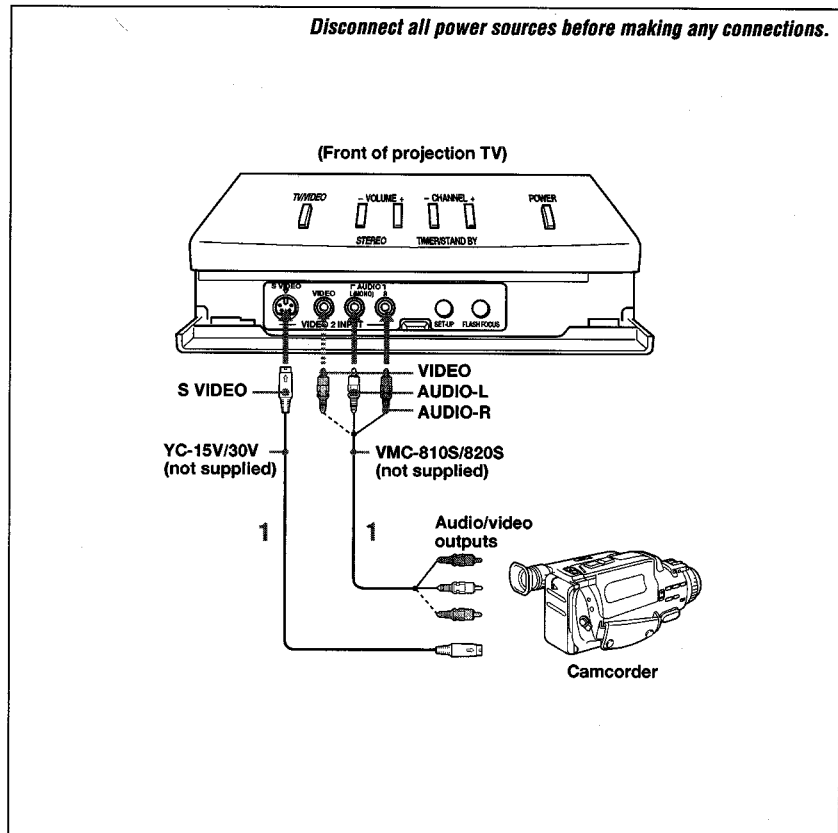


12

## Connecting a Camcorder

Use this connection to view a picture directly from your camcorder.

- 1 Using AUDIO and S VIDEO\* cables, connect AUDIO and S VIDEO OUT on the camcorder to AUDIO and S VIDEO IN inside the drop-down panel on the front of the projection TV (White-AUDIO Left, Red-AUDIO Right\*\*).
  - 2 Press VIDEO 2 to select the video inputs from a camcorder.
- \* If your camcorder is not equipped with S VIDEO, use a VIDEO cable (yellow) instead of the S VIDEO cable.
- \*\*If you are connecting a monaural camcorder, connect only the single audio output to the left (MONO) input on the projection TV.



Installing and Connecting the Projection TV

13

### Connecting Two VCRs for Tape Editing

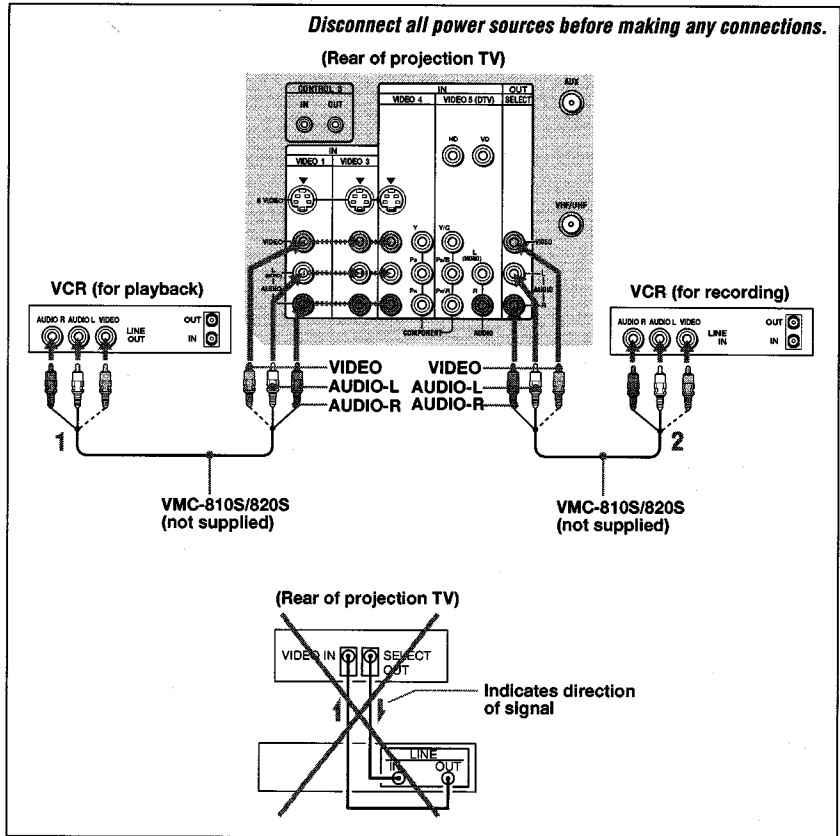
SELECT OUT gives you the ability to use a second VCR to record a program being played by the primary VCR or to perform tape editing and dubbing.

- 1 Connect the VCR intended for playback using the connection instructions on page 7 of this manual.
- 2 Using an AUDIO/VIDEO cable, connect AUDIO and VIDEO IN on the VCR intended for recording to AUDIO and VIDEO OUT of SELECT OUT on the projection TV.

#### Notes:

- Do not change the input signal while editing through SELECT OUT.
- When connecting a single VCR to the projection TV: if VCR LINE OUT is connected to VIDEO IN on the projection TV, do not connect the SELECT OUT on the projection TV to the VCR LINE INPUT (see right). Doing so will cause program interference and other viewing problems.
- You can select the output signal from SELECT OUT from the SET UP menu. (see "SELECT OUT" on page 40)

14

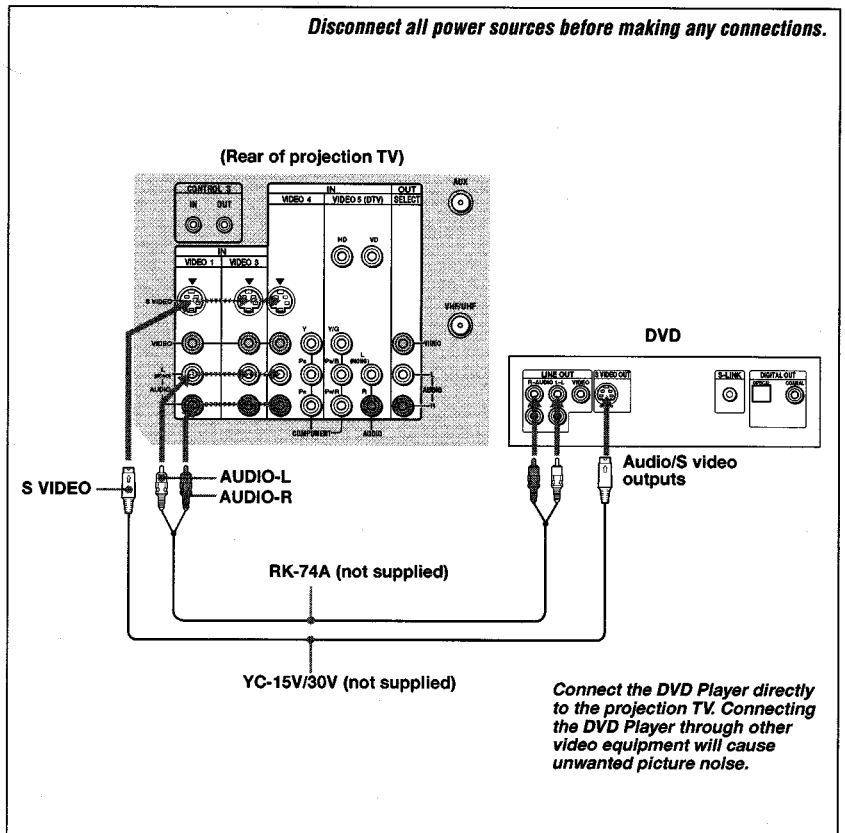


### Connecting a DVD Player With S Video or Composite Video Output Connectors

Using an AUDIO and S VIDEO cables, connect AUDIO and S VIDEO IN on the projection TV to AUDIO and S VIDEO OUT on the DVD Player (White-AUDIO Left, Red-AUDIO Right).

#### Note:

- Since the high quality pictures on a DVD disc contain a lot of information, picture noise may appear. In this case, adjust NR in the VIDEO menu. (see "NR" on page 33)



Installing and Connecting the Projection TV

15

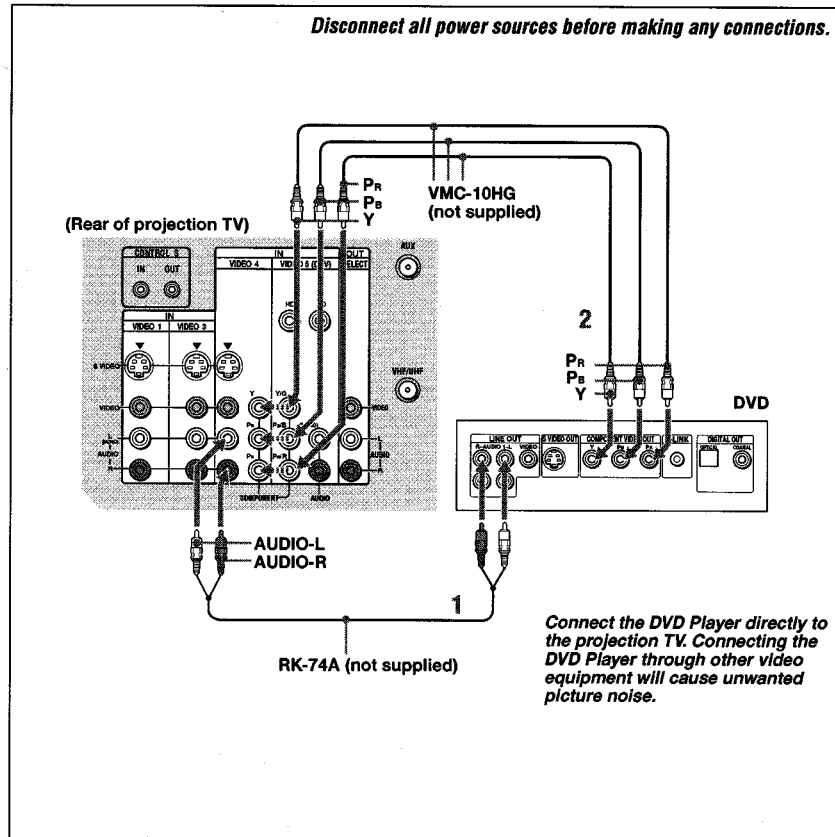


## Connecting a DVD Player With Component Video Output Connectors

- Using an AUDIO cable, connect AUDIO R and L of LINE OUT on the DVD Player to AUDIO R and L of VIDEO 4 IN or VIDEO 5 (DTV) IN on the projection TV (White-AUDIO Left, Red-AUDIO Right).
- Using three VIDEO cables, connect Y, P<sub>B</sub> and P<sub>R</sub> of the COMPONENT VIDEO OUT on the DVD Player to Y, P<sub>B</sub> and P<sub>R</sub> of VIDEO 4 IN or VIDEO 5 (DTV) IN on the projection TV.

### Notes:

- If your DVD Player has 480p format capability, connect it to the Y, P<sub>B</sub> and P<sub>R</sub> of VIDEO 5 (DTV) IN on the projection TV.
- Some DVD Player terminals may be labeled differently. If so, connect as follows:  
Connect Y (green) to Y.  
Connect P<sub>B</sub> (blue) to C<sub>b</sub>, C<sub>b</sub> or B-Y.  
Connect P<sub>R</sub> (red) to C<sub>r</sub>, C<sub>r</sub> or R-Y.
- Since the high quality pictures on a DVD disc contain a lot of information, picture noise may appear. In this case, adjust NR in the VIDEO menu. (see "NR" on page 33)



16

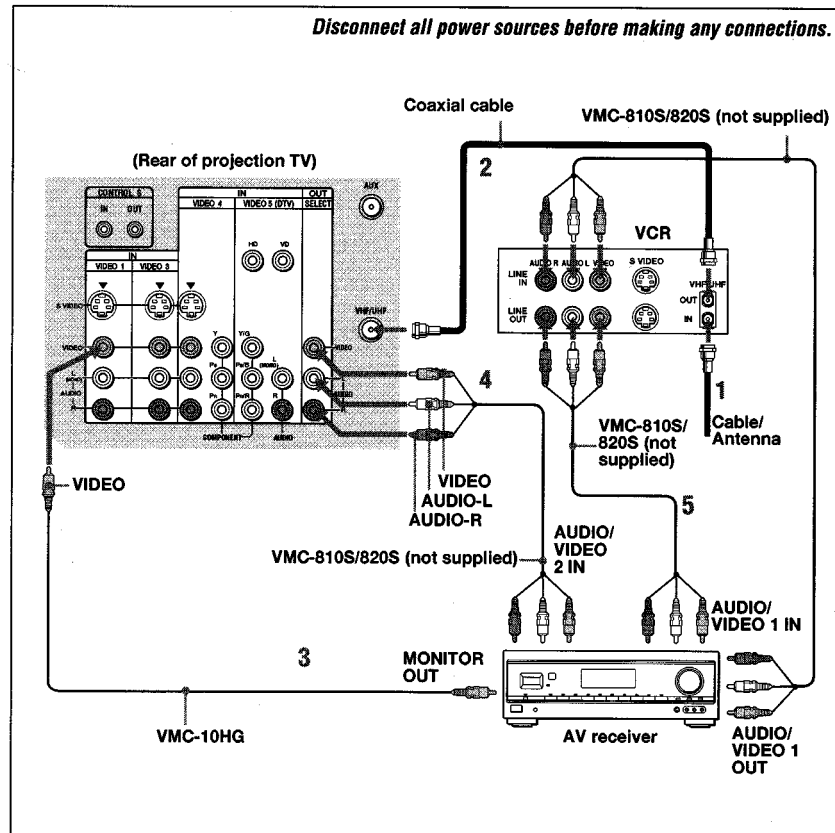
## Connecting an AV Receiver

For greater control of all audio and video equipment, connect an AV receiver.

- Perform as described on page 7.
- Using a VIDEO cable, connect VIDEO 1 IN on the projection TV to MONITOR OUT on the AV receiver.
- Using an AUDIO/VIDEO cable, connect SELECT OUT on the projection TV to VIDEO 2 IN on the AV receiver.
- Using an AUDIO/VIDEO cable, connect the video equipment to the AV receiver.
- Select the SET UP menu and set SELECT OUT to TV OUT. (see "SELECT OUT" on page 40)

### Note:

- You may want to use CHANNEL FIX to fix your TV's input to the AV receiver (VIDEO 1). (see "CHANNEL FIX" on page 37)



17

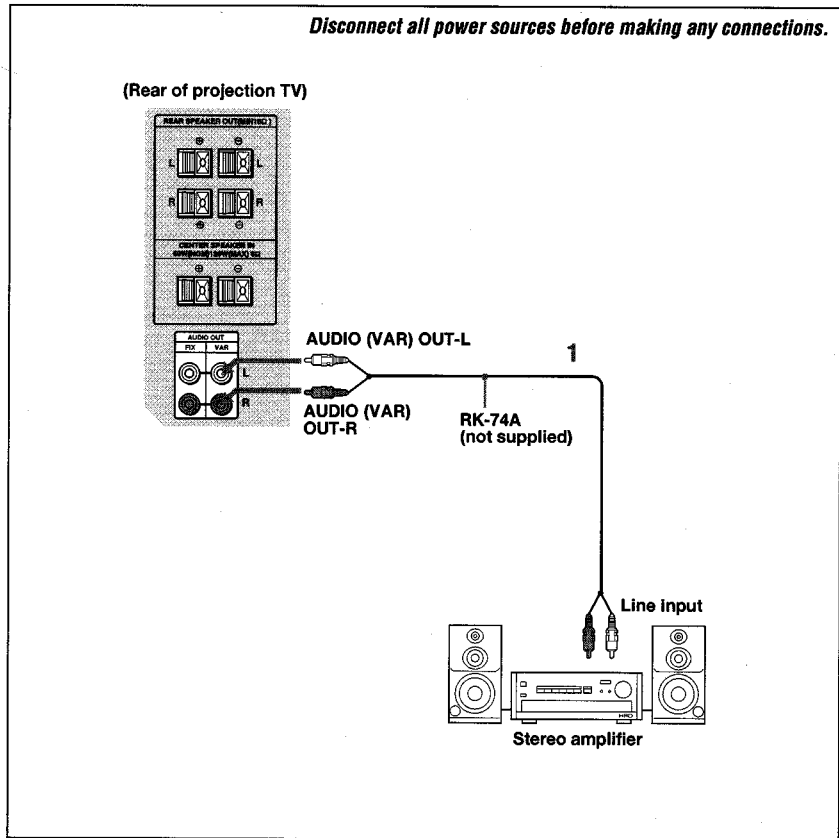
## Connecting an Audio System

For more dynamic sound, connect an audio system to the projection TV.

- 1 Using an AUDIO cable, connect AUDIO (VAR) OUT on the projection TV to one of the unused Line inputs (e.g. Tape-2, AUX1, etc.) on the stereo (White-AUDIO Left, Red-AUDIO Right).
- 2 Set the stereo to the chosen Line input and use the AUDIO menu to switch the TV's speakers off. (see "SPEAKER" on page 34)

### Note:

- You can adjust VOLUME, BASS, TREBLE and BALANCE through the projection TV on AUDIO (VAR) OUT only.

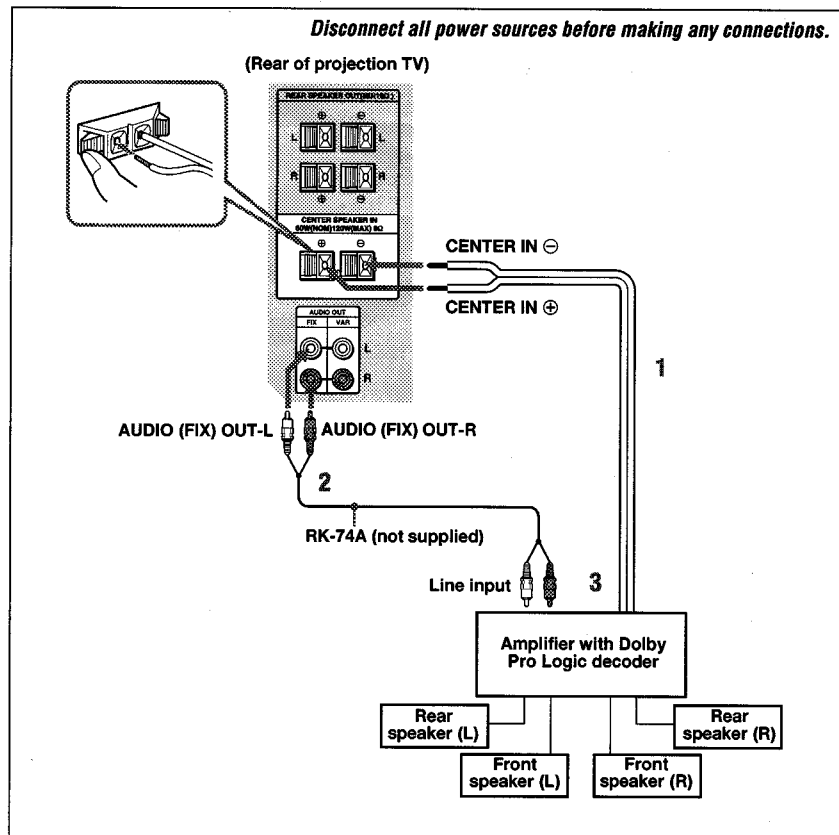


18

## Connecting an Amplifier That Supports Dolby Pro Logic Decoder

If you use an amplifier with a Dolby Pro Logic decoder instead of the projection TV's audio system, you can still use the projection TV's center speaker.

- 1 Using the speaker cords (supplied with the amplifier), connect the speaker terminals on the amplifier to CENTER SPEAKER IN +/- on the projection TV.
- 2 Using an AUDIO cable, connect AUDIO (FIX) OUT on the projection TV to one of the unused Line inputs (e.g. Tape-2, AUX1, etc.) on the amplifier (White-AUDIO Left, red-AUDIO Right).
- 3 Set the amplifier to the chosen Line input and use the AUDIO menu to set "SPEAKER" to "CENTER IN" on the projection TV. (see "SPEAKER" on page 34)



Installing and Connecting the Projection TV

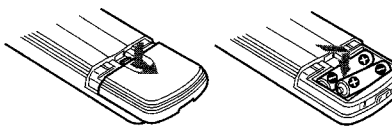
19

## Basic Set Up

### Using the Remote Control

#### Inserting the batteries

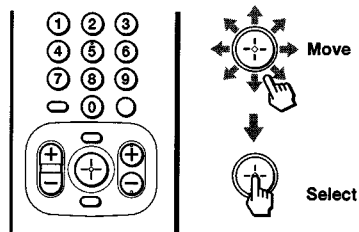
Insert two size AA (R6) batteries (supplied) by matching the + and - on the batteries to the diagram inside the remote control's battery compartment.



#### Notes:

- Remove the batteries to avoid damage from possible battery leakage whenever you anticipate that the remote control will not be used for an extended period.
- Handle the remote control with care. Avoid dropping it, getting it wet, or placing it in direct sunlight, near a heater or where the humidity is high.
- Your remote control can be programmed to operate most video equipment. (see "Operating Video Equipment" on page 52)

### Using the remote control joystick



The supplied remote control has a joystick which moves the on-screen selector in eight directions. In most cases, moving the joystick up, down, left or right will cause the selector to move in the selected direction.

In some cases, the selector may move in eight directions according to the function. Pressing down on the center of the joystick (+) will activate the selected item.

You may also move the joystick right to activate a selected item. (There are some exceptions to this option.)

### Adjusting sliders

When menu items present a slider (▬ or ▬▬), move the joystick up, down, left or right to adjust the setting.

### On-line help/instructions

Several menu windows will provide prompts and instructions to assist you in navigating through the different functions.

20

## Setting Up the Projection TV Automatically

The AUTO SET UP feature will allow you to set the on-screen language and set all receivable channels. The AUTO SET UP screen will appear every time you turn on the projection TV until you perform AUTO PROGRAM.

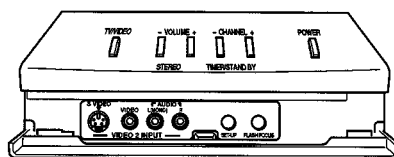
*The AUTO SET UP feature does not apply for installations that use a cable box for all channel selection.*

*You can also set up the projection TV manually. (see "Using the CHANNEL SET UP Menu" on page 36)*

#### Notes:

- Perform this function during the day, with the antenna and/or cable properly connected, to ensure that all available channels will be broadcasting and receivable.
- Before you perform AUTO SET UP again, make sure that the input from ANT (not AUX) is selected by pressing ANT until "AUX" does not appear next to the channel number.
- When you perform AUTO PROGRAM, your CHANNEL FIX and ON/OFF TIMER settings will be erased.
- When you perform AUTO PROGRAM, all the settings in the VIDEO and AUDIO menus are reset to the factory settings.

Using the buttons on the front panel and inside the drop-down panel on the projection TV:

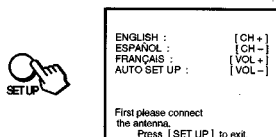


1 Press POWER to turn on the projection TV.



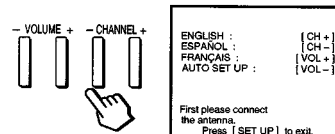
2 Press SET UP inside the drop-down panel.

The AUTO SET UP screen appears.

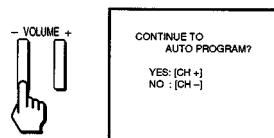


3 Press CHANNEL + to select English, CHANNEL - to select Spanish or VOLUME + to select French.

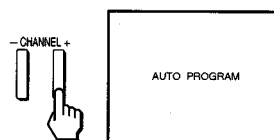
The screen will change to reflect your choice.



4 Press VOLUME - to continue.



5 Press CHANNEL + to preset channels automatically.



"AUTO PROGRAM" appears and the projection TV starts scanning and presetting channels automatically. While scanning, the received channel will be displayed on the sub screen. When all the receivable channels are stored, the lowest numbered channel will be displayed. If the projection TV receives cable TV channels, CABLE is set to ON automatically.

Basic Set Up

(continued) 21

### To perform AUTO SET UP again

- Press SET UP inside the drop-down panel on the projection TV, and perform steps 3-5 on page 21.
- Press CHANNEL +, CHANNEL - or VOLUME + to select a language.
- Press VOLUME - to restore factory settings ("CONTINUE TO AUTO PROGRAM?") will appear on the screen. Press CHANNEL + to execute or CHANNEL - to exit).
- Press SET UP to exit.

## Adjusting the Convergence Automatically (FLASH FOCUS)

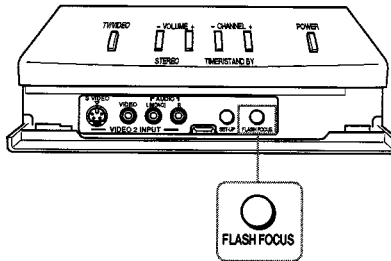
The projection tube image appears on the screen in three layers (red, green and blue). If they do not converge, the color is poor and the picture blurs.

Before you use your projection TV, be sure to adjust the convergence.

The FLASH FOCUS feature allows you to adjust the convergence automatically.

#### Tip

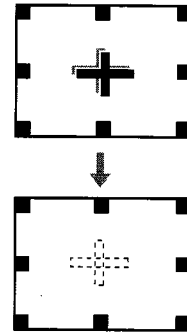
- It is recommended to perform FLASH FOCUS about 30 minutes after the projection TV is first turned on.



- 1 Receive a TV or cable TV program.
- 2 Press FLASH FOCUS.



The cross pattern appears and FLASH FOCUS begins to work. The adjustment is completed when the cross pattern becomes white.



### To obtain an optimum convergence

The optimum convergence alignment varies with digital TV formats. Therefore, perform FLASH FOCUS periodically on conventional and digital TV programs. Also, whenever you find that the picture blurs, press FLASH FOCUS.

#### Note:

- You cannot perform any other functions until FLASH FOCUS has completed its cycle.
- If you perform any other operation while FLASH FOCUS is in progress, FLASH FOCUS operation is canceled.

22

## Using Your New Projection TV

### Watching the TV

Many TV features can be accessed directly through the remote control. The following will explain the function of some buttons found on your remote control.

### Using the white labeled buttons for projection TV operations

REFER TO THE ILLUSTRATION OF THE REMOTE CONTROL ON THE INSIDE FRONT COVER OF THIS MANUAL AS YOU REVIEW THE FOLLOWING DESCRIPTIONS

#### TV (FUNCTION)

Activates the remote control for use with the projection TV.

#### ANT — (AUX Input)

Press to change between the VHF/UHF input and the AUX input. (for detailed connection information, see "Cable and antenna" on page 5 or "Cable box and cable" on page 6).

#### TV POWER

Turns the projection TV on and off. If a video input indication (e.g., VIDEO 1, VIDEO 2) appears on the screen, press TV/VIDEO until a channel number appears.

#### 0-9 and ENTER

Use for direct channel selection. Press 0-9 to select a channel (for example, to select channel 10, press 1 and 0). The channel will change after 2 seconds, or you can press ENTER for immediate selection.

#### CH +/-

Press to scan through the channels (+ up or - down).

#### VOL +/-

Press to adjust the volume (+ up or - down).

#### JUMP

Press to alternate or jump back and forth between two channels. The projection TV will jump between the current channel and the last channel selected using the 0-9 buttons.

#### MUTING

Press to mute the sound. "MUTING" will appear on the screen and will dim three seconds later. To restore sound, press again or press VOL +.

#### FREEZE

— (yellow labeled button)

This is useful when you need to copy down information that appears on the TV's screen.

Press to freeze the picture.

Press again or press OFF to cancel.

If you select TWIN as a FREEZE MODE in the SET UP menu, you can freeze the desired scene and display it on the left while viewing the normal picture on the right. (see "FREEZE MODE" on page 41)

(continued)

**Notes:**

- The FREEZE button does not function with the picture from VIDEO 5 (DTV) IN.
- If the frozen picture mode is not canceled for more than an hour, the normal picture is resumed automatically.

**SLEEP**

Press repeatedly until the projection TV displays the approximate time in minutes (30, 60, or 90) that you want the projection TV to remain on before shutting off automatically.

Cancel by pressing until "SLEEP OFF" appears.

**DISPLAY**

Press to display the channel number, current time, channel caption (if set), and MTS mode (if SAP is selected). The SAP indication disappears and the other indications dim three seconds later.

To turn the display off, press DISPLAY again.

**CC**

Press repeatedly to scroll through available displays:

**XDS (Extended Data Service)**

Displays a network name, program name, program type, program length, program description, call letters and time of the show if the broadcaster offers this service.

**Caption Vision**

Displayed on the screen if the broadcaster offers this service. (see "CAPTION VISION" on page 40)

**No display**

"OFF" appears and the display is canceled.

**TV/VIDEO**

Press repeatedly to scroll through available video inputs:

**TV, VIDEO 1, VIDEO 2, VIDEO 3, VIDEO 4 and VIDEO 5**

If you select SKIP as a VIDEO LABEL in the SET UP menu, your projection TV will skip the video input you selected. (see "VIDEO LABEL" on page 41)

**MTS**

Press to scroll through the Multi-channel TV Sound (MTS) options. (see "MTS" on page 33)

**PICTURE MODE**

Press PICTURE MODE repeatedly to directly choose one of five different video modes that best suits the program you are watching.

**VIVID:**

Select for enhanced picture contrast and sharpness.

**STANDARD:**

Select to display a standard picture for normal viewing environments.

**MOVIE:**

Select to display a finely detailed picture for low light environments.

**GAME:**

Select to display graphics such as a video game.

**PRO (Professional):**

Select to display a picture with minimum enhancements.

When you select each mode, you can also adjust the picture quality (such as BRIGHTNESS, COLOR, etc.) to suit your taste.

For details, see "MODE" on page 32.

**Watching Digital TV**

When you have connected the DTV receiver, you can enjoy digital TV programs. This projection TV is capable of receiving the 1080i, 480p and 480i digital TV formats.

**Note:**

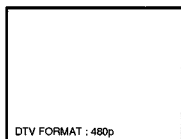
This projection TV is not suitable for 720p digital TV format. When a 720p format signal is received, the picture will dim and "This signal is not available" is displayed on the screen.

**To view a digital TV program**

- 1 Connect the DTV receiver to VIDEO 5 (DTV) IN on the projection TV. (for details, see pages 9 and 10)
- 2 Press TV/VIDEO to select VIDEO 5. The digital TV format being received is displayed on the screen for three seconds.

**Note:**

- You cannot select VIDEO 5 unless a DTV receiver is connected.



**4 Adjust the volume on the DTV receiver.**

**Tip**

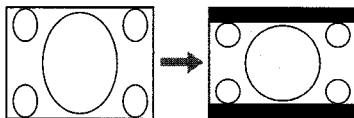
The optimum convergence alignment varies with digital TV formats. Whenever you find that the picture blurs, press FLASH FOCUS. (for details, see page 22)

**Note:**

- The FREEZE button does not function with digital TV programs.

**If the picture appears stretched vertically**

Select the SET UP menu and set ASPECT RATIO to 16:9. (for details, see page 42)

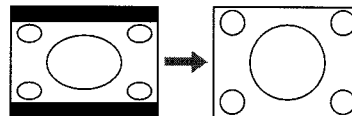


16:9 picture (ASPECT RATIO is set to 4:3.)

16:9 picture (ASPECT RATIO is set to 16:9.)

**If the picture appears compressed vertically**

Select the SET UP menu and set ASPECT RATIO to 4:3. (for details, see page 42)



4:3 compressed picture (ASPECT RATIO is set to 16:9)

4:3 picture (ASPECT RATIO is set to 4:3)

- 3 Select a digital channel on the DTV receiver. For details, see the Operating Instructions of the DTV receiver.

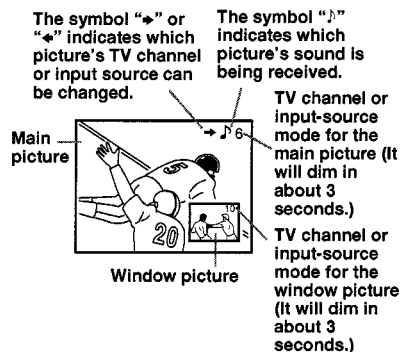
## Watching Two Programs at One Time — PIP

The Picture-in-Picture (PIP) feature allows you to view two channels simultaneously, one in the full size "main" picture and one in a smaller "window" picture.

You can move the window picture to any location on the screen.

### Note:

- The PIP feature is not available for the inputs from VIDEO 5 (DTV) IN.



26

## Using the yellow labeled buttons for PIP operations

REFER TO THE ILLUSTRATION OF THE REMOTE CONTROL ON THE INSIDE FRONT COVER OF THIS MANUAL AS YOU REVIEW THE FOLLOWING DESCRIPTION

### Tip

If you press RESET in PIP mode, the window picture will move to the bottom right (factory-preset location).



Press to display a window picture.

Each time you press this button, the picture size will change (1/4 → 1/9 → 1/16).

Press OFF to close the window picture.

### POSITION

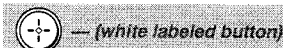


Press to change the location of the window picture (counterclockwise) around the main picture.

### ACTIVE



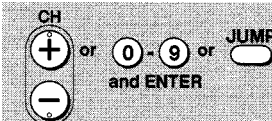
Press to select either the main or window picture in order to change the TV channel or video source using the white labeled buttons below. The symbol "6" (or "8") will appear to indicate which picture's channel or input mode can be changed.



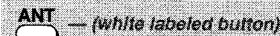
To change the location of the window picture, move the joystick in any direction and release it when the picture is in the desired location.



Press repeatedly to scroll through the available video inputs for the picture on which the symbol "6" (or "8") is displayed. (see "TV/VIDEO" on page 24)



Press to select the TV channel on which the symbol "6" (or "8") is displayed. (for details, see "Watching the TV" on page 23)



Press to change between the VHF/UHF input and the AUX input for the picture on which the symbol "6" (or "8") is displayed.

### AUDIO



Press to alternate sound between the main picture and the window picture. The symbol "8" will appear for a few seconds to indicate which picture's sound is being received.

### FREEZE



This is useful when you need to copy down information that appears on the TV's screen.

Press to freeze the main and window pictures. The symbols "6" and "8" and the channel number disappear.

Press again to resume PIP viewing. Press OFF to cancel and resume normal TV viewing.

### SWAP



Press to switch the audio and video of the main picture and the window picture.

Each time you press SWAP, the picture and sound of the two will be exchanged.



Press to access CHANNEL INDEX for direct channel selection. (see "Using CHANNEL INDEX" on page 29)

### OFF

Press to cancel the PIP function and return to normal viewing.

### Notes:

- If one of the pictures received through PIP is snowy, the entire screen may become unstable. In this case, erase the snowy channel. (see "CHANNEL SKIP" on page 36)
- If you select VIDEO 5 when the main picture is active, the window picture disappears and you can view the picture from VIDEO 5 (DTV) IN. When the window picture is active, you cannot view the picture from VIDEO 5 (DTV) IN.

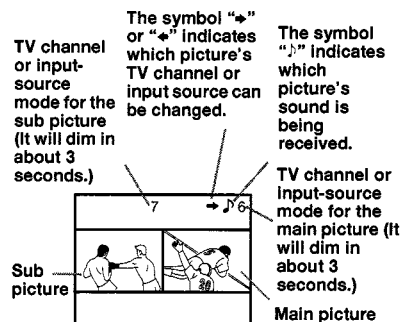
## Watching Two Programs at One Time — P&P (Twin View™)

The Picture-and-Picture (P&P) feature allows you to view two channels simultaneously, both in a reduced size screen. The main picture will appear on the right.

You can change the size of both pictures to suit your personal preference.

### Note:

- The P&P feature is not available for the inputs from VIDEO 5 (DTV) IN.



(continued)

### Using the yellow labeled buttons for P&P operations

REFER TO THE ILLUSTRATION OF THE REMOTE CONTROL ON THE INSIDE FRONT COVER OF THIS MANUAL AS YOU REVIEW THE FOLLOWING DESCRIPTIONS

#### Tip

If you press RESET in P&P mode, the right and left pictures will be reset to the same size (factory-preset size.)



Press to display right (main) and left pictures.

Press **OFF** to close the sub picture.

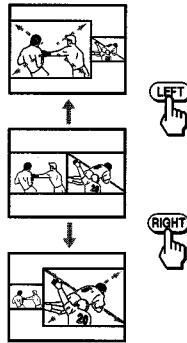


— (white labeled button)

Press and hold either RIGHT or LEFT to zoom in on the selected picture.

Release at the desired size. The other picture will be zoomed out simultaneously.

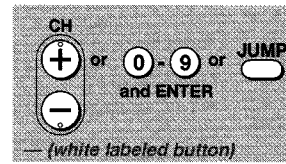
Moving the joystick right or left will activate the same function.



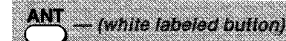
Press to select either the right or left picture in order to change the TV channel or video source using the white labeled buttons below. The symbol "h" (or "h") will appear to indicate which picture's channel or input mode can be changed.



Press repeatedly to scroll through the available video inputs for the picture on which the symbol "h" (or "h") is displayed. (see "TV/VIDEO" on page 24)



Press to select the TV channel on which the symbol "h" (or "h") is displayed. (for details, see "Watching the TV" on page 23)



Press to change between the VHF/UHF input and the AUX input for the picture on which the symbol "h" (or "h") is displayed.



Press to alternate sound between the right and left pictures. The symbol "h" will appear for a few seconds to indicate which picture's sound is being received.



This is useful when you need to copy down information that appears on the TV's screen.

Press to freeze both the right and left pictures.

Press again to resume P&P viewing or press **OFF** to cancel and resume normal TV viewing.

28



Press to switch the audio and video of the right and left pictures.

Each time you press SWAP, the picture and sound of the two will be exchanged.



Press to cancel the P&P function and return to normal viewing.

#### Notes:

- If one of the pictures received through P&P is snowy, the entire screen may become unstable. In this case, erase the snowy channel. (see "CHANNEL SKIP" on page 36)
- If you select VIDEO 5 when the right picture is active, the left picture disappears and you can view the picture from VIDEO 5 (DTV) IN. When the left picture is active, you cannot view the picture from VIDEO 5 (DTV) IN.

## Using CHANNEL INDEX

You can use the CHANNEL INDEX feature to display multiple channels and select one directly. Channels used for CHANNEL INDEX will come directly from the TV's list of receivable channels (those set during AUTO PROGRAM or through the CHANNEL SET UP menu).

#### Note:

- The CHANNEL INDEX feature is not available for the inputs from VIDEO 5 (DTV) IN.

#### 1 Press .

The current channel will be reduced in size and displayed in the center of the screen in normal motion picture format. The first twelve receivable channels will appear one after another, clockwise, around the center picture. These small pictures are updated in intervals of one second. The channel number and channel caption (if set) on the second and later appearances will dim.



A cyan-colored frame will appear to indicate current channel selection.

- 2 Move the joystick in any direction to move the cyan frame to the picture that you wish to view, and press **+**.



The selected channel will zoom in and move to the center, and the sound of that channel will be heard.

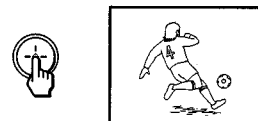


- 3 If you wish to view another channel, repeat step 2.

To view the normal picture of the selected channel, proceed to step 4.

- 4 Press **+**.

The center picture will be enlarged for normal viewing.



(continued) 29

**Notes:**

- You cannot move the cyan frame until all of the surrounding pictures appear.
- The projection TV will continually update each of the surrounding pictures while the CHANNEL INDEX screen is displayed.
- Sound will only be heard from the center picture.
- If one of the pictures received through CHANNEL INDEX is snowy, the entire screen may become unstable. In this case, erase the snowy channel. (see "CHANNEL SKIP" on page 36)
- If you leave the CHANNEL INDEX screen displayed for an hour without any additional operation, CHANNEL INDEX is canceled and the normal picture reappears.

**Using the yellow labeled buttons for CHANNEL INDEX operations**

REFER TO THE ILLUSTRATION OF THE REMOTE CONTROL ON THE INSIDE FRONT COVER OF THIS MANUAL AS YOU REVIEW THE FOLLOWING DESCRIPTIONS



Press to display the next twelve receivable channels.



Press to cancel the current operation and return to normal TV viewing.



Press to freeze the center picture. Press again to cancel the frozen picture and resume normal center picture viewing.

**Using the white labeled buttons for center picture operations**

REFER TO THE ILLUSTRATION OF THE REMOTE CONTROL ON THE INSIDE FRONT COVER OF THIS MANUAL AS YOU REVIEW THE FOLLOWING DESCRIPTIONS



Press to scroll the center picture through the video inputs.

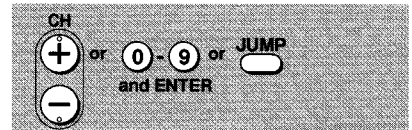
The surrounding channels will not change.

**Note:**

- Even if the DTV receiver is connected to VIDEO 5 (DTV) IN, the VIDEO 5 input will be skipped.



Press to switch the center picture between the VHF/UHF input and the AUX input.



Press to select a channel for the center picture. (for details, see "Watching the TV" on page 23)

**Adjusting Your SET UP (menus)**

**Learning Menu Selection**

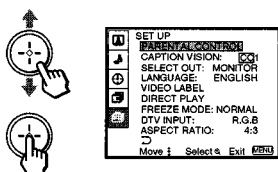
Use the MENU button to access a menu and use the joystick to alter the settings. Use the following example to learn how to modify settings.

- 1 Press the MENU button.

The main menu appears.

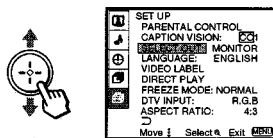


- 2 Move the joystick up or down to highlight the desired menu and press + (press down on the center of the joystick) to activate it.



You may also move the joystick right to activate your selection.

- 3 Move the joystick up or down to highlight the desired option.



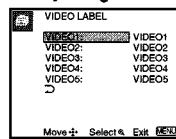
- 4 Press + (press down on the center of the joystick).

Options for your selection (Pop-up menu or Adjusting menu) will be displayed.

**Pop-up menu**

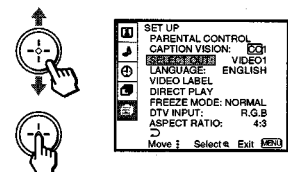


**Adjusting menu**



- 5 Move the joystick up or down to make your selection and press + to activate it.

The previous screen will reappear.



Some adjustment menus may require further operations. For details, see each menu option.

To return to the previous screen (except for the slider adjustment menus), choose < at the bottom of the menu and press + or move the joystick left.

- 6 Once you have completed all menu corrections, press MENU to exit the menu screens.

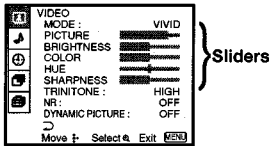


**To exit from the menus at any time**

Press MENU.

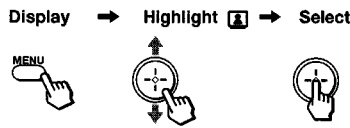


## Using the VIDEO Menu



For detailed information on using the remote control to modify menu settings, refer to "Learning Menu Selection" on page 31.

### To select the VIDEO menu:



#### MODE

— Customized picture viewing

You can choose one of five different video modes that best suits the program you are watching. You can also adjust the picture quality (such as BRIGHTNESS, COLOR, etc.) for each MODE to suit your taste.

First select each MODE individually before adjusting the picture quality.

#### VIVID:

Select for enhanced picture contrast and sharpness.

#### STANDARD:

Select to display a standard picture for normal viewing environments.

#### MOVIE:

Select to display a finely detailed picture for low light environments.

#### GAME:

Select to display graphics such as a video game.

#### PRO (Professional):

Select to display a picture with minimum enhancements.

Press PICTURE MODE on the remote control for direct selection of a MODE setting.

#### PICTURE

— Picture Adjustment

Adjust slider right (up) to increase picture contrast.

Adjust slider left (down) to decrease picture contrast.

#### BRIGHTNESS

— Picture Adjustment

Adjust slider right (up) to brighten the picture.

Adjust slider left (down) to darken the picture.

#### COLOR

— Picture Adjustment

Adjust slider right (up) to increase color intensity.

Adjust slider left (down) to decrease color intensity.

#### HUE

— Picture Adjustment

Adjust slider right (up) to increase the green tones.

Adjust slider left (down) to increase the red tones.

#### SHARPNESS

— Picture Adjustment

Adjust slider right (up) to sharpen the picture.

Adjust slider left (down) to soften the picture.

#### TRINITONE

— White Intensity Adjustment

#### HIGH:

Select to give the white colors a blueish tint.

#### MEDIUM:

Select to give the white colors a neutral tint.

#### NTSC STD:

Select to give the white colors a reddish tint.

32

#### NR

— Picture Noise Reduction

Select ON to reduce picture noise.

Select OFF to cancel the feature.

NR can be set separately from the MODE settings of the VIDEO menu.

#### DYNAMIC PICTURE

— Black Intensity Adjustment

Select ON to emphasize the black level and to produce a bolder dynamic picture.

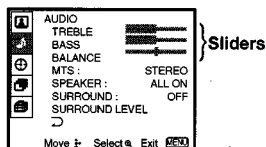
Select OFF to cancel the feature.

### To restore the factory settings

Press RESET on the remote control while the VIDEO menu is selected. To restore each MODE to the factory setting, press RESET after selecting the mode to be reset.

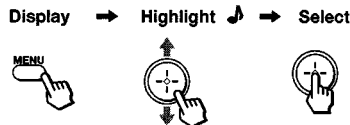
NR is not reset to the factory setting even if you press RESET.

## Using the AUDIO Menu



For detailed information on using the remote control to modify menu settings, refer to "Learning Menu Selection" on page 31.

### To select the AUDIO menu:



#### TREBLE

— Sound Adjustment

Adjust slider right (up) to increase high pitched sounds.

Adjust slider left (down) to decrease high pitched sounds.

#### BASS

— Sound Adjustment

Adjust slider right (up) to increase low pitched sounds.

Adjust slider left (down) to decrease low pitched sounds.

#### BALANCE

— Sound Adjustment

Adjust slider right (up) to emphasize right speaker volume.

Adjust slider left (down) to emphasize left speaker volume.

#### MTS

— Enjoy stereo, bilingual and mono programs

#### STEREO:

Select for stereo reception when viewing a program broadcast in stereo.

#### SAP:

Select to listen to a bilingual broadcast. (non-SAP programs will be muted when this feature is selected)

#### MONO:

Select for mono reception. (use to reduce noise during stereo broadcasts)

#### Quick MTS access:

Press MTS on your remote control to cycle through the MTS options as follows: (STEREO → SAP → MONO → STEREO)

Adjusting Your SET UP (menus)

(continued)

33

## SPEAKER

— Custom selection of audio output source

### ALL ON:

Select to listen to the sound from the projection TV speakers alone.

### L/R OFF:

Select to turn off the projection TV left and right speakers and listen to the left and right channel sounds through a separate audio system's speakers.

### ALL OFF:

Select to turn off the projection TV speakers and listen to the projection TV's sound only through an external audio system's speakers.

### CENTER IN:

Select to use the projection TV center speaker as center speaker when you connect an amplifier with a Dolby Pro Logic decoder. (see "Connecting an Amplifier That Supports Dolby Pro Logic Decoder" on page 19)

## SURROUND

— Customizes surround sound effects based on the program's audio type

SURROUND can only be set when SPEAKER is set to ALL ON or L/R OFF.

### PRO LOGIC:

Produces superb theater-like surround effects. Most effective for programs encoded in Dolby surround.

### 3 STEREO:

Produces a dynamic three dimensional sound without using the rear speakers. The sound of the rear channel is output from the front speakers.

### SIMULATED:

Adds a surround-like effect to mono programs.

### LIVE:

Produces surround effects with the atmosphere of a concert hall.

### GAME:

Produces maximum audio impact. Most effective for video games.

### OFF:

Normal stereo or mono reception.

## SURROUND LEVEL

— Speaker volume adjustment for surround modes

After selecting one of the surround modes, adjust the volume of each speaker so that the sound will be even and natural. (See "Adjusting the Speaker Volume for Customized Surround Mode" on the right column.)

### To restore the factory settings

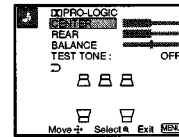
Press RESET on the remote control while the AUDIO menu is selected.

## Adjusting the Speaker Volume for Customized Surround Mode

After you set SURROUND to one of the modes, adjust the volume of the front, center and rear speakers to the same level so that the projection TV's sound will be even and natural. For PRO LOGIC and 3 STEREO, adjust the speaker volume using the test tone feature.

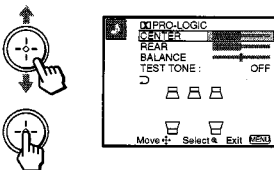
### Adjusting the speaker volume

- 1 Select SURROUND LEVEL from the AUDIO menu. (see pages 33 and 34)



34

- 2 Move the joystick up or down to select the speaker for volume adjustment and press (+).



**CENTER:** Select to adjust the level of the center speaker. (not available for SIMULATED)

**REAR:** Select to adjust the level of the rear speakers. (not available for 3 STEREO)

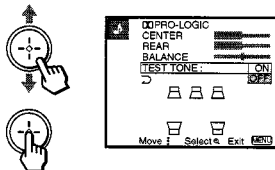
**BALANCE:** Select to adjust the balance between the right and left speakers.

- 3 Move the joystick up, down, left or right to adjust the volume level and press (+).
- 4 Use the joystick to select other speakers and to adjust the volume levels.

### Adjusting the speaker volume using the test tone

The TEST TONE feature makes it easier to adjust the volume level. You can use this feature for PRO LOGIC and 3 STEREO modes only.

- 1 With the SURROUND LEVEL window open, move the joystick up or down to select TEST TONE and press (+).



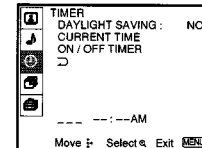
- 2 Move the joystick up or down to select ON. A test tone will be output from each speaker in sequence:

Front left → Center → Front right → Rear

To turn off the test tone, select OFF.

- 3 Follow steps 2 through 4 in "Adjusting the speaker volume."

## Using the TIMER Menu



After setting the clock you can use the timer to turn the projection TV on and off.

For detailed information on using the remote control to modify menu settings, refer to "Learning Menu Selection" on page 31.

### To select the TIMER menu:

Display → Highlight (+) → Select



Tip

Set daylight saving time before setting the clock. Any loss of power will cause these settings to be erased.

(continued)

Adjusting Your SET UP (menus)

35

### DAYLIGHT SAVING

— Automatically adjusts the time.

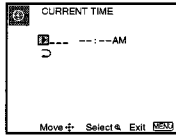
Select **YES** to compensate for Daylight Saving Time in spring. The current time automatically moves ahead one hour.

Select **NO** at the end of Daylight Saving Time in fall. The current time moves back one hour.

### CURRENT TIME

— Necessary for the **TIMER**.

1 Press  $\oplus$ , then move the joystick up or down until the current day (MON-SUN) is displayed, and press  $\oplus$ .



2 Move the joystick up or down until the current hour (01-12) and AM/PM is displayed, and press  $\oplus$ .

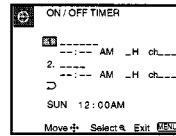
3 Move the joystick up or down until the current minute (00-59) is displayed, and press  $\oplus$ .

The Clock has now started. Press MENU to exit.

### ON/OFF TIMER

— Wake up or scheduled viewing.

1 Select the desired timer (1 or 2).



2 Move the joystick up or down until the desired day (MON-SUN) or range of days (EVERY SUN-SAT or EVERY MON-FRI) is displayed, and press  $\oplus$ .

3 Move the joystick up or down until the time (hours and minutes) that you want the projection TV to remain on is displayed, and then press  $\oplus$ .

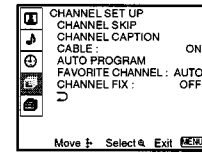
4 Move the joystick up or down to set the time duration (maximum of 6 hours) and press  $\oplus$ .

5 Move the joystick up or down to select the desired channel and press  $\oplus$ .

The timer is now set. The **TIMER/STAND BY** indicator on your projection TV will be lit.

Press MENU to exit. To cancel your timer setting, select timer 1 or 2 and press RESET while in the ON/OFF TIMER window. Performing **AUTO PROGRAM** will erase all **TIMER** settings.

## Using the CHANNEL SET UP Menu



For detailed information on using the remote control to modify menu settings, refer to "Learning Menu Selection" on page 31.

### To select the CHANNEL SET UP menu:

Display → Highlight  $\square$  → Select

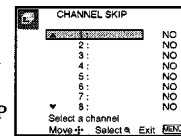


### CHANNEL SKIP

— Skips unnecessary channels

After **AUTO SET UP**, you can erase unnecessary TV channels from the channel preset memory.

With the **CHANNEL SKIP** window open:



1 Move the joystick up or down to select the desired channel. You can view the channel that is selected with the **CHANNEL SKIP** menu in the center sub screen. You can also use CH +/- or 0-9 and ENTER buttons.

2 Press  $\oplus$ .

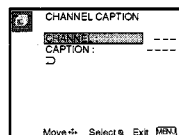
3 Move the joystick up or down to select **YES**, and press  $\oplus$ . The selected channel will be erased.

If you want to re-enter the skipped channel, follow the steps above and select **NO**.

### CHANNEL CAPTION

— Easy recognition of the channel you are watching

You can add a caption for up to 32 channels of both VHF/UHF and AUX inputs.



With the **CHANNEL CAPTION** window open:

1 Press  $\oplus$  and then move the joystick up or down to select the desired channel. You can view the channel that is selected with the **CHANNEL CAPTION** menu in the center sub screen.

2 Press  $\oplus$ .

3 Move the joystick up or down to display the first letter or number of the caption and press  $\oplus$  to select it.

4 Repeat until up to four digits are selected.

5 Press  $\oplus$ .

To erase a caption, press RESET.

### CABLE

— Cable system setting

Select **ON** if your projection TV is connected to a cable system.

Select **OFF** if your projection TV is connected to an antenna.

**AUTO SET UP** will set **CABLE** to **OFF** automatically if a cable channel is not available.

### AUTO PROGRAM

— Automatic channel presetting

Select **YES** to signal the projection TV to automatically program all receivable TV channels. When all the receivable channels are stored, the lowest numbered channel is displayed.

Select **NO** to cancel **AUTO PROGRAM**.

### FAVORITE CHANNEL

— User's favorite channels

The **FAVORITE CHANNEL** feature enables easy access to the eight channels that you preset (or the last channel that you were watching). (for details on how to set up this feature, see "Setting and Selecting **FAVORITE CHANNEL**" on page 38)

### CHANNEL FIX

— Locks selection of your projection TV's input when used in conjunction with external equipment such as a cable box, AV receiver, etc.

#### 2-6:

When the cable box is connected to the VHF/UHF input, you can fix the TV's input to one of the channels between 2 and 6. Press **DBS/CABLE (FUNCTION)** and then **CH +/-** to change the cable box channels.

#### AUX 2-6:

Use this when a cable box is connected to **AUX**, and a cable or antenna is connected to **VHF/UHF**.

#### VIDEO 1:

Use this when you have connected external video equipment (e.g. AV receiver) and you want the projection TV's input fixed to it.

#### OFF:

When you want to switch **CHANNEL FIX** off.

If the projection TV is in the **AUX** mode when you turn **CHANNEL FIX** off, press **ANT** to return to **UHF** input mode.

*TIMER settings are erased when CHANNEL FIX is set. (If 2-6 or AUX2-6 is selected, timer settings for those channels are not erased)*

#### Note:

- You cannot change channels with the TV's tuner when you set **CHANNEL FIX**. If you want to use the TV's tuner while fixing the TV's input to **VIDEO 1**, use the **SET UP** menu to set **SELECT OUT** to **TV OUT**. (see "SELECT OUT" on page 40)

## Setting and Selecting FAVORITE CHANNEL

The FAVORITE CHANNEL feature of your projection TV enables easy access to the eight channels that you preset (or the last channel that you were watching).

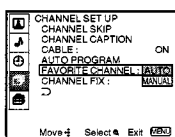
Your FAVORITE CHANNEL options can be set automatically or manually.

The factory setting for FAVORITE CHANNEL is AUTO.

When FAVORITE CHANNEL is set to AUTO, the last eight channels selected with the 0-9 buttons will be set as FAVORITE CHANNEL options. If you want to input your own selections as FAVORITE CHANNEL settings, set to MANUAL.

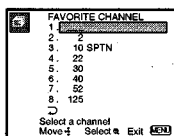
### Setting FAVORITE CHANNEL manually

- 1 Select FAVORITE CHANNEL from the CHANNEL SET UP menu. (see pages 36 and 37)



38

When you reach step 3, select the position you want to change and press  $\oplus$ . Press RESET to clear the channel for that position.



Move the joystick up or down to select a new channel. Press MENU when you are done.

#### Note:

- The FAVORITE CHANNEL feature is not available for the picture input from AUX or VIDEO 5 (DTV) IN.

### Using FAVORITE CHANNEL

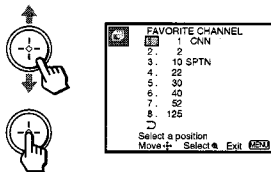
You can use the FAVORITE CHANNEL feature to directly select the channel you want to watch.

- 1 Press  $\oplus$  once.

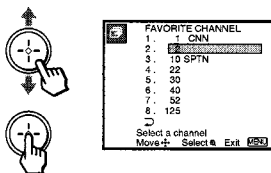
The favorite channel menu and a window picture will be superimposed over the current

- 2 Move the joystick up or down to select MANUAL and press  $\oplus$ .

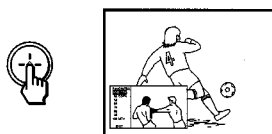
The FAVORITE CHANNEL menu will appear. If you set CHANNEL CAPTION names (e.g. CNN, HBO), they will also be displayed. (see "CHANNEL CAPTION" on page 37)



- 3 Move the joystick up or down to select a position (1-8), and press  $\oplus$ .

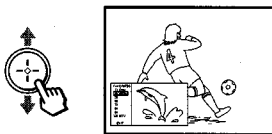


channel. The window picture displays the channel selected from the menu.



- 2 Move the joystick up or down to select the channel that you wish to view from the menu.

The picture of the selected channel will be displayed in the window picture.



- 3 Press  $\oplus$  to select the channel.

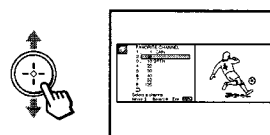
The selected channel will be displayed for normal viewing.



To cancel the favorite channel menu before selecting a channel, move the joystick up or down to select EXIT at the bottom of the menu and press  $\oplus$ .

- 4 Move the joystick up or down to select a channel.

You have now selected a favorite channel.



- 5 Press  $\oplus$  and use the joystick to program other favorite channels. (Follow steps 3 and 4.)

- 6 Press MENU when you have finished.

Your favorite channels are now ready for use.

### Resetting FAVORITE CHANNEL choices

You have the option of returning to the FAVORITE CHANNEL screen to adjust any of your favorite channel choices.

Simply proceed as described in "Setting FAVORITE CHANNEL manually" (skip step 2 if MANUAL is already selected).

## Using the SET UP Menu



For detailed information on using the remote control to modify menu settings, refer to "Learning Menu Selection" on page 31.

### To select the SET UP menu:

Display  $\rightarrow$  Highlight  $\rightarrow$  Select



### PARENTAL CONTROL

Blocks programs unsuitable for children

Allows you to block TV programs that you feel are unsuitable for your children. (see "Using the PARENTAL CONTROL Feature" on page 42 for details)

(continued)

Adjusting Your SET UP (menus)

39

## CAPTION VISION

— Television closed caption display

Some programs are broadcast with Caption Vision.

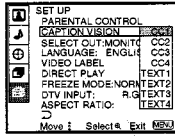
To display Caption Vision, select **CC 1**, **CC 2**, **CC 3** or **CC 4**.

To display Caption Vision, select **CC 1**, **CC 2**, **CC 3** or **CC 4**. Then press the **CC** button until Caption Vision is displayed.

**CC 1**, **CC 2**, **CC 3** or **CC 4** displays a printed version of the dialogue or sound effects of a program. (The mode should be set to **CC 1** for most programs.) **TEXT1**, **TEXT2**, **TEXT3** or **TEXT4** displays network/station information presented using either half or the whole screen.

### Notes:

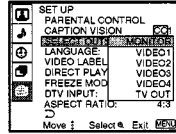
- Poor reception of TV programs can cause errors in Caption Vision and XDS. Captions may appear with a white box or other errors instead of the intended text.
- XDS, Caption Vision, and the status display cannot be used at the same time.



## SELECT OUT

— Output signal selection from SELECT OUT

You can select the desired output signal from the SELECT OUT jacks at the rear of the projection TV.



### Note:

- SELECT OUT setting is not available for the inputs from VIDEO 5 (DTV) IN.

### MONITOR:

Select to edit tapes while monitoring. SELECT OUT outputs the picture displayed on the screen.

### VIDEO1-VIDEO4:

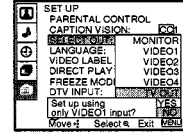
Select to edit tapes while viewing an input image different from that being recorded. SELECT OUT outputs the signal input to the projection TV regardless of the displayed picture on the screen.

### TV OUT:

Select if you connect an AV receiver to VIDEO 1 IN. SELECT OUT outputs the signal that the TV is tuned to, regardless of the displayed picture. (see "Connecting an AV Receiver" on page 17 for connection)

If you select **TV OUT**, the following pop-up menu appears.

Select **YES** only if you have connected an AV receiver, with no other equipment, to your projection TV. You can always select the signal from the receiver by pressing TV/VIDEO once.



Select **NO** if you have connected multiple components to your projection TV. You can select an input (VIDEO1 – VIDEO4) with the TV/VIDEO button.

### Notes:

- When you set SELECT OUT to TV OUT, you cannot swap the main/right and window/left pictures.
- The SELECT OUT signal is only available when the projection TV is on.

## LANGUAGE

— User's preferred language

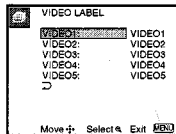
Select from available languages (**ENGLISH**, **ESPAÑOL** or **FRANÇAIS**) to display all menus in your language of choice.

40

## VIDEO LABEL

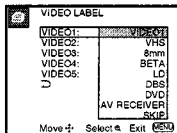
— Easy recognition of connected equipment (e.g. DBS, VHS, etc.)

This feature allows you to label each input mode so that you can easily identify the connected equipment (e.g. you can label VIDEO 1 IN as VHS).



With the VIDEO LABEL window open:

- Move the joystick up or down to select the input mode you want to label and press **+**.



- Move the joystick up or down to select the label and press **+**.

### VIDEO LABEL Options:

**VIDEO 1:** VIDEO 1, VHS, 8mm, BETA, LD, DBS, DVD, AV RECEIVER, SKIP

**VIDEO 2-4:** VIDEO 2-4, VHS, 8mm, BETA, LD, DBS, DVD, SKIP

**VIDEO 5:** VIDEO 5, DTV, DVD, SKIP

If you select **SKIP**, your projection TV will skip this connection when you scan through video sources using the TV/VIDEO button.

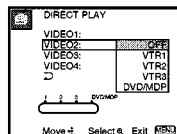
## DIRECT PLAY

— Easy operation of a connected VCR

This feature allows you to switch the input mode from the TV to a Sony VCR (MDP or DVD) and start playing by only pressing the **▶** (playback) button on the remote control. You have to set the VTR 1/2/3/DVD/MDP switch on the remote control (e.g., you connect your VCR to the VIDEO 3 IN jacks and set the VTR 1/2/3/DVD/MDP switch to VTR 3). With the DIRECT PLAY window open:



- Move the joystick up or down to select the input to which your video equipment is connected, and press **+**.



- Move the joystick up or down to select the position of the VTR 1/2/3/DVD/MDP switch, and press **+**.

### Note:

- DIRECT PLAY setting is not available for the inputs from VIDEO 5 (DTV) IN.

## FREEZE MODE

— Freeze picture mode

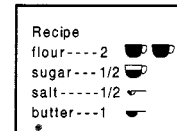
Useful when you need to copy down information that appears on the TV's screen.

### Note:

- The FREEZE MODE feature is not available for the inputs from VIDEO 5 (DTV) IN jacks.

### NORMAL:

Select to freeze the whole picture on the screen by pressing FREEZE.



The current picture freezes.

### TWIN:

Select to freeze the desired scene and display it on the left of the screen while viewing the normal picture of the current channel on the right by pressing FREEZE.

(continued)

Adjusting Your SET UP (menus)

This mode is not available for PIP, P&P or CH INDEX screens.



Press FREEZE again or press (OFF) to display the normal picture.

### DTV INPUT

— Input signal selection from the DTV receiver

Select **R.G.B** when you connect a DTV receiver to the G/B/R/HD/VD jacks of VIDEO 5 (DTV) IN on the rear of the projection TV. Select **Y PB PR** when you connect a DTV receiver to the Y/Pb/Pr jacks of VIDEO 5 (DTV) IN.

### ASPECT RATIO

— Wide picture mode for digital TV

The feature allows you to display a compressed 4:3 picture in 16:9 aspect ratio with higher-density (available for 480p and 480i formats only). (see page 25)

Normally, set to **4:3**. Select **16:9** if the picture of DTV 480p or 480i format appears stretched vertically.

## Using the PARENTAL CONTROL Feature

The TV programs and movies shown on TV are given a rating signal based on the following rating systems.

**In U.S.A.:** U.S. Television Parental Guidelines to rate television programs (U.S. TV ratings), and Motion Picture Association of America (MPAA) Guidelines to rate movies including those shown on TV (movie ratings)

**In Canada:** Canadian English Language ratings to rate television programs in English, and Canadian French Language ratings to rate those in French.

To block programs you feel are unsuitable for your children, you need to set the TV for the desired rating systems. Sony's predetermined ratings are also available. See pages 49 to 51 for a description of the ratings.

The Parental Control feature of the TV functions by receiving the rating signal from your local broadcasting station or cable service provider

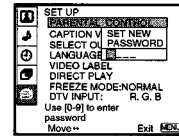
**Note:**

- The PARENTAL CONTROL feature is not available for the inputs from VIDEO 5 (DTV) IN.

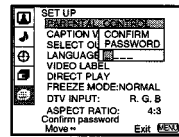
### Activating the PARENTAL CONTROL feature

First, set a password, then select your desired rating from Sony's predetermined ratings.

1 Select PARENTAL CONTROL from the SET UP menu. (see page 39)



2 Enter a four digit password\* using the 0-9 buttons.



\* Do not enter "4357" corresponding to "HELP" on a phone number pad. (see page 48)

3 To confirm the password, re-enter the same password with the 0-9 buttons.

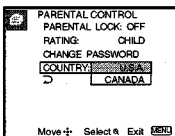
Your password is stored and the PARENTAL CONTROL menu automatically appears.

If you want to change the password, see page 48.

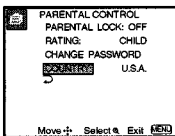


42

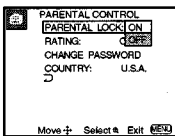
4 Make sure that COUNTRY is highlighted, and press (+).



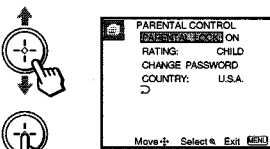
5 Move the joystick up or down to select your country (U.S.A. or CANADA), and press (+).



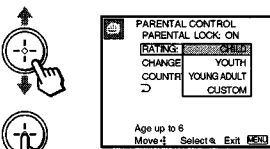
6 Move the joystick up or down to select PARENTAL LOCK, and press (+).



7 Move the joystick up or down to select ON, and press (+).



8 Move the joystick up or down to select RATING, and press (+).



9 Move the joystick up or down to select a desired rating (CHILD, YOUTH and YOUNG ADULT), and press (+).

If you want to select the ratings from "CUSTOM," go to step 4 of "Selecting a Custom Rating in U.S.A." on page 44 or "Selecting a Custom Rating in Canada" on page 47, according to your COUNTRY setting.

10 Press MENU to exit the menu.

### To deactivate the PARENTAL CONTROL feature

If you set PARENTAL LOCK in the PARENTAL CONTROL menu to OFF, the PARENTAL CONTROL feature will be canceled and you can view all TV programs and movies shown on TV.

1 Select PARENTAL CONTROL from the SET UP menu. (see page 39)



2 Enter your four digit password using the 0-9 buttons.

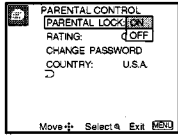
The PARENTAL CONTROL menu appears.



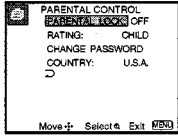
Adjusting Your SET UP (menus)

(continued)

- 3 Move the joystick up or down to select PARENTAL LOCK, and press  $\oplus$ .



- 4 Move the joystick up or down to select OFF, and press  $\oplus$ .



- 5 Press MENU to exit the menu.

### To unlock the PARENTAL CONTROL feature temporarily

When you select a PARENTAL CONTROL program, no sound or picture except for a channel number will appear. The  $\text{⏏}$  indicator is displayed. To view the program, follow the steps below.

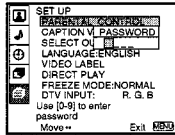
- 1 Press ENTER to display the "Password" screen.
- 2 Enter your password using the 0-9 buttons. PARENTAL CONTROL will be canceled (PARENTAL LOCK set to OFF) until you turn your projection TV off.

### Selecting a Custom Rating in U.S.A.

If you want to select the ratings to be blocked from CUSTOM once you have activated the PARENTAL CONTROL feature (page 42), follow the procedure below.

For a detailed description of each rating, see pages 49 and 50.

- 1 Select PARENTAL CONTROL from the SET UP menu. (see page 39)

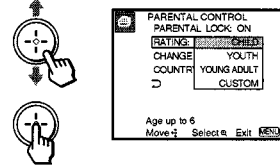


- 2 Enter your four digit password using the 0-9 buttons.

The PARENTAL CONTROL menu appears. Make sure that COUNTRY is set to U.S.A.



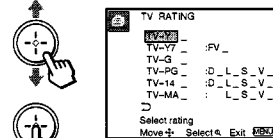
- 3 Move the joystick up or down to select RATING, and press  $\oplus$ .



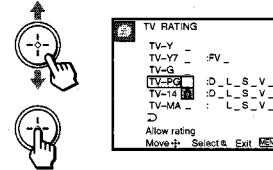
- 4 Move the joystick up or down to select CUSTOM, and press  $\oplus$ .

First, select a TV rating.

- 5 Move the joystick up or down to select TV RATING, and press  $\oplus$ .



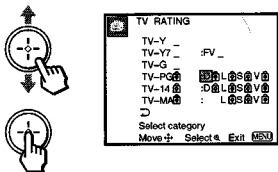
- 6 Move the joystick up or down to select the TV rating to be blocked, and press  $\oplus$ .



44

- 7 Move the joystick up or down to select  $\text{⏏}$ , and press  $\oplus$ .

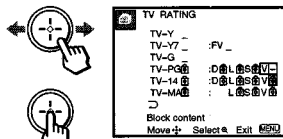
The  $\text{⏏}$  indicator automatically appears beside the selected rating and all "higher" ratings, indicating that the programs that match the ratings will be blocked.



Some ratings have additional content ratings called "extenders." The extenders are defined as follows: D (sexually suggestive Dialog), FV (Fantasy Violence), L (coarse Language), S (Sexual situations) and V (Violence). By setting the extenders, you can define additional viewing limits. For more details of extenders, see page 50.

All of the extenders included in the selected ratings will be blocked. If you wish to allow any of them to be viewed, go to step 8.

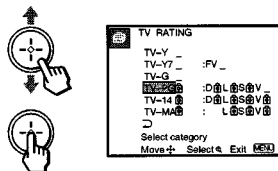
- 8 Move the joystick left or right to select the extender to be viewed, and press  $\oplus$ .



- 9 Move the joystick up or down to select "-", and press  $\oplus$ .

"-" appears beside the selected extender, indicating that the programs that match the extender can be viewed.

If you select  $\text{⏏}$ ,  $\text{⏏}$  is displayed to show that the programs that match the extender will be blocked again.



- 10 Repeat steps 8 and 9 for other extenders.

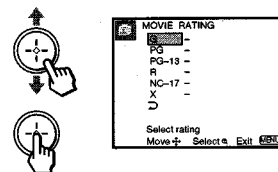
All programs that match the ratings you select and higher, except for the extenders that were canceled, will be blocked.

- 11 After setting of the TV rating is complete, move the joystick up or down to select  $\text{⏏}$ , and press  $\oplus$ .



Second, select a movie rating.

- 12 Move the joystick up or down to select MOVIE RATING, and press  $\oplus$ .

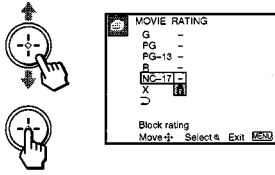


Adjusting Your SET UP (menus)

(continued)

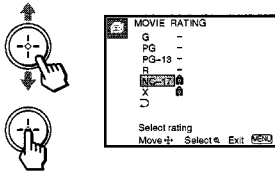
45

- 13 Move the joystick up or down to select the movie rating to be blocked, and press  $\oplus$ .



- 14 Move the joystick up or down to select  $\opl�$ , and press  $\oplus$ .

The  $\opl�$  indicator automatically appears beside the selected rating and all "higher" ratings, indicating that the programs that match the ratings will be blocked.

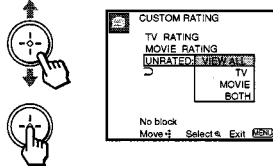


- 15 Press MENU to exit the menu.

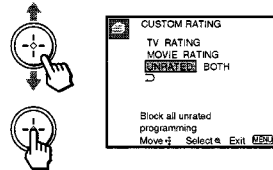
### To block TV programs and/or movies for which a rating signal is not given (NR and N/A)

For a description of the NR and N/A ratings, see page 49.

- 1 Perform steps 1–4 of "Selecting a Custom Rating in U.S.A." on page 44.
- 2 Move the joystick up or down to select UNRATED, and press  $\oplus$ .



- 3 Move the joystick up or down to select the type of programs to be blocked, and press  $\oplus$ .



To block ...	Select ...
No program (to view any unrated TV program and movie)	VIEW ALL
Unrated TV programs	TV
Unrated movies	MOVIE
Unrated TV programs and movies	BOTH

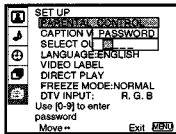
- 4 Press MENU to exit the menu.

### Selecting a Custom Rating in Canada

If you want to select the ratings to be blocked from CUSTOM once you have activated the PARENTAL CONTROL feature (page 42), follow the procedure below.

For a detailed description of each rating, see "Ratings in Canada" on pages 50 and 51.

- 1 Select PARENTAL CONTROL from the SET UP menu. (see page 39)

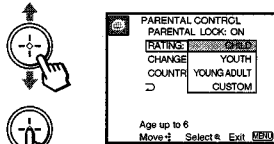


- 2 Enter your four digit password using the 0-9 buttons.

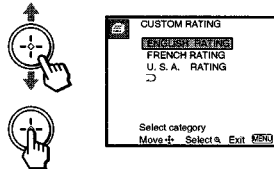


The PARENTAL CONTROL menu appears. Make sure that COUNTRY is set to CANADA.

- 3 Move the joystick up or down to select RATING, and press  $\oplus$ .

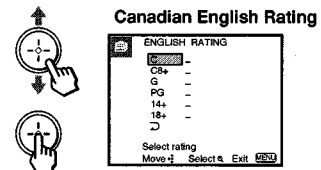


- 4 Move the joystick up or down to select CUSTOM, and press  $\oplus$ .

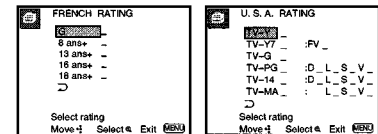


- 5 Move the joystick up or down to select the rating you want to block, and press  $\oplus$ .

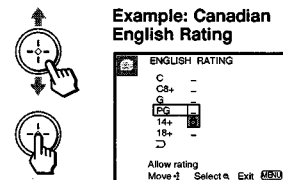
The selected rating appears.



### Canadian French Rating U.S. TV Rating






- 6 Move the joystick up or down to select the TV rating to be blocked, and press  $\oplus$ .

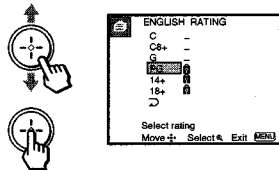


(continued)



- 7 Move the joystick up or down to select , and press .

The  indicator automatically appears beside the selected rating and all "higher" ratings, indicating that the programs that match the ratings will be blocked.



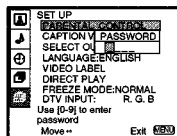
Some U.S. TV ratings have additional content ratings called "extenders," such as D, FV, L, S and V. By setting the extenders, see steps 7 to 10 of "Selecting a Custom Rating in U.S.A." on pages 44 to 46. For more details of extenders, see page 50.

All of the extenders included in the selected ratings will be blocked. If you wish to allow any of them to be viewed, go to step 8 on page 45.

- 8 Press MENU to exit the menu.

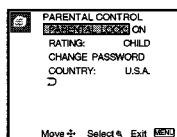
## Changing the Password


- 1 Select PARENTAL CONTROL from the SET UP menu. (see page 39)

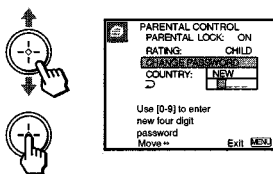


- 2 Enter your four digit password using the 0-9 buttons.

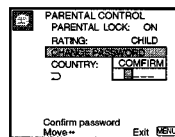
The PARENTAL CONTROL menu appears.



- 3 Move the joystick up or down to select CHANGE PASSWORD, and press .



- 4 Enter a new four digit password using the 0-9 buttons.



- 5 Enter the password set in step 4 again to confirm.

If you entered it incorrectly, "Password incorrect" appears.

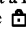
Re-enter the correct password.

- 6 Press MENU to exit the menu.

## If you have forgotten your password

In step 2 of "Changing the Password," enter the master password "4357" (corresponding to "HELP" on a phone number pad). You can then store a new password.

### Notes:

- If you entered "4357" as your password the first time, you cannot store a new password. (see step 2 of "Activating the PARENTAL CONTROL feature" on page 42)
- When you select a PARENTAL CONTROL program and the  indicator is displayed on the screen, you cannot view that program even if you enter "4357." (see "To unlock the PARENTAL CONTROL feature temporarily" on page 44)

48

## What the Ratings Mean

### Rating in U.S.A.

#### Sony's predetermined ratings

These are original ratings that Sony predetermined according to the viewer's age. Each rating allows you to view the certain programs, as follows.

See the center column to page 50 for a description of TV and movie ratings.

#### CHILD:

Suitable for children under the age of 6.

Viewable U.S. movie ratings: G, NR, and N/A

Viewable U.S. TV ratings: TV-Y, TV-G, and TV-NR

#### YOUTH:

Suitable for children aged 7 and older.

Viewable U.S. movie ratings: G, PG, NR, and N/A

Viewable U.S. TV ratings: TV-Y, TV-Y7, TV-G, TV-PG, and TV-NR

#### YOUNG ADULT:

Suitable for children aged 13 and older.

Viewable U.S. movie ratings: G, PG, PG-13, NR, and N/A

Viewable U.S. TV ratings: TV-Y, TV-Y7, TV-G, TV-PG, TV-14, and TV-NR

### U.S. movie ratings

U.S. movie ratings are for movies (including those shown on TV) rated according to the Motion Picture Association of America (MPAA) Guidelines.

#### G (General Audiences—All Ages Admitted):

In G-rated films no strong words are used, the violence is at a minimum, nudity and sex scenes are not present, nor is there any drug use.

#### PG (Parental Guidance Suggested. Some Material May Not Be Suitable For Children):

This is a film which may need to be monitored first by parents.

#### PG-13 (Parents Strongly Cautioned. Some Material May Be Inappropriate For Children Under 13):

Parents are alerted to be very careful about the attendance of their under-teenage children when viewing.

#### R (Restricted, Under 17 Require Accompanying Parent Or Adult Guardian):

This film includes hard language, tough violence, nudity, drug abuse or other elements of concern.

#### NC-17 or X (No One 17 Or Under Admitted.):

This is a film that most parents would consider not suitable for children aged 17 and under. There may be violence, sex, aberrational behavior, drug abuse or other elements of concern.

### NR (Not Rated):

This is a film that a producer has not rated, intending to have his film widely released.

### N/A (Not Applicable):

This is a film that a producer considers outside the scope of the MPAA ratings.

### Note:

- NR and N/A ratings are shown together as UNRATED in the menu.

### U.S. TV ratings

U.S. TV ratings are for TV programs rated according to the U.S. Television Parental Guidelines.

#### TV-Y (All Children):

This program is designed for young children aged 2-6 and is appropriate for all children.

#### TV-Y7 (Directed to Older Children):

This program is designed for children aged 7 and above. Themes and elements in this program may include mild fantasy violence or slapstick violence, or may frighten children under the age of 7.

#### TV-G (General Audience):

Most parents would find this program suitable for all ages. It contains little or no violence, no strong language and little or no sexual dialog or situations.

#### TV-PG (Parental Guidance Suggested):

This program contains some material that parents may find unsuitable for younger children.

(continued) 49

**TV-14 (Parents Strongly Cautioned):**

This program contains some material that many parents would find unsuitable for children under the age of 14.

**TV-MA (Mature Audience Only):**

This program is specifically designed to be viewed by adults and therefore may be unsuitable for children under the age of 17.

**TV-NR (Not Rated/Unrated):**

This is a program broadcast without any rating, such as news, news flashes or sports.

**Note:**

- The TV-NR rating is shown as UNRATED in the menu.

**About the extenders of U.S. TV ratings**

TV-Y7, TV-PG, TV-14 and TV-MA ratings have additional content ratings called "extenders" to define additional viewing limits. The extenders are defined as follows:

**D (sexually suggestive Dialog):**

Programs containing suggestive dialog, or sexual innuendo

**FV (Fantasy Violence):**

Programs containing cartoon violence occurring in TV-Y7 programs only

**L (coarse Language):**

Programs containing coarse language

**S (Sexual situations):**

Programs containing sexual content

**V (Violence):**

Programs containing violence

There may be some profanity, violence or brief nudity in these programs.

**Ratings in Canada****Sony's predetermined ratings**

These are original ratings that Sony predetermined according to the viewer's age. Each rating allows you to view the certain programs, as follows.

*See the right column to page 51 for a description of each rating.*

**CHILD:**

Suitable for children under the age of 7.

Viewable Canadian English Language ratings: C and G

Viewable Canadian French Language ratings: G

Viewable U.S. TV ratings: TV-Y, TV-G, and TV-NR

**YOUTH:**

Suitable for children aged 8 and older.

Viewable Canadian English Language ratings: C, G, C8+ and PG

Viewable Canadian French Language ratings: G and 8 ans+

Viewable U.S. TV ratings: TV-Y, TV-Y7, TV-G, TV-PG, and TV-NR

**YOUNG ADULT:**

Suitable for children aged 14 and older.

Viewable Canadian English Language ratings: C, G, C8+, PG and 14+

Viewable Canadian French Language ratings: G, 8 ans+, 13 ans+

Viewable U.S. TV ratings: TV-Y, TV-Y7, TV-G, TV-PG, TV-14, and TV-NR

**Canadian English Language ratings**

The Canadian English Language Ratings are for TV programs in English broadcast in Canada.

**C (Programming intended for children under age 8):**

There will be no realistic scenes of violence or no offensive language, nudity or sexual content. Careful attention is paid to themes, which could threaten children's sense of security and well-being.

**C8+ (Programming generally considered acceptable for children 8 years and over to watch on their own):**

Violence will not be portrayed as the preferred, acceptable, or only way to resolve conflict; or encourage children to imitate dangerous acts which they may see on television. There will be no profanity, nudity or sexual content.

**G (General Audience):**

Will contain very little violence, either physical or verbal or emotional. There may be some inoffensive slang, no profanity and no nudity.

50

**PG (Parental Guidance):**

Programming intended for a general audience but which may not be suitable for younger children. Parents may consider some content inappropriate for unsupervised viewing by children aged 8 – 13.

**14+ (Programming contains themes or content which may not be suitable for viewers under the age of 14):**

Parents are strongly cautioned to exercise discretion in permitting viewing by pre-teens and early teens.

**18+ (Adult):**

May contain violence integral to the development of the plot, character or theme, intended for adult audiences. May contain graphic language and explicit portrayals of nudity and/or sex.

**E (Exempt):**

Exempt programming includes: news, sports documentaries and other information programming: talk shows, music videos, and variety programming.

**Note:**

- The E (Exempt) rating is not shown in the menu.

**Canadian French Language ratings**

The Canadian French Language Ratings are for TV programs in French broadcast in Canada.

**G (General):**

Programming intended for audience of all ages. Contains no violence, or the violence it contains is

minimal or is depicted appropriately with humor or caricature or in an unrealistic manner.

**8 ans+ (8+ General - Not recommended for young children):**

Programming intended for a broad audience but contains light or occasional violence that could disturb young children. Viewing with an adult is recommended for young children (under the age of 8).

**13 ans+ (Programming may not suitable for children under the age of 13):**

Viewing with an adult is strongly recommended for children under 13.

**16 ans+ (Programming is not suitable for children under the age of 16):**

Contains frequent scenes of violence or intense violence.

**18 ans+ (Programming restricted to adults):**

Contains constant violence or scenes of extreme violence.

**E (Exempt):**

Exempt programming.

**Note:**

- The E (Exempt) rating is not shown in the menu.

51

## Additional Operations

### Operating Video Equipment

#### Setting the Manufacturer's Code

You can use the supplied remote control to operate Sony or non-Sony video equipment that has an infrared sensor.

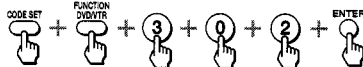
- 1 Set the VTR 1/2/3/DVD/MDP switch to the input through which you would like to access your video equipment.

The following Sony equipment is preset to each input as shown below:

VTR1 (303)	Beta, ED Beta VCRs
VTR2 (302)	8 mm VCR
VTR3 (301)	VHS VCR
DVD/MDP (751)	DVD Player

- 2 Press CODE SET, DVD/VTR (FUNCTION), and the 0-9 buttons to enter the manufacturer's code number (see the following chart), then press ENTER.

For example, to operate a Sony 8mm VCR:



52

### If the remote control doesn't work

- See the tips on page 54.

#### VCR manufacturer code numbers

Manufacturer	Code
Sony	301, 302, 303
Aiwa	338
Admiral (M. Ward)	327
Audio Dynamic	314, 337
Bell & Howell (M. Ward)	330, 343
Broksonic	319, 317
Canon	309, 308
Citizen	332
Craig	315, 302, 332
Criterion	315
Curtis Mathis	304, 338, 309
Daewoo	341, 312, 309
DBX	314, 336, 337
Dimensia	304
Emerson	319, 320, 316, 317, 318, 341
Fisher	330, 334, 335, 333
Funai	338
General Electric	329, 304, 309
Go Video	340, 339, 322
Goldstar	332
Hitachi	306, 304, 305, 338
Instant Replay	309, 308
JC Penney	309, 305, 304, 330, 314, 336, 337
JVC	314, 336, 337
Kenwood	314, 336, 332, 337
LXI (Sears)	332, 305, 333, 334, 330, 335, 338
Magnavox	308, 309, 310
Marantz	314, 336, 337
Marta	332
Memorex	309, 335
Minolta	305, 304

Mitsubishi/MGA	323, 324, 325, 326
Multitech	325, 338, 321
NEC	314, 336, 337
Olympic	309, 308
Optimus	327
Panasonic	308, 309, 306, 307
Pentax	305, 304
Philco	308, 309
Philips	308, 309, 310
Pioneer	308
Quasar	308, 309, 306
RCA/PROSCAN	304, 305, 308, 309, 311, 329, 312, 313, 310
Realistic	309, 330, 328, 335, 324, 338
Sansui	314
Singer	315
Samsung	322, 313, 321
Sanyo	330, 335
Scott	312, 313, 321, 335, 323, 324, 325, 326
Sharp	327, 328
Shintom	315
Signature 2000 (M. Ward)	338, 327
Sylvania	308, 309, 338, 310
Symphonic	338
SV2000	338
Tashiro	332
Tatung	314, 336, 337
Teac	314, 336, 338, 337
Technics	309, 308
Teknica	342, 338
Toshiba	312, 311
Wards	327, 328, 335, 331, 332
XR-1000	315
Yamaha	330, 314, 336, 337
Zenith	331

#### MDP manufacturer code numbers

Manufacturer	Code
Sony	701
Panasonic	704
Pioneer	702

#### DVD Player manufacturer code numbers

Manufacturer	Code
Sony	751
Panasonic	753
Pioneer	752
RCA	755
Toshiba	754

#### Tips

- In some rare cases, you may not be able to operate your non-Sony video equipment with the supplied remote control. In this case, please use the equipment's own remote control.
- When you remove the batteries, the code number may revert to the factory setting.

#### Operating video equipment

- 1 Set the VTR1/2/3/DVD/MDP switch to the input through which you would like to access your video equipment.
- 2 Press DVD/VTR (FUNCTION).
- 3 Use the VCR/DVD/MDP operation buttons indicated in the following tables.

#### Operating a VCR using the remote control

To turn On/Off	Press DVD/VTR (POWER). [Green Button]
To select a channel	Press the 0-9 buttons.
To change channels	Press CH +/-.
To record	Press <b>REC</b> (REC) while pressing <b>0</b> (lower).
To play	Press <b>▶</b> .
To stop	Press <b>■</b> .
To fast forward	Press <b>▶▶</b> .
To rewind the tape	Press <b>◀◀</b> .
To pause	Press <b>  </b> . Press again to resume normal playback.
To search the picture forward or backward	Press <b>▶▶</b> or <b>◀◀</b> during playback. Release to resume normal playback.
To change input mode	Press TV/VTR.

#### Operating an MDP using the remote control

To turn On/Off	Press DVD/VTR (POWER). [Green Button]
To play	Press <b>▶</b> .
To stop	Press <b>■</b> .
To pause	Press <b>  </b> . Press again to resume normal playback.
To search the picture forward or backward	Press <b>▶▶</b> or <b>◀◀</b> during playback. Release to resume normal playback.
To search a chapter forward or backward	Press CH +/-.

#### Operating a DVD Player using the remote control

To turn On/Off	Press DVD/VTR (POWER). [Green Button]
To play	Press <b>▶</b> .
To stop	Press <b>■</b> .
To pause	Press <b>  </b> . Press again to resume normal playback.
To step through different tracks of an audio disc	Press <b>▶▶</b> to step forward or <b>◀◀</b> to step backward.
To step through different chapters of a video disc	Press CH+ to step forward or CH- to step backward.
To display the Title menu	Press TITLE.
To display the DVD menu	Press DVD MENU.
To select tracks directly	Press 0-9 buttons.
To display the menu (Set up)	Press MENU.

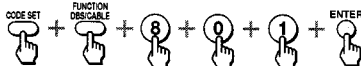
## Operating a Cable Box or DBS Receiver

### Setting the Manufacturer's Code

You can program the supplied remote control to operate a cable box or DBS receiver.

Press CODE SET, DBS/CABLE (FUNCTION), and the 0-9 buttons to enter the manufacturer's code number (see the following chart), then press ENTER.

For example, to operate a Sony DBS receiver:



### Manufacturer code numbers (cable box)

Manufacturer	Code
Gemini	233
Hamlin/Regal	222, 223, 224, 225, 226
Jerrold/G. I.	201, 202, 203, 204, 205, 222, 206, 207, 208, 218
Macom	230, 231, 232
Magnavox	234
Oak	227, 228, 229
Panasonic	219, 220, 221
Philips	236, 237, 238, 239, 240, 241
Pioneer	214, 215
Samsung	235
Scientific Atlanta	209, 210, 211
Tocom	216, 217
Zenith	212, 213

### Manufacturer code numbers (DBS receiver)

Manufacturer	Code number
Sony	801 (preset code for remote control)
General Electric	802
RCA/PROSCAN	802

### Operating a cable box or DBS receiver

- 1 Press DBS/CABLE (POWER) [Green Button] to turn on/off the cable box or DBS receiver.
- 2 Press DBS/CABLE (FUNCTION).
- 3 For other operations, refer to the operating instructions that come with the equipment. Blue-labeled buttons such as the GUIDE button can be used only with a DBS receiver.

### If the remote control doesn't work

- Try repeating the set up procedures using the other codes listed for your equipment.

### To operate the projection TV

Press TV (FUNCTION). Then use the projection TV control buttons to control the projection TV.

#### Tips

- If more than one code number is listed, try entering them one by one until you come to the correct code for your equipment.
- If you enter a new code number, the code number you previously entered at that setting is erased.
- In some rare cases, you may not be able to operate your equipment with the supplied remote control. In this case, use the equipment's own remote control unit.
- Whenever you remove the batteries—to replace them, for example—if too much time is taken, the code numbers may revert to the factory setting and must be reset.

54

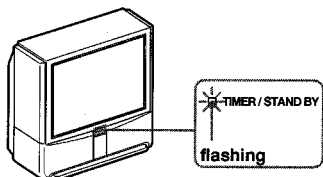
## Additional Information

### Troubleshooting

If, after reading the following instructions, you have additional questions related to the use of your Sony projection TV, please call one of the following numbers (English only). Customers in the continental United States contact the Direct Response Center at: 1-800-222-SONY (7669). Customers in Canada contact the Customer Relations Center at: (416) 499-SONY (7669).

#### The picture turns off and the TIMER/STAND BY indicator on the front panel flashes (self-diagnosis function)

- The projection TV is equipped with a self-diagnosis function. If there is a problem with your projection TV, the TIMER/STAND BY indicator on the front panel will flash repeatedly. Counting the number of flashes helps you inform qualified Sony personnel of the projection TV's condition.



#### Dark, poor or no picture (screen lit), good sound

- Adjust PICTURE in the VIDEO menu. (see "PICTURE" on page 32)
- Adjust BRIGHTNESS in the VIDEO menu. (see "BRIGHTNESS" on page 32)
- Check antenna/cable connections.
- Perform AUTO SET UP again using the SET UP button to return to the factory preset condition. (see "To perform AUTO SET UP again" on page 22)
- Adjust the convergence again using the FLASH FOCUS button. (see "Adjusting the Convergence Automatically (FLASH FOCUS)" on page 22)

#### Good picture, no sound

- Press MUTING so that "MUTING" disappears from the screen. (see "MUTING" on page 23)
- Check the MTS setting in the AUDIO menu. (see "MTS" on page 33)
- Make sure SPEAKER is set to ALL ON or L/R OFF in the AUDIO menu. (see "SPEAKER" on page 34)
- Perform AUTO SET UP again using the SET UP button to return to the factory preset condition. (see "To perform AUTO SET UP again" on page 22).

#### No picture (screen not lit), no sound

- Make sure the power cord is plugged in.
- Operate with the buttons on both the projection TV and the remote control.
- Check to see if the TV/VIDEO setting is correct: when watching TV, set to TV, and when watching video tapes, set to VIDEO 1, 2, 3, 4 or 5.
- Try another channel. *It could be station trouble.*
- Perform AUTO SET UP again using the SET UP button to return to the factory preset condition. (see "To perform AUTO SET UP again" on page 22)
- The PARENTAL CONTROL feature is activated. (see "Using the PARENTAL CONTROL Feature" on page 42)

#### Remote control does not operate

- Batteries could be weak. Replace the batteries.
- Press TV (FUNCTION) when operating your projection TV.
- Make sure the projection TV's power cord is connected securely to the wall outlet.
- Locate the projection TV at least 3-4 feet away from fluorescent lights.
- Check the polarity of the batteries.

(continued)

#### Cannot receive digital channels (when a DTV receiver is connected)

- ◆ Check the DTV INPUT setting in the SET UP menu. (see "DTV INPUT" on page 42)
- ◆ Check the connections between the DTV receiver and the projection TV. (see pages 9 and 10)
- ◆ Check your local listings to find out if you can receive digital broadcasts in your area.

#### Cannot receive upper channels (UHF) when using an antenna

- ◆ Make sure CABLE is OFF in the CHANNEL SET UP menu. (see "CABLE" on page 37)
- ◆ Use AUTO PROGRAM to add receivable channels that are not presently in the TV's memory. (see "AUTO PROGRAM" on page 37)

#### No color

- ◆ Adjust the COLOR in the VIDEO menu. (see "COLOR" on page 32)
- ◆ Black and white programs cannot be seen in color.
- ◆ Perform AUTO SET UP again using the SET UP button to return to the factory preset condition. (see "To perform AUTO SET UP again" on page 22)

#### Only snow and noise appear on the screen

- ◆ Check the CABLE setting in the CHANNEL SET UP menu. (see "CABLE" on page 37)
- ◆ Check the antenna/cable connections.
- ◆ Make sure the channel is broadcasting programs.
- ◆ Press ANT to change the input mode. (see "ANT" on page 23)

#### Dotted lines or stripes

- ◆ Adjust the antenna.
- ◆ Keep the projection TV away from noise sources such as cars, neon signs or hair-dryers.

#### TV is fixed to one channel

- ◆ Use AUTO PROGRAM to add receivable channels that are not presently in TV's memory. (see "AUTO PROGRAM" on page 37)
- ◆ Try turning CHANNEL FIX off. (see "CHANNEL FIX" on page 37)

#### Double images or ghosts

- ◆ Use a highly directional outdoor antenna or a cable (when the problem is caused by reflections from nearby mountains or tall buildings).

#### Cannot operate the menu

- ◆ If the item you want to choose appears in gray, you cannot select it.
- ◆ Press the projection TV's power button off and on again.

#### Cannot receive any channels when using cable TV

- ◆ Check the connection with a cable box again. (see pages 6 and 8)
- ◆ Make sure CABLE is ON in the CHANNEL SET UP menu. (see "CABLE" on page 37)
- ◆ Use AUTO PROGRAM to add receivable channels that are not presently in the TV's memory. (see "AUTO PROGRAM" on page 37)

#### Cannot gain enough volume when using a cable box

- ◆ Increase the volume at the cable box. Then press TV (FUNCTION) and adjust the projection TV's volume.

#### CHANNEL INDEX does not display all available channels

- ◆ Make sure CABLE is ON in the CHANNEL SET UP menu. (see "CABLE" on page 37)
- ◆ Use AUTO PROGRAM to add receivable channels that are not presently in the TV's memory. (see "AUTO PROGRAM" on page 37)

56

#### FAVORITE CHANNEL does not display your choices

- ◆ Verify that FAVORITE CHANNEL is set to MANUAL in the CHANNEL SET UP menu. (see "Setting FAVORITE CHANNEL manually" on page 38)

#### Some video sources do not appear when you press TV/VIDEO

- ◆ Ensure that VIDEO LABEL is not set to SKIP. (see "VIDEO LABEL" on page 41)

#### Recording through SELECT OUT does not function properly when recording in PIP or P&P mode

- ◆ SELECT OUT will not record both images in PIP or P&P. Only the main picture will be recorded.
- ◆ If you are recording the main picture and you switch to the sound of the sub picture using the AUDIO button, the main picture will be recorded with sound from the other program.

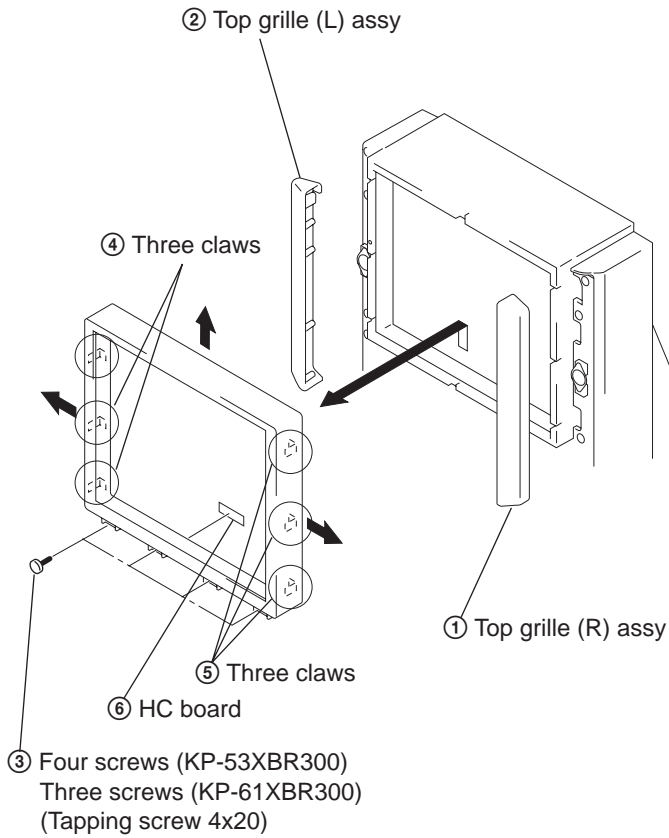
#### Cannot play shooting games

- ◆ Some shooting games which involve pointing a light beam at the TV screen with an electronic gun or rifle cannot be used with this projection TV. For details, see the instruction manual supplied with the video game software.

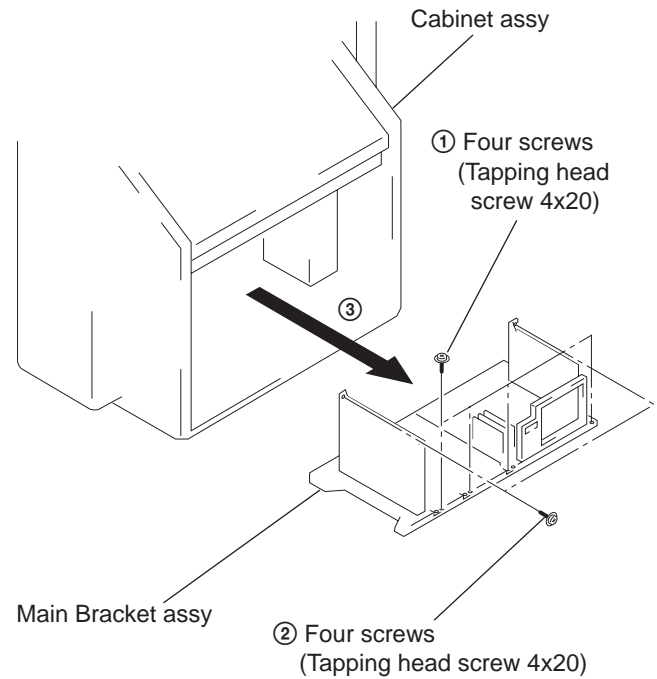
57

## SECTION 2 DISASSEMBLY

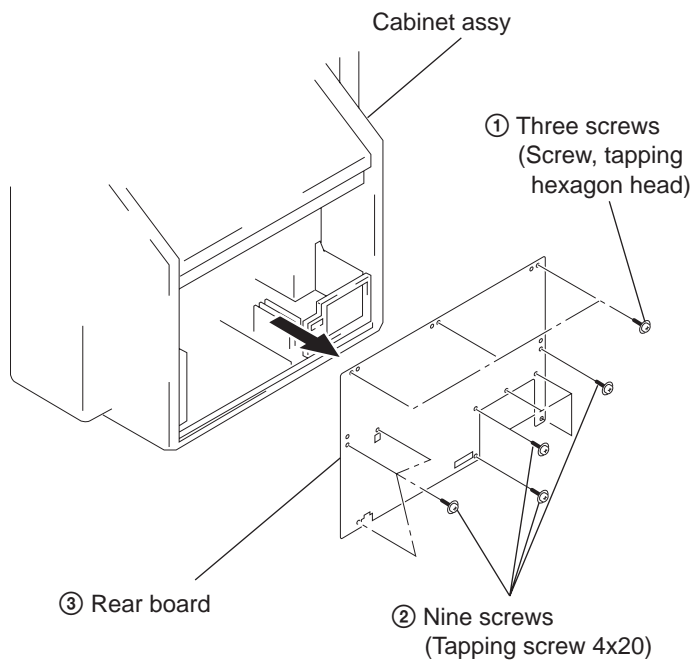
### 2-1. SCREEN FRAME ASSY AND HC BOARD REMOVAL



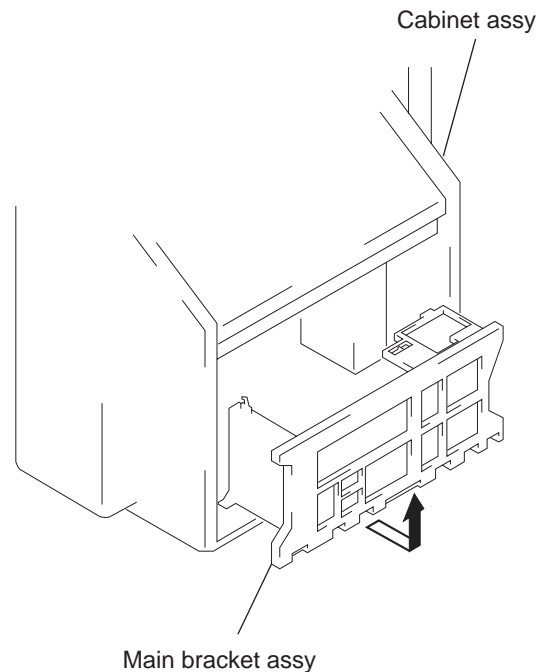
### 2-3. MAIN BRACKET REMOVAL



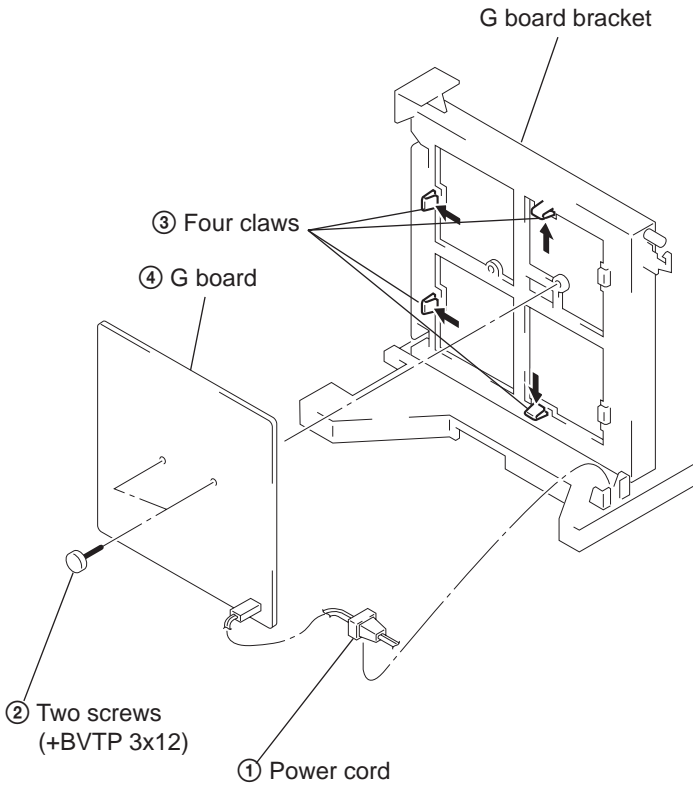
### 2-2. REAR BOARD REMOVAL



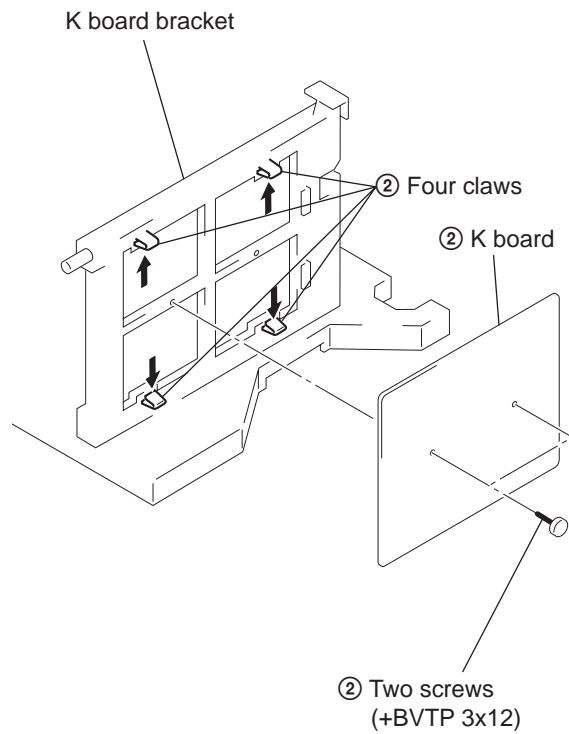
### 2-4. SERVICE POSITION



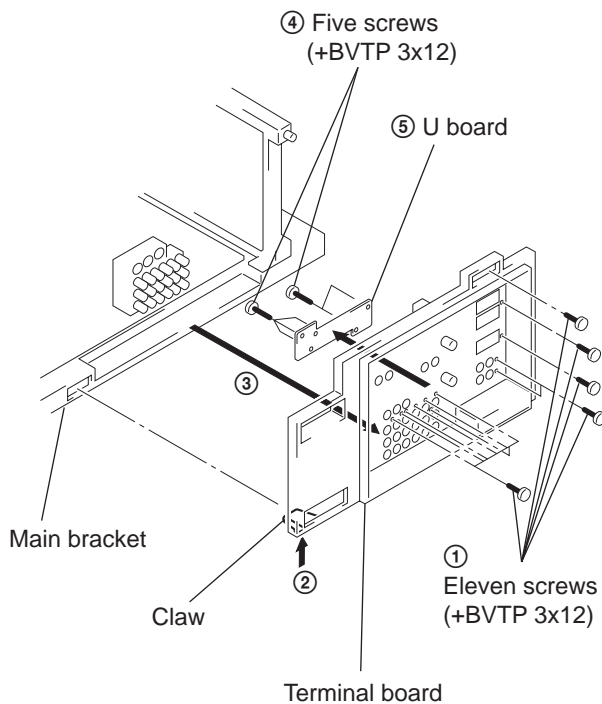
2-5. G BOARD REMOVAL



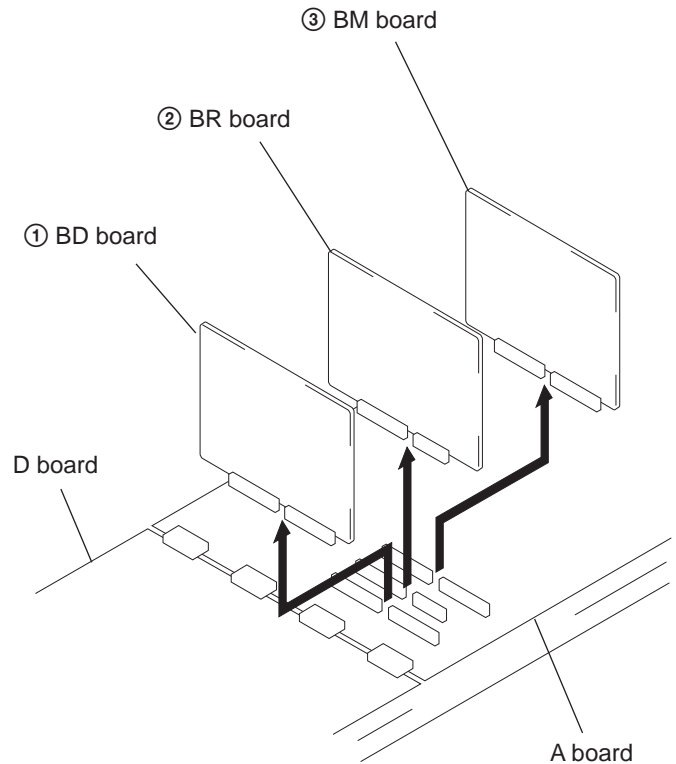
2-7. K BOARD REMOVAL



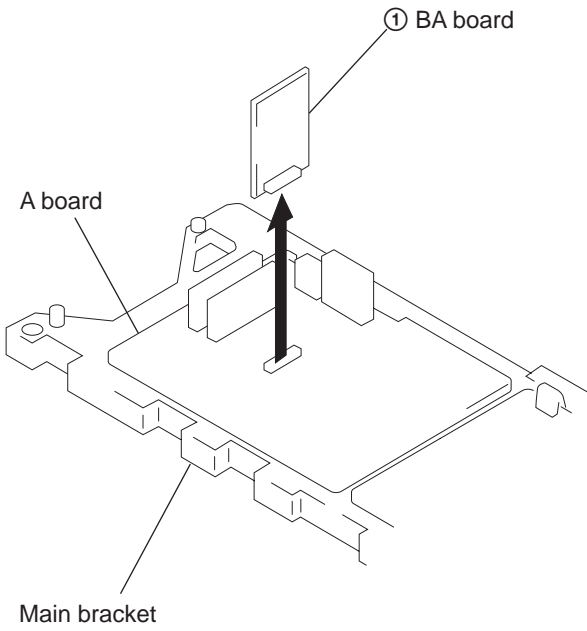
2-6. TERMINAL BOARD AND U BOARD REMOVAL



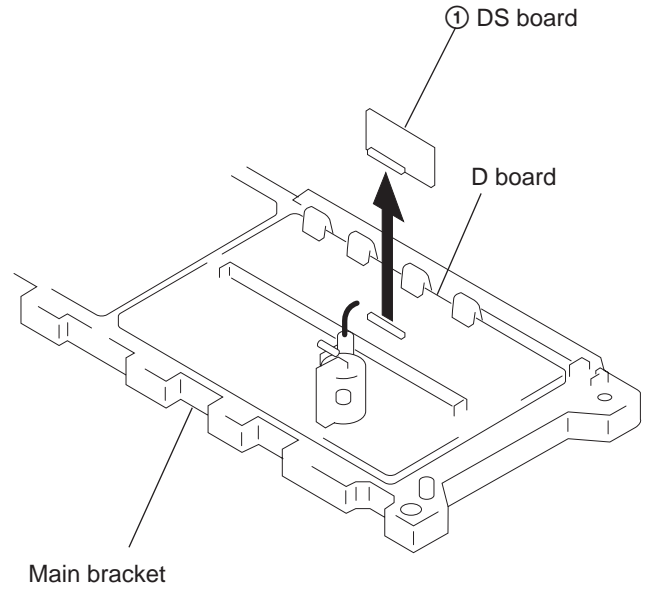
2-8. BM, BR AND BD BOARD REMOVAL



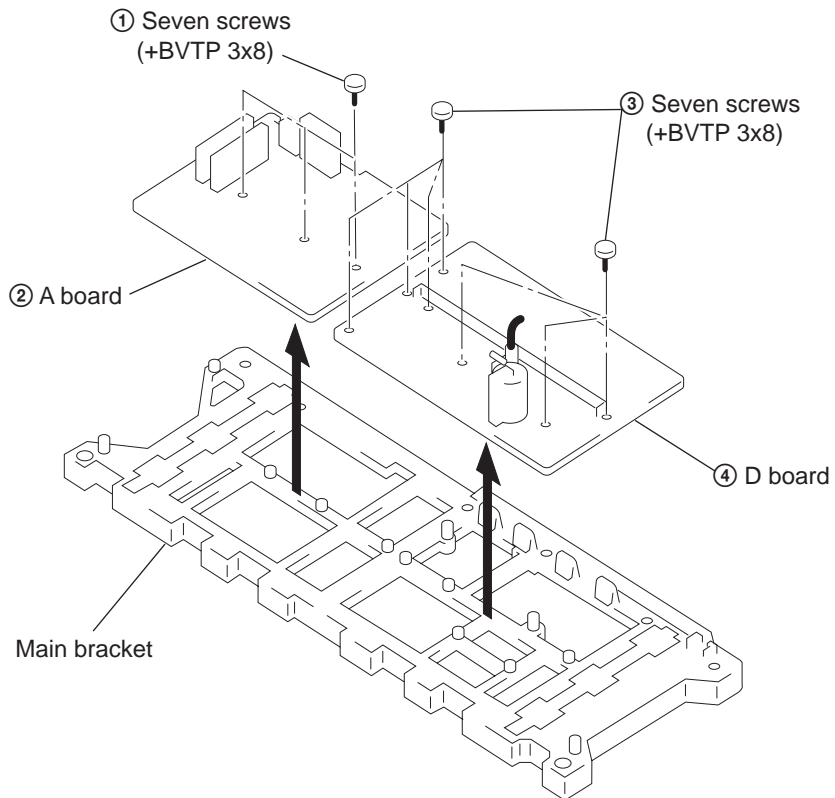
2-9. BA BOARD REMOVAL



2-10. DS BOARD REMOVAL

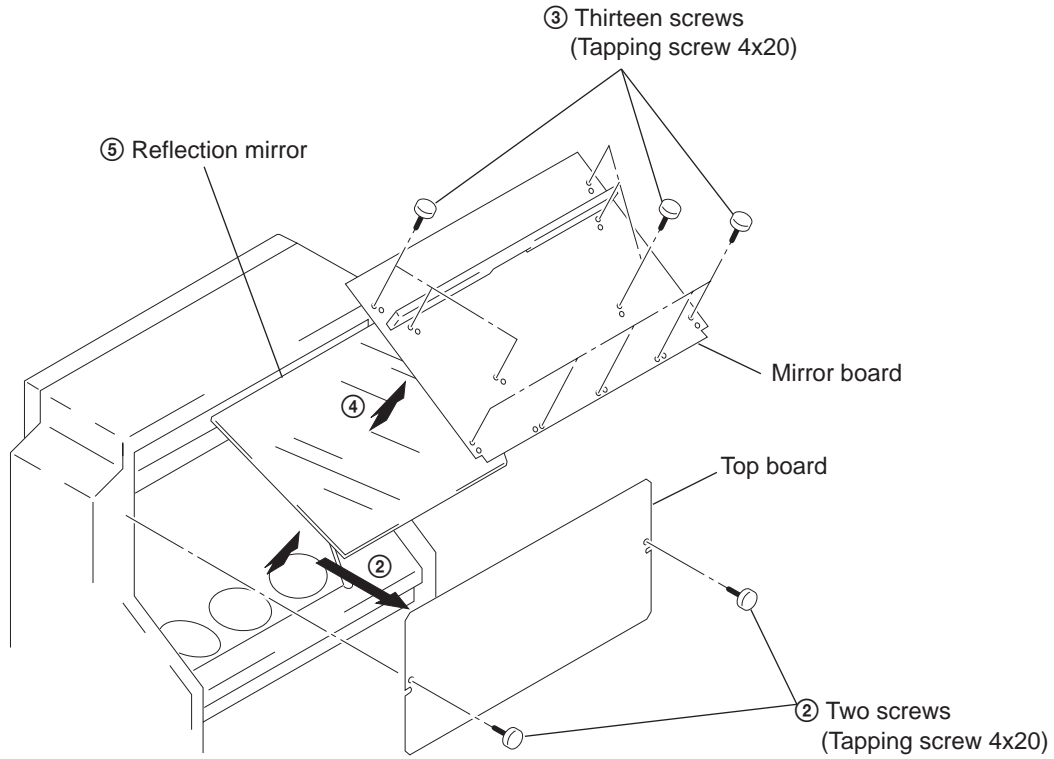


2-11. A AND D BOARD REMOVAL

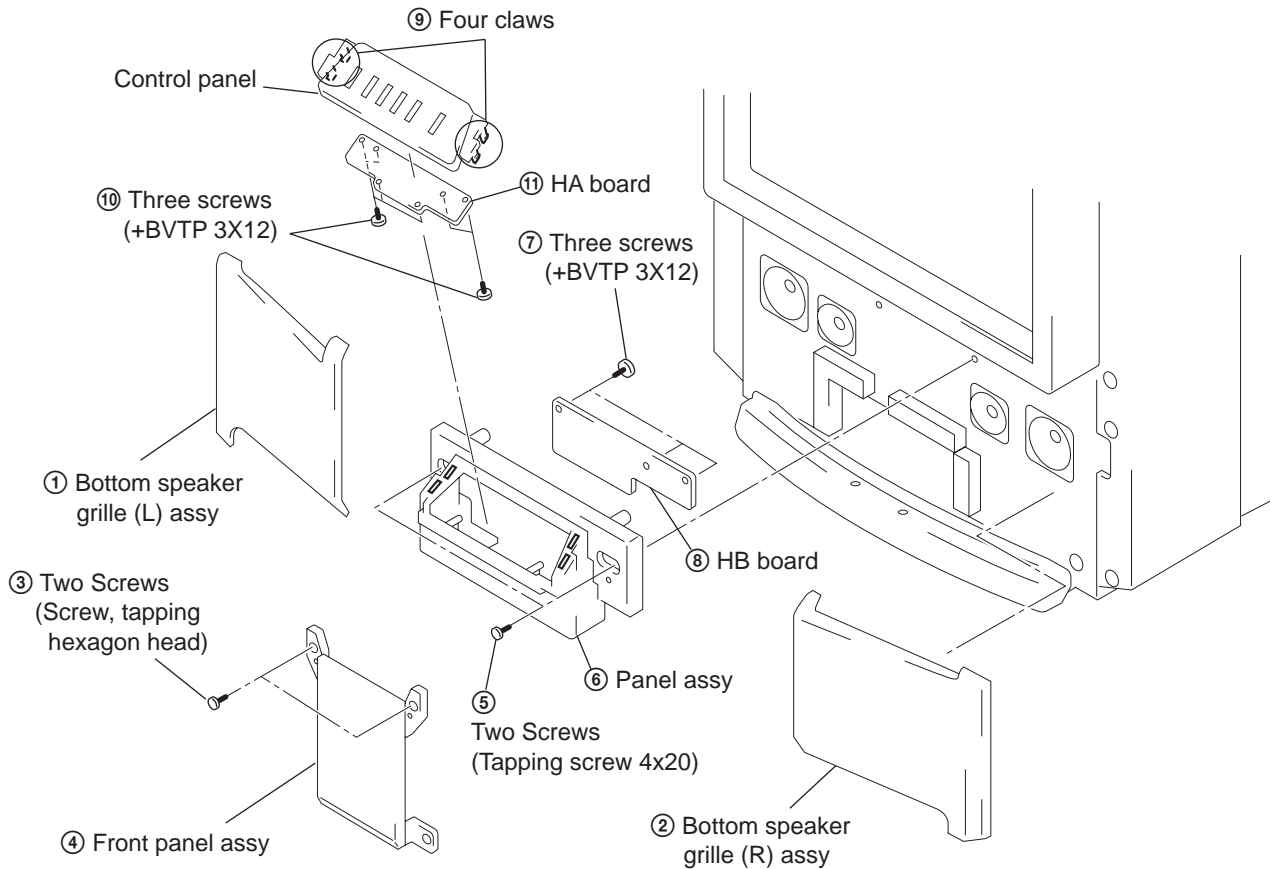




**2-12. REFLECTION MIRROR REMOVAL**

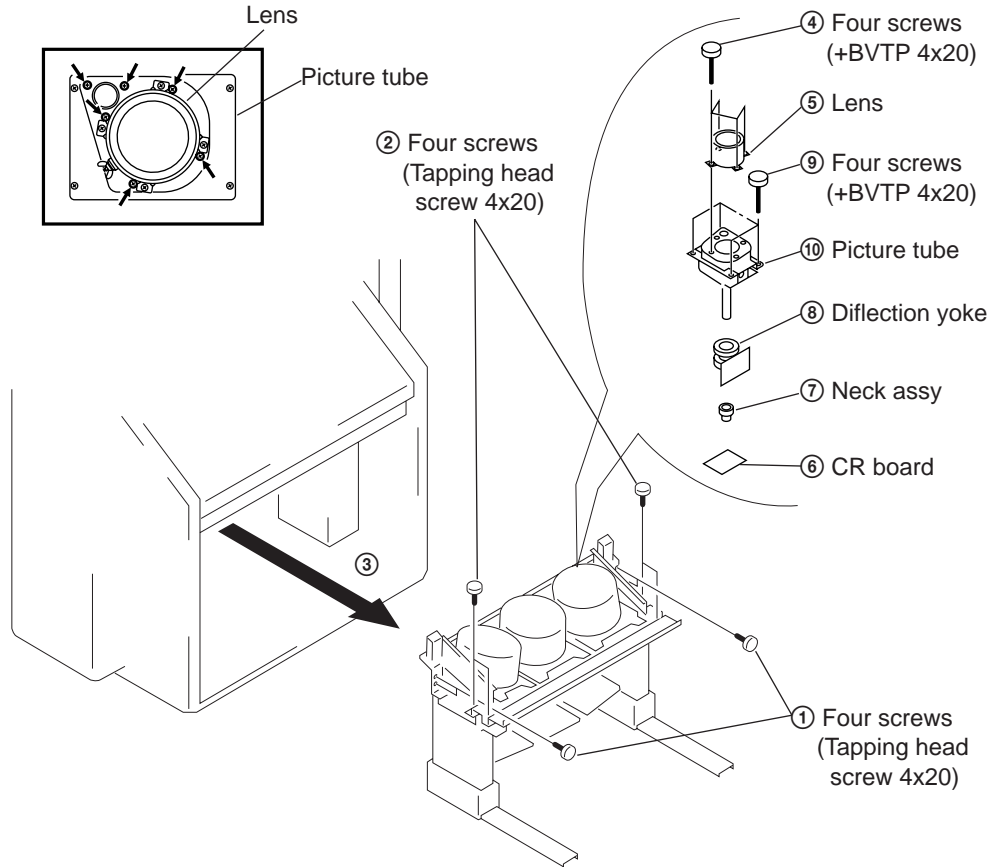


**2-13. HA AND HB BOARD REMOVAL**



### 2-14. PICTURE TUBE REMOVAL

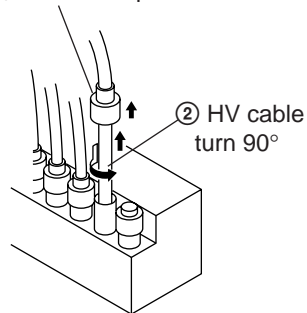
**CAUTION:** Removing the arrow-marked screws is strictly prohibited. If removed, it may cause liquid spill.



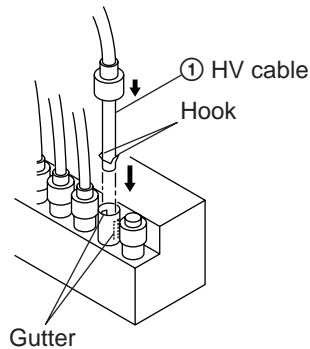
### 2-15. HIGH-VOLTAGE INSTALLATION AND REMOVAL

(1) Remover

① Rubber cap



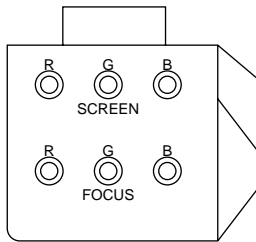
(2) Installation



SET-UP ADJUSTMENTS

3-1. SCREEN VOLTAGE ADJUSTMENT  
(ROUGH ALIGNMENT)

1. Receive the Monoscope signal.
2. Set 50% BRIGHTNESS and minimum PICTURE.
3. Turn the red VR on the FOCUS block all the way to the left and then gradually turn it to the right until the point where you can see the retrace line.
4. Next gradually turn it to the left to the position where the retrace line disappears.



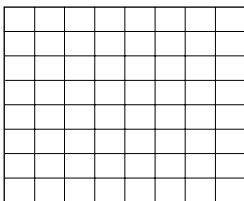
FOCUS block

Fig. 3-1

3-2. FOCUS LENS ADJUSTMENT

In this adjustment, use the remote commander in the service mode.  
For details of the usage of the service mode and the remote commander, please refer the item 3-9. ELECTRICAL ADJUSTMENT BY REMOTE COMMANDER.

1. Loosen the lens screw.
2. Set to the service mode.
3. Receive the all-white signal.
4. Set MCP1 07 RON to "000", 08 GON to "001" and 09 BON to "000" to show only the green color.
5. Set to PJE, and press 6 to display the test signal (crosshatch) on the screen.
6. Turn the green lens to adjust to the optimum focus point with the test signal.
7. Tighten the lens screw.
8. Set MCP1 07 RON to "001", 08 GON to "000" and 09 BON to "000" to show only the red color.
9. Set to PJE, and press 6 to display the test signal (crosshatch) on the screen.
10. Adjust red CRT lens just the same as green.
11. Set MCP1 07 RON to "000", 08 GON to "000" and 09 BON to "001" to show only the blue color.



Test signal

Fig. 3-2

12. Set to PJE, and press 6 to display the test signal (crosshatch) on the screen.
13. Adjust blue CRT lens just the same as green.

\*: Every time you press 6, the test signal changes to "crosshatch+video signal" - "dots+video signal" - "crosshach(black)" - "dots(black)" - off.

Note: Instead of items 4, 8 and 11, you can use the lens caps to cut off the unnecessary color beams.

3-3. SCREEN (G2) ADJUSTMENT

1. Select VIDEO1 mode without signals.
2. Connect an oscilloscope to the TP7103(KR), TP7203(KG) and TP7303(KB) of CR board, CG board and CB board.
3. Adjust R, G and B screen voltage to  $175 \pm 2V$  with screen VR on the Focus block.

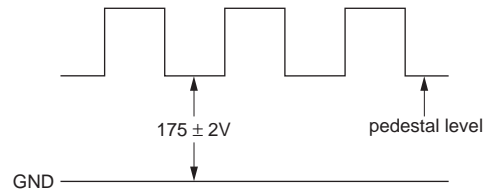
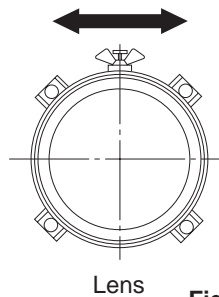


Fig. 3-3

3-4. FOCUS VR ADJUSTMENT

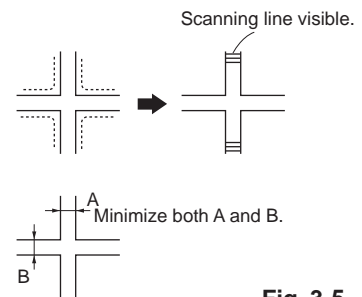
1. Set to the service mode.
2. Receive the all-white signal.
3. Set MCP1 07 RON to "000", 08 GON to "001" and 09 BON to "000" to show only the green color.
4. Set to PJE, and press 6 to display the test signal (crosshatch) on the screen.
5. Turn the green VR on the focus block to adjust to the optimum focus point with the test signal.
6. Set MCP1 07 RON to "001", 08 GON to "000" and 09 BON to "000" to show the red color.
7. Set to PJE, and press 6 to display the test signal (crosshatch) on the screen.
8. Turn the red VR on the focus block to adjust to the optimum focus point with the test signal.
9. Set MCP1 07 RON to "000", 08 GON to "000" and 09 BON to "001" to show the blue color.
10. Set to PJE, and press 6 to display the test signal (crosshatch) on the screen.
11. Turn the blue VR on the focus block to adjust to the optimum focus point with the test signal.

Note: Instead of items 3, 6 and 9, you can use the lens caps to cut off the unnecessary color beams.



Lens

Fig. 3-4



Center of crosshatch

Fig. 3-5

### 3-5. DEFLECTION YOKE TILT ADJUSTMENT

1. Receive the Monoscope signal.
2. Set in service mode.
3. Set MCP1 07 GON to "001" 08 RON to "000" and 09 BON to "000" to show only the green color.
4. Loosen the deflection yoke set screw and align the tilt of the Deflection Yoke so that the bars at the center of the monoscope pattern are horizontal.
5. After aligning the deflection yoke, fasten it securely to the funnel-shaped portion (neck) of the CRT.
6. The tilt of the deflection yoke for red is aligned in the mode MCP1 07 RON "001", 08 GON "000", 09 BON "000" on the service mode menu, and the tilt of the deflection yoke for blue is aligned with in the mode MCP1 07 RON "000", 08 GON "000", 09 BON "001" on the service menu, is aligned the same as was done for green.

Note: Instead of item 3, you can use the lens caps to cut off the unnecessary color beams.

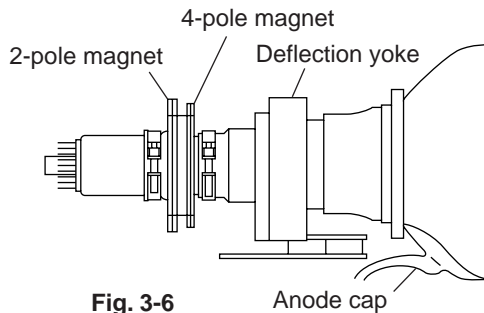


Fig. 3-6

### 3-6. 2-POLE MAGNET ADJUSTMENT (GREEN,RED)

1. Receive the Dot signal.
2. Set in service mode.
3. Set MCP1 07 GON to "001" 08 RON to "000" and 09 BON to "000" to show only the green color.
4. Turn the green VR on the focus block to the right and set to overfocus to enlarge the spot.
5. Now align the 2-Pole Magnet so that the enlarged spot is in the center of the Just Focus spot.
6. Align the green focus VR and set for just (precise) focus.
7. Perform the same alignment for red.

Use the center dot

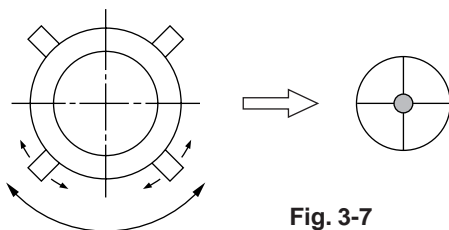


Fig. 3-7

### 3-7. 4-POLE MAGNET ADJUSTMENT

1. Receive the Dot signal.
2. Set in service mode.
3. Set MCP1 07 GON to "001" 08 RON to "000" and 09 BON to "000" to show only the green color.
4. Turn the green VR on the focus block to the left and set to underfocus to enlarge the spot.
5. Now align the 4-Pole Magnet so that the enlarged spot becomes a perfect circle for green and red.
6. Perform the same alignment for blue.

Use the center dot

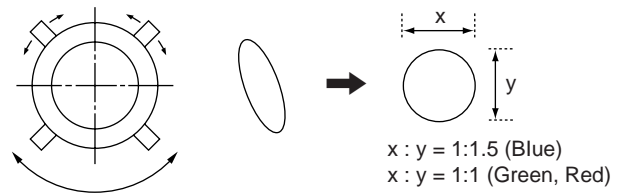


Fig. 3-8

### 3-8. DEFOCUS ADJUSTMENT (BLUE)

1. Select the video menu and set the mode to "VIVID" mode.
2. Set to the service mode.
3. Change TV mode to the video input mode.
4. Set to PJE, and press 6 to display the test signal (dots) on the screen.
5. Turn the blue VR on the focus block to adjust to the diameter of the dots as shown in the figure below.

[Focus adjustment point]

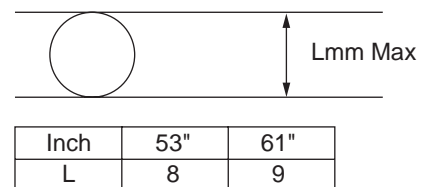


Fig. 3-9

### 3-9. ELECTRICAL ADJUSTMENT BY REMOTE COMMANDER

By using Remote Commander (RM-Y902), all circuit adjustments can be made.

**NOTE : Test Equipment Required.**

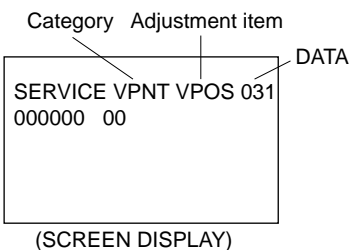
1. Pattern Generator (with component outputs)
2. Frequency counter
3. Digital multimeter
4. Audio oscillator

#### 1. METHOD OF SETTING THE SERVICE ADJUSTMENT MODE

**SERVICE MODE PROCEDURE**

1. Standby mode. (Power off)
2. **DISPLAY** → **5** → **VOL (+)** → **TV POWER** on the Remote Commander.  
 (Press each button within a second.)

**SERVICE MODE ADJUSTMENT**



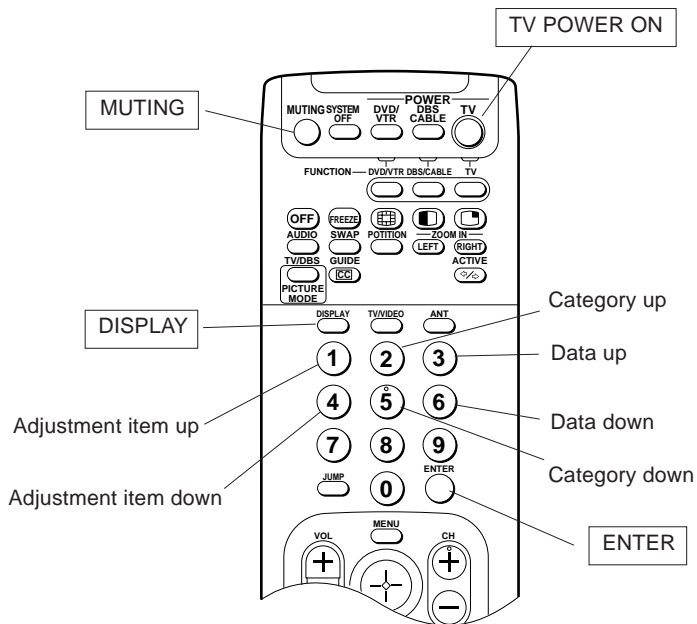
3. The SCREEN displays the item being adjusted.
4. Press **1** or **4** on the Remote Commander to select the adjustment item.
5. Press **3** or **6** on the Remote Commander to change the data.
6. Press **2** or **5** on the Remote Commander to select the category.
7. If you want to recover the latest values press **0** then **ENTER** to read the memory.
8. Press **MUTING** then **ENTER** to write into memory.
9. Turn power off.

Note: Press **8** then **ENTER** on the Remote Commander to initialize or turn set off and on to exit.

#### 2. MEMORY WRITE CONFIRMATION METHOD

1. After adjustment, remove the plug from AC outlet, and then replace the plug in AC outlet again.
2. Turn the power switch ON and set to Service Mode.
3. Call the adjusted items again and confirm they were adjusted.

#### 3. ADJUST BUTTONS AND INDICATOR



RM-Y902

Note : In the PJE mode these are different a little. See page 47.

4. SERVICE MODE LIST

■ : Fixed data

VDSP

Category	Item number	Adjustment item	Standard data	Data range	Note	Device
VDSP	00	VPOS	31	0-63	V SHIFT	CXD2018Q
	01	VANG	7	0-15	V ANGLE	
	02	VBOW	7	0-15	V BOW	
	03	VLIN	7	0-15	V LIN	
	04	VSIZ	31 (10)	0-63	V SIZE	
	05	VSCO	7	0-15	S CORRECTION	
	06	HPOS	41	0-63	H SHIFT	
	07	HSIZ	31	0-63	H SIZE	
	08	HKEY	11	0-15	TILT	
	09	PAMP	15	0-63	PIN AMP	
	10	UPIN	7	0-15	UPPER CORNER PIN	
	11	LPIN	7	0-15	LOWER CORNER PIN	

( ) : 1080I

MCP

Category	Item number	Adjustment item	Standard data	Data range	Note	Device
MCP 1	00	RDRV	31	0-63	R DRIVE	CXA2101AQ
	01	GDRV	31	0-63	G DRIVE	
	02	BDRV	31	0-63	B DRIVE	
	03	RCUT	31	0-63	R CUTOFF	
	04	GCUT	10	0-63	G CUTOFF	
	05	BCUT	31	0-63	B CUTOFF	
	06	P ON	1	0,1	PICON	
	07	R ON	1	0,1	R ON	
	08	G ON	1	0,1	G ON	
	09	B ON	1	0,1	B ON	
	10	PABL	15	0-15	PEAK ABL LEVEL	
	11	LTIL	0	0-3	LTI LEVEL	
	12	CTIL	0	0,1	CTI LEVEL	
	13	LIMIT	2	0-3	INPUT LEVEL LIMIT	
	14	CB01	7	0-15	CB OFFSET 1	
	15	CR01	7	0-15	CR OFFSET 1	
	16	CB02	7	0-15	CB OFFSET 2	
	17	CR02	7	0-15	CR OFFSET 2	
	18	DCTR	1	0-3	DC TRAN	
	19	DPIC	1	0-3	DPIC	
	20	ABLT	3	0-3	ABL T/H (ACTIVE ON 16:9)	
	21	VTC	2	0-3	V SYNC SFP/TC	
	22	CB03	7	0-15	CB OFFSET3	
	23	CR03	7	0-15	CR OFFSET3	

Category	Item number	Adjustment item	Standard data	Data range	Note	Device
MCP2 (DRC/480p)	00	SCON	5	0-15	SUB CONTRAST	
	01	SBRT	31	0-63	SUB BRIGHTNESS	
	02	SHUE	7	0-15	SUB HUE	
	03	SCOL	12	0-15	SUB COLOR	
MCP3 (1080i)	00	SCON	3	0-15	SUB CONTRAST	
	01	SBRT	31	0-63	SUB BRIGHTNESS	
	02	SHUE	7	0-15	SUB HUE	
	03	SCOL	5	0-15	SUB COLOR	
MCP 4 (STANDARD)	00	SSHP	3	0-3	SUB SHARPNESS	
	01	SHPF	1	0-3	SHARPNESS F0	
	02	VMDL	3	0-3	VM DELAY	
	03	SYS	2	0-3	SYSTEM	
MCP 5 (VIVID)	04	PREO	2	0-3	PRE/OVER RATIO	
	00	SSHP	3	0-3	SUB SHARPNESS	
	01	SHPF	1	0-3	SHARPNESS F0	
	02	VMDL	3	0-3	VM DELAY	
MCP 6 (1080-480)	03	SYS	2	0-3	SYSTEM	
	04	PREO	1	0-3	PRE/OVER RATIO	
	00	SSHP	3	0-3	SUB SHARPNESS	
	01	SHPF	2	0-3	SHARPNESS F0	
MCP 7	02	VMDL	3	0-3	VM DELAY	
	03	SYS	2	0-3	SYSTEM	
	04	PREO	0	0-3	PRE/OVER RATIO	
	00	UPIC	63	0-63	USER PICTURE(VIVID)	
			44	0-63	USER PICTURE(STANDARD)	
			40	0-63	USER PICTURE(MOVIE)	
			38	0-63	USER PICTURE(GAME)	
			38	0-63	USER PICTURE(PRO)	
	01	UBRT	28	0-63	USER BRIGHTNESS(VIVID)	
			31	0-63	USER BRIGHTNESS(STANDARD)	
			31	0-63	USER BRIGHTNESS(MOVIE)	
			27	0-63	USER BRIGHTNESS(GAME)	
			31	0-63	USER BRIGHTNESS(PRO)	
	02	UCOL	31	0-63	USER COLOR(VIVID)	
			31	0-63	USER COLOR(STANDARD)	
			31	0-63	USER COLOR(MOVIE)	
			31	0-63	USER COLOR(GAME)	
			31	0-63	USER COLOR(PRO)	
	03	USHP	40	0-63	USER SHARPNESS(VIVID)	
			40	0-63	USER SHARPNESS(STANDARD)	
			33	0-63	USER SHARPNESS(MOVIE)	
			36	0-63	USER SHARPNESS(GAME)	
			40	0-63	USER SHARPNESS(PRO)	

**SCD**

Category	Item number	Adjustment item	Standard data	Data range	Note	Device
SCD 1 (TV)	00	SCON	6	0-15	SUB CONTRAST(TV)	CXA2019AQ
	01	SHUE	6	0-15	SUB HUE(TV)	
	02	SCOL	6	0-15	SUB COLOR(TV)	
	00	SCON	6	0-15	SUB CONTRAST(VIDEO)	
	01	SHUE	6	0-15	SUB HUE(VIDEO)	
	02	SCOL	6	0-15	SUB COLOR(VIDEO)	
SCD 2 (VIDEO)	00	MYDR	3	0-31	YDRIVE	CXA2019AQ
	01	Y2DR	31	0-31	Y2 DRIVE	
	02	U2DR	15	0-31	U2 DRIVE	
	03	V2DR	15	0-31	V2 DRIVE	
	04	MUPE	7	0-15	U PED	
	05	MVPE	7	0-15	V PED	
	06	U2PE	7	0-15	U2 PED	
	07	V2PE	7	0-15	V2 PED	
	08	DPIC	1	0,1	D PIC	
09	DCTR	0	0-7	DC TRAN		

**3DCM**

Category	Item number	Adjustment item	Standard data	Data range	Note	Device
3DCM 1 (YCS)	00	NRMD	0	0-3	NRMD	UPD64081
	01	DYCO	2	0,1	DYCOR	
	02	DYGA	11	0-15	DYGAIN	
	03	DCCO	1	0,1	DCCOR	
	04	DCGA	12	0-15	DCGAIN	
	05	SELD	1	0,1	SELD	
3DCM 2 (YCNR)	00	NRMD	3	0-3	NRMD	UPD64081
	01	DYCO	2	0,1	DYCOR	
	02	DYGA	11	0-15	DYGAIN	
	03	DCCO	1	0,1	DCCOR	
	04	DCGA	12	0-15	DCGAIN	
	05	SELD	1	0,1	SELD	
3DCM 3 (TV)	00	WSC	0	0-3	WSC	UPD64081
	01	VTRH	1	0-3	VTRH	
	02	VTRR	1	0-3	VTRR	
	03	LDSR	3	0-3	LDSR	
	04	YPFT	3	0-3	YPFT(TV:NR OFF)	
	05	YPFG	12	0-15	YPFG(TV:NR OFF)	
06	YPFC	0	0,1	YPFT CORING(TV:NR OFF)		

Category	Item number	Adjustment item	Standard data	Data range	Note	Device
04		UTRI	2	0-3	USER TRINITONE(VIVID)	CXA2019AQ
			1	0-3	USER TRINITONE(STANDARD)	
			0	0-3	USER TRINITONE(MOVIE)	
			2	0-3	USER TRINITONE(GAME)	
			1	0-3	USER TRINITONE(PRO)	
			0	0-3	USER NR MODE(VIVID)	
05		UNR	0	0-3	USER NR MODE(STANDARD)	CXA2019AQ
			0	0-3	USER NR MODE(MOVIE)	
			0	0-3	USER NR MODE(GAME)	
			0	0-3	USER NR MODE(PRO)	
			1	0,1	USER DYNAMIC PICTURE(VIVID)	
			1	0,1	USER DYNAMIC PICTURE(STANDARD)	
06		UDPI	0	0,1	USER DYNAMIC PICTURE(MOVIE)	CXA2019AQ
			0	0,1	USER DYNAMIC PICTURE(GAME)	
			1	0,1	USER DYNAMIC PICTURE(PRO)	
			3	0-3	USER VM LEVEL(VIVID)	
			2	0-3	USER VM LEVEL(STANDARD)	
			1	0-3	USER VM LEVEL(MOVIE)	
07		UVML	3	0-3	USER VM LEVEL(GAME)	CXA2019AQ
			3	0-3	USER VM LEVEL(PRO)	
			1	0-3	USER VM LEVEL(MOVIE)	

**MCD**

Category	Item number	Adjustment item	Standard data	Data range	Note	Device
MCD 1 (DRC-TV)	00	SCON	5	0-15	SUB CONTRAST	CXA2019AQ
	01	SHUE	6	0-15	SUB HUE	
MCD 2 (P&P-TV)	00	SCON	5	0-15	SUB CONTRAST	CXA2019AQ
	01	SHUE	6	0-15	SUB HUE	
MCD 3 (DRC-VIDEO)	00	SCON	5	0-15	SUB CONTRAST	CXA2019AQ
	01	SHUE	8	0-15	SUB HUE	
MCD 4 (P&P-VIDEO)	00	SCON	5	0-15	SUB CONTRAST	CXA2019AQ
	01	SHUE	7	0-15	SUB HUE	
MCD 5	00	SCOL	7	0-15	SUB COLOR	CXA2019AQ
	01	MYDR	3	0-31	YDRIVE	
MCD 5	01	Y2DR	31	0-31	Y2 DRIVE	CXA2019AQ
	02	U2DR	15	0-31	U2 DRIVE	
MCD 5	03	V2DR	15	0-31	V2 DRIVE	CXA2019AQ
	04	MUPE	7	0-15	U PED	
MCD 5	05	MVPE	7	0-15	V PED	CXA2019AQ
	06	U2PE	7	0-15	U2 PED	
MCD 5	07	V2PE	7	0-15	V2 PED	CXA2019AQ
	08	DPIC	1	0,1	D PIC	
MCD 5	09	DCTR	0	0-7	DC TRAN	CXA2019AQ

**SNNR**

Category	Item number	Adjustment item	Standard data	Data range	Note	Device
SNNR1	00	SSHP	3	0-3	MCP SUB SHARPNESS	
	01	LTIL	0	0-3	MCP LTI	
	02	YPFT	3	0-3	3DCM YPFT	
	03	YPFG	10	0-15	3DCM YPFG	
	04	YPFC	0	0,1	3DCM YPFC	
SNNR2	05	WSLT	15	0-255	3DCM WSL THRESHOLD	
	00	SSHP	3	0-3	MCP SUB SHARPNESS	
	01	LTIL	0	0-3	MCP LTI	
	02	YPFT	3	0-3	3DCM YPFT	
	03	YPFG	9	0-15	3DCM YPFG	
SNNR3	04	YPFC	0	0,1	3DCM YPFC	
	05	WSLT	79	0-255	3DCM WSL THRESHOLD	
	00	SSHP	3	0-3	MCP SUB SHARPNESS	
	01	LTIL	0	0-3	MCP LTI	
	02	YPFT	1	0-3	4DCM YPFT	
SNNR4	03	YPFG	7	0-15	4DCM YPFG	
	04	YPFC	1	0,1	4DCM YPFC	
	05	WSLT	175	0-255	4DCM WSL THRESHOLD	
	00	SSHP	2	0-3	MCP SUB SHARPNESS	
	01	LTIL	0	0-3	MCP LTI	
	02	YPFT	1	0-3	4DCM YPFT	
	03	YPFG	5	0-15	4DCM YPFG	
	04	YPFC	1	0,1	4DCM YPFC	

**OSD**

Category	Item number	Adjustment item	Standard data	Data range	Note	Device
OSD	00	FREQ	95	0-255	OSD FREQ	MIB001 & OSD U-COM
	01	HPOS	26	0-255	H POSITION	
	02	VPOS	30	0-255	V POSITION	

**MCCD**

Category	Item number	Adjustment item	Standard data	Data range	Note	Device
MCCD	00	CRIL	2	0-15	CRI COUNT LOW	MAIN U-COM
	01	CFLD	5	0-15	CAPTION FIXED-FIELD COUNT	
	02	CCDI	3	0-7	CCD INT	
	03	CRIP	4	0-7	CRI & PARITY	
	04	CRIT	1	0-3	CRI TIME CONSTANT(MASK=1,OTP=2)	
05	CSBI	3	0-3	SYNC SLICE BIAS 1		

**VDSP**

Category	Item number	Adjustment item	Standard data	Data range	Note	Device
3DCM 4 (VIDEO)	00	WSC	0	0-3	WSC	
	01	VTRH	1	0-3	VTRH	
	02	VTRR	1	0-3	VTRR	
	03	LDSR	1	0-3	LDSR	
	04	YPFT	3	0-3	YPFT(VIDEO:NR OFF)	
	05	YPFG	12	0-15	YPFG(VIDEO:NR OFF)	
3DCM 5	06	YPFC	0	0,1	YPFT CORING(VIDEO:NR OFF)	
	00	MSS	0	0-3	MSS	
	01	YNKI	2	0-3	YNRK & YNRIV	
	02	YNRL	0	0-3	YNRLIM	
	03	CNKI	2	0-3	CNRK & CNRINV	
	04	CNRL	0	0-3	CNRLIM	
	05	VIPS	2	0-3	VIPS	
	06	VEGS	1	0-3	VEGS	
	07	CC3N	0	0,1	CC3N	
	08	HDP	4	0-7	HDP	
	09	CDL	3	0-7	CDL	
10	HSSL	12	0-15	HSSL		
11	VSSL	3	0-15	VSSL		
12	HPLF	1	0,1	HPLLFS		
13	BPLF	1	0,1	BPLLFS		
14	FSCF	0	0,1	FSCFG		
15	EXAD	1	0,1	ADIN		
16	WSLT	2	3	WSL THRESHHOLD		



Category	Item number	Adjustment item	Standard data	Data range	Note	Device
	14	ADSW	1	0-1	A/BCH ADC INT/EXT(EXT=1)	
	15	OSDH	25	0-63	OSD H POSITION	
	16	OSDV	7	0-63	OSD V POSITION	
	17	WCOL	2	0-3	WKCA/WKCB(A/BCH WINDOW COLOR)	

**OP**

Category	Item number	Adjustment item	Standard data	Data range	Note	Device
OP	00	AGCA	152	0-255	AGC ATT LEVEL	MAIN U-COM
	01	16-9	0	0-1	16-9 ON/OFF (ON = 1)	
	02	DRCP	0	0-1	DRC INTERLACE/PROGRESSIVE	
	03	1080	0	0-1	FORCED 1080I(VIDEO5)	
	04	IDXT	2	0-15	INDEX CH SCAN TIME	
	05	VPI	0	0-3	PICTURE BOOSTER SETTING(VIVID)	

( ) : 1080I < > 16:9

**PJED**

Category	Item number	Adjustment item	Standard data	Data range	Note	Device
PJED	00	FDIS	00	0-1	FINE ADJUST DISPLAY ON(OFF=0)	CM0006AF & PJED U-COM
	01	OSDH	32	0-255	PJED OSD H POSITION	
	02	OSDV	55	0-255	PJED OSD V POSITION	
	03	FVST	51(00)	0-255	FINE V START LINE	
	04	V1ST	00	0-255	V1 START	
	05	V1CU	31(29)	0-255	V1 COUNT UP	
	06	COHP	00(248)	0-255	COARSE H PHASE	
	07	FIHP	206(200)	0-255	FINE H PHASE	
	08	TPHP	49(55)<46>	0-255	TEST PATTERN H PHASE	
	09	DFHP	00	0-255	DF H PHASE	
	10	DFHG	95	-128~+127	DF H GAIN	
	11	DFVG	15	-128~+127	DF V GAIN	
	12	PWM1	00	0-255	PWM1	
	13	PWM2	29	0-255	PWM2	
	14	HBLD	222(212)	0-255	HBLKOUT H DELAY	
	15	HBLW	00(10)<10>	0-63	HBLKOUT PULSE WIDTH	
	16	BLKP	44(75)<49>	0-255	V BLANKING PULSE	
	17	COGV	00	-127~+127	GV CENTER OFFSET OF AUTO REGI	
	18	CORV	00	-127~+127	RV CENTER OFFSET OF AUTO REGI	
	19	COBV	00	-127~+127	BV CENTER OFFSET OF AUTO REGI	
	20	COGH	00	-127~+127	GH CENTER OFFSET OF AUTO REGI	
	21	CORH	00	-127~+127	RH CENTER OFFSET OF AUTO REGI	
	22	COBH	00	-127~+127	BH CENTER OFFSET OF AUTO REGI	

Category	Item number	Adjustment item	Standard data	Data range	Note	Device
	06	CSB2	4	0-7	SYNC SLICE BIAS 2	
	07	CREP	142	0-255	CRI SIGNAL END POSITION	
	08	CDS	8	0-31	DATA START DELAY	
	09	CCDS	9	0-31	CAPTION DATA THRESHOLD	
	10	CHMK	42	0-63	P8 HMASK	
	11	CHSY	136	0-255	P8 HSYNC	
	12	CCDH	27	0-63	CCD H POSITION	

**APLR**

Category	Item number	Adjustment item	Standard data	Data range	Note	Device
APLR	00	SVOL	0	0-15	SUB VOLUME	TDA7321
	01	ATTL	0	0-15	ATT LCH	
	02	ATTR	0	0-15	ATT RCH	
	03	SBAS	7	0-15	SUB BASS	
	04	STRE	7	0-15	SUB TREBLE	

**APCS**

Category	Item number	Adjustment item	Standard data	Data range	Note	Device
APCS	00	SVOL	0	0-15	SUB VOLUME	TDA7321
	01	ATTC	0	0-15	ATT CCH	
	02	ATTS	0	0-15	ATT SCH	
	03	SBAS	7	0-15	SUB BASS	
	04	STRE	7	0-15	SUB TREBLE	

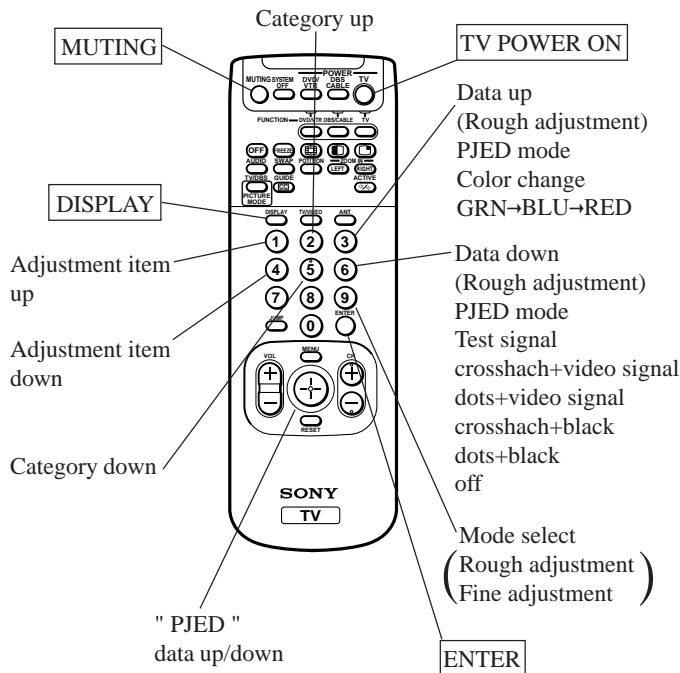
**MID**

Category	Item number	Adjustment item	Standard data	Data range	Note	Device
MID	00	DLYC	3	0-7	DELAY(Y OUTPUT DELAY)	CXD2079Q & MID U-COM
	01	YSDY	1	0-7	YSDY(YS DELAY)	
	02	VJTC	0	0-3	VJITTC(V JITTER MODE)	
	03	HPHA	43	0-255	HPHASA(ACH H PHASE)	
	04	VPHA	11	0-255	VPHASA(ACH V PHASE)	
	05	DLYA	4	0-7	DELAYA(ACH Y DELAY)	
	06	HPOA	87	0-255	HPOSIA(ACH H POSITION;NOT USE)	
	07	VPOA	64	0-255	VPOSIA(ACH V POSITION;NOT USE)	
	08	HPHB	43	0-255	HPHASB(BCH H PHASE)	
	09	VPHB	11	0-255	VPHASB(BCH V PHASE)	
	10	DLYB	4	0-7	DELABB(BCH Y DELAY)	
	11	HPOB	4	0-15	DELOBB(BCH H POSITION;PIP ONLY)	
	12	VPOB	6	0-15	VPOBIB(BCH V POSITION;PIP ONLY)	
	13	BPDY	0	0-15	BPDELAY(BP DELAY)	

Category	Item number	Adjustment item	Standard data	Data range	Note	Device
	23	SOGV	00	-127-+127	GV SKEW OFFSET OF AUTO REGI	
	24	SORV	00	-127-+127	RV SKEW OFFSET OF AUTO REGI	
	25	SOBV	00	-127-+127	BV SKEW OFFSET OF AUTO REGI	
	26	SOGH	00	-127-+127	GH SKEW OFFSET OF AUTO REGI	
	27	SORH	00	-127-+127	RH SKEW OFFSET OF AUTO REGI	
	28	SOBH	00	-127-+127	BH SKEW OFFSET OF AUTO REGI	
	29	ERR	00		AUTO REGI ERROR CODE	
	30	ADTM	144	0-255	AUTO REGI AD TIMING	
	31	VUP	01	0-255	AUTO REGI VUP POS	
	32	VMID	120(120)	0-255	AUTO REGI VMID POS	
	33	VLOW	240(238)	0-255	AUTO REGI VLOW POS	
	34	HPR	01	0-255	AUTO REGI H POS REGIS	
	35	SFTF	00	0,1	V SIZE SHIFT FAST	
	36	ACTL	00	0-255	ACTIVE CRT TIME(LOW BYTE)	
	37	ACTH	00	0-255	ACTIVE CRT TIME(HIGH BYTE)	
		CENT	000 / 000	-512-+511	COARSE GREEN H/V CENT	
		SKEW	000 / 000	-512-+511	COARSE GREEN H/V SKEW	
GRN		SIZE	000 / 000	-512-+511	COARSE GREEN H/V SIZE	
		LIN	XXXX / XXXX	-	COARSE GREEN H/V LIN	
		KEY	XXXX / XXXX	-	COARSE GREEN H/V KEY	
		PIN	000 / XXXX	-512-+511	COARSE GREEN H/V PIN	
		CENT	000 / 000	-512-+511	COARSE BLUE H/V CENT	
		SKEW	000 / 000	-512-+511	COARSE BLUE H/V SKEW	
BLU		SIZE	000 / 000	-512-+511	COARSE BLUE H/V SIZE	
		LIN	000 / XXXX	-512-+511	COARSE BLUE H/V LIN	
		KEY	XXXX / 000	-512-+511	COARSE BLUE H/V KEY	
		PIN	000 / XXXX	-512-+511	COARSE BLUE H/V PIN	
		CENT	000 / 000	-512-+511	COARSE RED H/V CENT	
		SKEW	000 / 000	-512-+511	COARSE RED H/V SKEW	
RED		SIZE	000 / 000	-512-+511	COARSE RED H/V SIZE	
		LIN	000 / XXXX	-512-+511	COARSE RED H/V LIN	
		KEY	XXXX / 000	-512-+511	COARSE RED H/V KEY	
		PIN	000 / XXXX	-512-+511	COARSE RED H/V PIN	

**3-10. REGISTRATION ADJUSTMENT**

**• ADJUST BUTTONS AND INDICATOR**

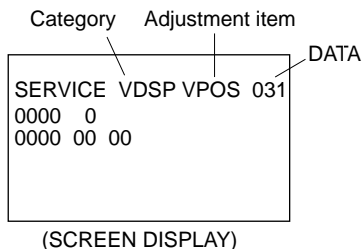


**[SETUP FOR ADJUSTMENT]**

- Current flow in circuit should be stable before attempting adjustment. So wait 5 minutes after turning on the TV power.
- The adjustments should be done in the 4 : 3 mode, 16 : 9 mode and VIDEO 5 1080i mode respectively.  
Adjust every color registrations in one mode.  
Forced 16 : 9 mode setting:  
In the service mode, set OP 01 16 : 9 to 001.  
VIDEO 5 forced 1080i mode setting:  
Connect RCA pin plug to VIDEO IN 5 red pin jack, and set OP 03 1080 to 001 in the service mode.

1. Set to the service mode by pressing quickly keys on the remote commander in the standby mode in the following order:

[DISPLAY] → [5] → [VOL+] → [TV POWER]



2. Change TV mode to the video input mode.
3. Change the VDSP mode to the PJE 00 FDIS.

4. Set FDIS data to "01" to display the registration data of each spot in the fine adjustment.

PJE	00	00
FDIS	1	

5. Press [6] to display the test signal (crosshatch) on the screen.
6. Select GRN CENT(\*) with the [1] and [4] keys on the remote commander and check that the adjustment data is now "000" both vertically and horizontally.

	(H)	(V)
GRN	000	000
CENT		

\*: In the factory preset, "GRN CENT" appears on the screen first. In case of other colors "RED" or "BLU", change color by every pressing [3] key.

7. Set MCP1 07 RON to "000", 08 GON to "001" and 09 BON to "000" to show only the green color.
8. Change the MCP1 mode to the PJE mode.

**SUB DEFLECTION ADJUSTMENT ITEM**

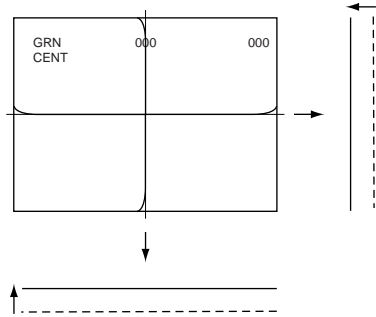
Adjustment      O : Yes    - : No

Display	Adjustment item	Adjustment type		
		G	R	B
		H/V	H/V	H/V
CENT	CENT	O/O	O/O	O/O
SKEW	SKEW	O/O	O/O	O/O
SIZE	SIZE	O/O	O/O	O/O
LIN	LIN	-/-	O/-	O/-
KEY	KEY	-/-	-/O	-/O
PIN	PIN	-/O	-/O	-/O

**[GREEN REGISTRATION ADJUSTMENT]**

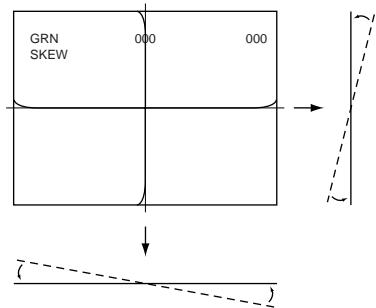
**<GREEN CENTER, SIZE>**

1. Select GRN CENT or GRN SIZE with the **[1]** and **[4]** keys on the remote commander.
2. Adjust the crosshatch line goes center horizontally (GRN CENT) and set the size correctly (GRN SIZE) with the joystick on the remote commander.



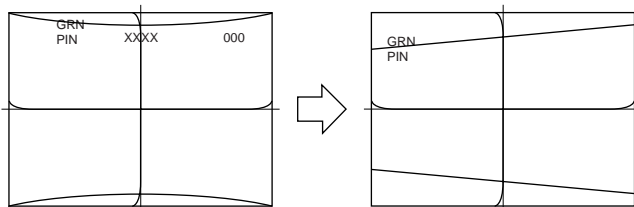
**<GREEN SKEW>**

1. Select GRN SKEW with the **[1]** and **[4]** keys on the remote commander.
2. Adjust the crosshatch line goes straight vertically and horizontally with the joystick on the remote commander.



**<GREEN PINCUSHION>**

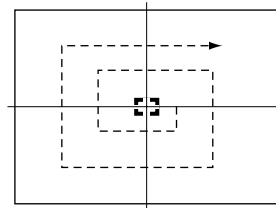
1. Select GRN PIN with the **[1]** and **[4]** keys on the remote commander.
2. Adjust the crosshatch line goes straight vertically and horizontally with the joystick on the remote commander.



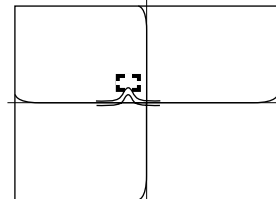
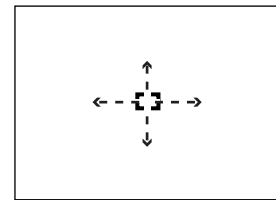
**<FINE ADJUSTMENT>**

1. Press **[9]** key on the remote commander to shift to the fine adjustment mode.  
The green marker (in the GRN mode) appears on the center of the screen.
2. Use the **[1]** and **[4]** keys or the joystick on the remote commander, move the marker (see below) everywhere you want to adjust and adjust with the joystick keys on the remote commander.

Marker movement by the **[1]** and **[4]** keys:



Press once the joystick the marker turns screen to white. Then you can move the marker up and down left and right.



3. Press **[9]** key on the remote commander to shift to the rough adjustment mode.

## [RED REGISTRATION ADJUSTMENT]

### <RED CENTER>

1. Change to MCP1 mode and set MCP1 07 RON to “001”, 08 GON to “001” and 09 BON to “000” to show the green and red colors.
2. Change the MCP1 mode to the PJE mode.
3. Press [3] key on the remote commander to shift the GRN mode to the RED mode.
4. Select RED CENT with the [1] and [4] keys on the remote commander.
5. Adjust the red crosshatch lines go straight vertically and horizontally and overlaps the green lines with the joystick on the remote commander.

### <RED SKEW>

1. Select RED SKEW with the [1] and [4] keys on the remote commander.
2. Adjust the red crosshatch lines go straight vertically and horizontally and overlaps the green lines with the joystick on the remote commander.

### <RED LINEARITY>

1. Select RED SIZE (vertically and horizontally) or RED LIN (vertically) with the [1] and [4] keys on the remote commander and adjust while tracking each other alternately.
2. Adjust the red crosshatch lines go straight vertically and horizontally and overlaps the green lines with the joystick on the remote commander.

### <RED KEY>

1. Select RED KEY with the [1] and [4] keys on the remote commander.
2. Adjust the red crosshatch lines go straight horizontally and overlaps the green lines with the joystick on the remote commander.

### <RED PINCUSHION>

1. Select RED PIN with the [1] and [4] keys on the remote commander.
2. Adjust the red crosshatch lines go straight horizontally and overlaps the green lines with the joystick on the remote commander.

### <FINE ADJUSTMENT>

1. Press [9] key on the remote commander to shift to the fine adjustment mode.  
The red marker (in the RED mode) appears on the center of the screen.

2. Use the [1] and [4] keys or the joystick on the remote commander, move the marker everywhere you want to adjust and adjust with the joystick on the remote commander.

## [BLUE REGISTRATION ADJUSTMENT]

1. Change to MCP1 mode and set MCP1 07 RON to “001”, 08 GON to “001” and 09 BON to “001” to show full color.
2. Change the VPNT mode to the PJE mode.
3. Press [3] key on the remote commander to shift the RED mode to the BLU mode.
4. Adjust BLU CENT, BLU SKEW, BLU SIZE, BLU LIN, BLU KEY and BLU PIN in the same procedure of the red registration adjustment.

## [FINAL CHECK]

1. Store the new adjustment (offset) value on the remote control by pressing [MUTING] and [ENTER].
2. Press the FLASH FOCUS button on the front panel. (The Offset value is now automatically stored.)
3. Check that no error message appears.  
If an error message appears, recheck.

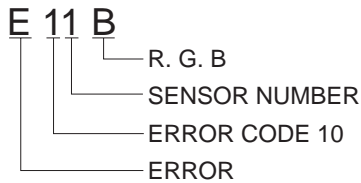
### 3-11. AUTO REGISTRATION ERROR CODE LIST

**[ERROR CODE LIST]**

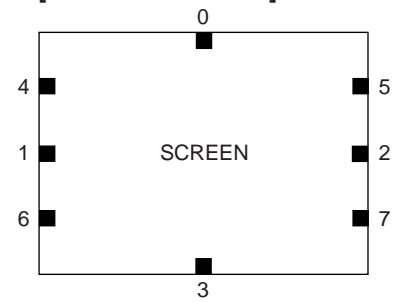
ERROR CODE	DISCRIPTION	NOTE
00	No Error	
10	Sensor Output Level Low	* Check wiring, beam position, sensor. 0 : Upper Center 1 : Middle Left 2 : Middle Right 3 : Lower Center
20	Sensor Output Level High	* Check OP-amp circuit. 0 : Upper Center 1 : Middle Left 2 : Middle Right 3 : Lower Center
30	Adjustment Loop Counter Overflow	* Check the data go far from the standard or not.
40	Regi Data Overflow	* Check the data go far from the standard or not.
50	Regi Data Overflow	* Check the data go far from the standard or not.
60	Offset Overflow	* Check the data go far from the standard or not.
70	Offset Overdrow	* Check the data go far from the standard or not.

\* In case of multiple error, last error is displayed.

**• ERROR CODE SCREEN DISPLAY**



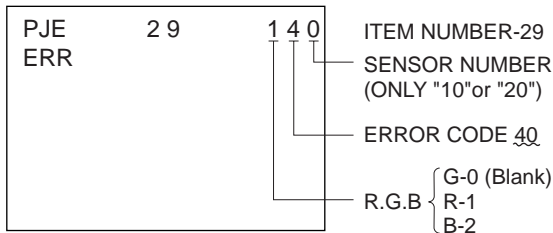
**[SENSOR POSITION]**



\* Error code will be displayed on center of screen for 3 seconds.

- 0 : UPPER SENSOR
- 1 : LEFT SENSOR
- 2 : RIGHT SENSOR
- 3 : LOWER SENSOR
- 4 : UL
- 5 : UR
- 6 : LL
- 7 : LR

**• ERROR CODE DISPLAY IN REGI SERVICE MODE**



## SECTION 4

### SAFETY RELATED ADJUSTMENTS

#### [ D BOARD]

#### 4-1. HV REGULATION CIRCUIT CHECK AND ADJUSTMENT

When replacing the following components marked with  $\blacksquare$  on the schematic diagram always check HV regulation, and if necessary re-adjust.

- $\blacksquare$ : R8194, R8202
- $\blacksquare$ : C8064, C8066, C8070, C8074, C8076, C8082, D8042, IC8002, IC8007, IC8008, Q8022, R8093, R8095, R8096, R8105, R8108, R8112, R8113, R8114, R8115, R8126, R8128, R8136, R8138, R8139, R8154, R8157, R8168, R8173, R8174, R8177, R8178, R8195, R8196, R8201, T8002 (LOT), T8003 (FBT), HV BLOCK, D BOARD

#### OPERATION CHECK

1. Connect a HV static voltmeter to the unconnected plug of the high-voltage block.
2. Connect a 33k $\Omega$  variable resistor, set to maximum value, across CN8008.
3. Power on the set.
4. Receive dot signal pattern.
5. Gradually lower the value of the variable resistor and check that the hold-down circuit operates at a static voltmeter reading of  $31.0 \pm 0.5\text{kV}$  dc when the raster disappears.

#### HV HOLD-DOWN ADJUSTMENT

1. REPART STEPS ① ~ ⑤ as above.
2. Just at the point hold-down circuit begins to operate switch off the set.
3. Remove the VR connected across CN8008, and measure it's resistance.
4. Solder a resistor value, nearest to the measured value, across CN8008.
5. Reconfirm operation check.

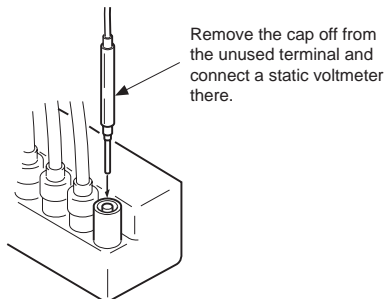


Fig. 4-1

#### 4-2. HV HOLD DOWN CIRCUIT OPERATION CHECK AND ADJUSTMENT

When replacing the following components marked with  $\blacksquare$  on the schematic diagram always check hold-down voltage and if necessary re-adjust.

- $\blacksquare$ : R8196, R8201
- $\blacksquare$ : D8026, D8032, D8035, D8050, IC8006, IC8009, IC8010, Q8021, Q8031, R8092, R8094, R8097, R8109, R8110, R8117, R8118, R8121, R8123, R8125, R8129, R8135, R8140, R8155, R8190, R8191, R8192, R8193, R8194, R8198, R8202, T8002 (LOT), T8003 (FBT), HV BLOCK, D BOARD

#### OPERATION CHECK

1. Connect a HV static voltmeter to the unconnected plug of the high-voltage block.
2. Power on the set.
3. Receive dot signal pattern.
4. Check that the HV static voltmeter is reading  $34.0 \pm 0.5\text{V}$  dc.

#### HV Regulation ADJUSTMENT

1. Repeat step ① as above.
2. Connect 33k $\Omega$  variable resistor, set to maximum value, to CN8008.
3. Power on the set.
4. Receive dot signal pattern.
5. Gradually lower the value of the variable resistor until the static voltmeter is reading  $34.0 \pm 0.5\text{ kVdc}$ .
6. Switch off the swt.
7. Remove the VR connected across CN8008, and measure its value.
8. Solder a resistor value, nearest to the measured value, across CN8008.
9. Reconfirm operation check.

#### 4-3. +B OVP CONFIRMATION

1. Connect a voltmeter to TP. OVP and ground.
2. Supply 120VAC to variable autotransformer.
3. Power on the Set.
4. Supply 150VDC to TP. OVP.
5. Check the OVP operate.

# SECTION 5

## CIRCUIT ADJUSTMENTS

**KP-53XBR300/61XBR300**  
RM-Y902 RM-Y902

### [ MCD MODE]

#### 5-1. TV INPUT SUB CONTRAST ADJUSTMENT (MCD1-SCON)

1. Receive the color-bar signal.
2. Set to service mode.
3. Connect an oscilloscope between pin ② of CN511 (A board) and ground.
4. Select “ MCD1-SCON ”, and adjust so that the waveform level is  $0.525 \pm 0.015V_{p-p}$ .
5. Write the data into memory.

**MUTING** → **ENTER**

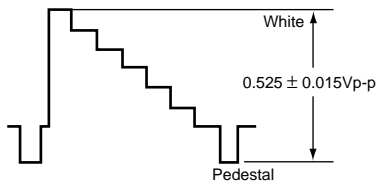


Fig. 5-1

#### 5-3. P & P SUB CONTRAST ADJUSTMENT (MCD2-SCON)

1. Receive the signal.  
TV terminal (main) : color-bar signal  
VIDEO terminal (sub) : no signal
2. Set to P & P mode, set to service mode.
3. Connect an oscilloscope between pin ⑳ of CN513 (A board) and ground.
4. Select “ MCD2-SCON ”, and adjust so that the waveform level is  $0.525 \pm 0.015V_{p-p}$ .
5. Write the data into memory.

**MUTING** → **ENTER**

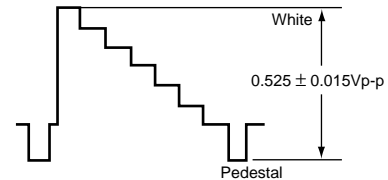


Fig. 5-3

#### 5-2. VIDEO INPUT SUB CONTRAST ADJUSTMENT (MCD3-SCON)

1. VIDEO 1 input the color-bar signal.
2. Set to service mode.
3. Connect an oscilloscope between pin ② of CN511 (A board) and ground.
4. Select “ MCD3-SCON ”, and adjust so that the waveform level is  $0.525 \pm 0.015V_{p-p}$ .
5. Write the data into memory.

**MUTING** → **ENTER**

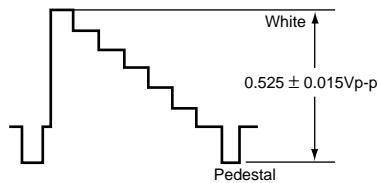


Fig. 5-2

#### 5-4. P & P SUB CONTRAST ADJUSTMENT (MCD4-SCON)

1. Receive the signal.  
TV terminal (sub) : no signal  
VIDEO terminal (main) : color-bar signal
2. Set to P & P mode, and set to service mode.
3. Connect an oscilloscope between pin ⑳ of CN513 (A board) and ground.
4. Select “ MCD4-SCON ”, and adjust so that the waveform level is  $0.525 \pm 0.015V_{p-p}$ .
5. Write the data into memory.

**MUTING** → **ENTER**

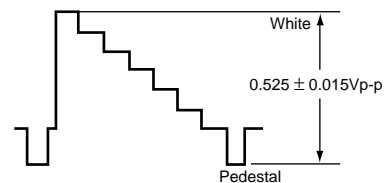


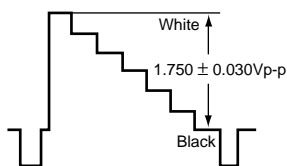
Fig. 5-4



### 5-5. SUB-CONTRAST ADJUSTMENT (MCP2-SCON)

1. Receive the color-bar signal.
2. VIDEO MODE : PRO  
PICTURE : maximum  
COLOR : minimum  
BRIGHTNESS : center  
TRINITONE : medium  
SERVICE DATA MCP2-SBRT : 25
3. Set to service mode.
4. Connect an oscilloscope between pin ③ of CN503 (A board) connector and ground.
5. Select “ MCP 2-SCON ”, and adjust so that the waveform level is  $1.750 \pm 0.030V_{p-p}$ .
6. Write the data into memory.

**MUTING** → **ENTER**



**Fig. 5-5**

### 5-6. VIDEO 5 INPUT SUB-CONTRAST ADJUSTMENT (MCP3-SCON)

1. VIDEO 5 input the color-bar signal.
2. PICTURE : maximum  
COLOR : minimum  
BRIGHTNESS : center  
TRINITONE : medium  
SERVICE DATA MCP3-SBRT : 25
3. Set to service mode.
4. Connect an oscilloscope between pin ③ of CN503 (A board) connector and ground.
5. Select “ MCP 3-SCON ”, and adjust so that the waveform level is  $1.750 \pm 0.030V_{p-p}$ .
6. Write the data into memory.

**MUTING** → **ENTER**

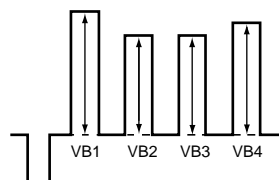


**Fig. 5-6**

### 5-7. SUB-HUE AND SUB-COLOR ADJUSTMENT (MCD1-SHUE, SCOL)

1. Receive the color-bar signal.
2. VIDEO MODE : PRO  
PICTURE : maximum  
COLOR : center  
HUE : HUE  
BRIGHTNESS : center  
TRINITONE : medium  
SERVICE DATA MCP2-SBRT : 25  
MCP2-SHUE : 7  
MCP2-SCOL : 12
3. Set to service mode.
4. Connect an oscilloscope between pin ⑤ of CN503 (A board) connector and ground.
5. Select “ MCD 1-SHUE, SCOL ”, and adjust them to have  $VB1 = VB4$  and  $VB2 = VB3$  in the waveform levels.
6. Write the data into memory.

**MUTING** → **ENTER**

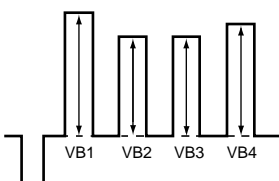


**Fig. 5-7**

### 5-8. VIDEO INPUT SUB-HUE AND SUB-COLOR ADJUSTMENT (MCD3-SHUE, SCOL)

1. VIDEO input the color-bar signal.
2. VIDEO MODE : PRO  
PICTURE : maximum  
COLOR : center  
HUE : HUE  
BRIGHTNESS : center  
TRINITONE : medium  
SERVICE DATA MCP2-SBRT : 25  
MCP2-SHUE : 7  
MCP2-SCOL : 12
3. Set to service mode.
4. Connect an oscilloscope between pin ⑤ of CN503 (A board) connector and ground.
5. Select “ MCD 3-SHUE, SCOL ”, and adjust them to have  $VB1 = VB4$  and  $VB2 = VB3$  in the waveform levels.
6. Write the data into memory.

**MUTING** → **ENTER**



**Fig. 5-8**

### 5-9. P & P SUB-HUE AND SUB-COLOR ADJUSTMENT (MCD2-SHUE, SCOL)

1. Receive the signal.  
TV terminal (main) : color-bar signal  
VIDEO terminal (sub) : no signal
2. VIDEO MODE : PRO  
PICTURE : maximum  
COLOR : center  
HUE : HUE  
BRIGHTNESS : center  
TRINITONE : medium  
SERVICE DATA MCP2-SBRT : 25  
MCP2-SHUE : 7  
MCP2-SCOL : 12

3. Set to P & P mode, set to service mode.
4. Connect an oscilloscope between pin ⑤ of CN503 (A board) connector and ground.
5. Select “ MCD 2-SHUE, SCOL ”, and adjust them to have  $VB1 = VB4$  and  $VB2 = VB3$  in the waveform levels.
6. Write the data into memory.  
MUTING → ENTER

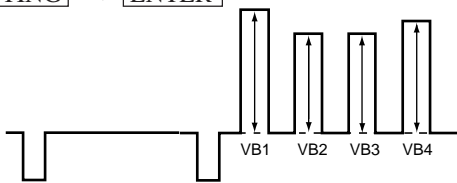


Fig. 5-9

### 5-10. P & P SUB-HUE AND SUB-COLOR ADJUSTMENT (MCD4-SHUE, SCOL)

1. Receive the signal.  
TV terminal (main) : no signal  
VIDEO terminal (sub) : color-bar signal
2. VIDEO MODE : PRO  
PICTURE : maximum  
COLOR : center  
HUE : HUE  
BRIGHTNESS : center  
TRINITONE : medium  
SERVICE DATA MCP2-SBRT : 25  
MCP2-SHUE : 7  
MCP2-SCOL : 12

3. Set to P & P mode, set to service mode.
4. Connect an oscilloscope between pin ⑤ of CN503 (A board) connector and ground.
5. Select “ MCD 4-SHUE, SCOL ”, and adjust them to have  $VB1 = VB4$  and  $VB2 = VB3$  in the waveform levels.
6. Write the data into memory.  
MUTING → ENTER

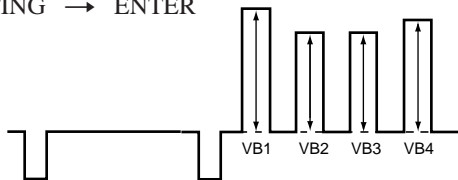


Fig. 5-10

### [ SCD MODE]

### 5-11. P & P SUB CONTRAST ADJUSTMENT (SCD1-SCON)

1. Receive the signal.  
TV terminal (sub) : color-bar signal  
VIDEO terminal (main) : no signal
2. Set to P & P mode, and set to service mode.
3. Connect an oscilloscope between pin ⑳ of CN513 (A board) and ground.
4. Select “ SCD1-SCON ”, and adjust so that the wave from level is  $0.525 \pm 0.015V_{p-p}$ .
5. Write the data into memory.  
MUTING → ENTER

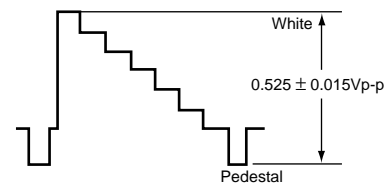


Fig. 5-11

### 5-12. P & P SUB CONTRAST ADJUSTMENT (SCD2-SCON)

1. Receive the signal.  
TV terminal (main) : no signal  
VIDEO terminal (sub) : color-bar signal
2. Set to P & P mode, and set to service mode.
3. Connect an oscilloscope between pin ⑳ of CN513 (A board) and ground.
4. Select “ SCD2-SCON ”, and adjust so that the wave from level is  $0.525 \pm 0.015V_{p-p}$ .
5. Write the data into memory.  
MUTING → ENTER

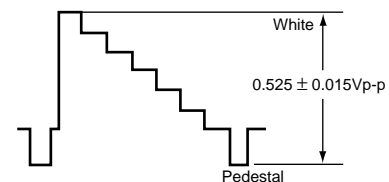


Fig. 5-12

**5-13. SUB-HUE AND SUB-COLOR ADJUSTMENT (SCD1-HUE, SCOL)**

1. Receive the color-bar signal.
2. VIDEO MODE : PRO  
 PICTURE : maximum  
 COLOR : center  
 HUE : HUE  
 BRIGHTNESS : center  
 TRINITONE : medium  
 SERVICE DATA MCP2-SBRT : 25  
                   MCP2-SHUE : 7  
                   MCP2-SCOL : 12
3. Set to service mode.
4. Connect an oscilloscope between pin ⑤ of CN503 (A board) connector and ground.
5. Select “SCD1-SHUE, SCOL”, and adjust them to have VB1 = VB4 and VB2 = VB3 in the waveform levels.
6. Write the data into memory.

**MUTING** → **ENTER**

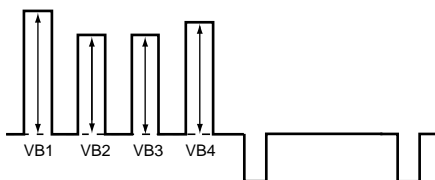


Fig. 5-11

**5-14. SUB-HUE AND SUB-COLOR ADJUSTMENT (SCD2-HUE, SCOL)**

1. Receive the color-bar signal.
2. VIDEO MODE : PRO  
 PICTURE : maximum  
 COLOR : center  
 HUE : HUE  
 BRIGHTNESS : center  
 TRINITONE : medium  
 SERVICE DATA MCP2-SBRT : 25  
                   MCP2-SHUE : 7  
                   MCP2-SCOL : 12
3. Set to service mode.
4. Connect an oscilloscope between pin ⑤ of CN503 (A board) connector and ground.
5. Select “SCD2-HUE, SCOL”, and adjust them to have VB1 = VB4 and VB2 = VB3 in the waveform levels.
6. Write the data into memory.

**MUTING** → **ENTER**

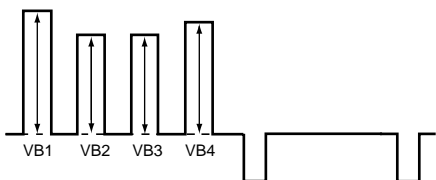


Fig. 5-12

**5-15. VIDEO 5 INPUT SUB-HUE AND SUB-COLOR ADJUSTMENT (MCP3-SHUE, SCOL)**

1. VIDEO 5 input the color-bar signal.
2. PICTURE : maximum  
 COLOR : minimum  
 HUE : HUE  
 BRIGHTNESS : center  
 TRINITONE : medium  
 SERVICE DATA MCP3-SBRT : 25
3. Set to service mode.
4. Connect an oscilloscope between pin ③ of CN503 (A board) connector and ground.
5. Select “MCP 3-SHUE, SCOL”, and adjust them to have VB1 = VB4 and VB2 = VB3 in the waveform levels.
6. Write the data into memory.

**MUTING** → **ENTER**

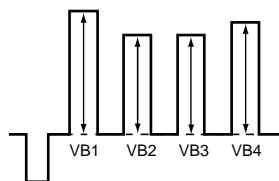


Fig. 5-15

[ MCD MODE]

**5-16. DISPLAY POSITION ADJUSTMENT  
(OSD-HPOS)**

1. Receive the monoscope signal.
2. Set to Service mode.
3. Select “ OSD-HPOS ”, and adjust so that the left edge of MENU is as shown to the spec.
4. Write the data into memory.

MUTING → ENTER

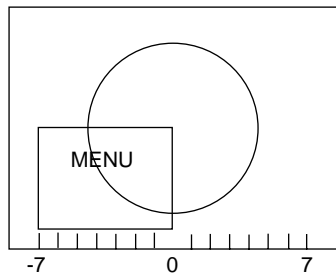


Fig. 5-16

**5-18. MID DISPLAY POSITION ADJUSTMENT  
(MID-HPOS)**

1. Display 1/9 size PIP.
2. Set to Service mode.
3. Select “ MID-HPOS ”, and adjust data so that  $A=B$  .
4. Write the data into memory.

MUTING → ENTER

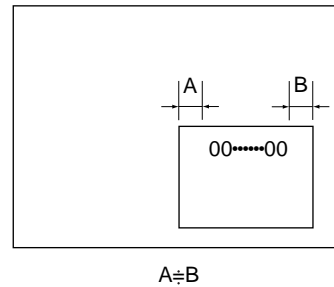


Fig. 5-18

**5-17. CAPTION VISION POSITION ADJUSTMENT  
(MCCD-CCDH)**

1. Receive signal with CAPTION VISION data.
2. Set to Service mode.
3. Display TEXT BOX.
4. Select “ MCCD-CCDH ”, and adjust data so that  $A=B$  .
5. Write the data into memory.

MUTING → ENTER

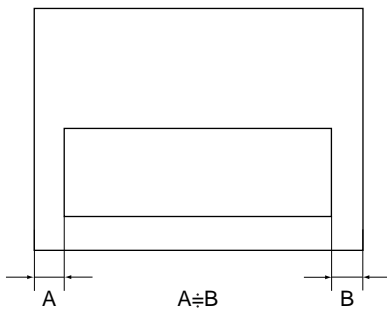
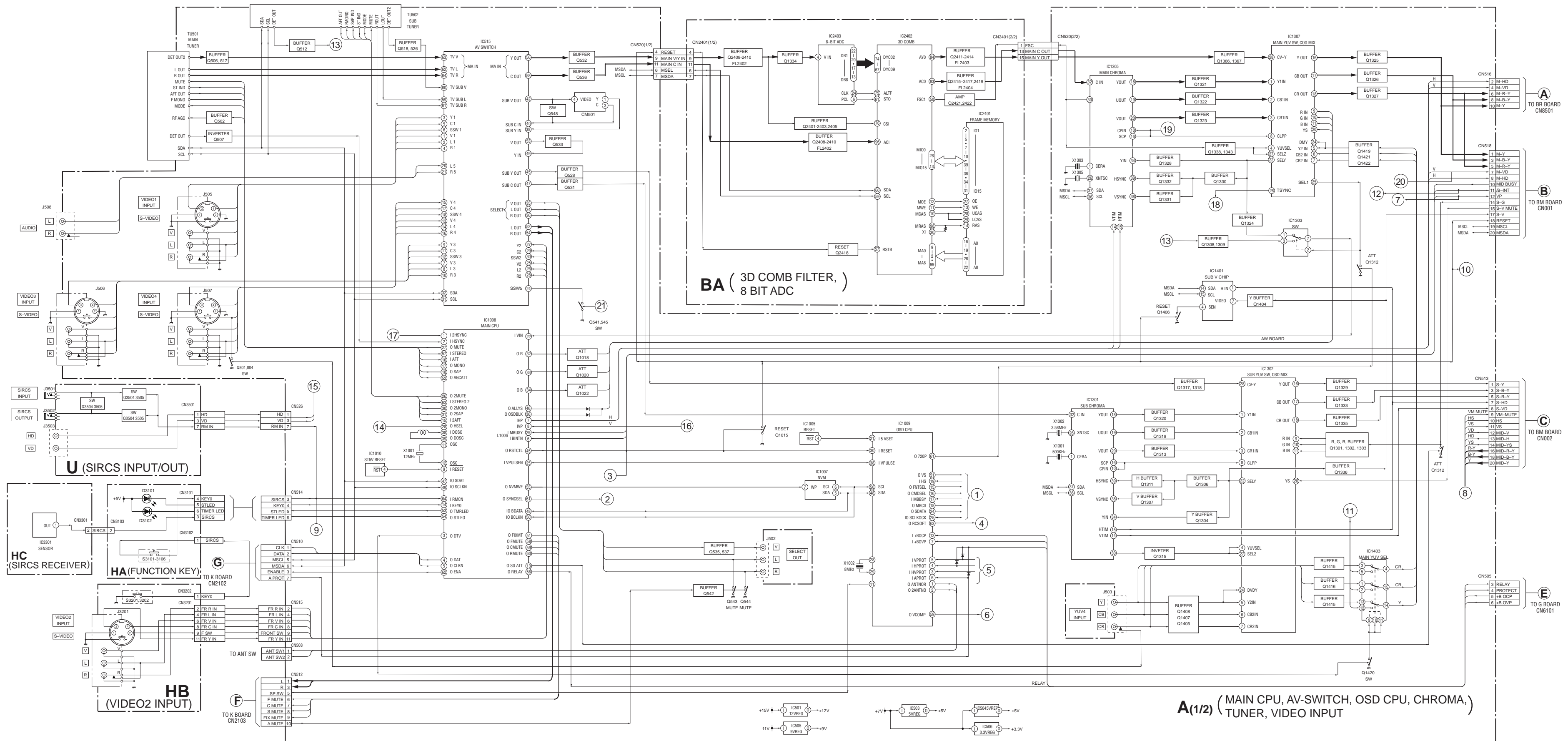


Fig. 5-17



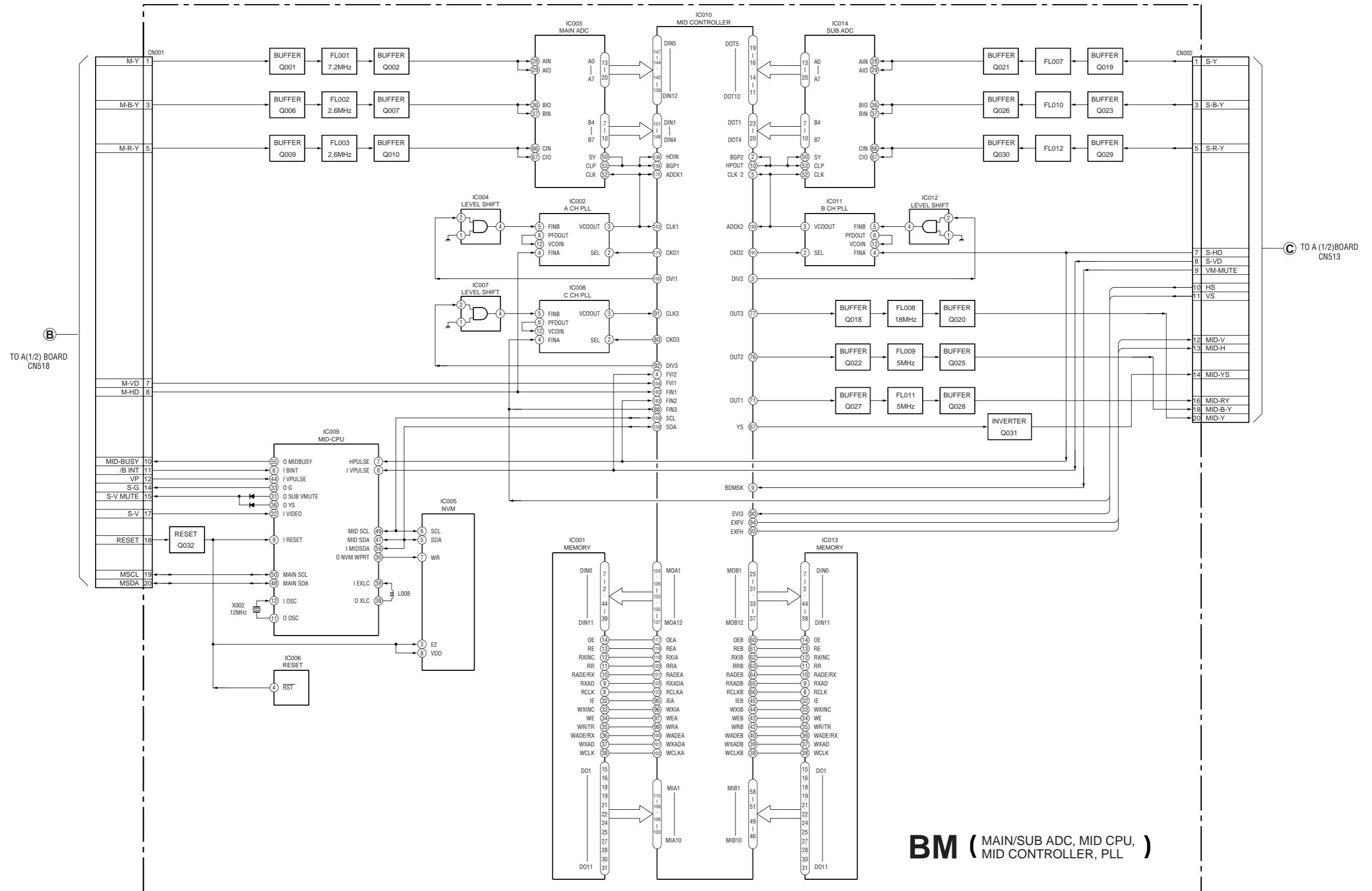
SECTION 6  
DIAGRAMS

6-1. BLOCK DIAGRAM (1)



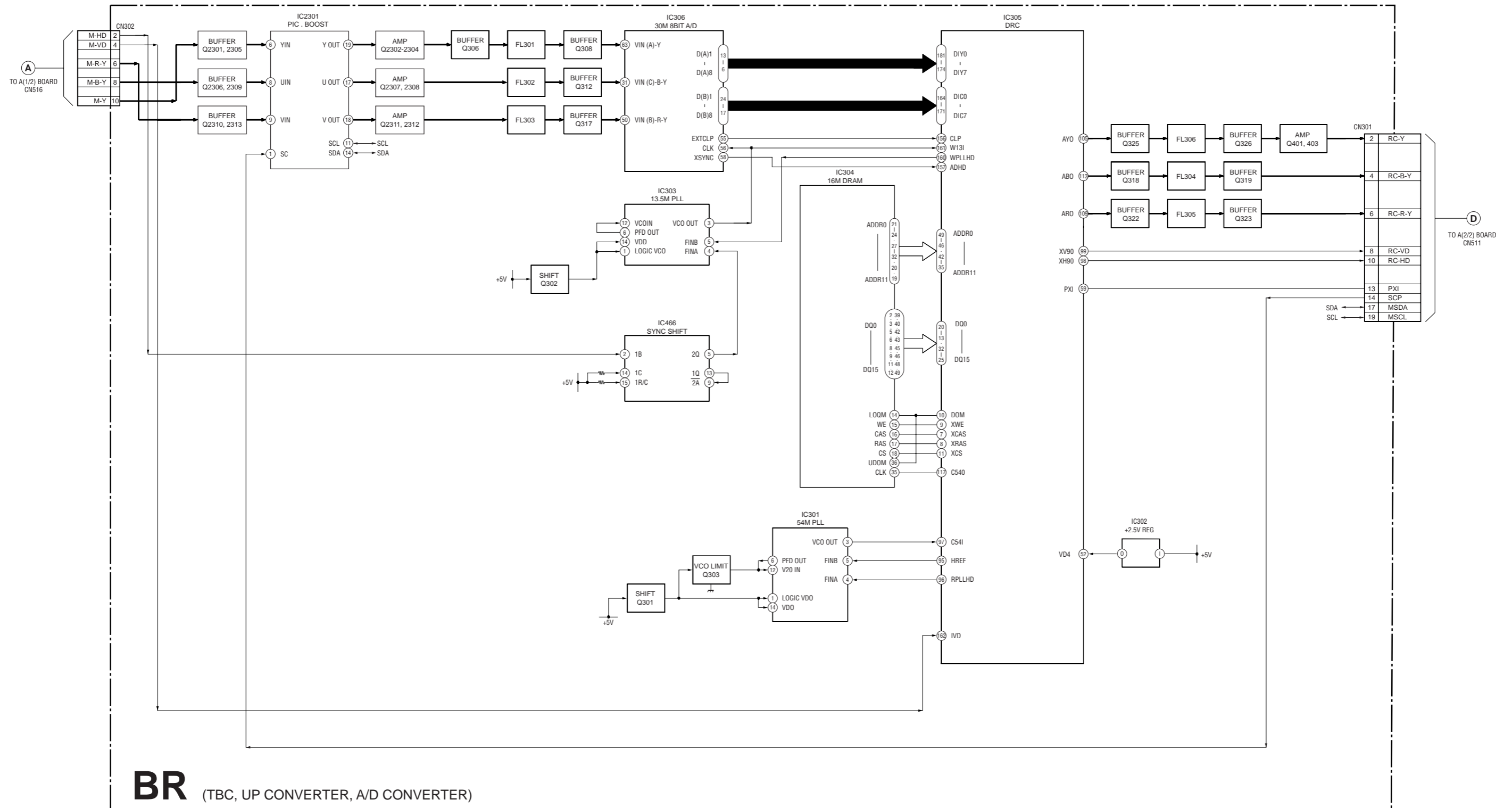


**BLOCK DIAGRAM (3)**





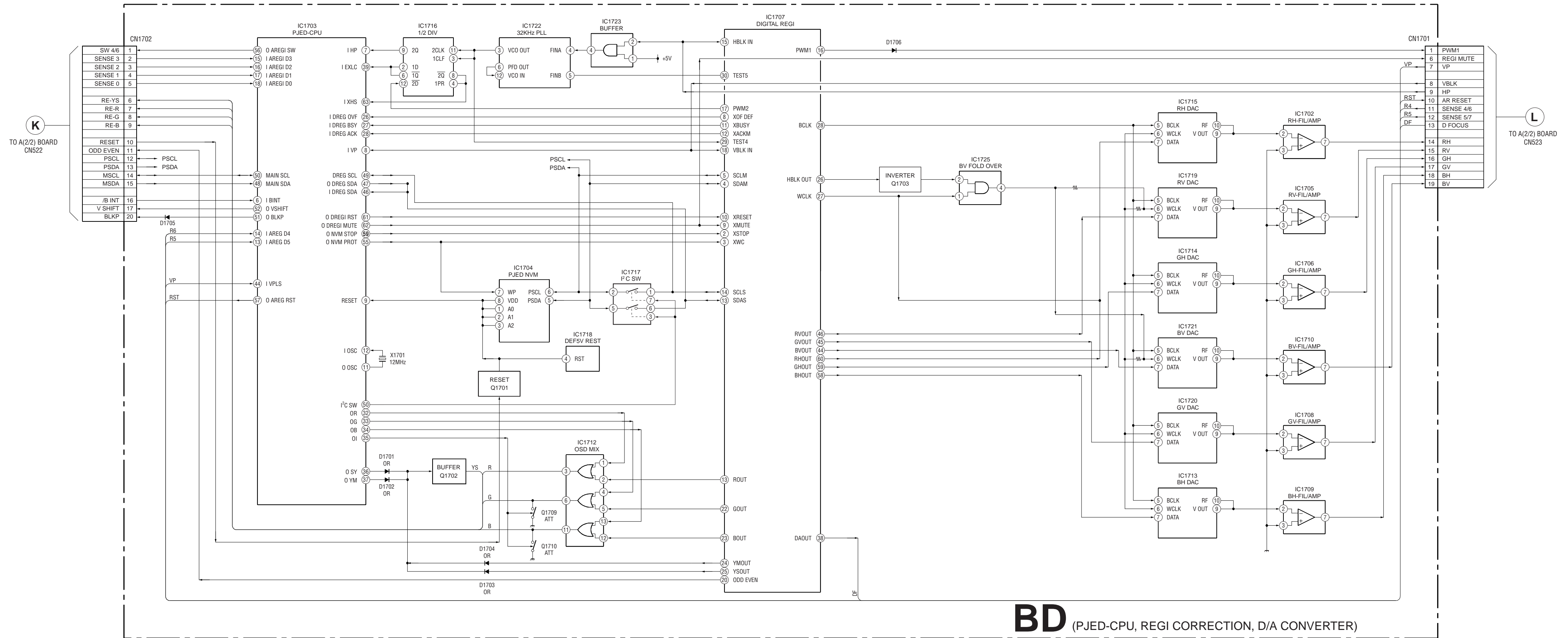
**BLOCK DIAGRAM (4)**



**BR** (TBC, UP CONVERTER, A/D CONVERTER)

KP-53-61XBR200-BD-3-M

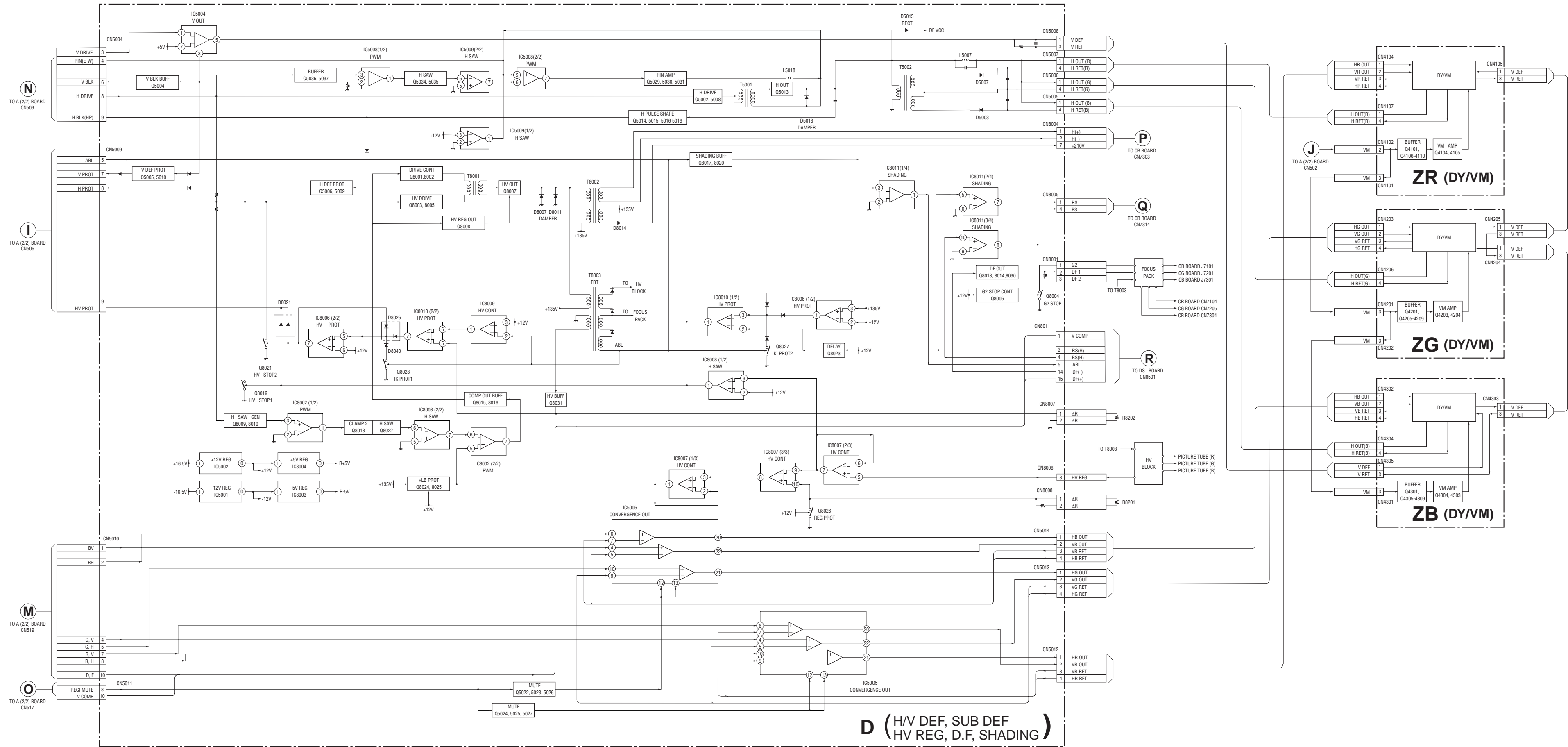
**BLOCK DIAGRAM (5)**



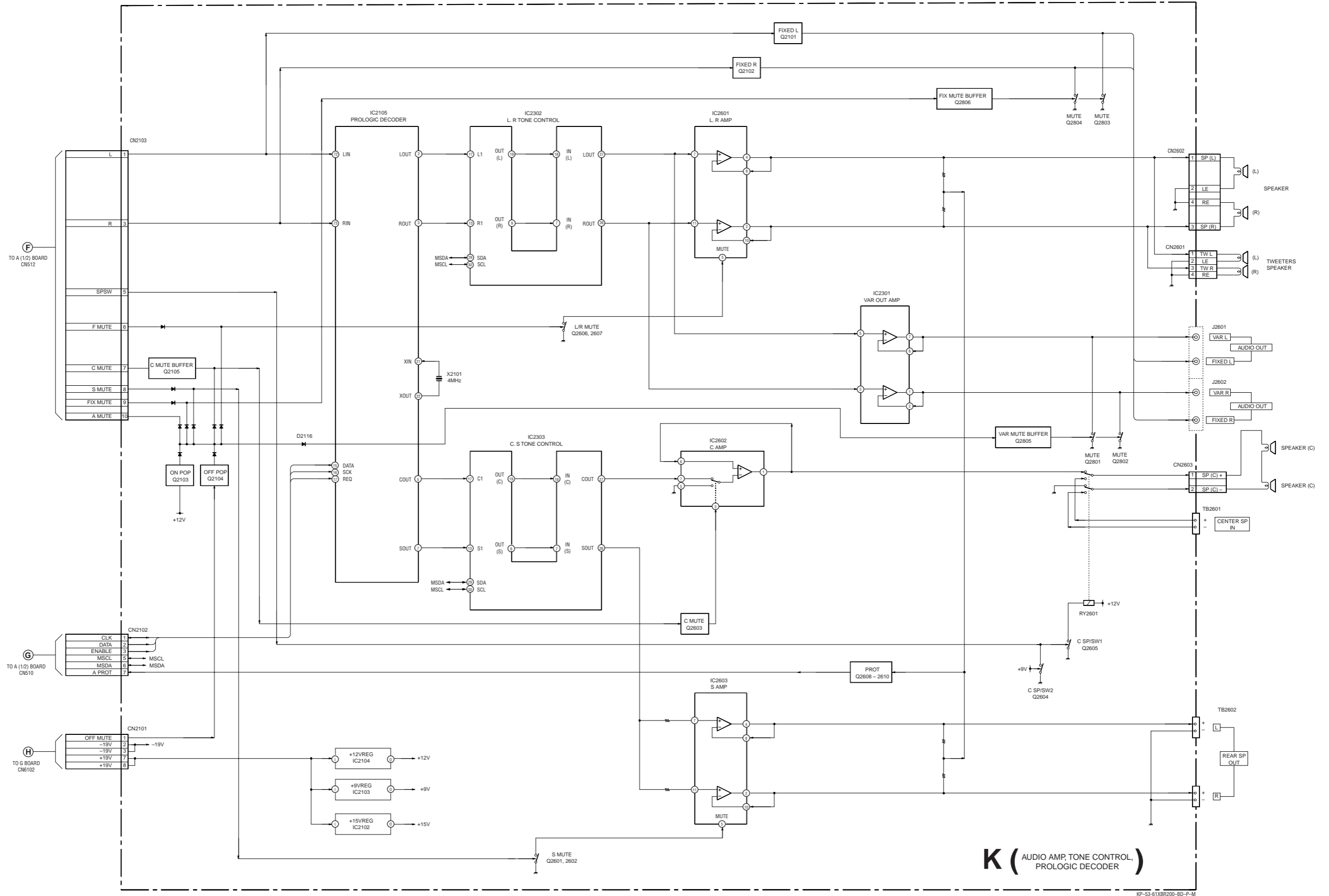
**BD** (PJED-CPU, REGI CORRECTION, D/A CONVERTER)

KP-53-61XBR200-BD-6-M

**BLOCK DIAGRAM (6)**



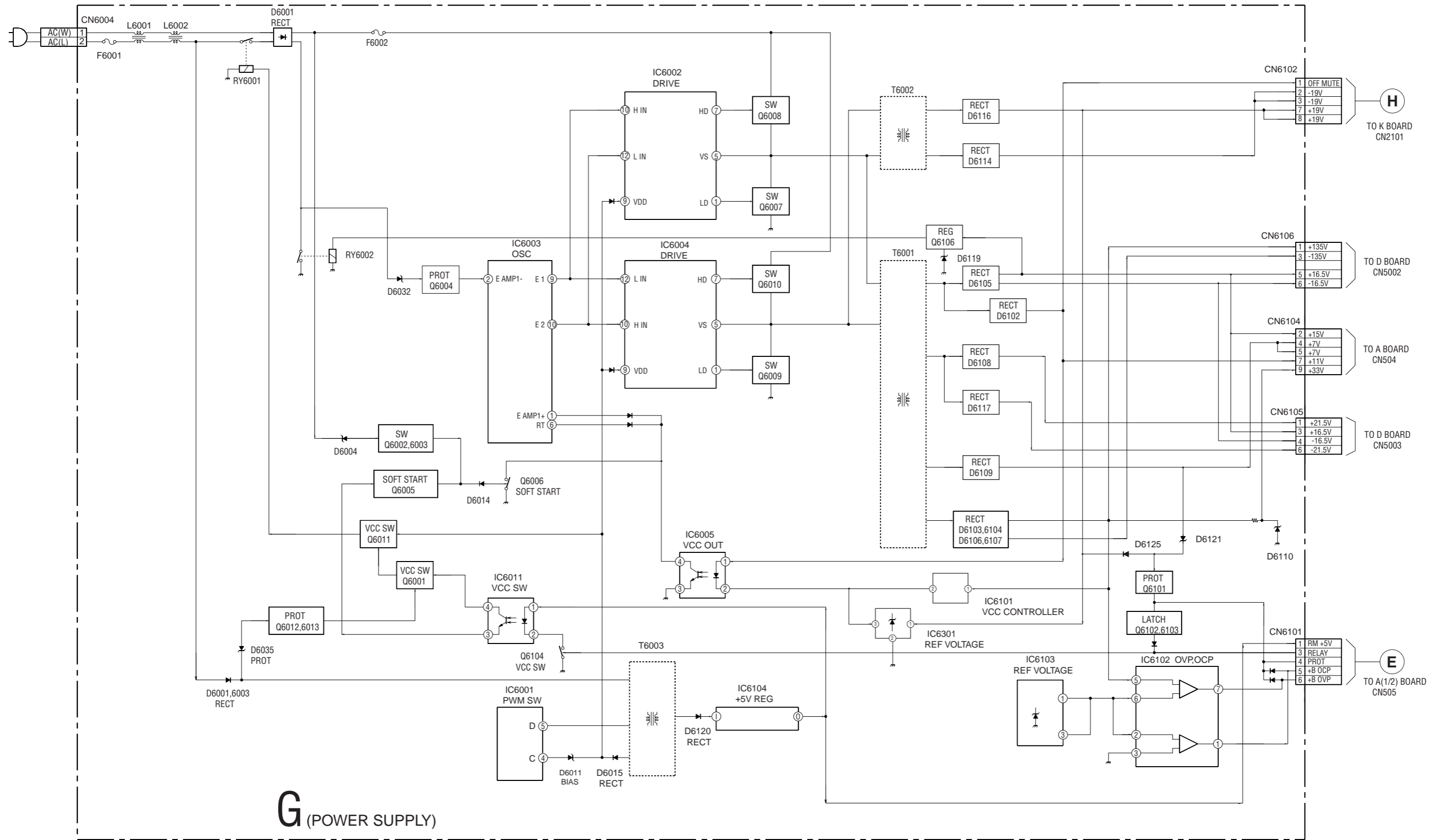
**BLOCK DIAGRAM (7)**

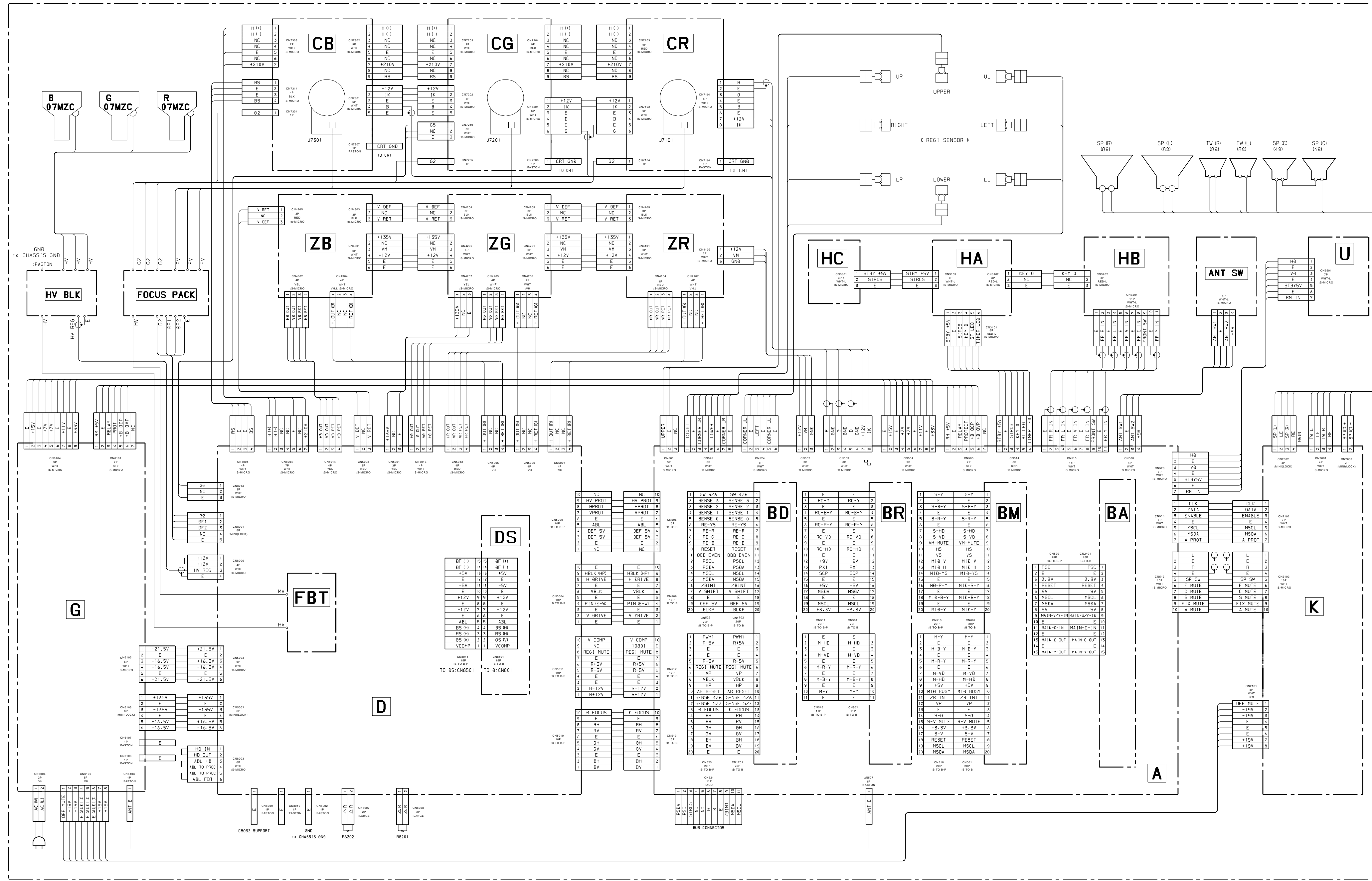


**K (AUDIO AMP, TONE CONTROL, PROLOGIC DECODER)**

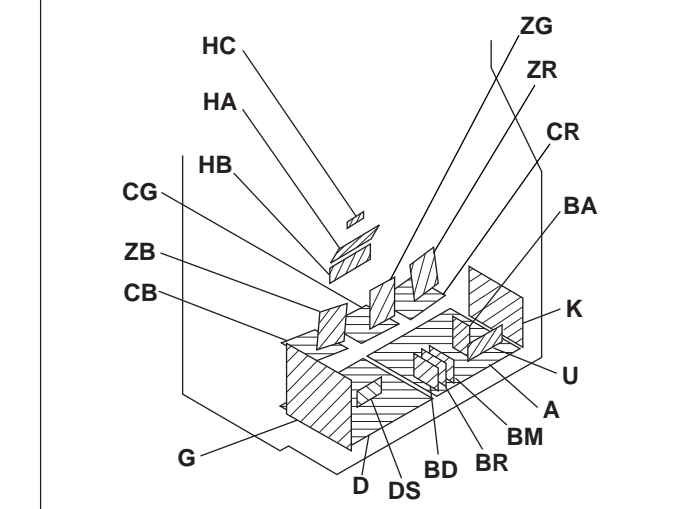
KP-53-61XR200-8D-P-M

**BLOCK DIAGRAM (8)**





6-3. CIRCUIT BOARDS LOCATION



6-4. PRINTED WIRING BOARDS AND SCHEMATIC DIAGRAMS

- Note:
- Capacitors without voltage indication are all 50V.
  - All resistors are in ohms.
  - kΩ=1000Ω, MΩ=1000kΩ
  - Indication of resistance, which does not have one for rating electrical power, is as follows.
- Pitch: 5mm  
Rating electrical power: 1/4W
- : nonflammable resistor.
  - : fusible resistor.
  - : internal component.
  - : panel designation and adjustment for repair.
  - All variable and adjustable resistors have characteristic curve B, unless otherwise noted.
  - : earth-chassis.
  - The components identified by in this basic schematic diagram have been carefully factory-selected for each set in order to satisfy regulations regarding X-ray radiation.
  - Should replacement be required, replace only with the value originally used.
  - When replacing components identified by , make the necessary adjustments indicated. If results do not meet the specified value, change the component identified by and repeat the adjustment until the specified value is achieved. (Refer to R8194, R8196, R8201 and R8202 adjustment on Page 54.)
  - When replacing the part in below table, be sure to perform the related adjustment.

Note: The symbol display is on the component side.

The components identified by shading and mark are critical for safety. Replace only with part number specified.

The symbol indicate fast operating fuse. Replace only with fuse of same rating as marked.

Note: Les composants identifiés par un trame et une marque sont critiques pour la sécurité. Ne les remplacer que par une pièce portant le numéro spécifié.

Le symbole indique une fusible à action rapide. Doit être remplacé par une fusible de même valeur, comme marqué.

Part replaced (■)	Adjustment (▲)
C8064, C8066, C8070, C8074, C8076, C8082, D8042, IC8002, IC8007, IC8008, C8022, R8093, R8095, R8096, R8105, R8108, R8112, R8113, R8114, R8115, R8126, R8128, R8136, R8138, R8139, R8154, R8157, R8168, R8173, R8174, R8177, R8178, R8198, R8199, R8201, T8002 (LOT), T8003 (FBT), HV BLOCK, D BOARD	HV Regulator (R8194, R8202)
D8026, D8032, D8035, D8050, IC8006, IC8009, IC8010, Q8021, Q8031, R8092, R8094, R8097, R8109, R8110, R8117, R8118, R8121, R8123, R8125, R8129, R8135, R8140, R8155, R8168, R8191, R8192, R8193, R8194, R8198, R8202, T8002 (LOT), T8003 (FBT), HV BLOCK, D BOARD	HV HOLD-DOWN (R8196, R8201)

- Readings are taken with a color-bar signal input.
- Readings are taken with a 10MΩ digital multimeter.
- Volts are dc with respect to ground unless otherwise noted.
- Voltage variations may be noted due to normal production tolerances.
- All voltages are in V.
- : Measurement impossibility.
- : Circled numbers are waveform references.
- : B+ bus.
- : B- bus.
- : signal path (RF)

- Reference information
- RESISTOR : RN METAL FILM  
: RC SOLID  
: FP RD NON-FLAMMABLE CARBON  
: FUSE NON-FLAMMABLE FUSIBLE  
: RW NON-FLAMMABLE WIREWOUND  
: RS NON-FLAMMABLE METAL OXIDE  
: RB NON-FLAMMABLE CEMENT  
: ADJ ADJUSTMENT RESISTOR  
: LF-8L MICRO INDUCTOR
- COIL : TA TANTALUM  
: PS STYROL  
: PP POLYPROPYLENE  
: PT MYLAR  
: MPS METALIZED POLYESTER  
: MPP METALIZED POLYPROPYLENE  
: ALB BIPOLAR  
: ALT HIGH TEMPERATURE  
: ALR HIGH RIPPLE

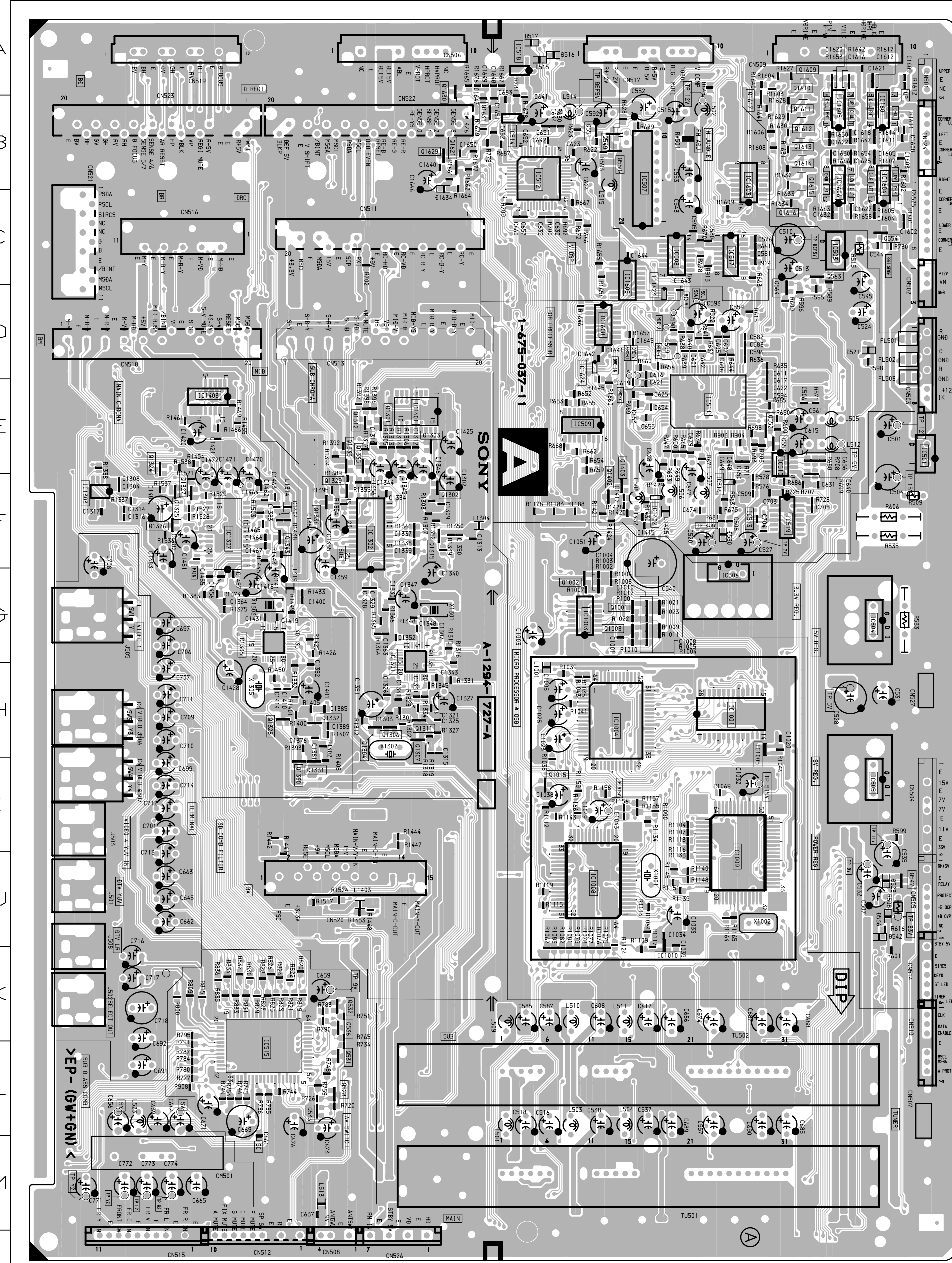
Terminal name of semiconductors in silk screen printed circuit (※)

Device	Printed symbol	Terminal name	Circuit
① Transistor		Collector Base Emitter	
② Transistor		Collector Base Emitter	
③ Diode		Cathode Anode (NC)	
④ Diode		Cathode Anode (NC)	
⑤ Diode		Common Anode Cathode	
⑥ Diode		Common Anode Cathode	
⑦ Diode		Common Anode Cathode	
⑧ Diode		Common Anode Cathode	
⑨ Diode		Common Anode Cathode	
⑩ Diode		Common Anode Cathode	
⑪ Diode		Common Anode Cathode	
⑫ Diode		Common Anode Cathode	
⑬ Transistor (FET)		Drain Source Gate	
⑭ Transistor (FET)		Drain Source Gate	
—		Discrete semiconductor	

(Chip semiconductors that are not actually used are included.)

- A Board -

1 2 3 4 5 6 7 8 9 10



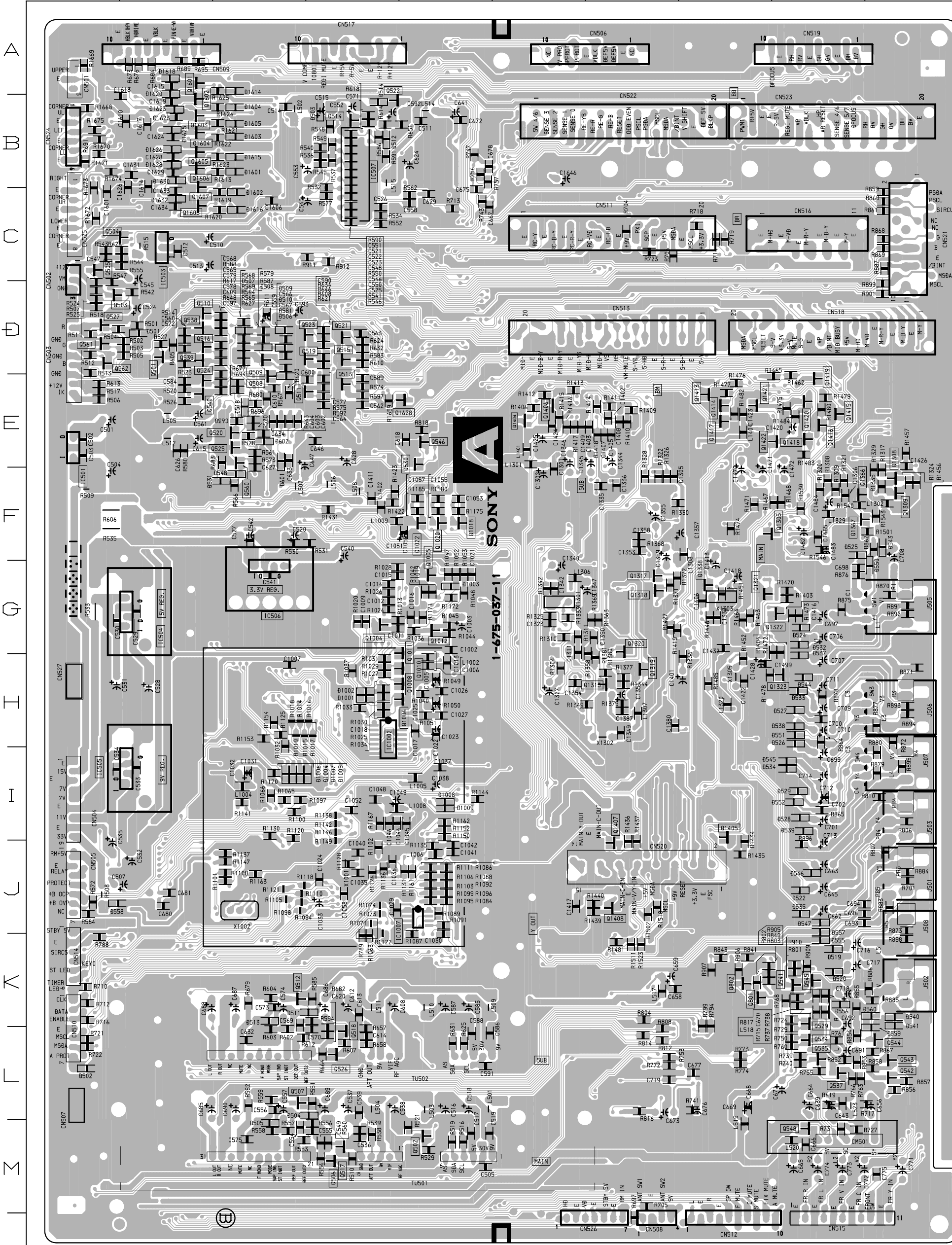
A BOARD

DIODE		TRANSISTOR		IC	
L	R	L	R	L	R
D501	D-2	Q501	D-2	IC501	E-10
D502	L-1	Q502	M-5	IC503	C-9
D503	B-4	Q503	C-1	IC504	G-10
D504	L-4	Q504	D-1	IC505	H-10
D505	M-3	Q505	M-4	IC506	G-8
D506	E-3	Q506	L-3	IC507	B-7
D508	D-3	Q507	H-3	IC508	C-8
D509	D-3	Q508	D-3	IC509	E-7
D511	K-4	Q509	D-2	IC510	E-9
D512	B-4	Q510	E-4	IC511	E-8
D513	K-3	Q511	K-4	IC512	B-6
D514	B-4	Q512	D-2	IC513	F-8
D515	A-6	Q513	M-4	IC515	L-3
D516	A-6	Q514	L-4	IC516	F-8
D517	A-6	Q515	H-9	IC517	C-8
D518	E-3	Q516	D-4	IC518	A-6
D519	K-9	Q517	D-2	IC519	F-9
D520	K-9	Q518	L-4	IC520	H-9
D521	D-10	Q519	D-4	IC521	C-8
D522	J-9	Q520	E-3	IC522	H-4
D523	J-10	Q521	D-3	IC523	H-4
D524	G-9	Q522	A-4	IC524	E-4
D525	F-10	Q523	D-4	IC525	E-4
D526	H-9	Q524	E-2	IC526	F-4
D527	H-9	Q525	E-3	IC527	G-8
D528	I-9	Q526	L-4	IC528	F-3
D529	I-9	Q527	D-1	IC529	F-10
D530	F-8	Q528	L-4	IC530	J-7
D531	F-3	Q529	E-5	IC531	J-8
D532	G-9	Q530	L-4	IC532	F-4
D533	H-9	Q531	K-4	IC533	F-1
D534	I-9	Q532	L-9	IC534	G-3
D535	J-9	Q533	L-4	IC535	J-7
D536	J-10	Q534	L-9	IC537	F-3
D537	G-9	Q535	L-9	IC538	D-2
D538	H-9	Q536	K-4	IC539	D-2
D539	I-9	Q537	L-9	IC540	E-8
D540	K-10	Q538	D-2	IC541	E-8
D541	K-10	Q539	D-2	IC542	F-7
D542	J-10	Q540	F-2	IC543	E-3
D543	F-10	Q541	K-9	IC544	B-10
D544	H-9	Q542	L-10	IC545	B-10
D545	I-9	Q543	L-10	IC546	B-8
D546	F-3	Q544	L-10	IC547	B-9
D547	J-9	Q545	K-9	IC548	B-9
D548	G-10	Q546	K-9	IC549	B-7
D549	H-9	Q547	E-6	IC550	D-7
D550	I-9	Q548	E-6	IC551	C-7
D551	K-9	Q549	L-9	IC552	C-7
D552	K-9	Q550	B-7	IC553	C-7
D553	K-9	Q551	B-7	IC554	D-7
D554	K-9	Q552	B-7	IC555	B-2

L : component side  
R : conductor side

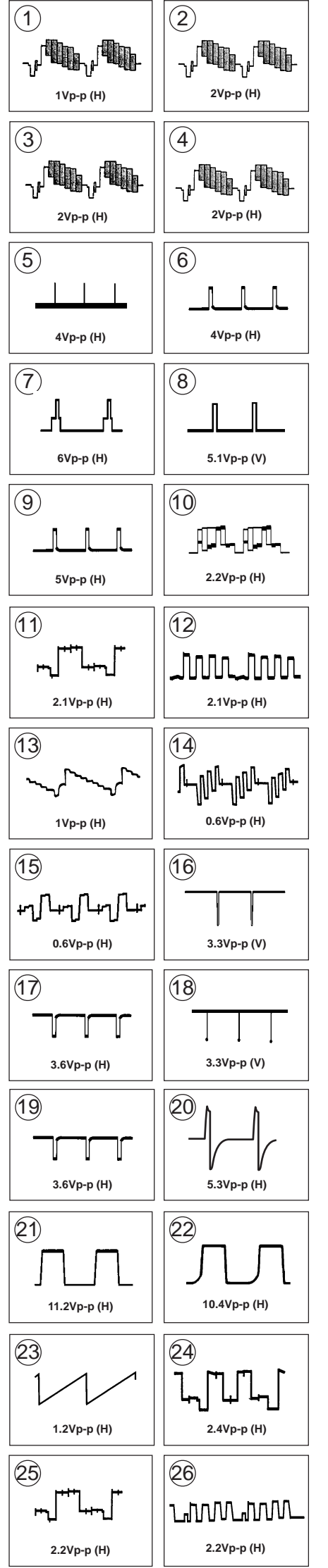
< Component Side >

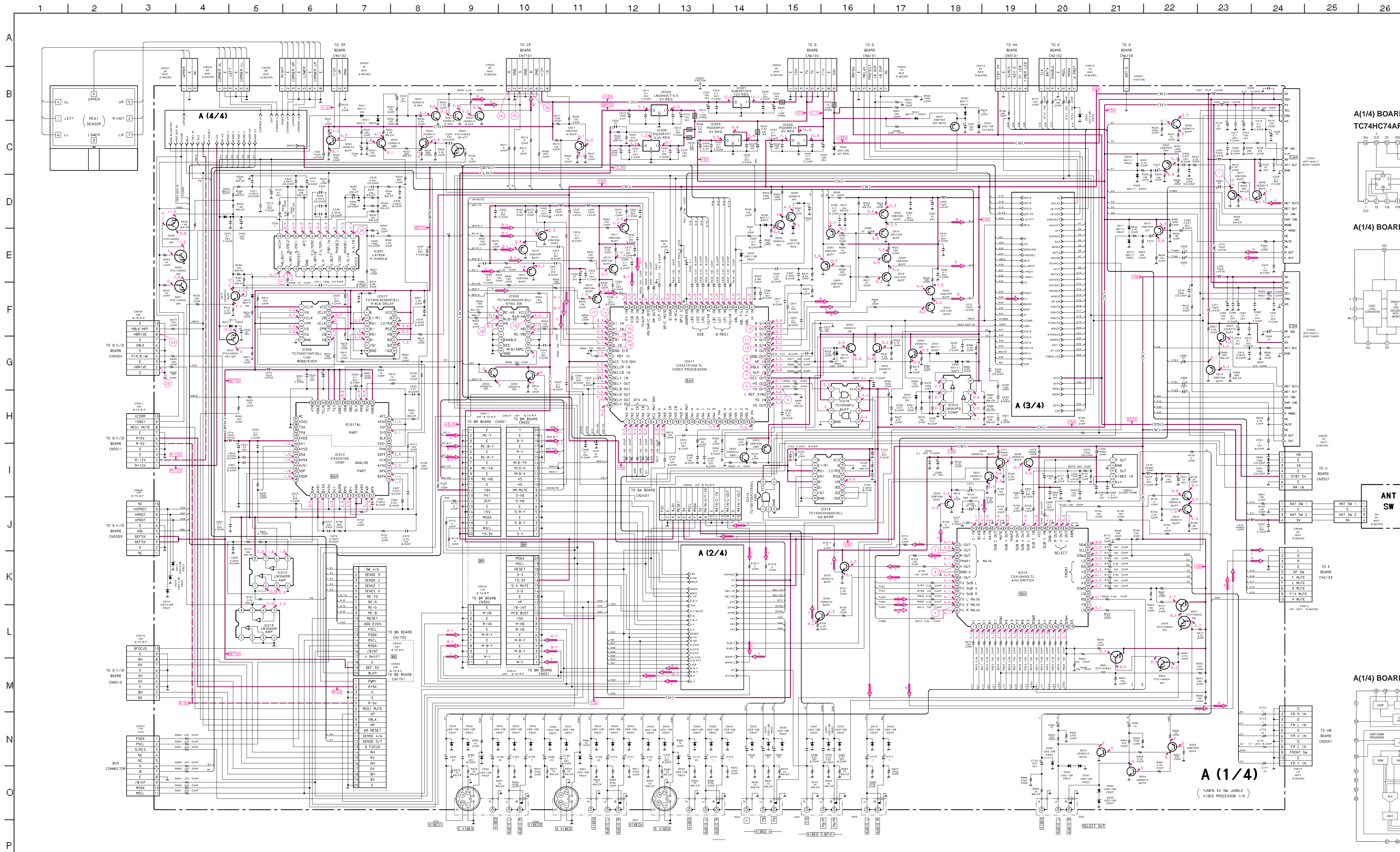
1 2 3 4 5 6 7 8 9 10



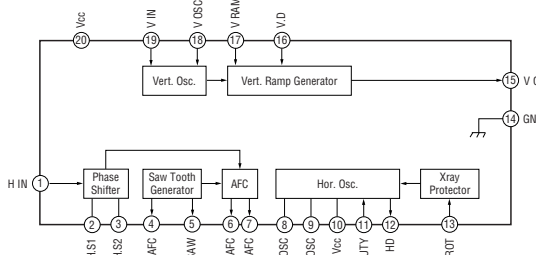
< Conductor Side >

• A(1/4) BOARD WAVEFORMS

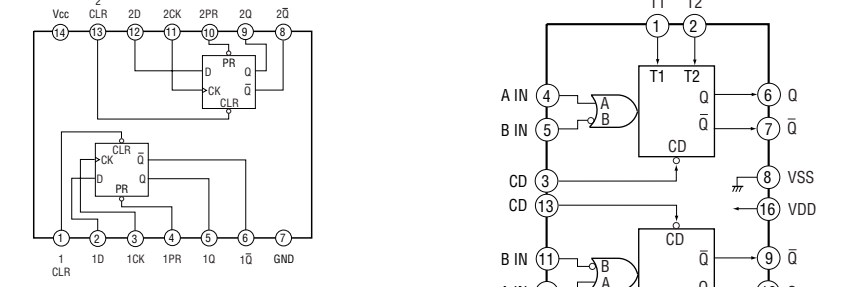




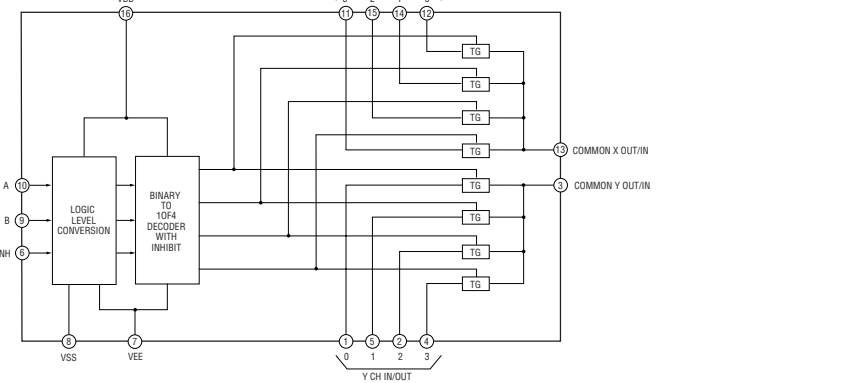
A(1/4) BOARD : IC507 LA7856



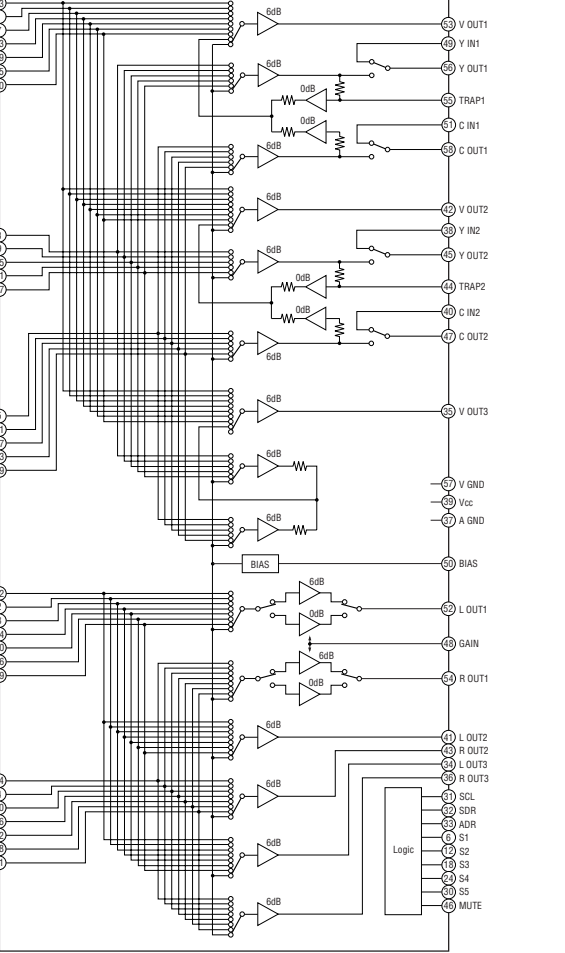
A(1/4) BOARD : IC508 TC74HC74AF (EL)



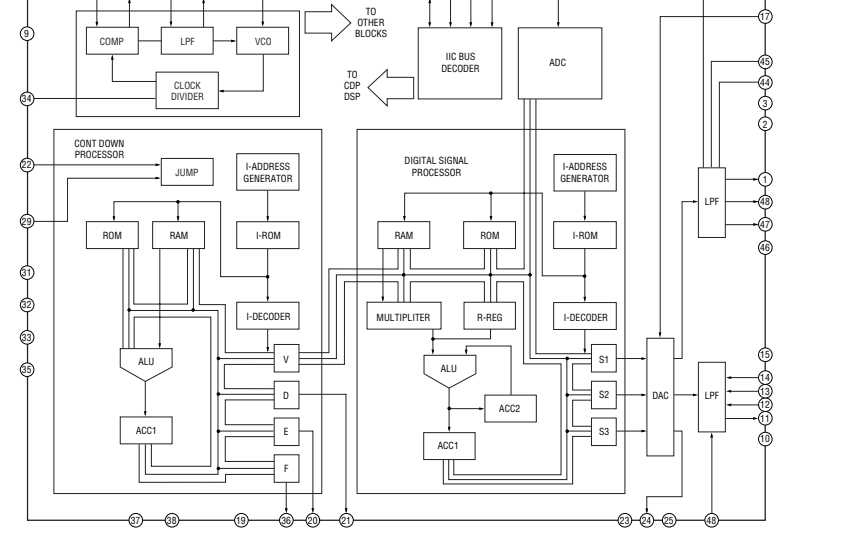
A(1/4) BOARD : IC509 MC74HC4052EL



A(1/4) BOARD : IC515 CXA1845AQ

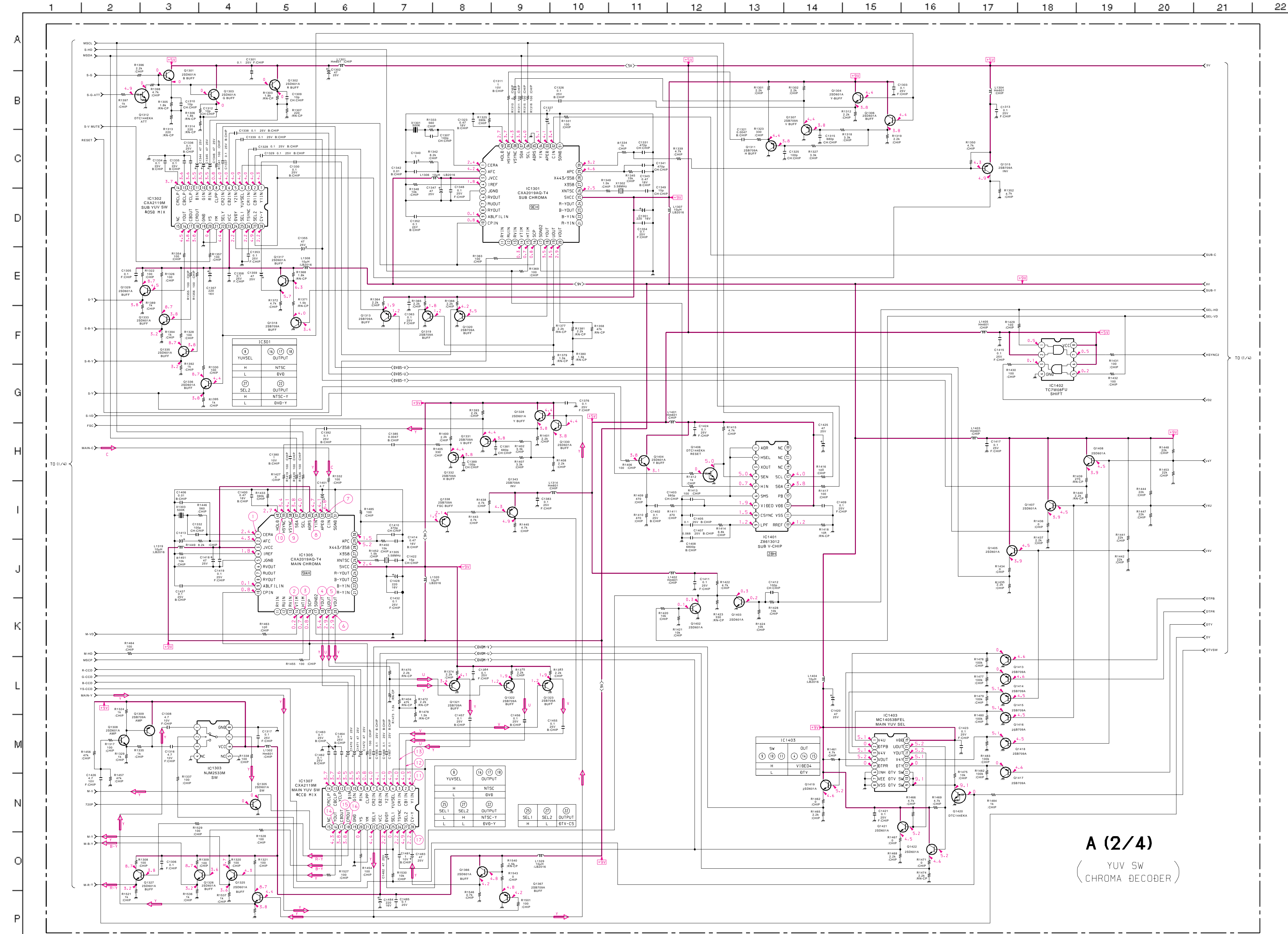


A(1/4) BOARD : IC512 CXD2018Q

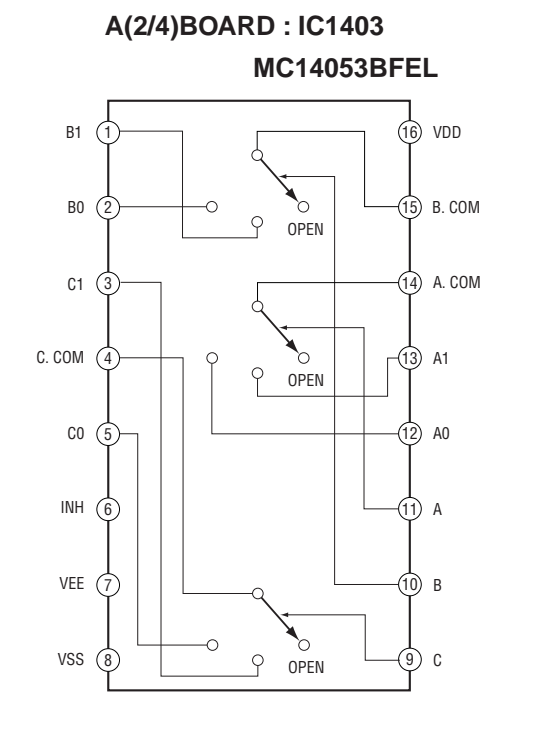
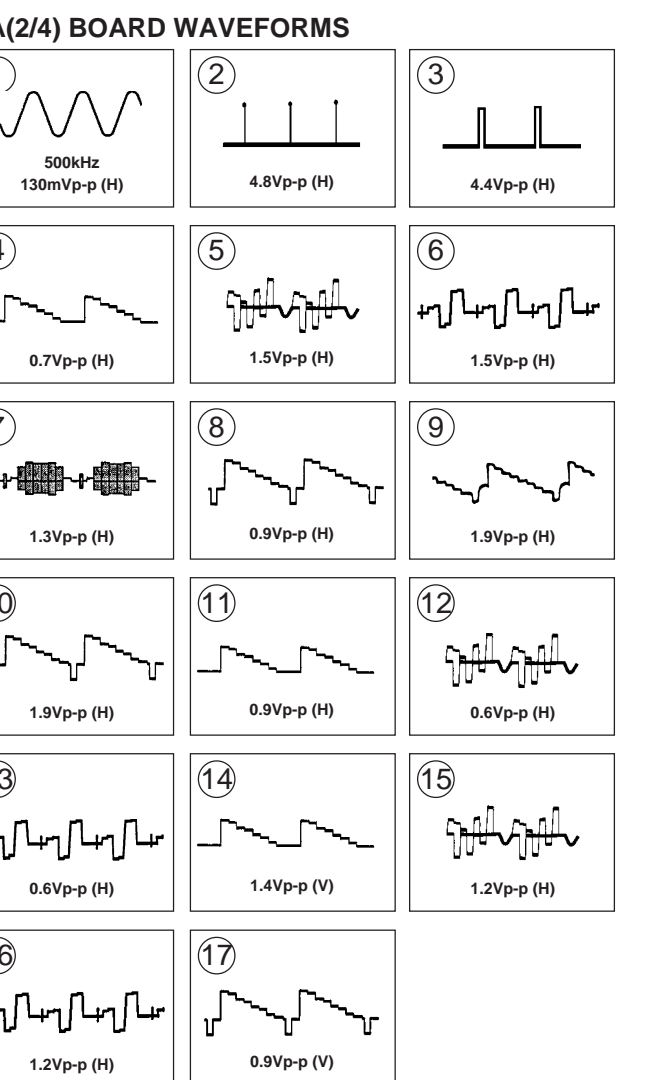
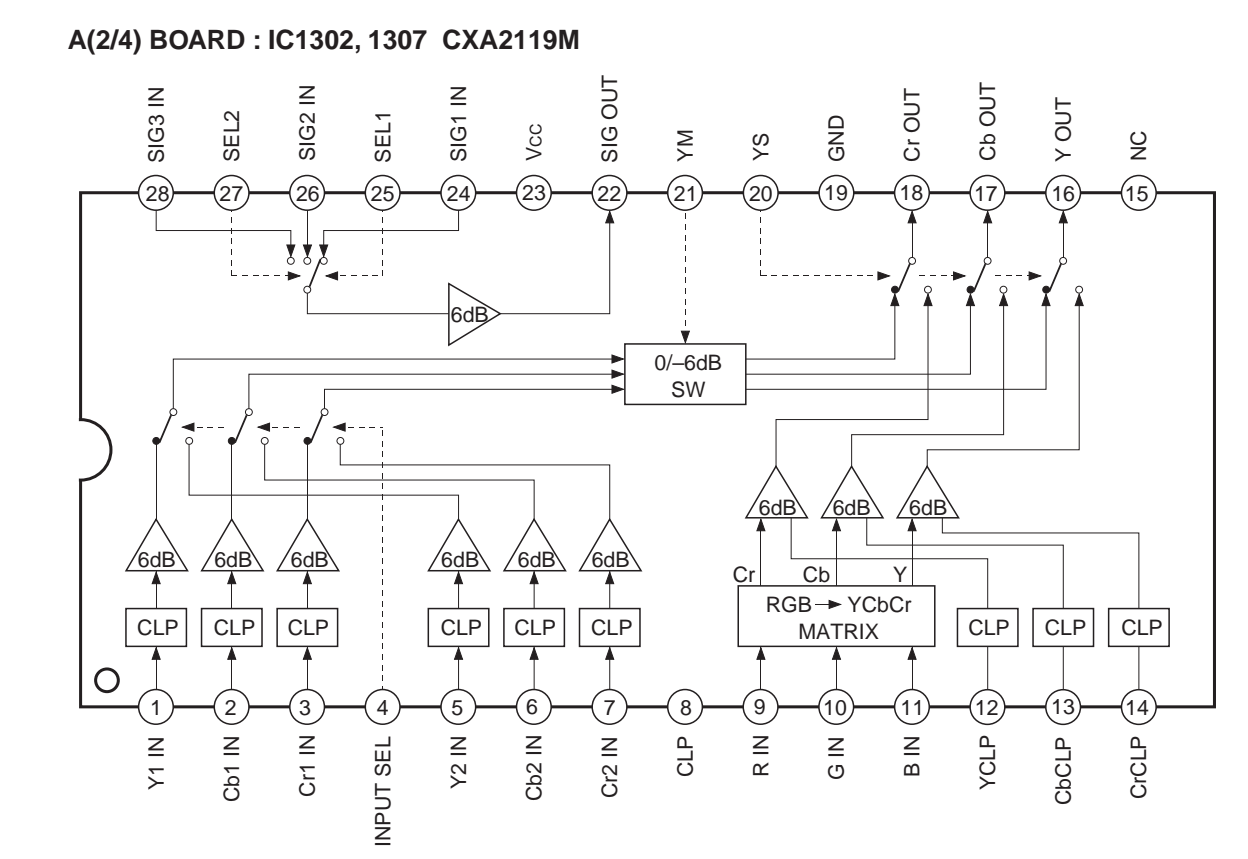
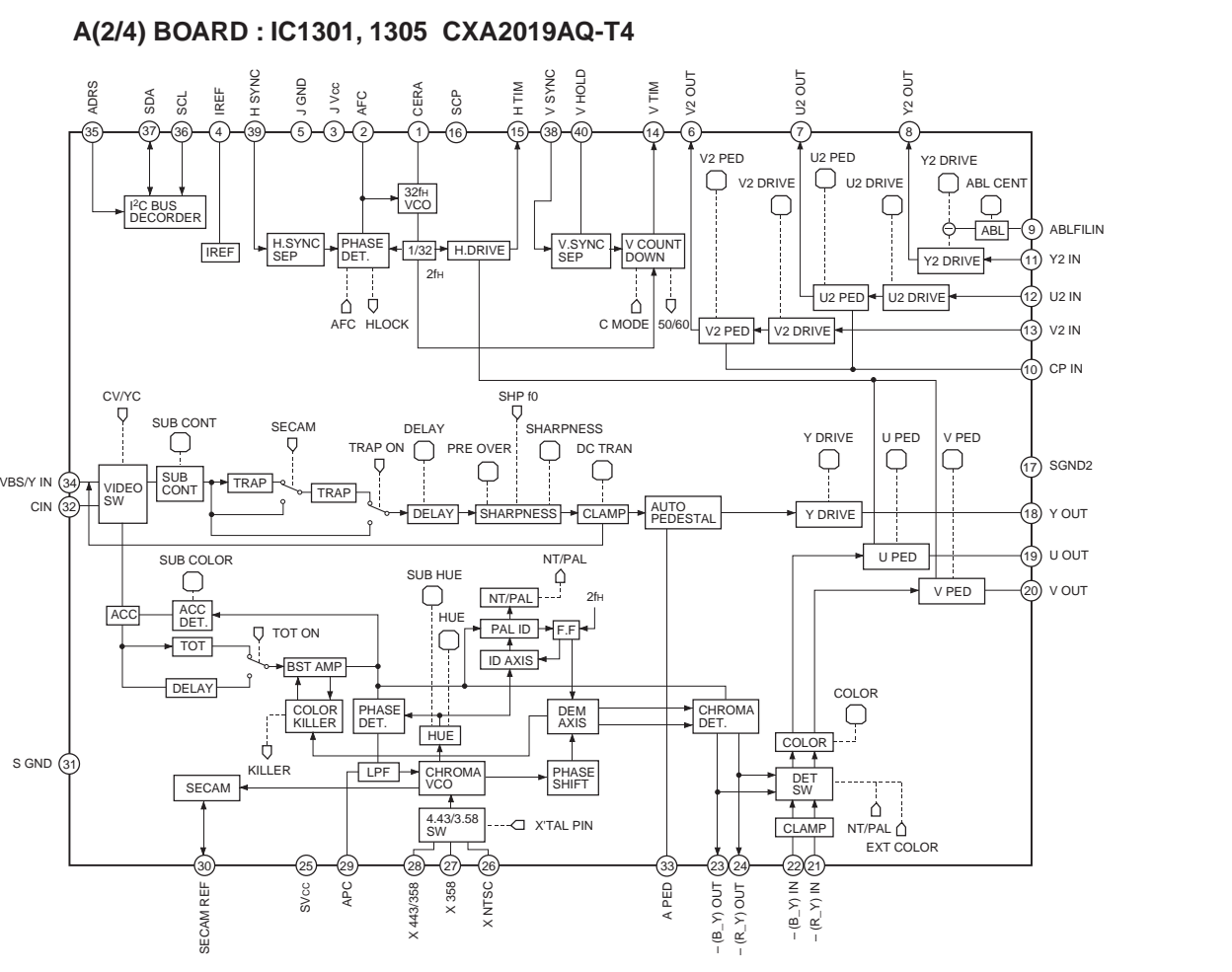


A (1/4)  
(TUNER BY SW JUNGLE  
VIDEO PROCESSOR 1-V)

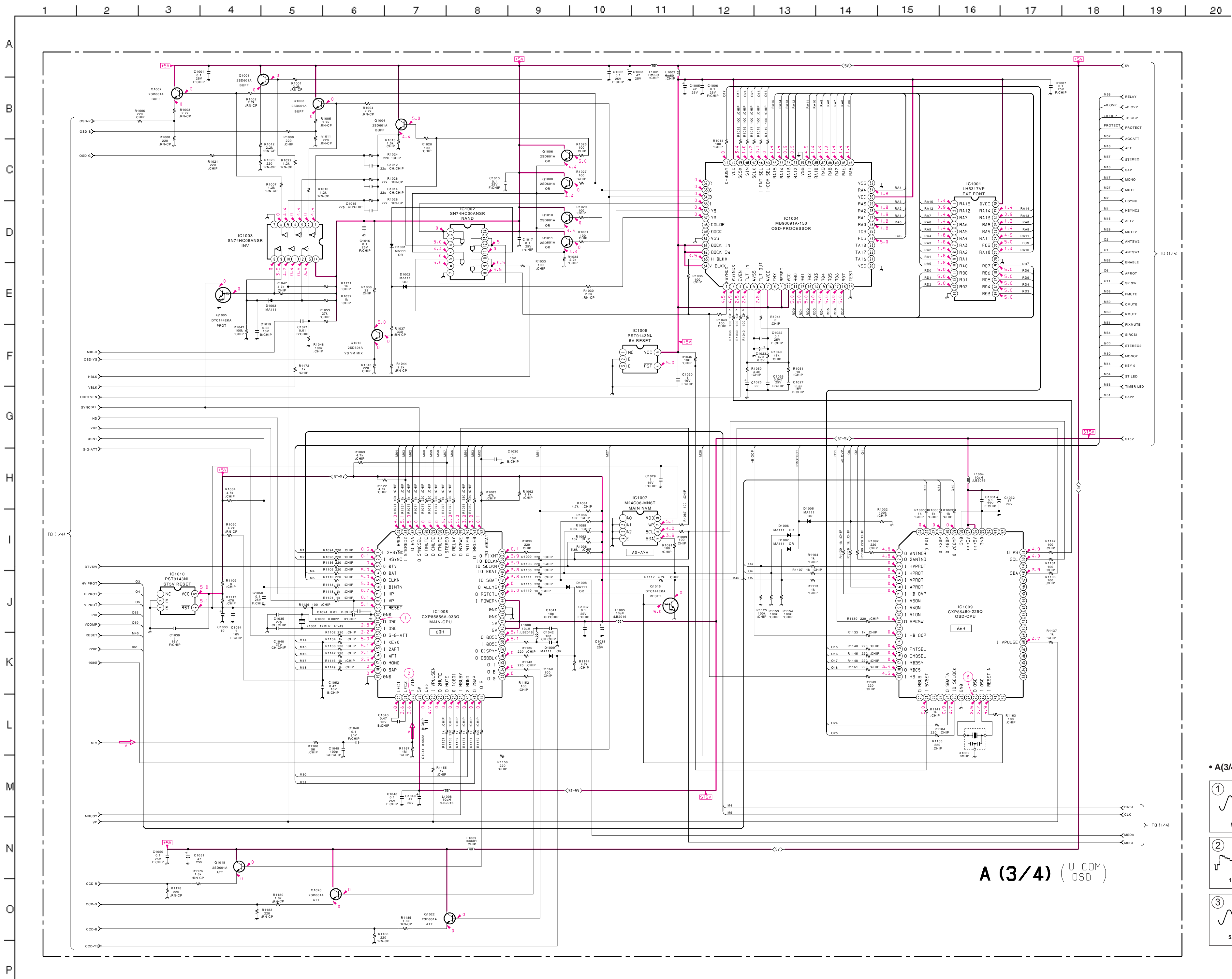




Schematic diagram A(1/4) board

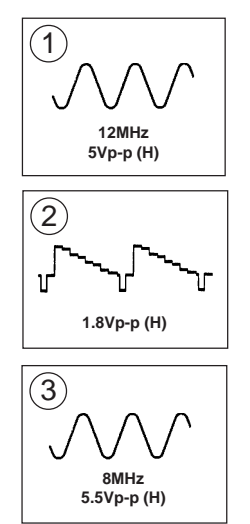


**A (2/4)**  
YUV SW  
CHROMA DECODER

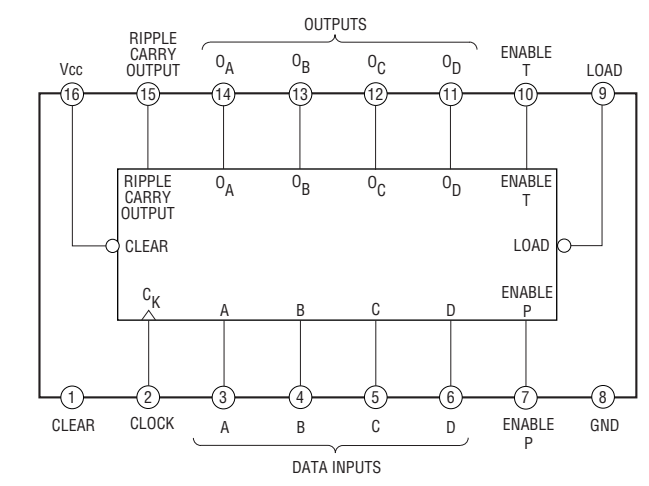


A (3/4) (U COM)

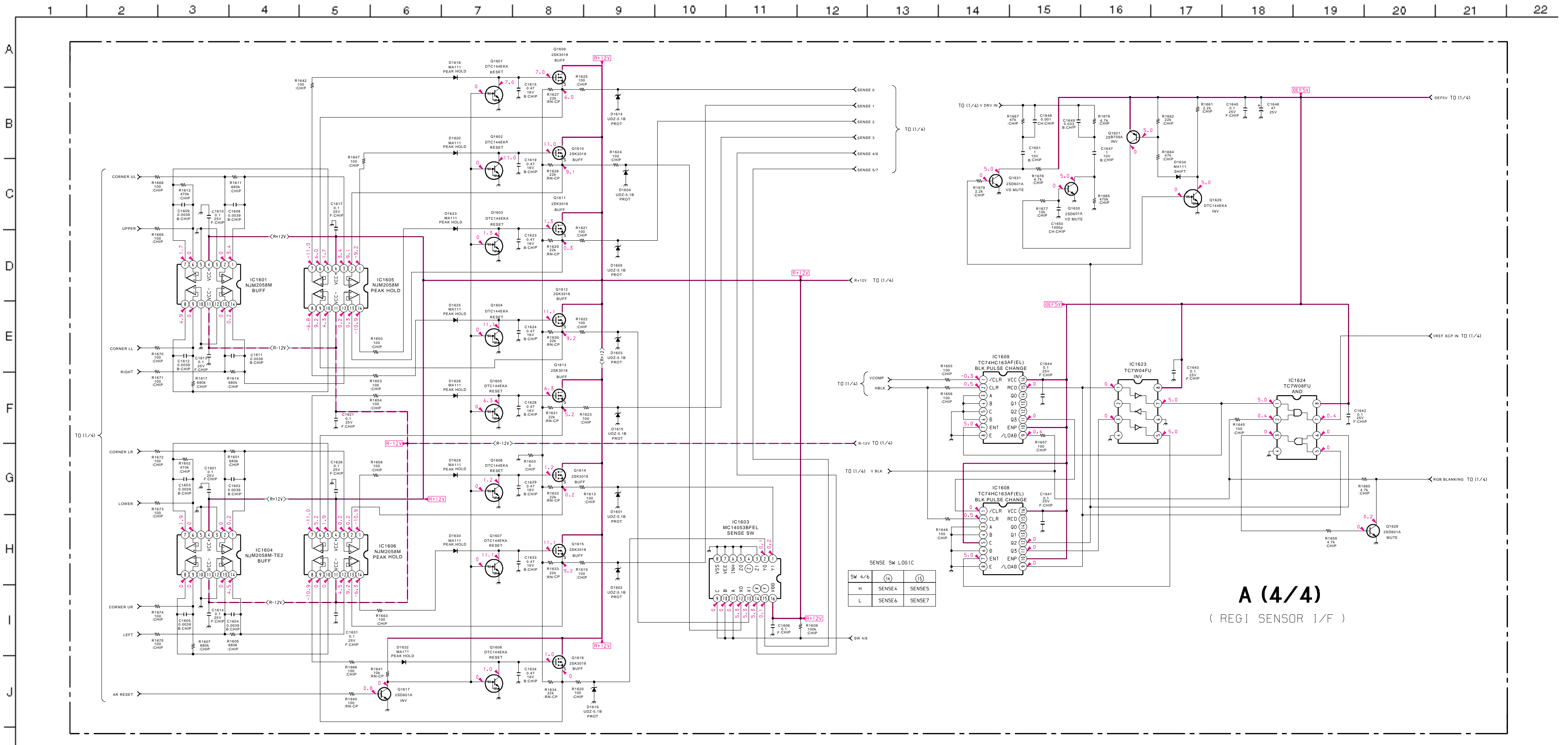
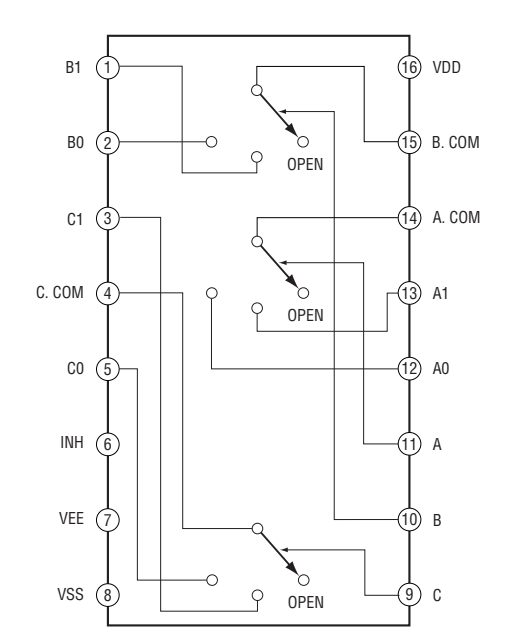
• A(3/4) BOARD WAVEFORMS



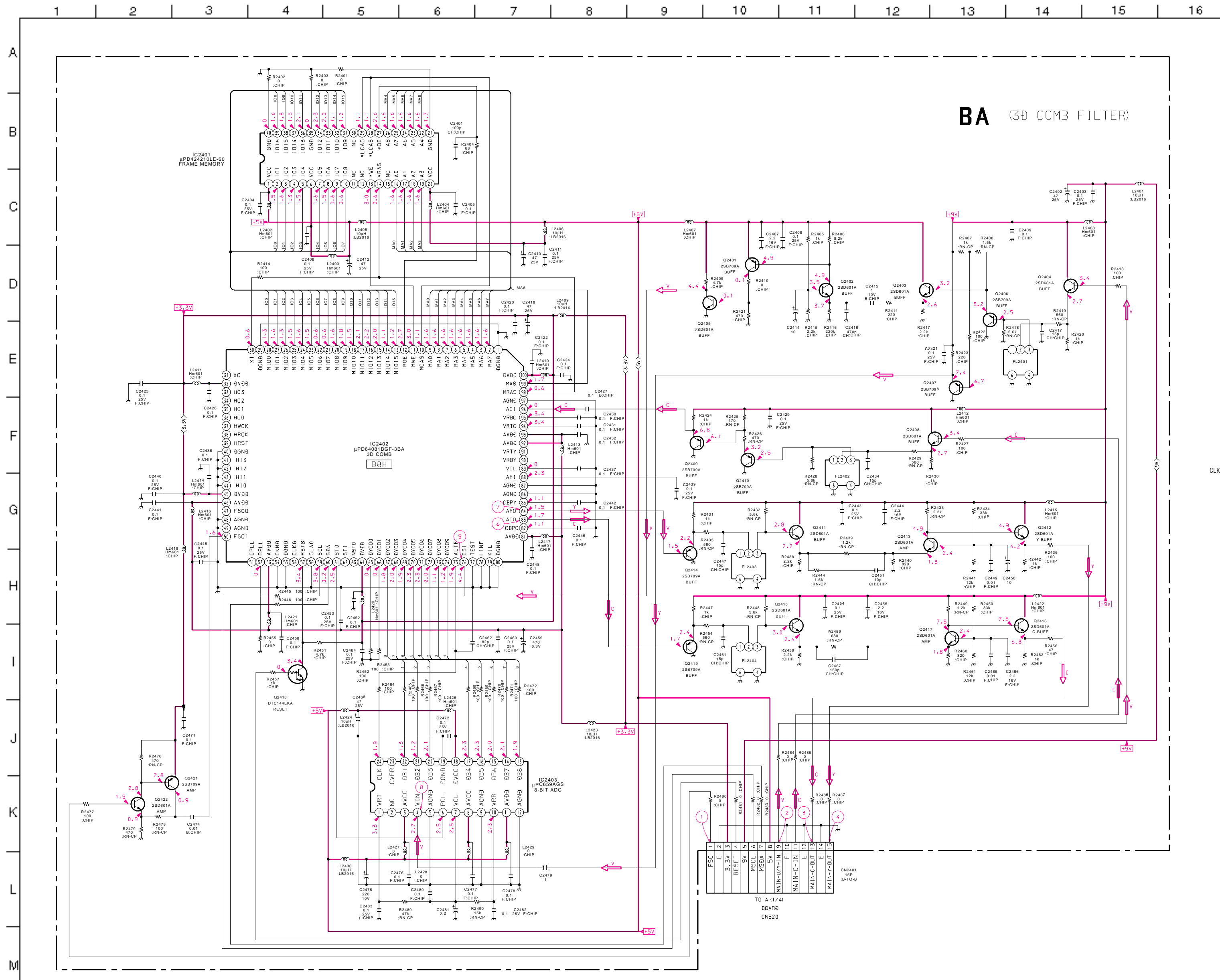
A(4/4) BOARD : IC1609, 1608 TC74HC163AF(EL)



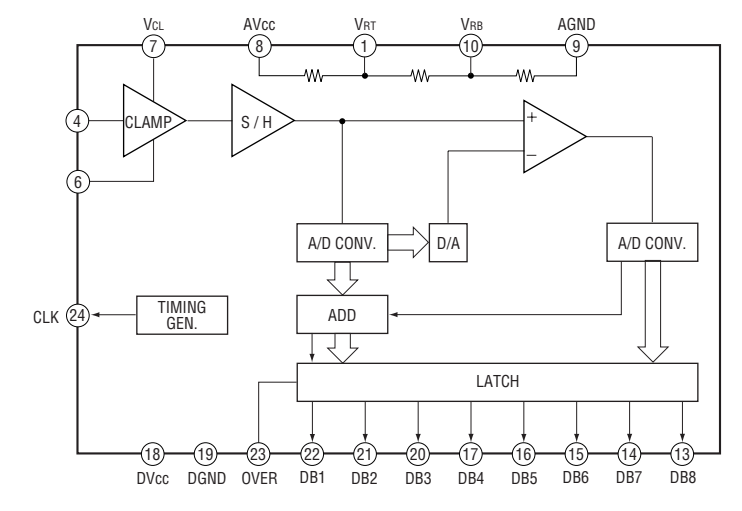
A(4/4) BOARD : IC1603 MC14053BFEL



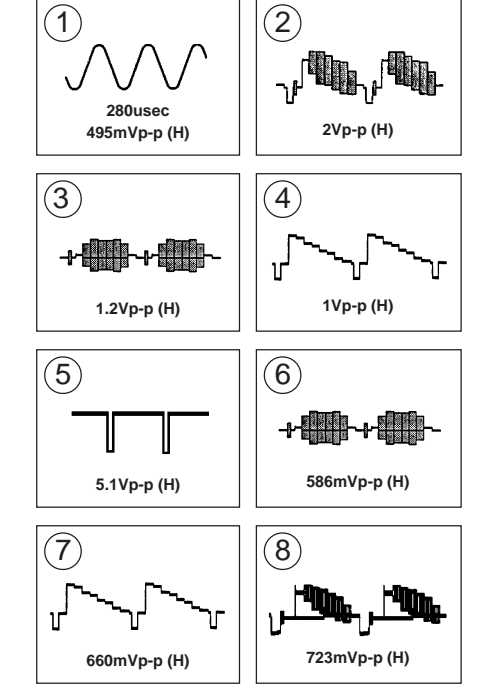
**A (4/4)**  
( REG1 SENSOR 1/ F )



BA BOARD : IC7301 TDA6111Q/N4

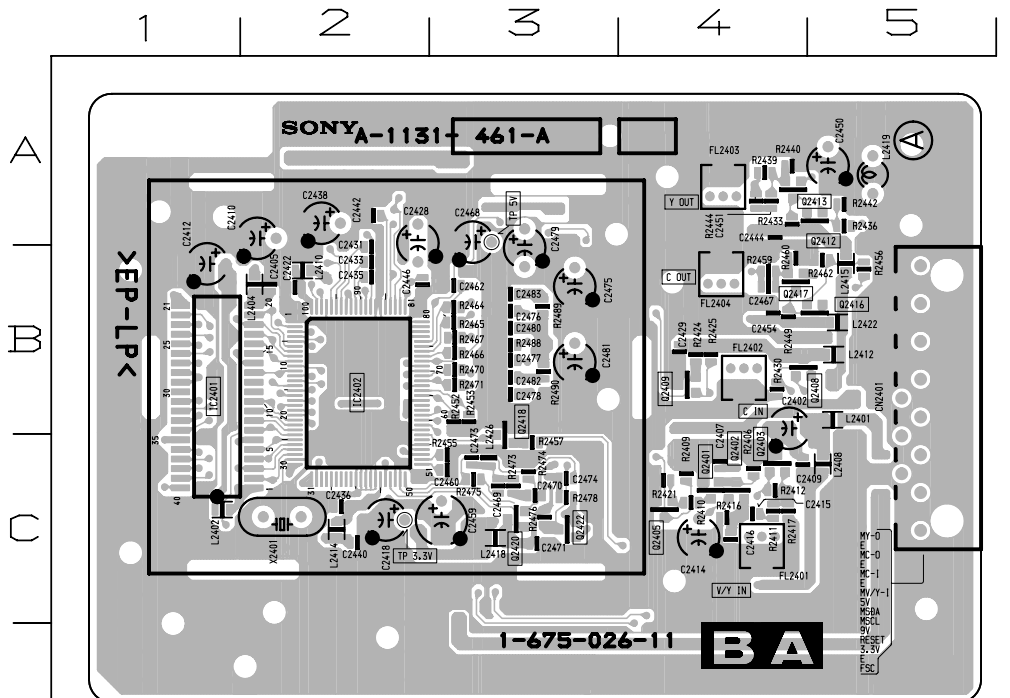


• BA BOARD WAVEFORMS

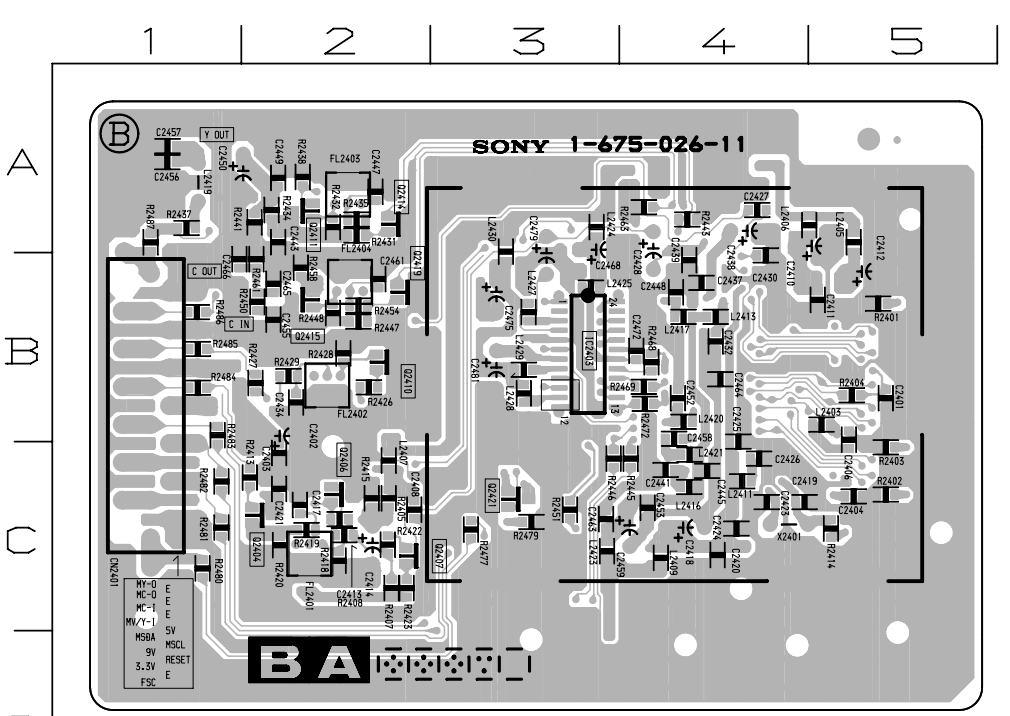


BA (3D COMB FILTER)

- BA Board -



< Component Side >



< Conductor Side >

BA BOARD

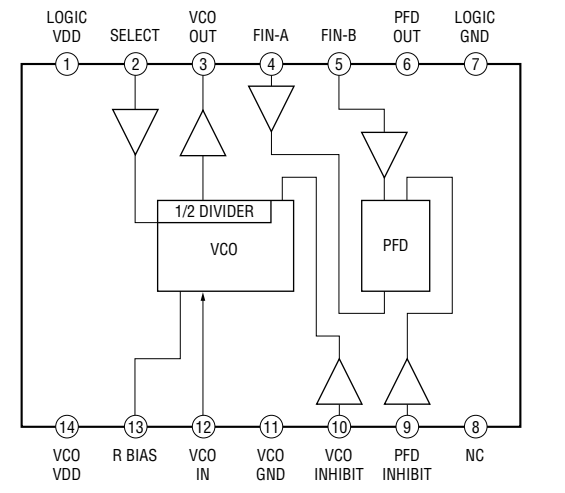
TRANSISTOR	
L	R
Q2401	C-4
Q2402	C-4
Q2403	C-4
Q2404	C-4
Q2405	C-4
Q2406	C-2
Q2407	C-2
Q2408	B-4
Q2409	B-4
Q2410	B-2
Q2411	A-2
Q2412	A-5
Q2413	A-4
Q2414	A-2
Q2415	B-2
Q2416	B-5
Q2417	B-4
Q2418	C-3
Q2419	B-2
Q2421	C-3
Q2422	C-3

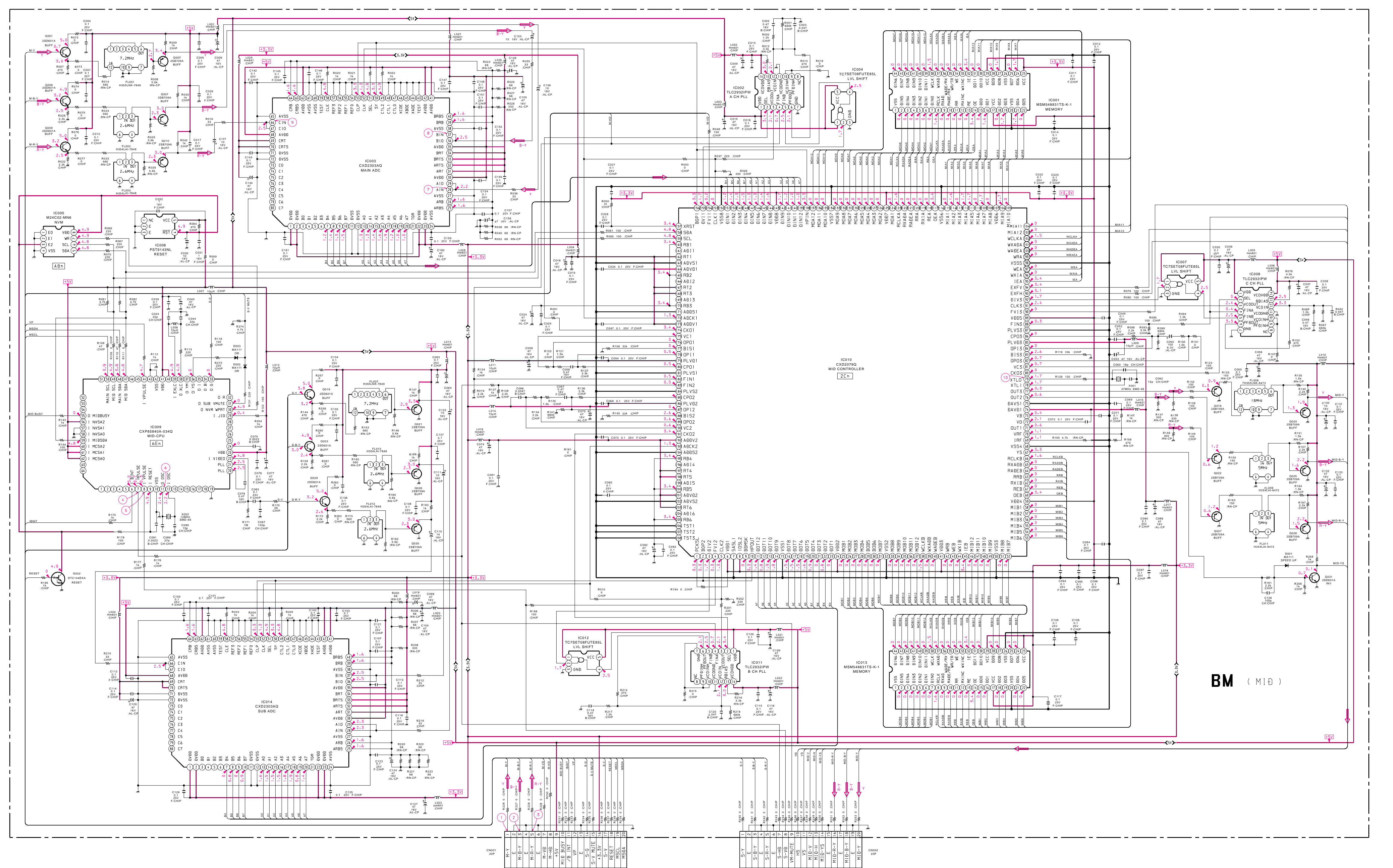
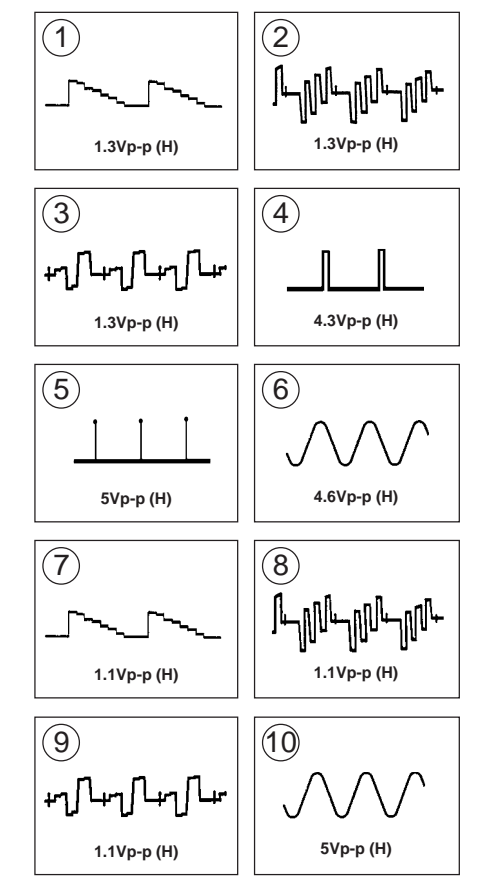
IC	
L	R
IC2401	B-1
IC2402	B-2
IC2403	B-3

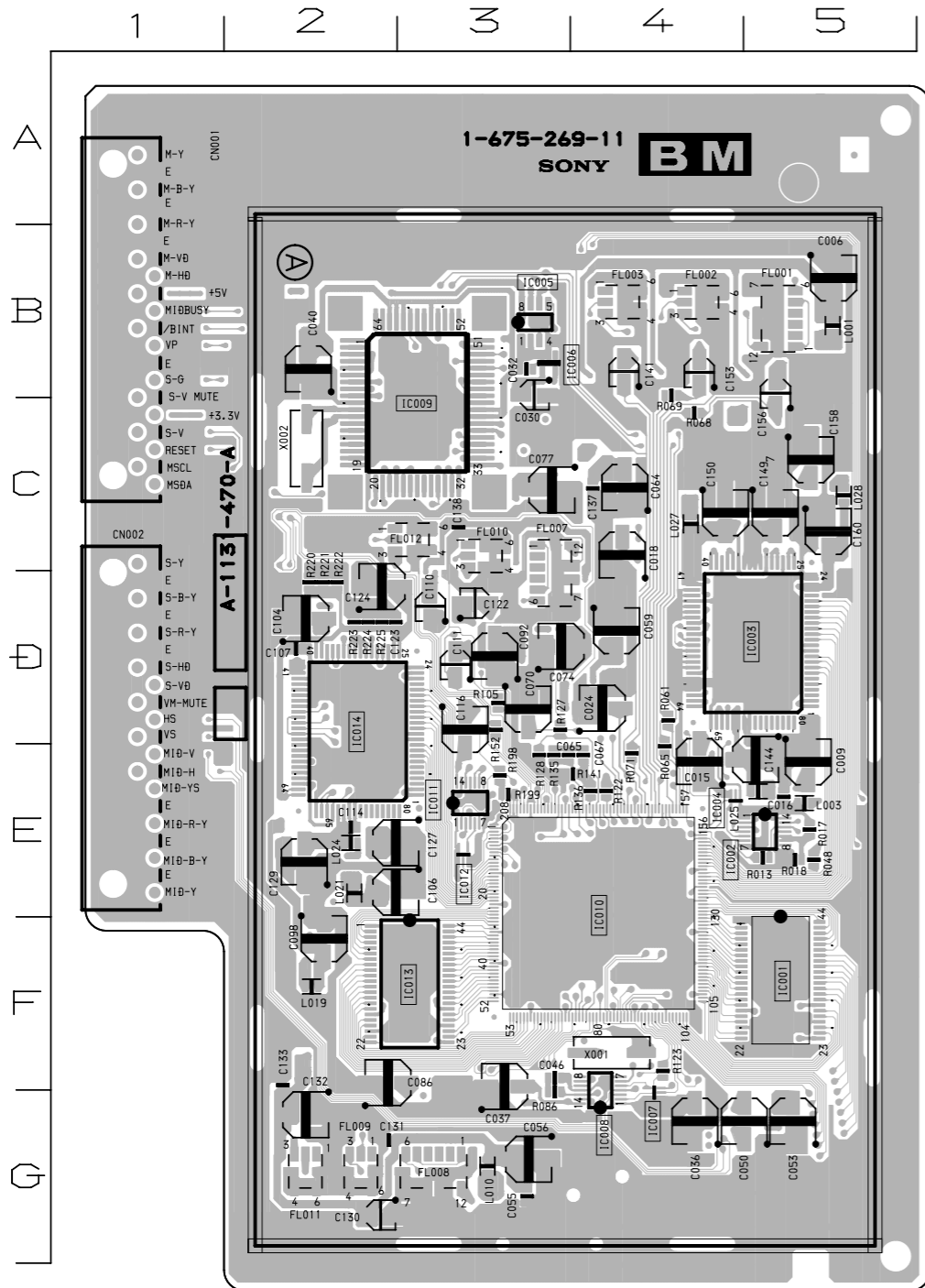
L : component side  
 R : conductor side

**BM BOARD : IC002, 008, 011 TLC2932IPW**

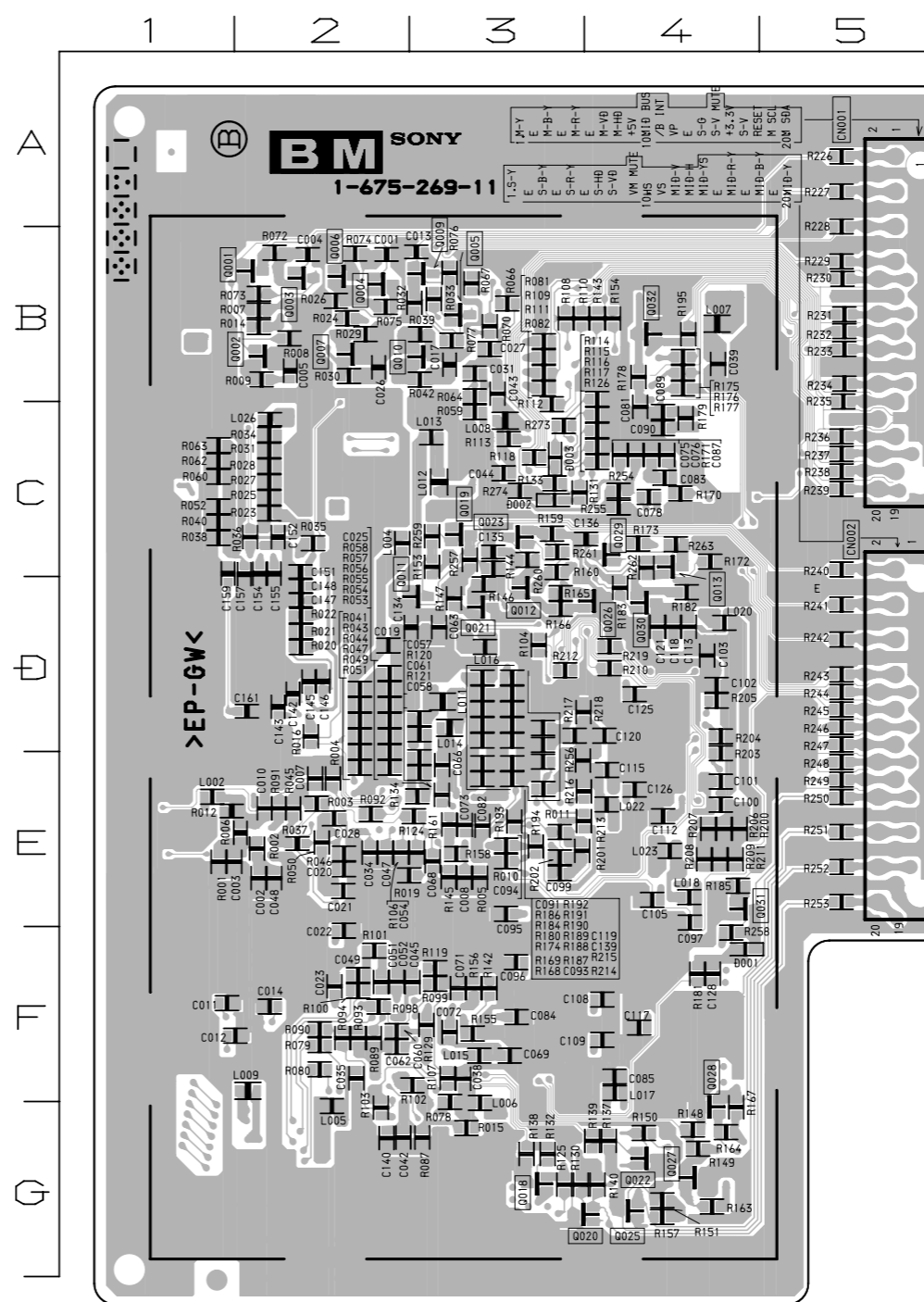


**• BM BOARD WAVEFORMS**





< Component Side >



< Conductor Side >

**BM BOARD**

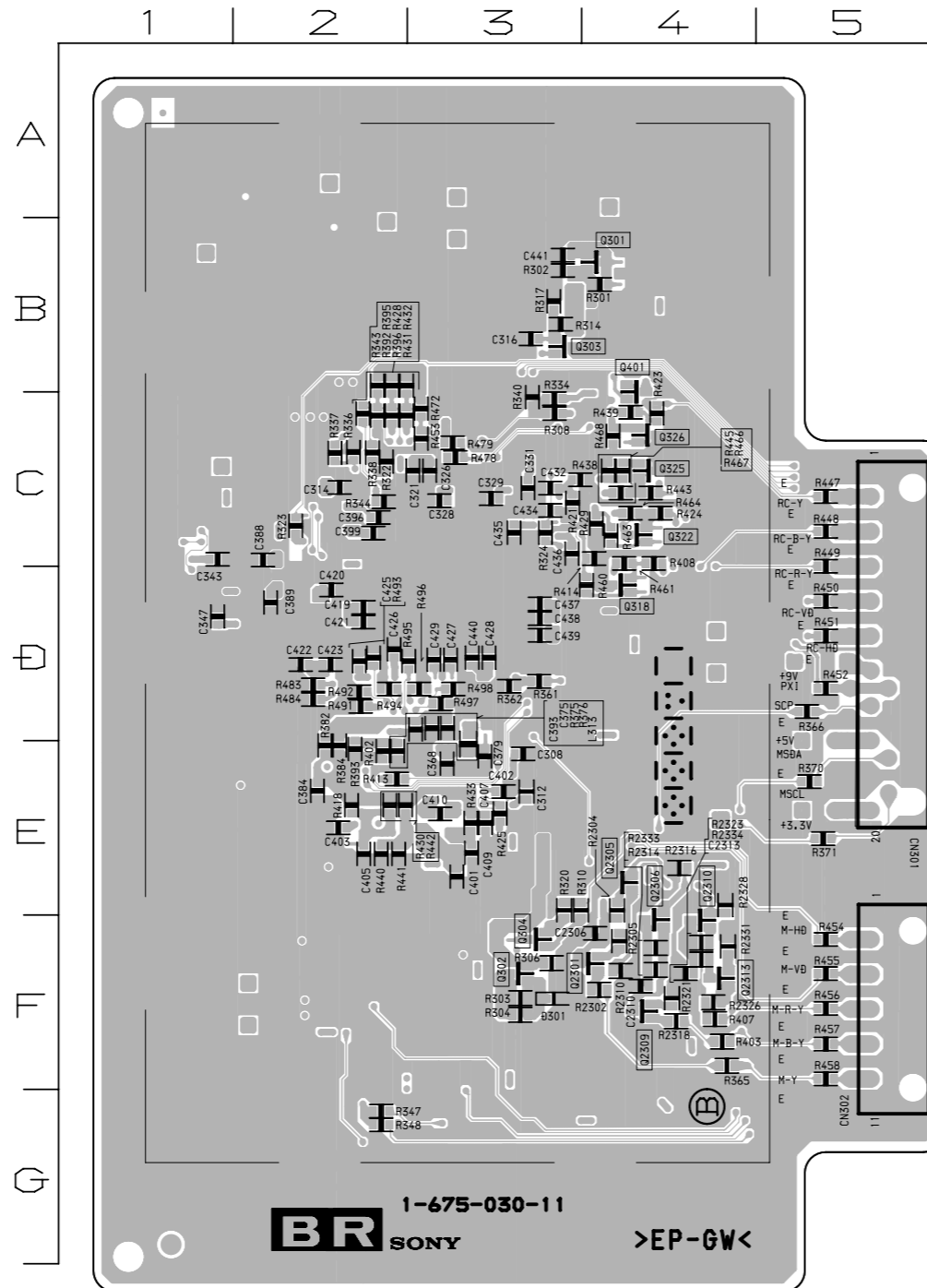
DIODE		
	L	R *
D001	F-4	Ⓞ
D002	C-3	Ⓞ
D003	C-3	Ⓞ
TRANSISTOR		
	L	R *
Q001	B-2	Ⓞ
Q002	B-2	Ⓞ
Q006	B-2	Ⓞ
Q007	B-2	Ⓞ
Q009	B-3	Ⓞ
Q010	B-3	Ⓞ
Q018	G-3	Ⓞ
Q019	C-3	Ⓞ
Q020	G-4	Ⓞ
Q021	D-3	Ⓞ
Q022	G-5	Ⓞ
Q023	C-3	Ⓞ
Q025	G-4	Ⓞ
Q026	D-4	Ⓞ
Q027	G-5	Ⓞ
Q028	G-5	Ⓞ
Q029	C-4	Ⓞ
Q030	D-4	Ⓞ
Q031	E-4	Ⓞ
Q032	B-4	Ⓞ
IC		
	L	R
IC001	F-5	
IC002	E-5	
IC003	D-5	
IC004	E-4	
IC005	B-3	
IC006	B-3	
IC007	G-4	
IC008	G-4	
IC009	C-3	
IC010	E-4	
IC011	E-3	
IC012	E-3	
IC013	F-3	
IC014	D-2	

L ; component side  
R ; conductor side

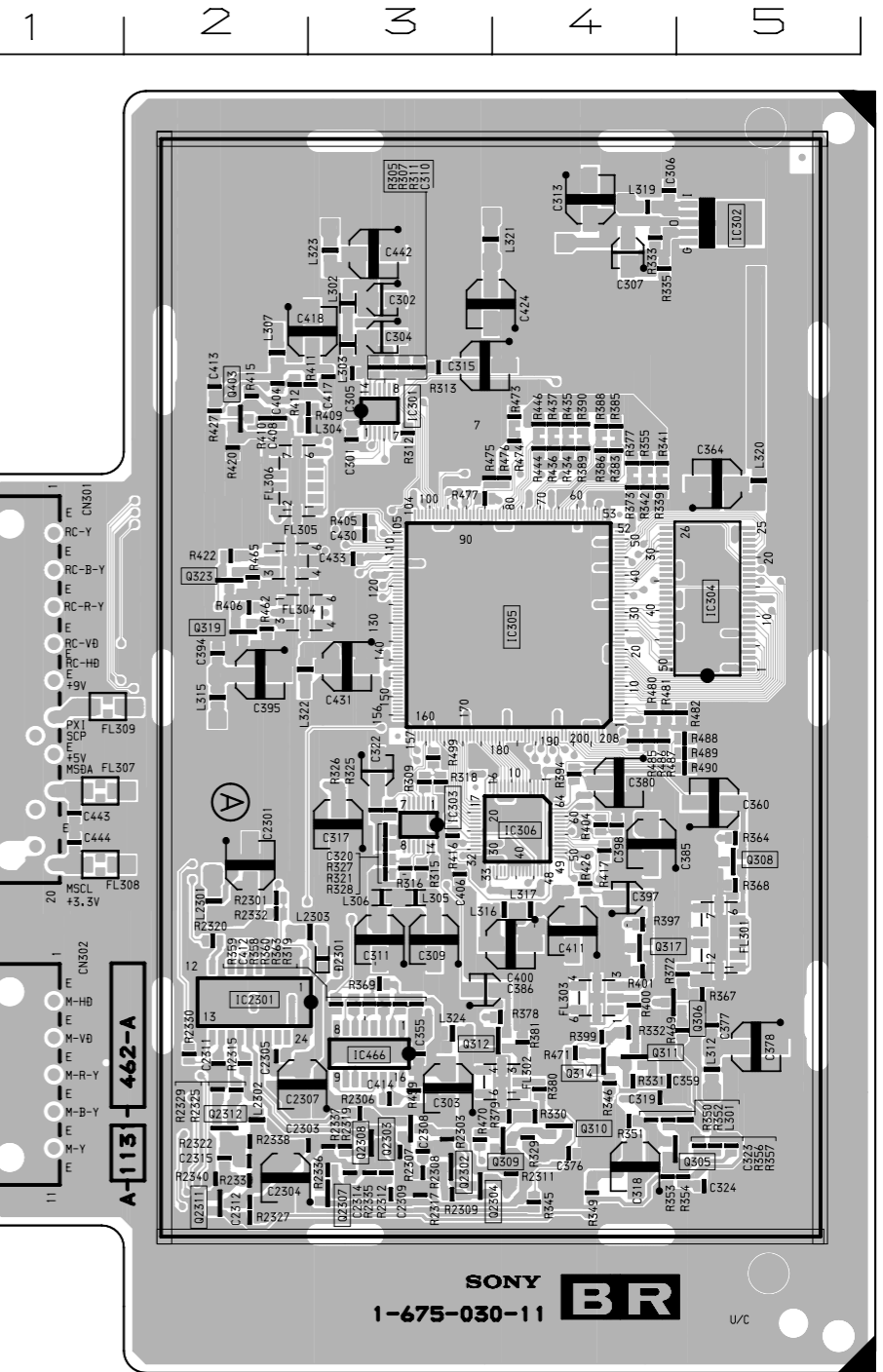
**BR BOARD**

DIODE			
	L	R	*
D301	F-3	③	
D2301	E-3	③	
TRANSISTOR			
	L	R	*
Q301	B-4	①	
Q302	F-3	①	
Q303	B-3	①	
Q306	F-5	②	
Q308	E-4	②	
Q312	F-3	②	
Q317	E-4	②	
Q318	D-4	①	
Q319	D-2	②	
Q322	C-4	①	
Q323	C-2	②	
Q325	C-4	①	
Q326	C-4	①	
Q401	B-4	①	
Q403	B-2	②	
Q2301	F-4		
Q2302	G-3	②	
Q2303	F-3	②	
Q2304	G-3	②	
Q2305	E-4	①	
Q2306	F-4	①	
Q2307	G-3	②	
Q2308	F-3	②	
Q2309	F-4	①	
Q2310	F-4	①	
Q2311	G-3	②	
Q2312	F-2	②	
Q2313	F-4	①	
IC			
	L	R	
IC301	B-3		
IC302	A-5		
IC303	E-3		
IC304	C-5		
IC305	D-4		
IC306	E-4		
IC466	F-3		
IC2301	F-2		

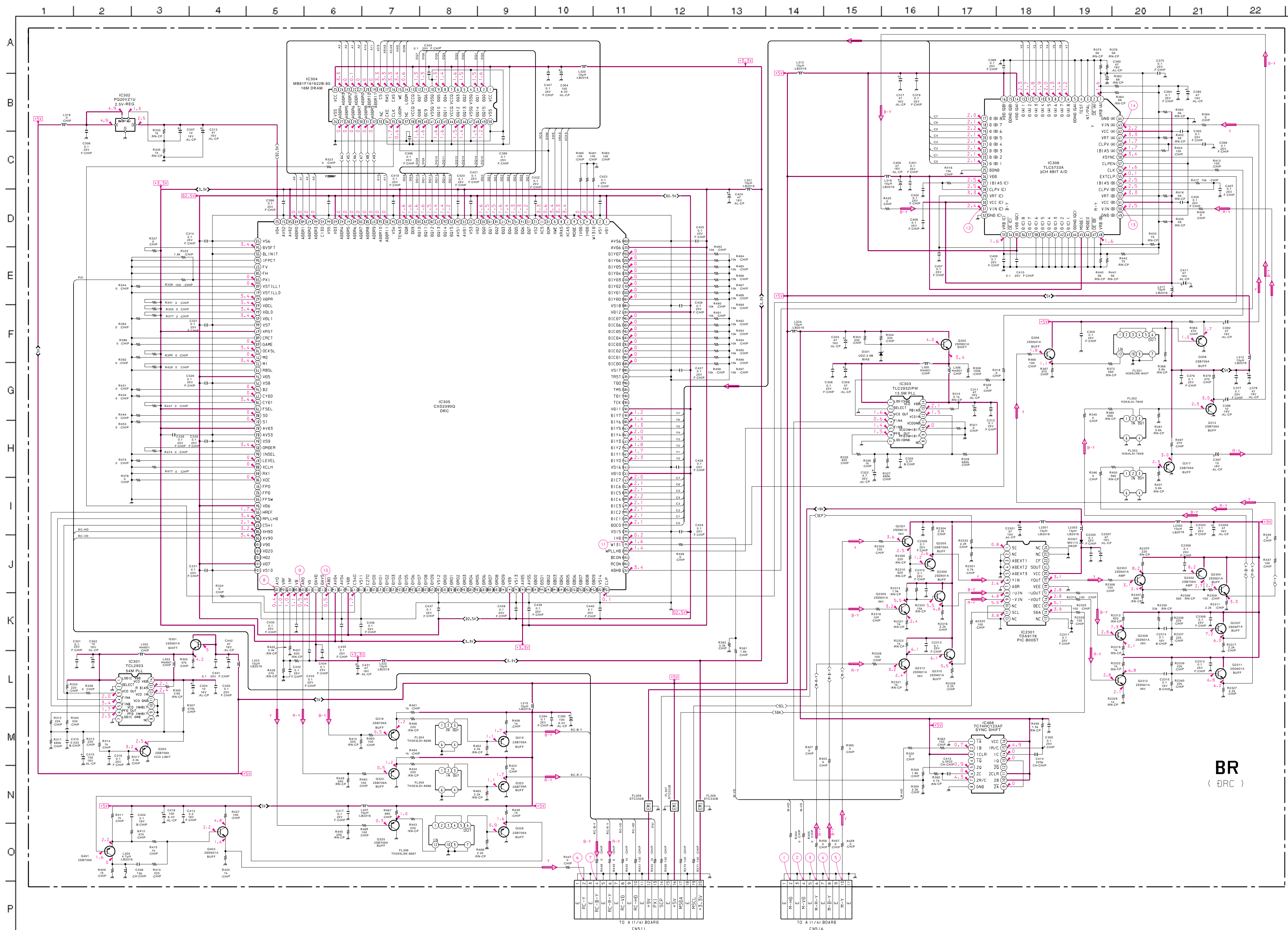
L ; component side  
R ; conductor side



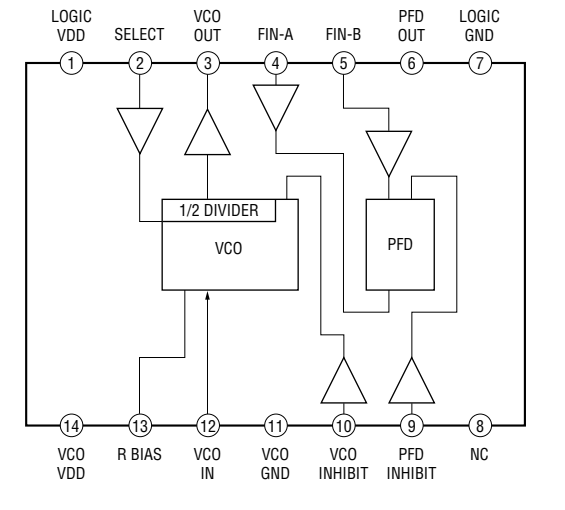
< Component Side >



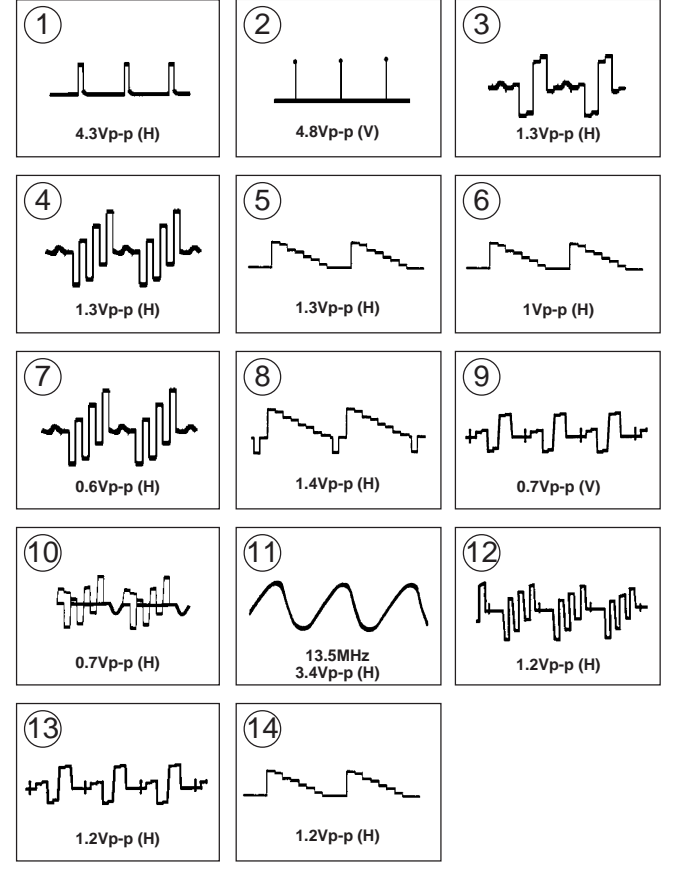
< Conductor Side >



BR BOARD : IC303 TLC2932IPW

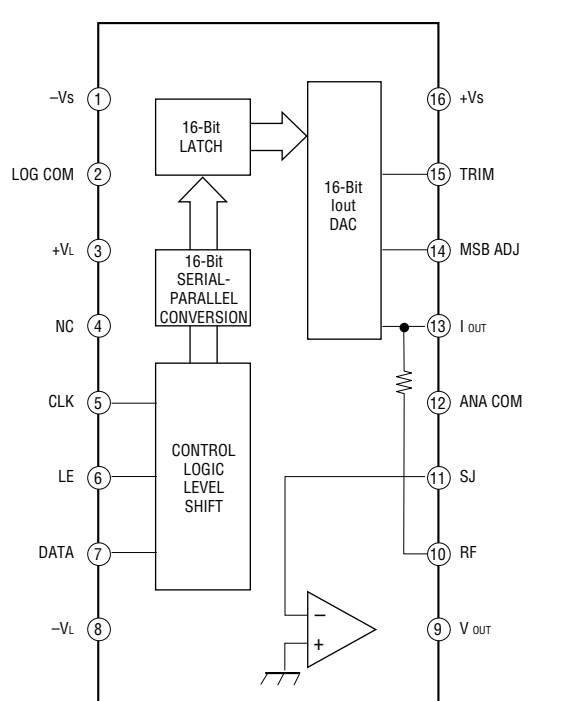


BR BOARD WAVEFORMS

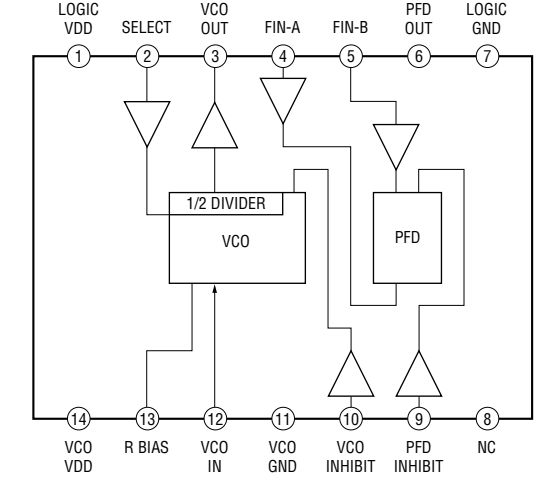




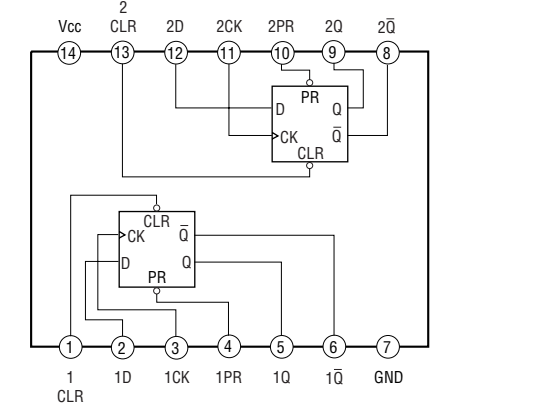
BD BOARD : IC1713, 1714, 1715,  
1719, 1720, 1721 PCM56P-L



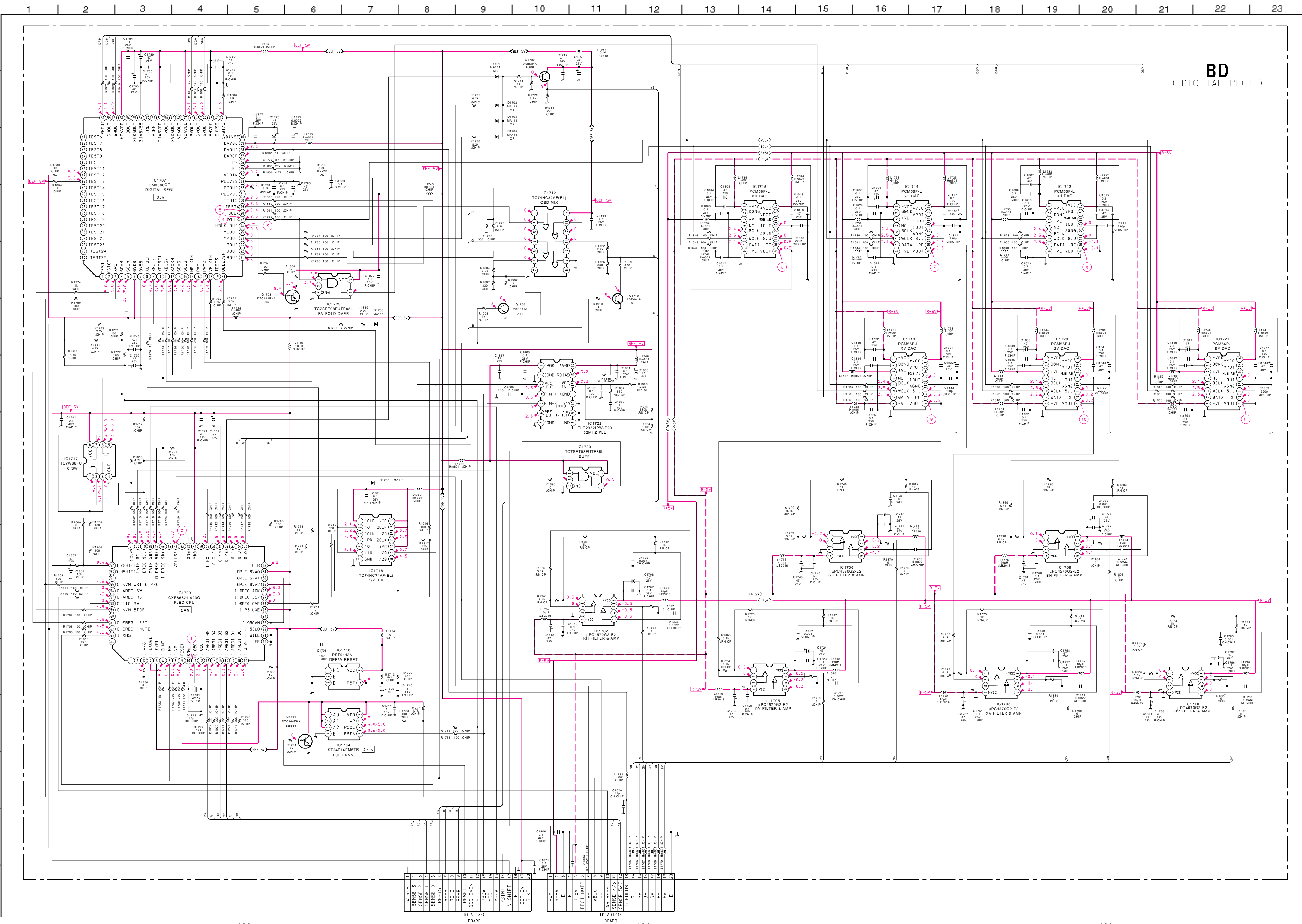
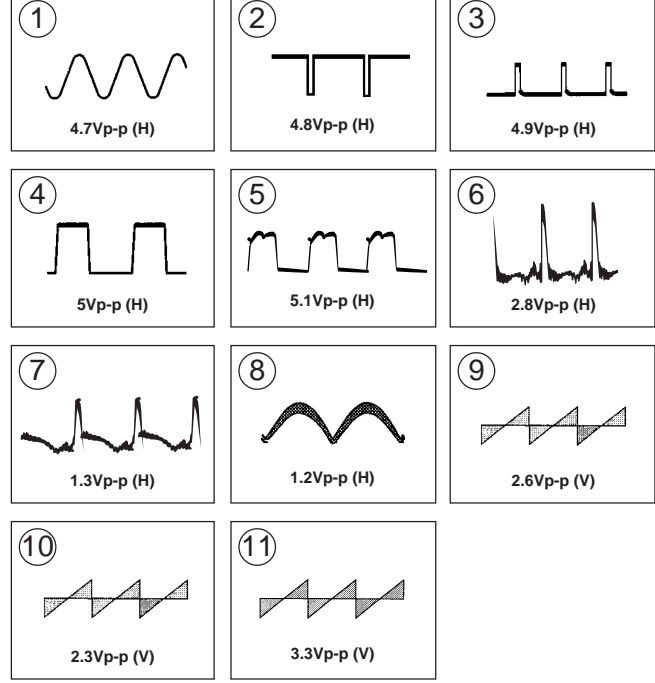
BD BOARD : IC1722 TLC2935IPW



BD BOARD : IC1716 TC74HC74AF (EL)



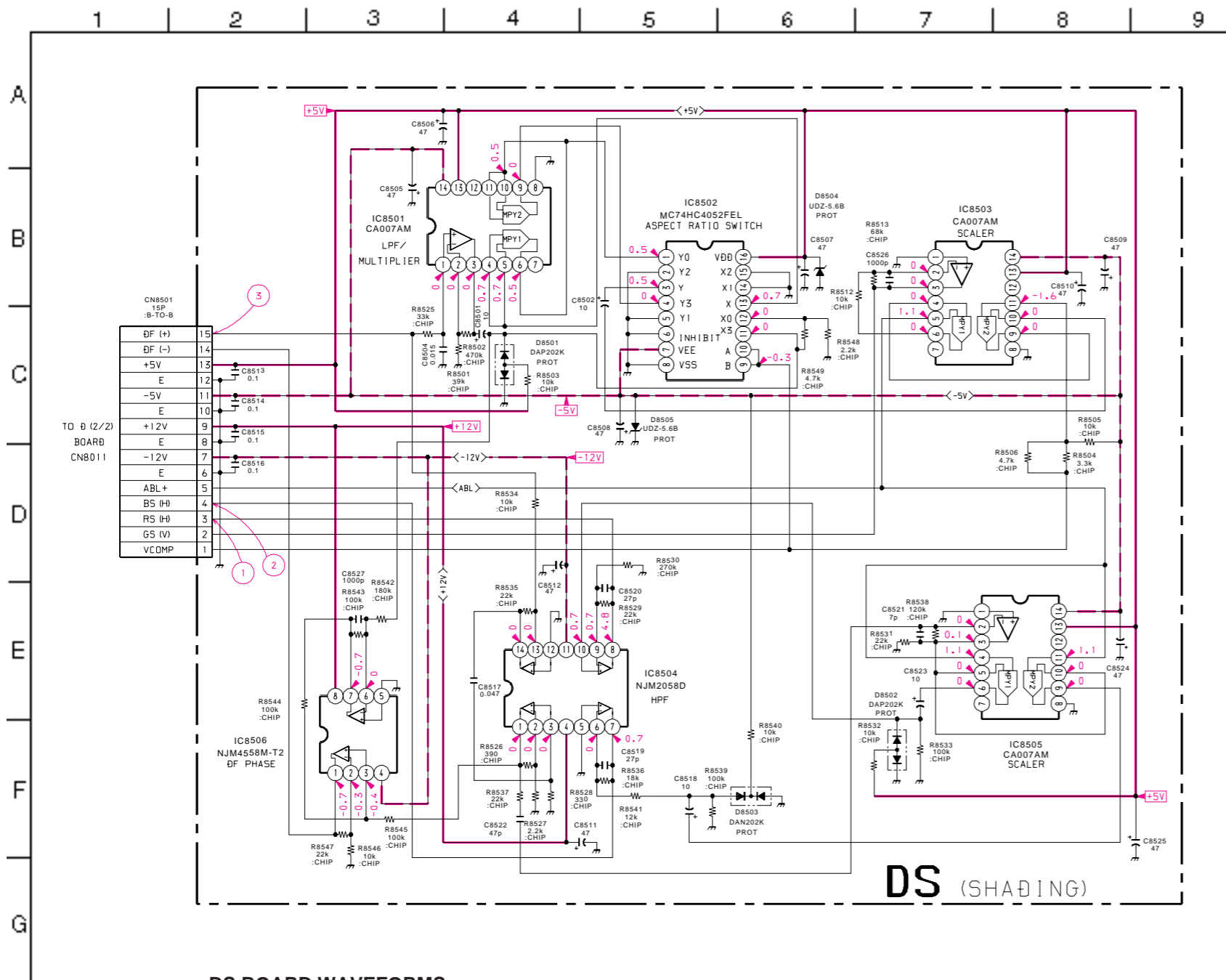
• BD BOARD WAVEFORMS



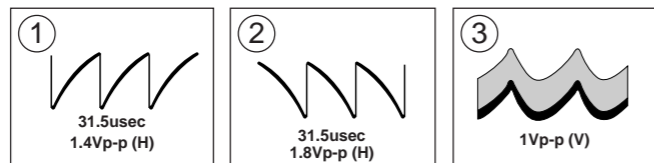
BD  
(DIGITAL REGI)

1	2	3	4	5	6	7	8	9	10	11	12	13	14	15	16	17	18	19	20	21	22	23
1	2	3	4	5	6	7	8	9	10	11	12	13	14	15	16	17	18	19	20	21	22	23



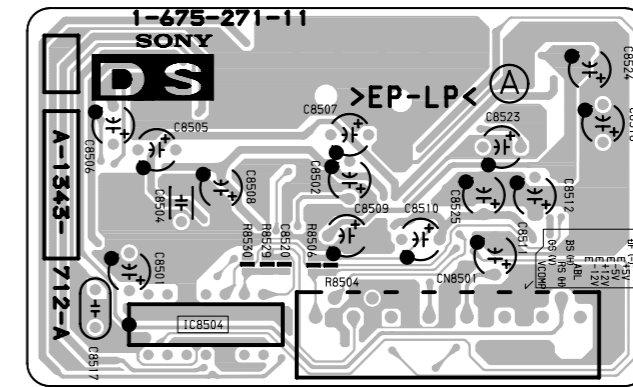


• DS BOARD WAVEFORMS

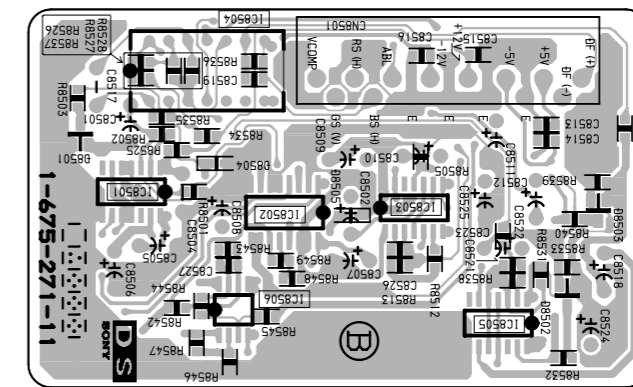


DS [SHADING]

- DS Board -

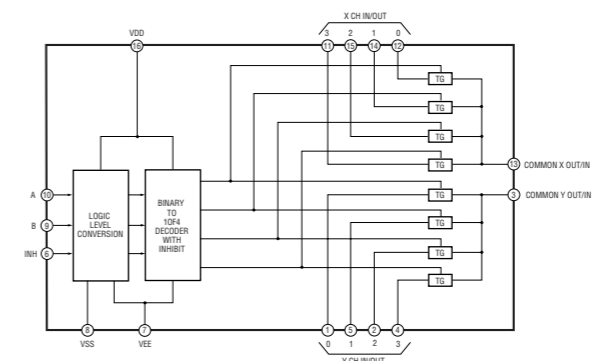


< Component Side >



< Conductor Side >

DS BOARD : IC8502 MC74HC4052FEL

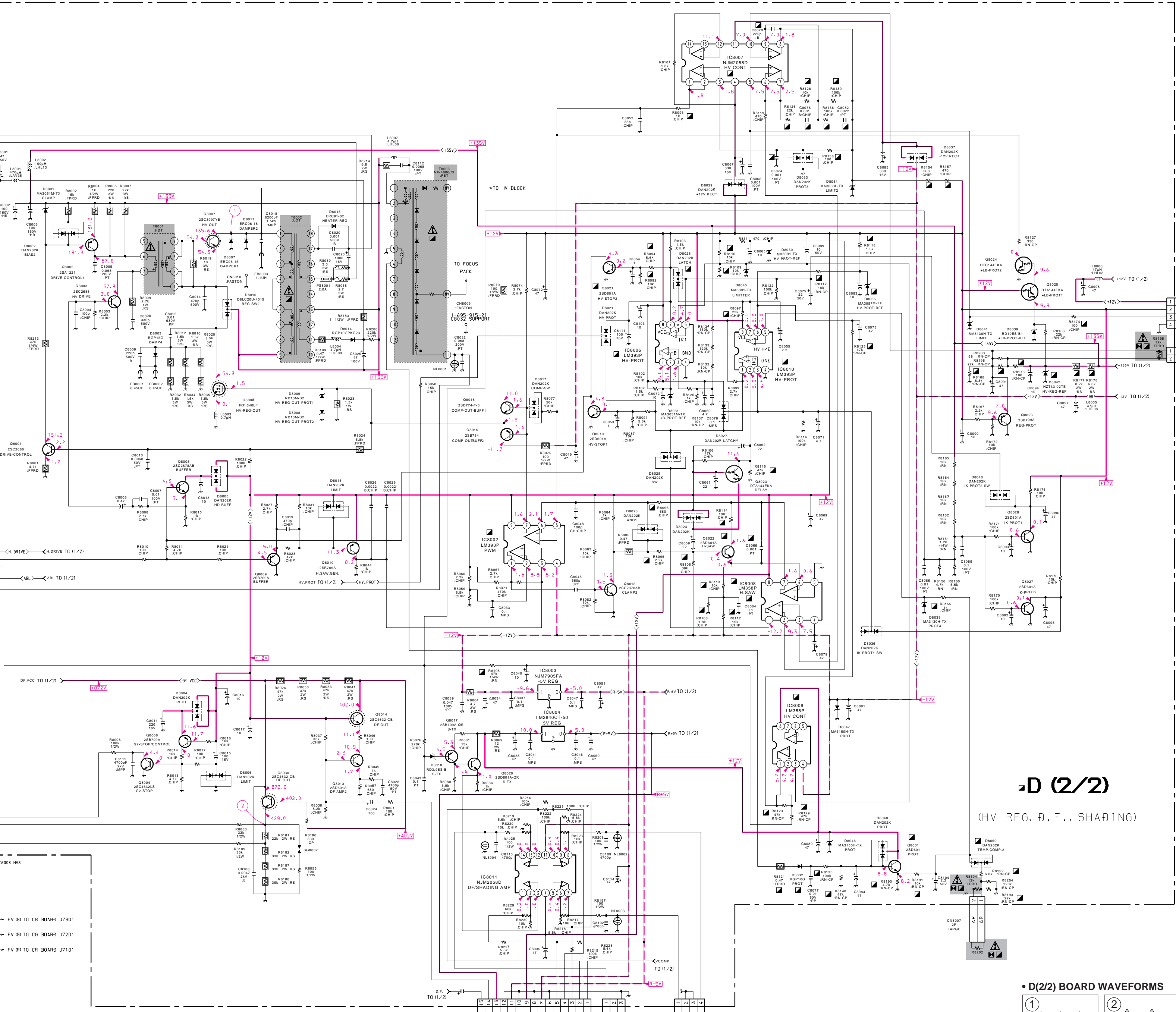
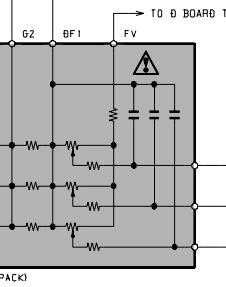




H (1)	1
H (1)	2
NC	3
NC	4
E	5
NC	6
+2.10V	7

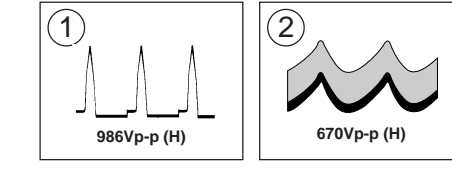
H.D. IN	1
H.D. OUT	2
ABL. FB	3
ABL. TO PROC	4
ABL. TO PROC	5
ABL. FB	6

G2	1
DF. 1	2
DF. 2	3
NC	4
GND	5

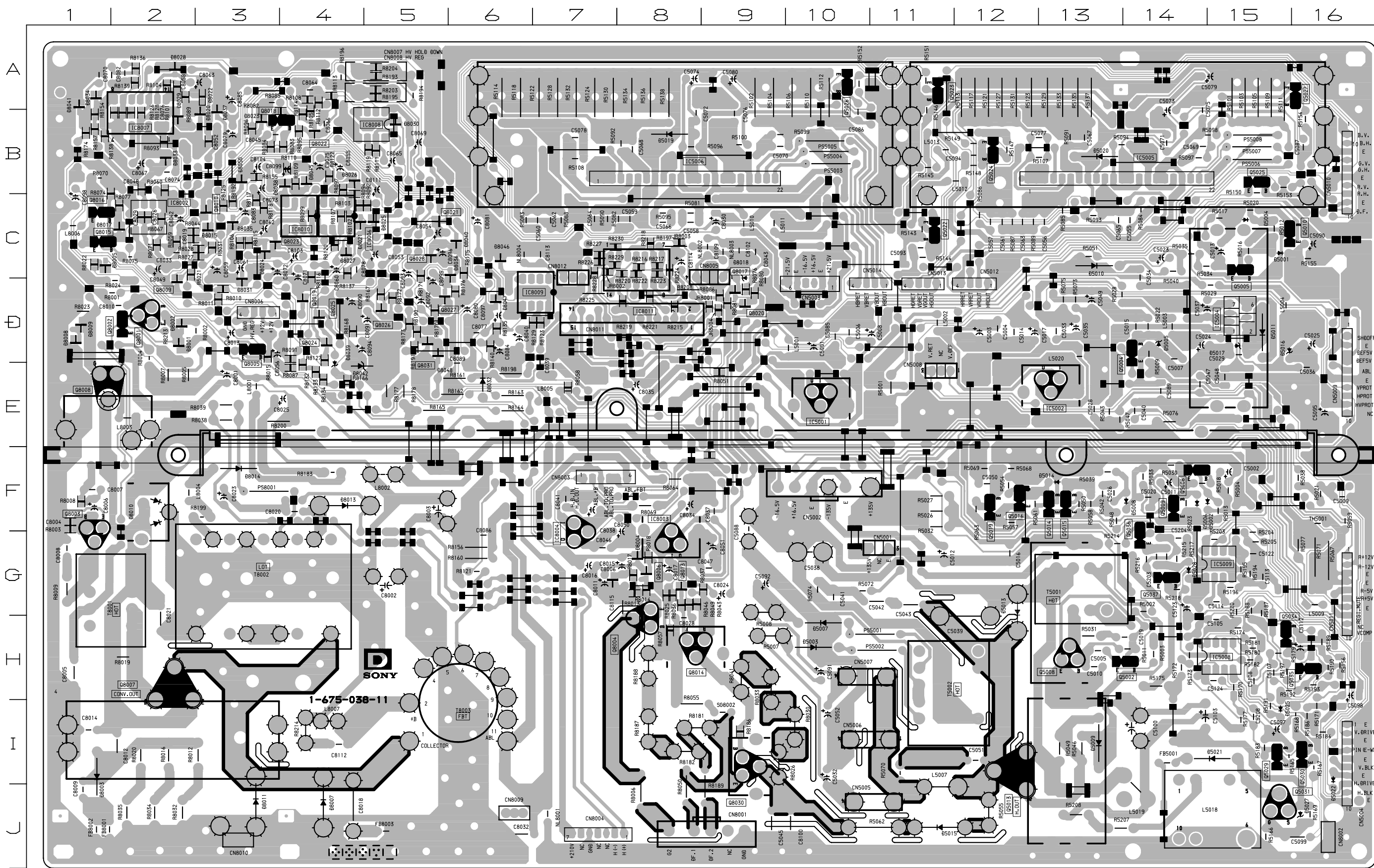


**D (2/2)**  
(HV REG. D.F., SHADING)

**D(2/2) BOARD WAVEFORMS**



- D Board -



D BOARD

DIODE		TRANSISTOR		IC	
D5001	C-15	Q5002	H-14	IC5001	E-10
D5002	F-14	Q5004	D-14	IC5002	E-13
D5003	H-10	Q5005	C-15	IC5004	D-15
D5004	C-15	Q5006	F-14	IC5005	B-14
D5005	D-14	Q5008	F-12	IC5006	B-8
D5006	F-14	Q5009	C-11	IC5008	H-15
D5007	H-10	Q5010	B-12	IC5009	G-15
D5008	F-14	Q5011	B-15	IC8002	C-2
D5009	I-13	Q5012	A-10	IC8003	G-8
D5010	C-13	Q5013	A-16	IC8004	F-7
D5011	D-15	Q5014	I-15	IC8006	C-4
D5013	G-12	Q5015	I-16	IC8007	B-2
D5014	F-13	Q5016	F-14	IC8008	B-5
D5015	J-11	Q5017	G-14	IC8009	D-7
D5016	D-15	Q5018	D-2	IC8010	C-4
D5017	D-15	Q5019	D-2	IC8011	C-8
D5019	B-8				
D5020	B-13				
D5021	I-15				
D5022	I-16				
D5025	I-15				
D5027	J-16				
D5028	G-14				
D8001	D-2				
D8002	D-2				
D8003	I-1				
D8004	G-8				
D8005	C-1				
D8006	G-7				
D8007	J-4				
D8008	D-1				
D8009	D-1				
D8010	F-2				
D8011	J-3				
D8013	F-4				
D8014	F-3				
D8015	C-3				
D8017	C-2				
D8018	C-9				
D8021	C-4				
D8023	B-3				
D8024	C-3				
D8025	C-5				
D8026	B-4				
D8027	C-4				
D8029	B-2	Q8002	D-2		
D8030	B-5	Q8003	F-1		
D8031	D-3	Q8004	H-8		
D8032	E-6	Q8005	D-3		
D8033	B-2	Q8006	G-8		
D8034	A-1	Q8007	H-2		
D8035	C-3	Q8008	E-1		
D8036	C-6	Q8009	C-2		
D8037	B-3	Q8010	D-3		
D8038	B-4	Q8013	G-8		
D8039	D-4	Q8014	H-8		
D8040	C-6	Q8015	C-1		
D8041	A-1	Q8016	C-1		
D8042	E-4	Q8017	D-9		
D8045	B-4	Q8018	B-3		
D8046	C-6	Q8019	D-4		
D8047	D-6	Q8020	D-9		
D8048	D-5	Q8021	C-5		
D8050	B-3	Q8022	B-4		
		Q8023	C-3		
		Q8024	D-4		
		Q8025	D-4		
		Q8026	D-5		
		Q8027	D-5		
		Q8028	C-5		
		Q8030	I-10		
		Q8031	D-5		

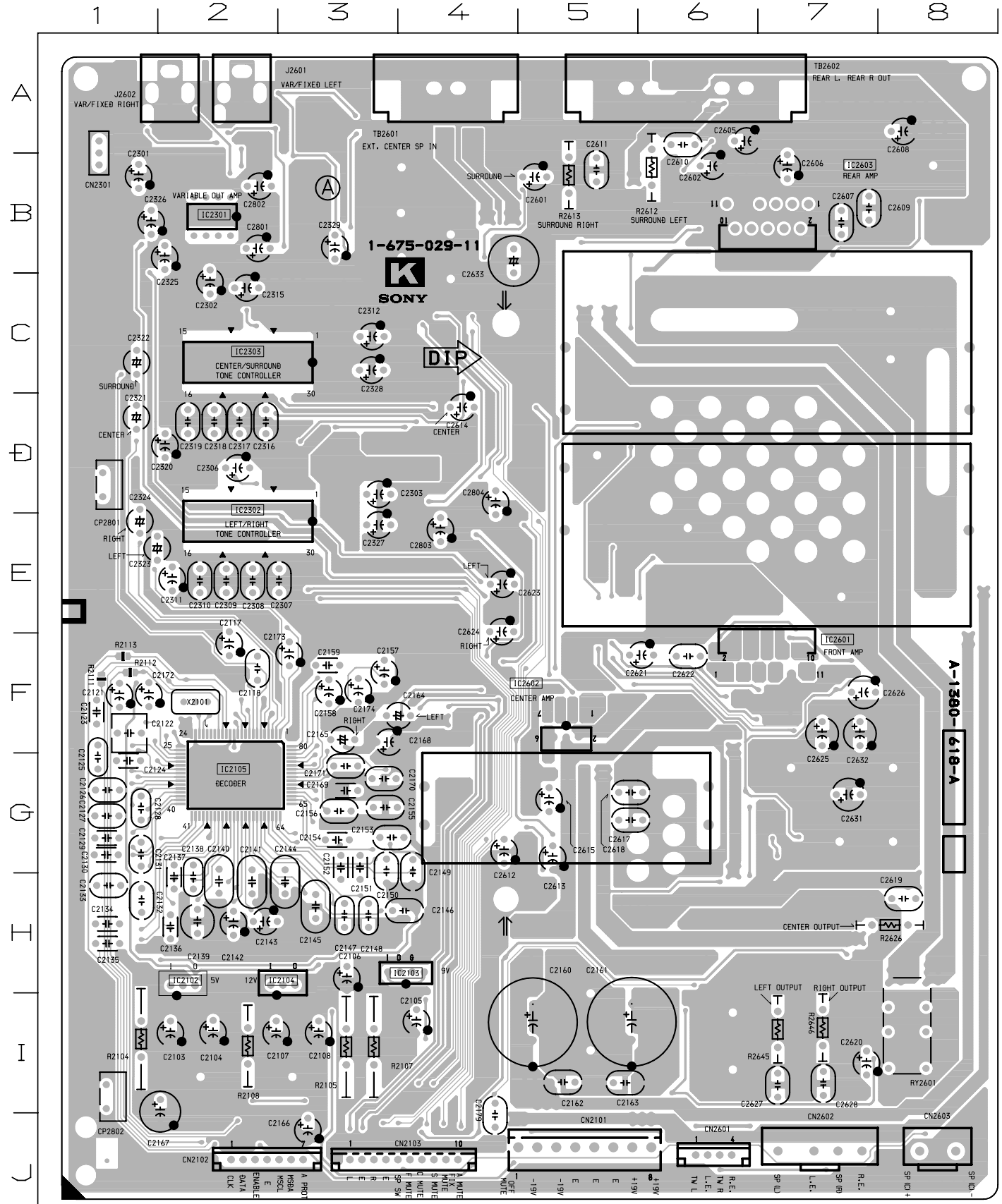
**K** [AUDIO AMP, AP,  
DOLBY I/O]

- K Board -

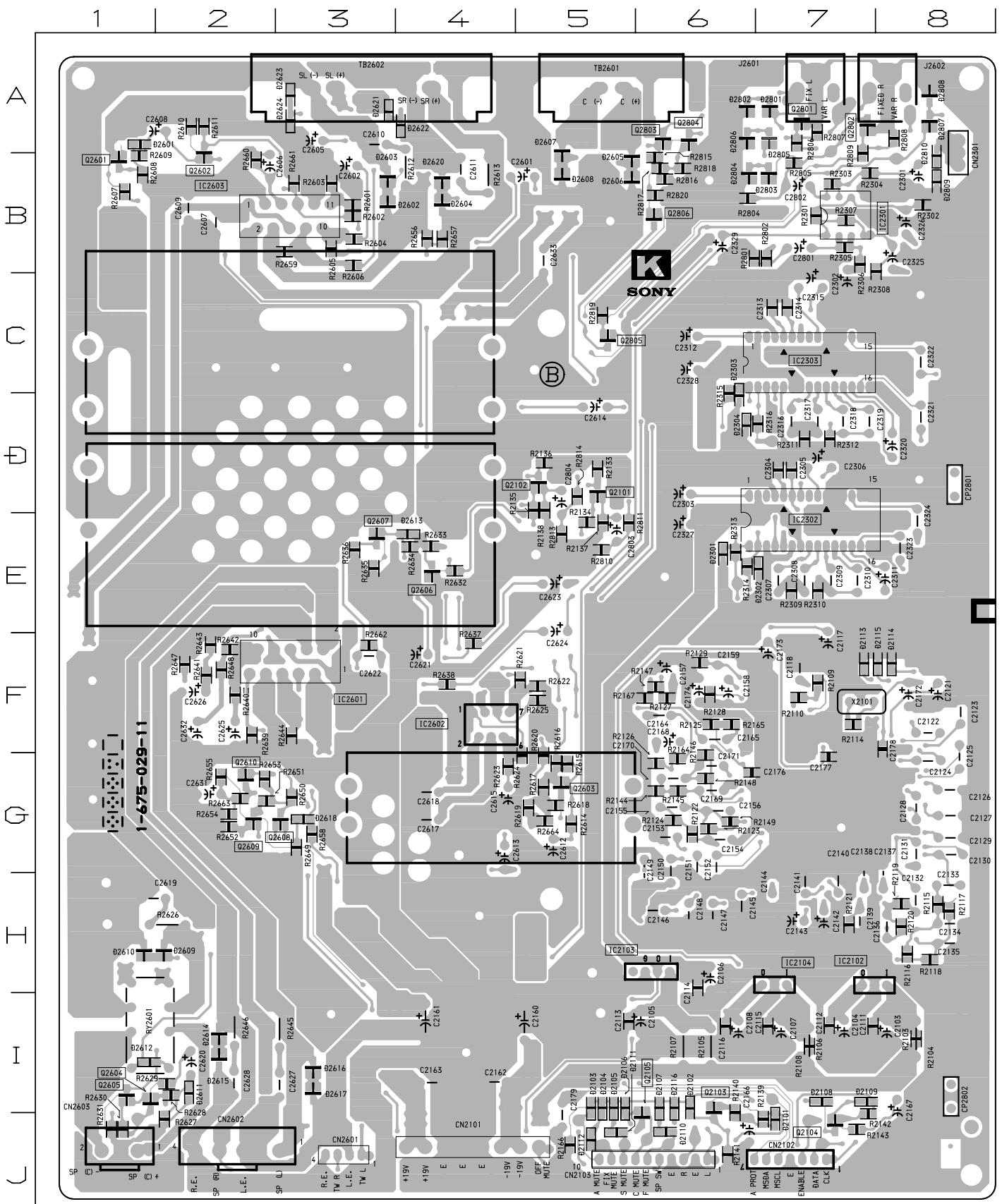
K BOARD

DIODE		TRANSISTOR		IC	
L	R	L	R	L	R
D2101	J-7	Q2101	D-5	IC1701	E-1
D2102	I-6	Q2102	D-5	IC2102	H-2
D2103	I-5	Q2103	I-6	IC2103	H-4
D2104	I-5	Q2104	J-7	IC2104	H-3
D2105	I-5	Q2105	J-6	IC2105	G-2
D2106	I-5	Q2601	B-1	IC2301	B-2
D2107	I-6	Q2602	B-2	IC2302	E-2
D2108	I-7	Q2603	G-5	IC2303	C-2
D2109	I-7	Q2604	I-1	IC2601	F-7
D2110	J-6	Q2605	I-1	IC2602	F-5
D2111	J-5	Q2606	E-4	IC2603	B-7
D2112	J-5	Q2607	E-3		
D2113	F-7	Q2608	G-3		
D2114	F-8	Q2609	G-2		
D2115	F-7	Q2610	G-2		
D2116	I-6	Q2801	A-7		
D2301	E-6	Q2802	A-7		
D2302	E-7	Q2803	A-6		
D2303	C-6	Q2804	A-6		
D2304	D-6	Q2805	C-5		
D2601	A-1	Q2806	B-6		
D2602	B-3				
D2603	B-3				
D2604	B-4				
D2605	B-5				
D2606	B-5				
D2607	A-5				
D2608	B-5				
D2609	H-2				
D2610	H-1				
D2611	I-2				
D2612	I-1				
D2613	E-4				
D2614	I-2				
D2615	I-2				
D2616	I-3				
D2617	I-3				
D2618	G-3				
D2620	B-4				
D2621	A-3				
D2622	A-4				
D2623	A-3				
D2624	A-3				

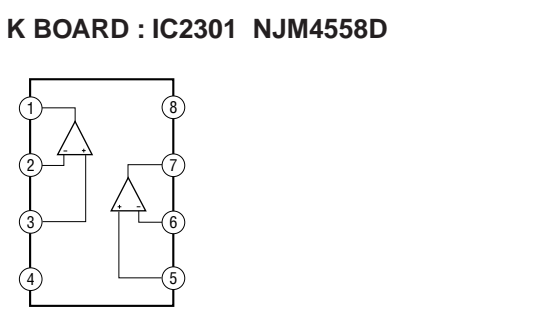
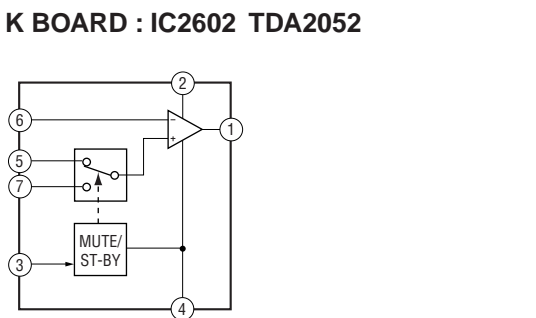
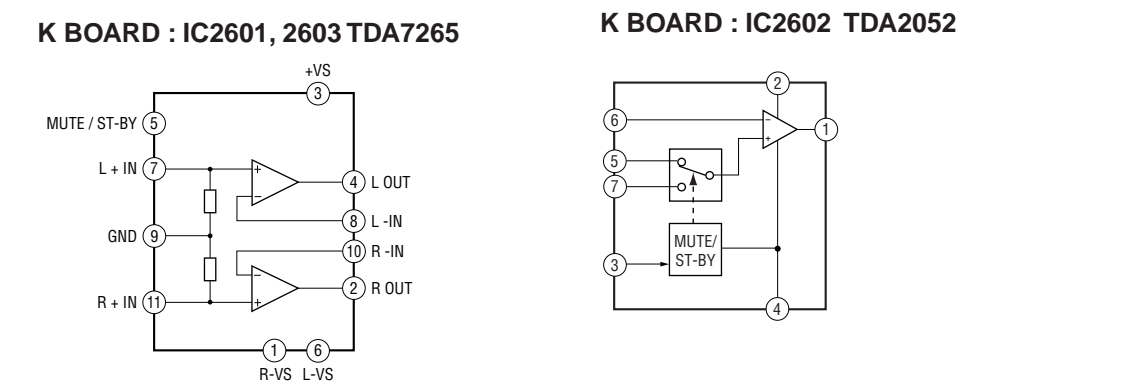
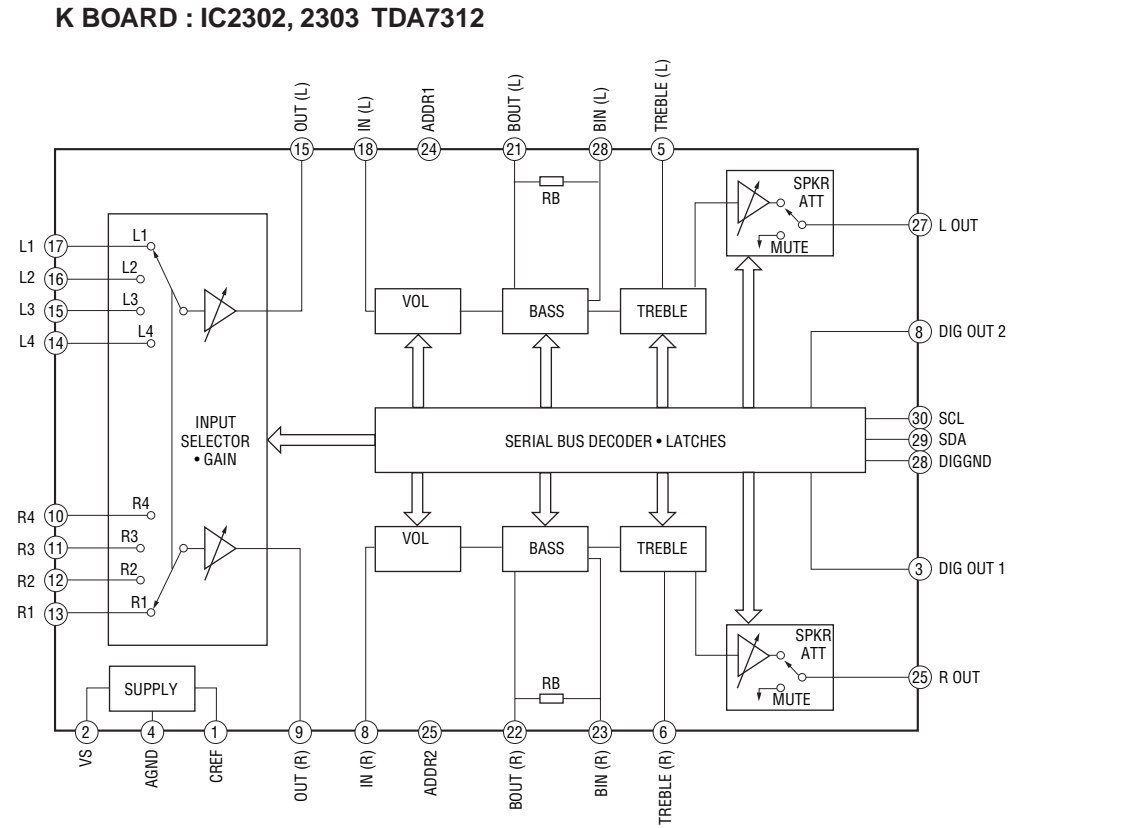
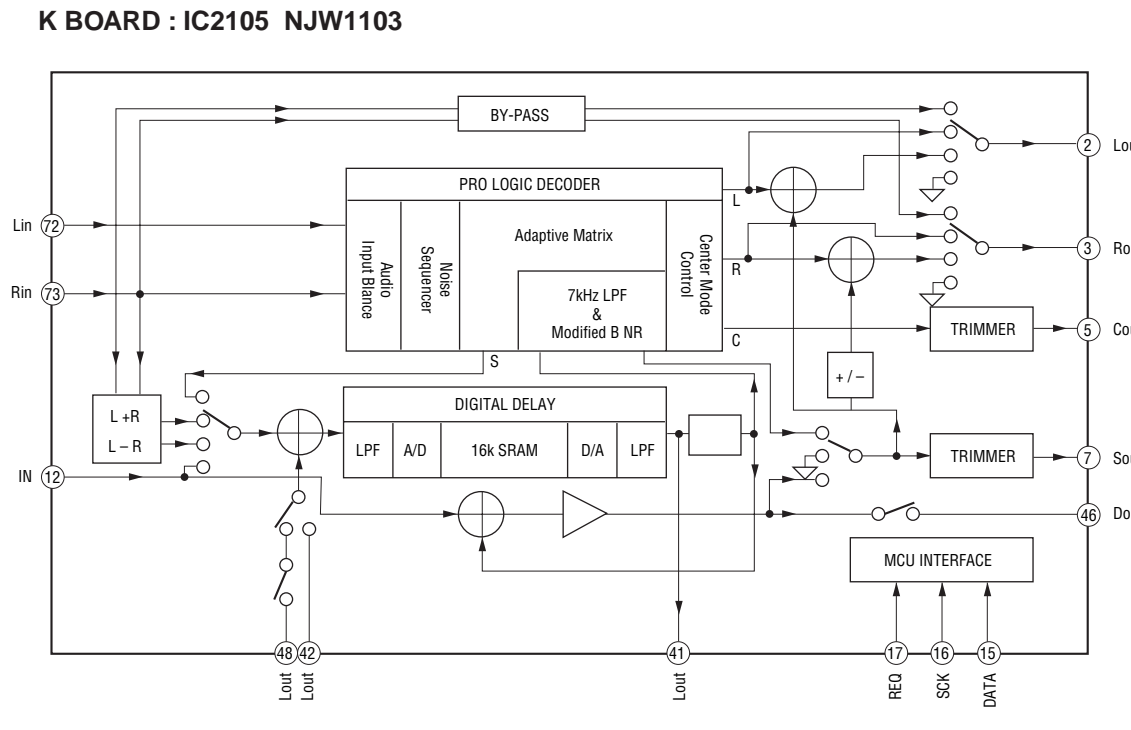
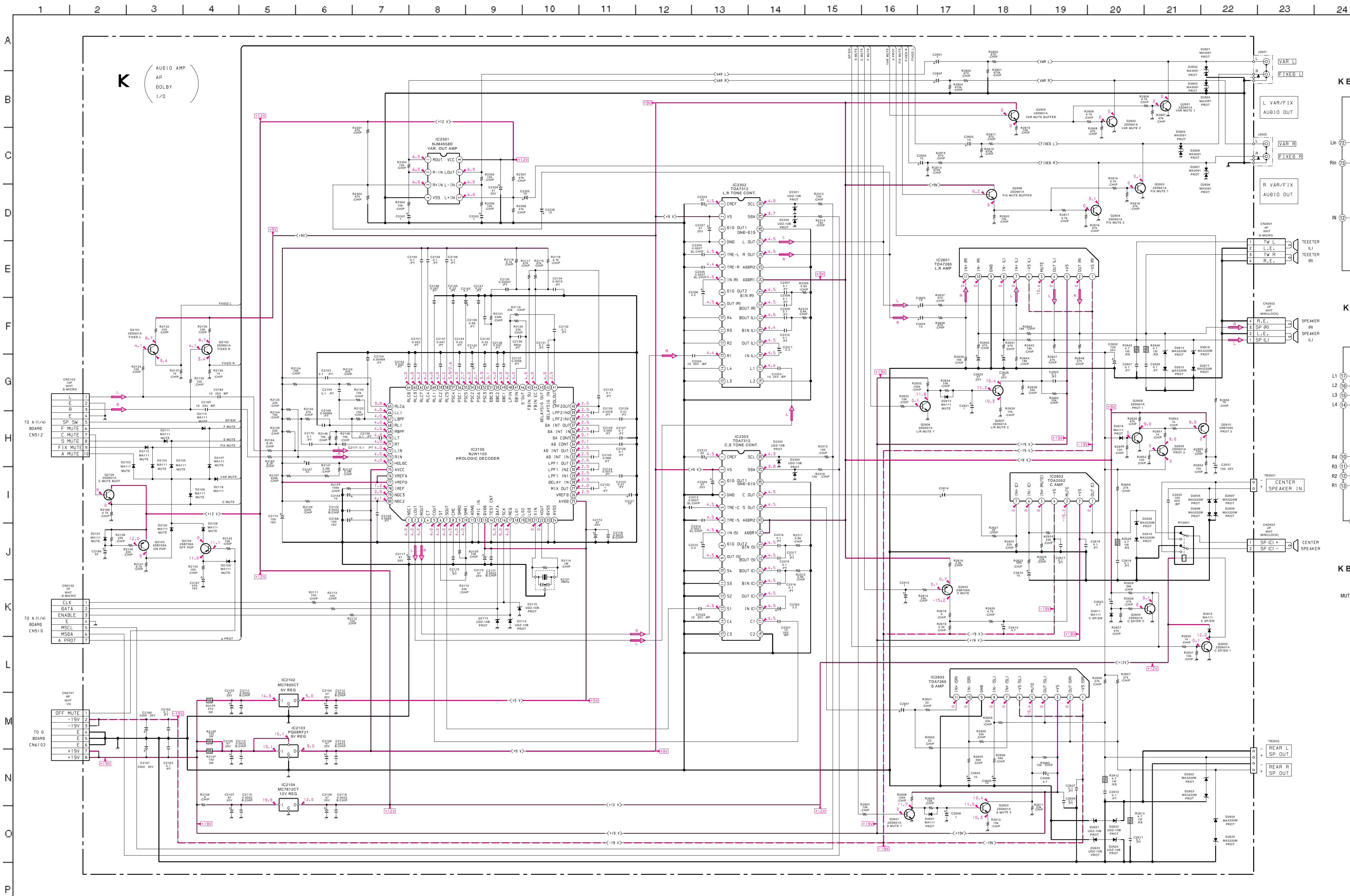
L ; component side  
R ; conductor side



< Component Side >

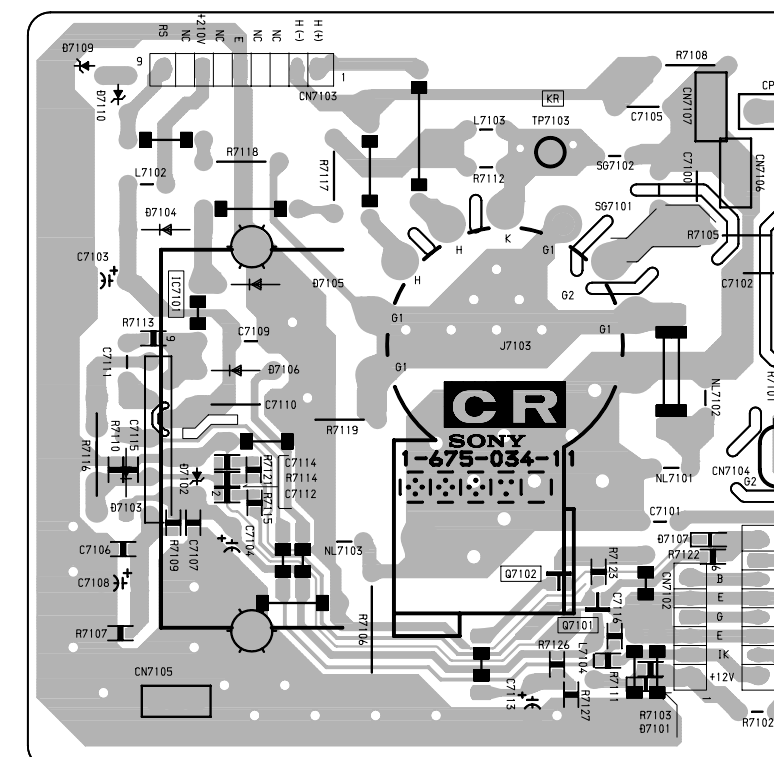


< Conductor Side >

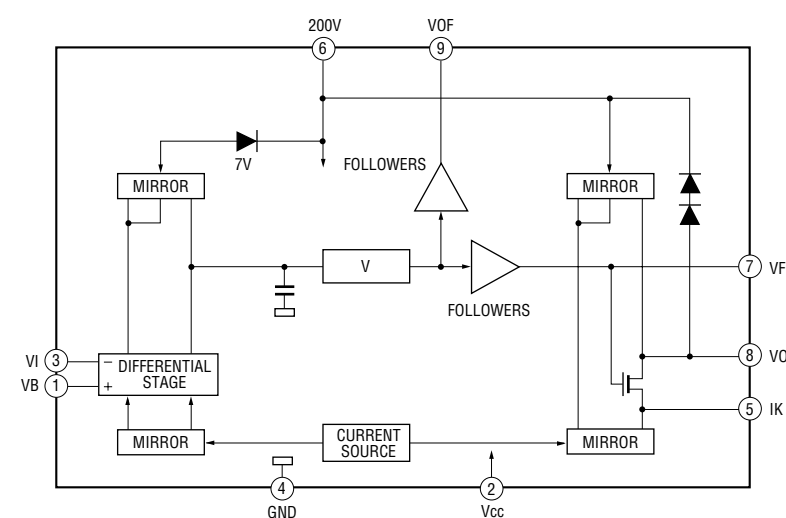




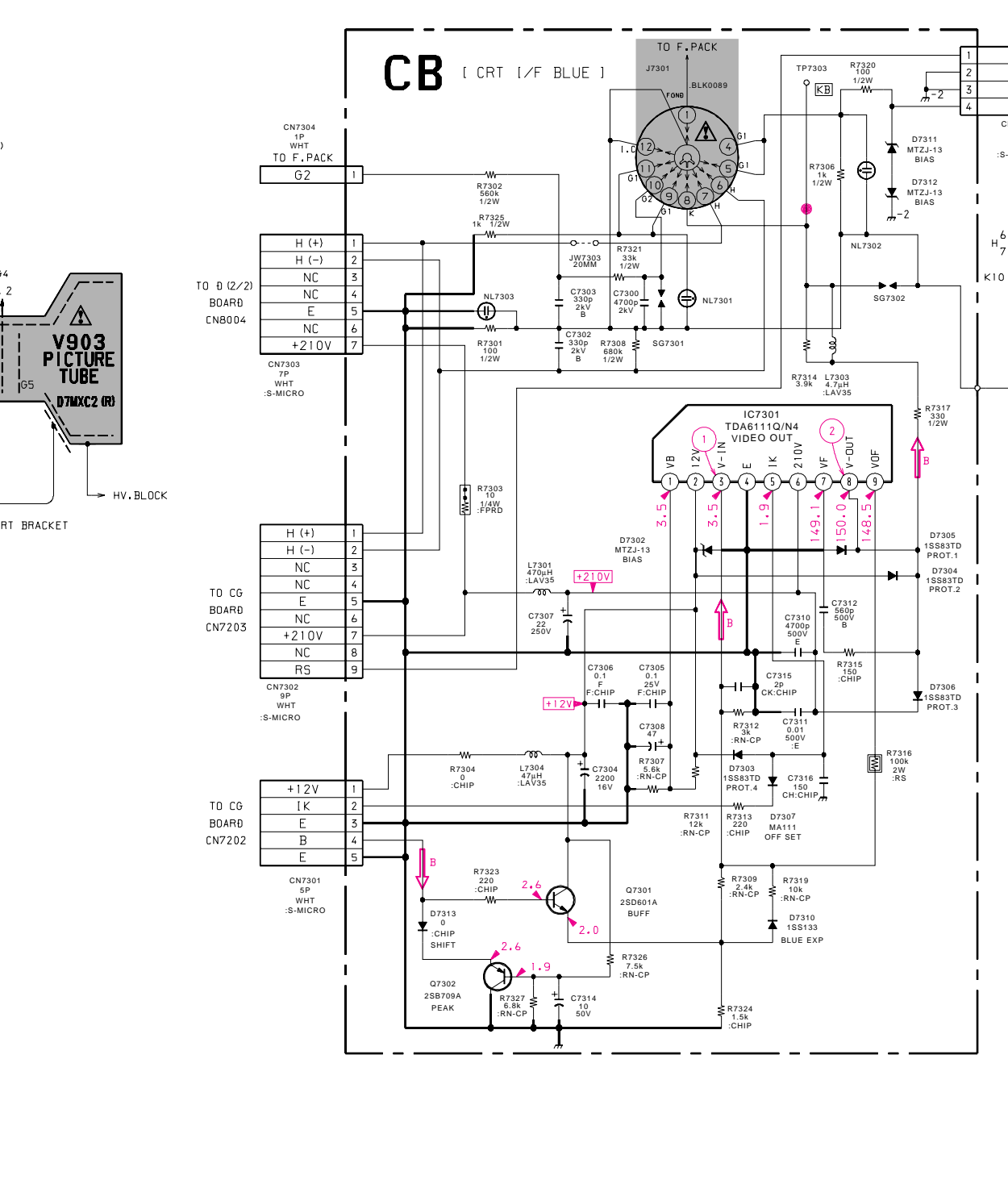
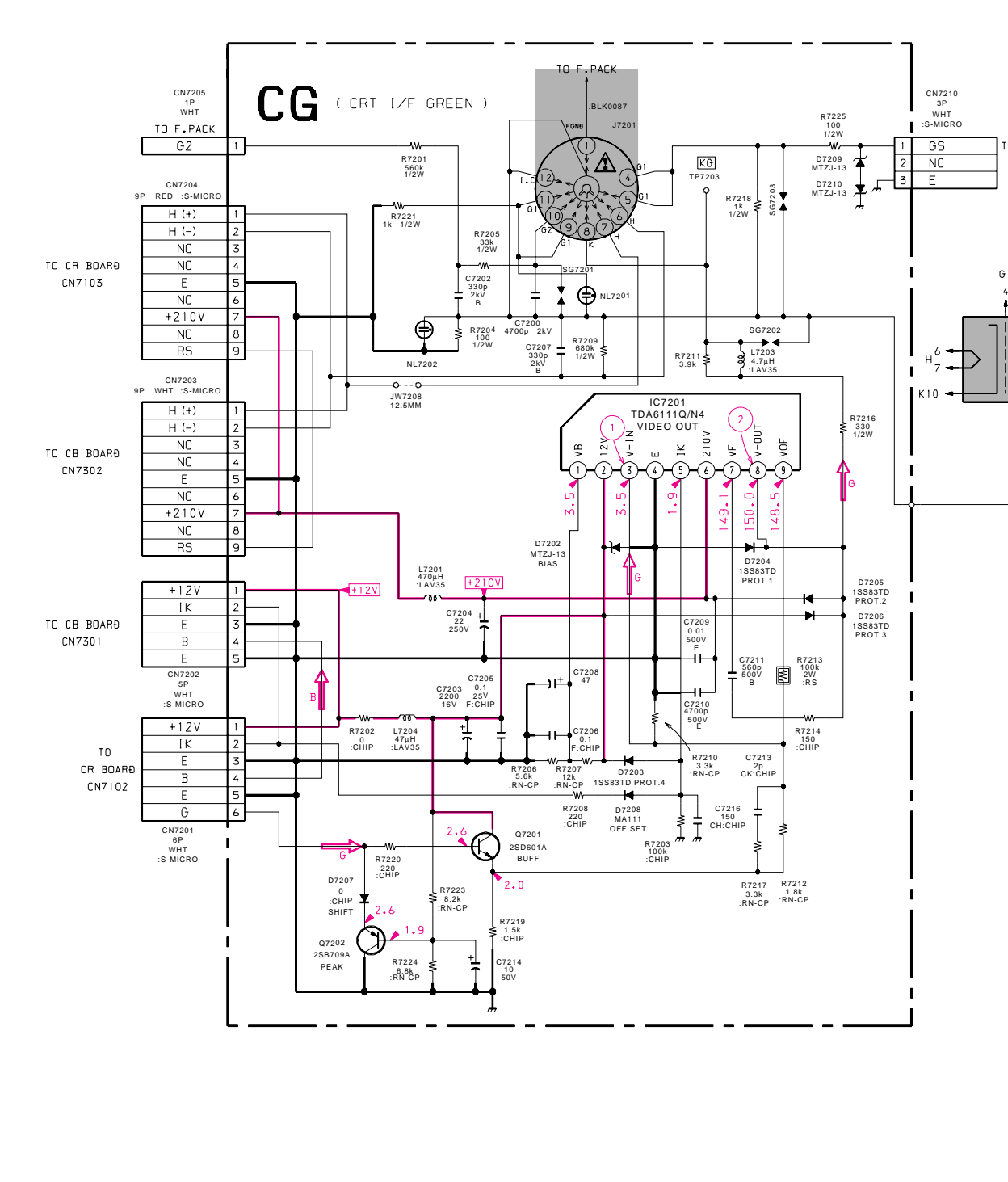
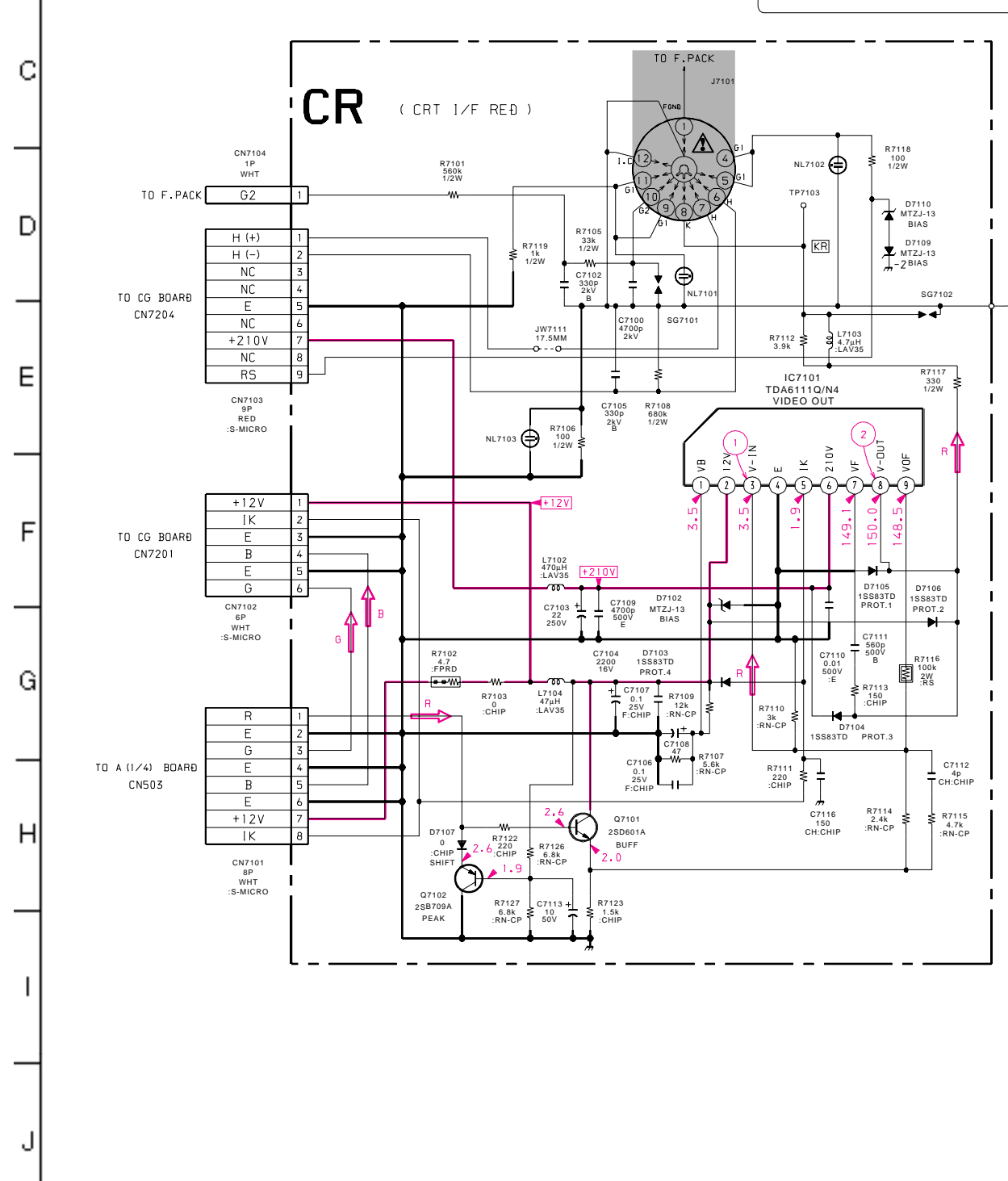
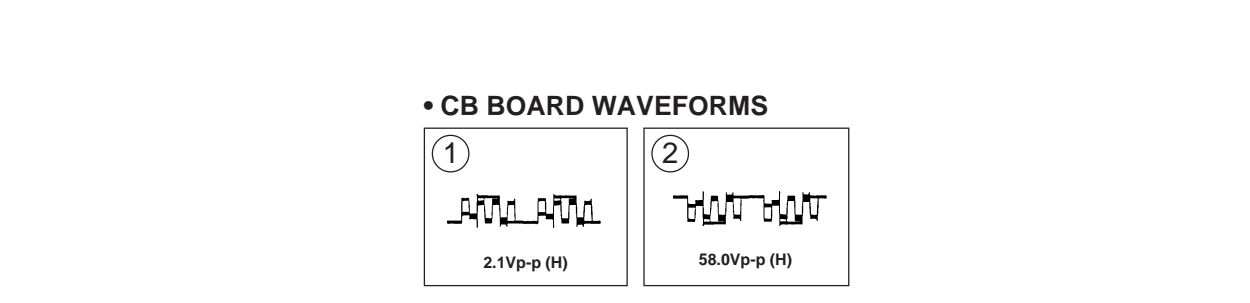
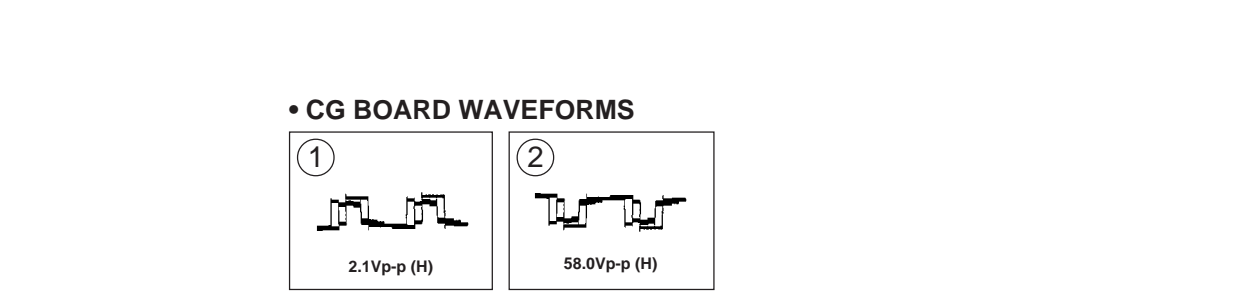
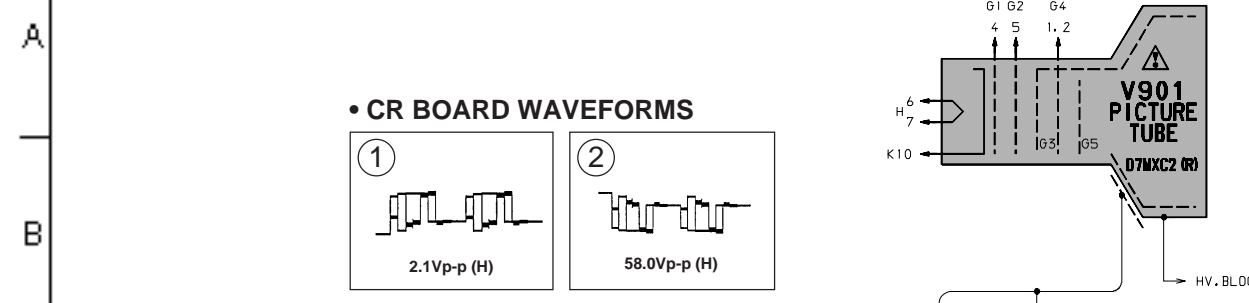
- CR Board -



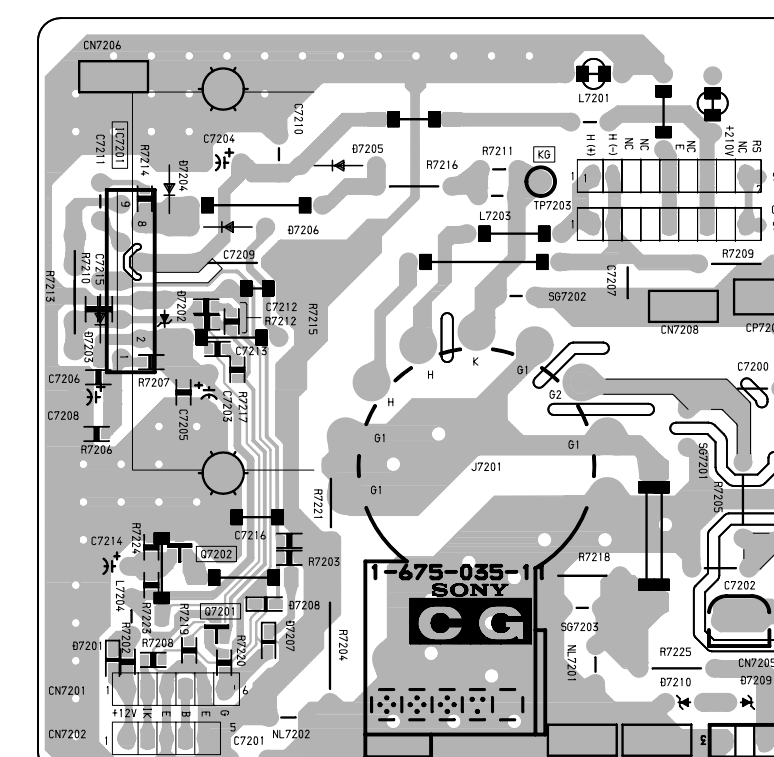
CR BOARD : IC7101 TDA6111Q/N4  
 CG BOARD : IC7201 TDA6111Q/N4  
 CB BOARD : IC7301 TDA6111Q/N4



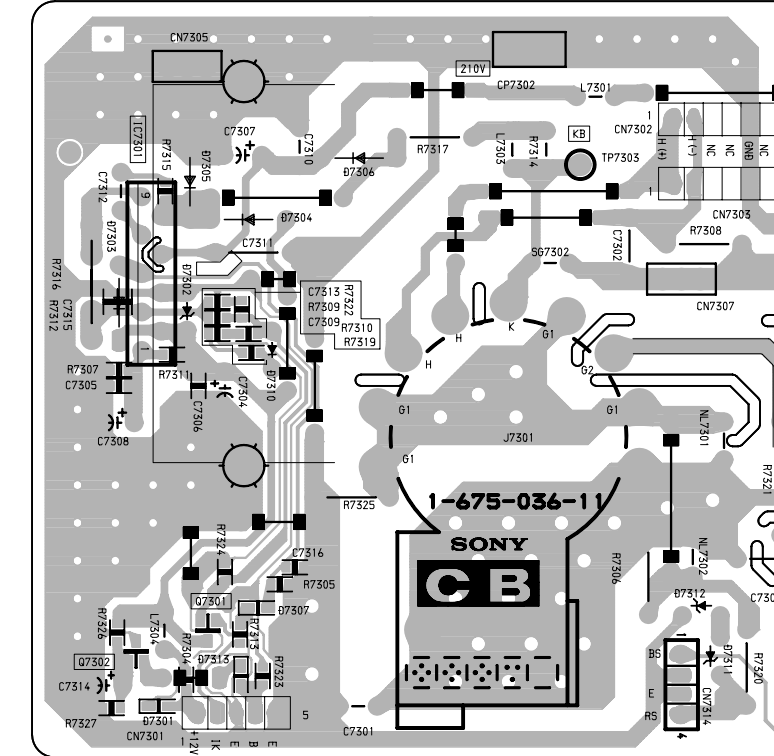
1 2 3 4 5 6 7 8 9 10 11 12 13 14 15 16 17 18 19 20 21 22

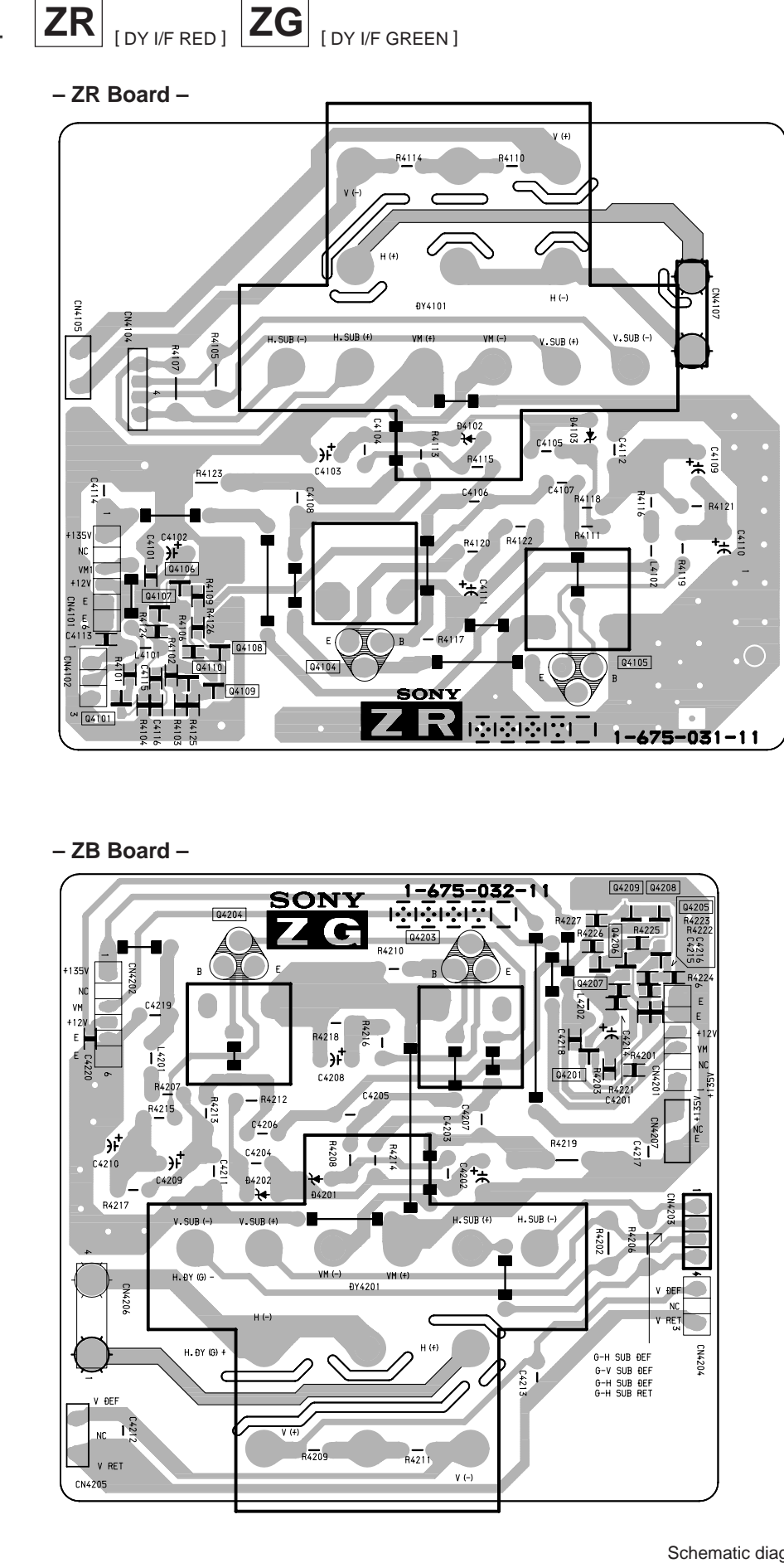
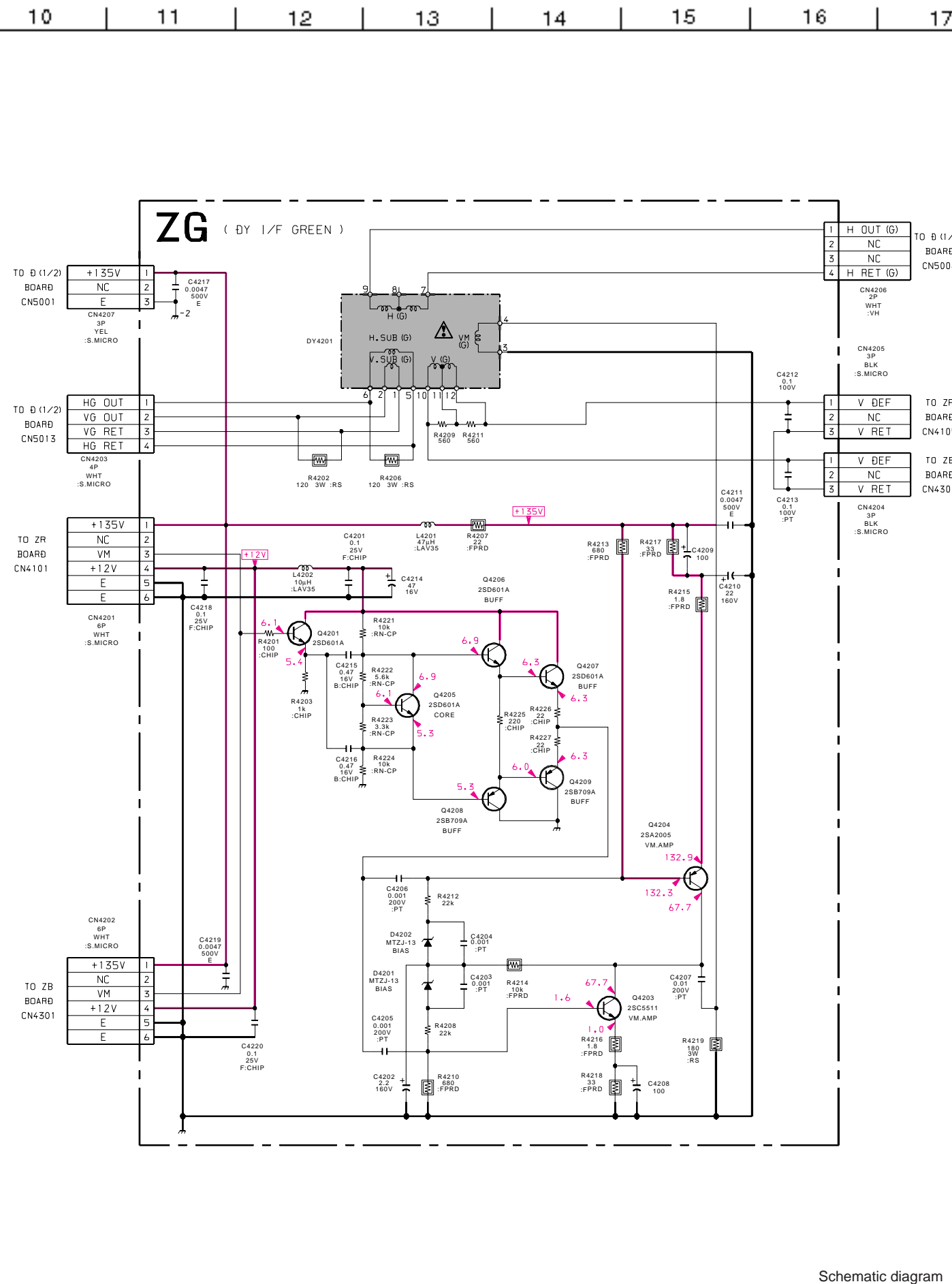
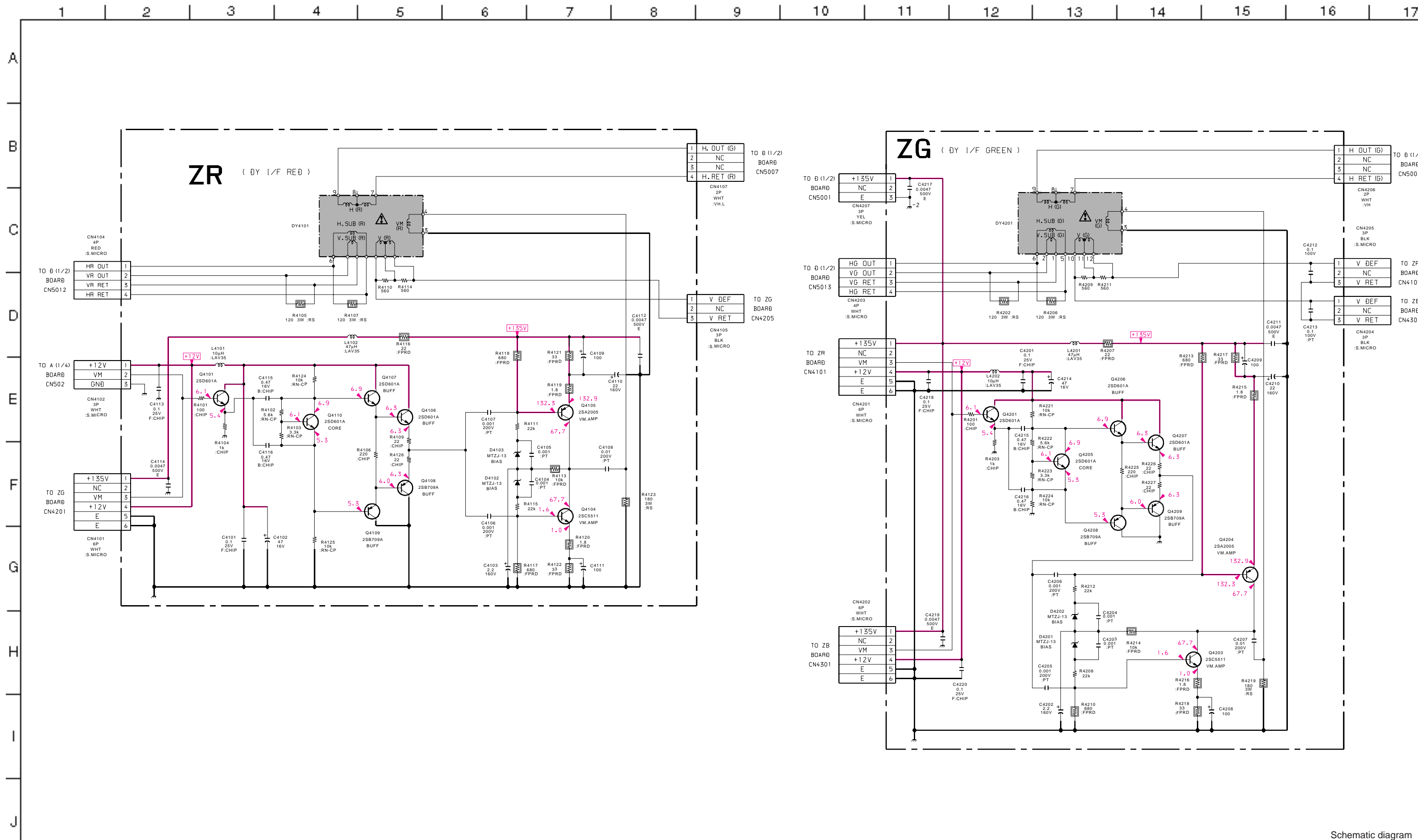


- CG Board -



- CB Board -

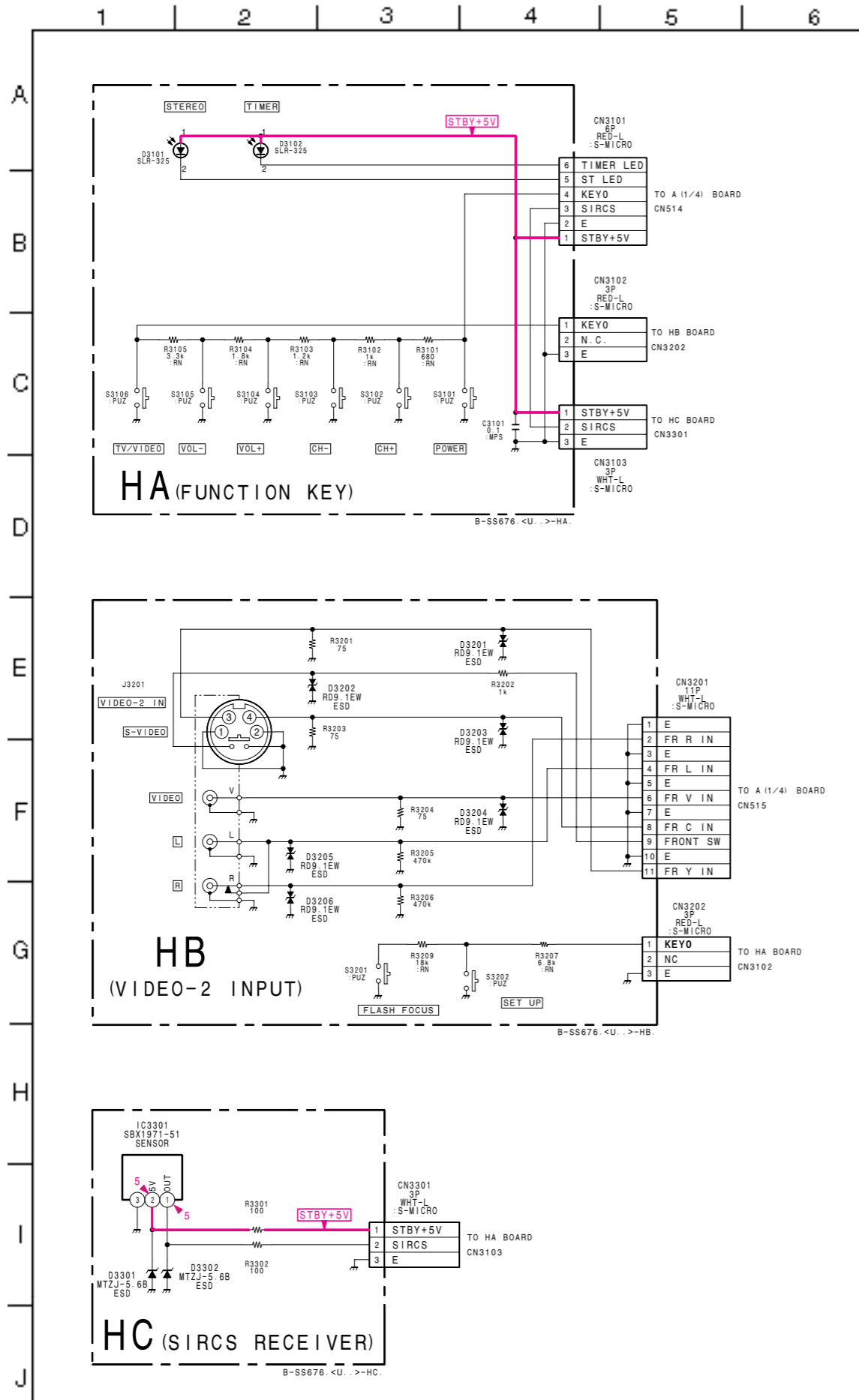




Schematic diagram  
← ZR ZG board

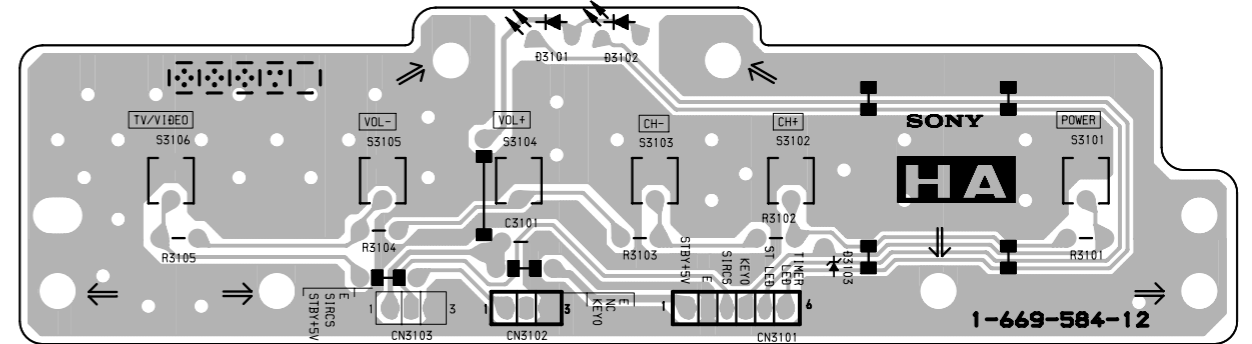
Schematic diagram  
ZB U board →



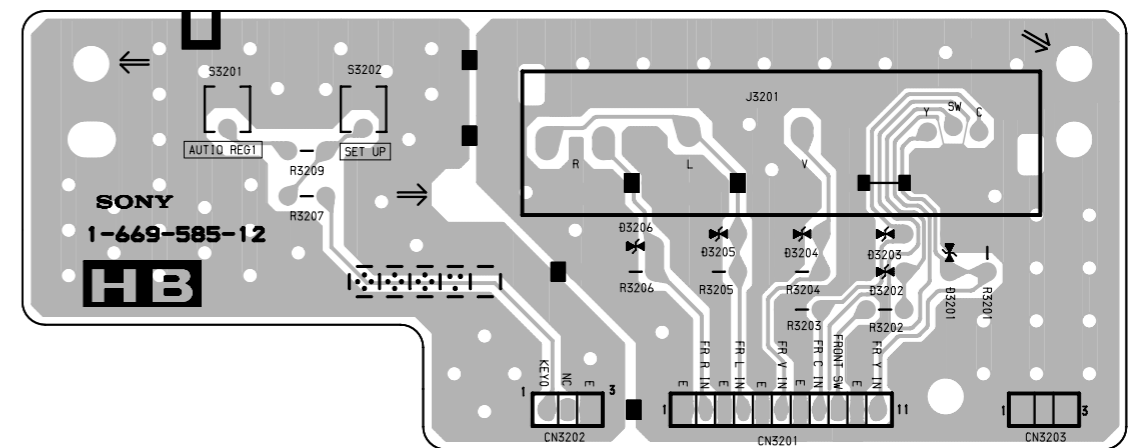


**HA** [ FUNCTION KEY ] **HB** [ VIDEO-2 INPUT ] **HC** [ SIRCS RECEIVER ]

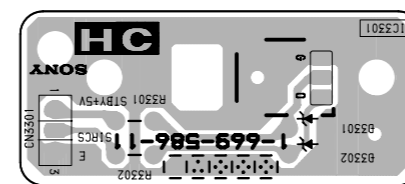
- HA Board -



- HB Board -



- HC Board -

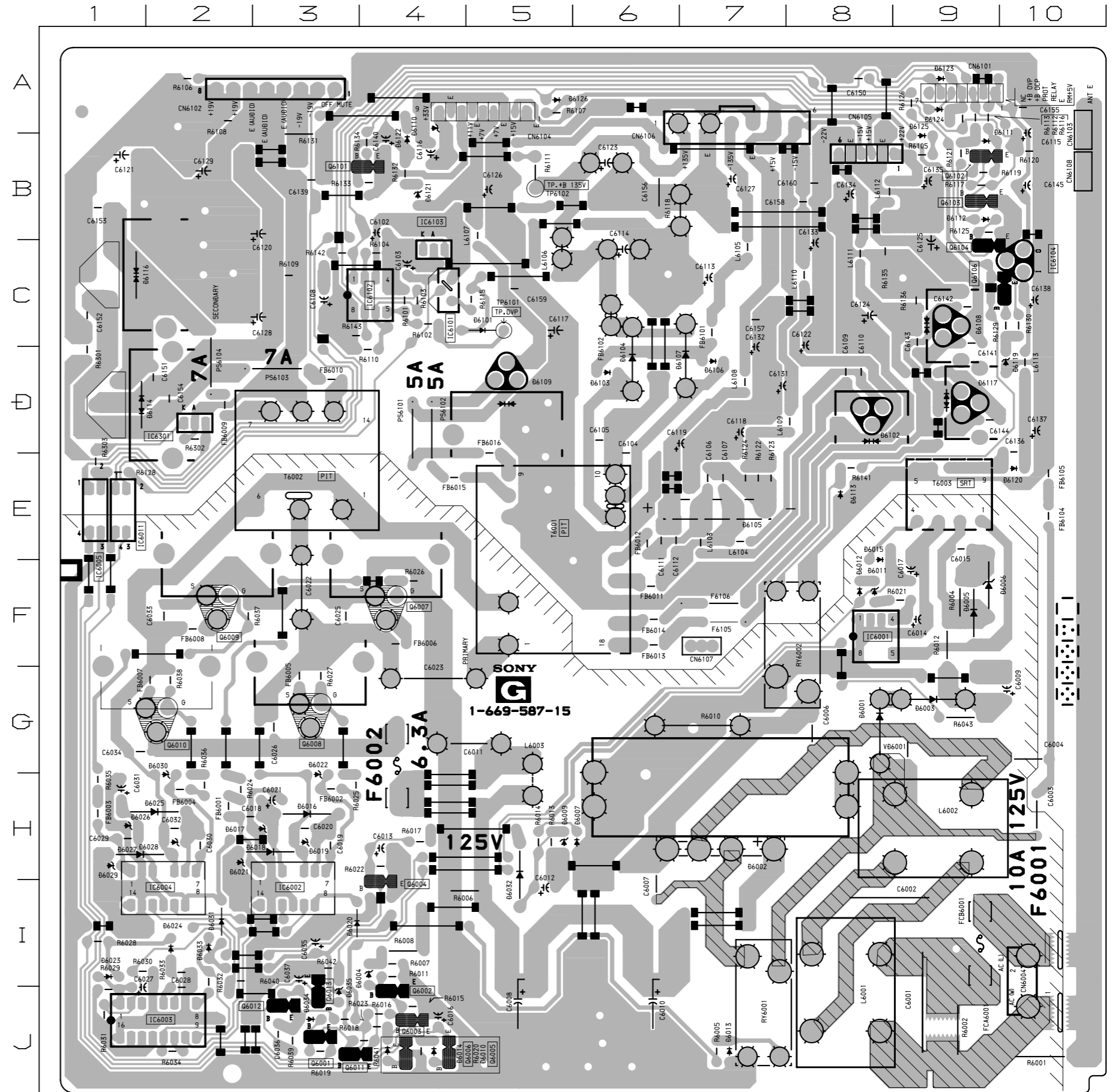


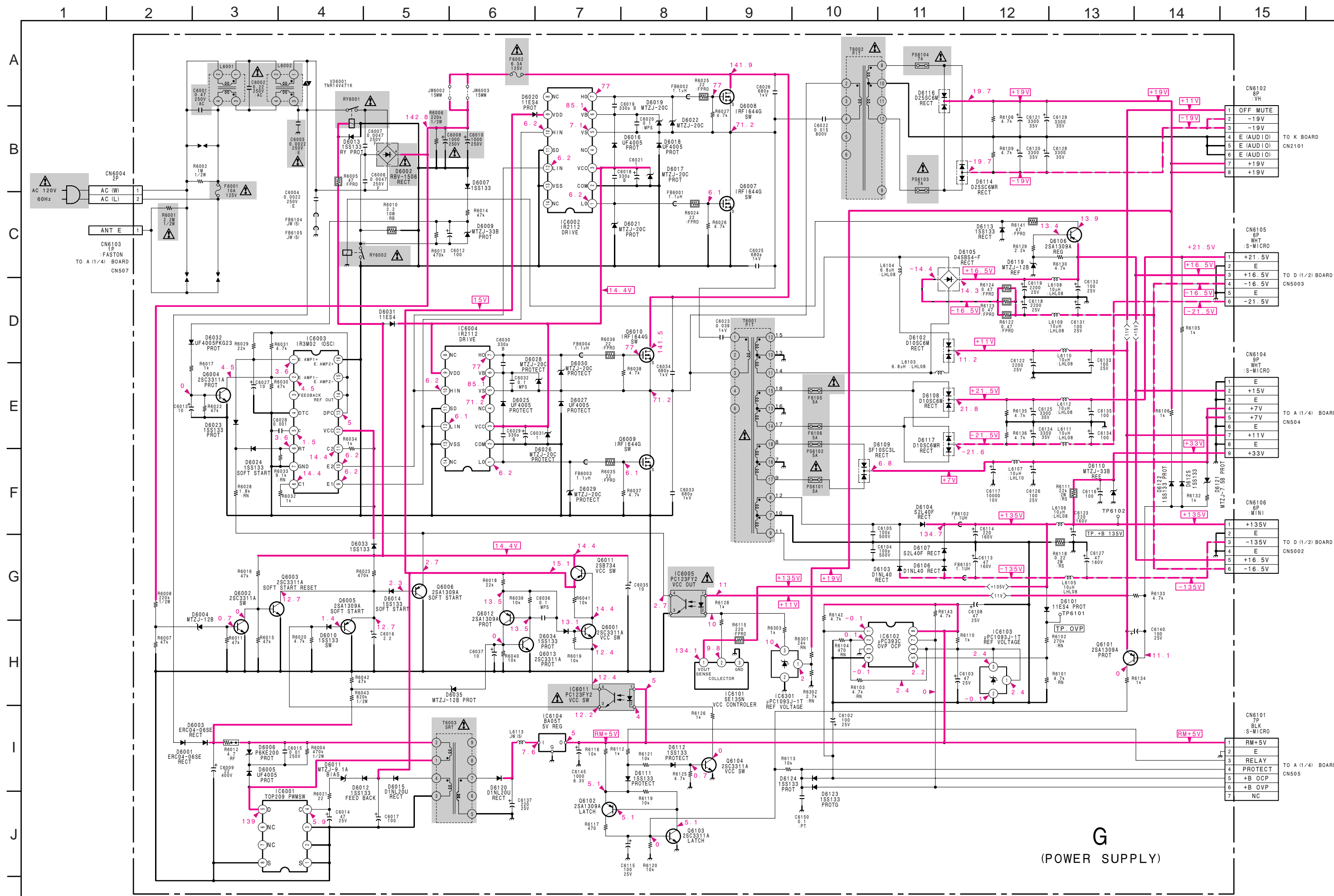
**G** [POWER SUPPLY]

- G Board -

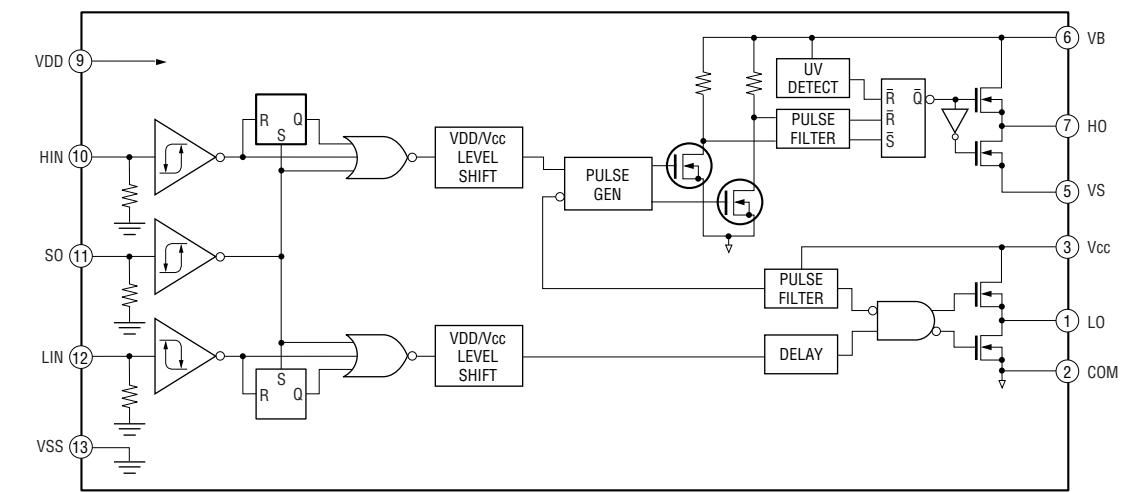
**G BOARD**

DIODE			
D6001	G-8	D6111	B-9
D6002	H-7	D6112	B-9
D6003	G-9	D6113	E-8
D6004	I-2	D6114	D-1
D6005	F-9	D6116	C-1
D6006	F-9	D6117	D-9
D6007	H-6	D6119	D-10
D6009	H-5	D6120	E-10
D6010	J-4	D6121	B-4
D6011	F-8	D6122	B-4
D6012	F-8	D6123	A-9
D6013	J-7	D6124	A-9
D6014	J-4	D6125	B-9
D6015	E-8		
D6016	H-3	<b>TRANSISTOR</b>	
D6017	H-3	Q6001	J-3
D6018	H-3	Q6002	J-4
D6019	H-3	Q6003	J-2
D6020	I-3	Q6004	I-4
D6021	H-2	Q6005	J-4
D6022	G-3	Q6006	J-4
D6023	A-9	Q6007	F-4
D6024	A-9	Q6008	G-3
D6025	H-2	Q6009	F-2
D6026	H-1	Q6010	G-2
D6027	H-1	Q6011	J-3
D6028	H-2	Q6012	J-3
D6029	H-1	Q6013	J-3
D6030	G-2	Q6101	B-4
D6031	I-2	Q6102	B-9
D6032	H-5	Q6103	B-9
D6033	I-2	Q6104	C-9
D6034	J-3	Q6106	C-10
D6035	J-3		
D6101	C-5	<b>IC</b>	
D6102	D-8	IC6001	F-8
D6103	D-6	IC6002	I-3
D6104	D-6	IC6003	J-2
D6105	E-7	IC6004	E-2
D6106	D-7	IC6005	E-1
D6107	D-7	IC6011	E-1
D6108	C-9	IC6101	C-4
D6109	D-5	IC6102	C-4
D6110	A-4	IC6103	C-4
		IC6104	C-10
		IC6301	D-2

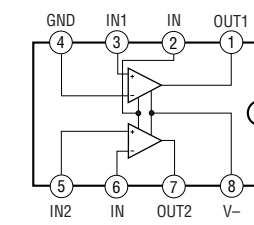




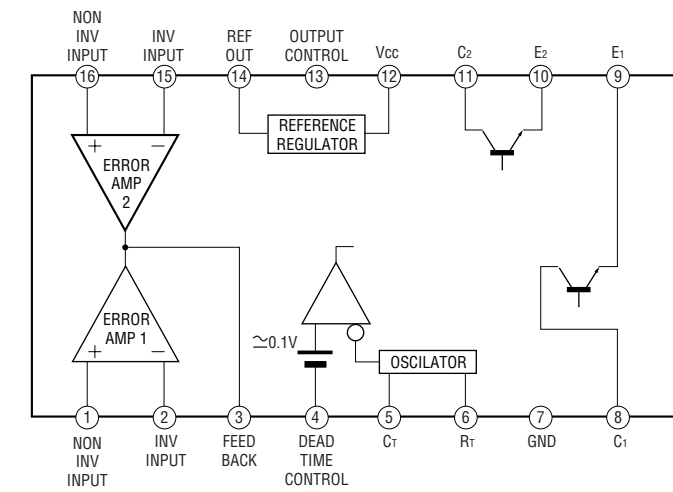
G BOARD : IC6002, 6004 IR2112



G BOARD : IC6102 uPC393C

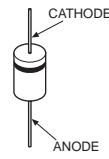


G BOARD : IC6003 LR3M02

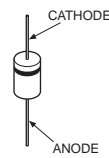


6-5. SEMICONDUCTORS

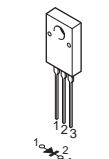
11ES4-TA1B  
1S583TD  
D1NL40-TR2  
GP08DPKG23  
HZT33-02TE  
P6KE200AG23  
RGP02-20EL-6394  
RGP10GPKG23  
RGP15GPKG23  
S2L40F  
UF4005PKG23



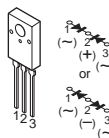
1S5133T-77  
ERC04-06S  
ERC04-06SE  
ERC06-15STP11  
ERC91-02  
ERC91-02E



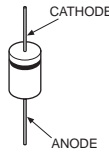
D10SC6M-4012



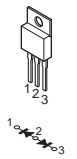
D10SC6MR  
D8LC20U-4015



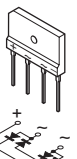
D1NL20U-TR



D25SC6MF04  
D25SC6MRF04



D4SBS4-F  
RBV-1506



DAN202K-T-146



ERD08M-15



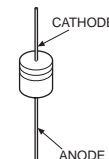
MA111-TX  
MA113-(TX)  
UDZ-TE-17-10B  
UDZ-TE-17-3.9B  
UDZ-TE-17-33B  
UDZ-TE-17-5.1B  
UDZ-TE-17-5.6B  
UDZ-TE-17-7.5B



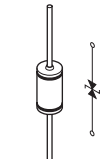
MA3033L-TX  
MA3051M-TX  
MA3091-TX  
MA3130H-TX  
MA3150H-TX  
MA3220M-TX



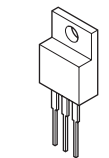
MTZJ-T-77-12B  
MTZJ-T-77-13  
MTZJ-T-77-15  
MTZJ-T-77-20C  
MTZJ-T-77-24A  
MTZJ-T-77-3.9  
MTZJ-T-77-33B  
MTZJ-T-77-33C  
MTZJ-T-77-5.6  
MTZJ-T-77-5.6B  
MTZJ-T-77-7.5B  
MTZJ-T-77-9.1A  
MTZN-T-77-10



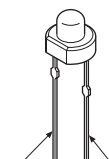
RD9.1EW-T1



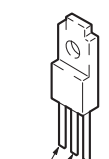
SF10SC3L



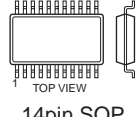
SLR-325VCT31



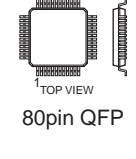
BA05T



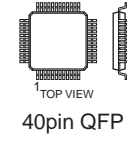
CA0007AM  
NJM2058M-TE2  
SN74HC00ANSR  
SN74HC05ANSR  
TC74HC163AF(EL)  
TC74HC32AF(EL)  
TC74HC74AF(EL)  
TLC2932IPW-E20



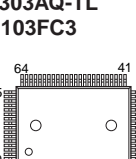
CM0006CF



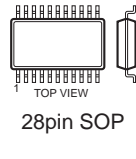
CXA2019AQ-T4



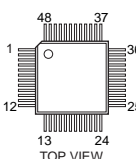
CXA2101AQ-TL  
CXD2303AQ-TL  
NJW1103FC3



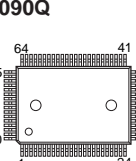
CXA2119M-T6



CXD2018Q-T6

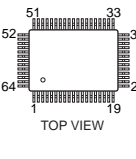


CXD2079Q  
CXD2090Q

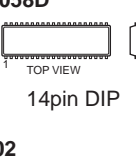


208pin QFP

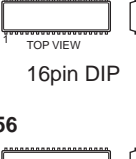
CXP85840A-025Q  
MB90091A-150



IR2112  
NJM2058D  
NJM2058D



IR3M02



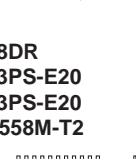
LA7856



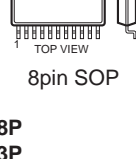
LM2940CT-5.0  
MC7805CT  
MC7812CT  
NJM7812FA  
PQ09RF21



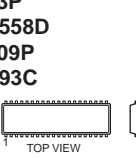
LM358DR  
LM393PS-E20  
LM393PS-E20  
NJM4558M-T2



LM358P  
LM393P  
NJM4558D  
TOP209P  
UPC393C



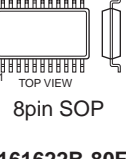
LM358P  
LM393P  
NJM4558D  
TOP209P  
UPC393C



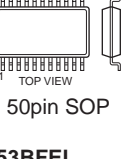
LM358P  
LM393P  
NJM4558D  
TOP209P  
UPC393C



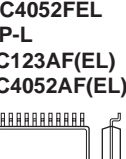
M24C02-MN6T  
M24C08-MN6T  
NJM2533M(TE2)  
ST24E16FM6TR  
TC7W66FU(TE12R)  
UPC4570G2-E2



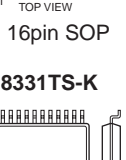
MB81F161622B-80FN



MC14053BFEL  
MC74HC4052FEL  
PCM56P-L  
TC74HC123AF(EL)  
TC74HC4052AF(EL)



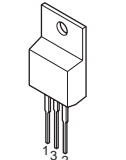
MC14053BFEL  
MC74HC4052FEL  
PCM56P-L  
TC74HC123AF(EL)  
TC74HC4052AF(EL)



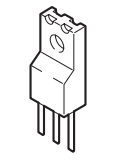
MSM548331TS-K



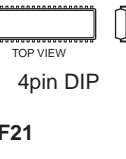
NJM7905FA



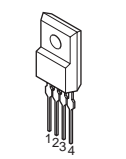
NJM7912FA



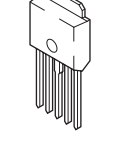
PC123FY2



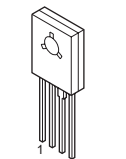
PQ05RF21



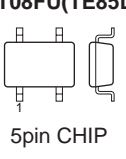
PQ20VZ1U



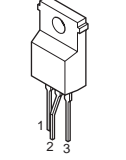
PQ30RV21



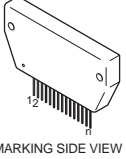
PST9143NL  
TC7SET08FU(TE85L)



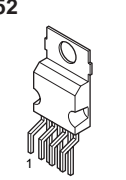
SE-135N-LF12



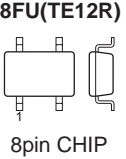
STK392-020



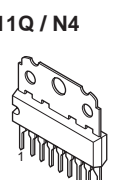
STV9379  
TDA2052



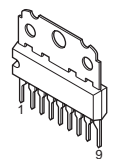
TC7W04FU-TE12L  
TC7W08FU(TE12R)



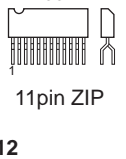
TC7W04FU-TE12L  
TC7W08FU(TE12R)



TDA6111Q / N4



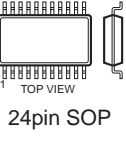
TDA7265



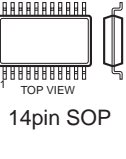
TDA7312



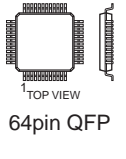
TDA9178T/N1.118



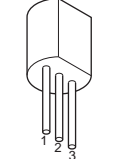
TLC2933IPWR



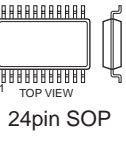
TLC5733AIPM



UPC1093J-1-T



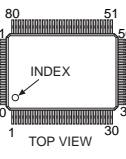
UPC659AGS-E2



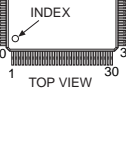
UPD424210LE-60-E2



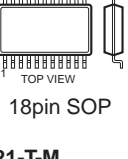
UPD64081BGF-3BA



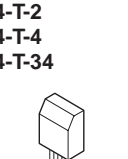
UPD64081BGF-3BA



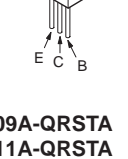
Z8613012SSC



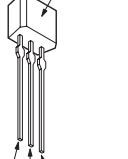
2SA1221-TM  
2SB734-T-2  
2SB734-T-4  
2SD774-T-34



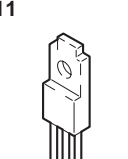
2SA1309A-QRSTA  
2SC3311A-QRSTA



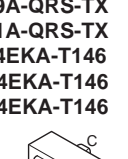
2SA2005  
2SC5511



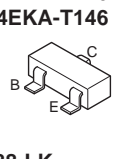
2SA1226-T1E3E4  
2SB709A-QRS-TX  
2SD601A-QRS-TX  
DTA144EKA-T146  
DTC114EKA-T146  
DTC144EKA-T146



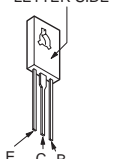
2SC2688-LK



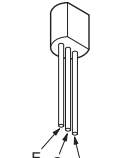
2SC2688-LK



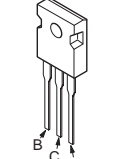
2SC2878AB-TPE2



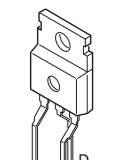
2SC2878AB-TPE2



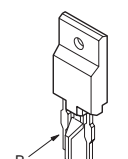
2SC3997S-SONY-YB



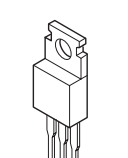
2SC3997-YB



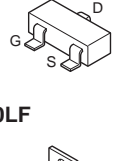
2SC4632LS-CB7



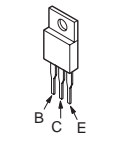
2SK2251-01-F19



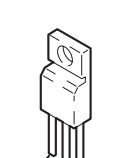
2SK3018-T106



IRFI640LF



IRFI644G-LF36



SECTION 7  
EXPLODED VIEWS

NOTE:

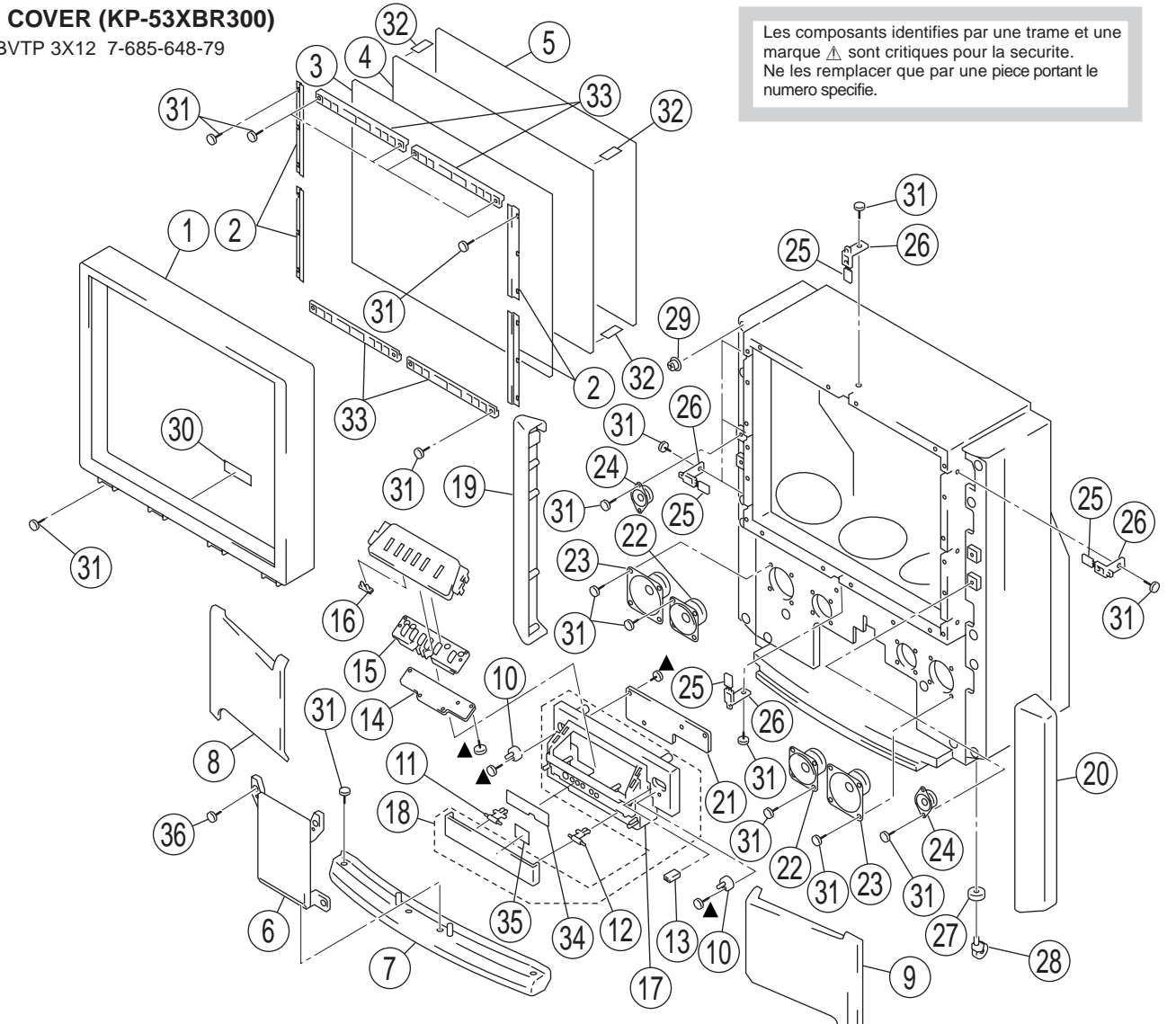
- Items with no part number and no description are not stocked because they are seldom required for routine service.
- The construction parts of an assembled part are indicated with a collation number in the remark column.

- Items marked "\*" are not stocked since they are seldom required for routine service. Some delay should be anticipated when ordering these items.

The components identified by shading and mark are critical for the safety. Replace only with part number specified.

Les composants identifiés par une trame et une marque sont critiques pour la sécurité. Ne les remplacer que par une pièce portant le numéro spécifié.

7-1. COVER (KP-53XBR300)  
▲ : +BVTP 3X12 7-685-648-79

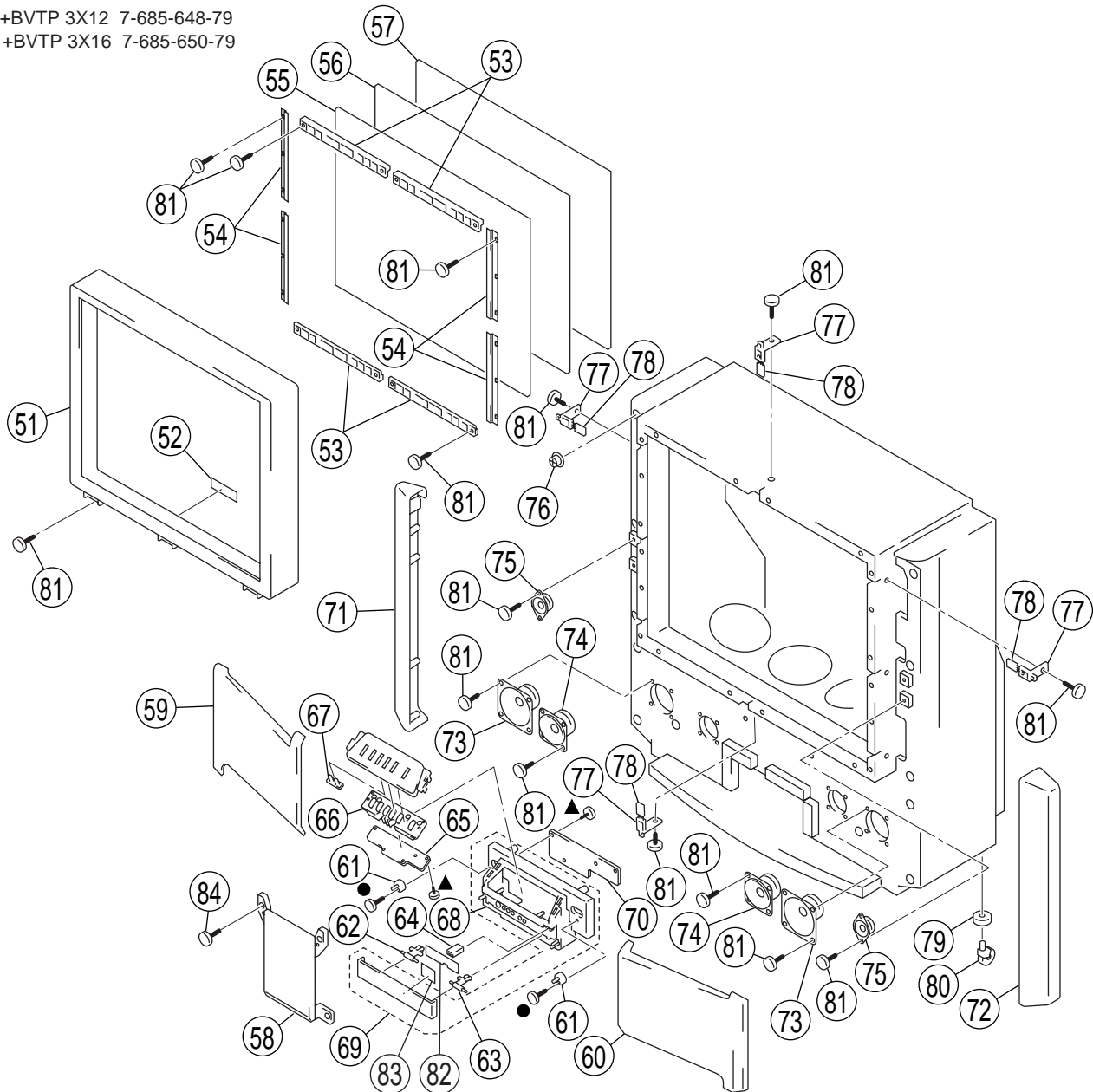


REF. NO.	PART NO.	DESCRIPTION	REMARK	REF. NO.	PART NO.	DESCRIPTION	REMARK
1	* X-4037-187-1	FRAME ASSY, SCREEN		20	X-4037-188-1	GRILLE (R) ASSY, TOP SPEAKER	
2	4-065-780-01	HOLDER (S), SCREEN		21	* A-1372-449-A	HB BOARD, COMPLETE	
3	4-065-814-01	SCREEN (53AR), CONTRAST		22	1-505-914-11	SPEAKER (10cm)	
4	4-070-525-01	PLATE (L), DIFFUSION		23	1-505-915-11	SPEAKER (13cm)	
5	4-070-282-11	PLATE (F), DIFFUSION		24	1-505-916-11	SPEAKER (5.2cm)	
6	* X-4035-897-1	PANEL ASSY, FRONT		25	1-528-911-11	BATTERY, SOLAR	
7	* 4-063-412-01	SKIRT, FRONT		26	* 4-063-422-01	BRACKET, SENSOR	
8	X-4037-191-1	GRILLE (L) ASSY,BOTTOM SPEAKER		27	4-030-850-01	SOCKET, CASTER	
9	X-4037-190-1	GRILLE (R) ASSY,BOTTOM SPEAKER		28	4-039-546-01	CASTER	
10	4-054-709-01	STRIKE		29	4-063-421-01	LATCH (K)	
11	4-045-250-01	DAMPER		30	* A-1372-450-A	HC BOARD, COMPLETE	
12	3-703-035-11	SHAFT, LID		31	4-378-522-31	SCREW (4X20), TAPPING	
13	4-042-192-01	CATCHER, PUSH		32	7-632-661-51	BLACK ACETATE (2142) 23X50mm	
14	* A-1372-448-A	HA BOARD, COMPLETE		33	4-063-411-01	HOLDER, SCREEN	
15	4-063-408-02	BUTTON, MULTI		34	4-063-426-11	LABEL, SUB CONTROL	
16	4-063-409-01	GUIDE, LED		35	4-069-115-01	CUSHION, DOOR	
17	4-063-405-01	PANEL, CONTROL		36	4-378-522-11	SCREW, TAPPING, HEXAGON HEAD	
18	4-065-740-11	PANEL (ASSY)					
19	X-4037-189-1	GRILLE (L) ASSY, TOP SPEAKER					

7-2. COVER (KP-61XBR300)

▲ : +BVTP 3X12 7-685-648-79

● : +BVTP 3X16 7-685-650-79

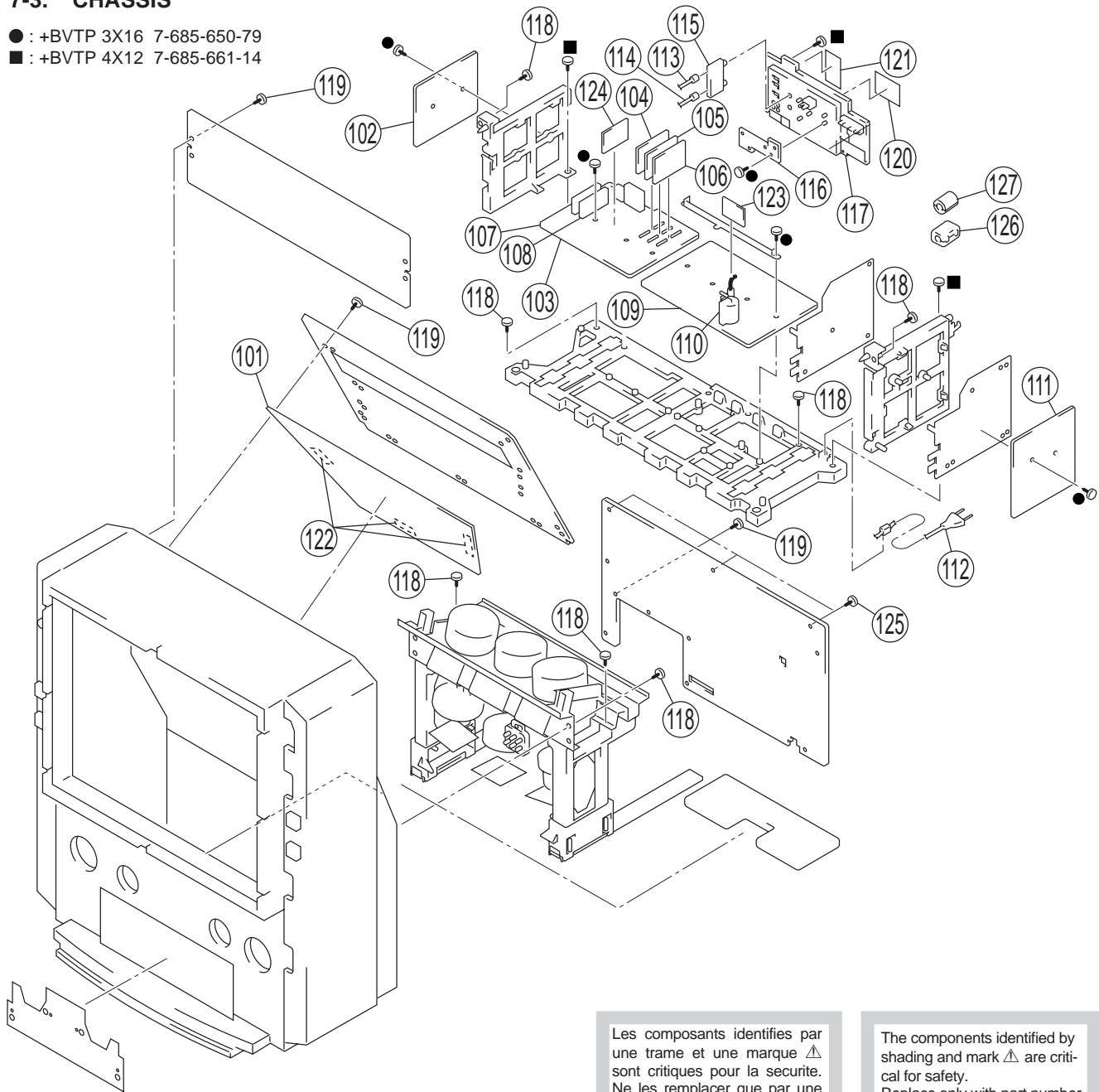


REF. NO.	PART NO.	DESCRIPTION	REMARK	REF. NO.	PART NO.	DESCRIPTION	REMARK
51	* X-4037-192-1	FRAME ASSY, SCREEN		68	4-063-405-01	PANEL, CONTROL	
52	* A-1372-450-A	HC BOARD, COMPLETE		69	4-065-741-11	PANEL (ASSY)	
53	4-044-726-11	HOLDER (L), SCREEN		70	* A-1372-449-A	HB BOARD, COMPLETE	
54	4-044-727-01	HOLDER (S), SCREEN		71	X-4037-193-1	GRILLE (L) ASSY, TOP SPEAKER	
55	4-065-813-01	SCREEN (61AR), CONTRAST		72	X-4037-194-1	GRILLE (R) ASSY, TOP SPEAKER	
56	4-070-283-11	PLATE (L), DIFFUSION		73	1-505-917-11	SPEAKER (16cm)	
57	4-066-082-11	PLATE (F), DIFFUSION		74	1-505-914-11	SPEAKER (10cm)	
58	X-4035-890-1	PANEL ASSY, FRONT		75	1-505-916-11	SPEAKER (5.2cm)	
59	X-4037-196-1	GRILLE (L) ASSY,BOTTOM SPEAKER		76	4-063-421-01	LATCH (K)	
60	X-4037-195-1	GRILLE (R) ASSY,BOTTOM SPEAKER		77	* 4-063-422-01	BRACKET, SENSOR	
61	4-054-709-01	STRIKE		78	1-528-911-11	BATTERY, SOLAR	
62	4-045-250-01	DAMPER		79	4-030-850-01	SOCKET, CASTER	
63	3-703-035-11	SHAFT, LID		80	4-065-810-01	CASTER (50MM), PLP	
64	4-042-192-01	CATCHER, PUSH		81	4-378-522-31	SCREW (4X20), TAPPING	
65	* A-1372-448-A	HA BOARD, COMPLETE		82	4-063-426-11	LABEL, SUB CONTROL	
66	4-063-408-02	BUTTON, MULTI		83	4-069-115-01	CUSHION, DOOR	
67	4-063-409-01	GUIDE, LED		84	4-378-522-11	SCREW, TAPPING, HEXAGON HEAD	



**7-3. CHASSIS**

- : +BVTP 3X16 7-685-650-79
- : +BVTP 4X12 7-685-661-14



Les composants identifiés par une trame et une marque ▲ sont critiques pour la sécurité. Ne les remplacer que par une pièce portant le numéro spécifique.

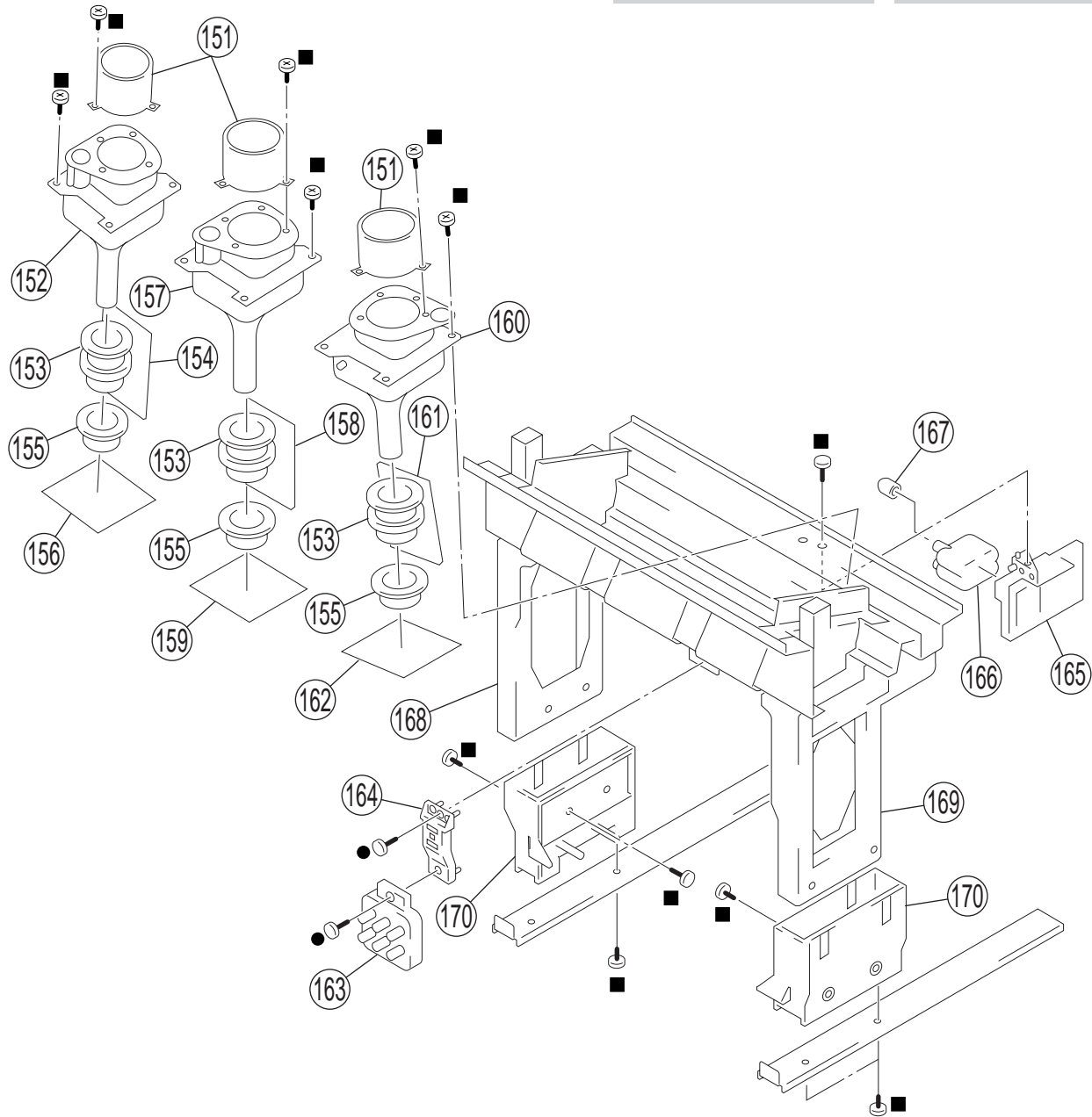
The components identified by shading and mark ▲ are critical for safety. Replace only with part number specified.

REF. NO.	PART NO.	DESCRIPTION	REMARK	REF. NO.	PART NO.	DESCRIPTION	REMARK
101	4-065-769-01	MIRROR (61XBR), REFLECTION (61XBR)		114	* 1-557-056-31	CABLE, P-P	
101	4-065-781-01	MIRROR, REFLECTION (53XBR)		115	1-251-321-12	SELECTOR, ANTENNA	
102	* A-1380-618-A	K BOARD, COMPLETE		116	* A-1373-761-A	U BOARD, COMPLETE	
103	* A-1298-973-A	A BOARD, COMPLETE		117	4-065-812-21	TERMINAL BOARD (ASSY)	
104	* A-1131-470-A	BM BOARD, COMPLETE		118	4-052-894-01	SCREW (4X20), HEAD TAPPING	
105	* A-1131-462-A	BR BOARD, COMPLETE		119	4-378-522-31	SCREW (4X20), TAPPING	
106	* A-1131-460-A	BD BOARD, COMPLETE		120	4-071-136-01	LABEL (A), TERMINAL	
107	8-598-431-20	TUNER, FSS BTF-WA411(TU501)		121	4-063-425-01	LABEL (B), TERMINAL	
108	8-598-431-20	TUNER, FSS BTF-WA411(TU502)		122	4-059-099-01	SPACER, FOAM	
109	* A-1346-873-A	D BOARD, COMPLETE (53XBR)		123	* A-1343-712-A	DS BOARD, COMPLETE	
	* A-1346-899-A	D BOARD, COMPLETE (61XBR)		124	* A-1131-461-A	BA BOARD, COMPLETE	
110	▲ 1-453-285-11	FBT ASSY NX-4006/X4P		125	4-378-522-11	SCREW, TAPPING, HEXAGON HEAD	
111	* A-1316-400-A	G BOARD, COMPLETE		126	1-543-653-11	CORE ASSY, BEAD(DIVISION TYPE)	
112	▲ 1-783-595-11	CORD, NOISE FILTER WITH POWER		127	1-500-021-11	CLAMP, SLEEVE FERRITE	
113	* 1-556-945-21	CABLE, P-P					

Les composants identifiés par une trame et une marque  $\Delta$  sont critiques pour la sécurité. Ne les remplacer que par une pièce portant le numéro spécifié.

The components identified by shading and mark  $\Delta$  are critical for safety. Replace only with part number specified.

7-4. PICTURE TUBE



REF. NO.	PART NO.	DESCRIPTION	REMARK	REF. NO.	PART NO.	DESCRIPTION	REMARK
151	4-065-715-01	LENS (DELTA 37.AB)		161	* A-1390-952-A	ZB BOARD, COMPLETE	
152	$\Delta$ 8-736-089-05	CRT 07MZC3(R) (53XBR)		162	* A-1331-974-A	CB BOARD, COMPLETE	
152	$\Delta$ 8-736-091-05	CRT 07MZC4(R) (61XBR)		163	$\Delta$ 1-223-925-51	RESISTOR ASSY (HIGH-VOLTAGE)	(FOCUS PACK)
153	$\Delta$ 1-451-510-11	DEFLECTION YOKK		164	* 4-063-403-01	BRACKET, FOCUS PACK	
154	* A-1390-950-A	ZR BOARD, COMPLETE		165	* 4-057-596-01	BRACKET, HV	
155	$\Delta$ 1-452-790-21	NECK ASSY		166	$\Delta$ 8-598-955-12	BLOCK ASSY, HIGH-VOLTAGE	
156	* A-1331-972-A	CR BOARD, COMPLETE		167	4-373-137-01	CAP (Z), RUBBER	
157	$\Delta$ 8-736-087-05	CRT 07MZC2(G)		168	4-069-677-01	BOARD (L), SIDE	
158	* A-1390-951-A	ZG BOARD, COMPLETE		169	4-069-678-01	BOARD (R), SIDE	
159	* A-1331-973-A	CG BOARD, COMPLETE		170	* 4-072-791-01	SPACER, BOTTOM	
160	$\Delta$ 8-736-088-05	CRT 07MZC3(B) (53XBR)					
	$\Delta$ 8-736-090-05	CRT 07MZC4(B) (61XBR)					



SECTION 8

ELECTRICAL PARTS LIST

The components identified by shading and mark  $\Delta$  are critical for safety. Replace only with part number specified.

Les composants identifiés par une trame et une marque  $\Delta$  sont critiques pour la sécurité. Ne les remplacer que par une pièce portant le numéro spécifié.

When indicating parts by reference number, please include the board name.

- The components identified by in  $\Delta$  this manual have been carefully factory-selected for each set in order to satisfy regulations regarding X-ray radiation. Should replacement be required, replace only with the value originally used.
- Items marked " \* " are not stocked since they are seldom required for routine service. Some delay should be anticipated when ordering these items.
- All variable and adjustable resistors have characteristic curve B, unless otherwise noted.
- CAPACITORS  
PF :  $\mu\mu$  F
- There are some cases the reference number on one board overlaps on the other board. Therefore, when ordering parts by the reference number, please include the board name.

RESISTORS

- All resistors are in ohms
- F : nonflammable

REF. NO.	PART NO.	DESCRIPTION	REMARK	REF. NO.	PART NO.	DESCRIPTION	REMARK
* A-1131-460-A BD BOARD, COMPLETE				*****			
<CAPACITOR>							
C1703	1-163-275-11	CERAMIC CHIP	0.001 $\mu$ F 5% 50V	C1761	1-163-038-91	CERAMIC CHIP	0.1 $\mu$ F 25V
C1705	1-164-346-11	CERAMIC CHIP	1 $\mu$ F 16V	C1762	1-104-664-11	ELECT	47 $\mu$ F 20% 25V
C1707	1-163-038-91	CERAMIC CHIP	0.1 $\mu$ F 25V	C1763	1-104-664-11	ELECT	47 $\mu$ F 20% 25V
C1708	1-104-664-11	ELECT	47 $\mu$ F 20% 25V	C1764	1-163-038-91	CERAMIC CHIP	0.1 $\mu$ F 25V
C1709	1-126-964-11	ELECT	10 $\mu$ F 20% 50V	C1768	1-163-275-11	CERAMIC CHIP	0.001 $\mu$ F 5% 50V
C1710	1-164-346-11	CERAMIC CHIP	1 $\mu$ F 16V	C1772	1-115-339-11	CERAMIC CHIP	0.1 $\mu$ F 10% 50V
C1711	1-164-690-91	CERAMIC CHIP	0.0022 $\mu$ F 5% 50V	C1773	1-163-038-91	CERAMIC CHIP	0.1 $\mu$ F 25V
C1712	1-163-038-91	CERAMIC CHIP	0.1 $\mu$ F 25V	C1774	1-104-664-11	ELECT	47 $\mu$ F 20% 25V
C1713	1-104-664-11	ELECT	47 $\mu$ F 20% 25V	C1775	1-164-161-11	CERAMIC CHIP	0.0022 $\mu$ F 10% 50V
C1714	1-164-346-11	CERAMIC CHIP	1 $\mu$ F 16V	C1776	1-104-664-11	ELECT	47 $\mu$ F 20% 25V
C1717	1-163-275-11	CERAMIC CHIP	0.001 $\mu$ F 5% 50V	C1777	1-163-038-91	CERAMIC CHIP	0.1 $\mu$ F 25V
C1718	1-164-690-91	CERAMIC CHIP	0.0022 $\mu$ F 5% 50V	C1779	1-163-259-91	CERAMIC CHIP	220pF 5% 50V
C1719	1-163-237-11	CERAMIC CHIP	27pF 5% 50V	C1780	1-163-038-91	CERAMIC CHIP	0.1 $\mu$ F 25V
C1721	1-163-038-91	CERAMIC CHIP	0.1 $\mu$ F 25V	C1781	1-104-664-11	ELECT	47 $\mu$ F 20% 25V
C1722	1-104-664-11	ELECT	47 $\mu$ F 20% 25V	C1785	1-163-275-11	CERAMIC CHIP	0.001 $\mu$ F 5% 50V
C1723	1-163-038-91	CERAMIC CHIP	0.1 $\mu$ F 25V	C1786	1-164-690-91	CERAMIC CHIP	0.0022 $\mu$ F 5% 50V
C1724	1-104-664-11	ELECT	47 $\mu$ F 20% 25V	C1787	1-163-038-91	CERAMIC CHIP	0.1 $\mu$ F 25V
C1725	1-163-231-11	CERAMIC CHIP	15pF 5% 50V	C1788	1-163-038-91	CERAMIC CHIP	0.1 $\mu$ F 25V
C1727	1-164-690-91	CERAMIC CHIP	0.0022 $\mu$ F 5% 50V	C1789	1-104-664-11	ELECT	47 $\mu$ F 20% 25V
C1729	1-163-038-91	CERAMIC CHIP	0.1 $\mu$ F 25V	C1790	1-104-664-11	ELECT	47 $\mu$ F 20% 25V
C1730	1-104-664-11	ELECT	47 $\mu$ F 20% 25V	C1791	1-163-259-91	CERAMIC CHIP	220pF 5% 50V
C1737	1-163-275-11	CERAMIC CHIP	0.001 $\mu$ F 5% 50V	C1792	1-104-664-11	ELECT	47 $\mu$ F 20% 25V
C1738	1-164-690-91	CERAMIC CHIP	0.0022 $\mu$ F 5% 50V	C1793	1-104-664-11	ELECT	47 $\mu$ F 20% 25V
C1739	1-104-664-11	ELECT	47 $\mu$ F 20% 25V	C1794	1-163-038-91	CERAMIC CHIP	0.1 $\mu$ F 25V
C1740	1-163-038-91	CERAMIC CHIP	0.1 $\mu$ F 25V	C1796	1-163-038-91	CERAMIC CHIP	0.1 $\mu$ F 25V
C1741	1-163-038-91	CERAMIC CHIP	0.1 $\mu$ F 25V	C1797	1-104-664-11	ELECT	47 $\mu$ F 20% 25V
C1744	1-163-038-91	CERAMIC CHIP	0.1 $\mu$ F 25V	C1798	1-163-038-91	CERAMIC CHIP	0.1 $\mu$ F 25V
C1745	1-104-664-11	ELECT	47 $\mu$ F 20% 25V	C1799	1-163-038-91	CERAMIC CHIP	0.1 $\mu$ F 25V
C1747	1-163-038-91	CERAMIC CHIP	0.1 $\mu$ F 25V	C1801	1-104-664-11	ELECT	47 $\mu$ F 20% 25V
C1748	1-104-664-11	ELECT	47 $\mu$ F 20% 25V	C1802	1-163-259-91	CERAMIC CHIP	220pF 5% 50V
C1749	1-163-038-91	CERAMIC CHIP	0.1 $\mu$ F 25V	C1803	1-163-038-91	CERAMIC CHIP	0.1 $\mu$ F 25V
C1750	1-104-664-11	ELECT	47 $\mu$ F 20% 25V	C1804	1-163-038-91	CERAMIC CHIP	0.1 $\mu$ F 25V
C1753	1-163-275-11	CERAMIC CHIP	0.001 $\mu$ F 5% 50V	C1805	1-104-664-11	ELECT	47 $\mu$ F 20% 25V
C1757	1-163-038-91	CERAMIC CHIP	0.1 $\mu$ F 25V	C1806	1-163-038-91	CERAMIC CHIP	0.1 $\mu$ F 25V
C1758	1-104-664-11	ELECT	47 $\mu$ F 20% 25V	C1807	1-104-664-11	ELECT	47 $\mu$ F 20% 25V
				C1808	1-163-038-91	CERAMIC CHIP	0.1 $\mu$ F 25V
				C1809	1-104-664-11	ELECT	47 $\mu$ F 20% 25V
				C1810	1-163-038-91	CERAMIC CHIP	0.1 $\mu$ F 25V
				C1811	1-163-259-91	CERAMIC CHIP	220pF 5% 50V
				C1812	1-163-038-91	CERAMIC CHIP	0.1 $\mu$ F 25V
				C1814	1-104-664-11	ELECT	47 $\mu$ F 20% 25V



REF. NO.	PART NO.	DESCRIPTION	REMARK	REF. NO.	PART NO.	DESCRIPTION	REMARK
C1815	1-163-038-91	CERAMIC CHIP	0.1μF			<IC>	
C1816	1-104-664-11	ELECT	47μF				
C1817	1-163-038-91	CERAMIC CHIP	0.1μF	IC1702	8-759-106-02	IC μPC4570G2	
C1818	1-104-664-11	ELECT	47μF	20%	25V		
C1819	1-163-038-91	CERAMIC CHIP	0.1μF	IC1703	8-752-910-92	IC CXP86324-023Q	
C1820	1-163-235-11	CERAMIC CHIP	22pF	IC1704	8-759-468-90	IC ST24E16FM6TR	
C1821	1-163-038-91	CERAMIC CHIP	0.1μF	IC1705	8-759-106-02	IC μPC4570G2	
C1822	1-163-038-91	CERAMIC CHIP	0.1μF	IC1706	8-759-106-02	IC μPC4570G2	
C1823	1-163-038-91	CERAMIC CHIP	0.1μF				
C1824	1-163-038-91	CERAMIC CHIP	0.1μF	IC1707	8-759-589-66	IC CM0006CF	
C1825	1-163-038-91	CERAMIC CHIP	0.1μF	IC1708	8-759-106-02	IC μPC4570G2	
C1830	1-115-339-11	CERAMIC CHIP	0.1μF	IC1709	8-759-106-02	IC μPC4570G2	
C1831	1-163-038-91	CERAMIC CHIP	0.1μF	IC1710	8-759-106-02	IC μPC4570G2	
C1832	1-104-664-11	ELECT	47μF	IC1712	8-759-032-20	IC MC74HC32AF	
C1833	1-163-259-91	CERAMIC CHIP	220pF				
C1834	1-163-038-91	CERAMIC CHIP	0.1μF	IC1713	8-759-998-22	IC PCM56P	
C1835	1-163-038-91	CERAMIC CHIP	0.1μF	IC1714	8-759-998-22	IC PCM56P	
C1836	1-163-038-91	CERAMIC CHIP	0.1μF	IC1715	8-759-998-22	IC PCM56P	
C1837	1-163-038-91	CERAMIC CHIP	0.1μF	IC1716	8-759-032-23	IC MC74HC74AF	
C1838	1-104-664-11	ELECT	47μF	IC1717	8-759-488-29	IC TC7W66FU(TE12R)	
C1839	1-163-038-91	CERAMIC CHIP	0.1μF				
C1840	1-104-664-11	ELECT	47μF	IC1718	8-759-352-91	IC PST9143NL	
C1841	1-163-038-91	CERAMIC CHIP	0.1μF	IC1719	8-759-998-22	IC PCM56P	
C1842	1-163-038-91	CERAMIC CHIP	0.1μF	IC1720	8-759-998-22	IC PCM56P	
C1844	1-104-664-11	ELECT	47μF	IC1721	8-759-998-22	IC PCM56P	
C1845	1-163-038-91	CERAMIC CHIP	0.1μF	IC1722	8-759-295-09	IC TLC2932IPW	
C1846	1-104-664-11	ELECT	47μF				
C1847	1-163-038-91	CERAMIC CHIP	0.1μF	IC1723	8-759-485-79	IC TC7SET08FU(TE85L)	
C1849	1-164-690-91	CERAMIC CHIP	0.0022μF	IC1725	8-759-485-79	IC TC7SET08FU(TE85L)	
C1855	1-104-664-11	ELECT	47μF				
C1856	1-163-038-91	CERAMIC CHIP	0.1μF				
C1857	1-104-664-11	ELECT	47μF				
C1858	1-104-664-11	ELECT	47μF				
C1859	1-109-982-11	CERAMIC CHIP	1μF				
C1860	1-163-038-91	CERAMIC CHIP	0.1μF				
C1861	1-163-038-91	CERAMIC CHIP	0.1μF				
C1862	1-164-004-11	CERAMIC CHIP	0.1μF				
C1863	1-163-001-11	CERAMIC CHIP	220pF				
C1864	1-163-038-91	CERAMIC CHIP	0.1μF				
C1877	1-163-038-91	CERAMIC CHIP	0.1μF				
C1878	1-163-259-91	CERAMIC CHIP	220pF				
C1879	1-163-038-91	CERAMIC CHIP	0.1μF				
C1880	1-163-038-91	CERAMIC CHIP	0.1μF				
<CHIPCONDUCTOR>							
				JR1701	1-216-295-91	SHORT	0
<COIL>							
				L1703	1-469-555-21	INDUCTOR	10μH
				L1704	1-469-555-21	INDUCTOR	10μH
				L1707	1-469-555-21	INDUCTOR	10μH
				L1708	1-469-555-21	INDUCTOR	10μH
				L1709	1-414-234-22	INDUCTOR CHIP	0μH
				L1710	1-469-555-21	INDUCTOR	10μH
				L1713	1-469-555-21	INDUCTOR	10μH
				L1714	1-414-234-22	INDUCTOR CHIP	0μH
				L1715	1-469-555-21	INDUCTOR	10μH
				L1716	1-469-555-21	INDUCTOR	10μH
				L1719	1-469-555-21	INDUCTOR	10μH
				L1720	1-469-555-21	INDUCTOR	10μH
				L1721	1-414-234-22	INDUCTOR CHIP	0μH
				L1724	1-469-555-21	INDUCTOR	10μH
				L1725	1-414-234-22	INDUCTOR CHIP	0μH
				L1726	1-469-555-21	INDUCTOR	10μH
				L1729	1-414-234-22	INDUCTOR CHIP	0μH
				L1730	1-469-555-21	INDUCTOR	10μH
				L1731	1-469-555-21	INDUCTOR	10μH
				L1732	1-414-234-22	INDUCTOR CHIP	0μH
				L1733	1-414-234-22	INDUCTOR CHIP	0μH
				L1734	1-414-234-22	INDUCTOR CHIP	0μH
				L1735	1-414-234-22	INDUCTOR CHIP	0μH
				L1736	1-414-234-22	INDUCTOR CHIP	0μH
				L1737	1-414-234-22	INDUCTOR CHIP	0μH
				L1738	1-414-234-22	INDUCTOR CHIP	0μH
<CONNECTOR>							
CN1701	1-573-301-21	CONNECTOR, BOARD TO BOARD 20P					
CN1702	1-573-301-21	CONNECTOR, BOARD TO BOARD 20P					
<DIODE>							
D1701	8-719-073-01	DIODE MA111-(K8).S0					
D1702	8-719-073-01	DIODE MA111-(K8).S0					
D1703	8-719-073-01	DIODE MA111-(K8).S0					
D1704	8-719-073-01	DIODE MA111-(K8).S0					
D1705	8-719-073-01	DIODE MA111-(K8).S0					
D1706	8-719-073-01	DIODE MA111-(K8).S0					







REF. NO.	PART NO.	DESCRIPTION	REMARK	REF. NO.	PART NO.	DESCRIPTION	REMARK
C2405	1-165-319-11	CERAMIC CHIP 0.1μF	50V	C2472	1-163-038-91	CERAMIC CHIP 0.1μF	25V
C2406	1-163-038-91	CERAMIC CHIP 0.1μF	25V	C2474	1-163-021-91	CERAMIC CHIP 0.01μF	10% 50V
C2407	1-164-505-11	CERAMIC CHIP 2.2μF	16V	C2475	1-126-934-11	ELECT 220μF	20% 10V
C2408	1-163-038-91	CERAMIC CHIP 0.1μF	25V	C2476	1-165-319-11	CERAMIC CHIP 0.1μF	50V
C2409	1-165-319-11	CERAMIC CHIP 0.1μF	50V	C2477	1-165-319-11	CERAMIC CHIP 0.1μF	50V
C2410	1-104-664-11	ELECT 47μF	20% 25V	C2478	1-165-319-11	CERAMIC CHIP 0.1μF	50V
C2411	1-163-038-91	CERAMIC CHIP 0.1μF	25V	C2479	1-126-963-11	ELECT 4.7μF	20% 50V
C2412	1-104-664-11	ELECT 47μF	20% 25V	C2480	1-165-319-11	CERAMIC CHIP 0.1μF	50V
C2414	1-126-964-11	ELECT 10μF	20% 50V	C2481	1-126-961-11	ELECT 2.2μF	20% 50V
C2415	1-109-982-11	CERAMIC CHIP 1μF	10% 10V	C2482	1-163-038-91	CERAMIC CHIP 0.1μF	25V
C2416	1-163-133-00	CERAMIC CHIP 470pF	5% 50V	C2483	1-163-038-91	CERAMIC CHIP 0.1μF	25V
C2417	1-163-231-11	CERAMIC CHIP 15pF	5% 50V	<CONNECTOR>			
C2418	1-104-664-11	ELECT 47μF	20% 25V	CN2401*	1-691-632-21	CONNECTOR, BOARD TO BOARD 15P	
C2420	1-165-319-11	CERAMIC CHIP 0.1μF	50V	<FILTER>			
C2421	1-163-038-91	CERAMIC CHIP 0.1μF	25V	FL2401	1-239-847-11	FILTER, LOW PASS	
C2422	1-165-319-11	CERAMIC CHIP 0.1μF	50V	FL2402	1-239-847-11	FILTER, LOW PASS	
C2424	1-165-319-11	CERAMIC CHIP 0.1μF	50V	FL2403	1-239-847-11	FILTER, LOW PASS	
C2425	1-163-038-91	CERAMIC CHIP 0.1μF	25V	FL2404	1-239-847-11	FILTER, LOW PASS	
C2426	1-165-319-11	CERAMIC CHIP 0.1μF	50V	<IC>			
C2427	1-115-339-11	CERAMIC CHIP 0.1μF	10% 50V	IC2401	8-759-568-27	IC MSM514265C-60JSDR1	
C2429	1-163-038-91	CERAMIC CHIP 0.1μF	25V	IC2402	8-759-536-12	IC μPD64081BGF-3BA	
C2430	1-165-319-11	CERAMIC CHIP 0.1μF	50V	IC2403	8-759-161-24	IC μPC659AGS-E2	
C2431	1-165-319-11	CERAMIC CHIP 0.1μF	50V	<COIL>			
C2432	1-165-319-11	CERAMIC CHIP 0.1μF	50V	L2401	1-469-555-21	INDUCTOR 10μH	
C2434	1-163-231-11	CERAMIC CHIP 15pF	5% 50V	L2402	1-414-234-22	INDUCTOR CHIP 0μH	
C2436	1-165-319-11	CERAMIC CHIP 0.1μF	50V	L2403	1-414-234-22	INDUCTOR CHIP 0μH	
C2437	1-165-319-11	CERAMIC CHIP 0.1μF	50V	L2404	1-414-234-22	INDUCTOR CHIP 0μH	
C2439	1-163-038-91	CERAMIC CHIP 0.1μF	25V	L2405	1-469-555-21	INDUCTOR 10μH	
C2440	1-163-038-91	CERAMIC CHIP 0.1μF	25V	L2406	1-469-555-21	INDUCTOR 10μH	
C2441	1-165-319-11	CERAMIC CHIP 0.1μF	50V	L2407	1-414-234-22	INDUCTOR CHIP 0μH	
C2442	1-165-319-11	CERAMIC CHIP 0.1μF	50V	L2408	1-414-234-22	INDUCTOR CHIP 0μH	
C2443	1-163-038-91	CERAMIC CHIP 0.1μF	25V	L2409	1-469-555-21	INDUCTOR 10μH	
C2444	1-164-505-11	CERAMIC CHIP 2.2μF	16V	L2410	1-414-234-22	INDUCTOR CHIP 0μH	
C2445	1-163-038-91	CERAMIC CHIP 0.1μF	25V	L2411	1-414-234-22	INDUCTOR CHIP 0μH	
C2446	1-165-319-11	CERAMIC CHIP 0.1μF	50V	L2412	1-414-234-22	INDUCTOR CHIP 0μH	
C2447	1-163-231-11	CERAMIC CHIP 15pF	5% 50V	L2413	1-414-234-22	INDUCTOR CHIP 0μH	
C2448	1-165-319-11	CERAMIC CHIP 0.1μF	50V	L2414	1-414-234-22	INDUCTOR CHIP 0μH	
C2449	1-163-031-11	CERAMIC CHIP 0.01μF	50V	L2415	1-414-234-22	INDUCTOR CHIP 0μH	
C2450	1-126-964-11	ELECT 10μF	20% 50V	L2416	1-414-234-22	INDUCTOR CHIP 0μH	
C2451	1-163-227-11	CERAMIC CHIP 10pF	0.5pF 50V	L2417	1-414-234-22	INDUCTOR CHIP 0μH	
C2452	1-165-319-11	CERAMIC CHIP 0.1μF	50V	L2418	1-414-234-22	INDUCTOR CHIP 0μH	
C2453	1-163-038-91	CERAMIC CHIP 0.1μF	25V	L2420	1-414-234-22	INDUCTOR CHIP 0μH	
C2454	1-163-038-91	CERAMIC CHIP 0.1μF	25V	L2421	1-414-234-22	INDUCTOR CHIP 0μH	
C2455	1-164-505-11	CERAMIC CHIP 2.2μF	16V	L2422	1-414-234-22	INDUCTOR CHIP 0μH	
C2456	1-163-031-11	CERAMIC CHIP 0.01μF	50V	L2423	1-469-555-21	INDUCTOR 10μH	
C2457	1-163-241-11	CERAMIC CHIP 39pF	5% 50V	L2424	1-469-555-21	INDUCTOR 10μH	
C2458	1-165-319-11	CERAMIC CHIP 0.1μF	50V	L2425	1-414-234-22	INDUCTOR CHIP 0μH	
C2459	1-126-935-11	ELECT 470μF	20% 6.3V	L2427	1-216-295-91	SHORT 0	
C2461	1-163-231-11	CERAMIC CHIP 15pF	5% 50V	L2428	1-216-295-91	SHORT 0	
C2462	1-163-249-11	CERAMIC CHIP 82pF	5% 50V				
C2463	1-163-038-91	CERAMIC CHIP 0.1μF	25V				
C2464	1-163-038-91	CERAMIC CHIP 0.1μF	25V				
C2466	1-164-505-11	CERAMIC CHIP 2.2μF	16V				
C2467	1-163-121-00	CERAMIC CHIP 150pF	5% 50V				
C2468	1-104-664-11	ELECT 47μF	20% 25V				
C2471	1-165-319-11	CERAMIC CHIP 0.1μF	50V				



REF. NO.	PART NO.	DESCRIPTION	REMARK	REF. NO.	PART NO.	DESCRIPTION	REMARK
L2429	1-216-295-91	SHORT	0	R2430	1-216-049-91	RES,CHIP	1K 5% 1/10W
L2430	1-469-555-21	INDUCTOR	10µH	R2431	1-216-049-91	RES,CHIP	1K 5% 1/10W
<TRANSISTOR>				R2432	1-208-800-11	METAL CHIP	5.6K 0.50% 1/10W
Q2401	8-729-216-22	TRANSISTOR	2SA1162-G	R2433	1-208-790-11	METAL CHIP	2.2K 0.50% 1/10W
Q2402	8-729-422-27	TRANSISTOR	2SD601A-Q	R2434	1-216-085-00	RES,CHIP	33K 5% 1/10W
Q2403	8-729-422-27	TRANSISTOR	2SD601A-Q	R2435	1-208-776-11	METAL CHIP	560 0.50% 1/10W
Q2404	8-729-422-27	TRANSISTOR	2SD601A-Q	R2436	1-216-025-91	RES,CHIP	100 5% 1/10W
Q2405	8-729-422-27	TRANSISTOR	2SD601A-Q	R2438	1-216-057-00	RES,CHIP	2.2K 5% 1/10W
Q2406	8-729-216-22	TRANSISTOR	2SA1162-G	R2439	1-208-784-11	METAL CHIP	1.2K 0.50% 1/10W
Q2407	8-729-216-22	TRANSISTOR	2SA1162-G	R2440	1-216-047-91	RES,CHIP	820 5% 1/10W
Q2408	8-729-422-27	TRANSISTOR	2SD601A-Q	R2441	1-216-075-00	RES,CHIP	12K 5% 1/10W
Q2409	8-729-216-22	TRANSISTOR	2SA1162-G	R2442	1-216-049-91	RES,CHIP	1K 5% 1/10W
Q2410	8-729-216-22	TRANSISTOR	2SA1162-G	R2444	1-216-655-11	METAL CHIP	1.5K 0.50% 1/10W
Q2411	8-729-422-27	TRANSISTOR	2SD601A-Q	R2445	1-216-025-91	RES,CHIP	100 5% 1/10W
Q2412	8-729-422-27	TRANSISTOR	2SD601A-Q	R2446	1-216-025-91	RES,CHIP	100 5% 1/10W
Q2413	8-729-422-27	TRANSISTOR	2SD601A-Q	R2447	1-216-049-91	RES,CHIP	1K 5% 1/10W
Q2414	8-729-216-22	TRANSISTOR	2SA1162-G	R2448	1-208-800-11	METAL CHIP	5.6K 0.50% 1/10W
Q2415	8-729-422-27	TRANSISTOR	2SD601A-Q	R2449	1-208-784-11	METAL CHIP	1.2K 0.50% 1/10W
Q2416	8-729-422-27	TRANSISTOR	2SD601A-Q	R2450	1-216-085-00	RES,CHIP	33K 5% 1/10W
Q2417	8-729-422-27	TRANSISTOR	2SD601A-Q	R2451	1-216-065-91	RES,CHIP	4.7K 5% 1/10W
Q2418	1-801-806-11	TRANSISTOR	DTC144EKA-T146	R2452	1-216-025-91	RES,CHIP	100 5% 1/10W
Q2419	8-729-216-22	TRANSISTOR	2SA1162-G	R2453	1-216-025-91	RES,CHIP	100 5% 1/10W
Q2421	8-729-216-22	TRANSISTOR	2SA1162-G	R2454	1-208-776-11	METAL CHIP	560 0.50% 1/10W
Q2422	8-729-422-27	TRANSISTOR	2SD601A-Q	R2455	1-216-295-91	SHORT	0
<RESISTOR>				R2456	1-216-017-91	RES,CHIP	47 5% 1/10W
R2401	1-216-295-91	SHORT	0	R2457	1-216-049-91	RES,CHIP	1K 5% 1/10W
R2402	1-216-295-91	SHORT	0	R2458	1-216-057-00	RES,CHIP	2.2K 5% 1/10W
R2403	1-216-295-91	SHORT	0	R2459	1-208-778-11	METAL CHIP	680 0.50% 1/10W
R2404	1-216-021-00	RES,CHIP	68 5% 1/10W	R2460	1-216-047-91	RES,CHIP	820 5% 1/10W
R2405	1-216-049-91	RES,CHIP	1K 5% 1/10W	R2461	1-216-075-00	RES,CHIP	12K 5% 1/10W
R2406	1-216-071-00	RES,CHIP	8.2K 5% 1/10W	R2462	1-216-049-91	RES,CHIP	1K 5% 1/10W
R2407	1-208-782-11	METAL CHIP	1K 0.50% 1/10W	R2464	1-216-025-91	RES,CHIP	100 5% 1/10W
R2408	1-216-655-11	METAL CHIP	1.5K 0.50% 1/10W	R2465	1-216-025-91	RES,CHIP	100 5% 1/10W
R2409	1-216-065-91	RES,CHIP	4.7K 5% 1/10W	R2466	1-216-025-91	RES,CHIP	100 5% 1/10W
R2410	1-216-295-91	SHORT	0	R2467	1-216-025-91	RES,CHIP	100 5% 1/10W
R2411	1-216-033-00	RES,CHIP	220 5% 1/10W	R2468	1-216-025-91	RES,CHIP	100 5% 1/10W
R2413	1-216-025-91	RES,CHIP	100 5% 1/10W	R2469	1-216-025-91	RES,CHIP	100 5% 1/10W
R2414	1-216-025-91	RES,CHIP	100 5% 1/10W	R2470	1-216-025-91	RES,CHIP	100 5% 1/10W
R2415	1-216-057-00	RES,CHIP	2.2K 5% 1/10W	R2471	1-216-025-91	RES,CHIP	100 5% 1/10W
R2416	1-216-105-91	RES,CHIP	220K 5% 1/10W	R2472	1-216-025-91	RES,CHIP	100 5% 1/10W
R2417	1-216-057-00	RES,CHIP	2.2K 5% 1/10W	R2476	1-208-774-11	METAL CHIP	470 0.50% 1/10W
R2418	1-208-800-11	METAL CHIP	5.6K 0.50% 1/10W	R2477	1-216-025-91	RES,CHIP	100 5% 1/10W
R2419	1-208-776-11	METAL CHIP	560 0.50% 1/10W	R2478	1-208-758-11	METAL CHIP	100 0.50% 1/10W
R2420	1-216-049-91	RES,CHIP	1K 5% 1/10W	R2479	1-208-774-11	METAL CHIP	470 0.50% 1/10W
R2421	1-216-041-00	RES,CHIP	470 5% 1/10W	R2480	1-216-295-91	SHORT	0
R2422	1-216-025-91	RES,CHIP	100 5% 1/10W	R2481	1-216-295-91	SHORT	0
R2423	1-216-033-00	RES,CHIP	220 5% 1/10W	R2482	1-216-295-91	SHORT	0
R2424	1-216-049-91	RES,CHIP	1K 5% 1/10W	R2483	1-216-295-91	SHORT	0
R2425	1-208-774-11	METAL CHIP	470 0.50% 1/10W	R2484	1-216-295-91	SHORT	0
R2426	1-208-774-11	METAL CHIP	470 0.50% 1/10W	R2485	1-216-295-91	SHORT	0
R2427	1-216-025-91	RES,CHIP	100 5% 1/10W	R2486	1-216-295-91	SHORT	0
R2428	1-208-800-11	METAL CHIP	5.6K 0.50% 1/10W	R2487	1-216-295-91	SHORT	0
R2429	1-208-776-11	METAL CHIP	560 0.50% 1/10W	R2489	1-208-822-11	METAL CHIP	47K 0.50% 1/10W
				R2490	1-208-810-11	METAL CHIP	15K 0.50% 1/10W

\*\*\*\*\*





REF. NO.	PART NO.	DESCRIPTION	REMARK	REF. NO.	PART NO.	DESCRIPTION	REMARK
* A-1131-462-A BR BOARD, COMPLETE *****				C403	1-163-038-91	CERAMIC CHIP 0.1μF	25V
				C405	1-163-038-91	CERAMIC CHIP 0.1μF	25V
				C406	1-163-038-91	CERAMIC CHIP 0.1μF	25V
				C407	1-163-038-91	CERAMIC CHIP 0.1μF	25V
				C409	1-163-038-91	CERAMIC CHIP 0.1μF	25V
				C410	1-163-038-91	CERAMIC CHIP 0.1μF	25V
				C411	1-126-204-11	ELECT CHIP 47μF	20% 16V
				C412	1-164-690-91	CERAMIC CHIP 0.0022μF	5% 50V
				C414	1-163-259-91	CERAMIC CHIP 220pF	5% 50V
				C419	1-163-038-91	CERAMIC CHIP 0.1μF	25V
				C420	1-163-038-91	CERAMIC CHIP 0.1μF	25V
				C421	1-163-038-91	CERAMIC CHIP 0.1μF	25V
				C422	1-163-038-91	CERAMIC CHIP 0.1μF	25V
				C423	1-163-038-91	CERAMIC CHIP 0.1μF	25V
				C424	1-126-204-11	ELECT CHIP 47μF	20% 16V
				C425	1-163-038-91	CERAMIC CHIP 0.1μF	25V
				C426	1-163-038-91	CERAMIC CHIP 0.1μF	25V
				C427	1-163-038-91	CERAMIC CHIP 0.1μF	25V
				C428	1-163-038-91	CERAMIC CHIP 0.1μF	25V
				C429	1-163-038-91	CERAMIC CHIP 0.1μF	25V
				C430	1-163-038-91	CERAMIC CHIP 0.1μF	25V
				C431	1-126-204-11	ELECT CHIP 47μF	20% 16V
				C432	1-163-038-91	CERAMIC CHIP 0.1μF	25V
				C433	1-163-038-91	CERAMIC CHIP 0.1μF	25V
				C434	1-163-038-91	CERAMIC CHIP 0.1μF	25V
				C435	1-163-038-91	CERAMIC CHIP 0.1μF	25V
				C436	1-163-038-91	CERAMIC CHIP 0.1μF	25V
				C437	1-163-038-91	CERAMIC CHIP 0.1μF	25V
				C438	1-163-038-91	CERAMIC CHIP 0.1μF	25V
				C439	1-163-038-91	CERAMIC CHIP 0.1μF	25V
				C440	1-163-038-91	CERAMIC CHIP 0.1μF	25V
				C441	1-163-038-91	CERAMIC CHIP 0.1μF	25V
				C442	1-126-204-11	ELECT CHIP 47μF	20% 16V
				C2301	1-126-204-11	ELECT CHIP 47μF	20% 16V
				C2303	1-163-038-91	CERAMIC CHIP 0.1μF	25V
				C2304	1-126-204-11	ELECT CHIP 47μF	20% 16V
				C2305	1-163-038-91	CERAMIC CHIP 0.1μF	25V
				C2306	1-163-038-91	CERAMIC CHIP 0.1μF	25V
				C2307	1-126-204-11	ELECT CHIP 47μF	20% 16V
				C2308	1-163-038-91	CERAMIC CHIP 0.1μF	25V
				C2309	1-163-038-91	CERAMIC CHIP 0.1μF	25V
				C2310	1-163-038-91	CERAMIC CHIP 0.1μF	25V
				C2311	1-163-038-91	CERAMIC CHIP 0.1μF	25V
				C2312	1-163-038-91	CERAMIC CHIP 0.1μF	25V
				C2313	1-163-038-91	CERAMIC CHIP 0.1μF	25V
				C2314	1-109-982-11	CERAMIC CHIP 1μF	10% 10V
				C2315	1-109-982-11	CERAMIC CHIP 1μF	10% 10V
				<CONNECTOR>			
				CN301	1-573-301-21	CONNECTOR, BOARD TO BOARD 20P	
				CN302	1-573-979-21	CONNECTOR, BOARD TO BOARD 11P	
				<DIODE>			
				D301	8-719-422-12	DIODE MA8039	
				D2301	8-719-041-97	DIODE MA113-(TX)	
C301	1-163-038-91	CERAMIC CHIP 0.1μF	25V				
C302	1-124-779-00	ELECT CHIP 10μF	20% 16V				
C303	1-126-204-11	ELECT CHIP 47μF	20% 16V				
C304	1-124-779-00	ELECT CHIP 10μF	20% 16V				
C305	1-163-038-91	CERAMIC CHIP 0.1μF	25V				
C306	1-163-038-91	CERAMIC CHIP 0.1μF	25V				
C307	1-124-779-00	ELECT CHIP 10μF	20% 16V				
C308	1-163-038-91	CERAMIC CHIP 0.1μF	25V				
C309	1-126-204-11	ELECT CHIP 47μF	20% 16V				
C310	1-163-037-11	CERAMIC CHIP 0.022μF	10% 50V				
C311	1-126-204-11	ELECT CHIP 47μF	20% 16V				
C312	1-163-038-91	CERAMIC CHIP 0.1μF	25V				
C313	1-126-204-11	ELECT CHIP 47μF	20% 16V				
C314	1-163-038-91	CERAMIC CHIP 0.1μF	25V				
C315	1-117-681-11	ELECT CHIP 100μF	20% 16V				
C316	1-163-038-91	CERAMIC CHIP 0.1μF	25V				
C317	1-126-204-11	ELECT CHIP 47μF	20% 16V				
C320	1-163-021-91	CERAMIC CHIP 0.01μF	10% 50V				
C321	1-163-038-91	CERAMIC CHIP 0.1μF	25V				
C322	1-126-603-11	ELECT CHIP 4.7μF	20% 35V				
C326	1-163-038-91	CERAMIC CHIP 0.1μF	25V				
C328	1-163-038-91	CERAMIC CHIP 0.1μF	25V				
C329	1-163-038-91	CERAMIC CHIP 0.1μF	25V				
C331	1-163-038-91	CERAMIC CHIP 0.1μF	25V				
C343	1-163-038-91	CERAMIC CHIP 0.1μF	25V				
C347	1-163-038-91	CERAMIC CHIP 0.1μF	25V				
C355	1-163-038-91	CERAMIC CHIP 0.1μF	25V				
C359	1-163-038-91	CERAMIC CHIP 0.1μF	25V				
C360	1-126-204-11	ELECT CHIP 47μF	20% 16V				
C364	1-126-206-11	ELECT CHIP 100μF	20% 6.3V				
C368	1-163-038-91	CERAMIC CHIP 0.1μF	25V				
C375	1-163-038-91	CERAMIC CHIP 0.1μF	25V				
C376	1-163-038-91	CERAMIC CHIP 0.1μF	25V				
C377	1-163-038-91	CERAMIC CHIP 0.1μF	25V				
C378	1-126-204-11	ELECT CHIP 47μF	20% 16V				
C379	1-163-038-91	CERAMIC CHIP 0.1μF	25V				
C380	1-126-204-11	ELECT CHIP 47μF	20% 16V				
C384	1-163-038-91	CERAMIC CHIP 0.1μF	25V				
C385	1-126-204-11	ELECT CHIP 47μF	20% 16V				
C386	1-124-779-00	ELECT CHIP 10μF	20% 16V				
C388	1-163-038-91	CERAMIC CHIP 0.1μF	25V				
C389	1-163-038-91	CERAMIC CHIP 0.1μF	25V				
C393	1-163-038-91	CERAMIC CHIP 0.1μF	25V				
C394	1-163-038-91	CERAMIC CHIP 0.1μF	25V				
C395	1-126-206-11	ELECT CHIP 100μF	20% 6.3V				
C396	1-163-038-91	CERAMIC CHIP 0.1μF	25V				
C397	1-124-779-00	ELECT CHIP 10μF	20% 16V				
C398	1-163-038-91	CERAMIC CHIP 0.1μF	25V				
C399	1-163-038-91	CERAMIC CHIP 0.1μF	25V				
C400	1-126-204-11	ELECT CHIP 47μF	20% 16V				
C401	1-163-038-91	CERAMIC CHIP 0.1μF	25V				
C402	1-163-038-91	CERAMIC CHIP 0.1μF	25V				



REF. NO.	PART NO.	DESCRIPTION	REMARK	REF. NO.	PART NO.	DESCRIPTION	REMARK
		<FILTER>					
FL301	1-233-877-11	FILTER, LOW PASS		Q2301	8-729-422-27	TRANSISTOR 2SD601A-Q	
FL302	1-233-504-21	FILTER, LOW PASS		Q2302	8-729-216-22	TRANSISTOR 2SA1162-G	
FL303	1-233-504-21	FILTER, LOW PASS		Q2303	8-729-422-27	TRANSISTOR 2SD601A-Q	
FL304	1-234-112-21	FILTER, LOW PASS		Q2304	8-729-422-27	TRANSISTOR 2SD601A-Q	
FL305	1-234-112-21	FILTER, LOW PASS		Q2305	8-729-216-22	TRANSISTOR 2SA1162-G	
FL306	1-234-113-21	FILTER, LOW PASS		Q2306	8-729-422-27	TRANSISTOR 2SD601A-Q	
FL307	1-233-736-21	FILTER, EMI		Q2307	8-729-422-27	TRANSISTOR 2SD601A-Q	
FL308	1-233-736-21	FILTER, EMI		Q2308	8-729-422-27	TRANSISTOR 2SD601A-Q	
FL309	1-233-736-21	FILTER, EMI		Q2309	8-729-422-27	TRANSISTOR 2SD601A-Q	
		<IC>		Q2310	8-729-422-27	TRANSISTOR 2SD601A-Q	
IC301	8-759-430-32	IC TLC2933IPWR		Q2311	8-729-422-27	TRANSISTOR 2SD601A-Q	
IC302	8-759-388-31	IC PQ20VZ1U		Q2312	8-729-422-27	TRANSISTOR 2SD601A-Q	
IC303	8-759-295-09	IC TLC2932IPW		Q2313	8-729-422-27	TRANSISTOR 2SD601A-Q	
IC305	8-752-398-47	IC CXD2090Q				<RESISTOR>	
IC306	8-759-447-90	IC TLC5733AIPM		R302	1-216-089-91	RES,CHIP 47K 5% 1/10W	
IC466	8-759-239-55	IC TC74HC123AF		R303	1-216-037-00	RES,CHIP 330 5% 1/10W	
IC2301	8-759-572-04	IC TDA9178T/N1.118		R304	1-216-037-00	RES,CHIP 330 5% 1/10W	
		<COIL>		R305	1-208-795-11	METAL CHIP 3.6K 0.50% 1/10W	
L302	1-414-234-22	INDUCTOR CHIP 0μH		R306	1-216-097-91	RES,CHIP 100K 5% 1/10W	
L303	1-414-234-22	INDUCTOR CHIP 0μH		R307	1-216-113-00	RES,CHIP 470K 5% 1/10W	
L305	1-414-234-22	INDUCTOR CHIP 0μH		R308	1-216-295-91	SHORT 0	
L306	1-414-234-22	INDUCTOR CHIP 0μH		R309	1-216-295-91	SHORT 0	
L312	1-469-555-21	INDUCTOR 10μH		R311	1-216-117-00	RES,CHIP 680K 5% 1/10W	
L313	1-469-555-21	INDUCTOR 10μH		R312	1-216-081-00	RES,CHIP 22K 5% 1/10W	
L315	1-469-555-21	INDUCTOR 10μH		R313	1-216-033-00	RES,CHIP 220 5% 1/10W	
L316	1-469-555-21	INDUCTOR 10μH		R314	1-216-049-91	RES,CHIP 1K 5% 1/10W	
L317	1-469-555-21	INDUCTOR 10μH		R315	1-208-799-11	METAL CHIP 5.1K 0.50% 1/10W	
L319	1-216-295-91	SHORT 0		R317	1-216-061-00	RES,CHIP 3.3K 5% 1/10W	
L320	1-469-555-21	INDUCTOR 10μH		R318	1-216-295-91	SHORT 0	
L321	1-469-555-21	INDUCTOR 10μH		R320	1-216-295-91	SHORT 0	
L322	1-469-555-21	INDUCTOR 10μH		R321	1-216-295-91	SHORT 0	
L323	1-469-555-21	INDUCTOR 10μH		R322	1-216-055-00	RES,CHIP 1.8K 5% 1/10W	
L324	1-469-555-21	INDUCTOR 10μH		R323	1-216-295-91	SHORT 0	
L2301	1-469-555-21	INDUCTOR 10μH		R324	1-216-295-91	SHORT 0	
L2302	1-469-555-21	INDUCTOR 10μH		R325	1-216-047-91	RES,CHIP 820 5% 1/10W	
L2303	1-469-555-21	INDUCTOR 10μH		R326	1-216-049-91	RES,CHIP 1K 5% 1/10W	
		<TRANSISTOR>		R327	1-216-117-00	RES,CHIP 680K 5% 1/10W	
Q301	8-729-422-27	TRANSISTOR 2SD601A-Q		R328	1-216-117-00	RES,CHIP 680K 5% 1/10W	
Q302	8-729-422-27	TRANSISTOR 2SD601A-Q		R333	1-208-782-11	METAL CHIP 1K 0.50% 1/10W	
Q303	8-729-216-22	TRANSISTOR 2SA1162-G		R334	1-216-033-00	RES,CHIP 220 5% 1/10W	
Q306	8-729-422-27	TRANSISTOR 2SD601A-Q		R335	1-208-782-11	METAL CHIP 1K 0.50% 1/10W	
Q308	8-729-216-22	TRANSISTOR 2SA1162-G		R337	1-216-295-91	SHORT 0	
Q312	8-729-216-22	TRANSISTOR 2SA1162-G		R338	1-216-025-91	RES,CHIP 100 5% 1/10W	
Q317	8-729-216-22	TRANSISTOR 2SA1162-G		R340	1-216-037-00	RES,CHIP 330 5% 1/10W	
Q318	8-729-216-22	TRANSISTOR 2SA1162-G		R341	1-216-295-91	SHORT 0	
Q319	8-729-216-22	TRANSISTOR 2SA1162-G		R344	1-216-295-91	SHORT 0	
Q322	8-729-216-22	TRANSISTOR 2SA1162-G		R345	1-216-295-91	SHORT 0	
Q323	8-729-216-22	TRANSISTOR 2SA1162-G		R346	1-216-295-91	SHORT 0	
Q325	8-729-216-22	TRANSISTOR 2SA1162-G		R347	1-216-025-91	RES,CHIP 100 5% 1/10W	
Q326	8-729-216-22	TRANSISTOR 2SA1162-G		R349	1-216-295-91	SHORT 0	
				R355	1-216-295-91	SHORT 0	
				R358	1-216-055-00	RES,CHIP 1.8K 5% 1/10W	
				R359	1-216-061-00	RES,CHIP 3.3K 5% 1/10W	
				R360	1-208-798-11	METAL CHIP 4.7K 0.50% 1/10W	

**KP-53XBR300/61XBR300**

RM-Y902

RM-Y902



REF. NO.	PART NO.	DESCRIPTION	REMARK	REF. NO.	PART NO.	DESCRIPTION	REMARK
R361	1-216-055-00	RES,CHIP	1.8K 5% 1/10W	R442	1-208-755-11	METAL CHIP	75 0.50% 1/10W
R362	1-216-061-00	RES,CHIP	3.3K 5% 1/10W	R443	1-208-766-11	METAL CHIP	220 0.50% 1/10W
R363	1-216-025-91	RES,CHIP	100 5% 1/10W	R444	1-216-295-91	SHORT	0
R364	1-216-041-00	RES,CHIP	470 5% 1/10W	R445	1-208-765-11	METAL CHIP	200 0.50% 1/10W
R365	1-216-295-91	SHORT	0	R447	1-216-295-91	SHORT	0
R366	1-216-025-91	RES,CHIP	100 5% 1/10W	R448	1-216-295-91	SHORT	0
R367	1-216-041-00	RES,CHIP	470 5% 1/10W	R449	1-216-295-91	SHORT	0
R368	1-208-800-11	METAL CHIP	5.6K 0.50% 1/10W	R450	1-216-049-91	RES,CHIP	1K 5% 1/10W
R370	1-216-025-91	RES,CHIP	100 5% 1/10W	R451	1-414-234-22	INDUCTOR CHIP	0μH
R371	1-216-025-91	RES,CHIP	100 5% 1/10W	R452	1-216-049-91	RES,CHIP	1K 5% 1/10W
R372	1-208-776-11	METAL CHIP	560 0.50% 1/10W	R453	1-216-295-91	SHORT	0
R375	1-208-752-11	METAL CHIP	56 0.50% 1/10W	R454	1-216-295-91	SHORT	0
R376	1-208-752-11	METAL CHIP	56 0.50% 1/10W	R455	1-216-295-91	SHORT	0
R377	1-216-295-91	SHORT	0	R456	1-216-295-91	SHORT	0
R378	1-216-041-00	RES,CHIP	470 5% 1/10W	R457	1-216-295-91	SHORT	0
R380	1-208-776-11	METAL CHIP	560 0.50% 1/10W	R458	1-216-295-91	SHORT	0
R381	1-208-800-11	METAL CHIP	5.6K 0.50% 1/10W	R459	1-216-655-11	METAL CHIP	1.5K 0.50% 1/10W
R382	1-208-754-11	METAL CHIP	68 0.50% 1/10W	R460	1-216-025-91	RES,CHIP	100 5% 1/10W
R383	1-216-295-91	SHORT	0	R461	1-216-049-91	RES,CHIP	1K 5% 1/10W
R384	1-208-754-11	METAL CHIP	68 0.50% 1/10W	R462	1-208-790-11	METAL CHIP	2.2K 0.50% 1/10W
R386	1-216-295-91	SHORT	0	R463	1-216-025-91	RES,CHIP	100 5% 1/10W
R390	1-216-295-91	SHORT	0	R464	1-216-049-91	RES,CHIP	1K 5% 1/10W
R392	1-216-295-91	SHORT	0	R465	1-208-790-11	METAL CHIP	2.2K 0.50% 1/10W
R393	1-208-752-11	METAL CHIP	56 0.50% 1/10W	R466	1-216-025-91	RES,CHIP	100 5% 1/10W
R394	1-216-295-91	SHORT	0	R467	1-216-045-00	RES,CHIP	680 5% 1/10W
R397	1-216-041-00	RES,CHIP	470 5% 1/10W	R468	1-208-790-11	METAL CHIP	2.2K 0.50% 1/10W
R400	1-208-776-11	METAL CHIP	560 0.50% 1/10W	R469	1-216-025-91	RES,CHIP	100 5% 1/10W
R401	1-208-800-11	METAL CHIP	5.6K 0.50% 1/10W	R474	1-216-295-91	SHORT	0
R402	1-208-752-11	METAL CHIP	56 0.50% 1/10W	R475	1-216-295-91	SHORT	0
R403	1-216-295-91	SHORT	0	R477	1-216-295-91	SHORT	0
R404	1-216-077-91	RES,CHIP	15K 5% 1/10W	R478	1-216-295-91	SHORT	0
R405	1-208-794-11	METAL CHIP	3.3K 0.50% 1/10W	R480	1-216-073-00	RES,CHIP	10K 5% 1/10W
R406	1-216-049-91	RES,CHIP	1K 5% 1/10W	R481	1-216-073-00	RES,CHIP	10K 5% 1/10W
R407	1-216-295-91	SHORT	0	R482	1-216-073-00	RES,CHIP	10K 5% 1/10W
R408	1-208-766-11	METAL CHIP	220 0.50% 1/10W	R483	1-216-073-00	RES,CHIP	10K 5% 1/10W
R413	1-216-025-91	RES,CHIP	100 5% 1/10W	R484	1-216-073-00	RES,CHIP	10K 5% 1/10W
R414	1-208-765-11	METAL CHIP	200 0.50% 1/10W	R485	1-216-073-00	RES,CHIP	10K 5% 1/10W
R416	1-216-077-91	RES,CHIP	15K 5% 1/10W	R486	1-216-073-00	RES,CHIP	10K 5% 1/10W
R417	1-216-077-91	RES,CHIP	15K 5% 1/10W	R487	1-216-073-00	RES,CHIP	10K 5% 1/10W
R418	1-208-752-11	METAL CHIP	56 0.50% 1/10W	R488	1-216-073-00	RES,CHIP	10K 5% 1/10W
R421	1-208-777-11	METAL CHIP	620 0.50% 1/10W	R489	1-216-073-00	RES,CHIP	10K 5% 1/10W
R422	1-216-049-91	RES,CHIP	1K 5% 1/10W	R490	1-216-073-00	RES,CHIP	10K 5% 1/10W
R423	1-216-025-91	RES,CHIP	100 5% 1/10W	R491	1-216-073-00	RES,CHIP	10K 5% 1/10W
R424	1-208-766-11	METAL CHIP	220 0.50% 1/10W	R492	1-216-073-00	RES,CHIP	10K 5% 1/10W
R425	1-216-295-91	SHORT	0	R493	1-216-073-00	RES,CHIP	10K 5% 1/10W
R426	1-216-295-91	SHORT	0	R494	1-216-073-00	RES,CHIP	10K 5% 1/10W
R428	1-216-295-91	SHORT	0	R495	1-216-073-00	RES,CHIP	10K 5% 1/10W
R429	1-208-765-11	METAL CHIP	200 0.50% 1/10W	R496	1-216-073-00	RES,CHIP	10K 5% 1/10W
R430	1-208-752-11	METAL CHIP	56 0.50% 1/10W	R497	1-216-073-00	RES,CHIP	10K 5% 1/10W
R431	1-216-295-91	SHORT	0	R498	1-216-073-00	RES,CHIP	10K 5% 1/10W
R433	1-208-755-11	METAL CHIP	75 0.50% 1/10W	R499	1-216-295-91	SHORT	0
R434	1-216-295-91	SHORT	0	R2301	1-216-065-91	RES,CHIP	4.7K 5% 1/10W
R437	1-216-295-91	SHORT	0	R2302	1-216-025-91	RES,CHIP	100 5% 1/10W
R438	1-208-768-11	METAL CHIP	270 0.50% 1/10W	R2303	1-208-766-11	METAL CHIP	220 0.50% 1/10W
R439	1-216-049-91	RES,CHIP	1K 5% 1/10W	R2304	1-216-057-00	RES,CHIP	2.2K 5% 1/10W
R440	1-208-752-11	METAL CHIP	56 0.50% 1/10W	R2305	1-208-766-11	METAL CHIP	220 0.50% 1/10W
R441	1-208-752-11	METAL CHIP	56 0.50% 1/10W	R2306	1-216-025-91	RES,CHIP	100 5% 1/10W



REF. NO.	PART NO.	DESCRIPTION	REMARK	REF. NO.	PART NO.	DESCRIPTION	REMARK
R2307	1-208-778-11	METAL CHIP	680 0.50% 1/10W	C018	1-126-204-11	ELECT CHIP	47µF 20% 16V
R2308	1-208-772-11	METAL CHIP	390 0.50% 1/10W	C019	1-163-038-91	CERAMIC CHIP	0.1µF 25V
R2309	1-216-025-91	RES,CHIP	100 5% 1/10W	C021	1-163-038-91	CERAMIC CHIP	0.1µF 25V
R2310	1-208-780-11	METAL CHIP	820 0.50% 1/10W	C022	1-163-038-91	CERAMIC CHIP	0.1µF 25V
R2311	1-216-057-00	RES,CHIP	2.2K 5% 1/10W	C023	1-163-038-91	CERAMIC CHIP	0.1µF 25V
R2312	1-208-780-11	METAL CHIP	820 0.50% 1/10W	C024	1-126-204-11	ELECT CHIP	47µF 20% 16V
R2314	1-208-788-11	METAL CHIP	1.8K 0.50% 1/10W	C025	1-163-038-91	CERAMIC CHIP	0.1µF 25V
R2315	1-216-025-91	RES,CHIP	100 5% 1/10W	C026	1-163-038-91	CERAMIC CHIP	0.1µF 25V
R2316	1-216-057-00	RES,CHIP	2.2K 5% 1/10W	C028	1-163-038-91	CERAMIC CHIP	0.1µF 25V
R2317	1-216-057-00	RES,CHIP	2.2K 5% 1/10W	C030	1-124-779-00	ELECT CHIP	10µF 20% 16V
R2318	1-216-025-91	RES,CHIP	100 5% 1/10W	C031	1-164-346-11	CERAMIC CHIP	1µF 16V
R2319	1-208-782-11	METAL CHIP	1K 0.50% 1/10W	C032	1-164-346-11	CERAMIC CHIP	1µF 16V
R2320	1-216-025-91	RES,CHIP	100 5% 1/10W	C034	1-163-038-91	CERAMIC CHIP	0.1µF 25V
R2321	1-208-782-11	METAL CHIP	1K 0.50% 1/10W	C035	1-163-038-91	CERAMIC CHIP	0.1µF 25V
R2322	1-208-782-11	METAL CHIP	1K 0.50% 1/10W	C036	1-126-204-11	ELECT CHIP	47µF 20% 16V
R2323	1-216-655-11	METAL CHIP	1.5K 0.50% 1/10W	C037	1-126-204-11	ELECT CHIP	47µF 20% 16V
R2325	1-216-025-91	RES,CHIP	100 5% 1/10W	C038	1-163-038-91	CERAMIC CHIP	0.1µF 25V
R2326	1-216-025-91	RES,CHIP	100 5% 1/10W	C039	1-163-038-91	CERAMIC CHIP	0.1µF 25V
R2327	1-216-057-00	RES,CHIP	2.2K 5% 1/10W	C040	1-126-204-11	ELECT CHIP	47µF 20% 16V
R2328	1-216-057-00	RES,CHIP	2.2K 5% 1/10W	C042	1-104-760-11	CERAMIC CHIP	0.047µF 10% 50V
R2329	1-208-782-11	METAL CHIP	1K 0.50% 1/10W	C043	1-163-235-11	CERAMIC CHIP	22pF 5% 50V
R2330	1-216-025-91	RES,CHIP	100 5% 1/10W	C044	1-163-235-11	CERAMIC CHIP	22pF 5% 50V
R2331	1-208-782-11	METAL CHIP	1K 0.50% 1/10W	C045	1-163-038-91	CERAMIC CHIP	0.1µF 25V
R2332	1-216-057-00	RES,CHIP	2.2K 5% 1/10W	C046	1-107-823-11	CERAMIC CHIP	0.47µF 10% 16V
R2333	1-208-810-11	METAL CHIP	15K 0.50% 1/10W	C047	1-163-038-91	CERAMIC CHIP	0.1µF 25V
R2334	1-208-804-11	METAL CHIP	8.2K 0.50% 1/10W	C050	1-126-206-11	ELECT CHIP	100µF 20% 6.3V
R2335	1-208-804-11	METAL CHIP	8.2K 0.50% 1/10W	C052	1-163-038-91	CERAMIC CHIP	0.1µF 25V
R2336	1-216-089-91	RES,CHIP	47K 5% 1/10W	C053	1-126-204-11	ELECT CHIP	47µF 20% 16V
R2337	1-216-089-91	RES,CHIP	47K 5% 1/10W	C054	1-163-038-91	CERAMIC CHIP	0.1µF 25V
R2338	1-208-808-11	METAL CHIP	12K 0.50% 1/10W	C055	1-163-038-91	CERAMIC CHIP	0.1µF 25V
R2339	1-216-089-91	RES,CHIP	47K 5% 1/10W	C056	1-126-204-11	ELECT CHIP	47µF 20% 16V
R2340	1-216-089-91	RES,CHIP	47K 5% 1/10W	C058	1-164-005-11	CERAMIC CHIP	0.47µF 16V
*****				C059	1-126-204-11	ELECT CHIP	47µF 20% 16V
* A-1131-470-A BM BOARD, COMPLETE				C060	1-163-233-11	CERAMIC CHIP	18pF 5% 50V
*****				C062	1-163-231-11	CERAMIC CHIP	15pF 5% 50V
<CAPACITOR>				C063	1-163-038-91	CERAMIC CHIP	0.1µF 25V
C001	1-163-038-91	CERAMIC CHIP	0.1µF 25V	C064	1-126-204-11	ELECT CHIP	47µF 20% 16V
C002	1-107-823-11	CERAMIC CHIP	0.47µF 10% 16V	C066	1-163-017-00	CERAMIC CHIP	0.0047µF 10% 50V
C003	1-104-760-11	CERAMIC CHIP	0.047µF 10% 50V	C067	1-164-005-11	CERAMIC CHIP	0.47µF 16V
C004	1-163-038-91	CERAMIC CHIP	0.1µF 25V	C068	1-163-038-91	CERAMIC CHIP	0.1µF 25V
C005	1-163-038-91	CERAMIC CHIP	0.1µF 25V	C069	1-163-038-91	CERAMIC CHIP	0.1µF 25V
C006	1-126-204-11	ELECT CHIP	47µF 20% 16V	C070	1-126-204-11	ELECT CHIP	47µF 20% 16V
C009	1-126-204-11	ELECT CHIP	47µF 20% 16V	C071	1-163-038-91	CERAMIC CHIP	0.1µF 25V
C010	1-163-038-91	CERAMIC CHIP	0.1µF 25V	C072	1-163-038-91	CERAMIC CHIP	0.1µF 25V
C011	1-163-038-91	CERAMIC CHIP	0.1µF 25V	C073	1-163-038-91	CERAMIC CHIP	0.1µF 25V
C012	1-163-038-91	CERAMIC CHIP	0.1µF 25V	C074	1-126-204-11	ELECT CHIP	47µF 20% 16V
C013	1-163-038-91	CERAMIC CHIP	0.1µF 25V	C075	1-164-161-11	CERAMIC CHIP	0.0022µF 10% 50V
C014	1-163-038-91	CERAMIC CHIP	0.1µF 25V	C076	1-163-038-91	CERAMIC CHIP	0.1µF 25V
C015	1-126-204-11	ELECT CHIP	47µF 20% 16V	C077	1-126-204-11	ELECT CHIP	47µF 20% 16V
C016	1-163-038-91	CERAMIC CHIP	0.1µF 25V	C078	1-107-823-11	CERAMIC CHIP	0.47µF 10% 16V
C017	1-163-038-91	CERAMIC CHIP	0.1µF 25V	C081	1-164-161-11	CERAMIC CHIP	0.0022µF 10% 50V
				C082	1-163-038-91	CERAMIC CHIP	0.1µF 25V
				C083	1-163-038-91	CERAMIC CHIP	0.1µF 25V
				C084	1-163-038-91	CERAMIC CHIP	0.1µF 25V
				C085	1-163-038-91	CERAMIC CHIP	0.1µF 25V
				C086	1-126-204-11	ELECT CHIP	47µF 20% 16V
				C087	1-163-251-11	CERAMIC CHIP	100pF 5% 50V



REF. NO.	PART NO.	DESCRIPTION		REMARK	REF. NO.	PART NO.	DESCRIPTION		REMARK		
C089	1-163-237-11	CERAMIC CHIP	27pF	5%	50V	C149	1-126-204-11	ELECT CHIP	47μF	20%	16V
C090	1-163-231-11	CERAMIC CHIP	15pF	5%	50V	C150	1-126-204-11	ELECT CHIP	47μF	20%	16V
C091	1-163-038-91	CERAMIC CHIP	0.1μF		25V	C151	1-163-038-91	CERAMIC CHIP	0.1μF		25V
C092	1-126-204-11	ELECT CHIP	47μF	20%	16V	C152	1-163-038-91	CERAMIC CHIP	0.1μF		25V
C093	1-163-038-91	CERAMIC CHIP	0.1μF		25V	C153	1-124-779-00	ELECT CHIP	10μF	20%	16V
C094	1-163-038-91	CERAMIC CHIP	0.1μF		25V	C154	1-163-038-91	CERAMIC CHIP	0.1μF		25V
C095	1-163-038-91	CERAMIC CHIP	0.1μF		25V	C155	1-163-038-91	CERAMIC CHIP	0.1μF		25V
C096	1-163-038-91	CERAMIC CHIP	0.1μF		25V	C156	1-124-779-00	ELECT CHIP	10μF	20%	16V
C097	1-163-038-91	CERAMIC CHIP	0.1μF		25V	C157	1-163-038-91	CERAMIC CHIP	0.1μF		25V
C098	1-126-204-11	ELECT CHIP	47μF	20%	16V	C158	1-126-204-11	ELECT CHIP	47μF	20%	16V
C100	1-163-038-91	CERAMIC CHIP	0.1μF		25V	C159	1-163-038-91	CERAMIC CHIP	0.1μF		25V
C101	1-163-038-91	CERAMIC CHIP	0.1μF		25V	C160	1-126-204-11	ELECT CHIP	47μF	20%	16V
C102	1-163-038-91	CERAMIC CHIP	0.1μF		25V	C161	1-163-038-91	CERAMIC CHIP	0.1μF		25V
C103	1-163-038-91	CERAMIC CHIP	0.1μF		25V			<CONNECTOR>			
C104	1-126-204-11	ELECT CHIP	47μF	20%	16V	CN001	1-573-301-21	CONNECTOR, BOARD TO BOARD	20P		
C105	1-163-038-91	CERAMIC CHIP	0.1μF		25V	CN002	1-573-301-21	CONNECTOR, BOARD TO BOARD	20P		
C106	1-126-204-11	ELECT CHIP	47μF	20%	16V			<DIODE>			
C107	1-163-038-91	CERAMIC CHIP	0.1μF		25V	D001	8-719-073-01	DIODE	MA111-(K8).S0		
C108	1-163-038-91	CERAMIC CHIP	0.1μF		25V	D002	8-719-073-01	DIODE	MA111-(K8).S0		
C109	1-163-038-91	CERAMIC CHIP	0.1μF		25V	D003	8-719-073-01	DIODE	MA111-(K8).S0		
C110	1-124-779-00	ELECT CHIP	10μF	20%	16V			<FILTER>			
C111	1-124-779-00	ELECT CHIP	10μF	20%	16V	FL001	1-233-505-21	FILTER, LOW PASS			
C112	1-163-038-91	CERAMIC CHIP	0.1μF		25V	FL002	1-233-504-21	FILTER, LOW PASS			
C113	1-163-038-91	CERAMIC CHIP	0.1μF		25V	FL003	1-233-504-21	FILTER, LOW PASS			
C114	1-163-038-91	CERAMIC CHIP	0.1μF		25V	FL007	1-233-505-21	FILTER, LOW PASS			
C115	1-163-038-91	CERAMIC CHIP	0.1μF		25V	FL008	1-233-945-21	FILTER, LOW PASS			
C116	1-126-204-11	ELECT CHIP	47μF	20%	16V	FL009	1-233-944-21	FILTER, LOW PASS			
C117	1-163-038-91	CERAMIC CHIP	0.1μF		25V	FL010	1-233-504-21	FILTER, LOW PASS			
C118	1-163-038-91	CERAMIC CHIP	0.1μF		25V	FL011	1-233-944-21	FILTER, LOW PASS			
C119	1-107-823-11	CERAMIC CHIP	0.47μF	10%	16V	FL012	1-233-504-21	FILTER, LOW PASS			
C120	1-104-760-11	CERAMIC CHIP	0.047μF	10%	50V			<IC>			
C121	1-163-038-91	CERAMIC CHIP	0.1μF		25V	IC001	8-759-467-22	IC	MSM548331TS-K		
C122	1-124-779-00	ELECT CHIP	10μF	20%	16V	IC002	8-759-295-09	IC	TLC2932IPW		
C123	1-163-038-91	CERAMIC CHIP	0.1μF		25V	IC003	8-752-388-98	IC	CXD2303AQ		
C124	1-126-204-11	ELECT CHIP	47μF	20%	16V	IC004	8-759-485-79	IC	TC7SET08FU(TE85L)		
C125	1-163-038-91	CERAMIC CHIP	0.1μF		25V	IC005	8-759-527-74	IC	M24C02-MN6T		
C126	1-163-038-91	CERAMIC CHIP	0.1μF		25V	IC006	8-759-352-91	IC	PST9143NL		
C127	1-126-204-11	ELECT CHIP	47μF	20%	16V	IC007	8-759-485-79	IC	TC7SET08FU(TE85L)		
C128	1-163-251-11	CERAMIC CHIP	100pF	5%	50V	IC008	8-759-295-09	IC	TLC2932IPW		
C129	1-126-204-11	ELECT CHIP	47μF	20%	16V	IC009	8-752-910-91	IC	CXP85840A-034Q		
C130	1-124-779-00	ELECT CHIP	10μF	20%	16V	IC010	8-752-392-55	IC	CXD2079Q		
C131	1-163-038-91	CERAMIC CHIP	0.1μF		25V	IC011	8-759-295-09	IC	TLC2932IPW		
C132	1-126-204-11	ELECT CHIP	47μF	20%	16V	IC012	8-759-485-79	IC	TC7SET08FU(TE85L)		
C133	1-163-038-91	CERAMIC CHIP	0.1μF		25V	IC013	8-759-467-22	IC	MSM548331TS-K		
C134	1-163-038-91	CERAMIC CHIP	0.1μF		25V	IC014	8-752-388-98	IC	CXD2303AQ		
C135	1-163-038-91	CERAMIC CHIP	0.1μF		25V			<COIL>			
C136	1-163-038-91	CERAMIC CHIP	0.1μF		25V	L001	1-414-234-22	INDUCTOR CHIP	0μH		
C137	1-163-038-91	CERAMIC CHIP	0.1μF		25V						
C138	1-163-038-91	CERAMIC CHIP	0.1μF		25V						
C141	1-124-779-00	ELECT CHIP	10μF	20%	16V						
C142	1-163-038-91	CERAMIC CHIP	0.1μF		25V						
C143	1-163-038-91	CERAMIC CHIP	0.1μF		25V						
C144	1-126-204-11	ELECT CHIP	47μF	20%	16V						
C145	1-163-038-91	CERAMIC CHIP	0.1μF		25V						
C146	1-163-038-91	CERAMIC CHIP	0.1μF		25V						
C147	1-163-038-91	CERAMIC CHIP	0.1μF		25V						
C148	1-163-038-91	CERAMIC CHIP	0.1μF		25V						



REF. NO.	PART NO.	DESCRIPTION	REMARK	REF. NO.	PART NO.	DESCRIPTION	REMARK	
L002	1-414-234-22	INDUCTOR CHIP	0μH	R009	1-216-049-91	RES,CHIP	1K 5% 1/10W	
L003	1-414-234-22	INDUCTOR CHIP	0μH	R010	1-216-295-91	SHORT	0	
L004	1-414-234-22	INDUCTOR CHIP	0μH	R012	1-208-794-11	METAL CHIP	3.3K 0.50% 1/10W	
L005	1-414-234-22	INDUCTOR CHIP	0μH	R013	1-216-041-00	RES,CHIP	470 5% 1/10W	
L006	1-414-234-22	INDUCTOR CHIP	0μH	R014	1-208-776-11	METAL CHIP	560 0.50% 1/10W	
L007	1-414-754-11	INDUCTOR	10μH	R016	1-216-013-00	RES,CHIP	33 5% 1/10W	
L008	1-414-754-11	INDUCTOR	10μH	R018	1-216-295-91	SHORT	0	
L009	1-414-754-11	INDUCTOR	10μH	R019	1-216-057-00	RES,CHIP	2.2K 5% 1/10W	
L010	1-414-234-22	INDUCTOR CHIP	0μH	R020	1-216-049-91	RES,CHIP	1K 5% 1/10W	
L011	1-414-754-11	INDUCTOR	10μH	R021	1-216-049-91	RES,CHIP	1K 5% 1/10W	
L012	1-414-754-11	INDUCTOR	10μH	R022	1-216-049-91	RES,CHIP	1K 5% 1/10W	
L013	1-414-234-22	INDUCTOR CHIP	0μH	R023	1-208-754-11	METAL CHIP	68 0.50% 1/10W	
L014	1-414-754-11	INDUCTOR	10μH	R024	1-208-776-11	METAL CHIP	560 0.50% 1/10W	
L015	1-414-234-22	INDUCTOR CHIP	0μH	R025	1-208-754-11	METAL CHIP	68 0.50% 1/10W	
L016	1-414-234-22	INDUCTOR CHIP	0μH	R026	1-216-057-00	RES,CHIP	2.2K 5% 1/10W	
L017	1-414-234-22	INDUCTOR CHIP	0μH	R027	1-208-754-11	METAL CHIP	68 0.50% 1/10W	
L018	1-414-234-22	INDUCTOR CHIP	0μH	R028	1-208-770-11	METAL CHIP	330 0.50% 1/10W	
L019	1-414-234-22	INDUCTOR CHIP	0μH	R029	1-208-800-11	METAL CHIP	5.6K 0.50% 1/10W	
L020	1-414-234-22	INDUCTOR CHIP	0μH	R030	1-216-049-91	RES,CHIP	1K 5% 1/10W	
L021	1-414-234-22	INDUCTOR CHIP	0μH	R032	1-216-057-00	RES,CHIP	2.2K 5% 1/10W	
L022	1-414-234-22	INDUCTOR CHIP	0μH	R033	1-208-776-11	METAL CHIP	560 0.50% 1/10W	
L023	1-414-234-22	INDUCTOR CHIP	0μH	R035	1-216-013-00	RES,CHIP	33 5% 1/10W	
L024	1-414-234-22	INDUCTOR CHIP	0μH	R036	1-216-013-00	RES,CHIP	33 5% 1/10W	
L025	1-414-234-22	INDUCTOR CHIP	0μH	R037	1-216-033-00	RES,CHIP	220 5% 1/10W	
L026	1-414-234-22	INDUCTOR CHIP	0μH	R038	1-208-754-11	METAL CHIP	68 0.50% 1/10W	
L027	1-414-234-22	INDUCTOR CHIP	0μH	R039	1-208-800-11	METAL CHIP	5.6K 0.50% 1/10W	
L028	1-414-234-22	INDUCTOR CHIP	0μH	R040	1-208-754-11	METAL CHIP	68 0.50% 1/10W	
<TRANSISTOR>				R042	1-216-049-91	RES,CHIP	1K 5% 1/10W	
Q001	8-729-422-27	TRANSISTOR	2SD601A-Q	R046	1-216-037-00	RES,CHIP	330 5% 1/10W	
Q002	8-729-216-22	TRANSISTOR	2SA1162-G	R048	1-216-025-91	RES,CHIP	100 5% 1/10W	
Q006	8-729-422-27	TRANSISTOR	2SD601A-Q	R050	1-216-049-91	RES,CHIP	1K 5% 1/10W	
Q007	8-729-216-22	TRANSISTOR	2SA1162-G	R052	1-208-754-11	METAL CHIP	68 0.50% 1/10W	
Q009	8-729-422-27	TRANSISTOR	2SD601A-Q	R059	1-216-295-91	SHORT	0	
Q010	8-729-216-22	TRANSISTOR	2SA1162-G	R060	1-208-754-11	METAL CHIP	68 0.50% 1/10W	
Q018	8-729-216-22	TRANSISTOR	2SA1162-G	R061	1-216-025-91	RES,CHIP	100 5% 1/10W	
Q019	8-729-422-27	TRANSISTOR	2SD601A-Q	R064	1-216-041-00	RES,CHIP	470 5% 1/10W	
Q020	8-729-216-22	TRANSISTOR	2SA1162-G	R065	1-216-025-91	RES,CHIP	100 5% 1/10W	
Q021	8-729-216-22	TRANSISTOR	2SA1162-G	R066	1-216-033-00	RES,CHIP	220 5% 1/10W	
Q022	8-729-216-22	TRANSISTOR	2SA1162-G	R067	1-216-033-00	RES,CHIP	220 5% 1/10W	
Q023	8-729-422-27	TRANSISTOR	2SD601A-Q	R070	1-216-033-00	RES,CHIP	220 5% 1/10W	
Q025	8-729-216-22	TRANSISTOR	2SA1162-G	R072	1-216-295-91	SHORT	0	
Q026	8-729-216-22	TRANSISTOR	2SA1162-G	R073	1-216-295-91	SHORT	0	
Q027	8-729-216-22	TRANSISTOR	2SA1162-G	R074	1-216-295-91	SHORT	0	
Q028	8-729-216-22	TRANSISTOR	2SA1162-G	R075	1-216-295-91	SHORT	0	
Q029	8-729-422-27	TRANSISTOR	2SD601A-Q	R076	1-216-295-91	SHORT	0	
Q030	8-729-216-22	TRANSISTOR	2SA1162-G	R077	1-216-295-91	SHORT	0	
Q031	8-729-422-27	TRANSISTOR	2SD601A-Q	R078	1-208-797-11	METAL CHIP	4.3K 0.50% 1/10W	
Q032	1-801-806-11	TRANSISTOR	DTC144EKA-T146	R079	1-216-025-91	RES,CHIP	100 5% 1/10W	
<RESISTOR>				R080	1-216-025-91	RES,CHIP	100 5% 1/10W	
R001	1-216-117-00	RES,CHIP	680K	5% 1/10W	R081	1-216-065-91	RES,CHIP	4.7K 5% 1/10W
R002	1-216-051-00	RES,CHIP	1.2K	5% 1/10W	R082	1-216-065-91	RES,CHIP	4.7K 5% 1/10W
R003	1-216-295-91	SHORT	0	R086	1-216-051-00	RES,CHIP	1.2K 5% 1/10W	
R007	1-216-041-00	RES,CHIP	470	5% 1/10W	R087	1-216-117-00	RES,CHIP	680K 5% 1/10W
R008	1-208-800-11	METAL CHIP	5.6K	0.50% 1/10W	R090	1-216-025-91	RES,CHIP	100 5% 1/10W
				R091	1-216-295-91	SHORT	0	
				R093	1-216-061-00	RES,CHIP	3.3K 5% 1/10W	
				R094	1-216-051-00	RES,CHIP	1.2K 5% 1/10W	

KP-53XBR300/61XBR300

RM-Y902

RM-Y902



REF. NO.	PART NO.	DESCRIPTION	REMARK	REF. NO.	PART NO.	DESCRIPTION	REMARK
R098	1-216-057-00	RES,CHIP	2.2K 5% 1/10W	R166	1-216-049-91	RES,CHIP	1K 5% 1/10W
R099	1-216-117-00	RES,CHIP	680K 5% 1/10W	R167	1-216-057-00	RES,CHIP	2.2K 5% 1/10W
R100	1-216-053-00	RES,CHIP	1.5K 5% 1/10W	R170	1-216-019-00	RES,CHIP	56 5% 1/10W
R101	1-216-295-91	SHORT	0	R171	1-216-121-91	RES,CHIP	1M 5% 1/10W
R102	1-216-041-00	RES,CHIP	470 5% 1/10W	R172	1-216-057-00	RES,CHIP	2.2K 5% 1/10W
R106	1-216-085-00	RES,CHIP	33K 5% 1/10W	R173	1-208-776-11	METAL CHIP	560 0.50% 1/10W
R107	1-216-295-91	SHORT	0	R175	1-216-049-91	RES,CHIP	1K 5% 1/10W
R108	1-216-017-91	RES,CHIP	47 5% 1/10W	R176	1-216-049-91	RES,CHIP	1K 5% 1/10W
R109	1-216-295-91	SHORT	0	R177	1-216-049-91	RES,CHIP	1K 5% 1/10W
R110	1-216-017-91	RES,CHIP	47 5% 1/10W	R178	1-216-025-91	RES,CHIP	100 5% 1/10W
R111	1-216-295-91	SHORT	0	R181	1-216-057-00	RES,CHIP	2.2K 5% 1/10W
R112	1-216-049-91	RES,CHIP	1K 5% 1/10W	R182	1-208-800-11	METAL CHIP	5.6K 0.50% 1/10W
R113	1-216-033-00	RES,CHIP	220 5% 1/10W	R183	1-216-049-91	RES,CHIP	1K 5% 1/10W
R118	1-216-025-91	RES,CHIP	100 5% 1/10W	R185	1-216-049-91	RES,CHIP	1K 5% 1/10W
R119	1-216-085-00	RES,CHIP	33K 5% 1/10W	R194	1-216-295-91	SHORT	0
R120	1-216-295-91	SHORT	0	R195	1-216-049-91	RES,CHIP	1K 5% 1/10W
R121	1-216-053-00	RES,CHIP	1.5K 5% 1/10W	R198	1-216-025-91	RES,CHIP	100 5% 1/10W
R122	1-216-061-00	RES,CHIP	3.3K 5% 1/10W	R200	1-208-754-11	METAL CHIP	68 0.50% 1/10W
R123	1-216-025-91	RES,CHIP	100 5% 1/10W	R201	1-216-033-00	RES,CHIP	220 5% 1/10W
R124	1-216-049-91	RES,CHIP	1K 5% 1/10W	R202	1-216-037-00	RES,CHIP	330 5% 1/10W
R125	1-208-762-11	METAL CHIP	150 0.50% 1/10W	R203	1-216-049-91	RES,CHIP	1K 5% 1/10W
R127	1-216-049-91	RES,CHIP	1K 5% 1/10W	R204	1-216-049-91	RES,CHIP	1K 5% 1/10W
R128	1-216-057-00	RES,CHIP	2.2K 5% 1/10W	R205	1-216-049-91	RES,CHIP	1K 5% 1/10W
R129	1-216-025-91	RES,CHIP	100 5% 1/10W	R206	1-208-754-11	METAL CHIP	68 0.50% 1/10W
R130	1-216-655-11	METAL CHIP	1.5K 0.50% 1/10W	R207	1-208-754-11	METAL CHIP	68 0.50% 1/10W
R131	1-216-033-00	RES,CHIP	220 5% 1/10W	R208	1-208-770-11	METAL CHIP	330 0.50% 1/10W
R132	1-216-025-91	RES,CHIP	100 5% 1/10W	R210	1-216-013-00	RES,CHIP	33 5% 1/10W
R133	1-216-025-91	RES,CHIP	100 5% 1/10W	R212	1-216-013-00	RES,CHIP	33 5% 1/10W
R134	1-216-057-00	RES,CHIP	2.2K 5% 1/10W	R214	1-216-041-00	RES,CHIP	470 5% 1/10W
R135	1-216-053-00	RES,CHIP	1.5K 5% 1/10W	R215	1-216-295-91	SHORT	0
R136	1-216-061-00	RES,CHIP	3.3K 5% 1/10W	R216	1-208-794-11	METAL CHIP	3.3K 0.50% 1/10W
R137	1-208-769-11	METAL CHIP	300 0.50% 1/10W	R217	1-216-051-00	RES,CHIP	1.2K 5% 1/10W
R138	1-208-770-11	METAL CHIP	330 0.50% 1/10W	R218	1-216-117-00	RES,CHIP	680K 5% 1/10W
R139	1-216-025-91	RES,CHIP	100 5% 1/10W	R219	1-216-013-00	RES,CHIP	33 5% 1/10W
R140	1-216-057-00	RES,CHIP	2.2K 5% 1/10W	R220	1-208-754-11	METAL CHIP	68 0.50% 1/10W
R141	1-216-117-00	RES,CHIP	680K 5% 1/10W	R221	1-208-754-11	METAL CHIP	68 0.50% 1/10W
R142	1-208-782-11	METAL CHIP	1K 0.50% 1/10W	R222	1-208-754-11	METAL CHIP	68 0.50% 1/10W
R143	1-216-049-91	RES,CHIP	1K 5% 1/10W	R223	1-208-754-11	METAL CHIP	68 0.50% 1/10W
R144	1-216-041-00	RES,CHIP	470 5% 1/10W	R226	1-216-295-91	SHORT	0
R145	1-216-085-00	RES,CHIP	33K 5% 1/10W	R227	1-216-295-91	SHORT	0
R146	1-208-800-11	METAL CHIP	5.6K 0.50% 1/10W	R228	1-216-295-91	SHORT	0
R147	1-216-049-91	RES,CHIP	1K 5% 1/10W	R229	1-216-295-91	SHORT	0
R148	1-208-769-11	METAL CHIP	300 0.50% 1/10W	R230	1-216-295-91	SHORT	0
R149	1-216-025-91	RES,CHIP	100 5% 1/10W	R231	1-216-295-91	SHORT	0
R150	1-208-762-11	METAL CHIP	150 0.50% 1/10W	R232	1-216-295-91	SHORT	0
R151	1-216-655-11	METAL CHIP	1.5K 0.50% 1/10W	R233	1-216-295-91	SHORT	0
R153	1-208-776-11	METAL CHIP	560 0.50% 1/10W	R234	1-216-295-91	SHORT	0
R154	1-216-025-91	RES,CHIP	100 5% 1/10W	R235	1-216-295-91	SHORT	0
R155	1-208-798-11	METAL CHIP	4.7K 0.50% 1/10W	R236	1-216-295-91	SHORT	0
R156	1-208-774-11	METAL CHIP	470 0.50% 1/10W	R237	1-216-295-91	SHORT	0
R157	1-216-057-00	RES,CHIP	2.2K 5% 1/10W	R238	1-216-295-91	SHORT	0
R159	1-216-057-00	RES,CHIP	2.2K 5% 1/10W	R239	1-216-295-91	SHORT	0
R160	1-208-776-11	METAL CHIP	560 0.50% 1/10W	R240	1-216-295-91	SHORT	0
R161	1-216-295-91	SHORT	0	R241	1-216-295-91	SHORT	0
R163	1-208-762-11	METAL CHIP	150 0.50% 1/10W	R242	1-216-295-91	SHORT	0
R164	1-216-655-11	METAL CHIP	1.5K 0.50% 1/10W	R243	1-216-295-91	SHORT	0
R165	1-208-800-11	METAL CHIP	5.6K 0.50% 1/10W				



REF. NO.	PART NO.	DESCRIPTION	REMARK	REF. NO.	PART NO.	DESCRIPTION	REMARK
R244	1-216-295-91	SHORT	0	C523	1-163-021-91	CERAMIC CHIP	0.01μF 10% 50V
R245	1-216-295-91	SHORT	0	C524	1-104-664-11	ELECT	47μF 20% 25V
R246	1-216-295-91	SHORT	0	C525	1-163-275-11	CERAMIC CHIP	0.001μF 5% 50V
R247	1-216-295-91	SHORT	0	C526	1-163-017-00	CERAMIC CHIP	0.0047μF 10% 50V
R248	1-216-295-91	SHORT	0	C527	1-126-933-11	ELECT	100μF 20% 16V
R249	1-216-295-91	SHORT	0	C528	1-126-916-11	ELECT	1000μF 20% 6.3V
R250	1-216-295-91	SHORT	0	C529	1-163-038-91	CERAMIC CHIP	0.1μF 25V
R251	1-216-295-91	SHORT	0	C530	1-163-038-91	CERAMIC CHIP	0.1μF 25V
R252	1-216-295-91	SHORT	0	C531	1-126-933-11	ELECT	100μF 20% 16V
R253	1-216-295-91	SHORT	0	C532	1-126-933-11	ELECT	100μF 20% 16V
R254	1-216-049-91	RES,CHIP	1K 5% 1/10W	C533	1-163-038-91	CERAMIC CHIP	0.1μF 25V
R257	1-216-295-91	SHORT	0	C534	1-163-038-91	CERAMIC CHIP	0.1μF 25V
R258	1-216-049-91	RES,CHIP	1K 5% 1/10W	C535	1-104-665-11	ELECT	100μF 20% 25V
R259	1-216-295-91	SHORT	0	C536	1-164-161-11	CERAMIC CHIP	0.0022μF 10% 50V
R260	1-216-295-91	SHORT	0	C537	1-104-664-11	ELECT	47μF 20% 25V
R261	1-216-295-91	SHORT	0	C538	1-126-964-11	ELECT	10μF 20% 50V
R262	1-216-295-91	SHORT	0	C539	1-163-038-91	CERAMIC CHIP	0.1μF 25V
R263	1-216-295-91	SHORT	0	C540	1-126-918-11	ELECT	4700μF 20% 6.3V
R273	1-216-033-00	RES,CHIP	220 5% 1/10W	C541	1-163-038-91	CERAMIC CHIP	0.1μF 25V
R274	1-216-065-91	RES,CHIP	4.7K 5% 1/10W	C542	1-163-038-91	CERAMIC CHIP	0.1μF 25V
<CRYSTAL>				C543	1-126-960-11	ELECT	1μF 20% 50V
X001	1-767-924-21	VIBRATOR, CRYSTAL		C544	1-163-243-11	CERAMIC CHIP	47pF 5% 50V
X002	1-767-654-21	VIBRATOR, CRYSTAL		C545	1-126-964-11	ELECT	10μF 20% 50V
*****				C546	1-163-145-00	CERAMIC CHIP	0.0015μF 5% 50V
* A-1298-973-A A BOARD, COMPLETE				C548	1-163-012-00	CERAMIC CHIP	0.0018μF 5% 50V
*****				C550	1-163-127-00	CERAMIC CHIP	270pF 5% 50V
4-382-854-11 SCREW(M3X10), P, SW (+)				C551	1-163-038-91	CERAMIC CHIP	0.1μF 25V
<CAPACITOR>				C552	1-126-934-11	ELECT	220μF 20% 16V
C501	1-126-933-11	ELECT	100μF 20% 16V	C553	1-126-960-11	ELECT	1μF 20% 50V
C502	1-163-038-91	CERAMIC CHIP	0.1μF 25V	C554	1-163-809-11	CERAMIC CHIP	0.047μF 10% 25V
C503	1-163-038-91	CERAMIC CHIP	0.1μF 25V	C555	1-163-259-91	CERAMIC CHIP	220pF 5% 50V
C504	1-104-665-11	ELECT	100μF 20% 25V	C557	1-126-960-11	ELECT	1μF 20% 50V
C505	1-163-031-11	CERAMIC CHIP	0.01μF 50V	C558	1-163-251-11	CERAMIC CHIP	100pF 5% 50V
C506	1-164-505-11	CERAMIC CHIP	2.2μF 16V	C559	1-126-963-11	ELECT	4.7μF 20% 50V
C507	1-126-933-11	ELECT	100μF 20% 16V	C560	1-163-038-91	CERAMIC CHIP	0.1μF 25V
C508	1-163-021-91	CERAMIC CHIP	0.01μF 10% 50V	C561	1-104-664-11	ELECT	47μF 20% 25V
C509	1-163-021-91	CERAMIC CHIP	0.01μF 10% 50V	C562	1-163-038-91	CERAMIC CHIP	0.1μF 25V
C510	1-126-916-11	ELECT	1000μF 20% 6.3V	C563	1-163-038-91	CERAMIC CHIP	0.1μF 25V
C511	1-163-038-91	CERAMIC CHIP	0.1μF 25V	C564	1-163-038-91	CERAMIC CHIP	0.1μF 25V
C512	1-163-038-91	CERAMIC CHIP	0.1μF 25V	C567	1-164-004-11	CERAMIC CHIP	0.1μF 10% 25V
C513	1-126-933-11	ELECT	100μF 20% 16V	C569	1-163-809-11	CERAMIC CHIP	0.047μF 10% 25V
C514	1-163-038-91	CERAMIC CHIP	0.1μF 25V	C570	1-163-259-91	CERAMIC CHIP	220pF 5% 50V
C515	1-104-664-11	ELECT	47μF 20% 25V	C571	1-163-251-11	CERAMIC CHIP	100pF 5% 50V
C516	1-104-664-11	ELECT	47μF 20% 25V	C572	1-163-038-91	CERAMIC CHIP	0.1μF 25V
C517	1-163-038-91	CERAMIC CHIP	0.1μF 25V	C574	1-126-960-11	ELECT	1μF 20% 50V
C518	1-126-933-11	ELECT	100μF 20% 16V	C575	1-109-982-11	CERAMIC CHIP	1μF 10% 10V
C519	1-163-038-91	CERAMIC CHIP	0.1μF 25V	C576	1-164-182-11	CERAMIC CHIP	0.0033μF 10% 50V
C520	1-126-964-11	ELECT	10μF 20% 50V	C577	1-163-038-91	CERAMIC CHIP	0.1μF 25V
C521	1-163-145-00	CERAMIC CHIP	0.0015μF 5% 50V	C580	1-164-182-11	CERAMIC CHIP	0.0033μF 10% 50V
C522	1-163-143-00	CERAMIC CHIP	0.0012μF 5% 50V	C581	1-163-038-91	CERAMIC CHIP	0.1μF 25V
				C582	1-164-161-11	CERAMIC CHIP	0.0022μF 10% 50V
				C583	1-107-823-11	CERAMIC CHIP	0.47μF 10% 16V
				C584	1-163-038-91	CERAMIC CHIP	0.1μF 25V
				C585	1-126-933-11	ELECT	100μF 20% 16V
				C586	1-163-038-91	CERAMIC CHIP	0.1μF 25V
				C587	1-104-664-11	ELECT	47μF 20% 25V
				C588	1-163-038-91	CERAMIC CHIP	0.1μF 25V





REF. NO.	PART NO.	DESCRIPTION	REMARK	REF. NO.	PART NO.	DESCRIPTION	REMARK
C589	1-163-038-91	CERAMIC CHIP 0.1μF	25V	C652	1-163-038-91	CERAMIC CHIP 0.1μF	25V
C590	1-163-038-91	CERAMIC CHIP 0.1μF	25V	C653	1-164-004-11	CERAMIC CHIP 0.1μF	10% 25V
C591	1-163-038-91	CERAMIC CHIP 0.1μF	25V	C654	1-164-004-11	CERAMIC CHIP 0.1μF	10% 25V
C592	1-104-664-11	ELECT 47μF	20% 25V	C655	1-164-004-11	CERAMIC CHIP 0.1μF	10% 25V
C593	1-126-963-11	ELECT 4.7μF	20% 50V	C656	1-126-964-11	ELECT 10μF	20% 50V
C595	1-163-038-91	CERAMIC CHIP 0.1μF	25V	C657	1-163-009-11	CERAMIC CHIP 0.001μF	10% 50V
C596	1-107-823-11	CERAMIC CHIP 0.47μF	10% 16V	C658	1-163-038-91	CERAMIC CHIP 0.1μF	25V
C598	1-164-004-11	CERAMIC CHIP 0.1μF	10% 25V	C659	1-104-664-11	ELECT 47μF	20% 25V
C599	1-164-004-11	CERAMIC CHIP 0.1μF	10% 25V	C660	1-163-009-11	CERAMIC CHIP 0.001μF	10% 50V
C600	1-164-004-11	CERAMIC CHIP 0.1μF	10% 25V	C661	1-164-004-11	CERAMIC CHIP 0.1μF	10% 25V
C601	1-164-489-11	CERAMIC CHIP 0.22μF	10% 16V	C662	1-126-965-11	ELECT 22μF	20% 50V
C602	1-163-021-91	CERAMIC CHIP 0.01μF	10% 50V	C663	1-126-965-11	ELECT 22μF	20% 50V
C603	1-163-021-91	CERAMIC CHIP 0.01μF	10% 50V	C664	1-104-664-11	ELECT 47μF	20% 25V
C604	1-163-021-91	CERAMIC CHIP 0.01μF	10% 50V	C665	1-104-664-11	ELECT 47μF	20% 25V
C605	1-163-021-91	CERAMIC CHIP 0.01μF	10% 50V	C666	1-165-319-11	CERAMIC CHIP 0.1μF	50V
C606	1-163-021-91	CERAMIC CHIP 0.01μF	10% 50V	C667	1-164-161-11	CERAMIC CHIP 0.0022μF	10% 50V
C607	1-163-021-91	CERAMIC CHIP 0.01μF	10% 50V	C668	1-163-038-91	CERAMIC CHIP 0.1μF	25V
C608	1-126-964-11	ELECT 10μF	20% 50V	C669	1-126-935-11	ELECT 470μF	20% 16V
C610	1-163-021-91	CERAMIC CHIP 0.01μF	10% 50V	C670	1-163-038-91	CERAMIC CHIP 0.1μF	25V
C611	1-115-339-11	CERAMIC CHIP 0.1μF	10% 50V	C671	1-104-664-11	ELECT 47μF	20% 25V
C612	1-104-664-11	ELECT 47μF	20% 25V	C672	1-163-038-91	CERAMIC CHIP 0.1μF	25V
C613	1-163-038-91	CERAMIC CHIP 0.1μF	25V	C673	1-126-965-11	ELECT 22μF	20% 50V
C614	1-164-161-11	CERAMIC CHIP 0.0022μF	10% 50V	C674	1-107-823-11	CERAMIC CHIP 0.47μF	10% 16V
C615	1-126-933-11	ELECT 100μF	20% 16V	C675	1-110-501-11	CERAMIC CHIP 0.33μF	10% 16V
C616	1-164-004-11	CERAMIC CHIP 0.1μF	10% 25V	C676	1-104-664-11	ELECT 47μF	20% 25V
C617	1-164-004-11	CERAMIC CHIP 0.1μF	10% 25V	C677	1-163-038-91	CERAMIC CHIP 0.1μF	25V
C618	1-163-038-91	CERAMIC CHIP 0.1μF	25V	C678	1-164-161-11	CERAMIC CHIP 0.0022μF	10% 50V
C619	1-164-004-11	CERAMIC CHIP 0.1μF	10% 25V	C679	1-107-823-11	CERAMIC CHIP 0.47μF	10% 16V
C621	1-164-004-11	CERAMIC CHIP 0.1μF	10% 25V	C680	1-163-251-11	CERAMIC CHIP 100pF	5% 50V
C622	1-164-004-11	CERAMIC CHIP 0.1μF	10% 25V	C681	1-163-251-11	CERAMIC CHIP 100pF	5% 50V
C623	1-163-038-91	CERAMIC CHIP 0.1μF	25V	C683	1-163-017-00	CERAMIC CHIP 0.0047μF	10% 50V
C624	1-104-664-11	ELECT 47μF	20% 25V	C685	1-126-960-11	ELECT 1μF	20% 50V
C625	1-163-038-91	CERAMIC CHIP 0.1μF	25V	C686	1-126-965-11	ELECT 22μF	20% 50V
C626	1-163-038-91	CERAMIC CHIP 0.1μF	25V	C687	1-126-960-11	ELECT 1μF	20% 50V
C627	1-163-038-91	CERAMIC CHIP 0.1μF	25V	C688	1-126-960-11	ELECT 1μF	20% 50V
C628	1-104-664-11	ELECT 47μF	20% 25V	C689	1-126-965-11	ELECT 22μF	20% 50V
C629	1-164-004-11	CERAMIC CHIP 0.1μF	10% 25V	C690	1-126-960-11	ELECT 1μF	20% 50V
C630	1-163-021-91	CERAMIC CHIP 0.01μF	10% 50V	C691	1-126-964-11	ELECT 10μF	20% 50V
C631	1-164-346-11	CERAMIC CHIP 1μF	16V	C692	1-126-964-11	ELECT 10μF	20% 50V
C632	1-109-982-11	CERAMIC CHIP 1μF	10% 10V	C693	1-107-823-11	CERAMIC CHIP 0.47μF	10% 16V
C636	1-163-263-11	CERAMIC CHIP 330pF	5% 50V	C694	1-107-823-11	CERAMIC CHIP 0.47μF	10% 16V
C637	1-163-038-91	CERAMIC CHIP 0.1μF	25V	C696	1-107-823-11	CERAMIC CHIP 0.47μF	10% 16V
C638	1-107-823-11	CERAMIC CHIP 0.47μF	10% 16V	C697	1-126-965-11	ELECT 22μF	20% 50V
C639	1-126-933-11	ELECT 100μF	20% 16V	C698	1-164-004-11	CERAMIC CHIP 0.1μF	10% 25V
C640	1-163-021-91	CERAMIC CHIP 0.01μF	10% 50V	C699	1-126-965-11	ELECT 22μF	20% 50V
C641	1-104-664-11	ELECT 47μF	20% 25V	C700	1-164-004-11	CERAMIC CHIP 0.1μF	10% 25V
C642	1-163-038-91	CERAMIC CHIP 0.1μF	25V	C701	1-126-965-11	ELECT 22μF	20% 50V
C643	1-163-259-91	CERAMIC CHIP 220pF	5% 50V	C702	1-164-004-11	CERAMIC CHIP 0.1μF	10% 25V
C644	1-164-161-11	CERAMIC CHIP 0.0022μF	10% 50V	C703	1-164-182-11	CERAMIC CHIP 0.0033μF	10% 50V
C645	1-126-965-11	ELECT 22μF	20% 50V	C704	1-163-038-91	CERAMIC CHIP 0.1μF	25V
C646	1-163-038-91	CERAMIC CHIP 0.1μF	25V	C705	1-164-182-11	CERAMIC CHIP 0.0033μF	10% 50V
C647	1-104-664-11	ELECT 47μF	20% 25V	C706	1-126-965-11	ELECT 22μF	20% 50V
C648	1-107-823-11	CERAMIC CHIP 0.47μF	10% 16V	C707	1-126-960-11	ELECT 1μF	20% 50V
C649	1-107-823-11	CERAMIC CHIP 0.47μF	10% 16V	C708	1-126-960-11	ELECT 1μF	20% 50V
C650	1-163-021-91	CERAMIC CHIP 0.01μF	10% 50V	C709	1-126-965-11	ELECT 22μF	20% 50V
C651	1-164-161-11	CERAMIC CHIP 0.0022μF	10% 50V	C710	1-126-960-11	ELECT 1μF	20% 50V
				C711	1-126-960-11	ELECT 1μF	20% 50V



REF. NO.	PART NO.	DESCRIPTION	REMARK	REF. NO.	PART NO.	DESCRIPTION	REMARK
C712	1-126-965-11	ELECT	22μF 20%	C1303	1-163-038-91	CERAMIC CHIP 0.1μF	25V
C713	1-126-960-11	ELECT	1μF 20%	C1305	1-165-319-11	CERAMIC CHIP 0.1μF	50V
C714	1-126-960-11	ELECT	1μF 20%	C1306	1-165-319-11	CERAMIC CHIP 0.1μF	50V
C716	1-126-960-11	ELECT	1μF 20%	C1307	1-163-251-11	CERAMIC CHIP 100pF	5% 50V
C717	1-126-960-11	ELECT	1μF 20%	C1308	1-117-720-11	CERAMIC CHIP 4.7μF	10V
C718	1-126-935-11	ELECT	470μF 20%	C1309	1-163-227-11	CERAMIC CHIP 10pF	0.5pF 50V
C771	1-126-965-11	ELECT	22μF 20%	C1310	1-163-227-11	CERAMIC CHIP 10pF	0.5pF 50V
C772	1-126-965-11	ELECT	22μF 20%	C1311	1-109-982-11	CERAMIC CHIP 1μF	10% 10V
C773	1-126-960-11	ELECT	1μF 20%	C1312	1-163-227-11	CERAMIC CHIP 10pF	0.5pF 50V
C774	1-126-960-11	ELECT	1μF 20%	C1313	1-163-038-91	CERAMIC CHIP 0.1μF	25V
C775	1-164-004-11	CERAMIC CHIP	0.1μF 10%	C1315	1-163-251-11	CERAMIC CHIP 100pF	5% 50V
C1001	1-163-038-91	CERAMIC CHIP	0.1μF	C1316	1-117-720-11	CERAMIC CHIP 4.7μF	10V
C1002	1-163-038-91	CERAMIC CHIP	0.1μF	C1317	1-163-038-91	CERAMIC CHIP 0.1μF	25V
C1003	1-104-664-11	ELECT	47μF 20%	C1321	1-163-017-00	CERAMIC CHIP 0.0047μF	10% 50V
C1005	1-104-664-11	ELECT	47μF 20%	C1323	1-107-823-11	CERAMIC CHIP 0.47μF	10% 16V
C1006	1-163-038-91	CERAMIC CHIP	0.1μF	C1325	1-163-251-11	CERAMIC CHIP 100pF	5% 50V
C1007	1-163-038-91	CERAMIC CHIP	0.1μF	C1326	1-164-004-11	CERAMIC CHIP 0.1μF	10% 25V
C1012	1-163-235-11	CERAMIC CHIP	22pF 5%	C1327	1-126-963-11	ELECT 4.7μF	20% 50V
C1013	1-163-038-91	CERAMIC CHIP	0.1μF	C1328	1-164-004-11	CERAMIC CHIP 0.1μF	10% 25V
C1014	1-163-235-11	CERAMIC CHIP	22pF 5%	C1329	1-164-004-11	CERAMIC CHIP 0.1μF	10% 25V
C1015	1-163-235-11	CERAMIC CHIP	22pF 5%	C1330	1-164-004-11	CERAMIC CHIP 0.1μF	10% 25V
C1016	1-163-038-91	CERAMIC CHIP	0.1μF	C1331	1-163-133-00	CERAMIC CHIP 470pF	5% 50V
C1017	1-163-038-91	CERAMIC CHIP	0.1μF	C1332	1-163-251-11	CERAMIC CHIP 100pF	5% 50V
C1019	1-164-489-11	CERAMIC CHIP	0.22μF 10%	C1334	1-164-004-11	CERAMIC CHIP 0.1μF	10% 25V
C1020	1-164-346-11	CERAMIC CHIP	1μF	C1335	1-164-004-11	CERAMIC CHIP 0.1μF	10% 25V
C1021	1-163-021-91	CERAMIC CHIP	0.01μF 10%	C1336	1-164-004-11	CERAMIC CHIP 0.1μF	10% 25V
C1022	1-163-038-91	CERAMIC CHIP	0.1μF	C1337	1-164-004-11	CERAMIC CHIP 0.1μF	10% 25V
C1023	1-126-935-11	ELECT	470μF 20%	C1338	1-164-004-11	CERAMIC CHIP 0.1μF	10% 25V
C1025	1-126-965-11	ELECT	22μF 20%	C1339	1-164-004-11	CERAMIC CHIP 0.1μF	10% 25V
C1026	1-163-809-11	CERAMIC CHIP	0.047μF 10%	C1340	1-126-960-11	ELECT 1μF	20% 50V
C1027	1-110-501-11	CERAMIC CHIP	0.33μF 10%	C1341	1-163-133-00	CERAMIC CHIP 470pF	5% 50V
C1029	1-164-346-11	CERAMIC CHIP	1μF	C1342	1-163-021-91	CERAMIC CHIP 0.01μF	10% 50V
C1030	1-109-982-11	CERAMIC CHIP	1μF 10%	C1343	1-107-823-11	CERAMIC CHIP 0.47μF	10% 16V
C1031	1-163-038-91	CERAMIC CHIP	0.1μF	C1344	1-104-664-11	ELECT 47μF	20% 25V
C1032	1-104-664-11	ELECT	47μF 20%	C1345	1-104-664-11	ELECT 47μF	20% 25V
C1033	1-126-964-11	ELECT	10μF 20%	C1346	1-104-664-11	ELECT 47μF	20% 25V
C1034	1-164-346-11	CERAMIC CHIP	1μF	C1347	1-104-664-11	ELECT 47μF	20% 25V
C1035	1-163-237-11	CERAMIC CHIP	27pF 5%	C1348	1-163-038-91	CERAMIC CHIP 0.1μF	25V
C1036	1-164-161-11	CERAMIC CHIP	0.0022μF 10%	C1349	1-163-231-11	CERAMIC CHIP 15pF	5% 50V
C1037	1-163-038-91	CERAMIC CHIP	0.1μF	C1351	1-126-934-11	ELECT 220μF	20% 16V
C1038	1-104-664-11	ELECT	47μF 20%	C1352	1-164-004-11	CERAMIC CHIP 0.1μF	10% 25V
C1039	1-164-346-11	CERAMIC CHIP	1μF	C1353	1-163-038-91	CERAMIC CHIP 0.1μF	25V
C1040	1-163-237-11	CERAMIC CHIP	27pF 5%	C1354	1-163-038-91	CERAMIC CHIP 0.1μF	25V
C1041	1-163-233-11	CERAMIC CHIP	18pF 5%	C1355	1-104-664-11	ELECT 47μF	20% 25V
C1042	1-163-233-11	CERAMIC CHIP	18pF 5%	C1357	1-126-934-11	ELECT 220μF	20% 16V
C1043	1-107-823-11	CERAMIC CHIP	0.47μF 10%	C1358	1-163-038-91	CERAMIC CHIP 0.1μF	25V
C1044	1-163-017-00	CERAMIC CHIP	0.0047μF 10%	C1359	1-104-664-11	ELECT 47μF	20% 25V
C1045	1-163-143-00	CERAMIC CHIP	0.0012μF 5%	C1363	1-163-038-91	CERAMIC CHIP 0.1μF	25V
C1046	1-163-038-91	CERAMIC CHIP	0.1μF	C1364	1-163-038-91	CERAMIC CHIP 0.1μF	25V
C1048	1-163-038-91	CERAMIC CHIP	0.1μF	C1376	1-163-038-91	CERAMIC CHIP 0.1μF	25V
C1049	1-104-664-11	ELECT	47μF 20%	C1380	1-109-982-11	CERAMIC CHIP 1μF	10% 10V
C1050	1-163-038-91	CERAMIC CHIP	0.1μF	C1381	1-163-251-11	CERAMIC CHIP 100pF	5% 50V
C1051	1-104-664-11	ELECT	47μF 20%	C1383	1-163-038-91	CERAMIC CHIP 0.1μF	25V
C1052	1-107-823-11	CERAMIC CHIP	0.47μF 10%	C1385	1-163-017-00	CERAMIC CHIP 0.0047μF	10% 50V
C1058	1-163-038-91	CERAMIC CHIP	0.1μF	C1389	1-163-251-11	CERAMIC CHIP 100pF	5% 50V
C1301	1-163-038-91	CERAMIC CHIP	0.1μF	C1392	1-164-004-11	CERAMIC CHIP 0.1μF	10% 25V
C1302	1-104-664-11	ELECT	47μF 20%				

KP-53XBR300/61XBR300

RM-Y902

RM-Y902



REF. NO.	PART NO.	DESCRIPTION	REMARK	REF. NO.	PART NO.	DESCRIPTION	REMARK
C1400	1-107-823-11	CERAMIC CHIP	0.47μF 10% 16V	C1614	1-163-038-91	CERAMIC CHIP	0.1μF 25V
C1401	1-126-963-11	ELECT	4.7μF 20% 50V	C1615	1-107-823-11	CERAMIC CHIP	0.47μF 10% 16V
C1402	1-164-004-11	CERAMIC CHIP	0.1μF 10% 25V	C1617	1-163-038-91	CERAMIC CHIP	0.1μF 25V
C1403	1-163-135-00	CERAMIC CHIP	560pF 5% 50V	C1619	1-107-823-11	CERAMIC CHIP	0.47μF 10% 16V
C1405	1-164-004-11	CERAMIC CHIP	0.1μF 10% 25V	C1621	1-163-038-91	CERAMIC CHIP	0.1μF 25V
C1406	1-163-021-91	CERAMIC CHIP	0.01μF 10% 50V	C1623	1-107-823-11	CERAMIC CHIP	0.47μF 10% 16V
C1407	1-164-344-11	CERAMIC CHIP	0.068μF 10% 25V	C1624	1-107-823-11	CERAMIC CHIP	0.47μF 10% 16V
C1408	1-163-019-00	CERAMIC CHIP	0.0068μF 10% 50V	C1626	1-163-038-91	CERAMIC CHIP	0.1μF 25V
C1409	1-163-038-91	CERAMIC CHIP	0.1μF 25V	C1628	1-107-823-11	CERAMIC CHIP	0.47μF 10% 16V
C1410	1-163-133-00	CERAMIC CHIP	470pF 5% 50V	C1629	1-107-823-11	CERAMIC CHIP	0.47μF 10% 16V
C1411	1-163-038-91	CERAMIC CHIP	0.1μF 25V	C1631	1-163-038-91	CERAMIC CHIP	0.1μF 25V
C1412	1-163-259-91	CERAMIC CHIP	220pF 5% 50V	C1633	1-107-823-11	CERAMIC CHIP	0.47μF 10% 16V
C1413	1-126-960-11	ELECT	1μF 20% 50V	C1634	1-107-823-11	CERAMIC CHIP	0.47μF 10% 16V
C1414	1-107-823-11	CERAMIC CHIP	0.47μF 10% 16V	C1640	1-163-038-91	CERAMIC CHIP	0.1μF 25V
C1415	1-163-038-91	CERAMIC CHIP	0.1μF 25V	C1641	1-163-038-91	CERAMIC CHIP	0.1μF 25V
C1417	1-163-038-91	CERAMIC CHIP	0.1μF 25V	C1642	1-163-038-91	CERAMIC CHIP	0.1μF 25V
C1418	1-104-664-11	ELECT	47μF 20% 25V	C1643	1-163-038-91	CERAMIC CHIP	0.1μF 25V
C1419	1-163-038-91	CERAMIC CHIP	0.1μF 25V	C1644	1-163-038-91	CERAMIC CHIP	0.1μF 25V
C1420	1-104-664-11	ELECT	47μF 20% 25V	C1646	1-104-664-11	ELECT	47μF 20% 25V
C1421	1-163-038-91	CERAMIC CHIP	0.1μF 25V	C1647	1-109-982-11	CERAMIC CHIP	1μF 10% 10V
C1422	1-163-231-11	CERAMIC CHIP	15pF 5% 50V	C1648	1-163-275-11	CERAMIC CHIP	0.001μF 5% 50V
C1423	1-163-038-91	CERAMIC CHIP	0.1μF 25V	C1649	1-115-185-11	CERAMIC CHIP	0.033μF 10% 50V
C1424	1-163-038-91	CERAMIC CHIP	0.1μF 25V	C1650	1-163-275-11	CERAMIC CHIP	0.001μF 5% 50V
C1425	1-104-664-11	ELECT	47μF 20% 25V	C1651	1-109-982-11	CERAMIC CHIP	1μF 10% 10V
C1426	1-117-720-11	CERAMIC CHIP	4.7μF 10V				
C1428	1-126-934-11	ELECT	220μF 20% 16V			<FILTERBLOCK>	
C1431	1-164-004-11	CERAMIC CHIP	0.1μF 10% 25V				
C1432	1-163-038-91	CERAMIC CHIP	0.1μF 25V	CM501	1-467-554-21	FILTER BLOCK, COMB	
C1433	1-163-038-91	CERAMIC CHIP	0.1μF 25V			<CONNECTOR>	
C1455	1-164-004-11	CERAMIC CHIP	0.1μF 10% 25V	CN501	* 1-564-506-11	PLUG, CONNECTOR 3P	
C1456	1-164-004-11	CERAMIC CHIP	0.1μF 10% 25V	CN502	* 1-564-506-11	PLUG, CONNECTOR 3P	
C1457	1-164-004-11	CERAMIC CHIP	0.1μF 10% 25V	CN503	* 1-564-511-11	PLUG, CONNECTOR 8P	
C1462	1-164-004-11	CERAMIC CHIP	0.1μF 10% 25V	CN504	* 1-564-512-11	PLUG, CONNECTOR 9P	
C1463	1-164-004-11	CERAMIC CHIP	0.1μF 10% 25V	CN505	* 1-564-510-11	PLUG, CONNECTOR 7P	
C1464	1-164-004-11	CERAMIC CHIP	0.1μF 10% 25V	CN506	* 1-779-892-11	CONNECTOR, BOARD TO BOARD 10P	
C1465	1-164-004-11	CERAMIC CHIP	0.1μF 10% 25V	CN507	1-695-915-11	TAB (CONTACT)	
C1466	1-164-004-11	CERAMIC CHIP	0.1μF 10% 25V	CN508	* 1-564-507-11	PLUG, CONNECTOR 4P	
C1467	1-164-004-11	CERAMIC CHIP	0.1μF 10% 25V	CN509	* 1-779-892-11	CONNECTOR, BOARD TO BOARD 10P	
C1470	1-104-664-11	ELECT	47μF 20% 25V	CN510	* 1-564-510-11	PLUG, CONNECTOR 7P	
C1471	1-104-664-11	ELECT	47μF 20% 25V	CN511	1-573-298-21	CONNECTOR, BOARD TO BOARD 20P	
C1472	1-104-664-11	ELECT	47μF 20% 25V	CN512	* 1-564-513-11	PLUG, CONNECTOR 10P	
C1481	1-109-982-11	CERAMIC CHIP	1μF 10% 10V	CN513	1-573-298-21	CONNECTOR, BOARD TO BOARD 20P	
C1482	1-104-664-11	ELECT	47μF 20% 25V	CN514	* 1-564-509-11	PLUG, CONNECTOR 6P	
C1483	1-104-664-11	ELECT	47μF 20% 25V	CN515	1-764-334-11	PLUG, CONNECTOR 11P	
C1484	1-126-934-11	ELECT	220μF 20% 16V	CN516	1-573-978-21	CONNECTOR, BOARD TO BOARD 11P	
C1485	1-163-038-91	CERAMIC CHIP	0.1μF 25V	CN517	* 1-779-892-11	CONNECTOR, BOARD TO BOARD 10P	
C1601	1-163-038-91	CERAMIC CHIP	0.1μF 25V	CN518	1-573-298-21	CONNECTOR, BOARD TO BOARD 20P	
C1602	1-163-016-00	CERAMIC CHIP	0.0039μF 10% 50V	CN519	* 1-779-892-11	CONNECTOR, BOARD TO BOARD 10P	
C1603	1-163-016-00	CERAMIC CHIP	0.0039μF 10% 50V	CN520	* 1-691-616-21	CONNECTOR, BOARD TO BOARD 15P	
C1604	1-163-016-00	CERAMIC CHIP	0.0039μF 10% 50V	CN521	1-573-979-21	CONNECTOR, BOARD TO BOARD 11P	
C1605	1-163-016-00	CERAMIC CHIP	0.0039μF 10% 50V	CN522	1-573-298-21	CONNECTOR, BOARD TO BOARD 20P	
C1606	1-165-319-11	CERAMIC CHIP	0.1μF 50V	CN523	1-573-298-21	CONNECTOR, BOARD TO BOARD 20P	
C1608	1-163-016-00	CERAMIC CHIP	0.0039μF 10% 50V	CN524	* 1-564-509-11	PLUG, CONNECTOR 6P	
C1609	1-163-016-00	CERAMIC CHIP	0.0039μF 10% 50V	CN525	* 1-564-511-11	PLUG, CONNECTOR 8P	
C1610	1-163-038-91	CERAMIC CHIP	0.1μF 25V				
C1611	1-163-016-00	CERAMIC CHIP	0.0039μF 10% 50V				
C1612	1-163-016-00	CERAMIC CHIP	0.0039μF 10% 50V				
C1613	1-163-038-91	CERAMIC CHIP	0.1μF 25V				



REF. NO.	PART NO.	DESCRIPTION	REMARK	REF. NO.	PART NO.	DESCRIPTION	REMARK
CN526	* 1-564-510-11	PLUG, CONNECTOR 7P		D559	8-719-977-28	DIODE DTZ10B	
		<DIODE>		D560	8-719-977-28	DIODE DTZ10B	
D501	8-719-073-01	DIODE MA111-(K8).S0		D1001	8-719-073-01	DIODE MA111-(K8).S0	
D502	8-719-158-15	DIODE RD5.6SB		D1002	8-719-073-01	DIODE MA111-(K8).S0	
D503	8-719-073-01	DIODE MA111-(K8).S0		D1003	8-719-073-01	DIODE MA111-(K8).S0	
D504	8-719-073-01	DIODE MA111-(K8).S0		D1005	8-719-073-01	DIODE MA111-(K8).S0	
D505	8-719-073-01	DIODE MA111-(K8).S0		D1006	8-719-073-01	DIODE MA111-(K8).S0	
D506	8-719-056-84	DIODE UDZ-TE-17-7.5B		D1007	8-719-073-01	DIODE MA111-(K8).S0	
D508	8-719-073-01	DIODE MA111-(K8).S0		D1008	8-719-073-01	DIODE MA111-(K8).S0	
D509	8-719-056-84	DIODE UDZ-TE-17-7.5B		D1009	8-719-073-01	DIODE MA111-(K8).S0	
D511	8-719-073-01	DIODE MA111-(K8).S0		D1601	8-719-976-99	DIODE DTZ5.1B	
D512	8-719-073-01	DIODE MA111-(K8).S0		D1602	8-719-976-99	DIODE DTZ5.1B	
D513	8-719-073-01	DIODE MA111-(K8).S0		D1603	8-719-976-99	DIODE DTZ5.1B	
D514	8-719-073-01	DIODE MA111-(K8).S0		D1604	8-719-976-99	DIODE DTZ5.1B	
D515	8-719-158-15	DIODE RD5.6SB		D1605	8-719-976-99	DIODE DTZ5.1B	
D516	8-719-158-15	DIODE RD5.6SB		D1614	8-719-976-99	DIODE DTZ5.1B	
D517	8-719-158-15	DIODE RD5.6SB		D1615	8-719-976-99	DIODE DTZ5.1B	
D518	8-719-073-01	DIODE MA111-(K8).S0		D1616	8-719-976-99	DIODE DTZ5.1B	
D519	8-719-977-28	DIODE DTZ10B		D1618	8-719-073-01	DIODE MA111-(K8).S0	
D520	8-719-977-28	DIODE DTZ10B		D1620	8-719-073-01	DIODE MA111-(K8).S0	
D521	8-719-073-01	DIODE MA111-(K8).S0		D1623	8-719-073-01	DIODE MA111-(K8).S0	
D522	8-719-977-28	DIODE DTZ10B		D1625	8-719-073-01	DIODE MA111-(K8).S0	
D523	8-719-073-01	DIODE MA111-(K8).S0		D1626	8-719-073-01	DIODE MA111-(K8).S0	
D524	8-719-977-28	DIODE DTZ10B		D1628	8-719-073-01	DIODE MA111-(K8).S0	
D525	8-719-977-28	DIODE DTZ10B		D1630	8-719-073-01	DIODE MA111-(K8).S0	
D526	8-719-977-28	DIODE DTZ10B		D1632	8-719-073-01	DIODE MA111-(K8).S0	
D527	8-719-977-28	DIODE DTZ10B		D1634	8-719-073-01	DIODE MA111-(K8).S0	
D528	8-719-977-28	DIODE DTZ10B				<FILTER>	
D529	8-719-977-28	DIODE DTZ10B		FL501	1-233-736-21	FILTER, EMI	
D530	8-719-073-01	DIODE MA111-(K8).S0		FL502	1-233-736-21	FILTER, EMI	
D531	8-719-073-01	DIODE MA111-(K8).S0		FL503	1-233-736-21	FILTER, EMI	
D532	8-719-977-28	DIODE DTZ10B				<IC>	
D533	8-719-977-28	DIODE DTZ10B		IC501	8-759-701-79	IC NJM7812FA	
D534	8-719-977-28	DIODE DTZ10B		IC503	8-759-144-82	IC μPC2405HF	
D535	8-719-977-28	DIODE DTZ10B		IC504	8-759-513-71	IC PQ05RF21	
D536	8-719-073-01	DIODE MA111-(K8).S0		IC505	8-759-198-03	IC PQ09RF21	
D537	8-719-977-28	DIODE DTZ10B		IC506	8-759-520-49	IC PQ30RV21	
D538	8-719-977-28	DIODE DTZ10B		IC507	8-759-083-85	IC LA7856A	
D539	8-719-977-28	DIODE DTZ10B		IC508	8-759-032-23	IC MC74HC74AF	
D540	8-719-977-28	DIODE DTZ10B		IC509	8-759-011-64	IC MC74HC4052F	
D541	8-719-977-28	DIODE DTZ10B		IC510	8-759-988-13	IC LM393PS	
D542	8-719-977-28	DIODE DTZ10B		IC511	8-752-086-33	IC CXA2101AQ-TL	
D543	8-719-977-28	DIODE DTZ10B		IC512	8-752-379-93	IC CXD2018AQ-T6	
D544	8-719-977-28	DIODE DTZ10B		IC513	8-759-485-79	IC TC7SET08FU(TE85L)	
D545	8-719-977-28	DIODE DTZ10B		IC514	8-759-998-98	IC LM358D	
D546	8-719-977-28	DIODE DTZ10B		IC515	8-752-082-87	IC CXA1845Q-TL	
D547	8-719-977-28	DIODE DTZ10B		IC516	8-759-082-58	IC TC7W08FU	
D548	8-719-073-01	DIODE MA111-(K8).S0		IC517	8-759-239-34	IC TC74HC4538AF	
D550	8-719-977-28	DIODE DTZ10B		IC518	8-759-998-98	IC LM358D	
D551	8-719-977-28	DIODE DTZ10B		IC519	8-759-239-34	IC TC74HC4538AF	
D552	8-719-977-28	DIODE DTZ10B		IC1001	8-759-575-89	IC LH5317VP	
D555	8-719-977-28	DIODE DTZ10B		IC1002	8-759-927-72	IC TL1591CP	
D556	8-719-977-28	DIODE DTZ10B		IC1003	8-759-925-75	IC SN74HC05ANS	
D557	8-719-977-28	DIODE DTZ10B					
D558	8-719-977-81	DIODE DTZ33B					

# KP-53XBR300/61XBR300

RM-Y902

RM-Y902



REF. NO.	PART NO.	DESCRIPTION	REMARK	REF. NO.	PART NO.	DESCRIPTION	REMARK
IC1004	8-759-575-90	IC MB90091A-150		L1006	1-469-555-21	INDUCTOR 10μH	
IC1005	8-759-352-91	IC PST9143NL		L1008	1-469-555-21	INDUCTOR 10μH	
IC1007	8-759-527-76	IC M24C08-MN6T		L1009	1-414-234-22	INDUCTOR CHIP 0μH	
IC1008	8-752-910-89	IC CXP85856A-033Q		L1301	1-414-234-22	INDUCTOR CHIP 0μH	
IC1009	8-752-910-90	IC CXP85460-225Q		L1302	1-414-234-22	INDUCTOR CHIP 0μH	
IC1010	8-759-352-91	IC PST9143NL		L1304	1-414-234-22	INDUCTOR CHIP 0μH	
IC1301	8-752-086-80	IC CXA2019AQ-T4		L1306	1-469-555-21	INDUCTOR 10μH	
IC1302	8-752-082-49	IC CXA2119M		L1307	1-469-555-21	INDUCTOR 10μH	
IC1303	8-759-353-02	IC NJM2533M(TE2)		L1308	1-469-555-21	INDUCTOR 10μH	
IC1305	8-752-086-80	IC CXA2019AQ-T4		L1314	1-414-234-22	INDUCTOR CHIP 0μH	
IC1307	8-752-082-49	IC CXA2119M		L1319	1-469-555-21	INDUCTOR 10μH	
IC1401	8-759-575-50	IC Z8613012SSC		L1320	1-469-555-21	INDUCTOR 10μH	
IC1402	8-759-082-58	IC TC7W08FU		L1329	1-469-555-21	INDUCTOR 10μH	
IC1403	8-759-009-07	IC MC14053BF		L1401	1-414-234-22	INDUCTOR CHIP 0μH	
IC1601	8-759-394-80	IC NJM2058M-TE2		L1402	1-414-234-22	INDUCTOR CHIP 0μH	
IC1603	8-759-009-07	IC MC14053BF		L1403	1-414-234-22	INDUCTOR CHIP 0μH	
IC1604	8-759-394-80	IC NJM2058M-TE2		L1404	1-469-555-21	INDUCTOR 10μH	
IC1605	8-759-394-80	IC NJM2058M-TE2		L1405	1-414-234-22	INDUCTOR CHIP 0μH	
IC1606	8-759-394-80	IC NJM2058M-TE2					
IC1608	8-759-232-74	IC TC74HC163AF				<TRANSISTOR>	
IC1609	8-759-232-74	IC TC74HC163AF					
IC1623	8-759-082-57	IC TC7W04FU		Q501	8-729-216-22	TRANSISTOR 2SA1162-G	
IC1624	8-759-082-58	IC TC7W08FU		Q502	8-729-422-27	TRANSISTOR 2SD601A-Q	
		<JACK>		Q503	8-729-422-27	TRANSISTOR 2SD601A-Q	
J502	1-774-749-11	JACK BLOCK, PIN (SELECT OUT)		Q504	8-729-422-27	TRANSISTOR 2SD601A-Q	
J505	1-774-751-11	TERMINAL BLOCK, S (VIDEO 1)		Q505	8-729-422-27	TRANSISTOR 2SD601A-Q	
J506	1-774-751-11	TERMINAL BLOCK, S (VIDEO 3)		Q506	8-729-422-27	TRANSISTOR 2SD601A-Q	
J507	1-774-751-11	TERMINAL BLOCK, S (VIDEO 4)		Q507	8-729-216-22	TRANSISTOR 2SA1162-G	
J508	1-774-750-11	JACK BLOCK, PIN (VIDEO 5(DTV))		Q508	8-729-422-27	TRANSISTOR 2SD601A-Q	
		<COIL>		Q509	8-729-422-27	TRANSISTOR 2SD601A-Q	
L501	1-414-856-11	INDUCTOR 10μH		Q510	8-729-122-63	TRANSISTOR 2SA1226-E4	
L502	1-414-856-11	INDUCTOR 10μH		Q511	8-729-216-22	TRANSISTOR 2SA1162-G	
L503	1-414-856-11	INDUCTOR 10μH		Q512	8-729-216-22	TRANSISTOR 2SA1162-G	
L504	1-414-856-11	INDUCTOR 10μH		Q513	8-729-216-22	TRANSISTOR 2SA1162-G	
L505	1-414-856-11	INDUCTOR 10μH		Q514	8-729-422-27	TRANSISTOR 2SD601A-Q	
L506	1-414-856-11	INDUCTOR 10μH		Q515	8-729-216-22	TRANSISTOR 2SA1162-G	
L507	1-414-856-11	INDUCTOR 10μH		Q516	8-729-122-63	TRANSISTOR 2SA1226-E4	
L508	1-414-856-11	INDUCTOR 10μH		Q517	8-729-216-22	TRANSISTOR 2SA1162-G	
L509	1-414-856-11	INDUCTOR 10μH		Q518	8-729-216-22	TRANSISTOR 2SA1162-G	
L510	1-414-856-11	INDUCTOR 10μH		Q519	8-729-216-22	TRANSISTOR 2SA1162-G	
L511	1-414-856-11	INDUCTOR 10μH		Q520	8-729-422-27	TRANSISTOR 2SD601A-Q	
L512	1-414-856-11	INDUCTOR 10μH		Q521	8-729-216-22	TRANSISTOR 2SA1162-G	
L513	1-414-234-22	INDUCTOR CHIP 0μH		Q522	8-729-027-38	TRANSISTOR DTA144EKA-T146	
L514	1-414-856-11	INDUCTOR 10μH		Q523	8-729-216-22	TRANSISTOR 2SA1162-G	
L515	1-414-856-11	INDUCTOR 10μH		Q524	8-729-122-63	TRANSISTOR 2SA1226-E4	
L517	1-414-234-22	INDUCTOR CHIP 0μH		Q525	8-729-422-27	TRANSISTOR 2SD601A-Q	
L518	1-414-234-22	INDUCTOR CHIP 0μH		Q526	8-729-422-27	TRANSISTOR 2SD601A-Q	
L519	1-414-234-22	INDUCTOR CHIP 0μH		Q527	8-729-422-27	TRANSISTOR 2SD601A-Q	
L520	1-414-234-22	INDUCTOR CHIP 0μH		Q528	8-729-422-27	TRANSISTOR 2SD601A-Q	
L523	1-414-856-11	INDUCTOR 10μH		Q530	8-729-422-27	TRANSISTOR 2SD601A-Q	
L1001	1-414-234-22	INDUCTOR CHIP 0μH		Q531	8-729-422-27	TRANSISTOR 2SD601A-Q	
L1002	1-414-234-22	INDUCTOR CHIP 0μH		Q532	8-729-422-27	TRANSISTOR 2SD601A-Q	
L1004	1-469-555-21	INDUCTOR 10μH		Q533	8-729-216-22	TRANSISTOR 2SA1162-G	
L1005	1-469-555-21	INDUCTOR 10μH		Q535	8-729-422-27	TRANSISTOR 2SD601A-Q	
				Q536	8-729-422-27	TRANSISTOR 2SD601A-Q	
				Q537	8-729-422-27	TRANSISTOR 2SD601A-Q	



REF. NO.	PART NO.	DESCRIPTION	REMARK	REF. NO.	PART NO.	DESCRIPTION	REMARK
Q538	8-729-216-22	TRANSISTOR	2SA1162-G	Q1324	8-729-422-27	TRANSISTOR	2SD601A-Q
Q539	8-729-216-22	TRANSISTOR	2SA1162-G	Q1325	8-729-422-27	TRANSISTOR	2SD601A-Q
Q540	8-729-216-22	TRANSISTOR	2SA1162-G	Q1326	8-729-422-27	TRANSISTOR	2SD601A-Q
Q541	8-729-027-38	TRANSISTOR	DTA144EKA-T146				
Q542	8-729-216-22	TRANSISTOR	2SA1162-G	Q1327	8-729-422-27	TRANSISTOR	2SD601A-Q
				Q1328	8-729-422-27	TRANSISTOR	2SD601A-Q
Q543	8-729-422-27	TRANSISTOR	2SD601A-Q	Q1329	8-729-422-27	TRANSISTOR	2SD601A-Q
Q544	8-729-422-27	TRANSISTOR	2SD601A-Q	Q1330	8-729-422-27	TRANSISTOR	2SD601A-Q
Q545	1-801-806-11	TRANSISTOR	DTC144EKA-T146	Q1331	8-729-216-22	TRANSISTOR	2SA1162-G
Q546	8-729-422-27	TRANSISTOR	2SD601A-Q				
Q547	8-729-216-22	TRANSISTOR	2SA1162-G	Q1332	8-729-216-22	TRANSISTOR	2SA1162-G
				Q1333	8-729-422-27	TRANSISTOR	2SD601A-Q
Q548	8-729-422-27	TRANSISTOR	2SD601A-Q	Q1335	8-729-422-27	TRANSISTOR	2SD601A-Q
Q549	8-729-027-38	TRANSISTOR	DTA144EKA-T146	Q1336	8-729-422-27	TRANSISTOR	2SD601A-Q
Q550	1-801-806-11	TRANSISTOR	DTC144EKA-T146	Q1338	8-729-216-22	TRANSISTOR	2SA1162-G
Q551	1-801-806-11	TRANSISTOR	DTC144EKA-T146				
Q552	8-729-422-27	TRANSISTOR	2SD601A-Q	Q1343	8-729-216-22	TRANSISTOR	2SA1162-G
				Q1366	8-729-422-27	TRANSISTOR	2SD601A-Q
Q553	8-729-216-22	TRANSISTOR	2SA1162-G	Q1367	8-729-216-22	TRANSISTOR	2SA1162-G
Q554	1-801-806-11	TRANSISTOR	DTC144EKA-T146	Q1402	8-729-422-27	TRANSISTOR	2SD601A-Q
Q560	8-729-422-27	TRANSISTOR	2SD601A-Q	Q1403	8-729-422-27	TRANSISTOR	2SD601A-Q
Q561	8-729-422-27	TRANSISTOR	2SD601A-Q				
Q562	8-729-422-27	TRANSISTOR	2SD601A-Q	Q1404	8-729-422-27	TRANSISTOR	2SD601A-Q
				Q1405	8-729-422-27	TRANSISTOR	2SD601A-Q
Q563	8-729-216-22	TRANSISTOR	2SA1162-G	Q1406	1-801-806-11	TRANSISTOR	DTC144EKA-T146
Q564	8-729-216-22	TRANSISTOR	2SA1162-G	Q1407	8-729-422-27	TRANSISTOR	2SD601A-Q
Q801	8-729-027-38	TRANSISTOR	DTA144EKA-T146	Q1408	8-729-422-27	TRANSISTOR	2SD601A-Q
Q1001	8-729-422-27	TRANSISTOR	2SD601A-Q				
Q1002	8-729-422-27	TRANSISTOR	2SD601A-Q	Q1413	8-729-216-22	TRANSISTOR	2SA1162-G
				Q1414	8-729-216-22	TRANSISTOR	2SA1162-G
Q1003	8-729-422-27	TRANSISTOR	2SD601A-Q	Q1415	8-729-216-22	TRANSISTOR	2SA1162-G
Q1004	8-729-422-27	TRANSISTOR	2SD601A-Q	Q1416	8-729-216-22	TRANSISTOR	2SA1162-G
Q1005	1-801-806-11	TRANSISTOR	DTC144EKA-T146	Q1417	8-729-216-22	TRANSISTOR	2SA1162-G
Q1006	8-729-422-27	TRANSISTOR	2SD601A-Q				
Q1008	8-729-422-27	TRANSISTOR	2SD601A-Q	Q1418	8-729-216-22	TRANSISTOR	2SA1162-G
				Q1419	8-729-422-27	TRANSISTOR	2SD601A-Q
Q1010	8-729-422-27	TRANSISTOR	2SD601A-Q	Q1420	1-801-806-11	TRANSISTOR	DTC144EKA-T146
Q1011	8-729-422-27	TRANSISTOR	2SD601A-Q	Q1421	8-729-422-27	TRANSISTOR	2SD601A-Q
Q1012	8-729-422-27	TRANSISTOR	2SD601A-Q	Q1422	8-729-422-27	TRANSISTOR	2SD601A-Q
Q1015	1-801-806-11	TRANSISTOR	DTC144EKA-T146				
Q1018	8-729-422-27	TRANSISTOR	2SD601A-Q	Q1601	1-801-806-11	TRANSISTOR	DTC144EKA-T146
				Q1602	1-801-806-11	TRANSISTOR	DTC144EKA-T146
Q1020	8-729-422-27	TRANSISTOR	2SD601A-Q	Q1603	1-801-806-11	TRANSISTOR	DTC144EKA-T146
Q1022	8-729-422-27	TRANSISTOR	2SD601A-Q	Q1604	1-801-806-11	TRANSISTOR	DTC144EKA-T146
Q1301	8-729-422-27	TRANSISTOR	2SD601A-Q	Q1605	1-801-806-11	TRANSISTOR	DTC144EKA-T146
Q1302	8-729-422-27	TRANSISTOR	2SD601A-Q				
Q1303	8-729-422-27	TRANSISTOR	2SD601A-Q	Q1606	1-801-806-11	TRANSISTOR	DTC144EKA-T146
				Q1607	1-801-806-11	TRANSISTOR	DTC144EKA-T146
Q1304	8-729-422-27	TRANSISTOR	2SD601A-Q	Q1608	1-801-806-11	TRANSISTOR	DTC144EKA-T146
Q1305	8-729-422-27	TRANSISTOR	2SD601A-Q	Q1609	8-729-048-50	TRANSISTOR	2SK3018-T106
Q1306	8-729-422-27	TRANSISTOR	2SD601A-Q	Q1610	8-729-048-50	TRANSISTOR	2SK3018-T106
Q1307	8-729-216-22	TRANSISTOR	2SA1162-G				
Q1308	8-729-422-27	TRANSISTOR	2SD601A-Q	Q1611	8-729-048-50	TRANSISTOR	2SK3018-T106
				Q1612	8-729-048-50	TRANSISTOR	2SK3018-T106
Q1309	8-729-216-22	TRANSISTOR	2SA1162-G	Q1613	8-729-048-50	TRANSISTOR	2SK3018-T106
Q1311	8-729-216-22	TRANSISTOR	2SA1162-G	Q1614	8-729-048-50	TRANSISTOR	2SK3018-T106
Q1312	1-801-806-11	TRANSISTOR	DTC144EKA-T146	Q1615	8-729-048-50	TRANSISTOR	2SK3018-T106
Q1313	8-729-216-22	TRANSISTOR	2SA1162-G				
Q1315	8-729-216-22	TRANSISTOR	2SA1162-G	Q1616	8-729-048-50	TRANSISTOR	2SK3018-T106
				Q1617	8-729-422-27	TRANSISTOR	2SD601A-Q
Q1317	8-729-422-27	TRANSISTOR	2SD601A-Q	Q1621	8-729-216-22	TRANSISTOR	2SA1162-G
Q1318	8-729-216-22	TRANSISTOR	2SA1162-G	Q1628	8-729-422-27	TRANSISTOR	2SD601A-Q
Q1319	8-729-216-22	TRANSISTOR	2SA1162-G	Q1629	1-801-806-11	TRANSISTOR	DTC144EKA-T146
Q1320	8-729-216-22	TRANSISTOR	2SA1162-G				
Q1321	8-729-216-22	TRANSISTOR	2SA1162-G	Q1630	8-729-422-27	TRANSISTOR	2SD601A-Q
				Q1631	8-729-422-27	TRANSISTOR	2SD601A-Q
Q1322	8-729-216-22	TRANSISTOR	2SA1162-G				
Q1323	8-729-216-22	TRANSISTOR	2SA1162-G				

KP-53XBR300/61XBR300

RM-Y902

RM-Y902



REF. NO.	PART NO.	DESCRIPTION	REMARK	REF. NO.	PART NO.	DESCRIPTION	REMARK
		<RESISTOR>					
R501	1-216-073-00	RES,CHIP	10K 5% 1/10W	R556	1-216-121-91	RES,CHIP	1M 5% 1/10W
R502	1-216-073-00	RES,CHIP	10K 5% 1/10W	R557	1-216-065-91	RES,CHIP	4.7K 5% 1/10W
R503	1-216-065-91	RES,CHIP	4.7K 5% 1/10W	R558	1-216-073-00	RES,CHIP	10K 5% 1/10W
R504	1-216-065-91	RES,CHIP	4.7K 5% 1/10W	R559	1-216-073-00	RES,CHIP	10K 5% 1/10W
R505	1-216-065-91	RES,CHIP	4.7K 5% 1/10W	R560	1-208-778-11	METAL CHIP	680 0.50% 1/10W
R506	1-216-025-91	RES,CHIP	100 5% 1/10W	R561	1-216-065-91	RES,CHIP	4.7K 5% 1/10W
R507	1-216-295-91	SHORT	0	R562	1-216-057-00	RES,CHIP	2.2K 5% 1/10W
R508	1-249-393-11	CARBON	10 5% 1/4W F	R563	1-216-097-91	RES,CHIP	100K 5% 1/10W
R509	1-249-381-11	CARBON	1 5% 1/4W F	R564	1-216-097-91	RES,CHIP	100K 5% 1/10W
R510	1-216-057-00	RES,CHIP	2.2K 5% 1/10W	R565	1-216-097-91	RES,CHIP	100K 5% 1/10W
R511	1-216-295-91	SHORT	0	R566	1-216-069-00	RES,CHIP	6.8K 5% 1/10W
R512	1-216-295-91	SHORT	0	R567	1-216-049-91	RES,CHIP	1K 5% 1/10W
R513	1-216-295-91	SHORT	0	R569	1-216-073-00	RES,CHIP	10K 5% 1/10W
R514	1-216-031-00	RES,CHIP	180 5% 1/10W	R570	1-208-798-11	METAL CHIP	4.7K 0.50% 1/10W
R515	1-249-381-11	CARBON	1 5% 1/4W F	R571	1-208-806-11	METAL CHIP	10K 0.50% 1/10W
R516	1-216-025-91	RES,CHIP	100 5% 1/10W	R572	1-216-097-91	RES,CHIP	100K 5% 1/10W
R517	1-216-101-00	RES,CHIP	150K 5% 1/10W	R573	1-216-049-91	RES,CHIP	1K 5% 1/10W
R518	1-216-295-91	SHORT	0	R574	1-216-057-00	RES,CHIP	2.2K 5% 1/10W
R519	1-216-025-91	RES,CHIP	100 5% 1/10W	R575	1-216-057-00	RES,CHIP	2.2K 5% 1/10W
R520	1-216-065-91	RES,CHIP	4.7K 5% 1/10W	R576	1-216-097-91	RES,CHIP	100K 5% 1/10W
R521	1-216-049-91	RES,CHIP	1K 5% 1/10W	R577	1-216-075-00	RES,CHIP	12K 5% 1/10W
R522	1-216-295-91	SHORT	0	R578	1-216-073-00	RES,CHIP	10K 5% 1/10W
R523	1-216-031-00	RES,CHIP	180 5% 1/10W	R580	1-208-814-91	METAL CHIP	22K 0.50% 1/10W
R524	1-216-081-00	RES,CHIP	22K 5% 1/10W	R581	1-216-073-00	RES,CHIP	10K 5% 1/10W
R525	1-216-655-11	METAL CHIP	1.5K 0.50% 1/10W	R582	1-216-049-91	RES,CHIP	1K 5% 1/10W
R526	1-216-031-00	RES,CHIP	180 5% 1/10W	R583	1-216-057-00	RES,CHIP	2.2K 5% 1/10W
R527	1-216-085-00	RES,CHIP	33K 5% 1/10W	R584	1-216-097-91	RES,CHIP	100K 5% 1/10W
R528	1-216-059-00	RES,CHIP	2.7K 5% 1/10W	R585	1-216-097-91	RES,CHIP	100K 5% 1/10W
R529	1-216-105-91	RES,CHIP	220K 5% 1/10W	R586	1-216-049-91	RES,CHIP	1K 5% 1/10W
R530	1-208-780-11	METAL CHIP	820 0.50% 1/10W	R587	1-216-295-91	SHORT	0
R531	1-208-774-11	METAL CHIP	470 0.50% 1/10W	R588	1-216-017-91	RES,CHIP	47 5% 1/10W
R532	1-216-049-91	RES,CHIP	1K 5% 1/10W	R589	1-216-049-91	RES,CHIP	1K 5% 1/10W
R533	1-216-368-11	METAL OXIDE	0.82 5% 2W F	R590	1-208-806-11	METAL CHIP	10K 0.50% 1/10W
R534	1-208-810-11	METAL CHIP	15K 0.50% 1/10W	R591	1-208-806-11	METAL CHIP	10K 0.50% 1/10W
R535	1-216-373-11	METAL OXIDE	2.2 5% 2W F	R592	1-216-025-91	RES,CHIP	100 5% 1/10W
R536	1-208-782-11	METAL CHIP	1K 0.50% 1/10W	R593	1-216-049-91	RES,CHIP	1K 5% 1/10W
R537	1-208-818-11	METAL CHIP	33K 0.50% 1/10W	R594	1-216-121-91	RES,CHIP	1M 5% 1/10W
R538	1-216-083-00	RES,CHIP	27K 5% 1/10W	R595	1-216-033-00	RES,CHIP	220 5% 1/10W
R539	1-216-689-11	RES,CHIP	39K 5% 1/10W	R596	1-216-049-91	RES,CHIP	1K 5% 1/10W
R540	1-208-808-11	METAL CHIP	12K 0.50% 1/10W	R597	1-216-025-91	RES,CHIP	100 5% 1/10W
R541	1-208-806-11	METAL CHIP	10K 0.50% 1/10W	R598	1-216-033-00	RES,CHIP	220 5% 1/10W
R542	1-216-043-91	RES,CHIP	560 5% 1/10W	R599	1-216-105-91	RES,CHIP	220K 5% 1/10W
R543	1-208-776-11	METAL CHIP	560 0.50% 1/10W	R600	1-216-041-00	RES,CHIP	470 5% 1/10W
R544	1-216-045-00	RES,CHIP	680 5% 1/10W	R601	1-216-081-00	RES,CHIP	22K 5% 1/10W
R545	1-216-071-00	RES,CHIP	8.2K 5% 1/10W	R602	1-216-065-91	RES,CHIP	4.7K 5% 1/10W
R546	1-208-826-11	METAL CHIP	68K 0.50% 1/10W	R603	1-216-073-00	RES,CHIP	10K 5% 1/10W
R547	1-216-073-00	RES,CHIP	10K 5% 1/10W	R604	1-216-073-00	RES,CHIP	10K 5% 1/10W
R548	1-208-788-11	METAL CHIP	1.8K 0.50% 1/10W	R605	1-216-049-91	RES,CHIP	1K 5% 1/10W
R549	1-208-782-11	METAL CHIP	1K 0.50% 1/10W	R606	1-216-373-11	METAL OXIDE	2.2 5% 2W F
R550	1-208-806-11	METAL CHIP	10K 0.50% 1/10W	R607	1-216-057-00	RES,CHIP	2.2K 5% 1/10W
R551	1-216-097-91	RES,CHIP	100K 5% 1/10W	R608	1-216-057-00	RES,CHIP	2.2K 5% 1/10W
R552	1-216-081-00	RES,CHIP	22K 5% 1/10W	R609	1-216-033-00	RES,CHIP	220 5% 1/10W
R553	1-216-057-00	RES,CHIP	2.2K 5% 1/10W	R610	1-216-025-91	RES,CHIP	100 5% 1/10W
R554	1-208-776-11	METAL CHIP	560 0.50% 1/10W	R611	1-216-107-00	RES,CHIP	270K 5% 1/10W
R555	1-216-043-91	RES,CHIP	560 5% 1/10W	R612	1-216-057-00	RES,CHIP	2.2K 5% 1/10W
				R613	1-216-073-00	RES,CHIP	10K 5% 1/10W
				R614	1-216-073-00	RES,CHIP	10K 5% 1/10W

A

REF. NO.	PART NO.	DESCRIPTION	REMARK			REF. NO.	PART NO.	DESCRIPTION	REMARK		
R615	1-216-069-00	RES,CHIP	6.8K	5%	1/10W	R674	1-216-025-91	RES,CHIP	100	5%	1/10W
R616	1-216-295-91	SHORT	0			R675	1-216-083-00	RES,CHIP	27K	5%	1/10W
R617	1-216-017-91	RES,CHIP	47	5%	1/10W	R676	1-216-025-91	RES,CHIP	100	5%	1/10W
R618	1-216-057-00	RES,CHIP	2.2K	5%	1/10W	R677	1-216-025-91	RES,CHIP	100	5%	1/10W
R619	1-216-033-00	RES,CHIP	220	5%	1/10W	R678	1-216-025-91	RES,CHIP	100	5%	1/10W
R620	1-216-049-91	RES,CHIP	1K	5%	1/10W	R679	1-216-065-91	RES,CHIP	4.7K	5%	1/10W
R621	1-216-025-91	RES,CHIP	100	5%	1/10W	R680	1-216-025-91	RES,CHIP	100	5%	1/10W
R622	1-216-049-91	RES,CHIP	1K	5%	1/10W	R681	1-216-065-91	RES,CHIP	4.7K	5%	1/10W
R623	1-216-025-91	RES,CHIP	100	5%	1/10W	R682	1-208-778-11	METAL CHIP	680	0.50%	1/10W
R624	1-216-057-00	RES,CHIP	2.2K	5%	1/10W	R683	1-216-057-00	RES,CHIP	2.2K	5%	1/10W
R625	1-216-025-91	RES,CHIP	100	5%	1/10W	R685	1-216-025-91	RES,CHIP	100	5%	1/10W
R626	1-216-057-00	RES,CHIP	2.2K	5%	1/10W	R686	1-216-077-91	RES,CHIP	15K	5%	1/10W
R628	1-208-788-11	METAL CHIP	1.8K	0.50%	1/10W	R687	1-216-295-91	SHORT	0		
R629	1-208-814-91	METAL CHIP	22K	0.50%	1/10W	R688	1-216-057-00	RES,CHIP	2.2K	5%	1/10W
R630	1-216-097-91	RES,CHIP	100K	5%	1/10W	R689	1-216-025-91	RES,CHIP	100	5%	1/10W
R631	1-216-025-91	RES,CHIP	100	5%	1/10W	R690	1-216-025-91	RES,CHIP	100	5%	1/10W
R632	1-216-025-91	RES,CHIP	100	5%	1/10W	R692	1-208-808-11	METAL CHIP	12K	0.50%	1/10W
R633	1-216-025-91	RES,CHIP	100	5%	1/10W	R693	1-216-025-91	RES,CHIP	100	5%	1/10W
R634	1-216-057-00	RES,CHIP	2.2K	5%	1/10W	R694	1-216-033-00	RES,CHIP	220	5%	1/10W
R635	1-216-295-91	SHORT	0			R695	1-216-025-91	RES,CHIP	100	5%	1/10W
R636	1-216-133-00	RES,CHIP	3.3M	5%	1/10W	R696	1-208-822-11	METAL CHIP	47K	0.50%	1/10W
R637	1-216-025-91	RES,CHIP	100	5%	1/10W	R697	1-216-025-91	RES,CHIP	100	5%	1/10W
R638	1-216-025-91	RES,CHIP	100	5%	1/10W	R698	1-216-049-91	RES,CHIP	1K	5%	1/10W
R639	1-216-025-91	RES,CHIP	100	5%	1/10W	R699	1-208-798-11	METAL CHIP	4.7K	0.50%	1/10W
R640	1-216-025-91	RES,CHIP	100	5%	1/10W	R700	1-216-043-91	RES,CHIP	560	5%	1/10W
R642	1-216-025-91	RES,CHIP	100	5%	1/10W	R701	1-208-755-11	METAL CHIP	75	0.50%	1/10W
R643	1-216-025-91	RES,CHIP	100	5%	1/10W	R702	1-216-295-91	SHORT	0		
R644	1-216-025-91	RES,CHIP	100	5%	1/10W	R703	1-216-049-91	RES,CHIP	1K	5%	1/10W
R645	1-216-025-91	RES,CHIP	100	5%	1/10W	R705	1-216-025-91	RES,CHIP	100	5%	1/10W
R646	1-216-025-91	RES,CHIP	100	5%	1/10W	R707	1-208-814-91	METAL CHIP	22K	0.50%	1/10W
R647	1-216-025-91	RES,CHIP	100	5%	1/10W	R708	1-216-025-91	RES,CHIP	100	5%	1/10W
R648	1-216-017-91	RES,CHIP	47	5%	1/10W	R709	1-216-091-00	RES,CHIP	56K	5%	1/10W
R649	1-216-025-91	RES,CHIP	100	5%	1/10W	R710	1-216-025-91	RES,CHIP	100	5%	1/10W
R650	1-216-025-91	RES,CHIP	100	5%	1/10W	R712	1-216-025-91	RES,CHIP	100	5%	1/10W
R651	1-216-073-00	RES,CHIP	10K	5%	1/10W	R713	1-216-025-91	RES,CHIP	100	5%	1/10W
R652	1-216-025-91	RES,CHIP	100	5%	1/10W	R714	1-216-295-91	SHORT	0		
R653	1-216-025-91	RES,CHIP	100	5%	1/10W	R716	1-216-025-91	RES,CHIP	100	5%	1/10W
R654	1-216-025-91	RES,CHIP	100	5%	1/10W	R717	1-216-051-00	RES,CHIP	1.2K	5%	1/10W
R655	1-216-025-91	RES,CHIP	100	5%	1/10W	R719	1-216-295-91	SHORT	0		
R656	1-216-025-91	RES,CHIP	100	5%	1/10W	R720	1-216-057-00	RES,CHIP	2.2K	5%	1/10W
R657	1-216-083-00	RES,CHIP	27K	5%	1/10W	R721	1-216-025-91	RES,CHIP	100	5%	1/10W
R658	1-216-689-11	RES,CHIP	39K	5%	1/10W	R722	1-216-025-91	RES,CHIP	100	5%	1/10W
R659	1-216-025-91	RES,CHIP	100	5%	1/10W	R723	1-216-295-91	SHORT	0		
R660	1-216-025-91	RES,CHIP	100	5%	1/10W	R725	1-208-782-11	METAL CHIP	1K	0.50%	1/10W
R661	1-216-061-00	RES,CHIP	3.3K	5%	1/10W	R726	1-216-057-00	RES,CHIP	2.2K	5%	1/10W
R662	1-216-025-91	RES,CHIP	100	5%	1/10W	R727	1-216-051-00	RES,CHIP	1.2K	5%	1/10W
R663	1-216-025-91	RES,CHIP	100	5%	1/10W	R728	1-208-806-11	METAL CHIP	10K	0.50%	1/10W
R664	1-208-776-11	METAL CHIP	560	0.50%	1/10W	R729	1-216-295-91	SHORT	0		
R665	1-216-025-91	RES,CHIP	100	5%	1/10W	R730	1-216-049-91	RES,CHIP	1K	5%	1/10W
R666	1-216-049-91	RES,CHIP	1K	5%	1/10W	R734	1-216-057-00	RES,CHIP	2.2K	5%	1/10W
R667	1-216-109-00	RES,CHIP	330K	5%	1/10W	R735	1-216-025-91	RES,CHIP	100	5%	1/10W
R668	1-216-025-91	RES,CHIP	100	5%	1/10W	R736	1-216-025-91	RES,CHIP	100	5%	1/10W
R669	1-208-814-91	METAL CHIP	22K	0.50%	1/10W	R739	1-216-073-00	RES,CHIP	10K	5%	1/10W
R670	1-216-069-00	RES,CHIP	6.8K	5%	1/10W	R740	1-216-017-91	RES,CHIP	47	5%	1/10W
R671	1-216-025-91	RES,CHIP	100	5%	1/10W	R741	1-216-093-91	RES,CHIP	68K	5%	1/10W
R672	1-216-049-91	RES,CHIP	1K	5%	1/10W						
R673	1-216-025-91	RES,CHIP	100	5%	1/10W						



KP-53XBR300/61XBR300

RM-Y902

RM-Y902



REF. NO.	PART NO.	DESCRIPTION	REMARK	REF. NO.	PART NO.	DESCRIPTION	REMARK
R743	1-216-025-91	RES,CHIP	100 5% 1/10W	R824	1-216-025-91	RES,CHIP	100 5% 1/10W
R744	1-216-025-91	RES,CHIP	100 5% 1/10W	R825	1-216-025-91	RES,CHIP	100 5% 1/10W
R745	1-216-025-91	RES,CHIP	100 5% 1/10W				
R746	1-216-025-91	RES,CHIP	100 5% 1/10W	R826	1-216-067-00	RES,CHIP	5.6K 5% 1/10W
				R827	1-216-025-91	RES,CHIP	100 5% 1/10W
R747	1-216-085-00	RES,CHIP	33K 5% 1/10W	R828	1-216-067-00	RES,CHIP	5.6K 5% 1/10W
R748	1-216-025-91	RES,CHIP	100 5% 1/10W	R829	1-216-025-91	RES,CHIP	100 5% 1/10W
R749	1-216-025-91	RES,CHIP	100 5% 1/10W	R830	1-216-025-91	RES,CHIP	100 5% 1/10W
R751	1-216-057-00	RES,CHIP	2.2K 5% 1/10W				
R753	1-216-025-91	RES,CHIP	100 5% 1/10W	R831	1-216-025-91	RES,CHIP	100 5% 1/10W
				R832	1-216-067-00	RES,CHIP	5.6K 5% 1/10W
R754	1-216-025-91	RES,CHIP	100 5% 1/10W	R833	1-216-025-91	RES,CHIP	100 5% 1/10W
R755	1-216-295-91	SHORT	0	R834	1-216-067-00	RES,CHIP	5.6K 5% 1/10W
R756	1-216-045-00	RES,CHIP	680 5% 1/10W	R835	1-216-025-91	RES,CHIP	100 5% 1/10W
R757	1-216-065-91	RES,CHIP	4.7K 5% 1/10W				
R759	1-216-295-91	SHORT	0	R836	1-216-025-91	RES,CHIP	100 5% 1/10W
				R840	1-216-081-00	RES,CHIP	22K 5% 1/10W
R760	1-216-295-91	SHORT	0	R841	1-216-081-00	RES,CHIP	22K 5% 1/10W
R763	1-216-057-00	RES,CHIP	2.2K 5% 1/10W	R843	1-216-081-00	RES,CHIP	22K 5% 1/10W
R765	1-216-057-00	RES,CHIP	2.2K 5% 1/10W	R852	1-216-113-00	RES,CHIP	470K 5% 1/10W
R766	1-216-019-00	RES,CHIP	56 5% 1/10W				
R768	1-216-081-00	RES,CHIP	22K 5% 1/10W	R853	1-216-041-00	RES,CHIP	470 5% 1/10W
				R854	1-216-041-00	RES,CHIP	470 5% 1/10W
R772	1-216-025-91	RES,CHIP	100 5% 1/10W	R855	1-216-113-00	RES,CHIP	470K 5% 1/10W
R773	1-216-025-91	RES,CHIP	100 5% 1/10W	R856	1-216-049-91	RES,CHIP	1K 5% 1/10W
R774	1-216-025-91	RES,CHIP	100 5% 1/10W	R857	1-216-089-91	RES,CHIP	47K 5% 1/10W
R777	1-216-025-91	RES,CHIP	100 5% 1/10W				
R779	1-208-818-11	METAL CHIP	33K 0.50% 1/10W	R858	1-216-065-91	RES,CHIP	4.7K 5% 1/10W
				R859	1-216-033-00	RES,CHIP	220 5% 1/10W
R780	1-216-025-91	RES,CHIP	100 5% 1/10W	R860	1-216-033-00	RES,CHIP	220 5% 1/10W
R781	1-208-794-11	METAL CHIP	3.3K 0.50% 1/10W	R861	1-216-033-00	RES,CHIP	220 5% 1/10W
R783	1-216-025-91	RES,CHIP	100 5% 1/10W	R862	1-216-049-91	RES,CHIP	1K 5% 1/10W
R784	1-216-067-00	RES,CHIP	5.6K 5% 1/10W				
R787	1-216-025-91	RES,CHIP	100 5% 1/10W	R864	1-216-049-91	RES,CHIP	1K 5% 1/10W
				R865	1-216-049-91	RES,CHIP	1K 5% 1/10W
R788	1-216-073-00	RES,CHIP	10K 5% 1/10W	R867	1-216-065-91	RES,CHIP	4.7K 5% 1/10W
R789	1-216-073-00	RES,CHIP	10K 5% 1/10W	R868	1-216-033-00	RES,CHIP	220 5% 1/10W
R790	1-216-025-91	RES,CHIP	100 5% 1/10W	R869	1-216-033-00	RES,CHIP	220 5% 1/10W
R791	1-216-067-00	RES,CHIP	5.6K 5% 1/10W				
R794	1-216-067-00	RES,CHIP	5.6K 5% 1/10W	R870	1-216-113-00	RES,CHIP	470K 5% 1/10W
				R871	1-216-113-00	RES,CHIP	470K 5% 1/10W
R795	1-216-025-91	RES,CHIP	100 5% 1/10W	R872	1-216-113-00	RES,CHIP	470K 5% 1/10W
R799	1-216-025-91	RES,CHIP	100 5% 1/10W	R873	1-216-113-00	RES,CHIP	470K 5% 1/10W
R800	1-216-025-91	RES,CHIP	100 5% 1/10W	R875	1-208-755-11	METAL CHIP	75 0.50% 1/10W
R801	1-216-081-00	RES,CHIP	22K 5% 1/10W				
R802	1-216-041-00	RES,CHIP	470 5% 1/10W	R876	1-208-755-11	METAL CHIP	75 0.50% 1/10W
				R877	1-208-755-11	METAL CHIP	75 0.50% 1/10W
R803	1-216-065-91	RES,CHIP	4.7K 5% 1/10W	R878	1-208-755-11	METAL CHIP	75 0.50% 1/10W
R804	1-216-067-00	RES,CHIP	5.6K 5% 1/10W	R879	1-208-755-11	METAL CHIP	75 0.50% 1/10W
R806	1-208-755-11	METAL CHIP	75 0.50% 1/10W	R880	1-208-755-11	METAL CHIP	75 0.50% 1/10W
R807	1-208-755-11	METAL CHIP	75 0.50% 1/10W				
R808	1-216-067-00	RES,CHIP	5.6K 5% 1/10W	R883	1-208-755-11	METAL CHIP	75 0.50% 1/10W
				R884	1-208-755-11	METAL CHIP	75 0.50% 1/10W
R809	1-216-067-00	RES,CHIP	5.6K 5% 1/10W	R885	1-208-755-11	METAL CHIP	75 0.50% 1/10W
R810	1-208-755-11	METAL CHIP	75 0.50% 1/10W	R886	1-216-113-00	RES,CHIP	470K 5% 1/10W
R812	1-216-025-91	RES,CHIP	100 5% 1/10W	R887	1-216-033-00	RES,CHIP	220 5% 1/10W
R814	1-216-067-00	RES,CHIP	5.6K 5% 1/10W				
R815	1-216-067-00	RES,CHIP	5.6K 5% 1/10W	R891	1-208-755-11	METAL CHIP	75 0.50% 1/10W
				R892	1-216-113-00	RES,CHIP	470K 5% 1/10W
R816	1-216-295-91	SHORT	0	R893	1-208-755-11	METAL CHIP	75 0.50% 1/10W
R817	1-216-065-91	RES,CHIP	4.7K 5% 1/10W	R894	1-216-113-00	RES,CHIP	470K 5% 1/10W
R818	1-216-049-91	RES,CHIP	1K 5% 1/10W	R895	1-208-755-11	METAL CHIP	75 0.50% 1/10W
R819	1-216-025-91	RES,CHIP	100 5% 1/10W				
R820	1-216-067-00	RES,CHIP	5.6K 5% 1/10W	R896	1-216-113-00	RES,CHIP	470K 5% 1/10W
				R898	1-216-113-00	RES,CHIP	470K 5% 1/10W
R821	1-216-025-91	RES,CHIP	100 5% 1/10W	R899	1-216-033-00	RES,CHIP	220 5% 1/10W
R822	1-216-067-00	RES,CHIP	5.6K 5% 1/10W	R901	1-216-033-00	RES,CHIP	220 5% 1/10W
R823	1-216-025-91	RES,CHIP	100 5% 1/10W	R903	1-216-009-91	RES,CHIP	22 5% 1/10W



REF. NO.	PART NO.	DESCRIPTION	REMARK	REF. NO.	PART NO.	DESCRIPTION	REMARK
R904	1-216-009-91	RES,CHIP	22 5% 1/10W	R1047	1-216-065-91	RES,CHIP	4.7K 5% 1/10W
R905	1-216-073-00	RES,CHIP	10K 5% 1/10W	R1048	1-216-097-91	RES,CHIP	100K 5% 1/10W
R906	1-216-073-00	RES,CHIP	10K 5% 1/10W	R1049	1-216-089-91	RES,CHIP	47K 5% 1/10W
R907	1-216-073-00	RES,CHIP	10K 5% 1/10W	R1050	1-216-061-00	RES,CHIP	3.3K 5% 1/10W
R908	1-216-073-00	RES,CHIP	10K 5% 1/10W	R1051	1-216-049-91	RES,CHIP	1K 5% 1/10W
R909	1-216-073-00	RES,CHIP	10K 5% 1/10W	R1052	1-216-049-91	RES,CHIP	1K 5% 1/10W
R910	1-216-041-00	RES,CHIP	470 5% 1/10W	R1053	1-216-083-00	RES,CHIP	27K 5% 1/10W
R911	1-216-025-91	RES,CHIP	100 5% 1/10W	R1062	1-216-065-91	RES,CHIP	4.7K 5% 1/10W
R912	1-216-025-91	RES,CHIP	100 5% 1/10W	R1063	1-216-065-91	RES,CHIP	4.7K 5% 1/10W
R913	1-216-025-91	RES,CHIP	100 5% 1/10W	R1064	1-216-065-91	RES,CHIP	4.7K 5% 1/10W
R914	1-216-025-91	RES,CHIP	100 5% 1/10W	R1065	1-216-049-91	RES,CHIP	1K 5% 1/10W
R1001	1-208-790-11	METAL CHIP	2.2K 0.50% 1/10W	R1066	1-216-049-91	RES,CHIP	1K 5% 1/10W
R1002	1-208-790-11	METAL CHIP	2.2K 0.50% 1/10W	R1069	1-216-049-91	RES,CHIP	1K 5% 1/10W
R1003	1-208-790-11	METAL CHIP	2.2K 0.50% 1/10W	R1071	1-216-073-00	RES,CHIP	10K 5% 1/10W
R1004	1-208-790-11	METAL CHIP	2.2K 0.50% 1/10W	R1073	1-216-049-91	RES,CHIP	1K 5% 1/10W
R1005	1-208-790-11	METAL CHIP	2.2K 0.50% 1/10W	R1074	1-216-049-91	RES,CHIP	1K 5% 1/10W
R1006	1-216-033-00	RES,CHIP	220 5% 1/10W	R1075	1-216-033-00	RES,CHIP	220 5% 1/10W
R1007	1-208-784-11	METAL CHIP	1.2K 0.50% 1/10W	R1076	1-216-033-00	RES,CHIP	220 5% 1/10W
R1008	1-208-766-11	METAL CHIP	220 0.50% 1/10W	R1077	1-216-033-00	RES,CHIP	220 5% 1/10W
R1009	1-216-033-00	RES,CHIP	220 5% 1/10W	R1078	1-216-049-91	RES,CHIP	1K 5% 1/10W
R1010	1-208-784-11	METAL CHIP	1.2K 0.50% 1/10W	R1079	1-216-033-00	RES,CHIP	220 5% 1/10W
R1011	1-208-766-11	METAL CHIP	220 0.50% 1/10W	R1081	1-216-037-00	RES,CHIP	330 5% 1/10W
R1012	1-208-790-11	METAL CHIP	2.2K 0.50% 1/10W	R1082	1-216-037-00	RES,CHIP	330 5% 1/10W
R1013	1-216-053-00	RES,CHIP	1.5K 5% 1/10W	R1083	1-216-089-91	RES,CHIP	47K 5% 1/10W
R1014	1-216-025-91	RES,CHIP	100 5% 1/10W	R1084	1-216-065-91	RES,CHIP	4.7K 5% 1/10W
R1015	1-216-025-91	RES,CHIP	100 5% 1/10W	R1086	1-216-073-00	RES,CHIP	10K 5% 1/10W
R1016	1-216-025-91	RES,CHIP	100 5% 1/10W	R1087	1-216-025-91	RES,CHIP	100 5% 1/10W
R1017	1-216-025-91	RES,CHIP	100 5% 1/10W	R1088	1-216-067-00	RES,CHIP	5.6K 5% 1/10W
R1018	1-216-025-91	RES,CHIP	100 5% 1/10W	R1089	1-216-025-91	RES,CHIP	100 5% 1/10W
R1019	1-216-025-91	RES,CHIP	100 5% 1/10W	R1090	1-208-798-11	METAL CHIP	4.7K 0.50% 1/10W
R1020	1-216-025-91	RES,CHIP	100 5% 1/10W	R1091	1-216-025-91	RES,CHIP	100 5% 1/10W
R1021	1-216-033-00	RES,CHIP	220 5% 1/10W	R1092	1-216-073-00	RES,CHIP	10K 5% 1/10W
R1022	1-208-784-11	METAL CHIP	1.2K 0.50% 1/10W	R1094	1-216-033-00	RES,CHIP	220 5% 1/10W
R1023	1-208-766-11	METAL CHIP	220 0.50% 1/10W	R1095	1-216-033-00	RES,CHIP	220 5% 1/10W
R1024	1-216-081-00	RES,CHIP	22K 5% 1/10W	R1096	1-216-067-00	RES,CHIP	5.6K 5% 1/10W
R1025	1-216-025-91	RES,CHIP	100 5% 1/10W	R1097	1-216-033-00	RES,CHIP	220 5% 1/10W
R1026	1-208-814-91	METAL CHIP	22K 0.50% 1/10W	R1098	1-216-033-00	RES,CHIP	220 5% 1/10W
R1027	1-216-025-91	RES,CHIP	100 5% 1/10W	R1099	1-216-033-00	RES,CHIP	220 5% 1/10W
R1028	1-208-814-91	METAL CHIP	22K 0.50% 1/10W	R1100	1-216-033-00	RES,CHIP	220 5% 1/10W
R1029	1-216-025-91	RES,CHIP	100 5% 1/10W	R1101	1-216-025-91	RES,CHIP	100 5% 1/10W
R1030	1-208-790-11	METAL CHIP	2.2K 0.50% 1/10W	R1102	1-216-033-00	RES,CHIP	220 5% 1/10W
R1031	1-216-025-91	RES,CHIP	100 5% 1/10W	R1103	1-216-033-00	RES,CHIP	220 5% 1/10W
R1032	1-216-097-91	RES,CHIP	100K 5% 1/10W	R1104	1-216-049-91	RES,CHIP	1K 5% 1/10W
R1033	1-216-025-91	RES,CHIP	100 5% 1/10W	R1105	1-216-033-00	RES,CHIP	220 5% 1/10W
R1034	1-216-057-00	RES,CHIP	2.2K 5% 1/10W	R1106	1-216-033-00	RES,CHIP	220 5% 1/10W
R1035	1-216-025-91	RES,CHIP	100 5% 1/10W	R1107	1-216-049-91	RES,CHIP	1K 5% 1/10W
R1036	1-216-009-91	RES,CHIP	22 5% 1/10W	R1108	1-216-025-91	RES,CHIP	100 5% 1/10W
R1037	1-208-770-11	METAL CHIP	330 0.50% 1/10W	R1109	1-216-295-91	SHORT	0
R1038	1-216-025-91	RES,CHIP	100 5% 1/10W	R1110	1-216-033-00	RES,CHIP	220 5% 1/10W
R1039	1-216-025-91	RES,CHIP	100 5% 1/10W	R1111	1-216-033-00	RES,CHIP	220 5% 1/10W
R1040	1-216-025-91	RES,CHIP	100 5% 1/10W	R1112	1-216-065-91	RES,CHIP	4.7K 5% 1/10W
R1041	1-216-295-91	SHORT	0	R1113	1-216-049-91	RES,CHIP	1K 5% 1/10W
R1042	1-216-097-91	RES,CHIP	100K 5% 1/10W	R1114	1-216-049-91	RES,CHIP	1K 5% 1/10W
R1043	1-216-025-91	RES,CHIP	100 5% 1/10W	R1115	1-216-033-00	RES,CHIP	220 5% 1/10W
R1044	1-208-790-11	METAL CHIP	2.2K 0.50% 1/10W	R1116	1-216-049-91	RES,CHIP	1K 5% 1/10W
R1045	1-216-033-00	RES,CHIP	220 5% 1/10W	R1117	1-216-041-00	RES,CHIP	470 5% 1/10W
R1046	1-216-073-00	RES,CHIP	10K 5% 1/10W	R1118	1-216-049-91	RES,CHIP	1K 5% 1/10W

**KP-53XBR300/61XBR300**

RM-Y902

RM-Y902



REF. NO.	PART NO.	DESCRIPTION	REMARK	REF. NO.	PART NO.	DESCRIPTION	REMARK
R1119	1-216-049-91	RES,CHIP	1K 5% 1/10W	R1307	1-208-766-11	METAL CHIP	220 0.50% 1/10W
R1120	1-216-049-91	RES,CHIP	1K 5% 1/10W	R1308	1-216-025-91	RES,CHIP	100 5% 1/10W
R1121	1-216-049-91	RES,CHIP	1K 5% 1/10W	R1309	1-216-025-91	RES,CHIP	100 5% 1/10W
R1122	1-216-065-91	RES,CHIP	4.7K 5% 1/10W	R1310	1-216-295-91	SHORT	0
R1124	1-216-049-91	RES,CHIP	1K 5% 1/10W	R1311	1-216-041-00	RES,CHIP	470 5% 1/10W
R1125	1-216-097-91	RES,CHIP	100K 5% 1/10W	R1312	1-216-057-00	RES,CHIP	2.2K 5% 1/10W
R1126	1-216-025-91	RES,CHIP	100 5% 1/10W	R1313	1-208-766-11	METAL CHIP	220 0.50% 1/10W
R1130	1-216-033-00	RES,CHIP	220 5% 1/10W	R1314	1-208-766-11	METAL CHIP	220 0.50% 1/10W
R1131	1-216-049-91	RES,CHIP	1K 5% 1/10W	R1315	1-216-025-91	RES,CHIP	100 5% 1/10W
R1133	1-216-049-91	RES,CHIP	1K 5% 1/10W	R1316	1-216-025-91	RES,CHIP	100 5% 1/10W
R1134	1-216-049-91	RES,CHIP	1K 5% 1/10W	R1317	1-216-025-91	RES,CHIP	100 5% 1/10W
R1135	1-216-033-00	RES,CHIP	220 5% 1/10W	R1318	1-216-061-00	RES,CHIP	3.3K 5% 1/10W
R1136	1-216-033-00	RES,CHIP	220 5% 1/10W	R1319	1-216-057-00	RES,CHIP	2.2K 5% 1/10W
R1137	1-216-049-91	RES,CHIP	1K 5% 1/10W	R1320	1-216-025-91	RES,CHIP	100 5% 1/10W
R1138	1-216-033-00	RES,CHIP	220 5% 1/10W	R1321	1-216-025-91	RES,CHIP	100 5% 1/10W
R1139	1-216-033-00	RES,CHIP	220 5% 1/10W	R1322	1-216-025-91	RES,CHIP	100 5% 1/10W
R1140	1-216-033-00	RES,CHIP	220 5% 1/10W	R1323	1-216-037-00	RES,CHIP	330 5% 1/10W
R1141	1-216-049-91	RES,CHIP	1K 5% 1/10W	R1324	1-216-049-91	RES,CHIP	1K 5% 1/10W
R1142	1-216-033-00	RES,CHIP	220 5% 1/10W	R1325	1-216-111-00	RES,CHIP	390K 5% 1/10W
R1143	1-216-033-00	RES,CHIP	220 5% 1/10W	R1326	1-216-025-91	RES,CHIP	100 5% 1/10W
R1144	1-216-065-91	RES,CHIP	4.7K 5% 1/10W	R1327	1-216-061-00	RES,CHIP	3.3K 5% 1/10W
R1145	1-216-033-00	RES,CHIP	220 5% 1/10W	R1328	1-216-025-91	RES,CHIP	100 5% 1/10W
R1146	1-216-049-91	RES,CHIP	1K 5% 1/10W	R1329	1-216-049-91	RES,CHIP	1K 5% 1/10W
R1147	1-216-025-91	RES,CHIP	100 5% 1/10W	R1330	1-216-025-91	RES,CHIP	100 5% 1/10W
R1148	1-216-033-00	RES,CHIP	220 5% 1/10W	R1331	1-216-025-91	RES,CHIP	100 5% 1/10W
R1149	1-216-049-91	RES,CHIP	1K 5% 1/10W	R1332	1-216-025-91	RES,CHIP	100 5% 1/10W
R1150	1-216-025-91	RES,CHIP	100 5% 1/10W	R1333	1-216-043-91	RES,CHIP	560 5% 1/10W
R1151	1-216-033-00	RES,CHIP	220 5% 1/10W	R1334	1-216-049-91	RES,CHIP	1K 5% 1/10W
R1152	1-216-025-91	RES,CHIP	100 5% 1/10W	R1335	1-216-049-91	RES,CHIP	1K 5% 1/10W
R1153	1-216-097-91	RES,CHIP	100K 5% 1/10W	R1337	1-216-025-91	RES,CHIP	100 5% 1/10W
R1154	1-216-097-91	RES,CHIP	100K 5% 1/10W	R1338	1-216-025-91	RES,CHIP	100 5% 1/10W
R1155	1-216-049-91	RES,CHIP	1K 5% 1/10W	R1339	1-216-065-91	RES,CHIP	4.7K 5% 1/10W
R1156	1-216-033-00	RES,CHIP	220 5% 1/10W	R1341	1-216-025-91	RES,CHIP	100 5% 1/10W
R1157	1-216-049-91	RES,CHIP	1K 5% 1/10W	R1342	1-216-071-00	RES,CHIP	8.2K 5% 1/10W
R1158	1-216-033-00	RES,CHIP	220 5% 1/10W	R1345	1-216-077-91	RES,CHIP	15K 5% 1/10W
R1159	1-216-049-91	RES,CHIP	1K 5% 1/10W	R1348	1-216-073-00	RES,CHIP	10K 5% 1/10W
R1161	1-216-049-91	RES,CHIP	1K 5% 1/10W	R1349	1-216-053-00	RES,CHIP	1.5K 5% 1/10W
R1162	1-216-025-91	RES,CHIP	100 5% 1/10W	R1350	1-216-065-91	RES,CHIP	4.7K 5% 1/10W
R1163	1-216-025-91	RES,CHIP	100 5% 1/10W	R1352	1-216-065-91	RES,CHIP	4.7K 5% 1/10W
R1164	1-216-033-00	RES,CHIP	220 5% 1/10W	R1354	1-216-025-91	RES,CHIP	100 5% 1/10W
R1165	1-216-033-00	RES,CHIP	220 5% 1/10W	R1355	1-216-025-91	RES,CHIP	100 5% 1/10W
R1166	1-216-033-00	RES,CHIP	220 5% 1/10W	R1356	1-216-025-91	RES,CHIP	100 5% 1/10W
R1167	1-216-121-91	RES,CHIP	1M 5% 1/10W	R1357	1-216-025-91	RES,CHIP	100 5% 1/10W
R1171	1-216-049-91	RES,CHIP	1K 5% 1/10W	R1358	1-208-822-11	METAL CHIP	47K 0.50% 1/10W
R1172	1-216-049-91	RES,CHIP	1K 5% 1/10W	R1363	1-216-025-91	RES,CHIP	100 5% 1/10W
R1175	1-208-788-11	METAL CHIP	1.8K 0.50% 1/10W	R1364	1-216-057-00	RES,CHIP	2.2K 5% 1/10W
R1178	1-208-766-11	METAL CHIP	220 0.50% 1/10W	R1365	1-216-057-00	RES,CHIP	2.2K 5% 1/10W
R1180	1-208-788-11	METAL CHIP	1.8K 0.50% 1/10W	R1366	1-216-057-00	RES,CHIP	2.2K 5% 1/10W
R1183	1-208-766-11	METAL CHIP	220 0.50% 1/10W	R1368	1-208-788-11	METAL CHIP	1.8K 0.50% 1/10W
R1185	1-208-788-11	METAL CHIP	1.8K 0.50% 1/10W	R1369	1-216-025-91	RES,CHIP	100 5% 1/10W
R1188	1-208-766-11	METAL CHIP	220 0.50% 1/10W	R1371	1-216-655-11	METAL CHIP	1.5K 0.50% 1/10W
R1301	1-216-057-00	RES,CHIP	2.2K 5% 1/10W	R1372	1-216-065-91	RES,CHIP	4.7K 5% 1/10W
R1302	1-216-057-00	RES,CHIP	2.2K 5% 1/10W	R1374	1-216-057-00	RES,CHIP	2.2K 5% 1/10W
R1303	1-208-788-11	METAL CHIP	1.8K 0.50% 1/10W	R1375	1-216-057-00	RES,CHIP	2.2K 5% 1/10W
R1305	1-208-788-11	METAL CHIP	1.8K 0.50% 1/10W	R1377	1-208-790-11	METAL CHIP	2.2K 0.50% 1/10W
R1306	1-208-788-11	METAL CHIP	1.8K 0.50% 1/10W	R1379	1-216-655-11	METAL CHIP	1.5K 0.50% 1/10W
				R1380	1-216-655-11	METAL CHIP	1.5K 0.50% 1/10W



REF. NO.	PART NO.	DESCRIPTION	REMARK	REF. NO.	PART NO.	DESCRIPTION	REMARK
R1381	1-208-790-11	METAL CHIP	2.2K 0.50% 1/10W	R1448	1-216-081-00	RES,CHIP	22K 5% 1/10W
R1383	1-216-057-00	RES,CHIP	2.2K 5% 1/10W	R1449	1-216-071-00	RES,CHIP	8.2K 5% 1/10W
R1389	1-216-049-91	RES,CHIP	1K 5% 1/10W	R1450	1-216-077-91	RES,CHIP	15K 5% 1/10W
R1392	1-216-049-91	RES,CHIP	1K 5% 1/10W	R1451	1-216-073-00	RES,CHIP	10K 5% 1/10W
R1393	1-216-057-00	RES,CHIP	2.2K 5% 1/10W	R1452	1-216-053-00	RES,CHIP	1.5K 5% 1/10W
R1394	1-216-049-91	RES,CHIP	1K 5% 1/10W	R1453	1-216-081-00	RES,CHIP	22K 5% 1/10W
R1395	1-216-049-91	RES,CHIP	1K 5% 1/10W	R1454	1-216-025-91	RES,CHIP	100 5% 1/10W
R1396	1-216-057-00	RES,CHIP	2.2K 5% 1/10W	R1455	1-216-025-91	RES,CHIP	100 5% 1/10W
R1397	1-216-049-91	RES,CHIP	1K 5% 1/10W	R1456	1-216-089-91	RES,CHIP	47K 5% 1/10W
R1398	1-216-065-91	RES,CHIP	4.7K 5% 1/10W	R1457	1-216-089-91	RES,CHIP	47K 5% 1/10W
R1400	1-216-057-00	RES,CHIP	2.2K 5% 1/10W	R1461	1-216-065-91	RES,CHIP	4.7K 5% 1/10W
R1401	1-216-057-00	RES,CHIP	2.2K 5% 1/10W	R1462	1-216-295-91	SHORT	0
R1402	1-216-061-00	RES,CHIP	3.3K 5% 1/10W	R1463	1-216-025-91	RES,CHIP	100 5% 1/10W
R1404	1-208-822-11	METAL CHIP	47K 0.50% 1/10W	R1464	1-216-025-91	RES,CHIP	100 5% 1/10W
R1405	1-216-037-00	RES,CHIP	330 5% 1/10W	R1465	1-216-057-00	RES,CHIP	2.2K 5% 1/10W
R1406	1-216-025-91	RES,CHIP	100 5% 1/10W	R1466	1-216-065-91	RES,CHIP	4.7K 5% 1/10W
R1407	1-216-061-00	RES,CHIP	3.3K 5% 1/10W	R1467	1-216-295-91	SHORT	0
R1408	1-216-057-00	RES,CHIP	2.2K 5% 1/10W	R1468	1-216-057-00	RES,CHIP	2.2K 5% 1/10W
R1409	1-216-041-00	RES,CHIP	470 5% 1/10W	R1469	1-216-065-91	RES,CHIP	4.7K 5% 1/10W
R1410	1-216-041-00	RES,CHIP	470 5% 1/10W	R1470	1-208-790-11	METAL CHIP	2.2K 0.50% 1/10W
R1411	1-216-041-00	RES,CHIP	470 5% 1/10W	R1471	1-216-295-91	SHORT	0
R1412	1-216-049-91	RES,CHIP	1K 5% 1/10W	R1472	1-208-790-11	METAL CHIP	2.2K 0.50% 1/10W
R1413	1-216-025-91	RES,CHIP	100 5% 1/10W	R1473	1-216-655-11	METAL CHIP	1.5K 0.50% 1/10W
R1414	1-216-069-00	RES,CHIP	6.8K 5% 1/10W	R1474	1-208-790-11	METAL CHIP	2.2K 0.50% 1/10W
R1415	1-216-065-91	RES,CHIP	4.7K 5% 1/10W	R1475	1-216-073-00	RES,CHIP	10K 5% 1/10W
R1416	1-216-025-91	RES,CHIP	100 5% 1/10W	R1476	1-216-097-91	RES,CHIP	100K 5% 1/10W
R1417	1-216-025-91	RES,CHIP	100 5% 1/10W	R1477	1-216-097-91	RES,CHIP	100K 5% 1/10W
R1418	1-208-806-11	METAL CHIP	10K 0.50% 1/10W	R1478	1-216-655-11	METAL CHIP	1.5K 0.50% 1/10W
R1419	1-216-041-00	RES,CHIP	470 5% 1/10W	R1479	1-216-097-91	RES,CHIP	100K 5% 1/10W
R1420	1-216-073-00	RES,CHIP	10K 5% 1/10W	R1480	1-216-097-91	RES,CHIP	100K 5% 1/10W
R1421	1-216-073-00	RES,CHIP	10K 5% 1/10W	R1482	1-216-097-91	RES,CHIP	100K 5% 1/10W
R1422	1-216-065-91	RES,CHIP	4.7K 5% 1/10W	R1483	1-216-097-91	RES,CHIP	100K 5% 1/10W
R1423	1-208-770-11	METAL CHIP	330 0.50% 1/10W	R1484	1-216-049-91	RES,CHIP	1K 5% 1/10W
R1424	1-208-814-91	METAL CHIP	22K 0.50% 1/10W	R1485	1-216-025-91	RES,CHIP	100 5% 1/10W
R1425	1-216-025-91	RES,CHIP	100 5% 1/10W	R1501	1-216-025-91	RES,CHIP	100 5% 1/10W
R1426	1-216-025-91	RES,CHIP	100 5% 1/10W	R1503	1-216-025-91	RES,CHIP	100 5% 1/10W
R1427	1-216-295-91	SHORT	0	R1511	1-216-295-91	SHORT	0
R1428	1-208-790-11	METAL CHIP	2.2K 0.50% 1/10W	R1517	1-216-295-91	SHORT	0
R1429	1-216-025-91	RES,CHIP	100 5% 1/10W	R1518	1-216-295-91	SHORT	0
R1430	1-216-025-91	RES,CHIP	100 5% 1/10W	R1521	1-216-049-91	RES,CHIP	1K 5% 1/10W
R1431	1-216-025-91	RES,CHIP	100 5% 1/10W	R1527	1-216-025-91	RES,CHIP	100 5% 1/10W
R1432	1-216-025-91	RES,CHIP	100 5% 1/10W	R1528	1-216-025-91	RES,CHIP	100 5% 1/10W
R1433	1-216-111-00	RES,CHIP	390K 5% 1/10W	R1529	1-216-025-91	RES,CHIP	100 5% 1/10W
R1434	1-216-295-91	SHORT	0	R1530	1-216-073-00	RES,CHIP	10K 5% 1/10W
R1435	1-216-057-00	RES,CHIP	2.2K 5% 1/10W	R1536	1-216-049-91	RES,CHIP	1K 5% 1/10W
R1436	1-216-295-91	SHORT	0	R1537	1-216-049-91	RES,CHIP	1K 5% 1/10W
R1437	1-216-057-00	RES,CHIP	2.2K 5% 1/10W	R1538	1-216-049-91	RES,CHIP	1K 5% 1/10W
R1438	1-216-065-91	RES,CHIP	4.7K 5% 1/10W	R1540	1-216-655-11	METAL CHIP	1.5K 0.50% 1/10W
R1439	1-208-768-11	METAL CHIP	270 0.50% 1/10W	R1543	1-216-295-91	SHORT	0
R1440	1-208-790-11	METAL CHIP	2.2K 0.50% 1/10W	R1546	1-216-065-91	RES,CHIP	4.7K 5% 1/10W
R1441	1-216-081-00	RES,CHIP	22K 5% 1/10W	R1601	1-216-117-00	RES,CHIP	680K 5% 1/10W
R1442	1-216-081-00	RES,CHIP	22K 5% 1/10W	R1602	1-216-113-00	RES,CHIP	470K 5% 1/10W
R1443	1-216-065-91	RES,CHIP	4.7K 5% 1/10W	R1603	1-216-295-91	SHORT	0
R1444	1-216-081-00	RES,CHIP	22K 5% 1/10W	R1605	1-216-117-00	RES,CHIP	680K 5% 1/10W
R1445	1-216-065-91	RES,CHIP	4.7K 5% 1/10W	R1607	1-216-117-00	RES,CHIP	680K 5% 1/10W
R1446	1-216-043-91	RES,CHIP	560 5% 1/10W	R1609	1-216-097-91	RES,CHIP	100K 5% 1/10W
R1447	1-216-081-00	RES,CHIP	22K 5% 1/10W				



Les composants identifiés par une trame et une marque  $\Delta$  sont critiques pour la sécurité. Ne les remplacer que par une pièce portant le numéro spécifié.

The components identified by shading and mark  $\Delta$  are critical for safety. Replace only with part number specified.

KP-53XBR300/61XBR300

RM-Y902

RM-Y902



REF. NO.	PART NO.	DESCRIPTION	REMARK	REF. NO.	PART NO.	DESCRIPTION	REMARK
C6037	1-126-964-11	ELECT	10 $\mu$ F 20% 50V	D6007	8-719-991-33	DIODE 1SS133T-77	
C6102	1-104-665-11	ELECT	100 $\mu$ F 20% 25V	D6009	8-719-982-26	DIODE MTZJ-33B	
C6103	1-104-664-11	ELECT	47 $\mu$ F 20% 25V	D6010	8-719-991-33	DIODE 1SS133T-77	
C6104	1-101-810-00	CERAMIC	100pF 5% 500V	D6011	8-719-923-60	DIODE MTZJ-T-77-9.1A	
C6105	1-101-810-00	CERAMIC	100pF 5% 500V	D6012	8-719-991-33	DIODE 1SS133T-77	
C6108	1-104-664-11	ELECT	47 $\mu$ F 20% 25V	D6013	8-719-991-33	DIODE 1SS133T-77	
C6113	1-107-639-11	ELECT	47 $\mu$ F 20% 160V	D6014	8-719-991-33	DIODE 1SS133T-77	
C6114	1-107-641-11	ELECT	220 $\mu$ F 20% 160V	D6015	8-719-063-73	DIODE D1NL20U-TR	
C6115	1-104-665-11	ELECT	100 $\mu$ F 20% 25V	D6016	8-719-979-64	DIODE $\mu$ F4005PKG23	
C6116	1-126-968-11	ELECT	100 $\mu$ F 20% 50V	D6017	8-719-110-53	DIODE RD20ESB2	
C6117	1-128-546-11	ELECT	10000 $\mu$ F 20% 10V	D6018	8-719-979-64	DIODE $\mu$ F4005PKG23	
C6118	1-126-943-11	ELECT	2200 $\mu$ F 20% 25V	D6019	8-719-110-53	DIODE RD20ESB2	
C6119	1-126-943-11	ELECT	2200 $\mu$ F 20% 25V	D6020	8-719-210-53	DIODE 11ES4-TA1B	
C6120	1-128-549-11	ELECT	3300 $\mu$ F 20% 35V	D6021	8-719-110-53	DIODE RD20ESB2	
C6121	1-128-549-11	ELECT	3300 $\mu$ F 20% 35V	D6022	8-719-110-53	DIODE RD20ESB2	
C6122	1-126-943-11	ELECT	2200 $\mu$ F 20% 25V	D6023	8-719-991-33	DIODE 1SS133T-77	
C6123	1-107-641-11	ELECT	220 $\mu$ F 20% 160V	D6024	8-719-991-33	DIODE 1SS133T-77	
C6124	1-128-549-11	ELECT	3300 $\mu$ F 20% 35V	D6025	8-719-979-64	DIODE $\mu$ F4005PKG23	
C6125	1-128-549-11	ELECT	3300 $\mu$ F 20% 35V	D6026	8-719-110-53	DIODE RD20ESB2	
C6126	1-104-665-11	ELECT	100 $\mu$ F 20% 25V	D6027	8-719-979-64	DIODE $\mu$ F4005PKG23	
C6127	1-107-639-11	ELECT	47 $\mu$ F 20% 160V	D6028	8-719-110-53	DIODE RD20ESB2	
C6128	1-128-549-11	ELECT	3300 $\mu$ F 20% 35V	D6029	8-719-110-53	DIODE RD20ESB2	
C6129	1-128-549-11	ELECT	3300 $\mu$ F 20% 35V	D6030	8-719-110-53	DIODE RD20ESB2	
C6131	1-104-665-11	ELECT	100 $\mu$ F 20% 25V	D6031	8-719-210-53	DIODE 11ES4-TA1B	
C6132	1-104-665-11	ELECT	100 $\mu$ F 20% 25V	D6032	8-719-979-64	DIODE $\mu$ F4005PKG23	
C6133	1-104-665-11	ELECT	100 $\mu$ F 20% 25V	D6033	8-719-991-33	DIODE 1SS133T-77	
C6134	1-126-968-11	ELECT	100 $\mu$ F 20% 50V	D6034	8-719-991-33	DIODE 1SS133T-77	
C6135	1-126-968-11	ELECT	100 $\mu$ F 20% 50V	D6035	8-719-110-31	DIODE RD12ESB2	
C6137	1-104-666-11	ELECT	220 $\mu$ F 20% 25V	D6101	8-719-210-53	DIODE 11ES4-TA1B	
C6140	1-104-665-11	ELECT	100 $\mu$ F 20% 25V	D6102	8-719-057-96	DIODE D10SC6M-4012	
C6145	1-126-918-11	ELECT	4700 $\mu$ F 20% 6.3V	D6103	8-719-052-90	DIODE D1NL40-TA2	
C6150	1-136-165-00	MYLAR	0.1 $\mu$ F 5% 50V	D6104	8-719-031-78	DIODE S2L40F	
C6155	1-102-129-00	CERAMIC	0.01 $\mu$ F 10% 50V	D6105	8-719-052-91	DIODE D4SBS4-F	
C6156	1-102-050-00	CERAMIC	0.01 $\mu$ F 99% 500V	D6106	8-719-052-90	DIODE D1NL40-TA2	
C6157	1-102-129-00	CERAMIC	0.01 $\mu$ F 10% 50V	D6107	8-719-031-78	DIODE S2L40F	
C6158	1-102-129-00	CERAMIC	0.01 $\mu$ F 10% 50V	D6108	8-719-057-96	DIODE D10SC6M-4012	
C6159	1-102-129-00	CERAMIC	0.01 $\mu$ F 10% 50V	D6109	8-719-049-92	DIODE SF10SC3L	
C6160	1-102-129-00	CERAMIC	0.01 $\mu$ F 10% 50V	D6110	8-719-982-27	DIODE MTZJ-33C	
<CONNECTOR>				D6111	8-719-991-33	DIODE 1SS133T-77	
CN6004*	1-580-843-11	PIN, CONNECTOR (POWER)		D6112	8-719-991-33	DIODE 1SS133T-77	
CN6101*	1-564-510-11	PLUG, CONNECTOR 7P		D6113	8-719-991-33	DIODE 1SS133T-77	
CN6102*	1-691-757-11	PIN, CONNECTOR (PC BOARD) 8P		D6114	8-719-072-30	DIODE D25SC6MRF04	
CN6103	1-695-915-11	TAB (CONTACT)		D6116	8-719-072-29	DIODE D25SC6 $\mu$ F04	
CN6104*	1-564-512-11	PLUG, CONNECTOR 9P		D6117	8-719-988-31	DIODE D10SC6MR	
CN6105*	1-564-509-11	PLUG, CONNECTOR 6P		D6119	8-719-110-31	DIODE RD12ESB2	
CN6106*	1-573-964-11	PIN, CONNECTOR (PC BOARD) 6P		D6120	8-719-063-73	DIODE D1NL20U-TR	
CN6107	1-695-915-11	TAB (CONTACT)		D6121	8-719-921-63	DIODE MTZJ-7.5B	
CN6108	1-695-915-11	TAB (CONTACT)		D6122	8-719-991-33	DIODE 1SS133T-77	
<DIODE>				D6123	8-719-991-33	DIODE 1SS133T-77	
D6002 $\Delta$	8-719-033-58	DIODE RBV-1506		D6124	8-719-991-33	DIODE 1SS133T-77	
D6004	8-719-110-31	DIODE RD12ESB2		D6125	8-719-991-33	DIODE 1SS133T-77	
D6005	8-719-979-64	DIODE $\mu$ F4005PKG23		<FUSE>			
D6006	8-719-059-23	DIODE P6KE200AG23		F6001 $\Delta$	1-576-048-11	FUSE, GLASS TUBE 10A/125V	
				F6002 $\Delta$	1-533-759-11	FUSE	
				F6105 $\Delta$	1-533-790-31	LINK, IC	



Les composants identifiés par une trame et une marque  $\Delta$  sont critiques pour la sécurité. Ne les remplacer que par une pièce portant le numéro spécifié.

The components identified by shading and mark  $\Delta$  are critical for safety. Replace only with part number specified.

REF. NO.	PART NO.	DESCRIPTION	REMARK
F6106 $\Delta$	1-533-790-31	LINK, IC	
<FERRITEBEAD>			
FB6001	1-410-397-21	FERRITE	1.1 $\mu$ H
FB6002	1-410-397-21	FERRITE	1.1 $\mu$ H
FB6003	1-410-397-21	FERRITE	1.1 $\mu$ H
FB6004	1-410-397-21	FERRITE	1.1 $\mu$ H
FB6005	1-410-397-21	FERRITE	1.1 $\mu$ H
FB6006	1-410-397-21	FERRITE	1.1 $\mu$ H
FB6007	1-410-397-21	FERRITE	1.1 $\mu$ H
FB6008	1-410-397-21	FERRITE	1.1 $\mu$ H
FB6101	1-410-397-21	FERRITE	1.1 $\mu$ H
FB6102	1-410-397-21	FERRITE	1.1 $\mu$ H
<IC>			
IC6001	8-759-468-89	IC TOP209P	
IC6002	8-759-185-47	IC IR2112	
IC6003	8-759-077-25	IC IR3M02A	
IC6004	8-759-185-47	IC IR2112	
IC6005 $\Delta$	8-749-010-64	PHOTO COUPLER PC123F2	
IC6011 $\Delta$	8-749-010-64	PHOTO COUPLER PC123F2	
IC6101	8-749-920-61	IC SE-135N	
IC6102	8-759-103-93	IC $\mu$ PC393C	
IC6103	8-759-198-31	IC $\mu$ PC1093J-1-T	
IC6104	8-759-450-47	IC BA05T	
IC6301	8-759-198-31	IC $\mu$ PC1093J-1-T	
<COIL>			
L6001 $\Delta$	1-431-116-11	TRANSFORMER, LINE FILTER	
L6002 $\Delta$	1-431-116-11	TRANSFORMER, LINE FILTER	
L6103	1-412-523-25	INDUCTOR	6.8 $\mu$ H
L6104	1-412-523-25	INDUCTOR	6.8 $\mu$ H
L6105	1-412-525-31	INDUCTOR	10 $\mu$ H
L6106	1-412-525-31	INDUCTOR	10 $\mu$ H
L6107	1-406-659-11	INDUCTOR	10 $\mu$ H
L6108	1-412-525-31	INDUCTOR	10 $\mu$ H
L6109	1-412-525-31	INDUCTOR	10 $\mu$ H
L6110	1-412-525-31	INDUCTOR	10 $\mu$ H
L6111	1-412-525-31	INDUCTOR	10 $\mu$ H
L6112	1-412-525-31	INDUCTOR	10 $\mu$ H
<IC LINK>			
PS6101 $\Delta$	1-533-597-31	LINK, IC	
PS6102 $\Delta$	1-533-597-31	LINK, IC	
PS6103 $\Delta$	1-533-790-31	LINK, IC	
PS6104 $\Delta$	1-533-790-31	LINK, IC	
<TRANSISTOR>			
Q6001	8-729-119-78	TRANSISTOR	2SC2785-HFE
Q6002	8-729-119-78	TRANSISTOR	2SC2785-HFE
Q6003	8-729-119-78	TRANSISTOR	2SC2785-HFE
Q6004	8-729-119-78	TRANSISTOR	2SC2785-HFE
Q6005	8-729-119-76	TRANSISTOR	2SA1175-HFE

REF. NO.	PART NO.	DESCRIPTION	REMARK
Q6006	8-729-119-76	TRANSISTOR	2SA1175-HFE
Q6007	8-729-044-42	TRANSISTOR	IRFI644G-LF36
Q6008	8-729-044-42	TRANSISTOR	IRFI644G-LF36
Q6009	8-729-044-42	TRANSISTOR	IRFI644G-LF36
Q6010	8-729-044-42	TRANSISTOR	IRFI644G-LF36
Q6011	8-729-140-97	TRANSISTOR	2SB734-34
Q6012	8-729-119-76	TRANSISTOR	2SA1175-HFE
Q6013	8-729-119-78	TRANSISTOR	2SC2785-HFE
Q6101	8-729-119-76	TRANSISTOR	2SA1175-HFE
Q6102	8-729-119-76	TRANSISTOR	2SA1175-HFE
Q6103	8-729-119-78	TRANSISTOR	2SC2785-HFE
Q6104	8-729-119-78	TRANSISTOR	2SC2785-HFE
Q6106	8-729-119-76	TRANSISTOR	2SA1175-HFE
<RESISTOR>			
R6001 $\Delta$	1-219-776-11	CARBON	2.2M 10% 1/2W
R6002	1-219-759-11	CARBON	1M 5% 1/2W
R6004	1-260-131-11	CARBON	470K 5% 1/2W
R6005	1-249-401-11	CARBON	47 5% 1/4W F
R6006	1-260-127-11	CARBON	220K 5% 1/2W
R6007	1-249-437-11	CARBON	47K 5% 1/4W
R6008	1-260-127-11	CARBON	220K 5% 1/2W
R6010	1-205-997-11	CEMENTED	2.2 5% 10W
R6011	1-249-437-11	CARBON	47K 5% 1/4W
R6012	1-212-849-00	FUSIBLE	4.7 5% 1/4W F
R6013	1-247-895-91	CARBON	470K 5% 1/4W
R6014	1-249-437-11	CARBON	47K 5% 1/4W
R6015	1-249-437-11	CARBON	47K 5% 1/4W
R6016	1-249-437-11	CARBON	47K 5% 1/4W
R6017	1-249-417-11	CARBON	1K 5% 1/4W
R6018	1-247-863-91	CARBON	22K 5% 1/4W
R6019	1-249-429-11	CARBON	10K 5% 1/4W
R6020	1-249-425-11	CARBON	4.7K 5% 1/4W
R6021	1-247-791-91	CARBON	22 5% 1/4W
R6022	1-249-437-11	CARBON	47K 5% 1/4W
R6023	1-247-895-91	CARBON	470K 5% 1/4W
R6024	1-249-397-11	CARBON	22 5% 1/4W F
R6025	1-249-397-11	CARBON	22 5% 1/4W F
R6026	1-249-425-11	CARBON	4.7K 5% 1/4W
R6027	1-249-425-11	CARBON	4.7K 5% 1/4W
R6028	1-215-427-00	METAL	1.8K 1% 1/4W
R6029	1-247-863-91	CARBON	22K 5% 1/4W
R6030	1-249-437-11	CARBON	47K 5% 1/4W
R6031	1-249-425-11	CARBON	4.7K 5% 1/4W
R6032	1-249-417-11	CARBON	1K 5% 1/4W
R6033	1-215-444-00	METAL	9.1K 1% 1/4W
R6034	1-249-417-11	CARBON	1K 5% 1/4W
R6035	1-249-397-11	CARBON	22 5% 1/4W F
R6036	1-249-397-11	CARBON	22 5% 1/4W F
R6037	1-249-425-11	CARBON	4.7K 5% 1/4W
R6038	1-249-425-11	CARBON	4.7K 5% 1/4W
R6039	1-249-429-11	CARBON	10K 5% 1/4W
R6040	1-249-429-11	CARBON	10K 5% 1/4W
R6041	1-249-429-11	CARBON	10K 5% 1/4W
R6042	1-249-437-11	CARBON	47K 5% 1/4W
R6043	1-260-134-11	CARBON	820K 5% 1/2W

Les composants identifiés par une trame et une marque  $\Delta$  sont critiques pour la sécurité. Ne les remplacer que par une pièce portant le numéro spécifié.

The components identified by shading and mark  $\Delta$  are critical for safety. Replace only with part number specified.



REF. NO.	PART NO.	DESCRIPTION		REMARK
R6101	1-215-437-00	METAL	4.7K	1% 1/4W
R6102	1-215-479-00	METAL	270K	1% 1/4W
R6103	1-215-437-00	METAL	4.7K	1% 1/4W
R6104	1-215-413-00	METAL	470	1% 1/4W
<RELAY>				
RY6001 $\Delta$ 1-515-999-11 RELAY, POWER				
RY6002 $\Delta$ 1-515-999-11 RELAY, POWER				
<TRANSFORMER>				
T6001 $\Delta$ 1-429-807-11 TRANSFORMER, CONVERTER (PIT)				
T6002 $\Delta$ 1-431-897-11 TRANSFORMER, CONVERTER (PIT)				
T6003 $\Delta$ 1-431-732-11 TRANSFORMER, CONVERTER (SRT)				
<VARISTOR>				
VD6001	1-801-073-31	VARISTOR TNR14V471K660		

REF. NO.	PART NO.	DESCRIPTION		REMARK
* A-1331-972-A CR BOARD, COMPLETE				
*****				
	4-382-854-51	SCREW(M3X8), P, SW (+)		
<CAPACITOR>				
C7100	1-162-114-00	CERAMIC	0.0047 $\mu$ F	2KV
C7102	1-162-115-00	CERAMIC	330pF	10% 2KV
C7103	1-107-662-11	ELECT	22 $\mu$ F	20% 250V
C7104	1-126-768-11	ELECT	2200 $\mu$ F	20% 16V
C7105	1-162-115-00	CERAMIC	330pF	10% 2KV
C7106	1-163-038-91	CERAMIC CHIP	0.1 $\mu$ F	25V
C7107	1-163-038-91	CERAMIC CHIP	0.1 $\mu$ F	25V
C7108	1-126-967-11	ELECT	47 $\mu$ F	20% 50V
C7109	1-161-830-00	CERAMIC	0.0047 $\mu$ F	500V
C7110	1-102-050-00	CERAMIC	0.01 $\mu$ F	99% 500V
C7111	1-102-157-00	CERAMIC	560pF	10% 500V
C7112	1-163-087-00	CERAMIC CHIP	4pF	0.25pF50V
C7113	1-126-964-11	ELECT	10 $\mu$ F	20% 50V
C7116	1-163-121-00	CERAMIC CHIP	150pF	5% 50V
<CONNECTOR>				
CN7101*	1-564-511-11	PLUG, CONNECTOR 8P		
CN7102*	1-564-509-11	PLUG, CONNECTOR 6P		
CN7103*	1-564-512-11	PLUG, CONNECTOR 9P		
CN7104	1-785-879-11	CONNECTOR, ONE TOUCH		
CN7107	1-695-915-11	TAB (CONTACT)		
<DIODE>				
D7102	8-719-921-86	DIODE MTZJ-13		
D7103	8-719-901-83	DIODE 1SS83		
D7104	8-719-901-83	DIODE 1SS83		
D7105	8-719-901-83	DIODE 1SS83		
D7106	8-719-901-83	DIODE 1SS83		
D7107	1-216-295-91	SHORT	0	
D7109	8-719-921-86	DIODE MTZJ-13		
D7110	8-719-921-86	DIODE MTZJ-13		
<IC>				
IC7101	8-759-360-83	IC TDA6111Q/N4		
<JACK>				
J7101 $\Delta$ 1-251-182-11 SOCKET, CRT				
<COIL>				
L7102	1-414-223-11	INDUCTOR	470 $\mu$ H	
L7103	1-414-181-11	INDUCTOR	4.7 $\mu$ H	
L7104	1-414-187-11	INDUCTOR	47 $\mu$ H	
<NEON LAMP>				
NL7101	1-517-778-21	LAMP, NEON		

\*\*\*\*\*



# KP-53XBR300/61XBR300

RM-Y902

RM-Y902

**CR**

**CG**

Les composants identifiés par une trame et une marque  $\Delta$  sont critiques pour la sécurité. Ne les remplacer que par une pièce portant le numéro spécifié.

The components identified by shading and mark  $\Delta$  are critical for safety. Replace only with part number specified.

REF. NO.	PART NO.	DESCRIPTION	REMARK	REF. NO.	PART NO.	DESCRIPTION	REMARK
NL7102	1-517-778-21	LAMP, NEON		C7211	1-102-157-00	CERAMIC 560pF	10% 500V
NL7103	1-517-778-21	LAMP, NEON		C7213	1-163-085-00	CERAMIC CHIP 2pF	0.25pF 50V
		<TRANSISTOR>		C7214	1-126-964-11	ELECT 10μF	20% 50V
Q7101	8-729-422-27	TRANSISTOR 2SD601A-Q		C7216	1-163-121-00	CERAMIC CHIP 150pF	5% 50V
Q7102	8-729-216-22	TRANSISTOR 2SA1162-G				<CONNECTOR>	
		<RESISTOR>		CN7201*	1-564-509-11	PLUG, CONNECTOR 6P	
R7101	1-260-132-11	CARBON 560K	5% 1/2W	CN7202*	1-564-508-11	PLUG, CONNECTOR 5P	
R7102	1-249-389-11	CARBON 4.7	5% 1/4W F	CN7203*	1-564-512-11	PLUG, CONNECTOR 9P	
R7103	1-216-295-91	SHORT 0		CN7204*	1-564-512-11	PLUG, CONNECTOR 9P	
R7105	1-260-117-11	CARBON 33K	5% 1/2W	CN7205	1-785-879-11	CONNECTOR, ONE TOUCH	
R7106	1-219-743-11	CARBON 100	5% 1/2W	CN7208	1-695-915-11	TAB (CONTACT)	
R7107	1-208-800-11	METAL CHIP 5.6K	0.50% 1/10W	CN7210*	1-564-506-11	PLUG, CONNECTOR 3P	
R7108	1-260-133-11	CARBON 680K	5% 1/2W			<DIODE>	
R7109	1-208-808-11	METAL CHIP 12K	0.50% 1/10W	D7202	8-719-921-86	DIODE MTZJ-13	
R7110	1-208-793-11	METAL CHIP 3K	0.50% 1/10W	D7203	8-719-901-83	DIODE 1SS83	
R7111	1-216-033-00	RES,CHIP 220	5% 1/10W	D7204	8-719-901-83	DIODE 1SS83	
R7112	1-249-424-11	CARBON 3.9K	5% 1/4W	D7205	8-719-901-83	DIODE 1SS83	
R7113	1-216-029-00	RES,CHIP 150	5% 1/10W	D7206	8-719-901-83	DIODE 1SS83	
R7114	1-208-791-11	METAL CHIP 2.4K	0.50% 1/10W	D7207	1-216-295-91	SHORT 0	
R7115	1-208-798-11	METAL CHIP 4.7K	0.50% 1/10W	D7208	8-719-073-01	DIODE MA111-(K8).SO	
R7116	1-215-904-11	METAL OXIDE 100K	5% 2W F	D7209	8-719-921-86	DIODE MTZJ-13	
R7117	1-260-093-11	CARBON 330	5% 1/2W	D7210	8-719-921-86	DIODE MTZJ-13	
R7118	1-260-087-11	CARBON 100	5% 1/2W			<IC>	
R7119	1-260-099-11	CARBON 1K	5% 1/2W	IC7201	8-759-360-83	IC TDA6111Q/N4	
R7122	1-216-033-00	RES,CHIP 220	5% 1/10W			<JACK>	
R7123	1-216-053-00	RES,CHIP 1.5K	5% 1/10W	J7201 $\Delta$	1-251-182-11	SOCKET, CRT	
R7126	1-208-802-11	METAL CHIP 6.8K	0.50% 1/10W			<COIL>	
R7127	1-208-802-11	METAL CHIP 6.8K	0.50% 1/10W	L7201	1-414-223-11	INDUCTOR 470μH	
		<SPARK GAP>		L7203	1-414-181-11	INDUCTOR 4.7μH	
SG7101	1-519-422-11	GAP, SPARK		L7204	1-414-187-11	INDUCTOR 47μH	
SG7102	1-519-422-11	GAP, SPARK				<NEON LAMP>	
*****				NL7201	1-517-778-21	LAMP, NEON	
		* A-1331-973-A CG BOARD, COMPLETE		NL7202	1-517-778-21	LAMP, NEON	
		*****				<TRANSISTOR>	
		4-382-854-51 SCREW(M3X8), P, SW (+)		Q7201	8-729-422-27	TRANSISTOR 2SD601A-Q	
		<CAPACITOR>		Q7202	8-729-216-22	TRANSISTOR 2SA1162-G	
C7200	1-162-114-00	CERAMIC 0.0047μF	2KV			<RESISTOR>	
C7202	1-162-115-00	CERAMIC 330pF	10% 2KV	R7201	1-260-132-11	CARBON 560K	5% 1/2W
C7203	1-126-768-11	ELECT 2200μF	20% 16V	R7202	1-216-295-91	SHORT 0	
C7204	1-107-662-11	ELECT 22μF	20% 250V	R7203	1-216-097-91	RES,CHIP 100K	5% 1/10W
C7205	1-163-038-91	CERAMIC CHIP 0.1μF	25V	R7204	1-219-743-11	CARBON 100	5% 1/2W
C7206	1-163-038-91	CERAMIC CHIP 0.1μF	25V	R7205	1-260-117-11	CARBON 33K	5% 1/2W
C7207	1-162-115-00	CERAMIC 330pF	10% 2KV				
C7208	1-126-967-11	ELECT 47μF	20% 50V				
C7209	1-102-050-00	CERAMIC 0.01μF	99% 500V				
C7210	1-161-830-00	CERAMIC 0.0047μF	500V				



REF. NO.	PART NO.	DESCRIPTION	REMARK
R7206	1-208-800-11	METAL CHIP	5.6K 0.50% 1/10W
R7207	1-208-808-11	METAL CHIP	12K 0.50% 1/10W
R7208	1-216-033-00	RES,CHIP	220 5% 1/10W
R7209	1-260-133-11	CARBON	680K 5% 1/2W
R7210	1-208-794-11	METAL CHIP	3.3K 0.50% 1/10W
R7211	1-249-424-11	CARBON	3.9K 5% 1/4W
R7212	1-208-788-11	METAL CHIP	1.8K 0.50% 1/10W
R7213	1-215-904-11	METAL OXIDE	100K 5% 2W F
R7214	1-216-029-00	RES,CHIP	150 5% 1/10W
R7216	1-260-093-11	CARBON	330 5% 1/2W
R7217	1-208-794-11	METAL CHIP	3.3K 0.50% 1/10W
R7219	1-216-053-00	RES,CHIP	1.5K 5% 1/10W
R7220	1-216-033-00	RES,CHIP	220 5% 1/10W
R7221	1-260-099-11	CARBON	1K 5% 1/2W
R7223	1-208-804-11	METAL CHIP	8.2K 0.50% 1/10W
R7224	1-208-802-11	METAL CHIP	6.8K 0.50% 1/10W
R7225	1-260-087-11	CARBON	100 5% 1/2W
<SPARK GAP>			
SG7201	1-519-422-11	GAP, SPARK	
SG7202	1-519-422-11	GAP, SPARK	
SG7203	1-519-422-11	GAP, SPARK	
*****			
* A-1331-974-A CB BOARD, COMPLETE			
*****			
4-382-854-51	SCREW(M3X8), P, SW (+)		
<CAPACITOR>			
C7300	1-162-114-00	CERAMIC	0.0047μF 2KV
C7302	1-162-115-00	CERAMIC	330pF 10% 2KV
C7303	1-162-115-00	CERAMIC	330pF 10% 2KV
C7304	1-126-768-11	ELECT	2200μF 20% 16V
C7305	1-163-038-91	CERAMIC CHIP	0.1μF 25V
C7306	1-163-038-91	CERAMIC CHIP	0.1μF 25V
C7307	1-107-662-11	ELECT	22μF 20% 250V
C7308	1-126-967-11	ELECT	47μF 20% 50V
C7310	1-161-830-00	CERAMIC	0.0047μF 500V
C7311	1-102-050-00	CERAMIC	0.01μF 99% 500V
C7312	1-102-157-00	CERAMIC	560pF 10% 500V
C7314	1-126-964-11	ELECT	10μF 20% 50V
C7315	1-163-085-00	CERAMIC CHIP	2pF 0.25pF 50V
C7316	1-163-121-00	CERAMIC CHIP	150pF 5% 50V
<CONNECTOR>			
CN7301*	1-564-508-11	PLUG, CONNECTOR 5P	
CN7302*	1-564-512-11	PLUG, CONNECTOR 9P	
CN7303*	1-564-510-11	PLUG, CONNECTOR 7P	
CN7304	1-785-879-11	CONNECTOR, ONE TOUCH	
CN7307	1-695-915-11	TAB (CONTACT)	
CN7314*	1-564-507-11	PLUG, CONNECTOR 4P	

REF. NO.	PART NO.	DESCRIPTION	REMARK
<DIODE>			
D7302	8-719-921-86	DIODE MTZJ-13	
D7303	8-719-901-83	DIODE 1SS83	
D7304	8-719-901-83	DIODE 1SS83	
D7305	8-719-901-83	DIODE 1SS83	
D7306	8-719-901-83	DIODE 1SS83	
D7307	8-719-073-01	DIODE MA111-(K8),S0	
D7310	8-719-991-33	DIODE 1SS133T-77	
D7311	8-719-921-86	DIODE MTZJ-13	
D7312	8-719-921-86	DIODE MTZJ-13	
D7313	1-216-295-91	SHORT	0
<IC>			
IC7301	8-759-360-83	IC TDA6111Q/N4	
<JACK>			
J7301	△ 1-251-182-11	SOCKET, CRT	
<COIL>			
L7301	1-414-223-11	INDUCTOR	470μH
L7303	1-414-181-11	INDUCTOR	4.7μH
L7304	1-414-187-11	INDUCTOR	47μH
<NEON LAMP>			
NL7301	1-517-778-21	LAMP, NEON	
NL7302	1-517-778-21	LAMP, NEON	
NL7303	1-517-778-21	LAMP, NEON	
<TRANSISTOR>			
Q7301	8-729-422-27	TRANSISTOR 2SD601A-Q	
Q7302	8-729-216-22	TRANSISTOR 2SA1162-G	
<RESISTOR>			
R7301	1-219-743-11	CARBON	100 5% 1/2W
R7302	1-260-132-11	CARBON	560K 5% 1/2W
R7303	1-249-393-11	CARBON	10 5% 1/4W F
R7304	1-216-295-91	SHORT	0
R7307	1-208-800-11	METAL CHIP	5.6K 0.50% 1/10W
R7308	1-260-133-11	CARBON	680K 5% 1/2W
R7309	1-208-791-11	METAL CHIP	2.4K 0.50% 1/10W
R7311	1-208-808-11	METAL CHIP	12K 0.50% 1/10W
R7312	1-208-793-11	METAL CHIP	3K 0.50% 1/10W
R7313	1-216-033-00	RES,CHIP	220 5% 1/10W
R7314	1-249-424-11	CARBON	3.9K 5% 1/4W
R7315	1-216-029-00	RES,CHIP	150 5% 1/10W
R7316	1-215-904-11	METAL OXIDE	100K 5% 2W F
R7317	1-260-093-11	CARBON	330 5% 1/2W
R7319	1-208-806-11	METAL CHIP	10K 0.50% 1/10W
R7320	1-260-087-11	CARBON	100 5% 1/2W
R7321	1-260-117-11	CARBON	33K 5% 1/2W
R7323	1-216-033-00	RES,CHIP	220 5% 1/10W

**KP-53XBR300/61XBR300**

RM-Y902

RM-Y902



REF. NO.	PART NO.	DESCRIPTION	REMARK
R7324	1-216-053-00	RES,CHIP	1.5K 5% 1/10W
R7325	1-260-099-11	CARBON	1K 5% 1/2W
R7326	1-208-803-11	METAL CHIP	7.5K 0.50% 1/10W
R7327	1-208-802-11	METAL CHIP	6.8K 0.50% 1/10W
<SPARK GAP>			
SG7301	1-519-422-11	GAP, SPARK	
SG7302	1-519-422-11	GAP, SPARK	
*****			
* A-1343-712-A DS BOARD, COMPLETE *****			
<CAPACITOR>			
C85011-126-964-11	ELECT	10μF	20% 50V
C85021-126-964-11	ELECT	10μF	20% 50V
C85041-137-371-11	MYLAR	0.015μF	5% 50V
C85051-104-664-11	ELECT	47μF	20% 25V
C85061-104-664-11	ELECT	47μF	20% 25V
C85071-104-664-11	ELECT	47μF	20% 25V
C85081-104-664-11	ELECT	47μF	20% 25V
C85091-104-664-11	ELECT	47μF	20% 25V
C85101-104-664-11	ELECT	47μF	20% 25V
C85111-104-664-11	ELECT	47μF	20% 25V
C85121-104-664-11	ELECT	47μF	20% 25V
C85131-163-038-91	CERAMIC CHIP	0.1μF	25V
C85141-163-038-91	CERAMIC CHIP	0.1μF	25V
C85151-163-038-91	CERAMIC CHIP	0.1μF	25V
C85161-163-038-91	CERAMIC CHIP	0.1μF	25V
C85171-137-374-11	MYLAR	0.047μF	5% 50V
C85181-126-964-11	ELECT	10μF	20% 50V
C85191-163-237-11	CERAMIC CHIP	27pF	5% 50V
C85201-163-237-11	CERAMIC CHIP	27pF	5% 50V
C85211-163-224-11	CERAMIC CHIP	7pF	0.25pF50V
C85221-163-243-11	CERAMIC CHIP	47pF	5% 50V
C85231-126-964-11	ELECT	10μF	20% 50V
C85241-104-664-11	ELECT	47μF	20% 25V
C85251-104-664-11	ELECT	47μF	20% 25V
C85261-163-275-11	CERAMIC CHIP	0.001μF	5% 50V
C85271-163-009-11	CERAMIC CHIP	0.001μF	10% 50V
<CONNECTOR>			
CN8501*1-691-632-21	CONNECTOR, BOARD TO BOARD 15P		
<DIODE>			
D85018-719-914-44	DIODE	DAP202K	
D85028-719-914-44	DIODE	DAP202K	
D85038-719-914-43	DIODE	DAN202K	
D85048-719-158-15	DIODE	RD5.6SB	
D85058-719-158-15	DIODE	RD5.6SB	

REF. NO.	PART NO.	DESCRIPTION	REMARK
<IC>			
IC85018-759-251-31	IC	CA0007AM	
IC85028-759-011-64	IC	MC74HC4052F	
IC85038-759-251-31	IC	CA0007AM	
IC85048-759-711-28	IC	NJM2058D	
IC85058-759-251-31	IC	CA0007AM	
IC85068-759-100-96	IC	μPC4558G2	
<RESISTOR>			
R85011-216-689-11	RES,CHIP	39K	5% 1/10W
R85021-216-113-00	RES,CHIP	470K	5% 1/10W
R85031-216-073-00	RES,CHIP	10K	5% 1/10W
R85041-216-061-00	RES,CHIP	3.3K	5% 1/10W
R85051-216-073-00	RES,CHIP	10K	5% 1/10W
R85061-216-065-00	RES,CHIP	4.7K	5% 1/10W
R85121-216-073-00	RES,CHIP	10K	5% 1/10W
R85131-216-093-91	RES,CHIP	68K	5% 1/10W
R85251-216-085-00	RES,CHIP	33K	5% 1/10W
R85261-216-039-00	RES,CHIP	390	5% 1/10W
R85271-216-057-00	RES,CHIP	2.2K	5% 1/10W
R85281-216-037-00	RES,CHIP	330	5% 1/10W
R85291-216-081-00	RES,CHIP	22K	5% 1/10W
R85301-216-107-00	RES,CHIP	270K	5% 1/10W
R85311-216-081-00	RES,CHIP	22K	5% 1/10W
R85321-216-073-00	RES,CHIP	10K	5% 1/10W
R85331-216-097-91	RES,CHIP	100K	5% 1/10W
R85341-216-073-00	RES,CHIP	10K	5% 1/10W
R85351-216-081-00	RES,CHIP	22K	5% 1/10W
R85361-216-079-00	RES,CHIP	18K	5% 1/10W
R85371-216-081-00	RES,CHIP	22K	5% 1/10W
R85381-216-099-00	RES,CHIP	120K	5% 1/10W
R85391-216-097-91	RES,CHIP	100K	5% 1/10W
R85401-216-073-00	RES,CHIP	10K	5% 1/10W
R85411-216-075-00	RES,CHIP	12K	5% 1/10W
R85421-216-103-00	RES,CHIP	180K	5% 1/10W
R85431-216-097-91	RES,CHIP	100K	5% 1/10W
R85441-216-097-91	RES,CHIP	100K	5% 1/10W
R85451-216-097-91	RES,CHIP	100K	5% 1/10W
R85461-216-073-00	RES,CHIP	10K	5% 1/10W
R85471-216-081-00	RES,CHIP	22K	5% 1/10W
R85481-216-057-00	RES,CHIP	2.2K	5% 1/10W
R85491-216-065-00	RES,CHIP	4.7K	5% 1/10W
*****			
* A-1346-873-A D BOARD, COMPLETE (53XBR300) *****			
* A-1346-899-A D BOARD, COMPLETE (61XBR300) *****			
4-363-414-00	SPACER, MICA		
4-382-854-11	SCREW(M3X10), P, SW (+)		
7-682-952-09	SCREW+PSW 3X16		



REF. NO.	PART NO.	DESCRIPTION	REMARK	REF. NO.	PART NO.	DESCRIPTION	REMARK
<CAPACITOR>							
C5001	1-104-664-11	ELECT	47μF 20% 25V	C5079	1-126-968-11	ELECT	100μF 20% 50V
C5002	1-126-960-11	ELECT	1μF 20% 50V	C5080	1-126-968-11	ELECT	100μF 20% 50V
C5003	1-104-664-11	ELECT	47μF 20% 25V	C5085	1-101-002-00	CERAMIC	0.0022μF 50V
C5004	1-101-002-00	CERAMIC	0.0022μF 50V	C5086	1-130-495-00	MYLAR	0.1μF 5% 50V
C5005	1-130-495-00	MYLAR	0.1μF 5% 50V	C5087	1-130-495-00	MYLAR	0.1μF 5% 50V
C5006	1-101-002-00	CERAMIC	0.0022μF 50V	C5088	1-115-524-11	FILM	1.5μF 5% 250V
C5007	1-102-973-00	CERAMIC	100pF 5% 50V	C5089	1-106-220-00	MYLAR	0.1μF 10% 100V
C5008	1-126-967-11	ELECT	47μF 20% 50V	C5090	1-126-960-11	ELECT	1μF 20% 50V
C5010	1-102-973-00	CERAMIC	100pF 5% 50V	C5091	1-126-942-61	ELECT	1000μF 20% 25V
C5011	1-126-967-11	ELECT	47μF 20% 50V	C5092	1-126-942-61	ELECT	1000μF 20% 25V
C5012	1-107-645-11	ELECT	22μF 20% 160V	C5093	1-137-370-11	MYLAR	0.01μF 5% 50V
C5013	1-126-967-11	ELECT	47μF 20% 50V	C5094	1-137-370-11	MYLAR	0.01μF 5% 50V
C5014	1-101-002-00	CERAMIC	0.0022μF 50V	C5095	1-126-964-11	ELECT	10μF 20% 50V
C5015	1-101-880-00	CERAMIC	47pF 5% 50V	C5097	1-126-933-11	ELECT	100μF 20% 16V
C5016	1-106-383-00	MYLAR	0.047μF 10% 200V	C5098	1-126-933-11	ELECT	100μF 20% 16V
C5017	1-126-967-11	ELECT	47μF 20% 50V	C5099	1-104-999-11	MYLAR	0.1μF 10% 200V
C5019	1-102-228-00	CERAMIC	470pF 10% 500V	C5100	1-124-347-51	ELECT	100μF 20% 160V
C5020	1-130-495-00	MYLAR	0.1μF 5% 50V	C5103	1-107-641-11	ELECT	220μF 20% 160V
C5023	1-126-960-11	ELECT	1μF 20% 50V	C5105	1-137-372-11	MYLAR	0.022μF 5% 50V
C5024	1-126-942-61	ELECT	1000μF 20% 25V	C5107	1-130-495-00	MYLAR	0.1μF 5% 50V
C5025	1-126-942-61	ELECT	1000μF 20% 25V	C5108	1-130-048-00	FILM	220pF 5% 50V
C5026	1-137-370-11	MYLAR	0.01μF 5% 50V	C5112	1-104-664-11	ELECT	47μF 20% 16V
C5028	1-102-228-00	CERAMIC	470pF 10% 500V	C5113	1-130-495-00	MYLAR	0.1μF 5% 50V
C5029	1-164-096-11	CERAMIC	0.01μF 50V	C5114	1-136-479-11	FILM	0.001μF 5% 50V
C5032	1-126-972-11	ELECT	1000μF 20% 50V	C5122	1-164-096-11	CERAMIC	0.01μF 50V
C5033	1-101-002-00	CERAMIC	0.0022μF 50V	C5123	1-104-664-11	ELECT	47μF 20% 16V
C5034	1-136-177-00	MYLAR	1μF 5% 50V	C5124	1-164-096-11	CERAMIC	0.01μF 50V
C5035	1-126-967-11	ELECT	47μF 20% 50V	C5203	1-136-356-11	MYLAR	470pF 5% 50V
C5036	1-164-096-11	CERAMIC	0.01μF 50V	C5204	1-137-368-11	MYLAR	0.0047μF 5% 50V
C5037	1-126-969-11	ELECT	220μF 20% 50V	C5208	1-136-479-11	FILM	0.001μF 5% 50V
C5038	1-115-524-11	FILM	1.5μF 5% 250V	C8001	1-107-655-11	ELECT	47μF 20% 250V
C5039	1-117-834-11	FILM	5600pF 3% 1.5KV	C8002	1-124-347-51	ELECT	100μF 20% 160V
C5040	1-137-378-11	MYLAR	0.22μF 5% 50V	C8003	1-124-347-51	ELECT	100μF 20% 160V
C5041	1-137-420-11	MYLAR	0.047μF 10% 100V	C8004	1-163-251-11	CERAMIC CHIP	100pF 5% 50V
C5042	1-162-116-00	CERAMIC	680pF 10% 2KV	C8005	1-106-387-00	MYLAR	0.068μF 10% 200V
C5043	1-162-116-00	CERAMIC	680pF 10% 2KV	C8006	1-126-959-11	ELECT	0.47μF 20% 50V
C5045	1-162-114-00	CERAMIC	0.0047μF 2KV	C8007	1-137-150-11	MYLAR	0.01μF 10% 100V
C5047	1-137-399-11	MYLAR	0.1μF 10% 100V	C8008	1-102-030-00	CERAMIC	330pF 10% 500V
C5048	1-137-399-11	MYLAR	0.1μF 10% 100V	C8009	1-102-244-00	CERAMIC	220pF 10% 500V
C5049	1-126-933-11	ELECT	100μF 20% 16V	C8010	1-130-481-00	MYLAR	0.0068μF 5% 50V
C5050	1-136-479-11	FILM	0.001μF 5% 50V	C8011	1-126-934-11	ELECT	220μF 20% 16V
C5051	1-162-318-11	CERAMIC	0.001μF 10% 500V	C8012	1-130-338-91	FILM	0.01μF 5% 630V
C5052	1-126-972-11	ELECT	1000μF 20% 50V	C8013	1-126-964-11	ELECT	10μF 20% 50V
C5061	1-102-973-00	CERAMIC	100pF 5% 50V	C8014	1-102-228-00	CERAMIC	470pF 10% 500V
C5062	1-102-973-00	CERAMIC	100pF 5% 50V	C8015	1-126-933-11	ELECT	100μF 20% 16V
C5063	1-102-973-00	CERAMIC	100pF 5% 50V	C8016	1-126-964-11	ELECT	10μF 20% 50V
C5064	1-102-973-00	CERAMIC	100pF 5% 50V	C8017	1-126-964-11	ELECT	10μF 20% 50V
C5065	1-102-973-00	CERAMIC	100pF 5% 50V	C8018	1-117-838-11	FILM	8200pF 3% 1.5KV
C5066	1-102-973-00	CERAMIC	100pF 5% 50V	C8019	1-163-133-00	CERAMIC CHIP	470pF 5% 50V
C5071	1-107-718-91	ELECT	100μF 20% 50V	C8020	1-162-318-11	CERAMIC	0.001μF 10% 500V
C5072	1-107-718-91	ELECT	100μF 20% 50V	C8023	1-126-767-11	ELECT	1000μF 20% 16V
C5073	1-126-968-11	ELECT	100μF 20% 50V	C8024	1-126-968-11	ELECT	100μF 20% 50V
C5074	1-126-968-11	ELECT	100μF 20% 50V	C8025	1-128-562-11	ELECT	47μF 20% 100V
C5075	1-107-718-91	ELECT	100μF 20% 50V	C8026	1-164-161-11	CERAMIC CHIP	0.0022μF 10% 50V
C5076	1-107-718-91	ELECT	100μF 20% 50V	C8028	1-137-368-11	MYLAR	0.0047μF 5% 50V
				C8029	1-164-161-11	CERAMIC CHIP	0.0022μF 10% 50V
				C8030	1-126-967-11	ELECT	47μF 20% 50V



REF. NO.	PART NO.	DESCRIPTION	REMARK	REF. NO.	PART NO.	DESCRIPTION	REMARK
C8032	1-106-387-00	MYLAR	0.068μF 10% 200V	C8097	1-126-967-11	ELECT	47μF 20% 50V
C8033	1-130-495-00	MYLAR	0.1μF 5% 50V	C8098	1-126-967-11	ELECT	47μF 20% 50V
C8034	1-126-967-11	ELECT	47μF 20% 50V	C8099	1-126-964-11	ELECT	10μF 20% 50V
C8035	1-104-664-11	ELECT	47μF 20% 25V	C8100	1-162-114-00	CERAMIC	0.0047μF 2KV
C8037	1-130-495-00	MYLAR	0.1μF 5% 50V	C8102	1-102-125-00	CERAMIC	0.0047μF 10% 50V
C8038	1-126-967-11	ELECT	47μF 20% 50V	C8103	1-126-964-11	ELECT	10μF 20% 50V
C8039	1-137-420-11	MYLAR	0.047μF 10% 100V	C8104	1-126-961-11	ELECT	2.2μF 20% 50V
C8040	1-126-964-11	ELECT	10μF 20% 50V	C8109	1-102-125-00	CERAMIC	0.0047μF 10% 50V
C8041	1-130-495-00	MYLAR	0.1μF 5% 50V	C8111	1-126-933-11	ELECT	100μF 20% 16V
C8042	1-126-967-11	ELECT	47μF 20% 50V	C8112	1-136-291-11	MYLAR	0.0068μF 5% 100V
C8043	1-130-495-00	MYLAR	0.1μF 5% 50V	C8113	1-102-125-00	CERAMIC	0.0047μF 10% 50V
C8045	1-137-431-11	MYLAR	560pF 5% 50V	C8114	1-104-664-11	ELECT	47μF 20% 25V
C8046	1-130-495-00	MYLAR	0.1μF 5% 50V	C8115	1-162-114-00	CERAMIC	0.0047μF 2KV
C8047	1-130-495-00	MYLAR	0.1μF 5% 50V			<CONNECTOR>	
C8048	1-163-251-11	CERAMIC CHIP	100pF 5% 50V	CN5001*	1-564-506-11	PLUG, CONNECTOR 3P	
C8049	1-126-967-11	ELECT	47μF 20% 50V	CN5002*	1-573-964-11	PIN, CONNECTOR (PC BOARD) 6P	
C8050	1-126-967-11	ELECT	47μF 20% 50V	CN5003*	1-564-509-11	PLUG, CONNECTOR 6P	
C8051	1-126-967-11	ELECT	47μF 20% 50V	CN5004*	1-779-890-11	CONNECTOR, BOARD TO BOARD 10P	
C8052	1-163-239-11	CERAMIC CHIP	33pF 5% 50V	CN5005*	1-580-689-11	PIN, CONNECTOR (PC BOARD) 4P	
C8053	1-126-960-11	ELECT	1μF 20% 50V	CN5006*	1-580-689-11	PIN, CONNECTOR (PC BOARD) 4P	
C8054	1-126-960-11	ELECT	1μF 20% 50V	CN5007*	1-580-689-11	PIN, CONNECTOR (PC BOARD) 4P	
C8055	1-126-961-11	ELECT	2.2μF 20% 50V	CN5008*	1-564-506-11	PLUG, CONNECTOR 3P	
C8059	1-126-965-11	ELECT	22μF 20% 50V	CN5009*	1-779-890-11	CONNECTOR, BOARD TO BOARD 10P	
C8060	1-126-963-11	ELECT	4.7μF 20% 50V	CN5010*	1-779-890-11	CONNECTOR, BOARD TO BOARD 10P	
C8061	1-126-965-11	ELECT	22μF 20% 50V	CN5011*	1-779-890-11	CONNECTOR, BOARD TO BOARD 10P	
C8062	1-126-965-11	ELECT	22μF 20% 50V	CN5012*	1-564-507-11	PLUG, CONNECTOR 4P	
C8064	1-130-495-00	MYLAR	0.1μF 5% 50V	CN5013*	1-564-507-11	PLUG, CONNECTOR 4P	
C8065	1-126-964-11	ELECT	10μF 20% 50V	CN5014*	1-564-507-11	PLUG, CONNECTOR 4P	
C8066	1-130-471-00	MYLAR	0.001μF 5% 50V	CN8001*	1-573-986-11	PIN, CONNECTOR (PC BOARD) 5P	
C8067	1-104-661-91	ELECT	330μF 20% 16V	CN8002	1-695-915-11	TAB (CONTACT)	
C8068	1-137-410-11	MYLAR	0.001μF 10% 100V	CN8003*	1-564-509-11	PLUG, CONNECTOR 6P	
C8069	1-126-967-11	ELECT	47μF 20% 50V	CN8004*	1-564-510-11	PLUG, CONNECTOR 7P	
C8070	1-102-110-00	CERAMIC	220pF 10% 50V	CN8005*	1-564-507-11	PLUG, CONNECTOR 4P	
C8071	1-126-963-11	ELECT	4.7μF 20% 50V	CN8006*	1-564-507-11	PLUG, CONNECTOR 4P	
C8072	1-126-964-11	ELECT	10μF 20% 50V	CN8007*	1-506-371-00	PIN, CONNECTOR 2P	
C8073	1-126-967-11	ELECT	47μF 20% 50V	CN8008*	1-506-371-00	PIN, CONNECTOR 2P	
C8074	1-137-410-11	MYLAR	0.001μF 10% 100V	CN8009	1-695-915-11	TAB (CONTACT)	
C8075	1-126-965-11	ELECT	22μF 20% 50V	CN8010	1-695-915-11	TAB (CONTACT)	
C8076	1-163-009-11	CERAMIC CHIP	0.001μF 10% 50V	CN8011*	1-691-616-21	CONNECTOR, BOARD TO BOARD 15P	
C8077	1-137-370-11	MYLAR	0.01μF 5% 50V	CN8012*	1-564-506-11	PLUG, CONNECTOR 3P	
C8078	1-130-495-00	MYLAR	0.1μF 5% 50V			<DIODE>	
C8079	1-126-967-11	ELECT	47μF 20% 50V	D5001	8-719-991-33	DIODE 1SS133T-77	
C8080	1-126-967-11	ELECT	47μF 20% 50V	D5002	8-719-991-33	DIODE 1SS133T-77	
C8081	1-126-967-11	ELECT	47μF 20% 50V	D5003	8-719-302-43	DIODE EL1Z	
C8082	1-137-366-11	MYLAR	0.0022μF 5% 50V	D5004	8-719-991-33	DIODE 1SS133T-77	
C8083	1-126-964-11	ELECT	10μF 20% 50V	D5005	8-719-109-89	DIODE RD5.6ESB2	
C8084	1-126-967-11	ELECT	47μF 20% 50V	D5006	8-719-991-33	DIODE 1SS133T-77	
C8085	1-104-661-91	ELECT	330μF 20% 16V	D5007	8-719-302-43	DIODE EL1Z	
C8086	1-137-150-11	MYLAR	0.01μF 10% 100V	D5008	8-719-991-33	DIODE 1SS133T-77	
C8089	1-137-399-11	MYLAR	0.1μF 10% 100V	D5009	8-719-979-85	DIODE EGP20G	
C8090	1-126-964-11	ELECT	10μF 20% 50V	D5010	8-719-908-03	DIODE GP08D	
C8091	1-126-967-11	ELECT	47μF 20% 50V	D5011	8-719-908-03	DIODE GP08D	
C8092	1-126-964-11	ELECT	10μF 20% 50V				
C8093	1-126-964-11	ELECT	10μF 20% 50V				
C8094	1-126-964-11	ELECT	10μF 20% 50V				
C8095	1-126-967-11	ELECT	47μF 20% 50V				
C8096	1-126-967-11	ELECT	47μF 20% 50V				



REF. NO.	PART NO.	DESCRIPTION	REMARK	REF. NO.	PART NO.	DESCRIPTION	REMARK
D5013	8-719-979-99	DIODE ERD08M-15		FB8001	1-410-396-41	FERRITE	0.45μH
D5014	8-719-991-33	DIODE ISS133T-77		FB8002	1-410-396-41	FERRITE	0.45μH
D5015	8-719-018-82	DIODE RGP02-20EL-6394		FB8003	1-410-397-21	FERRITE	1.1μH
D5016	8-719-110-61	DIODE RD24ESB1					
D5017	8-719-110-61	DIODE RD24ESB1				<IC>	
D5019	8-719-302-43	DIODE EL1Z		IC5001	8-759-701-88	IC NJM7912FA	
D5020	8-719-302-43	DIODE EL1Z		IC5002	8-759-701-79	IC NJM7812FA	
D5021	8-719-920-67	DIODE ERC91-02		IC5004	8-759-192-71	IC STV9379	
D5022	8-719-991-33	DIODE ISS133T-77		IC5005	8-749-014-67	IC STK392-020	
D5025	8-719-991-33	DIODE ISS133T-77		IC5006	8-749-014-67	IC STK392-020	
D5027	8-719-923-86	DIODE MTZJ-T-77-15		IC5008	8-759-103-93	IC μPC393C	
D5028	8-719-991-33	DIODE ISS133T-77		IC5009	8-759-634-51	IC M5218AP	
D8001	8-719-105-82	DIODE RD5.1M-B2		IC8002	8-759-103-93	IC μPC393C	
D8002	8-719-914-43	DIODE DAN202K		IC8003	8-759-701-84	IC NJM7905FA	
D8003	8-719-979-85	DIODE EGP20G		IC8004	8-759-144-82	IC μPC2405HF	
D8004	8-719-914-43	DIODE DAN202K		IC8006	8-759-103-93	IC μPC393C	
D8005	8-719-914-43	DIODE DAN202K		IC8007	8-759-711-28	IC NJM2058D	
D8006	8-719-914-43	DIODE DAN202K		IC8008	8-759-135-80	IC μPC358C	
D8007	8-719-945-80	DIODE ERC06-15S		IC8009	8-759-135-80	IC μPC358C	
D8008	8-719-106-81	DIODE RD13M-B3		IC8010	8-759-103-93	IC μPC393C	
D8009	8-719-106-81	DIODE RD13M-B3		IC8011	8-759-711-28	IC NJM2058D	
D8010	8-719-054-52	DIODE D8LC20U-4015				<CHIP CONDUCTOR>	
D8011	8-719-945-80	DIODE ERC06-15S		JR8001	1-216-295-00	SHORT	0
D8013	8-719-920-67	DIODE ERC91-02		JR8002	1-216-295-00	SHORT	0
D8014	8-719-302-43	DIODE EL1Z		JR8003	1-216-295-00	SHORT	0
D8015	8-719-914-43	DIODE DAN202K		JR8004	1-216-295-00	SHORT	0
D8017	8-719-914-43	DIODE DAN202K				<COIL>	
D8018	8-719-983-14	DIODE MTZJ-T-77-3.9		L5001	1-412-533-21	INDUCTOR	47μH
D8021	8-719-914-43	DIODE DAN202K		L5002	1-412-533-21	INDUCTOR	47μH
D8023	8-719-914-43	DIODE DAN202K		L5003	1-412-533-21	INDUCTOR	47μH
D8024	8-719-914-43	DIODE DAN202K		L5004	1-412-533-21	INDUCTOR	47μH
D8025	8-719-914-43	DIODE DAN202K		L5007	1-419-352-11	COIL, HORIZONTAL LINEARITY	
D8026	8-719-914-43	DIODE DAN202K		L5009	1-412-524-11	INDUCTOR	8.2μH
D8027	8-719-914-43	DIODE DAN202K		L5010	1-412-533-21	INDUCTOR	47μH
D8029	8-719-914-43	DIODE DAN202K		L5011	1-412-533-21	INDUCTOR	47μH
D8030	8-719-400-75	DIODE MA3091		L5012	1-412-533-21	INDUCTOR	47μH
D8031	8-719-105-82	DIODE RD5.1M-B2		L5013	1-412-533-21	INDUCTOR	47μH
D8032	8-719-302-43	DIODE EL1Z		L5018	1-411-594-11	INDUCTOR	5mH
D8033	8-719-914-43	DIODE DAN202K		L5019	1-459-109-00	COIL,DUST CORE	
D8034	8-719-028-00	DIODE MA3033-L		L5020	1-414-177-11	INDUCTOR	1μH
D8035	8-719-105-82	DIODE RD5.1M-B2		L8001	1-414-223-11	INDUCTOR	470μH
D8036	8-719-914-43	DIODE DAN202K		L8002	1-406-977-21	INDUCTOR	100μH
D8037	8-719-914-43	DIODE DAN202K		L8003	1-422-613-11	COIL, AIR CORE	
D8038	8-719-106-81	DIODE RD13M-B3		L8004	1-412-521-31	INDUCTOR	4.7μH
D8039	8-719-110-17	DIODE RD10ESB2		L8005	1-412-533-21	INDUCTOR	47μH
D8040	8-719-914-43	DIODE DAN202K		L8006	1-412-533-21	INDUCTOR	47μH
D8041	8-719-106-81	DIODE RD13M-B3		L8007	1-412-521-31	INDUCTOR	4.7μH
D8042	8-759-157-40	IC μPC574J				<NEON LAMP>	
D8045	8-719-400-75	DIODE MA3091		NL8001	1-517-778-21	LAMP, NEON	
D8046	8-719-402-57	DIODE MA3150H-TX		NL8002	1-517-778-21	LAMP, NEON	
D8047	8-719-402-57	DIODE MA3150H-TX		NL8003	1-517-778-21	LAMP, NEON	
D8048	8-719-914-43	DIODE DAN202K				<FERRITE BEAD>	
D8050	8-719-914-43	DIODE DAN202K					
FB5001	1-410-396-41	FERRITE	0.45μH				

# KP-53XBR300/61XBR300

RM-Y902

RM-Y902

**D**

REF. NO.	PART NO.	DESCRIPTION	REMARK	REF. NO.	PART NO.	DESCRIPTION	REMARK
NL8004	1-517-778-21	LAMP, NEON		Q8019	8-729-422-27	TRANSISTOR 2SD601A-Q	
		<IC LINK>		Q8020	8-729-422-27	TRANSISTOR 2SD601A-Q	
				Q8021	8-729-422-27	TRANSISTOR 2SD601A-Q	
				Q8022	8-729-422-27	TRANSISTOR 2SD601A-Q	
PS5001	1-533-595-31	LINK, IC		Q8023	8-729-027-38	TRANSISTOR DTA144EKA-T146	
PS5002	1-533-595-31	LINK, IC		Q8024	1-801-806-11	TRANSISTOR DTC144EKA-T146	
PS5003	1-533-595-31	LINK, IC		Q8025	8-729-027-38	TRANSISTOR DTA144EKA-T146	
PS5004	1-533-595-31	LINK, IC		Q8026	8-729-216-22	TRANSISTOR 2SA1162-G	
PS5005	1-533-595-31	LINK, IC		Q8027	8-729-422-27	TRANSISTOR 2SD601A-Q	
PS5006	1-533-595-31	LINK, IC		Q8028	8-729-422-27	TRANSISTOR 2SD601A-Q	
PS5007	1-533-595-31	LINK, IC		Q8030	8-729-823-81	TRANSISTOR 2SC4632LS-CB7	
PS5008	1-533-595-31	LINK, IC		Q8031	8-729-422-27	TRANSISTOR 2SD601A-Q	
PS8001	1-533-593-11	LINK, IC				<RESISTOR>	
		<TRANSISTOR>		R5002	1-249-417-11	CARBON 1K 5% 1/4W	
Q5002	8-729-119-76	TRANSISTOR 2SA1175-HFE		R5003	1-249-417-11	CARBON 1K 5% 1/4W	
Q5004	8-729-119-78	TRANSISTOR 2SC2785-HFE		R5004	1-249-425-11	CARBON 4.7K 5% 1/4W	
Q5005	8-729-119-78	TRANSISTOR 2SC2785-HFE		R5007	1-216-472-00	METAL OXIDE 39 5% 3W F	(61XBR300)
Q5006	8-729-119-78	TRANSISTOR 2SC2785-HFE		R5007	1-216-474-11	METAL OXIDE 82 5% 3W F	(53XBR300)
Q5008	8-729-119-80	TRANSISTOR 2SC2688-LK					
Q5009	8-729-119-76	TRANSISTOR 2SA1175-HFE		R5008	1-216-472-00	METAL OXIDE 39 5% 3W F	(61XBR300)
Q5010	8-729-119-76	TRANSISTOR 2SA1175-HFE		R5008	1-216-474-11	METAL OXIDE 82 5% 3W F	(53XBR300)
Q5013	8-729-048-35	TRANSISTOR 2SC3997S-SONY-YB					
Q5014	8-729-119-76	TRANSISTOR 2SA1175-HFE		R5009	1-249-421-11	CARBON 2.2K 5% 1/4W	
Q5015	8-729-119-78	TRANSISTOR 2SC2785-HFE		R5011	1-247-843-11	CARBON 3.3K 5% 1/4W	
Q5016	8-729-119-78	TRANSISTOR 2SC2785-HFE		R5012	1-249-425-11	CARBON 4.7K 5% 1/4W	
Q5019	8-729-119-78	TRANSISTOR 2SC2785-HFE					
Q5022	8-729-119-78	TRANSISTOR 2SC2785-HFE		R5013	1-249-425-11	CARBON 4.7K 5% 1/4W	
Q5023	8-729-119-76	TRANSISTOR 2SA1175-HFE		R5016	1-249-429-11	CARBON 10K 5% 1/4W	
Q5024	8-729-119-78	TRANSISTOR 2SC2785-HFE		R5017	1-247-863-91	CARBON 22K 5% 1/4W	
Q5025	8-729-119-76	TRANSISTOR 2SA1175-HFE		R5018	1-247-843-11	CARBON 3.3K 5% 1/4W	
Q5026	8-729-119-78	TRANSISTOR 2SC2785-HFE		R5020	1-249-437-11	CARBON 47K 5% 1/4W	
Q5027	8-729-119-78	TRANSISTOR 2SC2785-HFE					
Q5029	8-729-119-78	TRANSISTOR 2SC2785-HFE		R5021	1-215-445-00	METAL 10K 1% 1/4W	
Q5030	8-729-119-76	TRANSISTOR 2SA1175-HFE		R5022	1-247-863-91	CARBON 22K 5% 1/4W	
Q5031	8-729-038-83	TRANSISTOR 2SK2251-01-F19		R5023	1-247-863-91	CARBON 22K 5% 1/4W	
Q5034	8-729-231-55	TRANSISTOR 2SC2878-AB		R5026	1-216-462-00	METAL OXIDE 8.2K 5% 2W F	
Q5035	8-729-119-78	TRANSISTOR 2SC2785-HFE		R5027	1-215-897-11	METAL OXIDE 6.8K 5% 2W F	
Q5036	8-729-119-76	TRANSISTOR 2SA1175-HFE					
Q5037	8-729-119-76	TRANSISTOR 2SA1175-HFE		R5028	1-249-377-11	CARBON 0.47 5% 1/4W F	
Q8001	8-729-119-80	TRANSISTOR 2SC2688-LK		R5029	1-249-377-11	CARBON 0.47 5% 1/4W F	
Q8002	8-729-122-12	TRANSISTOR 2SA1221-L		R5030	1-249-437-11	CARBON 47K 5% 1/4W	
Q8003	8-729-119-80	TRANSISTOR 2SC2688-LK		R5031	1-216-435-11	METAL OXIDE 2.7K 5% 1W F	
Q8004	8-729-823-81	TRANSISTOR 2SC4632LS-CB7		R5033	1-249-417-11	CARBON 1K 5% 1/4W	
Q8005	8-729-231-55	TRANSISTOR 2SC2878-AB					
Q8006	8-729-216-22	TRANSISTOR 2SA1162-G		R5034	1-249-429-11	CARBON 10K 5% 1/4W	
Q8007	8-729-017-64	TRANSISTOR 2SC3997-YB		R5035	1-249-429-11	CARBON 10K 5% 1/4W	
Q8008	8-729-024-30	TRANSISTOR IRFI640LF		R5039	1-249-429-11	CARBON 10K 5% 1/4W	
Q8009	8-729-216-22	TRANSISTOR 2SA1162-G		R5040	1-249-417-11	CARBON 1K 5% 1/4W	
Q8010	8-729-216-22	TRANSISTOR 2SA1162-G		R5042	1-249-425-11	CARBON 4.7K 5% 1/4W	
Q8013	8-729-422-27	TRANSISTOR 2SD601A-Q					
Q8014	8-729-823-81	TRANSISTOR 2SC4632LS-CB7		R5043	1-249-417-11	CARBON 1K 5% 1/4W	
Q8015	8-729-140-93	TRANSISTOR 2SB733-34		R5046	1-216-389-11	METAL OXIDE 1 5% 3W F	
Q8016	8-729-140-96	TRANSISTOR 2SD774-34		R5047	1-215-450-00	METAL 16K 1% 1/4W	
Q8017	8-729-216-22	TRANSISTOR 2SA1162-G		R5049	1-215-905-11	METAL OXIDE 10 5% 3W F	
Q8018	8-729-231-55	TRANSISTOR 2SC2878-AB		R5050	1-247-807-31	CARBON 100 5% 1/4W	
				R5051	1-249-435-11	CARBON 33K 5% 1/4W	
				R5054	1-249-413-11	CARBON 470 5% 1/4W	
				R5055	1-215-912-11	METAL OXIDE 150 5% 3W F	
				R5057	1-249-429-11	CARBON 10K 5% 1/4W	



REF. NO.	PART NO.	DESCRIPTION			REMARK	REF. NO.	PART NO.	DESCRIPTION			REMARK
R5058	1-249-430-11	CARBON	12K	5%	1/4W	R5129	1-214-808-11	METAL	4.7	1%	1/2W
R5059	1-249-383-11	CARBON	1.5	5%	1/4W F	R5130	1-214-808-11	METAL	4.7	1%	1/2W
R5061	1-249-429-11	CARBON	10K	5%	1/4W	R5131	1-214-808-11	METAL	4.7	1%	1/2W
R5062	1-247-735-11	SOLID	47	20%	1/2W	R5132	1-214-808-11	METAL	4.7	1%	1/2W
R5063	1-247-807-31	CARBON	100	5%	1/4W	R5133	1-214-808-11	METAL	4.7	1%	1/2W
R5067	1-214-800-11	METAL	2.2	1%	1/2W	R5134	1-214-808-11	METAL	4.7	1%	1/2W
R5068	1-249-429-11	CARBON	10K	5%	1/4W	R5135	1-214-808-11	METAL	4.7	1%	1/2W
R5069	1-249-429-11	CARBON	10K	5%	1/4W	R5136	1-214-808-11	METAL	4.7	1%	1/2W
R5070	1-260-321-71	CARBON	270	5%	1/2W	R5137	1-214-808-11	METAL	4.7	1%	1/2W
R5071	1-214-800-11	METAL	2.2	1%	1/2W	R5138	1-214-808-11	METAL	4.7	1%	1/2W
R5072	1-247-807-31	CARBON	100	5%	1/4W	R5143	1-249-429-11	CARBON	10K	5%	1/4W
R5073	1-215-433-00	METAL	3.3K	1%	1/4W	R5144	1-249-429-11	CARBON	10K	5%	1/4W
R5074	1-249-437-11	CARBON	47K	5%	1/4W	R5145	1-249-429-11	CARBON	10K	5%	1/4W
R5075	1-215-445-00	METAL	10K	1%	1/4W	R5146	1-249-429-11	CARBON	10K	5%	1/4W
R5076	1-215-857-11	METAL OXIDE	10	5%	1W F	R5147	1-249-429-11	CARBON	10K	5%	1/4W
R5077	1-216-477-11	METAL OXIDE	270	5%	3W F	R5148	1-249-429-11	CARBON	10K	5%	1/4W
R5081	1-247-807-31	CARBON	100	5%	1/4W	R5149	1-249-429-11	CARBON	10K	5%	1/4W
R5082	1-247-807-31	CARBON	100	5%	1/4W	R5150	1-249-429-11	CARBON	10K	5%	1/4W
R5083	1-247-807-31	CARBON	100	5%	1/4W	R5151	1-249-429-11	CARBON	10K	5%	1/4W
R5084	1-247-807-31	CARBON	100	5%	1/4W	R5152	1-249-429-11	CARBON	10K	5%	1/4W
R5085	1-247-807-31	CARBON	100	5%	1/4W	R5153	1-249-429-11	CARBON	10K	5%	1/4W
R5086	1-247-807-31	CARBON	100	5%	1/4W	R5154	1-249-429-11	CARBON	10K	5%	1/4W
R5087	1-247-843-11	CARBON	3.3K	5%	1/4W	R5155	1-249-425-11	CARBON	4.7K	5%	1/4W
R5088	1-247-843-11	CARBON	3.3K	5%	1/4W	R5156	1-215-425-00	METAL	1.5K	1%	1/4W
R5089	1-247-843-11	CARBON	3.3K	5%	1/4W	R5165	1-260-312-11	CARBON	47	5%	1/2W
R5090	1-247-843-11	CARBON	3.3K	5%	1/4W	R5166	1-247-887-00	CARBON	220K	5%	1/4W
R5091	1-249-417-11	CARBON	1K	5%	1/4W	R5167	1-260-312-11	CARBON	47	5%	1/2W
R5092	1-249-417-11	CARBON	1K	5%	1/4W	R5168	1-260-312-11	CARBON	47	5%	1/2W
R5093	1-247-843-11	CARBON	3.3K	5%	1/4W	R5169	1-249-429-11	CARBON	10K	5%	1/4W
R5095	1-247-843-11	CARBON	3.3K	5%	1/4W	R5170	1-215-471-00	METAL	120K	1%	1/4W
R5097	1-249-417-11	CARBON	1K	5%	1/4W	R5171	1-215-449-00	METAL	15K	1%	1/4W
R5098	1-249-405-11	CARBON	100	5%	1/4W F	R5172	1-247-895-91	CARBON	470K	5%	1/4W
R5099	1-249-417-11	CARBON	1K	5%	1/4W	R5173	1-247-895-91	CARBON	470K	5%	1/4W
R5100	1-249-405-11	CARBON	100	5%	1/4W F	R5174	1-249-439-11	CARBON	68K	5%	1/4W
R5101	1-214-808-11	METAL	4.7	1%	1/2W	R5175	1-216-395-00	METAL OXIDE	3.3	5%	3W F
R5102	1-214-808-11	METAL	4.7	1%	1/2W	R5177	1-215-469-00	METAL	100K	1%	1/4W
R5103	1-214-808-11	METAL	4.7	1%	1/2W	R5179	1-249-425-11	CARBON	4.7K	5%	1/4W
R5104	1-214-808-11	METAL	4.7	1%	1/2W	R5180	1-249-421-11	CARBON	2.2K	5%	1/4W
R5105	1-214-808-11	METAL	4.7	1%	1/2W	R5181	1-249-422-11	CARBON	2.7K	5%	1/4W
R5106	1-214-808-11	METAL	4.7	1%	1/2W	R5182	1-247-895-91	CARBON	470K	5%	1/4W
R5107	1-249-417-11	CARBON	1K	5%	1/4W	R5183	1-249-422-11	CARBON	2.7K	5%	1/4W
R5108	1-249-417-11	CARBON	1K	5%	1/4W	R5184	1-249-417-11	CARBON	1K	5%	1/4W
R5109	1-214-808-11	METAL	4.7	1%	1/2W	R5186	1-249-425-11	CARBON	4.7K	5%	1/4W
R5110	1-214-808-11	METAL	4.7	1%	1/2W	R5187	1-249-431-11	CARBON	15K	5%	1/4W
R5111	1-214-808-11	METAL	4.7	1%	1/2W	R5188	1-249-429-11	CARBON	10K	5%	1/4W
R5112	1-214-808-11	METAL	4.7	1%	1/2W	R5189	1-215-421-00	METAL	1K	1%	1/4W
R5113	1-214-808-11	METAL	4.7	1%	1/2W	R5190	1-249-377-11	CARBON	0.47	5%	1/4W F
R5114	1-214-808-11	METAL	4.7	1%	1/2W	R5191	1-249-417-11	CARBON	1K	5%	1/4W
R5117	1-214-808-11	METAL	4.7	1%	1/2W	R5192	1-215-429-00	METAL	2.2K	1%	1/4W
R5118	1-214-808-11	METAL	4.7	1%	1/2W	R5193	1-215-465-00	METAL	68K	1%	1/4W
R5121	1-214-808-11	METAL	4.7	1%	1/2W	R5194	1-215-425-00	METAL	1.5K	1%	1/4W
R5122	1-214-808-11	METAL	4.7	1%	1/2W	R5195	1-215-449-00	METAL	15K	1%	1/4W
R5123	1-214-808-11	METAL	4.7	1%	1/2W	R5196	1-215-445-00	METAL	10K	1%	1/4W
R5124	1-214-808-11	METAL	4.7	1%	1/2W	R5197	1-247-807-31	CARBON	100	5%	1/4W
R5127	1-214-808-11	METAL	4.7	1%	1/2W	R5200	1-249-429-11	CARBON	10K	5%	1/4W
R5128	1-214-808-11	METAL	4.7	1%	1/2W	R5203	1-249-436-11	CARBON	39K	5%	1/4W
						R5204	1-249-429-11	CARBON	10K	5%	1/4W



KP-53XBR300/61XBR300

RM-Y902

RM-Y902



REF. NO.	PART NO.	DESCRIPTION		REMARK	REF. NO.	PART NO.	DESCRIPTION		REMARK
R5205	1-249-429-11	CARBON	10K	5%	1/4W	R8067	1-216-059-00	RES,CHIP	2.7K 5% 1/10W
R5207	1-216-375-00	METAL OXIDE	3.3	5%	2W F	R8069	1-216-445-11	METAL OXIDE	12 5% 2W F
R5208	1-216-375-00	METAL OXIDE	3.3	5%	2W F	R8070	1-260-316-51	CARBON	100 5% 1/2W
R5214	1-249-429-11	CARBON	10K	5%	1/4W	R8071	1-216-113-00	RES,CHIP	470K 5% 1/10W
R5215	1-249-437-11	CARBON	47K	5%	1/4W	R8074	1-216-059-00	RES,CHIP	2.7K 5% 1/10W
R5216	1-249-422-11	CARBON	2.7K	5%	1/4W	R8075	1-260-316-51	CARBON	100 5% 1/2W
R5217	1-249-429-11	CARBON	10K	5%	1/4W	R8076	1-216-105-91	RES,CHIP	220K 5% 1/10W
R5218	1-249-417-11	CARBON	1K	5%	1/4W	R8077	1-216-091-00	RES,CHIP	56K 5% 1/10W
R8001	1-249-425-11	CARBON	4.7K	5%	1/4W F	R8080	1-216-063-91	RES,CHIP	3.9K 5% 1/10W
R8002	1-249-431-11	CARBON	15K	5%	1/4W F	R8081	1-216-077-91	RES,CHIP	15K 5% 1/10W
R8003	1-216-057-00	RES,CHIP	2.2K	5%	1/10W	R8082	1-216-073-00	RES,CHIP	10K 5% 1/10W
R8004	1-260-328-11	CARBON	1K	5%	1/2W	R8083	1-216-077-91	RES,CHIP	15K 5% 1/10W
R8005	1-215-925-11	METAL OXIDE	22K	5%	3W F	R8084	1-216-049-00	RES,CHIP	1K 5% 1/10W
R8006	1-260-123-11	CARBON	100K	5%	1/2W	R8085	1-249-377-11	CARBON	0.47 5% 1/4W F
R8007	1-215-925-11	METAL OXIDE	22K	5%	3W F	R8086	1-216-049-00	RES,CHIP	1K 5% 1/10W
R8008	1-216-059-00	RES,CHIP	2.7K	5%	1/10W	R8087	1-216-073-00	RES,CHIP	10K 5% 1/10W
R8009	1-216-435-11	METAL OXIDE	2.7K	5%	1W F	R8091	1-216-067-00	RES,CHIP	5.6K 5% 1/10W
R8010	1-216-025-00	RES,CHIP	100	5%	1/10W	R8092	1-216-073-00	RES,CHIP	10K 5% 1/10W
R8011	1-216-065-00	RES,CHIP	4.7K	5%	1/10W	R8093	1-216-049-00	RES,CHIP	1K 5% 1/10W
R8012	1-215-918-00	METAL OXIDE	1.5K	5%	3W F	R8094	1-216-067-00	RES,CHIP	5.6K 5% 1/10W
R8013	1-216-065-00	RES,CHIP	4.7K	5%	1/10W	R8095	1-216-057-00	RES,CHIP	2.2K 5% 1/10W
R8014	1-216-073-00	RES,CHIP	10K	5%	1/10W	R8096	1-216-045-00	RES,CHIP	680 5% 1/10W
R8015	1-216-049-00	RES,CHIP	1K	5%	1/10W	R8097	1-216-081-00	RES,CHIP	22K 5% 1/10W
R8016	1-215-918-00	METAL OXIDE	1.5K	5%	3W F	R8099	1-216-059-00	RES,CHIP	2.7K 5% 1/10W
R8017	1-216-073-00	RES,CHIP	10K	5%	1/10W	R8101	1-216-055-00	RES,CHIP	1.8K 5% 1/10W
R8018	1-216-073-00	RES,CHIP	10K	5%	1/10W	R8102	1-216-073-00	RES,CHIP	10K 5% 1/10W
R8019	1-215-905-11	METAL OXIDE	10	5%	3W F	R8103	1-216-053-00	RES,CHIP	1.5K 5% 1/10W
R8020	1-215-918-00	METAL OXIDE	1.5K	5%	3W F	R8105	1-216-689-11	RES,CHIP	39K 5% 1/10W
R8021	1-216-073-00	RES,CHIP	10K	5%	1/10W	R8106	1-216-089-00	RES,CHIP	47K 5% 1/10W
R8022	1-216-097-91	RES,CHIP	100K	5%	1/10W	R8107	1-216-053-00	RES,CHIP	1.5K 5% 1/10W
R8023	1-215-870-11	METAL OXIDE	1.5K	5%	1W F	R8108	1-216-055-00	RES,CHIP	1.8K 5% 1/10W
R8024	1-249-427-11	CARBON	6.8K	5%	1/4W F	R8109	1-208-806-11	METAL CHIP	10K 0.50% 1/10W
R8026	1-215-902-11	METAL OXIDE	47K	5%	2W F	R8110	1-208-810-11	METAL CHIP	15K 0.50% 1/10W
R8027	1-216-059-00	RES,CHIP	2.7K	5%	1/10W	R8111	1-208-774-11	METAL CHIP	470 0.50% 1/10W
R8028	1-216-089-00	RES,CHIP	47K	5%	1/10W	R8112	1-216-077-91	RES,CHIP	15K 5% 1/10W
R8030	1-215-902-11	METAL OXIDE	47K	5%	2W F	R8113	1-216-073-00	RES,CHIP	10K 5% 1/10W
R8031	1-216-073-00	RES,CHIP	10K	5%	1/10W	R8114	1-216-025-00	RES,CHIP	100 5% 1/10W
R8032	1-215-918-00	METAL OXIDE	1.5K	5%	3W F	R8115	1-216-089-00	RES,CHIP	47K 5% 1/10W
R8033	1-215-902-11	METAL OXIDE	47K	5%	2W F	R8116	1-216-097-91	RES,CHIP	100K 5% 1/10W
R8034	1-215-918-00	METAL OXIDE	1.5K	5%	3W F	R8117	1-208-806-11	METAL CHIP	10K 0.50% 1/10W
R8035	1-215-918-00	METAL OXIDE	1.5K	5%	3W F	R8118	1-216-053-00	RES,CHIP	1.5K 5% 1/10W
R8036	1-216-071-00	RES,CHIP	8.2K	5%	1/10W	R8119	1-208-774-11	METAL CHIP	470 0.50% 1/10W
R8037	1-216-085-00	RES,CHIP	33K	5%	1/10W	R8120	1-216-049-00	RES,CHIP	1K 5% 1/10W
R8038	1-216-374-00	METAL OXIDE	2.7	5%	2W F	R8121	1-249-377-11	CARBON	0.47 5% 1/4W F
R8039	1-216-375-00	METAL OXIDE	3.3	5%	2W F	R8122	1-216-097-91	RES,CHIP	100K 5% 1/10W
R8041	1-215-902-11	METAL OXIDE	47K	5%	2W F	R8123	1-208-822-11	METAL CHIP	47K 0.50% 1/10W
R8044	1-216-049-00	RES,CHIP	1K	5%	1/10W	R8125	1-208-822-11	METAL CHIP	47K 0.50% 1/10W
R8046	1-216-025-00	RES,CHIP	100	5%	1/10W	R8126	1-216-081-00	RES,CHIP	22K 5% 1/10W
R8049	1-216-049-00	RES,CHIP	1K	5%	1/10W	R8127	1-216-037-00	RES,CHIP	330 5% 1/10W
R8050	1-260-117-11	CARBON	33K	5%	1/2W	R8128	1-216-073-00	RES,CHIP	10K 5% 1/10W
R8051	1-216-025-00	RES,CHIP	100	5%	1/10W	R8129	1-208-822-11	METAL CHIP	47K 0.50% 1/10W
R8055	1-260-087-11	CARBON	100	5%	1/2W	R8132	1-208-806-11	METAL CHIP	10K 0.50% 1/10W
R8057	1-216-045-00	RES,CHIP	680	5%	1/10W	R8133	1-208-832-11	METAL CHIP	120K 0.50% 1/10W
R8058	1-216-077-91	RES,CHIP	15K	5%	1/10W	R8134	1-208-834-11	METAL CHIP	150K 0.50% 1/10W
R8059	1-216-069-00	RES,CHIP	6.8K	5%	1/10W	R8135	1-216-097-91	RES,CHIP	100K 5% 1/10W
R8060	1-216-057-00	RES,CHIP	2.2K	5%	1/10W	R8136	1-216-097-91	RES,CHIP	100K 5% 1/10W
R8064	1-216-377-11	METAL OXIDE	4.7	5%	2W F				

Les composants identifiés par une trame et une marque  $\triangle$  sont critiques pour la sécurité. Ne les remplacer que par une pièce portant le numéro spécifié.

The components identified by shading and mark  $\triangle$  are critical for safety. Replace only with part number specified.

- The components identified by  $\blacksquare$  in this manual have been carefully factory-selected for each set in order to satisfy regulations regarding X-ray radiation. Should replacement be required, replace only with the value originally used.



REF. NO.	PART NO.	DESCRIPTION		REMARK	REF. NO.	PART NO.	DESCRIPTION		REMARK		
R8137	1-208-806-11	METAL CHIP	10K	0.50%	1/10W	R8221	1-216-097-91	RES,CHIP	100K	5%	1/10W
R8138	1-216-025-00	RES,CHIP	100	5%	1/10W	R8222	1-216-093-91	RES,CHIP	68K	5%	1/10W
R8139	1-216-097-91	RES,CHIP	100K	5%	1/10W	R8223	1-216-079-00	RES,CHIP	18K	5%	1/10W
R8140	1-208-822-11	METAL CHIP	47K	0.50%	1/10W	R8224	1-216-067-00	RES,CHIP	5.6K	5%	1/10W
R8154	1-216-043-91	RES,CHIP	560	5%	1/10W	R8225	1-260-087-11	CARBON	100	5%	1/2W
R8155	1-216-049-00	RES,CHIP	1K	5%	1/10W	R8227	1-216-067-00	RES,CHIP	5.6K	5%	1/10W
R8156	1-214-745-00	METAL	4.7K	1%	1/4W	R8228	1-216-067-00	RES,CHIP	5.6K	5%	1/10W
R8157	1-208-774-11	METAL CHIP	470	0.50%	1/10W	R8229	1-216-093-91	RES,CHIP	68K	5%	1/10W
R8160	1-214-747-00	METAL	5.6K	1%	1/4W	R8230	1-216-073-00	RES,CHIP	10K	5%	1/10W
R8161	1-215-423-00	METAL	1.2K	1%	1/4W						
R8162	1-214-757-00	METAL	15K	1%	1/4W			<SPARK GAP>			
R8163	1-214-757-00	METAL	15K	1%	1/4W						
R8164	1-214-757-00	METAL	15K	1%	1/4W	SG8002	1-519-422-11	GAP, SPARK			
R8165	1-214-757-00	METAL	15K	1%	1/4W			<TRANSFORMER>			
R8166	1-208-814-91	METAL CHIP	22K	0.50%	1/10W						
R8167	1-216-057-00	RES,CHIP	2.2K	5%	1/10W						
R8168	1-208-802-11	METAL CHIP	6.8K	0.50%	1/10W	T5001	1-437-209-11	TRANSFORMER, HORIZONTAL DRIVE			
R8170	1-216-097-91	RES,CHIP	100K	5%	1/10W	T5002	1-431-966-11	TRANSFORMER, FERRITE (HOT)			
R8171	1-216-097-91	RES,CHIP	100K	5%	1/10W	T8001 $\triangle$	1-437-209-11	TRANSFORMER, HORIZONTAL DRIVE			
R8172	1-216-073-00	RES,CHIP	10K	5%	1/10W	T8002 $\triangle$	1-431-955-11	TRANSFORMER, FERRITE (LOT)			
R8173	1-208-812-11	METAL CHIP	18K	0.50%	1/10W	T8003 $\triangle$	1-453-285-11	FBT ASSY, NX-4006/X4P			
R8174	1-216-025-00	RES,CHIP	100	5%	1/10W			<THERMISTOR>			
R8175	1-216-073-00	RES,CHIP	10K	5%	1/10W	TH5001	1-800-193-00	THERMISTOR			
R8176	1-216-073-00	RES,CHIP	10K	5%	1/10W						
R8177	1-216-462-00	METAL OXIDE	8.2K	5%	2W F						
R8178	1-215-897-11	METAL OXIDE	6.8K	5%	2W F						
R8181	1-215-900-11	METAL OXIDE	22K	5%	2W F						
R8182	1-215-901-00	METAL OXIDE	33K	5%	2W F						
R8183	1-260-292-11	CARBON	1	5%	1/2W						
R8186	1-216-037-00	RES,CHIP	330	5%	1/10W						
R8187	1-215-901-00	METAL OXIDE	33K	5%	2W F						
R8188	1-216-466-71	METAL OXIDE	39K	5%	2W F						
R8189	1-260-117-11	CARBON	33K	5%	1/2W						
R8190	1-208-798-11	METAL CHIP	4.7K	0.50%	1/10W						
R8191	1-208-806-11	METAL CHIP	10K	0.50%	1/10W			<CAPACITOR>			
R8192	1-208-802-11	METAL CHIP	6.8K	0.50%	1/10W						
R8193	1-208-814-91	METAL CHIP	22K	0.50%	1/10W	C3101	1-136-165-00	MYLAR	0.1 $\mu$ F	5%	50V
$\blacksquare$ R8194 $\triangle$		CARBON			1/4W						
R8195	1-208-814-91	METAL CHIP	22K	0.50%	1/10W			<CONNECTOR>			
$\blacksquare$ R8196 $\triangle$		CARBON			1/4W						
R8197	1-260-087-11	CARBON	100	5%	1/2W	CN3101*	1-564-521-11	PLUG, CONNECTOR 6P			
R8198	1-214-769-00	METAL	47K	1%	1/4W	CN3102*	1-564-518-11	PLUG, CONNECTOR 3P			
R8199	1-260-288-11	CARBON	0.47	5%	1/2W	CN3103*	1-564-518-11	PLUG, CONNECTOR 3P			
R8200	1-260-127-11	CARBON	220K	5%	1/2W			<DIODE>			
$\blacksquare$ R8201 $\triangle$		METAL			1/4W						
$\blacksquare$ R8202 $\triangle$		METAL			1/4W						
R8203	1-208-826-11	METAL CHIP	68K	0.50%	1/10W	D3101	8-719-053-43	DIODE SLR-325VCT31 (STEREO)			
R8204	1-208-832-11	METAL CHIP	120K	0.50%	1/10W	D3102	8-719-053-43	DIODE SLR-325VCT31 (TIMER)			
R8208	1-260-087-11	CARBON	100	5%	1/2W			<RESISTOR>			
R8213	1-249-413-11	CARBON	470	5%	1/4W F						
R8214	1-216-379-11	METAL OXIDE	6.8	5%	2W F	R3101	1-215-417-00	METAL	680	1%	1/4W
R8215	1-216-097-91	RES,CHIP	100K	5%	1/10W	R3102	1-215-421-00	METAL	1K	1%	1/4W
R8216	1-216-093-91	RES,CHIP	68K	5%	1/10W	R3103	1-215-423-00	METAL	1.2K	1%	1/4W
R8217	1-216-079-00	RES,CHIP	18K	5%	1/10W	R3104	1-215-427-00	METAL	1.8K	1%	1/4W
R8218	1-216-067-00	RES,CHIP	5.6K	5%	1/10W	R3105	1-215-433-00	METAL	3.3K	1%	1/4W
R8219	1-216-067-00	RES,CHIP	5.6K	5%	1/10W						
R8220	1-216-079-00	RES,CHIP	18K	5%	1/10W						

\*\*\*\*\*

\* A-1372-448-A HA BOARD, COMPLETE  
\*\*\*\*\*

KP-53XBR300/61XBR300

RM-Y902

RM-Y902



REF. NO.	PART NO.	DESCRIPTION	REMARK
		<SWITCH>	
S3101	1-572-198-11	SWITCH, KEYBOARD (POWER)	
S3102	1-572-198-11	SWITCH, KEYBOARD (CH +)	
S3103	1-572-198-11	SWITCH, KEYBOARD (CH -)	
S3104	1-572-198-11	SWITCH, KEYBOARD (VOL +)	
S3105	1-572-198-11	SWITCH, KEYBOARD (VOL -)	
S3106	1-572-198-11	SWITCH, KEYBOARD (TV/VIDEO)	
*****			
		* A-1372-449-A HB BOARD, COMPLETE	
		*****	
		<CONNECTOR>	
CN3201*	1-564-526-11	PLUG, CONNECTOR 11P	
CN3202*	1-564-518-11	PLUG, CONNECTOR 3P	
		<DIODE>	
D3201	8-719-108-12	DIODE RD9.1EW	
D3202	8-719-108-12	DIODE RD9.1EW	
D3203	8-719-108-12	DIODE RD9.1EW	
D3204	8-719-108-12	DIODE RD9.1EW	
D3205	8-719-108-12	DIODE RD9.1EW	
D3206	8-719-108-12	DIODE RD9.1EW	
		<JACK>	
J3201	1-770-361-11	TERMINAL BLOCK, S (VIDEO-2 IN)	
		<RESISTOR>	
R3201	1-247-804-11	CARBON 75 5% 1/4W	
R3202	1-249-417-11	CARBON 1K 5% 1/4W	
R3203	1-247-804-11	CARBON 75 5% 1/4W	
R3204	1-247-804-11	CARBON 75 5% 1/4W	
R3205	1-247-895-91	CARBON 470K 5% 1/4W	
R3206	1-247-895-91	CARBON 470K 5% 1/4W	
R3207	1-215-441-00	METAL 6.8K 1% 1/4W	
R3209	1-215-451-00	METAL 18K 1% 1/4W	
		<SWITCH>	
S3201	1-572-198-11	SWITCH, KEYBOARD (FLASH FOCUS)	
S3202	1-572-198-11	SWITCH, KEYBOARD (SET UP)	
*****			

REF. NO.	PART NO.	DESCRIPTION	REMARK
		* A-1372-450-A HC BOARD, COMPLETE	
		*****	
		<CONNECTOR>	
CN3301*	1-564-518-11	PLUG, CONNECTOR 3P	
		<DIODE>	
D3301	8-719-109-89	DIODE RD5.6ESB2	
D3302	8-719-109-89	DIODE RD5.6ESB2	
		<RESISTOR>	
R3301	1-247-807-31	CARBON 100 5% 1/4W	
R3302	1-247-807-31	CARBON 100 5% 1/4W	
*****			
		* A-1373-761-A U BOARD, COMPLETE	
		*****	
		<CAPACITOR>	
C3501	1-164-489-11	CERAMIC CHIP 0.22μF 10% 16V	
C3502	1-163-038-91	CERAMIC CHIP 0.1μF 25V	
C3504	1-107-823-11	CERAMIC CHIP 0.47μF 10% 16V	
C3505	1-107-823-11	CERAMIC CHIP 0.47μF 10% 16V	
		<CONNECTOR>	
CN3501*	1-564-522-11	PLUG, CONNECTOR 7P	
		<DIODE>	
D3501	8-719-073-01	DIODE MA111-(K8).S0	
D3502	8-719-073-01	DIODE MA111-(K8).S0	
D3503	8-719-158-15	DIODE RD5.6SB	
D3504	8-719-158-15	DIODE RD5.6SB	
D3505	8-719-977-28	DIODE DTZ10B	
D3506	8-719-977-28	DIODE DTZ10B	
D3507	8-719-977-28	DIODE DTZ10B	
D3508	8-719-977-28	DIODE DTZ10B	
		<JACK>	
J3501	1-764-143-11	JACK 3P (CONTROL S IN)	
J3502	1-764-143-11	JACK 3P (CONTROL S OUT)	
J3503	1-793-795-11	JACK BLOCK, PIN 2P (VIDEO 5 (DTV) HD/VD)	
		<TRANSISTOR>	
Q3501	8-729-027-38	TRANSISTOR DTA144EKA-T146	
Q3502	1-801-806-11	TRANSISTOR DTC144EKA-T146	
Q3503	8-729-216-22	TRANSISTOR 2SA1162-G	



REF. NO.	PART NO.	DESCRIPTION	REMARK	REF. NO.	PART NO.	DESCRIPTION	REMARK
Q3504	8-729-216-22	TRANSISTOR 2SA1162-G		C2130	1-137-434-11	MYLAR 0.0018μF 5% 50V	
Q3505	8-729-422-27	TRANSISTOR 2SD601A-Q		C2131	1-130-495-00	MYLAR 0.1μF 5% 50V	
Q3506	1-801-806-11	TRANSISTOR DTC144EKA-T146		C2132	1-130-495-00	MYLAR 0.1μF 5% 50V	
Q3507	8-729-422-27	TRANSISTOR 2SD601A-Q		C2133	1-130-495-00	MYLAR 0.1μF 5% 50V	
		<RESISTOR>		C2134	1-137-365-11	MYLAR 0.0015μF 5% 50V	
R3501	1-216-089-91	RES,CHIP 47K 5% 1/10W		C2135	1-136-356-11	MYLAR 470pF 5% 50V	
R3502	1-216-057-00	RES,CHIP 2.2K 5% 1/10W		C2136	1-136-357-11	MYLAR 680pF 5% 50V	
R3503	1-216-009-91	RES,CHIP 22 5% 1/10W		C2137	1-137-437-11	MYLAR 0.0056μF 5% 50V	
R3504	1-216-073-00	RES,CHIP 10K 5% 1/10W		C2138	1-137-374-11	MYLAR 0.047μF 5% 50V	
R3506	1-216-009-91	RES,CHIP 22 5% 1/10W		C2139	1-136-175-00	MYLAR 0.68μF 5% 50V	
R3507	1-216-097-91	RES,CHIP 100K 5% 1/10W		C2140	1-137-378-11	MYLAR 0.22μF 5% 50V	
R3508	1-216-097-91	RES,CHIP 100K 5% 1/10W		C2141	1-137-378-11	MYLAR 0.22μF 5% 50V	
R3510	1-216-073-00	RES,CHIP 10K 5% 1/10W		C2142	1-126-963-11	ELECT 4.7μF 20% 50V	
R3511	1-216-295-91	SHORT 0		C2143	1-126-963-11	ELECT 4.7μF 20% 50V	
R3512	1-216-073-00	RES,CHIP 10K 5% 1/10W		C2144	1-137-378-11	MYLAR 0.22μF 5% 50V	
R3513	1-216-097-91	RES,CHIP 100K 5% 1/10W		C2145	1-137-378-11	MYLAR 0.22μF 5% 50V	
R3514	1-216-097-91	RES,CHIP 100K 5% 1/10W		C2146	1-130-495-00	MYLAR 0.1μF 5% 50V	
R3515	1-216-057-00	RES,CHIP 2.2K 5% 1/10W		C2147	1-137-374-11	MYLAR 0.047μF 5% 50V	
R3516	1-216-025-91	RES,CHIP 100 5% 1/10W		C2148	1-137-374-11	MYLAR 0.047μF 5% 50V	
R3517	1-216-057-00	RES,CHIP 2.2K 5% 1/10W		C2149	1-130-495-00	MYLAR 0.1μF 5% 50V	
R3518	1-216-025-91	RES,CHIP 100 5% 1/10W		C2150	1-130-495-00	MYLAR 0.1μF 5% 50V	
				C2151	1-137-372-11	MYLAR 0.022μF 5% 50V	
*****				C2152	1-137-372-11	MYLAR 0.022μF 5% 50V	
* A-1380-618-A K BOARD, COMPLETE				C2153	1-130-495-00	MYLAR 0.1μF 5% 50V	
*****				C2154	1-136-357-11	MYLAR 680pF 5% 50V	
4-382-854-11		SCREW(M3X10), P, SW (+)		C2155	1-130-495-00	MYLAR 0.1μF 5% 50V	
		<CAPACITOR>		C2156	1-130-495-00	MYLAR 0.1μF 5% 50V	
C2103	1-104-664-11	ELECT 47μF 20% 25V		C2157	1-126-965-11	ELECT 22μF 20% 50V	
C2104	1-104-664-11	ELECT 47μF 20% 25V		C2158	1-126-964-11	ELECT 10μF 20% 50V	
C2105	1-104-664-11	ELECT 47μF 20% 25V		C2159	1-137-437-11	MYLAR 0.0056μF 5% 50V	
C2106	1-104-664-11	ELECT 47μF 20% 25V		C2160	1-128-549-11	ELECT 3300μF 20% 35V	
C2107	1-104-664-11	ELECT 47μF 20% 25V		C2161	1-128-549-11	ELECT 3300μF 20% 35V	
C2108	1-104-664-11	ELECT 47μF 20% 25V		C2162	1-130-495-00	MYLAR 0.1μF 5% 50V	
C2111	1-164-161-11	CERAMIC CHIP 0.0022μF 10% 50V		C2163	1-130-495-00	MYLAR 0.1μF 5% 50V	
C2112	1-164-161-11	CERAMIC CHIP 0.0022μF 10% 50V		C2164	1-107-698-11	ELECT 10μF 20% 25V	
C2113	1-164-161-11	CERAMIC CHIP 0.0022μF 10% 50V		C2165	1-107-698-11	ELECT 10μF 20% 25V	
C2114	1-164-161-11	CERAMIC CHIP 0.0022μF 10% 50V		C2166	1-126-965-11	ELECT 22μF 20% 50V	
C2115	1-164-161-11	CERAMIC CHIP 0.0022μF 10% 50V		C2167	1-126-935-11	ELECT 470μF 20% 16V	
C2116	1-164-161-11	CERAMIC CHIP 0.0022μF 10% 50V		C2168	1-126-933-11	ELECT 100μF 20% 16V	
C2117	1-104-664-11	ELECT 47μF 20% 25V		C2169	1-136-357-11	MYLAR 680pF 5% 50V	
C2118	1-130-495-00	MYLAR 0.1μF 5% 50V		C2170	1-130-495-00	MYLAR 0.1μF 5% 50V	
C2121	1-126-965-11	ELECT 22μF 20% 50V		C2171	1-130-495-00	MYLAR 0.1μF 5% 50V	
C2122	1-136-177-00	MYLAR 1μF 5% 50V		C2172	1-104-664-11	ELECT 47μF 20% 25V	
C2123	1-137-370-11	MYLAR 0.01μF 5% 50V		C2173	1-104-664-11	ELECT 47μF 20% 25V	
C2124	1-137-365-11	MYLAR 0.0015μF 5% 50V		C2174	1-126-933-11	ELECT 100μF 20% 16V	
C2125	1-137-375-11	MYLAR 0.068μF 5% 50V		C2176	1-164-161-11	CERAMIC CHIP 0.0022μF 10% 50V	
C2126	1-130-495-00	MYLAR 0.1μF 5% 50V		C2177	1-164-161-11	CERAMIC CHIP 0.0022μF 10% 50V	
C2127	1-130-495-00	MYLAR 0.1μF 5% 50V		C2178	1-164-161-11	CERAMIC CHIP 0.0022μF 10% 50V	
C2128	1-137-375-11	MYLAR 0.068μF 5% 50V		C2301	1-126-960-11	ELECT 1μF 20% 50V	
C2129	1-137-370-11	MYLAR 0.01μF 5% 50V		C2302	1-126-960-11	ELECT 1μF 20% 50V	
				C2303	1-126-965-11	ELECT 22μF 20% 50V	
				C2304	1-163-014-00	CERAMIC CHIP 0.0027μF 5% 50V	
				C2305	1-163-014-00	CERAMIC CHIP 0.0027μF 5% 50V	
				C2306	1-126-961-11	ELECT 2.2μF 20% 50V	
				C2307	1-130-495-00	MYLAR 0.1μF 5% 50V	
				C2308	1-130-495-00	MYLAR 0.1μF 5% 50V	
				C2309	1-130-495-00	MYLAR 0.1μF 5% 50V	

KP-53XBR300/61XBR300

RM-Y902

RM-Y902



REF. NO.	PART NO.	DESCRIPTION	REMARK	REF. NO.	PART NO.	DESCRIPTION	REMARK
C2310	1-130-495-00	MYLAR	0.1μF 5%	50V	CN2103*	1-564-513-11	PLUG, CONNECTOR 10P
C2311	1-126-961-11	ELECT	2.2μF 20%	50V	CN2601*	1-564-507-11	PLUG, CONNECTOR 4P
C2312	1-126-965-11	ELECT	22μF 20%	50V	CN2602*	1-691-135-11	PIN, CONNECTOR (PC BOARD) 4P
C2313	1-163-014-00	CERAMIC CHIP	0.0027μF 5%	50V			
C2314	1-163-014-00	CERAMIC CHIP	0.0027μF 5%	50V	CN2603*	1-691-134-11	PIN, CONNECTOR (PC BOARD) 2P
C2315	1-126-961-11	ELECT	2.2μF 20%	50V			
C2316	1-130-495-00	MYLAR	0.1μF 5%	50V		<DIODE>	
C2317	1-130-495-00	MYLAR	0.1μF 5%	50V	D2101	8-719-073-01	DIODE MA111-(K8).S0
C2318	1-130-495-00	MYLAR	0.1μF 5%	50V	D2102	8-719-073-01	DIODE MA111-(K8).S0
C2319	1-130-495-00	MYLAR	0.1μF 5%	50V	D2103	8-719-073-01	DIODE MA111-(K8).S0
C2320	1-126-961-11	ELECT	2.2μF 20%	50V	D2104	8-719-073-01	DIODE MA111-(K8).S0
C2321	1-107-698-11	ELECT	10μF 20%	25V	D2105	8-719-073-01	DIODE MA111-(K8).S0
C2322	1-107-698-11	ELECT	10μF 20%	25V			
C2323	1-107-698-11	ELECT	10μF 20%	25V	D2106	8-719-073-01	DIODE MA111-(K8).S0
C2324	1-107-698-11	ELECT	10μF 20%	25V	D2107	8-719-073-01	DIODE MA111-(K8).S0
C2325	1-126-964-11	ELECT	10μF 20%	50V	D2108	8-719-073-01	DIODE MA111-(K8).S0
C2326	1-126-964-11	ELECT	10μF 20%	50V	D2109	8-719-073-01	DIODE MA111-(K8).S0
C2327	1-104-664-11	ELECT	47μF 20%	25V	D2110	8-719-073-01	DIODE MA111-(K8).S0
C2328	1-104-664-11	ELECT	47μF 20%	25V	D2111	8-719-073-01	DIODE MA111-(K8).S0
C2329	1-104-664-11	ELECT	47μF 20%	25V	D2112	8-719-073-01	DIODE MA111-(K8).S0
C2601	1-126-960-11	ELECT	1μF 20%	50V	D2113	8-719-977-28	DIODE DTZ10B
C2602	1-126-964-11	ELECT	10μF 20%	50V	D2114	8-719-977-28	DIODE DTZ10B
C2605	1-126-964-11	ELECT	10μF 20%	50V	D2115	8-719-977-28	DIODE DTZ10B
C2606	1-126-963-11	ELECT	4.7μF 20%	50V	D2116	8-719-073-01	DIODE MA111-(K8).S0
C2607	1-130-495-00	MYLAR	0.1μF 5%	50V	D2301	8-719-977-28	DIODE DTZ10B
C2608	1-126-960-11	ELECT	1μF 20%	50V	D2302	8-719-977-28	DIODE DTZ10B
C2609	1-130-495-00	MYLAR	0.1μF 5%	50V	D2303	8-719-977-28	DIODE DTZ10B
C2610	1-130-495-00	MYLAR	0.1μF 5%	50V	D2304	8-719-977-28	DIODE DTZ10B
C2611	1-130-495-00	MYLAR	0.1μF 5%	50V	D2601	8-719-073-01	DIODE MA111-(K8).S0
C2612	1-126-960-11	ELECT	1μF 20%	50V	D2602	8-719-402-92	DIODE MA3220M-TX
C2613	1-126-963-11	ELECT	4.7μF 20%	50V	D2603	8-719-402-92	DIODE MA3220M-TX
C2614	1-126-960-11	ELECT	1μF 20%	50V	D2604	8-719-402-92	DIODE MA3220M-TX
C2615	1-126-964-11	ELECT	10μF 20%	50V	D2605	8-719-402-92	DIODE MA3220M-TX
C2617	1-130-495-00	MYLAR	0.1μF 5%	50V	D2606	8-719-402-92	DIODE MA3220M-TX
C2618	1-130-495-00	MYLAR	0.1μF 5%	50V	D2607	8-719-402-92	DIODE MA3220M-TX
C2619	1-130-495-00	MYLAR	0.1μF 5%	50V	D2608	8-719-402-92	DIODE MA3220M-TX
C2620	1-126-963-11	ELECT	4.7μF 20%	50V	D2609	8-719-402-92	DIODE MA3220M-TX
C2621	1-126-960-11	ELECT	1μF 20%	50V	D2610	8-719-402-92	DIODE MA3220M-TX
C2622	1-130-495-00	MYLAR	0.1μF 5%	50V	D2611	8-719-073-01	DIODE MA111-(K8).S0
C2623	1-126-964-11	ELECT	10μF 20%	50V	D2612	8-719-073-01	DIODE MA111-(K8).S0
C2624	1-126-964-11	ELECT	10μF 20%	50V	D2613	8-719-073-01	DIODE MA111-(K8).S0
C2625	1-104-664-11	ELECT	47μF 20%	25V	D2614	8-719-402-92	DIODE MA3220M-TX
C2626	1-104-664-11	ELECT	47μF 20%	25V	D2615	8-719-402-92	DIODE MA3220M-TX
C2627	1-130-495-00	MYLAR	0.1μF 5%	50V	D2616	8-719-402-92	DIODE MA3220M-TX
C2628	1-130-495-00	MYLAR	0.1μF 5%	50V	D2617	8-719-402-92	DIODE MA3220M-TX
C2631	1-104-665-11	ELECT	100μF 20%	25V	D2618	8-719-073-01	DIODE MA111-(K8).S0
C2632	1-104-665-11	ELECT	100μF 20%	25V	D2620	8-719-402-92	DIODE MA3220M-TX
C2633	1-107-718-91	ELECT	100μF 20%	50V	D2621	8-719-977-28	DIODE DTZ10B
C2801	1-126-960-11	ELECT	1μF 20%	50V	D2622	8-719-977-28	DIODE DTZ10B
C2802	1-126-960-11	ELECT	1μF 20%	50V	D2623	8-719-977-28	DIODE DTZ10B
C2803	1-126-964-11	ELECT	10μF 20%	50V	D2624	8-719-977-28	DIODE DTZ10B
C2804	1-126-964-11	ELECT	10μF 20%	50V	D2801	8-719-400-75	DIODE MA3091
		<CONNECTOR>			D2802	8-719-400-75	DIODE MA3091
CN2101*	1-691-757-11	PIN, CONNECTOR (PC BOARD) 8P			D2803	8-719-400-75	DIODE MA3091
CN2102*	1-564-510-11	PLUG, CONNECTOR 7P			D2804	8-719-400-75	DIODE MA3091
					D2805	8-719-400-75	DIODE MA3091
					D2806	8-719-400-75	DIODE MA3091
					D2807	8-719-400-75	DIODE MA3091



REF. NO.	PART NO.	DESCRIPTION	REMARK	REF. NO.	PART NO.	DESCRIPTION	REMARK
D2808	8-719-400-75	DIODE MA3091		R2116	1-216-065-91	RES,CHIP 4.7K	5% 1/10W
	<IC>			R2117	1-216-089-91	RES,CHIP 47K	5% 1/10W
IC2102	8-759-231-53	IC TA7805S		R2118	1-216-065-91	RES,CHIP 4.7K	5% 1/10W
IC2103	8-759-198-03	IC PQ09RF21		R2119	1-216-081-00	RES,CHIP 22K	5% 1/10W
IC2104	8-759-231-58	IC TA7812S		R2120	1-216-081-00	RES,CHIP 22K	5% 1/10W
IC2105	8-759-544-37	IC NJW1103FC3		R2121	1-216-109-00	RES,CHIP 330K	5% 1/10W
IC2301	8-759-634-51	IC M5218AP		R2122	1-216-089-91	RES,CHIP 47K	5% 1/10W
IC2302	8-759-544-72	IC TDA7312		R2123	1-216-077-91	RES,CHIP 15K	5% 1/10W
IC2303	8-759-544-72	IC TDA7312		R2124	1-216-077-91	RES,CHIP 15K	5% 1/10W
IC2601	8-759-190-89	IC TDA7265		R2125	1-216-081-00	RES,CHIP 22K	5% 1/10W
IC2602	8-759-072-99	IC TDA2052		R2126	1-216-081-00	RES,CHIP 22K	5% 1/10W
IC2603	8-759-190-89	IC TDA7265		R2127	1-216-129-00	RES,CHIP 2.2M	5% 1/10W
	<JACK>			R2128	1-216-097-91	RES,CHIP 100K	5% 1/10W
J2601	1-785-083-11	JACK BLOCK, PIN 2P		R2129	1-216-105-91	RES,CHIP 220K	5% 1/10W
J2602	1-785-083-21	JACK BLOCK, PIN 2P		R2133	1-216-025-91	RES,CHIP 100	5% 1/10W
	<TRANSISTOR>			R2134	1-216-025-91	RES,CHIP 100	5% 1/10W
Q2101	8-729-422-27	TRANSISTOR 2SD601A-Q		R2135	1-216-025-91	RES,CHIP 100	5% 1/10W
Q2102	8-729-422-27	TRANSISTOR 2SD601A-Q		R2136	1-216-025-91	RES,CHIP 100	5% 1/10W
Q2103	8-729-216-22	TRANSISTOR 2SA1162-G		R2137	1-216-049-91	RES,CHIP 1K	5% 1/10W
Q2104	8-729-216-22	TRANSISTOR 2SA1162-G		R2138	1-216-049-91	RES,CHIP 1K	5% 1/10W
Q2105	8-729-422-27	TRANSISTOR 2SD601A-Q		R2139	1-216-081-00	RES,CHIP 22K	5% 1/10W
Q2601	8-729-422-27	TRANSISTOR 2SD601A-Q		R2140	1-216-081-00	RES,CHIP 22K	5% 1/10W
Q2602	8-729-422-27	TRANSISTOR 2SD601A-Q		R2141	1-216-065-91	RES,CHIP 4.7K	5% 1/10W
Q2603	8-729-216-22	TRANSISTOR 2SA1162-G		R2142	1-216-073-00	RES,CHIP 10K	5% 1/10W
Q2604	8-729-422-27	TRANSISTOR 2SD601A-Q		R2143	1-216-025-91	RES,CHIP 100	5% 1/10W
Q2605	8-729-422-27	TRANSISTOR 2SD601A-Q		R2144	1-216-077-91	RES,CHIP 15K	5% 1/10W
Q2606	8-729-422-27	TRANSISTOR 2SD601A-Q		R2145	1-216-089-91	RES,CHIP 47K	5% 1/10W
Q2607	8-729-422-27	TRANSISTOR 2SD601A-Q		R2146	1-216-077-91	RES,CHIP 15K	5% 1/10W
Q2608	8-729-422-27	TRANSISTOR 2SD601A-Q		R2147	1-216-129-00	RES,CHIP 2.2M	5% 1/10W
Q2609	8-729-422-27	TRANSISTOR 2SD601A-Q		R2148	1-216-077-91	RES,CHIP 15K	5% 1/10W
Q2610	8-729-216-22	TRANSISTOR 2SA1162-G		R2149	1-216-077-91	RES,CHIP 15K	5% 1/10W
Q2801	8-729-422-27	TRANSISTOR 2SD601A-Q		R2164	1-216-071-00	RES,CHIP 8.2K	5% 1/10W
Q2802	8-729-422-27	TRANSISTOR 2SD601A-Q		R2165	1-216-071-00	RES,CHIP 8.2K	5% 1/10W
Q2803	8-729-422-27	TRANSISTOR 2SD601A-Q		R2166	1-216-065-91	RES,CHIP 4.7K	5% 1/10W
Q2804	8-729-422-27	TRANSISTOR 2SD601A-Q		R2167	1-216-109-00	RES,CHIP 330K	5% 1/10W
Q2805	8-729-422-27	TRANSISTOR 2SD601A-Q		R2301	1-216-089-91	RES,CHIP 47K	5% 1/10W
Q2806	8-729-422-27	TRANSISTOR 2SD601A-Q		R2302	1-216-089-91	RES,CHIP 47K	5% 1/10W
	<RESISTOR>			R2303	1-216-075-00	RES,CHIP 12K	5% 1/10W
R2104	1-216-477-11	METAL OXIDE 270	5% 3W F	R2304	1-216-073-00	RES,CHIP 10K	5% 1/10W
R2105	1-215-912-11	METAL OXIDE 150	5% 3W F	R2305	1-216-075-00	RES,CHIP 12K	5% 1/10W
R2106	1-216-295-91	SHORT 0		R2306	1-216-073-00	RES,CHIP 10K	5% 1/10W
R2107	1-215-912-11	METAL OXIDE 150	5% 3W F	R2307	1-216-089-91	RES,CHIP 47K	5% 1/10W
R2109	1-216-073-00	RES,CHIP 10K	5% 1/10W	R2308	1-216-089-91	RES,CHIP 47K	5% 1/10W
R2110	1-216-081-00	RES,CHIP 22K	5% 1/10W	R2309	1-216-067-00	RES,CHIP 5.6K	5% 1/10W
R2111	1-216-025-91	RES,CHIP 100	5% 1/10W	R2310	1-216-067-00	RES,CHIP 5.6K	5% 1/10W
R2112	1-216-025-91	RES,CHIP 100	5% 1/10W	R2311	1-216-067-00	RES,CHIP 5.6K	5% 1/10W
R2113	1-216-025-91	RES,CHIP 100	5% 1/10W	R2312	1-216-067-00	RES,CHIP 5.6K	5% 1/10W
R2114	1-216-121-91	RES,CHIP 1M	5% 1/10W	R2313	1-216-025-91	RES,CHIP 100	5% 1/10W
R2115	1-216-089-91	RES,CHIP 47K	5% 1/10W	R2314	1-216-025-91	RES,CHIP 100	5% 1/10W
				R2315	1-216-025-91	RES,CHIP 100	5% 1/10W
				R2316	1-216-025-91	RES,CHIP 100	5% 1/10W
				R2601	1-216-009-91	RES,CHIP 22	5% 1/10W
				R2602	1-216-009-91	RES,CHIP 22	5% 1/10W
				R2604	1-216-039-00	RES,CHIP 390	5% 1/10W
				R2605	1-216-085-00	RES,CHIP 33K	5% 1/10W
				R2606	1-216-039-00	RES,CHIP 390	5% 1/10W
				R2607	1-216-073-00	RES,CHIP 10K	5% 1/10W

# KP-53XBR300/61XBR300

RM-Y902

RM-Y902



REF. NO.	PART NO.	DESCRIPTION	REMARK	REF. NO.	PART NO.	DESCRIPTION	REMARK
R2608	1-216-097-91	RES,CHIP	100K 5% 1/10W	R2806	1-216-065-91	RES,CHIP	4.7K 5% 1/10W
R2609	1-216-073-00	RES,CHIP	10K 5% 1/10W	R2807	1-216-089-91	RES,CHIP	47K 5% 1/10W
R2610	1-216-077-91	RES,CHIP	15K 5% 1/10W	R2808	1-216-089-91	RES,CHIP	47K 5% 1/10W
R2611	1-216-085-00	RES,CHIP	33K 5% 1/10W	R2809	1-216-065-91	RES,CHIP	4.7K 5% 1/10W
R2612	1-216-357-00	METAL OXIDE	4.7 5% 1W F	R2810	1-216-113-00	RES,CHIP	470K 5% 1/10W
R2613	1-216-357-00	METAL OXIDE	4.7 5% 1W F	R2811	1-216-041-00	RES,CHIP	470 5% 1/10W
R2614	1-216-073-00	RES,CHIP	10K 5% 1/10W	R2813	1-216-113-00	RES,CHIP	470K 5% 1/10W
R2616	1-216-063-91	RES,CHIP	3.9K 5% 1/10W	R2814	1-216-041-00	RES,CHIP	470 5% 1/10W
R2618	1-216-295-91	SHORT	0	R2815	1-216-065-91	RES,CHIP	4.7K 5% 1/10W
R2619	1-216-057-00	RES,CHIP	2.2K 5% 1/10W	R2816	1-216-089-91	RES,CHIP	47K 5% 1/10W
R2620	1-216-065-91	RES,CHIP	4.7K 5% 1/10W	R2817	1-216-065-91	RES,CHIP	4.7K 5% 1/10W
R2621	1-216-009-91	RES,CHIP	22 5% 1/10W	R2818	1-216-089-91	RES,CHIP	47K 5% 1/10W
R2622	1-216-081-00	RES,CHIP	22K 5% 1/10W	R2819	1-216-073-00	RES,CHIP	10K 5% 1/10W
R2623	1-216-039-00	RES,CHIP	390 5% 1/10W	R2820	1-216-073-00	RES,CHIP	10K 5% 1/10W
R2624	1-216-085-00	RES,CHIP	33K 5% 1/10W			<RELAY>	
R2625	1-216-081-00	RES,CHIP	22K 5% 1/10W	RY2601	1-755-028-11	RELAY	
R2626	1-216-357-00	METAL OXIDE	4.7 5% 1W F			<TERMINAL BOARD>	
R2627	1-216-089-91	RES,CHIP	47K 5% 1/10W	TB2601	1-694-441-11	TERMINAL, PUSH	
R2628	1-216-089-91	RES,CHIP	47K 5% 1/10W	TB2602	1-694-442-11	TERMINAL, PUSH	
R2629	1-216-689-11	RES,CHIP	39K 5% 1/10W			<CRYSTAL>	
R2630	1-216-049-91	RES,CHIP	1K 5% 1/10W	X2101	1-577-358-21	VIBRATOR, CERAMIC	
R2631	1-216-073-00	RES,CHIP	10K 5% 1/10W				
R2632	1-216-073-00	RES,CHIP	10K 5% 1/10W				
R2633	1-216-097-91	RES,CHIP	100K 5% 1/10W				
R2634	1-216-073-00	RES,CHIP	10K 5% 1/10W				
R2635	1-216-077-91	RES,CHIP	15K 5% 1/10W				
R2636	1-216-085-00	RES,CHIP	33K 5% 1/10W				
R2637	1-216-041-00	RES,CHIP	470 5% 1/10W				
R2638	1-216-041-00	RES,CHIP	470 5% 1/10W				
R2639	1-216-079-00	RES,CHIP	18K 5% 1/10W				
R2640	1-216-041-00	RES,CHIP	470 5% 1/10W				
R2641	1-216-041-00	RES,CHIP	470 5% 1/10W				
R2642	1-216-079-00	RES,CHIP	18K 5% 1/10W				
R2643	1-216-079-00	RES,CHIP	18K 5% 1/10W				
R2644	1-216-079-00	RES,CHIP	18K 5% 1/10W				
R2645	1-216-357-00	METAL OXIDE	4.7 5% 1W F				
R2646	1-216-357-00	METAL OXIDE	4.7 5% 1W F			<CAPACITOR>	
R2647	1-216-083-00	RES,CHIP	27K 5% 1/10W	C4101	1-163-038-91	CERAMIC CHIP	0.1µF 25V
R2648	1-216-083-00	RES,CHIP	27K 5% 1/10W	C4102	1-104-664-11	ELECT	47µF 20% 16V
R2649	1-216-075-00	RES,CHIP	12K 5% 1/10W	C4103	1-107-667-11	ELECT	2.2µF 20% 160V
R2650	1-216-089-91	RES,CHIP	47K 5% 1/10W	C4104	1-130-471-00	MYLAR	0.001µF 5% 50V
R2651	1-216-049-91	RES,CHIP	1K 5% 1/10W	C4105	1-130-471-00	MYLAR	0.001µF 5% 50V
R2652	1-216-025-91	RES,CHIP	100 5% 1/10W	C4106	1-104-987-11	MYLAR	0.001µF 10% 200V
R2653	1-216-049-91	RES,CHIP	1K 5% 1/10W	C4107	1-104-987-11	MYLAR	0.001µF 10% 200V
R2654	1-216-073-00	RES,CHIP	10K 5% 1/10W	C4108	1-107-364-11	MYLAR	0.01µF 10% 200V
R2655	1-216-049-91	RES,CHIP	1K 5% 1/10W	C4109	1-126-968-11	ELECT	100µF 20% 50V
R2656	1-216-083-00	RES,CHIP	27K 5% 1/10W	C4110	1-107-645-11	ELECT	22µF 20% 160V
R2657	1-216-083-00	RES,CHIP	27K 5% 1/10W	C4111	1-126-968-11	ELECT	100µF 20% 50V
R2658	1-216-083-00	RES,CHIP	27K 5% 1/10W	C4112	1-161-830-00	CERAMIC	0.0047µF 500V
R2659	1-216-085-00	RES,CHIP	33K 5% 1/10W	C4113	1-163-038-91	CERAMIC CHIP	0.1µF 25V
R2660	1-216-073-00	RES,CHIP	10K 5% 1/10W	C4114	1-161-830-00	CERAMIC	0.0047µF 500V
R2662	1-216-073-00	RES,CHIP	10K 5% 1/10W	C4115	1-107-823-11	CERAMIC CHIP	0.47µF 10% 16V
R2663	1-216-073-00	RES,CHIP	10K 5% 1/10W	C4116	1-107-823-11	CERAMIC CHIP	0.47µF 10% 16V
R2801	1-216-113-00	RES,CHIP	470K 5% 1/10W				
R2802	1-216-041-00	RES,CHIP	470 5% 1/10W				
R2804	1-216-113-00	RES,CHIP	470K 5% 1/10W				
R2805	1-216-041-00	RES,CHIP	470 5% 1/10W				

Les composants identifiés par une trame et une marque  $\Delta$  sont critiques pour la sécurité. Ne les remplacer que par une pièce portant le numéro spécifié.

The components identified by shading and mark  $\Delta$  are critical for safety. Replace only with part number specified.

KP-53XBR300/61XBR300

RM-Y902

RM-Y902

**ZR** **ZG**

REF. NO.	PART NO.	DESCRIPTION	REMARK	REF. NO.	PART NO.	DESCRIPTION	REMARK
		<CONNECTOR>		R4126	1-216-009-91	RES,CHIP	22 5% 1/10W
CN4101*	1-564-509-11	PLUG, CONNECTOR 6P		*****			
CN4102*	1-564-506-11	PLUG, CONNECTOR 3P		* A-1390-951-A ZG BOARD, COMPLETE			
CN4104*	1-564-507-11	PLUG, CONNECTOR 4P		*****			
CN4105*	1-564-506-11	PLUG, CONNECTOR 3P		4-382-854-11	SCREW(M3X10), P. SW (+)		
CN4107*	1-580-690-11	PIN, CONNECTOR (PC BOARD) 4P			<CAPACITOR>		
		<DIODE>		C4201	1-163-038-91	CERAMIC CHIP	0.1μF 25V
D4102	8-719-921-86	DIODE MTZJ-13		C4202	1-107-667-11	ELECT	2.2μF 20% 160V
D4103	8-719-921-86	DIODE MTZJ-13		C4203	1-130-471-00	MYLAR	0.001μF 5% 50V
		<CONNECTOR>		C4204	1-130-471-00	MYLAR	0.001μF 5% 50V
DY4101 $\Delta$	1-451-510-11	DEFLECTION YOKE		C4205	1-104-987-11	MYLAR	0.001μF 10% 200V
		<COIL>		C4206	1-104-987-11	MYLAR	0.001μF 10% 200V
L4101	1-414-183-41	INDUCTOR 10μH		C4207	1-107-364-11	MYLAR	0.01μF 10% 200V
L4102	1-414-187-11	INDUCTOR 47μH		C4208	1-126-968-11	ELECT	100μF 20% 50V
		<TRANSISTOR>		C4209	1-126-968-11	ELECT	100μF 20% 50V
Q4101	8-729-422-27	TRANSISTOR 2SD601A-Q		C4210	1-107-645-11	ELECT	22μF 20% 160V
Q4104	8-729-045-04	TRANSISTOR 2SC5511		C4211	1-161-830-00	CERAMIC	0.0047μF 500V
Q4105	8-729-045-05	TRANSISTOR 2SA2005		C4212	1-106-220-00	MYLAR	0.1μF 10% 100V
Q4106	8-729-422-27	TRANSISTOR 2SD601A-Q		C4213	1-106-220-00	MYLAR	0.1μF 10% 100V
Q4107	8-729-422-27	TRANSISTOR 2SD601A-Q		C4214	1-104-664-11	ELECT	47μF 20% 16V
Q4108	8-729-216-22	TRANSISTOR 2SA1162-G		C4215	1-107-823-11	CERAMIC CHIP	0.47μF 10% 16V
Q4109	8-729-216-22	TRANSISTOR 2SA1162-G		C4216	1-107-823-11	CERAMIC CHIP	0.47μF 10% 16V
Q4110	8-729-422-27	TRANSISTOR 2SD601A-Q		C4217	1-161-830-00	CERAMIC	0.0047μF 500V
		<RESISTOR>		C4218	1-163-038-91	CERAMIC CHIP	0.1μF 25V
R4101	1-216-025-91	RES,CHIP 100 5% 1/10W		C4219	1-161-830-00	CERAMIC	0.0047μF 500V
R4102	1-208-800-11	METAL CHIP 5.6K 0.50% 1/10W		C4220	1-163-038-91	CERAMIC CHIP	0.1μF 25V
R4103	1-208-794-11	METAL CHIP 3.3K 0.50% 1/10W			<CONNECTOR>		
R4104	1-216-049-91	RES,CHIP 1K 5% 1/10W		CN4201*	1-564-509-11	PLUG, CONNECTOR 6P	
R4105	1-216-475-11	METAL OXIDE 120 5% 3W F		CN4202*	1-564-509-11	PLUG, CONNECTOR 6P	
R4106	1-216-033-00	RES,CHIP 220 5% 1/10W		CN4203*	1-564-507-11	PLUG, CONNECTOR 4P	
R4107	1-216-475-11	METAL OXIDE 120 5% 3W F		CN4204*	1-564-506-11	PLUG, CONNECTOR 3P	
R4109	1-216-009-91	RES,CHIP 22 5% 1/10W		CN4205*	1-564-506-11	PLUG, CONNECTOR 3P	
R4110	1-249-414-11	CARBON 560 5% 1/4W		CN4206*	1-580-689-11	PIN, CONNECTOR (PC BOARD) 4P	
R4111	1-247-863-91	CARBON 22K 5% 1/4W		CN4207*	1-564-506-11	PLUG, CONNECTOR 3P	
R4113	1-249-429-11	CARBON 10K 5% 1/4W F			<DIODE>		
R4114	1-249-414-11	CARBON 560 5% 1/4W		D4201	8-719-921-86	DIODE MTZJ-13	
R4115	1-247-863-91	CARBON 22K 5% 1/4W		D4202	8-719-921-86	DIODE MTZJ-13	
R4116	1-249-397-11	CARBON 22 5% 1/4W F			<CONNECTOR>		
R4117	1-249-415-11	CARBON 680 5% 1/4W F		DY4201 $\Delta$	1-451-510-11	DEFLECTION YOKE	
R4118	1-249-415-11	CARBON 680 5% 1/4W F			<COIL>		
R4119	1-249-384-11	CARBON 1.8 5% 1/4W F		L4201	1-414-187-11	INDUCTOR 47μH	
R4120	1-249-384-11	CARBON 1.8 5% 1/4W F		L4202	1-414-183-41	INDUCTOR 10μH	
R4121	1-249-401-11	CARBON 47 5% 1/4W F					
R4122	1-249-401-11	CARBON 47 5% 1/4W F					
R4123	1-216-476-11	METAL OXIDE 180 5% 3W F					
R4124	1-208-806-11	METAL CHIP 10K 0.50% 1/10W					
R4125	1-208-806-11	METAL CHIP 10K 0.50% 1/10W					





Les composants identifiés par une trame et une marque  $\Delta$  sont critiques pour la sécurité. Ne les remplacer que par une pièce portant le numéro spécifié.

The components identified by shading and mark  $\Delta$  are critical for safety. Replace only with part number specified.

REF. NO.	PART NO.	DESCRIPTION	REMARK
<TRANSISTOR>			
Q4201	8-729-422-27	TRANSISTOR 2SD601A-Q	
Q4203	8-729-045-04	TRANSISTOR 2SC5511	
Q4204	8-729-045-05	TRANSISTOR 2SA2005	
Q4205	8-729-422-27	TRANSISTOR 2SD601A-Q	
Q4206	8-729-422-27	TRANSISTOR 2SD601A-Q	
Q4207	8-729-422-27	TRANSISTOR 2SD601A-Q	
Q4208	8-729-216-22	TRANSISTOR 2SA1162-G	
Q4209	8-729-216-22	TRANSISTOR 2SA1162-G	
<RESISTOR>			
R4201	1-216-025-91	RES,CHIP 100 5%	1/10W
R4202	1-216-475-11	METAL OXIDE 120 5%	3W F
R4203	1-216-049-91	RES,CHIP 1K 5%	1/10W
R4206	1-216-475-11	METAL OXIDE 120 5%	3W F
R4207	1-249-397-11	CARBON 22 5%	1/4W F
R4208	1-247-863-91	CARBON 22K 5%	1/4W
R4209	1-249-414-11	CARBON 560 5%	1/4W
R4210	1-249-415-11	CARBON 680 5%	1/4W F
R4211	1-249-414-11	CARBON 560 5%	1/4W
R4212	1-247-863-91	CARBON 22K 5%	1/4W
R4213	1-249-415-11	CARBON 680 5%	1/4W F
R4214	1-249-429-11	CARBON 10K 5%	1/4W F
R4215	1-249-384-11	CARBON 1.8 5%	1/4W F
R4216	1-249-384-11	CARBON 1.8 5%	1/4W F
R4217	1-249-401-11	CARBON 47 5%	1/4W F
R4218	1-249-401-11	CARBON 47 5%	1/4W F
R4219	1-216-476-11	METAL OXIDE 180 5%	3W F
R4221	1-208-806-11	METAL CHIP 10K 0.50%	1/10W
R4222	1-208-800-11	METAL CHIP 5.6K 0.50%	1/10W
R4223	1-208-794-11	METAL CHIP 3.3K 0.50%	1/10W
R4224	1-208-806-11	METAL CHIP 10K 0.50%	1/10W
R4225	1-216-033-00	RES,CHIP 220 5%	1/10W
R4226	1-216-009-91	RES,CHIP 22 5%	1/10W
R4227	1-216-009-91	RES,CHIP 22 5%	1/10W
*****			
* A-1390-952-A ZB BOARD, COMPLETE			
*****			
4-382-854-11	SCREW(M3X10), P, SW (+)		
<CAPACITOR>			
C4301	1-163-038-91	CERAMIC CHIP 0.1 $\mu$ F	25V
C4302	1-107-667-11	ELECT 2.2 $\mu$ F	20% 160V
C4303	1-130-471-00	MYLAR 0.001 $\mu$ F	5% 50V
C4304	1-130-471-00	MYLAR 0.001 $\mu$ F	5% 50V
C4305	1-104-987-11	MYLAR 0.001 $\mu$ F	10% 200V
C4306	1-104-987-11	MYLAR 0.001 $\mu$ F	10% 200V
C4307	1-107-364-11	MYLAR 0.01 $\mu$ F	10% 200V
C4308	1-126-968-11	ELECT 100 $\mu$ F	20% 50V
C4309	1-126-968-11	ELECT 100 $\mu$ F	20% 50V
C4310	1-107-645-11	ELECT 22 $\mu$ F	20% 160V

REF. NO.	PART NO.	DESCRIPTION	REMARK
C4311	1-161-830-00	CERAMIC 0.0047 $\mu$ F	500V
C4312	1-104-664-11	ELECT 47 $\mu$ F	20% 16V
C4313	1-107-823-11	CERAMIC CHIP 0.47 $\mu$ F	10% 16V
C4314	1-107-823-11	CERAMIC CHIP 0.47 $\mu$ F	10% 16V
C4315	1-161-830-00	CERAMIC 0.0047 $\mu$ F	500V
C4316	1-163-038-91	CERAMIC CHIP 0.1 $\mu$ F	25V
<CONNECTOR>			
CN4301*	1-564-509-11	PLUG, CONNECTOR 6P	
CN4302*	1-564-507-11	PLUG, CONNECTOR 4P	
CN4303*	1-564-506-11	PLUG, CONNECTOR 3P	
CN4304*	1-580-690-11	PIN, CONNECTOR (PC BOARD) 4P	
CN4305*	1-564-506-11	PLUG, CONNECTOR 3P	
<DIODE>			
D4301	8-719-921-86	DIODE MTZJ-13	
D4302	8-719-921-86	DIODE MTZJ-13	
<CONNECTOR>			
DY4301 $\Delta$	1-451-510-11	DEFLECTION YOKE	
<COIL>			
L4301	1-414-187-11	INDUCTOR 47 $\mu$ H	
L4302	1-414-183-41	INDUCTOR 10 $\mu$ H	
<TRANSISTOR>			
Q4301	8-729-422-27	TRANSISTOR 2SD601A-Q	
Q4303	8-729-045-04	TRANSISTOR 2SC5511	
Q4304	8-729-045-05	TRANSISTOR 2SA2005	
Q4305	8-729-422-27	TRANSISTOR 2SD601A-Q	
Q4306	8-729-422-27	TRANSISTOR 2SD601A-Q	
Q4307	8-729-422-27	TRANSISTOR 2SD601A-Q	
Q4308	8-729-216-22	TRANSISTOR 2SA1162-G	
Q4309	8-729-216-22	TRANSISTOR 2SA1162-G	
<RESISTOR>			
R4301	1-216-025-91	RES,CHIP 100 5%	1/10W
R4302	1-216-049-91	RES,CHIP 1K 5%	1/10W
R4304	1-216-475-11	METAL OXIDE 120 5%	3W F
R4306	1-216-475-11	METAL OXIDE 120 5%	3W F
R4307	1-249-397-11	CARBON 22 5%	1/4W F
R4308	1-247-863-91	CARBON 22K 5%	1/4W
R4309	1-249-414-11	CARBON 560 5%	1/4W
R4310	1-249-415-11	CARBON 680 5%	1/4W F
R4311	1-249-414-11	CARBON 560 5%	1/4W
R4312	1-247-863-91	CARBON 22K 5%	1/4W
R4313	1-249-415-11	CARBON 680 5%	1/4W F
R4314	1-249-429-11	CARBON 10K 5%	1/4W F
R4315	1-249-384-11	CARBON 1.8 5%	1/4W F
R4316	1-249-384-11	CARBON 1.8 5%	1/4W F
R4317	1-249-401-11	CARBON 47 5%	1/4W F

Les composants identifiés par une trame et une marque  $\Delta$  sont critiques pour la sécurité. Ne les remplacer que par une pièce portant le numéro spécifié.

The components identified by shading and mark  $\Delta$  are critical for safety. Replace only with part number specified.



REF. NO.	PART NO.	DESCRIPTION	REMARK
R4318	1-249-401-11	CARBON 47	5% 1/4W F
R4319	1-216-476-11	METAL OXIDE 180	5% 3W F
R4321	1-208-806-11	METAL CHIP 10K	0.50% 1/10W
R4322	1-208-800-11	METAL CHIP 5.6K	0.50% 1/10W
R4323	1-208-794-11	METAL CHIP 3.3K	0.50% 1/10W
R4324	1-208-806-11	METAL CHIP 10K	0.50% 1/10W
R4325	1-216-033-00	RES,CHIP 220	5% 1/10W
R4326	1-216-009-91	RES,CHIP 22	5% 1/10W
R4327	1-216-009-91	RES,CHIP 22	5% 1/10W

REF. NO.	PART NO.	DESCRIPTION	REMARK
* 4-063-932-01		TRAY (53XBR)	
* 4-065-746-01		BOARD, TOP (53XBR)	
* 4-065-747-01		BOARD, TOP (61XBR)	
REMOTE COMMANDER *****			
1-475-898-11		REMOTE COMMANDER (RM-Y902)	
9-933-736-01		COVER, BATTERY (FOR RM-Y902)	

\*\*\*\*\*

MISCELLANEOUS  
\*\*\*\*\*

$\Delta$ 1-223-925-51	RESISTOR ASSY (HIGH-VOLTAGE)
	(FOCUS PACK)
1-251-321-12	SELECTOR, ANTENNA
$\Delta$ 1-452-790-21	NECK ASSY
1-500-021-11	CLAMP, SLEEVE FERRITE (61XBR)
1-505-914-11	SPEAKER (10cm)
1-505-915-11	SPEAKER (13cm) (53XBR)
1-505-916-11	SPEAKER (5.2cm)
1-505-917-11	SPEAKER (16cm) (61XBR)
1-528-911-11	BATTERY, SOLAR
1-543-653-11	CORE ASSY, BEAD(DIVISION TYPE)
* 1-556-945-21	CABLE, P-P
* 1-557-056-31	CABLE, P-P
$\Delta$ 1-783-595-11	CORD, NOISE FILTER WITH POWER
$\Delta$ 8-598-955-12	BLOCK ASSY, HIGH-VOLTAGE
$\Delta$ 8-736-087-05	CRT 07MZC2(G)
$\Delta$ 8-736-088-05	CRT 07MZC3(B) (53XBR)
$\Delta$ 8-736-089-05	CRT 07MZC3(R) (53XBR)
$\Delta$ 8-736-090-05	CRT 07MZC4(B) (61XBR)
$\Delta$ 8-736-091-05	CRT 07MZC4(R) (61XBR)

\*\*\*\*\*

ACCESSORIES AND PACKING MATERIALS  
\*\*\*\*\*

1-751-347-11	CORD, SPEAKER
3-867-651-11	MANUAL, INSTRUCTION
3-867-651-21	MANUAL, INSTRUCTION
3-867-651-31	MANUAL, INSTRUCTION
3-867-651-41	MANUAL, INSTRUCTION
* 4-041-428-01	BAG, POLYETHYLENE
* 4-042-463-01	SHEET, PROTECTION
* 4-063-915-01	CUSHION (UPPER) (ASSY) (61XBR)
* 4-063-916-01	CUSHION (LOWER) (ASSY) (61XBR)
* 4-063-921-01	INDIVIDUAL CARTON (61XBR)
* 4-063-922-01	BOARD, BOTTOM (61XBR)
* 4-063-923-01	TRAY (61XBR)
* 4-063-924-01	CUSHION (UPPER) (ASSY) (53XBR)
* 4-063-925-01	CUSHION (LOWER) (ASSY) (53XBR)
* 4-063-930-01	INDIVIDUAL CARTON (53XBR)
* 4-063-931-01	BOARD, BOTTOM (53XBR)

**KP-53XBR300/61XBR300**

RM-Y902

RM-Y902

# SERVICE MANUAL

# RA-4A CHASSIS

<u>MODEL NAME</u>	<u>REMOTE COMMANDER</u>	<u>DESTINATION</u>	<u>CHASSIS NO.</u>
<b>KP-53XBR300</b>	RM-Y902	US	SCC-P21A-A
<b>KP-53XBR300</b>	RM-Y902	Canadian	SCC-P21A-A
<b>KP-61XBR300</b>	RM-Y902	US	SCC-P21B-A
<b>KP-61XBR300</b>	RM-Y902	Canadian	SCC-P40B-A

## CORRECTION - 1

SUBJECT: D BOARD CORRECTIONS - Q5031 VOLTAGE; WAVEFORMS

Correct the service manual as shown.  
File this Correction with the service manual.

COLOR REAR VIDEO PROJECTOR

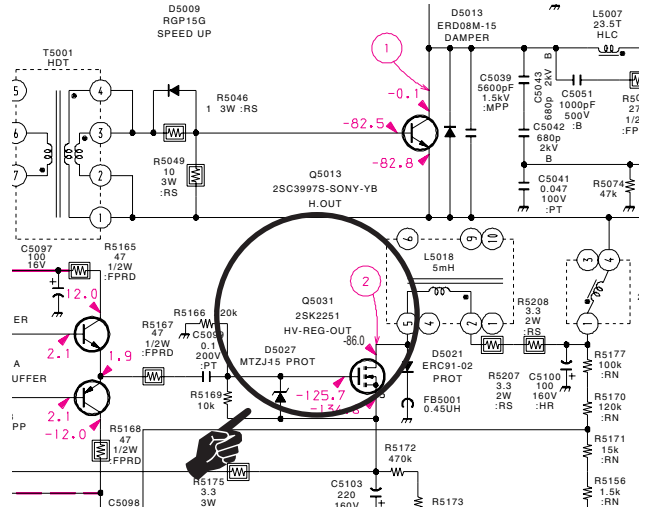
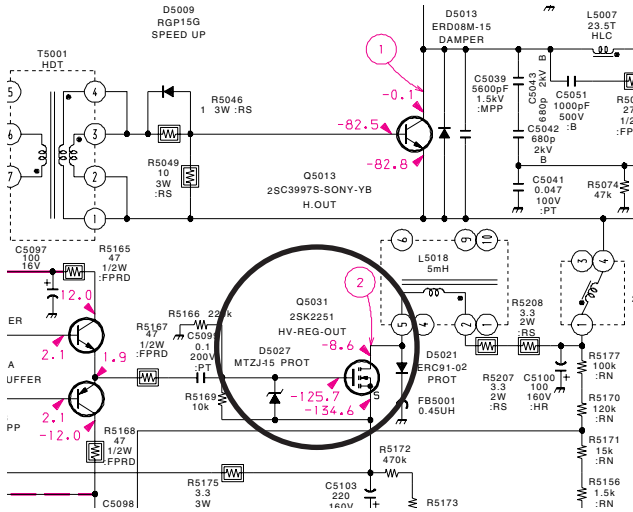
**SONY**®

: Corrected Item

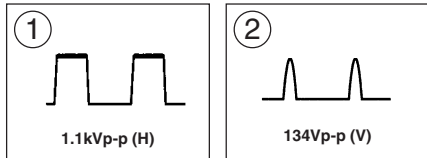
Section 6: Diagrams - D Board (Page 127-129)

INCORRECT

CORRECT



• D(1/2) BOARD WAVEFORMS



• D(1/2) BOARD WAVEFORMS

