

HISTORY INFORMATION FOR THE FOLLOWING MANUAL:

SERVICE MANUAL

RA-4B CHASSIS

<u>MODEL NAME</u>	<u>REMOTE COMMANDER</u>	<u>DESTINATION</u>	<u>CHASSIS NO.</u>
KP-53HS10	RM-Y902	US	SCC-P40A-A
KP-53HS10	RM-Y902	Canadian	SCC-P40A-A
KP-61HS10	RM-Y902	US	SCC-P40B-A
KP-61HS10	RM-Y902	Canadian	SCC-P40B-A

 :Updated Item

ORIGINAL MANUAL ISSUE DATE: 3/2000

ALL REVISIONS AND UPDATES TO THE ORIGINAL MANUAL ARE APPENDED TO THE END OF THE PDF FILE.

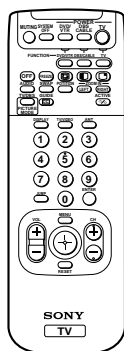
<u>REVISION DATE</u>	<u>REVISION TYPE</u>	<u>SUBJECT</u>
3/2000	No revisions or updates are applicable at this time.	
6/2002	Correction - 1	D Board Corrections - Q5031 Voltage; Waveforms.
1/2004	Update	Updated P. 205 of Electrical Parts List - Corrected P/N for F6105 and F6106

COLOR REAR VIDEO PROJECTOR

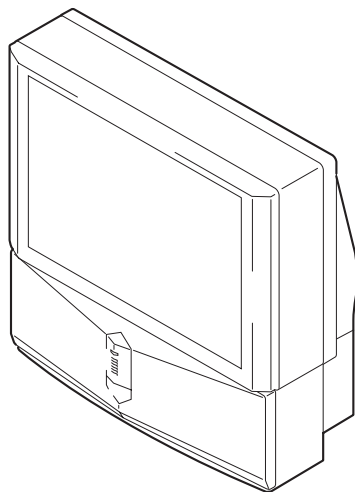
SONY®

SERVICE MANUAL RA-4B CHASSIS

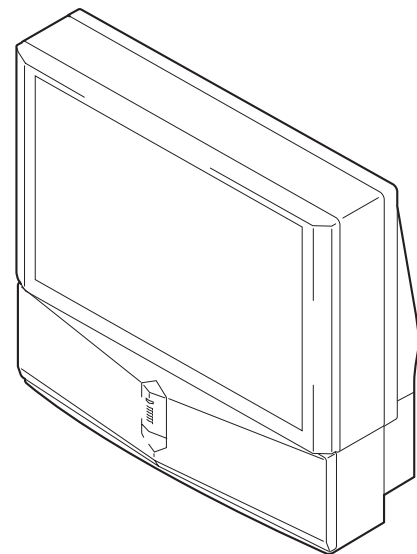
<u>MODEL</u>	<u>COMMANDER</u>	<u>DEST.</u>	<u>CHASSIS NO.</u>	<u>MODEL</u>	<u>COMMANDER</u>	<u>DEST.</u>	<u>CHASSIS NO.</u>
KP-53HS10	RM-Y902	US	SCC-P40A-A				
KP-53HS10	RM-Y902	Canadian	SCC-P40A-A				
KP-61HS10	RM-Y902	US	SCC-P40B-A				
KP-61HS10	RM-Y902	Canadian	SCC-P40B-A				



RM-Y902



KP-53HS10



KP-61HS10

COLOR REAR VIDEO PROJECTOR

SONY®

* Please file according to model size.

53 61

SPECIFICATIONS

Projection system

3 picture tubes, 3 lenses, horizontal in-line system

Picture tube

7-inch high-brightness monochrome tubes (6.3 raster size),
with optical coupling and liquid cooling system

Projection lenses

High performance, large diameter hybrid lens F1.1

Television system

American TV standard

Channel coverage

VHF: 2–13/UHF: 14–69/CATV: 1–125

Antenna

75 ohm external terminal for VHF/UHF

Screen size (measured diagonally)

53 inches (KP-53HS10)

61 inches (KP-61HS10)

Inputs/outputs

VIDEO 1/3 IN

VIDEO 2 INPUT

S VIDEO IN (4-pin mini DIN):

Y: 1 Vp-p, 75-ohms unbalanced, sync negative

C: 0.286 Vp-p (Burst signal), 75 ohms

VIDEO (phono jack): 1 Vp-p, 75-ohms unbalanced, sync
negative

AUDIO (phono jacks): 500 mVrms (100% modulation),
Impedance: 47 kilohms

VIDEO 4 IN

S VIDEO IN (4-pin mini DIN):

Y: 1 Vp-p, 75-ohms unbalanced, sync negative

C: 0.286 Vp-p (Burst signal), 75 ohms

VIDEO (phono jack): 1 Vp-p, 75-ohms unbalanced, sync
negative

Y: 1 Vp-p, 75 ohms, sync negative

Pb: 0.7 Vp-p, 75 ohms

Pr: 0.7 Vp-p, 75 ohms

AUDIO (phono jacks): 500 mVrms (100% modulation),
Impedance: 47 kilohms

VIDEO 5 (DTV) IN

Maximum scanning rate: 1080i

Y: 1 Vp-p, 75 ohms, negative or tri-level sync

Pb: 0.7 Vp-p, 75 ohms

Pr: 0.7 Vp-p, 75 ohms

or

G: 0.7 Vp-p, 75 ohms

B: 0.7 Vp-p, 75 ohms

R: 0.7 Vp-p, 75 ohms

HD: 0.5–5 Vp-p, 2.2 kilohms

VD: 0.6–5 Vp-p, 2.2 kilohms

Note:

The VIDEO 5 (DTV) IN jacks are not compatible with a
computer's 5BNC (R/G/B/HD/VD) video output connectors.

AUDIO (phono jacks): 500 mVrms (100% modulation),
Impedance: 47 kilohms

SELECT OUT

VIDEO (phono jack): 1 Vp-p, 75-ohms unbalanced, sync
negative

AUDIO (phono jacks): 470 mVrms (100% modulation),
Impedance: 47 kilohms

AUDIO (VAR) OUT (phono jacks): 700 mVrms (100%
modulation)

AUDIO (FIX) OUT (phono jacks): 500 mVrms (100%
modulation)

CONTROL S IN/OUT: minijacks

Speaker

Front (Tweeter): 66 mm (2 ⁵/₈") × 2

Front (Woofer):

130 mm (5 ¹/₈") × 2 (KP-53HS10)

160 mm (6 ³/₈") × 2 (KP-61HS10)

Speaker output

Front: 20 W × 2

Power requirement

120 V AC, 60 Hz

Power consumption

In use (Max.): 240 W

In standby: 1 W

Dimensions (W/H/D)

1,218 × 1,459 × 635 mm (48 × 57 ¹/₂ × 25 inches)
(KP-53HS10)

1,372 × 1,558 × 670 mm (54 ¹/₈ × 61 ³/₈ × 26 ¹/₂ inches)
(KP-61HS10)

Mass

84 kg (185 lbs 3 oz) (KP-53HS10)

102 kg (224 lbs 14 oz) (KP-61HS10)

Supplied accessories

Remote control RM-Y902 (1)

Batteries size AA (R6) (2)

Optional accessories

Connecting cables

RK-G34, RK-74A, RKG-69HG, VMC-10HG,

VMC-720M, VMC-810S/820S, YC-15V/30V

U/V mixer EAC-66

*Design and specifications are subject to change without
notice.*

SAFETY CHECK-OUT (US model only)

After correcting the original service problem, perform the following safety checks before releasing the set to the customer:

1. Check the area of your repair for unsoldered or poorly-soldered connections. Check the entire board surface for solder splashes and bridges.
2. Check the interboard wiring to ensure that no wires are “pinched” or contact high-wattage resistors.
3. Check that all control knobs, shields, covers, ground straps, and mounting hardware have been replaced. Be absolutely certain that you have replaced all the insulators.
4. Look for unauthorized replacement parts, particularly transistors, that were installed during a previous repair. Point them out to the customer and recommend their replacement.
5. Look for parts which, through functioning, show obvious signs of deterioration. Point them out to the customer and recommend their replacement.
6. Check the line cords for cracks and abrasion. Recommend the replacement of any such line cord to the customer.
7. Check the condition of the monopole antenna (if any). Make sure the end is not broken off, and has the plastic cap on it. Point out the danger of impalement on a broken antenna to the customer, and recommend the antenna’s replacement.
8. Check the B+ and HV to see they are at the values specified. Make sure your instruments are accurate; be suspicious of your HV meter if sets always have low HV.
9. Check the antenna terminals, metal trim, “metallized” knobs, screws, and all other exposed metal parts for AC leakage. Check leakage as described below.

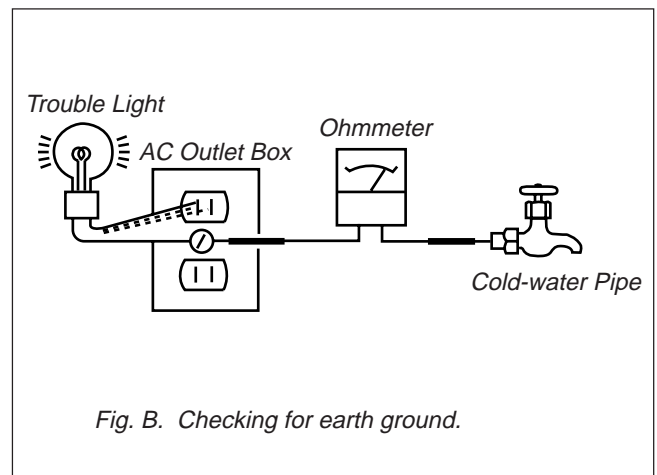
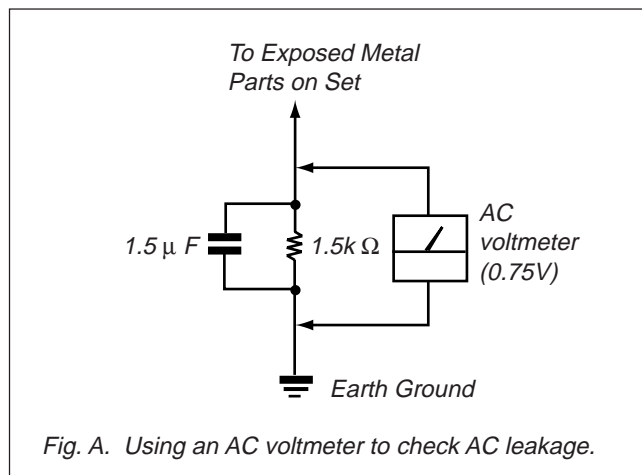
LEAKAGE TEST

The AC leakage from any exposed metal part to earth ground and from all exposed metal parts to any exposed metal part having a return to chassis, must not exceed 0.5mA (500 microampers) . Leakage current can be measured by any one of three methods.

1. A commercial leakage tester, such as the Simpson 229 or RCA WT-540A. Follow the manufacturers’ instructions to use these instruments.
2. A battery-operated AC milliammeter. The Data Precision 245 digital multimeter is suitable for this job.
3. Measuring the voltage drop across a resistor by means of a VOM or battery-operated AC voltmeter. The “limit” indication is 0.75V, so analog meters must have an accurate low-voltage scale. The Simpson 250 and Sanwa SH-63Trd are examples of a passive VOM that is suitable. Nearly all battery operated digital multimeters that have a 2V AC range are suitable. (See Fig. A)

HOW TO FIND A GOOD EARTH GROUND

A cold-water pipe is guaranteed earth ground; the cover-plate retaining screw on most AC outlet boxes is also at earth ground. If the retaining screw is to be used as your earth-ground, verify that it is at ground by measuring the resistance between it and a cold-water pipe with an ohmmeter. The reading should be zero ohms. If a cold-water pipe is not accessible, connect a 60-100 watts trouble light (not a neon lamp) between the hot side of the receptacle and the retaining screw. Try both slots, if necessary, to locate the hot side of the line, the lamp should light at normal brilliance if the screw is at ground potential. (See Fig. B)



SELF DIAGNOSIS FUNCTION

1. Summary of Self-Diagnosis Function

- This device includes a self-diagnosis function.
- In case of abnormalities, the TIMER/STAND BY indicator automatically blinks. It is possible to predict the abnormality location by the number of blinks. The Instruction Manual describes blinking of the TIMER/STAND BY indicator.
- If the symptom is not reproduced sometimes in case of a malfunction, there is recording of whether a malfunction was generated or not. Operate the remote command to confirm the matter on the screen and to predict the location of the abnormality.

2. Diagnosis Items and Prediction of Malfunction Location

- When a malfunction occurs the TIMER/STAND BY indicator only blinks for one of the following diagnosis items. In case of two or more malfunctions, the item which first occurred blinks. If the malfunctions occurred simultaneously, the item with the lower blink count blinks first.
- The screen display displays the results regarding all the diagnosis items listed below. The display “0” means that no malfunctions occurred.

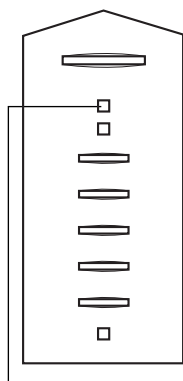
Diagnosis item	TIMER/STANDBY Indicator Number of blinks	Supposed malfunction	Condition	Self-diagnosis screen display, Diagnosis item: Results
• Power not ON	0	[Standby Power Supply System] F601 open. R607 open. Q601 short circuit [Main Power Supply System] IC601 and R612 are broken. VDR601 short-circuit	Cannot turn on the power. LED doesn't blink.	
+B OCP detection	2 times	Short circuit of power supply system in each circuit.	Goes to the standby mode Short circuit of +B line	2 : +B OCP 000
+B OVP detection	3 times	IC6005 is broken. IC6101 is broken.	Goes to the standby mode Malfunction of power supply circuit	3 : +B OVP 000
Vertical deflection stop	4 times	IC5004(V out) is broken. IC512 (VDSP) is broken.	Raster goes to one line horizontally.	4 : V Stop 000
Video out abnormality detection	5 times	Video out, IC7101, 7201, 7301 and others in C board circuit. Q510,516,524 (A board)	TIMER/STANDBY LED blinks approx. 30 seconds, and then blinks for the self diagnosis.	5 : AKB 000
Horizontal deflection stop	6 times	Q5013 (H OUT) is broken. IC507 (H Jungle) is broken.	Raster doesn't appear.	6 : H Stop 000
High voltage abnormality detection	7 times	Q8008 is broken	Raster doesn't appear.	7 : HV 000
Audio abnormality detection	8 times	IC2601, 2602, 2603 are broken. PS6103, 6104 are broken.	The sound is not out. Goes to the standby mode	8 : Audio 000

* : 000 the range of values for number of operations is 000-255. For 256 or higher there is no count up and the number remains at 255.

3. Blinking count display of TIMER/STAND BY indicator

* One blink is not used for self-diagnosis.

< FRONT PANEL >



TIMER/STAND BY indicator

•EXAMPLE

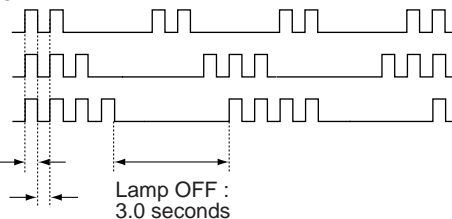
<Diagnosis Items> <Number of Blinks>

- +B overcurrent 2 times
- +B overvoltage 3 times
- Vertical deflection stop 4 times

Lamp ON : 0.3 seconds

Lamp OFF : 0.3 seconds

Lamp OFF : 3.0 seconds



Release of TIMER/STAND BY indicator blinking.

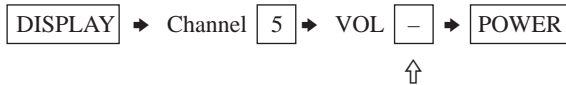
- The TIMER/STAND BY indicator blinking display is released by turning OFF the power switch on the TV main unit or removing the plug from the power.

4. Self-diagnosis screen displays

- In cases of malfunctions where it is not possible to determine the symptom such as when the power goes off occasionally or when the screen disappears occasionally, there is a screen display on whether the malfunction occurred or not in the past (and whether the detection circuit operated or not) in order to allow confirmation.

<Screen Display Method>

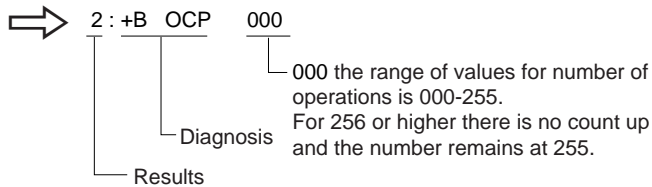
- Quickly press the remote command button in the following order from the standby state.



Be aware that this differs from the method of entering the service mode (volume +).

Self-diagnosis screen display

Self Check		
2 : +B	OCP	000
3 : +B	OVP	000
4 : V	Stop	000
5 : AKB		000
6 : H	Stop	000
7 : HV		000
8 : Audio		000
9 : WDT		000



5. Self-Diagnosis Screen Display

- The results display is not automatically cleared. In case of repairs and after repairs, check the self-diagnosis screen and be sure to return the results display to “0”.
- If the results display is not returned to “0” it will not be possible to judge a new malfunction after completing repairs.

<Method of Clearing Results Display>

1. Power off (Set to the standby mode)
2. DISPLAY → Channel 5 → VOL + → POWER (Service Mode)
3. Channel 8 → ENTER (Test reset = Factory preset condition)

<Method of Ending Self Diagnosis Screen>

- When ending the self-diagnosis screen completely, turn the power switch OFF on the remote commander or the main unit.

6. Self-diagnosis function operation

- OCP** Low B and +B line detect DET SHORT, and shut-down POWER ON RELAY.
 Reset by turning power on/off.
 In case of +B is loaded approx. 1.5A or more, microcomputer detects it via IC6102.
- OVP** In case of +B becomes approx. 150V or more, POWER ON RELAY shuts down and microcomputer detects it via IC6102.
 Reset by turning power on/off just the same as OCP.
- V Stop** In case of V Drive disappeared, Q5005 detects it and shut-down POWER ON RELAY. Microcomputer detects it and makes LED blinking.
- AKB** IK detection. Makes LED blinking in case of microcomputer doesn't detect IK returns of IC511 (CXA2101AQ) 30 seconds or more.
- H Stop** In case of H DRIVE is disappeared, Q5006 detects it and shut-down POWER ON RELAY shuts down.
 Microcomputer receives H Stop data from Q5006 and makes LED blinking.
- HV Stop** In case of HV becomes 33KV or more. IC8006 and IC8010 detect it and shut-down POWER ON RELAY. Microcomputer makes LED blinking.
- Audio** In case of DC component overlaps the output of Audio Amp., POWER ON RELAY shuts down.
 Microcomputer detects it and makes LED blinking.

Self-diagnosis block diagram

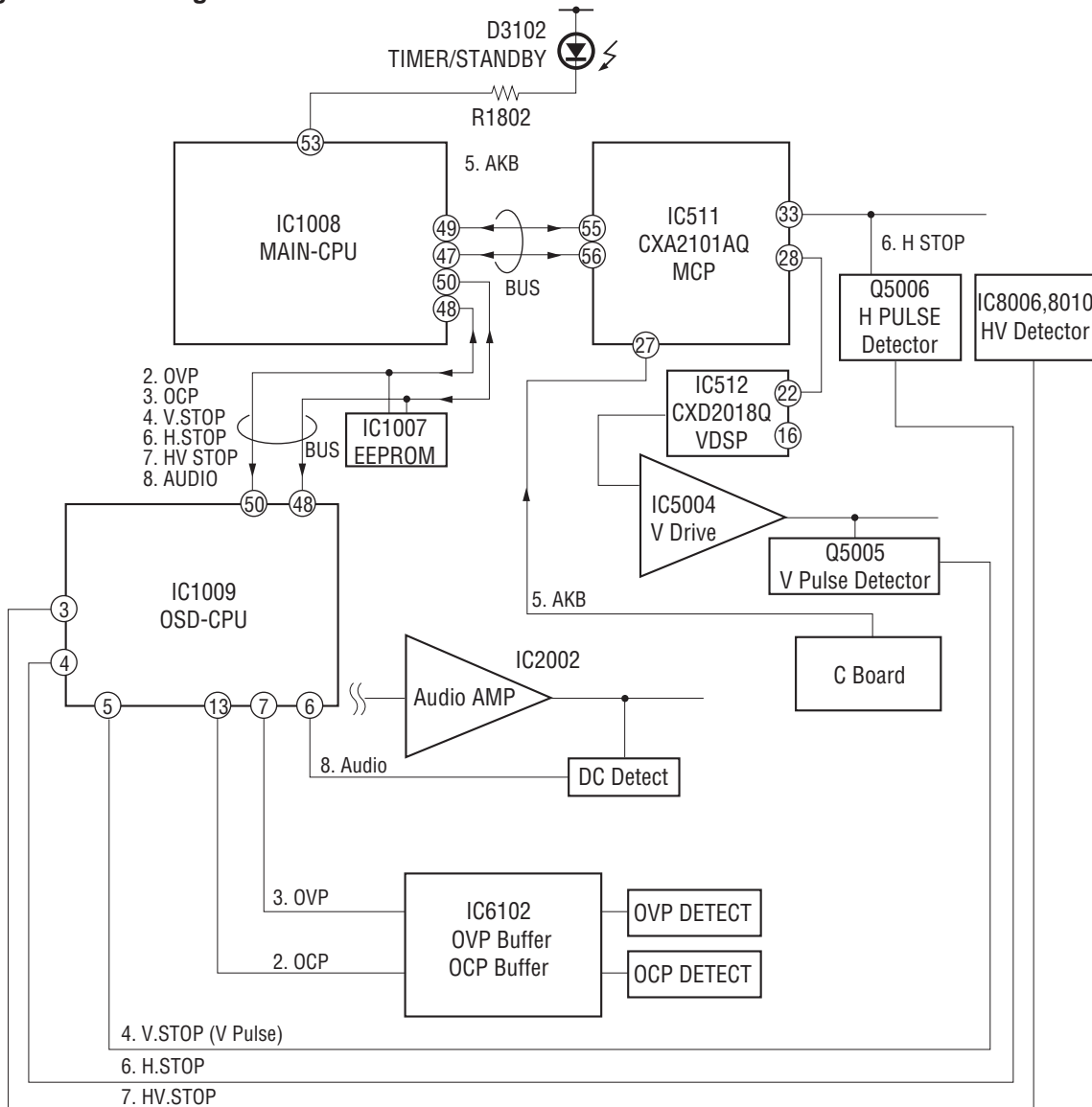


TABLE OF CONTENTS

Section	Title	Page	Section	Title	Page
	SELF DIAGNOSIS FUNCTION	4			
1. GENERAL					
	Remote Control	9	5-8.	Video Input Sub-HUE and Sub-Color Adjustment (MCD3-SHUE,SCOL)	55
	Installing and Connecting the Projection TV	9	5-9.	P & P Sub-HUE and Sub-Color Adjustment (MCD2-SHUE,SCOL)	56
	Basic Set Up	17	5-10.	P & P Sub-HUE and Sub-Color Adjustment (MCD4-SHUE,SCOL)	56
	Using Your New Projection TV	19	5-11.	P & P Sub Contrast Adjustment (SCD1-SCON)	56
	Adjusting Your SET UP (menus)	23	5-12.	P & P Sub Contrast Adjustment (SCD2-SCON)	56
	Additional Operations	33	5-13.	Sub-HUE and Sub-Color Adjustment (SCD1-SHUE,SCOL)	57
	Additional Information	34	5-14.	Sub-HUE and Sub-Color Adjustment (SCD2-SHUE,SCOL)	57
2. DISASSEMBLY			5-15.	Video 5 Input Sub-HUE and Sub-Color Adjustment (MCP3-SHUE,SCOL)	57
2-1.	Rear Board Removal	36	6. DIAGRAMS		
2-2.	Main Bracket Removal	36	6-1.	Block Diagram (1)	59
2-3.	Service Position	36		Block Diagram (2)	62
2-4.	G Board Removal	37		Block Diagram (3)	65
2-5.	Terminal Board and U Board Removal	37		Block Diagram (4)	67
2-6.	BM, BR and BD Board Removal	37		Block Diagram (5)	69
2-7.	K Board Removal	37		Block Diagram (6)	72
2-8.	BA Board Removal	38		Block Diagram (7)	75
2-9.	DS Board Removal	38		Block Diagram (8)	77
2-10.	A and D Board Removal	38	6-2.	Frame Schematic Diagram	79
2-11.	Beznet ASSY Removal	38	6-3.	Circuit Boards Location	82
2-12.	HC and S Board Removal	39	6-4.	Printed Wiring Boards and Schematic Diagrams	82
2-13.	Mirror Cover Removal	39		• S Board	87
2-14.	HA Board Removal	39		• A (1/4) Board	87
2-15.	Picture Tube Removal	40		• A (2/4) Board	91
2-16.	High-Voltage Cable Installation and Removal	40		• A (3/4) Board	95
				• A (4/4) Board	98
3. SET-UP ADJUSTMENTS				• BA Board	101
3-1.	Screen Voltage Adjustment (Coarse Adjustment)	41		• BM Board	105
3-2.	Screen (G2) Adjustment (Fine Adjustment)	41		• BR Board	113
3-3.	Deflection York Tilt Adjustment	41		• BD Board	117
3-4.	Focus Lens Adjustment	41		• DS Board	123
3-5.	Focus VR Adjustment	42		• D(1/2) Board	125
3-6.	2-Pole Magnet Adjustment (Green, Red)	42		• D(2/2) Board	128
3-7.	4-Pole Magnet Adjustment	42		• K Board	137
3-8.	Defocus Adjustment (Blue)	42		• CR Board	141
3-9.	Electrical Adjustment by Remote Commander	43		• CG Board	142
3-10.	Registration Adjustment (PJE)	49		• CB Board	143
3-11.	Auto Registration Error Code List	52		• ZR Board	145
				• ZG Board	146
4. SAFETY RELATED ADJUSTMENTS				• ZB Board	148
4-1.	HV Regulation Circuit Check and Adjustment	53		• U Board	149
4-2.	HV Hold Down Circuit Operation Check and Adjustment	53		• HA Board	151
4-3.	+B Max Voltage Confirmation	53		• HC Board	151
4-4.	+B OVP Confirmation	53		• G Board	155
5. CIRCUIT ADJUSTMENTS			6-5.	Semiconductors	158
5-1.	TV Input Sub Contrast Adjustment (MCD1 SCON)	54	7. EXPLODED VIEWS		
5-2.	Video Input Sub-Contrast Adjustment (MCD3-SCON)	54	7-1.	Cover (KP-53HS10)	160
5-3.	P & P Sub-Contrast Adjustment (MCD2-SCON)	54	7-2.	Cover (KP-61HS10)	161
5-4.	P & P Sub-Contrast Adjustment (MCD4-SCON)	54	7-3.	Cabinet	162
5-5.	Sub-Contrast Adjustment(MCP2-SCON)	55	7-4.	Chassis	163
5-6.	Video 5 Input Sub-Contrast Adjustment (MCP3-SCON)	55	7-5.	Picture Tube	164
5-7.	Sub-HUE and Sub-Color Adjustment (MCD1-SHUE,SCOL)	55	8. ELECTRICAL PARTS LIST		165

(CAUTION)

SHORT CIRCUIT THE ANODE OF THE PICTURE TUBE AND THE ANODE CAP TO THE METAL CHASSIS, CRT SHIELD, OR CARBON PAINTED ON THE CRT, AFTER REMOVING THE ANODE.

WARNING!!

AN ISOLATION TRANSFORMER SHOULD BE USED DURING ANY SERVICE TO AVOID POSSIBLE SHOCK HAZARD, BECAUSE OF LIVE CHASSIS.

THE CHASSIS OF THIS RECEIVER IS DIRECTLY CONNECTED TO THE AC POWER LINE.

SAFETY-RELATED COMPONENT WARNING!!

COMPONENTS IDENTIFIED BY SHADING AND MARK \triangle ON THE SCHEMATIC DIAGRAMS, EXPLODED VIEWS AND IN THE PARTS LIST ARE CRITICAL TO SAFE OPERATION. REPLACE THESE COMPONENTS WITH SONY PARTS WHOSE PART NUMBERS APPEAR AS SHOWN IN THIS MANUAL OR IN SUPPLEMENTS PUBLISHED BY SONY. CIRCUIT ADJUSTMENTS THAT ARE CRITICAL TO SAFE OPERATION ARE IDENTIFIED IN THIS MANUAL. FOLLOW THESE PROCEDURES WHENEVER CRITICAL COMPONENTS ARE REPLACED OR IMPROPER OPERATION IS SUSPECTED.

(ATTENTION)

APRES AVOIR DECONNECTE LE CAP DE L'ANODE, COURT-CIRCUITER L'ANODE DU TUBE CATHODIQUE ET CELUI DE L'ANODE DU CAP AU CHASSIS METALLIQUE DE L'APPAREIL, OU AU COUCHE DE CARBONE PEINTE SUR LE TUBE CATHODIQUE OU AU BLINDAGE DU TUBE CATHODIQUE.

ATTENTION!!

AFIN D'EVITER TOUT RISQUE DE ELECTROCUTION PROVENANT D'UN CHÂSSIS SOUS TENSION, UN TRANSFORMATEUR D'ISOLEMENT DOIT ETRE UTILISÉ LORS DE TOUT DEPANNAGE.

LE CHÂSSIS DE CE RECEPTEUR EST DIRECTEMENT RACCORDÉ À L'ALIMENTATION SECTEUR.

ATTENTION AUX COMPOSANTS RELATIFS À LA SÉCURITÉ!!

LES COMPOSANTS IDENTIFIÉS PAR UNE TRAME ET PAR UNE MAPQUE \triangle SUR LES SCHÉMAS DE PRINCIPE, LES VUES EXPLOSÉES ET LES LISTES DE PIÉCES CONT D'UNE IMPORTANCE CRITIQUE POUR LA SÉCURITÉ DU FONCTIONNEMENT. NE LES REMPLACER QUE PAR DES COMPOSANTS SONY DONT LE NUMÉRO DE PIÉCE EST INDIQUÉ DANS LE PRÉSENT MANUEL OU DANS DES SUPPLÉMENTS PUBLIÉS PAR SONY. LES RÉGLAGES DE CIRCUIT DONT L'IMPORTANCE EST CRITIQUE POUR LA SÉCURITÉ DU FONCTIONNEMENT SONT IDENTIFIÉS DANS LE PRÉSENT MANUEL. SUIVRE CES PROCÉDURES LORS DE CHAQUE REMPLACEMENT DE COMPOSANTS CRITIQUES, OU LORSQU'UN MAUVAIS FONCTIONNEMENT EST SUSPECTÉ.

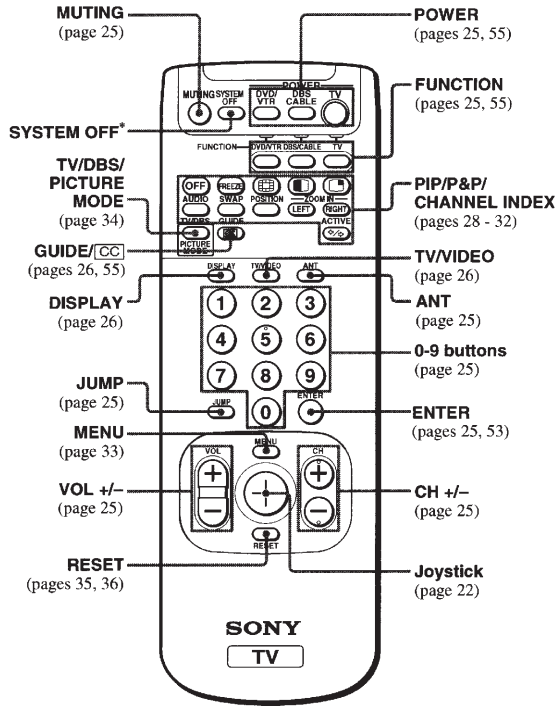
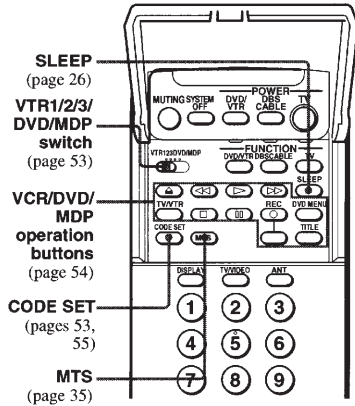
SECTION 1 GENERAL

The operating instructions mentioned here are partial abstracts from the Operating Instructions Manual. The page numbers of the Operating Instruction Manual remain as in the manual. (Part no : 4-074-163-11)

Remote Control

In the instructions that follow, we will refer to the buttons on your remote control. Keep this flap unfolded and use this page for reference.

For a detailed explanation of most buttons, see "Watching the TV" on page 25.



Getting to know the buttons on the remote control

Names of the buttons on the remote control are presented in different colors to represent the available functions.

Button color

Transparent: Press to select the component you want to control; e.g. VTR (VCR)/MDP/DVD Player, DBS (Direct Broadcast Satellite)/CABLE, or projection TV.

Green: Buttons relevant to power operations, like turning the projection TV, DBS/CABLE, or VTR (VCR)/MDP/DVD Player on or off

Label color

White: TV/VTR (VCR)/MDP/DVD Player/DBS (Direct Broadcast Satellite)/CABLE operation buttons

Yellow: PIP, P&P, and CHANNEL INDEX operation buttons

Blue: DBS operation buttons

Pink: DVD Player operation buttons

* The SYSTEM OFF button does not function with this projection TV.

Installing and Connecting the Projection TV

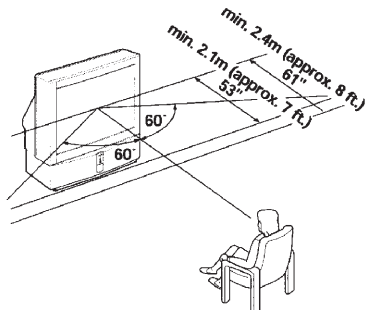
Carrying Your Projection TV

Carrying the projection TV requires three or more people.

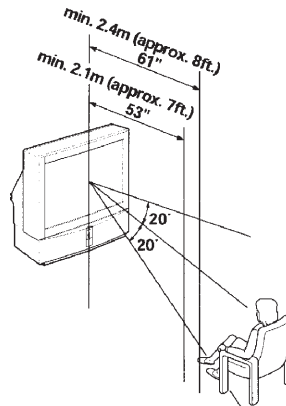
The projection TV has been equipped with casters for easy movement on a hard surface. Please move your projection TV using the casters.

Installing the Projection TV

Recommended viewing area (Horizontal)



Recommended viewing area (Vertical)



Connector Types

You may find it necessary to use some of the following connector types during set up.

Coaxial cable

Standard TV cable and antenna cable

Plug Type

Push into connection.

Screw-on Type

Screw into connection.

S Video cable

High quality video cable for enhanced picture quality

Align guides and push into connection.

Audio/Video cable

Push into connection.

Video - Yellow
Audio (Left) - White
Audio (Right) - Red

Some DVD Players are equipped with the following three video connectors.

Y - Green
Pb (Cb, Cb or B-Y) - Blue
Pr (Cr, Cr or R-Y) - Red

Composite video cable for a DTV receiver



- G/Y - Green
- B/Pb - Blue
- R/Pr - Red
- HD - Gray
- VD - Black

CONTROL S cable

Sony cable for CONTROL S connections. These features are exclusive to Sony products and allow greater control of all Sony equipment.

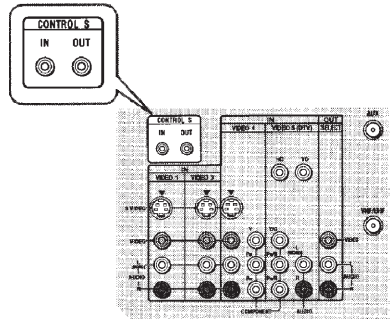


RK-G34
(not supplied)

About the CONTROL S IN/OUT jacks

To control other Sony equipment with the projection TV's remote control, connect the CONTROL S IN jack of the equipment to the CONTROL S OUT jack on the projection TV with the CONTROL S cable.

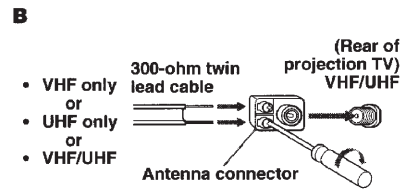
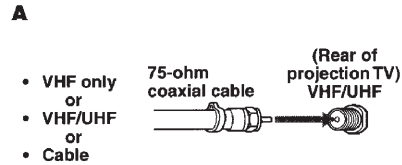
To control the projection TV with a remote control for another Sony product, connect the CONTROL S OUT jack of the equipment to the CONTROL S IN jack on the projection TV with the CONTROL S cable.



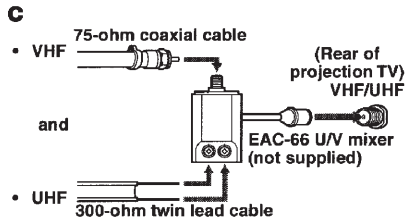
Making Connections

Connecting Directly to a Cable or an Antenna

The connection you choose will depend on the cable found in your home. Newer homes will be equipped with standard coaxial cable (see **A**); older homes will probably have 300-ohm twin lead cable (see **B**); still other homes may contain both (see **C**).

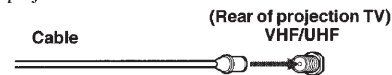


(continued)



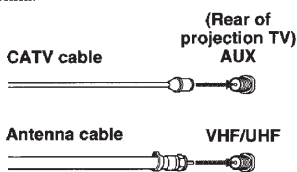
Cable or antenna

This is the simplest connection. Connection is made directly from the cable or antenna to the projection TV.



Cable and antenna

You may find it convenient to use the following set up if your cable provider does not feature local channels that you are able to receive using an antenna.

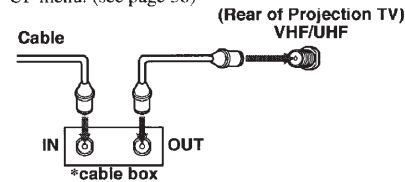


Select Cable or ANT mode by pressing ANT on the remote control.

Connecting a Cable Box

Some pay cable TV systems use scrambled or encoded signals that require a cable box* to view all channels.

Also, set CABLE to ON in the CHANNEL SET UP menu. (see page 38)

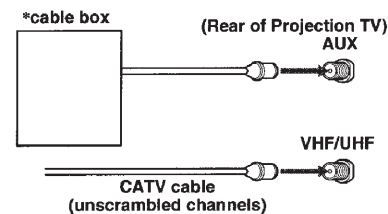


Note:

- If you will be controlling all channel selection through your cable box, you should consider using the CHANNEL FIX feature. (see "CHANNEL FIX" on page 38)

Cable box and cable

Some pay cable TV systems use scrambled or encoded signals requiring a cable box* only for certain channels. (e.g. HBO, SHOWTIME, etc.)



For this set up, you can switch between scrambled channels (through your cable box), and normal (CATV) channels by pressing ANT on your remote control.

Notes:

- You may be able to program your Sony remote control to operate your cable box. (see "Operating a Cable Box or DBS Receiver" on page 55)
- During PIP, P&P, CHANNEL INDEX or FAVORITE CHANNEL viewing, the AUX input can only be viewed in the main picture.
- If you are connecting a cable box through the AUX input and would like to switch between the AUX and normal (CATV) input, you should consider using CHANNEL FIX. (see "CHANNEL FIX" on page 38)

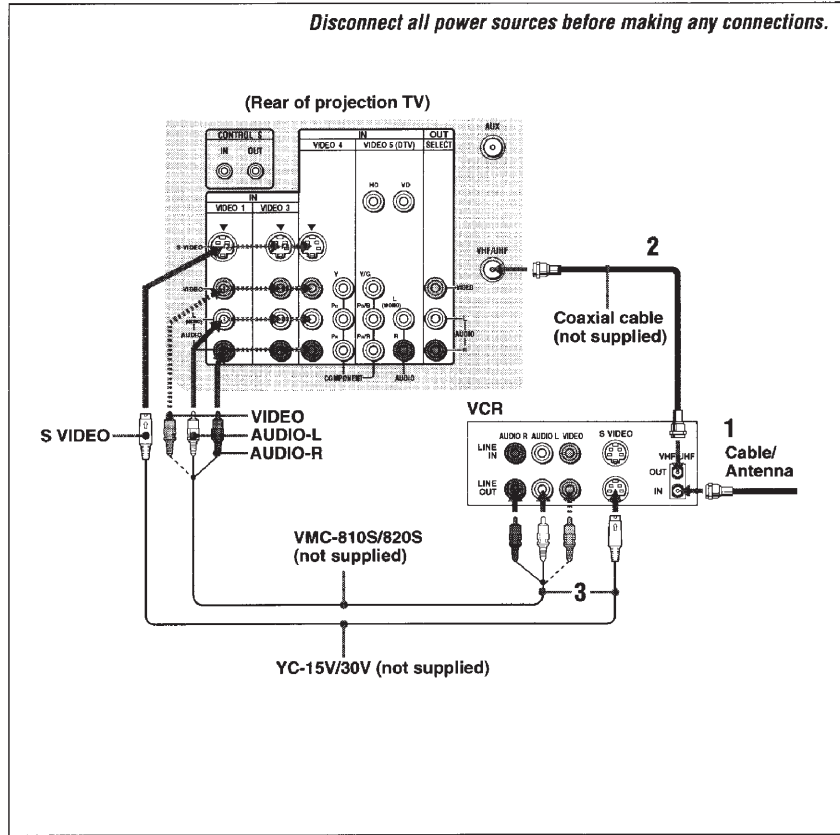
Connecting an Antenna/Cable TV System to a VCR

- 1 Attach the coaxial cable from the incoming cable connection or antenna to IN on the VCR.
- 2 Using a coaxial cable, connect OUT on the VCR to VHF/UHF on the projection TV.
- 3 Using AUDIO and S VIDEO* cables, connect AUDIO and S VIDEO OUT on the VCR to AUDIO and S VIDEO IN on the projection TV (White-AUDIO Left, Red-AUDIO Right).

* If your VCR is not equipped with S VIDEO, use a VIDEO cable (yellow) instead of the S VIDEO cable.

Note:

- If you are connecting a monaural VCR, connect only the single audio output to the left (MONO) input on the projection TV.



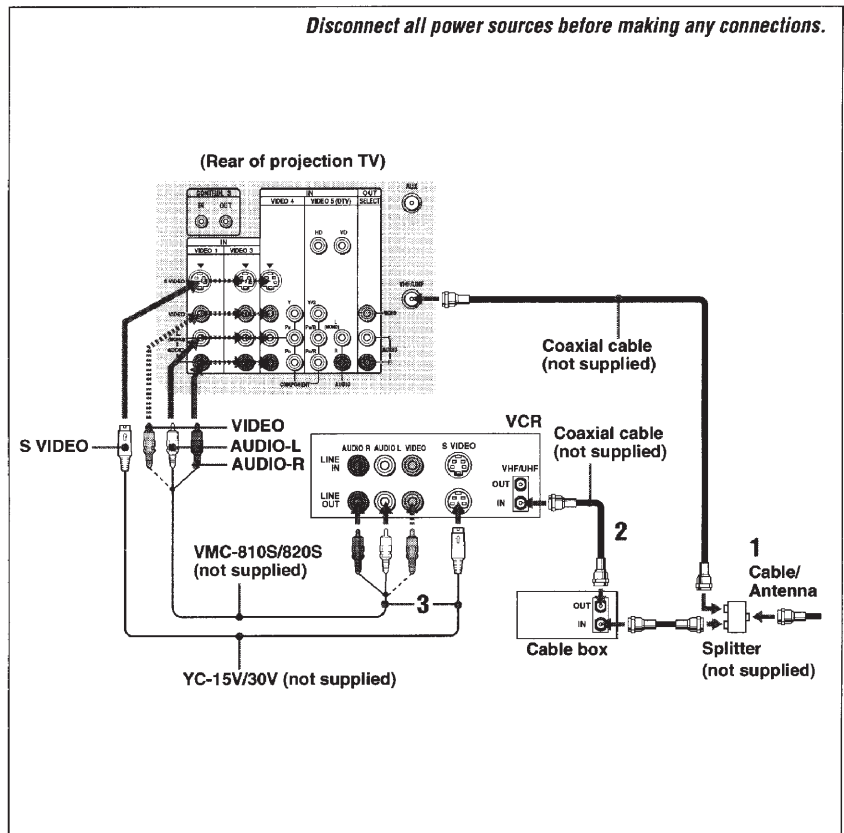
Connecting a VCR and Projection TV to a Cable Box

- 1 Connect the single (input) jack of the splitter to the incoming cable connection, and connect the other two (output) jacks (using the coaxial cable) to IN on the cable box and VHF/UHF on the projection TV.
- 2 Using a coaxial cable, connect OUT on the cable box to IN on the VCR.
- 3 Using AUDIO and S VIDEO* cables, connect AUDIO and S VIDEO OUT on the VCR to AUDIO and S VIDEO IN on the projection TV (White-AUDIO Left, Red-AUDIO Right).

* If your VCR is not equipped with S VIDEO, use a VIDEO cable (yellow) instead of the S VIDEO cable.

Note:

- To view scrambled channels through the cable box, select the video input which the cable box is connected to by pressing TV/VIDEO.

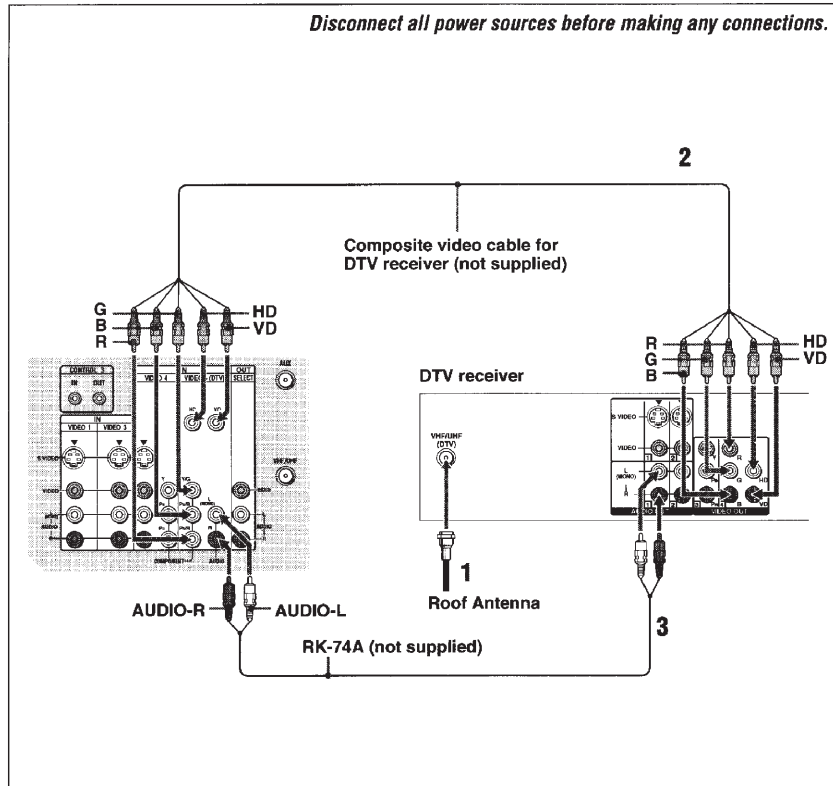


Connecting a DTV (Digital Television) Receiver

Before connecting, be sure to read the Operating Instructions of the DTV receiver.

Connecting a DTV (digital television) receiver with the G/B/R/HD/VD jacks

- 1 Attach the coaxial cable from the roof antenna to VHF/UHF on the DTV receiver.
- 2 Using a composite video cable for DTV receiver, connect G, B, R, HD and VD of VIDEO OUT on the DTV receiver to G, B, R, HD and VD respectively of VIDEO 5 (DTV) IN on the projection TV.
If the DTV receiver is equipped with the Y/Pb/Pr jacks, proceed to step 2 in "Connecting a DTV (digital television) receiver with the Y/Pb/Pr (component video input) jacks" on page 12.
- 3 Using an AUDIO cable, connect AUDIO OUT on the DTV receiver to AUDIO of VIDEO 5 (DTV) IN on the projection TV (White-AUDIO Left, Red-AUDIO Right).
- 4 Select VIDEO 5 by the TV/VIDEO button.
- 5 Select the SET UP menu and set DTV INPUT to R.G.B. (see "DTV INPUT" on page 43)

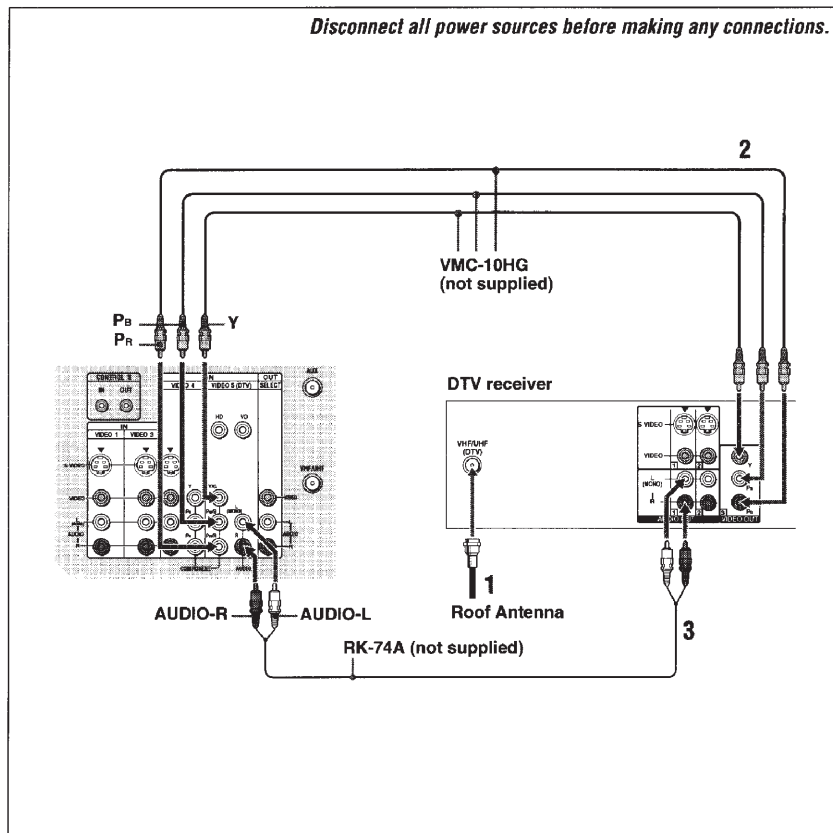


Connecting a DTV (digital television) receiver with the Y/Pb/Pr (component video input) jacks

- 1 Attach the coaxial cable from the roof antenna to VHF/UHF on the DTV receiver.
- 2 Using three VIDEO cables, connect Y, Pb and Pr of COMPONENT VIDEO OUT on the DTV receiver to Y, Pb and Pr of VIDEO 5 (DTV) IN on the projection TV.
- 3 Using an AUDIO cable, connect LINE OUT on the DTV receiver to AUDIO of VIDEO 5 (DTV) IN on the projection TV (White-AUDIO Left, Red-AUDIO Right).
- 4 Select VIDEO 5 by the TV/VIDEO button.
- 5 Select the SET UP menu and set DTV INPUT to Y PB PR. (see "DTV INPUT" on page 43)

Note:

- Some DTV receiver terminals may be labeled differently. If so, connect as follows:
Connect Y (green) to Y.
Connect Pb (blue) to Cb, Cb or B-Y.
Connect Pr (red) to Cr, Cr or R-Y.

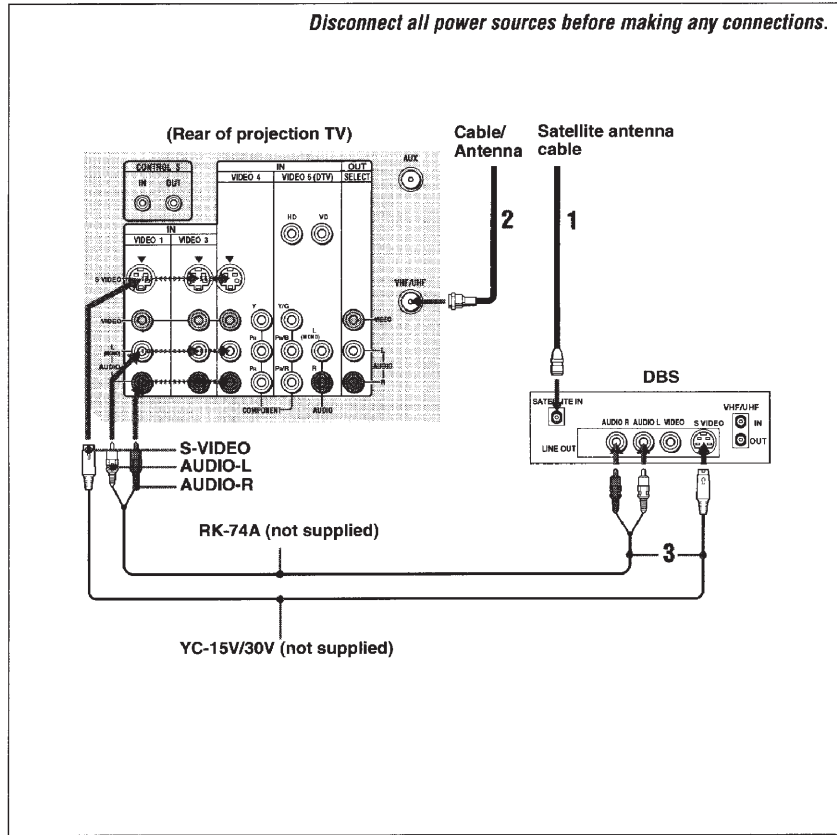


Connecting a DBS (Direct Broadcast Satellite) Receiver

- 1 Connect the cable from the satellite antenna to the DBS receiver.
- 2 Attach the coaxial cable from the incoming cable connection or antenna to VHF/UHF on the projection TV.
- 3 Using AUDIO and S VIDEO cables, connect AUDIO and S VIDEO OUT on the DBS receiver to AUDIO and S VIDEO IN on the projection TV (White-AUDIO Left, Red-AUDIO Right).

Note:

- To view input from the DBS, select the video input which the DBS receiver is connected to by pressing TV/VIDEO on the remote control.



Installing and Connecting the Projection TV

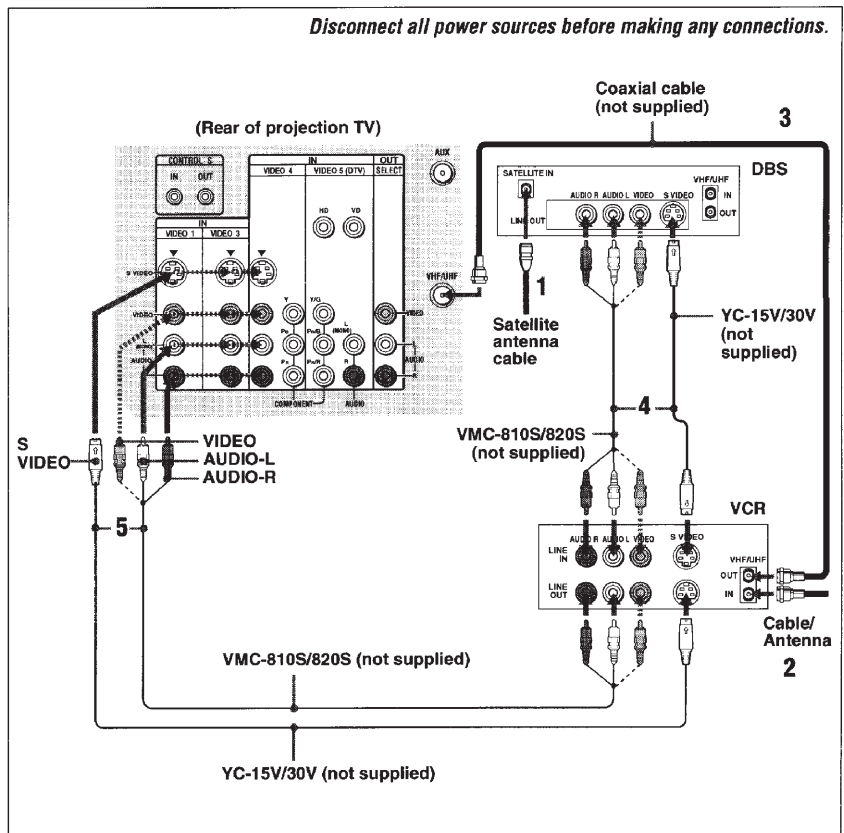
Connecting a DBS (Direct Broadcast Satellite) Receiver and VCR

- 1 Connect the cable from the satellite antenna to the satellite receiver.
- 2 Attach the coaxial cable from the incoming cable connection or antenna to VHF/UHF IN on the VCR.
- 3 Using a coaxial cable, connect VHF/UHF OUT on the VCR to VHF/UHF IN on the projection TV.
- 4 Using AUDIO and S VIDEO* cables, connect AUDIO and S VIDEO OUT on the DBS receiver to AUDIO and S VIDEO IN on the VCR.
- 5 Using AUDIO and S VIDEO* cables, connect AUDIO and S VIDEO OUT on the VCR to AUDIO and S VIDEO IN on the projection TV (White-AUDIO Left, Red-AUDIO Right).

* If your VCR or DBS receiver is not equipped with S VIDEO, use a VIDEO cable (yellow) instead of the S VIDEO cable.

Note:

- To view input from the DBS or VCR, select the video input which your DBS receiver or VCR is connected to by pressing TV/VIDEO on the remote control.



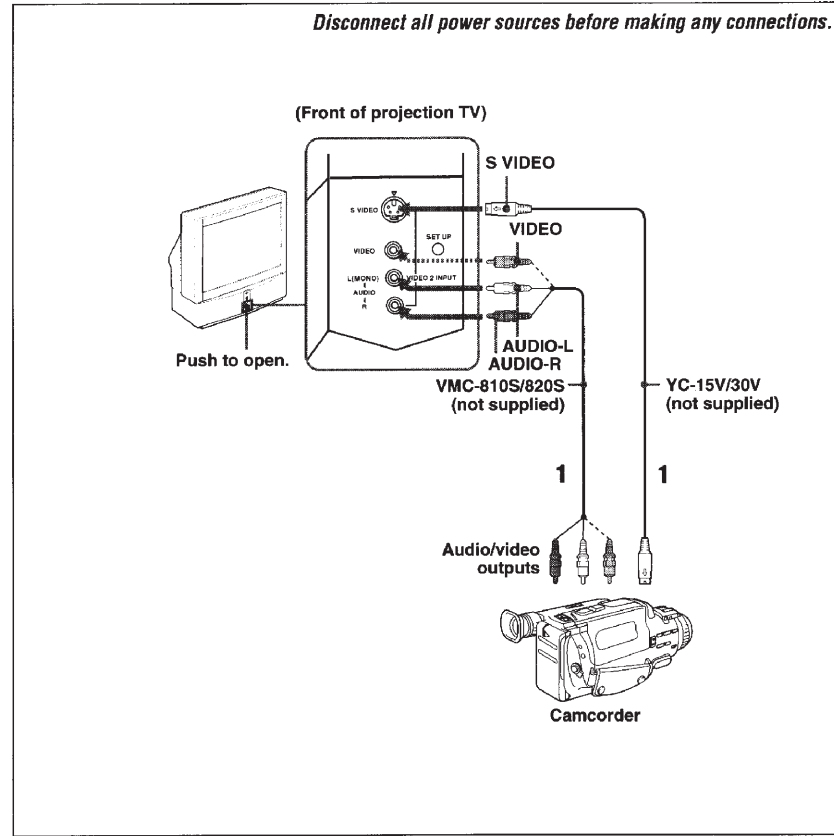
Connecting a Camcorder

Use this connection to view a picture directly from your camcorder.

- 1** Using AUDIO and S VIDEO* cables, connect AUDIO and S VIDEO OUT on the camcorder to AUDIO and S VIDEO IN inside the lower front panel on the projection TV (White-AUDIO Left, Red-AUDIO Right**).
- 2** Press VIDEO 2 to select the video inputs from a camcorder.

* If your camcorder is not equipped with S VIDEO, use a VIDEO cable (yellow) instead of the S VIDEO cable.

**If you are connecting a monaural camcorder, connect only the single audio output to the left (MONO) input on the projection TV.



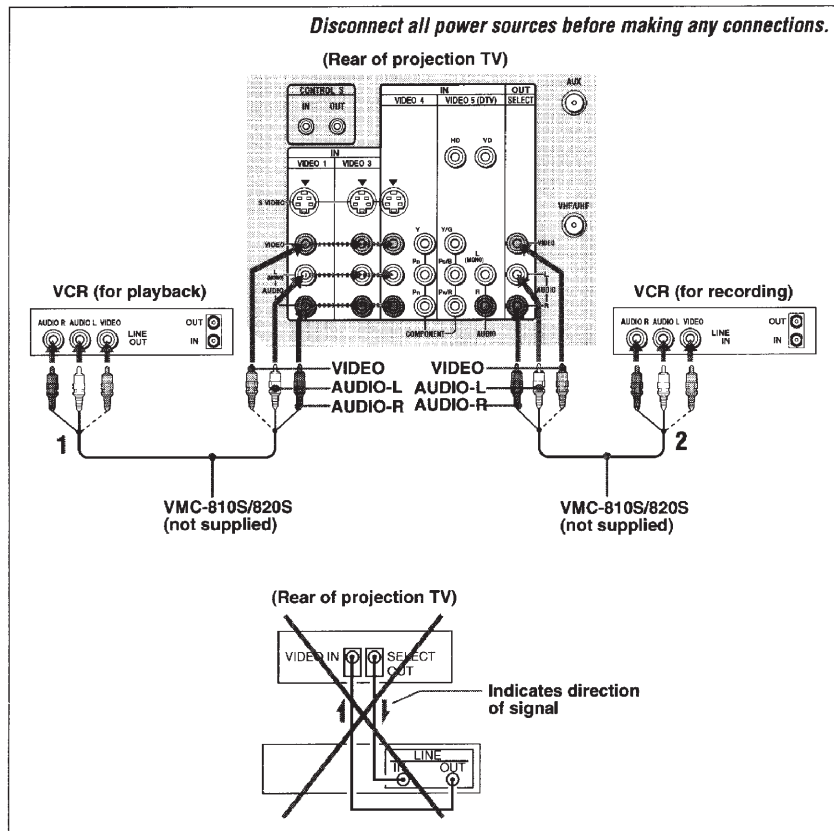
Connecting Two VCRs for Tape Editing

SELECT OUT gives you the ability to use a second VCR to record a program being played by the primary VCR or to perform tape editing and dubbing.

- 1** Connect the VCR intended for playback using the connection instructions on page 9 of this manual.
- 2** Using an AUDIO/VIDEO cable, connect AUDIO and VIDEO IN on the VCR intended for recording to AUDIO and VIDEO OUT of SELECT OUT on the projection TV.

Notes:

- Do not change the input signal while editing through SELECT OUT.
- When connecting a single VCR to the projection TV: if VCR LINE OUT is connected to VIDEO IN on the projection TV, do not connect the SELECT OUT on the projection TV to the VCR LINE INPUT (see right). Doing so will cause program interference and other viewing problems.
- You can select the output signal from SELECT OUT from the SET UP menu. (see "SELECT OUT" on page 41)

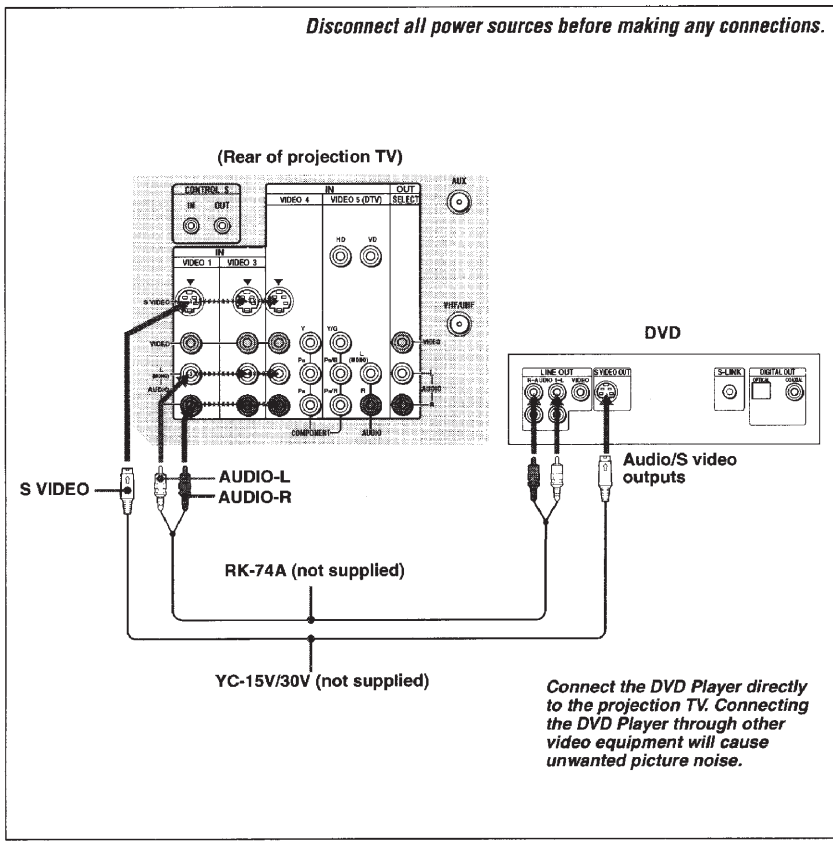


Connecting a DVD Player With S Video or Composite Video Output Connectors

Using an AUDIO and S VIDEO cables, connect AUDIO and S VIDEO IN on the projection TV to AUDIO and S VIDEO OUT on the DVD Player (White-AUDIO Left, Red-AUDIO Right).

Note:

- Since the high quality pictures on a DVD disc contain a lot of information, picture noise may appear. In this case, adjust NR in the VIDEO menu. (see "NR" on page 35)

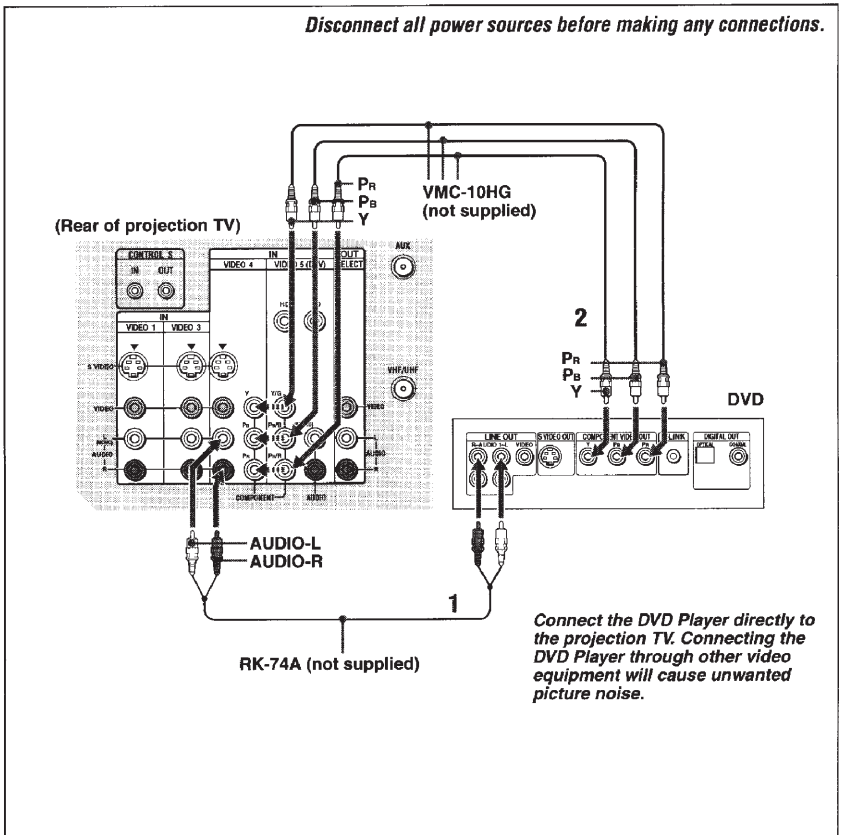


Connecting a DVD Player With Component Video Output Connectors

- 1 Using an AUDIO cable, connect AUDIO R and L of LINE OUT on the DVD Player to AUDIO R and L of VIDEO 4 IN or VIDEO 5 (DTV) IN on the projection TV (White-AUDIO Left, Red-AUDIO Right).
- 2 Using three VIDEO cables, connect Y, P_B and P_R of the COMPONENT VIDEO OUT on the DVD Player to Y, P_B and P_R of VIDEO 4 IN or VIDEO 5 (DTV) IN on the projection TV.

Notes:

- If your DVD Player has 480p format capability, connect it to the Y, P_B and P_R of VIDEO 5 (DTV) IN on the projection TV.
- Some DVD Player terminals may be labeled differently. If so, connect as follows:
Connect Y (green) to Y.
Connect P_B (blue) to C_b, C_r or B-Y.
Connect P_R (red) to C_R, C_r or R-Y.
- Since the high quality pictures on a DVD disc contain a lot of information, picture noise may appear. In this case, adjust NR in the VIDEO menu. (see "NR" on page 35)



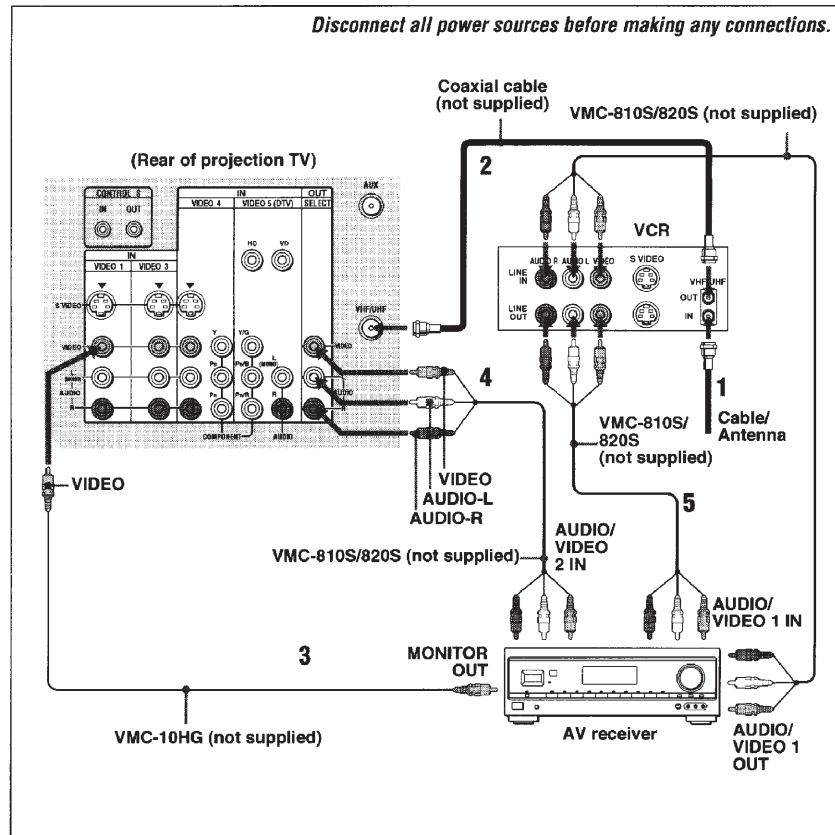
Connecting an AV Receiver

For greater control of all audio and video equipment, connect an AV receiver.

- 1-2 Perform as described on page 9.
- 3 Using a VIDEO cable, connect VIDEO 1 IN on the projection TV to MONITOR OUT on the AV receiver.
- 4 Using an AUDIO/VIDEO cable, connect SELECT OUT on the projection TV to AUDIO/VIDEO 2 IN on the AV receiver.
- 5 Using an AUDIO/VIDEO cable, connect the video equipment to the AV receiver.
- 6 Select the SET UP menu and set SELECT OUT to TV OUT. (see "SELECT OUT" on page 41)

Note:

- You may want to use CHANNEL FIX to fix your projection TV's input to the AV receiver (VIDEO 1). (see "CHANNEL FIX" on page 38)



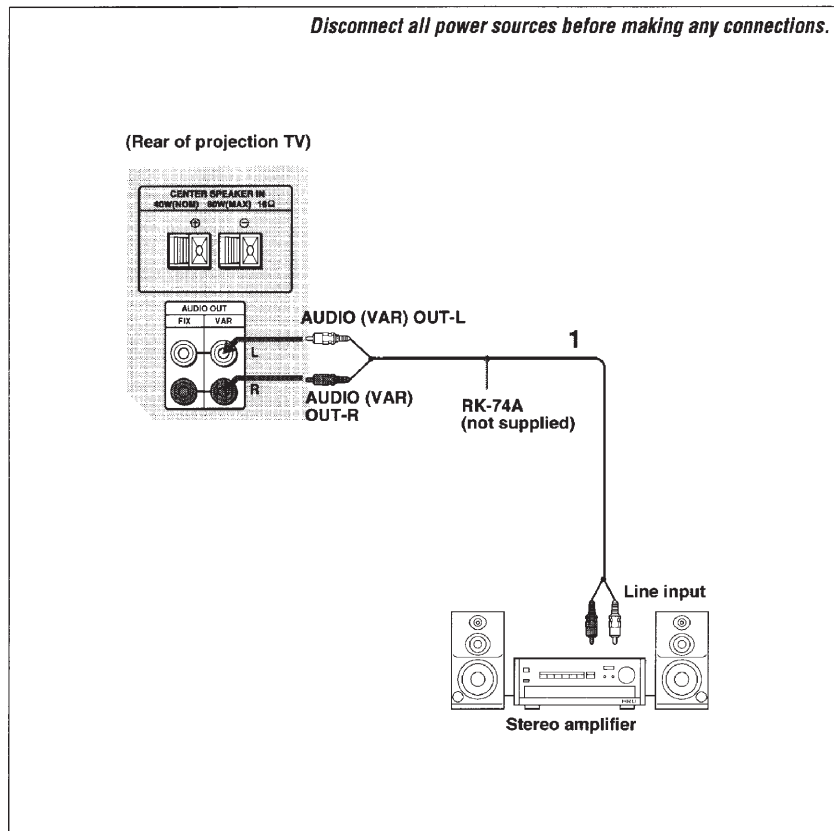
Connecting an Audio System

For more dynamic sound, connect an audio system to the projection TV.

- 1 Using an AUDIO cable, connect AUDIO (VAR) OUT on the projection TV to one of the unused Line inputs (e.g. Tape-2, AUX1, etc.) on the stereo (White-AUDIO Left, Red-AUDIO Right).
- 2 Set the stereo to the chosen Line input and use the AUDIO menu to switch the projection TV's speakers off. (see "SPEAKER" on page 36)

Note:

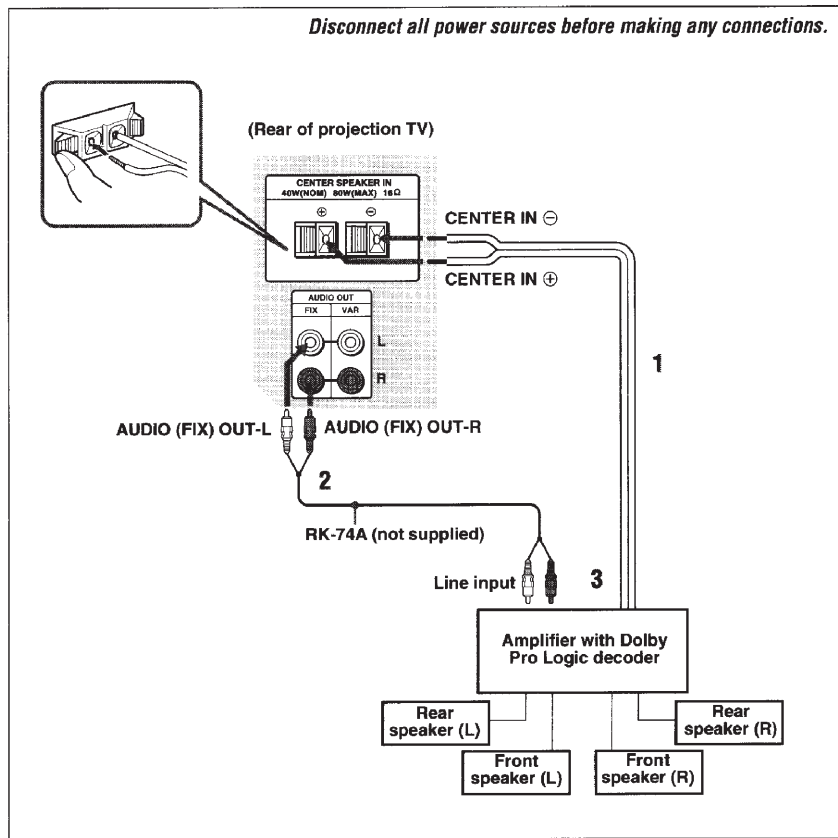
- You can adjust VOLUME, BASS, TREBLE and BALANCE through the projection TV on AUDIO (VAR) OUT only.



Connecting an Amplifier That Supports Dolby Pro Logic Decoder

If you use an amplifier with a Dolby Pro Logic decoder instead of the projection TV's audio system, you can still use the projection TV's speaker as a center speaker.

- 1 Using the speaker cords (supplied with the amplifier), connect the speaker terminals on the amplifier to CENTER SPEAKER IN +/- on the projection TV.
- 2 Using an AUDIO cable, connect AUDIO (FIX) OUT on the projection TV to one of the unused Line inputs (e.g. Tape-2, AUX1, etc.) on the amplifier (White-AUDIO Left, red-AUDIO Right).
- 3 Set the amplifier to the chosen Line input and use the AUDIO menu to set "SPEAKER" to "CENTER IN" on the projection TV. (see "SPEAKER" on page 36)



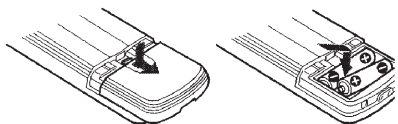
21

Basic Set Up

Using the Remote Control

Inserting the batteries

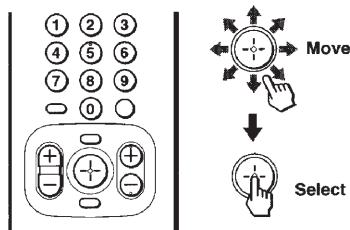
Insert two size AA (R6) batteries (supplied) by matching the + and - on the batteries to the diagram inside the remote control's battery compartment.



Notes:

- Remove the batteries to avoid damage from possible battery leakage whenever you anticipate that the remote control will not be used for an extended period.
- Handle the remote control with care. Avoid dropping it, getting it wet, or placing it in direct sunlight, near a heater or where the humidity is high.
- Your remote control can be programmed to operate most video equipment. (see "Operating Video Equipment" on page 53)

Using the remote control joystick



The supplied remote control has a joystick which moves the on-screen selector in eight directions. In most cases, moving the joystick up, down, left or right will cause the selector to move in the selected direction.

In some cases, the selector may move in eight directions according to the function. Pressing down on the center of the joystick (⊕) will activate the selected item.

You may also move the joystick right to activate a selected item. (There are some exceptions to this option.)

Adjusting sliders

When menu items present a slider (▬ or ⇄), move the joystick up, down, left or right to adjust the setting.

On-line help/instructions

Several menu windows will provide prompts and instructions to assist you in navigating through the different functions.

Setting Up the Projection TV Automatically

The AUTO SET UP feature will allow you to set the on-screen language and set all receivable channels.

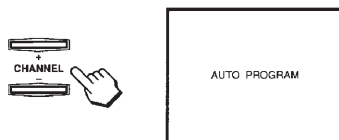
The AUTO SET UP feature does not apply for installations that use a cable box for all channel selection.

You can also set up the projection TV manually. (see "Using the CHANNEL SET UP Menu" on page 37)

Notes:

- Perform this function during the day, with the antenna and/or cable properly connected, to ensure that all available channels will be broadcasting and receivable.
- Before you perform AUTO SET UP again, make sure that the input from ANT (not AUX) is selected by pressing ANT until "AUX" does not appear next to the channel number.
- When you perform AUTO PROGRAM, your CHANNEL FIX and ON/OFF TIMER settings will be erased.
- When you perform AUTO PROGRAM, all the settings in the VIDEO and AUDIO menus are reset to the factory settings.

- 5 Press CHANNEL + to preset channels automatically.



"AUTO PROGRAM" appears and the projection TV starts scanning and presetting channels automatically. While scanning, the received channel will be displayed on the sub screen. When all the receivable channels are stored, the lowest numbered channel will be displayed.

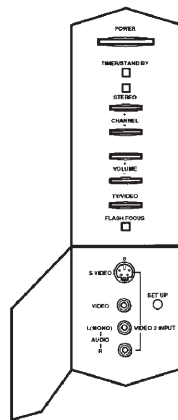
If your projection TV is not connected to a cable system

If you perform AUTO SET UP, CABLE is set to ON automatically. After finishing AUTO SET UP, set CABLE to OFF in the CHANNEL SET UP menu, then set AUTO PROGRAM to YES to perform automatic channel presetting. (see "CABLE" and "AUTO PROGRAM" on page 38)

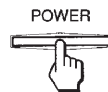
To perform AUTO SET UP again

- Press SET UP inside the lower front panel on the projection TV, and perform steps 3-5 on page 23.
- Press CHANNEL +, CHANNEL - or VOLUME + to select a language.
- Press VOLUME - to restore factory settings ("CONTINUE TO AUTO PROGRAM?" will appear on the screen. Press CHANNEL + to execute or CHANNEL - to exit).
- Press SET UP to exit.

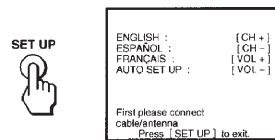
Using the buttons on the front panel and inside the lower front panel on the projection TV:



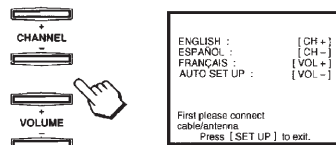
- 1 Press POWER to turn on the projection TV.



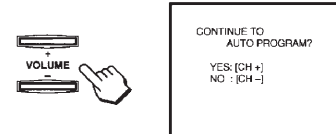
- 2 Press SET UP inside the lower front panel. The AUTO SET UP screen appears.



- 3 Press CHANNEL + to select English, CHANNEL - to select Spanish or VOLUME + to select French. The screen will change to reflect your choice.



- 4 Press VOLUME - to continue.



(continued)

Basic Set Up

Adjusting the Convergence Automatically (FLASH FOCUS)

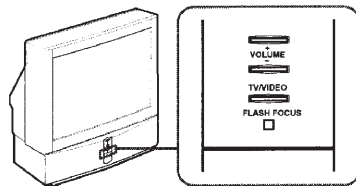
The projection tube image appears on the screen in three layers (red, green and blue). If they do not converge, the color is poor and the picture blurs.

Before you use your projection TV, be sure to adjust the convergence.

The FLASH FOCUS feature allows you to adjust the convergence automatically.

Tip

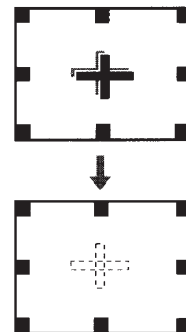
- It is recommended to perform FLASH FOCUS about 30 minutes after the projection TV is first turned on.



- 1 Receive a TV or cable TV program.
- 2 Press FLASH FOCUS.



The cross pattern appears and FLASH FOCUS begins to work. The adjustment is completed when the cross pattern becomes white.



To obtain an optimum convergence

The optimum convergence alignment varies with digital TV formats. Therefore, perform FLASH FOCUS periodically on conventional and digital TV programs. Also, whenever you find that the picture blurs, press FLASH FOCUS.

Notes:

- You cannot perform any other functions until FLASH FOCUS has completed its cycle.
- If you perform any other operation while FLASH FOCUS is in progress, FLASH FOCUS operation is canceled.

Using Your New Projection TV

Watching the TV

Many TV features can be accessed directly through the remote control. The following will explain the function of some buttons found on your remote control.

Notes:

- The FREEZE button does not function with the picture from VIDEO 5 (DTV) IN.
- If the frozen picture mode is not canceled for more than an hour, the normal picture is resumed automatically.

SLEEP

Press repeatedly until the projection TV displays the approximate time in minutes (30, 60, or 90) that you want the projection TV to remain on before shutting off automatically.

Cancel by pressing until "SLEEP OFF" appears.

DISPLAY

Press to display the channel number, current time, channel caption (if set), and MTS mode (if SAP is selected). The SAP indication disappears and the other indications dim three seconds later.

To turn the display off, press DISPLAY again.

Using the white labeled buttons for projection TV operations



REFER TO THE ILLUSTRATION OF THE REMOTE CONTROL ON THE INSIDE FRONT COVER OF THIS MANUAL AS YOU REVIEW THE FOLLOWING DESCRIPTIONS

TV (FUNCTION)

Activates the remote control for use with the projection TV.

ANT — (AUX input)

Press to change between the VHF/UHF input and the AUX input. (for detailed connection information, see "Cable and antenna" or "Cable box and cable" on page 8).

TV POWER

Turns the projection TV on and off. If a video input indication (e.g., VIDEO 1, VIDEO 2) appears on the screen, press TV/VIDEO until a channel number appears.

0 - 9 and ENTER

Use for direct channel selection. Press 0-9 to select a channel (for example, to select channel 10, press 1 and 0). The channel will change after 2 seconds, or you can press ENTER for immediate selection.

CC

Press repeatedly to scroll through available displays:

XDS (Extended Data Service)

Displays a network name, program name, program type, program length, program description, call letters and time of the show if the broadcaster offers this service.

Caption Vision

Displayed on the screen if the broadcaster offers this service. (see "CAPTION VISION" on page 41)

No display

"OFF" appears and the display is canceled.

TV/VIDEO

Press repeatedly to scroll through available video inputs:

TV, VIDEO 1, VIDEO 2, VIDEO 3, VIDEO 4 and VIDEO 5

If you select SKIP as a VIDEO LABEL in the SET UP menu, your projection TV will skip the video input you selected. (see "VIDEO LABEL" on page 42)

MTS

Press to scroll through the Multi-channel TV Sound (MTS) options. (see "MTS" on page 35)

CH +/-

Press to scan through the channels (+ up or - down).

VOL +/-

Press to adjust the volume (+ up or - down).

JUMP

Press to alternate or jump back and forth between two channels. The projection TV will jump between the current channel and the last channel selected using the 0-9 buttons.

MUTING

Press to mute the sound. "MUTING" will appear on the screen and will dim three seconds later. To restore sound, press again or press VOL +.

FREEZE

— (yellow labeled button)

This is useful when you need to copy down information that appears on the TV's screen.

Press to freeze the picture.

Press again or press **OFF** to cancel.

If you select TWIN as a FREEZE MODE in the SET UP menu, you can freeze the desired scene and display it on the left while viewing the normal picture on the right. (see "FREEZE MODE" on page 42)

(continued)

PICTURE MODE

Press PICTURE MODE repeatedly to directly choose one of five different video modes that best suits the program you are watching.

VIVID:

Select for enhanced picture contrast and sharpness.

STANDARD:

Select to display a standard picture for normal viewing environments.

MOVIE:

Select to display a finely detailed picture for low light environments.

GAME:

Select to display graphics such as a video game.

PRO (Professional):

Select to display a picture with minimum enhancements.

When you select each mode, you can also adjust the picture quality (such as BRIGHTNESS, COLOR, etc.) to suit your taste.

For details, see "MODE" on page 34.

Watching Digital TV

When you have connected the DTV receiver, you can enjoy digital TV programs. This projection TV is capable of receiving the 1080i, 480p and 480i digital TV formats.

Note:

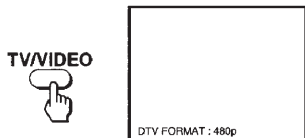
- This projection TV is not suitable for 720p digital TV format. When a 720p format signal is received, the picture will dim and "This signal is not available" is displayed on the screen.

To view a digital TV program

- 1 Connect the DTV receiver to VIDEO 5 (DTV) IN on the projection TV. (for details, see pages 11 and 12)
- 2 Press TV/VIDEO to select VIDEO 5. The digital TV format being received is displayed on the screen for three seconds.

Note:

- You cannot select VIDEO 5 unless a DTV receiver is connected.



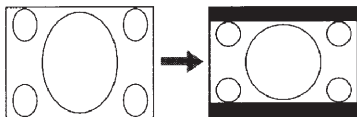
- 3 Select a digital channel on the DTV receiver. For details, see the Operating Instructions of the DTV receiver.

Tip

The optimum convergence alignment varies with digital TV formats. Whenever you find that the picture blurs, press FLASH FOCUS. (for details, see page 24)

If the picture appears stretched vertically

Select the SET UP menu and set ASPECT RATIO to 16:9. (for details, see page 43)

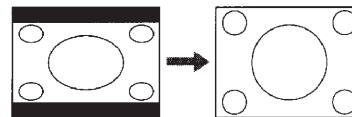


16:9 picture (ASPECT RATIO is set to 4:3.)

16:9 picture (ASPECT RATIO is set to 16:9.)

If the picture appears compressed vertically

Select the SET UP menu and set ASPECT RATIO to 4:3. (for details, see page 43)



4:3 compressed picture (ASPECT RATIO is set to 16:9.)

4:3 picture (ASPECT RATIO is set to 4:3.)

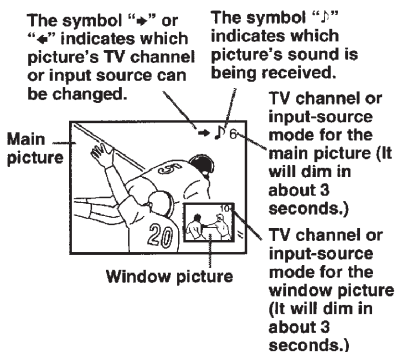
Watching Two Programs at One Time — PIP

The Picture-in-Picture (PIP) feature allows you to view two channels simultaneously, one in the full size "main" picture and one in a smaller "window" picture.

You can move the window picture to any location on the screen (Free Layout PIP).

Note:

- The PIP feature is not available for the inputs from VIDEO 5 (DTV) IN.



Using the yellow labeled buttons for PIP operations

REFER TO THE ILLUSTRATION OF THE REMOTE CONTROL ON THE INSIDE FRONT COVER OF THIS MANUAL AS YOU REVIEW THE FOLLOWING DESCRIPTION

Tip

If you press RESET in PIP mode, the window picture will move to the bottom right (factory-prest location).



Press to display a window picture.

Each time you press this button, the picture size will change (1/4 → 1/9 → 1/16).

Press OFF to close the window picture.

POSITION

Press to change the location of the window picture (counterclockwise) around the main picture.



To change the location of the window picture, move the joystick in any direction and release it when the picture is in the desired location.

ACTIVE



Press to select either the main or window picture in order to change the TV channel or video source using the white labeled buttons below. The symbol "♦" (or "◆") will appear to indicate which picture's channel or input mode can be changed.

TV/VIDEO



— (white labeled button)

Press repeatedly to scroll through the available video inputs for the picture on which the symbol "♦" (or "◆") is displayed. (see "TV/VIDEO" on page 26)

CH



— (white labeled button)

Press to select the TV channel on which the symbol "♦" (or "◆") is displayed. (for details, see "Watching the TV" on page 25)

ANT



— (white labeled button)

Press to change between the VHF/UHF input and the AUX input for the picture on which the symbol "♦" (or "◆") is displayed.

AUDIO

Press to alternate sound between the main picture and the window picture. The symbol "J" will appear for a few seconds to indicate which picture's sound is being received.

FREEZE

This is useful when you need to copy down information that appears on the TV's screen.

Press to freeze the main and window pictures. The symbols "➔" and "J" and the channel number disappear.

Press again to resume PIP viewing. Press **OFF** to cancel and resume normal TV viewing.

Note:
 • The FREEZE button does not function with digital TV programs.

SWAP

Press to switch the audio and video of the main picture and the window picture.

Each time you press SWAP, the picture and sound of the two will be exchanged.

INDEX

Press to access CHANNEL INDEX for direct channel selection. (see "Using CHANNEL INDEX" on page 31)

OFF

Press to cancel the PIP function and return to normal viewing.

Notes:

- If one of the pictures received through PIP is snowy, the entire screen may become unstable. In this case, erase the snowy channel. (see "CHANNEL SKIP" on page 37)
- If you select VIDEO 5 when the main picture is active, the window picture disappears and you can view the picture from VIDEO 5 (DTV) IN. When the window picture is active, you cannot view the picture from VIDEO 5 (DTV) IN.

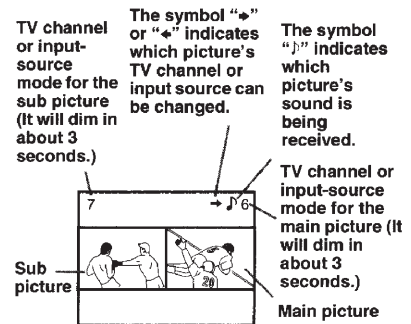
Watching Two Programs at One Time — P&P (Twin View™)

The Picture-and-Picture (P&P) feature allows you to view two channels simultaneously, both in a reduced size screen. The main picture will appear on the right.

You can change the size of both pictures to suit your personal preference.

Note:

- The P&P feature is not available for the inputs from VIDEO 5 (DTV) IN.



(continued)

Using the yellow labeled buttons for P&P operations

REFER TO THE ILLUSTRATION OF THE REMOTE CONTROL ON THE INSIDE FRONT COVER OF THIS MANUAL AS YOU REVIEW THE FOLLOWING DESCRIPTIONS

Tip

If you press RESET in P&P mode, the right and left pictures will be reset to the same size (factory-preset size.)

RIGHT

Press to display right (main) and left pictures.

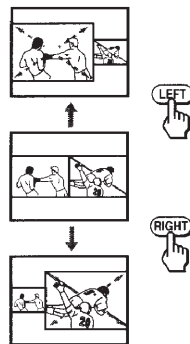
Press **OFF** to close the sub picture.

ZOOM IN or **ZOOM OUT**
LEFT **RIGHT**

Press and hold either RIGHT or LEFT to zoom in on the selected picture.

Release at the desired size. The other picture will be zoomed out simultaneously.

Moving the joystick right or left will activate the same function.



ACTIVE

Press to select either the right or left picture in order to change the TV channel or video source using the white labeled buttons below. The symbol "➔" (or "4") will appear to indicate which picture's channel or input mode can be changed.

TV/VIDEO

Press repeatedly to scroll through the available video inputs for the picture on which the symbol "➔" (or "4") is displayed. (see "TV/VIDEO" on page 26)

CH or **0-9** or **JUMP**
and ENTER

Press to select the TV channel on which the symbol "➔" (or "4") is displayed. (for details, see "Watching the TV" on page 25)

ANT

Press to change between the VHF/UHF input and the AUX input for the picture on which the symbol "➔" (or "4") is displayed.

AUDIO

Press to alternate sound between the right and left pictures. The symbol "J" will appear for a few seconds to indicate which picture's sound is being received.

FREEZE

This is useful when you need to copy down information that appears on the TV's screen.

Press to freeze both the right and left pictures.

Press again to resume P&P viewing or press **OFF** to cancel and resume normal TV viewing.

SWAP

Press to switch the audio and video of the right and left pictures.

Each time you press SWAP, the picture and sound of the two will be exchanged.

OFF

Press to cancel the P&P function and return to normal viewing.

Notes:

- If one of the pictures received through P&P is snowy, the entire screen may become unstable. In this case, erase the snowy channel. (see "CHANNEL SKIP" on page 37)
- If you select VIDEO 5 when the right picture is active, the left picture disappears and you can view the picture from VIDEO 5 (DTV) IN. When the left picture is active, you cannot view the picture from VIDEO 5 (DTV) IN.

Using CHANNEL INDEX

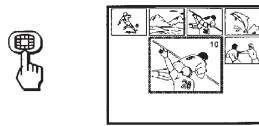
You can use the CHANNEL INDEX feature to display multiple channels and select one directly. Channels used for CHANNEL INDEX will come directly from the TV's list of receivable channels (those set during AUTO PROGRAM or through the CHANNEL SET UP menu).

Note:


- The CHANNEL INDEX feature is not available for the inputs from VIDEO 5 (DTV) IN.

1 Press .

The current channel will be reduced in size and displayed in the center of the screen in normal motion picture format. The first twelve receivable channels will appear one after another, clockwise, around the center picture. These small pictures are updated in intervals of one second. The channel number and channel caption (if set) on the second and later appearances will dim.



A cyan-colored frame will appear to indicate current channel selection.

2 Move the joystick in any direction to move the cyan frame to the picture that you wish to view, and press .

The selected channel will zoom in and move to the center, and the sound of that channel will be heard.

**3** If you wish to view another channel, repeat step 2.

To view the normal picture of the selected channel, proceed to step 4.

4 Press .

The center picture will be enlarged for normal viewing.



(continued) **31**

Notes:

- You cannot move the cyan frame until all of the surrounding pictures appear.
- The projection TV will continually update each of the surrounding pictures while the CHANNEL INDEX screen is displayed.
- Sound will only be heard from the center picture.
- If one of the pictures received through CHANNEL INDEX is snowy, the entire screen may become unstable. In this case, erase the snowy channel. (see "CHANNEL SKIP" on page 37)
- If you leave the CHANNEL INDEX screen displayed for an hour without any additional operation, CHANNEL INDEX is canceled and the normal picture reappears.

Using the yellow labeled buttons for CHANNEL INDEX operations

REFER TO THE ILLUSTRATION OF THE REMOTE CONTROL ON THE INSIDE FRONT COVER OF THIS MANUAL AS YOU REVIEW THE FOLLOWING DESCRIPTIONS



Press to display the next twelve receivable channels.



Press to cancel the current operation and return to normal TV viewing.



Press to freeze the center picture.

Press again to cancel the frozen picture and resume normal center picture viewing.

Using the white labeled buttons for center picture operations

REFER TO THE ILLUSTRATION OF THE REMOTE CONTROL ON THE INSIDE FRONT COVER OF THIS MANUAL AS YOU REVIEW THE FOLLOWING DESCRIPTIONS



Press to scroll the center picture through the video inputs.

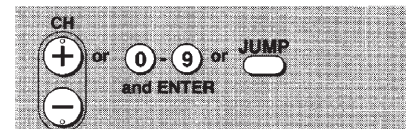
The surrounding channels will not change.

Note:

- If you press VIDEO 5 while the CHANNEL INDEX screen is displayed, the CHANNEL INDEX feature is canceled and the normal picture of the VIDEO 5 input will be displayed.



Press to switch the center picture between the VHF/UHF input and the AUX input.



Press to select a channel for the center picture. (for details, see "Watching the TV" on page 25)

Adjusting Your SET UP (menus)

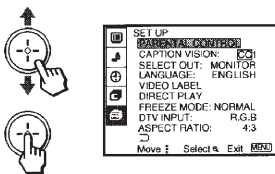
Learning Menu Selection

Use the MENU button to access a menu and use the joystick to alter the settings. Use the following example to learn how to modify settings.

- 1 Press the MENU button.
The main menu appears.



- 2 Move the joystick up or down to highlight the desired menu and press \oplus (press down on the center of the joystick) to activate it.



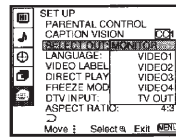
You may also move the joystick right to activate your selection.

- 3 Move the joystick up or down to highlight the desired option.

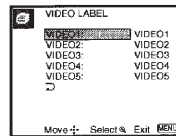


- 4 Press \oplus (press down on the center of the joystick).
Options for your selection (Pop-up menu or Adjusting menu) will be displayed.

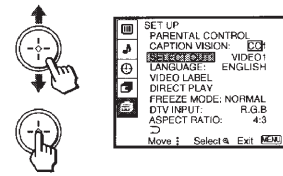
Pop-up menu



Adjusting menu



- 5 Move the joystick up or down to make your selection and press \oplus to activate it.
The previous screen will reappear.



Some adjustment menus may require further operations. For details, see each menu option.

To return to the previous screen (except for the slider adjustment menus), choose \leftarrow at the bottom of the menu and press \oplus or move the joystick left.

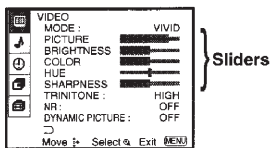
- 6 Once you have completed all menu corrections, press MENU to exit the menu screens.



To exit from the menus at any time

Press MENU.

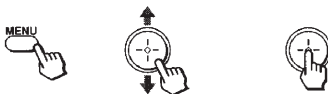
Using the VIDEO Menu



For detailed information on using the remote control to modify menu settings, refer to "Learning Menu Selection" on page 33.

To select the VIDEO menu:

Display \rightarrow Highlight \rightarrow Select



MODE — Customized picture viewing

You can choose one of five different video modes that best suits the program you are watching. You can also adjust the picture quality (such as BRIGHTNESS, COLOR, etc.) for each MODE to suit your taste.

First select each MODE individually before adjusting the picture quality.

VIVID:

Select for enhanced picture contrast and sharpness.

STANDARD:

Select to display a standard picture for normal viewing environments.

MOVIE:

Select to display a finely detailed picture for low light environments.

GAME:

Select to display graphics such as a video game.

PRO (Professional):

Select to display a picture with minimum enhancements.

Press PICTURE MODE on the remote control for direct selection of a MODE setting.

PICTURE — Picture Adjustment

Adjust slider right (up) to increase picture contrast.

Adjust slider left (down) to decrease picture contrast.

BRIGHTNESS — Picture Adjustment

Adjust slider right (up) to brighten the picture.

Adjust slider left (down) to darken the picture.

COLOR

— Picture Adjustment

Adjust slider right (up) to increase color intensity.

Adjust slider left (down) to decrease color intensity.

HUE

— Picture Adjustment

Adjust slider right (up) to increase the green tones.

Adjust slider left (down) to increase the red tones.

SHARPNESS

— Picture Adjustment

Adjust slider right (up) to sharpen the picture.

Adjust slider left (down) to soften the picture.

TRINITONE

— White Intensity Adjustment

HIGH:

Select to give the white colors a blueish tint.

MEDIUM:

Select to give the white colors a neutral tint.

NTSC STD:

Select to give the white colors a reddish tint.

NR
— **Picture Noise Reduction**

Select **ON** to reduce picture noise.
Select **OFF** to cancel the feature.

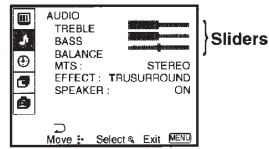
DYNAMIC PICTURE
— **Black Intensity Adjustment**

Select **ON** to emphasize the black level and to produce a bolder dynamic picture.
Select **OFF** to cancel the feature.

To restore the factory settings

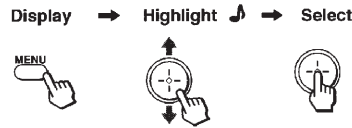
Press **RESET** on the remote control while the **VIDEO** menu is selected. To restore each **MODE** to the factory setting, press **RESET** after selecting the mode to be reset.

Using the AUDIO Menu



For detailed information on using the remote control to modify menu settings, refer to "Learning Menu Selection" on page 33.

To select the AUDIO menu:



TREBLE
— **Sound Adjustment**

Adjust slider right (up) to increase high pitched sounds.
Adjust slider left (down) to decrease high pitched sounds.

BASS
— **Sound Adjustment**

Adjust slider right (up) to increase low pitched sounds.
Adjust slider left (down) to decrease low pitched sounds.

BALANCE
— **Sound Adjustment**

Adjust slider right (up) to emphasize right speaker volume.
Adjust slider left (down) to emphasize left speaker volume.

MTS
— **Enjoy stereo, bilingual and mono programs**

STEREO:
Select for stereo reception when viewing a program broadcast in stereo.
SAP:
Select to listen to a bilingual broadcast. (non-SAP programs will be muted when this feature is selected)

MONO:
Select for mono reception. (use to reduce noise during stereo broadcasts)

Quick MTS access:
Press **MTS** on your remote control to cycle through the MTS options as follows: (STEREO → SAP → MONO → STEREO)

(continued)

Adjusting Your SET UP (menus)

EFFECT
— **Customizes surround sound effects based on the program's audio type**

EFFECT can only be set when **SPEAKER** is set to **ON**.

TRUSURROUND*:
Produces a virtual surround effect for Dolby-surround encoded programs.

SRS 3D MONO:
Adds a surround-like effect to mono programs.

OFF:
Normal stereo or mono reception.

SPEAKER
— **Custom selection of audio output source**

ON:
Select to listen to the sound from the projection TV speakers alone.

OFF:
Select to turn off the projection TV speakers and listen to the projection TV's sound only through an external audio system's speakers.

CENTER IN:
Select to use the projection TV as center speaker when you connect an amplifier with a Dolby Pro Logic decoder. (see "Connecting an Amplifier That Supports Dolby Pro Logic Decoder" on page 21)

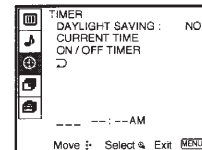
To restore the factory settings

Press **RESET** on the remote control while the **AUDIO** menu is selected.

*** (●) TruSurround™**

TruSurround, SRS and the (●) symbol are trademarks of SRS Labs, Inc. in the United States and selected foreign countries. TruSurround and SRS technology is incorporated under license from SRS Labs, Inc.

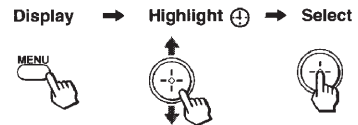
Using the TIMER Menu



After setting the clock you can use the timer to turn the projection TV on and off.

For detailed information on using the remote control to modify menu settings, refer to "Learning Menu Selection" on page 33.

To select the TIMER menu:



Tip
Set daylight saving time before setting the clock. Any loss of power will cause these settings to be erased.

DAYLIGHT SAVING

— Automatically adjusts the time

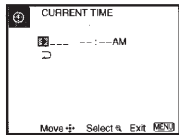
Select **YES** to compensate for Daylight Saving Time in spring. The current time automatically moves ahead one hour.

Select **NO** at the end of Daylight Saving Time in fall. The current time moves back one hour.

CURRENT TIME

— Necessary for the **TIMER**

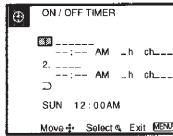
- 1 Press \oplus , then move the joystick up or down until the current day (MON-SUN) is displayed, and press \oplus .
 - 2 Move the joystick up or down until the current hour (1-12) and AM/PM is displayed, and press \oplus .
 - 3 Move the joystick up or down until the current minute (00-59) is displayed, and press \oplus .
- The Clock has now started. Press MENU to exit.



ON/OFF TIMER

— Wake up or scheduled viewing

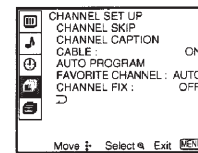
- 1 Select the desired timer (1 or 2).
- 2 Move the joystick up or down until the desired day (MON-SUN) or range of days (EVERY SUN-SAT or EVERY MON-FRI) is displayed, and press \oplus .
- 3 Move the joystick up or down until the time (hours and minutes) that you want the projection TV to remain on is displayed, and then press \oplus .
- 4 Move the joystick up or down to set the time duration (maximum of 6 hours) and press \oplus .
- 5 Move the joystick up or down to select the desired channel and press \oplus .



The timer is now set. The **TIMER/STAND BY** indicator on your projection TV will be lit.

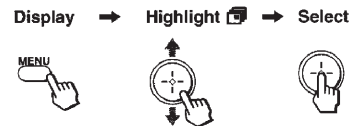
Press MENU to exit. To cancel your timer setting, select timer 1 or 2 and press **RESET** while in the ON/OFF TIMER window. Performing **AUTO PROGRAM** will erase all **TIMER** settings.

Using the CHANNEL SET UP Menu



For detailed information on using the remote control to modify menu settings, refer to "Learning Menu Selection" on page 33.

To select the CHANNEL SET UP menu:



CHANNEL SKIP

— Skips unnecessary channels

After **AUTO PROGRAM**, you can erase unnecessary TV channels from the channel preset memory.

With the **CHANNEL SKIP** window open:



Adjusting Your SET UP (menus)

- 1 Move the joystick up or down to select the desired channel. You can view the channel that is selected with the **CHANNEL SKIP** menu in the center sub screen. You can also use **CH +/-** or **0-9** and **ENTER** buttons.
- 2 Press \oplus .
- 3 Move the joystick up or down to select **YES**, and press \oplus .
The selected channel will be erased.

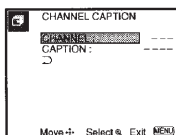
If you want to re-enter the skipped channel, follow the steps above and select **NO**.

CHANNEL CAPTION

— Easy recognition of the channel you are watching

You can add a caption for up to 32 channels of both **VHF/UHF** and **AUX** inputs.

With the **CHANNEL CAPTION** window open:



- 1 Press \oplus and then move the joystick up or down to select the desired channel. You can view the channel that is selected with the **CHANNEL CAPTION** menu in the center sub screen.
- 2 Press \oplus .
- 3 Move the joystick up or down to display the first letter or number of the caption and press \oplus to select it.
- 4 Repeat until up to four digits are selected.
- 5 Press \oplus .

To erase a caption, press **RESET**.

CABLE

— Cable system setting

Select **ON** if your projection TV is connected to a cable system.

Select **OFF** if your projection TV is connected to an antenna.

AUTO SET UP will automatically set **CABLE** to **ON**.

AUTO PROGRAM

— Automatic channel presetting

Select **YES** to signal the projection TV to automatically program all receivable TV channels. When all the receivable channels are stored, the lowest numbered channel will be displayed.

Select **NO** to cancel **AUTO PROGRAM**.

FAVORITE CHANNEL

— User's favorite channels

The **FAVORITE CHANNEL** feature enables easy access to the eight channels that you preset (or the last channel that you were watching). (for details on how to set up this feature, see "Setting and Selecting **FAVORITE CHANNEL**" on page 39)

CHANNEL FIX

— Locks selection of your projection TV's input when used in conjunction with external equipment such as a cable box, AV receiver, etc.

2-6:

When the cable box is connected to the **VHF/UHF** input, you can fix the TV's input to one of the channels between 2 and 6. Press **DBS/CABLE (FUNCTION)** and then **CH +/-** to change the cable box channels.

AUX 2-6:

Use this when a cable box is connected to **AUX**, and a cable or antenna is connected to **VHF/UHF**.

VIDEO 1:

Use this when you have connected external video equipment (e.g. AV receiver) and you want the projection TV's input fixed to it.

OFF:

When you want to switch **CHANNEL FIX** off.

If the projection TV is in the **AUX** mode when you turn **CHANNEL FIX** off, press **ANT** to return to **UHF** input mode.

TIMER settings are erased when CHANNEL FIX is set.

Note:

- You cannot change channels with the TV's tuner when you set **CHANNEL FIX**. If you want to use the TV's tuner while fixing the TV's input to **VIDEO 1**, use the **SET UP** menu to set **SELECT OUT** to **TV OUT**. (see "SELECT OUT" on page 41)

Setting and Selecting FAVORITE CHANNEL

The FAVORITE CHANNEL feature of your projection TV enables easy access to the eight channels that you preset (or the last channel that you were watching).

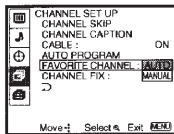
Your FAVORITE CHANNEL options can be set automatically or manually.

The factory setting for FAVORITE CHANNEL is AUTO.

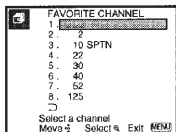
When FAVORITE CHANNEL is set to AUTO, the last eight channels selected with the 0-9 buttons will be set as FAVORITE CHANNEL options. If you want to input your own selections as FAVORITE CHANNEL settings, set to MANUAL.

Setting FAVORITE CHANNEL manually

- 1 Select FAVORITE CHANNEL from the CHANNEL SET UP menu. (see pages 37 and 38)



When you reach step 3, select the position you want to change and press \oplus . Press RESET to clear the channel for that position.



Move the joystick up or down to select a new channel. Press MENU when you are done.

Note:

- The FAVORITE CHANNEL feature is not available for the picture input from AUX or VIDEO 1-5 (DTV) IN.

Using FAVORITE CHANNEL

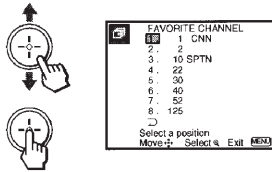
You can use the FAVORITE CHANNEL feature to directly select the channel you want to watch.

- 1 Press \oplus once.

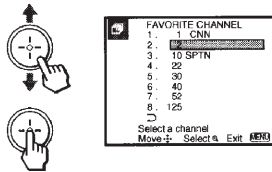
The favorite channel menu and a window picture will be superimposed over the current

- 2 Move the joystick up or down to select MANUAL and press \oplus .

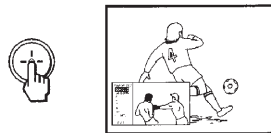
The FAVORITE CHANNEL menu will appear. If you set CHANNEL CAPTION names (e.g. CNN, HBO), they will also be displayed. (see "CHANNEL CAPTION" on page 38)



- 3 Move the joystick up or down to select a position (1-8), and press \oplus .



channel. The window picture displays the channel selected from the menu.



- 2 Move the joystick up or down to select the channel that you wish to view from the menu.

The picture of the selected channel will be displayed in the window picture.



- 3 Press \oplus to select the channel.

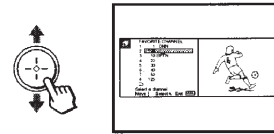
The selected channel will be displayed for normal viewing.



To cancel the favorite channel menu before selecting a channel, move the joystick up or down to select EXIT at the bottom of the menu and press \oplus .

- 4 Move the joystick up or down to select a channel.

You have now selected a favorite channel.



- 5 Press \oplus and use the joystick to program other favorite channels. (Follow steps 3 and 4.)

- 6 Press MENU when you have finished.

Your favorite channels are now ready for use.

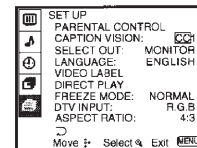
Resetting FAVORITE CHANNEL choices

You have the option of returning to the FAVORITE CHANNEL screen to adjust any of your favorite channel choices.

Simply proceed as described in "Setting FAVORITE CHANNEL manually" (skip step 2 if MANUAL is already selected).

(continued)

Using the SET UP Menu



For detailed information on using the remote control to modify menu settings, refer to "Learning Menu Selection" on page 33.

To select the SET UP menu:

Display → Highlight → Select



PARENTAL CONTROL — Blocks programs unsuitable for children

Allows you to block TV programs that you feel are unsuitable for your children. (see "Using the PARENTAL CONTROL Feature" on page 43 for details)

CAPTION VISION
— Television closed caption display

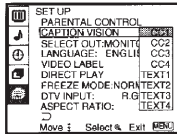
Some programs are broadcast with Caption Vision.

To display Caption Vision, select **[CC] 1**, **[CC] 2**, **[CC] 3**, **[CC] 4**, **TEXT1**, **TEXT2**, **TEXT3** or **TEXT4** from the menu. Then press the **[CC]** button until Caption Vision is displayed.

[CC] 1, **[CC] 2**, **[CC] 3** or **[CC] 4** displays a printed version of the dialogue or sound effects of a program. (The mode should be set to **[CC] 1** for most programs.) **TEXT1**, **TEXT2**, **TEXT3** or **TEXT4** displays network/station information presented using either half or the whole screen.

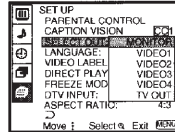
Notes:

- Poor reception of TV programs can cause errors in Caption Vision and XDS. Captions may appear with a white box or other errors instead of the intended text.
- XDS, Caption Vision, and the status display cannot be used at the same time.



SELECT OUT
— Output signal selection from SELECT OUT

You can select the desired output signal from the SELECT OUT jacks at the rear of the projection TV.



Note:

- SELECT OUT setting is not available for the inputs from VIDEO 5 (DTV) IN.

MONITOR:

Select to edit tapes while monitoring. SELECT OUT outputs the picture displayed on the screen.

VIDEO1–VIDEO4:

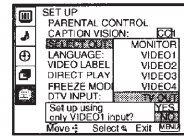
Select to edit tapes while viewing an input image different from that being recorded. SELECT OUT outputs the signal input to the projection TV regardless of the displayed picture on the screen.

TV OUT:

Select if you connect an AV receiver to VIDEO 1 IN. SELECT OUT outputs the signal that the TV is tuned to, regardless of the displayed picture. (see "Connecting an AV Receiver" on page 19 for connection)

If you select **TV OUT**, the following pop-up menu appears.

Select **YES** only if you have connected an AV receiver, with no other equipment, to your projection TV. You can always select the signal from the receiver by pressing TV/VIDEO once.



Select **NO** if you have connected multiple components to your projection TV. You can select an input (VIDEO1 – VIDEO5) with the TV/VIDEO button.

Note:

- The SELECT OUT signal is only available when the projection TV is on.

LANGUAGE
— User's preferred language

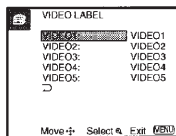
Select from available languages (**ENGLISH**, **ESPAÑOL** or **FRANÇAIS**) to display all menus in your language of choice.

Adjusting Your SET UP (menus)

(continued)

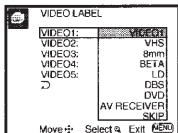
VIDEO LABEL
— Easy recognition of connected equipment (e.g. DBS, VHS, etc.)

This feature allows you to label each input mode so that you can easily identify the connected equipment (e.g. you can label VIDEO 1 IN as VHS).



With the VIDEO LABEL window open:

- 1 Move the joystick up or down to select the input mode you want to label and press **[+]**.



- 2 Move the joystick up or down to select the label and press **[+]**.

VIDEO LABEL Options:

VIDEO 1: VIDEO 1, VHS, 8mm, BETA, LD, DBS, DVD, AV RECEIVER, SKIP

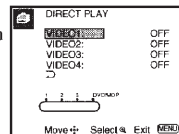
VIDEO 2–4: VIDEO 2–4, VHS, 8mm, BETA, LD, DBS, DVD, SKIP

VIDEO 5: VIDEO 5, DTV, DVD, SKIP

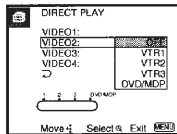
If you select **SKIP**, your projection TV will skip this connection when you scan through video sources using the TV/VIDEO button.

DIRECT PLAY
— Easy operation of a connected VCR

This feature allows you to switch the input mode from the TV to a Sony VCR (MDP or DVD) and start playing by only pressing the **[▶]** (playback) button on the remote control. You have to set the VTR 1/2/3/DVD/MDP switch on the remote control (e.g., you connect your VCR to the VIDEO 3 IN jacks and set the VTR 1/2/3/DVD/MDP switch to VTR 3).



- 1 Move the joystick up or down to select the input to which your video equipment is connected, and press **[+]**.



- 2 Move the joystick up or down to select the position of the VTR 1/2/3/DVD/MDP switch, and press **[+]**.

Note:

- DIRECT PLAY setting is not available for the inputs from VIDEO 5 (DTV) IN.

FREEZE MODE
— Freeze picture mode

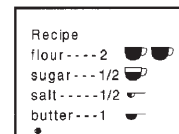
Useful when you need to copy down information that appears on the TV's screen.

Note:

- The FREEZE MODE feature is not available for the inputs from VIDEO 5 (DTV) IN jacks.

NORMAL:

Select to freeze the whole picture on the screen by pressing **FREEZE**.

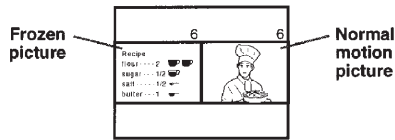


The current picture freezes.

TWIN:

Select to freeze the desired scene and display it on the left of the screen while viewing the normal picture of the current channel on the right by pressing **FREEZE**.

This mode is not available for PIP, P&P or CH INDEX screens.



Press FREEZE again or press **OFF** to display the normal picture.

DTV INPUT

— Input signal selection from the DTV receiver

Select **R.G.B** when you connect a DTV receiver to the G/B/R/HD/VD jacks of VIDEO 5 (DTV) IN on the rear of the projection TV. Select **Y PB PR** when you connect a DTV receiver to the Y/Pb/Pr jacks of VIDEO 5 (DTV) IN.

Note:

- Picture color will be incorrect if wrong DTV INPUT is selected.

ASPECT RATIO

— Wide picture mode for digital TV

The feature allows you to display a compressed 4:3 picture in 16:9 aspect ratio with higher-density (available for 480p and 480i formats only). (see page 27)

Normally, set to **4:3**. Select **16:9** if the picture of DTV 480p or 480i format appears stretched vertically.

Using the PARENTAL CONTROL Feature

The TV programs and movies shown on TV are given a rating signal based on the following rating systems.

In U.S.A.: U.S. Television Parental Guidelines to rate television programs (U.S. TV ratings), and Motion Picture Association of America (MPAA) Guidelines to rate movies including those shown on TV (movie ratings)

In Canada: Canadian English Language ratings to rate television programs in English, and Canadian French Language ratings to rate those in French.

To block programs you feel are unsuitable for your children, you need to set the TV for the desired rating systems. Sony's predetermined ratings are also available. See page 50 for a description of the ratings.

The Parental Control feature of the TV functions by receiving the rating signal from your local broadcasting station or cable service provider.

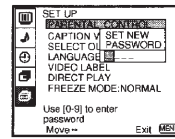
Note:

- The PARENTAL CONTROL feature is not available for the inputs from VIDEO 5 (DTV) IN.

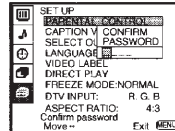
Activating the PARENTAL CONTROL feature

First, set a password, then select your desired rating from Sony's predetermined ratings.

- Select PARENTAL CONTROL from the SET UP menu. (see page 40)



- Enter a four digit password* using the 0-9 buttons.

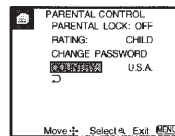


* Do not enter "4357" corresponding to "HELP" on a phone number pad. (see page 49)

- To confirm the password, re-enter the same password with the 0-9 buttons.

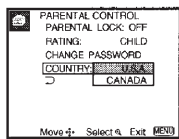
Your password is stored and the PARENTAL CONTROL menu automatically appears.

If you want to change the password, see page 49.

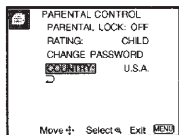


(continued)

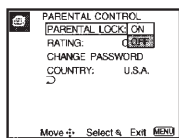
- Make sure that COUNTRY is highlighted, and press **+**.



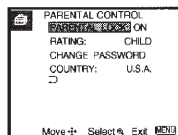
- Move the joystick up or down to select your country (U.S.A. or CANADA), and press **+**.



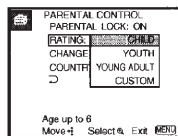
- Move the joystick up or down to select PARENTAL LOCK, and press **+**.



- Move the joystick up or down to select ON, and press **+**.



- Move the joystick up or down to select RATING, and press **+**.



- Move the joystick up or down to select a desired rating (CHILD, YOUTH and YOUNG ADULT), and press **+**.

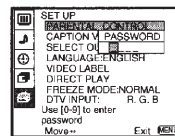
If you want to select the ratings from CUSTOM, go to step 4 of "Selecting a Custom Rating in U.S.A." on page 45 or "Selecting a Custom Rating in Canada" on page 48, according to your COUNTRY setting.

- Press MENU to exit the menu.

To deactivate the PARENTAL CONTROL feature

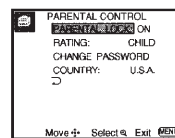
If you set PARENTAL LOCK in the PARENTAL CONTROL menu to OFF, the PARENTAL CONTROL feature will be canceled and you can view all TV programs and movies shown on TV.

- Select PARENTAL CONTROL from the SET UP menu. (see page 40)



- Enter your four digit password using the 0-9 buttons.

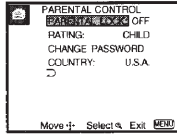
The PARENTAL CONTROL menu appears.



- 3 Move the joystick up or down to select PARENTAL LOCK, and press \oplus .



- 4 Move the joystick up or down to select OFF, and press \oplus .



- 5 Press MENU to exit the menu.

To unlock the PARENTAL CONTROL feature temporarily

When you select a PARENTAL CONTROL program, no sound or picture except for a channel number will appear. The \mathcal{P} indicator is displayed. To view the program, follow the steps below.

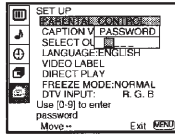
- 1 Press ENTER to display the "Password" screen.
- 2 Enter your password using the 0-9 buttons. PARENTAL CONTROL will be canceled (PARENTAL LOCK set to OFF) until you turn your projection TV off.

Selecting a Custom Rating in U.S.A.

If you want to select the ratings to be blocked from CUSTOM once you have activated the PARENTAL CONTROL feature (page 43), follow the procedure below.

For a detailed description of each rating, see page 50.

- 1 Select PARENTAL CONTROL from the SET UP menu. (see page 40)

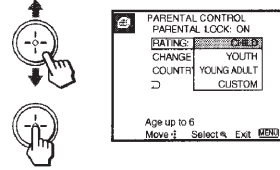


- 2 Enter your four digit password using the 0-9 buttons.

The PARENTAL CONTROL menu appears. Make sure that COUNTRY is set to U.S.A.



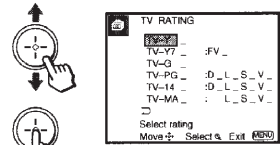
- 3 Move the joystick up or down to select RATING, and press \oplus .



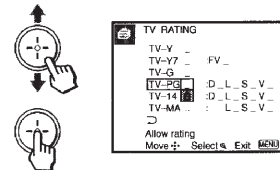
- 4 Move the joystick up or down to select CUSTOM, and press \oplus .

First, select a TV rating.

- 5 Move the joystick up or down to select TV RATING, and press \oplus .



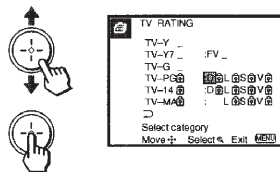
- 6 Move the joystick up or down to select the TV rating to be blocked, and press \oplus .



(continued)

- 7 Move the joystick up or down to select \mathcal{P} , and press \oplus .

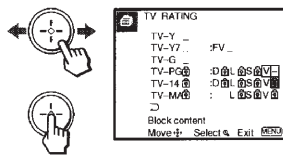
The \mathcal{P} indicator automatically appears beside the selected rating and all "higher" ratings, indicating that the programs that match the ratings will be blocked.



Some ratings have additional content ratings called "extenders." The extenders are defined as follows: D (sexually suggestive Dialog), FV (Fantasy Violence), L (coarse Language), S (Sexual situations) and V (Violence). By setting the extenders, you can define additional viewing limits. For more details of extenders, see page 51.

All of the extenders included in the selected ratings will be blocked. If you wish to allow any of them to be viewed, go to step 8.

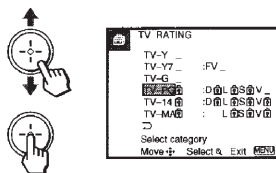
- 8 Move the joystick left or right to select the extender to be viewed, and press \oplus .



- 9 Move the joystick up or down to select "-", and press \oplus .

"-" appears beside the selected extender, indicating that the programs that match the extender can be viewed.

If you select \mathcal{P} , \mathcal{P} is displayed to show that the programs that match the extender will be blocked again.



- 10 Repeat steps 8 and 9 for other extenders.

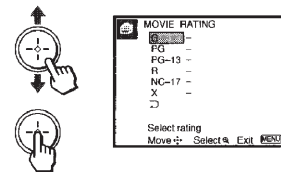
All programs that match the ratings you select and higher, except for the extenders that were canceled, will be blocked.

- 11 After setting of the TV rating is complete, move the joystick up or down to select \mathcal{P} , and press \oplus .

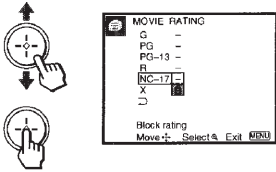


Second, select a movie rating.

- 12 Move the joystick up or down to select MOVIE RATING, and press \oplus .

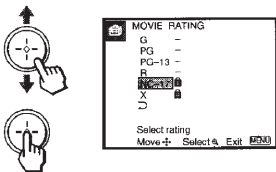


- 13 Move the joystick up or down to select the movie rating to be blocked, and press \oplus .



- 14 Move the joystick up or down to select \boxplus , and press \oplus .

The \boxplus indicator automatically appears beside the selected rating and all "higher" ratings, indicating that the programs that match the ratings will be blocked.

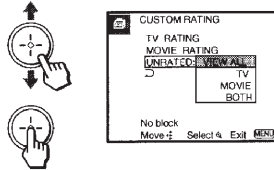


- 15 Press MENU to exit the menu.

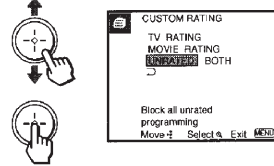
To block TV programs and/or movies for which a rating is not given (NR and N/A)

For a description of the NR and N/A ratings, see page 50.

- Perform steps 1–4 of "Selecting a Custom Rating in U.S.A." on page 45.
- Move the joystick up or down to select UNRATED, and press \oplus .



- Move the joystick up or down to select the type of programs to be blocked, and press \oplus .



To block ...	Select ...
No program (to view any unrated TV program and movie)	VIEW ALL
Unrated TV programs	TV
Unrated movies	MOVIE
Unrated TV programs and movies	BOTH

- 4 Press MENU to exit the menu.

Note:

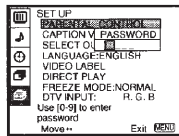
- Programs with no rating signal will automatically be blocked when TV, MOVIE or BOTH is selected.

Selecting a Custom Rating in Canada

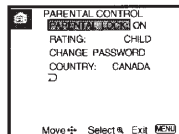
If you want to select the ratings to be blocked from CUSTOM once you have activated the PARENTAL CONTROL feature (page 43), follow the procedure below.

For a detailed description of each rating, see "Ratings in Canada" on page 51.

- Select PARENTAL CONTROL from the SET UP menu. (see page 40)

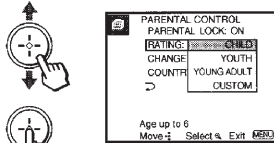


- Enter your four digit password using the 0-9 buttons.

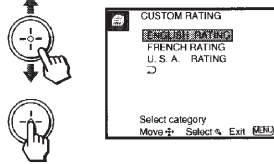


The PARENTAL CONTROL menu appears. Make sure that COUNTRY is set to CANADA.

- Move the joystick up or down to select RATING, and press \oplus .

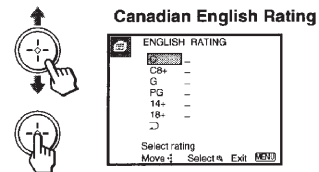


- Move the joystick up or down to select CUSTOM, and press \oplus .

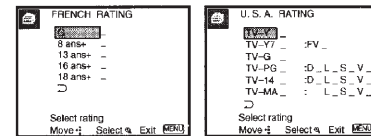


- Move the joystick up or down to select the rating you want to block, and press \oplus .

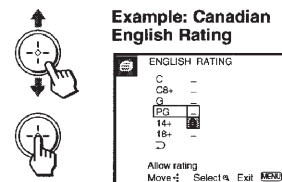
The selected rating appears.






Canadian French Rating U.S. TV Rating

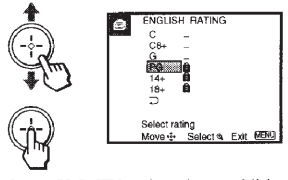


- Move the joystick up or down to select the TV rating to be blocked, and press \oplus .



7 Move the joystick up or down to select , and press .

The  indicator automatically appears beside the selected rating and all “higher” ratings, indicating that the programs that match the ratings will be blocked.



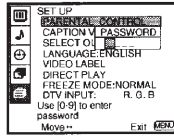
Some U.S. TV ratings have additional content ratings called “extenders,” such as D, FV, L, S and V. By setting the extenders, see steps 7 to 10 of “Selecting a Custom Rating in U.S.A.” on page 45. For more details of extenders, see page 51.

All of the extenders included in the selected ratings will be blocked. If you wish to allow any of them to be viewed, go to step 8 on page 46.

8 Press MENU to exit the menu.

Changing the Password


1 Select PARENTAL CONTROL from the SET UP menu. (see page 40)

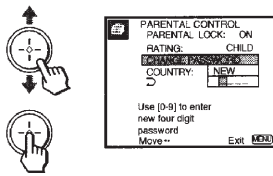


2 Enter your four digit password using the 0–9 buttons.

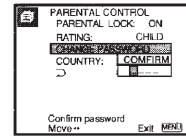
The PARENTAL CONTROL menu appears.



3 Move the joystick up or down to select CHANGE PASSWORD, and press .



4 Enter a new four digit password using the 0–9 buttons.



5 Enter the password set in step 4 again to confirm.

If you entered it incorrectly, “Password incorrect” appears.


Re-enter the correct password.

6 Press MENU to exit the menu.

If you have forgotten your password

In step 2 of “Changing the Password,” enter the master password “4357” (corresponding to “HELP” on a phone number pad). You can then store a new password.

Notes:

- If you entered “4357” as your password the first time, you cannot store a new password. (see step 2 of “Activating the PARENTAL CONTROL feature” on page 43)
- When you select a PARENTAL CONTROL program and the  indicator is displayed on the screen, you cannot view that program even if you enter “4357.” (see “To unlock the PARENTAL CONTROL feature temporarily” on page 45)

What the Ratings Mean

Ratings in U.S.A.

Sony's predetermined ratings

These are original ratings that Sony predetermined according to the viewer's age. Each rating allows you to view the certain programs, as follows.

See the center column for a description of TV and movie ratings.

CHILD:

Suitable for children under the age of 6.
Viewable U.S. movie ratings: G, NR, and N/A
Viewable U.S. TV ratings: TV-Y, TV-G, and TV-NR

YOUTH:

Suitable for children aged 7 and older.
Viewable U.S. movie ratings: G, PG, NR, and N/A
Viewable U.S. TV ratings: TV-Y, TV-Y7, TV-G, TV-PG, and TV-NR

YOUNG ADULT:

Suitable for children aged 13 and older.
Viewable U.S. movie ratings: G, PG, PG-13, NR, and N/A
Viewable U.S. TV ratings: TV-Y, TV-Y7, TV-G, TV-PG, TV-14, and TV-NR

U.S. movie ratings

U.S. movie ratings are for movies (including those shown on TV) rated according to the Motion Picture Association of America (MPAA) Guidelines.

G (General Audiences—All Ages Admitted):

In G-rated films no strong words are used, the violence is at a minimum, nudity and sex scenes are not present, nor is there any drug use.

PG (Parental Guidance Suggested. Some Material May Not Be Suitable For Children):

This is a film which may need to be monitored first by parents.

PG-13 (Parents Strongly Cautioned. Some Material May Be Inappropriate For Children Under 13):

Parents are alerted to be very careful about the attendance of their under-teenage children when viewing.

R (Restricted, Under 17 Require Accompanying Parent Or Adult Guardian):

This film includes hard language, tough violence, nudity, drug abuse or other elements of concern.

NC-17 or X (No One 17 Or Under Admitted.):

This is a film that most parents would consider not suitable for children aged 17 and under. There may be violence, sex, aberrational behavior, drug abuse or other elements of concern.

NR (Not Rated):

This is a film that a producer has not rated, intending to have his film widely released.

N/A (Not Applicable):

This is a film that a producer considers outside the scope of the MPAA ratings.

Note:

- NR and N/A ratings are shown together as UNRATED in the menu.

U.S. TV ratings

U.S. TV ratings are for TV programs rated according to the U.S. Television Parental Guidelines.

TV-Y (All Children):

This program is designed for young children aged 2–6 and is appropriate for all children.

TV-Y7 (Directed to Older Children):

This program is designed for children aged 7 and above. Themes and elements in this program may include mild fantasy violence or slapstick violence, or may frighten children under the age of 7.

TV-G (General Audience):

Most parents would find this program suitable for all ages. It contains little or no violence, no strong language and little or no sexual dialog or situations.

TV-PG (Parental Guidance Suggested):

This program contains some material that parents may find unsuitable for younger children.

TV-14 (Parents Strongly Cautioned):

This program contains some material that many parents would find unsuitable for children under the age of 14.

TV-MA (Mature Audience Only):

This program is specifically designed to be viewed by adults and therefore may be unsuitable for children under the age of 17.

TV-NR (Not Rated/Unrated):

This is a program broadcast without any rating, such as news, news flashes or sports.

Note:

- The TV-NR rating is shown as UNRATED in the menu.

About the extenders of U.S. TV ratings

TV-Y7, TV-PG, TV-14 and TV-MA ratings have additional content ratings called "extenders" to define additional viewing limits. The extenders are defined as follows:

D (sexually suggestive Dialog):

Programs containing suggestive dialog, or sexual innuendo

FV (Fantasy Violence):

Programs containing cartoon violence occurring in TV-Y7 programs only

L (coarse Language):

Programs containing coarse language

S (Sexual situations):

Programs containing sexual content

PG (Parental Guidance):

Programming intended for a general audience but which may not be suitable for younger children. Parents may consider some content inappropriate for unsupervised viewing by children aged 8 – 13.

14+ (Programming contains themes or content which may not be suitable for viewers under the age of 14):

Parents are strongly cautioned to exercise discretion in permitting viewing by pre-teens and early teens.

18+ (Adult):

May contain violence integral to the development of the plot, character or theme, intended for adult audiences. May contain graphic language and explicit portrayals of nudity and/or sex.

E (Exempt):

Exempt programming includes: news, sports documentaries and other information programming: talk shows, music videos, and variety programming.

Note:

- The E (Exempt) rating is not shown in the menu.

Canadian French Language ratings

The Canadian French Language Ratings are for TV programs in French broadcast in Canada.

G (General):

Programming intended for audience of all ages. Contains no violence, or the violence it contains is

V (Violence):

Programs containing violence

There may be some profanity, violence or brief nudity in these programs.

Ratings in Canada**Sony's predetermined ratings**

These are original ratings that Sony predetermined according to the viewer's age. Each rating allows you to view the certain programs, as follows.

See the right column for a description of each rating.

CHILD:

Suitable for children under the age of 7.

Viewable Canadian English Language ratings: C and G

Viewable Canadian French Language ratings: G

Viewable U.S. TV ratings: TV-Y, TV-G, and TV-NR

YOUTH:

Suitable for children aged 8 and older.

Viewable Canadian English Language ratings: C, G, C8+ and PG

Viewable Canadian French Language ratings: G and 8 ans+

Viewable U.S. TV ratings: TV-Y, TV-Y7, TV-G, TV-PG, and TV-NR

minimal or is depicted appropriately with humor or caricature or in an unrealistic manner.

8 ans+ (8+ General - Not recommended for young children):

Programming intended for a broad audience but contains light or occasional violence that could disturb young children. Viewing with an adult is recommended for young children (under the age of 8).

13 ans+ (Programming may not suitable for children under the age of 13):

Viewing with an adult is strongly recommended for children under 13.

16 ans+ (Programming is not suitable for children under the age of 16):

Contains frequent scenes of violence or intense violence.

18 ans+ (Programming restricted to adults):

Contains constant violence or scenes of extreme violence.

E (Exempt):

Exempt programming.

Note:

- The E (Exempt) rating is not shown in the menu.

YOUNG ADULT:

Suitable for children aged 14 and older.

Viewable Canadian English Language ratings: C, G, C8+, PG and 14+

Viewable Canadian French Language ratings: G, 8 ans+, 13 ans+

Viewable U.S. TV ratings: TV-Y, TV-Y7, TV-G, TV-PG, TV-14, and TV-NR

Canadian English Language ratings

The Canadian English Language Ratings are for TV programs in English broadcast in Canada.

C (Programming intended for children under age 8):

There will be no realistic scenes of violence or no offensive language, nudity or sexual content. Careful attention is paid to themes, which could threaten children's sense of security and well-being.

C8+ (Programming generally considered acceptable for children 8 years and over to watch on their own):

Violence will not be portrayed as the preferred, acceptable, or only way to resolve conflict; or encourage children to imitate dangerous acts which they may see on television. There will be no profanity, nudity or sexual content.

G (General Audience):

Will contain very little violence, either physical or verbal or emotional. There may be some inoffensive slang, no profanity and no nudity.

(continued) 51

Additional Operations

Operating Video Equipment

Setting the Manufacturer's Code

You can use the supplied remote control to operate Sony or non-Sony video equipment that has an infrared sensor.

- Set the VTR 1/2/3/DVD/MDP switch to the input through which you would like to access your video equipment.

The following Sony equipment is preset to each input as shown below:

VTR1 (303)	Beta, ED Beta VCRs
VTR2 (302)	8 mm VCR
VTR3 (301)	VHS VCR
DVD/MDP (751)	DVD Player

- Press CODE SET, DVD/VTR (FUNCTION), and the 0-9 buttons to enter the manufacturer's code number (see the following chart), then press ENTER.

For example, to operate a Sony 8mm VCR:



If the remote control doesn't work

- See the tips on page 55.

VCR manufacturer code numbers

Manufacturer	Code
Sony	301, 302, 303
Aiwa	338
Admiral (M. Ward)	327
Audio Dynamic	314, 337
Bell & Howell (M. Ward)	330, 343
Broksonic	319, 317
Canon	309, 308
Citizen	332
Craig	315, 302, 332
Criterion	315
Curtis Mathis	304, 338, 309
Daewoo	341, 312, 309
DBX	314, 336, 337
Dimensia	304
Emerson	319, 320, 316, 317, 318, 341
Fisher	330, 334, 335, 333
Funai	338
General Electric	329, 304, 309
Go Video	340, 339, 322
Goldstar	332
Hitachi	306, 304, 305, 338
Instant Replay	309, 308
JC Penney	309, 305, 304, 330, 314, 336, 337
JVC	314, 336, 337
Kenwood	314, 336, 332, 337
LXI (Sears)	332, 305, 333, 334, 330, 335, 338
Magnavox	308, 309, 310
Marantz	314, 336, 337
Marta	332
Memorex	309, 335
Minolta	305, 304

Mitsubishi/MGA	323, 324, 325, 326
Multitech	325, 338, 321
NEC	314, 336, 337
Olympic	309, 308
Optimus	327
Panasonic	308, 309, 306, 307
Pentax	305, 304
Philco	308, 309
Philips	308, 309, 310
Pioneer	308
Quasar	308, 309, 306
RCA/PROSCAN	304, 305, 308, 309, 311, 329, 312, 313, 310
Realistic	309, 330, 328, 335, 324, 338
Sansui	314
Singer	315
Samsung	322, 313, 321
Sanyo	330, 335
Scott	312, 313, 321, 335, 323, 324, 325, 326
Sharp	327, 328
Shintom	315
Signature 2000 (M. Ward)	338, 327
Sylvania	308, 309, 338, 310
Symphonic	338
SV2000	338
Tashiro	332
Tatung	314, 336, 337
Teac	314, 336, 338, 337
Technics	309, 308
Teknica	342, 338
Toshiba	312, 311
Wards	327, 328, 335, 331, 332
XR-1000	315
Yamaha	330, 314, 336, 337
Zenith	331

(continued)

MDP manufacturer code numbers

Manufacturer	Code
Sony	701
Panasonic	704
Pioneer	702

DVD Player manufacturer code numbers

Manufacturer	Code
Sony	751
Panasonic	753
Pioneer	752
RCA	755
Toshiba	754

Tips

- In some rare cases, you may not be able to operate your non-Sony video equipment with the supplied remote control. In this case, please use the equipment's own remote control.
- When you remove the batteries, the code number may revert to the factory setting.

Operating video equipment

- Set the VTR1/2/3/DVD/MDP switch to the input through which you would like to access your video equipment.
- Press DVD/VTR (FUNCTION).
- Use the VCR/DVD/MDP operation buttons indicated in the following tables.

Operating a VCR using the remote control

To turn On/Off	Press DVD/VTR (POWER). [Green Button]
To select a channel	Press the 0-9 buttons.
To change channels	Press CH +/-.
To record	Press (REC) while pressing (lower).
To play	Press >>>.
To stop	Press ■.
To fast forward	Press >>>>.
To rewind the tape	Press <<<<.
To pause	Press II. Press again to resume normal playback.
To search the picture forward or backward	Press >>> or <<<< during playback. Release to resume normal playback.
To change input mode	Press TV/VTR.

Operating an MDP using the remote control

To turn On/Off	Press DVD/VTR (POWER). [Green Button]
To play	Press >>>.
To stop	Press ■.
To pause	Press II. Press again to resume normal playback.
To search the picture forward or backward	Press >>> or <<<< during playback. Release to resume normal playback.
To search a chapter forward or backward	Press CH +/-.

Operating a DVD Player using the remote control

To turn On/Off	Press DVD/VTR (POWER). [Green Button]
To play	Press >>>.
To stop	Press ■.
To pause	Press II. Press again to resume normal playback.
To step through different tracks of an audio disc	Press >>> to step forward or <<<< to step backward.
To step through different chapters of a video disc	Press CH+ to step forward or CH- to step backward.
To display the Title menu	Press TITLE.
To display the DVD menu	Press DVD MENU.
To select tracks directly	Press 0-9 buttons.
To display the menu (Set up)	Press MENU.

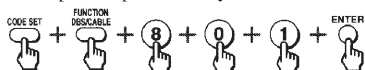
Operating a Cable Box or DBS Receiver

Setting the Manufacturer's Code

You can program the supplied remote control to operate a cable box or DBS receiver.

Press CODE SET, DBS/CABLE (FUNCTION), and the 0-9 buttons to enter the manufacturer's code number (see the following chart), then press ENTER.

For example, to operate a Sony DBS receiver:



Manufacturer code numbers (cable box)

Manufacturer	Code
Gemini	233
Hamlin/Regal	222, 223, 224, 225, 226
Jerrold/G. I.	201, 202, 203, 204, 205, 222, 206, 207, 208, 218
Macom	230, 231, 232
Magnavox	234
Oak	227, 228, 229
Panasonic	219, 220, 221
Philips	236, 237, 238, 239, 240, 241
Pioneer	214, 215
Samsung	235
Scientific Atlanta	209, 210, 211
Tocom	216, 217
Zenith	212, 213

Manufacturer code numbers (DBS receiver)

Manufacturer	Code
Sony	801 (preset code for remote control)
General Electric	802
RCA/PROSCAN	802

Operating a cable box or DBS receiver

- 1 Press DBS/CABLE (POWER) [Green Button] to turn on/off the cable box or DBS receiver.
- 2 Press DBS/CABLE (FUNCTION).
- 3 For other operations, refer to the operating instructions that come with the equipment. Blue-labeled buttons such as the GUIDE button can be used only with a DBS receiver.

If the remote control doesn't work

Try repeating the set up procedures using the other codes listed for your equipment.

To operate the projection TV

Press TV (FUNCTION). Then use the projection TV control buttons to control the projection TV.

Tips

- If more than one code number is listed, try entering them one by one until you come to the correct code for your equipment.
- If you enter a new code number, the code number you previously entered at that setting is erased.
- In some rare cases, you may not be able to operate your equipment with the supplied remote control. In this case, use the equipment's own remote control unit.
- Whenever you remove the batteries — to replace them, for example — if too much time is taken, the code numbers may revert to the factory setting and must be reset.

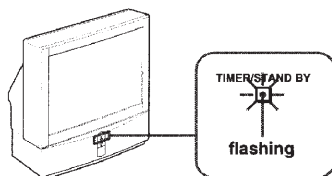
Additional Information

Troubleshooting

If, after reading the following instructions, you have additional questions related to the use of your Sony projection TV, please call one of the following numbers (English only). Customers in the continental United States contact the Direct Response Center at: 1-800-222-SONY (7669). Customers in Canada contact the Customer Relations Center at: (416) 499-SONY (7669).

The picture turns off and the TIMER/STAND BY indicator on the front panel flashes (self-diagnosis function)

- The projection TV is equipped with a self-diagnosis function. If there is a problem with your projection TV, the TIMER/STAND BY indicator on the front panel will flash repeatedly. Counting the number of flashes helps you inform qualified Sony personnel of the projection TV's condition.



- 1 Count how many times the TIMER/STAND BY indicator flashes in total. It flashes twice at 3 seconds' intervals. If, for example, the indicator flashes twice, stops flashing for 3 seconds, and flashes twice again, that counts as twice.
- 2 Press POWER on the projection TV to turn it off, then inform qualified Sony personnel or the above Direct Response Center of the number of flashes.

No picture (screen not lit), no sound

- Make sure the power cord is plugged in.
- Operate with the buttons on both the projection TV and the remote control.
- Check to see if the TV/VIDEO setting is correct: when watching TV, set to TV, and when watching video tapes, set to VIDEO 1, 2, 3, 4 or 5.
- Try another channel. *It could be station trouble.*
- Perform AUTO SET UP again using the SET UP button to return to the factory preset condition. (see "To perform AUTO SET UP again" on page 24)
- The PARENTAL CONTROL feature is activated. (see "Using the PARENTAL CONTROL Feature" on page 43)

Remote control does not operate.

- Batteries could be weak. Replace the batteries.
- Press TV (FUNCTION) when operating your projection TV.
- Make sure the projection TV's power cord is connected securely to the wall outlet.
- Locate the projection TV at least 3-4 feet away from fluorescent lights.
- Check the polarity of the batteries.

Dark, poor or no picture (screen lit), good sound

- Adjust PICTURE in the VIDEO menu. (see "PICTURE" on page 34)
- Adjust BRIGHTNESS in the VIDEO menu. (see "BRIGHTNESS" on page 34)
- Check antenna/cable connections.
- Perform AUTO SET UP again using the SET UP button to return to the factory preset condition. (see "To perform AUTO SET UP again" on page 24)
- Adjust the convergence again using the FLASH FOCUS button. (see "Adjusting the Convergence Automatically (FLASH FOCUS)" on page 24)

Good picture, no sound

- Press MUTING so that "MUTING" disappears from the screen. (see "MUTING" on page 25)
- Check the MTS setting in the AUDIO menu. (see "MTS" on page 35)
- Make sure SPEAKER is set to ON in the AUDIO menu. (see "SPEAKER" on page 36)
- Perform AUTO SET UP again using the SET UP button to return to the factory preset condition. (see "To perform AUTO SET UP again" on page 24).

Cannot receive digital channels (when a DTV receiver is connected)

- Check the connections between the DTV receiver and the projection TV. (see pages 11 and 12)
- Check your local listings to find out if you can receive digital broadcasts in your area.

The color of the digital TV program is not correct

- Check the DTV INPUT setting in the SET UP menu. (see "DTV INPUT" on page 43)

Cannot receive upper channels (UHF) when using an antenna

- Make sure CABLE is OFF in the CHANNEL SET UP menu. (see "CABLE" on page 38)
- Use AUTO PROGRAM to add receivable channels that are not presently in the TV's memory. (see "AUTO PROGRAM" on page 38)

No color

- Adjust the COLOR in the VIDEO menu. (see "COLOR" on page 34)
- Black and white programs cannot be seen in color.
- Perform AUTO SET UP again using the SET UP button to return to the factory preset condition. (see "To perform AUTO SET UP again" on page 24)

Only snow and noise appear on the screen

- Check the CABLE setting in the CHANNEL SET UP menu. (see "CABLE" on page 38)
- Check the antenna/cable connections.
- Make sure the channel is broadcasting programs.
- Press ANT to change the input mode. (see "ANT" on page 25)

Dotted lines or stripes

- Adjust the antenna.
- Keep the projection TV away from noise sources such as cars, neon signs or hair-dryers.

TV is fixed to one channel

- Use AUTO PROGRAM to add receivable channels that are not presently in TV's memory. (see "AUTO PROGRAM" on page 38)
- Try turning CHANNEL FIX off. (see "CHANNEL FIX" on page 38)

Double images or ghosts

- Use a highly directional outdoor antenna or a cable (when the problem is caused by reflections from nearby mountains or tall buildings).

Cannot operate the menu

- If the item you want to choose appears in gray, you cannot select it.
- Press the projection TV's power button off and on again.

Cannot receive any channels when using cable TV

- Check the connection with a cable box again. (see pages 8 and 10)
- Make sure CABLE is ON in the CHANNEL SET UP menu. (see "CABLE" on page 38)
- Use AUTO PROGRAM to add receivable channels that are not presently in the TV's memory. (see "AUTO PROGRAM" on page 38)

Cannot gain enough volume when using a cable box

- Increase the volume at the cable box. Then press TV (FUNCTION) and adjust the projection TV's volume.

CHANNEL INDEX does not display all available channels

- Make sure CABLE is ON in the CHANNEL SET UP menu. (see "CABLE" on page 38)
- Use AUTO PROGRAM to add receivable channels that are not presently in the TV's memory. (see "AUTO PROGRAM" on page 38)

(continued)

FAVORITE CHANNEL does not display your choices

- Verify that FAVORITE CHANNEL is set to MANUAL in the CHANNEL SET UP menu. (see "Setting FAVORITE CHANNEL manually" on page 39)

Some video sources do not appear when you press TV/VIDEO

- Ensure that VIDEO LABEL is not set to SKIP. (see "VIDEO LABEL" on page 42)

Recording through SELECT OUT does not function properly when recording in PIP or P&P mode

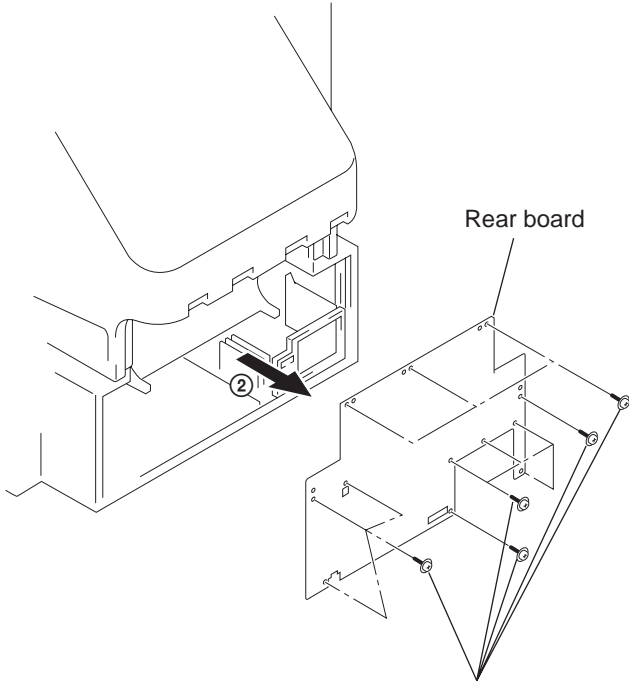
- SELECT OUT will not record both images in PIP or P&P. Only the main picture will be recorded.
- If you are recording the main picture and you switch to the sound of the sub picture using the AUDIO button, the main picture will be recorded with sound from the other program.

Cannot play shooting games

- Some shooting games which involve pointing a light beam at the TV screen with an electronic gun or rifle cannot be used with this projection TV. For details, see the instruction manual supplied with the video game software.

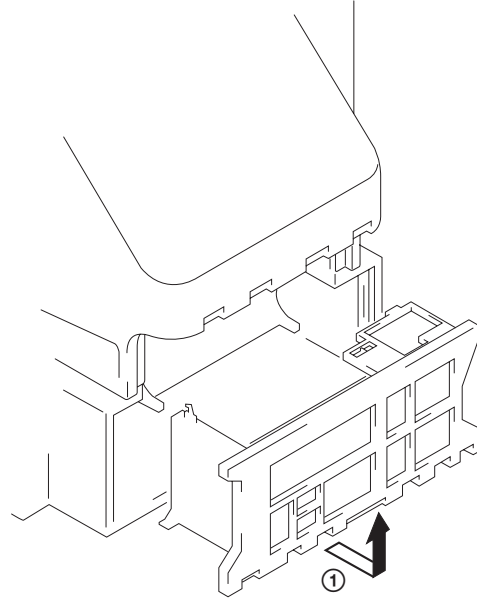
SECTION 2 DISASSEMBLY

2-1. REAR BOARD REMOVAL

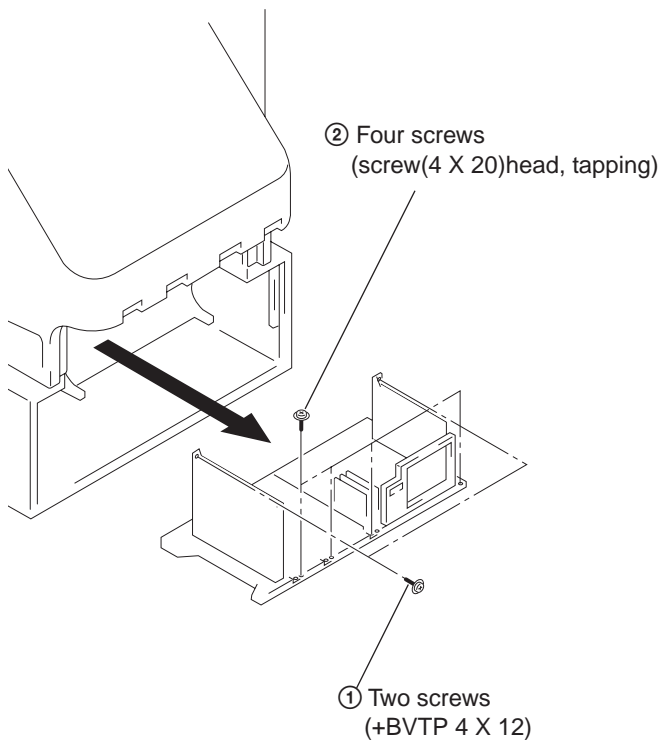


- ① Fourteen screws (KP-53HS10)
 Thirteen screws (KP-61HS10)
 (screw(4 X 20), tapping)

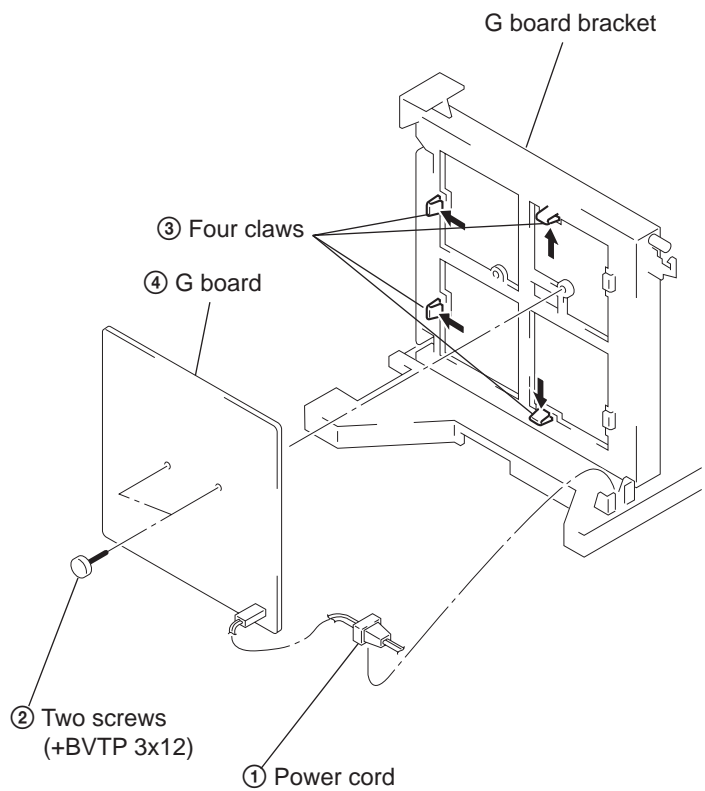
2-3. SERVICE POSITION



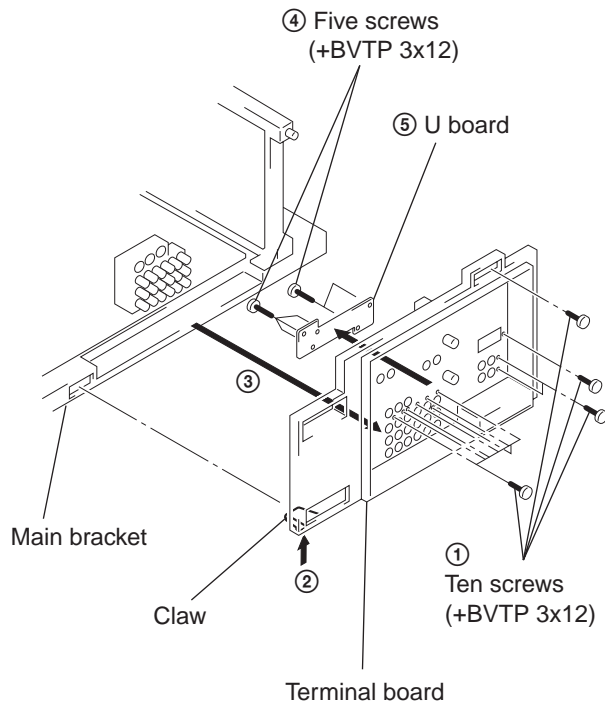
2-2. MAIN BRACKET REMOVAL



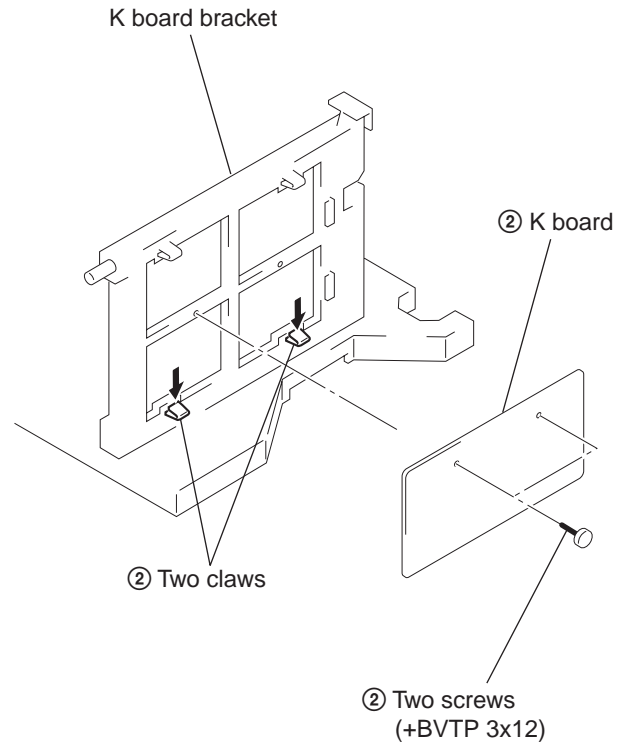
2-4. G BOARD REMOVAL



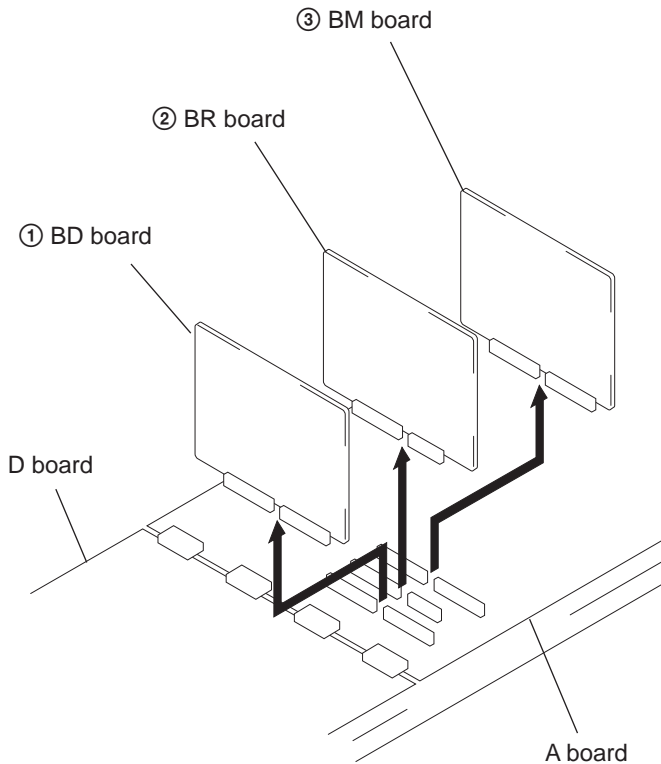
2-5. TERMINAL BOARD AND U BOARD REMOVAL



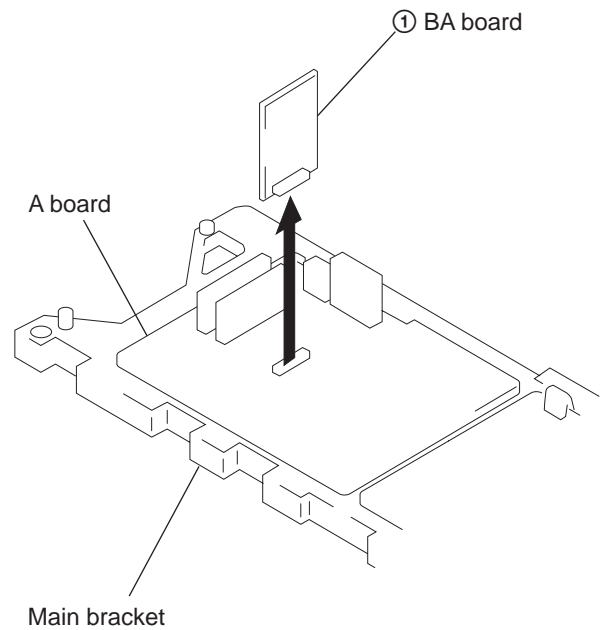
2-7. K BOARD REMOVAL



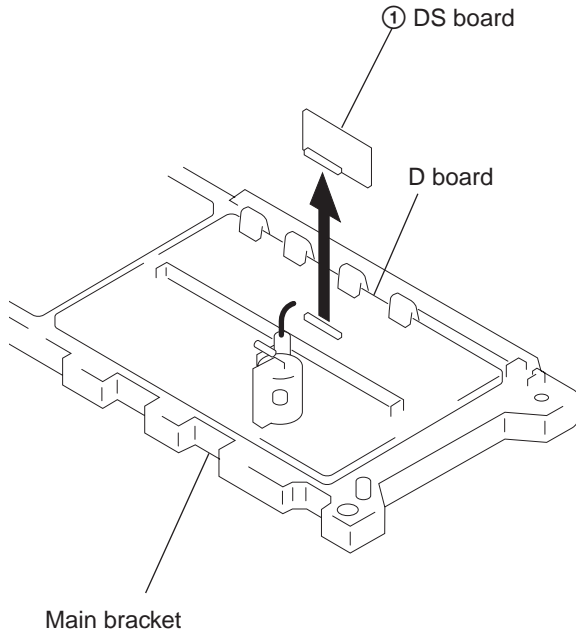
2-6. BM, BR AND BD BOARD REMOVAL



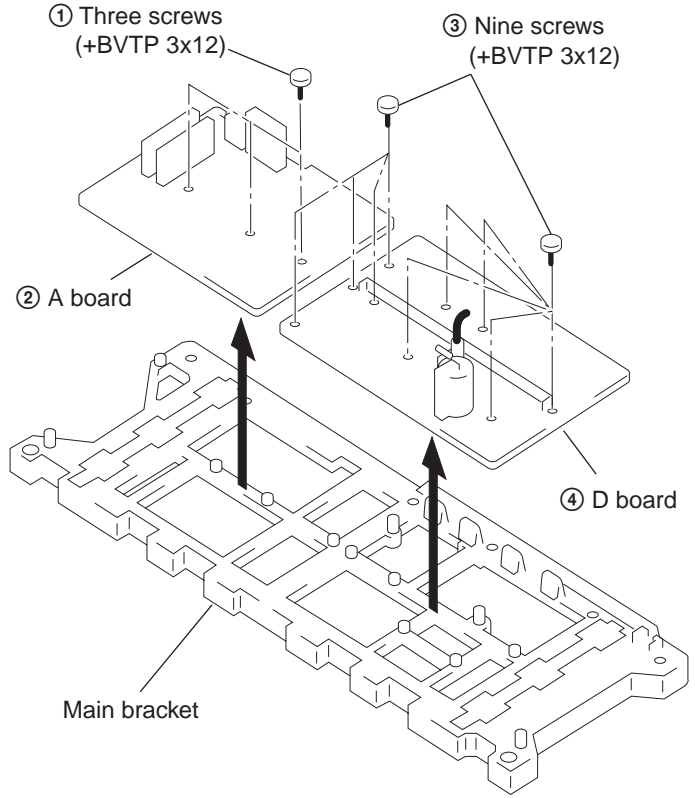
2-8. BA BOARD REMOVAL



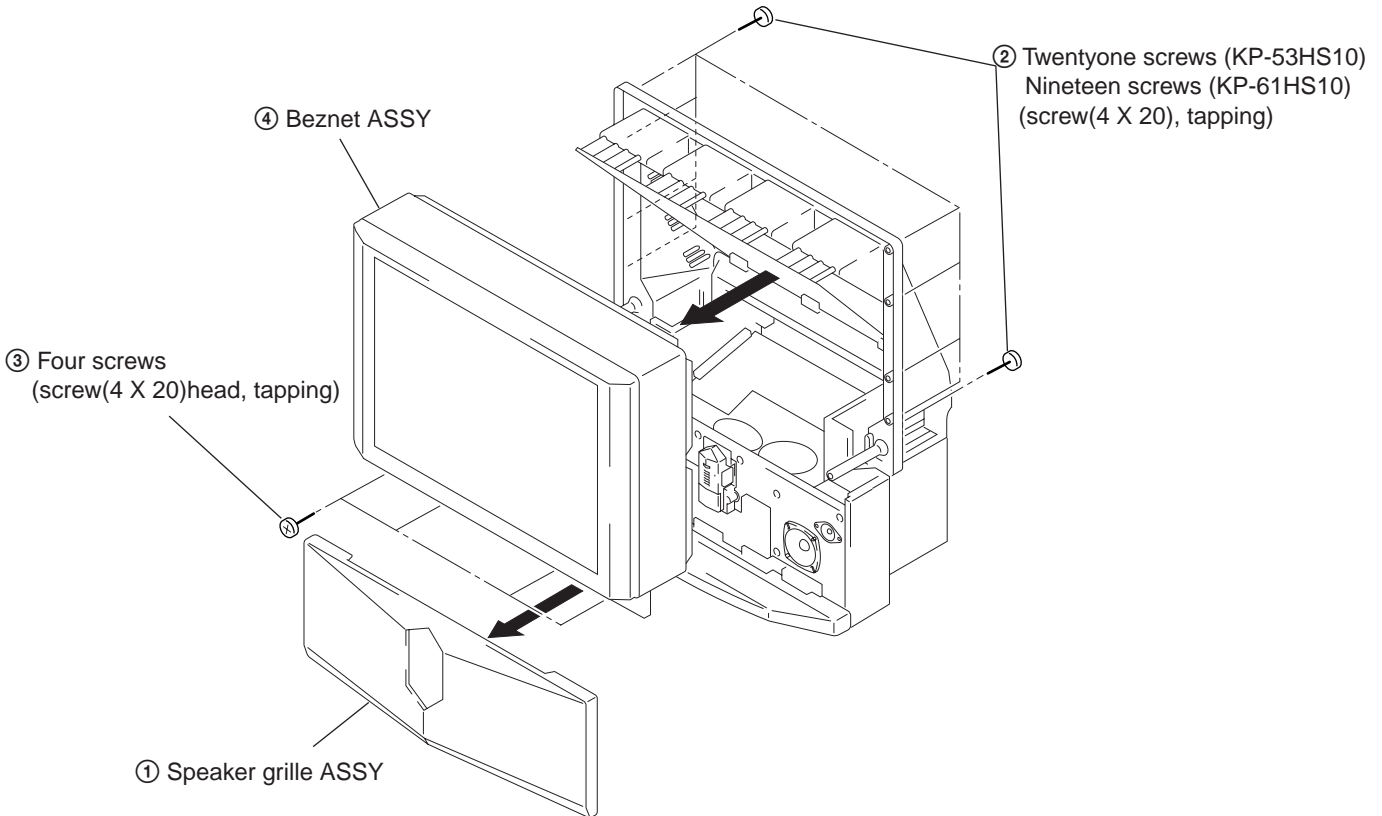
2-9. DS BOARD REMOVAL



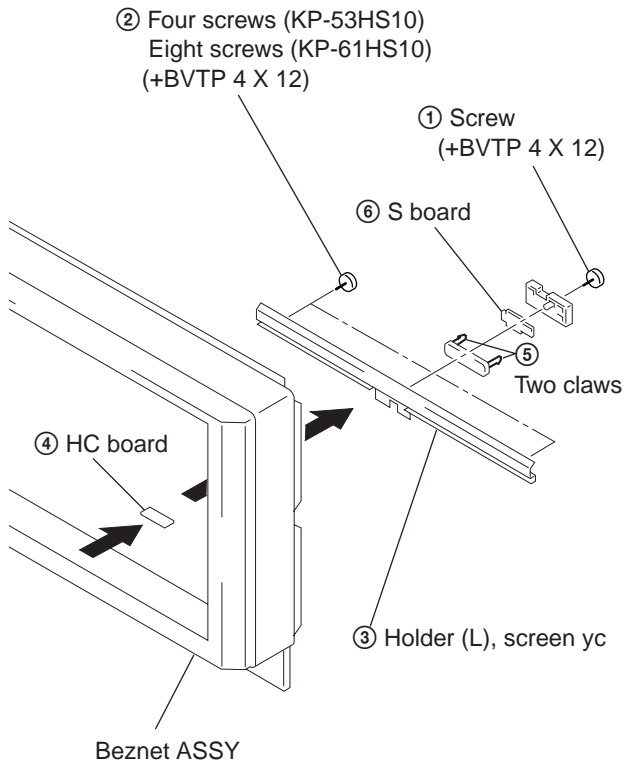
2-10. A AND D BOARD REMOVAL



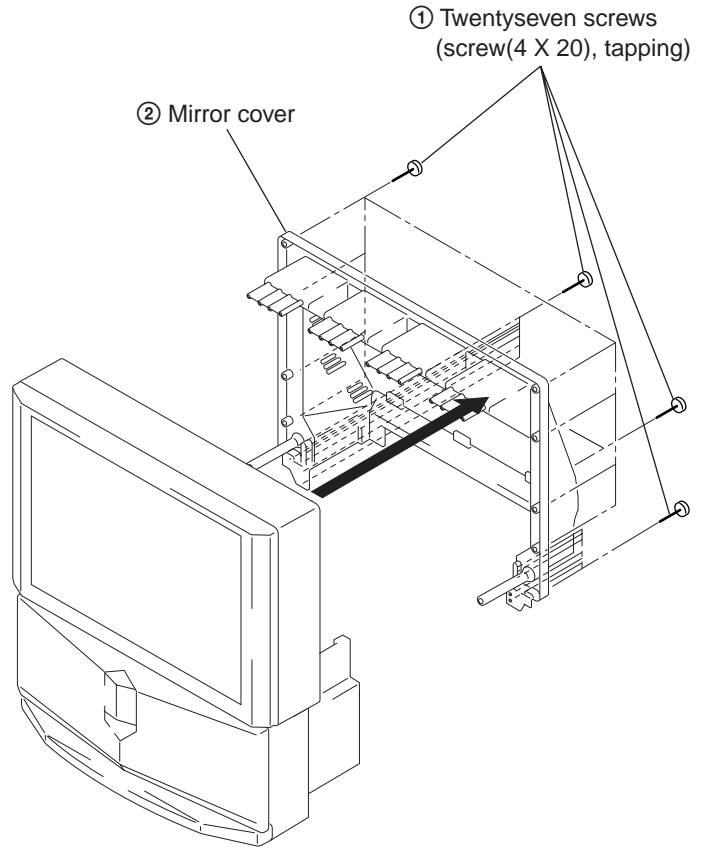
2-11. BEZNET ASSY REMOVAL



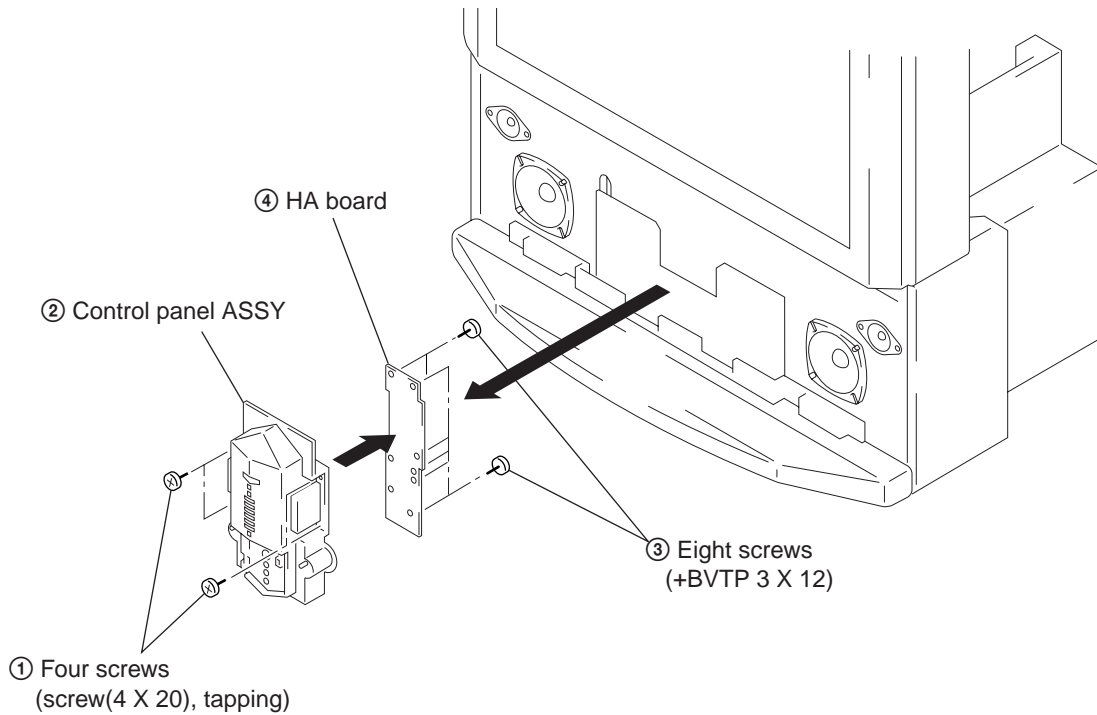
2-12. HC AND S BOARD REMOVAL



2-13. MIRROR COVER REMOVAL

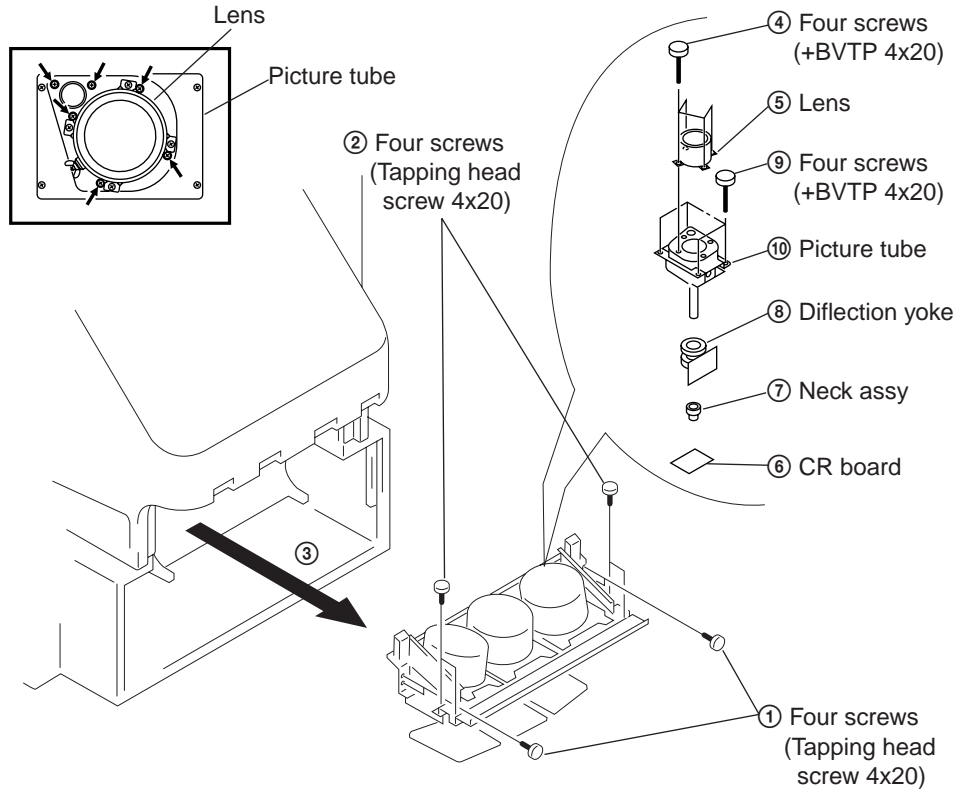


2-14. HA BOARD REMOVAL



2-15. PICTURE TUBE REMOVAL

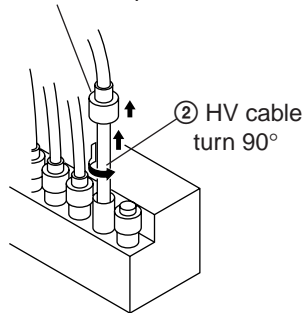
CAUTION: Removing the arrow-marked screws is strictly prohibited. If removed, it may cause liquid spill.



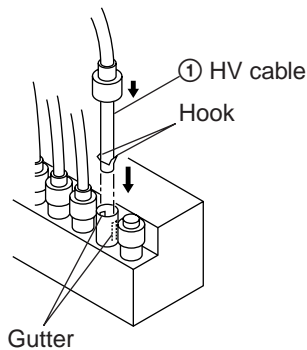
2-16. HIGH-VOLTAGE CABLE INSTALLATION AND REMOVAL

(1) Removal

① Rubber cap



(2) Installation

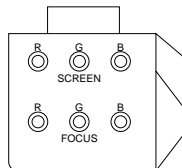


SECTION 3

SET-UP ADJUSTMENTS

3-1. SCREEN VOLTAGE ADJUSTMENT (COARSE ADJUSTMENT)

1. Receive the Monoscope signal.
2. Set 50% BRIGHTNESS and minimum PICTURE.
3. Turn the red VR on the FOCUS block all the way to the left and then gradually turn it to the right until the point where you can see the retrace line.
4. Next gradually turn it to the left to the position where the retrace line disappears.



FOCUS block

Fig. 3-1

3-2. SCREEN (G2) ADJUSTMENT (FINE ADJUSTMENT)

Fine Mode is recommended to set screen controls to their optimal condition. It is necessary to build the simple jig, illustrated below, using 3-watt resistors. Please note, that if the proper voltage is not obtained with their listed values, resistors, then please increase or decrease one of the values in the resistor network to obtain the correct voltage.

1. Select VIDEO1 mode without signals.
2. Connect G2 JIG.
3. SW on JIG.
4. Connect an oscilloscope to the TP7103(KR), TP7203(KG) and TP7303(KB) of CR board, CG board and CB board.
5. Adjust R, G and B screen voltage to $175 \pm 2V$ with screen VR on the Focus block.

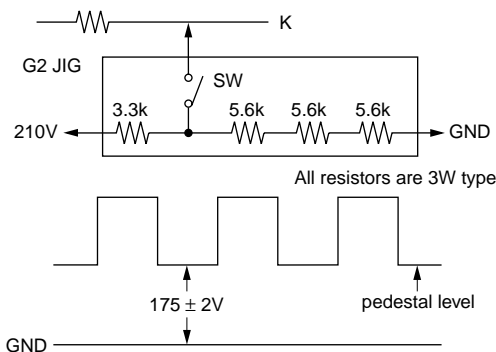


Fig. 3-2

3-3. DEFLECTION YOKE TILT ADJUSTMENT

1. Receive the Monoscope signal.
2. Set in service mode.
3. Cover the both red and blue picture lenses with the lens caps to show only the green color.
4. Loosen the deflection yoke set screw and align the tilt of the Deflection Yoke so that the bars at the center of the monoscope pattern are horizontal.
5. After aligning the deflection yoke, fasten it securely to the funnel-shaped portion (neck) of the CRT.
6. The tilt of the deflection yoke for red is aligned in the mode Cover the both green and blue picture lenses with the lens caps and the tilt of the deflection yoke for blue is aligned with in

the mode Cover the both green and red picture lenses with the lens caps is aligned the same as was done for green.

Note: Instead of items 3 and 6, you can cut off the unnecessary color beams by controlling the service mode MCP1 07 RON, 08GON, and 09BON. 4-pole magnet

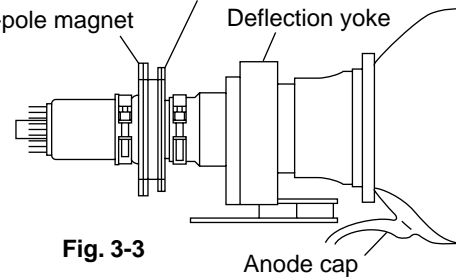


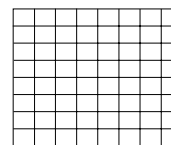
Fig. 3-3

3-4. FOCUS LENS ADJUSTMENT

In this adjustment, use the remote commander in the service mode.

For details of the usage of the service mode and the remote commander, please refer the item 3-9. ELECTRICAL ADJUSTMENT BY REMOTE COMMANDER.

1. Loosen the lens screw.
2. Set to the service mode.
3. Receive the all-white signal.
4. Cover the both red and blue picture lenses with the lens caps to show only the green color.
5. Set to PJE, and press 6 to display the test signal (crosshatch)** on the screen.
6. Turn the green lens to adjust to the optimum focus point with the test signal.
7. Tighten the lens screw.
8. Cover the both green and blue picture lenses with the lens caps to show only the red color.
9. Set to PJE, and press 6 to display the test signal (crosshatch)** on the screen.
10. Adjust red CRT lens just the same as green.
11. Cover the both green and red picture lenses with the lens caps to show only the blue color.



Test signal

Fig. 3-4

12. Set to PJE, and press 6 to display the test signal (crosshatch)** on the screen.
13. Adjust blue CRT lens just the same as green.
14. After adjusting the items 3-5. Focus VR Adjustment, 3-6. 2-Pole Magnet Adjustment and 3-7. 4-Pole Magnet Adjustment, adjust again to the optimum focus point.

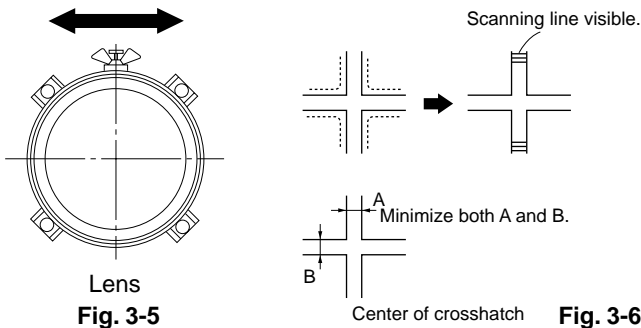
*: Every time you press 6, the test signal changes to "crosshatch+video signal" - "dots+video signal" - "crosshach(black)" - "dots(black)" - off.

Note: Instead of items 4, 8 and 11, you can cut off the unnecessary color beams by controlling the service mode MCP1 07 RON, 08GON, and 09BON.

3-5. FOCUS VR ADJUSTMENT

1. Set to the service mode.
2. Receive the all-white signal.
3. Cover the both red and blue picture lenses with the lens caps to show only the green color.
4. Set to PJE, and press 6 to display the test signal (crosshatch) on the screen.
5. Turn the green focus VR on the focus block to adjust to the optimum focus point with the test signal.
6. Cover the both green and blue picture lenses with the lens caps to show only the red color.
7. Set to PJE, and press 6 to display the test signal (crosshatch) on the screen.
8. Turn the red focus VR on the focus block to adjust to the optimum focus point with the test signal.
9. Cover the both green and red picture lenses with the lens caps to show only the blue color.
10. Set to PJE, and press 6 to display the test signal (crosshatch) on the screen.
11. Turn the blue focus VR on the focus block to adjust to the optimum focus point with the test signal.
12. After adjusting the items 3-4. Focus Lens Adjustment, 3-6. 2-Pole Magnet Adjustment and 3-7. 4-Pole Magnet Adjustment, adjust again to the optimum focus point.

Note: Instead of items 3, 6 and 9, you can cut off the unnecessary color beams by controlling the service mode MCP1 07 RON, 08 GON, and 09 BON.



3-6. 2-POLE MAGNET ADJUSTMENT (GREEN, RED)

1. Receive the Dot signal.
2. Set in service mode.
3. Cover the both red and blue picture lenses with the lens caps to show only the green color.
4. Turn the green focus VR on the focus block to the right and set to overfocus to enlarge the spot.
5. Now align the 2-Pole Magnet so that the enlarged spot is in the center of the Just Focus spot.
6. Align the green focus VR and set for just (precise) focus.
7. Perform the same alignment for red.

Use the center dot

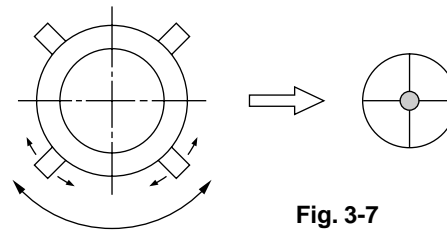


Fig. 3-7

3-7. 4-POLE MAGNET ADJUSTMENT

1. Receive the Dot signal.
2. Set in service mode.
3. Cover the both red and blue picture lenses with the lens caps to show only the green color.
4. Turn the green focus VR on the focus block to the left and set to underfocus to enlarge the spot.
5. Now align the 4-Pole Magnet so that the enlarged spot becomes a perfect circle for green and red.
6. Perform the same alignment for blue.

Use the center dot

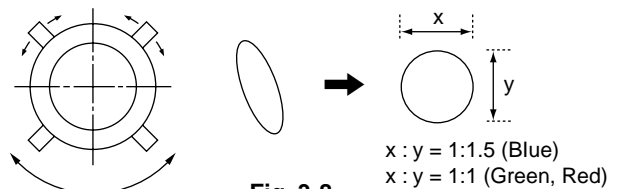


Fig. 3-8

3-8. DEFOCUS ADJUSTMENT (BLUE)

Note: Please adjust the blue dot to be slightly larger than red and green dots. This adjustment provides a more pleasing picture to the customer.

1. Select the video menu and set the mode to "VIVID" mode.
2. Set to the service mode.
3. Change TV mode to the video input mode.
4. Set to PJE, and press 6 to display the test signal (dots) on the screen.
5. Turn the blue focus VR on the focus block to adjust to the diameter of the dots as shown in the figure below.

[Focus adjustment point]

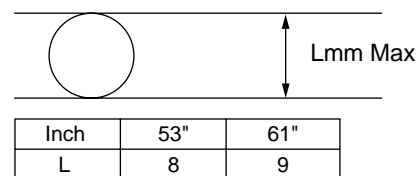


Fig. 3-9

3-9. ELECTRICAL ADJUSTMENT BY REMOTE COMMANDER

By using Remote Commander (RM-Y902), all circuit adjustments can be made.

NOTE : Test Equipment Required.

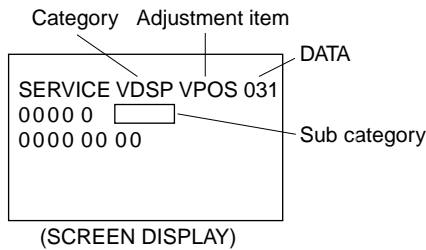
1. Pattern Generator (with component outputs)
2. Frequency counter
3. Digital multimeter
4. Audio oscillator

1. METHOD OF SETTING THE SERVICE ADJUSTMENT MODE

SERVICE MODE PROCEDURE

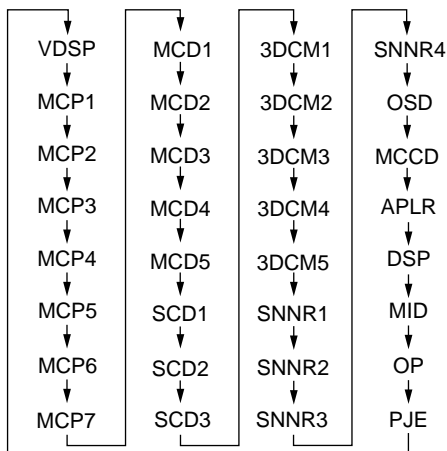
1. Standby mode. (Power off)
2. **DISPLAY** → **5** → **VOL (+)** → **TV POWER** on the Remote Commander.
(Press each button within a second.)

SERVICE MODE ADJUSTMENT



3. The SCREEN displays the item being adjusted.
4. Press **1** or **4** on the Remote Commander to select the adjustment item.
5. Press **3** or **6** on the Remote Commander to change the data.
6. Press **2** or **5** on the Remote Commander to select the category.

Every time you press 2(Category up), Service mode changes in the order as shown below.

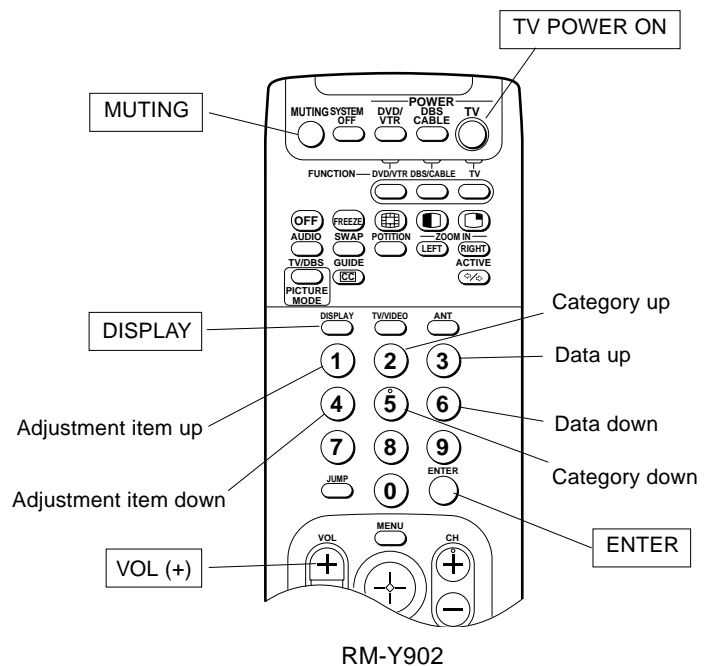


7. If you want to recover the latest values press **0** then **ENTER** to read the memory.
 8. Press **MUTING** then **ENTER** to write into memory.
 9. Turn power off.
- Note: Press **8** then **ENTER** on the Remote Commander to initialize or turn set off and on to exit.

2. MEMORY WRITE CONFIRMATION METHOD

1. After adjustment, remove the plug from AC outlet, and then replace the plug in AC outlet again.
2. Turn the power switch ON and set to Service Mode.
3. Call the adjusted items again and confirm they were adjusted.

3. ADJUSTING BUTTONS AND INDICATOR



Note : When the PJE mode is activated, which displays an internally generated signal, several buttons on the remote commander will have different functions than listed above. Therefore, when in the PJE mode, refer to page 49 for button functions.

4. SERVICE MODE LIST

- Note: • shaded items are fixed. There is no need to change data. Others are different a little in the sets individually. Basically, there is no need to change data, too.
- Usually, there is no need to adjust except for VDSP and PJE. Use data as a reference in case of replacing printed circuit boards or devices.
- () in the category column is the sub category.

VDSP (Vertical Deflection Signal Processor)

() : 1080I

Category	Item number	Adjustment item	Standard data	Data range	Note	Device
VDSP	00	VPOS	31	0-63	V SHIFT	CXD2018Q
	01	VANG	7	0-15	V ANGLE	
	02	VBOW	7	0-15	V BOW	
	03	VLIN	7	0-15	V LIN	
	04	VSIZ	31 (10)	0-63	V SIZE	
	05	VSCO	7	0-15	S CORRECTION	
	06	HPOS	41	0-63	H SHIFT	
	07	HSIZ	31	0-63	H SIZE	
	08	HKEY	11	0-15	TILT	
	09	PAMP	15	0-63	PIN AMP	
	10	UPIN	7	0-15	UPPER CORNER PIN	
11	LPIN	7	0-15	LOWER CORNER PIN		

MCP (Multi Component Processor)

Category	Item number	Adjustment item	Standard data	Data range	Note	Device
MCP 1	00	RDRV	31	0-63	R DRIVE	CXA2101AQ
	01	GDRV	31	0-63	G DRIVE	
	02	BDRV	31	0-63	B DRIVE	
	03	RCUT	31	0-63	R CUTOFF	
	04	GCUT	10	0-63	G CUTOFF	
	05	BCUT	31	0-63	B CUTOFF	
	06	P ON	1	0,1	PICON	
	07	R ON	1	0,1	R ON	
	08	G ON	1	0,1	G ON	
	09	B ON	1	0,1	B ON	
	10	PABL	15	0-15	PEAK ABL LEVEL	
	11	LTI L	0	0-3	LTI LEVEL	
	12	CTI L	0	0,1	CTI LEVEL	
	13	LIMT	2	0-3	INPUT LEVEL LIMIT	
	14	CBO1	7	0-15	CB OFFSET 1	
	15	CRO1	7	0-15	CR OFFSET 1	
	16	CBO2	7	0-15	CB OFFSET 2	
	17	CRO2	7	0-15	CR OFFSET 2	
	18	DCTR	1	0-3	DC TRAN	
	19	DPIC	1	0-3	D PIC	
	20	ABLT	3	0-3	ABL T/H (ACTIVE ON 16 :9)	
	21	VTC	2	0-3	V SYNC SFP TC	
	22	CBO3	7	0-15	CB OFFSET3	
23	CRO3	7	0-15	CR OFFSET3		

Category	Item number	Adjustment item	Standard data	Data range	Note	Device
MCP2 (DRC/480ip)	00	SCON	5	0-15	SUB CONTRAST	
	01	SBRT	31	0-63	SUB BRIGHTNESS	
	02	SHUE	7	0-15	SUB HUE	
	03	SCOL	12	0-15	SUB COLOR	
MCP3 (1080i)	00	SCON	3	0-15	SUB CONTRAST	
	01	SBRT	31	0-63	SUB BRIGHTNESS	
	02	SHUE	7	0-15	SUB HUE	
	03	SCOL	5	0-15	SUB COLOR	
MCP 4 (TV)	00	SSHP	3	0-3	SUB SHARPNESS	
	01	SHPF	1	0-3	SHARPNESS f0	
	02	VMDL	3	0-3	VM DELAY	
	03	SYS	1	0-3	SYSTEM	
MCP 5 (VIDEO)	00	SSHP	3	0-3	SUB SHARPNESS	
	01	SHPF	1	0-3	SHARPNESS f0	
	02	VMDL	3	0-3	VM DELAY	
	03	SYS	1	0-3	SYSTEM	
MCP 6 (1080 - 480)	00	SSHP	3	0-3	SUB SHARPNESS	
	01	SHPF	2	0-3	SHARPNESS f0	
	02	VMDL	3	0-3	VM DELAY	
	03	SYS	1	0-3	SYSTEM	
MCP 7	00		63	0-63	USER PICTURE(VIVID)	
			44	0-63	USER PICTURE(STANDARD)	
			40	0-63	USER PICTURE(MOVIE)	
			38	0-63	USER PICTURE(GAME)	
	38	0-63	USER PICTURE(PRO)			
	01	UBRT	28	0-63	USER BRIGHTNESS(VIVID)	
			31	0-63	USER BRIGHTNESS(STANDARD)	
			31	0-63	USER BRIGHTNESS(MOVIE)	
			27	0-63	USER BRIGHTNESS(GANE)	
			31	0-63	USER BRIGHTNESS(PRO)	
	02	UCOL	31	0-63	USER COLOR(VIVID)	
			31	0-63	USER COLOR(STANDARD)	
			31	0-63	USER COLOR(MOVIE)	
			31	0-63	USER COLOR(GAME)	
			31	0-63	USER COLOR(PRO)	
			31	0-63	USER COLOR(PRO)	
03	USHP	40	0-63	USER SHARPNESS(VIVID)		
		40	0-63	USER SHARPNESS(STANDARD)		
		33	0-63	USER SHARPNESS(MOVIE)		
		36	0-63	USER SHARPNESS(GAME)		
		40	0-63	USER SHARPNESS(PRO)		

Category	Item number	Adjustment item	Standard data	Data range	Note	Device
	04	UTRI	2	0-3	USER TRINITONE(VIVID)	
			1	0-3	USER TRINITONE(STANDARD)	
			0	0-3	USER TRINITONE(MOVIE)	
			2	0-3	USER TRINITONE(GAME)	
			1	0-3	USER TRINITONE(PRO)	
	05	UNR	0	0-3	USER NR MODE(VIVID)	
			0	0-3	USER NR MODE(STANDARD)	
			0	0-3	USER NR MODE(MOVIE)	
			0	0-3	USER NR MODE(GAME)	
			0	0-3	USER NR MODE(PRO)	
	06	UDPI	1	0,1	USER DYNAMIC PICTURE(VIVID)	
			1	0,1	USER DYNAMIC PICTURE(STANDARD)	
			0	0,1	USER DYNAMIC PICTURE(MOVIE)	
			0	0,1	USER DYNAMIC PICTURE(GAME)	
			1	0,1	USER DYNAMIC PICTURE(PRO)	
07	UVML	3	0-3	USER VM LEVEL(VIVID)		
		2	0-3	USER VM LEVEL(STANDARD)		
		1	0-3	USER VM LEVEL(MOVIE)		
		3	0-3	USER VM LEVEL(GAME)		
		1	0-3	USER VM LEVEL(PRO)		

MCD (Main Chroma Decoder)

Category	Item number	Adjustment item	Standard data	Data range	Note	Device
MCD 1 (DRC-TV)	00	SCON	5	0-15	SUB CONTRAST	CXA2019AQ
	01	SHUE	6	0-15	SUB HUE	
	02	SCOL	4	0-15	SUB COLOR	
MCD 2 (P&P-TV)	00	SCON	5	0-15	SUB CONTRAST	
	01	SHUE	6	0-15	SUB HUE	
MCD 3 (DRC-VIDEO)	02	SCOL	5	0-15	SUB COLOR	
	00	SCON	5	0-15	SUB CONTRAST	
MCD 4 (P&P-VIDEO)	01	SHUE	7	0-15	SUB HUE	
	02	SCOL	7	0-15	SUB COLOR	
MCD 5	00	MYDR	3	0-31	YDRIVE	
	01	Y2DR	31	0-31	Y2 DRIVE	
	02	U2DR	15	0-31	U2 DRIVE	
	03	V2DR	15	0-31	V2 DRIVE	
	04	MUPE	7	0-15	U PED	
	05	MVPE	7	0-15	V PED	
	06	U2PE	7	0-15	U2 PED	
	07	V2PE	7	0-15	V2 PED	
	08	DPIC	1	0,1	D PIC	
09	DCTR	0	0-7	DC TRAN		

SCD (Sub Chroma Decoder)

Category	Item number	Adjustment item	Standard data	Data range	Note	Device
SCD 1 (TV)	00	SCON	6	0-15	SUB CONTRAST(TV)	CXA2019AQ
	01	SHUE	6	0-15	SUB HUE(TV)	
	02	SCOL	6	0-15	SUB COLOR(TV)	
SCD 2 (VIDEO)	00	SCON	6	0-15	SUB CONTRAST(VIDEO)	
	01	SHUE	6	0-15	SUB HUE(VIDEO)	
	02	SCOL	6	0-15	SUB COLOR(VIDEO)	
SCD 3	00	MYDR	3	0-31	YDRIVE	
	01	Y2DR	31	0-31	Y2 DRIVE	
	02	U2DR	15	0-31	U2 DRIVE	
	03	V2DR	15	0-31	V2 DRIVE	
	04	MUPE	7	0-15	U PED	
	05	MVPE	7	0-15	V PED	
	06	U2PE	7	0-15	U2 PED	
	07	V2PE	7	0-15	V2 PED	
	08	DPIC	1	0,1	D PIC	
09	DCTR	0	0-7	DC TRAN		

3DCM (3D Comb Filter)

Category	Item number	Adjustment item	Standard data	Data range	Note	Device
3DCM 1 (YCS)	00	NRMD	0	0-3	NRMD	UPD64081
	01	DYCO	2	0,1	DYCOR	
	02	DYGA	11	0-15	DYGAIN	
	03	DCCO	1	0,1	DCCOR	
	04	DCGA	12	0-15	DCGAIN	
	05	SELD	1	0,1	SELD	
3DCM 2 (YCNR)	06	D2GA	4	0-7	D2GAIN	
	00	NRMD	3	0-3	NRMD	
	01	DYCO	2	0,1	DYCOR	
	02	DYGA	11	0-15	DYGAIN	
	03	DCCO	1	0,1	DCCOR	
	04	DCGA	12	0-15	DCGAIN	
3DCM 3 (TV)	05	SELD	1	0,1	SELD	
	06	D2GA	4	0-7	D2GAIN	
	00	WSC	0	0-3	WSC	
	01	VTRH	1	0-3	VTRH	
	02	VTRR	1	0-3	VTRR	
	03	LDSR	3	0-3	LDSR	
	04	YPFT	3	0-3	YPFT(TV:NR OFF)	
	05	YPFG	12	0-15	YPFG(TV:NR OFF)	
	06	YPFC	0	0,1	YPFT CORING(TV:NR OFF)	

Category	Item number	Adjustment item	Standard data	Data range	Note	Device
3DCM 4 (VIDEO)	00	WSC	0	0-3	WSC	
	01	VTRH	1	0-3	VTRH	
	02	VTRR	1	0-3	VTRR	
	03	LDSR	1	0-3	LDSR	
	04	YPFT	3	0-3	YPFT(VIDEO:NR OFF)	
	05	YPFG	12	0-15	YPFG(VIDEO:NR OFF)	
	06	YPFC	1	0,1	YPFT CORING(VIDEO:NR OFF)	
3DCM 5	00	MSS	0	0-3	MSS	
	01	YNKI	2	0-3	YNRK & YNRIV	
	02	YNRL	0	0-3	YNRLIM	
	03	CNKI	2	0-3	CNRK & CNRINV	
	04	CNRL	0	0-3	CNRLIM	
	05	VIPS	2	0-3	VIPS	
	06	VEGS	1	0-3	VEGS	
	07	CC3N	0	0,1	CC3N	
	08	HDP	4	0-7	HDP	
	09	CDL	3	0-7	CDL	
	10	HSSL	12	0-15	HSSL	
	11	VSSL	3	0-15	VSSL	
	12	HPLF	1	0,1	HPLLFS	
	13	BPLF	1	0,1	BPLLFS	
	14	FSCF	0	0,1	FSCFG	
	15	EXAD	1	0,1	ADIN	
16	WSLT	2	3	WSL THRESHHOLD		

SNNR (Signal Noise and Noise Reduction)

Category	Item number	Adjustment item	Standard data	Data range	Note	Device
SNNR1	00	SSHP	3	0-3	MCP SUB SHARPNESS	
	01	LTIL	0	0-3	MCP LTI	
	02	YPFT	3	0-3	3DCM YPFT	
	03	YPFG	10	0-15	3DCM YPFG	
	04	YPFC	0	0,1	3DCM YPFC	
	05	WSLT	15	0-255	3DCM WSL THRESHOLD	
SNNR2	00	SSHP	3	0-3	MCP SUB SHARPNESS	
	01	LTIL	0	0-3	MCP LTI	
	02	YPFT	3	0-3	3DCM YPFT	
	03	YPFG	9	0-15	3DCM YPFG	
	04	YPFC	0	0,1	3DCM YPFC	
	05	WSLT	79	0-255	3DCM WSL THRESHOLD	
SNNR3	00	SSHP	3	0-3	MCP SUB SHARPNESS	
	01	LTIL	0	0-3	MCP LTI	
	02	YPFT	1	0-3	4DCM YPFT	
	03	YPFG	7	0-15	4DCM YPFG	
	04	YPFC	1	0,1	4DCM YPFC	
	05	WSLT	175	0-255	4DCM WSL THRESHOLD	
SNNR4	00	SSHP	2	0-3	MCP SUB SHARPNESS	
	01	LTIL	0	0-3	MCP LTI	
	02	YPFT	1	0-3	4DCM YPFT	
	03	YPFG	5	0-15	4DCM YPFG	
	04	YPFC	1	0,1	4DCM YPFC	

OSD (On Screen Display)

Category	Item number	Adjustment item	Standard data	Data range	Note	Device
OSD	00	FREQ	95	0-255	OSD FREQ	MB90091 & OSD U-COM
	01	HPOS	26	0-255	H POSITION	
	02	VPOS	30	0-255	V POSITION	

MCCD (Main Closed Caption Decoder)

Category	Item number	Adjustment item	Standard data	Data range	Note	Device
MCCD	00	CRIL	2	0-15	CRI COUNT LOW	MAIN U-COM
	01	CFLD	5	0-15	CAPTION FIXED-FIELD COUNT	
	02	CCDI	3	0-7	CCD INT	
	03	CRIP	4	0-7	CRI & PARITY	
	04	CRIT	1	0-3	CRI TIME CONSTANT(MASK=1,OTP=2)	
	05	CSB1	3	0-3	SYNC SLICE BIAS 1	

Category	Item number	Adjustment item	Standard data	Data range	Note	Device
	06	CSB2	4	0-7	SYNC SLICE BIAS 2	
	07	CREP	142	0-255	CRI SIGNAL END POSITION	
	08	CDS2	8	0-31	DATA START DELAY	
	09	CCDS	9	0-31	CAPTION DATA THRESHOLD	
	10	CHMK	42	0-63	P8 HMASK	
	11	CHSY	136	0-255	P8 HSYNC	
	12	CCDH	27	0-63	CCD H POSITION	

APLR (Audio Processor Left and Right)

Category	Item number	Adjustment item	Standard data	Data range	Note	Device
APLR	00	SVOL	0	0-15	SUB VOLUME	TDA7312
	01	ATTL	0	0-15	ATT LCH	
	02	ATTR	0	0-15	ATT RCH	
	03	SBAS	7	0-15	SUB BASS	
	04	STRE	7	0-15	SUB TREBLE	

DSP (Digital Signal Processor)

Category	Item number	Adjustment item	Standard data	Data range	Note	Device
DSP	1	TB0H	48	0-128	TRUSURROUND EFFECT(L+R) COARSE	TC9447F
	2	TB0L	0	0-128	TRUSURROUND EFFECT(L+R) FINE	
	3	TB1H	64	0-128	TRUSURROUND EFFECT(L-R) COARSE	
	4	TB1L	0	0-128	TRUSURROUND EFFECT(L-R) FINE	
	5	TB2H	64	0-128	TRUSURROUND EFFECT(C) COARSE	
	6	TB2L	0	0-128	TRUSURROUND EFFECT(C) FINE	
	7	TBFH	165	0-128	TRUSURROUND EFFECT(S) COARSE	
	8	TBFL	0	0-128	TRUSURROUND EFFECT(S) FINE	
	9	TC0H	90	0-128	TRUSURROUND EFFECT(S) COARSE	
	10	TC0L	126	0-128	TRUSURROUND EFFECT(S) FINE	
	11	TC1H	11	0-128	TRUSURROUND EFFECT(L,R) COARSE	
	12	TC1L	130	0-128	TRUSURROUND EFFECT(L,R) FINE	
	13	SADH	64	0-128	SRS SPACE LEVEL COARSE	
	14	SADL	100	0-128	SRS SPACE LEVEL FINE	
	15	SB0H	92	0-128	SRS CENTER LEVEL COARSE	
	16	SB0L	0	0-128	SRS CENTER LEVEL COARSE	

MID (Multi Image Driver)

Category	Item number	Adjustment item	Standard data	Data range	Note	Device
MID	00	DLYC	3	0-7	DELAY(Y OUTPUT DELAY)	CXD2079Q & MID U-COM
	01	YSDY	1	0-7	YSDY(YS DELAY)	
	02	VJTC	0	0-3	VJITTC(V JITTER MODE)	
	03	HPHA	43	0-255	HPHASA(ACH H PHASE)	
	04	VPHA	11	0-255	VPHASA(ACH V PHASE)	
	05	DLYA	4	0-7	DELAYA(ACH Y DELAY)	
	06	HPOA	87	0-255	HPOSIA(ACH H POSITION:NOT USE)	
	07	VPOA	64	0-255	VPOSIA(ACH V POSITION:NOT USE)	
	08	HPHB	43	0-255	HPHASB(BCH H PHASE)	
	09	VPHB	11	0-255	VPHAHB(BCH V PHASE)	
	10	DLYB	4	0-7	DELAYB(BCH Y DELAY)	
	11	HPOB	4	0-15	HPOSIB(BCH H POSITION:PIP ONLY)	
	12	VPOB	6	0-15	VPOSIB(BCH V POSITION:PIP ONLY)	
	13	BPDY	0	0-15	BPDELAY(BP DELAY)	
	14	ADSW	1	0,1	A/BCH ADC INT/EXT(EXT=1)	
	15	OSDH	25	0-63	OSD H POSITION	
	16	OSDV	7	0-63	OSD V POSITION	
	17	WCOL	2	0-3	WKCA/WKCB(A/BCH WINDOW COLOR)	

OP (Option)

Category	Item number	Adjustment item	Standard data	Data range	Note	Device
OP	00	AGCA	152	0-255	AGC ATT LEVEL	MAIN U-COM
	01	16:9	0	0,1	16:9 ON/OFF (ON = 1)	
	02	DRCP	0	0,1	DRC INTERLACE/PROGRESSIVE	
	03	1080	0	0,1	FORCED 1080I(VIDEO5)	
	04	IDXT	2	0-15	INDEX CH SCAN TIME	
	05	VPI	0	0-3	PICTURE BOOSTER SETTING(VIVID)	
	06	SPI	9	0-15	PICTURE BOOSTER SETTING(STANDARD)	

PJE (Projection TV Engine)

() : 1080I < > 16:9

Category	Item number	Adjustment item	Standard data	Data range	Note	Device
PJE	00	FDIS	00	0,1	FINE ADJUST DISPLAY ON(ON=1, OFF=0)	CM0006AF & PJED U-COM
	01	OSDH	32	0-255	PJED OSD H POSITION	
	02	OSDV	55	0-255	PJED OSD V POSITION	
	03	FVST	51(00)	0-255	FINE V START LINE	
	04	V1ST	00	0-255	V1 START	
	05	V1CU	31(29)	0-255	V1 COUNT UP	
	06	COHP	00	0-255	COARSE H PHASE	
	07	FIHP	206(205)	0-255	FINE H PHASE	
	08	TPHP	49(55)<46>	0-255	TEST PATTERN H PHASE	

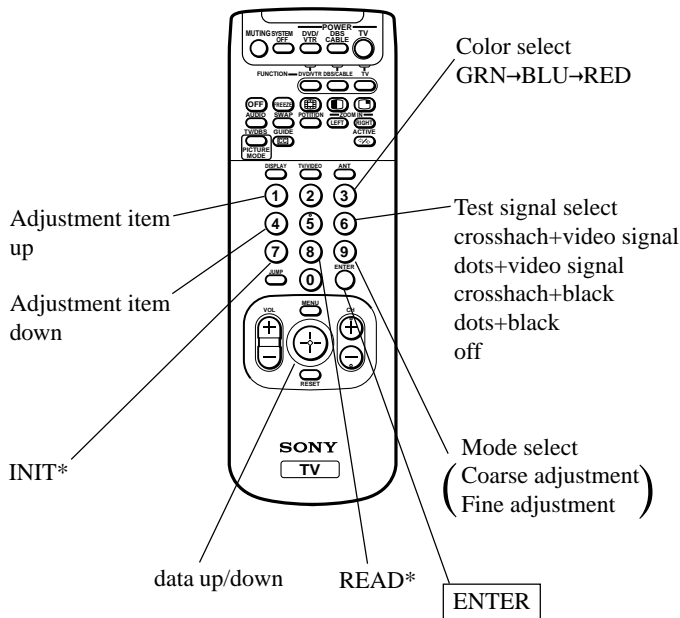
(): 1080I < > 16 :9

Category	Item number	Adjustment item	Standard data	Data range	Note	Device
	09	DFHP	00(251)	0-255	DF H PHASE	
	10	DFHG	95	-128+127	DF H GAIN	
	11	DFVG	15	-128+127	DF V GAIN	
	12	PWM1	00	0-255	PWM1	
	13	PWM2	29	0-255	PWM2	
	14	HBLD	222(217)	0-255	HBLKOUT H DELAY	
	15	HBLW	00(10)<10>	0-63	HBLKOUT PULSE WIDTH	
	16	BLKP	44(75)<49>	0-255	V BLANKING PULSE	
	17	COGV	00	-127+127	GV CENTER OFFSET OF AUTO REGI	
	18	CORV	00	-127+127	RV CENTER OFFSET OF AUTO REGI	
	19	COBV	00	-127+127	BV CENTER OFFSET OF AUTO REGI	
	20	COGH	00	-127+127	GH CENTER OFFSET OF AUTO REGI	
	21	CORH	00	-127+127	RH CENTER OFFSET OF AUTO REGI	
	22	COBH	00	-127+127	BH CENTER OFFSET OF AUTO REGI	
	23	SOGV	00	-127+127	GV SKEW OFFSET OF AUTO REGI	
	24	SORV	00	-127+127	RV SKEW OFFSET OF AUTO REGI	
	25	SOBV	00	-127+127	BV SKEW OFFSET OF AUTO REGI	
	26	SOGH	00	-127+127	GH SKEW OFFSET OF AUTO REGI	
	27	SORH	00	-127+127	RH SKEW OFFSET OF AUTO REGI	
	28	SOBH	00	-127+127	BH SKEW OFFSET OF AUTO REGI	
	29	ERR	00		AUTO REGI ERROR CODE	
	30	ADTM	144	0-255	AUTO REGI AD TIMING	
	31	VUP	01	0-255	AUTO REGI VUP POS	
	32	VMID	114(120)<120>	0-255	AUTO REGI VMID POS	
	33	VLOW	224(238)<240>	0-255	AUTO REGI VLOW POS	
	34	HPR	01	0-255	AUTO REGI H POS REGIS	
	35	SFTF	00	0,1	V SIZE SHIFT FAST	
	36	ACTL	00	0-255	ACTIVE CRT TIME(LOW BYTE)	
	37	ACTH	00	0-255	ACTIVE CRT TIME(HIGH BYTE)	
	GRN	CENT	000 / 000	-512 - +511	COARSE GREEN H/V CENT	
		SKEW	000 / 000	-512 - +511	COARSE GREEN H/V SKEW	
		SIZE	000 / 000	-512 - +511	COARSE GREEN H/V SIZE	
		LIN	XXXX / XXXX	-	COARSE GREEN H/V LIN	
		KEY	XXXX / XXXX	-	COARSE GREEN H/V KEY	
		PIN	XXXX / 000	-512 - +511	COARSE GREEN H/V PIN	
	BLU	CENT	000 / 000	-512 - +511	COARSE BLUE H/V CENT	
		SKEW	000 / 000	-512 - +511	COARSE BLUE H/V SKEW	
		SIZE	000 / 000	-512 - +511	COARSE BLUE H/V SIZE	
		LIN	000 / XXXX	-512 - +511	COARSE BLUE H/V LIN	
		KEY	000 / 000	-512 - +511	COARSE BLUE H/V KEY	
		PIN	XXXX / 000	-512 - +511	COARSE BLUE H/V PIN	

Category	Item number	Adjustment item	Standard data	Data range	Note	Device
	RED	CENT	000 / 000	-512 - +511	COARSE RED H/V CENT	
		SKEW	000 / 000	-512 - +511	COARSE RED H/V SKEW	
		SIZE	000 / 000	-512 - +511	COARSE RED H/V SIZE	
		LIN	000 / XXXX	-512 - +511	COARSE RED H/V LIN	
		KEY	XXXX / 000	-512 - +511	COARSE RED H/V KEY	
		PIN	XXXX / 000	-512 - +511	COARSE RED H/V PIN	

3-10. REGISTRATION ADJUSTMENT (PJE)

• FUNCTION OF BUTTONS OF REMOTE COMMANDER FOR PJE MODE.



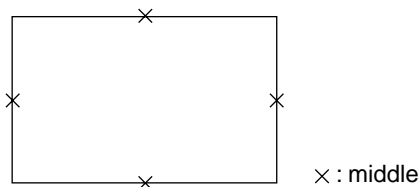
INIT*: Press 7, "INIT" green letters appear on the screen. Then press ENTER, all the PJE data are reset.

READ*: Press 8, "READ" green letters appear on the screen. Then press ENTER, all the PJE default data are restored.

Note : Internal patterns are used for geometry and convergence adjustments. However, sizing and centering must be done with the use of an external generator. The recommended pattern would be a monoscope, or equivalent pattern, which would provide the means to adjust both the linearity and sizing of the picture.

[SETUP FOR ADJUSTMENT]

- Current flow in circuit should be stable before attempting adjustment. So wait 5 minutes after turning on the TV power.
- At the 4 insides of the screen, locate the middle. Use a tape measure to identify the middle.



- Separate adjustments are required for multiple modes and should be done in the following order (as each mode requires a separate adjustment):

- 4 : 3 mode
- 16 : 9 mode
- 1080i (Video 5 input mode)

In all these modes, both color convergence and geometry adjustments are required.

- In order to do the 16 : 9, 1080i (Video 5) mode adjustment, you must follow this procedure:

Forced 16 : 9 mode setting:

In the service mode, set OP 01 16 : 9 to 001.

VIDEO 5 forced 1080i mode setting:

Connect RCA pin plug to VIDEO IN 5 red pin jack, and set OP 03 1080 to 001 in the service mode.

1. Set to the service mode by pressing quickly keys on the remote commander in the standby mode in the following order:
[DISPLAY] → [5] → [VOL+] → [TV POWER]
2. Change TV mode to the video input mode.
3. Change the VDSP mode to the PJE 00 FDIS.

PJE	00	00
FDIS		

4. Set FDIS data to "01" to display the registration data of each spot in the fine adjustment.

PJE	00	01
FDIS		

5. Press [6] to display the test signal (crosshatch) on the screen.
6. Select GRN CENT(*) with the [1] and [4] keys on the remote commander and check that the adjustment data is now "000" both vertically and horizontally.

	(H)	(V)
GRN	000	000
CENT		

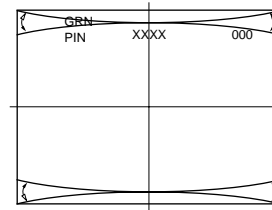
- *: In the factory preset, "GRN CENT" appears on the screen first. In case of other colors "RED" or "BLU", change color by every pressing [3] key.

7. Cover the both red and blue picture lenses with the lens caps to show only the green color.

SUB DEFLECTION ADJUSTMENT ITEM

Adjustment O : Yes - : No

Display	Adjustment item	Adjustment type		
		G	R	B
CENT	CENT	O/O	O/O	O/O
SKEW	SKEW	O/O	O/O	O/O
SIZE	SIZE	O/O	O/O	O/O
LIN	LIN	-/-	O/-	O/-
KEY	KEY	-/-	-/O	-/O
PIN	PIN	-/O	-/O	-/O

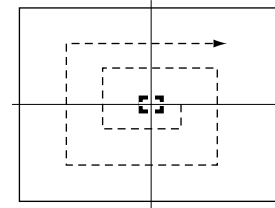


Note : These are required when either severe miss-adjustment or data loss occurred.

<FINE ADJUSTMENT>

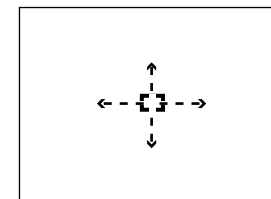
1. Press **[9]** key on the remote commander to shift to the fine adjustment mode.
The green cursor (in the GRN mode) appears on the center of the screen.
2. Use the **[1]** and **[4]** keys or the joystick on the remote commander, move the cursor (see below) everywhere you want to adjust and adjust with the joystic keys on the remote commander.

Marker movement by the **[1]** and **[4]** keys:

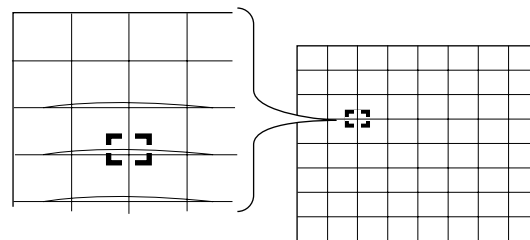


Press once the joystick the cursor turns green to white.

Then you can move the cursor up and down left and right everywhere you want.



Press once again the joystick the cursor stops and returns green, you can adjust around the cursor.

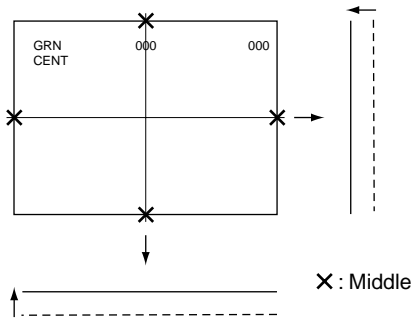


3. Press **[9]** key on the remote commander to shift to the coarse adjustment mode.

[GREEN REGISTRATION ADJUSTMENT]

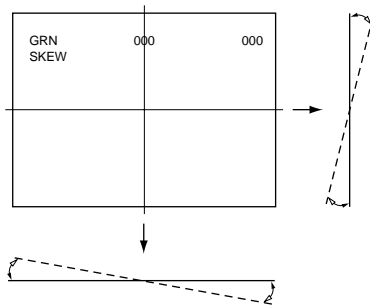
<GREEN CENTER, SIZE>

1. Select GRN CENT or GRN SIZE with the **[1]** and **[4]** keys on the remote commander.
2. Adjust the center of crosshatch line goes the middle vertically and horizontally (GRN CENT) and set the size correctly (GRN SIZE) with the joystick on the remote commander.



<GREEN SKEW>

1. Select GRN SKEW with the **[1]** and **[4]** keys on the remote commander.
2. Adjust the crosshatch line goes straight vertically and horizontally with the joystick on the remote commander.



<GREEN PINCUSHION>

1. Select GRN PIN with the **[1]** and **[4]** keys on the remote commander.
2. Adjust the crosshatch line goes straight horizontally with the joystick on the remote commander.

[RED REGISTRATION ADJUSTMENT]

<RED CENTER, SKEW>

1. Cover the blue picture lens with the lens cap to show the green and red colors.
2. Press **[3]** key on the remote commander to shift the GRN mode to the RED mode.
3. Select RED CENT or RED SKEW with the **[1]** and **[4]** keys on the remote commander and adjust while tracking each other alternately.
4. Adjust the red crosshatch lines go straight vertically and horizontally and overlaps the green lines with the joystick on the remote commander.

<RED SIZE, LINEARITY>

1. Select RED SIZE (vertically and horizontally) or RED LIN (vertically) with the **[1]** and **[4]** keys on the remote commander and adjust while tracking each other alternately.
2. Adjust the red crosshatch lines go straight vertically and horizontally and overlaps the green lines with the joystick on the remote commander.

<RED KEY, PINCUSHION>

1. Select RED KEY or PINCUSHION with the **[1]** and **[4]** keys on the remote commander and adjust while tracking each other alternately.
2. Adjust the red crosshatch lines go straight horizontally and overlaps the green lines with the joystick on the remote commander.

<FINE ADJUSTMENT>

1. Press **[9]** key on the remote commander to shift to the fine adjustment mode.
The red cursor (in the RED mode) appears on the center of the screen.
2. Use the **[1]** and **[4]** keys or the joystick on the remote commander, move the cursor everywhere you want to adjust and adjust with the joystick on the remote commander.

[BLUE REGISTRATION ADJUSTMENT]

1. Remove the lens cap from the blue picture lens to show full color.
2. Press **[3]** key on the remote commander to shift the RED mode to the BLU mode.
3. Adjust BLU CENT, BLU SKEW, BLU SIZE, BLU LIN, BLU KEY and BLU PIN in the same procedure of the red registration adjustment.

[FINAL CHECK]

1. Store the new adjustment (offset) value on the remote control by pressing **[MUTING]** and **[ENTER]**.
2. Press the FLASH FOCUS button on the front panel.
(The Offset value is now automatically stored.)
3. Check that no error message appears.
If an error message appears, recheck.

Note : In case of replacing CRTs, adjust the set-up adjustments (items 3-1 to 3-8) and the registration adjustment (item 3-10).
In case of replacing two or three CRTs at the same time, replace and adjust one by one.

3-11. AUTO REGISTRATION ERROR CODE LIST

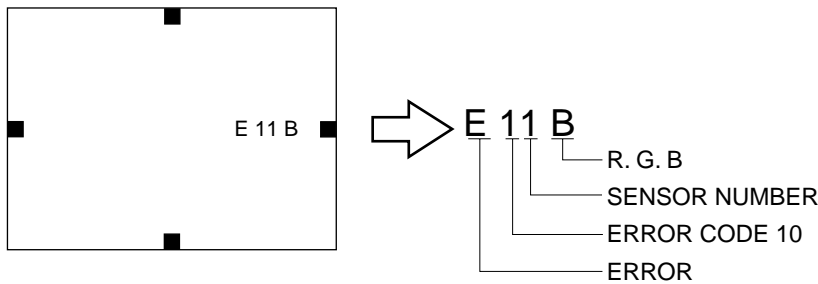
If an error code is displayed after the set has been fully adjusted, correctly, please check the following items: position, tilt and sizing. If either of these adjustments are off, even slightly, the auto-registration pattern will not hit the four sensors properly. This occurs when the internal generator patterns is being flashed on the screen for the sensors to read. Therefore, auto registration (called auto-focus) cannot operate properly causing an error code to be displayed. In order for this function to operate properly, correct position, tilt and size must be adjusted properly.

[ERROR CODE LIST]

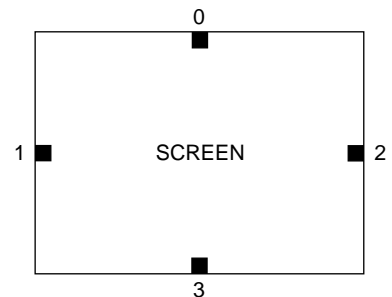
ERROR CODE	DISCRIPTION	NOTE
00	No Error	
10	Sensor Output Level Low	* Check wiring, beam position, sensor. 0 : Upper Center 1 : Middle Left 2 : Middle Right 3 : Lower Center
20	Sensor Output Level High	* Check OP-amp circuit. 0 : Upper Center 1 : Middle Left 2 : Middle Right 3 : Lower Center
30	Adjustment Loop Counter Overflow	* Check the registring information on the convergence board.
40	Regi Data Overflow	* Check the convergence yoke driver ICs.
50	Regi Data Overflow	
60	Offset Overflow	* Convergence patterns displayed are out of normal range.
70	Offset Overflow	

* In case of multiple error, last error is displayed.

• ERROR CODE SCREEN DISPLAY



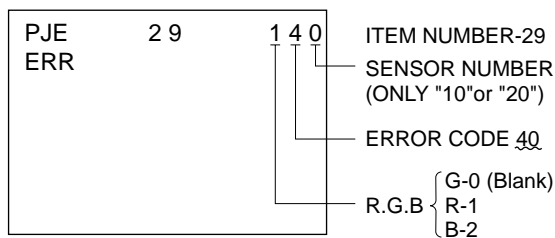
[SENSOR POSITION]



- 0 : UPPER SENSOR
- 1 : LEFT SENSOR
- 2 : RIGHT SENSOR
- 3 : LOWER SENSOR

* Error code will be displayed on center of screen for 3 seconds.

• ERROR CODE DISPLAY IN REGI SERVICE MODE



SECTION 4

SAFETY RELATED ADJUSTMENTS

[D BOARD]

4-1. HV REGULATION CIRCUIT CHECK AND ADJUSTMENT

When replacing the following components marked with \blacksquare on the schematic diagram always check HV regulation, and if necessary re-adjust.

- \blacksquare : R8196, R8201
- \blacksquare : C8018, C8064, C8066, C8070, C8074, C8076, C8082, D8042, IC8002, IC8007, IC8008, Q8022, R8093, R8095, R8096, R8105, R8108, R8112, R8113, R8114, R8115, R8126, R8128, R8136, R8138, R8139, R8154, R8157, R8168, R8173, R8174, R8177, R8178, R8195, R8196, R8201, T8002 (LOT), T8003 (FBT), HV BLOCK, D BOARD

OPERATION CHECK

1. Connect a HV static voltmeter to the unconnected plug of the high-voltage block.
2. Connect a 33k Ω variable resistor, set to maximum value, across CN8008.
3. Power on the set.
4. Receive dot signal pattern.
5. Gradually lower the value of the variable resistor and check that the hold-down circuit operates at a static voltmeter reading of 31.0 ± 0.5 kV dc when the raster disappears.

HV HOLD-DOWN ADJUSTMENT

1. REPART STEPS ① ~ ⑤ as above.
2. Just at the point hold-down circuit begins to operate switch off the set.
3. Remove the VR connected across CN8008, and measure its resistance.
4. Solder a resistor value, nearest to the measured value, across CN8008.
5. Reconfirm operation check.

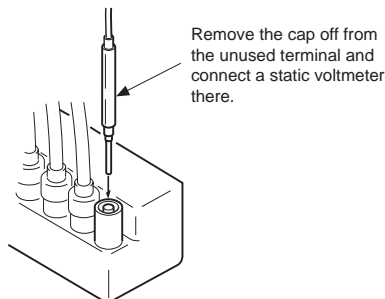


Fig. 4-1

4-2. HV HOLD DOWN CIRCUIT OPERATION CHECK AND ADJUSTMENT

When replacing the following components marked with \blacksquare on the schematic diagram always check hold-down voltage and if necessary re-adjust.

- \blacksquare : R8194, R8202
- \blacksquare : C8018, D8026, D8032, D8035, D8050, IC8006, IC8009, IC8010, Q8021, Q8031, R8092, R8094, R8097, R8109, R8110, R8117, R8118, R8121, R8123, R8125, R8129, R8135, R8140, R8155, R8190, R8191, R8192, R8193, R8194, R8198, R8202, T8002 (LOT), T8003 (FBT), HV BLOCK, D BOARD

OPERATION CHECK

1. Connect a HV static voltmeter to the unconnected plug of the high-voltage block.
2. Power on the set.
3. Receive dot signal pattern.
4. Check that the HV static voltmeter is reading 34.0 ± 0.5 V dc.

HV Regulation ADJUSTMENT

1. Repeat step ① as above.
2. Connect 33k Ω variable resistor, set to maximum value, to CN8008.
3. Power on the set.
4. Receive dot signal pattern.
5. Gradually lower the value of the variable resistor until the static voltmeter is reading 34.0 ± 0.5 kVdc.
6. Switch off the swt.
7. Remove the VR connected across CN8008, and measure its value.
8. Solder a resistor value, nearest to the measured value, across CN8008.
9. Reconfirm operation check.

[G BOARD]

4-3. +B MAX VOLTAGE CONFIRMATION

The following adjustments should always be performed when replacing IC6101.

1. Supply 130.0 ± 2.0 VAC to variable autotransformer.
2. Receive dot signal pattern and set the PICTURE and BRIGHTNESS settings to their minimum.
3. Confirm the voltage of TP +B 135V is less than 137.0Vdc.
4. If step 4 not satisfied, replace IC6101 and repeat above steps.

4-4. +B OVP CONFIRMATION

1. Connect a voltmeter to TP. OVP and ground.
2. Supply 120VAC to variable autotransformer.
3. Power on the Set.
4. Supply 150VDC to TP. OVP.
5. Check the OVP is activated.

SECTION 5 CIRCUIT ADJUSTMENTS

[MCD MODE]

5-1. TV INPUT SUB CONTRAST ADJUSTMENT (MCD1-SCON)

1. Receive the color-bar signal.
2. Set to service mode.
3. Connect an oscilloscope between pin ② of CN511 (A board) and ground.
4. Select “ MCD1-SCON ”, and adjust so that the waveform level is $0.525 \pm 0.015V_{p-p}$.
5. Write the data into memory.

MUTING → ENTER

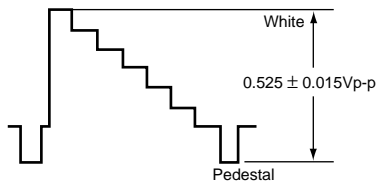


Fig. 5-1

5-2. VIDEO INPUT SUB CONTRAST ADJUSTMENT (MCD3-SCON)

1. VIDEO 1 input the color-bar signal.
2. Set to service mode.
3. Connect an oscilloscope between pin ② of CN511 (A board) and ground.
4. Select “ MCD3-SCON ”, and adjust so that the waveform level is $0.525 \pm 0.015V_{p-p}$.
5. Write the data into memory.

MUTING → ENTER

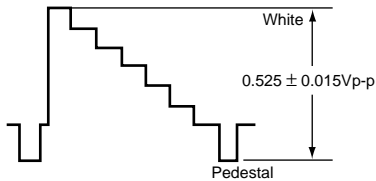


Fig. 5-2

5-3. P & P SUB CONTRAST ADJUSTMENT (MCD2-SCON)

1. Receive the signal.
TV terminal (main) : color-bar signal
VIDEO terminal (sub) : no signal
2. Set to P & P mode, set to service mode.
3. Connect an oscilloscope between pin ⑳ of CN513 (A board) and ground.
4. Select “ MCD2-SCON ”, and adjust so that the waveform level is $0.525 \pm 0.015V_{p-p}$.
5. Write the data into memory.

MUTING → ENTER

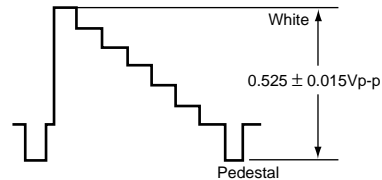


Fig. 5-3

5-4. P & P SUB CONTRAST ADJUSTMENT (MCD4-SCON)

1. Receive the signal.
TV terminal (sub) : no signal
VIDEO terminal (main) : color-bar signal
2. Set to P & P mode, and set to service mode.
3. Connect an oscilloscope between pin ⑳ of CN513 (A board) and ground.
4. Select “ MCD4-SCON ”, and adjust so that the waveform level is $0.525 \pm 0.015V_{p-p}$.
5. Write the data into memory.

MUTING → ENTER

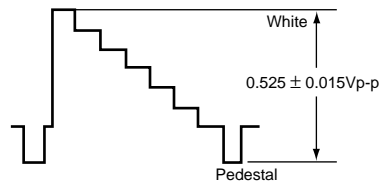


Fig. 5-4

5-5. SUB-CONTRAST ADJUSTMENT (MCP2-SCON)

1. Receive the color-bar signal.
2. VIDEO MODE : PRO
PICTURE : maximum
COLOR : minimum
BRIGHTNESS : center
TRINITONE : medium
SERVICE DATA MCP2-SBRT : 25
3. Set to service mode.
4. Connect an oscilloscope between pin ③ of CN503 (A board) connector and ground.
5. Select “ MCP 2-SCON ”, and adjust so that the waveform level is $1.750 \pm 0.030V_{p-p}$.
6. Write the data into memory.

→

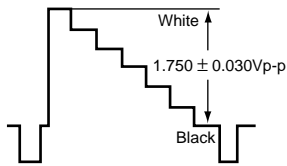


Fig. 5-5

5-6. VIDEO 5 INPUT SUB-CONTRAST ADJUSTMENT (MCP3-SCON)

1. VIDEO 5 input the color-bar signal.
2. PICTURE : maximum
COLOR : minimum
BRIGHTNESS : center
TRINITONE : medium
SERVICE DATA MCP3-SBRT : 25
3. Set to service mode.
4. Connect an oscilloscope between pin ③ of CN503 (A board) connector and ground.
5. Select “ MCP 3-SCON ”, and adjust so that the waveform level is $1.750 \pm 0.030V_{p-p}$.
6. Write the data into memory.

→

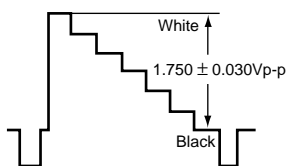


Fig. 5-6

5-7. SUB-HUE AND SUB-COLOR ADJUSTMENT (MCD1-SHUE, SCOL)

1. Receive the color-bar signal.
2. VIDEO MODE : PRO
PICTURE : maximum
COLOR : center
HUE : HUE
BRIGHTNESS : center
TRINITONE : medium
SERVICE DATA MCP1-SBRT : 25
MCP1-SHUE : 7
MCP1-SCOL : 12
3. Set to service mode.
4. Connect an oscilloscope between pin ⑤ of CN503 (A board) connector and ground.
5. Select “ MCD 1-SHUE, SCOL ”, and adjust them to have $VB1 = VB4$ and $VB2 = VB3$ in the waveform levels.
6. Write the data into memory.

→

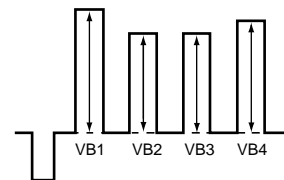


Fig. 5-7

5-8. VIDEO INPUT SUB-HUE AND SUB-COLOR ADJUSTMENT (MCD3-SHUE, SCOL)

1. VIDEO input the color-bar signal.
2. VIDEO MODE : PRO
PICTURE : maximum
COLOR : center
HUE : HUE
BRIGHTNESS : center
TRINITONE : medium
SERVICE DATA MCP1-SBRT : 25
MCP1-SHUE : 7
MCP1-SCOL : 12
3. Set to service mode.
4. Connect an oscilloscope between pin ⑤ of CN503 (A board) connector and ground.
5. Select “ MCD 3-SHUE, SCOL ”, and adjust them to have $VB1 = VB4$ and $VB2 = VB3$ in the waveform levels.
6. Write the data into memory.

→

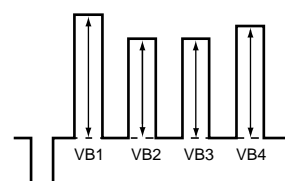


Fig. 5-8

5-9. P & P SUB-HUE AND SUB-COLOR ADJUSTMENT (MCD2-SHUE, SCOL)

1. Receive the signal.
TV terminal (main) : color-bar signal
VIDEO terminal (sub) : no signal
2. VIDEO MODE : PRO
PICTURE : maximum
COLOR : center
HUE : HUE
BRIGHTNESS : center
TRINITONE : medium
SERVICE DATA MCP1-SBRT : 25
MCP1-SHUE : 7
MCP1-SCOL : 12
3. Set to P & P mode, set to service mode.
4. Connect an oscilloscope between pin ⑤ of CN503 (A board) connector and ground.
5. Select “ MCD 2-SHUE, SCOL ”, and adjust them to have $VB1 = VB4$ and $VB2 = VB3$ in the waveform levels.
6. Write the data into memory.

MUTING → ENTER

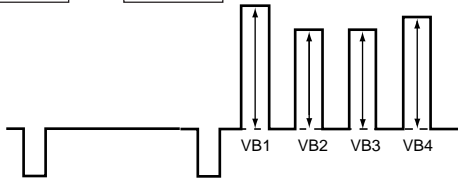


Fig. 5-9

5-10. P & P SUB-HUE AND SUB-COLOR ADJUSTMENT (MCD4-SHUE, SCOL)

1. Receive the signal.
VIDEO terminal (main) : color-bar signal
VIDEO terminal (sub) : no signal
2. VIDEO MODE : PRO
PICTURE : maximum
COLOR : center
HUE : HUE
BRIGHTNESS : center
TRINITONE : medium
SERVICE DATA MCP1-SBRT : 25
MCP1-SHUE : 7
MCP1-SCOL : 12
3. Set to P & P mode, set to service mode.
4. Connect an oscilloscope between pin ⑤ of CN503 (A board) connector and ground.
5. Select “ MCD 4-SHUE, SCOL ”, and adjust them to have $VB1 = VB4$ and $VB2 = VB3$ in the waveform levels.
6. Write the data into memory.

MUTING → ENTER

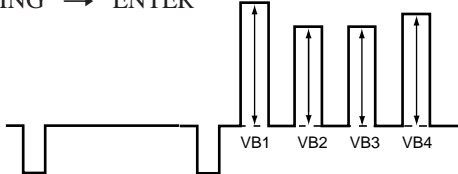


Fig. 5-10

[SCD MODE]

5-11. P & P SUB CONTRAST ADJUSTMENT (SCD1-SCON)

1. Receive the signal.
TV terminal (sub) : color-bar signal
VIDEO terminal (main) : no signal
2. Set to P & P mode, and set to service mode.
3. Connect an oscilloscope between pin ⑳ of CN513 (A board) and ground.
4. Select “ SCD1-SCON ”, and adjust so that the wave from level is $0.525 \pm 0.015V_{p-p}$.
5. Write the data into memory.

MUTING → ENTER

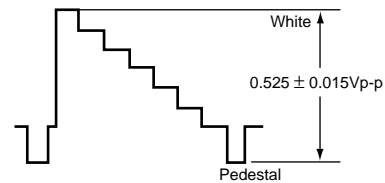


Fig. 5-11

5-12. P & P SUB CONTRAST ADJUSTMENT (SCD2-SCON)

1. Receive the signal.
TV terminal (main) : no signal
VIDEO terminal (sub) : color-bar signal
2. Set to P & P mode, and set to service mode.
3. Connect an oscilloscope between pin ⑳ of CN513 (A board) and ground.
4. Select “ SCD2-SCON ”, and adjust so that the wave from level is $0.525 \pm 0.015V_{p-p}$.
5. Write the data into memory.

MUTING → ENTER

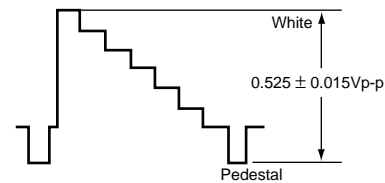


Fig. 5-12

5-13. P&P SUB-HUE AND SUB-COLOR ADJUSTMENT (SCD1-HUE, SCOL)

- Receive the signal.
VIDEO terminal (main) : no signal
VIDEO terminal (sub) : color-bar signal
- VIDEO MODE : PRO
PICTURE : maximum
COLOR : center
HUE : HUE
BRIGHTNESS : center
TRINITONE : medium
SERVICE DATA MCP1-SBRT : 25
MCP1-SHUE : 7
MCP1-SCOL : 12
- Set to service mode.
- Connect an oscilloscope between pin ⑤ of CN503 (A board) connector and ground.
- Select “SCD1-SHUE, SCOL”, and adjust them to have VB1 = VB4 and VB2 = VB3 in the waveform levels.
- Write the data into memory.
MUTING → **ENTER**

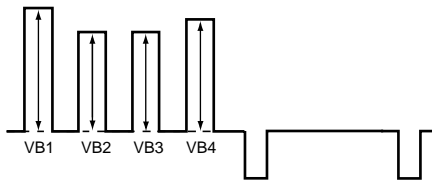


Fig. 5-11

5-14. P&P SUB-HUE AND SUB-COLOR ADJUSTMENT (SCD2-HUE, SCOL)

- Receive the color-bar signal.
VIDEO terminal (main) : no signal
VIDEO terminal (sub) : color-bar signal
- VIDEO MODE : PRO
PICTURE : maximum
COLOR : center
HUE : HUE
BRIGHTNESS : center
TRINITONE : medium
SERVICE DATA MCP1-SBRT : 25
MCP1-SHUE : 7
MCP1-SCOL : 12
- Set to service mode.
- Connect an oscilloscope between pin ⑤ of CN503 (A board) connector and ground.
- Select “SCD2-HUE, SCOL”, and adjust them to have VB1 = VB4 and VB2 = VB3 in the waveform levels.
- Write the data into memory.
MUTING → **ENTER**

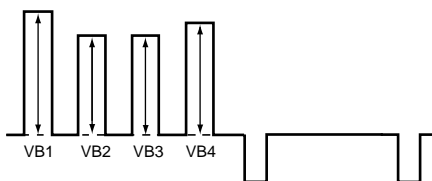


Fig. 5-12

5-15. VIDEO 5 INPUT SUB-HUE AND SUB-COLOR ADJUSTMENT (MCP3-SHUE, SCOL)

- VIDEO 5 input the color-bar signal.
- PICTURE : maximum
COLOR : minimum
HUE : HUE
BRIGHTNESS : center
TRINITONE : medium
SERVICE DATA MCP3-SBRT : 25
- Set to service mode.
- Connect an oscilloscope between pin ③ of CN503 (A board) connector and ground.
- Select “MCP 3-SHUE, SCOL”, and adjust them to have VB1 = VB4 and VB2 = VB3 in the waveform levels.
- Write the data into memory.
MUTING → **ENTER**

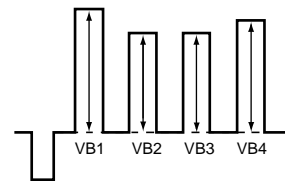
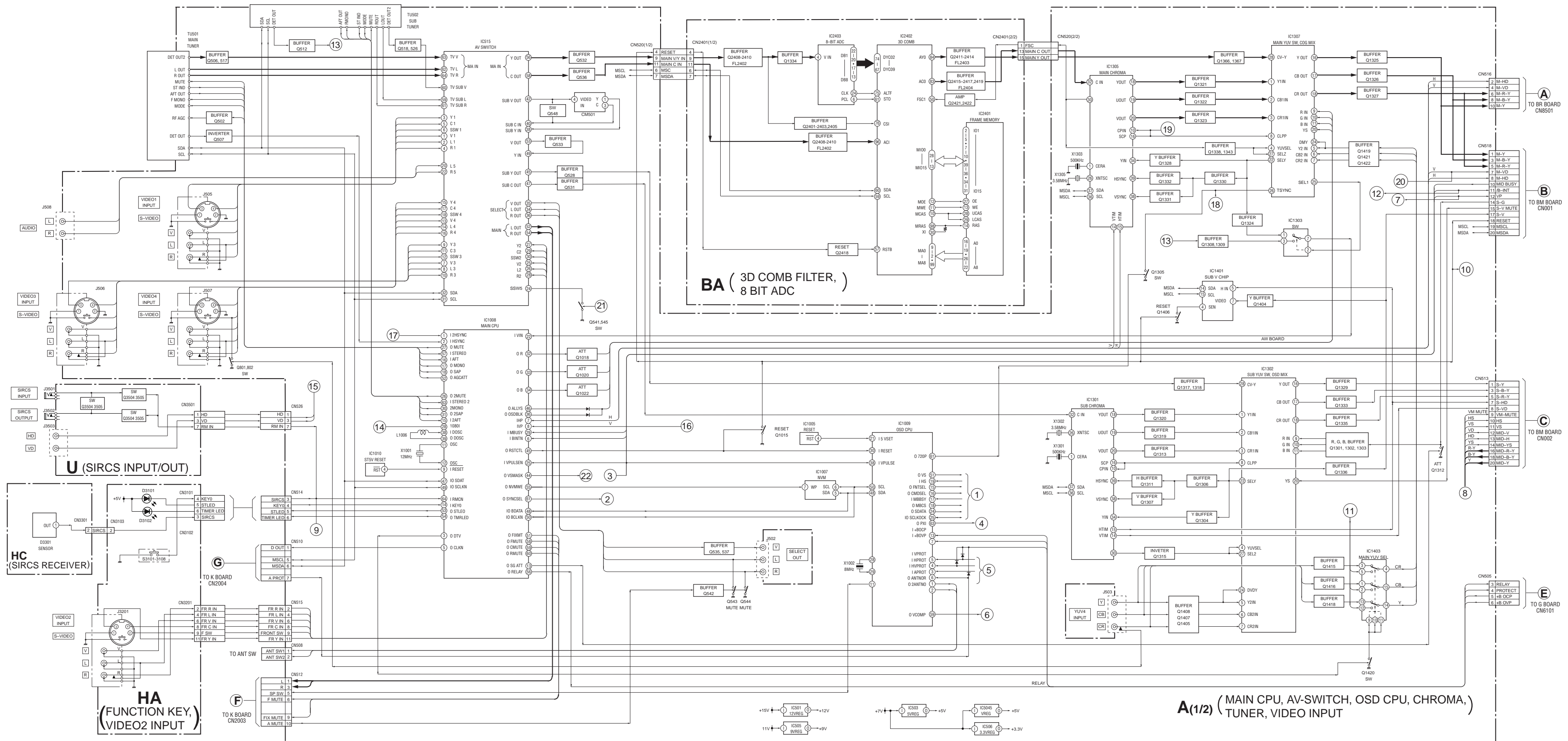


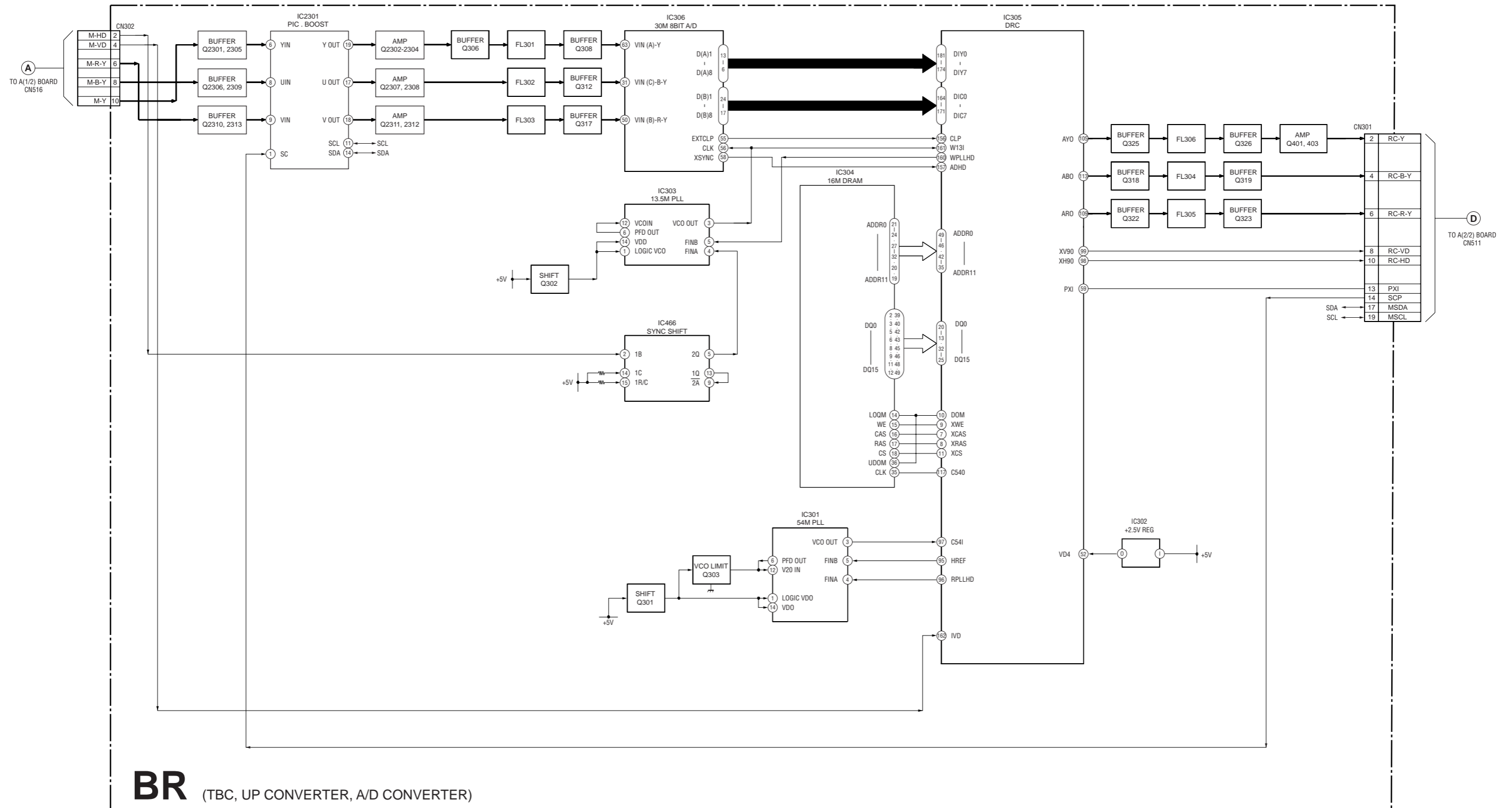
Fig. 5-15

**SECTION 6
DIAGRAMS**

6-1. BLOCK DIAGRAM (1)

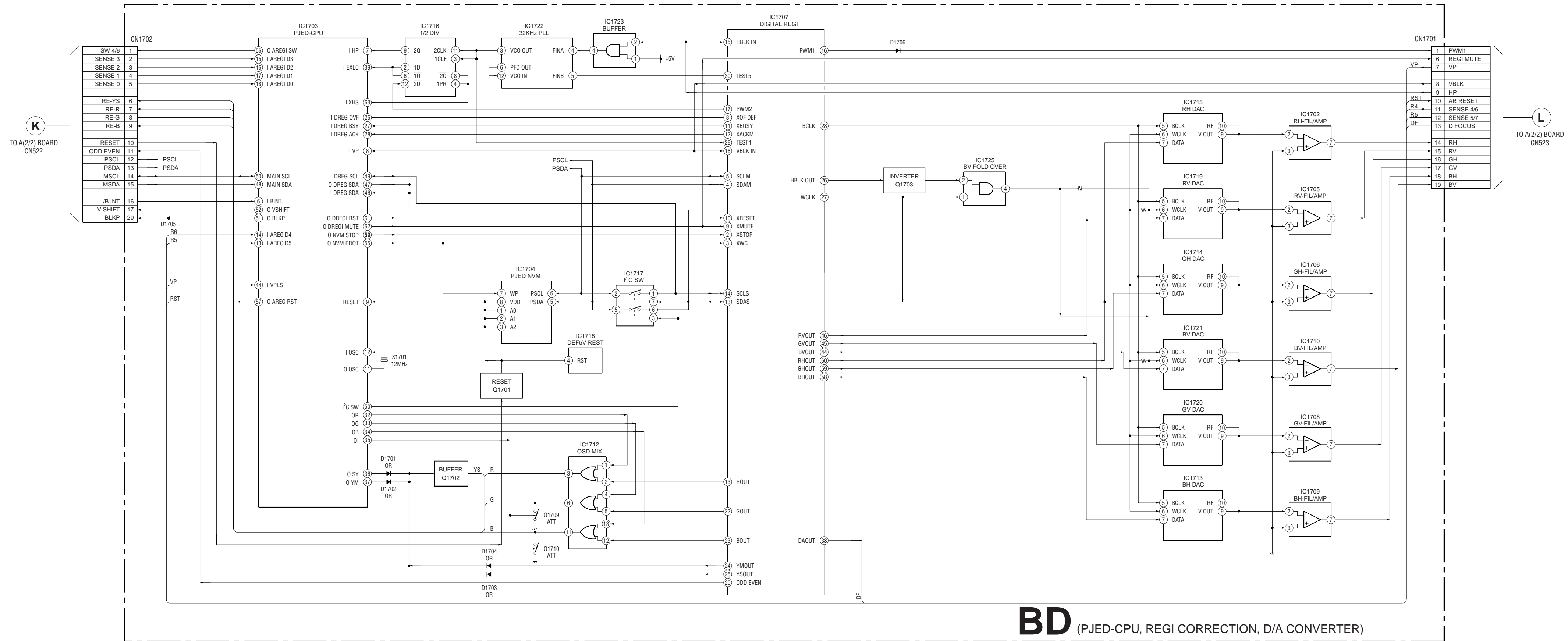


BLOCK DIAGRAM (4)



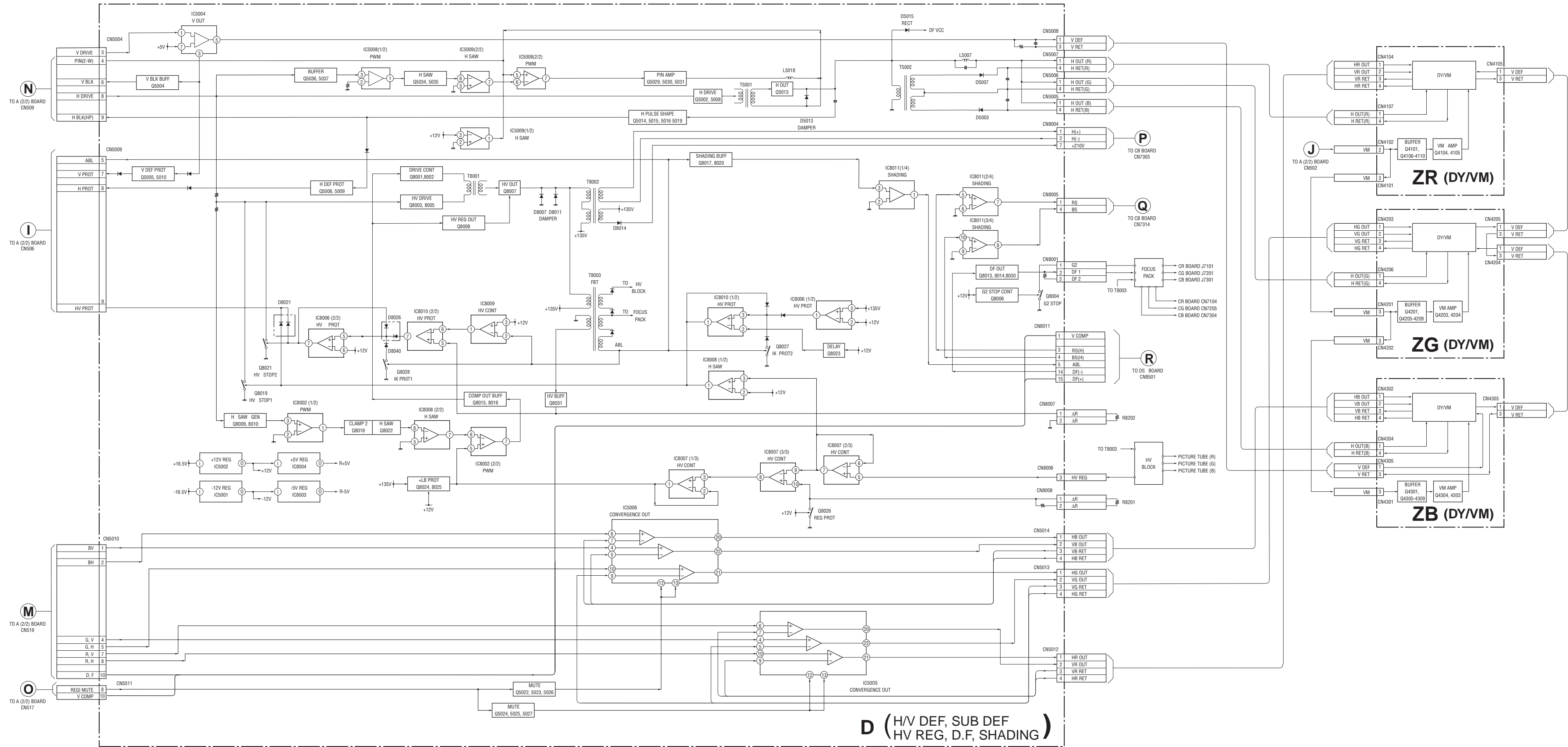
KP-53-61XBR200-BD-3-M

BLOCK DIAGRAM (5)

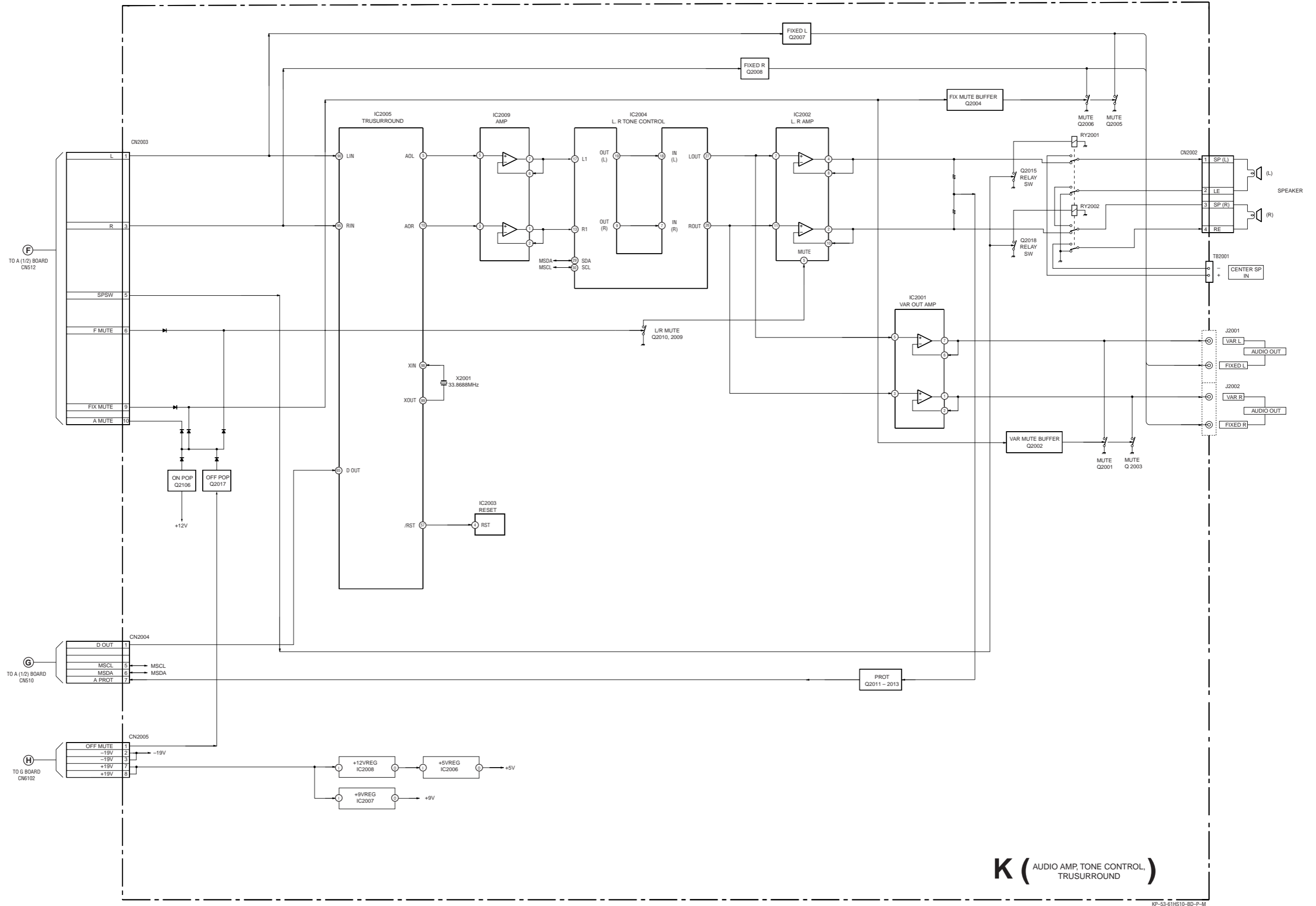


BD (PJED-CPU, REGI CORRECTION, D/A CONVERTER)

BLOCK DIAGRAM (6)



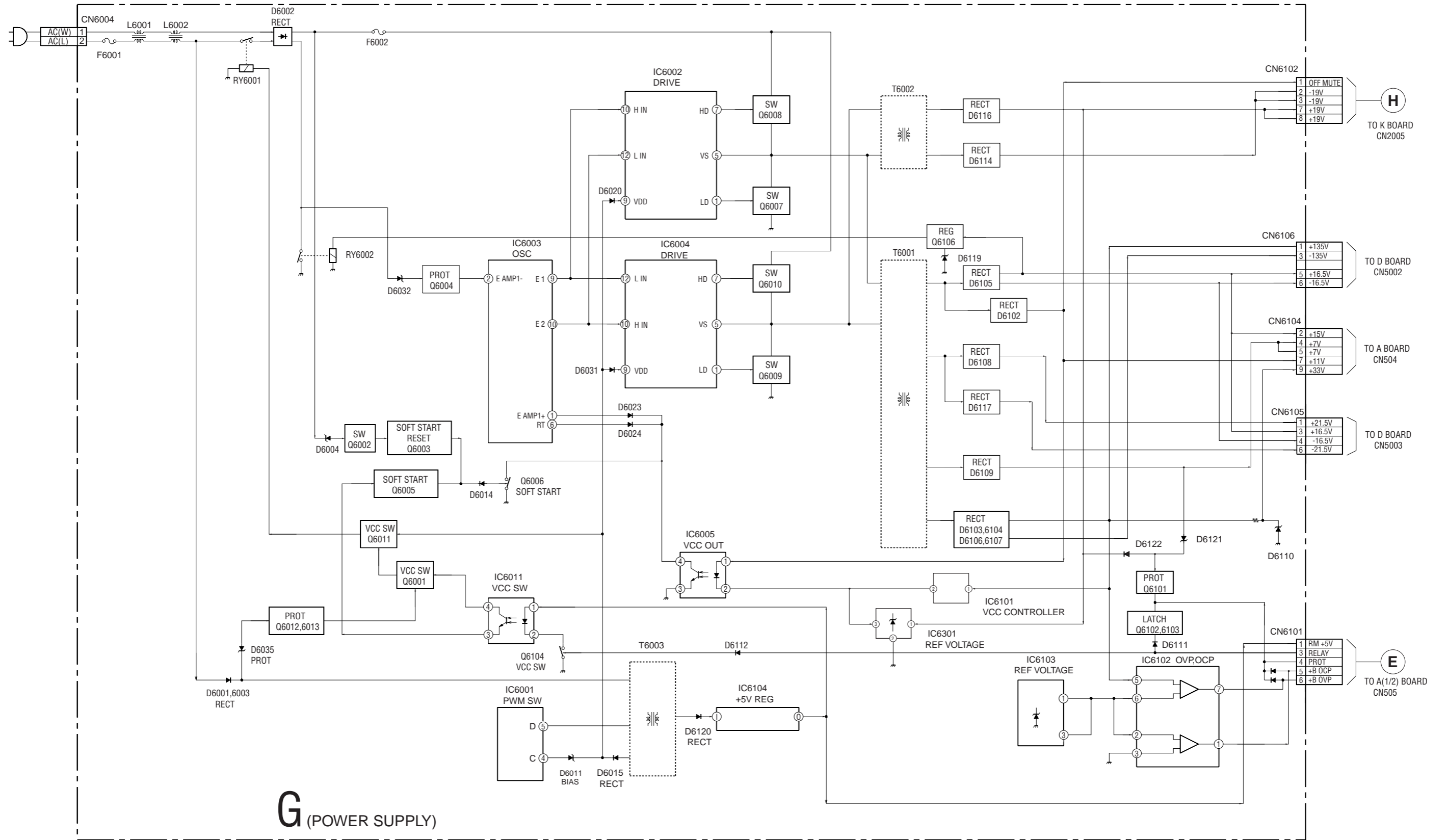
BLOCK DIAGRAM (7)

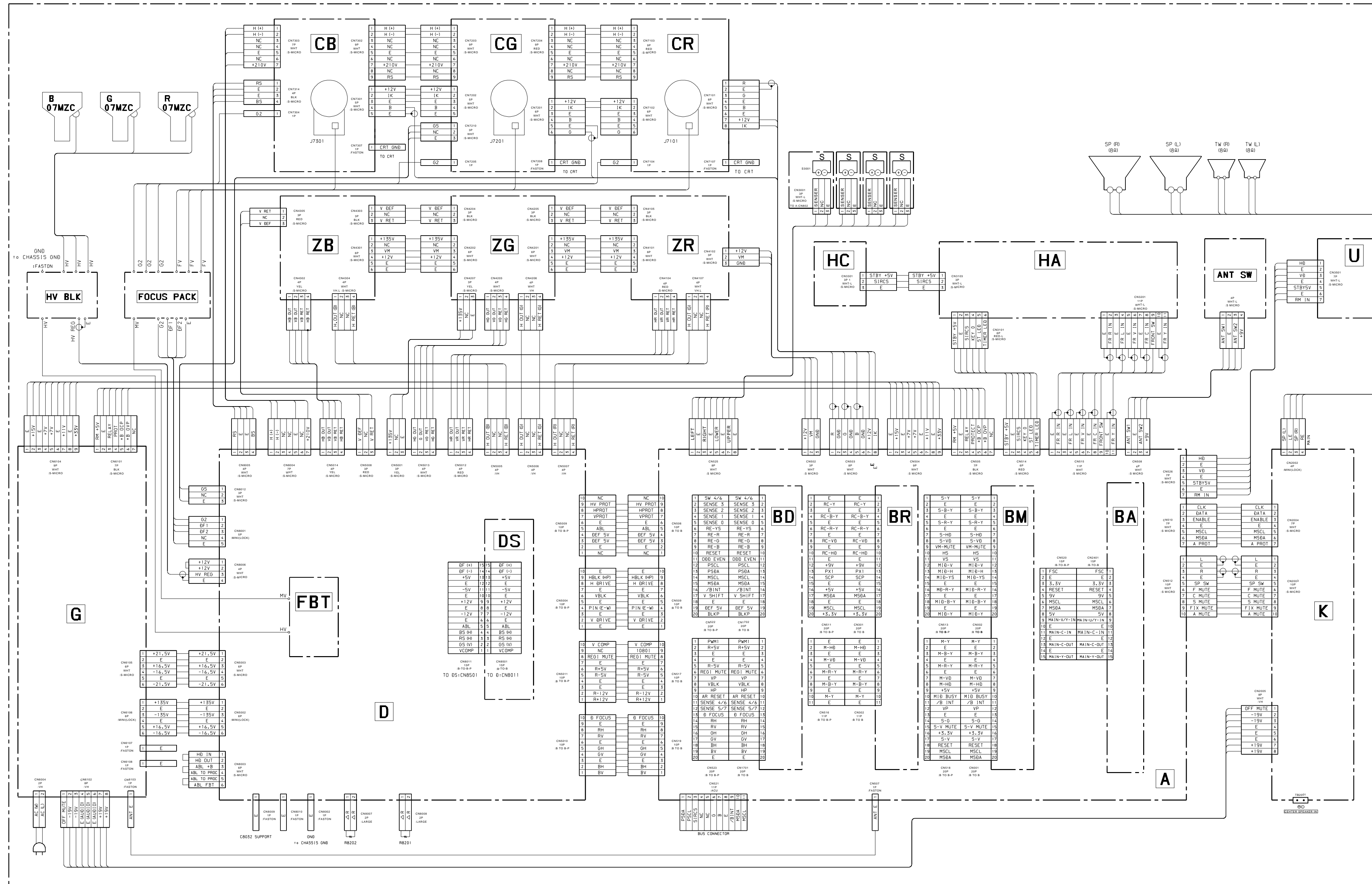


K (AUDIO AMP, TONE CONTROL, TRUSURROUND)

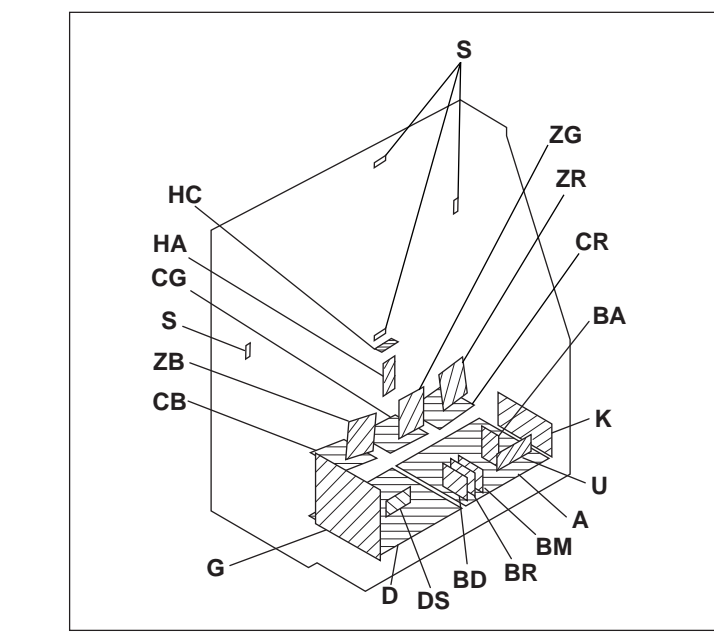
KP-53-61HS10-8D-P-M

BLOCK DIAGRAM (8)





6-3. CIRCUIT BOARDS LOCATION



6-4. PRINTED WIRING BOARDS AND SCHEMATIC DIAGRAMS

- Note:
- Capacitors without voltage indication are all 50V.
 - All resistors are in ohms.
 - kΩ=1000Ω, MΩ=1000kΩ
 - Indication of resistance, which does not have one for rating electrical power, is as follows.
- Pitch: 5mm
Rating electrical power: 1/4W
- ⊞: nonflammable resistor.
 - ⊞: fusible resistor.
 - ⊞: internal component.
 - ⊞: panel designation and adjustment for repair.
 - All variable and adjustable resistors have characteristic curve B, unless otherwise noted.
 - ⊞: earth-chassis.
- The components identified by ⊞ in this basic schematic diagram have been carefully factory-selected for each set in order to satisfy regulations regarding X-ray radiation.
- Should replacement be required, replace only with the value originally used.
- When replacing components identified by ⊞, make the necessary adjustments indicated. If results do not meet the specified value, change the component identified by ⊞ and repeat the adjustment until the specified value is achieved. (Refer to R8194, R8196, R8201 and R8202 adjustment on Page 53.)
- When replacing the part in below table, be sure to perform the related adjustment.

Part replaced (⊞)	Adjustment (⊞)
C8018, C8064, C8066, C8070, C8074, C8076, C8082, D8042, IC8002, IC8007, IC8008, C8022, R8093, R8095, R8096, R8105, R8108, R8112, R8113, R8114, R8115, R8126, R8128, R8136, R8138, R8139, R8154, R8157, R8168, R8173, R8174, R8177, R8178, R8195, R8196, R8201, T8002 (LOT), T8003 (FBT), HV BLOCK, D BOARD	HV Regulator (R8196, R8201)
C8018, D8026, D8032, D8035, D8050, IC8006, IC8009, IC8010, C8021, Q8031, R8092, R8094, R8097, R8109, R8110, R8117, R8118, R8121, R8123, R8125, R8129, R8135, R8137, R8155, R8190, R8191, R8192, R8193, R8194, R8198, R8202, T8002 (LOT), T8003 (FBT), HV BLOCK, D BOARD	HV HOLD-DOWN (R8194, R8202)

- Readings are taken with a color-bar signal input.
- Readings are taken with a 10MΩ digital multimeter.
- Voltages are dc with respect to ground unless otherwise noted.
- Voltage variations may be noted due to normal production tolerances.
- All voltages are in V.
- : Measurement impossibility.
- Circled numbers are waveform references.
- : B-bus.
- : B-bus.
- : signal path (RF)

- Reference information
- RESISTOR : RN METAL FILM
SOLID
FPRD NONFLAMMABLE CARBON
FUSE NONFLAMMABLE FUSIBLE
RW NONFLAMMABLE WIREWOUND
RS NONFLAMMABLE METAL OXIDE
RB NONFLAMMABLE CEMENT
⊞ ADJUSTMENT RESISTOR
LF-8L BIPOLAR MICRO INDUCTOR
- COIL : TA TANTALUM
PS STYROL
PP POLYPROPYLENE
PT MYLAR
MPS METALIZED POLYESTER
MPP METALIZED POLYPROPYLENE
ALB BIPOLAR
ALT HIGH TEMPERATURE
ALR HIGH RIPPLE
- CAPACITOR : TA TANTALUM
PS STYROL
PP POLYPROPYLENE
PT MYLAR
MPS METALIZED POLYESTER
MPP METALIZED POLYPROPYLENE
ALB BIPOLAR
ALT HIGH TEMPERATURE
ALR HIGH RIPPLE

Note: The symbol ⊞ display is on the component side.

The components identified by shading and mark ⊞ are critical for safety. Replace only with part number specified.

The symbol ⊞ indicate fast operating fuse. Replace only with fuse of same rating as marked.

Note: Les composants identifiés par un trame et une marque ⊞ sont critiques pour la sécurité. Ne les remplacer que par une pièce portant le numéro spécifié.

Le symbole ⊞ indique une fusible à action rapide. Doit être remplacé par une fusible de même valeur, comme marqué.

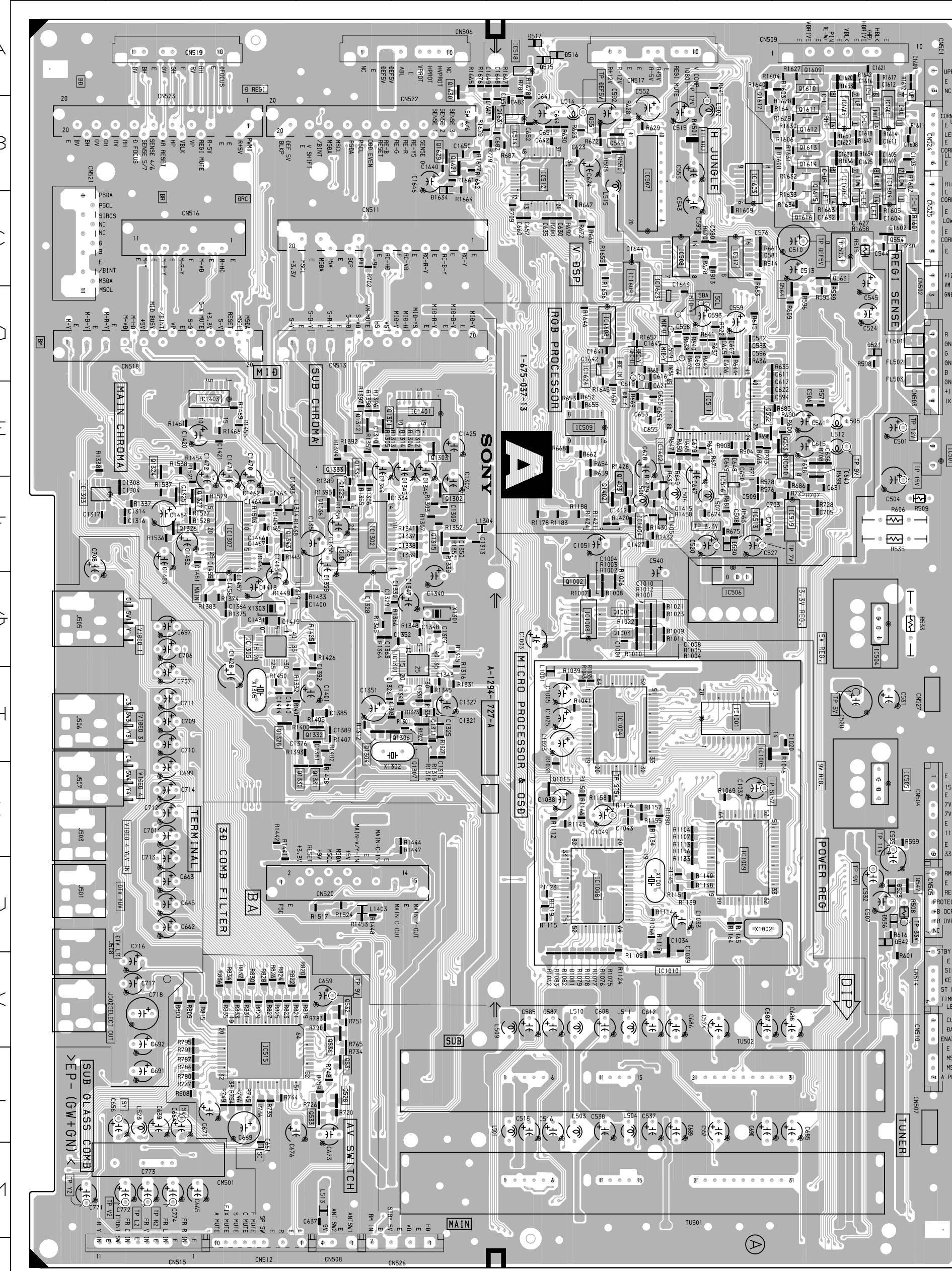
Terminal name of semiconductors in silk screen printed circuit (※)

Device	Printed symbol	Terminal name	Circuit
① Transistor	⊞	Collector Base Emitter	
② Transistor	⊞	Collector Base Emitter	
③ Diode	⊞	Cathode Anode	
④ Diode	⊞	Anode (NC) Cathode	
⑤ Diode	⊞	Anode (NC) Cathode	
⑥ Diode	⊞	Common Anode Cathode	
⑦ Diode	⊞	Common Anode Cathode	
⑧ Diode	⊞	Common Anode Anode	
⑨ Diode	⊞	Common Anode Anode	
⑩ Diode	⊞	Common Cathode Cathode	
⑪ Diode	⊞	Common Cathode Cathode	
⑫ Diode	⊞	Anode Cathode Cathode	
⑬ Transistor (FET)	⊞	Drain Gate	
⑭ Transistor (FET)	⊞	Drain Gate	
⊞	⊞	Discrete semiconductor	

(Chip semiconductors that are not actually used are included.)

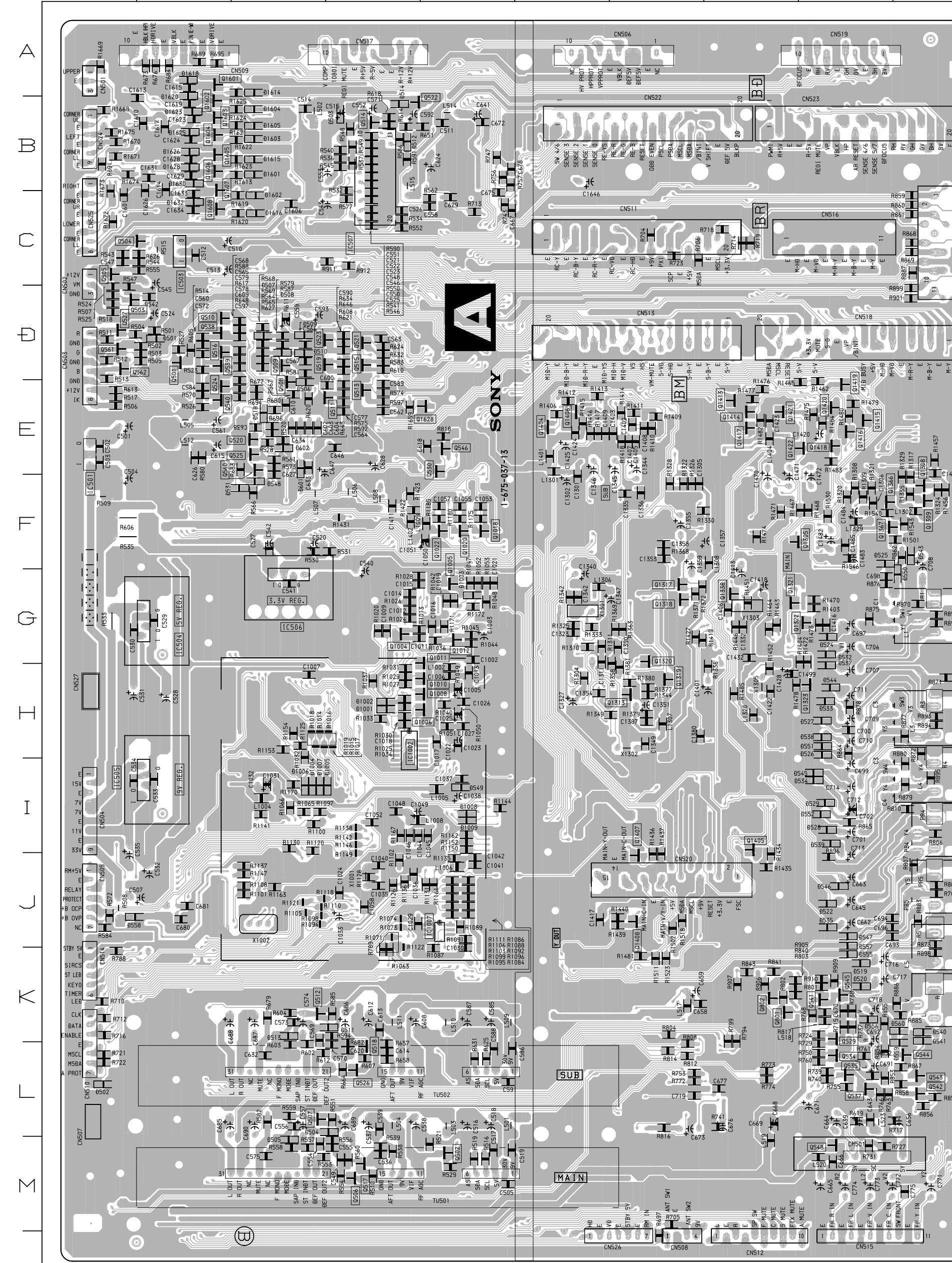
- A Board -

1 2 3 4 5 6 7 8 9 10

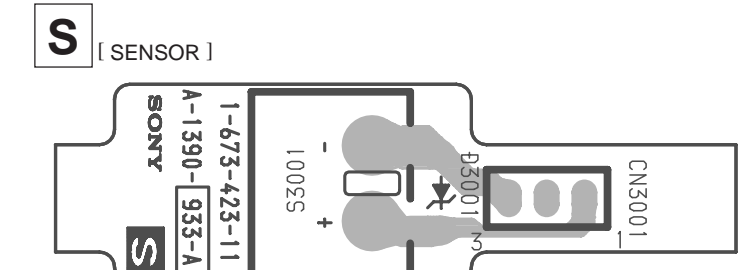


< Component Side >

1 2 3 4 5 6 7 8 9 10



< Conductor Side >

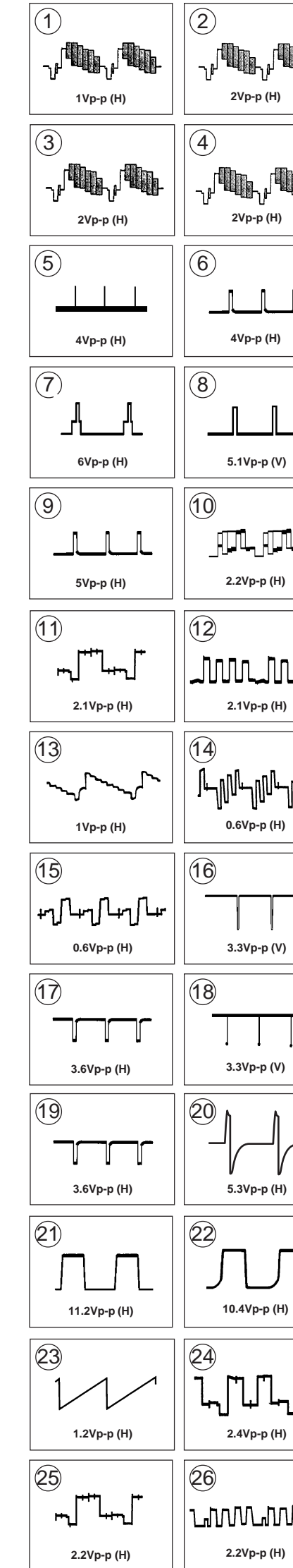


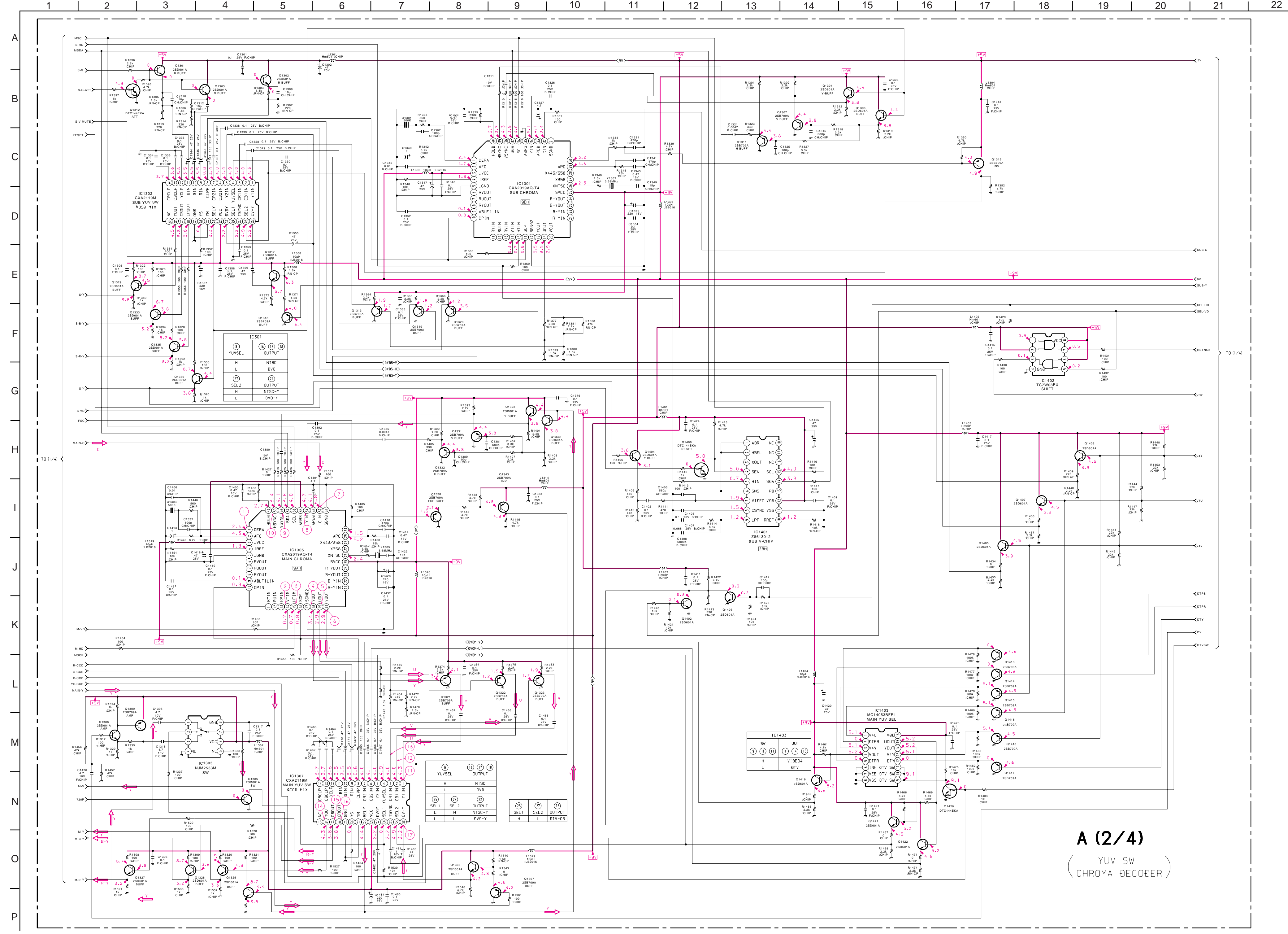
A BOARD

DIODE		TRANSISTOR		IC	
L	R	L	R	L	R
D501	D-2	Q501	D-2	IC501	E-10 E-1
D502	L-1	Q502	M-5	IC503	C-9 C-2
D503	B-4	Q503	C-1	IC504	G-10 G-2
D504	L-4	Q504	D-1	IC505	I-10 I-2
D505	M-3	Q505	C-1	IC508	G-8 G-3
D506	E-3	Q506	M-1	IC507	B-7 B-4
D508	D-3	Q507	L-3	IC508	C-8
D509	K-4	Q508	K-9	IC509	E-7
D511	B-4	Q509	D-3	IC510	E-9
D512	B-4	Q510	D-2	IC511	E-8
D513	K-3	Q511	D-2	IC512	B-6
D514	B-4	Q512	K-4	IC513	F-7
D515	A-6	Q513	E-4	IC514	B-6
D516	A-6	Q514	H-9	IC515	L-3
D517	A-6	Q515	H-9	IC516	F-8
D518	E-3	Q516	D-2	IC517	G-7
D519	K-9	Q517	M-4	IC518	F-8
D520	K-9	Q518	L-4	IC519	F-7
D521	D-10	Q519	D-4	IC520	G-7
D522	J-9	Q520	E-3	IC521	H-9
D523	J-10	Q521	H-9	IC522	C-8
D524	G-9	Q522	I-9	IC523	F-9
D525	F-10	Q523	I-9	IC524	F-2
D526	H-9	Q524	D-1	IC525	F-2
D527	H-9	Q525	E-3	IC526	F-2
D528	I-9	Q526	L-4	IC527	G-7
D529	I-9	Q527	E-5	IC528	H-3
D530	F-8	Q528	L-4	IC529	F-4
D531	F-3	Q529	E-5	IC530	H-9
D532	G-9	Q530	L-9	IC531	J-7
D533	H-9	Q531	K-4	IC532	J-8
D534	I-9	Q532	L-9	IC533	H-4
D535	J-9	Q533	K-4	IC534	E-4
D536	G-9	Q534	D-2	IC535	E-4
D537	G-9	Q535	L-9	IC536	F-4
D538	H-9	Q536	L-4	IC537	F-3
D539	I-9	Q537	L-9	IC538	F-3
D540	K-10	Q538	D-2	IC539	F-4
D541	K-10	Q539	D-2	IC540	F-7
D542	J-10	Q540	L-4	IC541	E-5
D543	F-10	Q541	K-4	IC542	F-7
D544	H-9	Q542	L-4	IC543	E-3
D545	I-9	Q543	L-9	IC544	F-7
D546	J-9	Q544	K-4	IC545	F-7
D547	J-9	Q545	L-9	IC546	F-7
D548	F-3	Q546	D-2	IC547	E-3
D549	I-5	Q547	J-10	IC548	F-7
D550	G-10	Q548	M-9	IC549	B-10
D551	H-9	Q549	H-4	IC550	B-9
D552	I-9	Q550	H-4	IC551	D-7
D553	K-9	Q551	B-7	IC552	J-7
D554	K-9	Q552	B-7	IC553	C-7
D555	K-9	Q553	E-9	IC554	C-7
D556	K-9	Q554	E-9	IC555	E-9
D557	J-1	Q555	E-9	IC556	D-7
D558	K-10	Q556	C-10	IC557	E-9
D559	K-10	Q557	E-3	IC558	E-9
D560	K-10	Q558	D-1	IC559	E-8
D1001	H-4	Q559	B-7	IC560	B-9
D1002	H-4	Q560	B-7	IC561	D-7
D1003	G-5	Q561	B-7	IC562	C-7
D1005	I-3	Q562	E-9	IC563	C-7
D1006	I-3	Q563	E-9	IC564	D-7
D1007	I-3	Q564	C-10	IC565	E-9
D1008	I-5	Q565	E-3	IC566	E-9
D1009	I-5	Q566	D-1	IC567	E-8

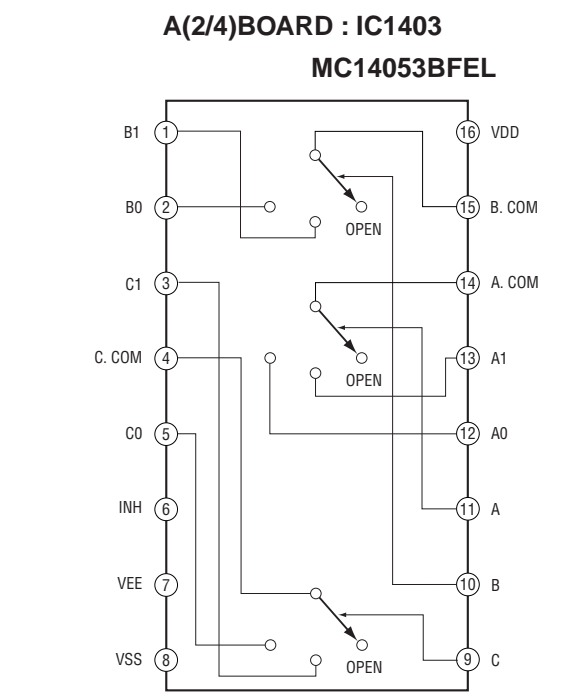
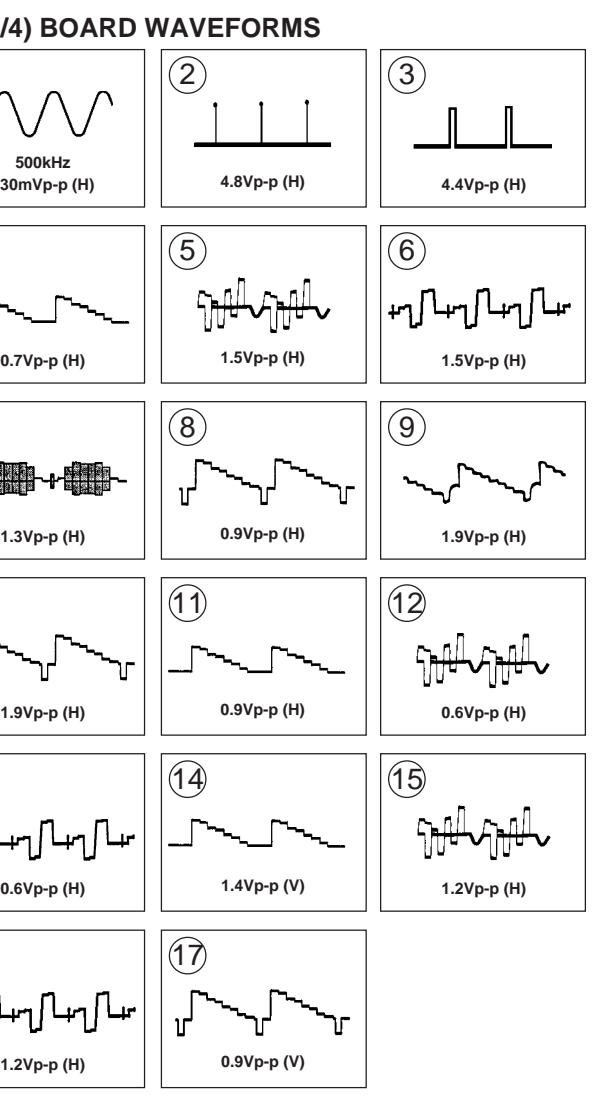
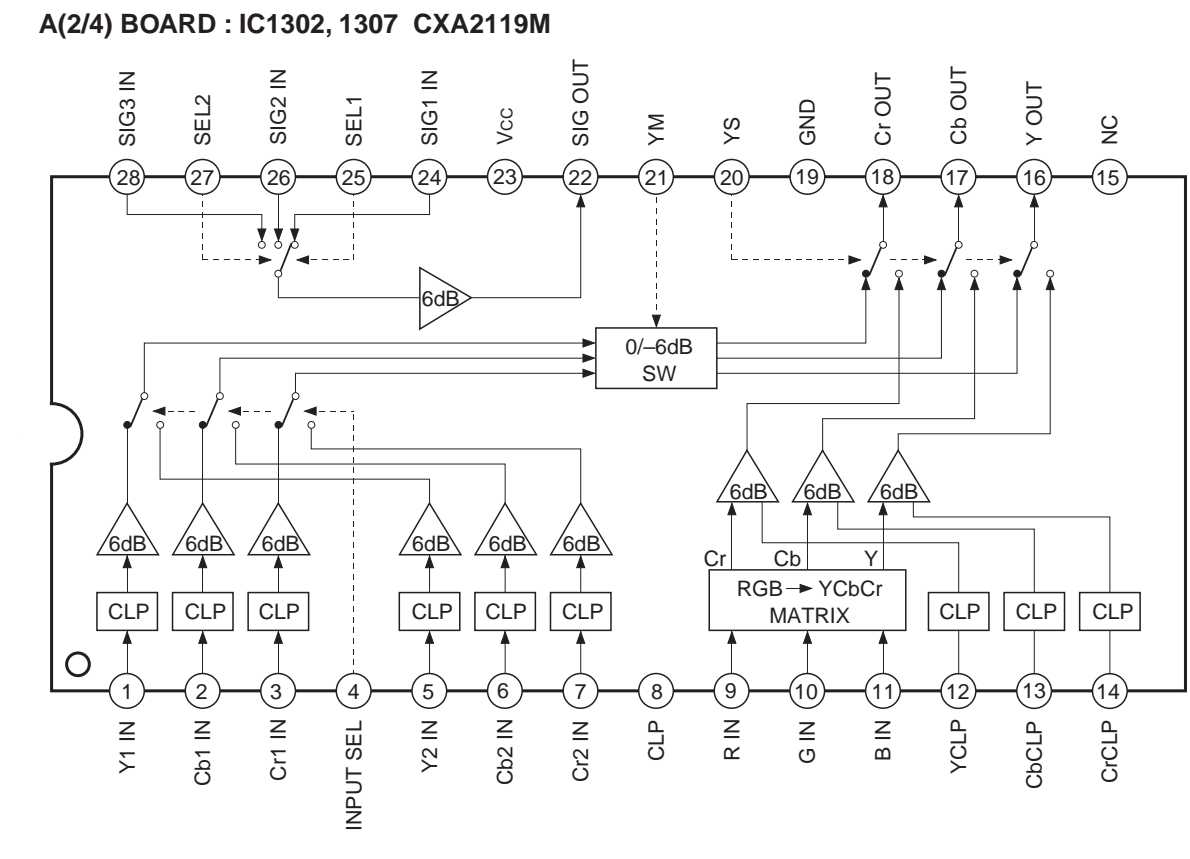
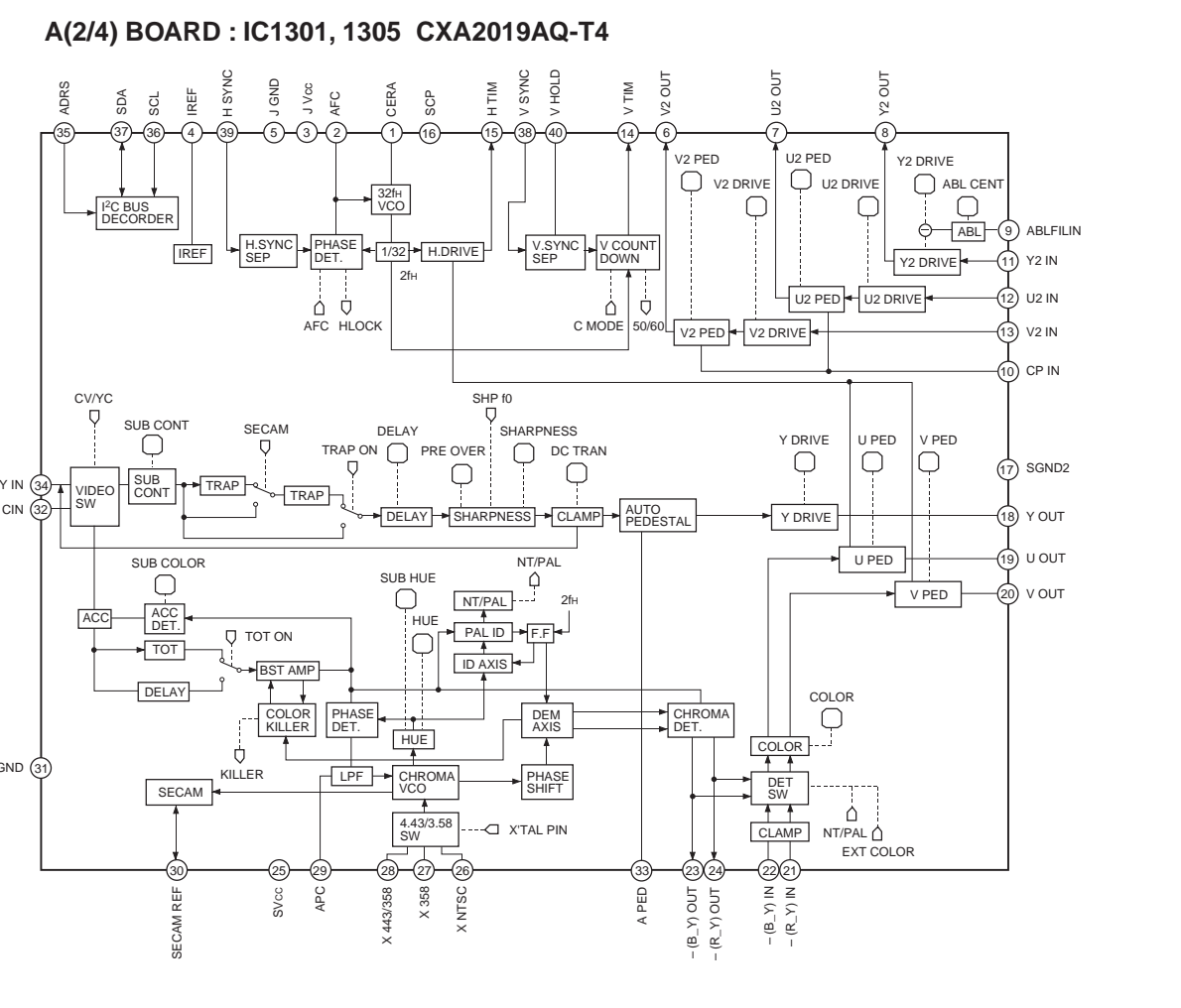
L: component side
R: conductor side

A (1/4) BOARD WAVEFORMS

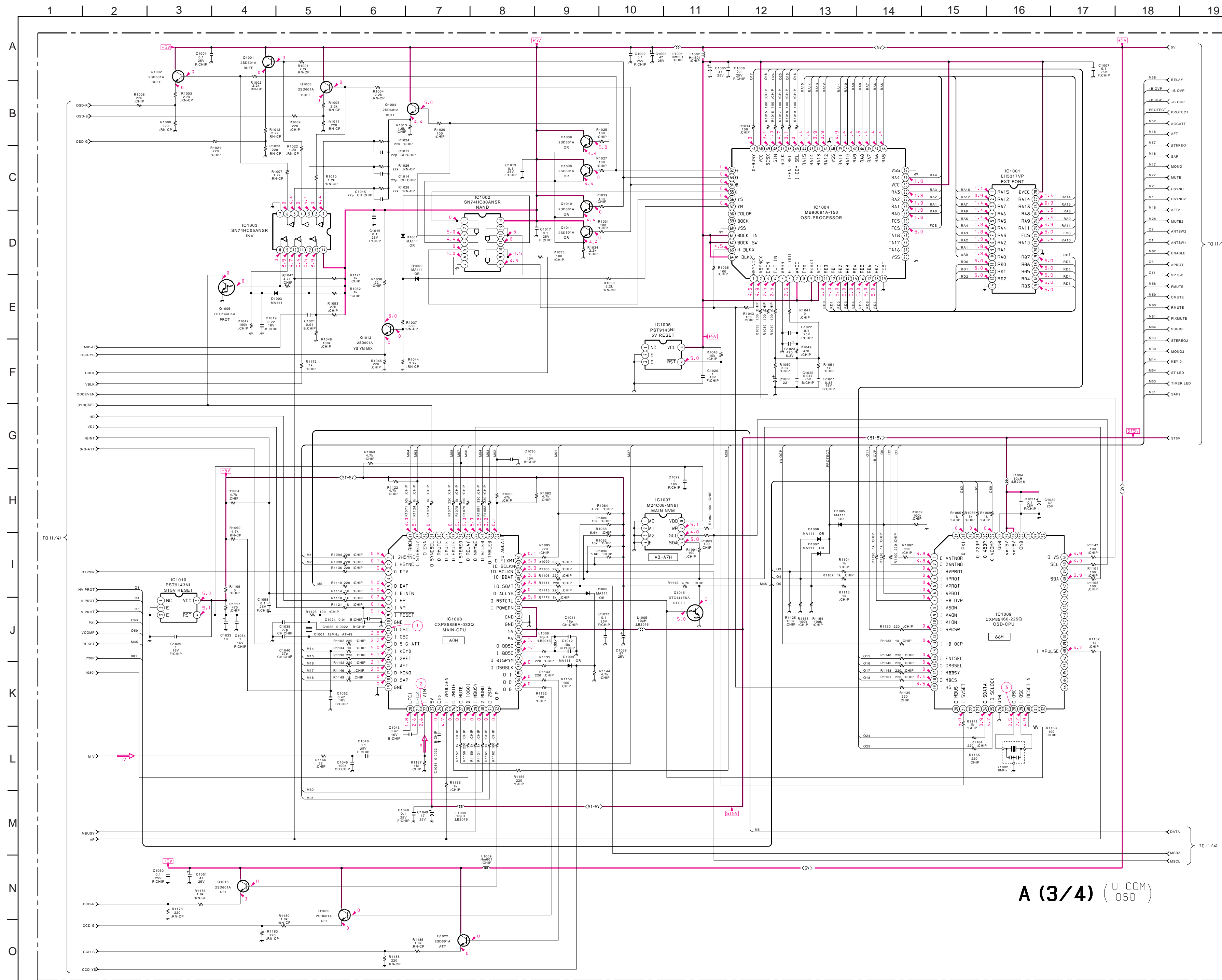




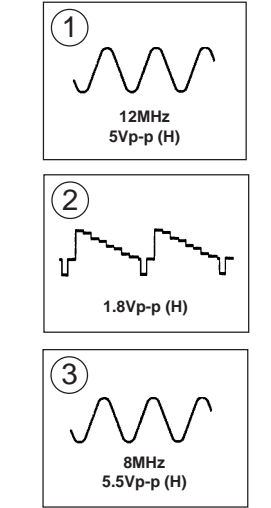
Schematic diagram
← A (1/4) board



A (2/4)
(YUV SW
CHROMA DECODER)

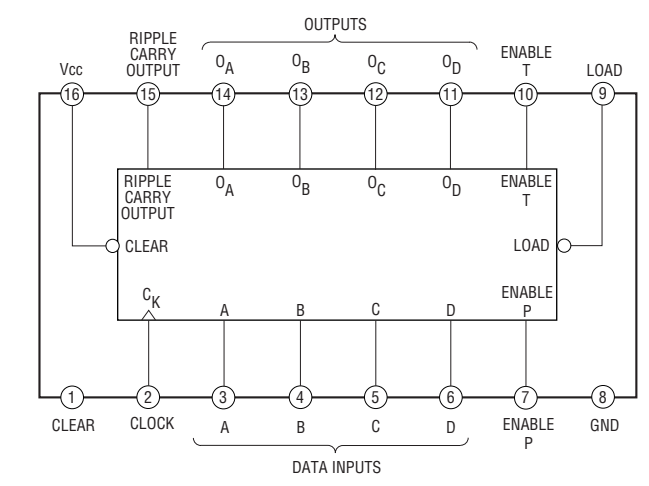


• A(3/4) BOARD WAVEFORMS

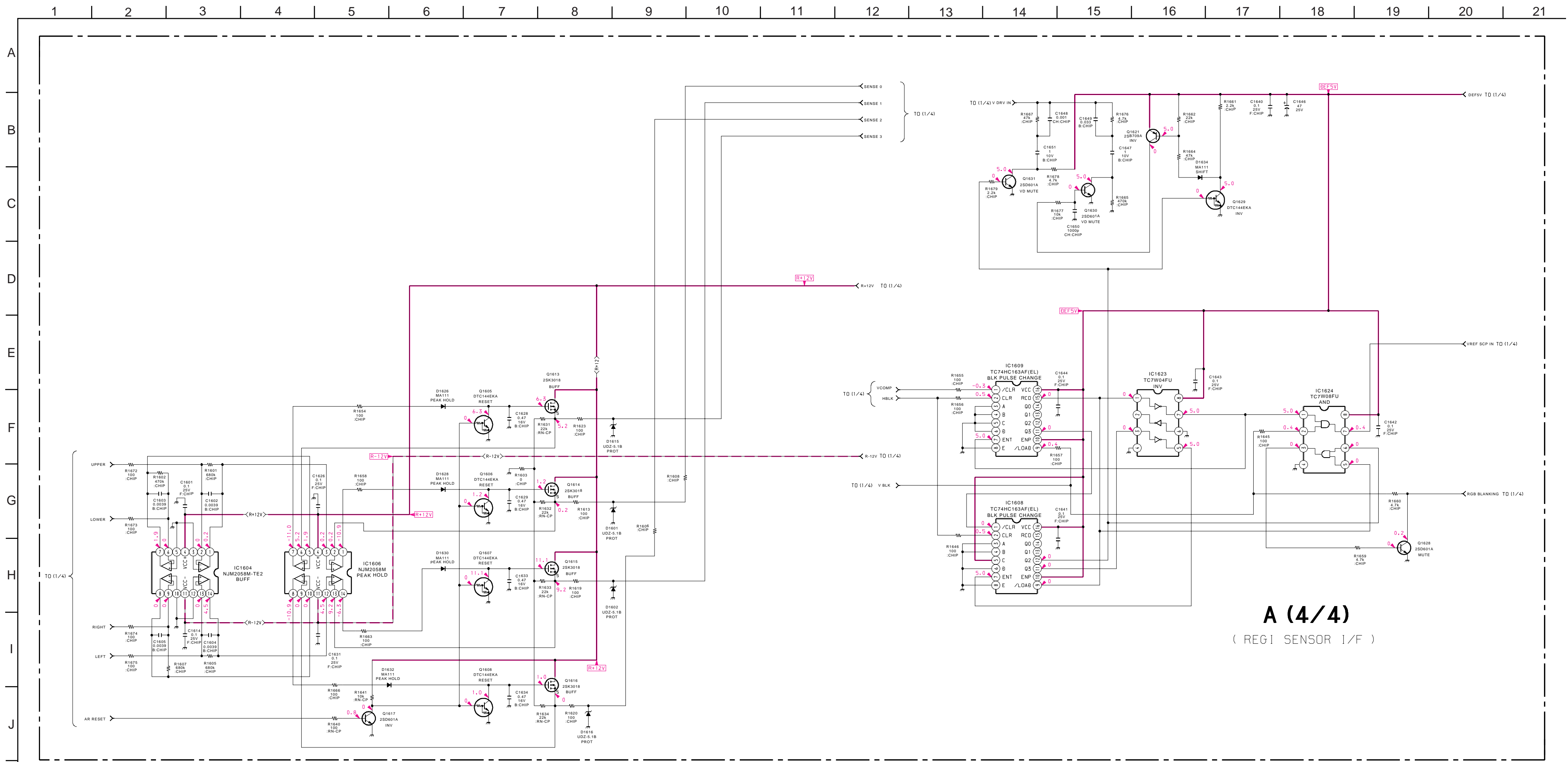
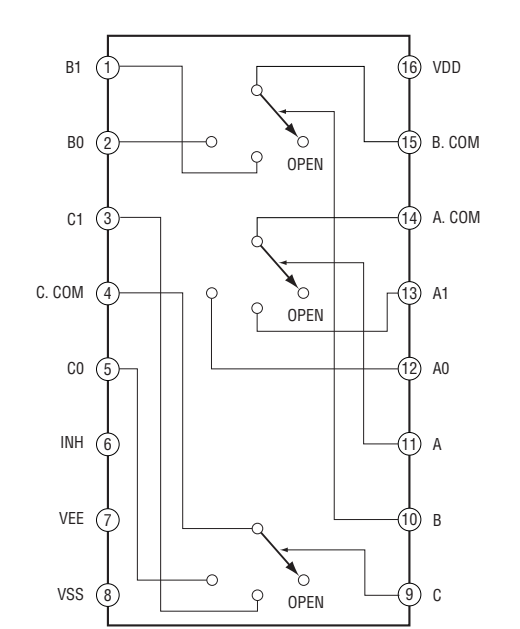


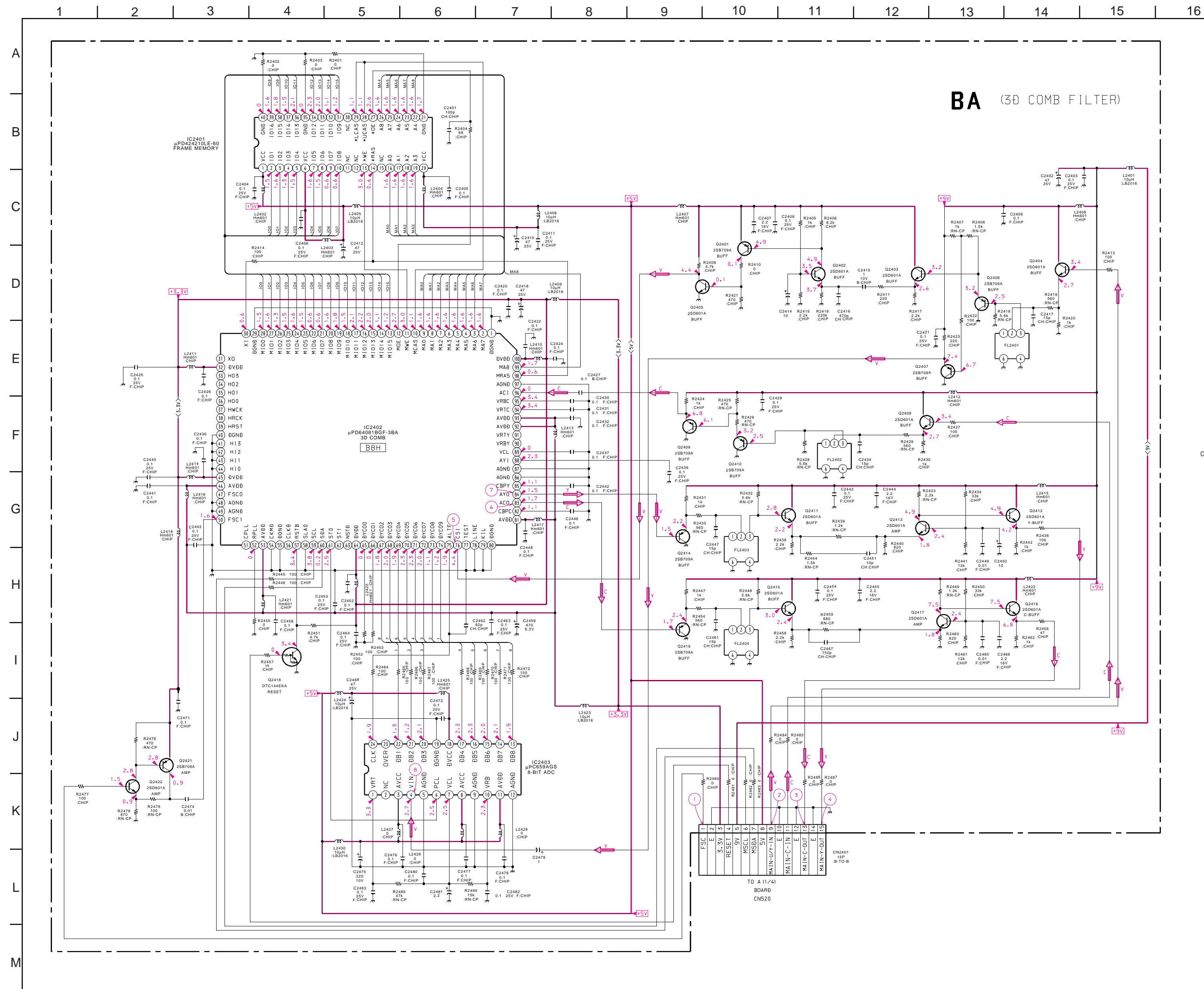
A (3/4) (U COM)

A(4/4) BOARD : IC1609, 1608 TC74HC163AF(EL)

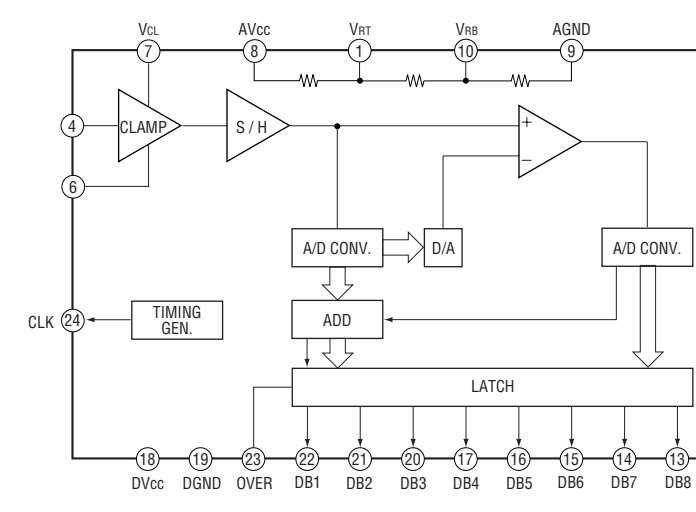


A(4/4) BOARD : IC1603 MC14053BFEL

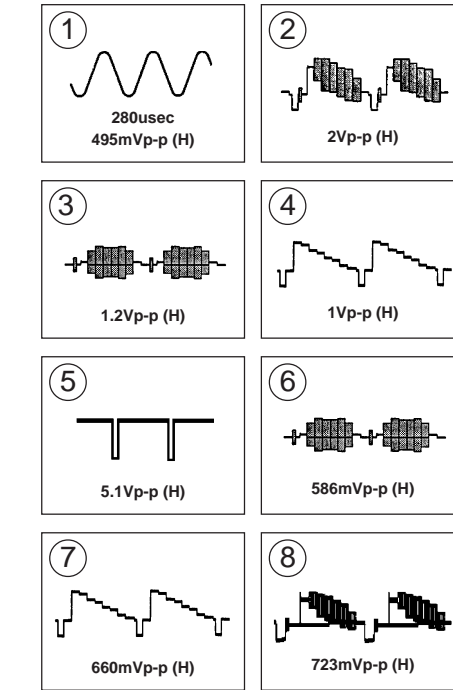




BA BOARD : IC7301 TDA6111Q/N4

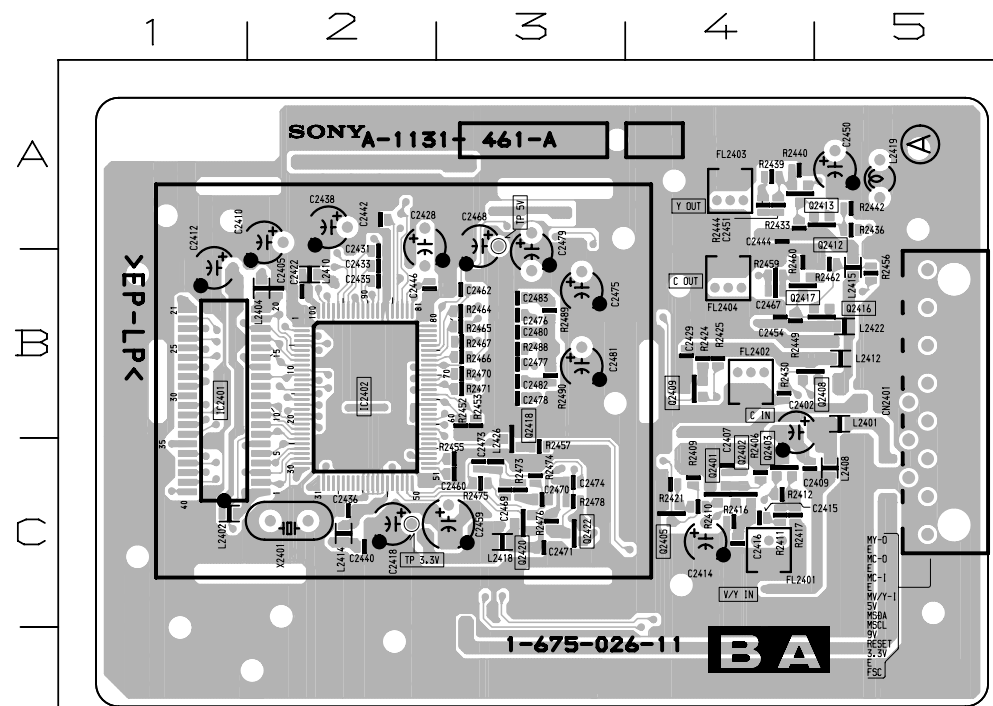


• BA BOARD WAVEFORMS

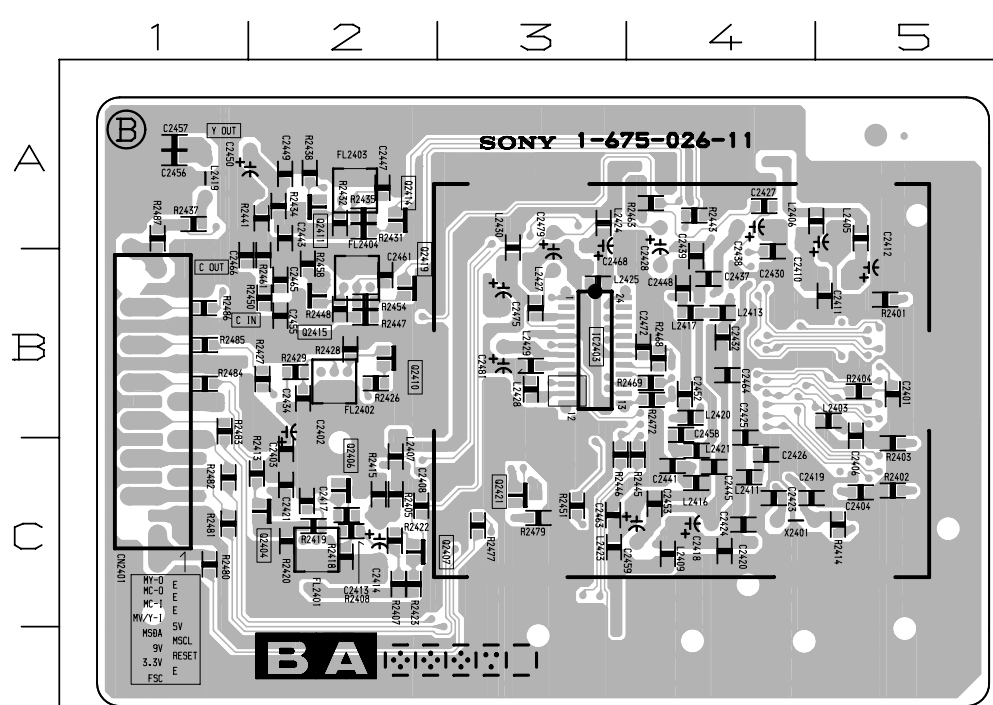


BA (3D COMB FILTER)

- BA Board -



< Component Side >



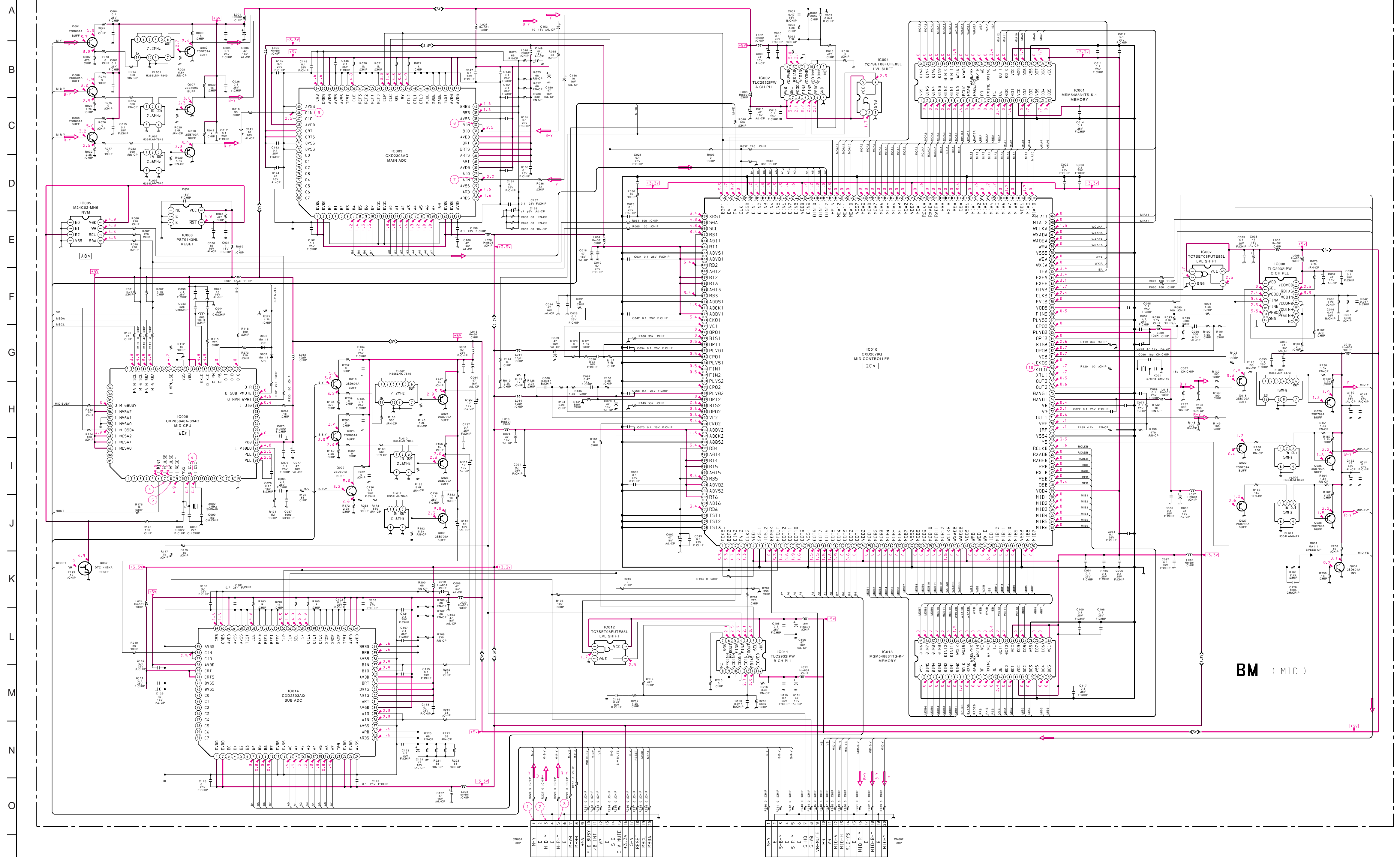
< Conductor Side >

BA BOARD

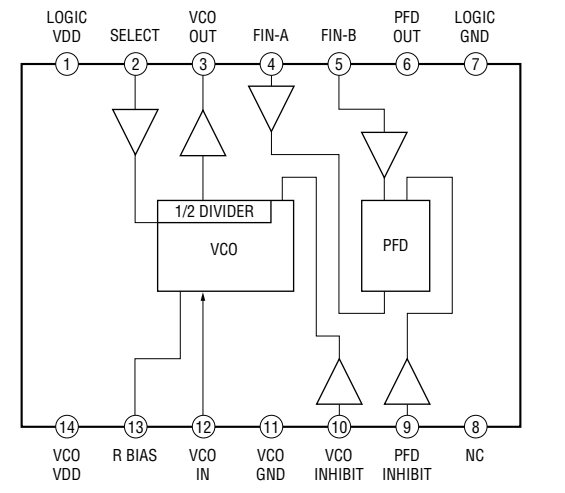
TRANSISTOR		
	L	R
Q2401	C-4	⊗
Q2402	C-4	⊗
Q2403	C-4	⊗
Q2404	C-4	⊗
Q2405	C-4	⊗
Q2406	C-2	⊗
Q2407	C-2	⊗
Q2408	B-4	⊗
Q2409	B-4	⊗
Q2410	B-2	⊗
Q2411	A-2	⊗
Q2412	A-5	⊗
Q2413	A-4	⊗
Q2414	A-2	⊗
Q2415	B-2	⊗
Q2416	B-5	⊗
Q2417	B-4	⊗
Q2418	C-3	⊗
Q2419	B-2	⊗
Q2421	C-3	⊗
Q2422	C-3	⊗

IC	
	L R
IC2401	B-1
IC2402	B-2
IC2403	B-3

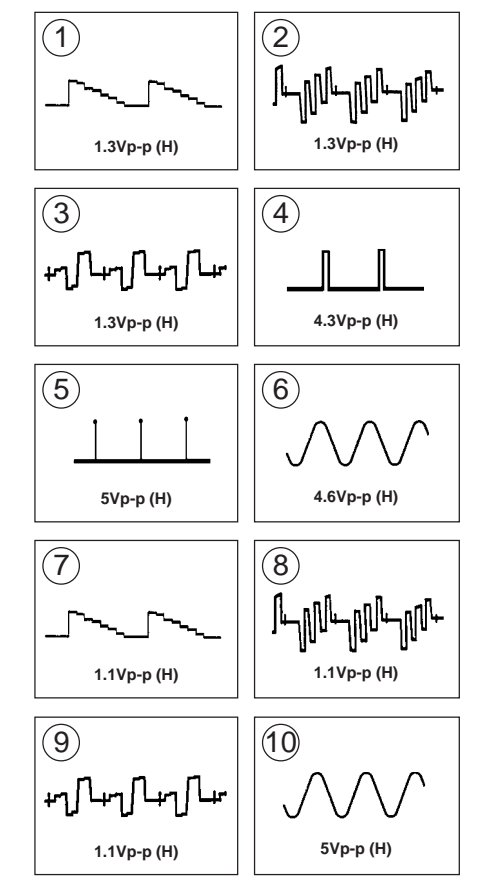
L : component side
R : conductor side



BM BOARD : IC002, 008, 011 TLC2932IPW



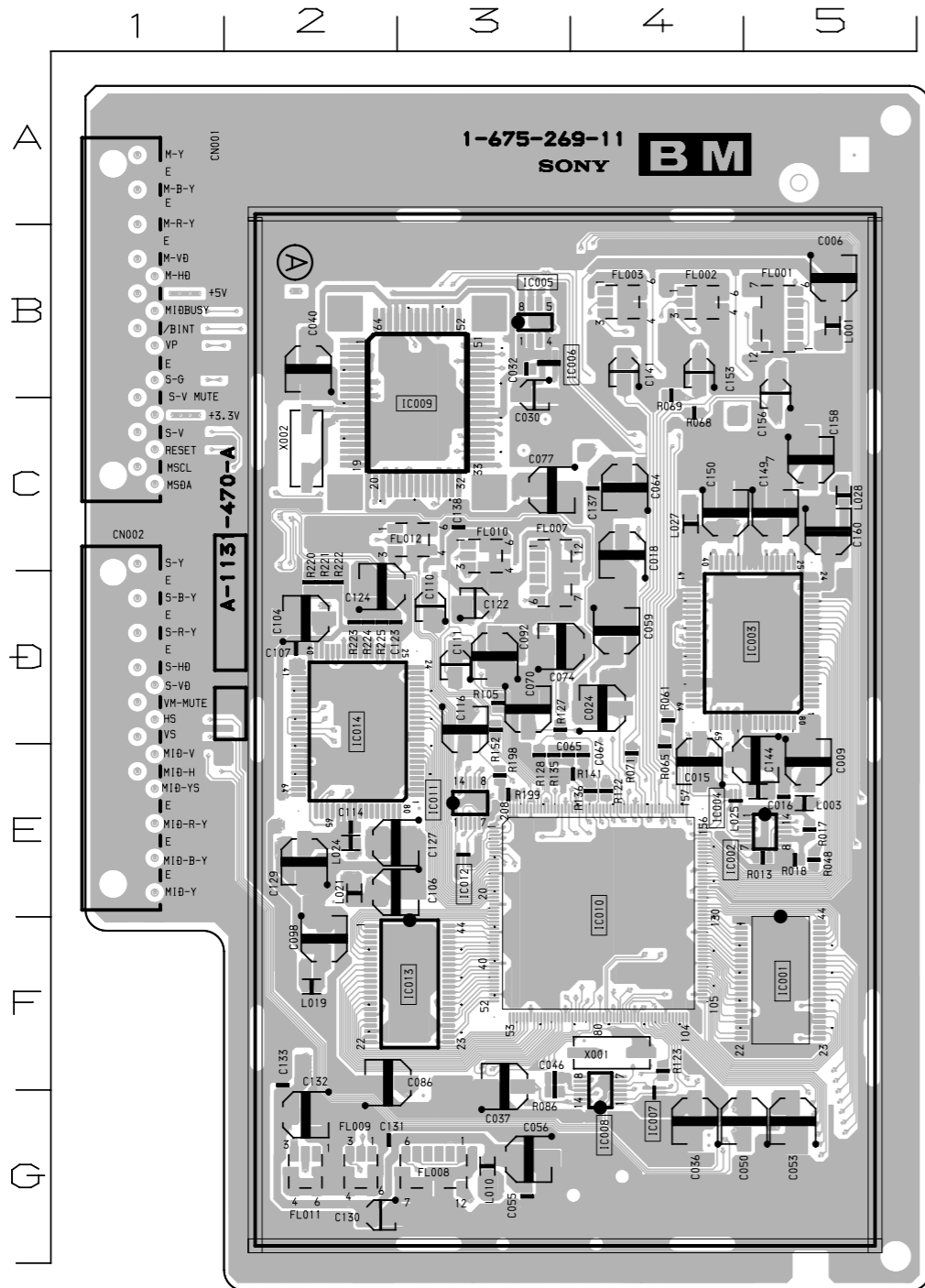
• BM BOARD WAVEFORMS



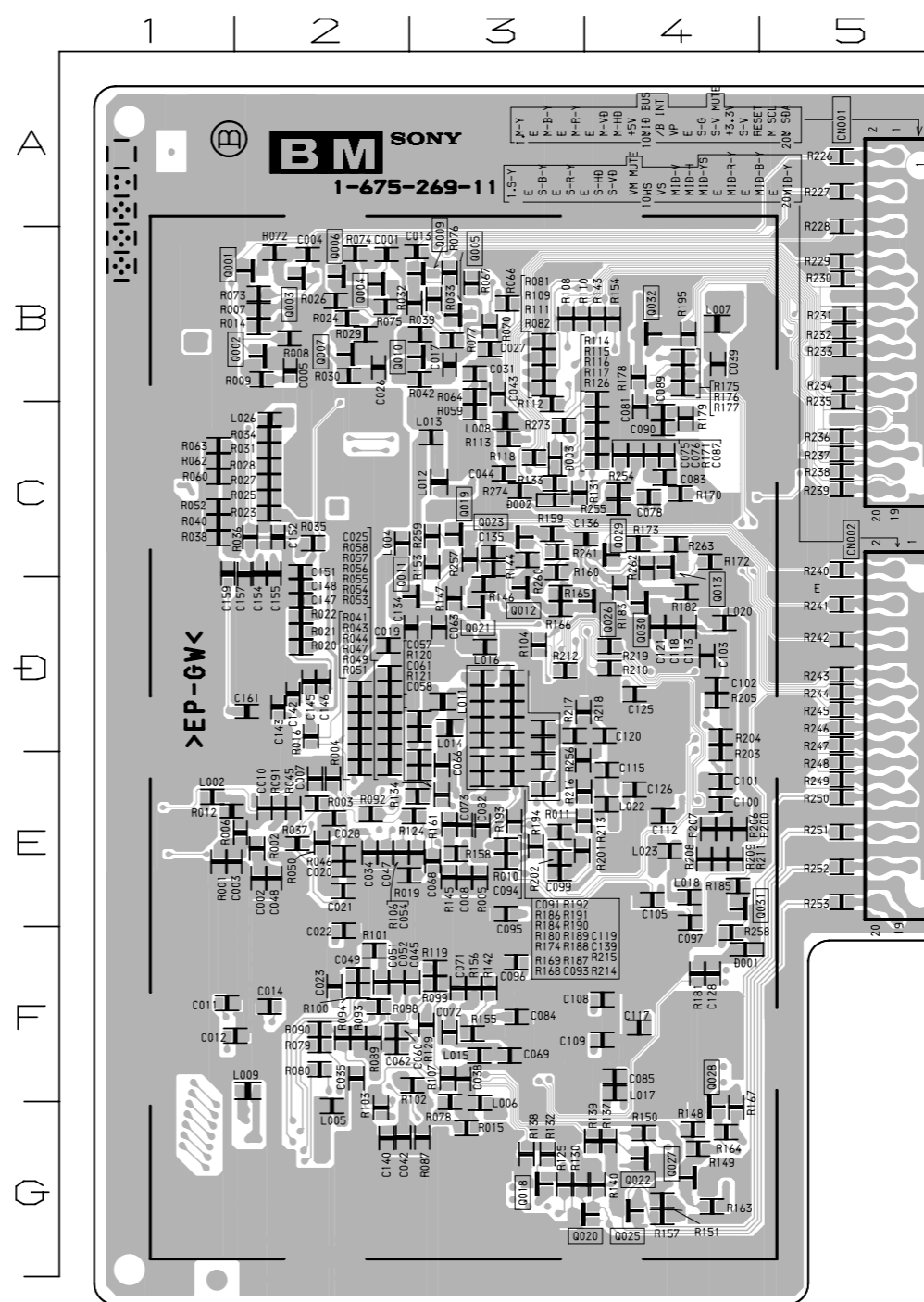
BM (MID)

BM [MID]

- BM Board -



< Component Side >



< Conductor Side >

BM BOARD

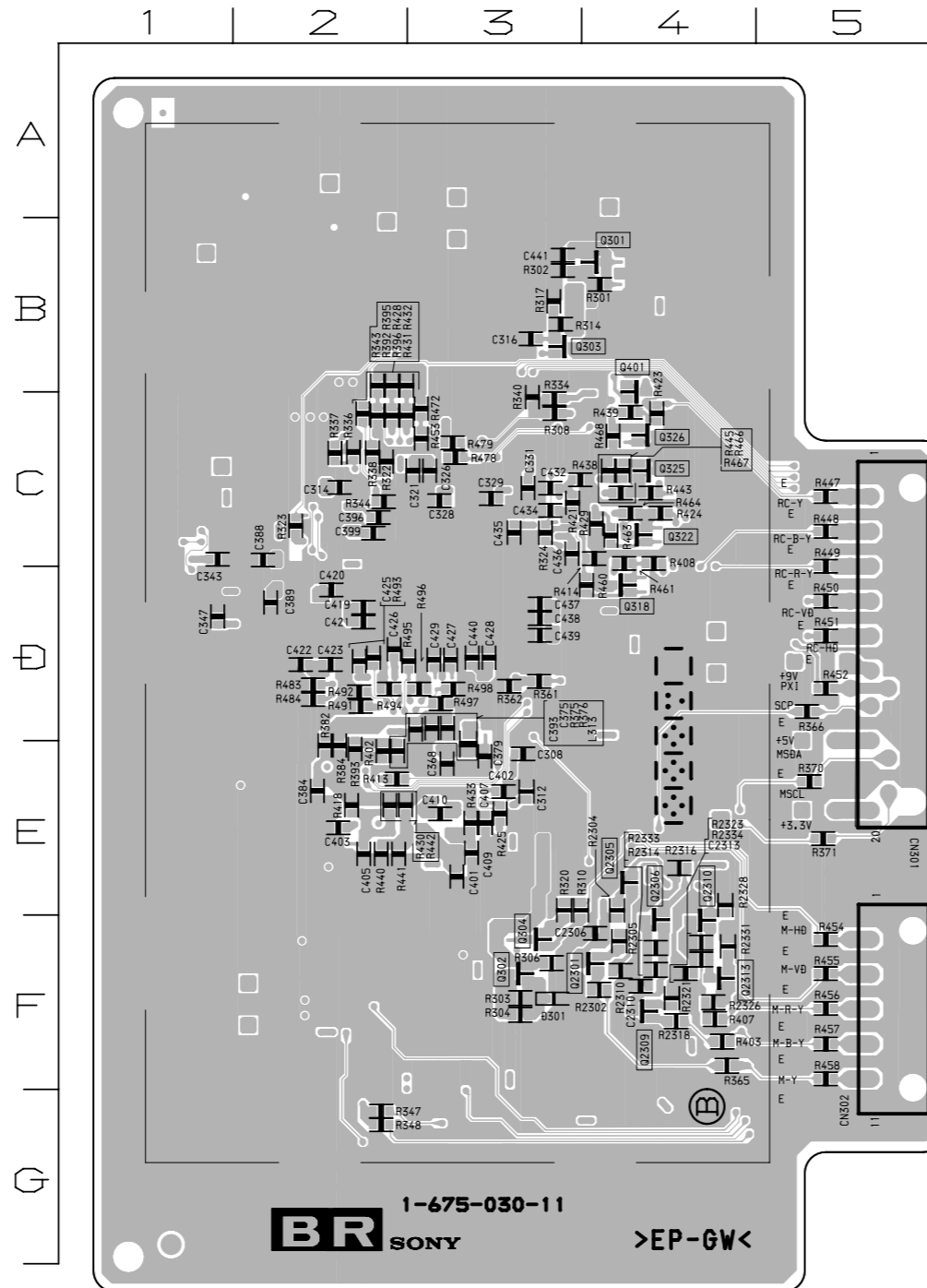
DIODE		
	L	R *
D001	F-4	ⓐ
D002	C-3	ⓐ
D003	C-3	ⓐ
TRANSISTOR		
	L	R *
Q001	B-2	ⓐ
Q002	B-2	ⓐ
Q006	B-2	ⓐ
Q007	B-2	ⓐ
Q009	B-3	ⓐ
Q010	B-3	ⓐ
Q018	G-3	ⓐ
Q019	C-3	ⓐ
Q020	G-4	ⓐ
Q021	D-3	ⓐ
Q022	G-5	ⓐ
Q023	C-3	ⓐ
Q025	G-4	ⓐ
Q026	D-4	ⓐ
Q027	G-5	ⓐ
Q028	G-5	ⓐ
Q029	C-4	ⓐ
Q030	D-4	ⓐ
Q031	E-4	ⓐ
Q032	B-4	ⓐ
IC		
	L	R
IC001	F-5	
IC002	E-5	
IC003	D-5	
IC004	E-4	
IC005	B-3	
IC006	B-3	
IC007	G-4	
IC008	G-4	
IC009	C-3	
IC010	E-4	
IC011	E-3	
IC012	E-3	
IC013	F-3	
IC014	D-2	

L ; component side
R ; conductor side

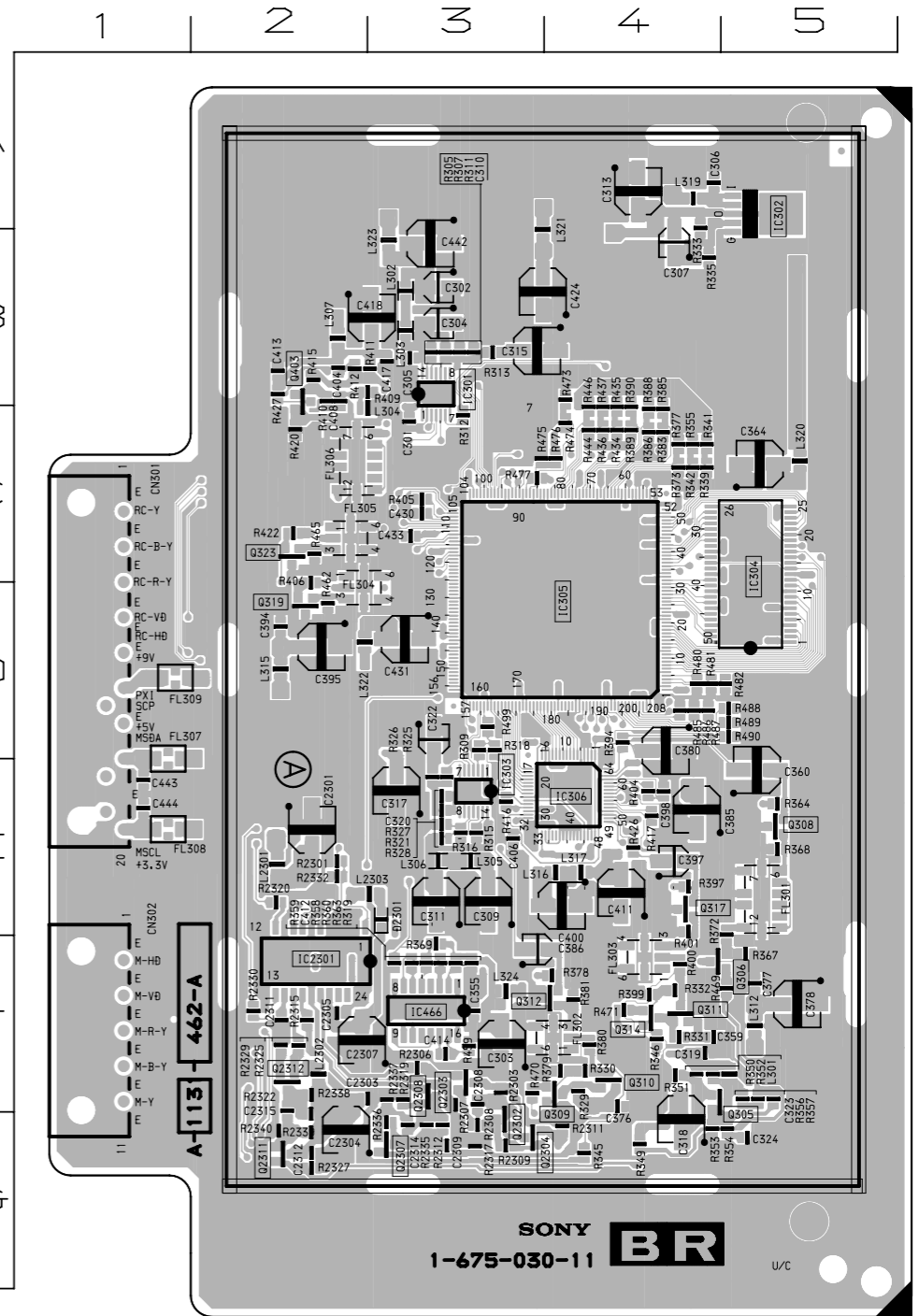
BR BOARD

DIODE			
	L	R	*
D301	F-3	③	
D2301	E-3	③	
TRANSISTOR			
	L	R	*
Q301	B-4	①	
Q302	F-3	①	
Q303	B-3	①	
Q306	F-5	②	
Q308	E-4	②	
Q312	F-3	②	
Q317	E-4	②	
Q318	D-4	①	
Q319	D-2	②	
Q322	C-4	①	
Q323	C-2	②	
Q325	C-4	①	
Q326	C-4	①	
Q401	B-4	①	
Q403	B-2	②	
Q2301	F-4	①	
Q2302	G-3	②	
Q2303	F-3	②	
Q2304	G-3	②	
Q2305	E-4	①	
Q2306	F-4	①	
Q2307	G-3	②	
Q2308	F-3	②	
Q2309	F-4	①	
Q2310	F-4	①	
Q2311	G-3	②	
Q2312	F-2	②	
Q2313	F-4	①	
IC			
	L	R	
IC301	B-3		
IC302	A-5		
IC303	E-3		
IC304	C-5		
IC305	D-4		
IC306	E-4		
IC466	F-3		
IC2301	F-2		

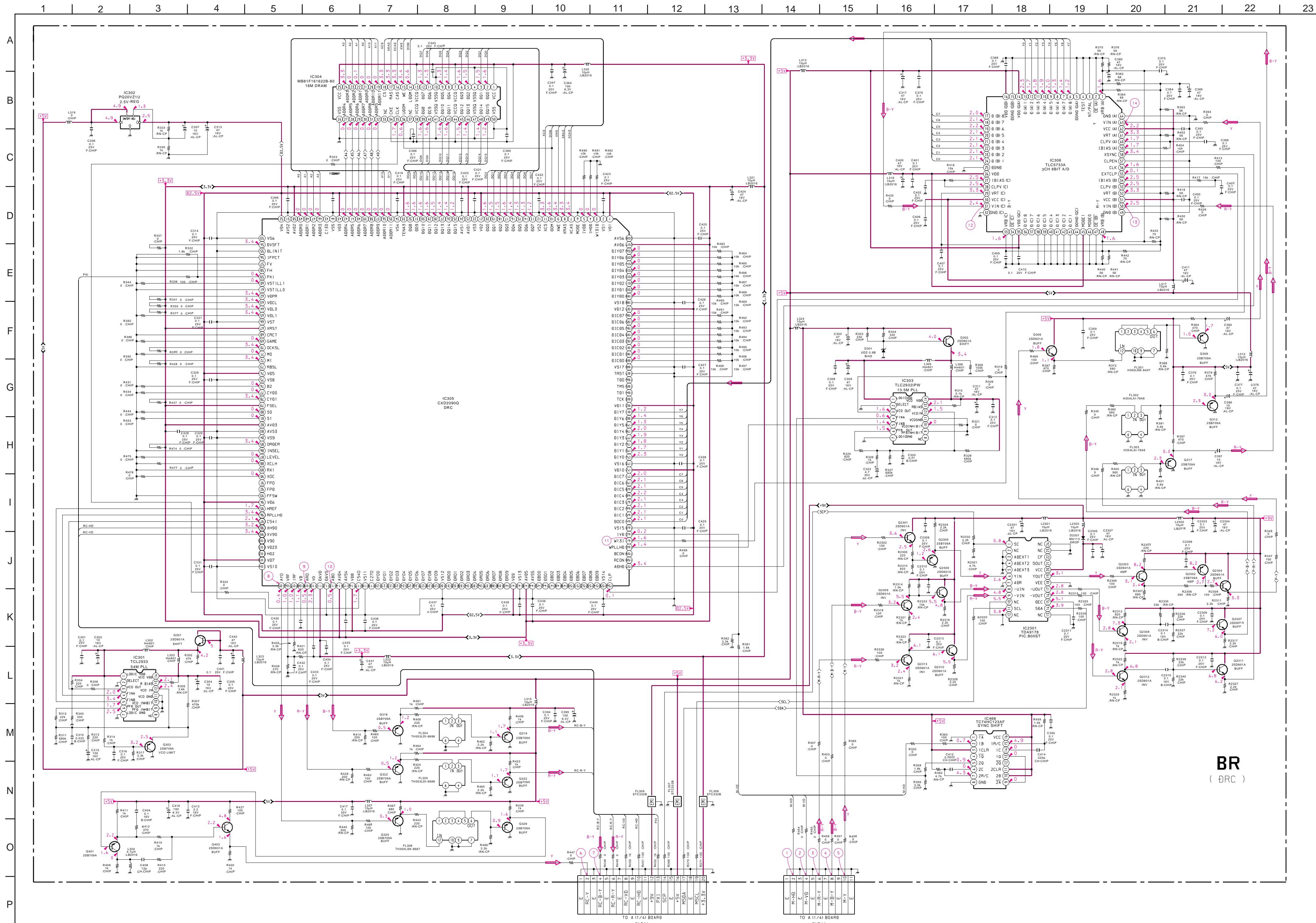
L ; component side
R ; conductor side



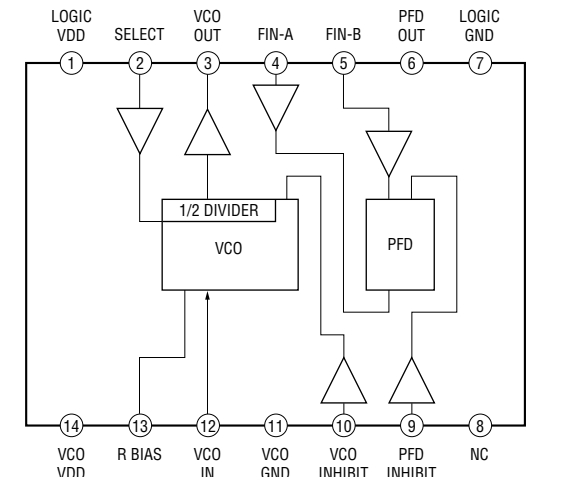
< Component Side >



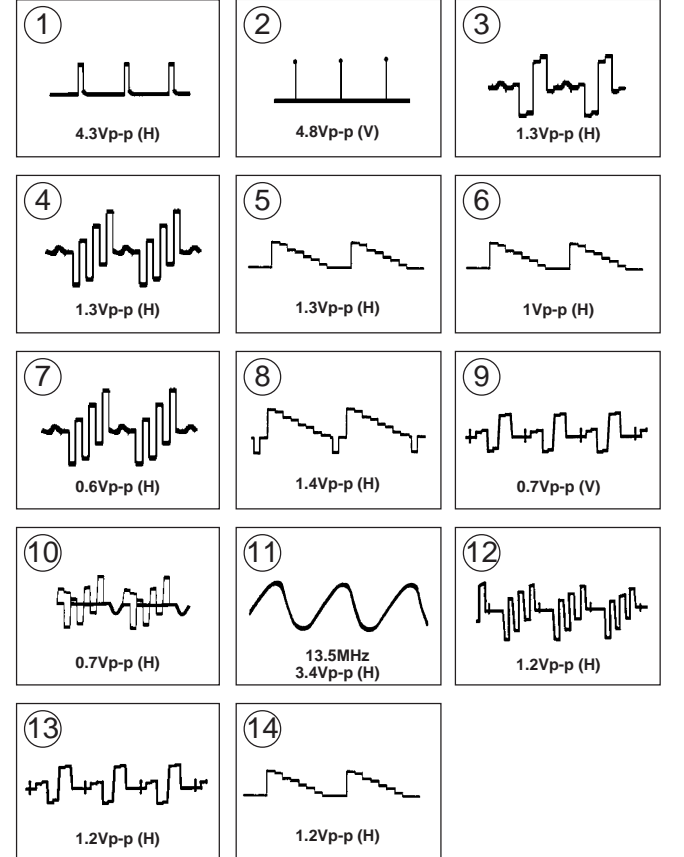
< Conductor Side >

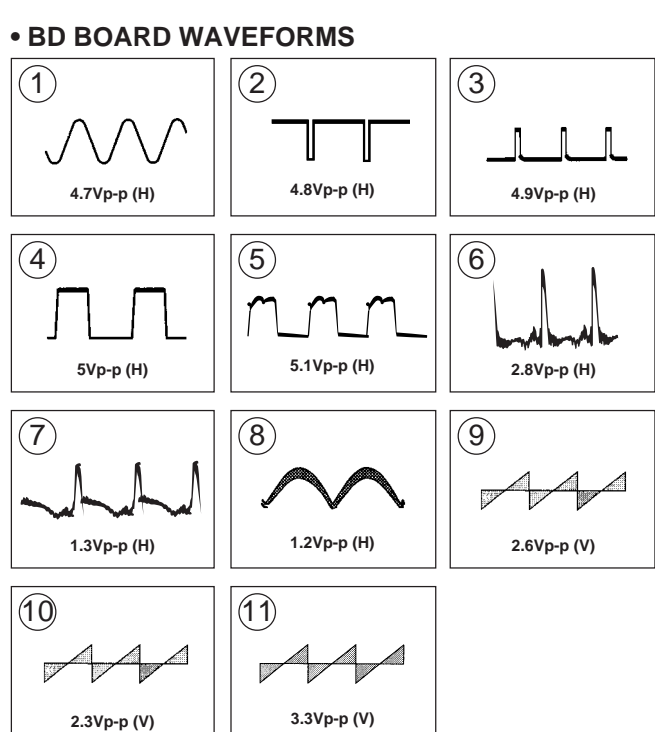
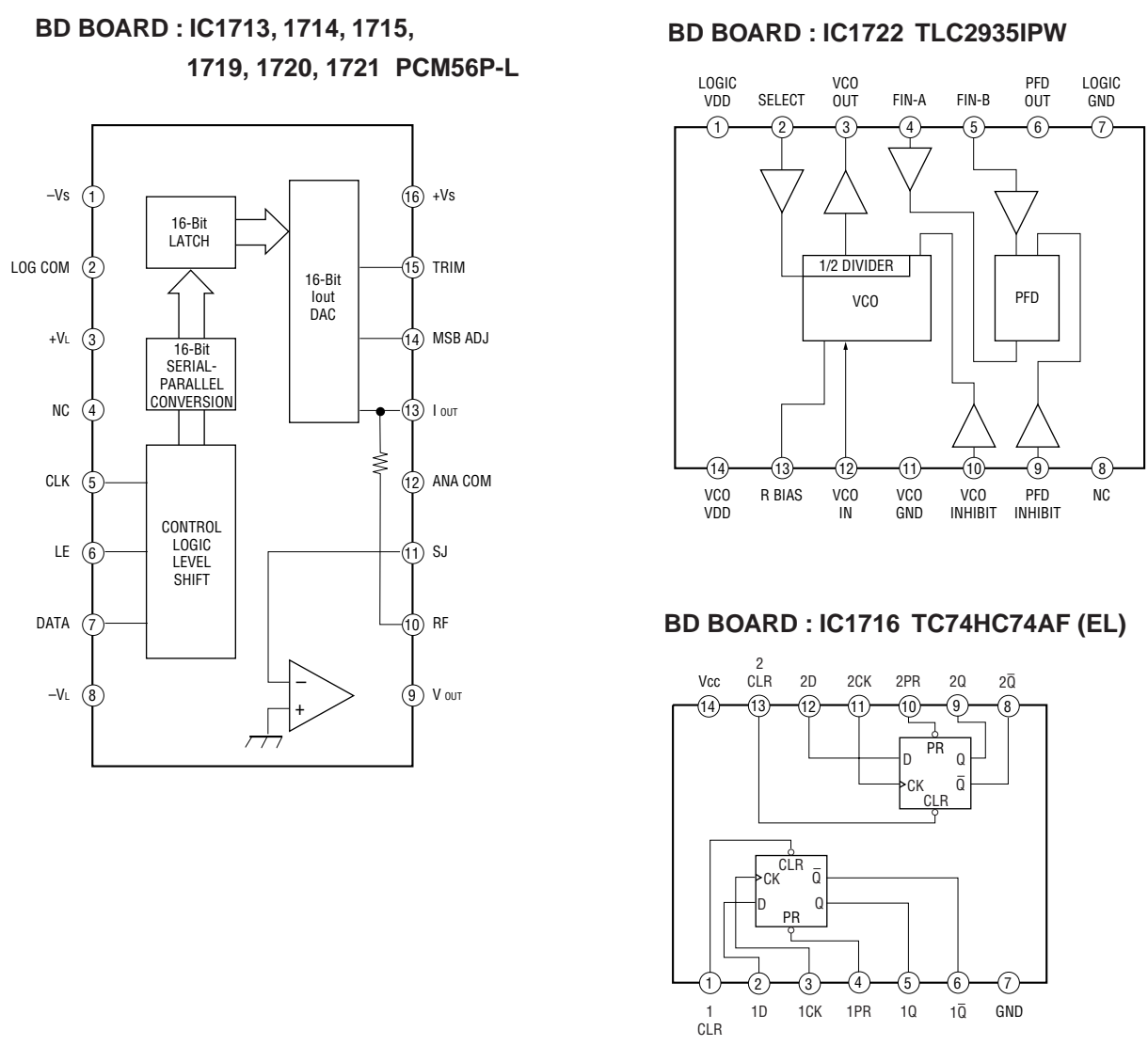
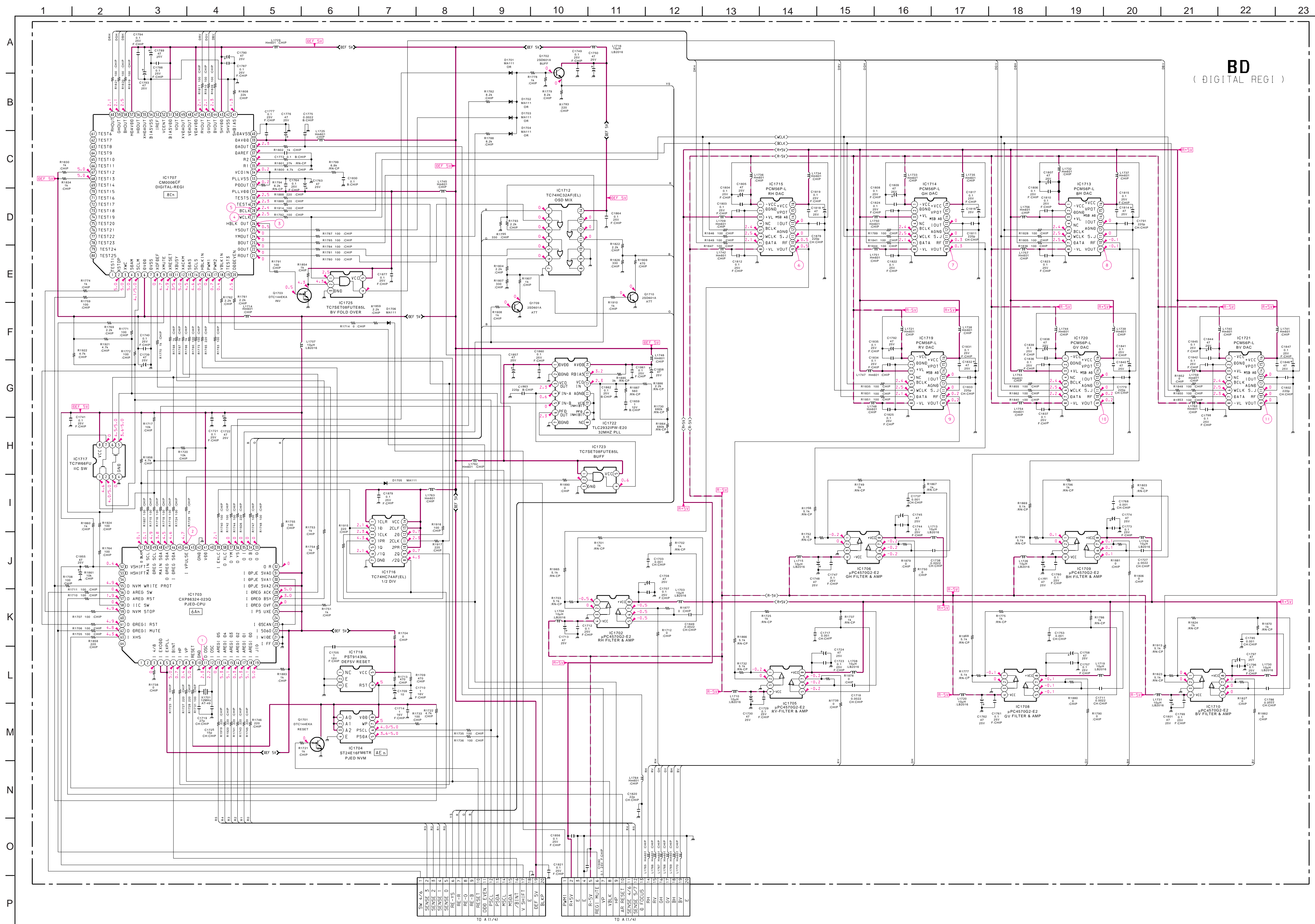


BR BOARD : IC303 TLC2932IPW

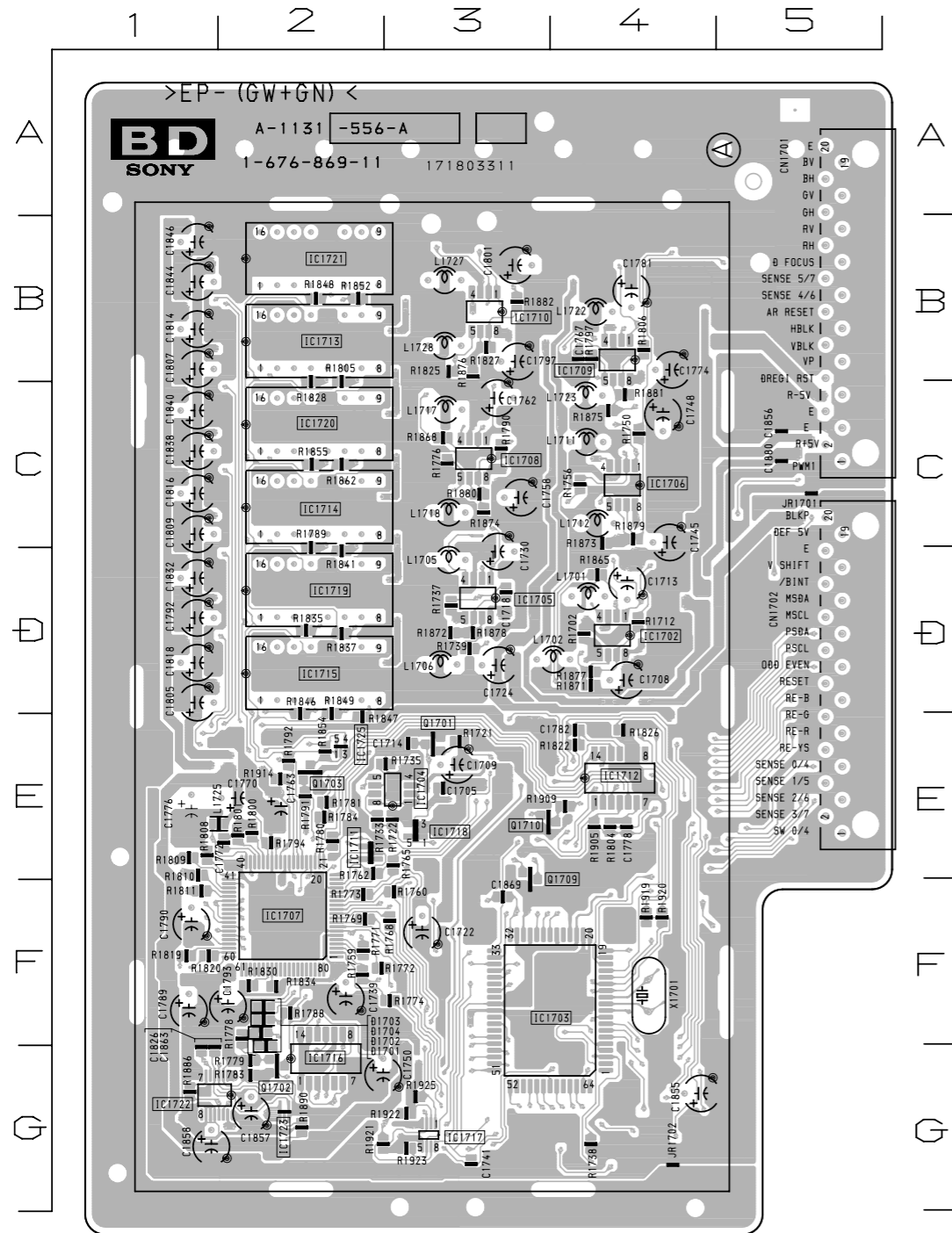


BR BOARD WAVEFORMS

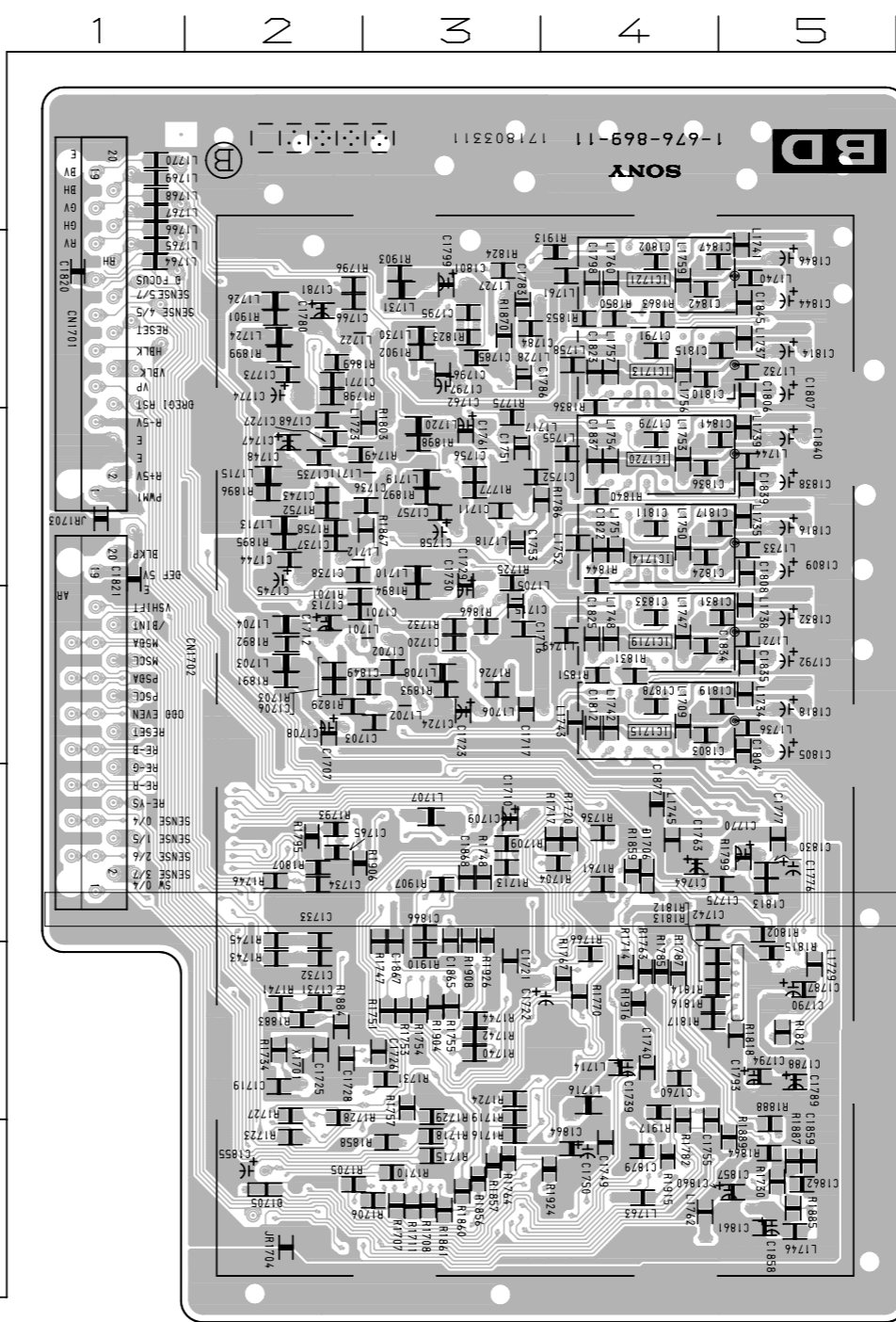




BD
(DIGITAL REG)



< Component Side >

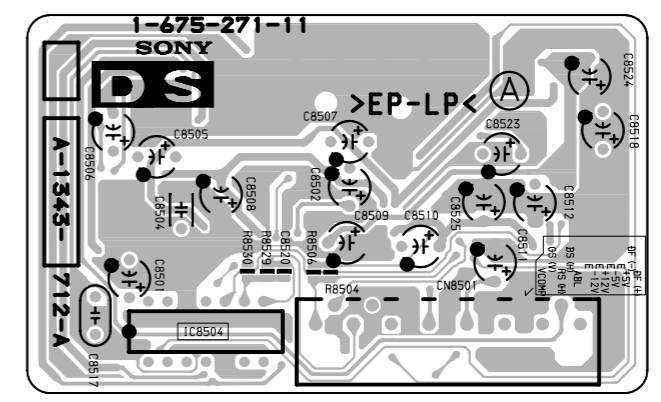


< Conductor Side >

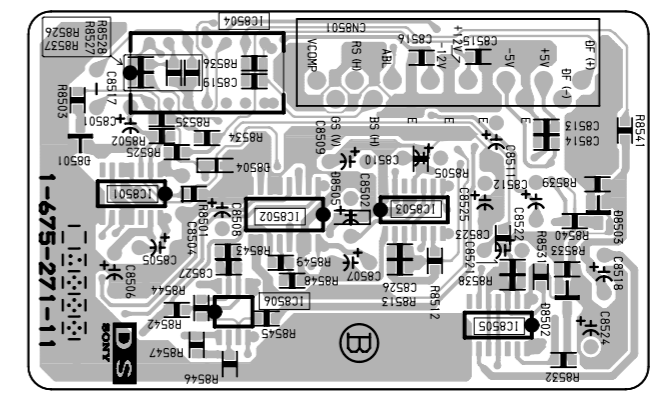
BD BOARD

DIODE		
	L	R *
D1701	G-2	③
D1702	F-2	③
D1703	F-2	③
D1704	F-2	③
D1705	G-2	③
D1706	E-4	③
TRANSISTOR		
	L	R *
Q1701	E-3	②
Q1702	G-2	②
Q1703	E-2	②
Q1709	F-3	②
Q1710	E-3	②
IC		
	L	R
IC1702	D-4	
IC1703	F-4	
IC1704	E-3	
IC1705	D-3	
IC1706	C-4	
IC1707	F-2	
IC1708	C-3	
IC1709	B-4	
IC1710	B-3	
IC1712	E-4	
IC1713	B-2	B-4
IC1714	C-2	C-4
IC1715	D-2	D-4
IC1716	G-2	
IC1717	G-3	
IC1718	E-3	
IC1719	D-2	D-4
IC1720	C-2	C-4
IC1721	B-2	B-4
IC1722	G-1	
IC1723	G-2	
IC1725	E-2	

L ; component side
R ; conductor side

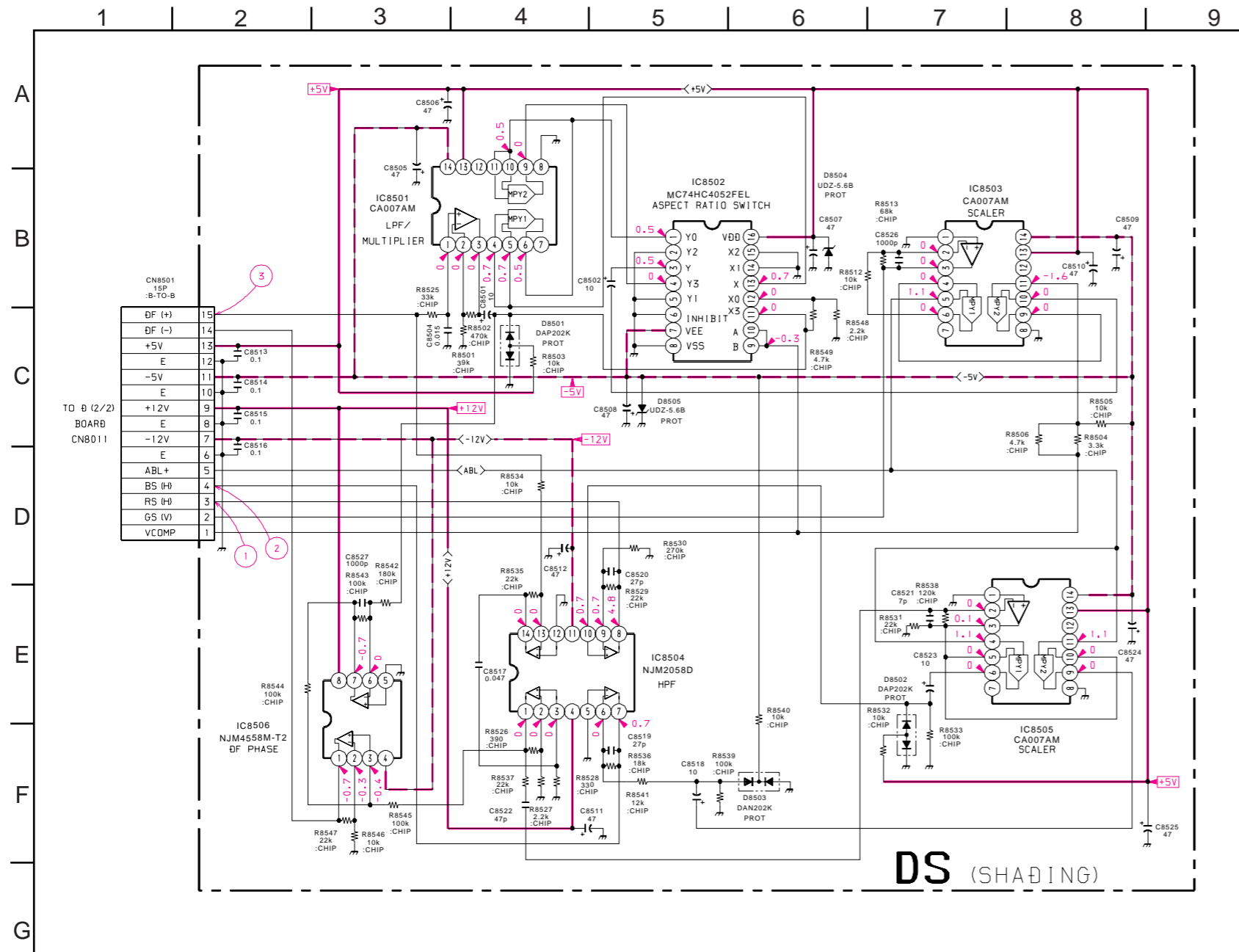
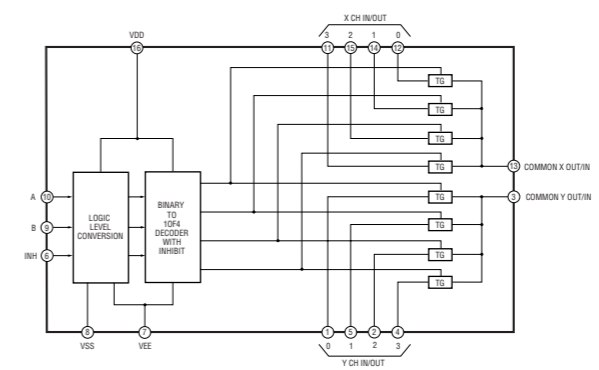


< Component Side >



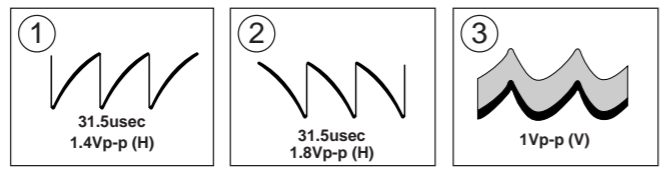
< Conductor Side >

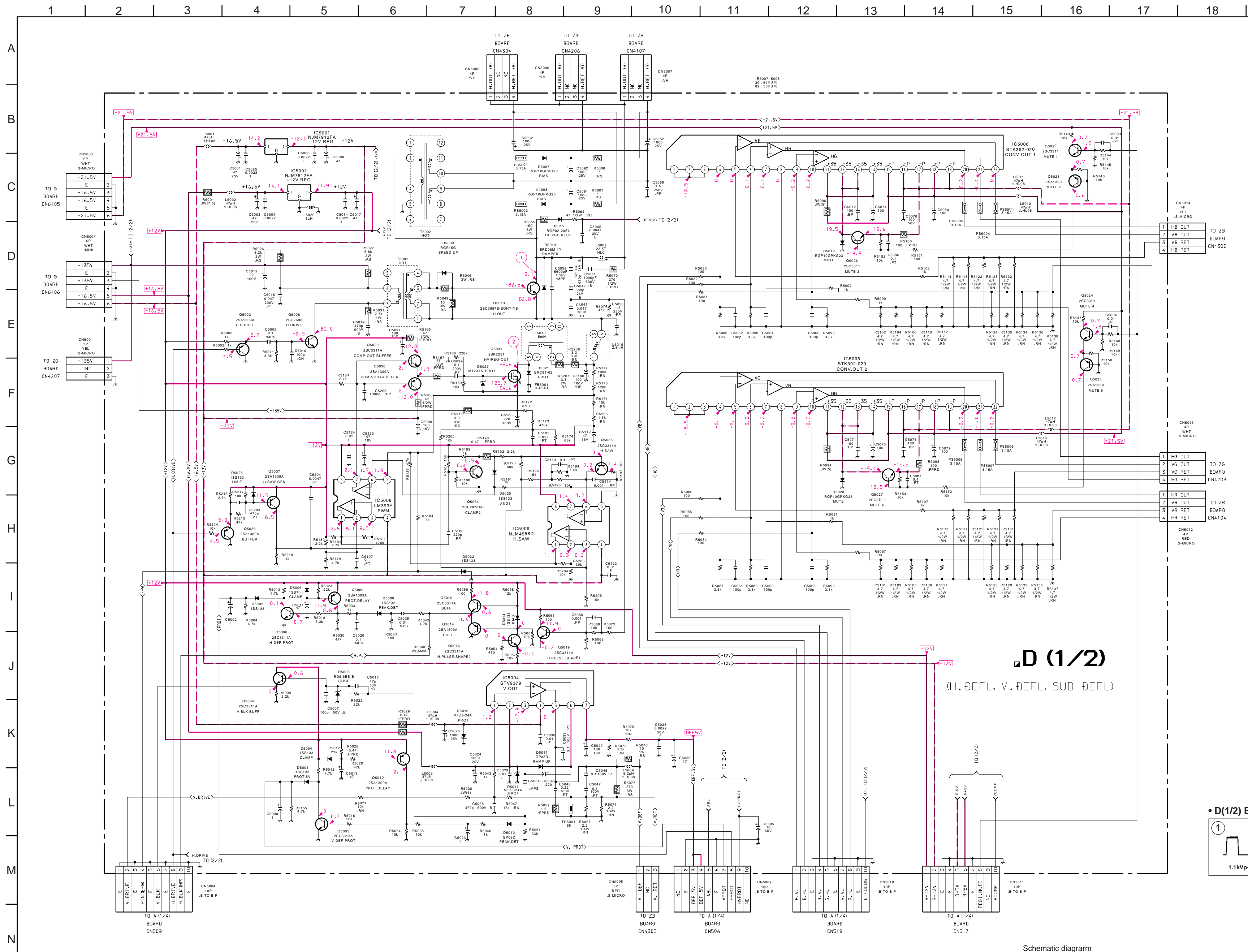
DS BOARD : IC8502 MC74HC4052FEL



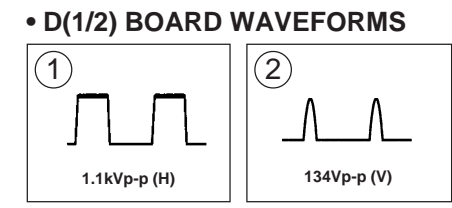
DS [SHADING]

• DS BOARD WAVEFORMS





D (1/2)
(H. DEFL. V. DEFL. SUB DEFL.)

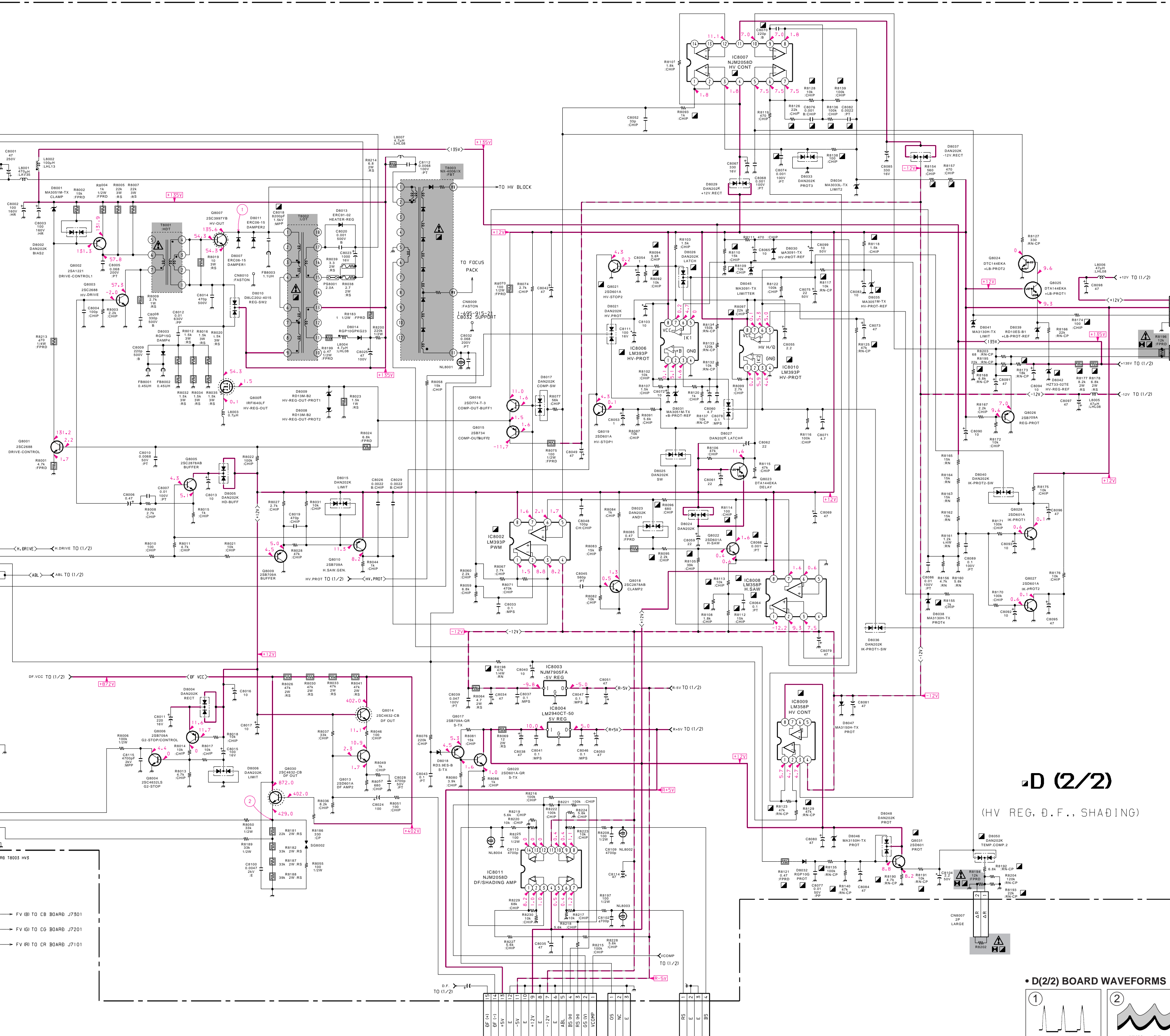


H (1)	1
H (-1)	2
NC	3
NC	4
E	5
NC	6
+2.10V	7

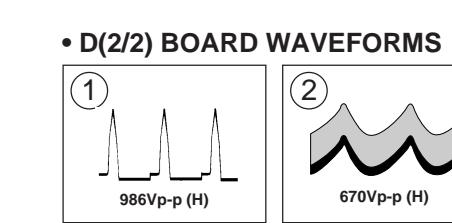
WHIT S-MICRO	1
H.D. IN	2
H.D. OUT	3
ABL HV	4
ABL TO PROC	5
ABL TO PROC	6
ABL FB	7

WHIT S-MICRO	1
DF. 1	2
DF. 2	3
NC	4
GND	5

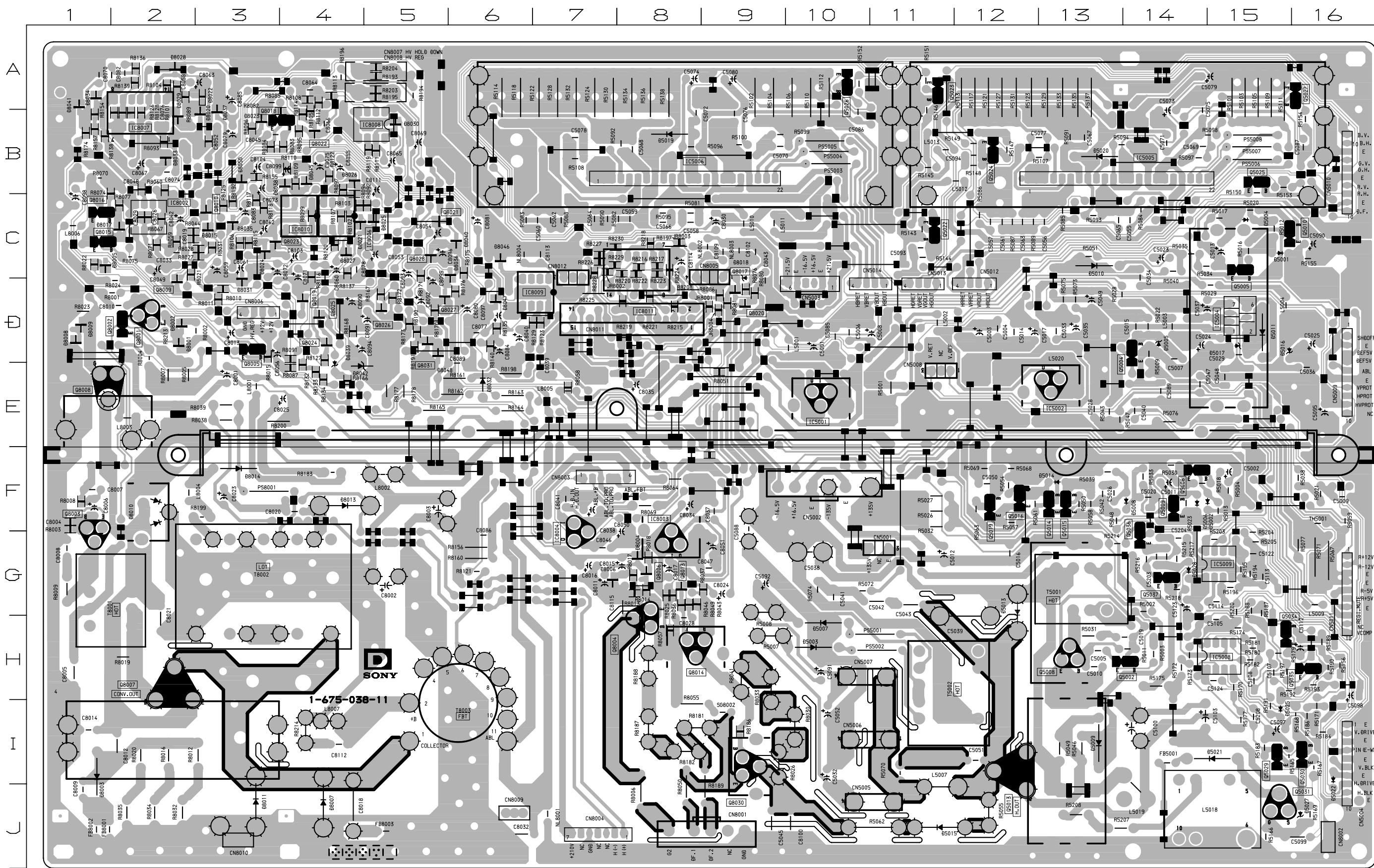
TO BOARD 7805 HV3	1
FV (B) TO CB BOARD J7301	2
FV (B) TO CG BOARD J7201	3
FV (B) TO CR BOARD J7101	4



D (2/2)
(HV REG. D.F., SHADING)



- D Board -



D BOARD

DIODE		TRANSISTOR		IC	
D5001	C-15	Q5002	H-14	IC5001	E-10
D5002	F-14	Q5004	D-14	IC5002	E-13
D5003	H-10	Q5005	C-15	IC5004	D-15
D5004	C-15	Q5006	F-14	IC5005	B-14
D5005	D-14	Q5008	H-13	IC5006	B-8
D5006	F-14	Q5009	F-14	IC5008	H-15
D5007	H-10	Q5010	C-15	IC5009	G-15
D5008	F-14	Q5011	C-11	IC8002	C-2
D5009	I-13	Q5012	A-11	IC8003	G-8
D5010	C-13	Q5014	B-12	IC8004	F-7
D5011	D-15	Q5015	B-15	IC8006	C-4
D5013	G-12	Q5016	F-12	IC8007	B-2
D5014	F-13	Q5019	F-12	IC8008	B-5
D5015	J-11	Q5022	C-11	IC8009	D-7
D5016	D-15	Q5023	A-11	IC8010	C-4
D5017	D-15	Q5024	B-12	IC8011	C-8
D5019	B-8	Q5025	B-15		
D5020	B-13	Q5026	A-10		
D5021	I-15	Q5027	A-16		
D5022	I-16	Q5029	I-15		
D5025	I-15	Q5030	I-16		
D5027	J-16	Q5031	J-15		
D5028	G-14	Q5034	H-15		
D8001	D-2	Q5035	H-16		
D8002	D-2	Q5036	F-14		
D8003	I-1	Q5037	G-14		
D8004	G-8	Q8001	D-2		
D8005	C-1				
D8006	G-7				
D8007	J-4				
D8008	D-1				
D8009	D-1				
D8010	F-2				
D8011	J-3				
D8013	F-4				
D8014	F-3				
D8015	C-3				
D8017	C-2				
D8018	C-9				
D8021	C-4				
D8023	B-3				
D8024	C-3				
D8025	C-5				
D8026	B-4				
D8027	C-4				
D8029	B-2	Q8002	D-2		
D8030	B-5	Q8003	F-1		
D8031	D-3	Q8004	H-8		
D8032	E-6	Q8005	D-3		
D8033	B-2	Q8006	G-8		
D8034	A-1	Q8007	H-2		
D8035	C-3	Q8008	E-1		
D8036	C-6	Q8009	D-2		
D8037	B-3	Q8010	C-3		
D8038	B-4	Q8013	G-8		
D8039	D-4	Q8014	H-8		
D8040	C-6	Q8015	C-1		
D8041	A-1	Q8016	C-1		
D8042	E-4	Q8017	D-9		
D8045	B-4	Q8018	B-3		
D8046	C-6	Q8019	D-4		
D8047	D-6	Q8020	D-9		
D8048	D-5	Q8021	C-5		
D8050	B-3	Q8022	B-4		
		Q8023	C-3		
		Q8024	D-4		
		Q8025	D-4		
		Q8026	D-5		
		Q8027	D-5		
		Q8028	C-5		
		Q8030	I-10		
		Q8031	D-5		

K [AUDIO AMP, AP,
DOLBY I/O]

- K Board -

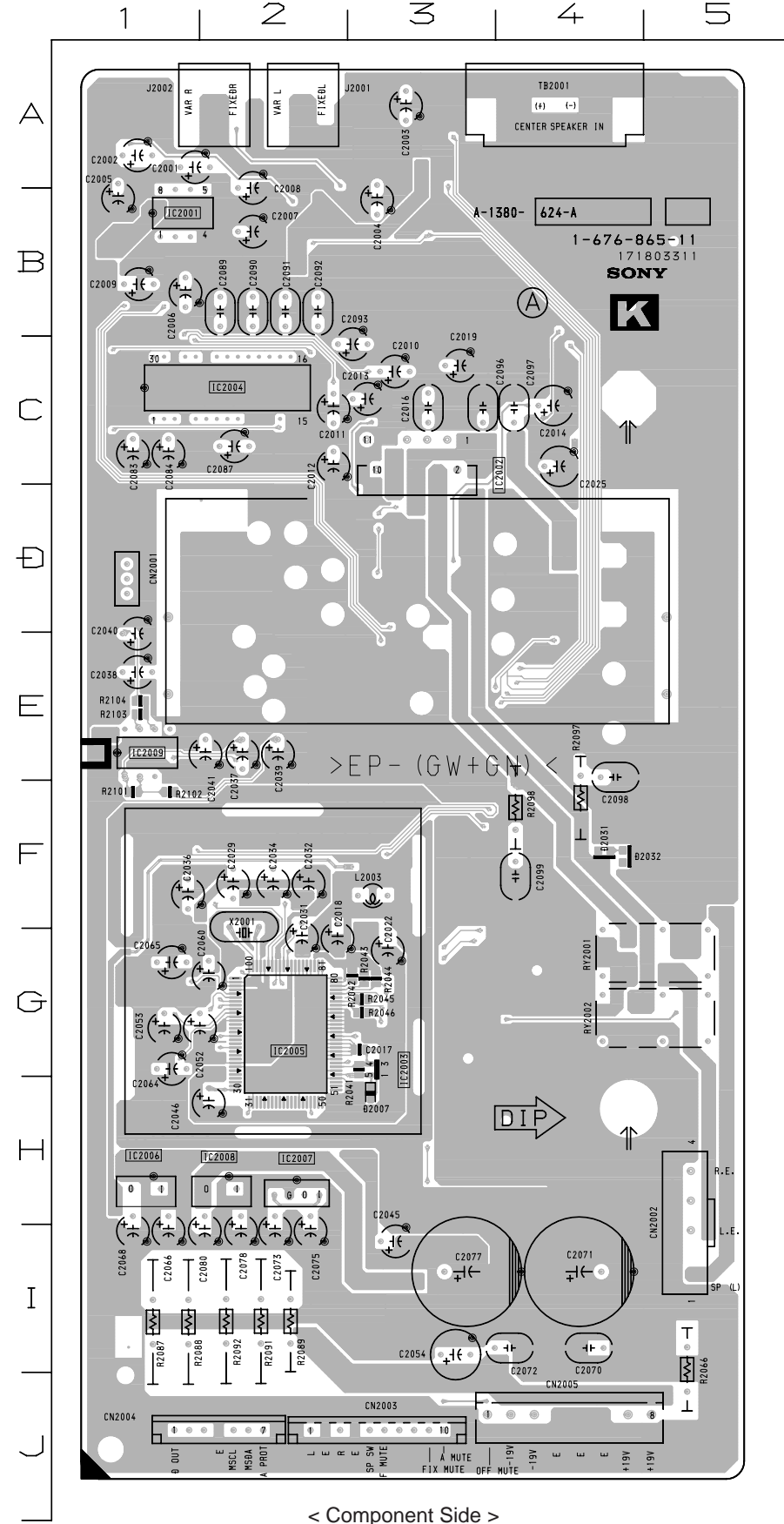
K BOARD

DIODE			
	L	R	*
D2001	A-4	⊙	
D2002	A-4	⊙	
D2003	A-5	⊙	
D2004	A-5	⊙	
D2008	C-2	⊙	
D2009	J-3	⊙	
D2010	C-2	⊙	
D2012	I-3	⊙	
D2013	J-3	⊙	
D2014	I-3	⊙	
D2017	I-3	⊙	
D2019	G-1	⊙	
D2020	I-3	⊙	
D2021	I-3	⊙	
D2022	I-3	⊙	
D2023	I-3	⊙	
D2024	G-1	⊙	
D2025	A-3	⊙	
D2026	A-3	⊙	
D2027	B-3	⊙	
D2028	A-3	⊙	
D2029	D-3	⊙	
D2030	D-3	⊙	
D2031	F-4	⊙	
D2032	F-4	⊙	
D2033	B-5	⊙	
D2034	B-5	⊙	
D2050	A-2	⊙	
D2051	A-2	⊙	
D2052	A-2	⊙	
D2053	A-2	⊙	
D2054	H-1	⊙	
D2055	H-1	⊙	
D2056	L-1	⊙	
D2057	L-1	⊙	
D2058	J-4	⊙	
D2059	J-4	⊙	

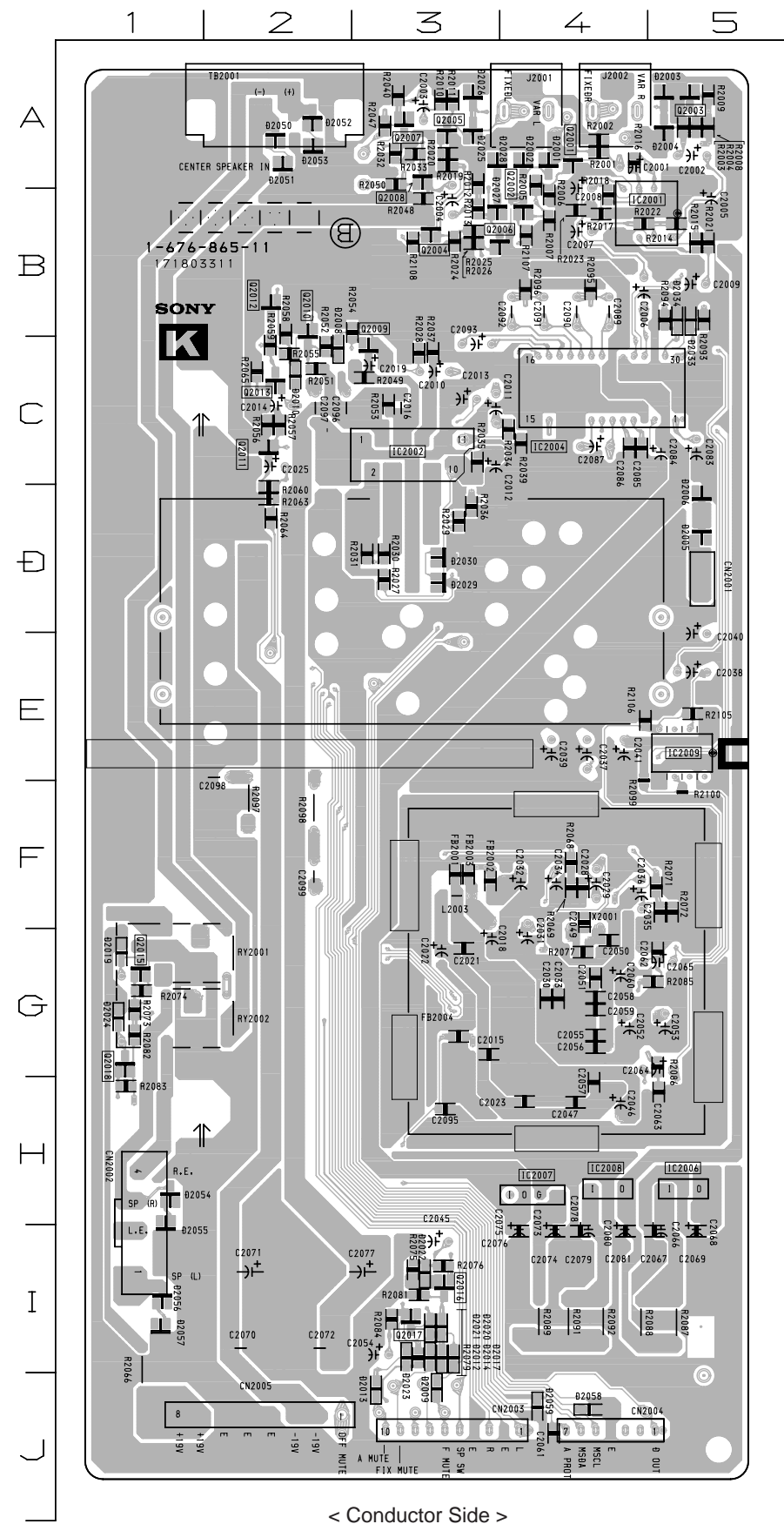
TRANSISTOR			
	L	R	*
Q2001	A-4	⊙	
Q2002	B-4	⊙	
Q2003	A-5	⊙	
Q2004	B-3	⊙	
Q2005	A-3	⊙	
Q2006	B-4	⊙	
Q2007	A-3	⊙	
Q2008	A-3	⊙	
Q2009	C-3	⊙	
Q2010	B-2	⊙	
Q2011	C-2	⊙	
Q2012	B-2	⊙	
Q2013	C-2	⊙	
Q2015	G-1	⊙	
Q2016	I-3	⊙	
Q2017	I-3	⊙	
Q2018	G-1	⊙	

IC			
	L	R	*
IC2001	B-1	B-4	
IC2002	C-3	C-3	
IC2003	G-3		
IC2004	C-2	C-4	
IC2005	G-2		
IC2006	H-1	H-5	
IC2007	H-2	H-4	
IC2008	H-2	H-4	
IC2009	E-1	E-5	

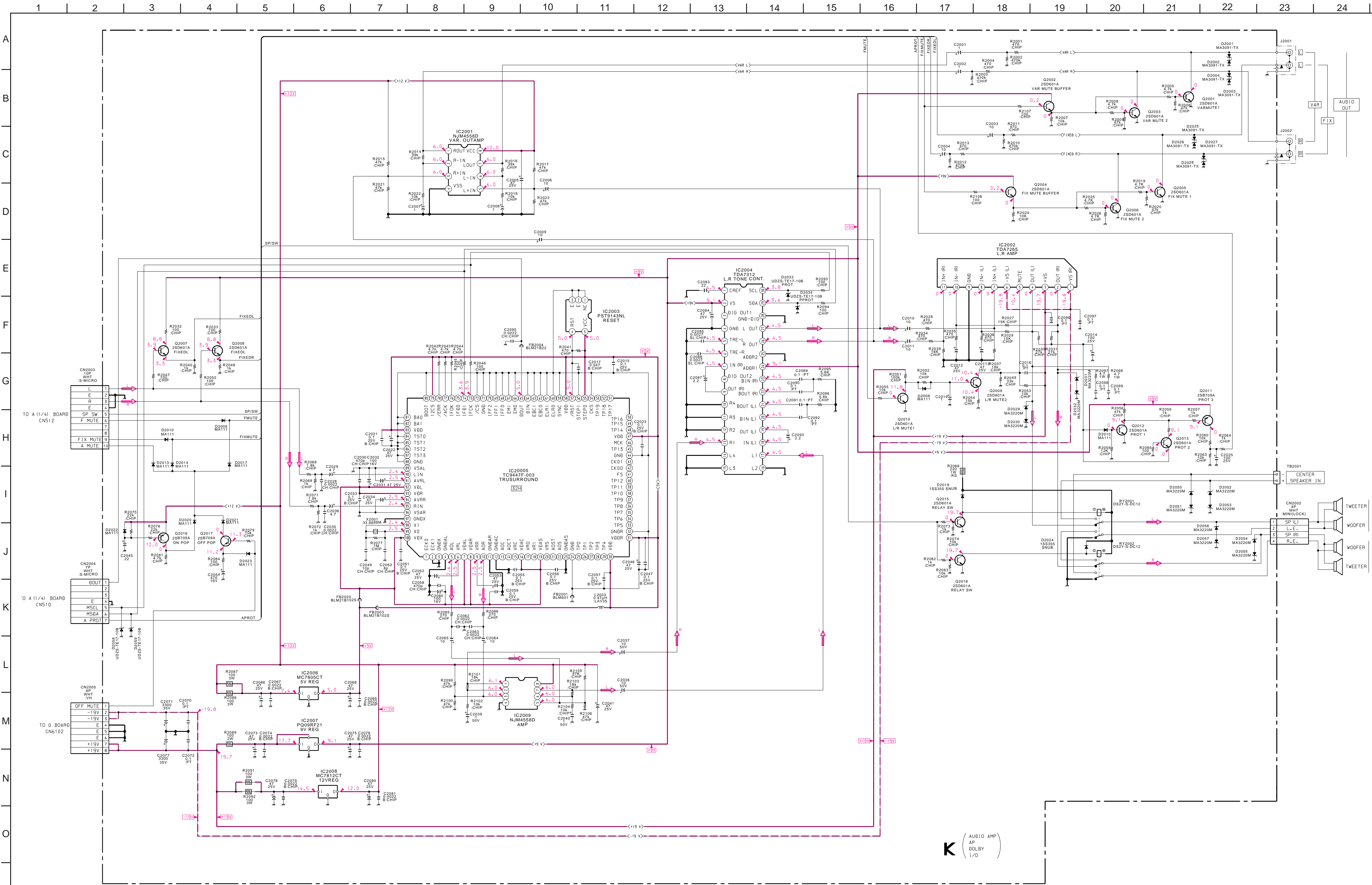
L ; component side
R ; conductor side



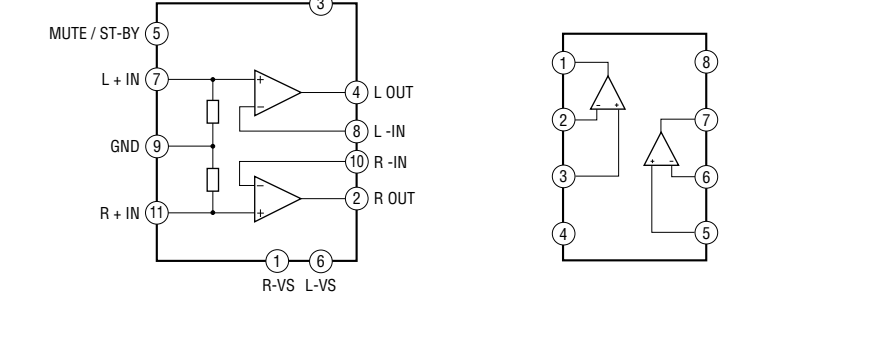
< Component Side >



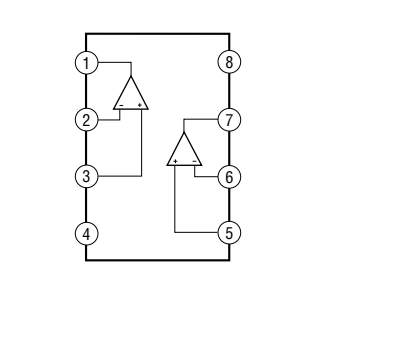
< Conductor Side >



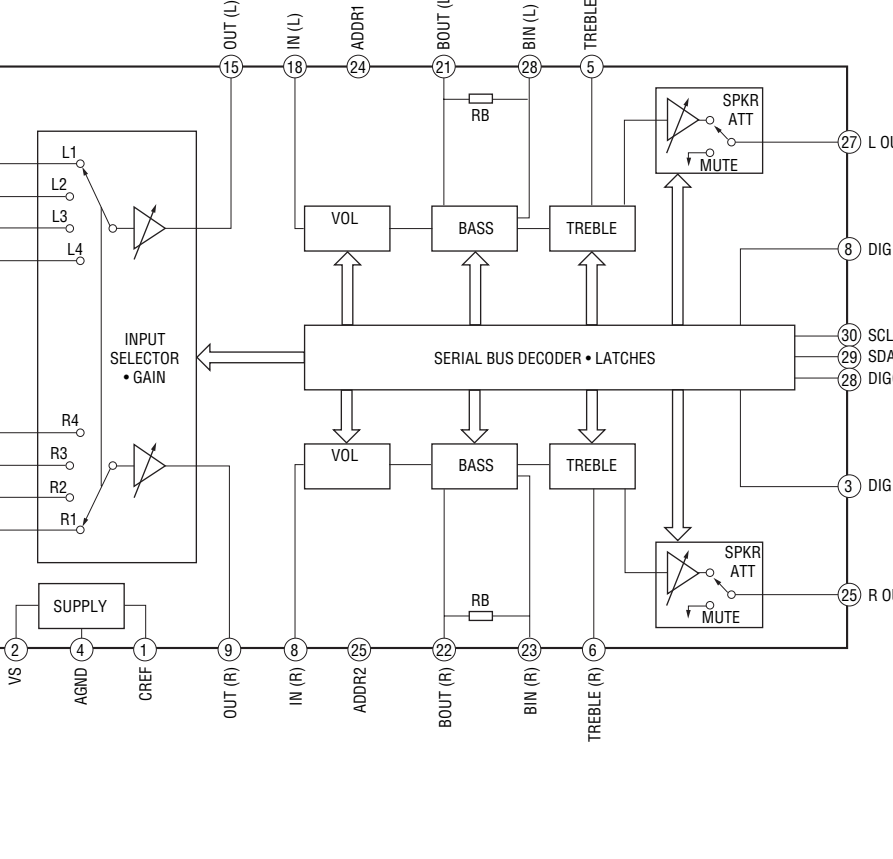
K BOARD : IC2002 TDA7265



K BOARD : IC2001, 2009 NJM4558D

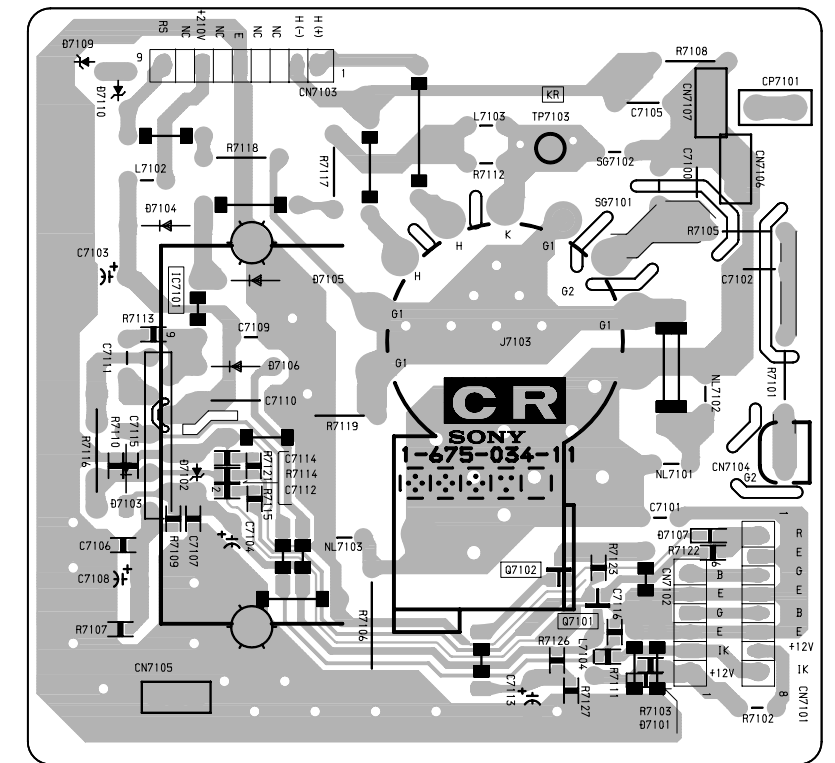


K BOARD : IC2004 TDA7312

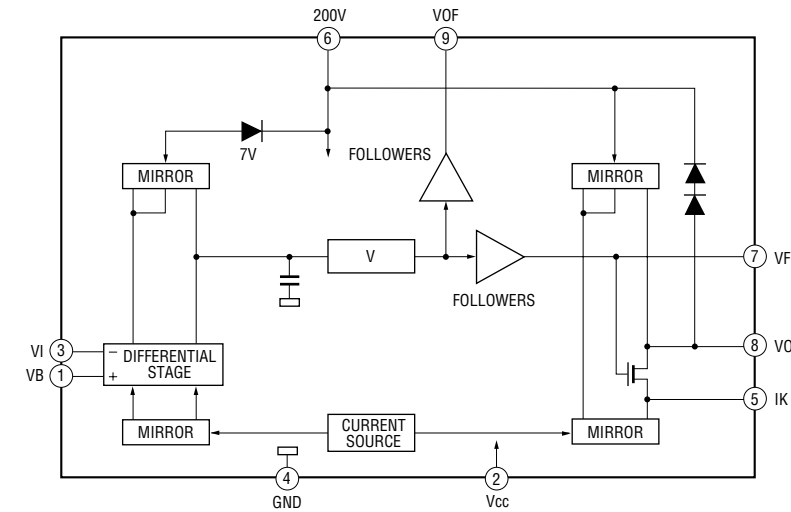


K (AUBIO AMP)
AP DOLBY
1/0

- CR Board -

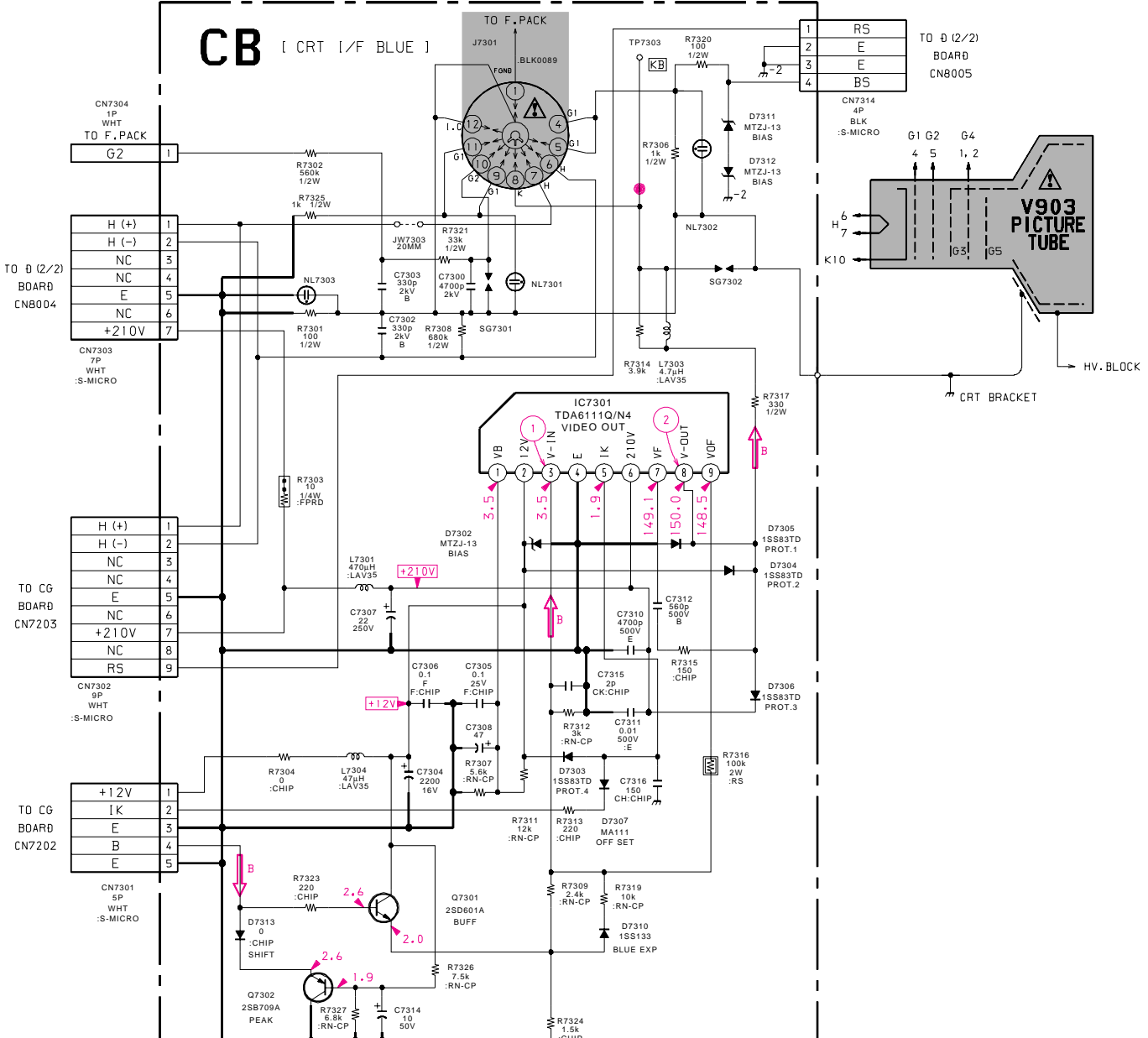
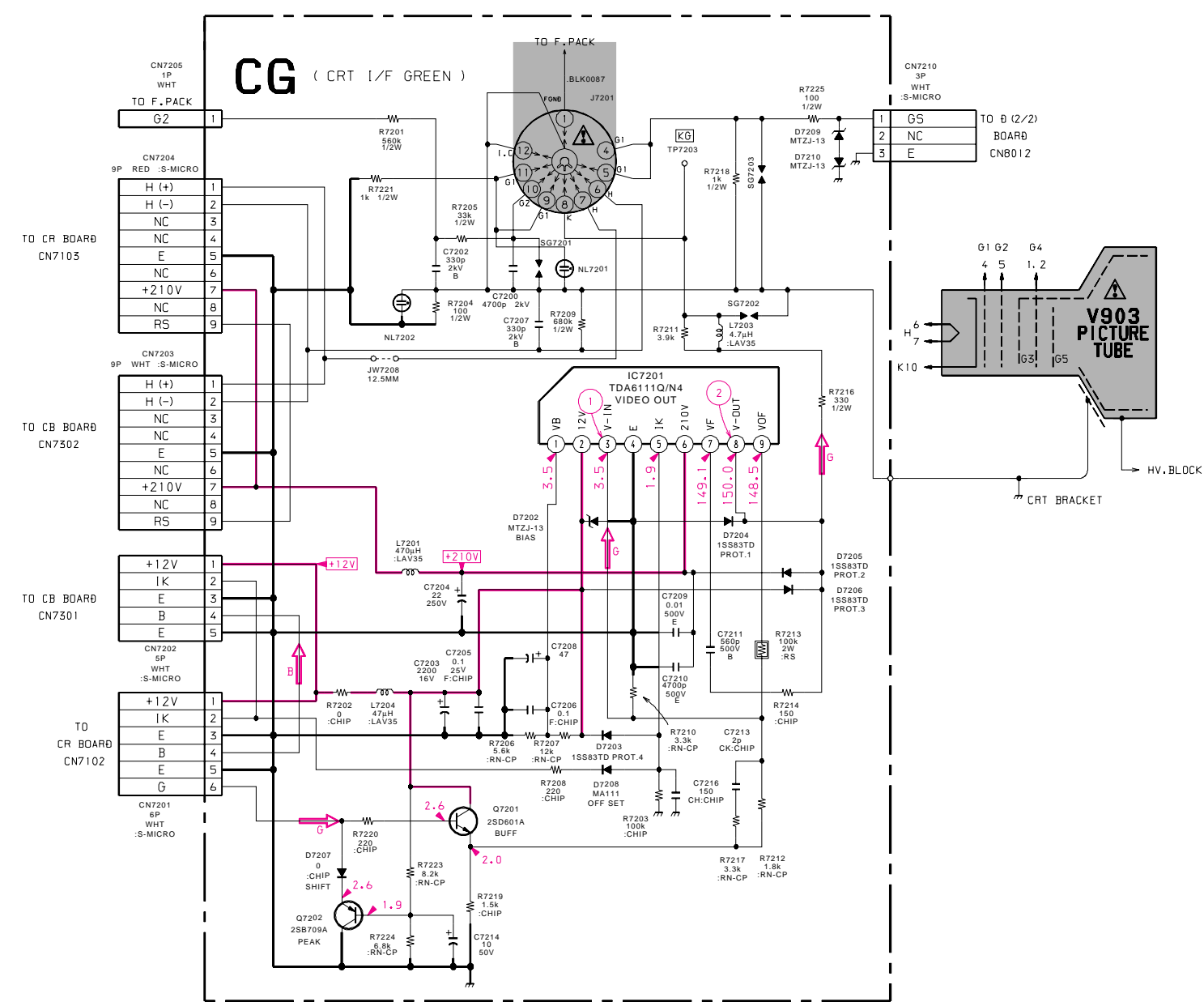
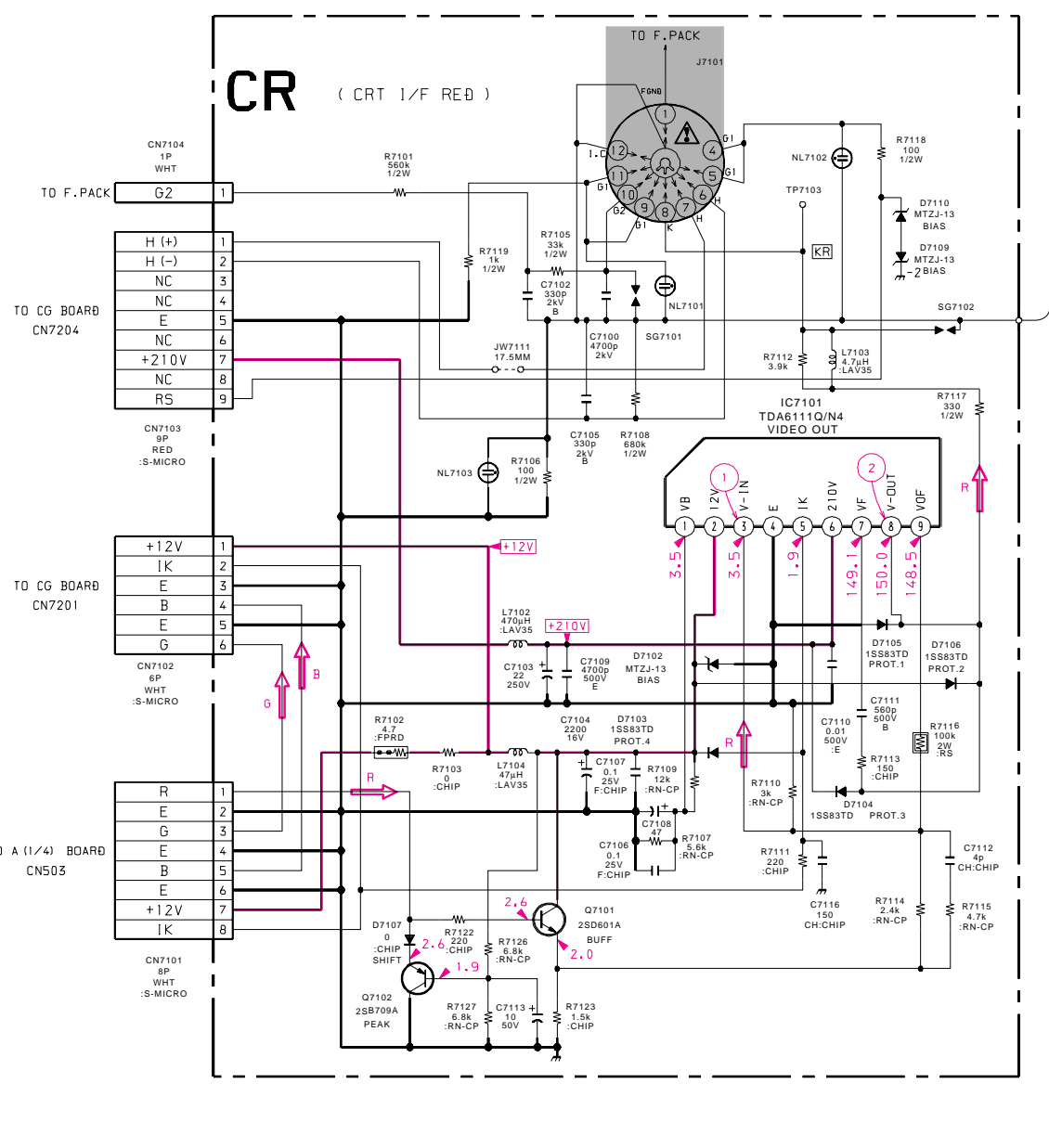
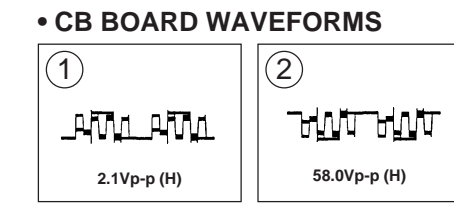
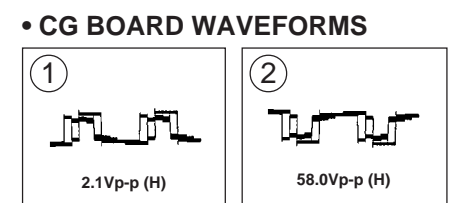
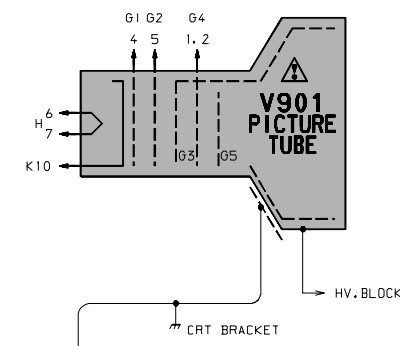
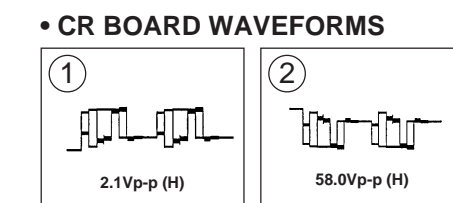


CR BOARD : IC7101 TDA6111Q/N4
 CG BOARD : IC7201 TDA6111Q/N4
 CB BOARD : IC7301 TDA6111Q/N4

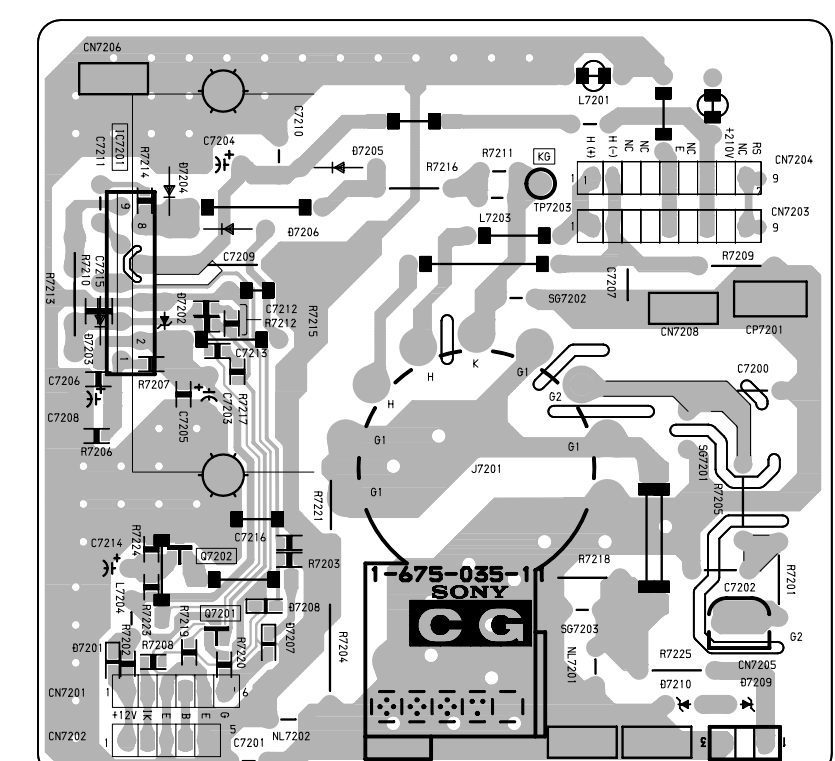


1 2 3 4 5 6 7 8 9 10 11 12 13 14 15 16 17 18 19 20 21 22

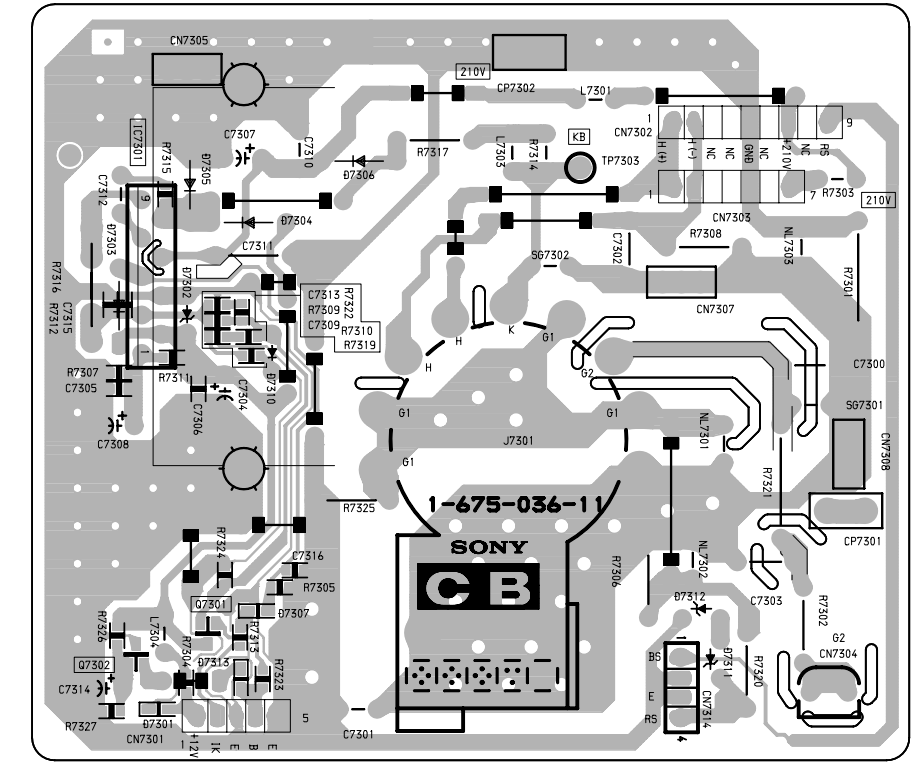
A
B
C
D
E
F
G
H
I

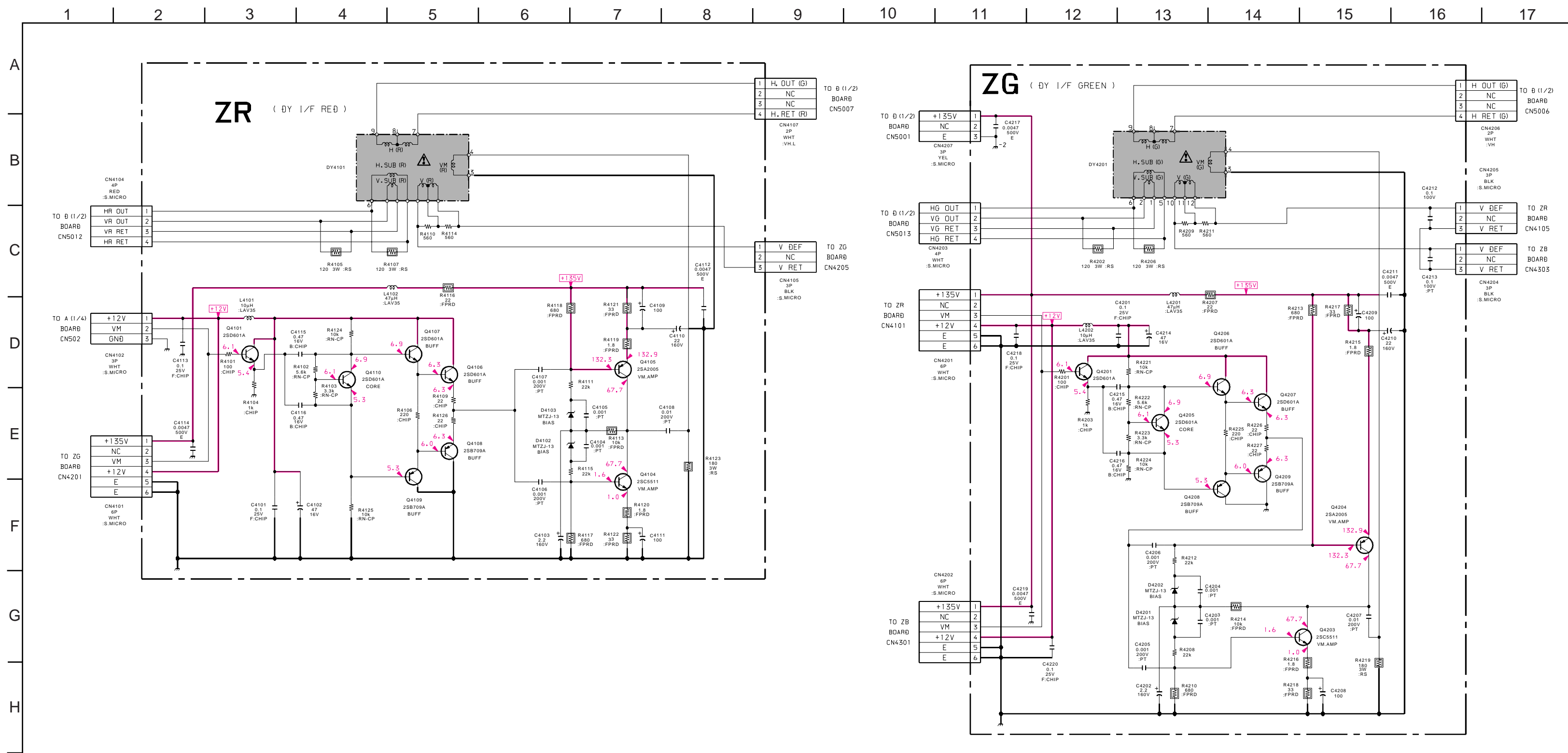


- CG Board -



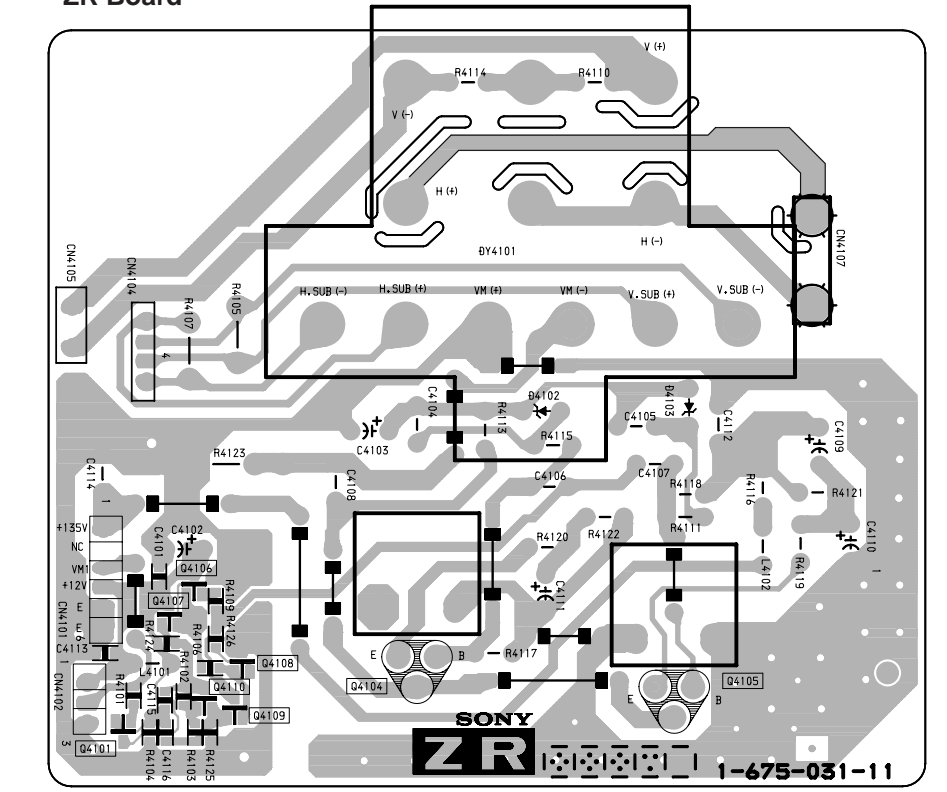
- CB Board -



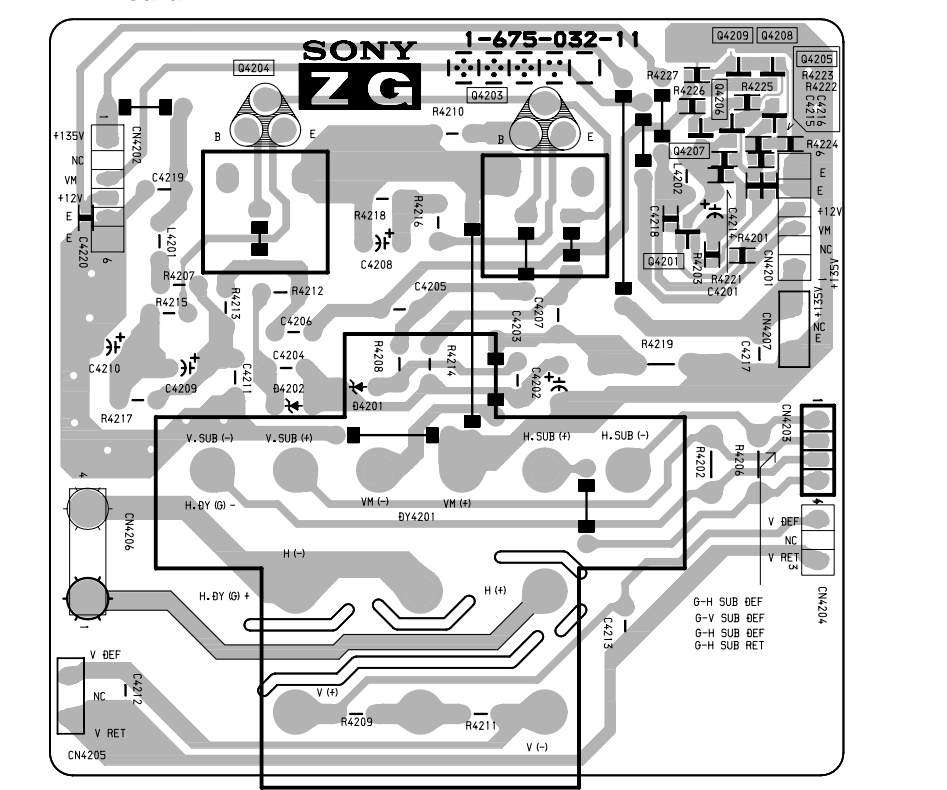


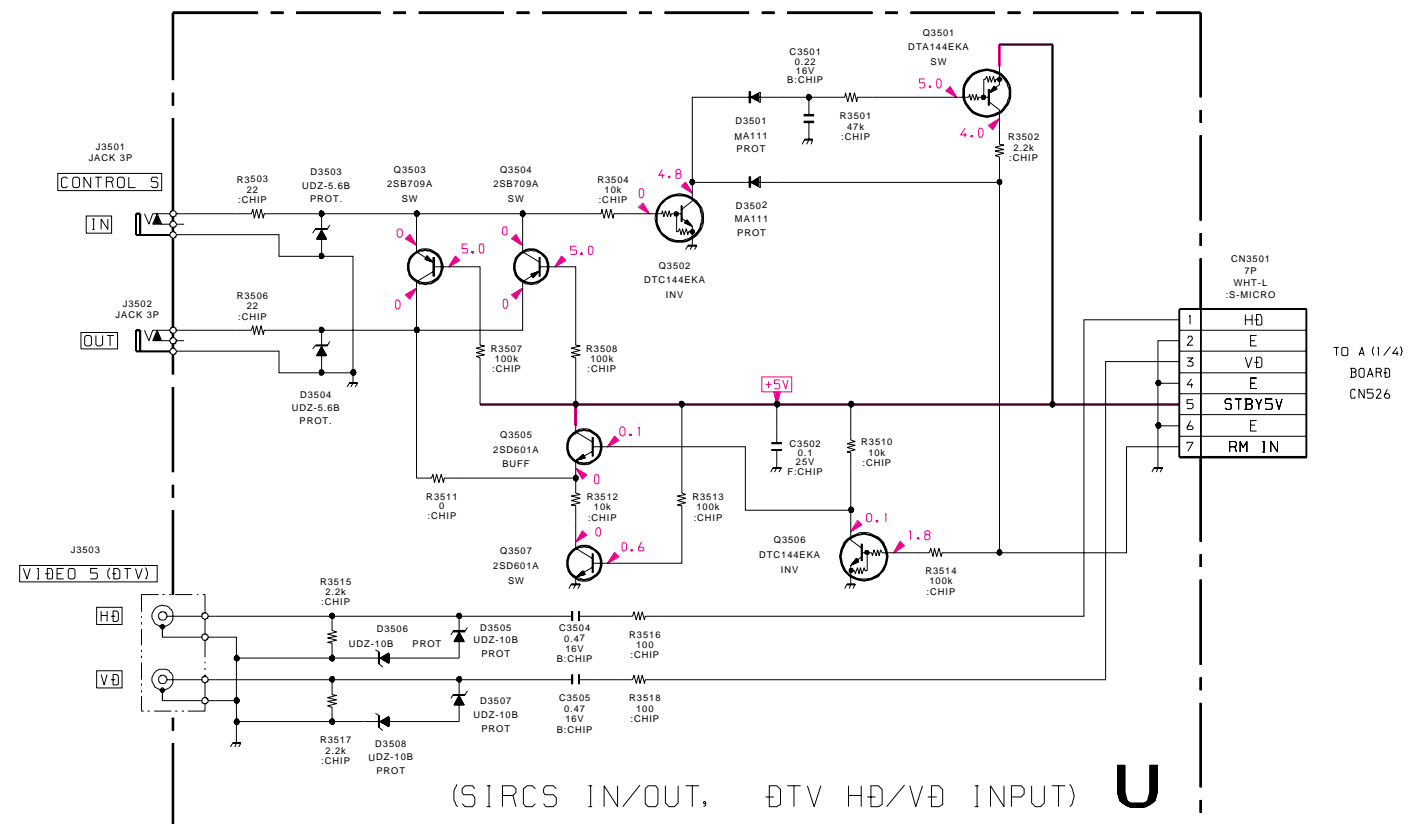
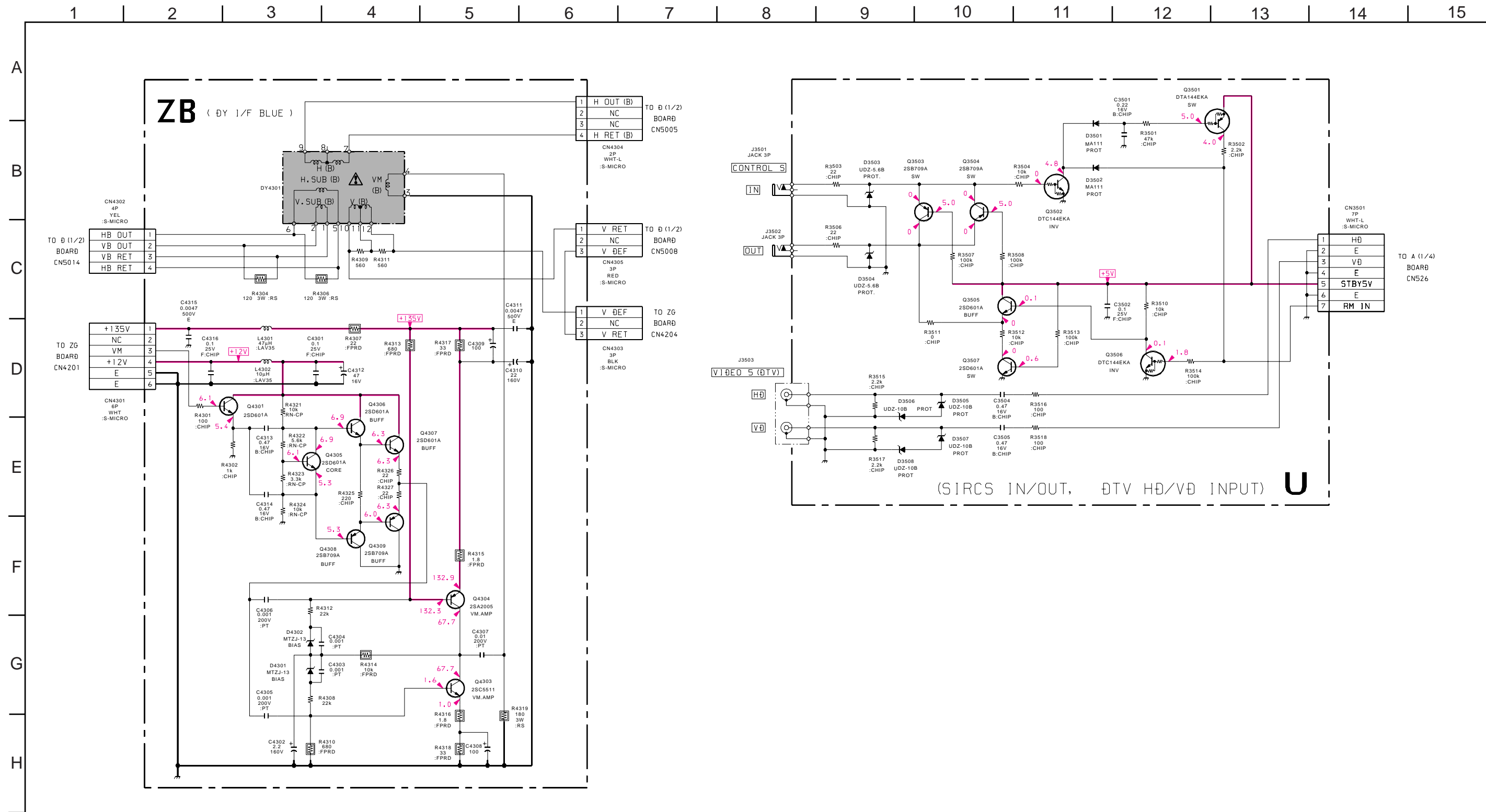
ZR [DY I/F RED] **ZG** [DY I/F GREEN]

- ZR Board -



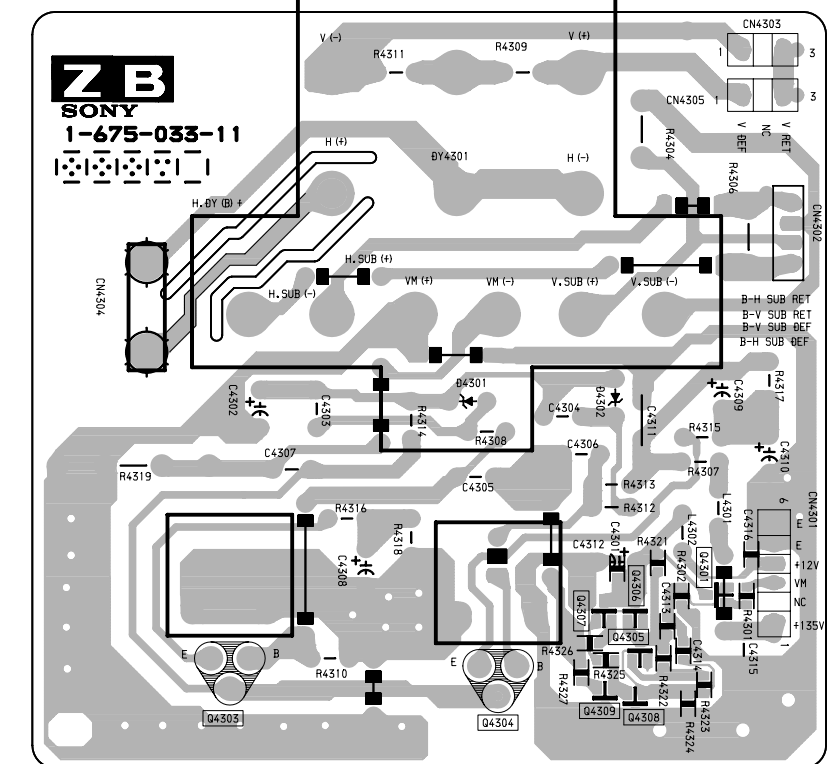
- ZB Board -



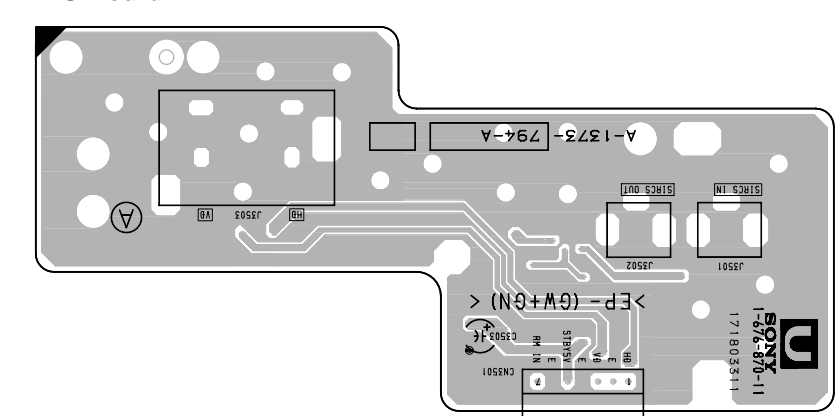


ZB [DY I/F BLUE] **U** [SIRCS IN/OUT, DTV HD/VD INPUT]

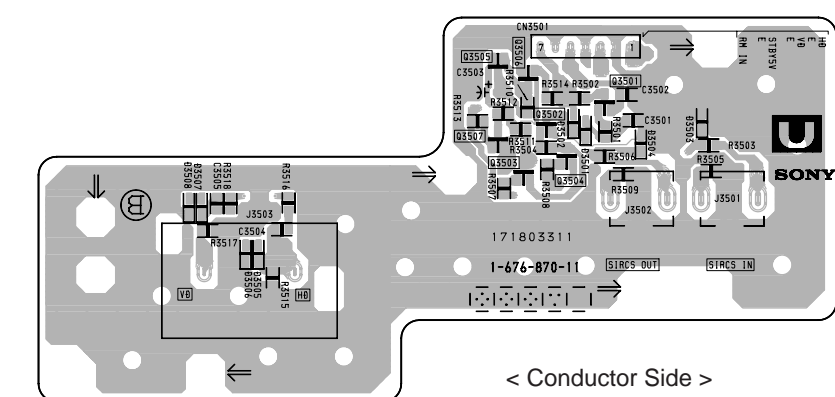
- ZB Board -



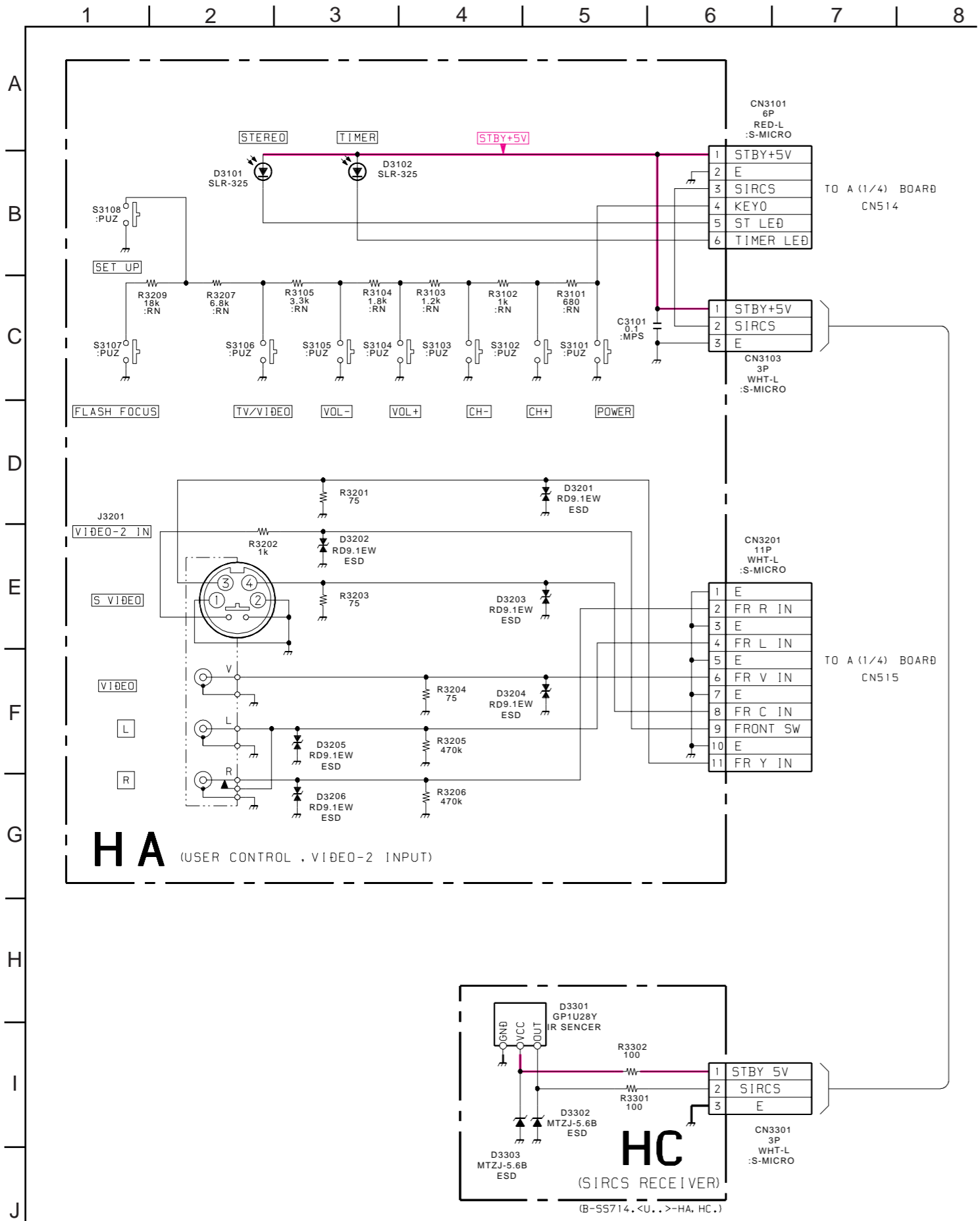
- U Board -



< Component Side >

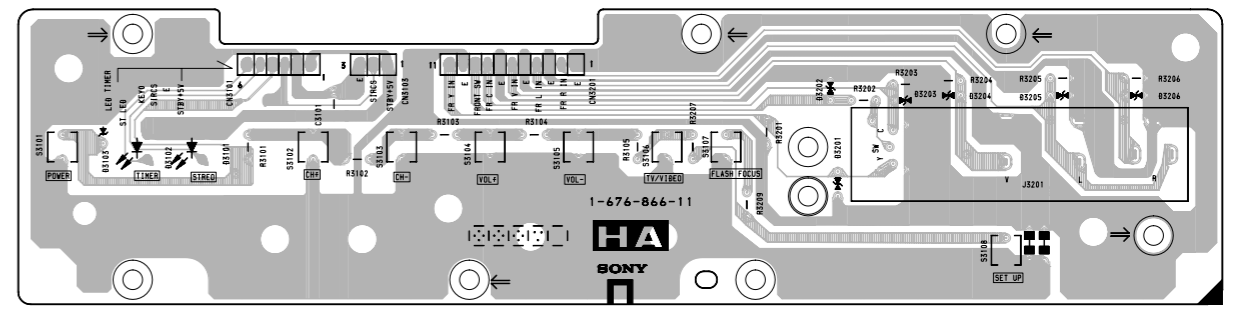


< Conductor Side >

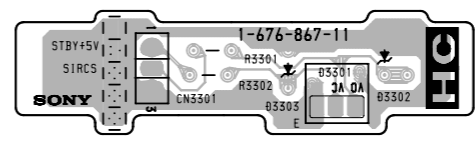


HA [USER CONTROL, VIDEO-2 INPUT] **HC** [SIRCS RECEIVER]

- HA Board -



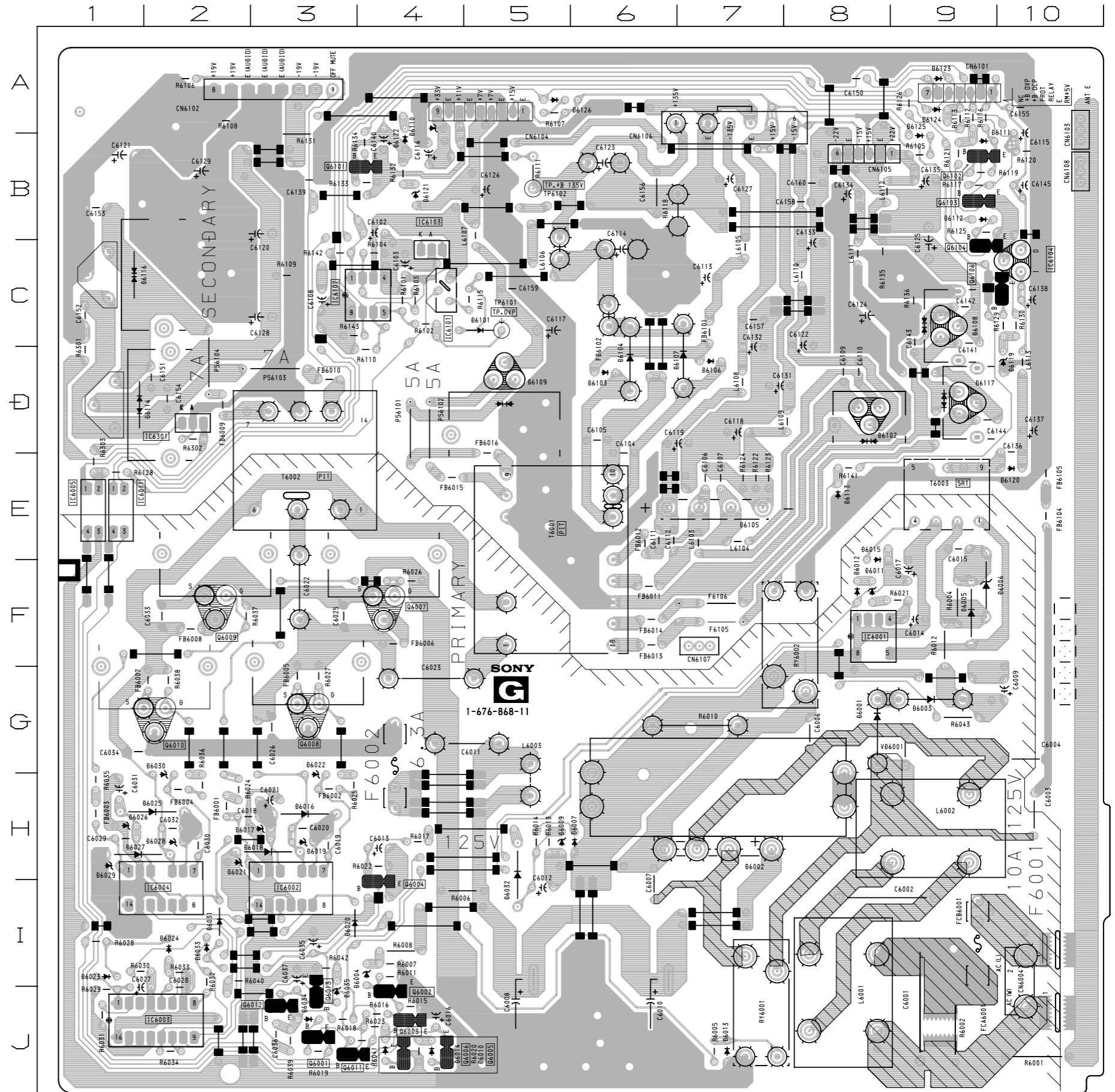
- HC Board -

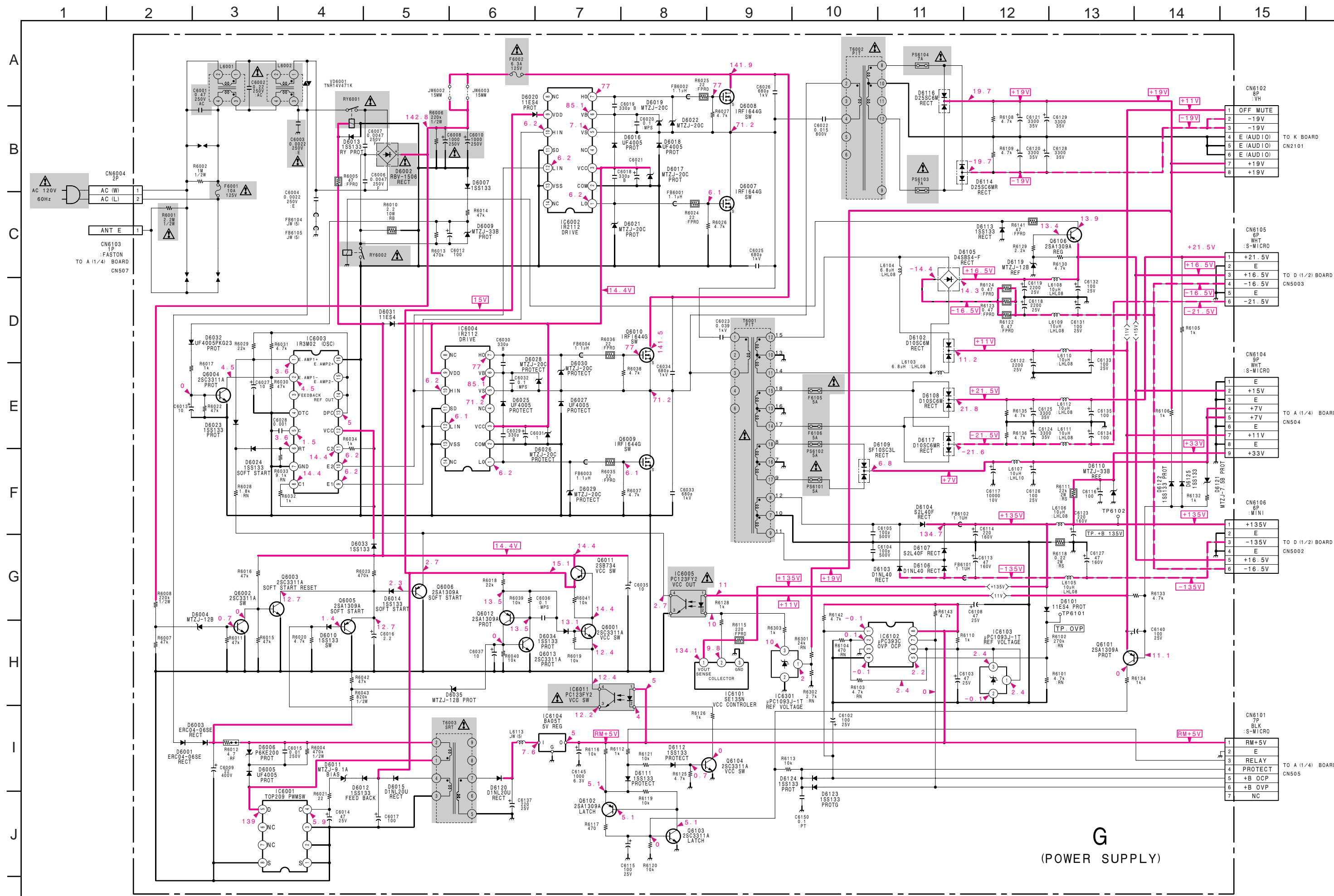


- G Board -

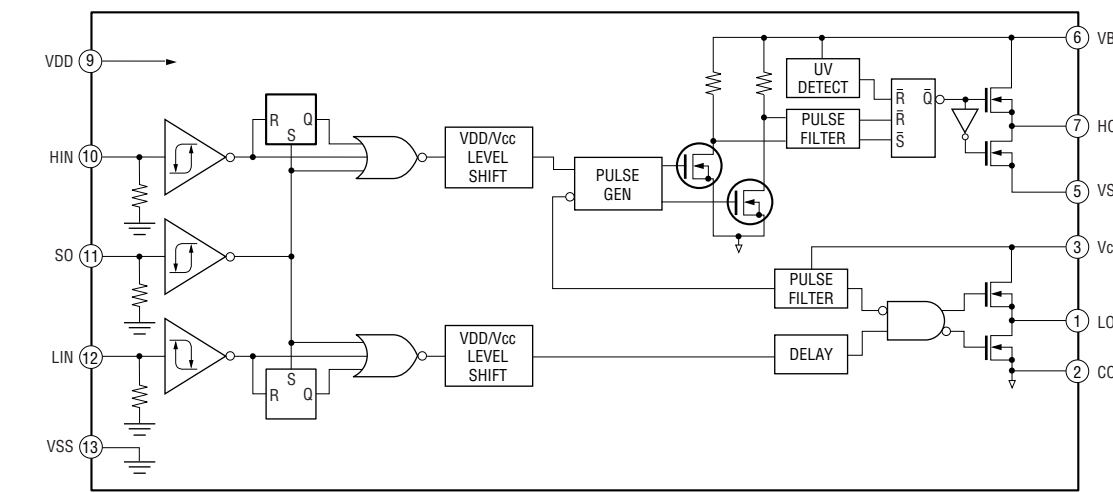
G BOARD

DIODE		D6111	B-9
D6001	G-8	D6112	B-9
D6002	H-7	D6113	E-8
D6003	G-9	D6114	D-1
D6004	I-2	D6116	C-1
D6005	F-9	D6117	D-9
D6006	F-9	D6119	D-10
D6007	H-6	D6120	E-10
D6009	H-5	D6121	B-4
D6010	J-4	D6122	B-4
D6011	F-8	D6123	A-9
D6012	F-8	D6124	A-9
D6013	J-7	D6125	B-9
TRANSISTOR			
D6014	J-4	Q6001	J-3
D6015	E-8	Q6002	J-4
D6016	H-3	Q6003	J-2
D6017	H-3	Q6004	I-4
D6018	H-3	Q6005	J-4
D6019	H-3	Q6006	J-4
D6020	I-3	Q6007	F-4
D6021	H-2	Q6008	G-3
D6022	G-3	Q6009	F-2
D6023	A-9	Q6010	G-2
D6024	A-9	Q6011	J-3
D6025	H-2	Q6012	J-3
D6026	H-1	Q6013	J-3
D6027	H-1	Q6101	B-4
D6028	H-2	Q6102	B-9
D6029	H-1	Q6103	B-9
D6030	G-2	Q6104	C-9
D6031	I-2	Q6106	C-10
D6032	H-5		
D6033	I-2	IC	
D6034	J-3	IC6001	F-8
D6035	J-3	IC6002	I-3
D6101	C-5	IC6003	J-2
D6102	D-8	IC6004	E-2
D6103	D-6	IC6005	E-1
D6104	D-6	IC6011	E-1
D6105	E-7	IC6101	C-4
D6106	D-7	IC6102	C-4
D6107	D-7	IC6103	C-4
D6108	C-9	IC6104	C-10
D6109	D-5	IC6301	D-2
D6110	A-4		

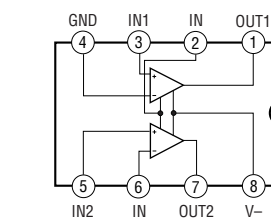




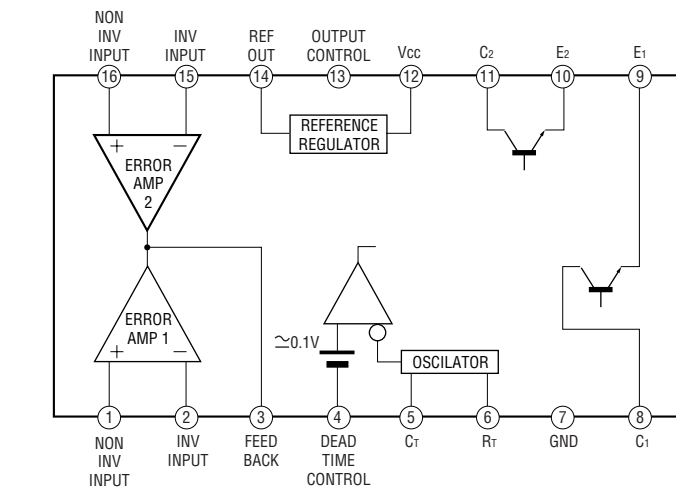
G BOARD : IC6002, 6004 IR2112



G BOARD : IC6102 uPC393C

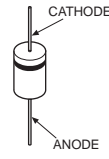


G BOARD : IC6003 LR3M02

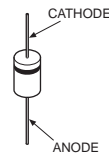


6-5. SEMICONDUCTORS

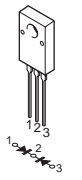
11ES4-TA1B
1SS83TD
D1NL40-TR2
GP08DPKG23
HZT33-02TE
P6KE200AG23
RGP02-20EL-6394
RGP10GPKG23
RGP15GPKG23
S2L40F
UF4005PKG23



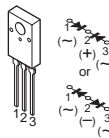
1SS133T-77
ERC04-06S
ERC04-06SE
ERC06-15STP11
ERC91-02
ERC91-02E



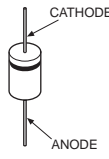
D10SC6M-4012



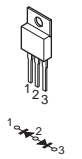
D10SC6MR
D8LC20U-4015



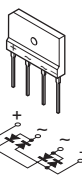
D1NL20U-TR



D25SC6MF04
D25SC6MRF04



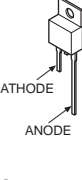
D4SBS4-F
RBV-1506



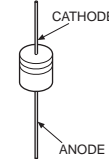
DAN202K-T-146



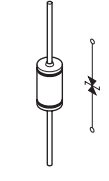
ERD08M-15



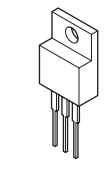
MTZJ-T-77-12B
MTZJ-T-77-13
MTZJ-T-77-15
MTZJ-T-77-20C
MTZJ-T-77-24A
MTZJ-T-77-3.9
MTZJ-T-77-33B
MTZJ-T-77-33C
MTZJ-T-77-5.6
MTZJ-T-77-5.6B
MTZJ-T-77-7.5B
MTZJ-T-77-9.1A
MTZN-T-77-10



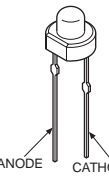
RD9.1EW-T1



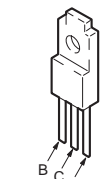
SF10SC3L



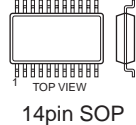
SLR-325VCT31



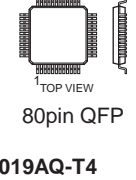
BA05T



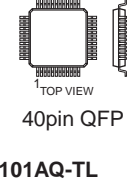
CA0007AM
NJM2058M-TE2
SN74HC00ANSR
SN74HC05ANSR
TC74HC163AF(EL)
TC74HC32AF(EL)
TC74HC74AF(EL)
TLC2932IPW-E20



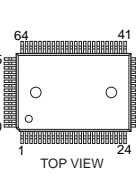
CM0006CF



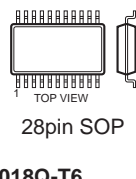
CXA2019AQ-T4



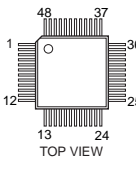
CXA2101AQ-TL
CXD2303AQ-TL



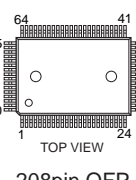
CXA2119M-T6



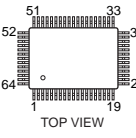
CXD2018Q-T6



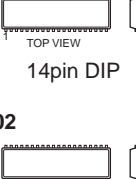
CXD2079Q
CXD2090Q



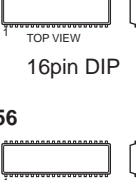
CXP85840A-025Q
MB90091A-150



IR2112
NJM2058D
NJM2058D



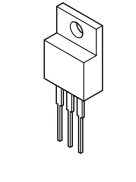
IR3M02



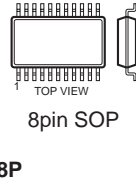
LA7856



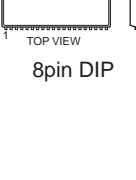
LM2940CT-5.0
MC7805CT
MC7812CT
NJM7812FA
PQ09RF21



LM358DR
LM393PS-E20
LM393PS-E20
NJM4558M-T2



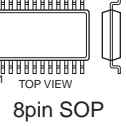
LM358P
LM393P
NJM4558D
TOP209P
UPC393C



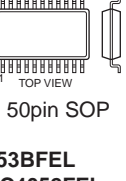
PQ05RF21
PQ09RF21



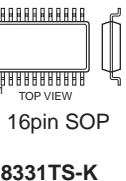
M24C02-MN6T
M24C08-MN6T
NJM2533M(TE2)
ST24E16FM6TR
TC7W66FU(TE12R)
UPC4570G2-E2



MB81F161622B-80FN



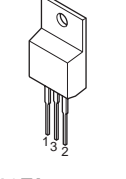
MC14053BFEL
MC74HC4052FEL
PCM56P-L
TC74HC123AF(EL)
TC74HC4052AF(EL)



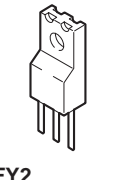
MSM548331TS-K



NJM7905FA



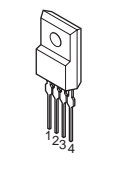
NJM7912FA



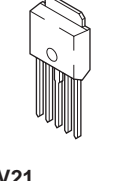
PC123FY2



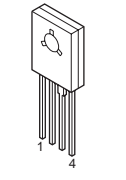
PQ05RF21
PQ09RF21



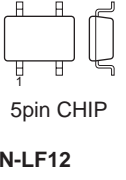
PQ20VZ1U



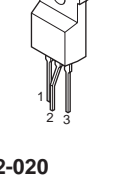
PQ30RV21



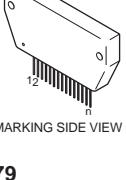
PST9143NL
TC7SET08FU(TE85L)



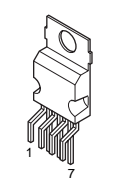
SE-135N-LF12



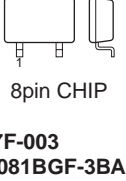
STK392-020



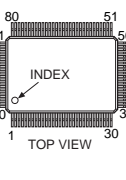
STV9379



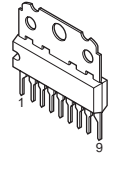
TC7W04FU-TE12L
TC7W08FU(TE12R)



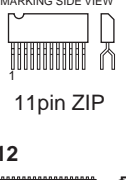
TC9447F-003
UPD64081BGF-3BA



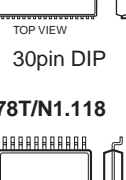
TDA6111Q / N4



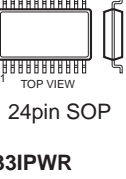
TDA7265



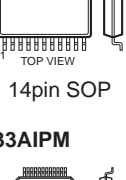
TDA7312



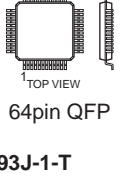
TDA9178T/N1.118



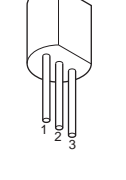
TLC2933IPWR



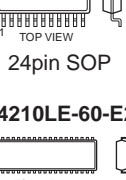
TLC5733AIPM



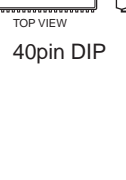
UPC1093J-1-T



UPC659AGS-E2



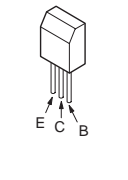
UPD424210LE-60-E2



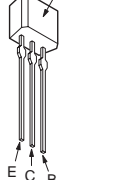
Z8613012SSC



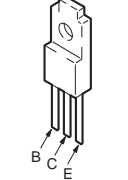
2SA1221-TM
2SB734-T-2
2SB734-T-4
2SD774-T-34



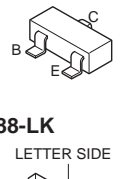
2SA1309A-QRSTA
2SC3311A-QRSTA



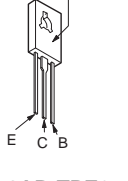
2SA2005
2SC5511



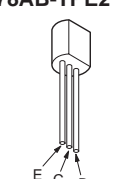
2SA1226-T1E3E4
2SB709A-QRS-TX
2SD601A-QRS-TX
DTA144EKA-T146
DTC114EKA-T146
DTC144EKA-T146



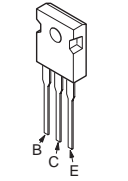
2SC2688-LK



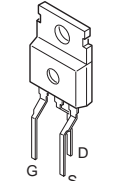
2SC2878AB-TPE2



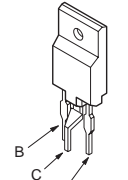
2SC3997S-SONY-YB



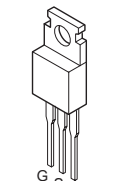
2SC3997-YB



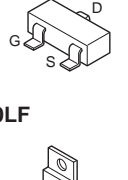
2SC4632LS-CB7



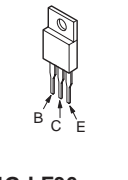
2SK2251-01-F19



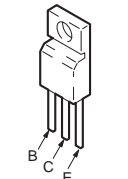
2SK3018-T106



IRF1640LF



IRF1644G-LF36



NOTE:

- Items with no part number and no description are not stocked because they are seldom required for routine service
- The construction parts of an assembled part are indicated with a collation number in the remark column.

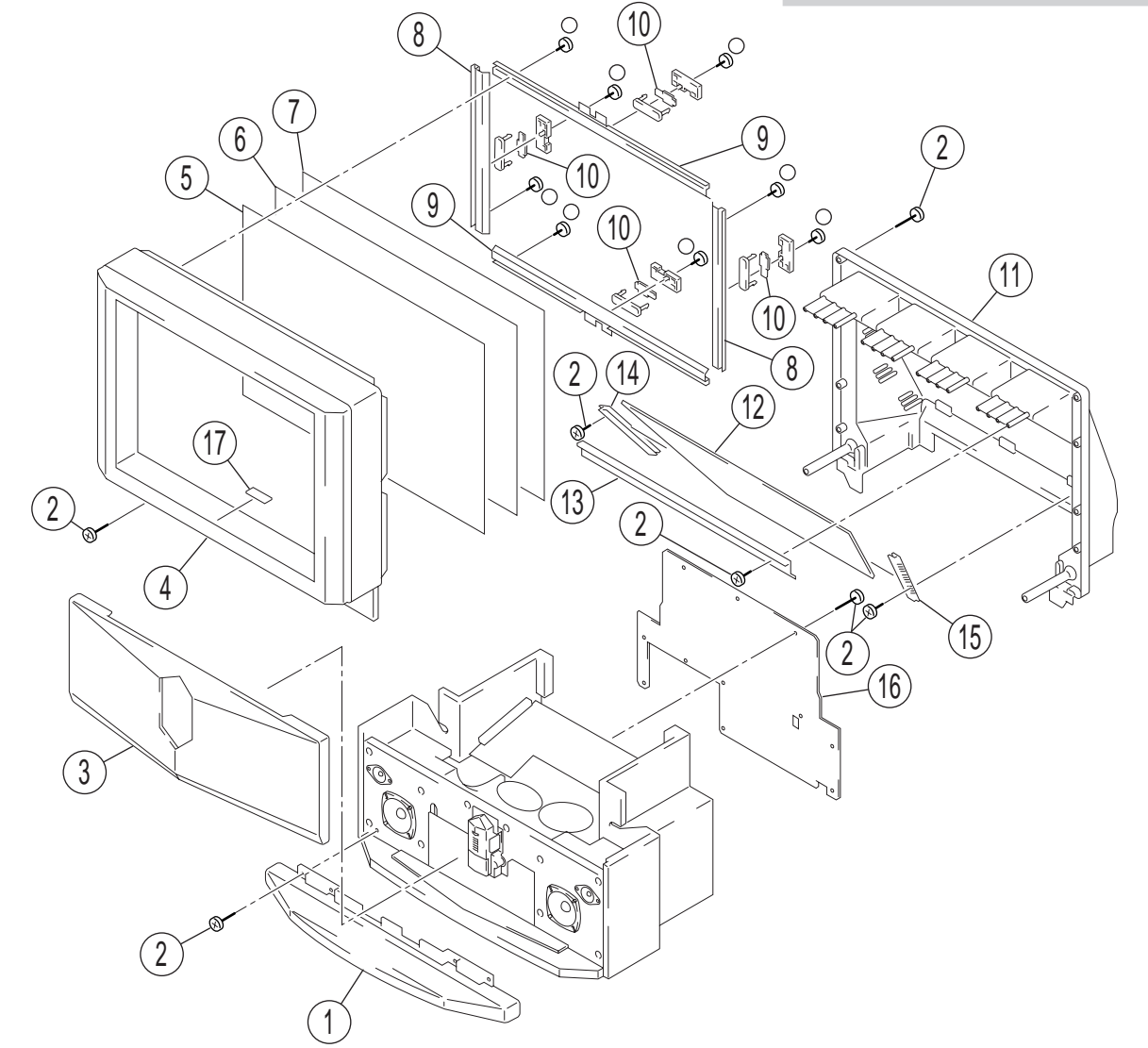
- Items marked "*" are not stocked since they are seldom required for routine service. Some delay should be anticipated when ordering these items.

The components identified by shading and mark are critical for safety. Replace only with part number specified.

Les composants identifiés par une trame et une marque sont critiques pour la sécurité. Ne les remplacer que par une pièce portant le numéro spécifié.

7-1. COVER (KP-53HS10)

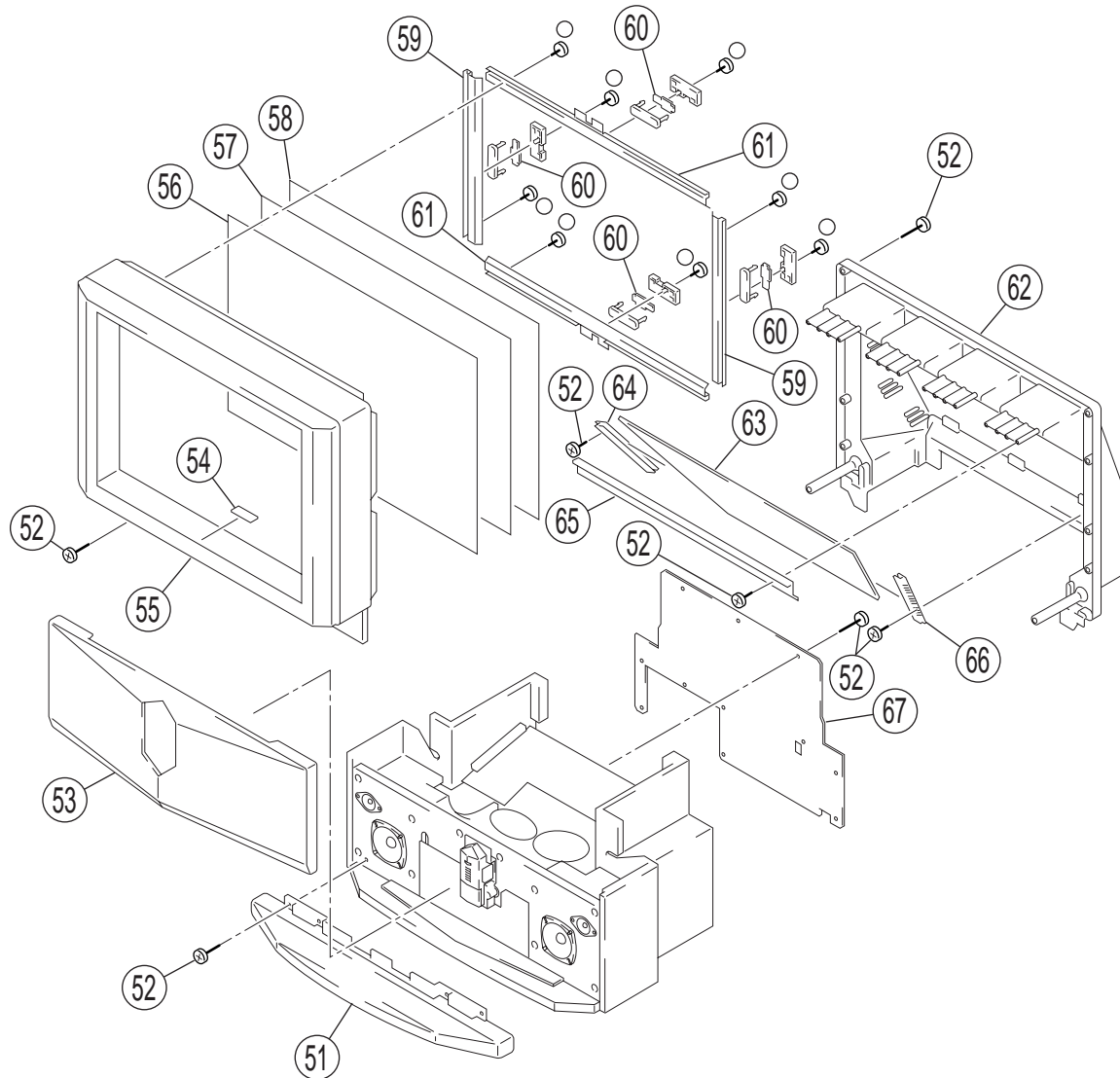
○ : +BVTP 4X12 7-685-661-14



REF. NO.	PART NO.	DESCRIPTION	REMARK	REF. NO.	PART NO.	DESCRIPTION	REMARK
1	* 4-074-354-01	SKIRT (53), FRONT		11	* 4-069-694-01	COVER, MIRROR	
2	4-378-522-31	SCREW (4X20), TAPPING		12	4-070-344-01	MIRROR, REFLECTION	
3	X-4037-650-1	GRILLE ASSY (53), SPEAKER		13	* 4-070-345-11	HOLDER (TOP), MIRROR	
4	X-4036-809-1	BEZNET ASSY (53V)		14	* 4-069-687-01	HOLDER (LS), MIRROR	
5	4-071-582-11	SCREEN (53), CONTRAST		15	* 4-069-688-01	HOLDER (RS), MIRROR	
6	4-070-525-11	PLATE (L), DIFFUSION		16	* 4-075-614-01	BOARD, REAR	
7	4-070-602-11	PLATE (F), DIFFUSION		17	* A-1372-776-A	HC BORAD, COMPLETE	
8	* 4-070-330-01	HOLDER (S), SCREEN YC					
9	* 4-070-328-11	HOLDER (L), SCREEN YC					
10	* A-1390-933-A	S BORAD, COMPLETE					

7-2. COVER (KP-61HS10)

○ : +BVTP 4X12 7-685-661-14

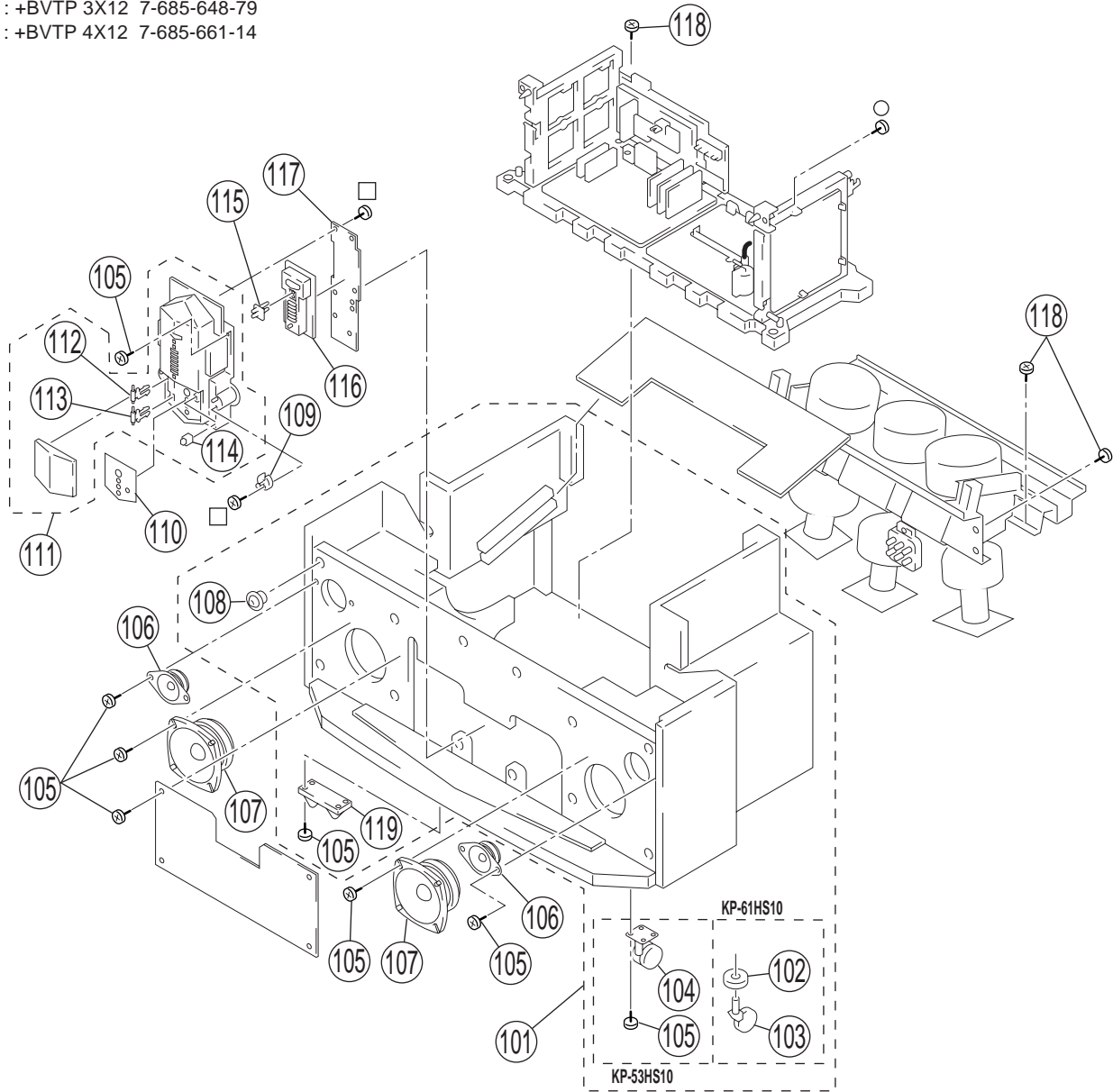


REF. NO.	PART NO.	DESCRIPTION	REMARK	REF. NO.	PART NO.	DESCRIPTION	REMARK
51	* 4-074-355-01	SKIRT (61), FRONT		61	* 4-070-329-01	HOLDER (L), SCREEN YC	
52	4-378-522-31	SCREW (4X20), TAPPING		62	* 4-069-695-01	COVER, MIRROR	
53	X-4037-653-1	GRILLE ASSY (61), SPEAKER		63	4-070-922-01	MIRROR, REFLECTION	
54	* A-1372-776-A	HC BORAD, COMPLETE		64	* 4-069-689-01	HOLDER (L), MIRROR	
55	X-4036-807-1	BEZNET ASSY (61V)		65	* 4-070-345-01	HOLDER (TOP), MIRROR	
56	4-058-538-11	SCREEN (61), CONTRAST		66	* 4-069-690-01	HOLDER (R), MIRROR	
57	4-070-283-11	PLATE (L), DIFFUSION		67	* 4-075-625-01	BOARD, REAR	
58	4-066-082-11	PLATE (F), DIFFUSION					
59	* 4-070-334-01	HOLDER (S), SCREEN YC					
60	* A-1390-933-A	S BORAD, COMPLETE					

7-3. CABINET

π : +BVTP 3X12 7-685-648-79

○ : +BVTP 4X12 7-685-661-14



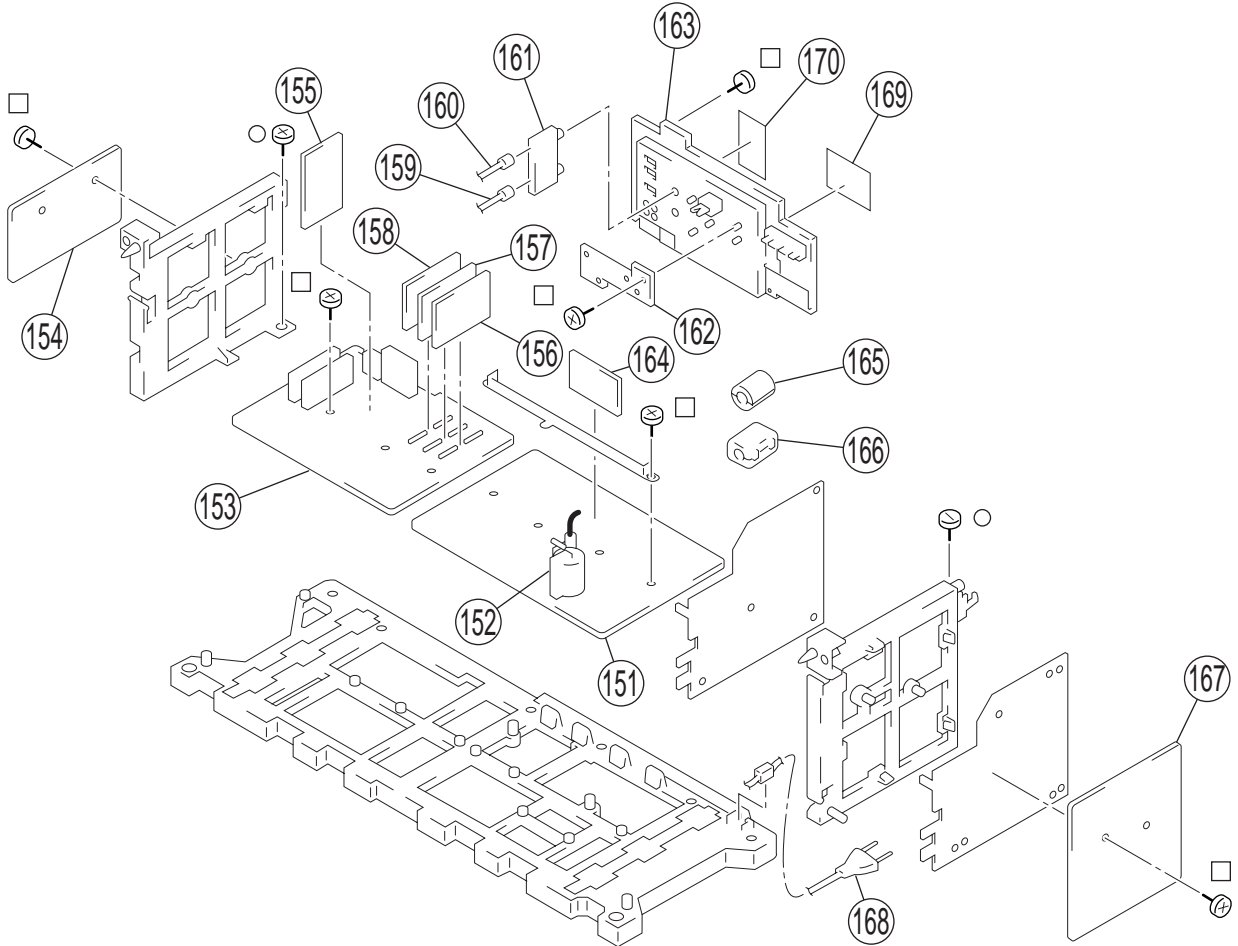
REF. NO.	PART NO.	DESCRIPTION	REMARK	REF. NO.	PART NO.	DESCRIPTION	REMARK
101	X-4037-651-1	CABINET (53) ASSY (53HS10)	104, 108, 119	109	4-054-709-01	STRIKE	
	X-4037-654-1	CABINET (61) ASSY (61HS10)	102, 108, 119	110	4-074-360-01	LABEL, CONTROL	
102	4-030-850-01	SOCKET, CASTER (61HS10)		111	X-4037-652-1	PANEL ASSY, CONTROL	112, 113, 114
103	4-039-546-01	CASTER (61HS10)		112	4-045-250-01	DAMPER	
104	4-040-755-01	CASTER (DIA. 30) (53HS10)		113	3-703-035-11	SHAFT, LID	
105	4-378-522-31	SCREW (4X20), TAPPING		114	4-042-192-01	CATCHER, PUSH	
106	1-529-403-21	SPEAKER (6.6cm)		115	4-074-359-01	GUIDE, LED	
107	1-529-643-11	SPEAKER (13cm) (53HS10)		116	4-074-357-01	BUTTON, MULTI	
	1-529-644-11	SPEAKER (16cm) (61HS10)		117	* A-1372-775-A	HA BORAD, COMPLETE	
108	4-063-421-02	LATCH (K)		118	4-052-894-01	SCREW (4X20), HEAD TAPPING	
				119	4-048-175-01	FOOT, PLASTIC	

7-4. CHASSIS

π : +BVTP 3X12 7-685-648-79
○ : +BVTP 4X12 7-685-661-14

Les composants identifiés par une trame et une marque \triangle sont critiques pour la securite. Ne les remplacer que par une piece portant le numero specifie.

The components identified by shading and mark \triangle are critical for safety. Replace only with part number specified.



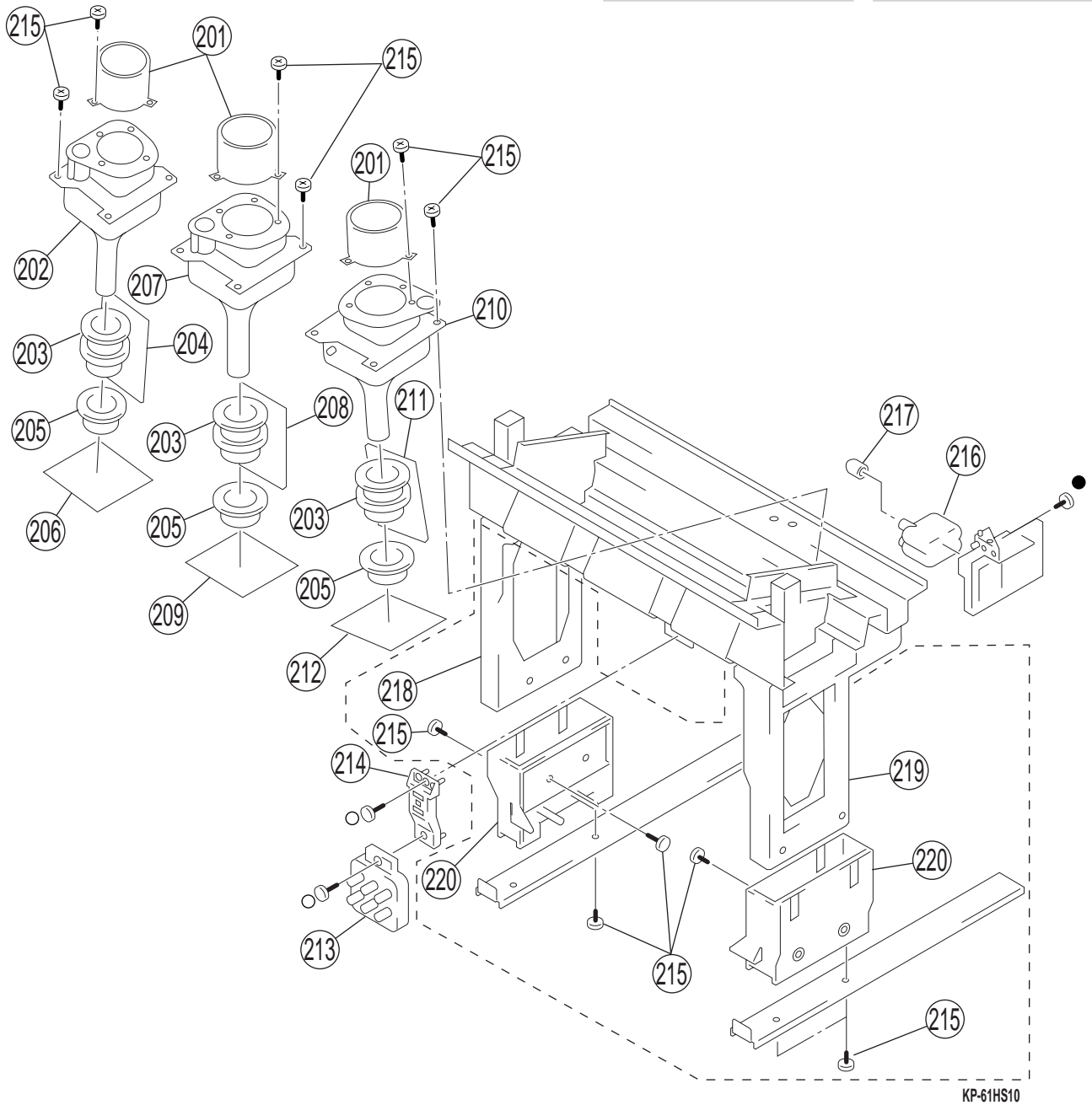
REF. NO.	PART NO.	DESCRIPTION	REMARK	REF. NO.	PART NO.	DESCRIPTION	REMARK
151	* A-1346-873-A D BORAD, COMPLETE (53HS10) * A-1346-899-A D BORAD, COMPLETE (61HS10)			160	* 1-556-945-21	CABLE, P-P	
152	\triangle 1-453-285-11	FBT ASSY NX-4007//J1P4		161	1-251-321-12	SELECTOR, ANTENNA	
153	* A-1299-141-A A BORAD, COMPLETE			162	* A-1373-794-A U BORAD, COMPLETE		
154	* A-1380-624-A K BORAD, COMPLETE			163	4-065-812-21	TERMINAL BOARD (ASSY)	
155	* A-1131-461-A BA BORAD, COMPLETE			164	* A-1343-712-A DS BORAD, COMPLETE		
156	* A-1131-556-A BD BORAD, COMPLETE			165	1-543-653-11	CORE ASSY, BEAD(DIVISION TYPE)	
157	* A-1131-462-A BR BORAD, COMPLETE			166	1-500-021-11	CLAMP, SLEEVE FERRITE	
158	* A-1131-470-A BM BORAD, COMPLETE			167	* A-1316-513-A G BORAD, COMPLETE		
159	* 1-557-056-31	CABLE, P-P		168	\triangle 1-790-130-11	CORD, AC POWER(WITH CONNECTOR)	
				169	4-071-136-01	LABEL (A), TERMINAL	
				170	4-074-792-01	LABEL, CENTER SPEAKER	

7-5. PICTURE TUBE

- : +BVTP 3X16 7-685-650-79
- : +BVTP 3X12 7-685-661-14

Les composants identifiés par une trame et une marque ▲ sont critiques pour la sécurité. Ne les remplacer que par une pièce portant le numéro spécifié.

The components identified by shading and mark ▲ are critical for safety. Replace only with part number specified.



REF. NO.	PART NO.	DESCRIPTION	REMARK	REF. NO.	PART NO.	DESCRIPTION	REMARK
201	4-040-131-21	LENS (LINNIT POINT 6) (61HS10)		210	▲ 8-733-576-15	CRT 07MAC4(B)(HEATER) (61HS10)	
201	4-056-258-11	LENS (DELTA 78) (53HS10)		211	* A-1390-952-A	ZB BORAD, COMPLETE	
202	▲ 8-733-572-15	CRT 07MXC3(R)(HEATER) (53HS10)		212	* A-1331-974-A	CB BORAD, COMPLETE	
202	▲ 8-733-573-15	CRT 07MXC4(R)(HEATER) (61HS10)		213	▲ 1-223-925-51	RESISTOR ASSY (HIGH-VOLTAGE)	
203	▲ 1-451-510-11	DEFLECTION YOK					FOCUSPACK
204	* A-1390-950-A	ZR BORAD, COMPLETE		214	* 4-063-403-01	BRACKET, FOCUS PACK	
205	1-452-790-21	NECK ASSY		215	4-052-894-01	SCREW (4X20), HEAD TAPPING	
206	* A-1331-972-A	CR BORAD, COMPLETE		216	▲ 8-598-955-12	BLOCK ASSY, HIGH-VOLTAGE	
207	▲ 8-733-570-15	CRT 07MXC2(G)(HEATER)		217	4-373-137-01	CAP (Z), RUBBER	
208	* A-1390-951-A	ZG BORAD, COMPLETE		218	4-069-677-01	BOARD (L), SIDE (61HS10)	
209	* A-1331-973-A	CG BORAD, COMPLETE		219	4-069-678-01	BOARD (R), SIDE (61HS10)	
210	▲ 8-733-575-15	CRT 07MAC3(B)(HEATER) (53HS10)		220	* 4-072-791-01	SPACER, BOTTOM (61HS10)	



SECTION 8 ELECTRICAL PARTS LIST

The components identified by shading and mark Δ are critical for safety.
Replace only with part number specified.

Les composants identifiés par une trame et une marque Δ sont critiques pour la sécurité.
Ne les remplacer que par une pièce portant le numéro spécifié.

When indicating parts by reference number, please include the board name.

- The components identified by in Δ this manual have been carefully factory-selected for each set in order to satisfy regulations regarding X-ray radiation. Should replacement be required, replace only with the value originally used.
- Items marked " * " are not stocked since they are seldom required for routine service. Some delay should be anticipated when ordering these items.
- All variable and adjustable resistors have characteristic curve B, unless otherwise noted.
- CAPACITORS
PF : $\mu\mu F$
- There are some cases the reference number on one board overlaps on the other board. Therefore, when ordering parts by the reference number, please include the board name.

- RESISTORS
- All resistors are in ohms
 - F : nonflammable

REF. NO.	PART NO.	DESCRIPTION	REMARK	REF. NO.	PART NO.	DESCRIPTION	REMARK
* A-1390-951-A ZG BOARD, COMPLETE *****				<DEFLECTION YOKE>			
4-382-854-11 SCREW (M3X10), P, SW (+)				DY4201 Δ 1-451-510-11 DEFLECTION YOKE			
<CAPACITOR>				<COIL>			
C4201	1-163-038-91	CERAMIC CHIP	0.1 μF 25V	L4201	1-414-187-11	INDUCTOR	47 μH
C4202	1-107-667-11	ELECT	2.2 μF 20% 160V	L4202	1-414-183-41	INDUCTOR	10 μH
C4203	1-130-471-00	MYLAR	0.001 μF 5% 50V	<TRANSISTOR>			
C4204	1-130-471-00	MYLAR	0.001 μF 5% 50V	Q4201	8-729-422-27	TRANSISTOR	2SD601A-QRS-TX
C4205	1-104-987-11	MYLAR	0.001 μF 10% 200V	Q4203	8-729-045-04	TRANSISTOR	2SC5511
C4206	1-104-987-11	MYLAR	0.001 μF 10% 200V	Q4204	8-729-045-05	TRANSISTOR	2SA2005
C4207	1-107-364-11	MYLAR	0.01 μF 10% 200V	Q4205	8-729-422-27	TRANSISTOR	2SD601A-QRS-TX
C4208	1-126-968-11	ELECT	100 μF 20% 50V	Q4206	8-729-422-27	TRANSISTOR	2SD601A-QRS-TX
C4209	1-126-968-11	ELECT	100 μF 20% 50V	Q4207	8-729-422-27	TRANSISTOR	2SD601A-QRS-TX
C4210	1-107-645-11	ELECT	22 μF 20% 160V	Q4208	8-729-216-22	TRANSISTOR	2SB709A-QRS-TX
C4211	1-161-830-00	CERAMIC	0.0047 μF 500V	Q4209	8-729-216-22	TRANSISTOR	2SB709A-QRS-TX
C4212	1-106-220-00	MYLAR	0.1 μF 10% 100V	<RESISTOR>			
C4213	1-106-220-00	MYLAR	0.1 μF 10% 100V	R4201	1-216-025-91	RES-CHIP	100 5% 1/10W
C4214	1-104-664-11	ELECT	47 μF 20% 16V	R4202	1-216-475-11	METAL OXIDE	120 5% 3W
C4215	1-107-823-11	CERAMIC CHIP	0.47 μF 10% 16V	R4203	1-216-049-91	RES-CHIP	1K 5% 1/10W
C4216	1-107-823-11	CERAMIC CHIP	0.47 μF 10% 16V	R4206	1-216-475-11	METAL OXIDE	120 5% 3W
C4217	1-161-830-00	CERAMIC	0.0047 μF 500V	R4207	1-249-397-11	CARBON	22 5% 1/4W
C4218	1-163-038-91	CERAMIC CHIP	0.1 μF 25V	R4208	1-247-863-91	CARBON	22K 5% 1/4W
C4219	1-161-830-00	CERAMIC	0.0047 μF 500V	R4209	1-249-414-11	CARBON	560 5% 1/4W
C4220	1-163-038-91	CERAMIC CHIP	0.1 μF 25V	R4210	1-249-415-11	CARBON	680 5% 1/4W
<CONNECTOR>				R4211	1-249-414-11	CARBON	560 5% 1/4W
CN4201*	1-564-509-11	PLUG, CONNECTOR 6P		R4212	1-247-863-91	CARBON	22K 5% 1/4W
CN4202*	1-564-509-11	PLUG, CONNECTOR 6P		R4213	1-249-415-11	CARBON	680 5% 1/4W
CN4203*	1-564-507-11	PLUG, CONNECTOR 4P		R4214	1-249-429-11	CARBON	10K 5% 1/4W
CN4204*	1-564-506-11	PLUG, CONNECTOR 3P		R4215	1-249-384-11	CARBON	1.8 5% 1/4W
CN4205*	1-564-506-11	PLUG, CONNECTOR 3P		R4216	1-249-384-11	CARBON	1.8 5% 1/4W
CN4206*	1-580-689-11	PIN, CONNECTOR (PC BOARD) 4P		R4217	1-249-401-11	CARBON	47 5% 1/4W
CN4207*	1-564-506-11	PLUG, CONNECTOR 3P		R4218	1-249-401-11	CARBON	47 5% 1/4W
<DIODE>				R4219	1-216-476-11	METAL OXIDE	180 5% 3W
D4201	8-719-921-86	DIODE MTZJ-T-77-13		R4221	1-208-806-11	METAL CHIP	10K 0.5% 1/10W
D4202	8-719-921-86	DIODE MTZJ-T-77-13		R4222	1-208-800-11	METAL CHIP	5.6K 0.5% 1/10W
				R4223	1-208-794-11	METAL CHIP	3.3K 0.5% 1/10W

KP-53HS10/61HS10

RM-Y902 RM-Y902



Les composants identifiés par une trame et une marque Δ sont critiques pour la sécurité. Ne les remplacer que par une pièce portant le numéro spécifié.

The components identified by shading and mark Δ are critical for safety. Replace only with part number specified.

REF. NO.	PART NO.	DESCRIPTION	REMARK
R4224	1-208-806-11	METAL CHIP 10K	0.5% 1/10W
R4225	1-216-033-00	RES-CHIP 220	5% 1/10W
R4226	1-216-009-91	RES-CHIP 22	5% 1/10W
R4227	1-216-009-91	RES-CHIP 22	5% 1/10W

* A-1390-950-A ZR BOARD, COMPLETE

4-382-854-11 SCREW (M3X10), P, SW (+)

<CAPACITOR>

C4101	1-163-038-91	CERAMIC CHIP 0.1μF	25V
C4102	1-104-664-11	ELECT 47μF	20% 16V
C4103	1-107-667-11	ELECT 2.2μF	20% 160V
C4104	1-130-471-00	MYLAR 0.001μF	5% 50V
C4105	1-130-471-00	MYLAR 0.001μF	5% 50V
C4106	1-104-987-11	MYLAR 0.001μF	10% 200V
C4107	1-104-987-11	MYLAR 0.001μF	10% 200V
C4108	1-107-364-11	MYLAR 0.01μF	10% 200V
C4109	1-126-968-11	ELECT 100μF	20% 50V
C4110	1-107-645-11	ELECT 22μF	20% 160V
C4111	1-126-968-11	ELECT 100μF	20% 50V
C4112	1-161-830-00	CERAMIC 0.0047μF	500V
C4113	1-163-038-91	CERAMIC CHIP 0.1μF	25V
C4114	1-161-830-00	CERAMIC 0.0047μF	500V
C4115	1-107-823-11	CERAMIC CHIP 0.47μF	10% 16V
C4116	1-107-823-11	CERAMIC CHIP 0.47μF	10% 16V

<CONNECTOR>

CN4101*	1-564-509-11	PLUG, CONNECTOR 6P
CN4102*	1-564-506-11	PLUG, CONNECTOR 3P
CN4104*	1-564-507-11	PLUG, CONNECTOR 4P
CN4105*	1-564-506-11	PLUG, CONNECTOR 3P
CN4107*	1-580-690-11	PIN, CONNECTOR (PC BOARD) 4P

<DIODE>

D4102	8-719-921-86	DIODE MTZJ-T-77-13
D4103	8-719-921-86	DIODE MTZJ-T-77-13

<DEFLECTION YOKE>

DY4101Δ1-451-510-11 DEFLECTION YOKE

<COIL>

L4101	1-414-183-41	INDUCTOR 10μH
L4102	1-414-187-11	INDUCTOR 47μH

<TRANSISTOR>

Q4101	8-729-422-27	TRANSISTOR 2SD601A-QRS-TX
Q4104	8-729-045-04	TRANSISTOR 2SC5511

REF. NO.	PART NO.	DESCRIPTION	REMARK
Q4105	8-729-045-05	TRANSISTOR 2SA2005	
Q4106	8-729-422-27	TRANSISTOR 2SD601A-QRS-TX	
Q4107	8-729-422-27	TRANSISTOR 2SD601A-QRS-TX	
Q4108	8-729-216-22	TRANSISTOR 2SB709A-QRS-TX	
Q4109	8-729-216-22	TRANSISTOR 2SB709A-QRS-TX	
Q4110	8-729-422-27	TRANSISTOR 2SD601A-QRS-TX	

<RESISTOR>

R4101	1-216-025-91	RES-CHIP 100	5%	1/10W
R4102	1-208-800-11	METAL CHIP 5.6K	0.5%	1/10W
R4103	1-208-794-11	METAL CHIP 3.3K	0.5%	1/10W
R4104	1-216-049-91	RES-CHIP 1K	5%	1/10W
R4105	1-216-475-11	METAL OXIDE 120	5%	3W
R4106	1-216-033-00	RES-CHIP 220	5%	1/10W
R4107	1-216-475-11	METAL OXIDE 120	5%	3W
R4109	1-216-009-91	RES-CHIP 22	5%	1/10W
R4110	1-249-414-11	CARBON 560	5%	1/4W
R4111	1-247-863-91	CARBON 22K	5%	1/4W
R4113	1-249-429-11	CARBON 10K	5%	1/4W
R4114	1-249-414-11	CARBON 560	5%	1/4W
R4115	1-247-863-91	CARBON 22K	5%	1/4W
R4116	1-249-397-11	CARBON 22	5%	1/4W
R4117	1-249-415-11	CARBON 680	5%	1/4W
R4118	1-249-415-11	CARBON 680	5%	1/4W
R4119	1-249-384-11	CARBON 1.8	5%	1/4W
R4120	1-249-384-11	CARBON 1.8	5%	1/4W
R4121	1-249-401-11	CARBON 47	5%	1/4W
R4122	1-249-401-11	CARBON 47	5%	1/4W
R4123	1-216-476-11	METAL OXIDE 180	5%	3W
R4124	1-208-806-11	METAL CHIP 10K	0.5%	1/10W
R4125	1-208-806-11	METAL CHIP 10K	0.5%	1/10W
R4126	1-216-009-91	RES-CHIP 22	5%	1/10W

* A-1390-952-A ZB BOARD, COMPLETE

4-382-854-11 SCREW (M3X10), P, SW (+)

<CAPACITOR>

C4301	1-163-038-91	CERAMIC CHIP 0.1μF	25V
C4302	1-107-667-11	ELECT 2.2μF	20% 160V
C4303	1-130-471-00	MYLAR 0.001μF	5% 50V
C4304	1-130-471-00	MYLAR 0.001μF	5% 50V
C4305	1-104-987-11	MYLAR 0.001μF	10% 200V
C4306	1-104-987-11	MYLAR 0.001μF	10% 200V
C4307	1-107-364-11	MYLAR 0.01μF	10% 200V
C4308	1-126-968-11	ELECT 100μF	20% 50V
C4309	1-126-968-11	ELECT 100μF	20% 50V
C4310	1-107-645-11	ELECT 22μF	20% 160V
C4311	1-161-830-00	CERAMIC 0.0047μF	500V
C4312	1-104-664-11	ELECT 47μF	20% 16V
C4313	1-107-823-11	CERAMIC CHIP 0.47μF	10% 16V
C4314	1-107-823-11	CERAMIC CHIP 0.47μF	10% 16V

Les composants identifiés par une trame et une marque Δ sont critiques pour la sécurité. Ne les remplacer que par une pièce portant le numéro spécifié.

The components identified by shading and mark Δ are critical for safety. Replace only with part number specified.



REF. NO.	PART NO.	DESCRIPTION	REMARK	REF. NO.	PART NO.	DESCRIPTION	REMARK
C4315	1-161-830-00	CERAMIC	0.0047μF 500V	R4323	1-208-794-11	METAL CHIP	3.3K 0.5% 1/10W
C4316	1-163-038-91	CERAMIC CHIP	0.1μF 25V	R4324	1-208-806-11	METAL CHIP	10K 0.5% 1/10W
		<CONNECTOR>		R4325	1-216-033-00	RES-CHIP	220 5% 1/10W
CN4301*	1-564-509-11	PLUG, CONNECTOR	6P	R4326	1-216-009-91	RES-CHIP	22 5% 1/10W
CN4302*	1-564-507-11	PLUG, CONNECTOR	4P	R4327	1-216-009-91	RES-CHIP	22 5% 1/10W
CN4303*	1-564-506-11	PLUG, CONNECTOR	3P	*****			
CN4304*	1-580-690-11	PIN, CONNECTOR (PC BOARD)	4P		* A-1331-972-A	CR BOARD, COMPLETE	
CN4305*	1-564-506-11	PLUG, CONNECTOR	3P			*****	
		<DIODE>			4-382-854-51	SCREW (M3X8), P, SW (+)	
D4301	8-719-921-86	DIODE	MTZJ-T-77-13			<CAPACITOR>	
D4302	8-719-921-86	DIODE	MTZJ-T-77-13				
		<DEFLECTION YOKE>		C7100	1-162-114-00	CERAMIC	0.0047μF 2KV
DY4301 Δ	1-451-510-11	DEFLECTION YOKE		C7102	1-162-115-00	CERAMIC	330pF 10% 2KV
		<COIL>		C7103	1-107-662-11	ELECT	22μF 20% 250V
L4301	1-414-187-11	INDUCTOR	47μH	C7104	1-126-768-11	ELECT	2200μF 20% 16V
L4302	1-414-183-41	INDUCTOR	10μH	C7105	1-162-115-00	CERAMIC	330pF 10% 2KV
		<TRANSISTOR>		C7106	1-163-038-91	CERAMIC CHIP	0.1μF 25V
Q4301	8-729-422-27	TRANSISTOR	2SD601A-QRS-TX	C7107	1-163-038-91	CERAMIC CHIP	0.1μF 25V
Q4303	8-729-045-04	TRANSISTOR	2SC5511	C7108	1-126-967-11	ELECT	47μF 20% 50V
Q4304	8-729-045-05	TRANSISTOR	2SA2005	C7109	1-161-830-00	CERAMIC	0.0047μF 500V
Q4305	8-729-422-27	TRANSISTOR	2SD601A-QRS-TX	C7110	1-102-050-00	CERAMIC	0.01μF 99% 500V
Q4306	8-729-422-27	TRANSISTOR	2SD601A-QRS-TX	C7111	1-102-157-00	CERAMIC	560pF 10% 500V
Q4307	8-729-422-27	TRANSISTOR	2SD601A-QRS-TX	C7112	1-163-087-00	CERAMIC CHIP	4pF 0.25pF 50V
Q4308	8-729-216-22	TRANSISTOR	2SB709A-QRS-TX	C7113	1-126-964-11	ELECT	10μF 20% 50V
Q4309	8-729-216-22	TRANSISTOR	2SB709A-QRS-TX	C7116	1-163-255-11	CERAMIC CHIP	150pF 5% 50V
		<RESISTOR>				<CONNECTOR>	
R4301	1-216-025-91	RES-CHIP	100 5% 1/10W	CN7101*	1-564-511-11	PLUG, CONNECTOR	8P
R4302	1-216-049-91	RES-CHIP	1K 5% 1/10W	CN7102*	1-564-509-11	PLUG, CONNECTOR	6P
R4304	1-216-475-11	METAL OXIDE	120 5% 3W	CN7103*	1-564-512-11	PLUG, CONNECTOR	9P
R4306	1-216-475-11	METAL OXIDE	120 5% 3W	CN7104	1-785-879-11	CONNECTOR, ONE TOUCH	
R4307	1-249-397-11	CARBON	22 5% 1/4W	CN7107	1-695-915-11	TAB (CONTACT)	
R4308	1-247-863-91	CARBON	22K 5% 1/4W			<DIODE>	
R4309	1-249-414-11	CARBON	560 5% 1/4W	D7102	8-719-921-86	DIODE	MTZJ-T-77-13
R4310	1-249-415-11	CARBON	680 5% 1/4W	D7103	8-719-901-83	DIODE	1SS83TD
R4311	1-249-414-11	CARBON	560 5% 1/4W	D7104	8-719-901-83	DIODE	1SS83TD
R4312	1-247-863-91	CARBON	22K 5% 1/4W	D7105	8-719-901-83	DIODE	1SS83TD
R4313	1-249-415-11	CARBON	680 5% 1/4W	D7106	8-719-901-83	DIODE	1SS83TD
R4314	1-249-429-11	CARBON	10K 5% 1/4W			<IC>	
R4315	1-249-384-11	CARBON	1.8 5% 1/4W	D7107	1-216-295-91	SHORT	0
R4316	1-249-384-11	CARBON	1.8 5% 1/4W	D7109	8-719-921-86	DIODE	MTZJ-T-77-13
R4317	1-249-401-11	CARBON	47 5% 1/4W	D7110	8-719-921-86	DIODE	MTZJ-T-77-13
R4318	1-249-401-11	CARBON	47 5% 1/4W			<JACK>	
R4319	1-216-476-11	METAL OXIDE	180 5% 3W	J7101 Δ	1-251-182-11	SOCKET, CRT	
R4321	1-208-806-11	METAL CHIP	10K 0.5% 1/10W				
R4322	1-208-800-11	METAL CHIP	5.6K 0.5% 1/10W				

KP-53HS10/61HS10

RM-Y902 RM-Y902



Les composants identifiés par une trame et une marque Δ sont critiques pour la sécurité. Ne les remplacer que par une pièce portant le numéro spécifié.

The components identified by shading and mark Δ are critical for safety. Replace only with part number specified.

REF. NO.	PART NO.	DESCRIPTION	REMARK	REF. NO.	PART NO.	DESCRIPTION	REMARK
		<COIL>					
L7102	1-414-223-11	INDUCTOR	470 μ H	C7202	1-162-115-00	CERAMIC	330pF 10% 2KV
L7103	1-414-181-11	INDUCTOR	4.7 μ H	C7203	1-126-768-11	ELECT	2200 μ F 20% 16V
L7104	1-414-187-11	INDUCTOR	47 μ H	C7204	1-107-662-11	ELECT	22 μ F 20% 250V
		<NEON LAMP>		C7205	1-163-038-91	CERAMIC CHIP	0.1 μ F 25V
NL7101	1-517-778-21	LAMP, NEON		C7206	1-163-038-91	CERAMIC CHIP	0.1 μ F 25V
NL7102	1-517-778-21	LAMP, NEON		C7207	1-162-115-00	CERAMIC	330pF 10% 2KV
NL7103	1-517-778-21	LAMP, NEON		C7208	1-126-967-11	ELECT	47 μ F 20% 50V
		<TRANSISTOR>		C7209	1-102-050-00	CERAMIC	0.01 μ F 99% 500V
Q7101	8-729-422-27	TRANSISTOR	2SD601A-QRS-TX	C7210	1-161-830-00	CERAMIC	0.0047 μ F 500V
Q7102	8-729-216-22	TRANSISTOR	2SB709A-QRS-TX			<CONNECTOR>	
		<RESISTOR>		CN7201*	1-564-509-11	PLUG, CONNECTOR	6P
R7101	1-260-132-11	CARBON	560K 5% 1/2W	CN7202*	1-564-508-11	PLUG, CONNECTOR	5P
R7102	1-249-389-11	CARBON	4.7 5% 1/4W	CN7203*	1-564-512-11	PLUG, CONNECTOR	9P
R7103	1-216-295-91	SHORT	0	CN7204*	1-564-512-11	PLUG, CONNECTOR	9P
R7105	1-260-117-11	CARBON	33K 5% 1/2W	CN7205	1-785-879-11	CONNECTOR, ONE TOUCH	
R7106	1-219-743-11	CARBON	100 5% 1/2W	CN7208	1-695-915-11	TAB (CONTACT)	
R7107	1-208-800-11	METAL CHIP	5.6K 0.5% 1/10W	CN7210*	1-564-506-11	PLUG, CONNECTOR	3P
R7108	1-260-133-11	CARBON	680K 5% 1/2W			<DIODE>	
R7109	1-208-808-11	METAL CHIP	12K 0.5% 1/10W	D7202	8-719-921-86	DIODE	MTZJ-T-77-13
R7110	1-208-793-11	METAL CHIP	3K 0.5% 1/10W	D7203	8-719-901-83	DIODE	1SS83TD
R7111	1-216-033-00	RES-CHIP	220 5% 1/10W	D7204	8-719-901-83	DIODE	1SS83TD
R7112	1-249-424-11	CARBON	3.9K 5% 1/4W	D7205	8-719-901-83	DIODE	1SS83TD
R7113	1-216-029-00	RES-CHIP	150 5% 1/10W	D7206	8-719-901-83	DIODE	1SS83TD
R7114	1-208-791-11	METAL CHIP	2.4K 0.5% 1/10W	D7207	1-216-295-91	SHORT	0
R7115	1-208-798-11	METAL CHIP	4.7K 0.5% 1/10W	D7208	8-719-073-01	DIODE	MA111-TX
R7116	1-215-904-11	METAL OXIDE	100K 5% 2W	D7209	8-719-921-86	DIODE	MTZJ-T-77-13
R7117	1-260-093-11	CARBON	330 5% 1/2W	D7210	8-719-921-86	DIODE	MTZJ-T-77-13
R7118	1-260-087-11	CARBON	100 5% 1/2W			<IC>	
R7119	1-260-099-11	CARBON	1K 5% 1/2W	IC7201	8-759-360-83	IC	TDA6111Q/N4
R7122	1-216-033-00	RES-CHIP	220 5% 1/10W			<JACK>	
R7123	1-216-053-00	RES-CHIP	1.5K 5% 1/10W	J7201	Δ 1-251-182-11	SOCKET, CRT	
R7126	1-208-802-11	METAL CHIP	6.8K 0.5% 1/10W			<COIL>	
R7127	1-208-802-11	METAL CHIP	6.8K 0.5% 1/10W	L7201	1-414-223-11	INDUCTOR	470 μ H
		<SPARK GAP>		L7203	1-414-181-11	INDUCTOR	4.7 μ H
SG7101	1-519-422-11	GAP, SPARK		L7204	1-414-187-11	INDUCTOR	47 μ H
SG7102	1-519-422-11	GAP, SPARK				<NEON LAMP>	
*****				NL7201	1-517-778-21	LAMP, NEON	
* A-1331-973-A CG BOARD, COMPLETE				NL7202	1-517-778-21	LAMP, NEON	
*****						<CAPACITOR>	
4-382-854-51 SCREW (M3X8), P, SW (+)				C7200	1-162-114-00	CERAMIC	0.0047 μ F 2KV



REF. NO.	PART NO.	DESCRIPTION	REMARK	REF. NO.	PART NO.	DESCRIPTION	REMARK
<TRANSISTOR>							
Q7201	8-729-422-27	TRANSISTOR 2SD601A-QRS-TX		C1719	1-163-237-11	CERAMIC CHIP 27pF	5% 50V
Q7202	8-729-216-22	TRANSISTOR 2SB709A-QRS-TX		C1721	1-163-038-91	CERAMIC CHIP 0.1μF	25V
<RESISTOR>							
R7201	1-260-132-11	CARBON 560K	5% 1/2W	C1722	1-104-664-11	ELECT 47μF	20% 25V
R7202	1-216-295-91	SHORT	0	C1723	1-163-038-91	CERAMIC CHIP 0.1μF	25V
R7203	1-216-097-91	RES-CHIP 100K	5% 1/10W	C1724	1-104-664-11	ELECT 47μF	20% 25V
R7204	1-219-743-11	CARBON 100	5% 1/2W	C1725	1-163-231-11	CERAMIC CHIP 15pF	5% 50V
R7205	1-260-117-11	CARBON 33K	5% 1/2W	C1727	1-164-690-91	CERAMIC CHIP 0.0022μF	5% 50V
R7206	1-208-800-11	METAL CHIP 5.6K	0.5% 1/10W	C1729	1-163-038-91	CERAMIC CHIP 0.1μF	25V
R7207	1-208-808-11	METAL CHIP 12K	0.5% 1/10W	C1730	1-104-664-11	ELECT 47μF	20% 25V
R7208	1-216-033-00	RES-CHIP 220	5% 1/10W	C1737	1-163-275-11	CERAMIC CHIP 0.001μF	5% 50V
R7209	1-260-133-11	CARBON 680K	5% 1/2W	C1738	1-164-690-91	CERAMIC CHIP 0.0022μF	5% 50V
R7210	1-208-794-11	METAL CHIP 3.3K	0.5% 1/10W	C1739	1-104-664-11	ELECT 47μF	20% 25V
R7211	1-249-424-11	CARBON 3.9K	5% 1/4W	C1740	1-163-038-91	CERAMIC CHIP 0.1μF	25V
R7212	1-208-788-11	METAL CHIP 1.8K	0.5% 1/10W	C1741	1-163-038-91	CERAMIC CHIP 0.1μF	25V
R7213	1-215-904-11	METAL OXIDE 100K	5% 2W	C1744	1-163-038-91	CERAMIC CHIP 0.1μF	25V
R7214	1-216-029-00	RES-CHIP 150	5% 1/10W	C1745	1-104-664-11	ELECT 47μF	20% 25V
R7216	1-260-093-11	CARBON 330	5% 1/2W	C1747	1-163-038-91	CERAMIC CHIP 0.1μF	25V
R7217	1-208-794-11	METAL CHIP 3.3K	0.5% 1/10W	C1748	1-104-664-11	ELECT 47μF	20% 25V
R7219	1-216-053-00	RES-CHIP 1.5K	5% 1/10W	C1749	1-163-038-91	CERAMIC CHIP 0.1μF	25V
R7220	1-216-033-00	RES-CHIP 220	5% 1/10W	C1750	1-104-664-11	ELECT 47μF	20% 25V
R7221	1-260-099-11	CARBON 1K	5% 1/2W	C1753	1-163-275-11	CERAMIC CHIP 0.001μF	5% 50V
R7223	1-208-804-11	METAL CHIP 8.2K	0.5% 1/10W	C1757	1-163-038-91	CERAMIC CHIP 0.1μF	25V
R7224	1-208-802-11	METAL CHIP 6.8K	0.5% 1/10W	C1758	1-104-664-11	ELECT 47μF	20% 25V
R7225	1-260-087-11	CARBON 100	5% 1/2W	C1761	1-163-038-91	CERAMIC CHIP 0.1μF	25V
<SPARK GAP>							
SG7201	1-519-422-11	GAP, SPARK		C1762	1-104-664-11	ELECT 47μF	20% 25V
SG7202	1-519-422-11	GAP, SPARK		C1763	1-104-664-11	ELECT 47μF	20% 25V
SG7203	1-519-422-11	GAP, SPARK		C1764	1-163-038-91	CERAMIC CHIP 0.1μF	25V

* A-1131-556-A BD BOARD, COMPLETE				C1768			
*****				1-163-275-11 CERAMIC CHIP 0.001μF 5% 50V			
4-382-854-51 SCREW (M3X8), P, SW (+)				C1772			
				1-115-339-11 CERAMIC CHIP 0.1μF 10% 50V			
				C1773			
				1-163-038-91 CERAMIC CHIP 0.1μF 25V			
				C1774			
				1-104-664-11 ELECT 47μF 20% 25V			
				C1775			
				1-164-161-11 CERAMIC CHIP 0.0022μF 10% 50V			
				C1776			
				1-104-664-11 ELECT 47μF 20% 25V			
				C1777			
				1-163-038-91 CERAMIC CHIP 0.1μF 25V			
				C1779			
				1-163-259-91 CERAMIC CHIP 220pF 5% 50V			
				C1780			
				1-163-038-91 CERAMIC CHIP 0.1μF 25V			
				C1781			
				1-104-664-11 ELECT 47μF 20% 25V			
				C1785			
				1-163-275-11 CERAMIC CHIP 0.001μF 5% 50V			
				C1786			
				1-164-690-91 CERAMIC CHIP 0.0022μF 5% 50V			
				C1787			
				1-163-038-91 CERAMIC CHIP 0.1μF 25V			
				C1788			
				1-163-038-91 CERAMIC CHIP 0.1μF 25V			
				C1789			
				1-104-664-11 ELECT 47μF 20% 25V			
				C1790			
				1-104-664-11 ELECT 47μF 20% 25V			
<CAPACITOR>							
C1703	1-163-275-11	CERAMIC CHIP 0.001μF	5% 50V	C1791	1-163-259-91	CERAMIC CHIP 220pF	5% 50V
C1705	1-164-346-11	CERAMIC CHIP 1μF	16V	C1792	1-104-664-11	ELECT 47μF	20% 25V
C1707	1-163-038-91	CERAMIC CHIP 0.1μF	25V	C1793	1-104-664-11	ELECT 47μF	20% 25V
C1708	1-104-664-11	ELECT 47μF	20% 25V	C1794	1-163-038-91	CERAMIC CHIP 0.1μF	25V
C1709	1-126-964-11	ELECT 10μF	20% 50V	C1796	1-163-038-91	CERAMIC CHIP 0.1μF	25V
C1710	1-164-346-11	CERAMIC CHIP 1μF	16V	C1797	1-104-664-11	ELECT 47μF	20% 25V
C1711	1-164-690-91	CERAMIC CHIP 0.0022μF	5% 50V	C1798	1-163-038-91	CERAMIC CHIP 0.1μF	25V
C1712	1-163-038-91	CERAMIC CHIP 0.1μF	25V	C1799	1-163-038-91	CERAMIC CHIP 0.1μF	25V
C1713	1-104-664-11	ELECT 47μF	20% 25V	C1801	1-104-664-11	ELECT 47μF	20% 25V
C1714	1-164-346-11	CERAMIC CHIP 1μF	16V	C1802	1-163-259-91	CERAMIC CHIP 220pF	5% 50V
C1717	1-163-275-11	CERAMIC CHIP 0.001μF	5% 50V	C1803	1-163-038-91	CERAMIC CHIP 0.1μF	25V
C1718	1-164-690-91	CERAMIC CHIP 0.0022μF	5% 50V	C1804	1-163-038-91	CERAMIC CHIP 0.1μF	25V
				C1805	1-104-664-11	ELECT 47μF	20% 25V
				C1806	1-163-038-91	CERAMIC CHIP 0.1μF	25V



REF. NO.	PART NO.	DESCRIPTION	REMARK	REF. NO.	PART NO.	DESCRIPTION	REMARK
C1807	1-104-664-11	ELECT	47μF 20%			<DIODE>	
C1808	1-163-038-91	CERAMIC CHIP	0.1μF 25V	D1701	8-719-073-01	DIODE MA111-TX	
C1809	1-104-664-11	ELECT	47μF 20%	D1702	8-719-073-01	DIODE MA111-TX	
C1810	1-163-038-91	CERAMIC CHIP	0.1μF 25V	D1703	8-719-073-01	DIODE MA111-TX	
C1811	1-163-259-91	CERAMIC CHIP	220pF 5%	D1704	8-719-073-01	DIODE MA111-TX	
C1812	1-163-038-91	CERAMIC CHIP	0.1μF 25V	D1705	8-719-073-01	DIODE MA111-TX	
C1814	1-104-664-11	ELECT	47μF 20%	D1706	8-719-073-01	DIODE MA111-TX	
C1815	1-163-038-91	CERAMIC CHIP	0.1μF 25V			<IC>	
C1816	1-104-664-11	ELECT	47μF 20%	IC1702	8-759-106-02	IC μPC4570G2-E2	
C1817	1-163-038-91	CERAMIC CHIP	0.1μF 25V	IC1703	8-752-913-91	IC CXP86324-026Q	
C1818	1-104-664-11	ELECT	47μF 20%	IC1704	8-759-468-90	IC ST24E16FM6TR	
C1819	1-163-038-91	CERAMIC CHIP	0.1μF 25V	IC1705	8-759-106-02	IC μPC4570G2-E2	
C1820	1-163-235-11	CERAMIC CHIP	22pF 5%	IC1706	8-759-106-02	IC μPC4570G2-E2	
C1821	1-163-038-91	CERAMIC CHIP	0.1μF 25V	IC1707	8-759-589-66	IC CM0006CF	
C1822	1-163-038-91	CERAMIC CHIP	0.1μF 25V	IC1708	8-759-106-02	IC μPC4570G2-E2	
C1823	1-163-038-91	CERAMIC CHIP	0.1μF 25V	IC1709	8-759-106-02	IC μPC4570G2-E2	
C1824	1-163-038-91	CERAMIC CHIP	0.1μF 25V	IC1710	8-759-106-02	IC μPC4570G2-E2	
C1825	1-163-038-91	CERAMIC CHIP	0.1μF 25V	IC1712	8-759-032-20	IC TC74HC32AF(EL)	
C1830	1-115-339-11	CERAMIC CHIP	0.1μF 10%	IC1713	8-759-998-22	IC PCM56P-L	
C1831	1-163-038-91	CERAMIC CHIP	0.1μF 25V	IC1714	8-759-998-22	IC PCM56P-L	
C1832	1-104-664-11	ELECT	47μF 20%	IC1715	8-759-998-22	IC PCM56P-L	
C1833	1-163-259-91	CERAMIC CHIP	220pF 5%	IC1716	8-759-032-23	IC TC74HC74AF(EL)	
C1834	1-163-038-91	CERAMIC CHIP	0.1μF 25V	IC1717	8-759-488-29	IC TC7W66FU(TE12R)	
C1835	1-163-038-91	CERAMIC CHIP	0.1μF 25V	IC1718	8-759-352-91	IC PST9143NL	
C1836	1-163-038-91	CERAMIC CHIP	0.1μF 25V	IC1719	8-759-998-22	IC PCM56P-L	
C1837	1-163-038-91	CERAMIC CHIP	0.1μF 25V	IC1720	8-759-998-22	IC PCM56P-L	
C1838	1-104-664-11	ELECT	47μF 20%	IC1721	8-759-998-22	IC PCM56P-L	
C1839	1-163-038-91	CERAMIC CHIP	0.1μF 25V	IC1722	8-759-295-09	IC TLC2932IPW-E20	
C1840	1-104-664-11	ELECT	47μF 20%	IC1723	8-759-485-79	IC TC7SET08FU(TE85L)	
C1841	1-163-038-91	CERAMIC CHIP	0.1μF 25V	IC1725	8-759-485-79	IC TC7SET08FU(TE85L)	
C1842	1-163-038-91	CERAMIC CHIP	0.1μF 25V			<CHIP CONDUCTOR>	
C1844	1-104-664-11	ELECT	47μF 20%	JR1701	1-216-295-91	SHORT	0
C1845	1-163-038-91	CERAMIC CHIP	0.1μF 25V			<COIL>	
C1846	1-104-664-11	ELECT	47μF 20%	L1703	1-469-555-21	INDUCTOR	10μH
C1847	1-163-038-91	CERAMIC CHIP	0.1μF 25V	L1704	1-469-555-21	INDUCTOR	10μH
C1849	1-164-690-91	CERAMIC CHIP	0.0022μF 5%	L1707	1-469-555-21	INDUCTOR	10μH
C1855	1-104-664-11	ELECT	47μF 20%	L1708	1-469-555-21	INDUCTOR	10μH
C1856	1-163-038-91	CERAMIC CHIP	0.1μF 25V	L1709	1-414-234-22	INDUCTOR CHIP	0μH
C1857	1-104-664-11	ELECT	47μF 20%	L1710	1-469-555-21	INDUCTOR	10μH
C1858	1-104-664-11	ELECT	47μF 20%	L1713	1-469-555-21	INDUCTOR	10μH
C1859	1-109-982-11	CERAMIC CHIP	1μF 10%	L1714	1-414-234-22	INDUCTOR CHIP	0μH
C1860	1-163-038-91	CERAMIC CHIP	0.1μF 25V	L1715	1-469-555-21	INDUCTOR	10μH
C1861	1-163-038-91	CERAMIC CHIP	0.1μF 25V	L1716	1-469-555-21	INDUCTOR	10μH
C1862	1-164-004-11	CERAMIC CHIP	0.1μF 10%	L1719	1-469-555-21	INDUCTOR	10μH
C1863	1-163-001-11	CERAMIC CHIP	220pF 10%	L1720	1-469-555-21	INDUCTOR	10μH
C1864	1-163-038-91	CERAMIC CHIP	0.1μF 25V	L1721	1-414-234-22	INDUCTOR CHIP	0μH
C1877	1-163-038-91	CERAMIC CHIP	0.1μF 25V	L1724	1-469-555-21	INDUCTOR	10μH
C1878	1-163-259-91	CERAMIC CHIP	220pF 5%	L1725	1-414-234-22	INDUCTOR CHIP	0μH
C1879	1-163-038-91	CERAMIC CHIP	0.1μF 25V	L1726	1-469-555-21	INDUCTOR	10μH
C1880	1-163-038-91	CERAMIC CHIP	0.1μF 25V	L1729	1-414-234-22	INDUCTOR CHIP	0μH
		<CONNECTOR>					
CN1701	1-573-301-21	CONNECTOR, BOARD TO BOARD	20P				
CN1702	1-573-301-21	CONNECTOR, BOARD TO BOARD	20P				



REF. NO.	PART NO.	DESCRIPTION	REMARK	REF. NO.	PART NO.	DESCRIPTION	REMARK
L1730	1-469-555-21	INDUCTOR	10μH	R1712	1-216-295-91	SHORT	0
L1731	1-469-555-21	INDUCTOR	10μH	R1713	1-216-041-00	RES-CHIP	470 5% 1/10W
L1732	1-414-234-22	INDUCTOR CHIP	0μH	R1714	1-216-295-91	SHORT	0
L1733	1-414-234-22	INDUCTOR CHIP	0μH	R1715	1-216-025-91	RES-CHIP	100 5% 1/10W
L1734	1-414-234-22	INDUCTOR CHIP	0μH	R1716	1-216-025-91	RES-CHIP	100 5% 1/10W
L1735	1-414-234-22	INDUCTOR CHIP	0μH	R1717	1-216-073-00	RES-CHIP	10K 5% 1/10W
L1736	1-414-234-22	INDUCTOR CHIP	0μH	R1718	1-216-025-91	RES-CHIP	100 5% 1/10W
L1737	1-414-234-22	INDUCTOR CHIP	0μH	R1719	1-216-025-91	RES-CHIP	100 5% 1/10W
L1738	1-414-234-22	INDUCTOR CHIP	0μH	R1720	1-216-073-00	RES-CHIP	10K 5% 1/10W
L1739	1-414-234-22	INDUCTOR CHIP	0μH	R1721	1-216-049-91	RES-CHIP	1K 5% 1/10W
L1740	1-414-234-22	INDUCTOR CHIP	0μH	R1722	1-216-065-91	RES-CHIP	4.7K 5% 1/10W
L1741	1-414-234-22	INDUCTOR CHIP	0μH	R1723	1-216-049-91	RES-CHIP	1K 5% 1/10W
L1742	1-414-234-22	INDUCTOR CHIP	0μH	R1724	1-216-025-91	RES-CHIP	100 5% 1/10W
L1744	1-414-234-22	INDUCTOR CHIP	0μH	R1725	1-208-782-11	METAL CHIP	1K 0.5% 1/10W
L1745	1-414-234-22	INDUCTOR CHIP	0μH	R1727	1-216-033-00	RES-CHIP	220 5% 1/10W
L1746	1-414-234-22	INDUCTOR CHIP	0μH	R1728	1-216-033-00	RES-CHIP	220 5% 1/10W
L1747	1-414-234-22	INDUCTOR CHIP	0μH	R1729	1-216-049-91	RES-CHIP	1K 5% 1/10W
L1748	1-414-234-22	INDUCTOR CHIP	0μH	R1730	1-208-850-11	METAL CHIP	680K 0.5% 1/10W
L1750	1-414-234-22	INDUCTOR CHIP	0μH	R1731	1-216-025-91	RES-CHIP	100 5% 1/10W
L1751	1-414-234-22	INDUCTOR CHIP	0μH	R1732	1-208-799-11	METAL CHIP	5.1K 0.5% 1/10W
L1753	1-414-234-22	INDUCTOR CHIP	0μH	R1733	1-216-025-91	RES-CHIP	100 5% 1/10W
L1754	1-414-234-22	INDUCTOR CHIP	0μH	R1735	1-216-025-91	RES-CHIP	100 5% 1/10W
L1756	1-414-234-22	INDUCTOR CHIP	0μH	R1736	1-216-025-91	RES-CHIP	100 5% 1/10W
L1757	1-414-234-22	INDUCTOR CHIP	0μH	R1737	1-208-782-11	METAL CHIP	1K 0.5% 1/10W
L1759	1-414-234-22	INDUCTOR CHIP	0μH	R1739	1-216-295-91	SHORT	0
L1760	1-414-234-22	INDUCTOR CHIP	0μH	R1740	1-216-025-91	RES-CHIP	100 5% 1/10W
L1762	1-414-234-22	INDUCTOR CHIP	0μH	R1741	1-216-033-00	RES-CHIP	220 5% 1/10W
L1763	1-414-234-22	INDUCTOR CHIP	0μH	R1742	1-216-025-91	RES-CHIP	100 5% 1/10W
L1764	1-414-234-22	INDUCTOR CHIP	0μH	R1743	1-216-033-00	RES-CHIP	220 5% 1/10W
L1765	1-414-234-22	INDUCTOR CHIP	0μH	R1744	1-216-025-91	RES-CHIP	100 5% 1/10W
L1766	1-414-234-22	INDUCTOR CHIP	0μH	R1745	1-216-033-00	RES-CHIP	220 5% 1/10W
L1767	1-414-234-22	INDUCTOR CHIP	0μH	R1746	1-216-033-00	RES-CHIP	220 5% 1/10W
L1768	1-414-234-22	INDUCTOR CHIP	0μH	R1747	1-216-025-91	RES-CHIP	100 5% 1/10W
L1769	1-414-234-22	INDUCTOR CHIP	0μH	R1748	1-216-025-91	RES-CHIP	100 5% 1/10W
L1770	1-414-234-22	INDUCTOR CHIP	0μH	R1749	1-208-782-11	METAL CHIP	1K 0.5% 1/10W
		<TRANSISTOR>		R1750	1-216-295-91	SHORT	0
Q1701	1-801-806-11	TRANSISTOR	DTC144EKA-T146	R1751	1-216-049-91	RES-CHIP	1K 5% 1/10W
Q1702	8-729-422-27	TRANSISTOR	2SD601A-QRS-TX	R1752	1-208-799-11	METAL CHIP	5.1K 0.5% 1/10W
Q1703	8-729-900-53	TRANSISTOR	DTC114EKA-T146	R1753	1-216-049-91	RES-CHIP	1K 5% 1/10W
Q1709	8-729-422-27	TRANSISTOR	2SD601A-QRS-TX	R1754	1-216-049-91	RES-CHIP	1K 5% 1/10W
Q1710	8-729-422-27	TRANSISTOR	2SD601A-QRS-TX	R1755	1-216-025-91	RES-CHIP	100 5% 1/10W
		<RESISTOR>		R1756	1-208-799-11	METAL CHIP	5.1K 0.5% 1/10W
R1701	1-208-782-11	METAL CHIP	1K 0.5% 1/10W	R1757	1-216-295-91	SHORT	0
R1702	1-208-782-11	METAL CHIP	1K 0.5% 1/10W	R1759	1-216-025-91	RES-CHIP	100 5% 1/10W
R1703	1-208-799-11	METAL CHIP	5.1K 0.5% 1/10W	R1760	1-216-025-91	RES-CHIP	100 5% 1/10W
R1704	1-216-295-91	SHORT	0	R1761	1-216-057-00	RES-CHIP	2.2K 5% 1/10W
R1705	1-216-025-91	RES-CHIP	100 5% 1/10W	R1762	1-216-057-00	RES-CHIP	2.2K 5% 1/10W
R1706	1-216-025-91	RES-CHIP	100 5% 1/10W	R1763	1-216-025-91	RES-CHIP	100 5% 1/10W
R1707	1-216-025-91	RES-CHIP	100 5% 1/10W	R1764	1-216-025-91	RES-CHIP	100 5% 1/10W
R1708	1-216-025-91	RES-CHIP	100 5% 1/10W	R1765	1-216-033-00	RES-CHIP	220 5% 1/10W
R1709	1-216-041-00	RES-CHIP	470 5% 1/10W	R1766	1-216-049-91	RES-CHIP	1K 5% 1/10W
R1710	1-216-025-91	RES-CHIP	100 5% 1/10W	R1767	1-216-049-91	RES-CHIP	1K 5% 1/10W
R1711	1-216-025-91	RES-CHIP	100 5% 1/10W	R1768	1-216-049-91	RES-CHIP	1K 5% 1/10W
				R1769	1-216-057-00	RES-CHIP	2.2K 5% 1/10W
				R1770	1-216-049-91	RES-CHIP	1K 5% 1/10W
				R1771	1-216-025-91	RES-CHIP	100 5% 1/10W
				R1772	1-216-025-91	RES-CHIP	100 5% 1/10W



REF. NO.	PART NO.	DESCRIPTION	REMARK	REF. NO.	PART NO.	DESCRIPTION	REMARK
R1773	1-216-025-91	RES-CHIP	100 5%	1/10W	R1848	1-216-025-91	RES-CHIP 100 5% 1/10W
R1774	1-216-049-91	RES-CHIP	1K 5%	1/10W	R1849	1-216-025-91	RES-CHIP 100 5% 1/10W
R1775	1-208-782-11	METAL CHIP	1K 0.5%	1/10W	R1850	1-216-025-91	RES-CHIP 100 5% 1/10W
R1777	1-208-799-11	METAL CHIP	5.1K 0.5%	1/10W	R1851	1-216-025-91	RES-CHIP 100 5% 1/10W
R1778	1-216-049-91	RES-CHIP	1K 5%	1/10W	R1852	1-216-295-91	SHORT 0
R1779	1-216-071-00	RES-CHIP	8.2K 5%	1/10W	R1853	1-216-025-91	RES-CHIP 100 5% 1/10W
R1780	1-216-025-91	RES-CHIP	100 5%	1/10W	R1854	1-216-049-91	RES-CHIP 1K 5% 1/10W
R1781	1-216-025-91	RES-CHIP	100 5%	1/10W	R1855	1-216-025-91	RES-CHIP 100 5% 1/10W
R1782	1-216-071-00	RES-CHIP	8.2K 5%	1/10W	R1856	1-216-065-91	RES-CHIP 4.7K 5% 1/10W
R1783	1-216-033-00	RES-CHIP	220 5%	1/10W	R1857	1-216-025-91	RES-CHIP 100 5% 1/10W
R1784	1-216-025-91	RES-CHIP	100 5%	1/10W	R1858	1-216-033-00	RES-CHIP 220 5% 1/10W
R1785	1-216-025-91	RES-CHIP	100 5%	1/10W	R1859	1-216-057-00	RES-CHIP 2.2K 5% 1/10W
R1786	1-208-782-11	METAL CHIP	1K 0.5%	1/10W	R1860	1-216-049-91	RES-CHIP 1K 5% 1/10W
R1787	1-216-025-91	RES-CHIP	100 5%	1/10W	R1861	1-216-073-00	RES-CHIP 10K 5% 1/10W
R1788	1-216-071-00	RES-CHIP	8.2K 5%	1/10W	R1862	1-216-025-91	RES-CHIP 100 5% 1/10W
R1789	1-216-025-91	RES-CHIP	100 5%	1/10W	R1864	1-208-850-11	METAL CHIP 680K 0.5% 1/10W
R1790	1-216-295-91	SHORT	0		R1865	1-208-799-11	METAL CHIP 5.1K 0.5% 1/10W
R1791	1-216-025-91	RES-CHIP	100 5%	1/10W	R1866	1-208-799-11	METAL CHIP 5.1K 0.5% 1/10W
R1792	1-216-025-91	RES-CHIP	100 5%	1/10W	R1867	1-208-782-11	METAL CHIP 1K 0.5% 1/10W
R1793	1-216-057-00	RES-CHIP	2.2K 5%	1/10W	R1868	1-208-799-11	METAL CHIP 5.1K 0.5% 1/10W
R1794	1-208-801-11	METAL CHIP	6.2K 0.5%	1/10W	R1869	1-208-799-11	METAL CHIP 5.1K 0.5% 1/10W
R1795	1-216-037-00	RES-CHIP	330 5%	1/10W	R1870	1-208-782-11	METAL CHIP 1K 0.5% 1/10W
R1796	1-208-782-11	METAL CHIP	1K 0.5%	1/10W	R1877	1-216-295-91	SHORT 0
R1798	1-208-799-11	METAL CHIP	5.1K 0.5%	1/10W	R1878	1-216-295-91	SHORT 0
R1799	1-208-802-11	METAL CHIP	6.8K 0.5%	1/10W	R1879	1-216-295-91	SHORT 0
R1800	1-216-065-91	RES-CHIP	4.7K 5%	1/10W	R1880	1-216-295-91	SHORT 0
R1801	1-208-816-11	METAL CHIP	27K 0.5%	1/10W	R1881	1-216-295-91	SHORT 0
R1802	1-216-049-91	RES-CHIP	1K 5%	1/10W	R1882	1-216-295-91	SHORT 0
R1803	1-208-782-11	METAL CHIP	1K 0.5%	1/10W	R1883	1-216-049-91	RES-CHIP 1K 5% 1/10W
R1804	1-216-057-00	RES-CHIP	2.2K 5%	1/10W	R1885	1-208-793-11	METAL CHIP 3K 0.5% 1/10W
R1805	1-216-025-91	RES-CHIP	100 5%	1/10W	R1886	1-208-790-11	METAL CHIP 2.2K 0.5% 1/10W
R1806	1-216-295-91	SHORT	0		R1887	1-208-776-11	METAL CHIP 560 0.5% 1/10W
R1807	1-216-037-00	RES-CHIP	330 5%	1/10W	R1888	1-216-033-00	RES-CHIP 220 5% 1/10W
R1808	1-216-081-00	RES-CHIP	22K 5%	1/10W	R1889	1-216-033-00	RES-CHIP 220 5% 1/10W
R1809	1-216-025-91	RES-CHIP	100 5%	1/10W	R1890	1-216-295-91	SHORT 0
R1810	1-216-025-91	RES-CHIP	100 5%	1/10W	R1907	1-216-049-91	RES-CHIP 1K 5% 1/10W
R1811	1-216-025-91	RES-CHIP	100 5%	1/10W	R1908	1-216-049-91	RES-CHIP 1K 5% 1/10W
R1819	1-216-025-91	RES-CHIP	100 5%	1/10W	R1909	1-216-041-00	RES-CHIP 470 5% 1/10W
R1820	1-216-025-91	RES-CHIP	100 5%	1/10W	R1910	1-216-049-91	RES-CHIP 1K 5% 1/10W
R1821	1-216-025-91	RES-CHIP	100 5%	1/10W	R1913	1-208-799-11	METAL CHIP 5.1K 0.5% 1/10W
R1822	1-216-057-00	RES-CHIP	2.2K 5%	1/10W	R1914	1-216-025-91	RES-CHIP 100 5% 1/10W
R1823	1-208-799-11	METAL CHIP	5.1K 0.5%	1/10W	R1915	1-216-033-00	RES-CHIP 220 5% 1/10W
R1824	1-208-782-11	METAL CHIP	1K 0.5%	1/10W	R1916	1-216-025-91	RES-CHIP 100 5% 1/10W
R1826	1-216-037-00	RES-CHIP	330 5%	1/10W	R1917	1-216-033-00	RES-CHIP 220 5% 1/10W
R1827	1-216-295-91	SHORT	0		R1919	1-216-033-00	RES-CHIP 220 5% 1/10W
R1828	1-216-025-91	RES-CHIP	100 5%	1/10W	R1920	1-216-033-00	RES-CHIP 220 5% 1/10W
R1830	1-216-049-91	RES-CHIP	1K 5%	1/10W	R1921	1-216-065-91	RES-CHIP 4.7K 5% 1/10W
R1831	1-216-025-91	RES-CHIP	100 5%	1/10W	R1922	1-216-065-91	RES-CHIP 4.7K 5% 1/10W
R1834	1-216-049-91	RES-CHIP	1K 5%	1/10W	R1924	1-216-025-91	RES-CHIP 100 5% 1/10W
R1835	1-216-025-91	RES-CHIP	100 5%	1/10W	R1926	1-216-033-00	RES-CHIP 220 5% 1/10W
R1836	1-216-025-91	RES-CHIP	100 5%	1/10W			
R1840	1-216-025-91	RES-CHIP	100 5%	1/10W			
R1841	1-216-025-91	RES-CHIP	100 5%	1/10W			
R1844	1-216-025-91	RES-CHIP	100 5%	1/10W			
R1846	1-216-025-91	RES-CHIP	100 5%	1/10W			
R1847	1-216-025-91	RES-CHIP	100 5%	1/10W			
						<CRYSTAL>	
					X1701	1-767-925-21	VIBRATOR, CRYSTAL

Les composants identifiés par une trame et une marque Δ sont critiques pour la sécurité. Ne les remplacer que par une pièce portant le numéro spécifié.

The components identified by shading and mark Δ are critical for safety. Replace only with part number specified.



REF. NO.	PART NO.	DESCRIPTION	REMARK	REF. NO.	PART NO.	DESCRIPTION	REMARK
*****				<NEON LAMP>			
* A-1331-974-A CB BOARD, COMPLETE				NL7301	1-517-778-21	LAMP, NEON	
*****				NL7302	1-517-778-21	LAMP, NEON	
				NL7303	1-517-778-21	LAMP, NEON	
<CAPACITOR>				<TRANSISTOR>			
C7300	1-162-114-00	CERAMIC	0.0047 μ F 2KV	Q7301	8-729-422-27	TRANSISTOR	2SD601A-QRS-TX
C7302	1-162-115-00	CERAMIC	330pF 10% 2KV	Q7302	8-729-216-22	TRANSISTOR	2SB709A-QRS-TX
C7303	1-162-115-00	CERAMIC	330pF 10% 2KV	<RESISTOR>			
C7304	1-126-768-11	ELECT	2200 μ F 20% 16V	R7301	1-219-743-11	CARBON	100 5% 1/2W
C7305	1-163-038-91	CERAMIC CHIP	0.1 μ F 25V	R7302	1-260-132-11	CARBON	560K 5% 1/2W
C7306	1-163-038-91	CERAMIC CHIP	0.1 μ F 25V	R7303	1-249-393-11	CARBON	10 5% 1/4W
C7307	1-107-662-11	ELECT	22 μ F 20% 250V	R7304	1-216-295-91	SHORT	0
C7308	1-126-967-11	ELECT	47 μ F 20% 50V	R7307	1-208-800-11	METAL CHIP	5.6K 0.5% 1/10W
C7310	1-161-830-00	CERAMIC	0.0047 μ F 500V	R7308	1-260-133-11	CARBON	680K 5% 1/2W
C7311	1-102-050-00	CERAMIC	0.01 μ F 99% 500V	R7309	1-208-791-11	METAL CHIP	2.4K 0.5% 1/10W
C7312	1-102-157-00	CERAMIC	560pF 10% 500V	R7311	1-208-808-11	METAL CHIP	12K 0.5% 1/10W
C7314	1-126-964-11	ELECT	10 μ F 20% 50V	R7312	1-208-793-11	METAL CHIP	3K 0.5% 1/10W
C7315	1-163-085-00	CERAMIC CHIP	2pF 0.25pF50V	R7313	1-216-033-00	RES-CHIP	220 5% 1/10W
C7316	1-163-255-11	CERAMIC CHIP	150pF 5% 50V	R7314	1-249-424-11	CARBON	3.9K 5% 1/4W
<CONNECTOR>				R7315	1-216-029-00	RES-CHIP	150 5% 1/10W
CN7301*	1-564-508-11	PLUG, CONNECTOR	5P	R7316	1-215-904-11	METAL OXIDE	100K 5% 2W
CN7302*	1-564-512-11	PLUG, CONNECTOR	9P	R7317	1-260-093-11	CARBON	330 5% 1/2W
CN7303*	1-564-510-11	PLUG, CONNECTOR	7P	R7319	1-208-806-11	METAL CHIP	10K 0.5% 1/10W
CN7304	1-785-879-11	CONNECTOR, ONE TOUCH		R7320	1-260-087-11	CARBON	100 5% 1/2W
CN7307	1-695-915-11	TAB (CONTACT)		R7321	1-260-117-11	CARBON	33K 5% 1/2W
CN7314*	1-564-507-11	PLUG, CONNECTOR	4P	R7323	1-216-033-00	RES-CHIP	220 5% 1/10W
<DIODE>				R7324	1-216-053-00	RES-CHIP	1.5K 5% 1/10W
D7302	8-719-921-86	DIODE	MTZJ-T-77-13	R7325	1-260-099-11	CARBON	1K 5% 1/2W
D7303	8-719-901-83	DIODE	1SS83TD	R7326	1-208-803-11	METAL CHIP	7.5K 0.5% 1/10W
D7304	8-719-901-83	DIODE	1SS83TD	R7327	1-208-802-11	METAL CHIP	6.8K 0.5% 1/10W
D7305	8-719-901-83	DIODE	1SS83TD	<SPARK GAP>			
D7306	8-719-901-83	DIODE	1SS83TD	SG7301	1-519-422-11	GAP, SPARK	
D7307	8-719-073-01	DIODE	MA111-TX	SG7302	1-519-422-11	GAP, SPARK	
D7310	8-719-991-33	DIODE	1SS133T-77	*****			
D7311	8-719-921-86	DIODE	MTZJ-T-77-13	* A-1131-461-A BA BOARD, COMPLETE			
D7312	8-719-921-86	DIODE	MTZJ-T-77-13	*****			
D7313	1-216-295-91	SHORT	0	<CAPACITOR>			
<IC>				C2401	1-163-251-11	CERAMIC CHIP	100pF 5% 50V
IC7301	8-759-360-83	IC	TDA6111Q/N4	C2402	1-104-664-11	ELECT	47 μ F 20% 25V
<JACK>				C2403	1-163-038-91	CERAMIC CHIP	0.1 μ F 25V
J7301 Δ	1-251-182-11	SOCKET, CRT		C2404	1-163-038-91	CERAMIC CHIP	0.1 μ F 25V
<COIL>				C2405	1-163-038-91	CERAMIC CHIP	0.1 μ F 25V
L7301	1-414-223-11	INDUCTOR	470 μ H	C2406	1-163-038-91	CERAMIC CHIP	0.1 μ F 25V
L7303	1-414-181-11	INDUCTOR	4.7 μ H	C2407	1-164-505-11	CERAMIC CHIP	2.2 μ F 16V
L7304	1-414-187-11	INDUCTOR	47 μ H				

BA

REF. NO.	PART NO.	DESCRIPTION	REMARK	REF. NO.	PART NO.	DESCRIPTION	REMARK
C2408	1-163-038-91	CERAMIC CHIP 0.1μF	25V	C2477	1-163-038-91	CERAMIC CHIP 0.1μF	25V
C2409	1-163-038-91	CERAMIC CHIP 0.1μF	25V	C2478	1-163-038-91	CERAMIC CHIP 0.1μF	25V
C2410	1-104-664-11	ELECT 47μF	20% 25V	C2479	1-126-963-11	ELECT 4.7μF	20% 50V
C2411	1-163-038-91	CERAMIC CHIP 0.1μF	25V	C2480	1-163-038-91	CERAMIC CHIP 0.1μF	25V
C2412	1-104-664-11	ELECT 47μF	20% 25V	C2481	1-126-961-11	ELECT 2.2μF	20% 50V
C2414	1-126-964-11	ELECT 10μF	20% 50V	C2482	1-163-038-91	CERAMIC CHIP 0.1μF	25V
C2415	1-109-982-11	CERAMIC CHIP 1μF	10% 10V	C2483	1-163-038-91	CERAMIC CHIP 0.1μF	25V
C2416	1-163-133-00	CERAMIC CHIP 470pF	5% 50V				
C2417	1-163-231-11	CERAMIC CHIP 15pF	5% 50V				
C2418	1-104-664-11	ELECT 47μF	20% 25V			<CONNECTOR>	
C2420	1-163-038-91	CERAMIC CHIP 0.1μF	25V	CN2401*	1-691-632-21	CONNECTOR, BOARD TO BOARD 15P	
C2421	1-163-038-91	CERAMIC CHIP 0.1μF	25V				
C2422	1-163-038-91	CERAMIC CHIP 0.1μF	25V			<FILTER>	
C2424	1-163-038-91	CERAMIC CHIP 0.1μF	25V	FL2401	1-239-847-11	FILTER, LOW PASS	
C2425	1-163-038-91	CERAMIC CHIP 0.1μF	25V	FL2402	1-239-847-11	FILTER, LOW PASS	
C2426	1-163-038-91	CERAMIC CHIP 0.1μF	25V	FL2403	1-239-847-11	FILTER, LOW PASS	
C2427	1-115-339-11	CERAMIC CHIP 0.1μF	10% 50V	FL2404	1-239-847-11	FILTER, LOW PASS	
C2429	1-163-038-91	CERAMIC CHIP 0.1μF	25V				
C2430	1-163-038-91	CERAMIC CHIP 0.1μF	25V			<IC>	
C2431	1-163-038-91	CERAMIC CHIP 0.1μF	25V	IC2401	8-759-568-27	IC μPD424210LE-60-E2	
C2432	1-163-038-91	CERAMIC CHIP 0.1μF	25V	IC2402	8-759-536-12	IC μPD64081BGF-3BA	
C2434	1-163-231-11	CERAMIC CHIP 15pF	5% 50V	IC2403	8-759-161-24	IC μPC659AGS-E2	
C2436	1-163-038-91	CERAMIC CHIP 0.1μF	25V				
C2437	1-163-038-91	CERAMIC CHIP 0.1μF	25V			<COIL>	
C2439	1-163-038-91	CERAMIC CHIP 0.1μF	25V	L2401	1-469-555-21	INDUCTOR 10μH	
C2440	1-163-038-91	CERAMIC CHIP 0.1μF	25V	L2402	1-414-234-22	INDUCTOR CHIP 0μH	
C2441	1-163-038-91	CERAMIC CHIP 0.1μF	25V	L2403	1-414-234-22	INDUCTOR CHIP 0μH	
C2442	1-163-038-91	CERAMIC CHIP 0.1μF	25V	L2404	1-414-234-22	INDUCTOR CHIP 0μH	
C2443	1-163-038-91	CERAMIC CHIP 0.1μF	25V	L2405	1-469-555-21	INDUCTOR 10μH	
C2444	1-164-505-11	CERAMIC CHIP 2.2μF	16V	L2406	1-469-555-21	INDUCTOR 10μH	
C2445	1-163-038-91	CERAMIC CHIP 0.1μF	25V	L2407	1-414-234-22	INDUCTOR CHIP 0μH	
C2446	1-163-038-91	CERAMIC CHIP 0.1μF	25V	L2408	1-414-234-22	INDUCTOR CHIP 0μH	
C2447	1-163-231-11	CERAMIC CHIP 15pF	5% 50V	L2409	1-469-555-21	INDUCTOR 10μH	
C2448	1-163-038-91	CERAMIC CHIP 0.1μF	25V	L2410	1-414-234-22	INDUCTOR CHIP 0μH	
C2449	1-163-031-11	CERAMIC CHIP 0.01μF	50V	L2411	1-414-234-22	INDUCTOR CHIP 0μH	
C2450	1-126-964-11	ELECT 10μF	20% 50V	L2412	1-414-234-22	INDUCTOR CHIP 0μH	
C2451	1-163-227-11	CERAMIC CHIP 10pF	0.50pF 50V	L2413	1-414-234-22	INDUCTOR CHIP 0μH	
C2452	1-163-038-91	CERAMIC CHIP 0.1μF	25V	L2414	1-414-234-22	INDUCTOR CHIP 0μH	
C2453	1-163-038-91	CERAMIC CHIP 0.1μF	25V	L2415	1-414-234-22	INDUCTOR CHIP 0μH	
C2454	1-163-038-91	CERAMIC CHIP 0.1μF	25V	L2416	1-414-234-22	INDUCTOR CHIP 0μH	
C2455	1-164-505-11	CERAMIC CHIP 2.2μF	16V	L2417	1-414-234-22	INDUCTOR CHIP 0μH	
C2456	1-163-031-11	CERAMIC CHIP 0.01μF	50V	L2418	1-414-234-22	INDUCTOR CHIP 0μH	
C2457	1-163-241-11	CERAMIC CHIP 39pF	5% 50V	L2420	1-414-234-22	INDUCTOR CHIP 0μH	
C2458	1-163-038-91	CERAMIC CHIP 0.1μF	25V	L2421	1-414-234-22	INDUCTOR CHIP 0μH	
C2459	1-126-935-11	ELECT 470μF	20% 6.3V	L2422	1-414-234-22	INDUCTOR CHIP 0μH	
C2461	1-163-231-11	CERAMIC CHIP 15pF	5% 50V	L2423	1-469-555-21	INDUCTOR 10μH	
C2462	1-163-249-11	CERAMIC CHIP 82pF	5% 50V	L2424	1-469-555-21	INDUCTOR 10μH	
C2463	1-163-038-91	CERAMIC CHIP 0.1μF	25V	L2425	1-414-234-22	INDUCTOR CHIP 0μH	
C2464	1-163-038-91	CERAMIC CHIP 0.1μF	25V	L2427	1-216-295-91	SHORT 0	
C2466	1-164-505-11	CERAMIC CHIP 2.2μF	16V	L2428	1-216-295-91	SHORT 0	
C2467	1-163-255-11	CERAMIC CHIP 150pF	5% 50V	L2429	1-216-295-91	SHORT 0	
C2468	1-104-664-11	ELECT 47μF	20% 25V	L2430	1-469-555-21	INDUCTOR 10μH	
C2471	1-163-038-91	CERAMIC CHIP 0.1μF	25V				
C2472	1-163-038-91	CERAMIC CHIP 0.1μF	25V				
C2474	1-163-021-91	CERAMIC CHIP 0.01μF	10% 50V				
C2475	1-126-934-11	ELECT 220μF	20% 10V				
C2476	1-163-038-91	CERAMIC CHIP 0.1μF	25V				



REF. NO.	PART NO.	DESCRIPTION	REMARK	REF. NO.	PART NO.	DESCRIPTION	REMARK	
<TRANSISTOR>								
Q2401	8-729-216-22	TRANSISTOR 2SB709A-QRS-TX		R2433	1-208-790-11	METAL CHIP	2.2K 0.5% 1/10W	
Q2402	8-729-422-27	TRANSISTOR 2SD601A-QRS-TX		R2434	1-216-085-00	RES-CHIP	33K 5% 1/10W	
Q2403	8-729-422-27	TRANSISTOR 2SD601A-QRS-TX		R2435	1-208-776-11	METAL CHIP	560 0.5% 1/10W	
Q2404	8-729-422-27	TRANSISTOR 2SD601A-QRS-TX		R2436	1-216-025-91	RES-CHIP	100 5% 1/10W	
Q2405	8-729-422-27	TRANSISTOR 2SD601A-QRS-TX		R2438	1-216-057-00	RES-CHIP	2.2K 5% 1/10W	
Q2406	8-729-216-22	TRANSISTOR 2SB709A-QRS-TX		R2439	1-208-784-11	METAL CHIP	1.2K 0.5% 1/10W	
Q2407	8-729-216-22	TRANSISTOR 2SB709A-QRS-TX		R2440	1-216-047-91	RES-CHIP	820 5% 1/10W	
Q2408	8-729-422-27	TRANSISTOR 2SD601A-QRS-TX		R2441	1-216-075-00	RES-CHIP	12K 5% 1/10W	
Q2409	8-729-216-22	TRANSISTOR 2SB709A-QRS-TX		R2442	1-216-049-91	RES-CHIP	1K 5% 1/10W	
Q2410	8-729-216-22	TRANSISTOR 2SB709A-QRS-TX		R2444	1-216-655-11	METAL CHIP	1.5K 0.5% 1/10W	
Q2411	8-729-422-27	TRANSISTOR 2SD601A-QRS-TX		R2445	1-216-025-91	RES-CHIP	100 5% 1/10W	
Q2412	8-729-422-27	TRANSISTOR 2SD601A-QRS-TX		R2446	1-216-025-91	RES-CHIP	100 5% 1/10W	
Q2413	8-729-422-27	TRANSISTOR 2SD601A-QRS-TX		R2447	1-216-049-91	RES-CHIP	1K 5% 1/10W	
Q2414	8-729-216-22	TRANSISTOR 2SB709A-QRS-TX		R2448	1-208-800-11	METAL CHIP	5.6K 0.5% 1/10W	
Q2415	8-729-422-27	TRANSISTOR 2SD601A-QRS-TX		R2449	1-208-784-11	METAL CHIP	1.2K 0.5% 1/10W	
Q2416	8-729-422-27	TRANSISTOR 2SD601A-QRS-TX		R2450	1-216-085-00	RES-CHIP	33K 5% 1/10W	
Q2417	8-729-422-27	TRANSISTOR 2SD601A-QRS-TX		R2451	1-216-065-91	RES-CHIP	4.7K 5% 1/10W	
Q2418	1-801-806-11	TRANSISTOR DTC144EKA-T146		R2452	1-216-025-91	RES-CHIP	100 5% 1/10W	
Q2419	8-729-216-22	TRANSISTOR 2SB709A-QRS-TX		R2453	1-216-025-91	RES-CHIP	100 5% 1/10W	
Q2421	8-729-216-22	TRANSISTOR 2SB709A-QRS-TX		R2454	1-208-776-11	METAL CHIP	560 0.5% 1/10W	
Q2422	8-729-422-27	TRANSISTOR 2SD601A-QRS-TX		R2455	1-216-295-91	SHORT	0	
<RESISTOR>								
R2401	1-216-295-91	SHORT	0	R2456	1-216-017-91	RES-CHIP	47 5% 1/10W	
R2402	1-216-295-91	SHORT	0	R2457	1-216-049-91	RES-CHIP	1K 5% 1/10W	
R2403	1-216-295-91	SHORT	0	R2458	1-216-057-00	RES-CHIP	2.2K 5% 1/10W	
R2404	1-216-021-00	RES-CHIP	68 5%	1/10W	R2459	1-208-778-11	METAL CHIP	680 0.5% 1/10W
R2405	1-216-049-91	RES-CHIP	1K 5%	1/10W	R2460	1-216-047-91	RES-CHIP	820 5% 1/10W
R2406	1-216-071-00	RES-CHIP	8.2K 5%	1/10W	R2461	1-216-075-00	RES-CHIP	12K 5% 1/10W
R2407	1-208-782-11	METAL CHIP	1K 0.5%	1/10W	R2462	1-216-049-91	RES-CHIP	1K 5% 1/10W
R2408	1-216-655-11	METAL CHIP	1.5K 0.5%	1/10W	R2464	1-216-025-91	RES-CHIP	100 5% 1/10W
R2409	1-216-065-91	RES-CHIP	4.7K 5%	1/10W	R2465	1-216-025-91	RES-CHIP	100 5% 1/10W
R2410	1-216-295-91	SHORT	0	R2466	1-216-025-91	RES-CHIP	100 5% 1/10W	
R2411	1-216-033-00	RES-CHIP	220 5%	1/10W	R2467	1-216-025-91	RES-CHIP	100 5% 1/10W
R2413	1-216-025-91	RES-CHIP	100 5%	1/10W	R2468	1-216-025-91	RES-CHIP	100 5% 1/10W
R2414	1-216-025-91	RES-CHIP	100 5%	1/10W	R2469	1-216-025-91	RES-CHIP	100 5% 1/10W
R2415	1-216-057-00	RES-CHIP	2.2K 5%	1/10W	R2470	1-216-025-91	RES-CHIP	100 5% 1/10W
R2416	1-216-105-91	RES-CHIP	220K 5%	1/10W	R2471	1-216-025-91	RES-CHIP	100 5% 1/10W
R2417	1-216-057-00	RES-CHIP	2.2K 5%	1/10W	R2472	1-216-025-91	RES-CHIP	100 5% 1/10W
R2418	1-208-800-11	METAL CHIP	5.6K 0.5%	1/10W	R2476	1-208-774-11	METAL CHIP	470 0.5% 1/10W
R2419	1-208-776-11	METAL CHIP	560 0.5%	1/10W	R2477	1-216-025-91	RES-CHIP	100 5% 1/10W
R2420	1-216-049-91	RES-CHIP	1K 5%	1/10W	R2478	1-208-758-11	METAL CHIP	100 0.5% 1/10W
R2421	1-216-041-00	RES-CHIP	470 5%	1/10W	R2479	1-208-774-11	METAL CHIP	470 0.5% 1/10W
R2422	1-216-025-91	RES-CHIP	100 5%	1/10W	R2480	1-216-295-91	SHORT	0
R2423	1-216-033-00	RES-CHIP	220 5%	1/10W	R2481	1-216-295-91	SHORT	0
R2424	1-216-049-91	RES-CHIP	1K 5%	1/10W	R2482	1-216-295-91	SHORT	0
R2425	1-208-774-11	METAL CHIP	470 0.5%	1/10W	R2483	1-216-295-91	SHORT	0
R2426	1-208-774-11	METAL CHIP	470 0.5%	1/10W	R2484	1-216-295-91	SHORT	0
R2427	1-216-025-91	RES-CHIP	100 5%	1/10W	R2485	1-216-295-91	SHORT	0
R2428	1-208-800-11	METAL CHIP	5.6K 0.5%	1/10W	R2486	1-216-295-91	SHORT	0
R2429	1-208-776-11	METAL CHIP	560 0.5%	1/10W	R2487	1-216-295-91	SHORT	0
R2430	1-216-049-91	RES-CHIP	1K 5%	1/10W	R2489	1-208-822-11	METAL CHIP	47K 0.5% 1/10W
R2431	1-216-049-91	RES-CHIP	1K 5%	1/10W	R2490	1-208-810-11	METAL CHIP	15K 0.5% 1/10W
R2432	1-208-800-11	METAL CHIP	5.6K 0.5%	1/10W	*****			



REF. NO.	PART NO.	DESCRIPTION	REMARK	REF. NO.	PART NO.	DESCRIPTION	REMARK
* A-1131-462-A BR BOARD, COMPLETE *****				C402	1-163-038-91	CERAMIC CHIP 0.1μF	25V
				C403	1-163-038-91	CERAMIC CHIP 0.1μF	25V
				C405	1-163-038-91	CERAMIC CHIP 0.1μF	25V
				C406	1-163-038-91	CERAMIC CHIP 0.1μF	25V
<CAPACITOR>				C407	1-163-038-91	CERAMIC CHIP 0.1μF	25V
C301	1-163-038-91	CERAMIC CHIP 0.1μF	25V	C409	1-163-038-91	CERAMIC CHIP 0.1μF	25V
C302	1-124-779-00	ELECT CHIP 10μF	20% 16V	C410	1-163-038-91	CERAMIC CHIP 0.1μF	25V
C303	1-126-204-11	ELECT CHIP 47μF	20% 16V	C411	1-126-204-11	ELECT CHIP 47μF	20% 16V
C304	1-124-779-00	ELECT CHIP 10μF	20% 16V	C412	1-164-690-91	CERAMIC CHIP 0.0022μF	5% 50V
C305	1-163-038-91	CERAMIC CHIP 0.1μF	25V	C414	1-163-259-91	CERAMIC CHIP 220pF	5% 50V
C306	1-163-038-91	CERAMIC CHIP 0.1μF	25V	C419	1-163-038-91	CERAMIC CHIP 0.1μF	25V
C307	1-124-779-00	ELECT CHIP 10μF	20% 16V	C420	1-163-038-91	CERAMIC CHIP 0.1μF	25V
C308	1-163-038-91	CERAMIC CHIP 0.1μF	25V	C421	1-163-038-91	CERAMIC CHIP 0.1μF	25V
C309	1-126-204-11	ELECT CHIP 47μF	20% 16V	C422	1-163-038-91	CERAMIC CHIP 0.1μF	25V
C310	1-163-037-11	CERAMIC CHIP 0.022μF	10% 50V	C423	1-163-038-91	CERAMIC CHIP 0.1μF	25V
C311	1-126-204-11	ELECT CHIP 47μF	20% 16V	C424	1-126-204-11	ELECT CHIP 47μF	20% 16V
C312	1-163-038-91	CERAMIC CHIP 0.1μF	25V	C425	1-163-038-91	CERAMIC CHIP 0.1μF	25V
C313	1-126-204-11	ELECT CHIP 47μF	20% 16V	C426	1-163-038-91	CERAMIC CHIP 0.1μF	25V
C314	1-163-038-91	CERAMIC CHIP 0.1μF	25V	C427	1-163-038-91	CERAMIC CHIP 0.1μF	25V
C315	1-117-681-11	ELECT CHIP 100μF	20% 16V	C428	1-163-038-91	CERAMIC CHIP 0.1μF	25V
C316	1-163-038-91	CERAMIC CHIP 0.1μF	25V	C429	1-163-038-91	CERAMIC CHIP 0.1μF	25V
C317	1-126-204-11	ELECT CHIP 47μF	20% 16V	C430	1-163-038-91	CERAMIC CHIP 0.1μF	25V
C320	1-163-021-91	CERAMIC CHIP 0.01μF	10% 50V	C431	1-126-204-11	ELECT CHIP 47μF	20% 16V
C321	1-163-038-91	CERAMIC CHIP 0.1μF	25V	C432	1-163-038-91	CERAMIC CHIP 0.1μF	25V
C322	1-126-603-11	ELECT CHIP 4.7μF	20% 35V	C433	1-163-038-91	CERAMIC CHIP 0.1μF	25V
C326	1-163-038-91	CERAMIC CHIP 0.1μF	25V	C434	1-163-038-91	CERAMIC CHIP 0.1μF	25V
C328	1-163-038-91	CERAMIC CHIP 0.1μF	25V	C435	1-163-038-91	CERAMIC CHIP 0.1μF	25V
C329	1-163-038-91	CERAMIC CHIP 0.1μF	25V	C436	1-163-038-91	CERAMIC CHIP 0.1μF	25V
C331	1-163-038-91	CERAMIC CHIP 0.1μF	25V	C437	1-163-038-91	CERAMIC CHIP 0.1μF	25V
C343	1-163-038-91	CERAMIC CHIP 0.1μF	25V	C438	1-163-038-91	CERAMIC CHIP 0.1μF	25V
C347	1-163-038-91	CERAMIC CHIP 0.1μF	25V	C439	1-163-038-91	CERAMIC CHIP 0.1μF	25V
C355	1-163-038-91	CERAMIC CHIP 0.1μF	25V	C440	1-163-038-91	CERAMIC CHIP 0.1μF	25V
C359	1-163-038-91	CERAMIC CHIP 0.1μF	25V	C441	1-163-038-91	CERAMIC CHIP 0.1μF	25V
C360	1-126-204-11	ELECT CHIP 47μF	20% 16V	C442	1-126-204-11	ELECT CHIP 47μF	20% 16V
C364	1-126-206-11	ELECT CHIP 100μF	20% 6.3V	C2301	1-126-204-11	ELECT CHIP 47μF	20% 16V
C368	1-163-038-91	CERAMIC CHIP 0.1μF	25V	C2303	1-163-038-91	CERAMIC CHIP 0.1μF	25V
C375	1-163-038-91	CERAMIC CHIP 0.1μF	25V	C2304	1-126-204-11	ELECT CHIP 47μF	20% 16V
C376	1-163-038-91	CERAMIC CHIP 0.1μF	25V	C2305	1-163-038-91	CERAMIC CHIP 0.1μF	25V
C377	1-163-038-91	CERAMIC CHIP 0.1μF	25V	C2306	1-163-038-91	CERAMIC CHIP 0.1μF	25V
C378	1-126-204-11	ELECT CHIP 47μF	20% 16V	C2307	1-126-204-11	ELECT CHIP 47μF	20% 16V
C379	1-163-038-91	CERAMIC CHIP 0.1μF	25V	C2308	1-163-038-91	CERAMIC CHIP 0.1μF	25V
C380	1-126-204-11	ELECT CHIP 47μF	20% 16V	C2309	1-163-038-91	CERAMIC CHIP 0.1μF	25V
C384	1-163-038-91	CERAMIC CHIP 0.1μF	25V	C2310	1-163-038-91	CERAMIC CHIP 0.1μF	25V
C385	1-126-204-11	ELECT CHIP 47μF	20% 16V	C2311	1-163-038-91	CERAMIC CHIP 0.1μF	25V
C386	1-124-779-00	ELECT CHIP 10μF	20% 16V	C2312	1-163-038-91	CERAMIC CHIP 0.1μF	25V
C388	1-163-038-91	CERAMIC CHIP 0.1μF	25V	C2313	1-163-038-91	CERAMIC CHIP 0.1μF	25V
C389	1-163-038-91	CERAMIC CHIP 0.1μF	25V	C2314	1-109-982-11	CERAMIC CHIP 1μF	10% 10V
C393	1-163-038-91	CERAMIC CHIP 0.1μF	25V	C2315	1-109-982-11	CERAMIC CHIP 1μF	10% 10V
C394	1-163-038-91	CERAMIC CHIP 0.1μF	25V	<CONNECTOR>			
C395	1-126-206-11	ELECT CHIP 100μF	20% 6.3V	CN301	1-573-301-21	CONNECTOR, BOARD TO BOARD 20P	
C396	1-163-038-91	CERAMIC CHIP 0.1μF	25V	CN302	1-573-979-21	CONNECTOR, BOARD TO BOARD 11P	
C397	1-124-779-00	ELECT CHIP 10μF	20% 16V	<DIODE>			
C398	1-163-038-91	CERAMIC CHIP 0.1μF	25V	D301	8-719-422-12	DIODE UDZ-TE-17-3.9B	
C399	1-163-038-91	CERAMIC CHIP 0.1μF	25V				
C400	1-126-204-11	ELECT CHIP 47μF	20% 16V				
C401	1-163-038-91	CERAMIC CHIP 0.1μF	25V				



REF. NO.	PART NO.	DESCRIPTION	REMARK	REF. NO.	PART NO.	DESCRIPTION	REMARK
D2301	8-719-041-97	DIODE MA113-(TX)		Q322	8-729-216-22	TRANSISTOR 2SB709A-QRS-TX	
		<FILTER>		Q323	8-729-216-22	TRANSISTOR 2SB709A-QRS-TX	
FL301	1-233-877-11	FILTER, LOW PASS		Q325	8-729-216-22	TRANSISTOR 2SB709A-QRS-TX	
FL302	1-233-504-21	FILTER, LOW PASS		Q326	8-729-216-22	TRANSISTOR 2SB709A-QRS-TX	
FL303	1-233-504-21	FILTER, LOW PASS		Q2301	8-729-422-27	TRANSISTOR 2SD601A-QRS-TX	
FL304	1-234-112-21	FILTER, LOW PASS		Q2302	8-729-216-22	TRANSISTOR 2SB709A-QRS-TX	
FL305	1-234-112-21	FILTER, LOW PASS		Q2303	8-729-422-27	TRANSISTOR 2SD601A-QRS-TX	
FL306	1-234-113-21	FILTER, LOW PASS		Q2304	8-729-422-27	TRANSISTOR 2SD601A-QRS-TX	
FL307	1-233-736-21	FILTER, EMI		Q2305	8-729-216-22	TRANSISTOR 2SB709A-QRS-TX	
FL308	1-233-736-21	FILTER, EMI		Q2306	8-729-422-27	TRANSISTOR 2SD601A-QRS-TX	
FL309	1-233-736-21	FILTER, EMI		Q2307	8-729-422-27	TRANSISTOR 2SD601A-QRS-TX	
		<IC>		Q2308	8-729-422-27	TRANSISTOR 2SD601A-QRS-TX	
IC301	8-759-430-32	IC TLC2933IPWR		Q2309	8-729-422-27	TRANSISTOR 2SD601A-QRS-TX	
IC302	8-759-388-31	IC PQ20VZIU		Q2310	8-729-422-27	TRANSISTOR 2SD601A-QRS-TX	
IC303	8-759-295-09	IC TLC2932IPW-E20		Q2311	8-729-422-27	TRANSISTOR 2SD601A-QRS-TX	
IC304	8-759-567-37	IC MB81F161622B-80FN		Q2312	8-729-422-27	TRANSISTOR 2SD601A-QRS-TX	
IC305	8-752-398-47	IC CXD2090Q		Q2313	8-729-422-27	TRANSISTOR 2SD601A-QRS-TX	
		<RESISTOR>					
IC306	8-759-447-90	IC TLC5733AIPM		R302	1-216-089-91	RES-CHIP 47K 5% 1/10W	
IC466	8-759-239-55	IC TC74HC123AF(EL)		R303	1-216-037-00	RES-CHIP 330 5% 1/10W	
IC2301	8-759-572-04	IC TDA9178T/N1.118		R304	1-216-037-00	RES-CHIP 330 5% 1/10W	
		<COIL>		R305	1-208-795-11	METAL CHIP 3.6K 0.5% 1/10W	
L302	1-414-234-22	INDUCTOR CHIP 0μH		R306	1-216-097-91	RES-CHIP 100K 5% 1/10W	
L303	1-414-234-22	INDUCTOR CHIP 0μH		R307	1-216-113-00	RES-CHIP 470K 5% 1/10W	
L305	1-414-234-22	INDUCTOR CHIP 0μH		R308	1-216-295-91	SHORT 0	
L306	1-414-234-22	INDUCTOR CHIP 0μH		R309	1-216-295-91	SHORT 0	
L312	1-469-555-21	INDUCTOR 10μH		R311	1-216-117-00	RES-CHIP 680K 5% 1/10W	
L313	1-469-555-21	INDUCTOR 10μH		R312	1-216-081-00	RES-CHIP 22K 5% 1/10W	
L315	1-469-555-21	INDUCTOR 10μH		R313	1-216-033-00	RES-CHIP 220 5% 1/10W	
L316	1-469-555-21	INDUCTOR 10μH		R314	1-216-049-91	RES-CHIP 1K 5% 1/10W	
L317	1-469-555-21	INDUCTOR 10μH		R315	1-208-799-11	METAL CHIP 5.1K 0.5% 1/10W	
L319	1-216-295-91	SHORT 0		R317	1-216-061-00	RES-CHIP 3.3K 5% 1/10W	
L320	1-469-555-21	INDUCTOR 10μH		R318	1-216-295-91	SHORT 0	
L321	1-469-555-21	INDUCTOR 10μH		R320	1-216-295-91	SHORT 0	
L322	1-469-555-21	INDUCTOR 10μH		R321	1-216-295-91	SHORT 0	
L323	1-469-555-21	INDUCTOR 10μH		R322	1-216-055-00	RES-CHIP 1.8K 5% 1/10W	
L324	1-469-555-21	INDUCTOR 10μH		R323	1-216-295-91	SHORT 0	
L2301	1-469-555-21	INDUCTOR 10μH		R324	1-216-295-91	SHORT 0	
L2302	1-469-555-21	INDUCTOR 10μH		R325	1-216-047-91	RES-CHIP 820 5% 1/10W	
L2303	1-469-555-21	INDUCTOR 10μH		R326	1-216-049-91	RES-CHIP 1K 5% 1/10W	
		<TRANSISTOR>		R327	1-216-117-00	RES-CHIP 680K 5% 1/10W	
Q301	8-729-422-27	TRANSISTOR 2SD601A-QRS-TX		R328	1-216-117-00	RES-CHIP 680K 5% 1/10W	
Q302	8-729-422-27	TRANSISTOR 2SD601A-QRS-TX		R333	1-208-782-11	METAL CHIP 1K 0.5% 1/10W	
Q303	8-729-216-22	TRANSISTOR 2SB709A-QRS-TX		R334	1-216-033-00	RES-CHIP 220 5% 1/10W	
Q306	8-729-422-27	TRANSISTOR 2SD601A-QRS-TX		R335	1-208-782-11	METAL CHIP 1K 0.5% 1/10W	
Q308	8-729-216-22	TRANSISTOR 2SB709A-QRS-TX		R337	1-216-295-91	SHORT 0	
Q312	8-729-216-22	TRANSISTOR 2SB709A-QRS-TX		R338	1-216-025-91	RES-CHIP 100 5% 1/10W	
Q317	8-729-216-22	TRANSISTOR 2SB709A-QRS-TX		R340	1-216-037-00	RES-CHIP 330 5% 1/10W	
Q318	8-729-216-22	TRANSISTOR 2SB709A-QRS-TX		R341	1-216-295-91	SHORT 0	
Q319	8-729-216-22	TRANSISTOR 2SB709A-QRS-TX		R344	1-216-295-91	SHORT 0	
				R345	1-216-295-91	SHORT 0	
				R346	1-216-295-91	SHORT 0	
				R347	1-216-025-91	RES-CHIP 100 5% 1/10W	
				R349	1-216-295-91	SHORT 0	



REF. NO.	PART NO.	DESCRIPTION	REMARK	REF. NO.	PART NO.	DESCRIPTION	REMARK
R355	1-216-295-91	SHORT	0	R438	1-208-768-11	METAL CHIP	270 0.5% 1/10W
R358	1-216-055-00	RES-CHIP	1.8K 5%	R439	1-216-049-91	RES-CHIP	1K 5% 1/10W
R359	1-216-061-00	RES-CHIP	3.3K 5%	R440	1-208-752-11	METAL CHIP	56 0.5% 1/10W
R360	1-208-798-11	METAL CHIP	4.7K 0.5%	R441	1-208-752-11	METAL CHIP	56 0.5% 1/10W
R361	1-216-055-00	RES-CHIP	1.8K 5%	R442	1-208-755-11	METAL CHIP	75 0.5% 1/10W
R362	1-216-061-00	RES-CHIP	3.3K 5%	R443	1-208-766-11	METAL CHIP	220 0.5% 1/10W
R363	1-216-025-91	RES-CHIP	100 5%	R444	1-216-295-91	SHORT	0
R364	1-216-041-00	RES-CHIP	470 5%	R445	1-208-765-11	METAL CHIP	200 0.5% 1/10W
R365	1-216-295-91	SHORT	0	R447	1-216-295-91	SHORT	0
R366	1-216-025-91	RES-CHIP	100 5%	R448	1-216-295-91	SHORT	0
R367	1-216-041-00	RES-CHIP	470 5%	R449	1-216-295-91	SHORT	0
R368	1-208-800-11	METAL CHIP	5.6K 0.5%	R450	1-216-049-91	RES-CHIP	1K 5% 1/10W
R370	1-216-025-91	RES-CHIP	100 5%	R451	1-414-234-22	INDUCTOR CHIP	0μH
R371	1-216-025-91	RES-CHIP	100 5%	R452	1-216-049-91	RES-CHIP	1K 5% 1/10W
R372	1-208-776-11	METAL CHIP	560 0.5%	R453	1-216-295-91	SHORT	0
R375	1-208-752-11	METAL CHIP	56 0.5%	R454	1-216-295-91	SHORT	0
R376	1-208-752-11	METAL CHIP	56 0.5%	R455	1-216-295-91	SHORT	0
R377	1-216-295-91	SHORT	0	R456	1-216-295-91	SHORT	0
R378	1-216-041-00	RES-CHIP	470 5%	R457	1-216-295-91	SHORT	0
R380	1-208-776-11	METAL CHIP	560 0.5%	R458	1-216-295-91	SHORT	0
R381	1-208-800-11	METAL CHIP	5.6K 0.5%	R459	1-216-655-11	METAL CHIP	1.5K 0.5% 1/10W
R382	1-208-754-11	METAL CHIP	68 0.5%	R460	1-216-025-91	RES-CHIP	100 5% 1/10W
R383	1-216-295-91	SHORT	0	R461	1-216-049-91	RES-CHIP	1K 5% 1/10W
R384	1-208-754-11	METAL CHIP	68 0.5%	R462	1-208-790-11	METAL CHIP	2.2K 0.5% 1/10W
R386	1-216-295-91	SHORT	0	R463	1-216-025-91	RES-CHIP	100 5% 1/10W
R390	1-216-295-91	SHORT	0	R464	1-216-049-91	RES-CHIP	1K 5% 1/10W
R392	1-216-295-91	SHORT	0	R465	1-208-790-11	METAL CHIP	2.2K 0.5% 1/10W
R393	1-208-752-11	METAL CHIP	56 0.5%	R466	1-216-025-91	RES-CHIP	100 5% 1/10W
R394	1-216-295-91	SHORT	0	R467	1-216-045-00	RES-CHIP	680 5% 1/10W
R397	1-216-041-00	RES-CHIP	470 5%	R468	1-208-790-11	METAL CHIP	2.2K 0.5% 1/10W
R400	1-208-776-11	METAL CHIP	560 0.5%	R469	1-216-025-91	RES-CHIP	100 5% 1/10W
R401	1-208-800-11	METAL CHIP	5.6K 0.5%	R474	1-216-295-91	SHORT	0
R402	1-208-752-11	METAL CHIP	56 0.5%	R475	1-216-295-91	SHORT	0
R403	1-216-295-91	SHORT	0	R477	1-216-295-91	SHORT	0
R404	1-216-077-91	RES-CHIP	15K 5%	R478	1-216-295-91	SHORT	0
R405	1-208-794-11	METAL CHIP	3.3K 0.5%	R480	1-216-073-00	RES-CHIP	10K 5% 1/10W
R406	1-216-049-91	RES-CHIP	1K 5%	R481	1-216-073-00	RES-CHIP	10K 5% 1/10W
R407	1-216-295-91	SHORT	0	R482	1-216-073-00	RES-CHIP	10K 5% 1/10W
R408	1-208-766-11	METAL CHIP	220 0.5%	R483	1-216-073-00	RES-CHIP	10K 5% 1/10W
R413	1-216-025-91	RES-CHIP	100 5%	R484	1-216-073-00	RES-CHIP	10K 5% 1/10W
R414	1-208-765-11	METAL CHIP	200 0.5%	R485	1-216-073-00	RES-CHIP	10K 5% 1/10W
R416	1-216-077-91	RES-CHIP	15K 5%	R486	1-216-073-00	RES-CHIP	10K 5% 1/10W
R417	1-216-077-91	RES-CHIP	15K 5%	R487	1-216-073-00	RES-CHIP	10K 5% 1/10W
R418	1-208-752-11	METAL CHIP	56 0.5%	R488	1-216-073-00	RES-CHIP	10K 5% 1/10W
R421	1-208-777-11	METAL CHIP	620 0.5%	R489	1-216-073-00	RES-CHIP	10K 5% 1/10W
R422	1-216-049-91	RES-CHIP	1K 5%	R490	1-216-073-00	RES-CHIP	10K 5% 1/10W
R423	1-216-025-91	RES-CHIP	100 5%	R491	1-216-073-00	RES-CHIP	10K 5% 1/10W
R424	1-208-766-11	METAL CHIP	220 0.5%	R492	1-216-073-00	RES-CHIP	10K 5% 1/10W
R425	1-216-295-91	SHORT	0	R493	1-216-073-00	RES-CHIP	10K 5% 1/10W
R426	1-216-295-91	SHORT	0	R494	1-216-073-00	RES-CHIP	10K 5% 1/10W
R428	1-216-295-91	SHORT	0	R495	1-216-073-00	RES-CHIP	10K 5% 1/10W
R429	1-208-765-11	METAL CHIP	200 0.5%	R496	1-216-073-00	RES-CHIP	10K 5% 1/10W
R430	1-208-752-11	METAL CHIP	56 0.5%	R497	1-216-073-00	RES-CHIP	10K 5% 1/10W
R431	1-216-295-91	SHORT	0	R498	1-216-073-00	RES-CHIP	10K 5% 1/10W
R433	1-208-755-11	METAL CHIP	75 0.5%	R499	1-216-295-91	SHORT	0
R434	1-216-295-91	SHORT	0	R2301	1-216-065-91	RES-CHIP	4.7K 5% 1/10W
R437	1-216-295-91	SHORT	0	R2302	1-216-025-91	RES-CHIP	100 5% 1/10W



REF. NO.	PART NO.	DESCRIPTION	REMARK	REF. NO.	PART NO.	DESCRIPTION	REMARK
R2303	1-208-766-11	METAL CHIP	220 0.5% 1/10W	C013	1-163-038-91	CERAMIC CHIP 0.1μF	25V
R2304	1-216-057-00	RES-CHIP	2.2K 5% 1/10W	C014	1-163-038-91	CERAMIC CHIP 0.1μF	25V
R2305	1-208-766-11	METAL CHIP	220 0.5% 1/10W	C015	1-126-204-11	ELECT CHIP 47μF	20% 16V
R2306	1-216-025-91	RES-CHIP	100 5% 1/10W	C016	1-163-038-91	CERAMIC CHIP 0.1μF	25V
R2307	1-208-778-11	METAL CHIP	680 0.5% 1/10W	C017	1-163-038-91	CERAMIC CHIP 0.1μF	25V
R2308	1-208-772-11	METAL CHIP	390 0.5% 1/10W	C018	1-126-204-11	ELECT CHIP 47μF	20% 16V
R2309	1-216-025-91	RES-CHIP	100 5% 1/10W	C019	1-163-038-91	CERAMIC CHIP 0.1μF	25V
R2310	1-208-780-11	METAL CHIP	820 0.5% 1/10W	C021	1-163-038-91	CERAMIC CHIP 0.1μF	25V
R2311	1-216-057-00	RES-CHIP	2.2K 5% 1/10W	C022	1-163-038-91	CERAMIC CHIP 0.1μF	25V
R2312	1-208-780-11	METAL CHIP	820 0.5% 1/10W	C023	1-163-038-91	CERAMIC CHIP 0.1μF	25V
R2314	1-208-788-11	METAL CHIP	1.8K 0.5% 1/10W	C024	1-126-204-11	ELECT CHIP 47μF	20% 16V
R2315	1-216-025-91	RES-CHIP	100 5% 1/10W	C025	1-163-038-91	CERAMIC CHIP 0.1μF	25V
R2316	1-216-057-00	RES-CHIP	2.2K 5% 1/10W	C026	1-163-038-91	CERAMIC CHIP 0.1μF	25V
R2317	1-216-057-00	RES-CHIP	2.2K 5% 1/10W	C028	1-163-038-91	CERAMIC CHIP 0.1μF	25V
R2318	1-216-025-91	RES-CHIP	100 5% 1/10W	C030	1-124-779-00	ELECT CHIP 10μF	20% 16V
R2319	1-208-782-11	METAL CHIP	1K 0.5% 1/10W	C031	1-164-346-11	CERAMIC CHIP 1μF	16V
R2320	1-216-025-91	RES-CHIP	100 5% 1/10W	C032	1-164-346-11	CERAMIC CHIP 1μF	16V
R2321	1-208-782-11	METAL CHIP	1K 0.5% 1/10W	C034	1-163-038-91	CERAMIC CHIP 0.1μF	25V
R2322	1-208-782-11	METAL CHIP	1K 0.5% 1/10W	C035	1-163-038-91	CERAMIC CHIP 0.1μF	25V
R2323	1-216-655-11	METAL CHIP	1.5K 0.5% 1/10W	C036	1-126-204-11	ELECT CHIP 47μF	20% 16V
R2325	1-216-025-91	RES-CHIP	100 5% 1/10W	C037	1-126-204-11	ELECT CHIP 47μF	20% 16V
R2326	1-216-025-91	RES-CHIP	100 5% 1/10W	C038	1-163-038-91	CERAMIC CHIP 0.1μF	25V
R2327	1-216-057-00	RES-CHIP	2.2K 5% 1/10W	C039	1-163-038-91	CERAMIC CHIP 0.1μF	25V
R2328	1-216-057-00	RES-CHIP	2.2K 5% 1/10W	C040	1-126-204-11	ELECT CHIP 47μF	20% 16V
R2329	1-208-782-11	METAL CHIP	1K 0.5% 1/10W	C042	1-104-760-11	CERAMIC CHIP 0.047μF	10% 50V
R2330	1-216-025-91	RES-CHIP	100 5% 1/10W	C043	1-163-235-11	CERAMIC CHIP 22pF	5% 50V
R2331	1-208-782-11	METAL CHIP	1K 0.5% 1/10W	C044	1-163-235-11	CERAMIC CHIP 22pF	5% 50V
R2332	1-216-057-00	RES-CHIP	2.2K 5% 1/10W	C045	1-163-038-91	CERAMIC CHIP 0.1μF	25V
R2333	1-208-810-11	METAL CHIP	15K 0.5% 1/10W	C046	1-107-823-11	CERAMIC CHIP 0.47μF	10% 16V
R2334	1-208-804-11	METAL CHIP	8.2K 0.5% 1/10W	C047	1-163-038-91	CERAMIC CHIP 0.1μF	25V
R2335	1-208-804-11	METAL CHIP	8.2K 0.5% 1/10W	C050	1-126-206-11	ELECT CHIP 100μF	20% 6.3V
R2336	1-216-089-91	RES-CHIP	47K 5% 1/10W	C052	1-163-038-91	CERAMIC CHIP 0.1μF	25V
R2337	1-216-089-91	RES-CHIP	47K 5% 1/10W	C053	1-126-204-11	ELECT CHIP 47μF	20% 16V
R2338	1-208-808-11	METAL CHIP	12K 0.5% 1/10W	C054	1-163-038-91	CERAMIC CHIP 0.1μF	25V
R2339	1-216-089-91	RES-CHIP	47K 5% 1/10W	C055	1-163-038-91	CERAMIC CHIP 0.1μF	25V
R2340	1-216-089-91	RES-CHIP	47K 5% 1/10W	C056	1-126-204-11	ELECT CHIP 47μF	20% 16V
				C058	1-164-005-11	CERAMIC CHIP 0.47μF	16V
				C059	1-126-204-11	ELECT CHIP 47μF	20% 16V
				C060	1-163-233-11	CERAMIC CHIP 18pF	5% 50V
				C062	1-163-231-11	CERAMIC CHIP 15pF	5% 50V
				C063	1-163-038-91	CERAMIC CHIP 0.1μF	25V
				C064	1-126-204-11	ELECT CHIP 47μF	20% 16V
				C066	1-163-017-00	CERAMIC CHIP 0.0047μF	10% 50V
				C067	1-164-005-11	CERAMIC CHIP 0.47μF	16V
				C068	1-163-038-91	CERAMIC CHIP 0.1μF	25V
				C069	1-163-038-91	CERAMIC CHIP 0.1μF	25V
				C070	1-126-204-11	ELECT CHIP 47μF	20% 16V
				C071	1-163-038-91	CERAMIC CHIP 0.1μF	25V
				C072	1-163-038-91	CERAMIC CHIP 0.1μF	25V
				C073	1-163-038-91	CERAMIC CHIP 0.1μF	25V
				C074	1-126-204-11	ELECT CHIP 47μF	20% 16V
				C075	1-164-161-11	CERAMIC CHIP 0.0022μF	10% 50V
				C076	1-163-038-91	CERAMIC CHIP 0.1μF	25V
				C077	1-126-204-11	ELECT CHIP 47μF	20% 16V
				C078	1-107-823-11	CERAMIC CHIP 0.47μF	10% 16V
				C081	1-164-161-11	CERAMIC CHIP 0.0022μF	10% 50V
C001	1-163-038-91	CERAMIC CHIP	0.1μF 25V				
C002	1-107-823-11	CERAMIC CHIP	0.47μF 10% 16V				
C003	1-104-760-11	CERAMIC CHIP	0.047μF 10% 50V				
C004	1-163-038-91	CERAMIC CHIP	0.1μF 25V				
C005	1-163-038-91	CERAMIC CHIP	0.1μF 25V				
C006	1-126-204-11	ELECT CHIP	47μF 20% 16V				
C009	1-126-204-11	ELECT CHIP	47μF 20% 16V				
C010	1-163-038-91	CERAMIC CHIP	0.1μF 25V				
C011	1-163-038-91	CERAMIC CHIP	0.1μF 25V				
C012	1-163-038-91	CERAMIC CHIP	0.1μF 25V				

* A-1131-470-A BM BOARD, COMPLETE

<CAPACITOR>



REF. NO.	PART NO.	DESCRIPTION	REMARK	REF. NO.	PART NO.	DESCRIPTION	REMARK
C082	1-163-038-91	CERAMIC CHIP 0.1μF	25V	C143	1-163-038-91	CERAMIC CHIP 0.1μF	25V
C083	1-163-038-91	CERAMIC CHIP 0.1μF	25V	C144	1-126-204-11	ELECT CHIP 47μF	20% 16V
C084	1-163-038-91	CERAMIC CHIP 0.1μF	25V	C145	1-163-038-91	CERAMIC CHIP 0.1μF	25V
C085	1-163-038-91	CERAMIC CHIP 0.1μF	25V	C146	1-163-038-91	CERAMIC CHIP 0.1μF	25V
C086	1-126-204-11	ELECT CHIP 47μF	20% 16V	C147	1-163-038-91	CERAMIC CHIP 0.1μF	25V
C087	1-163-251-11	CERAMIC CHIP 100pF	5% 50V	C148	1-163-038-91	CERAMIC CHIP 0.1μF	25V
C089	1-163-237-11	CERAMIC CHIP 27pF	5% 50V	C149	1-126-204-11	ELECT CHIP 47μF	20% 16V
C090	1-163-231-11	CERAMIC CHIP 15pF	5% 50V	C150	1-126-204-11	ELECT CHIP 47μF	20% 16V
C091	1-163-038-91	CERAMIC CHIP 0.1μF	25V	C151	1-163-038-91	CERAMIC CHIP 0.1μF	25V
C092	1-126-204-11	ELECT CHIP 47μF	20% 16V	C152	1-163-038-91	CERAMIC CHIP 0.1μF	25V
C093	1-163-038-91	CERAMIC CHIP 0.1μF	25V	C153	1-124-779-00	ELECT CHIP 10μF	20% 16V
C094	1-163-038-91	CERAMIC CHIP 0.1μF	25V	C154	1-163-038-91	CERAMIC CHIP 0.1μF	25V
C095	1-163-038-91	CERAMIC CHIP 0.1μF	25V	C155	1-163-038-91	CERAMIC CHIP 0.1μF	25V
C096	1-163-038-91	CERAMIC CHIP 0.1μF	25V	C156	1-124-779-00	ELECT CHIP 10μF	20% 16V
C097	1-163-038-91	CERAMIC CHIP 0.1μF	25V	C157	1-163-038-91	CERAMIC CHIP 0.1μF	25V
C098	1-126-204-11	ELECT CHIP 47μF	20% 16V	C158	1-126-204-11	ELECT CHIP 47μF	20% 16V
C100	1-163-038-91	CERAMIC CHIP 0.1μF	25V	C159	1-163-038-91	CERAMIC CHIP 0.1μF	25V
C101	1-163-038-91	CERAMIC CHIP 0.1μF	25V	C160	1-126-204-11	ELECT CHIP 47μF	20% 16V
C102	1-163-038-91	CERAMIC CHIP 0.1μF	25V	C161	1-163-038-91	CERAMIC CHIP 0.1μF	25V
C103	1-163-038-91	CERAMIC CHIP 0.1μF	25V	<CONNECTOR>			
C104	1-126-204-11	ELECT CHIP 47μF	20% 16V	CN001	1-573-301-21	CONNECTOR, BOARD TO BOARD 20P	
C105	1-163-038-91	CERAMIC CHIP 0.1μF	25V	CN002	1-573-301-21	CONNECTOR, BOARD TO BOARD 20P	
C106	1-126-204-11	ELECT CHIP 47μF	20% 16V	<DIODE>			
C107	1-163-038-91	CERAMIC CHIP 0.1μF	25V	D001	8-719-073-01	DIODE MA111-TX	
C108	1-163-038-91	CERAMIC CHIP 0.1μF	25V	D002	8-719-073-01	DIODE MA111-TX	
C109	1-163-038-91	CERAMIC CHIP 0.1μF	25V	D003	8-719-073-01	DIODE MA111-TX	
C110	1-124-779-00	ELECT CHIP 10μF	20% 16V	<FILTER>			
C111	1-124-779-00	ELECT CHIP 10μF	20% 16V	FL001	1-233-505-21	FILTER, LOW PASS	
C112	1-163-038-91	CERAMIC CHIP 0.1μF	25V	FL002	1-233-504-21	FILTER, LOW PASS	
C113	1-163-038-91	CERAMIC CHIP 0.1μF	25V	FL003	1-233-504-21	FILTER, LOW PASS	
C114	1-163-038-91	CERAMIC CHIP 0.1μF	25V	FL007	1-233-505-21	FILTER, LOW PASS	
C115	1-163-038-91	CERAMIC CHIP 0.1μF	25V	FL008	1-233-945-21	FILTER, LOW PASS	
C116	1-126-204-11	ELECT CHIP 47μF	20% 16V	FL009	1-233-944-21	FILTER, LOW PASS	
C117	1-163-038-91	CERAMIC CHIP 0.1μF	25V	FL010	1-233-504-21	FILTER, LOW PASS	
C118	1-163-038-91	CERAMIC CHIP 0.1μF	25V	FL011	1-233-944-21	FILTER, LOW PASS	
C119	1-107-823-11	CERAMIC CHIP 0.47μF	10% 16V	FL012	1-233-504-21	FILTER, LOW PASS	
C120	1-104-760-11	CERAMIC CHIP 0.047μF	10% 50V	<IC>			
C121	1-163-038-91	CERAMIC CHIP 0.1μF	25V	IC001	8-759-467-22	IC MSM548331TS-K	
C122	1-124-779-00	ELECT CHIP 10μF	20% 16V	IC002	8-759-295-09	IC TLC2932IPW-E20	
C123	1-163-038-91	CERAMIC CHIP 0.1μF	25V	IC003	8-752-388-98	IC CXD2303AQ-TL	
C124	1-126-204-11	ELECT CHIP 47μF	20% 16V	IC004	8-759-485-79	IC TC7SET08FU(TE85L)	
C125	1-163-038-91	CERAMIC CHIP 0.1μF	25V	IC005	8-759-527-74	IC M24C02-MN6T	
C126	1-163-038-91	CERAMIC CHIP 0.1μF	25V	IC006	8-759-352-91	IC PST9143NL	
C127	1-126-204-11	ELECT CHIP 47μF	20% 16V	IC007	8-759-485-79	IC TC7SET08FU(TE85L)	
C128	1-163-251-11	CERAMIC CHIP 100pF	5% 50V	IC008	8-759-295-09	IC TLC2932IPW-E20	
C129	1-126-204-11	ELECT CHIP 47μF	20% 16V	IC009	8-752-910-91	IC CXP85840A-034Q	
C130	1-124-779-00	ELECT CHIP 10μF	20% 16V	IC010	8-752-392-55	IC CXD2079Q	
C131	1-163-038-91	CERAMIC CHIP 0.1μF	25V	IC011	8-759-295-09	IC TLC2932IPW-E20	
C132	1-126-204-11	ELECT CHIP 47μF	20% 16V	IC012	8-759-485-79	IC TC7SET08FU(TE85L)	
C133	1-163-038-91	CERAMIC CHIP 0.1μF	25V				
C134	1-163-038-91	CERAMIC CHIP 0.1μF	25V				
C135	1-163-038-91	CERAMIC CHIP 0.1μF	25V				
C136	1-163-038-91	CERAMIC CHIP 0.1μF	25V				
C137	1-163-038-91	CERAMIC CHIP 0.1μF	25V				
C138	1-163-038-91	CERAMIC CHIP 0.1μF	25V				
C141	1-124-779-00	ELECT CHIP 10μF	20% 16V				
C142	1-163-038-91	CERAMIC CHIP 0.1μF	25V				



REF. NO.	PART NO.	DESCRIPTION	REMARK	REF. NO.	PART NO.	DESCRIPTION	REMARK
IC013	8-759-467-22	IC MSM548331TS-K				<RESISTOR>	
IC014	8-752-388-98	IC CXD2303AQ-TL					
		<COIL>					
L001	1-414-234-22	INDUCTOR CHIP 0μH		R001	1-216-117-00	RES-CHIP 680K 5% 1/10W	
L002	1-414-234-22	INDUCTOR CHIP 0μH		R002	1-216-051-00	RES-CHIP 1.2K 5% 1/10W	
L003	1-414-234-22	INDUCTOR CHIP 0μH		R003	1-216-295-91	SHORT 0	
L004	1-414-234-22	INDUCTOR CHIP 0μH		R007	1-216-041-00	RES-CHIP 470 5% 1/10W	
L005	1-414-234-22	INDUCTOR CHIP 0μH		R008	1-208-800-11	METAL CHIP 5.6K 0.5% 1/10W	
L006	1-414-234-22	INDUCTOR CHIP 0μH		R009	1-216-049-91	RES-CHIP 1K 5% 1/10W	
L007	1-414-754-11	INDUCTOR 10μH		R010	1-216-295-91	SHORT 0	
L008	1-414-754-11	INDUCTOR 10μH		R012	1-208-794-11	METAL CHIP 3.3K 0.5% 1/10W	
L009	1-414-754-11	INDUCTOR 10μH		R013	1-216-041-00	RES-CHIP 470 5% 1/10W	
L010	1-414-234-22	INDUCTOR CHIP 0μH		R014	1-208-776-11	METAL CHIP 560 0.5% 1/10W	
L011	1-414-754-11	INDUCTOR 10μH		R016	1-216-013-00	RES-CHIP 33 5% 1/10W	
L012	1-414-754-11	INDUCTOR 10μH		R018	1-216-295-91	SHORT 0	
L013	1-414-234-22	INDUCTOR CHIP 0μH		R019	1-216-057-00	RES-CHIP 2.2K 5% 1/10W	
L014	1-414-754-11	INDUCTOR 10μH		R020	1-216-049-91	RES-CHIP 1K 5% 1/10W	
L015	1-414-234-22	INDUCTOR CHIP 0μH		R021	1-216-049-91	RES-CHIP 1K 5% 1/10W	
L016	1-414-234-22	INDUCTOR CHIP 0μH		R022	1-216-049-91	RES-CHIP 1K 5% 1/10W	
L017	1-414-234-22	INDUCTOR CHIP 0μH		R023	1-208-754-11	METAL CHIP 68 0.5% 1/10W	
L018	1-414-234-22	INDUCTOR CHIP 0μH		R024	1-208-776-11	METAL CHIP 560 0.5% 1/10W	
L019	1-414-234-22	INDUCTOR CHIP 0μH		R025	1-208-754-11	METAL CHIP 68 0.5% 1/10W	
L020	1-414-234-22	INDUCTOR CHIP 0μH		R026	1-216-057-00	RES-CHIP 2.2K 5% 1/10W	
L021	1-414-234-22	INDUCTOR CHIP 0μH		R027	1-208-754-11	METAL CHIP 68 0.5% 1/10W	
L022	1-414-234-22	INDUCTOR CHIP 0μH		R028	1-208-770-11	METAL CHIP 330 0.5% 1/10W	
L023	1-414-234-22	INDUCTOR CHIP 0μH		R029	1-208-800-11	METAL CHIP 5.6K 0.5% 1/10W	
L024	1-414-234-22	INDUCTOR CHIP 0μH		R030	1-216-049-91	RES-CHIP 1K 5% 1/10W	
L025	1-414-234-22	INDUCTOR CHIP 0μH		R032	1-216-057-00	RES-CHIP 2.2K 5% 1/10W	
L026	1-414-234-22	INDUCTOR CHIP 0μH		R033	1-208-776-11	METAL CHIP 560 0.5% 1/10W	
L027	1-414-234-22	INDUCTOR CHIP 0μH		R035	1-216-013-00	RES-CHIP 33 5% 1/10W	
L028	1-414-234-22	INDUCTOR CHIP 0μH		R036	1-216-013-00	RES-CHIP 33 5% 1/10W	
		<TRANSISTOR>		R037	1-216-033-00	RES-CHIP 220 5% 1/10W	
Q001	8-729-422-27	TRANSISTOR 2SD601A-QRS-TX		R038	1-208-754-11	METAL CHIP 68 0.5% 1/10W	
Q002	8-729-216-22	TRANSISTOR 2SB709A-QRS-TX		R039	1-208-800-11	METAL CHIP 5.6K 0.5% 1/10W	
Q006	8-729-422-27	TRANSISTOR 2SD601A-QRS-TX		R040	1-208-754-11	METAL CHIP 68 0.5% 1/10W	
Q007	8-729-216-22	TRANSISTOR 2SB709A-QRS-TX		R042	1-216-049-91	RES-CHIP 1K 5% 1/10W	
Q009	8-729-422-27	TRANSISTOR 2SD601A-QRS-TX		R046	1-216-037-00	RES-CHIP 330 5% 1/10W	
Q010	8-729-216-22	TRANSISTOR 2SB709A-QRS-TX		R048	1-216-025-91	RES-CHIP 100 5% 1/10W	
Q018	8-729-216-22	TRANSISTOR 2SB709A-QRS-TX		R050	1-216-049-91	RES-CHIP 1K 5% 1/10W	
Q019	8-729-422-27	TRANSISTOR 2SD601A-QRS-TX		R052	1-208-754-11	METAL CHIP 68 0.5% 1/10W	
Q020	8-729-216-22	TRANSISTOR 2SB709A-QRS-TX		R059	1-216-295-91	SHORT 0	
Q021	8-729-216-22	TRANSISTOR 2SB709A-QRS-TX		R060	1-208-754-11	METAL CHIP 68 0.5% 1/10W	
Q022	8-729-216-22	TRANSISTOR 2SB709A-QRS-TX		R061	1-216-025-91	RES-CHIP 100 5% 1/10W	
Q023	8-729-422-27	TRANSISTOR 2SD601A-QRS-TX		R064	1-216-041-00	RES-CHIP 470 5% 1/10W	
Q025	8-729-216-22	TRANSISTOR 2SB709A-QRS-TX		R065	1-216-025-91	RES-CHIP 100 5% 1/10W	
Q026	8-729-216-22	TRANSISTOR 2SB709A-QRS-TX		R066	1-216-033-00	RES-CHIP 220 5% 1/10W	
Q027	8-729-216-22	TRANSISTOR 2SB709A-QRS-TX		R067	1-216-033-00	RES-CHIP 220 5% 1/10W	
Q028	8-729-216-22	TRANSISTOR 2SB709A-QRS-TX		R070	1-216-033-00	RES-CHIP 220 5% 1/10W	
Q029	8-729-422-27	TRANSISTOR 2SD601A-QRS-TX		R072	1-216-295-91	SHORT 0	
Q030	8-729-216-22	TRANSISTOR 2SB709A-QRS-TX		R073	1-216-295-91	SHORT 0	
Q031	8-729-422-27	TRANSISTOR 2SD601A-QRS-TX		R074	1-216-295-91	SHORT 0	
Q032	1-801-806-11	TRANSISTOR DTC144EKA-T146		R075	1-216-295-91	SHORT 0	
				R076	1-216-295-91	SHORT 0	
				R077	1-216-295-91	SHORT 0	
				R078	1-208-797-11	METAL CHIP 4.3K 0.5% 1/10W	
				R079	1-216-025-91	RES-CHIP 100 5% 1/10W	
				R080	1-216-025-91	RES-CHIP 100 5% 1/10W	
				R081	1-216-065-91	RES-CHIP 4.7K 5% 1/10W	

KP-53HS10/61HS10

RM-Y902 RM-Y902



REF. NO.	PART NO.	DESCRIPTION	REMARK	REF. NO.	PART NO.	DESCRIPTION	REMARK
R082	1-216-065-91	RES-CHIP	4.7K 5% 1/10W	R156	1-208-774-11	METAL CHIP	470 0.5% 1/10W
R086	1-216-051-00	RES-CHIP	1.2K 5% 1/10W	R157	1-216-057-00	RES-CHIP	2.2K 5% 1/10W
R087	1-216-117-00	RES-CHIP	680K 5% 1/10W	R159	1-216-057-00	RES-CHIP	2.2K 5% 1/10W
R090	1-216-025-91	RES-CHIP	100 5% 1/10W	R160	1-208-776-11	METAL CHIP	560 0.5% 1/10W
R091	1-216-295-91	SHORT	0	R161	1-216-295-91	SHORT	0
R093	1-216-061-00	RES-CHIP	3.3K 5% 1/10W	R163	1-208-762-11	METAL CHIP	150 0.5% 1/10W
R094	1-216-051-00	RES-CHIP	1.2K 5% 1/10W	R164	1-216-655-11	METAL CHIP	1.5K 0.5% 1/10W
R098	1-216-057-00	RES-CHIP	2.2K 5% 1/10W	R165	1-208-800-11	METAL CHIP	5.6K 0.5% 1/10W
R099	1-216-117-00	RES-CHIP	680K 5% 1/10W	R166	1-216-049-91	RES-CHIP	1K 5% 1/10W
R100	1-216-053-00	RES-CHIP	1.5K 5% 1/10W	R167	1-216-057-00	RES-CHIP	2.2K 5% 1/10W
R101	1-216-295-91	SHORT	0	R170	1-216-019-00	RES-CHIP	56 5% 1/10W
R102	1-216-041-00	RES-CHIP	470 5% 1/10W	R171	1-216-121-91	RES-CHIP	1M 5% 1/10W
R106	1-216-085-00	RES-CHIP	33K 5% 1/10W	R172	1-216-057-00	RES-CHIP	2.2K 5% 1/10W
R107	1-216-295-91	SHORT	0	R173	1-208-776-11	METAL CHIP	560 0.5% 1/10W
R108	1-216-017-91	RES-CHIP	47 5% 1/10W	R175	1-216-049-91	RES-CHIP	1K 5% 1/10W
R109	1-216-295-91	SHORT	0	R176	1-216-049-91	RES-CHIP	1K 5% 1/10W
R110	1-216-017-91	RES-CHIP	47 5% 1/10W	R177	1-216-049-91	RES-CHIP	1K 5% 1/10W
R111	1-216-295-91	SHORT	0	R178	1-216-025-91	RES-CHIP	100 5% 1/10W
R112	1-216-049-91	RES-CHIP	1K 5% 1/10W	R181	1-216-057-00	RES-CHIP	2.2K 5% 1/10W
R113	1-216-033-00	RES-CHIP	220 5% 1/10W	R182	1-208-800-11	METAL CHIP	5.6K 0.5% 1/10W
R118	1-216-025-91	RES-CHIP	100 5% 1/10W	R183	1-216-049-91	RES-CHIP	1K 5% 1/10W
R119	1-216-085-00	RES-CHIP	33K 5% 1/10W	R185	1-216-049-91	RES-CHIP	1K 5% 1/10W
R120	1-216-295-91	SHORT	0	R194	1-216-295-91	SHORT	0
R121	1-216-053-00	RES-CHIP	1.5K 5% 1/10W	R195	1-216-049-91	RES-CHIP	1K 5% 1/10W
R122	1-216-061-00	RES-CHIP	3.3K 5% 1/10W	R198	1-216-025-91	RES-CHIP	100 5% 1/10W
R123	1-216-025-91	RES-CHIP	100 5% 1/10W	R200	1-208-754-11	METAL CHIP	68 0.5% 1/10W
R124	1-216-049-91	RES-CHIP	1K 5% 1/10W	R201	1-216-033-00	RES-CHIP	220 5% 1/10W
R125	1-208-762-11	METAL CHIP	150 0.5% 1/10W	R202	1-216-037-00	RES-CHIP	330 5% 1/10W
R127	1-216-049-91	RES-CHIP	1K 5% 1/10W	R203	1-216-049-91	RES-CHIP	1K 5% 1/10W
R128	1-216-057-00	RES-CHIP	2.2K 5% 1/10W	R204	1-216-049-91	RES-CHIP	1K 5% 1/10W
R129	1-216-025-91	RES-CHIP	100 5% 1/10W	R205	1-216-049-91	RES-CHIP	1K 5% 1/10W
R130	1-216-655-11	METAL CHIP	1.5K 0.5% 1/10W	R206	1-208-754-11	METAL CHIP	68 0.5% 1/10W
R131	1-216-033-00	RES-CHIP	220 5% 1/10W	R207	1-208-754-11	METAL CHIP	68 0.5% 1/10W
R132	1-216-025-91	RES-CHIP	100 5% 1/10W	R208	1-208-770-11	METAL CHIP	330 0.5% 1/10W
R133	1-216-025-91	RES-CHIP	100 5% 1/10W	R210	1-216-013-00	RES-CHIP	33 5% 1/10W
R134	1-216-057-00	RES-CHIP	2.2K 5% 1/10W	R212	1-216-013-00	RES-CHIP	33 5% 1/10W
R135	1-216-053-00	RES-CHIP	1.5K 5% 1/10W	R214	1-216-041-00	RES-CHIP	470 5% 1/10W
R136	1-216-061-00	RES-CHIP	3.3K 5% 1/10W	R215	1-216-295-91	SHORT	0
R137	1-208-769-11	METAL CHIP	300 0.5% 1/10W	R216	1-208-794-11	METAL CHIP	3.3K 0.5% 1/10W
R138	1-208-770-11	METAL CHIP	330 0.5% 1/10W	R217	1-216-051-00	RES-CHIP	1.2K 5% 1/10W
R139	1-216-025-91	RES-CHIP	100 5% 1/10W	R218	1-216-117-00	RES-CHIP	680K 5% 1/10W
R140	1-216-057-00	RES-CHIP	2.2K 5% 1/10W	R219	1-216-013-00	RES-CHIP	33 5% 1/10W
R141	1-216-117-00	RES-CHIP	680K 5% 1/10W	R220	1-208-754-11	METAL CHIP	68 0.5% 1/10W
R142	1-208-782-11	METAL CHIP	1K 0.5% 1/10W	R221	1-208-754-11	METAL CHIP	68 0.5% 1/10W
R143	1-216-049-91	RES-CHIP	1K 5% 1/10W	R222	1-208-754-11	METAL CHIP	68 0.5% 1/10W
R144	1-216-041-00	RES-CHIP	470 5% 1/10W	R223	1-208-754-11	METAL CHIP	68 0.5% 1/10W
R145	1-216-085-00	RES-CHIP	33K 5% 1/10W	R226	1-216-295-91	SHORT	0
R146	1-208-800-11	METAL CHIP	5.6K 0.5% 1/10W	R227	1-216-295-91	SHORT	0
R147	1-216-049-91	RES-CHIP	1K 5% 1/10W	R228	1-216-295-91	SHORT	0
R148	1-208-769-11	METAL CHIP	300 0.5% 1/10W	R229	1-216-295-91	SHORT	0
R149	1-216-025-91	RES-CHIP	100 5% 1/10W	R230	1-216-295-91	SHORT	0
R150	1-208-762-11	METAL CHIP	150 0.5% 1/10W	R231	1-216-295-91	SHORT	0
R151	1-216-655-11	METAL CHIP	1.5K 0.5% 1/10W	R232	1-216-295-91	SHORT	0
R153	1-208-776-11	METAL CHIP	560 0.5% 1/10W	R233	1-216-295-91	SHORT	0
R154	1-216-025-91	RES-CHIP	100 5% 1/10W	R234	1-216-295-91	SHORT	0
R155	1-208-798-11	METAL CHIP	4.7K 0.5% 1/10W	R235	1-216-295-91	SHORT	0



REF. NO.	PART NO.	DESCRIPTION		REMARK	REF. NO.	PART NO.	DESCRIPTION		REMARK
R236	1-216-295-91	SHORT	0		C515	1-104-664-11	ELECT	47µF	20% 25V
R237	1-216-295-91	SHORT	0		C516	1-104-664-11	ELECT	47µF	20% 25V
R238	1-216-295-91	SHORT	0		C517	1-163-038-91	CERAMIC CHIP	0.1µF	25V
R239	1-216-295-91	SHORT	0		C518	1-126-933-11	ELECT	100µF	20% 16V
R240	1-216-295-91	SHORT	0		C519	1-163-038-91	CERAMIC CHIP	0.1µF	25V
R241	1-216-295-91	SHORT	0		C520	1-126-964-11	ELECT	10µF	20% 50V
R242	1-216-295-91	SHORT	0		C521	1-163-145-00	CERAMIC CHIP	0.0015µF	5% 50V
R243	1-216-295-91	SHORT	0		C522	1-163-143-00	CERAMIC CHIP	0.0012µF	5% 50V
R244	1-216-295-91	SHORT	0		C523	1-163-021-91	CERAMIC CHIP	0.01µF	10% 50V
R245	1-216-295-91	SHORT	0		C524	1-104-664-11	ELECT	47µF	20% 25V
R246	1-216-295-91	SHORT	0		C525	1-163-275-11	CERAMIC CHIP	0.001µF	5% 50V
R247	1-216-295-91	SHORT	0		C526	1-163-017-00	CERAMIC CHIP	0.0047µF	10% 50V
R248	1-216-295-91	SHORT	0		C527	1-126-933-11	ELECT	100µF	20% 16V
R249	1-216-295-91	SHORT	0		C528	1-126-916-11	ELECT	1000µF	20% 6.3V
R250	1-216-295-91	SHORT	0		C529	1-163-038-91	CERAMIC CHIP	0.1µF	25V
R251	1-216-295-91	SHORT	0		C530	1-163-038-91	CERAMIC CHIP	0.1µF	25V
R252	1-216-295-91	SHORT	0		C531	1-126-933-11	ELECT	100µF	20% 16V
R253	1-216-295-91	SHORT	0		C532	1-126-933-11	ELECT	100µF	20% 16V
R254	1-216-049-91	RES-CHIP	1K	5% 1/10W	C533	1-163-038-91	CERAMIC CHIP	0.1µF	25V
R257	1-216-295-91	SHORT	0		C534	1-163-038-91	CERAMIC CHIP	0.1µF	25V
R258	1-216-049-91	RES-CHIP	1K	5% 1/10W	C535	1-104-665-11	ELECT	100µF	20% 25V
R259	1-216-295-91	SHORT	0		C536	1-164-161-11	CERAMIC CHIP	0.0022µF	10% 50V
R260	1-216-295-91	SHORT	0		C537	1-104-664-11	ELECT	47µF	20% 25V
R261	1-216-295-91	SHORT	0		C538	1-126-964-11	ELECT	10µF	20% 50V
R262	1-216-295-91	SHORT	0		C539	1-163-038-91	CERAMIC CHIP	0.1µF	25V
R263	1-216-295-91	SHORT	0		C540	1-126-918-11	ELECT	4700µF	20% 6.3V
R273	1-216-033-00	RES-CHIP	220	5% 1/10W	C541	1-163-038-91	CERAMIC CHIP	0.1µF	25V
R274	1-216-065-91	RES-CHIP	4.7K	5% 1/10W	C542	1-163-038-91	CERAMIC CHIP	0.1µF	25V
		<CRYSTAL>			C543	1-126-960-11	ELECT	1µF	20% 50V
X001	1-767-924-21	VIBRATOR, CRYSTAL 27MHz			C544	1-163-243-11	CERAMIC CHIP	47pF	5% 50V
X002	1-767-654-21	VIBRATOR, CRYSTAL 12MHz			C545	1-126-964-11	ELECT	10µF	20% 50V

	* A-1299-141-A A BOARD, COMPLETE				C546	1-163-145-00	CERAMIC CHIP	0.0015µF	5% 50V
	*****				C548	1-163-012-00	CERAMIC CHIP	0.0018µF	5% 50V
	4-382-854-11 SCREW (M3X10), P, SW (+)				C550	1-163-127-00	CERAMIC CHIP	270pF	5% 50V
					C551	1-163-038-91	CERAMIC CHIP	0.1µF	25V
		<CAPACITOR>			C552	1-126-934-11	ELECT	220µF	20% 16V
C501	1-126-933-11	ELECT	100µF	20% 16V	C553	1-126-960-11	ELECT	1µF	20% 50V
C502	1-163-038-91	CERAMIC CHIP	0.1µF	25V	C554	1-163-809-11	CERAMIC CHIP	0.047µF	10% 25V
C503	1-163-038-91	CERAMIC CHIP	0.1µF	25V	C555	1-163-259-91	CERAMIC CHIP	220pF	5% 50V
C504	1-104-665-11	ELECT	100µF	20% 25V	C557	1-126-960-11	ELECT	1µF	20% 50V
C505	1-163-021-91	CERAMIC CHIP	0.01µF	10% 50V	C558	1-163-251-11	CERAMIC CHIP	100pF	5% 50V
C506	1-164-505-11	CERAMIC CHIP	2.2µF	16V	C559	1-126-963-11	ELECT	4.7µF	20% 50V
C507	1-126-933-11	ELECT	100µF	20% 16V	C560	1-163-038-91	CERAMIC CHIP	0.1µF	25V
C508	1-163-021-91	CERAMIC CHIP	0.01µF	10% 50V	C561	1-104-664-11	ELECT	47µF	20% 25V
C509	1-163-021-91	CERAMIC CHIP	0.01µF	10% 50V	C562	1-163-038-91	CERAMIC CHIP	0.1µF	25V
C510	1-126-916-11	ELECT	1000µF	20% 6.3V	C563	1-163-038-91	CERAMIC CHIP	0.1µF	25V
C511	1-163-038-91	CERAMIC CHIP	0.1µF	25V	C564	1-163-038-91	CERAMIC CHIP	0.1µF	25V
C512	1-163-038-91	CERAMIC CHIP	0.1µF	25V	C567	1-164-004-11	CERAMIC CHIP	0.1µF	10% 25V
C513	1-126-933-11	ELECT	100µF	20% 16V	C569	1-163-809-11	CERAMIC CHIP	0.047µF	10% 25V
C514	1-163-038-91	CERAMIC CHIP	0.1µF	25V	C570	1-163-259-91	CERAMIC CHIP	220pF	5% 50V
					C571	1-163-251-11	CERAMIC CHIP	100pF	5% 50V
					C572	1-163-038-91	CERAMIC CHIP	0.1µF	25V
					C574	1-126-960-11	ELECT	1µF	20% 50V
					C575	1-109-982-11	CERAMIC CHIP	1µF	10% 10V
					C576	1-164-182-11	CERAMIC CHIP	0.0033µF	10% 50V
					C577	1-163-038-91	CERAMIC CHIP	0.1µF	25V

KP-53HS10/61HS10

RM-Y902 RM-Y902



REF. NO.	PART NO.	DESCRIPTION	REMARK	REF. NO.	PART NO.	DESCRIPTION	REMARK
C580	1-164-182-11	CERAMIC CHIP 0.0033μF	10% 50V	C644	1-164-161-11	CERAMIC CHIP 0.0022μF	10% 50V
C581	1-163-038-91	CERAMIC CHIP 0.1μF	25V	C645	1-126-965-11	ELECT 22μF	20% 50V
C582	1-164-161-11	CERAMIC CHIP 0.0022μF	10% 50V	C646	1-163-038-91	CERAMIC CHIP 0.1μF	25V
C583	1-107-823-11	CERAMIC CHIP 0.47μF	10% 16V	C647	1-104-664-11	ELECT 47μF	20% 25V
C584	1-163-038-91	CERAMIC CHIP 0.1μF	25V	C648	1-107-823-11	CERAMIC CHIP 0.47μF	10% 16V
C585	1-126-933-11	ELECT 100μF	20% 16V	C649	1-107-823-11	CERAMIC CHIP 0.47μF	10% 16V
C586	1-163-038-91	CERAMIC CHIP 0.1μF	25V	C650	1-163-021-91	CERAMIC CHIP 0.01μF	10% 50V
C587	1-104-664-11	ELECT 47μF	20% 25V	C651	1-164-161-11	CERAMIC CHIP 0.0022μF	10% 50V
C588	1-163-038-91	CERAMIC CHIP 0.1μF	25V	C652	1-163-038-91	CERAMIC CHIP 0.1μF	25V
C589	1-163-038-91	CERAMIC CHIP 0.1μF	25V	C653	1-164-004-11	CERAMIC CHIP 0.1μF	10% 25V
C590	1-163-038-91	CERAMIC CHIP 0.1μF	25V	C654	1-164-004-11	CERAMIC CHIP 0.1μF	10% 25V
C591	1-163-021-91	CERAMIC CHIP 0.01μF	10% 50V	C655	1-164-004-11	CERAMIC CHIP 0.1μF	10% 25V
C592	1-104-664-11	ELECT 47μF	20% 25V	C656	1-126-964-11	ELECT 10μF	20% 50V
C593	1-126-963-11	ELECT 4.7μF	20% 50V	C657	1-163-009-11	CERAMIC CHIP 0.001μF	10% 50V
C595	1-163-038-91	CERAMIC CHIP 0.1μF	25V	C658	1-163-038-91	CERAMIC CHIP 0.1μF	25V
C596	1-107-823-11	CERAMIC CHIP 0.47μF	10% 16V	C659	1-104-664-11	ELECT 47μF	20% 25V
C598	1-164-004-11	CERAMIC CHIP 0.1μF	10% 25V	C660	1-163-009-11	CERAMIC CHIP 0.001μF	10% 50V
C599	1-164-004-11	CERAMIC CHIP 0.1μF	10% 25V	C661	1-164-004-11	CERAMIC CHIP 0.1μF	10% 25V
C600	1-164-004-11	CERAMIC CHIP 0.1μF	10% 25V	C662	1-126-965-11	ELECT 22μF	20% 50V
C601	1-164-489-11	CERAMIC CHIP 0.22μF	10% 16V	C663	1-126-965-11	ELECT 22μF	20% 50V
C602	1-163-021-91	CERAMIC CHIP 0.01μF	10% 50V	C664	1-104-664-11	ELECT 47μF	20% 25V
C603	1-163-021-91	CERAMIC CHIP 0.01μF	10% 50V	C665	1-104-664-11	ELECT 47μF	20% 25V
C604	1-163-021-91	CERAMIC CHIP 0.01μF	10% 50V	C666	1-163-038-91	CERAMIC CHIP 0.1μF	25V
C605	1-163-021-91	CERAMIC CHIP 0.01μF	10% 50V	C667	1-164-161-11	CERAMIC CHIP 0.0022μF	10% 50V
C606	1-163-021-91	CERAMIC CHIP 0.01μF	10% 50V	C668	1-163-038-91	CERAMIC CHIP 0.1μF	25V
C607	1-163-021-91	CERAMIC CHIP 0.01μF	10% 50V	C669	1-126-935-11	ELECT 470μF	20% 16V
C608	1-126-964-11	ELECT 10μF	20% 50V	C670	1-163-038-91	CERAMIC CHIP 0.1μF	25V
C610	1-163-021-91	CERAMIC CHIP 0.01μF	10% 50V	C671	1-104-664-11	ELECT 47μF	20% 25V
C611	1-115-339-11	CERAMIC CHIP 0.1μF	10% 50V	C672	1-163-038-91	CERAMIC CHIP 0.1μF	25V
C612	1-104-664-11	ELECT 47μF	20% 25V	C673	1-126-965-11	ELECT 22μF	20% 50V
C613	1-163-038-91	CERAMIC CHIP 0.1μF	25V	C674	1-107-823-11	CERAMIC CHIP 0.47μF	10% 16V
C614	1-164-161-11	CERAMIC CHIP 0.0022μF	10% 50V	C675	1-110-501-11	CERAMIC CHIP 0.33μF	10% 16V
C615	1-126-933-11	ELECT 100μF	20% 16V	C676	1-104-664-11	ELECT 47μF	20% 25V
C616	1-164-004-11	CERAMIC CHIP 0.1μF	10% 25V	C677	1-163-038-91	CERAMIC CHIP 0.1μF	25V
C617	1-164-004-11	CERAMIC CHIP 0.1μF	10% 25V	C678	1-164-161-11	CERAMIC CHIP 0.0022μF	10% 50V
C618	1-163-038-91	CERAMIC CHIP 0.1μF	25V	C679	1-107-823-11	CERAMIC CHIP 0.47μF	10% 16V
C619	1-164-004-11	CERAMIC CHIP 0.1μF	10% 25V	C680	1-163-251-11	CERAMIC CHIP 100pF	5% 50V
C621	1-164-004-11	CERAMIC CHIP 0.1μF	10% 25V	C681	1-163-251-11	CERAMIC CHIP 100pF	5% 50V
C622	1-164-004-11	CERAMIC CHIP 0.1μF	10% 25V	C683	1-163-017-00	CERAMIC CHIP 0.0047μF	10% 50V
C623	1-163-038-91	CERAMIC CHIP 0.1μF	25V	C685	1-126-960-11	ELECT 1μF	20% 50V
C624	1-104-664-11	ELECT 47μF	20% 25V	C686	1-126-965-11	ELECT 22μF	20% 50V
C625	1-163-038-91	CERAMIC CHIP 0.1μF	25V	C687	1-126-960-11	ELECT 1μF	20% 50V
C626	1-163-038-91	CERAMIC CHIP 0.1μF	25V	C688	1-126-960-11	ELECT 1μF	20% 50V
C627	1-163-038-91	CERAMIC CHIP 0.1μF	25V	C689	1-126-965-11	ELECT 22μF	20% 50V
C628	1-104-664-11	ELECT 47μF	20% 25V	C690	1-126-960-11	ELECT 1μF	20% 50V
C629	1-164-004-11	CERAMIC CHIP 0.1μF	10% 25V	C691	1-126-964-11	ELECT 10μF	20% 50V
C630	1-163-021-91	CERAMIC CHIP 0.01μF	10% 50V	C692	1-126-964-11	ELECT 10μF	20% 50V
C631	1-164-346-11	CERAMIC CHIP 1μF	16V	C693	1-107-823-11	CERAMIC CHIP 0.47μF	10% 16V
C632	1-109-982-11	CERAMIC CHIP 1μF	10% 10V	C694	1-107-823-11	CERAMIC CHIP 0.47μF	10% 16V
C636	1-163-263-11	CERAMIC CHIP 330pF	5% 50V	C696	1-107-823-11	CERAMIC CHIP 0.47μF	10% 16V
C637	1-163-038-91	CERAMIC CHIP 0.1μF	25V	C697	1-126-965-11	ELECT 22μF	20% 50V
C638	1-107-823-11	CERAMIC CHIP 0.47μF	10% 16V	C698	1-164-004-11	CERAMIC CHIP 0.1μF	10% 25V
C639	1-126-933-11	ELECT 100μF	20% 16V	C699	1-126-965-11	ELECT 22μF	20% 50V
C640	1-163-021-91	CERAMIC CHIP 0.01μF	10% 50V	C700	1-164-004-11	CERAMIC CHIP 0.1μF	10% 25V
C641	1-104-664-11	ELECT 47μF	20% 25V	C701	1-126-965-11	ELECT 22μF	20% 50V
C642	1-163-038-91	CERAMIC CHIP 0.1μF	25V	C702	1-164-004-11	CERAMIC CHIP 0.1μF	10% 25V
C643	1-163-259-91	CERAMIC CHIP 220pF	5% 50V	C703	1-164-182-11	CERAMIC CHIP 0.0033μF	10% 50V



REF. NO.	PART NO.	DESCRIPTION	REMARK	REF. NO.	PART NO.	DESCRIPTION	REMARK
C704	1-163-038-91	CERAMIC CHIP 0.1μF	25V	C1046	1-163-038-91	CERAMIC CHIP 0.1μF	25V
C705	1-164-182-11	CERAMIC CHIP 0.0033μF	10% 50V	C1048	1-163-038-91	CERAMIC CHIP 0.1μF	25V
C706	1-126-965-11	ELECT 22μF	20% 50V	C1049	1-104-664-11	ELECT 47μF	20% 25V
C707	1-126-960-11	ELECT 1μF	20% 50V	C1050	1-163-038-91	CERAMIC CHIP 0.1μF	25V
C708	1-126-960-11	ELECT 1μF	20% 50V	C1051	1-104-664-11	ELECT 47μF	20% 25V
C709	1-126-965-11	ELECT 22μF	20% 50V	C1052	1-107-823-11	CERAMIC CHIP 0.47μF	10% 16V
C710	1-126-960-11	ELECT 1μF	20% 50V	C1058	1-163-038-91	CERAMIC CHIP 0.1μF	25V
C711	1-126-960-11	ELECT 1μF	20% 50V	C1301	1-163-038-91	CERAMIC CHIP 0.1μF	25V
C712	1-126-965-11	ELECT 22μF	20% 50V	C1302	1-104-664-11	ELECT 47μF	20% 25V
C713	1-126-960-11	ELECT 1μF	20% 50V	C1303	1-163-038-91	CERAMIC CHIP 0.1μF	25V
C714	1-126-960-11	ELECT 1μF	20% 50V	C1305	1-163-038-91	CERAMIC CHIP 0.1μF	25V
C716	1-126-960-11	ELECT 1μF	20% 50V	C1306	1-163-038-91	CERAMIC CHIP 0.1μF	25V
C717	1-126-960-11	ELECT 1μF	20% 50V	C1307	1-163-251-11	CERAMIC CHIP 100pF	5% 50V
C718	1-126-935-11	ELECT 470μF	20% 16V	C1308	1-117-720-11	CERAMIC CHIP 4.7μF	10V
C771	1-126-965-11	ELECT 22μF	20% 50V	C1309	1-163-227-11	CERAMIC CHIP 10pF	0.50pF 50V
C772	1-126-965-11	ELECT 22μF	20% 50V	C1310	1-163-227-11	CERAMIC CHIP 10pF	0.50pF 50V
C773	1-126-960-11	ELECT 1μF	20% 50V	C1311	1-109-982-11	CERAMIC CHIP 1μF	10% 10V
C774	1-126-960-11	ELECT 1μF	20% 50V	C1312	1-163-227-11	CERAMIC CHIP 10pF	0.50pF 50V
C775	1-164-004-11	CERAMIC CHIP 0.1μF	10% 25V	C1313	1-163-038-91	CERAMIC CHIP 0.1μF	25V
C1001	1-163-038-91	CERAMIC CHIP 0.1μF	25V	C1315	1-163-251-11	CERAMIC CHIP 100pF	5% 50V
C1002	1-163-038-91	CERAMIC CHIP 0.1μF	25V	C1316	1-117-720-11	CERAMIC CHIP 4.7μF	10V
C1003	1-104-664-11	ELECT 47μF	20% 25V	C1317	1-163-038-91	CERAMIC CHIP 0.1μF	25V
C1005	1-104-664-11	ELECT 47μF	20% 25V	C1321	1-163-017-00	CERAMIC CHIP 0.0047μF	10% 50V
C1006	1-163-038-91	CERAMIC CHIP 0.1μF	25V	C1323	1-107-823-11	CERAMIC CHIP 0.47μF	10% 16V
C1007	1-163-038-91	CERAMIC CHIP 0.1μF	25V	C1325	1-163-251-11	CERAMIC CHIP 100pF	5% 50V
C1012	1-163-235-11	CERAMIC CHIP 22pF	5% 50V	C1326	1-164-004-11	CERAMIC CHIP 0.1μF	10% 25V
C1013	1-163-038-91	CERAMIC CHIP 0.1μF	25V	C1327	1-126-963-11	ELECT 4.7μF	20% 50V
C1014	1-163-235-11	CERAMIC CHIP 22pF	5% 50V	C1328	1-164-004-11	CERAMIC CHIP 0.1μF	10% 25V
C1015	1-163-235-11	CERAMIC CHIP 22pF	5% 50V	C1329	1-164-004-11	CERAMIC CHIP 0.1μF	10% 25V
C1016	1-163-038-91	CERAMIC CHIP 0.1μF	25V	C1330	1-164-004-11	CERAMIC CHIP 0.1μF	10% 25V
C1017	1-163-038-91	CERAMIC CHIP 0.1μF	25V	C1331	1-163-133-00	CERAMIC CHIP 470pF	5% 50V
C1019	1-164-489-11	CERAMIC CHIP 0.22μF	10% 16V	C1332	1-163-251-11	CERAMIC CHIP 100pF	5% 50V
C1020	1-164-346-11	CERAMIC CHIP 1μF	16V	C1334	1-164-004-11	CERAMIC CHIP 0.1μF	10% 25V
C1021	1-163-021-91	CERAMIC CHIP 0.01μF	10% 50V	C1335	1-164-004-11	CERAMIC CHIP 0.1μF	10% 25V
C1022	1-163-038-91	CERAMIC CHIP 0.1μF	25V	C1336	1-164-004-11	CERAMIC CHIP 0.1μF	10% 25V
C1023	1-126-935-11	ELECT 470μF	20% 6.3V	C1337	1-164-004-11	CERAMIC CHIP 0.1μF	10% 25V
C1025	1-126-965-11	ELECT 22μF	20% 50V	C1338	1-164-004-11	CERAMIC CHIP 0.1μF	10% 25V
C1026	1-163-809-11	CERAMIC CHIP 0.047μF	10% 25V	C1339	1-164-004-11	CERAMIC CHIP 0.1μF	10% 25V
C1027	1-110-501-11	CERAMIC CHIP 0.33μF	10% 16V	C1340	1-126-960-11	ELECT 1μF	20% 50V
C1029	1-164-346-11	CERAMIC CHIP 1μF	16V	C1341	1-163-133-00	CERAMIC CHIP 470pF	5% 50V
C1030	1-109-982-11	CERAMIC CHIP 1μF	10% 10V	C1342	1-163-021-91	CERAMIC CHIP 0.01μF	10% 50V
C1031	1-163-038-91	CERAMIC CHIP 0.1μF	25V	C1343	1-107-823-11	CERAMIC CHIP 0.47μF	10% 16V
C1032	1-104-664-11	ELECT 47μF	20% 25V	C1344	1-104-664-11	ELECT 47μF	20% 25V
C1033	1-126-964-11	ELECT 10μF	20% 50V	C1345	1-104-664-11	ELECT 47μF	20% 25V
C1034	1-164-346-11	CERAMIC CHIP 1μF	16V	C1346	1-104-664-11	ELECT 47μF	20% 25V
C1035	1-163-237-11	CERAMIC CHIP 27pF	5% 50V	C1347	1-104-664-11	ELECT 47μF	20% 25V
C1036	1-164-161-11	CERAMIC CHIP 0.0022μF	10% 50V	C1348	1-163-038-91	CERAMIC CHIP 0.1μF	25V
C1037	1-163-038-91	CERAMIC CHIP 0.1μF	25V	C1349	1-163-231-11	CERAMIC CHIP 15pF	5% 50V
C1038	1-104-664-11	ELECT 47μF	20% 25V	C1351	1-126-934-11	ELECT 220μF	20% 16V
C1039	1-164-346-11	CERAMIC CHIP 1μF	16V	C1352	1-164-004-11	CERAMIC CHIP 0.1μF	10% 25V
C1040	1-163-237-11	CERAMIC CHIP 27pF	5% 50V	C1353	1-163-038-91	CERAMIC CHIP 0.1μF	25V
C1041	1-163-233-11	CERAMIC CHIP 18pF	5% 50V	C1354	1-163-038-91	CERAMIC CHIP 0.1μF	25V
C1042	1-163-233-11	CERAMIC CHIP 18pF	5% 50V	C1355	1-104-664-11	ELECT 47μF	20% 25V
C1043	1-107-823-11	CERAMIC CHIP 0.47μF	10% 16V	C1357	1-126-934-11	ELECT 220μF	20% 16V
C1044	1-163-017-00	CERAMIC CHIP 0.0047μF	10% 50V	C1358	1-163-038-91	CERAMIC CHIP 0.1μF	25V
C1045	1-163-143-00	CERAMIC CHIP 0.0012μF	5% 50V	C1359	1-104-664-11	ELECT 47μF	20% 25V
				C1363	1-163-038-91	CERAMIC CHIP 0.1μF	25V



REF. NO.	PART NO.	DESCRIPTION	REMARK	REF. NO.	PART NO.	DESCRIPTION	REMARK
C1364	1-163-038-91	CERAMIC CHIP 0.1μF	25V	C1604	1-163-016-00	CERAMIC CHIP 0.0039μF 10%	50V
C1376	1-163-038-91	CERAMIC CHIP 0.1μF	25V	C1605	1-163-016-00	CERAMIC CHIP 0.0039μF 10%	50V
C1380	1-109-982-11	CERAMIC CHIP 1μF	10% 10V	C1614	1-163-038-91	CERAMIC CHIP 0.1μF	25V
C1381	1-163-251-11	CERAMIC CHIP 100pF	5% 50V	C1626	1-163-038-91	CERAMIC CHIP 0.1μF	25V
C1383	1-163-038-91	CERAMIC CHIP 0.1μF	25V	C1628	1-107-823-11	CERAMIC CHIP 0.47μF	10% 16V
C1385	1-163-017-00	CERAMIC CHIP 0.0047μF	10% 50V	C1629	1-107-823-11	CERAMIC CHIP 0.47μF	10% 16V
C1389	1-163-251-11	CERAMIC CHIP 100pF	5% 50V	C1631	1-163-038-91	CERAMIC CHIP 0.1μF	25V
C1392	1-164-004-11	CERAMIC CHIP 0.1μF	10% 25V	C1633	1-107-823-11	CERAMIC CHIP 0.47μF	10% 16V
C1400	1-107-823-11	CERAMIC CHIP 0.47μF	10% 16V	C1634	1-107-823-11	CERAMIC CHIP 0.47μF	10% 16V
C1401	1-126-963-11	ELECT 4.7μF	20% 50V	C1640	1-163-038-91	CERAMIC CHIP 0.1μF	25V
C1402	1-164-004-11	CERAMIC CHIP 0.1μF	10% 25V	C1641	1-163-038-91	CERAMIC CHIP 0.1μF	25V
C1403	1-163-135-00	CERAMIC CHIP 560pF	5% 50V	C1642	1-163-038-91	CERAMIC CHIP 0.1μF	25V
C1405	1-164-004-11	CERAMIC CHIP 0.1μF	10% 25V	C1643	1-163-038-91	CERAMIC CHIP 0.1μF	25V
C1406	1-163-021-91	CERAMIC CHIP 0.01μF	10% 50V	C1644	1-163-038-91	CERAMIC CHIP 0.1μF	25V
C1407	1-164-344-11	CERAMIC CHIP 0.068μF	10% 25V	C1646	1-104-664-11	ELECT 47μF	20% 25V
C1408	1-163-019-00	CERAMIC CHIP 0.0068μF	10% 50V	C1647	1-109-982-11	CERAMIC CHIP 1μF	10% 10V
C1409	1-163-038-91	CERAMIC CHIP 0.1μF	25V	C1648	1-163-275-11	CERAMIC CHIP 0.001μF	5% 50V
C1410	1-163-133-00	CERAMIC CHIP 470pF	5% 50V	C1649	1-115-185-11	CERAMIC CHIP 0.033μF	10% 50V
C1411	1-163-038-91	CERAMIC CHIP 0.1μF	25V	C1650	1-163-275-11	CERAMIC CHIP 0.001μF	5% 50V
C1412	1-163-259-91	CERAMIC CHIP 220pF	5% 50V	C1651	1-109-982-11	CERAMIC CHIP 1μF	10% 10V
C1413	1-126-960-11	ELECT 1μF	20% 50V			<FILTER BLOCK>	
C1414	1-107-823-11	CERAMIC CHIP 0.47μF	10% 16V				
C1415	1-163-038-91	CERAMIC CHIP 0.1μF	25V				
C1417	1-163-038-91	CERAMIC CHIP 0.1μF	25V	CM501	1-467-554-21	FILTER BLOCK, COMB	
C1418	1-104-664-11	ELECT 47μF	20% 25V			<CONNECTOR>	
C1419	1-163-038-91	CERAMIC CHIP 0.1μF	25V				
C1420	1-104-664-11	ELECT 47μF	20% 25V	CN502	* 1-564-506-11	PLUG, CONNECTOR 3P	
C1421	1-163-038-91	CERAMIC CHIP 0.1μF	25V	CN503	* 1-564-511-11	PLUG, CONNECTOR 8P	
C1422	1-163-231-11	CERAMIC CHIP 15pF	5% 50V	CN504	* 1-564-512-11	PLUG, CONNECTOR 9P	
C1423	1-163-038-91	CERAMIC CHIP 0.1μF	25V	CN505	* 1-564-510-11	PLUG, CONNECTOR 7P	
C1424	1-163-038-91	CERAMIC CHIP 0.1μF	25V	CN506	* 1-779-892-11	CONNECTOR, BOARD TO BOARD 10P	
C1425	1-104-664-11	ELECT 47μF	20% 25V				
C1426	1-117-720-11	CERAMIC CHIP 4.7μF	10V	CN507	1-695-915-11	TAB (CONTACT)	
C1427	1-163-021-91	CERAMIC CHIP 0.01μF	10% 50V	CN508	* 1-564-507-11	PLUG, CONNECTOR 4P	
C1428	1-126-934-11	ELECT 220μF	20% 16V	CN509	* 1-779-892-11	CONNECTOR, BOARD TO BOARD 10P	
C1431	1-164-004-11	CERAMIC CHIP 0.1μF	10% 25V	CN510	* 1-564-510-11	PLUG, CONNECTOR 7P	
C1432	1-163-038-91	CERAMIC CHIP 0.1μF	25V	CN511	1-573-298-21	CONNECTOR, BOARD TO BOARD 20P	
C1435	1-164-004-11	CERAMIC CHIP 0.1μF	10% 25V				
C1456	1-164-004-11	CERAMIC CHIP 0.1μF	10% 25V	CN512	* 1-564-513-11	PLUG, CONNECTOR 10P	
C1457	1-164-004-11	CERAMIC CHIP 0.1μF	10% 25V	CN513	1-573-298-21	CONNECTOR, BOARD TO BOARD 20P	
C1462	1-164-004-11	CERAMIC CHIP 0.1μF	10% 25V	CN514	* 1-564-509-11	PLUG, CONNECTOR 6P	
C1463	1-164-004-11	CERAMIC CHIP 0.1μF	10% 25V	CN515	1-764-334-11	PLUG, CONNECTOR 11P	
C1464	1-164-004-11	CERAMIC CHIP 0.1μF	10% 25V	CN516	1-573-978-21	CONNECTOR, BOARD TO BOARD 11P	
C1465	1-164-004-11	CERAMIC CHIP 0.1μF	10% 25V				
C1466	1-164-004-11	CERAMIC CHIP 0.1μF	10% 25V	CN517	* 1-779-892-11	CONNECTOR, BOARD TO BOARD 10P	
C1467	1-164-004-11	CERAMIC CHIP 0.1μF	10% 25V	CN518	1-573-298-21	CONNECTOR, BOARD TO BOARD 20P	
C1470	1-104-664-11	ELECT 47μF	20% 25V	CN519	* 1-779-892-11	CONNECTOR, BOARD TO BOARD 10P	
C1471	1-104-664-11	ELECT 47μF	20% 25V	CN520	* 1-691-616-21	CONNECTOR, BOARD TO BOARD 15P	
C1472	1-104-664-11	ELECT 47μF	20% 25V	CN521	1-573-979-21	CONNECTOR, BOARD TO BOARD 11P	
C1481	1-109-982-11	CERAMIC CHIP 1μF	10% 10V				
C1482	1-104-664-11	ELECT 47μF	20% 25V	CN522	1-573-298-21	CONNECTOR, BOARD TO BOARD 20P	
C1483	1-104-664-11	ELECT 47μF	20% 25V	CN523	1-573-298-21	CONNECTOR, BOARD TO BOARD 20P	
C1484	1-126-934-11	ELECT 220μF	20% 16V	CN525	* 1-564-511-11	PLUG, CONNECTOR 8P	
C1485	1-163-038-91	CERAMIC CHIP 0.1μF	25V	CN526	* 1-564-510-11	PLUG, CONNECTOR 7P	
C1601	1-163-038-91	CERAMIC CHIP 0.1μF	25V			<DIODE>	
C1602	1-163-016-00	CERAMIC CHIP 0.0039μF	10% 50V	D501	8-719-073-01	DIODE MA111-TX	
C1603	1-163-016-00	CERAMIC CHIP 0.0039μF	10% 50V	D502	8-719-158-15	DIODE UDZ-TE-17-5.6B	
				D503	8-719-073-01	DIODE MA111-TX	



REF. NO.	PART NO.	DESCRIPTION	REMARK	REF. NO.	PART NO.	DESCRIPTION	REMARK
D504	8-719-073-01	DIODE MA111-TX		D1006	8-719-073-01	DIODE MA111-TX	
D505	8-719-073-01	DIODE MA111-TX		D1007	8-719-073-01	DIODE MA111-TX	
D506	8-719-056-84	DIODE UDZ-TE-17-7.5B		D1008	8-719-073-01	DIODE MA111-TX	
D508	8-719-073-01	DIODE MA111-TX		D1009	8-719-073-01	DIODE MA111-TX	
D509	8-719-056-84	DIODE UDZ-TE-17-7.5B		D1601	8-719-976-99	DIODE UDZ-TE-17-5.1B	
D511	8-719-073-01	DIODE MA111-TX		D1602	8-719-976-99	DIODE UDZ-TE-17-5.1B	
D512	8-719-073-01	DIODE MA111-TX		D1615	8-719-976-99	DIODE UDZ-TE-17-5.1B	
D513	8-719-073-01	DIODE MA111-TX		D1616	8-719-976-99	DIODE UDZ-TE-17-5.1B	
D514	8-719-073-01	DIODE MA111-TX		D1626	8-719-073-01	DIODE MA111-TX	
D515	8-719-158-15	DIODE UDZ-TE-17-5.6B		D1628	8-719-073-01	DIODE MA111-TX	
D516	8-719-158-15	DIODE UDZ-TE-17-5.6B		D1630	8-719-073-01	DIODE MA111-TX	
D517	8-719-158-15	DIODE UDZ-TE-17-5.6B		D1632	8-719-073-01	DIODE MA111-TX	
D518	8-719-073-01	DIODE MA111-TX		D1634	8-719-073-01	DIODE MA111-TX	
D519	8-719-977-28	DIODE UDZ-TE-17-10B				<IC>	
D520	8-719-977-28	DIODE UDZ-TE-17-10B		IC501	8-759-701-79	IC NJM7812FA	
D521	8-719-073-01	DIODE MA111-TX		IC503	8-759-144-82	IC LM2940CT-5.0	
D522	8-719-977-28	DIODE UDZ-TE-17-10B		IC504	8-759-513-71	IC PQ05RF21	
D523	8-719-073-01	DIODE MA111-TX		IC505	8-759-198-03	IC PQ09RF21	
D524	8-719-977-28	DIODE UDZ-TE-17-10B		IC506	8-759-520-49	IC PQ30RV21	
D525	8-719-977-28	DIODE UDZ-TE-17-10B		IC507	8-759-083-85	IC LA7856	
D526	8-719-977-28	DIODE UDZ-TE-17-10B		IC508	8-759-032-23	IC TC74HC74AF(EL)	
D527	8-719-977-28	DIODE UDZ-TE-17-10B		IC509	8-759-011-64	IC TC74HC4052AF(EL)	
D528	8-719-977-28	DIODE UDZ-TE-17-10B		IC510	8-759-988-13	IC LM393PS-E20	
D529	8-719-977-28	DIODE UDZ-TE-17-10B		IC511	8-752-086-33	IC CXA2101AQ-TL	
D530	8-719-073-01	DIODE MA111-TX		IC512	8-752-379-93	IC CXD2018Q-T6	
D531	8-719-073-01	DIODE MA111-TX		IC513	8-759-485-79	IC TC7SET08FU(TE85L)	
D532	8-719-977-28	DIODE UDZ-TE-17-10B		IC514	8-759-998-98	IC LM358DR	
D533	8-719-977-28	DIODE UDZ-TE-17-10B		IC515	8-752-082-87	IC CXA1845Q-TL	
D534	8-719-977-28	DIODE UDZ-TE-17-10B		IC516	8-759-082-58	IC TC7W08FU(TE12R)	
D535	8-719-977-28	DIODE UDZ-TE-17-10B		IC517	8-759-239-34	IC TC74HC4538AF(EL)	
D536	8-719-073-01	DIODE MA111-TX		IC518	8-759-998-98	IC LM358DR	
D537	8-719-977-28	DIODE UDZ-TE-17-10B		IC519	8-759-239-34	IC TC74HC4538AF(EL)	
D538	8-719-977-28	DIODE UDZ-TE-17-10B		IC1001	8-759-575-89	IC LH5317VP	
D539	8-719-977-28	DIODE UDZ-TE-17-10B		IC1002	8-759-927-46	IC SN74HC00ANSR	
D540	8-719-977-28	DIODE UDZ-TE-17-10B		IC1003	8-759-925-75	IC SN74HC05ANSR	
D541	8-719-977-28	DIODE UDZ-TE-17-10B		IC1004	8-759-575-90	IC MB90091A-150	
D542	8-719-977-28	DIODE UDZ-TE-17-10B		IC1005	8-759-352-91	IC PST9143NL	
D543	8-719-977-28	DIODE UDZ-TE-17-10B		IC1007	8-759-527-76	IC M24C08-MN6T	
D544	8-719-977-28	DIODE UDZ-TE-17-10B		IC1008	8-752-913-74	IC CXP85856A-038Q	
D545	8-719-977-28	DIODE UDZ-TE-17-10B		IC1009	8-752-913-73	IC CXP85460-230Q	
D546	8-719-977-28	DIODE UDZ-TE-17-10B		IC1010	8-759-352-91	IC PST9143NL	
D547	8-719-977-28	DIODE UDZ-TE-17-10B		IC1301	8-752-086-80	IC CXA2019AQ-T4	
D548	8-719-073-01	DIODE MA111-TX		IC1302	8-752-082-49	IC CXA2119M-T6	
D549	8-719-158-15	DIODE UDZ-TE-17-5.6B		IC1303	8-759-353-02	IC NJM2533M(TE2)	
D550	8-719-977-28	DIODE UDZ-TE-17-10B		IC1305	8-752-086-80	IC CXA2019AQ-T4	
D551	8-719-977-28	DIODE UDZ-TE-17-10B		IC1307	8-752-082-49	IC CXA2119M-T6	
D552	8-719-977-28	DIODE UDZ-TE-17-10B		IC1401	8-759-638-05	IC Z8613012SSC-00TR	
D553	8-719-977-28	DIODE UDZ-TE-17-10B		IC1402	8-759-485-79	IC TC7SET08FU(TE85L)	
D554	8-719-977-28	DIODE UDZ-TE-17-10B		IC1403	8-759-009-07	IC MC14053BFEL	
D555	8-719-977-28	DIODE UDZ-TE-17-10B		IC1404	8-759-570-08	IC TC7SET32FU(TE85R)	
D556	8-719-977-28	DIODE UDZ-TE-17-10B		IC1604	8-759-394-80	IC NJM2058M-TE2	
D557	8-719-977-28	DIODE UDZ-TE-17-10B		IC1606	8-759-394-80	IC NJM2058M-TE2	
D558	8-719-977-81	DIODE UDZ-TE-17-33B		IC1608	8-759-232-74	IC TC74HC163AF(EL)	
D559	8-719-977-28	DIODE UDZ-TE-17-10B		IC1609	8-759-232-74	IC TC74HC163AF(EL)	
D560	8-719-977-28	DIODE UDZ-TE-17-10B		IC1623	8-759-082-57	IC TC7W04FU-TE12L	
D1001	8-719-073-01	DIODE MA111-TX					
D1002	8-719-073-01	DIODE MA111-TX					
D1003	8-719-073-01	DIODE MA111-TX					
D1005	8-719-073-01	DIODE MA111-TX					



REF. NO.	PART NO.	DESCRIPTION	REMARK	REF. NO.	PART NO.	DESCRIPTION	REMARK
IC1624	8-759-082-58	IC TC7W08FU(TE12R)				<TRANSISTOR>	
		<JACK>					
J502	1-774-749-11	JACK BLOCK, PIN (SELECT OUT)		Q501	8-729-216-22	TRANSISTOR 2SB709A-QRS-TX	
J505	1-774-751-11	TERMINAL BLOCK, S (VIDEO 1 IN)		Q502	8-729-422-27	TRANSISTOR 2SD601A-QRS-TX	
J506	1-774-751-11	TERMINAL BLOCK, S (VIDEO 3 IN)		Q503	8-729-422-27	TRANSISTOR 2SD601A-QRS-TX	
J507	1-774-751-11	TERMINAL BLOCK, S (VIDEO 4 IN)		Q504	8-729-422-27	TRANSISTOR 2SD601A-QRS-TX	
J508	1-774-750-11	JACK BLOCK, PIN (VIDEO 5(DTV) IN L/R)		Q505	8-729-422-27	TRANSISTOR 2SD601A-QRS-TX	
		<COIL>		Q506	8-729-422-27	TRANSISTOR 2SD601A-QRS-TX	
L501	1-414-856-11	INDUCTOR 10μH		Q507	8-729-216-22	TRANSISTOR 2SB709A-QRS-TX	
L502	1-414-856-11	INDUCTOR 10μH		Q508	8-729-422-27	TRANSISTOR 2SD601A-QRS-TX	
L503	1-414-856-11	INDUCTOR 10μH		Q509	8-729-422-27	TRANSISTOR 2SD601A-QRS-TX	
L504	1-414-856-11	INDUCTOR 10μH		Q510	8-729-122-63	TRANSISTOR 2SA1226-T1E3E4	
L505	1-414-856-11	INDUCTOR 10μH		Q511	8-729-216-22	TRANSISTOR 2SB709A-QRS-TX	
L506	1-414-856-11	INDUCTOR 10μH		Q512	8-729-216-22	TRANSISTOR 2SB709A-QRS-TX	
L507	1-414-856-11	INDUCTOR 10μH		Q513	8-729-216-22	TRANSISTOR 2SB709A-QRS-TX	
L508	1-414-856-11	INDUCTOR 10μH		Q514	8-729-422-27	TRANSISTOR 2SD601A-QRS-TX	
L509	1-414-856-11	INDUCTOR 10μH		Q515	8-729-216-22	TRANSISTOR 2SB709A-QRS-TX	
L510	1-414-856-11	INDUCTOR 10μH		Q516	8-729-122-63	TRANSISTOR 2SA1226-T1E3E4	
L511	1-414-856-11	INDUCTOR 10μH		Q517	8-729-216-22	TRANSISTOR 2SB709A-QRS-TX	
L512	1-414-856-11	INDUCTOR 10μH		Q518	8-729-216-22	TRANSISTOR 2SB709A-QRS-TX	
L513	1-414-234-22	INDUCTOR CHIP 0μH		Q519	8-729-216-22	TRANSISTOR 2SB709A-QRS-TX	
L514	1-414-856-11	INDUCTOR 10μH		Q520	8-729-422-27	TRANSISTOR 2SD601A-QRS-TX	
L515	1-414-856-11	INDUCTOR 10μH		Q521	8-729-216-22	TRANSISTOR 2SB709A-QRS-TX	
L517	1-414-234-22	INDUCTOR CHIP 0μH		Q522	8-729-027-38	TRANSISTOR DTA144EKA-T146	
L518	1-414-234-22	INDUCTOR CHIP 0μH		Q523	8-729-216-22	TRANSISTOR 2SB709A-QRS-TX	
L519	1-414-234-22	INDUCTOR CHIP 0μH		Q524	8-729-122-63	TRANSISTOR 2SA1226-T1E3E4	
L520	1-414-234-22	INDUCTOR CHIP 0μH		Q525	8-729-422-27	TRANSISTOR 2SD601A-QRS-TX	
L523	1-414-856-11	INDUCTOR 10μH		Q526	8-729-422-27	TRANSISTOR 2SD601A-QRS-TX	
L1001	1-414-234-22	INDUCTOR CHIP 0μH		Q527	8-729-422-27	TRANSISTOR 2SD601A-QRS-TX	
L1002	1-414-234-22	INDUCTOR CHIP 0μH		Q528	8-729-422-27	TRANSISTOR 2SD601A-QRS-TX	
L1004	1-469-555-21	INDUCTOR 10μH		Q529	8-729-422-27	TRANSISTOR 2SD601A-QRS-TX	
L1005	1-469-555-21	INDUCTOR 10μH		Q530	8-729-422-27	TRANSISTOR 2SD601A-QRS-TX	
L1006	1-469-555-21	INDUCTOR 10μH		Q531	8-729-422-27	TRANSISTOR 2SD601A-QRS-TX	
L1008	1-469-555-21	INDUCTOR 10μH		Q532	8-729-422-27	TRANSISTOR 2SD601A-QRS-TX	
L1009	1-414-234-22	INDUCTOR CHIP 0μH		Q533	8-729-216-22	TRANSISTOR 2SB709A-QRS-TX	
L1301	1-414-234-22	INDUCTOR CHIP 0μH		Q535	8-729-422-27	TRANSISTOR 2SD601A-QRS-TX	
L1302	1-414-234-22	INDUCTOR CHIP 0μH		Q536	8-729-422-27	TRANSISTOR 2SD601A-QRS-TX	
L1304	1-414-234-22	INDUCTOR CHIP 0μH		Q537	8-729-422-27	TRANSISTOR 2SD601A-QRS-TX	
L1306	1-469-555-21	INDUCTOR 10μH		Q538	8-729-216-22	TRANSISTOR 2SB709A-QRS-TX	
L1307	1-469-555-21	INDUCTOR 10μH		Q539	8-729-216-22	TRANSISTOR 2SB709A-QRS-TX	
L1308	1-469-555-21	INDUCTOR 10μH		Q540	8-729-216-22	TRANSISTOR 2SB709A-QRS-TX	
L1314	1-414-234-22	INDUCTOR CHIP 0μH		Q541	8-729-027-38	TRANSISTOR DTA144EKA-T146	
L1319	1-469-555-21	INDUCTOR 10μH		Q542	8-729-216-22	TRANSISTOR 2SB709A-QRS-TX	
L1320	1-469-555-21	INDUCTOR 10μH		Q543	8-729-422-27	TRANSISTOR 2SD601A-QRS-TX	
L1329	1-469-555-21	INDUCTOR 10μH		Q544	8-729-422-27	TRANSISTOR 2SD601A-QRS-TX	
L1401	1-414-234-22	INDUCTOR CHIP 0μH		Q545	1-801-806-11	TRANSISTOR DTC144EKA-T146	
L1402	1-414-234-22	INDUCTOR CHIP 0μH		Q546	8-729-422-27	TRANSISTOR 2SD601A-QRS-TX	
L1403	1-414-234-22	INDUCTOR CHIP 0μH		Q547	8-729-216-22	TRANSISTOR 2SB709A-QRS-TX	
L1404	1-469-555-21	INDUCTOR 10μH		Q548	8-729-422-27	TRANSISTOR 2SD601A-QRS-TX	
L1405	1-414-234-22	INDUCTOR CHIP 0μH		Q549	8-729-027-38	TRANSISTOR DTA144EKA-T146	
				Q550	1-801-806-11	TRANSISTOR DTC144EKA-T146	
				Q551	1-801-806-11	TRANSISTOR DTC144EKA-T146	
				Q552	8-729-422-27	TRANSISTOR 2SD601A-QRS-TX	
				Q553	8-729-216-22	TRANSISTOR 2SB709A-QRS-TX	
				Q554	1-801-806-11	TRANSISTOR DTC144EKA-T146	
				Q560	8-729-422-27	TRANSISTOR 2SD601A-QRS-TX	
				Q561	8-729-422-27	TRANSISTOR 2SD601A-QRS-TX	
				Q562	8-729-422-27	TRANSISTOR 2SD601A-QRS-TX	



REF. NO.	PART NO.	DESCRIPTION	REMARK	REF. NO.	PART NO.	DESCRIPTION	REMARK
Q563	8-729-216-22	TRANSISTOR	2SB709A-QRS-TX	Q1405	8-729-422-27	TRANSISTOR	2SD601A-QRS-TX
Q564	8-729-216-22	TRANSISTOR	2SB709A-QRS-TX	Q1406	1-801-806-11	TRANSISTOR	DTC144EKA-T146
Q801	8-729-027-38	TRANSISTOR	DTA144EKA-T146	Q1407	8-729-422-27	TRANSISTOR	2SD601A-QRS-TX
Q802	1-801-806-11	TRANSISTOR	DTC144EKA-T146	Q1408	8-729-422-27	TRANSISTOR	2SD601A-QRS-TX
Q1001	8-729-422-27	TRANSISTOR	2SD601A-QRS-TX	Q1413	8-729-216-22	TRANSISTOR	2SB709A-QRS-TX
Q1002	8-729-422-27	TRANSISTOR	2SD601A-QRS-TX	Q1414	8-729-216-22	TRANSISTOR	2SB709A-QRS-TX
Q1003	8-729-422-27	TRANSISTOR	2SD601A-QRS-TX	Q1415	8-729-216-22	TRANSISTOR	2SB709A-QRS-TX
Q1004	8-729-422-27	TRANSISTOR	2SD601A-QRS-TX	Q1416	8-729-216-22	TRANSISTOR	2SB709A-QRS-TX
Q1005	1-801-806-11	TRANSISTOR	DTC144EKA-T146	Q1417	8-729-216-22	TRANSISTOR	2SB709A-QRS-TX
Q1006	8-729-422-27	TRANSISTOR	2SD601A-QRS-TX	Q1418	8-729-216-22	TRANSISTOR	2SB709A-QRS-TX
Q1008	8-729-422-27	TRANSISTOR	2SD601A-QRS-TX	Q1419	8-729-422-27	TRANSISTOR	2SD601A-QRS-TX
Q1010	8-729-422-27	TRANSISTOR	2SD601A-QRS-TX	Q1420	1-801-806-11	TRANSISTOR	DTC144EKA-T146
Q1011	8-729-422-27	TRANSISTOR	2SD601A-QRS-TX	Q1421	8-729-422-27	TRANSISTOR	2SD601A-QRS-TX
Q1012	8-729-422-27	TRANSISTOR	2SD601A-QRS-TX	Q1422	8-729-422-27	TRANSISTOR	2SD601A-QRS-TX
Q1015	1-801-806-11	TRANSISTOR	DTC144EKA-T146	Q1605	1-801-806-11	TRANSISTOR	DTC144EKA-T146
Q1018	8-729-422-27	TRANSISTOR	2SD601A-QRS-TX	Q1606	1-801-806-11	TRANSISTOR	DTC144EKA-T146
Q1020	8-729-422-27	TRANSISTOR	2SD601A-QRS-TX	Q1607	1-801-806-11	TRANSISTOR	DTC144EKA-T146
Q1022	8-729-422-27	TRANSISTOR	2SD601A-QRS-TX	Q1608	1-801-806-11	TRANSISTOR	DTC144EKA-T146
Q1301	8-729-422-27	TRANSISTOR	2SD601A-QRS-TX	Q1613	8-729-048-50	TRANSISTOR	2SK3018-T106
Q1302	8-729-422-27	TRANSISTOR	2SD601A-QRS-TX	Q1614	8-729-048-50	TRANSISTOR	2SK3018-T106
Q1303	8-729-422-27	TRANSISTOR	2SD601A-QRS-TX	Q1615	8-729-048-50	TRANSISTOR	2SK3018-T106
Q1304	8-729-422-27	TRANSISTOR	2SD601A-QRS-TX	Q1616	8-729-048-50	TRANSISTOR	2SK3018-T106
Q1305	8-729-422-27	TRANSISTOR	2SD601A-QRS-TX	Q1617	8-729-422-27	TRANSISTOR	2SD601A-QRS-TX
Q1306	8-729-422-27	TRANSISTOR	2SD601A-QRS-TX	Q1621	8-729-216-22	TRANSISTOR	2SB709A-QRS-TX
Q1307	8-729-216-22	TRANSISTOR	2SB709A-QRS-TX	Q1628	8-729-422-27	TRANSISTOR	2SD601A-QRS-TX
Q1308	8-729-422-27	TRANSISTOR	2SD601A-QRS-TX	Q1629	1-801-806-11	TRANSISTOR	DTC144EKA-T146
Q1309	8-729-216-22	TRANSISTOR	2SB709A-QRS-TX	Q1630	8-729-422-27	TRANSISTOR	2SD601A-QRS-TX
Q1311	8-729-216-22	TRANSISTOR	2SB709A-QRS-TX	Q1631	8-729-422-27	TRANSISTOR	2SD601A-QRS-TX
Q1312	1-801-806-11	TRANSISTOR	DTC144EKA-T146	-<RESISTOR->			
Q1313	8-729-216-22	TRANSISTOR	2SB709A-QRS-TX	R501	1-216-073-00	RES-CHIP	10K 5% 1/10W
Q1315	8-729-216-22	TRANSISTOR	2SB709A-QRS-TX	R502	1-216-073-00	RES-CHIP	10K 5% 1/10W
Q1317	8-729-422-27	TRANSISTOR	2SD601A-QRS-TX	R503	1-216-065-91	RES-CHIP	4.7K 5% 1/10W
Q1318	8-729-216-22	TRANSISTOR	2SB709A-QRS-TX	R504	1-216-065-91	RES-CHIP	4.7K 5% 1/10W
Q1319	8-729-216-22	TRANSISTOR	2SB709A-QRS-TX	R505	1-216-065-91	RES-CHIP	4.7K 5% 1/10W
Q1320	8-729-216-22	TRANSISTOR	2SB709A-QRS-TX	R506	1-216-025-91	RES-CHIP	100 5% 1/10W
Q1321	8-729-216-22	TRANSISTOR	2SB709A-QRS-TX	R507	1-216-295-91	SHORT	0
Q1322	8-729-216-22	TRANSISTOR	2SB709A-QRS-TX	R508	1-249-393-11	CARBON	10 5% 1/4W
Q1323	8-729-216-22	TRANSISTOR	2SB709A-QRS-TX	R509	1-249-381-11	CARBON	1 5% 1/4W
Q1324	8-729-422-27	TRANSISTOR	2SD601A-QRS-TX	R510	1-216-057-00	RES-CHIP	2.2K 5% 1/10W
Q1325	8-729-422-27	TRANSISTOR	2SD601A-QRS-TX	R511	1-216-295-91	SHORT	0
Q1326	8-729-422-27	TRANSISTOR	2SD601A-QRS-TX	R512	1-216-295-91	SHORT	0
Q1327	8-729-422-27	TRANSISTOR	2SD601A-QRS-TX	R513	1-216-295-91	SHORT	0
Q1328	8-729-422-27	TRANSISTOR	2SD601A-QRS-TX	R514	1-216-031-00	RES-CHIP	180 5% 1/10W
Q1329	8-729-422-27	TRANSISTOR	2SD601A-QRS-TX	R515	1-249-381-11	CARBON	1 5% 1/4W
Q1330	8-729-422-27	TRANSISTOR	2SD601A-QRS-TX	R516	1-216-025-91	RES-CHIP	100 5% 1/10W
Q1331	8-729-216-22	TRANSISTOR	2SB709A-QRS-TX	R517	1-216-101-00	RES-CHIP	150K 5% 1/10W
Q1332	8-729-216-22	TRANSISTOR	2SB709A-QRS-TX	R518	1-216-295-91	SHORT	0
Q1333	8-729-422-27	TRANSISTOR	2SD601A-QRS-TX	R519	1-216-025-91	RES-CHIP	100 5% 1/10W
Q1335	8-729-422-27	TRANSISTOR	2SD601A-QRS-TX	R520	1-216-065-91	RES-CHIP	4.7K 5% 1/10W
Q1336	8-729-422-27	TRANSISTOR	2SD601A-QRS-TX	R521	1-216-049-91	RES-CHIP	1K 5% 1/10W
Q1338	8-729-216-22	TRANSISTOR	2SB709A-QRS-TX	R522	1-216-295-91	SHORT	0
Q1343	8-729-216-22	TRANSISTOR	2SB709A-QRS-TX	R523	1-216-031-00	RES-CHIP	180 5% 1/10W
Q1366	8-729-422-27	TRANSISTOR	2SD601A-QRS-TX	R524	1-216-081-00	RES-CHIP	22K 5% 1/10W
Q1367	8-729-216-22	TRANSISTOR	2SB709A-QRS-TX	R525	1-216-655-11	METAL CHIP	1.5K 0.5% 1/10W
Q1402	8-729-422-27	TRANSISTOR	2SD601A-QRS-TX	R526	1-216-031-00	RES-CHIP	180 5% 1/10W
Q1403	8-729-422-27	TRANSISTOR	2SD601A-QRS-TX				
Q1404	8-729-422-27	TRANSISTOR	2SD601A-QRS-TX				

KP-53HS10/61HS10

RM-Y902 RM-Y902



REF. NO.	PART NO.	DESCRIPTION	REMARK	REF. NO.	PART NO.	DESCRIPTION	REMARK
R527	1-216-085-00	RES-CHIP	33K 5% 1/10W	R645	1-216-025-91	RES-CHIP	100 5% 1/10W
R528	1-216-059-00	RES-CHIP	2.7K 5% 1/10W	R646	1-216-025-91	RES-CHIP	100 5% 1/10W
R529	1-216-105-91	RES-CHIP	220K 5% 1/10W	R647	1-216-025-91	RES-CHIP	100 5% 1/10W
R530	1-208-780-11	METAL CHIP	820 0.5% 1/10W	R648	1-216-017-91	RES-CHIP	47 5% 1/10W
R531	1-208-774-11	METAL CHIP	470 0.5% 1/10W	R649	1-216-025-91	RES-CHIP	100 5% 1/10W
R532	1-216-049-91	RES-CHIP	1K 5% 1/10W	R650	1-216-025-91	RES-CHIP	100 5% 1/10W
R533	1-216-368-11	METAL OXIDE	0.82 5% 2W	R651	1-216-073-00	RES-CHIP	10K 5% 1/10W
R534	1-208-810-11	METAL CHIP	15K 0.5% 1/10W	R652	1-216-025-91	RES-CHIP	100 5% 1/10W
R535	1-216-373-11	METAL OXIDE	2.2 5% 2W	R653	1-216-025-91	RES-CHIP	100 5% 1/10W
R536	1-208-782-11	METAL CHIP	1K 0.5% 1/10W	R654	1-216-025-91	RES-CHIP	100 5% 1/10W
R537	1-208-818-11	METAL CHIP	33K 0.5% 1/10W	R655	1-216-025-91	RES-CHIP	100 5% 1/10W
R538	1-216-083-00	RES-CHIP	27K 5% 1/10W	R656	1-216-025-91	RES-CHIP	100 5% 1/10W
R539	1-216-689-11	RES-CHIP	39K 5% 1/10W	R657	1-216-083-00	RES-CHIP	27K 5% 1/10W
R540	1-208-808-11	METAL CHIP	12K 0.5% 1/10W	R658	1-216-689-11	RES-CHIP	39K 5% 1/10W
R541	1-208-806-11	METAL CHIP	10K 0.5% 1/10W	R659	1-216-025-91	RES-CHIP	100 5% 1/10W
R542	1-216-043-91	RES-CHIP	560 5% 1/10W	R660	1-216-025-91	RES-CHIP	100 5% 1/10W
R543	1-208-776-11	METAL CHIP	560 0.5% 1/10W	R661	1-216-061-00	RES-CHIP	3.3K 5% 1/10W
R544	1-216-045-00	RES-CHIP	680 5% 1/10W	R662	1-216-025-91	RES-CHIP	100 5% 1/10W
R545	1-216-071-00	RES-CHIP	8.2K 5% 1/10W	R663	1-216-025-91	RES-CHIP	100 5% 1/10W
R546	1-208-826-11	METAL CHIP	68K 0.5% 1/10W	R664	1-208-776-11	METAL CHIP	560 0.5% 1/10W
R547	1-216-073-00	RES-CHIP	10K 5% 1/10W	R665	1-216-025-91	RES-CHIP	100 5% 1/10W
R548	1-208-788-11	METAL CHIP	1.8K 0.5% 1/10W	R666	1-216-049-91	RES-CHIP	1K 5% 1/10W
R549	1-208-782-11	METAL CHIP	1K 0.5% 1/10W	R667	1-216-109-00	RES-CHIP	330K 5% 1/10W
R550	1-208-806-11	METAL CHIP	10K 0.5% 1/10W	R668	1-216-025-91	RES-CHIP	100 5% 1/10W
R551	1-216-097-91	RES-CHIP	100K 5% 1/10W	R669	1-208-814-91	METAL CHIP	22K 0.5% 1/10W
R552	1-216-081-00	RES-CHIP	22K 5% 1/10W	R670	1-216-069-00	RES-CHIP	6.8K 5% 1/10W
R553	1-216-057-00	RES-CHIP	2.2K 5% 1/10W	R671	1-216-025-91	RES-CHIP	100 5% 1/10W
R554	1-208-776-11	METAL CHIP	560 0.5% 1/10W	R672	1-216-049-91	RES-CHIP	1K 5% 1/10W
R555	1-216-043-91	RES-CHIP	560 5% 1/10W	R673	1-216-025-91	RES-CHIP	100 5% 1/10W
R556	1-216-121-91	RES-CHIP	1M 5% 1/10W	R674	1-216-025-91	RES-CHIP	100 5% 1/10W
R557	1-216-065-91	RES-CHIP	4.7K 5% 1/10W	R675	1-216-083-00	RES-CHIP	27K 5% 1/10W
R558	1-216-073-00	RES-CHIP	10K 5% 1/10W	R676	1-216-025-91	RES-CHIP	100 5% 1/10W
R559	1-216-073-00	RES-CHIP	10K 5% 1/10W	R677	1-216-025-91	RES-CHIP	100 5% 1/10W
R560	1-208-778-11	METAL CHIP	680 0.5% 1/10W	R678	1-216-025-91	RES-CHIP	100 5% 1/10W
R561	1-216-065-91	RES-CHIP	4.7K 5% 1/10W	R679	1-216-065-91	RES-CHIP	4.7K 5% 1/10W
R562	1-216-057-00	RES-CHIP	2.2K 5% 1/10W	R680	1-216-025-91	RES-CHIP	100 5% 1/10W
R563	1-216-097-91	RES-CHIP	100K 5% 1/10W	R681	1-216-065-91	RES-CHIP	4.7K 5% 1/10W
R564	1-216-097-91	RES-CHIP	100K 5% 1/10W	R682	1-208-778-11	METAL CHIP	680 0.5% 1/10W
R565	1-216-097-91	RES-CHIP	100K 5% 1/10W	R683	1-216-057-00	RES-CHIP	2.2K 5% 1/10W
R566	1-216-069-00	RES-CHIP	6.8K 5% 1/10W	R685	1-216-025-91	RES-CHIP	100 5% 1/10W
R567	1-216-049-91	RES-CHIP	1K 5% 1/10W	R686	1-216-077-91	RES-CHIP	15K 5% 1/10W
R569	1-216-073-00	RES-CHIP	10K 5% 1/10W	R687	1-216-295-91	SHORT	0
R570	1-208-798-11	METAL CHIP	4.7K 0.5% 1/10W	R688	1-216-057-00	RES-CHIP	2.2K 5% 1/10W
R571	1-208-806-11	METAL CHIP	10K 0.5% 1/10W	R689	1-216-025-91	RES-CHIP	100 5% 1/10W
R572	1-216-097-91	RES-CHIP	100K 5% 1/10W	R690	1-216-025-91	RES-CHIP	100 5% 1/10W
R573	1-216-049-91	RES-CHIP	1K 5% 1/10W	R691	1-216-295-91	SHORT	0
R574	1-216-057-00	RES-CHIP	2.2K 5% 1/10W	R692	1-208-808-11	METAL CHIP	12K 0.5% 1/10W
R575	1-216-057-00	RES-CHIP	2.2K 5% 1/10W	R693	1-216-025-91	RES-CHIP	100 5% 1/10W
R576	1-216-097-91	RES-CHIP	100K 5% 1/10W	R694	1-216-033-00	RES-CHIP	220 5% 1/10W
R577	1-216-075-00	RES-CHIP	12K 5% 1/10W	R695	1-216-025-91	RES-CHIP	100 5% 1/10W
R578	1-216-073-00	RES-CHIP	10K 5% 1/10W	R696	1-208-822-11	METAL CHIP	47K 0.5% 1/10W
R580	1-208-814-91	METAL CHIP	22K 0.5% 1/10W	R697	1-216-025-91	RES-CHIP	100 5% 1/10W
R581	1-216-073-00	RES-CHIP	10K 5% 1/10W	R698	1-216-065-91	RES-CHIP	4.7K 5% 1/10W
R582	1-216-049-91	RES-CHIP	1K 5% 1/10W	R699	1-208-798-11	METAL CHIP	4.7K 0.5% 1/10W
R583	1-216-057-00	RES-CHIP	2.2K 5% 1/10W	R700	1-216-043-91	RES-CHIP	560 5% 1/10W
R584	1-216-097-91	RES-CHIP	100K 5% 1/10W	R701	1-208-755-11	METAL CHIP	75 0.5% 1/10W
R585	1-216-097-91	RES-CHIP	100K 5% 1/10W	R702	1-216-295-91	SHORT	0



REF. NO.	PART NO.	DESCRIPTION		REMARK	REF. NO.	PART NO.	DESCRIPTION		REMARK
R703	1-216-049-91	RES-CHIP	1K	5%	1/10W	R790	1-216-025-91	RES-CHIP	100 5% 1/10W
R705	1-216-025-91	RES-CHIP	100	5%	1/10W	R791	1-216-067-00	RES-CHIP	5.6K 5% 1/10W
R707	1-208-814-91	METAL CHIP	22K	0.5%	1/10W	R794	1-216-067-00	RES-CHIP	5.6K 5% 1/10W
R708	1-216-025-91	RES-CHIP	100	5%	1/10W	R795	1-216-025-91	RES-CHIP	100 5% 1/10W
R709	1-216-091-00	RES-CHIP	56K	5%	1/10W	R799	1-216-025-91	RES-CHIP	100 5% 1/10W
R710	1-216-025-91	RES-CHIP	100	5%	1/10W	R800	1-216-025-91	RES-CHIP	100 5% 1/10W
R713	1-216-025-91	RES-CHIP	100	5%	1/10W	R801	1-216-081-00	RES-CHIP	22K 5% 1/10W
R714	1-216-295-91	SHORT	0			R802	1-216-041-00	RES-CHIP	470 5% 1/10W
R717	1-216-051-00	RES-CHIP	1.2K	5%	1/10W	R803	1-216-065-91	RES-CHIP	4.7K 5% 1/10W
R719	1-216-295-91	SHORT	0			R804	1-216-067-00	RES-CHIP	5.6K 5% 1/10W
R720	1-216-057-00	RES-CHIP	2.2K	5%	1/10W	R806	1-208-755-11	METAL CHIP	75 0.5% 1/10W
R721	1-216-025-91	RES-CHIP	100	5%	1/10W	R807	1-208-755-11	METAL CHIP	75 0.5% 1/10W
R722	1-216-025-91	RES-CHIP	100	5%	1/10W	R808	1-216-067-00	RES-CHIP	5.6K 5% 1/10W
R723	1-216-295-91	SHORT	0			R809	1-216-067-00	RES-CHIP	5.6K 5% 1/10W
R725	1-208-782-11	METAL CHIP	1K	0.5%	1/10W	R810	1-208-755-11	METAL CHIP	75 0.5% 1/10W
R726	1-216-057-00	RES-CHIP	2.2K	5%	1/10W	R812	1-216-025-91	RES-CHIP	100 5% 1/10W
R727	1-216-051-00	RES-CHIP	1.2K	5%	1/10W	R814	1-216-067-00	RES-CHIP	5.6K 5% 1/10W
R728	1-208-806-11	METAL CHIP	10K	0.5%	1/10W	R815	1-216-067-00	RES-CHIP	5.6K 5% 1/10W
R729	1-216-295-91	SHORT	0			R816	1-216-295-91	SHORT	0
R730	1-216-049-91	RES-CHIP	1K	5%	1/10W	R817	1-216-065-91	RES-CHIP	4.7K 5% 1/10W
R734	1-216-057-00	RES-CHIP	2.2K	5%	1/10W	R818	1-216-049-91	RES-CHIP	1K 5% 1/10W
R735	1-216-025-91	RES-CHIP	100	5%	1/10W	R819	1-216-025-91	RES-CHIP	100 5% 1/10W
R736	1-216-025-91	RES-CHIP	100	5%	1/10W	R820	1-216-067-00	RES-CHIP	5.6K 5% 1/10W
R739	1-216-073-00	RES-CHIP	10K	5%	1/10W	R821	1-216-025-91	RES-CHIP	100 5% 1/10W
R740	1-216-017-91	RES-CHIP	47	5%	1/10W	R822	1-216-067-00	RES-CHIP	5.6K 5% 1/10W
R741	1-216-093-91	RES-CHIP	68K	5%	1/10W	R823	1-216-025-91	RES-CHIP	100 5% 1/10W
R743	1-216-025-91	RES-CHIP	100	5%	1/10W	R824	1-216-025-91	RES-CHIP	100 5% 1/10W
R744	1-216-025-91	RES-CHIP	100	5%	1/10W	R825	1-216-025-91	RES-CHIP	100 5% 1/10W
R745	1-216-025-91	RES-CHIP	100	5%	1/10W	R826	1-216-067-00	RES-CHIP	5.6K 5% 1/10W
R746	1-216-025-91	RES-CHIP	100	5%	1/10W	R827	1-216-025-91	RES-CHIP	100 5% 1/10W
R747	1-216-085-00	RES-CHIP	33K	5%	1/10W	R828	1-216-067-00	RES-CHIP	5.6K 5% 1/10W
R748	1-216-025-91	RES-CHIP	100	5%	1/10W	R829	1-216-025-91	RES-CHIP	100 5% 1/10W
R749	1-216-025-91	RES-CHIP	100	5%	1/10W	R830	1-216-025-91	RES-CHIP	100 5% 1/10W
R751	1-216-057-00	RES-CHIP	2.2K	5%	1/10W	R831	1-216-025-91	RES-CHIP	100 5% 1/10W
R753	1-216-025-91	RES-CHIP	100	5%	1/10W	R832	1-216-067-00	RES-CHIP	5.6K 5% 1/10W
R754	1-216-025-91	RES-CHIP	100	5%	1/10W	R833	1-216-025-91	RES-CHIP	100 5% 1/10W
R755	1-216-295-91	SHORT	0			R834	1-216-067-00	RES-CHIP	5.6K 5% 1/10W
R756	1-216-045-00	RES-CHIP	680	5%	1/10W	R835	1-216-025-91	RES-CHIP	100 5% 1/10W
R757	1-216-065-91	RES-CHIP	4.7K	5%	1/10W	R836	1-216-025-91	RES-CHIP	100 5% 1/10W
R759	1-216-295-91	SHORT	0			R840	1-216-081-00	RES-CHIP	22K 5% 1/10W
R760	1-216-295-91	SHORT	0			R841	1-216-081-00	RES-CHIP	22K 5% 1/10W
R763	1-216-057-00	RES-CHIP	2.2K	5%	1/10W	R843	1-216-081-00	RES-CHIP	22K 5% 1/10W
R765	1-216-057-00	RES-CHIP	2.2K	5%	1/10W	R852	1-216-113-00	RES-CHIP	470K 5% 1/10W
R766	1-216-019-00	RES-CHIP	56	5%	1/10W	R853	1-216-041-00	RES-CHIP	470 5% 1/10W
R768	1-216-081-00	RES-CHIP	22K	5%	1/10W	R854	1-216-041-00	RES-CHIP	470 5% 1/10W
R772	1-216-025-91	RES-CHIP	100	5%	1/10W	R855	1-216-113-00	RES-CHIP	470K 5% 1/10W
R773	1-216-025-91	RES-CHIP	100	5%	1/10W	R856	1-216-049-91	RES-CHIP	1K 5% 1/10W
R774	1-216-025-91	RES-CHIP	100	5%	1/10W	R857	1-216-089-91	RES-CHIP	47K 5% 1/10W
R777	1-216-025-91	RES-CHIP	100	5%	1/10W	R858	1-216-065-91	RES-CHIP	4.7K 5% 1/10W
R779	1-208-818-11	METAL CHIP	33K	0.5%	1/10W	R859	1-216-033-00	RES-CHIP	220 5% 1/10W
R780	1-216-025-91	RES-CHIP	100	5%	1/10W	R860	1-216-033-00	RES-CHIP	220 5% 1/10W
R781	1-208-794-11	METAL CHIP	3.3K	0.5%	1/10W	R861	1-216-033-00	RES-CHIP	220 5% 1/10W
R783	1-216-025-91	RES-CHIP	100	5%	1/10W	R862	1-216-049-91	RES-CHIP	1K 5% 1/10W
R784	1-216-067-00	RES-CHIP	5.6K	5%	1/10W	R864	1-216-049-91	RES-CHIP	1K 5% 1/10W
R787	1-216-025-91	RES-CHIP	100	5%	1/10W	R865	1-216-049-91	RES-CHIP	1K 5% 1/10W
R788	1-216-073-00	RES-CHIP	10K	5%	1/10W	R867	1-216-065-91	RES-CHIP	4.7K 5% 1/10W
R789	1-216-073-00	RES-CHIP	10K	5%	1/10W				

KP-53HS10/61HS10

RM-Y902 RM-Y902



REF. NO.	PART NO.	DESCRIPTION	REMARK	REF. NO.	PART NO.	DESCRIPTION	REMARK
R868	1-216-033-00	RES-CHIP	220 5% 1/10W	R1020	1-216-025-91	RES-CHIP	100 5% 1/10W
R869	1-216-033-00	RES-CHIP	220 5% 1/10W	R1021	1-216-033-00	RES-CHIP	220 5% 1/10W
R870	1-216-113-00	RES-CHIP	470K 5% 1/10W	R1022	1-208-784-11	METAL CHIP	1.2K 0.5% 1/10W
R871	1-216-113-00	RES-CHIP	470K 5% 1/10W				
R872	1-216-113-00	RES-CHIP	470K 5% 1/10W	R1023	1-208-766-11	METAL CHIP	220 0.5% 1/10W
				R1024	1-216-081-00	RES-CHIP	22K 5% 1/10W
R873	1-216-113-00	RES-CHIP	470K 5% 1/10W	R1025	1-216-025-91	RES-CHIP	100 5% 1/10W
R875	1-208-755-11	METAL CHIP	75 0.5% 1/10W	R1026	1-208-814-91	METAL CHIP	22K 0.5% 1/10W
R876	1-208-755-11	METAL CHIP	75 0.5% 1/10W	R1027	1-216-025-91	RES-CHIP	100 5% 1/10W
R877	1-208-755-11	METAL CHIP	75 0.5% 1/10W				
R878	1-208-755-11	METAL CHIP	75 0.5% 1/10W	R1028	1-208-814-91	METAL CHIP	22K 0.5% 1/10W
				R1029	1-216-025-91	RES-CHIP	100 5% 1/10W
R879	1-208-755-11	METAL CHIP	75 0.5% 1/10W	R1030	1-208-790-11	METAL CHIP	2.2K 0.5% 1/10W
R880	1-208-755-11	METAL CHIP	75 0.5% 1/10W	R1031	1-216-025-91	RES-CHIP	100 5% 1/10W
R883	1-208-755-11	METAL CHIP	75 0.5% 1/10W	R1032	1-216-097-91	RES-CHIP	100K 5% 1/10W
R884	1-208-755-11	METAL CHIP	75 0.5% 1/10W				
R885	1-208-755-11	METAL CHIP	75 0.5% 1/10W	R1033	1-216-025-91	RES-CHIP	100 5% 1/10W
				R1034	1-216-057-00	RES-CHIP	2.2K 5% 1/10W
R886	1-216-113-00	RES-CHIP	470K 5% 1/10W	R1035	1-216-025-91	RES-CHIP	100 5% 1/10W
R887	1-216-033-00	RES-CHIP	220 5% 1/10W	R1036	1-216-009-91	RES-CHIP	22 5% 1/10W
R891	1-208-755-11	METAL CHIP	75 0.5% 1/10W	R1037	1-208-770-11	METAL CHIP	330 0.5% 1/10W
R892	1-216-113-00	RES-CHIP	470K 5% 1/10W				
R893	1-208-755-11	METAL CHIP	75 0.5% 1/10W	R1038	1-216-025-91	RES-CHIP	100 5% 1/10W
				R1039	1-216-025-91	RES-CHIP	100 5% 1/10W
R894	1-216-113-00	RES-CHIP	470K 5% 1/10W	R1040	1-216-025-91	RES-CHIP	100 5% 1/10W
R895	1-208-755-11	METAL CHIP	75 0.5% 1/10W	R1041	1-216-295-91	SHORT	0
R896	1-216-113-00	RES-CHIP	470K 5% 1/10W	R1042	1-216-097-91	RES-CHIP	100K 5% 1/10W
R898	1-216-113-00	RES-CHIP	470K 5% 1/10W				
R899	1-216-033-00	RES-CHIP	220 5% 1/10W	R1043	1-216-025-91	RES-CHIP	100 5% 1/10W
				R1044	1-208-790-11	METAL CHIP	2.2K 0.5% 1/10W
R901	1-216-033-00	RES-CHIP	220 5% 1/10W	R1045	1-216-033-00	RES-CHIP	220 5% 1/10W
R903	1-216-009-91	RES-CHIP	22 5% 1/10W	R1046	1-216-073-00	RES-CHIP	10K 5% 1/10W
R904	1-216-009-91	RES-CHIP	22 5% 1/10W	R1047	1-216-065-91	RES-CHIP	4.7K 5% 1/10W
R905	1-216-073-00	RES-CHIP	10K 5% 1/10W				
R906	1-216-073-00	RES-CHIP	10K 5% 1/10W	R1048	1-216-097-91	RES-CHIP	100K 5% 1/10W
				R1049	1-216-089-91	RES-CHIP	47K 5% 1/10W
R907	1-216-073-00	RES-CHIP	10K 5% 1/10W	R1050	1-216-061-00	RES-CHIP	3.3K 5% 1/10W
R908	1-216-073-00	RES-CHIP	10K 5% 1/10W	R1051	1-216-049-91	RES-CHIP	1K 5% 1/10W
R909	1-216-073-00	RES-CHIP	10K 5% 1/10W	R1052	1-216-049-91	RES-CHIP	1K 5% 1/10W
R910	1-216-041-00	RES-CHIP	470 5% 1/10W				
R911	1-216-025-91	RES-CHIP	100 5% 1/10W	R1053	1-216-083-00	RES-CHIP	27K 5% 1/10W
				R1062	1-216-065-91	RES-CHIP	4.7K 5% 1/10W
R912	1-216-025-91	RES-CHIP	100 5% 1/10W	R1063	1-216-065-91	RES-CHIP	4.7K 5% 1/10W
R913	1-216-025-91	RES-CHIP	100 5% 1/10W	R1064	1-216-065-91	RES-CHIP	4.7K 5% 1/10W
R914	1-216-025-91	RES-CHIP	100 5% 1/10W	R1065	1-216-049-91	RES-CHIP	1K 5% 1/10W
R1001	1-208-790-11	METAL CHIP	2.2K 0.5% 1/10W				
R1002	1-208-790-11	METAL CHIP	2.2K 0.5% 1/10W	R1066	1-216-049-91	RES-CHIP	1K 5% 1/10W
				R1069	1-216-049-91	RES-CHIP	1K 5% 1/10W
R1003	1-208-790-11	METAL CHIP	2.2K 0.5% 1/10W	R1071	1-216-073-00	RES-CHIP	10K 5% 1/10W
R1004	1-208-790-11	METAL CHIP	2.2K 0.5% 1/10W	R1074	1-216-049-91	RES-CHIP	1K 5% 1/10W
R1005	1-208-790-11	METAL CHIP	2.2K 0.5% 1/10W	R1077	1-216-033-00	RES-CHIP	220 5% 1/10W
R1006	1-216-033-00	RES-CHIP	220 5% 1/10W				
R1007	1-208-784-11	METAL CHIP	1.2K 0.5% 1/10W	R1078	1-216-049-91	RES-CHIP	1K 5% 1/10W
				R1079	1-216-033-00	RES-CHIP	220 5% 1/10W
R1008	1-208-766-11	METAL CHIP	220 0.5% 1/10W	R1081	1-216-037-00	RES-CHIP	330 5% 1/10W
R1009	1-216-033-00	RES-CHIP	220 5% 1/10W	R1082	1-216-037-00	RES-CHIP	330 5% 1/10W
R1010	1-208-784-11	METAL CHIP	1.2K 0.5% 1/10W	R1083	1-216-089-91	RES-CHIP	47K 5% 1/10W
R1011	1-208-766-11	METAL CHIP	220 0.5% 1/10W				
R1012	1-208-790-11	METAL CHIP	2.2K 0.5% 1/10W	R1084	1-216-065-91	RES-CHIP	4.7K 5% 1/10W
				R1086	1-216-073-00	RES-CHIP	10K 5% 1/10W
R1013	1-216-053-00	RES-CHIP	1.5K 5% 1/10W	R1087	1-216-025-91	RES-CHIP	100 5% 1/10W
R1014	1-216-025-91	RES-CHIP	100 5% 1/10W	R1088	1-216-067-00	RES-CHIP	5.6K 5% 1/10W
R1015	1-216-025-91	RES-CHIP	100 5% 1/10W	R1089	1-216-025-91	RES-CHIP	100 5% 1/10W
R1016	1-216-025-91	RES-CHIP	100 5% 1/10W				
R1017	1-216-025-91	RES-CHIP	100 5% 1/10W	R1090	1-208-798-11	METAL CHIP	4.7K 0.5% 1/10W
				R1091	1-216-025-91	RES-CHIP	100 5% 1/10W
R1018	1-216-025-91	RES-CHIP	100 5% 1/10W	R1092	1-216-073-00	RES-CHIP	10K 5% 1/10W
R1019	1-216-025-91	RES-CHIP	100 5% 1/10W	R1094	1-216-033-00	RES-CHIP	220 5% 1/10W



REF. NO.	PART NO.	DESCRIPTION		REMARK	REF. NO.	PART NO.	DESCRIPTION		REMARK		
R1095	1-216-033-00	RES-CHIP	220	5%	1/10W	R1156	1-216-033-00	RES-CHIP	220	5%	1/10W
R1096	1-216-067-00	RES-CHIP	5.6K	5%	1/10W	R1157	1-216-049-91	RES-CHIP	1K	5%	1/10W
R1097	1-216-033-00	RES-CHIP	220	5%	1/10W	R1158	1-216-033-00	RES-CHIP	220	5%	1/10W
R1098	1-216-033-00	RES-CHIP	220	5%	1/10W	R1159	1-216-049-91	RES-CHIP	1K	5%	1/10W
R1099	1-216-033-00	RES-CHIP	220	5%	1/10W	R1161	1-216-049-91	RES-CHIP	1K	5%	1/10W
R1100	1-216-033-00	RES-CHIP	220	5%	1/10W	R1162	1-216-025-91	RES-CHIP	100	5%	1/10W
R1101	1-216-025-91	RES-CHIP	100	5%	1/10W	R1163	1-216-025-91	RES-CHIP	100	5%	1/10W
R1102	1-216-033-00	RES-CHIP	220	5%	1/10W	R1164	1-216-033-00	RES-CHIP	220	5%	1/10W
R1103	1-216-033-00	RES-CHIP	220	5%	1/10W	R1165	1-216-033-00	RES-CHIP	220	5%	1/10W
R1104	1-216-049-91	RES-CHIP	1K	5%	1/10W	R1166	1-216-033-00	RES-CHIP	220	5%	1/10W
R1106	1-216-033-00	RES-CHIP	220	5%	1/10W	R1167	1-216-121-91	RES-CHIP	1M	5%	1/10W
R1107	1-216-049-91	RES-CHIP	1K	5%	1/10W	R1171	1-216-049-91	RES-CHIP	1K	5%	1/10W
R1108	1-216-025-91	RES-CHIP	100	5%	1/10W	R1172	1-216-049-91	RES-CHIP	1K	5%	1/10W
R1109	1-216-295-91	SHORT	0			R1175	1-208-788-11	METAL CHIP	1.8K	0.5%	1/10W
R1110	1-216-033-00	RES-CHIP	220	5%	1/10W	R1178	1-208-766-11	METAL CHIP	220	0.5%	1/10W
R1111	1-216-033-00	RES-CHIP	220	5%	1/10W	R1180	1-208-788-11	METAL CHIP	1.8K	0.5%	1/10W
R1112	1-216-065-91	RES-CHIP	4.7K	5%	1/10W	R1183	1-208-766-11	METAL CHIP	220	0.5%	1/10W
R1113	1-216-049-91	RES-CHIP	1K	5%	1/10W	R1185	1-208-788-11	METAL CHIP	1.8K	0.5%	1/10W
R1114	1-216-049-91	RES-CHIP	1K	5%	1/10W	R1188	1-208-766-11	METAL CHIP	220	0.5%	1/10W
R1115	1-216-033-00	RES-CHIP	220	5%	1/10W	R1301	1-216-057-00	RES-CHIP	2.2K	5%	1/10W
R1116	1-216-049-91	RES-CHIP	1K	5%	1/10W	R1302	1-216-057-00	RES-CHIP	2.2K	5%	1/10W
R1117	1-216-041-00	RES-CHIP	470	5%	1/10W	R1303	1-208-788-11	METAL CHIP	1.8K	0.5%	1/10W
R1118	1-216-049-91	RES-CHIP	1K	5%	1/10W	R1305	1-208-788-11	METAL CHIP	1.8K	0.5%	1/10W
R1119	1-216-049-91	RES-CHIP	1K	5%	1/10W	R1306	1-208-788-11	METAL CHIP	1.8K	0.5%	1/10W
R1120	1-216-049-91	RES-CHIP	1K	5%	1/10W	R1307	1-208-766-11	METAL CHIP	220	0.5%	1/10W
R1121	1-216-049-91	RES-CHIP	1K	5%	1/10W	R1308	1-216-025-91	RES-CHIP	100	5%	1/10W
R1122	1-216-065-91	RES-CHIP	4.7K	5%	1/10W	R1309	1-216-025-91	RES-CHIP	100	5%	1/10W
R1123	1-216-033-00	RES-CHIP	220	5%	1/10W	R1310	1-216-295-91	SHORT	0		
R1124	1-216-049-91	RES-CHIP	1K	5%	1/10W	R1311	1-216-041-00	RES-CHIP	470	5%	1/10W
R1125	1-216-097-91	RES-CHIP	100K	5%	1/10W	R1312	1-216-057-00	RES-CHIP	2.2K	5%	1/10W
R1126	1-216-025-91	RES-CHIP	100	5%	1/10W	R1313	1-208-766-11	METAL CHIP	220	0.5%	1/10W
R1130	1-216-033-00	RES-CHIP	220	5%	1/10W	R1314	1-208-766-11	METAL CHIP	220	0.5%	1/10W
R1131	1-216-049-91	RES-CHIP	1K	5%	1/10W	R1315	1-216-025-91	RES-CHIP	100	5%	1/10W
R1133	1-216-049-91	RES-CHIP	1K	5%	1/10W	R1316	1-216-025-91	RES-CHIP	100	5%	1/10W
R1134	1-216-049-91	RES-CHIP	1K	5%	1/10W	R1317	1-216-025-91	RES-CHIP	100	5%	1/10W
R1135	1-216-033-00	RES-CHIP	220	5%	1/10W	R1318	1-216-061-00	RES-CHIP	3.3K	5%	1/10W
R1136	1-216-033-00	RES-CHIP	220	5%	1/10W	R1319	1-216-057-00	RES-CHIP	2.2K	5%	1/10W
R1137	1-216-049-91	RES-CHIP	1K	5%	1/10W	R1320	1-216-025-91	RES-CHIP	100	5%	1/10W
R1138	1-216-033-00	RES-CHIP	220	5%	1/10W	R1321	1-216-025-91	RES-CHIP	100	5%	1/10W
R1139	1-216-033-00	RES-CHIP	220	5%	1/10W	R1322	1-216-025-91	RES-CHIP	100	5%	1/10W
R1140	1-216-033-00	RES-CHIP	220	5%	1/10W	R1323	1-216-037-00	RES-CHIP	330	5%	1/10W
R1141	1-216-049-91	RES-CHIP	1K	5%	1/10W	R1324	1-216-049-91	RES-CHIP	1K	5%	1/10W
R1142	1-216-033-00	RES-CHIP	220	5%	1/10W	R1325	1-216-111-00	RES-CHIP	390K	5%	1/10W
R1143	1-216-033-00	RES-CHIP	220	5%	1/10W	R1326	1-216-025-91	RES-CHIP	100	5%	1/10W
R1144	1-216-065-91	RES-CHIP	4.7K	5%	1/10W	R1327	1-216-061-00	RES-CHIP	3.3K	5%	1/10W
R1145	1-216-033-00	RES-CHIP	220	5%	1/10W	R1328	1-216-025-91	RES-CHIP	100	5%	1/10W
R1146	1-216-049-91	RES-CHIP	1K	5%	1/10W	R1329	1-216-049-91	RES-CHIP	1K	5%	1/10W
R1147	1-216-025-91	RES-CHIP	100	5%	1/10W	R1330	1-216-025-91	RES-CHIP	100	5%	1/10W
R1148	1-216-033-00	RES-CHIP	220	5%	1/10W	R1331	1-216-025-91	RES-CHIP	100	5%	1/10W
R1149	1-216-049-91	RES-CHIP	1K	5%	1/10W	R1332	1-216-025-91	RES-CHIP	100	5%	1/10W
R1150	1-216-025-91	RES-CHIP	100	5%	1/10W	R1333	1-216-043-91	RES-CHIP	560	5%	1/10W
R1151	1-216-033-00	RES-CHIP	220	5%	1/10W	R1334	1-216-049-91	RES-CHIP	1K	5%	1/10W
R1152	1-216-025-91	RES-CHIP	100	5%	1/10W	R1335	1-216-049-91	RES-CHIP	1K	5%	1/10W
R1153	1-216-097-91	RES-CHIP	100K	5%	1/10W	R1337	1-216-025-91	RES-CHIP	100	5%	1/10W
R1154	1-216-097-91	RES-CHIP	100K	5%	1/10W	R1338	1-216-025-91	RES-CHIP	100	5%	1/10W
R1155	1-216-049-91	RES-CHIP	1K	5%	1/10W	R1339	1-216-065-91	RES-CHIP	4.7K	5%	1/10W
						R1341	1-216-025-91	RES-CHIP	100	5%	1/10W

KP-53HS10/61HS10

RM-Y902 RM-Y902



REF. NO.	PART NO.	DESCRIPTION	REMARK	REF. NO.	PART NO.	DESCRIPTION	REMARK
R1342	1-216-071-00	RES-CHIP	8.2K 5% 1/10W	R1424	1-208-814-91	METAL CHIP	22K 0.5% 1/10W
R1345	1-216-077-91	RES-CHIP	15K 5% 1/10W	R1425	1-216-025-91	RES-CHIP	100 5% 1/10W
R1348	1-216-073-00	RES-CHIP	10K 5% 1/10W	R1426	1-216-025-91	RES-CHIP	100 5% 1/10W
R1349	1-216-053-00	RES-CHIP	1.5K 5% 1/10W	R1427	1-216-295-91	SHORT	0
R1350	1-216-065-91	RES-CHIP	4.7K 5% 1/10W	R1428	1-208-790-11	METAL CHIP	2.2K 0.5% 1/10W
R1352	1-216-065-91	RES-CHIP	4.7K 5% 1/10W	R1429	1-216-025-91	RES-CHIP	100 5% 1/10W
R1354	1-216-025-91	RES-CHIP	100 5% 1/10W	R1430	1-216-025-91	RES-CHIP	100 5% 1/10W
R1355	1-216-025-91	RES-CHIP	100 5% 1/10W	R1431	1-216-025-91	RES-CHIP	100 5% 1/10W
R1356	1-216-025-91	RES-CHIP	100 5% 1/10W	R1432	1-216-069-00	RES-CHIP	6.8K 5% 1/10W
R1357	1-216-025-91	RES-CHIP	100 5% 1/10W	R1433	1-216-111-00	RES-CHIP	390K 5% 1/10W
R1358	1-208-822-11	METAL CHIP	47K 0.5% 1/10W	R1434	1-216-295-91	SHORT	0
R1363	1-216-025-91	RES-CHIP	100 5% 1/10W	R1435	1-216-057-00	RES-CHIP	2.2K 5% 1/10W
R1364	1-216-057-00	RES-CHIP	2.2K 5% 1/10W	R1436	1-216-295-91	SHORT	0
R1365	1-216-057-00	RES-CHIP	2.2K 5% 1/10W	R1437	1-216-057-00	RES-CHIP	2.2K 5% 1/10W
R1366	1-216-057-00	RES-CHIP	2.2K 5% 1/10W	R1438	1-216-065-91	RES-CHIP	4.7K 5% 1/10W
R1368	1-208-788-11	METAL CHIP	1.8K 0.5% 1/10W	R1439	1-208-768-11	METAL CHIP	270 0.5% 1/10W
R1369	1-216-025-91	RES-CHIP	100 5% 1/10W	R1440	1-208-790-11	METAL CHIP	2.2K 0.5% 1/10W
R1371	1-216-655-11	METAL CHIP	1.5K 0.5% 1/10W	R1441	1-216-081-00	RES-CHIP	22K 5% 1/10W
R1372	1-216-065-91	RES-CHIP	4.7K 5% 1/10W	R1442	1-216-081-00	RES-CHIP	22K 5% 1/10W
R1374	1-216-057-00	RES-CHIP	2.2K 5% 1/10W	R1443	1-216-065-91	RES-CHIP	4.7K 5% 1/10W
R1375	1-216-057-00	RES-CHIP	2.2K 5% 1/10W	R1444	1-216-081-00	RES-CHIP	22K 5% 1/10W
R1377	1-208-790-11	METAL CHIP	2.2K 0.5% 1/10W	R1445	1-216-065-91	RES-CHIP	4.7K 5% 1/10W
R1379	1-216-655-11	METAL CHIP	1.5K 0.5% 1/10W	R1446	1-216-043-91	RES-CHIP	560 5% 1/10W
R1380	1-216-655-11	METAL CHIP	1.5K 0.5% 1/10W	R1447	1-216-081-00	RES-CHIP	22K 5% 1/10W
R1381	1-208-790-11	METAL CHIP	2.2K 0.5% 1/10W	R1448	1-216-081-00	RES-CHIP	22K 5% 1/10W
R1383	1-216-057-00	RES-CHIP	2.2K 5% 1/10W	R1449	1-216-071-00	RES-CHIP	8.2K 5% 1/10W
R1389	1-216-049-91	RES-CHIP	1K 5% 1/10W	R1450	1-216-077-91	RES-CHIP	15K 5% 1/10W
R1392	1-216-049-91	RES-CHIP	1K 5% 1/10W	R1451	1-216-073-00	RES-CHIP	10K 5% 1/10W
R1393	1-216-057-00	RES-CHIP	2.2K 5% 1/10W	R1452	1-216-053-00	RES-CHIP	1.5K 5% 1/10W
R1394	1-216-049-91	RES-CHIP	1K 5% 1/10W	R1453	1-216-081-00	RES-CHIP	22K 5% 1/10W
R1395	1-216-049-91	RES-CHIP	1K 5% 1/10W	R1454	1-216-025-91	RES-CHIP	100 5% 1/10W
R1396	1-216-057-00	RES-CHIP	2.2K 5% 1/10W	R1455	1-216-025-91	RES-CHIP	100 5% 1/10W
R1397	1-216-049-91	RES-CHIP	1K 5% 1/10W	R1456	1-216-089-91	RES-CHIP	47K 5% 1/10W
R1398	1-216-065-91	RES-CHIP	4.7K 5% 1/10W	R1457	1-216-089-91	RES-CHIP	47K 5% 1/10W
R1400	1-216-057-00	RES-CHIP	2.2K 5% 1/10W	R1458	1-216-025-91	RES-CHIP	100 5% 1/10W
R1401	1-216-057-00	RES-CHIP	2.2K 5% 1/10W	R1461	1-216-065-91	RES-CHIP	4.7K 5% 1/10W
R1402	1-216-061-00	RES-CHIP	3.3K 5% 1/10W	R1462	1-216-295-91	SHORT	0
R1404	1-208-822-11	METAL CHIP	47K 0.5% 1/10W	R1463	1-216-025-91	RES-CHIP	100 5% 1/10W
R1405	1-216-037-00	RES-CHIP	330 5% 1/10W	R1464	1-216-025-91	RES-CHIP	100 5% 1/10W
R1406	1-216-025-91	RES-CHIP	100 5% 1/10W	R1465	1-216-057-00	RES-CHIP	2.2K 5% 1/10W
R1407	1-216-061-00	RES-CHIP	3.3K 5% 1/10W	R1466	1-216-065-91	RES-CHIP	4.7K 5% 1/10W
R1408	1-216-057-00	RES-CHIP	2.2K 5% 1/10W	R1467	1-216-295-91	SHORT	0
R1409	1-216-041-00	RES-CHIP	470 5% 1/10W	R1468	1-216-057-00	RES-CHIP	2.2K 5% 1/10W
R1410	1-216-041-00	RES-CHIP	470 5% 1/10W	R1469	1-216-065-91	RES-CHIP	4.7K 5% 1/10W
R1411	1-216-041-00	RES-CHIP	470 5% 1/10W	R1470	1-208-790-11	METAL CHIP	2.2K 0.5% 1/10W
R1412	1-216-049-91	RES-CHIP	1K 5% 1/10W	R1471	1-216-295-91	SHORT	0
R1413	1-216-025-91	RES-CHIP	100 5% 1/10W	R1472	1-208-790-11	METAL CHIP	2.2K 0.5% 1/10W
R1414	1-216-069-00	RES-CHIP	6.8K 5% 1/10W	R1473	1-216-655-11	METAL CHIP	1.5K 0.5% 1/10W
R1415	1-216-065-91	RES-CHIP	4.7K 5% 1/10W	R1474	1-208-790-11	METAL CHIP	2.2K 0.5% 1/10W
R1416	1-216-025-91	RES-CHIP	100 5% 1/10W	R1475	1-216-073-00	RES-CHIP	10K 5% 1/10W
R1417	1-216-025-91	RES-CHIP	100 5% 1/10W	R1476	1-216-097-91	RES-CHIP	100K 5% 1/10W
R1418	1-208-806-11	METAL CHIP	10K 0.5% 1/10W	R1477	1-216-097-91	RES-CHIP	100K 5% 1/10W
R1419	1-216-041-00	RES-CHIP	470 5% 1/10W	R1478	1-216-655-11	METAL CHIP	1.5K 0.5% 1/10W
R1420	1-216-073-00	RES-CHIP	10K 5% 1/10W	R1479	1-216-097-91	RES-CHIP	100K 5% 1/10W
R1421	1-216-073-00	RES-CHIP	10K 5% 1/10W	R1480	1-216-097-91	RES-CHIP	100K 5% 1/10W
R1422	1-216-065-91	RES-CHIP	4.7K 5% 1/10W	R1482	1-216-097-91	RES-CHIP	100K 5% 1/10W
R1423	1-208-770-11	METAL CHIP	330 0.5% 1/10W				



REF. NO.	PART NO.	DESCRIPTION	REMARK	REF. NO.	PART NO.	DESCRIPTION	REMARK
R1483	1-216-097-91	RES-CHIP	100K 5% 1/10W	R1677	1-216-073-00	RES-CHIP	10K 5% 1/10W
R1484	1-216-049-91	RES-CHIP	1K 5% 1/10W	R1678	1-216-065-91	RES-CHIP	4.7K 5% 1/10W
R1485	1-216-025-91	RES-CHIP	100 5% 1/10W	R1679	1-216-057-00	RES-CHIP	2.2K 5% 1/10W
R1501	1-216-025-91	RES-CHIP	100 5% 1/10W	<TUNER>			
R1503	1-216-025-91	RES-CHIP	100 5% 1/10W	TU501	8-598-431-20	TUNER, FSS BTF-WA411	
R1511	1-216-295-91	SHORT	0	TU502	8-598-431-20	TUNER, FSS BTF-WA411	
R1517	1-216-295-91	SHORT	0	<CRYSTAL>			
R1518	1-216-295-91	SHORT	0	X1001	1-767-925-21	VIBRATOR, CRYSTAL	
R1521	1-216-049-91	RES-CHIP	1K 5% 1/10W	X1002	1-579-125-11	VIBRATOR, CERAMIC	
R1527	1-216-025-91	RES-CHIP	100 5% 1/10W	X1301	1-577-611-11	OSCILALTOR, CERAMIC	
R1528	1-216-025-91	RES-CHIP	100 5% 1/10W	X1302	1-567-505-11	OSCILLATOR, CRYSTAL	
R1529	1-216-025-91	RES-CHIP	100 5% 1/10W	X1303	1-577-611-11	OSCILALTOR, CERAMIC	
R1530	1-216-073-00	RES-CHIP	10K 5% 1/10W	X1305	1-567-505-11	OSCILLATOR, CRYSTAL	
R1536	1-216-049-91	RES-CHIP	1K 5% 1/10W	*****			
R1537	1-216-049-91	RES-CHIP	1K 5% 1/10W	* A-1343-712-A DS BOARD, COMPLETE			
R1538	1-216-049-91	RES-CHIP	1K 5% 1/10W	*****			
R1540	1-216-655-11	METAL CHIP	1.5K 0.5% 1/10W	<CAPACITOR>			
R1543	1-216-295-91	SHORT	0	C8501	1-126-964-11	ELECT	10µF 20% 50V
R1546	1-216-065-91	RES-CHIP	4.7K 5% 1/10W	C8502	1-126-964-11	ELECT	10µF 20% 50V
R1601	1-216-117-00	RES-CHIP	680K 5% 1/10W	C8504	1-137-371-11	MYLAR	0.015µF 5% 50V
R1602	1-216-113-00	RES-CHIP	470K 5% 1/10W	C8505	1-104-664-11	ELECT	47µF 20% 25V
R1603	1-216-295-91	SHORT	0	C8506	1-104-664-11	ELECT	47µF 20% 25V
R1605	1-216-117-00	RES-CHIP	680K 5% 1/10W	C8507	1-104-664-11	ELECT	47µF 20% 25V
R1606	1-216-295-91	SHORT	0	C8508	1-104-664-11	ELECT	47µF 20% 25V
R1607	1-216-117-00	RES-CHIP	680K 5% 1/10W	C8509	1-104-664-11	ELECT	47µF 20% 25V
R1608	1-216-295-91	SHORT	0	C8510	1-104-664-11	ELECT	47µF 20% 25V
R1613	1-216-025-91	RES-CHIP	100 5% 1/10W	C8511	1-104-664-11	ELECT	47µF 20% 25V
R1619	1-216-025-91	RES-CHIP	100 5% 1/10W	C8512	1-104-664-11	ELECT	47µF 20% 25V
R1620	1-216-025-91	RES-CHIP	100 5% 1/10W	C8513	1-163-038-91	CERAMIC CHIP	0.1µF 25V
R1623	1-216-025-91	RES-CHIP	100 5% 1/10W	C8514	1-163-038-91	CERAMIC CHIP	0.1µF 25V
R1631	1-208-814-91	METAL CHIP	22K 0.5% 1/10W	C8515	1-163-038-91	CERAMIC CHIP	0.1µF 25V
R1632	1-208-814-91	METAL CHIP	22K 0.5% 1/10W	C8516	1-163-038-91	CERAMIC CHIP	0.1µF 25V
R1633	1-208-814-91	METAL CHIP	22K 0.5% 1/10W	C8517	1-137-374-11	MYLAR	0.047µF 5% 50V
R1634	1-208-814-91	METAL CHIP	22K 0.5% 1/10W	C8518	1-126-964-11	ELECT	10µF 20% 50V
R1640	1-216-089-91	RES-CHIP	47K 5% 1/10W	C8519	1-163-237-11	CERAMIC CHIP	27pF 5% 50V
R1641	1-208-806-11	METAL CHIP	10K 0.5% 1/10W	C8520	1-163-237-11	CERAMIC CHIP	27pF 5% 50V
R1645	1-216-025-91	RES-CHIP	100 5% 1/10W	C8521	1-163-224-11	CERAMIC CHIP	7pF 0.25pF 50V
R1646	1-216-025-91	RES-CHIP	100 5% 1/10W	C8522	1-163-243-11	CERAMIC CHIP	47pF 5% 50V
R1654	1-216-025-91	RES-CHIP	100 5% 1/10W	C8523	1-126-964-11	ELECT	10µF 20% 50V
R1655	1-216-025-91	RES-CHIP	100 5% 1/10W	C8524	1-104-664-11	ELECT	47µF 20% 25V
R1656	1-216-025-91	RES-CHIP	100 5% 1/10W	C8525	1-104-664-11	ELECT	47µF 20% 25V
R1657	1-216-025-91	RES-CHIP	100 5% 1/10W	C8526	1-163-275-11	CERAMIC CHIP	0.001µF 5% 50V
R1658	1-216-025-91	RES-CHIP	100 5% 1/10W	C8527	1-163-009-11	CERAMIC CHIP	0.001µF 10% 50V
R1659	1-216-065-91	RES-CHIP	4.7K 5% 1/10W	<CONNECTOR>			
R1660	1-216-065-91	RES-CHIP	4.7K 5% 1/10W	CN8501*	1-691-632-21	CONNECTOR, BOARD TO BOARD	15P
R1661	1-216-057-00	RES-CHIP	2.2K 5% 1/10W				
R1662	1-216-081-00	RES-CHIP	22K 5% 1/10W				
R1663	1-216-025-91	RES-CHIP	100 5% 1/10W				
R1664	1-216-089-91	RES-CHIP	47K 5% 1/10W				
R1665	1-216-113-00	RES-CHIP	470K 5% 1/10W				
R1666	1-216-025-91	RES-CHIP	100 5% 1/10W				
R1667	1-216-089-91	RES-CHIP	47K 5% 1/10W				
R1672	1-216-025-91	RES-CHIP	100 5% 1/10W				
R1673	1-216-025-91	RES-CHIP	100 5% 1/10W				
R1674	1-216-025-91	RES-CHIP	100 5% 1/10W				
R1675	1-216-025-91	RES-CHIP	100 5% 1/10W				
R1676	1-216-065-91	RES-CHIP	4.7K 5% 1/10W				



REF. NO.	PART NO.	DESCRIPTION	REMARK
<DIODE>			
D8501	8-719-914-44	DIODE DAP202K-T-146	
D8502	8-719-914-44	DIODE DAP202K-T-146	
D8503	8-719-914-43	DIODE DAN202K-T-146	
D8504	8-719-158-15	DIODE UDZ-TE-17-5.6B	
D8505	8-719-158-15	DIODE UDZ-TE-17-5.6B	
<IC>			
IC8501	8-759-251-31	IC CA0007AM	
IC8502	8-759-011-64	IC MC74HC4052FEL	
IC8503	8-759-251-31	IC CA0007AM	
IC8504	8-759-711-28	IC NJM2058D	
IC8505	8-759-251-31	IC CA0007AM	
IC8506	8-759-100-96	IC NJM4558M-TE2	
<RESISTOR>			
R8501	1-216-689-11	RES-CHIP 39K 5% 1/10W	
R8502	1-216-113-00	RES-CHIP 470K 5% 1/10W	
R8503	1-216-073-00	RES-CHIP 10K 5% 1/10W	
R8504	1-216-061-00	RES-CHIP 3.3K 5% 1/10W	
R8505	1-216-073-00	RES-CHIP 10K 5% 1/10W	
R8506	1-216-065-00	RES-CHIP 4.7K 5% 1/10W	
R8512	1-216-073-00	RES-CHIP 10K 5% 1/10W	
R8513	1-216-093-91	RES-CHIP 68K 5% 1/10W	
R8525	1-216-085-00	RES-CHIP 33K 5% 1/10W	
R8526	1-216-039-00	RES-CHIP 390 5% 1/10W	
R8527	1-216-057-00	RES-CHIP 2.2K 5% 1/10W	
R8528	1-216-037-00	RES-CHIP 330 5% 1/10W	
R8529	1-216-081-00	RES-CHIP 22K 5% 1/10W	
R8530	1-216-107-00	RES-CHIP 270K 5% 1/10W	
R8531	1-216-081-00	RES-CHIP 22K 5% 1/10W	
R8532	1-216-073-00	RES-CHIP 10K 5% 1/10W	
R8533	1-216-097-91	RES-CHIP 100K 5% 1/10W	
R8534	1-216-073-00	RES-CHIP 10K 5% 1/10W	
R8535	1-216-081-00	RES-CHIP 22K 5% 1/10W	
R8536	1-216-079-00	RES-CHIP 18K 5% 1/10W	
R8537	1-216-081-00	RES-CHIP 22K 5% 1/10W	
R8538	1-216-099-00	RES-CHIP 120K 5% 1/10W	
R8539	1-216-097-91	RES-CHIP 100K 5% 1/10W	
R8540	1-216-073-00	RES-CHIP 10K 5% 1/10W	
R8541	1-216-075-00	RES-CHIP 12K 5% 1/10W	
R8542	1-216-103-00	RES-CHIP 180K 5% 1/10W	
R8543	1-216-097-91	RES-CHIP 100K 5% 1/10W	
R8544	1-216-097-91	RES-CHIP 100K 5% 1/10W	
R8545	1-216-097-91	RES-CHIP 100K 5% 1/10W	
R8546	1-216-073-00	RES-CHIP 10K 5% 1/10W	
R8547	1-216-081-00	RES-CHIP 22K 5% 1/10W	
R8548	1-216-057-00	RES-CHIP 2.2K 5% 1/10W	
R8549	1-216-065-00	RES-CHIP 4.7K 5% 1/10W	

REF. NO.	PART NO.	DESCRIPTION	REMARK
* A-1346-873-A D BOARD, COMPLETE (53HS10) *****			
* A-1346-899-A D BOARD, COMPLETE (61HS10) *****			
	4-363-414-00	SPACER, MICA	
	4-382-854-11	SCREW (M3X10), P, SW (+)	
	7-682-952-09	SCREW +PSW 3X16	
<CAPACITOR>			
C5001	1-104-664-11	ELECT 47μF 20% 25V	
C5002	1-126-965-11	ELECT 22μF 20% 50V	
C5003	1-104-664-11	ELECT 47μF 20% 25V	
C5004	1-101-002-00	CERAMIC 0.0022μF 50V	
C5005	1-130-495-00	MYLAR 0.1μF 5% 50V	
C5006	1-101-002-00	CERAMIC 0.0022μF 50V	
C5007	1-102-973-00	CERAMIC 100pF 5% 50V	
C5008	1-126-967-11	ELECT 47μF 20% 50V	
C5010	1-102-973-00	CERAMIC 100pF 5% 50V	
C5011	1-126-967-11	ELECT 47μF 20% 50V	
C5012	1-107-645-11	ELECT 22μF 20% 160V	
C5013	1-126-967-11	ELECT 47μF 20% 50V	
C5014	1-101-002-00	CERAMIC 0.0022μF 50V	
C5015	1-101-880-00	CERAMIC 47pF 5% 50V	
C5016	1-106-383-00	MYLAR 0.047μF 10% 200V	
C5017	1-126-967-11	ELECT 47μF 20% 50V	
C5019	1-102-228-00	CERAMIC 470pF 10% 500V	
C5020	1-130-495-00	MYLAR 0.1μF 5% 50V	
C5023	1-126-960-11	ELECT 1μF 20% 50V	
C5024	1-126-942-61	ELECT 1000μF 20% 25V	
C5025	1-126-942-61	ELECT 1000μF 20% 25V	
C5026	1-137-370-11	MYLAR 0.01μF 5% 50V	
C5028	1-102-228-00	CERAMIC 470pF 10% 500V	
C5029	1-164-096-11	CERAMIC 0.01μF 50V	
C5032	1-126-972-11	ELECT 1000μF 20% 50V	
C5033	1-101-002-00	CERAMIC 0.0022μF 50V	
C5034	1-136-177-00	MYLAR 1μF 5% 50V	
C5035	1-126-967-11	ELECT 47μF 20% 50V	
C5036	1-164-096-11	CERAMIC 0.01μF 50V	
C5037	1-126-969-11	ELECT 220μF 20% 50V	
C5038	1-115-524-11	FILM 1.5μF 5% 250V	
C5039	1-117-834-11	FILM 5600pF 3% 1.5KV	
C5040	1-137-378-11	MYLAR 0.22μF 5% 50V	
C5041	1-137-420-11	MYLAR 0.047μF 10% 100V	
C5042	1-162-116-00	CERAMIC 680pF 10% 2KV	
C5043	1-162-116-00	CERAMIC 680pF 10% 2KV	
C5045	1-162-114-00	CERAMIC 0.0047μF 2KV	
C5047	1-137-399-11	MYLAR 0.1μF 10% 100V	
C5048	1-137-399-11	MYLAR 0.1μF 10% 100V	
C5049	1-126-933-11	ELECT 100μF 20% 16V	
C5050	1-136-479-11	FILM 0.001μF 5% 50V	
C5051	1-162-318-11	CERAMIC 0.001μF 10% 500V	
C5052	1-126-972-11	ELECT 1000μF 20% 50V	
C5061	1-102-973-00	CERAMIC 100pF 5% 50V	
C5062	1-102-973-00	CERAMIC 100pF 5% 50V	
C5063	1-102-973-00	CERAMIC 100pF 5% 50V	
C5064	1-102-973-00	CERAMIC 100pF 5% 50V	



REF. NO.	PART NO.	DESCRIPTION	REMARK	REF. NO.	PART NO.	DESCRIPTION	REMARK
C5065	1-102-973-00	CERAMIC	100pF 5% 50V	C8020	1-162-318-11	CERAMIC	0.001μF 10% 500V
C5066	1-102-973-00	CERAMIC	100pF 5% 50V	C8023	1-126-767-11	ELECT	1000μF 20% 16V
C5071	1-107-718-91	ELECT	100μF 20% 50V	C8024	1-126-968-11	ELECT	100μF 20% 50V
C5072	1-107-718-91	ELECT	100μF 20% 50V	C8025	1-128-562-11	ELECT	47μF 20% 100V
C5073	1-126-968-11	ELECT	100μF 20% 50V	C8026	1-164-161-11	CERAMIC CHIP	0.0022μF 10% 50V
C5074	1-126-968-11	ELECT	100μF 20% 50V	C8028	1-137-368-11	MYLAR	0.0047μF 5% 50V
C5075	1-107-718-91	ELECT	100μF 20% 50V	C8029	1-164-161-11	CERAMIC CHIP	0.0022μF 10% 50V
C5076	1-107-718-91	ELECT	100μF 20% 50V	C8030	1-126-967-11	ELECT	47μF 20% 50V
C5079	1-126-968-11	ELECT	100μF 20% 50V	C8032	1-106-387-00	MYLAR	0.068μF 10% 200V
C5080	1-126-968-11	ELECT	100μF 20% 50V	C8033	1-130-495-00	MYLAR	0.1μF 5% 50V
C5085	1-101-002-00	CERAMIC	0.0022μF 50V	C8034	1-126-967-11	ELECT	47μF 20% 50V
C5086	1-130-495-00	MYLAR	0.1μF 5% 50V	C8035	1-104-664-11	ELECT	47μF 20% 25V
C5087	1-130-495-00	MYLAR	0.1μF 5% 50V	C8037	1-130-495-00	MYLAR	0.1μF 5% 50V
C5088	1-115-524-11	FILM	1.5μF 5% 250V	C8038	1-126-967-11	ELECT	47μF 20% 50V
C5089	1-106-220-00	MYLAR	0.1μF 10% 100V	C8039	1-137-420-11	MYLAR	0.047μF 10% 100V
C5090	1-126-960-11	ELECT	1μF 20% 50V	C8040	1-126-964-11	ELECT	10μF 20% 50V
C5091	1-126-942-61	ELECT	1000μF 20% 25V	C8041	1-130-495-00	MYLAR	0.1μF 5% 50V
C5092	1-126-942-61	ELECT	1000μF 20% 25V	C8042	1-126-967-11	ELECT	47μF 20% 50V
C5093	1-137-370-11	MYLAR	0.01μF 5% 50V	C8043	1-130-495-00	MYLAR	0.1μF 5% 50V
C5094	1-137-370-11	MYLAR	0.01μF 5% 50V	C8045	1-137-431-11	MYLAR	560pF 5% 50V
C5095	1-126-964-11	ELECT	10μF 20% 50V	C8046	1-130-495-00	MYLAR	0.1μF 5% 50V
C5097	1-126-933-11	ELECT	100μF 20% 16V	C8047	1-130-495-00	MYLAR	0.1μF 5% 50V
C5098	1-126-933-11	ELECT	100μF 20% 16V	C8048	1-163-251-11	CERAMIC CHIP	100pF 5% 50V
C5099	1-104-999-11	MYLAR	0.1μF 10% 200V	C8049	1-126-967-11	ELECT	47μF 20% 50V
C5100	1-124-347-51	ELECT	100μF 20% 160V	C8050	1-126-967-11	ELECT	47μF 20% 50V
C5103	1-107-641-11	ELECT	220μF 20% 160V	C8051	1-126-967-11	ELECT	47μF 20% 50V
C5105	1-137-372-11	MYLAR	0.022μF 5% 50V	C8052	1-163-239-11	CERAMIC CHIP	33pF 5% 50V
C5107	1-130-495-00	MYLAR	0.1μF 5% 50V	C8053	1-126-960-11	ELECT	1μF 20% 50V
C5108	1-130-048-00	FILM	220pF 5% 50V	C8054	1-126-960-11	ELECT	1μF 20% 50V
C5112	1-104-664-11	ELECT	47μF 20% 16V	C8055	1-126-961-11	ELECT	2.2μF 20% 50V
C5113	1-130-495-00	MYLAR	0.1μF 5% 50V	C8059	1-126-965-11	ELECT	22μF 20% 50V
C5114	1-136-479-11	FILM	0.001μF 5% 50V	C8060	1-126-963-11	ELECT	4.7μF 20% 50V
C5122	1-164-096-11	CERAMIC	0.01μF 50V	C8061	1-126-965-11	ELECT	22μF 20% 50V
C5123	1-104-664-11	ELECT	47μF 20% 16V	C8062	1-126-965-11	ELECT	22μF 20% 50V
C5124	1-164-096-11	CERAMIC	0.01μF 50V	C8064	1-130-495-00	MYLAR	0.1μF 5% 50V
C5203	1-136-356-11	MYLAR	470pF 5% 50V	C8065	1-126-964-11	ELECT	10μF 20% 50V
C5204	1-137-368-11	MYLAR	0.0047μF 5% 50V	C8066	1-130-471-00	MYLAR	0.001μF 5% 50V
C5208	1-136-479-11	FILM	0.001μF 5% 50V	C8067	1-104-661-91	ELECT	330μF 20% 16V
C8001	1-107-655-11	ELECT	47μF 20% 250V	C8068	1-137-410-11	MYLAR	0.001μF 10% 100V
C8002	1-124-347-51	ELECT	100μF 20% 160V	C8069	1-126-967-11	ELECT	47μF 20% 50V
C8003	1-124-347-51	ELECT	100μF 20% 160V	C8070	1-102-110-00	CERAMIC	220pF 10% 50V
C8004	1-163-251-11	CERAMIC CHIP	100pF 5% 50V	C8071	1-126-963-11	ELECT	4.7μF 20% 50V
C8005	1-106-387-00	MYLAR	0.068μF 10% 200V	C8072	1-126-964-11	ELECT	10μF 20% 50V
C8006	1-126-959-11	ELECT	0.47μF 20% 50V	C8073	1-126-967-11	ELECT	47μF 20% 50V
C8007	1-137-150-11	MYLAR	0.01μF 10% 100V	C8074	1-137-410-11	MYLAR	0.001μF 10% 100V
C8008	1-102-030-00	CERAMIC	330pF 10% 500V	C8075	1-126-965-11	ELECT	22μF 20% 50V
C8009	1-102-244-00	CERAMIC	220pF 10% 500V	C8076	1-163-009-11	CERAMIC CHIP	0.001μF 10% 50V
C8010	1-130-481-00	MYLAR	0.0068μF 5% 50V	C8077	1-137-370-11	MYLAR	0.01μF 5% 50V
C8011	1-126-934-11	ELECT	220μF 20% 16V	C8078	1-130-495-00	MYLAR	0.1μF 5% 50V
C8012	1-130-338-91	FILM	0.01μF 5% 630V	C8079	1-126-967-11	ELECT	47μF 20% 50V
C8013	1-126-964-11	ELECT	10μF 20% 50V	C8080	1-126-967-11	ELECT	47μF 20% 50V
C8014	1-102-228-00	CERAMIC	470pF 10% 500V	C8081	1-126-967-11	ELECT	47μF 20% 50V
C8015	1-126-933-11	ELECT	100μF 20% 16V	C8082	1-137-366-11	MYLAR	0.0022μF 5% 50V
C8016	1-126-964-11	ELECT	10μF 20% 50V	C8083	1-126-964-11	ELECT	10μF 20% 50V
C8017	1-126-964-11	ELECT	10μF 20% 50V	C8084	1-126-967-11	ELECT	47μF 20% 50V
C8018	1-117-838-11	FILM	8200pF 3% 1.5KV	C8085	1-104-661-91	ELECT	330μF 20% 16V
C8019	1-163-133-00	CERAMIC CHIP	470pF 5% 50V				



REF. NO.	PART NO.	DESCRIPTION	REMARK	REF. NO.	PART NO.	DESCRIPTION	REMARK
C8086	1-137-150-11	MYLAR	0.01µF 10%	D5004	8-719-991-33	DIODE	1SS133T-77
C8089	1-137-399-11	MYLAR	0.1µF 10%	D5005	8-719-109-89	DIODE	MTZJ-T-77-5.6
C8090	1-126-964-11	ELECT	10µF 20%	D5006	8-719-991-33	DIODE	1SS133T-77
C8091	1-126-967-11	ELECT	47µF 20%	D5007	8-719-302-43	DIODE	RGPI0GPKG23
C8092	1-126-964-11	ELECT	10µF 20%	D5008	8-719-991-33	DIODE	1SS133T-77
C8093	1-126-964-11	ELECT	10µF 20%	D5009	8-719-979-85	DIODE	RGPI5GPKG23
C8094	1-126-964-11	ELECT	10µF 20%	D5010	8-719-908-03	DIODE	GP08DPKG23
C8095	1-126-967-11	ELECT	47µF 20%	D5011	8-719-908-03	DIODE	GP08DPKG23
C8096	1-126-967-11	ELECT	47µF 20%	D5013	8-719-979-99	DIODE	ERD08M-15
C8097	1-126-967-11	ELECT	47µF 20%	D5014	8-719-991-33	DIODE	1SS133T-77
C8098	1-126-967-11	ELECT	47µF 20%	D5015	8-719-018-82	DIODE	RGPO2-20EL-6394
C8099	1-126-964-11	ELECT	10µF 20%	D5016	8-719-110-61	DIODE	MTZJ-T-77-24A
C8100	1-162-114-00	CERAMIC	0.0047µF	D5017	8-719-110-61	DIODE	MTZJ-T-77-24A
C8102	1-102-125-00	CERAMIC	0.0047µF 10%	D5019	8-719-302-43	DIODE	RGPI0GPKG23
C8103	1-126-964-11	ELECT	10µF 20%	D5020	8-719-302-43	DIODE	RGPI0GPKG23
C8104	1-126-961-11	ELECT	2.2µF 20%	D5021	8-719-920-67	DIODE	ERC91-02
C8109	1-102-125-00	CERAMIC	0.0047µF 10%	D5022	8-719-991-33	DIODE	1SS133T-77
C8111	1-126-933-11	ELECT	100µF 20%	D5025	8-719-991-33	DIODE	1SS133T-77
C8112	1-136-291-11	MYLAR	0.0068µF 5%	D5027	8-719-923-86	DIODE	MTZJ-T-77-15
C8113	1-102-125-00	CERAMIC	0.0047µF 10%	D5028	8-719-991-33	DIODE	1SS133T-77
C8114	1-104-664-11	ELECT	47µF 20%	D5029	8-719-018-82	DIODE	RGPO2-20EL-6394
C8115	1-162-114-00	CERAMIC	0.0047µF	D8001	8-719-105-82	DIODE	MA3051M-TX
<CONNECTOR>				D8002	8-719-914-43	DIODE	DAN202K-T-146
CN5001*	1-564-506-11	PLUG, CONNECTOR	3P	D8003	8-719-979-85	DIODE	RGPI5GPKG23
CN5002*	1-573-964-11	PIN, CONNECTOR (PC BOARD)	6P	D8004	8-719-914-43	DIODE	DAN202K-T-146
CN5003*	1-564-509-11	PLUG, CONNECTOR	6P	D8005	8-719-914-43	DIODE	DAN202K-T-146
CN5004*	1-779-890-11	CONNECTOR, BOARD TO BOARD	10P	D8006	8-719-914-43	DIODE	DAN202K-T-146
CN5005*	1-580-689-11	PIN, CONNECTOR (PC BOARD)	4P	D8007	8-719-945-80	DIODE	ERC06-15STP11
CN5006*	1-580-689-11	PIN, CONNECTOR (PC BOARD)	4P	D8008	8-719-106-81	DIODE	MA3130H-TX
CN5007*	1-580-689-11	PIN, CONNECTOR (PC BOARD)	4P	D8009	8-719-106-81	DIODE	MA3130H-TX
CN5008*	1-564-506-11	PLUG, CONNECTOR	3P	D8010	8-719-054-52	DIODE	D8LC20U-4015
CN5009*	1-779-890-11	CONNECTOR, BOARD TO BOARD	10P	D8011	8-719-945-80	DIODE	ERC06-15STP11
CN5010*	1-779-890-11	CONNECTOR, BOARD TO BOARD	10P	D8013	8-719-920-67	DIODE	ERC91-02E
CN5011*	1-779-890-11	CONNECTOR, BOARD TO BOARD	10P	D8014	8-719-302-43	DIODE	RGPI0GPKG23
CN5012*	1-564-507-11	PLUG, CONNECTOR	4P	D8015	8-719-914-43	DIODE	DAN202K-T-146
CN5013*	1-564-507-11	PLUG, CONNECTOR	4P	D8017	8-719-914-43	DIODE	DAN202K-T-146
CN5014*	1-564-507-11	PLUG, CONNECTOR	4P	D8018	8-719-983-14	DIODE	MTZJ-T-77-3.9
CN8001*	1-573-986-11	PIN, CONNECTOR (PC BOARD)	5P	D8021	8-719-914-43	DIODE	DAN202K-T-146
CN8002	1-695-915-11	TAB (CONTACT)		D8023	8-719-914-43	DIODE	DAN202K-T-146
CN8003*	1-564-509-11	PLUG, CONNECTOR	6P	D8024	8-719-914-43	DIODE	DAN202K-T-146
CN8004*	1-564-510-11	PLUG, CONNECTOR	7P	D8025	8-719-914-43	DIODE	DAN202K-T-146
CN8005*	1-564-507-11	PLUG, CONNECTOR	4P	D8026	8-719-914-43	DIODE	DAN202K-T-146
CN8006*	1-564-507-11	PLUG, CONNECTOR	4P	D8027	8-719-914-43	DIODE	DAN202K-T-146
CN8007*	1-506-371-00	PIN, CONNECTOR	2P	D8029	8-719-914-43	DIODE	DAN202K-T-146
CN8008*	1-506-371-00	PIN, CONNECTOR	2P	D8030	8-719-400-75	DIODE	MA3091-TX
CN8009	1-695-915-11	TAB (CONTACT)		D8031	8-719-105-82	DIODE	MA3051M-TX
CN8010	1-695-915-11	TAB (CONTACT)		D8032	8-719-302-43	DIODE	RGPI0GPKG23
CN8011*	1-691-616-21	CONNECTOR, BOARD TO BOARD	15P	D8033	8-719-914-43	DIODE	DAN202K-T-146
CN8012*	1-564-506-11	PLUG, CONNECTOR	3P	D8034	8-719-028-00	DIODE	MA3033L-TX
<DIODE>				D8035	8-719-105-82	DIODE	MA3051M-TX
D5001	8-719-991-33	DIODE	1SS133T-77	D8036	8-719-914-43	DIODE	DAN202K-T-146
D5002	8-719-991-33	DIODE	1SS133T-77	D8037	8-719-914-43	DIODE	DAN202K-T-146
D5003	8-719-302-43	DIODE	RGPI0GPKG23	D8038	8-719-106-81	DIODE	MA3130H-TX
				D8039	8-719-110-17	DIODE	MTZN-T-77-10
				D8040	8-719-914-43	DIODE	DAN202K-T-146
				D8041	8-719-106-81	DIODE	MA3130H-TX
				D8042	8-759-157-40	DIODE	HZT33-02TE



REF. NO.	PART NO.	DESCRIPTION	REMARK	REF. NO.	PART NO.	DESCRIPTION	REMARK
D8045	8-719-400-75	DIODE MA3091-TX		L8005	1-412-533-21	INDUCTOR 47μH	
D8046	8-719-402-57	DIODE MA3150H-TX		L8006	1-412-533-21	INDUCTOR 47μH	
D8047	8-719-402-57	DIODE MA3150H-TX		L8007	1-412-521-31	INDUCTOR 4.7μH	
D8048	8-719-914-43	DIODE DAN202K-T-146					
D8050	8-719-914-43	DIODE DAN202K-T-146					
		<FERRITE BEAD>					
FB5001	1-410-396-41	FERRITE 0.45μH					
FB8001	1-410-396-41	FERRITE 0.45μH					
FB8002	1-410-396-41	FERRITE 0.45μH					
FB8003	1-410-397-21	FERRITE 1.1μH					
		<IC>					
IC5001	8-759-701-88	IC NJM7912FA					
IC5002	8-759-701-79	IC NJM7812FA					
IC5004	8-759-192-71	IC STV9379					
IC5005	8-749-014-67	IC STK392-020					
IC5006	8-749-014-67	IC STK392-020					
IC5008	8-759-103-93	IC LM393P					
IC5009	8-759-634-51	IC NJM4558D					
IC8002	8-759-103-93	IC LM393P					
IC8003	8-759-701-84	IC NJM7905FA					
IC8004	8-759-144-82	IC LM2940CT-5.0					
IC8006	8-759-103-93	IC LM393P					
IC8007	8-759-711-28	IC NJM2058D					
IC8008	8-759-135-80	IC LM358P					
IC8009	8-759-135-80	IC LM358P					
IC8010	8-759-103-93	IC LM393P					
IC8011	8-759-711-28	IC NJM2058D					
		<CHIP CONDUCTOR>					
JR8001	1-216-295-00	SHORT 0					
JR8002	1-216-295-00	SHORT 0					
JR8003	1-216-295-00	SHORT 0					
JR8004	1-216-295-00	SHORT 0					
		<COIL>					
L5001	1-412-533-21	INDUCTOR 47μH					
L5002	1-412-533-21	INDUCTOR 47μH					
L5003	1-412-533-21	INDUCTOR 47μH					
L5004	1-412-533-21	INDUCTOR 47μH					
L5007	1-419-352-11	COIL, HORIZONTAL LINEARITY					
L5009	1-412-524-11	INDUCTOR 8.2μH					
L5010	1-412-533-21	INDUCTOR 47μH					
L5011	1-412-533-21	INDUCTOR 47μH					
L5012	1-412-533-21	INDUCTOR 47μH					
L5013	1-412-533-21	INDUCTOR 47μH					
L5018	1-411-594-11	INDUCTOR 5mH					
L5019	1-459-109-00	COIL,DUST CORE					
L5020	1-414-177-11	INDUCTOR 1μH					
L8001	1-414-223-11	INDUCTOR 470μH					
L8002	1-406-977-21	INDUCTOR 100μH					
L8003	1-422-613-11	COIL, AIR CORE					
L8004	1-412-521-31	INDUCTOR 4.7μH					
		<NEON LAMP>					
NL8001	1-517-778-21	LAMP, NEON					
NL8002	1-517-778-21	LAMP, NEON					
NL8003	1-517-778-21	LAMP, NEON					
NL8004	1-517-778-21	LAMP, NEON					
		<IC LINK>					
PS5001	1-533-595-31	LINK, IC					
PS5002	1-533-595-31	LINK, IC					
PS5003	1-533-595-31	LINK, IC					
PS5004	1-533-595-31	LINK, IC					
PS5005	1-533-595-31	LINK, IC					
PS5006	1-533-595-31	LINK, IC					
PS5007	1-533-595-31	LINK, IC					
PS5008	1-533-595-31	LINK, IC					
PS8001	1-533-593-11	LINK, IC					
		<TRANSISTOR>					
Q5002	8-729-119-76	TRANSISTOR 2SA1309A-QRSTA					
Q5004	8-729-423-33	TRANSISTOR 2SC3311A-QRSTA					
Q5005	8-729-423-33	TRANSISTOR 2SC3311A-QRSTA					
Q5006	8-729-423-33	TRANSISTOR 2SC3311A-QRSTA					
Q5008	8-729-119-80	TRANSISTOR 2SC2688-LK					
Q5009	8-729-119-76	TRANSISTOR 2SA1309A-QRSTA					
Q5010	8-729-119-76	TRANSISTOR 2SA1309A-QRSTA					
Q5013	8-729-048-35	TRANSISTOR 2SC3997S-SONY-YB					
Q5014	8-729-119-76	TRANSISTOR 2SA1309A-QRSTA					
Q5015	8-729-423-33	TRANSISTOR 2SC3311A-QRSTA					
Q5016	8-729-423-33	TRANSISTOR 2SC3311A-QRSTA					
Q5019	8-729-423-33	TRANSISTOR 2SC3311A-QRSTA					
Q5022	8-729-423-33	TRANSISTOR 2SC3311A-QRSTA					
Q5023	8-729-119-76	TRANSISTOR 2SA1309A-QRSTA					
Q5024	8-729-423-33	TRANSISTOR 2SC3311A-QRSTA					
Q5025	8-729-119-76	TRANSISTOR 2SA1309A-QRSTA					
Q5026	8-729-423-33	TRANSISTOR 2SC3311A-QRSTA					
Q5027	8-729-423-33	TRANSISTOR 2SC3311A-QRSTA					
Q5029	8-729-423-33	TRANSISTOR 2SC3311A-QRSTA					
Q5030	8-729-119-76	TRANSISTOR 2SA1309A-QRSTA					
Q5031	8-729-038-83	TRANSISTOR 2SK2251-01-F19					
Q5034	8-729-231-55	TRANSISTOR 2SC2878AB-TPE2					
Q5035	8-729-423-33	TRANSISTOR 2SC3311A-QRSTA					
Q5036	8-729-119-76	TRANSISTOR 2SA1309A-QRSTA					
Q5037	8-729-119-76	TRANSISTOR 2SA1309A-QRSTA					
Q8001	8-729-119-80	TRANSISTOR 2SC2688-LK					
Q8002	8-729-122-12	TRANSISTOR 2SA1221-T-M					
Q8003	8-729-119-80	TRANSISTOR 2SC2688-LK					
Q8004	8-729-823-81	TRANSISTOR 2SC4632LS-CB7					
Q8005	8-729-231-55	TRANSISTOR 2SC2878AB-TPE2					
Q8006	8-729-216-22	TRANSISTOR 2SB709A-QRS-TX					
Q8007	8-729-048-35	TRANSISTOR 2SC3997-YB					
Q8008	8-729-024-30	TRANSISTOR IRF1640LF					

KP-53HS10/61HS10

RM-Y902 RM-Y902



REF. NO.	PART NO.	DESCRIPTION	REMARK	REF. NO.	PART NO.	DESCRIPTION	REMARK
Q8009	8-729-216-22	TRANSISTOR	2SB709A-QRS-TX	R5043	1-249-417-11	CARBON	1K 5% 1/4W
Q8010	8-729-216-22	TRANSISTOR	2SB709A-QRS-TX	R5046	1-216-389-11	METAL OXIDE	1 5% 3W
Q8013	8-729-422-27	TRANSISTOR	2SD601A-QRS-TX	R5047	1-215-450-00	METAL	16K 1% 1/4W
Q8014	8-729-823-81	TRANSISTOR	2SC4632LS-CB7	R5049	1-215-905-11	METAL OXIDE	10 5% 3W
Q8015	8-729-140-93	TRANSISTOR	2SB734-T-4	R5050	1-247-807-31	CARBON	100 5% 1/4W
Q8016	8-729-140-96	TRANSISTOR	2SD774-T-34	R5051	1-249-435-11	CARBON	33K 5% 1/4W
Q8017	8-729-216-22	TRANSISTOR	2SB709A-QRS-TX	R5054	1-249-413-11	CARBON	470 5% 1/4W
Q8018	8-729-231-55	TRANSISTOR	2SC2878AB-TPE2	R5055	1-215-912-11	METAL OXIDE	150 5% 3W
Q8019	8-729-422-27	TRANSISTOR	2SD601A-QRS-TX	R5057	1-249-429-11	CARBON	10K 5% 1/4W
Q8020	8-729-422-27	TRANSISTOR	2SD601A-QRS-TX	R5058	1-249-430-11	CARBON	12K 5% 1/4W
Q8021	8-729-422-27	TRANSISTOR	2SD601A-QRS-TX	R5059	1-249-383-11	CARBON	1.5 5% 1/4W
Q8022	8-729-422-27	TRANSISTOR	2SD601A-QRS-TX	R5061	1-249-429-11	CARBON	10K 5% 1/4W
Q8023	8-729-027-38	TRANSISTOR	DTA144EKA-T146	R5062	1-247-735-11	SOLID	47 20% 1/2W
Q8024	1-801-806-11	TRANSISTOR	DTC144EKA-T146	R5063	1-247-807-31	CARBON	100 5% 1/4W
Q8025	8-729-027-38	TRANSISTOR	DTA144EKA-T146	R5067	1-214-800-11	METAL	2.2 1% 1/2W
Q8026	8-729-216-22	TRANSISTOR	2SB709A-QRS-TX	R5068	1-249-429-11	CARBON	10K 5% 1/4W
Q8027	8-729-422-27	TRANSISTOR	2SD601A-QRS-TX	R5069	1-249-429-11	CARBON	10K 5% 1/4W
Q8028	8-729-422-27	TRANSISTOR	2SD601A-QRS-TX	R5070	1-260-321-71	CARBON	270 5% 1/2W
Q8030	8-729-823-81	TRANSISTOR	2SC4632LS-CB7	R5071	1-214-800-11	METAL	2.2 1% 1/2W
Q8031	8-729-422-27	TRANSISTOR	2SD601A-QRS-TX	R5072	1-247-807-31	CARBON	100 5% 1/4W
		<RESISTOR>		R5073	1-215-433-00	METAL	3.3K 1% 1/4W
R5002	1-249-417-11	CARBON	1K 5% 1/4W	R5074	1-249-437-11	CARBON	47K 5% 1/4W
R5003	1-249-417-11	CARBON	1K 5% 1/4W	R5075	1-215-445-00	METAL	10K 1% 1/4W
R5004	1-249-425-11	CARBON	4.7K 5% 1/4W	R5076	1-215-857-11	METAL OXIDE	10 5% 1W
R5007	1-216-472-00	METAL OXIDE	39 5% 3W	R5077	1-216-477-11	METAL OXIDE	270 5% 3W
			(61HS10)	R5081	1-247-807-31	CARBON	100 5% 1/4W
R5007	1-216-474-11	METAL OXIDE	82 5% 3W	R5082	1-247-807-31	CARBON	100 5% 1/4W
			(53HS10)	R5083	1-247-807-31	CARBON	100 5% 1/4W
R5008	1-216-472-00	METAL OXIDE	39 5% 3W	R5084	1-247-807-31	CARBON	100 5% 1/4W
			(61HS10)	R5085	1-247-807-31	CARBON	100 5% 1/4W
R5008	1-216-474-11	METAL OXIDE	82 5% 3W	R5086	1-247-807-31	CARBON	100 5% 1/4W
			(53HS10)	R5087	1-247-843-11	CARBON	3.3K 5% 1/4W
R5009	1-249-421-11	CARBON	2.2K 5% 1/4W	R5088	1-247-843-11	CARBON	3.3K 5% 1/4W
R5011	1-247-843-11	CARBON	3.3K 5% 1/4W	R5089	1-247-843-11	CARBON	3.3K 5% 1/4W
R5012	1-249-425-11	CARBON	4.7K 5% 1/4W	R5090	1-247-843-11	CARBON	3.3K 5% 1/4W
R5013	1-249-425-11	CARBON	4.7K 5% 1/4W	R5091	1-249-417-11	CARBON	1K 5% 1/4W
R5016	1-249-429-11	CARBON	10K 5% 1/4W	R5092	1-249-417-11	CARBON	1K 5% 1/4W
R5017	1-247-863-91	CARBON	22K 5% 1/4W	R5093	1-247-843-11	CARBON	3.3K 5% 1/4W
R5018	1-247-843-11	CARBON	3.3K 5% 1/4W	R5095	1-247-843-11	CARBON	3.3K 5% 1/4W
R5020	1-249-437-11	CARBON	47K 5% 1/4W	R5097	1-249-417-11	CARBON	1K 5% 1/4W
R5021	1-215-445-00	METAL	10K 1% 1/4W	R5098	1-249-405-11	CARBON	100 5% 1/4W
R5022	1-247-863-91	CARBON	22K 5% 1/4W	R5099	1-249-417-11	CARBON	1K 5% 1/4W
R5023	1-247-863-91	CARBON	22K 5% 1/4W	R5100	1-249-405-11	CARBON	100 5% 1/4W
R5026	1-216-462-00	METAL OXIDE	8.2K 5% 2W	R5101	1-214-808-11	METAL	4.7 1% 1/2W
R5027	1-215-897-11	METAL OXIDE	6.8K 5% 2W	R5102	1-214-808-11	METAL	4.7 1% 1/2W
R5028	1-249-377-11	CARBON	0.47 5% 1/4W	R5103	1-214-808-11	METAL	4.7 1% 1/2W
R5029	1-249-377-11	CARBON	0.47 5% 1/4W	R5104	1-214-808-11	METAL	4.7 1% 1/2W
R5030	1-249-437-11	CARBON	47K 5% 1/4W	R5105	1-214-808-11	METAL	4.7 1% 1/2W
R5031	1-216-435-11	METAL OXIDE	2.7K 5% 1W	R5106	1-214-808-11	METAL	4.7 1% 1/2W
R5033	1-249-417-11	CARBON	1K 5% 1/4W	R5107	1-249-417-11	CARBON	1K 5% 1/4W
R5034	1-249-429-11	CARBON	10K 5% 1/4W	R5108	1-249-417-11	CARBON	1K 5% 1/4W
R5035	1-249-429-11	CARBON	10K 5% 1/4W	R5109	1-214-808-11	METAL	4.7 1% 1/2W
R5039	1-249-429-11	CARBON	10K 5% 1/4W	R5110	1-214-808-11	METAL	4.7 1% 1/2W
R5040	1-249-417-11	CARBON	1K 5% 1/4W	R5111	1-214-808-11	METAL	4.7 1% 1/2W
R5042	1-249-425-11	CARBON	4.7K 5% 1/4W	R5112	1-214-808-11	METAL	4.7 1% 1/2W



REF. NO.	PART NO.	DESCRIPTION		REMARK	REF. NO.	PART NO.	DESCRIPTION		REMARK		
R5113	1-214-808-11	METAL	4.7	1%	1/2W	R5191	1-249-417-11	CARBON	1K	5%	1/4W
R5114	1-214-808-11	METAL	4.7	1%	1/2W	R5192	1-215-429-00	METAL	2.2K	1%	1/4W
R5117	1-214-808-11	METAL	4.7	1%	1/2W	R5193	1-215-465-00	METAL	68K	1%	1/4W
R5118	1-214-808-11	METAL	4.7	1%	1/2W						
R5121	1-214-808-11	METAL	4.7	1%	1/2W	R5194	1-215-425-00	METAL	1.5K	1%	1/4W
						R5195	1-215-449-00	METAL	15K	1%	1/4W
R5122	1-214-808-11	METAL	4.7	1%	1/2W	R5196	1-215-445-00	METAL	10K	1%	1/4W
R5123	1-214-808-11	METAL	4.7	1%	1/2W	R5197	1-247-807-31	CARBON	100	5%	1/4W
R5124	1-214-808-11	METAL	4.7	1%	1/2W	R5200	1-249-429-11	CARBON	10K	5%	1/4W
R5127	1-214-808-11	METAL	4.7	1%	1/2W						
R5128	1-214-808-11	METAL	4.7	1%	1/2W	R5203	1-249-436-11	CARBON	39K	5%	1/4W
						R5204	1-249-429-11	CARBON	10K	5%	1/4W
R5129	1-214-808-11	METAL	4.7	1%	1/2W	R5205	1-249-429-11	CARBON	10K	5%	1/4W
R5130	1-214-808-11	METAL	4.7	1%	1/2W	R5207	1-216-375-00	METAL OXIDE	3.3	5%	2W
R5131	1-214-808-11	METAL	4.7	1%	1/2W	R5208	1-216-375-00	METAL OXIDE	3.3	5%	2W
R5132	1-214-808-11	METAL	4.7	1%	1/2W						
R5133	1-214-808-11	METAL	4.7	1%	1/2W	R5214	1-249-429-11	CARBON	10K	5%	1/4W
						R5215	1-249-437-11	CARBON	47K	5%	1/4W
R5134	1-214-808-11	METAL	4.7	1%	1/2W	R5216	1-249-422-11	CARBON	2.7K	5%	1/4W
R5135	1-214-808-11	METAL	4.7	1%	1/2W	R5217	1-249-429-11	CARBON	10K	5%	1/4W
R5136	1-214-808-11	METAL	4.7	1%	1/2W	R5218	1-249-417-11	CARBON	1K	5%	1/4W
R5137	1-214-808-11	METAL	4.7	1%	1/2W						
R5138	1-214-808-11	METAL	4.7	1%	1/2W	R8001	1-249-425-11	CARBON	4.7K	5%	1/4W
						R8002	1-249-431-11	CARBON	15K	5%	1/4W
R5143	1-249-429-11	CARBON	10K	5%	1/4W	R8003	1-216-057-00	RES-CHIP	2.2K	5%	1/10W
R5144	1-249-429-11	CARBON	10K	5%	1/4W	R8004	1-260-328-11	CARBON	1K	5%	1/2W
R5145	1-249-429-11	CARBON	10K	5%	1/4W	R8005	1-215-925-11	METAL OXIDE	22K	5%	3W
R5146	1-249-429-11	CARBON	10K	5%	1/4W						
R5147	1-249-429-11	CARBON	10K	5%	1/4W	R8006	1-260-123-11	CARBON	100K	5%	1/2W
						R8007	1-215-925-11	METAL OXIDE	22K	5%	3W
R5148	1-249-429-11	CARBON	10K	5%	1/4W	R8008	1-216-059-00	RES-CHIP	2.7K	5%	1/10W
R5149	1-249-429-11	CARBON	10K	5%	1/4W	R8009	1-216-435-11	METAL OXIDE	2.7K	5%	1W
R5150	1-249-429-11	CARBON	10K	5%	1/4W	R8010	1-216-025-00	RES-CHIP	100	5%	1/10W
R5151	1-249-429-11	CARBON	10K	5%	1/4W						
R5152	1-249-429-11	CARBON	10K	5%	1/4W	R8011	1-216-065-00	RES-CHIP	4.7K	5%	1/10W
						R8012	1-215-918-00	METAL OXIDE	1.5K	5%	3W
R5153	1-249-429-11	CARBON	10K	5%	1/4W	R8013	1-216-065-00	RES-CHIP	4.7K	5%	1/10W
R5154	1-249-429-11	CARBON	10K	5%	1/4W	R8014	1-216-073-00	RES-CHIP	10K	5%	1/10W
R5155	1-249-425-11	CARBON	4.7K	5%	1/4W	R8015	1-216-049-00	RES-CHIP	1K	5%	1/10W
R5156	1-215-425-00	METAL	1.5K	1%	1/4W						
R5165	1-260-312-11	CARBON	47	5%	1/2W	R8016	1-215-918-00	METAL OXIDE	1.5K	5%	3W
						R8017	1-216-073-00	RES-CHIP	10K	5%	1/10W
R5166	1-247-887-00	CARBON	220K	5%	1/4W	R8018	1-216-073-00	RES-CHIP	10K	5%	1/10W
R5167	1-260-312-11	CARBON	47	5%	1/2W	R8019	1-215-905-11	METAL OXIDE	10	5%	3W
R5168	1-260-312-11	CARBON	47	5%	1/2W	R8020	1-215-918-00	METAL OXIDE	1.5K	5%	3W
R5169	1-249-429-11	CARBON	10K	5%	1/4W						
R5170	1-215-471-00	METAL	120K	1%	1/4W	R8021	1-216-073-00	RES-CHIP	10K	5%	1/10W
						R8022	1-216-097-91	RES-CHIP	100K	5%	1/10W
R5171	1-215-449-00	METAL	15K	1%	1/4W	R8023	1-215-870-11	METAL OXIDE	1.5K	5%	1W
R5172	1-247-895-91	CARBON	470K	5%	1/4W	R8024	1-249-427-11	CARBON	6.8K	5%	1/4W
R5173	1-247-895-91	CARBON	470K	5%	1/4W	R8026	1-215-902-11	METAL OXIDE	47K	5%	2W
R5174	1-249-439-11	CARBON	68K	5%	1/4W						
R5175	1-216-395-00	METAL OXIDE	3.3	5%	3W	R8027	1-216-059-00	RES-CHIP	2.7K	5%	1/10W
						R8028	1-216-089-00	RES-CHIP	47K	5%	1/10W
R5177	1-215-469-00	METAL	100K	1%	1/4W	R8030	1-215-902-11	METAL OXIDE	47K	5%	2W
R5179	1-249-425-11	CARBON	4.7K	5%	1/4W	R8031	1-216-073-00	RES-CHIP	10K	5%	1/10W
R5180	1-249-421-11	CARBON	2.2K	5%	1/4W	R8032	1-215-918-00	METAL OXIDE	1.5K	5%	3W
R5181	1-249-422-11	CARBON	2.7K	5%	1/4W						
R5182	1-247-895-91	CARBON	470K	5%	1/4W	R8033	1-215-902-11	METAL OXIDE	47K	5%	2W
						R8034	1-215-918-00	METAL OXIDE	1.5K	5%	3W
R5183	1-249-422-11	CARBON	2.7K	5%	1/4W	R8035	1-215-918-00	METAL OXIDE	1.5K	5%	3W
R5184	1-249-417-11	CARBON	1K	5%	1/4W	R8036	1-216-071-00	RES-CHIP	8.2K	5%	1/10W
R5186	1-249-425-11	CARBON	4.7K	5%	1/4W	R8037	1-216-085-00	RES-CHIP	33K	5%	1/10W
R5187	1-249-431-11	CARBON	15K	5%	1/4W						
R5188	1-249-429-11	CARBON	10K	5%	1/4W	R8038	1-216-374-00	METAL OXIDE	2.7	5%	2W
						R8039	1-216-375-00	METAL OXIDE	3.3	5%	2W
R5189	1-215-421-00	METAL	1K	1%	1/4W	R8041	1-215-902-11	METAL OXIDE	47K	5%	2W
R5190	1-249-377-11	CARBON	0.47	5%	1/4W	R8044	1-216-049-00	RES-CHIP	1K	5%	1/10W



• The components identified by **▣** in this manual have been carefully factory-selected for each set in order to satisfy regulations regarding X-ray radiation. Should replacement be required, replace only with the value originally used.

Les composants identifiés par une trame et une marque **△** sont critiques pour la sécurité. Ne les remplacer que par une pièce portant le numéro spécifique.

The components identified by shading and mark **△** are critical for safety. Replace only with part number specified.

REF. NO.	PART NO.	DESCRIPTION	REMARK	REF. NO.	PART NO.	DESCRIPTION	REMARK
R8046	1-216-025-00	RES-CHIP	100 5% 1/10W	R8125	1-208-822-11	METAL CHIP	47K 0.5% 1/10W
R8049	1-216-049-00	RES-CHIP	1K 5% 1/10W	R8126	1-216-081-00	RES-CHIP	22K 5% 1/10W
R8050	1-260-117-11	CARBON	33K 5% 1/2W	R8127	1-216-037-00	RES-CHIP	330 5% 1/10W
R8051	1-216-025-00	RES-CHIP	100 5% 1/10W	R8128	1-216-073-00	RES-CHIP	10K 5% 1/10W
R8055	1-260-087-11	CARBON	100 5% 1/2W	R8129	1-208-822-11	METAL CHIP	47K 0.5% 1/10W
R8057	1-216-045-00	RES-CHIP	680 5% 1/10W	R8132	1-208-806-11	METAL CHIP	10K 0.5% 1/10W
R8058	1-216-077-91	RES-CHIP	15K 5% 1/10W	R8133	1-208-832-11	METAL CHIP	120K 0.5% 1/10W
R8059	1-216-069-00	RES-CHIP	6.8K 5% 1/10W	R8134	1-208-834-11	METAL CHIP	150K 0.5% 1/10W
R8060	1-216-057-00	RES-CHIP	2.2K 5% 1/10W	R8135	1-216-097-91	RES-CHIP	100K 5% 1/10W
R8064	1-216-377-11	METAL OXIDE	4.7 5% 2W	R8136	1-216-097-91	RES-CHIP	100K 5% 1/10W
R8067	1-216-059-00	RES-CHIP	2.7K 5% 1/10W	R8137	1-208-806-11	METAL CHIP	10K 0.5% 1/10W
R8069	1-216-445-11	METAL OXIDE	12 5% 2W	R8138	1-216-025-00	RES-CHIP	100 5% 1/10W
R8070	1-260-316-51	CARBON	100 5% 1/2W	R8139	1-216-097-91	RES-CHIP	100K 5% 1/10W
R8071	1-216-113-00	RES-CHIP	470K 5% 1/10W	R8140	1-208-822-11	METAL CHIP	47K 0.5% 1/10W
R8074	1-216-059-00	RES-CHIP	2.7K 5% 1/10W	R8154	1-216-043-91	RES-CHIP	560 5% 1/10W
R8075	1-260-316-51	CARBON	100 5% 1/2W	R8155	1-216-049-00	RES-CHIP	1K 5% 1/10W
R8076	1-216-105-91	RES-CHIP	220K 5% 1/10W	R8156	1-214-745-00	METAL	4.7K 1% 1/4W
R8077	1-216-091-00	RES-CHIP	56K 5% 1/10W	R8157	1-208-774-11	METAL CHIP	470 0.5% 1/10W
R8080	1-216-063-91	RES-CHIP	3.9K 5% 1/10W	R8160	1-214-747-00	METAL	5.6K 1% 1/4W
R8081	1-216-077-91	RES-CHIP	15K 5% 1/10W	R8161	1-215-423-00	METAL	1.2K 1% 1/4W
R8082	1-216-073-00	RES-CHIP	10K 5% 1/10W	R8162	1-214-757-00	METAL	15K 1% 1/4W
R8083	1-216-077-91	RES-CHIP	15K 5% 1/10W	R8163	1-214-757-00	METAL	15K 1% 1/4W
R8084	1-216-049-00	RES-CHIP	1K 5% 1/10W	R8164	1-214-757-00	METAL	15K 1% 1/4W
R8085	1-249-377-11	CARBON	0.47 5% 1/4W	R8165	1-214-757-00	METAL	15K 1% 1/4W
R8086	1-216-049-00	RES-CHIP	1K 5% 1/10W	R8166	1-208-814-91	METAL CHIP	22K 0.5% 1/10W
R8087	1-216-073-00	RES-CHIP	10K 5% 1/10W	R8167	1-216-057-00	RES-CHIP	2.2K 5% 1/10W
R8091	1-216-067-00	RES-CHIP	5.6K 5% 1/10W	R8168	1-208-802-11	METAL CHIP	6.8K 0.5% 1/10W
R8092	1-216-073-00	RES-CHIP	10K 5% 1/10W	R8170	1-216-097-91	RES-CHIP	100K 5% 1/10W
R8093	1-216-049-00	RES-CHIP	1K 5% 1/10W	R8171	1-216-097-91	RES-CHIP	100K 5% 1/10W
R8094	1-216-067-00	RES-CHIP	5.6K 5% 1/10W	R8172	1-216-073-00	RES-CHIP	10K 5% 1/10W
R8095	1-216-057-00	RES-CHIP	2.2K 5% 1/10W	R8173	1-208-812-11	METAL CHIP	18K 0.5% 1/10W
R8096	1-216-045-00	RES-CHIP	680 5% 1/10W	R8174	1-216-025-00	RES-CHIP	100 5% 1/10W
R8097	1-216-081-00	RES-CHIP	22K 5% 1/10W	R8175	1-216-073-00	RES-CHIP	10K 5% 1/10W
R8099	1-216-059-00	RES-CHIP	2.7K 5% 1/10W	R8176	1-216-073-00	RES-CHIP	10K 5% 1/10W
R8101	1-216-055-00	RES-CHIP	1.8K 5% 1/10W	R8177	1-216-462-00	METAL OXIDE	8.2K 5% 2W
R8102	1-216-073-00	RES-CHIP	10K 5% 1/10W	R8178	1-215-897-11	METAL OXIDE	6.8K 5% 2W
R8103	1-216-053-00	RES-CHIP	1.5K 5% 1/10W	R8181	1-215-900-11	METAL OXIDE	22K 5% 2W
R8105	1-216-689-11	RES-CHIP	39K 5% 1/10W	R8182	1-215-901-00	METAL OXIDE	33K 5% 2W
R8106	1-216-089-00	RES-CHIP	47K 5% 1/10W	R8183	1-260-292-11	CARBON	1 5% 1/2W
R8107	1-216-053-00	RES-CHIP	1.5K 5% 1/10W	R8186	1-216-037-00	RES-CHIP	330 5% 1/10W
R8108	1-216-055-00	RES-CHIP	1.8K 5% 1/10W	R8187	1-215-901-00	METAL OXIDE	33K 5% 2W
R8109	1-208-806-11	METAL CHIP	10K 0.5% 1/10W	R8188	1-216-466-71	METAL OXIDE	39K 5% 2W
R8110	1-208-810-11	METAL CHIP	15K 0.5% 1/10W	R8189	1-260-117-11	CARBON	33K 5% 1/2W
R8111	1-208-774-11	METAL CHIP	470 0.5% 1/10W	R8190	1-208-798-11	METAL CHIP	4.7K 0.5% 1/10W
R8112	1-216-077-91	RES-CHIP	15K 5% 1/10W	R8191	1-208-806-11	METAL CHIP	10K 0.5% 1/10W
R8113	1-216-073-00	RES-CHIP	10K 5% 1/10W	R8192	1-208-802-11	METAL CHIP	6.8K 0.5% 1/10W
R8114	1-216-025-00	RES-CHIP	100 5% 1/10W	R8193	1-208-814-91	METAL CHIP	22K 0.5% 1/10W
R8115	1-216-089-00	RES-CHIP	47K 5% 1/10W	▣ R8194 △	CARBON	1/4W	
R8116	1-216-097-91	RES-CHIP	100K 5% 1/10W	R8195	1-208-814-91	METAL CHIP	22K 0.5% 1/10W
R8117	1-208-806-11	METAL CHIP	10K 0.5% 1/10W	▣ R8196 △	CARBON	1/4W	
R8118	1-216-053-00	RES-CHIP	1.5K 5% 1/10W	R8197	1-260-087-11	CARBON	100 5% 1/2W
R8119	1-208-774-11	METAL CHIP	470 0.5% 1/10W	R8198	1-214-769-00	METAL	47K 1% 1/4W
R8120	1-216-049-00	RES-CHIP	1K 5% 1/10W	R8199	1-260-288-11	CARBON	0.47 5% 1/2W
R8121	1-249-377-11	CARBON	0.47 5% 1/4W	R8200	1-260-127-11	CARBON	220K 5% 1/2W
R8122	1-216-097-91	RES-CHIP	100K 5% 1/10W	▣ R8201 △	METAL	1/4W	
R8123	1-208-822-11	METAL CHIP	47K 0.5% 1/10W	▣ R8202 △	METAL	1/4W	
				R8203	1-208-826-11	METAL CHIP	68K 0.5% 1/10W

Les composants identifiés par une trame et une marque Δ sont critiques pour la sécurité. Ne les remplacer que par une pièce portant le numéro spécifié.

The components identified by shading and mark Δ are critical for safety. Replace only with part number specified.



REF. NO.	PART NO.	DESCRIPTION	REMARK	REF. NO.	PART NO.	DESCRIPTION	REMARK
R8204	1-208-832-11	METAL CHIP 120K	0.5% 1/10W	D3502	8-719-073-01	DIODE MA111-TX	
R8208	1-260-087-11	CARBON 100	5% 1/2W	D3503	8-719-158-15	DIODE UDZ-TE-17-5.6B	
R8213	1-249-413-11	CARBON 470	5% 1/4W	D3504	8-719-158-15	DIODE UDZ-TE-17-5.6B	
R8214	1-216-379-11	METAL OXIDE 6.8	5% 2W	D3505	8-719-977-28	DIODE UDZ-TE-17-10B	
R8215	1-216-097-91	RES-CHIP 100K	5% 1/10W	D3506	8-719-977-28	DIODE UDZ-TE-17-10B	
R8216	1-216-093-91	RES-CHIP 68K	5% 1/10W	D3507	8-719-977-28	DIODE UDZ-TE-17-10B	
R8217	1-216-079-00	RES-CHIP 18K	5% 1/10W	D3508	8-719-977-28	DIODE UDZ-TE-17-10B	
R8218	1-216-067-00	RES-CHIP 5.6K	5% 1/10W			<JACK>	
R8219	1-216-067-00	RES-CHIP 5.6K	5% 1/10W	J3501	1-764-143-11	JACK 3P (CONTROL S IN)	
R8220	1-216-079-00	RES-CHIP 18K	5% 1/10W	J3502	1-764-143-11	JACK 3P (CONTROL S OUT)	
R8221	1-216-097-91	RES-CHIP 100K	5% 1/10W	J3503	1-793-795-11	JACK BLOCK, PIN 2P (VIDEO 5 (DTV) HD/VD)	
R8222	1-216-093-91	RES-CHIP 68K	5% 1/10W			<TRANSISTOR>	
R8223	1-216-079-00	RES-CHIP 18K	5% 1/10W	Q3501	8-729-027-38	TRANSISTOR DTA144EKA-T146	
R8224	1-216-067-00	RES-CHIP 5.6K	5% 1/10W	Q3502	1-801-806-11	TRANSISTOR DTC144EKA-T146	
R8225	1-260-087-11	CARBON 100	5% 1/2W	Q3503	8-729-216-22	TRANSISTOR 2SB709A-QRS-TX	
R8227	1-216-067-00	RES-CHIP 5.6K	5% 1/10W	Q3504	8-729-216-22	TRANSISTOR 2SB709A-QRS-TX	
R8228	1-216-067-00	RES-CHIP 5.6K	5% 1/10W	Q3505	8-729-422-27	TRANSISTOR 2SD601A-QRS-TX	
R8229	1-216-093-91	RES-CHIP 68K	5% 1/10W	Q3506	1-801-806-11	TRANSISTOR DTC144EKA-T146	
R8230	1-216-073-00	RES-CHIP 10K	5% 1/10W	Q3507	8-729-422-27	TRANSISTOR 2SD601A-QRS-TX	
		<SPARK GAP>				<RESISTOR>	
SG8002	1-519-422-11	GAP, SPARK		R3501	1-216-089-91	RES-CHIP 47K	5% 1/10W
		<TRANSFORMER>		R3502	1-216-057-00	RES-CHIP 2.2K	5% 1/10W
T5001	1-437-209-11	TRANSFORMER, HORIZONTAL DRIVE		R3503	1-216-009-91	RES-CHIP 22	5% 1/10W
T5002	1-431-966-11	TRANSFORMER, FERRITE (HOT)		R3504	1-216-073-00	RES-CHIP 10K	5% 1/10W
T8001 Δ	1-437-209-11	TRANSFORMER, HORIZONTAL DRIVE		R3505	1-216-009-91	RES-CHIP 22	5% 1/10W
T8002 Δ	1-431-955-11	TRANSFORMER, FERRITE (LOT)		R3507	1-216-097-91	RES-CHIP 100K	5% 1/10W
T8003 Δ	1-453-285-11	FBT ASSY NX-4007//J1P4		R3508	1-216-097-91	RES-CHIP 100K	5% 1/10W
		<THERMISTOR>		R3510	1-216-073-00	RES-CHIP 10K	5% 1/10W
TH5001	1-800-193-00	THERMISTOR		R3511	1-216-295-91	SHORT 0	
				R3512	1-216-073-00	RES-CHIP 10K	5% 1/10W

* A-1373-794-A U BOARD, COMPLETE							

		<CAPACITOR>		R3513	1-216-097-91	RES-CHIP 100K	5% 1/10W
C3501	1-164-489-11	CERAMIC CHIP 0.22 μ F	10% 16V	R3514	1-216-097-91	RES-CHIP 100K	5% 1/10W
C3502	1-163-038-91	CERAMIC CHIP 0.1 μ F	25V	R3515	1-216-057-00	RES-CHIP 2.2K	5% 1/10W
C3504	1-107-823-11	CERAMIC CHIP 0.47 μ F	10% 16V	R3516	1-216-025-91	RES-CHIP 100	5% 1/10W
C3505	1-107-823-11	CERAMIC CHIP 0.47 μ F	10% 16V	R3517	1-216-057-00	RES-CHIP 2.2K	5% 1/10W
		<CONNECTOR>		R3518	1-216-025-91	RES-CHIP 100	5% 1/10W
CN3501*	1-564-522-11	PLUG, CONNECTOR 7P					
		<DIODE>		*****			
D3501	8-719-073-01	DIODE MA111-TX		* A-1316-513-A G BOARD, COMPLETE			

				1-533-223-11	CLIP, FUSE		
				4-382-854-11	SCREW (M3X10), P, SW (+)		
						<CAPACITOR>	
				C6001 Δ	1-104-708-11	MYLAR 0.47 μ F	20% 250V
				C6002 Δ	1-104-706-11	MYLAR 0.22 μ F	20% 250V
				C6003 Δ	1-119-906-51	CERAMIC 2200pF	20% 250V



Les composants identifiés par une trame et une marque Δ sont critiques pour la sécurité. Ne les remplacer que par une pièce portant le numéro spécifié.

The components identified by shading and mark Δ are critical for safety. Replace only with part number specified.

REF. NO.	PART NO.	DESCRIPTION	REMARK
C6004	1-119-906-51	CERAMIC	2200pF 20% 250V
C6006	1-161-964-91	CERAMIC	0.0047μF 250V
C6007	1-161-964-91	CERAMIC	0.0047μF 250V
C6008 Δ	1-104-350-11	ELECT(BLOCK)	1000μF 20% 250V
C6009	1-107-671-91	ELECT	22μF 20% 400V
C6010 Δ	1-104-350-11	ELECT(BLOCK)	1000μF 20% 250V
C6012	1-126-968-11	ELECT	100μF 20% 50V
C6013	1-126-964-11	ELECT	10μF 20% 50V
C6014	1-104-664-11	ELECT	47μF 20% 25V
C6015	1-137-605-11	MYLAR	0.01μF 10% 250V
C6016	1-126-961-11	ELECT	2.2μF 20% 50V
C6017	1-126-968-11	ELECT	100μF 20% 50V
C6018	1-102-112-00	CERAMIC	330pF 10% 50V
C6019	1-102-112-00	CERAMIC	330pF 10% 50V
C6020	1-136-165-00	MYLAR	0.1μF 5% 50V
C6021	1-126-960-11	ELECT	1μF 20% 50V
C6022	1-137-219-11	FILM	0.015μF 5% 0V
C6023	1-115-405-11	FILM	0.039μF 3% 1KV
C6025	1-125-969-91	CERAMIC	680pF 10% 1KV
C6026	1-125-969-91	CERAMIC	680pF 10% 1KV
C6027	1-126-964-11	ELECT	10μF 20% 50V
C6028	1-136-479-11	FILM	0.001μF 2% 50V
C6029	1-102-112-00	CERAMIC	330pF 10% 50V
C6030	1-102-112-00	CERAMIC	330pF 10% 50V
C6031	1-126-960-11	ELECT	1μF 20% 50V
C6032	1-136-165-00	MYLAR	0.1μF 5% 50V
C6033	1-125-969-91	CERAMIC	680pF 10% 1KV
C6034	1-125-969-91	CERAMIC	680pF 10% 1KV
C6035	1-126-964-11	ELECT	10μF 20% 50V
C6036	1-136-165-00	MYLAR	0.1μF 5% 50V
C6037	1-126-964-11	ELECT	10μF 20% 50V
C6102	1-104-665-11	ELECT	100μF 20% 25V
C6103	1-104-664-11	ELECT	47μF 20% 25V
C6104	1-101-810-00	CERAMIC	100pF 5% 500V
C6105	1-101-810-00	CERAMIC	100pF 5% 500V
C6108	1-104-664-11	ELECT	47μF 20% 25V
C6113	1-107-639-11	ELECT	47μF 20% 160V
C6114	1-107-641-11	ELECT	220μF 20% 160V
C6115	1-104-665-11	ELECT	100μF 20% 25V
C6116	1-126-968-11	ELECT	100μF 20% 50V
C6117	1-128-546-11	ELECT	10000μF 20% 10V
C6118	1-126-943-11	ELECT	2200μF 20% 25V
C6119	1-126-943-11	ELECT	2200μF 20% 25V
C6120	1-128-549-11	ELECT	3300μF 20% 35V
C6121	1-128-549-11	ELECT	3300μF 20% 35V
C6122	1-126-943-11	ELECT	2200μF 20% 25V
C6123	1-107-641-11	ELECT	220μF 20% 160V
C6124	1-128-549-11	ELECT	3300μF 20% 35V
C6125	1-128-549-11	ELECT	3300μF 20% 35V
C6126	1-104-665-11	ELECT	100μF 20% 25V
C6127	1-107-639-11	ELECT	47μF 20% 160V
C6128	1-128-549-11	ELECT	3300μF 20% 35V
C6129	1-128-549-11	ELECT	3300μF 20% 35V
C6131	1-104-665-11	ELECT	100μF 20% 25V
C6132	1-104-665-11	ELECT	100μF 20% 25V
C6133	1-104-665-11	ELECT	100μF 20% 25V
C6134	1-126-968-11	ELECT	100μF 20% 50V

REF. NO.	PART NO.	DESCRIPTION	REMARK
C6135	1-126-968-11	ELECT	100μF 20% 50V
C6137	1-104-666-11	ELECT	220μF 20% 25V
C6140	1-104-665-11	ELECT	100μF 20% 25V
C6145	1-126-918-11	ELECT	4700μF 20% 6.3V
C6150	1-136-165-00	MYLAR	0.1μF 5% 50V
C6155	1-102-129-00	CERAMIC	0.01μF 10% 50V
C6156	1-102-050-00	CERAMIC	0.01μF 99% 500V
C6157	1-102-129-00	CERAMIC	0.01μF 10% 50V
C6158	1-102-129-00	CERAMIC	0.01μF 10% 50V
C6159	1-102-129-00	CERAMIC	0.01μF 10% 50V
C6160	1-102-129-00	CERAMIC	0.01μF 10% 50V
<CONNECTOR>			
CN6004*	1-580-843-11	PIN, CONNECTOR (POWER)	
CN6101*	1-564-510-11	PLUG, CONNECTOR 7P	
CN6102*	1-691-757-11	PIN, CONNECTOR (PC BOARD) 8P	
CN6103	1-695-915-11	TAB (CONTACT)	
CN6104*	1-564-512-11	PLUG, CONNECTOR 9P	
CN6105*	1-564-509-11	PLUG, CONNECTOR 6P	
CN6106*	1-573-964-11	PIN, CONNECTOR (PC BOARD) 6P	
CN6107	1-695-915-11	TAB (CONTACT)	
CN6108	1-695-915-11	TAB (CONTACT)	
<DIODE>			
D6001	8-719-068-00	DIODE ERC04-06SE	
D6002 Δ	8-719-033-58	DIODE RBV-1506	
D6003	8-719-068-00	DIODE ERC04-06SE	
D6004	8-719-110-31	DIODE MTZJ-T-77-12B	
D6005	8-719-979-64	DIODE μF4005PKG23	
D6006	8-719-059-23	DIODE P6KE200AG23	
D6007	8-719-991-33	DIODE 1SS133T-77	
D6009	8-719-982-26	DIODE MTZJ-T-77-33B	
D6010	8-719-991-33	DIODE 1SS133T-77	
D6011	8-719-923-60	DIODE MTZJ-T-77-9.1A	
D6012	8-719-991-33	DIODE 1SS133T-77	
D6013	8-719-991-33	DIODE 1SS133T-77	
D6014	8-719-991-33	DIODE 1SS133T-77	
D6015	8-719-063-73	DIODE D1NL20U-TR	
D6016	8-719-979-64	DIODE μF4005PKG23	
D6017	8-719-110-53	DIODE MTZJ-T-77-20C	
D6018	8-719-979-64	DIODE μF4005PKG23	
D6019	8-719-110-53	DIODE MTZJ-T-77-20C	
D6020	8-719-210-53	DIODE 11ES4-TA1B	
D6021	8-719-110-53	DIODE MTZJ-T-77-20C	
D6022	8-719-110-53	DIODE MTZJ-T-77-20C	
D6023	8-719-991-33	DIODE 1SS133T-77	
D6024	8-719-991-33	DIODE 1SS133T-77	
D6025	8-719-979-64	DIODE μF4005PKG23	
D6026	8-719-110-53	DIODE MTZJ-T-77-20C	
D6027	8-719-979-64	DIODE μF4005PKG23	
D6028	8-719-110-53	DIODE MTZJ-T-77-20C	
D6029	8-719-110-53	DIODE MTZJ-T-77-20C	
D6030	8-719-110-53	DIODE MTZJ-T-77-20C	
D6031	8-719-210-53	DIODE 11ES4-TA1B	
D6032	8-719-979-64	DIODE μF4005PKG23	

Les composants identifiés par une trame et une marque Δ sont critiques pour la sécurité. Ne les remplacer que par une pièce portant le numéro spécifié.

The components identified by shading and mark Δ are critical for safety. Replace only with part number specified.



REF. NO.	PART NO.	DESCRIPTION	REMARK	REF. NO.	PART NO.	DESCRIPTION	REMARK
D6033	8-719-991-33	DIODE 1SS133T-77		IC6104	8-759-450-47	IC BA05T	
D6034	8-719-991-33	DIODE 1SS133T-77		IC6301	8-759-198-31	IC μ PC1093J-1-T	
D6035	8-719-110-31	DIODE MTZJ-T-77-12B					
D6101	8-719-210-53	DIODE 11ES4-TA1B					
D6102	8-719-057-96	DIODE D10SC6M-4012					
D6103	8-719-052-90	DIODE D1NL40-TR2					
D6104	8-719-031-78	DIODE S2L40F					
D6105	8-719-052-91	DIODE D4SBS4-F					
D6106	8-719-052-90	DIODE D1NL40-TR2					
D6107	8-719-031-78	DIODE S2L40F					
D6108	8-719-057-96	DIODE D10SC6M-4012					
D6109	8-719-049-92	DIODE SF10SC3L					
D6110	8-719-982-27	DIODE MTZJ-T-77-33C					
D6111	8-719-991-33	DIODE 1SS133T-77					
D6112	8-719-991-33	DIODE 1SS133T-77					
D6113	8-719-991-33	DIODE 1SS133T-77					
D6114	8-719-072-30	DIODE D25SC6MRF04					
D6116	8-719-072-29	DIODE D25SC6MF04					
D6117	8-719-988-31	DIODE D10SC6MR					
D6119	8-719-110-31	DIODE MTZJ-T-77-12B					
D6120	8-719-063-73	DIODE D1NL20U-TR					
D6121	8-719-921-63	DIODE MTZJ-T-77-7.5B					
D6122	8-719-991-33	DIODE 1SS133T-77					
D6123	8-719-991-33	DIODE 1SS133T-77					
D6124	8-719-991-33	DIODE 1SS133T-77					
D6125	8-719-991-33	DIODE 1SS133T-77					
<FUSE>							
F6001 Δ	1-576-048-11	FUSE, GLASS TUBE 10A/125V					
F6002 Δ	1-533-759-11	FUSE 6.3A/125V					
F6105 Δ	1-533-597-31	LINK, IC 5A					
F6106 Δ	1-533-597-31	LINK, IC 5A					
<FERRITE BEAD>							
FB6001	1-410-397-21	FERRITE	1.1 μ H				
FB6002	1-410-397-21	FERRITE	1.1 μ H				
FB6003	1-410-397-21	FERRITE	1.1 μ H				
FB6004	1-410-397-21	FERRITE	1.1 μ H				
FB6005	1-410-397-21	FERRITE	1.1 μ H				
FB6006	1-410-397-21	FERRITE	1.1 μ H				
FB6007	1-410-397-21	FERRITE	1.1 μ H				
FB6008	1-410-397-21	FERRITE	1.1 μ H				
FB6101	1-410-397-21	FERRITE	1.1 μ H				
FB6102	1-410-397-21	FERRITE	1.1 μ H				
<IC>							
IC6001	8-759-468-89	IC TOP209P					
IC6002	8-759-185-47	IC IR2112					
IC6003	8-759-077-25	IC IR3M02					
IC6004	8-759-185-47	IC IR2112					
IC6005 Δ	8-749-010-64	PHOTO COUPLER PC123FY2					
IC6011 Δ	8-749-010-64	PHOTO COUPLER PC123FY2					
IC6101	8-749-920-61	IC SE135N-LF12					
IC6102	8-759-103-93	IC μ PC393C					
IC6103	8-759-198-31	IC μ PC1093J-1-T					
				<COIL>			
L6001 Δ	1-431-116-11	TRANSFORMER, LINE FILTER					
L6002 Δ	1-431-116-11	TRANSFORMER, LINE FILTER					
L6103	1-412-523-25	INDUCTOR	6.8 μ H				
L6104	1-412-523-25	INDUCTOR	6.8 μ H				
L6105	1-412-525-31	INDUCTOR	10 μ H				
L6106	1-412-525-31	INDUCTOR	10 μ H				
L6107	1-406-659-11	INDUCTOR	10 μ H				
L6108	1-412-525-31	INDUCTOR	10 μ H				
L6109	1-412-525-31	INDUCTOR	10 μ H				
L6110	1-412-525-31	INDUCTOR	10 μ H				
L6111	1-412-525-31	INDUCTOR	10 μ H				
L6112	1-412-525-31	INDUCTOR	10 μ H				
				<IC LINK>			
PS6101 Δ	1-533-597-31	LINK, IC 5A					
PS6102 Δ	1-533-597-31	LINK, IC 5A					
PS6103 Δ	1-533-790-31	LINK, IC 7A					
PS6104 Δ	1-533-790-31	LINK, IC 7A					
				<TRANSISTOR>			
Q6001	8-729-423-33	TRANSISTOR 2SC3311A-QRSTA					
Q6002	8-729-423-33	TRANSISTOR 2SC3311A-QRSTA					
Q6003	8-729-423-33	TRANSISTOR 2SC3311A-QRSTA					
Q6004	8-729-423-33	TRANSISTOR 2SC3311A-QRSTA					
Q6005	8-729-119-76	TRANSISTOR 2SA1309A-QRSTA					
Q6006	8-729-119-76	TRANSISTOR 2SA1309A-QRSTA					
Q6007	8-729-044-42	TRANSISTOR IRF1644G-LF36					
Q6008	8-729-044-42	TRANSISTOR IRF1644G-LF36					
Q6009	8-729-044-42	TRANSISTOR IRF1644G-LF36					
Q6010	8-729-044-42	TRANSISTOR IRF1644G-LF36					
Q6011	8-729-140-97	TRANSISTOR 2SB734-T-2					
Q6012	8-729-119-76	TRANSISTOR 2SA1309A-QRSTA					
Q6013	8-729-423-33	TRANSISTOR 2SC3311A-QRSTA					
Q6101	8-729-119-76	TRANSISTOR 2SA1309A-QRSTA					
Q6102	8-729-119-76	TRANSISTOR 2SA1309A-QRSTA					
Q6103	8-729-423-33	TRANSISTOR 2SC3311A-QRSTA					
Q6104	8-729-423-33	TRANSISTOR 2SC3311A-QRSTA					
Q6106	8-729-119-76	TRANSISTOR 2SA1309A-QRSTA					
				<RESISTOR>			
R6001 Δ	1-219-776-11	CARBON	2.2M 10% 1/2W				
R6002	1-219-759-11	CARBON	1M 5% 1/2W				
R6004	1-260-131-11	CARBON	470K 5% 1/2W				
R6005	1-249-401-11	CARBON	47 5% 1/4W				
R6006 Δ	1-260-127-11	CARBON	220K 5% 1/2W				
R6007	1-249-437-11	CARBON	47K 5% 1/4W				
R6008	1-260-127-11	CARBON	220K 5% 1/2W				
R6010	1-205-997-11	CEMENTED	2.2 5% 10W				
R6011	1-249-437-11	CARBON	47K 5% 1/4W				



Les composants identifiés par une trame et une marque Δ sont critiques pour la sécurité. Ne les remplacer que par une pièce portant le numéro spécifié.

The components identified by shading and mark Δ are critical for safety. Replace only with part number specified.

REF. NO.	PART NO.	DESCRIPTION		REMARK	REF. NO.	PART NO.	DESCRIPTION		REMARK
R6012	1-212-849-00	FUSIBLE	4.7	5%	1/4W	R6128	1-249-417-11	CARBON	1K 5% 1/4W
R6013	1-247-895-91	CARBON	470K	5%	1/4W	R6129	1-249-421-11	CARBON	2.2K 5% 1/4W
R6014	1-249-437-11	CARBON	47K	5%	1/4W	R6130	1-249-425-11	CARBON	4.7K 5% 1/4W
R6015	1-249-437-11	CARBON	47K	5%	1/4W	R6132	1-249-417-11	CARBON	1K 5% 1/4W
R6016	1-249-437-11	CARBON	47K	5%	1/4W	R6133	1-249-425-11	CARBON	4.7K 5% 1/4W
R6017	1-249-417-11	CARBON	1K	5%	1/4W	R6134	1-249-417-11	CARBON	1K 5% 1/4W
R6018	1-247-863-91	CARBON	22K	5%	1/4W	R6135	1-249-425-11	CARBON	4.7K 5% 1/4W
R6019	1-249-429-11	CARBON	10K	5%	1/4W	R6136	1-249-425-11	CARBON	4.7K 5% 1/4W
R6020	1-249-425-11	CARBON	4.7K	5%	1/4W	R6141	1-249-401-11	CARBON	47 5% 1/4W
R6021	1-247-791-91	CARBON	22	5%	1/4W	R6142	1-249-425-11	CARBON	4.7K 5% 1/4W
R6022	1-249-437-11	CARBON	47K	5%	1/4W	R6143	1-249-425-11	CARBON	4.7K 5% 1/4W
R6023	1-247-895-91	CARBON	470K	5%	1/4W	R6301	1-215-454-00	METAL	24K 1% 1/4W
R6024	1-249-397-11	CARBON	22	5%	1/4W	R6302	1-215-431-00	METAL	2.7K 1% 1/4W
R6025	1-249-397-11	CARBON	22	5%	1/4W	R6303	1-249-417-11	CARBON	1K 5% 1/4W
R6026	1-249-425-11	CARBON	4.7K	5%	1/4W				
R6027	1-249-425-11	CARBON	4.7K	5%	1/4W			<RELAY>	
R6028	1-215-427-00	METAL	1.8K	1%	1/4W			RY6001 Δ 1-515-999-11	RELAY, POWER
R6029	1-247-863-91	CARBON	22K	5%	1/4W			RY6002 Δ 1-515-999-11	RELAY, POWER
R6030	1-249-437-11	CARBON	47K	5%	1/4W				<TRANSFORMER>
R6031	1-249-425-11	CARBON	4.7K	5%	1/4W			T6001 Δ 1-429-807-11	TRANSFORMER, CONVERTER (PIT)
R6032	1-249-417-11	CARBON	1K	5%	1/4W			T6002 Δ 1-431-897-11	TRANSFORMER, CONVERTER (PIT)
R6033	1-215-444-00	METAL	9.1K	1%	1/4W			T6003 Δ 1-431-732-11	TRANSFORMER, CONVERTER (SRT)
R6034	1-249-417-11	CARBON	1K	5%	1/4W				<VARISTOR>
R6035	1-249-397-11	CARBON	22	5%	1/4W			VD6001	1-801-073-31 VARISTOR TNR14V471K660
R6036	1-249-397-11	CARBON	22	5%	1/4W			*****	
R6037	1-249-425-11	CARBON	4.7K	5%	1/4W			* A-1380-624-A K BOARD, COMPLETE	*****
R6038	1-249-425-11	CARBON	4.7K	5%	1/4W			4-382-854-11	SCREW (M3X10), P, SW (+)
R6039	1-249-429-11	CARBON	10K	5%	1/4W				<CAPACITOR>
R6040	1-249-429-11	CARBON	10K	5%	1/4W	C2001	1-126-960-11	ELECT	1μF 20% 50V
R6041	1-249-429-11	CARBON	10K	5%	1/4W	C2002	1-126-960-11	ELECT	1μF 20% 50V
R6042	1-249-437-11	CARBON	47K	5%	1/4W	C2003	1-126-964-11	ELECT	10μF 20% 50V
R6043	1-260-134-11	CARBON	820K	5%	1/2W	C2004	1-126-964-11	ELECT	10μF 20% 50V
R6101	1-215-437-00	METAL	4.7K	1%	1/4W	C2005	1-104-664-11	ELECT	47μF 20% 25V
R6102	1-215-479-00	METAL	270K	1%	1/4W	C2006	1-126-964-11	ELECT	10μF 20% 50V
R6103	1-215-437-00	METAL	4.7K	1%	1/4W	C2007	1-126-960-11	ELECT	1μF 20% 50V
R6104	1-215-413-00	METAL	470	1%	1/4W	C2008	1-126-960-11	ELECT	1μF 20% 50V
R6105	1-249-417-11	CARBON	1K	5%	1/4W	C2009	1-126-964-11	ELECT	10μF 20% 50V
R6106	1-249-417-11	CARBON	1K	5%	1/4W	C2010	1-126-964-11	ELECT	10μF 20% 50V
R6108	1-249-425-11	CARBON	4.7K	5%	1/4W	C2011	1-126-964-11	ELECT	10μF 20% 50V
R6109	1-249-425-11	CARBON	4.7K	5%	1/4W	C2012	1-104-664-11	ELECT	47μF 20% 25V
R6110	1-249-417-11	CARBON	1K	5%	1/4W	C2013	1-104-664-11	ELECT	47μF 20% 25V
R6111	1-215-900-11	METAL OXIDE	22K	5%	2W	C2014	1-104-665-11	ELECT	100μF 20% 25V
R6112	1-249-417-11	CARBON	1K	5%	1/4W	C2015	1-164-004-11	CERAMIC CHIP	0.1μF 10% 25V
R6113	1-249-429-11	CARBON	10K	5%	1/4W	C2016	1-130-495-00	MYLAR	0.1μF 5% 50V
R6115	1-249-409-11	CARBON	220	5%	1/4W	C2017	1-104-760-11	CERAMIC CHIP	0.047μF 10% 50V
R6116	1-249-429-11	CARBON	10K	5%	1/4W	C2019	1-126-960-11	ELECT	1μF 20% 50V
R6117	1-249-413-11	CARBON	470	5%	1/4W				
R6118	1-216-361-00	METAL OXIDE	0.22	5%	2W				
R6119	1-249-429-11	CARBON	10K	5%	1/4W				
R6120	1-249-429-11	CARBON	10K	5%	1/4W				
R6121	1-249-429-11	CARBON	10K	5%	1/4W				
R6122	1-249-377-11	CARBON	0.47	5%	1/4W				
R6123	1-249-377-11	CARBON	0.47	5%	1/4W				
R6124	1-249-377-11	CARBON	0.47	5%	1/4W				
R6125	1-249-425-11	CARBON	4.7K	5%	1/4W				
R6126	1-249-417-11	CARBON	1K	5%	1/4W				



REF. NO.	PART NO.	DESCRIPTION	REMARK	REF. NO.	PART NO.	DESCRIPTION	REMARK
C2021	1-164-004-11	CERAMIC CHIP	0.1μF 10% 25V	C2087	1-126-961-11	ELECT	2.2μF 20% 50V
C2022	1-104-664-11	ELECT	47μF 20% 25V	C2089	1-130-495-00	MYLAR	0.1μF 5% 50V
C2023	1-164-004-11	CERAMIC CHIP	0.1μF 10% 25V	C2090	1-130-495-00	MYLAR	0.1μF 5% 50V
C2025	1-104-665-11	ELECT	100μF 20% 25V	C2091	1-130-495-00	MYLAR	0.1μF 5% 50V
C2028	1-164-690-91	CERAMIC CHIP	0.0022μF 5% 50V	C2092	1-130-495-00	MYLAR	0.1μF 5% 50V
C2029	1-126-963-11	ELECT	4.7μF 20% 50V	C2093	1-126-961-11	ELECT	2.2μF 20% 50V
C2030	1-163-133-00	CERAMIC CHIP	470pF 5% 50V	C2095	1-164-690-91	CERAMIC CHIP	0.0022μF 5% 50V
C2031	1-104-664-11	ELECT	47μF 20% 25V	C2096	1-130-495-00	MYLAR	0.1μF 5% 50V
C2032	1-126-933-11	ELECT	100μF 20% 16V	C2097	1-130-495-00	MYLAR	0.1μF 5% 50V
C2033	1-164-004-11	CERAMIC CHIP	0.1μF 10% 25V	C2098	1-130-495-00	MYLAR	0.1μF 5% 50V
C2034	1-104-664-11	ELECT	47μF 20% 25V	C2099	1-130-495-00	MYLAR	0.1μF 5% 50V
C2035	1-164-690-91	CERAMIC CHIP	0.0022μF 5% 50V			<CONNECTOR>	
C2036	1-126-963-11	ELECT	4.7μF 20% 50V	CN2002*	1-691-135-11	PIN, CONNECTOR (PC BOARD) 4P	
C2037	1-126-964-11	ELECT	10μF 20% 50V	CN2003*	1-564-513-11	PLUG, CONNECTOR 10P	
C2038	1-126-964-11	ELECT	10μF 20% 50V	CN2004*	1-564-510-11	PLUG, CONNECTOR 7P	
C2039	1-126-960-11	ELECT	1μF 20% 50V	CN2005*	1-691-757-11	PIN, CONNECTOR (PC BOARD) 8P	
C2040	1-126-960-11	ELECT	1μF 20% 50V			<DIODE>	
C2041	1-104-664-11	ELECT	47μF 20% 25V	D2001	8-719-400-75	DIODE MA3091-TX	
C2045	1-126-965-11	ELECT	22μF 20% 50V	D2002	8-719-400-75	DIODE MA3091-TX	
C2046	1-104-664-11	ELECT	47μF 20% 25V	D2003	8-719-400-75	DIODE MA3091-TX	
C2047	1-164-004-11	CERAMIC CHIP	0.1μF 10% 25V	D2004	8-719-400-75	DIODE MA3091-TX	
C2049	1-163-227-11	CERAMIC CHIP	10pF 0.50pF50V	D2008	8-719-073-01	DIODE MA1111-TX	
C2050	1-163-091-00	CERAMIC CHIP	8pF 0.25pF50V	D2009	8-719-073-01	DIODE MA1111-TX	
C2051	1-164-004-11	CERAMIC CHIP	0.1μF 10% 25V	D2010	8-719-073-01	DIODE MA1111-TX	
C2052	1-104-664-11	ELECT	47μF 20% 25V	D2012	8-719-073-01	DIODE MA1111-TX	
C2053	1-104-664-11	ELECT	47μF 20% 25V	D2013	8-719-073-01	DIODE MA1111-TX	
C2054	1-126-935-11	ELECT	470μF 20% 16V	D2014	8-719-073-01	DIODE MA1111-TX	
C2055	1-164-004-11	CERAMIC CHIP	0.1μF 10% 25V	D2017	8-719-073-01	DIODE MA1111-TX	
C2056	1-164-004-11	CERAMIC CHIP	0.1μF 10% 25V	D2019	8-719-988-61	DIODE ISS355TE-17	
C2057	1-164-004-11	CERAMIC CHIP	0.1μF 10% 25V	D2020	8-719-073-01	DIODE MA1111-TX	
C2058	1-163-133-00	CERAMIC CHIP	470pF 5% 50V	D2021	8-719-073-01	DIODE MA1111-TX	
C2059	1-164-004-11	CERAMIC CHIP	0.1μF 10% 25V	D2022	8-719-073-01	DIODE MA1111-TX	
C2060	1-126-933-11	ELECT	100μF 20% 16V	D2023	8-719-073-01	DIODE MA1111-TX	
C2062	1-164-690-91	CERAMIC CHIP	0.0022μF 5% 50V	D2024	8-719-988-61	DIODE ISS355TE-17	
C2063	1-164-690-91	CERAMIC CHIP	0.0022μF 5% 50V	D2025	8-719-400-75	DIODE MA3091-TX	
C2064	1-126-964-11	ELECT	10μF 20% 50V	D2026	8-719-400-75	DIODE MA3091-TX	
C2065	1-126-964-11	ELECT	10μF 20% 50V	D2027	8-719-400-75	DIODE MA3091-TX	
C2066	1-104-664-11	ELECT	47μF 20% 25V	D2028	8-719-400-75	DIODE MA3091-TX	
C2067	1-164-161-11	CERAMIC CHIP	0.0022μF 10% 50V	D2029	8-719-402-92	DIODE MA3220M-TX	
C2068	1-104-664-11	ELECT	47μF 20% 25V	D2030	8-719-402-92	DIODE MA3220M-TX	
C2069	1-164-161-11	CERAMIC CHIP	0.0022μF 10% 50V	D2031	8-719-402-92	DIODE MA3220M-TX	
C2070	1-130-495-00	MYLAR	0.1μF 5% 50V	D2032	8-719-402-92	DIODE MA3220M-TX	
C2071	1-128-549-11	ELECT	3300μF 20% 35V	D2033	8-719-977-28	DIODE UDZS-TE17-10B	
C2072	1-130-495-00	MYLAR	0.1μF 5% 50V	D2034	8-719-977-28	DIODE UDZS-TE17-10B	
C2073	1-104-664-11	ELECT	47μF 20% 25V	D2050	8-719-402-92	DIODE MA3220M-TX	
C2074	1-164-161-11	CERAMIC CHIP	0.0022μF 10% 50V	D2051	8-719-402-92	DIODE MA3220M-TX	
C2075	1-104-664-11	ELECT	47μF 20% 25V	D2052	8-719-402-92	DIODE MA3220M-TX	
C2076	1-164-161-11	CERAMIC CHIP	0.0022μF 10% 50V	D2053	8-719-402-92	DIODE MA3220M-TX	
C2077	1-128-549-11	ELECT	3300μF 20% 35V	D2054	8-719-402-92	DIODE MA3220M-TX	
C2078	1-104-664-11	ELECT	47μF 20% 25V	D2055	8-719-402-92	DIODE MA3220M-TX	
C2079	1-164-161-11	CERAMIC CHIP	0.0022μF 10% 50V	D2056	8-719-402-92	DIODE MA3220M-TX	
C2080	1-104-664-11	ELECT	47μF 20% 25V	D2057	8-719-402-92	DIODE MA3220M-TX	
C2081	1-164-161-11	CERAMIC CHIP	0.0022μF 10% 50V	D2058	8-719-977-28	DIODE UDZS-TE17-10B	
C2083	1-126-965-11	ELECT	22μF 20% 50V				
C2084	1-104-664-11	ELECT	47μF 20% 25V				
C2085	1-163-014-00	CERAMIC CHIP	0.0027μF 5% 50V				
C2086	1-163-014-00	CERAMIC CHIP	0.0027μF 5% 50V				

KP-53HS10/61HS10

RM-Y902 RM-Y902



REF. NO.	PART NO.	DESCRIPTION	REMARK	REF. NO.	PART NO.	DESCRIPTION	REMARK
D2059	8-719-977-28	DIODE UDZS-TE17-10B		R2006	1-216-089-91	RES-CHIP	47K 5% 1/10W
		<FERRITE BEAD>		R2007	1-216-073-00	RES-CHIP	10K 5% 1/10W
FB2001	1-414-135-11	FERRITE	0μH	R2008	1-216-065-91	RES-CHIP	4.7K 5% 1/10W
FB2002	1-414-551-11	FERRITE	0μH	R2009	1-216-089-91	RES-CHIP	47K 5% 1/10W
FB2003	1-414-551-11	FERRITE	0μH	R2010	1-216-113-00	RES-CHIP	470K 5% 1/10W
FB2004	1-414-551-11	FERRITE	0μH	R2011	1-216-041-00	RES-CHIP	470 5% 1/10W
		<IC>		R2012	1-216-113-00	RES-CHIP	470K 5% 1/10W
IC2001	8-759-634-51	IC NJM4558D		R2013	1-216-041-00	RES-CHIP	470 5% 1/10W
IC2002	8-759-190-89	IC TDA7265		R2014	1-216-689-11	RES-CHIP	39K 5% 1/10W
IC2003	8-759-352-91	IC PST9143NL		R2015	1-216-089-91	RES-CHIP	47K 5% 1/10W
IC2004	8-759-544-72	IC TDA7312		R2016	1-216-689-11	RES-CHIP	39K 5% 1/10W
IC2005	8-759-549-74	IC TC9447F-003		R2017	1-216-089-91	RES-CHIP	47K 5% 1/10W
IC2006	8-759-231-53	IC MC7805CT		R2018	1-216-073-00	RES-CHIP	10K 5% 1/10W
IC2007	8-759-198-03	IC PQ09RF21		R2019	1-216-065-91	RES-CHIP	4.7K 5% 1/10W
IC2008	8-759-231-58	IC MC7812CT		R2020	1-216-089-91	RES-CHIP	47K 5% 1/10W
IC2009	8-759-634-51	IC NJM4558D		R2021	1-216-089-91	RES-CHIP	47K 5% 1/10W
		<JACK>		R2022	1-216-073-00	RES-CHIP	10K 5% 1/10W
J2001	1-785-083-21	JACK BLOCK, PIN 2P (AUDIO L (VAR/FIX))		R2023	1-216-089-91	RES-CHIP	47K 5% 1/10W
J2002	1-785-083-11	JACK BLOCK, PIN 2P (AUDIO R (VAR/FIX))		R2024	1-216-073-00	RES-CHIP	10K 5% 1/10W
		<COIL>		R2025	1-216-065-91	RES-CHIP	4.7K 5% 1/10W
L2003	1-414-175-11	INDUCTOR	0.47μH	R2026	1-216-089-91	RES-CHIP	47K 5% 1/10W
		<TRANSISTOR>		R2027	1-216-077-91	RES-CHIP	15K 5% 1/10W
Q2001	8-729-422-27	TRANSISTOR 2SD601A-QRS-TX		R2028	1-216-041-00	RES-CHIP	470 5% 1/10W
Q2002	8-729-422-27	TRANSISTOR 2SD601A-QRS-TX		R2029	1-216-077-91	RES-CHIP	15K 5% 1/10W
Q2003	8-729-422-27	TRANSISTOR 2SD601A-QRS-TX		R2030	1-216-083-00	RES-CHIP	27K 5% 1/10W
Q2004	8-729-422-27	TRANSISTOR 2SD601A-QRS-TX		R2031	1-216-083-00	RES-CHIP	27K 5% 1/10W
Q2005	8-729-422-27	TRANSISTOR 2SD601A-QRS-TX		R2032	1-216-025-91	RES-CHIP	100 5% 1/10W
Q2006	8-729-422-27	TRANSISTOR 2SD601A-QRS-TX		R2033	1-216-025-91	RES-CHIP	100 5% 1/10W
Q2007	8-729-422-27	TRANSISTOR 2SD601A-QRS-TX		R2034	1-216-041-00	RES-CHIP	470 5% 1/10W
Q2008	8-729-422-27	TRANSISTOR 2SD601A-QRS-TX		R2035	1-216-041-00	RES-CHIP	470 5% 1/10W
Q2009	8-729-422-27	TRANSISTOR 2SD601A-QRS-TX		R2036	1-216-041-00	RES-CHIP	470 5% 1/10W
Q2010	8-729-422-27	TRANSISTOR 2SD601A-QRS-TX		R2037	1-216-079-00	RES-CHIP	18K 5% 1/10W
Q2011	8-729-216-22	TRANSISTOR 2SB709A-QRS-TX		R2039	1-216-079-00	RES-CHIP	18K 5% 1/10W
Q2012	8-729-422-27	TRANSISTOR 2SD601A-QRS-TX		R2040	1-216-049-91	RES-CHIP	1K 5% 1/10W
Q2013	8-729-422-27	TRANSISTOR 2SD601A-QRS-TX		R2041	1-216-041-00	RES-CHIP	470 5% 1/10W
Q2015	8-729-422-27	TRANSISTOR 2SD601A-QRS-TX		R2042	1-216-065-91	RES-CHIP	4.7K 5% 1/10W
Q2016	8-729-216-22	TRANSISTOR 2SB709A-QRS-TX		R2043	1-216-065-91	RES-CHIP	4.7K 5% 1/10W
Q2017	8-729-216-22	TRANSISTOR 2SB709A-QRS-TX		R2044	1-216-065-91	RES-CHIP	4.7K 5% 1/10W
Q2018	8-729-422-27	TRANSISTOR 2SD601A-QRS-TX		R2045	1-216-025-91	RES-CHIP	100 5% 1/10W
		<RESISTOR>		R2046	1-216-025-91	RES-CHIP	100 5% 1/10W
R2001	1-216-041-00	RES-CHIP	470 5% 1/10W	R2047	1-216-025-91	RES-CHIP	100 5% 1/10W
R2002	1-216-113-00	RES-CHIP	470K 5% 1/10W	R2048	1-216-049-91	RES-CHIP	1K 5% 1/10W
R2003	1-216-113-00	RES-CHIP	470K 5% 1/10W	R2049	1-216-085-00	RES-CHIP	33K 5% 1/10W
R2004	1-216-041-00	RES-CHIP	470 5% 1/10W	R2050	1-216-025-91	RES-CHIP	100 5% 1/10W
R2005	1-216-065-91	RES-CHIP	4.7K 5% 1/10W	R2051	1-216-097-91	RES-CHIP	100K 5% 1/10W
				R2052	1-216-073-00	RES-CHIP	10K 5% 1/10W
				R2053	1-216-073-00	RES-CHIP	10K 5% 1/10W
				R2054	1-216-077-91	RES-CHIP	15K 5% 1/10W
				R2055	1-216-073-00	RES-CHIP	10K 5% 1/10W
				R2056	1-216-089-91	RES-CHIP	47K 5% 1/10W
				R2057	1-216-049-91	RES-CHIP	1K 5% 1/10W
				R2058	1-216-075-00	RES-CHIP	12K 5% 1/10W
				R2059	1-216-049-91	RES-CHIP	1K 5% 1/10W
				R2060	1-216-073-00	RES-CHIP	10K 5% 1/10W
				R2063	1-216-073-00	RES-CHIP	10K 5% 1/10W
				R2064	1-216-049-91	RES-CHIP	1K 5% 1/10W
				R2065	1-216-025-91	RES-CHIP	100 5% 1/10W



REF. NO.	PART NO.	DESCRIPTION	REMARK	REF. NO.	PART NO.	DESCRIPTION	REMARK
R2066	1-215-865-11	METAL OXIDE	220 5% 1W				
R2068	1-216-055-00	RES-CHIP	1.8K 5% 1/10W				
R2069	1-216-049-91	RES-CHIP	1K 5% 1/10W				
R2071	1-216-055-00	RES-CHIP	1.8K 5% 1/10W				
R2072	1-216-049-91	RES-CHIP	1K 5% 1/10W				
R2073	1-216-049-91	RES-CHIP	1K 5% 1/10W				
R2074	1-216-073-00	RES-CHIP	10K 5% 1/10W				
R2075	1-216-081-00	RES-CHIP	22K 5% 1/10W				
R2076	1-216-081-00	RES-CHIP	22K 5% 1/10W				
R2077	1-216-121-91	RES-CHIP	1M 5% 1/10W				
R2079	1-216-073-00	RES-CHIP	10K 5% 1/10W				
R2081	1-216-065-91	RES-CHIP	4.7K 5% 1/10W				
R2082	1-216-049-91	RES-CHIP	1K 5% 1/10W				
R2083	1-216-073-00	RES-CHIP	10K 5% 1/10W				
R2084	1-216-025-91	RES-CHIP	100 5% 1/10W				
R2085	1-216-035-00	RES-CHIP	270 5% 1/10W				
R2086	1-216-035-00	RES-CHIP	270 5% 1/10W				
R2087	1-215-911-11	METAL OXIDE	100 5% 3W				
R2088	1-215-911-11	METAL OXIDE	100 5% 3W				
R2089	1-215-886-11	METAL OXIDE	100 5% 2W				
R2091	1-215-911-11	METAL OXIDE	100 5% 3W				
R2092	1-215-911-11	METAL OXIDE	100 5% 3W				
R2093	1-216-025-91	RES-CHIP	100 5% 1/10W				
R2094	1-216-025-91	RES-CHIP	100 5% 1/10W				
R2095	1-216-067-00	RES-CHIP	5.6K 5% 1/10W				
R2096	1-216-067-00	RES-CHIP	5.6K 5% 1/10W				
R2097	1-216-357-00	METAL OXIDE	4.7 5% 1W				
R2098	1-216-357-00	METAL OXIDE	4.7 5% 1W				
R2099	1-216-089-91	RES-CHIP	47K 5% 1/10W				
R2100	1-216-089-91	RES-CHIP	47K 5% 1/10W				
R2101	1-216-079-00	RES-CHIP	18K 5% 1/10W				
R2102	1-216-073-00	RES-CHIP	10K 5% 1/10W				
R2103	1-216-079-00	RES-CHIP	18K 5% 1/10W				
R2104	1-216-073-00	RES-CHIP	10K 5% 1/10W				
R2105	1-216-089-91	RES-CHIP	47K 5% 1/10W				
R2106	1-216-089-91	RES-CHIP	47K 5% 1/10W				
R2107	1-216-025-91	RES-CHIP	100 5% 1/10W				
R2108	1-216-025-91	RES-CHIP	100 5% 1/10W				
		<RELAY>					
RY2001	1-755-028-11	RELAY					
RY2002	1-755-028-11	RELAY					
		<TERMINAL BOARD>					
TB2001	1-694-441-11	TERMINAL, PUSH (CENTER SPEAKER IN)					
		<CRYSTAL>					
X2001	1-781-590-21	VIBRATOR, CRYSTAL 33.8688MHz					
		<CAPACITOR>					
C3101	1-136-165-00	MYLAR	0.1µF 5% 50V				
		<CONNECTOR>					
CN3101*	1-564-521-11	PLUG, CONNECTOR 6P					
CN3103*	1-564-518-11	PLUG, CONNECTOR 3P					
CN3201*	1-564-526-11	PLUG, CONNECTOR 11P					
		<DIODE>					
D3101	8-719-053-43	DIODE SLR-325VCT31					
D3102	8-719-053-43	DIODE SLR-325VCT31					
D3201	8-719-108-12	DIODE RD9.1EW-T1					
D3202	8-719-108-12	DIODE RD9.1EW-T1					
D3203	8-719-108-12	DIODE RD9.1EW-T1					
D3204	8-719-108-12	DIODE RD9.1EW-T1					
D3205	8-719-108-12	DIODE RD9.1EW-T1					
D3206	8-719-108-12	DIODE RD9.1EW-T1					
		<JACK>					
J3201	1-565-931-11	TERMINAL BLOCK, S 3P (VIDEO 2 INPUT)					
		<RESISTOR>					
R3101	1-215-417-00	METAL	680 1% 1/4W				
R3102	1-215-421-00	METAL	1K 1% 1/4W				
R3103	1-215-423-00	METAL	1.2K 1% 1/4W				
R3104	1-215-427-00	METAL	1.8K 1% 1/4W				
R3105	1-215-433-00	METAL	3.3K 1% 1/4W				
R3201	1-247-804-11	CARBON	75 5% 1/4W				
R3202	1-249-417-11	CARBON	1K 5% 1/4W				
R3203	1-247-804-11	CARBON	75 5% 1/4W				
R3204	1-247-804-11	CARBON	75 5% 1/4W				
R3205	1-247-895-91	CARBON	470K 5% 1/4W				
R3206	1-247-895-91	CARBON	470K 5% 1/4W				
R3207	1-215-441-00	METAL	6.8K 1% 1/4W				
R3209	1-215-451-00	METAL	18K 1% 1/4W				
		<SWITCH>					
S3101	1-572-198-11	SWITCH, KEYBOARD (POWER)					
S3102	1-572-198-11	SWITCH, KEYBOARD (CHANNEL +)					
S3103	1-572-198-11	SWITCH, KEYBOARD (CHANNEL -)					
S3104	1-572-198-11	SWITCH, KEYBOARD (VOLUME +)					
S3105	1-572-198-11	SWITCH, KEYBOARD (VOLUME -)					
S3106	1-572-198-11	SWITCH, KEYBOARD (TV/VIDEO)					
S3107	1-572-198-11	SWITCH, KEYBOARD (FLASH FOCUS)					
S3108	1-572-198-11	SWITCH, KEYBOARD (SET UP)					



Les composants identifiés par une trame et une marque Δ sont critiques pour la sécurité. Ne les remplacer que par une pièce portant le numéro spécifié.

The components identified by shading and mark Δ are critical for safety. Replace only with part number specified.

REF. NO.	PART NO.	DESCRIPTION	REMARK
	* A-1372-776-A	HC BOARD, COMPLETE *****	
		<CONNECTOR>	
CN3301	* 1-564-518-11	PLUG, CONNECTOR 3P	
		<DIODE>	
D3301	8-719-066-43	DIODE GP1U28Y	
D3302	8-719-109-89	DIODE MTZJ-T-77-5.6B	
D3303	8-719-109-89	DIODE MTZJ-T-77-5.6B	
		<RESISTOR>	
R3301	1-247-807-31	CARBON 100 5% 1/4W	
R3302	1-247-807-31	CARBON 100 5% 1/4W	

	* A-1390-933-A	S BOARD, COMPLETE *****	
		<CONNECTOR>	
CN3001	* 1-564-506-11	PLUG, CONNECTOR 3P	
		<DIODE>	
D3001	8-719-109-89	DIODE MTZJ-T-77-5.6	
		<SWITCH>	
S3001	1-528-911-21	BATTERY, SOLAR	

		MISCELLANEOUS *****	
	Δ 1-223-925-51	RESISTOR ASSY (HIGH-VOLTAGE)	FOCUS PACK
	1-251-321-12	SELECTOR, ANTENNA	
	Δ 1-451-510-11	DEFLECTION YORK	
	Δ 1-452-790-21	NECK ASSY	
	Δ 1-453-285-11	FBT ASSY NX-4007//J1P4	
	1-500-021-11	CLAMP, SLEEVE FERRITE	
	1-529-403-21	SPEAKER (6.6cm)	
	1-529-643-11	SPEAKER (13cm) (53HS10)	
	1-529-644-11	SPEAKER (16cm) (61HS10)	
	1-543-653-11	CORE ASSY, DEAD (DIVISION TYPE)	

REF. NO.	PART NO.	DESCRIPTION	REMARK
	* 1-556-945-21	CABLE, P-P	
	* 1-557-056-31	CABLE, P-P	
	Δ 1-790-130-11	CORD, AC POWER(WITH CONNECTOR)	
	Δ 8-598-955-12	BLOCK ASSY, HIGH-VOLTAGE	
	Δ 8-733-570-15	CRT 07MXC2(G)(HEATER)	
	Δ 8-733-572-15	CRT 07MXC3(R)(HEATER) (53HS10)	
	Δ 8-733-573-15	CRT 07MXC4(R)(HEATER) (61HS10)	
	Δ 8-733-575-15	CRT 07MAC3(B)(HEATER) (53HS10)	
	Δ 8-733-576-15	CRT 07MAC4(B)(HEATER) (61HS10)	

		ACCESSORIES AND PACKING MATERIALS *****	
	1-475-898-11	REMOTE COMMANDER (RM-Y902)	
	* 4-041-426-01	BAG, PROTECTION (53HS10)	
	* 4-042-463-01	SHEET, PROTECTION	
	4-074-163-11	MANUAL, INSTRUCTION	
	4-074-163-21	MANUAL, INSTRUCTION	
	4-074-163-31	MANUAL, INSTRUCTION	
	4-074-163-41	MANUAL, INSTRUCTION	
	* 4-075-779-01	INDIVIDUAL CARTON (53HS10)	
	* 4-075-780-01	BOARD BOTTOM (53HS10)	
	* 4-075-781-01	TRAY (53HS10)	
	* 4-075-782-01	CUSHION (UPPER) (ASSY) (53HS10)	
	* 4-075-783-01	CUSHION (LEFT UPPER) (53HS10)	
	* 4-075-784-01	CUSHION (RIGHT UPPER) (53HS10)	
	* 4-075-785-01	CUSHION (LOWER) (ASSY) (53HS10)	
	* 4-075-786-01	CUSHION (LEFT LOWER) (53HS10)	
	* 4-075-787-01	CUSHION (RIGHT LOWER) (53HS10)	
	* 4-075-788-01	INDIVIDUAL CARTON (61HS10)	
	* 4-075-789-01	BOARD BOTTOM (61HS10)	
	* 4-075-790-01	TRAY (61HS10)	
	* 4-075-791-01	CUSHION (UPPER) (ASSY) (61HS10)	
	* 4-075-792-01	CUSHION (LEFT UPPER) (61HS10)	
	* 4-075-793-01	CUSHION (RIGHT UPPER) (61HS10)	
	* 4-075-794-01	CUSHION (LOWER) (ASSY) (61HS10)	
	* 4-075-795-01	CUSHION (LEFT LOWER) (61HS10)	
	* 4-075-796-01	CUSHION (RIGHT LOWER) (61HS10)	
	* 4-076-420-01	BAG, PROTECTION (61HS10)	
		REMOTE COMMANDER *****	
	1-475-898-11	REMOTE COMMANDER (RM-Y902)	
	9-933-736-01	COVER, BATTERY (FOR RM-Y902)	

SERVICE MANUAL

RA-4B CHASSIS

<i>MODEL NAME</i>	<i>REMOTE COMMANDER</i>	<i>DESTINATION</i>	<i>CHASSIS NO.</i>
KP-53HS10	RM-Y902	US	SCC-P40A-A
KV-53HS10	RM-Y902	Canadian	SCC-P40A-A
KP-61HS10	RM-Y902	US	SCC-P40B-A
KV-61HS10	RM-Y902	Canadian	SCC-P40B-A

CORRECTION - 1

SUBJECT: D BOARD CORRECTIONS - Q5031 VOLTAGE; WAVEFORMS

Correct the service manual as shown.
File this Correction with the service manual.

COLOR REAR VIDEO PROJECTOR

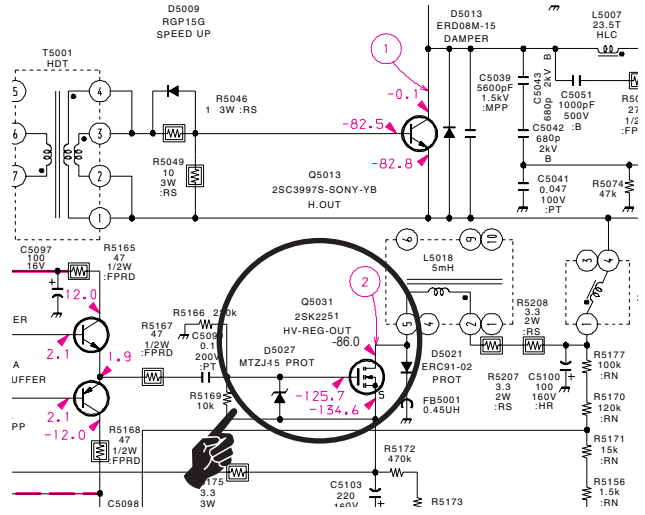
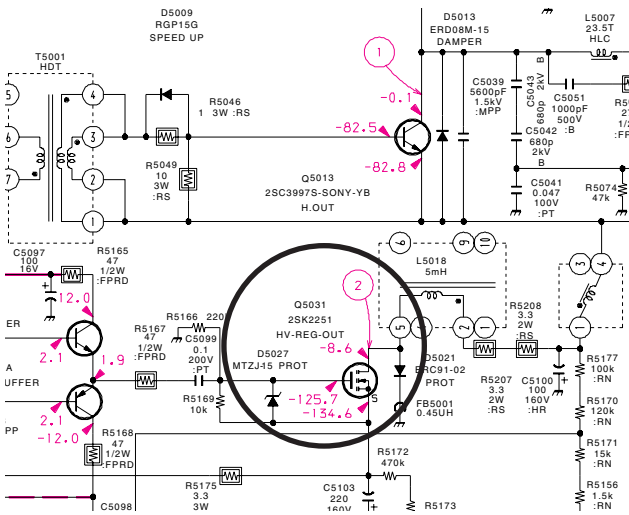
SONY[®]

✎: Corrected Item

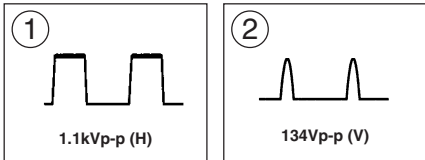
Section 6: Diagrams - D Board (Page 125-127)

INCORRECT

CORRECT



• D(1/2) BOARD WAVEFORMS



• D(1/2) BOARD WAVEFORMS

