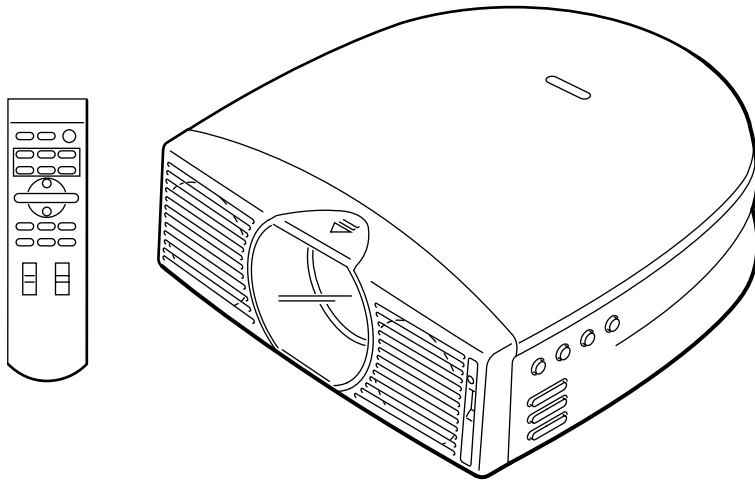


# SERVICE MANUAL

<u>MODEL</u>	<u>DEST.</u>	<u>MODEL</u>	<u>DEST.</u>
VPL-HS10	WORLD	RM-PJHS10	WORLD
		VPLL-CT10	WORLD
		VPLL-CW10	WORLD

**REVISED-1**



VPL-HS10  
VPLL-CT10/CW10  
RM-PJHS10

Video Projector  
Projection Lens (Not Included)  
Remote Commander

VIDEO PROJECTOR

**SONY**<sup>®</sup>

## **⚠ 警告**

このマニュアルは、サービス専用です。

お客様が、このマニュアルに記載された設置や保守、点検、修理などを行うと感電や火災、人身事故につながる可能性があります。

危険をさけるため、サービストレーニングを受けた技術者のみご使用ください。

## **⚠ WARNING**

This manual is intended for qualified service personnel only.

To reduce the risk of electric shock, fire or injury, do not perform any servicing other than that contained in the operating instructions unless you are qualified to do so. Refer all servicing to qualified service personnel.

## **⚠ WARNUNG**

Die Anleitung ist nur für qualifiziertes Fachpersonal bestimmt.

Alle Wartungsarbeiten dürfen nur von qualifiziertem Fachpersonal ausgeführt werden. Um die Gefahr eines elektrischen Schlages, Feuergefahr und Verletzungen zu vermeiden, sind bei Wartungsarbeiten strikt die Angaben in der Anleitung zu befolgen. Andere als die angegeben Wartungsarbeiten dürfen nur von Personen ausgeführt werden, die eine spezielle Befähigung dazu besitzen.

## **⚠ AVERTISSEMENT**

Ce manuel est destiné uniquement aux personnes compétentes en charge de l'entretien. Afin de réduire les risques de décharge électrique, d'incendie ou de blessure n'effectuer que les réparations indiquées dans le mode d'emploi à moins d'être qualifié pour en effectuer d'autres. Pour toute réparation faire appel à une personne compétente uniquement.

### **WARNING!!**

**AN INSULATED TRANSFORMER SHOULD BE USED DURING ANY SERVICE TO AVOID POSSIBLE SHOCK HAZARD, BECAUSE OF LIVE CHASSIS. THE CHASSIS OF THIS RECEIVER IS DIRECTLY CONNECTED TO THE AC POWER LINE.**

### **SAFETY-RELATED COMPONENT WARNING !!**

**COMPONENTS IDENTIFIED BY A ⚠ MARK ON THE SCHEMATIC DIAGRAMS, EXPLODED VIEWS AND IN THE PARTS LIST ARE CRITICAL TO SAFE OPERATION. REPLACE THESE COMPONENTS WITH SONY PARTS WHOSE PART NUMBERS APPEAR AS SHOWN IN THIS MANUAL OR IN SUPPLEMENTS PUBLISHED BY SONY.**

### **ATTENTION!!**

**AFIN D'ÉVITER TOUT RISQUE D'ÉLECTROCUTION PROVENANT D'UN CHÂSSIS SOUS TENSION, UN TRANSFORMATEUR D'ISOLEMENT DOIT ÊTRE UTILISÉ LORS DE TOUT DÉPANNAGE. LE CHÂSSIS DE CE RÉCEPTEUR EST DIRECTEMENT RACCORDÉ À L'ALIMENTATION SECTEUR.**

### **ATTENTION AUX COMPOSANTS RELATIFS À LA SÉCURITÉ!!**

**LES COMPOSANTS IDENTIFIÉS PAR UNE MAPQUE ⚠ SUR LES SCHÉMAS DE PRINCIPE, LES VUES EXPLOSÉES ET LES LISTES DE PIÈCES SONT D'UNE IMPORTANCE CRITIQUE POUR LA SÉCURITÉ DU FONCTIONNEMENT. NE LES REMPLACER QUE PAR DES COMPOSANTS SONY DONT LE NUMÉRO DE PIÈCE EST INDIQUÉ DANS LE PRÉSENT MANUEL OU DANS DES SUPPLÉMENTS PUBLIÉS PAR SONY.**

**For the customers in the Netherlands  
Voor de klanten in Nederland**

Hoe u de batterijen moet verwijderen, leest u in de tekst van deze handleiding.

Gooi de batterij niet weg maar lever deze in als klein chemisch afval (KCA).



**Für Kunden in Deutschland**

Entsorgungshinweis: Bitte werfen Sie nur entladene Batterien in die Sammelboxen beim Handel oder den Kommunen. Entladen sind Batterien in der Regel dann, wenn das Gerät abschaltet und signalisiert "Batterie leer" oder nach längerer Gebrauchsdauer der Batterien "nicht mehr einwandfrei funktioniert". Um sicherzugehen, kleben Sie die Batteriepole z.B. mit einem Klebestreifen ab oder geben Sie die Batterien einzeln in einen Plastikbeutel.



# Table of Contents

## 1. Service Informations

1-1.	Board Layouts .....	1-1
1-2.	Disassembly .....	1-2
1-2-1.	Front Panel Assy and Side Cover Assy Removal .....	1-2
1-2-2.	HA, HB and NR Boards Removal .....	1-3
1-2-3.	HC, NF Boards and DC Fan Removal .....	1-3
1-2-4.	C Board Removal .....	1-4
1-2-5.	B Board Removal .....	1-4
1-2-6.	MS Board Removal .....	1-5
1-2-7.	G Board and Lamp Power Supply Block Removal .....	1-6
1-2-8.	MD, F Boards and Speaker Removal .....	1-7
1-2-9.	Optics Block Assy and U Board Removal .....	1-8
1-2-10.	QA and QB Boards Removal .....	1-9
1-2-11.	Extension Board and EXtension Connectors .....	1-10
1-2-12.	Extension Board and Extension Connectors Connection .....	1-11
1-2-13.	Connection Example .....	1-12
1-3.	Service Knowhow .....	1-13
1-3-1.	After Replacing the Prism Block .....	1-13
1-3-2.	After Replacing the Board .....	1-13
1-4.	Memory .....	1-14
1-5.	Warning on Power Connection .....	1-16

## 2. Electrical Adjustments

2-1.	Preparations .....	2-1
2-1-1.	Equipment Required .....	2-1
2-1-2.	Factory Mode Setting .....	2-1
2-2.	V COM Adjustment .....	2-1
2-3.	Adjustment Item Initialize Data .....	2-3
2-4.	White Balance Adjustment on Servicing .....	2-8
2-4-1.	White Balance Adjustment .....	2-8
2-5.	Tilt Adjustment .....	2-8

## 3. Semiconductors ..... 3-1

## 4. Spare Parts

4-1.	Notes on Repair Parts .....	4-1
4-2.	Exploded Views .....	4-2
4-2-1.	Cover .....	4-2
4-2-2.	Chassis .....	4-4
4-2-3.	Base .....	4-6
4-2-4.	Optics .....	4-8
4-3.	Electrical Parts List .....	4-10
4-4.	Packing Materials & Supplied Accessories .....	4-34
4-5.	VPLL-CT10 .....	4-34
4-6.	VPLL-CW10 .....	4-34

## 5. Block Diagrams

B, QA, QB and U Block .....	5-1
C, HA, HB, HC, L, MD, NF and NR Block .....	5-2
F and G Block .....	5-4
MS Block .....	5-5

## 6. Diagrams

6-1.	Frame Schematic Diagram .....	6-2
6-2.	Schematic Diagrams and Printed Wiring Boards .....	6-4
	Schematic Diagrams	
B .....	6-5	
C .....	6-15	
F .....	6-30	
G .....	6-31	
HA .....	6-34	
HB .....	6-35	
HC .....	6-36	
L .....	6-37	
MD .....	6-39	
MS .....	6-40	
NF .....	6-44	
NR .....	6-44	
QB .....	6-46	
QA .....	6-49	
U .....	6-50	

Printed Wiring Boards

B ..... 6-14  
C ..... 6-26  
F ..... 6-30  
G ..... 6-33  
HA ..... 6-34  
HB ..... 6-35  
HC ..... 6-36  
L ..... 6-37  
MD ..... 6-38  
MS ..... 6-43  
NF ..... 6-44  
NR ..... 6-44  
QB ..... 6-45  
QA ..... 6-48  
U ..... 6-50

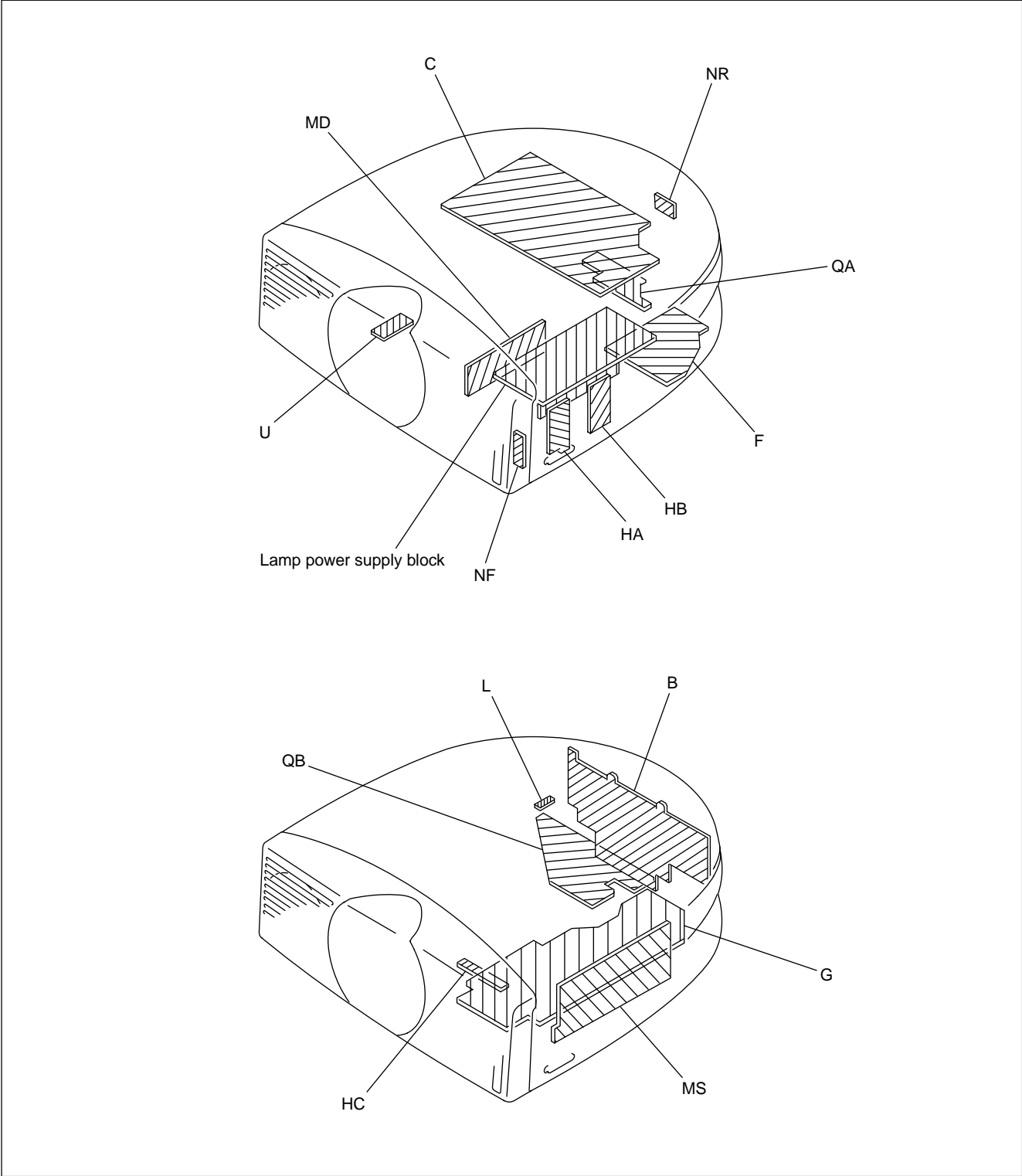




# Section 1

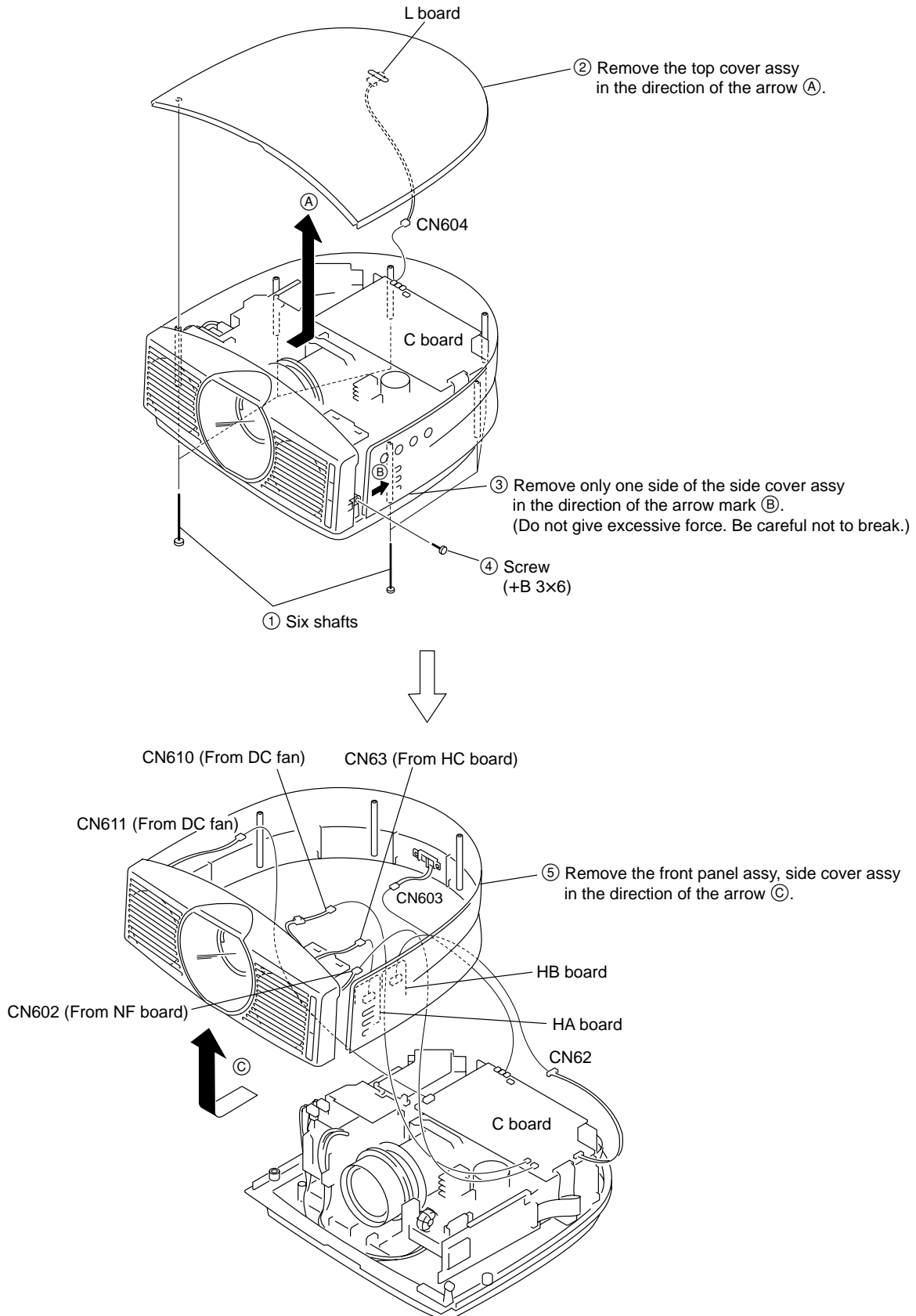
## Service Informations

### 1-1. Board Layouts

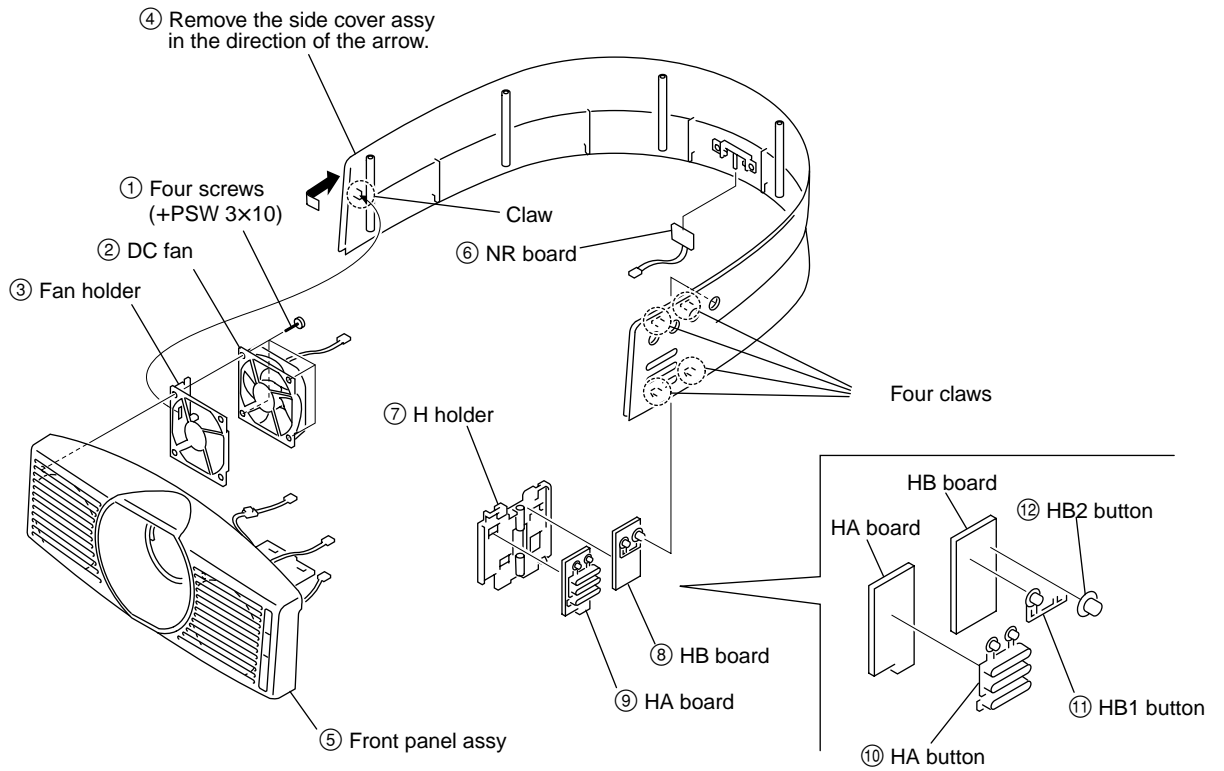


## 1-2. Disassembly

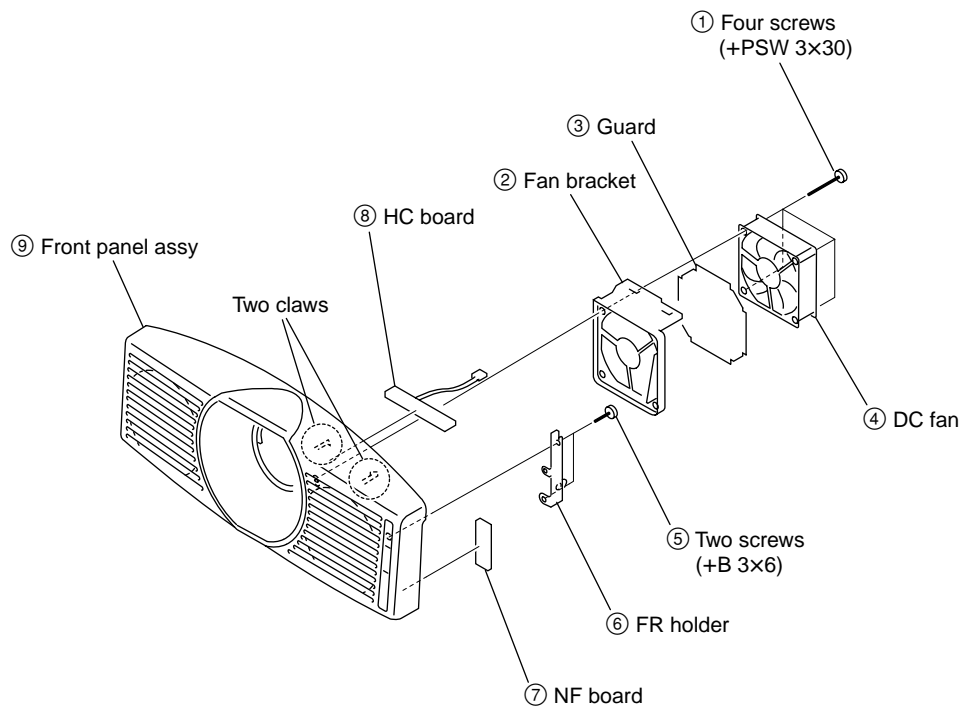
### 1-2-1. Front Panel Assy and Side Cover Assy Removal



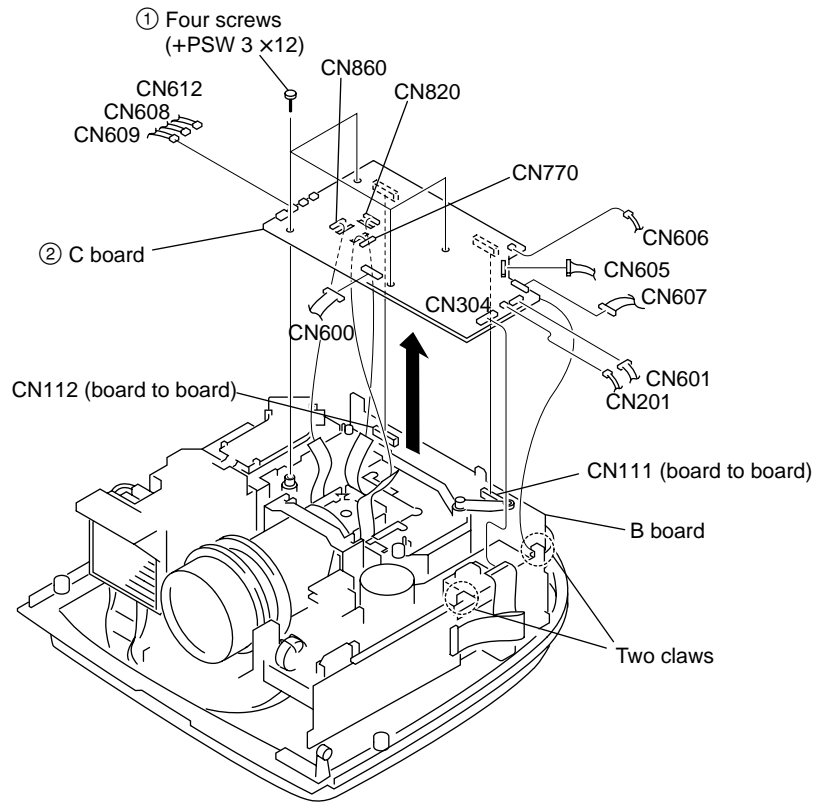
### 1-2-2. HA, HB and NR Boards Removal



### 1-2-3. HC, NF Boards and DC Fan Removal

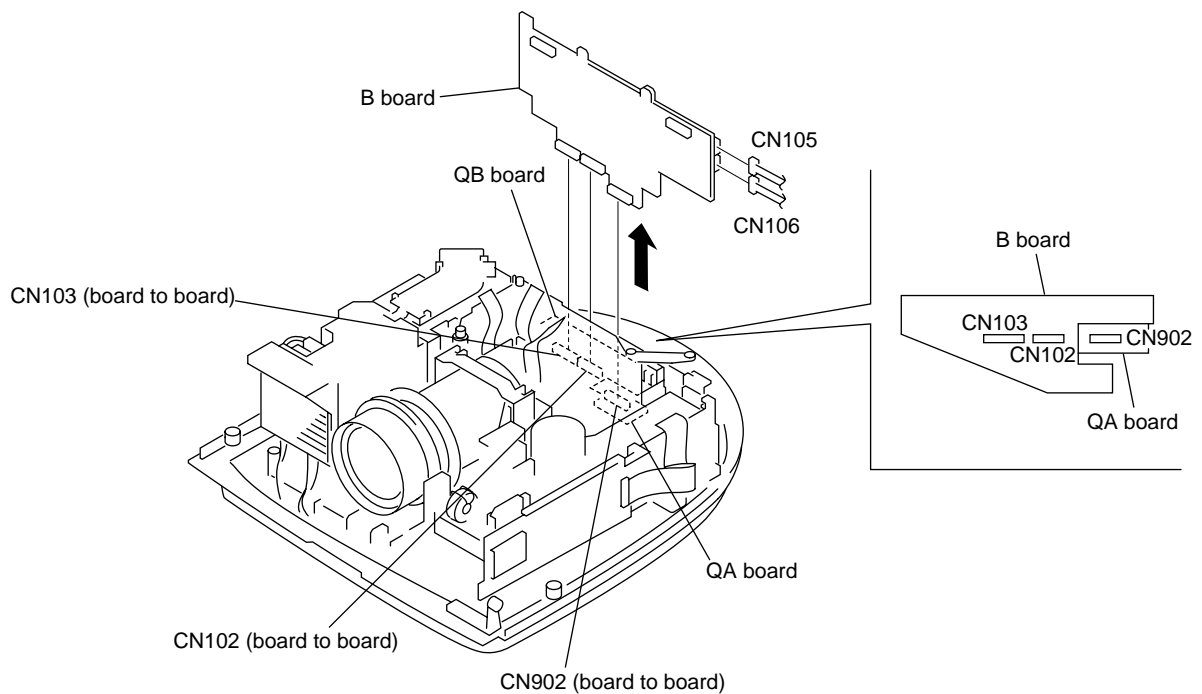


### 1-2-4. C Board Removal



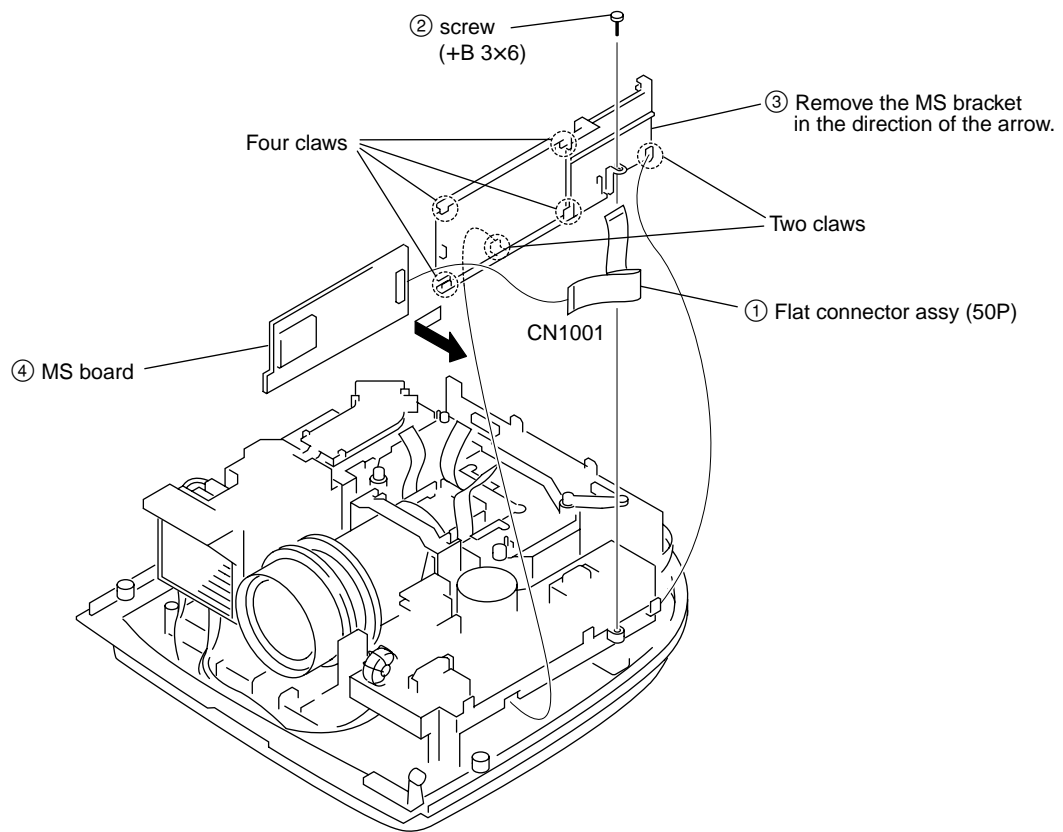
### 1-2-5. B Board Removal

To remove the B board, remove the C board beforehand.



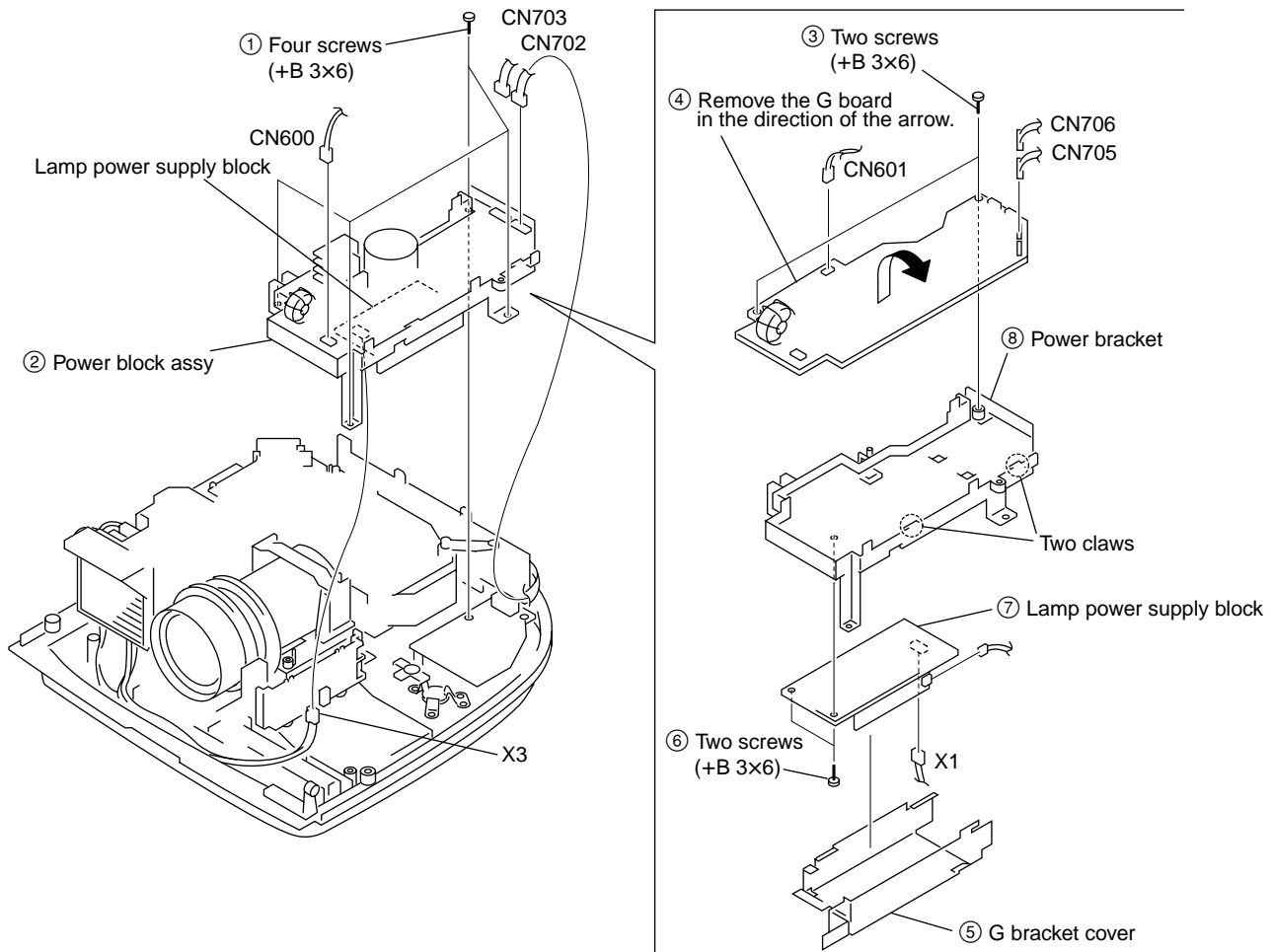
## 1-2-6. MS Board Removal

To remove the MS board, remove the C board beforehand.



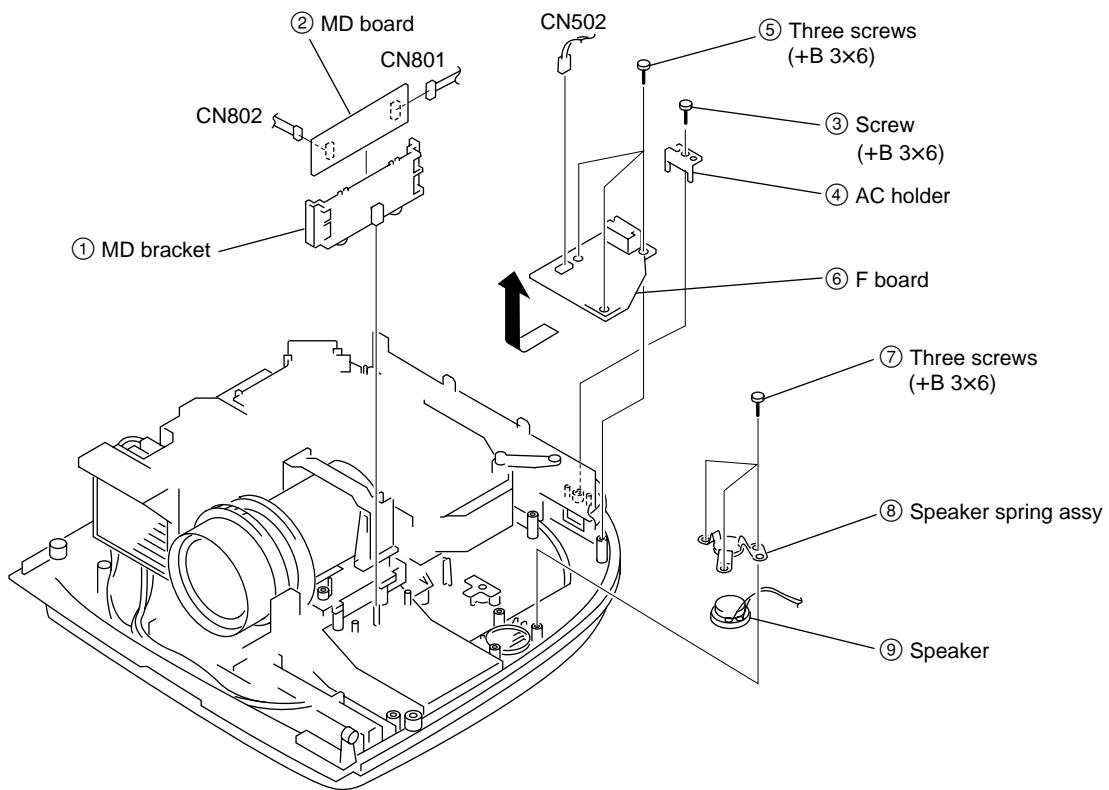
## 1-2-7. G Board and Lamp Power Supply Block Removal

To remove the G board and lamp power supply block, remove the C board, MS board beforehand.



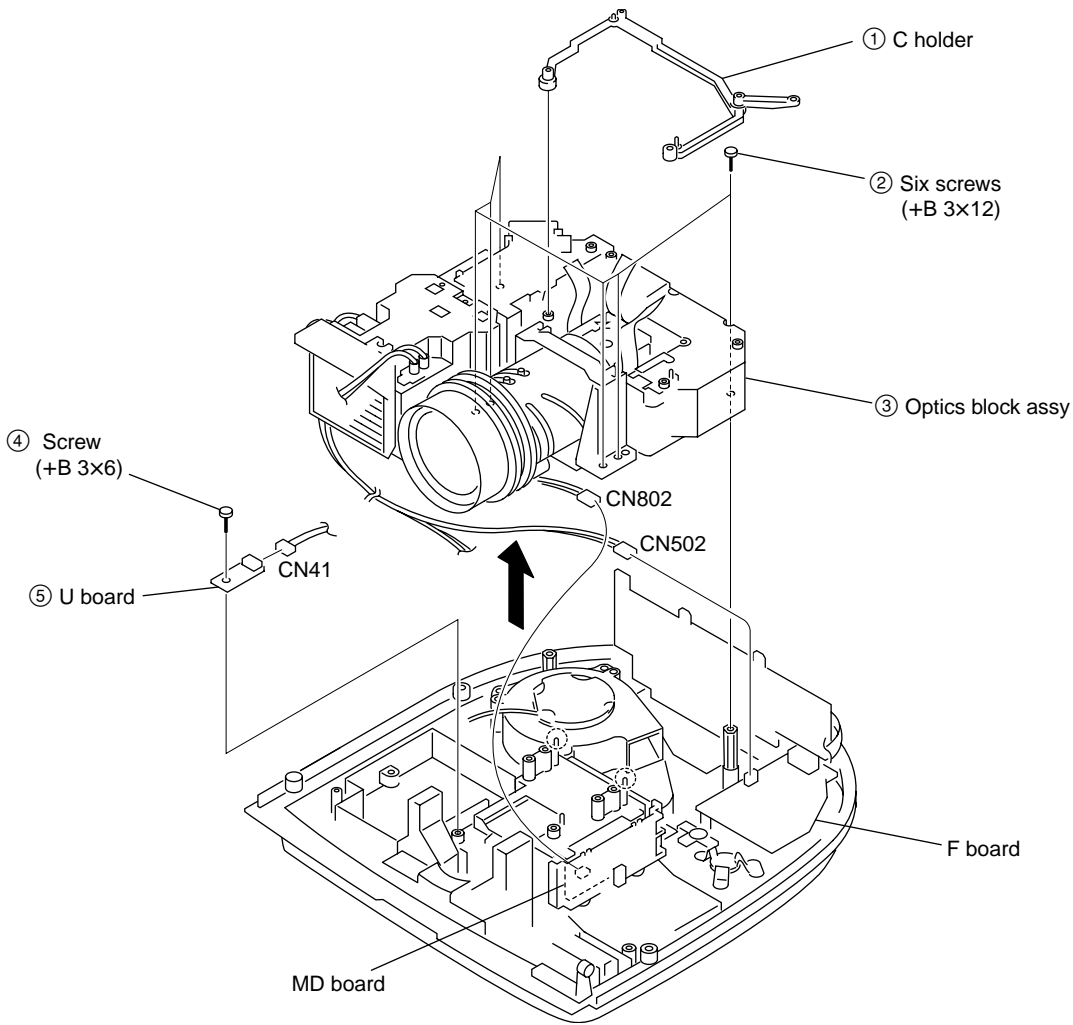
## 1-2-8. MD, F Boards and Speaker Removal

To remove the MD, F boards and speaker, remove the C board, MS bracket and power block assy beforehand.



## 1-2-9. Optics Block Assy and U Board Removal

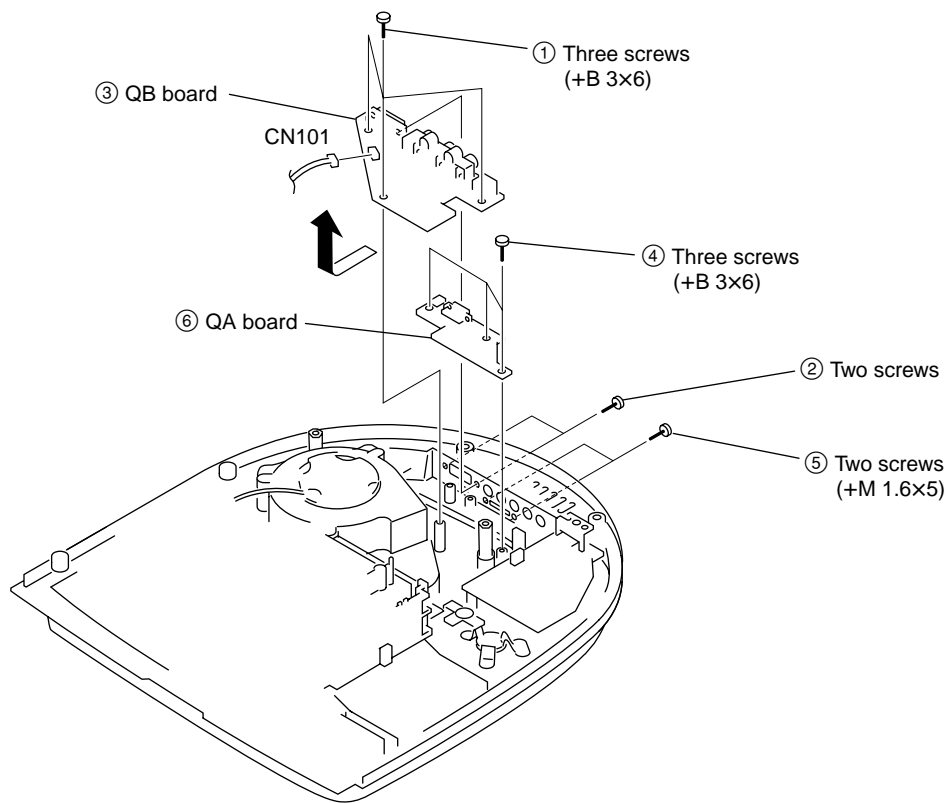
To remove the Optics block assy and U board, remove the C board, MS bracket and power block assy beforehand.



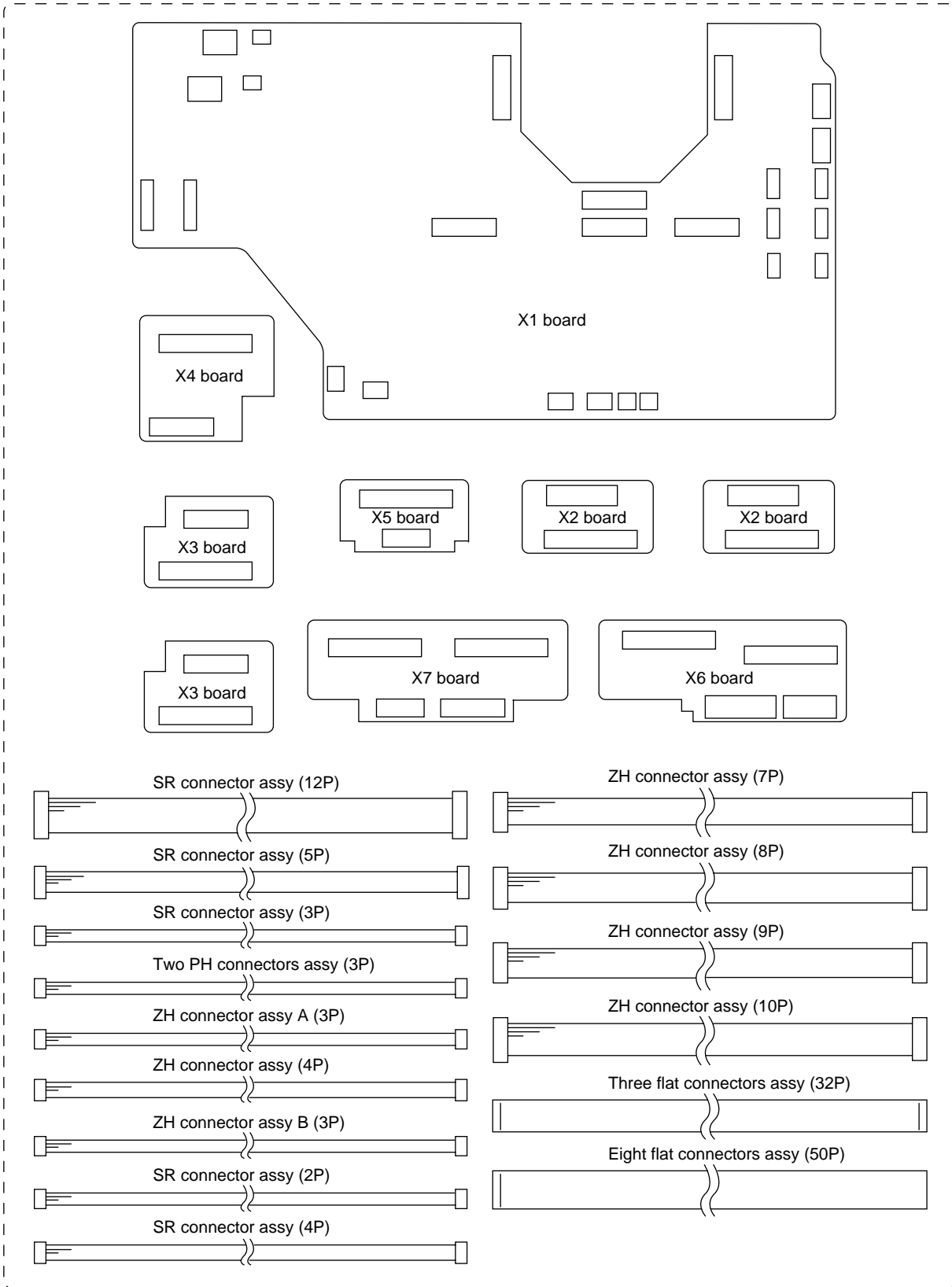


## 1-2-10. QA and QB Boards Removal

To remove the QA and QB boards, remove the C board, MS bracket, power block assy and Optics block assy beforehand.

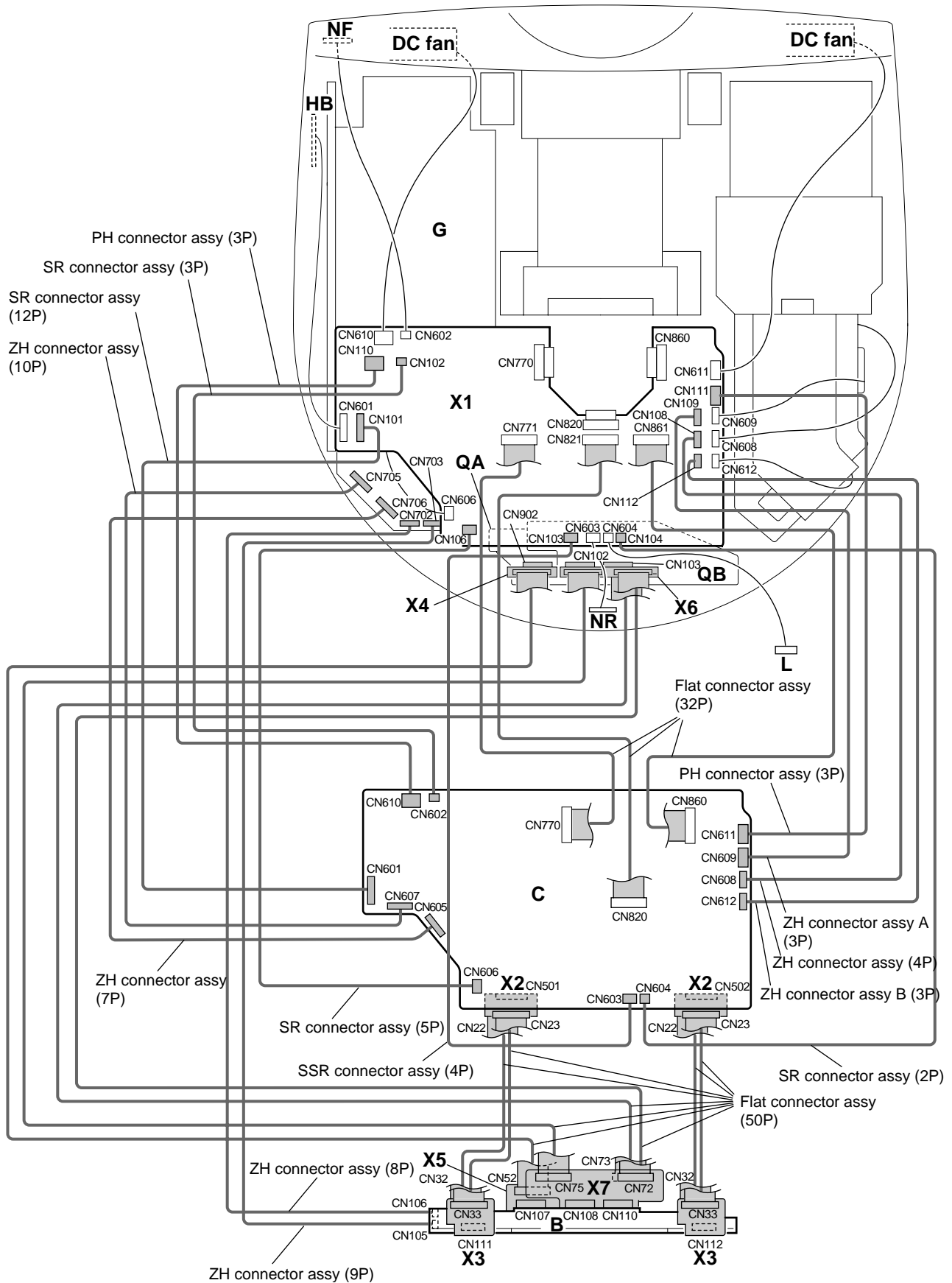


# 1-2-11. Extension Board and EXTension Connectors



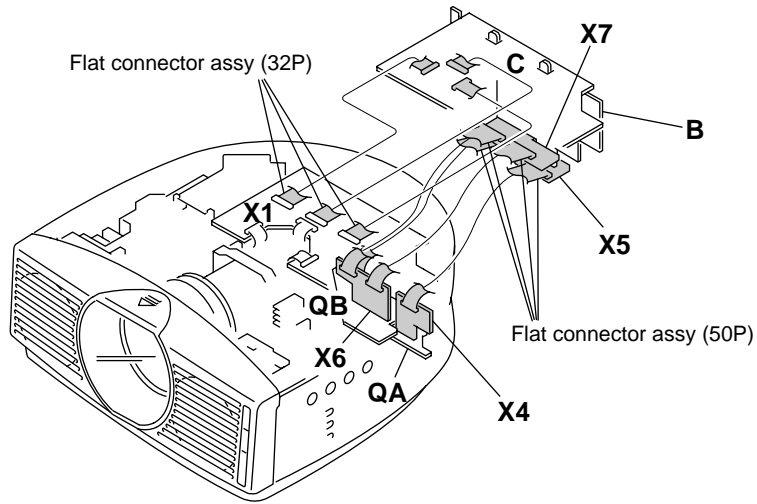
X kit assy (A-1604-096-A)

## 1-2-12. Extension Board and Extension Connectors Connection

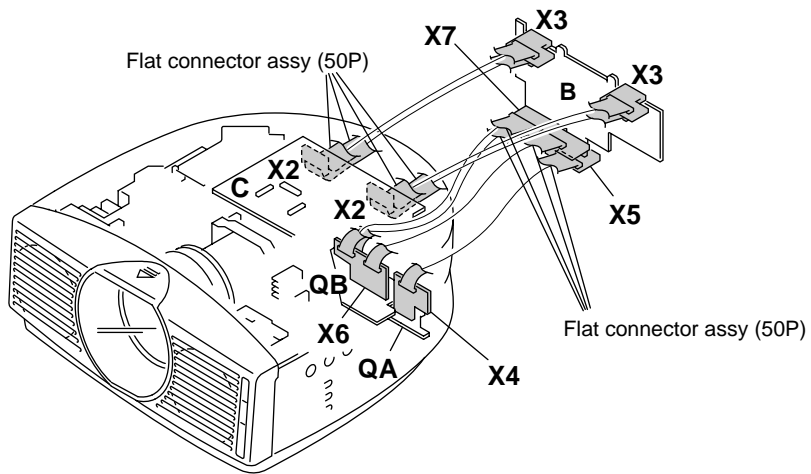


## 1-2-13. Connection Example

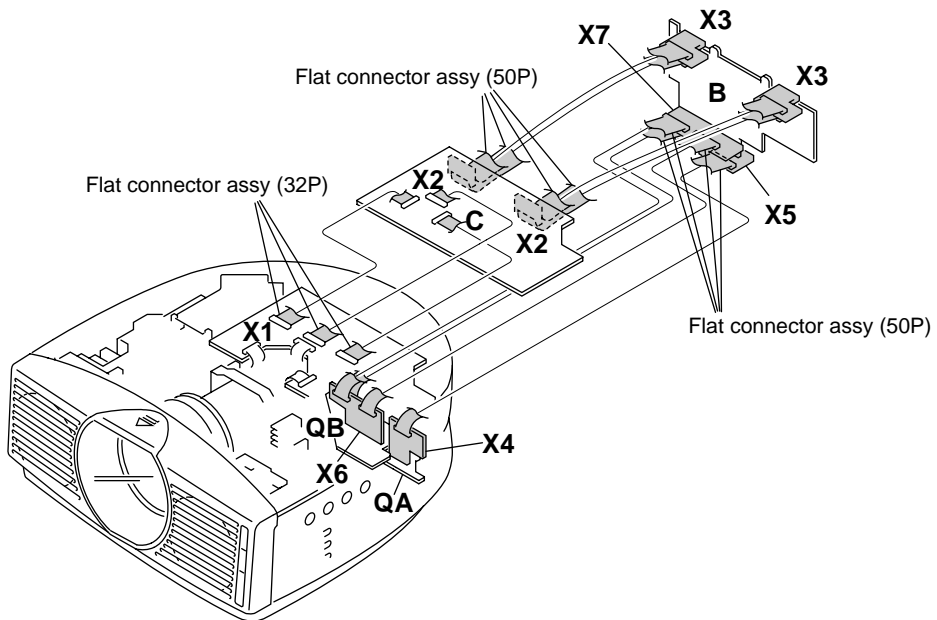
### For C Board



### For B Board



### For C and B Boards



### 1-3. Service Knowhow

#### 1-3-1. After Replacing the Prism Block

1. Perform Section “2-2. V COM Adjustment.”
2. Perform the Gamma data writing of the Prism Block.
3. Perform Section “2-4. White Balance Adjustment on Servicing.”

#### 1-3-2. After Replacing the Board

- Refer to the cross table shown on right.
- There are no need to perform the adjustment when the board other than the B board or C board had been replaced.

##### 1) When Replacing the B Board

###### When the data before replacement can be read properly

1. Make a note of the data before replacement. After replacement, write the data into the new board with service mode.
2. If the white balance is extremely deteriorated, perform the white balance adjustment (Refer to Section 2-4.).

###### When the data before replacement cannot be read

1. Perform Section “2-2. V COM Adjustment.”
2. Perform Section “2-4. White Balance Adjustment on Servicing.”
3. Perform Section “2-5. Tilt Adjustment.”

##### 2) When Replacing the C Board

1. Before replacement, unsolder the IC705 from the replaced C board and then mount it to the new board.
2. Perform Section “2-2. V COM Adjustment.”
3. If the white balance is extremely deteriorated, perform the white balance adjustment (Refer to Section 2-4.).
4. Perform Section “2-5. Tilt Adjustment.”

##### 3) When Replacing the Other Board

There are no need to perform the adjustment.

Cross Table of Board Replacement

Device Name	Item Name	Board Name	
		B	C
OTHER	TILT C0	*	○
	TILT C1	*	○
	TILT C2	*	○
P.DRV	VCOM (R)	*	○
	VCOM (G)	*	○
	VCOM (B)	*	○
INPUT-A HIGH	W/B ADJUST		
	GAIN R	*	○
	GAIN G	*	○
	GAIN B	*	○
	BIAS R	*	○
	BIAS G	*	○
INPUT-A LOW	BIAS B	*	○
	GAIN R	*	○
	GAIN G	*	○
	GAIN B	*	○
	BIAS R	*	○
	BIAS G	*	○
INPUT-A HIGH	BIAS B	*	○
	GAIN R	*	○
	GAIN G	*	○
	GAIN B	*	○
	BIAS R	*	○
	BIAS G	*	○
INPUT-A MID	BIAS B	*	○
	GAIN R	*	○
	GAIN G	*	○
	GAIN B	*	○
	BIAS R	*	○
	BIAS G	*	○
VIDEO MID	BIAS B	*	○
	GAIN R	*	○
	GAIN G	*	○
	GAIN B	*	○
	BIAS R	*	○
	BIAS G	*	○
VIDEO LOW	BIAS B	*	○
	GAIN R	*	○
	GAIN G	*	○
	GAIN B	*	○
	BIAS R	*	○
	BIAS G	*	○

\* : When down the data before replacement, and then write in the data after the board replacement.

○ : Need adjustment

Value : See description.

## 1-4. Memory

Memory structure consists of the following five memory blocks.

1. Set memory
2. Status memory
3. Chroma memory
4. W/B memory
5. Channel memory
6. Image Flip memory
7. Picture memory

CPU internal ROM : 384 kbyte Flash Memory

CPU internal ROM : 16 kbyte

External NVM memory : 8 kbyte EEPROM

Gamma memory is actualized through Gamma mode functions' offsetting the output values to the Contrast and Brightness devices.

When the power plug is connected to the power line (Standby status), all data inside the internal ROM are written into the NVM (Nonvolatile Memory). When the power is turned to on, required data for the current picture, such as status memory data, etc., are selected, and they are written into the internal RAM.

When adjustment is carried out, adjustment data are written into the NVM automatically (items on the user mode) or by the trigger of memory operation (items on the service mode and special service mode), then stored them. Adjustable items (W/B and Device Adjust) of the service mode and special service mode are memorized into the NVM by the memory operation. At the same time, the factory preset (adjusted) data are all eliminated from the memory.

Set Memory	
Status Memory	No.01
	No.02
	No.03
	No.04
	...
	No.99

Set Memory			
Status Memory	No.01		
	No.02		
	Input-A Preset	No.03	
		No.04	
		...	
		No.99	
		Input-A User	No.101
			...
			No.120
			Component
	No.04		
	...		
	No.99		
	Digital Preset	No.03	
		No.04	
		...	
		No.99	
	Digital User	No.121	
		...	
		No.140	
MS	No.53		
	...		
	No.69		

Set Memory	
Status Memory	

Chroma Memory	NT358/443/BW60	
	PAL/PAL-M/N/SECAM/BW50	
	15k RGB	
	Component (15k)	
	Two times speed Component	
	HDTV (YPbPr)	
HDTV (GBR)		
(Include two times speed)		

Chroma Memory	NT358/443/BW60	
	PAL/PAL-M/N/SECAM/BW50	
	15k RGB	
	Component (15k)	
	Two times speed Component	
	HDTV (YPbPr)	
HDTV (GBR)		
(Include two times speed)		

Chroma Memory	
---------------	--

W/B Memory	Computer	HIGH
		MIDDLE
	Others	HIGH
		MIDDLE
		LOW

W/B Memory	Computer	HIGH
		MIDDLE
	Others	HIGH
		MIDDLE
		LOW

W/B Memory	HIGH
	MIDDLE
	LOW

Channel Memory	Video
	S Video
	Input-A
	Video 2
	S Video 2
	Component
	Digital
	MS

Channel Memory	Video 1
	S Video 1
	Input-A
	Video 2
	S Video 2
	Component
	Digital
	MS

Channel Memory

Image Flip Memory	Turn over to the upper and lower sides
	No turn over to the upper and lower sides

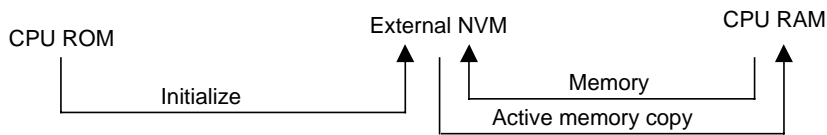
Image Flip Memory	Turn over to the upper and lower sides
	No turn over to the upper and lower sides

Image Flip Memory

Picture Memory	Video 1	Dynamic
		Standard
		Cinema
	S Video 1	Dynamic
		Standard
		Cinema
	Input-A	Dynamic
		Standard
Cinema		
Video 2	Dynamic	
	Standard	
	Cinema	
S Video 2	Dynamic	
	Standard	
	Cinema	
Component	Dynamic	
	Standard	
	Cinema	
Digital	Dynamic	
	Standard	
	Cinema	
MS	Dynamic	
	Standard	
	Cinema	

Picture Memory	Video 1	Dynamic
		Standard
		Cinema
	S Video 1	Dynamic
		Standard
		Cinema
	Input-A	Dynamic
		Standard
Cinema		
Video 2	Dynamic	
	Standard	
	Cinema	
S Video 2	Dynamic	
	Standard	
	Cinema	
Component	Dynamic	
	Standard	
	Cinema	
Digital	Dynamic	
	Standard	
	Cinema	
MS	Dynamic	
	Standard	
	Cinema	

Picture Memory



## 1-5. Warning on Power Connection

Use a proper power cord for your local power supply.

	<b>The United States, Canada</b>	<b>Continental Europe</b>	<b>UK</b>	<b>Australia</b>	<b>Japan</b>
Plug type	YP-11	YP-21	SP-61	B8	YP-13
Female end	YC-13L	YC-13L	YC-13L	C7-2	YC-13L
Cord type	SPT-2	H03VVH2-F	H03VVH2-F	H03VVH2-F	VCTFK
Rated Voltage & Current	10 A/125 V	2.5 A/250 V	2.5 A/250 V	2.5 A/250 V	7 A/250 V
Safety approval	UL/CSA	VDE	BS	SAA	DENANHO
Cord length (max.)	4.5 m	–	–	–	–



## Section 2

# Electrical Adjustments

### 2-1. Preparations

#### 2-1-1. Equipment Required

- Oscilloscope  
Tektronix 2465 or equivalent  
(bandwidth: 350 MHz or more)
- NTSC, PAL, SECAM component signal generator  
Tektronix TG2000 + AVG1 (optional module) + AWVG1  
(optional module) or equivalent
- VG (Programmable video signal generator)  
VG814 or equivalent
- Digital voltmeter  
Advantest TR6845 or equivalent
- Luminance meter
- Chrominance difference gauge

#### Note

Perform the following adjustments at least 5 minutes after turning on the power.

#### 2-1-2. Factory Mode Setting

1. Make sure that the MENU is indicated.
2. Exit the menu.
3. Press the keys in the following order:  
“ENTER” → “ENTER” → “LEFT” → “ENTER”
4. The message “Do you wish to enter into the  
FACTORY MODE? Yes:↑ No:↓” will be displayed.
5. Select “Yes:↑”.

#### Note

- When leaving the FACTORY MODE, perform item 3.  
“Do you wish to return to the USER MODE? Yes:↑ No:↓  
” will be displayed. Select “Yes:↑”.
- Cannot enter FACTORY MODE by MS channel.

### 2-2. V COM Adjustment

1. Input the green-only XGA 1 Lime ON/OFF signal to  
INPUT-A, and set the CONTRAST to 70.
2. Set the screen to G VCOM adjustment of “Device  
Adjust.”
3. Adjust the G VCOM so that the flicker on the screen is  
minimum.
4. Change the input signal to the red-only and blue-only  
1 line ON/OFF signal respectively and adjust R  
VCOM and B VCOM respectively so that the flicker  
becomes minimum as described in step 3.
5. Save the value adjusted.
6. Set the “Image Flip” to either “V” or “HV”.
7. Input the R/G/B value adjusted as above step 5.
8. Save the value adjusted.
9. Set the “Image Flip” to “OFF”.

## 2-3. Adjustment Item Initialize Data

MenuTitle	ItemName	Memory Name											
		Set Memory	Status Memory	Video 1/S Video1/Video 2/S Video 2				Picture Memory					
				Dynamic	Standard	Cinema	User1/2/3	Dynamic	Standard	Cinema	User1/2/3		
PICTURE SETTING	Picture Mode		Dynamic										
	Adjust Picture...												
	Contrast			90	80	80	80	90	80	80	80		
	Brightness			50	50	50	50	50	50	50	50		
	Color			60	50	50	50	60	50	50	50		
	Hue			50	50	50	50	50	50	50	50		
	Sharpness			50	50	50	50	50	50	50	50		
	RGB Enhancer			-	-	-	-	20	20	20	20		
	Black Level Adj.			Low	Low	Off	Off	Low	Low	Off	Off		
	Gamma Mode			-	-	-	-	Graphics	Graphics	Graphics	Graphics		
	Color Temp.			Middle	High	Low	Low	Middle	High	Low	Low		
	DDE			Film	Film	Film	Film	Film	Film	Film	Film		
	Cinema Black			Off	On	On	On	Off	On	On	On		
	Volume	30											
INPUT SETTING	Adjust Signal...												
	Dot Phase		15 (*)										
	H Size		*										
	Shift		*										
	Wide Mode			Full	Full	Full	Full	Full	Full	Full	Full		
	V Position (Zoom)			4	4	4	4	4	4	4	4		
	V Position (Sub Title)			4	4	4	4	4	4	4	4		
	Title Area			0	0	0	0	0	0	0	0		
SET SETTING	Smart APA	On											
	Auto Input Search	On											
	Input-A Signal Sel.	Component											
	Digital Signal Sel.	Video GBR											
	Color System	Auto											
	Power Saving	Off											
	Illumination	On											
MENU SETTING	Status	On											
	Language	English											
	Menu Position	Center											
	Menu Color	Black											
INSTALL SETTING	V Keystone	Auto											
	Manual...	0											
	Side Shot	0											
	Image Flip	Off											
	Background	Blue											
	Test Pattern	On											
INFORMATION	fH	Indication only											
	fV	Indication only											
	(Memory No.)	Indication only											
	(Resolution)	Indication only											
	Lamp Timer	Indication only											
	ROM Version	Indication only											
	SC ROM Version	Indication only											
	Operation Timer	Indication only											
Prev. Lamp Timer	Indication only												
W/B SETTING	Gain R												
	G												
	B												
	Bias R												
	G												
	B												

\* : “Dot Phase, H Size, Shift H/V and Picture Mode” in the “INPUT SETTING” menu have an initial value respectively in accordance with the input signal (PRESET MEMORY No.).

Note : There are nonadjustable items in accordance with the input signal.



DeviceName	ItemName	Memory Name									
		Set Memory	Status Memory	Chroma Memory						HDTV (YpPr)	HDTV(GBR) Include two times speed
				NT358/NT443 /BW60	Pal/Pal-M/N/ Secam/BW50	15kRGB	Component (15k)	Two times speed Component			
A/D Converter	ADC/	Clamp Position		*2							
		Clamp Width		*2							
		R Gain (Other)									
		R Gain (Component)									
		R Gain (VideoGBR)									
		G Gain (Other)									
		G Gain (Component)									
		G Gain (VideoGBR)									
		B Gain (Other)									
		B Gain (Component)									
		B Gain (VideoGBR)									
		R Offset (Other)									
		R Offset (Component)									
		R Offset (VideoGBR)									
		G Offset (Other)									
		G Offset (Component)									
		G Offset (VideoGBR)									
		B Offset (Other)									
		B Offset (Component)									
		B Offset (VideoGBR)									
Sync Sep Th		32									
Pre Coast			2								
Post Coast			8								
Chroma/D.Comb	Chroma/	Ch1 Gain									
		Ch2 Gain									
		Video Brt			125	124	128	128	-	-	-
		Video Cont			64	73	64	64	-	-	-
		Sub Color			64	64	64	64	-	-	-
		LCBW									
		Y-DeLay		*1							
		Ch3 Gain									
		Ch4 Gain									
		YUV Brt			128	128	119	119	-	-	-
		YUV Cont			64	64	67	67	-	-	-
		AOSL		-							
		1E		Indication only							
		1F		Indication only							
Panel Driver	P.Drv	Offset R									
		Offset G									
		Offset B									
		V Common R									
		V Common G									
		V Common B									
		Psig 1		143							
		Psig 2		40							
		Signal Center		196							
		Gain R		161							
		Gain G		161							
		Gain B		161							
		DCFB Off		1							
	Sample Hold/	SH1		10							
	Other/	V Com Pth Enb		Adjustment is impossible							
		Installation		0							
	Other	3D Gamma	Sub Cont		0						
Sub Brt				0							
R Osd Lvl				31							
G Osd Lvl				31							
B Osd Lvl				31							
Through				0							
SW				1							
APC Thres				25							
APC Limit		32									

Note : There are nonadjustable items in accordance with the input signal.

\*1 : Depends on the color system and the input terminal.

\*2 : Depend on the input signal.



DeviceName	ItemName	Memory Name																				
		Set Memory	Status Memory	Chroma Memory																		
				NT358/NT443 /BW60	Pal/Pal-M/N/ Secam/BW50	15kRGB	Component (15k)	Two times speed Component	HDTV (YPbPr)	HDTV(GBR) Include two times speed												
Other	Other/	V Start	6																			
		H Start (MSB)	0																			
		H Start (LSB)	216																			
		H Position	40																			
		HST Position	3																			
		HST Phase	4																			
		Temp Lamp	Adjustment is impossible																			
		Temp Panel	Adjustment is impossible																			
		Fan1 H																				
		Fan1 L																				
		Fan2 H																				
		Fan2 L																				
		Fan3 H																				
		Fan3 L																				
		Synchronous	1																			
		Tilt C0	Factory default setting value																			
		Tilt C1	Factory default setting value																			
		Tilt C2	Factory default setting value																			
		X Tilt	Indication only																			
		Y Tilt	Indication only																			
		TL	Indication only																			
		TP	Indication only																			
		Highland Mode	0																			
		Gamma			Factory default setting value																	
IP	Ip/	CTI Tap	3																			
		CTI Shift	1																			
		CTI Limit	128																			
		CTI Gain	0																			
		Sharp Limit	255																			
		MD Thresh C	8																			
		MD Thresh O	16																			
		VS	1																			
		Continue	1																			
		Edit Detect	0																			
		Indicator	0																			
		Manual	0																			
		Manual Pair	0																			
		Manual State	0																			
		Field Times	2																			
		Noise Thresh	4																			
		Disp Area	0																			
		PULL Area T	71																			
		PULL Area B	203																			
		PULL Area L	165																			
		PULL Area R	765																			
		VS Limit	64																			
		VS Core	4																			
		Edge Det Less	1																			
		X Only	0																			
		Hysteresis	1																			
		Hysteresis Data	2																			
		Thresh Still Large	2																			
	Thresh Still Med	3																				
	Thresh Still Small	4																				
	22 Pre Post Rate	15																				
	22 Pre Post Thresh	2																				
	Film Times 22	3																				
	Ip2/	Sudare Rate 32	4																			
		Sudare Thresh 32	64																			
Sudare Rate 22		4																				
Sudare Thresh 22		40																				

Note : There are nonadjustable items in accordance with the input signal.



## 2-4. White Balance Adjustment on Servicing

### 2-4-1. White Balance Adjustment

Input the 10 STEP signal to INPUT-A, and observe the chromaticity of each luminance.

When varying the chromaticity of each luminance, perform the following adjustments.

#### 1) MID Mode of INPUT-A

1. Input the 100 IRE FLAT FIELD signal to INPUT-A.
2. Measure the chromaticity (x, y).
3. Input the 80 IRE FLAT FIELD signal to INPUT-A.
4. Adjust the chromaticity (x, y) to the values measured in step 2, by the GAIN R and B of W/B MID mode.
5. Set the INPUT signal to the 30 IRE FLAT FIELD signal.
6. Adjust the chromaticity (x, y) to the values measured in step 2, by the BIAS R and B.
7. Repeat above steps 3 to 6 until the chromaticity become the following values.  
x  $\pm$  0.002, y  $\pm$  0.004 (The x and y are the values measured in step 2.)

#### 2) HIGH Mode of INPUT-A

1. Input the 80 IRE FLAT FIELD signal to INPUT-A.
2. Set the GAIN G to MID mode value at “-20” with the HIGH mode of the W/B.
3. Set the BIAS R, G and B that are equal to MID mode values. (Set the BIAS R, G and B to the same as MID mode values.)
4. Input the 30 IRE signal to INPUT-A.
5. Adjust the chromaticity (x at 0.284, y at 0.298) values by the BIAS R and B of W/B HIGH mode.
6. Input the 80 IRE signal to INPUT-A.
7. Adjust the chromaticity (x at 0.284, y at 0.298) values by the GAIN R and B.
8. Repeat above steps 4. to 7. until the chromaticity become the following values.  
x:  $0.284 \pm 0.002$ , y:  $0.298 \pm 0.004$

#### 3) LOW Mode of INPUT-A

1. Input the 80 IRE FLAT FIELD signal to INPUT-A.
2. Set the GAIN R that is equal to MID mode value. (Set the GAIN R to the same as MID mode value.)
3. Set the BIAS R, G and B that are equal to MID mode value. (Set the BIAS R, G and B to the same as MID mode value.)
4. Input the 30 IRE signal to INPUT-A.
5. Adjust the chromaticity (x at 0.313, y at 0.329) values by the BIAS R and B of W/B LOW mode.
6. Input the 80 IRE signal to INPUT-A.
7. Adjust the chromaticity (x at 0.313, y at 0.329) values by the GAIN G and B.
8. Repeat above steps 4 to 7 until the chromaticity become the following values.  
x:  $0.313 \pm 0.002$ , y:  $0.329 \pm 0.004$

#### 4) MID/HIGH/LOW Mode of VIDEO

1. Input the VIDEO signal of NTSC or PAL.
2. Set the BIAS R, G and B and GAIN R, G and B of MID, HIGH and LOW mode of W/B that are equal to the values of corresponding items in INPUT-A. (Altogether 18 items)
3. Set the GAIN G only of MID mode of W/B value at “-16” in INPUT-A.

## 2-5. Tilt Adjustment

### Note

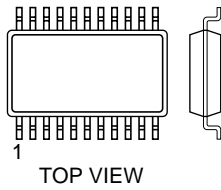
Do not put the unit upward and downward in the vertical direction for more than ten seconds.

1. Set the Factory mode to “Device Adjust/OTHER”.
2. Set the adjuster in contracted position.
3. Then, enter the X TILT value to C0.
4. Set the unit upward in vertically.
5. Then, enter the X TILT value to C1.
6. Set the unit downward in vertically.
7. Then, enter the X TILT value to C2.
8. Save the each values of C0, C1 and C2 described in step3, 5 and 7.



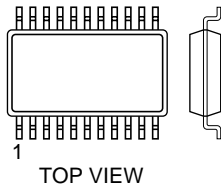
## Section 3 Semiconductors

24LC21AT/SN  
HN58X24256FPIZ  
ICS332-SX1745  
M24C02-WMN6T(A)  
M24C64-WMN6T(B)  
MAX1626ESA-TE2  
MM1096AFF  
MM1228XFBE  
SN74LV08APWR  
SN75157PS-ELL20  
SN75157PS-ELL2000  
ST24FC21M6TR  
TA75W393FU  
TA75W393FU-TE12R  
TL431BCDR2



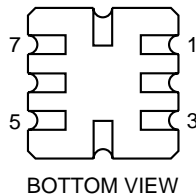
8PIN SOP

74VHC02MTCX  
SN74LV00APWR  
SN74LV04APWR

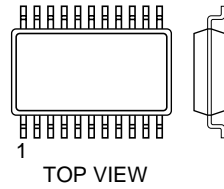


14PIN SOP

ADXL202JE-REEL

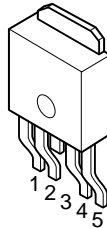


AK4352VT-E2  
CY27027ZCT  
LT1399CGN  
SN74LV4052APWR  
SN74LV4053APWR  
TPA2000D1PW

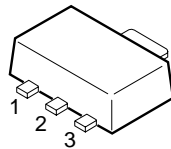


16PIN SOP

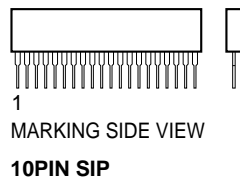
BA00ASFP-E2



BA033FP-E2  
BA05FP-E2  
BA12FP-E2

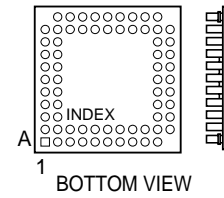


BA6286N



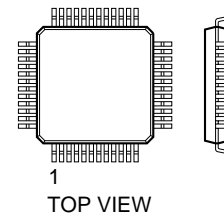
10PIN SIP

CXD9671GG



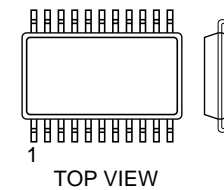
176PIN BGA

HD64F2377VFQ33V



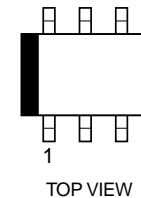
144PIN QFP

HY57V161610DTC-7TR

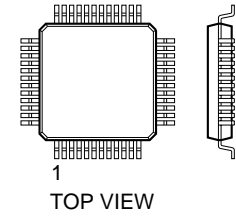


50PIN TSOP

IRMF-A0T-QTP  
TK11900MTL

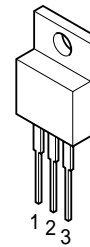


ISPLSI2032VE-110LT44A-51GB

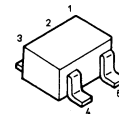


44PIN QFP

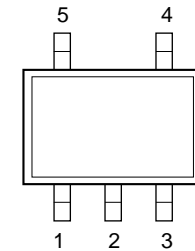
L88M05T-FA-TL  
LM1117MPX-1.8  
NJM78M09DL1A(TE1)



LMC7101BIM5X

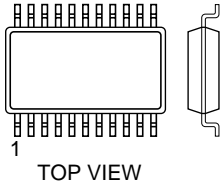


LP2985IM5X-3.3  
S-80928ANMP-DDR-T2  
SN74AHC1G00DCKR  
TC4W53FU  
TC4W53FU(TE12R)  
TC7S66FU  
TC7S66FU(TE85R)  
TC7SET04FU(TE85R)  
TC7SZ125FU(TE85R)



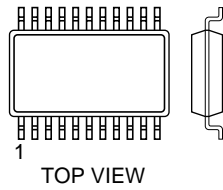
5PIN CHIP

M52347FP-TE  
SN74LV125APWR  
SN74LV244APWR  
SN74LV541APWR



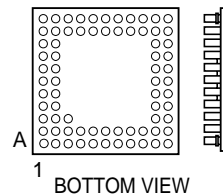
20PIN SOP

M62392FP



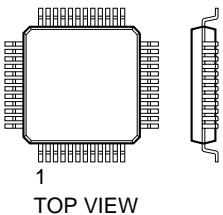
24PIN SOP

MB93401A



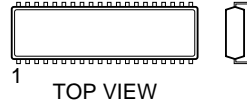
288PIN BGA

MB93491



176PIN QFP

MCZ3001D



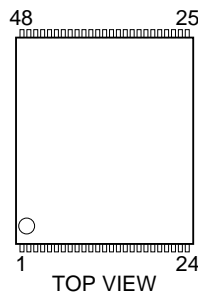
18PIN DIP

MT48LC8M16A2TG-75-Y95WT



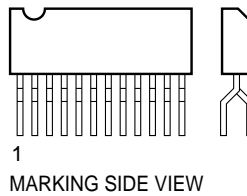
54PIN TSOP

MX29LV800TTC-70G-SX1745

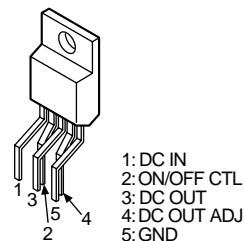


48PIN TSOP

MZ1540

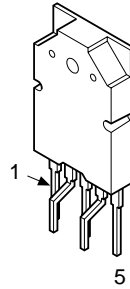


PQ20VZ1U

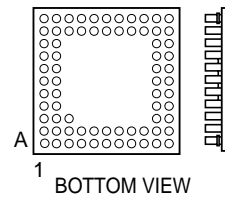


1: DC IN  
2: ON/OFF CTL  
3: DC OUT  
4: DC OUT ADJ  
5: GND

PQ2TZ15U

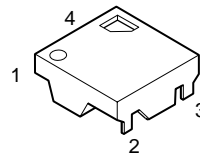


PW265-10T

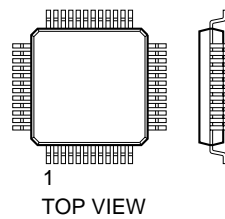


256PIN BGA

RS-140-T

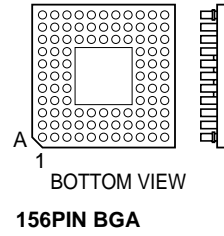


UPD64083GF-3BA



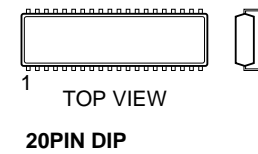
100PIN QFP

SAA7118E/V1.518



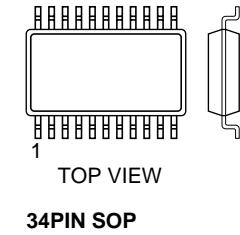
156PIN BGA

TDA7309D013TR



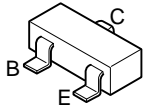
20PIN DIP

ST72T631K4M1-201

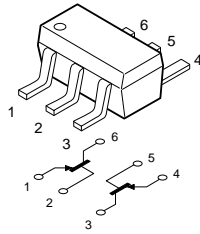


34PIN SOP

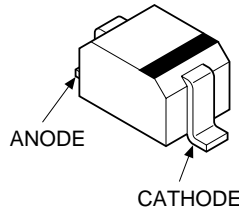
2SA1162-G  
 2SA1162-YG-TE85L  
 2SA1576A-T106-QR  
 2SC2712-YG  
 2SC2712-YG-TE85L  
 2SC4081-R  
 2SC4081T106R  
 DTA144EUA-T106  
 DTC144EKA  
 DTC144EKA-T146  
 DTC144EUA-T106



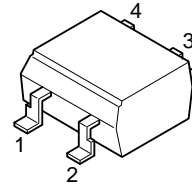
HN1B01FU-TE85R  
 HN1C01FU-TE85R  
 HN1C03FU-TE85R



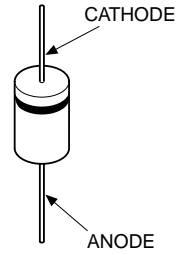
1SS355TE-17  
 MA111-TX  
 UDZSTE-173.9B



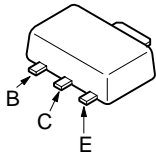
PC123GY2



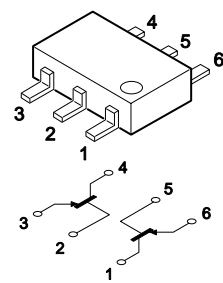
UF4005PKG23



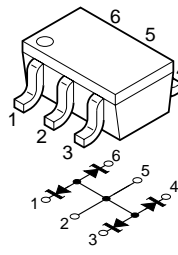
2SA1213Y-TE12L



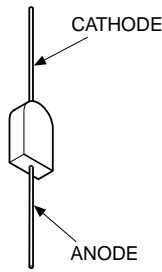
XP4501



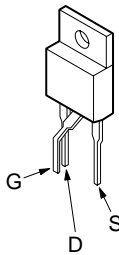
BZA456A



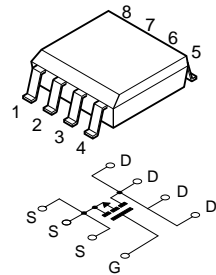
RM11C  
 RM11C-V1



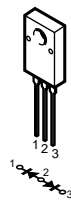
2SK2876-01MR-F122



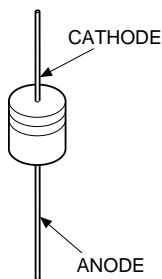
SI4425DY-T1



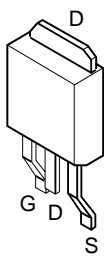
D10SC6M



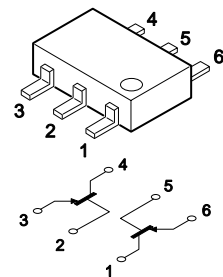
RD15ES-B3  
 RD15ES-T1B3



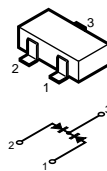
2SJ530S-TL



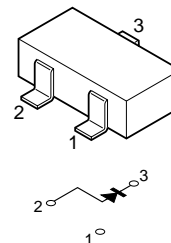
SSM6N15FU(TE85R)



DAN202K  
 DAN202K-T-146  
 DAN202U  
 DAN202UT106  
 DAP202K  
 DAP202K-T-146



RD13M-T1B  
 RD18M-T1B1  
 RD39M-T1B  
 RD7.5M-B2  
 RD7.5M-T1B  
 UZM13B





## Section 4

### Spare Parts

#### 4-1. Notes on Repair Parts

##### 1. Safety Related Components Warning

###### **WARNING**

Components marked  $\triangle$  are critical to safe operation. Therefore, specified parts should be used in the case of replacement.

###### **WARNHINWEIS**

Les composants identifiés par la marque  $\triangle$  sont critiques pour la sécurité. Ne les remplacer que par une pièce portant le numéro spécifié.

##### 2. Standardization of Parts

Some repair parts supplied by Sony differ from those used for the unit. These are because of parts commonality and improvement.

Parts List has the present standardized repair parts.

##### 3. Stock of Parts

Parts marked with “o” at SP (Supply Code) column of the Spare Parts list may not be stocked. Therefore, the delivery date will be delayed.

Items with no part number and no description are not stocked because they are seldom required for routine service.

##### 4. Units for Capacitors, Inductors and Resistors

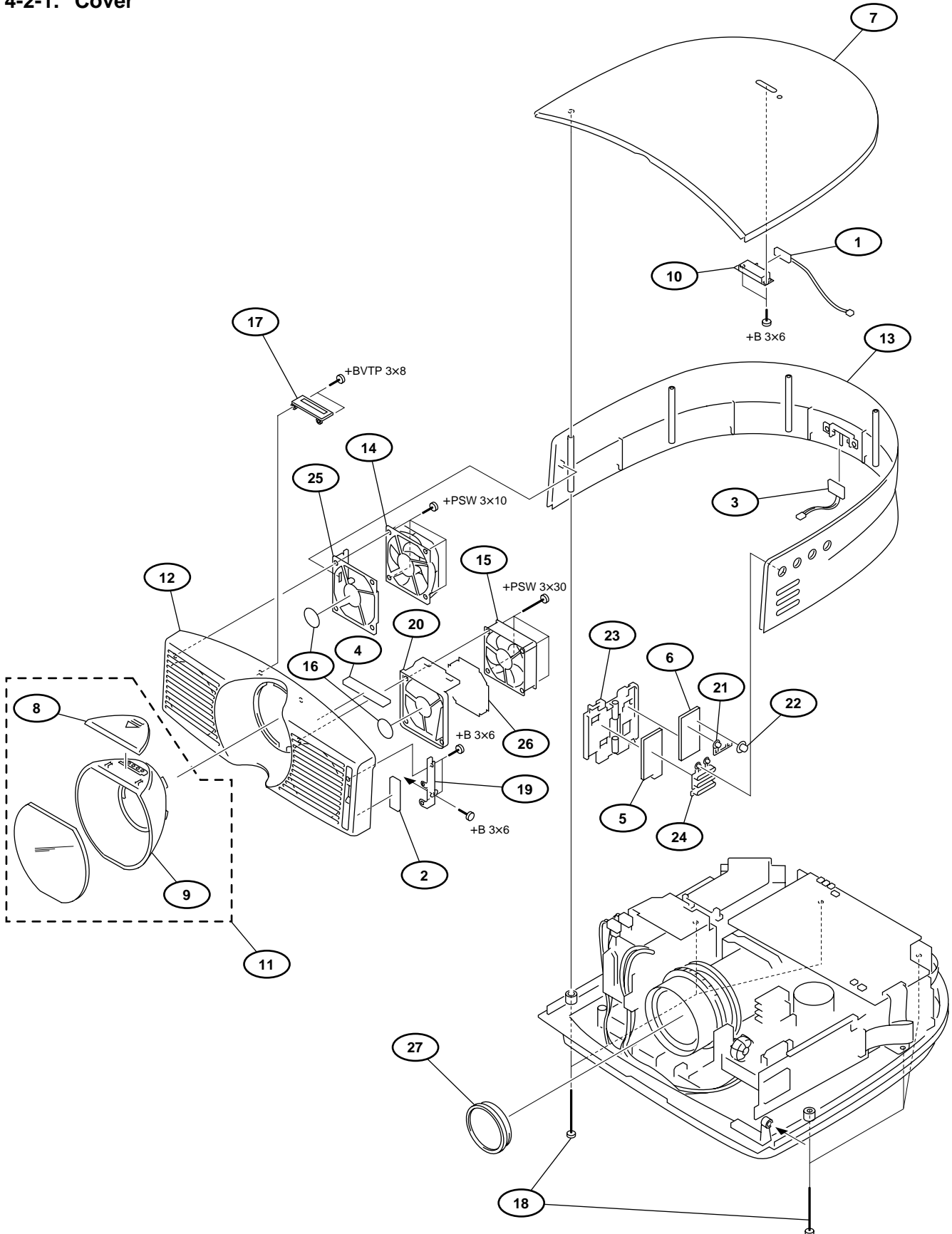
The following units are assumed in Schematic Diagrams, Electrical Parts List and Exploded Views unless otherwise specified.

Capacitors	: $\mu\text{F}$
Inductors	: $\mu\text{H}$
Resistors	: $\Omega$

# Cover

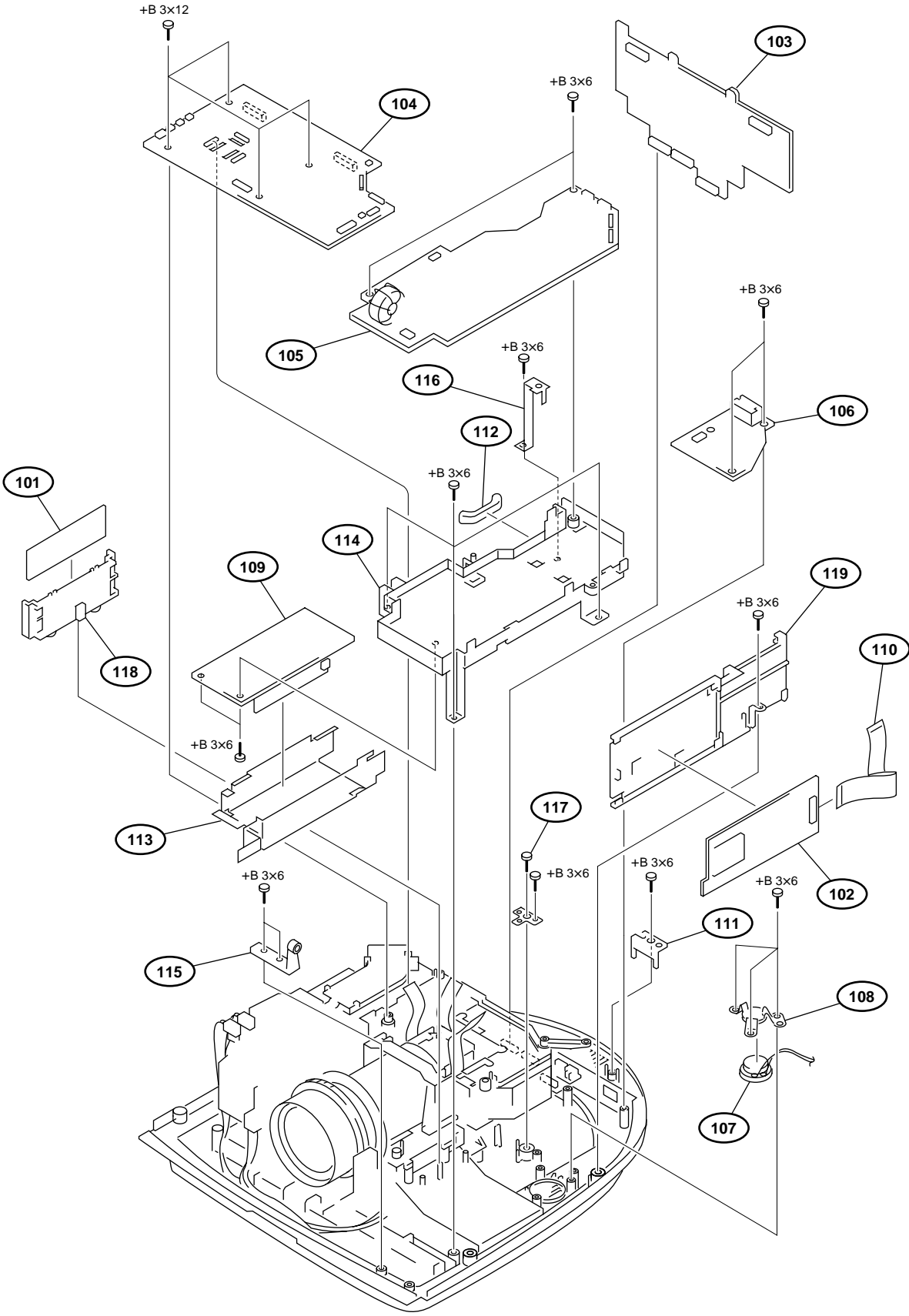
## 4-2. Exploded Views

### 4-2-1. Cover



No.	Part No.	SP	Description
1	A-1401-568-A	s	MOUNTED CIRCUIT BOARD, L
2	A-1401-570-A	s	MOUNTED CIRCUIT BOARD, NF
3	A-1401-571-A	s	MOUNTED CIRCUIT BOARD, NR
4	A-1401-578-A	s	MOUNTED CIRCUIT BOARD, HC
5	A-1401-579-A	s	MOUNTED CIRCUIT BOARD, HA
6	A-1401-580-A	s	MOUNTED CIRCUIT BOARD, HB
7	△ X-4041-160-1	s	CABINET ASSY, TOP
8	X-4041-020-1	s	HOLDER FILTER (B) ASSY
9	X-4041-021-1	s	HOLDER, FILTER (A) ASSY
10	X-4041-023-1	s	GUIDE LIGHT ASSY
11	X-4041-027-1	s	HOLDER, FILTER ASSY
12	△ X-4041-028-1	s	PANEL ASSY, FRONT
13	△ X-4041-030-1	s	COVER ASSY, SIDE
14	△ 1-763-422-11	s	FAN, DC
15	△ 1-763-874-11	s	FAN, D.C.
16	4-091-802-01	o	CUSHION, FAN
17	4-091-827-01	o	HOLDER, HOOD
18	4-091-831-01	s	SHAFT
19	4-091-840-01	o	HOLDER (FR)
20	4-091-858-01	o	BRACKET (PW), FAN
21	4-091-850-01	s	BUTTON (HB1)
22	4-091-851-01	s	BUTTON (HB2)
23	4-091-854-01	o	HOLDER (H)
24	4-091-855-01	s	BUTTON (HA)
25	4-091-856-01	o	HOLDER (92), FAN
26	4-092-117-01	o	GUARD
27	4-091-845-01	s	FILTER, LENS (CINEMA FILTER)
	7-682-547-04	s	SCREW +B 3X6
	7-685-646-79	s	SCREW +BVTP 3X8
	7-682-949-01	s	SCREW +PSW 3X10
	7-682-955-09	s	SCREW +PSW 3X30

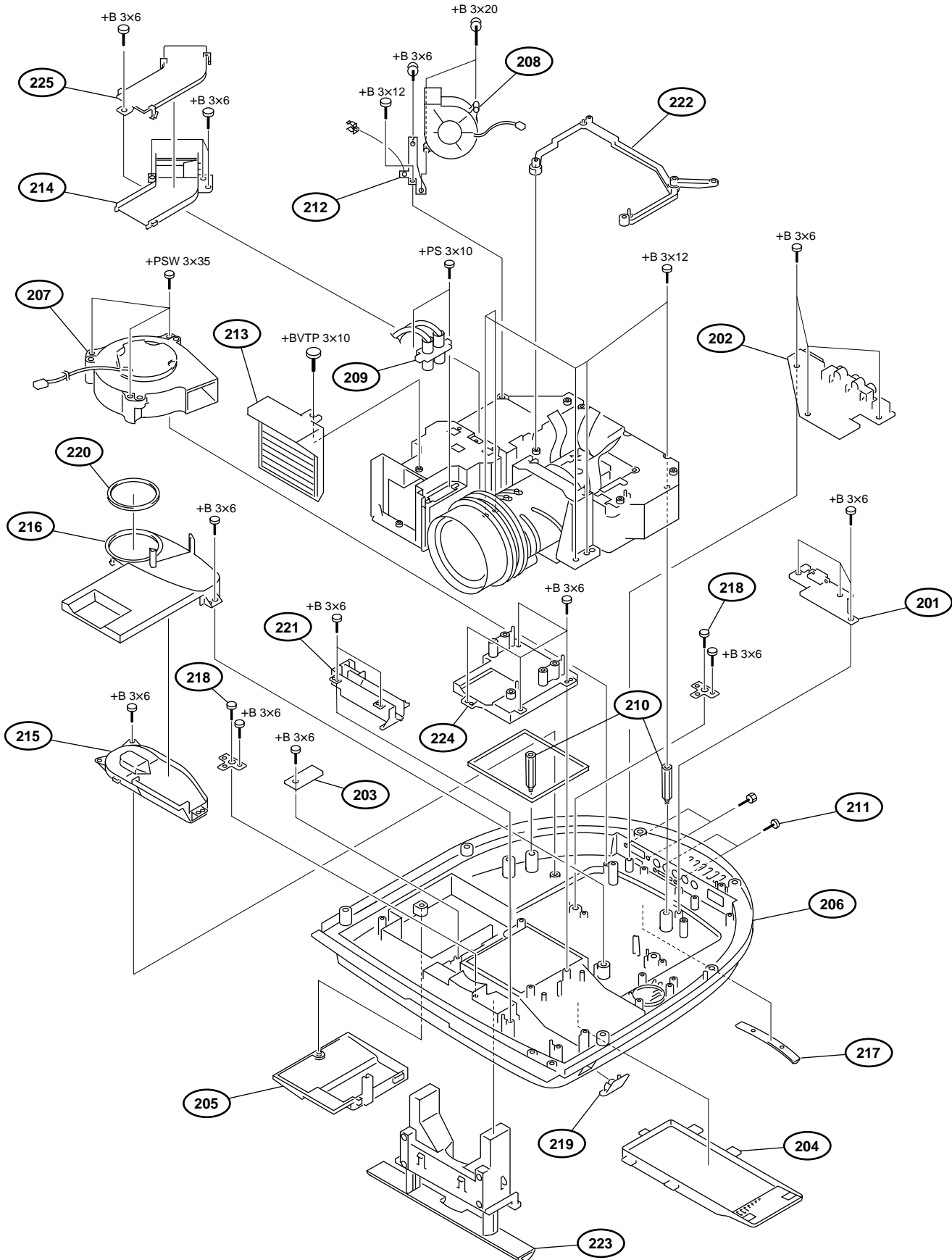
4-2-2. Chassis





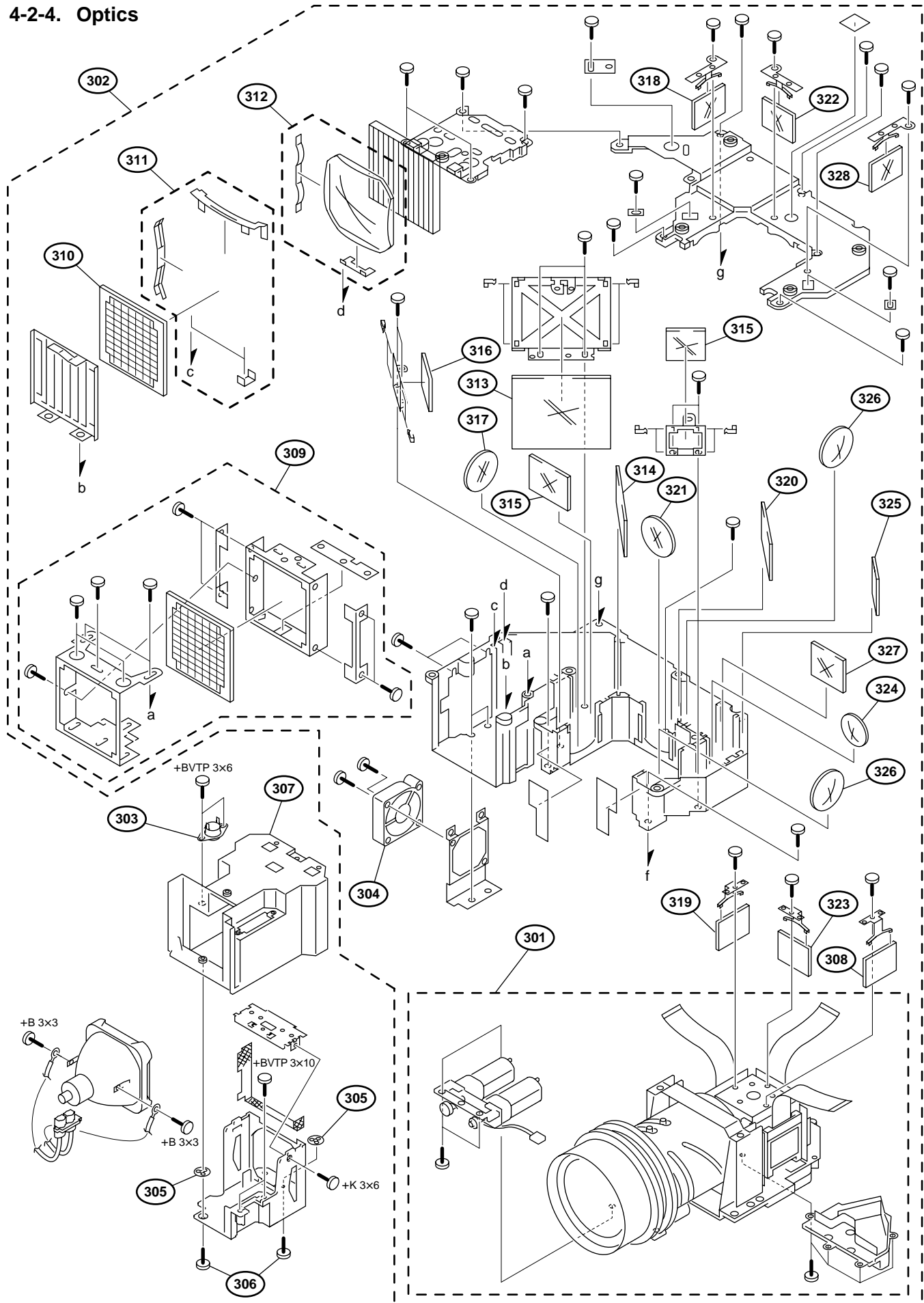
No.	Part No.	SP	Description
101	A-1300-767-A	s	MOUNTED CIRCUIT BOARD, MD
102	A-1300-769-A	s	MOUNTED CIRCUIT BOARD, MS
103	A-1300-770-A	s	MOUNTED CIRCUIT BOARD, B
104	A-1300-771-A	s	MOUNTED CIRCUIT BOARD, C
105	A-1300-772-A	s	MOUNTED CIRCUIT BOARD, G
106	A-1300-924-A	s	MOUNTED CIRCUIT BOARD, F
107	△ A-1603-999-A	s	SPEAKER ASSY
108	X-4039-453-1	o	SPRING ASSY, SPEAKER
109	△ 1-468-719-11	s	LAMP POWER SUPPLY BLOCK
110	1-900-270-03	o	FLAT CONNECTOR ASSY 50P
111	4-085-052-01	o	HOLDER (AC)
112	4-091-803-01	o	CUSHION, G BRACKET
113	4-091-810-01	o	COVER, G BRACKET
114	△ 4-091-865-01	o	BRACKET, POWER
115	4-091-826-01	o	HOLDER (FB)
116	4-091-834-01	o	PLATE, EARTH
117	4-091-838-01	s	SCREW M 5X5, SPECIAL
118	4-091-847-01	o	BRACKET (MD)
119	4-091-857-01	o	BRACKET (MS)
	7-682-547-04	s	SCREW +B 3X6
	7-682-550-04	s	SCREW +B 3X12

4-2-3. Base



No.	Part No.	SP	Description
201	A-1300-768-A	s	MOUNTED CIRCUIT BOARD, QA
202	A-1300-773-A	s	MOUNTED CIRCUIT BOARD, QB
203	A-1401-572-A	s	MOUNTED CIRCUIT BOARD, U
204	△ X-4041-159-1	s	COVER ASSY, FILTER
205	△ X-4041-024-1	s	DOOR ASSY, LAMP
206	△ X-4041-029-1	s	BASE ASSY
207	△ 1-763-238-11	s	FAN, DC
208	△ 1-763-695-11	s	FAN, DC
209	1-900-270-16	o	CONNECTOR ASSY, LAMP POWER
210	4-084-430-01	o	BRACKET, UNIT
211	4-085-075-01	s	SCREW M 1.6X5, SPECIAL HEAD
212	4-091-805-01	o	BRACKET FAN (R)
213	4-091-806-01	o	PLATE, LIGHT INTERSEPTION
214	4-091-812-01	o	DUCT LAMP (LOW)
215	4-091-816-01	o	DUCT IN (LOW)
216	4-091-817-01	o	DUCT IN (UP)
217	4-091-835-01	o	FOOT, REAR
218	4-091-838-01	s	SCREW M 5X5, SPECIAL
219	4-091-841-01	s	BUTTON, ADJUSTOR
220	4-091-842-01	o	PACKING (FAN)
221	4-091-853-01	o	UNIT, BUTTON
222	4-091-859-01	o	HOLDER (C)
223	4-091-860-01	s	ADJUSTOR
224	4-091-861-01	o	BASE, UNIT
225	4-091-811-01	o	DUCT LAMP (UP)
	7-682-547-04	s	SCREW +B 3X6
	7-682-550-04	s	SCREW +B 3X12
	7-682-553-09	s	SCREW +B 3X20
	7-682-649-09	s	SCREW +PS 3X10
	7-682-956-09	s	SCREW +PSW 3X35
	7-685-647-79	s	SCREW +BVTP 3X10

4-2-4. Optics



No.	Part No.	SP	Description
301	A-1604-059-A	s	PRISM BLOCK ASSY
302	A-1604-079-A	s	OPTICAL BLOCK (G) ASSY
303	△ 1-576-523-11	s	THERMOSTAT
304	△ 9-885-019-00	s	FAN
305	3-715-526-01	o	WASHER (M3) (PLA)
306	4-086-247-01	s	SCREW, STEP M3
307	4-091-814-01	s	HOUSING, LAMP
308	9-885-029-43	s	POLARIZER, R OUT
309	9-885-028-79	o	EYE (A) ASSY, FLY
310	9-885-028-80	o	EYE (B),FLY
311	9-885-014-68	o	PBS ASSY
312	9-885-014-69	o	LENS, MAIN CONDENSER
313	9-885-014-70	o	MIRROR, ALL REFLECTION (A)
314	9-885-028-81	o	BDM
315	9-885-014-72	o	FILTER, UV ABSORPTION
316	9-885-014-73	o	MIRROR, ALL REFLECTION (B)
317	9-885-028-82	o	LENS, B-CH CONDENSER
318	9-885-029-40	s	POLARIZER, B IN
319	9-885-029-41	s	POLARIZER, B OUT
320	9-885-028-83	o	GDM
321	9-885-028-84	o	LENS, G-CH CONDENSER
322	9-885-028-85	s	POLARIZER, G IN
323	9-885-028-86	s	POLARIZER, G OUT
324	9-885-014-81	o	LENS (A), RELAY
325	9-885-014-82	o	MIRROR, ALL REFLECTION (C)
326	9-885-014-83	o	LENS (B), RELAY
327	9-885-028-87	o	RDF
328	9-885-029-42	s	POLARIZER, R IN
	7-682-247-09	s	SCREW +K 3X6
	7-682-544-04	s	SCREW +B 3X3
	7-685-645-79	s	SCREW +BVTP 3X6
	7-685-647-79	s	SCREW +BVTP 3X10

### 4-3. Electrical Parts List

-----  
B BOARD  
-----

Ref. No. or Q'ty	Part No.	SP Description
1pc	A-1300-770-A	s MOUNTED CIRCUIT BOARD, B
C101	1-164-299-11	s CAPACITOR,CHIP CERAMIC 0.22MF
C102	1-164-299-11	s CAPACITOR,CHIP CERAMIC 0.22MF
C103	1-164-156-11	s CAPACITOR,CERAMIC 0.1MF/25V F
C104	1-115-156-11	s CAPACITOR,CERAMIC 1MF/10V(1608
C105	1-125-777-11	s CAPACITOR CERAMIC 0.1MF/10V
C106	1-128-992-11	s CAPACITOR ELECT 47MF 25V
C107	1-117-681-11	s CAPACITOR, ELECT 100MF/16V
C108	1-128-992-11	s CAPACITOR ELECT 47MF 25V
C109	1-117-681-11	s CAPACITOR, ELECT 100MF/16V
C111	1-164-943-11	s CAPACITOR,CHIP CERAMIC 0.01MF
C112	1-126-205-11	s CAPACITOR,ELECT 47M/6.3
C113	1-164-943-11	s CAPACITOR,CHIP CERAMIC 0.01MF
C114	1-126-205-11	s CAPACITOR,ELECT 47M/6.3
C115	1-164-943-11	s CAPACITOR,CHIP CERAMIC 0.01MF
C116	1-126-205-11	s CAPACITOR,ELECT 47M/6.3
C117	1-164-943-11	s CAPACITOR,CHIP CERAMIC 0.01MF
C118	1-126-205-11	s CAPACITOR,ELECT 47M/6.3
C119	1-164-943-11	s CAPACITOR,CHIP CERAMIC 0.01MF
C120	1-126-205-11	s CAPACITOR,ELECT 47M/6.3
C121	1-164-943-11	s CAPACITOR,CHIP CERAMIC 0.01MF
C122	1-126-205-11	s CAPACITOR,ELECT 47M/6.3
C135	1-126-206-11	s CAPACITOR, ELECT 100MF/6.3V
C136	1-126-206-11	s CAPACITOR, ELECT 100MF/6.3V
C137	1-128-392-11	s CAPACITOR,ELECT 470MF/6.3V
C138	1-128-392-11	s CAPACITOR,ELECT 470MF/6.3V
C139	1-126-205-11	s CAPACITOR,ELECT 47M/6.3
C141	1-125-777-11	s CAPACITOR CERAMIC 0.1MF/10V
C142	1-164-392-11	s CAPACITOR CERAMIC 390PF/50V CH
C143	1-164-852-11	s CAPACITOR,CHIP CERAMIC 12PF/16
C144	1-164-852-11	s CAPACITOR,CHIP CERAMIC 12PF/16
C145	1-164-852-11	s CAPACITOR,CHIP CERAMIC 12PF/16
C146	1-164-852-11	s CAPACITOR,CHIP CERAMIC 12PF/16
C147	1-164-939-11	s CAPACITOR,CHIP CERAMIC 2200PF
C148	1-125-777-11	s CAPACITOR CERAMIC 0.1MF/10V
C149	1-107-820-11	s CAPACITOR,CHIP CERAMIC 0.1MF F
C150	1-126-205-11	s CAPACITOR,ELECT 47M/6.3
C151	1-125-777-11	s CAPACITOR CERAMIC 0.1MF/10V
C152	1-107-820-11	s CAPACITOR,CHIP CERAMIC 0.1MF F
C153	1-125-777-11	s CAPACITOR CERAMIC 0.1MF/10V
C154	1-128-993-11	s CAPACITOR,ELECT 22MF
C155	1-126-206-11	s CAPACITOR, ELECT 100MF/6.3V
C156	1-107-820-11	s CAPACITOR,CHIP CERAMIC 0.1MF F
C157	1-125-777-11	s CAPACITOR CERAMIC 0.1MF/10V
C158	1-107-820-11	s CAPACITOR,CHIP CERAMIC 0.1MF F
C159	1-126-206-11	s CAPACITOR, ELECT 100MF/6.3V
C160	1-109-982-11	s CAPACITOR,CHIP CERAMIC 1MF/10V
C161	1-125-777-11	s CAPACITOR CERAMIC 0.1MF/10V
C162	1-125-777-11	s CAPACITOR CERAMIC 0.1MF/10V
C163	1-128-993-11	s CAPACITOR,ELECT 22MF
C164	1-107-820-11	s CAPACITOR,CHIP CERAMIC 0.1MF F
C165	1-126-206-11	s CAPACITOR, ELECT 100MF/6.3V
C166	1-126-205-11	s CAPACITOR,ELECT 47M/6.3
C167	1-107-820-11	s CAPACITOR,CHIP CERAMIC 0.1MF F
C168	1-107-820-11	s CAPACITOR,CHIP CERAMIC 0.1MF F
C169	1-107-820-11	s CAPACITOR,CHIP CERAMIC 0.1MF F
C170	1-126-206-11	s CAPACITOR, ELECT 100MF/6.3V
C171	1-125-777-11	s CAPACITOR CERAMIC 0.1MF/10V

(B BOARD)

Ref. No. or Q'ty	Part No.	SP Description
C172	1-125-777-11	s CAPACITOR CERAMIC 0.1MF/10V
C173	1-125-777-11	s CAPACITOR CERAMIC 0.1MF/10V
C174	1-125-777-11	s CAPACITOR CERAMIC 0.1MF/10V
C175	1-125-777-11	s CAPACITOR CERAMIC 0.1MF/10V
C176	1-126-205-11	s CAPACITOR,ELECT 47M/6.3
C177	1-125-777-11	s CAPACITOR CERAMIC 0.1MF/10V
C178	1-125-777-11	s CAPACITOR CERAMIC 0.1MF/10V
C179	1-128-390-11	s CAPACITOR ELECT 220MF/6.3V
C180	1-164-860-11	s CAPACITOR,CHIP CERAMIC 27PF/16
C181	1-128-013-11	s CAPACITOR ERECT 1MF/50V
C182	1-128-004-11	s CAPACITOR ELECT 10MF/16V(CHIP)
C183	1-164-854-11	s CAPACITOR CERAMIC 15PF/16V CH
C184	1-164-854-11	s CAPACITOR CERAMIC 15PF/16V CH
C185	1-164-315-11	s CAPACITOR,CERAMIC 470PF/50V CH
C186	1-107-820-11	s CAPACITOR,CHIP CERAMIC 0.1MF F
C187	1-128-013-11	s CAPACITOR ERECT 1MF/50V
C188	1-126-206-11	s CAPACITOR, ELECT 100MF/6.3V
C192	1-164-854-11	s CAPACITOR CERAMIC 15PF/16V CH
C193	1-115-339-11	s CAPACITOR,CERAMIC 0.1MF/50V
C194	1-128-004-11	s CAPACITOR ELECT 10MF/16V(CHIP)
C195	1-164-505-11	s CAPACITOR,CHIP CERAMIC 2.2MF
C196	1-126-204-11	s CAPACITOR, ELECT 47MF/16V(CHIP)
C197	1-164-854-11	s CAPACITOR CERAMIC 15PF/16V CH
C198	1-164-156-11	s CAPACITOR,CERAMIC 0.1MF/25V F
C199	1-117-681-11	s CAPACITOR, ELECT 100MF/16V
C200	1-128-004-11	s CAPACITOR ELECT 10MF/16V(CHIP)
C222	1-164-854-11	s CAPACITOR CERAMIC 15PF/16V CH
C223	1-127-772-11	s CAPACTOR C,CERAMIC 33000PF B
C224	1-164-854-11	s CAPACITOR CERAMIC 15PF/16V CH
C225	1-164-939-11	s CAPACITOR,CHIP CERAMIC 2200PF
C228	1-127-772-11	s CAPACTOR C,CERAMIC 33000PF B
C229	1-127-772-11	s CAPACTOR C,CERAMIC 33000PF B
C230	1-119-923-11	s CAPACITOR,CHIP CERAMIC 0.047MF
C231	1-107-820-11	s CAPACITOR,CHIP CERAMIC 0.1MF F
C232	1-127-772-11	s CAPACTOR C,CERAMIC 33000PF B
C233	1-127-772-11	s CAPACTOR C,CERAMIC 33000PF B
C234	1-107-820-11	s CAPACITOR,CHIP CERAMIC 0.1MF F
C235	1-126-206-11	s CAPACITOR, ELECT 100MF/6.3V
C236	1-128-391-11	s CAPACITOR,ELECT 330MF/6.3V
C237	1-128-391-11	s CAPACITOR,ELECT 330MF/6.3V
C238	1-107-820-11	s CAPACITOR,CHIP CERAMIC 0.1MF F
C239	1-107-820-11	s CAPACITOR,CHIP CERAMIC 0.1MF F
C240	1-119-923-11	s CAPACITOR,CHIP CERAMIC 0.047MF
C241	1-127-772-11	s CAPACTOR C,CERAMIC 33000PF B
C242	1-107-820-11	s CAPACITOR,CHIP CERAMIC 0.1MF F
C243	1-107-820-11	s CAPACITOR,CHIP CERAMIC 0.1MF F
C244	1-127-772-11	s CAPACTOR C,CERAMIC 33000PF B
C245	1-164-943-11	s CAPACITOR,CHIP CERAMIC 0.01MF
C246	1-164-943-11	s CAPACITOR,CHIP CERAMIC 0.01MF
C247	1-164-943-11	s CAPACITOR,CHIP CERAMIC 0.01MF
C248	1-164-943-11	s CAPACITOR,CHIP CERAMIC 0.01MF
C249	1-107-820-11	s CAPACITOR,CHIP CERAMIC 0.1MF F
C250	1-107-820-11	s CAPACITOR,CHIP CERAMIC 0.1MF F
C251	1-127-772-11	s CAPACTOR C,CERAMIC 33000PF B
C252	1-119-923-11	s CAPACITOR,CHIP CERAMIC 0.047MF
C253	1-119-923-11	s CAPACITOR,CHIP CERAMIC 0.047MF
C254	1-127-772-11	s CAPACTOR C,CERAMIC 33000PF B
C255	1-164-943-11	s CAPACITOR,CHIP CERAMIC 0.01MF
C256	1-127-772-11	s CAPACTOR C,CERAMIC 33000PF B

## (B BOARD)

Ref. No. or Q'ty	Part No.	SP	Description
C257	1-119-667-11	s	CAPACITOR CERAMIC 22MF/10V(F)
C258	1-127-772-11	s	CAPACITOR C,CERAMIC 33000PF B
C259	1-127-772-11	s	CAPACITOR C,CERAMIC 33000PF B
C260	1-127-772-11	s	CAPACITOR C,CERAMIC 33000PF B
C262	1-127-772-11	s	CAPACITOR C,CERAMIC 33000PF B
C263	1-127-772-11	s	CAPACITOR C,CERAMIC 33000PF B
C301	1-125-777-11	s	CAPACITOR CERAMIC 0.1MF/10V
C302	1-115-566-11	s	CAPACITOR,CERAMIC 4.7MF B/6.3V
C303	1-115-566-11	s	CAPACITOR,CERAMIC 4.7MF B/6.3V
C304	1-164-937-11	s	CAPACITOR,CHIP CERAMIC 1000PF
C305	1-125-837-11	s	CAPACITOR,CHIP CERAMIC1MF/6.3V
C306	1-125-777-11	s	CAPACITOR CERAMIC 0.1MF/10V
C307	1-125-777-11	s	CAPACITOR CERAMIC 0.1MF/10V
C308	1-125-777-11	s	CAPACITOR CERAMIC 0.1MF/10V
C309	1-125-777-11	s	CAPACITOR CERAMIC 0.1MF/10V
C311	1-125-837-11	s	CAPACITOR,CHIP CERAMIC1MF/6.3V
C313	1-125-777-11	s	CAPACITOR CERAMIC 0.1MF/10V
C314	1-107-820-11	s	CAPACITOR,CHIP CERAMIC 0.1MF F
C315	1-107-820-11	s	CAPACITOR,CHIP CERAMIC 0.1MF F
C317	1-107-820-11	s	CAPACITOR,CHIP CERAMIC 0.1MF F
C318	1-107-820-11	s	CAPACITOR,CHIP CERAMIC 0.1MF F
C321	1-164-937-11	s	CAPACITOR,CHIP CERAMIC 1000PF
C322	1-125-777-11	s	CAPACITOR CERAMIC 0.1MF/10V
C323	1-137-987-81	s	CAPACITOR,C.CERAMIC 0.068MF
C324	1-115-566-11	s	CAPACITOR,CERAMIC 4.7MF B/6.3V
C325	1-115-566-11	s	CAPACITOR,CERAMIC 4.7MF B/6.3V
C326	1-165-875-11	s	CAPACITOR, CHIP CERAMIC 10MF B
C328	1-165-875-11	s	CAPACITOR, CHIP CERAMIC 10MF B
C329	1-164-947-11	s	CAPACITOR CHIP CERAMIC 0.01MF
C330	1-164-882-11	s	CAPACITOR,CERAMIC 220PF/16V CH
C331	1-164-882-11	s	CAPACITOR,CERAMIC 220PF/16V CH
C333	1-115-566-11	s	CAPACITOR,CERAMIC 4.7MF B/6.3V
C334	1-115-566-11	s	CAPACITOR,CERAMIC 4.7MF B/6.3V
C335	1-115-566-11	s	CAPACITOR,CERAMIC 4.7MF B/6.3V
C336	1-115-566-11	s	CAPACITOR,CERAMIC 4.7MF B/6.3V
C337	1-126-205-11	s	CAPACITOR,ELECT 47M/6.3
C339	1-115-566-11	s	CAPACITOR,CERAMIC 4.7MF B/6.3V
C340	1-115-566-11	s	CAPACITOR,CERAMIC 4.7MF B/6.3V
C341	1-125-777-11	s	CAPACITOR CERAMIC 0.1MF/10V
C401	1-119-923-11	s	CAPACITOR,CHIP CERAMIC 0.047MF
C402	1-119-923-11	s	CAPACITOR,CHIP CERAMIC 0.047MF
C403	1-164-937-11	s	CAPACITOR,CHIP CERAMIC 1000PF
C404	1-119-923-11	s	CAPACITOR,CHIP CERAMIC 0.047MF
C405	1-119-923-11	s	CAPACITOR,CHIP CERAMIC 0.047MF
C406	1-119-923-11	s	CAPACITOR,CHIP CERAMIC 0.047MF
C407	1-119-923-11	s	CAPACITOR,CHIP CERAMIC 0.047MF
C408	1-119-923-11	s	CAPACITOR,CHIP CERAMIC 0.047MF
C409	1-107-820-11	s	CAPACITOR,CHIP CERAMIC 0.1MF F
C410	1-107-820-11	s	CAPACITOR,CHIP CERAMIC 0.1MF F
C411	1-107-820-11	s	CAPACITOR,CHIP CERAMIC 0.1MF F
C412	1-164-943-11	s	CAPACITOR,CHIP CERAMIC 0.01MF
C413	1-126-206-11	s	CAPACITOR, ELECT 100MF/6.3V
C414	1-125-777-11	s	CAPACITOR CERAMIC 0.1MF/10V
C415	1-125-777-11	s	CAPACITOR CERAMIC 0.1MF/10V
C416	1-125-777-11	s	CAPACITOR CERAMIC 0.1MF/10V
C417	1-125-777-11	s	CAPACITOR CERAMIC 0.1MF/10V
C418	1-125-777-11	s	CAPACITOR CERAMIC 0.1MF/10V
C419	1-125-777-11	s	CAPACITOR CERAMIC 0.1MF/10V
C420	1-119-667-11	s	CAPACITOR CERAMIC 22MF/10V(F)

## (B BOARD)

Ref. No. or Q'ty	Part No.	SP	Description
C421	1-125-777-11	s	CAPACITOR CERAMIC 0.1MF/10V
C422	1-125-777-11	s	CAPACITOR CERAMIC 0.1MF/10V
C423	1-125-777-11	s	CAPACITOR CERAMIC 0.1MF/10V
C424	1-125-777-11	s	CAPACITOR CERAMIC 0.1MF/10V
C425	1-125-777-11	s	CAPACITOR CERAMIC 0.1MF/10V
C426	1-125-777-11	s	CAPACITOR CERAMIC 0.1MF/10V
C427	1-124-778-00	s	CAPACITOR,ELECT 22MF/6.3V
C428	1-125-777-11	s	CAPACITOR CERAMIC 0.1MF/10V
C429	1-125-777-11	s	CAPACITOR CERAMIC 0.1MF/10V
C430	1-125-777-11	s	CAPACITOR CERAMIC 0.1MF/10V
C431	1-125-777-11	s	CAPACITOR CERAMIC 0.1MF/10V
C432	1-135-995-91	s	CAP,CHIP CERAMIC39000PF B 1608
C433	1-117-446-11	s	CAPACITOR CERAMIC 3900PF 16V
C434	1-125-777-11	s	CAPACITOR CERAMIC 0.1MF/10V
C435	1-125-777-11	s	CAPACITOR CERAMIC 0.1MF/10V
C436	1-164-505-11	s	CAPACITOR,CHIP CERAMIC 2.2MF
C437	1-164-943-11	s	CAPACITOR,CHIP CERAMIC 0.01MF
C438	1-125-777-11	s	CAPACITOR CERAMIC 0.1MF/10V
C439	1-164-943-11	s	CAPACITOR,CHIP CERAMIC 0.01MF
C440	1-125-777-11	s	CAPACITOR CERAMIC 0.1MF/10V
C441	1-164-943-11	s	CAPACITOR,CHIP CERAMIC 0.01MF
C450	1-125-777-11	s	CAPACITOR CERAMIC 0.1MF/10V
C451	1-125-837-11	s	CAPACITOR,CHIP CERAMIC1MF/6.3V
C452	1-164-874-11	s	CAPACITOR,CHIP CERAMIC 100PF
C453	1-164-874-11	s	CAPACITOR,CHIP CERAMIC 100PF
C454	1-164-866-11	s	CAPACITOR,CHIP CERAMIC 47PF/16
C455	1-125-777-11	s	CAPACITOR CERAMIC 0.1MF/10V
C456	1-125-837-11	s	CAPACITOR,CHIP CERAMIC1MF/6.3V
C457	1-125-777-11	s	CAPACITOR CERAMIC 0.1MF/10V
C458	1-109-982-11	s	CAPACITOR,CHIP CERAMIC 1MF/10V
C501	1-115-156-11	s	CAPACITOR,CERAMIC 1MF/10V(1608
C502	1-125-777-11	s	CAPACITOR CERAMIC 0.1MF/10V
C503	1-125-777-11	s	CAPACITOR CERAMIC 0.1MF/10V
C504	1-125-777-11	s	CAPACITOR CERAMIC 0.1MF/10V
C505	1-125-777-11	s	CAPACITOR CERAMIC 0.1MF/10V
C506	1-165-875-11	s	CAPACITOR, CHIP CERAMIC 10MF B
C508	1-125-777-11	s	CAPACITOR CERAMIC 0.1MF/10V
C509	1-125-777-11	s	CAPACITOR CERAMIC 0.1MF/10V
C510	1-125-777-11	s	CAPACITOR CERAMIC 0.1MF/10V
C601	1-125-777-11	s	CAPACITOR CERAMIC 0.1MF/10V
C602	1-135-346-11	s	CAP, SOLID ELECT 39MF 16V
C603	1-125-777-11	s	CAPACITOR CERAMIC 0.1MF/10V
C604	1-125-777-11	s	CAPACITOR CERAMIC 0.1MF/10V
C605	1-125-777-11	s	CAPACITOR CERAMIC 0.1MF/10V
C606	1-125-777-11	s	CAPACITOR CERAMIC 0.1MF/10V
C607	1-125-777-11	s	CAPACITOR CERAMIC 0.1MF/10V
C608	1-125-777-11	s	CAPACITOR CERAMIC 0.1MF/10V
C609	1-125-777-11	s	CAPACITOR CERAMIC 0.1MF/10V
CN105	1-760-388-11	o	CONNECTOR PIN (SMD) 9 PIN
CN106	1-691-551-11	o	PIN, CONNECTOR (SMD) 8P
CN107	1-793-797-21	o	CONNECTOR, BOARD TO BOARD
CN108	1-793-797-21	o	CONNECTOR, BOARD TO BOARD
CN110	1-785-305-21	o	CONNECTOR, BOARD TO BOARD
CN111	1-785-305-21	o	CONNECTOR, BOARD TO BOARD
CN112	1-785-305-21	o	CONNECTOR, BOARD TO BOARD
D101	8-719-037-22	s	DIODE RD12SB-T1
D102	8-719-037-22	s	DIODE RD12SB-T1
D222	8-719-059-53	s	DIODE MA3J14700LSO

(B BOARD)

Ref. No. or Q'ty	Part No.	SP	Description
D223	8-719-059-53	s	DIODE MA3J14700LSO
D225	8-719-059-53	s	DIODE MA3J14700LSO
D226	8-719-059-53	s	DIODE MA3J14700LSO
D228	8-719-059-53	s	DIODE MA3J14700LSO
D230	8-719-059-53	s	DIODE MA3J14700LSO
D301	8-719-024-78	s	DIODE HN1D03FU-TE85R
D302	8-719-988-61	s	DIODE 1SS355TE-17
D303	8-719-988-61	s	DIODE 1SS355TE-17
D304	8-719-059-53	s	DIODE MA3J14700LSO
D305	8-719-059-53	s	DIODE MA3J14700LSO
D402	8-719-059-53	s	DIODE MA3J14700LSO
D404	8-719-059-53	s	DIODE MA3J14700LSO
D405	8-719-059-53	s	DIODE MA3J14700LSO
D406	8-719-059-53	s	DIODE MA3J14700LSO
D407	8-719-059-53	s	DIODE MA3J14700LSO
D408	8-719-059-53	s	DIODE MA3J14700LSO
D501	8-719-988-61	s	DIODE 1SS355TE-17
D601	8-719-988-61	s	DIODE 1SS355TE-17
FB141	1-414-921-11	s	INDUCTOR, FERRITE BEAD
FB142	1-414-921-11	s	INDUCTOR, FERRITE BEAD
FB143	1-414-921-11	s	INDUCTOR, FERRITE BEAD
FB144	1-216-296-00	s	CONDUCTOR, CHIP (3216)
FB145	1-216-296-00	s	CONDUCTOR, CHIP (3216)
FB146	1-216-295-91	s	CONDUCTOR, CHIP (2012)
FB147	1-414-234-11	s	INDUCTOR, FERRITE BEAD
FB148	1-414-234-11	s	INDUCTOR, FERRITE BEAD
FB222	1-414-921-11	s	INDUCTOR, FERRITE BEAD
FB401	1-414-921-11	s	INDUCTOR, FERRITE BEAD
FB403	1-414-921-11	s	INDUCTOR, FERRITE BEAD
FB501	1-469-670-11	o	FERRITE, EMI (SMD)
FB601	1-414-921-11	s	INDUCTOR, FERRITE BEAD
FL141	1-239-848-21	s	FILTER, LOW PASS
FL142	1-239-848-21	s	FILTER, LOW PASS
FL143	1-239-848-21	s	FILTER, LOW PASS
IC101	8-759-677-33	s	IC MM1228XF
IC102	-----		IC M24C64-WMN6T(B)
<b>Note</b>	If this IC has failed, replace the whole B board.		
IC103	8-759-596-39	s	IC SN74LV4052APWR
IC104	8-759-548-95	s	IC SN74LV00APWR
IC141	8-759-533-85	s	IC L88M05T-FA-TL
IC142	8-759-582-37	s	IC PQ2TZ15U
IC143	8-759-460-72	s	IC BA033FP
IC144	6-700-960-01	s	IC UPD64083GF-3BA
IC145	8-759-460-81	s	IC BA12FP-E2
IC223	8-759-460-72	s	IC BA033FP
IC224	8-759-659-65	s	IC LP2985IM5X-3.3
IC301	8-759-596-34	s	IC SN74LV4053APWR
IC302	8-759-082-61	s	IC TC4W53FU
IC303	8-759-646-02	s	IC M52347FP-TE
IC304	8-759-596-34	s	IC SN74LV4053APWR
IC401	8-759-460-72	s	IC BA033FP
IC402	8-759-659-65	s	IC LP2985IM5X-3.3
IC403	6-703-362-01	s	IC AD9888KS-100
IC501	8-759-549-20	s	IC SN74LV541APWR
IC502	8-759-549-20	s	IC SN74LV541APWR
IC503	8-759-549-20	s	IC SN74LV541APWR
IC504	8-759-549-20	s	IC SN74LV541APWR
IC505	8-759-549-20	s	IC SN74LV541APWR

(B BOARD)

Ref. No. or Q'ty	Part No.	SP	Description
IC506	8-759-549-20	s	IC SN74LV541APWR
IC507	8-759-549-20	s	IC SN74LV541APWR
L101	1-412-058-11	s	INDUCTOR, SMALL TYPE 10UH
L102	1-409-529-41	s	COIL, CHOKE 10UH
L103	1-409-529-41	s	COIL, CHOKE 10UH
L104	1-409-529-41	s	COIL, CHOKE 10UH
L141	1-412-058-11	s	INDUCTOR, SMALL TYPE 10UH
L142	1-414-770-91	s	INDUCTOR 4.7UH
L143	1-412-058-11	s	INDUCTOR, SMALL TYPE 10UH
L144	1-412-058-11	s	INDUCTOR, SMALL TYPE 10UH
L145	1-412-058-11	s	INDUCTOR, SMALL TYPE 10UH
L146	1-412-058-11	s	INDUCTOR, SMALL TYPE 10UH
L222	1-469-522-11	s	INDUCTOR 1.0UH (NLFV25)
L223	1-469-525-91	s	INDUCTOR 10UH (NLFV25)
L224	1-469-525-91	s	INDUCTOR 10UH (NLFV25)
L301	1-412-058-11	s	INDUCTOR, SMALL TYPE 10UH
L302	1-412-058-11	s	INDUCTOR, SMALL TYPE 10UH
L303	1-469-523-91	s	INDUCTOR 2.2UH (NLFV25)
Q101	8-729-029-14	s	TRANSISTOR DTC144EUA-T106
Q135	8-729-905-35	s	TRANSISTOR 2SC4081-R
Q136	8-729-905-35	s	TRANSISTOR 2SC4081-R
Q141	8-729-026-53	s	TRANSISTOR 2SA1576A-T106-QR
Q142	8-729-026-53	s	TRANSISTOR 2SA1576A-T106-QR
Q143	8-729-905-35	s	TRANSISTOR 2SC4081-R
Q144	8-729-026-53	s	TRANSISTOR 2SA1576A-T106-QR
Q145	8-729-026-53	s	TRANSISTOR 2SA1576A-T106-QR
Q146	8-729-026-53	s	TRANSISTOR 2SA1576A-T106-QR
Q147	8-729-905-35	s	TRANSISTOR 2SC4081-R
Q148	8-729-905-35	s	TRANSISTOR 2SC4081-R
Q149	8-729-905-35	s	TRANSISTOR 2SC4081-R
Q150	8-729-026-53	s	TRANSISTOR 2SA1576A-T106-QR
Q151	8-729-905-35	s	TRANSISTOR 2SC4081-R
Q152	8-729-905-35	s	TRANSISTOR 2SC4081-R
Q153	8-729-905-35	s	TRANSISTOR 2SC4081-R
Q154	8-729-905-35	s	TRANSISTOR 2SC4081-R
Q155	8-729-905-35	s	TRANSISTOR 2SC4081-R
Q301	8-729-905-35	s	TRANSISTOR 2SC4081-R
Q302	8-729-905-35	s	TRANSISTOR 2SC4081-R
Q303	8-729-026-53	s	TRANSISTOR 2SA1576A-T106-QR
Q304	8-729-029-14	s	TRANSISTOR DTC144EUA-T106
Q305	8-729-026-53	s	TRANSISTOR 2SA1576A-T106-QR
Q306	8-729-029-14	s	TRANSISTOR DTC144EUA-T106
Q307	8-729-029-14	s	TRANSISTOR DTC144EUA-T106
Q308	8-729-905-35	s	TRANSISTOR 2SC4081-R
Q309	8-729-013-26	s	TRANSISTOR HN1C03FU-TE85R
Q310	8-729-905-35	s	TRANSISTOR 2SC4081-R
Q311	8-729-905-35	s	TRANSISTOR 2SC4081-R
Q313	8-729-013-28	s	TRANSISTOR HN1B01FU-TE85R
Q314	8-729-013-28	s	TRANSISTOR HN1B01FU-TE85R
Q319	8-729-029-14	s	TRANSISTOR DTC144EUA-T106
Q321	8-729-029-14	s	TRANSISTOR DTC144EUA-T106
Q425	8-729-026-53	s	TRANSISTOR 2SA1576A-T106-QR
Q426	8-729-026-53	s	TRANSISTOR 2SA1576A-T106-QR
Q450	8-729-905-35	s	TRANSISTOR 2SC4081-R
Q451	8-729-013-28	s	TRANSISTOR HN1B01FU-TE85R
Q452	8-729-029-14	s	TRANSISTOR DTC144EUA-T106
Q453	8-729-029-14	s	TRANSISTOR DTC144EUA-T106
Q454	8-729-013-28	s	TRANSISTOR HN1B01FU-TE85R



## (B BOARD)

Ref. No. or Q'ty	Part No.	SP	Description
Q455	8-729-013-28	s	TRANSISTOR HN1B01FU-TE85R
Q456	8-729-427-70	s	TRANSISTOR XP4401
Q457	8-729-013-28	s	TRANSISTOR HN1B01FU-TE85R
Q501	8-729-029-14	s	TRANSISTOR DTC144EUA-T106
R101	1-208-656-81	s	RESISTOR, METAL CHIP75(1005)
R102	1-208-656-81	s	RESISTOR, METAL CHIP75(1005)
R103	1-211-975-11	s	RESISTOR,CHIP 18 1/10W (1608)
R104	1-211-975-11	s	RESISTOR,CHIP 18 1/10W (1608)
R105	1-211-975-11	s	RESISTOR,CHIP 18 1/10W (1608)
R106	1-211-975-11	s	RESISTOR,CHIP 18 1/10W (1608)
R107	1-218-662-11	s	RESISTOR,CHIP 56 1/16W (1608)
R108	1-211-975-11	s	RESISTOR,CHIP 18 1/10W (1608)
R109	1-211-975-11	s	RESISTOR,CHIP 18 1/10W (1608)
R110	1-218-662-11	s	RESISTOR,CHIP 56 1/16W (1608)
R111	1-218-662-11	s	RESISTOR,CHIP 56 1/16W (1608)
R112	1-218-662-11	s	RESISTOR,CHIP 56 1/16W (1608)
R113	1-218-662-11	s	RESISTOR,CHIP 56 1/16W (1608)
R114	1-218-662-11	s	RESISTOR,CHIP 56 1/16W (1608)
R115	1-218-937-11	s	RESISTOR, CHIP 47
R116	1-218-937-11	s	RESISTOR, CHIP 47
R117	1-218-937-11	s	RESISTOR, CHIP 47
R118	1-218-937-11	s	RESISTOR, CHIP 47
R119	1-218-937-11	s	RESISTOR, CHIP 47
R120	1-218-937-11	s	RESISTOR, CHIP 47
R121	1-218-937-11	s	RESISTOR, CHIP 47
R122	1-218-990-11	s	RESISTOR,CHIP 0 1/16W (1005)
R123	1-218-990-11	s	RESISTOR,CHIP 0 1/16W (1005)
R124	1-208-656-81	s	RESISTOR, METAL CHIP75(1005)
R125	1-218-965-11	s	RESISTOR, CHIP 10K 1/16W
R126	1-218-941-11	s	RESISTOR,CHIP 100 1/16W (1005)
R127	1-218-941-11	s	RESISTOR,CHIP 100 1/16W (1005)
R129	1-218-937-11	s	RESISTOR, CHIP 47
R130	1-218-937-11	s	RESISTOR, CHIP 47
R131	1-218-953-11	s	RESISTOR, CHIP 1K 1/16W
R132	1-218-937-11	s	RESISTOR, CHIP 47
R133	1-218-937-11	s	RESISTOR, CHIP 47
R134	1-218-937-11	s	RESISTOR, CHIP 47
R135	1-218-937-11	s	RESISTOR, CHIP 47
R137	1-218-953-11	s	RESISTOR, CHIP 1K 1/16W
R138	1-218-937-11	s	RESISTOR, CHIP 47
R139	1-218-960-11	s	RESISTOR, CHIP 3.9K 1/16W
R140	1-218-960-11	s	RESISTOR, CHIP 3.9K 1/16W
R141	1-218-953-11	s	RESISTOR, CHIP 1K 1/16W
R142	1-218-949-11	s	RESISTOR,CHIP 470 1/16W
R143	1-218-949-11	s	RESISTOR,CHIP 470 1/16W
R144	1-218-965-11	s	RESISTOR, CHIP 10K 1/16W
R145	1-218-941-11	s	RESISTOR,CHIP 100 1/16W (1005)
R146	1-218-941-11	s	RESISTOR,CHIP 100 1/16W (1005)
R147	1-218-956-11	s	RESISTOR, CHIP 1.8K
R148	1-218-956-11	s	RESISTOR, CHIP 1.8K
R149	1-218-990-11	s	RESISTOR,CHIP 0 1/16W (1005)
R150	1-218-961-11	s	RESISTOR, CHIP 4.7K 1/16W
R151	1-218-957-11	s	RESISTOR,CHIP 2.2K 1/16W(1608)
R152	1-218-949-11	s	RESISTOR,CHIP 470 1/16W
R153	1-218-949-11	s	RESISTOR,CHIP 470 1/16W
R154	1-218-957-11	s	RESISTOR,CHIP 2.2K 1/16W(1608)
R155	1-208-677-11	s	RESISTOR CHIP 560 1/16W (1005)
R156	1-208-677-11	s	RESISTOR CHIP 560 1/16W (1005)
R157	1-218-957-11	s	RESISTOR,CHIP 2.2K 1/16W(1608)

## (B BOARD)

Ref. No. or Q'ty	Part No.	SP	Description
R158	1-218-953-11	s	RESISTOR, CHIP 1K 1/16W
R159	1-218-957-11	s	RESISTOR,CHIP 2.2K 1/16W(1608)
R160	1-218-941-11	s	RESISTOR,CHIP 100 1/16W (1005)
R161	1-218-973-11	s	RESISTOR,CHIP 47K 1/16W (1005)
R162	1-218-981-11	s	RESISTOR CHIP 220K 1/16W(1005)
R164	1-208-701-11	s	RESISTOR CHIP 5.6K 1/16W(1005)
R165	1-218-945-11	s	RESISTOR,CHIP 220 1/16W(1005)
R166	1-208-701-11	s	RESISTOR CHIP 5.6K 1/16W(1005)
R167	1-218-957-11	s	RESISTOR,CHIP 2.2K 1/16W(1608)
R168	1-218-957-11	s	RESISTOR,CHIP 2.2K 1/16W(1608)
R169	1-208-675-11	s	RESISTOR CHIP 470 1/16W (1005)
R170	1-218-952-11	s	RESISTOR, CHIP 820
R171	1-208-675-11	s	RESISTOR CHIP 470 1/16W (1005)
R172	1-208-683-11	s	RESISTOR CHIP 1K 1/16W (1005)
R173	1-208-651-11	s	RESISTOR CHIP 47 1/16W (1005)
R174	1-208-675-11	s	RESISTOR CHIP 470 1/16W (1005)
R175	1-208-675-11	s	RESISTOR CHIP 470 1/16W (1005)
R176	1-208-701-11	s	RESISTOR CHIP 5.6K 1/16W(1005)
R177	1-218-990-11	s	RESISTOR,CHIP 0 1/16W (1005)
R178	1-208-691-11	s	RESISTOR CHIP 2.2K 1/16W(1005)
R179	1-218-952-11	s	RESISTOR, CHIP 820
R180	1-208-691-11	s	RESISTOR CHIP 2.2K 1/16W(1005)
R181	1-218-952-11	s	RESISTOR, CHIP 820
R182	1-218-971-11	s	RESISTOR,CHIP 33K 1/16W (1005)
R183	1-218-966-11	s	RESISTOR, CHIP 12K
R184	1-218-971-11	s	RESISTOR,CHIP 33K 1/16W (1005)
R185	1-218-966-11	s	RESISTOR, CHIP 12K
R186	1-218-953-11	s	RESISTOR, CHIP 1K 1/16W
R187	1-218-953-11	s	RESISTOR, CHIP 1K 1/16W
R188	1-208-663-11	s	RESISTOR CHIP 150 1/16W (1005)
R189	1-208-663-11	s	RESISTOR CHIP 150 1/16W (1005)
R190	1-208-663-11	s	RESISTOR CHIP 150 1/16W (1005)
R191	1-208-663-11	s	RESISTOR CHIP 150 1/16W (1005)
R192	1-208-677-11	s	RESISTOR CHIP 560 1/16W (1005)
R193	1-218-953-11	s	RESISTOR, CHIP 1K 1/16W
R194	1-218-941-11	s	RESISTOR,CHIP 100 1/16W (1005)
R195	1-218-973-11	s	RESISTOR,CHIP 47K 1/16W (1005)
R196	1-218-973-11	s	RESISTOR,CHIP 47K 1/16W (1005)
R197	1-218-955-11	s	RESISTOR, CHIP 1.5K
R198	1-218-955-11	s	RESISTOR, CHIP 1.5K
R199	1-218-958-11	s	RESISTOR,CHIP 2.7K 1/16W(1005)
R200	1-218-958-11	s	RESISTOR,CHIP 2.7K 1/16W(1005)
R201	1-216-813-11	s	RESISTOR, CHIP 220 1/10W 1608
R202	1-216-813-11	s	RESISTOR, CHIP 220 1/10W 1608
R203	1-216-813-11	s	RESISTOR, CHIP 220 1/10W 1608
R204	1-216-813-11	s	RESISTOR, CHIP 220 1/10W 1608
R224	1-211-975-11	s	RESISTOR,CHIP 18 1/10W (1608)
R225	1-211-987-11	s	RESISTOR,CHIP 56 1/10W (1608)
R226	1-218-990-11	s	RESISTOR,CHIP 0 1/16W (1005)
R227	1-218-990-11	s	RESISTOR,CHIP 0 1/16W (1005)
R228	1-218-990-11	s	RESISTOR,CHIP 0 1/16W (1005)
R230	1-218-961-11	s	RESISTOR, CHIP 4.7K 1/16W
R231	1-218-990-11	s	RESISTOR,CHIP 0 1/16W (1005)
R234	1-218-990-11	s	RESISTOR,CHIP 0 1/16W (1005)
R235	1-218-990-11	s	RESISTOR,CHIP 0 1/16W (1005)
R236	1-218-990-11	s	RESISTOR,CHIP 0 1/16W (1005)
R237	1-211-975-11	s	RESISTOR,CHIP 18 1/10W (1608)
R238	1-211-987-11	s	RESISTOR,CHIP 56 1/10W (1608)
R240	1-211-987-11	s	RESISTOR,CHIP 56 1/10W (1608)

## (B BOARD)

Ref. No. or Q'ty	Part No.	SP	Description
R241	1-211-975-11	s	RESISTOR,CHIP 18 1/10W (1608)
R242	1-218-990-11	s	RESISTOR,CHIP 0 1/16W (1005)
R243	1-218-990-11	s	RESISTOR,CHIP 0 1/16W (1005)
R244	1-218-990-11	s	RESISTOR,CHIP 0 1/16W (1005)
R246	1-211-975-11	s	RESISTOR,CHIP 18 1/10W (1608)
R247	1-211-987-11	s	RESISTOR,CHIP 56 1/10W (1608)
R248	1-218-990-11	s	RESISTOR,CHIP 0 1/16W (1005)
R250	1-218-990-11	s	RESISTOR,CHIP 0 1/16W (1005)
R251	1-218-990-11	s	RESISTOR,CHIP 0 1/16W (1005)
R253	1-211-975-11	s	RESISTOR,CHIP 18 1/10W (1608)
R254	1-211-987-11	s	RESISTOR,CHIP 56 1/10W (1608)
R255	1-218-990-11	s	RESISTOR,CHIP 0 1/16W (1005)
R256	1-218-990-11	s	RESISTOR,CHIP 0 1/16W (1005)
R257	1-218-990-11	s	RESISTOR,CHIP 0 1/16W (1005)
R258	1-218-941-11	s	RESISTOR,CHIP 100 1/16W (1005)
R259	1-218-941-11	s	RESISTOR,CHIP 100 1/16W (1005)
R263	1-218-941-11	s	RESISTOR,CHIP 100 1/16W (1005)
R264	1-218-990-11	s	RESISTOR,CHIP 0 1/16W (1005)
R266	1-208-635-11	s	RESISTOR CHIP 10 1/16W (1005)
R267	1-211-987-11	s	RESISTOR,CHIP 56 1/10W (1608)
R268	1-208-653-11	s	RESISTOR CHIP 56 1/16W (1005)
R270	1-211-975-11	s	RESISTOR,CHIP 18 1/10W (1608)
R272	1-211-975-11	s	RESISTOR,CHIP 18 1/10W (1608)
R273	1-218-990-11	s	RESISTOR,CHIP 0 1/16W (1005)
R300	1-218-977-11	s	RESISTOR,CHIP 100K 1/16W(1005)
R301	1-218-990-11	s	RESISTOR,CHIP 0 1/16W (1005)
R302	1-218-990-11	s	RESISTOR,CHIP 0 1/16W (1005)
R303	1-218-953-11	s	RESISTOR, CHIP 1K 1/16W
R304	1-218-937-11	s	RESISTOR, CHIP 47
R305	1-218-953-11	s	RESISTOR, CHIP 1K 1/16W
R306	1-218-953-11	s	RESISTOR, CHIP 1K 1/16W
R307	1-208-635-11	s	RESISTOR CHIP 10 1/16W (1005)
R308	1-218-981-11	s	RESISTOR CHIP 220K 1/16W(1005)
R309	1-218-937-11	s	RESISTOR, CHIP 47
R310	1-208-699-11	s	RESISTOR,CHIP 4.7K 1/16W(1005)
R311	1-208-701-11	s	RESISTOR CHIP 5.6K 1/16W(1005)
R312	1-218-977-11	s	RESISTOR,CHIP 100K 1/16W(1005)
R313	1-218-977-11	s	RESISTOR,CHIP 100K 1/16W(1005)
R314	1-218-937-11	s	RESISTOR, CHIP 47
R315	1-218-937-11	s	RESISTOR, CHIP 47
R316	1-218-937-11	s	RESISTOR, CHIP 47
R317	1-218-965-11	s	RESISTOR, CHIP 10K 1/16W
R318	1-218-957-11	s	RESISTOR,CHIP 2.2K 1/16W(1608)
R319	1-218-937-11	s	RESISTOR, CHIP 47
R320	1-218-937-11	s	RESISTOR, CHIP 47
R321	1-218-937-11	s	RESISTOR, CHIP 47
R322	1-208-699-11	s	RESISTOR,CHIP 4.7K 1/16W(1005)
R323	1-208-719-11	s	RESISTOR CHIP 33K 1/16W (1005)
R324	1-218-965-11	s	RESISTOR, CHIP 10K 1/16W
R325	1-218-937-11	s	RESISTOR, CHIP 47
R326	1-208-699-11	s	RESISTOR,CHIP 4.7K 1/16W(1005)
R327	1-218-965-11	s	RESISTOR, CHIP 10K 1/16W
R328	1-208-635-11	s	RESISTOR CHIP 10 1/16W (1005)
R329	1-218-977-11	s	RESISTOR,CHIP 100K 1/16W(1005)
R330	1-218-977-11	s	RESISTOR,CHIP 100K 1/16W(1005)
R331	1-218-953-11	s	RESISTOR, CHIP 1K 1/16W
R332	1-208-635-11	s	RESISTOR CHIP 10 1/16W (1005)
R333	1-218-953-11	s	RESISTOR, CHIP 1K 1/16W
R334	1-208-703-11	s	RESISTOR,CHIP 6.8K 1/16W(1005)

## (B BOARD)

Ref. No. or Q'ty	Part No.	SP	Description
R335	1-208-681-11	s	RESISTOR CHIP 820 1/16W (1005)
R336	1-218-937-11	s	RESISTOR, CHIP 47
R337	1-218-953-11	s	RESISTOR, CHIP 1K 1/16W
R338	1-218-953-11	s	RESISTOR, CHIP 1K 1/16W
R339	1-218-937-11	s	RESISTOR, CHIP 47
R340	1-218-937-11	s	RESISTOR, CHIP 47
R341	1-218-965-11	s	RESISTOR, CHIP 10K 1/16W
R342	1-208-699-11	s	RESISTOR,CHIP 4.7K 1/16W(1005)
R343	1-208-693-11	s	RESISTOR CHIP 2.7K 1/16W(1005)
R344	1-218-949-11	s	RESISTOR,CHIP 470 1/16W
R346	1-218-953-11	s	RESISTOR, CHIP 1K 1/16W
R347	1-218-953-11	s	RESISTOR, CHIP 1K 1/16W
R348	1-218-953-11	s	RESISTOR, CHIP 1K 1/16W
R349	1-218-953-11	s	RESISTOR, CHIP 1K 1/16W
R350	1-218-953-11	s	RESISTOR, CHIP 1K 1/16W
R353	1-218-949-11	s	RESISTOR,CHIP 470 1/16W
R368	1-218-965-11	s	RESISTOR, CHIP 10K 1/16W
R372	1-218-961-11	s	RESISTOR, CHIP 4.7K 1/16W
R376	1-218-973-11	s	RESISTOR,CHIP 47K 1/16W (1005)
R377	1-218-959-11	s	RESISTOR, CHIP 3.3K
R379	1-218-953-11	s	RESISTOR, CHIP 1K 1/16W
R381	1-218-965-11	s	RESISTOR, CHIP 10K 1/16W
R382	1-218-937-11	s	RESISTOR, CHIP 47
R383	1-218-937-11	s	RESISTOR, CHIP 47
R385	1-218-937-11	s	RESISTOR, CHIP 47
R386	1-218-990-11	s	RESISTOR,CHIP 0 1/16W (1005)
R387	1-218-990-11	s	RESISTOR,CHIP 0 1/16W (1005)
R388	1-218-977-11	s	RESISTOR,CHIP 100K 1/16W(1005)
R389	1-218-977-11	s	RESISTOR,CHIP 100K 1/16W(1005)
R390	1-218-977-11	s	RESISTOR,CHIP 100K 1/16W(1005)
R391	1-218-977-11	s	RESISTOR,CHIP 100K 1/16W(1005)
R397	1-218-977-11	s	RESISTOR,CHIP 100K 1/16W(1005)
R398	1-218-977-11	s	RESISTOR,CHIP 100K 1/16W(1005)
R399	1-218-977-11	s	RESISTOR,CHIP 100K 1/16W(1005)
R401	1-208-643-11	s	RESISTOR CHIP 22 1/16W (1005)
R402	1-208-643-11	s	RESISTOR CHIP 22 1/16W (1005)
R403	1-218-937-11	s	RESISTOR, CHIP 47
R405	1-218-937-11	s	RESISTOR, CHIP 47
R407	1-218-937-11	s	RESISTOR, CHIP 47
R408	1-218-937-11	s	RESISTOR, CHIP 47
R409	1-218-937-11	s	RESISTOR, CHIP 47
R410	1-218-937-11	s	RESISTOR, CHIP 47
R411	1-218-937-11	s	RESISTOR, CHIP 47
R412	1-218-937-11	s	RESISTOR, CHIP 47
R413	1-218-937-11	s	RESISTOR, CHIP 47
R414	1-218-937-11	s	RESISTOR, CHIP 47
R415	1-218-937-11	s	RESISTOR, CHIP 47
R416	1-218-937-11	s	RESISTOR, CHIP 47
R418	1-218-937-11	s	RESISTOR, CHIP 47
R420	1-218-937-11	s	RESISTOR, CHIP 47
R421	1-218-937-11	s	RESISTOR, CHIP 47
R422	1-208-695-11	s	RESISTOR CHIP 3.3K 1/16W(1005)
R423	1-218-937-11	s	RESISTOR, CHIP 47
R424	1-218-965-11	s	RESISTOR, CHIP 10K 1/16W
R425	1-218-953-11	s	RESISTOR, CHIP 1K 1/16W
R426	1-218-953-11	s	RESISTOR, CHIP 1K 1/16W
R450	1-218-953-11	s	RESISTOR, CHIP 1K 1/16W
R451	1-208-707-11	s	RESISTOR,CHIP 10K 1/16W (1005)
R452	1-208-695-11	s	RESISTOR CHIP 3.3K 1/16W(1005)

## (B BOARD)

Ref. No. or Q'ty	Part No.	SP	Description
R453	1-208-707-11	s	RESISTOR,CHIP 10K 1/16W (1005)
R454	1-218-937-11	s	RESISTOR, CHIP 47
R455	1-218-961-11	s	RESISTOR, CHIP 4.7K 1/16W
R456	1-218-965-11	s	RESISTOR, CHIP 10K 1/16W
R457	1-218-981-11	s	RESISTOR CHIP 220K 1/16W(1005)
R458	1-218-937-11	s	RESISTOR, CHIP 47
R459	1-218-977-11	s	RESISTOR,CHIP 100K 1/16W(1005)
R460	1-218-961-11	s	RESISTOR, CHIP 4.7K 1/16W
R461	1-218-953-11	s	RESISTOR, CHIP 1K 1/16W
R462	1-208-671-11	s	RESISTOR CHIP 330 1/16W (1005)
R463	1-208-695-11	s	RESISTOR CHIP 3.3K 1/16W(1005)
R464	1-208-699-11	s	RESISTOR,CHIP 4.7K 1/16W(1005)
R465	1-218-961-11	s	RESISTOR, CHIP 4.7K 1/16W
R466	1-218-937-11	s	RESISTOR, CHIP 47
R467	1-208-715-11	s	RESISTOR,CHIP 22K 1/16W (1005)
R468	1-208-691-11	s	RESISTOR CHIP 2.2K 1/16W(1005)
R469	1-208-701-11	s	RESISTOR CHIP 5.6K 1/16W(1005)
R470	1-218-937-11	s	RESISTOR, CHIP 47
R471	1-218-953-11	s	RESISTOR, CHIP 1K 1/16W
R472	1-218-937-11	s	RESISTOR, CHIP 47
R473	1-218-969-11	s	RESISTOR,CHIP 22K 1/16W (1608)
R474	1-218-963-11	s	RESISTOR,CHIP 6.8K 1/16W
R475	1-218-961-11	s	RESISTOR, CHIP 4.7K 1/16W
R476	1-218-977-11	s	RESISTOR,CHIP 100K 1/16W(1005)
R477	1-218-977-11	s	RESISTOR,CHIP 100K 1/16W(1005)
R478	1-218-937-11	s	RESISTOR, CHIP 47
R479	1-218-953-11	s	RESISTOR, CHIP 1K 1/16W
R480	1-218-937-11	s	RESISTOR, CHIP 47
R481	1-218-953-11	s	RESISTOR, CHIP 1K 1/16W
R501	1-218-965-11	s	RESISTOR, CHIP 10K 1/16W
R502	1-218-957-11	s	RESISTOR,CHIP 2.2K 1/16W(1608)
R503	1-208-643-11	s	RESISTOR CHIP 22 1/16W (1005)
R520	1-218-969-11	s	RESISTOR,CHIP 22K 1/16W (1608)
R521	1-218-973-11	s	RESISTOR,CHIP 47K 1/16W (1005)
R522	1-218-969-11	s	RESISTOR,CHIP 22K 1/16W (1608)
R523	1-218-973-11	s	RESISTOR,CHIP 47K 1/16W (1005)
R524	1-218-969-11	s	RESISTOR,CHIP 22K 1/16W (1608)
R525	1-218-973-11	s	RESISTOR,CHIP 47K 1/16W (1005)
R526	1-218-969-11	s	RESISTOR,CHIP 22K 1/16W (1608)
R527	1-218-973-11	s	RESISTOR,CHIP 47K 1/16W (1005)
R528	1-218-969-11	s	RESISTOR,CHIP 22K 1/16W (1608)
R529	1-218-973-11	s	RESISTOR,CHIP 47K 1/16W (1005)
R530	1-218-969-11	s	RESISTOR,CHIP 22K 1/16W (1608)
R531	1-218-973-11	s	RESISTOR,CHIP 47K 1/16W (1005)
R601	1-218-965-11	s	RESISTOR, CHIP 10K 1/16W
R603	1-218-990-11	s	RESISTOR,CHIP 0 1/16W (1005)
R604	1-218-965-11	s	RESISTOR, CHIP 10K 1/16W
R605	1-218-965-11	s	RESISTOR, CHIP 10K 1/16W
R606	1-218-965-11	s	RESISTOR, CHIP 10K 1/16W
R607	1-218-965-11	s	RESISTOR, CHIP 10K 1/16W
R608	1-208-643-11	s	RESISTOR CHIP 22 1/16W (1005)
R609	1-208-643-11	s	RESISTOR CHIP 22 1/16W (1005)
R610	1-208-643-11	s	RESISTOR CHIP 22 1/16W (1005)
R611	1-208-643-11	s	RESISTOR CHIP 22 1/16W (1005)
R612	1-208-643-11	s	RESISTOR CHIP 22 1/16W (1005)
R614	1-218-990-11	s	RESISTOR,CHIP 0 1/16W (1005)
RB221	1-234-369-21	s	RES, NETWORK 10X4 (1005)
RB222	1-234-369-21	s	RES, NETWORK 10X4 (1005)

## (B BOARD)

Ref. No. or Q'ty	Part No.	SP	Description
RB223	1-234-369-21	s	RES, NETWORK 10X4 (1005)
RB224	1-234-369-21	s	RES, NETWORK 10X4 (1005)
RB401	1-234-372-21	s	RES, NETWORK 100X4 (1005)
RB402	1-234-372-21	s	RES, NETWORK 100X4 (1005)
RB403	1-234-372-21	s	RES, NETWORK 100X4 (1005)
RB404	1-234-372-21	s	RES, NETWORK 100X4 (1005)
RB405	1-234-372-21	s	RES, NETWORK 100X4 (1005)
RB406	1-234-372-21	s	RES, NETWORK 100X4 (1005)
RB407	1-234-372-21	s	RES, NETWORK 100X4 (1005)
RB408	1-234-372-21	s	RES, NETWORK 100X4 (1005)
RB409	1-234-372-21	s	RES, NETWORK 100X4 (1005)
RB410	1-234-372-21	s	RES, NETWORK 100X4 (1005)
RB411	1-234-372-21	s	RES, NETWORK 100X4 (1005)
RB412	1-234-372-21	s	RES, NETWORK 100X4 (1005)
RB501	1-234-371-11	s	RES, NETWORK 47X4 (1005)
RB502	1-234-371-11	s	RES, NETWORK 47X4 (1005)
RB503	1-234-371-11	s	RES, NETWORK 47X4 (1005)
RB504	1-234-371-11	s	RES, NETWORK 47X4 (1005)
RB505	1-234-371-11	s	RES, NETWORK 47X4 (1005)
RB506	1-234-371-11	s	RES, NETWORK 47X4 (1005)
RB507	1-234-371-11	s	RES, NETWORK 47X4 (1005)
RB508	1-234-371-11	s	RES, NETWORK 47X4 (1005)
RB509	1-234-371-11	s	RES, NETWORK 47X4 (1005)
RB510	1-234-371-11	s	RES, NETWORK 47X4 (1005)
RB511	1-234-371-11	s	RES, NETWORK 47X4 (1005)
RB512	1-234-371-11	s	RES, NETWORK 47X4 (1005)
RB513	1-234-371-11	s	RES, NETWORK 47X4 (1005)
RB601	1-234-378-11	s	RES, NETWORK 10KX4 (1005)
RB602	1-234-378-11	s	RES, NETWORK 10KX4 (1005)
RB603	1-234-371-11	s	RES, NETWORK 47X4 (1005)
RB604	1-234-371-11	s	RES, NETWORK 47X4 (1005)
RB605	1-234-371-11	s	RES, NETWORK 47X4 (1005)
RB606	1-234-371-11	s	RES, NETWORK 47X4 (1005)
RB607	1-234-371-11	s	RES, NETWORK 47X4 (1005)
RB608	1-234-371-11	s	RES, NETWORK 47X4 (1005)
RB609	1-234-371-11	s	RES, NETWORK 47X4 (1005)
RB610	1-234-371-11	s	RES, NETWORK 47X4 (1005)
RB611	1-234-371-11	s	RES, NETWORK 47X4 (1005)
RB612	1-234-371-11	s	RES, NETWORK 47X4 (1005)
RB613	1-234-371-11	s	RES, NETWORK 47X4 (1005)
RB614	1-234-371-11	s	RES, NETWORK 47X4 (1005)
TP141	1-535-757-11	s	CHIP, CHECKER (CONNECTOR)
TP144	1-535-757-11	s	CHIP, CHECKER (CONNECTOR)
TP601	1-535-757-11	s	CHIP, CHECKER (CONNECTOR)
TP602	1-535-757-11	s	CHIP, CHECKER (CONNECTOR)
TP603	1-535-757-11	s	CHIP, CHECKER (CONNECTOR)
X141	1-760-273-11	s	VIBRATOR, CRYSTAL
X221	1-795-219-21	s	VIBRATOR, CRYSTAL

-----  
C BOARD  
-----

Ref. No. or Q'ty	Part No.	SP Description
1pc	A-1300-771-A	s MOUNTED CIRCUIT BOARD, C
C201	1-125-777-11	s CAPACITOR CERAMIC 0.1MF/10V
C202	1-125-777-11	s CAPACITOR CERAMIC 0.1MF/10V
C203	1-125-777-11	s CAPACITOR CERAMIC 0.1MF/10V
C204	1-126-204-11	s CAPACITOR, ELECT 47MF/16V(CHIP
C205	1-125-777-11	s CAPACITOR CERAMIC 0.1MF/10V
C206	1-125-777-11	s CAPACITOR CERAMIC 0.1MF/10V
C207	1-125-777-11	s CAPACITOR CERAMIC 0.1MF/10V
C208	1-125-777-11	s CAPACITOR CERAMIC 0.1MF/10V
C209	1-126-204-11	s CAPACITOR, ELECT 47MF/16V(CHIP
C210	1-125-777-11	s CAPACITOR CERAMIC 0.1MF/10V
C211	1-125-777-11	s CAPACITOR CERAMIC 0.1MF/10V
C212	1-125-777-11	s CAPACITOR CERAMIC 0.1MF/10V
C213	1-117-370-11	s CAPASITER CERAMIC 10MF (3216)
C214	1-115-156-11	s CAPACITOR,CERAMIC 1MF/10V(1608
C215	1-117-681-11	s CAPACITOR, ELECT 100MF/16V
C216	1-107-682-11	s CAPACITOR,CHIP 1MF/16V (3216)
C217	1-164-882-11	s CAPACITOR,CERAMIC 220PF/16V CH
C218	1-115-156-11	s CAPACITOR,CERAMIC 1MF/10V(1608
C219	1-107-820-11	s CAPACITOR,CHIP CERAMIC 0.1MF F
C220	1-115-156-11	s CAPACITOR,CERAMIC 1MF/10V(1608
C221	1-117-681-11	s CAPACITOR, ELECT 100MF/16V
C230	1-107-820-11	s CAPACITOR,CHIP CERAMIC 0.1MF F
C231	1-126-204-11	s CAPACITOR, ELECT 47MF/16V(CHIP
C232	1-125-777-11	s CAPACITOR CERAMIC 0.1MF/10V
C233	1-125-777-11	s CAPACITOR CERAMIC 0.1MF/10V
C401	1-125-777-11	s CAPACITOR CERAMIC 0.1MF/10V
C402	1-126-607-11	s CAPACITOR,ELECT 47MF/4V
C403	1-107-820-11	s CAPACITOR,CHIP CERAMIC 0.1MF F
C404	1-107-820-11	s CAPACITOR,CHIP CERAMIC 0.1MF F
C405	1-107-820-11	s CAPACITOR,CHIP CERAMIC 0.1MF F
C406	1-107-820-11	s CAPACITOR,CHIP CERAMIC 0.1MF F
C407	1-107-820-11	s CAPACITOR,CHIP CERAMIC 0.1MF F
C408	1-107-820-11	s CAPACITOR,CHIP CERAMIC 0.1MF F
C409	1-107-820-11	s CAPACITOR,CHIP CERAMIC 0.1MF F
C410	1-107-820-11	s CAPACITOR,CHIP CERAMIC 0.1MF F
C411	1-126-246-11	s CAPACITOR ELECT 220MF/4V(CHIP)
C412	1-125-777-11	s CAPACITOR CERAMIC 0.1MF/10V
C413	1-107-820-11	s CAPACITOR,CHIP CERAMIC 0.1MF F
C414	1-126-205-11	s CAPACITOR,ELECT 47M/6.3
C415	1-126-607-11	s CAPACITOR,ELECT 47MF/4V
C416	1-107-820-11	s CAPACITOR,CHIP CERAMIC 0.1MF F
C417	1-107-820-11	s CAPACITOR,CHIP CERAMIC 0.1MF F
C418	1-107-820-11	s CAPACITOR,CHIP CERAMIC 0.1MF F
C419	1-126-607-11	s CAPACITOR,ELECT 47MF/4V
C420	1-107-820-11	s CAPACITOR,CHIP CERAMIC 0.1MF F
C421	1-107-820-11	s CAPACITOR,CHIP CERAMIC 0.1MF F
C422	1-107-820-11	s CAPACITOR,CHIP CERAMIC 0.1MF F
C423	1-126-246-11	s CAPACITOR ELECT 220MF/4V(CHIP)
C424	1-107-820-11	s CAPACITOR,CHIP CERAMIC 0.1MF F
C425	1-107-820-11	s CAPACITOR,CHIP CERAMIC 0.1MF F
C426	1-107-820-11	s CAPACITOR,CHIP CERAMIC 0.1MF F
C427	1-107-820-11	s CAPACITOR,CHIP CERAMIC 0.1MF F
C428	1-107-820-11	s CAPACITOR,CHIP CERAMIC 0.1MF F
C429	1-107-820-11	s CAPACITOR,CHIP CERAMIC 0.1MF F
C430	1-107-820-11	s CAPACITOR,CHIP CERAMIC 0.1MF F
C431	1-107-820-11	s CAPACITOR,CHIP CERAMIC 0.1MF F
C432	1-107-820-11	s CAPACITOR,CHIP CERAMIC 0.1MF F

(C BOARD)

Ref. No. or Q'ty	Part No.	SP Description
C433	1-126-209-11	s CAPACITOR,ELECT 100MF/4V
C434	1-107-820-11	s CAPACITOR,CHIP CERAMIC 0.1MF F
C435	1-107-820-11	s CAPACITOR,CHIP CERAMIC 0.1MF F
C436	1-107-820-11	s CAPACITOR,CHIP CERAMIC 0.1MF F
C437	1-107-820-11	s CAPACITOR,CHIP CERAMIC 0.1MF F
C438	1-125-777-11	s CAPACITOR CERAMIC 0.1MF/10V
C450	1-107-820-11	s CAPACITOR,CHIP CERAMIC 0.1MF F
C451	1-107-820-11	s CAPACITOR,CHIP CERAMIC 0.1MF F
C452	1-107-820-11	s CAPACITOR,CHIP CERAMIC 0.1MF F
C453	1-107-820-11	s CAPACITOR,CHIP CERAMIC 0.1MF F
C454	1-107-820-11	s CAPACITOR,CHIP CERAMIC 0.1MF F
C455	1-107-820-11	s CAPACITOR,CHIP CERAMIC 0.1MF F
C456	1-107-820-11	s CAPACITOR,CHIP CERAMIC 0.1MF F
C457	1-107-820-11	s CAPACITOR,CHIP CERAMIC 0.1MF F
C458	1-107-820-11	s CAPACITOR,CHIP CERAMIC 0.1MF F
C459	1-107-820-11	s CAPACITOR,CHIP CERAMIC 0.1MF F
C460	1-107-820-11	s CAPACITOR,CHIP CERAMIC 0.1MF F
C461	1-126-607-11	s CAPACITOR,ELECT 47MF/4V
C462	1-164-943-11	s CAPACITOR,CHIP CERAMIC 0.01MF
C521	1-125-777-11	s CAPACITOR CERAMIC 0.1MF/10V
C522	1-165-871-11	s CAPACITOR,ELECT 22MF
C523	1-107-820-11	s CAPACITOR,CHIP CERAMIC 0.1MF F
C524	1-107-820-11	s CAPACITOR,CHIP CERAMIC 0.1MF F
C525	1-164-943-11	s CAPACITOR,CHIP CERAMIC 0.01MF
C526	1-107-820-11	s CAPACITOR,CHIP CERAMIC 0.1MF F
C527	1-164-943-11	s CAPACITOR,CHIP CERAMIC 0.01MF
C528	1-164-937-11	s CAPACITOR,CHIP CERAMIC 1000PF
C529	1-164-937-11	s CAPACITOR,CHIP CERAMIC 1000PF
C530	1-164-937-11	s CAPACITOR,CHIP CERAMIC 1000PF
C531	1-164-937-11	s CAPACITOR,CHIP CERAMIC 1000PF
C532	1-115-566-11	s CAPACITOR,CERAMIC 4.7MF B/6.3V
C533	1-107-820-11	s CAPACITOR,CHIP CERAMIC 0.1MF F
C534	1-164-943-11	s CAPACITOR,CHIP CERAMIC 0.01MF
C535	1-107-820-11	s CAPACITOR,CHIP CERAMIC 0.1MF F
C536	1-107-820-11	s CAPACITOR,CHIP CERAMIC 0.1MF F
C537	1-164-852-11	s CAPACITOR,CHIP CERAMIC 12PF/16
C538	1-164-852-11	s CAPACITOR,CHIP CERAMIC 12PF/16
C539	1-164-943-11	s CAPACITOR,CHIP CERAMIC 0.01MF
C540	1-107-820-11	s CAPACITOR,CHIP CERAMIC 0.1MF F
C542	1-107-820-11	s CAPACITOR,CHIP CERAMIC 0.1MF F
C543	1-107-820-11	s CAPACITOR,CHIP CERAMIC 0.1MF F
C544	1-107-820-11	s CAPACITOR,CHIP CERAMIC 0.1MF F
C551	1-119-667-11	s CAPACITOR CERAMIC 22MF/10V(F)
C552	1-164-943-11	s CAPACITOR,CHIP CERAMIC 0.01MF
C553	1-164-852-11	s CAPACITOR,CHIP CERAMIC 12PF/16
C554	1-164-852-11	s CAPACITOR,CHIP CERAMIC 12PF/16
C555	1-164-943-11	s CAPACITOR,CHIP CERAMIC 0.01MF
C556	1-115-156-11	s CAPACITOR,CERAMIC 1MF/10V(1608
C557	1-125-777-11	s CAPACITOR CERAMIC 0.1MF/10V
C559	1-107-820-11	s CAPACITOR,CHIP CERAMIC 0.1MF F
C560	1-107-820-11	s CAPACITOR,CHIP CERAMIC 0.1MF F
C561	1-126-206-11	s CAPACITOR, ELECT 100MF/6.3V
C562	1-125-777-11	s CAPACITOR CERAMIC 0.1MF/10V
C563	1-126-205-11	s CAPACITOR,ELECT 47M/6.3
C564	1-119-667-11	s CAPACITOR CERAMIC 22MF/10V(F)
C565	1-107-820-11	s CAPACITOR,CHIP CERAMIC 0.1MF F
C566	1-107-820-11	s CAPACITOR,CHIP CERAMIC 0.1MF F
C567	1-107-820-11	s CAPACITOR,CHIP CERAMIC 0.1MF F
C568	1-107-820-11	s CAPACITOR,CHIP CERAMIC 0.1MF F

(C BOARD)

Ref. No. or Q'ty	Part No.	SP	Description
C569	1-107-820-11	s	CAPACITOR,CHIP CERAMIC 0.1MF F
C570	1-107-820-11	s	CAPACITOR,CHIP CERAMIC 0.1MF F
C571	1-107-820-11	s	CAPACITOR,CHIP CERAMIC 0.1MF F
C572	1-107-820-11	s	CAPACITOR,CHIP CERAMIC 0.1MF F
C573	1-107-820-11	s	CAPACITOR,CHIP CERAMIC 0.1MF F
C574	1-107-820-11	s	CAPACITOR,CHIP CERAMIC 0.1MF F
C575	1-119-667-11	s	CAPACITOR CERAMIC 22MF/10V(F)
C576	1-107-820-11	s	CAPACITOR,CHIP CERAMIC 0.1MF F
C577	1-107-820-11	s	CAPACITOR,CHIP CERAMIC 0.1MF F
C578	1-107-820-11	s	CAPACITOR,CHIP CERAMIC 0.1MF F
C579	1-107-820-11	s	CAPACITOR,CHIP CERAMIC 0.1MF F
C580	1-107-820-11	s	CAPACITOR,CHIP CERAMIC 0.1MF F
C581	1-107-820-11	s	CAPACITOR,CHIP CERAMIC 0.1MF F
C582	1-107-820-11	s	CAPACITOR,CHIP CERAMIC 0.1MF F
C583	1-107-820-11	s	CAPACITOR,CHIP CERAMIC 0.1MF F
C584	1-107-820-11	s	CAPACITOR,CHIP CERAMIC 0.1MF F
C585	1-107-820-11	s	CAPACITOR,CHIP CERAMIC 0.1MF F
C586	1-107-820-11	s	CAPACITOR,CHIP CERAMIC 0.1MF F
C587	1-107-820-11	s	CAPACITOR,CHIP CERAMIC 0.1MF F
C588	1-107-820-11	s	CAPACITOR,CHIP CERAMIC 0.1MF F
C589	1-107-820-11	s	CAPACITOR,CHIP CERAMIC 0.1MF F
C590	1-107-820-11	s	CAPACITOR,CHIP CERAMIC 0.1MF F
C591	1-107-820-11	s	CAPACITOR,CHIP CERAMIC 0.1MF F
C592	1-107-820-11	s	CAPACITOR,CHIP CERAMIC 0.1MF F
C600	1-164-874-11	s	CAPACITOR,CHIP CERAMIC 100PF
C601	1-164-874-11	s	CAPACITOR,CHIP CERAMIC 100PF
C602	1-117-370-11	s	CAPASITER CERAMIC 10MF (3216)
C603	1-125-777-11	s	CAPACITOR CERAMIC 0.1MF/10V
C604	1-107-820-11	s	CAPACITOR,CHIP CERAMIC 0.1MF F
C605	1-126-205-11	s	CAPACITOR,ELECT 47M/6.3
C606	1-164-947-11	s	CAPACITOR CHIP CERAMIC 0.01MF
C607	1-115-156-11	s	CAPACITOR,CERAMIC 1MF/10V(1608)
C608	1-126-205-11	s	CAPACITOR,ELECT 47M/6.3
C609	1-125-777-11	s	CAPACITOR CERAMIC 0.1MF/10V
C610	1-125-891-11	s	CAPACITOR CERAMIC 0.47MF/10V
C611	1-125-891-11	s	CAPACITOR CERAMIC 0.47MF/10V
C612	1-127-692-11	s	CAP, CHIP CERAMIC 10MF B 3216
C613	1-127-692-11	s	CAP, CHIP CERAMIC 10MF B 3216
C614	1-127-692-11	s	CAP, CHIP CERAMIC 10MF B 3216
C615	1-127-692-11	s	CAP, CHIP CERAMIC 10MF B 3216
C616	1-107-820-11	s	CAPACITOR,CHIP CERAMIC 0.1MF F
C617	1-107-820-11	s	CAPACITOR,CHIP CERAMIC 0.1MF F
C618	1-107-820-11	s	CAPACITOR,CHIP CERAMIC 0.1MF F
C619	1-107-820-11	s	CAPACITOR,CHIP CERAMIC 0.1MF F
C620	1-126-396-11	s	CAPACITOR,ELECT 47MF/16V(CHIP)
C621	1-126-396-11	s	CAPACITOR,ELECT 47MF/16V(CHIP)
C622	1-126-396-11	s	CAPACITOR,ELECT 47MF/16V(CHIP)
C623	1-126-396-11	s	CAPACITOR,ELECT 47MF/16V(CHIP)
C624	1-164-506-11	s	CAPACITOR,CERAMIC 4.7MF/16V
C625	1-164-506-11	s	CAPACITOR,CERAMIC 4.7MF/16V
C626	1-164-506-11	s	CAPACITOR,CERAMIC 4.7MF/16V
C627	1-164-506-11	s	CAPACITOR,CERAMIC 4.7MF/16V
C630	1-107-820-11	s	CAPACITOR,CHIP CERAMIC 0.1MF F
C631	1-127-692-11	s	CAP, CHIP CERAMIC 10MF B 3216
C632	1-164-506-11	s	CAPACITOR,CERAMIC 4.7MF/16V
C633	1-126-396-11	s	CAPACITOR,ELECT 47MF/16V(CHIP)
C634	1-107-820-11	s	CAPACITOR,CHIP CERAMIC 0.1MF F
C635	1-107-820-11	s	CAPACITOR,CHIP CERAMIC 0.1MF F
C636	1-107-820-11	s	CAPACITOR,CHIP CERAMIC 0.1MF F

(C BOARD)

Ref. No. or Q'ty	Part No.	SP	Description
C638	1-107-820-11	s	CAPACITOR,CHIP CERAMIC 0.1MF F
C640	1-128-992-11	s	CAPACITOR ELECT 47MF 25V
C641	1-126-205-11	s	CAPACITOR,ELECT 47M/6.3
C642	1-126-205-11	s	CAPACITOR,ELECT 47M/6.3
C643	1-126-396-11	s	CAPACITOR,ELECT 47MF/16V(CHIP)
C644	1-119-667-11	s	CAPACITOR CERAMIC 22MF/10V(F)
C645	1-119-667-11	s	CAPACITOR CERAMIC 22MF/10V(F)
C646	1-126-205-11	s	CAPACITOR,ELECT 47M/6.3
C700	1-107-820-11	s	CAPACITOR,CHIP CERAMIC 0.1MF F
C701	1-107-820-11	s	CAPACITOR,CHIP CERAMIC 0.1MF F
C702	1-107-820-11	s	CAPACITOR,CHIP CERAMIC 0.1MF F
C703	1-107-820-11	s	CAPACITOR,CHIP CERAMIC 0.1MF F
C704	1-107-820-11	s	CAPACITOR,CHIP CERAMIC 0.1MF F
C705	1-107-820-11	s	CAPACITOR,CHIP CERAMIC 0.1MF F
C706	1-107-820-11	s	CAPACITOR,CHIP CERAMIC 0.1MF F
C707	1-107-820-11	s	CAPACITOR,CHIP CERAMIC 0.1MF F
C708	1-107-820-11	s	CAPACITOR,CHIP CERAMIC 0.1MF F
C709	1-107-820-11	s	CAPACITOR,CHIP CERAMIC 0.1MF F
C710	1-107-820-11	s	CAPACITOR,CHIP CERAMIC 0.1MF F
C711	1-164-874-11	s	CAPACITOR,CHIP CERAMIC 100PF
C712	1-126-205-11	s	CAPACITOR,ELECT 47M/6.3
C713	1-107-820-11	s	CAPACITOR,CHIP CERAMIC 0.1MF F
C714	1-107-820-11	s	CAPACITOR,CHIP CERAMIC 0.1MF F
C715	1-107-820-11	s	CAPACITOR,CHIP CERAMIC 0.1MF F
C716	1-107-820-11	s	CAPACITOR,CHIP CERAMIC 0.1MF F
C717	1-107-820-11	s	CAPACITOR,CHIP CERAMIC 0.1MF F
C718	1-107-820-11	s	CAPACITOR,CHIP CERAMIC 0.1MF F
C719	1-107-820-11	s	CAPACITOR,CHIP CERAMIC 0.1MF F
C720	1-107-820-11	s	CAPACITOR,CHIP CERAMIC 0.1MF F
C721	1-107-820-11	s	CAPACITOR,CHIP CERAMIC 0.1MF F
C722	1-107-820-11	s	CAPACITOR,CHIP CERAMIC 0.1MF F
C723	1-107-820-11	s	CAPACITOR,CHIP CERAMIC 0.1MF F
C724	1-107-820-11	s	CAPACITOR,CHIP CERAMIC 0.1MF F
C725	1-107-820-11	s	CAPACITOR,CHIP CERAMIC 0.1MF F
C726	1-107-820-11	s	CAPACITOR,CHIP CERAMIC 0.1MF F
C728	1-126-205-11	s	CAPACITOR,ELECT 47M/6.3
C729	1-164-947-11	s	CAPACITOR CHIP CERAMIC 0.01MF
C730	1-107-820-11	s	CAPACITOR,CHIP CERAMIC 0.1MF F
C731	1-126-205-11	s	CAPACITOR,ELECT 47M/6.3
C732	1-107-820-11	s	CAPACITOR,CHIP CERAMIC 0.1MF F
C733	1-107-820-11	s	CAPACITOR,CHIP CERAMIC 0.1MF F
C734	1-107-820-11	s	CAPACITOR,CHIP CERAMIC 0.1MF F
C735	1-107-820-11	s	CAPACITOR,CHIP CERAMIC 0.1MF F
C736	1-164-935-11	s	CAPACITOR,CHIP CERAMIC 470PF
C737	1-164-935-11	s	CAPACITOR,CHIP CERAMIC 470PF
C738	1-126-197-11	s	CAPACITOR ERECT 10MF/50V
C770	1-115-339-11	s	CAPACITOR,CERAMIC 0.1MF/50V
C771	1-107-820-11	s	CAPACITOR,CHIP CERAMIC 0.1MF F
C772	1-127-715-11	s	CAPACITOR,CERAMIC 0.22MF B1608
C773	1-128-992-11	s	CAPACITOR ELECT 47MF 25V
C774	1-107-820-11	s	CAPACITOR,CHIP CERAMIC 0.1MF F
C775	1-126-206-11	s	CAPACITOR, ELECT 100MF/6.3V
C776	1-127-715-11	s	CAPACITOR,CERAMIC 0.22MF B1608
C777	1-127-715-11	s	CAPACITOR,CERAMIC 0.22MF B1608
C778	1-127-715-11	s	CAPACITOR,CERAMIC 0.22MF B1608
C779	1-127-715-11	s	CAPACITOR,CERAMIC 0.22MF B1608
C780	1-127-715-11	s	CAPACITOR,CERAMIC 0.22MF B1608
C781	1-127-715-11	s	CAPACITOR,CERAMIC 0.22MF B1608
C782	1-127-715-11	s	CAPACITOR,CERAMIC 0.22MF B1608

## (C BOARD)

Ref. No. or Q'ty	Part No.	SP	Description
C783	1-115-339-11	s	CAPACITOR,CERAMIC 0.1MF/50V
C784	1-128-992-11	s	CAPACITOR ELECT 47MF 25V
C785	1-128-992-11	s	CAPACITOR ELECT 47MF 25V
C786	1-115-339-11	s	CAPACITOR,CERAMIC 0.1MF/50V
C787	1-115-339-11	s	CAPACITOR,CERAMIC 0.1MF/50V
C788	1-115-339-11	s	CAPACITOR,CERAMIC 0.1MF/50V
C789	1-164-947-11	s	CAPACITOR CHIP CERAMIC 0.01MF
C791	1-115-339-11	s	CAPACITOR,CERAMIC 0.1MF/50V
C792	1-115-339-11	s	CAPACITOR,CERAMIC 0.1MF/50V
C793	1-115-339-11	s	CAPACITOR,CERAMIC 0.1MF/50V
C794	1-115-339-11	s	CAPACITOR,CERAMIC 0.1MF/50V
C795	1-117-681-11	s	CAPACITOR, ELECT 100MF/16V
C796	1-164-004-11	s	CAPACITOR,CERAMIC 0.1MF/25V
C820	1-107-820-11	s	CAPACITOR,CHIP CERAMIC 0.1MF F
C821	1-127-715-11	s	CAPACITOR,CERAMIC 0.22MF B1608
C822	1-107-820-11	s	CAPACITOR,CHIP CERAMIC 0.1MF F
C823	1-165-881-21	s	CAP, ELECT 120MF (6.3X6)
C824	1-127-715-11	s	CAPACITOR,CERAMIC 0.22MF B1608
C825	1-127-715-11	s	CAPACITOR,CERAMIC 0.22MF B1608
C826	1-127-715-11	s	CAPACITOR,CERAMIC 0.22MF B1608
C827	1-127-715-11	s	CAPACITOR,CERAMIC 0.22MF B1608
C828	1-127-715-11	s	CAPACITOR,CERAMIC 0.22MF B1608
C829	1-127-715-11	s	CAPACITOR,CERAMIC 0.22MF B1608
C830	1-127-715-11	s	CAPACITOR,CERAMIC 0.22MF B1608
C831	1-115-339-11	s	CAPACITOR,CERAMIC 0.1MF/50V
C832	1-128-992-11	s	CAPACITOR ELECT 47MF 25V
C833	1-128-992-11	s	CAPACITOR ELECT 47MF 25V
C834	1-115-339-11	s	CAPACITOR,CERAMIC 0.1MF/50V
C835	1-115-339-11	s	CAPACITOR,CERAMIC 0.1MF/50V
C836	1-115-339-11	s	CAPACITOR,CERAMIC 0.1MF/50V
C837	1-115-339-11	s	CAPACITOR,CERAMIC 0.1MF/50V
C838	1-115-339-11	s	CAPACITOR,CERAMIC 0.1MF/50V
C839	1-117-681-11	s	CAPACITOR, ELECT 100MF/16V
C840	1-164-004-11	s	CAPACITOR,CERAMIC 0.1MF/25V
C860	1-107-820-11	s	CAPACITOR,CHIP CERAMIC 0.1MF F
C861	1-127-715-11	s	CAPACITOR,CERAMIC 0.22MF B1608
C862	1-107-820-11	s	CAPACITOR,CHIP CERAMIC 0.1MF F
C863	1-126-206-11	s	CAPACITOR, ELECT 100MF/6.3V
C864	1-127-715-11	s	CAPACITOR,CERAMIC 0.22MF B1608
C865	1-127-715-11	s	CAPACITOR,CERAMIC 0.22MF B1608
C866	1-127-715-11	s	CAPACITOR,CERAMIC 0.22MF B1608
C867	1-127-715-11	s	CAPACITOR,CERAMIC 0.22MF B1608
C868	1-127-715-11	s	CAPACITOR,CERAMIC 0.22MF B1608
C869	1-127-715-11	s	CAPACITOR,CERAMIC 0.22MF B1608
C870	1-127-715-11	s	CAPACITOR,CERAMIC 0.22MF B1608
C871	1-115-339-11	s	CAPACITOR,CERAMIC 0.1MF/50V
C872	1-128-992-11	s	CAPACITOR ELECT 47MF 25V
C873	1-128-992-11	s	CAPACITOR ELECT 47MF 25V
C874	1-115-339-11	s	CAPACITOR,CERAMIC 0.1MF/50V
C875	1-115-339-11	s	CAPACITOR,CERAMIC 0.1MF/50V
C876	1-115-339-11	s	CAPACITOR,CERAMIC 0.1MF/50V
C877	1-115-339-11	s	CAPACITOR,CERAMIC 0.1MF/50V
C878	1-115-339-11	s	CAPACITOR,CERAMIC 0.1MF/50V
C879	1-117-681-11	s	CAPACITOR, ELECT 100MF/16V
C880	1-164-004-11	s	CAPACITOR,CERAMIC 0.1MF/25V
CN201	1-580-055-21	o	PIN, CONNECTOR 2P
CN304	1-785-613-11	o	CONNECTOR, FFC/FPC 50P
CN401	1-779-884-11	s	PLUG, CONNECTOR 4P
CN501	1-785-306-21	o	CONNECTOR, BOARD TO BOARD

## (C BOARD)

Ref. No. or Q'ty	Part No.	SP	Description
CN502	1-785-306-21	o	CONNECTOR, BOARD TO BOARD
CN511	1-770-620-21	s	PIN, CONNECTOR 3P
CN512	1-785-306-21	o	CONNECTOR, BOARD TO BOARD
CN521	1-770-626-21	s	PIN, CONNECTOR (L TYPE) 9P
CN522	1-778-965-21	s	PIN, CONNECTOR (PC BOARD) 12P
CN523	1-785-900-11	s	CONNECTOR
CN600	1-691-551-11	o	PIN, CONNECTOR (SMD) 8P
CN601	1-778-965-21	s	PIN, CONNECTOR (PC BOARD) 12P
CN602	1-770-620-21	s	PIN, CONNECTOR 3P
CN603	1-770-621-21	s	PIN, CONNECTOR 4P
CN604	1-770-619-11	o	PIN, CONNECTOR 2P
CN605	1-580-756-21	o	PIN, CONNECTOR 7P
CN606	1-770-622-21	s	PIN, CONNECTOR 5P
CN607	1-695-223-21	o	PIN,CONNECTOR (SMD) 10P
CN608	1-573-290-21	s	PIN,CONNECTOR (4P)(SMD)(1.5MM)
CN609	1-691-550-11	s	PIN,CONNECTOR (3P)(SMD)(1.5MM)
CN610	1-774-730-21	s	PIN, CONNECTOR (PC BOARD) 3P
CN611	1-794-509-11	s	PIN, CONNECTOR (PC BOARD) (3P)
CN612	1-691-550-51	s	PIN, CONNECTOR (1.5MM)(SMD)3P
CN700	1-779-884-11	s	PLUG, CONNECTOR 4P
CN770	1-794-823-11	s	CONNECTOR (ZIF), FPC/FFC 32P
CN820	1-794-823-11	s	CONNECTOR (ZIF), FPC/FFC 32P
CN860	1-794-823-11	s	CONNECTOR (ZIF), FPC/FFC 32P
D201	8-719-024-78	s	DIODE HN1D03FU-TE85R
D501	8-719-941-86	s	DIODE DAN202U
D521	8-719-024-78	s	DIODE HN1D03FU-TE85R
D600	8-719-073-01	s	DIODE MA111-(K8).SO
D601	8-719-073-11	s	DIODE BZA456A
D604	8-719-073-01	s	DIODE MA111-(K8).SO
D605	8-719-073-01	s	DIODE MA111-(K8).SO
D606	8-719-073-01	s	DIODE MA111-(K8).SO
D607	8-719-073-01	s	DIODE MA111-(K8).SO
D608	8-719-073-01	s	DIODE MA111-(K8).SO
FB301	1-400-150-11	s	FERRITE, EMI (SMD)
FB302	1-414-921-11	s	INDUCTOR, FERRITE BEAD
FB401	1-414-766-21	s	INDUCTOR,FERRITE BEAD
FB402	1-414-766-21	s	INDUCTOR,FERRITE BEAD
FB403	1-414-766-21	s	INDUCTOR,FERRITE BEAD
FB404	1-414-766-21	s	INDUCTOR,FERRITE BEAD
FB405	1-414-921-11	s	INDUCTOR, FERRITE BEAD
FB450	1-414-766-21	s	INDUCTOR,FERRITE BEAD
FB451	1-414-766-21	s	INDUCTOR,FERRITE BEAD
FB501	1-400-150-11	s	FERRITE, EMI (SMD)
FB502	1-414-921-11	s	INDUCTOR, FERRITE BEAD
FB503	1-414-921-11	s	INDUCTOR, FERRITE BEAD
FB504	1-400-150-11	s	FERRITE, EMI (SMD)
FB521	1-414-921-11	s	INDUCTOR, FERRITE BEAD
FB522	1-414-921-11	s	INDUCTOR, FERRITE BEAD
FB600	1-414-921-11	s	INDUCTOR, FERRITE BEAD
FB601	1-414-921-11	s	INDUCTOR, FERRITE BEAD
FB602	1-414-921-11	s	INDUCTOR, FERRITE BEAD
FB603	1-414-921-11	s	INDUCTOR, FERRITE BEAD
FB604	1-414-921-11	s	INDUCTOR, FERRITE BEAD
FB605	1-414-921-11	s	INDUCTOR, FERRITE BEAD
FB606	1-414-921-11	s	INDUCTOR, FERRITE BEAD
FB607	1-414-921-11	s	INDUCTOR, FERRITE BEAD
FB608	1-414-921-11	s	INDUCTOR, FERRITE BEAD
FB609	1-414-921-11	s	INDUCTOR, FERRITE BEAD

(C BOARD)

Ref. No. or Q'ty	Part No.	SP	Description
FB610	1-414-921-11	s	INDUCTOR, FERRITE BEAD
FB611	1-414-921-11	s	INDUCTOR, FERRITE BEAD
FB612	1-414-921-11	s	INDUCTOR, FERRITE BEAD
FB613	1-414-921-11	s	INDUCTOR, FERRITE BEAD
FB614	1-414-921-11	s	INDUCTOR, FERRITE BEAD
FB615	1-414-921-11	s	INDUCTOR, FERRITE BEAD
FB617	1-400-150-11	s	FERRITE, EMI (SMD)
FB618	1-414-921-11	s	INDUCTOR, FERRITE BEAD
FB619	1-414-921-11	s	INDUCTOR, FERRITE BEAD
FB620	1-414-921-11	s	INDUCTOR, FERRITE BEAD
FB626	1-400-150-11	s	FERRITE, EMI (SMD)
FB627	1-469-670-11	o	FERRITE, EMI (SMD)
FB628	1-469-670-11	o	FERRITE, EMI (SMD)
FB629	1-414-921-11	s	INDUCTOR, FERRITE BEAD
FB630	1-414-921-11	s	INDUCTOR, FERRITE BEAD
FB631	1-414-921-11	s	INDUCTOR, FERRITE BEAD
FB632	1-414-921-11	s	INDUCTOR, FERRITE BEAD
FB633	1-414-921-11	s	INDUCTOR, FERRITE BEAD
FB634	1-414-921-11	s	INDUCTOR, FERRITE BEAD
FB635	1-400-150-11	s	FERRITE, EMI (SMD)
FB636	1-414-921-11	s	INDUCTOR, FERRITE BEAD
FB637	1-414-921-11	s	INDUCTOR, FERRITE BEAD
FB638	1-414-921-11	s	INDUCTOR, FERRITE BEAD
FB639	1-469-670-11	o	FERRITE, EMI (SMD)
FB640	1-414-921-11	s	INDUCTOR, FERRITE BEAD
FB641	1-469-670-11	o	FERRITE, EMI (SMD)
FB642	1-414-921-11	s	INDUCTOR, FERRITE BEAD
FB643	1-469-670-11	o	FERRITE, EMI (SMD)
FB644	1-414-921-11	s	INDUCTOR, FERRITE BEAD
FB700	1-414-921-11	s	INDUCTOR, FERRITE BEAD
FB701	1-414-921-11	s	INDUCTOR, FERRITE BEAD
FB702	1-414-921-11	s	INDUCTOR, FERRITE BEAD
FB703	1-414-921-11	s	INDUCTOR, FERRITE BEAD
FB704	1-414-921-11	s	INDUCTOR, FERRITE BEAD
FB705	1-414-921-11	s	INDUCTOR, FERRITE BEAD
FB706	1-414-921-11	s	INDUCTOR, FERRITE BEAD
FB707	1-414-921-11	s	INDUCTOR, FERRITE BEAD
FB708	1-414-921-11	s	INDUCTOR, FERRITE BEAD
FB770	1-414-921-11	s	INDUCTOR, FERRITE BEAD
FB771	1-414-921-11	s	INDUCTOR, FERRITE BEAD
FB773	1-414-921-11	s	INDUCTOR, FERRITE BEAD
FB820	1-414-921-11	s	INDUCTOR, FERRITE BEAD
FB821	1-414-921-11	s	INDUCTOR, FERRITE BEAD
FB860	1-414-921-11	s	INDUCTOR, FERRITE BEAD
FB861	1-414-921-11	s	INDUCTOR, FERRITE BEAD
FL600	1-239-899-21	s	FILTER, CHIP EMI
FL601	1-239-899-21	s	FILTER, CHIP EMI
IC201	8-759-352-94	s	IC TDA7309D013TR
IC202	6-703-352-01	s	IC TPA2000D1PW
IC203	8-759-533-85	s	IC L88M05T-FA-TL
IC204	6-700-792-01	s	IC NJM78M09D1LA(Te1)
IC402	8-759-582-37	s	IC PQ2TZ15U
IC403	8-759-092-80	s	IC SN75157PS
IC405	8-759-593-23	s	IC S-80928ANMP-DDR-T2
IC407	8-759-663-74	s	IC HY57V161610DTC-7TR
IC502	8-759-582-37	s	IC PQ2TZ15U
IC504	8-759-593-23	s	IC S-80928ANMP-DDR-T2
IC505	8-759-478-92	s	IC TC7SET04FU(TE85R)

(C BOARD)

Ref. No. or Q'ty	Part No.	SP	Description
IC506	6-703-092-01	s	IC ICS332-SX1745
IC509	6-703-133-01	s	IC MX29LV800TTC-70G-SX1745
IC521	8-759-460-72	s	IC BA033FP
IC522	8-759-649-43	s	IC SN74AHC1G00DCKR
IC523	8-759-471-89	s	IC 74VHC02MTCX
IC524	8-759-549-01	s	IC SN74LV125APWR
IC525	6-702-624-01	s	IC HD64F2377VFQ33V
<b>Note</b>	Replace this IC after it is written in all kind of data by flash memory writer.		
IC526	8-759-593-23	s	IC S-80928ANMP-DDR-T2
IC527	8-759-592-49	s	IC TC7SZ125FU(TE85R)
IC600	8-759-533-85	s	IC L88M05T-FA-TL
IC601	8-759-681-47	s	IC IRMF-A0T-QTP
IC602	8-759-066-55	s	IC TA75W393FU
IC603	8-759-714-09	s	IC ADXL202JE-REEL
IC604	8-759-643-48	s	IC BA00ASFP-E2
IC605	8-759-643-48	s	IC BA00ASFP-E2
IC606	8-759-643-48	s	IC BA00ASFP-E2
IC607	8-759-643-48	s	IC BA00ASFP-E2
IC610	8-759-643-48	s	IC BA00ASFP-E2
IC612	8-759-066-55	s	IC TA75W393FU
IC700	6-702-974-01	s	IC CXD9671GG
IC701	8-759-548-99	s	IC SN74LV08APWR
IC702	8-759-582-37	s	IC PQ2TZ15U
IC704	8-759-593-23	s	IC S-80928ANMP-DDR-T2
IC705	-----	IC	HN58X24256FP1Z
<b>Note</b>	If this IC has failed, replace the whole C board.		
IC707	8-759-542-46	s	IC M62392FP
IC708	8-759-679-58	s	IC SN74AHCT541PWR
IC709	8-759-679-58	s	IC SN74AHCT541PWR
IC710	6-700-915-01	s	IC SN74AHCT04PWR
IC770	8-759-388-31	s	IC PQ20VZ1U
IC771	8-752-103-41	s	IC CXA3562AR-T6
IC772	8-759-252-41	s	IC TK11900MTL
IC820	8-752-103-41	s	IC CXA3562AR-T6
IC860	8-752-103-41	s	IC CXA3562AR-T6
L201	1-412-028-11	s	INDUCTOR,CHIP 4.7UH (3225)
L202	1-409-529-41	s	COIL, CHOKE 10UH
L502	1-469-528-91	s	INDUCTOR 100UH (NLFV25)
L700	1-469-523-91	s	INDUCTOR 2.2UH (NLFV25)
L770	1-414-078-11	s	INDUCTOR 10UH
L771	1-410-369-11	s	INDUCTOR,CHIP 1UH (3225)
L772	1-410-369-11	s	INDUCTOR,CHIP 1UH (3225)
L820	1-414-078-11	s	INDUCTOR 10UH
L821	1-410-369-11	s	INDUCTOR,CHIP 1UH (3225)
L822	1-410-369-11	s	INDUCTOR,CHIP 1UH (3225)
L860	1-414-078-11	s	INDUCTOR 10UH
L861	1-410-369-11	s	INDUCTOR,CHIP 1UH (3225)
L862	1-410-369-11	s	INDUCTOR,CHIP 1UH (3225)
Q203	8-729-029-14	s	TRANSISTOR DTC144EUA-T106
Q401	8-729-029-14	s	TRANSISTOR DTC144EUA-T106
Q521	6-550-014-01	s	TRANSISTOR SSM6N15FU(TE85R)
Q522	8-729-013-28	s	TRANSISTOR HN1B01FU-TE85R
Q523	6-550-014-01	s	TRANSISTOR SSM6N15FU(TE85R)
Q524	6-550-014-01	s	TRANSISTOR SSM6N15FU(TE85R)
Q525	6-550-014-01	s	TRANSISTOR SSM6N15FU(TE85R)
Q526	6-550-014-01	s	TRANSISTOR SSM6N15FU(TE85R)
Q527	6-550-014-01	s	TRANSISTOR SSM6N15FU(TE85R)
Q600	8-729-029-14	s	TRANSISTOR DTC144EUA-T106

## (C BOARD)

Ref. No. or Q'ty	Part No.	SP	Description
Q601	8-729-026-53	s	TRANSISTOR 2SA1576A-T106-QR
Q602	8-729-427-72	s	TRANSISTOR XP4501-TXE
Q603	8-729-029-14	s	TRANSISTOR DTC144EUA-T106
Q604	8-729-029-14	s	TRANSISTOR DTC144EUA-T106
Q605	8-729-029-14	s	TRANSISTOR DTC144EUA-T106
Q606	8-729-029-14	s	TRANSISTOR DTC144EUA-T106
Q607	8-729-029-14	s	TRANSISTOR DTC144EUA-T106
Q608	8-729-029-14	s	TRANSISTOR DTC144EUA-T106
Q610	8-729-029-14	s	TRANSISTOR DTC144EUA-T106
Q611	8-729-013-28	s	TRANSISTOR HN1B01FU-TE85R
Q612	8-729-013-28	s	TRANSISTOR HN1B01FU-TE85R
Q613	8-729-013-28	s	TRANSISTOR HN1B01FU-TE85R
Q700	8-729-013-28	s	TRANSISTOR HN1B01FU-TE85R
Q701	1-801-806-11	s	TRANSISTOR DTC144EKA
Q702	8-729-013-26	s	TRANSISTOR HN1C03FU-TE85R
Q770	8-729-013-28	s	TRANSISTOR HN1B01FU-TE85R
Q771	8-729-013-28	s	TRANSISTOR HN1B01FU-TE85R
Q820	8-729-013-28	s	TRANSISTOR HN1B01FU-TE85R
Q821	8-729-013-28	s	TRANSISTOR HN1B01FU-TE85R
Q860	8-729-013-28	s	TRANSISTOR HN1B01FU-TE85R
Q861	8-729-013-28	s	TRANSISTOR HN1B01FU-TE85R
R201	1-218-941-11	s	RESISTOR,CHIP 100 1/16W (1005)
R202	1-218-941-11	s	RESISTOR,CHIP 100 1/16W (1005)
R203	1-218-990-11	s	RESISTOR,CHIP 0 1/16W (1005)
R206	1-218-973-11	s	RESISTOR,CHIP 47K 1/16W (1005)
R207	1-218-973-11	s	RESISTOR,CHIP 47K 1/16W (1005)
R208	1-218-973-11	s	RESISTOR,CHIP 47K 1/16W (1005)
R209	1-218-973-11	s	RESISTOR,CHIP 47K 1/16W (1005)
R210	1-218-965-11	s	RESISTOR, CHIP 10K 1/16W
R211	1-218-977-11	s	RESISTOR,CHIP 100K 1/16W(1005)
R213	1-218-977-11	s	RESISTOR,CHIP 100K 1/16W(1005)
R215	1-216-296-00	s	CONDUCTOR, CHIP (3216)
R216	1-218-978-11	s	RESISTOR,CHIP 120K 1/16W(1005)
R217	1-216-296-00	s	CONDUCTOR, CHIP (3216)
R218	1-216-296-00	s	CONDUCTOR, CHIP (3216)
R401	1-218-937-11	s	RESISTOR, CHIP 47
R402	1-218-937-11	s	RESISTOR, CHIP 47
R405	1-218-937-11	s	RESISTOR, CHIP 47
R406	1-218-937-11	s	RESISTOR, CHIP 47
R407	1-218-937-11	s	RESISTOR, CHIP 47
R408	1-218-937-11	s	RESISTOR, CHIP 47
R412	1-208-643-11	s	RESISTOR CHIP 22 1/16W (1005)
R414	1-208-643-11	s	RESISTOR CHIP 22 1/16W (1005)
R415	1-208-643-11	s	RESISTOR CHIP 22 1/16W (1005)
R417	1-218-965-11	s	RESISTOR, CHIP 10K 1/16W
R418	1-218-941-11	s	RESISTOR,CHIP 100 1/16W (1005)
R420	1-218-965-11	s	RESISTOR, CHIP 10K 1/16W
R421	1-218-965-11	s	RESISTOR, CHIP 10K 1/16W
R422	1-218-965-11	s	RESISTOR, CHIP 10K 1/16W
R423	1-218-965-11	s	RESISTOR, CHIP 10K 1/16W
R424	1-218-965-11	s	RESISTOR, CHIP 10K 1/16W
R425	1-218-965-11	s	RESISTOR, CHIP 10K 1/16W
R426	1-218-965-11	s	RESISTOR, CHIP 10K 1/16W
R427	1-218-965-11	s	RESISTOR, CHIP 10K 1/16W
R428	1-218-965-11	s	RESISTOR, CHIP 10K 1/16W
R429	1-218-965-11	s	RESISTOR, CHIP 10K 1/16W
R430	1-218-965-11	s	RESISTOR, CHIP 10K 1/16W
R431	1-218-965-11	s	RESISTOR, CHIP 10K 1/16W

## (C BOARD)

Ref. No. or Q'ty	Part No.	SP	Description
R432	1-218-965-11	s	RESISTOR, CHIP 10K 1/16W
R433	1-218-965-11	s	RESISTOR, CHIP 10K 1/16W
R435	1-218-965-11	s	RESISTOR, CHIP 10K 1/16W
R437	1-218-965-11	s	RESISTOR, CHIP 10K 1/16W
R438	1-218-965-11	s	RESISTOR, CHIP 10K 1/16W
R441	1-208-643-11	s	RESISTOR CHIP 22 1/16W (1005)
R443	1-218-941-11	s	RESISTOR,CHIP 100 1/16W (1005)
R444	1-218-965-11	s	RESISTOR, CHIP 10K 1/16W
R446	1-208-643-11	s	RESISTOR CHIP 22 1/16W (1005)
R448	1-218-959-11	s	RESISTOR, CHIP 3.3K
R449	1-218-953-11	s	RESISTOR, CHIP 1K 1/16W
R450	1-208-643-11	s	RESISTOR CHIP 22 1/16W (1005)
R451	1-208-643-11	s	RESISTOR CHIP 22 1/16W (1005)
R452	1-208-643-11	s	RESISTOR CHIP 22 1/16W (1005)
R453	1-218-966-11	s	RESISTOR, CHIP 12K
R454	1-218-941-11	s	RESISTOR,CHIP 100 1/16W (1005)
R455	1-218-953-11	s	RESISTOR, CHIP 1K 1/16W
R456	1-218-953-11	s	RESISTOR, CHIP 1K 1/16W
R457	1-218-965-11	s	RESISTOR, CHIP 10K 1/16W
R459	1-218-965-11	s	RESISTOR, CHIP 10K 1/16W
R460	1-218-965-11	s	RESISTOR, CHIP 10K 1/16W
R461	1-218-953-11	s	RESISTOR, CHIP 1K 1/16W
R462	1-208-643-11	s	RESISTOR CHIP 22 1/16W (1005)
R485	1-218-965-11	s	RESISTOR, CHIP 10K 1/16W
R486	1-218-965-11	s	RESISTOR, CHIP 10K 1/16W
R489	1-218-953-11	s	RESISTOR, CHIP 1K 1/16W
R490	1-218-953-11	s	RESISTOR, CHIP 1K 1/16W
R493	1-218-965-11	s	RESISTOR, CHIP 10K 1/16W
R495	1-208-643-11	s	RESISTOR CHIP 22 1/16W (1005)
R496	1-208-643-11	s	RESISTOR CHIP 22 1/16W (1005)
R497	1-208-643-11	s	RESISTOR CHIP 22 1/16W (1005)
R498	1-208-643-11	s	RESISTOR CHIP 22 1/16W (1005)
R500	1-208-643-11	s	RESISTOR CHIP 22 1/16W (1005)
R501	1-208-643-11	s	RESISTOR CHIP 22 1/16W (1005)
R503	1-208-643-11	s	RESISTOR CHIP 22 1/16W (1005)
R504	1-208-643-11	s	RESISTOR CHIP 22 1/16W (1005)
R505	1-218-941-11	s	RESISTOR,CHIP 100 1/16W (1005)
R506	1-208-635-11	s	RESISTOR CHIP 10 1/16W (1005)
R507	1-208-635-11	s	RESISTOR CHIP 10 1/16W (1005)
R508	1-208-635-11	s	RESISTOR CHIP 10 1/16W (1005)
R509	1-218-961-11	s	RESISTOR, CHIP 4.7K 1/16W
R510	1-218-961-11	s	RESISTOR, CHIP 4.7K 1/16W
R511	1-218-965-11	s	RESISTOR, CHIP 10K 1/16W
R512	1-218-941-11	s	RESISTOR,CHIP 100 1/16W (1005)
R513	1-218-957-11	s	RESISTOR,CHIP 2.2K 1/16W(1608)
R514	1-218-961-11	s	RESISTOR, CHIP 4.7K 1/16W
R517	1-218-990-11	s	RESISTOR,CHIP 0 1/16W (1005)
R518	1-218-990-11	s	RESISTOR,CHIP 0 1/16W (1005)
R519	1-218-990-11	s	RESISTOR,CHIP 0 1/16W (1005)
R520	1-218-965-11	s	RESISTOR, CHIP 10K 1/16W
R521	1-218-965-11	s	RESISTOR, CHIP 10K 1/16W
R522	1-218-941-11	s	RESISTOR,CHIP 100 1/16W (1005)
R523	1-218-965-11	s	RESISTOR, CHIP 10K 1/16W
R525	1-218-941-11	s	RESISTOR,CHIP 100 1/16W (1005)
R526	1-208-699-11	s	RESISTOR,CHIP 4.7K 1/16W(1005)
R527	1-208-699-11	s	RESISTOR,CHIP 4.7K 1/16W(1005)
R528	1-218-961-11	s	RESISTOR, CHIP 4.7K 1/16W
R529	1-218-961-11	s	RESISTOR, CHIP 4.7K 1/16W
R530	1-218-941-11	s	RESISTOR,CHIP 100 1/16W (1005)



## (C BOARD)

Ref. No. or Q'ty	Part No.	SP	Description
R533	1-218-961-11	s	RESISTOR, CHIP 4.7K 1/16W
R534	1-218-961-11	s	RESISTOR, CHIP 4.7K 1/16W
R535	1-218-965-11	s	RESISTOR, CHIP 10K 1/16W
R536	1-218-965-11	s	RESISTOR, CHIP 10K 1/16W
R537	1-218-973-11	s	RESISTOR,CHIP 47K 1/16W (1005)
R538	1-218-961-11	s	RESISTOR, CHIP 4.7K 1/16W
R539	1-218-961-11	s	RESISTOR, CHIP 4.7K 1/16W
R540	1-218-941-11	s	RESISTOR,CHIP 100 1/16W (1005)
R541	1-218-965-11	s	RESISTOR, CHIP 10K 1/16W
R543	1-218-965-11	s	RESISTOR, CHIP 10K 1/16W
R544	1-218-965-11	s	RESISTOR, CHIP 10K 1/16W
R545	1-208-635-11	s	RESISTOR CHIP 10 1/16W (1005)
R546	1-218-965-11	s	RESISTOR, CHIP 10K 1/16W
R547	1-218-945-11	s	RESISTOR,CHIP 220 1/16W(1005)
R548	1-218-965-11	s	RESISTOR, CHIP 10K 1/16W
R549	1-218-973-11	s	RESISTOR,CHIP 47K 1/16W (1005)
R550	1-218-965-11	s	RESISTOR, CHIP 10K 1/16W
R551	1-218-965-11	s	RESISTOR, CHIP 10K 1/16W
R552	1-218-973-11	s	RESISTOR,CHIP 47K 1/16W (1005)
R553	1-218-965-11	s	RESISTOR, CHIP 10K 1/16W
R556	1-218-965-11	s	RESISTOR, CHIP 10K 1/16W
R557	1-218-965-11	s	RESISTOR, CHIP 10K 1/16W
R558	1-218-965-11	s	RESISTOR, CHIP 10K 1/16W
R559	1-218-953-11	s	RESISTOR, CHIP 1K 1/16W
R560	1-218-941-11	s	RESISTOR,CHIP 100 1/16W (1005)
R561	1-218-965-11	s	RESISTOR, CHIP 10K 1/16W
R562	1-218-990-11	s	RESISTOR,CHIP 0 1/16W (1005)
R563	1-218-971-11	s	RESISTOR,CHIP 33K 1/16W (1005)
R564	1-218-971-11	s	RESISTOR,CHIP 33K 1/16W (1005)
R566	1-218-965-11	s	RESISTOR, CHIP 10K 1/16W
R567	1-218-965-11	s	RESISTOR, CHIP 10K 1/16W
R568	1-218-965-11	s	RESISTOR, CHIP 10K 1/16W
R569	1-218-965-11	s	RESISTOR, CHIP 10K 1/16W
R570	1-218-965-11	s	RESISTOR, CHIP 10K 1/16W
R571	1-218-965-11	s	RESISTOR, CHIP 10K 1/16W
R572	1-218-961-11	s	RESISTOR, CHIP 4.7K 1/16W
R573	1-218-961-11	s	RESISTOR, CHIP 4.7K 1/16W
R575	1-218-965-11	s	RESISTOR, CHIP 10K 1/16W
R576	1-218-941-11	s	RESISTOR,CHIP 100 1/16W (1005)
R577	1-218-941-11	s	RESISTOR,CHIP 100 1/16W (1005)
R578	1-218-941-11	s	RESISTOR,CHIP 100 1/16W (1005)
R579	1-218-941-11	s	RESISTOR,CHIP 100 1/16W (1005)
R580	1-218-941-11	s	RESISTOR,CHIP 100 1/16W (1005)
R581	1-208-699-11	s	RESISTOR,CHIP 4.7K 1/16W(1005)
R582	1-208-699-11	s	RESISTOR,CHIP 4.7K 1/16W(1005)
R583	1-218-941-11	s	RESISTOR,CHIP 100 1/16W (1005)
R584	1-218-941-11	s	RESISTOR,CHIP 100 1/16W (1005)
R585	1-218-941-11	s	RESISTOR,CHIP 100 1/16W (1005)
R586	1-218-941-11	s	RESISTOR,CHIP 100 1/16W (1005)
R587	1-208-699-11	s	RESISTOR,CHIP 4.7K 1/16W(1005)
R588	1-208-699-11	s	RESISTOR,CHIP 4.7K 1/16W(1005)
R594	1-218-941-11	s	RESISTOR,CHIP 100 1/16W (1005)
R595	1-218-961-11	s	RESISTOR, CHIP 4.7K 1/16W
R596	1-218-961-11	s	RESISTOR, CHIP 4.7K 1/16W
R597	1-218-941-11	s	RESISTOR,CHIP 100 1/16W (1005)
R598	1-218-941-11	s	RESISTOR,CHIP 100 1/16W (1005)
R599	1-218-941-11	s	RESISTOR,CHIP 100 1/16W (1005)
R600	1-218-941-11	s	RESISTOR,CHIP 100 1/16W (1005)
R601	1-218-973-11	s	RESISTOR,CHIP 47K 1/16W (1005)

## (C BOARD)

Ref. No. or Q'ty	Part No.	SP	Description
R602	1-218-941-11	s	RESISTOR,CHIP 100 1/16W (1005)
R603	1-218-973-11	s	RESISTOR,CHIP 47K 1/16W (1005)
R604	1-218-962-11	s	RESISTOR,CHIP 5.6K 1/16W(1005)
R605	1-218-965-11	s	RESISTOR, CHIP 10K 1/16W
R606	1-218-961-11	s	RESISTOR, CHIP 4.7K 1/16W
R608	1-218-965-11	s	RESISTOR, CHIP 10K 1/16W
R609	1-218-941-11	s	RESISTOR,CHIP 100 1/16W (1005)
R611	1-218-973-11	s	RESISTOR,CHIP 47K 1/16W (1005)
R612	1-218-941-11	s	RESISTOR,CHIP 100 1/16W (1005)
R613	1-218-941-11	s	RESISTOR,CHIP 100 1/16W (1005)
R614	1-218-953-11	s	RESISTOR, CHIP 1K 1/16W
R615	1-218-965-11	s	RESISTOR, CHIP 10K 1/16W
R616	1-218-941-11	s	RESISTOR,CHIP 100 1/16W (1005)
R617	1-218-943-11	s	RESISTOR,CHIP 150 1/16W
R618	1-218-943-11	s	RESISTOR,CHIP 150 1/16W
R619	1-218-965-11	s	RESISTOR, CHIP 10K 1/16W
R620	1-218-917-11	s	RESISTOR,CHIP 820K 1/10W(1608)
R621	1-218-957-11	s	RESISTOR,CHIP 2.2K 1/16W(1608)
R622	1-218-977-11	s	RESISTOR,CHIP 100K 1/16W(1005)
R623	1-218-965-11	s	RESISTOR, CHIP 10K 1/16W
R624	1-218-959-11	s	RESISTOR, CHIP 3.3K
R625	1-208-643-11	s	RESISTOR CHIP 22 1/16W (1005)
R626	1-218-941-11	s	RESISTOR,CHIP 100 1/16W (1005)
R627	1-218-973-11	s	RESISTOR,CHIP 47K 1/16W (1005)
R628	1-208-643-11	s	RESISTOR CHIP 22 1/16W (1005)
R630	1-218-973-11	s	RESISTOR,CHIP 47K 1/16W (1005)
R631	1-218-971-11	s	RESISTOR,CHIP 33K 1/16W (1005)
R632	1-218-969-11	s	RESISTOR,CHIP 22K 1/16W (1608)
R633	1-218-990-11	s	RESISTOR,CHIP 0 1/16W (1005)
R635	1-218-990-11	s	RESISTOR,CHIP 0 1/16W (1005)
R637	1-218-990-11	s	RESISTOR,CHIP 0 1/16W (1005)
R639	1-218-971-11	s	RESISTOR,CHIP 33K 1/16W (1005)
R640	1-218-971-11	s	RESISTOR,CHIP 33K 1/16W (1005)
R641	1-218-971-11	s	RESISTOR,CHIP 33K 1/16W (1005)
R642	1-218-971-11	s	RESISTOR,CHIP 33K 1/16W (1005)
R643	1-219-598-11	s	RESISTOR, CHIP 47K 1/16W(1005)
R644	1-208-713-11	s	RESISTOR CHIP 18K 1/16W (1005)
R645	1-208-707-11	s	RESISTOR,CHIP 10K 1/16W (1005)
R646	1-219-598-11	s	RESISTOR, CHIP 47K 1/16W(1005)
R647	1-208-713-11	s	RESISTOR CHIP 18K 1/16W (1005)
R648	1-208-707-11	s	RESISTOR,CHIP 10K 1/16W (1005)
R649	1-219-598-11	s	RESISTOR, CHIP 47K 1/16W(1005)
R650	1-208-713-11	s	RESISTOR CHIP 18K 1/16W (1005)
R651	1-208-707-11	s	RESISTOR,CHIP 10K 1/16W (1005)
R652	1-219-598-11	s	RESISTOR, CHIP 47K 1/16W(1005)
R653	1-208-713-11	s	RESISTOR CHIP 18K 1/16W (1005)
R654	1-208-707-11	s	RESISTOR,CHIP 10K 1/16W (1005)
R655	1-208-713-11	s	RESISTOR CHIP 18K 1/16W (1005)
R656	1-208-713-11	s	RESISTOR CHIP 18K 1/16W (1005)
R657	1-208-713-11	s	RESISTOR CHIP 18K 1/16W (1005)
R658	1-208-713-11	s	RESISTOR CHIP 18K 1/16W (1005)
R659	1-208-711-11	s	RESISTOR CHIP 15K 1/16W (1005)
R660	1-208-711-11	s	RESISTOR CHIP 15K 1/16W (1005)
R661	1-208-711-11	s	RESISTOR CHIP 15K 1/16W (1005)
R662	1-208-711-11	s	RESISTOR CHIP 15K 1/16W (1005)
R663	1-218-965-11	s	RESISTOR, CHIP 10K 1/16W
R668	1-218-965-11	s	RESISTOR, CHIP 10K 1/16W
R669	1-218-965-11	s	RESISTOR, CHIP 10K 1/16W
R670	1-218-965-11	s	RESISTOR, CHIP 10K 1/16W

## (C BOARD)

Ref. No. or Q'ty	Part No.	SP	Description
R671	1-218-965-11	s	RESISTOR, CHIP 10K 1/16W
R672	1-218-941-11	s	RESISTOR,CHIP 100 1/16W (1005)
R673	1-218-953-11	s	RESISTOR, CHIP 1K 1/16W
R674	1-218-990-11	s	RESISTOR,CHIP 0 1/16W (1005)
R675	1-218-973-11	s	RESISTOR,CHIP 47K 1/16W (1005)
R676	1-208-635-11	s	RESISTOR CHIP 10 1/16W (1005)
R677	1-218-973-11	s	RESISTOR,CHIP 47K 1/16W (1005)
R678	1-218-941-11	s	RESISTOR,CHIP 100 1/16W (1005)
R679	1-218-977-11	s	RESISTOR,CHIP 100K 1/16W(1005)
R680	1-218-990-11	s	RESISTOR,CHIP 0 1/16W (1005)
R681	1-218-971-11	s	RESISTOR,CHIP 33K 1/16W (1005)
R684	1-218-965-11	s	RESISTOR, CHIP 10K 1/16W
R685	1-219-598-11	s	RESISTOR, CHIP 47K 1/16W(1005)
R686	1-208-713-11	s	RESISTOR CHIP 18K 1/16W (1005)
R687	1-208-707-11	s	RESISTOR,CHIP 10K 1/16W (1005)
R688	1-208-711-11	s	RESISTOR CHIP 15K 1/16W (1005)
R689	1-208-713-11	s	RESISTOR CHIP 18K 1/16W (1005)
R690	1-218-953-11	s	RESISTOR, CHIP 1K 1/16W
R691	1-218-973-11	s	RESISTOR,CHIP 47K 1/16W (1005)
R692	1-218-973-11	s	RESISTOR,CHIP 47K 1/16W (1005)
R693	1-208-635-11	s	RESISTOR CHIP 10 1/16W (1005)
R694	1-218-953-11	s	RESISTOR, CHIP 1K 1/16W
R695	1-218-973-11	s	RESISTOR,CHIP 47K 1/16W (1005)
R696	1-208-635-11	s	RESISTOR CHIP 10 1/16W (1005)
R697	1-218-973-11	s	RESISTOR,CHIP 47K 1/16W (1005)
R698	1-218-953-11	s	RESISTOR, CHIP 1K 1/16W
R699	1-218-973-11	s	RESISTOR,CHIP 47K 1/16W (1005)
R700	1-218-937-11	s	RESISTOR, CHIP 47
R701	1-218-937-11	s	RESISTOR, CHIP 47
R702	1-218-941-11	s	RESISTOR,CHIP 100 1/16W (1005)
R703	1-218-941-11	s	RESISTOR,CHIP 100 1/16W (1005)
R704	1-218-941-11	s	RESISTOR,CHIP 100 1/16W (1005)
R705	1-218-941-11	s	RESISTOR,CHIP 100 1/16W (1005)
R706	1-218-941-11	s	RESISTOR,CHIP 100 1/16W (1005)
R707	1-218-941-11	s	RESISTOR,CHIP 100 1/16W (1005)
R710	1-218-937-11	s	RESISTOR, CHIP 47
R711	1-218-937-11	s	RESISTOR, CHIP 47
R712	1-218-937-11	s	RESISTOR, CHIP 47
R713	1-218-937-11	s	RESISTOR, CHIP 47
R715	1-218-937-11	s	RESISTOR, CHIP 47
R716	1-218-937-11	s	RESISTOR, CHIP 47
R717	1-218-937-11	s	RESISTOR, CHIP 47
R718	1-218-937-11	s	RESISTOR, CHIP 47
R719	1-218-965-11	s	RESISTOR, CHIP 10K 1/16W
R720	1-218-973-11	s	RESISTOR,CHIP 47K 1/16W (1005)
R721	1-218-953-11	s	RESISTOR, CHIP 1K 1/16W
R722	1-218-965-11	s	RESISTOR, CHIP 10K 1/16W
R723	1-218-965-11	s	RESISTOR, CHIP 10K 1/16W
R724	1-218-960-11	s	RESISTOR, CHIP 3.9K 1/16W
R725	1-218-960-11	s	RESISTOR, CHIP 3.9K 1/16W
R726	1-218-937-11	s	RESISTOR, CHIP 47
R727	1-218-937-11	s	RESISTOR, CHIP 47
R728	1-218-941-11	s	RESISTOR,CHIP 100 1/16W (1005)
R729	1-218-941-11	s	RESISTOR,CHIP 100 1/16W (1005)
R730	1-218-941-11	s	RESISTOR,CHIP 100 1/16W (1005)
R731	1-218-941-11	s	RESISTOR,CHIP 100 1/16W (1005)
R732	1-218-961-11	s	RESISTOR, CHIP 4.7K 1/16W
R733	1-218-961-11	s	RESISTOR, CHIP 4.7K 1/16W
R734	1-218-941-11	s	RESISTOR,CHIP 100 1/16W (1005)

## (C BOARD)

Ref. No. or Q'ty	Part No.	SP	Description
R735	1-218-973-11	s	RESISTOR,CHIP 47K 1/16W (1005)
R736	1-218-973-11	s	RESISTOR,CHIP 47K 1/16W (1005)
R771	1-218-937-11	s	RESISTOR, CHIP 47
R772	1-218-961-11	s	RESISTOR, CHIP 4.7K 1/16W
R773	1-218-965-11	s	RESISTOR, CHIP 10K 1/16W
R774	1-218-965-11	s	RESISTOR, CHIP 10K 1/16W
R777	1-218-965-11	s	RESISTOR, CHIP 10K 1/16W
R778	1-219-598-11	s	RESISTOR, CHIP 47K 1/16W(1005)
R780	1-208-711-11	s	RESISTOR CHIP 15K 1/16W (1005)
R781	1-208-683-11	s	RESISTOR CHIP 1K 1/16W (1005)
R782	1-218-965-11	s	RESISTOR, CHIP 10K 1/16W
R783	1-218-990-11	s	RESISTOR,CHIP 0 1/16W (1005)
R784	1-218-990-11	s	RESISTOR,CHIP 0 1/16W (1005)
R785	1-218-990-11	s	RESISTOR,CHIP 0 1/16W (1005)
R786	1-218-990-11	s	RESISTOR,CHIP 0 1/16W (1005)
R787	1-218-941-11	s	RESISTOR,CHIP 100 1/16W (1005)
R788	1-208-707-11	s	RESISTOR,CHIP 10K 1/16W (1005)
R789	1-218-957-11	s	RESISTOR,CHIP 2.2K 1/16W(1608)
R790	1-219-606-11	s	RESISTOR,CHIP 100K 1/16W(1005)
R791	1-218-957-11	s	RESISTOR,CHIP 2.2K 1/16W(1608)
R792	1-208-635-11	s	RESISTOR CHIP 10 1/16W (1005)
R793	1-208-635-11	s	RESISTOR CHIP 10 1/16W (1005)
R794	1-218-990-11	s	RESISTOR,CHIP 0 1/16W (1005)
R820	1-218-965-11	s	RESISTOR, CHIP 10K 1/16W
R821	1-218-965-11	s	RESISTOR, CHIP 10K 1/16W
R824	1-218-965-11	s	RESISTOR, CHIP 10K 1/16W
R826	1-218-965-11	s	RESISTOR, CHIP 10K 1/16W
R827	1-218-990-11	s	RESISTOR,CHIP 0 1/16W (1005)
R828	1-218-990-11	s	RESISTOR,CHIP 0 1/16W (1005)
R829	1-218-990-11	s	RESISTOR,CHIP 0 1/16W (1005)
R830	1-218-990-11	s	RESISTOR,CHIP 0 1/16W (1005)
R831	1-218-941-11	s	RESISTOR,CHIP 100 1/16W (1005)
R832	1-218-957-11	s	RESISTOR,CHIP 2.2K 1/16W(1608)
R833	1-218-957-11	s	RESISTOR,CHIP 2.2K 1/16W(1608)
R834	1-208-635-11	s	RESISTOR CHIP 10 1/16W (1005)
R835	1-208-635-11	s	RESISTOR CHIP 10 1/16W (1005)
R836	1-218-990-11	s	RESISTOR,CHIP 0 1/16W (1005)
R860	1-218-965-11	s	RESISTOR, CHIP 10K 1/16W
R861	1-218-965-11	s	RESISTOR, CHIP 10K 1/16W
R864	1-218-965-11	s	RESISTOR, CHIP 10K 1/16W
R866	1-218-965-11	s	RESISTOR, CHIP 10K 1/16W
R867	1-218-990-11	s	RESISTOR,CHIP 0 1/16W (1005)
R868	1-218-990-11	s	RESISTOR,CHIP 0 1/16W (1005)
R869	1-218-990-11	s	RESISTOR,CHIP 0 1/16W (1005)
R870	1-218-990-11	s	RESISTOR,CHIP 0 1/16W (1005)
R871	1-218-941-11	s	RESISTOR,CHIP 100 1/16W (1005)
R872	1-218-957-11	s	RESISTOR,CHIP 2.2K 1/16W(1608)
R873	1-218-957-11	s	RESISTOR,CHIP 2.2K 1/16W(1608)
R874	1-208-635-11	s	RESISTOR CHIP 10 1/16W (1005)
R875	1-208-635-11	s	RESISTOR CHIP 10 1/16W (1005)
R876	1-218-990-11	s	RESISTOR,CHIP 0 1/16W (1005)
RB401	1-234-369-21	s	RES, NETWORK 10X4 (1005)
RB402	1-234-369-21	s	RES, NETWORK 10X4 (1005)
RB403	1-234-369-21	s	RES, NETWORK 10X4 (1005)
RB404	1-234-369-21	s	RES, NETWORK 10X4 (1005)
RB405	1-234-369-21	s	RES, NETWORK 10X4 (1005)
RB406	1-234-369-21	s	RES, NETWORK 10X4 (1005)
RB407	1-234-369-21	s	RES, NETWORK 10X4 (1005)

## (C BOARD)

Ref. No. or Q'ty	Part No.	SP	Description	
RB408	1-234-369-21	s	RES, NETWORK 10X4	(1005)
RB409	1-234-369-21	s	RES, NETWORK 10X4	(1005)
RB410	1-234-369-21	s	RES, NETWORK 10X4	(1005)
RB411	1-234-369-21	s	RES, NETWORK 10X4	(1005)
RB412	1-234-369-21	s	RES, NETWORK 10X4	(1005)
RB450	1-234-370-11	s	RES, NETWORK 22X4	(1005)
RB451	1-234-370-11	s	RES, NETWORK 22X4	(1005)
RB452	1-234-370-11	s	RES, NETWORK 22X4	(1005)
RB453	1-234-370-11	s	RES, NETWORK 22X4	(1005)
RB454	1-234-370-11	s	RES, NETWORK 22X4	(1005)
RB455	1-234-370-11	s	RES, NETWORK 22X4	(1005)
RB456	1-234-370-11	s	RES, NETWORK 22X4	(1005)
RB457	1-234-370-11	s	RES, NETWORK 22X4	(1005)
RB458	1-234-370-11	s	RES, NETWORK 22X4	(1005)
RB459	1-234-370-11	s	RES, NETWORK 22X4	(1005)
RB460	1-234-370-11	s	RES, NETWORK 22X4	(1005)
RB461	1-234-370-11	s	RES, NETWORK 22X4	(1005)
RB501	1-234-369-21	s	RES, NETWORK 10X4	(1005)
RB502	1-234-369-21	s	RES, NETWORK 10X4	(1005)
RB503	1-234-369-21	s	RES, NETWORK 10X4	(1005)
RB504	1-234-369-21	s	RES, NETWORK 10X4	(1005)
RB505	1-234-369-21	s	RES, NETWORK 10X4	(1005)
RB506	1-234-369-21	s	RES, NETWORK 10X4	(1005)
RB521	1-234-372-21	s	RES, NETWORK 100X4	(1005)
RB522	1-234-372-21	s	RES, NETWORK 100X4	(1005)
RB523	1-234-372-21	s	RES, NETWORK 100X4	(1005)
RB524	1-234-378-11	s	RES, NETWORK 10KX4	(1005)
RB525	1-234-375-21	s	RES, NETWORK 1KX4	(1005)
RB526	1-234-372-21	s	RES, NETWORK 100X4	(1005)
RB527	1-234-372-21	s	RES, NETWORK 100X4	(1005)
RB528	1-234-372-21	s	RES, NETWORK 100X4	(1005)
RB529	1-234-372-21	s	RES, NETWORK 100X4	(1005)
RB530	1-234-372-21	s	RES, NETWORK 100X4	(1005)
RB531	1-234-372-21	s	RES, NETWORK 100X4	(1005)
RB532	1-234-372-21	s	RES, NETWORK 100X4	(1005)
RB533	1-234-372-21	s	RES, NETWORK 100X4	(1005)
RB534	1-234-372-21	s	RES, NETWORK 100X4	(1005)
RB535	1-234-372-21	s	RES, NETWORK 100X4	(1005)
RB536	1-234-372-21	s	RES, NETWORK 100X4	(1005)
RB537	1-234-372-21	s	RES, NETWORK 100X4	(1005)
RB538	1-234-372-21	s	RES, NETWORK 100X4	(1005)
RB539	1-234-372-21	s	RES, NETWORK 100X4	(1005)
RB540	1-234-378-11	s	RES, NETWORK 10KX4	(1005)
RB541	1-234-377-21	s	RES, NETWORK 4.7KX4	(1005)
RB542	1-234-377-21	s	RES, NETWORK 4.7KX4	(1005)
RB700	1-234-372-21	s	RES, NETWORK 100X4	(1005)
RB701	1-234-372-21	s	RES, NETWORK 100X4	(1005)
RB702	1-234-372-21	s	RES, NETWORK 100X4	(1005)
RB703	1-234-372-21	s	RES, NETWORK 100X4	(1005)
RB704	1-234-372-21	s	RES, NETWORK 100X4	(1005)
RB705	1-234-372-21	s	RES, NETWORK 100X4	(1005)
RB706	1-234-372-21	s	RES, NETWORK 100X4	(1005)
RB707	1-234-372-21	s	RES, NETWORK 100X4	(1005)
RB708	1-234-372-21	s	RES, NETWORK 100X4	(1005)
RB709	1-234-371-11	s	RES, NETWORK 47X4	(1005)
RB710	1-234-371-11	s	RES, NETWORK 47X4	(1005)
RB711	1-234-371-11	s	RES, NETWORK 47X4	(1005)
RB712	1-234-371-11	s	RES, NETWORK 47X4	(1005)
RB713	1-234-371-11	s	RES, NETWORK 47X4	(1005)

## (C BOARD)

Ref. No. or Q'ty	Part No.	SP	Description	
RB714	1-234-371-11	s	RES, NETWORK 47X4	(1005)
RB770	1-234-523-21	s	RESISTOR,CHIP NETWORK	
RB771	1-234-523-21	s	RESISTOR,CHIP NETWORK	
RB820	1-234-523-21	s	RESISTOR,CHIP NETWORK	
RB821	1-234-523-21	s	RESISTOR,CHIP NETWORK	
RB860	1-234-523-21	s	RESISTOR,CHIP NETWORK	
RB861	1-234-523-21	s	RESISTOR,CHIP NETWORK	
S401	1-771-337-21	s	SWITCH, SLIDE	
S700	1-771-337-21	s	SWITCH, SLIDE	
TH521	1-803-382-11	s	THERMISTOR	(1005)
TP201	1-535-757-11	s	CHIP, CHECKER (CONNECTOR)	
TP303	1-535-757-11	s	CHIP, CHECKER (CONNECTOR)	
TP304	1-535-757-11	s	CHIP, CHECKER (CONNECTOR)	
TP305	1-535-757-11	s	CHIP, CHECKER (CONNECTOR)	
TP306	1-535-757-11	s	CHIP, CHECKER (CONNECTOR)	
TP307	1-535-757-11	s	CHIP, CHECKER (CONNECTOR)	
TP401	1-535-757-11	s	CHIP, CHECKER (CONNECTOR)	
TP402	1-535-757-11	s	CHIP, CHECKER (CONNECTOR)	
TP501	1-535-757-11	s	CHIP, CHECKER (CONNECTOR)	
TP502	1-535-757-11	s	CHIP, CHECKER (CONNECTOR)	
TP503	1-535-757-11	s	CHIP, CHECKER (CONNECTOR)	
TP504	1-535-757-11	s	CHIP, CHECKER (CONNECTOR)	
TP521	1-535-757-11	s	CHIP, CHECKER (CONNECTOR)	
TP522	1-535-757-11	s	CHIP, CHECKER (CONNECTOR)	
TP700	1-535-757-11	s	CHIP, CHECKER (CONNECTOR)	
TP701	1-535-757-11	s	CHIP, CHECKER (CONNECTOR)	
TP702	1-535-757-11	s	CHIP, CHECKER (CONNECTOR)	
TP703	1-535-757-11	s	CHIP, CHECKER (CONNECTOR)	
TP704	1-535-757-11	s	CHIP, CHECKER (CONNECTOR)	
TP705	1-535-757-11	s	CHIP, CHECKER (CONNECTOR)	
TP706	1-535-757-11	s	CHIP, CHECKER (CONNECTOR)	
TP707	1-535-757-11	s	CHIP, CHECKER (CONNECTOR)	
TP708	1-535-757-11	s	CHIP, CHECKER (CONNECTOR)	
TP709	1-535-757-11	s	CHIP, CHECKER (CONNECTOR)	
TP710	1-535-757-11	s	CHIP, CHECKER (CONNECTOR)	
TP711	1-535-757-11	s	CHIP, CHECKER (CONNECTOR)	
TP770	1-535-757-11	s	CHIP, CHECKER (CONNECTOR)	
TP771	1-535-757-11	s	CHIP, CHECKER (CONNECTOR)	
TP772	1-535-757-11	s	CHIP, CHECKER (CONNECTOR)	
TP773	1-535-757-11	s	CHIP, CHECKER (CONNECTOR)	
TP774	1-535-757-11	s	CHIP, CHECKER (CONNECTOR)	
TP820	1-535-757-11	s	CHIP, CHECKER (CONNECTOR)	
TP821	1-535-757-11	s	CHIP, CHECKER (CONNECTOR)	
TP860	1-535-757-11	s	CHIP, CHECKER (CONNECTOR)	
TP861	1-535-757-11	s	CHIP, CHECKER (CONNECTOR)	
X401	1-781-544-11	s	VIBRATOR, CERAMIC	
X501	1-795-650-21	s	VIBRATOR, CRYSTAL	
X521	1-795-650-21	s	VIBRATOR, CRYSTAL	

-----  
F BOARD  
-----

Ref. No. or Q'ty	Part No.	SP	Description
1pc	A-1300-924-A	s	MOUNTED CIRCUIT BOARD, F
1pc	4-374-846-01	o	COVER,CAPACITOR,CAP TYPE
C501	△ 1-113-900-11	s	CAPACITOR,CERAMIC 470PF/250V
C502	△ 1-113-900-11	s	CAPACITOR,CERAMIC 470PF/250V
C503	△ 1-107-533-11	s	CAPACITOR FILM 1MF/250VAC
C504	△ 1-115-166-11	s	CAPACITOR,FILM 0.22MF/250VAC
C505	△ 1-115-166-11	s	CAPACITOR,FILM 0.22MF/250VAC
CN501	△ 1-815-470-11	s	INLET, AC
CN502	△ 1-691-960-21	o	PIN, CONNECTOR (PC BOARD) 3P
F501	△ 1-576-233-11	s	FUSE (H.B.C.) 6.3A/250V
FH501	1-533-223-11	s	CLIP,FUSE
FH502	1-533-223-11	s	CLIP,FUSE
L501	△ 1-456-134-11	s	COIL, LINE FILTER
L502	△ 1-456-134-11	s	COIL, LINE FILTER
R501	△ 1-202-847-00	s	RESISTOR,SOLID 560K 1/2W
VD501	△ 1-801-268-11	s	VARISTOR (TNR14V471K660)

-----  
G BOARD  
-----

Ref. No. or Q'ty	Part No.	SP	Description
1pc	A-1300-772-A	s	MOUNTED CIRCUIT BOARD, G
2pcs	7-682-648-09	s	SCREW +PS 3X8
C602	△ 1-137-639-11	s	CAPACITOR,PE FILM 0.47MF
C603	1-117-228-11	s	CAPACITOR,FILM 2.2MF/450V
C604	1-162-927-11	s	CAPACITOR,CERAMIC 100PF/50V CH
C605	1-107-826-11	s	CAPACITOR,CHIP CERAMIC 0.1MF
C606	1-127-715-11	s	CAPACITOR,CERAMIC 0.22MF B1608
C607	1-107-909-11	s	CAPACITOR,ELECT 47MF/50V
C608	1-125-898-11	s	CAPACITOR, CERAMIC 0.22MF 50V
C609	△ 1-117-752-11	s	CAPACITOR, ELECT 330MF/450V
C700	1-162-970-11	s	CAPACITOR CERAMIC 0.01MF/25V B
C701	1-136-479-11	s	CAPACITOR FILM 0.001MF/100V PP
C702	1-162-970-11	s	CAPACITOR CERAMIC 0.01MF/25V B
C703	1-115-835-11	s	CAPACITOR,ELECT 330MF/50V(105)
C704	1-109-994-11	s	CAPACITOR,CHIP CERAMIC 2.2MF B
C705	1-127-692-11	s	CAP, CHIP CERAMIC 10MF B 3216
C706	1-126-967-11	s	CAPACITOR,ELECT 47MF/50V
C707	1-130-495-00	s	CAPACITOR FILM 0.1MF/50V PETP
C708	1-135-834-11	s	CAPACITOR, CERAMIC 2200000PF
C709	1-137-754-81	s	CAPACITOR,PP FILM 6800PF
C711	△ 1-113-903-11	s	CAPACITOR,CERAMIC .001MF/250V
C712	1-107-826-11	s	CAPACITOR,CHIP CERAMIC 0.1MF
C713	1-115-789-11	s	CAPACITOR ELECT 1000MF/25V 105
C714	1-128-946-11	s	CAP, ELECT 2200MF / 10V
C715	1-107-826-11	s	CAPACITOR,CHIP CERAMIC 0.1MF
C716	1-115-789-11	s	CAPACITOR ELECT 1000MF/25V 105
C717	1-125-891-11	s	CAPACITOR CERAMIC 0.47MF/10V
C718	1-107-826-11	s	CAPACITOR,CHIP CERAMIC 0.1MF
C719	1-127-820-11	s	CAPACITOR, SQUARE CHIP 4.7MF
C720	1-107-826-11	s	CAPACITOR,CHIP CERAMIC 0.1MF
C724	1-125-891-11	s	CAPACITOR CERAMIC 0.47MF/10V
C729	1-107-826-11	s	CAPACITOR,CHIP CERAMIC 0.1MF
C732	1-126-205-11	s	CAPACITOR,ELECT 47M/6.3
C734	1-107-911-11	s	CAPACITOR,ELECT 220MF/50V
C744	1-135-960-91	s	CAP, CHIP CERAMIC 10MF B(3225)
C745	1-107-826-11	s	CAPACITOR,CHIP CERAMIC 0.1MF
C746	1-164-156-11	s	CAPACITOR,CERAMIC 0.1MF/25V F
C747	1-115-710-11	s	CAPACITOR,ELECT 1000MF/6.3V
C748	1-126-206-11	s	CAPACITOR, ELECT 100MF/6.3V
C749	1-107-826-11	s	CAPACITOR,CHIP CERAMIC 0.1MF
C751	1-107-826-11	s	CAPACITOR,CHIP CERAMIC 0.1MF
C850	1-107-826-11	s	CAPACITOR,CHIP CERAMIC 0.1MF
CN600	△ 1-691-960-21	o	PIN, CONNECTOR (PC BOARD) 3P
CN601	1-691-960-11	o	PIN,CONNECTOR (PC BOARD) 3P
CN702	1-691-591-11	o	PIN,CONNECTOR (8P)(SMD)(1.5MM)
CN703	1-766-376-11	s	PIN, CONNECTOR (1.5MM)(SMD) 9P
CN705	1-766-382-11	s	PIN, CONNECTOR (10P)(SMD)(1.5M
CN706	1-764-177-11	o	PIN,CONNECTOR (7P)(SMD)(1.5MM)
D600	8-719-022-14	s	DIODE UZM13B
D601	8-719-055-30	s	DIODE D1FS4A-TA
D602	△ 8-719-066-75	s	DIODE D6SB80
D603	8-719-055-30	s	DIODE D1FS4A-TA
D604	8-719-304-63	s	DIODE RM11C (RECTI)
D701	8-719-107-13	s	DIODE RD18M-B1
D702	8-719-110-42	s	DIODE RD15ES-B3
D703	8-719-055-30	s	DIODE D1FS4A-TA
D704	8-719-110-42	s	DIODE RD15ES-B3

(G BOARD)

Ref. No. or Q'ty	Part No.	SP	Description
D705	8-719-979-64	s	DIODE UF4005PKG23
D706	8-719-118-18	s	DIODE RD39M-B
D707	8-719-057-85	s	DIODE D2FS4-TA
D708	8-719-510-09	s	DIODE D10SC6M (RECTI)
D712	8-719-510-09	s	DIODE D10SC6M (RECTI)
D713	8-719-106-23	s	DIODE RD7.5M-B2
D715	8-719-510-09	s	DIODE D10SC6M (RECTI)
D716	8-719-073-01	s	DIODE MA111-(K8).S0
D717	8-719-073-01	s	DIODE MA111-(K8).S0
D718	8-719-073-01	s	DIODE MA111-(K8).S0
D719	8-719-073-01	s	DIODE MA111-(K8).S0
D720	8-719-073-01	s	DIODE MA111-(K8).S0
D721	8-719-073-01	s	DIODE MA111-(K8).S0
D722	8-719-073-01	s	DIODE MA111-(K8).S0
D724	8-719-073-01	s	DIODE MA111-(K8).S0
D730	8-719-057-85	s	DIODE D2FS4-TA
D731	8-719-106-23	s	DIODE RD7.5M-B2
FB701	1-500-451-11	s	MICRO INDUCTOR (CHIP) 41P750S
IC600	8-749-015-27	s	IC MZ1540
IC700	8-759-670-30	s	IC MCZ3001D
IC701	8-759-388-23	s	IC TL431BCDR2
IC724	8-759-533-85	s	IC L88M05T-FA-TL
IC725	8-759-066-55	s	IC TA75W393FU
IC730	8-759-485-63	s	IC MAX1626ESA-TE2
L601	△ 1-419-987-11	s	COIL, CHOKE 1290UH
L602	△ 1-456-173-11	s	COIL, CHOKE
L703	1-416-949-21	s	COIL, CHOKE (SMD)
L704	1-424-918-21	s	COIL, CHOKE (SMD) 10UH
PH700	△ 8-749-016-82	s	PHOTO COUPLER PC123GY2
PH701	△ 8-749-016-82	s	PHOTO COUPLER PC123GY2
PH702	△ 8-749-016-82	s	PHOTO COUPLER PC123GY2
Q600	8-729-230-27	s	TRANSISTOR 2SA1213Y-TE12L
Q700	△ 8-729-052-29	s	TRANSISTOR 2SK2876-01MR-F122
Q702	8-729-230-49	s	TRANSISTOR 2SC2712-YG
Q703	8-729-216-22	s	TRANSISTOR 2SA1162-G
Q704	8-729-230-49	s	TRANSISTOR 2SC2712-YG
Q705	8-729-230-49	s	TRANSISTOR 2SC2712-YG
Q707	8-729-048-69	s	TRANSISTOR 2SJ530S-TL
Q709	8-729-230-49	s	TRANSISTOR 2SC2712-YG
Q711	8-729-048-69	s	TRANSISTOR 2SJ530S-TL
Q712	△ 8-729-052-29	s	TRANSISTOR 2SK2876-01MR-F122
Q713	8-729-048-69	s	TRANSISTOR 2SJ530S-TL
Q717	8-729-230-27	s	TRANSISTOR 2SA1213Y-TE12L
Q718	8-729-047-32	s	TRANSISTOR SI4425DY-T1
Q720	8-729-230-49	s	TRANSISTOR 2SC2712-YG
R600	△ 1-219-363-11	s	RESISTOR, CEMENT 5.6/5W (FUSE)
R601	1-218-861-11	s	RESISTOR,CHIP 3.9K 1/10W(1608)
R602	1-220-269-11	s	RESISTOR, CHIP 330 1/2W (4532)
R603	1-218-863-11	s	RESISTOR,CHIP 4.7K 1/10W(1608)
R604	1-220-269-11	s	RESISTOR, CHIP 330 1/2W (4532)
R606	1-216-833-11	s	RESISTOR,CHIP 10K 1/10W (1608)
R607	1-219-738-11	s	RES, 0.08 (REGISTOR, METAL)
R700	1-249-389-11	s	RES,CARBON 4.7 1/4W
R701	1-216-809-11	s	RESISTOR,CHIP 100 1/10W 1608
R703	1-218-873-11	s	RESISTOR,CHIP 12K 1/10W (1608)
R704	1-218-843-11	s	RESISTOR,CHIP 680 1/10W (1608)

(G BOARD)

Ref. No. or Q'ty	Part No.	SP	Description
R705	1-216-836-11	s	RESISTOR, CHIP 18K 1/10W 1608
R706	1-218-877-11	s	RESISTOR,CHIP 18K 1/10W (1608)
R707	1-220-338-11	s	RESISTOR,CHIP 330K 1/2W (4532)
R708	1-220-338-11	s	RESISTOR,CHIP 330K 1/2W (4532)
R709	1-220-338-11	s	RESISTOR,CHIP 330K 1/2W (4532)
R710	1-216-797-11	s	RESISTOR,CHIP 10 1/10W 1608
R711	1-216-797-11	s	RESISTOR,CHIP 10 1/10W 1608
R712	1-249-417-11	s	RESISTOR,CARBON 1K 1/4W(SMALL)
R713	1-216-815-11	s	RESISTOR,CHIP 330 1/10W 1608
R714	1-216-833-11	s	RESISTOR,CHIP 10K 1/10W (1608)
R715	1-216-833-11	s	RESISTOR,CHIP 10K 1/10W (1608)
R717	1-216-833-11	s	RESISTOR,CHIP 10K 1/10W (1608)
R718	1-202-933-61	s	RESISTOR, FUSE 0.1 1/2W
R719	1-220-993-91	s	RESISTOR,CHIP 0.68 5025
R722	1-216-845-11	s	RESISTOR,CHIP 100K 1/10W(1608)
R723	1-216-833-11	s	RESISTOR,CHIP 10K 1/10W (1608)
R724	1-249-393-11	s	RES,CARBON 10 1/4W
R725	1-216-821-11	s	RESISTOR,CHIP 1.0K 1/10W(1608)
R726	1-216-821-11	s	RESISTOR,CHIP 1.0K 1/10W(1608)
R728	1-216-834-11	s	RESISTOR,CHIP 12K 1/16W 1608
R729	1-216-817-11	s	RESISTOR,CHIP 470 1/10W 1608
R730	1-216-827-11	s	RESISTOR, CHIP 3.3K 1/10W 1608
R731	1-216-833-11	s	RESISTOR,CHIP 10K 1/10W (1608)
R732	1-216-833-11	s	RESISTOR,CHIP 10K 1/10W (1608)
R733	1-218-859-11	s	RESISTOR,CHIP 3.3K 1/10W(1608)
R734	1-216-841-11	s	RESISTOR, CHIP 47K 1/10W 1608
R735	1-218-857-11	s	RESISTOR,CHIP 2.7K 1/10W(1608)
R736	1-218-861-11	s	RESISTOR,CHIP 3.9K 1/10W(1608)
R737	1-218-887-11	s	RESISTOR,CHIP 47K 1/10W (1608)
R738	1-218-855-11	s	RESISTOR,CHIP 2.2K 1/10W(1608)
R739	1-216-841-11	s	RESISTOR, CHIP 47K 1/10W 1608
R740	1-216-827-11	s	RESISTOR, CHIP 3.3K 1/10W 1608
R741	1-216-845-11	s	RESISTOR,CHIP 100K 1/10W(1608)
R742	1-216-827-11	s	RESISTOR, CHIP 3.3K 1/10W 1608
R743	1-216-833-11	s	RESISTOR,CHIP 10K 1/10W (1608)
R744	1-216-827-11	s	RESISTOR, CHIP 3.3K 1/10W 1608
R745	1-216-845-11	s	RESISTOR,CHIP 100K 1/10W(1608)
R746	1-216-827-11	s	RESISTOR, CHIP 3.3K 1/10W 1608
R747	1-216-841-11	s	RESISTOR, CHIP 47K 1/10W 1608
R748	1-216-839-11	s	RESISTOR,CHIP 33K 1/10W 1608
R749	1-216-825-11	s	RESISTOR,CHIP 2.2K 1/10W 1608
R750	1-216-833-11	s	RESISTOR,CHIP 10K 1/10W (1608)
R751	1-216-837-11	s	RESISTOR,CHIP 22K 1/16W 1608
R753	1-216-833-11	s	RESISTOR,CHIP 10K 1/10W (1608)
R754	1-216-833-11	s	RESISTOR,CHIP 10K 1/10W (1608)
R758	1-216-833-11	s	RESISTOR,CHIP 10K 1/10W (1608)
R759	1-220-993-91	s	RESISTOR,CHIP 0.68 5025
R760	1-216-821-11	s	RESISTOR,CHIP 1.0K 1/10W(1608)
R770	1-249-389-11	s	RES,CARBON 4.7 1/4W
R771	1-216-825-11	s	RESISTOR,CHIP 2.2K 1/10W 1608
R772	1-216-833-11	s	RESISTOR,CHIP 10K 1/10W (1608)
R774	1-243-631-11	s	FIXED RESISTOR 30M
R775	1-216-841-11	s	RESISTOR, CHIP 47K 1/10W 1608
R776	1-216-841-11	s	RESISTOR, CHIP 47K 1/10W 1608
R777	1-216-841-11	s	RESISTOR, CHIP 47K 1/10W 1608
R778	1-216-834-11	s	RESISTOR,CHIP 12K 1/16W 1608
R780	1-216-829-11	s	RESISTOR,CHIP 4.7K 1/10W(1608)
R799	1-249-393-11	s	RES,CARBON 10 1/4W

(G BOARD)

Ref. No. or Q'ty	Part No.	SP Description
RY600	△ 1-755-395-11	s RELAY (AC POWER)
T700	△ 1-437-301-11	s TRANSFORMER, CONVERTER (PIT)

-----  
HA BOARD  
-----

Ref. No. or Q'ty	Part No.	SP Description
1pc	A-1401-579-A	s MOUNTED CIRCUIT BOARD, HA
CN63	1-770-629-21	s PIN, CONNECTOR 12P
CN64	1-770-625-21	s PIN, CONNECTOR 8P
R64	1-218-963-11	s RESISTOR,CHIP 6.8K 1/16W
R66	1-218-960-11	s RESISTOR, CHIP 3.9K 1/16W
R68	1-218-966-11	s RESISTOR, CHIP 12K
R69	1-218-958-11	s RESISTOR,CHIP 2.7K 1/16W(1005)
R71	1-218-960-11	s RESISTOR, CHIP 3.9K 1/16W
R72	1-218-955-11	s RESISTOR, CHIP 1.5K
R73	1-218-957-11	s RESISTOR,CHIP 2.2K 1/16W(1608)
R74	1-218-955-11	s RESISTOR, CHIP 1.5K
R75	1-218-967-11	s RESISTOR,CHIP 15K 1/16W (1608)
R76	1-218-956-11	s RESISTOR, CHIP 1.8K
R77	1-218-956-11	s RESISTOR, CHIP 1.8K
S62	1-771-105-11	s SWITCH, TACTILE
S63	1-771-105-11	s SWITCH, TACTILE
S64	1-771-105-11	s SWITCH, TACTILE
S66	1-771-105-11	s SWITCH, TACTILE
S67	1-771-105-11	s SWITCH, TACTILE
S68	1-771-105-11	s SWITCH, TACTILE
S69	1-771-105-11	s SWITCH, TACTILE
S70	1-771-105-11	s SWITCH, TACTILE

-----  
HB BOARD  
-----

Ref. No. or Q'ty	Part No.	SP Description
1pc	A-1401-580-A	s MOUNTED CIRCUIT BOARD, HB
C61	1-125-777-11	s CAPACITOR CERAMIC 0.1MF/10V
CN61	1-770-629-21	s PIN, CONNECTOR 12P
CN62	1-770-629-21	s PIN, CONNECTOR 12P
D61	8-719-914-44	s DIODE DAP202K (DUAL)
D62	8-719-914-43	s DIODE DAN202K
D63	8-719-914-44	s DIODE DAP202K (DUAL)
D64	8-719-914-43	s DIODE DAN202K
R61	1-218-970-11	s RESISTOR CHIP 27K 1/16W (1005)
R62	1-218-966-11	s RESISTOR, CHIP 12K
R63	1-218-963-11	s RESISTOR,CHIP 6.8K 1/16W
R65	1-218-960-11	s RESISTOR, CHIP 3.9K 1/16W
R67	1-218-958-11	s RESISTOR,CHIP 2.7K 1/16W(1005)
R70	1-218-957-11	s RESISTOR,CHIP 2.2K 1/16W(1608)
R86	1-218-959-11	s RESISTOR, CHIP 3.3K
S61	1-786-409-11	s SWITCH, TACTILE
S65	1-771-105-11	s SWITCH, TACTILE

-----  
 HC BOARD  
 -----

Ref. No. or Q'ty	Part No.	SP	Description
1pc	A-1401-578-A	s	MOUNTED CIRCUIT BOARD, HC
C81	1-125-777-11	s	CAPACITOR CERAMIC 0.1MF/10V
CN81	1-770-625-21	s	PIN, CONNECTOR 8P
D81	8-719-045-61	s	DIODE SEC1901C
D82	8-719-045-61	s	DIODE SEC1901C
D83	8-719-045-51	s	DIODE SEC2422C
D84	8-719-045-53	s	DIODE SEC1801C
D85	8-719-914-44	s	DIODE DAP202K (DUAL)
D86	8-719-914-43	s	DIODE DAN202K
D87	8-719-914-44	s	DIODE DAP202K (DUAL)
D88	8-719-914-43	s	DIODE DAN202K
D89	8-719-914-44	s	DIODE DAP202K (DUAL)
D90	8-719-914-43	s	DIODE DAN202K
Q81	8-729-028-91	s	TRANSISTOR DTA144EUA-T106
Q82	8-729-028-91	s	TRANSISTOR DTA144EUA-T106
Q83	8-729-028-91	s	TRANSISTOR DTA144EUA-T106
Q84	8-729-028-91	s	TRANSISTOR DTA144EUA-T106
Q85	8-729-028-91	s	TRANSISTOR DTA144EUA-T106
R81	1-218-941-11	s	RESISTOR,CHIP 100 1/16W (1005)
R82	1-218-941-11	s	RESISTOR,CHIP 100 1/16W (1005)
R83	1-218-941-11	s	RESISTOR,CHIP 100 1/16W (1005)
R84	1-218-941-11	s	RESISTOR,CHIP 100 1/16W (1005)
R85	1-218-941-11	s	RESISTOR,CHIP 100 1/16W (1005)

-----  
 L BOARD  
 -----

Ref. No. or Q'ty	Part No.	SP	Description
1pc	A-1401-568-A	s	MOUNTED CIRCUIT BOARD, L
C31	1-107-820-11	s	CAPACITOR,CHIP CERAMIC 0.1MF F
CN31	1-770-619-11	o	PIN, CONNECTOR 2P
D31	6-500-318-01	s	DIODE NSCW100
R31	1-218-941-11	s	RESISTOR,CHIP 100 1/16W (1005)

-----  
 MD BOARD  
 -----

Ref. No. or Q'ty	Part No.	SP	Description
1pc	A-1300-767-A	s	MOUNTED CIRCUIT BOARD, MD
C801	1-107-826-11	s	CAPACITOR,CHIP CERAMIC 0.1MF
C802	1-126-205-11	s	CAPACITOR,ELECT 47M/6.3
C803	1-127-692-11	s	CAP, CHIP CERAMIC 10MF B 3216
C805	1-164-156-11	s	CAPACITOR,CERAMIC 0.1MF/25V F
C806	1-107-826-11	s	CAPACITOR,CHIP CERAMIC 0.1MF
C807	1-126-205-11	s	CAPACITOR,ELECT 47M/6.3
C808	1-126-205-11	s	CAPACITOR,ELECT 47M/6.3
C809	1-126-205-11	s	CAPACITOR,ELECT 47M/6.3
C810	1-126-205-11	s	CAPACITOR,ELECT 47M/6.3
C811	1-126-205-11	s	CAPACITOR,ELECT 47M/6.3
C812	1-126-205-11	s	CAPACITOR,ELECT 47M/6.3
C813	1-107-826-11	s	CAPACITOR,CHIP CERAMIC 0.1MF
C814	1-107-826-11	s	CAPACITOR,CHIP CERAMIC 0.1MF
C815	1-107-826-11	s	CAPACITOR,CHIP CERAMIC 0.1MF
C816	1-107-826-11	s	CAPACITOR,CHIP CERAMIC 0.1MF
CN801	1-691-551-11	o	PIN, CONNECTOR (SMD) 8P
CN802	1-564-706-11	o	PIN,CONNECTOR (4P)
D801	8-719-069-55	s	DIODE UDZS-TE17-5.6B
D802	8-719-069-55	s	DIODE UDZS-TE17-5.6B
D803	8-719-069-55	s	DIODE UDZS-TE17-5.6B
D804	8-719-069-55	s	DIODE UDZS-TE17-5.6B
D805	8-719-073-01	s	DIODE MA111-(K8).SO
D806	8-719-073-01	s	DIODE MA111-(K8).SO
IC801	6-802-370-01	s	IC ISPLSI2032VE-110LT44A-51GB
IC802	8-759-533-85	s	IC L88M05T-FA-TL
IC803	8-759-274-09	s	IC BA6286N
IC804	8-759-274-09	s	IC BA6286N
R801	1-216-809-11	s	RESISTOR,CHIP 100 1/10W 1608
R802	1-216-809-11	s	RESISTOR,CHIP 100 1/10W 1608
R803	1-216-809-11	s	RESISTOR,CHIP 100 1/10W 1608
R804	1-216-809-11	s	RESISTOR,CHIP 100 1/10W 1608
R805	1-216-839-11	s	RESISTOR,CHIP 33K 1/10W 1608
R806	1-216-839-11	s	RESISTOR,CHIP 33K 1/10W 1608
R807	1-216-839-11	s	RESISTOR,CHIP 33K 1/10W 1608
R808	1-216-839-11	s	RESISTOR,CHIP 33K 1/10W 1608
R809	1-216-839-11	s	RESISTOR,CHIP 33K 1/10W 1608
R810	1-216-805-11	s	RESISTOR,CHIP 47 1/10W 1608
R811	1-216-805-11	s	RESISTOR,CHIP 47 1/10W 1608
R812	1-216-805-11	s	RESISTOR,CHIP 47 1/10W 1608
R813	1-216-805-11	s	RESISTOR,CHIP 47 1/10W 1608
R814	1-216-353-00	s	RESISTOR,METAL FILM 2.2/1W
R815	1-216-353-00	s	RESISTOR,METAL FILM 2.2/1W

-----  
MS BOARD  
-----

Ref. No. or Q'ty	Part No.	SP Description
1pc	A-1300-769-A	s MOUNTED CIRCUIT BOARD, MS
C1007	1-119-667-11	s CAPACITOR CERAMIC 22MF/10V(F)
C1008	1-107-820-11	s CAPACITOR,CHIP CERAMIC 0.1MF F
C1010	1-119-667-11	s CAPACITOR CERAMIC 22MF/10V(F)
C1011	1-107-820-11	s CAPACITOR,CHIP CERAMIC 0.1MF F
C1012	1-107-820-11	s CAPACITOR,CHIP CERAMIC 0.1MF F
C1013	1-107-820-11	s CAPACITOR,CHIP CERAMIC 0.1MF F
C1014	1-115-467-11	s CAPACITOR CERAMIC 0.22MF/10V B
C1015	1-164-935-11	s CAPACITOR,CHIP CERAMIC 470PF
C1016	1-119-667-11	s CAPACITOR CERAMIC 22MF/10V(F)
C1017	1-107-820-11	s CAPACITOR,CHIP CERAMIC 0.1MF F
C1018	1-107-820-11	s CAPACITOR,CHIP CERAMIC 0.1MF F
C1019	1-107-820-11	s CAPACITOR,CHIP CERAMIC 0.1MF F
C1020	1-107-820-11	s CAPACITOR,CHIP CERAMIC 0.1MF F
C1021	1-107-820-11	s CAPACITOR,CHIP CERAMIC 0.1MF F
C1022	1-107-820-11	s CAPACITOR,CHIP CERAMIC 0.1MF F
C1023	1-107-820-11	s CAPACITOR,CHIP CERAMIC 0.1MF F
C1024	1-107-820-11	s CAPACITOR,CHIP CERAMIC 0.1MF F
C1025	1-107-820-11	s CAPACITOR,CHIP CERAMIC 0.1MF F
C1027	1-107-820-11	s CAPACITOR,CHIP CERAMIC 0.1MF F
C1028	1-164-505-11	s CAPACITOR,CHIP CERAMIC 2.2MF
C1029	1-117-370-11	s CAPASITER CERAMIC 10MF (3216)
C1030	1-117-370-11	s CAPASITER CERAMIC 10MF (3216)
C1031	1-117-720-11	s CAPACITOR, CERAMIC 4.7MF/10V F
C1032	1-117-720-11	s CAPACITOR, CERAMIC 4.7MF/10V F
C1037	1-107-820-11	s CAPACITOR,CHIP CERAMIC 0.1MF F
C1039	1-107-820-11	s CAPACITOR,CHIP CERAMIC 0.1MF F
C1040	1-107-820-11	s CAPACITOR,CHIP CERAMIC 0.1MF F
C1041	1-107-820-11	s CAPACITOR,CHIP CERAMIC 0.1MF F
C1042	1-107-820-11	s CAPACITOR,CHIP CERAMIC 0.1MF F
C1043	1-107-820-11	s CAPACITOR,CHIP CERAMIC 0.1MF F
C1044	1-164-941-11	s CAPACITOR,CHIP CERAMIC 4700/16
C1045	1-164-941-11	s CAPACITOR,CHIP CERAMIC 4700/16
C1302	1-107-820-11	s CAPACITOR,CHIP CERAMIC 0.1MF F
C1304	1-107-820-11	s CAPACITOR,CHIP CERAMIC 0.1MF F
C1305	1-119-667-11	s CAPACITOR CERAMIC 22MF/10V(F)
C1306	1-107-820-11	s CAPACITOR,CHIP CERAMIC 0.1MF F
C2001	1-107-820-11	s CAPACITOR,CHIP CERAMIC 0.1MF F
C2002	1-119-667-11	s CAPACITOR CERAMIC 22MF/10V(F)
C2003	1-107-820-11	s CAPACITOR,CHIP CERAMIC 0.1MF F
C2004	1-119-667-11	s CAPACITOR CERAMIC 22MF/10V(F)
C2005	1-107-820-11	s CAPACITOR,CHIP CERAMIC 0.1MF F
C2006	1-119-667-11	s CAPACITOR CERAMIC 22MF/10V(F)
C2007	1-107-820-11	s CAPACITOR,CHIP CERAMIC 0.1MF F
C2008	1-107-820-11	s CAPACITOR,CHIP CERAMIC 0.1MF F
C2009	1-107-820-11	s CAPACITOR,CHIP CERAMIC 0.1MF F
C2010	1-107-820-11	s CAPACITOR,CHIP CERAMIC 0.1MF F
C2011	1-107-820-11	s CAPACITOR,CHIP CERAMIC 0.1MF F
C2012	1-107-820-11	s CAPACITOR,CHIP CERAMIC 0.1MF F
C2013	1-107-820-11	s CAPACITOR,CHIP CERAMIC 0.1MF F
C2014	1-107-820-11	s CAPACITOR,CHIP CERAMIC 0.1MF F
C2015	1-107-820-11	s CAPACITOR,CHIP CERAMIC 0.1MF F
C2016	1-107-820-11	s CAPACITOR,CHIP CERAMIC 0.1MF F
C2017	1-107-820-11	s CAPACITOR,CHIP CERAMIC 0.1MF F
C2018	1-107-820-11	s CAPACITOR,CHIP CERAMIC 0.1MF F
C2019	1-107-820-11	s CAPACITOR,CHIP CERAMIC 0.1MF F
C2020	1-107-820-11	s CAPACITOR,CHIP CERAMIC 0.1MF F
C2021	1-107-820-11	s CAPACITOR,CHIP CERAMIC 0.1MF F

(MS BOARD)

Ref. No. or Q'ty	Part No.	SP Description
C2022	1-107-820-11	s CAPACITOR,CHIP CERAMIC 0.1MF F
C2023	1-107-820-11	s CAPACITOR,CHIP CERAMIC 0.1MF F
C2024	1-107-820-11	s CAPACITOR,CHIP CERAMIC 0.1MF F
C2025	1-107-820-11	s CAPACITOR,CHIP CERAMIC 0.1MF F
C2026	1-107-820-11	s CAPACITOR,CHIP CERAMIC 0.1MF F
C2027	1-107-820-11	s CAPACITOR,CHIP CERAMIC 0.1MF F
C2028	1-107-820-11	s CAPACITOR,CHIP CERAMIC 0.1MF F
C2029	1-107-820-11	s CAPACITOR,CHIP CERAMIC 0.1MF F
C2030	1-107-820-11	s CAPACITOR,CHIP CERAMIC 0.1MF F
C2031	1-107-820-11	s CAPACITOR,CHIP CERAMIC 0.1MF F
C3001	1-119-667-11	s CAPACITOR CERAMIC 22MF/10V(F)
C3002	1-107-820-11	s CAPACITOR,CHIP CERAMIC 0.1MF F
C3003	1-107-820-11	s CAPACITOR,CHIP CERAMIC 0.1MF F
C3004	1-107-820-11	s CAPACITOR,CHIP CERAMIC 0.1MF F
C3005	1-107-820-11	s CAPACITOR,CHIP CERAMIC 0.1MF F
C3006	1-107-820-11	s CAPACITOR,CHIP CERAMIC 0.1MF F
C3007	1-107-820-11	s CAPACITOR,CHIP CERAMIC 0.1MF F
C3008	1-107-820-11	s CAPACITOR,CHIP CERAMIC 0.1MF F
C3009	1-119-667-11	s CAPACITOR CERAMIC 22MF/10V(F)
C3010	1-107-820-11	s CAPACITOR,CHIP CERAMIC 0.1MF F
C3011	1-107-820-11	s CAPACITOR,CHIP CERAMIC 0.1MF F
C3012	1-107-820-11	s CAPACITOR,CHIP CERAMIC 0.1MF F
C3013	1-107-820-11	s CAPACITOR,CHIP CERAMIC 0.1MF F
C3014	1-107-820-11	s CAPACITOR,CHIP CERAMIC 0.1MF F
C3015	1-107-820-11	s CAPACITOR,CHIP CERAMIC 0.1MF F
C3016	1-107-820-11	s CAPACITOR,CHIP CERAMIC 0.1MF F
C3017	1-119-667-11	s CAPACITOR CERAMIC 22MF/10V(F)
C3018	1-107-820-11	s CAPACITOR,CHIP CERAMIC 0.1MF F
C3019	1-107-820-11	s CAPACITOR,CHIP CERAMIC 0.1MF F
C3020	1-107-820-11	s CAPACITOR,CHIP CERAMIC 0.1MF F
C3021	1-107-820-11	s CAPACITOR,CHIP CERAMIC 0.1MF F
C3022	1-119-667-11	s CAPACITOR CERAMIC 22MF/10V(F)
C3023	1-107-820-11	s CAPACITOR,CHIP CERAMIC 0.1MF F
C3024	1-107-820-11	s CAPACITOR,CHIP CERAMIC 0.1MF F
CN1001	1-785-613-11	o CONNECTOR, FFC/FPC 50P
CN1304	1-815-368-13	o CONNECTOR, CARD (MEMORY STICK)
CN2001	1-770-627-21	s PIN, CONNECTOR 10P
D1001	8-719-045-61	s DIODE SEC1901C
D1301	8-719-045-61	s DIODE SEC1901C
D1302	8-719-059-53	s DIODE MA3J14700LSO
D1303	8-719-059-53	s DIODE MA3J14700LSO
D1304	8-719-059-53	s DIODE MA3J14700LSO
D1305	8-719-059-53	s DIODE MA3J14700LSO
FB1001	1-400-150-11	s FERRITE, EMI (SMD)
FB1003	1-414-921-11	s INDUCTOR, FERRITE BEAD
FB1004	1-414-921-11	s INDUCTOR, FERRITE BEAD
FB1005	1-414-921-11	s INDUCTOR, FERRITE BEAD
FB1006	1-414-921-11	s INDUCTOR, FERRITE BEAD
FB1007	1-414-921-11	s INDUCTOR, FERRITE BEAD
FB1008	1-414-921-11	s INDUCTOR, FERRITE BEAD
FB1009	1-414-921-11	s INDUCTOR, FERRITE BEAD
FB1013	1-414-921-11	s INDUCTOR, FERRITE BEAD
FB1014	1-414-921-11	s INDUCTOR, FERRITE BEAD
FB1015	1-414-921-11	s INDUCTOR, FERRITE BEAD
FB1016	1-414-921-11	s INDUCTOR, FERRITE BEAD
FB1017	1-414-921-11	s INDUCTOR, FERRITE BEAD
FB2001	1-414-921-11	s INDUCTOR, FERRITE BEAD
FB2002	1-469-670-11	o FERRITE, EMI (SMD)



## (MS BOARD)

Ref. No. or Q'ty	Part No.	SP	Description
FB2003	1-414-921-11	s	INDUCTOR, FERRITE BEAD
FB3001	1-414-921-11	s	INDUCTOR, FERRITE BEAD
FB3002	1-414-921-11	s	INDUCTOR, FERRITE BEAD
FB3003	1-414-921-11	s	INDUCTOR, FERRITE BEAD
IC1002	6-700-953-01	s	IC LM1117MPX-1.8
IC1004	8-759-331-27	s	IC MM1096AFF
IC1005	6-702-607-01	s	IC MB93491
IC1006	8-759-661-55	s	IC ST24FC21M6TR
IC1007	8-759-665-50	s	IC AK4352VT-E2
IC1009	8-759-549-14	s	IC SN74LV244APWR
IC1012	8-759-082-60	s	IC TC7S66FU
IC1013	8-759-082-60	s	IC TC7S66FU
IC1014	8-759-575-16	s	IC LMC7101BIM5X
IC1015	8-759-575-16	s	IC LMC7101BIM5X
IC3001	6-702-511-11	s	IC MT48LC8M16A2TG-75-Y95WT
IC3002	6-702-511-11	s	IC MT48LC8M16A2TG-75-Y95WT
IC3003	6-703-309-01	s	IC MBM29LV160BE-90TN-SX1745
IC3004	6-702-812-11	s	IC CY27027ZZCT
L1001	1-414-770-91	s	INDUCTOR 4.7UH
L3001	1-469-058-11	s	INDUCTOR 22UH
Q1001	8-729-013-28	s	TRANSISTOR HN1B01FU-TE85R
Q1002	8-729-026-53	s	TRANSISTOR 2SA1576A-T106-QR
Q1004	8-729-029-14	s	TRANSISTOR DTC144EUA-T106
Q1007	8-729-029-14	s	TRANSISTOR DTC144EUA-T106
Q1301	8-729-029-14	s	TRANSISTOR DTC144EUA-T106
Q1302	8-729-026-53	s	TRANSISTOR 2SA1576A-T106-QR
Q1303	8-729-026-53	s	TRANSISTOR 2SA1576A-T106-QR
Q2001	8-729-013-28	s	TRANSISTOR HN1B01FU-TE85R
R1005	1-218-961-11	s	RESISTOR, CHIP 4.7K 1/16W
R1006	1-218-961-11	s	RESISTOR, CHIP 4.7K 1/16W
R1007	1-218-965-11	s	RESISTOR, CHIP 10K 1/16W
R1008	1-218-989-11	s	RESISTOR,CHIP 1M 1/16W (1005)
R1009	1-208-643-11	s	RESISTOR CHIP 22 1/16W (1005)
R1010	1-218-965-11	s	RESISTOR, CHIP 10K 1/16W
R1011	1-218-965-11	s	RESISTOR, CHIP 10K 1/16W
R1012	1-218-990-11	s	RESISTOR,CHIP 0 1/16W (1005)
R1013	1-218-990-11	s	RESISTOR,CHIP 0 1/16W (1005)
R1014	1-218-941-11	s	RESISTOR,CHIP 100 1/16W (1005)
R1015	1-218-965-11	s	RESISTOR, CHIP 10K 1/16W
R1016	1-218-945-11	s	RESISTOR,CHIP 220 1/16W(1005)
R1017	1-218-961-11	s	RESISTOR, CHIP 4.7K 1/16W
R1018	1-218-961-11	s	RESISTOR, CHIP 4.7K 1/16W
R1019	1-218-965-11	s	RESISTOR, CHIP 10K 1/16W
R1020	1-208-643-11	s	RESISTOR CHIP 22 1/16W (1005)
R1021	1-208-643-11	s	RESISTOR CHIP 22 1/16W (1005)
R1023	1-218-965-11	s	RESISTOR, CHIP 10K 1/16W
R1031	1-218-965-11	s	RESISTOR, CHIP 10K 1/16W
R1032	1-218-965-11	s	RESISTOR, CHIP 10K 1/16W
R1033	1-219-606-11	s	RESISTOR,CHIP 100K 1/16W(1005)
R1034	1-219-606-11	s	RESISTOR,CHIP 100K 1/16W(1005)
R1035	1-218-973-11	s	RESISTOR,CHIP 47K 1/16W (1005)
R1036	1-218-973-11	s	RESISTOR,CHIP 47K 1/16W (1005)
R1041	1-208-643-11	s	RESISTOR CHIP 22 1/16W (1005)
R1045	1-208-643-11	s	RESISTOR CHIP 22 1/16W (1005)
R1047	1-218-965-11	s	RESISTOR, CHIP 10K 1/16W
R1048	1-218-965-11	s	RESISTOR, CHIP 10K 1/16W
R1049	1-218-965-11	s	RESISTOR, CHIP 10K 1/16W
R1056	1-208-643-11	s	RESISTOR CHIP 22 1/16W (1005)

## (MS BOARD)

Ref. No. or Q'ty	Part No.	SP	Description
R1062	1-208-643-11	s	RESISTOR CHIP 22 1/16W (1005)
R1064	1-208-643-11	s	RESISTOR CHIP 22 1/16W (1005)
R1065	1-208-643-11	s	RESISTOR CHIP 22 1/16W (1005)
R1067	1-218-965-11	s	RESISTOR, CHIP 10K 1/16W
R1068	1-218-965-11	s	RESISTOR, CHIP 10K 1/16W
R1070	1-208-643-11	s	RESISTOR CHIP 22 1/16W (1005)
R1071	1-218-965-11	s	RESISTOR, CHIP 10K 1/16W
R1075	1-218-965-11	s	RESISTOR, CHIP 10K 1/16W
R1076	1-218-961-11	s	RESISTOR, CHIP 4.7K 1/16W
R1081	1-219-606-11	s	RESISTOR,CHIP 100K 1/16W(1005)
R1082	1-219-606-11	s	RESISTOR,CHIP 100K 1/16W(1005)
R1083	1-218-957-11	s	RESISTOR,CHIP 2.2K 1/16W(1608)
R1084	1-218-957-11	s	RESISTOR,CHIP 2.2K 1/16W(1608)
R1085	1-218-965-11	s	RESISTOR, CHIP 10K 1/16W
R1086	1-218-965-11	s	RESISTOR, CHIP 10K 1/16W
R1087	1-218-941-11	s	RESISTOR,CHIP 100 1/16W (1005)
R1088	1-218-941-11	s	RESISTOR,CHIP 100 1/16W (1005)
R1090	1-218-953-11	s	RESISTOR, CHIP 1K 1/16W
R1201	1-208-643-11	s	RESISTOR CHIP 22 1/16W (1005)
R1301	1-218-965-11	s	RESISTOR, CHIP 10K 1/16W
R1302	1-218-937-11	s	RESISTOR, CHIP 47
R1303	1-218-941-11	s	RESISTOR,CHIP 100 1/16W (1005)
R1305	1-218-977-11	s	RESISTOR,CHIP 100K 1/16W(1005)
R1306	1-218-953-11	s	RESISTOR, CHIP 1K 1/16W
R1311	1-218-957-11	s	RESISTOR,CHIP 2.2K 1/16W(1608)
R2001	1-218-990-11	s	RESISTOR,CHIP 0 1/16W (1005)
R2002	1-218-965-11	s	RESISTOR, CHIP 10K 1/16W
R2003	1-218-965-11	s	RESISTOR, CHIP 10K 1/16W
R2004	1-218-990-11	s	RESISTOR,CHIP 0 1/16W (1005)
R2005	1-218-990-11	s	RESISTOR,CHIP 0 1/16W (1005)
R2006	1-218-990-11	s	RESISTOR,CHIP 0 1/16W (1005)
R2007	1-218-990-11	s	RESISTOR,CHIP 0 1/16W (1005)
R2008	1-218-965-11	s	RESISTOR, CHIP 10K 1/16W
R2009	1-218-965-11	s	RESISTOR, CHIP 10K 1/16W
R2010	1-218-965-11	s	RESISTOR, CHIP 10K 1/16W
R2011	1-218-965-11	s	RESISTOR, CHIP 10K 1/16W
R2012	1-208-643-11	s	RESISTOR CHIP 22 1/16W (1005)
R2013	1-218-937-11	s	RESISTOR, CHIP 47
R2014	1-208-643-11	s	RESISTOR CHIP 22 1/16W (1005)
R2015	1-218-965-11	s	RESISTOR, CHIP 10K 1/16W
R2016	1-218-961-11	s	RESISTOR, CHIP 4.7K 1/16W
R2017	1-218-941-11	s	RESISTOR,CHIP 100 1/16W (1005)
R2018	1-218-965-11	s	RESISTOR, CHIP 10K 1/16W
R2019	1-208-643-11	s	RESISTOR CHIP 22 1/16W (1005)
R2020	1-208-643-11	s	RESISTOR CHIP 22 1/16W (1005)
R2021	1-208-643-11	s	RESISTOR CHIP 22 1/16W (1005)
R2022	1-208-643-11	s	RESISTOR CHIP 22 1/16W (1005)
R2023	1-208-643-11	s	RESISTOR CHIP 22 1/16W (1005)
R2025	1-218-965-11	s	RESISTOR, CHIP 10K 1/16W
R2026	1-218-965-11	s	RESISTOR, CHIP 10K 1/16W
R2027	1-218-941-11	s	RESISTOR,CHIP 100 1/16W (1005)
R3001	1-218-990-11	s	RESISTOR,CHIP 0 1/16W (1005)
R3002	1-218-990-11	s	RESISTOR,CHIP 0 1/16W (1005)
R3003	1-208-643-11	s	RESISTOR CHIP 22 1/16W (1005)
R3004	1-208-643-11	s	RESISTOR CHIP 22 1/16W (1005)
R3005	1-208-643-11	s	RESISTOR CHIP 22 1/16W (1005)
R3006	1-208-643-11	s	RESISTOR CHIP 22 1/16W (1005)
R3007	1-208-643-11	s	RESISTOR CHIP 22 1/16W (1005)
R3008	1-208-643-11	s	RESISTOR CHIP 22 1/16W (1005)

(MS BOARD)

Ref. No. or Q'ty	Part No.	SP Description
R3009	1-208-643-11	s RESISTOR CHIP 22 1/16W (1005)
R3010	1-208-643-11	s RESISTOR CHIP 22 1/16W (1005)
R3011	1-218-990-11	s RESISTOR,CHIP 0 1/16W (1005)
R3012	1-218-990-11	s RESISTOR,CHIP 0 1/16W (1005)
RB1001	1-234-370-11	s RES, NETWORK 22X4 (1005)
RB1002	1-234-370-11	s RES, NETWORK 22X4 (1005)
RB1003	1-234-370-11	s RES, NETWORK 22X4 (1005)
RB1004	1-234-370-11	s RES, NETWORK 22X4 (1005)
RB1005	1-234-370-11	s RES, NETWORK 22X4 (1005)
RB1006	1-234-370-11	s RES, NETWORK 22X4 (1005)
RB1007	1-234-370-11	s RES, NETWORK 22X4 (1005)
RB1008	1-234-370-11	s RES, NETWORK 22X4 (1005)
RB1009	1-234-370-11	s RES, NETWORK 22X4 (1005)
RB1010	1-234-370-11	s RES, NETWORK 22X4 (1005)
RB1011	1-234-370-11	s RES, NETWORK 22X4 (1005)
RB1012	1-234-370-11	s RES, NETWORK 22X4 (1005)
RB1013	1-234-370-11	s RES, NETWORK 22X4 (1005)
RB1014	1-234-370-11	s RES, NETWORK 22X4 (1005)
RB1015	1-234-370-11	s RES, NETWORK 22X4 (1005)
RB1016	1-234-370-11	s RES, NETWORK 22X4 (1005)
RB1017	1-234-370-11	s RES, NETWORK 22X4 (1005)
RB1018	1-234-370-11	s RES, NETWORK 22X4 (1005)
RB1019	1-234-370-11	s RES, NETWORK 22X4 (1005)
RB1020	1-234-370-11	s RES, NETWORK 22X4 (1005)
RB1021	1-234-370-11	s RES, NETWORK 22X4 (1005)
RB1022	1-234-370-11	s RES, NETWORK 22X4 (1005)
RB1023	1-234-378-11	s RES, NETWORK 10KX4 (1005)
RB1024	1-234-370-11	s RES, NETWORK 22X4 (1005)
RB2001	1-234-378-11	s RES, NETWORK 10KX4 (1005)
RB2002	1-234-378-11	s RES, NETWORK 10KX4 (1005)
RB2003	1-234-378-11	s RES, NETWORK 10KX4 (1005)
RB2004	1-234-378-11	s RES, NETWORK 10KX4 (1005)
RB2005	1-234-378-11	s RES, NETWORK 10KX4 (1005)
RB2006	1-234-378-11	s RES, NETWORK 10KX4 (1005)
RB2007	1-234-378-11	s RES, NETWORK 10KX4 (1005)
RB2008	1-234-378-11	s RES, NETWORK 10KX4 (1005)
RB2009	1-234-378-11	s RES, NETWORK 10KX4 (1005)
RB3001	1-234-371-11	s RES, NETWORK 47X4 (1005)
RB3002	1-234-371-11	s RES, NETWORK 47X4 (1005)
RB3003	1-234-371-11	s RES, NETWORK 47X4 (1005)
RB3004	1-234-371-11	s RES, NETWORK 47X4 (1005)
RB3005	1-234-371-11	s RES, NETWORK 47X4 (1005)
RB3006	1-234-371-11	s RES, NETWORK 47X4 (1005)
RB3007	1-234-371-11	s RES, NETWORK 47X4 (1005)
RB3008	1-234-371-11	s RES, NETWORK 47X4 (1005)
RB3009	1-234-371-11	s RES, NETWORK 47X4 (1005)
RB3010	1-234-371-11	s RES, NETWORK 47X4 (1005)
RB3011	1-234-371-11	s RES, NETWORK 47X4 (1005)
RB3012	1-234-371-11	s RES, NETWORK 47X4 (1005)
RB3013	1-234-371-11	s RES, NETWORK 47X4 (1005)
RB3014	1-234-371-11	s RES, NETWORK 47X4 (1005)
RB3015	1-234-371-11	s RES, NETWORK 47X4 (1005)
RB3016	1-234-371-11	s RES, NETWORK 47X4 (1005)
RB3017	1-234-371-11	s RES, NETWORK 47X4 (1005)
RB3018	1-234-371-11	s RES, NETWORK 47X4 (1005)
RB3019	1-234-371-11	s RES, NETWORK 47X4 (1005)
RB3020	1-234-371-11	s RES, NETWORK 47X4 (1005)
TP1001	1-535-757-11	s CHIP, CHECKER (CONNECTOR)

(MS BOARD)

Ref. No. or Q'ty	Part No.	SP Description
TP1003	1-535-757-11	s CHIP, CHECKER (CONNECTOR)
TP1004	1-535-757-11	s CHIP, CHECKER (CONNECTOR)
TP1005	1-535-757-11	s CHIP, CHECKER (CONNECTOR)
TP1006	1-535-757-11	s CHIP, CHECKER (CONNECTOR)
TP1007	1-535-757-11	s CHIP, CHECKER (CONNECTOR)
TP1008	1-535-757-11	s CHIP, CHECKER (CONNECTOR)
TP1009	1-535-757-11	s CHIP, CHECKER (CONNECTOR)
TP1010	1-535-757-11	s CHIP, CHECKER (CONNECTOR)
TP3001	1-535-757-11	s CHIP, CHECKER (CONNECTOR)

X3001 1-795-690-21 s OSCILLATOR, CRYSTAL

-----  
NF BOARD  
-----

Ref. No. or Q'ty	Part No.	SP Description
1pc	A-1401-570-A	s MOUNTED CIRCUIT BOARD, NF
C11	1-115-156-11	s CAPACITOR,CERAMIC 1MF/10V(1608)
CN11	1-770-620-21	s PIN, CONNECTOR 3P
IC11	8-749-012-17	s IC RS-140-T
R11	1-218-937-11	s RESISTOR, CHIP 47
R12	1-218-941-11	s RESISTOR,CHIP 100 1/16W (1005)

-----  
NR BOARD  
-----

Ref. No. or Q'ty	Part No.	SP Description
1pc	A-1401-571-A	s MOUNTED CIRCUIT BOARD, NR
C21	1-115-156-11	s CAPACITOR,CERAMIC 1MF/10V(1608)
C22	1-107-820-11	s CAPACITOR,CHIP CERAMIC 0.1MF F
CN21	1-770-621-21	s PIN, CONNECTOR 4P
IC21	8-749-012-17	s IC RS-140-T
R21	1-218-937-11	s RESISTOR, CHIP 47
R22	1-218-941-11	s RESISTOR,CHIP 100 1/16W (1005)
TH21	1-803-382-21	s THERMISTOR (1005)

-----  
QA BOARD  
-----

Ref. No. or Q'ty	Part No.	SP Description
1pc	A-1300-768-A	s MOUNTED CIRCUIT BOARD, QA
C901	1-125-837-11	s CAPACITOR,CHIP CERAMIC1MF/6.3V
C902	1-119-667-11	s CAPACITOR CERAMIC 22MF/10V(F)
C903	1-162-921-11	s CAPACITOR,CERAMIC 33PF/50V CH
C904	1-162-921-11	s CAPACITOR,CERAMIC 33PF/50V CH
C905	1-107-826-11	s CAPACITOR,CHIP CERAMIC 0.1MF
C906	1-107-826-11	s CAPACITOR,CHIP CERAMIC 0.1MF
C907	1-162-970-11	s CAPACITOR CERAMIC 0.01MF/25V B
C908	1-107-826-11	s CAPACITOR,CHIP CERAMIC 0.1MF
C909	1-107-826-11	s CAPACITOR,CHIP CERAMIC 0.1MF
CN901	1-815-914-11	s CONNECTOR, SQUARE TYPE (32P)
CN902	1-793-798-21	o CONNECTOR, BOARD TO BOARD
D902	8-719-083-58	s DIODE UDZSTE-173.9B
D903	8-719-083-58	s DIODE UDZSTE-173.9B
D904	8-719-073-11	s DIODE BZA456A
D905	8-719-073-11	s DIODE BZA456A
D906	8-719-988-61	s DIODE 1SS355TE-17
D907	8-719-073-01	s DIODE MA111-(K8).S0
D908	8-719-073-01	s DIODE MA111-(K8).S0
D909	8-719-036-80	s DIODE RD3.9SB
D910	8-719-036-80	s DIODE RD3.9SB
FB901	1-414-921-11	s INDUCTOR, FERRITE BEAD
FB902	1-414-921-11	s INDUCTOR, FERRITE BEAD
FB903	1-414-921-11	s INDUCTOR, FERRITE BEAD
FB904	1-414-921-11	s INDUCTOR, FERRITE BEAD
FB905	1-414-921-11	s INDUCTOR, FERRITE BEAD
FB906	1-414-921-11	s INDUCTOR, FERRITE BEAD
IC901	-----	IC ST24FC21M6TR
<b>Note</b>	If this IC has failed, replace the whole QA board.	
IC902	6-701-707-01	s IC ST72T631K4M1-201
IC903	8-759-596-39	s IC SN74LV4052APWR
J901	1-794-962-11	s CONNECTOR, SQUARE TYPE 5P
Q901	8-729-013-28	s TRANSISTOR HNLB01FU-TE85R
Q903	8-729-029-14	s TRANSISTOR DTC144EUA-T106
R901	1-216-864-11	s CONDUCTOR, CHIP (1608)
R902	1-216-864-11	s CONDUCTOR, CHIP (1608)
R903	1-216-864-11	s CONDUCTOR, CHIP (1608)
R904	1-216-864-11	s CONDUCTOR, CHIP (1608)
R905	1-216-864-11	s CONDUCTOR, CHIP (1608)
R906	1-216-864-11	s CONDUCTOR, CHIP (1608)
R907	1-216-864-11	s CONDUCTOR, CHIP (1608)
R908	1-216-864-11	s CONDUCTOR, CHIP (1608)
R909	1-216-864-11	s CONDUCTOR, CHIP (1608)
R910	1-216-833-11	s RESISTOR,CHIP 10K 1/10W (1608)
R911	1-216-833-11	s RESISTOR,CHIP 10K 1/10W (1608)
R912	1-216-821-11	s RESISTOR,CHIP 1.0K 1/10W(1608)
R913	1-216-864-11	s CONDUCTOR, CHIP (1608)
R914	1-216-864-11	s CONDUCTOR, CHIP (1608)
R915	1-216-825-11	s RESISTOR,CHIP 2.2K 1/10W 1608
R916	1-216-813-11	s RESISTOR, CHIP 220 1/10W 1608
R917	1-216-857-11	s RESISTOR,CHIP 1M 1/10W(1608)
R918	1-216-837-11	s RESISTOR,CHIP 22K 1/16W 1608
R919	1-216-841-11	s RESISTOR, CHIP 47K 1/10W 1608
R920	1-216-833-11	s RESISTOR,CHIP 10K 1/10W (1608)
R921	1-216-835-11	s RESISTOR,CHIP 15K 1/10W

(QA BOARD)

Ref. No. or Q'ty	Part No.	SP Description
R922	1-216-805-11	s RESISTOR,CHIP 47 1/10W 1608
R923	1-216-835-11	s RESISTOR,CHIP 15K 1/10W
R924	1-216-805-11	s RESISTOR,CHIP 47 1/10W 1608
R925	1-216-823-11	s RESISTOR, CHIP 1.5K 1/10W
R926	1-216-841-11	s RESISTOR, CHIP 47K 1/10W 1608
R928	1-216-829-11	s RESISTOR,CHIP 4.7K 1/10W(1608)
R929	1-216-829-11	s RESISTOR,CHIP 4.7K 1/10W(1608)
R930	1-216-805-11	s RESISTOR,CHIP 47 1/10W 1608
R931	1-216-805-11	s RESISTOR,CHIP 47 1/10W 1608
R932	1-216-805-11	s RESISTOR,CHIP 47 1/10W 1608
R933	1-216-805-11	s RESISTOR,CHIP 47 1/10W 1608
R934	1-216-805-11	s RESISTOR,CHIP 47 1/10W 1608
R935	1-216-805-11	s RESISTOR,CHIP 47 1/10W 1608
R936	1-216-805-11	s RESISTOR,CHIP 47 1/10W 1608
R937	1-216-805-11	s RESISTOR,CHIP 47 1/10W 1608
R938	1-216-833-11	s RESISTOR,CHIP 10K 1/10W (1608)
R939	1-216-837-11	s RESISTOR,CHIP 22K 1/16W 1608
RB901	1-233-576-11	s RESISTOR,CHIP NETWORK 100
X901	1-781-994-21	s VIBRATOR, CRYSTAL

-----  
QB BOARD  
-----

Ref. No. or Q'ty	Part No.	SP Description
1pc	A-1300-773-A	s MOUNTED CIRCUIT BOARD, QB
C202	1-126-206-11	s CAPACITOR, ELECT 100MF/6.3V
C203	1-107-826-11	s CAPACITOR,CHIP CERAMIC 0.1MF
C205	1-126-206-11	s CAPACITOR, ELECT 100MF/6.3V
C206	1-162-970-11	s CAPACITOR CERAMIC 0.01MF/25V B
C207	1-162-970-11	s CAPACITOR CERAMIC 0.01MF/25V B
C208	1-162-970-11	s CAPACITOR CERAMIC 0.01MF/25V B
C209	1-162-970-11	s CAPACITOR CERAMIC 0.01MF/25V B
C210	1-162-970-11	s CAPACITOR CERAMIC 0.01MF/25V B
C211	1-162-970-11	s CAPACITOR CERAMIC 0.01MF/25V B
C212	1-128-390-11	s CAPACITOR ELECT 220MF/6.3V
C213	1-107-826-11	s CAPACITOR,CHIP CERAMIC 0.1MF
C214	1-164-505-11	s CAPACITOR,CHIP CERAMIC 2.2MF
C215	1-126-206-11	s CAPACITOR, ELECT 100MF/6.3V
C216	1-107-826-11	s CAPACITOR,CHIP CERAMIC 0.1MF
C217	1-164-505-11	s CAPACITOR,CHIP CERAMIC 2.2MF
C218	1-162-970-11	s CAPACITOR CERAMIC 0.01MF/25V B
C219	1-162-970-11	s CAPACITOR CERAMIC 0.01MF/25V B
C220	1-162-970-11	s CAPACITOR CERAMIC 0.01MF/25V B
C221	1-162-970-11	s CAPACITOR CERAMIC 0.01MF/25V B
C224	1-107-826-11	s CAPACITOR,CHIP CERAMIC 0.1MF
C225	1-107-826-11	s CAPACITOR,CHIP CERAMIC 0.1MF
C235	1-107-826-11	s CAPACITOR,CHIP CERAMIC 0.1MF
C236	1-126-205-11	s CAPACITOR,ELECT 47M/6.3
C237	1-107-826-11	s CAPACITOR,CHIP CERAMIC 0.1MF
CN101	1-785-946-11	s CONNECTOR 3P
CN102	1-793-798-21	o CONNECTOR, BOARD TO BOARD
CN103	1-785-306-21	o CONNECTOR, BOARD TO BOARD
CN201	1-816-228-11	s CONNECTOR, DIV
D101	8-719-036-80	s DIODE RD3.9SB
D102	8-719-036-80	s DIODE RD3.9SB
D201	8-719-069-55	s DIODE UDZS-TE17-5.6B
D202	8-719-069-55	s DIODE UDZS-TE17-5.6B
D204	8-719-024-78	s DIODE HN1D03FU-TE85R
D205	8-719-024-78	s DIODE HN1D03FU-TE85R
D206	8-719-024-78	s DIODE HN1D03FU-TE85R
D207	8-719-024-78	s DIODE HN1D03FU-TE85R
D208	8-719-941-86	s DIODE DAN202U
FB101	1-414-921-11	s INDUCTOR, FERRITE BEAD
FB102	1-414-921-11	s INDUCTOR, FERRITE BEAD
FB203	1-414-921-11	s INDUCTOR, FERRITE BEAD
FB204	1-414-921-11	s INDUCTOR, FERRITE BEAD
FB206	1-414-445-11	s FERRITE, EMI (SMD)
FB207	1-414-921-11	s INDUCTOR, FERRITE BEAD
IC205	-----	IC SII169CT100
<b>Note</b>	If this IC has failed, replace the whole QB board.	
IC206	8-759-593-23	s IC S-80928ANMP-DDR-T2
IC211	-----	IC M24C02-WMN6T(A)
<b>Note</b>	If this IC has failed, replace the whole QB board.	
IC212	8-759-596-39	s IC SN74LV4052APWR
J101	1-816-949-11	o PIN JACK 3P
J102	1-694-242-11	s TERMINAL, S
J103	1-785-549-41	o JACK, PIN YELLOW
L201	1-414-754-11	s INDUCTOR 10.0UH
L202	1-414-754-11	s INDUCTOR 10.0UH
Q203	6-550-014-01	s TRANSISTOR SSM6N15FU(TE85R)

(QB BOARD)

Ref. No. or Q'ty	Part No.	SP	Description
R101	1-216-864-11	s	CONDUCTOR, CHIP (1608)
R102	1-216-864-11	s	CONDUCTOR, CHIP (1608)
R103	1-216-864-11	s	CONDUCTOR, CHIP (1608)
R104	1-216-864-11	s	CONDUCTOR, CHIP (1608)
R105	1-216-864-11	s	CONDUCTOR, CHIP (1608)
R106	1-216-864-11	s	CONDUCTOR, CHIP (1608)
R201	1-216-833-11	s	RESISTOR,CHIP 10K 1/10W (1608)
R209	1-216-829-11	s	RESISTOR,CHIP 4.7K 1/10W(1608)
R210	1-216-829-11	s	RESISTOR,CHIP 4.7K 1/10W(1608)
R217	1-216-864-11	s	CONDUCTOR, CHIP (1608)
R222	1-216-864-11	s	CONDUCTOR, CHIP (1608)
R224	1-216-864-11	s	CONDUCTOR, CHIP (1608)
R229	1-216-801-11	s	RESISTOR,CHIP 22 1/10W (1608)
R230	1-216-801-11	s	RESISTOR,CHIP 22 1/10W (1608)
R231	1-216-801-11	s	RESISTOR,CHIP 22 1/10W (1608)
R232	1-216-801-11	s	RESISTOR,CHIP 22 1/10W (1608)
R233	1-216-809-11	s	RESISTOR,CHIP 100 1/10W 1608
R234	1-216-809-11	s	RESISTOR,CHIP 100 1/10W 1608
R235	1-218-682-11	s	RESISTOR,CHIP 390 1/16W (1608)
R236	1-216-864-11	s	CONDUCTOR, CHIP (1608)
R237	1-216-809-11	s	RESISTOR,CHIP 100 1/10W 1608
R240	1-216-809-11	s	RESISTOR,CHIP 100 1/10W 1608
R241	1-216-833-11	s	RESISTOR,CHIP 10K 1/10W (1608)
R245	1-216-829-11	s	RESISTOR,CHIP 4.7K 1/10W(1608)
R246	1-216-829-11	s	RESISTOR,CHIP 4.7K 1/10W(1608)
R250	1-216-864-11	s	CONDUCTOR, CHIP (1608)
R252	1-216-864-11	s	CONDUCTOR, CHIP (1608)
RB202	1-234-371-11	s	RES, NETWORK 47X4 (1005)
RB203	1-234-371-11	s	RES, NETWORK 47X4 (1005)
RB204	1-234-371-11	s	RES, NETWORK 47X4 (1005)
RB205	1-234-371-11	s	RES, NETWORK 47X4 (1005)
RB206	1-234-371-11	s	RES, NETWORK 47X4 (1005)
RB207	1-234-371-11	s	RES, NETWORK 47X4 (1005)
RB208	1-234-371-11	s	RES, NETWORK 47X4 (1005)
RB209	1-234-371-11	s	RES, NETWORK 47X4 (1005)
RB210	1-234-371-11	s	RES, NETWORK 47X4 (1005)
RB211	1-234-371-11	s	RES, NETWORK 47X4 (1005)
RB212	1-234-371-11	s	RES, NETWORK 47X4 (1005)
RB213	1-234-371-11	s	RES, NETWORK 47X4 (1005)
TP201	1-535-757-11	s	CHIP, CHECKER (CONNECTOR)
TP202	1-535-757-11	s	CHIP, CHECKER (CONNECTOR)
TP203	1-535-757-11	s	CHIP, CHECKER (CONNECTOR)
TP204	1-535-757-11	s	CHIP, CHECKER (CONNECTOR)
TP205	1-535-757-11	s	CHIP, CHECKER (CONNECTOR)

U BOARD

Ref. No. or Q'ty	Part No.	SP	Description
lpc	A-1401-572-A	s	MOUNTED CIRCUIT BOARD, U
CN41	1-770-620-21	s	PIN, CONNECTOR 3P
S41	△ 1-762-984-11	s	SWITCH, PUSH
S42	△ 1-762-984-11	s	SWITCH, PUSH

## 4-4. Packing Materials & Supplied Accessories

-----  
 PACKING MATERIALS & SUPPLIED ACCESSORIES  
 -----

Ref. No. or Q'ty	Part No.	SP Description
1pc	1-477-604-11	s REMOTE COMMANDER (RM-PJHS10)
1pc	9-885-028-15	s BATTERY COVER (FOR RM-PJHS10)
1pc	△ -----	CORD,POWER (See Sec.1-5. Warning on Power Connection)
1pc	1-824-821-11	s CORD WITH CONNECTOR(AVMONITOR)
1pc	3-704-353-01	s SHEET (STANDARD), PROTECTION
1pc	4-091-754-01	o OPERATING INSTRUCTIONS (JAPANESE,SIMPLIFIED CHINESE)
1pc	4-091-754-11	o OPERATING INSTRUCTIONS (ENGLISH,FRENCH,SPANISH)
1pc	4-091-754-21	o OPERATING INSTRUCTIONS (GERMAN,ITALIAN)

## 4-5. VPLL-CT10

-----  
 PACKING MATERIALS & SUPPLIED ACCESSORIES  
 -----

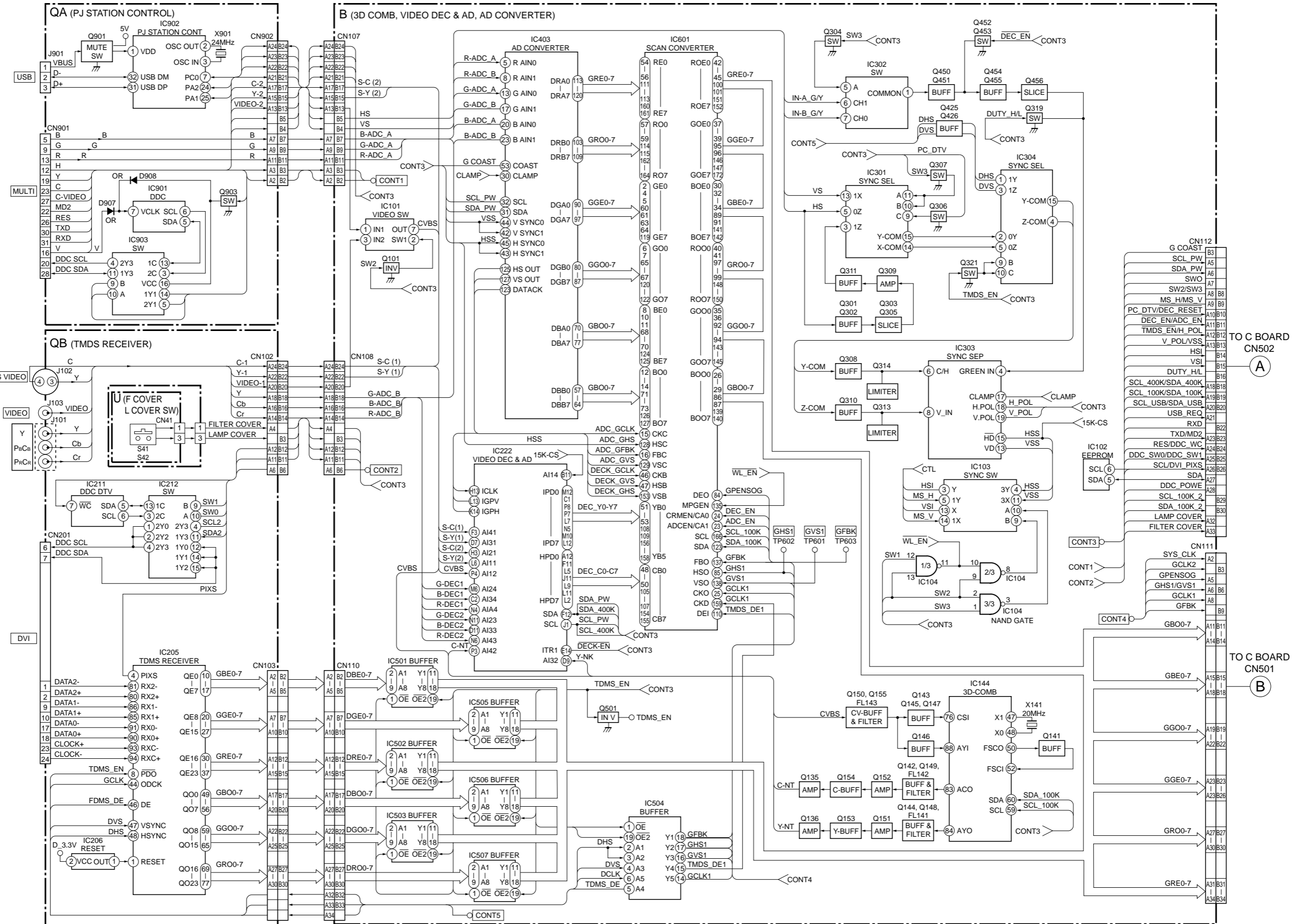
Ref. No. or Q'ty	Part No.	SP Description
1pc	4-084-808-01	o MANUAL, INSTRUCTION (JAPANESE,SIMPLIFIED CHINESE, ENGLISH,FRENCH,SPANISH,GERMAN,ITALIAN)
1pc	4-085-233-01	o CAP (CT), LENS
1pc	7-682-973-09	s SCREW +PSW 5X8

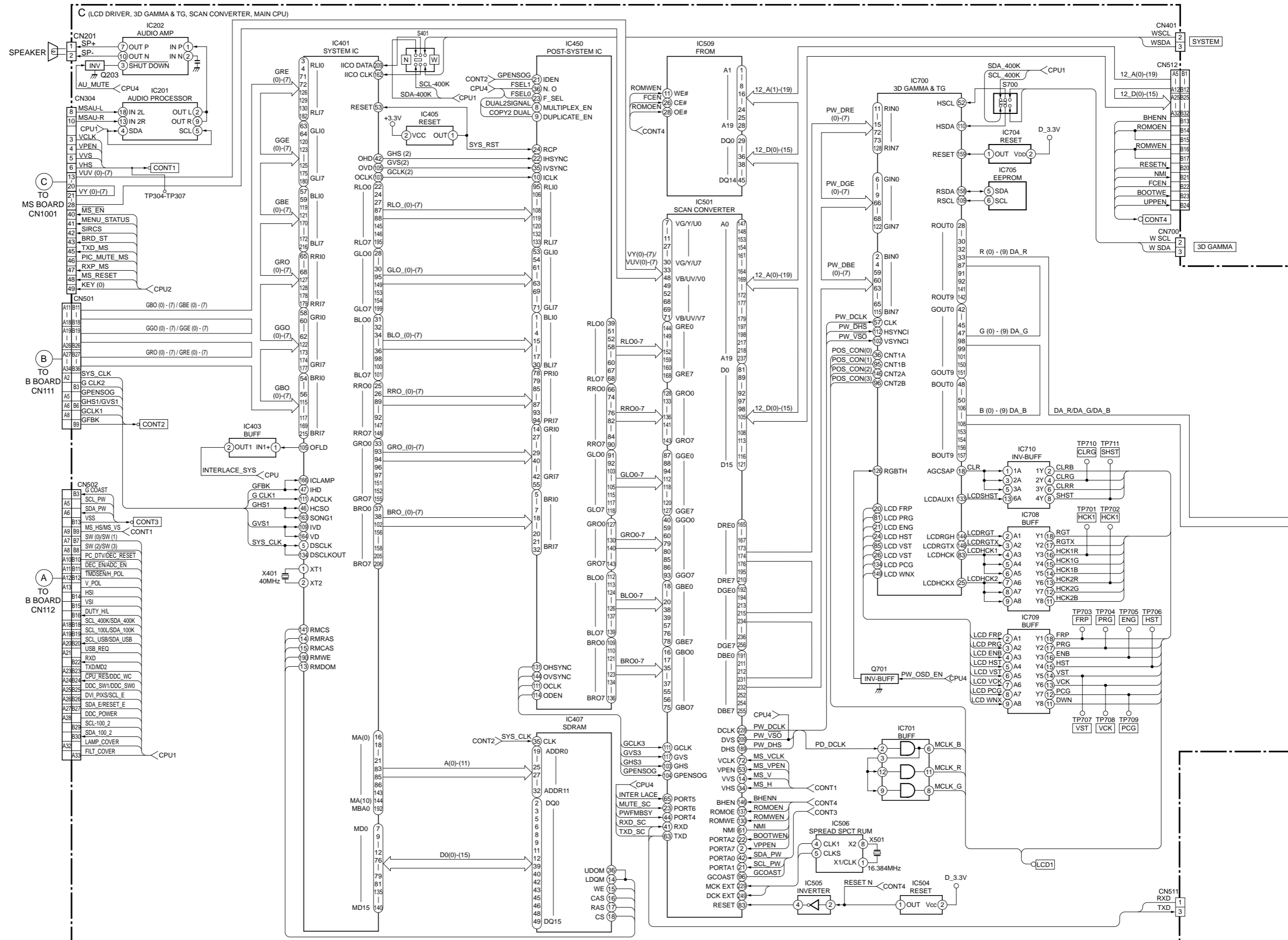
## 4-6. VPLL-CW10

-----  
 PACKING MATERIALS & SUPPLIED ACCESSORIES  
 -----

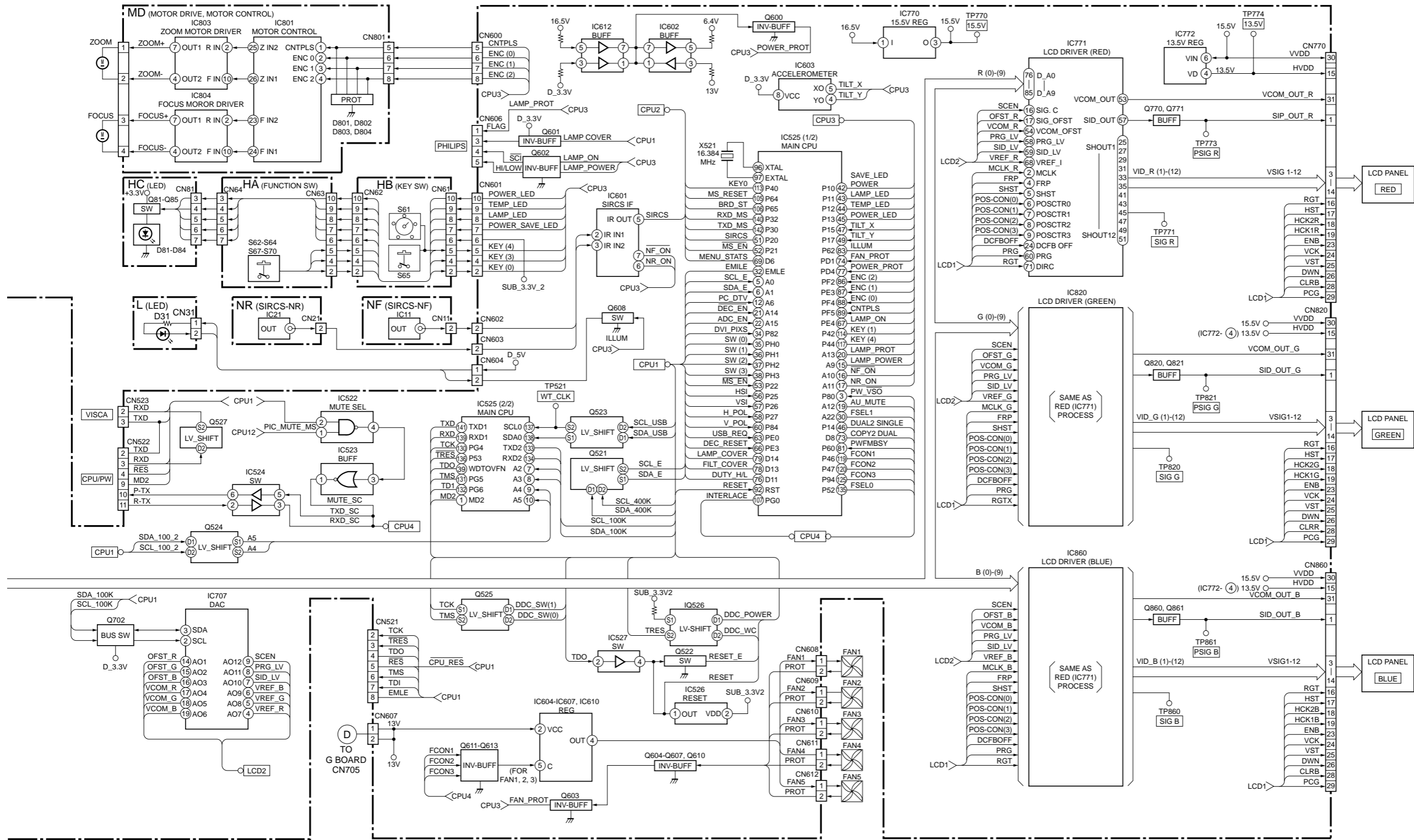
Ref. No. or Q'ty	Part No.	SP Description
1pc	4-084-806-01	o MANUAL, INSTRUCTION (JAPANESE,SIMPLIFIED CHINESE, ENGLISH,FRENCH,SPANISH,GERMAN,ITALIAN)
1pc	4-085-232-01	o CAP (CW), LENS
1pc	7-682-973-09	s SCREW +PSW 5X8

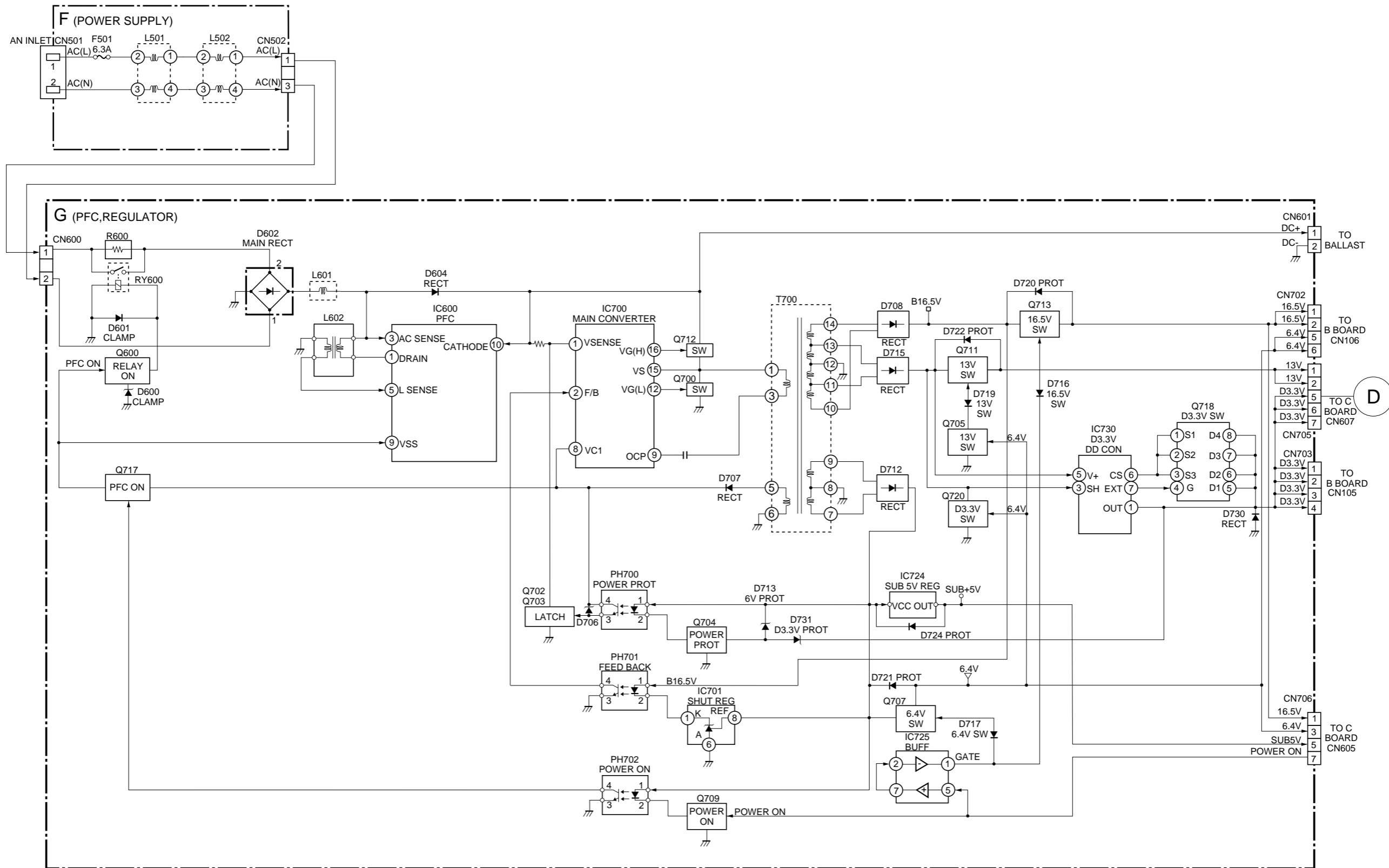
### Section 5 Block Diagrams

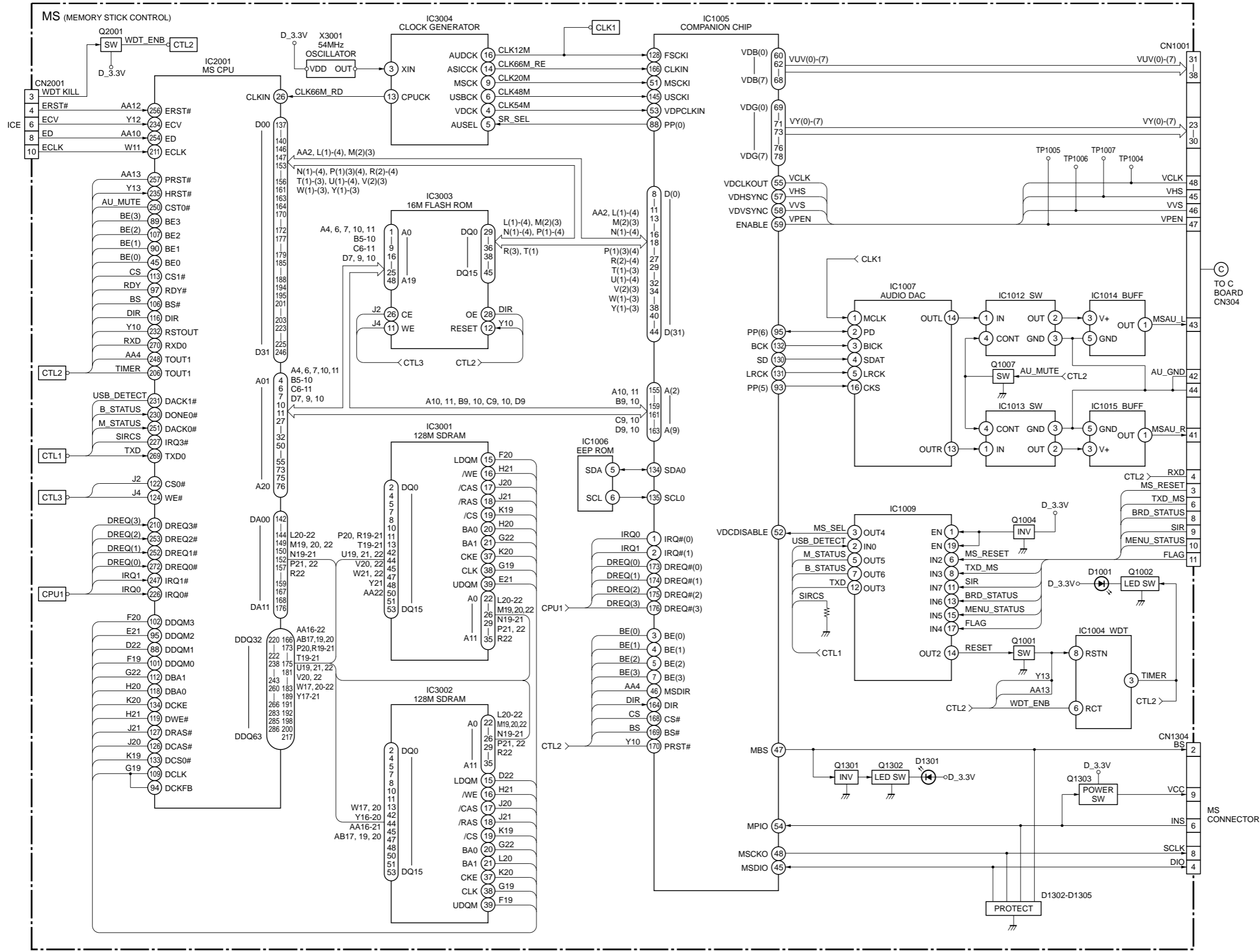














**Section 6**  
**Diagrams**

# 6-1. Frame Schematic Diagram

Frame Frame

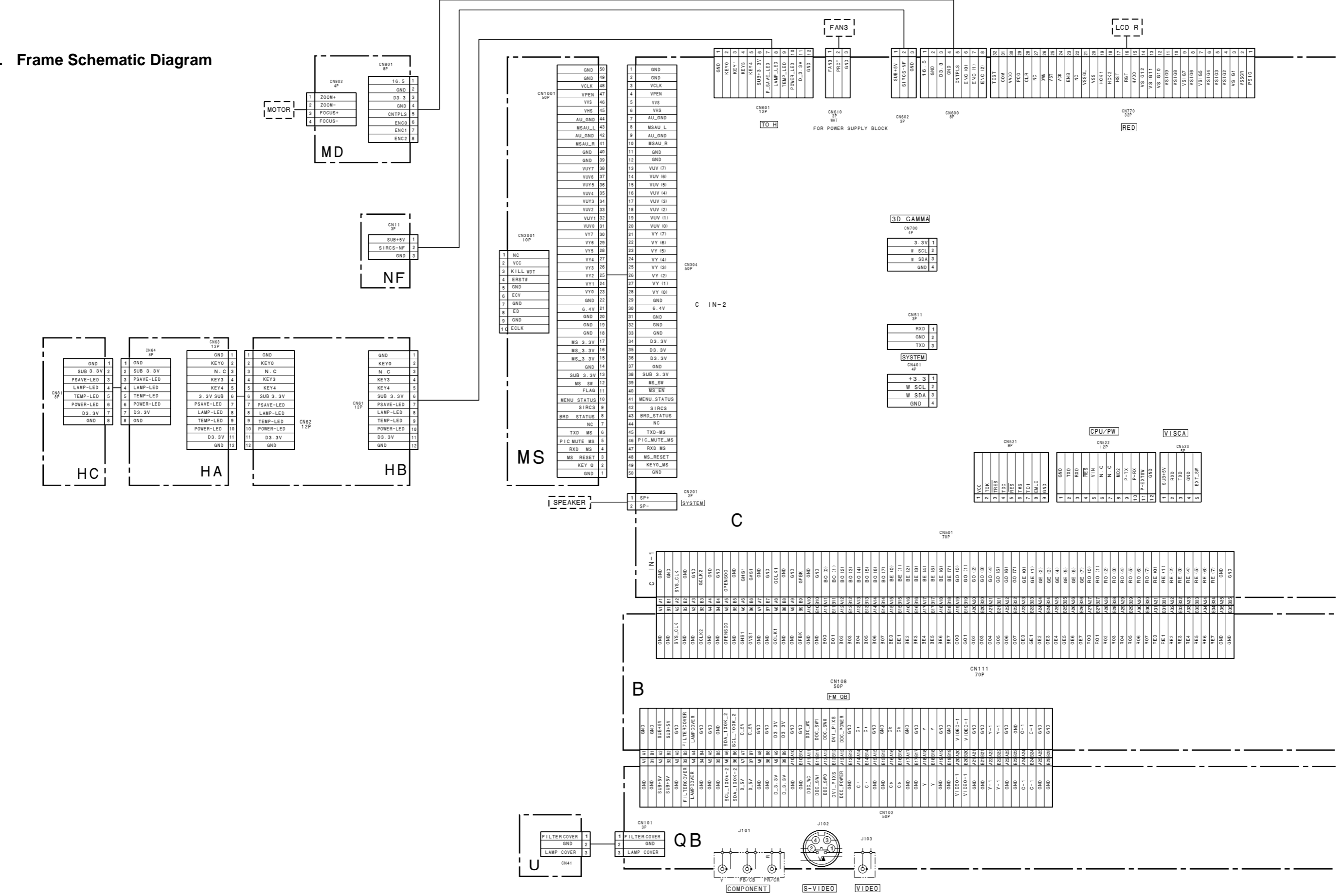
1

2

3

4

5

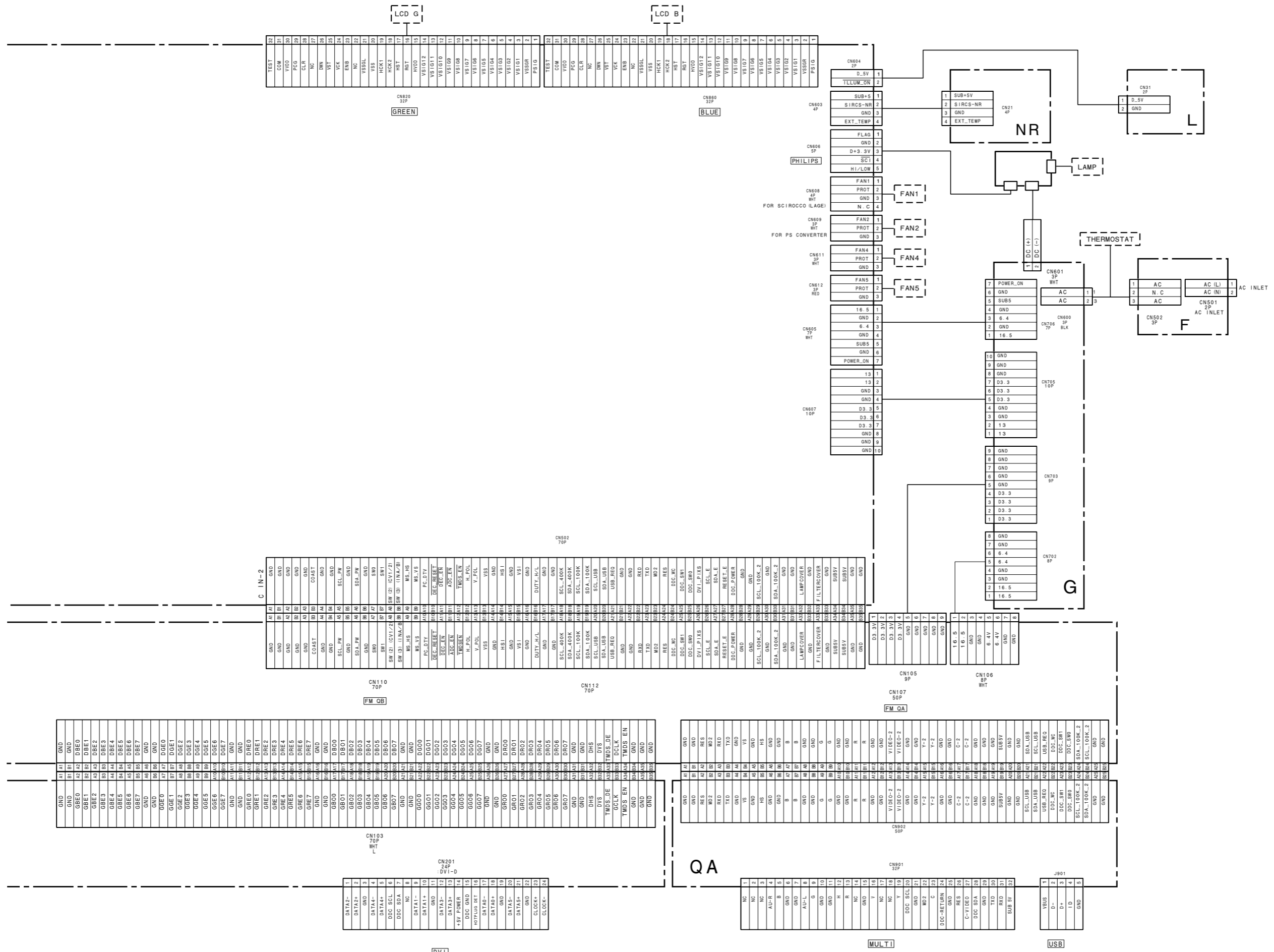


6-2

6-2

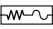
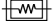
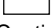
VPL-HS10

A B C D E F G H



## 6-2. Schematic Diagrams and Printed Wiring Boards

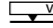
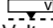
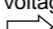
### Note:

- The parts marked “ # ” on schematic diagrams are not mounted.
- All capacitors are in  $\mu\text{F}$  unless otherwise noted. pF:  $\mu\text{F}$  50WV or less are not indicated except for electrolytics.
- All electrolytics are in 50 V unless otherwise specified.
-  : fusible resistor
-  : nonflammable resistor
-  : panel designation and adjustment for repair
- Caution when replacing chip parts  
New parts must be attached after removal of the chip.  
Be careful not to heat the minus side of a tantalum capacitor, because it is easily damaged by the heat.

### Reference information

RESISTOR	RN	: METAL FILM
	RC	: SOLID
	FPRD	: NONFLAMMABLE CARBON
	FUSE	: NONFLAMMABLE FUSIBLE
	RS	: NONFLAMMABLE METAL OXIDE
	RB	: NONFLAMMABLE CEMENT
	RW	: NONFLAMMABLE WIREWOUND
	※	: ADJUSTMENT RESISTOR
COIL	LF-8L	: MICRO INDUCTOR
CAPACITOR	TA	: TANTALUM
	PS	: STYROL
	PP	: POLYPROPYLENE
	PT	: MYLAR
	MPS	: METALIZED POLYESTER
	MPP	: METALIZED POLYPROPYLENE
	ALB	: BIPOLAR
	ALT	: HIGH TEMPERATURE
ALR	: HIGH RIPPLE	

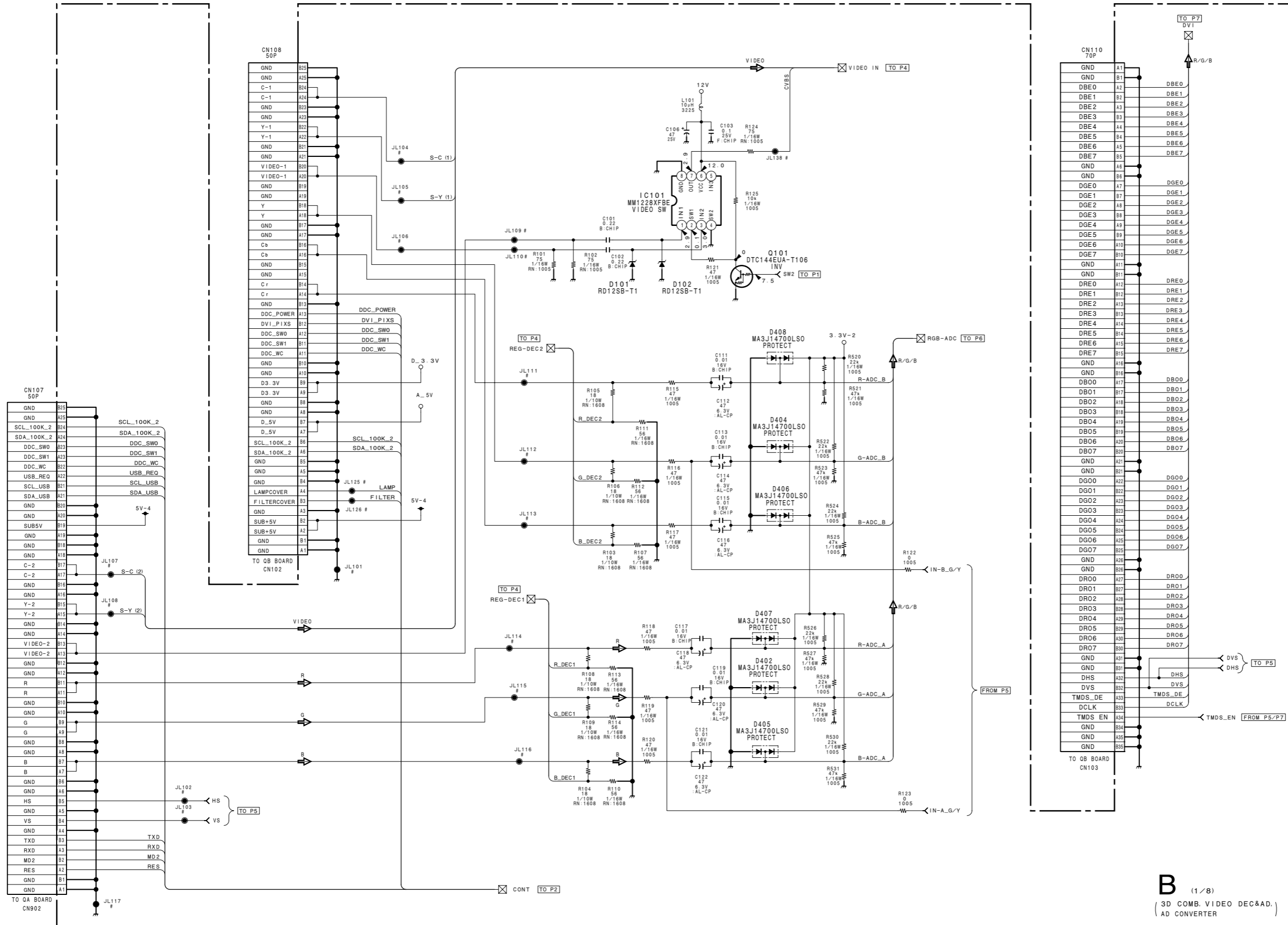
### [Measuring conditions, voltage and waveform]

- A voltage value is the reference value between the measurement point and the earth, when the RGB color bar signal is received from the color bar generator (digital multi-meter used: 10 M ohms/ V DC).
- Unit of voltage is V (volt).
-  : B+line
-  : B- line
- Voltage variations may occur due to normal production tolerances.
-  : Signal path.

The components identified marked  $\triangle$  are critical for safety.  
Replace only with the part number specified.

Les composants identifiés par une marque  $\triangle$  sont critiques pour la sécurité.  
Ne les remplacer que par une pièce portant le numéro spécifié.

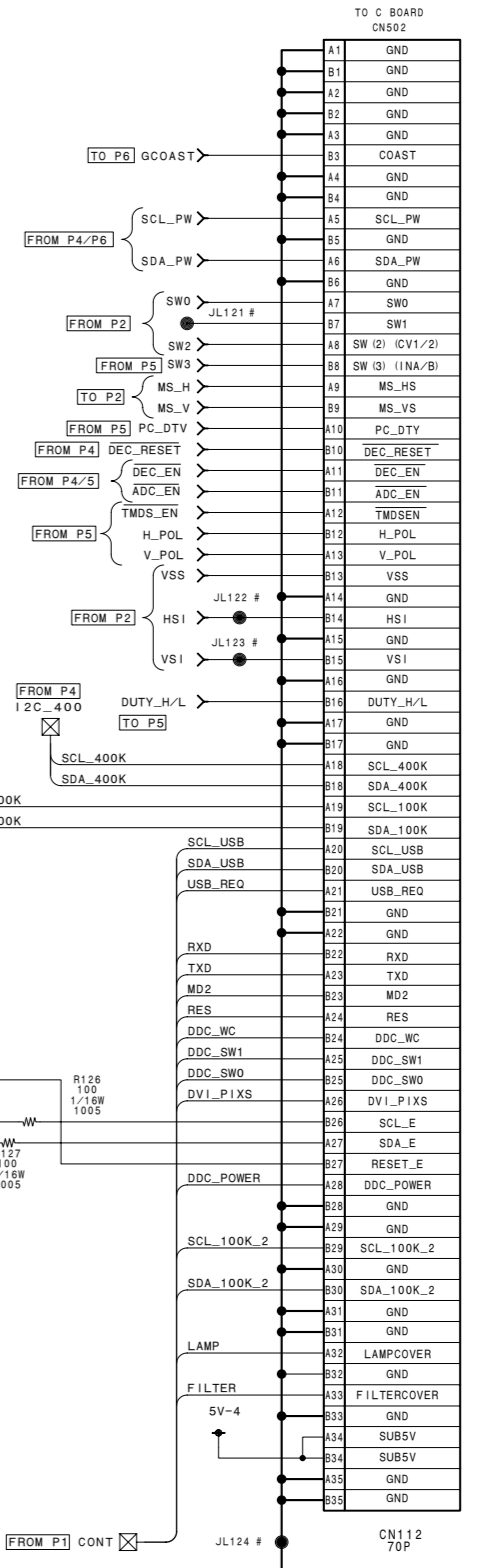
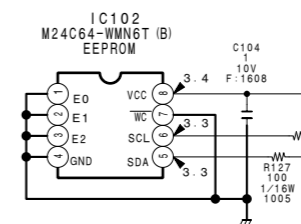
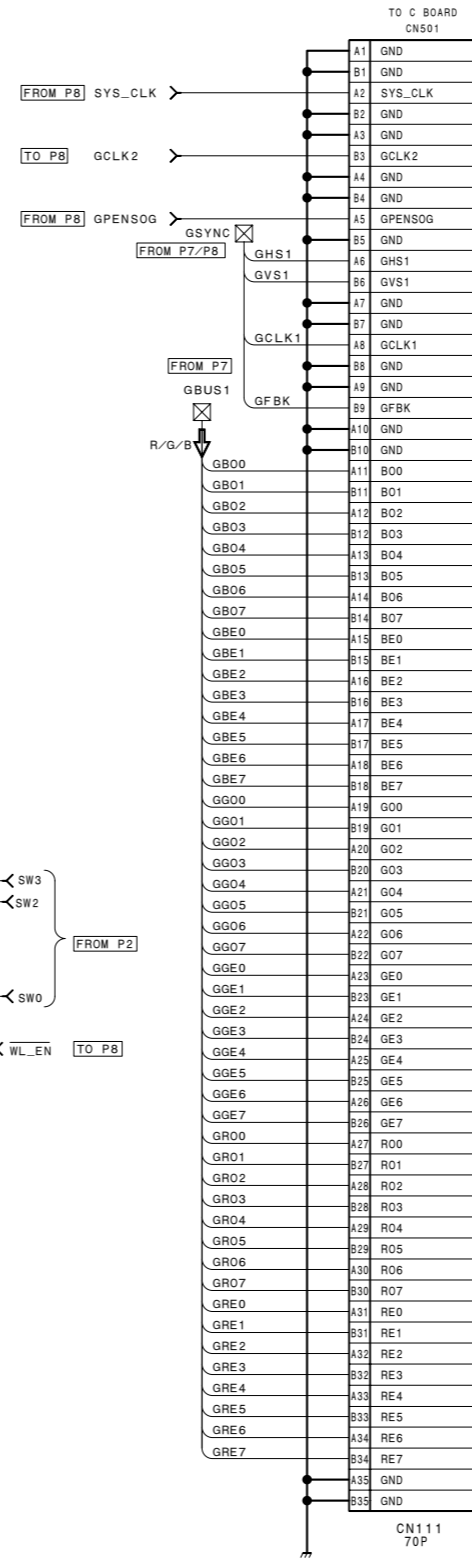
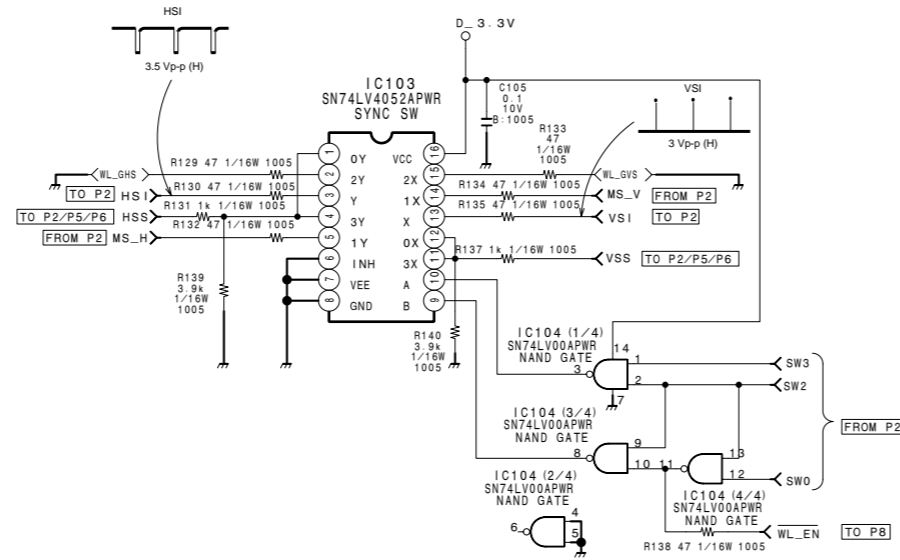
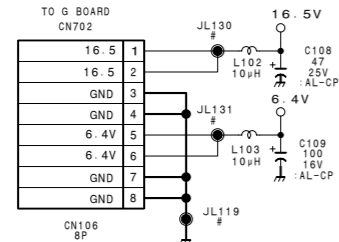
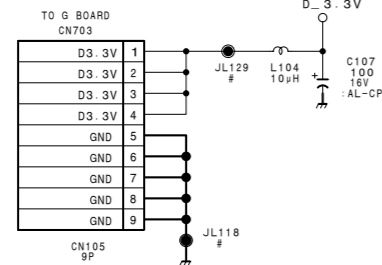




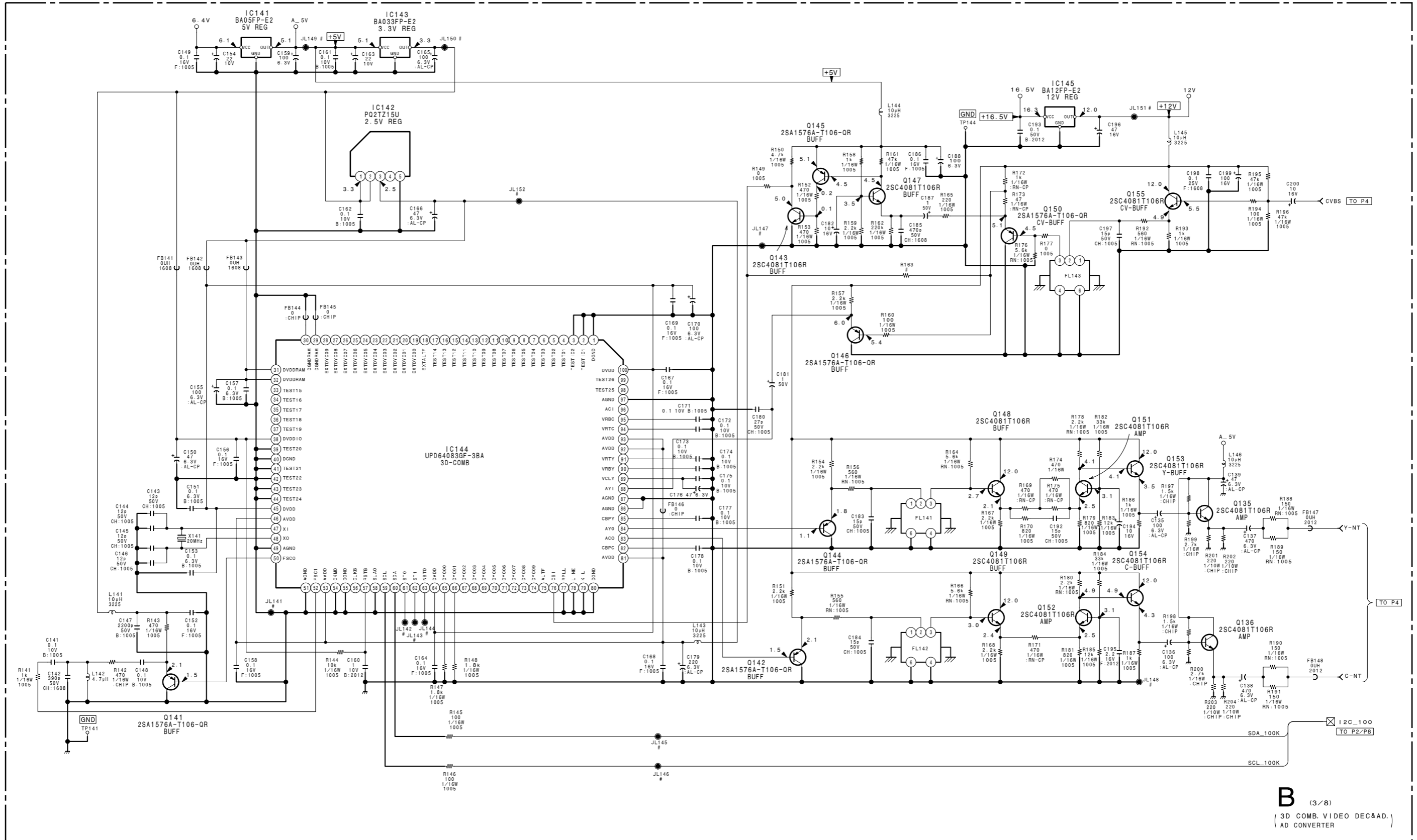
**B** (1/8)  
 (3D COMB. VIDEO DEC&AD.)  
 AD CONVERTER

B-SS1745-B-P1

1  
2  
3  
4  
5



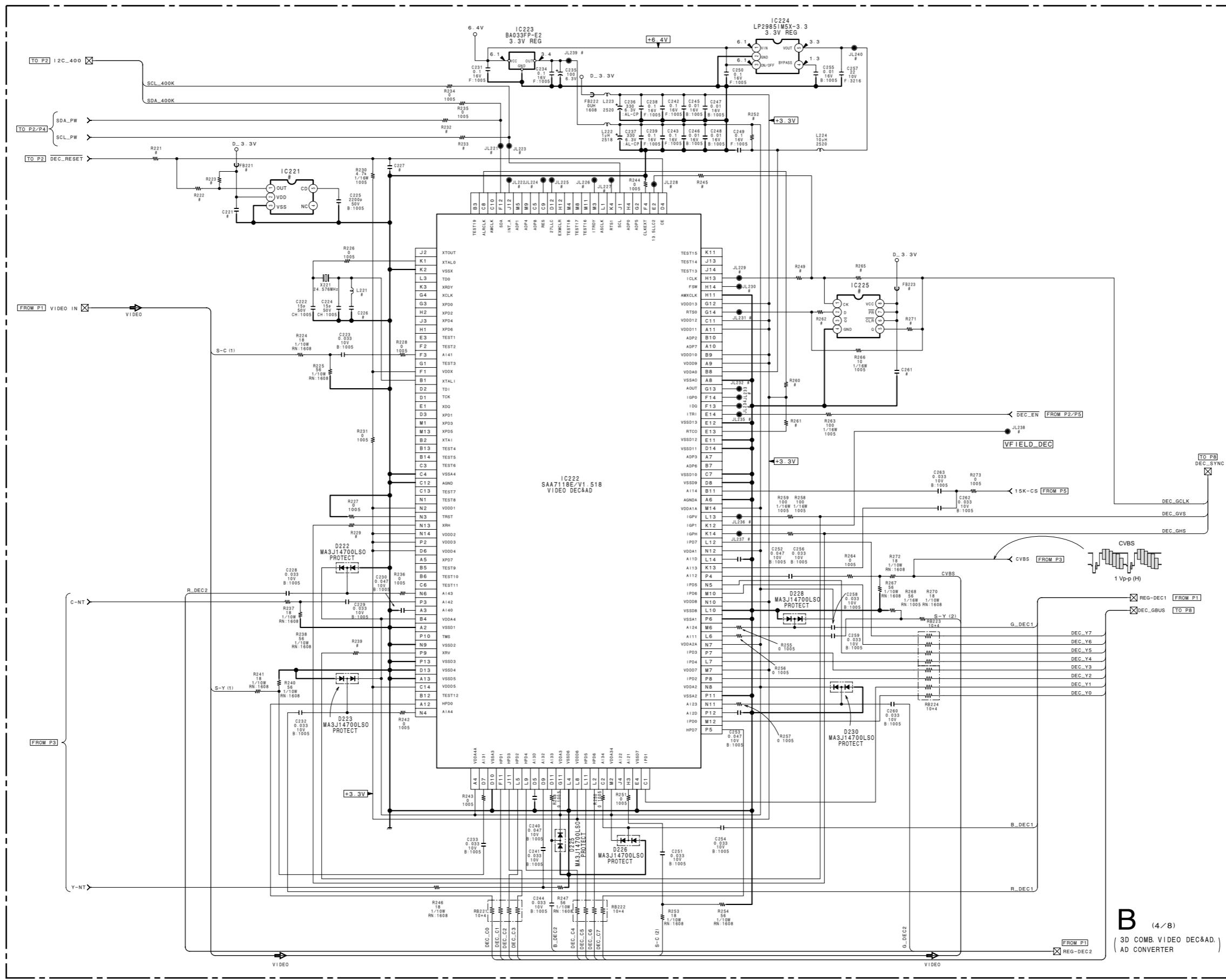
B (2/8)  
3D COMB. VIDEO DEC&AD.  
AD CONVERTER



B (3/8)  
(3D COMB. VIDEO DEC&AD.)  
AD CONVERTER

1  
2  
3  
4  
5

B-S51745-B-P3



B (4/8)  
(3D COMB. VIDEO DEC&AD)  
AD CONVERTER

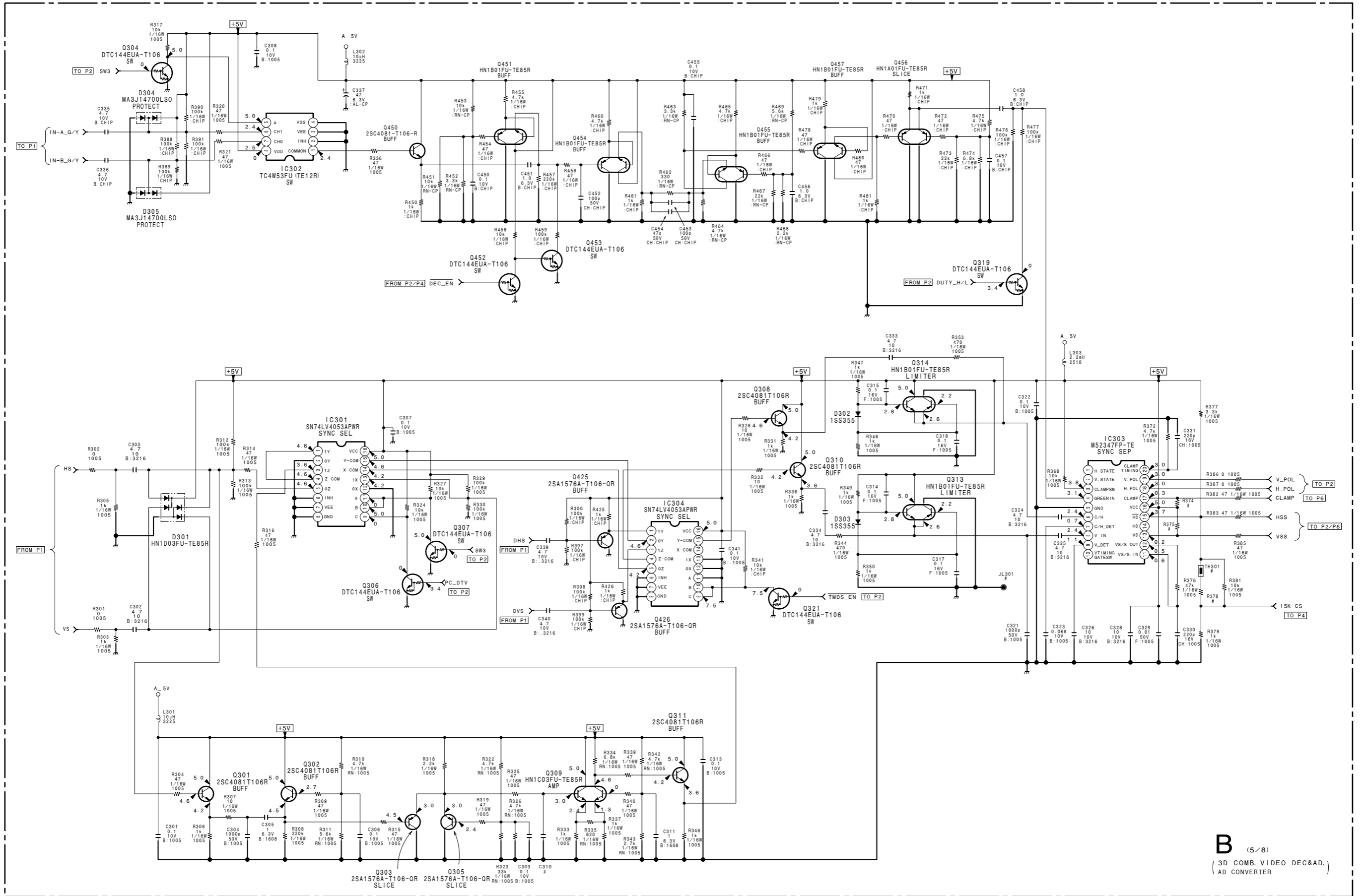
1

2

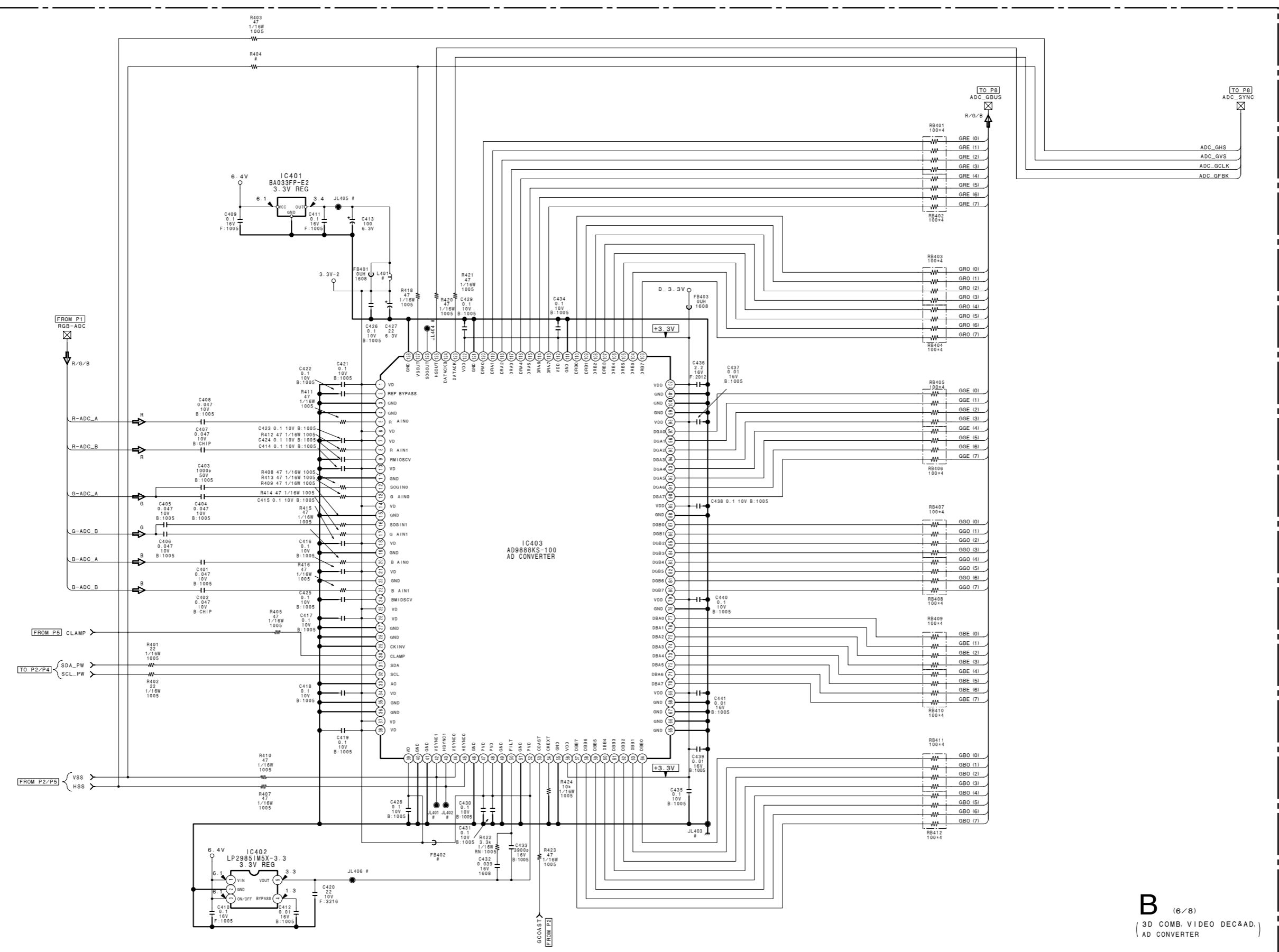
3

4

5



B (5/8)  
(3D COMB. VIDEO DEC&AD.)  
(AD CONVERTER)



B (6/8)  
(3D COMB. VIDEO DEC&AD.)  
AD CONVERTER

B-S1745-B-P6

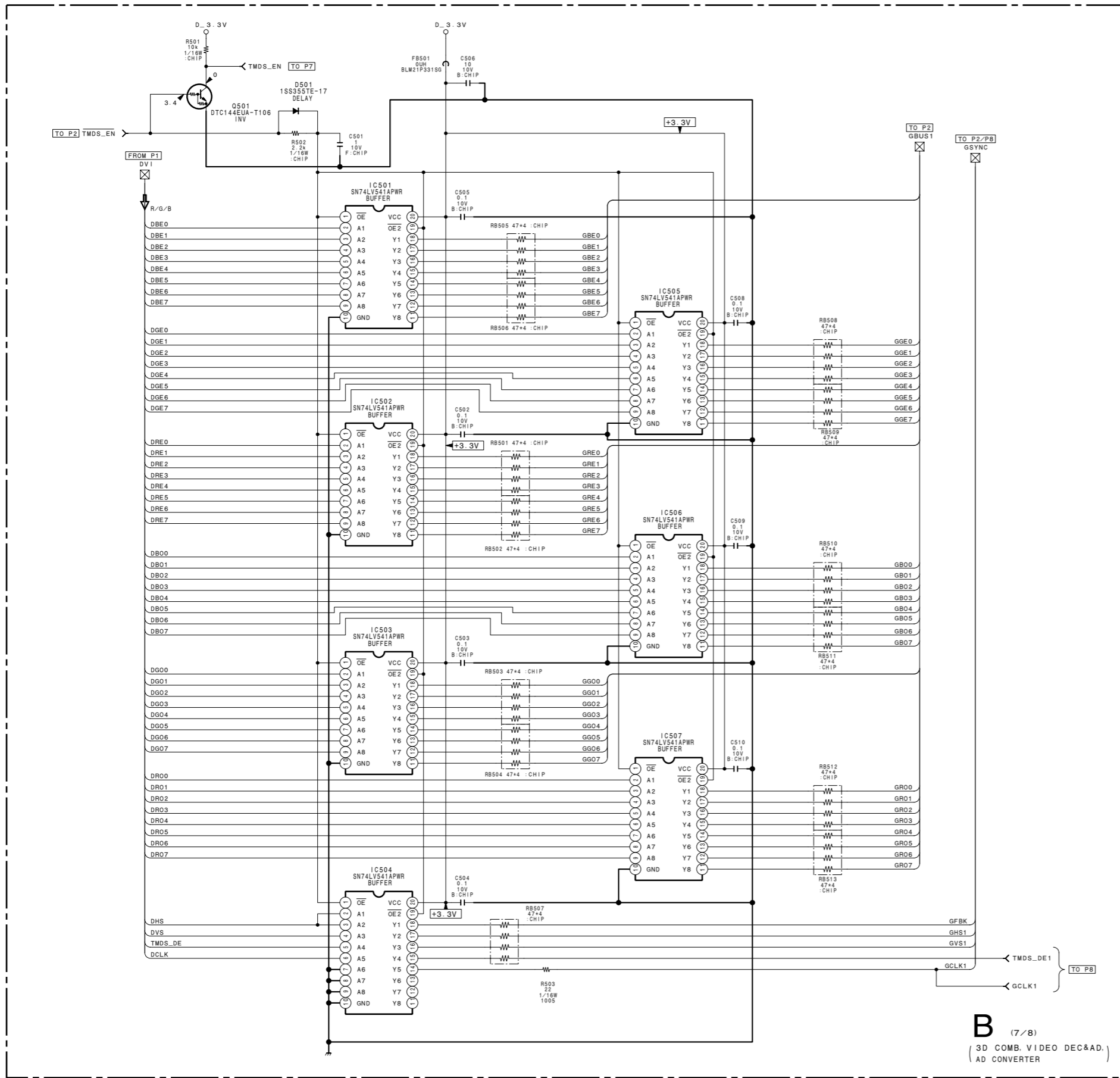
1

2

3

4

5



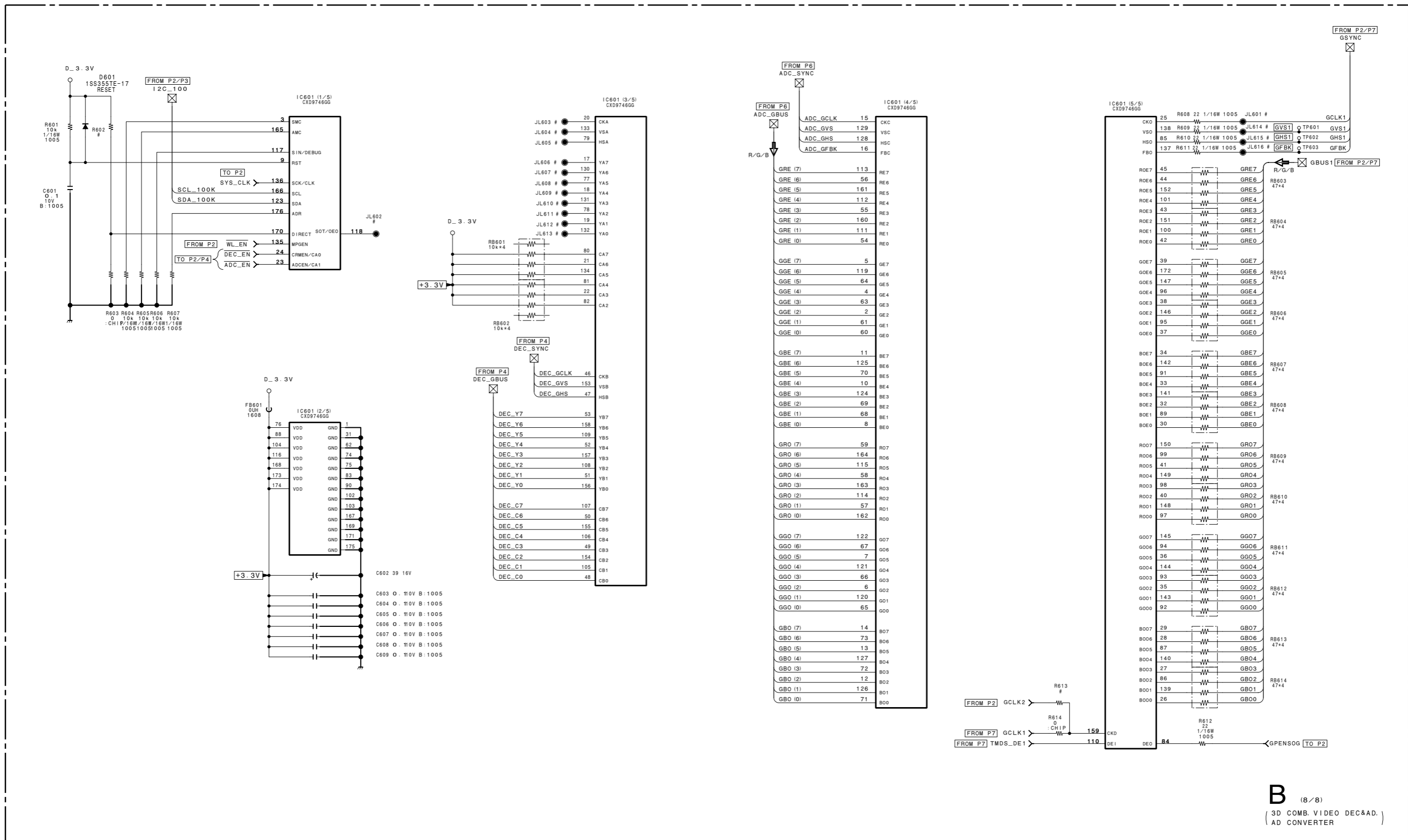
1

2

3

4

5



**B** (8/8)  
3D COMB. VIDEO DEC&AD.  
AD CONVERTER

1

2

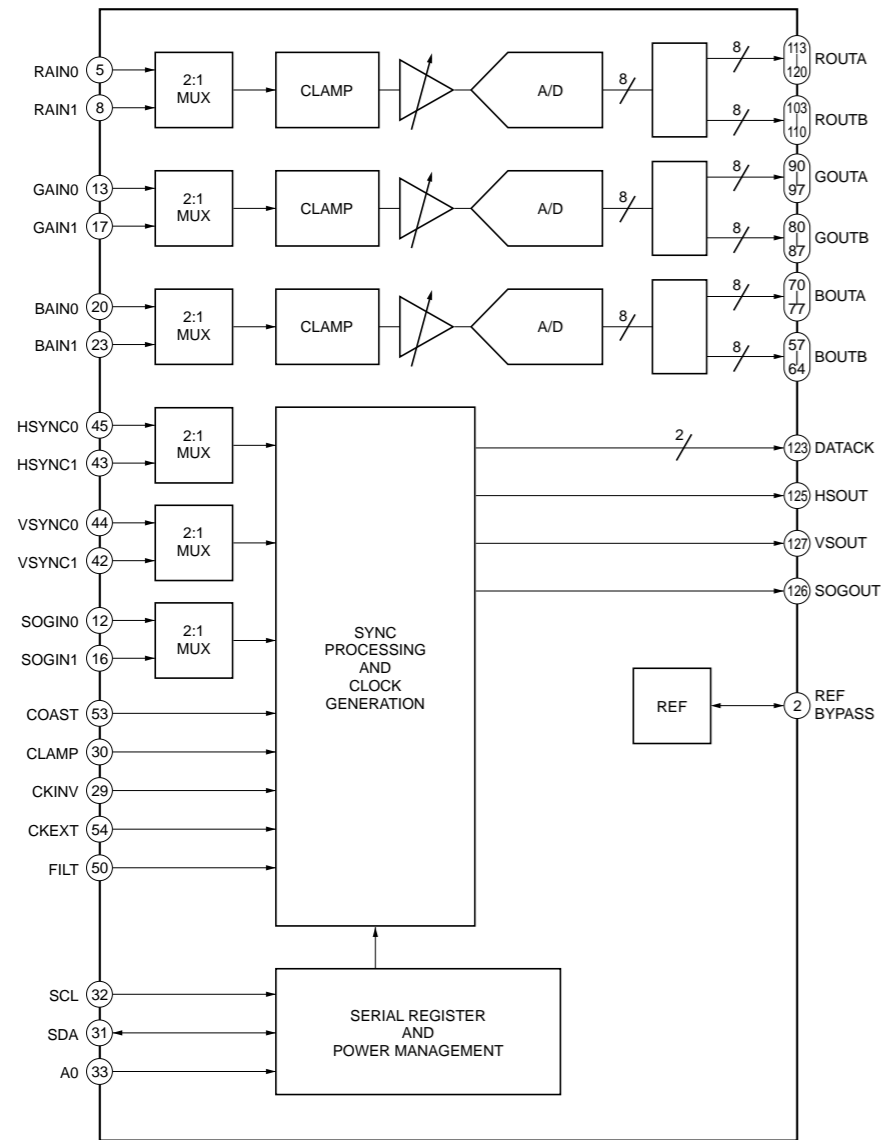
3

4

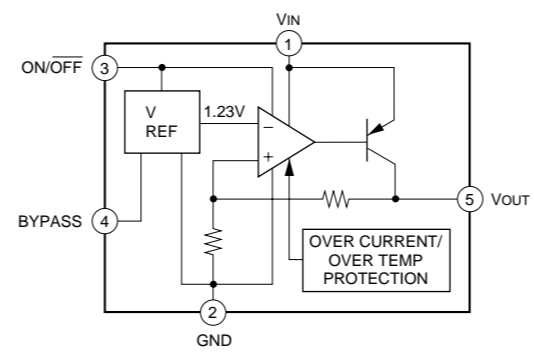
5



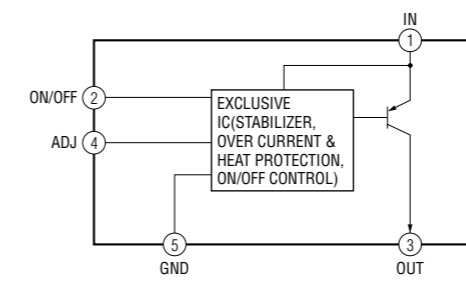
**AD9888K-100 (IC403)**



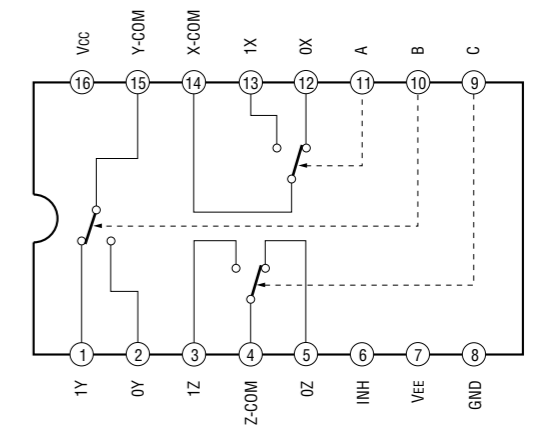
**LP2985IM5X-3.3 (IC224, 402)**



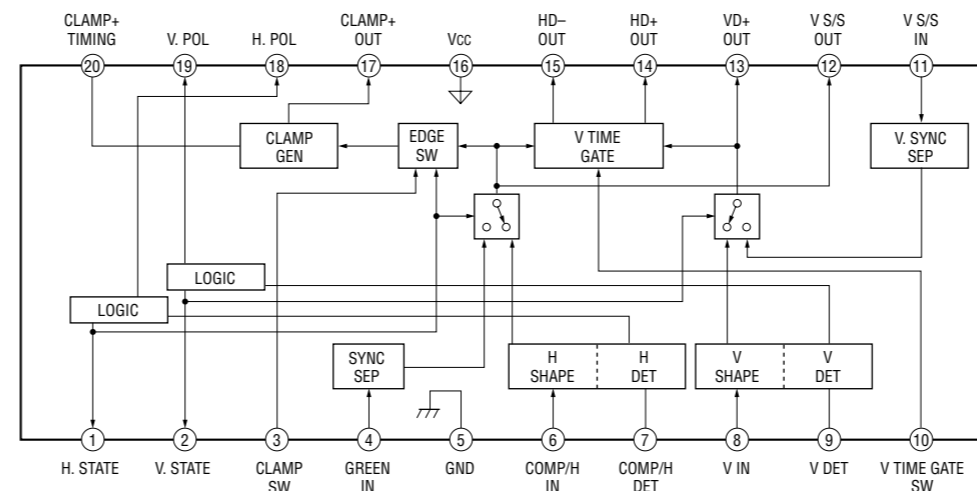
**PQ2TZ15U (IC142)**



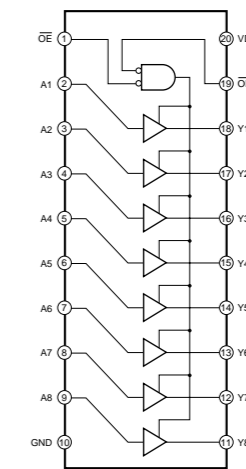
**SN74LV4053APWR (IC301, 304)**



**M52347FP-TE (IC303)**



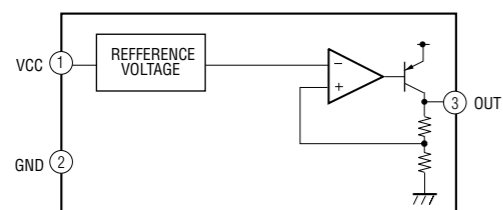
**SN74LV541APWR (IC501-507)**



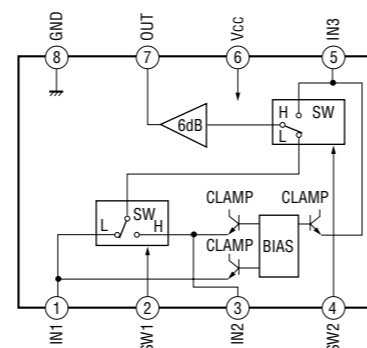
**BA033FP-E2 (IC143, 223, 401)**

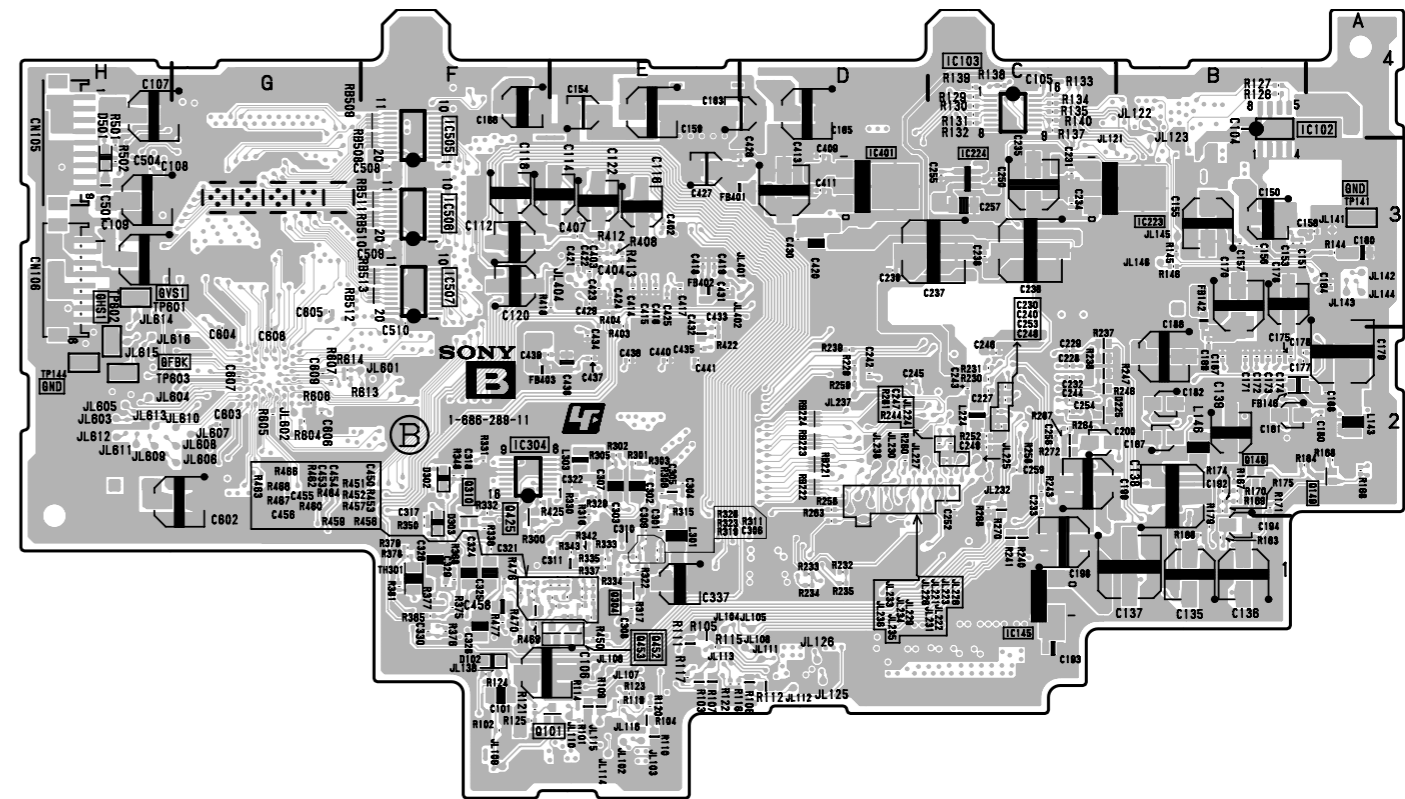
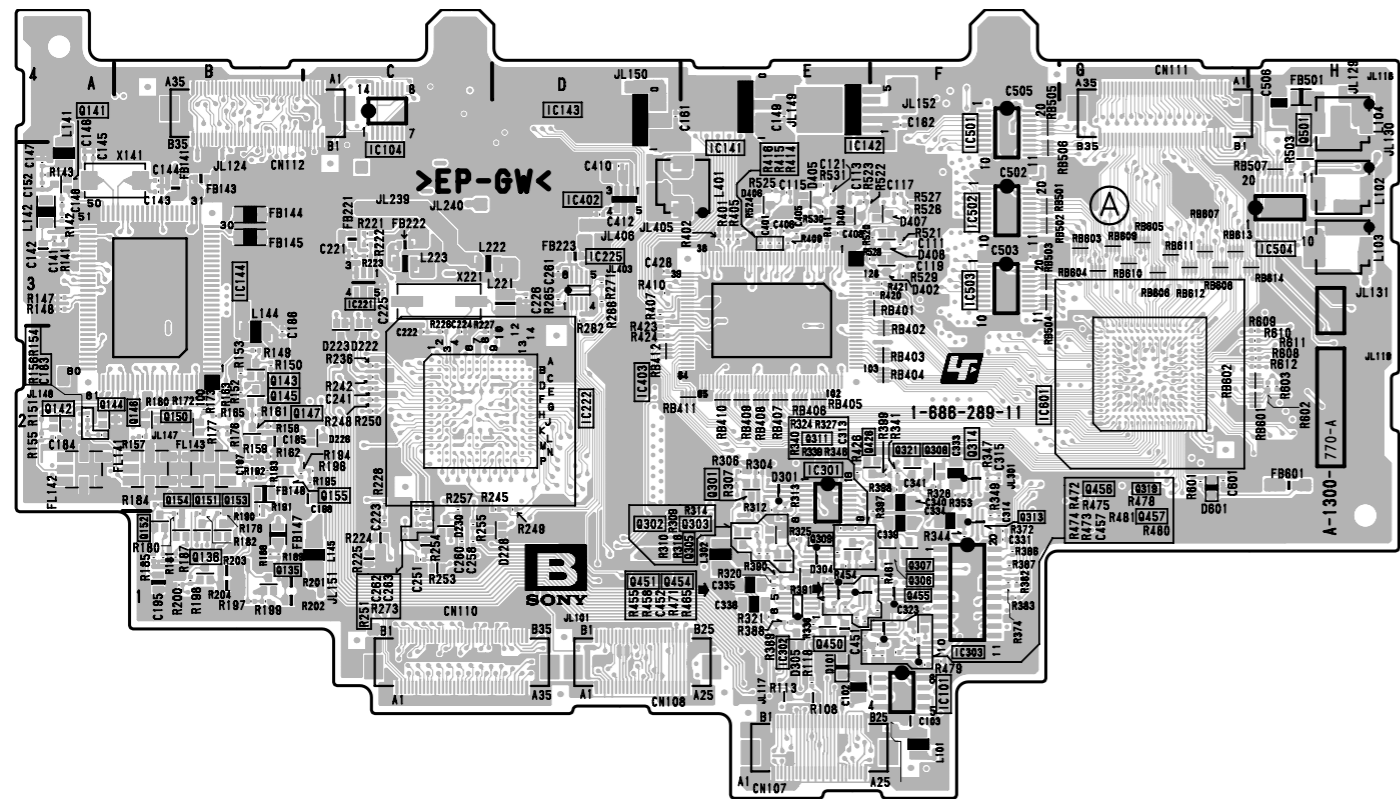
**BA05FP-E2 (IC141)**

**BA12FP-E2 (IC145)**



**MM1228XFBE (IC101)**





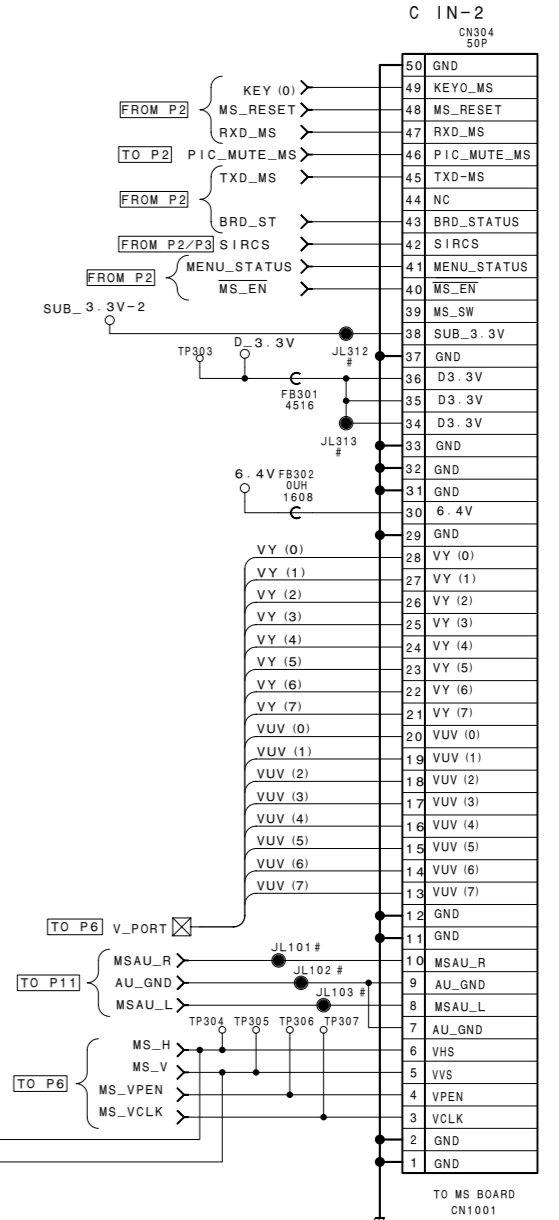
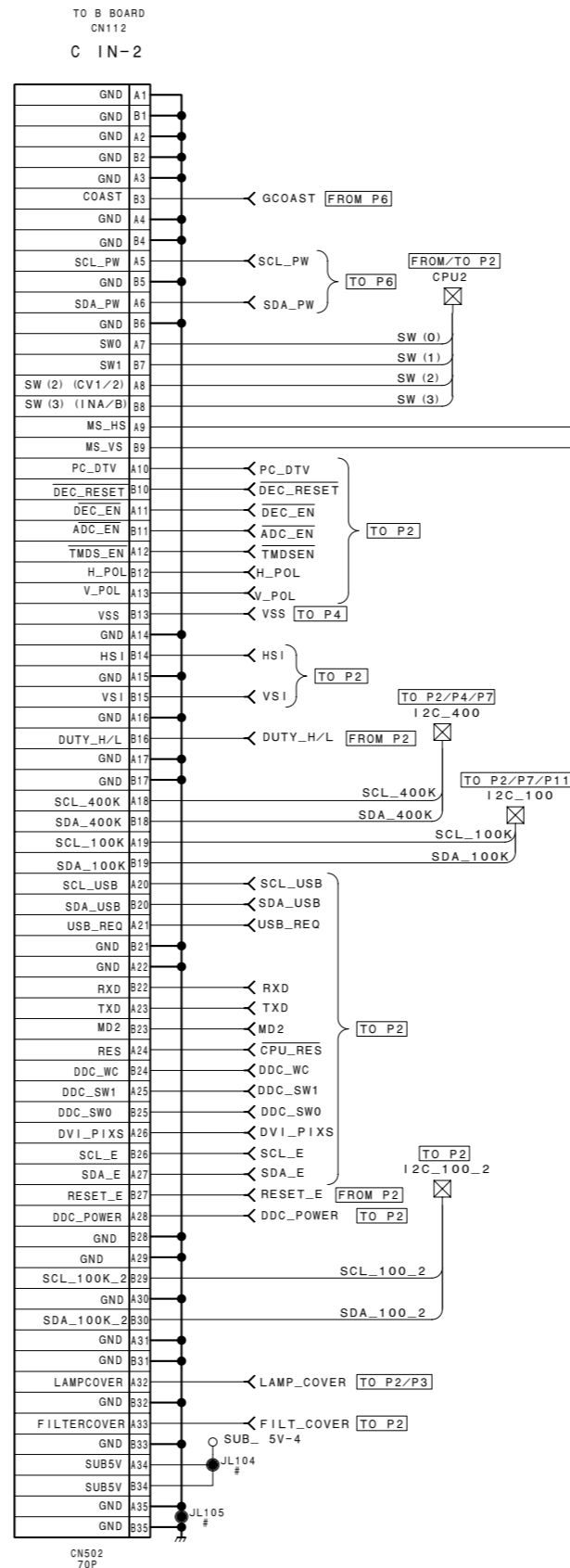
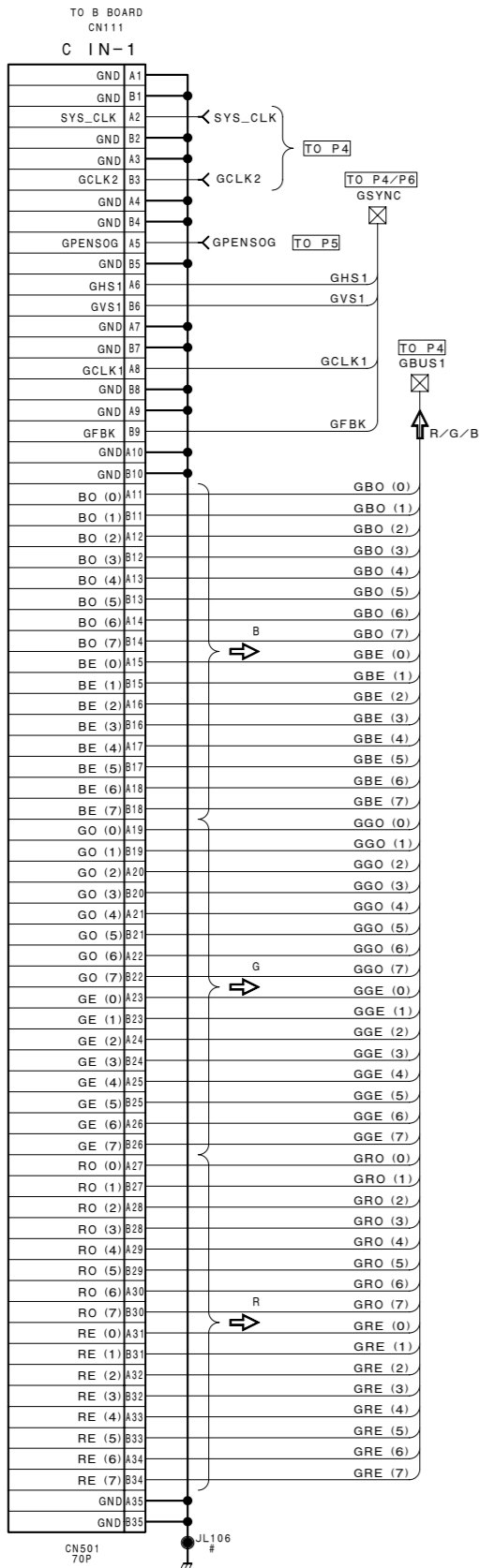
B Board

\*:B SIDE

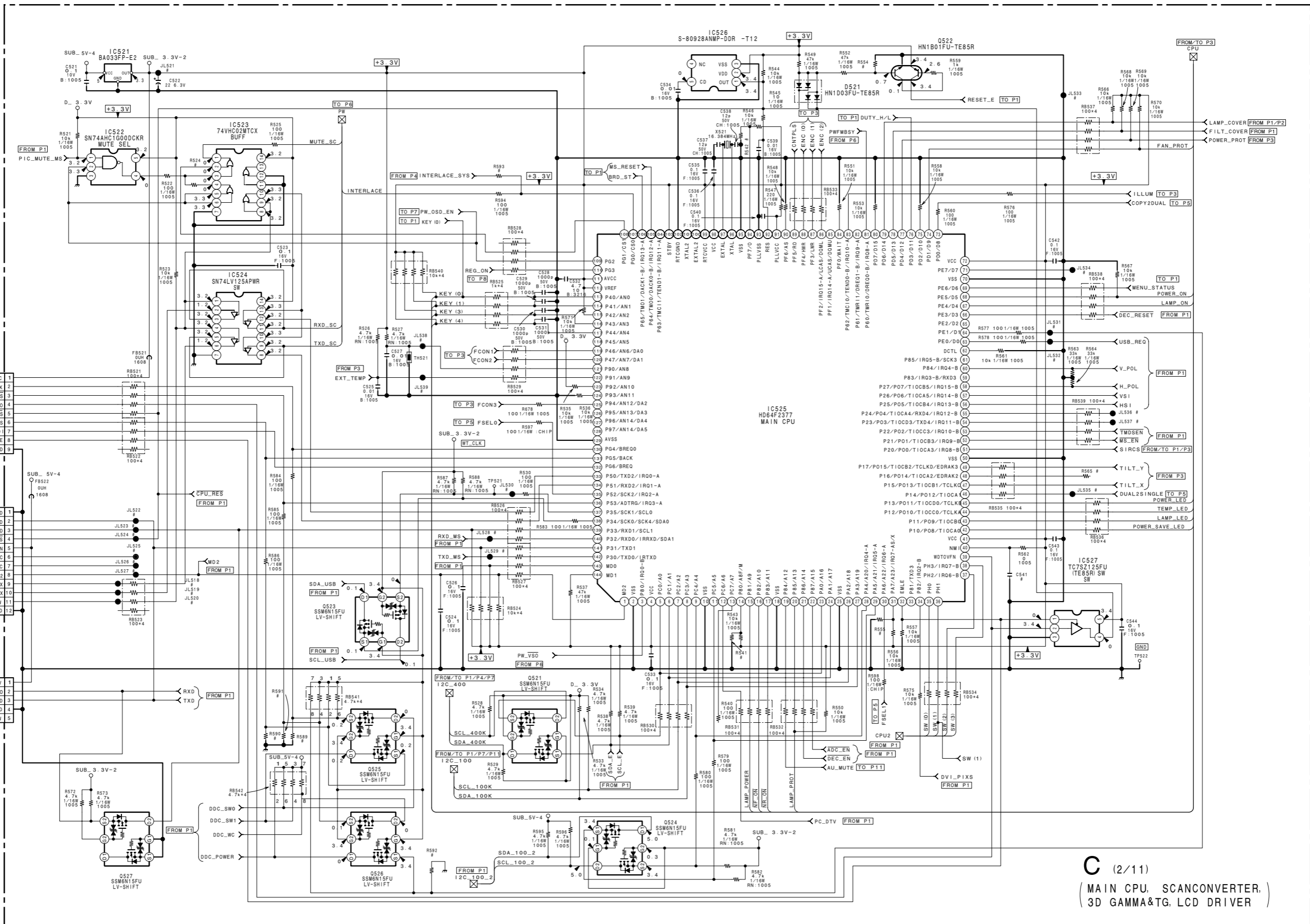
D101	E-1	IC503	F-3	Q453	*E-1
D102	*F-1	IC504	H-3	Q454	D-2
D222	C-2	IC505	*F-3	Q455	F-1
D223	C-2	IC506	*F-3	Q456	F-1
D225	*C-2	IC507	*F-3	Q457	F-1
D226	C-2	IC601	F-2	Q501	H-4
D228	D-2				
D230	C-2	Q101	*F-1	TP141	*A-3
D301	E-2	Q135	B-2	TP144	*H-2
D302	*F-2	Q136	B-2	TP601	*H-3
D303	*F-2	Q141	A-3	TP602	*H-2
D304	E-2	Q142	A-2	TP603	*H-2
D305	E-1	Q143	B-2		
D402	F-3	Q144	A-2		
D404	E-3	Q145	B-2		
D405	E-3	Q146	B-2		
D406	E-3	Q147	B-2		
D407	F-3	Q148	*B-2		
D408	F-3	Q149	*A-2		
D501	*H-3	Q150	B-2		
D601	G-2	Q151	B-2		
		Q152	B-2		
		Q153	B-2		
IC101	F-1	Q154	B-2		
IC102	*B-4	Q155	B-2		
IC103	*C-4	Q301	E-2		
IC104	C-4	Q302	E-2		
IC141	E-4	Q303	E-2		
IC142	E-4	Q304	*E-1		
IC143	D-4	Q305	E-2		
IC144	B-3	Q306	F-2		
IC145	*C-1	Q307	F-2		
IC221	C-3	Q308	F-2		
IC222	D-2	Q309	E-2		
IC223	*B-3	Q310	*F-2		
IC224	*C-3	Q311	E-2		
IC225	D-3	Q313	F-2		
IC301	E-2	Q314	F-2		
IC302	E-1	Q319	F-1		
IC303	F-1	Q321	F-2		
IC304	*F-2	Q425	*F-2		
IC401	*D-3	Q426	E-2		
IC402	D-3	Q450	E-1		
IC403	D-2	Q451	D-2		
IC501	F-4	Q452	*E-1		
IC502	F-3				

B -A SIDE-  
SUFFIX: -11

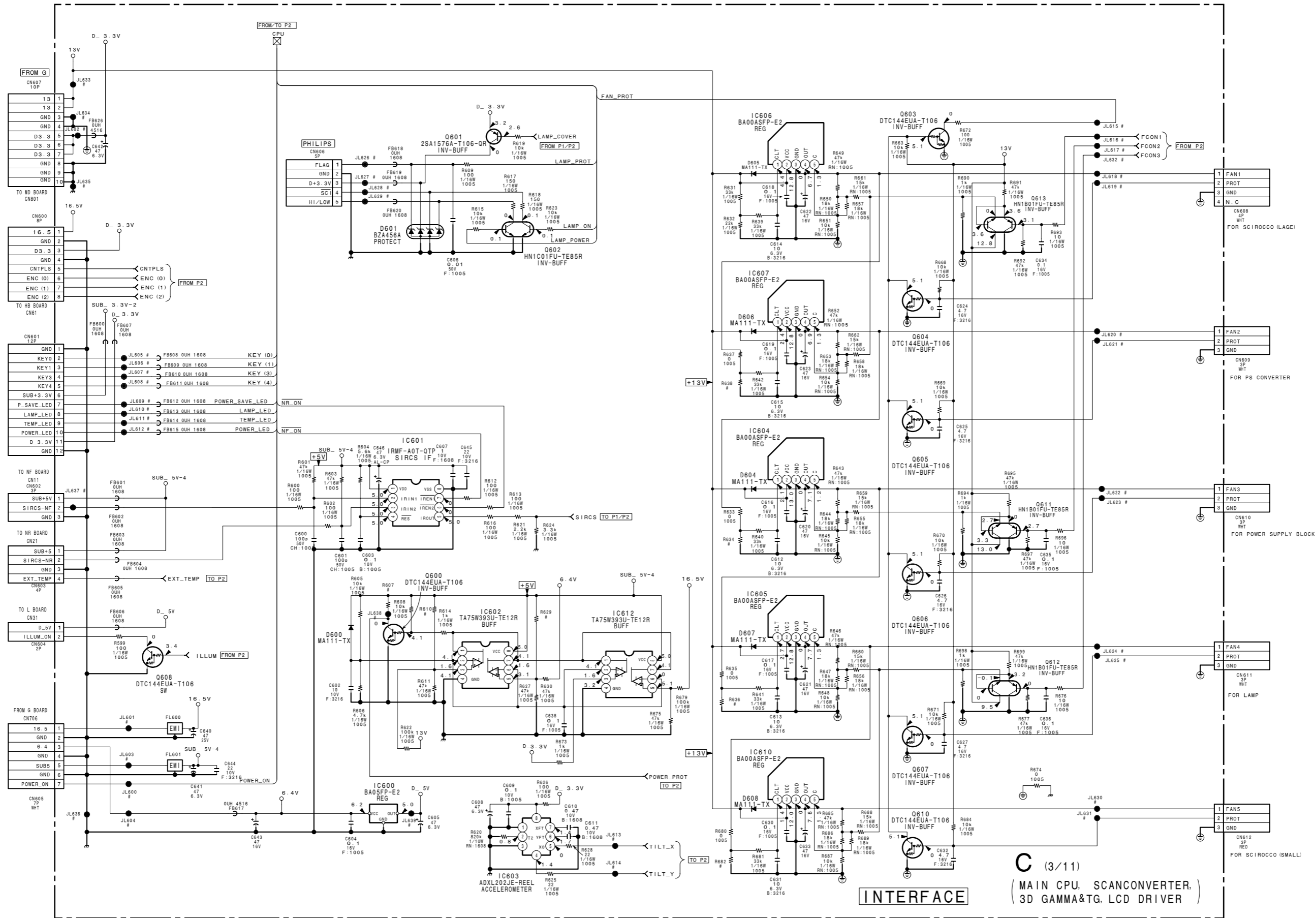
B -B SIDE-  
SUFFIX: -11



C (1/11)  
( MAIN CPU, SCANCONVERTER, )  
( 3D GAMMA&TG, LCD DRIVER )



C (2/11)  
(MAIN CPU, SCANCONVERTER,  
3D GAMMA&TG, LCD DRIVER)



C (3/11)  
 (MAIN CPU, SCANCONVERTER,  
 3D GAMMA&TG, LCD DRIVER)

INTERFACE

B-551745-C-P3

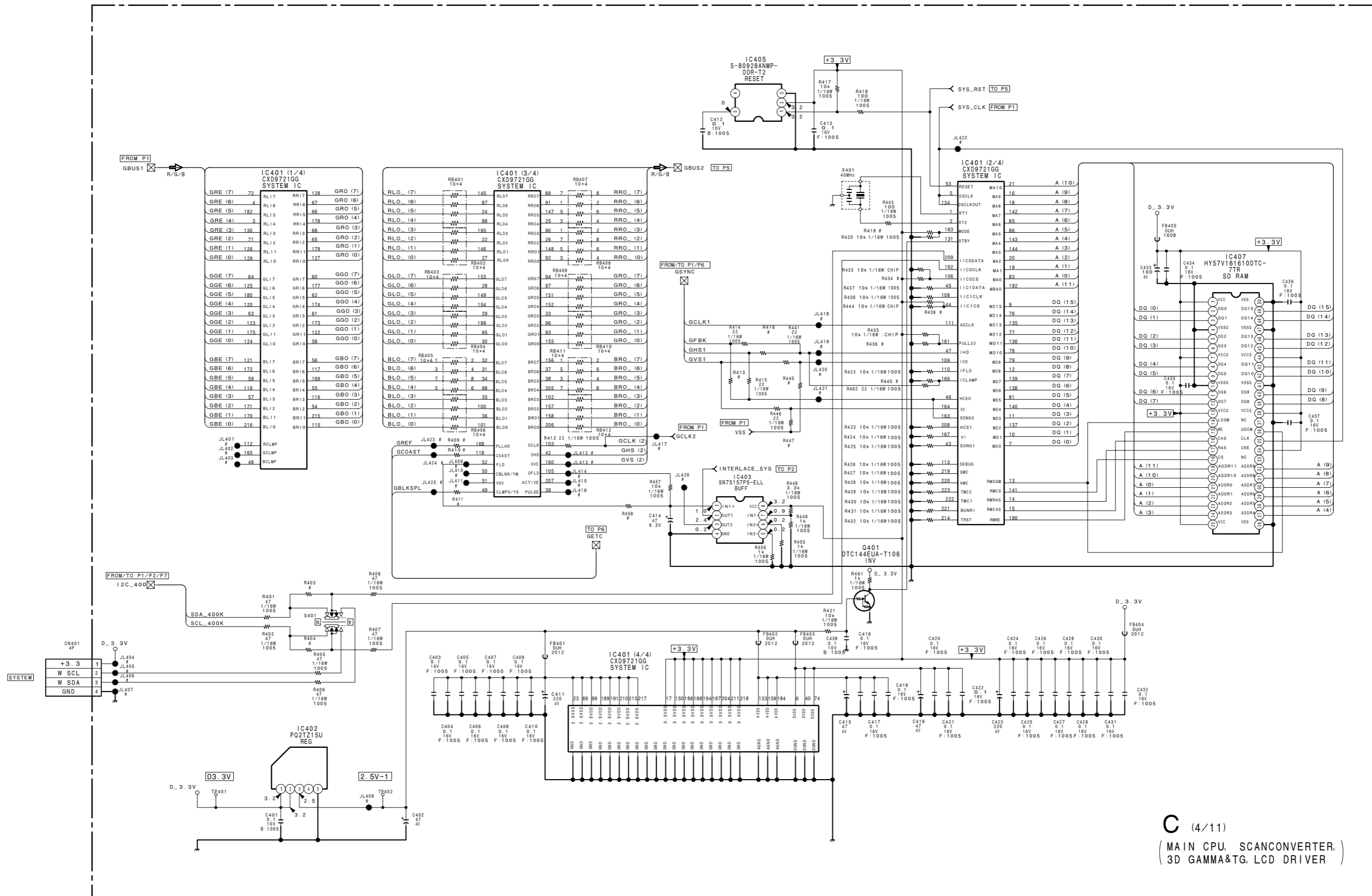
1

2

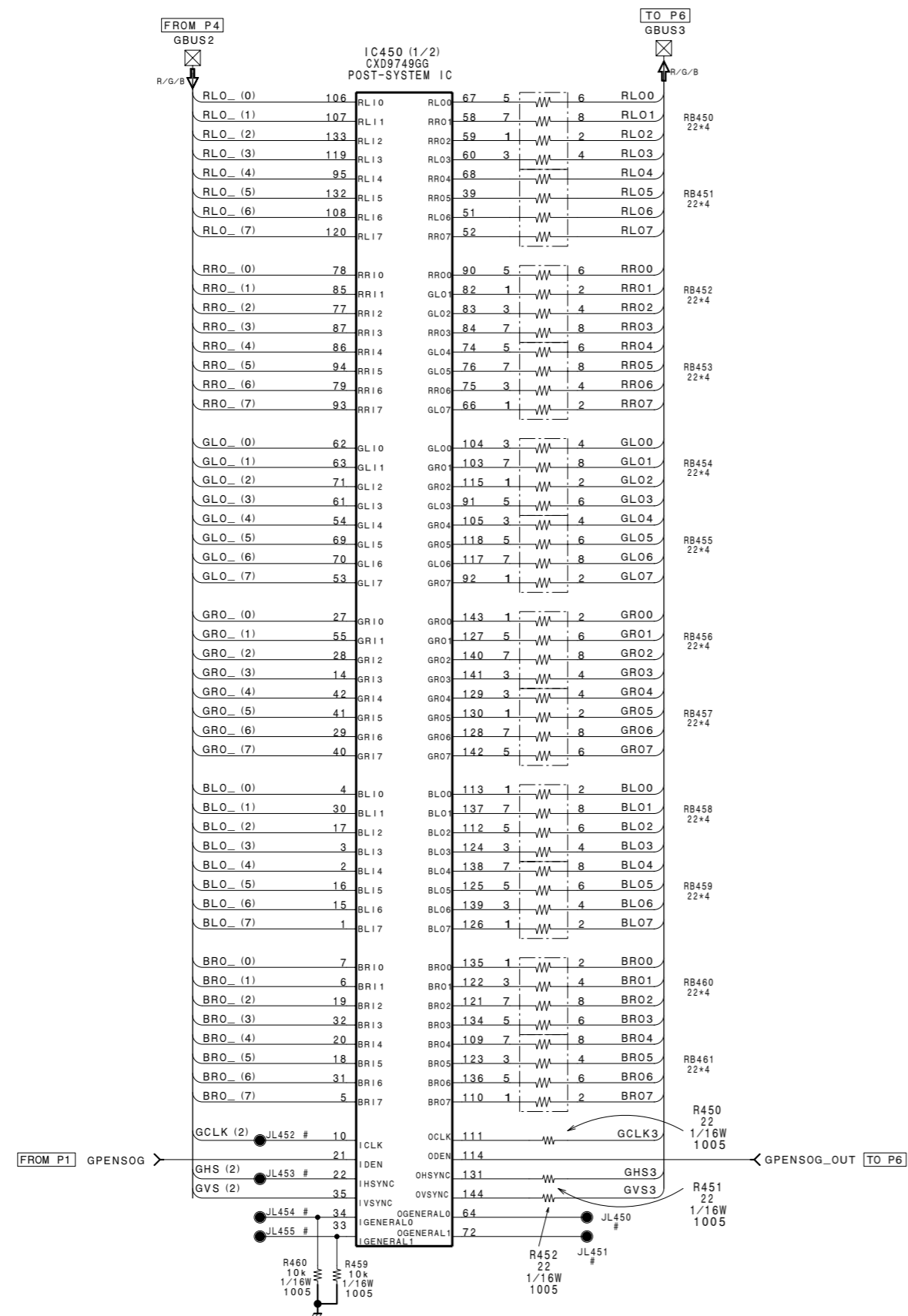
3

4

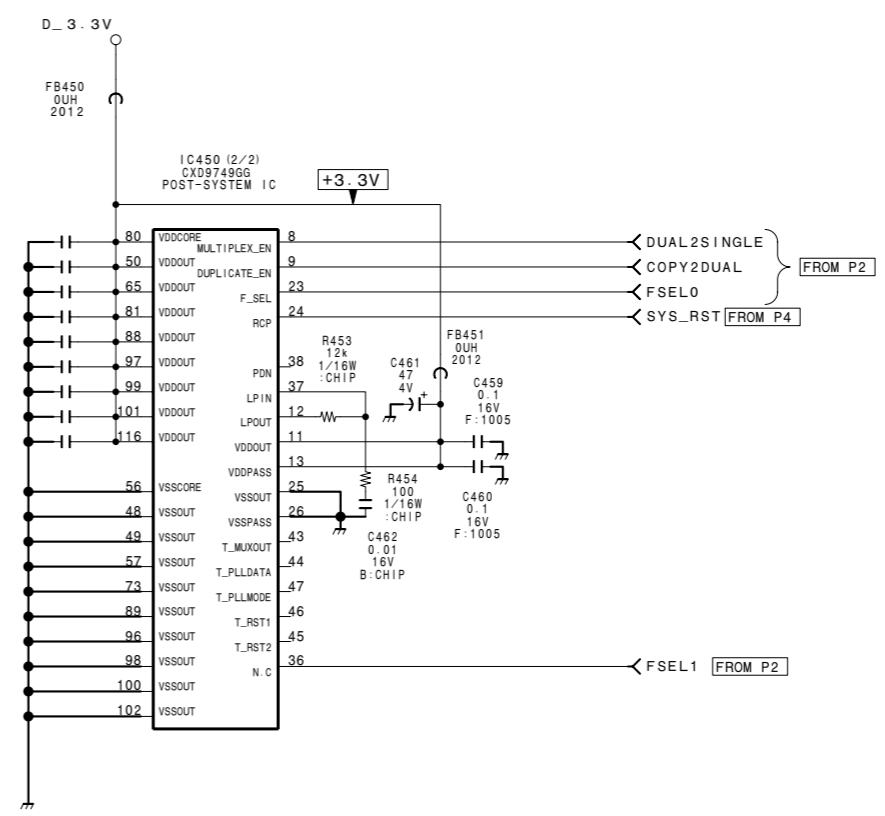
5



C (4/11)  
(MAIN CPU, SCANCONVERTER,  
3D GAMMA&TG, LCD DRIVER)



- C450 0.1 16V F:1005
- C451 0.1 16V F:1005
- C452 0.1 16V F:1005
- C453 0.1 16V F:1005
- C454 0.1 16V F:1005
- C455 0.1 16V F:1005
- C456 0.1 16V F:1005
- C457 0.1 16V F:1005
- C458 0.1 16V F:1005



C (5/11)  
 (MAIN CPU, SCANCONVERTER,  
 3D GAMMA&TG, LCD DRIVER)

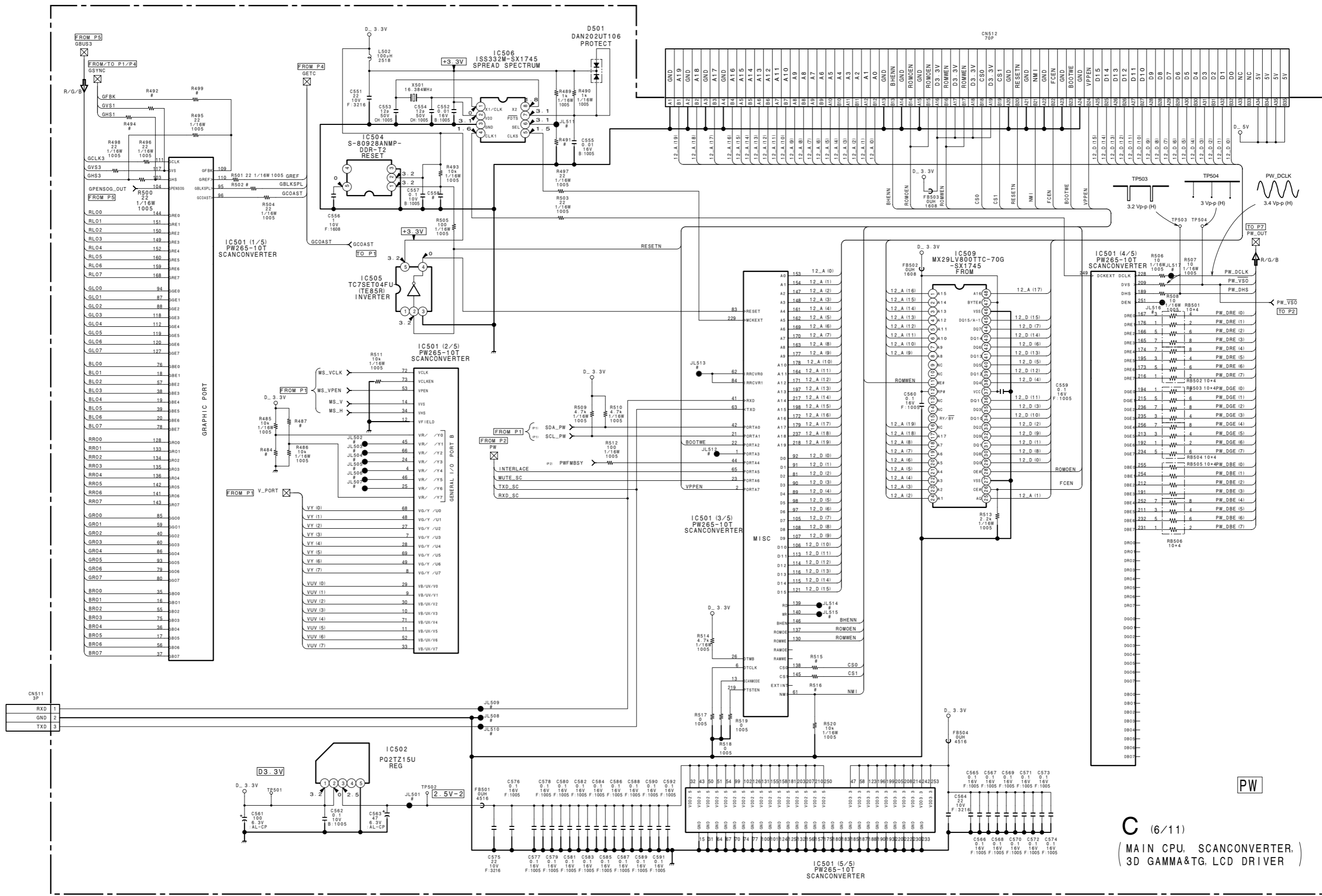
1

2

3

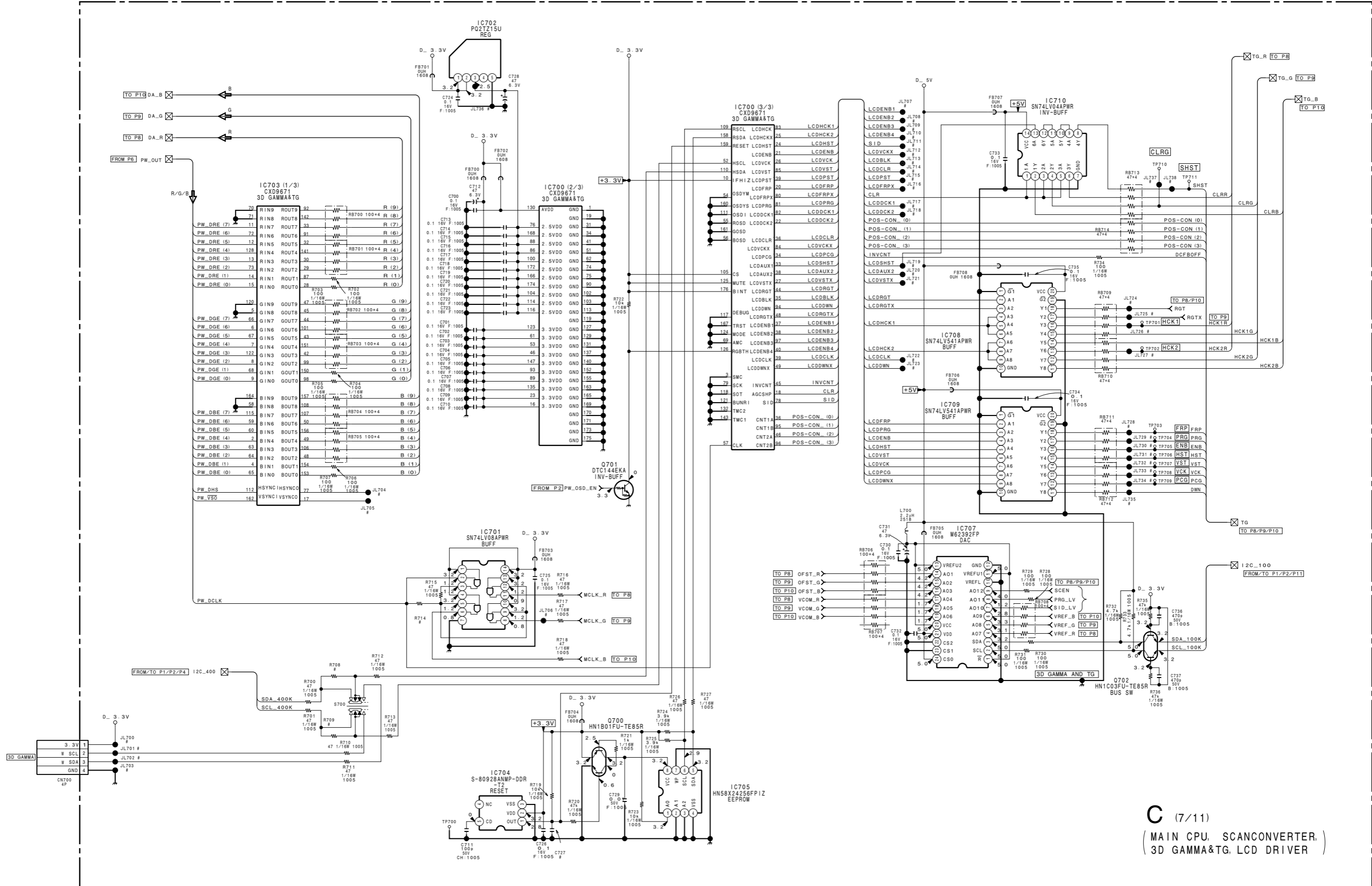
4

5



C (6/11) (MAIN CPU, SCANCONVERTER, 3D GAMMA&TG, LCD DRIVER)





**C (7/11)**  
 (MAIN CPU, SCANCONVERTER,  
 3D GAMMA&TG, LCD DRIVER)

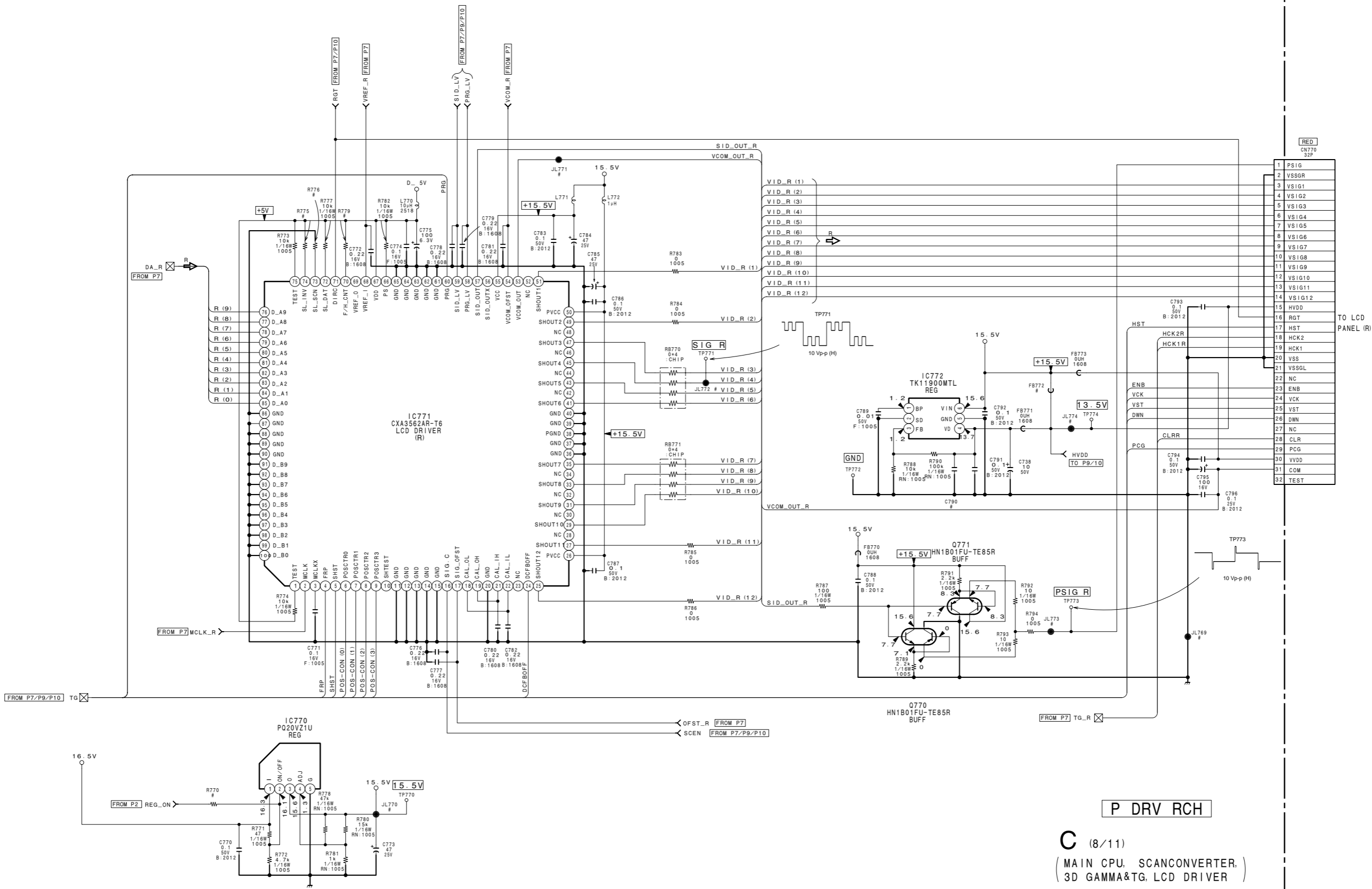
1

2

3

4

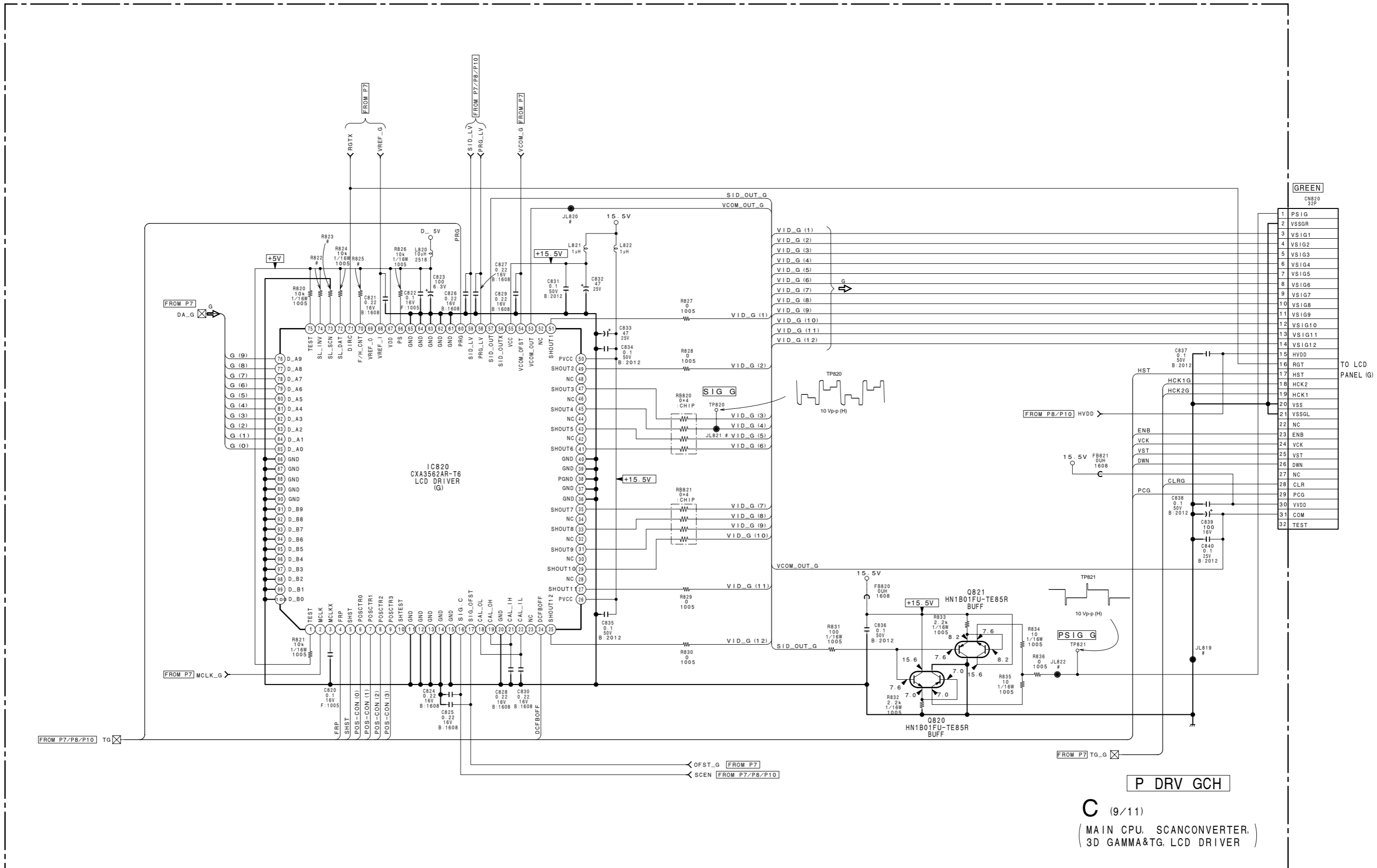
5



1	PSIG
2	VSSGR
3	VSIG1
4	VSIG2
5	VSIG3
6	VSIG4
7	VSIG5
8	VSIG6
9	VSIG7
10	VSIG8
11	VSIG9
12	VSIG10
13	VSIG11
14	VSIG12
15	HVDD
16	RGT
17	HST
18	HCK2
19	HCK1
20	VSS
21	VSSGL
22	NC
23	ENB
24	VCK
25	VST
26	DWN
27	NC
28	CLR
29	PCG
30	VDD
31	COM
32	TEST

P DRV RCH

C (8/11)  
(MAIN CPU, SCANCONVERTER,  
3D GAMMA&TG, LCD DRIVER)



P DRV GCH

C (9/11)  
(MAIN CPU, SCANCONVERTER,  
3D GAMMA&TG, LCD DRIVER)

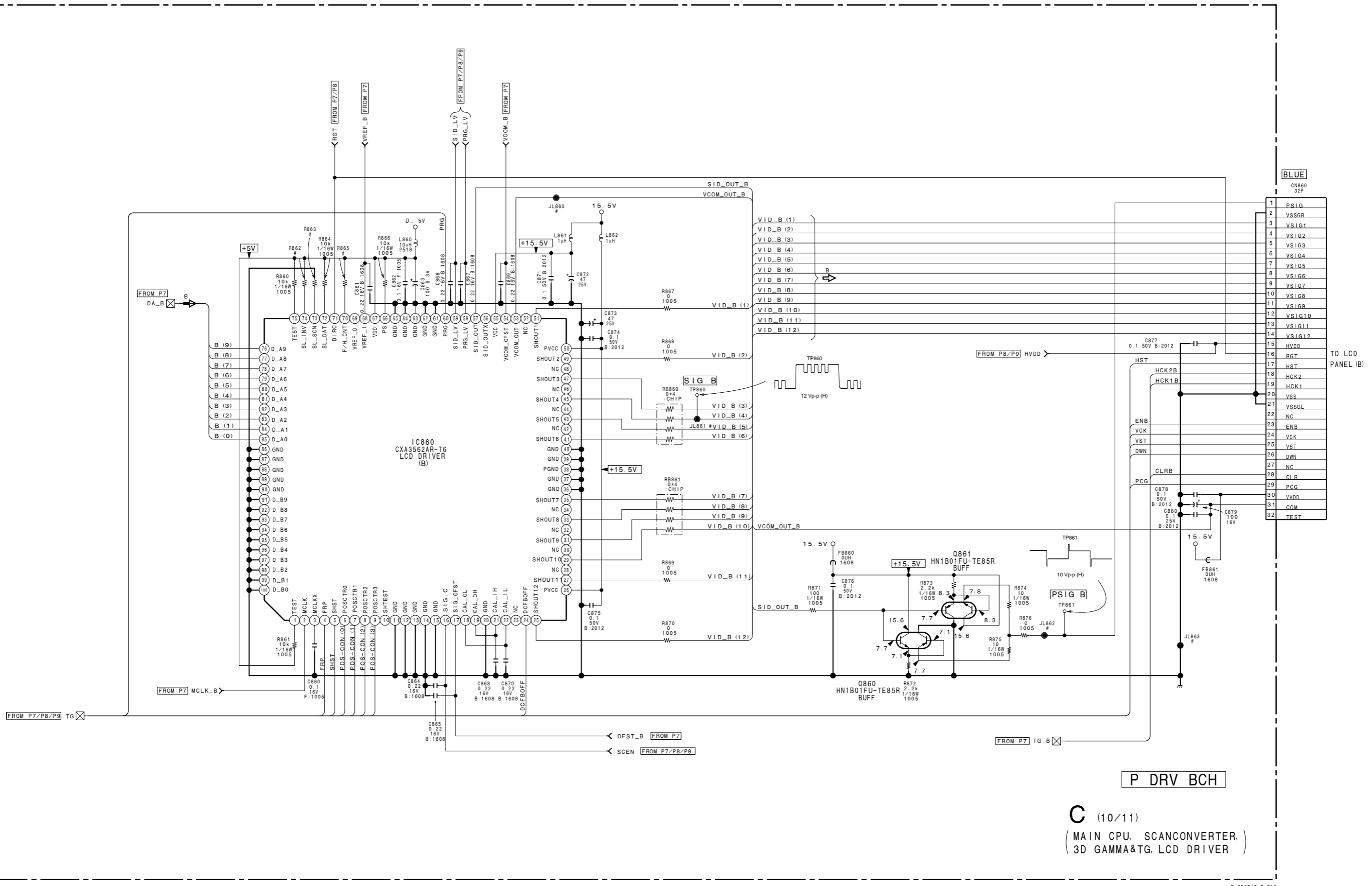
1

2

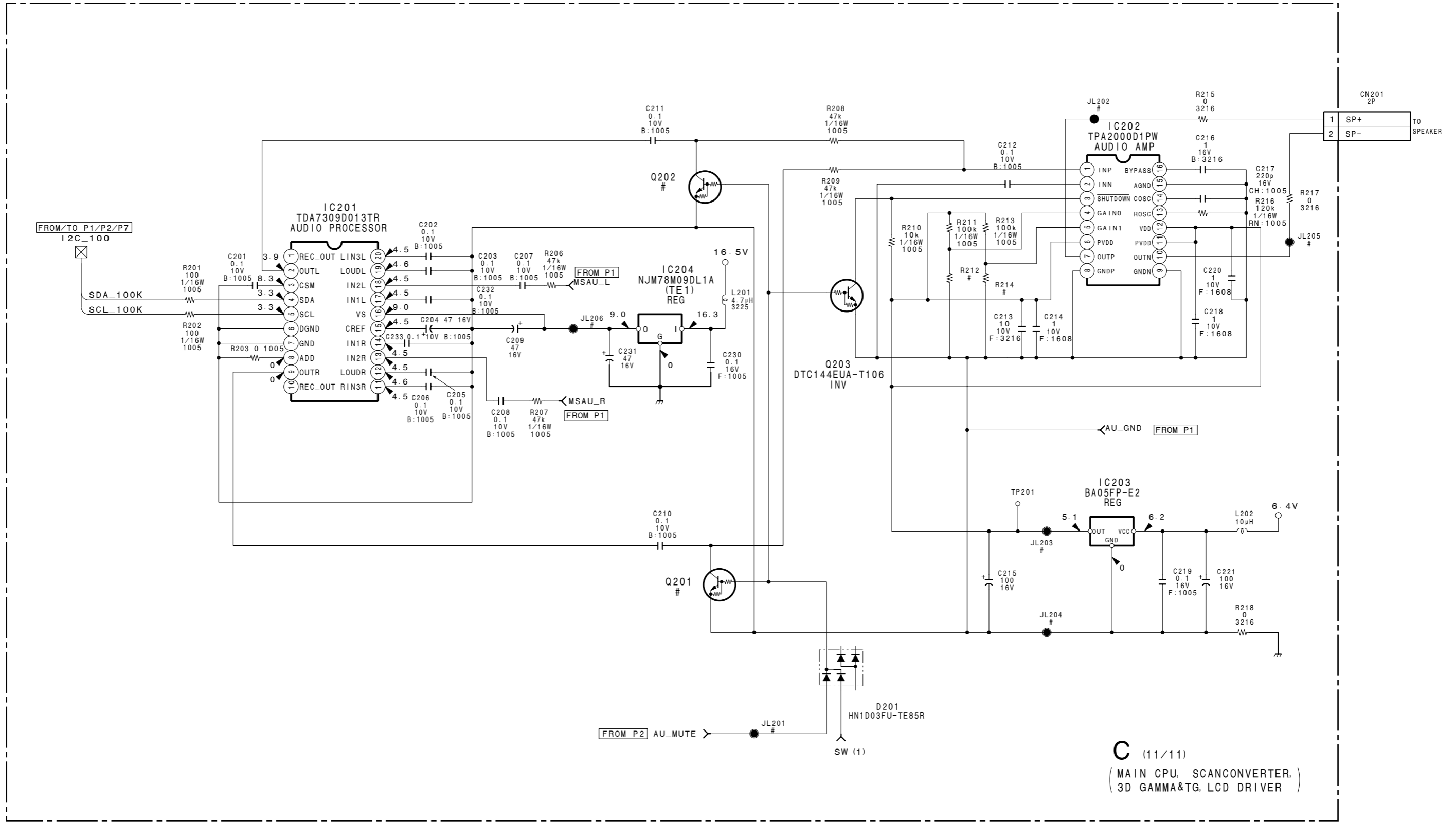
3

4

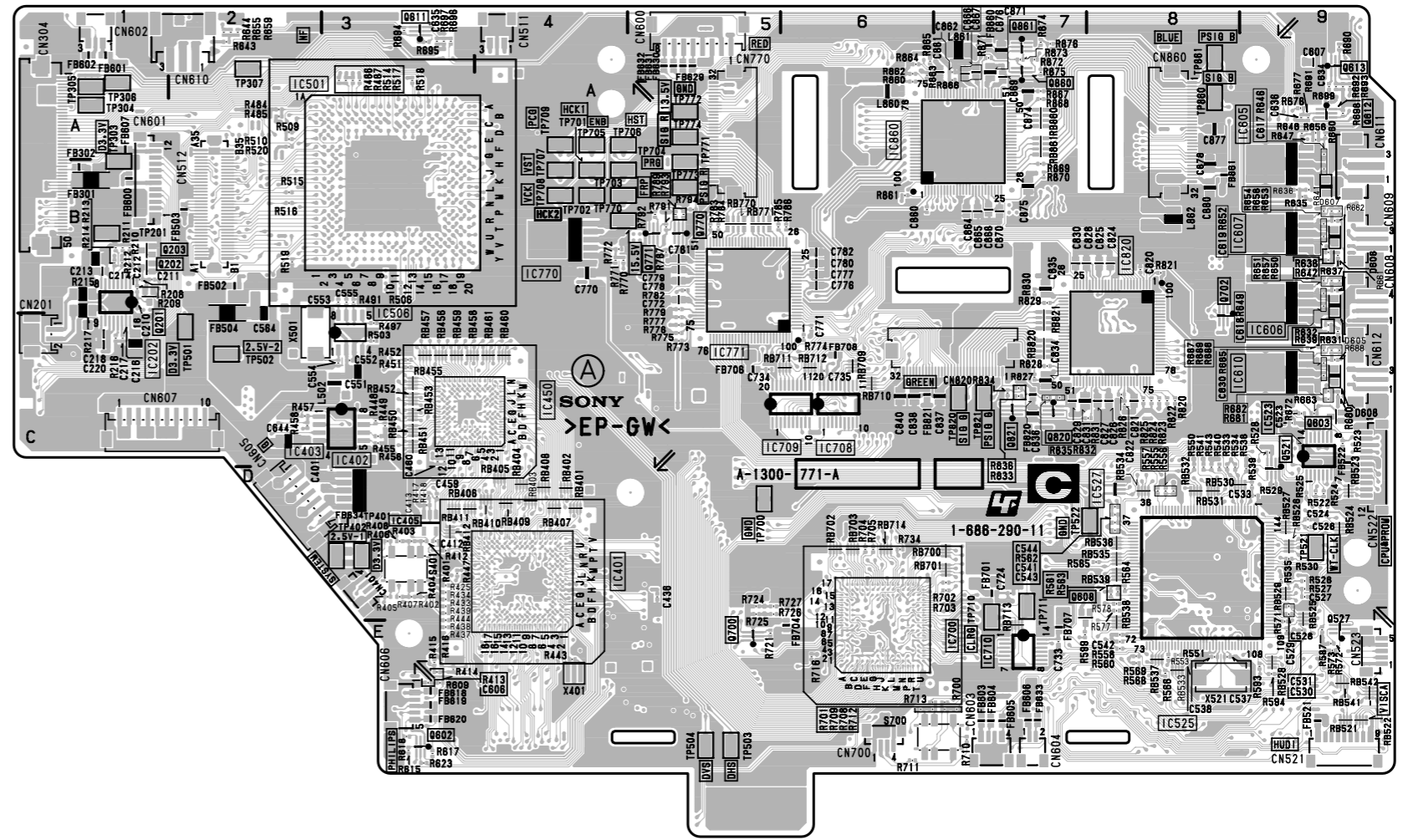
5



C (10/11)  
 (MAIN CPU, SCANCONVERTER,  
 3D GAMMA&TG, LCD DRIVER)



C (11/11)  
( MAIN CPU, SCANCONVERTER, )  
( 3D GAMMA&TG. LCD DRIVER )

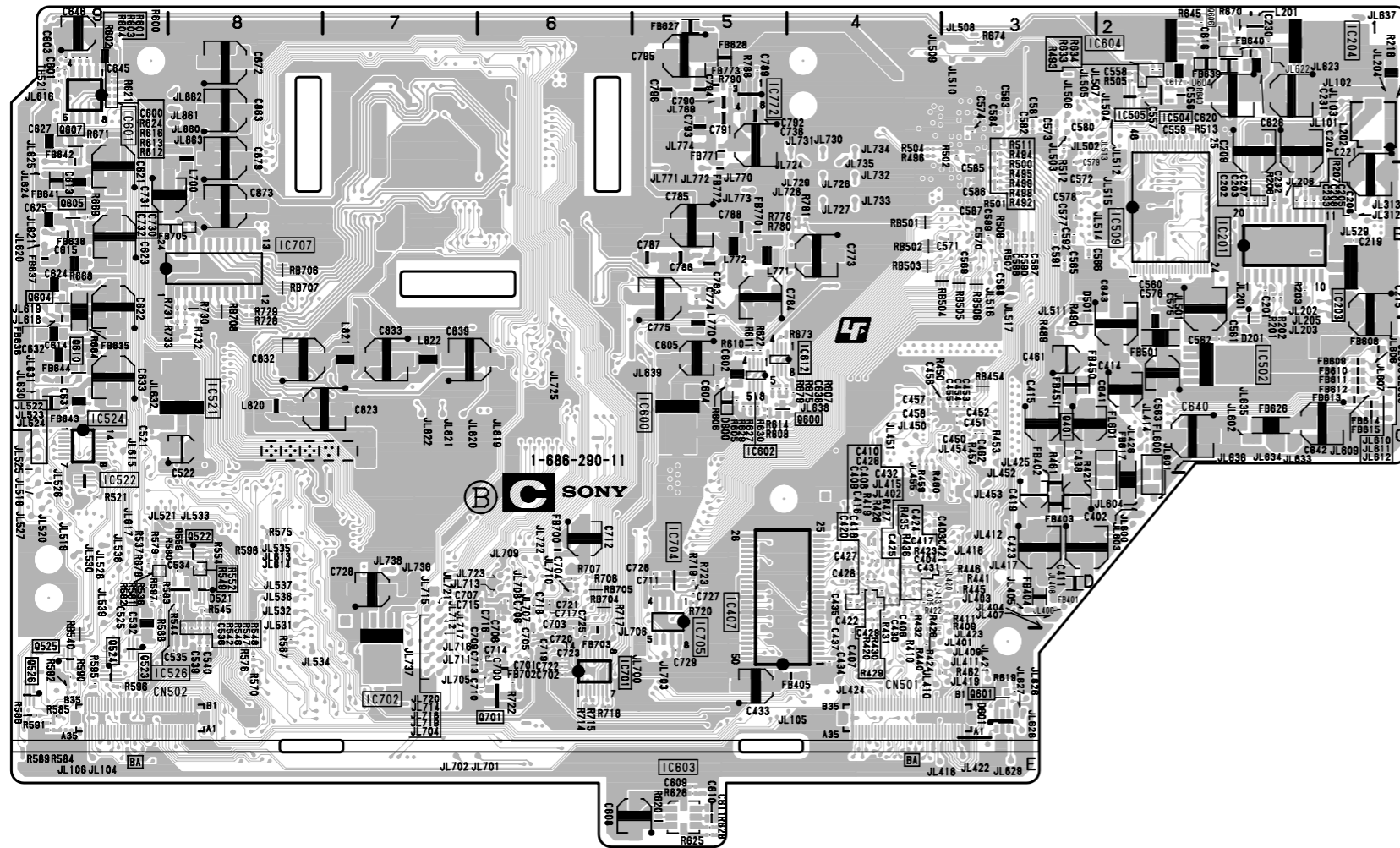


C Board

\*:B SIDE

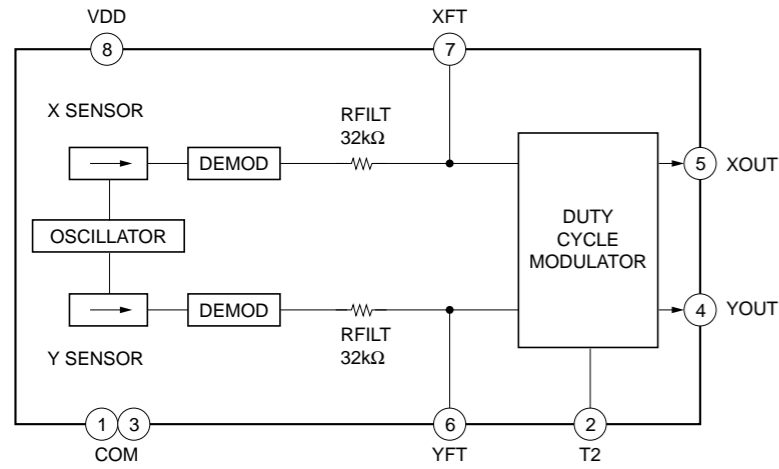
D201	* C-2	IC527	D-8	Q524	* E-9	TP401	D-3
D501	* B-3	IC600	* C-5	Q525	* E-9	TP402	D-3
D521	* D-8	IC601	* A-9	Q526	* E-9	TP501	C-2
D600	* C-5	IC602	* C-5	Q527	* E-9	TP502	C-2
D601	* E-3	IC603	* E-5	Q600	* C-5	TP503	E-5
D604	* A-2	IC604	* A-2	Q601	* E-3	TP504	E-5
D605	C-9	IC605	A-9	Q602	E-3	TP521	D-9
D606	B-9	IC606	C-9	Q603	C-9	TP522	D-7
D607	B-9	IC607	B-8	Q604	* B-9	TP700	D-5
D608	C-9	IC610	C-9	Q605	* B-9	TP701	A-4
		IC612	* C-5	Q606	* A-2	TP702	B-4
IC201	* B-2	IC700	E-7	Q607	* A-9	TP703	B-4
IC202	B-1	IC701	* E-6	Q608	D-7	TP704	B-5
IC203	* B-1	IC702	* E-7	Q610	* C-9	TP705	A-4
IC204	* A-1	IC704	* D-5	Q611	A-3	TP706	A-4
IC401	D-4	IC705	* D-5	Q612	A-9	TP707	B-4
IC402	C-3	IC707	* B-8	Q613	A-9	TP708	B-4
IC403	C-2	IC708	C-6	Q700	E-5	TP709	A-4
IC405	D-3	IC709	C-6	Q701	* E-6	TP710	D-7
IC407	* D-5	IC710	E-7	Q702	B-8	TP711	D-7
IC450	C-3	IC770	B-4	Q770	B-5	TP770	B-4
IC501	A-2	IC771	B-5	Q771	B-5	TP771	B-5
IC502	* C-1	IC772	* A-5	Q820	C-7	TP772	A-5
IC504	* A-2	IC820	B-8	Q821	C-7	TP773	B-5
IC505	* A-2	IC860	A-6	Q860	A-7	TP774	A-5
IC506	C-3			Q861	A-7	TP820	C-7
IC509	* B-2	Q201	B-1			TP860	A-8
IC521	* C-8	Q202	B-1	TP201	A-1	TP861	A-8
IC522	* D-9	Q203	B-1	TP303	A-1		
IC523	C-9	Q401	* C-3	TP304	A-1		
IC524	* C-9	Q521	C-9	TP305	A-1		
IC525	E-8	Q522	* D-8	TP306	A-1		
IC526	* D-8	Q523	* E-9	TP307	A-2		

C - A SIDE-  
SUFFIX: -11

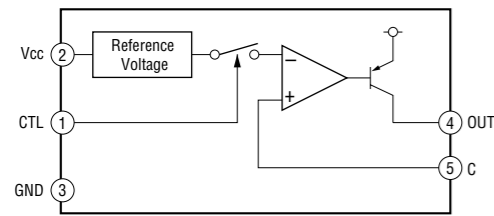


C-B SIDE-  
SUFFIX: -11

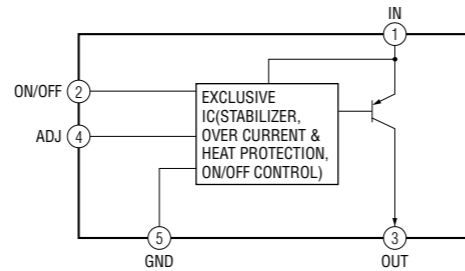
**ADXL202JE-REEL (IC603)**



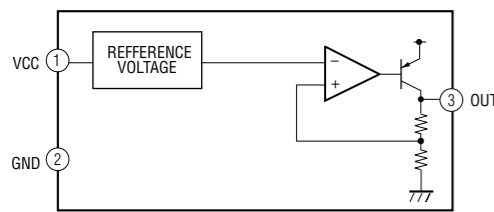
**BA00ASFP-E2 (IC604-607, 610)**



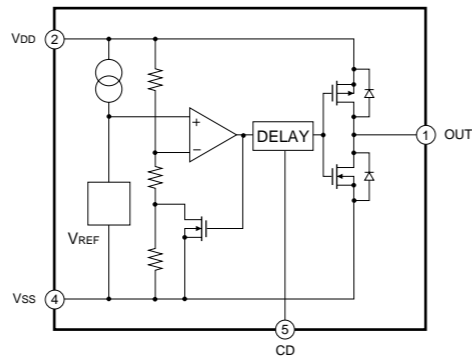
**PQ20VZ1U (IC770)  
PQ2TZ15U (IC402, 502, 702)**



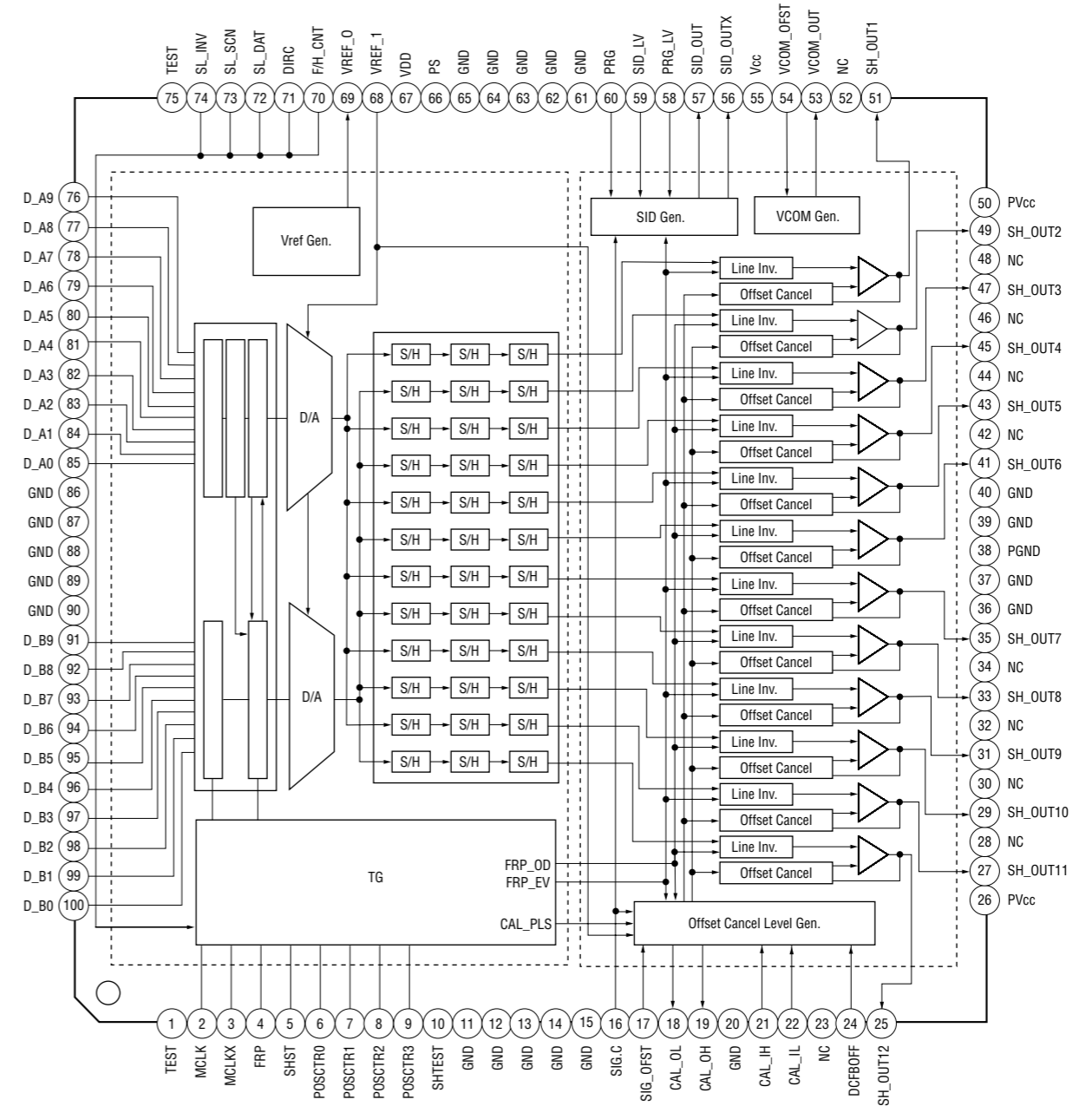
**BA033FP-E2 (IC521)  
BA05FP-E2 (IC600)**



**S-80928ANMP-DDR-T12 (IC405, 504, 526, 704)**

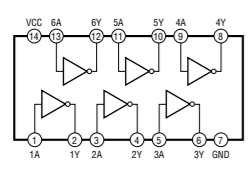


**CXA3562AR-T6 (IC771, 820, 860)**

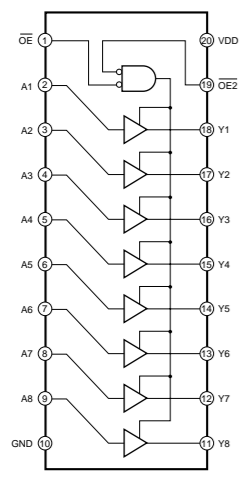




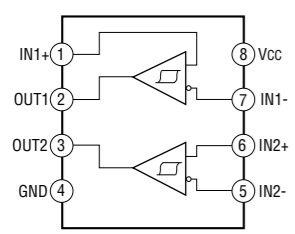
SN74LV04APWR (IC710)



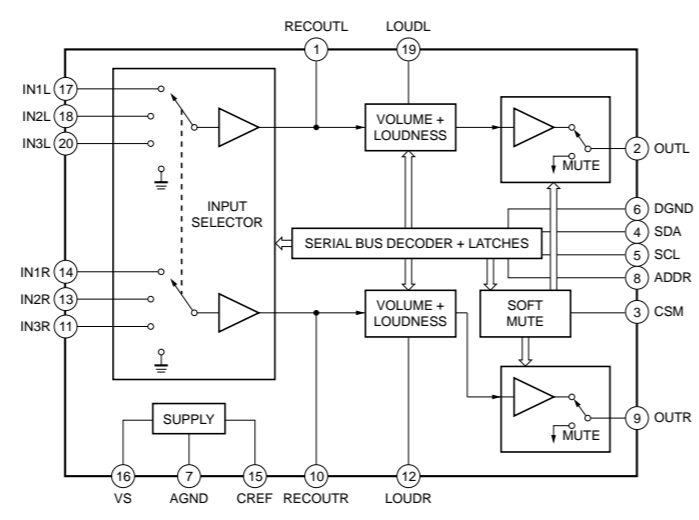
SN74LV541APWR (IC708, 709)



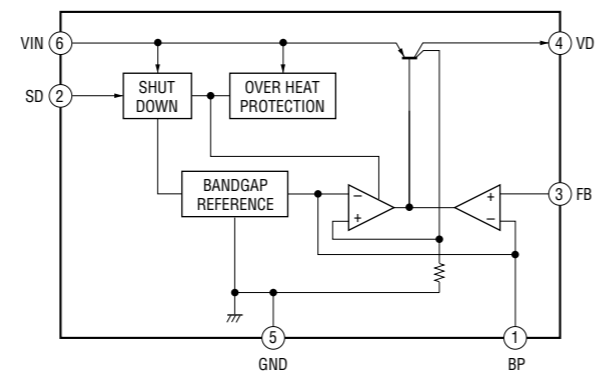
SN75157PS-EEL (IC403)



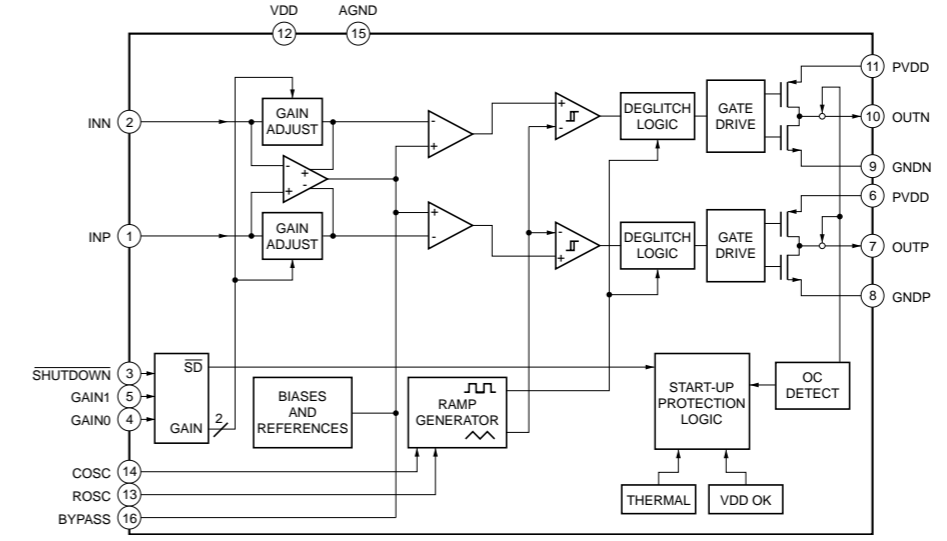
TDA7309D013TR (IC201)

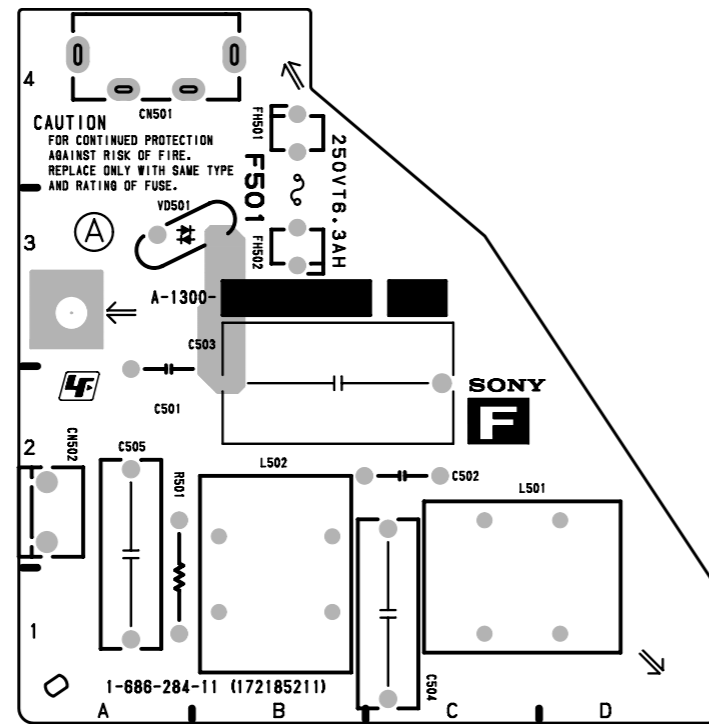
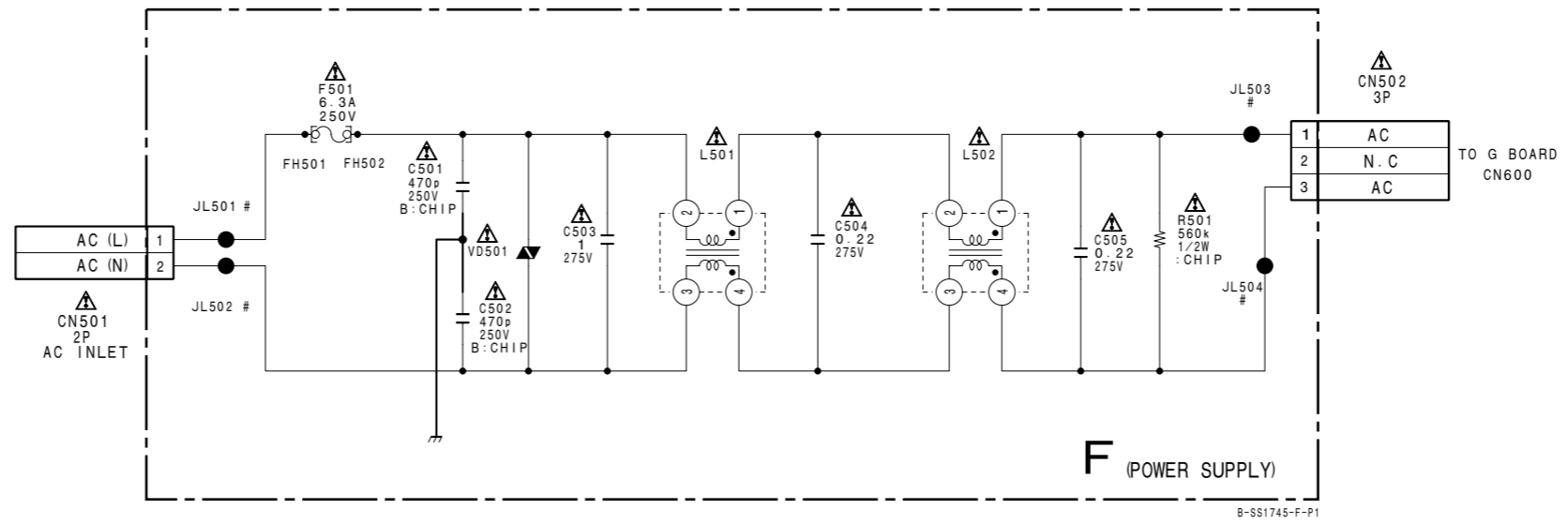


TK11900MTL (IC772)

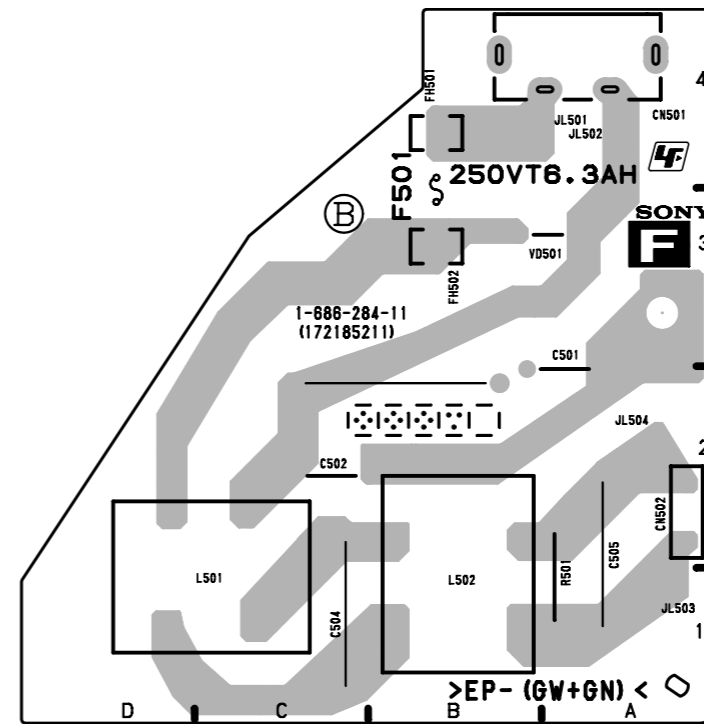


TPA2000D1PW (IC202)

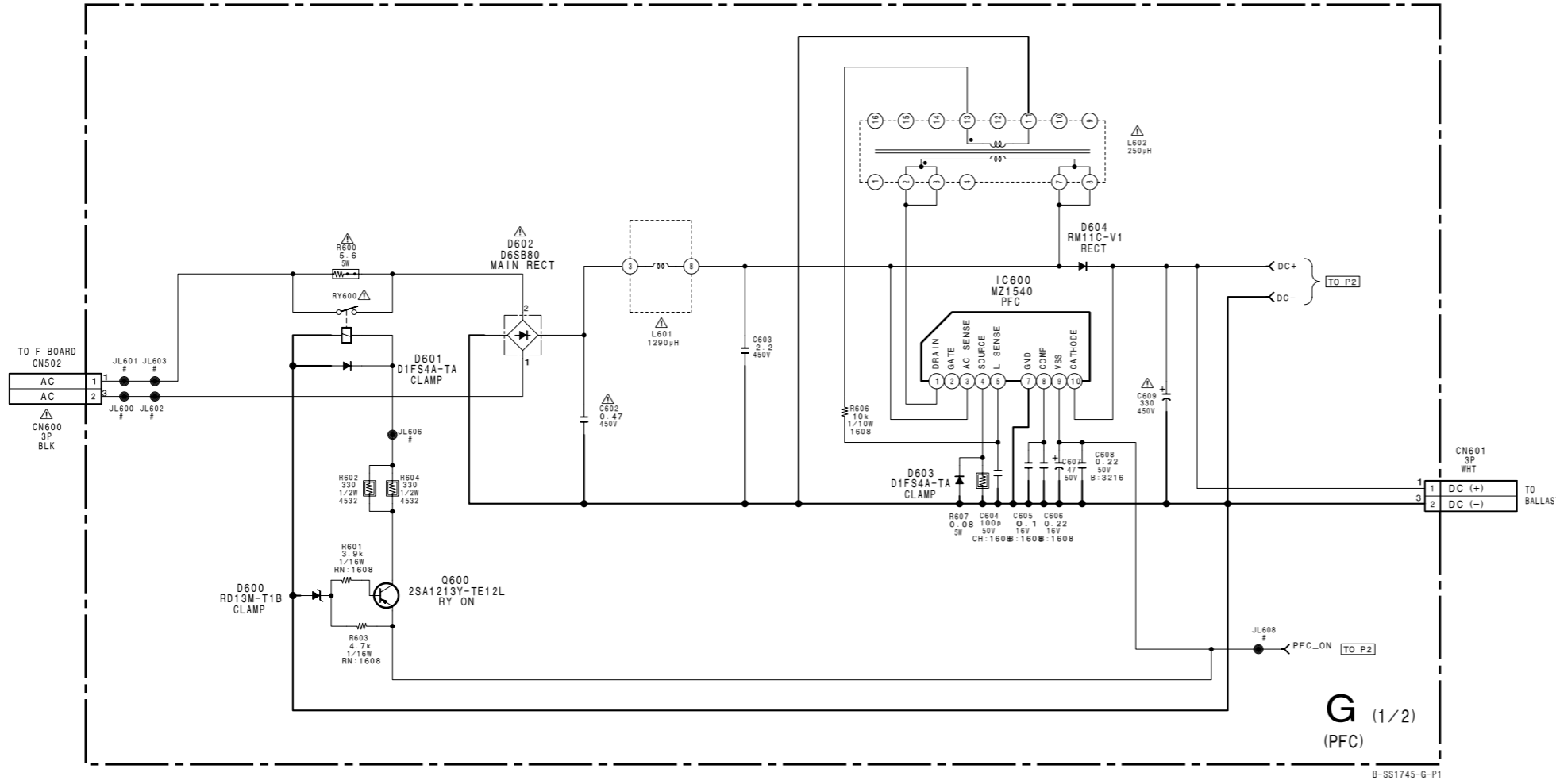




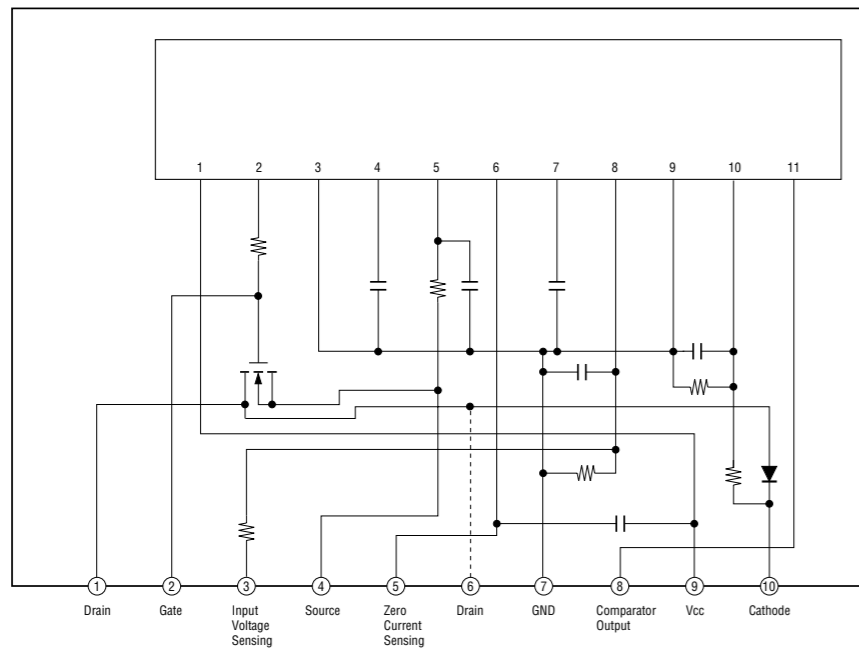
**F -A SIDE-**  
SUFFIX: -11



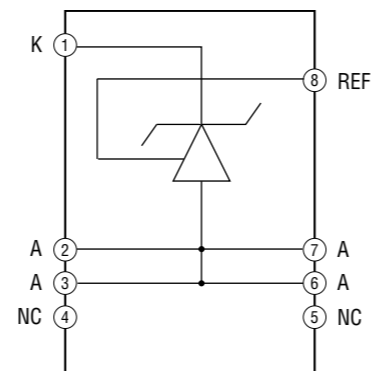
**F -B SIDE-**  
SUFFIX: -11

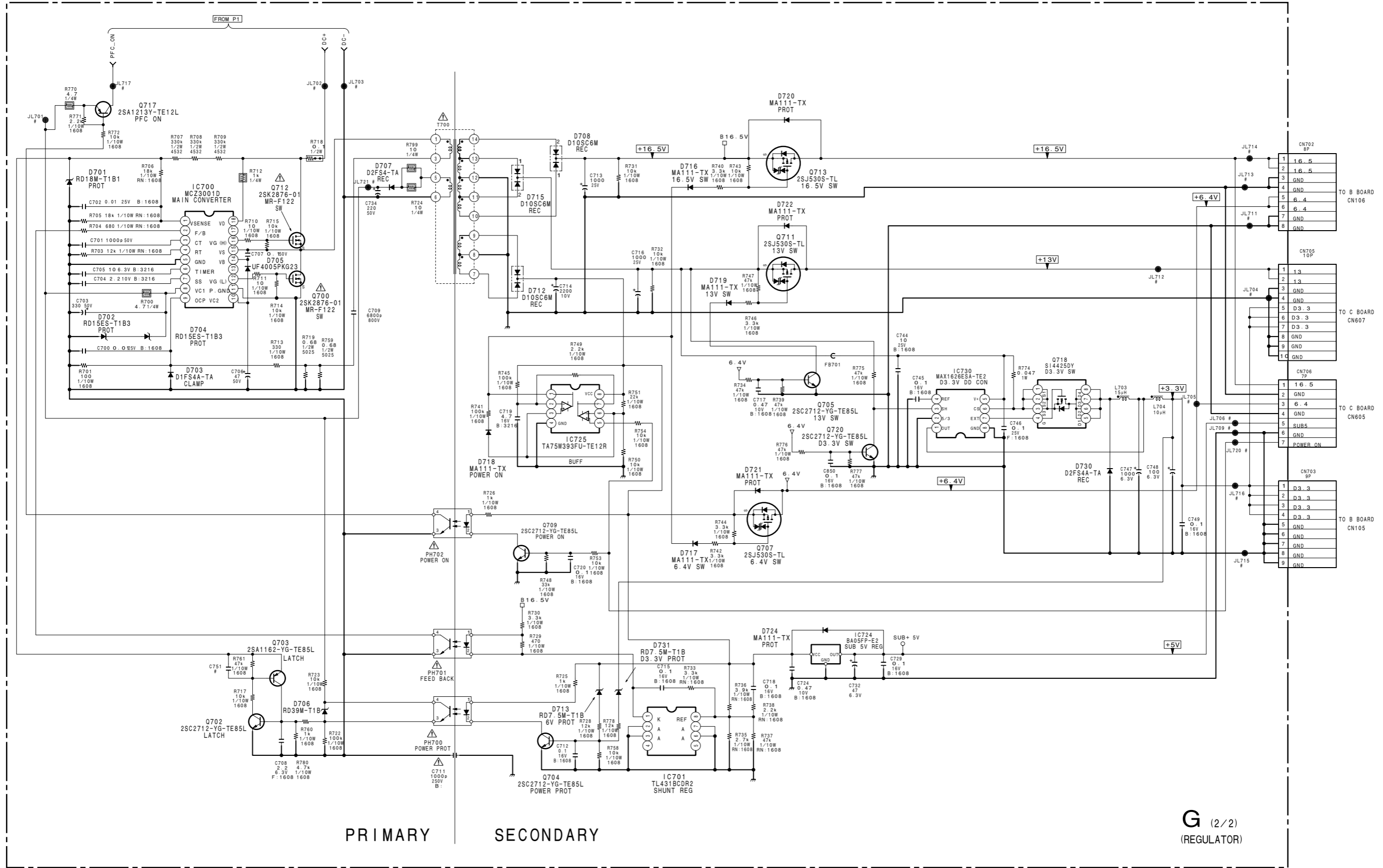


**MZ1540 (IC600)**



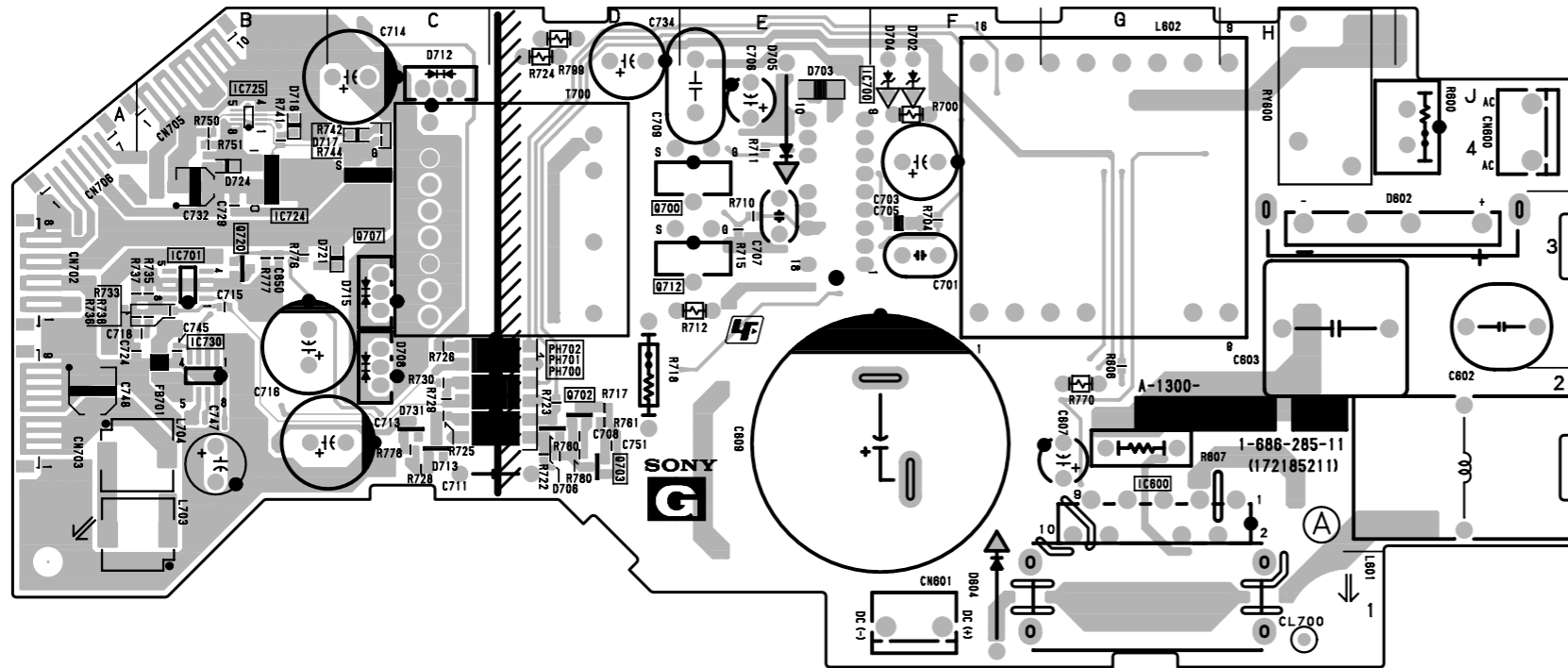
**TL431BCDR2 (IC701)**



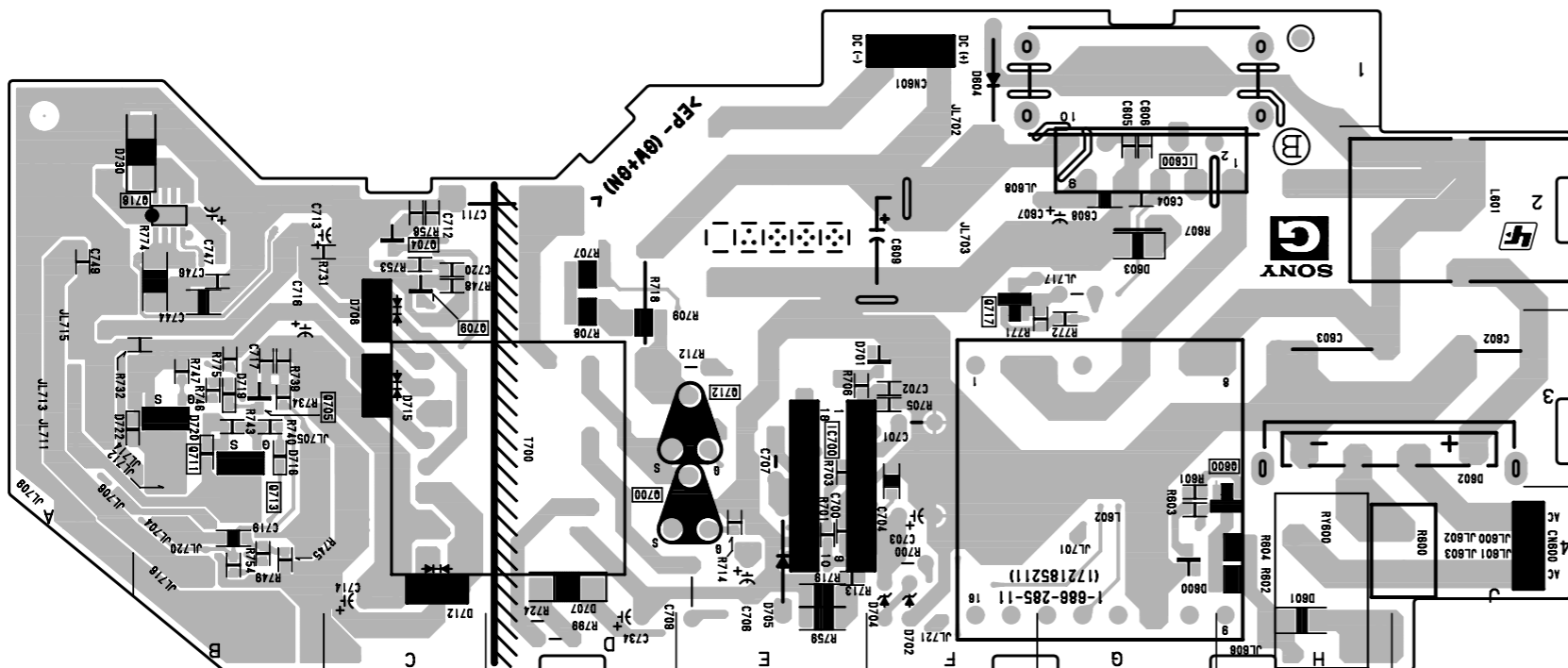


G (2/2)  
(REGULATOR)

B-SS175-G-P2



**G -A SIDE-**  
SUFFIX: -11



**G -B SIDE-**  
SUFFIX: -11

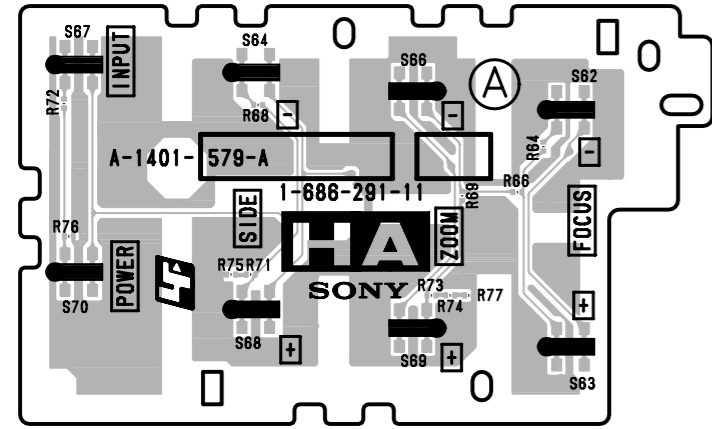
G Board

\*:B SIDE

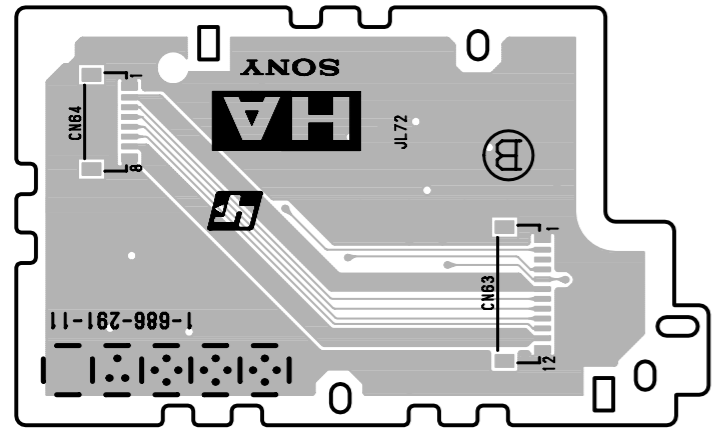
- D600 \*G-4
- D601 \*H-4
- D602 H-2
- D603 \*G-2
- D604 F-1
- D701 \*F-3
- D702 F-4
- D703 E-4
- D704 F-4
- D705 E-4
- D706 D-2
- D707 \*D-4
- D708 C-3
- D712 C-4
- D713 C-2
- D715 C-3
- D716 \*B-3
- D717 C-4
- D718 B-4
- D719 \*B-3
- D720 \*B-3
- D721 B-3
- D722 \*B-3
- D724 B-4
- D730 \*B-2
- D731 C-2

- IC600 G-2
- IC700 F-4
- IC701 B-3
- IC724 B-3
- IC725 B-4
- IC730 B-3

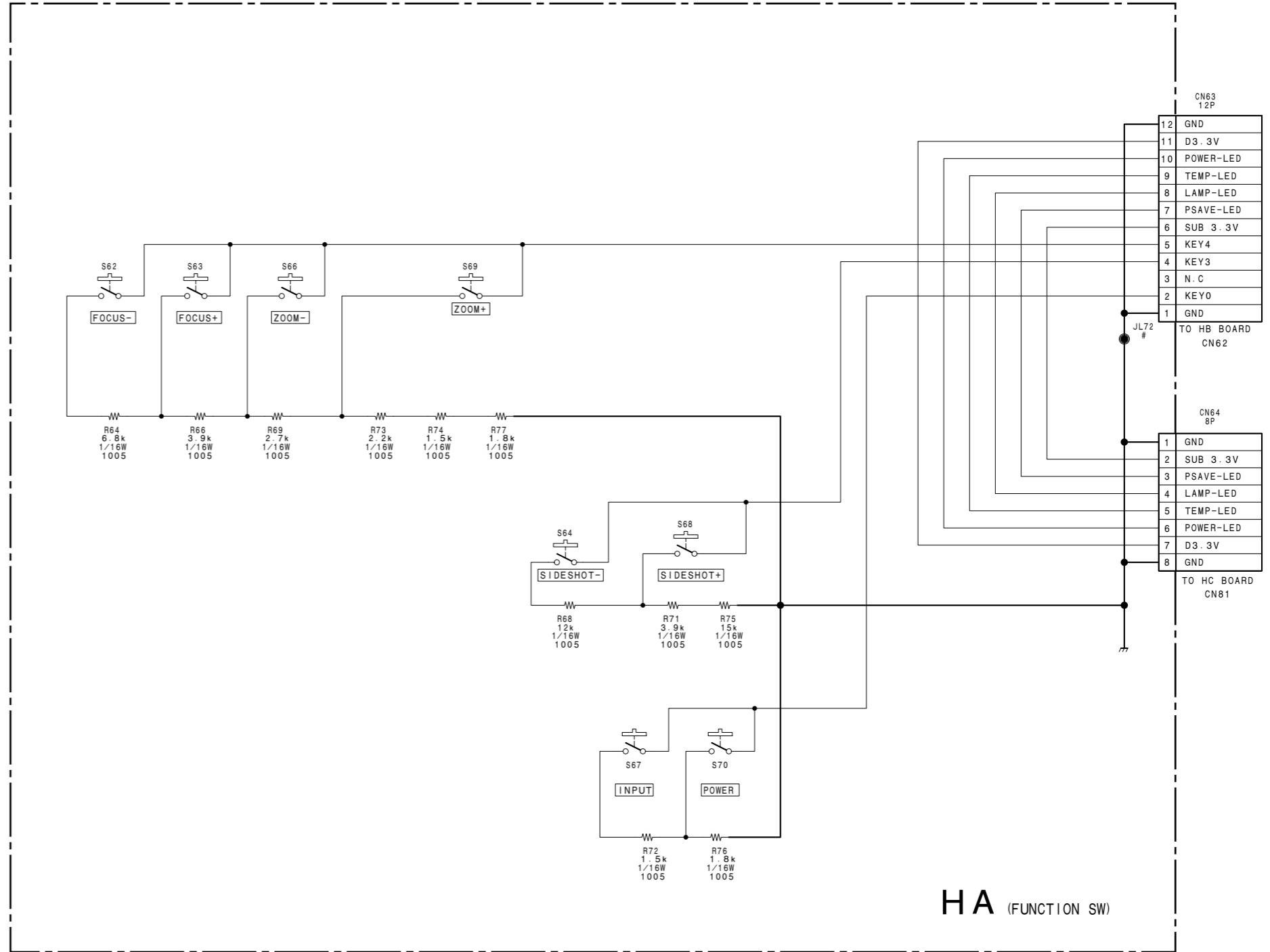
- Q600 \*H-4
- Q700 D-3
- Q702 D-2
- Q703 D-2
- Q704 \*C-2
- Q705 \*B-3
- Q707 C-3
- Q709 \*C-2
- Q711 \*B-3
- Q712 D-3
- Q713 \*B-3
- Q717 \*F-2
- Q718 \*B-2
- Q720 B-3



**HA -A SIDE-**  
SUFFIX: -11



**HA -B SIDE-**  
SUFFIX: -11



CN63  
12P

12	GND
11	D3.3V
10	POWER-LED
9	TEMP-LED
8	LAMP-LED
7	PSAVE-LED
6	SUB 3.3V
5	KEY4
4	KEY3
3	N.C
2	KEY0
1	GND

TO HB BOARD  
CN62

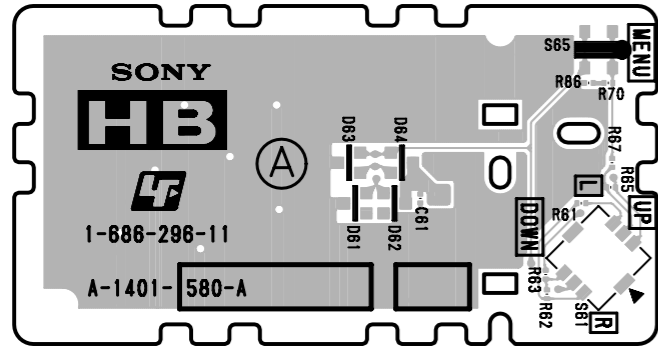
CN64  
8P

1	GND
2	SUB 3.3V
3	PSAVE-LED
4	LAMP-LED
5	TEMP-LED
6	POWER-LED
7	D3.3V
8	GND

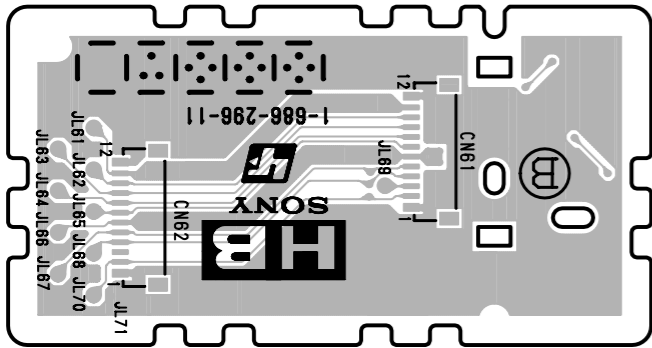
TO HC BOARD  
CN81

**HA** (FUNCTION SW)

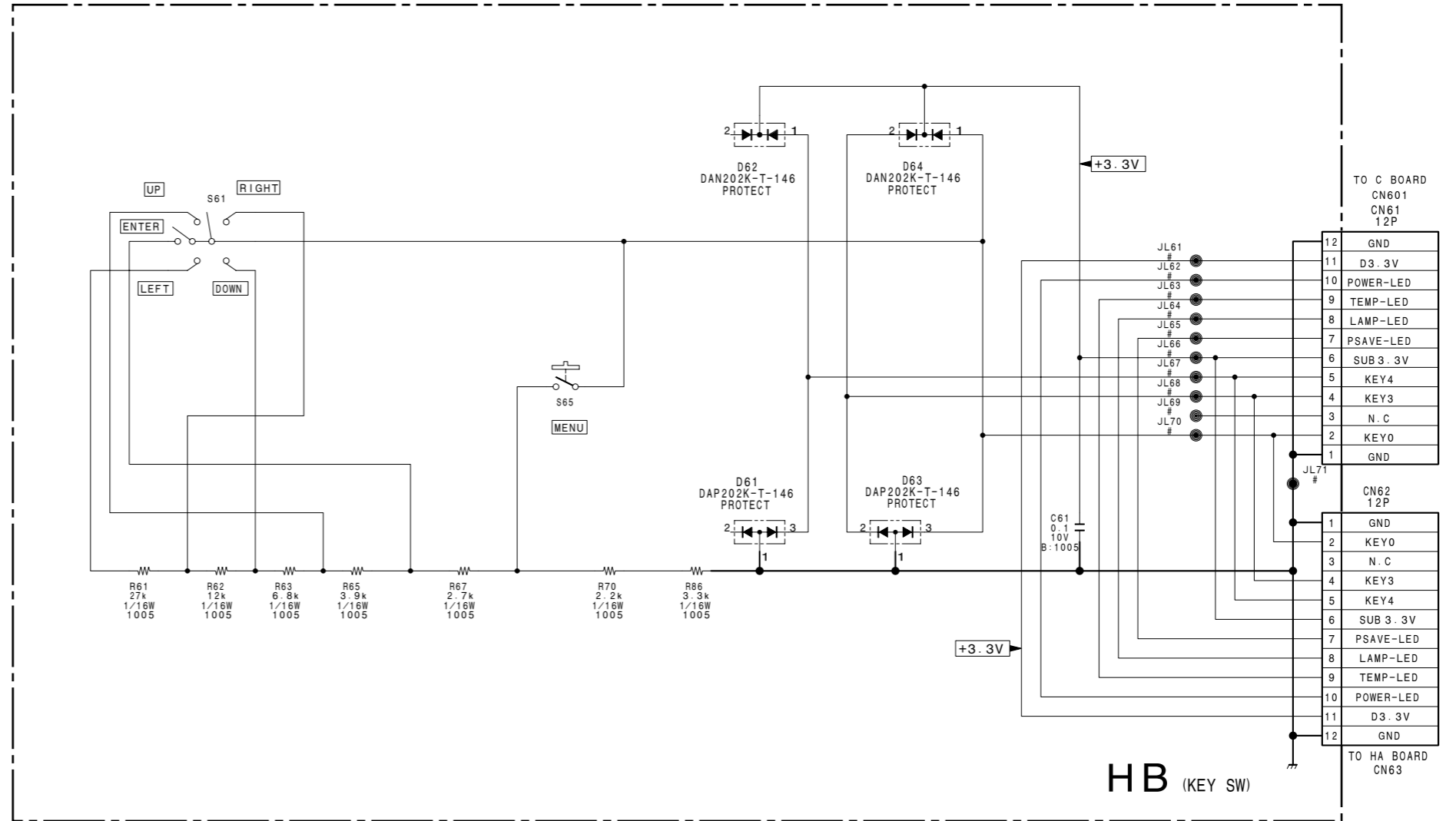
B-SS1745-HA-P1



**HB -A SIDE-**  
SUFFIX: -11



**HB -B SIDE-**  
SUFFIX: -11



**HB (KEY SW)**

B-SS1745-HB-P1

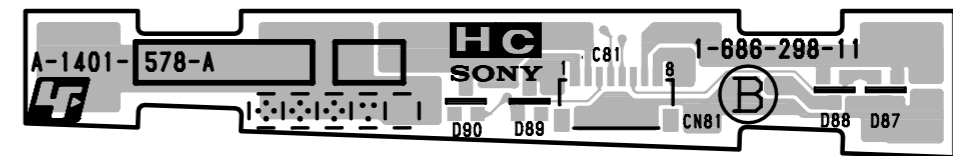
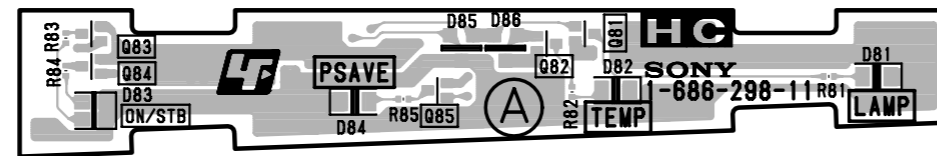
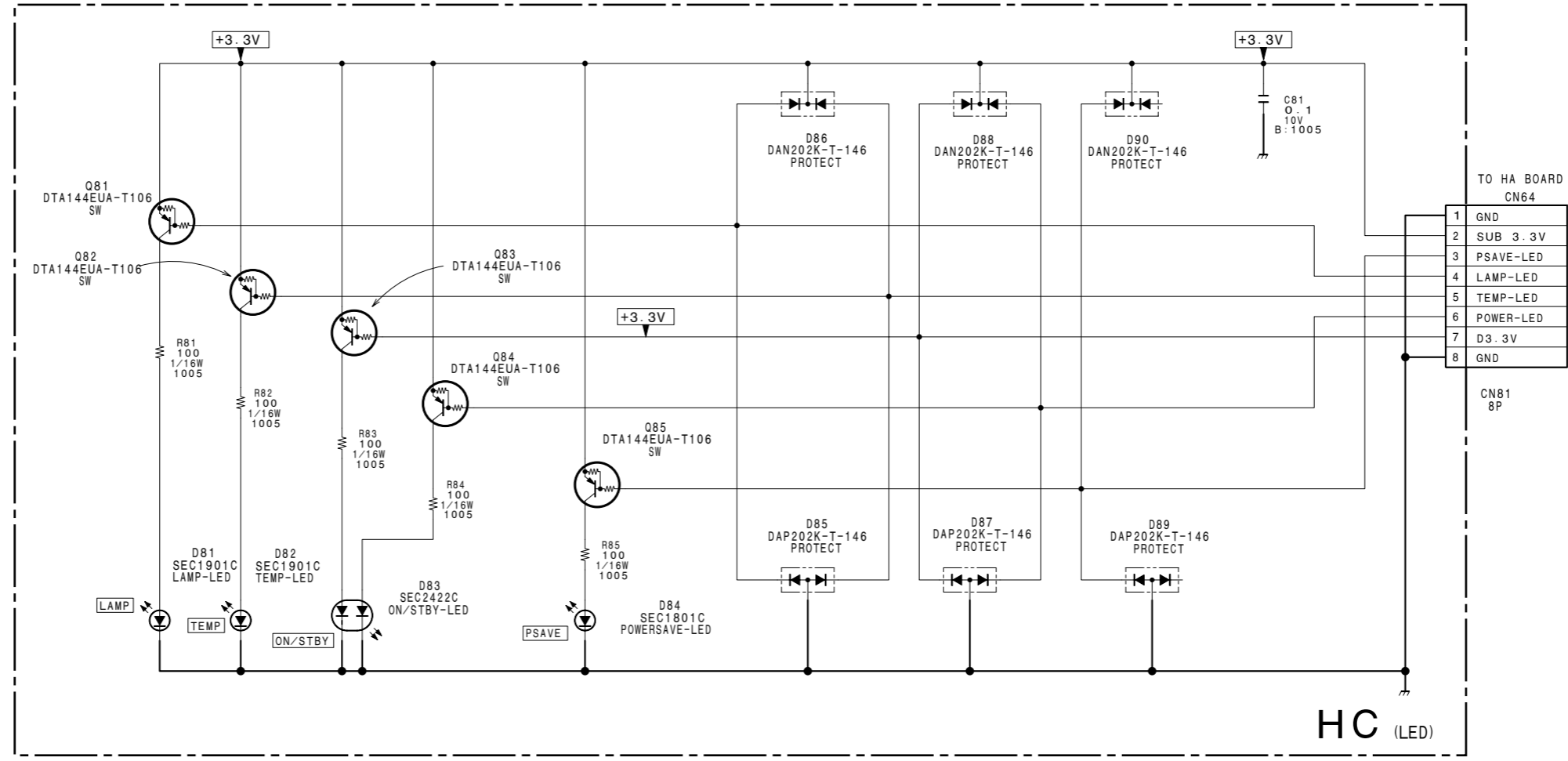
1

2

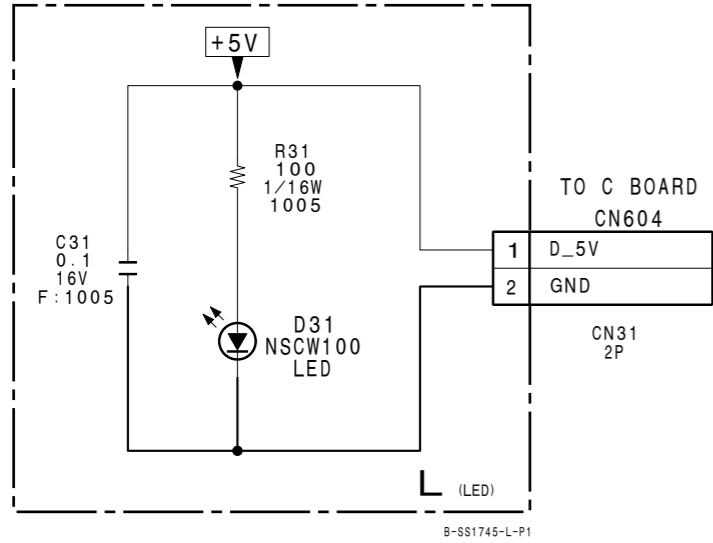
3

4

5







L -A SIDE-  
SUFFIX: -11



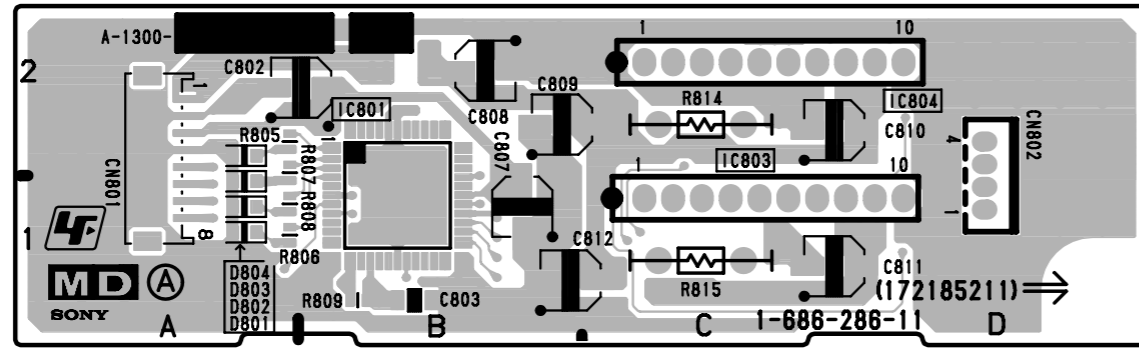
L -B SIDE-  
SUFFIX: -11

MD Board

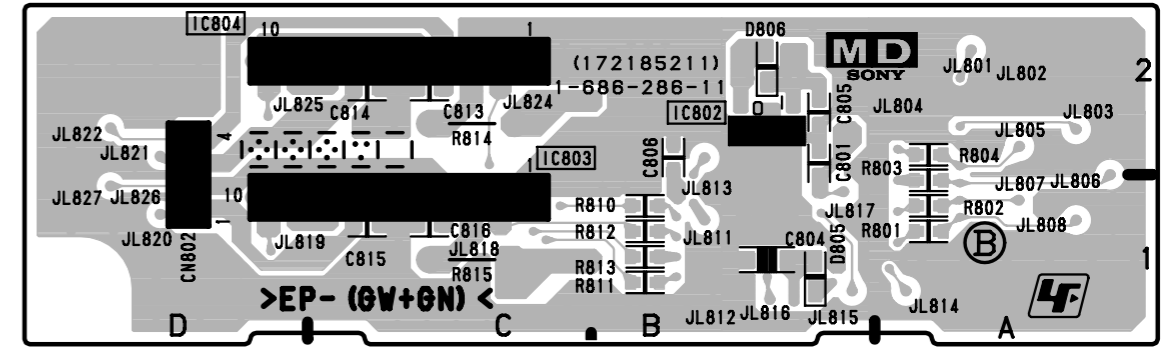
\*:B SIDE

- D801 A-1
- D802 A-1
- D803 A-1
- D804 A-2
- D805 \* B-1
- D806 \* B-2

- IC801 B-2
- IC802 \* B-2
- IC803 C-2
- IC804 D-2

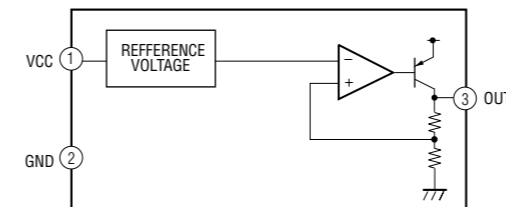


MD -A SIDE-  
SUFFIX: -11

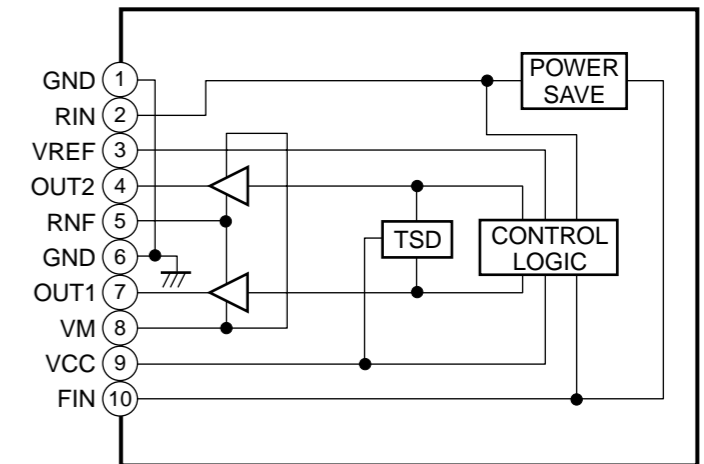


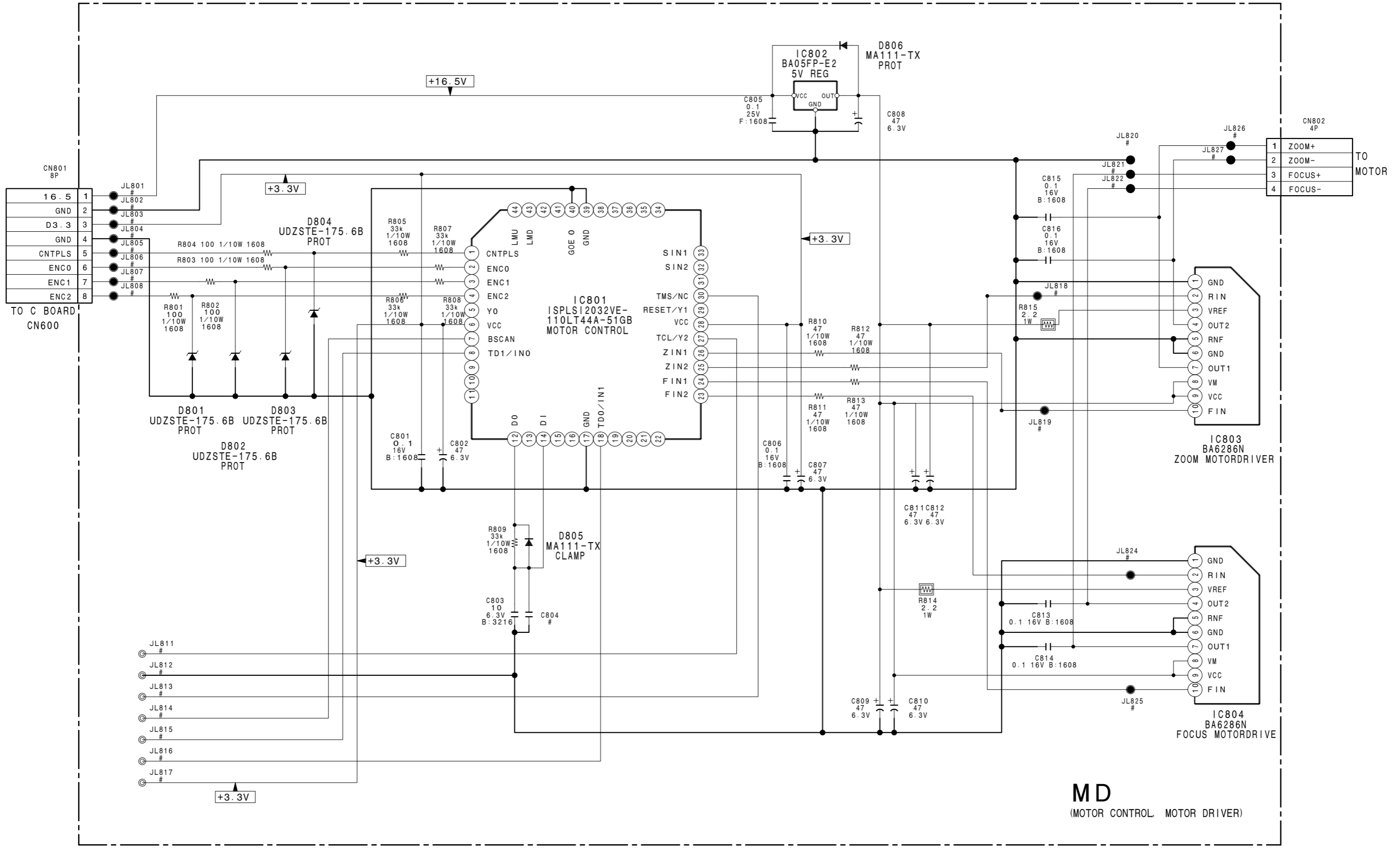
MD -B SIDE-  
SUFFIX: -11

BA05FP-E2 (IC802)



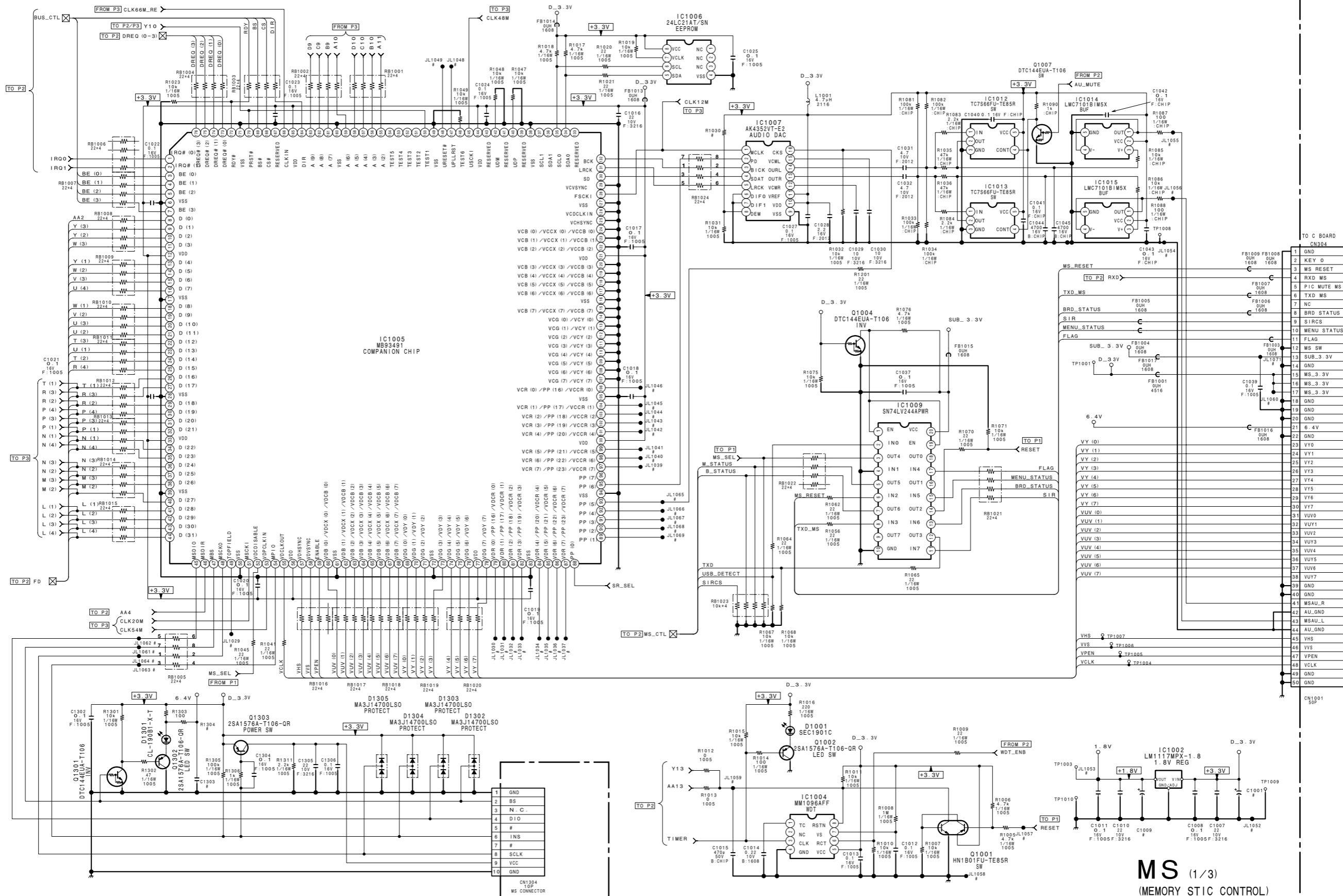
BA6286N (IC803, 804)



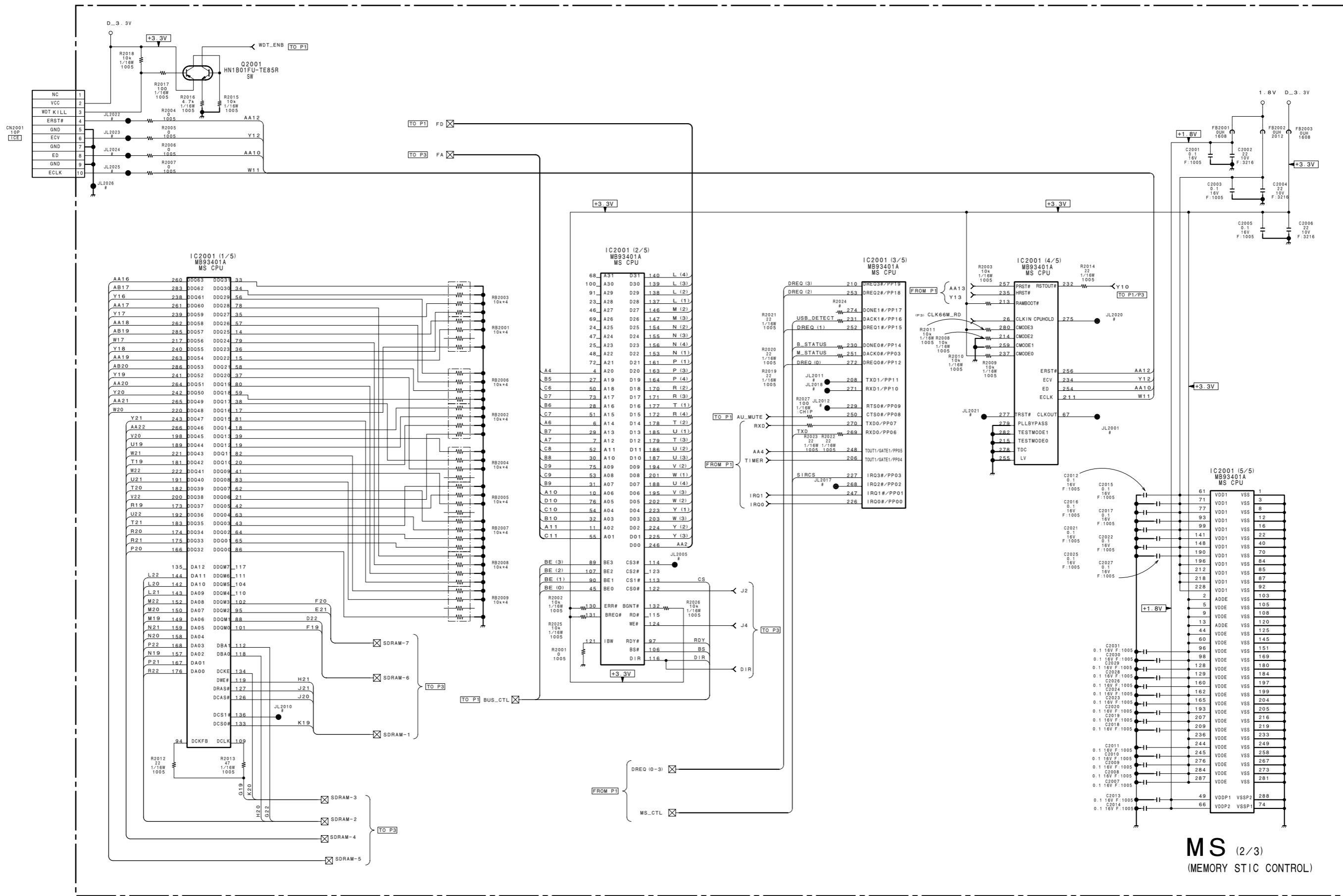


MD  
(MOTOR CONTROL, MOTOR DRIVER)

B-SS1745-MS-P1

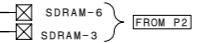
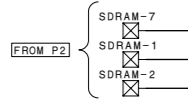
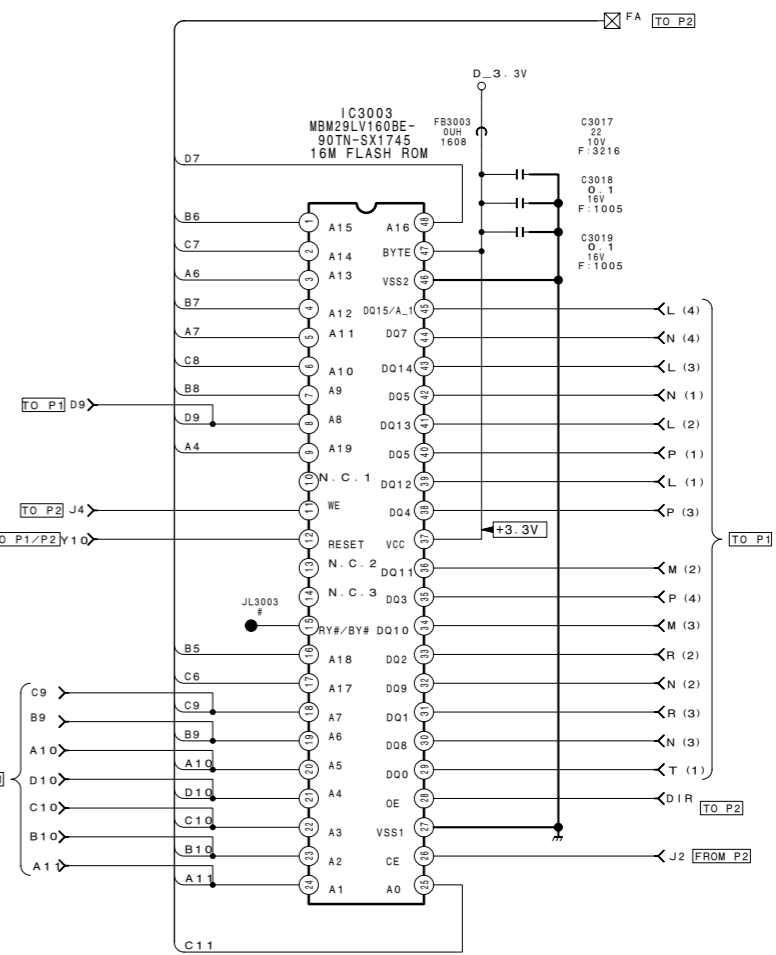
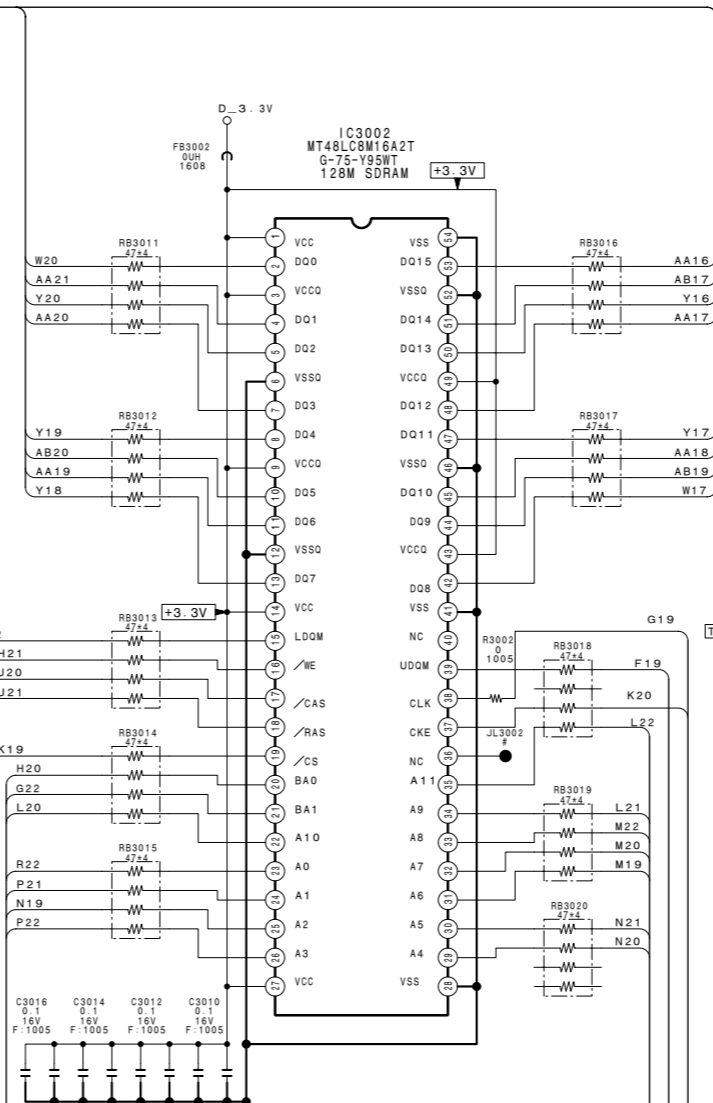
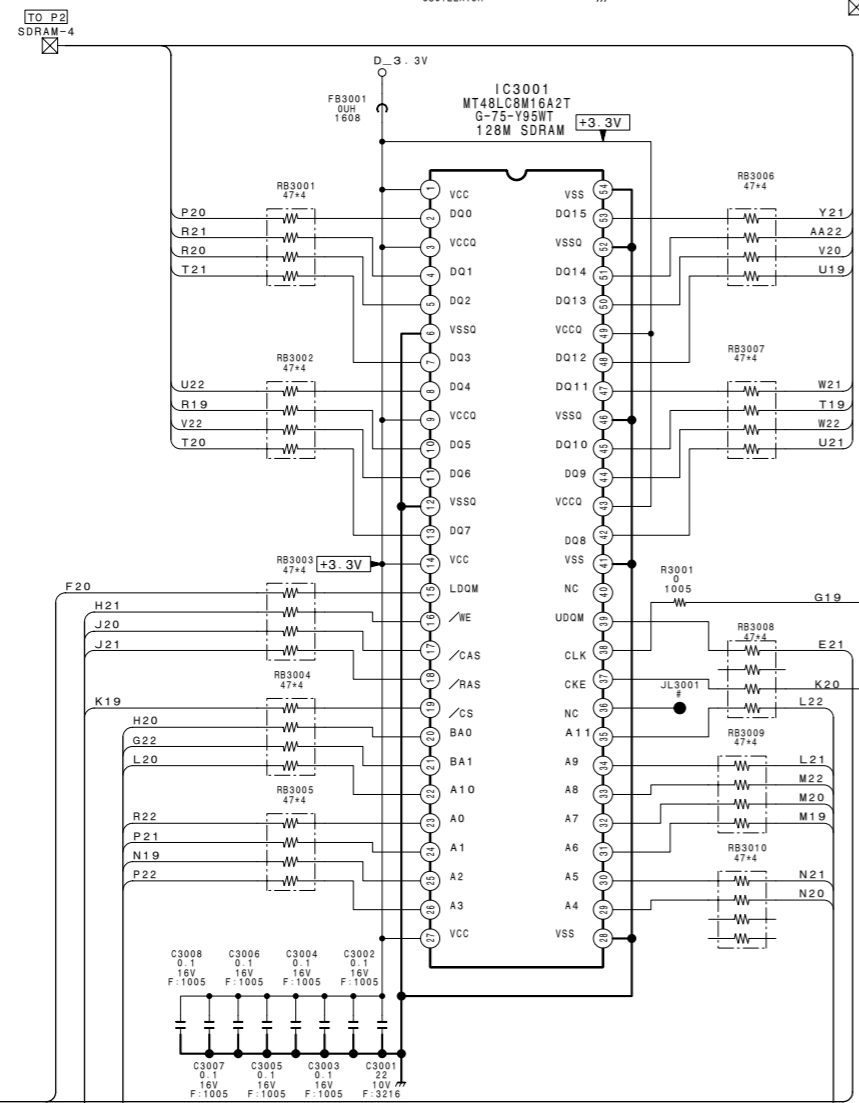
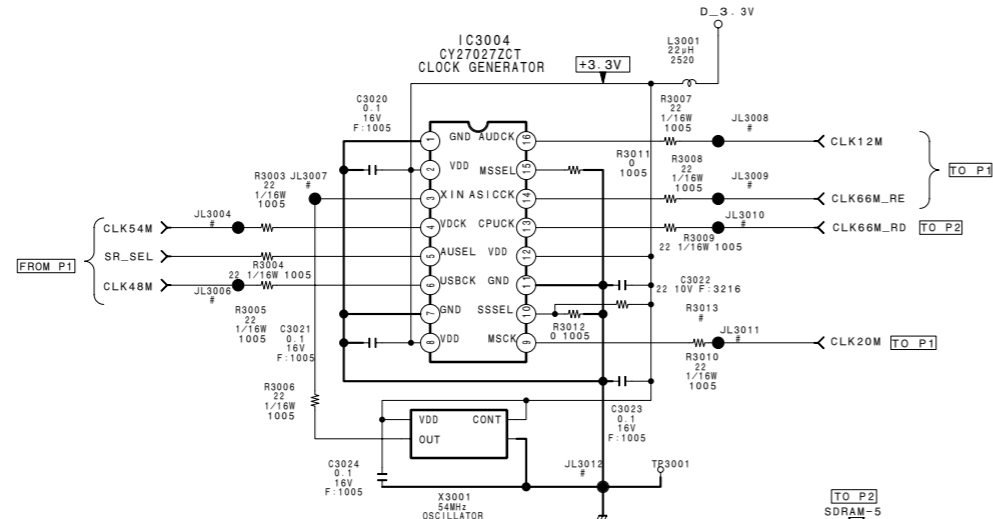


**MS (1/3)**  
 (MEMORY STIC CONTROL)

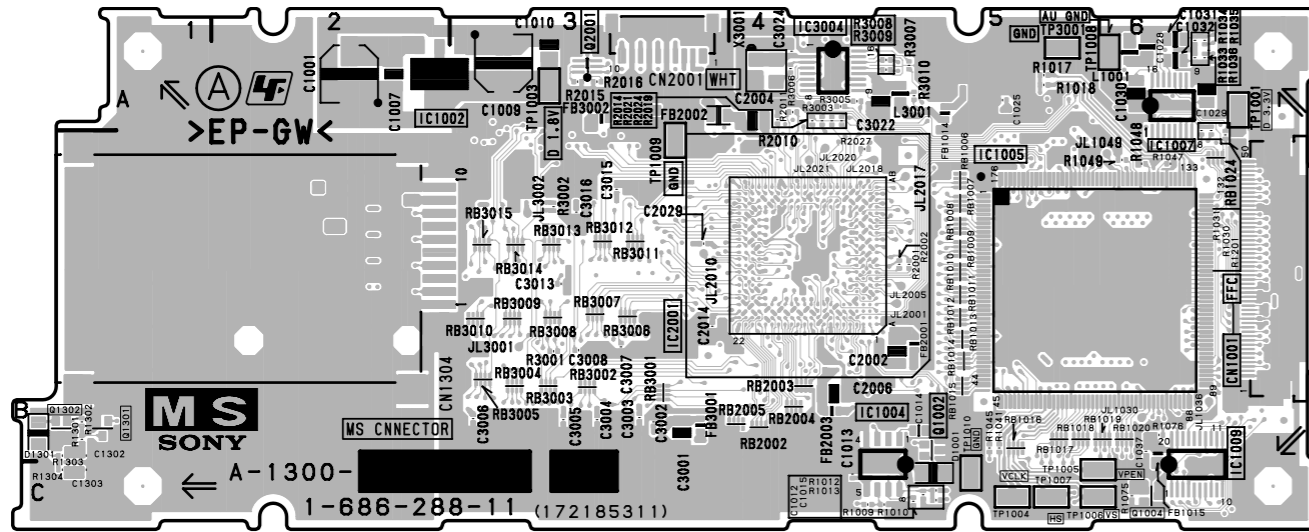


MS (2/3)  
(MEMORY STIC CONTROL)

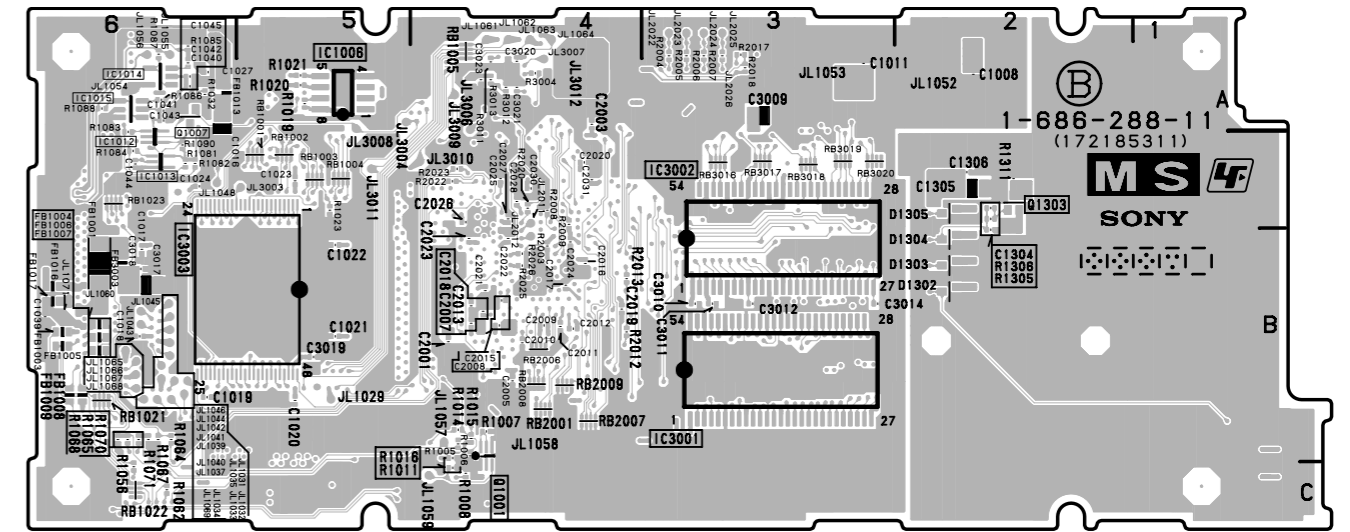
B-SS1745-MS-P2



MS (3/3)  
 (MEMORY STIC CONTROL)



**MS -A SIDE-**  
SUFFIX: -11



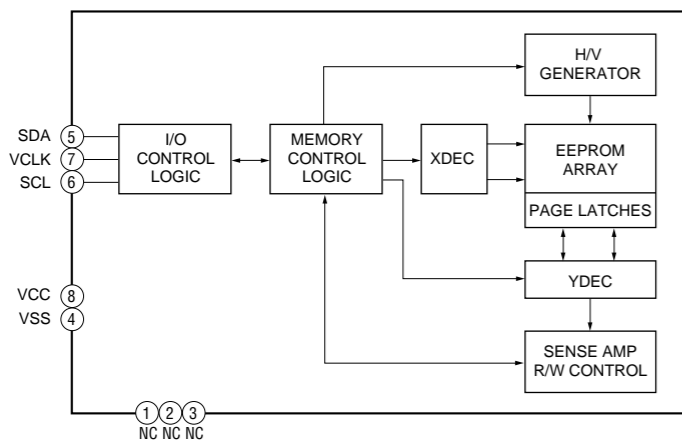
**MS -B SIDE-**  
SUFFIX: -11

MS Board

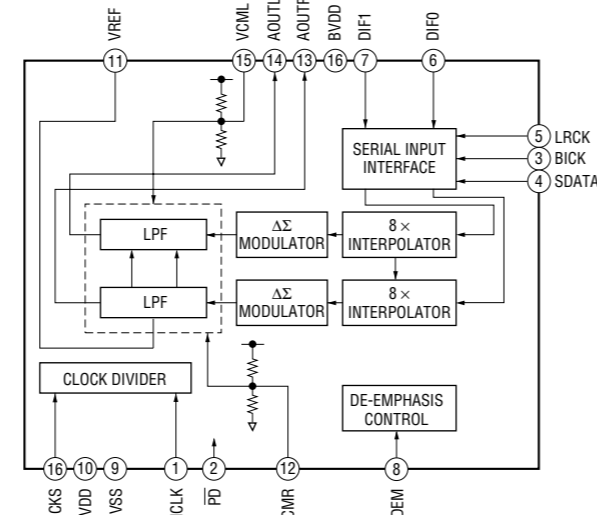
\*:B SIDE

D1001	B-5	IC1015	* A-6	TP1001	A-6
D1301	B-1	IC2001	B-4	TP1003	A-3
D1302	* B-2	IC3001	* B-3	TP1004	C-5
D1303	* B-2	IC3002	* A-3	TP1005	C-5
D1304	* B-2	IC3003	* B-6	TP1006	C-5
D1305	* A-2	IC3004	A-4	TP1007	C-5
				TP1008	A-5
IC1002	A-2	Q1001	* B-4	TP1009	A-3
IC1004	B-4	Q1002	B-5	TP1010	B-5
IC1005	A-5	Q1004	C-6	TP3001	A-5
IC1006	* A-5	Q1007	* A-6		
IC1007	A-6	Q1301	B-1		
IC1009	B-6	Q1302	B-1		
IC1012	* A-6	Q1303	* A-2		
IC1013	* A-6	Q2001	A-3		
IC1014	* A-6				

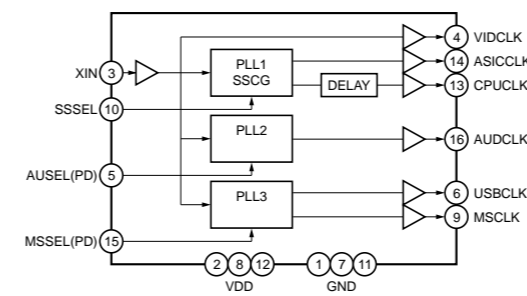
**24LC21AT/SN (IC1006)**



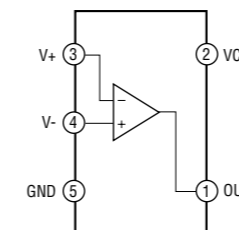
**AK4352VT-E2 (IC1007)**



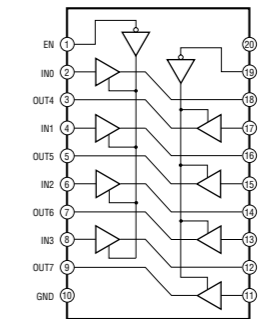
**CY27027ZCT (IC3004)**



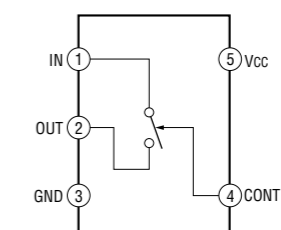
**LMC7101BIM5X (IC1014, 1015)**



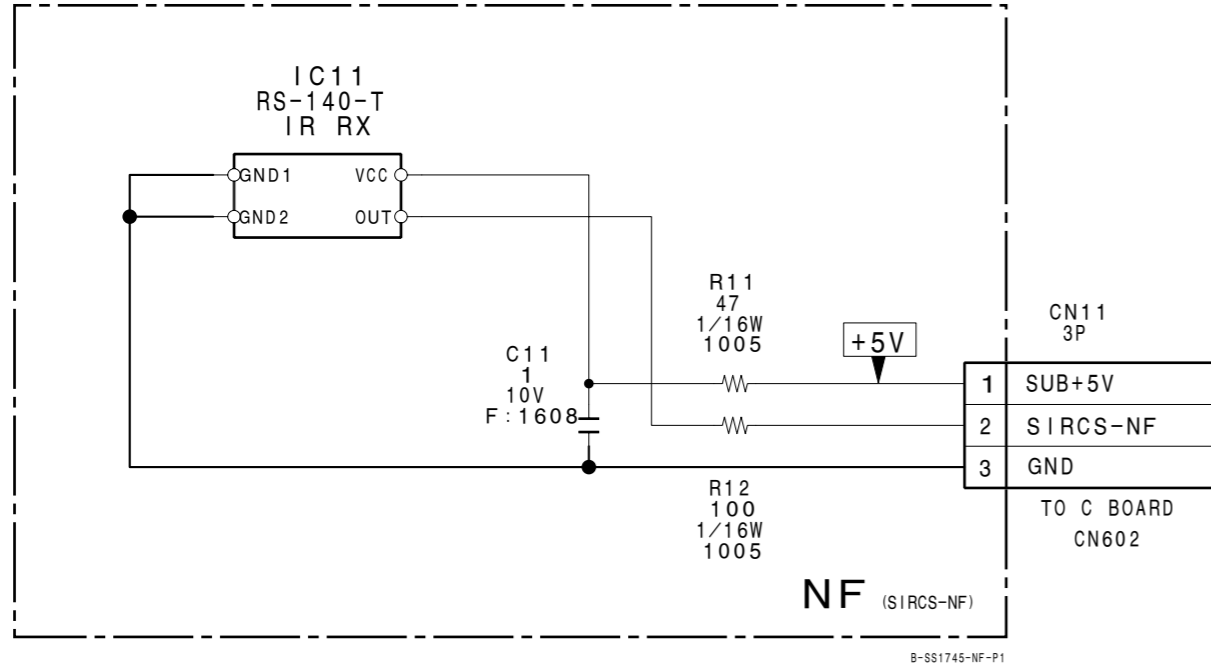
**SN74LV244APWR (IC1009)**



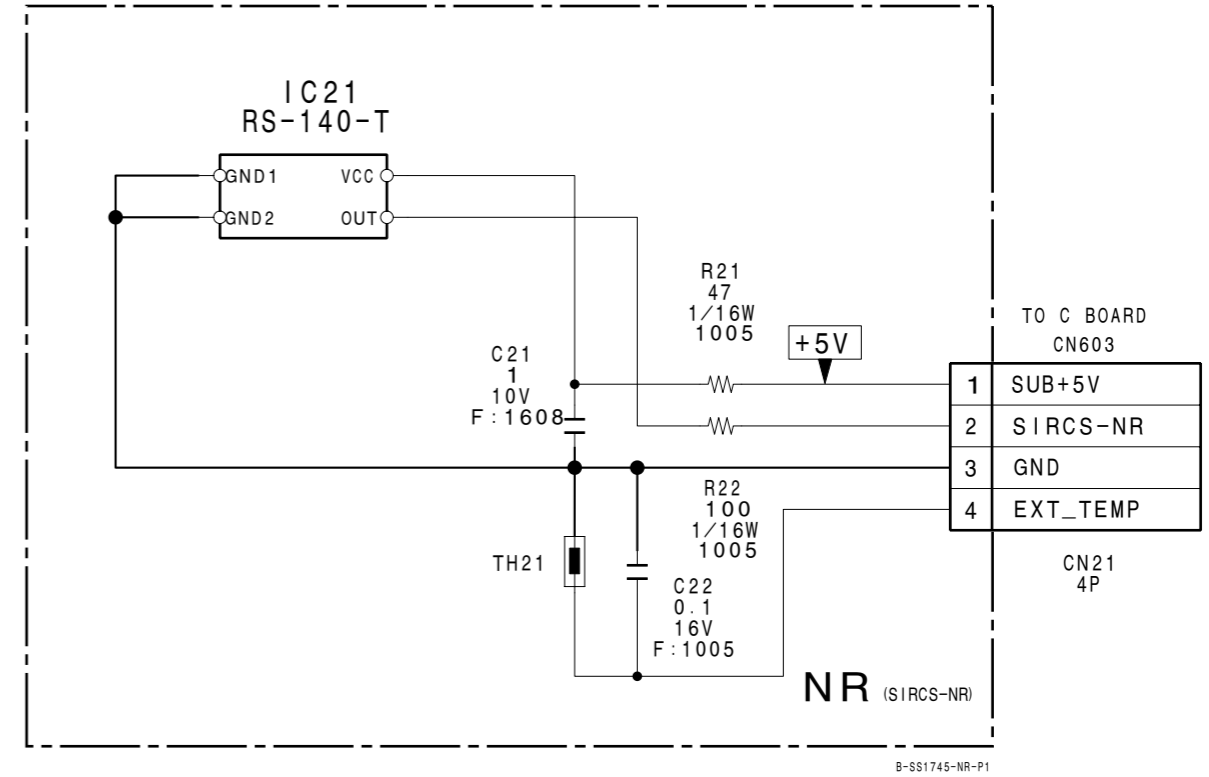
**TC7S66FU-TE85R (IC1012, 1013)**



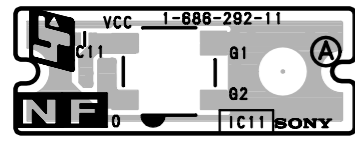
1



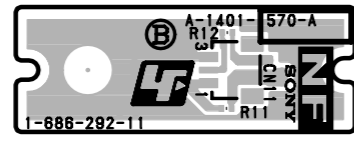
2



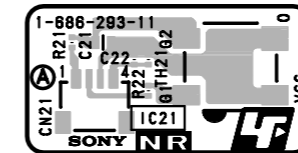
3



NF -A SIDE-  
SUFFIX: -11



NF -B SIDE-  
SUFFIX: -11



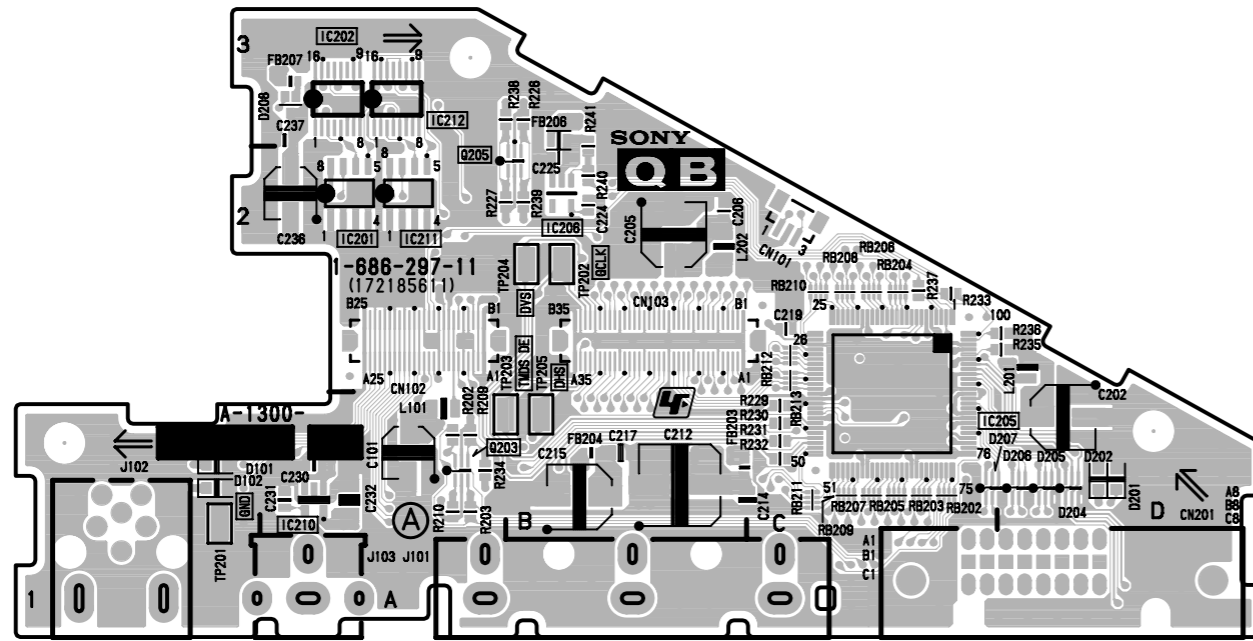
NR -A SIDE-  
SUFFIX: -11



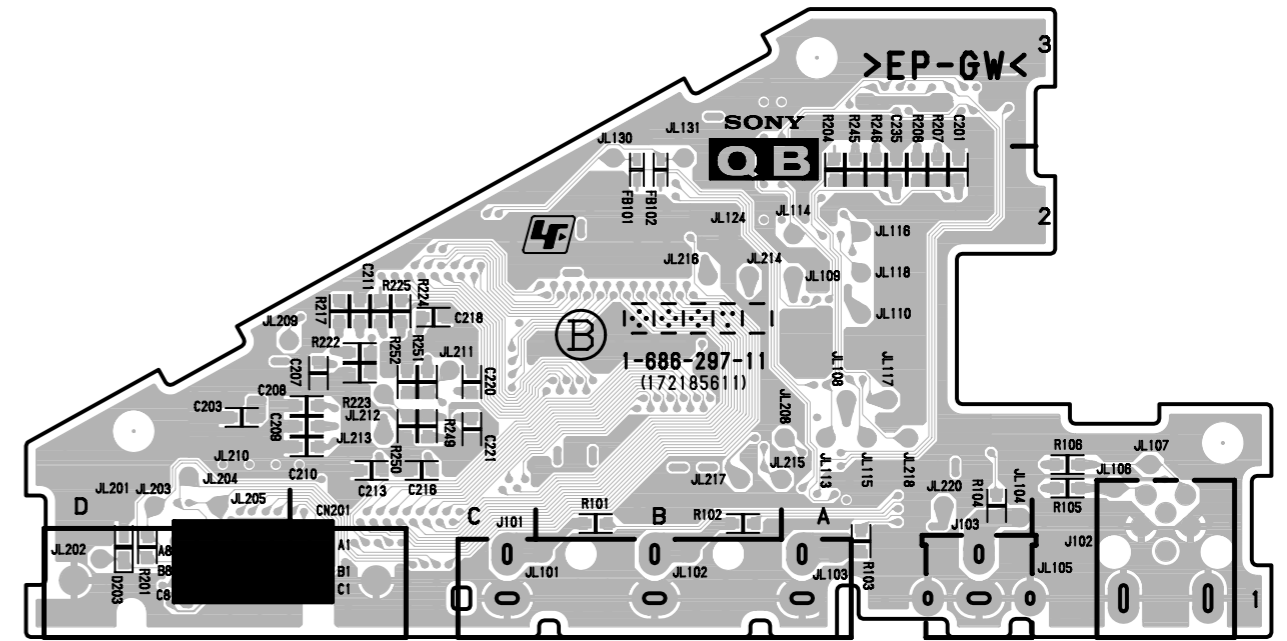
NR -B SIDE-  
SUFFIX: -11

5





QB -A SIDE-  
SUFFIX: -11



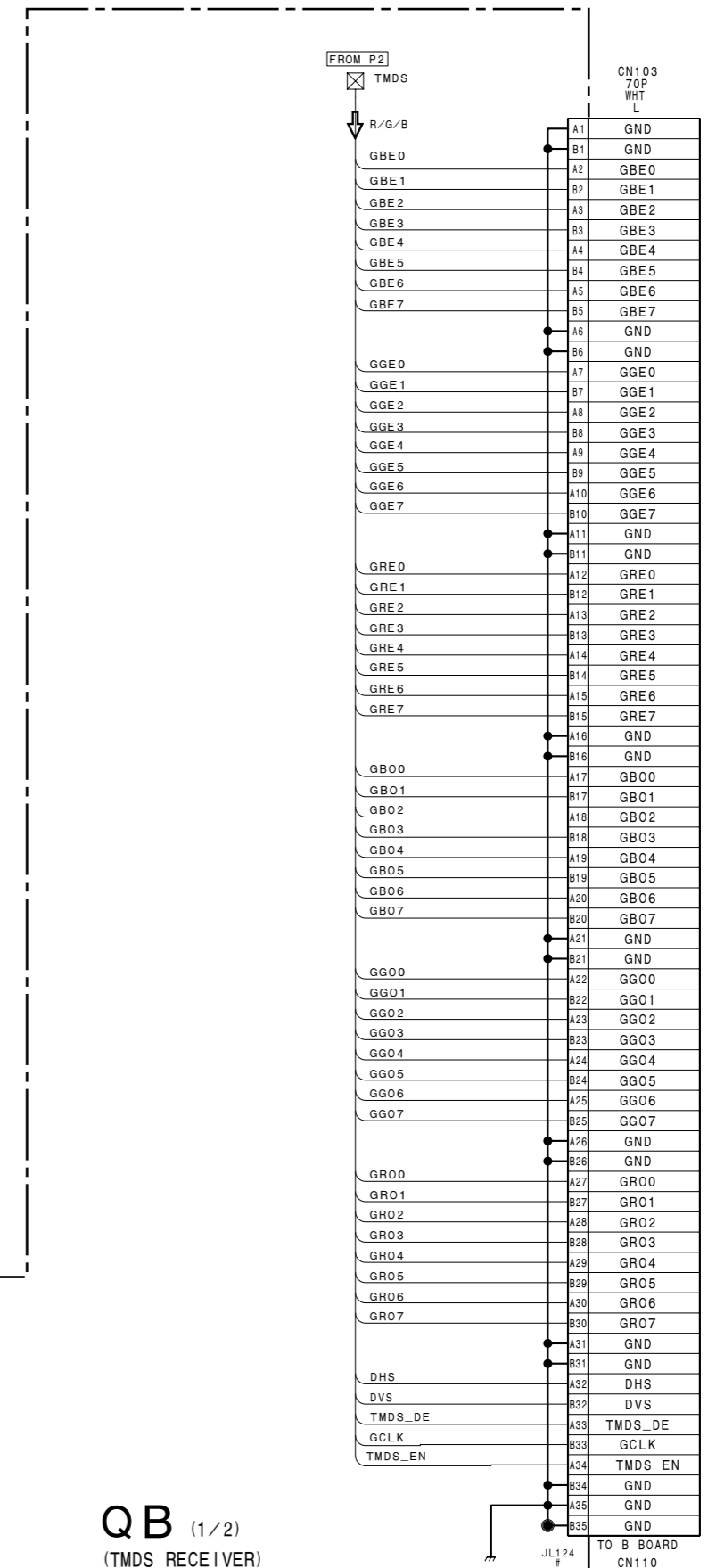
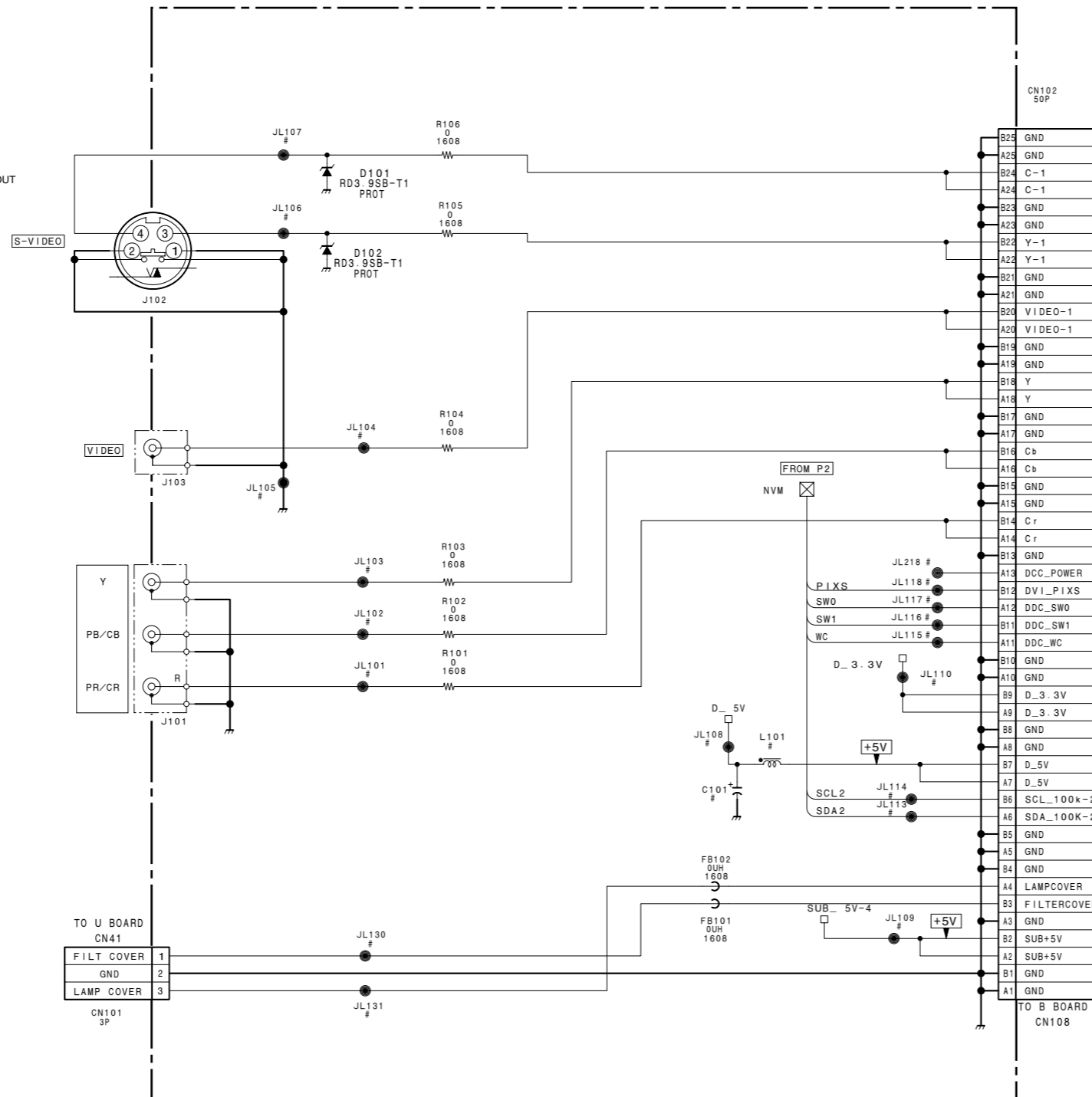
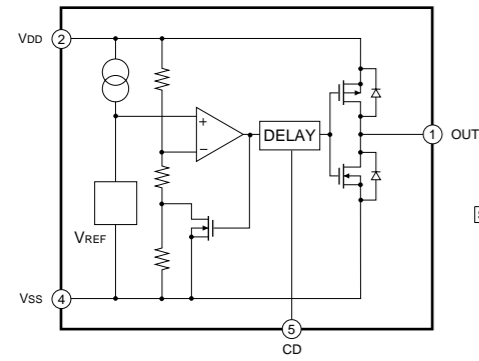
QB -B SIDE-  
SUFFIX: -11

QB Board

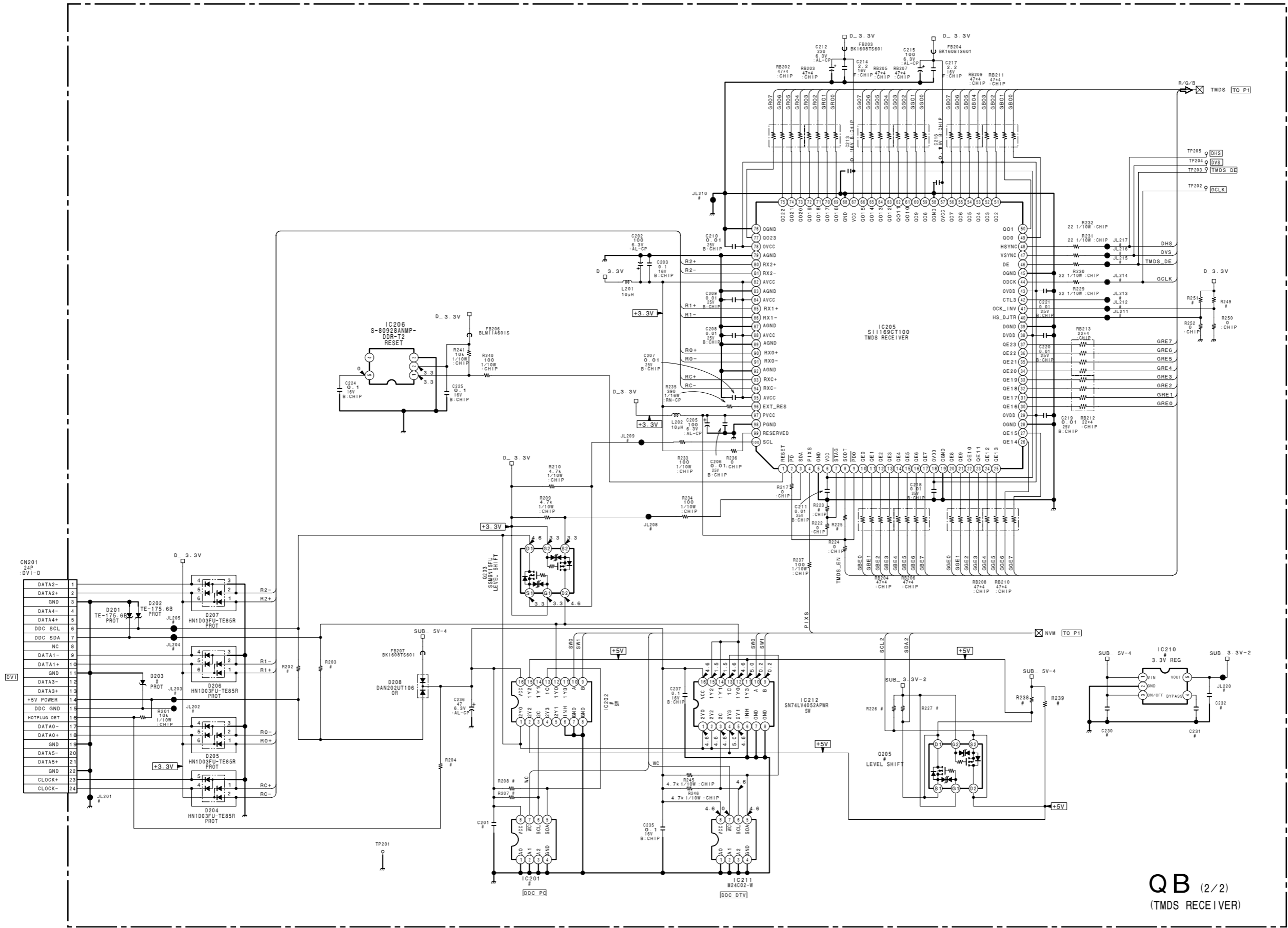
\*:B SIDE

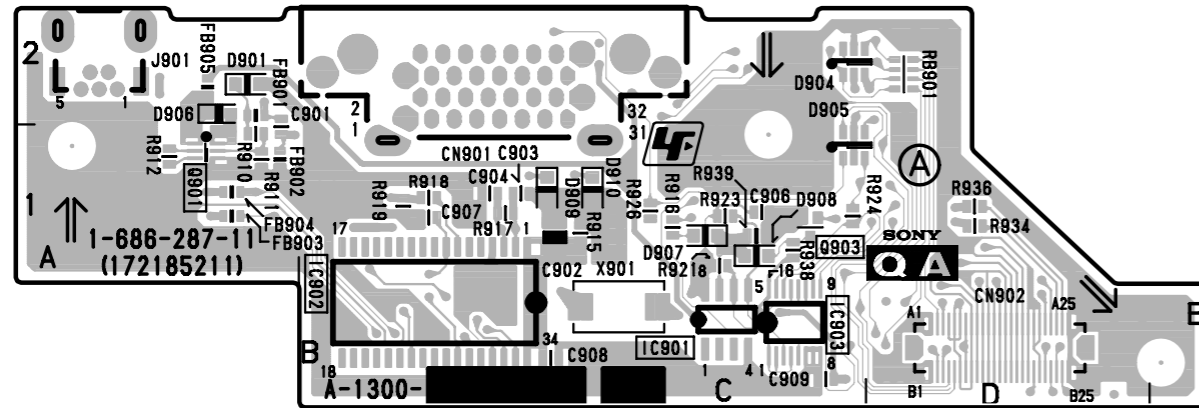
D101	A-1
D102	A-1
D201	C-1
D202	C-1
D203	* D-1
D204	C-1
D205	C-1
D206	C-1
D207	C-1
D208	A-3
IC201	A-2
IC202	A-3
IC205	C-2
IC206	B-2
IC210	A-1
IC211	A-2
IC212	A-3
Q203	A-1
Q205	B-3
TP201	A-1
TP202	B-2
TP203	B-2
TP204	B-2
TP205	B-2

S-80928ANMP-DDR-T2 (IC206)

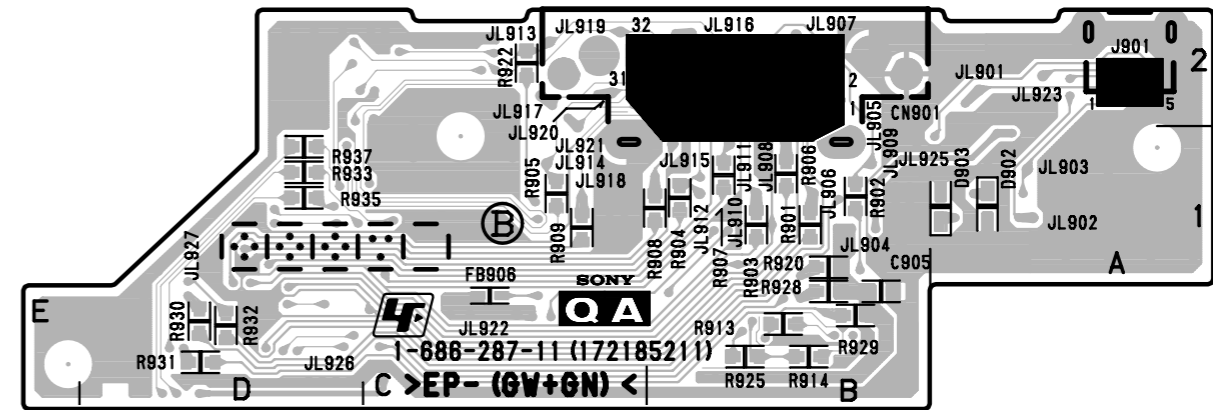


QB (1/2)  
(TMDS RECEIVER)





QA -A SIDE-  
SUFFIX: -11

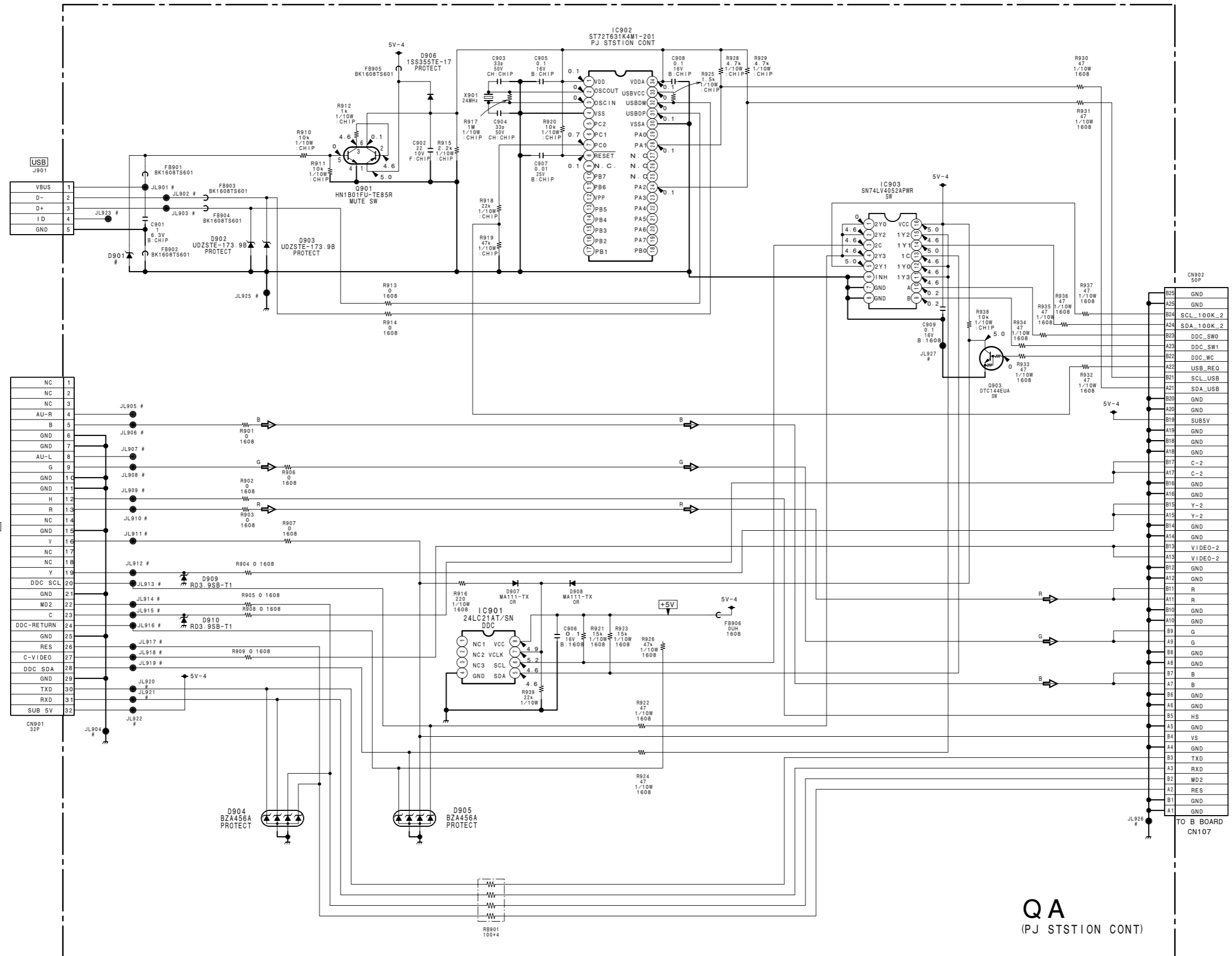


QA -B SIDE-  
SUFFIX: -11

QA Board

\*:B SIDE

- |       |      |
|-------|------|
| D902  | *A-1 |
| D903  | *A-1 |
| D904  | C-2  |
| D905  | C-2  |
| D906  | A-2  |
| D907  | C-1  |
| D908  |      |
| D909  | C-1  |
| D910  | C-1  |
| IC901 | C-1  |
| IC902 | B-1  |
| IC903 | C-1  |
| Q901  | A-1  |
| Q903  | C-1  |



QA  
(PJ STATION CONT)

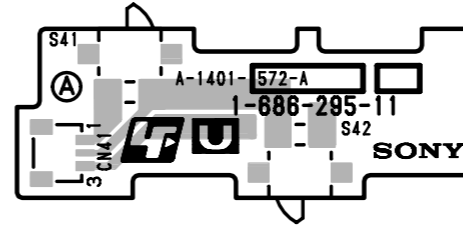
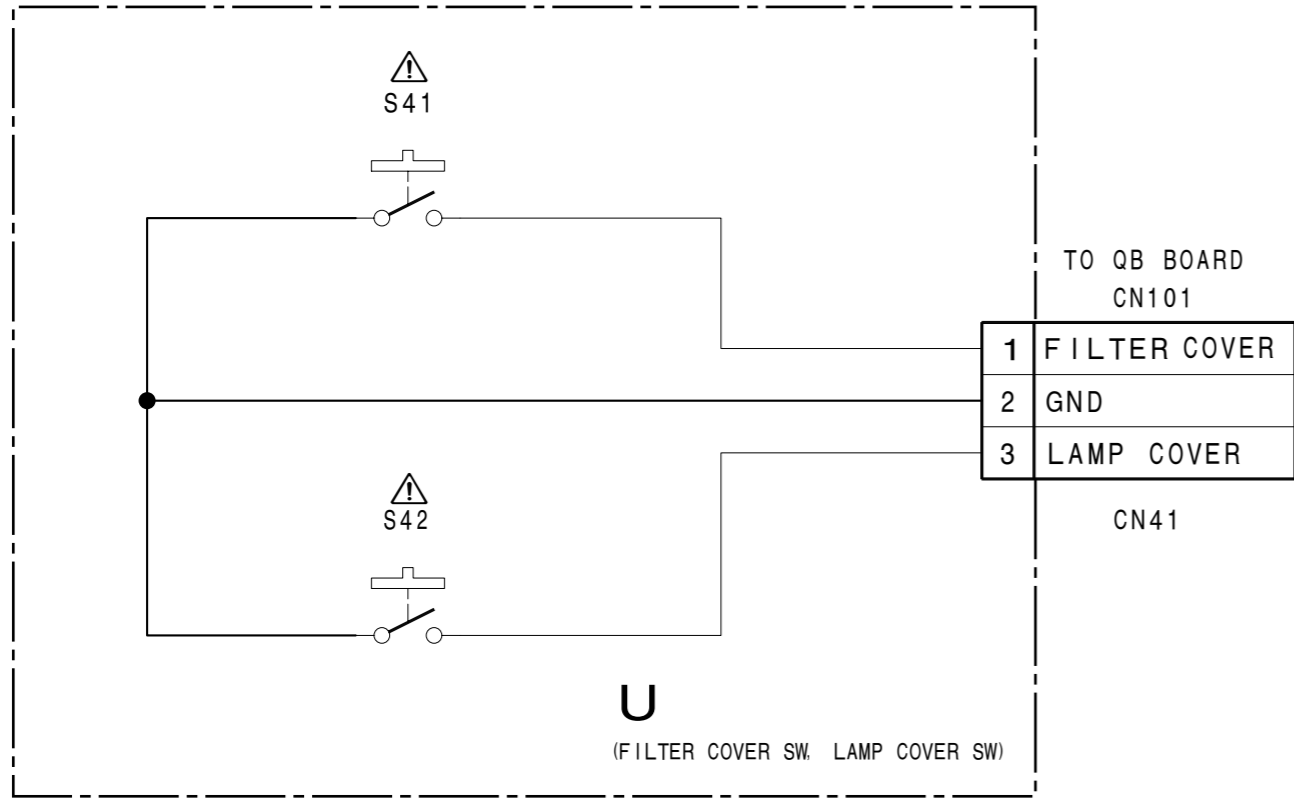
1

2

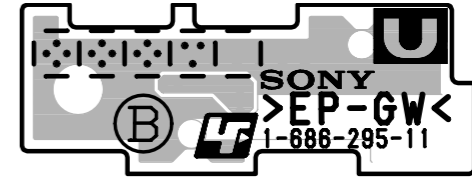
3

4

5



**U -A SIDE-**  
SUFFIX: -11



**U -B SIDE-**  
SUFFIX: -11

## SAFETY CHECK-OUT

After correcting the original service problem, perform the following safety checks before releasing the set to the customer :

Check the metal trim, "metallized" knobs, screws, and all other exposed metal parts for AC leakage. Check leakage as described below.

### LEAKAGE TEST

The AC leakage from any exposed metal part to earth ground and from all exposed metal parts to any exposed metal part having a return to chassis, must not exceed 0.5 mA. Leakage current can be measured by any one of three methods.

1. A commercial leakage tester, such as the Simpson 229 or RCA WT-540A. Follow the manufacturers' instructions to use these instruments.
2. A battery-operated AC milliammeter. The Data Precision 245 digital multimeter is suitable for this job.
3. Measuring the voltage drop across a resistor by means of a VOM or battery-operated AC voltmeter. The "limit" indication is 0.75 V, so analog meters must have an accurate low-voltage scale. The Simpson 250 and Sanwa SH-63Trd are examples of a passive VOM that is suitable. Nearly all battery operated digital multimeters that have a 2 V AC range are suitable. (See Fig. A)

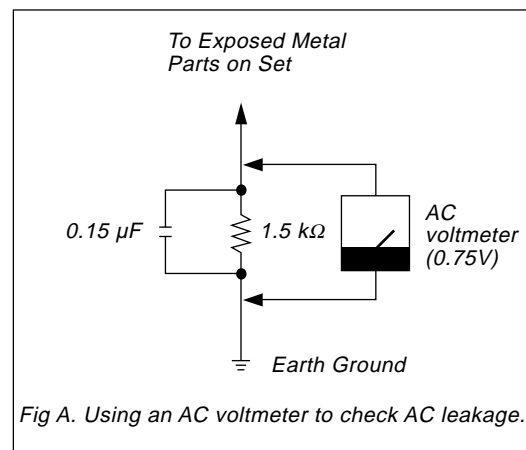


Fig A. Using an AC voltmeter to check AC leakage.

