

SONY[®]

VIDEO PROJECTOR

VPL-HS50
VPL-HS51

REMOTE COMMANDER
RM-PJHS50

SERVICE MANUAL
1st Edition

⚠ 警告

このマニュアルは、サービス専用です。

お客様が、このマニュアルに記載された設置や保守、点検、修理などを行うと感電や火災、人身事故につながる可能性があります。

危険をさけるため、サービストレーニングを受けた技術者のみご使用ください。

⚠ WARNING

This manual is intended for qualified service personnel only.

To reduce the risk of electric shock, fire or injury, do not perform any servicing other than that contained in the operating instructions unless you are qualified to do so. Refer all servicing to qualified service personnel.

⚠ WARNUNG

Die Anleitung ist nur für qualifiziertes Fachpersonal bestimmt.

Alle Wartungsarbeiten dürfen nur von qualifiziertem Fachpersonal ausgeführt werden. Um die Gefahr eines elektrischen Schlages, Feuergefahr und Verletzungen zu vermeiden, sind bei Wartungsarbeiten strikt die Angaben in der Anleitung zu befolgen. Andere als die angegebenen Wartungsarbeiten dürfen nur von Personen ausgeführt werden, die eine spezielle Befähigung dazu besitzen.

⚠ AVERTISSEMENT

Ce manuel est destiné uniquement aux personnes compétentes en charge de l'entretien. Afin de réduire les risques de décharge électrique, d'incendie ou de blessure n'effectuer que les réparations indiquées dans le mode d'emploi à moins d'être qualifié pour en effectuer d'autres. Pour toute réparation faire appel à une personne compétente uniquement.

**For the customers in the Netherlands
Voor de klanten in Nederland**

Hoe u de batterijen moet verwijderen, leest u in de tekst van deze handleiding.

Gooi de batterij niet weg maar lever deze in als klein chemisch afval (KCA).



Für Kunden in Deutschland

Entsorgungshinweis: Bitte werfen Sie nur entladene Batterien in die Sammelboxen beim Handel oder den Kommunen. Entladen sind Batterien in der Regel dann, wenn das Gerät abschaltet und signalisiert "Batterie leer" oder nach längerer Gebrauchsdauer der Batterien "nicht mehr einwandfrei funktioniert". Um sicherzugehen, kleben Sie die Batteriepole z.B. mit einem Klebestreifen ab oder geben Sie die Batterien einzeln in einen Plastikbeutel.

Table of Contents

1. Service Overview

1-1.	External View	1-1
1-2.	Board Location	1-1
1-3.	Removing/Installing the Cabinet.....	1-2
1-3-1.	Base Assembly	1-2
1-3-2.	Front Panel (D) Assembly/Front Panel (U) Assembly	1-2
1-3-3.	Rear Cover/Rear Panel	1-3
1-4.	Replacing the Board	1-4
1-4-1.	C Board	1-4
1-4-2.	GA Board	1-6
1-4-3.	GB Board	1-7
1-4-4.	U Board	1-7
1-4-5.	V Board	1-8
1-4-6.	Lamp Power Supply Board	1-8
1-4-7.	F Board	1-9
1-4-8.	HA Board/HB Board/L Board	1-10
1-4-9.	Q Board (VPL-HS51)	1-11
1-5.	Replacing the Main Parts	1-11
1-5-1.	DC Fan (for GA/GB unit)	1-11
1-5-2.	Lamp Assembly	1-12
1-5-3.	Optical Block Assembly	1-12
1-5-4.	DC Fan (for Lamp).....	1-13
1-5-5.	DC Fan (for Lamp Power Supply) and TA Board	1-13
1-5-6.	Prism Block and WV Plate (1), (2)	1-14
1-5-7.	Lens Unit	1-15
1-5-8.	Unit Assembly	1-16
1-5-9.	Unit Assembly Parts Orientation	1-17
1-5-10.	Extension Board and Extension Connectors	1-18
1-5-11.	Extension Board and Extension Connectors Connection	1-19
1-6.	Unleaded Solder	1-20
1-7.	Service Knowhow	1-20
1-7-1.	After Replacing the Prism Block	1-20
1-7-2.	After Replacing the Board	1-20
1-7-3.	NVM (Non-Volatile-Memory)	1-21
1-8.	Memory	1-23
1-9.	Warning on Power Connection	1-25

2. Electrical Adjustments

2-1.	Preparations	2-1
2-1-1.	Required Equipment	2-1
2-1-2.	Factory Mode Setting	2-1
2-2.	V COM Adjustment	2-1
2-3.	Adjustment Item Initialize Data	2-2
2-4.	White Balance Adjustment on Servicing	2-16
2-4-1.	Computer	2-16
2-4-2.	Video	2-17

3. Semiconductors

4. Spare Parts

4-1.	Notes on Repair Parts	4-1
4-2.	Exploded Views	4-2
4-3.	Electrical Parts List	4-9
4-4.	Packing Materials & Supplied Accessories	4-31

5. Block Diagrams

Overall	5-2
---------------	-----

6. Schematic Diagrams

C	6-2
F	6-26
GA	6-27
GB	6-30
HA	6-32
HB	6-33
L	6-34
NF	6-34
TA	6-34
U	6-34
V	6-34
Q (VPL-HS51)	6-35
Frame Wiring	6-38

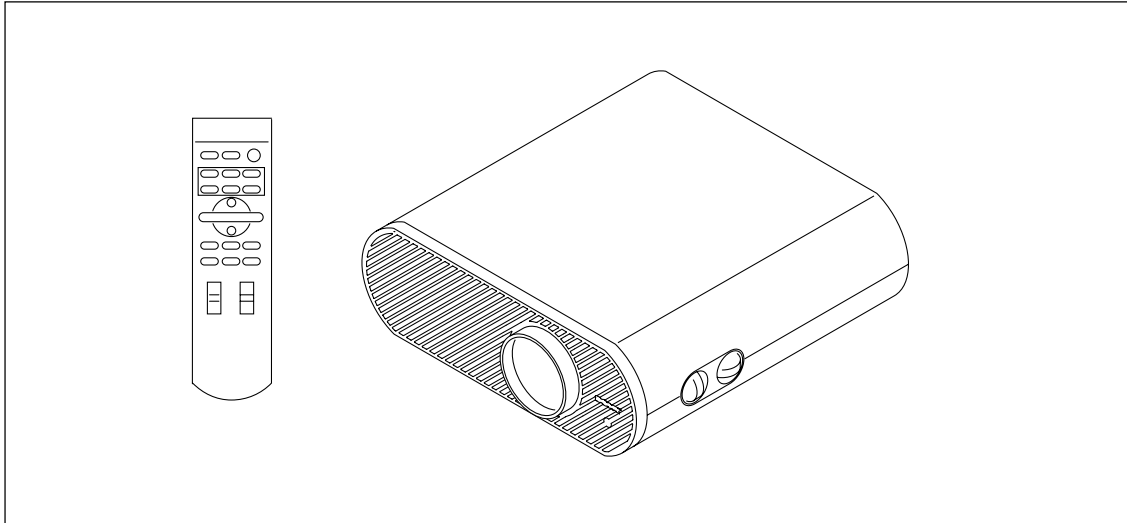
7. Board Layouts

C	7-2
GA	7-4
GB	7-5
F.....	7-6
HA	7-6
HB	7-6
L	7-6
NF.....	7-6
Q (VPL-HS51)	7-7
TA	7-7
U.....	7-7
V	7-7

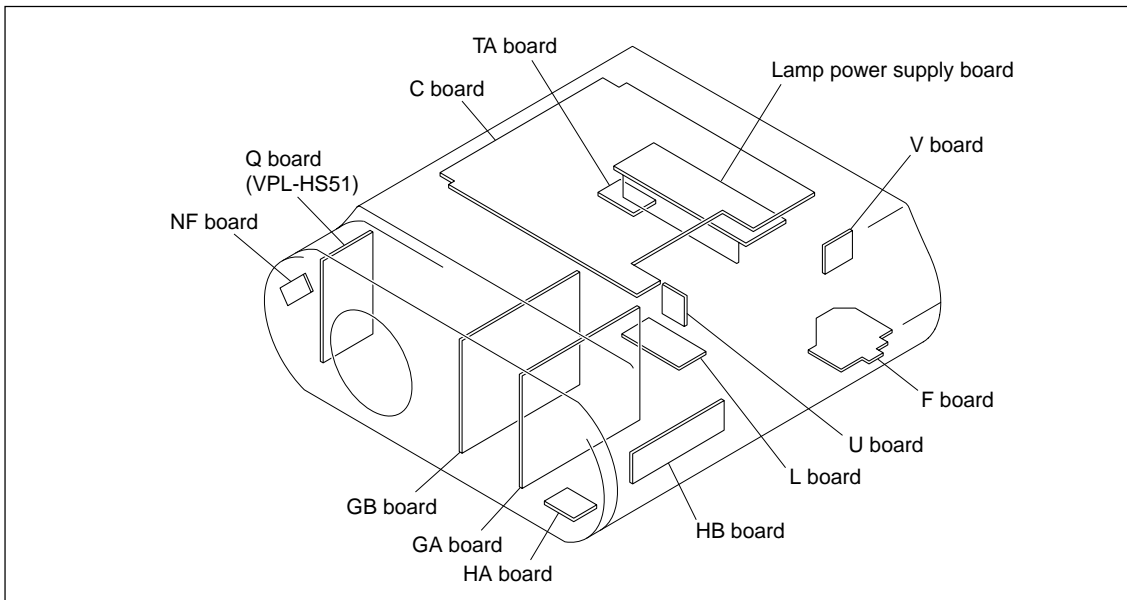
Section 1

Service Overview

1-1. External View



1-2. Board Location



1-3. Removing/Installing the Cabinet

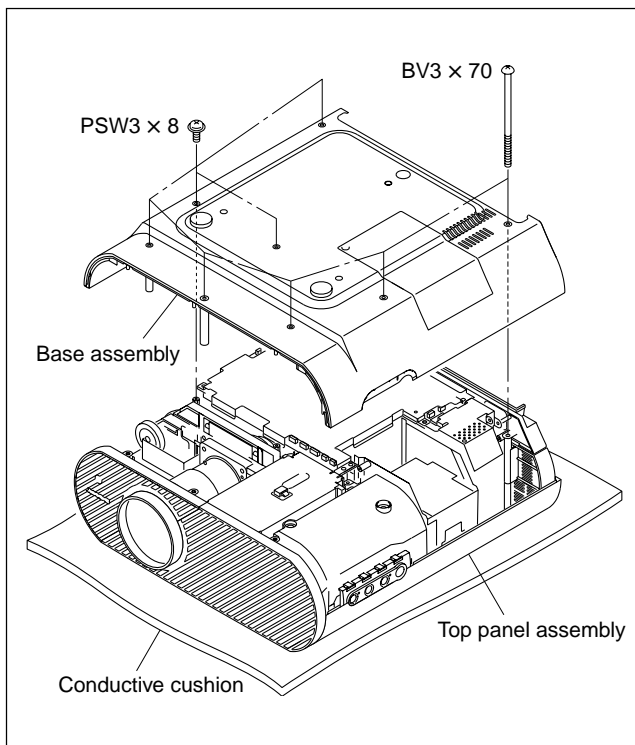
Note

When removing/installing or replacing the parts, place the unit on the conductive cushion with the top panel assembly down.

1-3-1. Base Assembly

Removal

1. Remove the six special screws (BV3 × 70) and two screws (PSW3 × 8), then remove the base assembly.



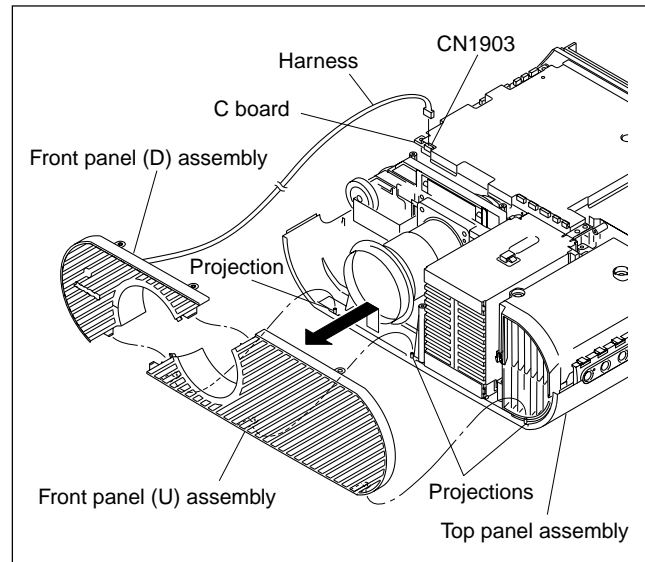
Installation

2. Attach the base assembly.

1-3-2. Front Panel (D) Assembly/Front Panel (U) Assembly

Removal (VPL-HS50)

1. Remove the base assembly. (Refer to Section 1-3-1.)
2. Disconnect the harness from the connector (CN1903) on the C board, then remove the front panel (D).
3. Remove the front panel (U) assembly from the three projections of the top panel assembly in the direction shown by the arrow.

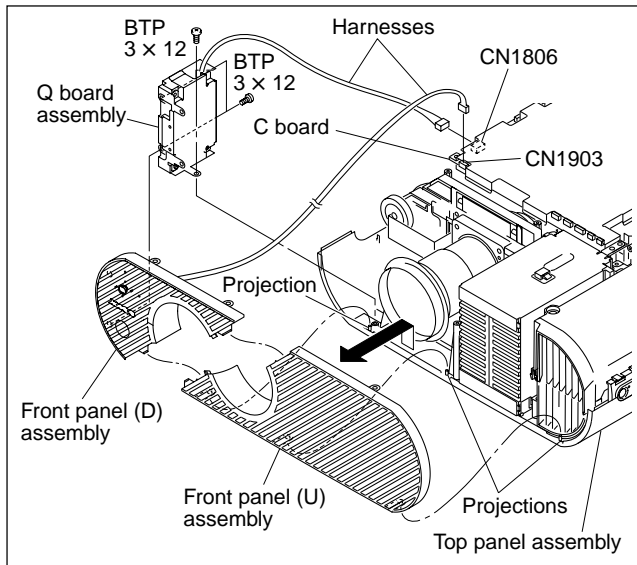


Installation (VPL-HS50)

4. Attach the front panel (D) assembly and front panel (U) assembly in the reverse order of steps 2 and 3.
5. Attach the base assembly.

Removal (VPL-HS51)

1. Remove the base assembly. (Refer to Section 1-3-1.)
2. Remove the screw and disconnect the two harnesses from the connector (CN1806, 1903) on the C board, then remove the front panel (D).
3. Remove the two screws, then remove the Q board assembly.
4. Remove the front panel (U) assembly from the three projections of the top panel assembly in the direction shown by the arrow.



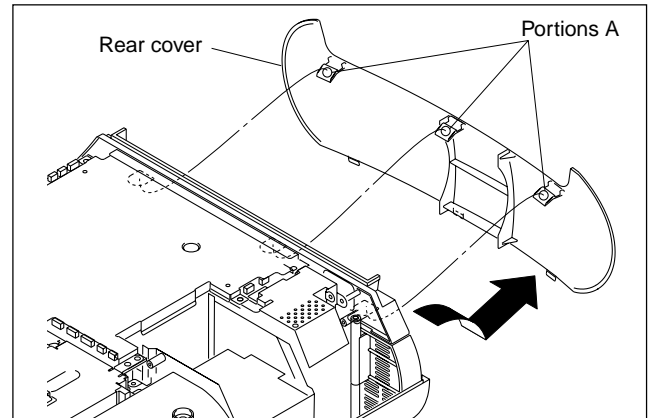
Installation (VPL-HS51)

5. Attach the front panel (D) assembly and front panel (U) assembly in the reverse order of steps 2 to 4.
6. Attach the base assembly.

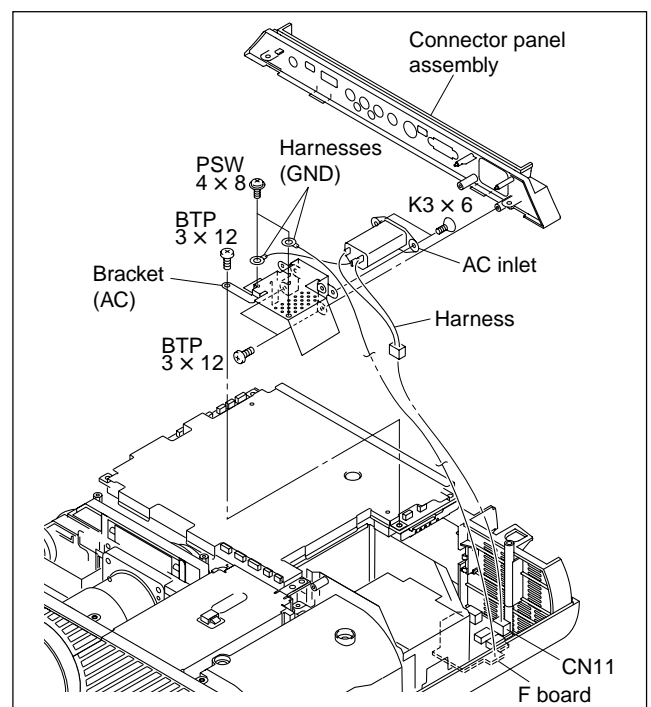
1-3-3. Rear Cover/Rear Panel

Removal

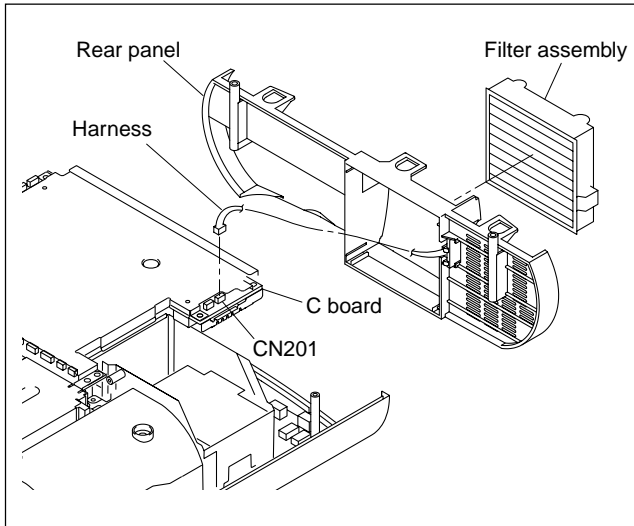
1. Remove the base assembly. (Refer to Section 1-3-1.)
2. Push the three portions A of the rear cover, then remove the rear cover in the direction shown by the arrow.



3. Remove the screw (BTP 3 x 12), then remove the connector panel assembly.
4. Disconnect the harness from the connector (CN11) on the F board.
5. Remove the two screws (BTP 3 x 12), then remove the bracket (AC).
6. Remove the two screws (PSW 4 x 8), then disconnect the two harnesses (GND) from the bracket (AC).
7. Remove the two screws (K3 x 6), then remove the AC inlet.



8. Disconnect the harness from the connector (CN201) on the C board.
9. Remove the filter assembly.
10. Remove the rear panel.



Installation

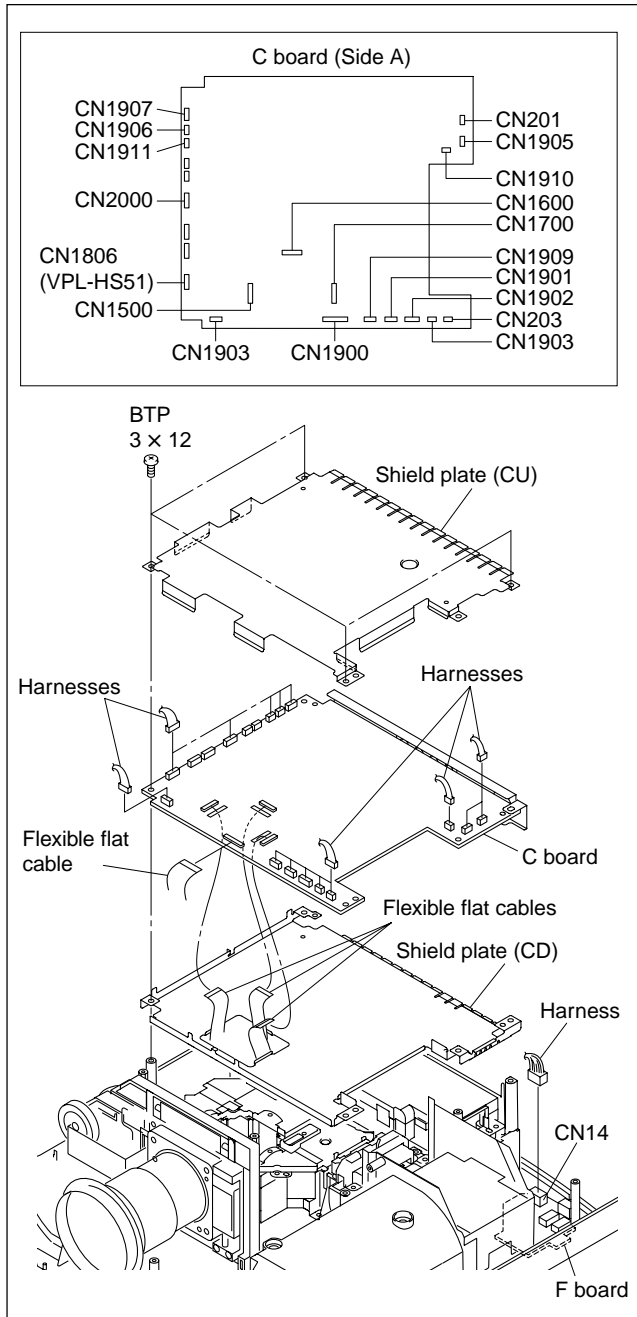
11. Attach the rear cover and the rear panel in the reverse order of steps 2 to 10.
12. Attach the base assembly.

1-4. Replacing the Board

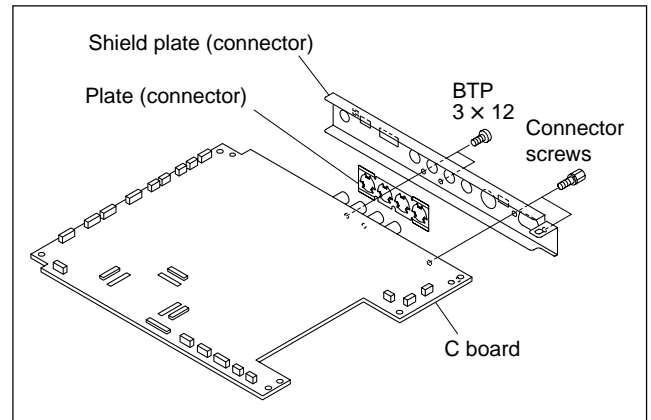
1-4-1. C Board

Removal

1. Remove the base assembly. (Refer to Section 1-3-1.)
2. Remove the rear cover and connector panel assembly. (Refer to steps 2 to 4 of Section 1-3-3.)
3. Remove the four screws and disconnect the harness from the connector (CN14) on the F board.
4. Remove the shield plate (CU).
5. Disconnect all harnesses and flexible flat cables from the connectors on the C board, then remove the C board.
6. Remove the shield plate (CD) from the C board.



- Remove the two screws and two connector screws, then remove the shield plate (connector) and plate (connector).



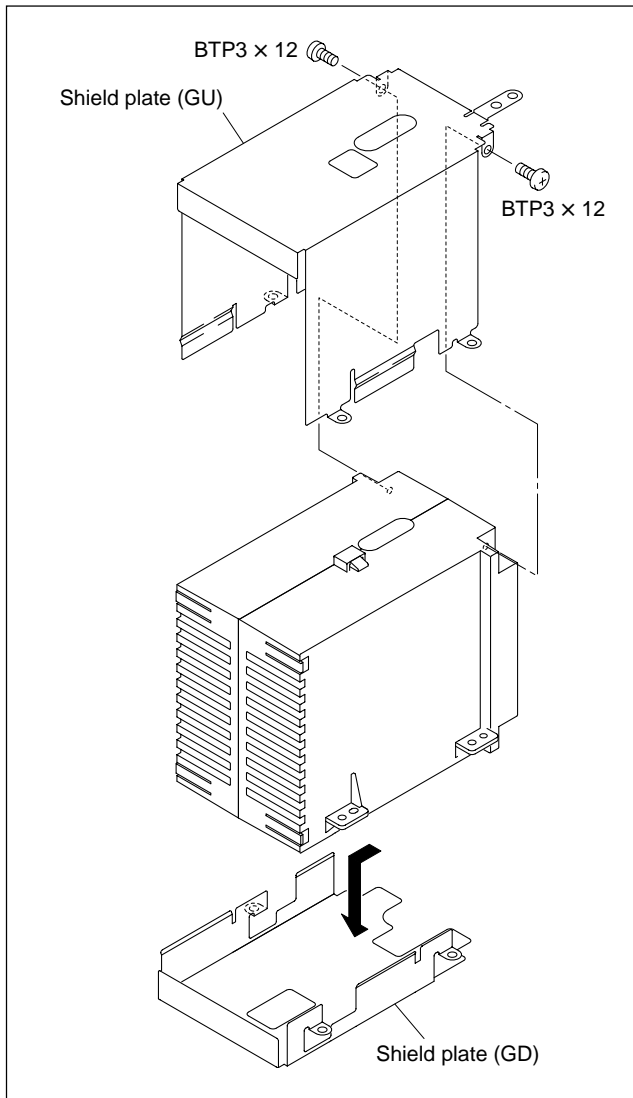
Installation

- Install the C board in the reverse order of steps 3 to 7.
- Assemble this unit in the reverse order of steps 1 and 2.

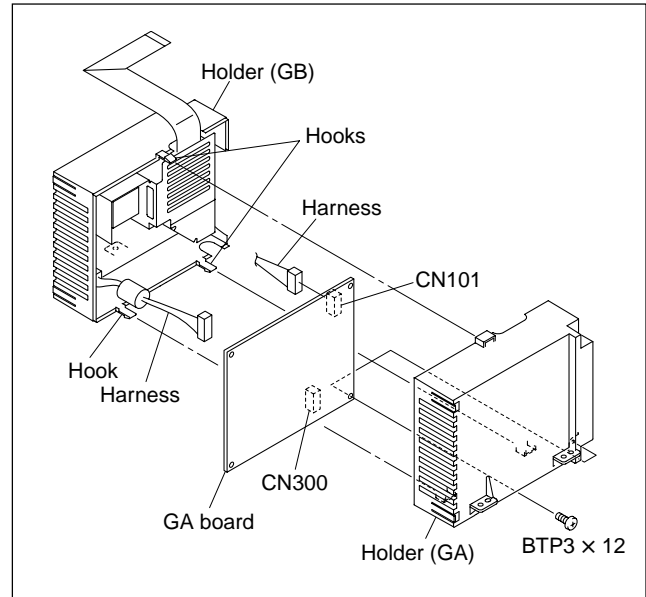
1-4-2. GA Board

Removal

1. Remove the cabinet. (Refer to Section 1-3.)
2. Remove the C board.
(Refer to steps 3 to 7 of Section 1-4-1.)
3. Remove the lamp assembly.
(Refer to steps 2 and 3 of Section 1-5-2.)
4. Remove the optical block assembly.
(Refer to step 5 of Section 1-5-3.)
5. Remove the lamp house.
(Refer to step 6 of Section 1-4-6.)
6. Remove the GA/GB unit.
(Refer to step 7 of Section 1-4-8.)
7. Remove the shield plate (GD) in the direction shown by the arrow.
8. Remove the two screws, then remove the shield plate (GU).



9. Remove the three hooks, then remove the holder (GB) from the holder (GA).
10. Disconnect the harness from the connector (CN300) on the GA board.
11. Remove the screw and disconnect the harness from the connector (CN101) on the GA board.



Installation

12. Install the GA board in the reverse order of steps 7 to 11.

Note

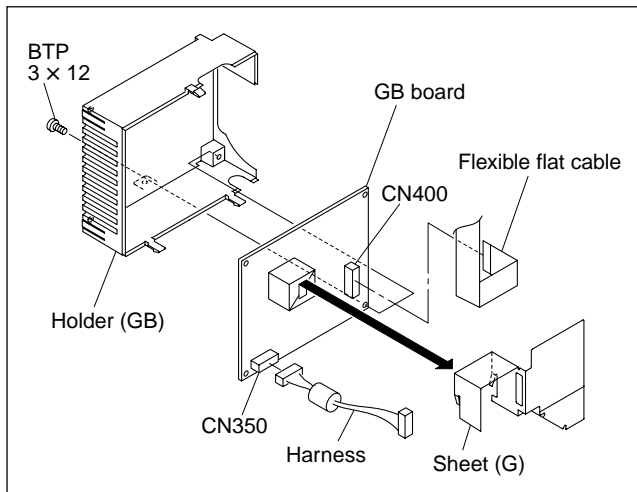
When attaching the holder (GA) and holder (GB), be careful not to catch the harness and flexible flat cable.

13. Assemble this unit in the reverse order of steps 1 to 6.

1-4-3. GB Board

Removal

1. Remove the cabinet. (Refer to Section 1-3.)
2. Remove the C board.
(Refer to steps 3 to 7 of Section 1-4-1.)
3. Remove the lamp assembly.
(Refer to steps 2 and 3 of Section 1-5-2.)
4. Remove the optical block assembly.
(Refer to step 5 of Section 1-5-3.)
5. Remove the lamp house.
(Refer to step 6 of Section 1-4-6.)
6. Remove the GA/GB unit.
(Refer to step 7 of Section 1-4-8.)
7. Remove the holder (GA) and holder (GB).
(Refer to steps 7 to 10 of Section 1-4-2.)
8. Remove the screw, then remove the GB board.
9. Remove the sheet (G) from the GB board in the direction shown by the arrow.
10. Disconnect the harness from the connector (CN350) on the GB board.
11. Disconnect the flexible flat cable from the connector (CN400) on the GB board.



Installation

12. Install the GB board in the reverse order of steps 8 to 11.

Note

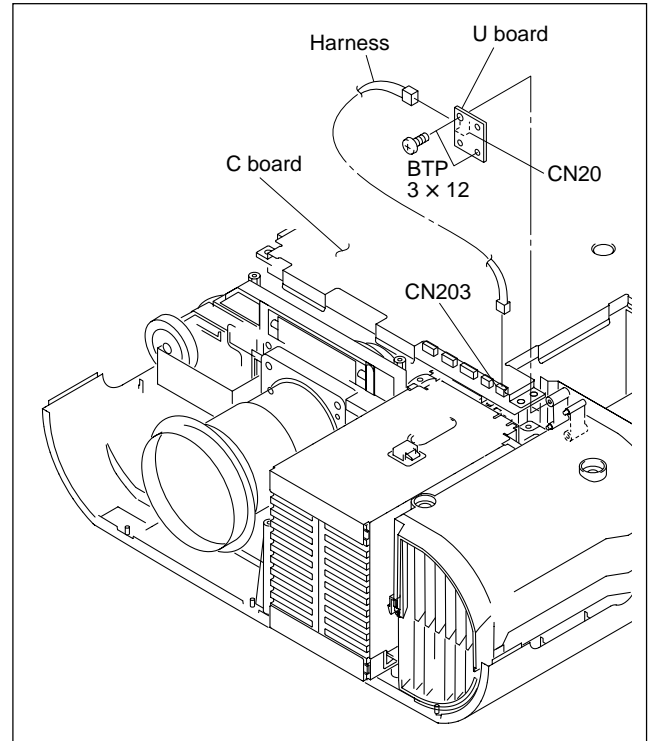
When attaching the holder (GA) and holder (GB), be careful not to catch the harness and flexible flat cable.

13. Assemble this unit in the reverse order of steps 1 to 7.

1-4-4. U Board

Removal

1. Remove the base assembly. (Refer to Section 1-3-1.)
2. Remove the front panel (D) assembly and front panel (U) assembly.
(Refer to steps 2 and 3 of Removal (VPL-HS50) in Section 1-3-2.)
(Refer to steps 2 to 4 of Removal (VPL-HS51) in Section 1-3-2.)
3. Remove the two screws and disconnect the harness from the connector (CN203) on the C board, then remove the U board.
4. Disconnect the harness from the connector (CN20) on the U board.



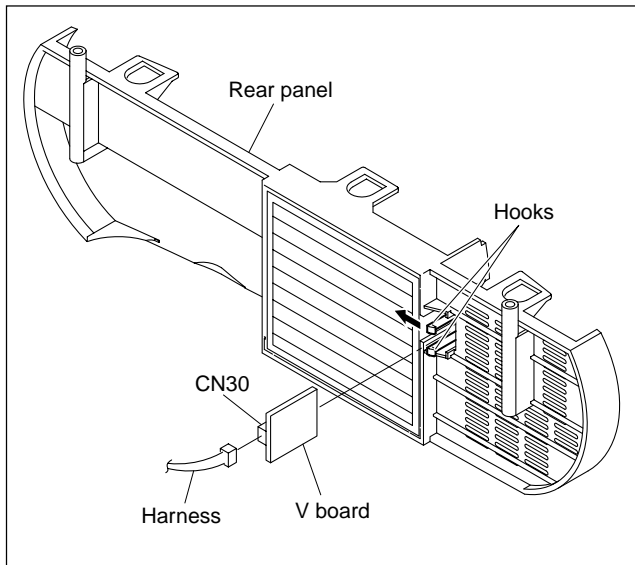
Installation

5. Install the U board in the reverse order of steps 3 and 4.
6. Assemble this unit in the reverse order of steps 1 and 2.

1-4-5. V Board

Removal

1. Remove the base assembly. (Refer to Section 1-3-1.)
2. Remove the rear cover and rear panel.
(Refer to Section 1-3-3.)
3. Remove the two hooks of the rear panel, then remove the V board.
4. Disconnect the harness from the connector (CN30) on the V board.



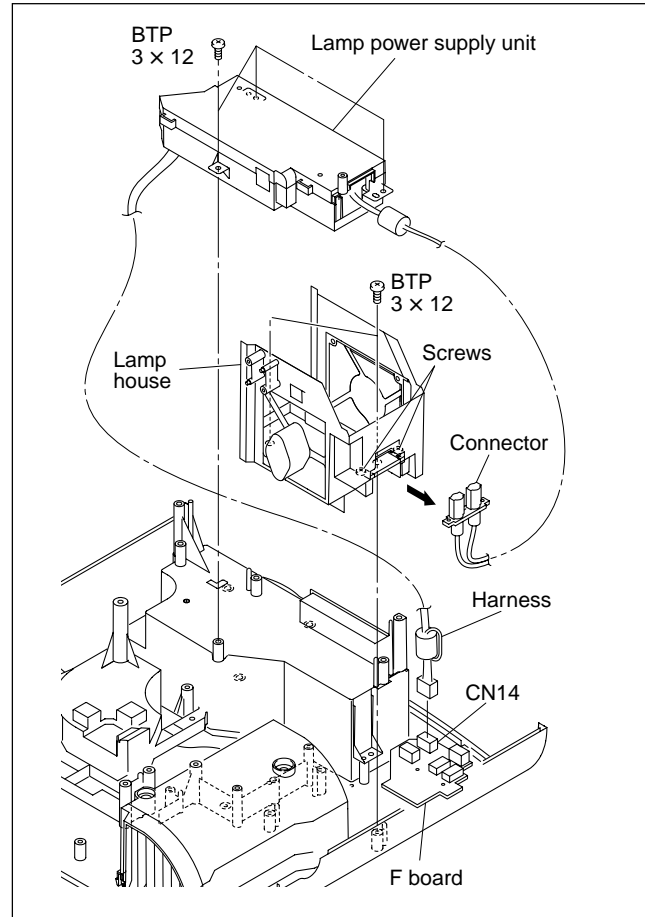
Installation

5. Install the V board in the reverse order of steps 3 and 4.
6. Assemble this unit in the reverse order of steps 1 and 2.

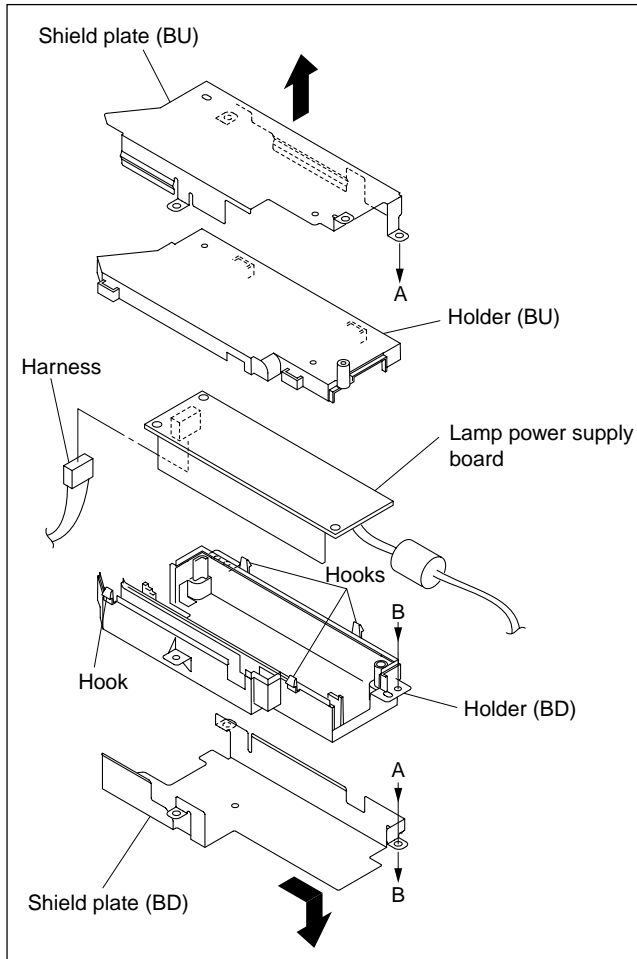
1-4-6. Lamp Power Supply Board

Removal

1. Remove the cabinet. (Refer to Section 1-3.)
2. Remove the C board.
(Refer to steps 3 to 7 of Section 1-4-1.)
3. Remove the lamp assembly.
(Refer to steps 2 and 3 of Section 1-5-2.)
4. Remove the optical block assembly.
(Refer to step 5 of Section 1-5-3.)
5. Remove the three screws and disconnect the harness from the connector (CN14) on the F board, then remove the lamp power supply unit.
6. Remove the two screws, then remove the lamp house.
7. Loosen the two screws, then remove the connector.



8. Remove the shield plate (BD) in the direction shown by the arrow.
9. Remove the shield plate (BU) in the direction shown by the arrow.
10. Remove the four hooks of the holder (BD), then remove the holder (BU) and lamp power supply board.
11. Disconnect the harness from the connector on the lamp power supply board.



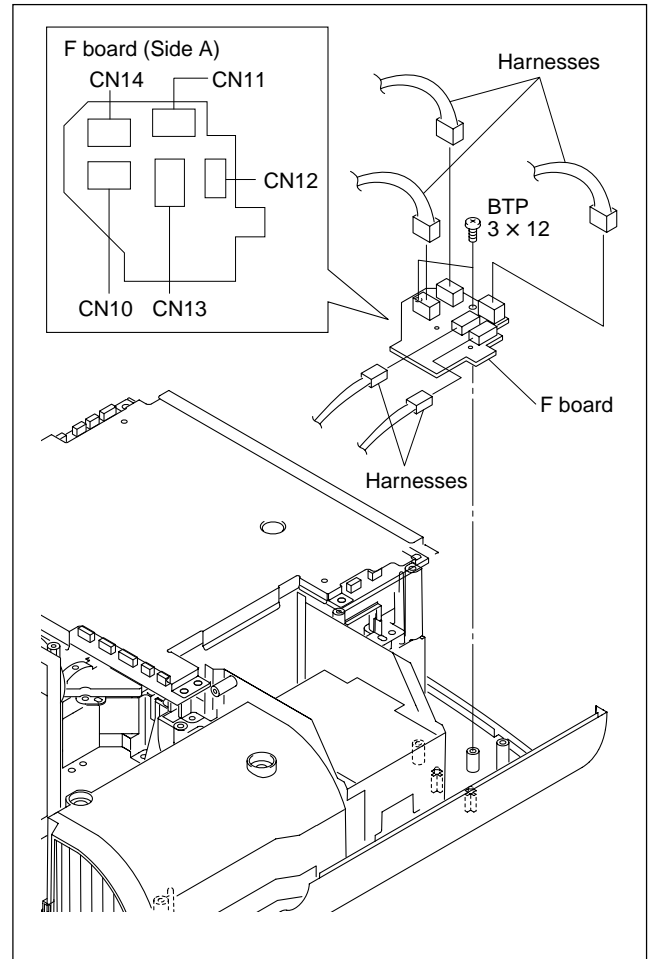
Installation

12. Install the lamp power supply board in the reverse order of steps 5 to 11.
13. Assemble this unit in the reverse order of steps 1 to 4.

1-4-7. F Board

Removal

1. Remove the cabinet. (Refer to Section 1-3.)
2. Disconnect the five harnesses from the connector (CN10 to CN14) on the F board.
3. Remove the two screws, then remove the F board.



Installation

4. Install the F board in the reverse order of steps 2 and 3.
5. Attach the cabinet.

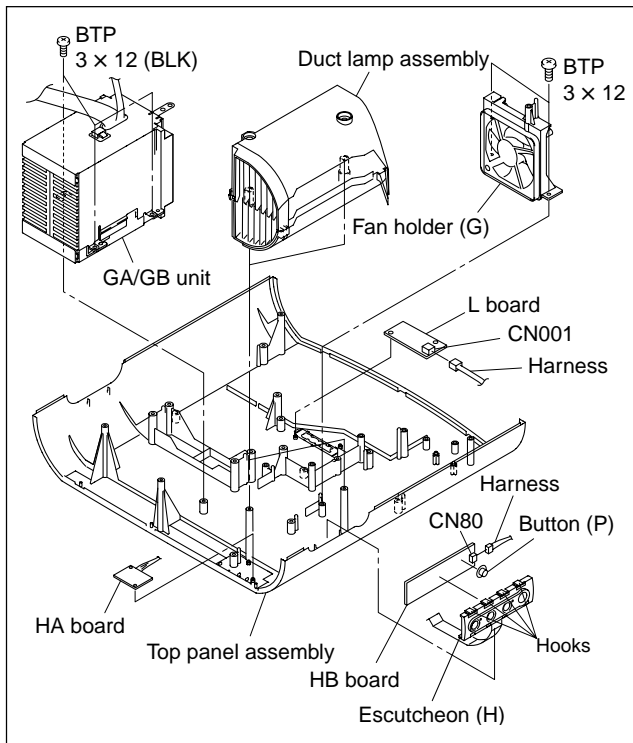
1-4-8. HA Board/HB Board/L Board

Removal

1. Remove the cabinet. (Refer to Section 1-3.)
2. Remove the C board.
(Refer to steps 3 to 7 of Section 1-4-1.)
3. Remove the lamp assembly.
(Refer to steps 2 and 3 of Section 1-5-2.)
4. Remove the optical block assembly.
(Refer to step 5 of Section 1-5-3.)
5. Remove the lamp house.
(Refer to step 6 of Section 1-4-6.)
6. Remove the duct lamp assembly.
7. Remove the three screws, then remove the GA/GB unit.
8. Remove the two screws, then remove the fan holder (G).
9. Remove the HA board.
10. Remove the escutcheon (H) from the top panel assembly.
11. Remove the four hooks, then remove the HB board.
12. Disconnect the harness from the connector (CN80) on the HB board.
13. Remove the button (P) from the HB board.
14. Remove the L board.
15. Disconnect the harness from the connector (CN001) on the L board.

Installation

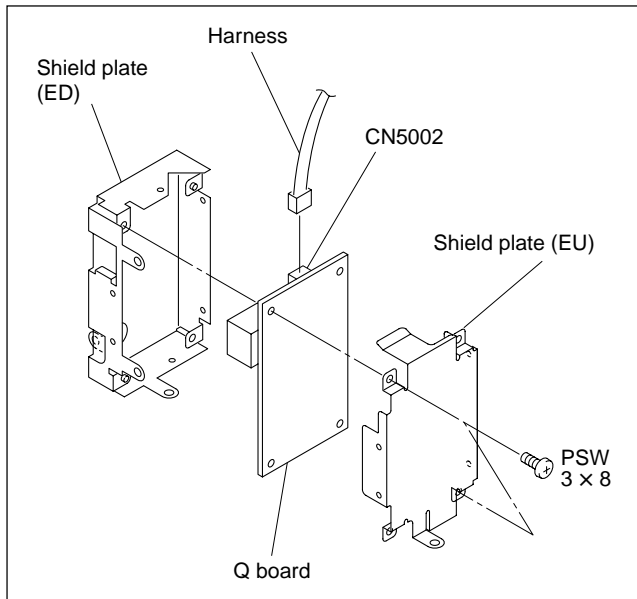
16. Install the HA board, HB board and L board in the reverse order of steps 6 to 15.
17. Assemble this unit in the reverse order of steps 1 to 5.



1-4-9. Q Board (VPL-HS51)

Removal

1. Remove the base assembly. (Refer to Section 1-3-1.)
2. Remove the front panel (D) assembly.
(Refer to steps 2 to 4 of Removal (VPL-HS51) in Section 1-3-2.)
3. Remove the two screws, then remove the Q board.
4. Disconnect the harness from the connector (CN5002) on the Q board.



Installation

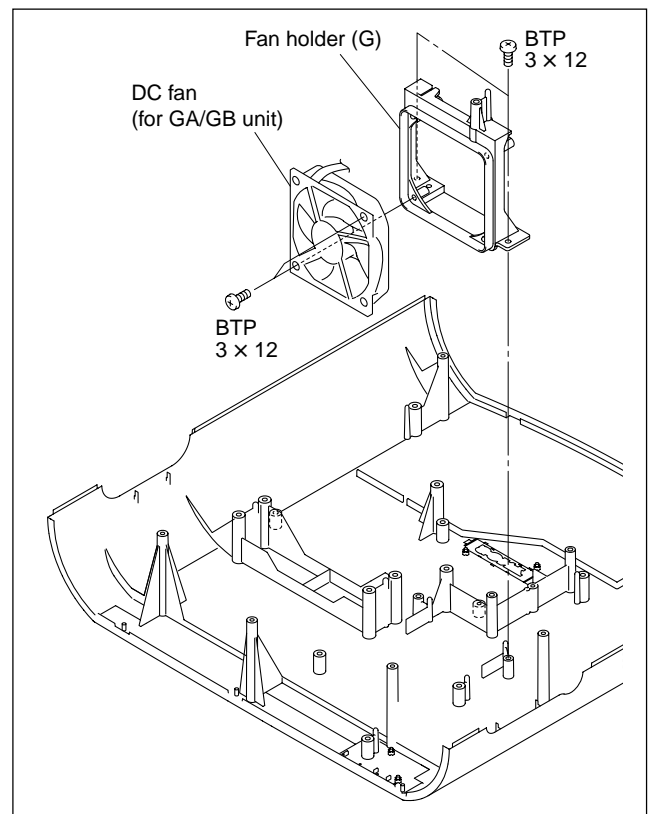
5. Install the Q board in the reverse order of steps 3, 4.
6. Assemble this unit in the reverse order of steps 1 and 2.

1-5. Replacing the Main Parts

1-5-1. DC Fan (for GA/GB unit)

Removal

1. Remove the cabinet. (Refer to Section 1-3.)
2. Remove the C board.
(Refer to steps 3 to 7 of Section 1-4-1.)
3. Remove the lamp assembly.
(Refer to steps 2 and 3 of Section 1-5-2.)
4. Remove the optical block assembly.
(Refer to step 5 of Section 1-5-3.)
5. Remove the lamp house.
(Refer to step 6 of Section 1-4-6.)
6. Remove the duct lamp assembly.
(Refer to step 6 of Section 1-4-8.)
7. Remove the two screws, then remove the fan holder (G).
8. Remove the two screws, then remove the DC fan (for GA/GB unit).



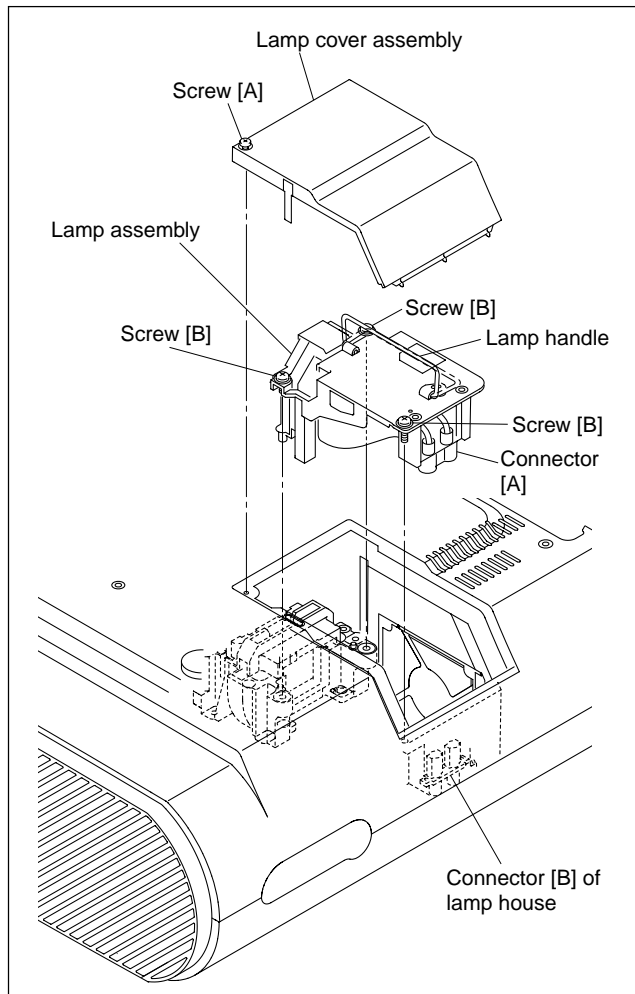
Installation

9. Attach the DC fan (for GA/GB unit) in the reverse order of steps 7 and 8.
10. Assemble this unit in the reverse order of steps 1 to 6.

1-5-2. Lamp Assembly

Removal

1. Loosen the screw [A], then remove the lamp cover assembly.
2. Loosen the three screws [B].
3. Hold the lamp handle, then lift the lamp assembly slowly.



Installation

4. Attach the lamp assembly in the reverse order of steps 1 to 3.

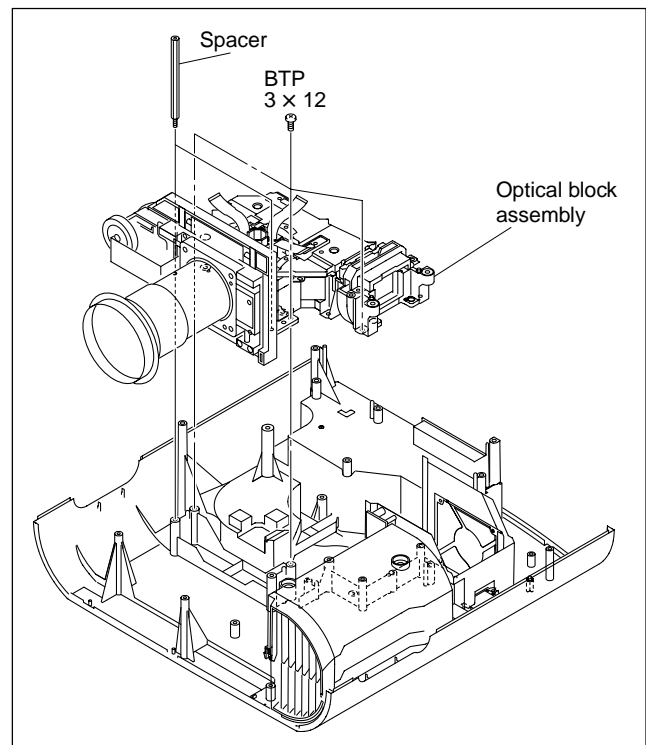
Note

When attaching the lamp assembly, be sure to securely insert the connector [A] of the lamp assembly into the connector [B] of the lamp house.

1-5-3. Optical Block Assembly

Removal

1. Remove the cabinet. (Refer to Section 1-3.)
2. Remove the C board.
(Refer to steps 3 to 7 of Section 1-4-1.)
3. Remove the lamp assembly.
(Refer to steps 2 and 3 of Section 1-5-2.)
4. Remove the lamp power supply board.
(Refer to steps 5 to 11 of Section 1-4-6.)
5. Remove the three screws and two spacers, then remove the optical block assembly.



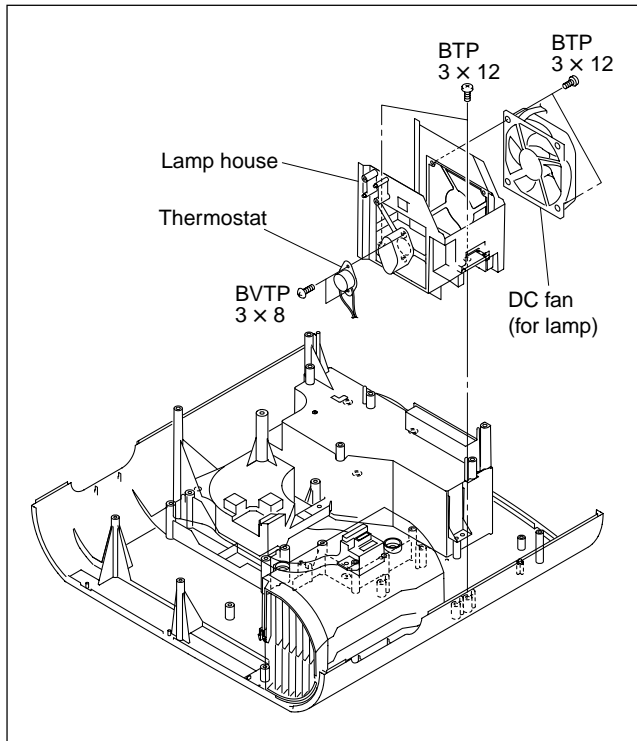
Installation

6. Attach the optical block assembly in the reverse order of step 5.
7. Assemble this unit in the reverse order of steps 1 to 4.

1-5-4. DC Fan (for Lamp)

Removal

1. Remove the cabinet. (Refer to Section 1-3.)
2. Remove the C board.
(Refer to steps 3 to 7 of Section 1-4-1.)
3. Remove the lamp assembly.
(Refer to steps 2 and 3 of Section 1-5-2.)
4. Remove the optical block assembly.
(Refer to step 5 of Section 1-5-3.)
5. Remove the two screws (BTP3 × 12), then remove the lamp house.
6. Remove the two screws (BTP3 × 12), then remove the DC fan (for lamp).
7. Remove the two screws (BVTP3 × 6), then remove the thermostat.



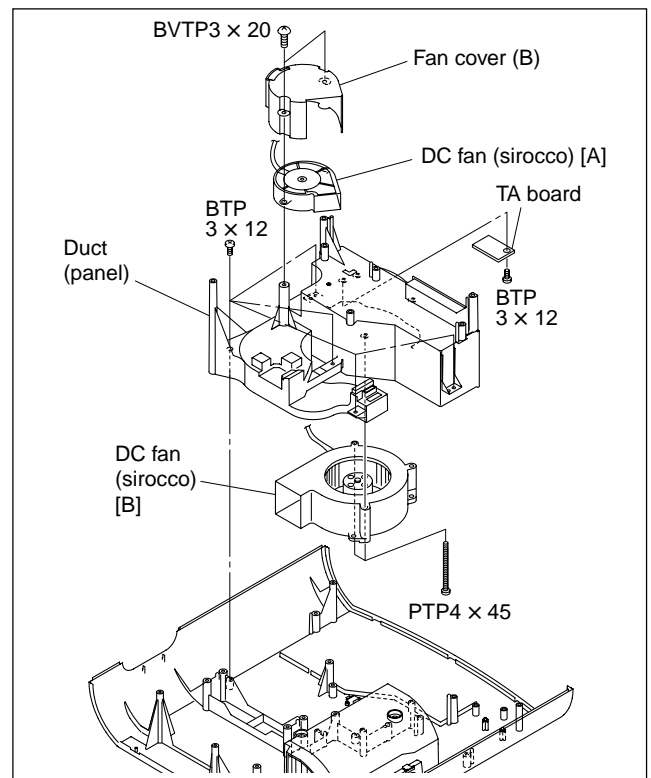
Installation

8. Attach the DC fan (for lamp) in the reverse order of steps 5 to 7.
9. Assemble this unit in the reverse order of steps 1 to 4.

1-5-5. DC Fan (for Lamp Power Supply) and TA Board

Removal

1. Remove the cabinet. (Refer to Section 1-3.)
2. Remove the C board.
(Refer to steps 3 to 7 of Section 1-4-1.)
3. Remove the lamp assembly.
(Refer to steps 2 and 3 of Section 1-5-2.)
4. Remove the lamp power supply board.
(Refer to step 5 to 11 of Section 1-4-6.)
5. Remove the optical block assembly.
(Refer to step 5 of Section 1-5-3.)
6. Remove the two screws (BVTP3 × 20), then remove the fan cover (B) and DC fan (Sirocco) [A].
7. Remove the five screws (BTP3 × 12), then remove the duct (panel).
8. Remove the three screws (PTP4 × 45), then remove the DC fan (sirocco) [B].
9. Remove the screw (BTP3 × 12), then remove the TA board.



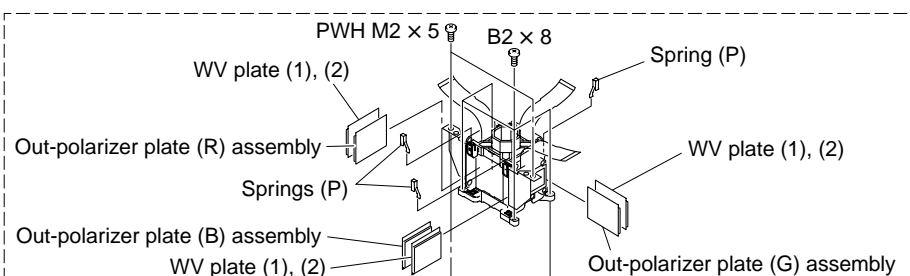
Installation

10. Attach the DC fan (for lamp power supply) and TA board in the reverse order of steps 6 to 9.
11. Assemble this unit in the reverse order of steps 1 to 5.

1-5-6. Prism Block and WV Plate (1), (2)

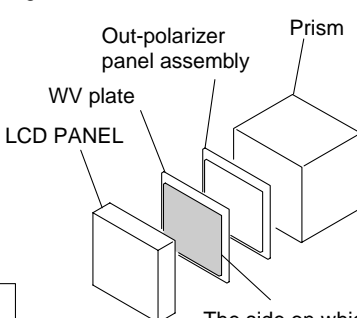
Removal

1. Remove the cabinet. (Refer to Section 1-3.)
2. Remove the C board.
(Refer to steps 3 to 7 of Section 1-4-1.)
3. Remove the lamp assembly.
(Refer to steps 2 and 3 of Section 1-5-2.)
4. Remove the optical block assembly.
(Refer to step 5 of Section 1-5-3.)
5. Remove the two screws (PWH M2 × 5) and four screws (B2 × 8), then remove the prism block.
6. Remove the spring (P), then remove the out-polarizer plate (R) assembly on the outgoing radiation side and WV plate (1), (2).
7. Remove the spring (P), then remove the out-polarizer plate (G) assembly on the outgoing radiation side and WV plate (1), (2).
8. Remove the spring (P), then remove the out-polarizer plate (B) assembly on the outgoing radiation side and WV plate (1), (2).



Labels in diagram: PWH M2 × 5, B2 × 8, Spring (P), Prism block, WV plate (1), (2), Out-polarizer plate (R) assembly, Springs (P), Out-polarizer plate (B) assembly, WV plate (1), (2), Out-polarizer plate (G) assembly.

Be sure to install the WV plate in the right orientation



Labels: Out-polarizer panel assembly, Prism, WV plate, LCD PANEL.

The side on which the film is attached faces LCD.

Precautions when replacing the WV plate (1)

Marking side Top left: WV plate (1) 2-024-625

Marking side Top right: WV plate (2) 2-024-626

• Precautions when replacing the WV plate

The WV plate to be used varies depending on the type of LCD panels and the respective R/G/B channels. Use the part specified respectively.

LCD Panel Combination 1	R-ch	G-ch	B-ch
Type of LCD panels	LCX071AYB	LCX071AXB	LCX071AYB
WV plate	WV plate (1) 2-024-625-01	WV plate (2) 2-024-626-11	WV plate (1) 2-024-625-21

LCD Panel Combination 2	R-ch	G-ch	B-ch
Type of LCD panels	LCX071AXB	LCX071AYB	LCX071AXB
WV plate	WV plate (2) 2-024-626-01	WV plate (1) 2-024-625-11	WV plate (2) 2-024-626-21

Note: Use the panel in above described combination

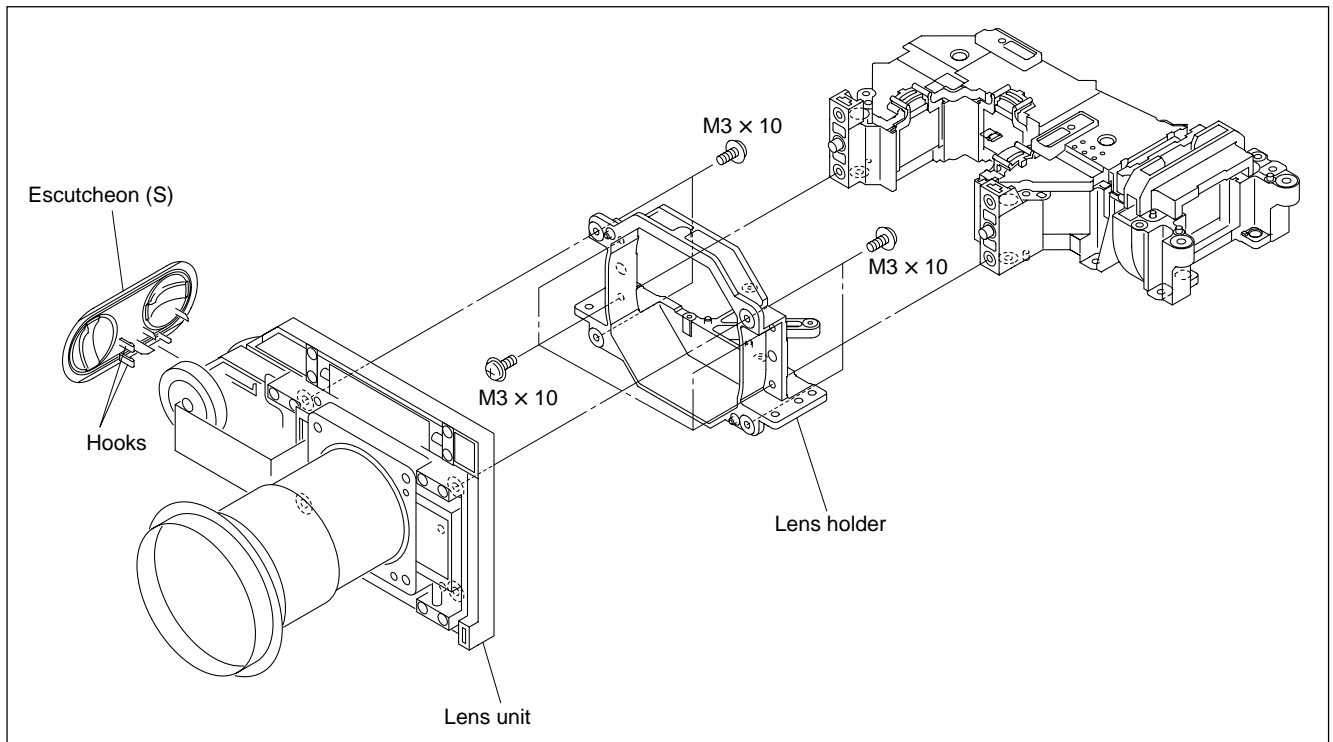
Installation

9. Attach the prism block and WV plate (1), (2) in the reverse order of steps 5 to 8.
10. Assemble this unit in the reverse order of steps 1 to 4.

1-5-7. Lens Unit

Removal

1. Remove the cabinet. (Refer to Section 1-3.)
2. Remove the C board. (Refer to steps 3 to 7 of Section 1-4-1.)
3. Remove the lamp assembly. (Refer to steps 2 and 3 of Section 1-5-2.)
4. Remove the optical block assembly. (Refer to step 5 of Section 1-5-3.)
5. Remove the four screws, then remove the lens holder from the lens unit.
6. Remove the four screws, then remove the lens unit.
7. Remove the two hooks, then remove the escutcheon (S).



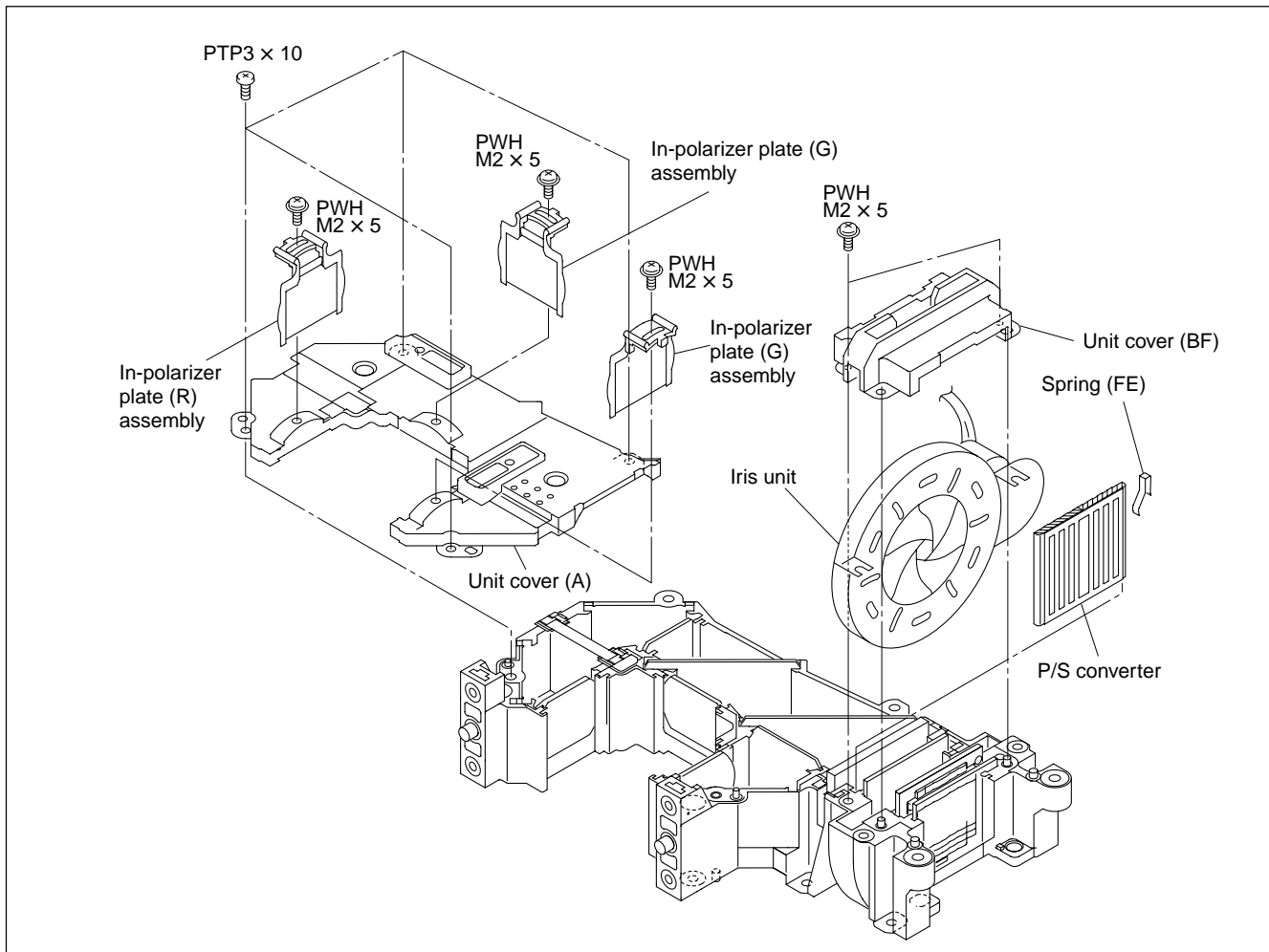
Installation

8. Attach the lens unit in the reverse order of steps 5 to 7.
9. Assemble this unit in the reverse order of steps 1 to 4.

1-5-8. Unit Assembly

Removal

1. Remove the cabinet. (Refer to Section 1-3.)
2. Remove the C board.
(Refer to steps 3 to 7 of Section 1-4-1.)
3. Remove the lamp assembly.
(Refer to steps 2 and 3 of Section 1-5-2.)
4. Remove the optical block assembly.
(Refer to step 5 of Section 1-5-3.)
5. Remove the prism block.
(Refer to step 5 of Section 1-5-6.)
6. Remove the screw (PWH M2 × 5), then remove the in-polarizer plate (R) assembly on the incoming radiation side.
7. Remove the screw (PWH M2 × 5), then remove the in-polarizer plate (G) assembly on the incoming radiation side.
8. Remove the screw (PWH M2 × 5), then remove the in-polarizer plate (B) assembly on the incoming radiation side.
9. Remove the four screws (PTP3 × 10), then remove the unit cover (A).
10. Remove the screw (PWH M2 × 5), then remove the unit cover (BF).
11. Remove the aperture unit.
12. Remove the spring (FE), then remove the P/S conversion device.



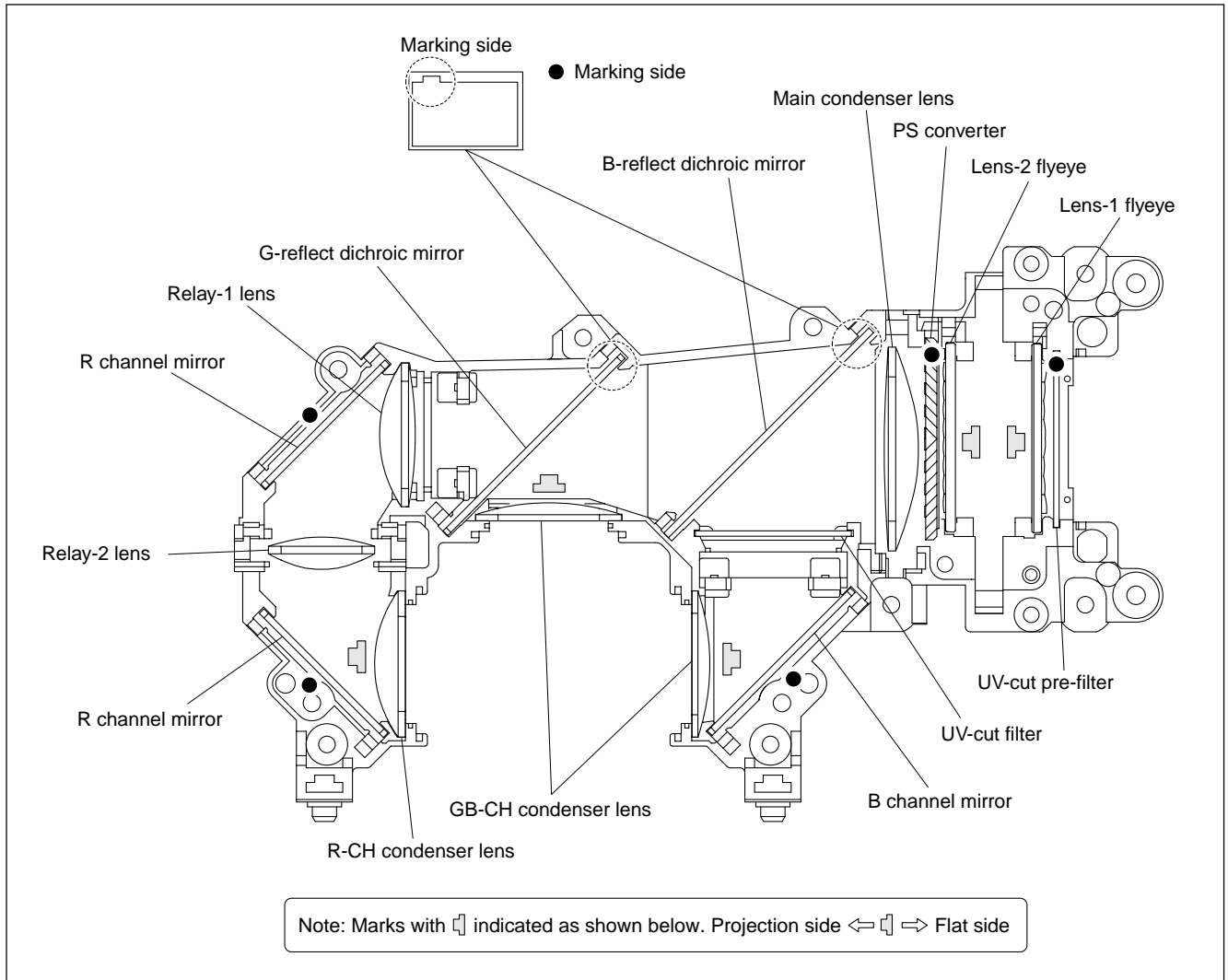
Installation

13. Attach the unit assembly in the reverse order of steps 6 to 12.
14. Assemble this unit in the reverse order of steps 1 to 5.

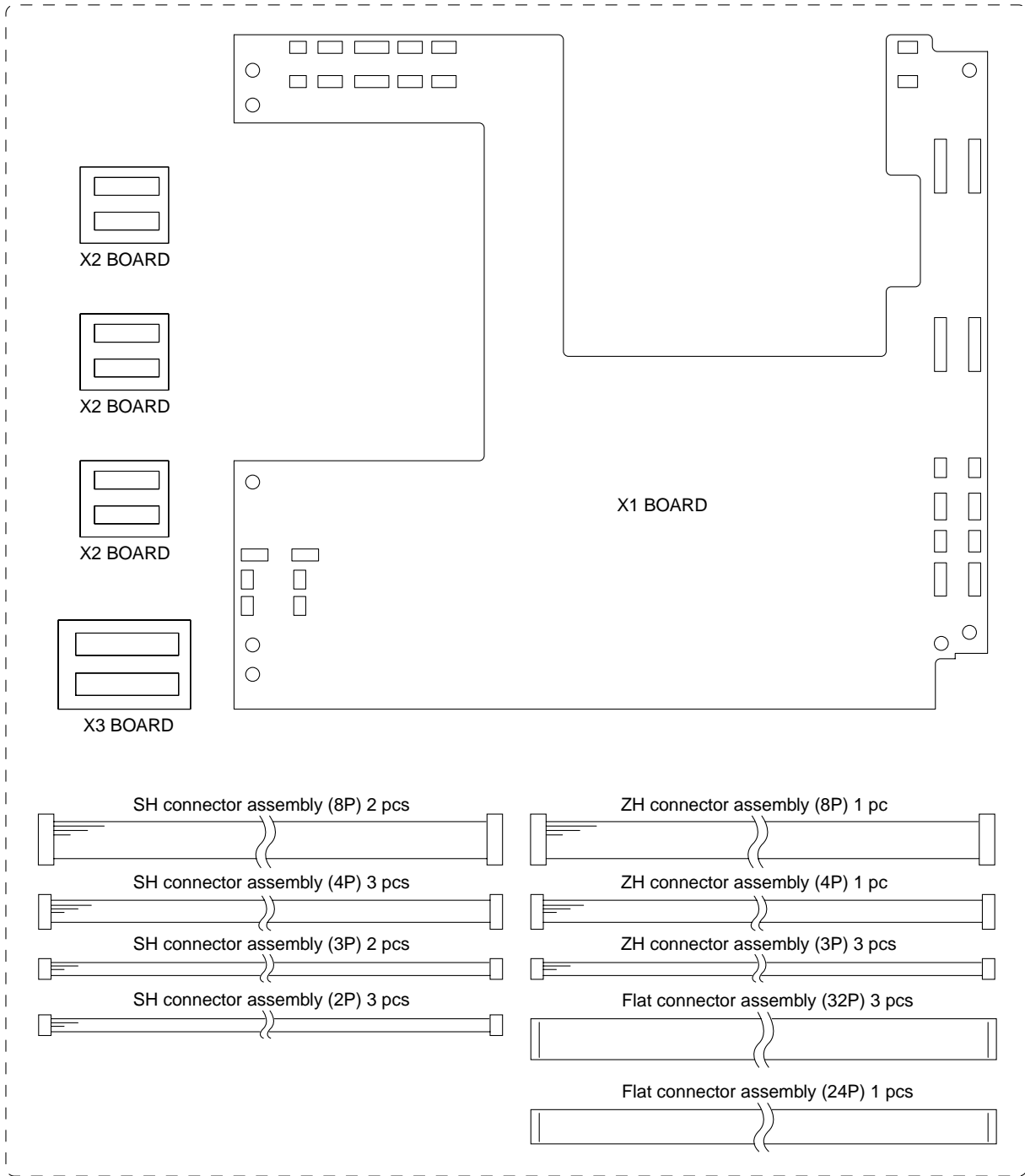
1-5-9. Unit Assembly Parts Orientation

Note

The main condenser lens assembly and the relay-2 lens assembly are fixed to the unit assembly and cannot be removed.

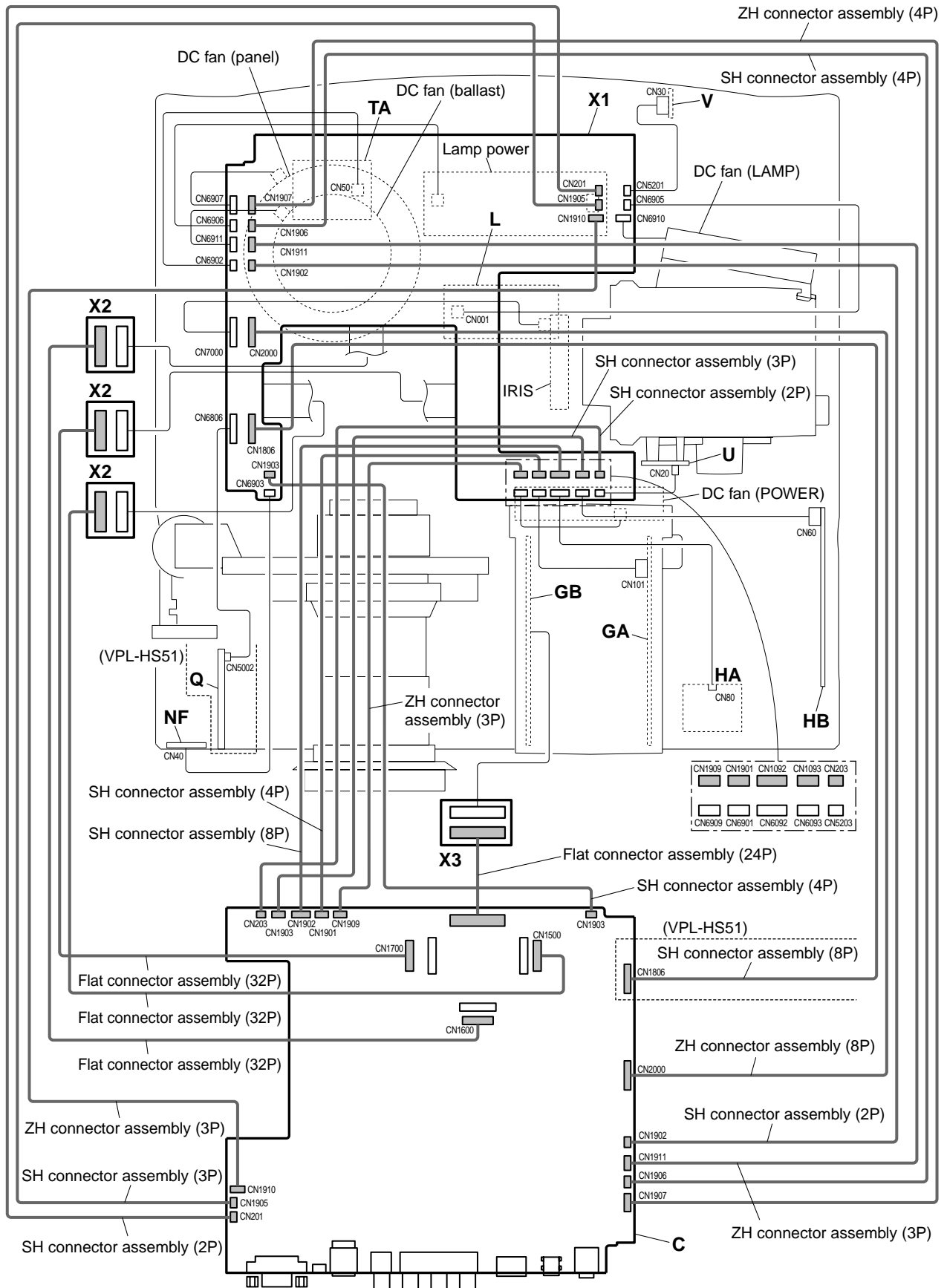


1-5-10. Extension Board and Extension Connectors



X kit assembly (A-1097-951-A)

1-5-11. Extension Board and Extension Connectors Connection



1-6. Unleaded Solder

Boards requiring use of unleaded solder are printed with a lead free mark (LF) indicating the solder contains no lead. (Caution: Some printed circuit boards may not come printed with the lead free mark due to their particular size.)



LF : LEAD FREE MARK

Notes

- Be sure to use the unleaded solder for the printed circuit board printed with the lead free mark.
- The unleaded solder melts at a temperature about 40 °C higher than the ordinary solder, therefore, it is recommended to use the soldering iron having a temperature regulator.
- The ordinary soldering iron can be used but the iron tip has to be applied to the solder joint for a slightly longer time. The printed pattern (copper foil) may peel away if the heated tip is applied for too long, so be careful.

1-7. Service Knowhow

1-7-1. After Replacing the Prism Block

1. Perform Section “2-2. V COM Adjustment.”
2. Perform the Look Up Table or 3D GAMMA data writing of the Prism Block.
3. Perform Section “2-4. White Balance Adjustment on Servicing.”

1-7-2. After Replacing the Board

- Refer to the cross table (page 1-23).
- There are no need to perform the adjustment when the board other than the C board had been replaced.

1) When Replacing the C Board

1. Before replacement, unsolder the IC1403 from the replaced C board and then mount it to the new board.
2. Perform Section “2-2. V COM Adjustment.”
3. If the white balance is extremely deteriorated, perform the white balance adjustment (Refer to Section 2-4.).
4. Perform Section “(3) Iris Adjustment.”

2) When Replacing the Other Board

There are no need to perform the adjustment.

3) Iris Adjustment

Preparation

1. Enter “34/Iris Adj.” in Other of Device Adjust.
2. Change the value of “34/Iris Adj.” from 0 to 1.

Adjustment

1. Set the value of “35/Open Reg” to 0 and check the value of “37/Open Hall”.
2. Check the value of “37/Open Hall” while increasing the value of “35/Open Reg”.
3. Check the value of “35/Open Reg” when the value of “37/Open Hall” is decreased by 2 from the value of step 1.
4. Save the value that is increased by 10 from the value of “35/Open Reg” in step 3.
5. Set the value of “36/Close Reg” to 255 and check the value of “38/Close Hall”.
6. Set the value of “36/Close Reg” to 0 and check the value of “38/Close Hall” while increasing the value of “36/Close Reg”.
7. Check the value of “36/Close Reg” when the value of “38/Close Hall” is increased by 1 from the value in step 5.
8. Save the value that is decreased by 14 from the value of “36/Close Reg” in step 7.

Procedure after adjustment

1. Reset the value of “34/Iris Adj.” to 0.
2. Save the value in the memory.

4) Fan Voltage Adjustment

Preparation

1. Enter “27:Fan/Reg Adj.Cont” in Other of Device Adjust.
2. Change the value of “27:Fan/Reg Adj.Cont” from 0 to 1.

Adjustment

1. Maximum voltage adjustment for fan 1 drive

1. Enter “28: Fan1/Reg Max” in Other of Device Adjust.
2. Adjust the voltage so that pin 1 of the connector CN1907 on the C board is within the following specification.

Specification: 12.0 ± 0.1 V

2. Minimum voltage adjustment for fan 1 drive

1. Enter “29: Fan1/Reg Min” in Other of Device Adjust.
2. Adjust the voltage so that pin 1 of the connector CN1907 on the C board is within the following specification.
Specification: 4.55 ± 0.05 V

3. Maximum voltage adjustment for fan 4 drive

1. Enter “30: Fan2/Reg Max” in Other of Device Adjust.
2. Adjust the voltage so that pin 1 of the connector CN1910 on the C board is within the following specification.
Specification: 12.0 ± 0.1 V

4. Maximum voltage adjustment for fan 3 drive

1. Adjust the voltage so that pin 1 of the connector CN1909 on the C board is within the following specification.
Specification: 12.0 ± 0.1 V

5. Minimum voltage adjustment for fan 4 drive

1. Enter “31: Fan2/Reg Min” in Other of Device Adjust.
2. Adjust the voltage so that pin 1 of the connector CN1910 on the C board is within the following specification.
Specification: 6.2 ± 0.1 V

6. Minimum voltage adjustment for fan 3 drive

1. Adjust the voltage so that pin 1 of the connector CN1909 on the C board is within the following specification.
Specification: 6.2 ± 0.1 V

7. Maximum voltage adjustment for fan 5 drive

1. Enter “32: Fan3/Reg Max” in Other of Device Adjust.
2. Adjust the voltage so that pin 1 of the connector CN1911 on the C board is within the following specification.
Specification: 12.0 ± 0.1 V

8. Minimum voltage adjustment for fan 5 drive

1. Enter “33: Fan3/Reg Max” in Other of Device Adjust.
2. Adjust the voltage so that pin 1 of the connector CN1911 on the C board is within the following specification.
Specification: 4.55 ± 0.05 V

1-7-3. NVM (Non-Volatile-Memory)

NVM access error

The Lamp and Temp LEDs blink at high speed (at intervals of 0.5 seconds).

Replace the parts or C board because the IIC communication device may be defective.

NVM data error

The Power/Standby LED blinks at high speed (at intervals of 0.5 seconds).

1. Replace the C board because the data of IC1804 has been destroyed.
2. Replace IC403 and IC1807 on the C board before the C board is replaced and mount them on a (new) C board.
3. Perform the iris adjustment in step 3) of Section 1-7-2.
4. Perform the VCOM adjustment in Section 2-2.
5. Perform the W/B adjustment when the W/B state is remarkably bad.

Procedure after adjustment

1. Change the value of “27:Fan/Reg Adj.Cont” from 1 to 0.
2. Save the value in the memory.

Cross Table of Board Replacement

Device Name	Item Name	Board Name
		C
P.DRV	VCOM (R)	<input type="radio"/>
	VCOM (G)	<input type="radio"/>
	VCOM (B)	<input type="radio"/>
W/B ADJUST		
INPUT-A HIGH	GAIN R	<input type="radio"/>
	GAIN G	<input type="radio"/>
	GAIN B	<input type="radio"/>
	BIAS R	<input type="radio"/>
	BIAS G	<input type="radio"/>
	BIAS B	<input type="radio"/>
INPUT-A LOW	GAIN R	<input type="radio"/>
	GAIN G	<input type="radio"/>
	GAIN B	<input type="radio"/>
	BIAS R	<input type="radio"/>
	BIAS G	<input type="radio"/>
	BIAS B	<input type="radio"/>
INPUT-A HIGH	GAIN R	<input type="radio"/>
	GAIN G	<input type="radio"/>
	GAIN B	<input type="radio"/>
	BIAS R	<input type="radio"/>
	BIAS G	<input type="radio"/>
	BIAS B	<input type="radio"/>
INPUT-A MID	GAIN R	<input type="radio"/>
	GAIN G	<input type="radio"/>
	GAIN B	<input type="radio"/>
	BIAS R	<input type="radio"/>
	BIAS G	<input type="radio"/>
	BIAS B	<input type="radio"/>
VIDEO MID	GAIN R	<input type="radio"/>
	GAIN G	<input type="radio"/>
	GAIN B	<input type="radio"/>
	BIAS R	<input type="radio"/>
	BIAS G	<input type="radio"/>
	BIAS B	<input type="radio"/>
VIDEO LOW	GAIN R	<input type="radio"/>
	GAIN G	<input type="radio"/>
	GAIN B	<input type="radio"/>
	BIAS R	<input type="radio"/>
	BIAS G	<input type="radio"/>
	BIAS B	<input type="radio"/>

: Need adjustment

1-8. Memory

Memory structure consists of the following five memory blocks.

1. Set memory
2. Status memory
3. Chroma memory
4. W/B memory
5. Channel memory
6. Image Flip memory
7. Picture memory
8. RCP memory
9. Fan memory

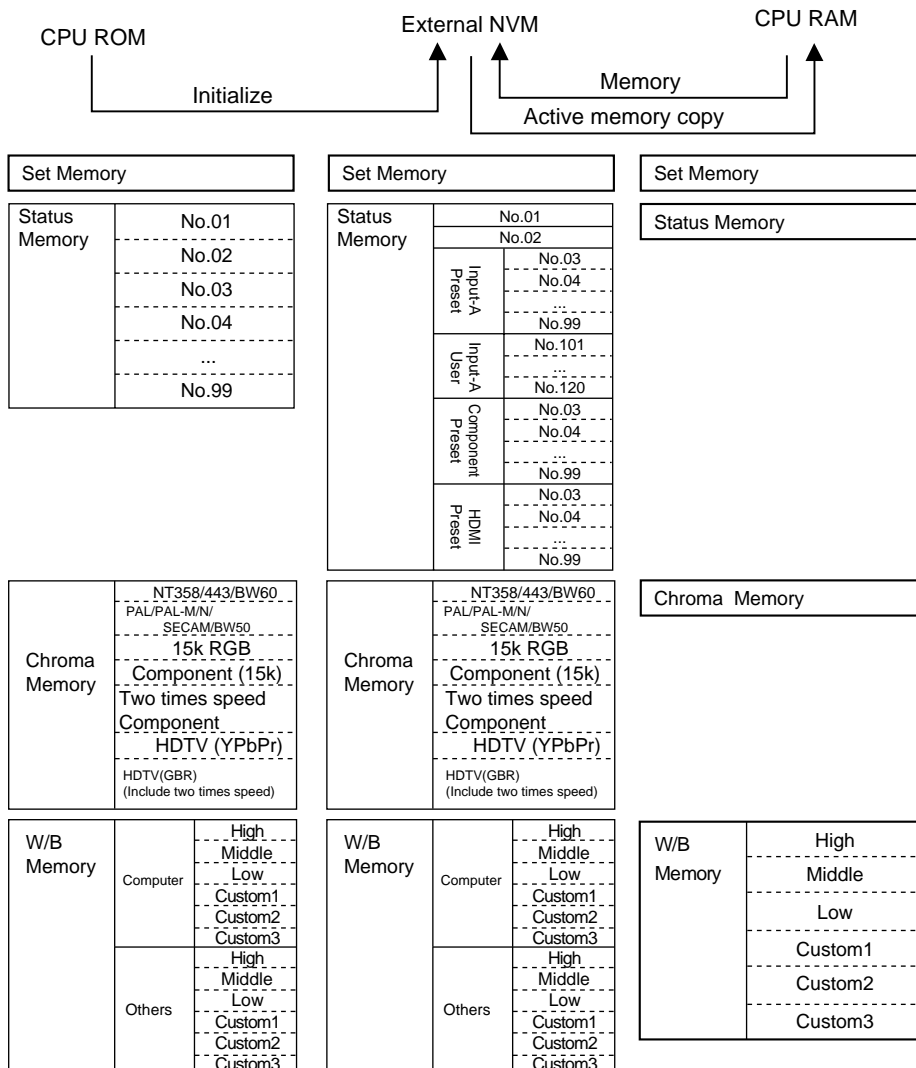
CPU internal ROM : 512 kbyte Flash Memory
 CPU internal ROM : 32 kbyte
 External NVM memory : 8 kbyte EEPROM

Gamma memory is actualized through Gamma mode functions' offsetting the output values to the Contrast and Brightness devices.

When the power plug is connected to the power line (Standby status), all data inside the internal ROM are written into the NVM (Nonvolatile Memory). When the power is turned to on, required data for the current picture, such as status memory data, etc., are selected, and they are written into the internal RAM.

When adjustment is carried out, adjustment data are written into the NVM automatically (items on the user mode) or by the trigger of memory operation (items on the factory mode), then stored them.

Adjustable items (W/B and Device Adjust) of the factory mode are memorized into the NVM by the memory operation. At the same time, the factory preset (adjusted) data are all eliminated from the memory.



Channel Memory	Video
	S Video
	Input-A
	Component HDMI

Channel Memory	Video
	S Video
	Input-A
	Component HDMI

Channel Memory

Image Flip Memory	Turn over to the upper and lower sides
	No turn over to the upper and lower sides

Image Flip Memory	Turn over to the upper and lower sides
	No turn over to the upper and lower sides

Image Flip Memory

Picture Memory	All Input Channel	Dynamic
		Standard
		Cinema
		User1
		User2 User3

Picture Memory	Video	Dynamic
		Standard
		Cinema
		User1
		User2 User3
S Video	Dynamic	
	Standard	
	Cinema	
	User1	
	User2 User3	
Input-A	Dynamic	
	Standard	
	Cinema	
	User1	
	User2 User3	
Component	Dynamic	
	Standard	
	Cinema	
	User1	
	User2 User3	
HDMI	Dynamic	
	Standard	
	Cinema	
	User1	
	User2 User3	

Picture Memory

1-9. Warning on Power Connection

Use a proper power cord for your local power supply.

	The United States, Canada	Continental Europe	UK	Australia	Japan
Plug type	YP-11	YP-21	SP-61	B8	YP-13
Female end	YC-13L	YC-13L	YC-13L	C7-2	YC-13L
Cord type	SPT-2	H03VVH2-F	H03VVH2-F	H03VVH2-F	VCTFK
Rated Voltage & Current	10 A/125 V	2.5 A/250 V	2.5 A/250 V	2.5 A/250 V	7 A/250 V
Safety approval	UL/CSA	VDE	BS	SAA	DENANHO

* Use a rated plug that complies with the regulation of each country and the specifications.

Section 2

Electrical Adjustments

2-1. Preparations

2-1-1. Required Equipment

- Oscilloscope
Tektronix 2465 or equivalent
(bandwidth: 350 MHz or more)
- NTSC, PAL, SECAM component signal generator
Tektronix TG2000 + AVG1 (optional module) + AWVG1
(optional module) or equivalent
- VG (Programmable video signal generator)
VG854 or equivalent
- Digital voltmeter
Advantest TR6845 or equivalent
- Luminance meter
- Chrominance difference gauge

Note

Perform the following adjustments at least 5 minutes after turning on the power.

2-1-2. Factory Mode Setting

1. Press the “Setup” key on the MENU.
The “Setup” menu is displayed.
2. Set the “Status” item to “On”.
3. Exit the menu.
4. Press the keys in the following order:
“ENTER” → “ENTER” → “LEFT” → “ENTER”
5. The message “Do you wish to enter into the
FACTORY MODE? Yes:↑ No:↓” will be displayed.
6. Select “Yes:↑”.

Note

When leaving the FACTORY MODE, perform item 3.
“Do you wish to return to the USER MODE? Yes:↑ No:↓
” will be displayed. Select “Yes:↑”.

2-2. V COM Adjustment

1. Input the green-only XGA 1 Lime ON/OFF signal to
INPUT-A, and set the CONTRAST to 70.
2. Set the screen to G VCOM adjustment of “Device
Adjust.”
3. Adjust the G VCOM so that the flicker on the screen is
minimum.
4. Change the input signal to the red-only and blue-only
1 line ON/OFF signal respectively and adjust R
VCOM and B VCOM respectively so that the flicker
becomes minimum as described in step 3.
5. Save the value adjusted.
6. Set the “Image Flip” to either “V” or “HV”.
7. Input the R/G/B value adjusted as above step 5.
8. Save the value adjusted.
9. Set the “Image Flip” to “OFF”.

2-3. Adjustment Item Initialize Data

MenuTitle	ItemName	Memory Name											
		Set Memory	Status Memory	Picture Memory						RCP Memory			
				All Input Ch.						Off	User1	User2	User3
		Dynamic	Standard	Cinema	User1	User2	User3						
Picture	Picture Mode		*1										
	Adjust Picture												
	Contrast			80	80	80	80	80	80				
	Brightness			55	50	50	50	50	50				
	Color			60	50	50	50	50	50				
	Hue			50	50	50	50	50	50				
	Sharpness			50	50	50	50	50	50				
	Black Level Adj.			Low	Off	Off	Off	Off	Off				
	Gamma Correction			Off	Off	Off	Off	Off	Off				
	Color Temp.			Middle	Middle	Low	Low	Low	Low				
	Custom1												
	Gain R												
	G												
	B												
	Bias R												
	G												
	B												
	Custom2												
	Gain R												
	G												
	B												
	Bias R												
	G												
	B												
	Custom3												
	Gain R												
	G												
	B												
	Bias R												
	G												
	B												
	DDE			Film	Film	Film	Film	Film	Film				
Cinema Black Pro													
Advanced Iris			Off	Off	Auto	Auto	Auto	Auto					
Lamp Control			High	Low	Low	Low	Low	Low					
RCP			Off	Off	Off	Off	Off	Off					
Color Select										Red	Red	Red	
Position										Adjust	Adjust	Adjust	
Range										Adjust	Adjust	Adjust	
Color										0	0	0	
Hue										0	0	0	
Signal	Adjust Signal...												
	Dot Phase		15 (*1)										
	H Size		*1										
	Shift		*1										
	Wide Mode			Full	Full	Full	Full	Full	Full				
	V Position(Zoom)			4	4	4	4	4	4				
	V Position(Sub Title)			4	4	4	4	4	4				
Title Area			0	0	0	0	0	0					
Function	Smart APA												
	Auto Input Search												
	Standby Mode												
	Power Saving												

*1: "Dot Phase, H Size, Shift H/V and Picture Mode" in the "INPUT SETTING" menu have an initial value respectively in accordance with the input signal (PRESET MEMORY No.).

*2: VPL-51 only

Note: There are nonadjustable items in accordance with the input signal.

MenuTitle	ItemName	Memory Name											
		Set Memory	Status Memory	Picture Memory						RCP Memory			
				All Input Ch.						Off	User1	User2	User3
				Dynamic	Standard	Cinema	User1	User2	User3				
Setup	Status	On											
	Language	English											
	Input OA Signal Sel.	Auto											
	Color System	Auto											
Installation	V Keystone	0											
	Image Flip	Off											
	Background	Blue											
	Illumination	On											
	High Altitude Mode	Off											
	Network Setting(*2)												
	IP Address Setup(*2)	Indication only											
	IP Address(*2)	Indication only											
	Subnet Mask(*2)	Indication only											
	Default Gateway(*2)	Indication only											
	Primary DNS(*2)	Indication only											
	Secondary DNS(*2)	Indication only											
	MAC Address(*2)	Indication only											
Speed(*2)	Indication only												
Information	fH	Indication only											
	fV	Indication only											
	(Memory No.)	Indication only											
	(Resolution)	Indication only											
	ROM Version	Indication only											
	SC ROM Version	Indication only											
	IP ROM Version(*2)	Indication only											
	Lamp Timer	Indication only											
	Operation Timer	Indication only											
Prev. Lamp Timer	Indication only												
W/B	Gain R												
	G												
	B												
	Bias R												
	G												
	B												

*1: "Dot Phase, H Size, Shift H/V and Picture Mode" in the "INPUT SETTING" menu have an initial value respectively in accordance with the input signal (PRESET MEMORY No.).

*2: VPL-51 only

Note: There are nonadjustable items in accordance with the input signal.

DeviceName	ItemName	Memory Name									
		Set Memory	Status Memory	Chroma Memory							
				NT358/NT443 /BW60	Pal/Pal-M/N/ Secam/BW50	15kRGB	Component (15k)	Two times speed Component	HDTV (YPbPr)	HDTV(GBR) <small>(Include two times speed)</small>	
A/D Converter	ADC/	Clamp Position		*2							
		Clamp Width		*2							
		R Gain(Other)									
		R Gain(VideoGBR)									
		R Gain(Component 15k)									
		R Gain(Component 30k)									
		R Gain(Component HD)									
		G Gain(Other)									
		G Gain(VideoGBR)									
		G Gain(Component 15k)									
		G Gain(Component 30k)									
		G Gain(Component HD)									
		B Gain(Other)									
		B Gain(VideoGBR)									
		B Gain(Component 15k)									
		B Gain(Component 30k)									
		B Gain(Component HD)									
		R Offset(Other)									
		R Offset(VideoGBR)									
		R Offset(Component 15k)									
		R Offset(Component 30k)									
		R Offset(Component HD)									
		G Offset(Other)									
		G Offset(VideoGBR)									
		G Offset(Component 15k)									
		G Offset(Component 30k)									
		G Offset(Component HD)									
	B Offset(Other)										
	B Offset(VideoGBR)										
	B Offset(Component 15k)										
	B Offset(Component 30k)										
	B Offset(Component HD)										
	Pre Coast 2			2							
	Post Coast 8			8							
	Bandwidth 3			3							
	SS/	SonG Bias Current	1								
SonG Hysterisis		1									
SonG Thresh		1									
Video Pos Thresh		1									
Video Bias Current		1									
Video Hysterisis		1									
Video Thresh		1									
VS Pol Gain		0									
HS Pol Gain		0									
Back VS Pol Gain		0									
Back HS Pol Gain	0										
VS Sep Sens	0										

Note: There are nonadjustable items in accordance with the input signal.

*1: Depends on the color system and the input terminal.

*2: Depend on the input signal.

DeviceName	ItemName	Memory Name											
		Set Memory	Status Memory	Chroma Memory						HDTV (YPrPr)	HDTV(GBR) <small>(Include two times speed)</small>		
				NT358/NT443 /BW60	Pal/Pal-M/N/ Secam/BW50	15kRGB	Component (15k)	Two times speed Component					
Chroma/D.Comb	Chroma/	Ch1 Gain(NTSC3.58)											
		Ch1 Gain(Other)											
		Ch2 Gain(NTSC3.58)											
		Ch2 Gain(Other)											
		Video Sharp			0	0	-	-	-	-	-	-	
		Video Brt			152	134	-	-	-	-	-	-	
		Video Cont			79	81	-	-	-	-	-	-	
		Video Color			64	64	-	-	-	-	-	-	
		Video Hue			0	0	-	-	-	-	-	-	
		LCBW											
		Y-DeLay		*1									
		Ch3 Gain(NTSC3.58)											
		Ch3 Gain(Other)											
		Ch4 Gain(NTSC3.58)											
		Ch4 Gain(Other)											
		Luma COR			0	0	-	-	-	-	-	-	
		Luma F0			0	0	-	-	-	-	-	-	
		Luma SHP			0	0	-	-	-	-	-	-	
		Chm COR			0	0	-	-	-	-	-	-	
		Chm F0			0	0	-	-	-	-	-	-	
		Chm SHP			0	0	-	-	-	-	-	-	
		AOSL			-								
		Status 1		Indication only									
Status 2		Indication only											
Panel Driver	P.Drv	Offset R											
		Offset G											
		Offset B											
		V Common R											
		V Common G											
		V Common B											
		Psig 1 R	16										
		Psig 1 G	16										
		Psig 1 B	16										
		Psig 2 R	86										
		Psig 2 G	86										
		Psig 2 B	86										
		Signal Center R	31										
		Signal Center G	31										
		Signal Center B	31										
		Gain R	158										
		Gain G	158										
		Gain B	158										
	GDCFB Auto	0											
	SH/	SH1	24										
Other/	V Com Ptn Enb	Adjustment is impossible											
	Installation	0											

Note: There are nonadjustable items in accordance with the input signal.

*1: Depends on the color system and the input terminal.

*2: Depend on the input signal.

DeviceName	ItemName		Memory Name									
			Set Memory	Status Memory	Chroma Memory							
					NT358/NT443 /BW60	Pal/Pal-M/N/ Secam/BW50	15kRGB	Component (15k)	Two times speed Component	HDTV (YPbPr)	HDTV(GBR) <small>Include two times speed</small>	
Display Engine	DE/	Sub Cont	0									
		Sub Brt	0									
		LUT Through	0									
		UF SW	1									
		APC Thres	7									
		HST Position	7									
		HST Phase	116									
		Drift On	0									
		HPC R	Indication only									
		HPC G	Indication only									
		HPC B	Indication only									
		R HPC Data 0	463									
		G HPC Data 0	463									
		B HPC Data 0	463									
		R HPC Data 1	463									
		G HPC Data 1	463									
		B HPC Data 1	463									
		USC On	1									
		HPF On	1									
		HPF TAP			*2							
		HPF AAC			*2							
		UGM DRC On	0									
		UGM Sub Gain	96									
		UGM Sub Bias	0									
		RCP CSC Off	1									
		UGM On R	1									
		UGM On G	1									
		UGM On B	1									
		USC Limit On	0									
		USC Limit R	4095									
	USC Limit G	4095										
	USC Limit B	4095										
	RCP Hue Through	1										
RCP Gamma R On	0											
RCP Gamma G On	0											
RCP Gamma B On	0											
CSC/	CSC Mode	-										

Note: There are nonadjustable items in accordance with the input signal.

*1: Depends on the color system and the input terminal.

*2: Depend on the input signal.

Memory Name								Remarks
Channel Memory					Image Flip Memory		Fan Memory	
Video	S Video	Input-A	Component	HDMI	Turn over to the upper and lower sides	No turn over to the upper and lower sides		

DeviceName	ItemName		Memory Name									
			Set Memory	Status Memory	Chroma Memory					HDTV (YPbPr)	HDTV(GBR) <small>Include two times speed</small>	
					NT358/NT443 /BW60	Pal/Pal-M/N/ Secam/BW50	15kRGB	Component (15k)	Two times speed Component			
Other	Temp/	Thresh Lamp										
		Thresh Panel										
		Thresh Atmos										
	Fan/	Hi Alt Const										
		High Alt Cofe										
	Fan1/	Cont Max										
		Speed Max										
		Speed Min										
		Reg Max										
	Fan2/	Cont Max										
		Speed Max										
		Speed Min										
		Reg Max										
	Fan3/	Cont Max										
		Speed Max										
		Speed Min										
		Reg Min										
	Other/	Synchronous	1									
		X Tilt	-									
		Y Tilt	-									
		Temp Lamp	Indication only									
		Temp Panel	Indication only									
	Fan/	Temp Atomos	Indication only									
		Reg Adj Cont	Adjustment is impossible									
		Fan1/	Reg Max									
			Reg Min									
	Fan2/	Reg Max										
		Reg Min										
	Fan3/	Reg Max										
		Reg Min										
	Iris/	Iris Adj	0									
		Open Reg	0									
		Close Reg	255									
		Open Hall	Indication only									
		Close Hall	Indication only									

Note: There are nonadjustable items in accordance with the input signal.

*1: Depends on the color system and the input terminal.

*2: Depend on the input signal.

DeviceName	ItemName	Memory Name										
		Set Memory	Status Memory	Chroma Memory						HDTV (YpPr)	HDTV(GBR) Include two times speed	
				NT358/NT443 /BW60	Pal/Pal-M/N/ Secam/BW50	15kRGB	Component (15k)	Two times speed Component				
I/P	Ip/	CTI Tap	3									
		CTI Shift	1									
		CTI Limit	128									
		CTI Gain	20									
		Sharp Limit	255									
		MD Thresh C	8									
		MD Thresh 0	16									
		VS	1									
		Continue	1									
		Edit Detect	0									
		Indicator	0									
		Manual	0									
		Manual Pair	0									
		Manual State	0									
		Field Times	2									
		Noise Thresh	4									
		Disp Area	0									
		VS Limit	64									
		VS Core	4									
		Hysteresis	1									
		Hysteresis Data	2									
	22 Pre Post Rate	15										
	22 Pre Post Thresh	2										
	Film Times 22	3										
	YNR On	0										
	CNR On	0										
	Ip2/	Sudare Rate 32	4									
Sudare Thresh 32		64										
Sudare Rate 22		4										
Sudare Thresh 22		40										
UV PhaseSel				*2								

Note: There are nonadjustable items in accordance with the input signal.

*1: Depends on the color system and the input terminal.

*2: Depend on the input signal.

2-4. White Balance Adjustment on Servicing

2-4-1. Computer

Preparation

1. Set the unit from the menu as follows.
Picture Mode: Cinema
Adjust Picture
Contrast: 80
Brightness: 50
Gamma Correction: OFF
Cinema Black Pro:
Iris Control: OFF
Lamp Control: Low
2. Set each mode of “Color Temp:” as follows.
Gain: 128
Bias: 128
3. Set INPUT-A Signal Sel. to “Computer”.

Adjustment

1. Middle

1. Set “Color Temp:” to Middle.
2. Input WXGA 80IRE Window white (3 colors: RGB) to INPUT-A and adjust the GAIN of G of white balance so that the chromaticity (y80) is within specification.
x80: 0.294 ± 0.002
y80: 0.310 ± 0.003
Then, set the reference color as follows and adjust the GAIN of colors other than the reference color of white balance so that the chromaticity (x80 and y80) is within specification.
x80 ≥ 0.294 : B reference
y80 < 0.294 : R reference
3. Input WXGA 20IRE Window white (3 colors: RGB) to INPUT-A and adjust the BIAS of colors other than G of white balance so that the chromaticity (x20 and y20) is within specification.
x20: 0.294 ± 0.002
y20: 0.310 ± 0.003
4. Input WXGA 80IRE Window white (3 colors: RGB) to INPUT-A and adjust the GAIN of colors other than the reference color of white balance so that the chromaticity (x80 and y80) is within specification.

5. Repeat steps 3 and 4, and adjust each GAIN and BIAS of RGB so that x and y are within the following specification.
x: 0.294 ± 0.002
y: 0.310 ± 0.003
6. Save the adjustment values.

2. High

1. Set “Color Temp:” to High.
2. Input WXGA 80IRE Window white (3 colors: RGB) to INPUT-A and adjust the GAIN of G of white balance so that the chromaticity (y80) is within specification.
x80: 0.284 ± 0.002
y80: 0.298 ± 0.003
Then, set the reference color as follows and adjust the GAIN of colors other than the reference color of white balance so that the chromaticity (x80 and y80) is within specification.
x80 ≥ 0.294 : B reference
y80 < 0.294 : R reference
3. Input WXGA 20IRE Window white (3 colors: RGB) to INPUT-A and adjust the BIAS of colors other than G of white balance so that the chromaticity (x20 and y20) is within specification.
x20: 0.294 ± 0.002
y20: 0.310 ± 0.003
4. Input WXGA 80IRE Window white (3 colors: RGB) to INPUT-A and adjust the GAIN of colors other than the reference color of white balance so that the chromaticity (x80 and y80) is within specification.
5. Repeat steps 3 and 4, and adjust each GAIN and BIAS of RGB so that x and y are within the following specification.
x: 0.284 ± 0.002
y: 0.298 ± 0.003
6. Save the adjustment values.

3. Low

1. Set “Color Temp:” to Low.
2. Input WXGA 20IRE Window white (3 colors: RGB) to INPUT-A and adjust the BIAS of colors other than G of white balance so that the chromaticity (x20 and y20) is within specification.
x20: 0.313 ± 0.002
y20: 0.329 ± 0.003

3. Input WXGA 80IRE Window white (3 colors: RGB) to INPUT-A and adjust the GAIN of colors other than R of white balance so that the chromaticity (x80 and y80) is within specification.
4. Repeat steps 2 and 3, and adjust each GAIN and BIAS of RGB so that x and y are within the following specification.
x: 0.313 ± 0.002
y: 0.329 ± 0.003
5. Save the adjustment values.

4. Custom1/2/3

1. Copy the values adjusted in “1. Middle”, ”2. High” and “3. Low” as follows.
Custom1: High
Custom2: Middle
Custom3: Low
2. Save the adjustment values.

2-4-2. Video

Preparation

1. Set the unit from the menu as follows.

Picture Mode:	Cinema
Adjust Picture	
Contrast:	80
Brightness:	50
Color:	50
Hue:	50
Sharpness:	50
Black Level Adj.:	OFF
Gamma Correction:	OFF
Cinema Black Pro:	
Iris Control:	OFF
Lamp Control:	Low
2. Set each mode of “Color Temp:” as follows.
Gain: 150
Bias: 127
3. Set INPUT-A Signal Sel. to “Component” or “Video GBR”.

Adjustment

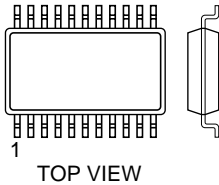
The adjustment procedures of “1. Middle”, ”2. High” and “3. Low” modes are the same as those in “2-4-1. Computer”.

Notes

- Use the two times speed Component or two times speed VideoGBR signal as the input signal according to step 3 in Preparation.
- Use the reference color of Middle and High same as that in “2-4-1. Computer”.

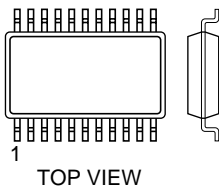
Section 3 Semiconductors

24LC128T-I/SN
24LC21AT/SN
BR24L02F-WE2
HN58X24256FP1Z
ICS342M-05LF
MM1115XFBE
NE57814DD.118
ST24FC21M6TR
TL431BCDR2



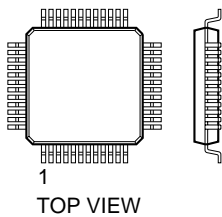
8PIN SOP

74VHC02MTCX
SN74LV00APWR
SN74LV125APWR
SN74LVC125APWR-12



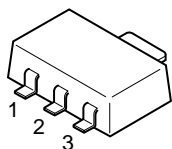
14PIN SSOP

AD9981KSTZ-110/05

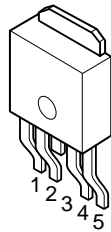


80PIN QFP

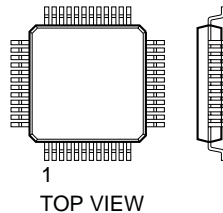
AIC1117A-18PYJTR
AIC1117A-25PEJTR
AIC1117A-33PEJTR
AIC1117A-50PEJTR
AIC1117A-PEJTR
LM1117MPX-1.8
TL431CPK-E2



BA00ASFP-E2
BA00BC0WFP

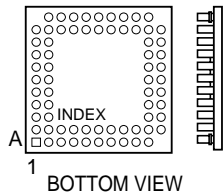


CXA7004R-T4
LC4032V-75TN48C-DLY2



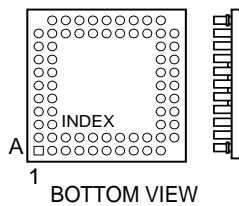
48PIN FQFP

CXD9760GP



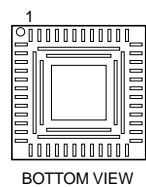
329PIN PBGA

CXD9809GF



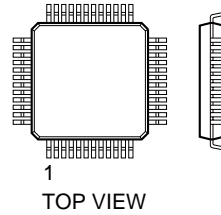
292PIN PBGA

DP83847ALQA56A/J5000283



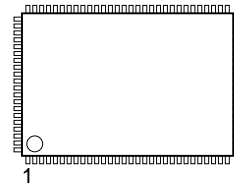
56PIN LLP

HD64F2378VFQ34V



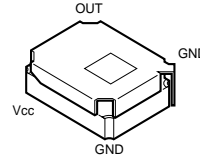
144PIN FQFP

K4D263238F-UC50T

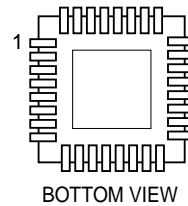


100PIN TQFP

KRM-TR303E-TP

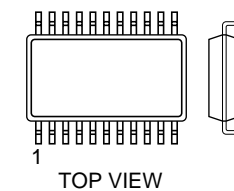


LTC3728LXCUH#TR-R4



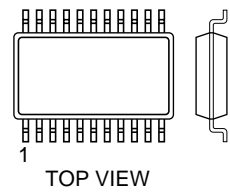
321PIN QFN

M95640-WDW6TG



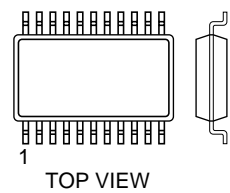
8PIN TSOP

MBM29LV160BE-90TN-750IP100



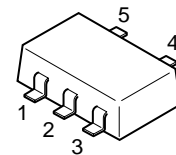
48PIN TSOP

MCZ3001UB

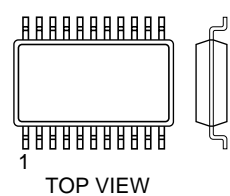


32PIN SSOP

MM1571JNLE
MM1573DNLE

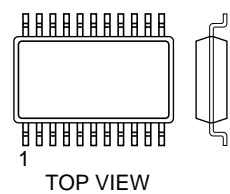


MT48LC2M32B2P-6-Y14W



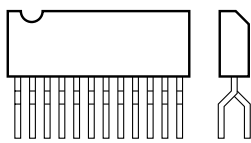
86PIN TSOP

MX29LV800TTC-70G-89PW



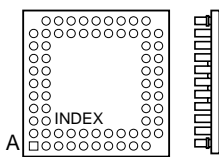
48PIN SOP

MZ1540



MARKING SIDE VIEW

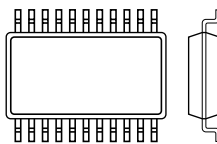
PW168B-10VL



BOTTOM VIEW

352PIN PBGA

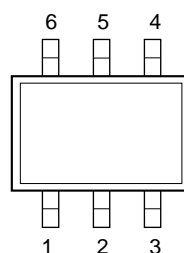
**SN74LV4052APWR
TC74VHC123AFT(EL)**



TOP VIEW

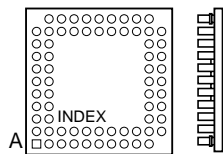
16PIN SSOP

TK11100CSCB-G



6PIN CHIP

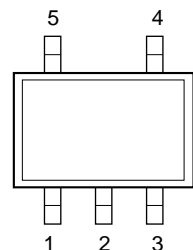
NET+NS7520B-1-C55



BOTTOM VIEW

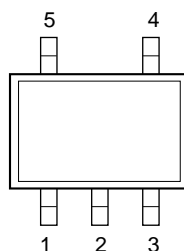
177PIN PBGA

**S-80928CNMC-G8YT2G
TK11133CSCL-G**



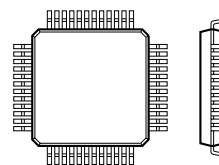
5PIN CHIP

**SN74LVC1G14DCKR
TC7SH00FU-TE85R**



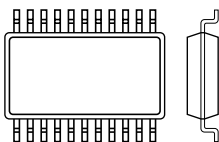
5PIN CHIP

UPD64083GF-3BA



100PIN QFP

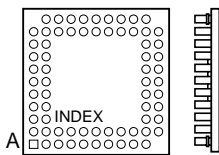
**NJM2904V(TE2)
NJM4556AV(TE2)
TA75W393FU
TA75W393FU-TE12R**



TOP VIEW

8PIN SSOP

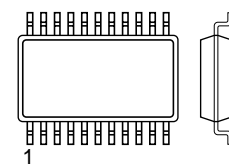
SAA7119E/V2



BOTTOM VIEW

156PIN BGA

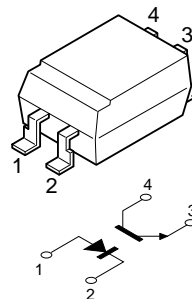
ST72T631K4M1-201



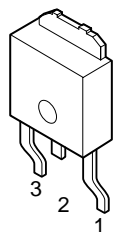
TOP VIEW

34PIN SSOP

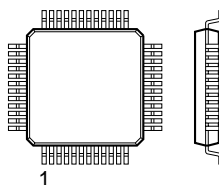
PC123GY2



NJM78M12DL1A-TE1



SII9993CTG100



TOP VIEW

100PIN FQFP

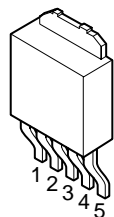
STR-A6169



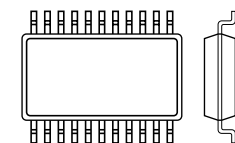
TOP VIEW

8PIN DIP

PQ20WZ1UJ00H



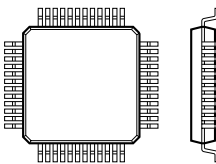
**SN74AHCT541PWR
SN74LVC244APWR
SN74LVC541APWR**



TOP VIEW

20PIN SSOP

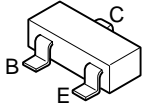
TE8200PF



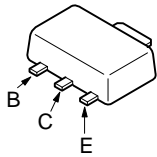
TOP VIEW

48PIN QFP

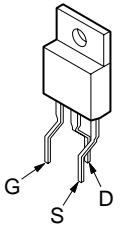
2SA1162-G
 2SA1162-YG-TE85L
 2SA1576A-T106-QR
 2SC2712-YG
 2SC2712-YG-TE85L
 2SC4081-R
 2SC4081T106R
 DTA144EUA-T106
 DTC114EU
 DTC114EUAFT106
 DTC114EUA-T106
 DTC144EUA-T106



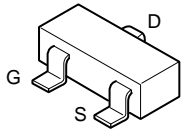
2SA1213Y-TE12L



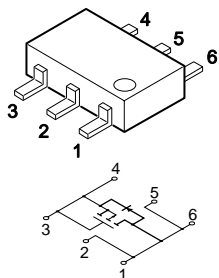
2SK2876-01MR-F122



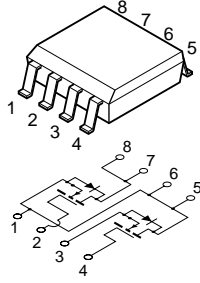
2SJ463A-T1



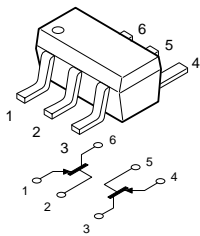
FDC658P
 RTQ035P02TR



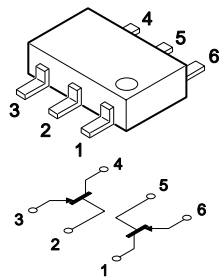
FDS6986S



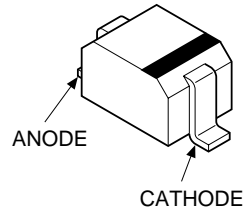
HN1B01FU-TE85R



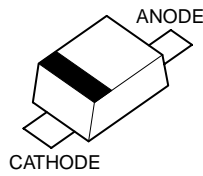
SSM6N15FU(TE85R)



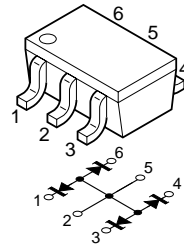
1SS355TE-17
 MA111-TX



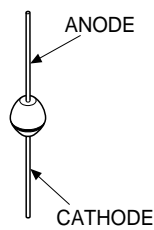
1SS388(TPL3)
 UDZSTE-1722B
 UDZS-TE17-22B
 UDZSTE-175.6B



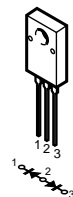
BZA456A



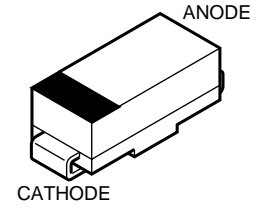
BZT03-C180



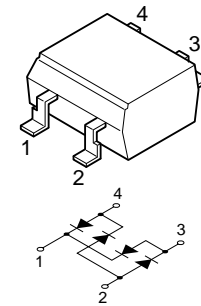
D10SC4M



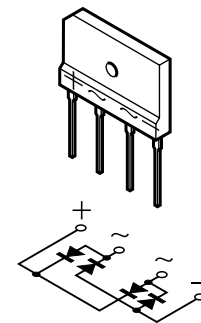
D1FL20U-TA
 D1FL40
 D1FS4A-TA
 D2FS6-TA



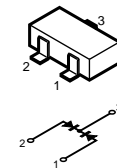
D1UBA80



D6SB80

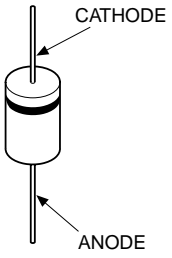


DAN202K
 DAN202K-T-146
 DAN202U
 DAN202UT106
 DAP202K
 DAP202K-T-146

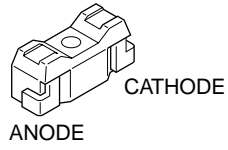


Diode

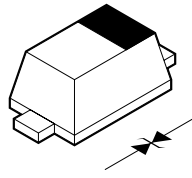
ERA22-08KFLB
UF4005PKG23



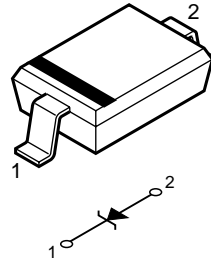
NSCW215T



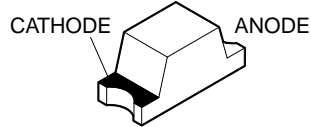
RSB6.8SFTE61



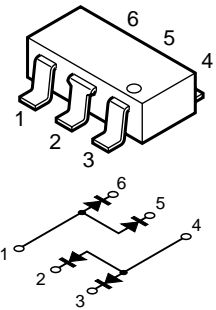
RD12SB-T1
RD3.9SB
RD3.9SB-T1
RD5.6SB-T1



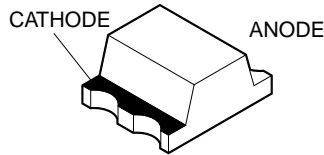
SEC1801C
SEC1901C



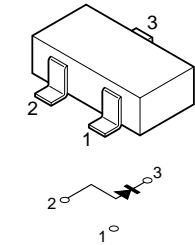
HN1D03FU-TE85R
HN1D03FU-TE85L



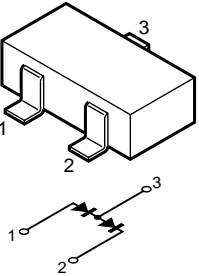
SEC2422C



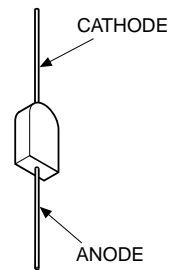
RD18M-T1B1
RD33M-B
RD33M-T1B
RD7.5M-B2
RD7.5M-T1B



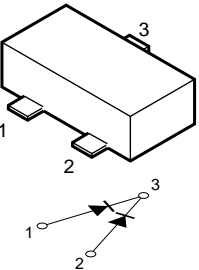
MA3J14700LSO



RM11C
RM11C-V1



MA133
MA133-TX



Section 4

Spare Parts

4-1. Notes on Repair Parts

1. Safety Related Components Warning

WARNING

Components marked \triangle are critical to safe operation. Therefore, specified parts should be used in the case of replacement.

2. Standardization of Parts

Some repair parts supplied by Sony differ from those used for the unit. These are because of parts commonality and improvement.

Parts list has the present standardized repair parts.

3. Stock of Parts

Parts marked with “o” at SP (Supply Code) column of the spare parts list may not be stocked. Therefore, the delivery date will be delayed.

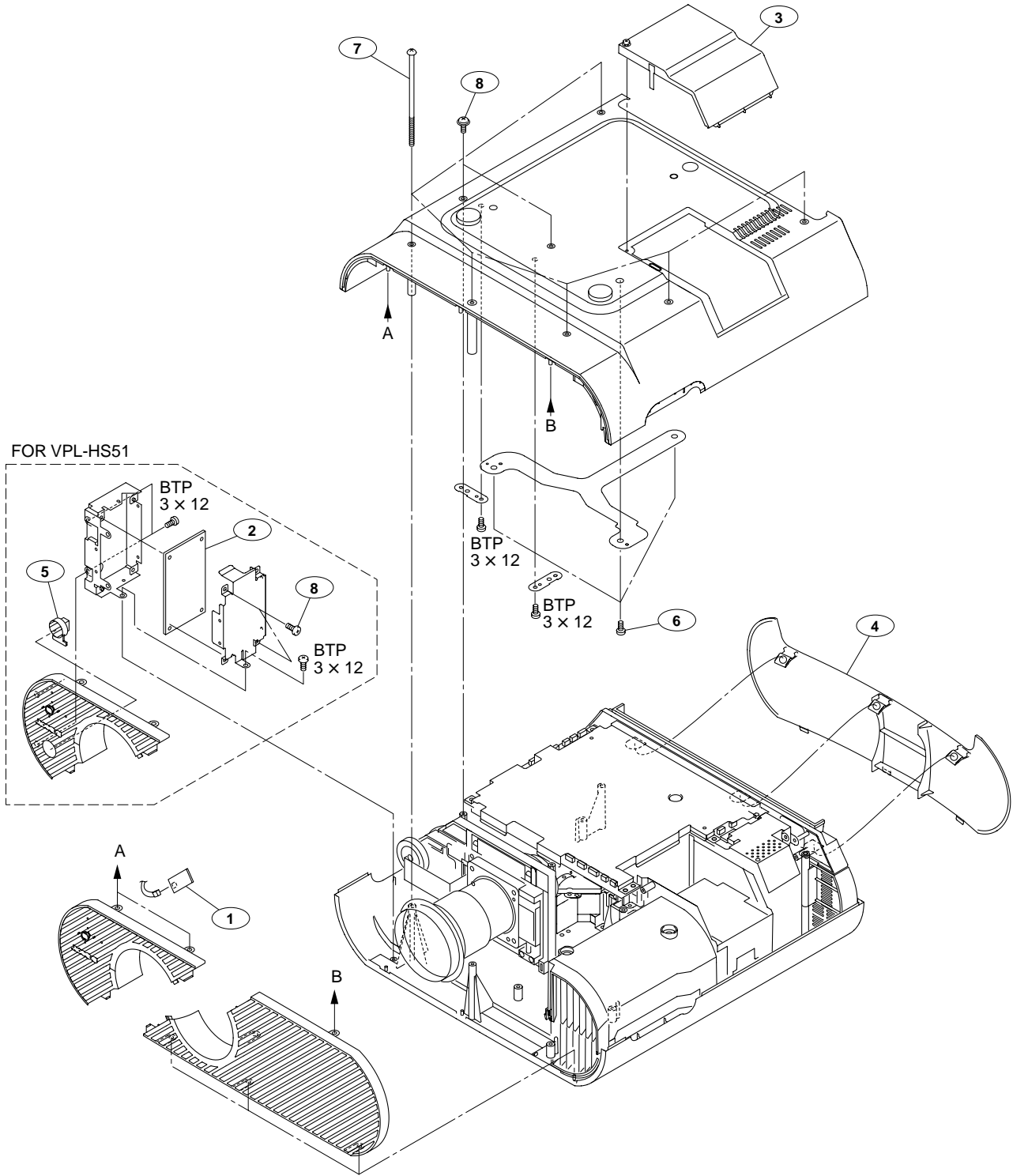
4. Harness

Harnesses with no part number are not registered as spare parts.

In need of repair, get components shown in the list and repair using them.

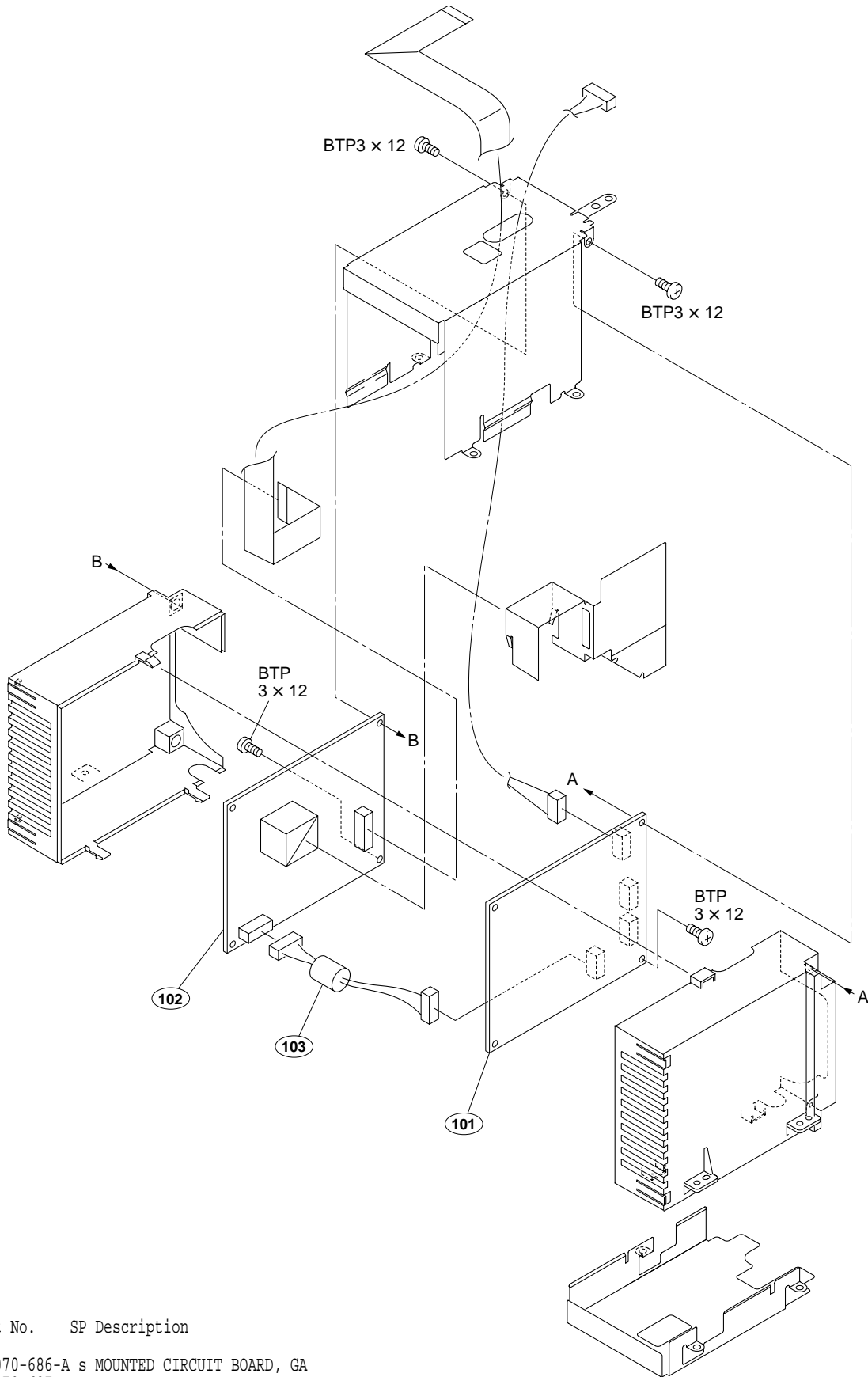
Base Block

4-2. Exploded Views



No.	Part No.	SP Description
1	A-1057-960-A	s NF MOUNT
2	A-1086-165-A	s Q COMPL (FOR VPL-HS51)
3	△ X-2025-173-2	s COVER ASSY, LAMP
4	△ 2-178-507-01	s COVER, REAR
5	2-345-361-01	s COVER, EITHER (FOR VPL-HS51)

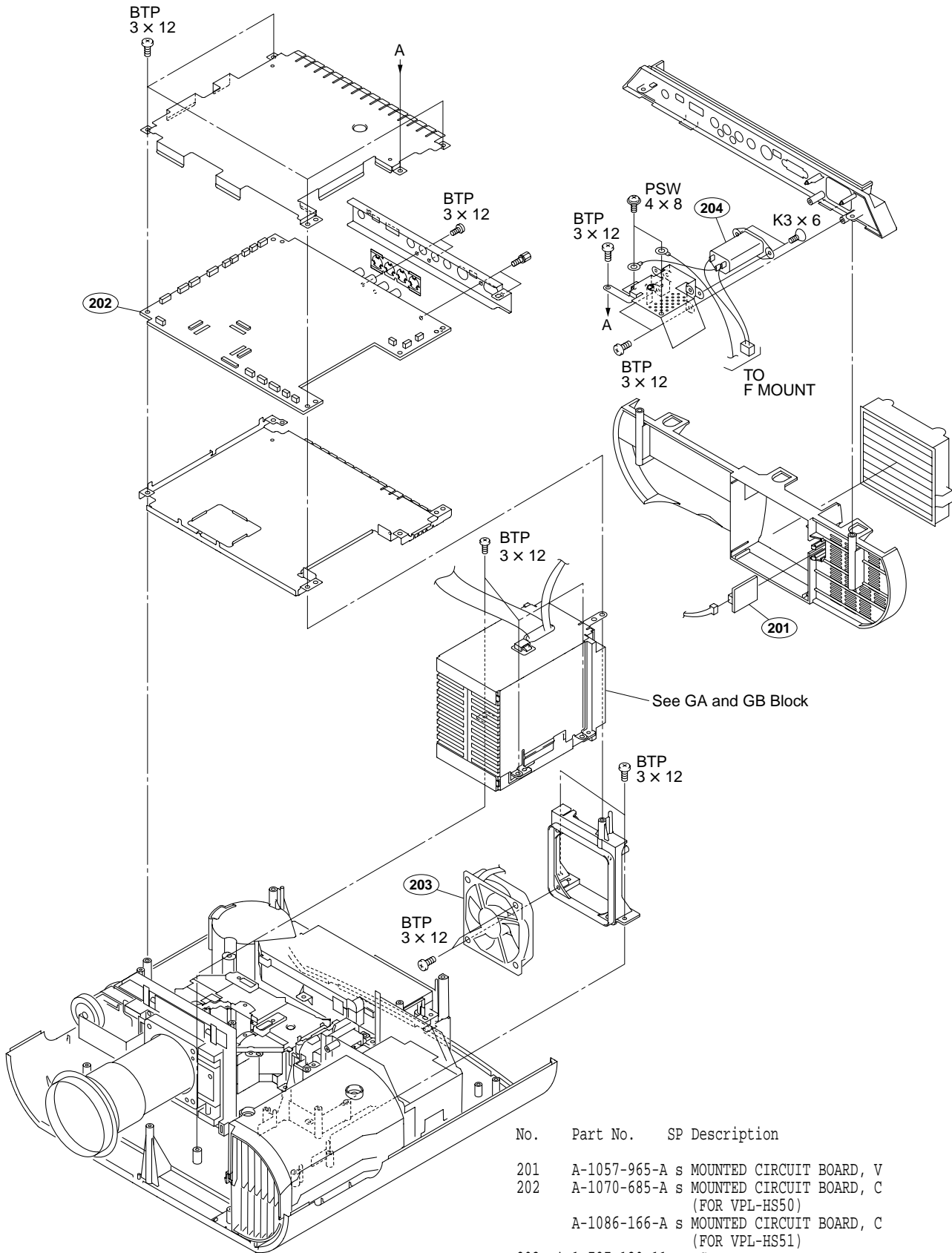
No.	Part No.	SP Description
6	4-091-838-02	s SCREW M5X5, SPECIAL
7	4-099-122-02	s SCREW +BV 3X70 TYPE 2, SPECIAL
8	4-382-854-01	s SCREW (M3X8), P, SW (+) (FOR VPL-HS51)
	7-685-548-19	s SCREW +BTP 3X12 TYPE2 N-S



No.	Part No.	SP Description
101	A-1070-686-A	s MOUNTED CIRCUIT BOARD, GA
102	A-1070-687-A	s MOUNTED CIRCUIT BOARD, GB
103	1-543-993-11	s CORE, FERRITE

7-685-548-19 s SCREW +BTP 3X12 TYPE2 N-S

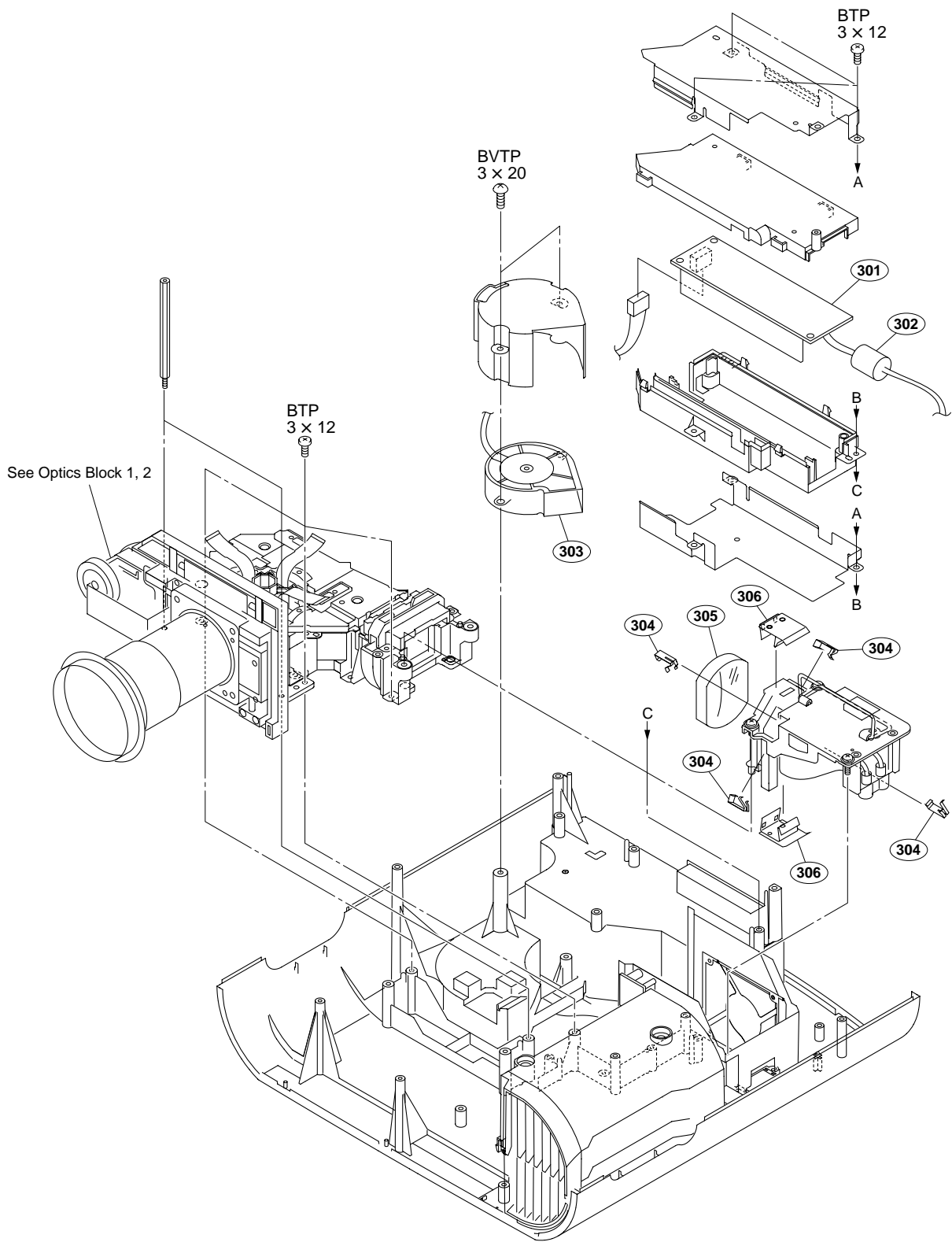
Main Board and Rear Block



No.	Part No.	SP Description
201	A-1057-965-A	s MOUNTED CIRCUIT BOARD, V
202	A-1070-685-A	s MOUNTED CIRCUIT BOARD, C (FOR VPL-HS50)
	A-1086-166-A	s MOUNTED CIRCUIT BOARD, C (FOR VPL-HS51)
203	△ 1-787-139-11	s DC FAN
204	△ 1-818-098-21	s INLET, AC (WITH NOISE FILTER)

7-682-247-09	s	SCREW +K 3X6
7-682-961-01	s	SCREW +PSW 4X8
7-685-548-19	s	SCREW +BTP 3X12 TYPE2 N-S

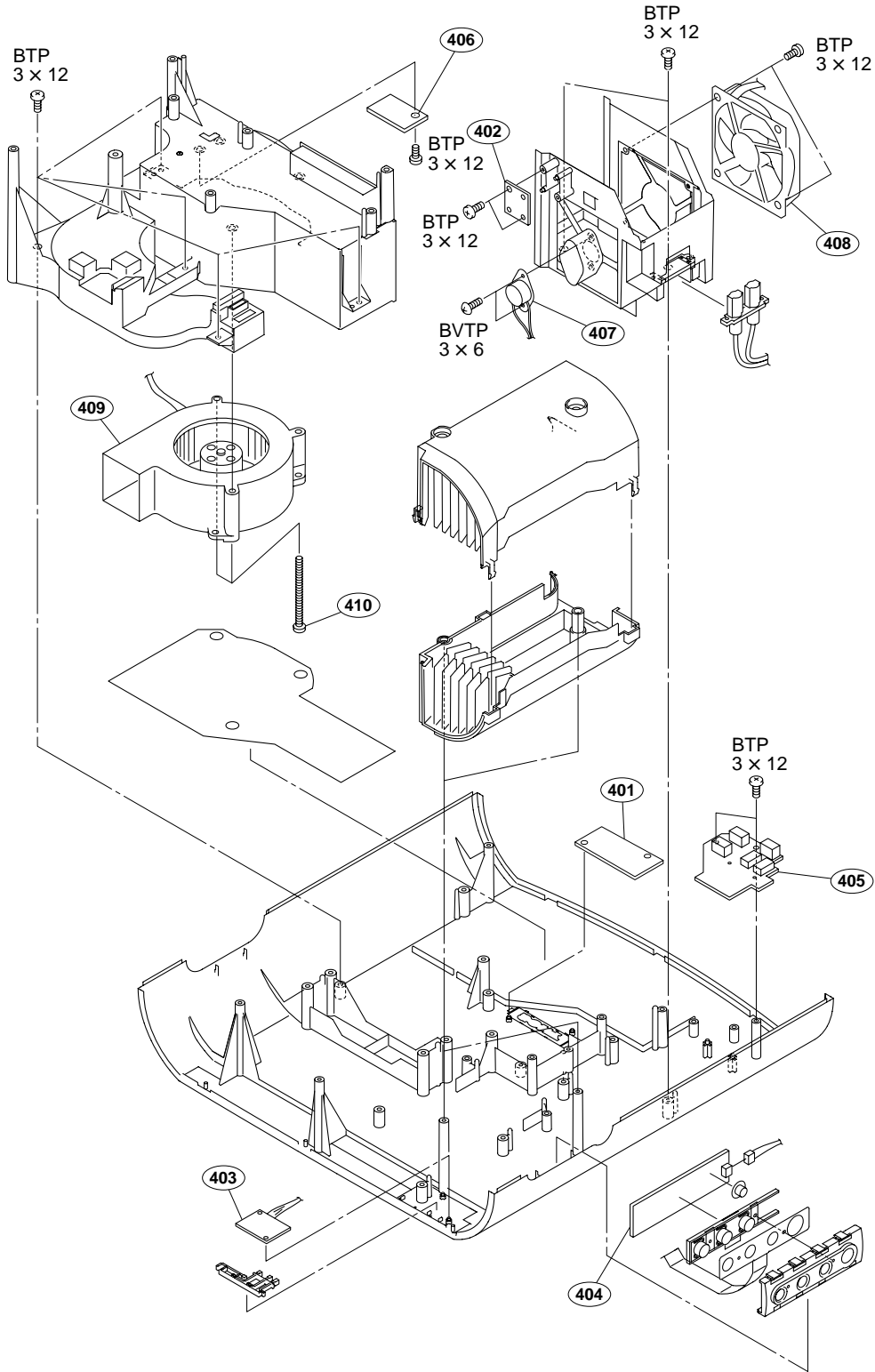
Lamp Power Supply Block



No.	Part No.	SP Description
301	△ 1-468-866-11	s LAMP POWER SUPPLY BLOCK
302	1-543-993-11	s CORE, FERRITE
303	△ 1-787-149-11	s D.C. FAN (SIROCCO)
304	4-089-523-01	s SPRING, LAMP
305	4-089-560-02	s LENS, CONCAVE

No.	Part No.	SP Description
306	4-099-076-02	s SPRING, CONCAVE
	7-685-548-19	s SCREW +BTP 3X12 TYPE2 N-S
	7-685-651-79	s SCREW +BVTP 3X20 TYPE2 IT-3

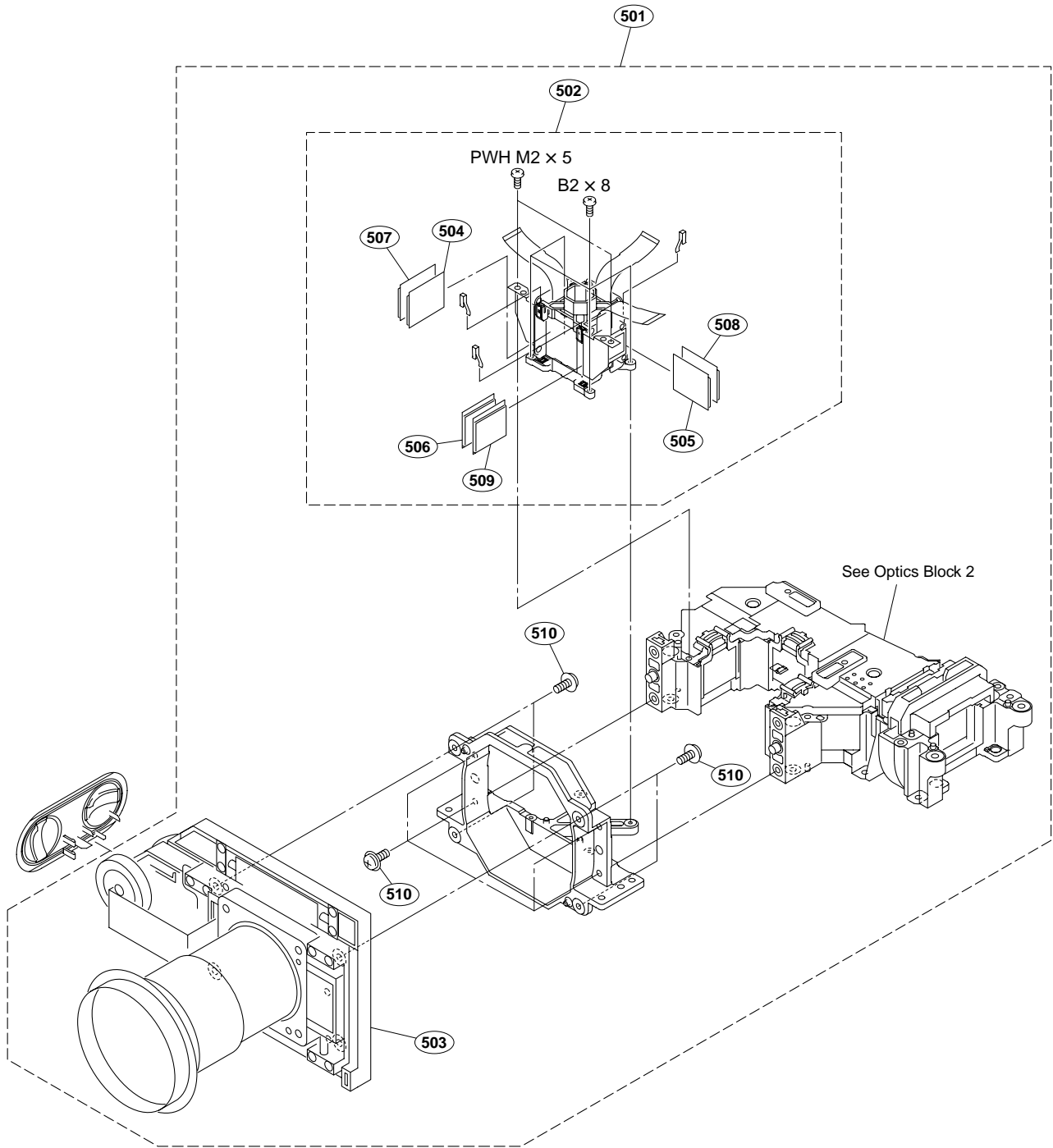
Top Panel Block



No.	Part No.	SP Description
401	A-1057-962-A	s MOUNTED CIRCUIT BOARD, L
402	A-1057-964-A	s MOUNTED CIRCUIT BOARD, U
403	A-1057-969-A	s MOUNTED CIRCUIT BOARD, HA
404	A-1057-970-A	s MOUNTED CIRCUIT BOARD, HB
405	A-1076-324-A	s MOUNTED CIRCUIT BOARD, F

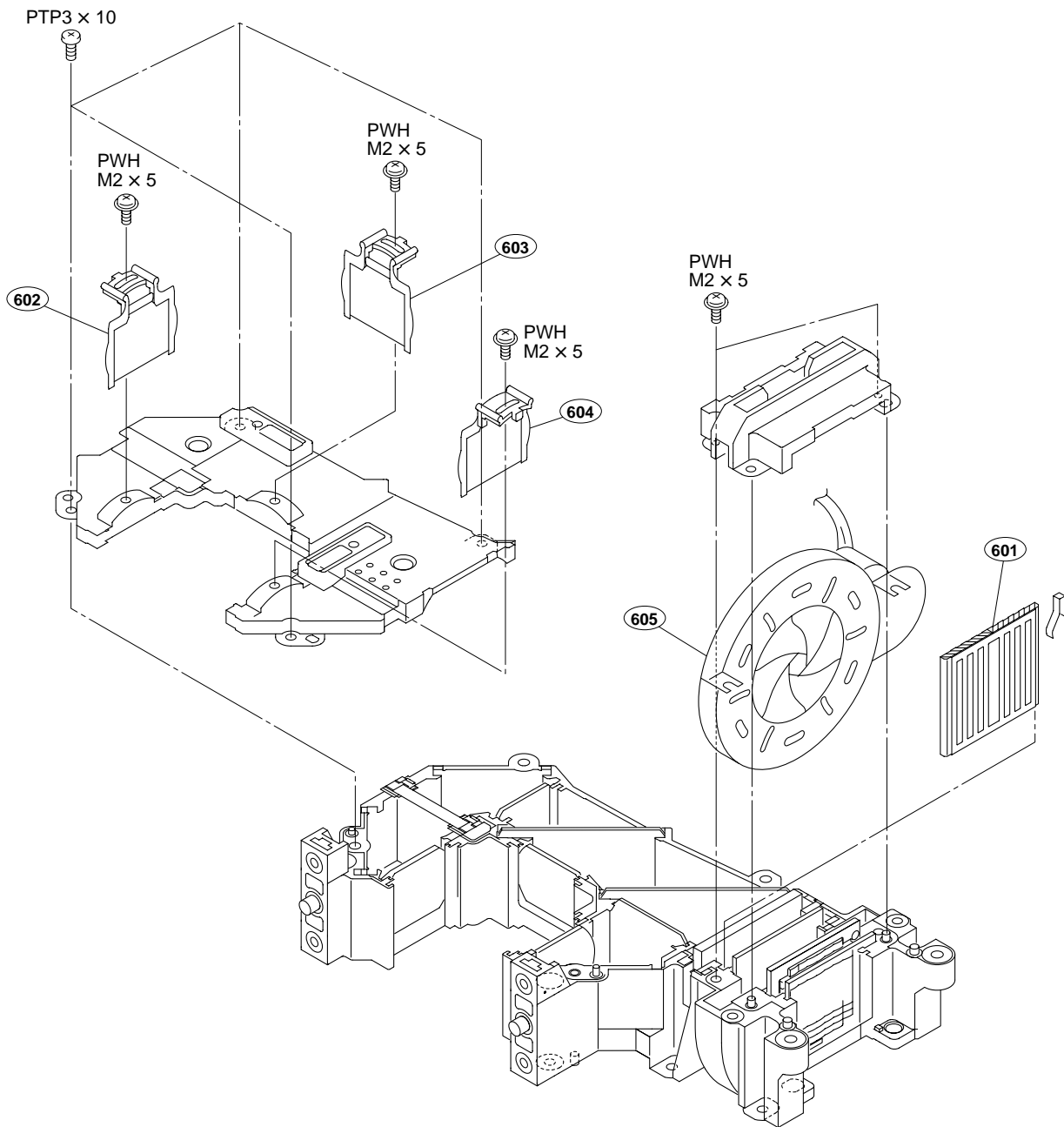
No.	Part No.	SP Description
406	A-1086-806-A	s MOUNTED CIRCUIT BOARD, TA
407	△ 1-576-701-21	s THERMOSTAT
408	△ 1-787-139-11	s DC FAN
409	△ 1-787-231-21	s D.C. FAN (SIROCCO)
410	2-348-149-01	s TAPPING SCREW +PTP 4X45

7-685-548-19 s SCREW +BTP 3X12 TYPE2 N-S
 7-685-645-79 s SCREW +BVTP 3X6 TYPE2 IT-3



No.	Part No.	SP Description	No.	Part No.	SP Description
501	A-1094-996-A	s OPT UNIT ASSY	7-621-772-40	s SCREW +B 2X8	
502	A-1094-998-A	s PRISM BLOCK ASSY	7-681-000-00	s SCREW +PWH M2X5	
503	A-1095-000-A	s PROJECTION LENS ASSY (ZOOM RING)			
504	A-1095-038-A	s PANEL (R) ASSY, OUT-POLARIZER			
505	A-1095-039-A	s PANEL (G) ASSY, OUT-PRE-POLARIZER			
506	A-1095-040-A	s PANEL (B) ASSY, OUT-PRE-POLARIZER			
507	2-024-625-01	s PLATE, WV-FILM(1)			WV-FILM PLATE to be used varies depending on the combination with the panels. Refer to 1-5-6. Disassembly for the combination with the panels.
	2-024-626-01	s PLATE, WV-FILM(2)			
508	2-024-625-11	s PLATE, WV-FILM(1)			
	2-024-626-11	s PLATE, WV-FILM(2)			
509	2-024-625-21	s PLATE, WV-FILM(1)			
	2-024-626-21	s PLATE, WV-FILM(2)			
510	4-382-854-11	s SCREW (M3X10), P, SW (+)			

Optics Block 2



No.	Part No.	SP Description
601	A-1095-034-A	s PS ASSY
602	A-1095-035-A	s PANEL (R) ASSY, IN-POLARIZER
603	A-1095-036-A	s PANEL (G) ASSY, IN-POLARIZER
604	A-1095-037-A	s PANEL (B) ASSY, IN-POLARIZER
605	1-788-185-11	s IRIS UNIT

7-681-000-00 s SCREW +PWH M2X5
 7-685-147-21 s SCREW +P 3X10 TYPE2 SLIT

4-3. Electrical Parts List

C BOARD

*1:[VPL-HS50]
*2:[VPL-HS51]

Ref. No. or Q'ty	Part No.	SP	Description
lpc	*1 A-1070-685-A	s	MOUNTED CIRCUIT BOARD, C
lpc	*2 A-1086-166-A	s	MOUNTED CIRCUIT BOARD, C
C100	1-126-205-11	s	ELE CT CHIP 47UF 20.00% 6.3V
C103	1-107-820-11	s	CERAMIC CHIP 0.1UF 16V
C106	1-107-820-11	s	CERAMIC CHIP 0.1UF 16V
C200	*2 1-165-908-11	s	CERAMIC CHIP 1UF 10% 10V
C201	*2 1-119-667-11	s	CERAMIC CHIP 22UF 10V
C202	*2 1-164-862-11	s	CERAMIC CHIP 33PF 5.00% 50V
C203	*2 1-164-862-11	s	CERAMIC CHIP 33PF 5.00% 50V
C204	1-107-820-11	s	CERAMIC CHIP 0.1UF 16V
C205	*2 1-107-820-11	s	CERAMIC CHIP 0.1UF 16V
C206	*2 1-164-943-11	s	CERAMIC CHIP 0.01UF 10.00% 16V
C207	*2 1-107-820-11	s	CERAMIC CHIP 0.1UF 16V
C208	1-107-820-11	s	CERAMIC CHIP 0.1UF 16V
C209	1-107-820-11	s	CERAMIC CHIP 0.1UF 16V
C400	1-126-205-11	s	ELECT CHIP 47UF 20.00% 6.3V
C401	1-107-820-11	s	CERAMIC CHIP 0.1UF 16V
C402	1-107-820-11	s	CERAMIC CHIP 0.1UF 16V
C403	1-125-777-11	s	CERAMIC CHIP 0.1UF 10.00% 10V
C404	1-107-820-11	s	CERAMIC CHIP 0.1UF 16V
C405	1-126-209-11	s	ELECT CHIP 100UF 20.00% 4V
C406	1-107-820-11	s	CERAMIC CHIP 0.1UF 16V
C407	1-126-209-11	s	ELECT CHIP 100UF 20.00% 4V
C408	1-107-820-11	s	CERAMIC CHIP 0.1UF 16V
C409	1-107-820-11	s	CERAMIC CHIP 0.1UF 16V
C410	1-126-209-11	s	ELECT CHIP 100UF 20.00% 4V
C411	1-135-834-91	s	CERAMIC CHIP 2.2E+06PF 6.3V
C412	1-126-209-11	s	ELECT CHIP 100UF 20.00% 4V
C413	1-107-820-11	s	CERAMIC CHIP 0.1UF 16V
C414	1-126-209-11	s	ELECT CHIP 100UF 20.00% 4V
C415	1-162-970-11	s	CERAMIC CHIP 0.01UF 10.00% 25V
C416	1-107-820-11	s	CERAMIC CHIP 0.1UF 16V
C417	1-107-820-11	s	CERAMIC CHIP 0.1UF 16V
C418	1-164-943-11	s	CERAMIC CHIP 0.01UF 10.00% 16V
C419	1-107-820-11	s	CERAMIC CHIP 0.1UF 16V
C420	1-107-820-11	s	CERAMIC CHIP 0.1UF 16V
C421	1-119-923-11	s	CERAMIC CHIP 0.047UF 10.00% 10V
C422	1-164-943-11	s	CERAMIC CHIP 0.01UF 10.00% 16V
C423	1-137-710-11	s	CERAMIC CHIP 10UF 20% 6.3V
C424	1-164-943-11	s	CERAMIC CHIP 0.01UF 10.00% 16V
C425	1-164-943-11	s	CERAMIC CHIP 0.01UF 10.00% 16V
C426	1-164-943-11	s	CERAMIC CHIP 0.01UF 10.00% 16V
C427	1-107-820-11	s	CERAMIC CHIP 0.1UF 16V
C428	1-107-820-11	s	CERAMIC CHIP 0.1UF 16V
C429	1-107-820-11	s	CERAMIC CHIP 0.1UF 16V
C430	1-164-505-11	s	CERAMIC CHIP 2.2UF 16V
C432	1-107-820-11	s	CERAMIC CHIP 0.1UF 16V
C433	1-126-209-11	s	ELECT CHIP 100UF 20.00% 4V
C500	1-125-777-11	s	CERAMIC CHIP 0.1UF 10.00% 10V
C501	1-164-392-11	s	CERAMIC CHIP 390PF 5.00% 50V
C503	1-164-858-11	s	CERAMIC CHIP 22PF 5.00% 50V
C504	1-164-858-11	s	CERAMIC CHIP 22PF 5.00% 50V
C506	1-164-939-11	s	CERAMIC CHIP 0.0022UF 10.00% 50V
C507	1-125-777-11	s	CERAMIC CHIP 0.1UF 10.00% 10V
C508	1-107-820-11	s	CERAMIC CHIP 0.1UF 16V
C509	1-126-208-21	s	ELECT CHIP 47UF 20.00% 4V

(C BOARD)

Ref. No. or Q'ty	Part No.	SP	Description
C510	1-125-777-11	s	CERAMIC CHIP 0.1UF 10.00% 10V
C511	1-107-820-11	s	CERAMIC CHIP 0.1UF 16V
C512	1-125-777-11	s	CERAMIC CHIP 0.1UF 10.00% 10V
C513	1-126-209-11	s	ELECT CHIP 100UF 20.00% 4V
C514	1-107-820-11	s	CERAMIC CHIP 0.1UF 16V
C515	1-125-777-11	s	CERAMIC CHIP 0.1UF 10.00% 10V
C516	1-107-820-11	s	CERAMIC CHIP 0.1UF 16V
C517	1-126-206-11	s	ELECT CHIP 100UF 20.00% 6.3V
C518	1-125-777-11	s	CERAMIC CHIP 0.1UF 10.00% 10V
C519	1-165-908-11	s	CERAMIC CHIP 1UF 10% 10V
C520	1-107-820-11	s	CERAMIC CHIP 0.1UF 16V
C521	1-107-820-11	s	CERAMIC CHIP 0.1UF 16V
C522	1-137-710-11	s	CERAMIC CHIP 10UF 20% 6.3V
C523	1-126-208-21	s	ELECT CHIP 47UF 20.00% 4V
C524	1-107-820-11	s	CERAMIC CHIP 0.1UF 16V
C525	1-107-820-11	s	CERAMIC CHIP 0.1UF 16V
C526	1-107-820-11	s	CERAMIC CHIP 0.1UF 16V
C527	1-126-209-11	s	ELECT CHIP 100UF 20.00% 4V
C528	1-125-777-11	s	CERAMIC CHIP 0.1UF 10.00% 10V
C529	1-125-777-11	s	CERAMIC CHIP 0.1UF 10.00% 10V
C530	1-125-777-11	s	CERAMIC CHIP 0.1UF 10.00% 10V
C531	1-125-777-11	s	CERAMIC CHIP 0.1UF 10.00% 10V
C532	1-125-777-11	s	CERAMIC CHIP 0.1UF 10.00% 10V
C533	1-125-777-11	s	CERAMIC CHIP 0.1UF 10.00% 10V
C534	1-126-205-11	s	ELECT CHIP 47UF 20.00% 6.3V
C535	1-125-777-11	s	CERAMIC CHIP 0.1UF 10.00% 10V
C536	1-125-777-11	s	CERAMIC CHIP 0.1UF 10.00% 10V
C537	1-126-246-11	s	ELECT CHIP 220UF 20.00% 4V
C538	1-164-858-11	s	CERAMIC CHIP 22PF 5.00% 50V
C539	1-128-013-11	s	ELECT CHIP 1UF 20.00% 50V
C540	1-128-004-11	s	ELECT CHIP 10UF 20.00% 16V
C541	1-164-854-11	s	CERAMIC CHIP 15PF 5.00% 50V
C542	1-164-854-11	s	CERAMIC CHIP 15PF 5.00% 50V
C543	1-164-935-11	s	CERAMIC CHIP 470PF 10.00% 50V
C544	1-107-820-11	s	CERAMIC CHIP 0.1UF 16V
C545	1-128-013-11	s	ELECT CHIP 1UF 20.00% 50V
C546	1-126-206-11	s	ELECT CHIP 100UF 20.00% 6.3V
C547	1-164-854-11	s	CERAMIC CHIP 15PF 5.00% 50V
C548	1-115-339-11	s	CERAMIC CHIP 0.1UF 10.00% 50V
C549	1-128-004-11	s	ELECT CHIP 10UF 20.00% 16V
C550	1-164-505-11	s	CERAMIC CHIP 2.2UF 16V
C551	1-126-204-11	s	ELECT CHIP 47UF 20.00% 16V
C552	1-164-854-11	s	CERAMIC CHIP 15PF 5.00% 50V
C553	1-164-156-11	s	CERAMIC CHIP 0.1UF 25V
C554	1-117-681-11	s	ELECT CHIP 100UF 20.00% 16V
C555	1-128-390-11	s	ELECT CHIP 220UF 20% 6.3V
C556	1-128-013-11	s	ELECT CHIP 1UF 20.00% 50V
C557	1-128-004-11	s	ELECT CHIP 10UF 20.00% 16V
C558	1-164-943-11	s	CERAMIC CHIP 0.01UF 10.00% 16V
C600	1-164-854-11	s	CERAMIC CHIP 15PF 5.00% 50V
C601	1-119-923-11	s	CERAMIC CHIP 0.047UF 10.00% 10V
C602	1-164-854-11	s	CERAMIC CHIP 15PF 5.00% 50V
C603	1-107-820-11	s	CERAMIC CHIP 0.1UF 16V
C604	1-107-820-11	s	CERAMIC CHIP 0.1UF 16V
C605	1-107-820-11	s	CERAMIC CHIP 0.1UF 16V
C606	1-107-820-11	s	CERAMIC CHIP 0.1UF 16V
C607	1-107-820-11	s	CERAMIC CHIP 0.1UF 16V
C608	1-107-820-11	s	CERAMIC CHIP 0.1UF 16V
C609	1-126-206-11	s	ELECT CHIP 100UF 20.00% 6.3V

(C BOARD)

Ref. No. or Q'ty	Part No.	SP	Description
C611	1-107-820-11	s	CERAMIC CHIP 0.1UF 16V
C612	1-119-923-11	s	CERAMIC CHIP 0.047UF 10.00% 10V
C613	1-119-923-11	s	CERAMIC CHIP 0.047UF 10.00% 10V
C614	1-107-820-11	s	CERAMIC CHIP 0.1UF 16V
C615	1-164-943-11	s	CERAMIC CHIP 0.01UF 10.00% 16V
C616	1-107-820-11	s	CERAMIC CHIP 0.1UF 16V
C617	1-107-820-11	s	CERAMIC CHIP 0.1UF 16V
C618	1-119-923-11	s	CERAMIC CHIP 0.047UF 10.00% 10V
C619	1-119-667-11	s	CERAMIC CHIP 22UF 10V
C620	1-107-820-11	s	CERAMIC CHIP 0.1UF 16V
C621	1-126-209-11	s	ELECT CHIP 100UF 20.00% 4V
C622	1-119-923-11	s	CERAMIC CHIP 0.047UF 10.00% 10V
C623	1-107-820-11	s	CERAMIC CHIP 0.1UF 16V
C624	1-119-923-11	s	CERAMIC CHIP 0.047UF 10.00% 10V
C626	1-107-820-11	s	CERAMIC CHIP 0.1UF 16V
C627	1-107-820-11	s	CERAMIC CHIP 0.1UF 16V
C628	1-164-943-11	s	CERAMIC CHIP 0.01UF 10.00% 16V
C629	1-126-209-11	s	ELECT CHIP 100UF 20.00% 4V
C630	1-107-820-11	s	CERAMIC CHIP 0.1UF 16V
C631	1-107-820-11	s	CERAMIC CHIP 0.1UF 16V
C632	1-164-943-11	s	CERAMIC CHIP 0.01UF 10.00% 16V
C633	1-107-820-11	s	CERAMIC CHIP 0.1UF 16V
C634	1-164-937-11	s	CERAMIC CHIP 0.001UF 10.00% 50V
C635	1-107-820-11	s	CERAMIC CHIP 0.1UF 16V
C636	1-107-820-11	s	CERAMIC CHIP 0.1UF 16V
C637	1-164-943-11	s	CERAMIC CHIP 0.01UF 10.00% 16V
C638	1-119-667-11	s	CERAMIC CHIP 22UF 10V
C639	1-119-923-11	s	CERAMIC CHIP 0.047UF 10.00% 10V
C640	1-164-943-11	s	CERAMIC CHIP 0.01UF 10.00% 16V
C641	1-164-943-11	s	CERAMIC CHIP 0.01UF 10.00% 16V
C642	1-119-923-11	s	CERAMIC CHIP 0.047UF 10.00% 10V
C643	1-119-923-11	s	CERAMIC CHIP 0.047UF 10.00% 10V
C644	1-107-820-11	s	CERAMIC CHIP 0.1UF 16V
C645	1-107-820-11	s	CERAMIC CHIP 0.1UF 16V
C646	1-107-820-11	s	CERAMIC CHIP 0.1UF 16V
C647	1-119-923-11	s	CERAMIC CHIP 0.047UF 10.00% 10V
C648	1-107-820-11	s	CERAMIC CHIP 0.1UF 16V
C649	1-107-820-11	s	CERAMIC CHIP 0.1UF 16V
C650	1-119-923-11	s	CERAMIC CHIP 0.047UF 10.00% 10V
C651	1-126-209-11	s	ELECT CHIP 100UF 20.00% 4V
C700	1-104-760-11	s	CERAMIC CHIP 0.047UF 10.00% 50V
C701	1-104-760-11	s	CERAMIC CHIP 0.047UF 10.00% 50V
C702	1-127-573-11	s	CERAMIC CHIP 1UF 10% 16V
C703	1-104-760-11	s	CERAMIC CHIP 0.047UF 10.00% 50V
C704	1-164-937-11	s	CERAMIC CHIP 0.001UF 10.00% 50V
C705	1-104-760-11	s	CERAMIC CHIP 0.047UF 10.00% 50V
C706	1-164-937-11	s	CERAMIC CHIP 0.001UF 10.00% 50V
C707	1-104-760-11	s	CERAMIC CHIP 0.047UF 10.00% 50V
C708	1-104-760-11	s	CERAMIC CHIP 0.047UF 10.00% 50V
C709	1-107-820-11	s	CERAMIC CHIP 0.1UF 16V
C710	1-126-206-11	s	ELECT CHIP 100UF 20.00% 6.3V
C711	1-107-820-11	s	CERAMIC CHIP 0.1UF 16V
C712	1-125-777-11	s	CERAMIC CHIP 0.1UF 10.00% 10V
C713	1-124-778-00	s	ELECT CHIP 22UF 20.00% 6.3V
C714	1-125-777-11	s	CERAMIC CHIP 0.1UF 10.00% 10V
C715	1-125-777-11	s	CERAMIC CHIP 0.1UF 10.00% 10V
C716	1-164-943-11	s	CERAMIC CHIP 0.01UF 10.00% 16V
C717	1-125-777-11	s	CERAMIC CHIP 0.1UF 10.00% 10V
C718	1-125-777-11	s	CERAMIC CHIP 0.1UF 10.00% 10V

(C BOARD)

Ref. No. or Q'ty	Part No.	SP	Description
C719	1-119-667-11	s	CERAMIC CHIP 22UF 10V
C720	1-137-710-11	s	CERAMIC CHIP 10UF 20% 6.3V
C721	1-137-710-11	s	CERAMIC CHIP 10UF 20% 6.3V
C722	1-137-710-11	s	CERAMIC CHIP 10UF 20% 6.3V
C723	1-125-777-11	s	CERAMIC CHIP 0.1UF 10.00% 10V
C724	1-117-614-81	s	CERAMIC CHIP 8200PF 10.00% 16V
C725	1-125-777-11	s	CERAMIC CHIP 0.1UF 10.00% 10V
C726	1-125-777-11	s	CERAMIC CHIP 0.1UF 10.00% 10V
C727	1-164-943-11	s	CERAMIC CHIP 0.01UF 10.00% 16V
C728	1-125-777-11	s	CERAMIC CHIP 0.1UF 10.00% 10V
C729	1-125-777-11	s	CERAMIC CHIP 0.1UF 10.00% 10V
C730	1-164-943-11	s	CERAMIC CHIP 0.01UF 10.00% 16V
C731	1-125-777-11	s	CERAMIC CHIP 0.1UF 10.00% 10V
C732	1-125-777-11	s	CERAMIC CHIP 0.1UF 10.00% 10V
C733	1-107-820-11	s	CERAMIC CHIP 0.1UF 16V
C800	1-107-820-11	s	CERAMIC CHIP 0.1UF 16V
C801	1-107-820-11	s	CERAMIC CHIP 0.1UF 16V
C802	1-107-820-11	s	CERAMIC CHIP 0.1UF 16V
C803	1-107-820-11	s	CERAMIC CHIP 0.1UF 16V
C804	1-107-820-11	s	CERAMIC CHIP 0.1UF 16V
C805	1-107-820-11	s	CERAMIC CHIP 0.1UF 16V
C900	1-107-820-11	s	CERAMIC CHIP 0.1UF 16V
C901	1-115-566-11	s	CERAMIC CHIP 4.7UF 10.00% 10V
C902	1-115-566-11	s	CERAMIC CHIP 4.7UF 10.00% 10V
C903	1-115-566-11	s	CERAMIC CHIP 4.7UF 10.00% 10V
C904	1-164-933-11	s	CERAMIC CHIP 220PF 10.00% 50V
C905	1-165-908-11	s	CERAMIC CHIP 1UF 10% 10V
C906	1-164-866-11	s	CERAMIC CHIP 47PF 5.00% 50V
C907	1-164-866-11	s	CERAMIC CHIP 47PF 5.00% 50V
C908	1-107-820-11	s	CERAMIC CHIP 0.1UF 16V
C909	1-125-777-11	s	CERAMIC CHIP 0.1UF 10.00% 10V
C910	1-165-908-11	s	CERAMIC CHIP 1UF 10% 10V
C911	1-107-820-11	s	CERAMIC CHIP 0.1UF 16V
C912	1-164-937-11	s	CERAMIC CHIP 0.001UF 10.00% 50V
C913	1-165-908-11	s	CERAMIC CHIP 1UF 10% 10V
C914	1-115-339-11	s	CERAMIC CHIP 0.1UF 10.00% 50V
C915	1-107-820-11	s	CERAMIC CHIP 0.1UF 16V
C916	1-164-943-11	s	CERAMIC CHIP 0.01UF 10.00% 16V
C917	1-164-943-11	s	CERAMIC CHIP 0.01UF 10.00% 16V
C918	1-164-943-11	s	CERAMIC CHIP 0.01UF 10.00% 16V
C919	1-164-943-11	s	CERAMIC CHIP 0.01UF 10.00% 16V
C920	1-126-206-11	s	ELECT CHIP 100UF 20.00% 6.3V
C921	1-107-820-11	s	CERAMIC CHIP 0.1UF 16V
C922	1-107-820-11	s	CERAMIC CHIP 0.1UF 16V
C923	1-165-908-11	s	CERAMIC CHIP 1UF 10% 10V
C924	1-165-908-11	s	CERAMIC CHIP 1UF 10% 10V
C925	1-107-820-11	s	CERAMIC CHIP 0.1UF 16V
C926	1-165-908-11	s	CERAMIC CHIP 1UF 10% 10V
C927	1-126-206-11	s	ELECT CHIP 100UF 20.00% 6.3V
C928	1-107-820-11	s	CERAMIC CHIP 0.1UF 16V
C929	1-165-908-11	s	CERAMIC CHIP 1UF 10% 10V
C930	1-164-850-11	s	CERAMIC CHIP 10PF 0.50PF 50V
C931	1-107-820-11	s	CERAMIC CHIP 0.1UF 16V
C932	1-164-866-11	s	CERAMIC CHIP 47PF 5.00% 50V
C933	1-107-820-11	s	CERAMIC CHIP 0.1UF 16V
C934	1-164-866-11	s	CERAMIC CHIP 47PF 5.00% 50V
C935	1-107-820-11	s	CERAMIC CHIP 0.1UF 16V
C937	1-107-820-11	s	CERAMIC CHIP 0.1UF 16V
C938	1-165-908-11	s	CERAMIC CHIP 1UF 10% 10V

(C BOARD)

Ref. No. or Q'ty	Part No.	SP	Description
C1328	1-119-667-11	s	CERAMIC CHIP 22UF 10V
C1329	1-164-943-11	s	CERAMIC CHIP 0.01UF 10.00% 16V
C1330	1-107-820-11	s	CERAMIC CHIP 0.1UF 16V
C1331	1-107-820-11	s	CERAMIC CHIP 0.1UF 16V
C1332	1-125-777-11	s	CERAMIC CHIP 0.1UF 10.00% 10V
C1333	1-125-777-11	s	CERAMIC CHIP 0.1UF 10.00% 10V
C1334	1-164-943-11	s	CERAMIC CHIP 0.01UF 10.00% 16V
C1335	1-107-820-11	s	CERAMIC CHIP 0.1UF 16V
C1336	1-164-943-11	s	CERAMIC CHIP 0.01UF 10.00% 16V
C1337	1-107-820-11	s	CERAMIC CHIP 0.1UF 16V
C1338	1-164-943-11	s	CERAMIC CHIP 0.01UF 10.00% 16V
C1339	1-107-820-11	s	CERAMIC CHIP 0.1UF 16V
C1340	1-119-667-11	s	CERAMIC CHIP 22UF 10V
C1341	1-125-777-11	s	CERAMIC CHIP 0.1UF 10.00% 10V
C1342	1-119-667-11	s	CERAMIC CHIP 22UF 10V
C1343	1-107-820-11	s	CERAMIC CHIP 0.1UF 16V
C1344	1-164-943-11	s	CERAMIC CHIP 0.01UF 10.00% 16V
C1345	1-107-820-11	s	CERAMIC CHIP 0.1UF 16V
C1346	1-164-943-11	s	CERAMIC CHIP 0.01UF 10.00% 16V
C1347	1-107-820-11	s	CERAMIC CHIP 0.1UF 16V
C1348	1-164-943-11	s	CERAMIC CHIP 0.01UF 10.00% 16V
C1349	1-107-820-11	s	CERAMIC CHIP 0.1UF 16V
C1350	1-164-943-11	s	CERAMIC CHIP 0.01UF 10.00% 16V
C1351	1-107-820-11	s	CERAMIC CHIP 0.1UF 16V
C1352	1-164-943-11	s	CERAMIC CHIP 0.01UF 10.00% 16V
C1400	1-107-820-11	s	CERAMIC CHIP 0.1UF 16V
C1401	1-126-205-11	s	ELECT CHIP 47UF 20.00% 6.3V
C1402	1-125-777-11	s	CERAMIC CHIP 0.1UF 10.00% 10V
C1403	1-164-943-11	s	CERAMIC CHIP 0.01UF 10.00% 16V
C1404	1-107-820-11	s	CERAMIC CHIP 0.1UF 16V
C1405	1-164-943-11	s	CERAMIC CHIP 0.01UF 10.00% 16V
C1406	1-164-943-11	s	CERAMIC CHIP 0.01UF 10.00% 16V
C1407	1-164-943-11	s	CERAMIC CHIP 0.01UF 10.00% 16V
C1408	1-107-820-11	s	CERAMIC CHIP 0.1UF 16V
C1409	1-164-943-11	s	CERAMIC CHIP 0.01UF 10.00% 16V
C1410	1-164-947-11	s	CERAMIC CHIP 0.01UF 50V
C1411	1-107-820-11	s	CERAMIC CHIP 0.1UF 16V
C1412	1-164-943-11	s	CERAMIC CHIP 0.01UF 10.00% 16V
C1413	1-107-820-11	s	CERAMIC CHIP 0.1UF 16V
C1414	1-164-943-11	s	CERAMIC CHIP 0.01UF 10.00% 16V
C1415	1-164-943-11	s	CERAMIC CHIP 0.01UF 10.00% 16V
C1416	1-164-943-11	s	CERAMIC CHIP 0.01UF 10.00% 16V
C1417	1-107-820-11	s	CERAMIC CHIP 0.1UF 16V
C1418	1-164-943-11	s	CERAMIC CHIP 0.01UF 10.00% 16V
C1419	1-164-943-11	s	CERAMIC CHIP 0.01UF 10.00% 16V
C1420	1-107-820-11	s	CERAMIC CHIP 0.1UF 16V
C1421	1-107-820-11	s	CERAMIC CHIP 0.1UF 16V
C1422	1-164-943-11	s	CERAMIC CHIP 0.01UF 10.00% 16V
C1423	1-164-943-11	s	CERAMIC CHIP 0.01UF 10.00% 16V
C1424	1-107-820-11	s	CERAMIC CHIP 0.1UF 16V
C1425	1-107-820-11	s	CERAMIC CHIP 0.1UF 16V
C1426	1-164-943-11	s	CERAMIC CHIP 0.01UF 10.00% 16V
C1427	1-107-820-11	s	CERAMIC CHIP 0.1UF 16V
C1428	1-164-943-11	s	CERAMIC CHIP 0.01UF 10.00% 16V
C1500	1-125-777-11	s	CERAMIC CHIP 0.1UF 10.00% 10V
C1501	1-126-205-11	s	ELECT CHIP 47UF 20.00% 6.3V
C1503	1-165-908-11	s	CERAMIC CHIP 1UF 10% 10V
C1505	1-165-908-11	s	CERAMIC CHIP 1UF 10% 10V
C1506	1-115-339-11	s	CERAMIC CHIP 0.1UF 10.00% 50V

(C BOARD)

Ref. No. or Q'ty	Part No.	SP	Description
C1507	1-115-339-11	s	CERAMIC CHIP 0.1UF 10.00% 50V
C1510	1-115-339-11	s	CERAMIC CHIP 0.1UF 10.00% 50V
C1511	1-115-339-11	s	CERAMIC CHIP 0.1UF 10.00% 50V
C1512	1-128-992-21	s	ELECT CHIP 47UF 20% 25V
C1513	1-128-992-21	s	ELECT CHIP 47UF 20% 25V
C1514	1-107-820-11	s	CERAMIC CHIP 0.1UF 16V
C1515	1-128-992-21	s	ELECT CHIP 47UF 20% 25V
C1516	1-115-339-11	s	CERAMIC CHIP 0.1UF 10.00% 50V
C1517	1-115-339-11	s	CERAMIC CHIP 0.1UF 10.00% 50V
C1518	1-128-992-21	s	ELECT CHIP 47UF 20% 25V
C1519	1-115-339-11	s	CERAMIC CHIP 0.1UF 10.00% 50V
C1520	1-115-339-11	s	CERAMIC CHIP 0.1UF 10.00% 50V
C1521	1-115-339-11	s	CERAMIC CHIP 0.1UF 10.00% 50V
C1522	1-115-339-11	s	CERAMIC CHIP 0.1UF 10.00% 50V
C1523	1-128-992-21	s	ELECT CHIP 47UF 20% 25V
C1524	1-164-874-11	s	CERAMIC CHIP 100PF 5.00% 50V
C1525	1-115-339-11	s	CERAMIC CHIP 0.1UF 10.00% 50V
C1526	1-115-339-11	s	CERAMIC CHIP 0.1UF 10.00% 50V
C1527	1-126-197-11	s	ELECT CHIP 10UF 20.00% 50V
C1528	1-128-992-21	s	ELECT CHIP 47UF 20% 25V
C1529	1-115-339-11	s	CERAMIC CHIP 0.1UF 10.00% 50V
C1530	1-115-339-11	s	CERAMIC CHIP 0.1UF 10.00% 50V
C1531	1-125-827-91	s	CERAMIC CHIP 1UF 10.00% 25V
C1532	1-128-992-21	s	ELECT CHIP 47UF 20% 25V
C1533	1-125-777-11	s	CERAMIC CHIP 0.1UF 10.00% 10V
C1600	1-125-777-11	s	CERAMIC CHIP 0.1UF 10.00% 10V
C1601	1-126-205-11	s	ELECT CHIP 47UF 20.00% 6.3V
C1603	1-165-908-11	s	CERAMIC CHIP 1UF 10% 10V
C1605	1-165-908-11	s	CERAMIC CHIP 1UF 10% 10V
C1606	1-115-339-11	s	CERAMIC CHIP 0.1UF 10.00% 50V
C1607	1-115-339-11	s	CERAMIC CHIP 0.1UF 10.00% 50V
C1610	1-115-339-11	s	CERAMIC CHIP 0.1UF 10.00% 50V
C1611	1-115-339-11	s	CERAMIC CHIP 0.1UF 10.00% 50V
C1612	1-128-992-21	s	ELECT CHIP 47UF 20% 25V
C1613	1-128-992-21	s	ELECT CHIP 47UF 20% 25V
C1614	1-107-820-11	s	CERAMIC CHIP 0.1UF 16V
C1615	1-128-992-21	s	ELECT CHIP 47UF 20% 25V
C1616	1-115-339-11	s	CERAMIC CHIP 0.1UF 10.00% 50V
C1617	1-115-339-11	s	CERAMIC CHIP 0.1UF 10.00% 50V
C1618	1-128-992-21	s	ELECT CHIP 47UF 20% 25V
C1619	1-115-339-11	s	CERAMIC CHIP 0.1UF 10.00% 50V
C1620	1-115-339-11	s	CERAMIC CHIP 0.1UF 10.00% 50V
C1621	1-115-339-11	s	CERAMIC CHIP 0.1UF 10.00% 50V
C1622	1-115-339-11	s	CERAMIC CHIP 0.1UF 10.00% 50V
C1623	1-128-992-21	s	ELECT CHIP 47UF 20% 25V
C1624	1-115-339-11	s	CERAMIC CHIP 0.1UF 10.00% 50V
C1625	1-125-827-91	s	CERAMIC CHIP 1UF 10.00% 25V
C1626	1-128-992-21	s	ELECT CHIP 47UF 20% 25V
C1627	1-125-777-11	s	CERAMIC CHIP 0.1UF 10.00% 10V
C1700	1-125-777-11	s	CERAMIC CHIP 0.1UF 10.00% 10V
C1701	1-126-205-11	s	ELECT CHIP 47UF 20.00% 6.3V
C1703	1-165-908-11	s	CERAMIC CHIP 1UF 10% 10V
C1705	1-165-908-11	s	CERAMIC CHIP 1UF 10% 10V
C1706	1-115-339-11	s	CERAMIC CHIP 0.1UF 10.00% 50V
C1707	1-115-339-11	s	CERAMIC CHIP 0.1UF 10.00% 50V
C1710	1-115-339-11	s	CERAMIC CHIP 0.1UF 10.00% 50V
C1711	1-115-339-11	s	CERAMIC CHIP 0.1UF 10.00% 50V
C1712	1-128-992-21	s	ELECT CHIP 47UF 20% 25V
C1713	1-128-992-21	s	ELECT CHIP 47UF 20% 25V

(C BOARD)

Ref. No. or Q'ty	Part No.	SP	Description
C1714	1-107-820-11	s	CERAMIC CHIP 0.1UF 16V
C1715	1-128-992-21	s	ELECT CHIP 47UF 20% 25V
C1716	1-115-339-11	s	CERAMIC CHIP 0.1UF 10.00% 50V
C1717	1-115-339-11	s	CERAMIC CHIP 0.1UF 10.00% 50V
C1718	1-128-992-21	s	ELECT CHIP 47UF 20% 25V
C1719	1-115-339-11	s	CERAMIC CHIP 0.1UF 10.00% 50V
C1720	1-115-339-11	s	CERAMIC CHIP 0.1UF 10.00% 50V
C1721	1-115-339-11	s	CERAMIC CHIP 0.1UF 10.00% 50V
C1722	1-115-339-11	s	CERAMIC CHIP 0.1UF 10.00% 50V
C1723	1-128-992-21	s	ELECT CHIP 47UF 20% 25V
C1724	1-115-339-11	s	CERAMIC CHIP 0.1UF 10.00% 50V
C1725	1-125-827-91	s	CERAMIC CHIP 1UF 10.00% 25V
C1726	1-128-992-21	s	ELECT CHIP 47UF 20% 25V
C1727	1-125-777-11	s	CERAMIC CHIP 0.1UF 10.00% 10V
C1800	1-107-820-11	s	CERAMIC CHIP 0.1UF 16V
C1801	1-126-205-11	s	ELECT CHIP 47UF 20.00% 6.3V
C1802	1-164-943-11	s	CERAMIC CHIP 0.01UF 10.00% 16V
C1803	1-164-943-11	s	CERAMIC CHIP 0.01UF 10.00% 16V
C1804	1-164-943-11	s	CERAMIC CHIP 0.01UF 10.00% 16V
C1805	1-107-820-11	s	CERAMIC CHIP 0.1UF 16V
C1806	1-107-820-11	s	CERAMIC CHIP 0.1UF 16V
C1807	1-164-937-11	s	CERAMIC CHIP 0.001UF 10.00% 50V
C1811	1-115-566-11	s	CERAMIC CHIP 4.7UF 10.00% 10V
C1812	1-107-820-11	s	CERAMIC CHIP 0.1UF 16V
C1813	1-164-943-11	s	CERAMIC CHIP 0.01UF 10.00% 16V
C1814	1-107-820-11	s	CERAMIC CHIP 0.1UF 16V
C1815	1-164-850-11	s	CERAMIC CHIP 10PF 0.50PF 50V
C1816	1-107-820-11	s	CERAMIC CHIP 0.1UF 16V
C1817	1-164-850-11	s	CERAMIC CHIP 10PF 0.50PF 50V
C1818	1-164-943-11	s	CERAMIC CHIP 0.01UF 10.00% 16V
C1819	1-107-820-11	s	CERAMIC CHIP 0.1UF 16V
C1820	1-125-777-11	s	CERAMIC CHIP 0.1UF 10.00% 10V
C1822	1-107-820-11	s	CERAMIC CHIP 0.1UF 16V
C1823	1-107-820-11	s	CERAMIC CHIP 0.1UF 16V
C1824	1-115-156-11	s	CERAMIC CHIP 1UF 10V
C1825	1-107-820-11	s	CERAMIC CHIP 0.1UF 16V
C1826	1-107-820-11	s	CERAMIC CHIP 0.1UF 16V
C1827	1-107-820-11	s	CERAMIC CHIP 0.1UF 16V
C1900	1-126-205-11	s	ELECT CHIP 47UF 20.00% 6.3V
C1901	1-107-820-11	s	CERAMIC CHIP 0.1UF 16V
C1902	1-128-992-21	s	ELECT CHIP 47UF 20% 25V
C1903	1-126-205-11	s	ELECT CHIP 47UF 20.00% 6.3V
C1904	1-126-205-11	s	ELECT CHIP 47UF 20.00% 6.3V
C1905	1-128-992-21	s	ELECT CHIP 47UF 20% 25V
C1906	1-128-992-21	s	ELECT CHIP 47UF 20% 25V
C1907	1-126-205-11	s	ELECT CHIP 47UF 20.00% 6.3V
C1910	1-107-820-11	s	CERAMIC CHIP 0.1UF 16V
C1912	1-107-820-11	s	CERAMIC CHIP 0.1UF 16V
C1914	1-126-205-11	s	ELECT CHIP 47UF 20.00% 6.3V
C1915	1-164-943-11	s	CERAMIC CHIP 0.01UF 10.00% 16V
C1918	1-164-943-11	s	CERAMIC CHIP 0.01UF 10.00% 16V
C1919	1-107-820-11	s	CERAMIC CHIP 0.1UF 16V
C1920	1-107-820-11	s	CERAMIC CHIP 0.1UF 16V
C1921	1-107-820-11	s	CERAMIC CHIP 0.1UF 16V
C1922	1-137-710-11	s	CERAMIC CHIP 10UF 20% 6.3V
C1926	1-107-820-11	s	CERAMIC CHIP 0.1UF 16V
C1927	1-128-992-21	s	ELECT CHIP 47UF 20% 25V
C1928	1-128-992-21	s	ELECT CHIP 47UF 20% 25V
C1929	1-128-992-21	s	ELECT CHIP 47UF 20% 25V

(C BOARD)

Ref. No. or Q'ty	Part No.	SP	Description
C1930	1-128-992-21	s	ELECT CHIP 47UF 20% 25V
C1931	1-164-156-11	s	CERAMIC CHIP 0.1UF 25V
C1932	1-164-156-11	s	CERAMIC CHIP 0.1UF 25V
C1934	1-164-156-11	s	CERAMIC CHIP 0.1UF 25V
C1935	1-164-156-11	s	CERAMIC CHIP 0.1UF 25V
C1936	1-115-340-11	s	CERAMIC CHIP 0.22UF 10.00% 25V
C1937	1-115-340-11	s	CERAMIC CHIP 0.22UF 10.00% 25V
C1938	1-115-340-11	s	CERAMIC CHIP 0.22UF 10.00% 25V
C1939	1-107-820-11	s	CERAMIC CHIP 0.1UF 16V
C1940	1-107-820-11	s	CERAMIC CHIP 0.1UF 16V
C1941	1-107-820-11	s	CERAMIC CHIP 0.1UF 16V
C1942	1-107-820-11	s	CERAMIC CHIP 0.1UF 16V
C2001	1-164-947-11	s	CERAMIC CHIP 0.01UF 50V
C2002	1-162-970-11	s	CERAMIC CHIP 0.01UF 10.00% 25V
C2003	1-162-970-11	s	CERAMIC CHIP 0.01UF 10.00% 25V
C2004	1-164-947-11	s	CERAMIC CHIP 0.01UF 50V
C2005	1-162-970-11	s	CERAMIC CHIP 0.01UF 10.00% 25V
C2006	1-115-339-11	s	CERAMIC CHIP 0.1UF 10.00% 50V
C2007	1-126-204-11	s	ELECT CHIP 47UF 20.00% 16V
C2008	1-107-820-11	s	CERAMIC CHIP 0.1UF 16V
CN101	1-784-828-11	s	CONNECTOR, D SUB
CN200	*2 1-794-962-11	s	CONNECTOR, SQUARE TYPE(USB 5P)
CN201	1-784-650-21	s	CONNECTOR 2P
CN203	1-784-650-21	s	CONNECTOR 2P
CN400	1-817-733-11	s	HDMI CONNECTOR
CN1092	1-779-806-21	s	CONNECTOR 8P
CN1093	1-785-946-21	s	CONNECTOR 3P
CN1400	1-779-884-11	s	CONNECTOR 4P
CN1500	1-794-823-11	s	CONNECTOR (ZIF), FPC/FFC 32P
CN1600	1-794-823-11	s	CONNECTOR (ZIF), FPC/FFC 32P
CN1700	1-794-823-11	s	CONNECTOR (ZIF), FPC/FFC 32P
CN1800	1-778-965-21	s	CONNECTOR 12P
CN1801	1-770-622-21	s	PIN, CONNECTOR 5P
CN1806			
CN1900	*2 1-770-625-21	s	CONNECTOR 12P
CN1900	1-764-829-11	o	CONNECTOR, FPC 24P
CN1901	1-779-884-11	s	CONNECTOR 4P
CN1902	1-784-650-21	s	CONNECTOR 2P
CN1903	1-779-884-11	s	CONNECTOR 4P
CN1905	1-785-946-21	s	CONNECTOR 3P
CN1906	1-779-884-11	s	CONNECTOR 4P
CN1907	1-573-290-21	s	PIN, CONNECTOR (1.5MM) (SMD)4P
CN1909	1-691-550-11	s	PIN, CONNECTOR (1.5MM) (SMD) 3P
CN1910	1-691-550-11	s	PIN, CONNECTOR (1.5MM) (SMD) 3P
CN1911	1-691-550-11	s	PIN, CONNECTOR (1.5MM) (SMD) 3P
CN2000	1-691-591-11	o	PIN, CONNECTOR (1.5MM) (SMD)8P
D100	6-500-539-01	s	DIODE RSB6.8SFTE61
D101	6-500-539-01	s	DIODE RSB6.8SFTE61
D102	6-500-539-01	s	DIODE RSB6.8SFTE61
D104	8-719-941-86	s	DIODE DAN202UT106
D106	8-719-914-43	s	DIODE DAN202K-T-146
D109	6-500-539-01	s	DIODE RSB6.8SFTE61
D110	6-500-539-01	s	DIODE RSB6.8SFTE61
D111	8-719-073-11	s	DIODE BZA456A
D112	8-719-037-22	s	DIODE RD12SB-T1
D201	*2 8-719-036-80	s	DIODE RD3.9SB-T1
D202	*2 8-719-036-80	s	DIODE RD3.9SB-T1
D203	*2 8-719-988-61	s	DIODE 1SS355TE-17

(C BOARD)

Ref. No. or Q'ty	Part No.	SP	Description
D401	8-719-069-55	s	DIODE UDZSTE-175.6B
D402	8-719-069-55	s	DIODE UDZSTE-175.6B
D403	8-719-941-86	s	DIODE DAN202UT106
D408	8-719-914-44	s	DIODE DAP202K-T-146
D412	8-719-941-86	s	DIODE DAN202UT106
D700	8-719-059-53	s	DIODE MA3J14700LSO
D701	8-719-059-53	s	DIODE MA3J14700LSO
D702	8-719-059-53	s	DIODE MA3J14700LSO
D703	8-719-059-53	s	DIODE MA3J14700LSO
D704	8-719-059-53	s	DIODE MA3J14700LSO
D705	8-719-059-53	s	DIODE MA3J14700LSO
D706	8-719-059-53	s	DIODE MA3J14700LSO
D707	8-719-059-53	s	DIODE MA3J14700LSO
D900	8-719-059-53	s	DIODE MA3J14700LSO
D901	8-719-059-53	s	DIODE MA3J14700LSO
D902	8-719-404-50	s	DIODE MA111-TX
D1800	8-719-024-77	s	DIODE HN1D03FU-TE85R
D1801	8-719-056-48	s	DIODE 1SS388(TPL3)
D1901	8-719-073-11	s	DIODE BZA456A
D1902	8-719-404-50	s	DIODE MA111-TX
D1903	8-719-404-50	s	DIODE MA111-TX
D1904	8-719-404-50	s	DIODE MA111-TX
D1905	8-719-404-50	s	DIODE MA111-TX
FB101	1-414-921-11	s	FERRITE OUH
FB200	1-414-921-11	s	FERRITE OUH
FB201	1-414-921-11	s	FERRITE OUH
FB202	*2 1-414-921-11	s	FERRITE OUH
FB203	*2 1-414-921-11	s	FERRITE OUH
FB204	*2 1-414-921-11	s	FERRITE OUH
FB205	*2 1-414-921-11	s	FERRITE OUH
FB206	*2 1-414-921-11	s	FERRITE OUH
FB207	1-414-921-11	s	FERRITE OUH
FB400	1-414-921-11	s	FERRITE OUH
FB401	1-414-921-11	s	FERRITE OUH
FB402	1-414-921-11	s	FERRITE OUH
FB500	1-414-921-11	s	FERRITE OUH
FB501	1-414-921-11	s	FERRITE OUH
FB502	1-414-921-11	s	FERRITE OUH
FB503	1-414-921-11	s	FERRITE OUH
FB504	1-414-921-11	s	FERRITE OUH
FB600	1-414-921-11	s	FERRITE OUH
FB601	1-414-921-11	s	FERRITE OUH
FB602	1-414-921-11	s	FERRITE OUH
FB603	1-414-921-11	s	FERRITE OUH
FB700	1-414-921-11	s	FERRITE OUH
FB701	1-414-921-11	s	FERRITE OUH
FB702	1-414-921-11	s	FERRITE OUH
FB800	1-414-921-11	s	FERRITE OUH
FB802	1-414-921-11	s	FERRITE OUH
FB900	1-414-921-11	s	FERRITE OUH
FB903	1-414-921-11	s	FERRITE OUH
FB1100	1-469-670-21	o	FERRITE OUH
FB1101	1-469-670-21	o	FERRITE OUH
FB1102	1-469-670-21	o	FERRITE OUH
FB1200	1-469-670-21	o	FERRITE OUH
FB1201	1-469-670-21	o	FERRITE OUH
FB1202	1-469-670-21	o	FERRITE OUH
FB1203	1-414-921-11	s	FERRITE OUH

(C BOARD)

Ref. No. or Q'ty	Part No.	SP	Description
FB1301	1-469-670-21	o	FERRITE OUH
FB1302	1-414-921-11	s	FERRITE OUH
FB1303	1-414-921-11	s	FERRITE OUH
FB1304	1-414-921-11	s	FERRITE OUH
FB1305	1-414-921-11	s	FERRITE OUH
FB1400	1-469-670-21	o	FERRITE OUH
FB1401	1-414-921-11	s	FERRITE OUH
FB1402	1-414-921-11	s	FERRITE OUH
FB1403	1-414-921-11	s	FERRITE OUH
FB1404	1-469-670-21	o	FERRITE OUH
FB1500	1-414-921-11	s	FERRITE OUH
FB1501	1-414-921-11	s	FERRITE OUH
FB1502	1-414-921-11	s	FERRITE OUH
FB1503	1-414-921-11	s	FERRITE OUH
FB1504	1-414-921-11	s	FERRITE OUH
FB1600	1-414-921-11	s	FERRITE OUH
FB1601	1-414-921-11	s	FERRITE OUH
FB1602	1-414-921-11	s	FERRITE OUH
FB1603	1-414-921-11	s	FERRITE OUH
FB1604	1-414-921-11	s	FERRITE OUH
FB1605	1-414-921-11	s	FERRITE OUH
FB1700	1-414-921-11	s	FERRITE OUH
FB1701	1-414-921-11	s	FERRITE OUH
FB1702	1-414-921-11	s	FERRITE OUH
FB1703	1-414-921-11	s	FERRITE OUH
FB1704	1-414-921-11	s	FERRITE OUH
FB1800	*2 1-414-921-11	s	FERRITE OUH
FB1801	*2 1-414-921-11	s	FERRITE OUH
FB1802	*2 1-414-921-11	s	FERRITE OUH
FB1803	*2 1-414-921-11	s	FERRITE OUH
FB1804	*2 1-414-921-11	s	FERRITE OUH
FB1900	1-414-921-11	s	FERRITE OUH
FB1901	1-414-921-11	s	FERRITE OUH
FB1902	1-414-921-11	s	FERRITE OUH
FB1904	1-414-921-11	s	FERRITE OUH
FB1905	1-414-921-11	s	FERRITE OUH
FB1906	1-414-921-11	s	FERRITE OUH
FB1907	1-414-921-11	s	FERRITE OUH
FB1908	1-414-921-11	s	FERRITE OUH
FB1910	1-414-921-11	s	FERRITE OUH
FB1912	1-414-921-11	s	FERRITE OUH
FB1913	1-414-921-11	s	FERRITE OUH
FB1914	1-414-921-11	s	FERRITE OUH
FB1917	1-414-921-11	s	FERRITE OUH
FB1918	1-414-921-11	s	FERRITE OUH
FB1920	1-414-921-11	s	FERRITE OUH
FB1921	1-414-921-11	s	FERRITE OUH
FB1922	1-414-921-11	s	FERRITE OUH
FB1923	1-469-670-21	o	FERRITE OUH
FB1925	1-414-921-11	s	FERRITE OUH
FB1926	1-414-921-11	s	FERRITE OUH
FB1927	1-414-921-11	s	FERRITE OUH
FB1928	1-414-921-11	s	FERRITE OUH
FB1929	1-469-670-21	o	FERRITE OUH
FB1930	1-469-670-21	o	FERRITE OUH

(C BOARD)

Ref. No. or Q'ty	Part No.	SP	Description
FB1932	1-469-670-21	o	FERRITE OUH
FB1933	1-469-670-21	o	FERRITE OUH
FB1934	1-469-670-21	o	FERRITE OUH
FB1935	1-469-670-21	o	FERRITE OUH
FB1936	1-469-670-21	o	FERRITE OUH
FB1937	1-414-921-11	s	FERRITE OUH
FB1938	1-469-670-21	o	FERRITE OUH
FB2000	1-414-921-11	s	FERRITE OUH
FB2001	1-414-921-11	s	FERRITE OUH
FB2002	1-414-921-11	s	FERRITE OUH
FB2003	1-414-921-11	s	FERRITE OUH
FB2004	1-414-921-11	s	FERRITE OUH
FB2005	1-414-921-11	s	FERRITE OUH
FB2006	1-414-921-11	s	FERRITE OUH
FB2007	1-414-921-11	s	FERRITE OUH
FL500	1-239-848-21	s	FILTER, LOW PASS
FL501	1-239-848-21	s	FILTER, LOW PASS
FL502	1-239-848-21	s	FILTER, LOW PASS
FL1300	1-234-494-21	s	FILTER, EMI REMOVAL (SMD)
FL1903	1-234-494-21	s	FILTER, EMI REMOVAL (SMD)
FL1905	1-234-494-21	s	FILTER, EMI REMOVAL (SMD)
IC100	8-759-661-55	s	IC ST24FC21M6TR
IC102	8-759-596-39	s	IC SN74LV4052APWR
IC200	6-804-846-01	s	IC LC4032V-75TN48C-DLY2
IC201 *2	6-701-707-01	s	IC ST72T631K4M1-201
IC400	6-704-001-01	s	IC BR24L02F-WE2
IC401	8-759-596-39	s	IC SN74LV4052APWR
IC402	6-703-225-01	s	IC S-80928CNMC-G8YT2G
IC403	6-704-499-01	s	IC SII9993CTG100
IC500	6-704-841-01	s	IC AIC1117A-50PEJTR
IC501	6-705-093-01	s	IC AIC1117A-25PEJTR
IC502	6-701-174-01	s	IC MM1573DNLE
IC503	6-700-960-01	s	IC UPD64083GF-3BA
IC504	6-702-295-01	s	IC NJM78M12DL1A-TE1
IC600	6-704-842-01	s	IC AIC1117A-33PEJTR
IC602	6-704-007-01	s	IC MM1571JNLE
IC603	6-701-174-01	s	IC MM1573DNLE
IC604	6-704-958-01	s	IC AIC1117A-18PYJTR
IC605	6-703-225-01	s	IC S-80928CNMC-G8YT2G
IC700	6-704-842-01	s	IC AIC1117A-33PEJTR
IC701	6-704-007-01	s	IC MM1571JNLE
IC702	6-707-502-01	s	IC AD9981KSTZ-95
IC703	8-759-679-53	s	IC SN74LVC244APWR
IC800	8-759-573-97	s	IC SN74LVC541APWR
IC801	8-759-573-97	s	IC SN74LVC541APWR
IC802	8-759-573-97	s	IC SN74LVC541APWR
IC803	8-759-573-97	s	IC SN74LVC541APWR
IC804	8-759-573-97	s	IC SN74LVC541APWR
IC805	8-759-573-97	s	IC SN74LVC541APWR
IC900	8-759-669-41	s	IC SN74LVC125APWR-12
IC901	8-759-523-97	s	IC TC74VHC123AFT(EL)
IC902	8-759-337-26	s	IC MM1115XFBE
IC904	6-704-954-01	s	IC AIC1117A-50PYJTR
IC905	6-703-225-01	s	IC S-80928CNMC-G8YT2G
IC906	6-706-928-01	s	IC TE8200PF
IC1000	6-703-225-01	s	IC S-80928CNMC-G8YT2G
IC1101	6-705-137-01	s	IC NE57814DD.118
IC1102	6-705-089-01	s	IC K4D263238F-UC50T

(C BOARD)

Ref. No. or Q'ty	Part No.	SP	Description
IC1201	6-704-843-01	s	IC AIC1117A-PEJTR
IC1300	6-704-843-01	s	IC AIC1117A-PEJTR
IC1302	6-703-225-01	s	IC S-80928CNMC-G8YT2G
IC1303	6-804-689-01	s	IC ICS342M-05LF
IC1304	8-759-471-89	s	IC 74VHC02MTCX
IC1305	6-805-067-01	s	IC MX29LV800BTTT-70G-89PW
IC1400	6-700-953-01	s	IC LM1117MPX-1.8
IC1401	6-706-960-01	s	IC CXD9809GF
IC1402	6-703-225-01	s	IC S-80928CNMC-G8YT2G
IC1403	6-702-985-01	s	IC M24256-BWMN6T
IC1404	8-759-679-58	s	IC SN74AHT541PWR
IC1405	8-759-679-58	s	IC SN74AHT541PWR
IC1500	6-704-953-01	s	IC AIC1117A-33PYJTR
IC1501	8-752-107-63	s	IC CXA7004R-T4
IC1502	8-752-107-63	s	IC CXA7004R-T4
IC1503	6-705-025-01	s	IC PQ20WZ1UJ00H
IC1504	6-707-208-01	s	IC TK11100CSCB-G
IC1505	6-707-322-01	s	IC SN74LVC1G14DCKR
IC1600	6-704-953-01	s	IC AIC1117A-33PYJTR
IC1601	8-752-107-63	s	IC CXA7004R-T4
IC1602	8-752-107-63	s	IC CXA7004R-T4
IC1603	6-707-322-01	s	IC SN74LVC1G14DCKR
IC1700	6-704-953-01	s	IC AIC1117A-33PYJTR
IC1701	8-752-107-63	s	IC CXA7004R-T4
IC1702	8-752-107-63	s	IC CXA7004R-T4
IC1703	6-707-322-01	s	IC SN74LVC1G14DCKR
IC1801	8-759-549-01	s	IC SN74LV125APWR
IC1802	6-706-022-01	s	IC HD64F2378VFQ34V
IC1803	6-703-225-01	s	IC S-80928CNMC-G8YT2G
IC1804	6-702-688-01	s	IC M24C64-WMN6T(B)
IC1805	8-759-548-95	s	IC SN74LV00APWR
IC1806	8-759-549-01	s	IC SN74LV125APWR
IC1807	6-704-001-01	s	IC BR24L02F-WE2
IC1808			
IC1809	*2 8-759-549-01	s	IC SN74LV125APWR
	*2 8-759-196-93	s	IC TC7SH00FU-TE85R
IC1900	6-704-954-01	s	IC AIC1117A-50PYJTR
IC1902	6-701-174-01	s	IC MM1573DNLE
IC1903	6-706-740-01	s	IC BA00BCOWFP-E2
IC1904	6-706-740-01	s	IC BA00BCOWFP-E2
IC1905	6-706-740-01	s	IC BA00BCOWFP-E2
IC1907	6-706-740-01	s	IC BA00BCOWFP-E2
IC2000	8-759-337-40	s	IC NJM2904V(Te2)
IC2001	8-759-646-99	s	IC NJM4556AV(Te2)
IC2002	6-705-025-01	s	IC PQ20WZ1UJ00H
IC2003	8-759-337-40	s	IC NJM2904V(Te2)
J100	1-785-549-41	o	JACK, PIN YELLOW
J101	1-816-949-11	o	PIN JACK 3P
J102	1-695-473-11	s	JACK (EARPHONE)
J103	1-694-242-11	s	TERMINAL, S
L400	1-469-525-91	s	INDUCTOR 10UH
L401	1-469-525-91	s	INDUCTOR 10UH
L402	1-469-525-91	s	INDUCTOR 10UH
L403	1-469-525-91	s	INDUCTOR 10UH
L500	1-469-525-91	s	INDUCTOR 10UH
L501	1-410-200-31	s	INDUCTOR 4.7UH
L502	1-412-058-11	s	INDUCTOR 10UH
L503	1-469-525-91	s	INDUCTOR 10UH

(C BOARD)

Ref. No. or Q'ty	Part No.	SP	Description
L504	1-412-058-11	s	INDUCTOR 10UH
L600	1-469-522-91	s	INDUCTOR 1UH
L601	1-469-525-91	s	INDUCTOR 10UH
L602	1-469-525-91	s	INDUCTOR 10UH
L900	1-469-525-91	s	INDUCTOR 10UH
L1300	1-469-528-91	s	INDUCTOR 100UH
L1502	1-469-522-91	s	INDUCTOR 1UH
L1503	1-469-522-91	s	INDUCTOR 1UH
L1504	1-469-522-91	s	INDUCTOR 1UH
L1505	1-469-522-91	s	INDUCTOR 1UH
L1602	1-469-522-91	s	INDUCTOR 1UH
L1603	1-469-522-91	s	INDUCTOR 1UH
L1604	1-469-522-91	s	INDUCTOR 1UH
L1605	1-469-522-91	s	INDUCTOR 1UH
L1702	1-469-522-91	s	INDUCTOR 1UH
L1703	1-469-522-91	s	INDUCTOR 1UH
L1704	1-469-522-91	s	INDUCTOR 1UH
L1705	1-469-522-91	s	INDUCTOR 1UH
Q101	8-729-029-14	s	TRANSISTOR DTC144EUA-T106
Q200	*2 8-729-013-28	s	TRANSISTOR HN1B01FU-TE85R
Q400	8-729-029-14	s	TRANSISTOR DTC144EUA-T106
Q401	8-729-029-14	s	TRANSISTOR DTC144EUA-T106
Q402	6-550-014-01	s	TRANSISTOR SSM6N15FU(TE85R)
Q500	8-729-026-53	s	TRANSISTOR 2SA1576A-T106-QR
Q501	8-729-026-53	s	TRANSISTOR 2SA1576A-T106-QR
Q502	8-729-905-35	s	TRANSISTOR 2SC4081-R
Q503	8-729-026-53	s	TRANSISTOR 2SA1576A-T106-QR
Q504	8-729-026-53	s	TRANSISTOR 2SA1576A-T106-QR
Q505	8-729-026-53	s	TRANSISTOR 2SA1576A-T106-QR
Q506	8-729-905-35	s	TRANSISTOR 2SC4081-R
Q507	8-729-905-35	s	TRANSISTOR 2SC4081-R
Q508	8-729-905-35	s	TRANSISTOR 2SC4081-R
Q509	8-729-026-53	s	TRANSISTOR 2SA1576A-T106-QR
Q510	8-729-905-35	s	TRANSISTOR 2SC4081-R
Q511	8-729-905-35	s	TRANSISTOR 2SC4081-R
Q512	8-729-905-35	s	TRANSISTOR 2SC4081-R
Q513	8-729-905-35	s	TRANSISTOR 2SC4081-R
Q514	8-729-905-35	s	TRANSISTOR 2SC4081-R
Q515	8-729-026-53	s	TRANSISTOR 2SA1576A-T106-QR
Q516	8-729-905-35	s	TRANSISTOR 2SC4081-R
Q517	8-729-026-53	s	TRANSISTOR 2SA1576A-T106-QR
Q518	8-729-905-35	s	TRANSISTOR 2SC4081-R
Q519	8-729-905-35	s	TRANSISTOR 2SC4081-R
Q520	8-729-026-53	s	TRANSISTOR 2SA1576A-T106-QR
Q521	8-729-905-35	s	TRANSISTOR 2SC4081-R
Q522	8-729-026-53	s	TRANSISTOR 2SA1576A-T106-QR
Q900	8-729-905-35	s	TRANSISTOR 2SC4081-R
Q901	8-729-905-35	s	TRANSISTOR 2SC4081-R
Q902	8-729-905-35	s	TRANSISTOR 2SC4081-R
Q903	8-729-905-35	s	TRANSISTOR 2SC4081-R
Q904	8-729-026-53	s	TRANSISTOR 2SA1576A-T106-QR
Q905	8-729-905-35	s	TRANSISTOR 2SC4081-R
Q906	8-729-026-53	s	TRANSISTOR 2SA1576A-T106-QR
Q907	8-729-029-14	s	TRANSISTOR DTC144EUA-T106
Q908	8-729-905-35	s	TRANSISTOR 2SC4081-R
Q909	8-729-905-35	s	TRANSISTOR 2SC4081-R
Q1300	8-729-907-00	s	TRANSISTOR DTC114EU
Q1301	6-550-354-01	s	TRANSISTOR RTQ035P02TR

(C BOARD)

Ref. No. or Q'ty	Part No.	SP	Description
Q1400	8-729-907-00	s	TRANSISTOR DTC114EU
Q1401	8-729-013-28	s	TRANSISTOR HN1B01FU-TE85R
Q1500	8-729-013-28	s	TRANSISTOR HN1B01FU-TE85R
Q1501	8-729-013-28	s	TRANSISTOR HN1B01FU-TE85R
Q1600	8-729-013-28	s	TRANSISTOR HN1B01FU-TE85R
Q1601	8-729-013-28	s	TRANSISTOR HN1B01FU-TE85R
Q1700	8-729-013-28	s	TRANSISTOR HN1B01FU-TE85R
Q1701	8-729-013-28	s	TRANSISTOR HN1B01FU-TE85R
Q1801	6-550-014-01	s	TRANSISTOR SSM6N15FU(TE85R)
Q1802	6-550-014-01	s	TRANSISTOR SSM6N15FU(TE85R)
Q1803	6-550-014-01	s	TRANSISTOR SSM6N15FU(TE85R)
Q1804	6-550-014-01	s	TRANSISTOR SSM6N15FU(TE85R)
Q1805	6-550-014-01	s	TRANSISTOR SSM6N15FU(TE85R)
Q1806	8-729-013-28	s	TRANSISTOR HN1B01FU-TE85R
Q1807	6-550-014-01	s	TRANSISTOR SSM6N15FU(TE85R)
Q1808	6-550-014-01	s	TRANSISTOR SSM6N15FU(TE85R)
Q1809	8-729-029-14	s	TRANSISTOR DTC144EUA-T106
Q1810	8-729-029-14	s	TRANSISTOR DTC144EUA-T106
Q1811	8-729-029-14	s	TRANSISTOR DTC144EUA-T106
Q1812	8-729-029-14	s	TRANSISTOR DTC144EUA-T106
Q1813	6-550-014-01	s	TRANSISTOR SSM6N15FU(TE85R)
Q1900	8-729-029-14	s	TRANSISTOR DTC144EUA-T106
Q1902	8-729-026-53	s	TRANSISTOR 2SA1576A-T106-QR
Q1903	8-729-013-28	s	TRANSISTOR HN1B01FU-TE85R
Q1904	8-729-013-28	s	TRANSISTOR HN1B01FU-TE85R
Q1905	8-729-029-14	s	TRANSISTOR DTC144EUA-T106
Q1906	8-729-029-14	s	TRANSISTOR DTC144EUA-T106
Q1907	8-729-029-14	s	TRANSISTOR DTC144EUA-T106
Q1909	8-729-029-14	s	TRANSISTOR DTC144EUA-T106
Q1910	8-729-029-14	s	TRANSISTOR DTC144EUA-T106
Q1911	8-729-013-28	s	TRANSISTOR HN1B01FU-TE85R
Q1912	8-729-013-28	s	TRANSISTOR HN1B01FU-TE85R
Q1913	8-729-013-28	s	TRANSISTOR HN1B01FU-TE85R
Q1914	8-729-029-14	s	TRANSISTOR DTC144EUA-T106
Q1915	8-729-028-91	s	TRANSISTOR DTA144EUA-T106
Q1916	8-729-029-14	s	TRANSISTOR DTC144EUA-T106
Q2000	8-729-013-28	s	TRANSISTOR HN1B01FU-TE85R
Q2001	8-729-905-35	s	TRANSISTOR 2SC4081-R
R105	1-211-979-11	s	METAL CHIP 27 0.5% 1/10W
R106	1-211-979-11	s	METAL CHIP 27 0.5% 1/10W
R107	1-211-979-11	s	METAL CHIP 27 0.5% 1/10W
R108	1-211-979-11	s	METAL CHIP 27 0.5% 1/10W
R109	1-211-979-11	s	METAL CHIP 27 0.5% 1/10W
R110	1-211-979-11	s	METAL CHIP 27 0.5% 1/10W
R111	1-211-985-11	s	METAL CHIP 47 0.5% 1/10W
R112	1-211-985-11	s	METAL CHIP 47 0.5% 1/10W
R113	1-211-985-11	s	METAL CHIP 47 0.5% 1/10W
R114	1-211-985-11	s	METAL CHIP 47 0.5% 1/10W
R115	1-211-985-11	s	METAL CHIP 47 0.5% 1/10W
R116	1-211-985-11	s	METAL CHIP 47 0.5% 1/10W
R122	1-218-990-11	s	SHORT CHIP 0
R124	1-218-990-11	s	SHORT CHIP 0
R127	1-218-937-11	s	RES-CHIP 47 5% 1/16W
R128	1-218-937-11	s	RES-CHIP 47 5% 1/16W
R129	1-218-937-11	s	RES-CHIP 47 5% 1/16W
R131	1-218-969-11	s	RES-CHIP 22K 5% 1/16W
R133	1-218-965-11	s	RES-CHIP 10K 5% 1/16W
R135	1-218-967-11	s	RES-CHIP 15K 5% 1/16W

(C BOARD)

Ref. No. or Q'ty	Part No.	SP	Description
R136	1-218-967-11	s	RES-CHIP 15K 5% 1/16W
R137	1-216-829-11	s	METAL CHIP 4.7K 5% 1/10W
R138	1-218-973-11	s	RES-CHIP 47K 5% 1/16W
R139	1-216-813-11	s	METAL CHIP 220 5% 1/10W
R140	1-216-805-11	s	METAL CHIP 47 5% 1/10W
R141	1-216-805-11	s	METAL CHIP 47 5% 1/10W
R142	1-218-990-11	s	SHORT CHIP 0
R143	1-218-990-11	s	SHORT CHIP 0
R200	*2 1-218-965-11	s	RES-CHIP 10K 5% 1/16W
R201	*2 1-218-965-11	s	RES-CHIP 10K 5% 1/16W
R202	*2 1-218-953-11	s	RES-CHIP 1K 5% 1/16W
R203	*2 1-218-990-11	s	SHORT CHIP 0
R204	*2 1-218-990-11	s	SHORT CHIP 0
R205	*2 1-218-957-11	s	RES-CHIP 2.2K 5% 1/16W
R209	1-218-941-81	s	RES-CHIP 100 5% 1/16W
R218	1-218-941-81	s	RES-CHIP 100 5% 1/16W
R219	*2 1-218-969-11	s	RES-CHIP 22K 5% 1/16W
R220	*2 1-218-973-11	s	RES-CHIP 47K 5% 1/16W
R221	*2 1-218-989-11	s	RES-CHIP 1M 5% 1/16W
R222	*2 1-218-965-11	s	RES-CHIP 10K 5% 1/16W
R223	*2 1-218-955-11	s	RES-CHIP 1.5K 5% 1/16W
R224	*2 1-218-961-11	s	CHIP 4.7K 5% 1/16W
R225	*2 1-218-961-11	s	CHIP 4.7K 5% 1/16W
R226	*2 1-218-937-11	s	RES-CHIP 47 5% 1/16W
R227	*2 1-218-937-11	s	RES-CHIP 47 5% 1/16W
R228	*2 1-218-937-11	s	RES-CHIP 47 5% 1/16W
R229	1-218-941-81	s	RES-CHIP 100 5% 1/16W
R230	1-218-941-81	s	RES-CHIP 100 5% 1/16W
R231	1-218-941-81	s	RES-CHIP 100 5% 1/16W
R232	1-218-941-81	s	RES-CHIP 100 5% 1/16W
R234	1-218-941-81	s	RES-CHIP 100 5% 1/16W
R400	1-218-953-11	s	RES-CHIP 1K 5% 1/16W
R402	1-218-937-11	s	RES-CHIP 47 5% 1/16W
R404	1-218-965-11	s	RES-CHIP 10K 5% 1/16W
R405	1-218-965-11	s	RES-CHIP 10K 5% 1/16W
R406	1-218-953-11	s	RES-CHIP 1K 5% 1/16W
R407	1-218-937-11	s	RES-CHIP 47 5% 1/16W
R408	1-218-937-11	s	RES-CHIP 47 5% 1/16W
R409	1-218-937-11	s	RES-CHIP 47 5% 1/16W
R410	1-218-937-11	s	RES-CHIP 47 5% 1/16W
R411	1-218-961-11	s	RES-CHIP 4.7K 5% 1/16W
R412	1-218-961-11	s	RES-CHIP 4.7K 5% 1/16W
R413	1-218-965-11	s	RES-CHIP 10K 5% 1/16W
R414	1-218-941-81	s	RES-CHIP 100 5% 1/16W
R415	1-218-937-11	s	RES-CHIP 47 5% 1/16W
R416	1-218-937-11	s	RES-CHIP 47 5% 1/16W
R417	1-218-961-11	s	RES-CHIP 4.7K 5% 1/16W
R418	1-218-682-11	s	METAL CHIP 390 0.5% 1/10W
R419	1-218-961-11	s	RES-CHIP 4.7K 5% 1/16W
R420	1-218-965-11	s	RES-CHIP 10K 5% 1/16W
R421	1-218-937-11	s	RES-CHIP 47 5% 1/16W
R422	1-218-937-11	s	RES-CHIP 47 5% 1/16W
R423	1-218-941-81	s	RES-CHIP 100 5% 1/16W
R425	1-218-941-81	s	RES-CHIP 100 5% 1/16W
R426	1-218-941-81	s	RES-CHIP 100 5% 1/16W
R427	1-218-941-81	s	RES-CHIP 100 5% 1/16W
R428	1-218-965-11	s	RES-CHIP 10K 5% 1/16W
R429	1-218-961-11	s	RES-CHIP 4.7K 5% 1/16W
R430	1-218-937-11	s	RES-CHIP 47 5% 1/16W

(C BOARD)

Ref. No. or Q'ty	Part No.	SP	Description
R431	1-218-937-11	s	RES-CHIP 47 5% 1/16W
R432	1-218-929-11	s	RES-CHIP 10 5% 1/16W
R433	1-218-990-11	s	SHORT CHIP 0
R434	1-218-937-11	s	RES-CHIP 47 5% 1/16W
R435	1-216-864-11	s	SHORT CHIP 0
R500	1-218-953-11	s	RES-CHIP 1K 5% 1/16W
R501	1-218-955-11	s	RES-CHIP 1.5K 5% 1/16W
R502	1-218-949-11	s	RES-CHIP 470 5% 1/16W
R503	1-218-965-11	s	RES-CHIP 10K 5% 1/16W
R504	1-218-941-81	s	RES-CHIP 100 5% 1/16W
R505	1-218-941-81	s	RES-CHIP 100 5% 1/16W
R506	1-218-953-11	s	RES-CHIP 1K 5% 1/16W
R507	1-218-953-11	s	RES-CHIP 1K 5% 1/16W
R508	1-218-990-11	s	SHORT CHIP 0
R509	1-218-961-11	s	RES-CHIP 4.7K 5% 1/16W
R510	1-218-957-11	s	RES-CHIP 2.2K 5% 1/16W
R511	1-218-949-11	s	RES-CHIP 470 5% 1/16W
R512	1-218-949-11	s	RES-CHIP 470 5% 1/16W
R513	1-218-957-11	s	RES-CHIP 2.2K 5% 1/16W
R514	1-208-677-11	s	METAL CHIP 560 0.5% 1/16W
R515	1-208-677-11	s	METAL CHIP 560 0.5% 1/16W
R516	1-218-957-11	s	RES-CHIP 2.2K 5% 1/16W
R517	1-218-953-11	s	RES-CHIP 1K 5% 1/16W
R518	1-218-957-11	s	RES-CHIP 2.2K 5% 1/16W
R519	1-218-941-81	s	RES-CHIP 100 5% 1/16W
R520	1-218-973-11	s	RES-CHIP 47K 5% 1/16W
R521	1-218-981-11	s	RES-CHIP 220K 5% 1/16W
R523	1-208-701-11	s	METAL CHIP 5.6K 0.5% 1/16W
R524	1-218-945-11	s	RES-CHIP 220 5% 1/16W
R525	1-208-701-11	s	METAL CHIP 5.6K 0.5% 1/16W
R526	1-218-957-11	s	RES-CHIP 2.2K 5% 1/16W
R527	1-218-957-11	s	RES-CHIP 2.2K 5% 1/16W
R528	1-208-675-11	s	METAL CHIP 470 0.5% 1/16W
R529	1-218-952-11	s	RES-CHIP 820 5% 1/16W
R530	1-208-675-11	s	METAL CHIP 470 0.5% 1/16W
R531	1-218-953-11	s	RES-CHIP 1K 5% 1/16W
R532	1-208-651-11	s	METAL CHIP 47 0.5% 1/16W
R533	1-208-675-11	s	METAL CHIP 470 0.5% 1/16W
R534	1-208-675-11	s	METAL CHIP 470 0.5% 1/16W
R535	1-208-701-11	s	METAL CHIP 5.6K 0.5% 1/16W
R536	1-218-990-11	s	SHORT CHIP 0
R537	1-208-691-11	s	METAL CHIP 2.2K 0.5% 1/16W
R538	1-218-952-11	s	RES-CHIP 820 5% 1/16W
R539	1-208-691-11	s	METAL CHIP 2.2K 0.5% 1/16W
R540	1-218-952-11	s	RES-CHIP 820 5% 1/16W
R541	1-218-971-11	s	RES-CHIP 33K 5% 1/16W
R542	1-218-966-11	s	RES-CHIP 12K 5% 1/16W
R543	1-218-971-11	s	RES-CHIP 33K 5% 1/16W
R544	1-218-966-11	s	RES-CHIP 12K 5% 1/16W
R545	1-218-953-11	s	RES-CHIP 1K 5% 1/16W
R546	1-218-953-11	s	RES-CHIP 1K 5% 1/16W
R547	1-208-677-11	s	METAL CHIP 560 0.5% 1/16W
R548	1-218-937-11	s	RES-CHIP 47 5% 1/16W
R549	1-218-937-11	s	RES-CHIP 47 5% 1/16W
R550	1-218-953-11	s	RES-CHIP 1K 5% 1/16W
R551	1-218-953-11	s	RES-CHIP 1K 5% 1/16W
R552	1-218-953-11	s	RES-CHIP 1K 5% 1/16W
R553	1-218-953-11	s	RES-CHIP 1K 5% 1/16W
R554	1-218-953-11	s	RES-CHIP 1K 5% 1/16W

(C BOARD)

Ref. No. or Q'ty	Part No.	SP	Description
R555	1-218-941-81	s	RES-CHIP 100 5% 1/16W
R556	1-218-973-11	s	RES-CHIP 47K 5% 1/16W
R557	1-218-973-11	s	RES-CHIP 47K 5% 1/16W
R558	1-208-663-11	s	METAL CHIP 150 0.5% 1/16W
R560	1-208-663-11	s	METAL CHIP 150 0.5% 1/16W
R561	1-208-663-11	s	METAL CHIP 150 0.5% 1/16W
R600	1-211-979-11	s	METAL CHIP 27 0.5% 1/10W
R601	1-211-985-11	s	METAL CHIP 47 0.5% 1/10W
R602	1-218-990-11	s	SHORT CHIP 0
R603	1-218-965-11	s	RES-CHIP 10K 5% 1/16W
R604	1-218-990-11	s	SHORT CHIP 0
R606	1-211-979-11	s	METAL CHIP 27 0.5% 1/10W
R609	1-218-941-81	s	RES-CHIP 100 5% 1/16W
R610	1-211-985-11	s	METAL CHIP 47 0.5% 1/10W
R611	1-211-985-11	s	METAL CHIP 47 0.5% 1/10W
R613	1-211-979-11	s	METAL CHIP 27 0.5% 1/10W
R615	1-218-941-81	s	RES-CHIP 100 5% 1/16W
R616	1-218-990-11	s	SHORT CHIP 0
R617	1-218-961-11	s	RES-CHIP 4.7K 5% 1/16W
R619	1-211-987-11	s	METAL CHIP 56 0.5% 1/10W
R621	1-218-823-11	s	METAL CHIP 100 0.5% 1/10W
R626	1-218-941-81	s	RES-CHIP 100 5% 1/16W
R629	1-218-941-81	s	RES-CHIP 100 5% 1/16W
R630	1-218-941-81	s	RES-CHIP 100 5% 1/16W
R634	1-211-985-11	s	METAL CHIP 47 0.5% 1/10W
R635	1-211-979-11	s	METAL CHIP 27 0.5% 1/10W
R637	1-218-929-11	s	RES-CHIP 10 5% 1/16W
R639	1-218-990-11	s	SHORT CHIP 0
R700	1-218-937-11	s	RES-CHIP 47 5% 1/16W
R702	1-218-937-11	s	RES-CHIP 47 5% 1/16W
R703	1-218-937-11	s	RES-CHIP 47 5% 1/16W
R704	1-218-937-11	s	RES-CHIP 47 5% 1/16W
R705	1-218-937-11	s	RES-CHIP 47 5% 1/16W
R706	1-218-937-11	s	RES-CHIP 47 5% 1/16W
R707	1-218-937-11	s	RES-CHIP 47 5% 1/16W
R708	1-218-937-11	s	RES-CHIP 47 5% 1/16W
R709	1-218-937-11	s	RES-CHIP 47 5% 1/16W
R710	1-218-937-11	s	RES-CHIP 47 5% 1/16W
R711	1-218-937-11	s	RES-CHIP 47 5% 1/16W
R715	1-218-937-11	s	RES-CHIP 47 5% 1/16W
R716	1-218-937-11	s	RES-CHIP 47 5% 1/16W
R717	1-208-687-11	s	METAL CHIP 1.5K 0.5% 1/16W
R718	1-218-937-11	s	RES-CHIP 47 5% 1/16W
R719	1-218-937-11	s	RES-CHIP 47 5% 1/16W
R720	1-218-937-11	s	RES-CHIP 47 5% 1/16W
R721	1-218-937-11	s	RES-CHIP 47 5% 1/16W
R722	1-218-933-11	s	RES-CHIP 22 5% 1/16W
R723	1-218-933-11	s	RES-CHIP 22 5% 1/16W
R800	1-218-929-11	s	RES-CHIP 10 5% 1/16W
R801	1-218-929-11	s	RES-CHIP 10 5% 1/16W
R802	1-218-929-11	s	RES-CHIP 10 5% 1/16W
R900	1-218-990-11	s	SHORT CHIP 0
R901	1-218-990-11	s	SHORT CHIP 0
R902	1-218-990-11	s	SHORT CHIP 0
R903	1-218-937-11	s	RES-CHIP 47 5% 1/16W
R904	1-218-977-11	s	RES-CHIP 100K 5% 1/16W
R905	1-218-981-11	s	RES-CHIP 220K 5% 1/16W
R906	1-218-937-11	s	RES-CHIP 47 5% 1/16W
R907	1-218-937-11	s	RES-CHIP 47 5% 1/16W

(C BOARD)

Ref. No. or Q'ty	Part No.	SP	Description
R908	1-218-937-11	s	RES-CHIP 47 5% 1/16W
R909	1-218-953-11	s	RES-CHIP 1K 5% 1/16W
R910	1-218-953-11	s	RES-CHIP 1K 5% 1/16W
R911	1-218-953-11	s	RES-CHIP 1K 5% 1/16W
R912	1-208-689-11	s	METAL CHIP 1.8K 0.5% 1/16W
R913	1-218-977-11	s	RES-CHIP 100K 5% 1/16W
R914	1-218-977-11	s	RES-CHIP 100K 5% 1/16W
R915	1-218-977-11	s	RES-CHIP 100K 5% 1/16W
R916	1-218-977-11	s	RES-CHIP 100K 5% 1/16W
R917	1-218-941-81	s	RES-CHIP 100 5% 1/16W
R918	1-218-941-81	s	RES-CHIP 100 5% 1/16W
R919	1-218-953-11	s	RES-CHIP 1K 5% 1/16W
R920	1-218-953-11	s	RES-CHIP 1K 5% 1/16W
R921	1-208-947-11	s	METAL CHIP 330K 0.5% 1/16W
R922	1-218-937-11	s	RES-CHIP 47 5% 1/16W
R923	1-218-937-11	s	RES-CHIP 47 5% 1/16W
R924	1-218-961-11	s	RES-CHIP 4.7K 5% 1/16W
R925	1-218-977-11	s	RES-CHIP 100K 5% 1/16W
R926	1-218-981-11	s	RES-CHIP 220K 5% 1/16W
R928	1-218-961-11	s	RES-CHIP 4.7K 5% 1/16W
R929	1-218-965-11	s	RES-CHIP 10K 5% 1/16W
R930	1-218-937-11	s	RES-CHIP 47 5% 1/16W
R931	1-218-965-11	s	RES-CHIP 10K 5% 1/16W
R932	1-218-941-81	s	RES-CHIP 100 5% 1/16W
R933	1-218-989-11	s	RESISTOR,CHIP 1M 1/16W (1005)
R934	1-218-941-81	s	RES-CHIP 100 5% 1/16W
R935	1-218-953-11	s	RES-CHIP 1K 5% 1/16W
R936	1-219-606-11	s	METAL CHIP 100K 0.5% 1/16W
R937	1-208-703-11	s	METAL CHIP 6.8K 0.5% 1/16W
R938	1-218-941-81	s	RES-CHIP 100 5% 1/16W
R939	1-218-953-11	s	RES-CHIP 1K 5% 1/16W
R940	1-218-965-11	s	RES-CHIP 10K 5% 1/16W
R941	1-218-953-11	s	RES-CHIP 1K 5% 1/16W
R942	1-218-941-81	s	RES-CHIP 100 5% 1/16W
R948	1-218-929-11	s	RES-CHIP 10 5% 1/16W
R949	1-218-929-11	s	RES-CHIP 10 5% 1/16W
R950	1-218-929-11	s	RES-CHIP 10 5% 1/16W
R951	1-218-929-11	s	RES-CHIP 10 5% 1/16W
R952	1-218-965-11	s	RES-CHIP 10K 5% 1/16W
R953	1-218-941-81	s	RES-CHIP 100 5% 1/16W
R954	1-208-708-11	o	METAL CHIP 11K 0.5% 1/16W
R955	1-218-990-11	s	SHORT CHIP 0
R957	1-218-931-11	s	RES-CHIP 15 5% 1/16W
R958	1-218-989-11	s	RES-CHIP 1M 5% 1/16W
R959	1-218-941-81	s	RES-CHIP 100 5% 1/16W
R960	1-218-941-81	s	RES-CHIP 100 5% 1/16W
R961	1-218-965-11	s	RES-CHIP 10K 5% 1/16W
R962	1-218-937-11	s	RES-CHIP 47 5% 1/16W
R963	1-218-937-11	s	RES-CHIP 47 5% 1/16W
R964	1-218-937-11	s	RES-CHIP 47 5% 1/16W
R965	1-218-937-11	s	RES-CHIP 47 5% 1/16W
R967	1-218-937-11	s	RES-CHIP 47 5% 1/16W
R968	1-218-937-11	s	RES-CHIP 47 5% 1/16W
R969	1-218-937-11	s	RES-CHIP 47 5% 1/16W
R970	1-218-965-11	s	RES-CHIP 10K 5% 1/16W
R971	1-218-953-11	s	RES-CHIP 1K 5% 1/16W
R972	1-218-977-11	s	RES-CHIP 100K 5% 1/16W
R973	1-218-977-11	s	RES-CHIP 100K 5% 1/16W
R974	1-218-977-11	s	RES-CHIP 100K 5% 1/16W

(C BOARD)

Ref. No. or Q'ty	Part No.	SP	Description
R975	1-218-977-11	s	RES-CHIP 100K 5% 1/16W
R976	1-218-965-11	s	RES-CHIP 10K 5% 1/16W
R977	1-218-965-11	s	RES-CHIP 10K 5% 1/16W
R1000	1-218-941-81	s	RES-CHIP 100 5% 1/16W
R1001	1-218-941-81	s	RES-CHIP 100 5% 1/16W
R1008	1-218-965-11	s	RES-CHIP 10K 5% 1/16W
R1010	1-218-933-11	s	RES-CHIP 22 5% 1/16W
R1011	1-218-933-11	s	RES-CHIP 22 5% 1/16W
R1012	1-218-933-11	s	RES-CHIP 22 5% 1/16W
R1013	1-218-941-81	s	RES-CHIP 100 5% 1/16W
R1015	1-218-933-11	s	RES-CHIP 22 5% 1/16W
R1016	1-219-570-11	s	METAL CHIP 10M 5% 1/10W
R1017	1-218-937-11	s	RES-CHIP 47 5% 1/16W
R1018	1-218-965-11	s	RES-CHIP 10K 5% 1/16W
R1020	1-218-965-11	s	RES-CHIP 10K 5% 1/16W
R1021	1-218-965-11	s	RES-CHIP 10K 5% 1/16W
R1023	1-218-965-11	s	RES-CHIP 10K 5% 1/16W
R1025	1-218-965-11	s	RES-CHIP 10K 5% 1/16W
R1026	1-218-965-11	s	RES-CHIP 10K 5% 1/16W
R1028	1-218-965-11	s	RES-CHIP 10K 5% 1/16W
R1030	1-218-965-11	s	RES-CHIP 10K 5% 1/16W
R1031	1-218-965-11	s	RES-CHIP 10K 5% 1/16W
R1032	1-218-965-11	s	RES-CHIP 10K 5% 1/16W
R1033	1-218-965-11	s	RES-CHIP 10K 5% 1/16W
R1037	1-218-937-11	s	RES-CHIP 47 5% 1/16W
R1038	1-218-929-11	s	RES-CHIP 10 5% 1/16W
R1039	1-218-929-11	s	RES-CHIP 10 5% 1/16W
R1040	1-218-965-11	s	RES-CHIP 10K 5% 1/16W
R1041	1-218-965-11	s	RES-CHIP 10K 5% 1/16W
R1101	1-218-933-11	s	RES-CHIP 22 5% 1/16W
R1102	1-218-933-11	s	RES-CHIP 22 5% 1/16W
R1103	1-218-933-11	s	RES-CHIP 22 5% 1/16W
R1104	1-218-933-11	s	RES-CHIP 22 5% 1/16W
R1105	1-218-933-11	s	RES-CHIP 22 5% 1/16W
R1106	1-218-933-11	s	RES-CHIP 22 5% 1/16W
R1107	1-218-933-11	s	RES-CHIP 22 5% 1/16W
R1108	1-218-933-11	s	RES-CHIP 22 5% 1/16W
R1109	1-218-933-11	s	RES-CHIP 22 5% 1/16W
R1110	1-218-933-11	s	RES-CHIP 22 5% 1/16W
R1111	1-218-937-11	s	RES-CHIP 47 5% 1/16W
R1112	1-218-937-11	s	RES-CHIP 47 5% 1/16W
R1113	1-218-937-11	s	RES-CHIP 47 5% 1/16W
R1114	1-218-937-11	s	RES-CHIP 47 5% 1/16W
R1115	1-218-937-11	s	RES-CHIP 47 5% 1/16W
R1116	1-218-937-11	s	RES-CHIP 47 5% 1/16W
R1117	1-218-937-11	s	RES-CHIP 47 5% 1/16W
R1118	1-218-937-11	s	RES-CHIP 47 5% 1/16W
R1119	1-218-937-11	s	RES-CHIP 47 5% 1/16W
R1120	1-218-937-11	s	RES-CHIP 47 5% 1/16W
R1121	1-218-965-11	s	RES-CHIP 10K 5% 1/16W
R1122	1-218-937-11	s	RES-CHIP 47 5% 1/16W
R1123	1-218-965-11	s	RES-CHIP 10K 5% 1/16W
R1124	1-218-937-11	s	RES-CHIP 47 5% 1/16W
R1201	1-208-675-11	s	METAL CHIP 470 0.5% 1/16W
R1202	1-208-659-11	s	METAL CHIP 100 0.5% 1/16W
R1301	1-208-683-11	s	METAL CHIP 1K 0.5% 1/16W
R1302	1-208-668-11	s	RES, METAL FILM CHIP 240(1005)
R1303	1-218-947-11	s	RES-CHIP 330 5% 1/16W
R1304	1-218-990-11	s	SHORT CHIP 0

(C BOARD)

Ref. No. or Q'ty	Part No.	SP	Description
R1305	1-218-933-11	s	RES-CHIP 22 5% 1/16W
R1306	1-218-933-11	s	RES-CHIP 22 5% 1/16W
R1307	1-218-933-11	s	RES-CHIP 22 5% 1/16W
R1308	1-219-570-11	s	METAL CHIP 10M 5% 1/10W
R1309	1-218-973-11	s	RES-CHIP 47K 5% 1/16W
R1310	1-218-933-11	s	RES-CHIP 22 5% 1/16W
R1311	1-218-933-11	s	RES-CHIP 22 5% 1/16W
R1312	1-218-933-11	s	RES-CHIP 22 5% 1/16W
R1313	1-218-933-11	s	RES-CHIP 22 5% 1/16W
R1314	1-218-949-11	s	RES-CHIP 470 5% 1/16W
R1315	1-218-941-81	s	RES-CHIP 100 5% 1/16W
R1316	1-218-941-81	s	RES-CHIP 100 5% 1/16W
R1317	1-218-965-11	s	RES-CHIP 10K 5% 1/16W
R1318	1-218-941-81	s	RES-CHIP 100 5% 1/16W
R1320	1-218-957-11	s	RES-CHIP 2.2K 5% 1/16W
R1321	1-218-941-81	s	RES-CHIP 100 5% 1/16W
R1322	1-218-941-81	s	RES-CHIP 100 5% 1/16W
R1323	1-218-957-11	s	RES-CHIP 2.2K 5% 1/16W
R1324	1-218-953-11	s	RES-CHIP 1K 5% 1/16W
R1326	1-218-933-11	s	RES-CHIP 22 5% 1/16W
R1327	1-218-933-11	s	RES-CHIP 22 5% 1/16W
R1329	1-218-965-11	s	RES-CHIP 10K 5% 1/16W
R1330	1-218-941-81	s	RES-CHIP 100 5% 1/16W
R1341	1-218-990-11	s	SHORT CHIP 0
R1344	1-218-965-11	s	RES-CHIP 10K 5% 1/16W
R1347	1-218-990-11	s	SHORT CHIP 0
R1348	1-218-990-11	s	SHORT CHIP 0
R1349	1-218-990-11	s	SHORT CHIP 0
R1350	1-218-990-11	s	SHORT CHIP 0
R1351	1-218-990-11	s	SHORT CHIP 0
R1352	1-218-965-11	s	RES-CHIP 10K 5% 1/16W
R1356	1-218-957-11	s	RES-CHIP 2.2K 5% 1/16W
R1357	1-218-990-11	s	SHORT CHIP 0
R1358	1-218-933-11	s	RES-CHIP 22 5% 1/16W
R1359	1-218-933-11	s	RES-CHIP 22 5% 1/16W
R1360	1-218-933-11	s	RES-CHIP 22 5% 1/16W
R1400	1-218-937-11	s	RES-CHIP 47 5% 1/16W
R1401	1-218-937-11	s	RES-CHIP 47 5% 1/16W
R1402	1-218-937-11	s	RES-CHIP 47 5% 1/16W
R1403	1-218-937-11	s	RES-CHIP 47 5% 1/16W
R1406	1-218-937-11	s	RES-CHIP 47 5% 1/16W
R1407	1-218-937-11	s	RES-CHIP 47 5% 1/16W
R1408	1-218-965-11	s	RES-CHIP 10K 5% 1/16W
R1410	1-218-990-11	s	SHORT CHIP 0
R1411	1-218-965-11	s	RES-CHIP 10K 5% 1/16W
R1412	1-218-937-11	s	RES-CHIP 47 5% 1/16W
R1413	1-218-937-11	s	RES-CHIP 47 5% 1/16W
R1414	1-218-937-11	s	RES-CHIP 47 5% 1/16W
R1417	1-218-957-11	s	RES-CHIP 2.2K 5% 1/16W
R1419	1-218-965-11	s	RES-CHIP 10K 5% 1/16W
R1420	1-218-973-11	s	RES-CHIP 47K 5% 1/16W
R1421	1-218-953-11	s	RES-CHIP 1K 5% 1/16W
R1423	1-218-961-11	s	RES-CHIP 4.7K 5% 1/16W
R1424	1-218-961-11	s	RES-CHIP 4.7K 5% 1/16W
R1425	1-218-937-11	s	RES-CHIP 47 5% 1/16W
R1426	1-218-929-11	s	RES-CHIP 10 5% 1/16W
R1427	1-218-929-11	s	RES-CHIP 10 5% 1/16W
R1428	1-218-929-11	s	RES-CHIP 10 5% 1/16W
R1429	1-218-929-11	s	RES-CHIP 10 5% 1/16W

(C BOARD)

Ref. No. or Q'ty	Part No.	SP	Description
R1430	1-218-937-11	s	RES-CHIP 47 5% 1/16W
R1431	1-218-929-11	s	RES-CHIP 10 5% 1/16W
R1432	1-218-929-11	s	RES-CHIP 10 5% 1/16W
R1435	1-218-973-11	s	RES-CHIP 47K 5% 1/16W
R1436	1-218-973-11	s	RES-CHIP 47K 5% 1/16W
R1439	1-218-937-11	s	RES-CHIP 47 5% 1/16W
R1440	1-218-990-11	s	SHORT CHIP 0
R1442	1-218-953-11	s	RES-CHIP 1K 5% 1/16W
R1443	1-218-965-11	s	RES-CHIP 10K 5% 1/16W
R1451	1-218-929-11	s	RES-CHIP 10 5% 1/16W
R1452	1-218-929-11	s	RES-CHIP 10 5% 1/16W
R1453	1-218-929-11	s	RES-CHIP 10 5% 1/16W
R1454	1-218-929-11	s	RES-CHIP 10 5% 1/16W
R1502	1-218-965-11	s	RES-CHIP 10K 5% 1/16W
R1504	1-218-965-11	s	RES-CHIP 10K 5% 1/16W
R1508	1-218-965-11	s	RES-CHIP 10K 5% 1/16W
R1509	1-218-965-11	s	RES-CHIP 10K 5% 1/16W
R1510	1-218-965-11	s	RES-CHIP 10K 5% 1/16W
R1511	1-218-965-11	s	RES-CHIP 10K 5% 1/16W
R1512	1-218-953-11	s	RES-CHIP 1K 5% 1/16W
R1513	1-218-990-11	s	SHORT CHIP 0
R1514	1-218-990-11	s	SHORT CHIP 0
R1515	1-218-990-11	s	SHORT CHIP 0
R1516	1-218-990-11	s	SHORT CHIP 0
R1517	1-218-990-11	s	SHORT CHIP 0
R1518	1-218-990-11	s	SHORT CHIP 0
R1519	1-218-990-11	s	SHORT CHIP 0
R1520	1-218-990-11	s	SHORT CHIP 0
R1521	1-218-990-11	s	SHORT CHIP 0
R1522	1-218-990-11	s	SHORT CHIP 0
R1523	1-218-990-11	s	SHORT CHIP 0
R1524	1-218-990-11	s	SHORT CHIP 0
R1525	1-218-941-81	s	RES-CHIP 100 5% 1/16W
R1526	1-216-823-11	s	METAL CHIP 1.5K 5% 1/10W
R1527	1-218-965-11	s	RES-CHIP 10K 5% 1/16W
R1528	1-218-961-11	s	RES-CHIP 4.7K 5% 1/16W
R1529	1-216-823-11	s	METAL CHIP 1.5K 5% 1/10W
R1531	1-218-929-11	s	RES-CHIP 10 5% 1/16W
R1532	1-218-929-11	s	RES-CHIP 10 5% 1/16W
R1533	1-218-990-11	s	SHORT CHIP 0
R1534	1-208-717-11	s	METAL CHIP 27K 0.5% 1/16W
R1536	1-208-701-11	s	METAL CHIP 5.6K 0.5% 1/16W
R1537	1-208-715-11	s	METAL CHIP 22K 0.5% 1/16W
R1538	1-208-679-11	s	METAL CHIP 680 0.5% 1/16W
R1539	1-218-903-11	s	METAL CHIP 220K 0.5% 1/10W
R1540	1-208-697-11	s	METAL CHIP 3.9K 0.5% 1/16W
R1541	1-218-990-11	s	SHORT CHIP 0
R1602	1-218-965-11	s	RES-CHIP 10K 5% 1/16W
R1603	1-218-965-11	s	RES-CHIP 10K 5% 1/16W
R1604	1-218-965-11	s	RES-CHIP 10K 5% 1/16W
R1605	1-218-965-11	s	RES-CHIP 10K 5% 1/16W
R1610	1-218-965-11	s	RES-CHIP 10K 5% 1/16W
R1611	1-218-965-11	s	RES-CHIP 10K 5% 1/16W
R1612	1-218-953-11	s	RES-CHIP 1K 5% 1/16W
R1613	1-218-990-11	s	SHORT CHIP 0
R1614	1-218-990-11	s	SHORT CHIP 0
R1615	1-218-990-11	s	SHORT CHIP 0
R1616	1-218-990-11	s	SHORT CHIP 0
R1617	1-218-990-11	s	SHORT CHIP 0

(C BOARD)

Ref. No. or Q'ty	Part No.	SP	Description
R1618	1-218-990-11	s	SHORT CHIP 0
R1619	1-218-990-11	s	SHORT CHIP 0
R1620	1-218-990-11	s	SHORT CHIP 0
R1621	1-218-990-11	s	SHORT CHIP 0
R1622	1-218-990-11	s	SHORT CHIP 0
R1623	1-218-990-11	s	SHORT CHIP 0
R1624	1-218-990-11	s	SHORT CHIP 0
R1625	1-218-941-81	s	RES-CHIP 100 5% 1/16W
R1626	1-216-823-11	s	METAL CHIP 1.5K 5% 1/10W
R1627	1-216-823-11	s	METAL CHIP 1.5K 5% 1/10W
R1628	1-218-929-11	s	RES-CHIP 10 5% 1/16W
R1629	1-218-929-11	s	RES-CHIP 10 5% 1/16W
R1630	1-218-990-11	s	SHORT CHIP 0
R1631	1-208-697-11	s	METAL CHIP 3.9K 0.5% 1/16W
R1632	1-218-990-11	s	SHORT CHIP 0
R1702	1-218-965-11	s	RES-CHIP 10K 5% 1/16W
R1703	1-218-965-11	s	RES-CHIP 10K 5% 1/16W
R1704	1-218-965-11	s	RES-CHIP 10K 5% 1/16W
R1705	1-218-965-11	s	RES-CHIP 10K 5% 1/16W
R1706	1-218-965-11	s	RES-CHIP 10K 5% 1/16W
R1707	1-218-965-11	s	RES-CHIP 10K 5% 1/16W
R1710	1-218-965-11	s	RES-CHIP 10K 5% 1/16W
R1711	1-218-965-11	s	RES-CHIP 10K 5% 1/16W
R1712	1-218-953-11	s	RES-CHIP 1K 5% 1/16W
R1713	1-218-990-11	s	SHORT CHIP 0
R1714	1-218-990-11	s	SHORT CHIP 0
R1715	1-218-990-11	s	SHORT CHIP 0
R1716	1-218-990-11	s	SHORT CHIP 0
R1717	1-218-990-11	s	SHORT CHIP 0
R1718	1-218-990-11	s	SHORT CHIP 0
R1719	1-218-990-11	s	SHORT CHIP 0
R1720	1-218-990-11	s	SHORT CHIP 0
R1721	1-218-990-11	s	SHORT CHIP 0
R1722	1-218-990-11	s	SHORT CHIP 0
R1723	1-218-990-11	s	SHORT CHIP 0
R1724	1-218-990-11	s	SHORT CHIP 0
R1725	1-218-941-81	s	RES-CHIP 100 5% 1/16W
R1726	1-216-823-11	s	METAL CHIP 1.5K 5% 1/10W
R1727	1-216-823-11	s	METAL CHIP 1.5K 5% 1/10W
R1728	1-218-929-11	s	RES-CHIP 10 5% 1/16W
R1729	1-218-929-11	s	RES-CHIP 10 5% 1/16W
R1730	1-218-990-11	s	SHORT CHIP 0
R1731	1-208-697-11	s	METAL CHIP 3.9K 0.5% 1/16W
R1732	1-218-990-11	s	SHORT CHIP 0
R1800	1-218-977-11	s	RES-CHIP 100K 5% 1/16W
R1801 *2	1-218-965-11	s	RES-CHIP 10K 5% 1/16W
R1802	1-218-965-11	s	RES-CHIP 10K 5% 1/16W
R1803	1-218-977-11	s	RES-CHIP 100K 5% 1/16W
R1804	1-218-965-11	s	RES-CHIP 10K 5% 1/16W
R1805	1-218-965-11	s	RES-CHIP 10K 5% 1/16W
R1806	1-208-699-11	s	METAL CHIP 4.7K 0.5% 1/16W
R1807	1-208-699-11	s	METAL CHIP 4.7K 0.5% 1/16W
R1808	1-208-699-11	s	METAL CHIP 4.7K 0.5% 1/16W
R1809	1-218-961-11	s	RES-CHIP 4.7K 5% 1/16W
R1810	1-218-957-11	s	RES-CHIP 2.2K 5% 1/16W
R1811	1-218-957-11	s	RES-CHIP 2.2K 5% 1/16W
R1812	1-218-961-11	s	RES-CHIP 4.7K 5% 1/16W
R1813	1-218-941-81	s	RES-CHIP 100 5% 1/16W
R1814	1-218-941-81	s	RES-CHIP 100 5% 1/16W

(C BOARD)

Ref. No. or Q'ty	Part No.	SP	Description
R1815	1-218-941-81	s	RES-CHIP 100 5% 1/16W
R1816	1-218-941-81	s	RES-CHIP 100 5% 1/16W
R1817	1-218-961-11	s	RES-CHIP 4.7K 5% 1/16W
R1818	1-218-961-11	s	RES-CHIP 4.7K 5% 1/16W
R1819	1-218-965-11	s	RES-CHIP 10K 5% 1/16W
R1820	1-218-965-11	s	RES-CHIP 10K 5% 1/16W
R1821	1-218-973-11	s	RES-CHIP 47K 5% 1/16W
R1822	1-218-961-11	s	RES-CHIP 4.7K 5% 1/16W
R1823	1-218-965-11	s	RES-CHIP 10K 5% 1/16W
R1824	1-218-961-11	s	RES-CHIP 4.7K 5% 1/16W
R1825	1-218-961-11	s	RES-CHIP 4.7K 5% 1/16W
R1826	1-218-961-11	s	RES-CHIP 4.7K 5% 1/16W
R1827	1-218-941-81	s	RES-CHIP 100 5% 1/16W
R1828	1-218-941-81	s	RES-CHIP 100 5% 1/16W
R1829	1-218-961-11	s	RES-CHIP 4.7K 5% 1/16W
R1831	1-218-961-11	s	RES-CHIP 4.7K 5% 1/16W
R1832	1-218-965-11	s	RES-CHIP 10K 5% 1/16W
R1833	1-218-965-11	s	RES-CHIP 10K 5% 1/16W
R1834	1-218-965-11	s	RES-CHIP 10K 5% 1/16W
R1835	1-218-929-11	s	RES-CHIP 10 5% 1/16W
R1837	1-218-945-11	s	RES-CHIP 220 5% 1/16W
R1838	*2 1-218-965-11	s	RES-CHIP 10K 5% 1/16W
R1839	1-218-973-11	s	RES-CHIP 47K 5% 1/16W
R1840	1-218-965-11	s	RES-CHIP 10K 5% 1/16W
R1841	1-218-973-11	s	RES-CHIP 47K 5% 1/16W
R1844	1-218-965-11	s	RES-CHIP 10K 5% 1/16W
R1845	1-218-965-11	s	RES-CHIP 10K 5% 1/16W
R1846	1-218-941-81	s	RES-CHIP 100 5% 1/16W
R1847	1-218-941-81	s	RES-CHIP 100 5% 1/16W
R1848	1-218-990-11	s	SHORT CHIP 0
R1850	1-218-953-11	s	RES-CHIP 1K 5% 1/16W
R1851	1-218-965-11	s	RES-CHIP 10K 5% 1/16W
R1852	1-218-990-11	s	SHORT CHIP 0
R1853	1-218-941-81	s	RES-CHIP 100 5% 1/16W
R1854	1-218-941-81	s	RES-CHIP 100 5% 1/16W
R1856	1-218-990-11	s	SHORT CHIP 0
R1857	1-218-965-11	s	RES-CHIP 10K 5% 1/16W
R1858	1-218-965-11	s	RES-CHIP 10K 5% 1/16W
R1859	1-218-965-11	s	RES-CHIP 10K 5% 1/16W
R1860	1-218-965-11	s	RES-CHIP 10K 5% 1/16W
R1861	1-218-965-11	s	RES-CHIP 10K 5% 1/16W
R1862	1-218-941-81	s	RES-CHIP 100 5% 1/16W
R1863	1-218-941-81	s	RES-CHIP 100 5% 1/16W
R1864	1-218-961-11	s	RES-CHIP 4.7K 5% 1/16W
R1865	1-218-961-11	s	RES-CHIP 4.7K 5% 1/16W
R1866	1-218-961-11	s	RES-CHIP 4.7K 5% 1/16W
R1867	1-218-965-11	s	RES-CHIP 10K 5% 1/16W
R1868	1-218-965-11	s	RES-CHIP 10K 5% 1/16W
R1869	1-218-965-11	s	RES-CHIP 10K 5% 1/16W
R1870	1-218-961-11	s	RES-CHIP 4.7K 5% 1/16W
R1871	1-218-961-11	s	RES-CHIP 4.7K 5% 1/16W
R1872	1-218-961-11	s	RES-CHIP 4.7K 5% 1/16W
R1873	*2 1-218-961-11	s	RES-CHIP 4.7K 5% 1/16W
R1874	1-218-965-11	s	RES-CHIP 10K 5% 1/16W
R1875	1-218-965-11	s	RES-CHIP 10K 5% 1/16W
R1876	1-218-965-11	s	RES-CHIP 10K 5% 1/16W
R1877	1-218-965-11	s	RES-CHIP 10K 5% 1/16W
R1878	1-218-965-11	s	RES-CHIP 10K 5% 1/16W
R1879	1-218-941-81	s	RES-CHIP 100 5% 1/16W

(C BOARD)

Ref. No. or Q'ty	Part No.	SP	Description
R1880	1-218-941-81	s	RES-CHIP 100 5% 1/16W
R1881	*2 1-218-937-11	s	RES-CHIP 47 5% 1/16W
R1882	*2 1-218-937-11	s	RES-CHIP 47 5% 1/16W
R1885	*2 1-218-990-11	s	SHORT CHIP 0
R1886	*2 1-218-990-11	s	SHORT CHIP 0
R1887	*2 1-218-990-11	s	SHORT CHIP 0
R1888	*2 1-218-990-11	s	SHORT CHIP 0
R1889	1-218-953-11	s	RES-CHIP 1K 5% 1/16W
R1890	1-218-965-11	s	RES-CHIP 10K 5% 1/16W
R1891	1-218-965-11	s	RES-CHIP 10K 5% 1/16W
R1892	1-218-977-11	s	RES-CHIP 100K 5% 1/16W
R1893	1-218-941-81	s	RES-CHIP 100 5% 1/16W
R1895	1-218-990-11	s	SHORT CHIP 0
R1896	1-218-941-81	s	RES-CHIP 100 5% 1/16W
R1897	1-218-941-81	s	RES-CHIP 100 5% 1/16W
R1898	1-218-965-11	s	RES-CHIP 10K 5% 1/16W
R1899	1-218-965-11	s	RES-CHIP 10K 5% 1/16W
R1900	1-218-941-81	s	RES-CHIP 100 5% 1/16W
R1912	1-218-990-11	s	SHORT CHIP 0
R1915	1-218-941-81	s	RES-CHIP 100 5% 1/16W
R1918	1-218-990-11	s	SHORT CHIP 0
R1920	1-218-943-11	s	RES-CHIP 150 5% 1/16W
R1922	1-218-953-11	s	RES-CHIP 1K 5% 1/16W
R1926	1-218-965-11	s	RES-CHIP 10K 5% 1/16W
R1928	1-218-943-11	s	RES-CHIP 150 5% 1/16W
R1930	1-218-965-11	s	RES-CHIP 10K 5% 1/16W
R1942	1-219-598-11	s	METAL CHIP 47K 0.5% 1/16W
R1943	1-208-701-11	s	METAL CHIP 5.6K 0.5% 1/16W
R1944	1-208-707-11	s	METAL CHIP 10K 0.5% 1/16W
R1945	1-219-598-11	s	METAL CHIP 47K 0.5% 1/16W
R1946	1-208-701-11	s	METAL CHIP 5.6K 0.5% 1/16W
R1947	1-208-707-11	s	METAL CHIP 10K 0.5% 1/16W
R1948	1-219-600-11	s	METAL CHIP 56K 0.5% 1/16W
R1949	1-208-699-11	s	METAL CHIP 4.7K 0.5% 1/16W
R1950	1-208-709-11	s	METAL CHIP 12K 0.5% 1/16W
R1951	1-208-928-11	s	RESISTOR,CHIP 51K (1005)
R1952	1-208-697-11	s	METAL CHIP 3.9K 0.5% 1/16W
R1953	1-208-707-11	s	METAL CHIP 10K 0.5% 1/16W
R1958	1-208-711-11	s	METAL CHIP 15K 0.5% 1/16W
R1959	1-208-711-11	s	METAL CHIP 15K 0.5% 1/16W
R1960	1-208-711-11	s	METAL CHIP 15K 0.5% 1/16W
R1961	1-208-711-11	s	METAL CHIP 15K 0.5% 1/16W
R1962	1-218-965-11	s	RES-CHIP 10K 5% 1/16W
R1963	1-218-965-11	s	RES-CHIP 10K 5% 1/16W
R1964	1-218-941-81	s	RES-CHIP 100 5% 1/16W
R1965	1-218-965-11	s	RES-CHIP 10K 5% 1/16W
R1967	1-218-965-11	s	RES-CHIP 10K 5% 1/16W
R1968	1-218-965-11	s	RES-CHIP 10K 5% 1/16W
R1969	1-218-953-11	s	RES-CHIP 1K 5% 1/16W
R1970	1-218-953-11	s	RES-CHIP 1K 5% 1/16W
R1971	1-218-953-11	s	RES-CHIP 1K 5% 1/16W
R1972	1-218-973-11	s	RES-CHIP 47K 5% 1/16W
R1973	1-218-973-11	s	RES-CHIP 47K 5% 1/16W
R1974	1-218-973-11	s	RES-CHIP 47K 5% 1/16W
R1975	1-218-973-11	s	RES-CHIP 47K 5% 1/16W
R1976	1-218-973-11	s	RES-CHIP 47K 5% 1/16W
R1977	1-218-973-11	s	RES-CHIP 47K 5% 1/16W
R1978	1-218-929-11	s	RES-CHIP 10 5% 1/16W
R1979	1-218-929-11	s	RES-CHIP 10 5% 1/16W

(C BOARD)

Ref. No. or Q'ty	Part No.	SP Description	
R1980	1-218-929-11	s RES-CHIP 10 5% 1/16W	
R1981	1-218-965-11	s RES-CHIP 10K 5% 1/16W	
R1982	1-218-965-11	s RES-CHIP 10K 5% 1/16W	
R1983	1-218-965-11	s RES-CHIP 10K 5% 1/16W	
R1984	1-218-965-11	s RES-CHIP 10K 5% 1/16W	
R1985	1-218-965-11	s RES-CHIP 10K 5% 1/16W	
R1986	1-218-965-11	s RES-CHIP 10K 5% 1/16W	
R1987	1-218-965-11	s RES-CHIP 10K 5% 1/16W	
R1988	1-218-965-11	s RES-CHIP 10K 5% 1/16W	
R2000	1-218-990-11	s SHORT CHIP 0	
R2002	1-208-695-11	s METAL CHIP 3.3K 0.5% 1/16W	
R2004	1-218-981-11	s RES-CHIP 220K 5% 1/16W	
R2005	1-208-695-11	s METAL CHIP 3.3K 0.5% 1/16W	
R2006	1-208-713-11	s METAL CHIP 18K 0.5% 1/16W	
R2007	1-208-703-11	s METAL CHIP 6.8K 0.5% 1/16W	
R2008	1-218-905-11	s METAL CHIP 270K 0.5% 1/10W	
R2009	1-208-683-11	s METAL CHIP 1K 0.5% 1/16W	
R2010	1-208-683-11	s METAL CHIP 1K 0.5% 1/16W	
R2011	1-208-683-11	s METAL CHIP 1K 0.5% 1/16W	
R2012	1-218-911-11	s METAL CHIP 470K 0.5% 1/10W	
R2013	1-208-689-11	s METAL CHIP 1.8K 0.5% 1/16W	
R2014	1-208-707-11	s METAL CHIP 10K 0.5% 1/16W	
R2015	1-218-911-11	s METAL CHIP 470K 0.5% 1/10W	
R2016	1-208-683-11	s METAL CHIP 1K 0.5% 1/16W	
R2017	1-208-703-11	s METAL CHIP 6.8K 0.5% 1/16W	
R2018	1-208-679-11	s METAL CHIP 680 0.5% 1/16W	
R2019	1-208-703-11	s METAL CHIP 6.8K 0.5% 1/16W	
R2020	1-208-679-11	s METAL CHIP 680 0.5% 1/16W	
R2021	1-208-707-11	s METAL CHIP 10K 0.5% 1/16W	
R2022	1-208-683-11	s METAL CHIP 1K 0.5% 1/16W	
R2023	1-208-687-11	s METAL CHIP 1.5K 0.5% 1/16W	
R2024	1-208-695-11	s METAL CHIP 3.3K 0.5% 1/16W	
R2025	1-208-707-11	s METAL CHIP 10K 0.5% 1/16W	
R2027	1-208-695-11	s METAL CHIP 3.3K 0.5% 1/16W	
R2028	1-218-965-11	s RES-CHIP 10K 5% 1/16W	
R2029	1-218-961-11	s RES-CHIP 4.7K 5% 1/16W	
R2030	1-208-703-11	s METAL CHIP 6.8K 0.5% 1/16W	
R2031	1-208-699-11	s METAL CHIP 4.7K 0.5% 1/16W	
R2032	1-208-695-11	s METAL CHIP 3.3K 0.5% 1/16W	
R2033	1-218-990-11	s SHORT CHIP 0	
R2034	1-208-699-11	s METAL CHIP 4.7K 0.5% 1/16W	
R2035	1-208-695-11	s METAL CHIP 3.3K 0.5% 1/16W	
R2036	1-218-953-11	s RES-CHIP 1K 5% 1/16W	
R2037	1-218-973-11	s RES-CHIP 47K 5% 1/16W	
R2038	1-218-973-11	s RES-CHIP 47K 5% 1/16W	
R2039	1-218-929-11	s RES-CHIP 10 5% 1/16W	
R2040	1-208-703-11	s METAL CHIP 6.8K 0.5% 1/16W	
R2041	1-208-699-11	s METAL CHIP 4.7K 0.5% 1/16W	
R2042	1-216-821-11	s METAL CHIP 1K 5% 1/10W	
R2043	1-218-929-11	s RES-CHIP 10 5% 1/16W	
R2044	1-208-713-11	s METAL CHIP 18K 0.5% 1/16W	
R2100	1-218-965-11	s RES-CHIP 10K 5% 1/16W	
R2102 *2	1-218-965-11	s RES-CHIP 10K 5% 1/16W	
R2101	1-218-965-11	s RES-CHIP 10K 5% 1/16W	
R2103	1-218-961-11	s RES-CHIP 4.7K 5% 1/16W	
R2104	1-218-961-11	s RES-CHIP 4.7K 5% 1/16W	
RB400	1-234-370-21	s RES, NETWORK 22 (1005X4)	
RB401	1-234-370-21	s RES, NETWORK 22 (1005X4)	

(C BOARD)

Ref. No. or Q'ty	Part No.	SP Description	
RB402	1-234-370-21	s RES, NETWORK 22 (1005X4)	
RB403	1-234-370-21	s RES, NETWORK 22 (1005X4)	
RB404	1-234-370-21	s RES, NETWORK 22 (1005X4)	
RB405	1-234-370-21	s RES, NETWORK 22 (1005X4)	
RB600	1-234-369-21	s RES, NETWORK 10 (1005X4)	
RB601	1-234-369-21	s RES, NETWORK 10 (1005X4)	
RB602	1-234-369-21	s RES, NETWORK 10 (1005X4)	
RB603	1-234-369-21	s RES, NETWORK 10 (1005X4)	
RB700	1-234-371-21	s RES, NETWORK 47 (1005X4)	
RB701	1-234-371-21	s RES, NETWORK 47 (1005X4)	
RB702	1-234-371-21	s RES, NETWORK 47 (1005X4)	
RB703	1-234-371-21	s RES, NETWORK 47 (1005X4)	
RB704	1-234-371-21	s RES, NETWORK 47 (1005X4)	
RB705	1-234-371-21	s RES, NETWORK 47 (1005X4)	
RB706	1-234-371-21	s RES, NETWORK 47 (1005X4)	
RB707	1-234-371-21	s RES, NETWORK 47 (1005X4)	
RB708	1-234-371-21	s RES, NETWORK 47 (1005X4)	
RB709	1-234-369-21	s RES, NETWORK 10 (1005X4)	
RB710	1-234-371-21	s RES, NETWORK 47 (1005X4)	
RB800	1-234-369-21	s RES, NETWORK 10 (1005X4)	
RB801	1-234-369-21	s RES, NETWORK 10 (1005X4)	
RB802	1-234-369-21	s RES, NETWORK 10 (1005X4)	
RB803	1-234-369-21	s RES, NETWORK 10 (1005X4)	
RB804	1-234-369-21	s RES, NETWORK 10 (1005X4)	
RB805	1-234-369-21	s RES, NETWORK 10 (1005X4)	
RB806	1-234-369-21	s RES, NETWORK 10 (1005X4)	
RB807	1-234-369-21	s RES, NETWORK 10 (1005X4)	
RB808	1-234-369-21	s RES, NETWORK 10 (1005X4)	
RB809	1-234-795-21	s RES, NETWORK 0X4 (2010)	
RB1000	1-234-381-21	s RES, NETWORK 100K (1005X4)	
RB1001	1-234-381-21	s RES, NETWORK 100K (1005X4)	
RB1002	1-234-381-21	s RES, NETWORK 100K (1005X4)	
RB1003	1-234-381-21	s RES, NETWORK 100K (1005X4)	
RB1004	1-234-381-21	s RES, NETWORK 100K (1005X4)	
RB1005	1-234-381-21	s RES, NETWORK 100K (1005X4)	
RB1006	1-234-381-21	s RES, NETWORK 100K (1005X4)	
RB1007	1-234-381-21	s RES, NETWORK 100K (1005X4)	
RB1008	1-234-381-21	s RES, NETWORK 100K (1005X4)	
RB1009	1-234-381-21	s RES, NETWORK 100K (1005X4)	
RB1010	1-234-381-21	s RES, NETWORK 100K (1005X4)	
RB1011	1-234-381-21	s RES, NETWORK 100K (1005X4)	
RB1100	1-234-370-21	s RES, NETWORK 22 (1005X4)	
RB1101	1-234-370-21	s RES, NETWORK 22 (1005X4)	
RB1102	1-234-370-21	s RES, NETWORK 22 (1005X4)	
RB1103	1-234-370-21	s RES, NETWORK 22 (1005X4)	
RB1104	1-234-370-21	s RES, NETWORK 22 (1005X4)	
RB1105	1-234-370-21	s RES, NETWORK 22 (1005X4)	
RB1106	1-234-370-21	s RES, NETWORK 22 (1005X4)	
RB1107	1-234-370-21	s RES, NETWORK 22 (1005X4)	
RB1108	1-234-370-21	s RES, NETWORK 22 (1005X4)	
RB1109	1-234-370-21	s RES, NETWORK 22 (1005X4)	
RB1110	1-234-370-21	s RES, NETWORK 22 (1005X4)	
RB1111	1-234-371-21	s RES, NETWORK 47 (1005X4)	
RB1112	1-234-371-21	s RES, NETWORK 47 (1005X4)	
RB1113	1-234-371-21	s RES, NETWORK 47 (1005X4)	
RB1114	1-234-371-21	s RES, NETWORK 47 (1005X4)	
RB1115	1-234-370-21	s RES, NETWORK 22 (1005X4)	
RB1116	1-234-370-21	s RES, NETWORK 22 (1005X4)	
RB1117	1-234-371-21	s RES, NETWORK 47 (1005X4)	

(C BOARD)

Ref. No. or Q'ty	Part No.	SP	Description	
RB1118	1-234-370-21	s	RES, NETWORK 22	(1005X4)
RB1119	1-234-371-21	s	RES, NETWORK 47	(1005X4)
RB1120	1-234-371-21	s	RES, NETWORK 47	(1005X4)
RB1121	1-234-371-21	s	RES, NETWORK 47	(1005X4)
RB1122	1-234-370-21	s	RES, NETWORK 22	(1005X4)
RB1123	1-234-371-21	s	RES, NETWORK 47	(1005X4)
RB1124	1-234-371-21	s	RES, NETWORK 47	(1005X4)
RB1125	1-234-370-21	s	RES, NETWORK 22	(1005X4)
RB1126	1-234-371-21	s	RES, NETWORK 47	(1005X4)
RB1127	1-234-370-21	s	RES, NETWORK 22	(1005X4)
RB1128	1-234-370-21	s	RES, NETWORK 22	(1005X4)
RB1129	1-234-370-21	s	RES, NETWORK 22	(1005X4)
RB1200	1-234-702-11	s	RES, NETWORK 68	(1005X4)
RB1201	1-234-702-11	s	RES, NETWORK 68	(1005X4)
RB1202	1-234-702-11	s	RES, NETWORK 68	(1005X4)
RB1203	1-234-702-11	s	RES, NETWORK 68	(1005X4)
RB1204	1-234-702-11	s	RES, NETWORK 68	(1005X4)
RB1205	1-234-702-11	s	RES, NETWORK 68	(1005X4)
RB1206	1-234-702-11	s	RES, NETWORK 68	(1005X4)
RB1207	1-234-702-11	s	RES, NETWORK 68	(1005X4)
RB1208	1-234-702-11	s	RES, NETWORK 68	(1005X4)
RB1209	1-234-702-11	s	RES, NETWORK 68	(1005X4)
RB1210	1-234-702-11	s	RES, NETWORK 68	(1005X4)
RB1211	1-234-702-11	s	RES, NETWORK 68	(1005X4)
RB1300	1-234-369-21	s	RES, NETWORK 10	(1005X4)
RB1301	1-234-369-21	s	RES, NETWORK 10	(1005X4)
RB1302	1-234-371-21	s	RES, NETWORK 47	(1005X4)
RB1303	1-234-371-21	s	RES, NETWORK 47	(1005X4)
RB1304	1-234-371-21	s	RES, NETWORK 47	(1005X4)
RB1305	1-234-371-21	s	RES, NETWORK 47	(1005X4)
RB1306	1-234-371-21	s	RES, NETWORK 47	(1005X4)
RB1307	1-234-371-21	s	RES, NETWORK 47	(1005X4)
RB1400	1-234-372-21	s	RES, NETWORK 100	(1005X4)
RB1401	1-234-372-21	s	RES, NETWORK 100	(1005X4)
RB1402	1-234-372-21	s	RES, NETWORK 100	(1005X4)
RB1403	1-234-372-21	s	RES, NETWORK 100	(1005X4)
RB1404	1-234-372-21	s	RES, NETWORK 100	(1005X4)
RB1405	1-234-372-21	s	RES, NETWORK 100	(1005X4)
RB1406	1-234-372-21	s	RES, NETWORK 100	(1005X4)
RB1407	1-234-372-21	s	RES, NETWORK 100	(1005X4)
RB1408	1-234-372-21	s	RES, NETWORK 100	(1005X4)
RB1409	1-234-369-21	s	RES, NETWORK 10	(1005X4)
RB1410	1-234-369-21	s	RES, NETWORK 10	(1005X4)
RB1411	1-234-380-21	s	RES, NETWORK 47K	(1005X4)
RB1412	1-234-380-21	s	RES, NETWORK 47K	(1005X4)
RB1413	1-234-369-21	s	RES, NETWORK 10	(1005X4)
RB1414	1-234-369-21	s	RES, NETWORK 10	(1005X4)
RB1415	1-234-371-21	s	RES, NETWORK 47	(1005X4)
RB1416	1-234-371-21	s	RES, NETWORK 47	(1005X4)
RB1417	1-234-380-21	s	RES, NETWORK 47K	(1005X4)
RB1418	1-234-380-21	s	RES, NETWORK 47K	(1005X4)
RB1500	1-234-370-21	s	RES, NETWORK 22	(1005X4)
RB1501	1-234-370-21	s	RES, NETWORK 22	(1005X4)
RB1600	1-234-370-21	s	RES, NETWORK 22	(1005X4)
RB1601	1-234-370-21	s	RES, NETWORK 22	(1005X4)
RB1700	1-234-370-21	s	RES, NETWORK 22	(1005X4)
RB1701	1-234-370-21	s	RES, NETWORK 22	(1005X4)
RB1800	1-234-372-21	s	RES, NETWORK 100	(1005X4)
RB1803	1-234-378-21	s	RES, NETWORK 10K	(1005X4)

(C BOARD)

Ref. No. or Q'ty	Part No.	SP	Description	
RB1804	1-234-378-21	s	RES, NETWORK 10K	(1005X4)
RB1806	1-234-372-21	s	RES, NETWORK 100	(1005X4)
RB1807	1-234-372-21	s	RES, NETWORK 100	(1005X4)
RB1808	1-234-372-21	s	RES, NETWORK 100	(1005X4)
RB1809	1-234-372-21	s	RES, NETWORK 100	(1005X4)
RB1810	1-234-372-21	s	RES, NETWORK 100	(1005X4)
RB1811	1-234-372-21	s	RES, NETWORK 100	(1005X4)
RB1812	1-234-372-21	s	RES, NETWORK 100	(1005X4)
RB1813	1-234-372-21	s	RES, NETWORK 100	(1005X4)
RB1814	1-234-372-21	s	RES, NETWORK 100	(1005X4)
RB1815	1-234-372-21	s	RES, NETWORK 100	(1005X4)
RB1816	1-234-372-21	s	RES, NETWORK 100	(1005X4)
RB1817	1-234-372-21	s	RES, NETWORK 100	(1005X4)
RB1818	1-234-372-21	s	RES, NETWORK 100	(1005X4)
RB1819	1-234-372-21	s	RES, NETWORK 100	(1005X4)
RB1820	1-234-372-21	s	RES, NETWORK 100	(1005X4)
RB1821	1-234-372-21	s	RES, NETWORK 100	(1005X4)
RB1822	1-234-372-21	s	RES, NETWORK 100	(1005X4)
RB1823	1-234-372-21	s	RES, NETWORK 100	(1005X4)
S1400	1-771-337-21	s	SWITCH, SLIDE	
TH1800	1-803-382-11	s	THERMISTOR (10K)	
TH1801	1-803-382-11	s	THERMISTOR (10K)	
TP504	1-535-757-11	s	CHIP, CHECKER	
TP1400	1-535-757-11	s	CHIP, CHECKER	
TP1401	1-535-757-11	s	CHIP, CHECKER	
TP1500	1-535-757-11	s	CHIP, CHECKER	
TP1501	1-535-757-11	s	CHIP, CHECKER	
TP1505	1-535-757-11	s	CHIP, CHECKER	
TP1600	1-535-757-11	s	CHIP, CHECKER	
TP1601	1-535-757-11	s	CHIP, CHECKER	
TP1700	1-535-757-11	s	CHIP, CHECKER	
TP1701	1-535-757-11	s	CHIP, CHECKER	
TP1800	1-535-757-11	s	CHIP, CHECKER	
TP2000	1-535-757-11	s	CHIP, CHECKER	
X200	*2 1-781-994-21	s	VIBRATOR, CRYSTAL	
X500	1-760-273-11	s	VIBRATOR, CRYSTAL	
X600	1-795-219-21	s	VIBRATOR, CRYSTAL	
X900	1-795-416-21	s	VIBRATOR, CRYSTAL	
X1000	1-795-416-21	s	VIBRATOR, CRYSTAL	
X1300	1-813-326-21	s	VIBRATOR, CRYSTAL	
X1301	1-813-326-21	s	VIBRATOR, CRYSTAL	
X1800	1-813-326-21	s	VIBRATOR, CRYSTAL	

 F BOARD

Ref. No. or Q'ty	Part No.	SP Description
1pc	A-1076-324-A	s MOUNTED CIRCUIT BOARD, F
CN10	△ 1-779-658-11	o PIN, CONNECTOR (PC BOARD) 4P
CN11	△ 1-691-960-11	o PIN, CONNECTOR (PC BOARD) 3P
CN12	△ 1-691-756-11	o PIN, CONNECTOR (PC BOARD) 2P
CN13	△ 1-691-961-11	o PIN, CONNECTOR (PC BOARD) 3P
CN14	△ 1-779-658-11	o PIN, CONNECTOR (PC BOARD) 4P
F10	△ 1-576-659-11	s FUSE 5A 250V

 GA BOARD

Ref. No. or Q'ty	Part No.	SP Description
1pc	A-1070-686-A	s MOUNTED CIRCUIT BOARD, GA
2pcs	4-382-854-11	s SCREW (M3X10), P, SW (+)
C100	△ 1-165-530-31	s MYLAR 0.47UF 10 250V
C101	△ 1-113-900-11	s CERAMIC 470PF 10.00% 250V
C102	△ 1-113-900-11	s CERAMIC 470PF 10.00% 250V
C103	△ 1-165-529-31	s MYLAR 0.22UF 10 250V
C105	1-100-915-11	s MYLAR 0.47UF 10% 450V
C106	△ 1-107-680-91	s ELECT 22UF 20.00% 450V
C107	1-107-974-11	s CERAMIC 47PF 5.00% 2KV
C108	1-126-601-11	s ELECT CHIP 2.2UF 20.00% 50V
C109	1-162-964-11	s CERAMI CHIP 0.001UF 10.00% 50V
C110	1-107-905-11	s ELECT 4.7UF 20.00% 50V
C111	1-107-826-11	s CERAMIC CHIP 0.1UF 10.00% 16V
C112	1-113-900-11	s CERAMIC 470PF 10.00% 16V 250V
C113	1-115-710-91	s ELECT 0.001F 20.00% 6.3V
C115	1-107-826-11	s CERAMIC CHIP 0.1UF 10.00% 16V 16V
C116	1-107-826-11	s CERAMIC CHIP 0.1UF 10.00% 16V 16V
C117	1-107-826-11	s CERAMIC CHIP 0.1UF 10.00% 16V 16V
C118	1-115-733-11	s ELECT 470UF 20.00% 10V
C119	1-165-908-11	s CERAMIC CHIP 1UF 10% 10V
C120	1-165-908-11	s CERAMIC CHIP 1UF 10% 10V
C121	1-162-964-11	s CERAMIC CHIP 0.001UF 10.00% 50V
C300	1-137-639-11	s MYLAR 0.47UF 10% 450V
C301	1-117-228-11	s MYLAR 2.2UF 10.00% 16V 450V
C302	1-104-332-11	s CERAMIC 470PF 10.00% 16V 2KV
C303	1-162-927-11	s CERAMIC CHIP 100PF 5.00% 50V
C304	1-107-826-11	s CERAMIC CHIP 0.1UF 10.00% 16V 16V
C305	1-127-715-91	s CERAMIC CHIP 0.22UF 10% 16V
C306	1-107-909-11	s ELECT 47UF 20.00% 50V
C307	1-125-898-91	s CERAMIC CHIP 0.22UF 10.00% 50V
C308	1-117-751-11	s ELECT(BLOCK) 220UF 20.00% 450V
CN100	△ 1-691-960-11	o PIN, CONNECTOR (PC BOARD) 3P
CN101	1-779-884-11	s CONNECTOR 4P
CN300	△ 1-779-658-11	o PIN, CONNECTOR (PC BOARD) 4P
CN301	△ 1-779-658-11	o PIN, CONNECTOR (PC BOARD) 4P
D100	△ 6-500-839-01	s DIODE D1UBA80
D101	8-719-404-50	s DIODE MA111-TX
D103	8-719-404-50	s DIODE MA111-TX
D104	8-719-036-94	s DIODE RD5.6SB-T1
D105	8-719-077-42	s DIODE BZT03-C180
D106	6-500-849-01	s DIODE ERA22-08KFLB
D107	8-719-055-33	s DIODE D1FL40
D108	8-719-055-30	s DIODE D1FS4A-TA
D109	8-719-083-85	s DIODE UDZSTE-1722B
D300	△ 8-719-066-75	s DIODE D6SB80
D301	8-719-056-48	s DIODE 1SS388(TPL3)
D302	8-719-304-63	s DIODE RM11C
FB100	1-216-295-91	s SHORT CHIP 0
FB102	1-469-670-21	o FERRITE 0UH
FB103	1-414-921-11	s FERRITE 0UH
FB300	1-410-397-21	s FERRITE 1.1UH
IC100	6-600-279-01	s IC STR-A6169
IC101	8-759-183-53	s IC TL431CPK-E2
IC102	6-702-302-01	s IC TK11133CSCL-G
IC300	8-749-015-27	s IC MZ1540
L100	△ 1-456-134-21	s COIL, LINE FILTER
L101	△ 1-406-977-21	s INDUCTOR 100UH

(GA BOARD)

Ref. No. or Q'ty	Part No.	SP	Description
L102	1-416-510-21	s	INDUCTOR 100UH
L103	△ 1-406-977-21	s	INDUCTOR 100UH
L300	△ 1-419-764-11	s	INDUCTOR 330UH
L301	△ 1-456-133-31	s	INDUCTOR 200UH
PH100	△ 8-749-016-82	s	PHOTO COUPLER PC123GY2
Q100	8-729-230-49	s	TRANSISTOR 2SC2712-YG
Q101	8-729-230-27	s	TRANSISTOR 2SA1213Y-TE12L
R100	△ 1-219-759-11	s	METAL 1M 5% 1/2W
R102	1-218-232-91	s	RES-CHIP 4.7 10% 1/2W
R103	1-218-232-91	s	RES-CHIP 4.7 10% 1/2W
R104	1-249-393-11	s	CARBON 10 5% 1/4W
R105	1-216-817-11	s	METAL CHIP 470 5% 1/10W
R106	1-216-829-11	s	METAL CHIP 4.7K 5% 1/10W
R107	1-216-839-11	s	METAL CHIP 33K 5% 1/10W
R108	1-218-857-11	s	METAL CHIP 2.7K 0.5% 1/10W
R109	1-218-863-11	s	METAL CHIP 4.7K 0.5% 1/10W
R110	1-216-821-11	s	METAL CHIP 1K 5% 1/10W
R111	1-211-981-11	s	METAL CHIP 33 0.5% 1/10W
R112	1-216-821-11	s	METAL CHIP 1K 5% 1/10W
R113	1-216-833-11	s	METAL CHIP 10K 5% 1/10W
R300	1-216-833-11	s	METAL CHIP 10K 5% 1/10W
R301	1-245-415-11	s	METAL 0.15 10% 5W
RY100	△ 1-755-356-11	s	RELAY
T100	△ 1-443-299-11	s	CONVERTER TRANSFORMER (SBT)
TH100	△ 1-803-586-41	s	THERMISTOR
TH101	△ 1-810-509-11	s	THERMISTOR
VDR100	△ 1-803-830-11	s	VARIATOR (ERZV14D621)

GB BOARD

Ref. No. or Q'ty	Part No.	SP	Description
1pc	A-1070-687-A	s	MOUNTED CIRCUIT BOARD, GB
C350	1-162-970-11	s	CERAMIC CHIP 0.01UF 10.00% 25V
C351	1-136-479-11	s	CAPACITOR FILM 0.001MF/100V PP
C352	1-127-692-11	s	AP, CHIP CERAMIC 10MF B 3216
C353	1-109-994-11	s	CERAMIC CHIP 2.2UF 10.00% 10V
C354	1-162-970-11	s	CERAMIC CHIP 0.01UF 10.00% 25V
C355	1-107-911-11	s	ELECT 220UF 20.00% 50V
C356	1-130-495-00	s	CAPACITOR FILM 0.1MF/50V PETP
C357	1-126-967-11	s	ELECT 47UF 20.00% 50V
C358	1-135-834-91	s	CERAMIC CHIP 2.2E+06PF 6.3V
C359	1-137-754-82	s	FILM 6800PF 3% 800V
C360	1-107-911-11	s	ELECT 220UF 20.00% 50V
C361	1-115-339-11	s	CERAMIC CHIP 0.1UF 10.00% 50V
C362	1-126-967-11	s	ELECT 47UF 20.00% 50V
C400	△ 1-113-900-11	s	CERAMIC 470PF 10.00% 250V
C401	1-127-820-11	s	CERAMIC CHIP 4.7UF 10% 16V
C402	1-107-826-11	s	CERAMIC CHIP 0.1UF 10.00% 16V
C403	1-128-946-11	s	CAP, ELECT 2200MF / 10V
C404	1-107-826-11	s	CERAMIC CHIP 0.1UF 10.00% 16V
C405	1-107-826-11	s	CERAMIC CHIP 0.1UF 10.00% 16V
C406	1-115-789-11	s	ELECT 0.001F 20.00% 25V
C407	1-115-789-11	s	ELECT 0.001F 20.00% 25V
C408	1-107-826-11	s	CERAMIC CHIP 0.1UF 10.00% 16V
C409	1-107-826-11	s	CERAMIC CHIP 0.1UF 10.00% 16V
C410	1-164-230-11	s	CERAMIC CHIP 220PF 5.00% 50V
C411	1-164-230-11	s	CERAMIC CHIP 220PF 5.00% 50V
C412	1-162-927-11	s	CERAMIC CHIP 100PF 5.00% 50V
C413	1-162-927-11	s	CERAMIC CHIP 100PF 5.00% 50V
C414	1-125-891-11	s	CERAMIC CHIP 0.47UF 10.00% 10V
C415	1-107-826-11	s	CERAMIC CHIP 0.1UF 10.00% 16V
C416	1-162-964-11	s	CERAMIC CHIP 0.001UF 10.00% 50V
C417	1-162-964-11	s	CERAMIC CHIP 0.001UF 10.00% 50V
C418	1-126-205-11	s	ELECT CHIP 47UF 20.00% 6.3V
C419	1-107-826-11	s	CERAMIC CHIP 0.1UF 10.00% 16V
C420	1-162-964-11	s	CERAMIC CHIP 0.001UF 10.00% 50V
C421	1-162-964-11	s	CERAMIC CHIP 0.001UF 10.00% 50V
C422	1-164-156-11	s	CERAMIC CHIP 0.1UF 25V
C423	1-125-837-91	s	CERAMIC CHIP 1UF 10% 6.3V
C424	1-164-156-11	s	CERAMIC CHIP 0.1UF 25V
C425	1-117-720-11	s	CERAMIC CHIP 4.7UF 10V
C426	1-107-826-11	s	CERAMIC CHIP 0.1UF 10.00% 16V
C427	1-135-960-91	s	CERAMIC CHIP 10UF 10% 25V
C428	1-100-421-21	s	ELECT CHIP 220UF 20% 6.3V
C429	1-100-421-21	s	ELECT CHIP 220UF 20% 6.3V
CN350	△ 1-779-658-11	o	PIN, CONNECTOR (PC BOARD) 4P
CN400	1-764-782-11	o	HOUSING, CONNECTOR 24P
D350	8-719-107-13	s	DIODE RD18M-T1B1
D351	8-719-404-50	s	DIODE MA111-TX
D352	8-719-979-64	s	DIODE UF4005PKG23
D353	8-719-118-12	s	DIODE RD33M-T1B
D354	8-719-073-52	s	DIODE D2FS6-TA
D355	8-719-055-30	s	DIODE D1FS4A-TA
D400	8-719-404-50	s	DIODE MA111-TX
D401	8-719-510-09	s	DIODE D10SC6M
D402	8-719-510-12	s	DIODE D10SC4M
D403	8-719-106-23	s	DIODE RD7.5M-B2
D404	8-719-106-23	s	DIODE RD7.5M-B2

(GB BOARD)

Ref. No. or Q'ty	Part No.	SP	Description
D405	8-719-106-23	s	DIODE RD7.5M-B2
D406	8-719-510-09	s	DIODE D10SC6M
D407	8-719-404-50	s	DIODE MA111-TX
D408	8-719-404-50	s	DIODE MA111-TX
D409	8-719-404-50	s	DIODE MA111-TX
D410	8-719-404-50	s	DIODE MA111-TX
D411	8-719-404-50	s	DIODE MA111-TX
D412	8-719-404-50	s	DIODE MA111-TX
D413	8-719-404-50	s	DIODE MA111-TX
D414	8-719-404-50	s	DIODE MA111-TX
D415	8-719-404-50	s	DIODE MA111-TX
D416	8-719-056-48	s	DIODE 1SS388(TPL3)
D417	8-719-056-48	s	DIODE 1SS388(TPL3)
D418	8-719-404-50	s	DIODE MA111-TX
D419	8-719-404-50	s	DIODE MA111-TX
D420	8-719-404-50	s	DIODE MA111-TX
FB400	1-469-670-21	o	FERRITE 0UH
FB401	1-414-921-11	s	FERRITE 0UH
FB402	1-469-670-21	o	FERRITE 0UH
FB403	1-414-921-11	s	FERRITE 0UH
FB404	1-469-670-21	o	FERRITE 0UH
FB405	1-469-670-21	o	FERRITE 0UH
FB406	1-469-670-21	o	FERRITE 0UH
FB407	1-410-397-21	s	FERRITE 1.1UH
FL402	1-234-494-21	s	FILTER, EMI REMOVAL (SMD)
FL403	1-234-494-21	s	FILTER, EMI REMOVAL (SMD)
IC350	6-705-768-01	s	IC MCZ3001UB
IC351	8-759-643-48	s	IC BA00ASFP-E2
IC400	8-759-066-55	s	IC TA75W393FU
IC401	8-759-388-23	s	IC TL431BCDR2
IC402	6-704-954-01	s	IC AIC1117A-50PYJTR
IC403	6-707-021-01	s	IC LTC3728LXCUH#TR-R4
L400	1-416-949-21	s	INDUCTOR 15UH
L401	1-416-949-21	s	INDUCTOR 15UH
PH400	△ 8-749-016-82	s	PHOTO COUPLER PC123GY2
PH401	△ 8-749-016-82	s	PHOTO COUPLER PC123GY2
PH402	△ 8-749-016-82	s	PHOTO COUPLER PC123GY2
Q350	8-729-230-27	s	TRANSISTOR 2SA1213Y-TE12L
Q351	△ 8-729-052-29	s	TRANSISTOR 2SK2876-01MR-F122
Q352	△ 8-729-052-29	s	TRANSISTOR 2SK2876-01MR-F122
Q353	8-729-216-22	s	TRANSISTOR 2SA1162-G
Q354	8-729-230-49	s	TRANSISTOR 2SC2712-YG
Q400	8-729-230-49	s	TRANSISTOR 2SC2712-YG
Q401	8-729-230-49	s	TRANSISTOR 2SC2712-YG
Q402	6-550-596-01	s	TRANSISTOR FDC658P
Q403	6-550-596-01	s	TRANSISTOR FDC658P
Q404	6-550-596-01	s	TRANSISTOR FDC658P
Q405	8-729-054-68	s	TRANSISTOR FDS6986S
Q406	8-729-054-68	s	TRANSISTOR FDS6986S
Q407	8-729-029-14	s	TRANSISTOR DTC144EUA-T106
Q408	8-729-029-14	s	TRANSISTOR DTC144EUA-T106
Q409	8-729-029-14	s	TRANSISTOR DTC144EUA-T106
Q410	8-729-029-14	s	TRANSISTOR DTC144EUA-T106
Q411	8-729-029-14	s	TRANSISTOR DTC144EUA-T106
R351	1-216-836-11	s	METAL CHIP 18K 5% 1/10W
R352	1-218-873-11	s	METAL CHIP 12K 0.5% 1/10W

(GB BOARD)

Ref. No. or Q'ty	Part No.	SP	Description
R353	1-216-825-11	s	METAL CHIP 2.2K 5% 1/10W
R354	1-218-843-11	s	METAL CHIP 680 0.5% 1/10W
R355	1-216-809-11	s	METAL CHIP 100 5% 1/10W
R356	1-216-823-11	s	METAL CHIP 1.5K 5% 1/10W
R357	1-249-389-11	s	CARBON 4.7 5% 1/4W
R358	1-218-877-11	s	METAL CHIP 18K 0.5% 1/10W
R359	1-220-338-11	s	RES-CHIP 330K 5% 1/2W
R360	1-220-338-11	s	RES-CHIP 330K 5% 1/2W
R361	1-220-338-11	s	RES-CHIP 330K 5% 1/2W
R362	1-249-417-11	s	CARBON 1K 5% 1/4W
R363	1-216-797-11	s	METAL CHIP 10 5% 1/10W
R364	1-216-797-11	s	METAL CHIP 10 5% 1/10W
R365	1-216-815-11	s	METAL CHIP 330 5% 1/10W
R366	1-216-833-11	s	METAL CHIP 10K 5% 1/10W
R367	1-216-833-11	s	METAL CHIP 10K 5% 1/10W
R368	1-202-933-61	s	RESISTOR, FUSE 0.1 1/2W
R369	1-243-803-71	s	METAL OXIDE 0.33 5% 1W
R371	1-216-841-11	s	METAL CHIP 47K 5% 1/10W
R372	1-216-833-11	s	METAL CHIP 10K 5% 1/10W
R373	1-216-821-11	s	METAL CHIP 1K 5% 1/10W
R374	1-216-829-11	s	METAL CHIP 4.7K 5% 1/10W
R375	1-216-833-11	s	METAL CHIP 10K 5% 1/10W
R376	1-216-845-11	s	METAL CHIP 100K 5% 1/10W
R378	1-216-842-11	s	METAL CHIP 56K 5% 1/10W
R379	1-216-841-11	s	METAL CHIP 47K 5% 1/10W
R380	1-216-825-11	s	METAL CHIP 2.2K 5% 1/10W
R400	1-216-845-11	s	METAL CHIP 100K 5% 1/10W
R401	1-216-821-11	s	METAL CHIP 1K 5% 1/10W
R402	1-216-821-11	s	METAL CHIP 1K 5% 1/10W
R403	1-216-845-11	s	METAL CHIP 100K 5% 1/10W
R404	1-216-833-11	s	METAL CHIP 10K 5% 1/10W
R405	1-216-829-11	s	METAL CHIP 4.7K 5% 1/10W
R406	1-216-825-11	s	METAL CHIP 2.2K 5% 1/10W
R407	1-216-833-11	s	METAL CHIP 10K 5% 1/10W
R408	1-216-839-11	s	METAL CHIP 33K 5% 1/10W
R409	1-216-833-11	s	METAL CHIP 10K 5% 1/10W
R410	1-216-827-11	s	METAL CHIP 3.3K 5% 1/10W
R411	1-216-817-11	s	METAL CHIP 470 5% 1/10W
R412	1-216-837-11	s	METAL CHIP 22K 5% 1/10W
R413	1-216-833-11	s	METAL CHIP 10K 5% 1/10W
R414	1-216-833-11	s	METAL CHIP 10K 5% 1/10W
R415	1-216-833-11	s	METAL CHIP 10K 5% 1/10W
R416	1-218-859-11	s	METAL CHIP 3.3K 0.5% 1/10W
R417	1-216-833-11	s	METAL CHIP 10K 5% 1/10W
R418	1-216-833-11	s	METAL CHIP 10K 5% 1/10W
R419	1-218-861-11	s	METAL CHIP 3.9K 0.5% 1/10W
R420	1-218-857-11	s	METAL CHIP 2.7K 0.5% 1/10W
R421	1-218-855-11	s	METAL CHIP 2.2K 0.5% 1/10W
R422	1-218-887-11	s	METAL CHIP 47K 0.5% 1/10W
R423	1-218-863-11	s	METAL CHIP 4.7K 0.5% 1/10W
R424	1-218-863-11	s	METAL CHIP 4.7K 0.5% 1/10W
R425	1-218-887-11	s	METAL CHIP 47K 0.5% 1/10W
R426	1-218-887-11	s	METAL CHIP 47K 0.5% 1/10W
R427	1-216-827-11	s	METAL CHIP 3.3K 5% 1/10W
R428	1-216-833-11	s	METAL CHIP 10K 5% 1/10W
R429	1-216-864-11	s	SHORT CHIP 0
R430	1-216-841-11	s	METAL CHIP 47K 5% 1/10W
R431	1-218-895-11	s	METAL CHIP 100K 0.5% 1/10W
R432	1-218-899-11	s	METAL CHIP 150K 0.5% 1/16W

(GB BOARD)

Ref. No. or Q'ty	Part No.	SP Description
R433	1-216-809-11	s METAL CHIP 100 5% 1/10W
R434	1-216-833-11	s METAL CHIP 10K 5% 1/10W
R435	1-216-833-11	s METAL CHIP 10K 5% 1/10W
R436	1-216-841-11	s METAL CHIP 47K 5% 1/10W
R437	1-216-827-11	s METAL CHIP 3.3K5% 1/10W
R438	1-216-833-11	s METAL CHIP 10K 5% 1/10W
R439	1-216-797-11	s METAL CHIP 10 5% 1/10W
R440	1-220-915-91	s METAL CHIP 0.033 2% 1/4W
R441	1-240-038-91	s METAL CHIP 0.022 2% 1/4W
R442	1-216-835-11	s METAL CHIP 15K 5% 1/10W
R443	1-216-835-11	s METAL CHIP 15K 5% 1/10W
R444	1-216-829-11	s METAL CHIP 4.7K 5% 1/10W
R445	1-216-835-11	s METAL CHIP 15K 5% 1/10W
R446	1-216-829-11	s METAL CHIP 4.7K 5% 1/10W
R447	1-216-829-11	s METAL CHIP 4.7K 5% 1/10W
R448	1-216-833-11	s METAL CHIP 10K 5% 1/10W
R449	1-216-833-11	s METAL CHIP 10K 5% 1/10W
R450	1-216-833-11	s METAL CHIP 10K 5% 1/10W
R451	1-216-833-11	s METAL CHIP 10K 5% 1/10W
R452	1-218-867-11	s METAL CHIP 6.8K 0.5% 1/10W
R453	1-218-867-11	s METAL CHIP 6.8K 0.5% 1/10W
R454	1-216-805-11	s METAL CHIP 47 5% 1/10W
R455	1-216-805-11	s METAL CHIP 47 5% 1/10W
R456	1-216-817-11	s METAL CHIP 470 5% 1/10W
R457	1-216-817-11	s METAL CHIP 470 5% 1/10W
T300	△ 1-437-301-31	s TRANSFORMER, CONVERTER (PIT)

HA BOARD

Ref. No. or Q'ty	Part No.	SP Description
1pc	A-1057-969-A	s MOUNTED CIRCUIT BOARD, HA
C81	1-125-777-11	s CERAMIC CHIP 0.1UF 10.00% 10V
CN80	1-770-625-21	s PIN, CONNECTOR 8P
D80	8-719-045-61	s DIODE SEC1901C
D81	8-719-045-61	s DIODE SEC1901C
D82	8-719-045-51	s DIODE SEC2422C
D83	8-719-045-53	s DIODE SEC1801C
D84	8-719-914-44	s DIODE DAP202K-T-146
D85	8-719-914-43	s DIODE DAN202K-T-146
D86	8-719-914-44	s DIODE DAP202K-T-146
D87	8-719-914-44	s DIODE DAP202K-T-146
D89	8-719-914-43	s DIODE DAN202K-T-146
D90	8-719-914-44	s DIODE DAP202K-T-146
D91	8-719-914-43	s DIODE DAN202K-T-146
Q80	8-729-028-91	s TRANSISTOR DTA144EUA-T106
Q81	8-729-028-91	s TRANSISTOR DTA144EUA-T106
Q82	8-729-040-87	s TRANSISTOR 2SJ463A-T1
Q83	8-729-028-91	s TRANSISTOR DTA144EUA-T106
Q84	8-729-028-91	s TRANSISTOR DTA144EUA-T106
Q85	8-729-028-91	s TRANSISTOR DTA144EUA-T106
R89	1-218-941-81	s RES-CHIP 100 5% 1/16W
R90	1-218-941-81	s RES-CHIP 100 5% 1/16W
R91	1-218-941-81	s RES-CHIP 100 5% 1/16W
R92	1-218-973-11	s RES-CHIP 47K 5% 1/16W
R93	1-218-941-81	s RES-CHIP 100 5% 1/16W
R94	1-218-941-81	s RES-CHIP 100 5% 1/16W

HB BOARD

Ref. No. or Q'ty	Part No.	SP Description
1pc	A-1057-970-A	s MOUNTED CIRCUIT BOARD, HB
C060	1-164-156-11	s CERAMIC CHIP 0.1UF 25V
CN60	1-770-620-21	s PIN, CONNECTOR 3P
D60	8-719-914-44	s DIODE DAP202K-T-146
D61	8-719-914-43	s DIODE DAN202K-T-146
R60	1-216-838-11	s METAL CHIP 27K 5% 1/10W
R61	1-216-834-11	s METAL CHIP 12K 5% 1/10W
R62	1-218-867-11	s METAL CHIP 6.8K 5% 1/10W
R63	1-216-828-11	s METAL CHIP 3.9K 5% 1/10W
R64	1-216-826-11	s METAL CHIP 2.7K 5% 1/10W
R65	1-216-825-11	s METAL CHIP 2.2K 5% 1/10W
R66	1-216-823-11	s METAL CHIP 1.5K 5% 1/10W
R67	1-216-824-11	s METAL CHIP 1.8K 5% 1/10W
S60	1-786-651-11	s TACTILE SWITCH
S61	1-771-105-11	s SWITCH, TACTILE
S62	1-771-105-11	s SWITCH, TACTILE
S63	1-771-105-11	s SWITCH, TACTILE

L BOARD

Ref. No. or Q'ty	Part No.	SP Description
1pc	A-1057-962-A	s MOUNTED CIRCUIT BOARD, L
C001	1-107-820-11	s CERAMIC CHIP 0.1UF 6V
CN001	1-770-620-21	s PIN, CONNECTOR 3P
D001	8-719-084-01	s DIODE (LED) NSCW215T
R001	1-218-941-81	s RES-CHIP 100 5% 1/16W

NF BOARD

Ref. No. or Q'ty	Part No.	SP Description
1pc	A-1057-960-A	s MOUNTED CIRCUIT BOARD, NF
C40	1-127-820-11	s CAPACITOR, SQUARE CHIP 4.7MF
CN40	1-127-820-11	s CPIN, CONNECTOR 4P
IC40	1-125-777-11	s IC RS-790-T
R040	1-107-826-11	s METAL CHIP 47 5% 1/10W
R041	1-164-936-11	s CMETAL CHIP 100 5% 1/10W

Q BOARD (FOR VPL-HS51)

Ref. No. or Q'ty	Part No.	SP Description
1pc	A-1086-165-A	s MOUNTED CIRCUIT BOARD, Q
C5000	1-125-777-11	s CAPACITOR CERAMIC 0.1MF/10V
C5002	1-125-777-11	s CAPACITOR CERAMIC 0.1MF/10V
C5003	1-128-004-11	s CAPACITOR ELECT 10MF/16V(CHIP)
C5004	1-125-777-11	s CAPACITOR CERAMIC 0.1MF/10V
C5005	1-125-777-11	s CAPACITOR CERAMIC 0.1MF/10V
C5006	1-125-777-11	s CAPACITOR CERAMIC 0.1MF/10V
C5007	1-125-777-11	s CAPACITOR CERAMIC 0.1MF/10V
C5008	1-125-777-11	s CAPACITOR CERAMIC 0.1MF/10V
C5009	1-126-205-11	s CAPACITOR, ELECT 47MF/6.3V
C5010	1-125-777-11	s CAPACITOR CERAMIC 0.1MF/10V
C5011	1-125-777-11	s CAPACITOR CERAMIC 0.1MF/10V
C5012	1-125-777-11	s CAPACITOR CERAMIC 0.1MF/10V
C5013	1-125-777-11	s CAPACITOR CERAMIC 0.1MF/10V
C5014	1-126-205-11	s CAPACITOR, ELECT 47MF/6.3V
C5015	1-125-777-11	s CAPACITOR CERAMIC 0.1MF/10V
C5016	1-126-205-11	s CAPACITOR, ELECT 47MF/6.3V
C5017	1-125-777-11	s CAPACITOR CERAMIC 0.1MF/10V
C5018	1-126-205-11	s CAPACITOR, ELECT 47MF/6.3V
C5019	1-125-777-11	s CAPACITOR CERAMIC 0.1MF/10V
C5020	1-125-777-11	s CAPACITOR CERAMIC 0.1MF/10V
C5021	1-125-777-11	s CAPACITOR CERAMIC 0.1MF/10V
C5022	1-125-777-11	s CAPACITOR CERAMIC 0.1MF/10V
C5023	1-125-777-11	s CAPACITOR CERAMIC 0.1MF/10V
C5024	1-125-777-11	s CAPACITOR CERAMIC 0.1MF/10V
C5025	1-125-777-11	s CAPACITOR CERAMIC 0.1MF/10V
C5026	1-125-777-11	s CAPACITOR CERAMIC 0.1MF/10V
C5027	1-125-777-11	s CAPACITOR CERAMIC 0.1MF/10V
C5028	1-126-205-11	s CAPACITOR, ELECT 47MF/6.3V
C5029	1-125-777-11	s CAPACITOR CERAMIC 0.1MF/10V
C5030	1-125-777-11	s CAPACITOR CERAMIC 0.1MF/10V
C5031	1-125-777-11	s CAPACITOR CERAMIC 0.1MF/10V
C5032	1-125-777-11	s CAPACITOR CERAMIC 0.1MF/10V
C5033	1-125-777-11	s CAPACITOR CERAMIC 0.1MF/10V
C5034	1-125-777-11	s CAPACITOR CERAMIC 0.1MF/10V
C5040	1-125-777-11	s CAPACITOR CERAMIC 0.1MF/10V
C6003	1-125-777-11	s CAPACITOR CERAMIC 0.1MF/10V
C6004	1-125-777-11	s CAPACITOR CERAMIC 0.1MF/10V
C6005	1-125-777-11	s CAPACITOR CERAMIC 0.1MF/10V
C6006	1-125-777-11	s CAPACITOR CERAMIC 0.1MF/10V
C6007	1-125-777-11	s CAPACITOR CERAMIC 0.1MF/10V
C6008	1-125-777-11	s CAPACITOR CERAMIC 0.1MF/10V
C6009	1-125-777-11	s CAPACITOR CERAMIC 0.1MF/10V
C6010	1-125-777-11	s CAPACITOR CERAMIC 0.1MF/10V
C6011	1-125-777-11	s CAPACITOR CERAMIC 0.1MF/10V
C6012	1-125-777-11	s CAPACITOR CERAMIC 0.1MF/10V
C6013	1-125-777-11	s CAPACITOR CERAMIC 0.1MF/10V
C6014	1-128-004-11	s CAPACITOR ELECT 10MF/16V(CHIP)
C6015	1-125-777-11	s CAPACITOR CERAMIC 0.1MF/10V
C6016	1-125-777-11	s CAPACITOR CERAMIC 0.1MF/10V
C6017	1-125-777-11	s CAPACITOR CERAMIC 0.1MF/10V
C6018	1-125-777-11	s CAPACITOR CERAMIC 0.1MF/10V
C6019	1-125-777-11	s CAPACITOR CERAMIC 0.1MF/10V
C6020	1-125-777-11	s CAPACITOR CERAMIC 0.1MF/10V
C6021	1-125-777-11	s CAPACITOR CERAMIC 0.1MF/10V
C6022	1-125-777-11	s CAPACITOR CERAMIC 0.1MF/10V
C6024	1-164-941-11	s CAPACITOR, CHIP CERAMIC 4700/16V

(Q BOARD (FOR VPL-HS51))

Ref. No. or Q'ty	Part No.	SP	Description
CN5000	1-815-187-11	s	JACK, MODULAR
CN5002	1-770-625-21	s	PIN, CONNECTOR 8P
CN6000	1-569-775-11	o	PIN, CONNECTOR
D5001	8-719-421-69	s	DIODE MA133
D5002	8-719-421-69	s	DIODE MA133
D5003	8-719-421-69	s	DIODE MA133
D5004	8-719-421-69	s	DIODE MA133
D5006	8-719-941-86	s	DIODE DAN202U
D6000	8-719-045-61	s	DIODE SEC1901C
FB5000	1-414-921-11	s	INDUCTOR, FERRITE BEAD
FB5001	1-414-921-11	s	INDUCTOR, FERRITE BEAD
FB5002	1-469-670-11	o	FERRITE, EMI (SMD)
FB5003	1-414-921-11	s	INDUCTOR, FERRITE BEAD
FB5004	1-414-921-11	s	INDUCTOR, FERRITE BEAD
FB5005	1-414-921-11	s	INDUCTOR, FERRITE BEAD
FB5006	1-414-921-11	s	INDUCTOR, FERRITE BEAD
FB5007	1-469-670-11	o	FERRITE, EMI (SMD)
FB5008	1-469-670-11	o	FERRITE, EMI (SMD)
FB5009	1-414-921-11	s	INDUCTOR, FERRITE BEAD
FB5010	1-414-921-11	s	INDUCTOR, FERRITE BEAD
FB6000	1-414-921-11	s	INDUCTOR, FERRITE BEAD
IC5001	6-704-953-01	s	IC AIC1117A-33PYJTR
IC5002	6-704-843-01	s	IC AIC1117A-PEJTR
IC5003	6-706-155-01	s	IC MT48LC2M32B2P-6-Y14W
IC6002	6-705-177-01	s	IC W95640-WDW6T
IC6004	6-703-225-01	s	IC S-80928CNMC-G8YT2G
Q6000	6-550-549-01	s	TRANSISTOR DTC114EUAFT106
R5000	1-218-935-11	s	RESISTOR,CHIP 33 1/16W (1005)
R5001	1-218-965-11	s	RESISTOR, CHIP 10K 1/16W
R5002	1-218-947-11	s	RESISTOR, CHIP 330 1/16W
R5003	1-218-947-11	s	RESISTOR, CHIP 330 1/16W
R5005	1-218-990-11	s	RESISTOR,CHIP 0 1/16W (1005)
R5006	1-208-653-11	s	RESISTOR CHIP 56 1/16W (1005)
R5007	1-208-695-11	s	RESISTOR CHIP 3.3K 1/16W(1005)
R5008	1-208-653-11	s	RESISTOR CHIP 56 1/16W (1005)
R5009	1-208-695-11	s	RESISTOR CHIP 3.3K 1/16W(1005)
R5010	1-208-707-11	s	RESISTOR,CHIP 10K 1/16W (1005)
R5011	1-218-990-11	s	RESISTOR,CHIP 0 1/16W (1005)
R5012	1-208-659-11	s	RESISTOR CHIP 100 1/16W (1005)
R5013	1-208-659-11	s	RESISTOR CHIP 100 1/16W (1005)
R5014	1-208-659-11	s	RESISTOR CHIP 100 1/16W (1005)
R5015	1-208-659-11	s	RESISTOR CHIP 100 1/16W (1005)
R5016	1-218-990-11	s	RESISTOR,CHIP 0 1/16W (1005)
R5020	1-218-961-11	s	RESISTOR, CHIP 4.7K 1/16W
R5021	1-218-961-11	s	RESISTOR, CHIP 4.7K 1/16W
R5022	1-218-961-11	s	RESISTOR, CHIP 4.7K 1/16W
R5023	1-218-961-11	s	RESISTOR, CHIP 4.7K 1/16W
R5025	1-218-961-11	s	RESISTOR, CHIP 4.7K 1/16W
R5026	1-218-961-11	s	RESISTOR, CHIP 4.7K 1/16W
R5027	1-218-961-11	s	RESISTOR, CHIP 4.7K 1/16W
R5028	1-218-955-11	s	RESISTOR, CHIP 1.5K
R5029	1-218-961-11	s	RESISTOR, CHIP 4.7K 1/16W
R5032	1-218-961-11	s	RESISTOR, CHIP 4.7K 1/16W
R5033	1-218-961-11	s	RESISTOR, CHIP 4.7K 1/16W
R5034	1-208-683-11	s	RESISTOR CHIP 1K 1/16W (1005)
R5035	1-208-659-11	s	RESISTOR CHIP 100 1/16W (1005)
R5036	1-208-659-11	s	RESISTOR CHIP 100 1/16W (1005)

(Q BOARD (FOR VPL-HS51))

Ref. No. or Q'ty	Part No.	SP	Description
R5037	1-218-961-11	s	RESISTOR, CHIP 4.7K 1/16W
R5038	1-218-961-11	s	RESISTOR, CHIP 4.7K 1/16W
R5039	1-218-961-11	s	RESISTOR, CHIP 4.7K 1/16W
R5040	1-218-990-11	s	RESISTOR,CHIP 0 1/16W (1005)
R5041	1-218-990-11	s	RESISTOR,CHIP 0 1/16W (1005)
R5042	1-218-990-11	s	RESISTOR,CHIP 0 1/16W (1005)
R5043	1-218-990-11	s	RESISTOR,CHIP 0 1/16W (1005)
R5044	1-218-990-11	s	RESISTOR,CHIP 0 1/16W (1005)
R5045	1-218-990-11	s	RESISTOR,CHIP 0 1/16W (1005)
R5046	1-218-990-11	s	RESISTOR,CHIP 0 1/16W (1005)
R5047	1-218-990-11	s	RESISTOR,CHIP 0 1/16W (1005)
R5048	1-218-990-11	s	RESISTOR,CHIP 0 1/16W (1005)
R5052	1-218-961-11	s	RESISTOR, CHIP 4.7K 1/16W
R5053	1-218-961-11	s	RESISTOR, CHIP 4.7K 1/16W
R5054	1-218-961-11	s	RESISTOR, CHIP 4.7K 1/16W
R5055	1-218-990-11	s	RESISTOR,CHIP 0 1/16W (1005)
R6001	1-218-961-11	s	RESISTOR, CHIP 4.7K 1/16W
R6007	1-218-961-11	s	RESISTOR, CHIP 4.7K 1/16W
R6008	1-218-961-11	s	RESISTOR, CHIP 4.7K 1/16W
R6009	1-218-952-11	s	RESISTOR, CHIP 820
R6010	1-218-935-11	s	RESISTOR,CHIP 33 1/16W (1005)
R6011	1-218-935-11	s	RESISTOR,CHIP 33 1/16W (1005)
R6012	1-218-935-11	s	RESISTOR,CHIP 33 1/16W (1005)
R6013	1-218-935-11	s	RESISTOR,CHIP 33 1/16W (1005)
R6014	1-218-935-11	s	RESISTOR,CHIP 33 1/16W (1005)
R6015	1-218-953-11	s	RESISTOR, CHIP 1K 1/16W
R6016	1-218-952-11	s	RESISTOR, CHIP 820
R6017	1-218-935-11	s	RESISTOR,CHIP 33 1/16W (1005)
R6019	1-218-961-11	s	RESISTOR, CHIP 4.7K 1/16W
R6020	1-218-947-11	s	RESISTOR, CHIP 330 1/16W
R6021	1-218-967-11	s	RESISTOR,CHIP 15K 1/16W (1608)
R6022	1-218-935-11	s	RESISTOR,CHIP 33 1/16W (1005)
R6023	1-218-935-11	s	RESISTOR,CHIP 33 1/16W (1005)
R6024	1-218-961-11	s	RESISTOR, CHIP 4.7K 1/16W
R6025	1-218-935-11	s	RESISTOR,CHIP 33 1/16W (1005)
R6026	1-218-961-11	s	RESISTOR, CHIP 4.7K 1/16W
R6027	1-218-935-11	s	RESISTOR,CHIP 33 1/16W (1005)
R6028	1-218-953-11	s	RESISTOR, CHIP 1K 1/16W
R6029	1-218-952-11	s	RESISTOR, CHIP 820
R6030	1-218-967-11	s	RESISTOR,CHIP 15K 1/16W (1608)
R6032	1-218-961-11	s	RESISTOR, CHIP 4.7K 1/16W
R6033	1-218-935-11	s	RESISTOR,CHIP 33 1/16W (1005)
R6034	1-218-937-11	s	RESISTOR, CHIP 47
R6035	1-218-935-11	s	RESISTOR,CHIP 33 1/16W (1005)
R6036	1-218-941-81	s	RESISTOR,CHIP 100,1/16W (1005)
R6037	1-218-941-81	s	RESISTOR,CHIP 100,1/16W (1005)
R6038	1-218-941-81	s	RESISTOR,CHIP 100,1/16W (1005)
R6039	1-218-961-11	s	RESISTOR, CHIP 4.7K 1/16W
R6040	1-218-961-11	s	RESISTOR, CHIP 4.7K 1/16W
R6041	1-218-941-81	s	RESISTOR,CHIP 100,1/16W (1005)
R6042	1-218-961-11	s	RESISTOR, CHIP 4.7K 1/16W
R6043	1-218-961-11	s	RESISTOR, CHIP 4.7K 1/16W
R6052	1-218-990-11	s	RESISTOR,CHIP 0 1/16W (1005)
R6053	1-218-961-11	s	RESISTOR, CHIP 4.7K 1/16W
R6057	1-218-990-11	s	RESISTOR,CHIP 0 1/16W (1005)
R6058	1-218-961-11	s	RESISTOR, CHIP 4.7K 1/16W
R6059	1-218-961-11	s	RESISTOR, CHIP 4.7K 1/16W
R6060	1-218-961-11	s	RESISTOR, CHIP 4.7K 1/16W

(Q BOARD (FOR VPL-HS51))

Ref. No. or Q'ty	Part No.	SP Description	
RB6000	1-234-370-11	s RES, NETWORK 22X4	(1005)
RB6001	1-234-370-11	s RES, NETWORK 22X4	(1005)
RB6002	1-234-370-11	s RES, NETWORK 22X4	(1005)
RB6003	1-234-370-11	s RES, NETWORK 22X4	(1005)
RB6004	1-234-370-11	s RES, NETWORK 22X4	(1005)
RB6005	1-234-370-11	s RES, NETWORK 22X4	(1005)
RB6006	1-234-370-11	s RES, NETWORK 22X4	(1005)
RB6007	1-234-370-11	s RES, NETWORK 22X4	(1005)
RB6008	1-234-370-11	s RES, NETWORK 22X4	(1005)
RB6009	1-234-370-11	s RES, NETWORK 22X4	(1005)
RB6010	1-234-370-11	s RES, NETWORK 22X4	(1005)
RB6011	1-234-370-11	s RES, NETWORK 22X4	(1005)
RB6012	1-234-370-11	s RES, NETWORK 22X4	(1005)
RB6013	1-234-370-11	s RES, NETWORK 22X4	(1005)
TP5000	1-535-757-11	s CHIP, CHECKER (CONNECTOR)	
TP5001	1-535-757-11	s CHIP, CHECKER (CONNECTOR)	
TP5002	1-535-757-11	s CHIP, CHECKER (CONNECTOR)	
X5000	1-781-345-11	s OSCILLATOR, CRYSTAL	
X6001	1-813-112-21	s OSCILLATOR, CRYSTAL	

TA BOARD

Ref. No. or Q'ty	Part No.	SP Description
1pc	A-1086-806-A	s MOUNTED CIRCUIT BOARD, TA
C50	1-107-820-11	s CERAMIC CHIP 0.1UF 16V
TH50	1-803-382-11	s 1-803-382-11 THERMISTOR (10K)

U BOARD

Ref. No. or Q'ty	Part No.	SP Description
1pc	A-1057-964-A	s MOUNTED CIRCUIT BOARD, U
S20	△ 1-570-504-12	s SWITCH, MICRO

V BOARD

Ref. No. or Q'ty	Part No.	SP Description
1pc	A-1057-965-A	s MOUNTED CIRCUIT BOARD, V
S30	1-570-504-12	s SWITCH, MICRO

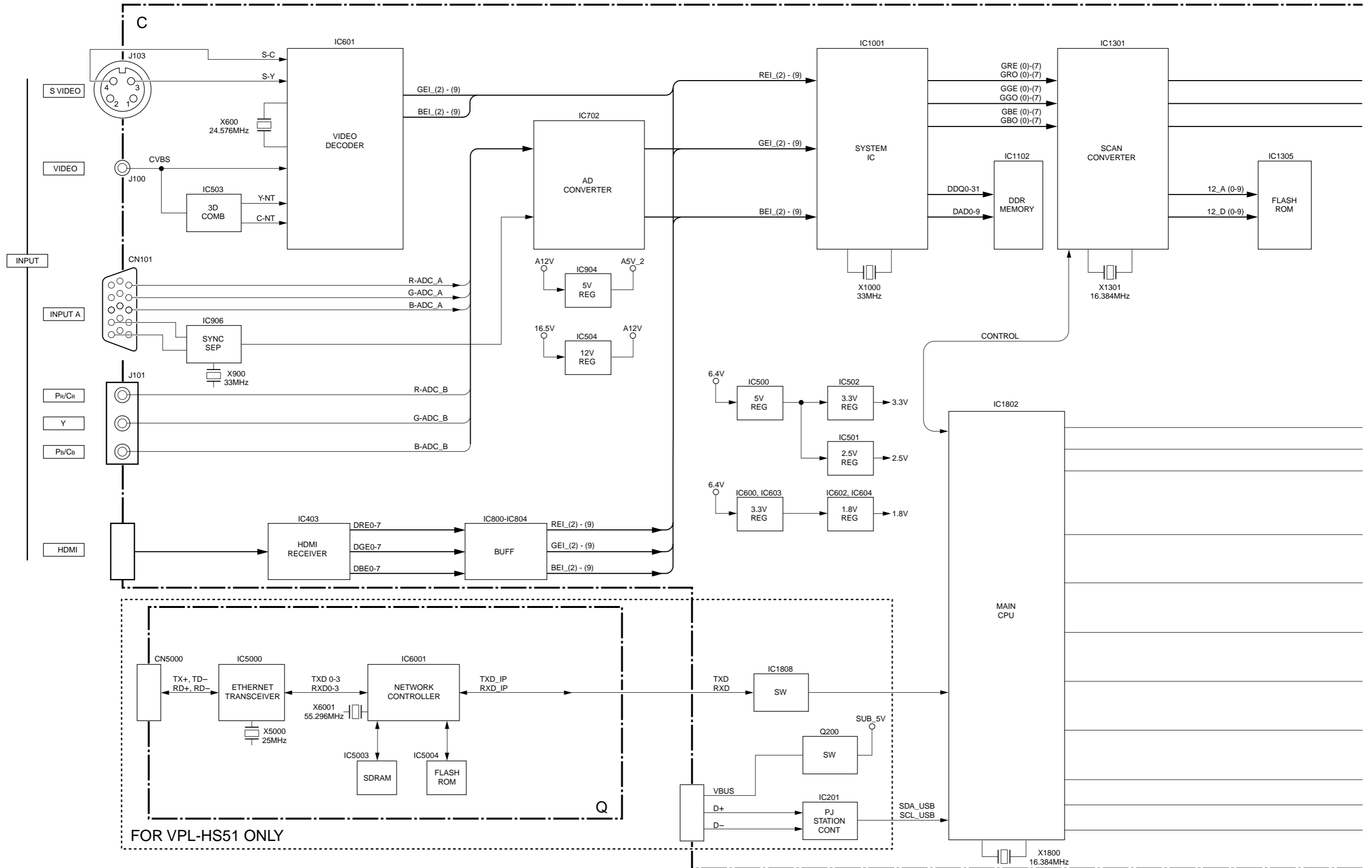
4-4. Packing Materials & Supplied Accessories

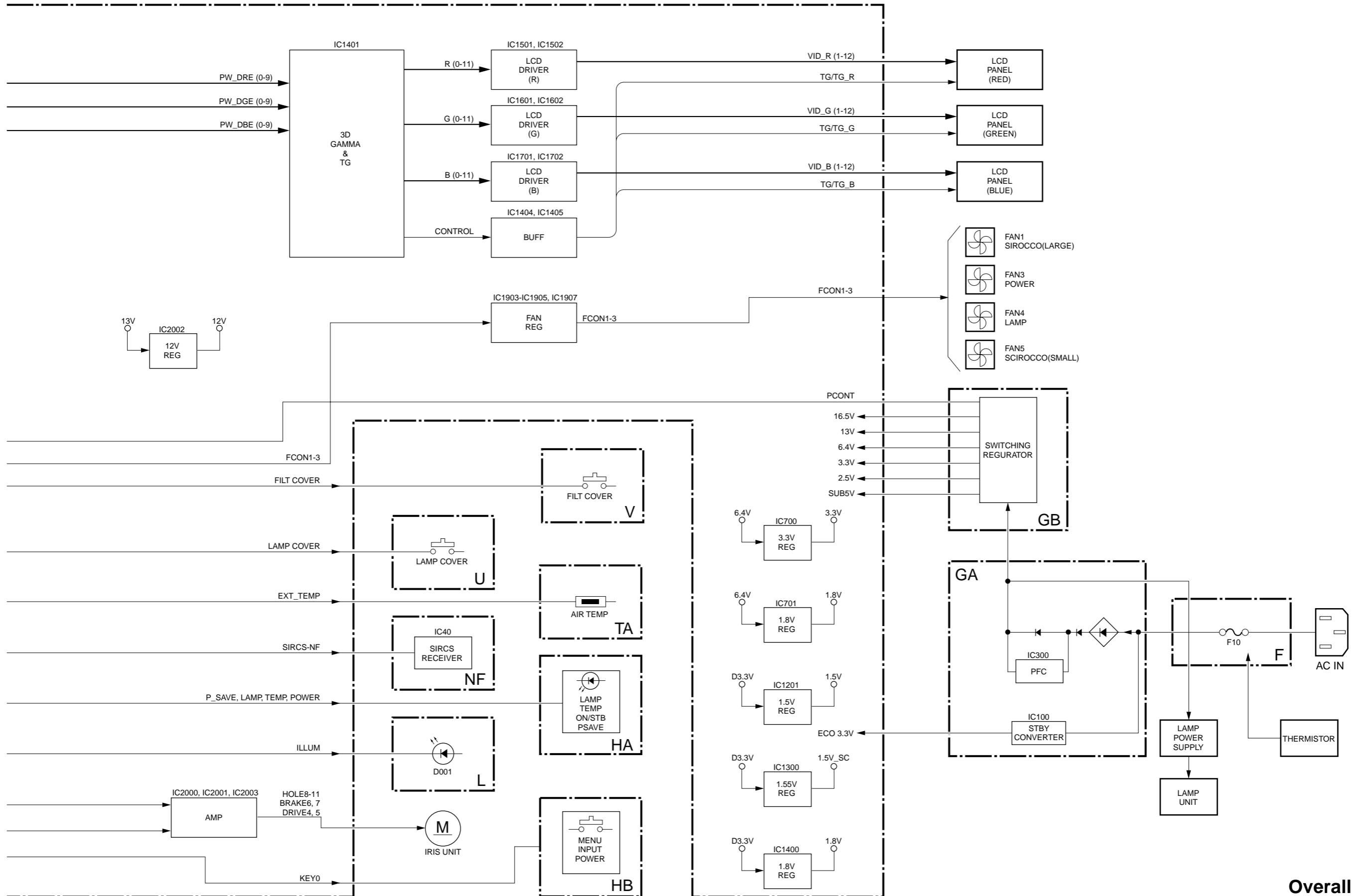
 PACKING MATERIALS & SUPPLIED ACCESSORIES

*1:[VPL-HS50]
 *2:[VPL-HS51]

Ref. No. or Q'ty	Part No.	SP Description
1pc	1-479-105-11	s REMOTE COMMANDER (RM-PJHS50)
1pc	9-885-028-14	s BATTERY COVER (FOR RM-PJHS50)
1pc	△ -----	CORD, POWER
(See Sec.1-9. Warning on Power Connection)		
1pc	*1 2-188-141-01	s OPERATING INSTRUCTIONS (JAPANESE, SIMPLIFIED CHINESE)
1pc	2-188-141-11	s OPERATING INSTRUCTIONS (ENGLISH)
1pc	*1 2-188-141-21	s OPERATING INSTRUCTIONS (FRENCH, SPANISH)
1pc	*1 2-188-141-31	s OPERATING INSTRUCTIONS (GERMAN, ITALIAN)
1pc	2-583-374-01	s SHEET, PROTECTION (A)
1pc	3-704-353-01	s SHEET (STANDARD), PROTECTION
1pc	*2 4-099-346-02	s PACK, CD-ROM

Section 5
Block Diagrams



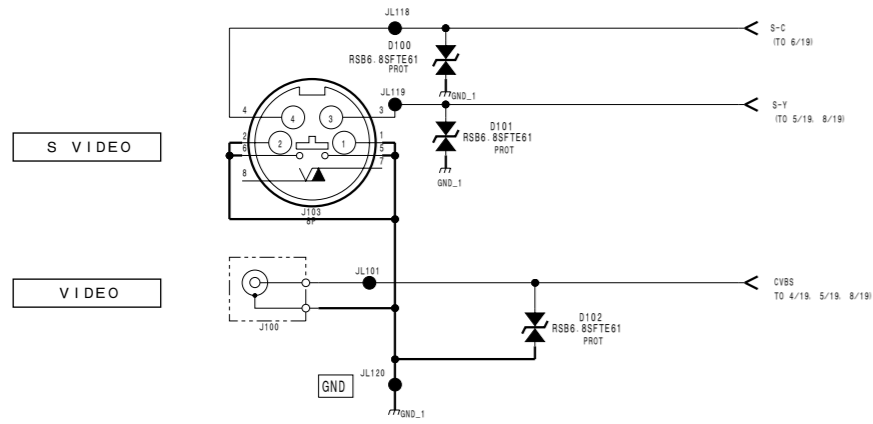


Section 6 Schematic Diagrams

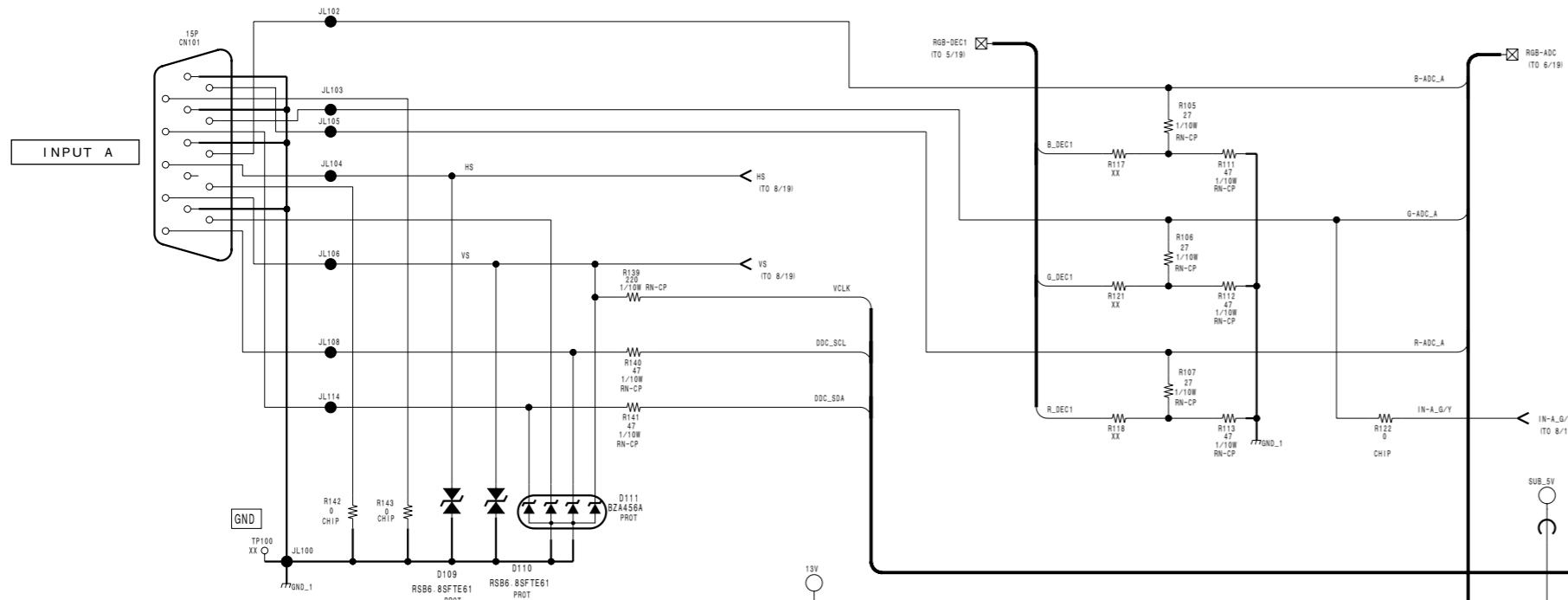
Index

Board Name	Page
C	6-2
F	6-26
GA	6-27
GB	6-30
HA	6-32
HB	6-33
L	6-34
NF	6-34
Q (VPL-HS51 only)	6-35
TA	6-34
U	6-34
V	6-34
Frame Wiring	6-38

1



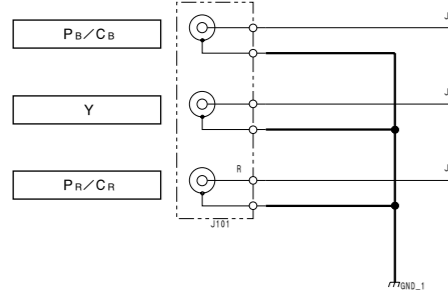
2



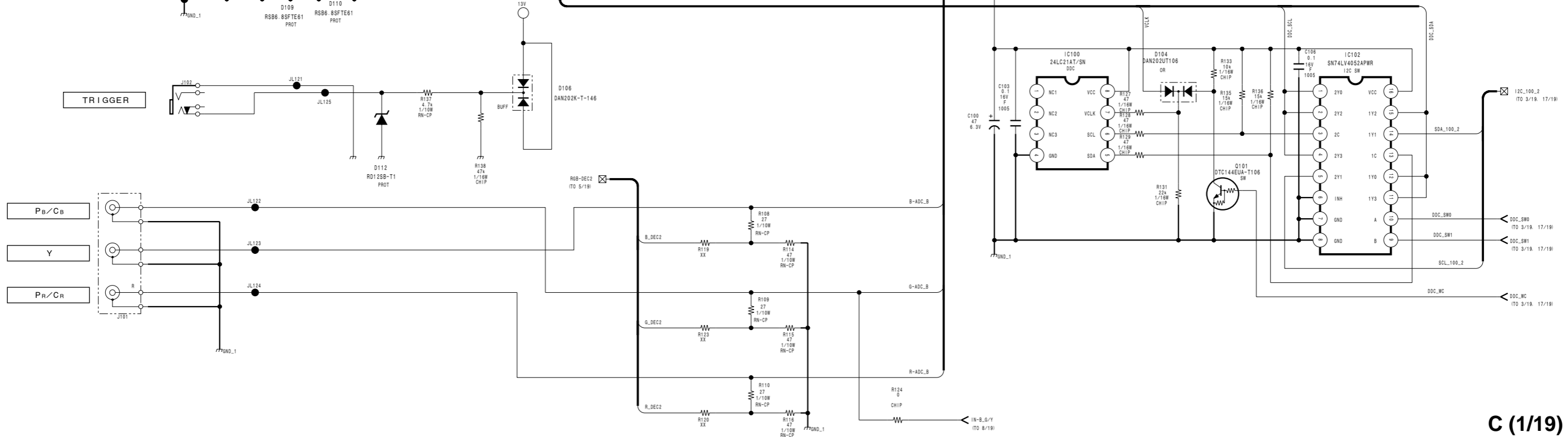
3



4

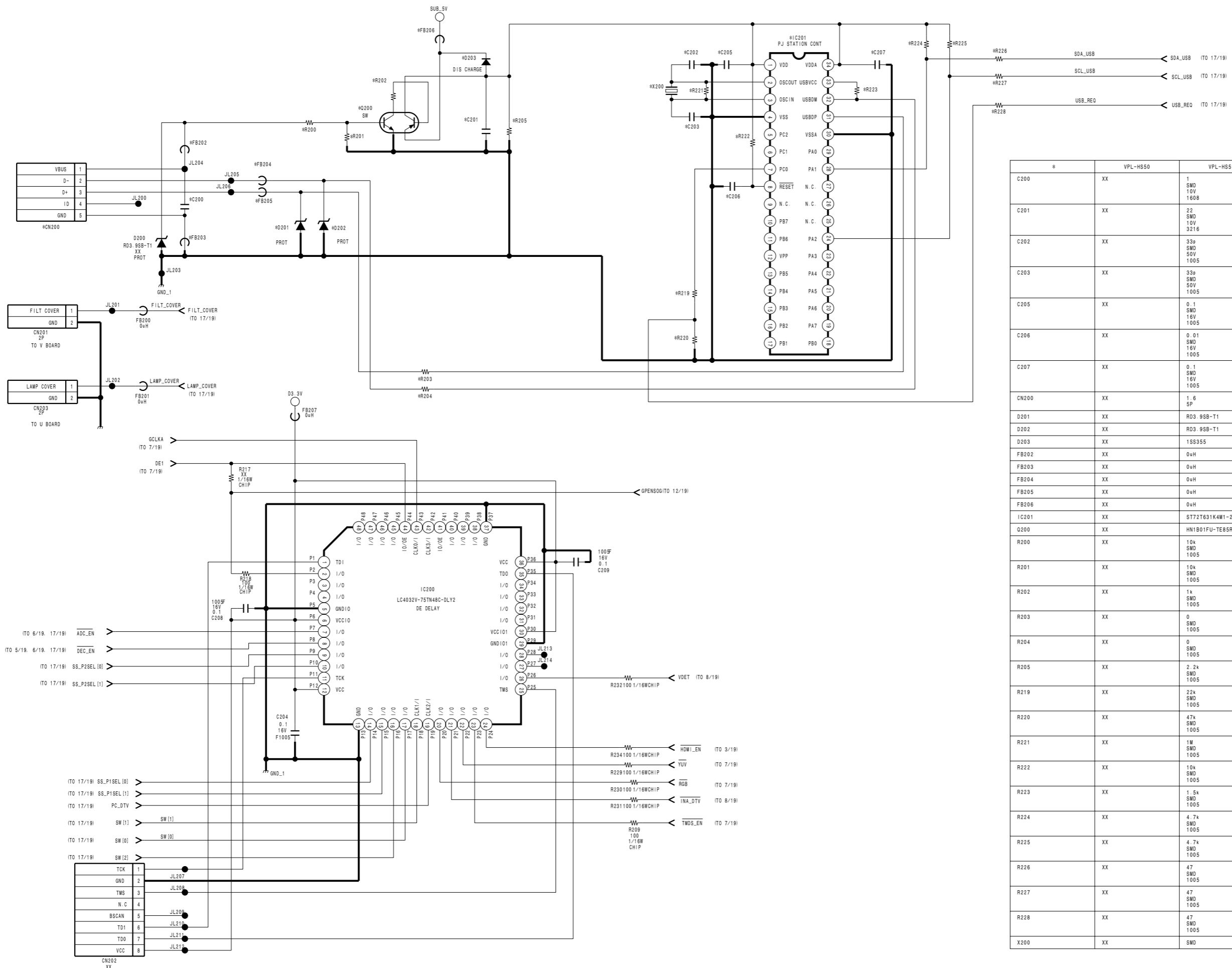


5



6-2

6-2



*	VPL-HS50	VPL-HS51
C200	XX	1 SMD 10V 1608
C201	XX	22 SMD 10V 3216
C202	XX	33p SMD 50V 1005
C203	XX	33p SMD 50V 1005
C205	XX	0.1 SMD 16V 1005
C206	XX	0.01 SMD 16V 1005
C207	XX	0.1 SMD 16V 1005
CN200	XX	1.6 SP
D201	XX	RD3.9SB-T1
D202	XX	RD3.9SB-T1
D203	XX	1SS355
FB202	XX	0uH
FB203	XX	0uH
FB204	XX	0uH
FB205	XX	0uH
FB206	XX	0uH
IC201	XX	ST72T631K4M1-201
Q200	XX	HN1B01FU-TE65R
R200	XX	10k SMD 1005
R201	XX	10k SMD 1005
R202	XX	1k SMD 1005
R203	XX	0 SMD 1005
R204	XX	0 SMD 1005
R205	XX	2.2k SMD 1005
R219	XX	22k SMD 1005
R220	XX	47k SMD 1005
R221	XX	1M SMD 1005
R222	XX	10k SMD 1005
R223	XX	1.5k SMD 1005
R224	XX	4.7k SMD 1005
R225	XX	4.7k SMD 1005
R226	XX	47 SMD 1005
R227	XX	47 SMD 1005
R228	XX	47 SMD 1005
X200	XX	SMD

1
2
3
4
5

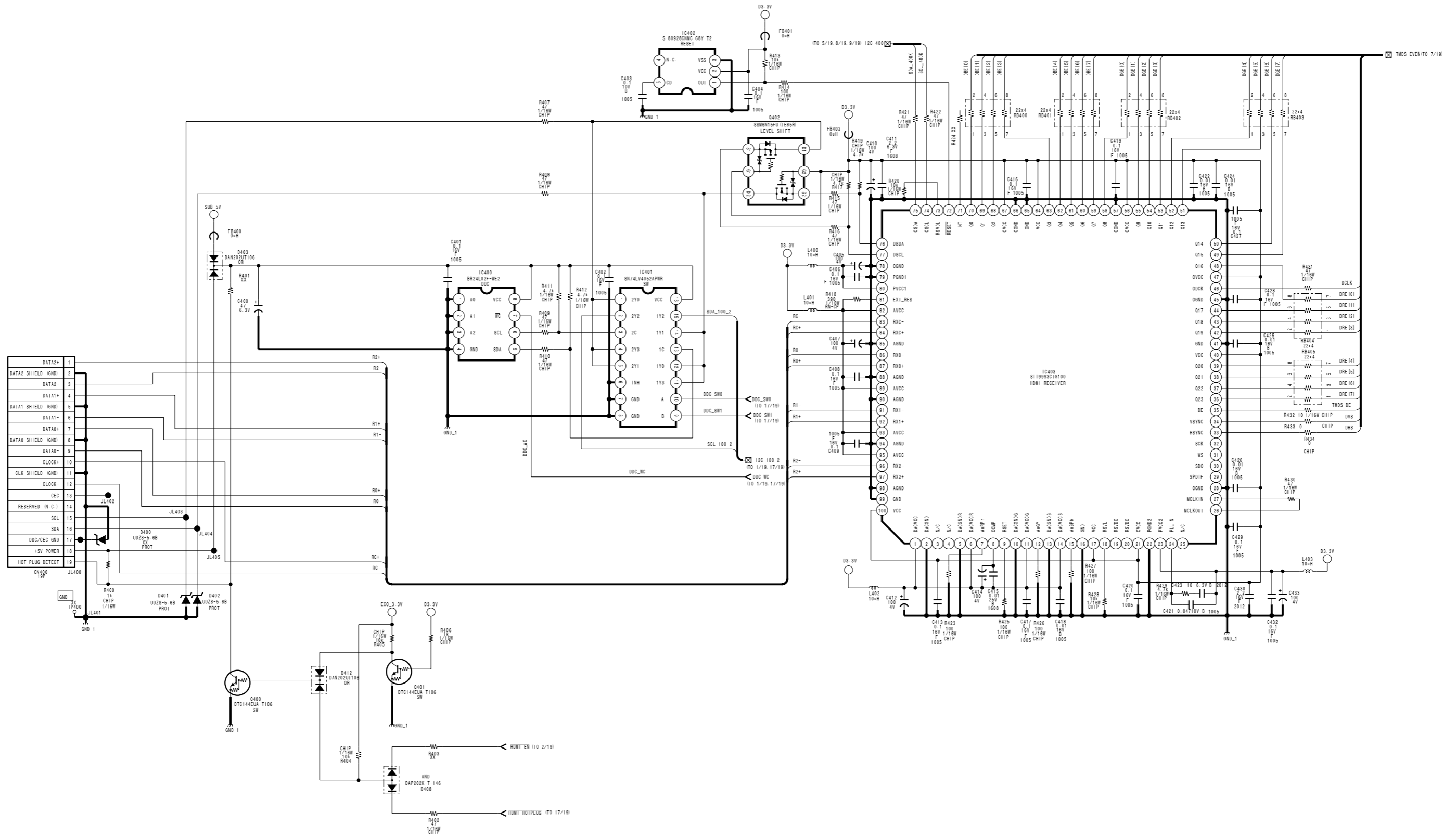
1

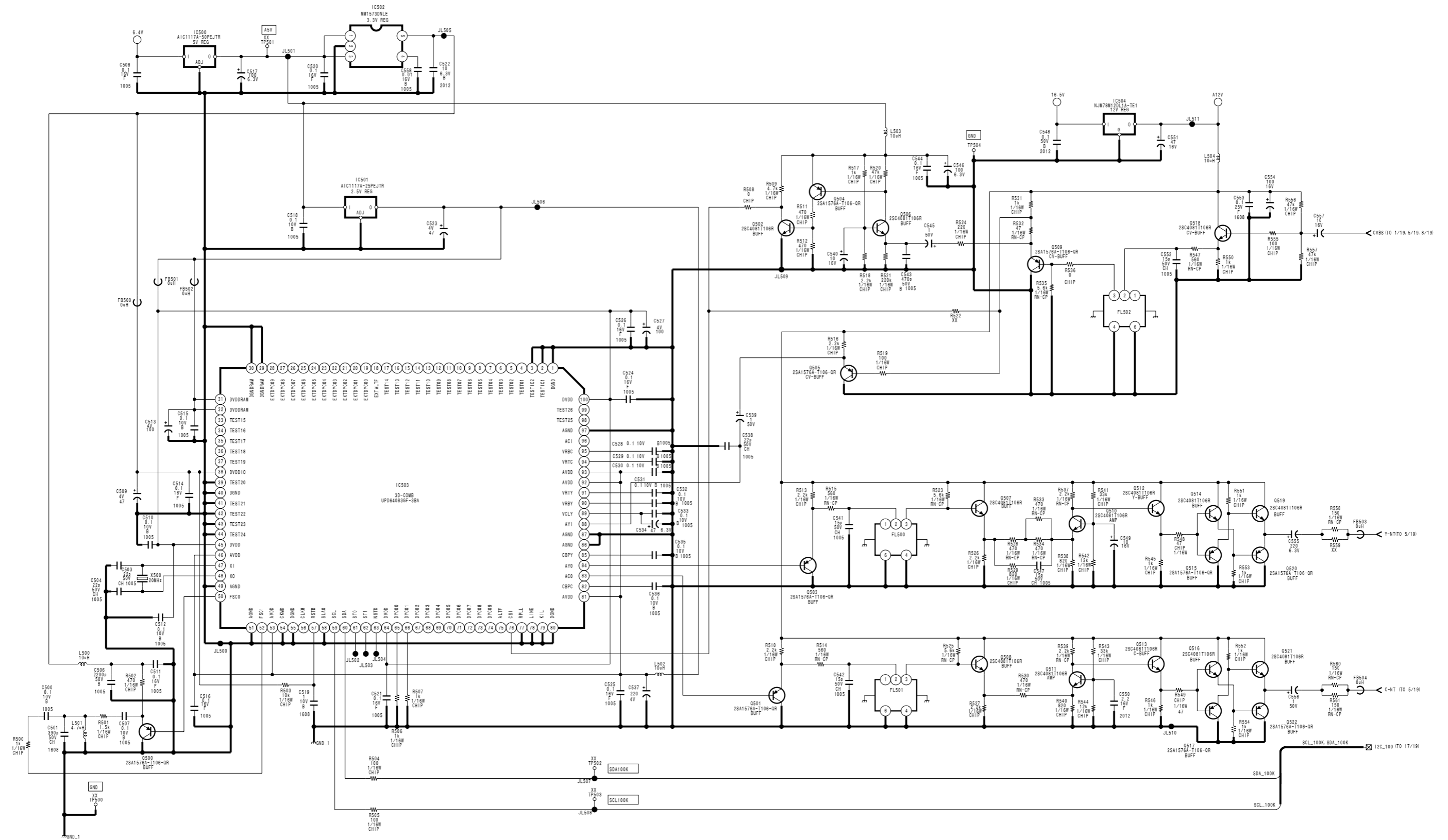
2

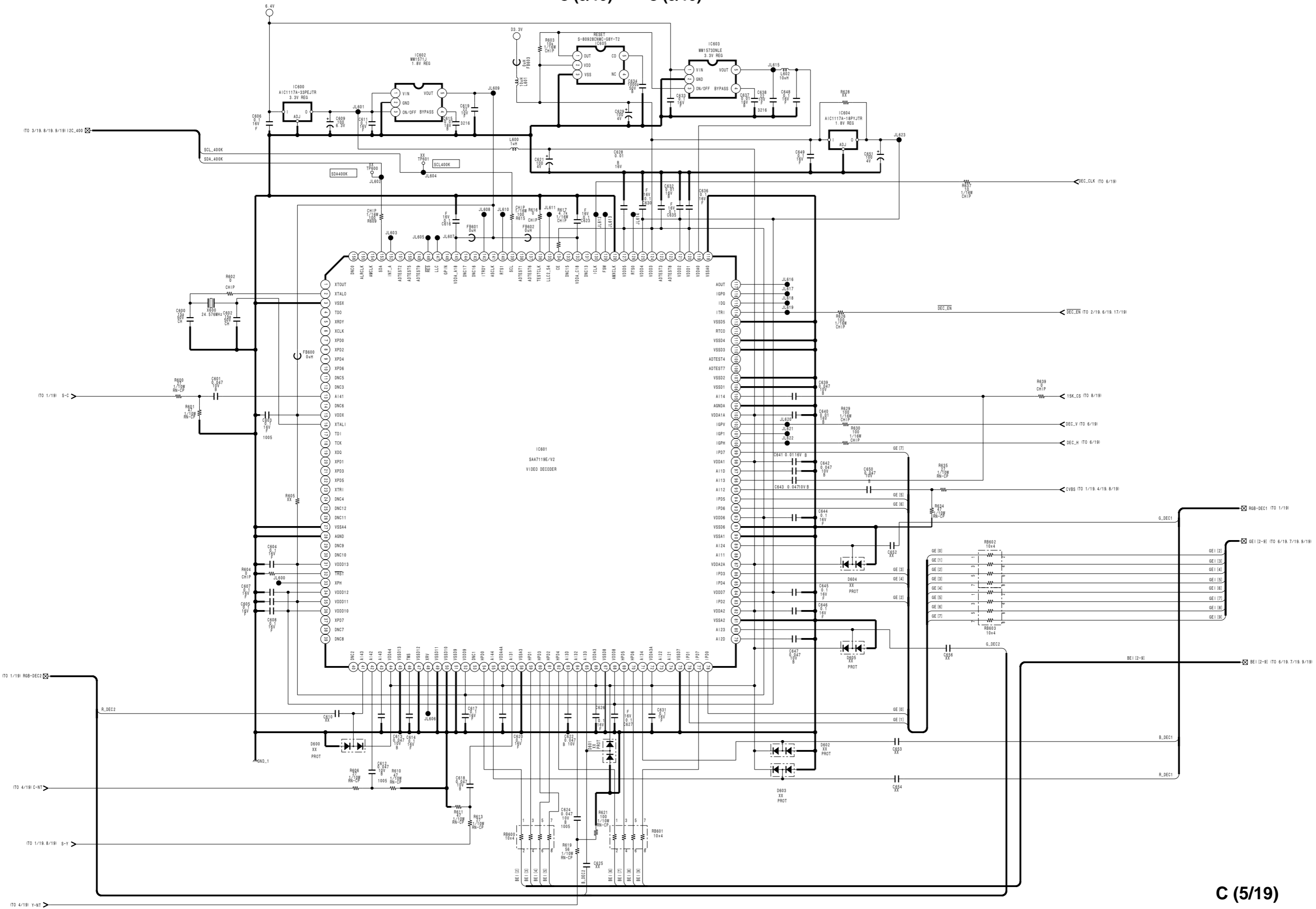
3

4

5







1

2

3

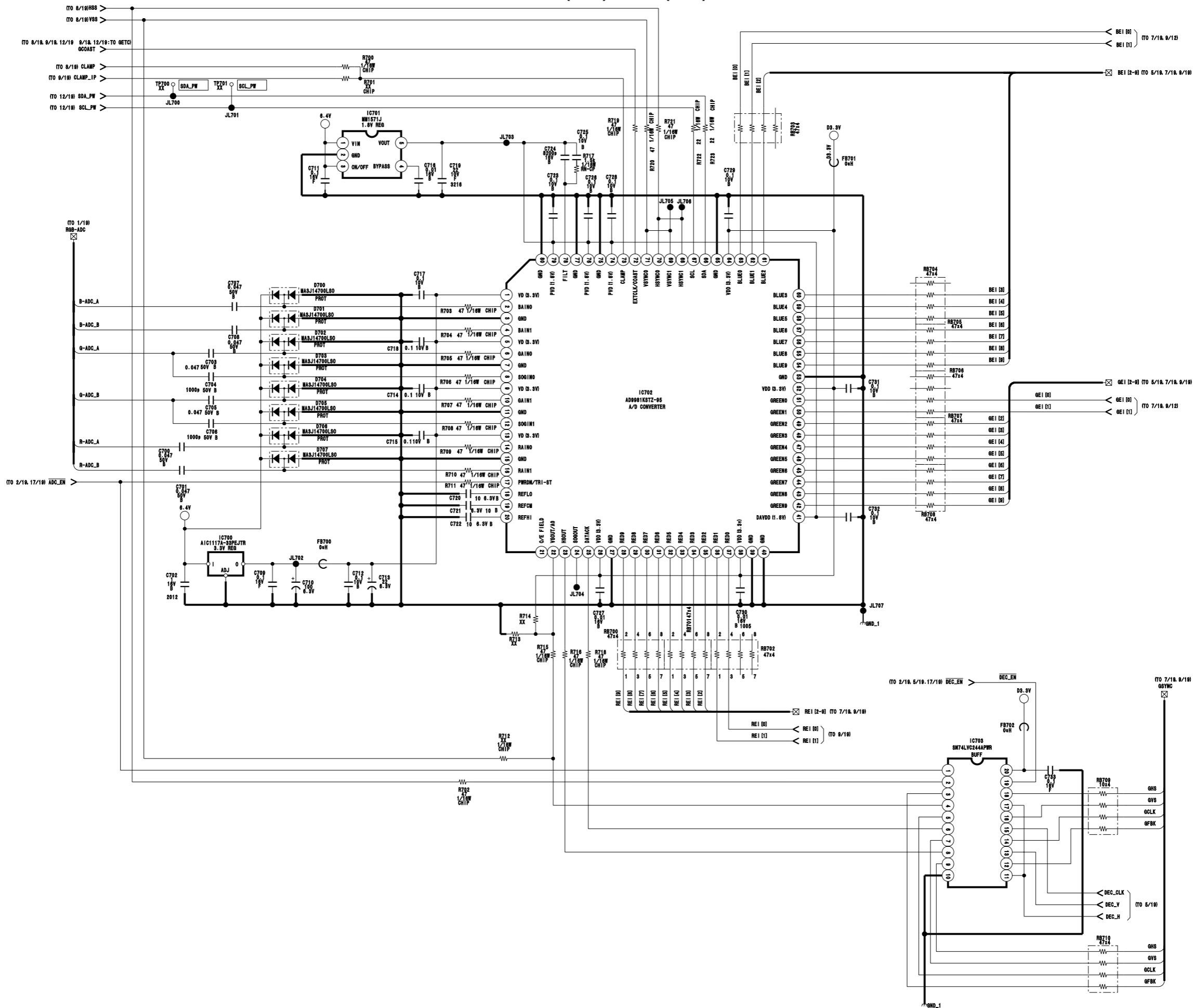
4

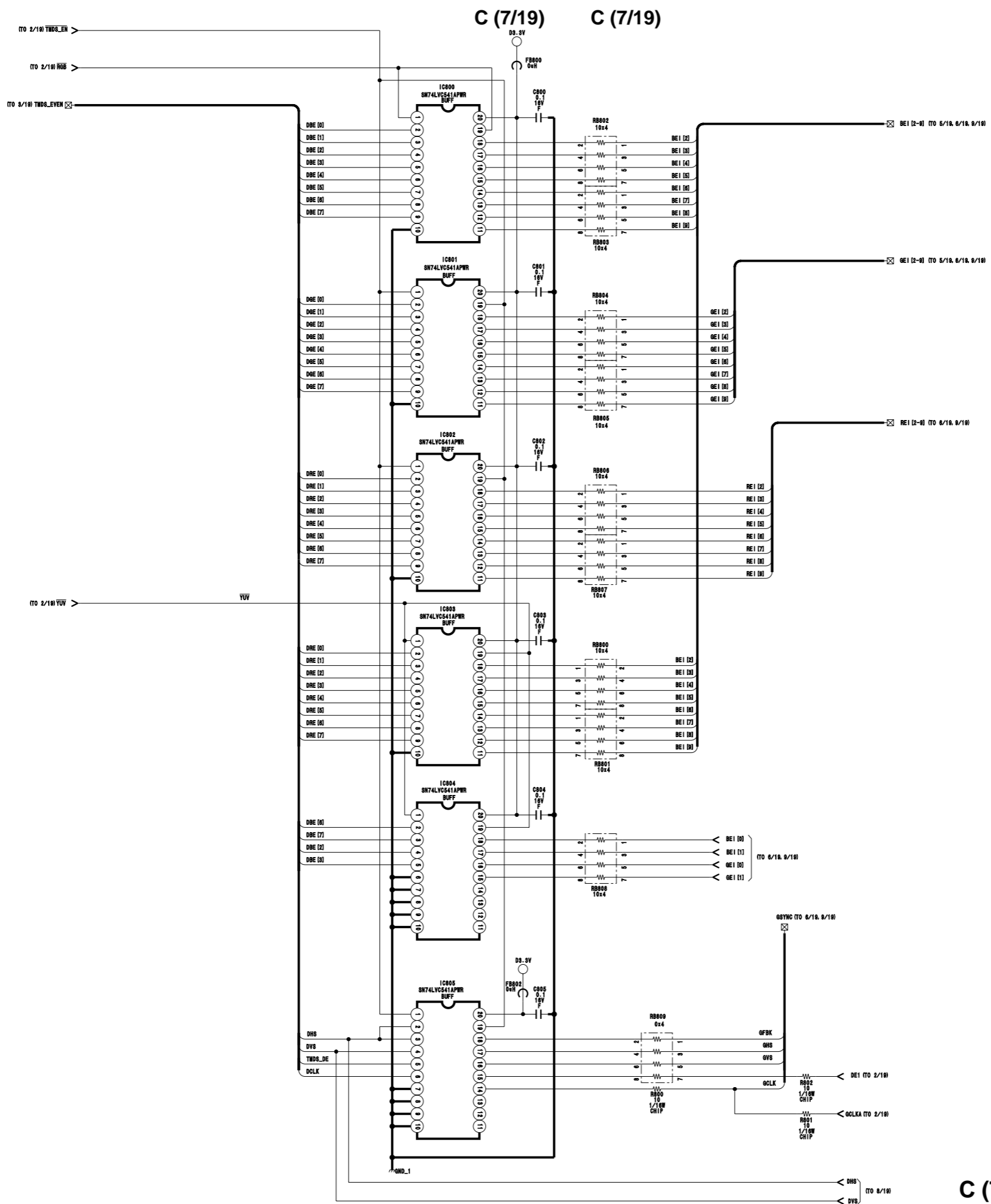
5

6-6

6-6

A B C D E F G H





C (7/19)

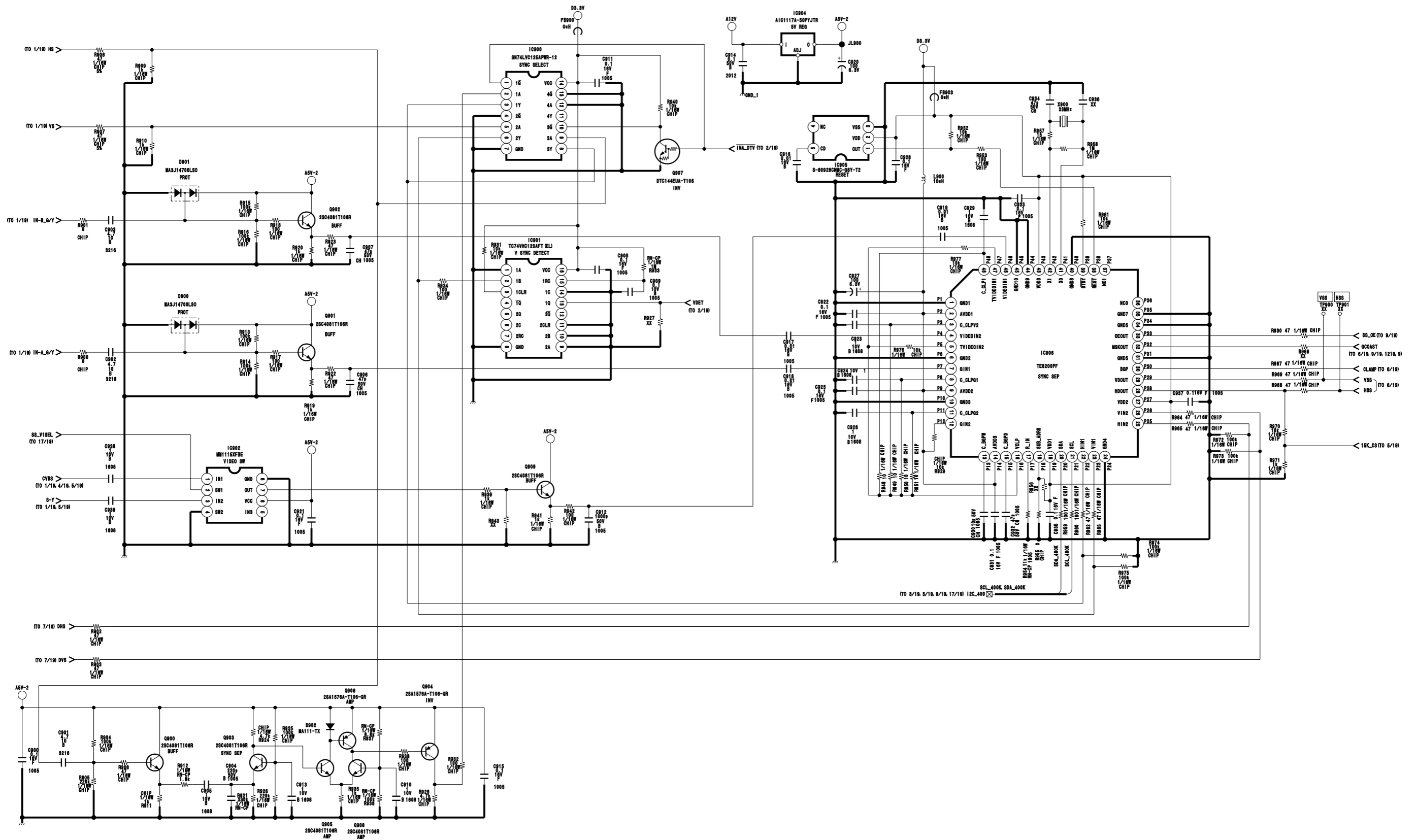
1

2

3

4

5



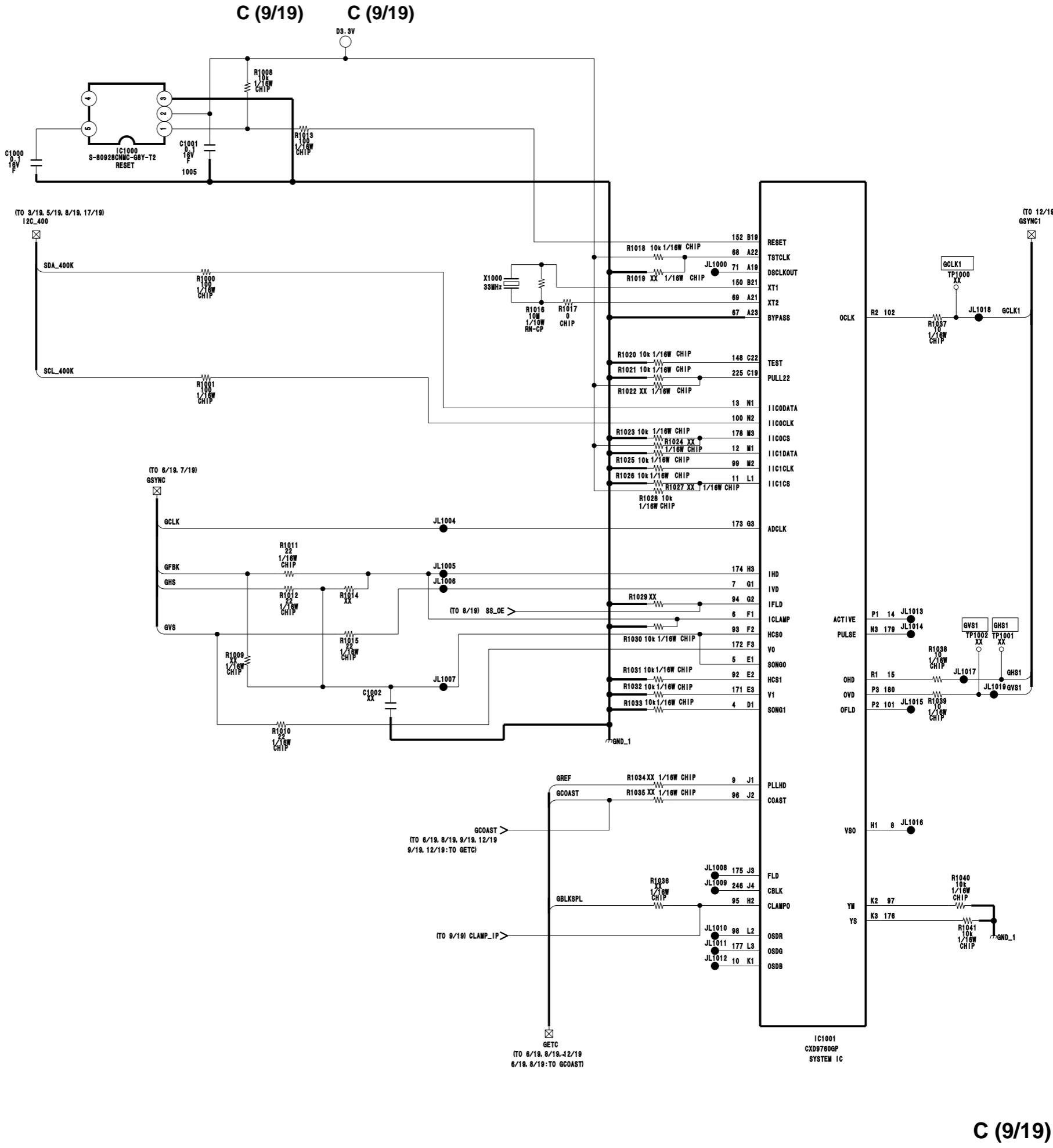
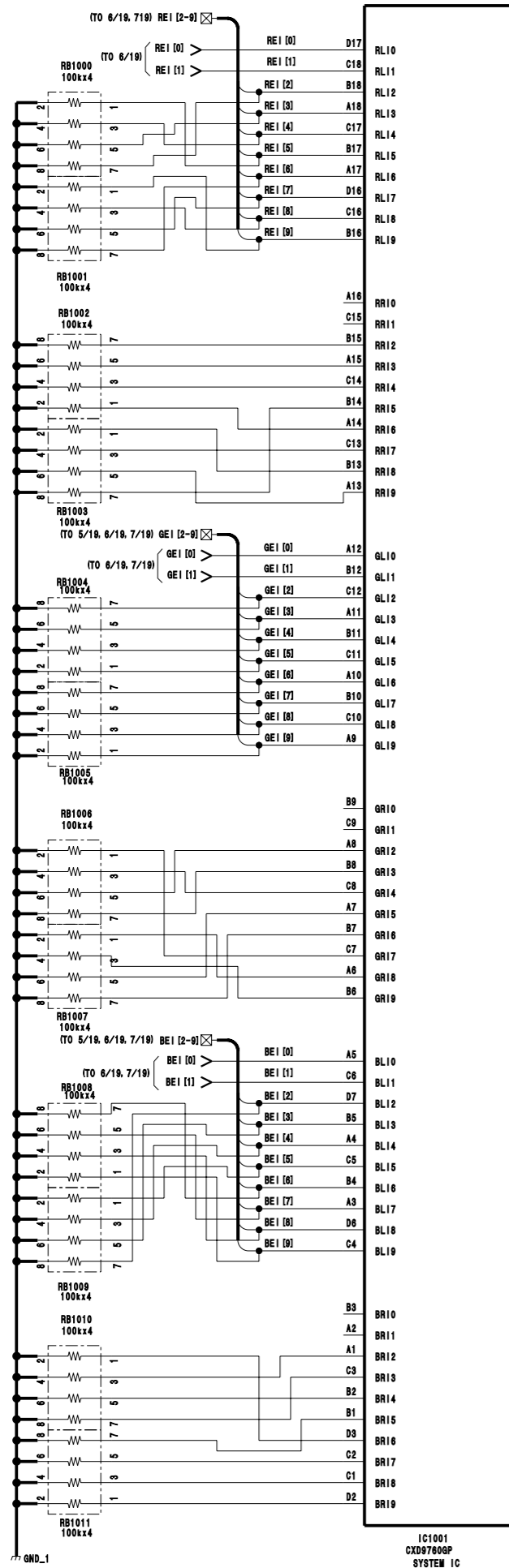
1

2

3

4

5



C (9/19)

1

2

3

4

5

A

B

C

6-10

D

6-10

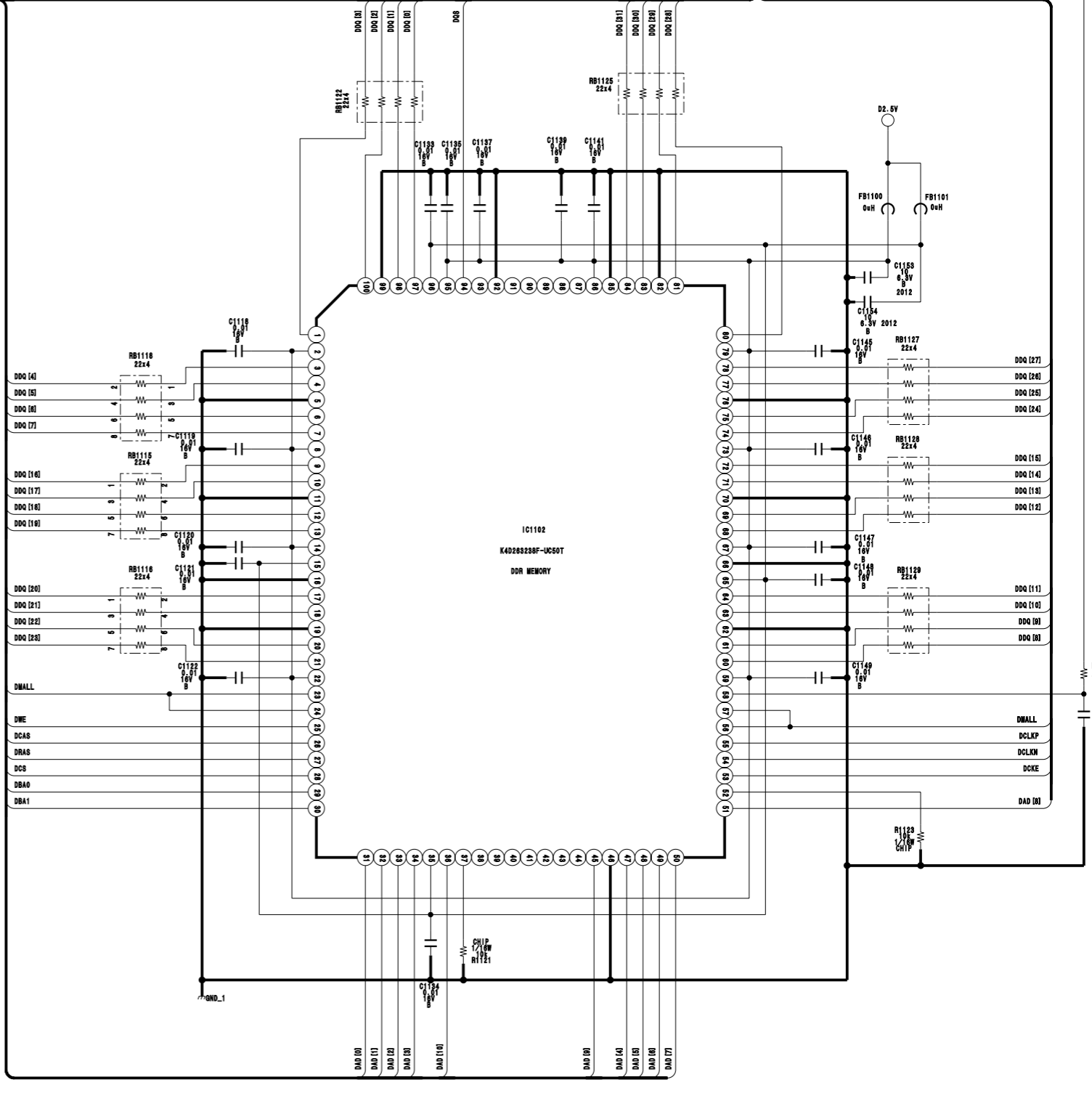
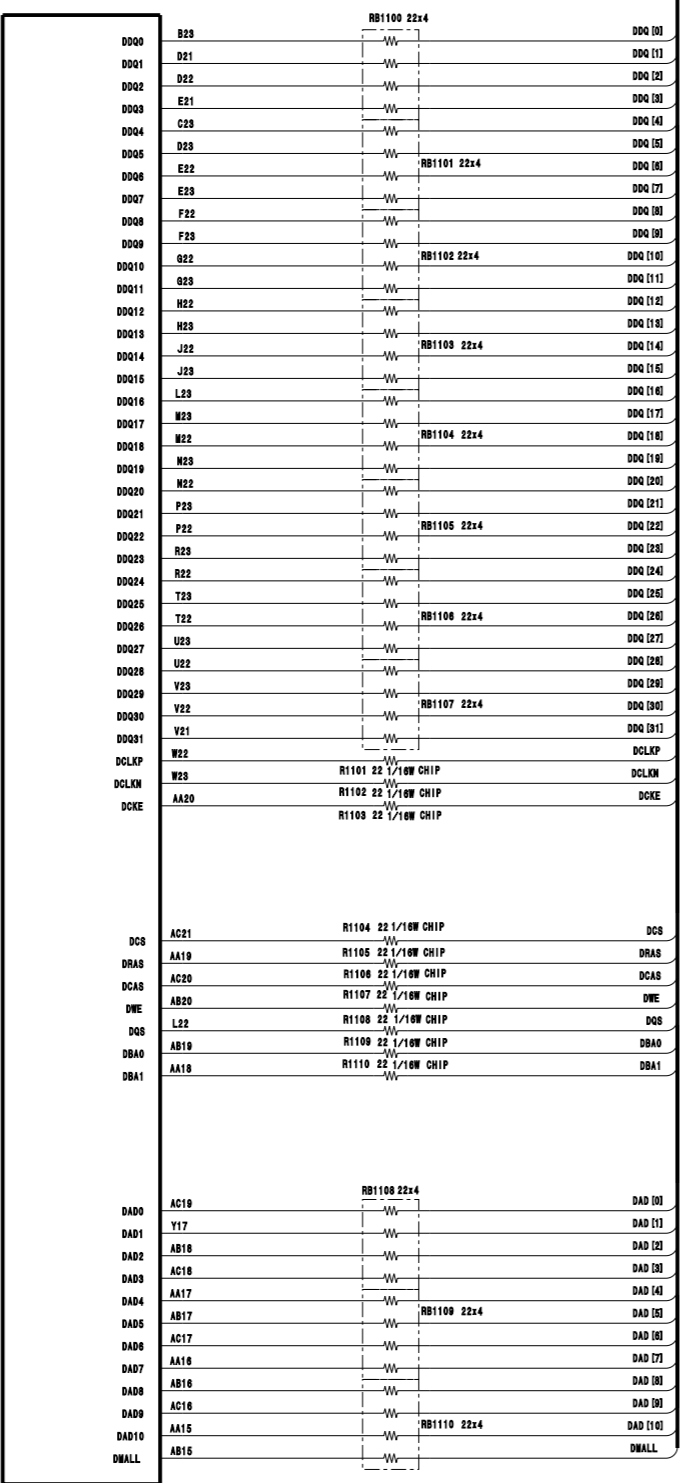
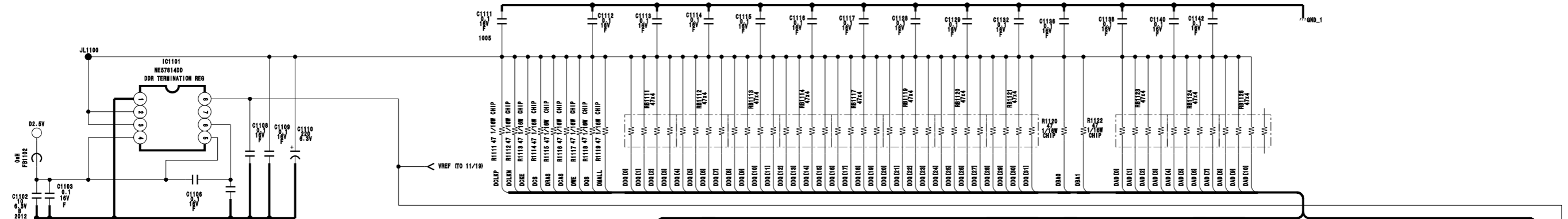
E

F

G

H

VPL-HS50/HS51



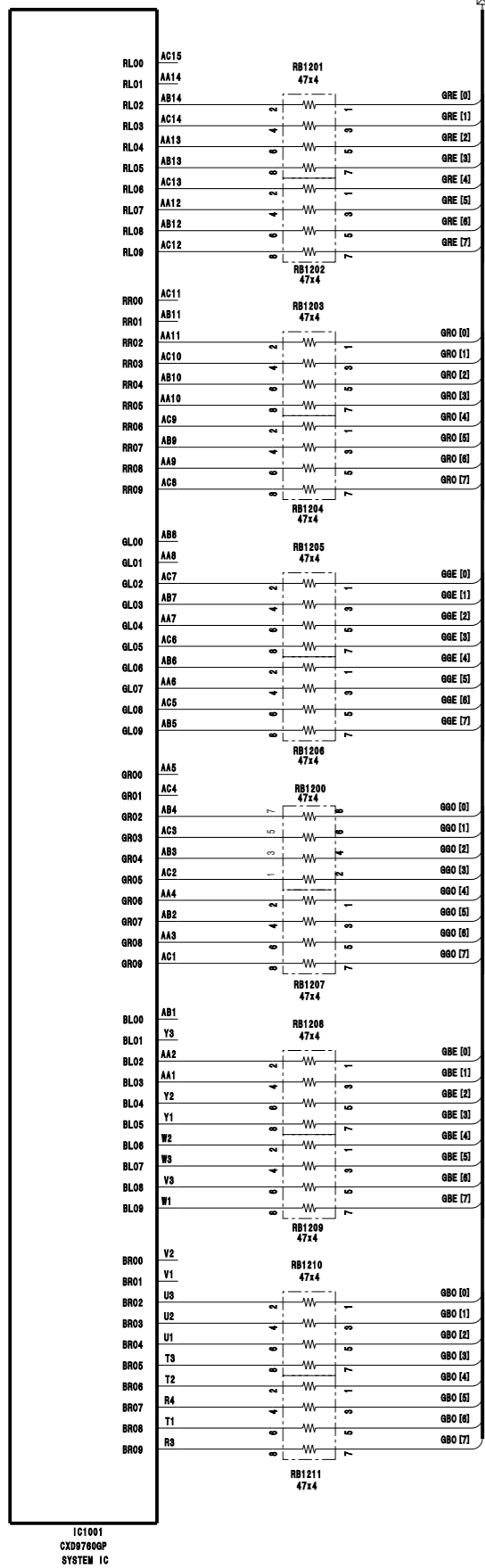
1

2

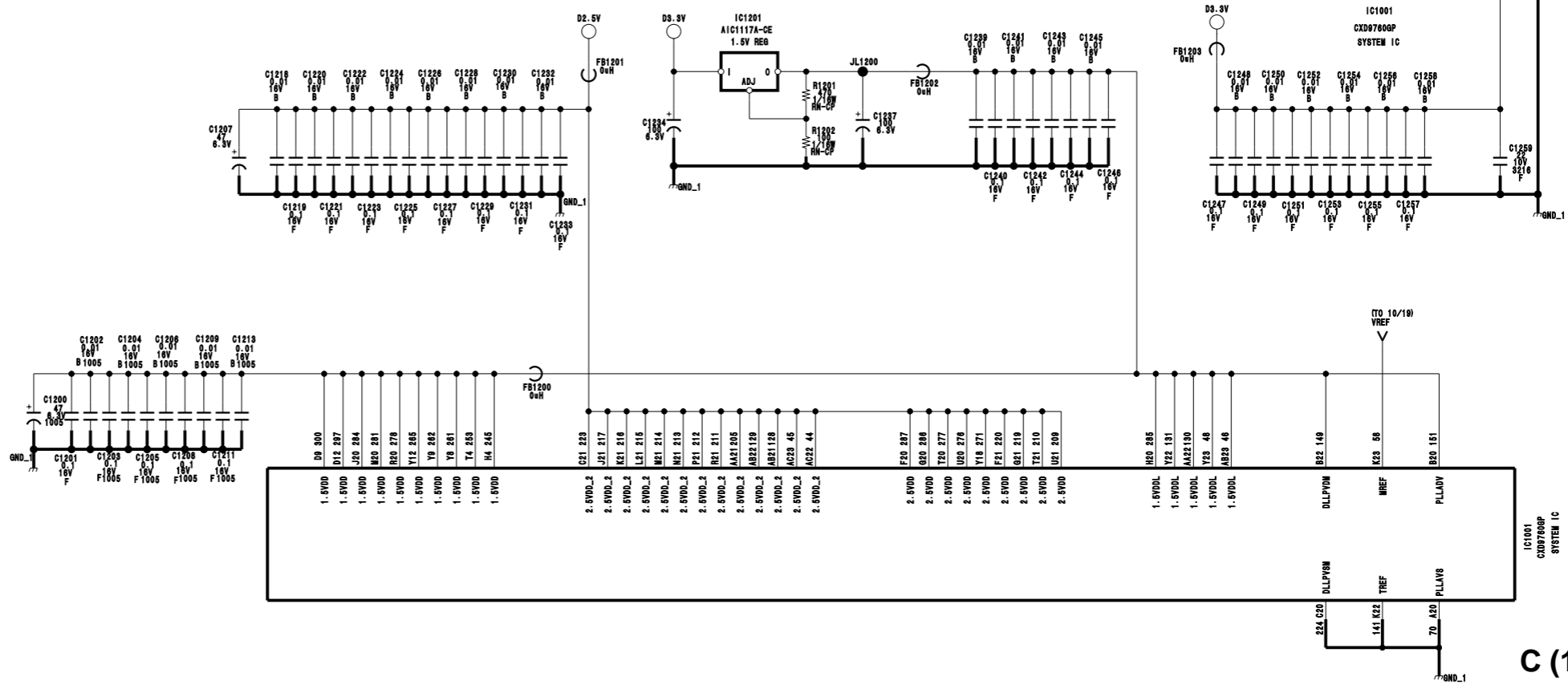
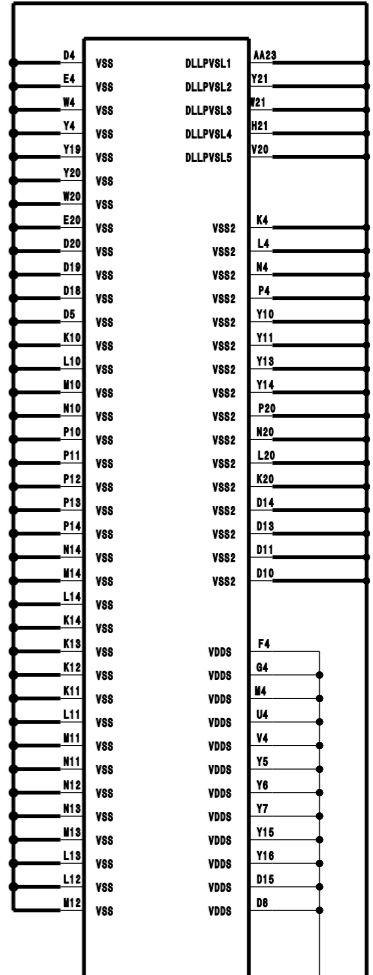
3

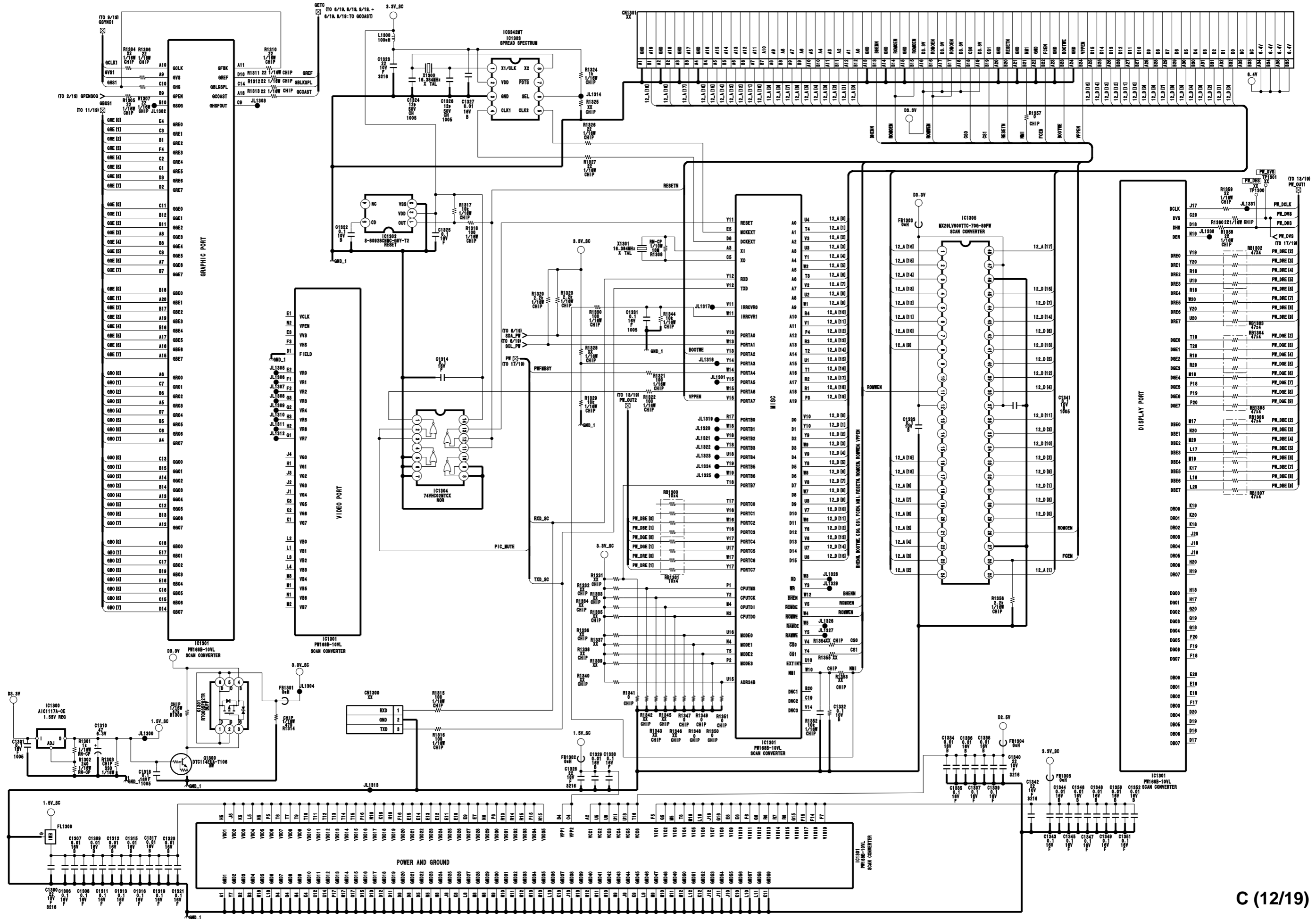
4

5



(TO 12/19)
GBUS1





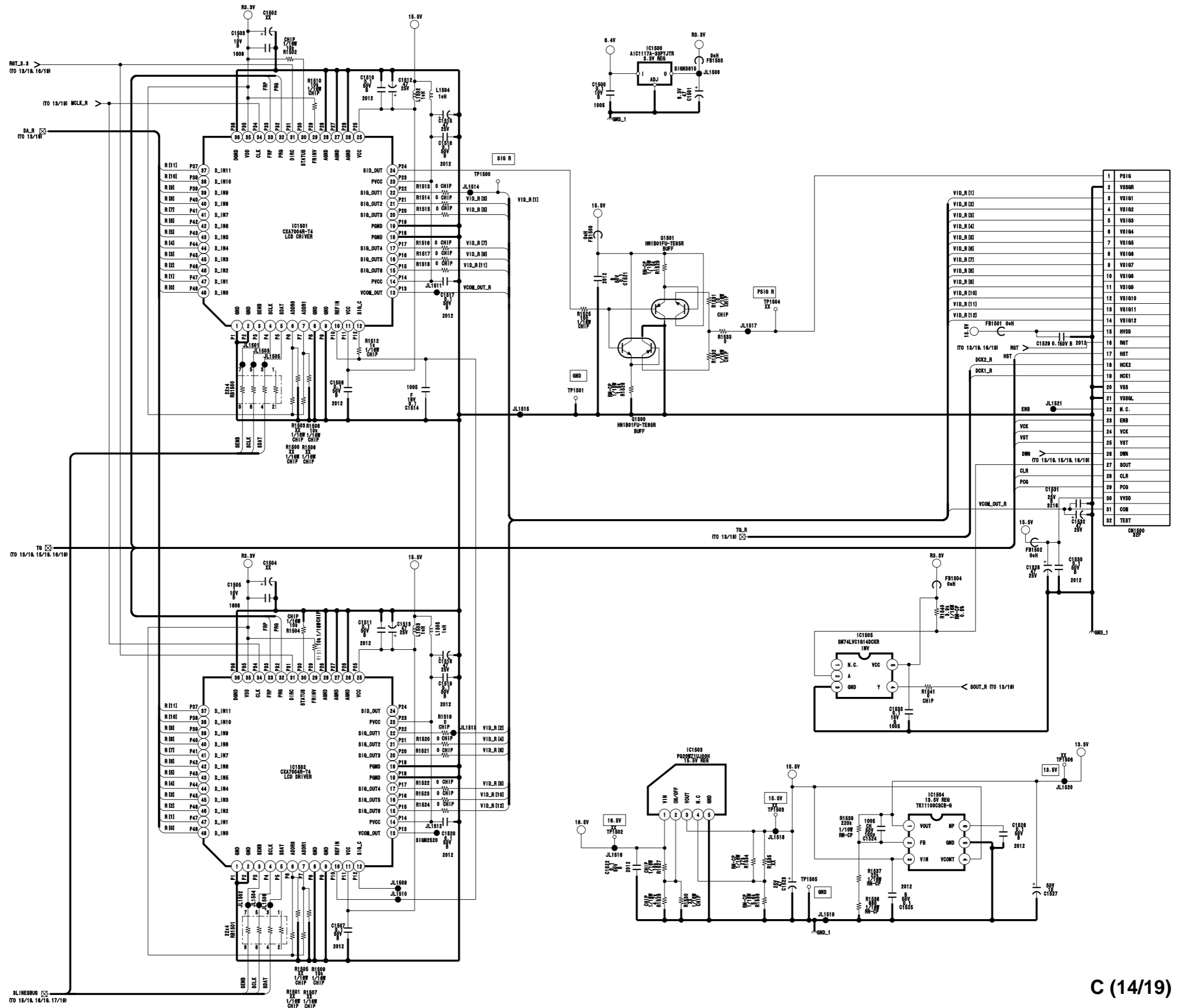
1

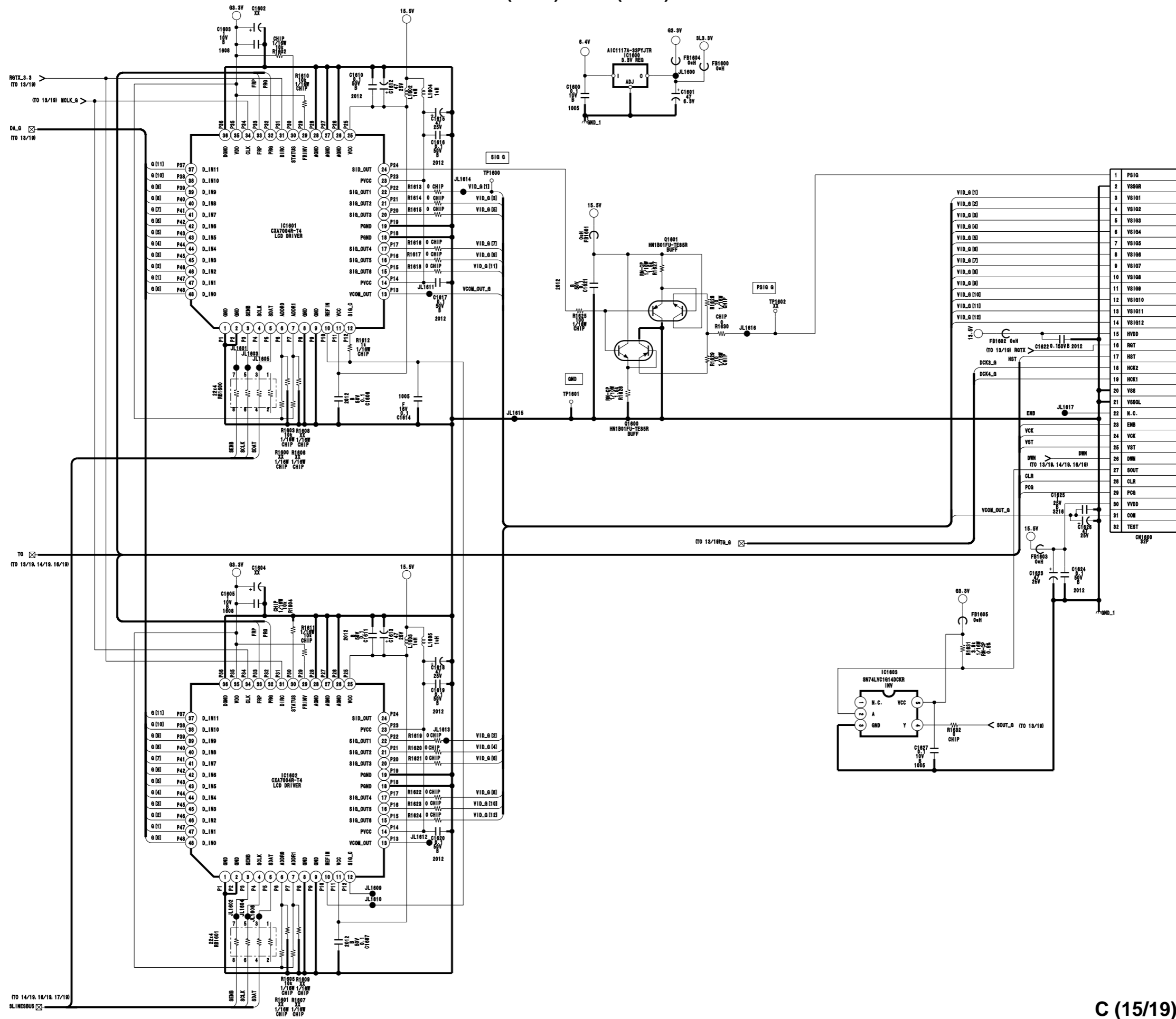
2

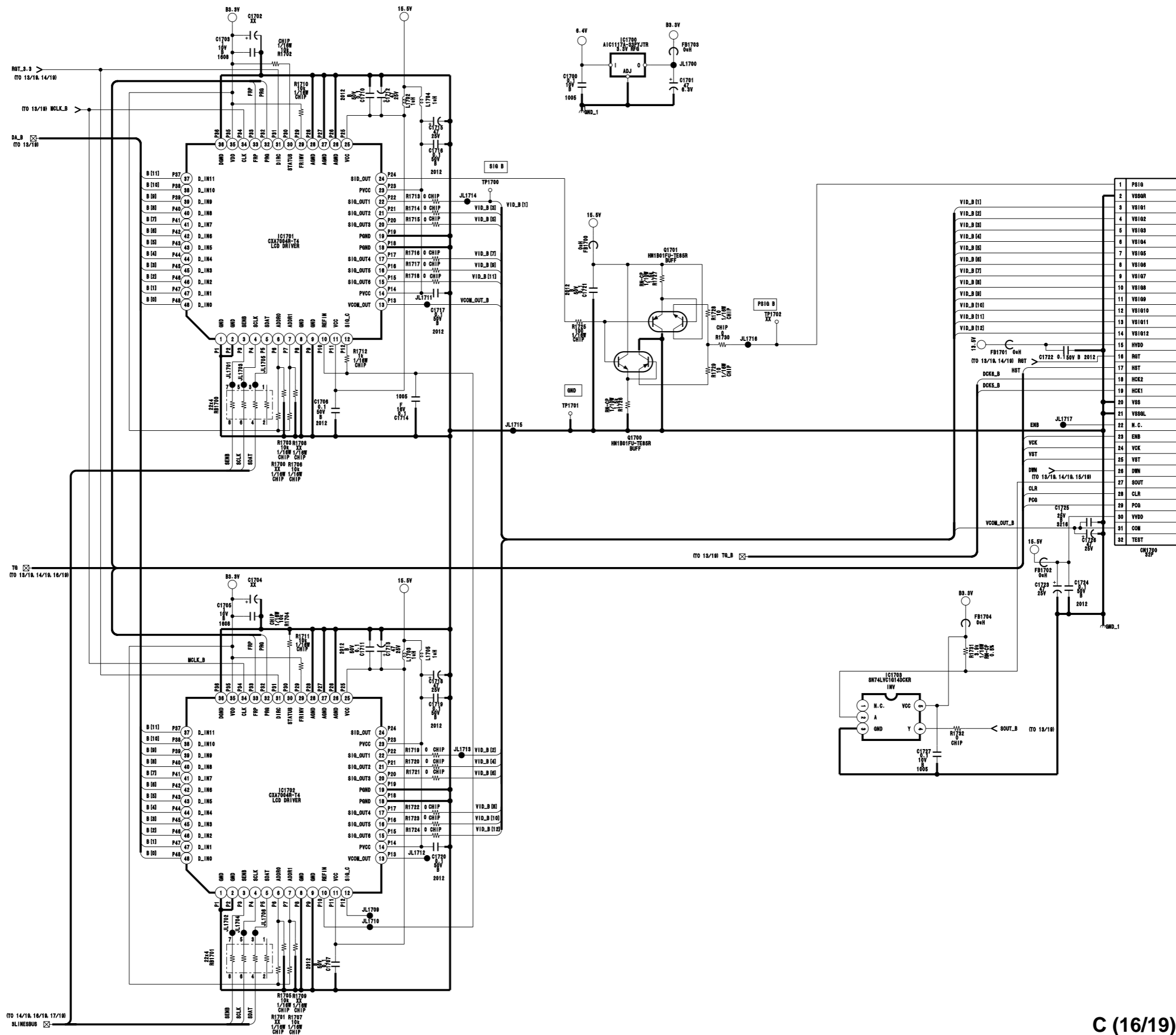
3

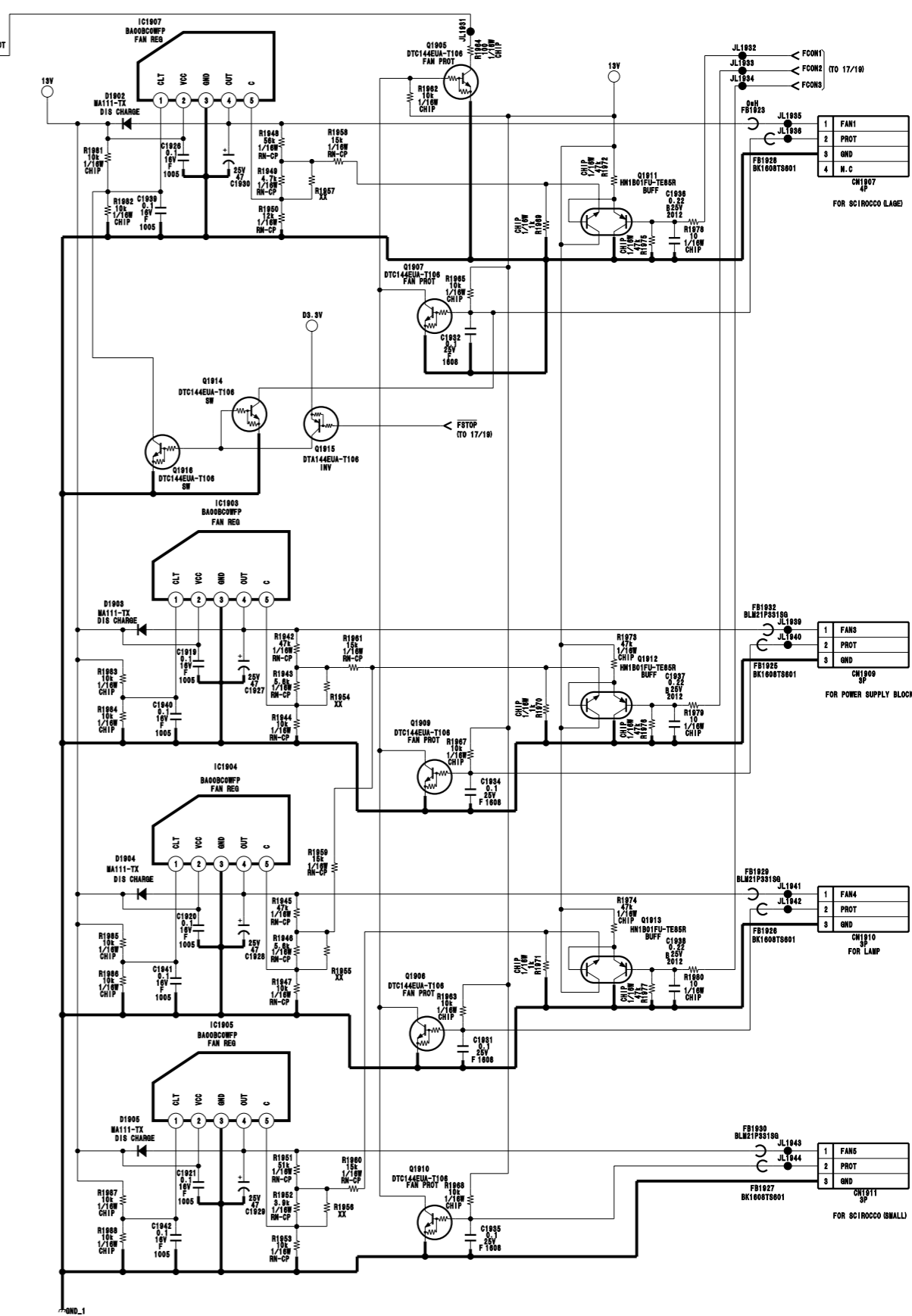
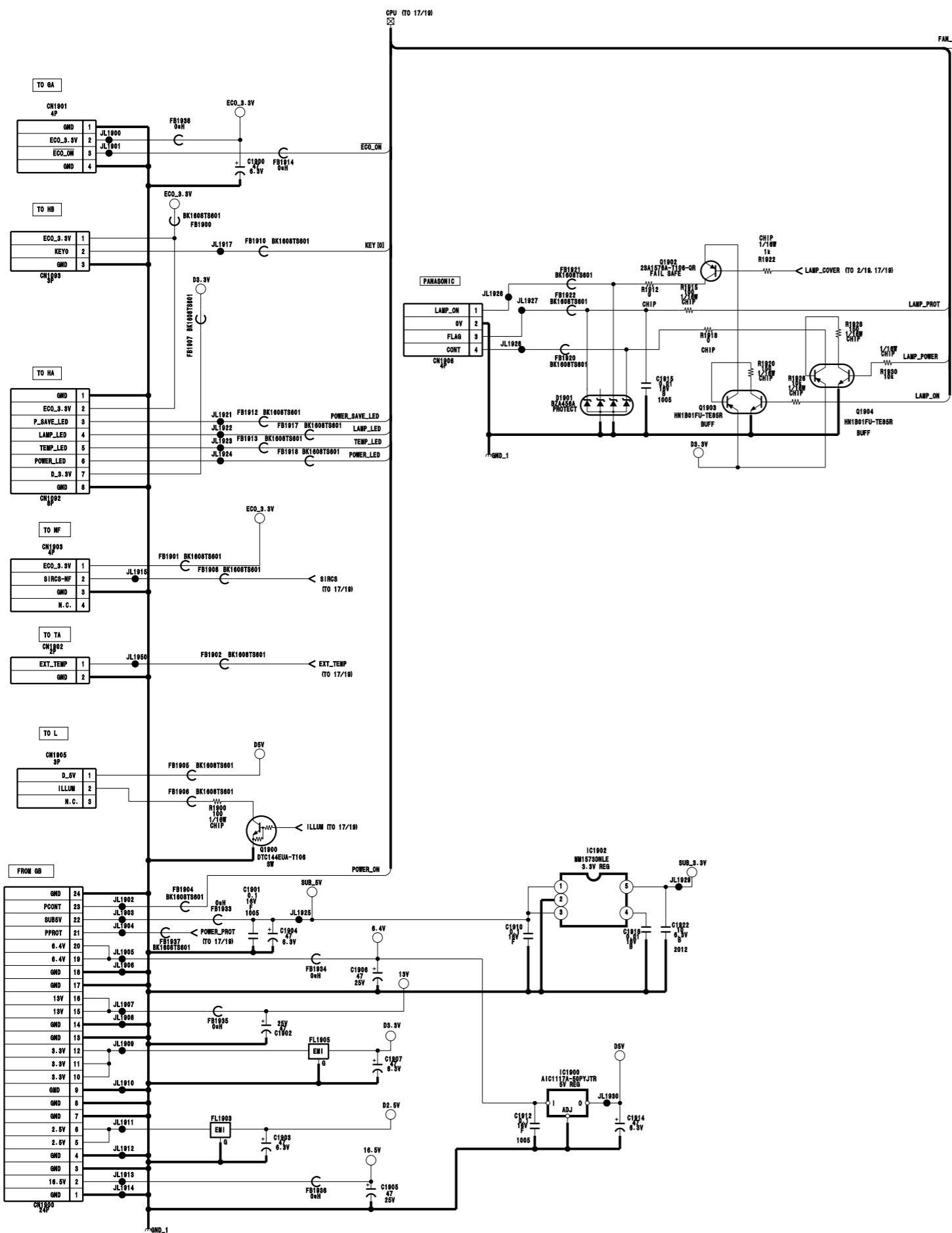
4

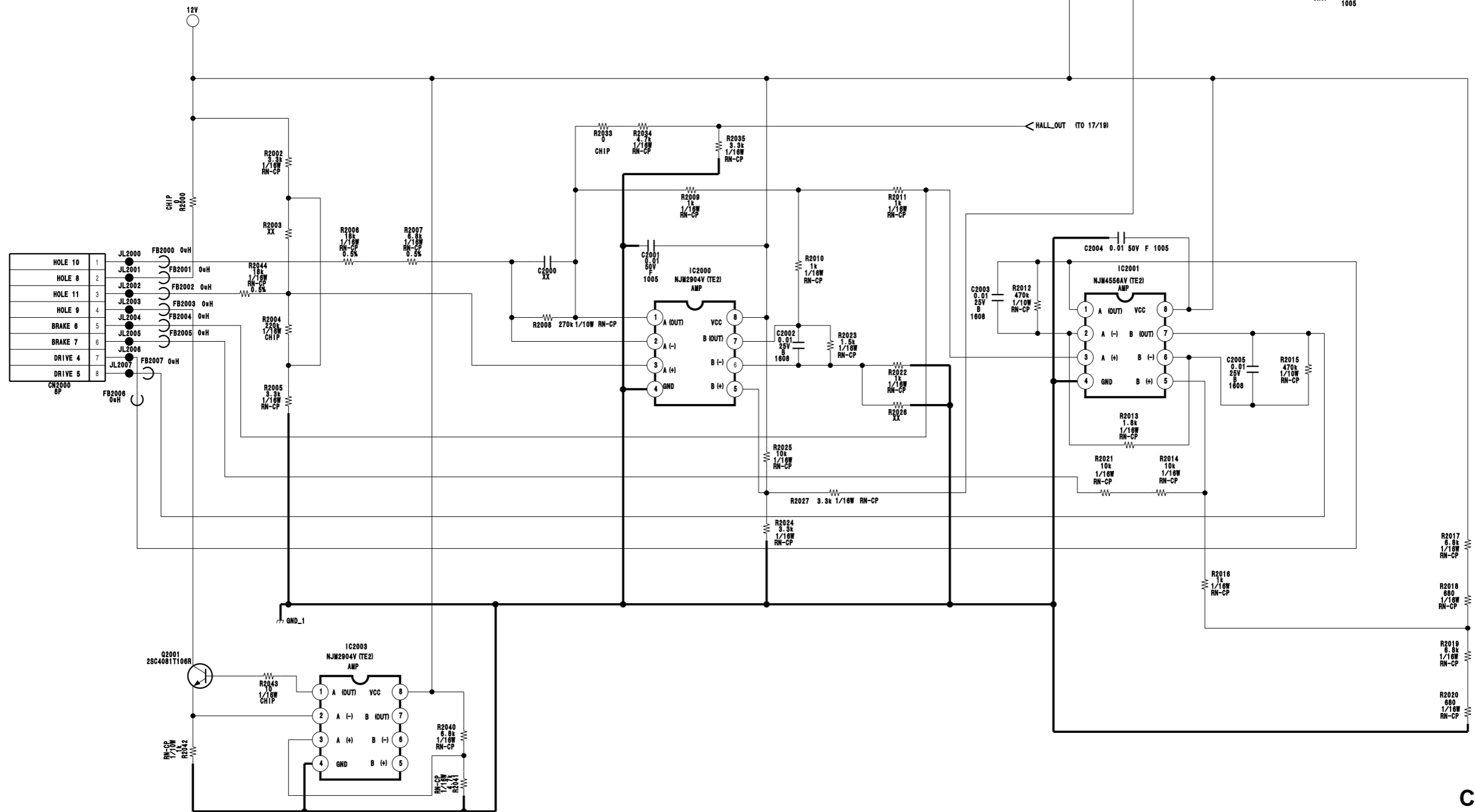
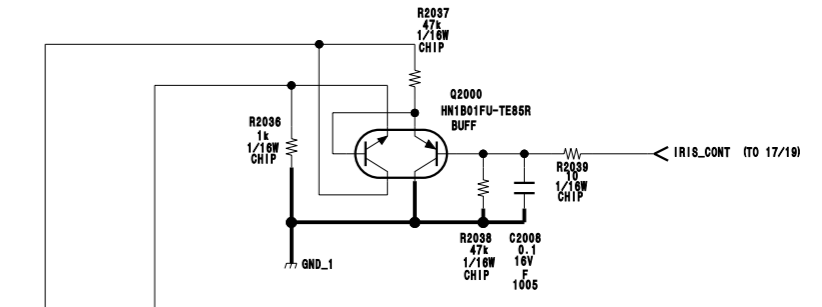
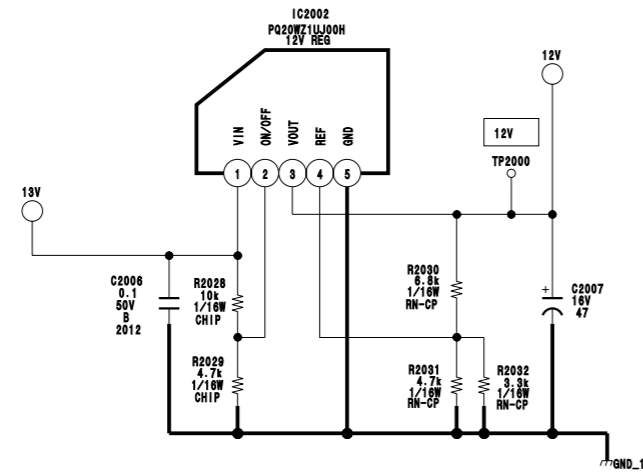
5



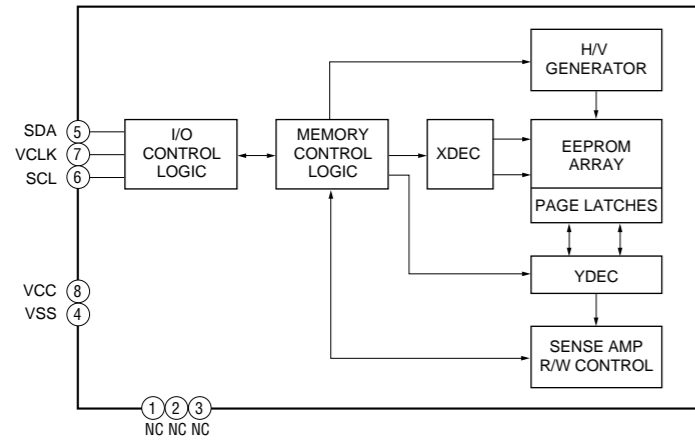




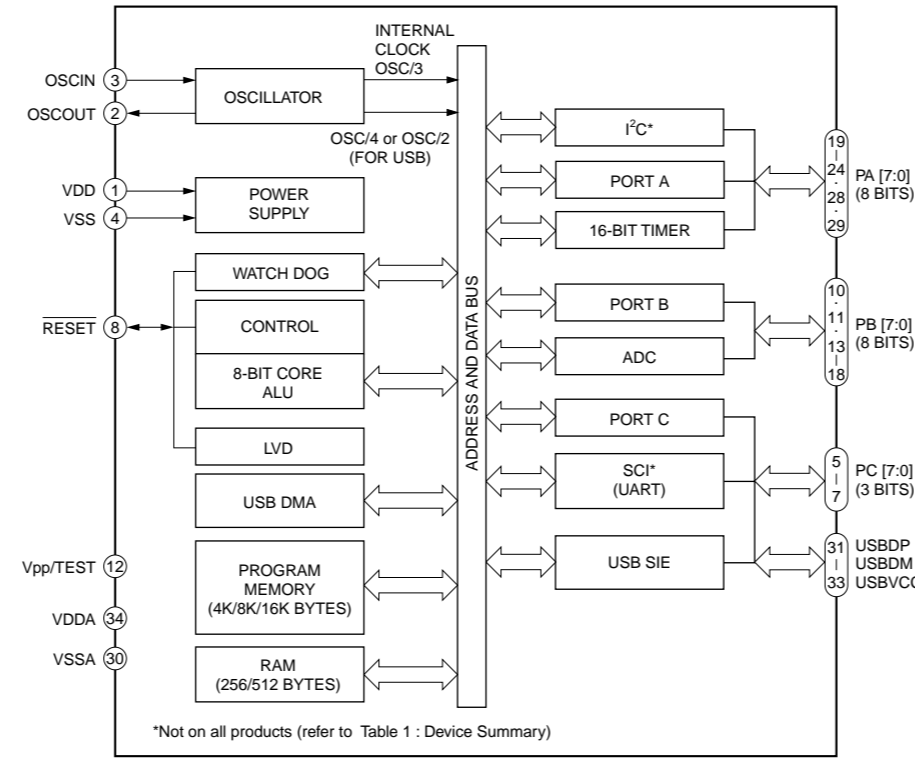




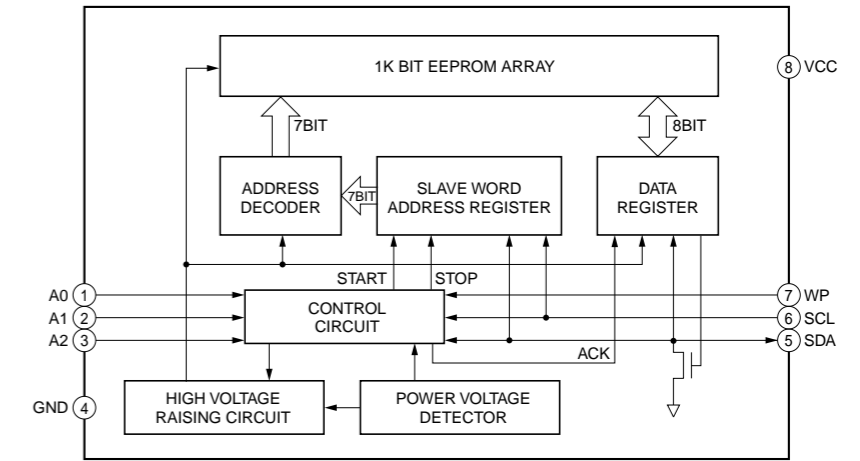
C (1/19) 24LC21AT/SN (IC100)



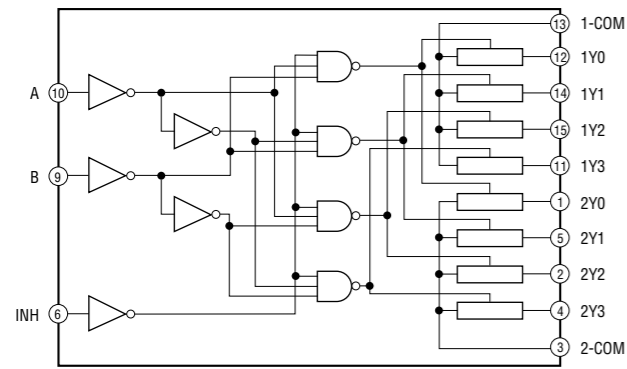
C (2/19) ST72T631K4M1-201 (IC201)



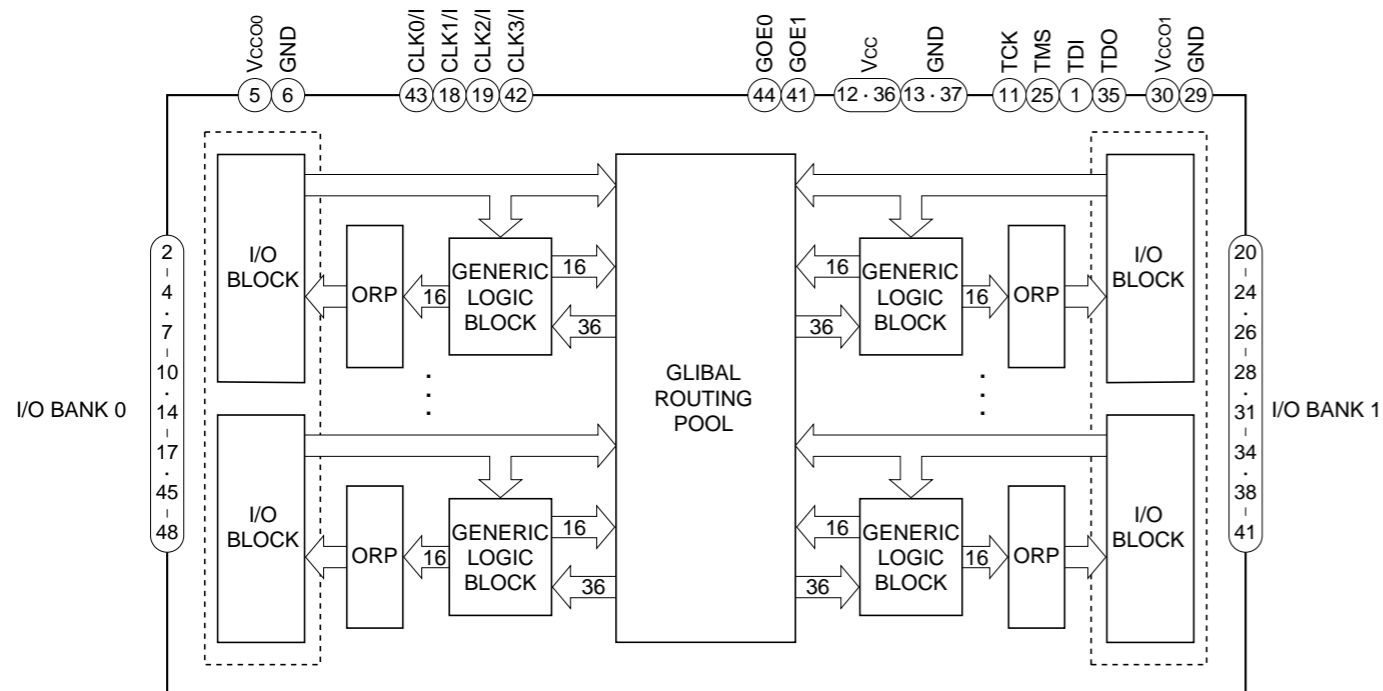
C (3/19, 17/19) BR24L02F-WE2 (IC400, IC1807)



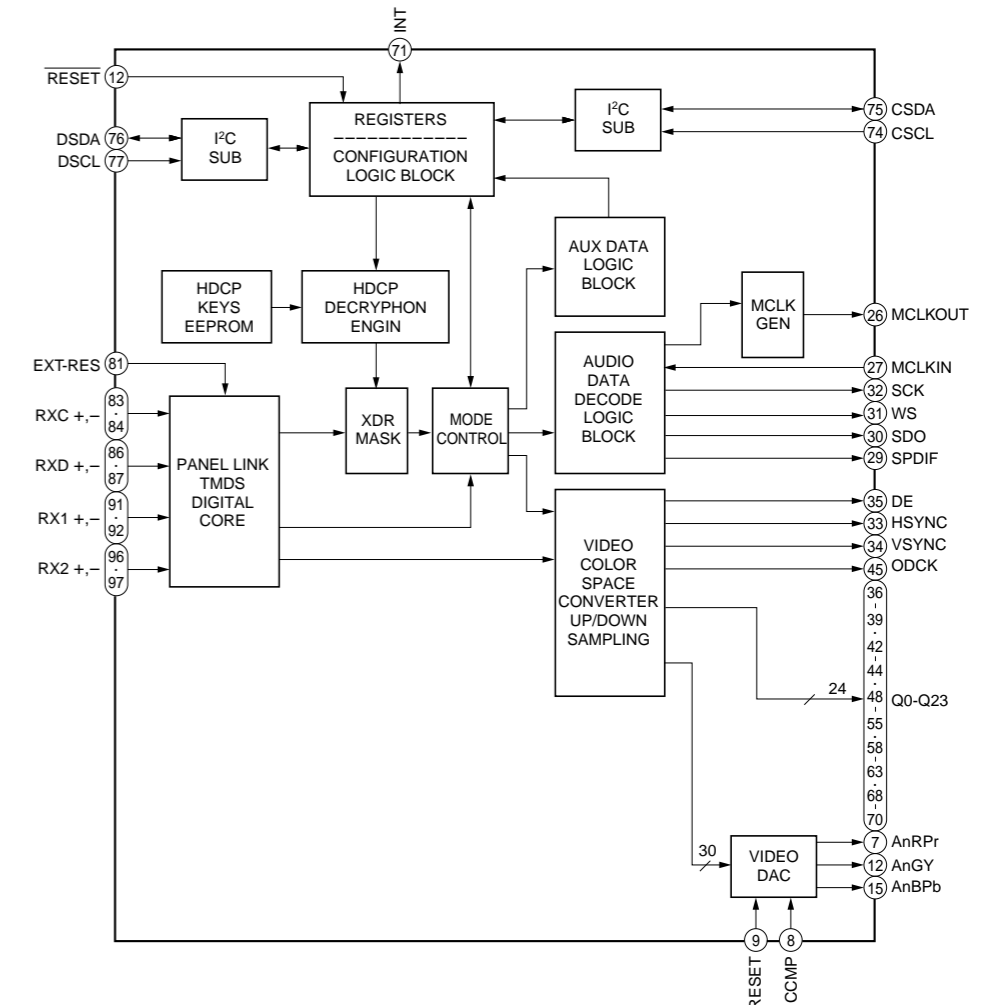
C (1/19, 31/19) SN74LV4052APWR (IC102, IC401)



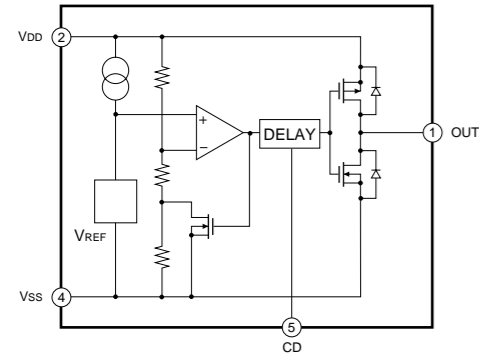
C (2/19) LC4032V-75TN48C-DLY2 (IC200)



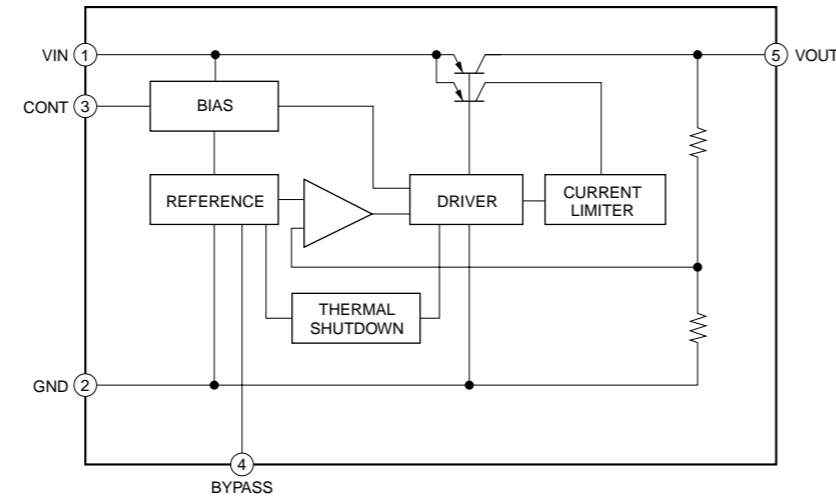
C (3/19) SII9993CTG100 (IC403)



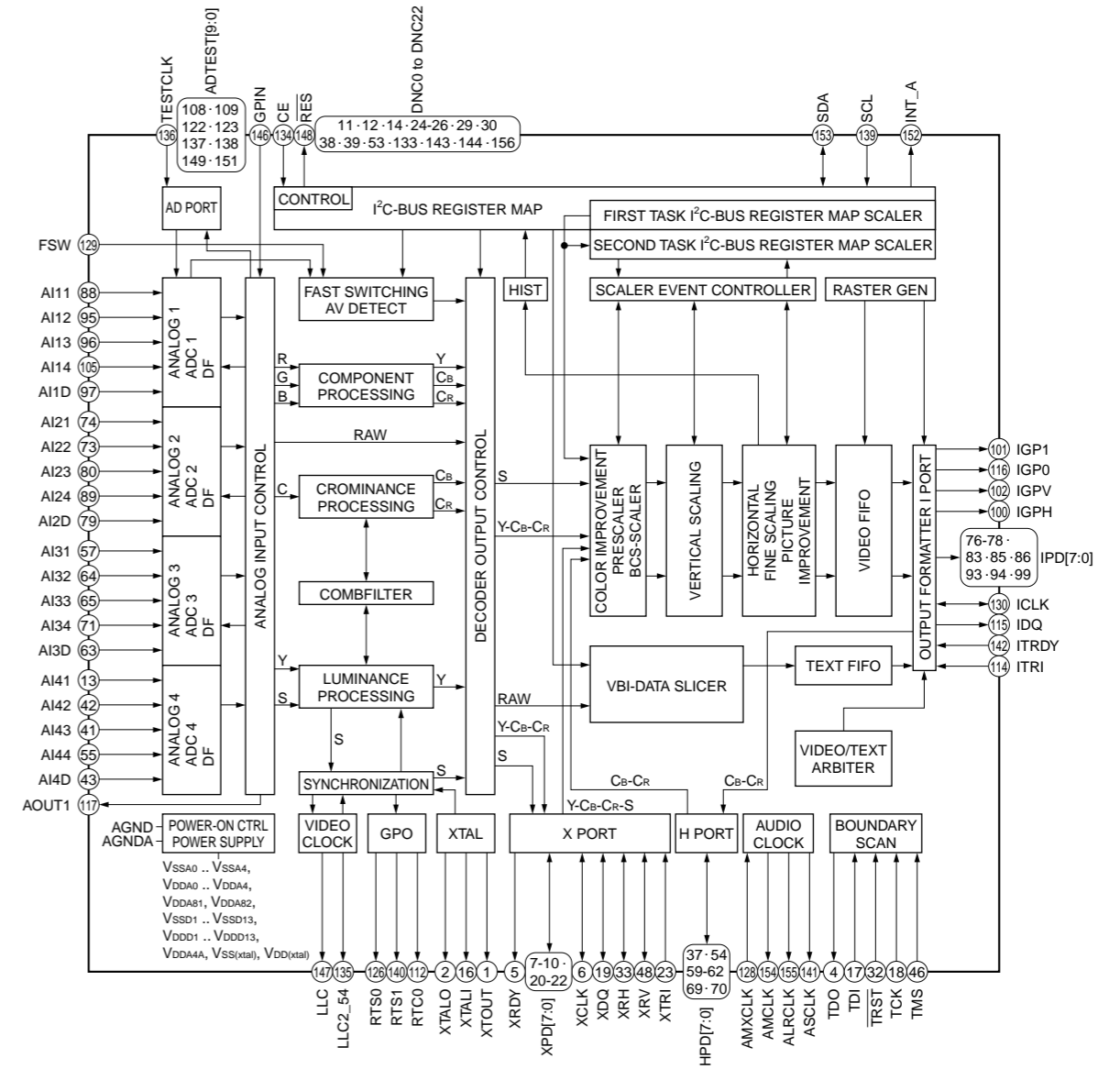
C (3/19, 5/19, 8/19, 9/19, 12/19, 13/19, 17/19)
S-80928CNMC-G8YT2G
(IC402, IC605, IC905, IC1000, IC1302, IC1402, IC1803)



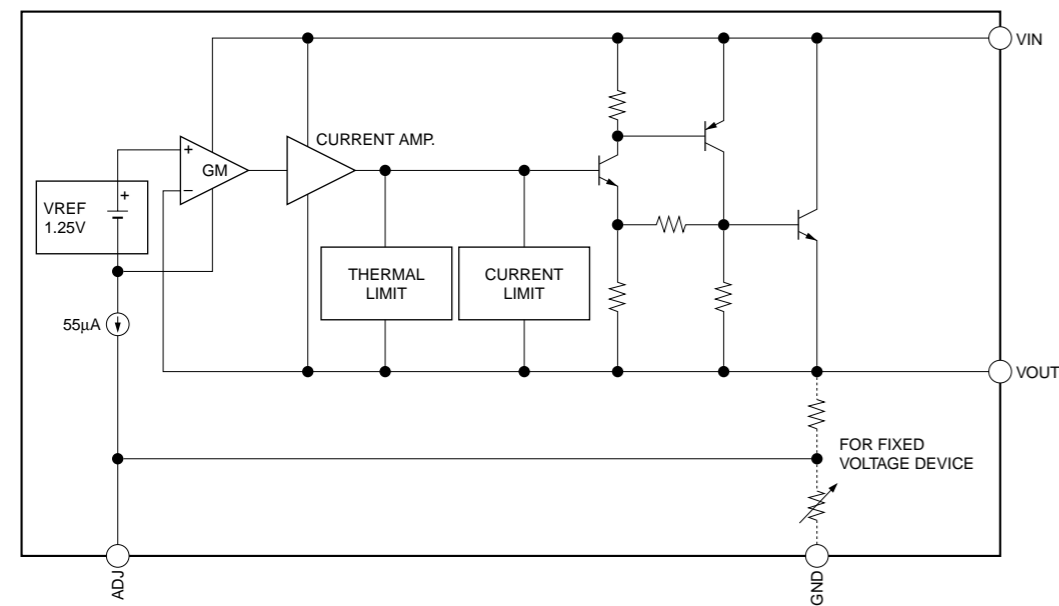
C (4/19, 5/19, 18/19) MM1573DNLE (IC502, IC503, IC1902)
C (5/19, 6/19) MM1571JNLE (IC602, IC701)



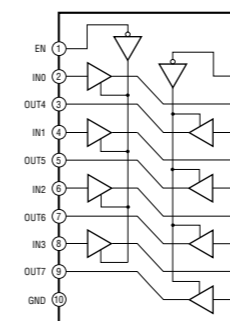
C (5/19) SAA7119E/V2 (IC601)



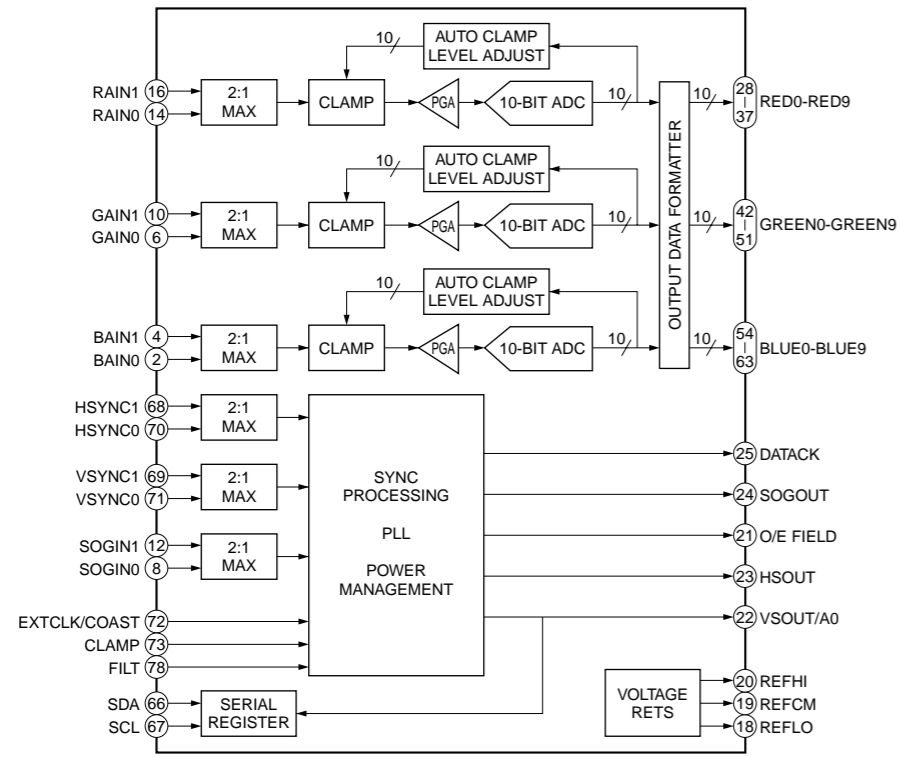
C (5/19) AIC1117A-18PYJTR (IC604)
C (4/19) AIC1117A-25PEJTR (IC501)
C (5/19, 6/19) AIC1117A-33PEJTR (IC600, IC700)
C (14/19, 15/19, 16/19) AIC1117A-33PYJTR (IC1500-IC1700)
C (4/19) AIC1117A-50PEJTR (IC500)
C (8/19, 18/19) AIC1117A-50PYJTR (IC904, IC1900)
C (11/19, 12/19) AIC1117A-PEJTR (IC1201, IC1300)



C (6/19) SN74LVC244APWR (IC703)

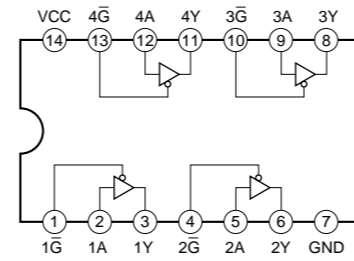


C (6/19) AD9981KSTZ-95 (IC702)

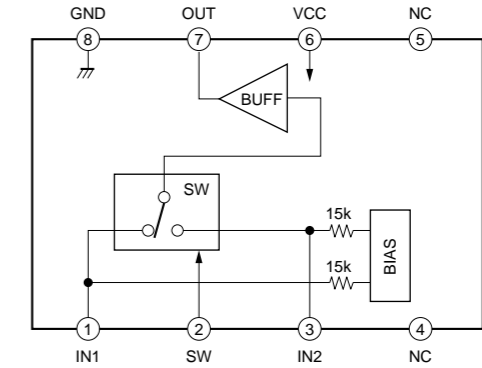


C (8/19) SN74LVC125APWR-12 (IC900)

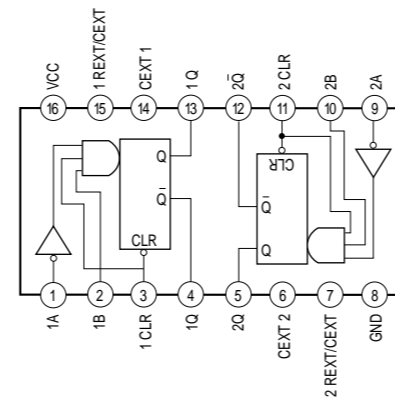
C (17/19) SN74LV125APWR (IC1801, IC1806, IC1808)



C (8/19) MM1115XFBE (IC902)

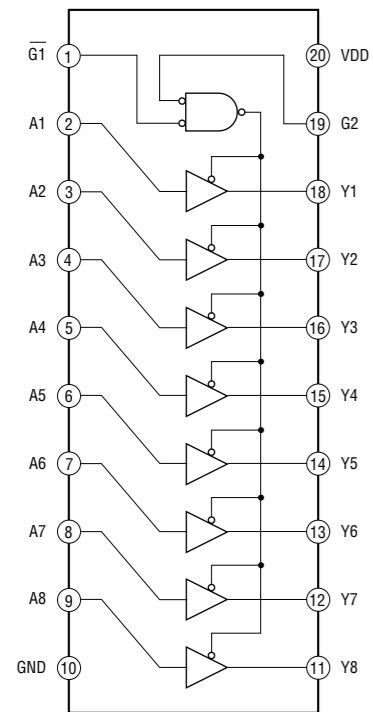


C (8/19) TC74VHC123AFT(EL) (IC901)

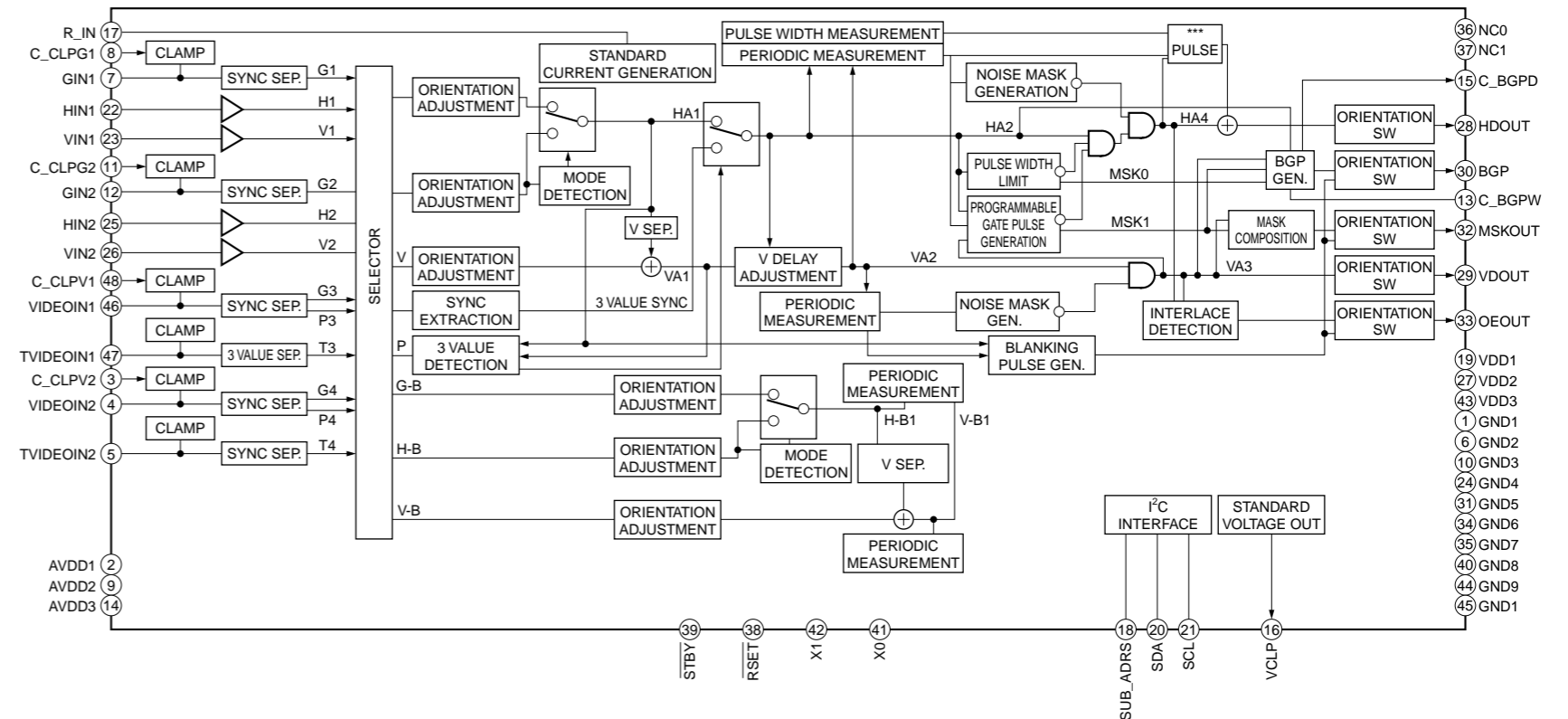


C (7/19) SN74LVC541APWR (IC800, IC801, IC802, IC803, IC804, IC805)

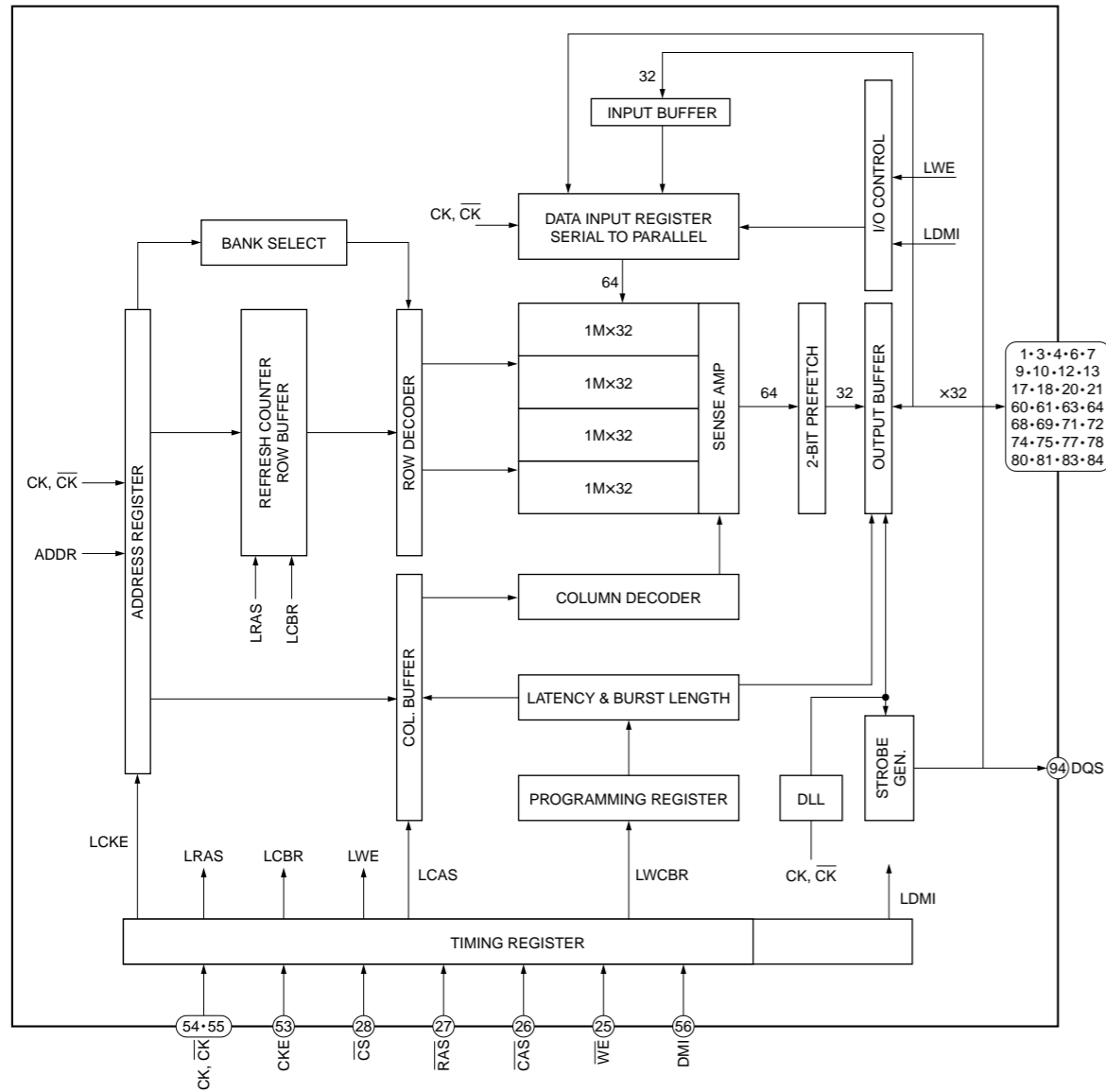
C (13/19) SN74AHCT541APWR (IC1404, IC405)



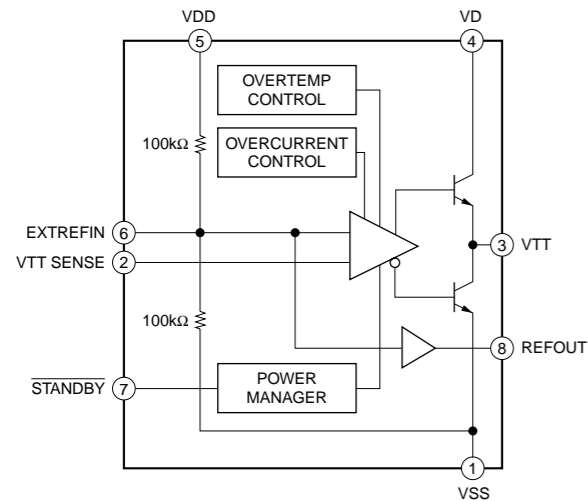
C (8/19) TE8200PF (IC906)



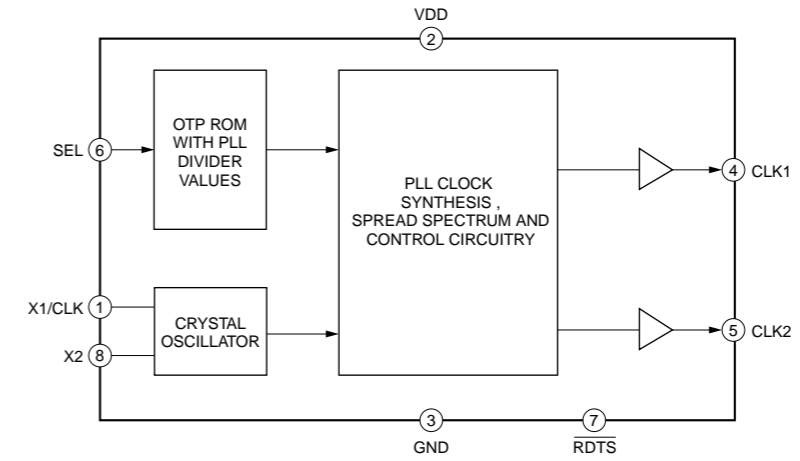
C (10/19) K4D263238F-UC50T (IC1102)



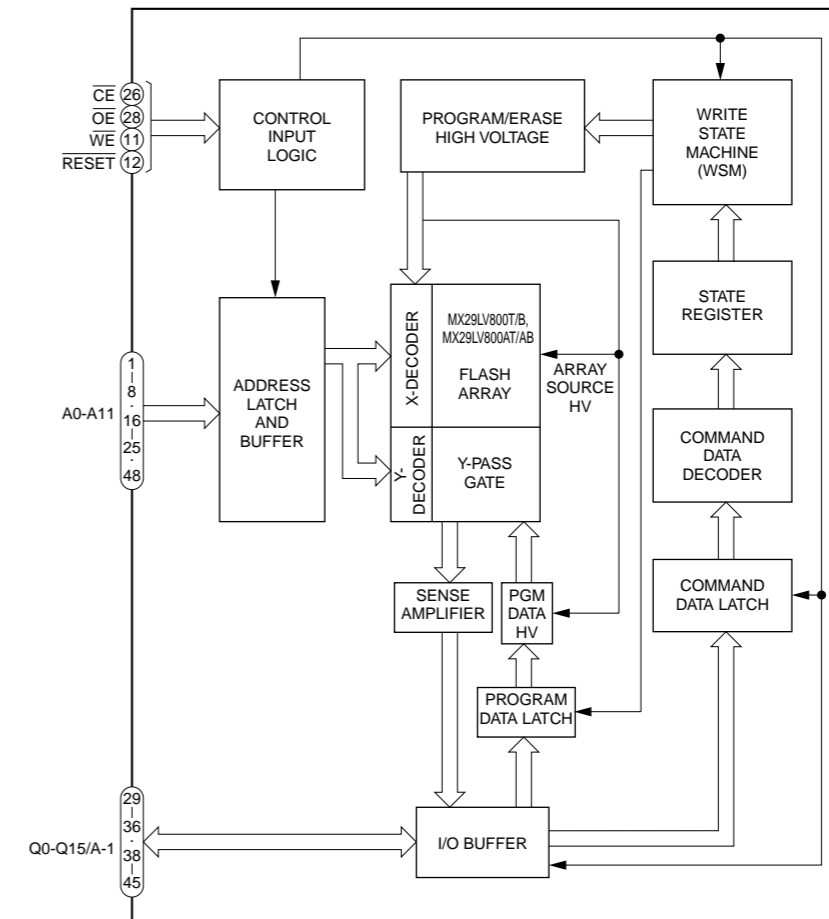
C (10/19) NE57814DD.118 (IC1101)



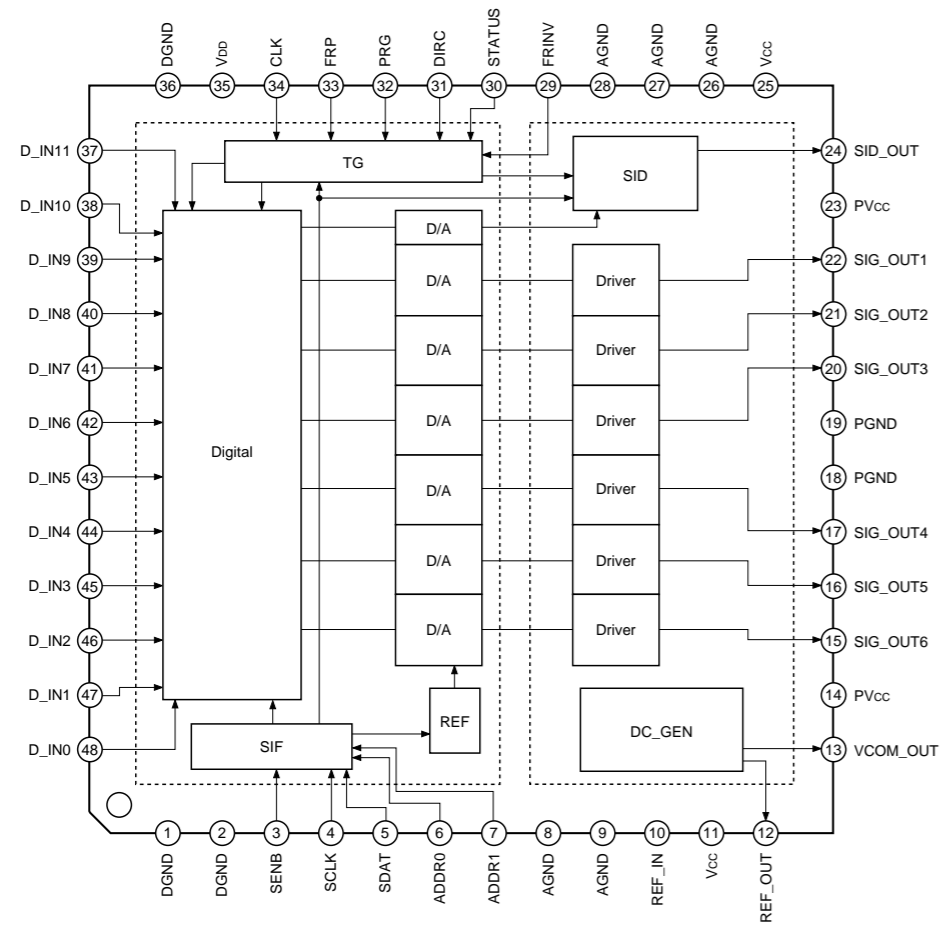
C (12/19) ICS342M-05LF (IC1303)



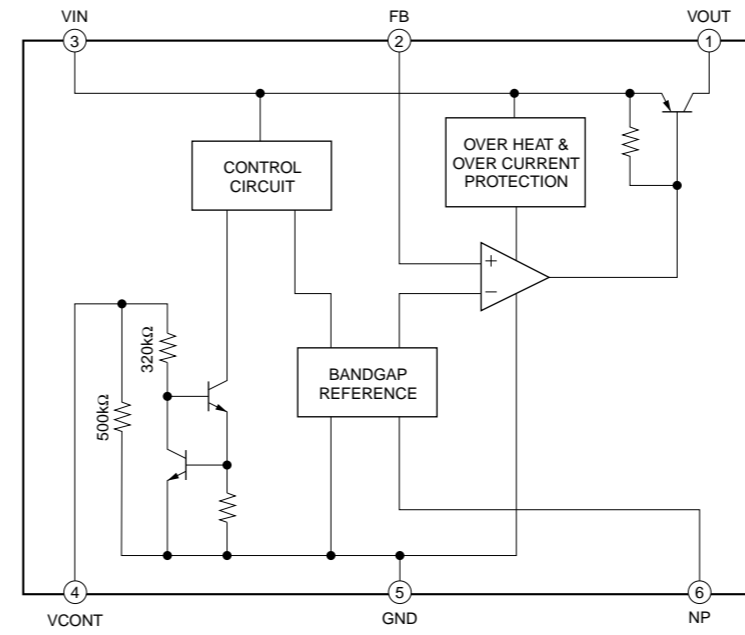
C (12/19) MX29LV800BTTTC-70G-89PW (IC1305)



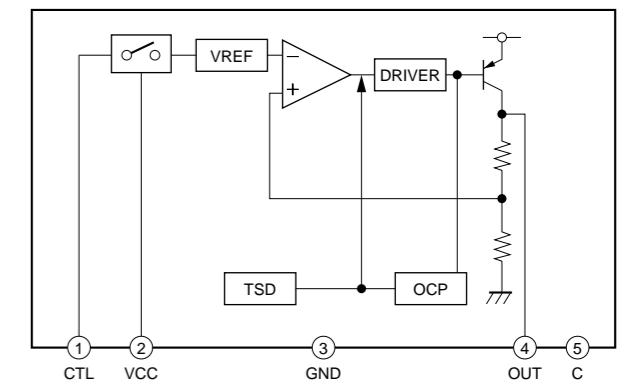
C (14/19,15/19,16/19) CXA7004R-T4 (IC1501, IC1502, IC1601, IC1602, IC1701, IC1702)



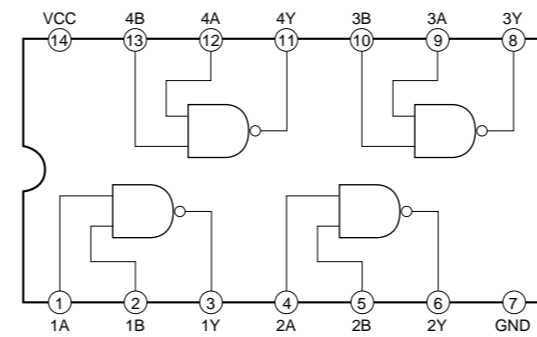
C (14/19) TK11100CSCB-G (IC1504)



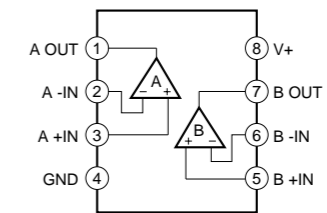
C (18/19) BA00BC0WFP-E2 (IC1903-IC905, IC907)



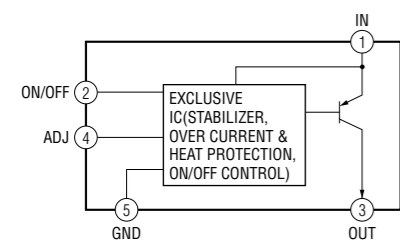
C (17/19) SN74LV00APWR (IC1805)



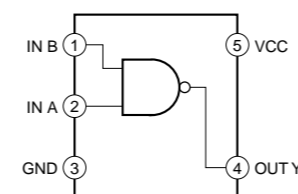
**C (19/19) NJM2904V(TE2) (IC2000, IC2003)
C (19/19) NJM4556AV(TE2) (IC2001)**

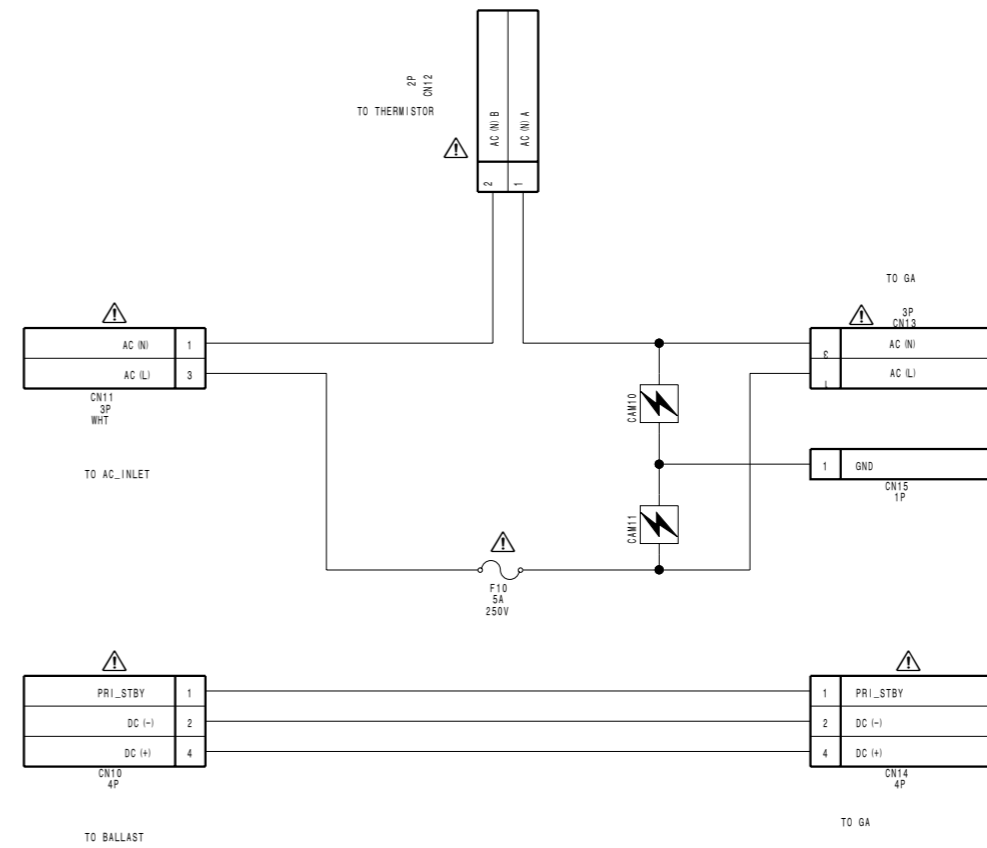


C (14/19, 19/19) PQ20WZ1UJ00H (IC1503, IC2002)



C (17/19) TC7SH00FU-TE85R (IC1809)





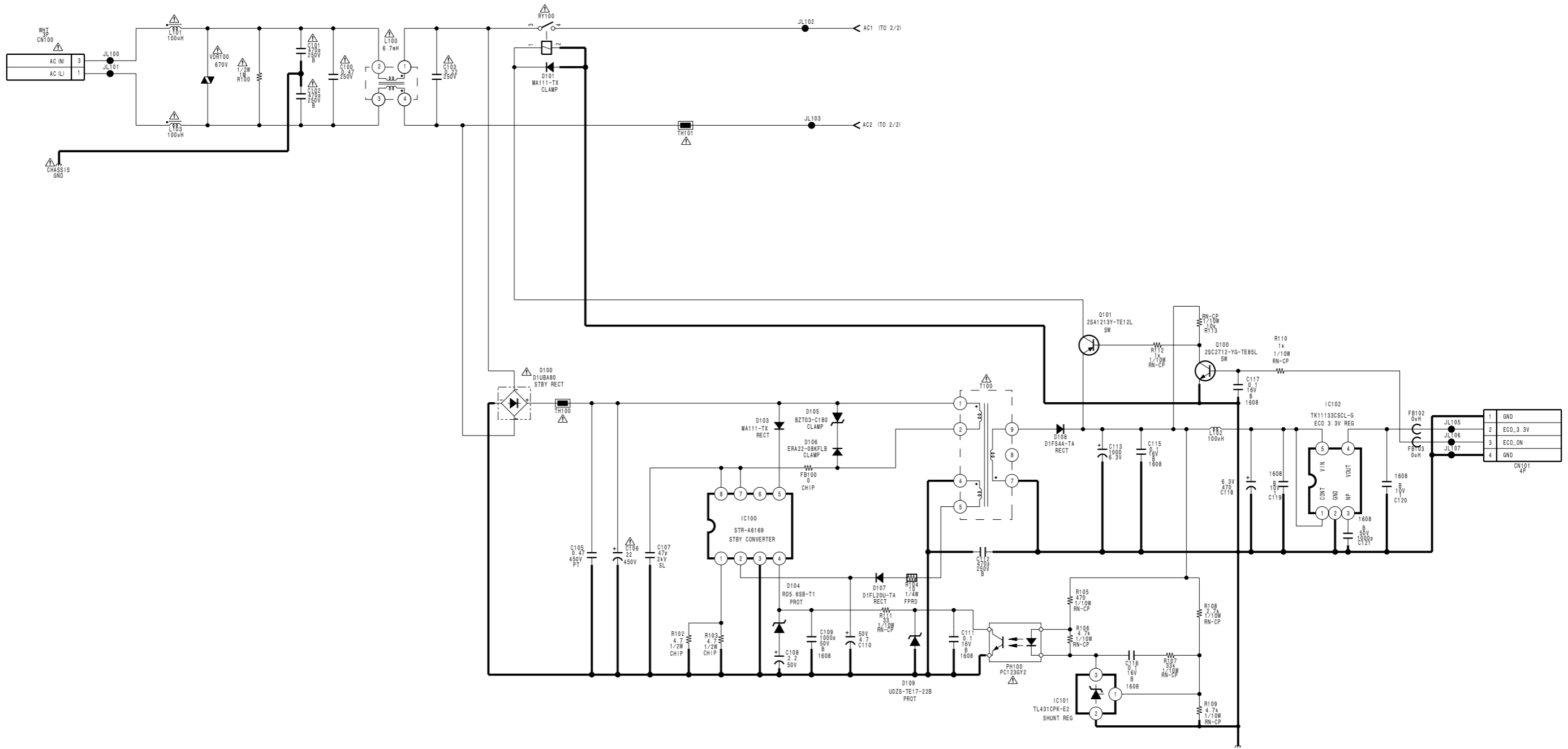
1

2

3

4

5



1
2
3
4
5

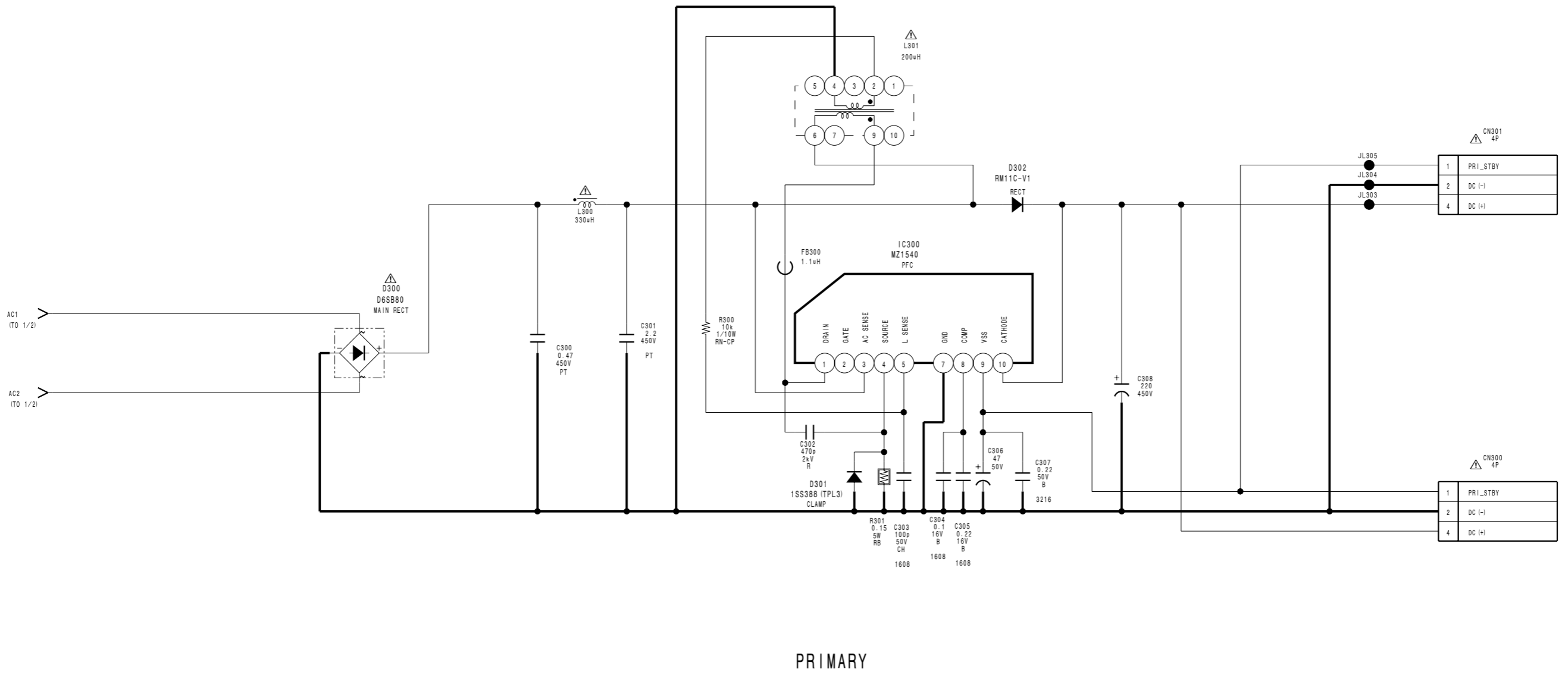
1

2

3

4

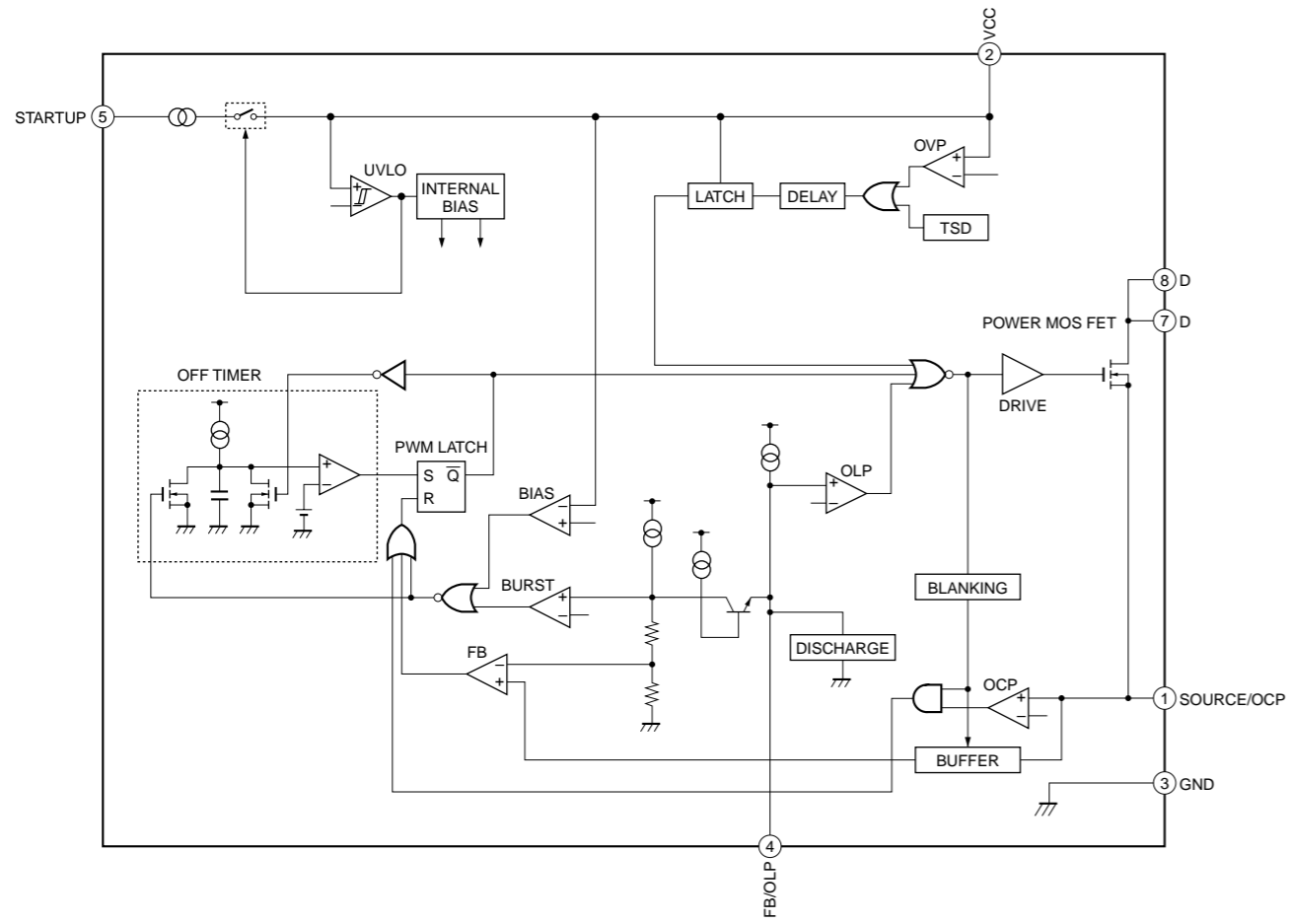
5



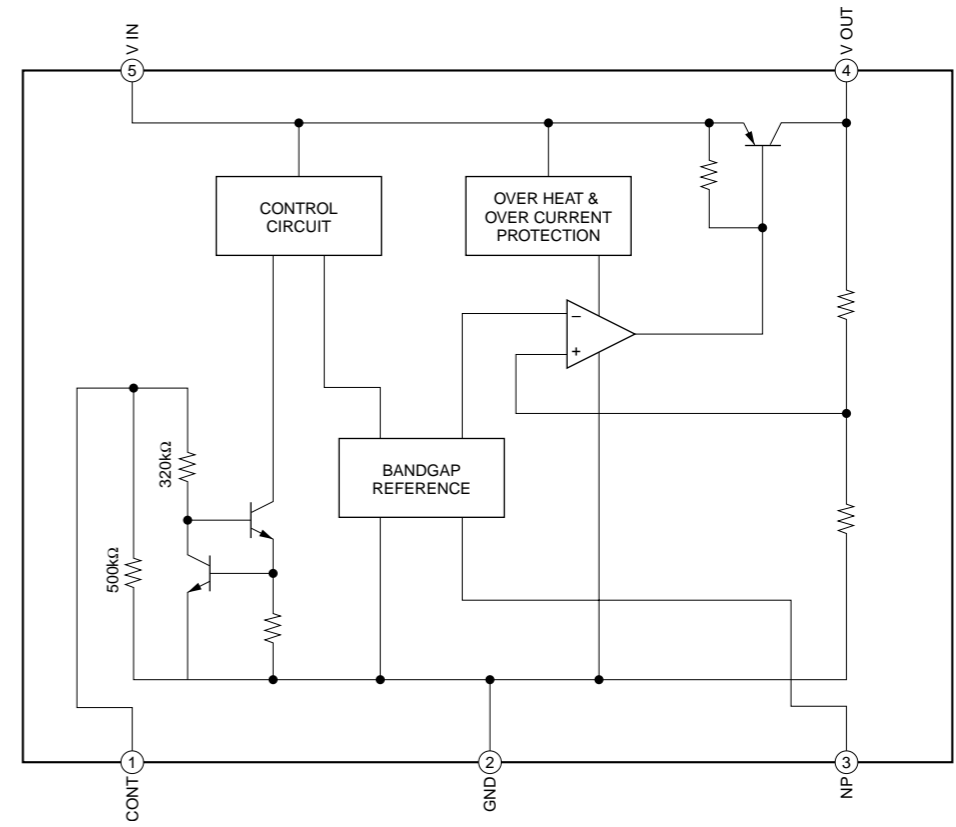
PRIMARY

GA (2/2)

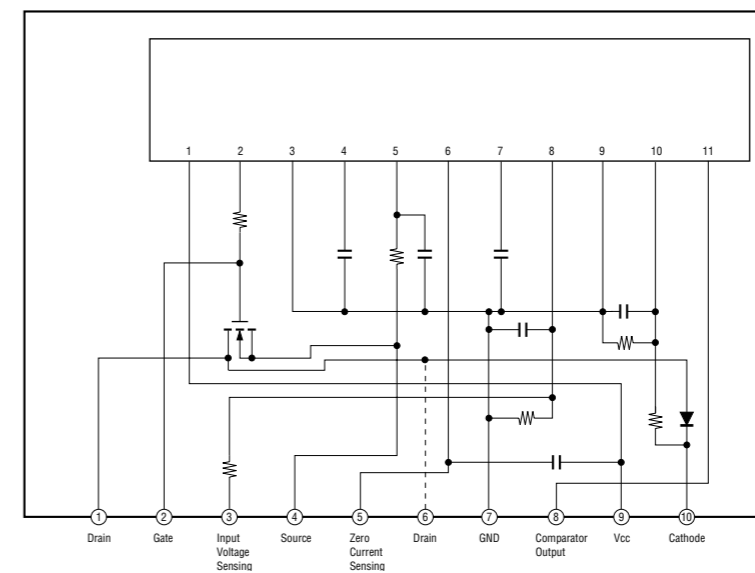
GA (1/2)STR-A6169 (IC100)

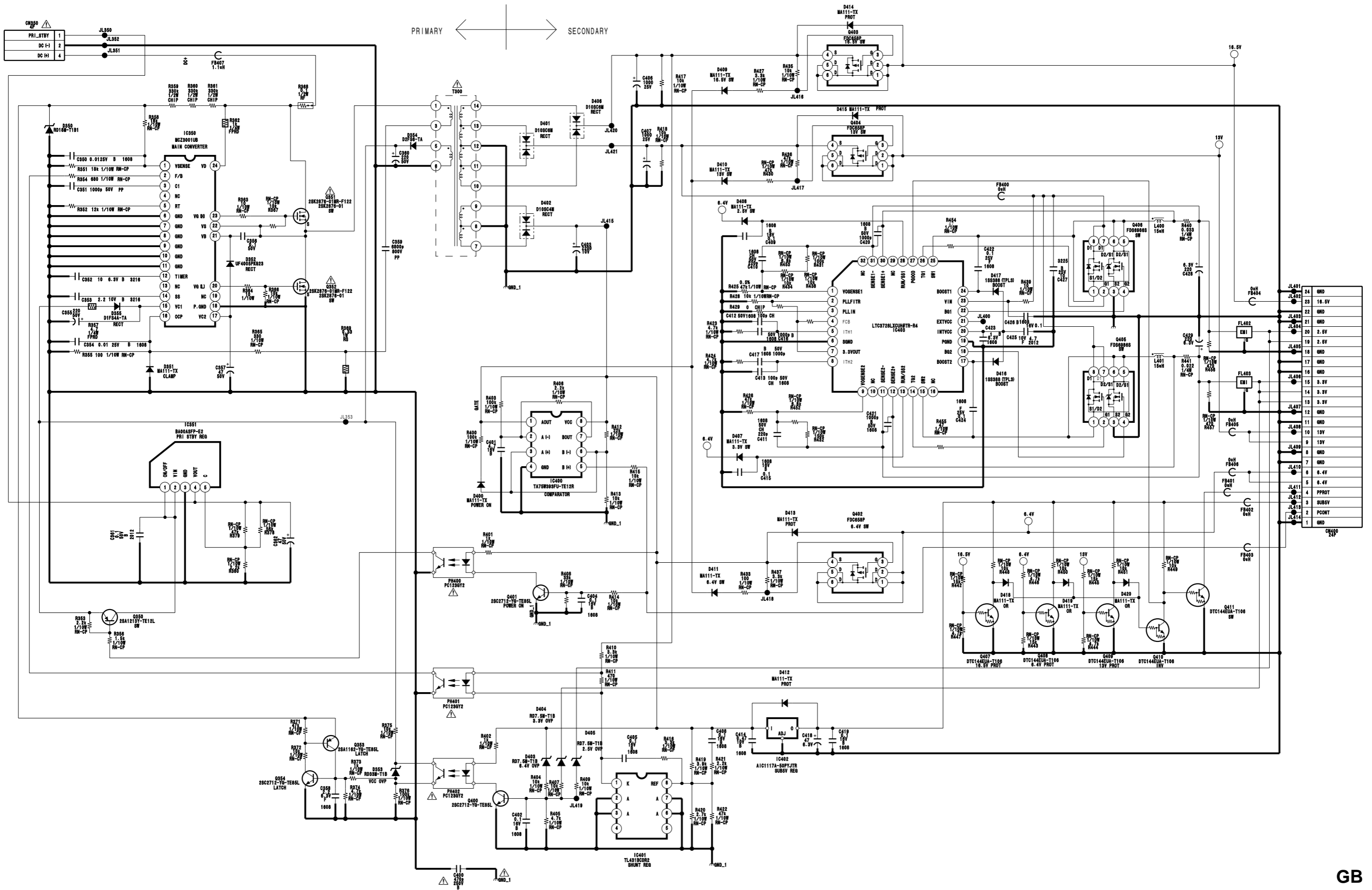


GA (1/2) TK11133CSCL-G (IC102)

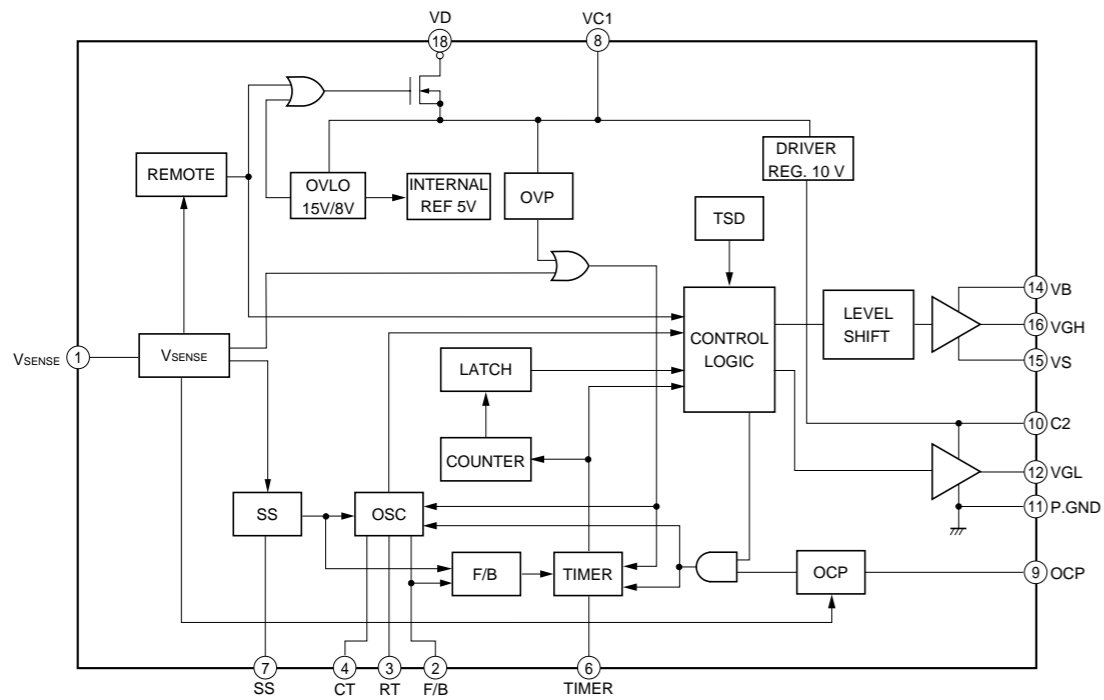


GA (2/2) MZ1540 (IC300)

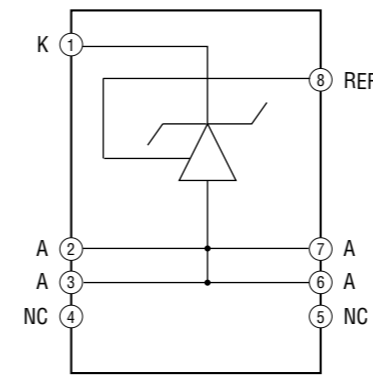




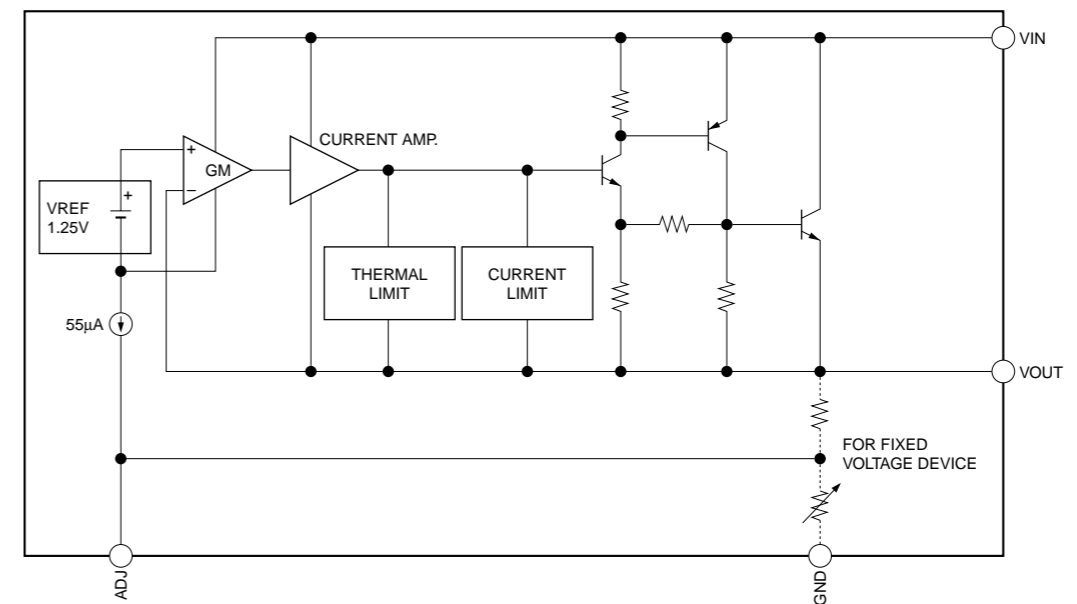
MCZ3001UB (IC350)



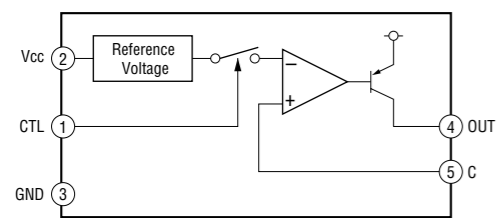
TL431BCDR2 (IC401)



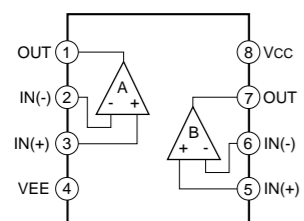
AIC1117A-50PYJTR (IC402)



BA00ASFP-E2 (IC351)



TA75W393FU-TE12R (IC400)



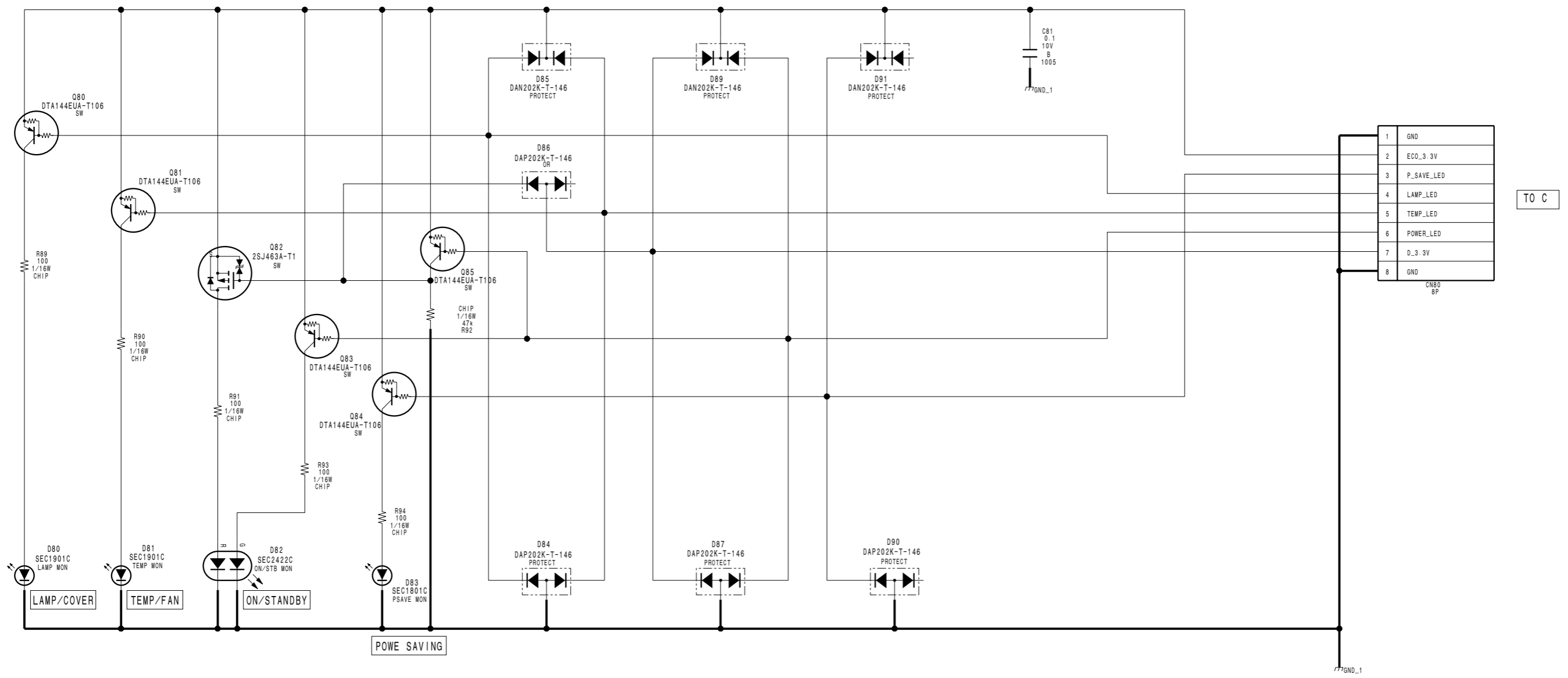
1

2

3

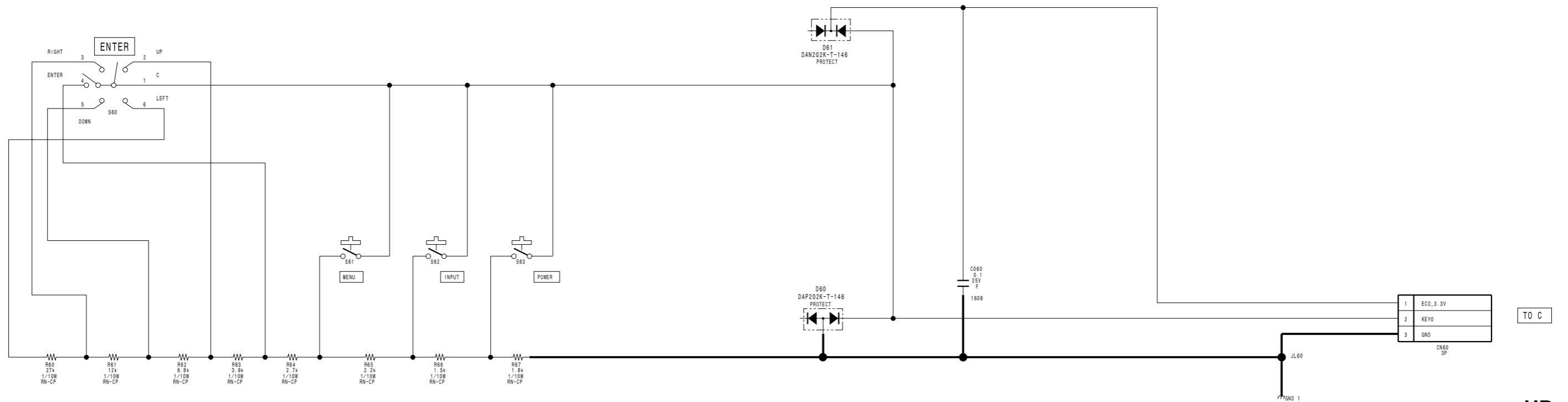
4

5



TO C

HA



TO C

HB

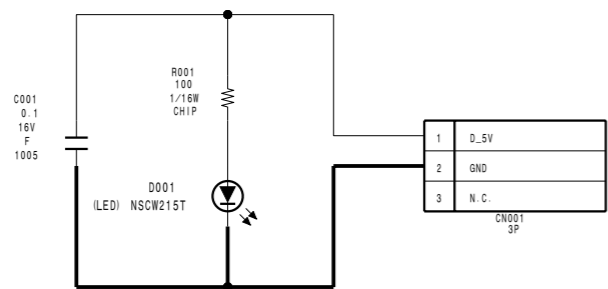
1

2

3

4

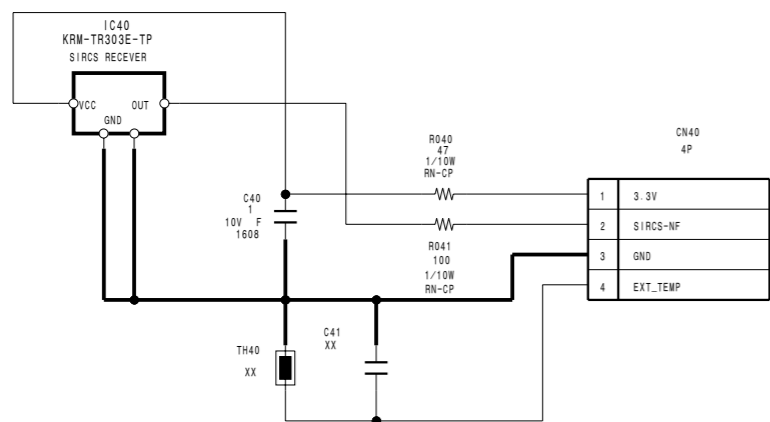
5



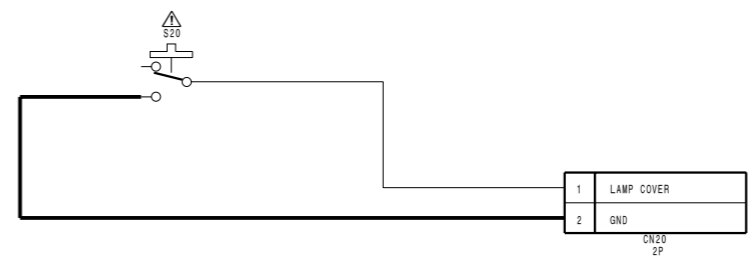
L



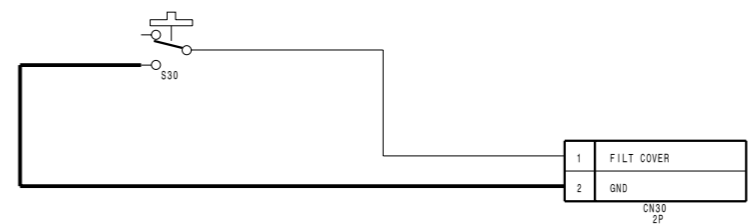
TA



NF



U



V

1

2

3

4

5

A

B

C

6-34

D

6-34

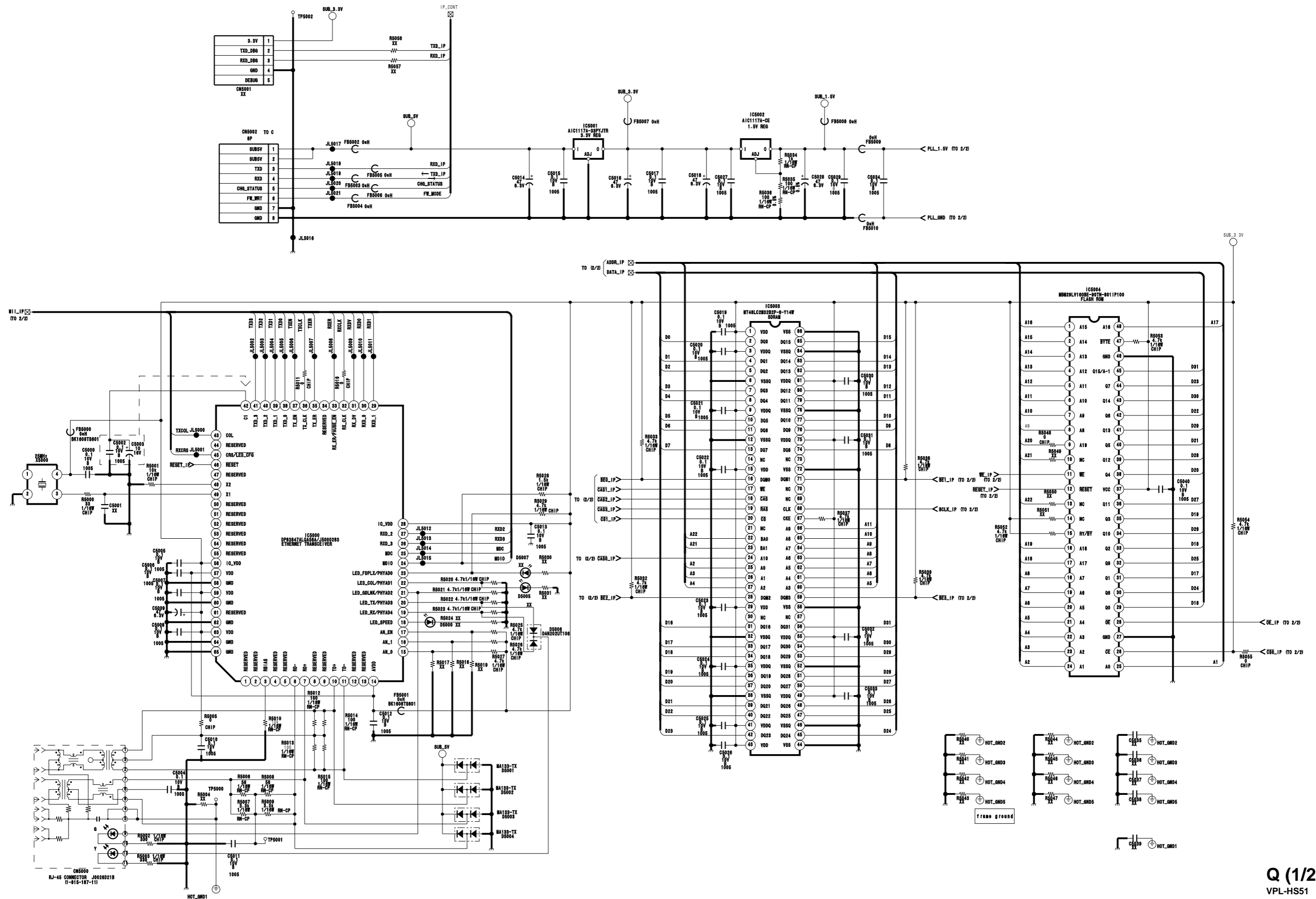
E

F

G

VPL-HS50/HS51

H



1

2

3

4

5

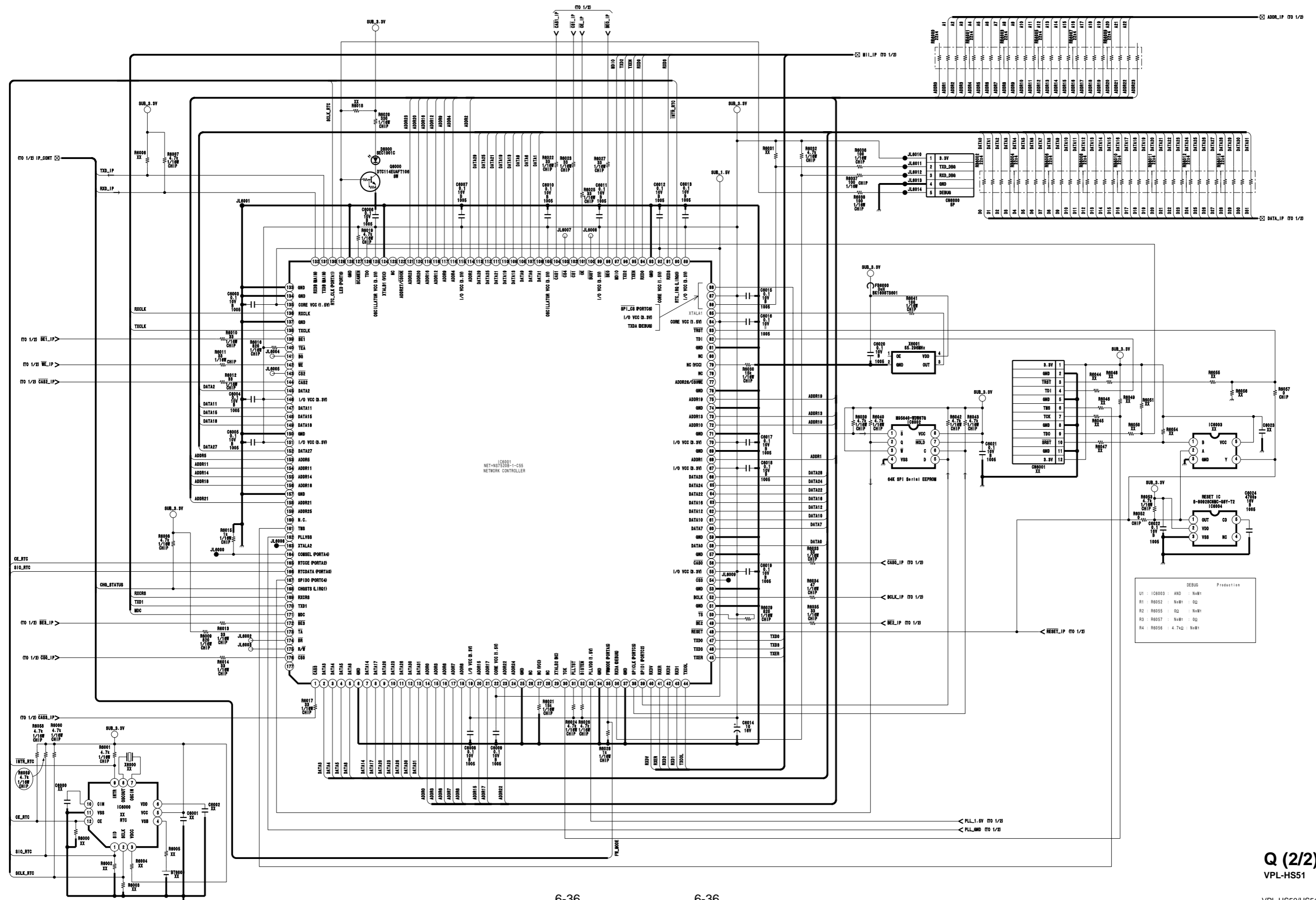
1

2

3

4

5

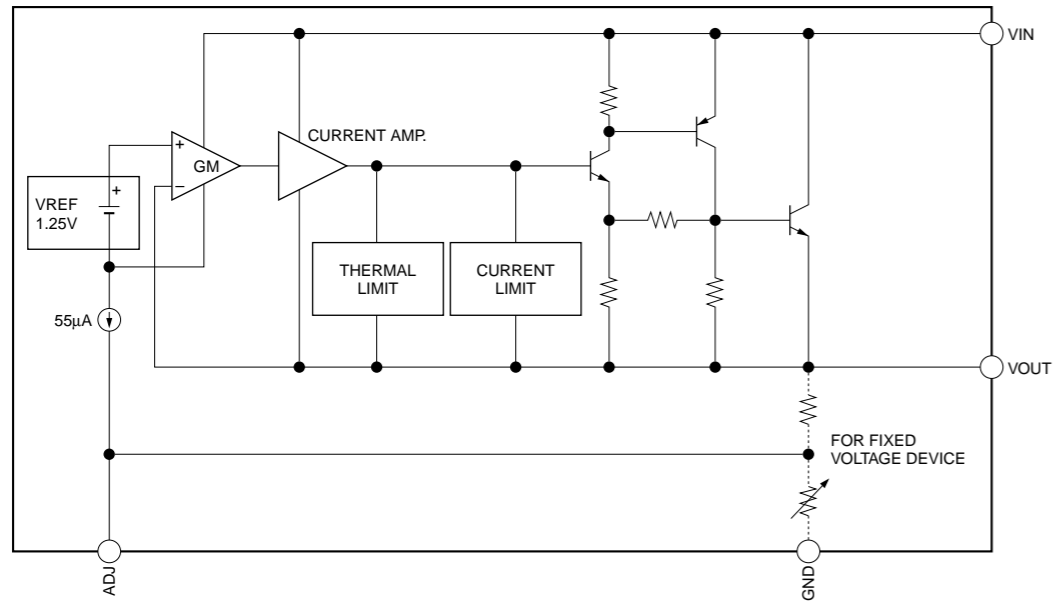


DEBUG Production

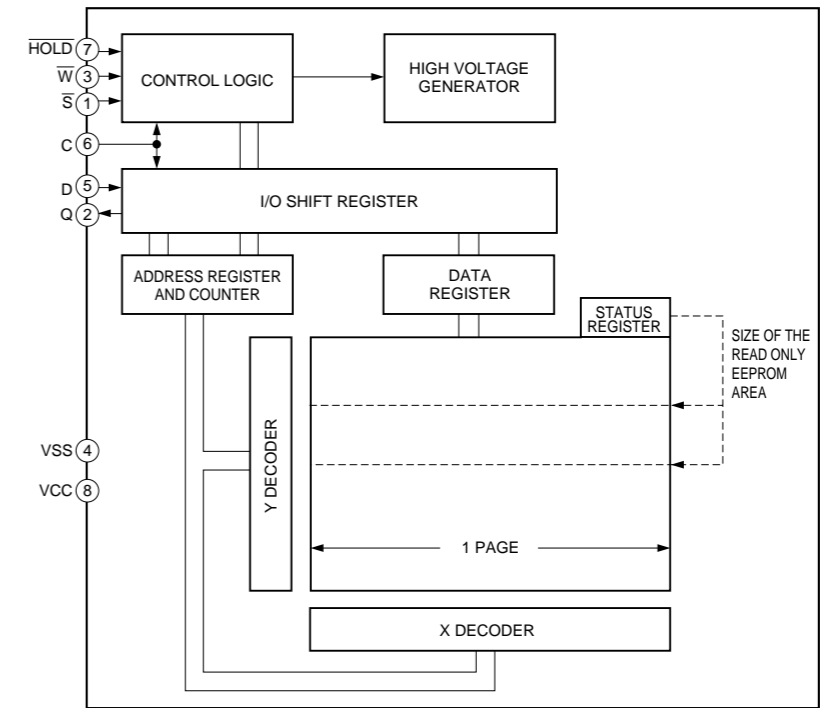
U1	IC6003	AND	NoM1
R1	R0052	NoM1	QJ
R2	R0055	QJ	NoM1
R3	R0057	NoM1	QJ
R4	R0056	4.7kQ	NoM1

A B C D E F G H

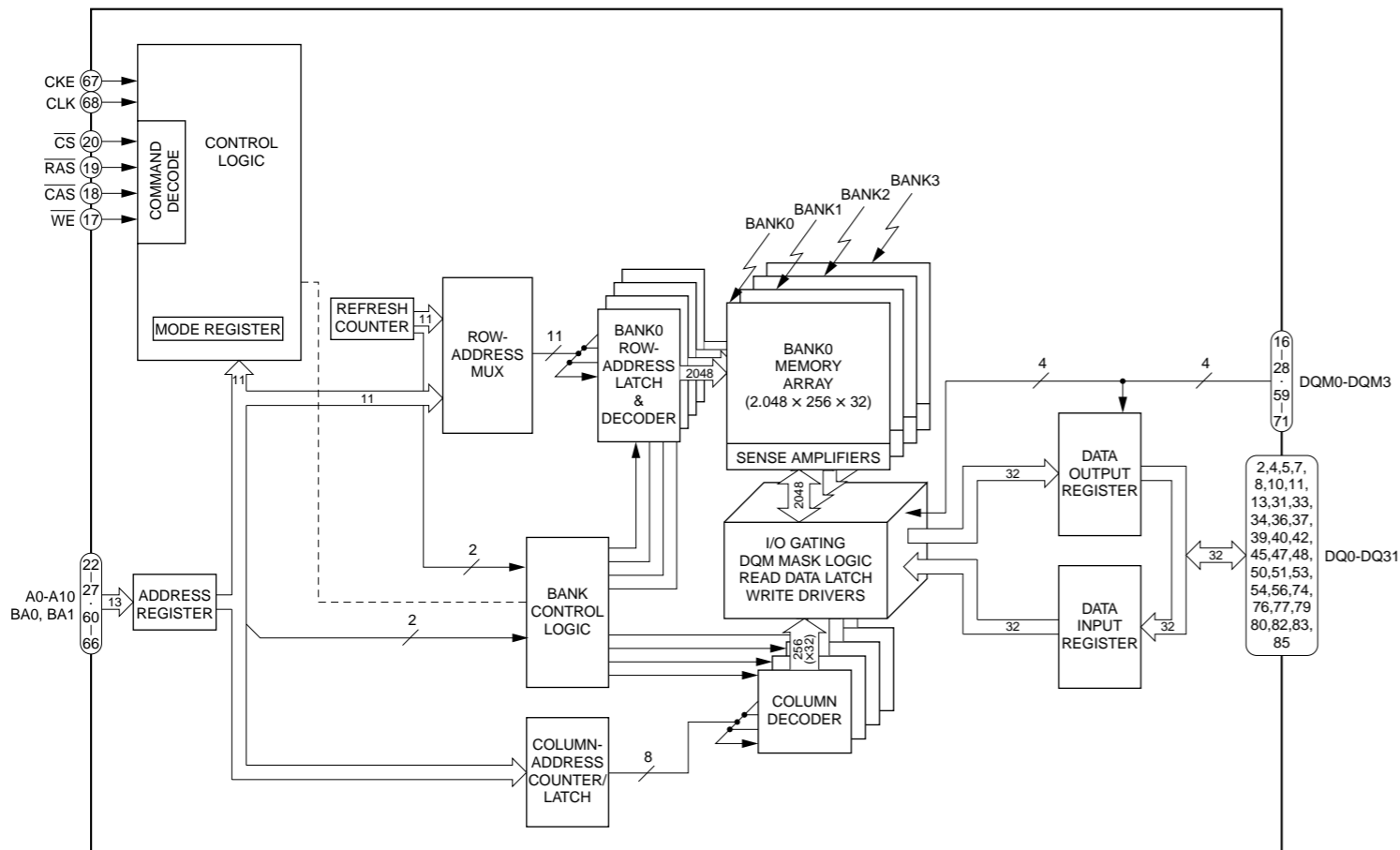
Q (1/2) AIC1117A-33PYJTR (IC5001)
 Q (1/2) AIC1117A-PEJTR (IC5002)



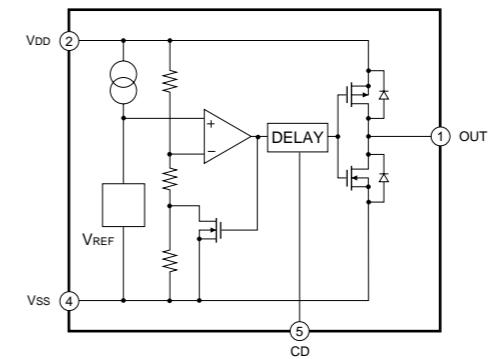
Q (2/2) M95640-WDW6TG (IC6002)



Q (1/2) MT48LC2M32B2P-6-Y14W (IC5003)



Q (2/2) S-80928CNMC-G8YT2G (IC6004)



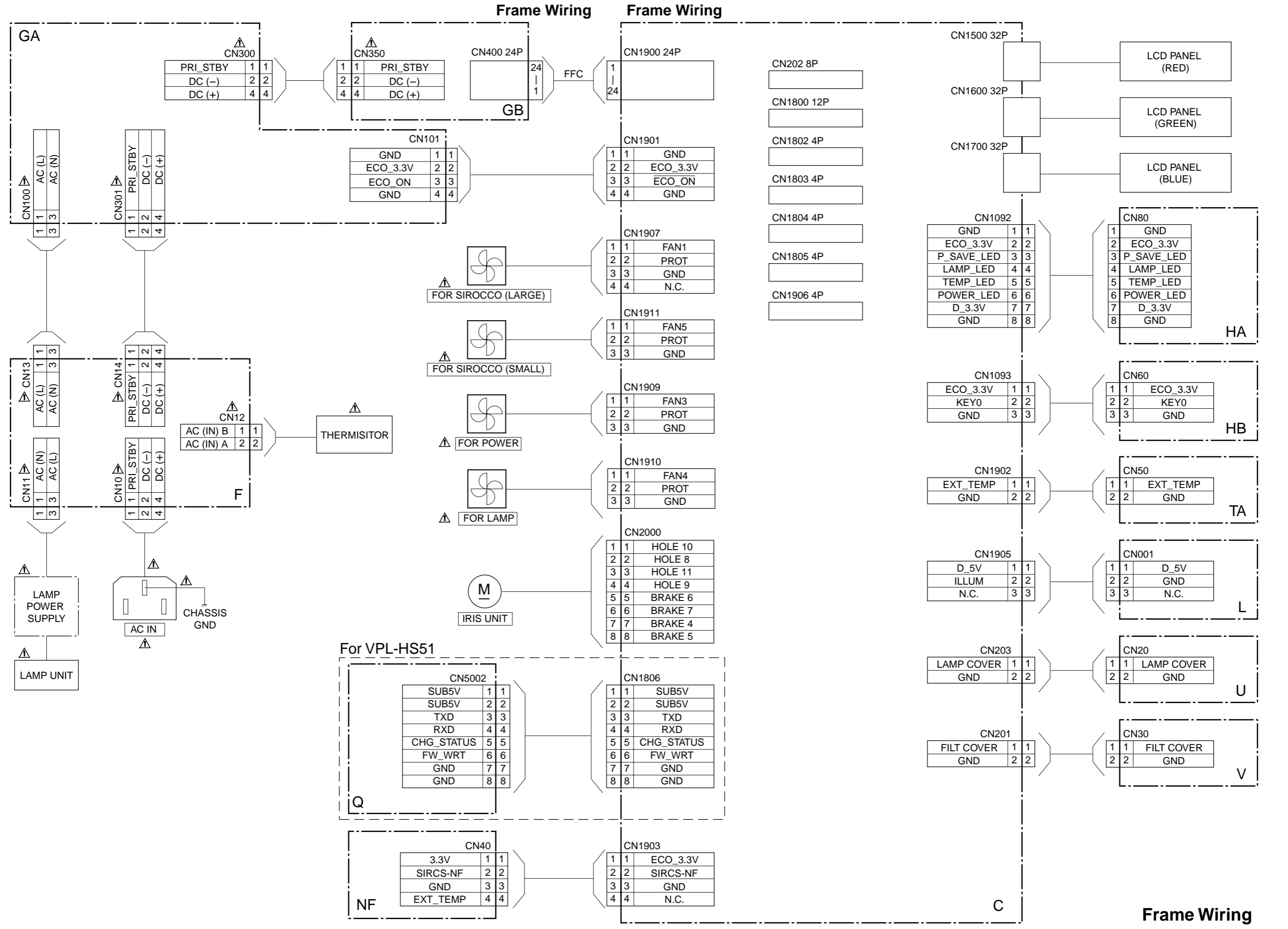
1

2

3

4

5



Section 7 Board Layouts

Index

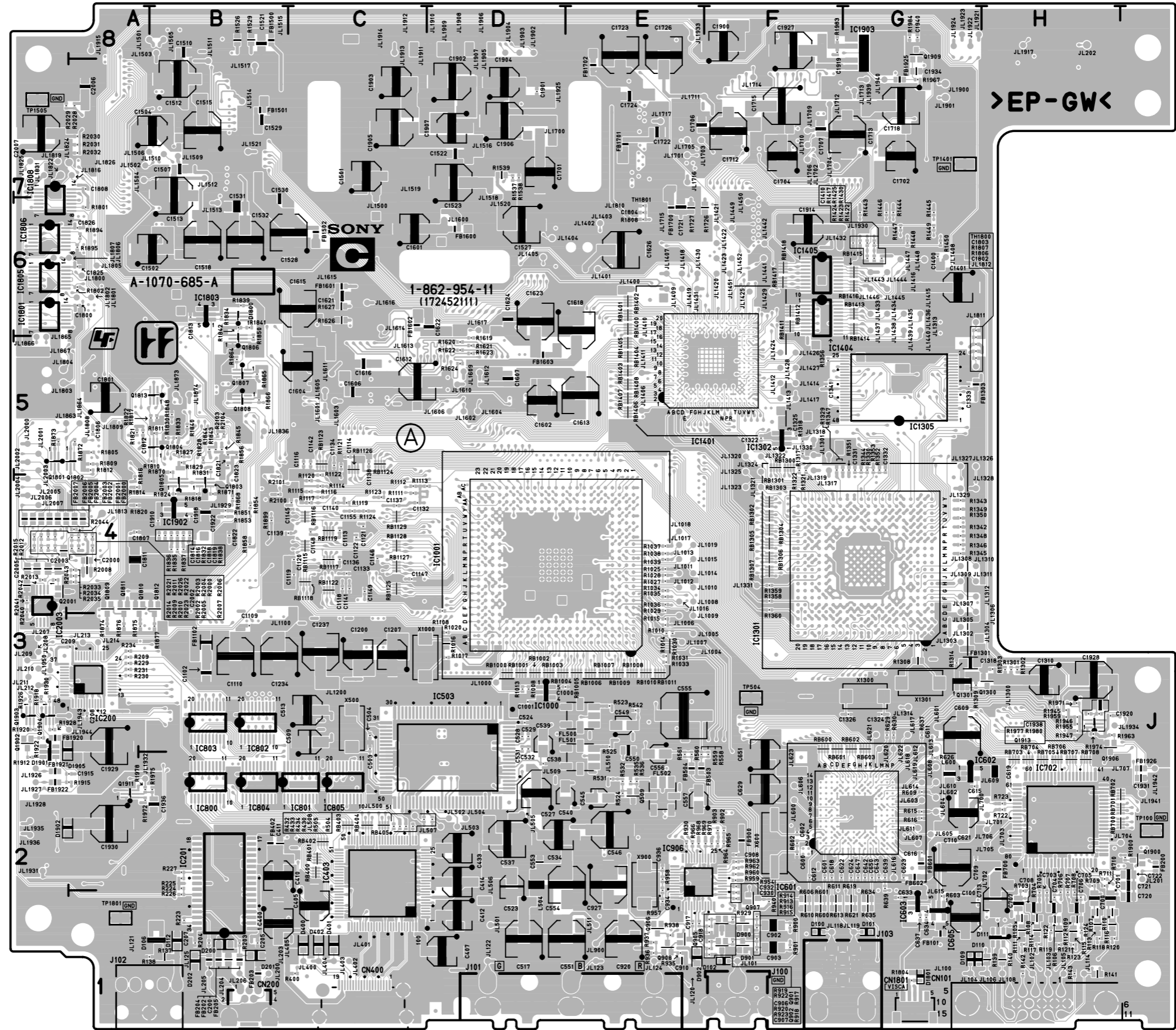
Board Name	Page
C	7-2
F	7-6
GA	7-4
GB	7-5
HA	7-6
HB	7-6
L	7-6
NF	7-6
Q (VPL-HS51 only)	7-7
TA	7-7
U	7-7
V	7-7

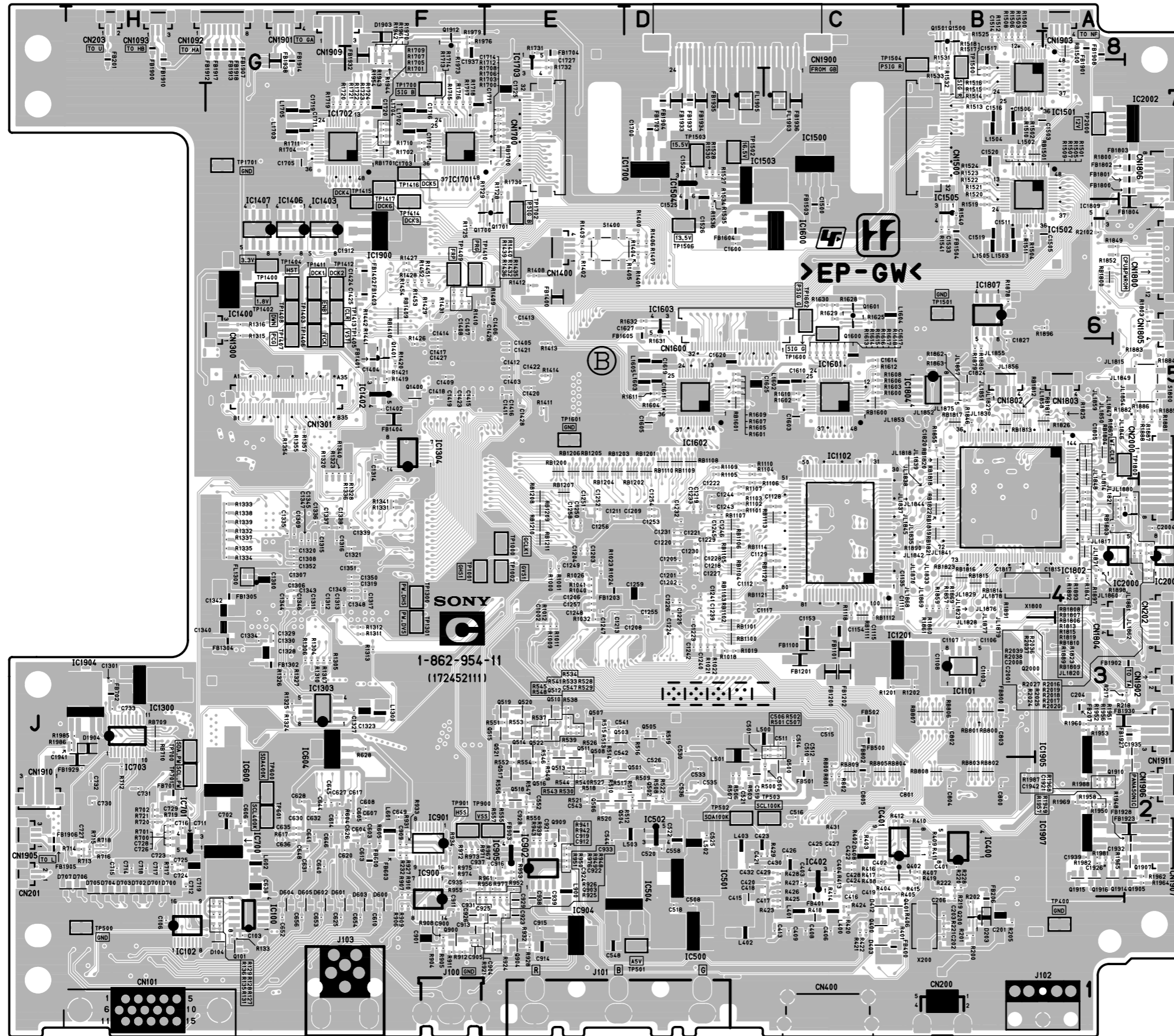
C BOARD (1-862-954-11)

*:B SIDE

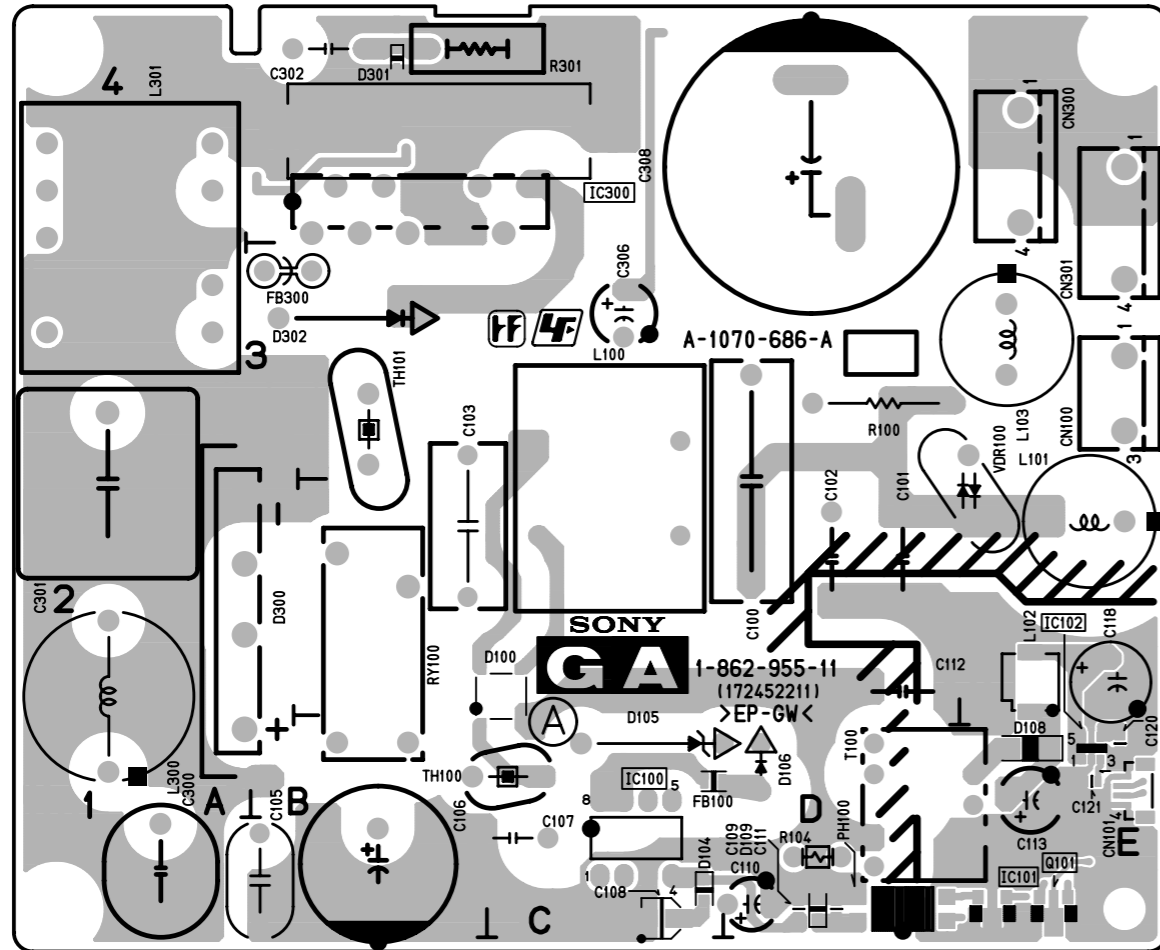
D100	F-1	IC1502	*B-7	Q1811	A-4
D101	G-1	IC1503	*D-7	Q1812	B-4
D102	F-1	IC1504	*D-7	Q1813	B-5
D104	*G-1	IC1505	*B-6	Q1900	J-2
D106	B-1	IC1600	*C-6	Q1902	A-3
D109	G-1	IC1601	*C-5	Q1903	A-3
D110	G-1	IC1602	*D-5	Q1904	A-3
D111	G-1	IC1603	*D-6	Q1905	*A-2
D112	B-1	IC1700	*D-7	Q1906	H-3
D201	B-1	IC1701	*F-7	Q1907	*A-2
D202	B-1	IC1702	*G-7	Q1909	G-8
D203	*B-1	IC1703	*E-7	Q1910	*A-2
D401	C-1	IC1801	A-6	Q1911	A-2
D402	C-1	IC1802	*B-4	Q1912	*F-8
D403	*C-1	IC1803	B-6	Q1913	H-3
D408	*C-2	IC1804	*B-5	Q1914	*A-2
D412	*C-1	IC1805	A-6	Q1915	*A-2
D700	*H-2	IC1806	A-6	Q1916	*A-2
D701	*H-2	IC1807	*B-6	Q2000	*B-3
D702	*H-2	IC1808	A-6	Q2001	A-4
D703	*H-2	IC1809	*A-6		
D704	*H-2	IC1900	*F-6	TP504	F-3
D705	*H-2	IC1902	B-4	TP1400	*G-6
D706	*H-2	IC1903	G-8	TP1401	G-7
D707	*H-2	IC1904	*H-3	TP1500	*B-7
D900	F-1	IC1905	*A-3	TP1501	*B-6
D901	F-1	IC1907	*A-2	TP1505	A-7
D902	E-1	IC2000	*A-4	TP1600	*C-6
D1800	B-6	IC2001	*A-4	TP1601	E-5
D1801	G-1	IC2002	*A-7	TP1700	*F-7
D1901	A-2	IC2003	A-4	TP1701	*G-7
D1902	A-2			TP1800	*A-5
D1903	*F-8	Q101	*G-1	TP2000	*A-7
D1904	*H-3	Q200	*B-1		
D1905	A-2	Q400	*C-1		

IC100	*G-1	Q402	*C-2
IC102	*H-1	Q500	*C-3
IC200	A-3	Q501	*E-2
IC201	B-2	Q502	*D-2
IC400	*B-2	Q503	*E-3
IC401	*C-2	Q504	*E-2
IC402	*C-2	Q505	*D-3
IC403	C-2	Q506	*E-2
IC500	*D-1	Q507	*E-3
IC501	*D-2	Q508	*E-2
IC502	*D-2	Q509	E-2
IC503	D-2	Q510	*E-3
IC504	*D-1	Q511	*E-2
IC600	*G-2	Q512	*E-3
IC601	F-2	Q513	*E-2
IC602	G-2	Q514	*E-3
IC603	G-1	Q515	*E-3
IC604	*G-3	Q516	*E-2
IC605	G-1	Q517	*E-2
IC700	*G-2	Q518	*E-2
IC701	*H-2	Q519	*E-3
IC702	H-2	Q520	*E-3
IC703	*H-3	Q521	*E-3
IC800	B-2	Q522	*E-3
IC801	C-2	Q900	*F-1
IC802	B-3	Q901	F-1
IC803	B-3	Q902	F-1
IC804	B-2	Q903	*E-2
IC805	C-2	Q904	*E-1
IC900	*F-1	Q905	E-1
IC901	*F-2	Q906	E-1
IC902	*E-2	Q907	F-1
IC904	*E-1	Q908	E-1
IC905	*E-2	Q909	*E-2
IC906	E-2	Q1300	H-3
IC1000	D-3	Q1301	G-3
IC1001	D-4	Q1400	*F-5
IC1101	*B-3	Q1401	*F-5
IC1102	*C-4	Q1500	*B-8
IC1201	*C-3	Q1501	*B-8
IC1300	*H-3	Q1600	*C-6
IC1301	G-4	Q1601	*C-6
IC1302	F-5	Q1700	*F-6
IC1303	*G-3	Q1701	*E-6
IC1304	*F-5	Q1801	A-5
IC1305	G-5	Q1802	A-5
IC1400	*G-6	Q1803	B-4
IC1401	F-5	Q1804	B-5
IC1402	*F-5	Q1805	B-4
IC1403	*G-6	Q1806	B-5
IC1404	F-6	Q1807	B-5
IC1405	F-6	Q1808	B-5
IC1500	*C-7	Q1809	A-4
IC1501	*B-7	Q1810	A-4

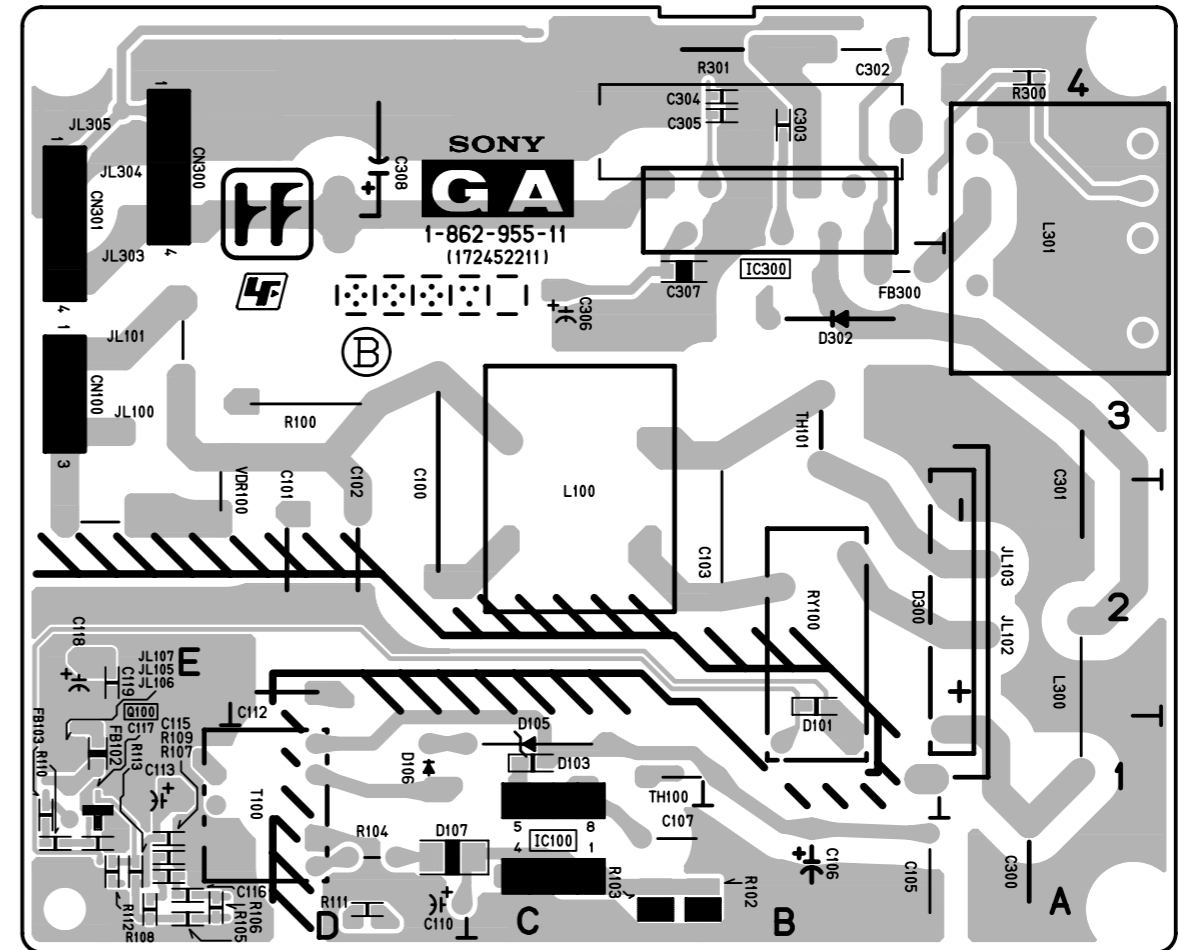




C - B SIDE - SUFFIX: -11



GA -A SIDE-
SUFFIX: -11



GA -B SIDE-
SUFFIX: -11

GA BOARD (1-862-955-11)

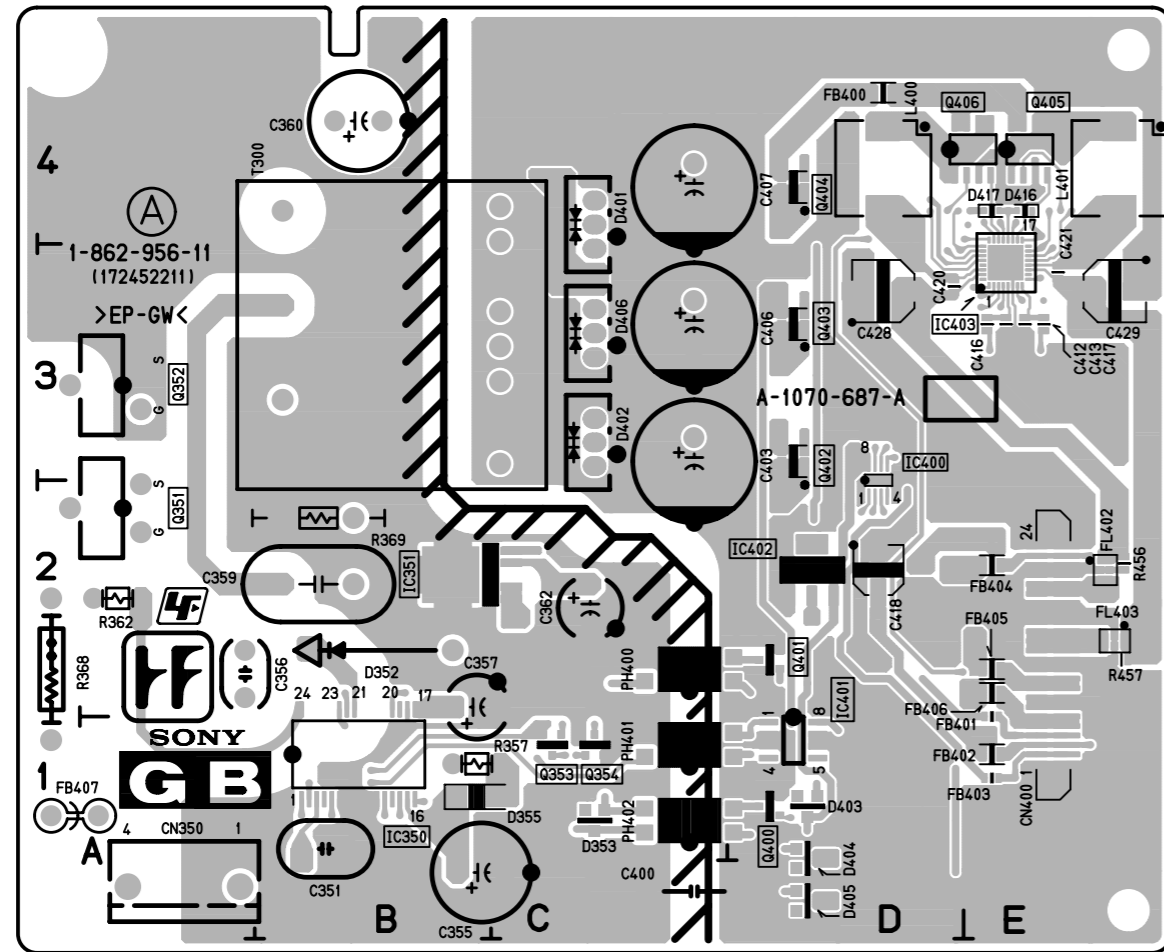
*:B SIDE

- D100 C-2
- D101 *B-2
- D103 *C-1
- D104 D-1
- D105 C-1
- D106 D-1
- D107 *D-1
- D108 E-1
- D109 D-1
- D300 A-2
- D301 B-4
- D302 B-3

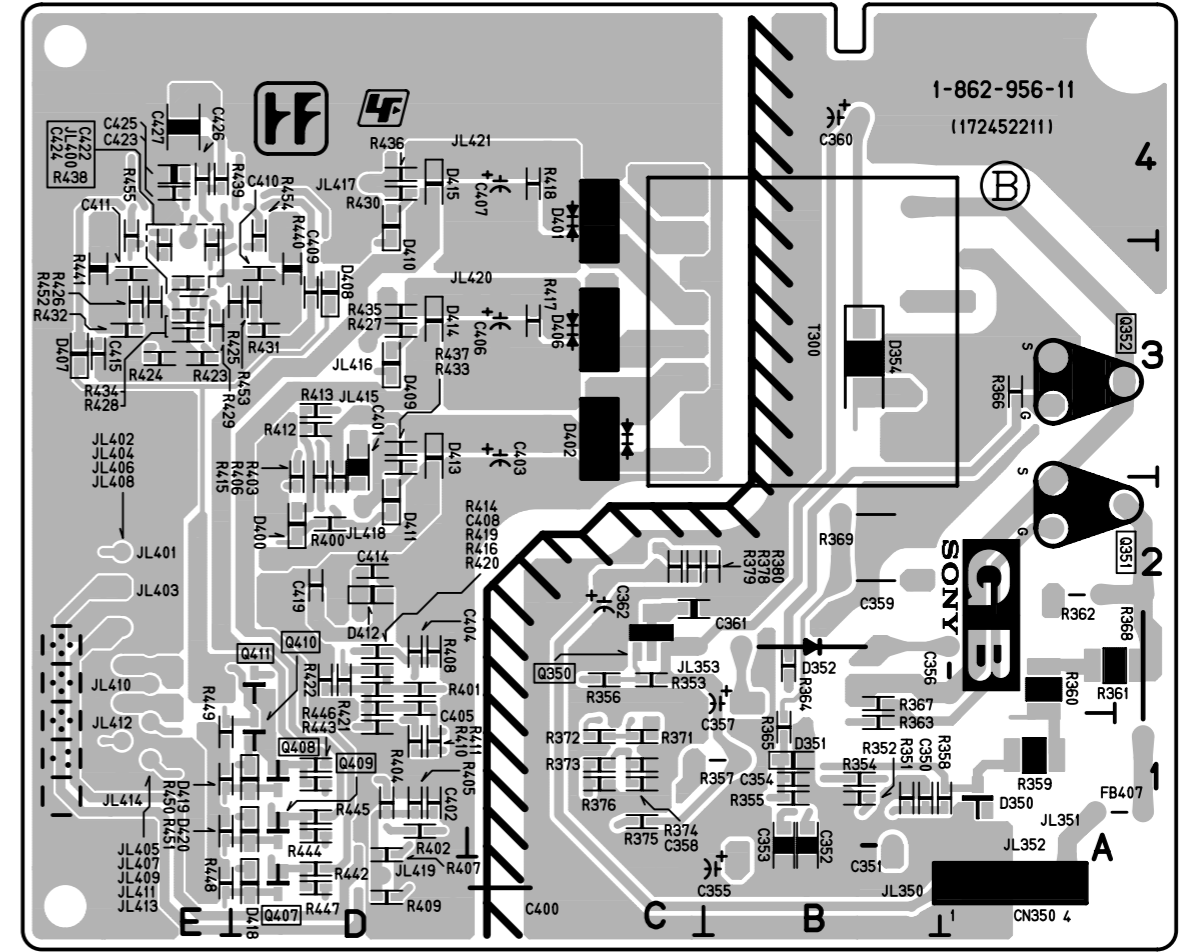
- IC100 C-1
- IC101 E-1
- IC102 E-1
- IC300 B-4

- PH100 D-1

- Q100 *E-1
- Q101 E-1



GB -A SIDE-
SUFFIX: -11

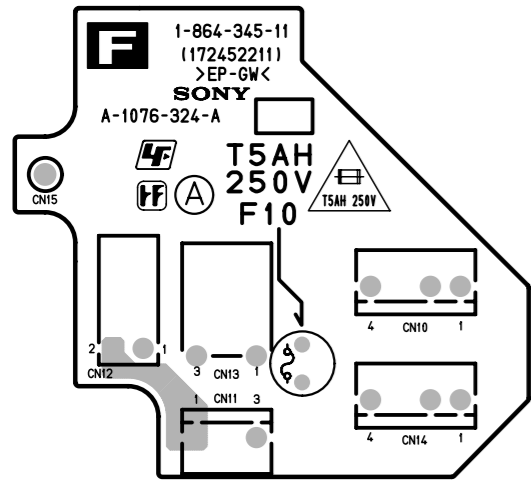


GB -B SIDE-
SUFFIX: -11

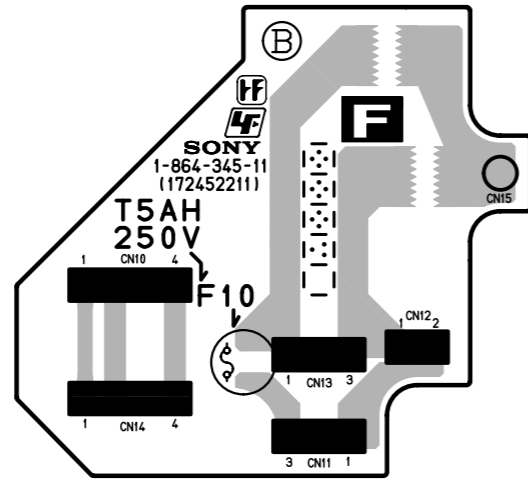
GB BOARD (1-862-956-11)

*:B SIDE

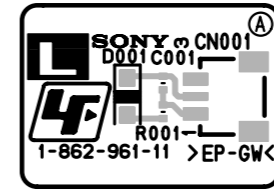
D350	*A-1	D413	*D-3	Q350	*C-2
D351	*B-1	D414	*D-3	Q351	A-2
D352	B-2	D415	*D-4	Q352	A-3
D353	C-1	D416	E-4	Q353	C-1
D354	*B-3	D417	E-4	Q354	C-1
D355	B-1	D418	*D-1	Q400	D-1
D400	*D-2	D419	*D-1	Q401	D-2
D401	C-4	D420	*D-1	Q402	D-3
D402	C-3			Q403	D-3
D403	D-1	IC350	B-1	Q404	D-4
D404	D-1	IC351	B-2	Q405	E-4
D405	D-1	IC400	D-3	Q406	E-4
D406	C-3	IC401	D-1	Q407	*D-1
D407	*E-3	IC402	D-2	Q408	*D-1
D408	*D-3	IC403	E-3	Q409	*D-1
D409	*D-3			Q410	*D-1
D410	*D-4	PH400	C-2	Q411	*D-2
D411	*D-2	PH401	C-1		
D412	*D-2	PH402	C-1		



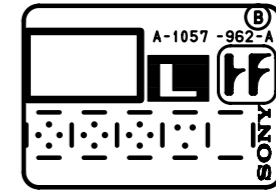
F -A SIDE-
SUFFIX: -11



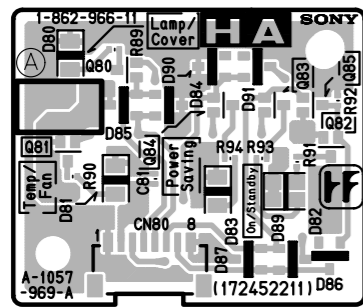
F -B SIDE-
SUFFIX: -11



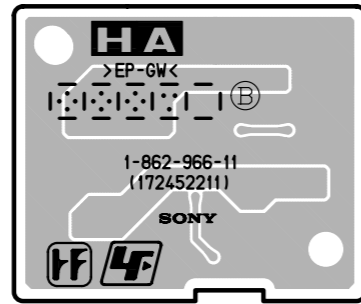
L -A SIDE-
SUFFIX: -11



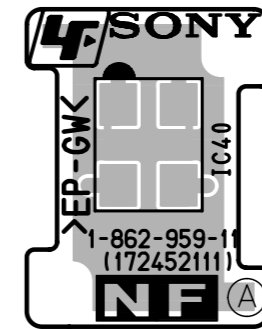
L -B SIDE-
SUFFIX: -11



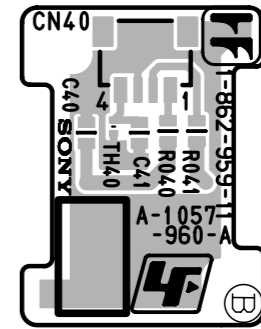
HA -A SIDE-
SUFFIX: -11



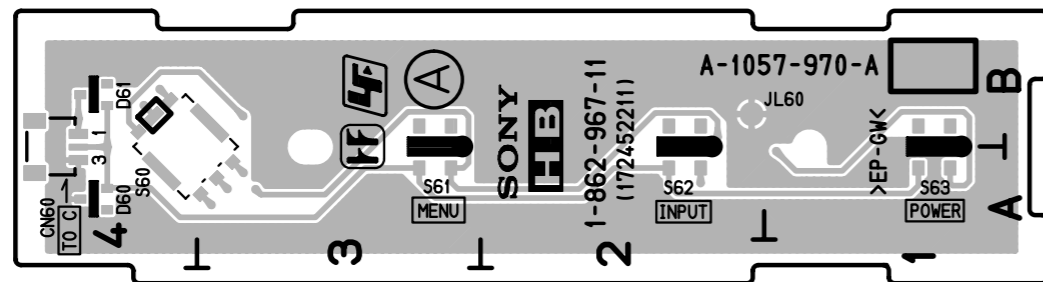
HA -B SIDE-
SUFFIX: -11



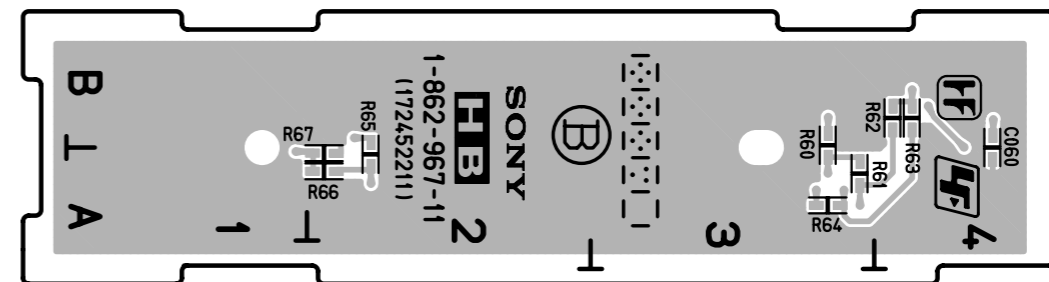
NF -A SIDE-
SUFFIX: -11



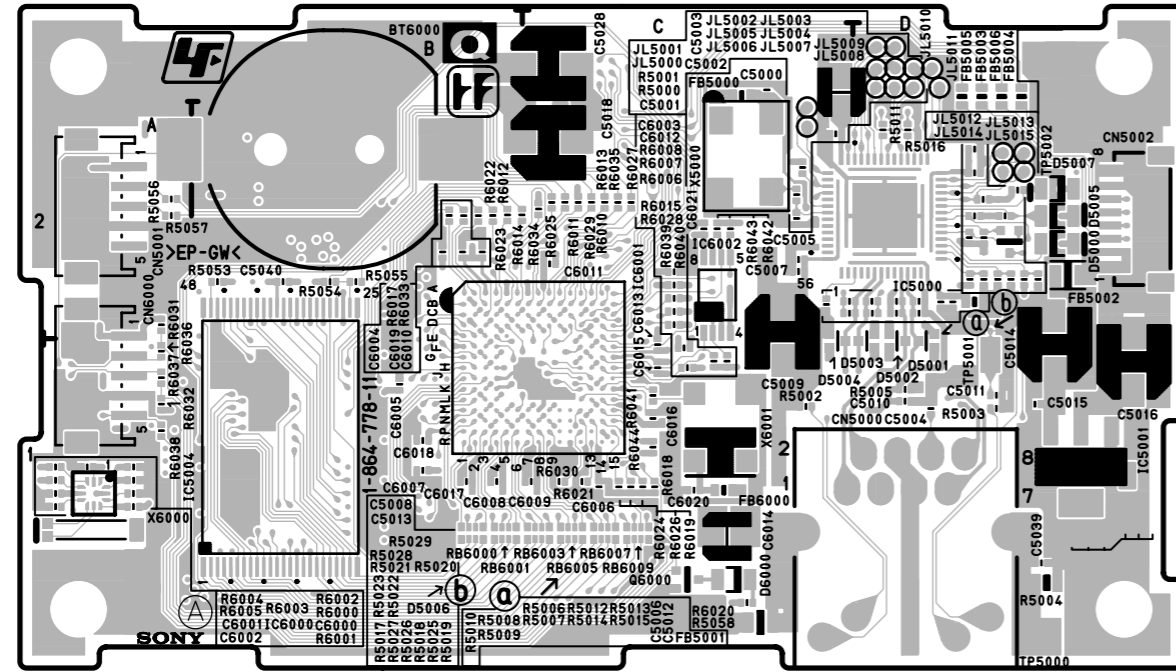
NF -B SIDE-
SUFFIX: -11



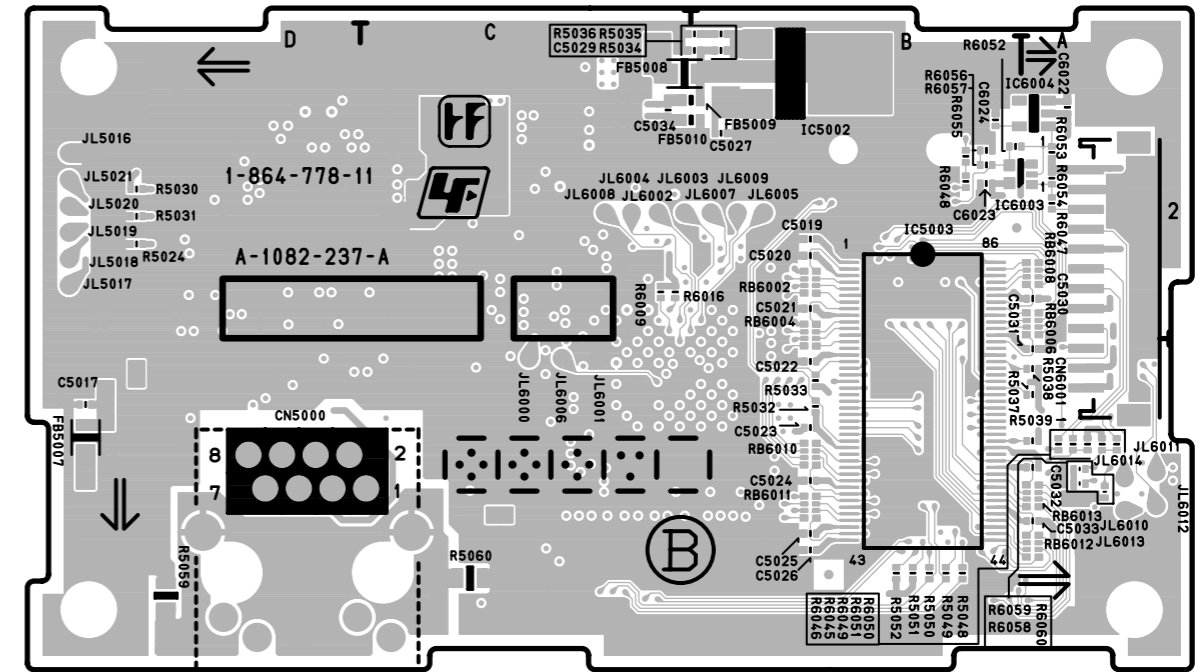
HB -A SIDE-
SUFFIX: -11



HB -B SIDE-
SUFFIX: -11



Q -A SIDE-
SUFFIX: -11
VPL-HS51

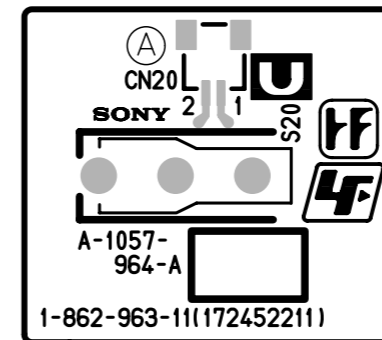


Q -B SIDE-
SUFFIX: -11
VPL-HS51

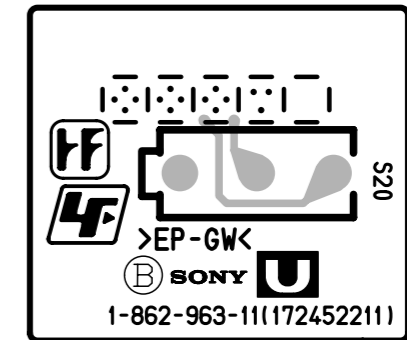
Q BOARD (1-864-778-11)

*:B SIDE

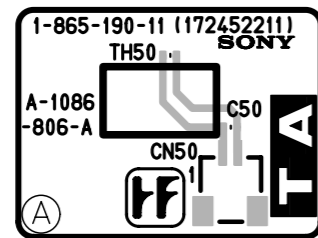
D5001	D-1	IC5004	B-1
D5002	D-1	IC6001	C-1
D5003	D-1	IC6002	C-2
D5004	C-1	IC6004	*A-2
D5006	D-2		
D6000	C-1	Q6000	C-1
IC5000	D-2	TP5000	D-1
IC5001	D-1	TP5001	D-1
IC5002	*B-2	TP5002	D-2
IC5003	*B-1		



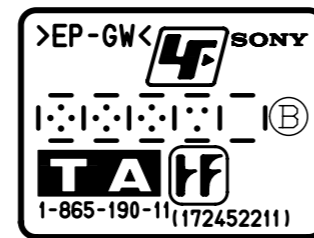
U -A SIDE-
SUFFIX: -11



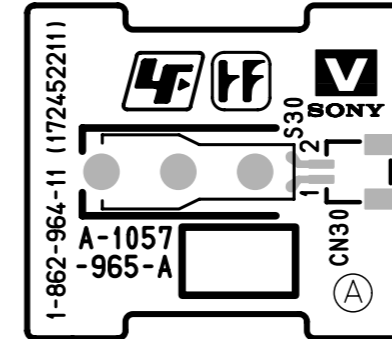
U -B SIDE-
SUFFIX: -11



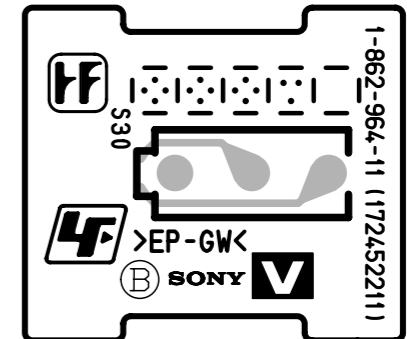
TA -A SIDE-
SUFFIX: -11



TA -B SIDE-
SUFFIX: -11



V -A SIDE-
SUFFIX: -11



V -B SIDE-
SUFFIX: -11

SAFETY CHECK-OUT

After correcting the original service problem, perform the following safety checks before releasing the set to the customer :

Check the metal trim, "metallized" knobs, screws, and all other exposed metal parts for AC leakage. Check leakage as described below.

LEAKAGE TEST

The AC leakage from any exposed metal part to earth ground and from all exposed metal parts to any exposed metal part having a return to chassis, must not exceed 3.5 mA. Leakage current can be measured by any one of three methods.

1. A commercial leakage tester, such as the Simpson 229 or RCA WT-540A. Follow the manufacturers' instructions to use these instruments.
2. A battery-operated AC milliammeter. The Data Precision 245 digital multimeter is suitable for this job.
3. Measuring the voltage drop across a resistor by means of a VOM or battery-operated AC voltmeter. The "limit" indication is 5.25 V, so analog meters must have an accurate low-voltage scale. The Simpson 250 and Sanwa SH-63Trd are examples of a passive VOM that is suitable. Nearly all battery operated digital multimeters that have a 20 V AC range are suitable. (See Fig. A)

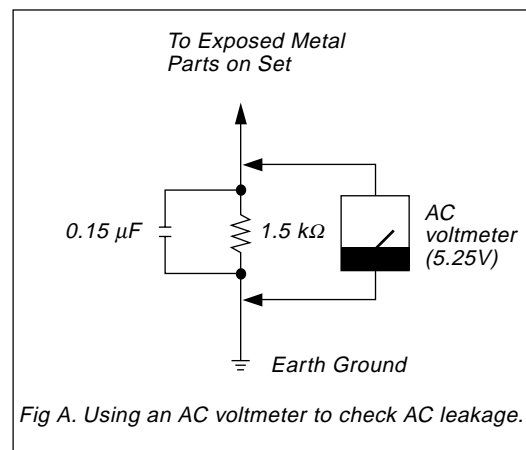


Fig A. Using an AC voltmeter to check AC leakage.

VPL-HS50 (SY)
VPL-HS51 (U) E
9-968-082-01

Sony Corporation
B&P Company

Printed in Japan
2004. 10 22
©2004