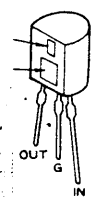
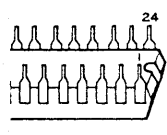
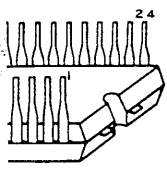
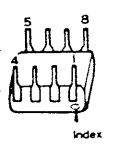
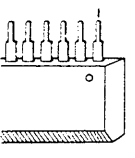
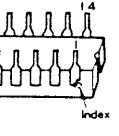
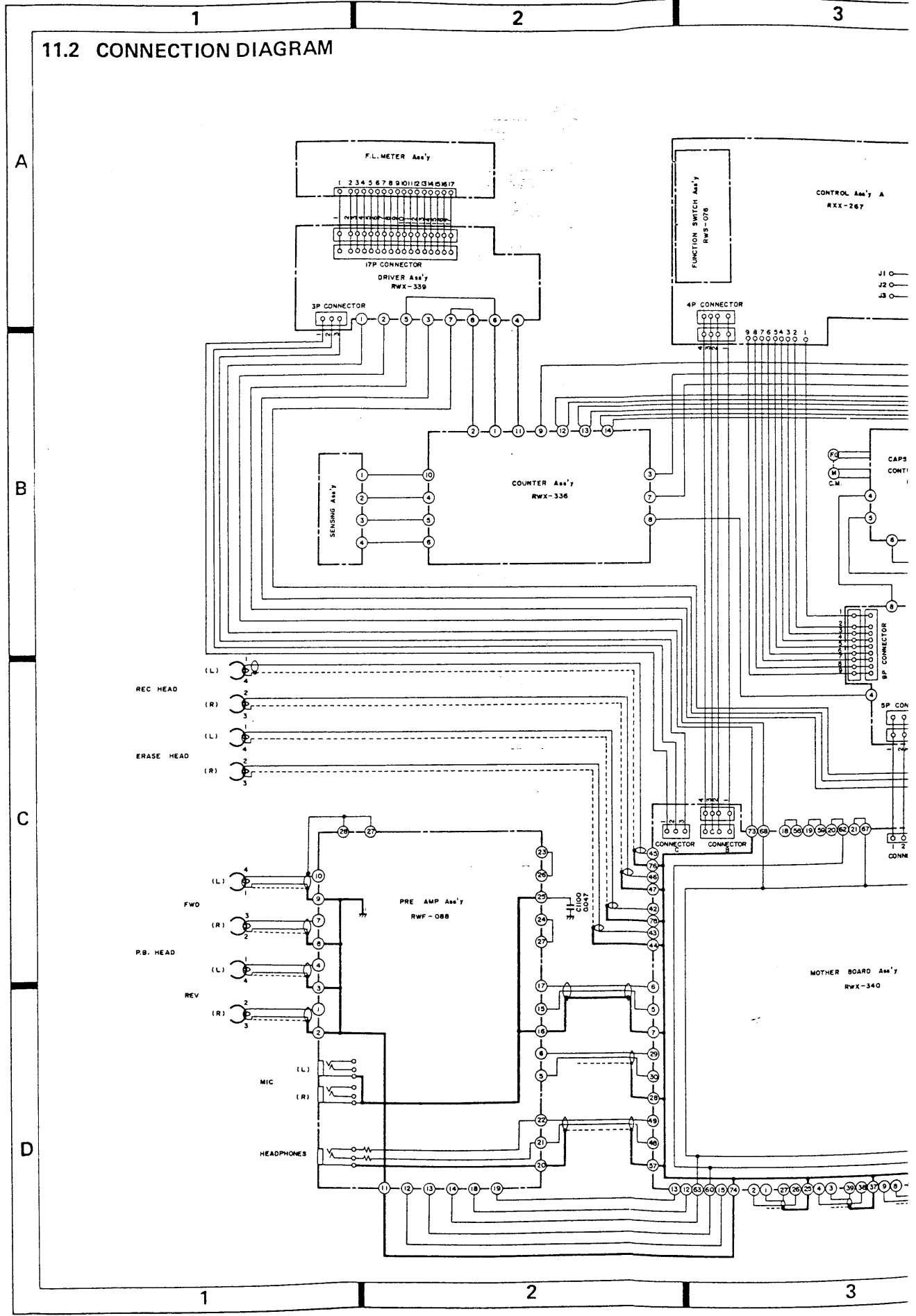
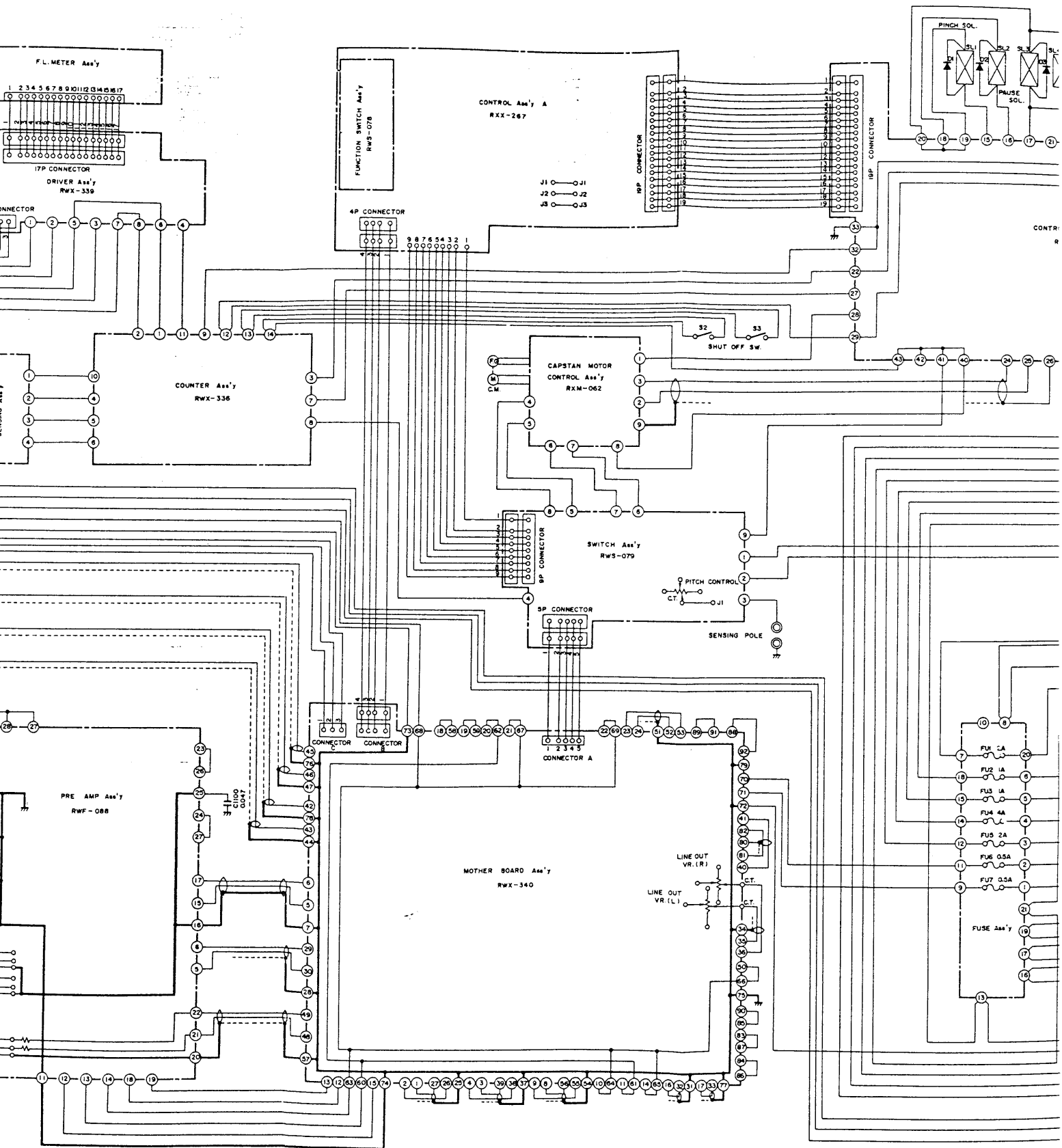


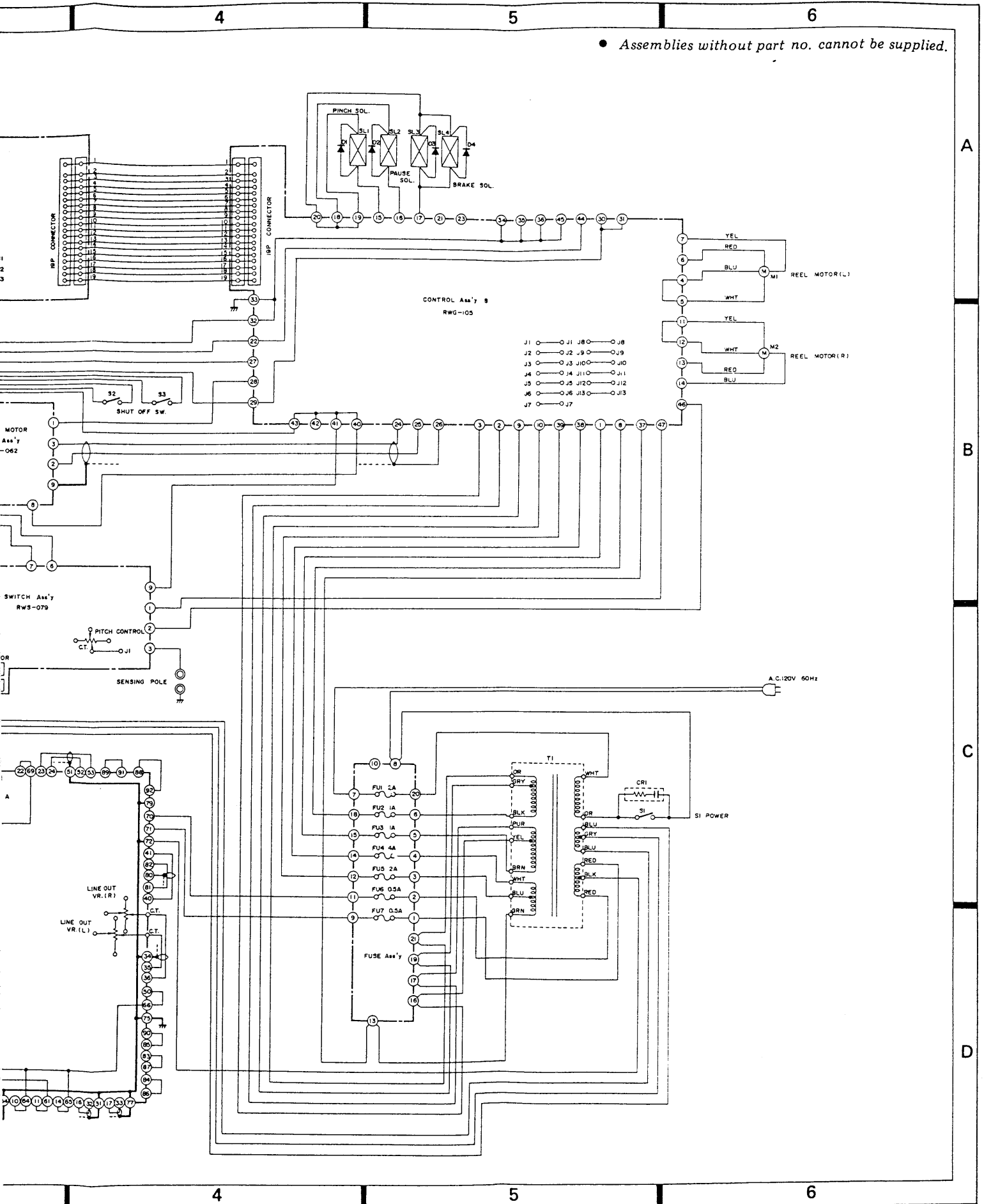
11.2 CONNECTION DIAGRAM



1



• Assemblies without part no. cannot be supplied.



A

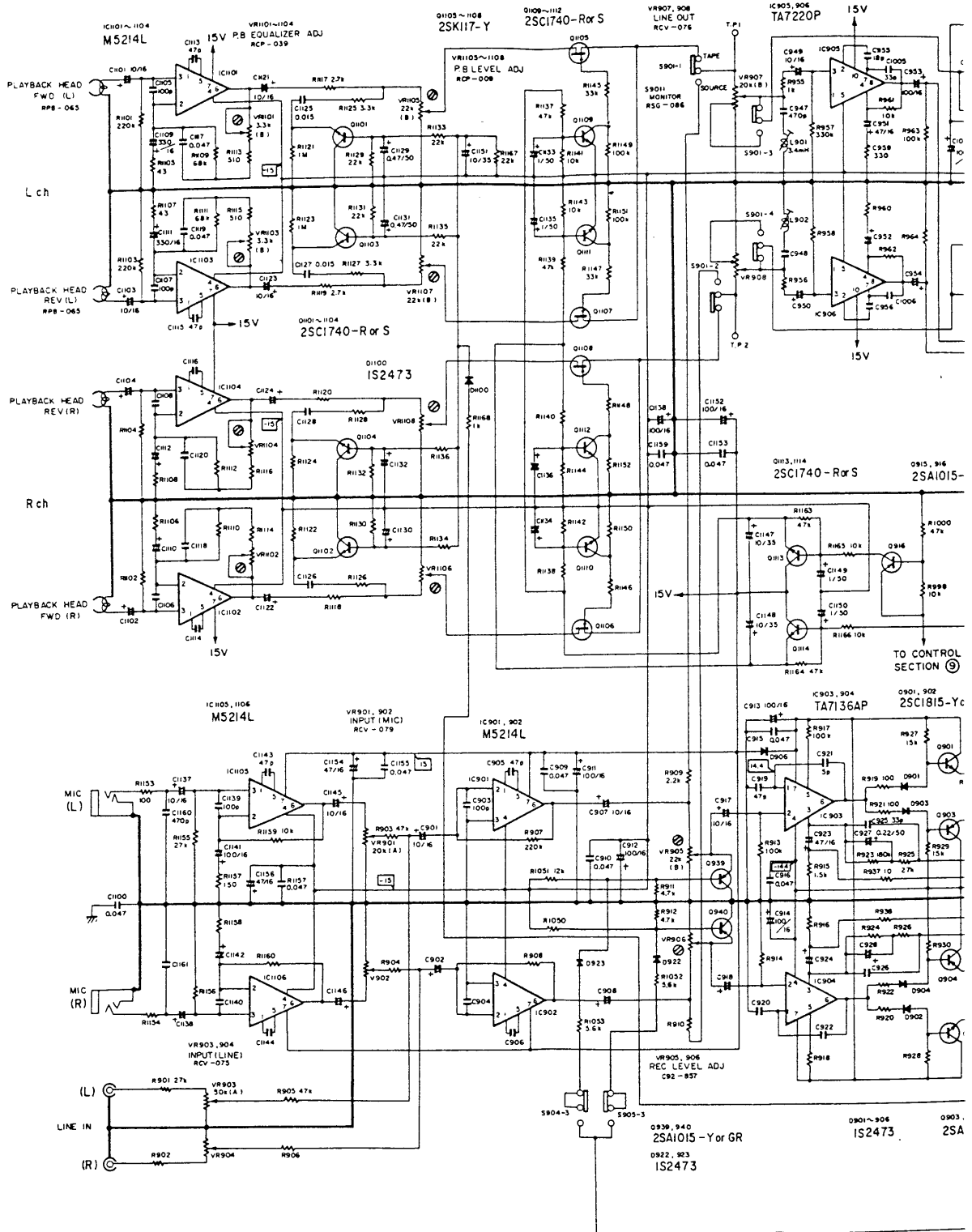
B

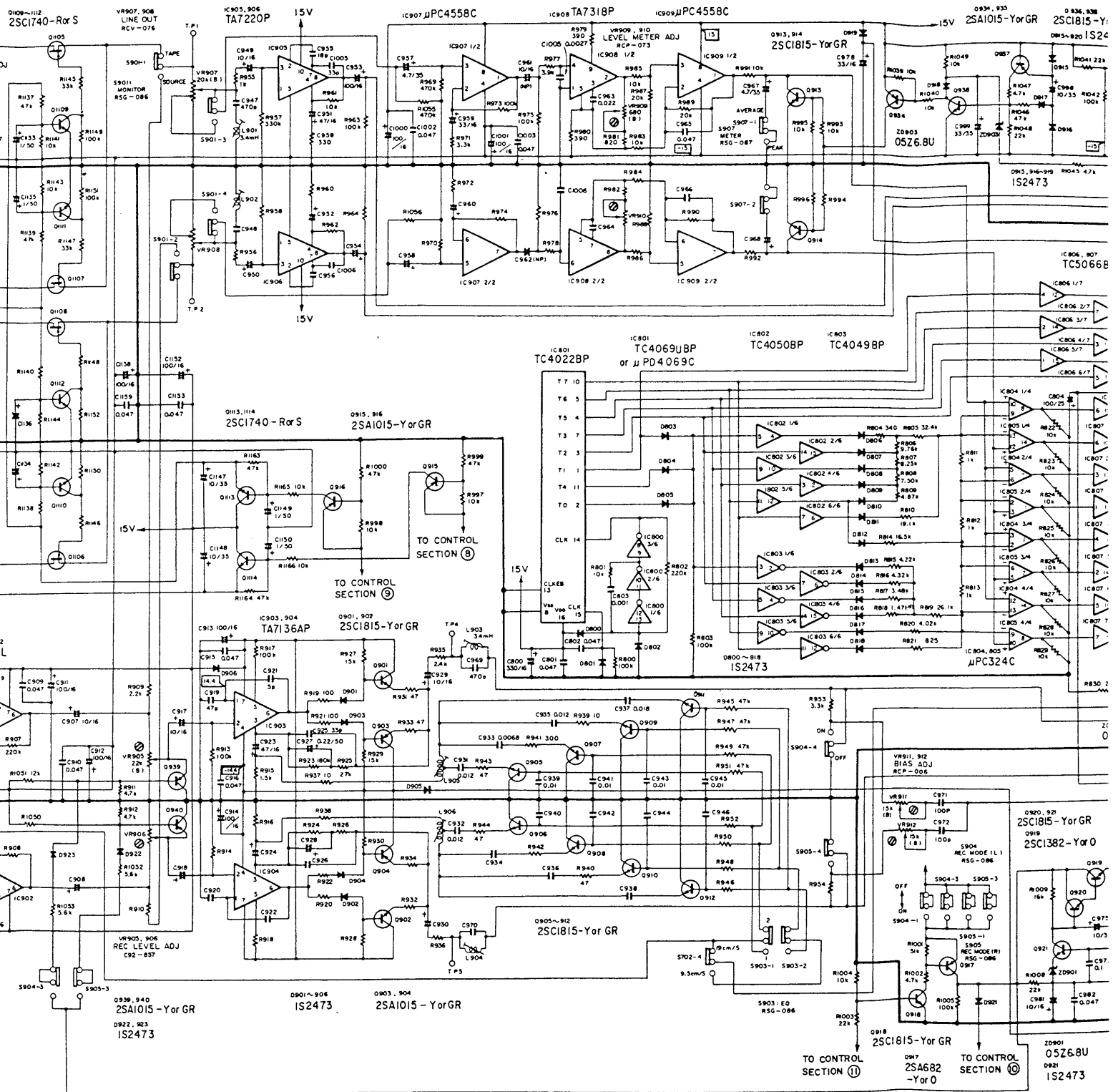
C

D

1.3 SCHEMATIC DIAGRAMS

Signal Section





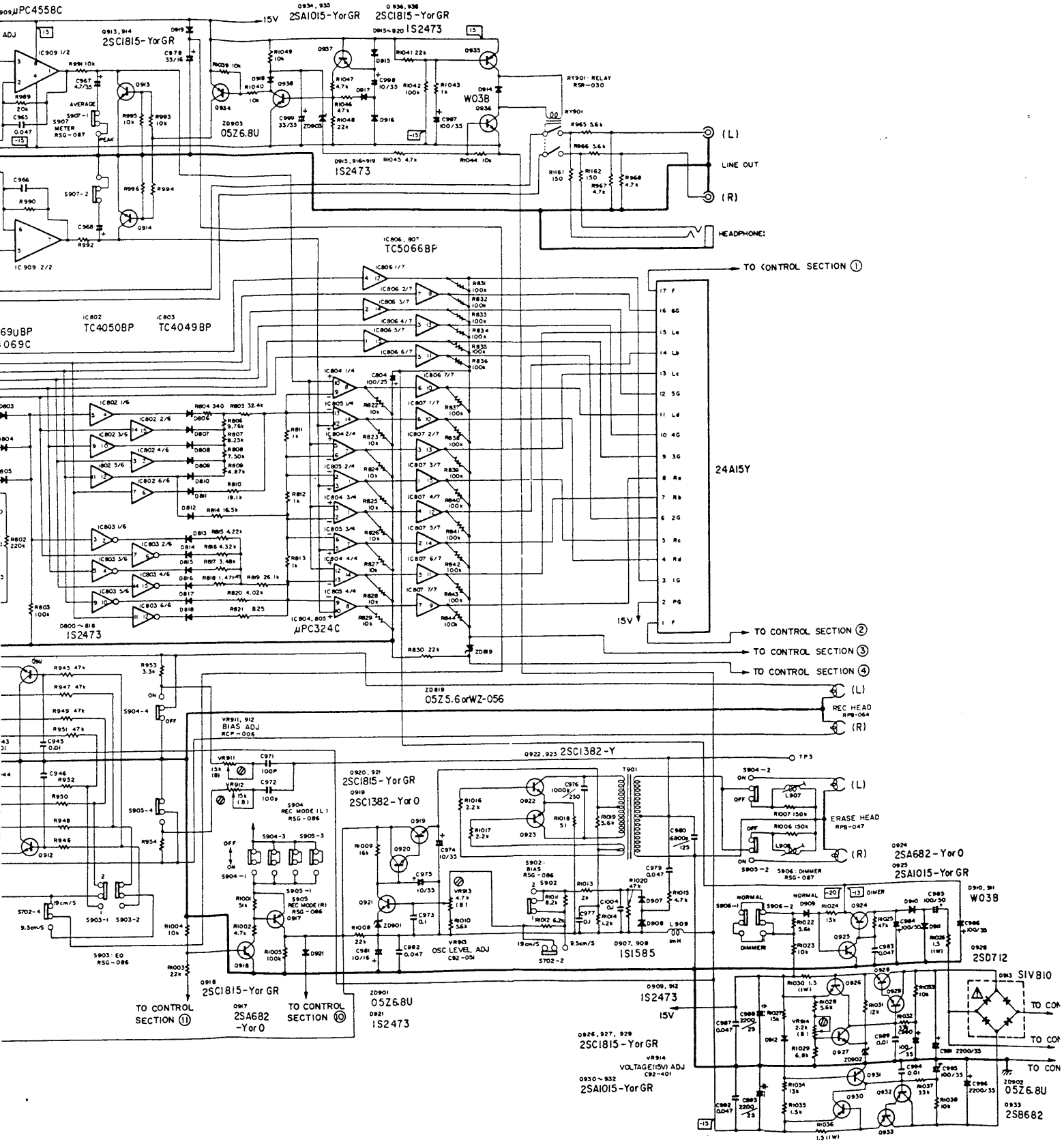
RT-909

5

6

7

8



5

6

7

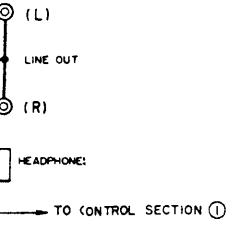
8

7

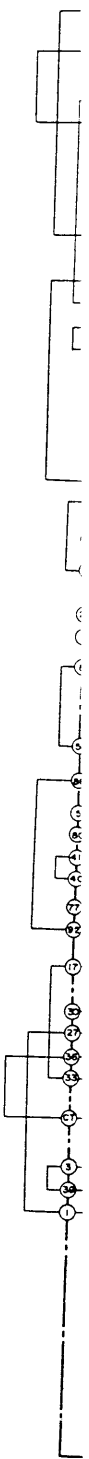
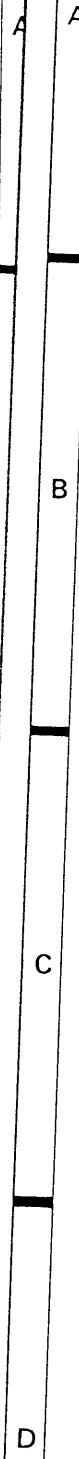
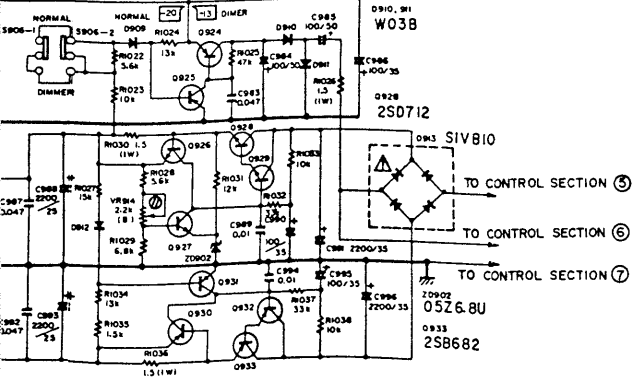
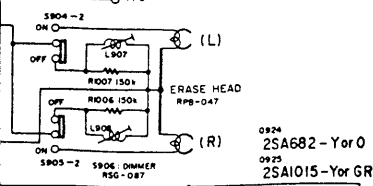
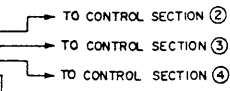
8

9

1



24A15Y



7

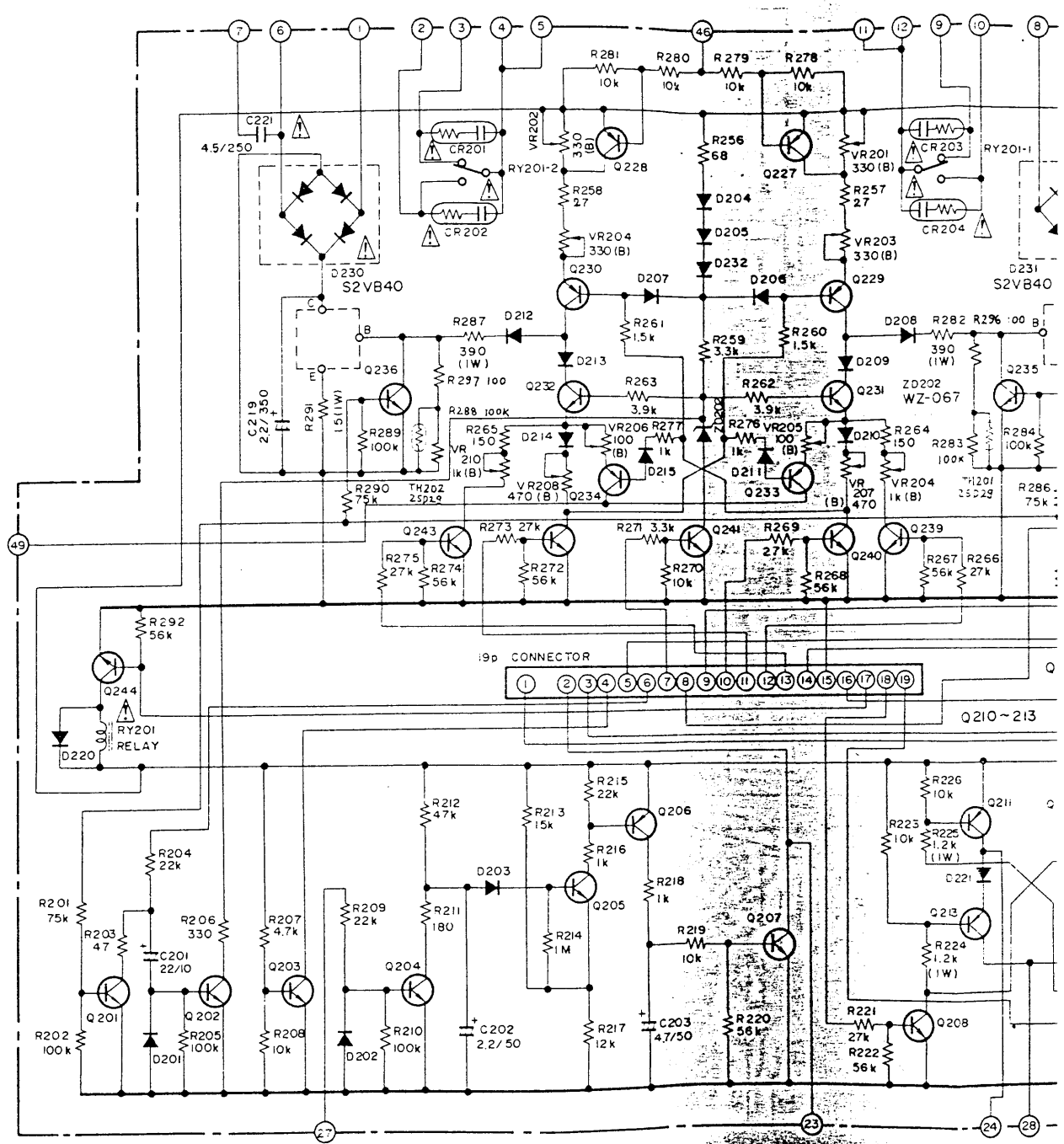
8

9

1

11.5 CONTROL B ASSEMBLY (RWG-105)

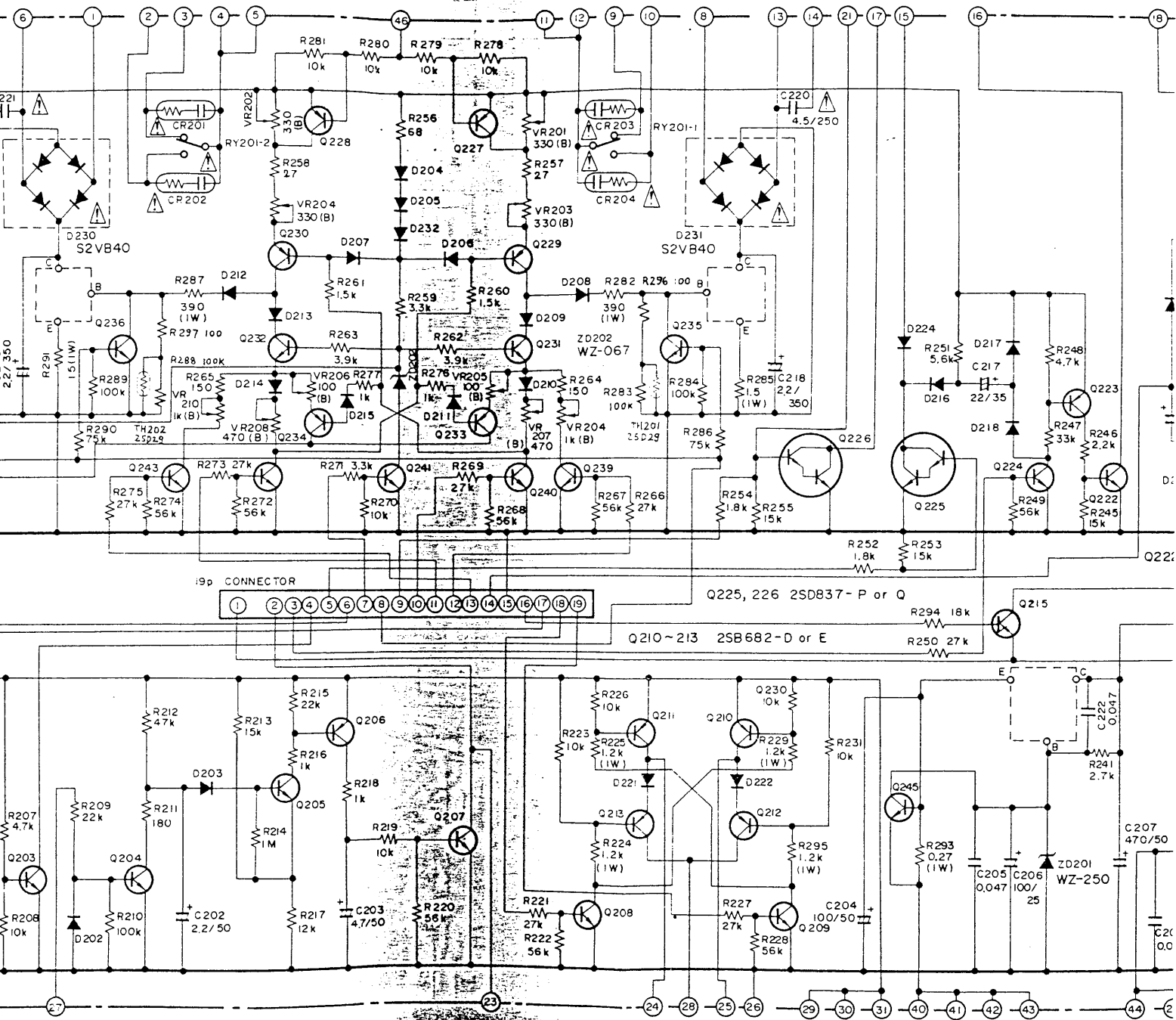
A
B
C
D



Q201~205, 207~209, 216~218, 224, 231, 232, 235, 236, 239~244 : 2SC1740-R or S or 2SC2320L-F or G
 Q245 : 2SC1382-D or Y
 Q206, 215, 220, 223, 227~230, 233, 234 : 2SA1015-Y or GR or 2SA999L-E or F

RT-909

RWG-105)



~ 218, 224, 231, 232, 235, 236, 239~ 244 : 25C1740-R or S or 25C2320L-F or G

230, 233, 234 : 2SA1015-Y or GR or 2SA999L-E or F

D201~215, 217~219, 227, 232 : 1S2473

D216, 220 : 1S1585

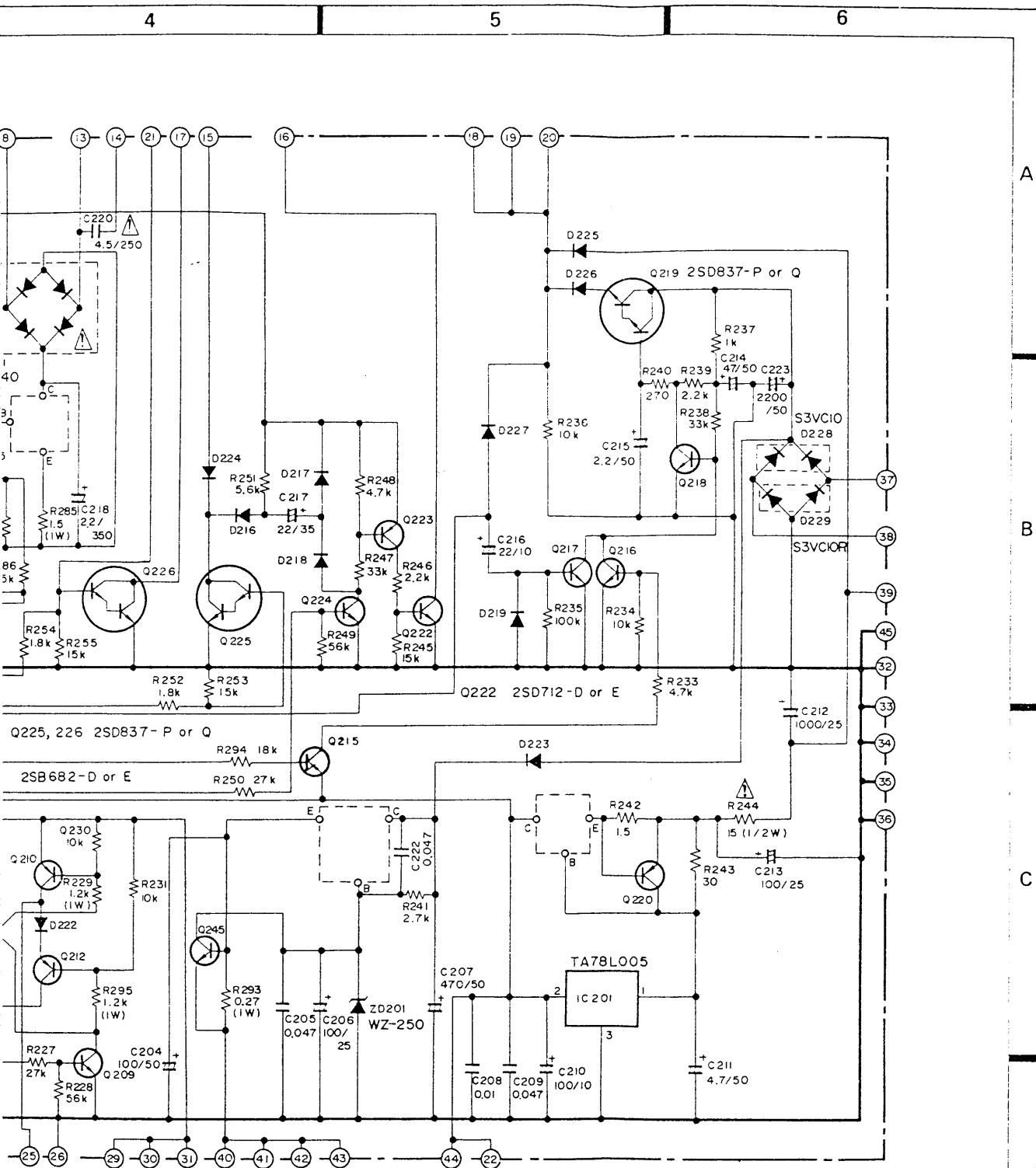
D221~223 : W03C or W03B

D224~226 : S2V20

2

3

4



- D201~215, 217~219, 227, 232 : 1S2473
- D216, 220 : 1S1585
- D221~223 : W03C or W03B
- D224~226 : S2V20

RT-909

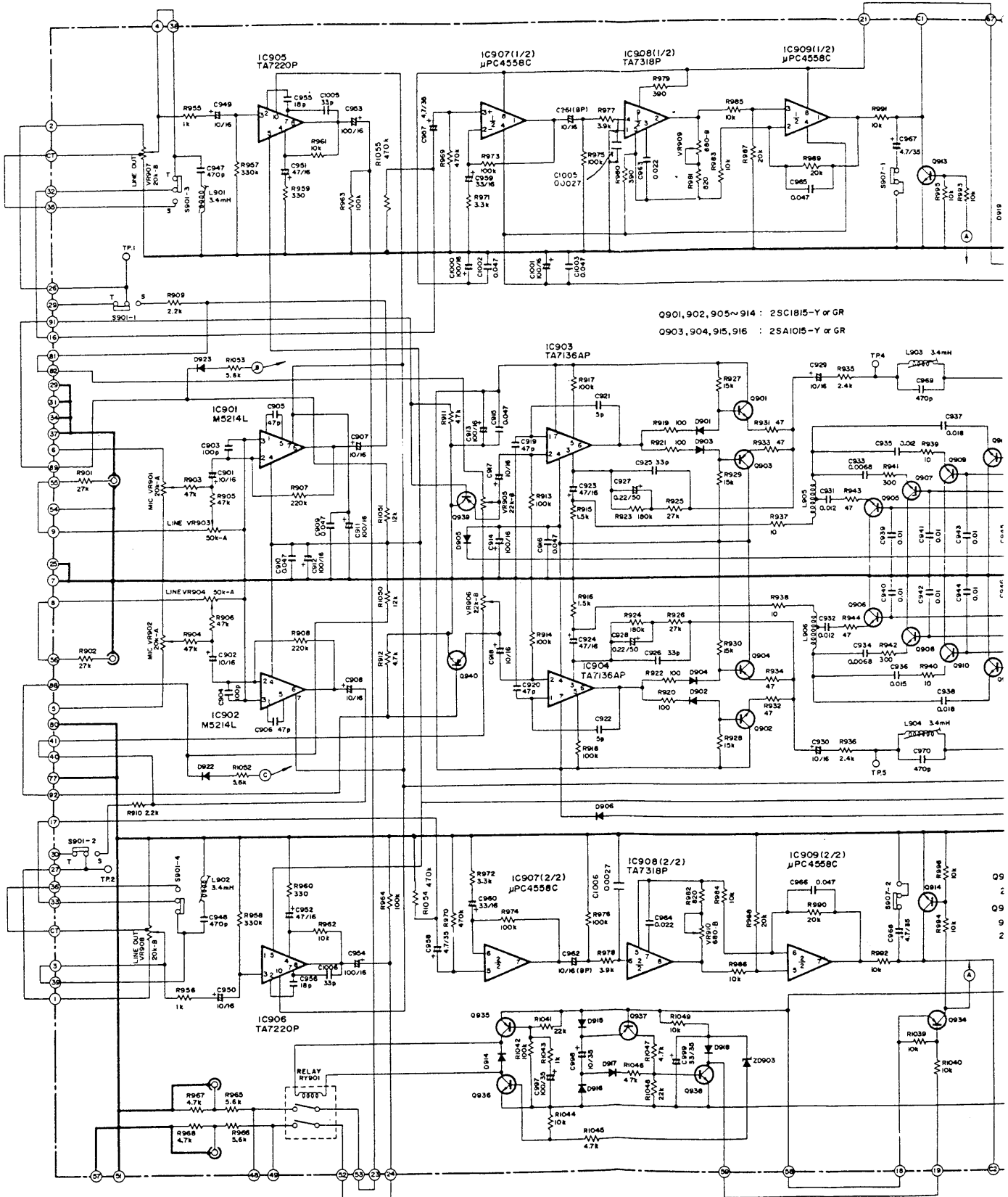
1

2

3

D901~906, 909, 912, 915~923 : 1S2473

D910, 911, 914 : W038



1

2

3

RT-909

2

3

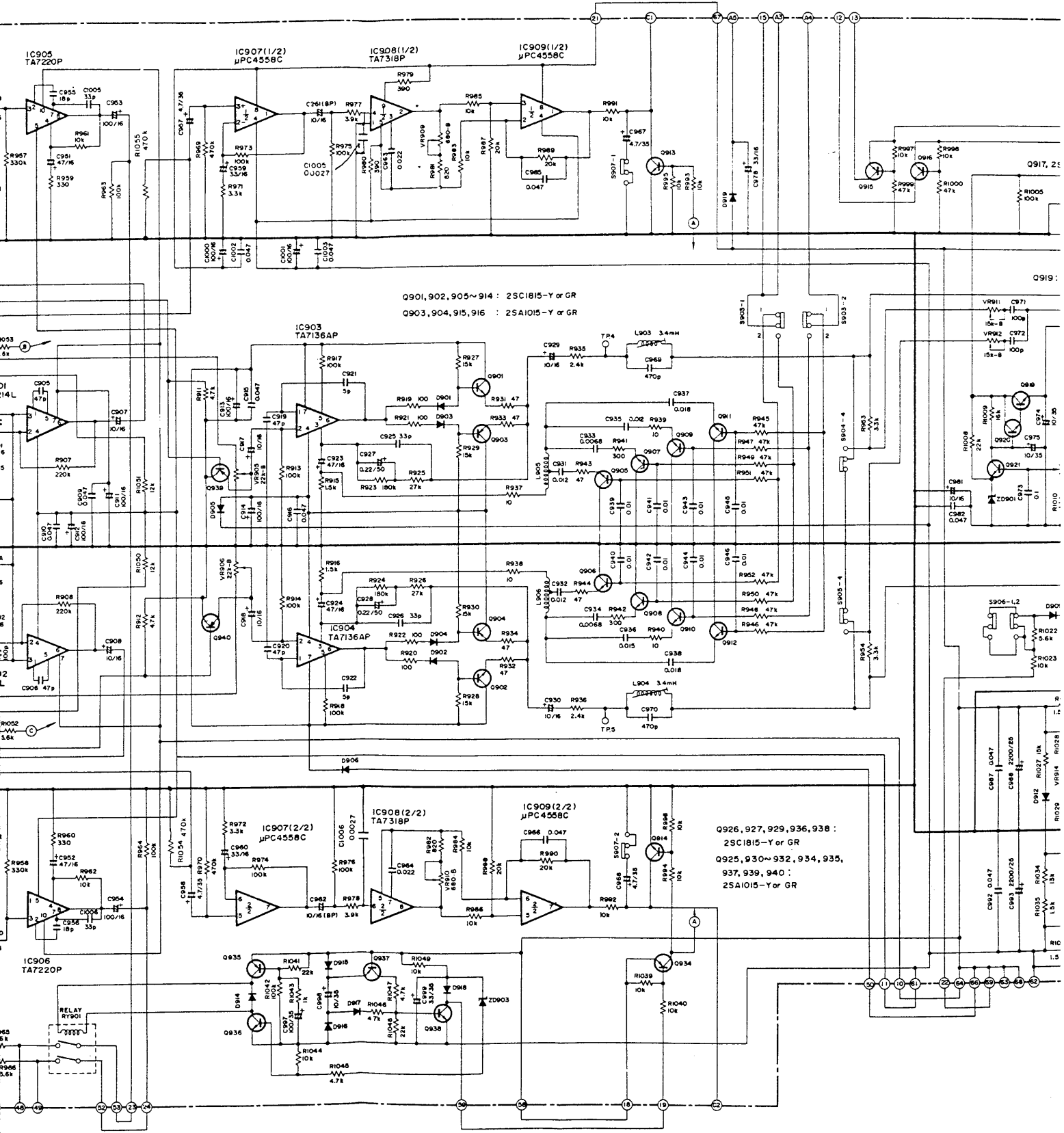
4

5

Q910, 906, 909, 912, 915~923 : 1S2473

Q910, 911, 914 : W038

Q918, 920, 921 : 2SC1815-Y or GR



2

3

4

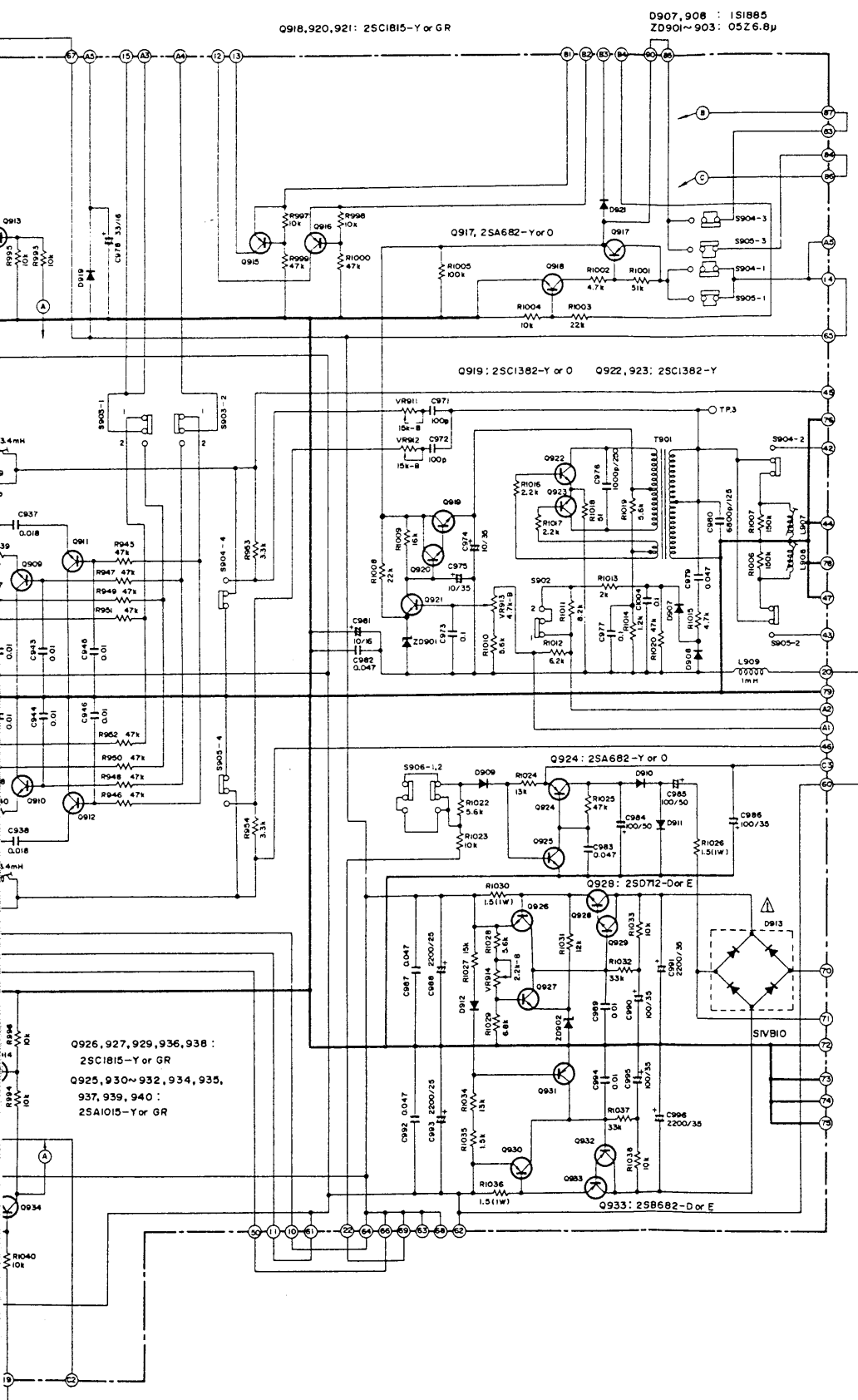
5

A

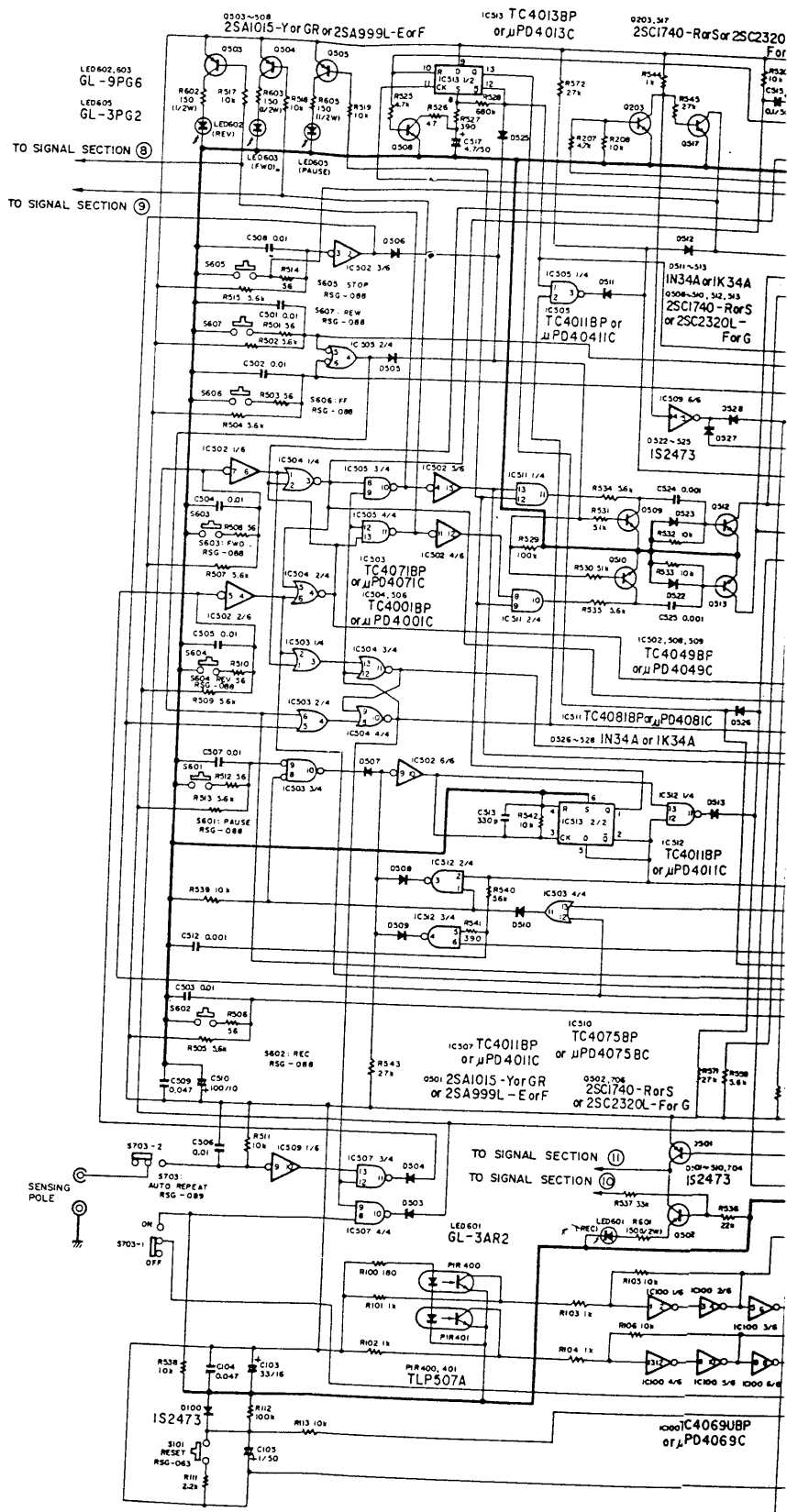
B

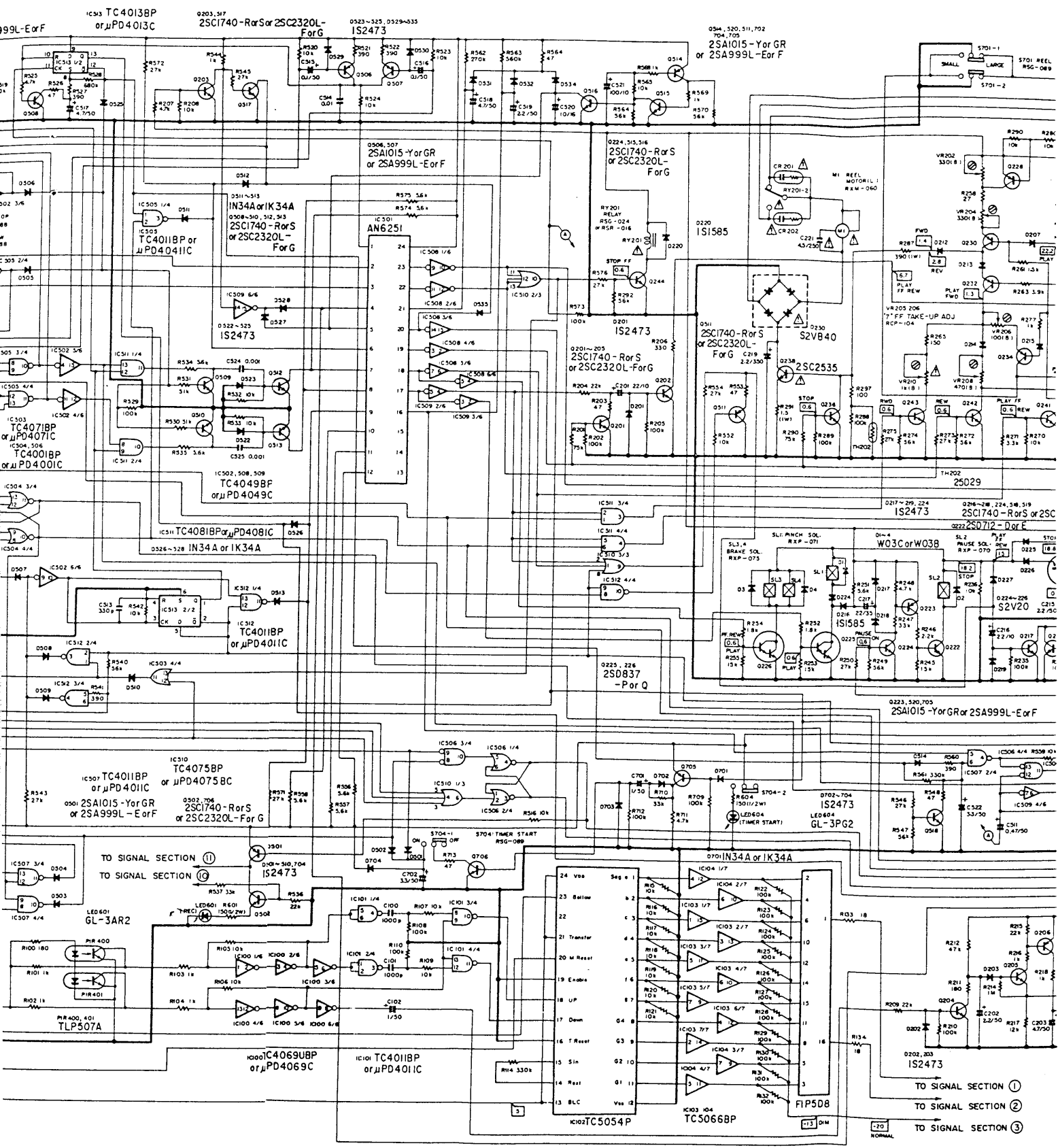
C

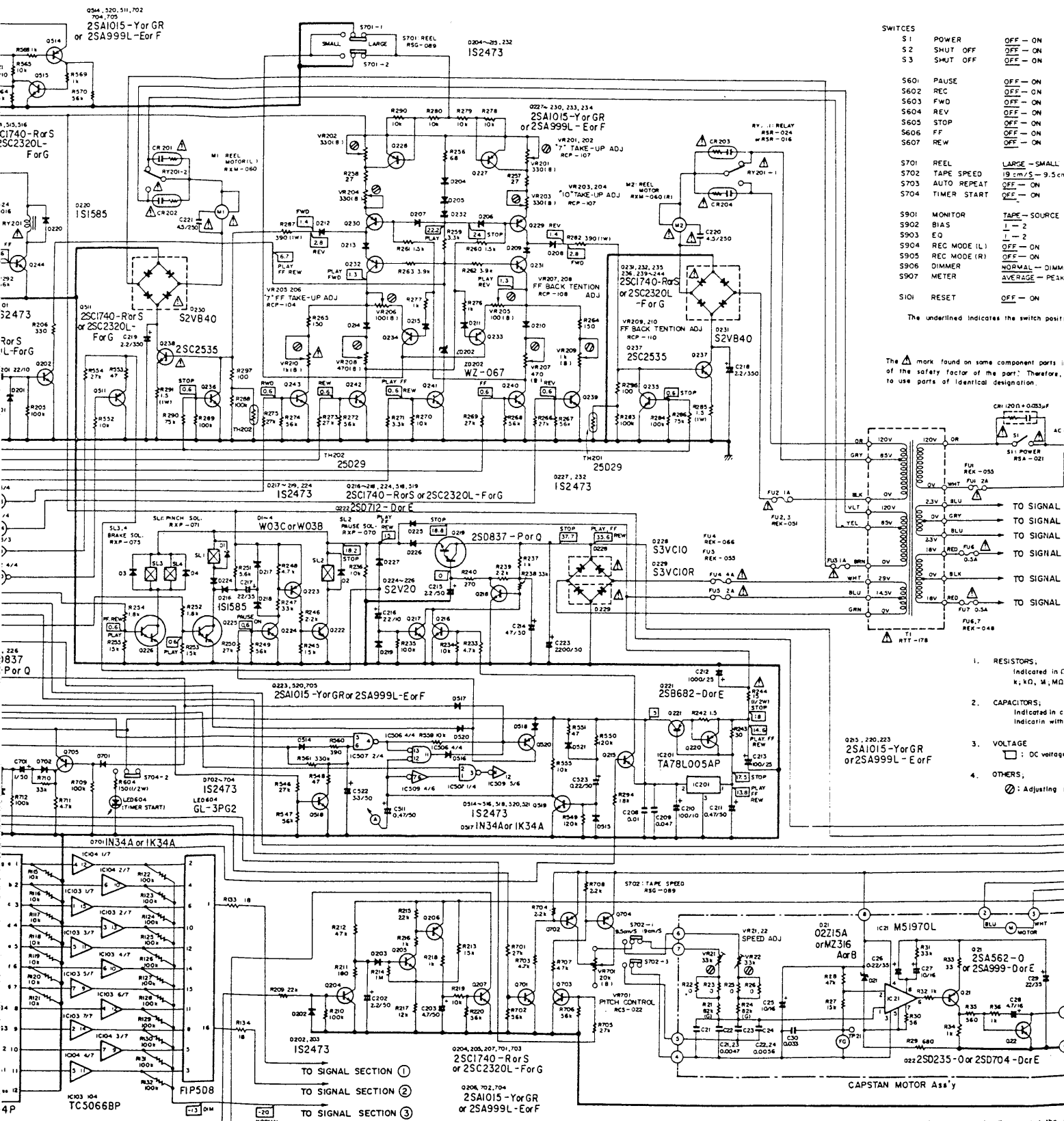
D



● Control Section



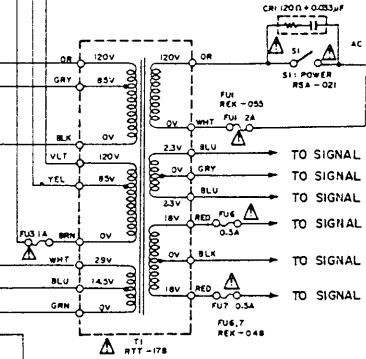




SWITCHES

S 1	POWER	OFF - ON
S 2	SHUT OFF	OFF - ON
S 3	SHUT OFF	OFF - ON
S60	PAUSE	OFF - ON
S602	REC	OFF - ON
S603	FWD	OFF - ON
S604	REV	OFF - ON
S605	STOP	OFF - ON
S606	FF	OFF - ON
S607	REW	OFF - ON
S701	REEL	LARGE - SMALL
S702	TAPE SPEED	19 cm/s - 9.5 cm/s
S703	AUTO REPEAT	OFF - ON
S704	TIMER START	OFF - ON
S901	MONITOR	TAPE - SOURCE
S902	BIAS	I - 2
S903	EQ	I - 2
S904	REC MODE (L)	OFF - ON
S905	REC MODE (R)	OFF - ON
S906	DIMMER	NORMAL - DIMM
S907	METER	AVERAGE - PEAK
S101	RESET	OFF - ON

The underlined indicates the switch position.
 The Δ mark found on some component parts is of the safety factor of the part. Therefore, to use parts of identical designation.



- RESISTORS; Indicated in C, K, M, G, M, Q.
- CAPACITORS; Indicated in C, M, U, with values in parentheses.
- VOLTAGE \square : DC voltage.
- OTHERS; \odot : Adjusting.

This is the basic schematic diagram, but the vary due to improvements in design.

7

8

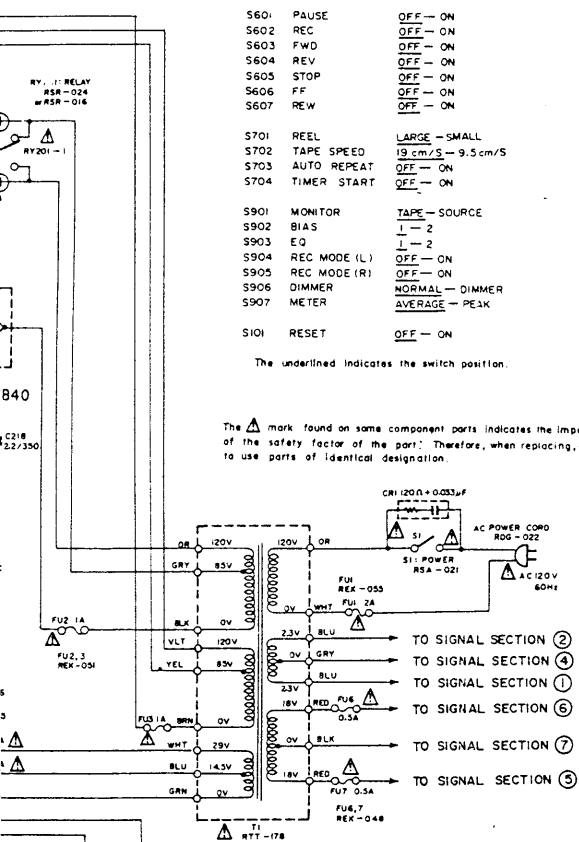
9

SWITCHES

S 1	POWER	OFF - ON
S 2	SHUT OFF	OFF - ON
S 3	SHUT OFF	OFF - ON
S601	PAUSE	OFF - ON
S602	REC	OFF - ON
S603	FWD	OFF - ON
S604	REV	OFF - ON
S605	STOP	OFF - ON
S606	FF	OFF - ON
S607	REW	OFF - ON
S701	REEL	LARGE - SMALL
S702	TAPE SPEED	13 cm/S - 9.5 cm/S
S703	AUTO REPEAT	OFF - ON
S704	TIMER START	OFF - ON
S901	MONITOR	TAPE - SOURCE
S902	BIAS	1 - 2
S903	EQ	1 - 2
S904	REC MODE (L)	OFF - ON
S905	REC MODE (R)	OFF - ON
S906	DIMMER	NORMAL - DIMMER
S907	METER	AVERAGE - PEAK
S101	RESET	OFF - ON

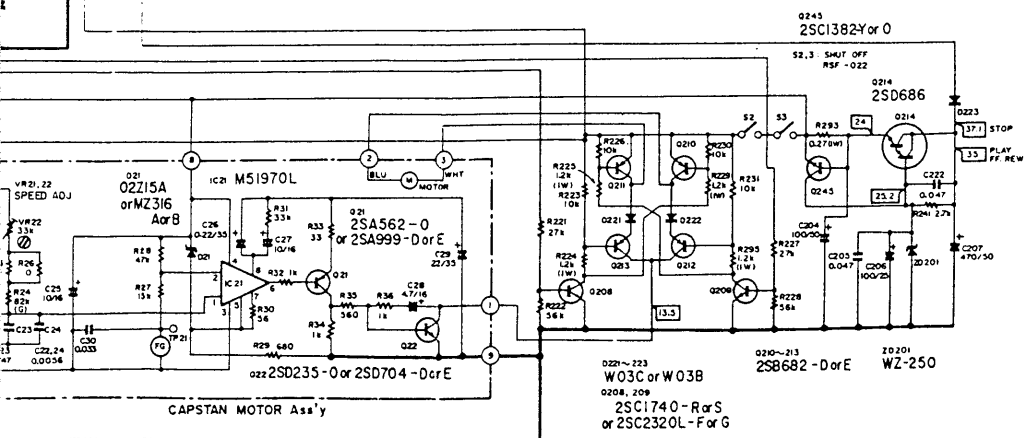
The underlined indicates the switch position.

The Δ mark found on some component parts indicates the importance of the safety factor of the part. Therefore, when replacing, be sure to use parts of identical designation.



- RESISTORS,
Indicated in Ω , 1/4W, $\pm 5\%$ tolerance unless otherwise noted
K; k Ω , M; M Ω , F; $\pm 1\%$, G; $\pm 2\%$, K; $\pm 10\%$ tolerance
- CAPACITORS,
Indicated in capacity (μ F) voltage (V) unless otherwise noted p.p.F
Indicated without voltage is 50V except electrolytic capacitor.
- VOLTAGE
 \square : DC voltage (V) at no input signal
- OTHERS;
 \otimes : Adjusting point.

025, 220, 223
2SA1015 - Y or GR
or 2SA999L - E or F



This is the basic schematic diagram, but the actual circuit may vary due to improvements in design.

7

8

9

A

B

C

D